

POLE ATTACHMENT TARIFF

WINDSTREAM KENTUCKY WEST, LLC

P.S.C. KY NO. 10

ORIGINAL TITLE PAGE 1

*This tariff, No. 10 issued by Windstream Kentucky West, LLC
replaces in its entirety P.S.C. KY No. 7 issued by
Windstream Kentucky West, LLC*

REGULATIONS, RATES AND CHARGES

Applying to Broadband & CATV Pole Attachments within the operating territory of Windstream Kentucky West, LLC in the State of Kentucky.

Date of Issue: February 14, 2024
Issued By: /s/ Lynn Hughes, Director-Carrier Interconnect
By Authority of Order of the Public Service Commission
In Case No. 2022-00108 Dated December 20, 2023
Effective Date: Service rendered on and after December 20, 2023

KENTUCKY PUBLIC SERVICE COMMISSION
Linda C. Bridwell Executive Director

EFFECTIVE 12/20/2023 PURSUANT TO 807 KAR 5:011 SECTION 9 (1)

POLE ATTACHMENT TARIFF

WINDSTREAM KENTUCKY WEST, LLC

P.S.C. KY NO. 10

Original Table of Contents Page 1

S1. POLE ATTACHMENT TERMS

TABLE OF CONTENTS

	Page No.
S1.1 <u>Application of Tariff</u>	1
S1.2 <u>Definitions</u>	1
S1.3 <u>Scope</u>	4
S1.4 <u>Application for Permission to Install with Complex Make-Ready</u>	5
S1.5 <u>Application for Permission to Install with Simple Make-Ready</u>	7
S1.6 <u>Application Processing</u>	9
S1.7 <u>Installation and Maintenance of Equipment</u>	9
S1.8 <u>Rights of Way and Legal Authority</u>	11
S1.9 <u>Failure to Place Attachments</u>	12
S1.10 <u>Overlapping</u>	12
S1.11 <u>Modifications, Additions, Replacements or Rearrangements</u>	13
S1.12 <u>Inspections and Inventories</u>	16
S1.13 <u>Emergency Restoration</u>	17
S1.14 <u>Limitations</u>	18
S1.15 <u>Payment of Bills</u>	19
S1.16 <u>Rates</u>	19
S1.17 <u>Termination of Attachments</u>	20
S1.18 <u>Unauthorized Attachments</u>	21
S1.19 <u>Licensee Contractor Qualifications</u>	23
S1.20 <u>Default</u>	24
S1.21 <u>Notices</u>	26
S1.22 <u>Compliance with Law, Assumption of Risk, and Disclaimer of Warranties</u>	26

Date of Issue: February 14, 2024
 Issued By: /s/ Lynn Hughes, Director-Carrier Interconnect
 By Authority of Order of the Public Service Commission
 In Case No. 2022-00108 Dated December 20, 2023
 Effective Date: Service rendered on and after December 20, 2023

KENTUCKY
PUBLIC SERVICE COMMISSION

Linda C. Bridwell
Executive Director



EFFECTIVE
12/20/2023
PURSUANT TO 807 KAR 5:011 SECTION 9 (1)

POLE ATTACHMENT TARIFF

WINDSTREAM KENTUCKY WEST, LLC

P.S.C. KY NO. 10

Original Table of Contents Page 2

S1. POLE ATTACHMENT TERMS

TABLE OF CONTENTS

	Page No.
S1.23 <u>Indemnification and Limitation of Liability</u>	28
S1.24 <u>Insurance</u>	30
S1.25 <u>Surety</u>	32
S1.26 <u>Dispute Resolution</u>	33
S1.27 <u>Abandonment</u>	34
S1.28 <u>Taxes</u>	34
S1.29 <u>Protection Against Claims for Libel and Slander, Copyright, and Patent Infringement</u>	34
S1.30 <u>Waiver</u>	34
S1.31 <u>Force Majeure</u>	34
S1.32 <u>Assignment</u>	35
Exhibit A <u>Complex Make-Ready Application</u>	36
Exhibit A- <u>Simple Make-Ready Application</u>	37
Exhibit B <u>Construction Specification</u>	38
Exhibit C <u>Removal Notice and License Surrender Form</u>	44
Exhibit D <u>Schedule of Rates, Fees and Charges</u>	45

Date of Issue: February 14, 2024
Issued By: /s/ Lynn Hughes, Director-Carrier Interconnect
By Authority of Order of the Public Service Commission
In Case No. 2022-00108 Dated December 20, 2023
Effective Date: Service rendered on and after December 20, 2023



POLE ATTACHMENT TARIFF

WINDSTREAM KENTUCKY WEST, LLC

P.S.C. KY NO. 10

Original Page 1

N

S1. POLE ATTACHMENT TERMS

S1.1 Application of Tariff

This Tariff contains regulations and charges applicable to the provision of attachment space for placement of broadband and cable television facilities on poles of the Telephone Company ("Licensor").

The terms and conditions contained herein apply where the Broadband Provider or Licensee ("Licensee"), as a customer of the Licensor, proposes to install coaxial or other types of television distribution cables, amplifiers and drop wires, wires and appliances together with associated cable messengers, anchors and other appurtenances (hereinafter sometimes collectively called the "equipment") and desires to attach such equipment to poles of the Licensor.

S1.2 Definitions

Anchor - an assembly (rod and fixed object or plate owned by the Company) designed to resist the pull of a guy strand, for which the Company is responsible for authorizing the attachment of the customer's cable television facilities.

Anchor Attachment - a guy strand attached to an anchor.

Application for Pole License - A written request submitted in the form of Exhibit A or Exhibit A-1 from Licensee to Licensor requesting authorization to attach Licensee owned facilities to Poles in accordance with this Tariff.

Approved Contractor – a contractor approved by Licensor and if Licensor has not objected to a contractor within ten (10) days of Licensee's written request (which may be via email or other electronic means) for Licensor's Tariff to add the contractor, such contractor shall be deemed an "Approved Contractor" provided such contractor meets the Contractor Minimum Qualification Requirements set forth in 47 CRF 1.1412 (c) as amended by the Third Report and Order and Declaratory Ruling (FCC-18-111) released on August 3, 2018. However, Licensor reserves the right to remove any contractor from the list of Approved Contractors for violations of this Tariff or if Licensor reasonably determines that the contractor does not meet the Contractor Minimum Qualification Requirements.

Attachment(s) – any facilities, cables or equipment attached to Poles or any other property owned or controlled by Licensor.

Date of Issue: February 14, 2024
Issued By: /s/ Lynn Hughes, Director-Carrier Interconnect
By Authority of Order of the Public Service Commission
In Case No. 2022-00108 Dated December 20, 2023
Effective Date: Service rendered on and after December 20, 2023

KENTUCKY PUBLIC SERVICE COMMISSION
Linda C. Bridwell Executive Director

EFFECTIVE 12/20/2023 PURSUANT TO 807 KAR 5:011 SECTION 9 (1)

POLE ATTACHMENT TARIFF

WINDSTREAM KENTUCKY WEST, LLC

P.S.C. KY NO. 10

Original Page 2

S1. POLE ATTACHMENT TERMS

S1.2 Definitions (Cont'd)

Broadband or Internet Provider – a company that offers internet service to the public with download speeds of at least twenty-five (25) megabits per second and upload speeds of at least three (3) megabits per second.

Broadband Service – internet service offered to the public with download speeds of at least twenty-five (25) megabits per second and upload speeds of at least three (3) megabits per second.

Cable Television Company or Operator (CATV) - a company which provides CATV service.

CATV Service - the transmission, by means of coaxial or other types of distribution cables, of television audio and video signals from a central point within an exchange of the Licensor to subscribers of a Licensee within such exchange.

Complex Make-Ready – Make-Ready Work that will: (a) require splicing, or (b) require that a new pole to be set, or (c) require work that is reasonably anticipated to lead to or cause a service outage for Licensor or any existing attacher, or (d) require relocation of existing wireless attachment; or (e) require any work above the communications space.

Equipment - consist of coaxial or other types of television or broadband cables, amplifiers and drop wires, wires and appliances together with associated cable messengers, anchors and other appurtenances used in the provision of CATV or broadband service.

Hazardous Materials - Any substance, material or waste now or hereafter defined or characterized as hazardous, toxic or dangerous as defined by the Comprehensive Environmental Response, Compensation and Liability Act (“CERCLA”) of 1980, as amended, and other federal, state, and local health, safety, and environmental laws, ordinances, statutes, and rules, including but not limited to the Occupational Safety and Health Act (“OSHA”).

Any substance, material or waste now or hereafter classified as a contaminant or pollutant under any law, rules, ordinance, or authority.

Any other substance, material or waste, the manufacture, processing, distribution, use, treatment, storage, placement, disposal, removal or transportation of which is now or hereafter subject to regulation under any law, ordinance, statute, rule or regulation of any governmental body or authority.

Date of Issue: February 14, 2024
Issued By: /s/ Lynn Hughes, Director-Carrier Interconnect
By Authority of Order of the Public Service Commission
In Case No. 2022-00108 Dated December 20, 2023
Effective Date: Service rendered on and after December 20, 2023

KENTUCKY PUBLIC SERVICE COMMISSION
Linda C. Bridwell Executive Director

EFFECTIVE 12/20/2023 PURSUANT TO 807 KAR 5:011 SECTION 9 (1)

S1. POLE ATTACHMENT TERMS

N

S1.2 Definitions (Cont'd)

Joint User - All references herein to "joint user" shall mean a utility company or municipality which, together with the Licensor, jointly provides poles for common use in the provision of service of the respective entities, and shall also include a utility company or municipality which, together with the Licensor, owns a percentage of a pole, or which owns a pole upon which the Licensor has obtained exclusive use and control of specified space.

License – is the specific nonexclusive and revocable permission from Licensor, in the form of a Licensor countersigned and returned Application for License, to Licensee authorizing Licensee to attach its facilities as applied for to Licensor Poles in accordance with this Tariff.

Make-Ready Estimate – is Licensor’s estimated cost to perform Make-Ready Work on Licensor’s facilities on Poles to accommodate Licensee’s Attachment as requested in an Application for Pole License.

Make-Ready Work - all Licensor, joint owner or other existing attacher work to prepare Licensor’s Poles and related facilities for the requested Attachment of Licensee’s facilities but not the actual placement of Attachments or administrative activities related to inquiries, verifications, requests or applications.

Overlashing or overlashed – lashing of an additional Licensee owned cable to Licensee’s own existing cable and/or strand attached to a Pole.

Poles - poles which are either solely owned by the Licensor, are jointly owned by the Licensor and another, or are owned by another who has granted the Licensor exclusive use and control of space upon its poles.

Pole Attachment - any attachment by a CATV or Broadband firm to a pole owned or controlled by the Licensor.

Pole Attachment Fee - the fee paid annually per Attachment on a Pole. For billing purposes, a single Attachment includes the point of Attachment and all facilities located in the usable space on the Poles in the space assigned to Licensee (typically six inches above and six inches below the point of Attachment). If Licensee occupies more than one foot of usable space on Poles, separate Pole Attachment Fees shall apply to each one foot of space occupied.

Date of Issue: February 14, 2024
Issued By: /s/ Lynn Hughes, Director-Carrier Interconnect
By Authority of Order of the Public Service Commission
In Case No. 2022-00108 Dated December 20, 2023
Effective Date: Service rendered on and after December 20, 2023

KENTUCKY PUBLIC SERVICE COMMISSION
Linda C. Bridwell Executive Director

EFFECTIVE 12/20/2023 PURSUANT TO 807 KAR 5:011 SECTION 9 (1)

POLE ATTACHMENT TARIFF

WINDSTREAM KENTUCKY WEST, LLC

P.S.C. KY NO. 10

Original Page 4

S1. POLE ATTACHMENT TERMS

N

S1.2 Definitions (Cont'd)

Right-of-Way - right-of-way owned or controlled by Licensor.

Simple Make-Ready – Make ready in which existing attachments in the communications space of a pole could be rearranged without any reasonable expectation of a service outage or facility damage and does not require splicing of any existing communication attachment or relocation of an existing wireless attachment.

S1.3 Scope

Subject to the terms and conditions contained in this Tariff, the Licensor will provide pole attachment and permit a Broadband Provider and Licensee, for the purpose of furnishing Broadband or CATV service, to install its equipment upon or within such of the Licensor 's poles and conduits as are available or can be made available, except for safety reasons.

The Licensee shall secure from the proper franchising authority, a franchise to erect and maintain its equipment within public streets, highways and other thoroughfare, provided such franchising authority exists, and shall secure any and all consents, permits, licenses, easements or rights-of-way that may be legally required for its operation hereunder. The Licensee shall provide to the Licensor documentation evidencing that all such franchises, consents, permits, licenses, easements and rights-of- way have been obtained.

The Licensee shall assist in, and bear the expense of securing any additional consents, permits, or licenses that may be required by the Licensor because of the Broadband or CATV pole attachments or anchor attachments.

The franchises, consents, permits, licenses, easements and rights-of-way of the Licensor are for its own facilities and the provision of its other services. No rights in such franchises, consents, permits, licenses, easements or rights-of-way are conferred upon any Licensee hereunder.

Date of Issue: February 14, 2024
Issued By: /s/ Lynn Hughes, Director-Carrier Interconnect
By Authority of Order of the Public Service Commission
In Case No. 2022-00108 Dated December 20, 2023
Effective Date: Service rendered on and after December 20, 2023

KENTUCKY PUBLIC SERVICE COMMISSION
Linda C. Bridwell Executive Director

EFFECTIVE 12/20/2023 PURSUANT TO 807 KAR 5:011 SECTION 9 (1)

S1. POLE ATTACHMENT TERMS

N

S1.4 Application for Permission to Install with Complex Make-Ready

- A. Requests to Attach. Before Licensee shall have a right to place Attachments to any Poles of Licensor involving Complex Make-Ready, Licensee shall make application for and receive a revocable, nonexclusive License which shall be in the form of a Licensor countersigned Application for Pole License (Exhibit A). Licensee shall provide sufficient information on the Exhibit A Application to enable Licensor to locate the proposed Pole(s) impacted and to identify the physical characteristics of Licensee’s facilities to be attached to Licensor’s Pole(s). Each Exhibit A Application for Pole License shall contain no more than 300 Poles, Licensor will review pursuant to Kentucky rules. Licensor requires that all poles on any one Exhibit A Application be in the same city or zip code. Licensor will process Applications for Pole Licenses in the order in which they are received; provided, however, that when Licensee has multiple Applications for Pole Licenses on file with Licensor, Licensee may designate its desired priority of completion with respect to all such Application for Pole Licenses. Licensee shall not under any circumstances attach any equipment to any guy wires or anchors owned by Licensor.

- B. Application For Pole License and Engineering Survey. Licensee shall submit an Application for Pole License in the form of Exhibit A and shall include a drawing of the proposed route, the pole detail and contact information (name, telephone and email information). Upon receipt of a complete Exhibit A Application, Licensor will conduct an engineering survey to determine whether and where Licensee’s Attachment is feasible, and what Make-Ready Work is required by Licensor or other existing attachers to accommodate Licensee’s Attachment. Licensor will invoice Licensee for all applicable application and estimated field survey fees within ten (10) days of acceptance of the Exhibit A application form. Licensee shall remit payment in full for applicable application and estimated field survey fees prior to Licensor conducting the field survey. Upon completion of the engineering survey, Licensor shall inform Licensee of its estimated make-ready charges for Licensor Make-Ready Work (“Make-Ready Estimate”). Estimated field survey fees will be trued-up to actual in the final Make-Ready bill, consistent with 807 KAR 5:015, Section 4(6)(a). If during this process, Licensor determines the request is denied based on insufficient capacity or for reasons of safety, reliability and generally applicable engineering purpose, Licensor shall inform Licensee that the Application for Pole License is denied together with the reason. All expenses incurred by Licensor in reviewing Licensee’s Application for Pole License shall be borne by Licensee even if such request is denied by Licensor.

Date of Issue: February 14, 2024
 Issued By: /s/ Lynn Hughes, Director-Carrier Interconnect
 By Authority of Order of the Public Service Commission
 In Case No. 2022-00108 Dated December 20, 2023
 Effective Date: Service rendered on and after December 20, 2023

KENTUCKY PUBLIC SERVICE COMMISSION
Linda C. Bridwell Executive Director

EFFECTIVE 12/20/2023 PURSUANT TO 807 KAR 5:011 SECTION 9 (1)

S1. POLE ATTACHMENT TERMS

N

S1.4 Application for Permission to Install with Complex Make-Ready (Cont'd)

- C. Advance Payment of Make-ready Work Estimate and Expedited Charges. If Licensee upon review of the Make-Ready Estimate desires to proceed with the process to obtain a License from Licensor, Licensee shall submit payment in the amount of the Make-Ready Estimate together with the Application Fee and engineering survey costs to Licensor within fourteen (14) days of receipt of the Make-Ready Estimate and invoice for such amounts. Licensee shall be solely responsible for negotiating with existing attachers for Make-Ready Work relating to such other existing attacher facilities located on, within or in Licensor's Poles and shall be responsible for paying all charges incurred in transferring or rearranging existing attacher facilities to accommodate the placement of Licensee's Attachment on, within or in Licensor's Poles. In the event, Licensee declines to proceed with the project Licensee shall reimburse Licensor any costs and expenses incurred by Licensor to date including but not limited to Application Fee, engineering and administrative expenses and costs.

- D. Completion of Make-Ready Work and Issuance of License. Licensor shall undertake to complete any Make-Ready Work of its owned facilities upon receipt of Licensee's payment of the Make-Ready Estimate. Upon completion of all Make-Ready Work and receipt of all fees and charges due from Licensee to Licensor, Licensor shall issue Licensee an approved License which shall be in the form of a Licensor countersigned Exhibit A Application for Pole License. At that time, Licensee will be considered to have been granted a License with respect to the Poles approved in the License and may attach to Licensor's Poles in accordance with the terms and conditions of this Tariff. Licensee shall maintain a copy of all Applications for Pole Licenses and approved Licenses. Licensor may provide upon request copies of the same to the extent available and Licensee shall reimburse Licensor for its costs in preparing and sending requested copies.

Date of Issue: February 14, 2024
 Issued By: /s/ Lynn Hughes, Director-Carrier Interconnect
 By Authority of Order of the Public Service Commission
 In Case No. 2022-00108 Dated December 20, 2023
 Effective Date: Service rendered on and after December 20, 2023

KENTUCKY PUBLIC SERVICE COMMISSION
Linda C. Bridwell Executive Director

EFFECTIVE 12/20/2023 PURSUANT TO 807 KAR 5:011 SECTION 9 (1)

POLE ATTACHMENT TARIFF

WINDSTREAM KENTUCKY WEST, LLC

P.S.C. KY NO. 10

Original Page 7

S1. POLE ATTACHMENT TERMS

S1.5 Application for Permission to Install with Simple Make-Ready

A. Requests to Attach.

Before Licensee shall have a right to place Attachments to any Poles of Licensor involving Simple Make-Ready only, Licensee shall make application for and receive a revocable, nonexclusive License which shall be in the form of a Licensor countersigned Application for Pole License (Exhibit A-1). Licensee shall provide sufficient information on the Exhibit A-1 Application to enable Licensor to determine that the request involves only Simple Make-Ready, to locate the proposed Pole(s) impacted and to identify the physical characteristics of Licensee’s facilities to be attached to Licensor’s Pole(s) so that Licensor can confirm that the attachment(s) may be completed through Simple Make-Ready. Each Exhibit A-1 Application for Pole License shall contain no more than 300 Poles Licensor will review pursuant to Kentucky rules. Licensor requires that all poles on any one Exhibit A-1 Application be in the same city or zip code. Licensor will process Applications for Pole Licenses in the order in which they are received; provided, however, that when Licensee has multiple Applications for Pole Licenses on file with Licensor, Licensee may designate its desired priority of completion with respect to all such Application for Pole Licenses. Licensee shall not under any circumstances attach any equipment to any guy wires or anchors owned by Licensor.

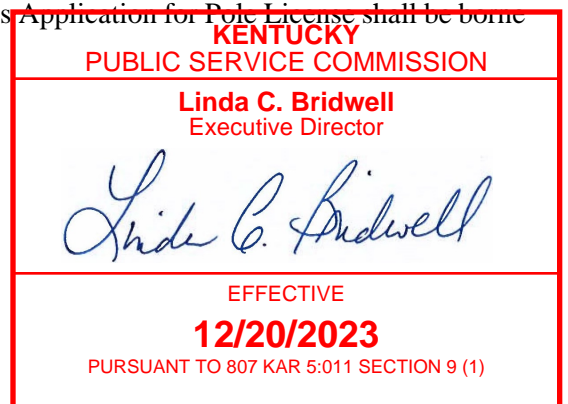
B. Application For Pole License and Engineering Survey.

Licensee shall submit an Application for Pole License in the form of Exhibit A-1 and shall include a drawing of the proposed route, the pole detail and contact information (name, telephone and email information). Licensor will invoice and Licensee shall pay applicable application fee(s) prior to Licensor processing the application. Licensor will use commercially reasonable efforts to provide the affected attachers with advance notice of not less than five (5) business days of any field inspection as part of the survey.

Licensor will return the Exhibit A-1 Application to Licensee along with an explanation detailing how it is deficient. If during this process, Licensor reasonably determines the request is denied because the work involves Complex Make-Ready or based on insufficient capacity or for reasons of safety, reliability and generally applicable engineering purpose, Licensor shall inform Licensee that the Exhibit A-1 Application is denied together with an explanation detailing why the Exhibit A-1 Application is denied. Upon Licensor’s approval of an Exhibit A-1 Application, Licensee will be considered to have been granted a License and may attach to Licensor’s Pole(s) in accordance with the terms and conditions of this Tariff.

All expenses incurred by Licensor in reviewing Licensee’s Application for Pole License shall be borne by Licensee even if such request is denied by Licensor.

Date of Issue: February 14, 2024
Issued By: /s/ Lynn Hughes, Director-Carrier Interconnect
By Authority of Order of the Public Service Commission
In Case No. 2022-00108 Dated December 20, 2023
Effective Date: Service rendered on and after December 20, 2023



N

S1. POLE ATTACHMENT TERMS

N

S1.5 Application for Permission to Install with Simple Make-Ready (Cont'd)

C. One-Touch Make Ready Option

For attachments involving simple make-ready, new attachers may elect to proceed with this One-Touch Make Ready process established in this section in lieu of the attachment process.

1. All One-Touch Make-Ready work shall be performed in accordance with Licensor's specifications attached to this Tariff as Exhibit B and in accordance with the same standards and practices followed by Licensor or Licensor's contractors. Authorized Contractors used by Licensee shall not conduct such work in any manner which degrades the integrity of Licensor's structures or interferes with any existing use of Licensor's facilities or the facilities of any other user. Once Simple Make-Ready is completed by an Authorized Contractor, Licensee shall notify Licensor. Licensee shall maintain a copy of all Applications for Pole Licenses and approved Licenses. Licensor may provide upon request copies of the same to the extent available and Licensee shall reimburse Licensor for its costs in preparing and sending requested copies
2. Attachment Application - A new attacher electing the one-touch make-ready process shall elect the one-touch make-ready process in writing in its attachment application and shall identify the simple make-ready that it will perform. It is the responsibility of the new attacher to ensure that its contractor determines if the make-ready requested in an attachment application is simple.

The Company will review on the merits a complete application requesting one-touch make-ready and respond to the new attacher either granting or denying an application within fifteen (15) days of the utility's receipt of a complete application (or within thirty (30) days in the case of larger orders or within a time negotiated in good faith.

Within the fifteen (15) day application review period (or within thirty (30) days in the case of larger orders or within a time negotiated in good faith for requests equal to or larger than those established, a utility or an existing attacher may object to the designation by the new attacher's contractor that certain make-ready is simple.

The new attacher shall be responsible for all surveys required as part of the one-touch make-ready process.

Date of Issue: February 14, 2024
 Issued By: /s/ Lynn Hughes, Director-Carrier Interconnect
 By Authority of Order of the Public Service Commission
 In Case No. 2022-00108 Dated December 20, 2023
 Effective Date: Service rendered on and after December 20, 2023



S1. POLE ATTACHMENT TERMS

N

S1.6 Application Processing

- A. The following timelines apply:
 1. Licensor will complete its survey of poles within forty-five (45) days of receipt of a completed Application when the sum of the Poles on the current Application and those received from the Licensee during the preceding 30 days, does not exceed the lesser of 300 Poles or 0.5% of Licensor’s Poles in Kentucky.
 2. Licensor may add fifteen (15) days to the response period with the sum of the Poles on the Application, current or received with the preceding 30 days, are up to the lesser of 1,000 poles or 1.50% of the Licensor’s Poles in Kentucky.
 3. The Parties will negotiate in good faith the timing when the sum of the Poles on the Licensee’s current Application combined with those received during the preceding 30 days is greater than 1,000 Poles or 1.50% of Licensor’s Poles in Kentucky.

S1.7 Installation and Maintenance of Equipment

The exact location of the Licensee's attachments on poles shall be determined by the Licensor in its sole discretion after a joint survey to be made, at such times as shall be mutually agreed upon, by representatives of the Licensor and the Licensee. The Licensor may make periodic inspections as conditions may warrant. Such inspections shall not operate to relieve the Licensee of any responsibility, obligation, or liability assumed under this tariff. When substandard installations are found which are created by the Licensee, the Licensor shall give notice of such to the Licensee, and the Licensee shall remedy such conditions within a reasonable time. In the event the Licensee fails to remedy the condition within the agreed upon time, the Licensor may act to remedy it with the cost of such to be paid by the Licensee.

Whenever Equipment is to be installed, rearranged or removed on or from Licensor poles, such work will normally be performed by the Licensee at its expense. In such cases a Licensor representative may be required to observe the work, at the expense of the Licensee. Where consented to by the Licensor, the Licensee may elect to have such installation, rearrangement or removal performed by the Licensor; however, the Licensee will furnish all materials and equipment and will reimburse the Licensor for its costs in performing the work activity.

Where the Licensee's equipment can be accommodated on Licensor poles by rearranging or changing the Licensor's facilities, the Licensee shall pay the Licensor in advance the cost of making such rearrangements or changes. Strengthening of poles (guying) required to accommodate the attachments of the Licensee and the bonding of the Licensee's strand to that of the Licensor shall be performed by the Licensee at its sole risk and expense. Such work may be performed by the Licensor when reasonable cause therefore exists, and the Licensee shall pay the Licensor in advance the cost of all such work.

Date of Issue: February 14, 2024
 Issued By: /s/ Lynn Hughes, Director-Carrier Interconnect
 By Authority of Order of the Public Service Commission
 In Case No. 2022-00108 Dated December 20, 2023
 Effective Date: Service rendered on and after December 20, 2023

KENTUCKY PUBLIC SERVICE COMMISSION
Linda C. Bridwell Executive Director

EFFECTIVE 12/20/2023 PURSUANT TO 807 KAR 5:011 SECTION 9 (1)

S1. POLE ATTACHMENT TERMS

N

S1.7 Installation and Maintenance of Equipment (Cont'd)

After initial attachment, when the Licensor subsequently requires a change in its poles, attachments thereto or its conduit system for reasons unrelated to Licensee operations, the Licensee shall be given reasonable notice of the changes required and sufficient time to accomplish the LICENSEE related change. If the Licensee is unable or unwilling to meet the Licensor 's time schedule for changes in attachments, the Licensor may do the work and charge the Licensee its reasonable costs for performing the change of Equipment. In cases of emergency, the Licensor may, at the Licensee's expense, arrange to relocate or replace the facilities attached to Licensor poles by the Licensee, transfer them to substituted poles or perform any other work in connection with said facilities that may be required in the maintenance, replacement, removal, or relocation of said poles, the facilities thereon or the equipment which may be placed thereon.

All required maintenance of Equipment shall be performed by the Licensee. No entry shall be made into any facility housing without the prior written permission of the Licensor. The Licensor reserves the right to require the presence of its representative at the time of any such entry, with the cost thereof to be reimbursed by the Licensee. An estimate of such cost shall be furnished at the time the Licensor gives its written permission for entry.

All tree trimming required on account of Licensee equipment shall be done by the Licensee at its sole risk and expense and in a manner satisfactory to the Licensor.

The Licensee shall, at its sole risk and expense, maintain all of its equipment on Licensor poles in safe condition and in thorough repair.

Nothing herein contained shall give to the Licensee the right to place a crossarm on any Licensor pole. If a crossarm is required to accommodate the facilities of the Licensee, the Licensee shall state the reasons in its application for attachment.

Written consent of the Licensor must be obtained by the Licensee prior to any additions to, or changes in the location of its attachments on poles, except in cases of emergency when oral permission has been obtained from the Licensor and subsequently confirmed in writing.

Date of Issue: February 14, 2024
Issued By: /s/ Lynn Hughes, Director-Carrier Interconnect
By Authority of Order of the Public Service Commission
In Case No. 2022-00108 Dated December 20, 2023
Effective Date: Service rendered on and after December 20, 2023



POLE ATTACHMENT TARIFF

WINDSTREAM KENTUCKY WEST, LLC

P.S.C. KY NO. 10

Original Page 11

S1. POLE ATTACHMENT TERMS

S1.7 Installation and Maintenance of Equipment (Cont'd)

If the Licensee should require the location of its equipment upon any public thoroughfare or other public or private property in the conduct of its business and the Licensor does not have pole facilities so located to fulfill Licensee requirements and has no immediate need for such for the Licensor's own use, the Licensor will notify the Licensee whether the Licensor is willing to place such pole facilities. Special rates shall be agreed to by the Licensee prior to the Licensor's placement of such pole facilities, and the rates specified herein shall not apply. The special rates shall be based upon the total use of the pole facilities by the Licensee. In the event such pole facilities are subsequently used by the Licensor for the provision of its other services, the special rates shall no longer apply, and the rates specified in this tariff shall apply.

Whenever, pursuant to this tariff, the Licensee shall be required to remove its equipment from any pole, such removal shall be made within a reasonable time unless safety considerations require immediate action. Upon failure of the Licensee to remove such equipment, the Licensor may make the removal and charge the Licensee all associated costs.

The Licensee shall not interset poles or locate guys or other facilities in pole lines of the Licensor, except where the Licensee has appropriate right-of-way and such will not inhibit access to poles and facilities of the Licensor or cause a safety hazard.

Licensee's main line Attachments shall be tagged at maximum intervals of 300 feet so as to identify Licensee as the owner of the Attachment. Licensee shall place fiber wrap/ID at the specific Licensor Poles attaching point and at any aerial span splice location and/or slack loop. The tags shall be of sufficient size and lettering so as to be easily read from ground level.

S1.8 Rights of Way and Legal Authority

Upon application for attachment, the Licensee shall submit evidence satisfactory to the Licensor of its authority to erect and maintain its equipment within public streets, highways, and other thoroughfares and shall secure any necessary franchise, license, permit, consent, easement or rights-of-way from Federal, State or municipal authorities or owners of property now or hereafter required to construct and maintain such equipment at the location of facilities of the Licensor which it desires to use. In the event any such franchise, license, permit, consent, easement or rights-of-way is revoked or is thereafter denied to the Licensee for any reason, permission to attach to Licensor poles so affected shall immediately terminate, the Licensee shall forthwith remove its equipment from Licensor facilities.

Date of Issue: February 14, 2024
Issued By: /s/ Lynn Hughes, Director-Carrier Interconnect
By Authority of Order of the Public Service Commission
In Case No. 2022-00108 Dated December 20, 2023
Effective Date: Service rendered on and after December 20, 2023

KENTUCKY PUBLIC SERVICE COMMISSION
Linda C. Bridwell Executive Director

EFFECTIVE 12/20/2023 PURSUANT TO 807 KAR 5:011 SECTION 9 (1)

POLE ATTACHMENT TARIFF

WINDSTREAM KENTUCKY WEST, LLC

P.S.C. KY NO. 10

Original Page 12

S1. POLE ATTACHMENT TERMS

N

S1.8 Rights of Way and Legal Authority (cont'd)

Licensor and Licensee agree that neither party has the right to restrict or interfere with the other party's lawful access to and use of public right-of-way, including public right-of-way, which pass over property owned by either party. Except as otherwise specifically provided in this Tariff, Licensor and Licensee shall each be responsible for obtaining their own right-of-way and permission to use real or personal property owned or controlled by any governmental body or private entity or person.

Upon notice from the Licensor to the Licensee that the removal or cessation of the use of any pole has been requested or directed by Federal, State or municipal authorities, or property owners, permission to attach to such pole shall immediately terminate and the Licensee shall forthwith remove its equipment therefrom.

S1.9 Failure to Place Attachments

Once Licensee has been issued a License, Licensee shall have ninety (90) calendar days from the date of the License was issued to begin the placement of its Attachments on the Licensor Poles covered by the License. If Licensee has not begun placing its Attachments within the ninety (90) day period, Licensee shall so advise Licensor with a written explanation and notice for the delay. If Licensee fails to advise Licensor of its delay by notice thereof or if Licensee fails to act in good faith by not making a bona fide effort to begin placing its Attachments within the ninety (90) calendar days prescribed by this section, the License shall be automatically rescinded by Licensor and deemed null and void, and Licensee shall have no further right to place the Attachments pursuant to such voided License.

S1.10 Overlapping

Licensee may, upon notice to Licensor, overlap its own existing authorized Attachment and this does not constitute a separate Attachment, as it relates to the billing of Pole Attachment Fees, unless multiple/separate Attachment points are physically made at the Poles itself outside of the scope of a single Attachment. Such notice shall be in the form of an Exhibit A Application for Pole License. In no event shall Licensee allow a third party to overlap to Licensee's Attachments without prior notice to and consent from Licensor. Any third party must execute a License Tariff with Licensor and obtain a license thereunder.

Date of Issue: February 14, 2024
Issued By: /s/ Lynn Hughes, Director-Carrier Interconnect
By Authority of Order of the Public Service Commission
In Case No. 2022-00108 Dated December 20, 2023
Effective Date: Service rendered on and after December 20, 2023



S1. POLE ATTACHMENT TERMS

S1.10 Overlashing (cont'd)

Licensee shall be responsible for its own equipment and shall ensure that it complies with reasonable safety, reliability, and engineering practices. If Licensee damages the pole or other existing attachment or such work causes safety or engineering standard violations, then the Licensee shall be responsible at its expense for any necessary repairs.

Licensee shall notify the Licensor within fifteen (15) days of completion of the overlash on a particular pole and Licensor will have at least ninety (90) days from receipt in which to inspect the overlash. Licensor will notify Licensee within fourteen (14) days after it completes the survey if there is any damage or code violations. Licensor will either complete any necessary remedial work and bill Licensee for the reasonable costs related to fixing the damage or code violations; or Licensor will require Licensee to fix the damage or code violations at its expense within fourteen (14) days.

S1.11 Modifications, Additions, Replacements or Rearrangements

S1.11.1 Notice of Proposed Changes

Licensee shall not modify, overlash, add to, or replace Attachments on any Poles without first notifying Licensor in writing of the intended modification, addition or replacement at least thirty (30) days prior to the date the activity is scheduled to begin. The required notification shall include:

1. the date the activity is scheduled to begin including the Pole location and Pole number,
2. a description of the planned modification, addition, or replacement,
3. a representation that the modification, addition, or replacement will not require any space other than the space previously designated for Licensee's Attachments, and
4. a representation that the modification, addition, or replacement will not impair the structural integrity of the Poles involved.

Date of Issue: February 14, 2024
 Issued By: /s/ Lynn Hughes, Director-Carrier Interconnect
 By Authority of Order of the Public Service Commission
 In Case No. 2022-00108 Dated December 20, 2023
 Effective Date: Service rendered on and after December 20, 2023



N

POLE ATTACHMENT TARIFF

WINDSTREAM KENTUCKY WEST, LLC

P.S.C. KY NO. 10

Original Page 14

S1. POLE ATTACHMENT TERMS

S1.11 Modifications, Additions, Replacements or Rearrangements (cont'd)

S1.11.2 Cost of Pole Replacement

Whenever the Licensee applies for permission to attach to a pole that is considered by the Licensor to be insufficient in height or strength for accommodation of Licensee attachments, the Licensor shall notify the Licensee of such fact and of the estimated cost to the Licensee of replacing such pole with a pole which will accommodate the attachments of the Licensee and the Licensor. Within thirty (30) days of such notification, the Licensee shall either notify the Licensor (1) of its approval of such replacement or (2) of its cancellation of the application with respect to such pole.

In the event of Licensee 's approval of such replacement, the Licensor shall replace the pole and the Licensee shall pay to the Licensor in advance the charges computed as follows:

The total cost of the new pole, the removal of the old pole, the transferring of the Licensor's attachments from the old to the new pole and such other costs, if any, necessitated by Licensee requirements, less the total of the following: accrued depreciation on the old pole, salvage, if any, and the cost of such portion of the new pole, if any, which represents space reserved for the use of the Licensor greater than that provided for them on the old pole and appropriate contribution by any other company attached thereto.

For red-tag poles that require replacement to comply with applicable safety, reliability, and construction standards, Licensor will not charge Licensee for a replacement pole that is the same type and height. However, if the pole is replaced with a pole of different type or height then Licensee shall be responsible for the difference in cost between the cost of a new utility pole of the same type and height and the new pole placed.

S1.11.3 Cost of Expansion

Should Licensee request Licensor to expand capacity or purchase additional plant and should Licensor so agree, Licensee agrees to pay all cost and expenses thereby incurred by Licensor. If another party that has been granted a license joins in the request and will benefit from the expansion or purchase, Licensee agrees to pay a percentage of all costs proportionate to Licensee's share of the benefit received from the expansion or purchase, but Licensee shall be responsible for all costs and expenses not paid by the other party.

Date of Issue: February 14, 2024
Issued By: /s/ Lynn Hughes, Director-Carrier Interconnect
By Authority of Order of the Public Service Commission
In Case No. 2022-00108 Dated December 20, 2023
Effective Date: Service rendered on and after December 20, 2023



S1. POLE ATTACHMENT TERMS

S1.11 Modifications, Additions, Replacements or Rearrangements (cont'd)

S.1.11.4 Effects of Modifications, Additions, Replacements or Rearrangements

- A. When multiple applications, including those of Licensee, are received by Licensor with respect to any Poles which must be replaced or rearranged to provide additional space prior to commencement of the work on such Poles, Licensor’s facilities may need to be transferred in which case Licensee shall pay for all costs for such transfers.
- B. In the event Licensor plans to modify or alter any Poles upon which Licensee has placed Attachments, Licensor, except in emergency situations, shall provide Licensee written notice of the proposed modification or alteration at least sixty (60) days prior to the time the proposed modification or alteration is scheduled to take place. Should Licensee decide to modify or alter Licensee’s Attachments on Poles, Licensee shall so notify Licensor in writing at least thirty (30) days prior to the day the work is to begin. In such event, Licensee shall bear a proportionate share of the total costs incurred by Licensor to make Licensor Poles accessible.
- C. In the event it becomes necessary for Licensor, Licensor’s subsidiary or affiliate or any other entity in which Licensor hold an interest, or another utility with whom Licensor has a prior Tariff for pole attachments, to use the space on a Pole occupied or to be occupied by Licensee’s Attachments, Licensee shall, upon receipt of sixty (60) days notice, either vacate the space by removing its Attachments at its own expense or if Licensor decides to replace the Pole with a larger pole that can accommodate Licensee’s Attachments, bear the expense of such replacement and transfer its Attachments to the new pole.
- D. In the event Licensor is required to move the location of, or replace, any Licensor Poles for reasons beyond its control, Licensee concurrently shall relocate Licensee’s Attachments. Licensee shall be solely responsible for the costs of the relocation of Licensee’s Attachments. When it is mutually agreed that it is in the best interest of Licensor and Licensee, Licensor may, after proper notification has been provided, transfer Licensee’s Attachments at the same time that Licensor transfers its facilities and shall invoice Licensee for the actual costs incurred in performing the transfer of Licensee’s Attachments.

Date of Issue: February 14, 2024
 Issued By: /s/ Lynn Hughes, Director-Carrier Interconnect
 By Authority of Order of the Public Service Commission
 In Case No. 2022-00108 Dated December 20, 2023
 Effective Date: Service rendered on and after December 20, 2023

KENTUCKY PUBLIC SERVICE COMMISSION
Linda C. Bridwell Executive Director

EFFECTIVE 12/20/2023 PURSUANT TO 807 KAR 5:011 SECTION 9 (1)

S1. POLE ATTACHMENT TERMS

N

S1.12 Inspections and Inventories

- A. Post construction and/or periodic inspection of Licensee Attachments. Licensor shall have the right, but not the obligation, to make a post construction inspection and periodic inspections at any time of any part of Licensee’s Attachments on Poles and any other associated facilities for the limited purpose of determining whether Licensee’s Attachments are in compliance with the terms of this Tariff and any Licenses issued hereunder and in the case of Simple Make-Ready, whether Licensor’s Attachments were moved in compliance with the Simple Make-Ready specifications attached to this Tariff as Exhibit B, incorporated herein, and in accordance with the same standards and practices followed by Licensor or Licensor’s Contractors.
- B. Such inspections shall be conducted at Licensor’s expense with the exception of (1) a post construction inspection, (2) follow-up inspection to confirm remedial action after an observed Licensee violation of the requirements of this Tariff; and (3) inspection of Licensee Facilities in compliance with a specific mandate of appropriate governmental authority, for which inspections the cost shall be borne solely by Licensee. Licensee will be responsible for all costs associated with bringing any of Licensor’s Attachments that were moved by Licensee into compliance if they are found to be out of compliance with the Simple Make-Ready specifications attached to this Tariff as Exhibit B or with the standards and practices followed by Licensor or Licensor's contractors
- C. Inventories. Upon written notice of not less than ninety (90) days, no more than once every year to Licensee, the total number and location of Licensee’s Attachments of Licensor’s poles may be determined, at Licensor’s discretion, through a survey which may be made not more than once per calendar year by licensor. If so requested, Licensee and/or other entity owing or jointly using the Poles with Licensor may participate in the survey. The costs incurred by Licensor to conduct the survey shall be reimbursed to Licensor by Licensee upon demand by Licensor regardless of whether or not Licensee participates in the survey. If the Attachments of more than one Licensee are surveyed, each such Licensee shall contribute a proportionate share of the costs reimbursed to Licensor.
- D. No Duty to Licensee. Neither the act of inspection or survey by Licensor of Licensee’s Attachments nor any failure to inspect such Attachments shall operate to impose on Licensor any liability of any kind whatsoever or to relieve Licensee of any responsibility, obligations or liability under this Tariff, any License issued hereunder, or applicable law, or to any third-party contractor, Licensee Contractor, or otherwise.

Date of Issue: February 14, 2024
 Issued By: /s/ Lynn Hughes, Director-Carrier Interconnect
 By Authority of Order of the Public Service Commission
 In Case No. 2022-00108 Dated December 20, 2023
 Effective Date: Service rendered on and after December 20, 2023

KENTUCKY PUBLIC SERVICE COMMISSION
Linda C. Bridwell Executive Director

EFFECTIVE 12/20/2023 PURSUANT TO 807 KAR 5:011 SECTION 9 (1)

S1. POLE ATTACHMENT TERMS

N

S1.13 Emergency Restoration

In the event of an emergency, restoration procedures may be affected by the presence of Licensee’s Attachments. While Licensor shall not be responsible for the repair of damaged Attachments, Licensor shall nonetheless control access to its Poles if the restoration is to be achieved in an orderly fashion.

Where Licensor and Licensee are involved in emergency restorations, access to Licensor’s Poles will be controlled by Licensor according to the following guidelines.

1. Service Disruptions/Outages
 - a. While exercising its right to first access, Licensor shall make all reasonable efforts to grant access to as many other entities with attachments as is reasonably safe.
 - b. Where simultaneous access is not possible, Licensor will grant access on first come, first served basis.
2. Service Affecting Emergencies
 - a. While exercising its right to first access, Licensor shall make all reasonable efforts to grant access to as many other entities with attachments as is reasonably safe.
 - b. Where Licensor is unable to grant simultaneous access to all other entities with attachments, access will be granted according to the level of damage to the attachments of each entity and the likelihood that a given level of damage will result in service disruption. Where the likelihood that a service disruption will result is not clearly discernible, access will be on a first come, first served basis.

Without limiting any other indemnification or hold harmless provisions of these terms, Licensee agrees that any decision by Licensor regarding access to its Attachments, or any action or failure to act by Licensor, under this section shall not be the basis for any claim by Licensee against Licensor for any damage to Licensee’s Attachments or disruption of Licensee’s Services, or any other direct or indirect damages of any kind whatsoever incurred by Licensee.

Date of Issue: February 14, 2024
 Issued By: /s/ Lynn Hughes, Director-Carrier Interconnect
 By Authority of Order of the Public Service Commission
 In Case No. 2022-00108 Dated December 20, 2023
 Effective Date: Service rendered on and after December 20, 2023

KENTUCKY PUBLIC SERVICE COMMISSION
Linda C. Bridwell Executive Director

EFFECTIVE 12/20/2023 PURSUANT TO 807 KAR 5:011 SECTION 9 (1)

POLE ATTACHMENT TARIFF

WINDSTREAM KENTUCKY WEST, LLC

P.S.C. KY NO. 10

Original Page 18

S1. POLE ATTACHMENT TERMS

N

S1.14 Limitations

No use, however extended, of the Licensor's poles under this tariff shall create or vest in the Licensee any ownership or property right in said poles. Nothing herein contained shall be construed to compel the Licensor to maintain any of its facilities for a period longer than that demanded by its other service requirements.

The Licensor reserves to itself, its successors and assigns the right to maintain its poles and conduit and to locate and operate its facilities in such manner as will best enable it to fulfill its other public service requirements. Except where caused by its own negligence the Licensor shall not be liable for any interruption to the service of the Licensee or for any interference with the operation of the equipment of the Licensee.

The Licensor reserves the right to provide pole attachment space to more than one Licensee and to make such space available to other entities. This tariff shall not limit the rights and privileges previously granted to others to use any poles covered by this tariff, and the privileges provided by this tariff shall at all times be subject to such previously granted rights.

Failure to enforce or insist upon compliance with any of the terms or conditions of this tariff shall not constitute a general waiver or relinquishment of any such terms or conditions, but the same shall be and remain at all times in effect.

Attachments pursuant to this Tariff do NOT create any right for a Licensee to access or place facilities in the Licensor's central offices, conduit or to place wireless communication equipment on Poles. A separate Tariff is required for any access to the Licensor's facilities.

The Licensee shall not assign, transfer or sublet any rights to make pole attachments hereunder without the prior written consent of the Licensor; except that nothing contained herein shall be construed as depriving a Licensee of its property or the ability to dispose of its property in any manner it deems reasonable.

Date of Issue: February 14, 2024
Issued By: /s/ Lynn Hughes, Director-Carrier Interconnect
By Authority of Order of the Public Service Commission
In Case No. 2022-00108 Dated December 20, 2023
Effective Date: Service rendered on and after December 20, 2023



POLE ATTACHMENT TARIFF

WINDSTREAM KENTUCKY WEST, LLC

P.S.C. KY NO. 10

Original Page 19

S1. POLE ATTACHMENT TERMS

N

S1.15 Payment of Bills

All bills for such charges for work performed by Licensor and the applicable attachment fees set forth in this Tariff shall be payable upon presentment to Licensee, and shall be deemed delinquent if not paid within thirty (30) days after the date of the invoice. All amounts not received on or before the payment due date indicated on the invoice shall be subject to interest from such date, to the date on which payment is received by Licensor, at a rate of one and one-half percent (1.5%) for each thirty (30) day period during which such amount remains unpaid. If the payment due date so indicated falls on a weekend, or on any Federal or State holiday, the payment due date shall be the next business day. Without any prejudice to its rights to collect interest, as provided above, Licensor may, in the event Licensee fails to, or refuses to pay any amounts on or before the payment due date indicated on the invoice, without any further notice to Licensee, suspend its own performance of any or all obligations arising under this tariff including but not limited to the obligation to issue any License, or process any Application therefore.

Upon termination or surrender of a License granted hereunder, no refund of any Pole Attachment Fees shall be made and License shall remain liable for all fees and charges set forth in this tariff until Licensee has removed its Attachments.

S1.16 Rates

A. Licensee shall pay the Licensor the rates specified in Exhibit D. For recurring fees, the Licensor shall render billing to the Licensee on at least an annual basis. The Pole Attachment Fee shall be based each year upon the number of Poles where licensor has issued a License as of the date of annual billing multiplied by the Attachment Rate set forth in Exhibit D.

For conduit usage, billing will occur from the date of Licensee installation or from the date that space is reserved for Licensee installation at an unspecified future time.

B. All charges for pole maintenance, including emergency repairs and plant damage, field surveys, pole location/GIS mapping data information, inspections, engineering, replacement or rearrangements of Licensee's Attachments from Licensor's Poles and, without limitation, any other work performed for Licensee shall be based upon the full cost and expense, including reasonable overhead, incurred by Licensor or its representative for performing such work for Licensee to include, without limitation, costs to transfer or moving of Licensor facilities and removal of old Poles. The cost to Licensee shall be determined in accordance with the regular and customary methods used by Licensor in determining such costs.

C. All other Attachment related inquiry, verification, application, administrative and miscellaneous rates, fees and charges shall be calculated and paid in accordance with Exhibit D and the terms of this tariff.

Date of Issue: February 14, 2024
Issued By: /s/ Lynn Hughes, Director-Carrier Interconnect
By Authority of Order of the Public Service Commission
In Case No. 2022-00108 Dated December 20, 2023
Effective Date: Service rendered on and after December 20, 2023

**KENTUCKY
PUBLIC SERVICE COMMISSION**
Linda C. Bridwell
Executive Director



EFFECTIVE
12/20/2023
PURSUANT TO 807 KAR 5:011 SECTION 9 (1)

POLE ATTACHMENT TARIFF

WINDSTREAM KENTUCKY WEST, LLC

P.S.C. KY NO. 10

Original Page 20

S1. POLE ATTACHMENT TERMS

N

S1.17 Termination of Attachments

- A. If the Licensee shall fail to comply with any of the provisions of this tariff, including compliance with the specifications previously referred to, the maintenance of required insurance coverage and surety bond requirements, and the timely payment of any amounts due, and shall fail for thirty (30) days after written notice from the Licensor to correct such non-compliance, the Licensor, at its option, may terminate the Licensee’s right to continue any or all use of poles provided under this tariff and may act to remove the Equipment at the Licensee’s
- B. Upon notice from Licensor to Licensee that Licensor has been advised by a governmental authority or private property owners that the use of any Pole is not authorized and is objected to by such governmental authority or private property owner, as the case may be or that any Pole is to be removed, sold or otherwise disposed of, Licensee shall, immediately remove its cables, equipment, and facilities at once from the affected Pole or shall make arrangements for the removal of its cable, equipment, and facilities from the affected portion of Licensor's Pole at Licensee's sole expense. If not so removed within sixty (60) days or such timeframe as stated on the Notice, Licensor shall have the right to remove Licensee's Attachments from Licensor's Pole at the cost and expense of Licensee and without any liability thereto.
- C. Licensee may at any time remove its Attachments from any Pole of Licensor, but shall immediately give Licensor written notice of such removal and surrender of License in the form of a Notification of Surrender attached hereto as Exhibit C. If Licensee surrenders its License but fails to remove its Attachments from Licensor's Poles, Licensor shall have the right but not the obligation to remove Licensee's Attachments at Licensee's expense without any liability on the part of Licensor for damage or injury to Licensee's Attachments or interruption to Services. Licensee’s obligations with regard to maintenance and fees continue until Attachments are removed from the Poles. In the event that Licensee's Attachments shall be removed from any Poles as provided by this Tariff, no Attachment shall again be made to such Poles unless Licensee shall have first complied with all of the provisions of this Tariff as though no Attachment had previously been made.
- D. Should Licensor under the terms and conditions of this Tariff remove Licensee's Attachments from Licensor's Poles, Licensor will deliver to Licensee the cable, equipment or facilities so removed upon payment by Licensee of the cost of removal, storage and delivery, and all other amounts due Licensor hereunder.

Date of Issue: February 14, 2024
 Issued By: /s/ Lynn Hughes, Director-Carrier Interconnect
 By Authority of Order of the Public Service Commission
 In Case No. 2022-00108 Dated December 20, 2023
 Effective Date: Service rendered on and after December 20, 2023

KENTUCKY PUBLIC SERVICE COMMISSION
Linda C. Bridwell Executive Director

EFFECTIVE 12/20/2023 PURSUANT TO 807 KAR 5:011 SECTION 9 (1)

POLE ATTACHMENT TARIFF

WINDSTREAM KENTUCKY WEST, LLC

P.S.C. KY NO. 10

Original Page 21

S1. POLE ATTACHMENT TERMS

N

S1.18 Unauthorized Attachments

- A. If any Licensee Attachment shall be found on Poles for which no License has been granted by Licensor pursuant to the terms of this Tariff (“Unauthorized Attachment”), Licensor, without prejudice to its other rights or remedies under this Tariff or otherwise, may:
 - 1. impose charges set forth herein, and
 - 2. require Licensee to remove such Unauthorized Attachment or Licensor may remove such Unauthorized Attachment without liability and the expense of removal shall be borne by Licensee.

- B. For the purpose of determining the charges, Licensee shall pay an amount per Unauthorized Attachment equal to the Pole Attachment Fee that would have applied if Licensee had properly obtained a License based upon the then current Attachment Rate for the number of years the Unauthorized Attachment have existed (or, if that cannot be determined, the number of years since the most recent inventory or five (5) years, whichever is less), plus interest at a rate the greater of 1.5% per month or the maximum allowed by law. In addition, if the Unauthorized Attachment is discovered during a survey where Licensee declined to participate an additional fee of \$100 per Unauthorized Attachment shall be charged to Licensee. Licensee agrees and acknowledges in the event of an Unauthorized Attachment actual damages would be difficult to determine and the charges described herein are liquidated damages, not penalties, and represent a fair and reasonable estimate of the damages which may be incurred by Licensor for Unauthorized Attachments on Licensor’s Poles including wear and tear, lost revenue, increased maintenance and repair costs for having to work on a Pole where the owner of a facility is unknown, and the risk of liability for safety violations that may be the result of an Unauthorized Attachment.

- C. Any such charge as set forth in this section by Licensor shall be in addition to its rights to any other sums due and payable, including without limitation Make Ready Work costs, the actual costs of any audit or survey which established the existence of the Unauthorized Attachment and to any claims to said fees.

Date of Issue: February 14, 2024
 Issued By: /s/ Lynn Hughes, Director-Carrier Interconnect
 By Authority of Order of the Public Service Commission
 In Case No. 2022-00108 Dated December 20, 2023
 Effective Date: Service rendered on and after December 20, 2023

KENTUCKY PUBLIC SERVICE COMMISSION
Linda C. Bridwell Executive Director

EFFECTIVE 12/20/2023 PURSUANT TO 807 KAR 5:011 SECTION 9 (1)

S1. POLE ATTACHMENT TERMS

N

S1.18 Unauthorized Attachments (cont'd)

- D. No act by Licensor with regard to any unauthorized use shall be deemed as a ratification or the licensing of the unauthorized use, and if any License should subsequently be issued, after application and payment of all applicable fees therefore, said License shall not operate retroactively or constitute a waiver by Licensor of any of its rights or privileges under this Tariff or otherwise, and Licensee shall be subject to all liabilities, obligations and responsibilities of this Tariff in regard to said unauthorized use from its inception.
- E. No act by Licensor with regard to any unauthorized use shall be deemed as a ratification or the licensing of the unauthorized use, and if any License should subsequently be issued, after application and payment of all applicable fees therefore, said License shall not operate retroactively or constitute a waiver by Licensor of any of its rights or privileges under this Tariff or otherwise, and Licensee shall be subject to all liabilities, obligations and responsibilities of this Tariff in regard to said unauthorized use from its inception.
- F. Once Licensor has notified Licensee of an Unauthorized Attachment. Licensee shall submit an Exhibit A Application for Pole License to request an authorization for the Attachment within sixty (60) days of the notice. Exhibit A Application for Pole License submitted per this provision will be treated like any other Exhibit A Application for Pole License subject to this Tariff. Licensee will be responsible for all fees associated with an Exhibit B Application for Pole License (as identified in this Tariff). If an Exhibit A Application for Pole License is not received by Licensor within sixty (60) days of Licensor's notice of an Unauthorized Attachment, Licensee has sixty (60) days from the date of the Unauthorized Attachment notification to vacate the Pole. If Licensee fails to remove Licensee's facilities within such sixty (60) day period, Licensor shall have the right to remove Licensee's facilities at Licensee's expense and without any liability on the part of Licensor for damage or injury to Licensee's facilities or disruption of Licensee's Services.

Date of Issue: February 14, 2024
 Issued By: /s/ Lynn Hughes, Director-Carrier Interconnect
 By Authority of Order of the Public Service Commission
 In Case No. 2022-00108 Dated December 20, 2023
 Effective Date: Service rendered on and after December 20, 2023

KENTUCKY PUBLIC SERVICE COMMISSION
Linda C. Bridwell Executive Director

EFFECTIVE 12/20/2023 PURSUANT TO 807 KAR 5:011 SECTION 9 (1)

POLE ATTACHMENT TARIFF

WINDSTREAM KENTUCKY WEST, LLC

P.S.C. KY NO. 10

Original Page 23

S1. POLE ATTACHMENT TERMS

N

S1.19 Licensee Contractor Qualifications

The parties acknowledge that from time to time Licensee may use a Licensee Contractor to perform work for Licensee on, within or in Licensor’s Poles. Licensee represents and warrants that any of its employees or Licensee Contractors shall not climb or work on any of Licensor’s Poles, or work within Licensor’s Right-Of-Way unless such person has the training, skill, and experience required to recognize potentially dangerous conditions relating to Poles and to perform the work safely.

Licensee assumes all risk of Licensee Contractors and agrees to indemnify, defend and hold harmless Licensor from all claims, losses, damages and liabilities, costs and expenses (including, but not limited to, reasonable attorney’s fees) associated thereto in accordance with the indemnification provision of this License Tariff.

When Licensee Contractors are working on, within or in the vicinity of any part of Licensor’s Poles or Right-Of-Way, all such Licensee Contractors shall follow procedures which Licensee deems appropriate for the protection of persons and property. Licensee shall be responsible at all times for determining and implementing the specific steps required to protect persons and property at the site. Licensee will provide all traffic control and warning devices required to protect pedestrian and vehicular traffic, workers and property from danger. Licensee has sole responsibility for the safety of all its employees and Licensee Contractors, for the safety of bystanders, and for insuring that all operations conform to terms and conditions set forth in this Tariff. Licensor reserves the right to suspend Licensee’s activities on, within or in the vicinity of Licensor’s Poles or Right-Of-Way if, in Licensor’s sole judgment, any hazardous condition arises due to the activity (including both acts and omissions) of any Licensee Contractor or Licensee employee, which suspension shall cease when the condition has been rectified.

Licensee represents and warrants that all Licensee Contractors shall maintain the same insurance coverage and limits as are required of Licensee under this Tariff, and if not Licensee’s insurance will provide such coverage.

Date of Issue: February 14, 2024
Issued By: /s/ Lynn Hughes, Director-Carrier Interconnect
By Authority of Order of the Public Service Commission
In Case No. 2022-00108 Dated December 20, 2023
Effective Date: Service rendered on and after December 20, 2023



S1. POLE ATTACHMENT TERMS

S1.19 Licensee Contractor Qualifications (cont'd)

Licensee acknowledges that all Licensee Contractors are not Licensor's employees or agents and Licensee assumes full responsibility for their actions or omissions to act. Licensee shall be solely responsible for the payment of compensation of Licensee's employees, contractors or agents assigned to perform work hereunder and such employees, contractors and agents shall be informed that they are not entitled to the provision of any Licensor benefits. Licensor shall not be responsible for payment of workman's compensation, disability benefits, and unemployment insurance or for withholding or paying employment related taxes for any employee of Licensee, but such responsibility shall be solely that of Licensee. In the event that any federal, state or local government agency, any court or any other applicable entity determines that the personnel provided by Licensee or any permitted Licensee Contractor are employees of Licensor for any purpose, Licensee agrees to indemnify, defend and save harmless Licensor from all liabilities, costs, and expenses (including, but not limited to, reasonable attorney fees) associated with such determination in accordance with the indemnification provision of this License Tariff.

Any work by Licensee Contractors on, within or in Licensor's Poles or Right-Of-Way shall be done only when specific authorization for such work has been obtained in writing in advance from Licensor pursuant to the terms and conditions of this Tariff. The parties agree that all work shall be performed according to existing industry standards and practices and the requirements and specifications set forth in this Tariff and any License issued hereunder.

S1.20 Default

A. In addition to other events of defaults defined anywhere else in this Tariff, any one of the following shall be deemed the occurrence of a default under this Tariff:

- 1. failure by Licensee to pay when due any fee or other sum required to be paid under the terms of this Tariff;
2. failure by either party to perform or observe any other term, condition, covenant, obligation, or provision of this Tariff and such default continues for a period of thirty (30) days after written notice thereof from the other party (provided that if such default is not curable within a thirty (30) day period, the period may be extended if the party substantially commences to cure such default and proceeds diligently thereafter to effect such cure);
3. the filing of any tax or lien against Poles because of any act or omission by Licensee which is not bonded or discharged within thirty (30) days of the date of notice to Licensee that such lien has been filed;
4. Licensee's voluntary or involuntary bankruptcy;

Date of Issue: February 14, 2024
Issued By: /s/ Lynn Hughes, Director-Carrier Interconnect
By Authority of Order of the Public Service Commission
In Case No. 2022-00108 Dated December 20, 2023
Effective Date: Service rendered on and after December 20, 2023

Redacted signature block containing: KENTUCKY PUBLIC SERVICE COMMISSION, Linda C. Bridwell Executive Director, and EFFECTIVE 12/20/2023 PURSUANT TO 807 KAR 5:011 SECTION 9 (1)

POLE ATTACHMENT TARIFF

WINDSTREAM KENTUCKY WEST, LLC

P.S.C. KY NO. 10

Original Page 25

S1. POLE ATTACHMENT TERMS

N

S1.20 Default (cont'd)

- 5. Licensee’s use or maintenance of its Attachments in violation of any law or regulation, or in aid of any unlawful act or undertaking;
 - 6. if any authorization which may be required of Licensee by any governmental or private authority for the placement, operation, or maintenance of Licensee’s Attachments is denied or revoked.
- B. In the event of a default and subject to any other applicable provision of this Tariff, the non-defaulting party, without any further notice to the defaulting party (except where expressly provided for below or required by applicable law), may do any one or more of the following:
- 1. perform on behalf and at the expense of the defaulting party, any obligation of the defaulting party under this Tariff which the defaulting party has failed to perform and of which the non-defaulting party shall have given the defaulting party notice, the cost of which performance shall be paid by the defaulting party to the non-defaulting party upon demand;
 - 2. terminate this Tariff by giving sixty (60) days written notice of such termination to Licensee and remove Licensee’s Attachments and store Licensee’s facilities in a public warehouse or elsewhere at the expense of and for the account of Licensee without Licensor being deemed guilty of trespass or conversion, and without Licensor becoming liable for any loss or damages to Licensee occasioned thereby; or
 - 3. exercise any other legal or equitable right or remedy that the non-defaulting party may have.
- C. The defaulting party shall repay to the non-defaulting party upon demand any costs and expenses incurred by the non-defaulting party (including, without limitation, reasonable attorneys’ fees) in successfully enforcing this Tariff.
- D. Upon termination of this Tariff by the non-defaulting party, the defaulting party shall remain liable to the non-defaulting party for any and all fees, other payments and damages which may be due or sustained in accord with this Tariff prior to such termination, all reasonable costs, fees and expenses, including, without limitation, reasonable attorney' fees incurred by the non-defaulting party in pursuit of its remedies hereunder.

Date of Issue: February 14, 2024
 Issued By: /s/ Lynn Hughes, Director-Carrier Interconnect
 By Authority of Order of the Public Service Commission
 In Case No. 2022-00108 Dated December 20, 2023
 Effective Date: Service rendered on and after December 20, 2023

KENTUCKY PUBLIC SERVICE COMMISSION
Linda C. Bridwell Executive Director

EFFECTIVE 12/20/2023 PURSUANT TO 807 KAR 5:011 SECTION 9 (1)

S1. POLE ATTACHMENT TERMS

N

S1.20 Default (cont'd)

E. All rights and remedies of the non-defaulting party set forth in this Tariff shall be cumulative and none shall exclude any other right or remedy, now or hereafter allowed by or available under any statute, ordinance, rule of court, or the common law, either at law or in equity, or both.

S1.21 Notices

Any and all notices to a party required or permitted under these terms shall be in writing and shall be: (a) delivered personally; (b) delivered by express overnight delivery service; (c) mailed, via certified mail or first class U.S. Postal Service, with postage prepaid, and a return receipt requested; or (d) delivered by electronic mail; provided that a paper copy is also sent via methods (a), (b), or (c) of this Section. Notices will be deemed given as of the earliest of: the date of actual receipt; the next business day when sent via express overnight delivery service; five (5) calendar days after mailing in the case of first class or certified U.S. Postal Service, or on the date set forth on the confirmation produced by the sent confirmation when sent prior to 5:00 p.m. in the recipient's time zone, but the next business day when delivered at 5:00 p.m. or later in the recipient's time zone.

S1.22 Compliance with Law, Assumption of Risk, and Disclaimer of Warranties

- A. Notwithstanding anything to the contrary in these terms, Licensee shall ensure that any and all activities it undertakes pursuant to these terms shall comply with all applicable laws, including, without limitation, all applicable provisions of:
 1. Workers' compensation laws
 2. Unemployment compensation laws
 3. The Federal Social Security Law
 4. The Fair Labor Standards Act, and
 5. All laws, regulations, rules, guidelines, policies, orders, permits and approvals or any governmental authority relating to environmental matters including but not limited to Hazardous Materials and/or Occupational Safety and Health Act ("OSHA").

Date of Issue: February 14, 2024
 Issued By: /s/ Lynn Hughes, Director-Carrier Interconnect
 By Authority of Order of the Public Service Commission
 In Case No. 2022-00108 Dated December 20, 2023
 Effective Date: Service rendered on and after December 20, 2023

KENTUCKY PUBLIC SERVICE COMMISSION
Linda C. Bridwell Executive Director

EFFECTIVE 12/20/2023 PURSUANT TO 807 KAR 5:011 SECTION 9 (1)

S1. POLE ATTACHMENT TERMS

N

S1.22 Compliance with Law, Assumption of Risk, and Disclaimer of Warranties (cont'd)

- B. LICENSEE ACKNOWLEDGES AND AGREES THAT LICENSOR DOES NOT MAKE ANY REPRESENTATION OR WARRANTIES AS TO THE CONDITION OR SAFETY OF LICENSOR'S POLES ANY ASSOCIATED FACILITIES AND EQUIPMENT ON, WITHIN OR SURROUNDING THE SAME, OR THE PREMISES SURROUNDING THE SAME, LICENSEE HEREBY ASSUMES ALL RISKS OF ANY DAMAGE. INJURY OR LOSS OF ANY NATURE WHATSOEVER CAUSED BY OR IN CONNECTION WITH THE USE OF POLES AND ASSOCIATED FACILITIES AND EQUIPMENT ON, WITHIN OR SURROUNDING THE SAME, AND THE PREMISES SURROUNDING THE SAME AND LICENSEE IS SOLELY RESPONSIBLE FOR ALL ALLEGED DAMAGES CLAIMED BY THIRD PARTIES ACCESSING OR WORKING ON OR NEAR LICENSOR'S POLES.
- C. EXCEPT AS OTHERWISE PROVIDED HEREIN, LICENSOR MAKES NO WARRANTIES, EXPRESS OR IMPLIED, INCLUDING BUT NOT LIMITED TO THE WARRANTIES OF MERCHANTABILITY OR FITNESS FOR A PARTICULAR PURPOSE, ALL OF WHICH ARE HEREBY EXPRESSLY DISCLAIMED, WITH REGARD TO THIS TARIFF AND ANY LICENSE ISSUED HEREUNDER INCLUDING, WITHOUT LIMITATION, ACCESS TO LICENSOR'S POLES OR OTHER FACILITIES.

Date of Issue: February 14, 2024
 Issued By: /s/ Lynn Hughes, Director-Carrier Interconnect
 By Authority of Order of the Public Service Commission
 In Case No. 2022-00108 Dated December 20, 2023
 Effective Date: Service rendered on and after December 20, 2023

KENTUCKY PUBLIC SERVICE COMMISSION
Linda C. Bridwell Executive Director

EFFECTIVE 12/20/2023 PURSUANT TO 807 KAR 5:011 SECTION 9 (1)

S1. POLE ATTACHMENT TERMS

N

S1.23 Indemnification and Limitation of Liability

- A. Licensee shall compensate Licensor for the full actual loss, damage or destruction of Licensor’s property that in any way arises from or is related to this Tariff or activities undertaken pursuant to this Tariff (including, without limitation, the installation, construction, operation, or maintenance of Licensee’s Attachments).
- B. Licensee agrees to defend, indemnify, protect and hold harmless Licensor and its officers, directors, employees, shareholders, successors, assigns, agents, affiliates, representatives, partners, and contractors from and against any and all claims, actions, administrative proceedings (including, without limitation, informal proceedings), judgments, damages, penalties, fines, cost, liabilities, interests, or loss, including, without limitation, reasonable attorneys’ fees and expenses, consultant fees, and expert fees, together with all other costs and expenses of any kind or nature suffered by or asserted against Licensor in any way arising out of or connected with this Tariff or activities undertaken pursuant to this Tariff (including, without limitation, the installation, construction, operation or maintenance of Licensee’s Attachments or work performed on other Attachments on Licensor’s Poles, unless caused solely by the negligence or willful misconduct of Licensor or Licensor’s affiliates, agents, officers, employees and assigns). Licensee expressly assumes all liability for actions by its affiliates, agents, officers, employees, or Licensee Contractors and expressly waives any immunity from the enforcement of this indemnification provision that might otherwise be provided by workers’ compensation law or by other state or federal laws.
- C. Without limiting any of the foregoing, Licensee assumes all risk of, and agrees to relieve Licensor of any and all liability for, loss or damage (and the consequences of loss or damage) to any facilities placed on Licensor’s property and any other financial loss sustained by Licensee, except to the extent caused by the sole negligence or willful misconduct on the part of Licensor or Licensor’s agents, officers, employees, and assigns.
- D. Without limiting the foregoing, Licensee expressly agrees to indemnify, defend, and hold harmless Licensor and Licensor’s agents, officers, employees and assigns from any and all claims asserted by end users/customers of Licensee in any way arising out of or in connection with this Tariff or Licensee’s Attachments, except to the extent caused solely by the negligence or willful misconduct of Licensor or Licensor’s agents, officers, employees, and assigns, or its contractors.

Date of Issue: February 14, 2024
 Issued By: /s/ Lynn Hughes, Director-Carrier Interconnect
 By Authority of Order of the Public Service Commission
 In Case No. 2022-00108 Dated December 20, 2023
 Effective Date: Service rendered on and after December 20, 2023

KENTUCKY PUBLIC SERVICE COMMISSION
Linda C. Bridwell Executive Director

EFFECTIVE 12/20/2023 PURSUANT TO 807 KAR 5:011 SECTION 9 (1)

POLE ATTACHMENT TARIFF

WINDSTREAM KENTUCKY WEST, LLC

P.S.C. KY NO. 10

Original Page 29

S1. POLE ATTACHMENT TERMS

N

S1.23 Indemnification and Limitation of Liability (cont'd)

- E. Licensee shall indemnify and hold harmless Licensor, its agents, officers, employees, and assigns from and against any claims, liabilities, losses, damages, fines, penalties, and costs (including, without limitation, reasonable attorneys' fees) whether foreseen or unforeseen, which the Licensor suffers or incurs because of:
 - 1. any discharge of Hazardous Materials resulting from acts or omissions of Licensee, Licensee Contractors or Licensee's predecessor in interest;
 - 2. acts or omissions of Licensee, its agents, employees, Licensees, or representatives in connection with any cleanup required by law, or
 - 3. failure of Licensee or Licensee Contractors to comply with Environmental, Safety and Health Laws.
- F. Licensee shall indemnify, protect, and hold harmless Licensor from and against any and all claims for libel and slander, copyright and/or patent infringement arising directly or indirectly by reason of installation of Licensee's Attachments pursuant to this Tariff.
- G. In the event of any claim, demand or litigation specified the indemnity provision, the party to be indemnified (the "Indemnified Party") shall give prompt notice to the other party (the "Indemnifying Party") of such claim, demand or litigation. The Indemnifying Party shall have sole control of the defense of any action or litigation on such a claim or demand (including the selection of appropriate counsel) and all negotiations for the settlement or compromise of the same, except that the Indemnifying Party may not make any non-monetary settlement or compromise without the Indemnified Party's consent, which consent shall not be unreasonably withheld. The Indemnified Party shall cooperate with the Indemnifying Party in the defense and/or settlement of any claim, demand or litigation. Nothing herein shall be deemed to prevent the Indemnified Party from participating in the defense and/or settlement of any claim, demand or litigation by the Indemnified Party's own counsel at the Indemnified Party's own expense.

Date of Issue: February 14, 2024
 Issued By: /s/ Lynn Hughes, Director-Carrier Interconnect
 By Authority of Order of the Public Service Commission
 In Case No. 2022-00108 Dated December 20, 2023
 Effective Date: Service rendered on and after December 20, 2023

KENTUCKY PUBLIC SERVICE COMMISSION
Linda C. Bridwell Executive Director

EFFECTIVE 12/20/2023 PURSUANT TO 807 KAR 5:011 SECTION 9 (1)

POLE ATTACHMENT TARIFF

WINDSTREAM KENTUCKY WEST, LLC

P.S.C. KY NO. 10

Original Page 30

S1. POLE ATTACHMENT TERMS

N

S1.23 Indemnification and Limitation of Liability (cont'd)

H. NOTWITHSTANDING ANYTHING TO THE CONTRARY CONTAINED IN THE TARIFF, NEITHER PARTY SHALL BE LIABLE TO THE OTHER PARTY FOR CONSEQUENTIAL, INCIDENTAL, PUNITIVE, EXEMPLARY OR INDIRECT DAMAGES SUFFERED BY SUCH PARTY OR BY ANY SUBSCRIBER, CUSTOMER OR PURCHASER OF SUCH PARTY FOR LOST PROFITS OR OTHER BUSINESS INTERRUPTION DAMAGES, WHETHER BY VIRTUE OF ANY STATUTE, IN TORT OR IN CONTRACT, UNDER ANY PROVISION OF INDEMNITY, OR OTHERWISE, REGARDLESS OF THE THEORY OF LIABILITY UPON WHICH ANY SUCH CLAIM MAY BE BASED OR WHETHER IT (a) HAS BEEN INFORMED OF THE POSSIBILITY OF SUCH DAMAGES OR (b) IS NEGLIGENT.

S1.24 Insurance

A. Licensee shall obtain and maintain, in full force and effect at all times, during operations covered by this Tariff, such minimum insurance as will cover the obligations and liabilities of Licensee, its agents, and its employees which may arise from the operations under this Tariff. Insurance shall have limits of not less than Commercial General Liability policy of minimum limits of:

General Aggregate	\$ 2,000,000 per policy period
Products/Completed Operations Aggregate	\$ 2,000,000 per policy period
Personal Injury/Advertising	\$ 2,000,000 per occurrence
Each Occurrence	\$ 2,000,000 per occurrence
Fire Legal Liability	\$ 50,000 any one fire

B. The policy will be endorsed to show the above aggregate limits applying to "each" job site. Policy will also specifically state the coverage applies to all operations conducted by the Licensee, its employees, or agents on behalf of Licensee or subsidiary.

Date of Issue: February 14, 2024
Issued By: /s/ Lynn Hughes, Director-Carrier Interconnect
By Authority of Order of the Public Service Commission
In Case No. 2022-00108 Dated December 20, 2023
Effective Date: Service rendered on and after December 20, 2023

**KENTUCKY
PUBLIC SERVICE COMMISSION**

Linda C. Bridwell
Executive Director



EFFECTIVE
12/20/2023
PURSUANT TO 807 KAR 5:011 SECTION 9 (1)

POLE ATTACHMENT TARIFF

WINDSTREAM KENTUCKY WEST, LLC

P.S.C. KY NO. 10

Original Page 31

S1. POLE ATTACHMENT TERMS

N

S1.24 Insurance (cont'd)

- C. Where the performance of the work involves structural property, underground property, or blasting, Licensee's Commercial General Liability insurance policy shall provide coverage to the insured for legal liability arising from operations under this Tariff for property damage:
 - 1. arising out of blasting,
 - 2. arising out of collapse of, or structural injury to, any building or structure or
 - 3. To underground facilities and utilities.

D. Other general liability forms are acceptable in lieu of the Commercial General Liability Form however they are not to be used without written approval from Licensor.

- 1. Business Automobile Liability policy with minimum limits of:

Bodily Injury	\$2,000,000 per accident
Property Damage	\$ 2,000,000 per accident
OR	
Combined Single Limit	\$ 2,000,000 per accident

The policy will be issued using symbol "1 - any auto" coverage.

2. Workers Compensation:

Part 1 - Medical Benefits Statutory

Part 2 - Employer's Liability as indicated:

- | | |
|---------------------------|----------------------------|
| Bodily Injury by Accident | \$ 1,000,000 each accident |
| Bodily Injury by Disease | \$ 1,000,000 each employee |
| Bodily Injury by Disease | \$ 1,000,000 policy limit |

E. The policy will show the state in which operation on behalf of the Licensee and/or subsidiary is being conducted. For operations conducted within monopolistic (state fund) states, Licensee will furnish a certificate of compliance from the appropriate state fund administrator.

F. In each and every policy except workers' compensation, Licensor and its subsidiaries shall be named an "additional insured" with respect to activities performed on behalf of the Licensee and its subsidiaries.

Date of Issue: February 14, 2024
 Issued By: /s/ Lynn Hughes, Director-Carrier Interconnect
 By Authority of Order of the Public Service Commission
 In Case No. 2022-00108 Dated December 20, 2023
 Effective Date: Service rendered on and after December 20, 2023

**KENTUCKY
PUBLIC SERVICE COMMISSION**

Linda C. Bridwell
Executive Director



EFFECTIVE
12/20/2023
PURSUANT TO 807 KAR 5:011 SECTION 9 (1)

POLE ATTACHMENT TARIFF

WINDSTREAM KENTUCKY WEST, LLC

P.S.C. KY NO. 10

Original Page 32

S1. POLE ATTACHMENT TERMS

N

S1.24 Insurance (cont'd)

G. Coverage provided by the policies listed in this paragraph will be issued by an insurance company, licensed in the state in which operations on behalf of the Licensee are to be conducted. It is acceptable to use both primary and excess/umbrella policies to obtain necessary limits. The worker's compensation policy must contain a waiver of subrogation clause.

H. The provisions of sub-paragraphs 1.23(a) and (d) shall also apply to all Licensee Contractors and Licensee shall be responsible for their compliance herewith.

S1.25 Surety

The Licensee shall furnish a bond for each Licensee utilizing pole attachments under this tariff to guarantee the payment of any sum which may become due to the Licensor for rental, penalty, and make-ready charges and work performed by the Licensor, pursuant to this tariff, for the benefit of the Licensee or as a result of default or forfeiture by the Licensee. The amount of such bond shall be based upon the following:

1. For attachments to 500 poles or less, a bond of \$5,000 shall be furnished, except as provided in (4) below.
2. For attachments to poles in excess of 500, further surety in the amount of \$5,000 for each additional 500 poles, or any increment thereof, shall be furnished except as provided in (4) below.
3. After one year following the completion of construction of a Licensee system and its placement into operation, the Licensee may request that the required amount of bond be reduced. Upon the Licensor's receipt of satisfactory evidence that all mechanics, workmen and material men who furnished services, labor or materials in the construction of such Licensee system, and all taxing authorities, have been paid all amounts due them, the Licensor will reduce the amount of bond required to the following:
 - a. For attachments to 500 poles or less, a bond of \$2,000 shall be furnished.
 - b. For attachments to poles in excess of 500, further surety in the amount of \$2,000 for each 500 poles, or any increment thereof, shall be furnished.

Date of Issue: February 14, 2024
Issued By: /s/ Lynn Hughes, Director-Carrier Interconnect
By Authority of Order of the Public Service Commission
In Case No. 2022-00108 Dated December 20, 2023
Effective Date: Service rendered on and after December 20, 2023

KENTUCKY PUBLIC SERVICE COMMISSION
Linda C. Bridwell Executive Director

EFFECTIVE 12/20/2023 PURSUANT TO 807 KAR 5:011 SECTION 9 (1)

S1. POLE ATTACHMENT TERMS

N

S1.26 Dispute Resolution

- A. Except in the case of:
 - 1. a suit, action, or proceeding by one party to compel the other party to comply with its obligation to indemnify the other party pursuant to this Tariff, or
 - 2. a suit, action or proceeding to compel either party to comply with the dispute resolution procedures set forth in this section, the parties agree to use the following procedure to resolve any dispute, controversy, or claim arising out of or relating to this Tariff or its breach.
- B. At the written request of a party, each party shall designate a knowledgeable, responsible representative to meet and negotiate in good faith to resolve any dispute, controversy, or claim arising under this Tariff. The parties intend that these negotiations be conducted by non-lawyer, business representatives. The substance of the negotiations shall be left to the discretion of the representatives. Upon mutual Tariff, the representatives may utilize other alternative nonbinding dispute resolution procedures such as mediation to assist in the negotiations. Discussions and correspondence between the representatives for the purposes of these negotiations shall be treated as confidential, undertaken for purposes of settlement, shall be exempt from discovery and production, and shall not be admissible in any subsequent proceeding without the concurrence of all parties. Documents identified in or provided during such negotiations, which are not prepared for purposes of the negotiations, shall not be so exempt and may, if otherwise admissible, be admitted as evidence in any subsequent proceeding.
- C. If a resolution of the dispute, controversy or claim is not reached within ninety (90) days of the initial written request referred to in this S1.25, the dispute, controversy, or claim may be filed with the State utility commission or the Federal Communication Commission, if applicable, for review and determination, provided the party invoking the commission’s intervention process has in good faith negotiated, or attempted to negotiate, with the other party pursuant to this S1.25.
- D. Except as otherwise provided in this Tariff under the Indemnification or Default provision or elsewhere, each party shall bear its own costs, including attorneys’ fee, incurred in connection with any of the foregoing procedures. A party seeking discovery shall reimburse the responding party the cost of reproducing documents (to include search time and reproduction time costs).

Date of Issue: February 14, 2024
 Issued By: /s/ Lynn Hughes, Director-Carrier Interconnect
 By Authority of Order of the Public Service Commission
 In Case No. 2022-00108 Dated December 20, 2023
 Effective Date: Service rendered on and after December 20, 2023

KENTUCKY PUBLIC SERVICE COMMISSION
Linda C. Bridwell Executive Director

EFFECTIVE 12/20/2023 PURSUANT TO 807 KAR 5:011 SECTION 9 (1)

POLE ATTACHMENT TARIFF

WINDSTREAM KENTUCKY WEST, LLC

P.S.C. KY NO. 10

Original Page 34

S1. POLE ATTACHMENT TERMS

S1.27 Abandonment

Nothing in these terms shall prevent or be construed to prevent Licensor from abandoning, selling, assigning, or otherwise disposing of any Poles. Licensor shall notify Licensee of any sale, assignment, or other disposition of any Poles or other Licensor property used for Licensee’s Attachments.

S1.28 Taxes

Each party shall pay all taxes and assessments lawfully levied on its own property and services subject to this Tariff.

S1.29 Protection Against Claims for Libel and Slander, Copyright, and Patent Infringement

The Licensee shall indemnify, protect, and hold harmless the Licensor from and against any and all claims for libel and slander, copyright and/or patent infringement arising by reason of attachment of Equipment to Licensor poles, pursuant to this tariff.

S1.30 Waiver

Failure by either party to enforce or insist upon compliance with any of the terms or conditions of this Tariff shall not constitute a general waiver or relinquishment of any such terms or conditions, but the same shall be and remain at all times in full force and effect.

S1.31 Force Majeure

Neither party shall be liable for any delay or failure in performance of any part of this License Tariff or License issued hereunder from any cause beyond its reasonable control and without its fault, omission or negligence, such as acts of God, acts of civil or military authority, embargoes, epidemics, war, terrorist acts, riots, insurrections, fires, explosions, earthquakes, nuclear accidents, floods, power blackouts, labor strikes, lockouts or work stoppages or severe weather (“Force Majeure Event”). In the event of a Force Majeure Event, upon giving prompt notice to the other party, the due date for performance by the affected party of its original obligation(s) shall be extended by a term equal to the time lost by reason of the Force Majeure Event. In the event that the affected party is able to partially perform its obligations, it shall perform its obligations at a performance level no less than that which it uses for its own operations

Date of Issue: February 14, 2024
Issued By: /s/ Lynn Hughes, Director-Carrier Interconnect
By Authority of Order of the Public Service Commission
In Case No. 2022-00108 Dated December 20, 2023
Effective Date: Service rendered on and after December 20, 2023

KENTUCKY PUBLIC SERVICE COMMISSION
Linda C. Bridwell Executive Director

EFFECTIVE 12/20/2023 PURSUANT TO 807 KAR 5:011 SECTION 9 (1)

N

POLE ATTACHMENT TARIFF

WINDSTREAM KENTUCKY WEST, LLC

P.S.C. KY NO. 10

Original Page 35

S1. POLE ATTACHMENT TERMS

S1.32 Assignment

Licensee shall not assign; transfer or sublet the privileges hereby granted, or sell, lease or otherwise permit the use of its facilities on or any part thereof (all of the foregoing being "Transfers"), without prior consent in writing of Licensor. No such consent granted by Licensor shall be effective until Licensee's assignee, sublessee or other transferee has agreed, on an enforceable separate document signed and delivered to Licensor, to assume all obligations and liabilities of Licensee under this Tariff. Licensor may condition such consent upon the assignee's sublessee's or transferee's Tariff to reasonable additional or modified terms or conditions. If there is a change of control of Licensee, then Licensor shall have the right, in its reasonable discretion, immediately to terminate this Tariff in its entirety without further liability. Licensor may assign or otherwise transfer this Tariff or any of its rights and interests to any firm, corporation or individual, without the prior consent of Licensee.

N

Date of Issue: February 14, 2024
Issued By: /s/ Lynn Hughes, Director-Carrier Interconnect
By Authority of Order of the Public Service Commission
In Case No. 2022-00108 Dated December 20, 2023
Effective Date: Service rendered on and after December 20, 2023

KENTUCKY PUBLIC SERVICE COMMISSION
Linda C. Bridwell Executive Director

EFFECTIVE 12/20/2023 PURSUANT TO 807 KAR 5:011 SECTION 9 (1)

POLE ATTACHMENT TARIFF

WINDSTREAM KENTUCKY WEST, LLC

P.S.C. KY NO. 10

Original Page 36

S1. POLE ATTACHMENT TERMS

Exhibit A

COMPLEX MAKE-READY APPLICATION (ENHANCED NON-OTMR)

NOTE TO ALL FIRMS: IF YOU CHOOSE NOT TO PROCEED WITH THE APPLICATION - YOU WILL BE BILLED FOR WINDSTREAM'S ENGINEERING TIME. THERE ARE NO EXCEPTIONS TO THIS POLICY!!!!

EXHIBIT B PROPOSAL #:
Windstream CORPORATION
APPLICATION FOR POLE LICENSE Submit in Duplicate

Name of Firm Applying: _____ Name, Phone # _____
EMAIL ADDRESS _____
Address, City, ST, ZIP of Firm Applying _____ Authorized Signature & Date: _____

By this application & signature, my firm is agreeing to pay all engineering fees associated with this application if my firm chooses NOT to proceed with the project. If we choose to proceed all ESTIMATED fees, including engineering & makeready MUST BE PAID IN FULL UP FRONT. NON PAYMENT OF FEES WILL RESULT IN ALL FUTURE APPLICATIONS BEING PLACED ON HOLD

NOTE: Final costs will be determined by actual time & material required to do the make-ready work. Any difference in charges will be billed accordingly.

Column 1	Column 2	Column 3	Column 4	Column 5	Column 6	Column 7	Column 8	Column 9	Column 10	Column 11	Column 12
Licenses to complete	Licenses to complete	Licenses to complete	Licenses to Complete	Licenses to Complete	Licenses to Complete	Licenses to Complete	Licenses to Complete	Licenses to Complete	Windstream to Complete	Windstream To Complete	Windstream To Complete
Windstream Lead & Structure No. (Pole No.)	Power Pole No.	Location: Street, City, Township, Zip Code	Height, Class, Ownership of Pole	Hgt of highest Tel Cable	Hgt of highest Tel Drop	Hgt of lowest Power Cable	Hgt of other attachments	# & type of Attachments	Height License to attach	Licensors Work Description	Bill for Rent Y or N
1											
2											
3											
4											
5											
6											
7											
8											
9											
10											
11											
12											
13											
14											
15											
16											
17											
18											
19											
20											
21											
22											
23											
24											
25											

ESTIMATED TOTAL COSTS

PLEASE ATTACH DRAWINGS TO THIS APPLICATION - IT WILL NOT BE PROCESSED WITHOUT THEM

Submit to: Windstream.JointUse@Windstream.com.

Windstream OSP Construction Manager/Engineer Authorized Signature & Date:

Date of Issue: February 14, 2024
 Issued By: /s/ Lynn Hughes, Director-Carrier Interconnect
 By Authority of Order of the Public Service Commission
 In Case No. 2022-00108 Dated December 20, 2023
 Effective Date: Service rendered on and after December 20, 2023

**KENTUCKY
PUBLIC SERVICE COMMISSION**

Linda C. Bridwell
Executive Director

**EFFECTIVE
12/20/2023**
PURSUANT TO 807 KAR 5:011 SECTION 9 (1)

POLE ATTACHMENT TARIFF

WINDSTREAM KENTUCKY WEST, LLC

P.S.C. KY NO. 10

Original Page 37

S1. POLE ATTACHMENT TERMS

Exhibit A-1

SIMPLE MAKE-READY APPLICATION (OTMR)

EXHIBIT B - WINDSTREAM COMMUNICATIONS
 OTMR Application - Simple Make Ready

Name of Firm Applying: _____ Name, Phone # _____
 Street Address, City, ST, ZIP of Firm Applying _____ EMAIL ADDRESS _____
 Authorized Signature & Date: _____

By this application & authorized signature, my firm is agreeing to pay all fees associated with this application, even if my firm chooses NOT to proceed with the project.

Column 1	Column 2	Column 3	Column 4	Column 5	Column 6	Column 7	Column 8	Column 9	Column 10	Column 11	Column 12
Licensee to complete	Licensee to complete	Licensee to complete	Licensee to Complete	Licensee to Complete	Licensee to Complete	Licensee to Complete	Licensee to Complete	Licensee to Complete	Windstream to Complete	Windstream to Complete	Additional Notes
Windstream Lead & Structure No. (Pole No.)	Power Pole No.	Location: Street, City, Township, Zip Code	Height, Class, Ownership of Pole	Hgt of highest Tel Cable	Hgt of highest Tel Drop	Hgt of lowest Power Cable	Hgt of other attachmts on pole	# & type of Attachmts	Height Licensee to attach at	Bill for Rent Y or N	
1											
2											
3											
4											
5											
6											
7											
8											
9											
10											
11											
12											
13											
14											
15											
16											
17											
18											
19											
20											
21											
22											
23											
24											
25											

PLEASE ATTACH DRAWINGS AND POLE DATA SHEETS FOR EACH POLE LISTED TO THIS APPLICATION - IT WILL NOT BE PROCESSED WITHOUT THEM

Submit to: Windstream.JointUse@Windstream.com.
 Windstream OSP Construction Manager/Engineer Authorized Signature & Date: _____

Date of Issue: February 14, 2024
 Issued By: /s/ Lynn Hughes, Director-Carrier Interconnect
 By Authority of Order of the Public Service Commission
 In Case No. 2022-00108 Dated December 20, 2023
 Effective Date: Service rendered on and after December 20, 2023

**KENTUCKY
 PUBLIC SERVICE COMMISSION**

Linda C. Bridwell
 Executive Director



**EFFECTIVE
 12/20/2023**
 PURSUANT TO 807 KAR 5:011 SECTION 9 (1)

S1. POLE ATTACHMENT TERMS

N

Exhibit B

CONSTRUCTION SPECIFICATIONS

AERIAL CONSTRUCTION SPECIFICATIONS

Overhead and Dead-End guys

- All guys shall be properly tensioned
- Maintain proper clearance
- Splicing of guys is not permitted
- All guys shall be bonded to the strand and MGN if present
- 3/8" Utility grade strand shall be used on all guys
- Guy guard to be placed on all down guys

Pole Attachment – (raise-lower-transfer)

- All pole-piercing holes will be 11/16"
- Minimum of 40" below power attachment
- No less than 12" separation between attachments
- No more than 1-1/2" or less than (2) full threads of bolt extending beyond the square nut
- Strand in a suspension clamp will always be below the through bolt
- Strand will be bonded to any other Windstream strand and grounded to the MGN
- If riser cables are to be adjusted refer to picture #3 – no kinks or sharp bends. Maintain proper bend radius.
- If spacers-bands – lashing wire termination is to be adjusted refer to pictures 5.1, 5.3, 5.4, 5.5, 5.6.
- 18' clearance over roadways must be maintained. IF EXISTING CLEARANCE IS 18' OR LESS ATTACHMENT(S) CANNOT BE LOWERED. This includes any 2-6 pr. service drops.
- Attachments over railroad crossings CANNOT be lowered without case-by-case approval from Windstream Engineering.
- Where transferring to a new pole and the old pole is completely vacated, the old pole must be removed.
- New poles involving power attachments cannot be attached to until power transfers are complete.

Date of Issue: February 14, 2024
 Issued By: /s/ Lynn Hughes, Director-Carrier Interconnect
 By Authority of Order of the Public Service Commission
 In Case No. 2022-00108 Dated December 20, 2023
 Effective Date: Service rendered on and after December 20, 2023

KENTUCKY PUBLIC SERVICE COMMISSION
Linda C. Bridwell Executive Director

EFFECTIVE 12/20/2023 PURSUANT TO 807 KAR 5:011 SECTION 9 (1)

S1. POLE ATTACHMENT TERMS

N

Exhibit B

CONSTRUCTION SPECIFICATIONS (cont'd)

- Existing hardware may be reused if not damaged or deteriorated. Preform wraps and/or strand vises must NOT be reused.
- Work must be performed according to industry standards, OSHA, LFUCG, and Windstream regulations and safety requirements.
- If trimming is required, debris must be disposed of properly.

Materials to raise-lower -transfer

• 5/8" machine bolts	Hubbell power systems	8812, 8814, etc.
• 2 1/2" curved square washer	Hubbell	6822
• 5/8" square nut	Maclean senior industries	SI5365
• 3 bolt suspension clamp	Maclean	SI1740
• 3 bolt curved susp. clamp	Maclean	SI1755
• 5/8" support strap	Maclean	SI0088A
• 1/2" X 4" lag screw	Hubbell	508754
• 27" cable strap	Thomas and Betts	CSS270
• Cable support spacer	Thomas and Betts	TCP360
• D lashing wire clamp	Maclean	SI2175
• 5/8" guy hook	Maclean	SI4425
• 3/8" utility grade strand	National Strand products	U10M5000
• 3/8" short bail strand vise	Maclean	5102
• 3/8" strand wraps	Maclean	DES1107
• #6 bare copper ground wire	Superior Essex	1290504
• Split bolt connector	Maclean	SI2004
• Kuhl clamp	Maclean	SI2174

SUSPENSION STRAND AND COPPER CABLE CAN BE EXTREMELY HEAVY AND/OR UNDER EXTREME PRESSURE, ESPECIALLY IN CORNERS AND DEAD-ENDS. PROPER EQUIPMENT AND METHODS MUST BE USED TO PREVENT PERSONAL INJURY, PROPERTY DAMAGE AND SAFETY RISKS TO THE PUBLIC.

Date of Issue: February 14, 2024
 Issued By: /s/ Lynn Hughes, Director-Carrier Interconnect
 By Authority of Order of the Public Service Commission
 In Case No. 2022-00108 Dated December 20, 2023
 Effective Date: Service rendered on and after December 20, 2023

**KENTUCKY
PUBLIC SERVICE COMMISSION**

Linda C. Bridwell
Executive Director



**EFFECTIVE
12/20/2023**

PURSUANT TO 807 KAR 5:011 SECTION 9 (1)

S1. POLE ATTACHMENT TERMS

N

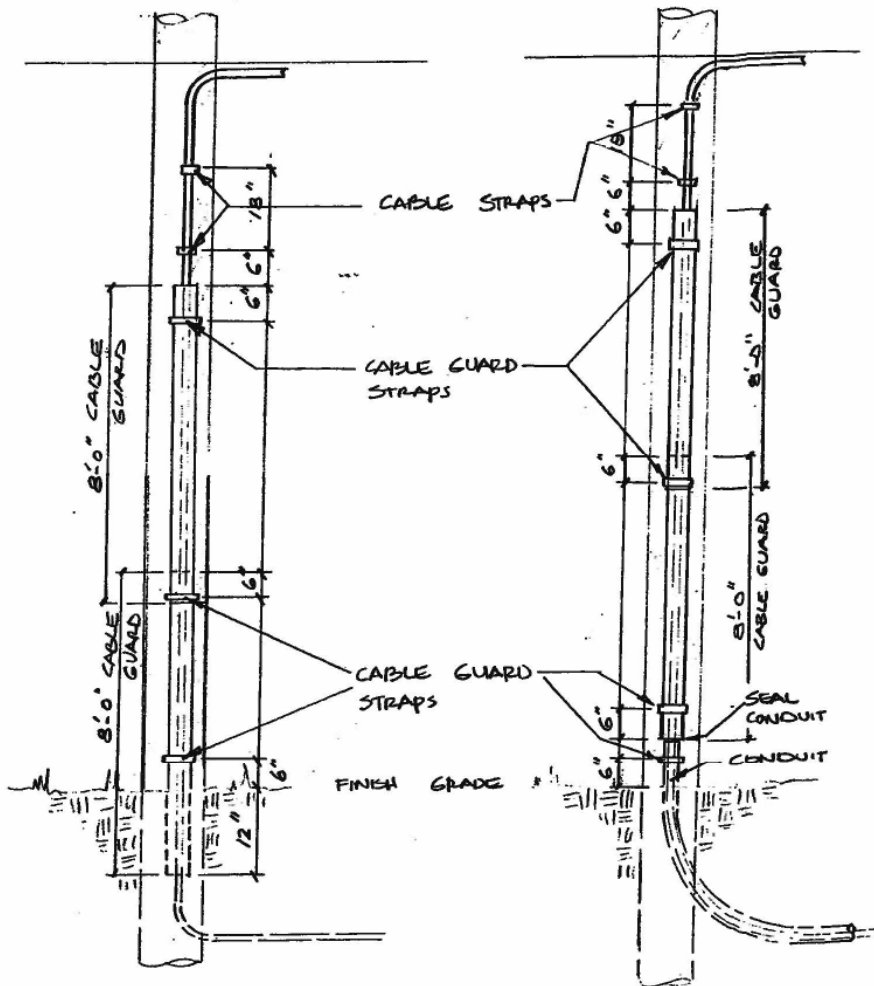
Exhibit B

CONSTRUCTION SPECIFICATIONS (cont'd)

U - CABLE GUARD STRAPS

DIRECT BURIED CABLE
W/ CABLE GUARDS

CABLE IN CONDUIT
W/ CABLE GUARDS



Picture # 3

Date of Issue: February 14, 2024
 Issued By: /s/ Lynn Hughes, Director-Carrier Interconnect
 By Authority of Order of the Public Service Commission
 In Case No. 2022-00108 Dated December 20, 2023
 Effective Date: Service rendered on and after December 20, 2023

KENTUCKY PUBLIC SERVICE COMMISSION
Linda C. Bridwell Executive Director

EFFECTIVE 12/20/2023 PURSUANT TO 807 KAR 5:011 SECTION 9 (1)

S1. POLE ATTACHMENT TERMS

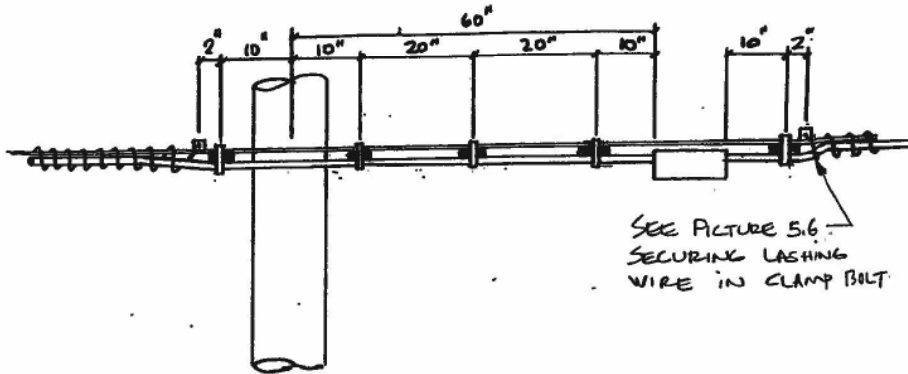
Exhibit B

CONSTRUCTION SPECIFICATIONS (cont'd)

N

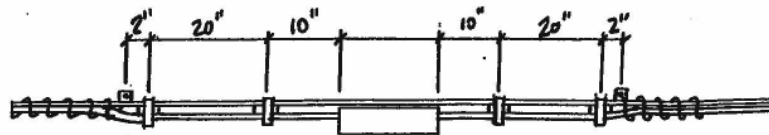
PICTURE # 5.1

SPlice CLOSURE - No F.C. TERMINAL




PICTURE # 5.2

MIDSPAN SPlice CLOSURE



SEE PICTURE 5.6
SECURING LASHING
WIRE IN CLAMP BOLT

Date of Issue: February 14, 2024
Issued By: /s/ Lynn Hughes, Director-Carrier Interconnect
By Authority of Order of the Public Service Commission
In Case No. 2022-00108 Dated December 20, 2023
Effective Date: Service rendered on and after December 20, 2023

KENTUCKY PUBLIC SERVICE COMMISSION
Linda C. Bridwell Executive Director

EFFECTIVE 12/20/2023 PURSUANT TO 807 KAR 5:011 SECTION 9 (1)

S1. POLE ATTACHMENT TERMS

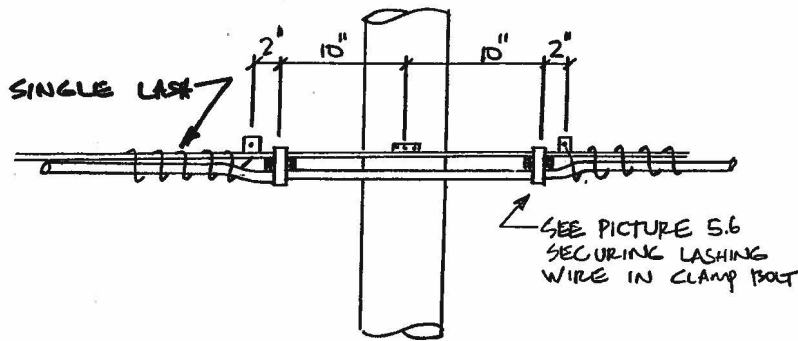
N

Exhibit B

CONSTRUCTION SPECIFICATIONS (cont'd)

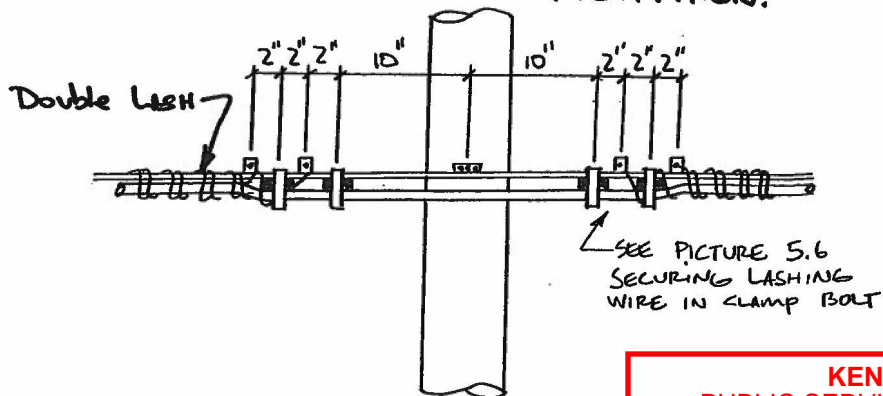
PICTURE # 5.3

CABLE SUPPORTS AND SPACERS
AT POLES - NO SPLICES



PICTURE # 5.4

CABLE SUPPORTS AND SPACERS
AT POLE - NO SPLICES - 1 OR 2
BUG NUT CONFIGURATION.



Date of Issue: February 14, 2024
 Issued By: /s/ Lynn Hughes, Director-Carrier Interconnect
 By Authority of Order of the Public Service Commission
 In Case No. 2022-00108 Dated December 20, 2023
 Effective Date: Service rendered on and after December 20, 2023

KENTUCKY PUBLIC SERVICE COMMISSION
Linda C. Bridwell Executive Director

EFFECTIVE 12/20/2023 PURSUANT TO 807 KAR 5:011 SECTION 9 (1)

S1. POLE ATTACHMENT TERMS

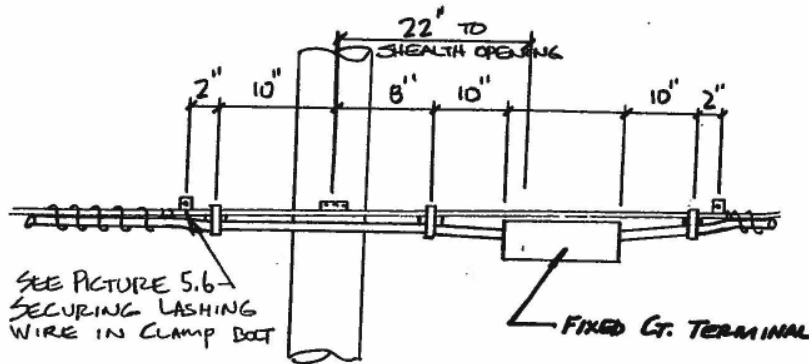
N

Exhibit B

CONSTRUCTION SPECIFICATIONS (cont'd)

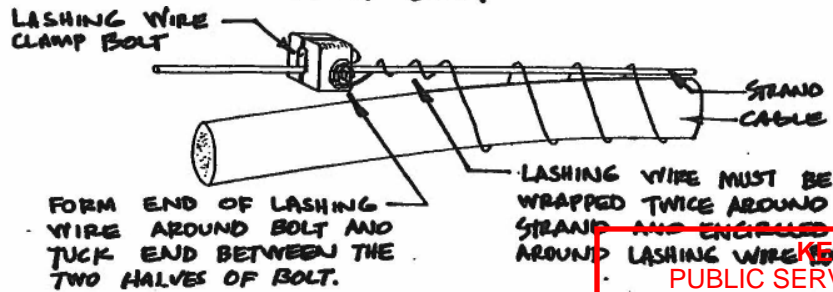
PICTURE 5.5

FIXED COUNT TERMINAL / SPICE THROUGH CABLE



PICTURE 5.6

SECURING LASHING WIRE IN CLAMP BOLT



Date of Issue: February 14, 2024
 Issued By: /s/ Lynn Hughes, Director-Carrier Interconnect
 By Authority of Order of the Public Service Commission
 In Case No. 2022-00108 Dated December 20, 2023
 Effective Date: Service rendered on and after December 20, 2023

**KENTUCKY
PUBLIC SERVICE COMMISSION**

Linda C. Bridwell
Executive Director



**EFFECTIVE
12/20/2023**
PURSUANT TO 807 KAR 5:011 SECTION 9 (1)

POLE ATTACHMENT TARIFF

WINDSTREAM KENTUCKY WEST, LLC

P.S.C. KY NO. 10

Original Page 44

N

S1. POLE ATTACHMENT TERMS

Exhibit C

REMOVAL NOTICE AND LICENSE SURRENDER FORM

NOTIFICATION OF SURRENDER

Notification No. _____

Date: _____

City & State: _____

In accordance with the terms and conditions of the license Tariff between us, dated _____, notice is hereby given that the License covering Attachments to the outside plant structures, as shown on the attached sketch, is surrendered.

Licensee: _____

Signature: _____

By (Print/Type): _____

Title: _____

Date: _____

Date Surrender Notice Received: _____

Licensor: _____

Signature: _____

By (Print/Type): _____

Title: _____

Date: _____

Date of Issue: February 14, 2024
Issued By: /s/ Lynn Hughes, Director-Carrier Interconnect
By Authority of Order of the Public Service Commission
In Case No. 2022-00108 Dated December 20, 2023
Effective Date: Service rendered on and after December 20, 2023

KENTUCKY PUBLIC SERVICE COMMISSION
Linda C. Bridwell Executive Director

EFFECTIVE 12/20/2023 PURSUANT TO 807 KAR 5:011 SECTION 9 (1)

POLE ATTACHMENT TARIFF

WINDSTREAM KENTUCKY WEST, LLC

P.S.C. KY NO. 10

Original Page 45

S1. POLE ATTACHMENT TERMS

N

Exhibit D

SCHEDULE OF RATES, FEES AND CHARGES

Annual Attachment Rate (1 foot of space per Attachment)**	\$ _____ One
Time Tariff Fee	\$ <u>400.00</u>
Application for Pole License Fee	\$ <u>125.00 per application</u>
Removal Verification Fee	\$ <u>15.00 per pole</u>
Unauthorized Attachment fee	\$ <u>Per Section 18 of the Tariff</u>
Additional Field or Engineering Fees	\$ <u>75.00/hour</u>

CATV Rates

Semi-Annual
Rate

Pole Attachments

Two-User Poles, per pole	\$ 3.40
Three-User Poles, per pole	\$ 2.75

Anchor Attachments

Two-User Poles, per pole	\$ 4.58
Three-User Poles, per pole	\$ 3.05

**** If Attachments are in a non-tariffed state, the rental rate is subject to annual adjustment based on FCC Calculation.**

Date of Issue: February 14, 2024
Issued By: /s/ Lynn Hughes, Director-Carrier Interconnect
By Authority of Order of the Public Service Commission
In Case No. 2022-00108 Dated December 20, 2023
Effective Date: Service rendered on and after December 20, 2023

**KENTUCKY
PUBLIC SERVICE COMMISSION**

Linda C. Bridwell
Executive Director



EFFECTIVE
12/20/2023
PURSUANT TO 807 KAR 5:011 SECTION 9 (1)