



330 Eastern Bypass, Suite Box 309, Richmond, KY 40475

TO: Kentucky Public Service Commission  
Attention: Executive Director or Joel Grugin  
211 Sower Blvd  
Frankfort, KY 40602

**RECEIVED**

JAN 02 2014

PUBLIC SERVICE  
COMMISSION

Case No. 2012-00362

December 30, 2013

The following documentation is being submitted by RussMar Logistics, LLC. on behalf of the Tompkinsville Natural Gas System.

Documents Included:

1. Leak Survey- Business District Dec 2013 (15 pages)
2. Corrosion Inspection- Dec 16, 2013 (3 pages)
3. Revised Public Awareness Plan (57 pages)
4. Service Installation Record (1 page)
5. Office Chart Clock: (6 pages)

\*A hard copy of the above mentioned documents were mailed to the Kentucky Public Service Commission, Attention Executive Director on December 5, 2013 by Joe Orazen of RussMar Logistics, LLC.

Sincerely,

Joe Orazen  
606-305-6436

A handwritten signature in black ink, appearing to read "Joe Orazen", is written over the typed name and phone number.

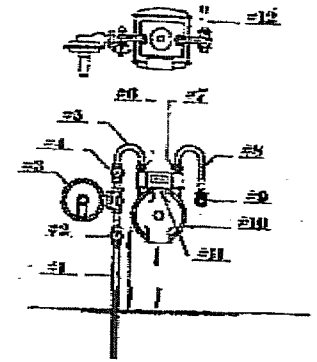
206 N MAGNOLIA ST

Tompkinsville

State: Ky  
Date: 12-18-5



Grade 1	Grade 2	Grade 3



#1 Riser	#2 HP Cock	#3 Regulator
#4 LP Cock	#5 Inlet Loop	#6 Inlet Cap/Swivel
#7 Out Cap/Swivel	#8 Outlet Loop	#9 Fuel Line Fitting
#10 Gas Meter	#11 Index	#12 Fuel Line

LEAK ON TOP OF LOCK VALVE AND STREET 90°

Defect	Location	Soil	Material	Pressure	Weather	Other	Notes
Mobile FI	Inside Bldg	Main	Rock	% Gas	(0-1)	Grass	Steel
Flame Pack	Outside Bldg	Service	Cluder	LEL	(1-30)	Dirt	PE
Visual	Manhole	Tap	Clay	DEL	(31-60)	Asphalt	Cast Iron
CGM/GGD	Undergrad	Valve	Loam	PPM	(61-99.9)	Concrete	CSST
Smell	Atmosphere	Meter	Sand		(100-399)	sidewalk	PVCB

Defect	Component/Explanation	Part	Material	Notes	Location	Pressure	Notes
Corrosion	Pipe	Transmission	Steel		Residential	1-5	Barc
Outside Force	Valve	Main	Cast Iron		Rural	5-Greater	Control
Caust/Defect	Fitting	Service	Ductile Iron		Commercial		Date Repaired:
Material Defect	Regulator	Meter Set	Copper		Industrial		Date Rechecked:
Other	Tap Connection	Customer Pipe	Plastic				

P.002/016 (FAX)270 487 6840 12/27/2013 08:53 City of Tompkinsville

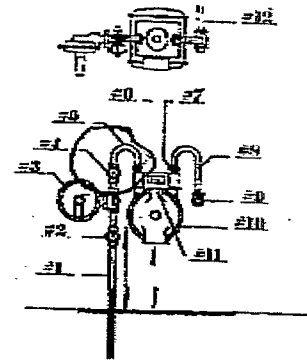
105 W 2nd Street

Tompkinsville

RY  
12-18-13



Grade 1	Grade 2	Grade 3



#1 Riser	#2 HP Cock	#3 Regulator
#4 LP Cock	#5 Inlet Loop	#6 Inlet Cap/Swivel
#7 Out Cap/Swivel	#8 Outlet Loop	#9 Fuel Line Fitting
#10 Gas Meter	#11 Index	#12 Fuel Line

LEAK on 90° Above Lock Valve

Mobile EI	Inside Bldg	Main	Rock	% Gas	(0-8)	Grass	Steel	5-2.0	Clear
Flame Pack	Outside Bldg	Service	Gravel	LEL	(1-30)	Dirt	FE	2.0-3.0	Wet
Visual	Mankole	Tap	Clay	UEL	(31-60)	Asphalt	Cast Iron	3.0-4.0	Hot (85-100)
CGREGD	Undergrad	Valve	Loam	PPM	(61-99.9)	Concrete	CSST	6.0-8.0	Cold (0-80)
Smell	Atmosphere	Meter	Sand		(100-399)	Stmwalk	PVCB	10.0-12.0	
Corrosion	Pipe	Transmission	Steel	Residential	1-5	Bare			
Outside Force	Valve	Main	Cast Iron	Rural	5-Greater	Control			
Crack/Defect	Fitting	Service	Ductile Iron	Commercial	Date Replaced:				
Material Defect	Regulator	Meter Sit	Copper	Industrial	Date Retchecked:				
Other	Tap Connection	Customer Pipe	Plastic						

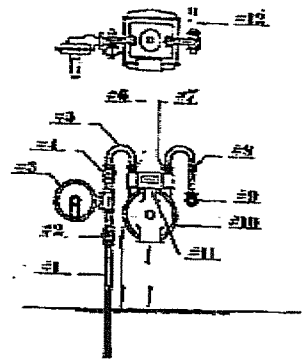
215 N MAIN

Tompkinsville

K4  
12-18-13



Grade 1	Grade 2	Grade 3
---------	---------	---------



#1 Riser	#2 HP Cock	#3 Regulator
#4 LP Cock	#5 Inlet Loop	#6 Inlet Cap/Swivel
#7 Out Cap/Swivel	#8 Outlet Loop	#9 Fuel Line Fitting
#10 Gas Meter	#11 Index	#12 Fuel Line

LEAK ON BOTTOM OF LOCK VALVE

Location	Material	Defect	Severity	Notes
Mobile Ft	Inside Bldg	Main	Rock	% Gas (0-1)
Fluor Pack	Outside Bldg	Service	Cinder	LEL (1-30)
Visual	Manhole	Tap	Clay	UEL (31-60)
CG/EGD	Undergrad	Valve	Leam	PPM (61-99.9)
Smell	Atmosphere	Meter	Sand	(100-399)

Defect	Material	Location	Severity	Notes
Corrosion	Pipe	Transmission	Steel	Residential
Outside Force	Valve	Main	Cast Iron	Rural
Crack/Defect	Fitting	Service	Ductile Iron	Commercial
Material Defect	Regulator	Meter Set	Copper	Industrial
Other	Tap Connection	Customer Pipe	Plastic	

12/27/2013 08:54 City of Tompkinsville (FAX)270 487 6940 P.004/016

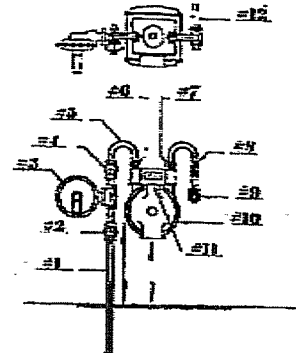
320 N MAIN ST

Tompkinsville

State KY  
Date 12-18-13



Grade	Grade 1	Grade 2	Grade 3
Manufacturer			



LEAK ON NIPPLE Below Regulator 1 1/2"  
LEAK ON NIPPLE Above Lock Valve 3/4"

#1 Riser	#2 HP Cock	#3 Regulator
#4 LP Cock	#5 Inlet Loop	#6 Inlet Cap/Swivel
#7 Out Cap/Swivel	#8 Outlet Loop	#9 Fuel Line Fitting
#10 Gas Meter	#11 Index	#12 Fuel Line

Location	Material	Condition	Notes
Mobile FI	Inside BMG	Main	Rock
Flame Pack	Outside BMG	Service	Cinder
Visual	Mainhole	Tap	Clay
CC/VECD	Undergrad	Valve	Leans
Smell	Atmosphere	Meter	Sand

Corrosion	Pipe	Transmission	Steel	Residential	1-5	Bare
Outside Force	Valve	Main	Cast Iron	Rural	5-Greater	Coated
Coast/Defect	Fitting	Service	Ductile Iron	Commercial	Date Replaced:	
Material Defect	Regulator	Meter Set	Copper	Industrial	Date Rechecked:	
Other	Tap Connection	Customer Pipe	Plastic			

P.005/016 (FAX)270 487 6940 12/27/2013 08:55 City of Tompkinsville

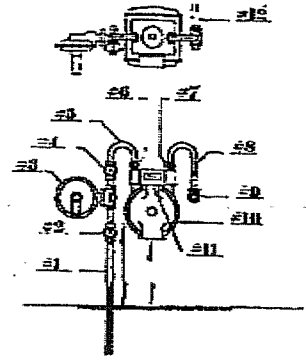
449 CAP Haelin RD

Tompkinsville

State KY  
Date 12-18-13



Gas	Grade 1	Grade 2	Grade 3
Manufacture	Trade		Original



#1 Riser	#2 HP Cock	#3 Regulator
#4 LP Cock	#5 Inlet Loop	#6 Inlet Cap/Swivel
#7 Out Cap/Swivel	#8 Outlet Loop	#9 Fuel Line Fitting
#10 Gas Meter	#11 Index	#12 Fuel Line

OUND NOT FOUND WITH SOAP TEST

Mobile FI	Inside Bldg	Main	Rock	% Gas	(0-1)	Grass	Steel	5-2.0	Clear
Flame Park	Outside Bldg	Service	Clinter	LEL	(1-30)	Dirt	PE	2.8-3.0	Wet
Visual	Manhole	Tap	Clay	UEL	(31-60)	Asphalt	Cast Iron	3.8-4.0	Hot (15-100)
CG/ECD	Undergrad	Valve	Loam	PPM	(61-99.9)	Concrete	CSST	4.0-8.0	Cold (0-40)
Smell	Atmosphere	Meter	Sand		(100-399)	Sidewalk	ZVCM	10.0-12.0	
Corrosion	Pipe	Transmission	Steel	Residential	1-5	Barc			
Outside Force	Valve	Main	Cast Iron	Rural	5-Greater <td>Castal</td>	Castal			
Const/Defect	Fitting	Service	Ductile Iron	Commercial	Date Replaced:				
Material Defect	Regulator	Meter Set	Copper	Industrial	Date Rechecked:				
Other	Tap Connection	Customer Edge	Plastic						

P.006/016 (FAX)270 487 6940 12/27/2013 08:55 City of Tompkinsville

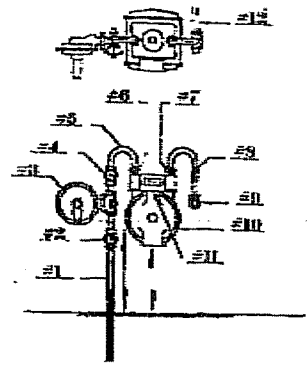
420 Elementary RD

Tompkinsville

STATE KY  
DATE 12-18-13



Construction	Grade 1	Grade 2	Grade 3
Manufacturer			



#1 Riser	#2 HP Cock	#3 Regulator
#4 LP Cock	#5 Inlet Loop	#6 Inlet Cap/Swivel
#7 Out Cap/Swivel	#8 Outlet Loop	#9 Fuel Line Fitting
#10 Gas Meter	#11 Index	#12 Fuel Line

LEAK AT REDUCER AT INLET SWIVEL  
Lunch Rm meter set

Mobile EI	Location	Material	Soil	Pressure	Surface	Notes
Mobile EI	Inside Bldg	Main	Rock	% Gas (0-1)	Grass	Steel, 5-2.8, Clear
Flame Pack	Outside Bldg	Service	Clender	LEL (1-30)	Dirt	FE, 2.0-3.0, Wet
Vitrol	Manhole	Tap	Clay	UEL (43-60)	Asphalt	Cast Iron, 3.8-4.8, Hot (85-100)
CGI/EGD	Undergrad	Valve	Loam	PPM (61-99.9)	Concrete	CSST, 6.0-8.0, Cold (0-40)
Soil	Atmosphere	Meter	Sand	(100-399)	Sidewalk	PVCB, 10.8-12.8

Corrosion	Material	System	Material	Location/Area	Notes
Corrosion	Pipe	Transmission	Steel	Residential	1-5, Bare
Outside Force	Valve	Main	Cast Iron	Rural	5-Greater, Coated
Const/Defect	Fitting	Service	Ductile Iron	Commercial	Date Repaired:
Material Defect	Regulator	Meter Set	Copper	Industrial	Date Rechecked:
Other	Tap Connection	Customer Pipe	Plastic		

12/27/2013 08:56 City of Tompkinsville (FAX) 270 487 6940 P. 007/016





3rd Street 300 N Magnolia St

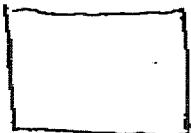
Tompkinsville

14  
12-18-13



Magnolia

First Baptist Church



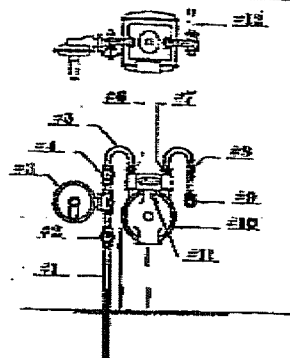
Light pole

10' W

←

3rd Street

City Hall



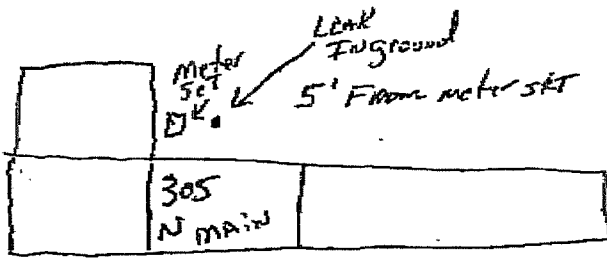
#1 Riser	#2 HP Cock	#3 Regulator
#4 LP Cock	#5 Inlet Loop	#6 Inlet Cap/Swivel
#7 Out Cap/Swivel	#8 Outlet Loop	#9 Fuel Line Fitting
#10 Gas Meter	#11 Index	#12 Fuel Line

Mobile FI	Inside BMG	Main	Rock	% Gas	Grate	Steel	Clear
Flame Pack	Outside BMG	Service	Gravel	25%	(0-5)	✓	✓
Visual	Manhole	Tap	Clay	UEL	(1-30)	Asphalt	Wet
CGUEGD	Underground	✓ Valve	Loam	✓ PPM	(31-60)	✓ Cast Iron	Hot (25-100)
Small	Atmosphere	Meter	Sand		(61-99.9)	Concrete	Cold (8-40)
					(100-399)	Sidewalk	10.0-12.0
Corrosion	Type	Transmission	Steel	Residential	1-5	Barc	
Outside Force	Valve	Main	✓ Cast Iron	Basal	5-Greater	Control	
Construction Defect	Fitting	Service	Ductile Iron	Commercial	✓	Date Replaced:	
Material Defect	Regulator	Meter Set	Copper	Industrial		Date Rechecked:	
Other	Tap Connection	Customer Pipe	Plastic				

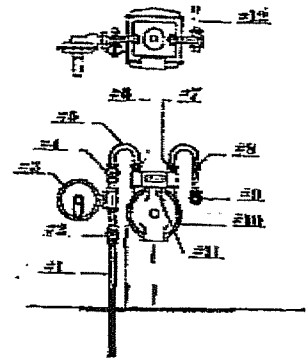
305 N MAIN ST

Tompkinsville

Star KV  
12-18-13



MAIN ST



#1 Riser	#2 HP Cock	#3 Regulator
#4 LP Cock	#5 Inlet Loop	#6 Inlet Cap/Swivel
#7 Out Cap/Swivel	#8 Outlet Loop	#9 Fuel Line Fitting
#10 Gas Meter	#11 Index	#12 Fuel Line

Direction	Location	Material	Grade	Depth	Surface	Notes	Depth	Notes
Mobile FI	Inside Bldg	Main	Black	% Gas 75%	(8-1)	Grass	Steel	✓ S-2.8
Flame Pack	✓ Outside Bldg	Service	✓ Cinder	LEL	(1-30)	Dirt	PE	✓ 2.8-3.0
Vitrol	Manhole	Tap	Clay	UEL	(31-60)	Asphalt	Cast Iron	3.0-4.0
CGUEGD	Undergrad	✓ Valve	Loam	✓ PPM	(63-99.9)	Concrete	CSST	6.9-8.8
Smell	Atmosphere	Meter	Sand		(100-399)	Sidewalk	PVCB	10.0-12.0

Corrosion	Pipe	Transmission	Material	Residential	Notes
Outside Force	Valve	Main	Cast Iron	Rural	5-Greater
Coast/Defect	Fitting	Service	✓ Ductile Iron	Commercial	Date Reported:
Material Defect	Regulator	Meter Set	Copper	Industrial	Date Rechecked:
Other	Tap Connection	Customer Pipe	Plastic		

P.010/016 (FAX)270 487 6940 12/27/2013 08:57 City of Tompkinsville

603 N MAIN ST

Tompkinsville



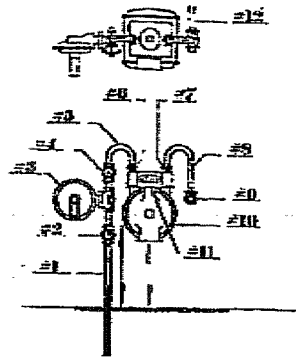
QUICK SHOP

SIGN

← 40'  
LEAK

N MAIN ST

Stair	KY	
Date	12-18-13	
Grade 1	Grade 2	Grade 3
Indoor	Outdoor	

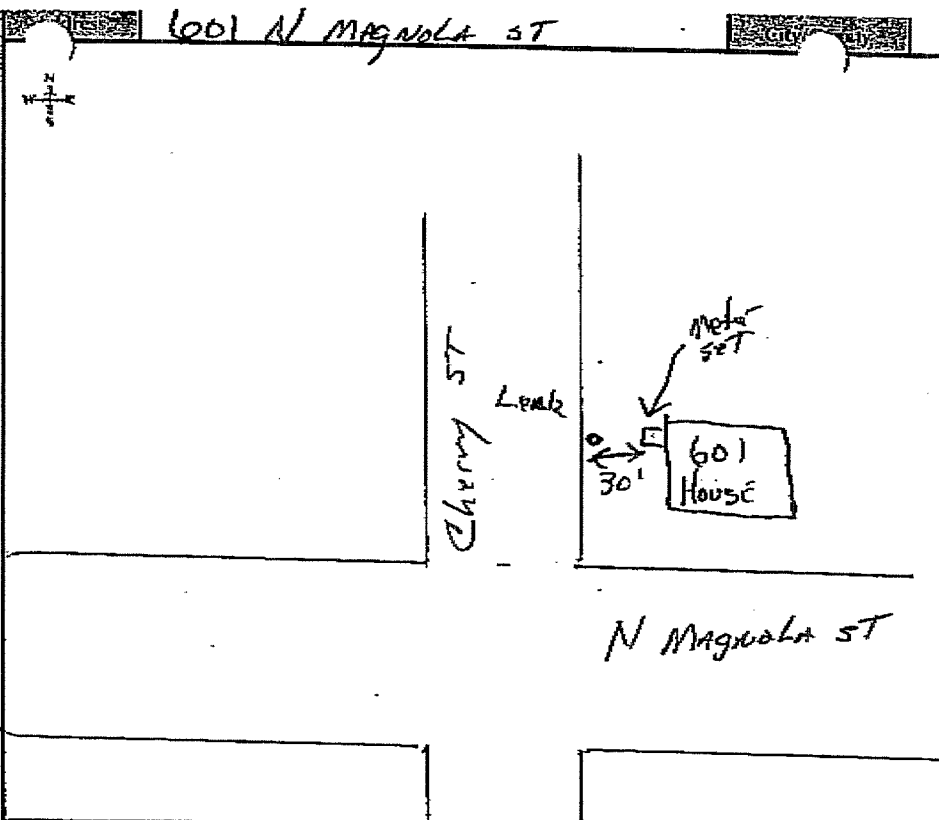


#1 Riser	#2 HP Cock	#3 Regulator
#4 LP Cock	#5 Inlet Loop	#6 Inlet Cap/Swivel
#7 Out Cap/Swivel	#8 Outlet Loop	#9 Fuel Line Fitting
#10 Gas Meter	#11 Index	#12 Fuel Line

Location	Material	Depth	Soil	Gas	Pressure	Surface	Material	Depth	Weather
Mobile FI	Inside Bldg	Main	Rock	% Gas 5%	(0-1)	Grass	Steel	5-2.0	Clear
Flare Park	Outside Bldg	Service	Cloder	LEL	(1-30)	Dirt	FE	2.0-3.0	Wet
Visual	Mainline	Tap	Clay	UEL	(31-60)	Asphalt	Cast Iron	3.0-4.0	Exc (25-100)
CG/EGD	Underground	Valve	Loam	PPM	(61-99.9)	Concrete	CSST	6.0-8.0	Cold (0-40)
Smell	Atmosphere	Meter	Sand		(100-399)	Slcwalk	PVCB	10.0-12.0	

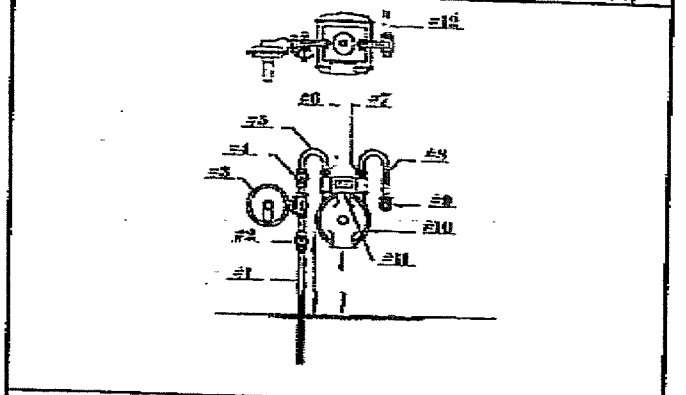
  

Corrosion	Pipe	Transmission	Steel	Residential	1-5	Dare
Outside Force	Valve	Main	Cast Iron	Rural	5-Greater	Control
Caused/Defect	Fitting	Service	Ductile Iron	Commercial	Date Repaired:	
Material Defect	Regulator	Meter Set	Copper	Industrial	Date Rechecked:	
Other	Tap Connection	Customer Pipe	Plastic			



Tompkinsville

Grade 1	Grade 2	Grade 3
		✓



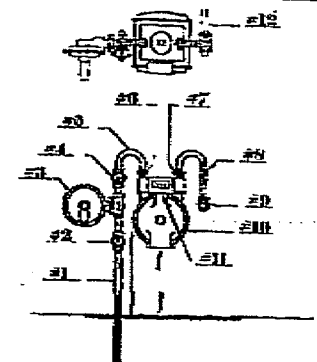
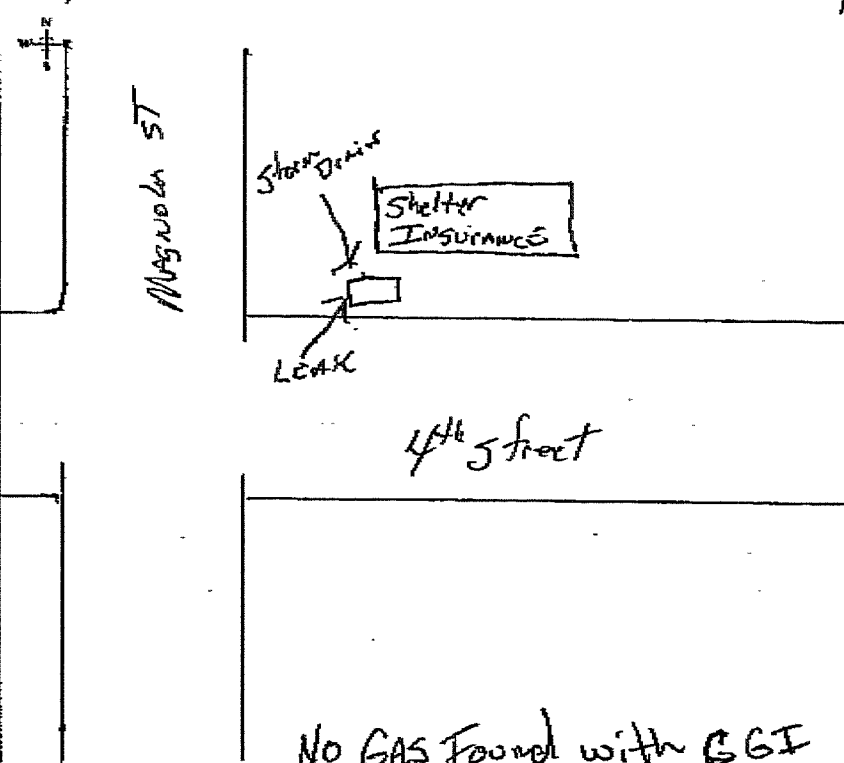
#1 Riser	#2 HP Cock	#3 Regulator
#4 LP Cock	#5 Inlet Loop	#6 Inlet Cap/Swivel
#7 Out Cap/Swivel	#8 Outlet Loop	#9 Feet Line Fitting
#10 Gas Meter	#11 Index	#12 Fuel Line

Location		Depth		Soil		Pressure		Material		Notes			
Mobile Fl	Inside Bldg	Main	✓	Rock	% Gas 35%	(0-1)		Grass	✓	Steel	✓	5-2.0	Clear
Flame Pack	✓	Outside Bldg	Service	Cinder	LEL	(1-30)		Dirt		FE		2.8-3.8	Wet
Visual	Manhole	Tap	✓	Clay	UEL	(31-60)	✓	Asphalt		Cast Iron		3.0-4.0	Hot (85-100)
CC/EGD	Undergrad	✓	Valve	Loam	✓	PEW	(61-99.9)	Concrete		CSST		6.0-8.0	Cold (0-60)
Small	Atmosphere	Meter		Sand			(100-399)	Skidwalk		PVCB		10.0-22.0	
Corrosion		Pipe		Transmission		Material		Location		Repair Date			
Outside Face	Valve	✓	Male	✓	Cast Iron	✓	Residential	✓	1-5	Bare			
Cover/Defect	Fitting		Service	✓	Ductile Iron		Rural		5-Greater	Coated			
Material Defect	Regulator		Meter Set		Copper		Commercial		Date Required:				
Other	Tap Connection		Customer Pipe		Plastic		Industrial		Date Rechecked:				

200 E 4th St

Tompkinsville

State	NY	
Date	12-18-13	
Grade 1	Grade 2	Grade 3
ME		
Material		



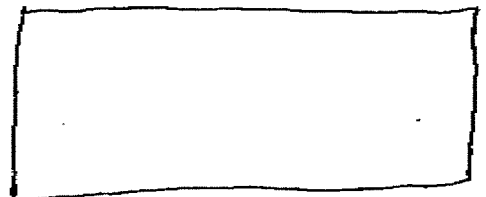
#1 Riser	#2 HP Cock	#3 Regulator
#4 LP Cock	#5 Inlet Loop	#6 Inlet Cap/Swivel
#7 Out Cap/Swivel	#8 Outlet Loop	#9 Fuel Line Fitting
#10 Gas Meter	#11 Index	#12 Fuel Line

Mobile FI	Inside Bldg	Main	Rock	% Gas	Pressure	Grass	Steel	Weather
Flame Pack	Outside Bldg	Service	Cloder	0%	(0-1)	Dirt	PE	Clear
Visual	Manhole	Tap	Clay	UEL	(1-30)	Asphalt	Cast Iron	Wet
CGUEGD	Underground	Valve	Loom	TFM	(31-60)	Concrete	CSST	Hot (85-100)
Soil	Atmosphere	Meter	Sand		(61-99.9)	Sidewalk	PVCB	Cold (0-80)
					(100-399)			
Corrosion	Pipe	Transmission	Steel	Residential	1-5	Bare		
Outside Force	Valve	Main	Cast Iron	Rural	5-Greater <td>Coated</td>	Coated		
Const/Defect	Fitting	Service	Ductile Iron	Commercial	Date Replaced:			
Material Defect	Regulator	Meter Set	Copper	Industrial	Date Checked:			
Other	Tap Connection	Customer Pipe	Plastic					

425 E 4<sup>th</sup> Street

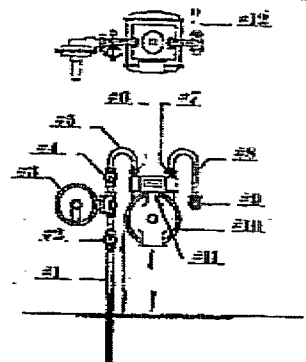
Tompkinsville

KV  
12-18-13



425  
P+L meters

Grade 1	Grade 2	Grade 3
		<input checked="" type="checkbox"/>



#1 Riser	#2 HP Cock	#3 Regulator
#4 LP Cock	#5 Inlet Loop	#6 Inlet Cap/Swivel
#7 Out Cap/Swivel	#8 Outlet Loop	#9 Fuel Line Fitting
#10 Gas Meter	#11 Index	#12 Fuel Line

Location	Location	Location	Location	Location	Location	Location	Location	Location	Location	Location	Location	Location	Location
Mobile Ft	Inside Bldg	Main	Back	% Gas 30%	(0-1)	Grass	Steel	5-2.0	Clear				
Flame Pack	Outside Bldg	Service	Clinder	LEL	(1-30)	Dirt	PE	2.0-3.0	Wet				
Visual	Manhole	Tap	Clay	UEL	(31-60)	Asphalt	Cast Iron	3.0-4.0	Hot (85-100)				
CG/EGD	Undergrad	Valve	Loam	EFM	(61-99.9)	Concrete	CSST	6.0-8.0	Cold (0-40)				
Soil	Atmosphere	Meter	Sand		(100-399)	Sidewalk	PVCB	10.0-12.0					
Corrosion	Pipe	Transmission	Steel	Residential	3-5	Barc							
Outside Force	Valve	Main	Cast Iron	Rural	5-Greater	Castal							
Cont/Defect	Fitting	Service	Ductile Iron	Commercial	Date Repaired:								
Material Defect	Regulator	Meter Set	Copper	Industrial	Date Rechecked:								
Other	Tap Connection	Customer Pipe	Plastic										

12/27/2013 09:00 City of Tompkinsville (FAX) 270 487 6940 P.014/016

607 N MAIN City of Tompkinsville

	Grade 1	Grade 2	Grade 3

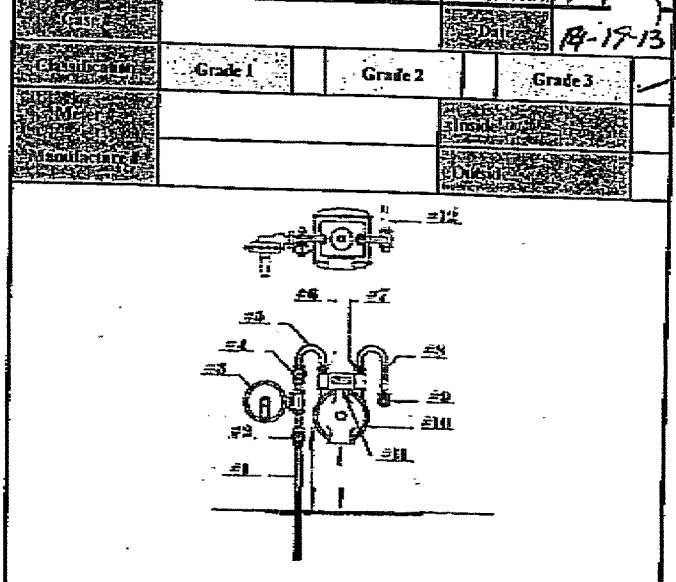
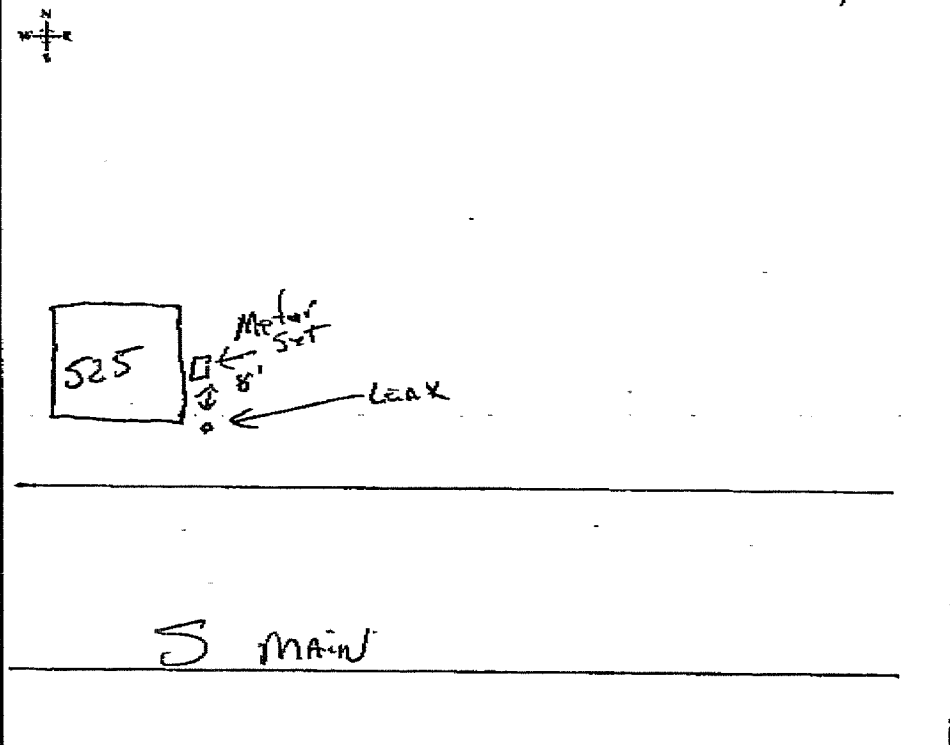
#1 Riser	#2 HP Cock	#3 Regulator
#4 LP Cock	#5 Inlet Loop	#6 Inlet Cap/Swivel
#7 Out Cap/Swivel	#8 Outlet Loop	#9 Fuel Line Fitting
#10 Gas Meter	#11 Index	#12 Fuel Line

Description		Location		Material		Depth		Notes					
Mobile Fl	Inside Bldg	Main	<input checked="" type="checkbox"/>	Back	% Gas	5%	(0-1)	Grass	Steel	✓	5-2.0	Clear	<input checked="" type="checkbox"/>
Flame Yack	Outside Bldg	Service		Corner	L.E.L.		(1-30)	Dirt	PE		2.0-3.0	Wet	
Visual	Manhole	Tap		Clay	H.F.L.		(31-60)	Asphlt	Cast Iron	✓	3.0-4.0	Hot (85-100)	<input checked="" type="checkbox"/>
CG/REGD	Undergrad	Valve	<input checked="" type="checkbox"/>	Loam	PPDM		(61-99.9)	Concrete	CSST		6.0-8.0	Cold (0-40)	
Small	Atmosphere	Meter		Sand			(100-399)	Sidewalk	PVCB		10.0-12.0		

Defect		Component/Part		Material		Location	
Corrosion	Pipe	Transmission	<input checked="" type="checkbox"/>	Steel	<input checked="" type="checkbox"/>	Residential	1-5
Outside Force	Valve	Main		Cast Iron		Rural	5-Greater
Crack/Defect	Fitting	Service		Ductile Iron		Commercial	<input checked="" type="checkbox"/> Date Replaced:
Material Defect	Regulator	Meter Set		Copper		Industrial	<input checked="" type="checkbox"/> Date Rechecked:
Other	Tap Connection	Customer Pipe		Plastic			

P.015/016  
 (FAX)270 487 6940  
 12/27/2013 09:05 City of Tompkinsville

525 S MAIN Tompkinsville KY 14-19-13



#1 Riser	#2 HP Cock	#3 Regulator
#4 LP Cock	#5 Inlet Loop	#6 Inlet Cap/Swivel
#7 Out Cap/Swivel	#8 Outlet Loop	#9 Fuel Line Fitting
#10 Gas Meter	#11 Index	#12 Fuel Line

Disturbance	Location	Material	Depth	Pressure	Surface	Depth	Material	Depth	Material	Depth
Mobile FI	Inside Bldg	Main	Rock	% Gas 15%	(0-1)	Grass	Steel	5-2.0	Grass	
Flame Pack	Outside Bldg	Service	Clay	LEL	(1-30)	Dirt	PE	2.0-3.0	Well	
Visual	Manhole	Tap	Clay	UEL	(31-60)	Asphalt	Cast Iron	3.0-4.0	Hot (85-300)	
CGI/EGD	Undergrad	Valve	Loam	PPM	(61-99.5)	Concrete	CSST	6.0-8.0	Cold (0-40)	
Soil	Atmosphere	Meter	Sand		(100-399)	Sidewalk	PVCB	10.0-12.0		
Corrosion	Pipe	Transmission	Steel	?		Residential		1-5	Date	
Outside Force	Valve	Main	Cast Iron			Rural		5-Greater	Cost	
Const/Defect	Fitting	Service	Ductile Iron			Commercial		Date Repaired:		
Material Defect	Regulator	Meter Set	Copper			Industrial		Date Rechecked:		
Other	Tap Connection	Customer Pipe	Elastic							





City of Tompkinsville  
COMPANY

INSPECTION DATE (MM/DD/YY) 12-16-13

INDICATE TYPE OF INSPECTION: Annual  MAINT. NEW G/B WORK

DIV. AREA/DIST. SERIAL NUMBER: 653956 UNIT NO. 1

M.P./LOCATION: Fire Dept DC RATING: VOLTS / AMP 60/10 TAP SETTINGS: COARSE 2 FINE 3

COMMON NAME: MANUFACTURER UNIVERSAL

KWH SHUNT VALUE (MV/AMPS) 50/10 LOWER LIMIT INDICATE TYPE OF STACK (SELENIUM OR RODET)

CALIBRATE METERS LAST USE EXTERNAL METER FOR INSPECTION TAKE P/S OVER P/L WITH SEPARATE TEST LEAD

	VOLTMETER	AMMETER	PIPE-TO-SOIL	ROD-TO-SOIL	P/S AND POLARITY AT NEAREST TESTPOINT
ON	<u>40.2</u>	<u>3.84</u>	<u>-920</u>	<u>-648</u>	START <u>-920</u>
OFF	<u>2.7</u>	<u>0</u>	<u>-680</u>	<u>-521</u>	FINISH <u>-920</u>
ON/W/NEG. GROUNDED	<u>40.1</u>	<u>3.86</u>	<u>-735</u>	<u>-3500</u>	AC/DC VOLTS - CASE TO SOIL
					AC <u>0</u> DC <u>-648</u>

INSPECT THE FOLLOWING ITEMS OK = NO PROBLEM, X = PROBLEMS AND EXPLAIN IN REMARKS, N/A = NOT APPLICABLE

RECTIFIER ITEMS		OVERHEAD/UNDERGROUND LINE INSPECTION
<input checked="" type="checkbox"/> POLE AND BREAKER AND BOX	<input checked="" type="checkbox"/> AIR CIRCULATION	<input type="checkbox"/> CONDITION OF POLE (S) / POST
<input checked="" type="checkbox"/> RECORD PAD	<input checked="" type="checkbox"/> TRANSFORMER / CHOKES ISOLATED	<input type="checkbox"/> PROPER SLACK
<input type="checkbox"/> RECTIFIER POWER BREAKER	<input type="checkbox"/> OIL-COOLED UNIT - OIL LEVEL/LEAKS	<input type="checkbox"/> TREE LIMBS ON POLE LINE
<input checked="" type="checkbox"/> TAP LUGS TIGHT	<input checked="" type="checkbox"/> RECTIFIER CASE CONDITION	<input type="checkbox"/> BRUSH ALONG G/B LINE
<input checked="" type="checkbox"/> OVERHEATED PLATES	<input checked="" type="checkbox"/> AC CONDUIT & FITTINGS CONDITION	<input type="checkbox"/> BROKEN INSULATORS
<input checked="" type="checkbox"/> BURNT CONDITION	<input checked="" type="checkbox"/> METER CONDITION	<input type="checkbox"/> LEAD CONNECTIONS TIGHT
<input checked="" type="checkbox"/> CASE GROUND CONNECTION	<input checked="" type="checkbox"/> WIRE INSULATION CONDITION	<input type="checkbox"/> LEADS STAPLED TO POLES / POST
<input checked="" type="checkbox"/> GROUND ROD CONNECTION	<input checked="" type="checkbox"/> CONDITION OF PANELS	<input type="checkbox"/> GUY WIRE CONDITIONS
<input checked="" type="checkbox"/> STACK CONDITION	<input checked="" type="checkbox"/> CHUTE PROPERLY GROUNDED	
<input type="checkbox"/> RIM CALIBRATED	<input checked="" type="checkbox"/> SURGE OR LIGHTNING SUPPRESSOR OK?	

*NEGATIVE DISCONNECT OUTSIDE*

JUNCTION BOX CONDITION (anode distribution) SHUNTS INSTALLED (YES/NO) RESISTORS INSTALLED (YES/NO)

ANODE CURRENT IN AMPERES:

1	6	11	16	21	26
2	7	12	17	22	27
3	8	13	18	23	28
4	9	14	19	24	29
5	10	15	20	25	30

TOTAL GROUNDED OUTPUT AMPS

REMARKS (DESCRIBE ALL MAINT. WORK, ANODE REPAIR, ETC.):  
New Rectifier installation with new deep well grounded

RMU VOLTS  
RMU AMPS

Inspected by: \_\_\_\_\_ REPORT DATE: 12-16-13

CC: AREA FILES: \_\_\_\_\_  
TECH. FILES: \_\_\_\_\_

Work Order Generated: Yes No //

City of Tompkinsville  
COMPANY

INSPECTION DATE (MM/DD/YY) 12/14/13

INDICATE TYPE OF INSPECTION: Annual  MAINT. NEW G/B WORK

DIV. AREA/DIST. SERIAL NUMBER: 930838 UNIT NO. 2

M.P./LOCATION: Intersection of 63+839 DC RATING: VOLTS / AMPS 40/10 TAP BETTING: COARSE 2 FINE 4

COMMON NAME: MANUFACTURER UNIVERSAL

KWH 1588 SHUNT VALUE (MV/AMPS) 50/10 LOWER LIMIT INDICATE TYPE OF STACK (SELENIUM OR DIODE)

CALIBRATE METERS LAB. USE EXTERNAL METER FOR INSPECTION TAKE P/B OVER P/L WITH SEPARATE TEST LEAD.

	VOLTMETER	AMMETER	PIPE-TO-SOIL	ROD-TO-SOIL	P/B AND POLARITY AT NEAREST TESTPOINT
ON	<u>26.9</u>	<u>3.70</u>	<u>-1960</u>	<u>-2500</u>	START <u>-1960</u>
OFF	<u>3.1</u>	<u>0</u>	<u>-1052</u>	<u>-1015</u>	FINISH <u>1960</u>
ON/W/NEG. GROUNDED	<u>26.9</u>	<u>4.2</u>	<u>-1613</u>	<u>-3200</u>	ACDC VOLTS - CASE TO SOIL
					AC <u>0</u> DC <u>-2500</u>

INSPECT THE FOLLOWING ITEMS OK = NO PROBLEM; X = PROBLEMS AND EXPLAIN IN REMARKS; N/A = NOT APPLICABLE

RECTIFIER ITEMS		OVERHEAD/UNDERGROUND LINE INSPECTION
<input checked="" type="checkbox"/> POLE AS BREAKER AND BOX	<input checked="" type="checkbox"/> AIR CIRCULATION	<input checked="" type="checkbox"/> CONDITION OF POLE (S) / POST <u>556Y22</u>
<input checked="" type="checkbox"/> RECORD PAD	<input checked="" type="checkbox"/> TRANSFORMER / CHOKE ISOLATED?	<input type="checkbox"/> PROPER SLACK
<input checked="" type="checkbox"/> RECTIFIER POWER BREAKER	<input type="checkbox"/> OIL COOLING UNIT - OIL LEVEL LEAKS	<input type="checkbox"/> TREE LIMBS ON POLE LINE
<input checked="" type="checkbox"/> TAP LUGS TIGHT	<input checked="" type="checkbox"/> RECTIFIER CASE CONDITION	<input type="checkbox"/> BRUSH ALONG OLD LINE
<input type="checkbox"/> OVERHEATED PLATES	<input checked="" type="checkbox"/> AC CONDUIT & FITTINGS CONDITION	<input type="checkbox"/> BROKEN INSULATORS
<input checked="" type="checkbox"/> SHUNT CONDITION	<input checked="" type="checkbox"/> METER CONDITION	<input type="checkbox"/> LEAD CONNECTIONS TIGHT
<input type="checkbox"/> CASE GROUND CONNECTION <u>NEED CASE TO GROUND</u>	<input checked="" type="checkbox"/> WIRE INSULATION CONDITION	<input type="checkbox"/> LEADS STAPLED TO POLES / POST
<input checked="" type="checkbox"/> GROUND ROD CONNECTION	<input checked="" type="checkbox"/> CONDITION OF PANELS	<input type="checkbox"/> GUY WIRE CONDITIONS
<input checked="" type="checkbox"/> STACK CONDITION	<input type="checkbox"/> OUTLET PROPERLY PROTECTED	
<input type="checkbox"/> GUY DAMAGED	<input checked="" type="checkbox"/> SURGE OR LIGHTNING SUPPRESSOR OK?	

JUNCTION BOX CONDITION (anode distribution) SHUNTS INSTALLED (YES/NO) REBISTORE INSTALLED (YES/NO)

ANODE CURRENT IN AMPERES:

1	2	3	4	5	6	7	8	9	10	11	12	13	14	15	16	17	18	19	20	21	22	23	24	25	26	27	28	29	30	TOTAL GROUNDED OUTPUT AMPS

REMARKS (DESCRIBE ALL MAINT. WORK, ANODE REPAIR, ETC.):  
New Rectifier Installation with new deep well grounded.

RMV VOLTS  
RMV AMPS

Inspected by: \_\_\_\_\_ REPORT DATE: \_\_\_\_\_

CC: AREA FILES: \_\_\_\_\_  
TECH. FILES: \_\_\_\_\_

Work Order Generated: Yes No //

## TOMPKINSVILLE PUBLIC AWARENESS PLAN

### Public Education Requirements in 49 CFR Part 192

The following are the existing regulatory requirements for public education from the pipeline safety regulations.

#### 192.615 Emergency Plans

**192.615(a)(8)** Notifying appropriate fire, police, and other public officials of gas pipeline emergencies and coordinating with them both planned responses and actual responses during an emergency.

**192.615(e)** Each operator shall establish and maintain liaison with appropriate fire, police, and other public officials to:

- (1) Learn the responsibility and resources of each government organization that may respond to a gas pipeline emergency;
- (2) Acquaint the officials with the operator's ability in responding to a gas pipeline emergency;
- (3) Identify the types of gas pipeline emergencies of which the operator notifies the officials; and,
- (4) Plan how the operator and officials can engage in mutual assistance to minimize hazards to life, injury and property.

#### §192.616 Public Education

Each operator shall establish a continuing educational program to enable customers, the public, appropriate government organizations, and persons engaged in excavation related activities to recognize a gas pipeline emergency for the purpose of reporting it to the operator or the appropriate public officials. The program and the media used must be as comprehensive as necessary to reach all areas in which the operator transports gas. The program must be conducted in English and in other languages commonly understood by a significant number and concentration of the non-English speaking population in the operator's area.

The Pipeline Safety Improvement Act of 2002 requires each gas utility and pipeline operator to evaluate the effectiveness of its public awareness programs and make improvements where necessary. Operations and communications experts from the American Petroleum Institute (API), Interstate Natural Gas Association of America (INGAA), American Gas Association (AGA) and American Public Gas Association (APGA) developed API Recommended Practice 1162 to provide guidance for what constitutes an effective public awareness program. The Office of Pipeline Safety (OPS) has indicated that RP 1162 will be the benchmark against which it will compare each operator's public awareness program.

As with any other plan required under the Pipeline Safety Act, it is important that you follow your public awareness plan to the letter.

#### PUBLIC AWARENESS PROGRAM OBJECTIVES

##### *The objectives of this Public Awareness Program are:*

- \* To educate our customers how to recognize the odor of natural gas and how to respond if they detect possible gas odors. Early recognition of a gas odor and proper response can save lives.
- \* To raise the awareness of the affected public and key stakeholders of the presence of buried natural gas pipelines in the communities we serve. A more informed public will also understand that they have a significant role in helping to prevent third-party damage accidents.
- \* To help excavators understand the steps that they can take to prevent third party damage and respond properly if they cause damage to our pipelines.

- \* To help emergency response agencies that may assist Tompkinsville in an emergency and understand the proper actions to take in response to a gas release or emergency.
- \* To educate the public on the symptoms of carbon monoxide poisoning and the appropriate treatment should CO poisoning be suspected.
- \* To educate the public about the protection of gas meters from damage by falling snow or other objects.

### **Public Awareness Policy**

Our goal is to provide safe, reliable gas service to our customers and ensure the safety of those living and working near our gas pipelines. Public awareness is a critical component of our overall safety program. Every employee of Tompkinsville is committed to fulfilling our public awareness responsibilities as described in this Public Awareness Program.

#### **I. Program Administration**

Jason Warren is responsible for the overall conduct of this Public Awareness Program. The Program Administrator is responsible to ensure that:

- Target audiences are identified.
- Message(s) appropriate to each audience are identified.
- Appropriate media are selected to transmit each message to each audience.
- Appropriate message delivery frequencies are identified for each message and audience.
- Messages are delivered as specified in the plan.
- The effectiveness of the program is periodically evaluated. and
- The plan is modified to reflect the findings of the effectiveness evaluation.

In addition to the Program Administrator, the following individuals are responsible for various aspects of the Public Awareness Program:

Jason Warren is responsible to periodically review the performance of the Public Awareness Program and the individuals responsible for its continued effectiveness. The following individuals and groups shall share responsibility for coordinating and communicating needs and suggestions to the operator to ensure continued success.

- A. Utility Management/City Manager
- B. Gas Operator
- C. Experienced Personnel
- D. Engineering
- E. Communication Personnel
- F. News/Media
- G. Law Enforcement
- H. Legal Representatives
- I. Mechanical Contractors
- J. Home builders
- K. Land developers
- L. One-Call Centers

The Program Administrator is responsible to develop and maintain a list of each of these stakeholder audiences.

*Note: API RP 1162 requires that the plan describe the method(s) that will be used to identify stakeholders in each category.*

- The list of our customers will be generated and maintained by Tompkinsville gas operator.
- The list of government and emergency response officials will be obtained by contacting each city and county government in which Tompkinsville operates gas pipelines.

- The names, addresses and telephone numbers of each excavator and each type of excavator will be obtained and maintained. Public Works and street, road and highway departments will be identified by contacting each city and county government in which Tompkinsville operates gas pipelines. *NOTE: Tompkinsville is a member of the ONE-CALL system and the ONE-CALL system develops and maintains this list. Tompkinsville may request from the ONE-CALL office an updated copy of this list.*
- The list of individuals living and working near our pipeline will be developed by matching nine-digit zip code numbers to areas which are crossed by Tompkinsville underground pipelines. Addresses, but not names of individuals, within these zip codes will be listed. *NOTE: If means of contact are used other than direct mail to reach non-customer individuals living and working near pipelines (e.g. newspaper, radio and television), then a list of addresses does not need to be maintained.*

#### 4. Message Type, Content and Frequency

The following messages type and content will be sent to each stakeholder audience via the media listed at the frequency indicated:

**NOTE:** These are the recommended message type, frequency and media from API RP 1162. Each operator should consider each of these in its program. The rationale for any decision to deviate from the recommendations should be documented. ***NOTE: THE USE OF BILL STUFFERS ARE NOT CONSIDERED ADEQUATE FOR COMMUNICATING WITH NON-CUSTOMERS LIVING NEAR YOUR PIPELINES UNLESS YOU ARE AN ELECTRIC AND/OR WATER UTILITY THAT HAS EVERY BUILDING AS A CUSTOMER.***

Stakeholder Audience	Message Type	Frequency	Suggested Delivery method and Media
	<ul style="list-style-type: none"> <li>• Awareness of hazards and prevention measures undertaken</li> <li>• Damage Prevention Awareness</li> <li>• Leak recognition and response</li> <li>• How to get additional information</li> <li>• Other</li> </ul> <p><i>The following message types are not part of API 1162, however some systems have additional messages such as these that they communicate to customers. Include any additional messages here and delete the following if they do not apply</i></p> <ul style="list-style-type: none"> <li>• Carbon Monoxide Safety</li> <li>• Safety Near Gas Meters</li> </ul>	<p><b>Supplemental Frequency:</b></p> <ul style="list-style-type: none"> <li>• Additional frequency and supplemental efforts as determined by specifics of the pipeline segment or environment</li> </ul>	<p><b>Supplemental Activity:</b></p> <ul style="list-style-type: none"> <li>• Targeted Distribution of Print Materials</li> </ul>
<b>4.2 Emergency Officials</b>			
<b>Emergency Officials</b>	<p><b>Baseline Messages:</b></p> <ul style="list-style-type: none"> <li>• Pipeline purpose and reliability</li> <li>• Awareness of hazards and prevention measures undertaken</li> <li>• Emergency Preparedness Communications</li> <li>• How to get additional information</li> <li>• What to do</li> <li>• Who to contact</li> </ul>	<p><b>Baseline Frequency</b> Annual (12 months not to exceed 15 months.)</p> <p><b>Supplemental Frequency:</b></p> <ul style="list-style-type: none"> <li>• Additional frequency and supplemental efforts as determined by the specifics of the pipeline segment or environment</li> </ul>	<p><b>Baseline Activity:</b></p> <ul style="list-style-type: none"> <li>• Print Materials And</li> <li>• Liaisons Meetings (annually)</li> </ul> <p><b>Supplemental Activity:</b></p> <ul style="list-style-type: none"> <li>• Telephone calls</li> <li>• Personal Contact</li> <li>• Videos and CDs</li> </ul>
	<p><b>Supplemental Messages:</b></p> <ul style="list-style-type: none"> <li>• One-Call system performance</li> <li>• Accurate line location information</li> <li>• One-Call system improvements</li> </ul>	<p><b>Supplemental Frequency:</b> As changes in pipeline routes and contact information occur as required by state requirements</p>	<p><b>Supplement Activity:</b></p> <ul style="list-style-type: none"> <li>• Targeted Distribution of Print Materials</li> <li>• Personal Contact</li> <li>• Telephone Calls</li> <li>• Maps (as required)</li> </ul>

## 5. Development of Program Materials

The Program Administrator is responsible for ensuring that materials are developed and acquired for each communication activity listed above. Materials should be pre-tested for clarity, understandability, and retain-ability before they are widely used. The exercise should be performed using a small representative audience, for example, a small sample group of Tompkinsville employees and/or families that are not involved in developing the public awareness program, a small sample section of the intended stakeholder audience and effected groups. Currently the suggested method to be used for contact would be bill stuffers and direct mail (contact), email notices and updates (where email addresses are available), targeted local cable TV and radio ads and educational CDs. See "Media Public Notifications" section in this manual.

The Public Awareness Program will be conducted in English and in other languages commonly understood by a significant number of and concentration of the non-English speaking population in our service area. To determine the languages that should be considered the Program Manager may contact local election boards to determine in what languages voting ballots are required to be provided in the communities we serve. *Informacion puede venir de parte casa consistorial o utilidad (empresa de servicio publica.) Estar a la mira de periodistico notificacion.*

## 6. Program Implementation

The Program Administrator is responsible to ensure that each target audience identified shall receive the appropriate materials through the listed specified methods (e.g. mass mailings, emergency official meetings) at the frequency specified in the preceding table. The Program Administrator should prepare an annual estimate of the resources required to implement the Program and request specific budgeted funds to implement the required notifications and liaisons meeting to achieve successful results.

## 7. Management of Input/Feedback/Comments Received

It is anticipated that the implementation of this public awareness program will generate requests for further information from those in the stakeholder audiences contacted. All inquiries should be directed to the Program Administrator. Program Administrator shall use the offices of; Pipeline Safety, Public Service Commission, any and all Regulator Authorities, and pipeline suppliers for additional public service announcements, educational pamphlet, flyers and on-line site information to educate the public.

Inquiries about the location of pipelines should be directed to the ONE-CALL system or any Damage Prevention Coordinating Councils operating within your state of residence.

## Operator Accountability Statement

As pipeline requirements evolve to secure education and experienced accountability in the natural gas industry, Tompkinsville has ensured compliance of educational Operator Qualification Final Rule and the RP 1162 requirements with a customized Operating and Maintenance Procedures and Emergency Procedures that cross reference each other for a greater understanding of procedures, policies and federal mandates. Tompkinsville has currently addressed in the Tompkinsville Operating and Maintenance/Emergency Procedures all requirements of the RP 1162 as listed in the following sections of the Tompkinsville Operating and Maintenance/Emergency Procedure manual:

Section #128      Public Education/Communications



**NOTE:** These areas are as well represented in the Emergency Procedure manual in detail.

## **8. Residence along pipeline facilities/Natural gas consumers and non-consumers**

Tompkinsville Natural Gas shall establish and deliver all baseline messages to gas consumers and non-gas consumers in its dedicated area base on Federal Standard 192.5 Class Locations.

### **192.5 FEDERAL STANDARD**

192.5 Class locations.(a) This section classifies pipeline locations for purposes of this part. The following criteria apply to classifications under this section.

(1) A "class location unit" is an onshore area that extends 220 yards on either side of the centerline of any continuous 1- mile length of pipeline.

(2) Each separate dwelling unit in a multiple dwelling unit building is counted as a separate building intended for human occupancy.

(b) Except as provided in paragraph (c) of this section, pipeline locations are classified as follows:

(1) A Class 1 location is:

(i) An offshore area; or

(ii) Any class location unit that has 10 or fewer buildings intended for human occupancy.

(2) A Class 2 location is any class location unit that has more than 10 but fewer than 46 buildings intended for human occupancy.

(3) A Class 3 location is:

(i) Any class location unit that has 46 or more buildings intended for human occupancy; or

(ii) An area where the pipeline lies within 100 yards of either a building or a small, well- defined outside area (such as a playground, recreation area, outdoor theater, or other place of public assembly) that is occupied by 20 or more persons on at least 5 days a week for 10 weeks in any 12-month period. (The days and weeks need not be consecutive.)

(4) A Class 4 location is any class location unit where buildings with four or more stories above ground are prevalent.

(c) The length of Class locations 2, 3, and 4 may be adjusted as follows:

(1) A Class 4 location ends 220 yards from the nearest building with four or more stories above ground.

(2) When a cluster of buildings intended for human occupancy requires a Class 2 or 3 location, the class location ends 220 yards from the nearest building in the cluster.

Baseline messages shall be delivered to residence along transmission lines and distribution lines in the Tompkinsville Natural Gas dedicated areas through mass mail-outs. These messages shall address the dangers of natural gas and the emergency response contact telephone numbers as well as additional educational information concerning the dangers and recognition of natural gas and unusual odors. These messages shall be delivered as public service announcements, educational pamphlet, flyers. Currently Tompkinsville Natural Gas is using Public Notification flyers which address local state call before you dig, One-Call system (811 Common Ground Alliance) as well as pipeline marker identification, detection and suspicion of natural gas present. These flyers contain specific education procedures as to safety and emergency contact telephone numbers. These messages are both in English and Spanish based on the latest census at present. All Public Notifications are located in Section of this manual. In the event of major failure, disaster, or subversive and terrorist activity, the local television, radio stations and newspapers shall be contacted in a joint effort of local EMA, utility and city officials and shall issue a Public Broadcast statement to the effect. Section of this manual contains all the television station, radio stations and newspapers in Tompkinsville and surrounding areas. Educational information concerning "Emergency Relief Routes" out of the area can also be accessed at local EMA offices, utility offices and city hall. Section in this manual contains the emergency relief routes and personnel assignment areas. Police, Fire and all emergency first responders shall communicate annually through Public Liaisons Meetings to review and exchange updated phone numbers, radio numbers, pager numbers and assignment information.

Educational material can also be accessed at City Hall as well as the Tompkinsville Natural Gas utility office.

## 9. Program review and audit

Tompkinsville Natural Gas shall conduct a annual review of the Public Awareness Plan to ascertain effectiveness in reaching all natural gas consumers and non-natural gas consumers as well as Public Liaisons Meetings with all first responders. Tompkinsville Operating and Maintenance Procedures shall be made available to address problems with exacting procedures:

### 128 Public Education/Communications

128.1 There shall be a continuing education program to enable customers, the public, appropriate government agencies, and persons engaged in excavation activities to recognize a gas emergency for the purpose of reporting it to Tompkinsville Gas Operator. CFR 49, 192.616

128.2 The following is a minimal list of information to be supplied:

1. Information about gas.
2. Recognition of gas odor.
3. What to do and what not to do when a strong gas odor is detected.
4. Necessity of notifying the Gas Operator prior to excavating or performing excavation-related activities. (Kentucky One-Call System, Inc.)
5. Telephone number to call for information or to report an emergency.

128.3 Information may be conveyed to the public by radio, television, newspaper, meetings, public talks, bill stuffers, mailings, and/or handouts.

128.4 A record of the public education program and related activities shall be maintained by the Manager of the Gas System/Gas Operator.

### 129 Damage Prevention

129.1 Tompkinsville is a member of the Kentucky One-Call System 1-800-752-6007. Anyone considering underground construction is to be encouraged to call for underground utility location at least two (2) working days prior to digging.



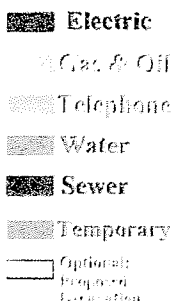
129.2 Tompkinsville Gas Operator shall maintain a continuously updated, list of all persons requesting underground utility location in its service area.

129.3 Tompkinsville Gas Operator shall raise public awareness of the one call system through newspaper, radio and television advertisements, postings at public/government buildings and bill stuffers.

129.4 Underground construction contractors will be routinely reminded of the one call system at pre-construction meetings and in their dealings with Tompkinsville Gas Operator distribution personnel.

129.5 All requests for facility locations, including those generated within Tompkinsville Gas Operator shall be directed to the Kentucky One Call System to ensure consistency in service and record keeping. Parties requesting locations may contact the Tompkinsville Gas Operator to check the status of their request.

129.6 Kentucky One Call System tells the locate requestor which utility companies will be notified and suggests that if there are any other known utilities in the area, those companies should be contacted directly. Kentucky One Call System further informs the caller of the date the locate is to be completed and assigns the requesting caller a number which can be used to verify the request and check the status of location work.



129.7 Gas piping locations are to be indicated by yellow paint and or wooden stakes and approved flags marked "Gas". Any offset used in marking to preserve the markings shall be duly noted on the ground or stake. Water and underground electric lines are to be similarly marked using blue and red.

129.8 If there is reason to believe proposed underground construction will damage the pipeline, the locator is to notify the operator or appropriate gas personnel in which the work is proposed. A gas distribution representative will contact and coordinate with the excavator to ensure the integrity of the pipeline through adequate inspection of work.

129.9 A team of utility companies, excavators, locators, contractors, etc. have for the purpose of damage prevention and improving communications between all members of the excavating community. This is done to provide a forum of concerned professionals to have a joint effort in developing a plan to protect life and property for the people of Kentucky.

Tompkinsville Natural Gas currently partners with the Kentucky-One-Call System as well as utilization of benefits from the Damaged Prevention Coordinating Council of Kentucky. Tompkinsville Natural Gas Damage Prevention Program includes the following:

① Identification on a daily basis of person(s) engaged in excavating activities in the area of pipeline facilities of Tompkinsville Natural Gas. These excavation activities shall include but not be restrict to the following: (a) Digging, (b) boring, (c) blasting, (d) and earth movement.

② Notification of the public in the area of the excavating activities as well as the notification of person(s) performing the excavating activities shall be on a basis as often as necessary to inform such groups of the damage prevention program. That information shall include the following:

- a. The programs existence and purpose.
- b. Identify locations of piping prior to any excavations.
- c. Means of receiving and recording notifications of planned work.
- d. Locations of the operator's pipeline shall be communicated to person(s) perform the excavating activities.
- e. Temporary locations of marking of pipeline facilities.
- f. Investigation of pipelines that may be damaged by excavating activities.
- g. Inspections shall be carried out before and after excavations to verify the integrity of the pipeline facility.
- h. Blasting shall be followed with a patrol and a leak survey of all areas affected by the seismic effect of blasting.
- i. All piping requiring repair or support to ensure continued integrity of the pipeline facility shall be initiated according to the feasibility and severity of the current condition of the pipeline facility.

### **130 Liaison with Public Officials**

130.1 Annual liaison shall be maintained with the appropriate fire and police organizations and the Emergency Management Agency with respect to gas emergency procedures. The purpose of such liaison shall be to acquaint the appropriate governmental agencies with Tompkinsville's ability to respond to a gas system emergency and to discuss the responsibilities of each agency that may respond to a gas emergency.

130.2 Gas emergency training sessions, emphasizing proper procedures to follow in a gas emergency, may be scheduled with fire and police organizations or performed in Safety Meeting sessions as required. Operator qualification training and evaluations are the standard at which emergency training is conducted annually.

130.3 Liaison with the Emergency Management Agency will be coordinated by the Gas Operator as part of the "Tompkinsville Emergency Response Plan."

130.4 Liaison with local fire and police agencies will be coordinated by the Gas Operator.

130.5 Records of meetings or training sessions held with governmental agencies for the purpose of gas emergency

response shall be kept on file addressing safety related training and available for state regulatory inspectors.

#### **10. Program effectiveness evaluation**

Tompkinsville Natural Gas shall send out a mass mail-out for public education and notification based on the following:

- \* Residence living along transmission ROW (Interval 2 years)
- \* Residence living along distribution ROW (Interval 1 year)
- \* Public Officials (Interval 1 year)
- \* Excavators/Contractors/Third parties (Interval 1 year)
- \* Stakeholders (Interval 1 year)

**NOTE:** See tables below for schedules and audience participation.

With each mail-out, Tompkinsville Natural Gas shall enclose an evaluation card for the audience participant to evaluate the program, offer suggestions for greater effectiveness in the educational process. 100% participation shall be strived for. Returns shall thoroughly be reviewed and counted to assess audience participation. Addresses on evaluation returns shall be strategically identified and mapped for future areas for pinpointing greater efforts in reaching the audience. See Section for "Evaluation Cards."

**TABLE 2-1  
Public Awareness Communications for  
Hazardous Liquids and Natural Gas Transmission Pipeline Operators**

Stakeholder Audience	Message Type	Delivery Frequency	Delivery Method and/or Media
<b>2-1.1 Affected Public</b>			
<b>Residents located along transmission pipeline ROW</b>  <b>and</b>  <b>Areas of Assembly</b>	<b>Baseline Messages:</b> <ul style="list-style-type: none"> <li>• Pipeline purpose and reliability</li> <li>• Awareness of hazards and prevention measures undertaken</li> <li>• Damage Prevention Awareness</li> <li>• One-Call Requirements</li> <li>• Leak Recognition and Response</li> <li>• Pipeline Location Information</li> <li>• How to get additional information</li> <li>• Availability of list of pipeline operators through NPMS</li> </ul>	<b>Baseline Frequency</b> 2 years	<b>Baseline Activity:</b> <ul style="list-style-type: none"> <li>• Targeted Distribution of Print Materials, AND</li> <li>• Pipeline markers</li> </ul>
	<b>Supplemental Message:</b> <ul style="list-style-type: none"> <li>• Information and/or overview of operators Integrity Management Plan</li> <li>• ROW encroachment prevention</li> <li>• Any planned major maintenance construction activity</li> </ul>	<b>Supplemental Frequency:</b> Additional frequency and supplemental efforts as determined by specifics of the pipeline segment or environment	<b>Supplemental Activity:</b> <ul style="list-style-type: none"> <li>• Print Materials</li> <li>• Personal Contact</li> <li>• Telephone Calls</li> <li>• Group Meetings</li> <li>• Open Houses</li> </ul>
<b>Residents near storage or other major operational facilities</b>	<b>Supplemental Message:</b> <ul style="list-style-type: none"> <li>• Information and/or overview of operator's Integrity Management Plan</li> <li>• Special incident response notification and/or evacuation measures <i>if</i> appropriate to product or facility</li> <li>• Facility purpose</li> </ul>	<b>Supplemental Frequency:</b> Additional frequency and supplemental efforts as determined by specifics of the pipeline segment or environment	<b>Supplemental Activity:</b> <ul style="list-style-type: none"> <li>• Print Materials</li> <li>• Personal Contact</li> <li>• Telephone Calls</li> <li>• Group Meetings</li> <li>• Open Houses</li> </ul>

**TABLE 2-1.2  
RP 1162 Program Recommendations**

<b>2-1.2 Emergency Officials</b>			
<b>Emergency Officials</b>	<b>Baseline Messages:</b> <ul style="list-style-type: none"> <li>• Pipeline purpose and reliability</li> <li>• Awareness of hazards and prevention measures undertaken</li> <li>• Emergency Preparedness Communications</li> <li>• Potential Hazards</li> <li>• Pipeline Location Information and availability of NPMS</li> <li>• How to get additional information</li> </ul>	<b>Baseline Frequency</b> Annual (12 months not to exceed 15 months.)	<b>Baseline Activity:</b> <ul style="list-style-type: none"> <li>• Personal Contact (generally preferred) OR</li> <li>• Targeted Distribution of Print Materials OR</li> <li>• Group Meetings OR</li> <li>• Telephone calls with Targeted Distribution of Print Materials</li> </ul>
	<b>Supplemental Message:</b> <ul style="list-style-type: none"> <li>• Provide information and/or overview of Integrity measures undertaken</li> <li>• Maintenance construction activity</li> </ul>	<b>Supplemental Frequency:</b> Additional frequency and supplemental efforts as determined by specifics of the pipeline segment or environment	<b>Supplemental Activity:</b> <ul style="list-style-type: none"> <li>• Emergency Tabletop. Deployment Exercises</li> <li>• Facility Tour</li> <li>• Open House</li> </ul>
<b>2-1.3 Local Public Officials</b>			
<b>Public Officials</b>	<b>Baseline Messages:</b> <ul style="list-style-type: none"> <li>• Pipeline purpose and reliability</li> <li>• Awareness of hazards and prevention measures undertaken</li> <li>• Emergency preparedness Communications</li> <li>• One Call requirements</li> <li>• Pipeline Location Info and availability of NPMS</li> <li>• How to get additional information</li> </ul>	<b>Baseline Frequency</b> 3 years	<b>Baseline Activity:</b> <ul style="list-style-type: none"> <li>• Targeted Distribution of Print Materials</li> </ul>
	<b>Supplemental Message:</b> <ul style="list-style-type: none"> <li>• If applicable, provide information about designation of HCA (or other factors unique to segment) and summary of integrity measures undertaken</li> <li>• ROW encroachment prevention</li> <li>• Maintenance Construction activity</li> </ul>	<b>Supplemental Frequency:</b> <ul style="list-style-type: none"> <li>• If in HCA, then annual contact to appropriate public safety officials</li> <li>• Otherwise, as appropriate to level of activity or upon request</li> </ul>	<b>Supplemental Activity:</b> <ul style="list-style-type: none"> <li>• Personal Contact</li> <li>• Telephone Calls</li> <li>• Videos and CDs</li> </ul>

**TABLE 2-1.4  
RP 1162 Program Recommendations**

<b>2-1.4 Excavators</b>			
<b>Excavators/ Contractors</b>	<b>Baseline Messages:</b> <ul style="list-style-type: none"> <li>• Pipeline purpose and reliability</li> <li>• Awareness of hazards and prevention measures undertaken</li> <li>• Damage Prevention Awareness</li> <li>• One-call Requirements</li> <li>• Leak Recognition and Response</li> <li>• How to get additional information</li> </ul>	<b>Baseline Frequency</b> Annual (12 months not to exceed 15 months.)	<b>Baseline Activity:</b> <ul style="list-style-type: none"> <li>• Targeted Distribution of Print Materials</li> <li>• One-Call Center Outreach</li> </ul> AND <ul style="list-style-type: none"> <li>• Pipeline Markers</li> </ul>
	<b>Supplemental Message:</b> Pipeline purpose, prevention measures and reliability	<b>Supplemental Frequency:</b> Additional frequency and supplemental efforts as determined by specifics of the pipeline segment or environment	<b>Supplemental Activity:</b> <ul style="list-style-type: none"> <li>• Personal Contact</li> <li>• Group Meetings</li> </ul>
<b>Land Developers</b>	<b>Supplemental Messages:</b> <ul style="list-style-type: none"> <li>• Pipeline purpose and reliability</li> <li>• Awareness of hazards and prevention measures undertaken</li> <li>• Damage Prevention Awareness</li> <li>• One Call requirements</li> <li>• Leak Recognition and Response</li> <li>• ROW Encroachment Prevention</li> <li>• Availability of list of pipeline operators through NPMS</li> </ul>	<b>Supplemental Frequency:</b> Frequency as determined by specifics of the pipeline segment or environment	<b>Supplemental Activity:</b> <ul style="list-style-type: none"> <li>• Targeted Distribution of Print Materials</li> <li>• Pipeline Markers</li> <li>• Personal Contact</li> <li>• Group Meetings</li> <li>• Telephone Calls</li> </ul>
<b>One-Call Centers</b>	<ul style="list-style-type: none"> <li>• Pipeline location information</li> <li>• Other requirements of the applicable One-Call Center</li> </ul>	<ul style="list-style-type: none"> <li>• Requirements of the applicable One-Call Center</li> </ul>	<b>Baseline Activity:</b> <ul style="list-style-type: none"> <li>• Membership in Appropriate One-Call Center</li> <li>• Requirements of the Applicable One-Call Center</li> <li>• Maps (as required)</li> </ul>
	<b>Supplemental Messages:</b> <ul style="list-style-type: none"> <li>• One-Call system performance</li> <li>• Accurate line location information</li> <li>• One-Call system improvements</li> </ul>	<b>Supplemental Frequency:</b> As changes in pipeline routes or contact information occur or as required by state requirements	<b>Supplement Activity:</b> <ul style="list-style-type: none"> <li>• Targeted Distribution of Print Materials</li> <li>• Personal Contact</li> <li>• Telephone Calls</li> </ul>

**TABLE 2-2  
Public Awareness Communications for  
Local Natural Gas Distribution (LDC) Companies**

Stakeholder Audience	Message Type	Suggested Frequency	Suggested Delivery Method and/or Media
<b>2-1.1 Affected Public</b>			
<b>Residents along the Distribution System</b>	<b>Baseline Messages:</b> <ul style="list-style-type: none"> <li>• Pipeline purpose and reliability</li> <li>• Awareness of hazards and prevention measures undertaken</li> <li>• Damage Prevention Awareness</li> <li>• Leak Recognition and Response</li> <li>• How to get additional information</li> </ul>	<b>Baseline Frequency</b> Annual (12 months not to exceed 15 months.)	<b>Baseline Activity:</b> <ul style="list-style-type: none"> <li>• Public Service Announcements. OR</li> <li>• Paid Advertising OR</li> <li>• Bill Stuffers (for combination electric &amp; gas companies)</li> </ul>
		<b>Supplemental Frequency:</b> <ul style="list-style-type: none"> <li>• Additional frequency and supplemental efforts as determined by specifics of the pipeline segment or environment</li> </ul>	<b>Supplemental Activity:</b> <ul style="list-style-type: none"> <li>• Targeted Distribution of Print Materials</li> <li>• Newspaper and Magazines</li> <li>• Community Events or</li> <li>• Community Neighborhood Newsletters</li> </ul>
<b>LDC Customers</b>	<b>Baseline Messages:</b> <ul style="list-style-type: none"> <li>• Pipeline purpose and reliability</li> <li>• Awareness of hazards and prevention measures undertaken</li> <li>• Damage Prevention Awareness</li> <li>• Leak Recognition and Response</li> <li>• How to get additional information</li> </ul>	<b>Baseline Frequency</b> Bio-annually	<b>Baseline Activity:</b> <ul style="list-style-type: none"> <li>• Bill stuffers</li> </ul>
		<b>Supplemental Frequency:</b> <ul style="list-style-type: none"> <li>• Additional frequency and supplemental efforts as determined by specifics of the pipeline segment or environment</li> </ul>	<b>Supplemental Activity:</b> <ul style="list-style-type: none"> <li>• Targeted Distribution of Print Materials</li> </ul>



**TABLE 2-2.1  
RP 1162 Program Recommendations**

<b>2-2.2 Emergency Officials</b>			
<b>Emergency Officials</b>	<b>Baseline Messages:</b> <ul style="list-style-type: none"> <li>• Pipeline purpose and reliability</li> <li>• Awareness of hazards and prevention measures undertaken</li> <li>• Emergency Preparedness Communications</li> <li>• How to get additional information</li> </ul>	<b>Baseline Frequency</b> Annual (12 months not to exceed 15 months )	<b>Baseline Activity:</b> <ul style="list-style-type: none"> <li>• Print Materials</li> <li>OR</li> <li>• Group Meetings</li> </ul>
		<b>Supplemental Frequency:</b> Additional frequency and supplemental efforts as determined by specifics of the pipeline segment or environment	<b>Supplemental Activity:</b> <ul style="list-style-type: none"> <li>• Telephone calls</li> <li>• Personal Contact</li> <li>• Videos &amp; CDs</li> </ul>
<b>2 - 2.3 Local Public Officials</b>			
<b>Public Officials</b>	<b>Baseline Messages:</b> <ul style="list-style-type: none"> <li>• Pipeline purpose and reliability</li> <li>• Awareness of hazards and prevention measures undertaken</li> <li>• Emergency Preparedness Communications</li> <li>• How to get additional information</li> </ul>	<b>Baseline Frequency</b> 3 years	<b>Baseline Activity:</b> <ul style="list-style-type: none"> <li>• Targeted Distribution of Print Materials</li> </ul>
		<b>Supplemental Frequency:</b> Additional frequency and supplemental efforts as determined by specifics of the pipeline segment or environment	<b>Supplement Activity:</b> <ul style="list-style-type: none"> <li>• Group Meetings</li> <li>• Telephone Calls</li> <li>• Personal Contact</li> </ul>
<b>2-2.4 Excavators</b>			
<b>Excavators / Contractors</b>	<b>Baseline Messages:</b> <ul style="list-style-type: none"> <li>• Pipeline purpose and reliability</li> <li>• Awareness of hazards and prevention measures undertaken</li> <li>• Leak Recognition and Response</li> <li>• One Call requirements</li> <li>• How to get additional information</li> </ul>	<b>Baseline Frequency</b> Annual (12 months not to exceed 15 months.)	<b>Baseline Activity:</b> <ul style="list-style-type: none"> <li>• One-Call Center Outreach</li> <li>OR</li> <li>• Group Meetings</li> </ul>
		<b>Supplemental Frequency:</b> Additional frequency and supplemental efforts as determined by specifics of the pipeline segment or environment	<b>Supplemental Activity:</b> <ul style="list-style-type: none"> <li>• Personal Contact</li> <li>• Videos &amp; CDs</li> <li>• Open Houses</li> </ul>

**TABLE 2-3  
RP 1162 Program Recommendations**

Stakeholder Audience	Message Type	Suggested Frequency	Suggested Delivery Method and/or Media
One-Call Centers	<ul style="list-style-type: none"> <li>• Pipeline location information</li> <li>• Other requirements of the applicable One-Call Center</li> </ul>	<ul style="list-style-type: none"> <li>• Requirements of the applicable One-Call Center</li> </ul>	<b>Baseline Activity:</b> <ul style="list-style-type: none"> <li>• Membership in Appropriate One-Call Center</li> <li>• Requirements of the Applicable One-Call Center</li> <li>• Maps (as required)</li> </ul>
	<b>Supplemental Messages:</b> <ul style="list-style-type: none"> <li>• One-Call system performance</li> <li>• Accurate line location information</li> <li>• One-Call system improvements</li> </ul>	<b>Supplemental Frequency:</b> As changes in pipeline routes or contact information occur or as required by state requirements	<b>Supplement Activity:</b> <ul style="list-style-type: none"> <li>• Targeted Distribution of Print Materials</li> <li>• Personal Contact</li> <li>• Telephone Calls</li> <li>• Maps (as required)</li> </ul>

**TABLE 2-3.1  
RP 1162 Program Recommendations**

Stakeholder Audience	Message Type	Delivery Frequency	Delivery Method and/or Media
<b>2 - 3.1 Affected Public</b>			
<b>Residents, and Areas of Assembly within area of potential impact</b>	<b>Baseline Messages:</b> <ul style="list-style-type: none"> <li>• Gathering pipeline purpose</li> <li>• Awareness of hazards</li> <li>• Prevention measures taken</li> <li>• Damage Prevention Awareness</li> <li>• One Call requirements</li> <li>• Leak Recognition and Response</li> <li>• How to get additional information</li> </ul>	<b>Baseline Frequency</b> 2 years	<b>Baseline Activity:</b> <ul style="list-style-type: none"> <li>• Targeted Distribution of Print Materials</li> <li>• Personal Contact</li> </ul>
	<b>Supplemental Messages:</b> <ul style="list-style-type: none"> <li>• Planned maintenance construction activity</li> <li>• Special emergency procedures if sour gas or other segment specific reason</li> </ul>	<b>Supplemental Frequency:</b> <ul style="list-style-type: none"> <li>• Annually for sour gas gathering lines</li> <li>• Additional frequency as determined by specifics of the pipeline segment or environment</li> </ul>	<b>Supplemental Activity:</b> may include: <ul style="list-style-type: none"> <li>• Pipeline Markers</li> <li>• Print Materials</li> <li>• Personal Contact</li> <li>• Telephone Calls</li> <li>• Group Meetings</li> <li>• Mass Media</li> <li>• Other Activities described in Section 5</li> </ul>
<b>2 -3.2 Emergency Officials</b>			
<b>Emergency Officials</b>	<b>Baseline Messages:</b> <ul style="list-style-type: none"> <li>• Gathering pipeline location and purpose</li> <li>• Awareness of hazards</li> <li>• Prevention measures undertaken</li> <li>• Emergency Preparedness Communications, Company contact and response information</li> <li>• Specific description of products transported and any potential special hazards</li> <li>• How to get additional information</li> </ul>	<b>Baseline Frequency</b> Annual	<b>Baseline Activity:</b> <ul style="list-style-type: none"> <li>• Personal Contact (generally preferred) OR</li> <li>• Targeted Distribution of Print Materials OR</li> <li>• Group Meetings OR</li> <li>• Telephone Calls with Targeted Distribution of Print Materials</li> </ul>
	<b>Supplemental Messages:</b> <ul style="list-style-type: none"> <li>• Planned maintenance construction activity</li> <li>• Special emergency procedures if sour gas or other segment specific reason.</li> </ul>		<b>Supplemental Activity:</b> <ul style="list-style-type: none"> <li>• Emergency Tabletop Deployment Exercises</li> <li>• Facility Tour</li> <li>• Open House</li> </ul>

**TABLE 2-2.3  
RP 1162 Program Recommendations**

Stakeholder Audience	Message Type	Delivery Frequency	Delivery Method and/or Media
<b>2-3.3 Local Public Officials</b>			
<b>Public Officials</b>	<b>Baseline Messages:</b> <ul style="list-style-type: none"> <li>• General location and purpose of gathering pipeline</li> <li>• Awareness of hazards</li> <li>• Prevention measures undertaken</li> <li>• Copies of materials provided to Affected Public and Emergency Officials</li> <li>• Company Contacts</li> <li>• How to get additional information</li> </ul>	<b>Baseline Frequency</b> 3 years	<b>Baseline Activity:</b> <ul style="list-style-type: none"> <li>• Targeted Distribution of Print Materials</li> </ul>
	<b>Supplemental Messages:</b> <ul style="list-style-type: none"> <li>• ROW encroachment prevention</li> <li>• Maintenance Construction Activity</li> <li>• Special emergency procedures if sour gas or other segment specific reasons</li> </ul>	<b>Supplemental Frequency:</b> <ul style="list-style-type: none"> <li>• If in HCA, then more frequent or annual contact with appropriate public safety officials</li> <li>• Otherwise as appropriate to level of activity or upon request</li> </ul>	<b>Supplemental Activity:</b> <ul style="list-style-type: none"> <li>• Personal Contact</li> <li>• Telephone Calls</li> <li>• Videos and CDs</li> </ul>
<b>2 -3.4 Excavators</b>			
<b>Excavators / Contractors</b>	<b>Baseline Messages:</b> <ul style="list-style-type: none"> <li>• General location and purpose of gathering pipeline</li> <li>• Awareness of hazards</li> <li>• Prevention measures undertaken</li> <li>• Damage Prevention Awareness</li> <li>• One Call requirements</li> <li>• Leak Recognition and Response</li> <li>• How to get additional information</li> </ul>	<b>Baseline Frequency</b> Annual	<b>Baseline Activity:</b> <ul style="list-style-type: none"> <li>• Targeted Distribution of Print Materials</li> <li>• One-Call Center Outreach</li> <li>• AND</li> <li>• Pipeline Markers</li> </ul>
	<b>Supplemental Messages:</b> <ul style="list-style-type: none"> <li>• General location and purpose of gathering pipeline</li> <li>• Awareness of hazards</li> <li>• Prevention measures undertaken</li> <li>• Damage Prevention Awareness</li> </ul>	<b>Supplemental Frequency:</b> Frequency as determined by specifics of the pipeline segment or environment	<b>Supplemental Activity:</b> <ul style="list-style-type: none"> <li>• Personal Contact</li> <li>• Group Meetings</li> <li>• One-Call center Outreach</li> <li>• Mass Media</li> </ul>
<b>Land Developers</b>			<b>Supplemental Activity:</b> <ul style="list-style-type: none"> <li>• Targeted Distribution of Print Materials</li> <li>• Personal Contact</li> <li>• Group Meetings</li> <li>• Telephone Calls</li> </ul>

**TABLE 2-4  
RP 1162 Program Recommendations**

Stakeholder Audience	Message Type	Suggested Frequency	Suggested Delivery Method and/or Media
One-Call Centers	<ul style="list-style-type: none"> <li>• Pipeline location information</li> <li>• Other requirements of the applicable One-Call Center</li> </ul>	<ul style="list-style-type: none"> <li>• Requirements of the applicable One-Call Center</li> </ul>	<b>Baseline Activity:</b> <ul style="list-style-type: none"> <li>• Membership in Appropriate One-Call Center</li> <li>• Requirements of the Applicable One-Call Center</li> <li>• Maps (as required)</li> </ul>
	<b>Supplemental Messages:</b> <ul style="list-style-type: none"> <li>• One-Call system performance</li> <li>• Accurate line location information</li> <li>• One-Call system improvements</li> </ul>	<b>Supplemental Frequency:</b> As changes in pipeline routes or contact information occur or as required by state requirements	<b>Supplement Activity:</b> <ul style="list-style-type: none"> <li>• Targeted Distribution of Print Materials</li> <li>• Personal Contact</li> <li>• Telephone Calls</li> <li>• Maps (as required)</li> </ul>

## PUBLIC AWARENESS PLAN EDUCATION OF THE DISASTER PLAN

The purpose of the Emergency Response Plan is to ensure an overall effective and well-organized response to any disaster or major system incident which would severely limit or interrupt service to electric, gas, and/or water customers. The primary objective of this plan is to protect the public and the Operator's facilities and to minimize customer inconvenience due to loss of service. Scheduled meetings (liaisons meetings, planned neighborhood meetings, contractor meetings, qualifying meetings, etc.) shall be used to communicate and promote public awareness to all stakeholders with concern to all issues addressed in the RP 1162 as well as the review and involvement of those stakeholders in the area of education of any and all potential disasters and correct response and reaction to those disasters. Education of the public of such plans may aid in a successful response to a disaster. Response to disasters in the past have been ill prepared for as well as incorrectly responded too. Federal mandates and requirements of such responses leave little explanation of coordination and team work during actual disasters. Due to potential legal actions against federal agency requirements, the federal administrators often issue meager attempts at guides to address required actions to create operator plans. After customization of these plans the plans are often reviewed by the inspectors to ensure compliance of establish protocols for such plans and recommendations may be issued. To successfully have a Public Awareness Plan and address all legal accountability issues, the plan must address all actual and imagined disasters and/or incidents/accidents that may arise. The operator must be prepared for all potentials. Each plan should address Homeland Security issues as well. As stated in the House Resolution (HR) 3609 *The Pipeline Infrastructure Protection to Enhance Security and Safety Act*, introduced December 2001, finalizing pipeline safety legislation. Revisions were approved by both House and Senate. The bill HR 3609 created and was amended and entitled, Pipeline Safety Improvement Act of 2002 (Act). It was signed by President Bush December 17, 2002. The Act contains numerous provisions that tighten federal inspection and safety requirements for natural gas or hazardous liquids pipeline facilities. *Pipeline Security Information Circular and Pipeline Security Contingency Planning Guidance*, was developed by RSPA in conjunction with major industry groups, when evaluating operators' security plans. Hazardous liquid pipelines will be evaluated according to the American Petroleum Institute's "Guidelines for Developing and Implementing Security Plans for Petroleum Pipelines." Natural gas transmission and distribution pipelines, including liquefied natural gas facilities, will be evaluated according to the "Security Guidelines: Natural Gas Industry, Transmission and Distribution," developed by the American Gas Association and the Interstate Natural Gas Association of America. For operators that do not belong to a trade association, RSPA/OPS will provide the appropriate industry consensus security guidance documents upon request.

***Protection of Operator's Security-Related Information:*** RSPA/OPS recognizes that operators have concerns about the ability to protect operator security related information from disclosure. RSPA/OPS will withhold any security related information in their possession if it is sought under FOIA, as long as it is either: (1) commercial information that if released would likely cause an operator substantial competitive harm; or (2) related directly to the security of an operator's pipeline facilities.

### **Follow-Up Action:**

- \* An operator's process for conducting vulnerability assessments (if needed) of its critical facilities;
- \* cyber security methods for protecting its computer systems that are essential for the safe operation of the pipeline;
- \* ***procedures for training employees, including contractors, to respond appropriately during a security incident;***
- \* procedures explaining how an operator would receive threat notification (physical attack, cyber attack, etc) and how it would disseminate this information to its employees, contractors, FBI, RSPA/OPS or other appropriate public officials;
- \* ***a process for controlling access to its facilities for both individuals and vehicles; (e.g. badging, visitor screening, vehicle searches);***
- \* ***coordination with existing response plans, as necessary; how an operator would expedite restoration of service with minimal disruption (e.g. establishing a spare parts inventory, procedures for rerouting product to other lines);***
- \* how the security plan conforms to the guidance developed by pipeline industry trade associations;
- \* ***procedures, for conducting background checks on employees and/or contractors.***

**NOTE:** The contracting company shall be expected to participate and adhere to all security related issues within the gas operator's facilities at all times. Contractors shall be held accountable for their employees at all times while engage in performance of work in and around a secure area. Contractor personnel may be ask to report unusual activity and or damage to the gas operator's facility.

**NOTE:** This information is provide for the education of participant who are and wish to be involved in public awareness education of utilities and their facilities. Security and legal accountability issues must be exercised during educational exchanges with the public and stakeholders. Information handed out or exchanged must not be security sensitive. If an operator meets all the requirements to need a Pipeline Security Contingency Plan, then that plan must not be part of any issued material to the public and/or stakeholders.

Inquiries may be addressed through the follow agency:

**Associate Administrator for Pipeline Safety  
Room 7128  
Research and Special Programs Administration  
United States Department of Transportation  
400 Seventh Street, S. W.  
Washington, DC 20590**

**e-mail address:** [pipeline.security@rspa.dot.gov](mailto:pipeline.security@rspa.dot.gov)

The plans that comprise the Emergency Response Plan are intended to serve as a general guideline to help establish lines of communications in the event of a disaster or major system incident. With these lines of communication established and periodic testing of the Plan, it is hoped that the objectives can be met.

The Emergency Response Plan is comprised of separate plans. Each plan calls for convening a group of experts, or Crisis Teams, to respond and coordinate all efforts pertaining to any situation where communication and control of an incident would be improved by implementing the plan. These teams will be the focal points through which outside aid will be requested from and coordinated with local, state, and federal emergency management agencies. These teams and their responsibilities are:

**EXECUTIVE CRISIS TEAM** - Direction of overall response effort of , the Operator and coordinate with City and County Emergency Management Agency and other agencies when required.

**SYSTEMS CRISIS TEAMS** - Direction of overall response effort for restoration of service in the electric, gas, and/or water systems. System Crisis Teams are responsible for coordination between Operation Centers and appropriate Dispatch Centers.

**TELECOMMUNICATIONS CRISIS TEAM** - Direction of response effort for restoration of any failure in communications systems which would limit control of dispatching services and monitoring capabilities of electric, gas, and/or water systems, or severely impair normal business activities.

**CORPORATE CRISIS TEAM** - Coordinating all efforts aimed at returning all business activities to normal activity, so as the day to day cash flow and information processes can be resumed as soon as possible.

**FACILITIES AND SECURITY CRISIS TEAMS** - Coordination of all support efforts during any restoration effort. These efforts may relate to safety and security of the Operator's employees and facilities, repairs . needed to put damaged facilities back into service, the procurement and assignment of all vehicles and equipment required and the emergency purchase of supplies and material needed.

**CORPORATE COMMUNICATION SERVICES** - Coordination and release of all information to the news media for release to the general public.

**OPERATIONS SUPPORT SYSTEMS** - Coordination of all efforts in the restoration of the EMS, SCADA and/or Communication systems to the Operator's end-users.

### **ACTIVATION GUIDELINES**

The Emergency Response Plan is designed to be modular in nature such that anyone or combination of plans can be activated when needed. Conditions that would warrant activation of the Plan include:

1. A natural disaster or major system incident has occurred.
2. One or more systems is threatened by ground movement or impending weather extremes.
3. Any circumstance where communication and control of an incident would be improved by implementing the plan.

The electric, gas, and water system plans have certain guidelines or "triggers" which call for a Key Group to assemble, assess a situation and make a recommendation to the Operator whether to declare a system emergency and activate the Plan. The declaration of a system emergency shall be made by the Operator. In the absence of the Operator, the declaration shall be made by the next in command. The Emergency Response Plan or any component therein may then be activated.

### **CRISIS MANAGEMENT TEAMS**

Each component of the Emergency Response Plan defines who comprise the members of each Crisis Team and who the Team Leader will be. Each Plan has a call list of "primary" and "alternate" contact(s) to be notified when the Plan is activated. These teams shall coordinate the various functions which will constitute the overall response by the Operator to any natural disaster or occurrence of any major system(s) incident.

### **COMMAND CENTER**

Each component of the plan defines a primary and alternate *Command Center*. Each Plan also lists the resources required to be at each site. In some cases the items on these lists may be duplicated. However, where joint use can be made of some of the items, only one of those items will be stored at each site or storeroom.

Each Command Center site requires certain modifications/reassessment before it can be activated.

### **RESPONSE/REPAIR/RESTORATION**

Whenever the Emergency Response Plan is implemented in its entirety or in part, prioritization of system response and repair restoration efforts shall be carried out as outlined in each of the respective Response (Electric, Gas, Water, etc.) Plans.

To assist in service restoration and damage assessment, the Operator should have in place an agreement with an outside service. This service will provide assessment of damaged facilities to facilitate restoration efforts. Once assessment is done, the service can provide transportation for "key personnel" in the event ground transportation is ineffective.

### **OUTSIDE ASSISTANCE**

The Operator shall have in place a Mutual Assistance Agreement with outside utilities, contractors and sub-contractors who will make available manpower, material, and equipment to aid in the restoration of service and facilities. Specific utilities and contractors are listed in the Emergency Call List.

### **PURPOSE OF PLAN**

The purpose of the Gas System Emergency Response Plan is to insure an effective, professional, and well-organized



response to a natural disaster or major gas system incident. The primary objectives of the plan are to protect the public safety and to minimize customer inconvenience due to gas service interruption. Specifically, the plan addresses the following areas:

1. Guidelines for activating the Gas System Emergency Response Plan.
2. The organization and responsibilities of the Crisis Team to direct the overall response to the emergency.
3. Guidelines for establishing a Command Center including the location and resources required.
4. Guidelines for general employee responsibilities during the emergency.
5. The master plan for emergency response, repair, and restoration of the gas system.

#### **ACTIVATION GUIDELINES**

The Gas System Emergency Response Plan may be activated as detailed below whenever any of the following conditions exist:

1. Natural disaster such as earthquake, tornado, flood, etc.
2. Predicted heating degree day of 55 or more
3. Unscheduled loss of a gate station
4. Any event defined as an "emergency" in *Section 121.1* of the Operating & Maintenance Procedure Manual.
5. Supply and/or capacity shortage
6. Civil disturbance.

The occurrence or prediction of any of the above listed incidents shall require the Gas System Operator to notify all affected personnel of the situation.

Emergency Response Plan Resources Team. This group shall meet and perform a preliminary assessment of the situation and recommend to the Operator whether to declare a system emergency. In the absence of the Operator the next in command shall make the emergency declaration.

This group will also assess whether full activation of the Gas Crisis team is required. If the Crisis Team needs activation, the Operator shall notify personnel using the emergency call list and instruct them to report to the Command Center where "primary" and "alternate" contacts are listed, start with the "primary" contact(s) and, if that person is not available, continue to the "alternate" contact until one is reached.

Please refer to the "Operating and Maintenance Procedure Manual" for instructions on responding to other, more isolated emergencies on the gas system and gas outage/low pressure situations.

#### **GAS CRISIS TEAM**

Whenever the Gas System Emergency Response Plan is activated, the following Crisis Team shall be assembled at the Command Center:

##### **TEAM LEADER**

System Operator  
Alternate Operator

##### **TEAM MEMBERS**

Supervisor, Gas/Water Systems Operation  
Supervisor, Gas Distribution Engineering  
Supervisor, Customer Service  
Chief Communications Officer

#### **TEAM RESPONSIBILITIES**

As the Team Leader, the Operator is responsible for heading the Gas Crisis Team and for directing the overall response to the emergency. In his absence the Alternate Operator shall lead the team. If neither are available, then the

Operator shall assign a member of the Key Group to head the team. Each of the other team members shall be responsible to advise the Team Leader on the activities within their normal functional responsibilities and expertise, and to direct these activities as assigned by the Team Leader.

## COMMAND CENTER

### LOCATION OF CENTER

The Emergency Response Command Center shall be located at the Operations Facility or dispatchers office, if this building is functional and not extensively damaged. If the Operations Facility is damaged and not functional, the Command Center shall be located in an assigned Command Post location predesignated within the system. Employees in these areas will be instructed to report to the alternate location by their supervision, if necessary. Resources such as telephones, radios, and necessary emergency communication equipment shall be relocated there or reassigned to such location.

### RESOURCES FOR COMMAND CENTER

The following resources should be considered to be kept at Operator's Command Center:

Quantity	Item Description
1	AC powered cable ready television
1	Battery/ AC powered AM/FM radio
1	Battery/ AC powered hand held tape recorder
1	Battery/AC powered NOAA weather radio
1	Base Station Radio
1	System Maps
2	Hand-held flashlights
2	Telephones
1	Remote Telemetry Transmitter
1	Lap Top Computer/System Information
1	Facsimile terminal

### RECORDS IN COMMAND CENTER

The following records shall be kept at the Operator's Command Center:

1. Gas main block maps (hard copy)
2. Map of City Gas System
3. Map of County Gas System
4. Meter Reading street index maps
5. Copy of the operator's Emergency Procedures
6. Copy of the operator's Operating and Maintenance Procedures
7. Copies of the Emergency Call
8. Copy of Telephone Directory (White and Yellow pages).

**NOTE:** During the emergency, the following information will be recorded and retained:

1. Date, time, location, and description of significant events.
2. Names and locations of employees and outside/contract employees involved.
3. Names of outside/contract employees assigned to emergency, the time they were assigned, and the time they completed their assignment.
4. A description of all work done and material used.
5. A description of any follow-up work required at later date.

## **MAINTENANCE OF RECORDS/RESOURCES**

All records kept in the Operations Facility shall be updated through normal company procedure. The Operator of the System shall be responsible for ensuring that all Command Center records and resources are present and up to date prior to an emergency.

## **EMPLOYEE RESPONSIBILITIES**

When an emergency involving a natural disaster occurs during normal work hours, employees will be allowed time, when requested or if necessary, to check on their families and homes as soon as practical following the incident. Employees are expected to report back to work as quickly as possible, as the Operator must respond promptly to protect the safety and well-being of the community.

When an emergency involving a natural disaster occurs during off-hours, only employees involved in initial response and restoration efforts (On call/Watch employees) should report to the Operator after ensuring the safety of their families and homes.

All employees shall report to their normal work locations unless otherwise specified or directed by their supervision or the Gas Crisis Team.

## **RESPONSE/REPAIR/RESTORATION PHILOSOPHY**

Whenever the Gas System Emergency Response Plan is implemented, the Operator shall observe the following categorical in prioritizing the gas system response, repair and restoration efforts:

1. Response to potential dangers to public (explosions, fires, gas inside buildings, blowing gas, preventing explosions/fires)
2. Response to explosions/fires
3. Damage assessment (requiring immediate repair)
4. Shut-down
5. Repairs (short-term)
6. Restoration of service
7. Assessment of damage/system checks (for less obvious problems)
8. Repairs (long-term)

### **Response To Potential Dangers**

The first priority will be preventing gas explosions/fires by responding to reports of large volumes of gas inside buildings or blowing gas. Top priority will be given to high-occupancy buildings which are impractical to evacuate (hospitals, nursing homes, etc.) and densely populated areas. Individual residences and businesses shall be instructed to take precautions to prevent gas explosion/fire (eliminate ignition sources, evacuate, ventilate, etc.) until we can respond.

### **Response To Explosions/Fires**

Emphasis will be placed upon preventing explosion/fire in surrounding structures and lessening damage at the incident site by isolating the problem.

### **Damage Assessment (Immediate Repair)**

Emphasis will be placed upon determining areas of major damage and problems requiring immediate repair. A

"preliminary" damage assessment will be made by the key group assembled as a result of a triggering incident. (See: Activation Guidelines.) The key group will make a "preliminary" assessment of the situation and determine if a system emergency should be declared and recommend activation of the Plan and Gas Crisis Teams or evaluate if standard procedures are sufficient.

Gate and district regulator stations, transmission lines, major distribution lines and LNG facilities should be inspected at this time as well. Particular emphasis should be placed on any cast iron system if they exist. Aerial assessment may be the best method to inspect outlying areas. Arrangements should be made ahead of time for aerial service from well outside the affected area due to possible damage to airport/landing facilities.

If the Emergency Response Plan is activated along with the Gas Crisis Team, then the Gas Crisis Team should conduct the first full scale assessment of damages. After completion of the assessment, the Gas Crisis Team should plan the first efforts of the restoration process and communicate it to Operations facilities/dispatchers for dispersal internally and externally. If the emergency lasts several days, an assessment will be conducted each day at approximately midnight after the preceding day's work has been performed and reported. This assessment will determine present status and what the next day's strategy will be. Upon completion of that day's assessment, a strategy will be communicated in time to the work force for implementation and for communication to the media. This information should be ready to communicate by 4:00 AM.

#### **Shut-Down of Systems**

If necessary for the public safety, segments of the gas system may require shut-down. These segments should be limited to what is necessary to insure public safety to expedite the restoration process and minimize customer inconvenience. Any shut-down will be directed by the Gas System Operator, except in cases of dire emergency. In these cases shut-down must be reported to the Gas System Operator as soon as practical.

#### **Repair (Short- Term)**

Emphasis will be placed upon making necessary repairs to the gas system in order to restore service as quickly as possible. To accomplish this, it may be necessary to make temporary repairs in some situations. Top priority will be given to hospitals, nursing homes, schools and facilities critical to the emergency response/disaster recovery effort. Repairs involving the installation or replacement of mains or services will be directed by the Gas Operator. Proper records of all repairs will be kept, with emphasis on areas requiring follow-up work for permanent repair. If necessary, construction crews may need assistance from contractor crews and/or crews from other gas companies. Arrangements for outside assistance should be made ahead of time (see Outside Assistance).

#### **Restoration Of Service**

Gas service will not be restored to an area until it is safe to do so. That is, necessary repairs to the system have been made and all affected service lines have been isolated at the meter. Top priority will be given to hospitals, nursing homes, and facilities critical to the emergency response/disaster recovery effort. If necessary, all available personnel not qualified for natural gas work shall be trained and qualified under the Operator's Gas Operator Qualification Training and Evaluating Program and trained to perform relights and assist the Operator Qualified Customer Service in the restoration process. Arrangements should be made ahead of time for additional outside assistance from contractors and/or other gas companies in the event they are needed (see: Outside Assistance). Meter Readers should be used to assist outside or unfamiliar persons in locating gas meters.

#### **Damage Assessment/System Checks**

Emphasis will be placed upon checking the system for minor leaks, less obvious problems, and determining the overall integrity of the system. The first priority will be the more densely populated areas (downtown, medical center, business districts, etc.). The next priority will be the cast iron system. Leak survey will be the primary means of performing this assessment. If necessary, personnel may need assistance from outside leak survey contractors or personnel from other gas companies. Arrangements for outside assistance should be made ahead of time (see: Outside Assistance).

#### **Repair (Long-Term)**

This will involve repair work of two types. One type is the permanent repair in areas that were temporarily repaired. The second type is the repair of problems discovered in the damage assessment process.

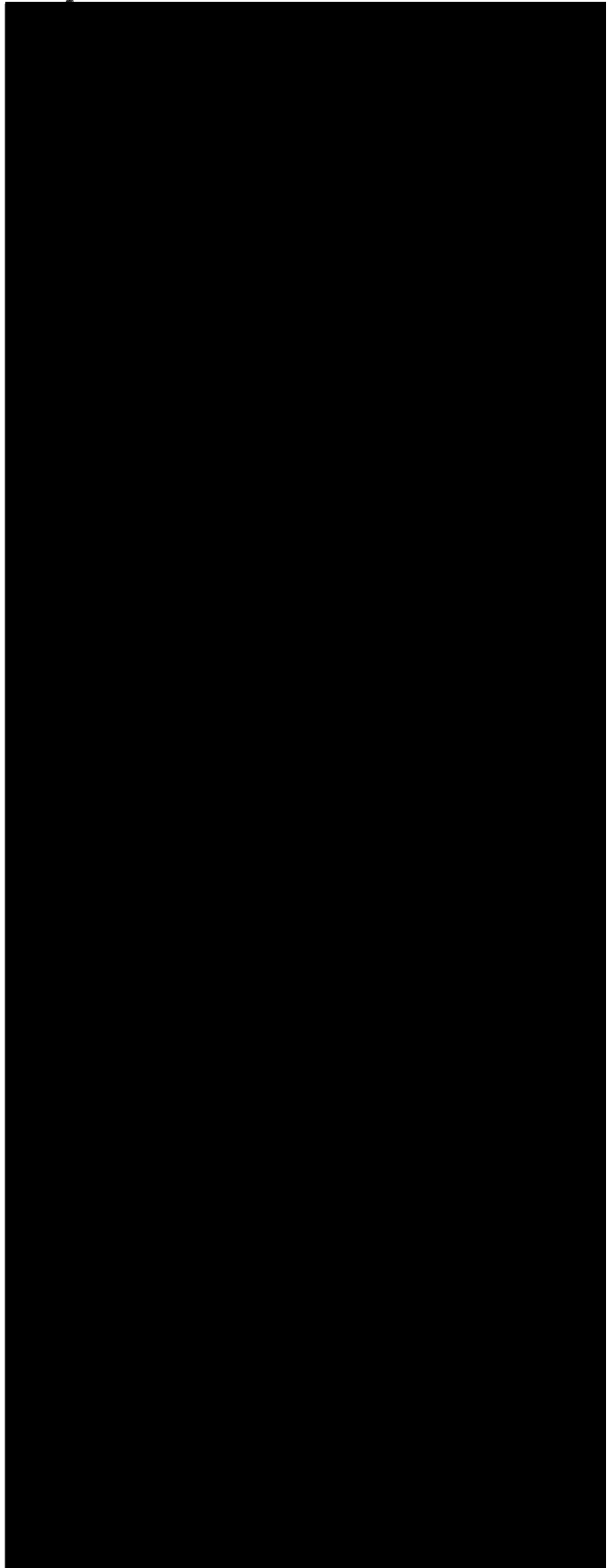
**ASSESSMENT CHECK LIST (INVESTIGATIVE)**

Preliminary Assessment	Time	Remarks		
Number of reported customer outages?				
Are outages localized/widespread?				
How many gas sites are blowing?				
Where are these sites?				
Have gas crews been dispatched to blowing sites?				
How many gas related fire/explosions?				
How many gas related injuries/deaths?				
How many gas related property damages?				
Is this reportable to the Regulatory Authority?				
Is gas available from the supplier?				
What is the forecasted weather?				
Are gas facilities under threat war/civil unrest?				
How widespread is the crisis (local/state/national?)				
Is information coming in from the public?				
Should a Gas Emergency be declared?				
Should the Gas Crisis Team be activated?				
Name			Date	

ASSESSMENT CHECK LIST (ACTION TAKEN)			
Preliminary Assessment		Time	Remarks
How many transmission line are damaged?			
Number of damaged gate stations? Location?			
Number of damaged odorizer stations?			
Number of damaged regulator stations?			
Number of Cast Iron piping damaged?			
Number of over-pressure occurrences?			
Crews/personnel available? Contractor(s)?			
What is communications status (radio/phone?)			
What is communication status SCADA?			
What is transportation status (bridges/roads?)			
Has service been restored to critical facilities?			
What other utilities have been affected?			
What other Gas Crisis Teams have been activated?			
What is status of stores/material?			
What material concerns are there if any?			
Is aerial services available/needed?			
Has EMA activated their EOC?			
Has EMA activated any emergency shelters?			
Has Mutual Assistance Agreement been evoked?			
Can outside assistance get into critical areas?			
Has outside help been issued copy of call list?			
Has in-house personnel been re-assigned?			
Does outside help need food/shelter? Logistics?			
Has law enforcement been updated (crisis?)			
Has fire officials been updated (crisis?)			
Has news media been updated (crisis?)			
Name		Date	

# Chamber Members 2013

Business Name	Address	Town	Telephone	Email
AAA Outdoors Bow Shop	105 N. Main St.	Tompkinsville, KY		
Anderson Forest Products	1267 Old Edmonton Rd.	Tompkinsville, KY		
Apace Packaging	12954 Fountain Rn Rd	Fountain Run, KY		
Barren County Business Supply	201 Lincoln Rd.	Glasgow, KY		
Becky's Boutique & Youth Fashions	329 N. Main St.	Tompkinsville, KY		
Big South Realty	124 E. Main St.	Gamaliel, KY		
Birdwell One-Hour Heat & Air	832 Henson Rd.	Red Boiling Springs, TN		
Bluegrass Cellular	241 SL Rogers Wells Blvd.	Glasgow, Ky.		
Bruton's Hardware Supply	215 W. 3rd St.	Tompkinsville, KY		
Burroughs, Cynthia DMD	101 W. 4th St.	Tompkinsville, KY		
Carter, Dr. Anthony	604 N. Main St.	Tompkinsville, KY		
Carter, Dr. Michael	P. O. Box 277	Tompkinsville, KY		
Carter, Nick Attorney	P. O. Box 155	Tompkinsville, KY		
City of Gamaliel	340 Main St.	Gamaliel, KY		
City of Tompkinsville	206 N. Magnolia St.	Tompkinsville, KY		
Clarkson, Norman/Susan		Tompkinsville, KY		
Community Outreach	P. O. Box 548	Tompkinsville, KY		
Companion Care Services	803 E. Main St.	Scottsville, KY		
Crabtree, Dr. Gregory DMD	103 E. 2nd St.	Tompkinsville, KY		
Craig, Larry		Tompkinsville, KY		
Davis, A. Thomas, Atty.	P. O. Box 427	Tompkinsville, KY		
Doug's Stove & Storage	7754 Celina Rd.	Tompkinsville, KY		
Eakle-Hume, Dr. Kimberly	MD 102 Rhodes St.	Gamaliel, KY		
Edmonton State Bank	P. O. 638	Tompkinsville, KY		
Electronics & More	1240 Columbia Ave.	Tompkinsville, KY		
Friends of Old Mulkey	38 Old Mulkey Park Rd.	Tompkinsville, KY		
Gamaliel Elementary Sch.	320 Main St.	Gamaliel, KY		
Gamaliel Shooting Supply	P. O. Box 240	Gamaliel, KY		
Gillie Hyde of Tompkinsville	1645 Edmonton Rd.	Tompkinsville, KY		
Grandview Market	1155 N. Main St.	Tompkinsville, KY		
Grateful Head Hair Salon	24 Executive Dr. Suite F	Tompkinsville, KY		
Greer, Dr. Rebecca	42 Executive Dr.	Tompkinsville, KY		
Groomingdale's Pet Salon	226 Butler Rd.	Gamaliel, KY		
Hagan & Stone Whsl.	P. O. Box 158	Tompkinsville, KY		
William B. Harlan Memorial Library	500 W. 4th St.	Tompkinsville, KY		
Joe Harrison Carter Elem. School	3888 Edmonton Rd.	Tompkinsville, KY		
Harrison Pharmacy	606 N. Main St.	Tompkinsville, KY		
Frank Keeton Aircasters, Inc.	341 Radio Station Rd.	Tompkinsville, KY		
Hume, Dr. Timothy	710 N. Main	Tompkinsville, KY		
Keele, Alan		Tompkinsville, KY		
King Home Care	1104 N. Main St.	Tompkinsville, KY		
KY Farm Bureau Ins.	P. O. Box 205	Tompkinsville, KY		
LaDonna Pare & Co. Decorating	P. O. Box 67	Gamaliel, KY		
La Tia Mexican Restaurant	956 N. Magnolia St.	Tompkinsville, KY		
Little Lulu Burgers&Burritos	521 N. Main St.	Tompkinsville, KY		
Living Well Health Care	200 N. Crawford St.	Tompkinsville, KY		
Lyon Lumber	700 4 <sup>th</sup> St. Blvd.	Tompkinsville, KY		
McAlpin, Dr. Gordon	110 N. Main St.	Tompkinsville, KY		
Missionaire International	661 Lyons Chapel Rd.	Tompkinsville, KY		
Monroe County ATC	757 Old Mulkey Rd.	Tompkinsville, KY		
Monroe County Brd. Of Ed.	309 Emberton St.	Tompkinsville, KY		
MonroeCountyCitizenNews	201 N. Main St.	Tompkinsville, KY		
Monroe County Extension Office	1194 Columbia St.	Tompkinsville, KY		
Monroe County Health Dept.	452 E. 4 <sup>th</sup> St.	Tompkinsville, KY		
MonroeCountyHistorical and Genealogical Society		Tompkinsville, KY		
Monroe County Medical Center	529 Capp Harlan Rd.	Tompkinsville, KY		
Monroe County Press	105 N. Main St.	Tompkinsville, KY		
Monroe Health & Rehab	706 N. Magnolia	Tompkinsville, KY		
Moore, Reed N. Jr. Attorney	109 E. 2nd St.	Tompkinsville, KY		
New 2 You Consignment	106 W. 3 <sup>rd</sup> St.	Tompkinsville, KY		
Old Mulkey State Historic Site	38 Old Mulkey Park Rd.	Tompkinsville, KY		
Osgatharp, Wayne		Tompkinsville, KY		
Page, Melissa		Tompkinsville, KY		
Palace Comm Resource Care	309 Main St.	Red Boiling Springs, TN		



Parrigin, Dr. Sue WKU	2355 Nashville Rd.	Bowling Green, KY
Payne Farm Retreat	8818 Glasgow Rd.	Mt. Hermon, KY
Pitcock, Mae		Mt. Hermon, KY
Pizza Hut	1228 N. Main St.	Tompkinsville, KY
Price Less Foods	704 N. Main St.	Tompkinsville, KY
Proffitt Real Estate	P. O. Box 365	Tompkinsville, KY
Southern Ivy Decorating	612 Celina Rd.	Tompkinsville, KY
Ross, Birge & Stephens, Dr.s	OD 22 Executive Dr.	Tompkinsville, KY
Rowland, Bart	P. O. Box 336	Tompkinsville, KY
<u>Rowland Insurance Agency</u>	P. O. Box 398	Tompkinsville, KY
Roy Anderson Lumber	P.O.Box 275	Tompkinsville, KY
<u>Service One Credit Union</u>	P. O. Box 51770	Bowling Green, KY
<u>South Central Bank</u>	P. O. Box 307	Tompkinsville, KY
<u>Southern KY Hardwood Flooring</u>	111 Holland St.	Gamaliel, KY
Spear, Linda & Reggie		Tompkinsville, KY
<u>Stephens Manufacturing</u>	P. O. Box 488	Tompkinsville, KY
Stephens, Wes County Atty	215 N. Main St.	Tompkinsville, KY
<u>Strode Funeral Home</u>	204 Columbia Ave.	Tompkinsville, KY
<u>TDS Disposal, LLC</u>	776 Terry Olde Road	Red Boiling Springs, T
<u>Tompkinsville Auto Salvage</u>	P. O. Box 308	Tompkinsville, KY
<u>Tompkinsville Aviation, LC</u>	661 Lyons Chapel Rd.	Tompkinsville, KY
<u>Tompkinsville Inn</u>	1500 Edmonton Rd.	Tompkinsville, KY
<u>Tompkinsville Insurance Agency</u>	910 N. Main St.	Tompkinsville, KY
Tompkinsville Sav-A-Lot	311 S. Main	Tompkinsville, KY
Travis Oil Ready Mix	P. O. Box 187	Tompkinsville, KY
<u>Tri-County Electric</u>	P. O. Box 40	Lafayette, TN
Turner, Brenda		Tompkinsville, KY
Turner Performance Auto.	1656 Early Burks Rd.	Tompkinsville, KY
<u>U. S. Bank</u>	701 N. Main St.	Tompkinsville, KY
United Way of Southern KY	1110 College St.	Bowling Green, KY
Vann Homecare of Tompkinsville	801 N. Main St.	Tompkinsville, KY
White, Saralu		Tompkinsville, KY
Willett, County Judge Tommy		Tompkinsville, KY
<u>Wilson Real Estate &amp; Auction</u>	1001 N. Main St.	Tompkinsville, KY
WTKY – Kix Country Radio	341 Radio Station Rd.	Tompkinsville, KY



Tompkinsville Water & Gas Dept

Account List

Service Type WT WATER  
 Rate All Rates  
 Billing Cycle All Billing Cycles  
 Customer Type All Customer Types  
 Sort By Account Number  
 Account Number Range All Accounts  
 Account Name Range All Accounts  
 Date In Range All Dates  
 Account Group Range All Account Groups

Print Social Security Numbers   
 Print Billing Address   
 Print Service Address   
 Print ERT Numbers   
 Include Customers With No Services   
 Print Report In Portrait Mode   
 Print Email Address   
 Report will be printed on a wide carriage printer   
 Print Account Balance   
 Include  Credit  Zero  Positive  
 Account Status  Begin  New  Active  Pending  Final  Bad Debt  All Inactives  Last Inactive

Name	Group	Cycle	Status	Type	CR	Route	Billing Address	Phone #	Meter #
Monroe Co Water District,		01	Active	E	171R002	205 Capp Harlan Rd	Tompkinsville, KY 42167-1838		
Monroe Co Water Dist,		01	Active	E		N Magnolia St	Tompkinsville, KY 42167		
Monroe Co Water Dist,		01	Active	E	171R002	205 Capp Harlan Rd	Tompkinsville, KY 42167-1838		
Monroe Co Water District,		01	Active	E	171R002	205 Capp Harlan Rd	Tompkinsville, KY 42167-1838		
Monroe Co Water District,		01	Active	E	171R002	205 Capp Harlan Rd	Tompkinsville, KY 42167-1838		
Ballard, Tammy		01	Active	R	171B008	PO Box 805	Tompkinsville, KY 42167-0805		
Short, Tacy		01	Active	R		P.O. Box 593	Tompkinsville, KY 42167		
Turner, Janice		01	Active	R	171B006	PO Box 585	Tompkinsville, KY 42167-0585		
Roddy, Donald		01	Active	R	171R005	41 Old Glasgow Rd	Tompkinsville, KY 42167-6900		
Kenneths Place,		01	Active	C	009R002	4558 Austin Tracy Rd	Austin, KY 42123-9741		
Sheffield, Lola		01	Active	R	171R004	53 Carl Benson Rd	Tompkinsville, KY 42167-9003		
Pennington, William		01	Active	R	R005	901 4th St Blvd	Tompkinsville, KY 42167		
Geralds, Vivian		01	Active	R	171R005	821 Deckard Blvd	Tompkinsville, KY 42167-9152		
senberg, Dennis		01	Active	R	171R005	811 4th Street Blvd	Tompkinsville, KY 42167-1357		
Tompkinsville Printing,		01	Active	C	171R005	715 4th Street Blvd	Tompkinsville, KY 42167-1356		
Froedge Machine & S Co,		01	Active	C	171R003	317 Radio Station Rd	Tompkinsville, KY 42167-8572		
Turner, Christine		01	Active	R	171R005	106 Castle Heights Rd	Tompkinsville, KY 42167-1358		
Crowe, Carolyn		01	Active	R	171B004	PO Box 374	Tompkinsville, KY 42167-0374		
Sherfey, Marcus		01	Active	R	171R005	108 Castle Heights Rd	Tompkinsville, KY 42167-1358		
Piercy, Shirley		01	Active	R		110 Castle Heights	Tompkinsville, KY 42167		
Richards, Dennis		01	Active	R	171R005	111 Castle Heights Rd	Tompkinsville, KY 42167-1358		
Massingille, Frank		01	Active	R	171B001	PO Box 26	Tompkinsville, KY 42167-0026		
Threet, David		01	Active	R	171R005	118 Castle Heights Rd	Tompkinsville, KY 42167-1358		
Ford, Jeff		01	Active	R	171B006	PO Box 652	Tompkinsville, KY 42167-0652		
Nuckols, Julie		01	Active	R	171R005	117 Castle Heights Rd	Tompkinsville, KY 42167-1358		
Emberton, Eagle		01	Active	R	171R005	120 Castle Heights Rd	Tompkinsville, KY 42167-1358		
Strode, Sam D		01	Active	R	171R005	126 Castle Heights Rd	Tompkinsville, KY 42167-1358		
Sewell, Jackie		01	Active	R	171R005	130 Castle Heights Rd	Tompkinsville, KY 42167-1358		

Account #	Name	Group	Cycle	Status	Type	CR Route	Billing Address	Phone #	Meter #
	Baxter, Tammy		01	Active	R	171R005	133 Castle Heights Rd	Tompkinsville, KY 42167-1358	
	Richardson, Ricky		01	Active	R	171R005	134 Castle Heights Rd	Tompkinsville, KY 42167-1358	
	Wilson, Ladonna		01	Active	R	171R005	184 Castle Heights Rd	Tompkinsville, KY 42167-1358	
	Ford, Tim		01	Active	R	171B001	Po Box 52	Tompkinsville, KY 42167-0052	
	Alley, Willie		01	Active	R	171R005	709 Emberton St	Tompkinsville, KY 42167-1359	
	Kingery, Mitchell		01	Active	R	171R005	711 Emberton St	Tompkinsville, KY 42167-1359	
	Geralds, Terry		01	Active	R		710 Emberton St	Tompkinsville, KY 42167	
	Williams, Billy Joe		01	Active	R	171C002	409 Lake St	Tompkinsville, KY 42167-1335	
	Ford, Kim		01	Active	R	171R005	708 Emberton St	Tompkinsville, KY 42167-1359	
	Vibbert, Floyd		01	Active	R	171R005	704 Emberton St	Tompkinsville, KY 42167-1359	
	Hagan, James D		01	Active	R	171R005	610 W 6th St	Tompkinsville, KY 42167-1340	
	Turner, Bobby		01	Active	R	171R005	612 W 6th St	Tompkinsville, KY 42167-1340	
	Spurlock, David & Linda		01	Active	R	171R005	614 W 6th St	Tompkinsville, KY 42167-1340	
	Key, Robert		01	Active	R	171C002	617 Emberton St	Tompkinsville, KY 42167-1333	
	Huff, Christie		01	Active	R	171C002	616 Emberton St	Tompkinsville, KY 42167-1334	
	Tyree, Jesse D		01	Active	R	171C002	614 Emberton St	Tompkinsville, KY 42167-1334	
	Bryant, Joe		01	Active	R	171C002	613 Emberton St	Tompkinsville, KY 42167-1333	
	Copass, Delores Jean		01	Active	R	171C002	612 Emberton St	Tompkinsville, KY 42167-1334	
	Bryant, Jeremy		01	Active	R	171C002	611 Emberton St	Tompkinsville, KY 42167-1333	
	Richardson, Missy		01	Active	C	171C002	601 Emberton St	Tompkinsville, KY 42167-1333	
	Emmert, Kenny		01	Active	R	171C002	503 Emberton St	Tompkinsville, KY 42167-1331	
	Brown, Larry		01	Active	R	171B006	Po Box 565	Tompkinsville, KY 42167-0565	
	Hoffman, Buddy		01	Active	R	171C002	406 Emberton St	Tompkinsville, KY 42167-1320	
	Proffitt, Ancil		01	Active	R	171C002	404 Emberton St	Tompkinsville, KY 42167-1320	
	Tennessee Nashville Mission,		01	Active	R		105 W Park Drive #190	Brentwood, TN 37027	
	Roudebush, Christina		01	Active	R	171C002	416 W 4th St Apt F	Tompkinsville, KY 42167-1429	
	Tooley, Joe L		01	Beginning	R		416 W 4th St Apt K	Tompkinsville, KY 42167	
	Howard, Barry		01	Beginning	R	171C002	416 W 4th St Apt J	Tompkinsville, KY 42167-1429	
	Ford, Johnny Mac		01	Active	R	171C002	414 W 4th St	Tompkinsville, KY 42167-1406	
	Mayfield, Mrs C M		01	Active	R	171C002	412 W 4th St	Tompkinsville, KY 42167-1406	
	Deckard, Mabel		01	Active	R	171C002	410 W 4th St	Tompkinsville, KY 42167-1406	
	Proffitt, Wm H		01	Active	R	171B004	Po Box 365	Tompkinsville, KY 42167-0365	
	Jewell, Amy		01	Active	R	171C002	404 W 4th St	Tompkinsville, KY 42167-1406	
	Stone, Loretta		01	Active	R	171C002	402 W 4th St	Tompkinsville, KY 42167-1406	
	Monroe Co Bd Adult Ed,		01	Active	R	171C002	309 Emberton St	Tompkinsville, KY 42167-1431	
	Monroe Co Bd of Ed Supt,		01	Active	R	171C002	309 Emberton St	Tompkinsville, KY 42167-1431	
	W B Harlan Library,		01	Active	R	171C002	500 W 4th Street St	Tompkinsville, KY 42167-1304	
	Williams, Kacey		01	Active	R		502 W 4th St	Tompkinsville, KY 42167	
	McMillian, Heather		01	Beginning	R		505 W 4th St	Tompkinsville, KY 42167	
	Old Tville Baptist Church,		01	Active	R	171R005	108 Castle Heights Rd	Tompkinsville, KY 42167-1358	
	Yokley, Nelda		01	Active	C	171B005	Po Box 519	Tompkinsville, KY 42167-0519	
	Blythe, Rhonda		01	Active	R	171C002	509 W 4th St	Tompkinsville, KY 42167-1407	

Account #	Name	Group	Cycle Status	Type	CR Route	Billing Address	Phone #	Meter #
	Bentry, Naomi		01 Active	R	171R005	1496 Chandler Rd	Tompkinsville, KY 42167-7058	
	Yokley, Nelda		01 Active	R	171B005	Po Box 519	Tompkinsville, KY 42167-0519	
	Yokley, Nelda Jean		01 Active	R	171B005	Po Box 519	Tompkinsville, KY 42167-0519	
	Yokley, Nelda		01 Active	R	171B005	Po Box 519	Tompkinsville, KY 42167-0519	
	Yokley, Nelda		01 Active	R	171B005	Po Box 519	Tompkinsville, KY 42167-0519	
	Rumble, Lenora L		01 Active	R	171C002	403 4th Street Blvd	Tompkinsville, KY 42167-1301	
	Kentucky Homeplace,		01 Active	C	193C004	750 Morton Blvd	Hazard, KY 41701-9469	
	Bentrys Service & Repair Centr,		01 Active	C	171C002	404 4th Street Blvd	Tompkinsville, KY 42167-1302	
	Bentry Srv & Repair Centr,		01 Active	C	171C002	404 4th Street Blvd	Tompkinsville, KY 42167-1302	
	McGeorge, Joseph & Shelia		01 Active	R	171B008	PO Box 834	Tompkinsville, KY 42167-0834	
	Taylor, Jeff & Kathy		01 Active	R	171C002	407 4th Street Blvd	Tompkinsville, KY 42167-1301	
	Bartley, Sandle		01 Active	R	165R006	618 Lear Rd	Portland, TN 37148-4417	
	Hale, John & Amy		01 Active	R	171C002	505 4th Street Blvd	Tompkinsville, KY 42167-1303	
	Monday, Jimmy		01 Active	R	171C002	507 4th Street Blvd	Tompkinsville, KY 42167-1303	
	Jackson, Llsa		01 Active	R	171B003	PO Box 243	Tompkinsville, KY 42167-0243	
	Norman, Shelia		01 Active	R	171C002	603 4th Street Blvd	Tompkinsville, KY 42167-1305	
	Kendall, Mark		01 Active	R	171B003	PO Box 283	Tompkinsville, KY 42167-0283	
	Emmert, Dale & Mary		01 Active	R	171B004	PO Box 304	Tompkinsville, KY 42167-0304	
	Turner, Doug		01 Active	R	171R003	36 Old Edmonton Rd	Tompkinsville, KY 42167-7448	
	Crowe, Kenneth		01 Active	R	171B005	Po Box 494	Tompkinsville, KY 42167-0494	
	Lyons Lumber Co,		01 Active	C	171R005	700 4th Street Blvd	Tompkinsville, KY 42167-1300	
	Gearlds, Lonnie & Tammy		01 Active	R	171R005	604 4th Street Blvd	Tompkinsville, KY 42167-1306	
	Botts, Chastity		01 Active	R	171R005	600 4th Street Blvd	Tompkinsville, KY 42167-1306	
	D & S Car & Truck Repair,		01 Active	C	171R003	36 Old Edmonton Rd	Tompkinsville, KY 42167-7448	
	Bartley, Dale		01 Active	R	171C002	504 4th Street Blvd	Tompkinsville, KY 42167-1304	
	4th St Laundry,		01 Active	C	171R001	4452 Gamaliel Rd	Tompkinsville, KY 42167-7744	
	Jones, Carol		01 Active	R	171C002	616 W 5th St	Tompkinsville, KY 42167-1314	
	Jackson, George		01 Active	R	171C002	613 W 5th St	Tompkinsville, KY 42167-1313	
	Vergara, Alfredo		01 Active	R	171C002	611 W 5th St	Tompkinsville, KY 42167-1313	
	Reeves, Luke		01 Active	R	171C002	611 1/2 W 5th St	Tompkinsville, KY 42167-1313	
	Newton, Parrish		01 Active	R	171C002	614 W 5th St	Tompkinsville, KY 42167-1314	
	Maxey, Sheronda		01 Active	R	171C002	603 W 5th St	Tompkinsville, KY 42167-1313	
	Brown, Ashley		01 Active	R	171C002	608 W 5th St	Tompkinsville, KY 42167-1314	
	Hamilton, John		01 Active	R	171C002	601 W 5th St	Tompkinsville, KY 42167-1313	
	Jackson, Betty		01 Active	R	097C023	3155 Collier St	Indianapolis, IN 46221-2311	
	Brown, Lindsey		01 Active	R		3899 Edmonton Rd	Tompkinsville, KY 42167-9407	
	Isenberg, Jennifer		01 Active	R	171C002	502 W 5th St	Tompkinsville, KY 42167-1312	
	Hale, Willena		01 Active	R	171B007	PO Box 667	Tompkinsville, KY 42167-0667	
	Davis, Norma		01 Active	R	171C002	501 W 5th St	Tompkinsville, KY 42167-1311	
	Ray, Andy & Kristen		01 Active	R	171C002	500 W 5th St	Tompkinsville, KY 42167-1312	
	Morris, Patricia		01 Active	R	171C002	412 W 5th St	Tompkinsville, KY 42167-1310	
	Hagan, Paul		01 Active	R	171C002	413 W 5th St	Tompkinsville, KY 42167-1309	

Account #	Name	Group	Cycle	Status	Type	CR Route	Billing Address	Phone #	Meter #
	Thompson, Earl		01	Active	R	171C002	413 1/2 W 5th St		Tompkinsville, KY 42167-1309
	Warren, Lisa		01	Active	R	171B001	PO Box 55		Tompkinsville, KY 42167-0055
	Gibson, Matthew		01	Active	R	171C002	411 W 5th St		Tompkinsville, KY 42167-1309
	Smith, Anita		01	Active	R	171C002	408 W 5th St		Tompkinsville, KY 42167-1310
	Shelat, Varsha		01	Active	R	171C002	406 W 5th St		Tompkinsville, KY 42167-1310
	Lynn, Janell		01	Active	R	171C002	404 W 5th St		Tompkinsville, KY 42167-1310
	Harian, Maxie		01	Active	R	171C002	402 W 5th St		Tompkinsville, KY 42167-1310
	Williams, Billy Joe		01	Active	R	171C002	409 Lake St		Tompkinsville, KY 42167-1335
	Hawks, Debbie Emberton		01	Active	R	171C002	501 Lake St		Tompkinsville, KY 42167-1325
	Coley, James		01	Active	R		2190 Old Temple Hill Rd		Tompkinsville, KY 42167
	Mcintyre, Betty		01	Active	R	171B009	Po Box 1001		Tompkinsville, KY 42167-2001
	Moore, Lecta		01	Active	R	171C002	600 Lake St		Tompkinsville, KY 42167-1328
	Torres, Maximino		01	Active	R	171C002	402 W 6th St		Tompkinsville, KY 42167-1316
	Poland, Lelia		01	Active	R	171B007	PO Box 773		Tompkinsville, KY 42167-0773
	Geralds, Truman		01	Active	R	171C002	607 Lake St		Tompkinsville, KY 42167-1327
	Houchens, Melvin		01	Active	R	171C002	609 Lake St		Tompkinsville, KY 42167-1327
	Garmon, Mrs J R		01	Active	R	171C002	611 Lake St		Tompkinsville, KY 42167-1327
	Muse, Elaine		01	Active	R	171C002	618 Lake St		Tompkinsville, KY 42167-1328
	Isenberg, Ulysses		01	Active	R	171C002	608 Lake St		Tompkinsville, KY 42167-1328
	Gentry, Evelyn		01	Active	R	171C002	610 Lake St		Tompkinsville, KY 42167-1328
	Mcperson, Roger		01	Active	R	171B007	Po Box 718		Tompkinsville, KY 42167-0718
	Buck, Theresa		01	Active	R	171C002	604 Lake St		Tompkinsville, KY 42167-1328
	Garmon, Patrick		01	Active	R	171B007	PO Box 701		Tompkinsville, KY 42167-0701
	Eversole, Shirley		01	Active	R	171C002	405 W 6th St		Tompkinsville, KY 42167-1315
	Rice, Sheryl		01	Active	R	171C002	407 W 6th St		Tompkinsville, KY 42167-1315
	Botts, John E		01	Active	R		409 6th St		Tompkinsville, KY 42167
	Hurd, Pollie		01	Active	R	171C002	408 W 6th St		Tompkinsville, KY 42167-1316
	Emmert, Laura		01	Active	R	171C002	411 W 6th St		Tompkinsville, KY 42167-1315
	Biggerstaff, George		01	Active	R	171C002	413 W 6th St		Tompkinsville, KY 42167-1315
	Dunagan, Vonda & Kay		01	Active	R	171C002	412 W 6th St		Tompkinsville, KY 42167-1350
	Smith, Judy		01	Active	R	171B006	PO Box 579		Tompkinsville, KY 42167-0579
	Turner, Beth		01	Active	R	171C002	414 W 6th St		Tompkinsville, KY 42167-1350
	Thompson, Annie		01	Active	R	171C002	417 W 6th St		Tompkinsville, KY 42167-1315
	Bowles, Tammy		01	Beginning	R		Po Box 2		Tompkinsville, KY 42167
	Gross, Dale		01	Active	R	171C002	505 Margaret St		Tompkinsville, KY 42167-1337
	White, Saralu		01	Active	R	171C002	505 W 6th St		Tompkinsville, KY 42167-1317
	Nelson, Jim		01	Active	R	171C002	506 W 6th St		Tompkinsville, KY 42167-1318
	Magana, Jose		01	Active	R		508 W 6th St		Tompkinsville, KY 42167
	Hale, Scott		01	Active	R	171C002	620 Old Smokie Rd		Tompkinsville, KY 42167-1352
	Carter, Jack Parker		01	Active	R	171B005	Po Box 455		Tompkinsville, KY 42167-0455
	Gearlds, Candace		01	Active	R	171C002	410 College View Dr		Tompkinsville, KY 42167-1348
	Brown, Elaine		01	Active	R	171C002	408 College View Dr		Tompkinsville, KY 42167-1348

Account #	Name	Group	Cycle Status	Type	CR Route	Billing Address	Phone #	Meter #
	Hagan, Joey		01 Active	R	171C002	409 College View Dr	Tompkinsville, KY 42167-1349	
	Thompson, Jerry		01 Active	R	171C002	411 College View Dr	Tompkinsville, KY 42167-1349	
	Howard, Stanely		01 Active	R	171C002	620 Lake St	Tompkinsville, KY 42167-1328	
	Raney, Ricky		01 Active	R	171R005	107 7th St	Tompkinsville, KY 42167-1362	
	Clarkson, Barbara		01 Active	R	171R005	103 7th St	Tompkinsville, KY 42167-1362	
	Williams, Pauline		01 Active	R	171C002	619 Lake St	Tompkinsville, KY 42167-1327	
	Cloyd, Reggie		01 Active	R	171R005	215 7th St	Tompkinsville, KY 42167-1343	
	Jackson, Mary		01 Active	R	171R005	217 7th St	Tompkinsville, KY 42167-1343	
	Dodson, Nell		01 Active	R	171R005	219 7th St	Tompkinsville, KY 42167-1343	
	Harlan, Veachel		01 Active	R	171R005	221 7th St	Tompkinsville, KY 42167-1343	
	Edlerberg, Joyce		01 Active	R		1270 Tomerson Park Rd.	Austin, KY 42123	
	Bartley, Roy L		01 Active	R	171R005	303 7th St	Tompkinsville, KY 42167-1345	
	Mckiddy, Malika		01 Active	R	171R001	803 Beech Grove Sugar Gr	Tompkinsville, KY 42167-6640	
	Ross, Inez		01 Active	R	171R005	307 7th St	Tompkinsville, KY 42167-1345	
	Ethridge, Matt & Brandi		01 Active	R	171R005	306 7th St	Tompkinsville, KY 42167-1344	
	Davis, Connie & Larry		01 Active	R	171R005	308 7th St	Tompkinsville, KY 42167-1344	
	Bryant, Ashley		01 Active	R	171B004	Po Box 383	Tompkinsville, KY 42167-0383	
	Graves, Sarah		01 Active	R	171R005	52 Adam Bowles Rd Apt 1	Tompkinsville, KY 42167-9483	
	Hammer, Nina		01 Active	R	171B004	PO Box 383	Tompkinsville, KY 42167-0383	
	Thompson, Susan		01 Active	R	171R005	60 Adam Bowles Rd Apt 4	Tompkinsville, KY 42167-9483	
	Cox, Dennis		01 Active	R	171R005	62 Adam Bowles Rd Apt 5	Tompkinsville, KY 42167-9483	
	Isenberg, Sue		01 Active	R	171B008	PO Box 883	Tompkinsville, KY 42167-0883	
	Dicken, Richard		01 Active	R	171R005	68 Adam Bowles Rd	Tompkinsville, KY 42167-9483	
	Wheat, Tex		01 Active	R	171R005	66 Adam Bowles Rd	Tompkinsville, KY 42167-9483	
	Kirk, Dicky		01 Active	R	171B005	Po Box 452	Tompkinsville, KY 42167-0452	
	Cain, Channing		01 Active	R	171R005	12 Coach O Dr # 6	Tompkinsville, KY 42167-9480	
	Turner, Faye		01 Active	R	171R005	30 Coach O Dr	Tompkinsville, KY 42167-9480	
	Oliphant, Sonny		01 Active	R	171R005	50 Coach O Dr	Tompkinsville, KY 42167-9480	
	Dodson, Marcus		01 Active	R	171B005	Po Box 451	Tompkinsville, KY 42167-0451	
	Starnes, Andrew & Andrea		01 Active	R	171R005	6380 Old Glasgow Rd	Tompkinsville, KY 42167-9028	
	Craddock, Kasi		01 Active	R	171R005	11 Coach O Dr	Tompkinsville, KY 42167-9480	
	Carr-Back, Judith		01 Active	R		9 Coach O Dr	Tompkinsville, KY 42167	
	Hurst, David		01 Active	R	199R011	1292 Cherry Grove Rd	Somerset, KY 42501-5860	
	Emberton, Dawn		01 Active	R	171C002	403 Lake St	Tompkinsville, KY 42167-1335	
	Hagan, Michael		01 Active	R	171C001	301 W 4th St	Tompkinsville, KY 42167-1403	
	Harper, Pauline		01 Active	R	171C001	307 N Jackson St	Tompkinsville, KY 42167-1421	
	Runyun, Gary		01 Active	R		305 N Jackson St	Tompkinsville, KY 42167-1421	
	Monroe Co School Daycare,		01 Active	R	171C002	309 Emberton St	Tompkinsville, KY 42167-1431	
	Spielman, John		01 Active	R	171B001	Po Box 21	Tompkinsville, KY 42167-0021	
	Hagan, Caleb		01 Active	R	171C001	217 W 3rd St	Tompkinsville, KY 42167-1543	
	Geralds, Nancy		01 Beginning	R	097C003	4403 Madison Ave	Indianapolis, IN 46227-3779	
	Finley, Jimmy		01 Active	R	171C002	100 S Jackson St	Tompkinsville, KY 42167-1434	

Account #	Name	Group	Cycle Status	Type	CR Route	Billing Address	Phone #	Meter #
	R & S Barboque Anita,		01 Active	C	171B004	Po Box 411	Tompkinsville, KY 42167-0411	
	Johnson, Anna		01 Active	R	171C002	102 S Jackson St	Tompkinsville, KY 42167-1434	
	Hamilton, Teresa		01 Active	R	171R004	322 Cemetery Rd	Tompkinsville, KY 42167-1713	
	Church Of First Born,		01 Active	R	171R001	858 Mill Creek Rd	Tompkinsville, KY 42167-6702	
	Norris, Travis		01 Active	R	171B009	PO Box 964	Tompkinsville, KY 42167-0964	
	Kingdom Hill Ch Of Christ,		01 Active	R	171R004	9371 County House Rd	Tompkinsville, KY 42167-8431	
	Tooley, Jamie		01 Active	R	171B008	PO Box 836	Tompkinsville, KY 42167-0836	
	Blankenship, Chad		01 Active	R	171R004	590 Cemetery Rd	Tompkinsville, KY 42167-1717	
	Howard, Elaine		01 Active	R	171R004	600 Cemetery Rd	Tompkinsville, KY 42167-1738	
	Emberton, Tisha		01 Active	R	171R004	605 Cemetery Rd	Tompkinsville, KY 42167-1738	
	Monroe Co Fiscal Courts,		01 Active	R	171C001	200 N Main St Ste C	Tompkinsville, KY 42167-1548	
	Kirk, Audry		01 Active	R		306 Madison St	Tompkinsville, KY 42167	
	Graves, Seth S		01 Active	R	171C002	208 Madison St	Tompkinsville, KY 42167	
	Sims, Willie		01 Active	R	171C002	307 Madison St	Tompkinsville, KY 42167-1423	
	Milltown Baptist Church,		01 Active	R	171C002	301 Madison St	Tompkinsville, KY 42167-1423	
	Hays, Garnetta		01 Active	R	171C002	512 N Main St	Tompkinsville, KY 42167-1424	
	Shirley, Brad		01 Active	R	171C002	310 Madison St	Tompkinsville, KY 42167-1424	
	Kirk, Nancy		01 Active	R	171C002	106 Maxey Dr	Tompkinsville, KY 42167-1441	
	Maxey, Nelda		01 Active	R	171C002	108 Maxey Dr	Tompkinsville, KY 42167-1441	
	Hamilton, Tamper		01 Active	R	171C002	110 Maxey Dr # 3	Tompkinsville, KY 42167-1441	
	Pipkin, Josephine		01 Active	R	171R005	316 Rock Crusher Rd	Tompkinsville, KY 42167-9191	
	Pennington, Brian		01 Active	R	171C002	903 Pearl St	Tompkinsville, KY 42167-1040	
	Campbell, Lela		01 Active	R	171R005	119 Rock Crusher Rd	Tompkinsville, KY 42167-9196	
	Pipkin, Neal & Edna		01 Active	R	171R005	201 Rock Crusher Rd	Tompkinsville, KY 42167-9190	
	Simmons, Jimmy		01 Active	R	171R005	409 Rock Crusher Rd	Tompkinsville, KY 42167-9195	
	Pulido Salgado, Antero		01 Beginning	R		20 Robert Ln	Tompkinsville, KY 42167	
	Stone, Michael		01 Active	R	171R005	30 Robert Ln	Tompkinsville, KY 42167-9192	
	Wiseheart, Guy W		01 Active	R	171R005	431 Rock Crusher Rd	Tompkinsville, KY 42167-9195	
	Tompkinsville Sewer,		01 Active	R		206 N Magnolia St	Tompkinsville, KY 42167	
	Glass Aggregates,		01 Active	C	009B007	PO Box 836	Glasgow, KY 42142-0836	
	Scottys Stone Asphalt Plt,		01 Active	C	227B023	Po Box 4500	Bowling Green, KY 42102-4500	
	Breese, Christy		01 Active	R	171R005	124 Kidwell Ln	Tompkinsville, KY 42167-9194	
	Birge, Don R		01 Active	R	171R005	384 Rock Crusher Rd	Tompkinsville, KY 42167-9191	
	Mellott, Derek & Amy		01 Active	R	171R005	64 Kidwell Ln	Tompkinsville, KY 42167-9193	
	York, Deborah		01 Active	R	171B001	PO Box 48	Tompkinsville, KY 42167-0048	
	Murley, Laura		01 Active	R	171R005	104 Kidwell Ln	Tompkinsville, KY 42167-9194	
	Pena-Rosales, Jesus		01 Active	R		Po Box 1061	Tompkinsville, KY 42167	
	Miller, Jeff		01 Active	R	171R005	60 Kidwell Ln	Tompkinsville, KY 42167-9193	
	Pipkin Jr., Fontice		01 Active	R	171R005	316 Rock Crusher Rd	Tompkinsville, KY 42167-9191	
	Monroe Co Bd Of Ftbl Fd,		01 Active	R	171C002	309 Emberton St	Tompkinsville, KY 42167-1431	
	Monroe Co Bd Of Ftbl Fd,		01 Active	R	171C002	309 Emberton St	Tompkinsville, KY 42167-1431	
	York, Jennifer		01 Active	R	171R005	39 Sunset Ave	Tompkinsville, KY 42167-1443	

Account #	Name	Group	Cycle	Status	Type	CR Route	Billing Address	Phone #	Meter #
	ammer, Cindy		01	Active	R	171R005	51 Sunset Ave		
	arker, Bradley		01	Beginning	R		69 Sunset Ave		
	ones, Shannon		01	Active	R	171B009	PO Box 1003		
	ibbert, Jane		01	Active	R	171R005	704 Emberton St		
	onroe Co Bd Of Ftbl Fd,		01	Active	R	171C002	309 Emberton St		
	trickler, Motie		01	Active	R	171R005	113 Sunset Ave		
	oyles, Bobby		01	Active	R	171R005	112 Sunset Ave		
	ibson, Gearldine		01	Active	R	171B006	Po Box 655		
	ivesay, Buddy		01	Active	R	171B011	PO Box 1201		
	ooley, Sidney		01	Active	R	171R005	143 Sunset Ave		
	Stephens Mfg Co,		01	Active	C	171B005	Po Box 488		
	Stephens Mfg Co,		01	Active	C	171B005	Po Box 488		
	Travis Oil & Ready Mix Office,		01	Active	C	171B002	Po Box 187		
	Concrete Plant		01	Active	C	171B002	PO Box 187		
	Hopwood, Gregory		01	Active	R	171C002	705 W 4th St		
	Woods, Donald R		01	Active	R	171R005	155 Sunset Ave		
	Stephens Mfg House,		01	Active	R	171B005	Po Box 488		
	<b>Customers In Route 0001</b>	<b>255</b>							
	Richardson Cleaners,		01	Active	C	171C001	106 E 4th St		
	Richardson, Paul		01	Active	C	171C001	104 E 4th St		
	Emberton, Eugene		01	Active	C	171C001	100 W 4th St		
	McClendon, Beverly		01	Active	R	171C001	403 N Main St		
	Blythe, Edgar		01	Active	R	171C001	410 N Main St		
	Hammer, Radford & Kenada		01	Active	R	171C001	412 N Main St		
	Mcmillian, Laura		01	Active	R	171B002	PO Box 174		
	Emberton, Louise		01	Active	R	089C008	304 Johnson St		
	McClendon, Tommy		01	Active	R	171C002	103 Columbia Ave		
	Bean, Jennifer		01	Active	R	171C002	106 Columbia Ave		
	Short, Willie Coe		01	Active	C	171C002	107 Columbia Ave Apt B		
	Jones, William Richard		01	Active	R	171C002	109 Columbia Ave		
	Ritter, Elva		01	Active	R	171C002	203 Columbia Ave		
	Clarkson, Bobby		01	Active	R	171C002	205 Columbia Ave		
	Bartley, Kenneth		01	Active	R	171C002	207 Columbia Ave		
	Harwood, Brandy		01	Active	R	171C002	204 Columbia Ave		
	Strode Funeral Home,		01	Active	C	171C002	204 Columbia Ave		
	Strode Funeral Home,		01	Active	R	171C002	208 Columbia Ave		
	Graves, Truen & Louise		01	Active	R	171C002	209 Columbia Ave		
	Travis, Johnny		01	Active	R		P.O. Box 187		
	Bartley, Phil		01	Active	R	171C001	506 N Jackson St		
	Cross, Bill & Beth		01	Active	R	171B011	PO Box 1173		
	Bartley, Thomas		01	Beginning	R		500 Jackson St		
	B & B Enterprises,		01	Active	C	171R003	1115 John Eaton Rd		

Account #	Name	Group	Cycle	Status	Type	CR Route	Billing Address	Phone #	Meter #
	Hamilton, Eugenia		01	Active	R	171C001	403 N Jackson St	Tompkinsville, KY 42167-1321	
	Barrett, Sylvia		01	Active	R	171C001	405 N Jackson St	Tompkinsville, KY 42167-1321	
	Curtis, Ruth		01	Active	R	171C001	501 N Jackson St	Tompkinsville, KY 42167-1323	
	Bushong, John W		01	Active	R	171C001	505 N Jackson St	Tompkinsville, KY 42167-1323	
	Coulter, Melinda		01	Active	R	171C002	602 Columbia Ave	Tompkinsville, KY 42167-1212	
	Andrew, Linda		01	Active	R	169B003	Po Box 222	Summer Shade, KY 42166-0222	
	Clements, Angie		01	Active	R	171C002	604 Columbia Ave	Tompkinsville, KY 42167-1212	
	Scott, Fred		01	Active	R	171C002	606 Columbia Ave	Tompkinsville, KY 42167-1212	
	Stewart, Brandi		01	Beginning	R		306 W 5th St	Tompkinsville, KY 42167	
	Holbrook, Amber		01	Active	R	171C002	304 W 5th St	Tompkinsville, KY 42167-1308	
	Bartley, Ben		01	Active	R	171C002	308 W 5th St	Tompkinsville, KY 42167-1308	
	Sutton, Michael		01	Active	R		607 Columbia Ave	Tompkinsville, KY 42167	
	Turner, Mayme Nell		01	Active	R	171C002	609 Columbia Ave	Tompkinsville, KY 42167-1237	
	Strode, Tammy		01	Active	R	171C002	611 Columbia Ave	Tompkinsville, KY 42167-1237	
	Strode, Tiffany		01	Active	R		699 Columbia Ave	Tompkinsville, KY 42167	
	Jones, Frank		01	Active	R	171B008	PO Box 861	Tompkinsville, KY 42167-0861	
	Gerughty, John		01	Active	R	171C002	703 Columbia Ave	Tompkinsville, KY 42167-1213	
	Bledsoe, Rex		01	Active	R	171C002	705 Columbia Ave	Tompkinsville, KY 42167-1213	
	Chapman, Lisa		01	Active	R	171C002	707 Columbia Ave	Tompkinsville, KY 42167-1213	
	Norris, Preston		01	Active	R	009R012	2211 Dover Church Rd	Glasgow, KY 42141-8672	
	senberg, Chris		01	Active	R	171B010	PO Box 1072	Tompkinsville, KY 42167-2072	
	Hale, Betty L		01	Active	R	171C002	201 Whiteside St	Tompkinsville, KY 42167-1233	
	Hurt, Dr Wendell		01	Active	R	171C002	205 Whiteside St	Tompkinsville, KY 42167-1233	
	Bowman, Betty		01	Active	R		207 Whiteside St	Tompkinsville, KY 42167	
	Spear, Ella Mae		01	Active	R	171C002	209 Whiteside St	Tompkinsville, KY 42167-1233	
	Fox, Wanda		01	Active	R	171C002	211 Whiteside St	Tompkinsville, KY 42167-1233	
	Dyer, Geneva		01	Active	R	171C002	708 Idru St	Tompkinsville, KY 42167-1222	
	Headrick, Victor		01	Active	R	171C002	706 Idru St	Tompkinsville, KY 42167-1222	
	Pitcock, Jimmie D		01	Active	R	171C002	704 Idru St	Tompkinsville, KY 42167-1222	
	Anderson, Clifton		01	Active	R	171C002	705 Idru St	Tompkinsville, KY 42167-1221	
	Smith, Billie Paul		01	Active	R	171C002	210 Whiteside St	Tompkinsville, KY 42167-1234	
	Ferguson, Jackie		01	Active	R	171C002	208 Whiteside St	Tompkinsville, KY 42167-1234	
	Page, Sue		01	Active	R	171C002	206 Whiteside St	Tompkinsville, KY 42167-1234	
	Buchanon, Louis T		01	Active	R	171B006	Po Box 612	Tompkinsville, KY 42167-0612	
	Lynn, Johnny		01	Active	R		710 Columbia Ave	Tompkinsville, KY 42167	
	Lane, Furman		01	Active	R	171B004	Po Box 307	Tompkinsville, KY 42167-0307	
	Hagan, Randall		01	Active	R	171C002	702 Columbia Ave	Tompkinsville, KY 42167-1214	
	England, Burnis		01	Active	R		1210 Churchill Dr	Gallatin, TN 37066-6502	
	Emberton, James R		01	Active	R	171C002	211 W 5th St	Tompkinsville, KY 42167-1203	
	Hestand, Lewis		01	Active	R	171C002	210 W 5th St	Tompkinsville, KY 42167-1204	
	Hamilton, Clifton L		01	Active	R	171C002	208 W 5th St	Tompkinsville, KY 42167-1204	
	Cleary, Marivn		01	Active	R	171C002	209 W 5th St	Tompkinsville, KY 42167-1203	



Account #	Name	Group	Cycle	Status	Type	CR Route	Billing Address	Phone #	Meter #
	Butler, Bruce		01	Active	R	003C031	209 Golden Oak Dr		
	Strode, Charles		01	Active	R	171C002	206 W 5th St		
	Crowe, Carlos		01	Active	R	171C002	205 W 5th St		
	Hestand, Rayburn		01	Active	R	171C002	204 W 5th St		
	Young, Jennifer		01	Active	R	171C002	201 W 5th St		
	Smith, Elsie		01	Active	R	171C002	200 W 5th St		
	Dawson, Martha		01	Active	R	171B002	PO Box 164		
	Bean, Dr Jerry home		01	Active	R	171B005	PO Box 476		
	Downing, Gene		01	Active	R	171C002	602 Idru St		
	Ford, Nedith		01	Active	R	171C002	211 Carter St		
	Jones, Linda		01	Active	R	171C002	209 Carter St		
	Carter, Wendell		01	Active	R	171C002	207 Carter St		
	Taylor, Kaye		01	Active	R	171C002	205 Carter St		
	Elmore, Chassidy		01	Active	R	009R004	1494 Poplar Spring Rd		
	Ford, Rudy		01	Active	R	171C002	210 Columbia Ave		
	Grider, Robert		01	Active	R	171C002	206 Carter St		
	Ford, Dianna		01	Active	R	171C002	113 W Hollywood St		
	South Central Telecom, LLC,		01	Active	C	009B050	PO Box 159		
	Osgatharp, John		01	Active	R	171C002	107 W Hollywood St		
	Perez, Juan Pablo		01	Active	C	171C002	601 N Main St		
	Little LuLu,		01	Active	C	171C002	601 N Main St		
	Tramell, Jim		01	Active	R	171C002	520 Cherry St		
	Masonic Lodge,		01	Active	R	171R005	1260 Old Glasgow Rd		
	Copass, Darrell		01	Active	R		P O Box 125		
	Hays, Garnetta		01	Active	C	171C002	512 N Main St		
	Killman, Carmon		01	Active	C	171H065	5699 Vernon Rd		
	Mcdonalds,		01	Active	C	037C005	4544 Harding Pike Ste 220		
	Tompkinsville Church Of C,		01	Active	R	171C002	500 N Main St		
	Kerr, Billy		01	Beginning	R		101 Oak Blvd. South Drive		
	Fisher Auto Parts, MS#4,		01	Active	C	049B056	PO Box 182671		
	Poynter, Nick		01	Active	C	171C001	200 E 4th St		
	Crossroads Auto Sales,		01	Active	C	171C001	204 E 4th St		
	Davis, Jerry		01	Active	C	171B007	Po Box 697		
	Family Dollar 434100,		01	Active	C	049B052	PO Box 182288		
	Grooms, Harold		01	Active	R	171C001	406 N Crawford St		
	Lile, Kacie		01	Active	R	171C001	415 N Crawford St		
	Lopez, Herlinda		01	Active	R	171C001	500 N Magnolia St		
	Irvin, Anna Bell		01	Active	R	171C001	502 N Magnolia St		
	Rich, Edith		01	Active	R	171C001	507 N Magnolia St		
	Hull, April		01	Active	R	171C001	601 N Magnolia St		
	Ky - Tenn Tractor Parts,		01	Active	C	171C001	602 N Magnolia St		
	Farmers Ser.lawn & Garden,		01	Active	R	171B002	PO Box 124		

Account #	Name	Group	Cycle	Status	Type	CR Route	Billing Address	Phone #	Meter #
	Irvin, Tony		01	Active	R	171C001	608 N Magnolia St	Tompkinsville, KY 42167-1110	
	Clements, Calvin C		01	Active	R	171C001	607 N Magnolia St	Tompkinsville, KY 42167-1109	
	Geralds, Donald		01	Active	R	171C002	501 White St	Tompkinsville, KY 42167-1119	
	Chapman, Billy Wayne		01	Active	R	171C002	506 White St	Tompkinsville, KY 42167-1120	
	Chapman, Billy Wayne		01	Active	R	171C002	506 White St	Tompkinsville, KY 42167-1120	
	Curtis, Steve		01	Active	R	171B001	PO Box 97	Tompkinsville, KY 42167-0097	
	Chappell, Cass		01	Active	R	171B004	Po Box 386	Tompkinsville, KY 42167-0386	
	Comptons Motors,		01	Active	C	171C002	104 E Hollywood St	Tompkinsville, KY 42167-1104	
	Compton, Barry P		01	Active	R	171C002	104 E Hollywood St	Tompkinsville, KY 42167-1104	
	Crowe, Glen & Athalene		01	Active	R	171C002	108 E Hollywood St	Tompkinsville, KY 42167-1104	
	Pitcock, Wesley		01	Active	R	171C002	514 White St	Tompkinsville, KY 42167-1120	
	Crowe, Chloteal		01	Active	R	171C002	300 Lions Ave	Tompkinsville, KY 42167-1105	
	Summers, Naomi		01	Active	R	171C002	601 White St	Tompkinsville, KY 42167-1121	
	Perdue, Agnes		01	Active	R	145C016	718 Hillgate St	Paducah, KY 42001-4628	
	Proffitt, Patricia		01	Active	R	171C002	515 1/2 White St	Tompkinsville, KY 42167-1137	
	Graves, Neda		01	Active	R	171C002	301 Lions Ave	Tompkinsville, KY 42167-1106	
	Cross, James		01	Active	R	171C002	302 Lions Ave	Tompkinsville, KY 42167-1105	
	Marrs, Gayle		01	Active	R	171C002	303 Lyons Ave	Tompkinsville, KY 42167-1106	
	Poindexter, Diane		01	Active	R	171R004	579 Bill Butler RD	Tompkinsville, KY 42167-9143	
	Wilson, Shirley		01	Active	R	171C002	615 Monroe Dr	Tompkinsville, KY 42167-1115	
	McFarland, Heather		01	Active	R	171C002	701 Monroe Dr	Tompkinsville, KY 42167-1117	
	Thompson, Michael		01	Active	R	171C002	703 Monroe Dr	Tompkinsville, KY 42167-1117	
	Dept. of Military Affairs,		01	Active	R	073C016	100 Minuteman Pkwy Bldg	Frankfort, KY 40601-6120	
	Proffitt, Jeff		01	Active	R	171C002	707 Monroe Dr	Tompkinsville, KY 42167-1117	
	Birdwell, Dayton		01	Active	R	171C002	711 Monroe Dr	Tompkinsville, KY 42167-1117	
	Cloyd, James		01	Active	R	171C002	706 Monroe Dr	Tompkinsville, KY 42167-1118	
	Cloyd, Jt		01	Active	R	171C002	700 Monroe Dr	Tompkinsville, KY 42167-1118	
	Erica's Kid Connection,		01	Active	R	171C002	608 Monroe Dr	Tompkinsville, KY 42167-1116	
	Turner, Agnes		01	Active	R	171C002	613 Monroe Dr	Tompkinsville, KY 42167-1115	
	Graves, Larry & Brenda		01	Active	R	171C002	611 Monroe Dr	Tompkinsville, KY 42167-1115	
	Bowe, Rachael		01	Active	R	171C002	606 Monroe Dr	Tompkinsville, KY 42167-1116	
	Crawford, Rex		01	Active	R	171B001	Po Box 117	Tompkinsville, KY 42167-0117	
	Graves, Eddie		01	Active	R	171C002	607 Monroe Dr	Tompkinsville, KY 42167-1115	
	Hinson, Aaron		01	Active	R	171C002	602 Monroe Dr	Tompkinsville, KY 42167-1116	
	Martin, Charlie		01	Active	R	171C002	605 Monroe Dr	Tompkinsville, KY 42167-1115	
	Tompkinsville Fire,		01	Active	R		3rd & Magonlia St	Tompkinsville, KY 42167	
	Monroe Health Care,		01	Active	C	111R041	9510 Ormsby Station Rd St	Louisville, KY 40223-4082	
	Chapmans Garage,		01	Active	C	171C002	801 N Magnolia St	Tompkinsville, KY 42167-1125	
	Mun Housing Auth,		01	Active	R	171C002	1011 Green Hills	Tompkinsville, KY 42167-1640	
	Mun Housing Auth,		01	Active	R	171C002	1011 Green Hills	Tompkinsville, KY 42167-1640	
	Kendall, Ricky		01	Active	R	171B003	Po Box 272	Tompkinsville, KY 42167-0272	
	Collins, Jean		01	Active	R	171R002	953 N Magnolia St	Tompkinsville, KY 42167-1861	

Account #	Name	Group	Cycle Status	Type	CR Route	Billing Address	Phone #	Meter #
	Collins, Jean		01 Active	R	171R002	953 N Magnolia St	Tompkinsville, KY 42167-1861	
	Sanchez, Alfredo		01 Active	R	171R002	1000 N Magnolia St	Tompkinsville, KY 42167-1862	
	Wavis, Kathleen		01 Active	R	171R002	1060 N Magnolia St	Tompkinsville, KY 42167-1862	
	Wagan, Ronald		01 Active	R	171R002	1110 N Magnolia St	Tompkinsville, KY 42167-1837	
	Witcock, Bronson		01 Active	R	171R002	1160 N Magnolia St	Tompkinsville, KY 42167-1837	
	Wussell, James		01 Active	R	171R002	1198 N Magnolia St	Tompkinsville, KY 42167-1837	
	Wosser, Daniel & Kay		01 Active	R	171R002	1259 N Magnolia St	Tompkinsville, KY 42167-1837	
	Wagan, Gene		01 Active	R	171R002	1266 N Magnolia St	Tompkinsville, KY 42167-1837	
	Wartley, Randy		01 Active	R	171R002	679 Geraldts Rd	Tompkinsville, KY 42167-7831	
	Wllen, Ezra		01 Active	R	171R002	595 Cave Springs Rd	Tompkinsville, KY 42167-1813	
	Wmoody, Joe		01 Active	R	171R002	52 Cave Springs Rd	Tompkinsville, KY 42167-1817	
	Wagan, John		01 Active	R	171B002	Po Box 188	Tompkinsville, KY 42167-0188	
	Warnett, Danny		01 Active	R	171R002	637 Geraldts Rd	Tompkinsville, KY 42167-7831	
	Wford, Joseph		01 Active	R	171R002	404 Geraldts Rd	Tompkinsville, KY 42167-7830	
	Wnelson, Melissa & Brian		01 Active	R		551 Cave Spring Rd	Tompkinsville, KY 42167	
	Wcarrier, Robert		01 Active	R	171R002	1373 N Magnolia St	Tompkinsville, KY 42167-1818	
	Wgeralds, Jimmie R		01 Active	R	171R002	1346 N Magnolia St	Tompkinsville, KY 42167-1836	
	WRich, Pam		01 Active	R	171R002	1370 N Magnolia St	Tompkinsville, KY 42167-1836	
	Wbruton, Lonus		01 Active	R	171B005	Po Box 458	Tompkinsville, KY 42167-0458	
	Wstrong, Mary		01 Active	R	171C002	90 Beechwood Dr	Tompkinsville, KY 42167-1819	
	WCarter, Douglas		01 Active	R	171B002	Po Box 155	Tompkinsville, KY 42167-0155	
	WDavis, A Thomas		01 Active	R	171B005	Po Box 427	Tompkinsville, KY 42167-0427	
	WYork, Gary & Deanna		01 Active	R	171C002	176 Beechwood Dr	Tompkinsville, KY 42167-1819	
	WKirkpatrick, Charlie		01 Active	R	171C002	125 Beechwood Dr	Tompkinsville, KY 42167-1819	
	WRitter, James		01 Active	R	171C002	93 Beechwood Dr	Tompkinsville, KY 42167-1819	
	WDong, Yi Xiang		01 Active	R	171R002	1468 N Magnolia St	Tompkinsville, KY 42167-1835	
	WRitter, James		01 Active	R	171C002	93 Beechwood Dr	Tompkinsville, KY 42167-1819	
	WDavis, Brookie		01 Active	R	171R002	1421 N Magnolia St	Tompkinsville, KY 42167-1820	
	WBrown, Floyd		01 Active	R	171R002	1460 N Magnolia St	Tompkinsville, KY 42167-1835	
	WRay, Fred		01 Active	R	069B002	PO Box 344	Flemingsburg, KY 41041-0344	
	Whammer, Wayne		01 Active	R	171B001	PO Box 86	Tompkinsville, KY 42167-0086	
	Wmcperson, Willadean		01 Active	R	171R002	1652 N Magnolia St	Tompkinsville, KY 42167-1834	
	WRay, Glen		01 Active	R	171B001	PO Box 86	Tompkinsville, KY 42167-0086	
	Whammer, Wayne		01 Active	R	171B001	Po Box 86	Tompkinsville, KY 42167-0086	
	WHurt, Mark		01 Active	R	171B002	Po Box 132	Tompkinsville, KY 42167-0132	
	WCrawford, Leon		01 Active	R	171R002	117 Green Acres Rd	Tompkinsville, KY 42167-1825	
	WBartley, Corene		01 Active	R	171R002	145 Green Acres Rd	Tompkinsville, KY 42167-1825	
	Wwatson, Kristie		01 Active	R	171R002	163 Green Acres Rd	Tompkinsville, KY 42167-1825	
	WCurtis, Hazel		01 Active	R	171R002	179 Green Acres Rd	Tompkinsville, KY 42167-1825	
	WDavis, Thomas R		01 Active	R	171R002	199 Green Acres Rd	Tompkinsville, KY 42167-1825	
	Whammer, Mike		01 Active	R	171R002	242 James Lyon Rd	Tompkinsville, KY 42167-1815	
	Wchapman, Erlene		01 Active	R	171R002	241 Green Acres Rd	Tompkinsville, KY 42167-1881	

Account #	Name	Group	Cycle Status	Type	CR Route	Billing Address	Phone #	Meter #
	Gettings, Nelson		01 Active	R	171R002	246 James Lyon Rd	Tompkinsville, KY 42167-1815	
	Proffitt, Greg		01 Active	R	171R002	305 James Lyon Rd	Tompkinsville, KY 42167-1826	
	Kerr, Nelson		01 Active	R	171R002	347 James Lyon Rd	Tompkinsville, KY 42167-1826	
	Heilman, Tim & Faye		01 Active	R	171R002	373 James Lyon Rd	Tompkinsville, KY 42167-1826	
	Bryant, Terry		01 Active	R	171R002	385 James Lyon Rd	Tompkinsville, KY 42167-1826	
	Hammer, Chelsea		01 Active	R	171R002	387 James Lyon Rd	Tompkinsville, KY 42167-1826	
	Evans, Jimmy		01 Active	R	171R002	130 James Lyon Rd	Tompkinsville, KY 42167-1827	
	Garmon, Pamela		01 Active	R	171R002	160 Green Acres Rd	Tompkinsville, KY 42167-1825	
	Pennington, Velva		01 Active	R	171R002	124 James Lyon Rd	Tompkinsville, KY 42167-1827	
	Wright, Casey		01 Active	R	171R002	6 Cloyd Rd	Tompkinsville, KY 42167-1859	
	Crawford, Charlie		01 Active	R	171R002	943 Center Point Rd	Tompkinsville, KY 42167-7203	
	Rush, Scott		01 Active	R	171R002	740 Cave Springs Rd	Tompkinsville, KY 42167-1813	
	Evans, Terry & Lisa		01 Active	R	171R002	31 Sprowl Rd	Tompkinsville, KY 42167-1833	
	Lyon, James		01 Active	R	171R002	1390 Center Point Rd	Tompkinsville, KY 42167-1832	
	Biggerstaff, Johnny		01 Active	R	171R002	1441 Center Point Rd	Tompkinsville, KY 42167-1888	
	Dodson, Teddy		01 Active	R	171R002	1366 Center Point Rd	Tompkinsville, KY 42167-1832	
	Blythe, James		01 Active	R	171B007	Po Box 716	Tompkinsville, KY 42167-0716	
	Cleary, John		01 Active	R	171R002	1735 Center Point Rd	Tompkinsville, KY 42167-1831	
	Proffitt, Glen M		01 Active	R	171R002	1342 Center Point Rd	Tompkinsville, KY 42167-1832	
	England, Tisha		01 Active	R	171B008	97 R Dyer Rd	Tompkinsville, KY 42167	
	Ford, Debra		01 Active	R	171R002	1677 Center Point Rd	Tompkinsville, KY 42167-7828	
	Carter, Dr. Michael		01 Active	R	171B003	Po Box 277	Tompkinsville, KY 42167-0277	
	La Tia Mexican Restaraunt,		01 Active	C	171R002	956 N Magnolia St	Tompkinsville, KY 42167-1861	
	Roberts, Judith		01 Active	R		43 Dowell Dr	Tompkinsville, KY 42167	
	Bennett, Andrea		01 Active	R	171R002	45 Dowell Dr	Tompkinsville, KY 42167-1851	
	Bowman, Ramona		01 Active	R	171R002	50 Dowell Dr	Tompkinsville, KY 42167-1851	
	Adams, Joe		01 Active	R	171R002	70 Dowell Dr	Tompkinsville, KY 42167-1851	
	Echterling, Jason & Michelle		01 Active	R	171R002	110 Dowell Dr	Tompkinsville, KY 42167-1843	
	Krueger, Jeff		01 Active	R	171R002	73 Dowell Dr	Tompkinsville, KY 42167-1851	
	Adams, Sammie & Sandra		01 Active	R	171R002	135 Dowell Dr	Tompkinsville, KY 42167-1843	
	Durrett, Renee Jo		01 Active	R	171R002	128 Dowell Dr	Tompkinsville, KY 42167-1843	
	Hamilton, Lionasha		01 Active	R		148 Dowell Est	Tompkinsville, KY 42167	
	Pruitt, Michael		01 Active	R		120 Dowell Dr	Tompkinsville, KY 42167	
	Pruitt, Michael		01 Beginning	R	171R002	175 Dowell Dr	Tompkinsville, KY 42167	
	Hutcherson, Amanda		01 Active	R	171B008	PO Box 823	Tompkinsville, KY 42167-0823	
	Turner, Betty Jo		01 Active	R	171R002	200 Dowell Dr	Tompkinsville, KY 42167-1892	
	Richardson, Barbara		01 Active	R	171B003	Po Box 261	Tompkinsville, KY 42167-0261	
	Gearlds, Eurie Edward		01 Active	R	171R002	207 Capp Harlan Rd	Tompkinsville, KY 42167-1838	
	Monroe Co Water District,		01 Active	R	171R002	205 Capp Harlan Rd	Tompkinsville, KY 42167-1838	
	Monroe Co Water Dist,		01 Active	R	171R002	205 Capp Harlan Rd	Tompkinsville, KY 42167-1838	
	Department Of Highway,		01 Active	R	227R013	900 Morgantown Rd	Bowling Green, KY 42101-3644	
	Rolling Acres Apts,		01 Active	C	067B003	Po Box 8216	Lexington, KY 40533-8216	

Account #	Name	Group	Cycle Status	Type	CR Route	Billing Address	Phone #	Meter #
	Smith, Dean		01 Active	R	171R002	418 Capp Harlan Rd	Tompkinsville, KY 42167-1808	
	Anderson, Leroy		01 Active	R	171R002	440 Capp Harlan Rd	Tompkinsville, KY 42167-1808	
	Barnett, Dewey		01 Active	R	171R002	538 Capp Harlan Rd	Tompkinsville, KY 42167-1808	
	Box, Terry		01 Active	R	171R002	558 Capp Harlan Rd	Tompkinsville, KY 42167-1808	
	Copass, Gary & Violet		01 Active	R	171B005	PO Box 453	Tompkinsville, KY 42167-0453	
	Turner, Tommy		01 Active	R	171B003	Po Box 291	Tompkinsville, KY 42167-0291	
	Coit, Derek		01 Active	R	171R002	608 Capp Harlan Rd	Tompkinsville, KY 42167-1860	
	Burns, Danny		01 Active	R	227C018	2623 Kiwanis Dr	Bowling Green, KY 42104-4264	
	Brown, Wayne		01 Active	R	171R002	63 Oak St	Tompkinsville, KY 42167-1800	
	Boland, Tony		01 Active	R	171R002	94 Oak St	Tompkinsville, KY 42167-1800	
	Lloyd, Loryn		01 Active	R	171R002	520 Capp Harlan Rd	Tompkinsville, KY 42167-1808	
	Cherry, Cena		01 Active	R		150 Pine St	Tompkinsville, KY 42167	
	Shaw, Cleaburn		01 Active	R	171R002	204 Pine St	Tompkinsville, KY 42167-1809	
	Lynn, Wallace		01 Active	R	171R002	148 Pine St	Tompkinsville, KY 42167-1809	
	Carter, Charles		01 Active	R	171R002	160 Pine St	Tompkinsville, KY 42167-1809	
	Carter, Onie		01 Active	R	171R002	178 Pine St	Tompkinsville, KY 42167-1809	
	Copass, Semica		01 Active	R	171R002	196 Pine St	Tompkinsville, KY 42167-1809	
	Hamilton, Anita		01 Active	R	171B004	PO Box 411	Tompkinsville, KY 42167-0411	
	Widenhouse, Daletta		01 Active	R	171R002	228 Pine St	Tompkinsville, KY 42167-1809	
	Froedge, Tamara		01 Active	R	171R002	232 Pine St	Tompkinsville, KY 42167	
	McCarter, Cynthia/Johnathon		01 Active	R	171R002	238 Pine St	Tompkinsville, KY 42167-1809	
	Rhoton, Janice		01 Active	R	171B005	PO Box 513	Tompkinsville, KY 42167-0513	
	Walden, Roy		01 Active	R	171R002	277 Oak St	Tompkinsville, KY 42167-1806	
	Humes, Joyce		01 Active	R	171R002	261 Oak St	Tompkinsville, KY 42167-1806	
	Haught, Kenny		01 Active	R	171R002	260 Oak St	Tompkinsville, KY 42167-1806	
	Benson, Anne		01 Active	R	171B010	PO Box 1064	Tompkinsville, KY 42167-2064	
	Strode, Wally		01 Active	R	171R002	155 Pine St	Tompkinsville, KY 42167-1809	
	Monroe Co Ambulance,		01 Active	R	171R002	529 Capp Harlan Rd	Tompkinsville, KY 42167-1808	
	Monroe Co Home Health,		01 Active	R	171R002	529 Capp Harlan Rd	Tompkinsville, KY 42167-1808	
	Hagan, Dr Crystal		01 Active	C	171B002	Po Box 188	Tompkinsville, KY 42167-0188	
	Monroe Co Med. Ce S Bldg,		01 Active	R	171R002	529 Capp Harlan Rd	Tompkinsville, KY 42167-1808	
	Geralds, Ricky		01 Active	R		427 W Cedar St	Franklin, KY 42134-1709	
	Monroe Medical Foundation,		01 Active	R	171R002	529 Capp Harlan Rd	Tompkinsville, KY 42167-1808	
	Anderson Forest Products,		01 Active	C	171B005	PO Box 520	Tompkinsville, KY 42167-0520	
	Cleary, Charles		01 Active	R	171R002	859 Capp Harlan Rd	Tompkinsville, KY 42167-1868	
	Murphy, David		01 Active	R	171R002	475 Geralds Rd	Tompkinsville, KY 42167-7830	
	Kentucky Closeouts, LLC,		01 Active	C	171R002	1001 Capp Harlan Rd	Tompkinsville, KY 42167-1869	
	Benchmark Auto's,		01 Active	C	227R027	540 Calumet Ct	Bowling Green, KY 42104-8511	
	Tompkinsville Recycling Center,		01 Active	R		206 N Magnolia St	Tompkinsville, KY 42167	
	Monroe Village Senior,		01 Active	C	067C020	2828 Easthills Dr	Lexington, KY 40517-4171	
	Senior Citizens Bldg,		01 Active	E	227B900	PO Box 90014	Bowling Green, KY 42102-9014	
	Strong, Caitlin		01 Active	R	171B006	PO Box 592	Tompkinsville, KY 42167-0592	

Account #	Name	Group	Cycle	Status	Type	CR Route	Billing Address	Phone #	Meter #
	McKinney, Robert L		01	Active	R	171B002	Po Box 153		
	Down, Rickie		01	Active	R	171R007	84 Forrest Hills Dr		
	Quitt, Ricky		01	Active	R	171R007	174 Forrest Hills Dr		
	Tompson, Mark		01	Active	R	171R007	204 Forrest Hills Dr		
	Glesby, Paul		01	Active	R	171R007	224 Forrest Hills Dr		
	Gh, Tony		01	Active	R	171R007	244 Forrest Hills Dr		
	Cpherson, Michael		01	Active	R	171R007	260 Forrest Hills Dr		
	Law, Tyler		01	Active	R	171R007	280 Forrest Hills Dr		
	Oppas, Kirby		01	Active	R	171R007	296 Forrest Hills Dr		
	Atter, Billie Sue		01	Active	R	171R007	356 Forrest Hills Dr		
	Turner, Susan		01	Active	R	171R007	355 Forrest Hills Dr		
	Bornwell, Robert		01	Active	R	171R007	315 Forrest Hills Dr		
	Hammer, Brian		01	Active	R	171R007	285 Forrest Hills Dr		
	<b>Customers In Route 0002</b>		<b>289</b>						
	Mmert, Darlene		01	Active	R	171B006	Po Box 581		
	Cross, Larry T		01	Active	R	171R004	9371 County House Rd		
	Welch, Nina		01	Active	R	171R001	5805 Gamaliel Rd		
	Lawkins, Jessica		01	Active	C	171R001	5983 Gamaliel Rd		
	Watson, Wally		01	Active	R	171B004	PO Box 364		
	Howard, Glen		01	Active	R	171R004	1060 Cemetery Rd		
	Gray, Omer		01	Active	R	171R004	1016 Cemetery Rd		
	McLaughlin, Robert		01	Active	R	171R004	1008 Cemetery Rd		
	Bennett, Stacey		01	Active	R	171R004	263 Hill Top Dr		
	Howard, Alma J		01	Active	R	171R004	298 Richards Dr		
	Howard, Elmar Tee		01	Active	R	171R004	282 Richards Dr		
	Hamilton, Debra		01	Active	R	171C002	106 Maxey Dr		
	Kirk, Brenda		01	Active	R	171R004	269 Richards Dr		
	Graves, Hazel		01	Active	R	171R004	269 Richards Dr		
	Maxey, Kathy		01	Active	R	171R004	259 Richards Dr		
	Tooley, Panquita		01	Active	R	171B002	Po Box 154		
	Tooley, Mickey		01	Active	R	171B002	PO Box 154		
	Tooley, Panquita		01	Active	R	171B002	PO Box 154		
	Tooley, Franklin		01	Active	R	171R004	435 W Short St		
	Adams, Donna		01	Active	R	171R004	433 W Short St		
	Andrews, Sam		01	Active	R	171B002	Po Box 133		
	Milltown Bapt Chappe Pars.		01	Active	R	171R004	121 Dot Dr		
	Kirk, Debbie		01	Active	R		120 Dot Dr		
	Tooley, Kenneth		01	Active	R	171R004	246 Dot Dr		
	Hamilton, Norman		01	Active	R	171R004	276 Dot Dr		
	Dyer, Mark		01	Active	R	171R004	165 Hill Top Dr		
	Bennett, Stacey		01	Active	R	171R004	263 Hill Top Dr		
	Geraids, Norman		01	Active	R	171R004	248 Sue St		

Account #	Name	Group	Cycle	Status	Type	CR Route	Billing Address	Phone #	Meter #
	Evans, Patricia		01	Active	R	171R001	3444 Fountain Run Rd		
	Willard, Mary		01	Active	R	171R004	405 Richards Dr		
	Kirk, Wendy Willard		01	Active	R	171R004	475 Richards Dr		
	Jones, Sherry		01	Active	R	171R004	250 Sue St		
	Geralds, Ruthie		01	Active	R	171R004	230 Sue St		
	Kirk, Betty J		01	Active	R	171R004	237 W Short St		
	Whitney, Stewart		01	Beginning	R	171R004	285 Mo Ln		
	Carter Court Apts.		01	Active	C	157C006	35 Union Ave Ste 200		
	Harrison, Jeff		01	Active	R	171B004	Po Box 416		
	Comer, James R		01	Active	R	171B004	Po Box 395		
	Butler, Ronnie		01	Active	R	171B004	Po Box 303		
	Jackson, Ricky		01	Active	R	171R003	1155 N Main St		
	Jackson Jr, B O		01	Active	R	171R003	1155 N Main St		
	Hanley Crowe Apts,		01	Active	C	171R003	1155 N Main St		
	Falcons Nest Market,		01	Active	C	171R003	1155 N Main St		
	Falcons Car Wash,		01	Active	C	171R003	1155 N Main St		
	Bray, Jerry		01	Active	R	171B011	PO Box 1231		
	Hagan, Geneva		01	Active	R	171R001	579 S Main St		
	Britt, Cheryl		01	Active	R	171R001	565 S Main St		
	Tarry, Clifton		01	Active	R	171R001	549 S Main St		
	Frazier, Ted Rental		01	Active	R	171R001	525 S Main St		
	Dyer, Leland		01	Active	R	171R001	38 Louise Dr		
	Mcgee, Ray		01	Active	R	171B004	Po Box 412		
	Thompson, Danny Joe		01	Active	R	171R001	26 Louise Dr		
	Capps, Susie		01	Active	R	171R001	429 S Main St		
	Tooley, Connie		01	Active	R	171B003	Po Box 262		
	Fox, Teresa		01	Active	R		386 S. Main Street		
	Red Barn BBQ,		01	Active	C	171R003	267 Ivy Hill School Rd		
	Tropical Tan & Gift LLC,		01	Active	C	171C002	307 S Main St		
	Save A Lot Store,		01	Active	C	171C002	311 S Main St		
	Ford, Cloe		01	Active	R	171C002	305 S Main St		
	Elam, Ronda		01	Active	R	171C002	303 S Main St		
	Camahan, James		01	Active	R	171C002	301 S Main St		
	Poland, Anna Dare		01	Active	R	171C002	205 S Main St		
	Ferguson, Pauline K		01	Active	R	171C002	203 S Main St		
	Lee, Derek & Rebecca		01	Active	R	171C002	201 S Main St		
	Monroe Co Rescue Squ,		01	Active	R	171C002	214 S Main St		
	Bryant, Dorothy		01	Active	R	171B005	PO Box 422		
	Zavala, Maria A		01	Active	R	171C002	212 S Main St		
	Nova, Alejandro		01	Active	R	171C002	212 S Main St - A		
	Perez, Pablo		01	Active	R		208 S Main St		
	Hurt, Wanda		01	Beginning	R	171C002	206 S Main St		

Account #	Name	Group	Cycle	Status	Type	CR	Route	Billing Address	Phone #	Meter #
	Page, Hazel		01	Active	R	171C002	204 S Main St	Tompkinsville, KY 42167-1525		
	Murray, Willis & Patr		01	Active	R	171C002	200 S Main St	Tompkinsville, KY 42167-1525		
	Hamilton, Carolyn		01	Active	R	171B007	PO Box 735	Tompkinsville, KY 42167-0735		
	Ford, Danny		01	Beginning	R	171C002	108 S Main St	Tompkinsville, KY 42167		
	Dairy Queen Corpat S Inc,		01	Active	C	111C099	2708 Frankfort Ave	Louisville, KY 40206-2610		
	Rowland Ins Agency,		01	Active	C	171B004	Po Box 398	Tompkinsville, KY 42167-0398		
	Emmert, Sharon		01	Active	R	171C002	103 S Main St	Tompkinsville, KY 42167-1522		
	Philpot, Lisa		01	Active	R	171C002	107 S Main St	Tompkinsville, KY 42167-1522		
	Crowe, Herman		01	Active	R	171C002	109 S Main St	Tompkinsville, KY 42167-1522		
	Proffitt, Jim		01	Active	R	171B003	Po Box 253	Tompkinsville, KY 42167-0253		
	Adams, Tonya		01	Active	R	171C002	106 W Carmen St	Tompkinsville, KY 42167-1539		
	Wiltfong, Sherry		01	Active	R	171C002	107 E Carmen St	Tompkinsville, KY 42167-1635		
	Thompson, Ralph H		01	Active	R	165R004	120 Eastside Dr	White House, TN 37188-8913		
	Turner Flowers,		01	Active	C	171C002	111 S Spruce St	Tompkinsville, KY 42167-1542		
	Heaven, Carlene		01	Active	R	171C002	109 S Spruce St	Tompkinsville, KY 42167-1542		
	Harris, Barbara		01	Active	R	171R004	1062 Cemetery Rd	Tompkinsville, KY 42167-1740		
	Bland, Mary		01	Active	R	171B007	PO Box 743	Tompkinsville, KY 42167-0743		
	Chism, Jean		01	Active	R	171B002	Po Box 217	Tompkinsville, KY 42167-0217		
	Mink, Arlyn		01	Active	R	171C002	107 W 1st St	Tompkinsville, KY 42167-1536		
	Trible, Greg		01	Active	C	171B005	PO Box 490	Tompkinsville, KY 42167-0490		
	Monroe Co Press,		01	Active	C	171C002	105 N Main St	Tompkinsville, KY 42167-1507		
	Whiteside, Janet		01	Active	R	171C002	101 N Spruce St	Tompkinsville, KY 42167-1530		
	Monroe Feed & Farm Supply,		01	Active	C	171B007	Po Box 699	Tompkinsville, KY 42167-0699		
	Isenberg, Eric		01	Active	R		567 Bill Butler Rd	Tompkinsville, KY 42167		
	Sherfey, Marcus		01	Active	C	171R005	715 W 4th St	Tompkinsville, KY 42167-1358		
	Ford, Sue		01	Active	C	R004	8891 County House Rd	Tompkinsville, KY 42167		
	Williams Land Investments, LLC		01	Active	C	171C002	409 Lake St	Tompkinsville, KY 42167-1335		
	Tompkinsville Pawn & Jewe,		01	Active	C	171C002	113 N Main St	Tompkinsville, KY 42167-1507		
	Barksdale, Joe		01	Active	R	171C002	108 W 2nd St	Tompkinsville, KY 42167-1502		
	Monroe Feed & Farm Gcente,		01	Active	C	171B007	Po Box 699	Tompkinsville, KY 42167-0699		
	Bryant, Omer & Helen		01	Active	R	171C001	203 W 2nd St	Tompkinsville, KY 42167-1514		
	Monroe Feed & Farm Supply,		01	Active	C	171B007	Po Box 699	Tompkinsville, KY 42167-0699		
	Smith, Donna		01	Active	R	171C001	206 W 2nd St	Tompkinsville, KY 42167-1515		
	Jenkins, Bobby		01	Active	R	171C001	208 Rose Hl	Tompkinsville, KY 42167-1529		
	Copas, Ronnie		01	Active	R	171B002	Po Box 181	Tompkinsville, KY 42167-0181		
	Geralds, James C		01	Active	R	171C001	212 W 2nd St	Tompkinsville, KY 42167-1544		
	Tooley, Cecil		01	Active	R	171B009	PO Box 993	Tompkinsville, KY 42167-0993		
	Tooley, Cecil		01	Active	R	171B009	PO Box 993	Tompkinsville, KY 42167-0993		
	Brutons Wholesale,		01	Active	C	171B005	Po Box 458	Tompkinsville, KY 42167-0458		
	Bedford, Mildred		01	Active	R	171C001	211 W 3rd St	Tompkinsville, KY 42167-1543		
	Meece, Virgil		01	Active	R	171C001	210 W 3rd St	Tompkinsville, KY 42167-1517		
	The Clothes Closet,		01	Active	R	009R012	1110 Etoile Rd	Glasgow, KY 42141-8618		



Account #	Name	Group	Cycle	Status	Type	CR Route	Billing Address	Phone #	Meter #
	Benton, Irene		01	Active	R	171C001	207 W 3rd St		
	J.'s Country Auction		01	Active	C	171C001	201 W 3rd St		
	ord, Betty A		01	Active	R	171B008	Po Box 802		
	toward, Amber		01	Active	R	171C001	205 W 4th St		
	McFarland, Dylan		01	Beginning	R		207 W 4th St		
	laundry, 4th Street		01	Beginning	R		207 1/2 W 4th St		
	Spear, Reggle		01	Active	R	171C001	213 W 4th St		
	Chaplin, Walter		01	Active	R	171C001	212 W 4th St		
	Moore, Ann Beth		01	Active	C	171C002	100 N Main St		
	Thompson, Fred		01	Active	R	171C001	208 W 4th St		
	Bean, Jennifer		01	Active	R	171C002	106 Columbia Ave		
	Wink, Antonia		01	Active	R	171C001	206 1/2 W 4th St		
	Watson, Cynthia		01	Active	R	171R001	340 Hillview Estates Rd		
	Windstream Communications.		01	Active	C	119B050	PO Box 18314		
	Kirkpatrick, Charles		01	Active	R	171C001	200 W 4th St		
	Harper, David		01	Active	R	171C001	108 W 4th St		
	Jackson, Richard		01	Active	C	171C002	1005 N Main St		
	Kirby Co Of Tompkinsville,		01	Active	C	171C002	333 N Main St		
	Forever Yours		01	Active	C	171C001	103 W 4th St		
	Stanford Moore Rest,		01	Active	C	171C001	107 W 4th St		
	Beckys Boutique,		01	Active	C	171C002	329 N Main St		
	Urs Plumbing Supply,		01	Active	C	171B009	Po Box 905		
	City Cafe		01	Beginning	C		Po Box 112		
	FSC Antique Mall,		01	Active	C	171R001	2897 Freetown Emberton R		
	Betty Jo Hairfashion,		01	Active	C	171C002	305 N Main St		
	Moore, Ann Beth		01	Active	C	171C002	100 N Main St		
	June Hair Salon,		01	Active	C	171C002	104 W 3rd St		
	Taylor Polson & Co,		01	Active	C	009B016	PO Box 1804		
	Carter, Nicholas		01	Active	C	171B002	Po Box 155		
	Joe's Barber Shop,		01	Active	C	171C002	114 W 3rd St		
	Ross & Ross Market,		01	Active	C	171C002	105 W 3rd St		
	Stephens, Wes		01	Active	C	171C002	215 N Main St		
	Edmonton State Bank,		01	Active	C	169B001	PO Box 57		
	Davis, Tom		01	Active	C	171C002	209 N Main St		
	China Buffet,		01	Active	C	171C002	205 N Main St		
	Monroe Co Citizen,		01	Active	C	009B009	PO Box 546		
	Mcalpin, Dr Gordon		01	Active	C	171C002	110 N Main St		
	Proffitt Real Estate.		01	Active	C	171B004	Po Box 365		
	Moore Jr, Reed		01	Active	C	171B002	Po Box 235		
	Copas, Brian		01	Active	C	171B004	PO Box 397		
	Moore, Carol		01	Active	R	171C002	100 N Main St		
	Barlow, Joyce Ann		01	Active	R	171C002	102 E 1st St		

Account #	Name	Group	Cycle	Status	Type	CR Route	Billing Address	Phone #	Meter #
	Williams, Jarred		01	Active	R	171C002	106 E 1st St		
	Police Department.		01	Active	R		2nd & Magnolia		
	Monroe County Historical & Ge		01	Active	R		Po Box 224		
	Monroe Co Courthouse,		01	Active	R	171C001	200 N Main St Ste C		
	Chamber/community Bldg.		01	Active	R		206 N Magnolia St		
	Maintance Building,		01	Active	R		206 N Magnolia St		
	City Office Bldg.		01	Active	R		3rd & Magnolia St		
	Tompkinsville First Baptist Ch,		01	Active	R	171C001	302 N Magnolia St		
	Methodist Church,		01	Active	R	171R003	30 Dickerson Dr		
	Green Mechanical,		01	Active	R	171C001	200 N Main St Ste C		
	South Central Bank,		01	Active	C	171B004	Po Box 307		
	Turner, Beth		01	Active	C	171C002	414 W 6th St		
	Moore, Cecil		01	Active	C	171C001	301 E 4th St		
	Goode, Betty		01	Active	R	171C001	300 N Crawford St		
	Monroe Co Jail,		01	Active	R	171C001	200 N Main St Ste C		
	Glidewell, Dan		01	Active	R	171C001	202 N Crawford St		
	Tompkinsville Prof,		01	Active	C	171C001	200 N Crawford St		
	North, Vicki		01	Active	R	171C001	207 E 2nd St		
	Jackson Rental/Simpson Apts.,		01	Active	C	171R003	1155 N Main St		
	Wood, Brandi		01	Active	R	171B006	PO Box 552		
	Miller, Joe H		01	Active	R	171B005	Po Box 481		
	Eaton, Helen		01	Active	R	171C002	108 S Crawford St		
	Webb, Dustin		01	Active	R	171C002	103 S Crawford St		
	Bartley, Ricky		01	Active	R		110 S Crawford St		
	Lankford, Robert & Jennif		01	Active	R	171C002	112 S Crawford St		
	Hays, James		01	Active	R	171B006	Po Box 577		
	Kerny, April		01	Active	R	171C002	125 S Crawford St		
	McCauley, Dr M R		01	Active	R	171B004	Po Box 351		
	Miller, George		01	Active	R	171C002	106 S Magnolia St		
	Head, Cletra		01	Active	R	171C002	108 S Magnolia St		
	Cropper, Linda		01	Active	R	171C002	109 S Magnolia St		
	Turner, Dwanna		01	Active	R	171C002	110 S Magnolia St		
	Bean, Jesse		01	Active	R	171C002	113 S Magnolia St		
	Key, Timothy		01	Active	R	171C002	206 S Magnolia St		
	Proffitt, Jimmy		01	Active	C	171C002	204 Vine St		
	Fultz, John		01	Active	R	171C002	205 Vine St		
	Crabtree, Ginger		01	Active	R		209 E Vine St		
	Ballard, Harley		01	Active	R	171C002	203 Vine St		
	Inc Group,		01	Active	C	171B005	PO Box 516		
	Payne, Angela		01	Active	R	171B003	PO Box 244		
	Gee, Stacy		01	Active	R	171R001	301 S Magnolia St		
	Muse, Michael D		01	Active	R	171R001	303 S Magnolia St		

Account #	Name	Group	Cycle Status	Type	CR	Route	Billing Address	Phone #	Meter #
	Curtis, Shirley		01 Active	R	171R001	309 S Magnolia St	Apt 3	Tompkinsville, KY 42167-1676	
	Walker, Joe Lee		01 Active	R	171R001	309 S Magnolia St	Apt 4	Tompkinsville, KY 42167-1676	
	Courtier, John		01 Active	R	171R001	309 S Magnolia St	Apt 6	Tompkinsville, KY 42167-1676	
	Halthcox, Eric		01 Active	R	171R001	309 S Magnolia St	Apt 7	Tompkinsville, KY 42167-1676	
	Walden, Wendall		01 Active	R	171R001	309 S Magnolia St	Apt 10	Tompkinsville, KY 42167-1676	
	Daniel, Ray		01 Active	R	171R001	309 S Magnolia St		Tompkinsville, KY 42167-1676	
	Hood, Shelia		01 Active	R	171R001	315 S Magnolia St		Tompkinsville, KY 42167-1684	
	Jones, Bettie		01 Active	R	171R001	311 S Magnolia St		Tompkinsville, KY 42167-1684	
	Smith, Priscilla		01 Active	R	171R001	320 S Magnolia St		Tompkinsville, KY 42167-1683	
	Blythe, Patricia		01 Active	R		323 S Magnolia St		Tompkinsville, KY 42167	
	Reagan, Donald		01 Active	R	171R001	328 Old Mulkey Rd		Tompkinsville, KY 42167-1658	
	McMillian, Virginia		01 Active	R	171R001	333 Old Mulkey Rd		Tompkinsville, KY 42167-1659	
	Ford, Cora		01 Active	R	171R001	343 Old Mulkey Rd		Tompkinsville, KY 42167-1659	
	Bobby Body Shop,		01 Active	C	171R007	280 Forrest Hills Dr		Tompkinsville, KY 42167-1839	
	Muse, Angela		01 Active	R	171R001	336 S Magnolia St		Tompkinsville, KY 42167-1683	
	Walker, Gary S		01 Active	R	171R001	652 Old Mulkey Rd		Tompkinsville, KY 42167-8768	
	Brown, Joan		01 Active	R	171R001	676 Old Mulkey Rd		Tompkinsville, KY 42167-8768	
	Moody, Ned		01 Active	R	171R001	740 Old Mulkey Rd		Tompkinsville, KY 42167-7701	
	Moody, Max		01 Active	R	171R001	50 Bradshaw Rd		Tompkinsville, KY 42167-7702	
	Mcclendon, Bill		01 Active	R	171R001	150 Bradshaw Rd		Tompkinsville, KY 42167-7703	
	Mcclendon, Bill		01 Active	R	171R001	150 Bradshaw Rd		Tompkinsville, KY 42167-7703	
	Cornwell, Ryan		01 Active	R	171R001	110 Bradshaw Rd		Tompkinsville, KY 42167-7703	
	Monroe Co Bd Of Ed Middles,		01 Active	R	171C002	309 Emberton St		Tompkinsville, KY 42167-1431	
	Monroe Co Family Wellness Cer		01 Active	E	171C002	309 Emberton St		Tompkinsville, KY 42167-1431	
	Monroe Co Bd Of Ed High Sc,		01 Active	R	171C002	309 Emberton St		Tompkinsville, KY 42167-1431	
	Monroe Co ATC,		01 Active	R	171R001	757 Old Mulkey Rd		Tompkinsville, KY 42167-7701	
	Monroe Co Bd Of Ed Practice Fi		01 Active	R	171C002	309 Emberton St		Tompkinsville, KY 42167-1431	
	Hawkins, Marty		01 Active	R	171R001	204 Emile Ln		Tompkinsville, KY 42167-8767	
	Smith, Gary		01 Active	R	171R001	1004 Sherry Dr		Tompkinsville, KY 42167-8766	
	Page, Stevie &Carrie		01 Active	R	171R001	205 Emile Ln		Tompkinsville, KY 42167-8767	
	Smith, Cassie		01 Beginning	R		201 Emile Ln		Tompkinsville, KY 42167-8767	
	Graves, Jerry L		01 Active	R	171B002	Po Box 156		Tompkinsville, KY 42167-0156	
	Richardson, Paul		01 Active	R	171R001	1103 Sherry Dr		Tompkinsville, KY 42167-8765	
	Brown, J D		01 Active	R	171R001	1101 Sherry Dr		Tompkinsville, KY 42167-8765	
	Bartley, Mary Helen		01 Active	R	171R001	1009 Sherry Dr		Tompkinsville, KY 42167-8764	
	Clarkson, Keith		01 Active	R	171R001	1007 Sherry Dr		Tompkinsville, KY 42167-8764	
	Gee, Jerry		01 Active	R	171R001	1005 Sherry Dr		Tompkinsville, KY 42167-8764	
	Bartley, Tony		01 Active	R	171R001	1002 Sherry Dr		Tompkinsville, KY 42167-8766	
	Proffitt, Delma		01 Active	R	171R001	213 Jim Bryant Ave		Tompkinsville, KY 42167-8760	
	Hestand, Gay		01 Active	R	171R001	212 Jim Bryant Ave		Tompkinsville, KY 42167-8759	
	Brown, Steven Paul & Daytona		01 Active	R		210 Jim Bryant Ave		Tompkinsville, KY 42167	
	Boyles, Robert		01 Active	R	171R001	209 Jim Bryant Ave		Tompkinsville, KY 42167-8760	

Account #	Name	Group	Cycle Status	Type	CR Route	Billing Address	Phone #	Meter #
	Whitlow, Joseph		01 Active	R	171R001	208 Jim Bryant Ave	Tompkinsville, KY 42167-8759	
	Bearlds, Barbara		01 Active	R	171B004	Po Box 324	Tompkinsville, KY 42167-0324	
	Murphree, Timothy		01 Active	R	171R001	204 Jim Bryant Ave	Tompkinsville, KY 42167-8759	
	Kendall, Burnelle		01 Active	R	171R001	207 Jim Bryant Ave	Tompkinsville, KY 42167-8760	
	Brown, Gerene		01 Active	R	171R001	205 Jim Bryant Ave	Tompkinsville, KY 42167-8760	
	Miles, Billie		01 Active	R	171R001	1002 Terry Dr	Tompkinsville, KY 42167-8762	
	Hiser, Natasha		01 Active	R	171R001	1004 Terry Dr	Tompkinsville, KY 42167-8762	
	Bowe, Heather		01 Active	R	171R001	1006 Terry Dr	Tompkinsville, KY 42167-8762	
	Pace, Ben		01 Active	R	171R001	1000 Terry Dr	Tompkinsville, KY 42167-8762	
	Kirk, Stephanie		01 Active	R	171R001	1001 Old Mulkey Rd	Tompkinsville, KY 42167-6717	
	Blevins, Mike		01 Active	R	171R001	1011 Old Mulkey Rd	Tompkinsville, KY 42167-6717	
	Miles, Mary		01 Active	R	171R001	1023 Old Mulkey Rd	Tompkinsville, KY 42167-6717	
	Smith, Mickie		01 Active	R	171R001	1015 Old Mulkey Rd	Tompkinsville, KY 42167-6717	
	Clarkson, Norman		01 Active	R	171R001	1035 Old Mulkey Rd	Tompkinsville, KY 42167-6717	
	Wilborn, Telissa		01 Beginning	R	171R001	1069 Old Mulkey Rd	Tompkinsville, KY 42167-6717	
	Stanford, Prentice & Jane		01 Active	R	171R001	158 N Lakeview Dr	Tompkinsville, KY 42167-7712	
	Ross, Roy Cecil		01 Active	R	171R001	56 N Lakeview Dr	Tompkinsville, KY 42167-7711	
	Davis, Chad		01 Active	R	171R001	99 N Lakeview Dr	Tompkinsville, KY 42167-7711	
	Copas, Brian		01 Active	R	171B004	PO Box 397	Tompkinsville, KY 42167-0397	
	Trimble, Blanche		01 Active	R	171C002	105 N Main St	Tompkinsville, KY 42167-1507	
	Gee, Mike		01 Active	R	171R001	115 S Lakeview Dr	Tompkinsville, KY 42167-7710	
	Dicken, L E		01 Active	R	171R005	68 Adam Bowles Dr	Tompkinsville, KY 42167-9483	
	Humes, Jerry		01 Active	R	171R001	62 S Lakeview Dr	Tompkinsville, KY 42167-7709	
	Mangrum, Karl		01 Active	R	171R001	18 S Lakeview Dr	Tompkinsville, KY 42167-7709	
	Arnett, Terry		01 Active	R	171R001	1667 Old Mulkey Rd	Tompkinsville, KY 42167-7514	
	Yokley, Ellen		01 Active	R	171B009	PO Box 984	Tompkinsville, KY 42167-0984	
	Old Mulkey State Park,		01 Active	R	171R001	38 Old Mulkey Park Rd	Tompkinsville, KY 42167-6781	
	Smith, Mary Tim		01 Active	R	171R001	1793 Old Mulkey Rd	Tompkinsville, KY 42167-7515	
	Old Mulkey Farm,		01 Active	C	171B005	PO Box 520	Tompkinsville, KY 42167-0520	
	Curtis, Dennis O		01 Active	R	171B007	Po Box 676	Tompkinsville, KY 42167-0676	
	Savage, Lara		01 Active	R	171R001	1614 Old Mulkey Rd	Tompkinsville, KY 42167-7514	
	Hale, Robert		01 Active	R	171R001	1627 Old Mulkey Rd	Tompkinsville, KY 42167-7514	
	Delgado, Yvette		01 Active	R		1548 Old Mulkey Rd	Tompkinsville, KY 42167	
	Graves, Allen		01 Active	R	171R001	1604 Old Mulkey Rd	Tompkinsville, KY 42167-7514	
	Tooley, Debbie C		01 Active	R	171R001	1560 Old Mulkey Rd	Tompkinsville, KY 42167-8787	
	Milam, Loy		01 Active	R	171B001	Po Box 81	Tompkinsville, KY 42167-0081	
	Proffitt, Jackie		01 Active	R	171R001	1544 Old Mulkey Rd	Tompkinsville, KY 42167-8787	
	Boston, Erin		01 Active	R	171R001	1544 Old Mulkey Rd	Tompkinsville, KY 42167-8787	
	Young, Connie		01 Active	R	171R001	1484 Old Mulkey Rd	Tompkinsville, KY 42167-7527	
	Fletcher, John		01 Active	R	171R001	1524 Old Mulkey Rd	Tompkinsville, KY 42167-8787	
	Walden, Elsworth		01 Active	R	171R001	1466 Old Mulkey Rd	Tompkinsville, KY 42167-7527	
	Denton, James		01 Active	R	171R001	1462 Old Mulkey Rd	Tompkinsville, KY 42167-7527	

Account #	Name	Group	Cycle Status	Type	CR Route	Billing Address	Phone #	Meter #
	Booher, Dorothy		01 Active	R	171R001	1298 Old Mulkey Rd	Tompkinsville, KY 42167-6631	
	Walker, Randy		01 Active	R	171R001	1416 Old Mulkey Rd 1-a	Tompkinsville, KY 42167-7527	
	King, Fred Wayne		01 Active	R	171R001	1420 Old Mulkey Rd	Tompkinsville, KY 42167-7527	
	Lopez, Heladio		01 Active	R	171R001	1418 Old Mulkey Rd Lot D	Tompkinsville, KY 42167-7527	
	Turner, Garren		01 Active	R	171R001	1428 Old Mulkey Rd # 5E	Tompkinsville, KY 42167-7527	
	Agular, Moises		01 Active	R	171R001	1418 Old Mulkey Rd Lot D	Tompkinsville, KY 42167-7527	
	Parkview Est Mobile,		01 Active	C	171R001	1298 Old Mulkey Rd	Tompkinsville, KY 42167-6631	
	Kelton, Wanda		01 Active	R	171R001	1387 Old Mulkey Rd	Tompkinsville, KY 42167-6632	
	Shaw, Michael		01 Active	R	171R001	175 Mill Creek Rd	Tompkinsville, KY 42167-7510	
	Hale, Charles & Pat Rnlds		01 Active	C	171R003	1061 Columbia Ave	Tompkinsville, KY 42167-1239	
	Zetina, Modesto		01 Active	R	171R001	200 Mill Creek Rd Apt A	Tompkinsville, KY 42167-8788	
	Rivera, Estelle		01 Active	R	171R001	200 Mill Creek Rd Apt D	Tompkinsville, KY 42167-8788	
	Soriano, Sherry		01 Active	R		200 Mill Creek Rd Apt E	Tompkinsville, KY 42167	
	Nichols, Holly		01 Active	R	171R001	200 Mill Creek Rd Apt K	Tompkinsville, KY 42167-8788	
	Jackson, Christina		01 Beginning	R		150 Oak Street	Tompkinsville, KY 42167	
	<b>Customers In Route 0003</b>		<b>295</b>					
	Stephens, Pat		01 Active	R	171B005	PO Box 488	Tompkinsville, KY 42167-0488	
	Ellis, Dana		01 Active	R	171C002	420 Woodhaven Dr	Tompkinsville, KY 42167-1821	
	Abney, Bill		01 Active	R	171C002	418 Woodhaven Dr	Tompkinsville, KY 42167-1821	
	Rush, Chad		01 Active	R	171C002	416 Woodhaven Dr	Tompkinsville, KY 42167-1821	
	Strode, Harlie		01 Active	R	171C002	414 Woodhaven Dr	Tompkinsville, KY 42167-1821	
	Travis, Bill		01 Active	R	171C002	388 Woodhaven Dr	Tompkinsville, KY 42167-1879	
	Houchens, Carolyn		01 Active	R	171C002	367 Woodhaven Dr	Tompkinsville, KY 42167-1874	
	Hays, Garnetta		01 Active	R	171C002	352 Woodhaven Dr	Tompkinsville, KY 42167	
	Guffey, Stevie & Sandra		01 Active	R		329 Woodhaven Dr	Tompkinsville, KY 42167-1874	
	Deckard, James A		01 Active	R	171C002	314 Woodhaven Dr	Tompkinsville, KY 42167-1879	
	Dickerson, Ella		01 Active	R	171C002	260 Woodhaven Dr	Tompkinsville, KY 42167-1878	
	Wilkerson, Becky		01 Active	R	171C002	329 N Main St	Tompkinsville, KY 42167-1510	
	Proffitt, Joey		01 Active	R	171C002	257 Woodhaven Dr	Tompkinsville, KY 42167-1873	
	Methodist Parsonage,		01 Active	R	171R003	30 Dickerson Dr	Tompkinsville, KY 42167-8504	
	Miller, Larry		01 Active	R	171C002	202 Woodhaven Dr	Tompkinsville, KY 42167-1878	
	Bartley, Rex & Margie		01 Active	R	171C002	184 Woodhaven Dr	Tompkinsville, KY 42167-1877	
	Turner, Jerry		01 Active	R	171C002	166 Woodhaven Dr	Tompkinsville, KY 42167-1877	
	Nixon, Wendell		01 Active	R	171C002	148 Woodhaven Dr	Tompkinsville, KY 42167-1877	
	Vickery, Tommy		01 Active	R	171C002	111 Woodhaven Dr	Tompkinsville, KY 42167-1872	
	Baptist Church Parsonage,		01 Active	R	171C001	302 N Magnolia St	Tompkinsville, KY 42167-1626	
	Mills, Janice		01 Active	R	171C002	60 Woodhaven Dr	Tompkinsville, KY 42167-1876	
	Grierson, Phyllis		01 Active	R		P.O Box 1178	Tompkinsville, KY 42167	
	Anderson, Clint & Wilma		01 Active	R	171C002	11 Woodhaven Dr	Tompkinsville, KY 42167-1822	
	Ritter, Jeff		01 Active	R	171C002	118 Spring Valley Rd	Tompkinsville, KY 42167-1841	
	Kerr, Mary		01 Active	R	211B004	PO Box 250	Simpsonville, KY 40067-0250	
	Polsion, Billy		01 Active	R	171C002	149 Spring Valley Rd	Tompkinsville, KY 42167-1841	

Account #	Name	Group	Cycle Status	Type	CR Route	Billing Address	Phone #	Meter #
	Mcalpin, Lecil		01 Active	R	171C002	164 Spring Valley Rd	Tompkinsville, KY 42167-1841	
	Wheat, Michele		01 Active	R		155 Spring Valley Dr	Tompkinsville, KY 42167	
	Ross, Witt		01 Active	R	171C002	188 Spring Valley Rd	Tompkinsville, KY 42167-1841	
	Halliday, R Michael		01 Active	R	171B004	PO Box 341	Tompkinsville, KY 42167-0341	
	Blythe, Lewis		01 Active	R	171C002	196 Spring Valley Rd	Tompkinsville, KY 42167-1841	
	Kirkpatrick, Freddie		01 Active	R	171C002	279 Woodhaven Dr	Tompkinsville, KY 42167-1873	
	Reagan, Gay		01 Active	R	171C002	307 Woodhaven Dr	Tompkinsville, KY 42167-1874	
	Carter, Dr Jimmy Res		01 Active	R	171C002	805 N Main St	Tompkinsville, KY 42167-1002	
	King, Wayne		01 Active	R	171B004	Po Box 382	Tompkinsville, KY 42167-0382	
	Dyer, Coleen		01 Active	R	171C002	308 E Paige St	Tompkinsville, KY 42167-1036	
	Bowles, Lori		01 Active	R		50 Lori Rd	Tompkinsville, KY 42167	
	Whitlow, Azel		01 Active	R	171B004	PO Box 352	Tompkinsville, KY 42167-0352	
	Hammner, Wendy		01 Active	R	171C002	302 E Paige St	Tompkinsville, KY 42167-1036	
	White, Chrystene		01 Active	R	171C002	911 Monroe Dr	Tompkinsville, KY 42167-1012	
	Carter, Steven H		01 Active	R	171C002	909 Monroe Dr	Tompkinsville, KY 42167-1012	
	Conkin, Brett		01 Active	R	171C002	907 Monroe Dr	Tompkinsville, KY 42167-1012	
	Conkin, Sheryl		01 Active	R	171C002	905 Monroe Dr	Tompkinsville, KY 42167-1012	
	McMillian, Heather		01 Active	R	171C002	903 Monroe Dr	Tompkinsville, KY 42167-1012	
	Spence, Verla		01 Active	R	171C002	901 Monroe Dr	Tompkinsville, KY 42167-1012	
	Hughes, Robbie		01 Active	R	171C002	803 Monroe Dr	Tompkinsville, KY 42167-1010	
	Beck, Sam		01 Beginning	R	171C002	307 E Short St	Tompkinsville, KY 42167	
	Cameron, Don & Melinda		01 Active	R		312 Lafayette Rd	Red Boiling Springs, TN 37150-2000	
	Turner, Rickie N		01 Active	R	171C002	807 Monroe Dr	Tompkinsville, KY 42167-1010	
	Gearlds, Jonathan		01 Active	R	171C002	801 Monroe Dr	Tompkinsville, KY 42167	
	Birdwell, Dayton		01 Active	C	171C002	711 Monroe Dr	Tompkinsville, KY 42167-1117	
	Shirley, Greg		01 Active	R	171C002	307 Pedigo St	Tompkinsville, KY 42167-1001	
	Rhoton, Mary		01 Active	R	171B001	Po Box 113	Tompkinsville, KY 42167-0113	
	Bradley, William		01 Active	R	171C002	302 Pedigo St	Tompkinsville, KY 42167-1018	
	Cleary, Virginia		01 Active	R	171C002	301 Pedigo St	Tompkinsville, KY 42167-1001	
	Rhoton, Tony		01 Active	R	171B007	PO Box 696	Tompkinsville, KY 42167-0696	
	Grinstaff, Creola		01 Active	R	171C002	705 White St	Tompkinsville, KY 42167-1123	
	Norman, Maggie		01 Active	R	171C002	209 Pedigo St	Tompkinsville, KY 42167-1016	
	Pratt, Randy		01 Active	R		202 Pedigo St	Tompkinsville, KY 42167	
	Arnett, Terry		01 Active	R	171C002	206 Pedigo St	Tompkinsville, KY 42167-1017	
	Perrin, Mary		01 Active	R		208 Pedigo St	Tompkinsville, KY 42167	
	Brown, Symrna		01 Active	R	171C002	803 1/2 White St	Tompkinsville, KY 42167-1027	
	Aubin, Carrie		01 Active	R	171C002	803 White St	Tompkinsville, KY 42167	
	Simpson, Dennis		01 Active	R	171C002	802 White St	Tompkinsville, KY 42167-1028	
	Walden, Jackie		01 Active	R	171B001	Po Box 53	Tompkinsville, KY 42167-0053	
	Woosley, Elizabeth		01 Active	R	171C002	809 White St	Tompkinsville, KY 42167-1027	
	Pickerell, Carolyn		01 Active	R	171C002	205 E Short St	Tompkinsville, KY 42167-1021	
	Joe's Muffler Shop.		01 Active	C	171C002	900 White St	Tompkinsville, KY 42167-1030	

Account #	Name	Group	Cycle Status	Type	CR Route	Billing Address	Phone #	Meter #
	dams, Truman		01 Active	R	171C002	901 White St	Tompkinsville, KY 42167-1029	
	ransletter, Mary		01 Active	R	171C002	903 White St	Tompkinsville, KY 42167-1029	
	rowls, Edgar		01 Active	R	171C002	905 White St	Tompkinsville, KY 42167-1029	
	ombs, Maria		01 Active	R	171C002	907 White St	Tompkinsville, KY 42167-1029	
	armona, Angelica		01 Active	R	171C002	909 White St	Tompkinsville, KY 42167-1029	
	oberl, Bidgood		01 Beginning	R		910 White St	Tompkinsville, KY 42167	
	Wood, Glendale		01 Active	R	171C002	911 White St	Tompkinsville, KY 42167-1029	
	irge, Bobby		01 Active	R	171C002	913 White St	Tompkinsville, KY 42167-1029	
	odges, Barbara Lois		01 Active	R	171C002	300 Terry St	Tompkinsville, KY 42167-1026	
	urner, Shane		01 Active	R		508 4th St Blvd	Tompkinsville, KY 42167	
	mith, Eddie		01 Active	R	171C002	200 E Paige St	Tompkinsville, KY 42167-1034	
	Witty, Dennis		01 Active	R	171C002	915 Pearl St	Tompkinsville, KY 42167-1040	
	iggerstaff, James E		01 Active	R	145R001	6733 N 600 W	Fairland, IN 46126-9618	
	asket, Jo Ann		01 Active	R		910 Pearl St	Tompkinsville, KY 42167	
	smith, Dana		01 Active	R	171C002	911 Pearl St	Tompkinsville, KY 42167-1040	
	Modesto, Victor		01 Active	R		909 Pearl St	Tompkinsville, KY 42167	
	ane, Ish Warehouse		01 Active	C	171C002	904 Pearl St	Tompkinsville, KY 42167-1041	
	Carter, Charles R		01 Active	R	171C002	907 Pearl St	Tompkinsville, KY 42167-1040	
	Rhoton, Clifton		01 Active	R	171C002	905 Pearl St	Tompkinsville, KY 42167-1040	
	ane, Ish Rental		01 Active	R	171C002	904 Pearl St	Tompkinsville, KY 42167-1041	
	ane, Ishmel		01 Active	C	171C002	904 Pearl St	Tompkinsville, KY 42167-1041	
	Pennington, Brian		01 Active	R	171C002	903 Pearl St	Tompkinsville, KY 42167-1040	
	Bennett, Anthony		01 Active	R	171C002	902 Pearl St	Tompkinsville, KY 42167-1041	
	Pascual Lopez, Enedina		01 Active	R	171C002	202 E Short St	Tompkinsville, KY 42167-1022	
	Gonzalez Resendiz, Isidro		01 Active	R	171C002	808 Pearl St	Tompkinsville, KY 42167-1039	
	Bewley, Rodney		01 Active	R	171C002	105 E Short St	Tompkinsville, KY 42167-1019	
	Huff, Sandra		01 Active	R	171C002	806 Pearl St	Tompkinsville, KY 42167-1039	
	Cain, Junior		01 Active	R	171C002	205 Pedigo St	Tompkinsville, KY 42167-1016	
	Rhoton, Becky		01 Active	R	171C002	203 Pedigo St	Tompkinsville, KY 42167-1016	
	Stewart, Steve		01 Active	R	171C002	201 Pedigo St	Tompkinsville, KY 42167-1016	
	Haithcox, Smeria		01 Active	R	171C002	107 Pedigo St	Tompkinsville, KY 42167-1014	
	Walden, Trisha		01 Active	R	171C002	105 Pedigo St	Tompkinsville, KY 42167-1014	
	Hume, Dr Timothy		01 Active	C	171C002	710 N Main St	Tompkinsville, KY 42167-1130	
	O'Reilly,		01 Active	C	077B008	PO Box 1156	Springfield, MO 65801-1156	
	The Smoke Shack,		01 Active	C	171C002	702 N Main St	Tompkinsville, KY 42167-1130	
	Dollar General C St #2042,		01 Active	C	049B055	Po Box 182595	Columbus, OH 43218-2595	
	G A,		01 Active	C	227B900	Po Box 90009	Bowling Green, KY 42102-9009	
	Harrison Drug Store,		01 Active	C	171B004	Po Box 416	Tompkinsville, KY 42167-0416	
	Carter, Dr Michael		01 Active	C	171B003	Po Box 277	Tompkinsville, KY 42167-0277	
	Carter, Dr Tony		01 Active	C	171C002	604 N Main St	Tompkinsville, KY 42167-1128	
	Sonic		01 Active	C	171C002	607 N Main St	Tompkinsville, KY 42167-1127	
	Us Bank,		01 Active	C	049B059	Po Box 182980	Columbus, OH 43218-2980	

Account #	Name	Group	Cycle	Status	Type	CR Route	Billing Address	Phone #	Meter #
	Edmonton State Bk Branch,		01	Active	C	169B001	Po Box 57	Edmonton, KY 42129-0057	
	Vann Home Care,		01	Active	C	009R013	1004 Happy Valley Rd	Glasgow, KY 42141-1224	
	Sheffield ARNP, Teresa		01	Active	C	171C002	805 N Main St	Tompkinsville, KY 42167-1002	
	Fred's Stores of Tennessee,		01	Active	C	063B901	PO Box 2440	Spokane, WA 99210-2440	
	Tompkinsville Primary Car,		01	Active	C	171B005	Po Box 476	Tompkinsville, KY 42167-0476	
	Keith, Dr Collin		01	Active	C	171B005	Po Box 426	Tompkinsville, KY 42167-0426	
	Richardson, Mitchell		01	Active	R	097C035	8413 Nottinghill Dr	Indianapolis, IN 46234-2666	
	Bryant, Eva		01	Active	R	081R027	1625 Roundhouse Cir	Greenwood, IN 46143-6835	
	Tri County Emc,		01	Active	C	171B003	Po Box 278	Tompkinsville, KY 42167-0278	
	Wilson Real Estate,		01	Active	C	171C002	1001 N Main St	Tompkinsville, KY 42167-1006	
	Jackson, Richard & Gretchen		01	Active	R	171C002	1005 N Main St	Tompkinsville, KY 42167-1006	
	McIntyre, Tina		01	Active	R	171C002	1007 N Main St	Tompkinsville, KY 42167-1006	
	Baker, Bill		01	Active	R	171C002	1013 N Main St	Tompkinsville, KY 42167-1006	
	Walker, Loretta		01	Active	R	171C002	1017 N Main St	Tompkinsville, KY 42167-1006	
	McCubbin, James		01	Active	C		1101 N Main St	Tompkinsville, KY 42167	
	Baker, John H		01	Active	R	171C002	1103 N Main St	Tompkinsville, KY 42167-1241	
	Davis, Gertude		01	Active	R	171R003	1107 N Main St	Tompkinsville, KY 42167-1251	
	Mcwherter, Reed		01	Active	R	171R003	1111 N Main St	Tompkinsville, KY 42167-1251	
	Magana, Jose		01	Active	R	171R003	1113 N Main St	Tompkinsville, KY 42167-1251	
	Conner, Louella		01	Active	R	171R003	1115 N Main St A	Tompkinsville, KY 42167-1251	
	Arnett, Linda		01	Active	R	171R003	1115C N Main St	Tompkinsville, KY 42167-1251	
	Walden, Jackie		01	Active	R	171B001	Po Box 53	Tompkinsville, KY 42167-0053	
	Cleary, Carolyn		01	Active	R	171B002	Po Box 234	Tompkinsville, KY 42167-0234	
	King Drug & Home Care,		01	Active	C	183B002	PO Box 145	Hartford, KY 42347-0145	
	Magana, Jose		01	Active	R	171C002	1010 N Main St	Tompkinsville, KY 42167-1007	
	Baker, Bill		01	Active	R	171C002	1013 N Main St	Tompkinsville, KY 42167-1006	
	Fox, Amanda		01	Active	R	171C002	1008 N Main St	Tompkinsville, KY 42167-1007	
	Bartley's Video,		01	Active	C	171B005	PO Box 445	Tompkinsville, KY 42167-0445	
	Loyd, Anthony		01	Beginning	C		265 Noel Myatt Rd	Mount Hermon, KY 42157	
	Cleary Construction,		01	Active	R	171R003	2006 Edmonton Rd	Tompkinsville, KY 42167-7445	
	Specialty Insurance,		01	Active	C	171C002	910 N Main St	Tompkinsville, KY 42167-1005	
	Cortnea, McCormick		01	Beginning	R		910 N Main St	Tompkinsville, KY 42167	
	Thompson, Ralph		01	Active	R	165R004	120 Eastside Dr	White House, TN 37188-8913	
	Rich, Vera		01	Active	R	171C002	902 N Main St	Tompkinsville, KY 42167-1005	
	Hunter, Steven		01	Active	R	171C002	804 N Main St	Tompkinsville, KY 42167-1003	
	Lifeskills,		01	Active	C	227B024	PO Box 6499	Bowling Green, KY 42102-6499	
	Mid South Auto Brokers,		01	Active	C	171B001	Po Box 77	Tompkinsville, KY 42167-0077	
	Grandview Market,		01	Active	C	171R003	1155 N Main St	Tompkinsville, KY 42167-1251	
	Hodges, Chris		01	Active	R	171R003	1068 Columbia Ave	Tompkinsville, KY 42167-1238	
	Jackson Shop, Ricky		01	Active	C	171R003	1155 N Main St	Tompkinsville, KY 42167-1251	
	Kirkpatrick, Steve		01	Active	R	171R003	1106 Columbia Ave	Tompkinsville, KY 42167-1246	
	Pinkley, Laverne		01	Active	R	171R003	1114 Columbia Ave	Tompkinsville, KY 42167-1246	



Account #	Name	Group	Cycle	Status	Type	CR Route	Billing Address	Phone #	Meter #
	Turner, Jackie		01	Active	R	171B003	PO Box 242		
	Adams, Jackie		01	Active	R	171B002	Po Box 232		
	Emberton, Gary L		01	Active	R	171R003	20 Dickerson Dr		
	Emberton, Ralph		01	Active	R	171R003	30 Dickerson Dr		
	Anderson Electronics,		01	Active	C	171R003	105 Dickerson Dr		
	Anderson, Kerry		01	Active	R	171R003	165 Dickerson Dr		
	Pitcock, Lisa		01	Active	R	171R003	40 North St		
	Vinson, Melissa		01	Active	R	171R003	30 North St		
	Proffitt, Eldrane		01	Active	R	171R003	139 North St		
	Hale, Angela		01	Active	R	171R003	53 Sunset Dr		
	Guffey, Jennifer		01	Active	R	171R003	38 Sunset Dr		
	Turner, Larry		01	Active	C	171R003	109 Sunset Dr		
	Cornwell, Brian		01	Active	R	171B008	Po Box 824		
	Vinson, Danny		01	Active	R	171R003	112 Sunset Dr		
	Anderson, Billy Joe		01	Active	R	171R003	190 Sunset Dr		
	Bledsoe, Hilda		01	Active	R	171R003	128 North St		
	Pascual, Abundia		01	Active	R	171R003	63 Hagan Dr		
	Oate, Francesco		01	Active	R	171R003	48 Hagan Dr		
	Hurt, Kathy		01	Active	R		301 North Street		
	Kendall, Viriinda		01	Active	R	171B005	Po Box 523		
	Bailey, Tina		01	Active	R	171B007	PO Box 762		
	Chism, George		01	Active	R	171R003	306 North St		
	Palmore, Alene		01	Active	R	009R001	545 Parrish Rd		
	Deckard, Elizabeth		01	Active	R	171R003	92 Radio Station Rd		
	Tompkinsville Inn Rental2,		01	Active	R	171R003	1500 Edmonton Rd		
	Tompkinsville Inn Rental1,		01	Active	R	171R003	1500 Edmonton Rd		
	Emberton, Ellis		01	Active	R	171R003	75 Radio Station Rd		
	Vibbert, Courtney		01	Active	R	171R003	111 Radio Station Rd		
	Lentz, Jason		01	Active	R	171R003	111 Radio Station Rd		
	Calihua, Cristina		01	Active	R	171R003	125 Radio Station Rd		
	Grandview Welding,		01	Active	C	171R003	198 Radio Station Rd		
	Hire, John		01	Active	R	171R003	250 Radio Station Rd		
	Froedge Machine & Supply,		01	Active	C	171R003	317 Radio Station Rd		
	Froedge, Wendell		01	Active	R	171R003	317 Radio Station Rd		
	Wright, Don		01	Active	R	171R003	391 Radio Station Rd		
	Botts, Barbara		01	Active	R	171R003	2371 Radio Station Rd		
	Hodges, Shelia		01	Active	C	171R003	1240 Columbia Ave		
	Monroe Co Extension Offic,		01	Active	R	171R003	1194 Columbia Ave		
	King Auto Parts,		01	Active	C	171R003	1209 N Main St		
	Crowes Auto Sales,		01	Active	C	171R003	1204 N Main St		
	Southern Tobacco Barn,		01	Active	C	171B007	PO Box 747		
	Pizza Hut Of Central,		01	Active	C	173C002	208 S Maize Rd Ste 2A		


Account #	Name	Group	Cycle	Status	Type	CR Route	Billing Address	Phone #	Meter #
	ariachis,		01	Active	C	171R003	1250 N Main St	Tompkinsville, KY 42167-9435	
	& W Fuels LLC,		01	Active	C		409 Lake St	Tompkinsville, KY 42167	
	ams, Jane		01	Active	R	171R003	1390 N Main St	Tompkinsville, KY 42167-9465	
	enberg, Chis		01	Active	C		P.O Box 1072	Tompkinsville, KY 42167	
	gan & Stone,		01	Active	C	171B002	Po Box 158	Tompkinsville, KY 42167-0158	
	gan & Stone Wholesale 2,		01	Active	C	171B002	Po Box 158	Tompkinsville, KY 42167-0158	
	gan and Stone Wholesale,		01	Active	C	171B002	Po Box 158	Tompkinsville, KY 42167-0158	
	rmers Market,		01	Active	C	171C001	200 N Main St	Tompkinsville, KY 42167-1548	
	al-mart Stores Inc,		01	Active	C	059B009	PO Box 967	Mandan, ND 58554-0967	
	onroe Family Medical Center,		01	Active	C		PO Box 1080	Burkesville, KY 42717	
	& L Service Inc,		01	Active	C	057R002	5800 Smith Grove Rd	Burkesville, KY 42717-9347	
	uth Central Bank,		01	Active	C	171B004	Po Box 307	Tompkinsville, KY 42167-0307	
	rm Bureau Ins.,		01	Active	C	171B002	Po Box 205	Tompkinsville, KY 42167-0205	
	Ross New Office,		01	Active	C	171R003	22 Executive Dr	Tompkinsville, KY 42167-7478	
	eer, Dr Rebecca		01	Active	C	171R003	42 Executive Dr	Tompkinsville, KY 42167-7478	
	avis, Garndall		01	Active	C	171R001	1977 Harlans Crossroads	Tompkinsville, KY 42167-6775	
	emons, Denton		01	Active	C		3857 Kessler Ridge Rd	Tompkinsville, KY 42167	
	mpkinsville Inn,		01	Active	C	171R003	1500 Edmonton Rd	Tompkinsville, KY 42167-9402	
	omer, Sheila & Carl		01	Active	R	171R003	78 Radio Station Rd	Tompkinsville, KY 42167-8573	
	uffey, Mitchell		01	Active	R	171R003	332 Hall Cir	Tompkinsville, KY 42167-7444	
	aiden, Tony		01	Active	R	171R003	307 Hall Cir	Tompkinsville, KY 42167-7444	
	rickland, Kristi		01	Active	R	171R003	383 Hall Cir	Tompkinsville, KY 42167-7444	
	hnson, Bruce		01	Active	R	171R003	426 Hall Cir	Tompkinsville, KY 42167-7401	
	hort, Jackie		01	Active	R	171R003	423 Hall Cir	Tompkinsville, KY 42167-7401	
	cmillian, Charles		01	Active	R	171B002	Po Box 174	Tompkinsville, KY 42167-0174	
	urtis, Randall		01	Active	R	171R003	102 Simpson Rd	Tompkinsville, KY 42167-9438	
	cCoy, Ethan		01	Active	R	171R003	124 Simpson Rd	Tompkinsville, KY 42167-9438	
	ll, P.E.		01	Active	R	171R003	204 Simpson Rd	Tompkinsville, KY 42167-9437	
	mpson, Benny		01	Active	R	171B002	Po Box 205	Tompkinsville, KY 42167-0205	
	oore, Larry		01	Active	R	171R003	66 Simpson Rd	Tompkinsville, KY 42167-9436	
	omez, Yesenia		01	Active	R	171R003	1607 Edmonton Rd	Tompkinsville, KY 42167-9403	
	randview Ch Of Christ,		01	Active	R	171B002	Po Box 174	Tompkinsville, KY 42167-0174	
	opes, John		01	Active	R	171R003	84 Armory Rd Lot 6	Tompkinsville, KY 42167-7437	
	az, Arturo		01	Active	R	171R003	84 Armory Rd Lot 7	Tompkinsville, KY 42167-7437	
	ndrew, Jeanie		01	Active	R	171R003	84 Armory Rd Lot 11	Tompkinsville, KY 42167-7437	
	cott, Crissy		01	Active	R	171R003	120 Armory Rd	Tompkinsville, KY 42167-9469	
	mberton, Eugene		01	Active	R	171R003	720 Sammie Carter Rd	Tompkinsville, KY 42167-8510	
	ept. of Military Affairs,		01	Active	R	073C016	100 Minuteman Pkwy Bldg	Frankfort, KY 40601-6120	
	portsmen Club,		01	Active	C	171B004	PO Box 301	Tompkinsville, KY 42167-0301	
	randview Ch Of Ch Parona,		01	Active	R	171B002	Po Box 174	Tompkinsville, KY 42167-0174	
	artley, Lloyd		01	Active	R	171B005	Po Box 445	Tompkinsville, KY 42167-0445	
	mercian Legion Post 122,		01	Active	R	171B005	Po Box 521	Tompkinsville, KY 42167-0521	

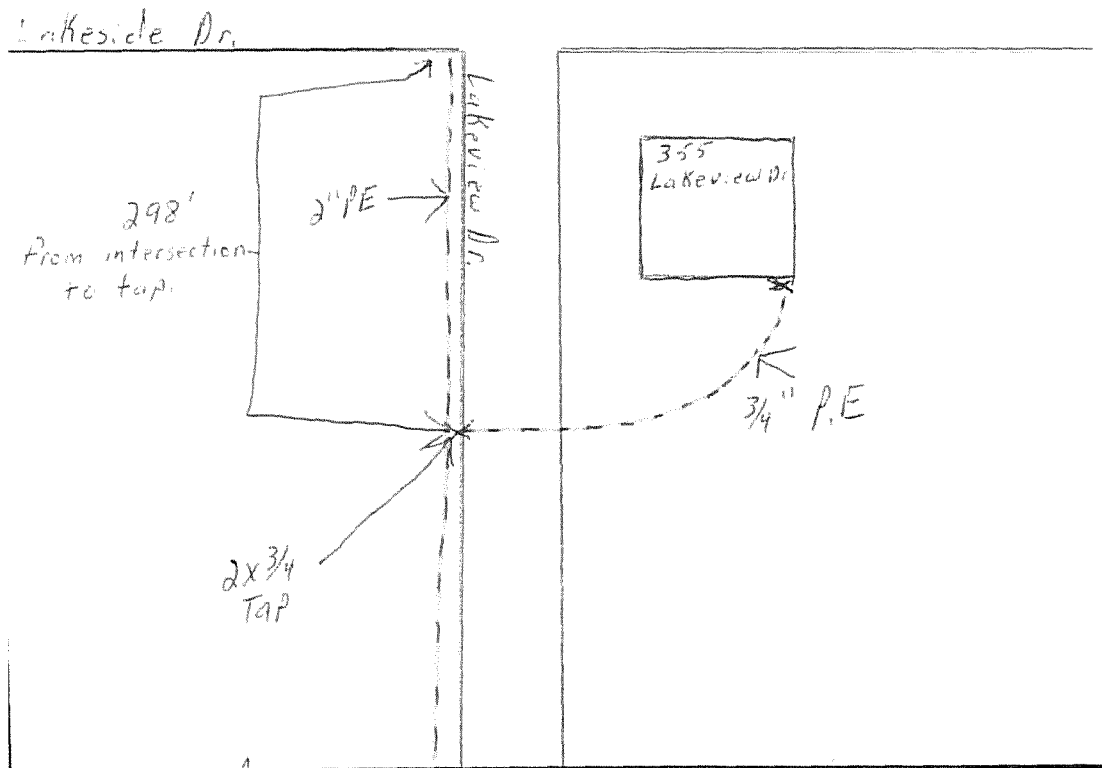
Account #	Name	Group	Cycle Status	Type	CR Route	Billing Address	Phone #	Meter #
	oy Anderson Lumber Co,		01 Active	C	171B003	Po Box 275	Tompkinsville, KY 42167-0275	
	oy Anderson Lumber,		01 Active	C	171B003	PO Box 275	Tompkinsville, KY 42167-0275	
	oy Anderson Lumber Co. Offic		01 Active	C	171B003	Po Box 275	Tompkinsville, KY 42167-0275	
	oy Anderson Lumber #2,		01 Active	C	171B003	PO Box 275	Tompkinsville, KY 42167-0275	
	iley, Luke		01 Active	R	171R003	1025 Columbia Ave	Tompkinsville, KY 42167-1239	
	ale, Steve		01 Active	R	171R003	1063 Columbia Ave	Tompkinsville, KY 42167-1239	(2
	ale, Charles		01 Active	R	171R003	1057 Columbia Ave	Tompkinsville, KY 42167-1239	
	opass, Jerry		01 Active	R	171R003	1063 Columbia Ave	Tompkinsville, KY 42167-1239	4
	Monroe Co Florist,		01 Active	C	171R003	1057 Columbia Ave	Tompkinsville, KY 42167-1239	
	chakel, Brandon		01 Active	R		1055 Columbia Ave Apt. #1	Tompkinsville, KY 42167	(2
	etherton, Teresa		01 Active	R	171B007	PO Box 714	Tompkinsville, KY 42167-0714	4
	ellini, Nadine		01 Active	R	171B007	PO Box 681	Tompkinsville, KY 42167-0681	(2
	crabtree, Addie		01 Active	R	171B002	PO Box 153	Tompkinsville, KY 42167-0153	
	Franklin Asset Mgmnt,		01 Active	C	111B006	Po Box 99564	Louisville, KY 40269-0564	
	Tompkinsville Arms,		01 Active	C	067B011	PO Box 23860	Lexington, KY 40523-3860	(8
	enton, Darrell		01 Active	R	171R003	1005 Columbia Ave	Tompkinsville, KY 42167-1262	
	Philpot, William		01 Active	R	171R003	1004 Columbia Ave	Tompkinsville, KY 42167-1255	
	Page, John D		01 Active	C	171B003	Po Box 249	Tompkinsville, KY 42167-0249	
	Pitcock, Martha		01 Active	R	171C002	202 W Paige St	Tompkinsville, KY 42167-1232	(2
	Tompkinsville Post Office,		01 Active	R	171C002	203 W Paige St	Tompkinsville, KY 42167-1231	
	Chr Imprest Cash Pr3485jc,		01 Active	R	073C000	275 E Main St 5th W	Frankfort, KY 40621-0001	
	Southern Ky Development,		01 Active	C	171B005	Po Box 520	Tompkinsville, KY 42167-0520	
	Johnson, Eva		01 Active	R	171C002	1015 Idru St	Tompkinsville, KY 42167-1227	
	Taylor, Sandy & Annette		01 Active	R	171B004	PO Box 321	Tompkinsville, KY 42167-0321	(
	Copas, Tommy		01 Active	R	171R007	820 Columbia Ave	Tompkinsville, KY 42167-1216	4
	Monroe Co Wt Dist City,		01 Active	E		Hwy 163	Tompkinsville, KY 42167	
	<b>Customers In Route 0004</b>		<b>262</b>					
	Rhoton, Latosha		01 Active	R	171R002	98 Cloyd Rd	Tompkinsville, KY 42167-1859	4
	Southern Ivy Interiors & Gifts,		01 Active	C	171B003	PO Box 279	Tompkinsville, KY 42167-0279	(
	Page, J.L.		01 Active	C	171B001	PO Box 15	Tompkinsville, KY 42167-0015	4
	Village Shop,		01 Active	R	171B006	Po Box 548	Tompkinsville, KY 42167-0548	
	Community Out Reach,		01 Active	R	171B006	Po Box 548	Tompkinsville, KY 42167-0548	
	Hammer, Eddie		01 Active	R	171R007	624 Celina Rd	Tompkinsville, KY 42167-8748	(
	Kingdom Hall,		01 Active	R	171R005	6284 Mud Lick Flippin Rd	Tompkinsville, KY 42167-7114	4
	TG's Auto Sales,		01 Active	C	171B007	Po Box 742	Tompkinsville, KY 42167-0742	
	Headrick, Roger		01 Active	C	171R001	519 Cedar Hill Rd	Mount Hermon, KY 42157-8901	
	Bowling, Wayne		01 Beginning	R		Poplar Hill Subd	Tompkinsville, KY 42167	(
	Hollinsworth, Richard		01 Active	R	171R007	424 Wheeler Ave	Tompkinsville, KY 42167-1672	(
	Smith, Phyllis		01 Active	R	171R007	422 Wheeler Ave	Tompkinsville, KY 42167-1672	4
	Dubree, David		01 Active	R	171B004	Po Box 344	Tompkinsville, KY 42167-0344	(
	Bartley, Darrell		01 Active	R	171R007	421 Wheeler Ave	Tompkinsville, KY 42167-1672	
	Walker, Amanda		01 Active	R	171R007	419 Wheeler Ave	Tompkinsville, KY 42167-1672	2

Account #	Name	Group	Cycle	Status	Type	CR Route	Billing Address	Phone #	Meter #
[REDACTED]	P & L Motors,		01	Active	C	171B002	Po Box 206	Tompkinsville, KY 42167-0206	[REDACTED]
[REDACTED]	Walker, Willie G		01	Active	R	171R007	411 E 4th St	Tompkinsville, KY 42167-1668	[REDACTED]
Total Number Of Customers In Route 0005			59						
Total Number Of Customers On Report			1,160						

NATURAL GAS MAIN AND SERVICE INSTALLATION RECORDS

Address	355 Lakeview Dr.	Apt#		City	Tompkinsville	Cty	Monroe	Time Received		Date Received	
Customer Name						Phone#			Customer Account#		
Installer Name	Casey Chelf				Date Received				Date Installed	12-16-13	
Date Tested	12-16-13	Test Pressure psig	90 psi	Test Medium	Natural Gas			Properly Purged	Yes	<input checked="" type="checkbox"/>	No
					Comp Air	<input checked="" type="checkbox"/>					
					Inert Gas						
Meter Set	Yes <input type="checkbox"/> No <input checked="" type="checkbox"/>	Meter Co#				Meter Mfg#			Index Reading		

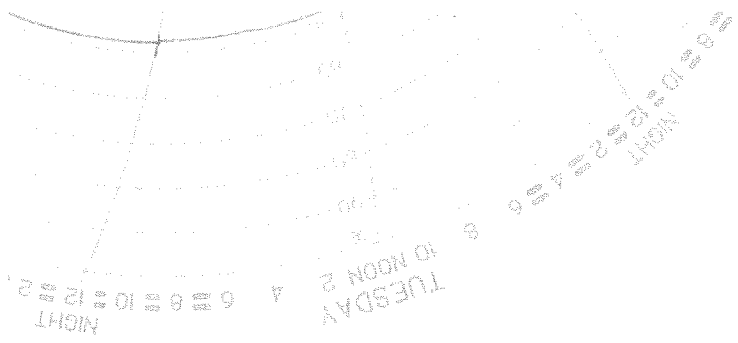
Meter Locked	Yes	No	Card Left	Yes	No
					
LOCATION					
Gas Main Location	Lakeview Dr.				
Mainline Valve Installed	Yes	No			
Service Location	355 Lakeview Dr.				
Service Valve		Tapping Tee	<input checked="" type="checkbox"/>		
REMARKS					
Installed 180' of 3/4" PE gas service line, 1 excess flow valve, 150 psi meter bar line was tested, purged & locked off. Meter was not set at this time.					



Signature	Arson Warner	Date	12-16-13
-----------	--------------	------	----------

TUESDAY  
10 NOON 2 4 6 8 10 12 2  
NIGHT

12 2 4 6 8 10 12 2  
NIGHT



City of Tempe, Arizona  
Office Chart 01

SATURDAY

10 NOON 2 4 6 8 10 12 NIGHT

SUNDAY

10 NOON 2 4 6 8 10 12 NIGHT

MONDAY

10 NOON 2 4 6 8 10 12 NIGHT

TUESDAY

10 NOON 2 4 6 8 10 12 NIGHT

WEDNESDAY

10 NOON 2 4 6 8 10 12 NIGHT

FRIDAY

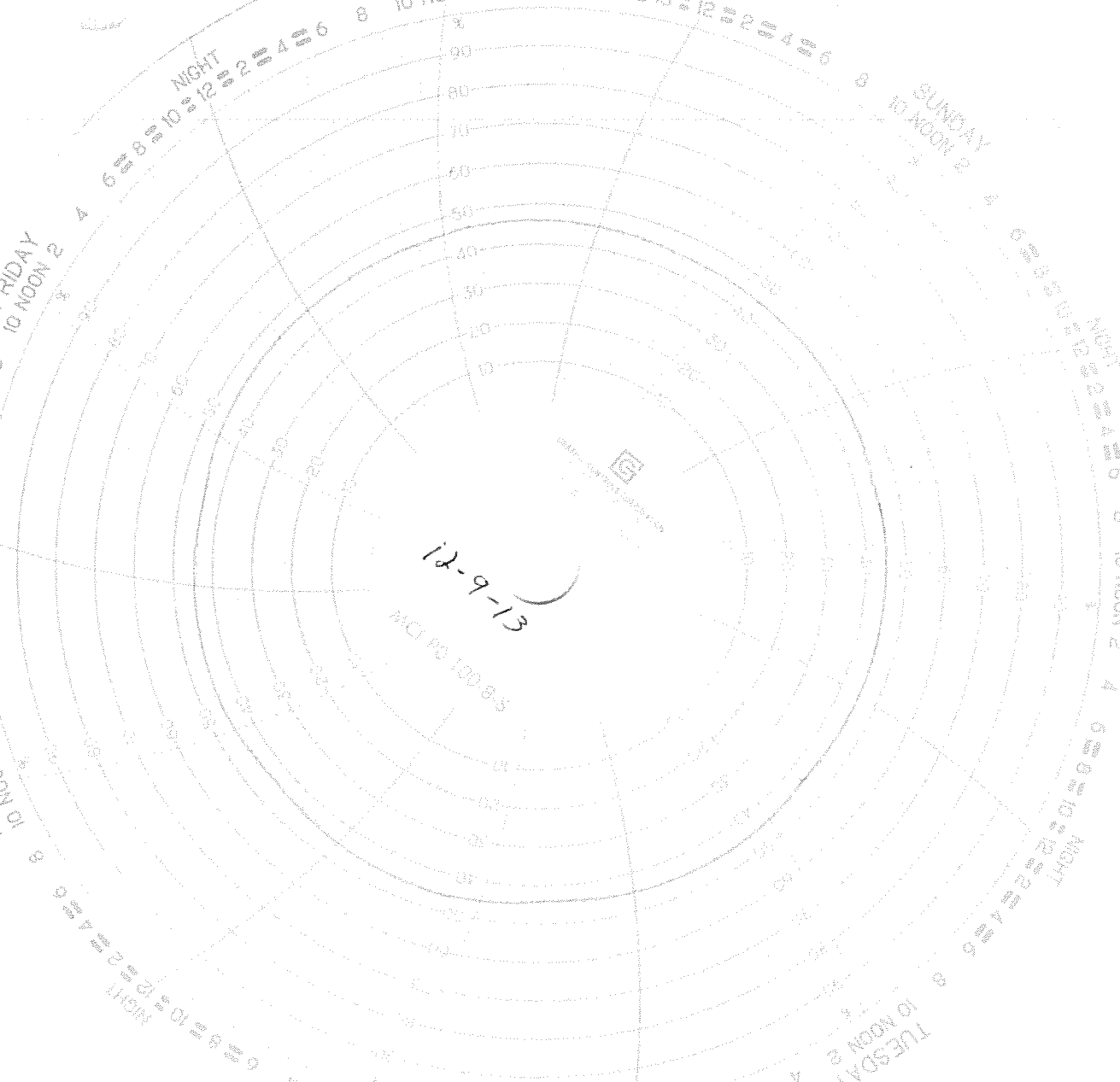
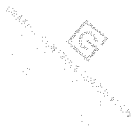
10 NOON 2 4 6 8 10 12 NIGHT

THURSDAY

10 NOON 2 4 6 8 10 12 NIGHT

12-9-13

580013010085





City of Tompkinsville  
Office Chart Clock



