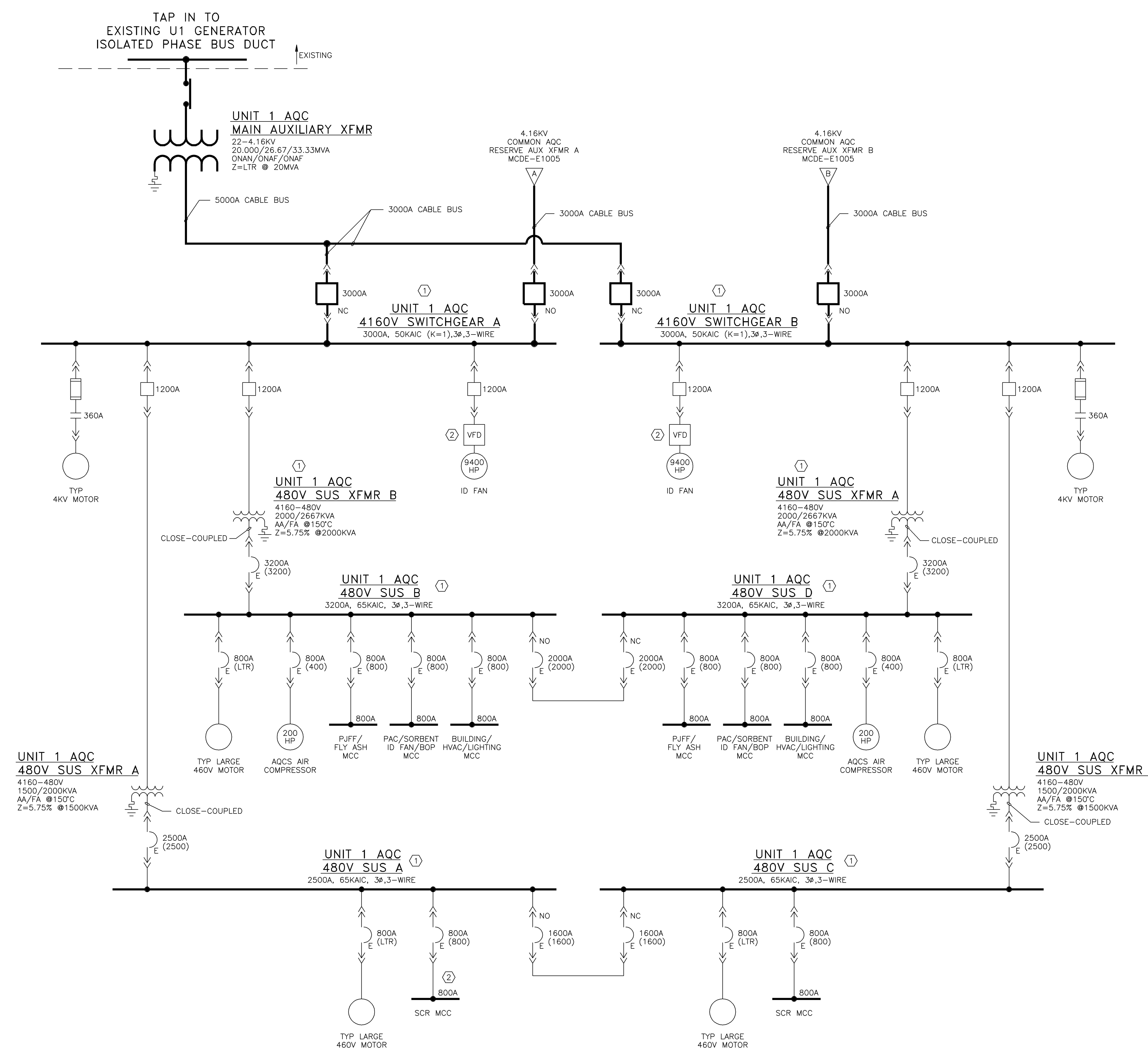


- NOTES:**
- ALL EQUIPMENT RATINGS/QUANTITIES ARE PRELIMINARY AND SHALL BE DETERMINED DURING DETAILED DESIGN.
 - THE NUMBER, SIZE AND NAMES OF INDIVIDUAL LOADS CONNECTED TO SWITCHGEAR AND MOTOR CONTROL CENTERS (MCCs) INCLUDING REQUIREMENTS FOR SPARES WILL BE DETERMINED DURING DETAILED DESIGN.
 - ALL CONDUCTORS ARE CABLE UNLESS NOTED OTHERWISE.
 - AN ETAP SHORT CIRCUIT AND LOAD FLOW STUDY WILL BE REQUIRED DURING DETAILED DESIGN.

- LEGEND:**
- ① LOCATED IN AQCS ELECTRICAL BUILDING
 - ② LOCATED IN PDC IN PROXIMITY TO THE ID FANS.
 - ◻ REMOVABLE LINK



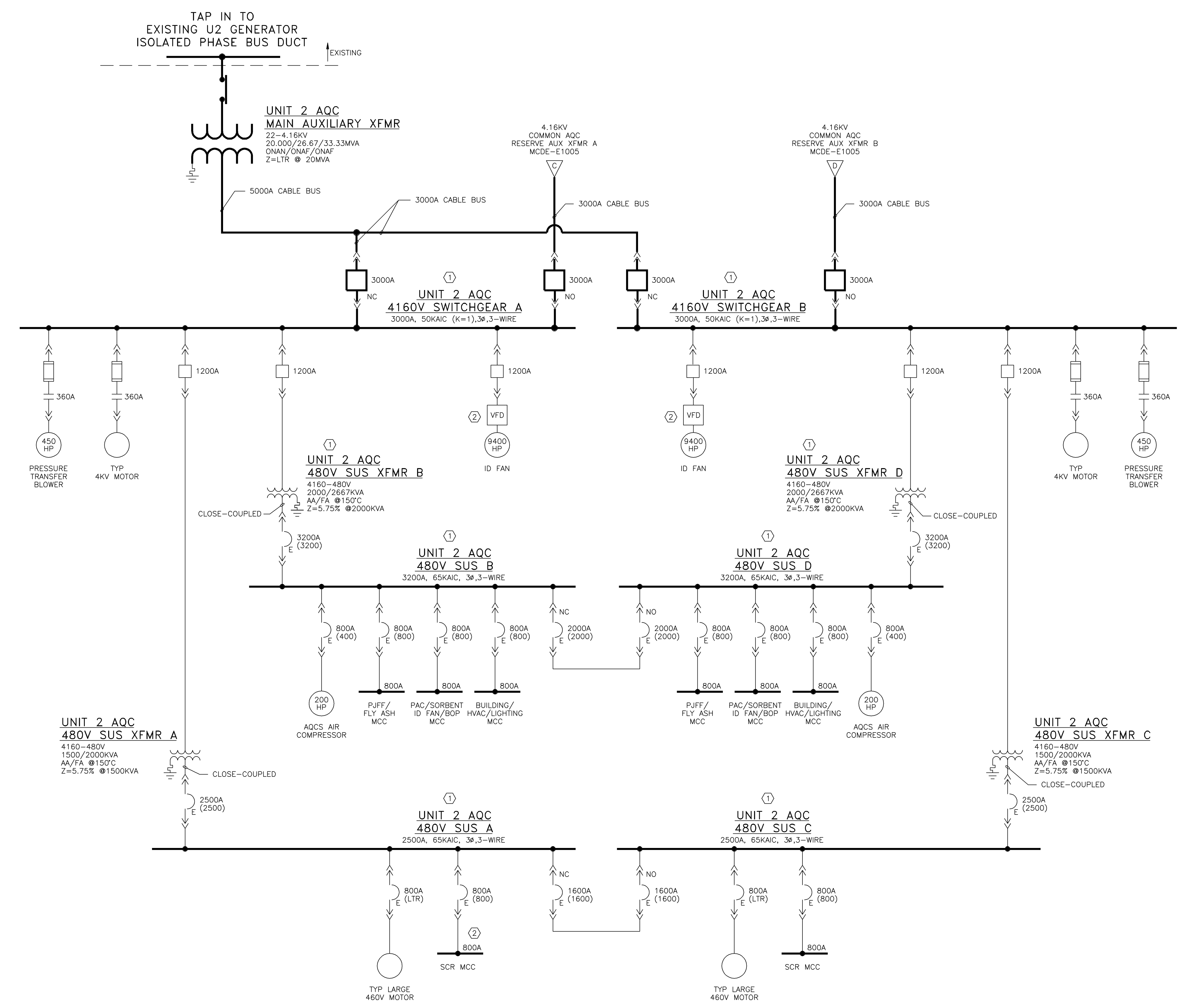
NOT TO BE USED FOR CONSTRUCTION
 THE DISTRIBUTION AND USE OF THE NATIVE FORMAT CAD FILE OF THIS DRAWING IS UNCONTROLLED. THE USER SHALL VERIFY TRACEABILITY OF THIS DRAWING TO THE LATEST CONTROLLED VERSION.

BLACK & VEATCH CORPORATION
 16.1s (LMS Tech)
 03/09/11 07:55:51

ENGINEER	JWB	DRAWN	JEB	PROJECT	LG&E/KU - MILL CREEK STATION PHASE II: AIR QUALITY CONTROL STUDY	DRAWING NUMBER	168908-M1DE-E1001	REV	B
CHECKED		DATE		AREA	ONE-LINE DIAGRAM CONCEPTUAL OVERALL - UNIT 1 AQCS	CODE			
NO	DATE	REVISIONS AND RECORD OF ISSUE	DRN/DES/CHK/PDF/APP						

- NOTES:
1. ALL EQUIPMENT RATINGS/QUANTITIES ARE PRELIMINARY AND SHALL BE DETERMINED DURING DETAILED DESIGN.
 2. THE NUMBER, SIZE AND NAMES OF INDIVIDUAL LOADS CONNECTED TO SWITCHGEAR AND MOTOR CONTROL CENTERS (MCCs) INCLUDING REQUIREMENTS FOR SPARES WILL BE DETERMINED DURING DETAILED DESIGN.
 3. ALL CONDUCTORS ARE CABLE UNLESS NOTED OTHERWISE.
 4. AN ETAP SHORT CIRCUIT AND LOAD FLOW STUDY WILL BE REQUIRED DURING DETAIL DESIGN.

- LEGEND:
- ① LOCATED IN AQCS ELECTRICAL BUILDING
 - ② LOCATED IN PDC IN PROXIMITY TO THE ID FANS
 - ◻ REMOVABLE LINK



NOT TO BE USED FOR CONSTRUCTION

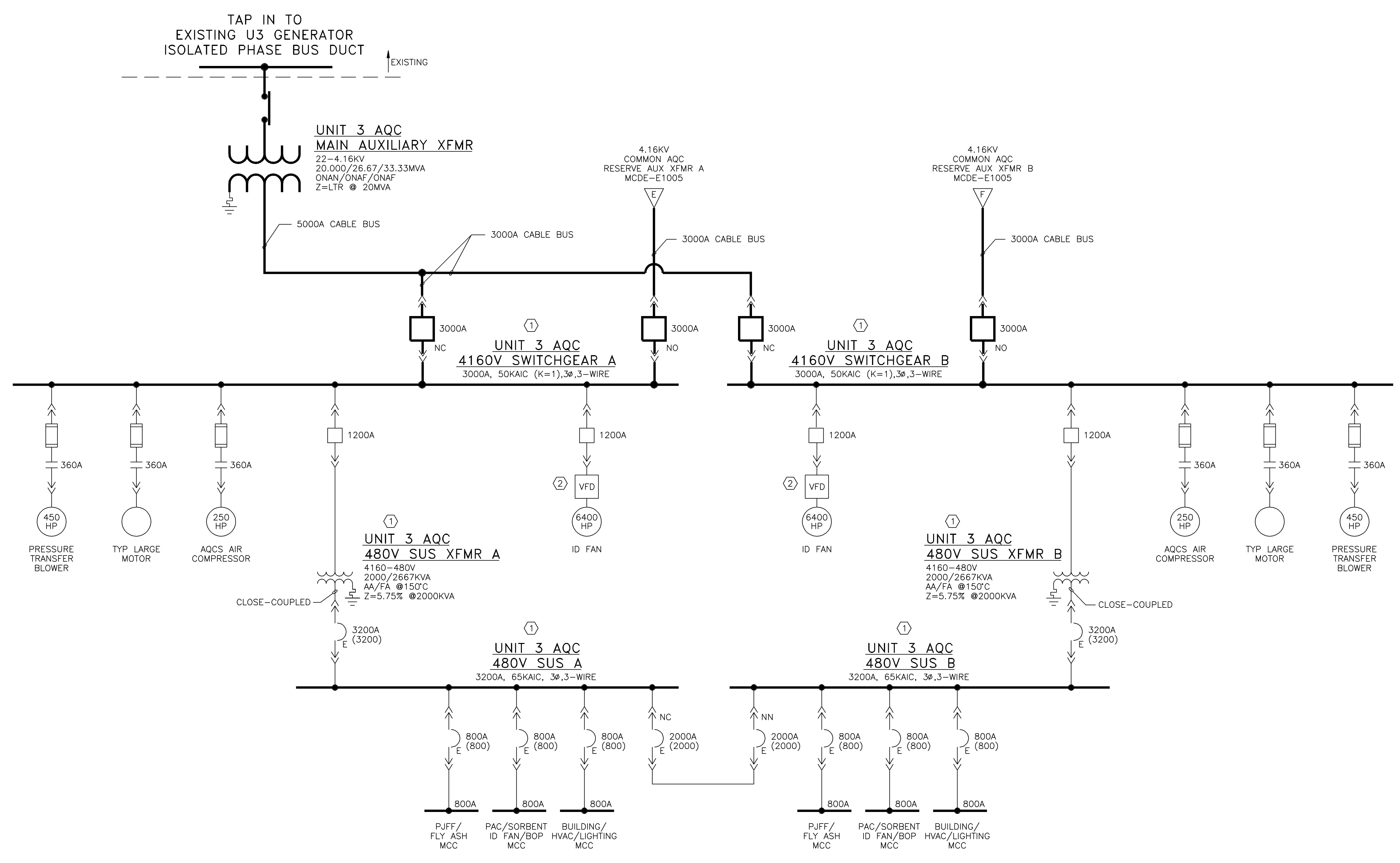
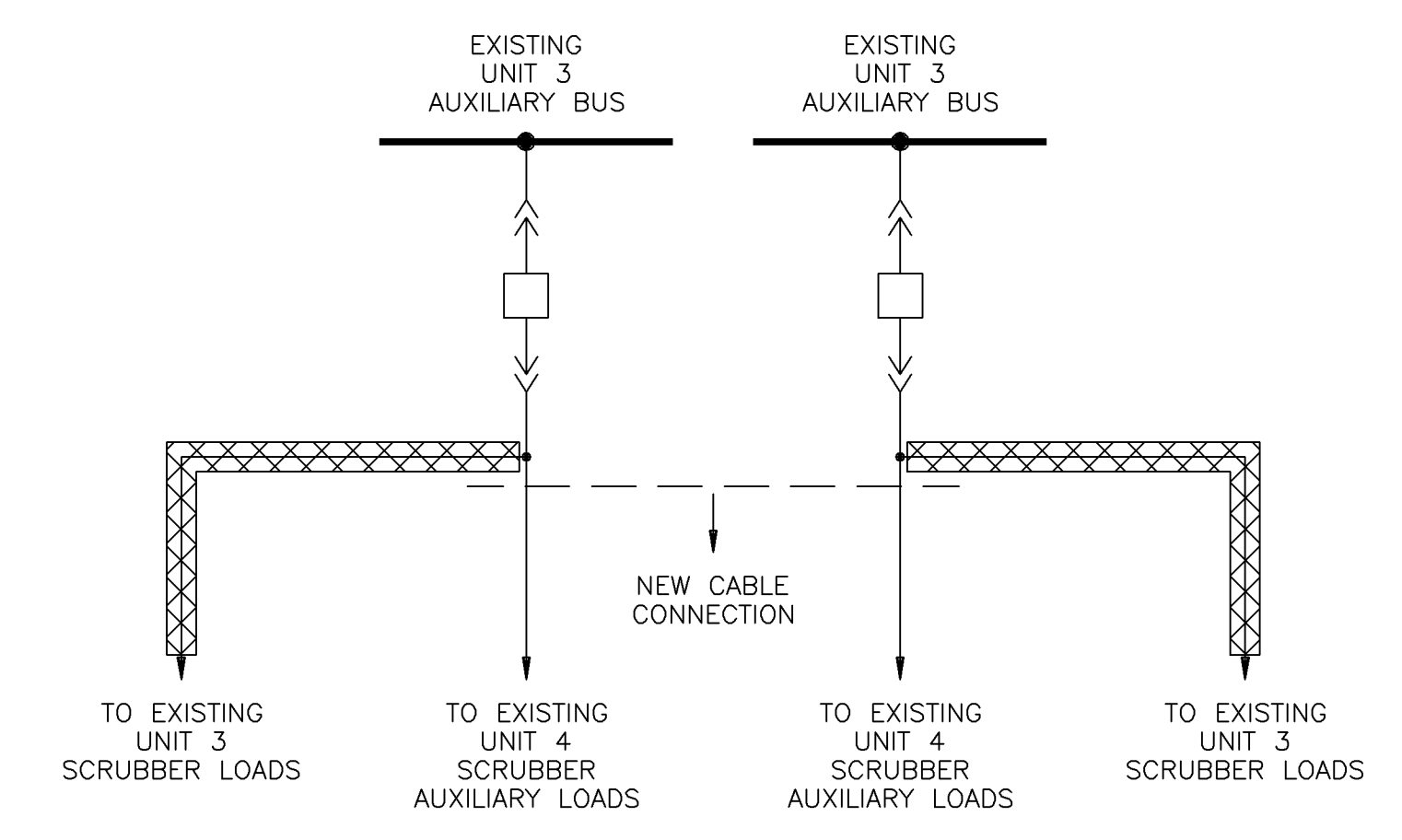
THE DISTRIBUTION AND USE OF THE NATIVE FORMAT CAD FILE OF THIS DRAWING IS UNCONTROLLED. THE USER SHALL VERIFY TRACEABILITY OF THIS DRAWING TO THE LATEST CONTROLLED VERSION.

BLA31605 AC40 16.1s (LMS Tech) 03/09/11 07:54:19

BLACK & VEATCH CORPORATION		LG&E/KU - MILL CREEK STATION PHASE II: AIR QUALITY CONTROL STUDY		PROJECT	DRAWING NUMBER	REV
ENGINEER	JWB	DRAWN	JEB	168908-M2DE-E1002		B
CHECKED		DATE		ONE-LINE DIAGRAM	AREA	
				CONCEPTUAL OVERALL - UNIT 2 AQCS		
B	03/01/2011	ISSUED FOR CLIENT REVIEW	JEB/JCD			
A	01/13/2011	ISSUED FOR IN-HOUSE REVIEW	JEB/JWB			
NO		REVISIONS AND RECORD OF ISSUE	DRN/DES/CHK/PDF/APP			

- NOTES:**
1. ALL EQUIPMENT RATINGS/QUANTITIES ARE PRELIMINARY AND SHALL BE DETERMINED DURING DETAILED DESIGN.
 2. THE NUMBER, SIZE AND NAMES OF INDIVIDUAL LOADS CONNECTED TO SWITCHGEAR AND MOTOR CONTROL CENTERS (MCCs) INCLUDING REQUIREMENTS FOR SPARES WILL BE DETERMINED DURING DETAILED DESIGN.
 3. ALL CONDUCTORS CABLE UNLESS NOTED OTHERWISE.
 4. AN ETAP SHORT CIRCUIT AND LOAD FLOW STUDY WILL BE REQUIRED DURING DETAIL DESIGN.
- LEGEND:**
- ① LOCATED IN AQCS ELECTRICAL BUILDING.
 - ② LOCATED IN PDC IN PROXIMITY TO ID FANS.
- ◻ REMOVABLE LINK

NOTE: UNIT 3 WILL USE THE EXISTING UNIT 4 SCRUBBER AND AUXILIARY SYSTEMS. THESE UNIT 4 LOADS WILL NEED TO BE FED FROM THE EXISTING UNIT 3 AUXILIARY BUS SO THAT POWER IS AVAILABLE DURING A UNIT 4 OUTAGE.



NOT TO BE USED FOR CONSTRUCTION

THE DISTRIBUTION AND USE OF THE NATIVE FORMAT CAD FILE OF THIS DRAWING IS UNCONTROLLED. THE USER SHALL VERIFY TRACEABILITY OF THIS DRAWING TO THE LATEST CONTROLLED VERSION.

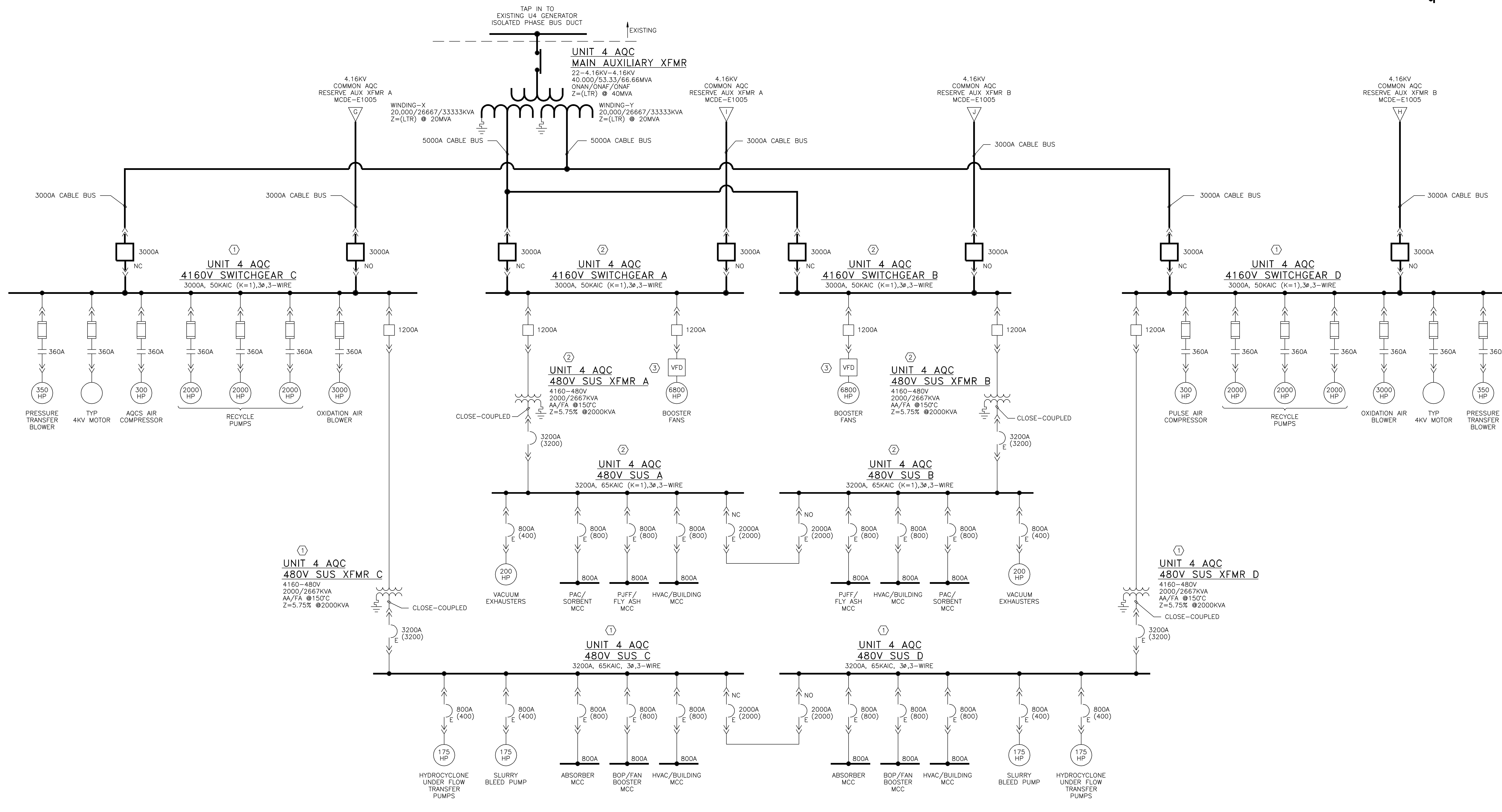
BLACK & VEATCH CORPORATION

ENGINEER	JWB	DRAWN	JEB	CHECKED	DATE	REVISIONS AND RECORD OF ISSUE	DRN/DES	CHK/PDE	APP
B	03/01/2011	ISSUED FOR CLIENT REVIEW					JEB/JOC		
A	01/13/2011	ISSUED FOR IN-HOUSE REVIEW					JEB/JWB		
NO									

BLACK & VEATCH CORPORATION		LG&E/KU - MILL CREEK STATION		PROJECT	DRAWING NUMBER	REV
		PHASE II: AIR QUALITY CONTROL STUDY		168908-M3DE-E1003		B
ONE-LINE DIAGRAM				CODE		
CONCEPTUAL OVERALL - UNIT 3 AQCS				AREA		

- NOTES:
1. ALL EQUIPMENT RATINGS/QUANTITIES ARE PRELIMINARY AND SHALL BE DETERMINED DURING DETAILED DESIGN.
 2. THE NUMBER, SIZE AND NAMES OF INDIVIDUAL LOADS CONNECTED TO SWITCHGEAR AND MOTOR CONTROL CENTERS (MCCs) INCLUDING REQUIREMENTS FOR SPARES WILL BE DETERMINED DURING DETAILED DESIGN.
 3. ALL CONDUCTORS CABLE UNLESS NOTED OTHERWISE.
 4. AN ETAP SHORT CIRCUIT AND LOAD FLOW STUDY WILL BE REQUIRED DURING DETAIL DESIGN.

- LEGEND:
- ① LOCATED IN FGD ELECTRICAL BUILDING
 - ② LOCATED AT AQCS ELECTRICAL BUILDING
 - ③ LOCATED IN PDC IN PROXIMITY TO BOOSTER FANS
- ◻ REMOVABLE LINK



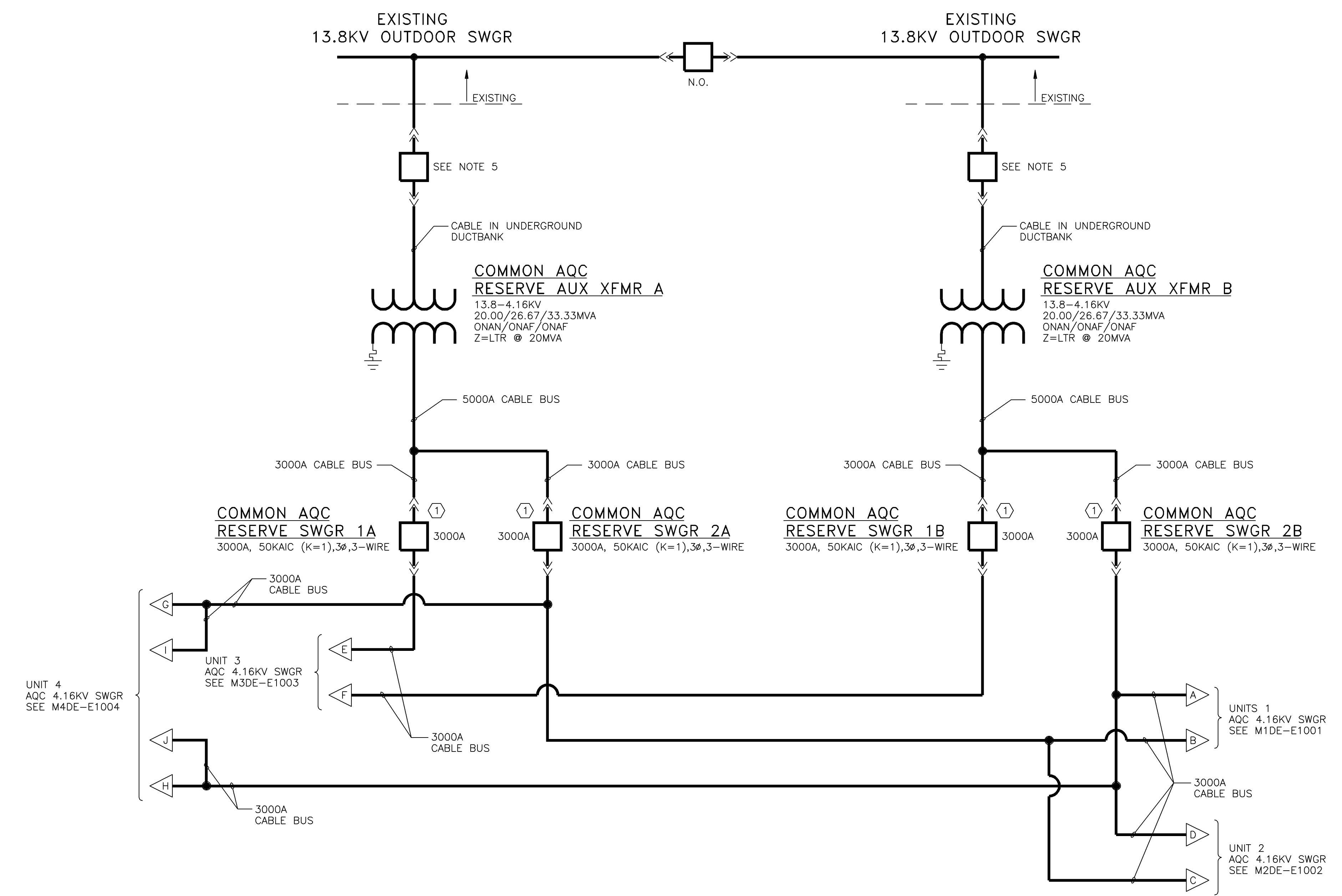
NOT TO BE USED FOR CONSTRUCTION

THE DISTRIBUTION AND USE OF THE NATIVE FORMAT CAD FILE OF THIS DRAWING IS UNCONTROLLED. THE USER SHALL VERIFY TRACEABILITY OF THIS DRAWING TO THE LATEST CONTROLLED VERSION.

BLA31605
A1451077
03/09/11 08:19:29

BLACK & VEATCH CORPORATION		LG&E/KU - MILL CREEK STATION PHASE II: AIR QUALITY CONTROL STUDY		PROJECT 168908-M4DE-E1004	DRAWING NUMBER B
ENGINEER JWB	DRAWN JEB	CHECKED DATE	ONE-LINE DIAGRAM CONCEPTUAL OVERALL - UNIT 4 AQCS	CODE AREA	REV
B	03/01/2011	ISSUED FOR CLIENT REVIEW	JEB/JOC		
A	01/13/2011	ISSUED FOR IN-HOUSE REVIEW	JEB/JWB		
NO	DATE	REVISIONS AND RECORD OF ISSUE	DRN/DES/CHK/PDF/APP		

- NOTES:**
1. ALL EQUIPMENT RATINGS/QUANTITIES ARE PRELIMINARY AND SHALL BE DETERMINED DURING DETAILED DESIGN.
 2. THE NUMBER, SIZE AND NAMES OF INDIVIDUAL LOADS CONNECTED TO SWITCHGEAR AND MOTOR CONTROL CENTERS (MCCs) INCLUDING REQUIREMENTS FOR SPARES WILL BE DETERMINED DURING DETAILED DESIGN.
 3. ALL CONDUCTORS ARE CABLE UNLESS NOTED OTHERWISE.
 4. AN ETAP SHORT CIRCUIT AND FLOW STUDY WILL BE REQUIRED DURING DETAILED DESIGN.
 5. MODIFY AND ADD NEW 15KV RATED CIRCUIT TO EXISTING 13.8KV OUTDOOR SWITCHGEAR. EXTEND 13.8KV BUS AT EACH END OF THE 13.8KV SWITCHGEAR.
- LEGEND:**
- (1) LOCATED IN COMMON AQC RESERVE POWER DISTRIBUTION CENTER (PDC)



NOT TO BE USED FOR CONSTRUCTION
 THE DISTRIBUTION AND USE OF THE NATIVE FORMAT CAD FILE OF THIS DRAWING IS UNCONTROLLED. THE USER SHALL VERIFY TRACEABILITY OF THIS DRAWING TO THE LATEST CONTROLLED VERSION.

BLA31605 ACAD 16:1s (LMS Tech) 02/22/11 14:44:41

NO	DATE	REVISIONS AND RECORD OF ISSUE	DRN/DES	CHK/PDE	APP
B	03/01/2011	ISSUED FOR CLIENT REVIEW	JEB	JOC	
A	01/13/2011	ISSUED FOR IN-HOUSE REVIEW	JEB	JWB	

		LG&E/KU - MILL CREEK STATION PHASE II: AIR QUALITY CONTROL STUDY		PROJECT 168908-MCDE-E1005	DRAWING NUMBER 168908-MCDE-E1005	REV B
ENGINEER JWB	DRAWN JEB	ONE-LINE DIAGRAM CONCEPTUAL OVERALL - ACQS RESERVE		CODE AREA		
CHECKED	DATE					