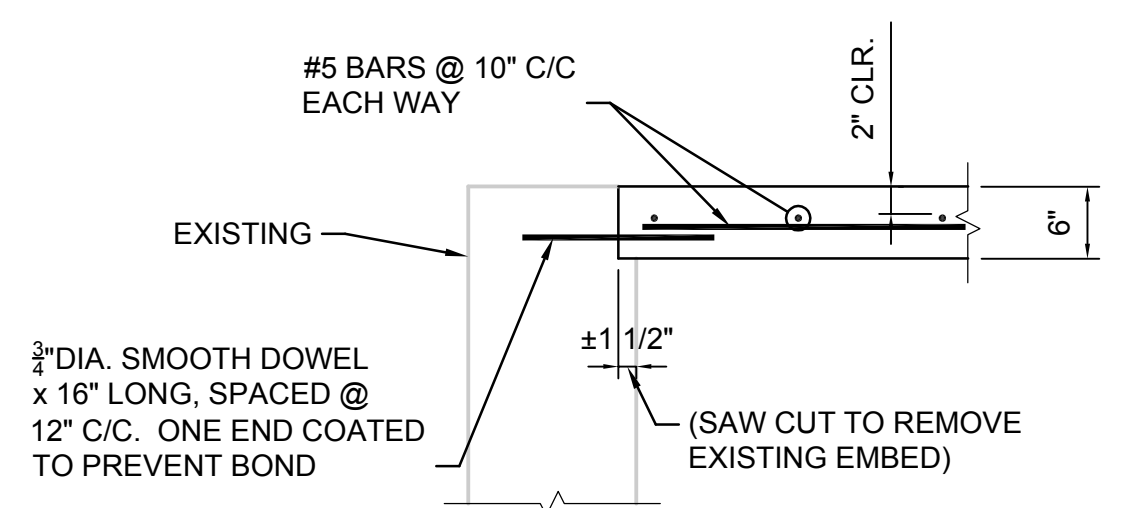
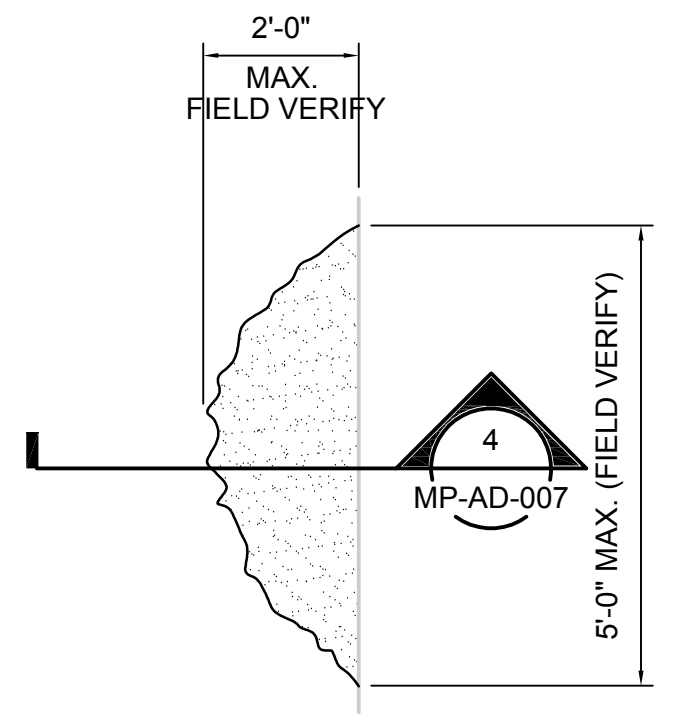


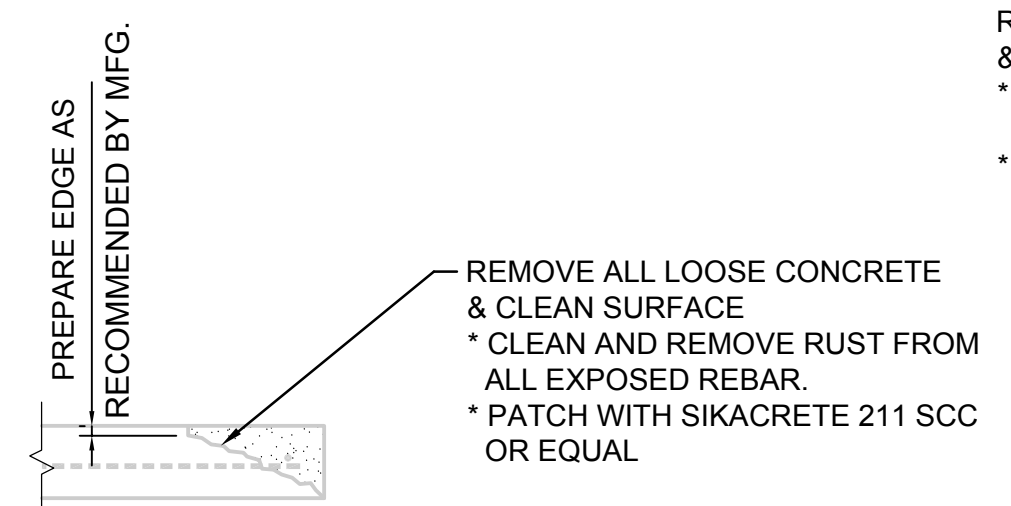
**1** DETAIL  
3/4" = 1'-0"  
MP-AD-005, MP-AD-006



**2** DETAIL  
3/4" = 1'-0"  
MP-AD-005, MP-AD-006

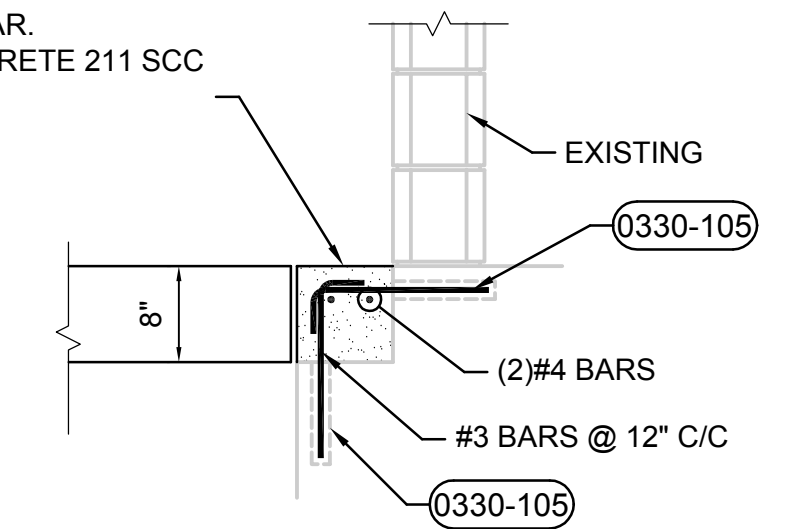


**3** PLAN  
3/8" = 1'-0"  
MP-AD-005

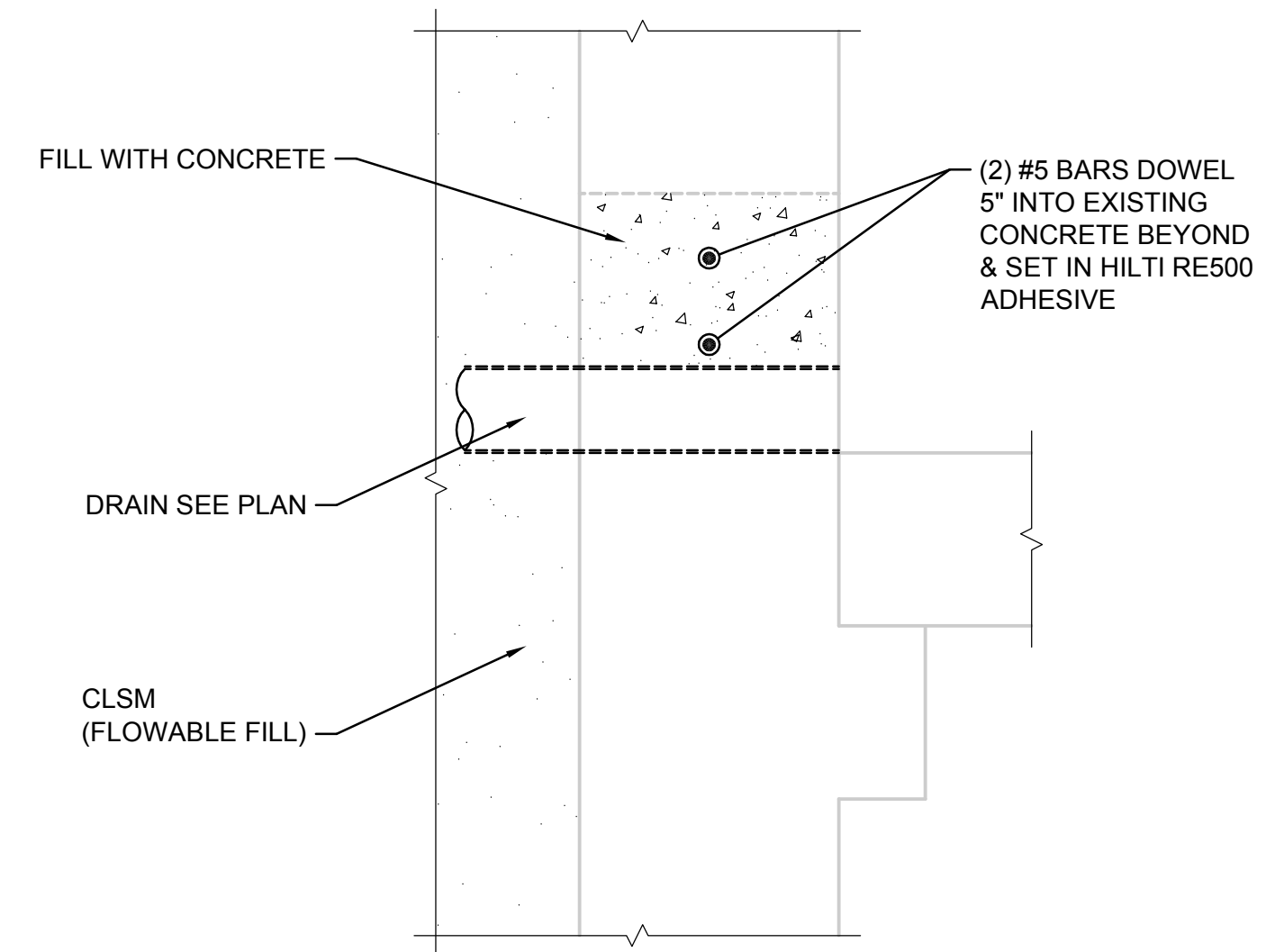


**4** SECTION  
3/4" = 1'-0"  
MP-AD-007

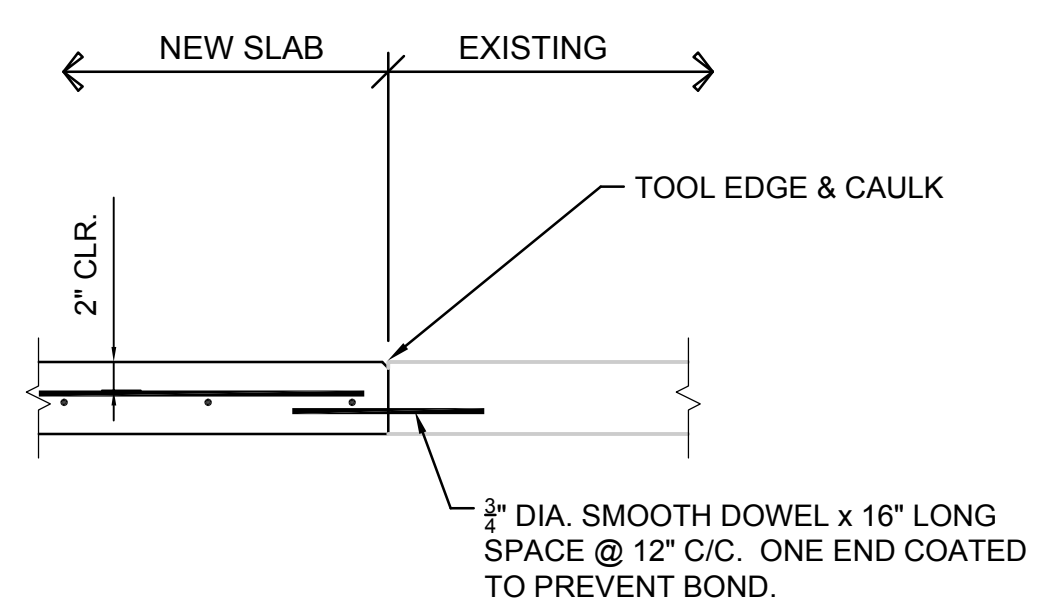
REMOVE ALL LOOSE CONCRETE & CLEAN SURFACE  
\* CLEAN AND REMOVE RUST FROM ALL EXPOSED REBAR.  
\* PATCH WITH SIKACRETE 211 SCC OR EQUAL



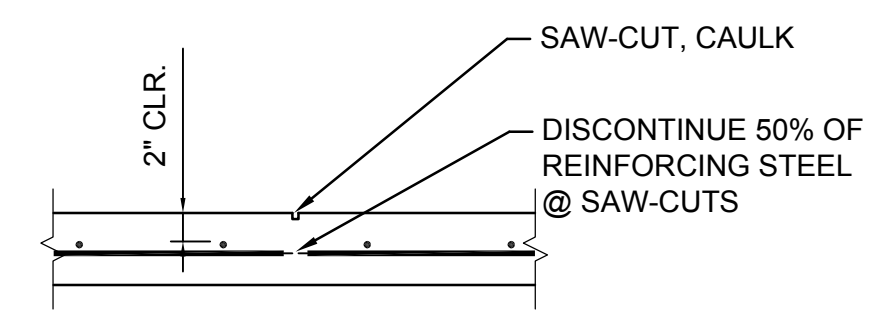
**5** SECTION  
3/4" = 1'-0"  
MP-AD-005



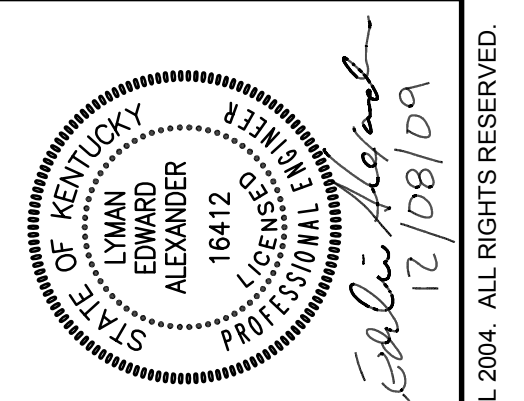
**6** DETAIL  
1 1/2" = 1'-0"  
MP-AD-006



**TYPICAL CONSTRUCTION JOINT DETAIL**  
3/4" = 1'-0"



**TYPICAL SAW CUT DETAIL**  
3/4" = 1'-0"



NO.	DATE	DSGN	DR	CHK	REVISION	BY
		E. ALEXANDER	D. WHITEHOUSE	L. ANTLE		E. ALEXANDER

**freeland harris consulting engineers**  
1000 W. KY 100  
COLUMBIA, KY 40302  
Tel: 502-252-2444  
Fax: 502-252-2448  
www.fh-engineers.com

**Northern Kentucky Water District**  
ADVANCED TREATMENT  
MEMORIAL PARKWAY TREATMENT PLANT  
NORTHERN KENTUCKY WATER DISTRICT  
FORT THOMAS, KENTUCKY

**CH2MHILL HDR**

STRUCTURAL  
FLOCCULATION BASIN  
SECTIONS

AS NOTED
VERIFY SCALE
BAR IS ONE INCH ON ORIGINAL DRAWING.
DATE 12/08/09
PROJ 380723
DWG MP-AD-007
SHEET 172

REUSE OF DOCUMENTS: THIS DOCUMENT AND THE IDEAS AND DESIGNS INCORPORATED HEREIN AS AN INSTRUMENT OF PROFESSIONAL SERVICE, IS THE PROPERTY OF CH2M HILL AND IS NOT TO BE USED, IN WHOLE OR IN PART, FOR ANY OTHER PROJECT WITHOUT THE WRITTEN AUTHORIZATION OF CH2M HILL. © CH2M HILL 2004. ALL RIGHTS RESERVED.