

BELLSOUTH® / CLEC Agreement

Customer Name: Electric Power Board of Chattanooga

Electric Power Board of Chattanooga 2001	2
TOC	3
TS+CS_1	5
ATT01RES_1	26
ATT01Rates_1	58
ATT02UNE_1	59
ATT02RATES w/TRA	145
ATT03LL_1	276
ATT03RATES w/TRA	307
ATT04PHC_1	315
ATT04PHC(RS)_1	379
ATT05INP_1	429
ATT05Rates_1	440
ATT06ORDPRO_1	441
ATT07BILL_1	448
ATT07Rates_1	464
ATT08ROW_1	465
ATT09PM_1	467
ATT10AIT_1	469
ATT11_1	477
ATT12BFR_1	488
LATA Wide Amendment 7/19/01	492
Amendment 9/4/01 (new EELs in TN)	495
Amendment to 9/4/01 (replace Att 2 rates)	504
Amendment to add Call Flows to Agrmt 12/13/01	773
EPB - Deposit Amendment - 04/26/02	871
Remote Call Forwarding Amendment	874

**INTERCONNECTION
AGREEMENT
BETWEEN
BELLSOUTH TELECOMMUNICATIONS INC.
AND
Electric Power Board of Chattanooga**

TABLE OF CONTENTS

General Terms and Conditions

1. Definitions
2. Term of the Agreement
3. Operational Support Systems
4. Parity
5. White Pages Listings
6. Bona Fide Request/New Business Request Process for Further Unbundling
7. Court Ordered Requests for Call Detail Records and Other Subscriber Information
8. Liability and Indemnification
9. Intellectual Property Rights and Indemnification
10. Proprietary and Confidential Information
11. Assignments
12. Resolution of Disputes
13. Taxes
14. Force Majeure
15. Adoption of Agreements
16. Modification of Agreement
17. Non-waiver of Legal Rights
18. Severability
19. Waivers
20. Governing Law
21. Arm's Length Negotiations
22. Notices
23. Rule of Construction
24. Headings of No Force or Effect
25. Multiple Counterparts
26. Implementation of Agreement
27. Filing of Agreement
28. Compliance with Applicable Law
29. Necessary Approvals
30. Good Faith Performance
31. Nonexclusive Dealings
32. Survival
33. Entire Agreement
34. Tennessee Governmental Tort Liability Act
35. Telecommunications Services Provided by Municipalities

Attachment 1 - Resale

Attachment 2 - Network Elements and Other Services

Attachment 3 - Network Interconnection

Attachment 4 - Physical Collocation

Attachment 5 - Access to Numbers and Number Portability

Attachment 6 – Pre-Ordering, Ordering and Provisioning, Maintenance and Repair

Attachment 7 - Billing and Billing Accuracy Certification

Attachment 8 - Rights-of-Way, Conduits and Pole Attachments
Attachment 9 - Performance Measurements
Attachment 10- Agreement Implementation Template
Attachment 11- BellSouth Disaster Recovery Plan
Attachment 12 – Bona Fide Request/New Business Request Process

AGREEMENT

THIS AGREEMENT is made by and between BellSouth Telecommunications, Inc., (“BellSouth”), a Georgia corporation, and Electric Power Board of Chattanooga (“EPB Telecommunications”), an independent board of the City of Chattanooga, a Tennessee municipal corporation, and shall be deemed effective as of the date of the last signature of both Parties (“Effective Date”). This Agreement may refer to either BellSouth or EPB Telecommunications or both as a “Party” or “Parties.”

WITNESSETH

WHEREAS, BellSouth is a local exchange telecommunications company authorized to provide telecommunications services in the states of Alabama, Florida, Georgia, Kentucky, Louisiana, Mississippi, North Carolina, South Carolina and Tennessee; and

WHEREAS, EPB Telecommunications is or seeks to become a CLEC authorized to provide telecommunications services in the states of Alabama, Florida, Georgia, Kentucky, Louisiana, Mississippi, North Carolina, South Carolina, and Tennessee; and

WHEREAS, EPB Telecommunications wishes to resell BellSouth’s telecommunications services and purchase network elements and other services, and the Parties wish to interconnect their facilities and exchange traffic pursuant to sections 251 and 252 of the Act.

NOW THEREFORE, in consideration of the mutual agreements contained herein, BellSouth and EPB Telecommunications agree as follows:

1. **Definitions**

Affiliate is defined as a person that (directly or indirectly) owns or controls, is owned or controlled by, or is under common ownership or control with, another person. For purposes of this paragraph, the term “own” means to own an equity interest (or equivalent thereof) of more than 10 percent.

Commission is defined as the appropriate regulatory agency in each of BellSouth’s nine-state region, Alabama, Florida, Georgia, Kentucky, Louisiana, Mississippi, North Carolina, South Carolina, and Tennessee.

Competitive Local Exchange Carrier (CLEC) means a telephone company certificated by the Commission to provide local exchange service within BellSouth's franchised area.

End User means the ultimate user of the Telecommunications Service.

FCC means the Federal Communication Commission.

Telecommunications means the transmission, between or among points specified by the user, of information of the user's choosing, without change in the form or content of the information as sent and received.

Telecommunications Service means the offering of telecommunications for a fee directly to the public, or to such classes of users as to be effectively available directly to the public, regardless of the facilities used.

Telecommunications Act of 1996 ("Act") means Public Law 104-104 of the United States Congress effective February 8, 1996. The Act amended the Communications Act of 1934 (47 U.S.C. Section 1 et. seq.).

2. Term of the Agreement

- 2.1 The term of this Agreement shall be two years, beginning on the Effective Date and shall apply to the state(s) of Alabama, Florida, Georgia, Kentucky, Louisiana, Mississippi, North Carolina, South Carolina and Tennessee.
- 2.2 The Parties agree that by no earlier than two hundred seventy (270) days and no later than one hundred and eighty (180) days prior to the expiration of this Agreement, they shall commence negotiations for a new agreement to be effective beginning on the expiration date of this Agreement ("Subsequent Agreement"). If as of the expiration of this Agreement, a Subsequent Agreement has not been executed by the Parties, then except as set forth in Section 2.3.2 below, this Agreement shall continue on a month-to-month basis while a Subsequent Agreement is being negotiated. The Parties' rights and obligations with respect to this Agreement after expiration shall be as set forth in Section 2.3 below.
- 2.3 If, within one hundred and thirty-five (135) days of commencing the negotiation referred to in Section 2.2 above, the Parties are unable to negotiate new terms, conditions and prices for a Subsequent Agreement, either Party may petition the Commission to establish appropriate terms, conditions and prices for the Subsequent Agreement pursuant to 47 U.S.C. 252. In the event the Commission does not issue its order prior to the expiration date of this Agreement, or if the Parties continue beyond the expiration date of this Agreement to negotiate the Subsequent Agreement without Commission intervention, the terms, conditions and prices ultimately ordered by the Commission, or negotiated by the Parties, will be effective retroactive to the day following the expiration date of this Agreement.
- 2.3.1 Except as set forth in Section 2.3.2 below, Notwithstanding the foregoing, in the event that as of the date of expiration of this Agreement and conversion of this Agreement to a month-to-month term, the Parties have not entered into a Subsequent Agreement and no arbitration proceeding has been filed in accordance with Section 2.3 above, then either Party may terminate this Agreement upon sixty

(60) days notice to the other Party. In the event that BellSouth terminates this Agreement as provided above, BellSouth shall continue to offer services to EPB Telecommunications pursuant to the terms, conditions and rates set forth in BellSouth's Statement of Generally Available Terms (SGAT) to the extent an SGAT has been approved by the applicable Commission(s). If any state Commission has not approved a BellSouth SGAT, then upon BellSouth's termination of this Agreement as provided herein, BellSouth will continue to provide services to EPB Telecommunications pursuant to BellSouth's then current standard interconnection agreement. In the event that the SGAT or BellSouth's standard interconnection agreement becomes effective as between the Parties, the Parties may continue to negotiate a Subsequent Agreement, and the terms of such Subsequent Agreement shall be effective as of the date of execution.

2.3.2 Notwithstanding Section 2.3 above, in the event that as of the date of expiration of this Agreement the Parties have not entered into a Subsequent Agreement and (1) no arbitration proceeding has been filed in accordance with Section 2.2 above, and (2) EPB Telecommunications either is not certified as a CLEC in any particular state to which this Agreement applies or has not ordered any services under this Agreement as of the date of expiration, then this Agreement shall not continue on a month to month basis but shall be deemed terminated as of the expiration date hereof.

3. Operational Support Systems

EPB Telecommunications shall pay charges for Operational Support Systems (OSS) as set forth in this Agreement in Attachment 1 and/or in Attachments 2, 3 and 5, as applicable.

4. Parity

When EPB Telecommunications purchases, pursuant to Attachment 1 of this Agreement, telecommunications services from BellSouth for the purposes of resale to end users, BellSouth shall provide said services so that the services are equal in quality, subject to the same conditions, and provided within the same provisioning time intervals that BellSouth provides to its affiliates, subsidiaries and end users. To the extent technically feasible, the quality of a Network Element, as well as the quality of the access to such Network Element provided by BellSouth to EPB Telecommunications shall be at least equal in quality to that which BellSouth provides to itself, its affiliates or any other telecommunications carrier. The quality of the interconnection between the networks of BellSouth and the network of EPB Telecommunications shall be at a level that is equal to that which BellSouth provides itself, a subsidiary, an Affiliate, or any other party. The interconnection facilities shall be designed to meet the same technical criteria and service standards that are used within BellSouth's network and shall extend to a consideration of service quality as perceived by end users and service quality as perceived by EPB Telecommunications.

5. White Pages Listings

5.1 BellSouth shall provide EPB Telecommunications and their customers access to white pages directory listings under the following terms:

5.2. Listings. EPB Telecommunications shall provide all new, changed and deleted listings on a timely basis and BellSouth or its agent will include EPB Telecommunications residential and business customer listings in the appropriate White Pages (residential and business) or alphabetical directories. Directory listings will make no distinction between EPB Telecommunications and BellSouth subscribers.

5.2.1 Rates. So long as EPB Telecommunications provides subscriber listing information to BellSouth in accordance with Section 5.3 below, BellSouth shall provide to EPB Telecommunications one (1) primary White Pages listing per EPB Telecommunications subscriber at no charge other than applicable service order charges as set forth in BellSouth's tariffs.

5.3 Procedures for Submitting EPB Telecommunications Subscriber Information are found in The BellSouth Business Rules for Local Ordering.

5.3.1 Notwithstanding any provision(s) to the contrary, EPB Telecommunications shall provide to BellSouth, and BellSouth shall accept, EPB Telecommunications' Subscriber Listing Information (SLI) relating to EPB Telecommunications' customers in the geographic area(s) covered by this Interconnection Agreement. EPB Telecommunications authorizes BellSouth to release all such EPB Telecommunications SLI provided to BellSouth by EPB Telecommunications to qualifying third parties via either license agreement or BellSouth's Directory Publishers Database Service (DPDS), General Subscriber Services Tariff, Section A38.2, as the same may be amended from time to time. Such EPB Telecommunications SLI shall be intermingled with BellSouth's own customer listings and listings of any other CLEC that has authorized a similar release of SLI. Where necessary, BellSouth will use good faith efforts to obtain state commission approval of any necessary modifications to Section A38.2 of its tariff to provide for release of third party directory listings, including modifications regarding listings to be released pursuant to such tariff and BellSouth's liability thereunder. BellSouth's obligation pursuant to this Section shall not arise in any particular state until the commission of such state has approved modifications to such tariff.

5.3.2 No compensation shall be paid to EPB Telecommunications for BellSouth's receipt of EPB Telecommunications SLI, or for the subsequent release to third parties of such SLI. In addition, to the extent BellSouth incurs costs to modify its systems to enable the release of EPB Telecommunications' SLI, or costs on an ongoing basis to administer the release of

EPB Telecommunications SLI, EPB Telecommunications shall pay to BellSouth its proportionate share of the reasonable costs associated therewith.

- 5.3.3 BellSouth shall not be liable for the content or accuracy of any SLI provided by EPB Telecommunications under this Agreement. EPB Telecommunications shall indemnify, hold harmless and defend BellSouth and its agents from and against any damages, losses, liabilities, demands claims, suits, judgments, costs and expenses (including but not limited to reasonable attorneys' fees and expenses) arising from BellSouth's tariff obligations or otherwise and resulting from or arising out of any third party's claim of inaccurate EPB Telecommunications listings or use of the SLI provided pursuant to this Agreement. BellSouth may forward to EPB Telecommunications any complaints received by BellSouth relating to the accuracy or quality of EPB Telecommunications listings.
- 5.3.4 Listings and subsequent updates will be released consistent with BellSouth system changes and/or update scheduling requirements.
- 5.4 Unlisted/Non-Published Subscribers. EPB Telecommunications will be required to provide to BellSouth the names, addresses and telephone numbers of all EPB Telecommunications customers that wish to be omitted from directories.
- 5.5 Inclusion of EPB Telecommunications Customers in Directory Assistance Database. BellSouth will include and maintain EPB Telecommunications subscriber listings in BellSouth's Directory Assistance databases at no recurring charge and EPB Telecommunications shall provide such Directory Assistance listings at no recurring charge. BellSouth and EPB Telecommunications will formulate appropriate procedures regarding lead-time, timeliness, format and content of listing information.
- 5.6 Listing Information Confidentiality. BellSouth will accord EPB Telecommunications' directory listing information the same level of confidentiality that BellSouth accords its own directory listing information, and BellSouth shall limit access to EPB Telecommunications' customer proprietary confidential directory information to those BellSouth employees or agents who are involved in the preparation of listings or directories.
- 5.7 Optional Listings. Additional listings and optional listings will be offered by BellSouth at tariffed rates as set forth in the General Subscriber Services Tariff.
- 5.8 Delivery. BellSouth or its agent shall deliver White Pages directories to EPB Telecommunications subscribers at no charge or as specified in a separate BAPCO agreement.

6. Bona Fide Request/New Business Request Process for Further Unbundling

- 6.1 BellSouth shall, upon request of EPB Telecommunications, provide to EPB Telecommunications access to its network elements at any technically feasible point for the provision of EPB Telecommunications' telecommunications service where such access is necessary and failure to provide access would impair the ability of EPB Telecommunications to provide services that it seeks to offer. Any request by EPB Telecommunications for access to a network element, interconnection option, or for the provisioning of any service or product that is not already available shall be treated as a Bona Fide Request/New Business Request (BFR/NBR), and shall be submitted to BellSouth pursuant to the BFR/NBR process.
- 6.2 EPB Telecommunications shall submit any BFR/NBR in writing to EPB Telecommunications' Account Manager. The BFR/NBR shall specifically identify the requested service date, technical requirements, space requirements and/or such specifications that clearly define the request such that BellSouth has sufficient information to analyze and prepare a response. The BFR/NBR also shall include EPB Telecommunications' designation of the request as being (i) pursuant to the Telecommunications Act of 1996 or (ii) pursuant to the needs of the business.

7. Court Ordered Requests for Call Detail Records and Other Subscriber Information

- 7.1 Subpoenas Directed to BellSouth. Where BellSouth provides resold services or local switching for EPB Telecommunications, BellSouth shall respond to subpoenas and court ordered requests delivered directly to BellSouth for the purpose of providing call detail records when the targeted telephone numbers belong to EPB Telecommunications end users. Billing for such requests will be generated by BellSouth and directed to the law enforcement agency initiating the request. BellSouth shall maintain such information for EPB Telecommunications end users for the same length of time it maintains such information for its own end users.
- 7.2 Subpoenas Directed to EPB Telecommunications. Where BellSouth is providing to EPB Telecommunications telecommunications services for resale or providing to EPB Telecommunications the local switching function, then EPB Telecommunications agrees that in those cases where EPB Telecommunications receives subpoenas or court ordered requests regarding targeted telephone numbers belonging to EPB Telecommunications end users, and where EPB Telecommunications does not have the requested information, EPB Telecommunications will advise the law enforcement agency initiating the request to redirect the subpoena or court ordered request to BellSouth for handling in accordance with 7.1 above.

7.3 In all other instances, where either Party receives a request for information involving the other Party's end user, the Party receiving the request will advise the law enforcement agency initiating the request to redirect such request to the other Party.

8. Liability and Indemnification

8.1 EPB Telecommunications Liability. In the event that EPB Telecommunications consists of two (2) or more separate entities as set forth in this Agreement and/or any Amendments hereto, all such entities shall be jointly and severally liable for the obligations of EPB Telecommunications under this Agreement.

8.2 Liability for Acts or Omissions of Third Parties. BellSouth shall not be liable to EPB Telecommunications for any act or omission of another telecommunications company providing services to EPB Telecommunications.

8.3 Limitation of Liability

8.3.1 Except for any indemnification obligations of the Parties hereunder, each Party's liability to the other for any loss, cost, claim, injury or liability or expense, including reasonable attorney's fees relating to or arising out of any negligent act or omission in its performance of this Agreement whether in contract or in tort, shall be limited to a credit for the actual cost of the services or functions not performed or improperly performed.

8.3.2 Limitations in Tariffs. A Party may, in its sole discretion, provide in its tariffs and contracts with its End Users and third parties that relate to any service, product or function provided or contemplated under this Agreement, that to the maximum extent permitted by Applicable Law, such Party shall not be liable to the End User or third Party for (i) any loss relating to or arising out of this Agreement, whether in contract, tort or otherwise, that exceeds the amount such Party would have charged that applicable person for the service, product or function that gave rise to such loss and (ii) Consequential Damages. To the extent that a Party elects not to place in its tariffs or contracts such limitations of liability, and the other Party incurs a loss as a result thereof, such Party shall indemnify and reimburse the other Party for that portion of the loss that would have been limited had the first Party included in its tariffs and contracts the limitations of liability that such other Party included in its own tariffs at the time of such loss.

8.3.3 Neither BellSouth nor EPB Telecommunications shall be liable for damages to the other Party's terminal location, equipment or End User premises resulting from the furnishing of a service, including, but not limited to, the installation and removal of equipment or associated wiring, except to the extent caused by a Party's negligence or willful misconduct or by a Party's failure to ground properly a local loop after disconnection.

- 8.3.4 Under no circumstance shall a Party be responsible or liable for indirect, incidental, or consequential damages, including, but not limited to, economic loss or lost business or profits, damages arising from the use or performance of equipment or software, or the loss of use of software or equipment, or accessories attached thereto, delay, error, or loss of data. In connection with this limitation of liability, each Party recognizes that the other Party may, from time to time, provide advice, make recommendations, or supply other analyses related to the Services, or facilities described in this Agreement, and, while each Party shall use diligent efforts in this regard, the Parties acknowledge and agree that this limitation of liability shall apply to provision of such advice, recommendations, and analyses.
- 8.3.5 To the extent any specific provision of this Agreement purports to impose liability, or limitation of liability, on either Party different from or in conflict with the liability or limitation of liability set forth in this Section, then with respect to any facts or circumstances covered by such specific provisions, the liability or limitation of liability contained in such specific provision shall apply.
- 8.4 Indemnification for Certain Claims. The Party providing services hereunder, its affiliates and its parent company, shall be indemnified, defended and held harmless by the Party receiving services hereunder against any claim, loss or damage arising from the receiving company's use of the services provided under this Agreement pertaining to (1) claims for libel, slander or invasion of privacy arising from the content of the receiving company's own communications, or (2) any claim, loss or damage claimed by the End User of the Party receiving services arising from such company's use or reliance on the providing company's services, actions, duties, or obligations arising out of this Agreement.
- 8.5 Disclaimer. EXCEPT AS SPECIFICALLY PROVIDED TO THE CONTRARY IN THIS AGREEMENT, NEITHER PARTY MAKES ANY REPRESENTATIONS OR WARRANTIES TO THE OTHER PARTY CONCERNING THE SPECIFIC QUALITY OF ANY SERVICES, OR FACILITIES PROVIDED UNDER THIS AGREEMENT. THE PARTIES DISCLAIM, WITHOUT LIMITATION, ANY WARRANTY OR GUARANTEE OF MERCHANTABILITY OR FITNESS FOR A PARTICULAR PURPOSE, ARISING FROM COURSE OF PERFORMANCE, COURSE OF DEALING, OR FROM USAGES OF TRADE.

9. Intellectual Property Rights and Indemnification

- 9.1 No License. No patent, copyright, trademark or other proprietary right is licensed, granted or otherwise transferred by this Agreement. EPB Telecommunications is strictly prohibited from any use, including but not limited to in sales, in marketing or advertising of telecommunications services, of any BellSouth name, service mark or trademark. Notwithstanding the foregoing, EPB Telecommunications may use BellSouth's name solely in response to inquiries of customers or potential

customers regarding the source of the underlying service or the identity of repair or service technicians under this Agreement.

- 9.2 Ownership of Intellectual Property. Any intellectual property which originates from or is developed by a Party shall remain the exclusive property of that Party. Except for a limited license to use patents or copyrights to the extent necessary for the Parties to use any facilities or equipment (including software) or to receive any service solely as provided under this Agreement, no license in patent, copyright, trademark or trade secret, or other proprietary or intellectual property right now or hereafter owned, controlled or licensable by a Party, is granted to the other Party or shall be implied or arise by estoppel. It is the responsibility of each Party to ensure at no additional cost to the other Party that it has obtained any necessary licenses in relation to intellectual property of third Parties used in its network that may be required to enable the other Party to use any facilities or equipment (including software), to receive any service, or to perform its respective obligations under this Agreement.
- 9.3 Indemnification. The Party providing a service pursuant to this Agreement will defend the Party receiving such service or data provided as a result of such service against claims of infringement arising solely from the use by the receiving Party of such service in the manner contemplated under this Agreement and will indemnify the receiving Party for any damages awarded based solely on such claims in accordance with Section 8 of this Agreement.
- 9.4 Claim of Infringement. In the event that use of any facilities or equipment (including software), becomes, or in the reasonable judgment of the Party who owns the affected network is likely to become, the subject of a claim, action, suit, or proceeding based on intellectual property infringement, then said Party shall promptly and at its sole expense and sole option, but subject to the limitations of liability set forth below:
- 9.4.1 modify or replace the applicable facilities or equipment (including software) while maintaining form and function, or
- 9.4.2 obtain a license sufficient to allow such use to continue.
- 9.4.3 In the event 9.4.1 or 9.4.2 are commercially unreasonable, then said Party may, terminate, upon reasonable notice, this contract with respect to use of, or services provided through use of, the affected facilities or equipment (including software), but solely to the extent required to avoid the infringement claim.
- 9.5 Exception to Obligations. Neither Party's obligations under this Section shall apply to the extent the infringement is caused by: (i) modification of the facilities or equipment (including software) by the indemnitee; (ii) use by the indemnitee of the facilities or equipment (including software) in combination with equipment or facilities (including software) not provided or authorized by the indemnitor,

provided the facilities or equipment (including software) would not be infringing if used alone; (iii) conformance to specifications of the indemnitee which would necessarily result in infringement; or (iv) continued use by the indemnitee of the affected facilities or equipment (including software) after being placed on notice to discontinue use as set forth herein.

- 9.6 Exclusive Remedy. The foregoing shall constitute the Parties' sole and exclusive remedies and obligations with respect to a third party claim of intellectual property infringement arising out of the conduct of business under this Agreement.

10. **Proprietary and Confidential Information**

- 10.1 Proprietary and Confidential Information. It may be necessary for BellSouth and EPB Telecommunications, each as the "Discloser," to provide to the other Party, as "Recipient," certain proprietary and confidential information (including trade secret information) including but not limited to technical, financial, marketing, staffing and business plans and information, strategic information, proposals, request for proposals, specifications, drawings, maps, prices, costs, costing methodologies, procedures, processes, business systems, software programs, techniques, customer account data, call detail records and like information (collectively the "Information"). All such Information conveyed in writing or other tangible form shall be clearly marked with a confidential or proprietary legend. Information conveyed orally by the Discloser to Recipient shall be designated as proprietary and confidential at the time of such oral conveyance, shall be reduced to writing by the Discloser within forty-five (45) days thereafter, and shall be clearly marked with a confidential or proprietary legend.
- 10.2 Use and Protection of Information. Recipient agrees to protect such Information of the Discloser provided to Recipient from whatever source from distribution, disclosure or dissemination to anyone except employees of Recipient with a need to know such Information solely in conjunction with Recipient's analysis of the Information and for no other purpose except as authorized herein or as otherwise authorized in writing by the Discloser. Recipient will not make any copies of the Information inspected by it.
- 10.3 Exceptions. Recipient will not have an obligation to protect any portion of the Information which:
(a) is made publicly available by the Discloser or lawfully by a nonparty to this Agreement; (b) is lawfully obtained by Recipient from any source other than Discloser; (c) is previously known to Recipient without an obligation to keep it confidential; or (d) is released from the terms of this Agreement by Discloser upon written notice to Recipient.
- 10.4 Recipient agrees to use the Information solely for the purposes of negotiations pursuant to 47 U.S.C. 251 or in performing its obligations under this Agreement and for no other entity or purpose, except as may be otherwise agreed to in writing

by the Parties. Nothing herein shall prohibit Recipient from providing information requested by the Federal Communications Commission or a state regulatory agency with jurisdiction over this matter, or to support a request for arbitration or an allegation of failure to negotiate in good faith.

- 10.5 Recipient agrees not to publish or use the Information for any advertising, sales promotions, press releases, or publicity matters that refer either directly or indirectly to the Information or to the Discloser or any of its affiliated companies.
- 10.6 The disclosure of Information neither grants nor implies any license to the Recipient under any trademark, patent, copyright, or application which is now or may hereafter be owned by the Discloser.
- 10.7 Survival of Confidentiality Obligations. The Parties' rights and obligations under this Section 10 shall survive and continue in effect until two (2) years after the expiration or termination date of this Agreement with regard to all Information exchanged during the term of this Agreement. Thereafter, the Parties' rights and obligations hereunder survive and continue in effect with respect to any Information that is a trade secret under applicable law.
- 10.8 Tennessee Open Records. To the extent EPB Telecommunications is a governmental entity bound by the Tennessee Open Records Act (Tennessee Code Annotated §§10-7-503 et seq), BellSouth acknowledges that documents, records, and other materials in the possession of the EPB Telecommunications may be subject to public inspection in accordance with Tennessee Code Annotated § 10-7-503. Notwithstanding any provision in this Agreement to the contrary, EPB Telecommunications' disclosure of confidential information or other information required to be kept confidential under this Agreement shall not be deemed a breach of this Agreement if EPB Telecommunications determines, in good faith, that such disclosure must be made pursuant to Tennessee Code Annotated § 10-7-503 et seq. Notwithstanding the foregoing, EPB Telecommunications shall make a record of such disclosure and provide notice to BellSouth, within three days from the date of the inspection that such inspection has taken place; the name, address and telephone number of the person making such inspection; for whom the inspection was made; and the date of such inspection. Further, EPB Telecommunications shall reasonably cooperate with BellSouth in its efforts to maintain the confidentiality of its Information.

11. Assignments

Any assignment by either Party to any non-affiliated entity of any right, obligation or duty, or of any other interest hereunder, in whole or in part, without the prior written consent of the other Party shall be void. A Party may assign this Agreement or any right, obligation, duty or other interest hereunder to an Affiliate of the Party without the consent of the other Party; provided, however, that the assigning Party shall notify the other Party in writing of such assignment thirty (30) days prior to the Effective Date thereof and, provided further, if the assignee is an assignee of EPB Telecommunications, the assignee must provide evidence of Commission CLEC certification. The Parties shall amend this Agreement to reflect such assignments and shall work cooperatively to implement any changes required due to such assignment. All obligations and duties of any Party under this Agreement shall be binding on all successors in interest and assigns of such Party. No assignment or delegation hereof shall relieve the assignor of its obligations under this Agreement in the event that the assignee fails to perform such obligations.

12. Resolution of Disputes

Except as otherwise stated in this Agreement, if any dispute arises as to the interpretation of any provision of this Agreement or as to the proper implementation of this Agreement, the aggrieved Party shall petition the Commission for a resolution of the dispute. However, each Party reserves any rights it may have to seek judicial review of any ruling made by the Commission concerning this Agreement.

13. Taxes

13.1 Definition. For purposes of this Section, the terms “taxes” and “fees” shall include but not limited to federal, state or local sales, use, excise, gross receipts or other taxes or tax-like fees of whatever nature and however designated (including tariff surcharges and any fees, charges or other payments, contractual or otherwise, for the use of public streets or rights of way, whether designated as franchise fees or otherwise) imposed, or sought to be imposed, on or with respect to the services furnished hereunder or measured by the charges or payments therefore, excluding any taxes levied on income.

13.2 Taxes and Fees Imposed Directly On Either Providing Party or Purchasing Party.

13.2.1 Taxes and fees imposed on the providing Party, which are not permitted or required to be passed on by the providing Party to its customer, shall be borne and paid by the providing Party.

- 13.2.2 Taxes and fees imposed on the purchasing Party, which are not required to be collected and/or remitted by the providing Party, shall be borne and paid by the purchasing Party.
- 13.3 Taxes and Fees Imposed on Purchasing Party But Collected And Remitted By Providing Party.
- 13.3.1 Taxes and fees imposed on the purchasing Party shall be borne by the purchasing Party, even if the obligation to collect and/or remit such taxes or fees is placed on the providing Party.
- 13.3.2 To the extent permitted by applicable law, any such taxes and/or fees shall be shown as separate items on applicable billing documents between the Parties. Notwithstanding the foregoing, the purchasing Party shall remain liable for any such taxes and fees regardless of whether they are actually billed by the providing Party at the time that the respective service is billed.
- 13.3.3 If the purchasing Party determines that in its opinion any such taxes or fees are not payable, the providing Party shall not bill such taxes or fees to the purchasing Party if the purchasing Party provides written certification, reasonably satisfactory to the providing Party, stating that it is exempt or otherwise not subject to the tax or fee, setting forth the basis therefor, and satisfying any other requirements under applicable law. If any authority seeks to collect any such tax or fee that the purchasing Party has determined and certified not to be payable, or any such tax or fee that was not billed by the providing Party, the purchasing Party may contest the same in good faith, at its own expense. In any such contest, the purchasing Party shall promptly furnish the providing Party with copies of all filings in any proceeding, protest, or legal challenge, all rulings issued in connection therewith, and all correspondence between the purchasing Party and the taxing authority.
- 13.3.4 In the event that all or any portion of an amount sought to be collected must be paid in order to contest the imposition of any such tax or fee, or to avoid the existence of a lien on the assets of the providing Party during the pendency of such contest, the purchasing Party shall be responsible for such payment and shall be entitled to the benefit of any refund or recovery.
- 13.3.5 If it is ultimately determined that any additional amount of such a tax or fee is due to the imposing authority, the purchasing Party shall pay such additional amount, including any interest and penalties thereon.
- 13.3.6 Notwithstanding any provision to the contrary, the purchasing Party shall protect, indemnify and hold harmless (and defend at the purchasing Party's expense) the providing Party from and against any such tax or fee, interest or penalties thereon, or other charges or payable expenses (including reasonable attorney fees) with respect thereto, which are incurred by the providing Party in connection with any claim for or contest of any such tax or fee.

- 13.3.7 Each Party shall notify the other Party in writing of any assessment, proposed assessment or other claim for any additional amount of such a tax or fee by a taxing authority; such notice to be provided, if possible, at least ten (10) days prior to the date by which a response, protest or other appeal must be filed, but in no event later than thirty (30) days after receipt of such assessment, proposed assessment or claim.
- 13.4 Taxes and Fees Imposed on Providing Party But Passed On To Purchasing Party.
- 13.4.1 Taxes and fees imposed on the providing Party, which are permitted or required to be passed on by the providing Party to its customer, shall be borne by the purchasing Party.
- 13.4.2 To the extent permitted by applicable law, any such taxes and/or fees shall be shown as separate items on applicable billing documents between the Parties. Notwithstanding the foregoing, the purchasing Party shall remain liable for any such taxes and fees regardless of whether they are actually billed by the providing Party at the time that the respective service is billed.
- 13.4.3 If the purchasing Party disagrees with the providing Party's determination as to the application or basis for any such tax or fee, the Parties shall consult with respect to the imposition and billing of such tax or fee. Notwithstanding the foregoing, the providing Party shall retain ultimate responsibility for determining whether and to what extent any such taxes or fees are applicable, and the purchasing Party shall abide by such determination and pay such taxes or fees to the providing Party. The providing Party shall further retain ultimate responsibility for determining whether and how to contest the imposition of such taxes and fees; provided, however, that any such contest undertaken at the request of the purchasing Party shall be at the purchasing Party's expense.
- 13.4.4 In the event that all or any portion of an amount sought to be collected must be paid in order to contest the imposition of any such tax or fee, or to avoid the existence of a lien on the assets of the providing Party during the pendency of such contest, the purchasing Party shall be responsible for such payment and shall be entitled to the benefit of any refund or recovery.
- 13.4.5 If it is ultimately determined that any additional amount of such a tax or fee is due to the imposing authority, the purchasing Party shall pay such additional amount, including any interest and penalties thereon.
- 13.4.6 Notwithstanding any provision to the contrary, the purchasing Party shall protect indemnify and hold harmless (and defend at the purchasing Party's expense) the providing Party from and against any such tax or fee, interest or penalties thereon, or other reasonable charges or payable expenses (including reasonable attorney

fees) with respect thereto, which are incurred by the providing Party in connection with any claim for or contest of any such tax or fee.

13.4.7 Each Party shall notify the other Party in writing of any assessment, proposed assessment or other claim for any additional amount of such a tax or fee by a taxing authority; such notice to be provided, if possible, at least ten (10) days prior to the date by which a response, protest or other appeal must be filed, but in no event later than thirty (30) days after receipt of such assessment, proposed assessment or claim.

13.5 Mutual Cooperation. In any contest of a tax or fee by one Party, the other Party shall cooperate fully by providing records, testimony and such additional information or assistance as may reasonably be necessary to pursue the contest. Further, the other Party shall be reimbursed for any reasonable and necessary out-of-pocket copying and travel expenses incurred in assisting in such contest.

14. Force Majeure

In the event performance of this Agreement, or any obligation hereunder, is either directly or indirectly prevented, restricted, or interfered with by reason of fire, flood, earthquake or like acts of God, wars, revolution, civil commotion, explosion, acts of public enemy, embargo, acts of the government in its sovereign capacity, labor difficulties, including without limitation, strikes, slowdowns, picketing, or boycotts, unavailability of equipment from vendor, changes requested by Customer, or any other circumstances beyond the reasonable control and without the fault or negligence of the Party affected, the Party affected, upon giving prompt notice to the other Party, shall be excused from such performance on a day-to-day basis to the extent of such prevention, restriction, or interference (and the other Party shall likewise be excused from performance of its obligations on a day-to-day basis until the delay, restriction or interference has ceased); provided however, that the Party so affected shall use diligent efforts to avoid or remove such causes of non-performance and both Parties shall proceed whenever such causes are removed or cease.

15. Adoption of Agreements

BellSouth shall make available, pursuant to 47 USC § 252 and the FCC rules and regulations regarding such availability, to EPB Telecommunications any interconnection, service, or network element provided under any other agreement filed and approved pursuant to 47 USC § 252, provided a minimum of six months remains on the term of such Agreement. The Parties shall adopt all rates, terms and conditions concerning such other interconnection, service or network element and any other rates, terms and conditions that are legitimately related to or were negotiated in exchange for or in conjunction with the interconnection, service or network element being adopted. The adopted interconnection, service, or network element and agreement shall apply to the same states as such other agreement. The term of the adopted agreement or

provisions shall expire on the same date as set forth in the agreement which was adopted.

16. Modification of Agreement

16.1 If EPB Telecommunications changes its name or makes changes to its company structure or identity due to a merger, acquisition, transfer or any other reason, it is the responsibility of EPB Telecommunications to notify BellSouth of said change and request that an amendment to this Agreement, if necessary, be executed to reflect said change.

16.2 No modification, amendment, supplement to, or waiver of the Agreement or any of its provisions shall be effective and binding upon the Parties unless it is made in writing and duly signed by the Parties.

16.3 In the event that any effective legislative, regulatory, judicial or other legal action materially affects any material terms of this Agreement, or the ability of EPB Telecommunications or BellSouth to perform any material terms of this Agreement, EPB Telecommunications or BellSouth may, on thirty (30) days' written notice require that such terms be renegotiated, and the Parties shall renegotiate in good faith such mutually acceptable new terms as may be required. In the event that such new terms are not renegotiated within ninety (90) days after such notice, the Dispute shall be referred to the Dispute Resolution procedure set forth in this Agreement.

16.4 Notwithstanding anything to the contrary in this Agreement, this Agreement shall not be amended or modified after the expiration date hereof as set forth in Section 2 above.

17. Non-waiver of Legal Rights

Execution of this Agreement by either Party does not confirm or infer that the executing Party agrees with any decision(s) issued pursuant to the Telecommunications Act of 1996 and the consequences of those decisions on specific language in this Agreement. Neither Party waives its rights to appeal or otherwise challenge any such decision(s) and each Party reserves all of its rights to pursue any and all legal and/or equitable remedies, including appeals of any such decision(s).

18. Severability

If any provision of this Agreement, or the application of such provision to either Party or circumstance, shall be held invalid, the remainder of the Agreement, or the application of any such provision to the Parties or circumstances other than those to which it is held invalid, shall not be affected thereby, provided that the Parties shall attempt to reformulate such invalid provision to give effect to such portions thereof as may be valid without defeating the intent of such provision.

19. Waivers

A failure or delay of either Party to enforce any of the provisions hereof, to exercise any option which is herein provided, or to require performance of any of the provisions hereof shall in no way be construed to be a waiver of such provisions or options, and each Party, notwithstanding such failure, shall have the right thereafter to insist upon the performance of any and all of the provisions of this Agreement.

20. Governing Law

This Agreement shall be governed by, and construed and enforced in accordance with, the laws of the State of Georgia, without regard to its conflict of laws principles.

21. Arm's Length Negotiations

This Agreement was executed after arm's length negotiations between the undersigned Parties and reflects the conclusion of the undersigned that this Agreement is in the best interests of all Parties.

22. Notices

22.1 Every notice, consent, approval, or other communications required or contemplated by this Agreement shall be in writing and shall be delivered by hand, by overnight courier or by US mail postage prepaid, address to:

BellSouth Telecommunications, Inc.

Account Team
600 North 19th Street
Birmingham, Alabama 35203

and

General Attorney - COU
Suite 4300
675 W. Peachtree St.
Atlanta, GA 30375

EPB Telecommunications

Mr. W. E. Chapman, Jr.
Senior Vice President
Electric Power Board of Chattanooga
536 Market Street
P.O. Box 182255
Chattanooga, TN 37422-7255

or at such other address as the intended recipient previously shall have designated by written notice to the other Party.

22.2 Unless otherwise provided in this Agreement, notice by mail shall be effective on the date it is officially recorded as delivered by return receipt or equivalent, and in the absence of such record of delivery, it shall be presumed to have been delivered the fifth day, or next business day after the fifth day, after it was deposited in the mails.

22.3 Notwithstanding the foregoing, BellSouth may provide EPB Telecommunications notice via Internet posting of price changes, changes to the terms and conditions of services available for resale per Commission Orders. BellSouth will also post changes to business processes and policies, notices of new service offerings, and changes to service offerings not requiring an amendment to this Agreement, notices required to be posted to BellSouth's website, and any other information of general applicability to CLECs.

23. Rule of Construction

No rule of construction requiring interpretation against the drafting Party hereof shall apply in the interpretation of this Agreement.

24. Headings of No Force or Effect

The headings of Articles and Sections of this Agreement are for convenience of reference only, and shall in no way define, modify or restrict the meaning or interpretation of the terms or provisions of this Agreement.

25. Multiple Counterparts

This Agreement may be executed multiple counterparts, each of which shall be deemed an original, but all of which shall together constitute but one and the same document.

26. Implementation of Agreement

If EPB Telecommunications is a facilities based provider or a facilities based and resale provider, this section shall apply. Within 60 days of the execution of this Agreement, the Parties may adopt a schedule for the implementation of the Agreement. The schedule shall state with specificity time frames for submission of including but not limited to, network design, interconnection points, collocation arrangement requests, pre-sales testing and full operational time frames for the business and residential markets. An implementation template which may be used for the implementation schedule is contained in Attachment 10 of this Agreement.

27. Filing of Agreement

27.1 Upon execution of this Agreement it shall be filed with the appropriate state regulatory agency pursuant to the requirements of Section 252 of the Act, and the Parties shall share equally any filing fees therefor. If the regulatory agency imposes any filing or public interest notice fees regarding the filing or approval of the Agreement, EPB Telecommunications shall be responsible for publishing the required notice and the publication and/or notice costs shall be borne by EPB Telecommunications. Notwithstanding the foregoing, this Agreement shall not be submitted for approval by the appropriate state regulatory agency unless and until such time as EPB Telecommunications is duly certified as a local exchange carrier in such state, except as otherwise required by a state Commission.

27.2 For electronic filing purposes in the State of Louisiana, the CLEC Louisiana Certification Number is required and must be provided by EPB Telecommunications prior to filing of the Agreement. The CLEC Louisiana Certification Number for EPB Telecommunications is _____.

28. Compliance with Applicable Law

Each Party shall comply at its own expense with Applicable Law.

29. Necessary Approvals

Each Party shall be responsible for obtaining and keeping in effect all approvals from, and rights granted by, governmental authorities, building and property owners, other carriers, and any other persons that may be required in connection with the performance of its obligations under this Agreement. Each Party shall reasonably cooperate with the other Party in obtaining and maintaining any required approvals and rights for which such Party is responsible.

30. Good Faith Performance

Each Party shall act in good faith in its performance under this Agreement and, in each case in which a Party's consent or agreement is required or requested

hereunder, such Party shall not unreasonably withhold or delay such consent or agreement.

31. Nonexclusive Dealings

This Agreement does not prevent either Party from providing or purchasing services to or from any other person nor, except as provided in Section 252(i) of the Act, does it obligate either Party to provide or purchase any services (except insofar as the Parties are obligated to provide access to Interconnection, services and Network Elements to EPB Telecommunications as a requesting carrier under the Act).

32. Survival

The Parties' obligations under this Agreement which by their nature are intended to continue beyond the termination or expiration of this Agreement shall survive the termination or expiration of this Agreement.

33. Entire Agreement

This Agreement and its Attachments, incorporated herein by this reference, sets forth the entire understanding and supersedes prior Agreements between the Parties relating to the subject matter contained herein and merges all prior discussions between them. Any orders placed under prior agreements between the Parties shall be governed by the terms of this Agreement. Neither Party shall be bound by any definition, condition, provision, representation, warranty, covenant or promise other than as expressly stated in this Agreement or as is contemporaneously or subsequently set forth in writing and executed by a duly authorized officer or representative of the Party to be bound thereby.

34. Tennessee Governmental Tort Liability Act

Notwithstanding any other provision in this Agreement to the contrary and to the extent EPB Telecommunications is a Governmental Entity entitled to be governed by the Tennessee Governmental Tort Liability Act, or is entitled to the defense of sovereign immunity or similar defense, the indemnity of EPB Telecommunications is hereby expressly limited to the coverages, amounts, procedural requirements, and other limitations of the Tennessee Governmental Tort Liability Act and this indemnity is expressly subject to the provisions of such laws, as such now exist or may hereafter be amended or revised and the indemnity is also further limited by any such sovereign immunity or similar defense.

35. Telecommunications Services Provided by Municipalities

To the extent that EPB Telecommunications is a municipality pursuant to Tennessee Law, the parties agree that the operations of EPB Telecommunications shall be governed by Tennessee Code Annotated §§ 7-52-401 et seq. and any rules or regulations or conditions regarding cross subsidization or the telecommunications operations of a Tennessee municipality imposed by or promulgated by the Tennessee Regulatory Authority.

This Agreement may include attachments with provisions for the following services:

- Network Elements and Other Services
- Local Interconnection
- Resale
- Collocation

The following services are included as options for purchase by EPB Telecommunications. EPB Telecommunications may elect to purchase said services by written request to its Account Manager if applicable.

- Optional Daily Usage File (ODUF)
- Enhanced Optional Daily Usage File (EODUF)
- Access Daily Usage File (ADUF)
- Line Information Database (LIDB) Storage
- Centralized Message Distribution Service (CMDS)
- Calling Name (CNAM)
- LNP Data Base Query Service

IN WITNESS WHEREOF, the Parties have executed this Agreement the day and year written below.

BellSouth Telecommunications, Inc.

EPB Telecommunications

By: (Original on file) _____

By: (Original on file) _____

Name: Patrick C. Finlen _____

Name: W. E. Chapman, Jr. _____

Title: Managing Director _____

Title: Senior Vice President _____

Date: 5/16/01 _____

Date: 5/7/01 _____

Attachment 1

Resale

TABLE OF CONTENTS

1. DISCOUNT RATES.....	3
2. DEFINITION OF TERMS.....	3
3. GENERAL PROVISIONS.....	3
4. BELLSOUTH'S PROVISION OF SERVICES TO EPB TELECOMMUNICATIONS.....	7
5. MAINTENANCE OF SERVICES.....	8
6. ESTABLISHMENT OF SERVICE.....	9
7. PAYMENT AND BILLING ARRANGEMENTS.....	11
8. DISCONTINUANCE OF SERVICE.....	13
9. LINE INFORMATION DATABASE (LIDB).....	15
10. RAO HOSTING.....	15
11. OPTIONAL DAILY USAGE FILE (ODUF).....	15
12. ENHANCED OPTIONAL DAILY USAGE FILE (EODUF).....	15
Exhibit A – Applicable Discounts/OSS Rates.....	16
Exhibit B – Resale Restrictions.....	19
Exhibit C – Line Information Database (LIDB) Storage Agreement.....	20
Exhibit D – Optional Daily Usage File (ODUF).....	25
Exhibit E – Enhanced Option Daily Usage File (EODUF).....	29
Exhibit F – ODUF/EODUF/CMDS Rates.....	Rate Table

RESALE

1. Discount Rates

The discount rates applied to EPB Telecommunications purchases of BellSouth Telecommunications Services for the purpose of resale shall be as set forth in Exhibit A. Such discounts have been determined by the applicable Commission to reflect the costs avoided by BellSouth when selling a service for wholesale purposes.

2. Definition of Terms

2.1 COMPETITIVE LOCAL EXCHANGE COMPANY (CLEC) means a telephone company certificated by the Commission to provide local exchange service within BellSouth's franchised area.

2.2 CUSTOMER OF RECORD means the entity responsible for placing application for service; requesting additions, rearrangements, maintenance or discontinuance of service; payment in full of charges incurred such as non-recurring, monthly recurring, toll, directory assistance, etc.

2.3 DEPOSIT means assurance provided by a customer in the form of cash, surety bond or bank letter of credit to be held by BellSouth.

2.4 END USER means the ultimate user of the Telecommunications Service.

2.5 END USER CUSTOMER LOCATION means the physical location of the premises where an End User makes use of the telecommunications services.

2.6 NEW SERVICES means functions, features or capabilities that are not currently offered by BellSouth. This includes packaging of existing services or combining a new function, feature or capability with an existing service.

2.7 RESALE means an activity wherein a certificated CLEC, such as EPB Telecommunications, subscribes to the telecommunications services of BellSouth and then offers those telecommunications services to the public.

3. General Provisions

3.1 All of the negotiated rates, terms and conditions set forth in this Attachment pertain to the resale of BellSouth's retail telecommunications services and other services specified in this Attachment. Subject to effective and applicable FCC and

Commission rules and orders, BellSouth shall make available to EPB Telecommunications for resale those telecommunications services BellSouth makes available, pursuant to its General Subscriber Services Tariff and Private Line Services Tariff, to customer who are not telecommunications carriers. Such services shall be available at BellSouth's tariffed rates less the discount set forth in Exhibit A to this Agreement and subject to the exclusions and limitations set forth in Exhibit B to this Agreement.

- 3.2 EPB Telecommunications may purchase resale services from BellSouth for their own use in operating their business. The resale discount will apply to those services under the following conditions:
 - 3.2.1 EPB Telecommunications must resell services to other End Users.
 - 3.2.2 EPB Telecommunications must order services through resale interfaces, i.e., the Local Carrier Service Center (LCSC) and/or appropriate Resale Account Teams pursuant to Section 3 of the General Terms and Conditions.
 - 3.2.3 EPB Telecommunications cannot be a competitive local exchange telecommunications company for the single purpose of selling to themselves.
- 3.3 EPB Telecommunications will be the customer of record for all services purchased from BellSouth. Except as specified herein, BellSouth will take orders from, bill and receive payment from EPB Telecommunications for said services.
- 3.4 EPB Telecommunications will be BellSouth's single point of contact for all services purchased pursuant to this Agreement. BellSouth shall have no contact with the End User except to the extent provided for herein. Each Party shall provide to the other a nation wide (50 states) toll-free contact number for purposes of repair and maintenance.
- 3.5 BellSouth will continue to bill the End User for any services that the End User specifies it wishes to receive directly from BellSouth. BellSouth maintains the right to serve directly any End User within the service area of EPB Telecommunications. BellSouth will continue to market directly its own telecommunications products and services and in doing so may establish independent relationships with End Users of EPB Telecommunications. Neither Party shall interfere with the right of any person or entity to obtain service directly from the other Party.
 - 3.5.1 When a subscriber of EPB Telecommunications or BellSouth elects to change his/her carrier to the other Party, both Parties agree to release the subscriber's service to the other Party concurrent with the due date of the service order, which shall be established based on the standard interval for the subscriber's requested service as set forth in BellSouth Product and Services Interval Guide.

- 3.5.2 BellSouth and EPB Telecommunications will refrain from contacting subscribers who have placed or whose selected carrier has placed on their behalf an order to change his/her service provider from BellSouth or EPB Telecommunications to the other Party until such time that the order for service has been completed.
- 3.6 Current telephone numbers may normally be retained by the End User and are assigned to the service furnished. However, neither Party nor the End User has a property right to the telephone number or any other call number designation associated with services furnished by BellSouth, and no right to the continuance of service through any particular central office. BellSouth reserves the right to change such numbers, or the central office designation associated with such numbers, or both, whenever BellSouth deems it necessary to do so in the conduct of its business and in accordance with BellSouth practices and procedures on a nondiscriminatory basis.
- 3.7 For the purpose of the resale of BellSouth's telecommunications services by EPB Telecommunications, BellSouth will provide EPB Telecommunications with on line access to telephone numbers for reservation on a first come first served basis. Until December 1, 2000, such reservations of telephone numbers, on a pre-ordering basis shall be for a period of ninety (90) days. After December 1, 2000, BellSouth shall provide number reservation pursuant to the appropriate FCC rules and regulations. EPB Telecommunications acknowledges that there may be instances where there is a shortage of telephone numbers in a particular Common Language Location Identifier Code (CLLIC) and in such instances BellSouth may request that EPB Telecommunications cancel its reservations of numbers. EPB Telecommunications shall comply with such request.
- 3.8 Further, upon EPB Telecommunications' request, and for the purpose of the resale of BellSouth's telecommunications services by EPB Telecommunications, BellSouth will reserve up to 100 telephone numbers per CLLIC, for EPB Telecommunications' sole use. Until December 1, 2000, such telephone number reservations shall be valid for ninety (90) days from the reservation date. After December 1, 2000, BellSouth shall provide number reservation pursuant to the appropriate FCC rules and regulations. EPB Telecommunications acknowledges that there may be instances where there is a shortage of telephone numbers in a particular CLLIC and in such instances BellSouth shall use its best efforts to reserve for a ninety (90) day period a sufficient quantity of EPB Telecommunications' reasonable need in that particular CLLIC.
- 3.9 Service is furnished subject to the condition that it will not be used for any unlawful purpose.
- 3.10 Service will be discontinued if any law enforcement agency advises that the service being used is in violation of the law.

- 3.11 BellSouth can refuse service when it has grounds to believe that service will be used in violation of the law.
- 3.12 BellSouth will cooperate with law enforcement agencies with subpoenas and court orders relating to EPB Telecommunications' End Users, pursuant to Section 7 of the General Terms and Conditions.
- 3.13 If EPB Telecommunications or its End Users utilize a BellSouth resold telecommunications service in a manner other than that for which the service was originally intended as described in BellSouth's retail tariffs, EPB Telecommunications has the responsibility to notify BellSouth. BellSouth will only provision and maintain said service consistent with the terms and conditions of the tariff describing said service.
- 3.14 Facilities and/or equipment utilized by BellSouth to provide service to EPB Telecommunications remain the property of BellSouth.
- 3.15 White page directory listings for EPB Telecommunications End Users will be provided in accordance with Section 5 of the General Terms and Conditions.
- 3.16 BellSouth provides electronic access to customer record information. Access is provided through the Local Exchange Navigation System (LENS) and the Telecommunications Access Gateway (TAG). Customer Record Information includes but is not limited to, customer specific information in CRIS and RSAG. In addition, EPB Telecommunications shall provide to BellSouth access to customer record information including electronic access where available. Otherwise, upon request by BellSouth EPB Telecommunications shall provide paper copies of customer record information within a reasonable period of time. Customer Record Information is equivalent to but not limited to the type of customer specific information contained in CRIS and RSAG. The Parties agree not to view, copy, or otherwise obtain access to the customer record information of any customer without that customer's permission, and further agrees that EPB Telecommunications and BellSouth will obtain access to customer record information only in strict compliance with applicable laws, rules, or regulations of the State in which the service is provided.
- 3.17 All costs incurred by BellSouth to develop and implement operational interfaces shall be recovered from CLECs who utilize the interfaces. Charges for use of Operational Support Systems (OSS) shall be as set forth in Exhibit A of this Attachment.
- 3.18 Where available to BellSouth's End Users, BellSouth shall provide the following telecommunications services at a discount to allow for voice mail services:
- Message Waiting Indicator ("MWI"), stutter dialtone and message waiting light feature capabilities

- Call Forward Busy Line (“CF/B”)
- Call Forward Don’t Answer (“CF/DA”)

Further, BellSouth messaging services set forth in BellSouth’s Messaging Service Information Package shall be made available for resale without the wholesale discount.

- 3.19 BellSouth shall provide branding for, or shall unbrand, voice mail services for EPB Telecommunications per the Bona Fide Request/New Business Request process as set forth in Section 6 of the General Terms and Conditions.
- 3.20 BellSouth’s Inside Wire Maintenance Service Plan is available for resale at rates, terms and conditions as set forth by BellSouth and without the wholesale discount.
- 3.21 In the event EPB Telecommunications acquires an end user whose service is provided pursuant to a BellSouth Special Assembly, BellSouth shall make available to EPB Telecommunications that Special Assembly at the wholesale discount at EPB Telecommunications’ option. EPB Telecommunications shall be responsible for all terms and conditions of such Special Assembly including but not limited to termination liability if applicable.
- 3.22 BellSouth shall provide 911/E911 for EPB Telecommunications customers in the same manner that it is provided to BellSouth customers. BellSouth shall provide and validate EPB Telecommunications customer information to the PSAP. BellSouth shall use its service order process to update and maintain, on the same schedule that it uses for its customers, the EPB Telecommunications customer service information in the ALI/DMS (Automatic Location Identification/Location Information) databases used to support 911/E911 services.
- 3.23 BellSouth shall bill, and EPB Telecommunications shall pay, the End User line charge associated with implementing Number Portability as set forth in BellSouth’s FCC No. 1 tariff. This charge is not subject to the wholesale discount.
- 3.24 Pursuant to 47 CFR Section 51.617, BellSouth will bill to EPB Telecommunications, and EPB Telecommunications shall pay, End User common line charges identical to the End User common line charges BellSouth bills its End Users.

4. BellSouth’s Provision of Services to EPB Telecommunications

- 4.1 Resale of BellSouth services shall be as follows:
- 4.1.1 The resale of telecommunications services shall be limited to users and uses conforming to the class of service restrictions.

- 4.1.2 Hotel and Hospital PBX services are the only telecommunications services available for resale to Hotel/Motel and Hospital End Users, respectively. Similarly, Access Line Service for Customer Provided Coin Telephones is the only local service available for resale to Payphone Service Provider (PSP) customers. Shared Tenant Service customers can only be sold those local exchange access services available in BellSouth's A23 Shared Tenant Service Tariff in the states of Florida, Georgia, North Carolina and South Carolina, and in A27 in the states of Alabama, Kentucky, Louisiana, Mississippi and Tennessee.
- 4.1.3 BellSouth reserves the right to periodically audit services purchased by EPB Telecommunications to establish authenticity of use. Such audit shall not occur more than once in a calendar year. EPB Telecommunications shall make any and all records and data available to BellSouth or BellSouth's auditors on a reasonable basis. BellSouth shall bear the cost of said audit. Any information provided by EPB Telecommunications for purposes of such audit shall be deemed Confidential Information pursuant to the General Terms and Conditions of this Agreement.
- 4.2 Subject to Exhibit B hereto, resold services can only be used in the same manner as specified in BellSouth's Tariffs. Resold services are subject to the same terms and conditions as are specified for such services when furnished to an individual End User of BellSouth in the appropriate section of BellSouth's Tariffs. Specific tariff features (e.g. a usage allowance per month) shall not be aggregated across multiple resold services.
- 4.3 EPB Telecommunications may resell services only within the specific service area as defined in its certificate of operation approved by the Commission.

5. Maintenance of Services

- 5.1 EPB Telecommunications will adopt and adhere to the standards contained in the applicable BellSouth Operational Understanding regarding maintenance of service. The BellSouth Operational Understanding can be accessed via the internet @ <http://www.interconnection.bellsouth.com>.
- 5.2 Services resold pursuant to this Attachment and BellSouth's General Subscriber Service Tariff and Private Line Service Tariff and facilities and equipment provided by BellSouth shall be maintained by BellSouth.
- 5.3 EPB Telecommunications or its End Users may not rearrange, move, disconnect, remove or attempt to repair any facilities owned by BellSouth except with the written consent of BellSouth.
- 5.4 EPB Telecommunications accepts responsibility to notify BellSouth of situations that arise that may result in a service problem.

- 5.5 EPB Telecommunications will contact the appropriate repair centers in accordance with procedures established by BellSouth.
- 5.6 For all repair requests, EPB Telecommunications shall adhere to BellSouth's prescreening guidelines prior to referring the trouble to BellSouth.
- 5.7 BellSouth will bill EPB Telecommunications for handling troubles that are found not to be in BellSouth's network pursuant to its standard time and material charges. The standard time and material charges will be no more than what BellSouth charges to its retail customers for the same services.
- 5.8 BellSouth reserves the right to contact EPB Telecommunications' End Users, if deemed necessary, for maintenance purposes.

6. Establishment of Service

- 6.1 After receiving certification as a local exchange company from the appropriate regulatory agency, EPB Telecommunications will provide the appropriate BellSouth service center the necessary documentation to enable BellSouth to establish a master account for EPB Telecommunications' resold services. Such documentation shall include the Application for Master Account, proof of authority to provide telecommunications services, an Operating Company Number ("OCN") assigned by the National Exchange Carriers Association ("NECA") and a tax exemption certificate, if applicable. When necessary deposit requirements are met, as described in Section 6.6 below, BellSouth will begin taking orders for the resale of service.
- 6.2 Service orders will be in a standard format designated by BellSouth.
- 6.3 EPB Telecommunications shall provide to BellSouth a blanket letter of authorization ("LOA") certifying that EPB Telecommunications will have End User authorization prior to viewing the End User's customer service record or switching the End User's service. BellSouth will not require End User confirmation prior to establishing service for EPB Telecommunications' End User customer. EPB Telecommunications must, however, be able to demonstrate End User authorization upon request.
- 6.4 BellSouth will accept a request directly from the End User for conversion of the End User's service from EPB Telecommunications to BellSouth or will accept a request from another CLEC for conversion of the End User's service from EPB Telecommunications to such other CLEC. Upon completion of the conversion BellSouth will notify EPB Telecommunications that such conversion has been completed.

- 6.5 If BellSouth is informed that an unauthorized change in local service to EPB Telecommunications has occurred, BellSouth will reestablish service with the appropriate local service provider and will assess EPB Telecommunications as the CLEC initiating the alleged unauthorized change, the unauthorized change charge described in FCC Tariff No. 1, Section 13 or applicable state tariff. Appropriate nonrecurring charges, as set forth in Section A4 of the General Subscriber Service Tariff, will also be assessed to EPB Telecommunications. In accordance with FCC Slamming Liability Rules, the relevant governmental agency will determine if an unauthorized change has occurred. Resolution of all relevant issues shall be handled directly with the authorized CLEC and EPB Telecommunications.
- 6.6 BellSouth reserves the right to secure the account with a suitable form of security deposit, unless satisfactory credit has already been established.
- 6.6.1 Such security deposit shall take the form of cash for cash equivalent, an irrevocable Letter of Credit or other forms of security acceptable to BellSouth. Any such security deposit may be held during the continuance of the service as security for the payment of any and all amounts accruing for the service.
- 6.6.2 If a security deposit is required, such security deposit shall be made prior to the inauguration of service.
- 6.6.3 Such security deposit shall be two months' estimated billing.
- 6.6.4 The fact that a security deposit has been made in no way relieves EPB Telecommunications from complying with BellSouth's regulations as to advance payments and the prompt payment of bills on presentation nor does it constitute a waiver or modification of the regular practices of BellSouth providing for the discontinuance of service for non-payment of any sums due BellSouth.
- 6.6.5 BellSouth reserves the right to increase the security deposit requirements when, in its reasonable judgment, changes in EPB Telecommunications' financial status so warrant and/or gross monthly billing has increased beyond the level initially used to determine the security deposit.
- 6.6.6 In the event service to EPB Telecommunications is terminated due to EPB Telecommunications' default on its account, any security deposits held will be applied to EPB Telecommunications' account.
- 6.6.7 Interest on a cash or cash equivalent security deposit shall accrue and be paid in accordance with the terms in the appropriate BellSouth tariff.

7. Payment And Billing Arrangements

- 7.1 Prior to submitting orders to BellSouth for local service, a master account must be established for EPB Telecommunications. EPB Telecommunications is required to provide the following before a master account is established: proof of PSC/PUC certification, the Application for Master Account, an Operating Company Number (“OCN”) assigned by the National Exchange Carriers Association (“NECA”) and a tax exemption certificate, if applicable.
- 7.2 BellSouth shall bill EPB Telecommunications on a current basis all applicable charges and credits.
- 7.3 Payment of all charges will be the responsibility of EPB Telecommunications. EPB Telecommunications shall make payment to BellSouth for all services billed. BellSouth is not responsible for payments not received by EPB Telecommunications from EPB Telecommunications' End User. BellSouth will not become involved in billing disputes that may arise between EPB Telecommunications and its End User. Payments made to BellSouth as payment on account will be credited to an accounts receivable master account and not to an End User's account.
- 7.4 BellSouth will render bills each month on established bill days for each of EPB Telecommunications' accounts.
- 7.5 BellSouth will bill EPB Telecommunications in advance for all services to be provided during the ensuing billing period except charges associated with service usage, which will be billed in arrears. Charges will be calculated on an individual End User account level, including, if applicable, any charge for usage or usage allowances. BellSouth will also bill EPB Telecommunications, and EPB Telecommunications will be responsible for and remit to BellSouth, all charges applicable to resold services including but not limited to 911 and E911 charges, End Users common line charges, federal subscriber line charges, telecommunications relay charges (TRS), and franchise fees.
- 7.6 The payment will be due by the next bill date (i.e., same date in the following month as the bill date) and is payable in immediately available funds. Payment is considered to have been made when received by BellSouth.
- 7.6.1 If the payment due date falls on a Sunday or on a Holiday which is observed on a Monday, the payment due date shall be the first non-Holiday day following such Sunday or Holiday. If the payment due date falls on a Saturday or on a Holiday which is observed on Tuesday, Wednesday, Thursday, or Friday, the payment due date shall be the last non-Holiday day preceding such Saturday or Holiday. If payment is not received by the payment due date, a late payment charge, as set forth in section 7.8 following, shall apply.

- 7.6.2 If EPB Telecommunications requests multiple billing media or additional copies of bills, BellSouth will provide these at an appropriate charge to EPB Telecommunications.
- 7.6.3 Billing Disputes
- 7.6.3.1 Each Party agrees to notify the other Party upon the discovery of a billing dispute. In the event of a billing dispute, the Parties will endeavor to resolve the dispute within sixty (60) calendar days of the Bill Date on which such disputed charges appear. Resolution of the dispute is expected to occur at the first level of management resulting in a recommendation for settlement of the dispute and closure of a specific billing period. If the issues are not resolved within the allotted time frame, the following resolution procedure will begin:
- 7.6.3.2 If the dispute is not resolved within sixty (60) days of the Bill Date, the dispute will be escalated to the second level of management for each of the respective Parties for resolution. If the dispute is not resolved within ninety (90) days of the Bill Date, the dispute will be escalated to the third level of management for each of the respective Parties for resolution
- 7.6.3.3 If the dispute is not resolved within one hundred and twenty (120) days of the Bill Date, the dispute will be escalated to the fourth level of management for each of the respective Parties for resolution.
- 7.6.3.4 If a Party disputes a charge and does not pay such charge by the payment due date, such charges shall be subject to late payment charges as set forth in the Late Payment Charges provision of this Attachment. If a Party disputes charges and the dispute is resolved in favor of such Party, the other Party shall credit the bill of the disputing Party for the amount of the disputed charges along with any late payment charges assessed no later than the second Bill Date after the resolution of the dispute. Accordingly, if a Party disputes charges and the dispute is resolved in favor of the other Party, the disputing Party shall pay the other Party the amount of the disputed charges and any associated late payment charges assessed no later than the second bill payment due date after the resolution of the dispute. BellSouth shall only assess interest on previously assessed late payment charges in a state where it has authority pursuant to its tariffs.
- 7.7 Upon proof of tax exempt certification from EPB Telecommunications, the total amount billed to EPB Telecommunications will not include any taxes due from the End User to reflect the tax exempt certification and local tax laws. EPB Telecommunications will be solely responsible for the computation, tracking, reporting, and payment of taxes applicable to EPB Telecommunications' End User.
- 7.8 If any portion of the payment is received by BellSouth after the payment due date as set forth preceding, or if any portion of the payment is received by BellSouth in funds that are not immediately available to BellSouth, then a late payment charge

shall be due to BellSouth. The late payment charge shall be the portion of the payment not received by the payment due date times a late factor and will be applied on a per bill basis. The late factor shall be as set forth in Section A2 of the General Subscriber Services Tariff or Section B2 of the Private Line Service Tariff, as applicable. EPB Telecommunications will be charged a fee for all returned checks as set forth in Section to A2 of the General Subscriber Services Tariff or in applicable state law.

- 7.9 Any switched access charges associated with interexchange carrier access to the resold local exchange lines will be billed by, and due to, BellSouth.
- 7.10 BellSouth will not perform billing and collection services for EPB Telecommunications as a result of the execution of this Agreement. All requests for billing services should be referred to the appropriate entity or operational group within BellSouth.
- 7.11 In general, BellSouth will not become involved in disputes between EPB Telecommunications and EPB Telecommunications' End User customers relating to resold services. If a dispute does arise that cannot be settled without the involvement of BellSouth, EPB Telecommunications shall contact the designated Service Center for resolution. BellSouth will assist in the resolution of the dispute and will work with EPB Telecommunications to resolve the matter in as timely a manner as possible. EPB Telecommunications may be required to submit documentation to substantiate the claim.

8. Discontinuance of Service

- 8.1 The procedures for discontinuing service to an End User are as follows:
- 8.1.1 BellSouth will deny service to EPB Telecommunications' End User on behalf of, and at the request of, EPB Telecommunications. Upon restoration of the End User's service, restoral charges will apply and will be the responsibility of EPB Telecommunications.
- 8.1.2 At the request of EPB Telecommunications, BellSouth will disconnect a EPB Telecommunications End User customer.
- 8.1.3 All requests by EPB Telecommunications for denial or disconnection of an End User for nonpayment must be in writing.
- 8.1.4 EPB Telecommunications will be made solely responsible for notifying the End User of the proposed disconnection of the service.
- 8.1.5 BellSouth will continue to process calls made to the Annoyance Call Center and will advise EPB Telecommunications when it is determined that annoyance calls

are originated from one of its End User's locations. BellSouth shall be indemnified, defended and held harmless by EPB Telecommunications and/or the End User against any claim, loss or damage arising from providing this information to EPB Telecommunications. It is the responsibility of EPB Telecommunications to take the corrective action necessary with its End Users who make annoying calls. (Failure to do so will result in BellSouth's disconnecting the End User's service.)

- 8.1.6 BellSouth may disconnect and reuse facilities when the facility is in a denied state and BellSouth has received an order to establish new service or transfer of service from an End User or an End User's CLEC at the same address served by the denied facility.
- 8.2 The procedures for discontinuing service to EPB Telecommunications are as follows:
 - 8.2.1 BellSouth reserves the right to suspend or terminate service in the event of prohibited, unlawful or improper use of the facilities or service, abuse of the facilities, or any other violation or noncompliance by EPB Telecommunications of the rules and regulations of BellSouth's Tariffs.
 - 8.2.2 BellSouth reserves the right to suspend or terminate service for nonpayment. If payment of account is not received by the bill day in the month after the original bill day, BellSouth may provide written notice to EPB Telecommunications, that additional applications for service will be refused and that any pending orders for service will not be completed if payment is not received by the fifteenth day following the date of the notice. In addition BellSouth may, at the same time, provide written notice to the person designated by EPB Telecommunications to receive notices of noncompliance that BellSouth may discontinue the provision of existing services to EPB Telecommunications, if payment is not received by the thirtieth day following the date of the notice.
 - 8.2.3 In the case of such discontinuance, all billed charges, as well as applicable termination charges, shall become due.
 - 8.2.4 If BellSouth does not discontinue the provision of the services involved on the date specified in the thirty days notice and EPB Telecommunications' noncompliance continues, nothing contained herein shall preclude BellSouth's right to discontinue the provision of the services to EPB Telecommunications without further notice.
 - 8.2.5 Upon discontinuance of service on a EPB Telecommunications' account, service to EPB Telecommunications' End Users will be denied. BellSouth will also reestablish service at the request of the End User or EPB Telecommunications upon payment of the appropriate connection fee and subject to BellSouth's normal application procedures. EPB Telecommunications is solely responsible for notifying the End User of the proposed disconnection of the service.

8.2.6 If within fifteen days after an End User's service has been denied no contact has been made in reference to restoring service, the End User's service will be disconnected.

9. Line Information Database (LIDB)

9.1 BellSouth will store in its Line Information Database (LIDB) records relating to service only in the BellSouth region. The LIDB Storage Agreement is included in this Attachment as Exhibit C.

9.2 BellSouth will provide LIDB Storage upon written request to EPB Telecommunications' Account Manager stating a requested activation date.

10. RAO Hosting

10.1 RAO Hosting is not required for resale in the BellSouth region.

11. Optional Daily Usage File (ODUF)

11.1 The Optional Daily Usage File (ODUF) Agreement with terms and conditions is included in this Attachment as Exhibit D. Rates for ODUF are as set forth in Exhibit F of this Attachment.

11.2 BellSouth will provide ODUF service upon written request to its Account Manager stating a requested activation date.

12. Enhanced Optional Daily Usage File (EODUF)

12.1 The Enhanced Optional Daily Usage File (EODUF) service Agreement with terms and conditions is included in this Attachment as Exhibit E. Rates for EODUF are as set forth in Exhibit F of this Attachment.

12.2 BellSouth will provide EODUF service upon written request to its Account Manager stating a requested activation date.

APPLICABLE DISCOUNTS

The telecommunications services available for purchase by EPB Telecommunications for the purposes of resale to EPB Telecommunications End Users shall be available at the following discount off of the retail rate. If EPB Telecommunications cancels an order for telecommunications services for the purpose of resale, any costs incurred by BellSouth in conjunction with the provisioning of that order will be recovered in accordance with the applicable sections of the GSST and the PLST.

DISCOUNT*

<u>STATE</u>	<u>RESIDENCE</u>	<u>BUSINESS</u>	<u>CSAs***</u>
ALABAMA	16.3%	16.3%	
FLORIDA	21.83%	16.81%	
GEORGIA	20.3%	17.3%	
KENTUCKY	16.79%	15.54%	
LOUISIANA	20.72%	20.72%	9.05%
MISSISSIPPI	15.75%	15.75%	
NORTH CAROLINA	21.5%	17.6%	
SOUTH CAROLINA	14.8%	14.8%	8.98%
TENNESSEE**	16%	16%	

* When a CLEC provides Resale service in a cross boundary area (areas that are part of the local serving area of another state's exchange) the rates, regulations and discounts for the tariffing state will apply. Billing will be from the serving state.

** In Tennessee, if EPB Telecommunications provides its own operator services and directory services, the discount shall be 21.56%. EPB Telecommunications must provide written notification to BellSouth within 30 days prior to providing its own operator services and directory services to qualify for the higher discount rate of 21.56%.

*** Unless noted in this column, the discount for Business will be the applicable discount rate for CSAs.

OPERATIONAL SUPPORT SYSTEMS (OSS) RATES

BellSouth has developed and made available the following mechanized systems by which EPB Telecommunications may submit LSRs electronically.

LENS	Local Exchange Navigation System
EDI	Electronic Data Interchange
TAG	Telecommunications Access Gateway

LSRs submitted by means of one of these interactive interfaces will incur an OSS electronic ordering charge as specified in the Table below. An individual LSR will be identified for billing purposes by its Purchase Order Number (PON). LSRs submitted by means other than one of these interactive interfaces (mail, fax, courier, etc.) will incur a manual order charge as specified in the table below:

OPERATIONAL SUPPORT SYSTEMS (OSS) RATES	<u>Electronic</u> Per LSR received from the CLEC by one of the OSS interactive interfaces	<u>Manual</u> Per LSR received from the CLEC by means other than one of the OSS interactive interfaces
OSS LSR Charge	\$3.50	\$19.99
USOC	SOME C	SOMAN

Note: In addition to the OSS charges, applicable discounted service order and related discounted charges apply per the tariff.

Denial/Restoral OSS Charge

In the event EPB Telecommunications provides a list of customers to be denied and restored, rather than an LSR, each location on the list will require a separate PON and, therefore will be billed as one LSR per location.

Cancellation OSS Charge

EPB Telecommunications will incur an OSS charge for an accepted LSR that is later canceled by EPB Telecommunications.

Note: Supplements or clarifications to a previously billed LSR will not incur another OSS charge.

Threshold Billing Plan

EPB Telecommunications will incur the mechanized rate for all LSRs, both mechanized and manual, if the percentage of mechanized LSRs to total LSRs meets or exceeds the threshold percentages shown below:

Year	Ratio: Mechanized/Total LSRs
2000	80%
2001	90%

The threshold plan will be discontinued in 2002.

BellSouth will track the total LSR volume for each CLEC for each quarter. At the end of that time period, a Percent Electronic LSR calculation will be made for that quarter based on the LSR data tracked in the LCSC. If this percentage exceeds the threshold volume, all of that CLEC's future manual LSRs for the following quarter will be billed at the mechanized LSR rate. To allow time for obtaining and analyzing the data and updating the billing system, this billing change will take place on the first day of the second month following the end of the quarter (e.g. May 1 for 1Q, Aug 1 for 2Q, etc.). There will be no adjustments to the amount billed for previously billed LSRs.

**Exclusions and Limitations
On Services Available for Resale**

Type of Service	AL		FL		GA		KY		LA		MS		NC		SC		TN	
	Resale	Discount	Resale	Discount	Resale	Discount	Resale	Discount	Resale	Discount	Resale	Discount	Resale	Discount	Resale	Discount	Resale	Discount
1 Grandfathered Services (Note 1)	Yes	Yes	Yes	Yes	Yes	Yes	Yes	Yes	Yes	Yes	Yes	Yes	Yes	Yes	Yes	Yes	Yes	Yes
2 Promotions - > 90 Days(Note 2)	Yes	Yes	Yes	Yes	Yes	Yes	Yes	Yes	Yes	Yes	Yes	Yes	Yes	Yes	Yes	Yes	Yes	Note 3
3 Promotions - ≤ 90 Days (Note 2)	Yes	No	Yes	No	Yes	No	Yes	No	Yes	No	Yes	No	Yes	No	Yes	No	Yes	No
4 Lifeline/Link Up Services	Yes	Yes	Yes	Yes	Yes	Yes	Yes	Note 4	Yes	Yes	Yes	Yes	Yes	Yes	Yes	Yes	Yes	Yes
5 911/E911 Services	Yes	Yes	Yes	Yes	Yes	Yes	Yes	Yes	No	No	Yes	Yes	Yes	Yes	Yes	Yes	Yes	Yes
6 N11 Services	Yes	Yes	Yes	Yes	Yes	Yes	No	No	No	No	Yes	Yes	Yes	Yes	No	No	Yes	Yes
7 MemoryCall® Service	Yes	No	Yes	No	Yes	No	Yes	No	Yes	No	Yes	No	Yes	No	Yes	No	Yes	No
8 Mobile Services	Yes	No	Yes	No	Yes	No	Yes	No	Yes	No	Yes	No	Yes	No	Yes	No	Yes	No
9 Federal Subscriber Line Charges	Yes	No	Yes	No	Yes	No	Yes	No	Yes	No	Yes	No	Yes	No	Yes	No	Yes	No
10 Non-RecurCharges	Yes	Yes	Yes	Yes	Yes	Yes	Yes	Yes	Yes	Yes	Yes	Yes	Yes	Yes	Yes	Yes	Yes	No
11 End User Line Chg-Number Portability	Yes	No	Yes	No	Yes	No	Yes	No	Yes	No	Yes	No	Yes	No	Yes	No	Yes	No
12 Public Telephone Access Svc(PTAS)	Yes	Yes	Yes	Yes	Yes	Yes	Yes	Yes	Yes	Yes	Yes	Yes	Yes	Yes	Yes	No	Yes	Yes
13 Inside Wire Maint Service Plan	Yes	No	Yes	No	Yes	No	Yes	No	Yes	No	Yes	No	Yes	No	Yes	No	Yes	No
Applicable Notes:																		
1.	Grandfathered services can be resold only to existing subscribers of the grandfathered service.																	
2.	Where available for resale, promotions will be made available only to End Users who would have qualified for the promotion had it been provided by BellSouth directly.																	
3.	In Tennessee, long-term promotions (offered for more than ninety (90) days) may be obtained at one of the following rates:																	
	(a) the stated tariff rate, less the wholesale discount;																	
	(b) the promotional rate (the promotional rate offered by BellSouth will not be discounted further by the wholesale discount rate)																	
4.	Lifeline/Link Up services may be offered only to those subscribers who meet the criteria that BellSouth currently applies to subscribers of these services as set forth in Sections A3 and A4 of the BellSouth General Subscriber Services Tariff.																	
5.	Some of BellSouth's local exchange and toll telecommunications services are not available in certain central offices and areas.																	

LINE INFORMATION DATA BASE (LIDB)
STORAGE AGREEMENT

I. SCOPE

- A. This Agreement sets forth the terms and conditions pursuant to which BellSouth agrees to store in its LIDB certain information at the request of EPB Telecommunications and pursuant to which BellSouth, its LIDB customers and EPB Telecommunications shall have access to such information. EPB Telecommunications understands that BellSouth provides access to information in its LIDB to various telecommunications service providers pursuant to applicable tariffs and agrees that information stored at the request of EPB Telecommunications, pursuant to this Agreement, shall be available to those telecommunications service providers. The terms and conditions contained herein shall hereby be made a part of this Interconnection/Resale Agreement upon notice to EPB Telecommunications' account team to activate this LIDB Storage Agreement. The General Terms and Conditions of the Interconnection/Resale Agreement shall govern this LIDB Storage Agreement. The terms and conditions contained in the attached Addendum is hereby made a part of this LIDB Storage Agreement as if fully incorporated herein.
- B. LIDB is accessed for the following purposes:
1. Billed Number Screening
 2. Calling Card Validation
 3. Fraud Control
- C. BellSouth will provide seven days per week, 24-hours per day, fraud monitoring on Calling Cards, bill-to-third and collect calls made to numbers in BellSouth's LIDB, provided that such information is included in the LIDB query. BellSouth will establish fraud alert thresholds and will notify EPB Telecommunications of fraud alerts so that EPB Telecommunications may take action it deems appropriate. EPB Telecommunications understands and agrees BellSouth will administer all data stored in the LIDB, including the data provided by EPB Telecommunications pursuant to this Agreement, in the same manner as BellSouth's data for BellSouth's End User customers. BellSouth shall not be responsible to EPB Telecommunications for any lost revenue which may result from BellSouth's administration of the LIDB pursuant

to its established practices and procedures as they exist and as they may be changed by BellSouth in its sole discretion from time to time.

EPB Telecommunications understands that BellSouth currently has in effect numerous billing and collection agreements with various interexchange carriers and billing clearing houses. EPB Telecommunications further understands that these billing and collection customers of BellSouth query BellSouth's LIDB to determine whether to accept various billing options from End Users. Additionally, EPB Telecommunications understands that presently BellSouth has no method to differentiate between BellSouth's own billing and line data in the LIDB and such data which it includes in the LIDB on EPB Telecommunications' behalf pursuant to this Agreement. Therefore, until such time as BellSouth can and does implement in its LIDB and its supporting systems the means to differentiate EPB Telecommunications' data from BellSouth's data and the Parties to this Agreement execute appropriate amendments hereto, the following terms and conditions shall apply:

- (a) EPB Telecommunications agrees that it will accept responsibility for telecommunications services billed by BellSouth for its billing and collection customers for EPB Telecommunications' End User accounts which are resident in LIDB pursuant to this Agreement. EPB Telecommunications authorizes BellSouth to place such charges on EPB Telecommunications' bill from BellSouth and agrees that it shall pay all such charges. Charges for which EPB Telecommunications hereby takes responsibility include, but are not limited to, collect and third number calls.
- (b) Charges for such services shall appear on a separate BellSouth bill page identified with the name of the entity for which BellSouth is billing the charge.
- (c) EPB Telecommunications shall have the responsibility to render a billing statement to its End Users for these charges, but EPB Telecommunications' obligation to pay BellSouth for the charges billed shall be independent of whether EPB Telecommunications is able or not to collect from EPB Telecommunications' End Users.
- (d) BellSouth shall not become involved in any disputes between EPB Telecommunications and the entities for which BellSouth performs billing and collection. BellSouth will not issue adjustments for charges billed on behalf of an entity to EPB Telecommunications. It shall be the responsibility of EPB Telecommunications and the other entity to negotiate and arrange for any appropriate adjustments.

II. FEES FOR SERVICE AND TAXES

- A. EPB Telecommunications will not be charged a fee for storage services provided by BellSouth to EPB Telecommunications, as described in Section I of this Agreement.
- B. Sales, use and all other taxes (excluding taxes on BellSouth's income) determined by BellSouth or any taxing authority to be due to any federal, state or local taxing jurisdiction with respect to the provision of the service set forth herein will be paid by EPB Telecommunications in accordance with the tax provisions set forth in the General Terms and Conditions of this Agreement.

III. MISCELLANEOUS

- A. It is understood and agreed to by the Parties that BellSouth may provide similar services to other companies.
- B. All terms, conditions and operations under this Agreement shall be performed in accordance with, and subject to, all applicable local, state or federal legal and regulatory tariffs, rulings, and other requirements of the federal courts, the U. S. Department of Justice and state and federal regulatory agencies. Nothing in this Agreement shall be construed to cause either Party to violate any such legal or regulatory requirement and either Party's obligation to perform shall be subject to all such requirements.
- C. This LIDB Storage Agreement constitutes the entire Agreement between EPB Telecommunications and BellSouth with respect to the subject matter hereof and supersedes all prior Agreements or contracts, oral or written representations, statements, negotiations, understandings, proposals and undertakings with respect to LIDB Storage.

RESALE ADDENDUM
TO LINE INFORMATION DATA BASE (LIDB)
STORAGE AGREEMENT

I. GENERAL

This Addendum sets forth the terms and conditions for EPB Telecommunications' provision of billing number information to BellSouth for inclusion in BellSouth's LIDB. BellSouth will store in its LIDB the billing number information provided by EPB Telecommunications, and BellSouth will provide responses to on-line, call-by-call queries to this information for purposes specified in Section I.B. of the Agreement.

II. DEFINITIONS

- A. Billing number - a number used by BellSouth for the purpose of identifying an account liable for charges. This number may be a line or a special billing number.
- B. Line number - a ten-digit number assigned by BellSouth that identifies a telephone line associated with a resold local exchange service, or with a SPNP arrangement.
- C. Special billing number - a ten-digit number that identifies a billing account established by BellSouth in connection with a resold local exchange service or with a SPNP arrangement.
- D. Calling Card number - a billing number plus PIN number assigned by BellSouth.
- E. PIN number - a four digit security code assigned by BellSouth which is added to a billing number to compose a fourteen digit calling card number.
- F. Toll billing exception indicator - associated with a billing number to indicate that it is considered invalid for billing of collect calls or third number calls or both, by EPB Telecommunications.

- G. Billed Number Screening - refers to the activity of determining whether a toll billing exception indicator is present for a particular billing number.
- H. Calling Card Validation - refers to the activity of determining whether a particular calling card number exists as stated or otherwise provided by a caller.
- I. Billing number information - information about billing number or Calling Card number as assigned by BellSouth and toll billing exception indicator provided to BellSouth by EPB Telecommunications.

III. RESPONSIBILITIES OF PARTIES

- A. BellSouth will include billing number information associated with resold exchange lines or SPNP arrangements in its LIDB. EPB Telecommunications will request any toll billing exceptions via the Local Service Request (LSR) form used to order resold exchange lines, or the SPNP service request form used to order SPNP arrangements.
- B. Under normal operating conditions, BellSouth shall include the billing number information in its LIDB upon completion of the service order establishing either the resold local exchange service or the SPNP arrangement, provided that BellSouth shall not be held responsible for any delay or failure in performance to the extent such delay or failure is caused by circumstances or conditions beyond BellSouth's reasonable control. BellSouth will store in its LIDB an unlimited volume of the working telephone numbers associated with either the resold local exchange lines or the SPNP arrangements. For resold local exchange lines or for SPNP arrangements, BellSouth will issue line-based calling cards only in the name of EPB Telecommunications. BellSouth will not issue line-based calling cards in the name of EPB Telecommunications' individual End Users. In the event that EPB Telecommunications wants to include calling card numbers assigned by EPB Telecommunications in the BellSouth LIDB, a separate agreement is required.
- C. BellSouth will provide responses to on-line, call-by-call queries to the stored information for the specific purposes listed in the next paragraph.
- D. BellSouth is authorized to use the billing number information to perform the following functions for authorized users on an on-line basis:
 - 1. Validate a 14 digit Calling Card number where the first 10 digits are a line number or special billing number assigned by BellSouth, and where the last four digits (PIN) are a security code assigned by BellSouth.

2. Determine whether EPB Telecommunications has identified the billing number as one which should not be billed for collect or third number calls, or both.

Optional Daily Usage File

1. Upon written request from EPB Telecommunications, BellSouth will provide the Optional Daily Usage File (ODUF) service to EPB Telecommunications pursuant to the terms and conditions set forth in this section.
2. EPB Telecommunications shall furnish all relevant information required by BellSouth for the provision of the Optional Daily Usage File.
3. The Optional Daily Usage Feed will contain billable messages that were carried over the BellSouth Network and processed in the BellSouth Billing System, but billed to a EPB Telecommunications customer.

Charges for delivery of the Optional Daily Usage File will appear on EPB Telecommunications' monthly bills. The charges are as set forth in Exhibit F to this Attachment.

4. The Optional Daily Usage Feed will contain both rated and unrated messages. All messages will be in the standard Alliance for Telecommunications Industry Solutions (ATIS) EMI record format.
5. Messages that error in EPB Telecommunications' billing system will be the responsibility of EPB Telecommunications. If, however, EPB Telecommunications should encounter significant volumes of errored messages that prevent processing by EPB Telecommunications within its systems, BellSouth will work with the to determine the source of the errors and the appropriate resolution.
6. The following specifications shall apply to the Optional Daily Usage Feed.

6.1 **Usage To Be Transmitted**

- 6.1.1 The following messages recorded by BellSouth will be transmitted to EPB Telecommunications:
 - Message recording for per use/per activation type services (examples: Three Way Calling, Verify, Interrupt, Call Return, etc.)
 - Measured billable Local
 - Directory Assistance messages
 - IntraLATA Toll

- WATS and 800 Service
 - N11
 - Information Service Provider Messages
 - Operator Services Messages
 - Operator Services Message Attempted Calls (UNE only)
 - Credit/Cancel Records
 - Usage for Voice Mail Message Service
- 6.1.2 Rated Incollects (originated in BellSouth and from other companies) can also be on Optional Daily Usage File. Rated Incollects will be intermingled with BellSouth recorded rated and unrated usage. Rated Incollects will not be packed separately.
- 6.1.3 BellSouth will perform duplicate record checks on records processed to Optional Daily Usage File. Any duplicate messages detected will be deleted and not sent to EPB Telecommunications.
- 6.1.4 In the event that EPB Telecommunications detects a duplicate on Optional Daily Usage File they receive from BellSouth, EPB Telecommunications will drop the duplicate message (EPB Telecommunications will not return the duplicate to BellSouth).
- 6.2 Physical File Characteristics
- 6.2.1 The Optional Daily Usage File will be distributed to EPB Telecommunications via an agreed medium with CONNECT:Direct being the preferred transport method. The Daily Usage Feed will be a variable block format (2476) with an LRECL of 2472. The data on the Daily Usage Feed will be in a non-compacted EMI format (175 byte format plus modules). It will be created on a daily basis (Monday through Friday except holidays). Details such as dataset name and delivery schedule will be addressed during negotiations of the distribution medium. There will be a maximum of one dataset per workday per OCN.
- 6.2.2 Data circuits (private line or dial-up) may be required between BellSouth and EPB Telecommunications for the purpose of data transmission. Where a dedicated line is required, EPB Telecommunications will be responsible for ordering the circuit, overseeing its installation and coordinating the installation with BellSouth. EPB Telecommunications will also be responsible for any charges associated with this line.

Equipment required on the BellSouth end to attach the line to the mainframe computer and to transmit successfully ongoing will be negotiated on a case by case basis. Where a dial-up facility is required, dial circuits will be installed in the BellSouth data center by BellSouth and the associated charges assessed to EPB Telecommunications. Additionally, all message toll charges associated with the use of the dial circuit by EPB Telecommunications will be the responsibility of EPB Telecommunications. Associated equipment on the BellSouth end, including a modem, will be negotiated on a case by case basis between the Parties. All equipment, including modems and software, that is required on EPB Telecommunications end for the purpose of data transmission will be the responsibility of EPB Telecommunications.

6.3 Packing Specifications

6.3.1 A pack will contain a minimum of one message record or a maximum of 99,999 message records plus a pack header record and a pack trailer record. One transmission can contain a maximum of 99 packs and a minimum of one pack.

6.3.2 The OCN, From RAO, and Invoice Number will control the invoice sequencing. The From RAO will be used to identify to EPB Telecommunications which BellSouth RAO is sending the message. BellSouth and EPB Telecommunications will use the invoice sequencing to control data exchange. BellSouth will be notified of sequence failures identified by EPB Telecommunications and resend the data as appropriate.

THE DATA WILL BE PACKED USING ATIS EMI RECORDS.

6.4 Pack Rejection

6.4.1 EPB Telecommunications will notify BellSouth within one business day of rejected packs (via the mutually agreed medium). Packs could be rejected because of pack sequencing discrepancies or a critical edit failure on the Pack Header or Pack Trailer records (i.e. out-of-balance condition on grand totals, invalid data populated). Standard ATIS EMI Error Codes will be used. EPB Telecommunications will not be required to return the actual rejected data to BellSouth. Rejected packs will be corrected and retransmitted to EPB Telecommunications by BellSouth.

6.5 Control Data

EPB Telecommunications will send one confirmation record per pack that is received from BellSouth. This confirmation record will indicate EPB Telecommunications received the pack and the acceptance or rejection of the pack. Pack Status Code(s) will be populated using standard ATIS EMI error codes for packs that were rejected by EPB Telecommunications for reasons stated in the above section.

6.6 Testing

- 6.6.1 Upon request from EPB Telecommunications, BellSouth shall send test files to EPB Telecommunications for the Optional Daily Usage File. The Parties agree to review and discuss the file's content and/or format. For testing of usage results, BellSouth shall request that EPB Telecommunications set up a production (LIVE) file. The live test may consist of EPB Telecommunications' employees making test calls for the types of services EPB Telecommunications requests on the Optional Daily Usage File. These test calls are logged by EPB Telecommunications, and the logs are provided to BellSouth. These logs will be used to verify the files. Testing will be completed within 30 calendar days from the date on which the initial test file was sent.

Enhanced Optional Daily Usage File

1. Upon written request from EPB Telecommunications, BellSouth will provide the Enhanced Optional Daily Usage File (EODUF) service to EPB Telecommunications pursuant to the terms and conditions set forth in this section. EODUF will only be sent to existing ODUF subscribers who request the EODUF option.
2. EPB Telecommunications shall furnish all relevant information required by BellSouth for the provision of the Enhanced Optional Daily Usage File.
3. The Enhanced Optional Daily Usage File (EODUF) will provide usage data for local calls originating from resold Flat Rate Business and Residential Lines.
4. Charges for delivery of the Enhanced Optional Daily Usage File will appear on EPB Telecommunications' monthly bills. The charges are as set forth in Exhibit F to this Attachment.
5. All messages will be in the standard Alliance for Telecommunications Industry Solutions (ATIS) EMI record format.
6. Messages that error in the billing system of EPB Telecommunications will be the responsibility of EPB Telecommunications. If, however, EPB Telecommunications should encounter significant volumes of errored messages that prevent processing by EPB Telecommunications within its systems, BellSouth will work with EPB Telecommunications to determine the source of the errors and the appropriate resolution.
7. The following specifications shall apply to the Optional Daily Usage Feed.

7.1 Usage To Be Transmitted

- 7.1.1 The following messages recorded by BellSouth will be transmitted to EPB Telecommunications:

Customer usage data for flat rated local call originating from EPB Telecommunications' End User lines (1FB or 1FR). The EODUF record for flat rate messages will include:

Date of Call

From Number

To Number

Connect Time

Conversation Time

Method of Recording

From RAO

Rate Class

Message Type

Billing Indicators

Bill to Number

7.1.2 BellSouth will perform duplicate record checks on EODUF records processed to Optional Daily Usage File. Any duplicate messages detected will be deleted and not sent to EPB Telecommunications.

7.1.3 In the event that EPB Telecommunications detects a duplicate on Enhanced Optional Daily Usage File they receive from BellSouth, EPB Telecommunications will drop the duplicate message (EPB Telecommunications will not return the duplicate to BellSouth).

7.2 Physical File Characteristics

7.2.1 The Enhanced Optional Daily Usage Feed will be distributed to EPB Telecommunications over their existing Optional Daily Usage File (ODUF) feed. The EODUF messages will be intermingled among EPB Telecommunications' Optional Daily Usage File (ODUF) messages. The EODUF will be a variable block format (2476) with an LRECL of 2472. The data on the EODUF will be in a non-compacted EMI format (175 byte format plus modules). It will be created on a daily basis (Monday through Friday except holidays).

7.2.2 Data circuits (private line or dial-up) may be required between BellSouth and EPB Telecommunications for the purpose of data transmission. Where a dedicated line is required, EPB Telecommunications will be responsible for ordering the circuit, overseeing its installation and coordinating the installation with BellSouth. EPB Telecommunications will also be responsible for any charges associated with this line. Equipment required on the BellSouth end to attach the line to the mainframe computer and to transmit successfully ongoing will be negotiated on a case by case basis. Where a dial-up facility is required, dial circuits will be installed in the BellSouth data center by BellSouth and the associated charges assessed to EPB Telecommunications.

Additionally, all message toll charges associated with the use of the dial circuit by EPB Telecommunications will be the responsibility of EPB Telecommunications.

Associated equipment on the BellSouth end, including a modem, will be negotiated on a case by case basis between the Parties. All equipment, including modems and software, that is required on EPB Telecommunications' end for the purpose of data transmission will be the responsibility of EPB Telecommunications.

7.3 Packing Specifications

7.3.1 A pack will contain a minimum of one message record or a maximum of 99,999 message records plus a pack header record and a pack trailer record. One transmission can contain a maximum of 99 packs and a minimum of one pack.

7.3.2 The Operating Company Number (OCN), From Revenue Accounting Office (RAO), and Invoice Number will control the invoice sequencing. The From RAO will be used to identify to EPB Telecommunications which BellSouth RAO is sending the message. BellSouth and EPB Telecommunications will use the invoice sequencing to control data exchange. BellSouth will be notified of sequence failures identified by EPB Telecommunications and resend the data as appropriate.

THE DATA WILL BE PACKED USING ATIS EMI RECORDS.

BELLSOUTH/EPB TELECOMMUNICATIONS RATES
 ODUF/EODUF

RATES BY STATE

DESCRIPTION	USOC	AL	FL	GA	KY	LA	MS	NC	SC	TN
ODUF/EODUF/CMS										
ODUF: Recording, per message	N/A	\$0.0002	\$0.008	\$0.0001275	\$0.0008611	\$0.00019	\$0.0001179	\$0.0003	\$0.0002862	\$0.000044
ODUF: Message Processing, per message	N/A	\$0.0033	\$0.004	\$0.0082548	\$0.0032357	\$0.0024	\$0.0032089	\$0.0032	\$0.0032344	\$0.0027366
EODUF: Message Processing, per message	N/A	\$0.004	\$0.004	\$0.0034555	\$0.004	\$0.004	\$0.004	\$0.004	\$0.004	\$0.004
ODUF: Message Processing, per magnetic tape provisioned	N/A	\$55.19	\$54.95	\$28.85	\$55.68	\$47.30	\$54.62	\$54.61	\$54.72	\$52.75
ODUF: Data Transmission (CONNECT:DIRECT), per message	N/A	\$0.00004	\$0.001	\$0.0000434	\$0.0000365	\$0.00003	\$0.0000354	\$0.00004	\$0.0000357	\$0.0000339
* Volume and term arrangements are also available.										

NOTES:
 If no rate is identified in the contract, the rate for the specific service or function will be as set forth in applicable BellSouth tariff or as negotiated by the Parties upon request by either Party.

Attachment 2

Network Elements and Other Services

TABLE OF CONTENTS

1.	INTRODUCTION.....	3
2.	UNBUNDLED LOOPS, INTEGRATED DIGITAL LOOP CARRIERS, NETWORK INTERFACES DEVICE, UNBUNDLED LOOP CONCENTRATION (ULC) SYSTEM, SUB LOOPS AND DARK FIBER	5
3.	HIGH FREQUENCY SPECTRUM NETWORK ELEMENT.....	25
4.	SWITCHING.....	29
5.	UNBUNDLED NETWORK ELEMENT COMBINATIONS.....	39
6.	TRANSPORT, CHANNELIZATION AND DARK FIBER.....	46
7.	BELLSOUTH SWA 8XX TOLL FREE DIALING TEN DIGIT SCREENING SERVICE.....	53
8	LINE INFORMATION DATABASE (LIDB).....	54
9	SIGNALING.....	57
10.	OPERATOR CALL PROCESSING, INWARD OPERATOR SERVICES AND DIRECTORY ASSISTANCE SERVICES	66
11.	CALLING NAME (CNAM) DATABASE SERVICE	72
12.	BASIC 911 AND E911	74
13.	TRUE-UP.....	75
	LIDB Storage Agreement	Exhibit A
	CNAM Database Service	Exhibit B
	Rates	Exhibit C

ACCESS TO NETWORK ELEMENTS AND OTHER SERVICES

1. Introduction

- 1.1 This Attachment sets forth the unbundled network elements and combinations of unbundled network elements that BellSouth agrees to offer to EPB Telecommunications in accordance with its obligations under Section 251(c)(3) of the Act. The specific terms and conditions that apply to the unbundled network elements are described below in this Attachment 2. The price for each unbundled network element and combination of unbundled Network Elements are set forth in Exhibit C of this Agreement.
- 1.2 For purposes of this Agreement, "Network Element" is defined to mean a facility or equipment provided by BellSouth on an unbundled basis as is used by the CLEC in the provision of a telecommunications service. These unbundled network elements are consistent with the requirements of the FCC 51.319 rule. For purposes of this Agreement, combinations of Network Elements shall be referred to as "Combinations."
- 1.2.1 Except as otherwise required by law, BellSouth shall not impose limitation restrictions or requirements or request for the use of the network elements or combinations that would impair the ability of EPB Telecommunications to offer telecommunications service in the manner EPB Telecommunications intends.
- 1.2.2 Except upon request by EPB Telecommunications, BellSouth shall not separate requested network elements that BellSouth currently combines.
- 1.2.2.1 Unless otherwise ordered by an appropriate state or federal regulatory agency, currently combined Network Elements are defined as elements that are already combined within BellSouth's network to a given location.
- 1.3 BellSouth shall, upon request of EPB Telecommunications, and to the extent technically feasible, provide to EPB Telecommunications access to its network elements for the provision of EPB Telecommunications' telecommunications service. If no rate is identified in the contract, the rate for the specific service or function will be as set forth in the applicable BellSouth tariff or as negotiated by the Parties upon request by either Party.
- 1.4 EPB Telecommunications may purchase network elements and other services from BellSouth for the purpose of combining such network elements in any manner EPB Telecommunications chooses to provide telecommunication services to its intended users, including recreating existing BellSouth services. With the exception of the sub-loop elements which are located outside of the central office, BellSouth shall deliver the network elements purchased by EPB

Telecommunications for combining to the designated EPB Telecommunications collocation space. The network elements shall be provided as set forth in this Attachment.

- 1.5 BellSouth shall comply with the requirements as set forth in the technical references within Attachment 2 to the extent that they are consistent with the greater of BellSouth's actual performance or applicable industry standards.
- 1.6 In the event that any effective legislative, regulatory, judicial or other legal action modifies or redefines the "Network Elements" in a manner which materially affects the terms of this Attachment or the Network Elements and/or prices set forth herein, either Party may, on thirty (30) days written notice, require renegotiation of such terms, and the Parties shall renegotiate in good faith such new terms in accordance with such legislative, regulatory, judicial or other legal action. In the event such new terms are not renegotiated within ninety (90) days after the notice for renegotiation, either Party may petition the Commission for resolution of the dispute between the Parties. Each Party reserves the right to seek judicial review of any Commission ruling concerning this Attachment.
- 1.7 EPB Telecommunications will adopt and adhere to the standards contained in the applicable BellSouth Operational Understanding regarding maintenance of service.
- 1.8 Standards for Network Elements
- 1.8.1 BellSouth shall comply with the requirements set forth in the technical references, as well as any performance or other requirements identified in this Agreement, to the extent that they are consistent with the greater of BellSouth's actual performance or applicable industry standards.
- 1.8.2 If one or more of the requirements set forth in this Agreement are in conflict, the Parties shall mutually agree on which requirement shall apply. If the Parties cannot reach agreement, the dispute resolution process set forth in Section 12 of the General Terms and Conditions of this Agreement, incorporated herein by this reference, shall apply.
- 1.9 **Rates**
- The prices that EPB Telecommunications shall pay to BellSouth for Network Elements and Other Services are set forth in Exhibit C to this Attachment. If EPB Telecommunications purchases a service(s) from a tariff, all terms and conditions and rates as set forth in such tariff shall apply.
- 1.10 **Operational Support Systems (OSS)**
- The terms, conditions and rates for OSS are as set forth in Section 2.13 of this Attachment.

2. **Unbundled Loops, Network Interfaces Device, Unbundled Loop Concentration (ULC) System, Sub loops and Dark Fiber**

All of the negotiated rates, terms and conditions set forth in this Section pertain to the provision of unbundled loops.

2.1 **Unbundled Loops**

2.1.1 Definition

2.1.2 The local loop network element (“Loop(s)”) is defined as a transmission facility between a distribution frame (or its equivalent) in BellSouth’s central office and the loop demarcation point at an end-user customer premises, including inside wire owned by BellSouth. The local loop network element includes all features, functions, and capabilities of the transmission facilities, including dark fiber and attached electronics (except those used for the provision of advanced services, such as Digital Subscriber Line Access Multiplexers) and line conditioning.

2.1.3 The provisioning of service to a CLEC’s collocation space will require cross-office cabling and cross-connections within the central office to connect the loop to a local switch or to other transmission equipment. These cross-connects are a separate component, that are not considered a part of the loop, and thus, have a separate charge.

2.1.4 BellSouth Order Coordination referenced in Attachment 2 includes two types: “Order Coordination” (OC) and “Order Coordination - Time Specific” (OC-TS).

2.1.5 “Order Coordination” refers to standard BellSouth service order coordination involving the reuse of facilities where EPB Telecommunications is requesting that their loop order be provisioned over an existing circuit that is currently providing service to the end user. Order coordination for physical conversions will be scheduled at BellSouth’s discretion during normal working hours on the committed due date and EPB Telecommunications will be advised. OC will be provided as a standard item on SL2 voice grade loops and all Unbundled Digital Loops (UDLs). OC will be provided as a chargeable option on SL1 voice grade loops, and all Unbundled Copper Loops.

2.1.6 “Order Coordination – Time Specific” refers to service order coordination in which EPB Telecommunications requests a specific time for a service order conversion to take place. BellSouth will make every effort to accommodate EPB Telecommunications' specific conversion time request. However, BellSouth reserves the right to negotiate with EPB Telecommunications a conversion time based on load and appointment control when necessary. Loops on a single service order of 14 or more loops will be provisioned on a project basis. This is a chargeable option for any coordinated order and is billed in addition to the OC

charge. EPB Telecommunications may specify a time between 9:00 a.m. and 4:00 p.m. (location time) Monday through Friday (excluding holidays). If EPB Telecommunications specifies a time outside this window, or selects a time or quantity of loops that requires BellSouth technicians to work outside normal work hours, overtime charges will apply in addition to the OC and OC-TS charges. Overtime charges will be applied according to actual costs based on type of force group required to perform the work, overtime hours worked and any special circumstances.

If EPB Telecommunications requests work to be done for any UNE loop that requires BellSouth technicians to work outside normal work hours, overtime charges will be applied according to actual costs based on type of force group required to perform the work, overtime hours worked and any special circumstances.

	Order Coordination (OC)	Order Coordination – Time Specific (OC-TS)	Test Points	DLR	Charge for Dispatch and Testing if No Trouble Found
SL-1	Chargeable option	Chargeable Option*	Not available	Chargeable Option – ordered as Engineering Information Document	Charged for Dispatch inside & outside Central Office
SL-2	Included	Chargeable Option*	Included	Included	Charged for Dispatch outside Central Office
Unbundled Digital Loop	Included	Chargeable Option* (except on Universal Digital Channel)	Included (where appropriate)	Included	Charged for Dispatch outside Central Office
Unbundled Copper Loop	Chargeable Option	Not available	Included	Included	Charged for Dispatch outside Central Office

*Order Coordination-Time Specific charge for orders due on same day at same location will be applied on a per LSR basis. For UVL-SL1, EPB Telecommunications must order OC when requesting OC-TS.

2.1.7 Where facilities are available, BellSouth will install loops in compliance with BellSouth's Interval Guide available at the website at <http://www.interconnection.bellsouth.com>. For orders of 14 or more loops, the

installation will be handled on a project basis and the intervals will be set by the BellSouth project manager for that order. Some loops require a Service Inquiry (SI) to determine if facilities are available prior to issuing the order. The interval for the SI process is separate from the installation interval. For expedite requests by EPB Telecommunications, expedite charges will apply for intervals less than 5 days. The charges outlined in BellSouth's FCC No. 1 Tariff, Section 5, will apply. If EPB Telecommunications cancels an order for network elements and other services, any costs incurred by BellSouth in conjunction with the provisioning of that order will be recovered in accordance with FCC No. 1 Tariff, Section 5.

- 2.1.8 If EPB Telecommunications modifies an order after being sent a Firm Order Confirmation (FOC) from BellSouth, any costs incurred by BellSouth to accommodate the modification will be paid by EPB Telecommunications.
- 2.1.9 BellSouth will offer Unbundled Voice Loops (UVL) in two different service levels - Service Level One (SL1) and Service Level Two (SL2).
- 2.1.10 SL1 loops are 2-wire loop start circuits, will be non-designed, and will not have remote access test points. OC will be offered as a chargeable option on SL1 loops when reuse of existing facilities has been requested by EPB Telecommunications. EPB Telecommunications may also order OC-TS when a specified conversion time is requested. OC-TS is a chargeable option for any coordinated order and is billed in addition to the OC charge. An Engineering Information (EI) document can be ordered as chargeable option. The EI document provides loop make up information which is similar to the information normally provided in a Design Layout Record. Upon issuance of a non-coordinated order in the service order system, SL1 loops will be activated on the due date in the same manner and time frames that BellSouth normally activates POTS-type loops for its customers.
- 2.1.11 SL2 loops may be 2-wire or 4-wire circuits, shall have remote access test points, and will be designed with a design layout record provided to EPB Telecommunications. SL2 circuits can be provisioned with loop start, ground start or reverse battery signaling. OC is provided as a standard feature on SL2 loops. The OC feature will allow EPB Telecommunications to coordinate the installation of the loop with the disconnect of an existing customer's service and/or number portability service. In these cases, BellSouth will perform the order conversion with standard order coordination at its discretion during normal work hours.
- 2.1.12 BellSouth will also offer Unbundled Digital Loops (UDL) to EPB Telecommunications.
- 2.1.12.1 UDLs are service specific and will be designed, will be provisioned with test points (where appropriate), and will come standard with OC and a DLR. The various UDLs are intended to support a specific digital transmission scheme or service. The UDL loops are as follows:

- 2.1.12.2 UDC/IDSL. Due to technical limitations associated with certain Digital Loop Carrier (DLC) systems, some ISDN-capable loops that are provisioned using DLC systems may not support Integrated Digital Subscriber Line (IDSL) service. BellSouth will not reconfigure its ISDN-capable loop to support IDSL service.
- 2.1.12.3 Instead, BellSouth agrees to offer the Universal Digital Channel (UDC), which may also be referred to as an IDSL-capable loop as part of its UDL offerings. The UDC loop is intended to be compatible with IDSL service and has the same physical characteristics and transmission specifications as BellSouth's ISDN-capable loop. These specifications are listed in BellSouth's TR73600.
- 2.1.12.4 Like the ISDN-capable loop, the UDC may be provisioned on copper or through a DLC system. However, when UDCs are provisioned using a DLC system, BellSouth will ensure that they are only provisioned on time slots that are compatible with data-only services such as IDSL.
- 2.1.12.5 HDSL-capable. This is a designed loop that is provisioned according to Carrier Serving Area (CSA) criteria and may be up to 12,000 feet long and may have up to 2,500 feet of bridged tap (inclusive of loop length). It may be a 2-wire or 4-wire circuit and will come standard with a test point, Order Coordination, and a DLR.
- 2.1.12.6 ADSL-capable. This is a designed loop that is provisioned according to Revised Resistance Design (RRD) criteria and may be up to 18kft long and may have up to 6kft of bridged tap (inclusive of loop length). It may be a 2-wire or 4-wire circuit and will come standard with a test point, Order Coordination, and a DLR.
- 2.1.12.7 DS1. This is a designed 4-wire loop that is provisioned according to industry standards for DS1 or Primary Rate ISDN services and will come standard with a test point, Order Coordination, and a DLR.
- 2.1.12.8 DS0. These are designed 4-wire loops that may configured as 64kbps, 56kbps, 19kbps, and other sub-rate speeds associated with digital data services and will come standard with a test point, Order Coordination, and a DLR.
- 2.1.13 As a chargeable option on all loops except the Universal Digital Channel (UDC) and all Unbundled Copper Loops (UCL), BellSouth will offer OC-TS. This will allow EPB Telecommunications the ability to specify the time that the coordinated conversion takes place. The OC-TS charge for orders due on the same day at the same location will be applied on a per Local Service Request (LSR) basis.
- 2.1.14 In addition to the UVLs and UDLs, BellSouth shall make available Unbundled Copper Loops (UCLs). The UCL will be a copper twisted pair loop that is unencumbered by any intervening equipment (e.g., filters, load coils, range

extenders, digital loop carrier, or repeaters). The UCL will be offered in two versions - Short and Long. A short UCL (18 kft or less) will be provisioned according to Resistance Design parameters, may have up to 6kft of bridged tap and will have up to 1300 ohms of resistance. The long UCL (beyond 18kft) will be any dry copper pair longer than 18kft and may have up to 12kft of bridged tap and up to 2800 ohms of resistance. Unbundled Loop Modifications (ULM) may be used when a CLEC wants to condition copper loops by removing load coils and other intervening equipment. In almost every case, the UCL long will require ULM to remove load coils. BellSouth will only ensure electrical continuity and balance relative to tip and ring on UCLs.

- 2.1.15 The UCL is a designed circuit, is provisioned with a test point and comes standard with a DLR. OC will be offered as a chargeable option on all UCL loops. OC is required on UCLs where a reuse of existing facilities has been requested by EPB Telecommunications. Order Coordination – Time Specific (OC-TS) will not be offered on UCLs.
- 2.1.16 The UCL is a dry copper loop and is not intended to support any particular telecommunications service. EPB Telecommunications may use the UCL loop for a variety of services, including xDSL (e.g., ADSL and HDSL) services, by attaching appropriate terminal equipment of EPB Telecommunications' choosing. EPB Telecommunications will determine the type of service that will be provided over the loop.
- 2.1.17 Because the UCL loop shall be an unbundled loop offering that is separate and distinct from BellSouth's ADSL and HDSL capable loop offerings, EPB Telecommunications agrees that BellSouth's UCL loop will not be held to the service level and performance expectations that apply to its ADSL and HDSL unbundled loop offerings. BellSouth shall only be obligated to maintain copper continuity and provide balance relative to tip and ring on UCL loops.
- 2.1.18 All UNE loops offered by BellSouth shall be provided to EPB Telecommunications in accordance with BellSouth's Technical Reference 73600.
- 2.1.19 EPB Telecommunications will be responsible for testing and isolating troubles on the loops. Once EPB Telecommunications has isolated a trouble to the BellSouth provided loop, EPB Telecommunications will issue a trouble to BellSouth on the loop. BellSouth will take the actions necessary to repair the loop if a trouble actually exists. BellSouth will repair these loops in the same time frames that BellSouth repairs similarly situated loops to its customers.
- 2.1.20 If EPB Telecommunications reports a trouble on SL1 loops and no trouble actually exists, BellSouth will charge EPB Telecommunications for any dispatching and testing (both inside and outside the CO) required by BellSouth in order to confirm the loop's working status.

- 2.1.21 CLEC must test and isolate trouble to the BellSouth portion of the SL2 loop before reporting repair to UNE Center. At the time of the trouble report, EPB Telecommunications will be required to provide the results of the CLEC test which indicate a problem on the BellSouth provided loop. If EPB Telecommunications reports a trouble on SL2 loops and no trouble actually exists, BellSouth will charge EPB Telecommunications for any dispatching and testing, (outside the CO) required by BellSouth in order to confirm the loop's working status.
- 2.1.22 Technical Requirements
- 2.1.22.1 To the extent available within BellSouth's Network at a particular location, BellSouth will offer loops capable of supporting telecommunications services such as: POTS, Centrex, basic rate ISDN, analog PBX, voice grade private line, ADSL, HDSL, DS1 and digital data (up to 64 kb/s). If a requested loop type is not available, then the CLEC can use the Special Construction process to request that BellSouth place facilities or otherwise modify facilities in order to meet EPB Telecommunications' request.
- 2.1.22.2 EPB Telecommunications will be responsible for providing BellSouth with a Service Profile Identifier (SPID) associated with a particular ISDN-capable loop and end user. With the SPID, BellSouth will be able to adequately test the circuit and ensure that it properly supports ISDN service.
- 2.1.22.3 The loop will support the transmission, signaling, performance and interface requirements of the services described in 2.1.2 above. It is recognized that the requirements of different services are different, and that a number of types or grades of loops are required to support these services. Services provided over the loop by EPB Telecommunications will be consistent with industry standards and BellSouth's TR73600.
- 2.1.22.4 EPB Telecommunications may utilize the unbundled loops to provide any telecommunication service it wishes. However, BellSouth will only provision, maintain and repair the loops to the standards that are consistent with the type of loop ordered. For example, if EPB Telecommunications orders an ISDN-capable loop but wants to use the loop for a service other than ISDN, BellSouth will only support that the loop is capable of providing ISDN service. For non-service specific loops (e.g. UCL, loops modified by EPB Telecommunications using the Special Construction process), BellSouth will only support that the loop has copper continuity and balanced tip-and-ring.
- 2.1.22.5 In some instances, EPB Telecommunications will require access to a copper twisted pair loop unfettered by any intervening equipment (e.g., filters, load coils, range extenders, etc.), so that EPB Telecommunications can use the loop for a variety of services by attaching appropriate terminal equipment at the ends. EPB Telecommunications will determine the type of service that will be provided over the loop. In some cases, EPB Telecommunications may be required to pay

additional charges for the removal of certain types of equipment. BellSouth's Unbundled Loop Modifications (ULM) process will be used to determine the costs and feasibility of these activities.

2.1.22.6 In those cases where EPB Telecommunications has requested that BellSouth modify a loop so that it no longer meets the technical parameters of the original loop type (e.g., voice grade, ISDN, ADSL, etc.) the resulting modified loop will be ordered and maintained as a UCL.

2.1.22.7 The loop shall be provided to EPB Telecommunications in accordance with BellSouth's TR73600 Unbundled Local Loop Technical Specification and applicable industry standard technical references.

2.2 **Unbundled Loop Modifications (Line Conditioning)**

2.2.1 Subject to applicable and effective FCC rules and orders, BellSouth shall condition loops, as requested by EPB Telecommunications, whether or not BellSouth offers advanced services to the End User on that loop.

2.2.2 Loop conditioning is defined as the removal from the loop of any devices that may diminish the capability of the loop to deliver high-speed switched wireline telecommunications capability, including xDSL service. Such devices include, but are not limited to, load coils, bridge taps, low pass filters, and range extenders.

2.2.3 The Unbundled Loop Modifications (ULM) offering provides the following elements: 1) removal of equipment on loops equal to or less than 18kft; 2) removal of equipment of loops longer than 18kft; and 3) removal of bridged-taps on loops of any length.

2.2.4 BellSouth shall recover the cost of line conditioning requested by EPB Telecommunications through a recurring charge and/or nonrecurring charge(s) in accordance with the FCC's forward-looking pricing principles promulgated pursuant to Section 252 (d) (1) of the Act and in compliance with FCC Rule 52.507 (e).

2.3 **Integrated Digital Loop Carriers**

2.3.1 Where BellSouth uses Integrated Digital Loop Carrier (IDLC) systems to provide the local loop and BellSouth has a suitable alternate facility available, BellSouth will make arrangements to permit EPB Telecommunications to order a contiguous local loop. To the extent it is technically feasible, these arrangements will provide EPB Telecommunications with the capability to serve end users at a level that is at parity with the level of service BellSouth provides its customers. If no alternate facility is available, BellSouth will utilize its Special Construction (SC) process to determine the additional costs required to provision the loop facilities. EPB Telecommunications will then have the option of paying the SC rates to place the

loop facilities or EPB Telecommunications may chose some other method of providing service to the end-user (e.g., Resale, private facilities, etc.).

2.4 **Network Interface Device**

2.4.1 Definition

The NID is defined as any means of interconnection of end-user customer inside wire to BellSouth's distribution plant, such as a cross-connect device used for that purpose. The NID is a single-line termination device or that portion of a multiple-line termination device required to terminate a single line or circuit at the premises. The NID features two independent chambers or divisions that separate the service provider's network from the End User's on-premises wiring. Each chamber or division contains the appropriate connection points or posts to which the service provider and the end user each make their connections. The NID provides a protective ground connection and is capable of terminating cables such as twisted pair cable.

2.4.2 BellSouth shall permit EPB Telecommunications to connect EPB Telecommunications' loop facilities the end-user's inside wire through the BellSouth NID or at any other technically feasible point.

2.4.3 Access to Network Interface Device (NID)

2.4.3.1 Due to the wide variety of NIDs utilized by BellSouth (based on subscriber size and environmental considerations), EPB Telecommunications may access the end user's wire by any of the following means: **1)** BellSouth shall allow EPB Telecommunications to connect its loops directly to BellSouth's multi-line residential NID enclosures that have additional space and are not used by BellSouth or any other telecommunications carriers to provide service to the premise. It is the responsibility of EPB Telecommunications to leave undisturbed the existing form of electrical protection and to maintain the physical integrity of the NID; **2)** Where an adequate length of the end user's inside wire is present and environmental conditions permit, either Party may remove the inside wire from the other Party's NID and connect that wire to that Party's own NID; **3)** Enter the subscriber access chamber or "side" of "dual chamber" NID enclosures for the purpose of extending a connecterized or spliced jumper wire from the inside wiring through a suitable "punch-out" hole of such NID enclosures; or **4)** Request BellSouth to make other rearrangements to the inside wiring terminations or terminal enclosure on a time and materials cost basis to be charged to the requesting Party (i.e., EPB Telecommunications, its agent, the building owner or the subscriber). Such charges will be billed to the requesting Party.

2.4.3.2 In no case shall either Party remove or disconnect the other Party's loop facilities from either Party's NIDs, enclosures, or protectors unless the applicable Commission has expressly permitted the same and the disconnecting Party

provides prior notice to the other Party. In such cases, it shall be the responsibility of the Party disconnecting loop facilities to leave undisturbed the existing form of electrical protection and to maintain the physical integrity of the NID. It will be the CLEC's responsibility to ensure there is no safety hazard and will hold BellSouth harmless for any liability associated with the removal of the BellSouth loop from the BellSouth NID. Furthermore, it shall be the responsibility of the disconnecting Party, once the other Party's loop has been disconnected from the NID, to reconnect the disconnected loop to a nationally- recognized-testing-laboratory-listed station protector, which has been grounded as per Article 800 of the National Electrical Code. If no spare station protector exists in the NID, the disconnected loop must be appropriately cleared, capped and stored. If CLEC does not wish to accept these responsibilities, other options exist in which BellSouth installs a NID for the CLEC as a chargeable option.

2.4.3.3 In no case shall either Party remove or disconnect ground wires from BellSouth's NIDs, enclosures, or protectors.

2.4.3.4 In no case shall either Party remove or disconnect NID modules, protectors, or terminals from BellSouth's NID enclosures.

2.4.4 Technical Requirements

2.4.4.1 The NID shall provide an accessible point of interconnection and shall maintain a connection to ground.

2.4.4.2 If an existing NID is accessed, it shall be capable of transferring electrical analog or digital signals between the subscriber's inside wiring and the Distribution Media and/or cross connect to EPB Telecommunications' NID.

2.4.4.3 Where a BellSouth NID exists, it is provided in its "as is" condition. EPB Telecommunications may request BellSouth do additional work to the NID on a time and material basis. When EPB Telecommunications deploys its own local loops with respect to multiple-line termination devices, EPB Telecommunications shall specify the quantity of NIDs connections that it requires within such device.

2.4.5 Interface Requirements

2.4.5.1 The NID shall be equal to or better than all of the requirements for NIDs set forth in the applicable industry standard technical references.

2.5 **Unbundled Loop Concentration (ULC) System**

2.5.1 BellSouth will provide to EPB Telecommunications Unbundled Loop Concentration (ULC). Loop concentration systems in the central office concentrate the signals transmitted over local loops onto a digital loop carrier system. The concentration device is placed inside a BellSouth central office. BellSouth will offer ULC with a TR008 interface or a TR303 interface.

2.5.2 ULC will be offered in two sizes. System A will allow up to 96 BellSouth loops to be concentrated onto multiple DS1s. The high-speed connection from the concentrator will be at the electrical DS1 level and will connect to EPB Telecommunications at EPB Telecommunications' collocation site. System B will allow up to 192 BellSouth loops to be concentrated onto multiple DS1s. System A may be upgraded to a System B. A minimum of two DS1s is required for each system (i.e., System A requires two DS1s and System B would require an additional two DS1s or four in total). All DS1 interfaces will terminate to the CLEC's collocation space. ULC service is offered with concentration (2 DS1s for 96 channels) or without concentration (4 DS1s for 96 channels) and with or without protection. A Line Interface element will be required for each loop that is terminated onto the ULC system. Rates for ULC are as set forth in this Attachment.

2.6 **Sub-loop Elements**

2.6.1 Where facilities permit and subject to applicable and effective FCC rules and orders, BellSouth shall offer access to its Unbundled Sub Loop (USL) and Unbundled Sub-loop Concentration (USLC) System. BellSouth shall provide non-discriminatory access, in accordance with FCC Rule 51.311 and Section 251(c) (3) of the Act, to the sub-loop on an unbundled basis and pursuant to the following terms and conditions and the rates approved by the Commission and set forth in this Attachment.

2.6.2 Sub-loop components include but are not limited to the following:

2.6.2.1 Unbundled Sub-Loop Distribution;

2.6.2.2 Unbundled Sub-Loop Concentration/Multiplexing Functionality; and

2.6.2.3 Unbundled Sub-Loop Feeder.

2.7 **Unbundled Sub-Loop (distribution facilities)**

2.7.1 Definition

2.7.1.1 Subject to applicable and effective FCC rules and orders, the unbundled sub-loop distribution facility is dedicated transmission facility that BellSouth provides from a customer's point of demarcation to a BellSouth cross-connect device. The BellSouth cross-connect device may be located within a remote terminal (RT) or a stand-alone cross-box in the field or in the equipment room of a building. The unbundled sub-loop distribution media is a copper twisted pair that can be provisioned as a 2 Wire or 4 Wire facility. Following are the current sub-loop distribution offerings:

- 2.7.1.1.1 Voice grade Unbundled Sub-Loop Distribution (USL-D) is a sub-loop facility from the cross-box in the field up to and including the point of demarcation, at the end user's premises.
- 2.7.1.1.2 Unbundled Sub-Loop distribution facilities were originally built as part of the entire voice grade loop from the BellSouth central office to the customer network interface. Therefore, the voice grade Unbundled Sub-Loop may have load coils, which are necessary for transmission of voice grade services.
- 2.7.1.1.3 Unbundled Copper Sub-Loop (UCSL) is a non-loaded copper facility of any length provided from the cross-box in the field up to and including the end-user's point of demarcation.
 - 2.7.1.1.3.1 If available, this facility will not have any intervening equipment such as load coils between the end-user and the cross-box.
- 2.7.2 If EPB Telecommunications requests a UCSL and a non-loaded pair is not available, EPB Telecommunications may order Unbundled Sub-Loop Modification to remove load coils and/or bridge tap from an existing sub-loop facility. If load coils are removed from an existing sub-loop, that sub-loop will be classified as a UCSL. EPB Telecommunications may order Loop Make-up to determine what loop modifications will be required.
- 2.7.3 Unbundled Sub-Loop distribution facilities shall support functions associated with provisioning, maintenance and testing of the Unbundled Sub-Loop. For access to Voice Grade USL-D and UCSL, EPB Telecommunications would be required to deliver a cable to the BellSouth remote terminal or cross-box in the field to provide continuity to EPB Telecommunications' feeder facilities. This cable would be connected, by a BellSouth technician, within the BellSouth RT/cross-box during the set-up process. EPB Telecommunications' cable pairs can then be connected to BellSouth's USL within the BellSouth cross-box by the BellSouth technician.
- 2.7.4 Unbundled Sub-Loop – Intrabuilding Network Cable (USL-INC) (a.k.a. riser cable) is the distribution facility inside a subscriber's building or between buildings on one customer's same premises (continuous property not separated by a public street or road). USL-INC includes the facility from the cross-connect device in the building equipment room up to and including the point of demarcation, at the end user's premises.
 - 2.7.4.1 In a scenario that requires connection in a building equipment room, BellSouth will install a cross connect panel for the purpose of accessing USL-INC pairs. The cross-connect panel will function as a single point of interconnection (SPOI) for USL-INC and will be accessible by multiple carriers as space permits. BellSouth will place cross-connect blocks in 25-pair increments for EPB Telecommunications' use on this cross-connect panel. EPB Telecommunications

will be responsible for connecting its facilities to the 25-pair cross-connect block(s).

- 2.7.5 BellSouth will provide Unbundled Sub-Loops where possible. Through the firm order Service Inquiry (SI) process, BellSouth will determine if it is feasible to place the required facilities where EPB Telecommunications has requested access to Unbundled Sub-Loops. If existing capacity is sufficient to meet the CLEC demand, then BellSouth will perform the set-up work as described in Section 2.7.6. If any work must be done to modify existing BellSouth facilities or add new facilities (other than adding the cross-connect panel in a building equipment room as noted in Section 2.7) to accommodate EPB Telecommunications' request for Unbundled Sub-Loops, EPB Telecommunications may request BellSouth's Special Construction (SC) process to determine additional costs required to provision the Unbundled Sub-Loops. EPB Telecommunications will have the option of paying the SC charges to modify the BellSouth facilities.
- 2.7.6 Set-up work must be completed before EPB Telecommunications can order sub-loop pairs. During the set-up in a BellSouth cross-connect box in the field, the BellSouth technician will perform the necessary work to splice the CLEC's cable into the cross-connect box. For the set-up inside a building equipment room, BellSouth will perform the necessary work to install the cross-connect panel and the connecting block(s) that will be used to provide access to the requested USLs.
- 2.7.6.1 Once the set-up is complete, the CLEC will request sub-loop pairs through submission of a Local Service Request (LSR) form to the Local Carrier Service Center (LCSC). Order Coordination is required with USL pair provisioning when EPB Telecommunications requests reuse of an existing facility and is in addition to the USL pair rate. For expedite requests by EPB Telecommunications for sub-loop pairs, expedite charges will apply for intervals less than 5 days.
- 2.7.6.2 Unbundled Sub-Loop shall be equal to or better than each of the applicable requirements set forth in the applicable industry standard technical references.
- 2.7.6.3 Unbundled Sub-Loops will be provided in accordance with technical reference TR73600.
- 2.8 **Unbundled Network Terminating Wire (UNTW)**
- 2.8.1 BellSouth agrees to offer its Unbundled Network Terminating Wire (UNTW) to EPB Telecommunications pursuant to the following terms and conditions at rates as set forth in this Attachment.
- 2.8.2 Definition
- 2.8.2.1 Subject to applicable and effective FCC rules and orders, UNTW is a dedicated transmission facility that BellSouth provides from the Wiring Closet /Garden Terminal (or other type of cross-connect point) at the point of termination of

BellSouth's loop distribution facilities to the end user's point of demarcation. UNTW is the final portion of the loop owned by BellSouth.

2.8.3 Requirements

2.8.3.1 On a multi-unit premises where Provisioning Party owns the network terminating wire, and by request of Requesting Party, Provisioning Party will provide access to UNTW pairs on an Access Terminal that is suitable for use by multiple carriers at each Garden Terminal or Wiring Closet.

2.8.3.2 In new construction where possible, both Parties may at their option and with the property owner's agreement install their own Network Terminating Wire (NTW). In existing construction, the Provisioning Party shall not be required to install new or additional NTW beyond existing NTW to provision the services of the Requesting Party.

2.8.3.3 Upon notice from the Requesting Party to the Provisioning Party that the Requesting Party desires access to the Provisioning Party's UNTW pairs in a multi-unit premises, representatives of both Parties will participate in a meeting at the site of the requested access. The purpose of the site visit will include discussion of the procedures for Access Terminal installation, location and addresses of the Access Terminals and to discuss an estimated completion date. Upon completion of site visit, the Requesting Party will submit a Service Inquiry (SI) to the person or organization designated by the Provisioning Party to receive the SI. The SI will initiate the work for the Provisioning Party to begin the Access Terminal installation. In multi-tenant unit (MTU) scenarios, Provisioning Party will provide access to UNTW pairs on an Access Terminal(s). By request of the Requesting Party, an Access Terminal will be installed either adjacent to each Provisioning Party's Garden Terminal or inside each Wiring Closet on the requested MTU. All the UNTW pairs served by a Garden Terminal/Wiring Closet will be made available on the Access Terminals. Requesting Party will deliver and connect its central office facilities to the UNTW pairs within the Access Terminal. Requesting Party may access any available pair on an Access Terminal unless the Provisioning Party or another service provider is using the pair to concurrently provide service. Prior to connecting Requesting Party's service on a pair previously used by Provisioning Party, Requesting Party is responsible for ensuring the end-user is no longer using Provisioning Party's service or another CLEC's service before accessing UNTW pairs.

2.8.3.4 Access Terminal installation intervals will be established on an individual case basis.

2.8.3.5 Requesting Party is responsible for obtaining the property owner's permission for Provisioning Party to install an Access Terminal(s) on behalf of the Requesting Party. The submission of the SI by the Requesting Party will serve as certification by the Requesting Party that such permission has been obtained. If the property

owner objects to Access Terminal installations that are in progress or subsequent to completion and demands removal of Access Terminals, EPB Telecommunications will be responsible for costs associated with removing Access Terminals and restoring property to original state prior to Access Terminals being installed.

- 2.8.3.6 Requesting Party will be billed for non-recurring and recurring charges for accessing UNTW pairs at the time the Requesting Party activates the pair(s). EPB Telecommunications will report use of the UNTW pairs on a Local Service Request (LSR) form submitted to BellSouth's Local Carrier Service Center (LCSC).
- 2.8.3.7 Requesting Party will isolate and report repair problems to the UNE center. Requesting Party must tag the UNTW pair that requires repair. If Provisioning Party dispatches a technician on a reported trouble call and no UNTW trouble is found, Provisioning Party will charge Requesting Party for time spent on the dispatch and testing the UNTW pair(s).
- 2.8.3.8 If Requesting Party initiates the Access Terminal installation and the Requesting Party has not activated at least one pair on the Access Terminal installed pursuant to Requesting Party's request for an Access Terminal within 6 months of installation of the Access Terminal, Provisioning Party will bill Requesting Party a non-recurring charge equal to the actual cost of provisioning the Access Terminal.
- 2.8.3.9 If Provisioning Party determines that Requesting Party is using the UNTW pairs without reporting such usage to BellSouth, the following charges shall apply in addition to any fines which may be established by state commissions and any other remedies at law or in equity available to the Provisioning Party:
- 2.8.3.10 If Requesting Party issued a LSR to disconnect an end-user from BellSouth in order to use a UNTW pair, Requesting Party will be billed for the use of the pair back to the disconnect order date.
- 2.8.3.11 If Requesting Party activated a UNTW pair on which Provisioning Party was not previously providing service, Requesting Party will be billed for the use of that pair back to the date the end-user began receiving service using that pair. Upon request, Requesting Party will provide copies of its billing record to substantiate such date. If Requesting Party fails to provide such records, then Provisioning Party will bill the Requesting Party back to the date of the Access Terminal installation.

2.9 **Unbundled Sub-Loop Concentration System (USLC)**

- 2.9.1 Where facilities permit and where necessary to comply with an effective Commission order, BellSouth will provide EPB Telecommunications with the ability to concentrate its sub-loops onto multiple DS1s back to the BellSouth

Central Office. The DS1s will then be terminated into EPB Telecommunications' collocation space. TR-008 and TR303 interface standards are available.

- 2.9.2 USLC, using the Lucent Series 5 equipment, will be offered in two different systems. System A will allow up to 96 of EPB Telecommunications' sub-loops to be concentrated onto multiple DS1s. System B will allow an additional 96 of EPB Telecommunications' sub-loops to be concentrated onto multiple DS1s. One System A may be supplemented with one System B and they both must be physically located in a single Series 5 dual channel bank. A minimum of two DS1s is required for each system (i.e., System A requires two DS1s and System B would require an additional two DS1s or four in total). The DS1 level facility that connects the RT site with the serving wire center is known as a Feeder Interface. All DS1 Feeder Interfaces will terminate to the CLEC's collocation space within the SWC that serves the RT where the CLEC's sub-loops are connected. USLC service is offered with or without concentration and with or without a protection DS1.
- 2.9.3 In these scenarios EPB Telecommunications would be required to place a cross-box, remote terminal (RT), or other similar device and deliver a cable to the BellSouth RT. This cable would be connected, by a BellSouth technician, to a cross-connect panel within the BellSouth RT/cross-box and would allow EPB Telecommunications' sub-loops to then be placed on the ULSC and transported to their collocation space at a DS1 level.
- 2.10 **Unbundled Sub-Loop Feeder**
- 2.10.1 Definition
- 2.10.1.1 Unbundled Sub-Loop Feeder (USLF) provides connectivity between BellSouth's central office and its cross-box (or other access point) that serves an end user location.
- 2.10.2 USLF is intended to be utilized for voice traffic and can be configured as 2-wire voice (USLF-2W/V) or 4-wire voice (USLF-4W/V).
- 2.10.3 USLF can also be utilized for digital traffic and can be configured as 2-wire ISDN (USLF-2W/I); 2-wire Copper (USLF-2W/C); 4-wire Copper (USLF-4W/C) facilities: 4-wire DS0 level loop (USLF-4W/D0); or 4-wire DS1 and ISDN (USLF-4W/DI).
- 2.10.4 USLF will provide the facilities needed to provision a 2W or 4W communications pathway from the BellSouth central office to the BellSouth cross-box. This element will allow for the connection of EPB Telecommunications' loop distribution elements onto BellSouth's feeder system.
- 2.10.5 Requirements

- 2.10.5.1 EPB Telecommunications will extend its compatible cable to BellSouth's cross-box. The cable will then be connected to a panel inside the BellSouth cross-box to the requested level of feeder element. In those cases when there is no room in the BellSouth cross-box to accommodate the additional cross-connect panels mentioned above, BellSouth will utilize its Special Construction process to determine the costs to provide the sub-loop feeder element to EPB Telecommunications. EPB Telecommunications will then have the option of paying the special construction charges or canceling the order.
- 2.10.5.2 USLF will be a designed circuit and BellSouth will provide a Design Layout Record (DLR) for this element.
- 2.10.5.3 BellSouth will provide USLF elements in accordance with applicable industry standards for these types of facilities. Where industry standards do not exist, BellSouth's TR73600 will be used to determine performance parameters.
- 2.11 **Dark Fiber**
- 2.11.1 Definition
- 2.11.1.1 Dark Fiber is optical transmission facilities without attached signal regeneration, multiplexing, aggregation or other electronics that connects two points within BellSouth's network. Dark Fiber is unused strands of optical fiber. It may be strands of optical fiber existing in aerial or underground structure. No line terminating elements terminated to such strands to operationalize its transmission capabilities will be available.
- 2.11.2 Requirements
- 2.11.2.1 BellSouth shall make available Dark Fiber where it exists in BellSouth's network and where, as a result of future building or deployment, it becomes available. If BellSouth has plans to use the fiber within a two –year planning period, there is no requirement to provide said fiber to EPB Telecommunications.
- 2.11.2.2 If the requested dark fiber has any lightwave repeater equipment interspliced to it, BellSouth will remove such equipment at EPB Telecommunications' request subject to time and materials charges.
- 2.11.2.3 EPB Telecommunications may test the quality of the Dark Fiber to confirm its usability and performance specifications.
- 2.11.2.4 BellSouth shall use its best efforts to provide to EPB Telecommunications information regarding the location, availability and performance of Dark Fiber within ten (10) business days for a records-based answer and twenty (20) business days for a field-based answer, after receiving a request from EPB Telecommunications ("Request"). Within such time period, BellSouth shall send written confirmation of availability of the Dark Fiber ("Confirmation"). From the

time of the Request to one hundred and twenty (120) days after Confirmation, BellSouth shall hold such requested Dark Fiber for EPB Telecommunications' use and may not allow any other Party to use such media, including BellSouth. If a Dark Fiber firm order is not received within the one hundred and twenty day period, the fiber will revert to BellSouth's Dark Fiber inventory.

- 2.11.2.5 BellSouth shall use its best efforts to make Dark Fiber available to EPB Telecommunications within thirty (30) business days after it receives written confirmation from EPB Telecommunications that the Dark Fiber previously deemed available by BellSouth is wanted for use by EPB Telecommunications. This includes identification of appropriate connection points (e.g., Light Guide Interconnection (LGX) or splice points) to enable EPB Telecommunications to connect or splice EPB Telecommunications provided transmission media (e.g., optical fiber) or equipment to the Dark Fiber.
- 2.11.2.6 Dark Fiber shall meet the manufacturer's design specifications.
- 2.11.2.7 EPB Telecommunications may splice and test Dark Fiber obtained from BellSouth using EPB Telecommunications or EPB Telecommunications designated personnel. BellSouth shall provide appropriate interfaces to allow splicing and testing of Dark Fiber. BellSouth shall provide an excess cable length of 25 feet minimum (for fiber in underground conduit) to allow the uncoiled fiber to reach from the manhole to a splicing van.

2.12 **Rates**

The prices that EPB Telecommunications shall pay to BellSouth for Network Elements and Other Services are set forth in Exhibit C to this Attachment.

2.13 **Operational Support Systems (OSS)**

- 2.13.1 BellSouth has developed and made available the following electronic interfaces by which EPB Telecommunications may submit LSRs electronically.

LENS	Local Exchange Navigation System
EDI	Electronic Data Interchange
TAG	Telecommunications Access Gateway

- 2.13.2 LSRs submitted by means of one of these electronic interfaces will incur an OSS electronic ordering charge as specified in the table below. An individual LSR will be identified for billing purposes by its Purchase Order Number (PON). LSRs submitted by means other than one of these interactive interfaces (mail, fax, courier, etc.) will incur a manual order charge as specified in the table below:

OPERATIONAL SUPPORT SYSTEMS	AL, GA, LA, MS,	FL, KY, TN
------------------------------------	------------------------	-------------------

	NC, SC	
OSS LSR charge, per LSR received from the CLEC by one of the OSS interactive interfaces	\$3.50 SOMEK	\$3.50 SOMEK
Incremental charge per LSR received from the CLEC by means other than one of the OSS interactive interfaces	See applicable rate element	\$19.99 SOMAN

2.13.3 Denial/Restoral OSS Charge

2.13.3.1 In the event EPB Telecommunications provides a list of customers to be denied and restored, rather than an LSR, each location on the list will require a separate PON and, therefore will be billed as one LSR per location.

2.13.4 Cancellation OSS Charge

2.13.4.1 EPB Telecommunications will incur an OSS charge for an accepted LSR that is later canceled by EPB Telecommunications.

Note: Supplements or clarifications to a previously billed LSR will not incur another OSS charge.

2.13.5 Network Elements and Other Services Manual Additive

2.13.5.1 The Commissions in some states have ordered per-element manual additive non-recurring charges (NRC) for Network Elements and Other Services ordered by means other than one of the interactive interfaces. These ordered Network Elements and Other Services manual additive NRCs will apply in these states, rather than the charge per LSR. The per-element charges are listed on the Rate Tables in Exhibit C.

2.14 **Preordering Loop Makeup (LMU)**

2.14.1 Description of Service

2.14.1.1 BellSouth shall make available to EPB Telecommunications loop makeup (LMU) data for BellSouth's network facilities. This section addresses LMU as a *preordering* transaction, distinct from EPB Telecommunications ordering any other service(s). Loop Makeup *Service Inquiries (LMUSI)* for *preordering loop makeup* are likewise unique from other preordering functions with associated service inquiries (SI) as described in this Agreement.

- 2.14.1.2 BellSouth will provide EPB Telecommunications with loop makeup information consisting of the composition of the loop material (copper/fiber); the existence, location and type of equipment on the loop, including but not limited to digital loop carrier or other remote concentration devices, feeder/distribution interfaces, bridge taps, load coils, pair-gain devices; the loop length; and the wire gauge. The LMUSI may be utilized by EPB Telecommunications for the purpose of determining whether the loop requested is capable of supporting DSL service or other advanced data services. The determination shall be made solely by EPB Telecommunications and BellSouth shall not be liable in any way for the performance of the advanced data services provisioned over said loop.
- 2.14.1.3 BellSouth's LMU information is provided to EPB Telecommunications as it exists either in BellSouth's databases or in its hard copy facility records. BellSouth does not guarantee accuracy or reliability of the LMU information provided.
- 2.14.1.4 BellSouth offers LMU information for the sole purpose of allowing EPB Telecommunications to determine whether, in EPB Telecommunications' judgment, BellSouth's loops will support the specific services that EPB Telecommunications wishes to provide over those loops. EPB Telecommunications may choose to use equipment that it deems will enable it to provide a certain type and level of service over a particular BellSouth loop; however, such configurations may not match BellSouth's or the industry's standards and specifications for the intended type and level of service. Accordingly, EPB Telecommunications shall be responsible for insuring that the specific loop type (ADSL, HDSL, or otherwise) ordered on the LSR matches the LMU of the facility requested. EPB Telecommunications bears full responsibility for being knowledgeable of BellSouth's technical standards and the specifications of BellSouth's loops. EPB Telecommunications bears full responsibility for making the appropriate ordering decisions of matching BellSouth loops with EPB Telecommunications' equipment for accomplishing EPB Telecommunications' end goal for the intended service it wishes to provide its end-user(s). EPB Telecommunications is fully responsible for any of its service configurations that may differ from BellSouth's technical standard for the loop type ordered.
- 2.14.2 Submitting Loop Makeup Service Inquiries
- 2.14.2.1 EPB Telecommunications will be able to obtain LMU information by submitting a LMUSI mechanically or manually. **Mechanized** LMUSIs should be submitted through BellSouth's Operational Support Systems interfaces. After obtaining the resulting loop data from the mechanized LMUSI process, if EPB Telecommunications determines that it needs further loop data information in order to make a determination of loop service capability, EPB Telecommunications may initiate a separate manual SI for a separate nonrecurring charge as set forth in Section 2.14.3. Mechanized LMU has been made available for limited deployment to those CLECs that have effective X-Digital Subscriber Line (xDSL) Beta Test Agreements in place with BellSouth. CLECs will be

notified once a successful Beta Test has been completed, and mechanized LMU shall then be available to EPB Telecommunications.

2.14.2.2 **Manual** LMUSIs shall be submitted on the preordering manual LMUSI form by means of fax or electronic-mail to BellSouth's Complex Resale Support Group (CRSG)/Account Team utilizing the Preordering Loop Makeup Service Inquiry form. The standard service interval for the return of a Loop Makeup Manual Service Inquiry is seven business days. This service interval is distinct from the interval applied to the subsequent service order. Manual LMUSIs are not subject to expedite requests.

2.14.3 LMUSI Types and Associated Charges

EPB Telecommunications may request LMU information by submitting LMUSIs in accordance with the rate elements in Exhibit C.

2.14.3.1 EPB Telecommunications will be assessed a nonrecurring charge for each facility queried as specified in Exhibit C. Rates for all states are interim and subject to true-up pending approval of final rates by the respective State Commissions. True-ups will be retroactive to the effective date of this Agreement.

2.14.3.2 EPB Telecommunications may reserve facilities for up to four (4) days in connection with a LMUSI. Reserved facilities for which EPB Telecommunications does not plan to place a UNE local service request (LSR) should be cancelled by EPB Telecommunications. Should EPB Telecommunications wish to cancel a reservation on a spare facility, the cancellation will require a facility reservation number (RESID/FRN).

2.14.3.3 The reservation holding timeframe is a maximum of four days from the time that BellSouth's LMU data is returned to EPB Telecommunications for the facility queried. During this holding time and prior to EPB Telecommunications' placing an LSR, the reserved facilities are rendered unavailable to other customers, whether for CLEC(s) or for BellSouth. Notwithstanding the foregoing, BellSouth does not guarantee that a reservation will assure EPB Telecommunications' ability to order the exact facility reserved.

2.14.3.4 If EPB Telecommunications does not submit an LSR for a UNE service on a reserved facility within the four-day reservation timeframe, the reservation of that spare facility will become invalid and the facility will be released.

2.14.3.5 Charges for preordering LMUSI are separate from any charges associated with ordering other services from BellSouth.

2.14.4 Ordering of Other UNE Services

2.14.4.1 Whenever EPB Telecommunications has reserved a facility through BellSouth's preordering LMU service, should EPB Telecommunications seek to place a

subsequent UNE LSR on a reserved facility, EPB Telecommunications shall provide BellSouth the RESID/FRN of the single spare facility on the appropriate UNE LSR., EPB Telecommunications will be billed the appropriate rate element for the specific type UNE loop ordered by EPB Telecommunications as set forth in this Attachment. EPB Telecommunications will not be billed any additional Loop Makeup charges for the loop so ordered. Should EPB Telecommunications choose to place a UNE LSR having previously submitted a request for *preordering LMU without a reservation*, EPB Telecommunications will be billed the appropriate rate element for the specific UNE loop ordered as well as additional Loop Makeup charges as set forth in this Attachment. Rates are provided in Exhibit C in this Attachment.

- 2.14.4.2 Where EPB Telecommunications submits an LSR to order facilities reserved during the LMUSI process, BellSouth will use its best efforts to assign to EPB Telecommunications the facility reserved as indicated on the return of the LMU. Multi-facility reservations per single RESID/FRN as provided with the mechanized LMUSI process are less likely to result in the specific assignment requested by EPB Telecommunications. For those occasions when BellSouth cannot assign the specific facility reserved by EPB Telecommunications during the LMU pre-ordering transaction, due to incomplete or incorrect information provided by EPB Telecommunications during the ordering process, BellSouth will assign to EPB Telecommunications, subject to availability, a facility that meets the BellSouth technical standards of the BellSouth type loop as ordered by EPB Telecommunications. If the ordered loop type is not available, EPB Telecommunications may utilize the Unbundled Loop Modification process or the Special Construction process, as applicable, to obtain the loop type ordered.

2.15 **Rates**

The prices that EPB Telecommunications shall pay to BellSouth for Network Elements and Other Services are set forth in Exhibit C to this Attachment. If EPB Telecommunications purchases a service(s) from a tariff, all terms and conditions and rates as set forth in such tariff shall apply.

2.16 **Operational Support Systems (OSS)**

The terms, conditions and rates for OSS are as set forth in Section 2.13 of this Attachment.

3. **High Frequency Spectrum Network Element**

3.1 General

- 3.1.1 BellSouth shall provide EPB Telecommunications access to the high frequency portion of the local loop as an unbundled network element only where BellSouth is the voice service provider to the end user (“High Frequency Spectrum”) at the rates set forth in Exhibit C. BellSouth shall provide EPB Telecommunications with the High Frequency Spectrum irrespective of whether BellSouth chooses to offer xDSL services on the loop.
- 3.1.2 The High Frequency Spectrum is defined as the frequency range above the voiceband on a copper loop facility carrying analog circuit-switched voiceband transmissions. Access to the High Frequency Spectrum is intended to allow EPB Telecommunications the ability to provide Digital Subscriber Line (“xDSL”) data services to the end user for which BellSouth provides voice services. The High Frequency Spectrum shall be available for any version of xDSL presumed acceptable for deployment pursuant to 47 CFR Section 51.230, including, but not limited to, ADSL, HDSL, and any other xDSL technology that is presumed to be acceptable for deployment pursuant to FCC rules. BellSouth will continue to have access to the low frequency portion of the loop spectrum (from 300 Hertz to at least 3000 Hertz, and potentially up to 3400 Hertz, depending on equipment and facilities) for the purposes of providing voice service. EPB Telecommunications shall only use xDSL technology that is within the PSD mask parameters set forth in T1.413 or other applicable industry standards. EPB Telecommunications shall provision xDSL service on the High Frequency Spectrum in accordance with the applicable Technical Specifications and Standards.
- 3.1.3 The following loop requirements are necessary for EPB Telecommunications to be able to access the High Frequency Spectrum: an unconditioned, 2-wire copper loop. An unconditioned loop is a copper loop with no load coils, low-pass filters, range extenders, DAMLs, or similar devices and minimal bridged taps consistent with ANSI T1.413 and T1.601. BellSouth will provide EPB Telecommunications access to the Unbundled Loop Modification (Line Conditioning), in accordance with Section 2.2 of this Agreement. BellSouth is not required to condition a loop for access to the high frequency spectrum if conditioning of that loop significantly degrades BellSouth’s voice service. If EPB Telecommunications requests that BellSouth condition a loop longer than 18,000 ft. and such conditioning significantly degrades the voice services on the loop, EPB Telecommunications shall pay for the loop to be restored to its original state.
- 3.1.4 EPB Telecommunications' termination point is the point of termination for EPB Telecommunications on the toll main distributing frame in the central office (“Termination Point”). BellSouth will use jumpers to connect EPB Telecommunications' connecting block to the splitter. The splitter will route the High Frequency Spectrum on the circuit to EPB Telecommunications' xDSL equipment in EPB Telecommunications' collocation space.
- 3.1.5 EPB Telecommunications shall have access to the splitter for test purposes, irrespective of where the splitter is placed in the BellSouth premises.

- 3.2 Provisioning of High Frequency Spectrum and Splitter Space
- 3.2.1 BellSouth will provide EPB Telecommunications with access to the High Frequency Spectrum as follows:
- 3.2.1.1 BellSouth will install splitters within forty-two (42) calendar days of EPB Telecommunications' submission of such order to the BellSouth Complex Resale Support Group; provided, however, that in the event BellSouth did not have reasonable notice that a particular central office was to have a splitter installed therein, the forty-two (42) day interval shall not apply. Collocation itself or an application for collocation will serve as reasonable notice.
- 3.2.1.2 Once a splitter is installed on behalf of EPB Telecommunications in a central office, EPB Telecommunications shall be entitled to order the High Frequency Spectrum on lines served out of that central office.
- 3.2.1.2.1 BellSouth will bill and EPB Telecommunications shall pay the SOMAN and SOMEK charges as described in Section 2.13 of this Agreement when EPB Telecommunications orders High Frequency Spectrum for end-user service.
- 3.2.1.3 BellSouth will select, purchase, install, and maintain a central office POTS splitter and provide EPB Telecommunications access to data ports on the splitter. At least 30 days before making a change in splitter suppliers, BellSouth will provide EPB Telecommunications with a carrier notification letter, informing EPB Telecommunications of change. EPB Telecommunications shall purchase ports on the splitter as set forth more fully below.
- 3.2.1.4 BellSouth will install the splitter in (i) a common area close to the EPB Telecommunications collocation area, if possible; or (ii) in a BellSouth relay rack as close to the EPB Telecommunications DS0 termination point as possible. For purposes of this section, a common area is defined as an area in the central office in which both Parties have access to a common test access point. BellSouth will cross-connect the splitter data ports to a specified EPB Telecommunications DS0 at such time that a EPB Telecommunications end user's service is established.
- 3.2.1.5 The High Frequency Spectrum shall only be available on loops on which BellSouth is also providing, and continues to provide, analog voice service directly to the end user. In the event the end-user terminates its BellSouth provided voice service for any reason, and EPB Telecommunications desires to continue providing xDSL service on such loop, EPB Telecommunications shall be required to purchase a full stand-alone loop unbundled network element. In the event BellSouth disconnects the end-user's voice service pursuant to its tariffs or applicable law, and EPB Telecommunications desires to continue providing xDSL service on such loop, EPB Telecommunications shall be permitted to continue using the line by purchasing the full stand-alone loop unbundled network element. To the extent commercially practicable, BellSouth shall give EPB Telecommunications notice in

a reasonable time prior to disconnect, which notice shall give EPB Telecommunications an adequate opportunity to notify BellSouth of its intent to purchase such loop. In those cases in which BellSouth no longer provides voice service to the end user and EPB Telecommunications purchases the full stand-alone loop, EPB Telecommunications may elect the type of loop it will purchase. EPB Telecommunications will pay the appropriate recurring and non-recurring rates for such loop as set forth in Exhibit C to this Attachment. In the event EPB Telecommunications purchases a voice grade loop, EPB Telecommunications acknowledges that such loop may not remain xDSL compatible.

- 3.2.1.6 Only one competitive local exchange carrier shall be permitted access to the High Frequency Spectrum of any particular loop.
- 3.3 Ordering
 - 3.3.1 To order High Frequency Spectrum on a particular loop, EPB Telecommunications must have a DSLAM collocated in the central office that serves the end-user of such loop. EPB Telecommunications may order splitters in a central office once it has installed its Digital Subscriber Line Access Multiplexer (“DSLAM”) in that central office. BellSouth will install these splitters within the interval provided in paragraph 3.2.1.1.
 - 3.3.2 BellSouth will devise a splitter order form that allows EPB Telecommunications to order splitter ports in increments of 24 ports.
 - 3.3.2.1 BellSouth will provide EPB Telecommunications the Local Service Request (“LSR”) format to be used when ordering the High Frequency Spectrum.
 - 3.3.3 BellSouth will provide access to the High Frequency Spectrum within the following target intervals: BellSouth will return a manual Firm Order Confirmation (“FOC”) in no more than two (2) business days after receipt of a valid, error free manual LSR. When EPB Telecommunications submits an electronic LSR for High Frequency Spectrum, BellSouth will return a FOC in four (4) hours ninety-five percent (95%) of the time, or, for orders that do not flow-through, in two (2) business days. BellSouth will provide EPB Telecommunications with access to the High Frequency Spectrum at the following target intervals:
 - 3.3.3.1 For 1-5 lines at the same address within three (3) business days from BellSouth’s issuance of a FOC; 6-10 lines at same address within 5 business days from BellSouth’s issuance of a FOC; and more than 10 lines at the same address is to be negotiated.
 - 3.3.4 BellSouth will provide to EPB Telecommunications BellSouth’s Loop Qualification System that BellSouth uses to qualify loops for its own ADSL offering as described below.

- 3.3.5 BellSouth will provide EPB Telecommunications access to the Preordering Loop Makeup (LMU), in accordance with Section 2.14 of this Agreement. BellSouth shall bill and EPB Telecommunications shall pay the rates for such services, as described in Exhibit C.
- 3.4 Maintenance and Repair
- 3.4.1 EPB Telecommunications shall have access, for test, repair, and maintenance purposes, to any loop as to which it has access to the High Frequency Spectrum. EPB Telecommunications may access the loop at the point where the combined voice and data signal exits the central office splitter.
- 3.4.2 BellSouth will be responsible for repairing voice services and the physical line between the network interface device at the customer's premises and the Termination Point of demarcation in the central office. EPB Telecommunications will be responsible for repairing data services. Each Party will be responsible for maintaining its own equipment.
- 3.4.3 EPB Telecommunications shall inform its end users to direct data problems to EPB Telecommunications, unless both voice and data services are impaired, in which event the end users should call BellSouth.
- 3.4.4 Once a Party has isolated a trouble to the other Party's portion of the loop, the Party isolating the trouble shall notify the end user that the trouble is on the other Party's portion of the loop.
- 3.4.5 In the event EPB Telecommunications' deployment of xDSL on the High Frequency Spectrum significantly degrades the performance of other advanced services or of BellSouth's voice service on the same loop, BellSouth shall notify EPB Telecommunications and allow twenty-four (24) hours to cure the trouble. If EPB Telecommunications fails to resolve the trouble, BellSouth may discontinue EPB Telecommunications' access to the High Frequency Spectrum on such loop.

3.5 **Rates**

The prices that EPB Telecommunications shall pay to BellSouth for Network Elements and Other Services are set forth in Exhibit C to this Attachment. If EPB Telecommunications purchases a service(s) from a tariff, all terms and conditions and rates as set forth in such tariff shall apply.

3.6 **Operational Support Systems (OSS)**

The terms, conditions and rates for OSS are as set forth in Section 2.13 of this Attachment.

4. Switching

All of the negotiated rates, terms and conditions set forth in this Section pertain to the provision of local and tandem switching.

4.1 **Local Switching**

4.1.1 BellSouth shall provide non-discriminatory access to local circuit switching capability, and local tandem switching capability, on an unbundled basis, except as set forth below in Section 4.1.3.3 to EPB Telecommunications for the provision of a telecommunications service. BellSouth shall provide non-discriminatory access to packet switching capability on an unbundled basis to EPB Telecommunications for the provision of a telecommunications service only in the limited circumstance described below in Section 4.4.

4.1.2 Except as otherwise provided herein, BellSouth shall not impose any restrictions on EPB Telecommunications regarding the use of Switching Capabilities purchased from BellSouth provided such use does not result in demonstrable harm to either the BellSouth network or personnel or the use of the BellSouth network by BellSouth or any other telecommunication carrier.

4.1.3 **Local Circuit Switching Capability, including Tandem Switching Capability**

4.1.3.1 Definition

Local Circuit Switching Capability is defined as: (A) line-side facilities, which include, but are not limited to, the connection between a loop termination at a main distribution frame and a switch line card; (B) trunk-side facilities, which include, but are not limited to, the connection between trunk termination at a trunk-side cross-connect panel and a switch trunk card; and (C) all features, functions, and capabilities of the switch, which include, but are not limited to: (1) the basic switching function of connecting lines to lines, line to trunks, trunks to lines, and trunks to trunks, as well as the same basic capabilities made available to BellSouth's customers, such as a telephone number, white page listings, and dial tone; and (2) all other features that the switch is capable of providing, including but not limited to customer calling, customer local area signaling service features, and Centrex, as well as any technically feasible customized routing functions provided by the switch; (D) switching provided by remote switching modules.

4.1.3.2 Notwithstanding BellSouth's general duty to unbundle local circuit switching, BellSouth shall not be required to unbundle local circuit switching for EPB Telecommunications when EPB Telecommunications serves end-users with four (4) or more voice-grade (DS-0) equivalents or lines in locations served by BellSouth's local circuit switches, which are in the following MSAs: Atlanta, GA; Miami, FL; Orlando, FL; Ft. Lauderdale, FL; Charlotte-Gastonia-Rock Hill, NC; Greensboro-Winston Salem-High Point, NC; Nashville, TN; and New Orleans, LA, and BellSouth has provided non-discriminatory cost based access to the

Enhanced Extended Link (EEL) throughout Density Zone 1 as determined by NECA Tariff No. 4 as in effect on January 1, 1999.

- 4.1.3.3 In the event that EPB Telecommunications orders local circuit switching for a single end user account name at a single physical end user location with four (4) or more 2-wire voice-grade loops from a BellSouth central office in an MSA listed above, BellSouth shall charge EPB Telecommunications the market based rate in Exhibit C for use of the local circuit switching functionality for the affected facilities.
- 4.1.3.4 A featureless port is one that has a line port, switching facilities, and an interoffice port. A featured port is a port that includes all features then capable or a number of then capable features specifically requested by EPB Telecommunications. Any features that are not currently then capable but are technically feasible through the switch can be requested through the NBR/BFR process.
- 4.1.3.5 BellSouth will provide to EPB Telecommunications customized routing of calls: (i) to a requested directory assistance services platform; (ii) to an operator services platform pursuant to Section 10 of Attachment 2; (iii) for EPB Telecommunications' PIC'ed toll traffic in a two (2) PIC environment to an alternative OS/DA platform designated by EPB Telecommunications. EPB Telecommunications customers may use the same dialing arrangements as BellSouth customers.
- 4.1.3.6 Remote Switching Module functionality is included in Switching Capability. The switching capabilities used will be based on the line side features they support.
- 4.1.3.7 Switching Capability will also be capable of routing local, intraLATA, interLATA, and calls to international customer's preferred carrier; call features (e.g. call forwarding) and Centrex capabilities.
- 4.1.3.8 Where required to do so in order to comply with an effective Commission order, BellSouth will provide to EPB Telecommunications purchasing local BellSouth switching and reselling BellSouth local exchange service under Attachment 1, selective routing of calls to a requested directory assistance services platform or operator services platform. EPB Telecommunications customers may use the same dialing arrangements as BellSouth customers, but obtain a EPB Telecommunications branded service.
- 4.1.4 Technical Requirements
- 4.1.4.1 The requirements set forth in this Section apply to Local Switching, but not to the Data Switching function of Local Switching.
- 4.1.4.2 Local Switching shall be equal to or better than the requirements for Local Switching set forth in the applicable industry standard technical references.

- 4.1.4.3 When applicable, BellSouth shall route calls to the appropriate trunk or lines for call origination or termination.
- 4.1.4.4 Subject to this section, BellSouth shall route calls on a per line or per screening class basis to (1) BellSouth platforms providing Network Elements or additional requirements (2) Operator Services platforms, (3) Directory Assistance platforms, and (4) Repair Centers. Any other routing requests by EPB Telecommunications will be made pursuant to the BFR/NBR Process as set forth in General Terms and Conditions.
- 4.1.4.5 BellSouth shall provide unbranded recorded announcements and call progress tones to alert callers of call progress and disposition.
- 4.1.4.6 BellSouth shall activate service for EPB Telecommunications customer or network interconnection on any of the Local Switching interfaces. This includes provisioning changes to change a customer from BellSouth's services to EPB Telecommunications' services without loss of switch feature functionality as defined in this Agreement.
- 4.1.4.7 BellSouth shall perform routine testing (e.g., Mechanized Loop Tests (MLT) and test calls such as 105, 107 and 108 type calls) and fault isolation on a mutually agreed upon schedule.
- 4.1.4.8 BellSouth shall repair and restore any equipment or any other maintainable component that may adversely impact Local Switching.
- 4.1.4.9 BellSouth shall control congestion points such as those caused by radio station call-ins, and network routing abnormalities. All traffic shall be restricted in a non-discriminatory manner.
- 4.1.4.10 BellSouth shall perform manual call trace and permit customer originated call trace.
- 4.1.4.11 Special Services provided by BellSouth will include the following:
- 4.1.4.11.1 Telephone Service Prioritization;
 - 4.1.4.11.2 Related services for handicapped;
 - 4.1.4.11.3 Soft dial tone where required by law; and
 - 4.1.4.11.4 Any other service required by law.
- 4.1.4.12 BellSouth shall provide Switching Service Point (SSP) capabilities and signaling software to interconnect the signaling links destined to the Signaling Transfer Point Switch (STPS). These capabilities shall adhere to the technical specifications set forth in the applicable industry standard technical references.

- 4.1.4.13 BellSouth shall provide interfaces to adjuncts through Telcordia (formerly BellCore) standard interfaces. These adjuncts can include, but are not limited to, the Service Circuit Node and Automatic Call Distributors.
- 4.1.4.14 BellSouth shall provide performance data regarding a customer line, traffic characteristics or other measurable elements to EPB Telecommunications, upon a reasonable request from EPB Telecommunications. EPB Telecommunications will pay BellSouth for all costs incurred to provide such performance data through the Business Opportunity Request process.
- 4.1.4.15 BellSouth shall offer Local Switching that provides feature offerings at parity to those provided by BellSouth to itself or any other Party.
- 4.1.4.16 BellSouth shall offer to EPB Telecommunications all AIN triggers in connection with its SMS/SCE offering which are supported by BellSouth for offering AIN-based services
- 4.1.4.17 Where capacity exists, BellSouth shall assign each EPB Telecommunications customer line the class of service designated by EPB Telecommunications (e.g., using line class codes or other switch specific provisioning methods), and shall route directory assistance calls from EPB Telecommunications customers to EPB Telecommunications directory assistance operators at EPB Telecommunications' option.
- 4.1.4.18 Where capacity exists, BellSouth shall assign each EPB Telecommunications customer line the class of services designated by EPB Telecommunications (e.g., using line class codes or other switch specific provisioning methods) and shall route operator calls from EPB Telecommunications customers to EPB Telecommunications operators at EPB Telecommunications' option. For example, BellSouth may translate 0- and 0+ intraLATA traffic, and route the call through appropriate trunks to EPB Telecommunications Operator Services Position System (OSPS). Calls from Local Switching must pass the ANI-II digits unchanged.
- 4.1.4.19 Local Switching shall be offered in accordance with the technical specifications set forth in the applicable industry standard references.
- 4.1.5 Interface Requirements. BellSouth shall provide the following interfaces to loops:
- 4.1.5.1 Standard Tip/Ring interface including loopstart or groundstart, on-hook signaling (e.g., for calling number, calling name and message waiting lamp);
- 4.1.5.2 Coin phone signaling;
- 4.1.5.3 Basic Rate Interface ISDN adhering to appropriate Telcordia (formerly BellCore) Technical Requirements;

- 4.1.5.4 Two-wire analog interface to PBX;
- 4.1.5.5 Four-wire analog interface to PBX;
- 4.1.5.6 Four-wire DS1 interface to PBX or customer provided equipment (e.g. computers and voice response systems);
- 4.1.5.7 Primary Rate ISDN to PBX adhering to ANSI standards Q.931, Q.932 and appropriate Telcordia (formerly BellCore) Technical Requirements;
- 4.1.5.8 Switched Fractional DS1 with capabilities to configure Nx64 channels (where N = 1 to 24); and
- 4.1.5.9 Loops adhering to Telcordia (formerly BellCore) TR-NWT-08 and TR-NWT-303 specifications to interconnect Digital Loop Carriers.
- 4.1.6 BellSouth shall provide access to the following but not limited to:
 - 4.1.6.1 SS7 Signaling Network or Multi-Frequency trunking if requested by EPB Telecommunications;
 - 4.1.6.2 Interface to EPB Telecommunications operator services systems or Operator Services through appropriate trunk interconnections for the system; and
 - 4.1.6.3 Interface to EPB Telecommunications Directory Assistance Services through the EPB Telecommunications switched network or to Directory Assistance Services through the appropriate trunk interconnections for the system; and 950 access or other EPB Telecommunications required access to interexchange carriers as requested through appropriate trunk interfaces.

4.2 **Tandem Switching**

4.2.1 Definition

Tandem Switching is the function that establishes a communications path between two switching offices through a third switching office (the Tandem switch).

4.2.2 Technical Requirements

Tandem Switching shall have the same capabilities or equivalent capabilities as those described in Bell Communications Research TR-TSY-000540 Issue 2R2, Tandem Supplement, 6/1/90. The requirements for Tandem Switching include, but are not limited to the following:

- 4.2.2.1 Tandem Switching shall provide signaling to establish a tandem connection;
- 4.2.2.2 Tandem Switching will provide screening as jointly agreed to by EPB Telecommunications and BellSouth;

- 4.2.2.3 Tandem Switching shall provide Advanced Intelligent Network triggers supporting AIN features where such routing is not available from the originating end office switch, to the extent such Tandem switch has such capability;
- 4.2.2.4 Tandem Switching shall provide access to Toll Free number portability database as designated by EPB Telecommunications;
- 4.2.2.5 Tandem Switching shall provide all trunk interconnections discussed under the “Network Interconnection” section (e.g., SS7, MF, DTMF, DialPulse, PRI-ISDN, DID, and CAMA-ANI (if appropriate for 911));
- 4.2.2.6 Tandem Switching shall provide connectivity to PSAPs where 911 solutions are deployed and the tandem is used for 911; and
- 4.2.2.7 Where appropriate, Tandem Switching shall provide connectivity to transit traffic to and from other carriers.
- 4.2.3 Tandem Switching shall accept connections (including the necessary signaling and trunking interconnections) between end offices, other tandems, IXCs, ICOs, CAPs and CLEC switches.
- 4.2.4 Tandem Switching shall provide local tandeming functionality between two end offices including two offices belonging to different CLECs (e.g., between a CLEC end office and the end office of another CLEC).
- 4.2.5 Tandem Switching shall preserve CLASS/LASS features and Caller ID as traffic is processed.
- 4.2.6 Tandem Switching shall record billable events and send them to the area billing centers designated by EPB Telecommunications. Tandem Switching will provide recording of all billable events as jointly agreed to by EPB Telecommunications and BellSouth.
- 4.2.7 Upon a reasonable request from EPB Telecommunications, BellSouth shall perform routine testing and fault isolation on the underlying switch that is providing Tandem Switching and all its interconnections. The results and reports of the testing shall be made immediately available to EPB Telecommunications.
- 4.2.8 BellSouth shall maintain EPB Telecommunications' trunks and interconnections associated with Tandem Switching at least at parity to its own trunks and interconnections.
- 4.2.9 BellSouth shall control congestion points and network abnormalities. All traffic will be restricted in a non-discriminatory manner.
- 4.2.10 Selective Call Routing through the use of line class codes is not available through the use of tandem switching. Selective Call Routing through the use of line class

codes is an end office capability only. Detailed primary and overflow routing plans for all interfaces available within BellSouth's switching network shall be mutually agreed to by EPB Telecommunications and BellSouth.

- 4.2.11 Tandem Switching shall process originating toll-free traffic received from EPB Telecommunications' local switch.
- 4.2.12 In support of AIN triggers and features, Tandem Switching shall provide SSP capabilities when these capabilities are not available from the Local Switching Network Element, to the extent such Tandem Switch has such capability.
- 4.2.13 Interface Requirements
 - 4.2.13.1 Tandem Switching shall provide interconnection to the E911 PSAP where the underlying Tandem is acting as the E911 Tandem.
 - 4.2.13.2 Tandem Switching shall interconnect, with direct trunks, to all carriers with which BellSouth interconnects.
 - 4.2.13.3 BellSouth shall provide all signaling necessary to provide Tandem Switching with no loss of feature functionality.
 - 4.2.13.4 Tandem Switching shall interconnect with EPB Telecommunications' switch, using two-way trunks, for traffic that is transiting via BellSouth's network to interLATA or intraLATA carriers. At EPB Telecommunications' request, Tandem Switching shall record and keep records of traffic for billing.
 - 4.2.13.5 Tandem Switching shall provide an alternate final routing pattern for EPB Telecommunications' traffic overflowing from direct end office high usage trunk groups.
 - 4.2.13.6 Tandem Switching shall be equal to or better than the requirements for Tandem Switching set forth in the applicable technical references.
- 4.3 **AIN Selective Carrier Routing for Operator Services, Directory Assistance and Repair Centers**
 - 4.3.1 BellSouth will provide AIN Selective Carrier Routing at the request of EPB Telecommunications. AIN Selective Carrier Routing will provide EPB Telecommunications with the capability of routing operator calls, 0+ and 0- and 0+ NPA (LNPA) 555-1212 directory assistance, 1+411 directory assistance and 611 repair center calls to pre-selected destinations.
 - 4.3.2 EPB Telecommunications shall order AIN Selective Carrier Routing through its Account Team. AIN Selective Carrier Routing must first be established regionally and then on a per central office, per state basis.

- 4.3.3 AIN Selective Carrier Routing is not available in DMS 10 switches.
- 4.3.4 Where AIN Selective Carrier Routing is utilized by EPB Telecommunications, the routing of EPB Telecommunications' end user calls shall be pursuant to information provided by EPB Telecommunications and stored in BellSouth's AIN Selective Carrier Routing Service Control Point database. AIN Selective Carrier Routing shall utilize a set of Line Class Codes (LCCs) unique to a basic class of service assigned on an 'as needed' basis. The same LCCs will be assigned in each central office where AIN Selective Carrier Routing is established.
- 4.3.5 Upon ordering of AIN Selective Carrier Routing Regional Service, EPB Telecommunications shall remit to BellSouth the Regional Service Order non-recurring charges set forth in Exhibit C of this Attachment. There shall be a non-recurring End Office Establishment Charge per office due at the addition of each central office where AIN Selective Carrier Routing will be utilized. Said non-recurring charge shall be as set forth in Exhibit C of this Attachment. For each EPB Telecommunications end user activated, there shall be a non-recurring End User Establishment charge as set forth in Exhibit C of this Attachment, payable to BellSouth pursuant to the terms of the General Terms and Conditions, incorporated herein by this reference. EPB Telecommunications shall pay the AIN Selective Carrier Routing Per Query Charge set forth in Exhibit C of this Attachment.
- 4.3.6 This Regional Service Order non-recurring charge will be non-refundable and will be paid with 1/2 due up-front with the submission of all fully completed required forms, including: Regional Selective Carrier Routing (SCR) Order Request-Form A, Central Office AIN Selective Carrier Routing (SCR) Order Request - Form B, AIN_SCR Central Office Identification Form - Form C, AIN_SCR Routing Options Selection Form - Form D, and Routing Combinations Table - Form E. BellSouth has 30 days to respond to the client's fully completed firm order as a Regional Service Order. With the delivery of this firm order response to the client, BellSouth considers that the delivery schedule of this service commences. The remaining 1/2 of the Regional Service Order payment must be paid when at least 90% of the Central Offices listed on the original order have been turned up for the service.
- 4.3.7 The non-recurring End Office Establishment Charge will be billed to the client following BellSouth's normal monthly billing cycle for this type of order.
- 4.3.8 End-User Establishment Orders will not be turned-up until the second payment is received for the Regional Service Order. The non-recurring End-User Establishment Charges will be billed to the client following BellSouth's normal monthly billing cycle for this type of order.
- 4.3.9 Additionally, the AIN Selective Carrier Routing Per Query Charge will be billed to the client following the normal billing cycle for per query charges.

4.3.10 All other network components needed, for example, unbundled switching and unbundled local transport, etc, will be billed per contracted rates.

4.4 **Packet Switching Capability**

4.4.1 Definition

The packet switching capability network element is defined as the function of routing or forwarding packets, frames, cells or other data units based on address or other routing information contained in the packets, frames, cells or other data units.

4.4.2 BellSouth shall be required to provide non-discriminatory access to unbundled packet switching capability only where each of the following conditions are satisfied:

4.4.2.1 BellSouth has deployed digital loop carrier systems, including but not limited to, integrated digital loop carrier or universal digital loop carrier systems; or has deployed any other system in which fiber optic facilities replace copper facilities in the distribution section (e.g., end office to remote terminal, pedestal or environmentally controlled vault);

4.4.2.2 There are no spare copper loops capable of supporting the xDSL services EPB Telecommunications seeks to offer;

4.4.2.3 BellSouth has not permitted EPB Telecommunications to deploy a DSLAM at the remote terminal, pedestal or environmentally controlled vault or other interconnection point, nor has EPB Telecommunications obtained a virtual collocation arrangement at these sub-loop interconnection points as defined by 47 CFR § 51.319 (b); and

4.4.2.4 BellSouth has deployed packet switching capability for its own use.

4.4.3 If there is a dispute as to whether BellSouth must provide Packet Switching, such dispute will be resolved according to the dispute resolution process set forth in Section 12 of the General Terms and Conditions of this Agreement, incorporated herein by this reference.

4.5 **Interoffice Transmission Facilities**

BellSouth shall provide nondiscriminatory access, in accordance with FCC Rule 51.311 and Section 251(c)(3) of the Act, to interoffice transmission facilities on an unbundled basis to EPB Telecommunications for the provision of a telecommunications service.

4.6 **Rates**

The prices that EPB Telecommunications shall pay to BellSouth for Network Elements and Other Services are set forth in Exhibit C to this Attachment. If EPB Telecommunications purchases a service(s) from a tariff, all terms and conditions and rates as set forth in such tariff shall apply.

4.7 **Operational Support Systems (OSS)**

The terms, conditions and rates for OSS are as set forth in Section 2.13 of this Attachment.

5. **Unbundled Network Element Combinations**

5.1. Unbundled Network Element Combinations shall include: 1) Enhanced Extended Links (EELs); 2) UNE Loops/Special Access Combinations; 3) Loop/Port Combinations; and 4) Transport Combinations.

5.2. For purposes of this Section, references to “Currently Combined” network elements shall mean that such network elements are in fact already combined by BellSouth in the BellSouth network to provide service to a particular end user at a particular location.

5.3. **Enhanced Extended Links (EELs)**

5.3.1 Where facilities permit and where necessary to comply with an effective FCC and/or State Commission order, or as otherwise mutually agreed by the Parties, BellSouth shall offer access to loop and transport combinations, also known as the Enhanced Extended Link (“EEL”) as defined in Section 5.3.2 below.

5.3.2 Subject to Section 5.3.3 below, BellSouth will provide access to the EEL in the combinations set forth in Section 5.3.4 following. This offering is intended to provide connectivity from an end user’s location through that end user’s SWC to EPB Telecommunications' POP serving wire center. The circuit must be connected to EPB Telecommunications' switch for the purpose of provisioning telephone exchange service to EPB Telecommunications' end-user customers. The EEL will be connected to EPB Telecommunications' facilities in EPB Telecommunications' collocation space at the POP SWC, or EPB Telecommunications may purchase BellSouth’s access facilities between EPB Telecommunications' POP and EPB Telecommunications' collocation space at the POP SWC.

5.3.3 BellSouth shall provide EEL combinations to EPB Telecommunications in Georgia regardless of whether or not such EELs are Currently Combined. In all other states, BellSouth shall make available to EPB Telecommunications those EEL combinations described in Section 5.3.4 below only to the extent such combinations are Currently Combined. Furthermore, BellSouth will make available EEL combinations to EPB Telecommunications in density Zone 1, as

defined in 47 CFR 69.123 as of January 1, 1999, in the Atlanta, GA; Miami, FL; Orlando, FL; Ft. Lauderdale, FL; Charlotte-Gastonia-Rock Hill, NC; Greensboro-Winston Salem-High Point, NC; Nashville, TN; and New Orleans, LA, MSAs regardless of whether or not such EELs are Currently Combined. Except as stated above, EELs will be provided to EPB Telecommunications only to the extent such network elements are Currently Combined.

- 5.3.4 EEL Combinations
 - 5.3.4.1 DS1 Interoffice Channel + DS1 Channelization + 2-wire VG Local Loop
 - 5.3.4.2 DS1 Interoffice Channel + DS1 Channelization + 4-wire VG Local Loop
 - 5.3.4.3 DS1 Interoffice Channel + DS1 Channelization + 2-wire ISDN Local Loop
 - 5.3.4.4 DS1 Interoffice Channel + DS1 Channelization + 4-wire 56 kbps Local Loop
 - 5.3.4.5 DS1 Interoffice Channel + DS1 Channelization + 4-wire 64 kbps Local Loop
 - 5.3.4.6 DS1 Interoffice Channel + DS1 Local Loop
 - 5.3.4.7 DS3 Interoffice Channel + DS3 Local Loop
 - 5.3.4.8 STS-1 Interoffice Channel + STS-1 Local Loop
 - 5.3.4.9 DS3 Interoffice Channel + DS3 Channelization + DS1 Local Loop
 - 5.3.4.10 STS-1 Interoffice Channel + DS3 Channelization + DS1 Local Loop
 - 5.3.4.11 2-wire VG Interoffice Channel + 2-wire VG Local Loop
 - 5.3.4.12 4wire VG Interoffice Channel + 4-wire VG Local Loop
 - 5.3.4.13 4-wire 56 kbps Interoffice Channel + 4-wire 56 kbps Local Loop
 - 5.3.4.14 4-wire 64 kbps Interoffice Channel + 4-wire 64 kbps Local Loop
- 5.3.5 EEL combinations for DS1 level and above will be available only when EPB Telecommunications provides and handles at least one third of the end user's local traffic over the facility provided. In addition, on the DS1 loop portion of the combination, at least fifty (50) percent of the activated channels must have at least five (5) percent local voice traffic individually and, for the entire DS1 facility, at least ten (10) percent of the traffic must be local voice traffic.
- 5.3.6 When combinations of loop and transport network elements include multiplexing, each of the individual DS1 circuits must meet the above criteria.
- 5.3.7 Special Access Service Conversions

- 5.3.7.1 EPB Telecommunications may not convert special access services to combinations of loop and transport network elements, whether or not EPB Telecommunications self-provides its entrance facilities (or obtains entrance facilities from a third party), unless EPB Telecommunications uses the combination to provide a significant amount of local exchange service, in addition to exchange access service, to a particular customer. To the extent EPB Telecommunications requests to convert any special access services to combinations of loop and transport network elements at UNE prices, EPB Telecommunications shall provide to BellSouth a letter certifying that EPB Telecommunications is providing a significant amount of local exchange service (as described in this Section) over such combinations. The certification letter shall also indicate under what local usage option EPB Telecommunications seeks to qualify for conversion of special access circuits. EPB Telecommunications shall be deemed to be providing a significant amount of local exchange service over such combinations if one of the following options is met:
- 5.3.7.1.1 EPB Telecommunications certifies that it is the exclusive provider of an end user's local exchange service. The loop-transport combinations must terminate at EPB Telecommunications' collocation arrangement in at least one BellSouth central office. This option does not allow loop-transport combinations to be connected to BellSouth's tariffed services. Under this option, EPB Telecommunications is the end user's only local service provider, and thus, is providing more than a significant amount of local exchange service. EPB Telecommunications can then use the loop-transport combinations that serve the end user to carry any type of traffic, including using them to carry 100 percent interstate access traffic; or
- 5.3.7.1.2 EPB Telecommunications certifies that it provides local exchange and exchange access service to the end user customer's premises and handles at least one third of the end user customer's local traffic measured as a percent of total end user customer local dialtone lines; and for DS1 circuits and above, at least 50 percent of the activated channels on the loop portion of the loop-transport combination have at least 5 percent local voice traffic individually, and the entire loop facility has at least 10 percent local voice traffic. When a loop-transport combination includes multiplexing, each of the individual DS1 circuits must meet this criteria. The loop-transport combination must terminate at EPB Telecommunications' collocation arrangement in at least one BellSouth central office. This option does not allow loop-transport combinations to be connected to BellSouth tariffed services; or
- 5.3.7.1.3 EPB Telecommunications certifies that at least 50 percent of the activated channels on a circuit are used to provide originating and terminating local dialtone service and at least 50 percent of the traffic on each of these local dialtone channels is local voice traffic, and that the entire loop facility has at least 33 percent local voice traffic. When a loop-transport combination includes multiplexing, each of the individual DS1 circuits must meet this criteria. This option does not allow loop-transport combinations to be connected to BellSouth's tariffed services. Under this option, collocation is not required. EPB Telecommunications does not need to provide a defined portion of the end user's

local service, but the active channels on any loop-transport combination, and the entire facility, must carry the amount of local exchange traffic specified in this option.

- 5.3.7.2 In addition, there may be extraordinary circumstances where EPB Telecommunications is providing a significant amount of local exchange service, but does not qualify under any of the three options set forth in Section 5.3.7.1. In such case, EPB Telecommunications may petition the FCC for a waiver of the local usage options set forth in the June 2, 2000 Order. If a waiver is granted, then upon EPB Telecommunications' request the Parties shall amend this Agreement to the extent necessary to incorporate the terms of such waiver for such extraordinary circumstance.
- 5.3.7.3 BellSouth may at its sole discretion audit EPB Telecommunications records in order to verify the type of traffic being transmitted over combinations of loop and transport network elements. The audit shall be conducted by a third party independent auditor, and EPB Telecommunications shall be given thirty days written notice of scheduled audit. Such audit shall occur no more than one time in a calendar year, unless results of an audit find noncompliance with the significant amount of local exchange service requirement. In the event of noncompliance, EPB Telecommunications shall reimburse BellSouth for the cost of the audit. If, based on its audits, BellSouth concludes that EPB Telecommunications is not providing a significant amount of local exchange traffic over the combinations of loop and transport network elements, BellSouth may file a complaint with the appropriate Commission, pursuant to the dispute resolution process as set forth in the Interconnection Agreement. In the event that BellSouth prevails, BellSouth may convert such combinations of loop and transport network elements to special access services and may seek appropriate retroactive reimbursement from EPB Telecommunications.
- 5.3.7.4 EPB Telecommunications may convert special access circuits to combinations of loop and transport UNEs pursuant to the terms of this Section and subject to the termination provisions in the applicable special access tariffs, if any.
- 5.3.8 Rates
- 5.3.8.1 Georgia
- 5.3.8.2 The non-recurring and recurring rates for the EEL Combinations of network elements set forth in 5.3.4, whether Currently Combined or new, are as set forth in Exhibit C of this Attachment.
- 5.3.8.3 On an interim basis, for combinations of loop and transport network elements not set forth in Section 5.3.4, where the elements are not Currently Combined but are ordinarily combined in BellSouth's network, the non-recurring and recurring charges for such UNE combinations shall be the sum of the stand-alone non-

recurring and recurring charges of the network elements which make up the combination. These interim rates shall be subject to true-up based on the Commission's review of BellSouth's cost studies.

5.3.8.4 To the extent that EPB Telecommunications seeks to obtain other combinations of network elements that BellSouth ordinarily combines in its network which have not been specifically priced by the Commission when purchased in combined form, EPB Telecommunications, at its option, can request that such rates be determined pursuant to the BFR/NBR process set forth in this Agreement.

5.3.8.5 All Other States

5.3.8.5.1 Subject to Section 5.3.2 and 5.3.3 preceding, for all other states, the non-recurring and recurring rates for the Currently Combined EEL combinations set forth in Section 5.3.4 and other Currently Combined network elements will be the sum of the recurring rates for the individual network elements plus a non recurring charge set forth in Exhibit C of this Attachment.

5.3.8.6 Multiplexing

5.3.8.6.1 Where multiplexing functionality is required in connection with loop and transport combinations, such multiplexing will be provided at the rates and on the terms set forth in this Agreement.

5.4 **Other Network Element Combinations**

5.4.1.1 In the state of Georgia, BellSouth shall make available to EPB Telecommunications, in accordance with Section 5.4.2.1 below: (1) combinations of network elements other than EELs that are Currently Combined; and (2) combinations of network elements other than EELs that are not Currently Combined but that BellSouth ordinarily combines in its network. In all other states, BellSouth shall make available to EPB Telecommunications, in accordance with Section 5.4.2.2 below, combinations of network elements other than EELs only to the extent such combinations are Currently Combined.

5.4.2 Rates

5.4.2.1 Georgia

5.4.2.1.1 The non-recurring and recurring rates for Other Network Element combinations, whether Currently Combined or new, are as set forth in Exhibit C of this Attachment.

5.4.2.1.2 On an interim basis, for Other Network Element combinations where the elements are not Currently Combined but are ordinarily combined in BellSouth's network, the non-recurring and recurring charges for such UNE combinations shall be the sum of the stand-alone non-recurring and recurring charges of the network

elements which make up the combination. These interim rates shall be subject to true-up based on the Commission's review of BellSouth's cost studies.

5.4.2.1.3 To the extent that EPB Telecommunications seeks to obtain other combinations of network elements that BellSouth ordinarily combines in its network which have not been specifically priced by the Commission when purchased in combined form, EPB Telecommunications, at its option, can request that such rates be determined pursuant to the BFR/NBR process set forth in this Agreement.

5.4.2.2 All Other States

5.4.2.2.1 For all other states, the non-recurring and recurring rates for the Other Network Element Combinations that are Currently Combined will be the sum of the recurring rates for the individual network elements plus a non recurring charge set forth in Exhibit C of this Attachment.

5.5 **UNE/Special Access Combinations**

5.5.1 Additionally, BellSouth shall make available to EPB Telecommunications a combination of an unbundled loop and tariffed special access interoffice facilities. To the extent EPB Telecommunications will require multiplexing functionality in connection with such combination, BellSouth will provide access to multiplexing within the central office pursuant to the terms, conditions and rates set forth in its Access Services Tariffs. The tariffed special access interoffice facilities and any associated tariffed services, including but not limited to multiplexing, shall not be eligible for conversion to UNEs as described in Section 5.3.7.

5.5.2 Rates

5.5.2.1 The non-recurring and recurring rates for UNE/Special Access Combinations will be the sum of the unbundled loop rates as set forth in Exhibit C and the interoffice transport rates and multiplexing rates as set forth in the Access Services Tariff.

5.6 **Port/Loop Combinations**

5.6.1 At EPB Telecommunications' request, BellSouth shall provide access to combinations of port and loop network elements, as set forth in Section 5.6.3 below, that are Currently Combined in BellSouth's network except as specified in Sections 5.6.1.1 and 5.6.1.2 below.

5.6.1.1 BellSouth shall not provide combinations of port and loop network elements on an unbundled basis in locations where, pursuant to FCC rules, BellSouth is not required to provide circuit switching as an unbundled network element.

5.6.1.2 In accordance with effective and applicable FCC rules, BellSouth shall not be required to provide circuit switching as an unbundled network element in density Zone 1, as defined in 47 CFR 69.123 as of January 1, 1999 of the Atlanta, GA;

Miami, FL; Orlando, FL; Ft. Lauderdale, FL; Charlotte-Gastonia-Rock Hill, NC; Greensboro-Winston Salem-High Point, NC; Nashville, TN; and New Orleans, LA, MSAs to EPB Telecommunications if EPB Telecommunications' customer has 4 or more DS0 equivalent lines.

- 5.6.2 Combinations of port and loop network elements provide local exchange service for the origination or termination of calls. BellSouth shall make available the following loop and port combinations at the terms and at the rates set forth below:
- 5.6.2.1 In Georgia, BellSouth shall provide to EPB Telecommunications combinations of port and loop network elements to EPB Telecommunications on an unbundled basis regardless of whether or not such combinations are Currently Combined except in those locations where BellSouth is not required to provide circuit switching, as set forth in Section 5.6.1.2 above. The rates for such combinations shall be the cost based rates set forth in Exhibit C of this Attachment.
- 5.6.2.2 In all other states, BellSouth shall provide to EPB Telecommunications combinations of port and loop network elements on an unbundled basis if such combinations are Currently Combined, except in those locations where BellSouth is not required to provide unbundled circuit switching, as set forth in Sections 5.6.1.1 and 5.6.1.2 above. The rates for such combinations shall be the cost based rates set forth in Exhibit C of this Attachment.
- 5.6.2.3 In all states other than Georgia, except in those locations where BellSouth is not required to provide unbundled circuit switching, as set forth in Sections 5.6.1.1 and 5.6.1.2, BellSouth shall provide to EPB Telecommunications combinations of port and loop network elements that are not Currently Combined. The rates for such combinations shall be negotiated by the Parties.
- 5.6.2.4 In those locations where BellSouth is not required to provide unbundled circuit switching, as set forth in Sections 5.6.1.1 and 5.6.1.2, BellSouth shall provide to EPB Telecommunications combinations of port and loop network elements whether or not such combinations are Currently Combined. The rates for Currently Combined combinations are the market based rates as set forth in Exhibit C. The rates for not Currently Combined combinations shall be negotiated by the Parties.
- 5.6.3 Combination Offerings
- 5.6.3.1 2-wire voice grade port, voice grade loop, unbundled end office switching, unbundled end office trunk port, common transport per mile per MOU, common transport facilities termination, tandem switching, and tandem trunk port.
- 5.6.3.2 2-wire voice grade DID port, voice grade loop, unbundled end office switching, unbundled end office trunk port, common transport per mile per MOU, common transport facilities termination, tandem switching, and tandem trunk port.

- 5.6.3.3 2-wire CENTREX port, voice grade loop, unbundled end office switching, unbundled end office trunk port, common transport per mile per MOU, common transport facilities termination, tandem switching, and tandem trunk port.
- 5.6.3.4 2-wire ISDN Basic Rate Interface, voice grade loop, unbundled end office switching, unbundled end office trunk port, common transport per mile per MOU, common transport facilities termination, tandem switching, and tandem trunk port.
- 5.6.3.5 4-wire ISDN Primary Rate Interface, DS1 loop, unbundled end office switching, unbundled end office trunk port, common transport per mile per MOU, common transport facilities termination, tandem switching, and tandem trunk port.
- 5.6.3.6 4-wire DS1 Trunk port, DS1 Loop, unbundled end office switching, unbundled end office trunk port, common transport per mile per MOU, common transport facilities termination, tandem switching, and tandem trunk port.

5.7 **Rates**

The prices that EPB Telecommunications shall pay to BellSouth for Network Elements and Other Services are set forth in Exhibit C to this Attachment. If EPB Telecommunications purchases a service(s) from a tariff, all terms and conditions and rates as set forth in such tariff shall apply.

5.8 **Operational Support Systems (OSS)**

The terms, conditions and rates for OSS are as set forth in Section 2.13 of this Attachment.

6. **Transport, Channelization and Dark Fiber**

All of the negotiated rates, terms and conditions set forth in this Section pertain to the provision of unbundled transport and dark fiber.

6.1 **Transport**

6.1.1 Interoffice transmission facility network elements include:

- 6.1.1.1 Dedicated transport, defined as BellSouth's transmission facilities, is dedicated to a particular customer or carrier that provides telecommunications between wire centers or switches owned by BellSouth, or between wire centers and switches owned by BellSouth and EPB Telecommunications.
- 6.1.1.2 Dark Fiber transport, defined as BellSouth's optical transmission facilities without attached signal regeneration, multiplexing, aggregation or other electronics;

6.1.1.3 Common (Shared) transport, defined as transmission facilities shared by more than one carrier, including BellSouth, between end office switches, between end office switches and tandem switches, and between tandem switches, in BellSouth's network.

6.2 BellSouth shall:

6.2.1 Provide EPB Telecommunications exclusive use of interoffice transmission facilities dedicated to a particular customer or carrier, or shared use of the features, functions, and capabilities of interoffice transmission facilities shared by more than one customer or carrier;

6.2.2 Provide all technically feasible transmission facilities, features, functions, and capabilities that EPB Telecommunications could use to provide telecommunications services;

6.2.3 Permit, to the extent technically feasible, EPB Telecommunications to connect such interoffice facilities to equipment designated by EPB Telecommunications, including but not limited to, EPB Telecommunications' collocated facilities; and

6.2.4 Permit, to the extent technically feasible, EPB Telecommunications to obtain the functionality provided by BellSouth's digital cross-connect systems in the same manner that BellSouth provides such functionality to interexchange carriers.

6.3 **Common (Shared) Transport**

6.3.1 Definition of Common (Shared) Transport

6.3.1.1 Common (Shared) Transport is an interoffice transmission path between two BellSouth end-offices, BellSouth end-office and a local tandem, or between two local tandems. Where BellSouth Network Elements are connected by intra-office wiring, such wiring is provided as a part of the Network Elements and is not Common (Shared) Transport.

6.3.2 Technical Requirements of Common (Shared) Transport

6.3.2.1 Common (Shared) Transport provided on DS1 or VT1.5 circuits, shall, at a minimum, meet the performance, availability, jitter, and delay requirements specified for Central Office to Central Office ("CO to CO") connections in the appropriate industry standards.

6.3.2.2 Common (Shared) Transport provided on DS3 circuits, STS-1 circuits, and higher transmission bit rate circuits, shall, at a minimum, meet the performance, availability, jitter, and delay requirements specified for CO to CO connections in the appropriate industry standards.

- 6.3.2.3 BellSouth shall be responsible for the engineering, provisioning, and maintenance of the underlying equipment and facilities that are used to provide Common (Shared) Transport.
- 6.3.2.4 At a minimum, Common (Shared) Transport shall meet all of the requirements set forth in the applicable industry standard technical references.
- 6.4 **Dedicated Transport**
- 6.4.1 Definitions
- 6.4.2 Dedicated Transport is defined as BellSouth transmission facilities dedicated to a particular customer or carrier that provide telecommunications between wire centers owned by BellSouth or requesting telecommunications carriers, or between switches owned by BellSouth or requesting telecommunications carriers.
- 6.4.3 Unbundled Local Channel
- 6.4.4 Unbundled Local Channel is the dedicated transmission path between EPB Telecommunications' Point of Presence and the BellSouth Serving Wire Center's collocation.
- 6.4.5 Unbundled Interoffice Channel.
- 6.4.6 Unbundled Interoffice Channel is the dedicated transmission path that provides telecommunication between BellSouth's Serving Wire Centers' collocations.
- 6.4.7 BellSouth shall offer Dedicated Transport in each of the following ways:
- 6.4.7.1 As capacity on a shared UNE facility.
- 6.4.7.2 As a circuit (e.g., DS0, DS1, DS3) dedicated to EPB Telecommunications. This circuit shall consist of an Unbundled Local Channel or an Unbundled Interoffice Channel or both.
- 6.4.8 When Dedicated Transport is provided it shall include:
- 6.4.8.1 Transmission equipment such as, line terminating equipment, amplifiers, and regenerators;
- 6.4.8.2 Inter-office transmission facilities such as optical fiber, copper twisted pair, and coaxial cable.
- 6.4.9 Rates for Dedicated Transport are listed in this Attachment. For those states that do not contain rates in this Attachment the rates in the applicable State Access Tariff will apply as interim rates. When final rates are developed, these interim rates will be subject to true up, and the Parties will amend the Agreement to reflect the new rates.

- 6.4.10 Technical Requirements
- 6.4.10.1 This Section sets forth technical requirements for all Dedicated Transport.
- 6.4.10.2 When BellSouth provides Dedicated Transport, the entire designated transmission service (e.g., DS0, DS1, DS3) shall be dedicated to EPB Telecommunications designated traffic.
- 6.4.10.3 BellSouth shall offer Dedicated Transport in all technologies that become available including, but not limited to, (1) DS0, DS1 and DS3 transport services, and (2) SONET at available transmission bit rates.
- 6.4.10.4 For DS1 or VT1.5 circuits, Dedicated Transport shall, at a minimum, meet the performance, availability, jitter, and delay requirements specified for Customer Interface to Central Office (“CI to CO”) connections in the appropriate industry standards.
- 6.4.10.5 Where applicable, for DS3, Dedicated Transport shall, at a minimum, meet the performance, availability, jitter, and delay requirements specified for CI to CO connections in the appropriate industry standards.
- 6.4.10.6 BellSouth shall offer the following interface transmission rates for Dedicated Transport:
- 6.4.10.6.1 DS0 Equivalent;
- 6.4.10.6.2 DS1;
- 6.4.10.6.3 DS3;
- 6.4.10.6.4 SDH (Synchronous Digital Hierarchy) Standard interface rates in accordance with International Telecommunications Union (ITU) Recommendation G.707 and Plesiochronous Digital Hierarchy (PDH) rates per ITU Recommendation G.704.
- 6.4.10.6.5 When Dedicated Transport is provided, BellSouth shall design it according to BellSouth’s network infrastructure to allow for the termination points specified by EPB Telecommunications.
- 6.4.11 At a minimum, Dedicated Transport shall meet each of the requirements set forth in the applicable industry technical references.
- 6.4.11.1 BellSouth Technical References:
- 6.4.11.2 TR-TSY-000191 Alarm Indication Signals Requirements and Objectives, Issue 1, May 1986.

6.4.11.3 TR 73501 LightGate[®] Service Interface and Performance Specifications, Issue D, June 1995.

6.4.11.4 TR 73525 MegaLink[®] Service, MegaLink Channel Service and MegaLink Plus Service Interface and Performance Specifications, Issue C, May 1996.

6.4.12 Provided that the facility is used to transport a significant amount of local exchange services EPB Telecommunications shall be entitled to convert existing interoffice transmission facilities (i.e., special access) to the corresponding interoffice transport network element option.

6.5 **Unbundled Channelization**

6.5.1 BellSouth agrees to offer access to Unbundled Channelization when available pursuant to following terms and conditions and at the rates set forth in the Attachment. Channelization will be offered with both the high and the low speed sides to be connected to collocation.

6.5.2 Definition

6.5.2.1 Unbundled Channelization (UC) provides the multiplexing capability that will allow a DS1 (1.544 Mbps) or DS3 (44.736 Mbps) or STS-1 Unbundled Network Element (UNE) or collocation cross-connect to be multiplexed or channelized at a BellSouth central office. This can be accomplished through the use of a stand-alone multiplexer or a digital cross-connect system at the discretion of BellSouth. Once UC has been installed, EPB Telecommunications can have channels activated on an as-needed basis by having BellSouth connect lower level UNEs via Central Office Channel Interfaces (COICs).

6.5.3 Channelization capabilities will be as follows:

6.5.3.1 DS3 Channelization System: An element that channelizes a DS3 signal into 28 DS1s/STS-1s.

6.5.3.2 DS1 Channelization System: An element that channelizes a DS1 signal into 24 DS0s.

6.5.3.3 Central Office Channel Interfaces (COIC): Elements that can be activated on a channelization system.

6.5.4 DS1 Central Office Channel Interface elements can be activated on a DS3 Channelization System.

6.5.5 Voice Grade and Digital Data Central Office Channel Interfaces can be activated on a DS1 Channelization System.

- 6.5.6 AMI and B8ZS line coding with either Super Frame (SF) and Extended Super Frame (ESF) framing formats will be supported as options.
- 6.5.7 COCI will be billed on the lower level UNE order that is interfacing with the UC arrangement and will have to be compatible with those UNEs.
- 6.5.8 Technical Requirements
- 6.5.8.1 In order to assure proper operation with BellSouth provided central office multiplexing functionality, the customer's channelization equipment must adhere strictly to form and protocol standards. Separate standards exist for the multiplex channel bank, for voice frequency encoding, for various signaling schemes, and for subrate digital access.
- 6.5.8.2 DS0 to DS1 Channelization
- 6.5.8.2.1 The DS1 signal must be framed utilizing the framing structure defined in ANSI T1.107, Digital Hierarchy Formats Specifications and ANSI T1.403.02, DS1 Robbed-bit Signaling State Definitions. DS0 to DS1 Channelization requirements are essential the same as defined in BellSouth Technical Reference 73525, MegaLink[®] Service, MegaLink[®] Channel Service, MegaLink[®] Plus Service, and MegaLink[®] Light Service Interface and Performance Specification.
- 6.5.8.3 DS1 to DS3 Channelization
- 6.5.8.3.1 The DS3 signal must be framed utilizing the framing structure define in ANSI T1.107, Digital Hierarchy Formats Specifications. DS1 to DS3 Channelization requirements are essentially the same as defined in BellSouth Technical Reference 73501, LightGate[®] Service Interface and Performance Specifications. The asynchronous M13 multiplex format (combination of M12 and M23 formats) is specified for terminal equipment that multiplexes 28 DS1s into a DS3.
- 6.5.8.4 DS1 to STS Channelization
- 6.5.8.4.1 The STS-1 signal must be framed utilizing the framing structure define in ANSI T1.105, Synchronous Optical Network (SONET) – Basic Description Including Multiplex Structure, Rates and Formats and T1.105.02, Synchronous Optical Network (SONET) – Payload Mappings. DS1 to STS Channelization requirements are essentially the same as defined in BellSouth Technical Reference TR 73501, LightGate[®] Service Interface and Performance Specifications.
- 6.6 **Dark Fiber**
- 6.6.1 Definition
- 6.6.2 Dark Fiber is optical transmission facilities without attached multiplexing, aggregation or other electronics that connects two points within BellSouth's

network. Dark Fiber is unused strands of optical fiber. It may be strands of optical fiber existing in aerial or underground structure. No line terminating elements terminated to such strands to operationalize its transmission capabilities will be available.

6.6.3 Requirements

- 6.6.3.1 BellSouth shall make available Dark Fiber where it exists in BellSouth's network and where, as a result of future building or deployment, it becomes available. If BellSouth has plans to use the fiber within a two-year period, there is no requirement to provide said fiber to EPB Telecommunications.
- 6.6.3.2 If the requested dark fiber has any lightwave repeater equipment interspliced to it, BellSouth will remove such equipment at EPB Telecommunications' request subject to time and materials charges.
- 6.6.3.3 EPB Telecommunications may test the quality of the Dark Fiber to confirm its usability and performance specifications.
- 6.6.3.4 BellSouth shall use its best efforts to provide to EPB Telecommunications information regarding the location, availability and performance of Dark Fiber within ten (10) business days for a records based answer and twenty (20) business days for a field based answer, after receiving a request from EPB Telecommunications ("Request"). Within such time period, BellSouth shall send written confirmation of availability of the Dark Fiber ("Confirmation"). From the time of the Request to one hundred and twenty (120) days after Confirmation, BellSouth shall hold such requested Dark Fiber for EPB Telecommunications' use and may not allow any other Party to use such media, including BellSouth. If a Dark Fiber firm order is not received within the one hundred and twenty day period, the Dark Fiber will revert to BellSouth's Dark Fiber inventory.
- 6.6.3.5 BellSouth shall use its best efforts to make Dark Fiber available to EPB Telecommunications within thirty (30) business days after it receives written confirmation from EPB Telecommunications that the Dark Fiber previously deemed available by BellSouth is wanted for use by EPB Telecommunications. This includes identification of appropriate connection points (e.g., Light Guide Interconnection (LGX) or splice points) to enable EPB Telecommunications to connect or splice EPB Telecommunications provided transmission media (e.g., optical fiber) or equipment to the Dark Fiber.
- 6.6.3.6 Dark Fiber shall meet the manufacturer's design specifications.
- 6.6.3.7 EPB Telecommunications may splice and test Dark Fiber obtained from BellSouth using EPB Telecommunications or EPB Telecommunications designated personnel. BellSouth shall provide appropriate interfaces to allow splicing and testing of Dark Fiber. BellSouth shall provide an excess cable length of 25 feet

minimum (for fiber in underground conduit) to allow the uncoiled fiber to reach from the manhole to a splicing van.

6.7 **Rates**

6.7.1 The prices that EPB Telecommunications shall pay to BellSouth for Network Elements and Other Services are set forth in Exhibit C to this Attachment. If EPB Telecommunications purchases a service(s) from a tariff, all terms and conditions and rates as set forth in such tariff shall apply.

6.8 **Operational Support Systems (OSS)**

The terms, conditions and rates for OSS are as set forth in Section 2.13 of this Attachment.

7. **BellSouth SWA 8XX Toll Free Dialing Ten Digit Screening Service**

All of the negotiated rates, terms and conditions set forth in this Section pertain to the provision of 8XX Access Ten Digit Screening Services.

7.1 BellSouth SWA 8XX Toll Free Dialing Ten Digit Screening Service database

7.1.1 The BellSouth SWA 8XX Toll Free Dialing Ten Digit Screening Service database (herein known as 8XX SCP) is a SCP that contains customer record information and functionality to provide call-handling instructions for 8XX calls. The 8XX SCP IN software stores data downloaded from the national SMS and provides the routing instructions in response to queries from the SSP or tandem. The BellSouth SWA 8XX Toll Free Dialing Ten Digit Screening Service (herein know as 8XX TFD), utilizes the 8XX SCP to provide identification and routing of the 8XX calls, based on the ten digits dialed. 8XX TFD is provided with or without POTS number delivery, dialing number delivery, and other optional complex features as selected by EPB Telecommunications. BellSouth shall provide 8XX TFD in accordance with the following:

7.1.2 Technical Requirements

7.1.2.1 BellSouth shall provide EPB Telecommunications with access to the 8XX record information located in the 8XX SCP. The 8XX SCP contains current records as received from the national SMS and will provide for routing 8XX originating calls based on the dialed ten digit 8XX number.

7.1.2.2 The 8XX SCP is designated to receive and respond to queries using the American National Standard Specification of Signaling System Seven (SS7) protocol. The 8XX SCP shall determine the carrier identification based on all ten digits of the dialed number and route calls to the carrier, POTS number, dialing number and/or other optional feature selected by EPB Telecommunications.

7.1.2.3 The SCP shall also provide, at EPB Telecommunications' option, such additional feature as described in SR-TSV-002275 (BOC Notes on BellSouth Networks, SR-TSV-002275, Issue 2, (Telcordia (formerly BellCore), April 1994)) as are available to BellSouth. These may include but are not limited to:

7.1.2.3.1 Network Management;

7.1.2.3.2 Customer Sample Collection; and

7.1.2.3.3 Service Maintenance.

7.2 **Rates**

The prices that EPB Telecommunications shall pay to BellSouth for Network Elements and Other Services are set forth in Exhibit C to this Attachment. If EPB Telecommunications purchases a service(s) from a tariff, all terms and conditions and rates as set forth in such tariff shall apply.

7.3 **Operational Support Systems (OSS)**

The terms, conditions and rates for OSS are as set forth in Section 2.13 of this Attachment.

8 **Line Information Database (LIDB)**

8.1 All of the negotiated rates, terms and conditions set forth in this Section pertain to the provision of LIDB.

8.2 BellSouth will store in its LIDB only records relating to service in the BellSouth region. The LIDB Storage Agreement is included in this Attachment.

8.2.1 Definition

8.2.2 The Line Information Database (LIDB) is a transaction-oriented database accessible through Common Channel Signaling (CCS) networks. It contains records associated with end user Line Numbers and Special Billing Numbers. LIDB accepts queries from other Network Elements and provides appropriate responses. The query originator need not be the owner of LIDB data. LIDB queries include functions such as screening billed numbers that provides the ability to accept Collect or Third Number Billing calls and validation of Telephone Line Number based non-proprietary calling cards. The interface for the LIDB functionality is the interface between BellSouth's CCS network and other CCS networks. LIDB also interfaces to administrative systems.

8.2.3 Technical Requirements

- 8.2.4 BellSouth will offer to EPB Telecommunications any additional capabilities that are developed for LIDB during the life of this Agreement.
- 8.2.4.1 BellSouth shall process EPB Telecommunications' Customer records in LIDB at least at parity with BellSouth customer records, with respect to other LIDB functions. BellSouth shall indicate to EPB Telecommunications what additional functions (if any) are performed by LIDB in the BellSouth network.
- 8.2.4.2 Within two (2) weeks after a request by EPB Telecommunications, BellSouth shall provide EPB Telecommunications with a list of the customer data items, which EPB Telecommunications would have to provide in order to support each required LIDB function. The list shall indicate which data items are essential to LIDB function, and which are required only to support certain services. For each data item, the list shall show the data formats, the acceptable values of the data item and the meaning of those values.
- 8.2.4.3 BellSouth shall provide LIDB systems for which operating deficiencies that would result in calls being blocked shall not exceed 30 minutes per year.
- 8.2.4.4 BellSouth shall provide LIDB systems for which operating deficiencies that would not result in calls being blocked shall not exceed 12 hours per year.
- 8.2.4.5 BellSouth shall provide LIDB systems for which the LIDB function shall be in overload no more than 12 hours per year.
- 8.2.4.6 All additions, updates and deletions of EPB Telecommunications data to the LIDB shall be solely at the direction of EPB Telecommunications. Such direction from EPB Telecommunications will not be required where the addition, update or deletion is necessary to perform standard fraud control measures (e.g., calling card auto-deactivation).
- 8.2.4.7 BellSouth shall provide priority updates to LIDB for EPB Telecommunications data upon EPB Telecommunications' request (e.g., to support fraud detection), via password-protected telephone card, facsimile, or electronic mail within one hour of notice from the established BellSouth contact.
- 8.2.4.8 BellSouth shall provide LIDB systems such that no more than 0.01% of EPB Telecommunications customer records will be missing from LIDB, as measured by EPB Telecommunications audits. BellSouth will audit EPB Telecommunications records in LIDB against DBAS to identify record mismatches and provide this data to a designated EPB Telecommunications contact person to resolve the status of the records and BellSouth will update system appropriately. BellSouth will refer record of mis-matches to EPB Telecommunications within one business day of audit. Once reconciled records are received back from EPB Telecommunications, BellSouth will update LIDB the same business day if less than 500 records are received before 1:00PM Central Time. If more than 500 records are received,

BellSouth will contact EPB Telecommunications to negotiate a time frame for the updates, not to exceed three business days.

- 8.2.4.9 BellSouth shall perform backup and recovery of all of EPB Telecommunications' data in LIDB including sending to LIDB all changes made since the date of the most recent backup copy, in at least the same time frame BellSouth performs backup and recovery of BellSouth data in LIDB for itself. Currently, BellSouth performs backups of the LIDB for itself on a weekly basis and when a new software release is scheduled, a backup is performed prior to loading the new release.
- 8.2.4.10 BellSouth shall provide EPB Telecommunications with LIDB reports of data, which are missing or contain errors, as well as any misrouted errors, within a reasonable time period as negotiated between EPB Telecommunications and BellSouth.
- 8.2.4.11 BellSouth shall prevent any access to or use of EPB Telecommunications data in LIDB by BellSouth personnel that are outside of established administrative and fraud control personnel, or by any other Party that is not authorized by EPB Telecommunications in writing.
- 8.2.4.12 BellSouth shall provide EPB Telecommunications performance of the LIDB Data Screening function, which allows a LIDB to completely or partially deny specific query originators access to LIDB data owned by specific data owners, for Customer Data that is part of an NPA-NXX or RAO-0/1XX wholly or partially owned by EPB Telecommunications at least at parity with BellSouth Customer Data. BellSouth shall obtain from EPB Telecommunications the screening information associated with LIDB Data Screening of EPB Telecommunications data in accordance with this requirement. BellSouth currently does not have LIDB Data Screening capabilities. When such capability is available, BellSouth shall offer it to EPB Telecommunications under the BFR/NBR as set forth in General Terms and Conditions.
- 8.2.4.13 BellSouth shall accept queries to LIDB associated with EPB Telecommunications customer records, and shall return responses in accordance with industry standards.
- 8.2.4.14 BellSouth shall provide mean processing time at the LIDB within 0.50 seconds under normal conditions as defined in industry standards.
- 8.2.4.15 BellSouth shall provide processing time at the LIDB within 1 second for 99% of all messages under normal conditions as defined in industry standards.
- 8.2.5 Interface Requirements
- 8.2.6 BellSouth shall offer LIDB in accordance with the requirements of this subsection.

- 8.2.6.1 The interface to LIDB shall be in accordance with the technical references contained within.
- 8.2.6.2 The CCS interface to LIDB shall be the standard interface described herein.
- 8.2.6.3 The LIDB Data Base interpretation of the ANSI-TCAP messages shall comply with the technical reference herein. Global Title Translation shall be maintained in the signaling network in order to support signaling network routing to the LIDB.

8.3 **Rates**

The prices that EPB Telecommunications shall pay to BellSouth for Network Elements and Other Services are set forth in Exhibit C to this Attachment. If EPB Telecommunications purchases a service(s) from a tariff, all terms and conditions and rates as set forth in such tariff shall apply.

8.4 **Operational Support Systems (OSS)**

The terms, conditions and rates for OSS are as set forth in Section 2.13 of this Attachment.

9. Signaling

- 9.1 All of the negotiated rates, terms and conditions set forth in this Section pertain to the provision of Signaling Transport Services.

- 9.2 BellSouth agrees to offer access to signaling and access to BellSouth's signaling databases subject to compatibility testing and at the rates set forth in this Attachment. BellSouth may provide mediated access to BellSouth signaling systems and databases. Available signaling elements include signaling links, signal transfer points and service control points. Signaling functionality will be available with both A-link and B-link connectivity.

9.3 **Signaling Link Transport**

- 9.3.1 Definition Signaling Link Transport is a set of two or four dedicated 56 Kbps. transmission paths between CLEC-designated Signaling Points of Interconnection (SPOI) that provides appropriate physical diversity.

9.3.2 Technical Requirements

- 9.3.2.1 Signaling Link Transport shall consist of full duplex mode 56 kbps transmission paths.

- 9.3.3 Of the various options available, Signaling Link Transport shall perform in the following two ways:

- 9.3.3.1 As an "A-link" which is a connection between a switch or SCP and a home Signaling Transfer Point Switch (STP) pair; and

- 9.3.3.2 As a “B-link” which is a connection between two STP pairs in different company networks (e.g., between two STP pairs for two Competitive Local Exchange Carriers (CLECs)).
- 9.3.4 Signaling Link Transport shall consist of two or more signaling link layers as follows:
- 9.3.4.1 An A-link layer shall consist of two links.
- 9.3.4.2 A B-link layer shall consist of four links.
- 9.3.5 A signaling link layer shall satisfy a performance objective such that:
- 9.3.5.1 There shall be no more than two minutes down time per year for an A-link layer; and
- 9.3.5.2 There shall be negligible (less than 2 seconds) down time per year for a B-link layer.
- 9.3.5.3 A signaling link layer shall satisfy interoffice and intraoffice diversity of facilities and equipment, such that:
- 9.3.5.3.1 No single failure of facilities or equipment causes the failure of both links in an A-link layer (i.e., the links should be provided on a minimum of two separate physical paths end-to-end); and
- 9.3.5.3.2 No two concurrent failures of facilities or equipment shall cause the failure of all four links in a B-link layer (i.e., the links should be provided on a minimum of three separate physical paths end-to-end).
- 9.3.5.4 Interface Requirements
- 9.3.5.4.1 There shall be a DS1 (1.544 Mbps) interface at the EPB Telecommunications designated SPOIs. Each 56 kbps transmission path shall appear as a DS0 channel within the DS1 interface.
- 9.4 **Signaling Transfer Points (STPs)**
- 9.4.1 Definition - Signaling Transfer Points is a signaling network function that includes all of the capabilities provided by the signaling transfer point switches (STPs) and their associated signaling links which enable the exchange of SS7 messages among and between switching elements, database elements and signaling transfer point switches.
- 9.4.2 Technical Requirements
- 9.4.2.1 STPs shall provide access to Network Elements connected to BellSouth SS7 network. These include:

- 9.4.2.1.1 BellSouth Local Switching or Tandem Switching;
- 9.4.2.1.2 BellSouth Service Control Points/DataBases;
- 9.4.2.1.3 Third-party local or tandem switching;
- 9.4.2.1.4 Third-party-provided STPs.
- 9.4.2.2 The connectivity provided by STPs shall fully support the functions of all other Network Elements connected to the BellSouth SS7 network. This explicitly includes the use of the BellSouth SS7 network to convey messages which neither originate nor terminate at a signaling end point directly connected to the BellSouth SS7 network (i.e., transient messages). When the BellSouth SS7 network is used to convey transient messages, there shall be no alteration of the Integrated Services Digital Network User Part (ISDNUP) or Transaction Capabilities Application Part (TCAP) user data that constitutes the content of the message.
- 9.4.2.3 If a BellSouth tandem switch routes calling traffic, based on dialed or translated digits, on SS7 trunks between a EPB Telecommunications local switch and third party local switch, the BellSouth SS7 network shall convey the TCAP messages that are necessary to provide Call Management features (Automatic Callback, Automatic Recall, and Screening List Editing) between EPB Telecommunications local STPs and the STPs that provide connectivity with the third party local switch, even if the third party local switch is not directly connected to BellSouth STPs.
- 9.4.2.4 STPs shall provide all functions of the MTP as defined in the applicable industry standard technical references.
- 9.4.2.5 STPs shall provide all functions of the SCCP necessary for Class 0 (basic connectionless) service, as defined in Telcordia (formerly BellCore) ANSI Interconnection Requirements. In particular, this includes Global Title Translation (GTT) and SCCP Management procedures, as specified in T1.112.4. In cases where the destination signaling point is a EPB Telecommunications or third party local or tandem switching system directly connected to BellSouth SS7 network, BellSouth shall perform final GTT of messages to the destination and SCCP Subsystem Management of the destination. In all other cases, BellSouth shall perform intermediate GTT of messages to a gateway pair of STPs in an SS7 network connected with BellSouth SS7 network, and shall not perform SCCP Subsystem Management of the destination. If BellSouth performs final GTT to a EPB Telecommunications database, then EPB Telecommunications agrees to provide BellSouth with the Destination Point Code for the EPB Telecommunications database.
- 9.4.2.6 STPs shall provide on a non-discriminatory basis all functions of the OMAP commonly provided by STPs, as specified in the reference in Section 12 of this

Attachment. All OMAP functions will be on a "where available" basis and can include:

- 9.4.2.6.1 MTP Routing Verification Test (MRVT); and
- 9.4.2.6.2 SCCP Routing Verification Test (SRVT).
- 9.4.2.7 In cases where the destination signaling point is a BellSouth local or tandem switching system or database, or is a EPB Telecommunications or third party local or tandem switching system directly connected to the BellSouth SS7 network, STPs shall perform MRVT and SRVT to the destination signaling point. In all other cases, STPs shall perform MRVT and SRVT to a gateway pair of STPs in an SS7 network connected with the BellSouth SS7 network. This requirement shall be superseded by the specifications for Internetwork MRVT and SRVT if and when these become approved ANSI standards and available capabilities of BellSouth STPs, and if mutually agreed upon by EPB Telecommunications and BellSouth.
- 9.4.2.8 STPs shall be on parity with BellSouth.
- 9.4.2.9 SS7 Advanced Intelligent Network (AIN) Access
- 9.4.2.9.1 When technically feasible and upon request by EPB Telecommunications, SS7 Access shall be made available in association with switching. SS7 AIN Access is the provisioning of AIN 0.1 triggers in an equipped BellSouth local switch and interconnection of the BellSouth SS7 network with the EPB Telecommunications SS7 network to exchange TCAP queries and responses with a EPB Telecommunications SCP.
- 9.4.2.9.2 SS7 AIN Access shall provide EPB Telecommunications SCP access to BellSouth local switch in association with switching via interconnection of BellSouth SS7 and EPB Telecommunications SS7 Networks. BellSouth shall offer SS7 access through its STPs. If BellSouth requires a mediation device on any part of its network specific to this form of access, BellSouth must route its messages in the same manner. The interconnection arrangement shall result in the BellSouth local switch recognizing the EPB Telecommunications SCP as at least at parity with BellSouth's SCP's in terms of interfaces, performance and capabilities.
- 9.4.3 Interface Requirements
- 9.4.3.1 BellSouth shall provide the following STPs options to connect EPB Telecommunications or EPB Telecommunications-designated local switching systems or STPs to the BellSouth SS7 network:
 - 9.4.3.1.1 An A-link interface from EPB Telecommunications local switching systems; and,
 - 9.4.3.1.2 A B-link interface from EPB Telecommunications local STPs.

- 9.4.3.2 Each type of interface shall be provided by one or more sets (layers) of signaling links.
- 9.4.3.3 The Signaling Point of Interconnection (SPOI) for each link shall be located at a cross-connect element, such as a DSX-1, in the Central Office (CO) where BellSouth STP is located. There shall be a DS1 or higher rate transport interface at each of the SPOIs. Each signaling link shall appear as a DS0 channel within the DS1 or higher rate interface. BellSouth shall offer higher rate DS1 signaling for interconnecting EPB Telecommunications local switching systems or STPs with BellSouth STPs as soon as these become approved ANSI standards and available capabilities of BellSouth STPs. BellSouth and EPB Telecommunications will work jointly to establish mutually acceptable SPOIs.
- 9.4.3.4 BellSouth CO shall provide intraoffice diversity between the SPOIs and BellSouth STPs, so that no single failure of intraoffice facilities or equipment shall cause the failure of both B-links in a layer connecting to a BellSouth STP. BellSouth and EPB Telecommunications will work jointly to establish mutually acceptable SPOIs.
- 9.4.3.5 STPs shall provide all functions of the MTP as defined in the applicable industry standard technical references.
- 9.4.3.6 Message Screening
- 9.4.3.6.1 BellSouth shall set message screening parameters so as to accept valid messages from EPB Telecommunications local or tandem switching systems destined to any signaling point within BellSouth's SS7 network where the EPB Telecommunications switching system has a legitimate signaling relation.
- 9.4.3.6.2 BellSouth shall set message screening parameters so as to pass valid messages from EPB Telecommunications local or tandem switching systems destined to any signaling point or network accessed through BellSouth's SS7 network where the EPB Telecommunications switching system has a legitimate signaling relation.
- 9.4.3.6.3 BellSouth shall set message screening parameters so as to accept and pass/send valid messages destined to and from EPB Telecommunications from any signaling point or network interconnected through BellSouth's SS7 network where the EPB Telecommunications SCP has a legitimate signaling relation.
- 9.4.4 STPs shall be equal to or better than all of the requirements for STPs set forth in the applicable industry standard technical references.

9.5 **Service Control Points/Databases**

9.5.1 Definition

- 9.5.1.1 Databases are the Network Elements that provide the functionality for storage of, access to, and manipulation of information required to offer a particular service

and/or capability. Databases include, but are not limited to: Local Number Portability, LIDB, Toll Free Number Database, Automatic Location Identification/Data Management System, Calling Name Database, access to Service Creation Environment and Service Management System (SCE/SMS) application databases and Directory Assistance.

- 9.5.2 A Service Control Point (SCP) is a specific type of Database functionality deployed in a Signaling System 7 (SS7) network that executes service application logic in response to SS7 queries sent to it by a switching system also connected to the SS7 network. Service Management Systems provide operational interfaces to allow for provisioning, administration and maintenance of subscriber data and service application data stored in SCPs.
- 9.5.3 Technical Requirements for SCPs/Databases
- 9.5.3.1 Requirements for SCPs/Databases within this section address storage of information, access to information (e.g. signaling protocols, response times), and administration of information (e.g., provisioning, administration, and maintenance). All SCPs/Databases shall be provided to EPB Telecommunications in accordance with the following requirements.
- 9.5.3.2 BellSouth shall provide physical access to SCPs through the SS7 network and protocols with TCAP as the application layer protocol.
- 9.5.3.3 BellSouth shall provide physical interconnection to databases via industry standard interfaces and protocols (e.g. SS7, ISDN and X.25).
- 9.5.3.4 The reliability of interconnection options shall be consistent with requirements for diversity and survivability.
- 9.5.4 Database Availability
- 9.5.4.1 Call processing databases shall have a maximum unscheduled unavailability of 30 minutes per year. Unavailability due to software and hardware upgrades shall be scheduled during minimal usage periods and only be undertaken upon proper notification to providers, which might be impacted. Any downtime associated with the provision of call processing related databases will impact all service providers, including BellSouth, equally.
- 9.5.4.2 The operational interface provided by BellSouth shall complete Database transactions (i.e., add, modify, delete) for EPB Telecommunications customer records stored in BellSouth databases within 3 days, or sooner where BellSouth provisions its own customer records within a shorter interval.

9.6 **Local Number Portability Database**

9.6.1 Definition

9.6.2 The Permanent Number Portability (PNP) database supplies routing numbers for calls involving numbers that have been ported from one local service provider to another. PNP is currently being worked in industry forums. The results of these forums will dictate the industry direction of PNP. BellSouth agrees to provide access to the PNP database at rates, terms and conditions as set forth by BellSouth and in accordance with an effective FCC or Commission directive.

9.7 **SS7 Network Interconnection**

9.7.1 Definition.

9.7.2 SS7 Network Interconnection is the interconnection of EPB Telecommunications local Signaling Transfer Point Switches (STP) and EPB Telecommunications local or tandem switching systems with BellSouth STPs. This interconnection provides connectivity that enables the exchange of SS7 messages among BellSouth switching systems and databases (DBs), EPB Telecommunications local or tandem switching systems, and other third-party switching systems directly connected to the BellSouth SS7 network.

9.7.3 Technical Requirements

9.7.3.1 SS7 Network Interconnection shall provide connectivity to all components of the BellSouth SS7 network. These include:

9.7.3.1.1 BellSouth local or tandem switching systems;

9.7.3.1.2 BellSouth DBs; and

9.7.3.1.3 Other third-party local or tandem switching systems.

9.7.4 The connectivity provided by SS7 Network Interconnection shall fully support the functions of BellSouth switching systems and DBs and EPB Telecommunications or other third-party switching systems with A-link access to the BellSouth SS7 network.

9.7.5 If traffic is routed based on dialed or translated digits between a EPB Telecommunications local switching system and a BellSouth or other third-party local switching system, either directly or via a BellSouth tandem switching system, then it is a requirement that the BellSouth SS7 network convey via SS7 Network Interconnection the TCAP messages that are necessary to provide Call Management services (Automatic Callback, Automatic Recall, and Screening List Editing) between the EPB Telecommunications local STPs and BellSouth or other third-party local switch.

9.7.6 When the capability to route messages based on Intermediate Signaling Network Identifier (ISNI) is generally available on BellSouth STPs, the BellSouth SS7 Network shall also convey TCAP messages using SS7 Network Interconnection in

similar circumstances where the BellSouth switch routes traffic based on a Carrier Identification Code (CIC).

- 9.7.7 SS7 Network Interconnection shall provide all functions of the MTP as specified in ANSI T1.111. This includes:
 - 9.7.7.1 Signaling Data Link functions, as specified in ANSI T1.111.2;
 - 9.7.7.2 Signaling Link functions, as specified in ANSI T1.111.3; and
 - 9.7.7.3 Signaling Network Management functions, as specified in ANSI T1.111.4.
- 9.7.8 SS7 Network Interconnection shall provide all functions of the SCCP necessary for Class 0 (basic connectionless) service, as specified in ANSI T1.112. In particular, this includes Global Title Translation (GTT) and SCCP Management procedures, as specified in T1.112.4. Where the destination signaling point is a BellSouth switching system or DB, or is another third-party local or tandem switching system directly connected to the BellSouth SS7 network, SS7 Network Interconnection shall include final GTT of messages to the destination and SCCP Subsystem Management of the destination. Where the destination signaling point is a EPB Telecommunications local or tandem switching system, SS7 Network Interconnection shall include intermediate GTT of messages to a gateway pair of EPB Telecommunications local STPs, and shall not include SCCP Subsystem Management of the destination.
- 9.7.9 SS7 Network Interconnection shall provide all functions of the Integrated Services Digital Network User Part (ISDNUP), as specified in ANSI T1.113.
- 9.7.10 SS7 Network Interconnection shall provide all functions of the TCAP, as specified in ANSI T1.114.
- 9.7.11 If and when Internetwork MTP Routing Verification Test (MRVT) and SCCP Routing Verification Test (SRVT) become approved ANSI standards and available capabilities of BellSouth STPs, SS7 Network Interconnection shall provide these functions of the OMAP.
- 9.7.12 SS7 Network Interconnection shall be equal to or better than the following performance requirements:
 - 9.7.12.1 MTP Performance, as specified in ANSI T1.111.6;
 - 9.7.12.2 SCCP Performance, as specified in ANSI T1.112.5; and
 - 9.7.12.3 ISDNUP Performance, as specified in ANSI T1.113.5.
- 9.7.13 Interface Requirements

- 9.7.13.1 BellSouth shall offer the following SS7 Network Interconnection options to connect EPB Telecommunications or EPB Telecommunications-designated local or tandem switching systems or STPs to the BellSouth SS7 network:
- 9.7.13.1.1 A-link interface from EPB Telecommunications local or tandem switching systems; and
- 9.7.13.1.2 B-link interface from EPB Telecommunications STPs.
- 9.7.13.2 The Signaling Point of Interconnection (SPOI) for each link shall be located at a cross-connect element, such as a DSX-1, in the Central Office (CO) where the BellSouth STP is located. There shall be a DS1 or higher rate transport interface at each of the SPOIs. Each signaling link shall appear as a DS0 channel within the DS1 or higher rate interface. BellSouth shall offer higher rate DS1 signaling links for interconnecting EPB Telecommunications local switching systems or STPs with BellSouth STPs as soon as these become approved ANSI standards and available capabilities of BellSouth STPs. BellSouth and EPB Telecommunications will work jointly to establish mutually acceptable SPOI.
- 9.7.13.3 BellSouth CO shall provide intraoffice diversity between the SPOIs and the BellSouth STP, so that no single failure of intraoffice facilities or equipment shall cause the failure of both B-links in a layer connecting to a BellSouth STP. BellSouth and EPB Telecommunications will work jointly to establish mutually acceptable SPOI.
- 9.7.13.4 The protocol interface requirements for SS7 Network Interconnection include the MTP, ISDNUP, SCCP, and TCAP. These protocol interfaces shall conform to the applicable industry standard technical references.
- 9.7.13.5 BellSouth shall set message screening parameters to accept messages from EPB Telecommunications local or tandem switching systems destined to any signaling point in the BellSouth SS7 network with which the EPB Telecommunications switching system has a legitimate signaling relation.
- 9.7.13.6 SS7 Network Interconnection shall be equal to or better than all of the requirements for SS7 Network Interconnection set forth in the applicable industry standard technical references.

9.8 **Rates**

The prices that EPB Telecommunications shall pay to BellSouth for Network Elements and Other Services are set forth in Exhibit C to this Attachment. If EPB Telecommunications purchases a service(s) from a tariff, all terms and conditions and rates as set forth in such tariff shall apply.

9.9 **Operational Support Systems (OSS)**

The terms, conditions and rates for OSS are as set forth in Section 2.13 of this Attachment.

10. Operator Call Processing, Inward Operator Services and Directory Assistance Services

10.1 All of the negotiated rates, terms and conditions set forth in this Section pertain to the provision of Operator Call Processing, Inward Operator Services and Directory Assistance Services.

10.2 Operator Systems

10.2.1 Definition. Operator Systems is the Network Element that provides operator and automated call handling and billing, special services, end user telephone listings and optional call completion services. The Operator Systems, Network Element provides two types of functions: Operator Service functions and Directory Assistance Service functions, each of which are described in detail below.

10.3 Operator Service

10.3.1 Definition. Operator Service provides: (1) operator handling for call completion (for example, collect, third number billing, and manual credit card calls), (2) operator or automated assistance for billing after the end user has dialed the called number (for example, credit card calls); and (3) special services including but not limited to Busy Line Verification and Emergency Line Interrupt (ELI), Emergency Agency Call, Operator-assisted Directory Assistance, and Rate Quotes.

10.3.2 Requirements

10.3.2.1 When EPB Telecommunications requests BellSouth to provide Operator Services, the following requirements apply:

10.3.2.1.1 BellSouth shall complete 0+ and 0- dialed local calls.

10.3.2.1.2 BellSouth shall complete 0+ intraLATA toll calls.

10.3.2.1.3 BellSouth shall process calls that are billed to EPB Telecommunications end user's calling card that can be validated by BellSouth.

10.3.2.1.4 BellSouth shall complete person-to-person calls.

10.3.2.1.5 BellSouth shall complete collect calls.

10.3.2.1.6 BellSouth shall provide the capability for callers to bill to a third party and complete such calls.

10.3.2.1.7 BellSouth shall complete station-to-station calls.

- 10.3.2.1.8 BellSouth shall process emergency calls.
- 10.3.2.1.9 BellSouth shall process Busy Line Verify and Emergency Line Interrupt requests.
- 10.3.2.1.10 BellSouth shall process emergency call trace, as it does for its own end users prior to the Effective Date. Call must originate from a 911 provider.
- 10.3.2.1.11 BellSouth shall process operator-assisted directory assistance calls.
- 10.3.2.1.12 BellSouth shall adhere to equal access requirements, providing EPB Telecommunications local end users the same IXC access as provided to BellSouth end users.
- 10.3.2.1.13 BellSouth shall exercise at least the same level of fraud control in providing Operator Service to EPB Telecommunications that BellSouth provides for its own operator service.
- 10.3.2.1.14 BellSouth shall perform Billed Number Screening when handling Collect, Person-to-Person, and Billed-to-Third-Party calls.
- 10.3.2.1.15 BellSouth shall direct customer account and other similar inquiries to the customer service center designated by EPB Telecommunications.
- 10.3.2.1.16 BellSouth shall provide a feed of customer call records in “EMI” format to EPB Telecommunications in accordance with CLEC ODUF standards specified in Attachment 7.

10.3.3 Interface Requirements

- 10.3.3.1 With respect to Operator Services for calls that originate on local switching capability provided by or on behalf of EPB Telecommunications, the interface requirements shall conform to the then current established system interface specifications for the platform used to provide Operator Service and the interface shall conform to industry standards.

10.4 **Directory Assistance Service**

- 10.4.1 Definition. Directory Assistance Service provides local end user telephone number listings with the option to complete the call at the caller’s direction separate and distinct from local switching.

10.4.2 Requirements

- 10.4.3 Directory Assistance Service shall provide up to two listing requests per call. If available and if requested by EPB Telecommunications' end user, BellSouth shall provide caller-optional directory assistance call completion service at rates contained in this Attachment to one of the provided listings, equal to that which

BellSouth provides its end users. If not available, EPB Telecommunications may request such requirement pursuant to the BFR/NBR Process as set forth in General Terms and Conditions.

10.4.4 Directory Assistance Service Updates

10.4.4.1 BellSouth shall update end user listings changes daily. These changes include:

10.4.4.1.1 New end user connections: BellSouth will provide service to EPB Telecommunications that is equal to the service it provides to itself and its end users;

10.4.4.1.2 End user disconnections: BellSouth will provide service to EPB Telecommunications that is equal to the service it provides to itself and its end users; and

10.4.4.1.3 End user address changes: BellSouth will provide service to EPB Telecommunications that is equal to the service it provides to itself and its end users;

10.4.4.1.4 These updates shall also be provided for non-listed and non-published numbers for use in emergencies.

10.4.5 Branding for Operator Call Processing and Directory Assistance

10.4.5.1 The BellSouth Operator Systems Branding Feature provides a definable announcement to EPB Telecommunications end users using Directory Assistance (DA)/Operator Call Processing (OCP) prior to placing them in queue or connecting them to an available operator or automated operator system. This feature allows EPB Telecommunications to have its calls custom branded with EPB Telecommunications' name on whose behalf BellSouth is providing Directory Assistance and/or Operator Call Processing. Rates for Custom Branding, Operator Call Process and Directory Assistance are set forth in this Attachment.

10.4.5.2 BellSouth offers four service levels of branding to EPB Telecommunications when ordering Directory Assistance and/or Operator Call Processing.

10.4.5.2.1 Service Level 1 - BellSouth Branding

10.4.5.2.2 Service Level 2 - Unbranded

10.4.5.2.3 Service Level 3 - Custom Branding

10.4.5.2.4 Service Level 4 - Self Branding (applicable only to EPB Telecommunications for Resale or use with an Unbundled Port when routing to an operator service provider other than BellSouth).

- 10.4.6 For Resellers and Use with an Unbundled Port
- 10.4.6.1 BellSouth Branding is the Default Service Level.
- 10.4.6.2 Unbranding, Custom Branding, and Self Branding require EPB Telecommunications to order selective routing for each originating BellSouth end office identified by EPB Telecommunications. Rates for Selective Routing are set forth in this Attachment.
- 10.4.6.3 Custom Branding and Self Branding require EPB Telecommunications to order dedicated trunking from each BellSouth end office identified by EPB Telecommunications, to either the BellSouth Traffic Operator Position System (TOPS) or EPB Telecommunications Operator Service Provider. Rates for trunks are set forth in applicable BellSouth tariffs.
- 10.4.6.4 Unbranding - Unbranded Directory Assistance and/or Operator Call Processing calls ride common trunk groups provisioned by BellSouth from those end offices identified by EPB Telecommunications to the BellSouth TOPS. These calls are routed to "No Announcement."
- 10.4.7 For Facilities Based Carriers
- 10.4.7.1 All Service Levels require EPB Telecommunications to order dedicated trunking from their end office(s) point of interface to the BellSouth TOPS Switches. Rates for trunks are set forth in applicable BellSouth tariffs.
- 10.4.7.2 Customized Branding includes charges for the recording of the branding announcement and the loading of the audio units in each TOPS Switch, Interactive Voice Subsystem (IVS) and Network Applications Vehicle (NAV) equipment for which EPB Telecommunications requires service.
- 10.4.8 Directory Assistance customized branding uses:
- 10.4.8.1 the recording of the name;
- 10.4.8.2 the front-end loading of the Digital Recorded Announcement Machine (DRAM) in each TOPS switch.
- 10.4.9 Operator Call Processing customized branding uses:
- 10.4.9.1 the recording of the name;
- 10.4.9.2 the front-end loading of the DRAM in the TOPS Switch;
- 10.4.9.3 the back-end loading in the audio units in the Automated Alternate Billing System (AABS) in the Interactive Voice Subsystem (IVS);

- 10.4.9.4 the 0- automation loading for the audio units in the Enhanced Billing and Access Service (EBAS) in the Network Applications Vehicle (NAV).
- 10.4.9.5 BellSouth will provide to EPB Telecommunications purchasing local BellSouth switching and reselling BellSouth local exchange service, selective routing of calls to a requested directory assistance services platform or operator services platform. EPB Telecommunications end users may use the same dialing arrangements as BellSouth end users, but obtain a EPB Telecommunications branded service.
- 10.5 **Directory Assistance Database Service (DADS)**
- 10.5.1 BellSouth shall make its Directory Assistance Database Service (DADS) available solely for the expressed purpose of providing Directory Assistance type services to EPB Telecommunications end users. The term "end user" denotes any entity which obtains Directory Assistance type services for its own use from a DADS customer. Directory Assistance type service is defined as Voice Directory Assistance (DA Operator assisted and Electronic Directory Assistance (Data System assisted)). EPB Telecommunications agrees that DADS will not be used for any purpose which violates federal or state laws, statutes, regulatory orders or tariffs. Except for the permitted users, EPB Telecommunications agrees not to disclose DADS to others and shall provide due care in providing for the security and confidentiality of DADS. Further, EPB Telecommunications authorizes the inclusion of EPB Telecommunications Directory Assistance listings in the BellSouth Directory Assistance products.
- 10.5.2 BellSouth shall provide EPB Telecommunications initially with a base file of subscriber listings which reflect all listing change activity occurring since EPB Telecommunications' most recent update via magnetic tape, and subsequently using electronic connectivity such as Network Data Mover to be developed mutually by EPB Telecommunications and BellSouth. EPB Telecommunications agrees to assume the costs associated with CONNECT: Direct™ connectivity, which will vary depending upon volume and mileage.
- 10.5.3 BellSouth will require approximately one month after receiving an order to prepare the Base File. BellSouth will provide daily updates which will reflect all listing change activity occurring since CLEC's most recent update. BellSouth shall provide updates to EPB Telecommunications on a Business, Residence, or combined Business and Residence basis. EPB Telecommunications agrees that the updates shall be used solely to keep the information current. Delivery of Daily Updates will commence the day after EPB Telecommunications receives the Base File.
- 10.5.4 BellSouth is authorized to include EPB Telecommunications Directory Assistance Listing Information in its DADS. Any other use by BellSouth of EPB Telecommunications Directory Assistance Listing Information is not authorized

and with the exception of a request for DADS, BellSouth shall refer any request for such information to EPB Telecommunications.

10.5.5 Rates for DADS are as set forth in this Attachment.

10.6 **Direct Access to Directory Assistance Service**

10.6.1 Direct Access to Directory Assistance Service (DADAS) will provide EPB Telecommunications' directory assistance operators with the ability to search all available BellSouth subscriber listings using the Directory Assistance search format. Subscription to DADAS will allow EPB Telecommunications to utilize its own switch, operator workstations and optional audio subsystems.

10.6.2 Rates, terms and conditions for provisioning DADAS are as set forth in the FCC tariff No. 1.

10.7 **Automatic Location Identification/Data Management System (ALI/DMS)**

10.7.1 The ALI/DMS Database contains end user information (including name, address, telephone information, and sometimes special information from the local service provider or end user) used to determine to which Public Safety Answering Point (PSAP) to route the call. The ALI/DMS database is used to provide more routing flexibility for E911 calls than Basic 911. BellSouth shall provide the Emergency Services Database in accordance with the following:

10.7.2 Technical Requirements

10.7.2.1 BellSouth shall offer EPB Telecommunications a data link to the ALI/DMS database or permit EPB Telecommunications to provide its own data link to the ALI/DMS database. BellSouth shall provide error reports from the ALI/DMS database to EPB Telecommunications immediately after EPB Telecommunications inputs information into the ALI/DMS database. Alternately, EPB Telecommunications may utilize BellSouth, to enter end user information into the database on a demand basis, and validate end user information on a demand basis.

10.7.2.2 The ALI/DMS database shall contain the following end user information:

10.7.2.2.1 Name;

10.7.2.2.2 Address;

10.7.2.2.3 Telephone number; and

10.7.2.2.4 Other information as appropriate (e.g., whether an end user is blind or deaf or has another disability).

- 10.7.2.3 When BellSouth is responsible for administering the ALI/DMS database in its entirety, ported number NXXs entries for the ported numbers should be maintained unless EPB Telecommunications requests otherwise and shall be updated if EPB Telecommunications requests, provided EPB Telecommunications supplies BellSouth with the updates.
- 10.7.2.4 When Remote Call Forwarding (RCF) is used to provide number portability to the local end user and a remark or other appropriate field information is available in the database, the shadow or “forwarded-to” number and an indication that the number is ported shall be added to the customer record.
- 10.7.2.5 If BellSouth is responsible for configuring PSAP features (for cases when the PSAP or BellSouth supports an ISDN interface) it shall ensure that CLASS Automatic Recall (Call Return) is not used to call back to the ported number. Although BellSouth currently does not have ISDN interface, BellSouth agrees to comply with this requirement once ISDN interfaces are in place.

10.7.3 Interface Requirements

The interface between the E911 Switch or Tandem and the ALI/DMS database for EPB Telecommunications end users shall meet industry standards.

10.8 Rates

The prices that EPB Telecommunications shall pay to BellSouth for Network Elements and Other Services are set forth in Exhibit C to this Attachment. If EPB Telecommunications purchases a service(s) from a tariff, all terms and conditions and rates as set forth in such tariff shall apply.

10.9 Operational Support Systems (OSS)

The terms, conditions and rates for OSS are as set forth in Section 2.13 of this Attachment.

11. Calling Name (CNAM) Database Service

- 11.1 All of the negotiated rates, terms and conditions set forth in this Section pertain to the provision of CNAM.
- 11.2 The Agreement for CNAM with standard pricing is included as Exhibit B to this Attachment. EPB Telecommunications must provide to its account manager a written request with a requested activation date to activate this service. If EPB Telecommunications is interested in requesting CNAM with volume and term pricing, EPB Telecommunications must contact its account manager to request a separate CNAM volume and term Agreement.

- 11.3 SCPs/Databases shall be equal to or better than all of the requirements for SCPs/Databases set forth in the applicable industry standard technical references.
- 11.4 **Service Creation Environment and Service Management System (SCE/SMS) Advanced Intelligent Network (AIN) Access**
- 11.4.1 BellSouth's Service Creation Environment and Service Management System (SCE/SMS) Advanced Intelligent Network (AIN) Access shall provide EPB Telecommunications the capability that will allow EPB Telecommunications and other third parties to create service applications in a BellSouth SCE and deploy those applications in a BellSouth SMS to a BellSouth SCP. The third party service applications interact with AIN triggers provisioned on a BellSouth SSP.
- 11.4.2 BellSouth's SCE/SMS AIN Access shall provide access to SCE hardware, software, testing and technical support (e.g., help desk, system administrator) resources available to EPB Telecommunications. Scheduling procedures shall provide EPB Telecommunications equivalent priority to these resources.
- 11.4.2 BellSouth SCP shall partition and protect EPB Telecommunications service logic and data from unauthorized access, execution or other types of compromise.
- 11.4.3 When EPB Telecommunications selects SCE/SMS AIN Access, BellSouth shall provide training, documentation, and technical support to enable EPB Telecommunications to use BellSouth's SCE/SMS AIN Access to create and administer applications. Training, documentation, and technical support will address use of SCE and SMS access and administrative functions, but will not include support for the creation of a specific service application.
- 11.4.4 When EPB Telecommunications selects SCE/SMS AIN Access, BellSouth shall provide for a secure, controlled access environment in association with its internal use of AIN components. EPB Telecommunications access will be provided via remote data connection (e.g., dial-in, ISDN).
- 11.4.5 When EPB Telecommunications selects SCE/SMS AIN Access, BellSouth shall allow EPB Telecommunications to download data forms and/or tables to BellSouth SCP via BellSouth SMS without intervention from BellSouth (e.g., service customization and end user subscription).
- 11.5 **Rates**
- The prices that EPB Telecommunications shall pay to BellSouth for Network Elements and Other Services are set forth in Exhibit C to this Attachment. If EPB Telecommunications purchases a service(s) from a tariff, all terms and conditions and rates as set forth in such tariff shall apply.
- 11.6 **Operational Support Systems (OSS)**

The terms, conditions and rates for OSS are as set forth in Section 2.13 of this Attachment.

12. Basic 911 and E911

12.1 All of the negotiated terms and conditions set forth in this Section pertain to the provision of Basic 911 and E911.

12.2 If EPB Telecommunications orders network elements and other services, then EPB Telecommunications is also responsible for providing E911 to its end users. BellSouth agrees to offer access to the 911/E911 network pursuant to the following terms and conditions set forth in this Attachment.

12.3 Definition

12.4 Basic 911 and E911 is an additional requirement that provides a caller access to the applicable emergency service bureau by dialing a 3-digit universal telephone number (911).

12.5 Requirements

12.5.1 Basic 911 Service Provisioning. For Basic 911 service, BellSouth will provide to EPB Telecommunications a list consisting of each municipality that subscribes to Basic 911 service. The list will also provide, if known, the E911 conversion date for each municipality and, for network routing purposes, a ten-digit directory number representing the appropriate emergency answering position for each municipality subscribing to 911. EPB Telecommunications will be required to arrange to accept 911 calls from its end users in municipalities that subscribe to Basic 911 service and translate the 911 call to the appropriate 10-digit directory number as stated on the list provided by BellSouth. EPB Telecommunications will be required to route that call to BellSouth at the appropriate tandem or end office. When a municipality converts to E911 service, EPB Telecommunications will be required to discontinue the Basic 911 procedures and being using E911 procedures.

12.5.2 E911 Service Provisioning. For E911 service, EPB Telecommunications will be required to install a minimum of two dedicated trunks originating from the EPB Telecommunications serving wire center and terminating to the appropriate E911 tandem. The dedicated trunks shall be, at a minimum, DS-0 level trunks configured either as a 2-wire analog interface or as part of a digital (1.544 Mb/s) interface. Either configuration shall use CAMA-type signaling with multifrequency (“MF”) pulsing that will deliver automatic number identification (“ANI”) with the voice portion of the call. If the user interface is digital, MF pulses, as well as other AC signals, shall be encoded per the u-255 Law convention. EPB Telecommunications will be required to provide BellSouth daily updates to the E911 database. EPB Telecommunications will be required to forward 911 calls to

the appropriate E911 tandem, along with ANI, based upon the current E911 end office to tandem homing arrangement as provided by BellSouth. If the E911 tandem trunks are not available, EPB Telecommunications will be required to route the call to a designated 7-digit local number residing in the appropriate Public Service Answering Point (“PSAP”). This call will be transported over BellSouth’s interoffice network and will not carry the ANI of the calling party. EPB Telecommunications shall be responsible for providing BellSouth with complete and accurate data for submission to the 911/E911 database for the purpose of providing 911/E911 to its end users.

- 12.5.3 Rates. Charges for 911/E911 service are borne by the municipality purchasing the service. BellSouth will impose no charge on EPB Telecommunications beyond applicable charges for BellSouth trunking arrangements.
- 12.5.4 Basic 911 and E911 functions provided to EPB Telecommunications shall be at least at parity with the support and services that BellSouth provides to its end users for such similar functionality.
- 12.5.5 Detailed Practices and Procedures. The detailed practices and procedures contained in the E911 Local Exchange Carrier Guide For Facility-Based Providers as amended from time to time during the term of this Agreement will determine the appropriate practices and procedures for BellSouth and EPB Telecommunications to follow in providing 911/E911 services.

13. True-Up

This section applies only to Tennessee and other rates that are interim or expressly subject to true-up under this attachment.

- 13.1 The interim prices for Network Elements and Other Services and Local Interconnection shall be subject to true-up according to the following procedures:
- 13.2 The interim prices shall be true-up, either up or down, based on final prices determined either by further agreement between the Parties, or by a final order (including any appeals) of the Commission which final order meets the criteria of (3) below. The Parties shall implement the true-up by comparing the actual volumes and demand for each item, together with interim prices for each item, with the final prices determined for each item. Each Party shall keep its own records upon which the true-up can be based, and any final payment from one Party to the other shall be in an amount agreed upon by the Parties based on such records. In the event of any disagreement as between the records or the Parties regarding the amount of such true-up, the Parties agree that the body having jurisdiction over the matter shall be called upon to resolve such differences, or the Parties may mutually agree to submit the matter to the Dispute Resolution process in accordance with the provisions of Section 12 of the General Terms and Conditions and Attachment 1 of the Agreement.

- 13.3 The Parties may continue to negotiate toward final prices, but in the event that no such Agreement is reached within nine (9) months, either Party may petition the Commission to resolve such disputes and to determine final prices for each item. Alternatively, upon mutual agreement, the Parties may submit the matter to the Dispute Resolution Process set forth in Section 12 of the General Terms and Conditions and Attachment 1 of the Agreement, so long as they file the resulting Agreement with the Commission as a “negotiated Agreement” under Section 252(e) of the Act.
- (a) 13.4 An effective order of the Commission that forms the basis of a true-up shall be based upon cost studies submitted by either or both Parties to the Commission and shall be binding upon BellSouth and EPB Telecommunications specifically or upon all carriers generally, such as a generic cost proceeding.

EXHIBIT A**LINE INFORMATION DATA BASE (LIDB)****STORAGE AGREEMENT****I. SCOPE**

- A. This Agreement sets forth the terms and conditions pursuant to which BellSouth agrees to store in its LIDB certain information at the request of EPB Telecommunications and pursuant to which BellSouth, its LIDB customers and EPB Telecommunications shall have access to such information. EPB Telecommunications understands that BellSouth provides access to information in its LIDB to various telecommunications service providers pursuant to applicable tariffs and agrees that information stored at the request of EPB Telecommunications, pursuant to this Agreement, shall be available to those telecommunications service providers. The terms and conditions contained herein shall hereby be made a part of this Interconnection Agreement upon notice to EPB Telecommunications' account team to activate this LIDB Storage Agreement. The General Terms and Conditions of the Interconnection/Resale Agreement shall govern this LIDB Storage Agreement. The terms and conditions contained in the attached Addendum is hereby made a part of this LIDB Storage Agreement as if fully incorporated herein.
- B. LIDB is accessed for the following purposes:
1. Billed Number Screening
 2. Calling Card Validation
 3. Fraud Control
- C. BellSouth will provide seven days per week, 24-hours per day, fraud monitoring on Calling Cards, bill-to-third and collect calls made to numbers in BellSouth's LIDB, provided that such information is included in the LIDB query. BellSouth will establish fraud alert thresholds and will notify EPB Telecommunications of fraud alerts so that EPB Telecommunications may take action it deems appropriate. EPB Telecommunications understands and agrees BellSouth will administer all data stored in the LIDB, including the data provided by EPB Telecommunications pursuant to this Agreement, in the same manner as BellSouth's data for BellSouth's end user customers. BellSouth shall not be responsible to EPB Telecommunications for any lost revenue which may result from BellSouth's administration of the LIDB pursuant

to its established practices and procedures as they exist and as they may be changed by BellSouth in its sole discretion from time to time.

EPB Telecommunications understands that BellSouth currently has in effect numerous billing and collection agreements with various interexchange carriers and billing clearinghouses. EPB Telecommunications further understands that these billing and collection customers of BellSouth query BellSouth's LIDB to determine whether to accept various billing options from end users. Additionally, EPB Telecommunications understands that presently BellSouth has no method to differentiate between BellSouth's own billing and line data in the LIDB and such data which it includes in the LIDB on EPB Telecommunications' behalf pursuant to this Agreement. Therefore, until such time as BellSouth can and does implement in its LIDB and its supporting systems the means to differentiate EPB Telecommunications' data from BellSouth's data and the Parties to this Agreement execute appropriate amendments hereto, the following terms and conditions shall apply:

- (a) EPB Telecommunications agrees that it will accept responsibility for telecommunications services billed by BellSouth for its billing and collection customers for EPB Telecommunications' end user accounts which are resident in LIDB pursuant to this Agreement. EPB Telecommunications authorizes BellSouth to place such charges on EPB Telecommunications' bill from BellSouth and agrees that it shall pay all such charges. Charges for which EPB Telecommunications hereby takes responsibility include, but are not limited to, collect and third number calls.
- (b) Charges for such services shall appear on a separate BellSouth bill page identified with the name of the entity for which BellSouth is billing the charge.
- (c) EPB Telecommunications shall have the responsibility to render a billing statement to its end users for these charges, but EPB Telecommunications' obligation to pay BellSouth for the charges billed shall be independent of whether EPB Telecommunications is able or not to collect from EPB Telecommunications' end users.
- (d) BellSouth shall not become involved in any disputes between EPB Telecommunications and the entities for which BellSouth performs billing and collection. BellSouth will not issue adjustments for charges billed on behalf of an entity to EPB Telecommunications. It shall be the responsibility of EPB Telecommunications and the other entity to negotiate and arrange for any appropriate adjustments.

II. FEES FOR SERVICE AND TAXES

- A. EPB Telecommunications will not be charged a fee for storage services provided by BellSouth to EPB Telecommunications, as described in Section I of this Agreement.
- B. Sales, use and all other taxes (excluding taxes on BellSouth's income) determined by BellSouth or any taxing authority to be due to any federal, state or local taxing jurisdiction with respect to the provision of the service set forth herein will be paid by EPB Telecommunications in accordance with the tax provisions set forth in the General Terms and Conditions of this Agreement.

III. MISCELLANEOUS

- A. It is understood and agreed to by the Parties that BellSouth may provide similar services to other companies.
- B. All terms, conditions and operations under this Agreement shall be performed in accordance with, and subject to, all applicable local, state or federal legal and regulatory tariffs, rulings, and other requirements of the federal courts, the U. S. Department of Justice and state and federal regulatory agencies. Nothing in this Agreement shall be construed to cause either Party to violate any such legal or regulatory requirement and either Party's obligation to perform shall be subject to all such requirements.
- C. This LIDB Storage Agreement constitutes the entire Agreement between EPB Telecommunications and BellSouth with respect to the subject matter hereof and supersedes all prior Agreements or contracts, oral or written representations, statements, negotiations, understandings, proposals and undertakings with respect to LIDB Storage.

**FACILITIES BASED ADDENDUM
TO LINE INFORMATION DATA BASE (LIDB)
STORAGE AGREEMENT**

This is a Facilities Based Addendum to the Line Information Data Base Storage Agreement dated _____, between BellSouth Telecommunications, Inc. (“BellSouth”), and Electric Power Board of Chattanooga (“EPB Telecommunications”), effective the ____ day of _____, ____.

I. GENERAL

This Addendum sets forth the terms and conditions for EPB Telecommunications' provision of billing number information to BellSouth for inclusion in BellSouth's LIDB. BellSouth will store in its LIDB the billing number information provided by EPB Telecommunications, and BellSouth will provide responses to on-line, call-by-call queries to this information for purposes specified in Section I.B. of the Agreement.

II. DEFINITIONS

- A. Billing number - a number that EPB Telecommunications creates for the purpose of identifying an account liable for charges. This number may be a line or a special billing number.
- B. Line number - a ten digit number that identifies a telephone line administered by EPB Telecommunications.
- C. Special billing number - a ten-digit number that identifies a billing account established by EPB Telecommunications.
- D. Calling Card number - a billing number plus PIN number.
- E. PIN number - a four-digit security code assigned by EPB Telecommunications which is added to a billing number to compose a fourteen-digit calling card number.
- F. Toll billing exception indicator - associated with a billing number to indicate that it is considered invalid for billing of collect calls or third number calls or both, by EPB Telecommunications.

- G. Billed Number Screening - refers to the activity of determining whether a toll billing exception indicator is present for a particular billing number.
- H. Calling Card Validation - refers to the activity of determining whether a particular calling card number exists as stated or otherwise provided by a caller.
- I. Billing number information - information about billing number, Calling Card number and toll billing exception indicator provided to BellSouth by EPB Telecommunications.

III. RESPONSIBILITIES OF PARTIES

- A. EPB Telecommunications will provide its billing number information to BellSouth's LIDB each business day by a method that has been mutually agreed upon by both Parties.
- B. BellSouth will store in its LIDB the billing number information provided by EPB Telecommunications. Under normal operating conditions, BellSouth shall include EPB Telecommunications' billing number information in its LIDB no later than two business days following BellSouth's receipt of such billing number information, provided that BellSouth shall not be held responsible for any delay or failure in performance to the extent such delay or failure is caused by circumstances or conditions beyond BellSouth's reasonable control. BellSouth will store in its LIDB an unlimited volume of EPB Telecommunications' working telephone numbers.
- C. BellSouth will provide responses to on-line, call-by-call queries to the stored information for the specific purposes listed in the next paragraph.
- D. BellSouth is authorized to use the billing number information provided by EPB Telecommunications to perform the following functions for authorized users on an on-line basis:
 - 1. Validate a 14 digit Calling Card number where the first 10 digits are a line number or special billing number assigned by EPB Telecommunications, and where the last four digits (PIN) are a security code assigned by EPB Telecommunications.
 - 2. Determine whether EPB Telecommunications or the subscriber has identified the billing number as one which should not be billed for collect or third number calls, or both.
- E. EPB Telecommunications will provide its own billing number information to BellSouth for storage and to be used for Billed Number Screening and Calling Card Validation. EPB Telecommunications will arrange and pay for transport of updates to BellSouth.

IV. COMPLIANCE

Unless expressly authorized in writing by EPB Telecommunications, all billing number information provided pursuant to this Addendum shall be used for no purposes other than those set forth in this Addendum.

EXHIBIT B**CALLING NAME DELIVERY (CNAM) DATABASE SERVICES****1. Definitions**

For the purpose of this Attachment, the following terms shall be defined as:

CALLING NAME DELIVERY DATABASE SERVICE (CNAM) - The ability to associate a name with the calling party number, allowing the end user subscriber (to which a call is being terminated) to view the calling party's name before the call is answered. This service also provides EPB Telecommunications the opportunity to load and store its subscriber names in the BellSouth CNAM SCPs.

CALLING PARTY NUMBER (CPN) - The number of the calling party that is delivered to the terminating switch using common channel signaling system 7 (CCS7) technology, and that is contained in the Initial Address Message (IAM) portion of the CCS7 call setup.

COMMON CHANNEL SIGNALING SYSTEM 7 (CCS7) - A network signaling technology in which all signaling information between two or more nodes is transmitted over high-speed data links, rather than over voice circuits.

SERVICE CONTROL POINTs (SCPs) - The real-time data base systems that contain the names to be provided in response to queries received from CNAM SSPs.

SERVICE MANAGEMENT SYSTEM (SMS) - The main operations support system of CNAM DATABASE SERVICE. CNAM records are loaded into the SMS, which in turn downloads into the CNAM SCP.

SERVICE SWITCHING POINTs (SSPs) - Features of computerized switches in the telephone network that determine that a terminating line has subscribed to CNAM service, and then communicate with CNAM SCPs in order to provide the name associated with the calling party number.

SUBSYSTEM NUMBER (SSN) - The address used in the Signaling Connection Control Part (SCCP) layer of the SS7 protocol to designate an application at an end signaling point. A SSN for CNAM at the end office designates the CNAM application within the end office. BellSouth uses the CNAM SSN of 232.

2. Attachment

- 2.1 This Attachment contains the terms and conditions where BellSouth will provide to EPB Telecommunications access to the BellSouth CNAM SCP for query or record storage purposes.
- 2.2 EPB Telecommunications shall submit to BellSouth a notice of its intent to access and utilize BellSouth CNAM Database Services pursuant to the terms and conditions of

this Attachment. Said notice shall be in writing, no less than 60 days prior to EPB Telecommunications' access to BellSouth's CNAM Database Services and shall be addressed to EPB Telecommunications' Account Manager.

3. Physical Connection and Compensation

3.1 BellSouth's provision of CNAM Database Services to EPB Telecommunications requires interconnection from EPB Telecommunications to BellSouth CNAM Service Control Points (SCPs). Such interconnections shall be established pursuant to Attachment 3 of this Agreement. The appropriate charge for access to and use of the BellSouth CNAM Database service shall be as set forth in this Attachment.

3.2 In order to formulate a CNAM query to be sent to the BellSouth CNAM SCP, EPB Telecommunications shall provide its own CNAM SSP. EPB Telecommunications' CNAM SSPs must be compliant with TR-NWT-001188, "CLASS Calling Name Delivery Generic Requirements".

3.3 If EPB Telecommunications elects to access the BellSouth CNAM SCP via a third party CCS7 transport provider, the third party CCS7 provider shall interconnect with the BellSouth CCS7 network according to BellSouth's Common Channel Signaling Interconnection Guidelines and Telcordia (formerly BellCore)'s CCS Network Interface Specification document, TR-TSV-000905. In addition, the third party provider shall establish CCS7 interconnection at the BellSouth Local Signal Transfer Points (LSTPs) serving the BellSouth CNAM SCPs that EPB Telecommunications desires to query.

3.4 Out-Of-Region Customers

If the customer queries the BellSouth CNAM SCP via a third party national SS7 transport provider, the third party SS7 provider shall interconnect with the BellSouth CCS7 network according to BellSouth's Common Channel Signaling Interconnection Guidelines and Telcordia's (formerly BellCore's) CCS Network Interface Specification document, TR-TSV-000905. In addition, the third party provider shall establish SS7 interconnection at one or more of the BellSouth Gateway Signal Transfer Points (STPs). The payment of all costs associated with the transport of SS7 signals via a third party will be established by mutual agreement of the Parties in writing and shall, by this reference become an integral part of this Agreement.

4. CNAM Record Initial Load and Updates

4.1 The mechanism to be used by EPB Telecommunications for initial CNAM record load and/or updates shall be determined by mutual agreement. The initial load and all updates shall be provided by EPB Telecommunications in the BellSouth specified format and shall contain records for every working telephone number that can originate phone calls. It is the responsibility of EPB Telecommunications to provide accurate information to BellSouth on a current basis.

- 4.2 Updates to the SMS shall occur no less than once a week, reflect service order activity affecting either name or telephone number, and involve only record additions, deletions or changes.
- 4.3 EPB Telecommunications CNAM records provided for storage in the BellSouth CNAM SCP shall be available, on a SCP query basis only, to all Parties querying the BellSouth CNAM SCP. Further, CNAM service shall be provided by each Party consistent with state and/or federal regulation.

[Left blank intentionally]

BELLSOUTH/EPB TELECOMMUNICATIONS RATES
NETWORK ELEMENTS
AND OTHER SERVICES

DESCRIPTION	USOC	RATES BY STATE									
		AL	FL	GA	KY	LA	MS	NC	SC	TN	
NIDs											
NID to NID Cross Connect, 2-Wire or 4-Wire, NRC	UNDC2	\$11.63	\$6.15	NA	\$11.79	\$11.72	NA	\$11.68	NA	See Ex C-1	
NID to NID Cross Connect, 2-Wire or 4-Wire, NRC	UNDC4	\$11.63	\$6.15	NA	\$11.79	\$11.72	NA	\$11.68	NA	See Ex C-1	
NID, 1-2 lines, per month	UND12	NA	NA	NA	NA	NA	NA	NA	NA	NA	
NRC - 1st	UND12	TBD	\$94.50	TBD	\$94.56	\$93.90	TBD	TBD	TBD	TBD	
NRC - Add'l	UND12	TBD	\$57.22	TBD	\$57.28	\$56.67	TBD	TBD	TBD	TBD	
NRC - Disconnect Charge - 1st	UND12	TBD	NA	TBD	NA	NA	TBD	TBD	TBD	TBD	
NRC - Disconnect Charge - Add'l	UND12	TBD	NA	TBD	NA	NA	TBD	TBD	TBD	TBD	
NRC - Service Order submitted Electronically, per LSR	SOMEK	\$3.50	\$2.75	NA	\$3.50	\$3.50	NA	\$3.50	NA	TBD	
NRC - Service Order submitted Electronically, per LSR - Disconnect	SOMEK	NA	\$0.42	NA	NA	NA	NA	NA	NA	TBD	
NRC - Service Order submitted Manually, per LSR	SOMAN	NA	\$21.56	NA	\$29.24	NA	NA	NA	NA	TBD	
NRC - Service Order submitted Manually, per LSR, Disconnect	SOMAN	NA	\$3.84	NA	\$3.94	NA	NA	NA	NA	TBD	
NRC - Incremental Charge - Manual Service Order - 1st	SOMAN	TBD	NA	TBD	NA	NA	TBD	TBD	TBD	TBD	
NRC - Incremental Charge - Manual Service Order - Add'l	SOMAN	TBD	NA	TBD	NA	NA	TBD	TBD	TBD	TBD	
NRC - Incremental Charge - Manual Service Order - Disconnect	SOMAN	TBD	NA	TBD	NA	NA	TBD	TBD	TBD	TBD	
NID, 1-6 lines, per month	UND16	NA	NA	NA	NA	NA	NA	NA	NA	NA	
NRC - 1st	UND16	TBD	\$136.75	TBD	\$136.91	\$135.29	TBD	TBD	TBD	TBD	
NRC - Add'l	UND16	TBD	\$99.47	TBD	\$99.63	\$98.07	TBD	TBD	TBD	TBD	
NRC - Disconnect Charge - 1st	UND16	TBD	NA	TBD	NA	NA	TBD	TBD	TBD	TBD	
NRC - Disconnect Charge - Add'l	UND16	TBD	NA	TBD	NA	NA	TBD	TBD	TBD	TBD	
NRC - Service Order submitted Electronically, per LSR	SOMEK	\$3.50	\$2.75	NA	\$3.50	\$3.50	NA	\$3.50	NA	TBD	
NRC - Service Order submitted Electronically, per LSR - Disconnect	SOMEK	NA	\$0.42	NA	NA	NA	NA	NA	NA	TBD	
NRC - Service Order submitted Manually, per LSR	SOMAN	NA	\$21.56	NA	\$29.24	NA	NA	NA	NA	TBD	
NRC - Service Order submitted Manually, per LSR, Disconnect	SOMAN	NA	\$3.84	NA	\$3.94	NA	NA	NA	NA	TBD	
NRC - Incremental Charge - Manual Service Order - 1st	SOMAN	TBD	\$21.56	TBD	NA	NA	TBD	TBD	TBD	TBD	
NRC - Incremental Charge - Manual Service Order - Add'l	SOMAN	TBD	NA	TBD	NA	NA	TBD	TBD	TBD	TBD	
NRC - Incremental Charge - Manual Service Order - Disconnect	SOMAN	TBD	\$3.84	TBD	NA	NA	TBD	TBD	TBD	TBD	
Nonrecurring Charge - customer transfer, feature additions, changes (1)		\$5.00	NA	NA	NA	NA	\$5.00	NA	NA	NA	
LOOP, EXCLUDING NID											
2-Wire Analog VG Loop (Standard), per month		NA	NA	NA	\$18.20	NA	NA	NA	NA	NA	
NRC - 1st		NA	NA	NA	\$86.08	NA	NA	NA	NA	NA	
NRC - Add'l		NA	NA	NA	\$58.57	NA	NA	NA	NA	NA	
2-Wire Analog VG Loop (Customized), per month		NA	NA	NA	\$21.41	NA	NA	NA	NA	NA	
NRC - 1st		NA	NA	NA	\$236.75	NA	NA	NA	NA	NA	
NRC - Add'l		NA	NA	NA	\$177.10	NA	NA	NA	NA	NA	
4-Wire Analog VG Loop (Standard), per month		NA	NA	NA	\$26.38	NA	NA	NA	NA	NA	
NRC - 1st		NA	NA	NA	\$457.14	NA	NA	NA	NA	NA	
NRC - Add'l		NA	NA	NA	\$348.83	NA	NA	NA	NA	NA	
2-Wire ISDN Digital Grade Loop (Standard), per month		NA	NA	NA	\$29.65	NA	NA	NA	NA	NA	
NRC - 1st		NA	NA	NA	\$541.28	NA	NA	NA	NA	NA	
NRC - Add'l		NA	NA	NA	\$431.61	NA	NA	NA	NA	NA	
2-Wire ADSL Loop (Standard), per month		NA	NA	NA	\$10.63	NA	NA	NA	NA	NA	
NRC - 1st		NA	NA	NA	\$713.50	NA	NA	NA	NA	NA	
NRC - Add'l		NA	NA	NA	\$609.44	NA	NA	NA	NA	NA	
2-Wire HDSL Loop (Standard), per month		NA	NA	NA	\$7.40	NA	NA	NA	NA	NA	
NRC - 1st		NA	NA	NA	\$713.50	NA	NA	NA	NA	NA	
NRC - Add'l		NA	NA	NA	\$609.44	NA	NA	NA	NA	NA	
4-Wire HDSL Loop (Standard), per month		NA	NA	NA	\$9.70	NA	NA	NA	NA	NA	
NRC - 1st		NA	NA	NA	\$748.93	NA	NA	NA	NA	NA	
NRC - Add'l		NA	NA	NA	\$646.17	NA	NA	NA	NA	NA	

BELLSOUTH/EPB TELECOMMUNICATIONS RATES
NETWORK ELEMENTS
AND OTHER SERVICES

LOOP, INCLUDING NID											
2-Wire Analog VG Loop-SL1											
	RC - Statewide, per month	UEAL2	NA	NA	NA	NA	NA	NA	\$15.88	NA	See Ex C-1
	RC - Zone 1, per month (Note 2)	UEAL2	\$15.24	\$13.75	\$14.21	\$14.79	\$14.96	\$15.58	TBD	\$18.48	See Ex C-1
	RC - Zone 2, per month (Note 2)	UEAL2	\$24.75	\$20.13	\$16.41	\$27.68	\$25.69	\$20.65	TBD	\$27.87	See Ex C-1
	RC - Zone 3, per month (Note 2)	UEAL2	\$44.85	\$44.40	\$26.08	\$47.78	\$52.47	\$29.51	TBD	\$36.91	See Ex C-1
	RC - Zone 4, per month (Note 2)	UEAL2	NA	NA	NA	NA	NA	\$38.94	NA	NA	See Ex C-1
	NRC - 1st	UEAL2	\$59.03	\$83.20	\$42.54	\$86.08	\$40.69	\$59.25	\$57.99	\$70.44	See Ex C-1
	NRC - Add'l	UEAL2	\$43.14	\$35.12	\$31.33	\$58.57	\$29.96	\$43.67	\$42.37	\$44.05	See Ex C-1
	NRC - Disconnect Charge - 1st	UEAL2	\$15.21	\$55.97	NA	NA	\$11.48	\$16.35	NA	NA	See Ex C-1
	NRC - Disconnect Charge - Add'l	UEAL2	\$3.22	\$10.35	NA	NA	\$3.36	\$4.06	NA	NA	See Ex C-1
	NRC - Service Order submitted Electronically, per LSR	SOMEK	\$3.50	\$2.75	\$3.50	\$3.50	\$3.50	\$3.50	\$3.50	\$3.50	See Ex C-1
	NRC - Service Order submitted Electronically, per LSR - Disconnect	SOMEK	NA	\$0.42	NA	NA	NA	NA	NA	NA	See Ex C-1
	NRC - Service Order submitted Manually, per LSR	SOMAN	NA	\$21.56	NA	\$29.24	NA	NA	NA	NA	See Ex C-1
	NRC - Service Order submitted Manually, per LSR, Disconnect	SOMAN	NA	\$3.84	NA	\$3.94	NA	NA	NA	NA	See Ex C-1
	NRC - Incremental Charge - Manual Service Order - 1st	SOMAN	\$27.37	NA	\$18.94	NA	\$18.14	\$25.52	\$26.94	\$44.22	See Ex C-1
	NRC - Incremental Charge - Manual Service Order - Add'l	SOMAN	\$12.97	NA	\$8.42	NA	\$8.06	\$11.34	\$12.76	\$13.55	See Ex C-1
	NRC - Incremental Charge - Manual Service Order - Disconnect	SOMAN	\$17.77	NA	NA	NA	\$11.41	\$16.06	NA	NA	See Ex C-1
	NRC - Incremental Charge - Order coordination for SL1 loops (per loop)	UEAM	\$51.29	\$16.31	\$36.46	\$16.31	\$34.90	\$50.29	\$61.38	\$62.10	See Ex C-1
	NRC - Incremental Charge - Order Coordination - Time Specific (per LSR)	OCOSL	\$45.99	\$23.24	\$34.22	\$36.18	\$32.77	\$45.27	\$45.34	\$45.43	See Ex C-1
	NRC - Engineering Information (EI) - interim rates until cost study is prepared based on input that reflect the work required to extract the EI	UEANM	\$25.00	\$40.00	\$20.00	\$40.00	\$20.00	\$25.00	\$20.00	\$25.00	See Ex C-1
2-Wire Analog VG Loop-SL2 w/loop or ground start signaling											
	RC - Statewide, per month	UEAL2	NA	NA	NA	NA	NA	NA	\$19.50	NA	See Ex C-1
	RC - Zone 1, per month (Note 2)	UEAL2	\$17.95	\$18.48	\$16.84	\$17.27	\$17.65	\$18.35	TBD	\$21.57	See Ex C-1
	RC - Zone 2, per month (Note 2)	UEAL2	\$29.16	\$22.43	\$19.45	\$32.32	\$30.32	\$24.33	TBD	\$32.53	See Ex C-1
	RC - Zone 3, per month (Note 2)	UEAL2	\$52.84	\$27.87	\$30.92	\$55.78	\$61.93	\$34.77	TBD	\$43.08	See Ex C-1
	RC - Zone 4, per month (Note 2)	UEAL2	NA	NA	NA	NA	NA	\$45.88	NA	NA	See Ex C-1
	NRC - 1st	UEAL2	\$145.46	\$218.96	\$104.17	\$236.75	\$99.69	\$144.01	\$142.97	\$178.12	See Ex C-1
	NRC - Add'l	UEAL2	\$108.40	\$136.44	\$78.10	\$177.10	\$74.73	\$107.70	\$106.56	\$128.80	See Ex C-1
	NRC - Disconnect Charge - 1st	UEAL2	\$40.31	\$113.41	NA	NA	\$28.73	\$40.98	NA	NA	See Ex C-1
	NRC - Disconnect Charge - Add'l	UEAL2	\$26.01	\$20.58	NA	NA	\$18.87	\$26.95	NA	NA	See Ex C-1
	NRC - Service Order submitted Electronically, per LSR	SOMEK	\$3.50	\$2.75	\$3.50	\$3.50	\$3.50	\$3.50	\$3.50	\$3.50	See Ex C-1
	NRC - Service Order submitted Electronically, per LSR - Disconnect	SOMEK	NA	\$0.42	NA	NA	NA	NA	NA	NA	See Ex C-1
	NRC - Service Order submitted Manually, per LSR	SOMAN	NA	\$21.56	NA	\$29.24	NA	NA	NA	NA	See Ex C-1
	NRC - Service Order submitted Manually, per LSR, Disconnect	SOMAN	NA	\$3.84	NA	\$3.94	NA	NA	NA	NA	See Ex C-1
	NRC - Incremental Charge - Manual Service Order - 1st	SOMAN	\$27.37	NA	\$18.94	NA	\$18.14	\$25.52	\$26.94	\$44.42	See Ex C-1
	NRC - Incremental Charge - Manual Service Order - Add'l	SOMAN	\$12.97	NA	\$8.42	NA	\$8.06	\$11.34	\$12.76	\$13.55	See Ex C-1
	NRC - Incremental Charge - Manual Service Order - Disconnect	SOMAN	\$17.77	NA	NA	NA	\$11.41	\$26.95	NA	NA	See Ex C-1
	NRC - Incremental Charge - Order Coordination - Time Specific (per LSR)	OCOSL	\$45.99	\$23.24	\$34.22	\$36.18	\$32.77	\$45.27	\$45.34	\$45.43	See Ex C-1
2-Wire Analog VG Loop-SL2 w/ reverse battery signaling											
	RC - Statewide, per month	UEAR2	NA	NA	NA	NA	NA	NA	\$19.50	NA	See Ex C-1
	RC - Zone 1, per month (Note 2)	UEAR2	\$17.95	\$18.48	\$16.84	\$17.27	\$17.65	\$18.35	TBD	\$21.57	See Ex C-1
	RC - Zone 2, per month (Note 2)	UEAR2	\$29.16	\$22.43	\$19.45	\$32.32	\$30.32	\$24.33	TBD	\$32.53	See Ex C-1
	RC - Zone 3, per month (Note 2)	UEAR2	\$52.84	\$27.87	\$30.92	\$55.78	\$61.93	\$34.77	TBD	\$43.08	See Ex C-1
	RC - Zone 4, per month (Note 2)	UEAR2	NA	NA	NA	NA	NA	\$45.88	NA	NA	See Ex C-1
	NRC - 1st	UEAR2	\$145.46	\$218.96	\$104.17	\$236.75	\$99.69	\$144.01	\$142.97	\$178.12	See Ex C-1
	NRC - Add'l	UEAR2	\$108.40	\$136.44	\$78.10	\$177.10	\$74.73	\$107.70	\$106.56	\$128.80	See Ex C-1
	NRC - Disconnect Charge - 1st	UEAR2	\$40.31	\$113.41	NA	NA	\$28.73	\$40.98	NA	NA	See Ex C-1
	NRC - Disconnect Charge - Add'l	UEAR2	\$26.01	\$20.58	NA	NA	\$18.87	\$26.95	NA	NA	See Ex C-1
	NRC - Service Order submitted Electronically, per LSR	SOMEK	\$3.50	\$2.75	\$3.50	\$3.50	\$3.50	\$3.50	\$3.50	\$3.50	See Ex C-1
	NRC - Service Order submitted Electronically, per LSR - Disconnect	SOMEK	NA	\$0.42	NA	NA	NA	NA	NA	NA	See Ex C-1
	NRC - Service Order submitted Manually, per LSR	SOMAN	NA	\$21.56	NA	\$29.24	NA	NA	NA	NA	See Ex C-1
	NRC - Service Order submitted Manually, per LSR, Disconnect	SOMAN	NA	\$3.84	NA	\$3.94	NA	NA	NA	NA	See Ex C-1
	NRC - Incremental Charge - Manual Service Order - 1st	SOMAN	\$27.37	NA	\$18.94	NA	\$18.14	\$25.52	\$26.94	\$44.42	See Ex C-1
	NRC - Incremental Charge - Manual Service Order - Add'l	SOMAN	\$12.97	NA	\$8.42	NA	\$8.06	\$11.34	\$12.76	\$13.55	See Ex C-1

BELLSOUTH/EPB TELECOMMUNICATIONS RATES
NETWORK ELEMENTS
AND OTHER SERVICES

	NRC - Incremental Charge - Manual Service Order - Disconnect	SOMAN	\$17.77	NA	NA	NA	\$11.41	\$26.95	NA	NA	See Ex C-1
	NRC - Incremental Charge - Order Coordination - Time Specific (per LSR)	OCOSL	\$45.99	\$23.24	\$34.22	\$36.18	\$32.77	\$45.27	\$45.34	\$45.43	See Ex C-1
	4-Wire Analog VG Loop										
	RC - Statewide, per month	UEAL4	NA	NA	NA	NA	NA	NA	\$27.49	NA	See Ex C-1
	RC - Zone 1, per month (Note 2)	UEAL4	\$24.01	\$24.26	\$22.26	\$20.92	\$24.36	\$22.38	TBD	\$29.47	See Ex C-1
	RC - Zone 2, per month (Note 2)	UEAL4	\$39.00	\$35.51	\$25.70	\$39.14	\$41.85	\$29.67	TBD	\$44.44	See Ex C-1
	RC - Zone 3, per month (Note 2)	UEAL4	\$70.67	\$78.35	\$40.85	\$67.56	\$85.47	\$42.40	TBD	\$58.85	See Ex C-1
	RC - Zone 4, per month (Note 2)	UEAL4	NA	NA	NA	NA	NA	\$55.96	NA	NA	See Ex C-1
	NRC - 1st	UEAL4	\$293.70	\$141.00	\$206.95	\$457.14	\$198.10	\$289.06	\$288.47	\$383.39	See Ex C-1
	NRC - Add'l	UEAL4	\$241.76	\$43.00	\$170.57	\$348.83	\$163.26	\$238.19	\$237.45	\$286.77	See Ex C-1
	NRC - Disconnect Charge - 1st	UEAL4	\$108.96	\$122.15	NA	NA	\$74.27	\$108.14	NA	NA	See Ex C-1
	NRC - Disconnect Charge - Add'l	UEAL4	\$57.01	\$27.42	NA	NA	\$39.44	\$57.28	NA	NA	See Ex C-1
	NRC - Service Order submitted Electronically, per LSR	SOMECE	\$3.50	\$2.75	\$3.50	\$3.50	\$3.50	\$3.50	\$3.50	\$3.50	See Ex C-1
	NRC - Service Order submitted Electronically, per LSR - Disconnect	SOMECE	NA	\$0.42	NA	NA	NA	NA	NA	NA	See Ex C-1
	NRC - Service Order submitted Manually, per LSR	SOMAN	NA	\$21.56	NA	\$29.24	NA	NA	NA	NA	See Ex C-1
	NRC - Service Order submitted Manually, per LSR, Disconnect	SOMAN	NA	\$3.84	NA	\$3.94	NA	NA	NA	NA	See Ex C-1
	NRC - Incremental Charge - Manual Service Order - 1st	SOMAN	\$27.37	NA	\$18.94	NA	\$18.14	\$25.52	\$26.94	\$44.06	See Ex C-1
	NRC - Incremental Charge - Manual Service Order - Add'l	SOMAN	\$12.97	NA	\$8.42	NA	\$8.06	\$11.34	\$12.76	\$13.55	See Ex C-1
	NRC - Incremental Charge - Manual Service Order - Disconnect	SOMAN	\$17.77	NA	NA	NA	\$11.41	\$16.06	NA	NA	See Ex C-1
	NRC - Incremental Charge - Order Coordination - Time Specific (per LSR)	OCOSL	\$45.99	\$36.18	\$34.22	\$36.18	\$32.77	\$45.27	\$45.34	\$45.43	See Ex C-1
	2-Wire ISDN Digital Grade Loop										
	RC - Statewide, per month	U1L2X	NA	NA	NA	NA	NA	NA	\$24.98	NA	See Ex C-1
	RC - Zone 1, per month (Note 2)	U1L2X	\$23.23	\$32.34	\$21.89	\$23.66	\$21.15	\$21.86	TBD	\$26.68	See Ex C-1
	RC - Zone 2, per month (Note 2)	U1L2X	\$37.74	\$47.35	\$25.27	\$44.28	\$36.22	\$28.97	TBD	\$40.24	See Ex C-1
	RC - Zone 3, per month (Note 2)	U1L2X	\$68.38	\$104.47	\$40.17	\$76.42	\$74.19	\$41.40	TBD	\$53.29	See Ex C-1
	RC - Zone 4, per month (Note 2)	U1L2X	NA	NA	NA	NA	NA	\$54.64	NA	NA	See Ex C-1
	NRC - 1st	U1L2X	\$331.85	\$306.00	\$233.38	\$541.28	\$223.27	\$326.38	\$325.91	\$423.04	See Ex C-1
	NRC - Add'l	U1L2X	\$255.87	\$283.00	\$180.35	\$431.61	\$172.63	\$252.00	\$251.31	\$301.75	See Ex C-1
	NRC - Disconnect Charge - 1st	U1L2X	\$108.95	\$111.10	NA	NA	\$74.27	\$108.14	NA	NA	See Ex C-1
	NRC - Disconnect Charge - Add'l	U1L2X	\$57.01	\$18.28	NA	NA	\$39.44	\$57.27	NA	NA	See Ex C-1
	NRC - Service Order submitted Electronically, per LSR	SOMECE	\$3.50	\$2.75	\$3.50	\$3.50	\$3.50	\$3.50	\$3.50	\$3.50	See Ex C-1
	NRC - Service Order submitted Electronically, per LSR - Disconnect	SOMECE	NA	\$0.42	NA	NA	NA	NA	NA	NA	See Ex C-1
	NRC - Service Order submitted Manually, per LSR	SOMAN	NA	\$21.56	NA	\$29.24	NA	NA	NA	NA	See Ex C-1
	NRC - Service Order submitted Manually, per LSR, Disconnect	SOMAN	NA	\$3.84	NA	\$3.94	NA	NA	NA	NA	See Ex C-1
	NRC - Incremental Charge - Manual Service Order - 1st	SOMAN	\$27.37	NA	\$18.94	NA	\$18.14	\$25.52	\$26.94	\$44.42	See Ex C-1
	NRC - Incremental Charge - Manual Service Order - Add'l	SOMAN	\$12.97	NA	\$8.42	NA	\$8.06	\$11.34	\$12.76	\$13.55	See Ex C-1
	NRC - Incremental Charge - Manual Service Order - Disconnect	SOMAN	\$17.77	NA	NA	NA	\$11.41	\$16.06	NA	NA	See Ex C-1
	NRC - Incremental Charge - Order Coordination - Time Specific (per LSR)	OCOSL	\$45.99	\$36.18	\$34.22	\$36.18	\$32.77	\$45.27	\$45.34	\$45.43	See Ex C-1
	2-Wire Universal Digital Carrier (UDC), statewide, per month	UDC2X	NA	NA	NA	NA	NA	NA	\$24.98	NA	NA
	Zone 1, per month	UDC2X	\$23.23	\$32.34	\$21.89	\$23.66	\$21.15	\$21.86	TBD	\$26.68	\$15.92
	Zone 2, per month	UDC2X	\$37.74	\$47.35	\$25.27	\$44.28	\$36.22	\$28.97	TBD	\$40.24	\$20.79
	Zone 3, per month	UDC2X	\$68.38	\$104.47	\$40.17	\$76.42	\$74.19	\$41.40	TBD	\$53.29	\$27.18
	Zone 4, per month	UDC2X	NA	NA	NA	NA	NA	\$54.64	NA	NA	NA
	NRC - 1st	UDC2X	\$331.85	\$306.00	\$233.38	\$541.28	\$223.27	\$326.38	\$325.91	\$423.04	\$58.50
	NRC - Add'l	UDC2X	\$255.87	\$283.00	\$180.35	\$431.61	\$172.63	\$252.00	\$251.31	\$301.75	\$31.00
	NRC - Disconnect Charge - 1st	UDC2X	\$108.95	\$111.10	NA	NA	\$74.27	\$108.14	NA	NA	NA
	NRC - Disconnect Charge - Add'l	UDC2X	\$57.01	\$18.28	NA	NA	\$39.44	\$57.27	NA	NA	NA
	NRC - Service Order submitted Electronically, per LSR	SOMECE	\$3.50	\$2.75	\$3.50	\$3.50	\$3.50	\$3.50	\$3.50	\$3.50	\$3.50
	NRC - Service Order submitted Electronically, per LSR - Disconnect	SOMECE	NA	\$0.42	NA	NA	NA	NA	NA	NA	TBD
	NRC - Service Order submitted Manually, per LSR	SOMAN	NA	\$21.56	NA	\$29.24	NA	NA	NA	NA	\$19.99
	NRC - Service Order submitted Manually, per LSR, Disconnect	SOMAN	NA	\$3.84	NA	\$3.94	NA	NA	NA	NA	TBD
	NRC - Incremental Charge - Manual Service Order - 1st	SOMAN	\$27.37	NA	\$18.94	NA	\$18.14	\$25.52	\$26.94	\$44.42	NA
	NRC - Incremental Charge - Manual Service Order - Add'l	SOMAN	\$12.97	NA	\$8.42	NA	\$8.06	\$11.34	\$12.76	\$13.55	NA
	NRC - Incremental Charge - Manual Service Order - Disconnect	SOMAN	\$17.77	NA	NA	NA	\$11.41	\$16.06	NA	NA	NA
	NRC - Incremental Charge - Order Coordination - Time Specific (per LSR)	OCOSL	\$45.99	\$36.18	\$34.22	\$36.18	\$32.77	\$45.27	\$45.34	\$45.43	\$55.00

BELLSOUTH/EPB TELECOMMUNICATIONS RATES
NETWORK ELEMENTS
AND OTHER SERVICES

2-Wire ADSL Compatible Loop incl Man Svc Inquiry & Fac Reservation											
	RC - Statewide, per month	UAL2X	NA	NA	NA	NA	NA	NA	\$14.60	NA	See Ex C-1
	RC - Zone 1, per month (Note 2)	UAL2X	\$12.09	\$12.78	\$11.23	\$8.79	\$11.90	\$10.87	TBD	\$17.10	See Ex C-1
	RC - Zone 2, per month (Note 2)	UAL2X	\$19.64	\$18.72	\$12.97	\$16.46	\$20.43	\$14.40	TBD	\$25.79	See Ex C-1
	RC - Zone 3, per month (Note 2)	UAL2X	\$35.59	\$41.29	\$20.62	\$28.40	\$41.73	\$20.58	TBD	\$34.15	See Ex C-1
	RC - Zone 4, per month (Note 2)	UAL2X	NA	NA	NA	NA	NA	\$27.16	NA	NA	See Ex C-1
	NRC - 1st	UAL2X	\$514.21	\$113.85	\$359.73	\$713.50	\$343.13	\$504.82	\$504.90	\$600.61	See Ex C-1
	NRC - Add'l	UAL2X	\$464.58	\$99.61	\$325.15	\$609.44	\$310.03	\$456.24	\$456.17	\$507.33	See Ex C-1
	NRC - Disconnect Charge - 1st	UAL2X	\$106.65	\$154.23	NA	NA	\$72.54	\$105.86	NA	NA	See Ex C-1
	NRC - Disconnect Charge - Add'l	UAL2X	\$56.98	\$35.23	NA	NA	\$39.42	\$57.25	\$26.94	NA	See Ex C-1
	NRC - Service Order submitted Electronically, per LSR	SOMECS	\$3.50	\$2.75	\$3.50	\$3.50	\$3.50	\$3.50	\$3.50	\$3.50	See Ex C-1
	NRC - Service Order submitted Manually, per LSR	SOMAN	NA	\$21.56	NA	\$29.24	NA	NA	NA	NA	See Ex C-1
	NRC - Service Order submitted Manually, per LSR, Disconnect	SOMAN	NA	\$3.84	NA	\$3.94	NA	NA	NA	NA	See Ex C-1
	NRC - Incremental Charge - Manual Service Order - 1st	SOMAN	\$27.37	NA	\$18.94	NA	\$18.14	\$25.52	\$12.76	\$44.42	See Ex C-1
	NRC - Incremental Charge - Manual Service Order - Add'l	SOMAN	\$12.97	NA	\$8.42	NA	\$8.06	\$11.34	NA	\$13.55	See Ex C-1
	NRC - Incremental Charge - Manual Service Order - Disconnect	SOMAN	\$17.77	NA	NA	NA	\$11.41	\$16.06	NA	NA	See Ex C-1
	NRC - Incremental Charge - Order Coordination - Time Specific (per LSR)	OCOSL	\$45.99	\$36.18	\$34.22	\$36.18	\$32.77	\$45.27	\$45.34	\$45.43	See Ex C-1
2-Wire ADSL Compatible Loop without Man Svc Inquiry & Fac Reservation											
	RC - Statewide, per month	UAL2W	NA	NA	NA	NA	NA	NA	\$14.60	NA	See Ex C-1
	Zone 1, per month	UAL2W	\$12.09	\$12.78	\$11.23	\$8.79	\$11.90	\$10.87	TBD	\$17.10	See Ex C-1
	Zone 2, per month	UAL2W	\$19.64	\$18.72	\$12.97	\$16.46	\$20.43	\$14.40	TBD	\$25.79	See Ex C-1
	Zone 3, per month	UAL2W	\$35.59	\$41.29	\$20.62	\$28.40	\$41.73	\$20.58	TBD	\$34.15	See Ex C-1
	Zone 4, per month	UAL2W	NA	NA	NA	NA	NA	\$27.16	NA	NA	See Ex C-1
	NRC - 1st	UAL2W	\$375.21	\$258.86	\$220.73	\$260.95	\$255.34	\$365.82	\$365.90	\$461.60	See Ex C-1
	NRC - Add'l	UAL2W	\$325.58	\$175.48	\$186.15	\$176.21	\$170.72	\$317.24	\$317.17	\$368.33	See Ex C-1
	NRC - Disconnect Charge - 1st	UAL2W	\$106.65	\$108.29	NA	\$112.86	\$112.32	\$105.86	NA	NA	See Ex C-1
	NRC - Disconnect Charge - Add'l	UAL2W	\$56.98	\$15.46	NA	\$15.88	\$15.81	\$57.25	\$26.94	NA	See Ex C-1
	NRC - Service Order submitted Electronically, per LSR	SOMECS	\$3.50	\$2.75	\$3.50	\$3.50	\$3.50	\$3.50	\$3.50	\$3.50	See Ex C-1
	NRC - Service Order submitted Electronically, per LSR - Disconnect	SOMECS	NA	\$0.42	NA	NA	NA	NA	NA	NA	See Ex C-1
	NRC - Service Order submitted Manually, per LSR	SOMAN	NA	\$21.56	NA	\$29.24	NA	NA	NA	NA	See Ex C-1
	NRC - Service Order submitted Manually, per LSR, Disconnect	SOMAN	NA	\$3.84	NA	\$3.94	NA	NA	NA	NA	See Ex C-1
	NRC - Incremental Charge - Manual Service Order - 1st	SOMAN	\$27.37	NA	\$18.94	NA	\$18.14	\$25.52	\$12.76	\$44.42	See Ex C-1
	NRC - Incremental Charge - Manual Service Order - Add'l	SOMAN	\$12.97	NA	\$8.42	NA	\$8.06	\$11.34	NA	\$13.55	See Ex C-1
	NRC - Incremental Charge - Manual Service Order - Disconnect	SOMAN	\$17.77	NA	NA	NA	\$11.41	\$16.06	NA	NA	See Ex C-1
	NRC - Incremental Charge - Order Coordination - Time Specific (per LSR)	OCOSL	\$45.99	\$36.18	\$34.22	\$36.18	\$32.77	\$45.27	\$45.34	\$45.43	See Ex C-1
2-Wire HDSL Compatible Loop, incl Man Svc Inquiry & Fac Reserv											
	RC - Statewide, per month	UHL2X	NA	NA	NA	NA	NA	NA	\$11.98	NA	See Ex C-1
	RC - Zone 1, per month (Note 2)	UHL2X	\$9.41	\$9.80	\$7.88	\$6.29	\$8.97	\$8.50	TBD	\$12.21	See Ex C-1
	RC - Zone 2, per month (Note 2)	UHL2X	\$15.29	\$14.35	\$9.09	\$11.78	\$15.41	\$11.26	TBD	\$18.41	See Ex C-1
	RC - Zone 3, per month (Note 2)	UHL2X	\$27.70	\$31.65	\$14.46	\$20.33	\$31.48	\$16.10	TBD	\$24.39	See Ex C-1
	RC - Zone 4, per month (Note 2)	UHL2X	NA	NA	NA	NA	NA	\$21.25	NA	NA	See Ex C-1
	NRC - 1st	UHL2X	\$514.21	\$113.85	\$359.73	\$713.50	\$343.13	\$504.82	\$504.90	\$600.61	See Ex C-1
	NRC - Add'l	UHL2X	\$464.58	\$99.61	\$325.15	\$609.44	\$310.03	\$456.24	\$456.17	\$507.33	See Ex C-1
	NRC - Disconnect Charge - 1st	UHL2X	\$106.65	\$154.23	NA	NA	\$72.54	\$105.86	NA	NA	See Ex C-1
	NRC - Disconnect Charge - Add'l	UHL2X	\$56.98	\$35.23	NA	NA	\$39.42	\$57.25	NA	NA	See Ex C-1
	NRC - Service Order submitted Electronically, per LSR	SOMECS	\$3.50	\$2.75	\$3.50	\$3.50	\$3.50	\$3.50	\$3.50	\$3.50	See Ex C-1
	NRC - Service Order submitted Electronically, per LSR - Disconnect	SOMECS	NA	\$0.42	NA	NA	NA	NA	NA	NA	See Ex C-1
	NRC - Service Order submitted Manually, per LSR	SOMAN	NA	\$21.56	NA	\$29.24	NA	NA	NA	NA	See Ex C-1
	NRC - Service Order submitted Manually, per LSR, Disconnect	SOMAN	NA	\$3.84	NA	\$3.94	NA	NA	NA	NA	See Ex C-1
	NRC - Incremental Charge - Manual Service Order - 1st	SOMAN	\$27.37	NA	\$18.94	NA	\$18.14	\$25.52	\$26.94	\$44.06	See Ex C-1
	NRC - Incremental Charge - Manual Service Order - Add'l	SOMAN	\$12.97	NA	\$8.42	NA	\$8.06	\$11.34	\$12.76	\$13.55	See Ex C-1
	NRC - Incremental Charge - Manual Service Order - Disconnect	SOMAN	\$17.77	NA	NA	NA	\$11.41	\$16.06	NA	NA	See Ex C-1
	NRC - Incremental Charge - Order Coordination - Time Specific (per LSR)	OCOSL	\$45.99	\$36.18	\$34.22	\$36.18	\$32.77	\$45.27	\$45.34	\$45.43	See Ex C-1
2-Wire HDSL Compatible Loop, without Man Svc Inquiry & Fac Reserv											
	Statewide, per month	UHL2W	NA	NA	NA	NA	NA	NA	\$11.98	NA	See Ex C-1
	Zone 1, per month	UHL2W	\$9.41	\$9.80	\$7.88	\$6.29	\$8.97	\$8.50	TBD	\$12.21	See Ex C-1

BELLSOUTH/EPB TELECOMMUNICATIONS RATES
NETWORK ELEMENTS
AND OTHER SERVICES

	Zone 2, per month	UHL2W	\$15.29	\$14.35	\$9.09	\$11.78	\$15.41	\$11.26	TBD	\$18.41	See Ex C-1
	Zone 3, per month	UHL2W	\$27.70	\$31.65	\$14.48	\$20.33	\$31.48	\$16.10	TBD	\$24.39	See Ex C-1
	Zone 4, per month	UHL2W	NA	NA	NA	NA	NA	\$21.25	NA	NA	See Ex C-1
	NRC - 1st	UHL2W	\$375.21	\$276.19	\$220.73	\$278.28	\$272.64	\$365.82	\$365.90	\$461.60	See Ex C-1
	NRC - Add'l	UHL2W	\$325.58	\$192.81	\$186.15	\$193.54	\$188.02	\$317.24	\$317.17	\$368.33	See Ex C-1
	NRC - Disconnect Charge - 1st	UHL2W	\$106.65	\$108.29	NA	\$112.86	\$112.32	\$105.86	NA	NA	See Ex C-1
	NRC - Disconnect Charge - Add'l	UHL2W	\$56.98	\$15.46	NA	\$15.88	\$15.81	\$57.25	NA	NA	See Ex C-1
	NRC - Service Order submitted Electronically, per LSR	SOMECS	\$3.50	\$2.75	\$3.50	\$3.50	\$3.50	\$3.50	\$3.50	\$3.50	See Ex C-1
	NRC - Service Order submitted Electronically, per LSR - Disconnect	SOMECS	NA	\$0.42	NA	NA	NA	NA	NA	NA	See Ex C-1
	NRC - Service Order submitted Manually, per LSR	SOMAN	NA	\$21.56	NA	\$29.24	NA	NA	NA	NA	See Ex C-1
	NRC - Service Order submitted Manually, per LSR, Disconnect	SOMAN	NA	\$3.84	NA	\$3.94	NA	NA	NA	NA	See Ex C-1
	NRC - Incremental Charge - Manual Service Order - 1st	SOMAN	\$27.37	NA	\$18.94	NA	\$18.14	\$25.52	\$26.94	\$44.06	See Ex C-1
	NRC - Incremental Charge - Manual Service Order - Add'l	SOMAN	\$12.97	NA	\$8.42	NA	\$8.06	\$11.34	\$12.76	\$13.55	See Ex C-1
	NRC - Incremental Charge - Manual Service Order - Disconnect	SOMAN	\$17.77	NA	NA	NA	\$11.41	\$16.06	NA	NA	See Ex C-1
	NRC - Incremental Charge - Order Coordination - Time Specific (per LSR)	OCOSL	\$45.99	\$36.18	\$34.22	\$36.18	\$32.77	\$45.27	\$45.34	\$45.43	See Ex C-1
4-Wire HDSL Compatible Loop, incl Man Svc Inquiry & Fac Reserv											
	RC - Statewide, per month	UHL4X	NA	NA	NA	NA	NA	NA	\$13.97	NA	See Ex C-1
	RC - Zone 1, per month (Note 2)	UHL4X	\$11.52	\$14.75	\$10.39	\$7.68	\$12.97	\$10.36	TBD	\$16.21	See Ex C-1
	RC - Zone 2, per month (Note 2)	UHL4X	\$18.71	\$21.59	\$12.00	\$14.38	\$21.76	\$13.73	TBD	\$24.45	See Ex C-1
	RC - Zone 3, per month (Note 2)	UHL4X	\$33.90	\$47.64	\$19.07	\$24.82	\$44.44	\$19.62	TBD	\$32.38	See Ex C-1
	RC - Zone 4, per month (Note 2)	UHL4X	NA	NA	NA	NA	NA	\$25.90	NA	NA	See Ex C-1
	NRC - 1st	UHL4X	\$541.13	\$116.91	\$378.86	\$748.93	\$361.45	\$531.21	\$531.35	\$625.11	See Ex C-1
	NRC - Add'l	UHL4X	\$491.50	\$101.71	\$344.28	\$646.17	\$328.35	\$482.63	\$482.62	\$532.78	See Ex C-1
	NRC - Disconnect Charge - 1st	UHL4X	\$106.65	\$161.19	NA	NA	\$72.54	\$105.86	NA	NA	See Ex C-1
	NRC - Disconnect Charge - Add'l	UHL4X	\$56.98	\$26.10	NA	NA	\$39.42	\$57.25	NA	NA	See Ex C-1
	NRC - Service Order submitted Electronically, per LSR	SOMECS	\$3.50	\$2.75	\$3.50	\$3.50	\$3.50	\$3.50	\$3.50	\$3.50	See Ex C-1
	NRC - Service Order submitted Electronically, per LSR - Disconnect	SOMECS	NA	\$0.42	NA	NA	NA	NA	NA	NA	See Ex C-1
	NRC - Service Order submitted Manually, per LSR	SOMAN	NA	\$21.56	NA	\$29.24	NA	NA	NA	NA	See Ex C-1
	NRC - Service Order submitted Manually, per LSR, Disconnect	SOMAN	NA	\$3.84	NA	\$3.94	NA	NA	NA	NA	See Ex C-1
	NRC - Incremental Charge - Manual Service Order - 1st	SOMAN	\$27.37	NA	\$18.94	NA	\$18.14	\$25.52	\$26.94	\$44.06	See Ex C-1
	NRC - Incremental Charge - Manual Service Order - Add'l	SOMAN	\$12.97	NA	\$8.42	NA	\$8.06	\$11.34	\$12.76	\$13.55	See Ex C-1
	NRC - Incremental Charge - Manual Service Order - Disconnect	SOMAN	\$17.77	NA	NA	NA	\$11.41	\$16.06	NA	NA	See Ex C-1
	NRC - Incremental Charge - Order Coordination - Time Specific (per LSR)	OCOSL	\$45.99	\$36.18	\$34.22	\$36.18	\$32.77	\$45.27	\$45.34	\$45.43	See Ex C-1
4-Wire HDSL Compatible Loop, without Man Svc Inquiry & Fac Res											
	Statewide, per month	UHL4W	NA	NA	NA	NA	NA	NA	\$13.97	NA	See Ex C-1
	Zone 1, per month	UHL4W	\$11.52	\$14.75	\$10.39	\$7.68	\$12.97	\$10.36	TBD	\$16.21	See Ex C-1
	Zone 2, per month	UHL4W	\$18.71	\$21.59	\$12.00	\$14.38	\$21.76	\$13.73	TBD	\$24.45	See Ex C-1
	Zone 3, per month	UHL4W	\$33.90	\$47.64	\$19.07	\$24.82	\$44.44	\$19.62	TBD	\$32.38	See Ex C-1
	Zone 4, per month	UHL4W	NA	NA	NA	NA	NA	\$25.90	NA	NA	See Ex C-1
	NRC - 1st	UHL4W	\$402.13	\$333.40	\$239.86	\$276.76	\$329.76	\$392.21	\$392.35	\$486.11	See Ex C-1
	NRC - Add'l	UHL4W	\$352.50	\$250.01	\$205.28	\$192.02	\$245.15	\$343.63	\$343.62	\$393.78	See Ex C-1
	NRC - Disconnect Charge - 1st	UHL4W	\$106.65	\$114.30	NA	\$122.17	\$124.19	\$105.86	NA	NA	See Ex C-1
	NRC - Disconnect Charge - Add'l	UHL4W	\$56.98	\$19.58	NA	\$20.64	\$20.98	\$57.25	NA	NA	See Ex C-1
	NRC - Service Order submitted Electronically, per LSR	SOMECS	\$3.50	\$2.75	\$3.50	\$3.50	\$3.50	\$3.50	\$3.50	\$3.50	See Ex C-1
	NRC - Service Order submitted Electronically, per LSR - Disconnect	SOMECS	NA	\$0.42	NA	NA	NA	NA	NA	NA	See Ex C-1
	NRC - Service Order submitted Manually, per LSR	SOMAN	NA	\$21.56	NA	\$29.24	NA	NA	NA	NA	See Ex C-1
	NRC - Service Order submitted Manually, per LSR, Disconnect	SOMAN	NA	\$3.84	NA	\$3.94	NA	NA	NA	NA	See Ex C-1
	NRC - Incremental Charge - Manual Service Order - 1st	SOMAN	\$27.37	NA	\$18.94	NA	\$18.14	\$25.52	\$26.94	\$44.06	See Ex C-1
	NRC - Incremental Charge - Manual Service Order - Add'l	SOMAN	\$12.97	NA	\$8.42	NA	\$8.06	\$11.34	\$12.76	\$13.55	See Ex C-1
	NRC - Incremental Charge - Manual Service Order - Disconnect	SOMAN	\$17.77	NA	NA	NA	\$11.41	\$16.06	NA	NA	See Ex C-1
	NRC - Incremental Charge - Order Coordination - Time Specific (per LSR)	OCOSL	\$45.99	\$36.18	\$34.22	\$36.18	\$32.77	\$45.27	\$45.34	\$45.43	See Ex C-1
4-Wire DS1 Digital Loop											
	RC - Statewide, per month	USLXX	NA	NA	NA	NA	NA	NA	\$62.78	NA	See Ex C-1
	RC - Zone 1, per month (Note 2)	USLXX	\$51.74	\$64.69	\$55.53	\$50.26	\$56.32	\$50.99	TBD	\$59.61	See Ex C-1
	RC - Zone 2, per month (Note 2)	USLXX	\$84.05	\$94.71	\$64.13	\$94.06	\$96.73	\$67.58	TBD	\$89.90	See Ex C-1
	RC - Zone 3, per month (Note 2)	USLXX	\$152.29	\$208.93	\$101.93	\$162.34	\$197.57	\$96.58	TBD	\$119.06	See Ex C-1

**BELLSOUTH/EPB TELECOMMUNICATIONS RATES
 NETWORK ELEMENTS
 AND OTHER SERVICES**

	RC - Zone 4, per month (Note 2)	USLXX	NA	NA	NA	NA	NA	\$127.47	NA	NA	See Ex C-1
	NRC - 1st	USLXX	\$610.13	\$540.00	\$429.98	\$849.80	\$410.38	\$599.09	\$714.84	\$715.77	See Ex C-1
	NRC - Add'l	USLXX	\$380.26	\$465.00	\$268.18	\$523.27	\$255.48	\$373.90	\$421.47	\$421.50	See Ex C-1
	NRC - Disconnect Charge - 1st	USLXX	\$134.77	\$82.85	NA	NA	\$92.35	\$133.53	NA	NA	See Ex C-1
	NRC - Disconnect Charge - Add'l	USLXX	\$55.97	\$21.69	NA	NA	\$38.44	\$56.25	NA	NA	See Ex C-1
	NRC - Service Order submitted Electronically, per LSR	SOMECH	\$3.50	\$2.75	\$3.50	\$3.50	\$3.50	\$3.50	\$3.50	\$3.50	See Ex C-1
	NRC - Service Order submitted Electronically, per LSR - Disconnect	SOMECH	NA	\$0.42	NA	NA	NA	NA	NA	NA	See Ex C-1
	NRC - Service Order submitted Manually, per LSR	SOMAN	NA	\$21.56	NA	\$29.24	NA	NA	NA	NA	See Ex C-1
	NRC - Service Order submitted Manually, per LSR, Disconnect	SOMAN	NA	\$3.84	NA	\$3.94	NA	NA	NA	NA	See Ex C-1
	NRC - Incremental Charge - Manual Service Order - 1st	SOMAN	\$27.37	NA	\$18.94	NA	\$18.14	\$25.52	\$26.94	\$43.77	See Ex C-1
	NRC - Incremental Charge - Manual Service Order - Add'l	SOMAN	\$12.97	NA	\$8.42	NA	\$8.06	\$11.34	\$12.76	\$13.55	See Ex C-1
	NRC - Incremental Charge - Manual Service Order - Disconnect	SOMAN	\$17.77	NA	NA	NA	\$11.41	\$16.06	NA	NA	See Ex C-1
	NRC - Incremental Charge - Order Coordination - Time Specific (per LSR)	OCOSL	\$49.18	\$36.18	\$34.52	\$36.18	\$33.05	\$48.17	\$45.34	\$48.47	See Ex C-1
	4-Wire 56 Kbps Dig Grade Loop										
	RC - Statewide, per month	UDL56	NA	NA	NA	NA	NA	NA	\$32.67	NA	See Ex C-1
	RC - Zone 1, per month (Note 2)	UDL56	\$27.33	\$39.08	\$25.75	\$35.92	\$27.50	\$25.61	TBD	\$34.26	See Ex C-1
	RC - Zone 2, per month (Note 2)	UDL56	\$44.40	\$57.21	\$29.74	\$40.32	\$47.24	\$33.94	TBD	\$51.67	See Ex C-1
	RC - Zone 3, per month (Note 2)	UDL56	\$80.45	\$126.22	\$47.27	\$37.90	\$96.48	\$48.51	TBD	\$68.43	See Ex C-1
	RC - Zone 4, per month (Note 2)	UDL56	NA	NA	NA	NA	NA	\$64.02	NA	NA	See Ex C-1
	NRC - 1st	UDL56	\$498.05	\$654.72	\$348.55	\$258.62	\$333.28	\$489.00	\$489.04	\$602.73	See Ex C-1
	NRC - Add'l	UDL56	\$343.70	\$428.45	\$241.20	\$176.11	\$230.50	\$337.93	\$337.51	\$393.50	See Ex C-1
	NRC - Disconnect Charge - 1st	UDL56	\$129.62	\$122.15	NA	\$127.74	\$87.99	\$128.36	NA	\$44.06	See Ex C-1
	NRC - Disconnect Charge - Add'l	UDL56	\$64.25	\$27.42	NA	\$27.90	\$44.24	\$64.35	NA	\$13.55	See Ex C-1
	NRC - Service Order submitted Electronically, per LSR	SOMECH	\$3.50	\$2.75	\$3.50	\$3.50	\$3.50	\$3.50	\$3.50	\$3.50	See Ex C-1
	NRC - Service Order submitted Electronically, per LSR - Disconnect	SOMECH	NA	\$0.42	NA	NA	NA	NA	NA	NA	See Ex C-1
	NRC - Service Order submitted Manually, per LSR	SOMAN	NA	\$21.56	NA	\$29.24	NA	NA	NA	NA	See Ex C-1
	NRC - Service Order submitted Manually, per LSR, Disconnect	SOMAN	NA	\$3.84	NA	\$3.94	NA	NA	NA	NA	See Ex C-1
	NRC - Incremental Charge - Manual Service Order - 1st	SOMAN	\$27.37	NA	\$18.94	NA	\$18.14	\$25.52	\$26.94	NA	See Ex C-1
	NRC - Incremental Charge - Manual Service Order - Add'l	SOMAN	\$12.97	NA	\$8.42	NA	\$8.06	\$11.34	\$12.76	NA	See Ex C-1
	NRC - Incremental Charge - Manual Service Order - Disconnect	SOMAN	\$17.77	NA	NA	NA	\$11.41	\$16.06	NA	NA	See Ex C-1
	NRC - Incremental Charge - Order Coordination - Time Specific (per LSR)	OCOSL	\$45.99	\$36.18	\$34.22	\$36.18	\$32.77	\$45.27	\$45.34	\$45.43	See Ex C-1
	4-Wire 64 Kbps Dig Grade Loop										
	RC - Statewide, per month	UDL64	NA	NA	NA	NA	NA	NA	\$32.67	\$41.70	See Ex C-1
	RC - Zone 1, per month (Note 2)	UDL64	\$27.33	\$39.08	\$25.75	\$35.92	\$27.50	\$25.61	TBD	\$34.26	See Ex C-1
	RC - Zone 2, per month (Note 2)	UDL64	\$44.40	\$57.21	\$29.74	\$40.32	\$47.24	\$33.94	TBD	\$51.67	See Ex C-1
	RC - Zone 3, per month (Note 2)	UDL64	\$80.45	\$126.22	\$47.27	\$37.90	\$96.48	\$48.51	TBD	\$68.43	See Ex C-1
	RC - Zone 4, per month (Note 2)	UDL64	NA	NA	NA	NA	NA	\$64.02	NA	NA	See Ex C-1
	NRC - 1st	UDL64	\$498.05	\$654.72	\$348.55	\$258.62	\$333.28	\$489.00	\$489.04	\$602.73	See Ex C-1
	NRC - Add'l	UDL64	\$343.70	\$428.45	\$241.20	\$176.11	\$230.50	\$337.93	\$337.51	\$393.50	See Ex C-1
	NRC - Disconnect Charge - 1st	UDL64	\$129.62	\$122.15	NA	\$127.74	\$87.99	\$128.36	NA	\$44.06	See Ex C-1
	NRC - Disconnect Charge - Add'l	UDL64	\$64.25	\$27.42	NA	\$27.90	\$44.24	\$64.35	NA	\$13.55	See Ex C-1
	NRC - Service Order submitted Electronically, per LSR	SOMECH	\$3.50	\$2.75	\$3.50	\$3.50	\$3.50	\$3.50	\$3.50	\$3.50	See Ex C-1
	NRC - Service Order submitted Electronically, per LSR - Disconnect	SOMECH	NA	\$0.42	NA	NA	NA	NA	NA	NA	See Ex C-1
	NRC - Service Order submitted Manually, per LSR	SOMAN	NA	\$21.56	NA	\$29.24	NA	NA	NA	NA	See Ex C-1
	NRC - Service Order submitted Manually, per LSR, Disconnect	SOMAN	NA	\$3.84	NA	\$3.94	NA	NA	NA	NA	See Ex C-1
	NRC - Incremental Charge - Manual Service Order - 1st	SOMAN	\$27.37	NA	\$18.94	NA	\$18.14	\$25.52	\$26.94	NA	See Ex C-1
	NRC - Incremental Charge - Manual Service Order - Add'l	SOMAN	\$12.97	NA	\$8.42	NA	\$8.06	\$11.34	\$12.76	NA	See Ex C-1
	NRC - Incremental Charge - Manual Service Order - Disconnect	SOMAN	\$17.77	NA	NA	NA	\$11.41	\$16.06	NA	NA	See Ex C-1
	NRC - Incremental Charge - Order Coordination - Time Specific (per LSR)	OCOSL	\$45.99	\$36.18	\$34.22	\$36.18	\$32.77	\$45.27	\$45.34	\$45.43	See Ex C-1
	2-Wire Unb Copper Loop/Short(< or = 18kft), incl Man SI & Fac Res*										
	RC - Statewide, per month	UCLPB	\$15.11	NA	\$13.97	NA	NA	NA	NA	\$20.81	NA
	RC - Zone 1, per month (Note 2)	UCLPB	TBD	\$18.60	\$19.80	\$14.94	\$16.34	\$16.85	\$12.27	\$18.90	\$19.85
	RC - Zone 2, per month (Note 2)	UCLPB	TBD	\$27.23	\$22.86	\$15.15	\$17.99	\$22.34	\$20.63	\$28.50	\$24.98
	RC - Zone 3, per month (Note 2)	UCLPB	TBD	\$60.07	\$36.34	\$15.73	\$18.83	\$31.92	\$23.88	\$37.75	\$35.81
	RC - Zone 4, per month (Note 2)	UCLPB	NA	NA	NA	NA	NA	\$42.13	NA	NA	NA
	NRC - 1st	UCLPB	\$514.21	\$389.84	\$395.16	\$391.93	\$386.13	\$504.82	\$450.00	\$600.61	\$270.01

**BELLSOUTH/EPB TELECOMMUNICATIONS RATES
NETWORK ELEMENTS
AND OTHER SERVICES**

		NRC - Add'l	UCLPB	\$464.58	\$251.26	\$217.39	\$251.98	\$246.38	\$456.24	\$390.00	\$507.33	\$234.63	
		NRC - Disconnect Charge - 1st	UCLPB	TBD	\$154.23	\$142.27	\$160.06	\$159.29	\$105.86	NA	NA	\$74.54	
		NRC - Disconnect Charge - Add'l	UCLPB	TBD	\$35.23	\$37.86	\$36.20	\$36.02	\$57.25	NA	NA	\$39.14	
		NRC - Service Order submitted Electronically, per LSR	SOMECEC	\$3.50	\$2.75	\$3.50	\$3.50	\$3.50	\$3.50	\$3.50	\$3.50	\$3.50	
		NRC - Service Order submitted Electronically, per LSR - Disconnect	SOMECEC	NA	\$0.42	NA	NA	NA	NA	NA	NA	NA	
		NRC - Service Order submitted Manually, per LSR	SOMAN	NA	\$21.56	NA	\$29.24	NA	NA	NA	NA	\$19.99	
		NRC - Service Order submitted Manually, per LSR, Disconnect	SOMAN	NA	\$3.84	NA	\$3.94	NA	NA	NA	NA	NA	
		NRC - Incremental Charge - Manual Service Order - 1st	SOMAN	\$47.00	NA	\$18.94	NA	\$18.14	\$25.52	\$26.94	\$47.00	NA	
		NRC - Incremental Charge - Manual Service Order - Add'l	SOMAN	\$21.00	NA	\$8.42	NA	\$8.06	\$11.34	\$12.76	\$25.52	NA	
		NRC - Incremental Charge - Manual Service Order - Disconnect - 1st	SOMAN	\$17.77	NA	\$142.27	NA	\$11.41	\$16.06	NA	\$21.00	NA	
		NRC - Incremental Charge - Manual Service Order - Disconnect - Add'l	SOMAN	\$17.77	NA	\$37.86	NA	\$11.41	\$16.06	NA	\$21.00	NA	
		NRC - Incremental Charge - Manual Order Coordination - per loop	UCLMC	\$16.00	\$16.31	\$36.46	\$16.31	\$32.77	\$45.27	\$16.00	\$45.43	\$34.29	
2-Wire Unb Copper Loop/Short (< or = 18kft), without Man SI & Fac Res													
		RC - Statewide, per month	UCLPW	NA	NA	NA	NA	NA	NA	NA	\$20.81	NA	
		Zone 1, per month	UCLPW	TBD	\$18.60	\$11.90	\$14.94	\$16.34	\$16.85	\$12.27	\$18.90	\$19.85	
		Zone 2, per month	UCLPW	TBD	\$27.23	\$13.74	\$15.15	\$17.99	\$22.34	\$20.63	\$28.50	\$24.98	
		Zone 3, per month	UCLPW	TBD	\$60.07	\$21.83	\$15.73	\$18.83	\$31.92	\$23.88	\$37.75	\$35.81	
		Zone 4, per month	UCLPW	NA	NA	NA	NA	NA	\$42.13	NA	NA	NA	
		NRC - 1st	UCLPW	\$375.21	\$257.00	\$154.13	\$259.09	\$253.48	\$365.82	\$311.00	\$461.61	\$131.01	
		NRC - Add'l	UCLPW	\$325.58	\$173.62	\$139.75	\$174.35	\$168.86	\$317.24	\$251.00	\$368.33	\$95.63	
		NRC - Disconnect Charge - 1st	UCLPW	TBD	\$108.29	\$140.73	\$112.86	\$112.32	\$105.86	NA	NA	\$74.54	
		NRC - Disconnect Charge - Add'l	UCLPW	TBD	\$15.46	\$37.45	\$15.88	\$15.81	\$57.25	NA	NA	\$39.14	
		NRC - Service Order submitted Electronically, per LSR	SOMECEC	\$3.50	\$2.75	\$3.50	\$3.50	\$3.50	\$3.50	\$3.50	\$3.50	\$3.50	
		NRC - Service Order submitted Electronically, per LSR - Disconnect	SOMECEC	NA	\$0.42	NA	NA	NA	NA	NA	NA	NA	
		NRC - Service Order submitted Manually, per LSR	SOMAN	NA	\$21.56	NA	\$29.24	NA	NA	NA	NA	\$19.99	
		NRC - Service Order submitted Manually, per LSR, Disconnect	SOMAN	NA	\$3.84	NA	\$3.94	NA	NA	NA	NA	NA	
		NRC - Incremental Charge - Manual Service Order - 1st	SOMAN	\$47.00	NA	NA	NA	\$18.14	\$25.52	\$26.94	\$47.00	NA	
		NRC - Incremental Charge - Manual Service Order - Add'l	SOMAN	\$21.00	NA	NA	NA	\$8.06	\$11.34	\$12.76	\$25.52	NA	
		NRC - Incremental Charge - Manual Service Order - Disconnect - 1st	SOMAN	\$17.77	NA	NA	NA	\$11.41	\$16.06	NA	\$21.00	NA	
		NRC - Incremental Charge - Manual Service Order - Disconnect - Add'l	SOMAN	\$17.77	NA	NA	NA	\$11.41	\$16.06	NA	\$21.00	NA	
		NRC - Incremental Charge - Manual Order Coordination - per loop	UCLMC	\$16.00	\$16.31	\$36.46	\$16.31	\$32.77	\$45.27	\$16.00	\$45.43	\$34.29	
2-Wire Unb Copper Loop/Long (> 18kft), incl Man SI & Fac Res													
		RC - Statewide, per month	UCL2L	\$40.00	NA	\$41.61	NA	NA	NA	NA	NA	NA	
		RC - Zone 1, per month (Note 2)	UCL2L	TBD	\$48.79	\$19.80	\$36.19	\$43.92	\$16.85	\$38.66	\$18.90	\$19.85	
		RC - Zone 2, per month (Note 2)	UCL2L	TBD	\$58.13	\$22.86	\$49.31	\$59.76	\$22.34	\$64.03	\$28.50	\$24.98	
		RC - Zone 3, per month (Note 2)	UCL2L	TBD	\$71.17	\$36.34	\$80.78	\$104.74	\$31.92	\$73.89	\$37.75	\$35.81	
		RC - Zone 4, per month (Note 2)	UCL2L	NA	NA	NA	NA	NA	\$42.13	NA	NA	NA	
		NRC - 1st	UCL2L	\$514.21	\$331.86	\$395.16	\$333.21	\$332.73	\$504.82	\$450.00	\$600.61	\$270.01	
		NRC - Add'l	UCL2L	\$464.58	\$193.27	\$217.39	\$193.26	\$192.99	\$456.24	\$390.00	\$507.33	\$234.63	
		NRC - Disconnect Charge - 1st	UCL2L	NA	\$154.23	\$142.27	\$160.06	\$159.29	\$105.86	NA	NA	\$74.54	
		NRC - Disconnect Charge - Add'l	UCL2L	NA	NA	\$37.86	\$36.20	\$36.02	\$57.25	NA	NA	\$39.14	
		NRC - Service Order submitted Electronically, per LSR	SOMECEC	\$3.50	\$2.75	\$3.50	\$3.50	\$3.50	\$3.50	\$3.50	\$3.50	\$3.50	
		NRC - Service Order submitted Electronically, per LSR - Disconnect	SOMECEC	NA	\$0.42	NA	NA	NA	NA	NA	NA	TBD	
		NRC - Service Order submitted Manually, per LSR	SOMAN	NA	\$21.56	NA	\$29.24	NA	NA	NA	NA	\$19.99	
		NRC - Service Order submitted Manually, per LSR, Disconnect	SOMAN	NA	\$3.84	NA	\$3.94	NA	NA	NA	NA	TBD	
		NRC - Incremental Charge - Manual Service Order - 1st	SOMAN	\$47.00	NA	\$18.94	\$47.00	\$18.14	\$25.52	\$26.94	\$47.00	NA	
		NRC - Incremental Charge - Manual Service Order - Add'l	SOMAN	\$21.00	NA	\$8.42	NA	\$8.06	\$11.34	\$12.76	\$25.52	NA	
		NRC - Incremental Charge - Manual Service Order - Disconnect - 1st	SOMAN	\$17.77	NA	\$142.27	NA	\$11.41	\$16.06	NA	\$21.00	NA	
		NRC - Incremental Charge - Manual Service Order - Disconnect - Add'l	SOMAN	\$17.77	NA	\$37.86	NA	\$11.41	\$16.06	NA	\$21.00	NA	
		NRC - Incremental Charge - Manual Order Coordination - per loop	UCLMC	\$16.00	\$16.31	\$36.46	\$16.31	\$32.77	\$45.27	\$16.00	\$45.43	\$34.29	
2-Wire Unb Copper Loop/Long (> 18kft), without Man SI & Fac Res													
		RC - Statewide, per month	UCL2W	\$40.00	NA	\$37.00	NA	NA	NA	NA	NA	NA	
		Zone 1, per month	UCL2W	TBD	\$48.79	TBD	\$36.19	\$43.92	\$16.85	\$38.66	\$18.90	\$19.85	
		Zone 2, per month	UCL2W	TBD	\$58.13	TBD	\$49.31	\$59.76	\$22.34	\$64.03	\$28.50	\$24.98	

**BELLSOUTH/EPB TELECOMMUNICATIONS RATES
NETWORK ELEMENTS
AND OTHER SERVICES**

		Zone 3, per month	UCL2W	TBD	\$71.17	TBD	\$80.78	\$104.74	\$31.92	\$73.89	\$37.75	\$35.81	
		Zone 4, per month	UCL2W	NA	NA	NA	NA	NA	\$42.13	NA	NA	NA	
		NRC - 1st	UCL2W	\$375.21	\$199.01	\$154.13	\$200.37	\$200.08	\$365.82	\$311.00	\$461.61	\$131.01	
		NRC - Add'l	UCL2W	\$325.58	\$115.63	\$139.75	\$115.63	\$115.46	\$317.24	\$251.00	\$368.33	\$95.63	
		NRC - Disconnect Charge - 1st	UCL2W	NA	\$108.29	TBD	\$112.86	\$112.32	\$105.86	NA	NA	\$74.54	
		NRC - Disconnect Charge - Add'l	UCL2W	NA	\$15.46	TBD	\$15.88	\$15.81	\$57.25	NA	NA	\$39.14	
		NRC - Service Order submitted Electronically, per LSR	SOMECEC	\$3.50	\$2.75	\$3.50	\$3.50	\$3.50	\$3.50	\$3.50	\$3.50	\$3.50	
		NRC - Service Order submitted Electronically, per LSR - Disconnect	SOMECEC	NA	\$0.42	NA	NA	NA	NA	NA	NA	NA	
		NRC - Service Order submitted Manually, per LSR	SOMAN	NA	\$21.56	NA	\$29.24	NA	NA	NA	NA	\$19.99	
		NRC - Service Order submitted Manually, per LSR, Disconnect	SOMAN	NA	\$3.84	NA	\$3.94	NA	NA	NA	NA	NA	
		NRC - Incremental Charge - Manual Service Order - 1st	SOMAN	\$47.00	NA	TBD	NA	\$18.14	\$25.52	\$26.94	\$47.00	NA	
		NRC - Incremental Charge - Manual Service Order - Add'l	SOMAN	\$21.00	NA	TBD	NA	\$8.06	\$11.34	\$12.76	\$25.52	NA	
		NRC - Incremental Charge - Manual Service Order - Disconnect - 1st	SOMAN	\$17.77	NA	TBD	NA	\$11.41	\$16.06	NA	\$21.00	NA	
		NRC - Incremental Charge - Manual Service Order - Disconnect - Add'l	SOMAN	\$17.77	NA	TBD	NA	\$11.41	\$16.06	NA	\$21.00	NA	
		NRC - Incremental Charge - Manual Order Coordination - per loop	UCLMC	\$16.00	\$16.31	\$36.46	\$16.31	\$32.77	\$45.27	\$16.00	\$45.43	\$34.29	
		4-Wire Unb Copper Loop/Short (< or = 18kft), incl Man SI & Fac Res											
		Statewide, per month*	UCL4S	TBD	NA	\$19.34	NA	NA	NA	NA	NA	NA	
		Zone 1, per month	UCL4S	TBD	\$25.56	\$16.65	\$25.26	\$29.14	\$25.00	\$18.49	\$25.00	\$25.00	
		Zone 2, per month	UCL4S	TBD	\$30.53	\$19.22	\$23.00	\$26.62	\$27.50	\$29.75	\$27.50	\$27.50	
		Zone 3, per month	UCL4S	TBD	\$32.24	\$30.55	\$19.08	\$28.75	\$30.00	\$34.14	\$30.00	\$30.00	
		Zone 4, per month	UCL4S	NA	NA	NA	NA	NA	\$35.00	NA	NA	NA	
		NRC - 1st	UCL4S	TBD	\$438.27	\$353.80	\$440.35	\$434.49	\$400.00	\$400.00	\$400.00	\$400.00	
		NRC - Add'l	UCL4S	TBD	\$299.68	\$162.61	\$300.41	\$294.74	\$300.00	\$300.00	\$300.00	\$300.00	
		NRC - Disconnect Charge - 1st	UCL4S	TBD	\$161.19	\$156.25	\$171.58	\$174.43	\$150.00	\$150.00	\$150.00	\$150.00	
		NRC - Disconnect Charge - Add'l	UCL4S	TBD	\$39.76	\$41.96	\$41.90	\$42.60	\$40.00	\$40.00	\$40.00	\$40.00	
		NRC - Service Order submitted Electronically, per LSR	SOMECEC	\$3.50	\$2.75	\$3.50	\$3.50	\$3.50	\$3.50	\$3.50	\$3.50	\$3.50	
		NRC - Service Order submitted Electronically, per LSR - Disconnect	SOMECEC	NA	\$0.42	NA	NA	NA	NA	NA	NA	NA	
		NRC - Service Order submitted Manually, per LSR	SOMAN	NA	\$21.56	NA	\$29.24	NA	NA	NA	NA	\$19.99	
		NRC - Service Order submitted Manually, per LSR, Disconnect	SOMAN	NA	\$3.84	NA	\$3.94	NA	NA	NA	NA	NA	
		NRC - Incremental Charge - Manual Service Order - 1st	SOMAN	TBD	NA	NA	NA	\$18.14	\$25.52	\$26.94	\$47.00	NA	
		NRC - Incremental Charge - Manual Service Order - Add'l	SOMAN	TBD	NA	NA	NA	\$8.06	\$11.34	\$12.76	\$25.52	NA	
		NRC - Incremental Charge - Manual Service Order - Disconnect	SOMAN	TBD	NA	NA	NA	\$11.41	\$16.06	NA	\$21.00	NA	
		NRC - Incremental Charge - Manual Service Order - Disconnect - Add'l	SOMAN	TBD	NA	NA	NA	\$11.41	\$16.06	NA	\$21.00	NA	
		NRC - Incremental Charge - Manual Order Coordination - per loop	UCLMC	TBD	\$16.31	\$36.46	\$16.31	\$32.77	\$45.27	\$16.00	\$45.43	\$34.29	
		4-Wire Unb Copper Loop/Short (< or = 18kft), <u>without</u> Man SI & Fac Res											
		RC - Statewide, per month	UCL4W	TBD	NA	\$19.34	NA	NA	NA	NA	NA	NA	
		Zone 1, per month	UCL4W	TBD	\$25.56	\$16.65	\$25.26	\$29.14	\$25.00	\$18.49	\$25.00	\$25.00	
		Zone 2, per month	UCL4W	TBD	\$30.53	\$19.22	\$23.00	\$26.62	\$27.50	\$29.75	\$27.50	\$27.50	
		Zone 3, per month	UCL4W	TBD	\$32.24	\$30.55	\$19.08	\$28.75	\$30.00	\$34.14	\$30.00	\$30.00	
		Zone 4, per month	UCL4W	NA	NA	NA	NA	NA	\$35.00	NA	NA	NA	
		NRC - 1st	UCL4W	TBD	\$305.43	\$214.80	\$307.51	\$301.83	\$261.00	\$261.00	\$261.00	\$261.00	
		NRC - Add'l	UCL4W	TBD	\$222.05	\$162.61	\$222.77	\$217.22	\$161.00	\$161.00	\$161.00	\$161.00	
		NRC - Disconnect Charge - 1st	UCL4W	TBD	\$114.30	\$156.25	\$122.17	\$124.19	\$150.00	\$150.00	\$150.00	\$150.00	
		NRC - Disconnect Charge - Add'l	UCL4W	TBD	\$19.58	\$41.96	\$20.64	\$20.98	\$40.00	\$40.00	\$40.00	\$40.00	
		NRC - Service Order submitted Electronically, per LSR	SOMECEC	\$3.50	\$2.75	\$3.50	\$3.50	\$3.50	\$3.50	\$3.50	\$3.50	\$3.50	
		NRC - Service Order submitted Electronically, per LSR - Disconnect	SOMECEC	NA	\$0.42	NA	NA	NA	NA	NA	NA	NA	
		NRC - Service Order submitted Manually, per LSR	SOMAN	NA	\$21.56	NA	\$29.24	NA	NA	NA	NA	\$19.99	
		NRC - Service Order submitted Manually, per LSR, Disconnect	SOMAN	NA	\$3.84	NA	\$3.94	NA	NA	NA	NA	NA	
		NRC - Incremental Charge - Manual Service Order - 1st	SOMAN	TBD	NA	NA	NA	\$18.14	\$25.52	\$26.94	\$47.00	NA	
		NRC - Incremental Charge - Manual Service Order - Add'l	SOMAN	TBD	NA	NA	NA	\$8.06	\$11.34	\$12.76	\$25.52	NA	
		NRC - Incremental Charge - Manual Service Order - Disconnect	SOMAN	TBD	NA	NA	NA	\$11.41	\$16.06	NA	\$21.00	NA	
		NRC - Incremental Charge - Manual Service Order - Disconnect - Add'l	SOMAN	TBD	NA	NA	NA	\$11.41	\$16.06	NA	\$21.00	NA	
		NRC - Incremental Charge - Manual Order Coordination - per loop	UCLMC	TBD	\$16.31	\$36.46	\$16.31	\$32.77	\$45.27	\$16.00	\$45.43	\$34.29	
		4-Wire Unb Copper Loop/Long (>18kft), incl Man Svc Inq & Fac Res											
		Statewide, Per month	UCL4L	TBD	NA	\$55.86	NA	NA	NA	NA	NA	NA	
		Zone 1, per month	UCL4L	TBD	\$82.70	\$47.56	\$61.02	\$77.94	\$50.00	\$54.54	\$50.00	\$50.00	

BELLSOUTH/EPB TELECOMMUNICATIONS RATES
NETWORK ELEMENTS
AND OTHER SERVICES

	Zone 2, per month	UCL4L	TBD	\$119.02	\$54.92	\$55.74	\$115.84	\$60.00	\$90.93	\$60.00	\$60.00	
	Zone 3, per month	UCL4L	TBD	\$147.54	\$87.30	\$88.97	\$143.00	\$90.00	\$105.09	\$90.00	\$90.00	
	Zone 4, per month	UCL4L	NA	NA	NA	NA	NA	TBD	NA	NA	NA	
	NRC - 1st	UCL4L	TBD	\$380.29	\$397.06	\$381.63	\$381.09	\$400.00	\$400.00	\$400.00	\$400.00	
	NRC - Add'l	UCL4L	TBD	\$241.70	\$227.88	\$241.69	\$241.35	\$300.00	\$300.00	\$300.00	\$300.00	
	NRC - Disconnect Charge - 1st	UCL4L	TBD	\$161.19	\$156.25	\$171.58	\$174.43	\$150.00	\$150.00	\$150.00	\$150.00	
	NRC - Disconnect Charge - Add'l	UCL4L	TBD	\$39.76	\$41.96	\$41.90	\$42.60	\$40.00	\$40.00	\$40.00	\$40.00	
	NRC - Service Order submitted Electronically, per LSR	SOME C	\$3.50	\$2.75	\$3.50	\$3.50	\$3.50	\$3.50	\$3.50	\$3.50	\$3.50	
	NRC - Service Order submitted Electronically, per LSR - Disconnect	SOME C	NA	\$0.42	NA	NA	NA	NA	NA	NA	NA	
	NRC - Service Order submitted Manually, per LSR	SOMAN	NA	\$21.56	NA	\$29.24	NA	NA	NA	NA	\$19.99	
	NRC - Service Order submitted Manually, per LSR, Disconnect	SOMAN	NA	\$3.84	NA	\$3.94	NA	NA	NA	NA	NA	
	NRC - Incremental Charge - Manual Service Order - 1st	SOMAN	TBD	NA	NA	NA	\$18.14	\$25.52	\$26.94	\$47.00	NA	
	NRC - Incremental Charge - Manual Service Order - Add'l	SOMAN	TBD	NA	NA	NA	\$8.06	\$11.34	\$12.76	\$25.52	NA	
	NRC - Incremental Charge - Manual Service Order - Disconnect	SOMAN	TBD	NA	NA	NA	\$11.41	\$16.06	NA	\$21.00	NA	
	NRC - Incremental Charge - Manual Service Order - Disconnect - Add'l	SOMAN	TBD	NA	NA	NA	\$11.41	\$16.06	NA	\$21.00	NA	
	NRC - Incremental Charge - Manual Order Coordination - per loop	UCLMC	TBD	\$16.31	\$36.46	\$16.31	\$32.77	\$45.27	\$16.00	\$45.43	\$34.29	
	4-Wire Unb Copper Loop/Long (>18kft), without Man SI & Fac Res											
	Statewide, Per month	UCL4O	TBD	NA	\$55.86	NA	NA	NA	NA	NA	NA	
	Zone 1, per month	UCL4O	TBD	\$82.70	\$47.56	\$61.02	\$77.94	\$50.00	\$54.54	\$50.00	\$50.00	
	Zone 2, per month	UCL4O	TBD	\$119.02	\$54.92	\$55.74	\$115.84	\$60.00	\$90.93	\$60.00	\$60.00	
	Zone 3, per month	UCL4O	TBD	\$147.54	\$87.30	\$88.97	\$143.00	\$90.00	\$105.09	\$90.00	\$90.00	
	Zone 4, per month	UCL4O	NA	NA	NA	NA	NA	TBD	NA	NA	NA	
	NRC - 1st	UCL4O	TBD	\$247.44	\$397.06	\$248.79	\$248.44	\$261.00	\$261.00	\$261.00	\$261.00	
	NRC - Add'l	UCL4O	TBD	\$164.06	\$227.88	\$164.05	\$163.82	\$161.00	\$161.00	\$161.00	\$161.00	
	NRC - Disconnect Charge - 1st	UCL4O	TBD	\$114.30	\$156.25	\$122.17	\$124.19	\$150.00	\$150.00	\$150.00	\$150.00	
	NRC - Disconnect Charge - Add'l	UCL4O	TBD	\$19.58	\$41.96	\$20.64	\$20.98	\$40.00	\$40.00	\$40.00	\$40.00	
	NRC - Service Order submitted Electronically, per LSR	SOME C	\$3.50	\$2.75	\$3.50	\$3.50	\$3.50	\$3.50	\$3.50	\$3.50	\$4.50	
	NRC - Service Order submitted Electronically, per LSR - Disconnect	SOME C	NA	\$0.42	NA	NA	NA	NA	NA	NA	NA	
	NRC - Service Order submitted Manually, per LSR	SOMAN	NA	\$21.56	NA	\$29.24	NA	NA	NA	NA	\$19.99	
	NRC - Service Order submitted Manually, per LSR, Disconnect	SOMAN	NA	\$3.84	NA	\$3.94	NA	NA	NA	NA	NA	
	NRC - Incremental Charge - Manual Service Order - 1st	SOMAN	TBD	NA	NA	NA	\$18.14	\$25.52	\$26.94	\$47.00	NA	
	NRC - Incremental Charge - Manual Service Order - Add'l	SOMAN	TBD	NA	NA	NA	\$8.06	\$11.34	\$12.76	\$25.52	NA	
	NRC - Incremental Charge - Manual Service Order - Disconnect	SOMAN	TBD	NA	NA	NA	\$11.41	\$16.06	NA	\$21.00	NA	
	NRC - Incremental Charge - Manual Service Order - Disconnect - Add'l	SOMAN	TBD	NA	NA	NA	\$11.41	\$16.06	NA	\$21.00	NA	
	NRC - Incremental Charge - Manual Order Coordination - per loop	UCLMC	TBD	\$16.31	\$36.46	\$16.31	\$32.77	\$45.27	\$16.00	\$45.43	\$34.29	
	DS3 Local Loop											
	DS3 Unbundled Local Loop - per mile	1L5ND	\$10.85	\$11.77	\$8.90	\$43.69	\$11.26	\$54.39	\$32.53	\$15.53	\$30.53	
	DS3 Unbundled Local Loop- per Facility Termination	UE3PX	\$419.65	\$404.58	\$390.34	\$436.95	\$439.59	\$427.81	\$387.01	\$421.60	\$400.21	
	NRC - Facility Termination - 1st	UE3PX	\$640.54	\$903.37	\$639.50	\$1,091.00	\$594.70	\$975.22	\$964.04	\$735.42	\$726.16	
	NRC - Facility Termination - Add'l	UE3PX	\$426.82	\$528.05	\$426.40	\$661.23	\$396.54	\$549.17	\$542.73	\$519.31	\$411.64	
	NRC - Facility Termination - Disconnect - 1st	UE3PX	\$121.72	\$221.46	\$122.31	NA	\$102.16	\$134.07	NA	NA	\$103.36	
	NRC - Facility Termination - Disconnect - Add'l	UE3PX	\$118.54	\$154.90	\$119.14	NA	\$99.46	\$130.59	NA	NA	\$100.59	
	NRC - Manual Svc Order, per LSR	SOMAN	NA	\$21.56	NA	\$19.99	NA	NA	NA	NA	\$19.99	
	NRC - Manual Svc Order, per LSR disconnect	SOMAN	NA	\$3.84	NA	NA	NA	NA	NA	NA	NA	
	NRC - Electronic Svc Order, per LSR	SOME C	\$3.50	\$2.75	\$3.50	\$3.50	\$3.50	\$3.50	\$3.50	\$3.50	\$3.50	
	NRC - Electronic Svc Order, per LSR disconnect	SOME C	NA	\$0.42	NA	NA	NA	NA	NA	NA	NA	
	NRC - Incremental Charge-Manual Svc Order - 1st	SOMAN	\$38.48	NA	\$37.55	\$50.25	\$34.92	\$68.62	\$29.76	\$54.26	NA	
	NRC - Incremental Charge-Manual Svc Order - Add'l	SOMAN	\$38.48	NA	\$37.55	\$50.25	\$34.92	\$68.62	\$29.76	\$54.26	NA	
	NRC - Incremental Cost - Manual Svc. Order vs. Elect-Disconnect-1st	SOMAN	\$19.03	NA	\$18.03	\$20.94	\$20.94	\$28.59	NA	NA	NA	
	NRC - Incremental Cost - Manual Svc. Order vs. Elect-Disconnect-Add'l	SOMAN	\$19.03	NA	\$18.03	\$20.94	\$20.94	\$28.59	NA	NA	NA	
	STS-1 Local Loop											
	STS-1 Unbundled Local Loop - per mile	1L5ND	\$10.85	\$11.77	\$8.90	\$43.69	\$38.98	\$54.39	\$32.53	\$15.53	\$30.53	
	STS-1 Unbundled Local Loop- per Facility Termination	UDLS1	\$419.65	\$446.09	\$421.59	\$436.95	\$497.08	\$427.81	\$387.01	\$431.32	\$400.21	
	NRC - STS-1 - Facility Termination - 1st	UDLS1	\$640.54	\$903.37	\$639.50	\$1,091	\$709.14	\$975.22	\$964.04	\$735.42	\$726.16	
	NRC - STS-1 - Facility Termination - Add'l	UDLS1	\$426.82	\$528.05	\$426.40	\$661.23	\$402.63	\$549.17	\$542.73	\$519.31	\$411.64	
	NRC - STS-1 - Facility Termination - Disconnect - 1st	UDLS1	\$121.72	\$221.46	\$122.31	NA	\$102.16	\$134.07	NA	NA	\$103.36	

BELLSOUTH/EPB TELECOMMUNICATIONS RATES
NETWORK ELEMENTS
AND OTHER SERVICES

	NRC - STS-1 - Facility Termination - Disconnect - Add'l	UDLS1	\$118.54	\$154.90	\$119.14	NA	\$99.46	\$130.59	NA	NA	\$100.59
	NRC - Manual Svc Order, per LSR	SOMAN	NA	\$21.56	NA	\$19.99	NA	NA	NA	NA	\$19.99
	NRC - Manual Svc Order, per LSR disconnect	SOMAN	NA	\$3.84	NA	NA	NA	NA	NA	NA	NA
	NRC - Electronic Svc Order, per LSR	SOMECE	\$3.50	\$2.75	\$3.50	\$3.50	\$3.50	\$3.50	\$3.50	\$3.50	\$3.50
	NRC - Electronic Svc Order, per LSR disconnect	SOMECE	NA	\$0.42	NA	NA	NA	NA	NA	NA	NA
	NRC - STS-1 - Incremental Charge--Manual Svc Order - 1st	SOMAN	\$38.48	NA	\$37.55	\$93.12	\$50.25	\$68.62	\$29.76	\$54.26	NA
	NRC - STS-1 - Incremental Charge--Manual Svc Order - Add'l	SOMAN	\$38.48	NA	\$37.55	\$93.12	\$50.25	\$68.62	\$29.76	\$54.26	NA
	NRC - STS-1 - Incremental Cost - Manual Svc. Order vs. Elect-Disconnect-1st	SOMAN	\$19.03	NA	\$18.03	NA	\$20.94	\$28.59	NA	NA	NA
	NRC - STS-1 - Incremental Cost - Manual Svc. Order vs. Elect-Disconnect-Add'l	SOMAN	\$19.03	NA	\$18.03	NA	\$20.94	\$28.59	NA	NA	NA
	OC3- Local Loop										
	Local Loop - OC3 - per Mile	1L5ND	\$8.23	\$8.93	\$6.75	\$33.15	\$29.58	\$41.27	\$24.69	\$11.78	\$23.16
	Local Loop - OC3 - per Facility Termination		\$691.33	\$648.60	\$630.21	\$713.29	\$753.65	\$689.68	\$611.36	\$701.71	\$620.20
	NRC - OC3 - Facility Termination - 1st		\$949.63	\$966.45	\$947.69	\$1,543	\$1,025	\$1,427	\$1,411	\$1,044	\$1,050
	NRC - OC3 - Facility Termination - Add'l		\$413.38	\$408.85	\$413.00	\$661.23	\$402.63	\$549.17	\$542.73	\$505.88	\$411.64
	NRC - OC3 - Facility Termination - Disconnect - 1st		\$121.72	\$11.56	\$122.31	NA	\$102.16	\$134.07	\$131.65	NA	\$103.36
	NRC - OC3 - Facility Termination - Disconnect - Add'l		\$118.54	\$108.34	\$119.14	NA	\$99.46	\$130.59	\$128.19	NA	\$100.59
	NRC - Manual Svc Order, per LSR	SOMAN	NA	\$21.56	NA	\$19.99	NA	NA	NA	NA	\$19.99
	NRC - Manual Svc Order, per LSR disconnect	SOMAN	NA	\$3.84	NA	NA	NA	NA	NA	NA	NA
	NRC - Electronic Svc Order, per LSR	SOMECE	\$3.50	\$2.75	\$3.50	\$3.50	\$3.50	\$3.50	\$3.50	\$3.50	\$3.50
	NRC - Electronic Svc Order, per LSR disconnect	SOMECE	NA	\$0.42	NA	NA	NA	NA	NA	NA	NA
	NRC - OC3 - Incremental Charge--Manual Svc Order - 1st	SOMAN	\$38.48	NA	\$37.55	\$93.12	\$50.25	\$68.62	\$69.34	\$54.26	NA
	NRC - OC3 - Incremental Charge--Manual Svc Order - Add'l	SOMAN	\$38.48	NA	\$37.55	\$93.12	\$50.25	\$68.62	\$69.34	\$54.26	NA
	NRC - OC3 -Incremental Cost - Manual Svc. Order vs. Elect-Disconnect-1st	SOMAN	\$19.03	NA	\$18.03	NA	\$20.94	\$28.59	\$29.76	NA	NA
	NRC - OC3 -Incremental Cost - Manual Svc. Order vs. Elect-Disconnect-Add'l	SOMAN	\$19.03	NA	\$18.03	NA	\$20.94	\$28.59	\$29.76	NA	NA
	OC -12 Local Loop										
	Local Loop - OC12 - per Mile	1L5ND	\$10.13	\$10.99	\$8.31	\$40.80	\$36.40	\$50.79	\$30.38	\$14.50	\$28.51
	Local Loop - OC12 - per Facility Termination		\$2,557	\$2,053.06	\$2,109.00	\$2,457	\$2,571	\$2,371	\$2,122	\$2,663	\$2,079
	NRC - OC12 - Facility Termination - 1st		\$1,165	\$1,183.46	\$1,162.00	\$1,858	\$1,245	\$1,742	\$1,722	\$1,259	\$1,276
	NRC - OC12 - Facility Termination - Add'l		\$413.38	\$408.85	\$413.00	\$661.23	\$402.63	\$549.17	\$542.73	\$505.88	\$411.64
	NRC - OC12 - Facility Termination - Disconnect - 1st		\$121.72	\$11.56	\$122.31	NA	\$102.16	\$134.07	\$131.65	NA	\$103.36
	NRC - OC12 - Facility Termination - Disconnect - Add'l		\$118.54	\$108.34	\$119.14	NA	\$99.46	\$130.59	\$128.19	NA	\$100.59
	NRC - Manual Svc Order, per LSR	SOMAN	NA	\$21.56	NA	\$19.99	NA	NA	NA	NA	\$19.99
	NRC - Manual Svc Order, per LSR disconnect	SOMAN	NA	\$3.84	NA	NA	NA	NA	NA	NA	NA
	NRC - Electronic Svc Order, per LSR	SOMECE	\$3.50	\$2.75	\$3.50	\$3.50	\$3.50	\$3.50	\$3.50	\$3.50	\$3.50
	NRC - Electronic Svc Order, per LSR disconnect	SOMECE	NA	\$0.42	NA	NA	NA	NA	NA	NA	NA
	NRC -OC12 - Incremental Charge - Manual Svc Order - 1st	SOMAN	\$38.48	NA	\$37.55	\$93.12	\$50.25	\$68.62	\$68.62	\$54.26	NA
	NRC - OC12 - Incremental Charge - Manual Svc Order - Add'l	SOMAN	\$38.48	NA	\$37.55	\$93.12	\$50.25	\$68.62	\$68.62	\$54.26	NA
	NRC - OC12 - Incremental Cost-Manual Svc. Order vs. Elect-Disconnect-1st	SOMAN	\$19.03	NA	\$18.03	NA	\$20.94	\$28.59	\$28.59	NA	NA
	NRC - OC12 - Incremental Cost-Manual Svc. Order vs. Elect-Disconnect-Add'l	SOMAN	\$19.03	NA	\$18.03	NA	\$20.94	\$28.59	\$28.59	NA	NA
	OC - 48 Local Loop										
	Local Loop - OC48 - per Mile	1L5ND	\$33.22	\$36.04	\$27.25	\$133.84	\$119.40	\$166.59	\$120.02	\$47.57	\$93.50
	Local Loop - OC48 - per Facility Termination		\$1,713	\$1,685.97	\$1,598.00	\$2,129	\$2,268	\$1,753	\$1,677	\$1,733	\$1,832
	Local Loop - OC12 interface on OC48 Facility		\$736.71	\$587.71	\$594.80	\$725.77	\$723.29	\$667.00	\$582.66	\$773.40	\$570.54
	NRC - OC48 - Facility Termination - 1st		\$1,165	\$1,183.46	\$1,162.00	\$1,858	\$1,245	\$1,742	\$1,722	\$1,259	\$1,276
	NRC - OC48 - Facility Termination - Add'l		\$413.38	\$408.85	\$413.00	\$661.23	\$402.63	\$549.17	\$542.73	\$505.88	\$411.64
	NRC - OC48 - Interface OC12 on OC48 - 1st		\$121.72	\$543.72	\$539.36	\$844.21	\$532.13	\$729.04	\$720.81	\$635.04	\$544.55
	NRC - OC48 - Interface OC12 on OC48 - Add'l		\$118.54	\$312.05	\$317.38	\$516.89	\$304.90	\$404.94	\$400.38	\$410.02	\$311.39
	NRC - OC48 - Facility Termination - Disconnect - 1st		\$121.72	\$111.56	\$122.31	NA	\$102.16	\$134.07	\$131.65	NA	\$103.36
	NRC - OC48 - Facility Termination - Disconnect - Add'l		\$118.54	\$108.34	\$119.14	NA	\$99.46	\$130.59	\$128.19	NA	\$100.59
	NRC - OC48- Interface OC12 on OC48 - Disconnect - 1st		\$121.72	\$111.56	\$122.31	NA	\$102.16	\$134.07	\$131.65	NA	\$103.36
	NRC - OC48 - Interface OC12 on OC48 - Disconnect - Add'l		\$118.54	\$108.34	\$119.14	NA	\$99.46	\$130.59	\$128.19	NA	\$100.59
	NRC - Manual Svc Order, per LSR	SOMAN	NA	\$21.56	NA	\$19.99	NA	NA	NA	NA	\$19.99
	NRC - Manual Svc Order, per LSR disconnect	SOMAN	NA	\$3.84	NA	NA	NA	NA	NA	NA	NA
	NRC - Electronic Svc Order, per LSR	SOMECE	\$3.50	\$2.75	\$3.50	\$3.50	\$3.50	\$3.50	\$3.50	\$3.50	\$3.50
	NRC - Electronic Svc Order, per LSR disconnect	SOMECE	NA	\$0.42	NA	NA	NA	NA	NA	NA	NA
	NRC - OC48 - Facility Termination-Manual Svc Order vs Electronic-Disconnect-1st	SOMAN	\$19.03	NA	\$18.03	\$93.12	\$20.94	\$28.59	NA	NA	NA

BELLSOUTH/EPB TELECOMMUNICATIONS RATES
NETWORK ELEMENTS
AND OTHER SERVICES

	NRC - OC48 - Facility Termination-Manual Svc Order vs Electronic-Disconnect-Add'l	SOMAN	\$19.03	NA	\$18.03	\$93.12	\$20.94	\$28.59	NA	NA	NA	
	NRC - OC48 - Interface - Manual Svc Order vs Electronic-Disconnect-1st	SOMAN	\$19.03	NA	\$18.03	NA	\$20.94	\$28.59	NA	NA	NA	
	NRC - OC48 - Interface - Manual Svc Order vs Electronic-Disconnect-Add'l	SOMAN	\$19.03	NA	\$18.03	NA	\$20.94	\$28.59	NA	NA	NA	
	NRC - OC-48 - Incremental Charge--Manual Svc Order-1st	SOMAN	\$38.48	NA	\$37.55	\$93.12	\$50.25	\$68.62	\$69.34	\$54.26	NA	
	NRC - OC-48 - Incremental Charge--Manual Svc Order-Add'l	SOMAN	\$38.48	NA	\$37.55	\$93.12	\$50.25	\$68.62	\$69.34	\$54.26	NA	
	NRC - OC48 - Interface OC12 on OC48 - Incremental Charge--Manual Svc Order	SOMAN	\$38.48	NA	\$37.55	NA	\$50.25	\$68.62	\$69.34	NA	NA	
	NRC - OC48 - Interface OC12 on OC48 - Incremental Charge--Manual Svc Order-Add'l	SOMAN	\$38.48	NA	\$37.55	NA	\$50.25	\$68.62	\$69.34	NA	NA	
Unbundled Loop Modification/Conditioning												
	NRC - Load Coil/Equipment Removal per 2 Wire pair - Loops less than or equal to 18kft **	ULM2L	\$65.23	\$65.40	\$69.28	\$65.40	\$65.30	\$80.55	\$65.49	\$65.20	See Ex C-2	
	NRC - Load Coil/Equipment Removal per 2 Wire pair - Loops greater than 18kft 1st **	ULM2G	\$716.70	\$710.71	\$757.04	\$710.73	\$709.71	\$880.00	\$719.55	\$716.32	See Ex C-2	
	NRC - Load Coil/Equipment Removal per 2 Wire pair - Loops greater than 18kft Add'l **	ULM2G	\$23.55	\$23.77	\$23.49	\$23.77	\$23.74	\$27.30	\$23.65	\$23.54	See Ex C-2	
	NRC - Load Coil/Equipment Removal per 4 Wire pair - Loops less than or equal to 18kft **	ULM4L	\$65.23	\$65.40	\$69.28	\$65.40	\$65.30	\$80.55	\$65.49	\$65.20	See Ex C-2	
	NRC - Load Coil/Equipment Removal per 4 Wire pair - Loops greater than 18kft 1st **	ULM4G	\$716.70	\$710.71	\$757.04	\$710.73	\$709.71	\$880.00	\$719.55	\$716.32	See Ex C-2	
	NRC - Load Coil/Equipment Removal per 4 Wire pair - Loops greater than 18kft Add'l **	ULM4G	\$23.55	\$23.77	\$23.49	\$23.77	\$23.74	\$27.30	\$23.65	\$23.54	See Ex C-2	
	NRC - BridgeD Tap Removal per pair unloaded **	ULMBT	\$65.28	\$65.44	\$79.99	\$65.44	\$65.35	\$121.14	\$65.64	\$65.24	See Ex C-2	
UNBUNDLED SUB-LOOPS												
SUB-LOOP DISTRIBUTION												
Cross-Box Set-Up												
	NRC-Set-Up per CrossBox location in the field-CLEC Feeder Facility set-up	USBSA	\$517.43	\$711.78	\$421.08	\$627.16	\$639.68	TBD	\$498.09	\$510.15	See Ex C-1	
	NRC - Set-Up per Cross Box location in the field - per 25 pair panel set-up	USBSB	\$44.87	\$45.28	\$67.10	\$45.28	\$45.22	TBD	\$45.04	\$44.84	See Ex C-1	
	NRC - Set-Up per Building Equipment Room - CLEC Feeder Facility set-up	USBSC	\$311.77	\$333.44	\$394.74	\$407.02	\$289.90	TBD	\$313.01	\$311.60	See Ex C-2	
	NRC - Set-Up per Building Equipment Room - per 25 pair panel set-up	USBSD	\$107.63	\$109.85	\$154.57	\$111.55	\$104.26	TBD	\$108.06	\$108.17	See Ex C-2	
Loop Distribution per 2-Wire Analog VG Sub-Loop, per month												
	Zone 1, per month	USBN2	\$9.05	NA	\$9.12	NA	NA	TBD	NA	\$8.34	See Ex C-1	
	Zone 2, per month	USBN2	TBD	\$9.36	TBD	\$9.03	\$10.33	TBD	\$7.99	NA	See Ex C-1	
	Zone 3, per month	USBN2	TBD	\$12.49	TBD	\$12.25	\$14.43	TBD	\$12.63	NA	See Ex C-1	
	Zone 4, per month	USBN2	TBD	\$16.13	TBD	\$16.71	\$21.11	TBD	\$14.43	NA	See Ex C-1	
	NRC - 1st	USBN2	NA	NA	NA	NA	NA	TBD	NA	NA	See Ex C-1	
	NRC - Add'l	USBN2	\$125.53	\$139.20	\$207.01	\$139.19	\$138.99	TBD	\$126.03	\$195.98	See Ex C-1	
	NRC - Disconnect Charge - 1st	USBN2	\$54.32	\$61.94	\$171.32	\$61.93	\$61.84	TBD	\$54.54	\$63.70	See Ex C-1	
	NRC - Disconnect Charge - Add'l	USBN2	\$92.45	\$98.49	TBD	\$101.18	\$100.70	TBD	\$71.13	NA	See Ex C-1	
	NRC - Service Order submitted Electronically, per LSR	SOMEC	\$13.21	\$13.08	TBD	\$13.44	\$13.37	TBD	\$10.16	NA	See Ex C-1	
	NRC - Service Order submitted Electronically, per LSR - Disconnect	SOMEC	\$3.50	\$2.75	\$3.50	\$3.50	\$3.50	TBD	\$3.50	\$3.50	See Ex C-1	
	NRC - Service Order submitted Manually, per LSR	SOMAN	NA	\$0.42	NA	NA	NA	TBD	NA	NA	See Ex C-1	
	NRC - Service Order submitted Manually, per LSR, Disconnect	SOMAN	NA	\$21.56	NA	\$29.24	NA	TBD	NA	NA	See Ex C-1	
	NRC - Incremental Charge - Manual Service Order - 1st	SOMAN	NA	\$3.84	NA	\$3.94	NA	TBD	NA	NA	See Ex C-1	
	NRC - Incremental Charge - Manual Service Order - Add'l	SOMAN	TBD	NA	\$18.94	NA	\$18.14	TBD	\$26.94	NA	See Ex C-1	
	NRC - Incremental Charge - Manual Service Order - Disconnect	SOMAN	TBD	NA	\$8.42	NA	\$8.06	TBD	\$12.76	NA	See Ex C-1	
	NRC - Incremental Charge - Manual Order Coordination - per loop	SOMAN	TBD	NA	TBD	NA	\$11.41	TBD	\$15.12	NA	See Ex C-1	
Loop Distribution per 4-Wire Analog VG Sub-Loop, per month												
	Zone 1, per month	USBN4	\$51.29	\$16.31	\$34.22	\$16.31	\$16.29	TBD	\$45.34	\$45.43	See Ex C-1	
	Zone 2, per month	USBN4	\$10.56	NA	\$8.32	NA	NA	TBD	NA	\$10.22	NA	
	Zone 3, per month	USBN4	TBD	\$10.12	TBD	\$10.18	\$15.67	TBD	\$9.23	NA	TBD	
	Zone 4, per month	USBN4	TBD	\$18.29	TBD	\$9.44	\$20.35	TBD	\$14.63	NA	TBD	
	NRC - 1st	USBN4	TBD	\$26.09	TBD	\$13.38	\$24.93	TBD	\$16.73	NA	TBD	
	NRC - Add'l	USBN4	NA	NA	NA	NA	NA	TBD	NA	NA	TBD	
	NRC - 1st	USBN4	\$155.90	\$165.68	\$219.35	\$165.67	\$165.43	TBD	\$156.52	\$232.76	TBD	
	NRC - Add'l	USBN4	\$79.35	\$88.42	\$72.99	\$88.41	\$88.29	TBD	\$79.66	\$91.92	TBD	

BELLSOUTH/EPB TELECOMMUNICATIONS RATES
NETWORK ELEMENTS
AND OTHER SERVICES

	NRC - Disconnect Charge - 1st	USBN4	\$107.24	\$104.31	\$123.72	\$109.94	\$111.76	TBD	\$78.56	NA	TBD
	NRC - Disconnect Charge - Add'l	USBN4	\$18.46	\$17.15	\$28.77	\$18.08	\$18.38	TBD	\$13.53	NA	TBD
	NRC - Service Order submitted Electronically, per LSR	SOMECS	\$3.50	\$2.75	\$3.50	\$3.50	\$3.50	TBD	\$3.50	\$3.50	
	NRC - Service Order submitted Electronically, per LSR - Disconnect	SOMECS	NA	\$0.42	NA	NA	NA	TBD	NA	NA	
	NRC - Service Order submitted Manually, per LSR	SOMAN	NA	\$21.56	NA	\$29.24	NA	TBD	NA	NA	
	NRC - Service Order submitted Manually, per LSR, Disconnect	SOMAN	NA	\$3.84	NA	\$3.94	NA	TBD	NA	NA	
	NRC - Incremental Charge - Manual Service Order - 1st	SOMAN	TBD	NA	NA	NA	\$18.14	TBD	NA	NA	TBD
	NRC - Incremental Charge - Manual Service Order - Add'l	SOMAN	TBD	NA	NA	NA	\$8.06	TBD	NA	NA	TBD
	NRC - Incremental Charge - Manual Service Order - Disconnect	SOMAN	TBD	NA	NA	NA	\$11.41	TBD	NA	TBD	TBD
	NRC - Incremental Charge - Manual Order Coordination - per loop	USBMC	\$51.29	\$16.31	\$34.22	\$16.31	\$16.29	TBD	\$45.34	\$45.43	TBD
	Loop Distribution per 2 Wire Unbundled Copper Sub-Loop, per month	UCS2X	\$6.55	NA	TBD	NA	NA	TBD	NA	\$6.82	NA
	Zone 1, per month	UCS2X	TBD	\$7.91	TBD	\$8.01	\$8.72	TBD	\$7.33	NA	TBD
	Zone 2, per month	UCS2X	TBD	\$10.37	TBD	\$9.18	\$11.43	TBD	\$10.95	NA	TBD
	Zone 3, per month	UCS2X	TBD	\$12.76	TBD	\$11.02	\$14.08	TBD	\$12.36	NA	TBD
	Zone 4, per month	UCS2X	NA	NA	NA	NA	NA	TBD	NA	NA	TBD
	NRC - 1st	UCS2X	\$136.55	\$139.20	TBD	\$139.19	\$138.99	TBD	\$137.10	\$212.46	TBD
	NRC - Add'l	UCS2X	\$60.00	\$61.94	TBD	\$61.93	\$61.84	TBD	\$60.24	\$70.03	TBD
	NRC - Disconnect Charge - 1st	UCS2X	\$99.54	\$98.49	TBD	\$101.18	\$100.70	TBD	\$76.58	NA	TBD
	NRC - Disconnect Charge - Add'l	UCS2X	\$14.05	\$13.08	TBD	\$13.44	\$13.37	TBD	\$10.81	NA	TBD
	NRC - Service Order submitted Electronically, per LSR	SOMECS	\$3.50	\$2.75	\$3.50	\$3.50	\$3.50	TBD	\$3.50	\$3.50	TBD
	NRC - Service Order submitted Electronically, per LSR - Disconnect	SOMECS	NA	\$0.42	NA	NA	NA	TBD	NA	NA	TBD
	NRC - Service Order submitted Manually, per LSR	SOMAN	NA	\$21.56	NA	\$29.24	NA	TBD	NA	NA	TBD
	NRC - Service Order submitted Manually, per LSR, Disconnect	SOMAN	NA	\$3.84	NA	\$3.94	NA	TBD	NA	NA	TBD
	NRC - Incremental Charge - Manual Service Order - 1st	SOMAN	TBD	NA	TBD	NA	\$18.14	TBD	NA	NA	TBD
	NRC - Incremental Charge - Manual Service Order - Add'l	SOMAN	TBD	NA	TBD	NA	\$8.06	TBD	NA	NA	TBD
	NRC - Incremental Charge - Manual Service Order - Disconnect	SOMAN	TBD	NA	TBD	NA	\$11.41	TBD	NA	NA	TBD
	NRC - Incremental Charge - Manual Order Coordination - per loop	USBMC	\$51.29	\$16.31	TBD	\$16.31	\$16.29	TBD	\$45.34	\$45.43	TBD
	Loop Distribution per 4 Wire Unbundled Copper Sub-Loop, per month	UCS4X	\$8.06	NA	TBD	NA	NA	TBD	NA	\$8.86	NA
	Zone 1, per month	UCS4X	TBD	\$7.11	TBD	\$10.65	\$10.48	TBD	\$7.14	NA	TBD
	Zone 2, per month	UCS4X	TBD	\$11.26	TBD	\$9.71	\$13.52	TBD	\$11.09	NA	TBD
	Zone 3, per month	UCS4X	TBD	\$16.92	TBD	\$8.45	\$17.66	TBD	\$12.63	NA	TBD
	Zone 4, per month	UCS4X	NA	NA	NA	NA	NA	TBD	NA	NA	TBD
	NRC - 1st	UCS4X	\$161.59	\$165.68	TBD	\$165.67	\$165.43	TBD	\$162.24	\$238.46	TBD
	NRC - Add'l	UCS4X	\$85.04	\$88.42	TBD	\$88.41	\$88.29	TBD	\$85.38	\$97.61	TBD
	NRC - Disconnect Charge - 1st	UCS4X	\$107.24	\$104.31	TBD	\$109.94	\$111.76	TBD	\$78.56	NA	TBD
	NRC - Disconnect Charge - Add'l	UCS4X	\$18.46	\$17.15	TBD	\$18.08	\$18.38	TBD	\$13.53	NA	TBD
	NRC - Service Order submitted Electronically, per LSR	SOMECS	\$3.50	\$2.75	\$3.50	\$3.50	\$3.50	TBD	\$3.50	\$3.50	TBD
	NRC - Service Order submitted Electronically, per LSR - Disconnect	SOMECS	NA	\$0.42	NA	NA	NA	TBD	NA	NA	TBD
	NRC - Service Order submitted Manually, per LSR	SOMAN	NA	\$21.56	NA	\$29.24	NA	TBD	NA	NA	TBD
	NRC - Service Order submitted Manually, per LSR, Disconnect	SOMAN	NA	\$3.84	NA	\$3.94	NA	TBD	NA	NA	TBD
	NRC - Incremental Charge - Manual Service Order - 1st	SOMAN	TBD	NA	TBD	NA	\$18.14	TBD	NA	NA	TBD
	NRC - Incremental Charge - Manual Service Order - Add'l	SOMAN	TBD	NA	TBD	NA	\$8.06	TBD	NA	NA	TBD
	NRC - Incremental Charge - Manual Service Order - Disconnect	SOMAN	TBD	NA	TBD	NA	\$11.41	TBD	NA	NA	TBD
	NRC - Incremental Charge - Manual Order Coordination - per loop	USBMC	\$51.29	\$16.31	TBD	\$16.31	\$16.29	TBD	\$45.34	\$45.43	TBD
	Sub-Loop-Intrabldg Ntwk Cable (aka riser cable), 2W analog, per mo	USBR2	\$1.33	\$3.87	\$1.61	\$3.23	\$1.59	TBD	\$3.50	\$1.60	See Ex C-2
	NRC - 1st	USBR2	\$113.60	\$113.62	\$137.03	\$113.61	\$106.11	TBD	\$114.05	\$189.52	See Ex C-2
	NRC - Add'l	USBR2	\$50.44	\$36.36	\$41.59	\$36.35	\$35.12	TBD	\$37.20	\$47.09	See Ex C-2
	NRC - Disconnect Charge - 1st	USBR2	\$99.54	\$98.49	\$115.85	\$101.18	\$93.19	TBD	\$76.58	NA	See Ex C-2
	NRC - Disconnect Charge - Add'l	USBR2	\$14.05	\$13.08	\$19.17	\$13.44	\$13.92	TBD	\$10.81	NA	See Ex C-2
	NRC - Service Order submitted Electronically, per LSR	SOMECS	\$3.50	\$2.75	\$3.50	\$3.50	\$3.50	TBD	\$3.50	\$3.50	See Ex C-2
	NRC - Service Order submitted Electronically, per LSR - Disconnect	SOMECS	NA	\$0.42	NA	NA	NA	TBD	NA	NA	See Ex C-2
	NRC - Service Order submitted Manually, per LSR	SOMAN	NA	\$21.56	NA	\$29.24	NA	TBD	NA	NA	See Ex C-2
	NRC - Service Order submitted Manually, per LSR, Disconnect	SOMAN	NA	\$3.84	NA	\$3.94	NA	TBD	NA	NA	See Ex C-2
	NRC - Incremental Charge - Manual Service Order - 1st	SOMAN	TBD	NA	NA	NA	\$18.14	TBD	NA	NA	See Ex C-2
	NRC - Incremental Charge - Manual Service Order - Add'l	SOMAN	TBD	NA	NA	NA	\$8.06	TBD	NA	NA	See Ex C-2
	NRC - Incremental Charge - Manual Service Order - Disconnect	SOMAN	TBD	NA	NA	NA	\$11.41	TBD	NA	NA	See Ex C-2

BELLSOUTH/EPB TELECOMMUNICATIONS RATES
NETWORK ELEMENTS
AND OTHER SERVICES

	NRC - Incremental Charge - Manual Order Coordination - per loop	USBMC	\$51.29	\$16.31	\$34.22	\$16.31	\$16.29	TBD	\$45.34	\$45.43	See Ex C-2
	Sub-Loop-Intrabldg Ntwk Cable (aka riser cable), 4W analog, per mo	USBR4	\$2.17	\$7.20	\$2.96	\$6.29	\$2.83	TBD	\$3.75	\$2.78	See Ex C-2
	NRC - 1st	USBR4	\$127.17	\$126.10	\$176.46	\$126.10	\$118.69	TBD	\$127.67	\$204.20	See Ex C-2
	NRC - Add'l	USBR4	\$50.62	\$48.84	\$55.11	\$48.84	\$47.70	TBD	\$50.82	\$60.40	See Ex C-2
	NRC - Disconnect Charge - 1st	USBR4	\$107.45	\$104.31	\$122.17	\$109.94	\$101.65	TBD	\$78.71	NA	See Ex C-2
	NRC - Disconnect Charge - Add'l	USBR4	\$14.59	\$17.15	\$19.57	\$18.08	\$14.61	TBD	\$10.69	NA	See Ex C-2
	NRC - Service Order submitted Electronically, per LSR	SOMEK	\$3.50	\$2.75	\$3.50	\$3.50	\$3.50	TBD	\$3.50	\$3.50	See Ex C-2
	NRC - Service Order submitted Electronically, per LSR - Disconnect	SOMEK	NA	\$0.42	NA	NA	NA	TBD	NA	NA	See Ex C-2
	NRC - Service Order submitted Manually, per LSR	SOMAN	NA	\$21.56	NA	\$29.24	NA	TBD	NA	NA	See Ex C-2
	NRC - Service Order submitted Manually, per LSR, Disconnect	SOMAN	NA	\$3.84	NA	\$3.94	NA	TBD	NA	NA	See Ex C-2
	NRC - Incremental Charge - Manual Service Order - 1st	SOMAN	TBD	NA	NA	NA	\$18.14	TBD	NA	NA	See Ex C-2
	NRC - Incremental Charge - Manual Service Order - Add'l	SOMAN	TBD	NA	NA	NA	\$8.06	TBD	NA	NA	See Ex C-2
	NRC - Incremental Charge - Manual Service Order - Disconnect	SOMAN	TBD	NA	NA	NA	\$11.41	TBD	NA	NA	See Ex C-2
	NRC - Incremental Charge - Manual Order Coordination - per loop	USBMC	\$51.29	\$16.31	\$34.22	\$16.31	\$16.29	TBD	\$45.34	\$45.43	See Ex C-2
	SUB-LOOP FEEDER										
	Cross-Box Set-Up										
	NRC - DS0 Set-Up per Cross Box location-CLEC Distribution Facility set-up	USBFW	517.43	711.78	\$421.08	627.16	\$639.68	TBD	498.09	510.15	See Ex C-1
	NRC - DS0 Set-Up per Cross Box location - per 25 pair panel set-up	USBFX	44.87	45.28	\$67.10	45.28	\$45.22	TBD	45.04	44.84	See Ex C-1
	NRC - DS1 Set-Up per Cross Box location-CLEC Distribution Facility set-up	USBFY	517.43	711.78	\$421.08	627.16	\$639.68	TBD	498.09	510.15	TBD
	NRC - DS1 Set-Up per Cross Box location - per pair panel set-up	USBFZ	44.87	45.28	\$67.10	45.28	\$45.22	TBD	45.04	44.84	TBD
	2-Wire Analog VG Ground-Start Unbundled Sub-Loop Feeder, per month	USBFA	\$13.68	NA	\$8.58	NA	NA	TBD	NA	\$10.06	See Ex C-1
	Zone 1, per month	USBFA	TBD	\$10.75	TBD	\$10.36	\$11.01	TBD	\$8.92	NA	See Ex C-1
	Zone 2, per month	USBFA	TBD	\$11.57	TBD	\$13.62	\$13.36	TBD	\$14.10	NA	See Ex C-1
	Zone 3, per month	USBFA	TBD	\$13.51	TBD	\$19.69	\$21.56	TBD	\$16.11	NA	See Ex C-1
	Zone 4, per month	USBFA	NA	NA	NA	NA	NA	TBD	NA	NA	See Ex C-1
	NRC - 1st	USBFA	\$198.42	\$193.62	\$206.44	\$192.57	\$192.30	TBD	\$122.52	\$199.27	See Ex C-1
	NRC - Add'l	USBFA	\$116.66	\$113.00	\$170.05	\$111.96	\$111.80	TBD	\$46.61	\$60.33	See Ex C-1
	NRC - Disconnect Charge - 1st	USBFA	\$119.95	\$116.59	TBD	\$119.14	\$118.57	TBD	\$77.90	NA	See Ex C-1
	NRC - Disconnect Charge - Add'l	USBFA	\$27.04	\$26.70	TBD	\$26.79	\$26.66	TBD	\$14.68	NA	See Ex C-1
	NRC - Service Order submitted Electronically, per LSR	SOMEK	\$3.50	\$2.75	\$3.50	\$3.50	\$3.50	TBD	\$3.50	\$3.50	See Ex C-1
	NRC - Service Order submitted Electronically, per LSR - Disconnect	SOMEK	NA	\$0.42	NA	NA	NA	TBD	NA	NA	See Ex C-1
	NRC - Service Order submitted Manually, per LSR	SOMAN	NA	\$21.56	NA	\$29.24	NA	TBD	NA	NA	See Ex C-1
	NRC - Service Order submitted Manually, per LSR, Disconnect	SOMAN	NA	\$3.84	NA	\$3.94	NA	TBD	NA	NA	See Ex C-1
	NRC - Incremental Charge - Manual Service Order - 1st	SOMAN	TBD	NA	\$18.94	NA	\$18.14	TBD	\$26.94	NA	See Ex C-1
	NRC - Incremental Charge - Manual Service Order - Add'l	SOMAN	TBD	NA	\$8.42	NA	\$8.06	TBD	\$12.76	NA	See Ex C-1
	NRC - Incremental Charge - Manual Service Order - Disconnect	SOMAN	TBD	NA	TBD	NA	\$11.41	TBD	\$15.12	NA	See Ex C-1
	2-Wire Analog VG Loop-Start Unbundled Sub-Loop Feeder, per month	USBFB	\$13.68	NA	\$8.58	NA	NA	TBD	NA	\$10.06	See Ex C-1
	Zone 1, per month	USBFB	TBD	\$10.75	TBD	\$10.36	\$11.01	TBD	\$8.92	NA	See Ex C-1
	Zone 2, per month	USBFB	TBD	\$11.57	TBD	\$13.62	\$13.36	TBD	\$14.10	NA	See Ex C-1
	Zone 3, per month	USBFB	TBD	\$13.51	TBD	\$19.69	\$21.56	TBD	\$16.11	NA	See Ex C-1
	Zone 4, per month	USBFB	NA	NA	NA	NA	NA	TBD	NA	NA	See Ex C-1
	NRC - 1st	USBFB	\$198.42	\$193.62	\$206.44	\$192.57	\$192.30	TBD	\$122.52	\$199.27	See Ex C-1
	NRC - Add'l	USBFB	\$116.66	\$113.00	\$170.05	\$111.96	\$111.80	TBD	\$46.61	\$60.33	See Ex C-1
	NRC - Disconnect Charge - 1st	USBFB	\$119.95	\$116.59	TBD	\$119.14	\$118.57	TBD	\$77.90	NA	See Ex C-1
	NRC - Disconnect Charge - Add'l	USBFB	\$27.04	\$26.70	TBD	\$26.79	\$26.66	TBD	\$14.68	NA	See Ex C-1
	NRC - Service Order submitted Electronically, per LSR	SOMEK	\$3.50	\$2.75	\$3.50	\$3.50	\$3.50	TBD	\$3.50	\$3.50	See Ex C-1
	NRC - Service Order submitted Electronically, per LSR - Disconnect	SOMEK	NA	\$0.42	NA	NA	NA	TBD	NA	NA	See Ex C-1
	NRC - Service Order submitted Manually, per LSR	SOMAN	NA	\$21.56	NA	\$29.24	NA	TBD	NA	NA	See Ex C-1
	NRC - Service Order submitted Manually, per LSR, Disconnect	SOMAN	NA	\$3.84	NA	\$3.94	NA	TBD	NA	NA	See Ex C-1
	NRC - Incremental Charge - Manual Service Order - 1st	SOMAN	TBD	NA	\$18.94	NA	\$18.14	TBD	\$26.94	NA	See Ex C-1
	NRC - Incremental Charge - Manual Service Order - Add'l	SOMAN	TBD	NA	\$8.42	NA	\$8.06	TBD	\$12.76	NA	See Ex C-1

BELLSOUTH/EPB TELECOMMUNICATIONS RATES
 NETWORK ELEMENTS
 AND OTHER SERVICES

			NRC - Incremental Charge - Manual Service Order - Disconnect	SOMAN	TBD	NA	TBD	NA	\$11.41	TBD	\$15.12	NA	See Ex C-1	
--	--	--	--	-------	-----	----	-----	----	---------	-----	---------	----	------------	--

BELLSOUTH/EPB TELECOMMUNICATIONS RATES
NETWORK ELEMENTS
AND OTHER SERVICES

	2-Wire Analog VG Reverse Battery Unb Sub-Loop Feeder, per mo	USBFC	\$13.68	NA	\$8.58	NA	NA	TBD	NA	\$10.06	See Ex C-1
	Zone 1, per month	USBFC	TBD	\$10.75	TBD	\$10.36	\$11.01	TBD	\$8.92	NA	See Ex C-1
	Zone 2, per month	USBFC	TBD	\$11.57	TBD	\$13.62	\$11.36	TBD	\$14.10	NA	See Ex C-1
	Zone 3, per month	USBFC	TBD	\$13.51	TBD	\$19.69	\$21.56	TBD	\$16.11	NA	See Ex C-1
	Zone 4, per month	USBFC	NA	NA	NA	NA	NA	TBD	NA	NA	See Ex C-1
	NRC - 1st	USBFC	\$198.42	\$193.62	\$206.44	\$192.57	\$192.30	TBD	\$122.52	\$199.27	See Ex C-1
	NRC - Add'l	USBFC	\$116.66	\$113.00	\$170.05	\$111.96	\$111.80	TBD	\$46.61	\$60.33	See Ex C-1
	NRC - Disconnect Charge - 1st	USBFC	\$119.95	\$116.59	TBD	\$119.14	\$118.57	TBD	\$77.90	NA	See Ex C-1
	NRC - Disconnect Charge - Add'l	USBFC	\$27.04	\$26.70	TBD	\$26.79	\$26.66	TBD	\$14.68	NA	See Ex C-1
	NRC - Service Order submitted Electronically, per LSR	SOME C	\$3.50	\$2.75	\$3.50	\$3.50	\$3.50	TBD	\$3.50	\$3.50	See Ex C-1
	NRC - Service Order submitted Electronically, per LSR - Disconnect	SOME C	NA	\$0.42	NA	NA	NA	TBD	NA	NA	See Ex C-1
	NRC - Service Order submitted Manually, per LSR	SOMAN	NA	\$21.56	NA	\$29.24	NA	TBD	NA	NA	See Ex C-1
	NRC - Service Order submitted Manually, per LSR, Disconnect	SOMAN	NA	\$3.84	NA	\$3.94	NA	TBD	NA	NA	See Ex C-1
	NRC - Incremental Charge - Manual Service Order - 1st	SOMAN	TBD	NA	\$18.94	NA	\$18.14	TBD	\$26.94	NA	See Ex C-1
	NRC - Incremental Charge - Manual Service Order - Add'l	SOMAN	TBD	NA	\$8.42	NA	\$8.06	TBD	\$12.76	NA	See Ex C-1
	NRC - Incremental Charge - Manual Service Order - Disconnect	SOMAN	TBD	NA	TBD	NA	\$11.41	TBD	\$15.12	NA	See Ex C-1
	4-Wire Analog VG Ground-Start Unbundled Sub-Loop Feeder, per month	USBFD	\$24.94	NA	\$19.91	NA	NA	NA	NA	\$10.22	NA
	Zone 1, per month	USBFD	TBD	\$23.35	TBD	\$30.69	\$25.90	TBD	\$21.91	NA	TBD
	Zone 2, per month	USBFD	TBD	\$27.94	TBD	\$36.12	\$27.00	TBD	\$35.92	NA	TBD
	Zone 3, per month	USBFD	TBD	\$40.51	TBD	\$22.90	\$25.61	TBD	\$41.37	NA	TBD
	Zone 4, per month	USBFD	NA	NA	NA	NA	NA	TBD	NA	NA	NA
	NRC - 1st	USBFD	\$224.21	\$222.74	\$243.41	\$221.19	\$220.87	TBD	\$226.36	\$232.76	TBD
	NRC - Add'l	USBFD	\$142.45	\$140.22	\$81.32	\$138.67	\$138.47	TBD	\$144.28	\$91.92	TBD
	NRC - Disconnect Charge - 1st	USBFD	\$131.15	\$127.64	\$134.77	\$133.53	\$135.74	TBD	\$96.50	NA	TBD
	NRC - Disconnect Charge - Add'l	USBFD	\$34.66	\$32.91	\$33.93	\$33.69	\$34.25	TBD	\$25.82	NA	TBD
	NRC - Service Order submitted Electronically, per LSR	SOME C	\$3.50	\$2.75	\$3.50	\$3.50	\$3.50	TBD	\$3.50	\$3.50	TBD
	NRC - Service Order submitted Electronically, per LSR - Disconnect	SOME C	NA	\$0.42	NA	NA	NA	TBD	NA	NA	TBD
	NRC - Service Order submitted Manually, per LSR	SOMAN	NA	\$21.56	NA	\$29.24	NA	TBD	NA	NA	TBD
	NRC - Service Order submitted Manually, per LSR, Disconnect	SOMAN	NA	\$3.84	NA	\$3.94	NA	TBD	NA	NA	TBD
	NRC - Incremental Charge - Manual Service Order - 1st	SOMAN	TBD	NA	NA	NA	\$18.14	TBD	NA	NA	TBD
	NRC - Incremental Charge - Manual Service Order - Add'l	SOMAN	TBD	NA	NA	NA	\$8.06	TBD	NA	NA	TBD
	NRC - Incremental Charge - Manual Service Order - Disconnect	SOMAN	TBD	NA	NA	NA	\$11.41	TBD	NA	NA	TBD
	4-Wire Analog VG Loop-Start Unbundled Sub-Loop Feeder, per month	USBFE	\$24.94	NA	\$19.91	NA	NA	TBD	NA	\$10.22	NA
	Zone 1, per month	USBFE	TBD	\$23.35	TBD	\$30.69	\$25.90	TBD	\$21.91	NA	TBD
	Zone 2, per month	USBFE	TBD	\$27.94	TBD	\$36.12	\$27.00	TBD	\$35.92	NA	TBD
	Zone 3, per month	USBFE	TBD	\$40.51	TBD	\$22.90	\$25.61	TBD	\$41.37	NA	TBD
	Zone 4, per month	USBFE	NA	NA	NA	NA	NA	TBD	NA	NA	NA
	NRC - 1st	USBFE	\$224.21	\$222.74	\$243.41	\$221.19	\$220.87	TBD	\$226.36	\$232.76	TBD
	NRC - Add'l	USBFE	\$142.45	\$140.22	\$81.32	\$138.67	\$138.47	TBD	\$144.28	\$91.92	TBD
	NRC - Disconnect Charge - 1st	USBFE	\$131.15	\$127.64	\$134.77	\$133.53	\$135.74	TBD	\$96.50	NA	TBD
	NRC - Disconnect Charge - Add'l	USBFE	\$34.66	\$32.91	\$33.93	\$33.69	\$34.25	TBD	\$25.82	NA	TBD
	NRC - Service Order submitted Electronically, per LSR	SOME C	\$3.50	\$2.75	\$3.50	\$3.50	\$3.50	TBD	\$3.50	\$3.50	TBD
	NRC - Service Order submitted Electronically, per LSR - Disconnect	SOME C	NA	\$0.42	NA	NA	NA	TBD	NA	NA	TBD
	NRC - Service Order submitted Manually, per LSR	SOMAN	NA	\$21.56	NA	\$29.24	NA	TBD	NA	NA	TBD
	NRC - Service Order submitted Manually, per LSR, Disconnect	SOMAN	NA	\$3.84	NA	\$3.94	NA	TBD	NA	NA	TBD
	NRC - Incremental Charge - Manual Service Order - 1st	SOMAN	TBD	NA	NA	NA	\$18.14	TBD	NA	NA	TBD
	NRC - Incremental Charge - Manual Service Order - Add'l	SOMAN	TBD	NA	NA	NA	\$8.06	TBD	NA	NA	TBD
	NRC - Incremental Charge - Manual Service Order - Disconnect	SOMAN	TBD	NA	NA	NA	\$11.41	TBD	NA	NA	TBD
	2-Wire ISDN Unbundled Sub-Loop Feeder, per month	USBFF	\$23.66	NA	\$17.73	NA	NA	NA	NA	\$24.33	NA
	Zone 1, per month	USBFF	TBD	\$22.39	TBD	\$17.75	\$19.34	TBD	\$19.63	NA	TBD
	Zone 2, per month	USBFF	TBD	\$25.85	TBD	\$23.67	\$24.09	TBD	\$31.61	NA	TBD
	Zone 3, per month	USBFF	TBD	\$26.12	TBD	\$29.90	\$32.27	TBD	36.27	NA	TBD
	Zone 4, per month	USBFF	NA	NA	NA	NA	NA	TBD	NA	NA	NA

BELLSOUTH/EPB TELECOMMUNICATIONS RATES
NETWORK ELEMENTS
AND OTHER SERVICES

	NRC - 1st	USBFF	\$200.26	\$222.74	\$208.50	\$218.90	\$218.59	TBD	\$202.01	\$293.73	TBD	
	NRC - Add'l	USBFF	\$104.51	\$140.22	\$62.31	\$136.39	\$136.19	TBD	\$105.88	\$126.38	TBD	
	NRC - Disconnect Charge - 1st	USBFF	\$119.95	\$127.64	\$119.68	\$121.40	\$120.82	TBD	\$92.57	NA	TBD	
	NRC - Disconnect Charge - Add'l	USBFF	\$27.04	\$32.91	\$29.58	\$26.04	\$25.91	TBD	\$21.09	NA	TBD	
	NRC - Service Order submitted Electronically, per LSR	SOME C	\$3.50	\$2.75	\$3.50	\$3.50	\$3.50	TBD	\$3.50	\$3.50	TBD	
	NRC - Service Order submitted Electronically, per LSR - Disconnect	SOME C	NA	\$0.42	NA	NA	NA	TBD	NA	NA	TBD	
	NRC - Service Order submitted Manually, per LSR	SOMAN	NA	\$21.56	NA	\$29.24	NA	TBD	NA	NA	TBD	
	NRC - Service Order submitted Manually, per LSR, Disconnect	SOMAN	NA	\$3.84	NA	\$3.94	NA	TBD	NA	NA	TBD	
	NRC - Incremental Charge - Manual Service Order - 1st	SOMAN	TBD	NA	NA	NA	\$18.14	TBD	NA	NA	TBD	
	NRC - Incremental Charge - Manual Service Order - Add'l	SOMAN	TBD	NA	NA	NA	\$8.06	TBD	NA	NA	TBD	
	NRC - Incremental Charge - Manual Service Order - Disconnect	SOMAN	TBD	NA	NA	NA	\$11.41	TBD	NA	NA	TBD	
	4-Wire DSI Unbundled Sub-Loop Feeder, per month	USBFG	\$49.54	NA	TBD	NA	NA	NA	NA	NA	NA	
	Zone 1, per month	USBFG	TBD	\$56.00	TBD	\$74.60	\$64.67	TBD	\$39.69	TBD	TBD	
	Zone 2, per month	USBFG	TBD	\$80.13	TBD	\$104.09	\$92.67	TBD	\$67.36	TBD	TBD	
	Zone 3, per month	USBFG	TBD	\$156.12	TBD	\$151.77	\$309.79	TBD	\$78.12	TBD	TBD	
	Zone 4, per month	USBFG	NA	NA	NA	NA	NA	TBD	NA	NA	NA	
	NRC - 1st	USBFG	\$272.55	\$211.55	TBD	\$209.62	\$209.47	TBD	\$393.01	TBD	TBD	
	NRC - Add'l	USBFG	\$133.92	\$129.04	TBD	\$127.11	\$127.07	TBD	\$153.37	TBD	TBD	
	NRC - Disconnect Charge - 1st	USBFG	\$155.15	\$127.78	TBD	\$133.43	\$135.74	TBD	NA	TBD	TBD	
	NRC - Disconnect Charge - Add'l	USBFG	\$24.59	\$33.06	TBD	\$33.59	\$34.25	TBD	NA	TBD	TBD	
	NRC - Service Order submitted Electronically, per LSR	SOME C	\$3.50	\$2.75	\$3.50	\$3.50	\$3.50	TBD	\$3.50	\$3.50	TBD	
	NRC - Service Order submitted Electronically, per LSR - Disconnect	SOME C	NA	\$0.42	NA	NA	NA	TBD	NA	NA	TBD	
	NRC - Service Order submitted Manually, per LSR	SOMAN	NA	\$21.56	NA	\$29.24	NA	TBD	NA	NA	TBD	
	NRC - Service Order submitted Manually, per LSR, Disconnect	SOMAN	NA	\$3.84	NA	\$3.94	NA	TBD	NA	NA	TBD	
	NRC - Incremental Charge - Manual Service Order - 1st	SOMAN	TBD	NA	TBD	NA	\$18.14	TBD	\$42.19	TBD	TBD	
	NRC - Incremental Charge - Manual Service Order - Add'l	SOMAN	TBD	NA	TBD	NA	\$8.06	TBD	\$12.76	TBD	TBD	
	NRC - Incremental Charge - Manual Service Order - Disconnect	SOMAN	TBD	NA	TBD	NA	\$11.41	TBD	NA	TBD	TBD	
	2-Wire Copper Unbundled Sub-Loop Feeder, per month	USBFH	\$10.59	NA	NA	NA	NA	NA	NA	\$10.78	NA	
	Zone 1, per month	USBFH	TBD	\$11.01	TBD	\$8.29	\$8.81	TBD	\$10.66	NA	TBD	
	Zone 2, per month	USBFH	TBD	\$9.78	TBD	\$7.30	\$7.72	TBD	\$16.44	NA	TBD	
	Zone 3, per month	USBFH	TBD	\$7.83	TBD	\$6.03	\$5.93	TBD	\$18.69	NA	TBD	
	Zone 4, per month	USBFH	NA	NA	NA	NA	\$174.93	TBD	NA	NA	NA	
	NRC - 1st	USBFH	\$172.20	\$175.18	TBD	\$175.18	\$92.53	TBD	\$172.89	\$259.80	TBD	
	NRC - Add'l	USBFH	\$90.45	\$92.66	TBD	\$92.66	\$116.22	TBD	\$90.81	\$106.45	TBD	
	NRC - Disconnect Charge - 1st	USBFH	\$114.73	\$113.67	TBD	\$116.78	\$21.31	TBD	\$88.27	NA	TBD	
	NRC - Disconnect Charge - Add'l	USBFH	\$21.82	\$20.84	TBD	\$21.41	\$21.13	TBD	\$16.79	NA	TBD	
	NRC - Service Order submitted Electronically, per LSR	SOME C	\$3.50	\$2.75	\$3.50	\$3.50	\$3.50	TBD	\$3.50	\$3.50	TBD	
	NRC - Service Order submitted Electronically, per LSR - Disconnect	SOME C	NA	\$0.42	NA	NA	NA	TBD	NA	NA	TBD	
	NRC - Service Order submitted Manually, per LSR	SOMAN	NA	\$21.56	NA	\$29.24	NA	TBD	NA	NA	TBD	
	NRC - Service Order submitted Manually, per LSR, Disconnect	SOMAN	NA	\$3.84	NA	\$3.94	NA	TBD	NA	NA	TBD	
	NRC - Incremental Charge - Manual Service Order - 1st	SOMAN	TBD	NA	TBD	NA	\$18.14	TBD	NA	NA	TBD	
	NRC - Incremental Charge - Manual Service Order - Add'l	SOMAN	TBD	NA	TBD	NA	\$8.06	TBD	NA	NA	TBD	
	NRC - Incremental Charge - Manual Service Order - Disconnect	SOMAN	TBD	NA	TBD	NA	\$11.41	TBD	NA	NA	TBD	
	NRC - Incremental Charge - Manual Order Coordination - per loop	USBMC	\$51.29	\$16.31	TBD	\$16.31	\$16.29	TBD	\$45.34	\$45.53	TBD	
	4-Wire Copper Unbundled Sub-Loop Feeder, per month	USBFJ	\$15.01	NA	NA	NA	NA	NA	NA	\$15.63	NA	
	Zone 1, per month	USBFJ	TBD	\$20.59	TBD	\$16.55	\$20.58	TBD	\$14.68	NA	TBD	
	Zone 2, per month	USBFJ	TBD	\$21.48	TBD	\$15.35	\$14.96	TBD	\$23.74	NA	TBD	
	Zone 3, per month	USBFJ	TBD	\$17.70	TBD	\$12.52	\$13.15	TBD	\$27.26	NA	TBD	
	Zone 4, per month	USBFJ	NA	NA	NA	NA	NA	TBD	NA	NA	NA	
	NRC - 1st	USBFJ	\$206.32	\$209.61	TBD	\$209.61	\$209.31	TBD	\$207.14	\$294.59	TBD	
	NRC - Add'l	USBFJ	\$134.23	\$127.09	TBD	\$127.09	\$126.91	TBD	\$134.77	\$152.62	TBD	
	NRC - Disconnect Charge - 1st	USBFJ	\$123.01	\$119.80	TBD	\$126.27	\$128.36	TBD	\$90.12	NA	TBD	
	NRC - Disconnect Charge - Add'l	USBFJ	\$26.53	\$25.07	TBD	\$26.43	\$26.87	TBD	\$19.44	NA	TBD	

BELLSOUTH/EPB TELECOMMUNICATIONS RATES
NETWORK ELEMENTS
AND OTHER SERVICES

	NRC - Service Order submitted Electronically, per LSR	SOME C	\$3.50	\$2.75	\$3.50	\$3.50	\$3.50	TBD	\$3.50	\$3.50	TBD
	NRC - Service Order submitted Electronically, per LSR - Disconnect	SOME C	NA	\$0.42	NA	NA	NA	TBD	NA	NA	TBD
	NRC - Service Order submitted Manually, per LSR	SOMAN	NA	\$21.56	NA	\$29.24	NA	TBD	NA	NA	TBD
	NRC - Service Order submitted Manually, per LSR, Disconnect	SOMAN	NA	\$3.84	NA	\$3.94	NA	TBD	NA	NA	TBD
	NRC - Incremental Charge - Manual Service Order - 1st	SOMAN	TBD	NA	TBD	NA	\$18.14	TBD	NA	NA	TBD
	NRC - Incremental Charge - Manual Service Order - Add'l	SOMAN	TBD	NA	TBD	NA	\$8.06	TBD	NA	NA	TBD
	NRC - Incremental Charge - Manual Service Order - Disconnect	SOMAN	TBD	NA	TBD	NA	\$11.41	TBD	NA	NA	TBD
	NRC - Incremental Charge - Manual Order Coordination - per loop	USBMC	\$51.29	\$16.31	TBD	\$16.31	\$16.29	TBD	\$45.34	\$45.43	TBD
	4-Wire 2.4 KBPS Digital Unbundled Sub-Loop Feeder, per month	USBFK	\$30.97	NA	NA	NA	NA	NA	NA	\$32.47	NA
	Zone 1, per month	USBFK	TBD	\$24.89	TBD	\$27.38	\$27.16	TBD	\$26.71	NA	TBD
	Zone 2, per month	USBFK	TBD	\$28.83	TBD	\$33.41	\$24.93	TBD	\$44.07	NA	TBD
	Zone 3, per month	USBFK	TBD	\$29.16	TBD	\$24.47	\$25.05	TBD	\$50.83	NA	TBD
	Zone 4, per month	USBFK	NA	NA	NA	NA	NA	TBD	NA	NA	NA
	NRC - 1st	USBFK	\$212.90	\$211.32	TBD	\$209.77	\$209.47	TBD	\$215.00	\$309.57	TBD
	NRC - Add'l	USBFK	\$131.14	\$128.81	TBD	\$127.26	\$127.07	TBD	\$132.92	\$157.93	TBD
	NRC - Disconnect Charge - 1st	USBFK	\$131.15	\$127.64	TBD	\$133.53	\$135.74	TBD	\$96.50	NA	TBD
	NRC - Disconnect Charge - Add'l	USBFK	\$34.66	\$32.91	TBD	\$33.69	\$34.25	TBD	\$25.82	NA	TBD
	NRC - Service Order submitted Electronically, per LSR	SOME C	\$3.50	\$2.75	\$3.50	\$3.50	\$3.50	TBD	\$3.50	\$3.50	TBD
	NRC - Service Order submitted Electronically, per LSR - Disconnect	SOME C	NA	\$0.42	NA	NA	NA	TBD	NA	NA	TBD
	NRC - Service Order submitted Manually, per LSR	SOMAN	NA	\$21.56	NA	\$29.24	NA	TBD	NA	NA	TBD
	NRC - Service Order submitted Manually, per LSR, Disconnect	SOMAN	NA	\$3.84	NA	\$3.94	NA	TBD	NA	NA	TBD
	NRC - Incremental Charge - Manual Service Order - 1st	SOMAN	TBD	NA	TBD	NA	\$18.14	TBD	NA	NA	TBD
	NRC - Incremental Charge - Manual Service Order - Add'l	SOMAN	TBD	NA	TBD	NA	\$8.06	TBD	NA	NA	TBD
	NRC - Incremental Charge - Manual Service Order - Disconnect	SOMAN	TBD	NA	TBD	NA	\$11.41	TBD	NA	NA	TBD
	4-Wire 4.8 KBPS Digital Unbundled Sub-Loop Feeder, per month	USBFL	\$30.97	NA	NA	NA	NA	NA	NA	\$32.47	NA
	Zone 1, per month	USBFL	TBD	\$24.89	TBD	\$27.38	\$27.16	TBD	\$26.71	NA	TBD
	Zone 2, per month	USBFL	TBD	\$28.83	TBD	\$33.41	\$24.93	TBD	\$44.07	NA	TBD
	Zone 3, per month	USBFL	TBD	\$29.16	TBD	\$24.47	\$25.05	TBD	\$50.83	NA	TBD
	Zone 4, per month	USBFL	NA	NA	NA	NA	NA	TBD	NA	NA	NA
	NRC - 1st	USBFL	\$212.90	\$211.32	TBD	\$209.77	\$209.47	TBD	\$215.00	\$309.57	TBD
	NRC - Add'l	USBFL	\$131.14	\$128.81	TBD	\$127.26	\$127.07	TBD	\$132.92	\$157.93	TBD
	NRC - Disconnect Charge - 1st	USBFL	\$131.15	\$127.64	TBD	\$133.53	\$135.74	TBD	\$96.50	NA	TBD
	NRC - Disconnect Charge - Add'l	USBFL	\$34.66	\$32.91	TBD	\$33.69	\$34.25	TBD	\$25.82	NA	TBD
	NRC - Service Order submitted Electronically, per LSR	SOME C	\$3.50	\$2.75	\$3.50	\$3.50	\$3.50	TBD	\$3.50	\$3.50	TBD
	NRC - Service Order submitted Electronically, per LSR - Disconnect	SOME C	NA	\$0.42	NA	NA	NA	TBD	NA	NA	TBD
	NRC - Service Order submitted Manually, per LSR	SOMAN	NA	\$21.56	NA	\$29.24	NA	TBD	NA	NA	TBD
	NRC - Service Order submitted Manually, per LSR, Disconnect	SOMAN	NA	\$3.84	NA	\$3.94	NA	TBD	NA	NA	TBD
	NRC - Incremental Charge - Manual Service Order - 1st	SOMAN	TBD	NA	TBD	NA	\$18.14	TBD	NA	NA	TBD
	NRC - Incremental Charge - Manual Service Order - Add'l	SOMAN	TBD	NA	TBD	NA	\$8.06	TBD	NA	NA	TBD
	NRC - Incremental Charge - Manual Service Order - Disconnect	SOMAN	TBD	NA	TBD	NA	\$11.41	TBD	NA	NA	TBD
	4-Wire 9.6 KBPS Digital Unbundled Sub-Loop Feeder, per month	USBFM	\$30.97	NA	NA	NA	NA	NA	NA	\$32.47	NA
	Zone 1, per month	USBFM	TBD	\$24.89	TBD	\$27.38	\$27.16	TBD	\$26.71	NA	TBD
	Zone 2, per month	USBFM	TBD	\$28.83	TBD	\$33.41	\$24.93	TBD	\$44.07	NA	TBD
	Zone 3, per month	USBFM	TBD	\$29.16	TBD	\$24.47	\$25.05	TBD	\$50.83	NA	TBD
	Zone 4, per month	USBFM	NA	NA	NA	NA	NA	TBD	NA	NA	NA
	NRC - 1st	USBFM	\$212.90	\$211.32	TBD	\$209.77	\$209.47	TBD	\$215.00	\$309.57	TBD
	NRC - Add'l	USBFM	\$131.14	\$128.81	TBD	\$127.26	\$127.07	TBD	\$132.92	\$157.93	TBD
	NRC - Disconnect Charge - 1st	USBFM	\$131.15	\$127.64	TBD	\$133.53	\$135.74	TBD	\$96.50	NA	TBD
	NRC - Disconnect Charge - Add'l	USBFM	\$34.66	\$32.91	TBD	\$33.69	\$34.25	TBD	\$25.82	NA	TBD
	NRC - Service Order submitted Electronically, per LSR	SOME C	\$3.50	\$2.75	\$3.50	\$3.50	\$3.50	TBD	\$3.50	\$3.50	TBD
	NRC - Service Order submitted Electronically, per LSR - Disconnect	SOME C	NA	\$0.42	NA	NA	NA	TBD	NA	NA	TBD
	NRC - Service Order submitted Manually, per LSR	SOMAN	NA	\$21.56	NA	\$29.24	NA	TBD	NA	NA	TBD
	NRC - Service Order submitted Manually, per LSR, Disconnect	SOMAN	NA	\$3.84	NA	\$3.94	NA	TBD	NA	NA	TBD
	NRC - Incremental Charge - Manual Service Order - 1st	SOMAN	TBD	NA	TBD	NA	\$18.14	TBD	NA	NA	TBD
	NRC - Incremental Charge - Manual Service Order - Add'l	SOMAN	TBD	NA	TBD	NA	\$8.06	TBD	NA	NA	TBD
	NRC - Incremental Charge - Manual Service Order - Disconnect	SOMAN	TBD	NA	TBD	NA	\$11.41	TBD	NA	NA	TBD

BELLSOUTH/EPB TELECOMMUNICATIONS RATES
NETWORK ELEMENTS
AND OTHER SERVICES

	NRC - Incremental Charge - Manual Service Order - 1st	SOMAN	TBD	NA	TBD	NA	\$18.14	TBD	NA	NA	TBD
	NRC - Incremental Charge - Manual Service Order - Add'l	SOMAN	TBD	NA	TBD	NA	\$8.06	TBD	NA	NA	TBD
	NRC - Incremental Charge - Manual Service Order - Disconnect	SOMAN	TBD	NA	TBD	NA	\$11.41	TBD	NA	NA	TBD
	4-Wire 19.2 KBPS Digital Unbundled Sub-Loop Feeder, per month	USBFN	\$30.97	NA	NA	NA	NA	NA	NA	\$32.47	NA
	Zone 1, per month	USBFN	TBD	\$24.89	TBD	\$27.38	\$27.16	TBD	\$26.71	NA	TBD
	Zone 2, per month	USBFN	TBD	\$28.83	TBD	\$33.41	\$24.93	TBD	\$44.07	NA	TBD
	Zone 3, per month	USBFN	TBD	\$29.16	TBD	\$24.47	\$25.05	TBD	\$50.83	NA	TBD
	Zone 4, per month	USBFN	NA	NA	NA	NA	NA	TBD	NA	NA	NA
	NRC - 1st	USBFN	\$212.90	\$211.32	TBD	\$209.77	\$209.47	TBD	\$215.00	\$309.57	TBD
	NRC - Add'l	USBFN	\$131.14	\$128.81	TBD	\$127.26	\$127.07	TBD	\$132.92	\$157.93	TBD
	NRC - Disconnect Charge - 1st	USBFN	\$131.15	\$127.64	TBD	\$133.53	\$135.74	TBD	\$96.50	NA	TBD
	NRC - Disconnect Charge - Add'l	USBFN	\$34.66	\$32.91	TBD	\$33.69	\$34.25	TBD	\$25.82	NA	TBD
	NRC - Service Order submitted Electronically, per LSR	SOMEK	\$3.50	\$2.75	NA	\$3.50	\$3.50	TBD	\$3.50	\$3.50	TBD
	NRC - Service Order submitted Electronically, per LSR - Disconnect	SOMEK	NA	\$0.42	NA	NA	NA	TBD	NA	NA	TBD
	NRC - Service Order submitted Manually, per LSR	SOMAN	NA	\$21.56	NA	\$29.24	NA	TBD	NA	NA	TBD
	NRC - Service Order submitted Manually, per LSR, Disconnect	SOMAN	NA	\$3.84	NA	\$3.94	NA	TBD	NA	NA	TBD
	NRC - Incremental Charge - Manual Service Order - 1st	SOMAN	TBD	NA	TBD	NA	\$18.14	TBD	NA	NA	TBD
	NRC - Incremental Charge - Manual Service Order - Add'l	SOMAN	TBD	NA	TBD	NA	\$8.06	TBD	NA	NA	TBD
	NRC - Incremental Charge - Manual Service Order - Disconnect	SOMAN	TBD	NA	TBD	NA	\$11.41	TBD	NA	NA	TBD
	4-Wire 56 KBPS Digital Unbundled Sub-Loop Feeder, per month	USBFO	\$30.97	NA	NA	NA	NA	NA	NA	\$32.47	NA
	Zone 1, per month	USBFO	TBD	\$24.89	TBD	\$27.38	\$27.16	TBD	\$26.71	NA	TBD
	Zone 2, per month	USBFO	TBD	\$28.83	TBD	\$33.41	\$24.93	TBD	\$44.07	NA	TBD
	Zone 3, per month	USBFO	TBD	\$29.16	TBD	\$24.47	\$25.05	TBD	\$50.83	NA	TBD
	Zone 4, per month	USBFO	NA	NA	NA	NA	NA	TBD	NA	NA	NA
	NRC - 1st	USBFO	\$212.90	\$211.32	TBD	\$209.77	\$209.47	TBD	\$215.00	\$309.57	TBD
	NRC - Add'l	USBFO	\$131.14	\$128.81	TBD	\$127.26	\$127.07	TBD	\$132.92	\$157.93	TBD
	NRC - Disconnect Charge - 1st	USBFO	\$131.15	\$127.64	TBD	\$133.53	\$135.74	TBD	\$96.50	NA	TBD
	NRC - Disconnect Charge - Add'l	USBFO	\$34.66	\$32.91	TBD	\$33.69	\$34.25	TBD	\$25.82	NA	TBD
	NRC - Service Order submitted Electronically, per LSR	SOMEK	\$3.50	\$2.75	NA	\$3.50	\$3.50	TBD	\$3.50	\$3.50	TBD
	NRC - Service Order submitted Electronically, per LSR - Disconnect	SOMEK	NA	\$0.42	NA	NA	NA	TBD	NA	NA	TBD
	NRC - Service Order submitted Manually, per LSR	SOMAN	NA	\$21.56	NA	\$29.24	NA	TBD	NA	NA	TBD
	NRC - Service Order submitted Manually, per LSR, Disconnect	SOMAN	NA	\$3.84	NA	\$3.94	NA	TBD	NA	NA	TBD
	NRC - Incremental Charge - Manual Service Order - 1st	SOMAN	TBD	NA	TBD	NA	\$18.14	TBD	NA	NA	TBD
	NRC - Incremental Charge - Manual Service Order - Add'l	SOMAN	TBD	NA	TBD	NA	\$8.06	TBD	NA	NA	TBD
	NRC - Incremental Charge - Manual Service Order - Disconnect	SOMAN	TBD	NA	TBD	NA	\$11.41	TBD	NA	NA	TBD
	4-Wire 64 KBPS Digital Unbundled Sub-Loop Feeder, per month	USBFP	\$30.97	NA	NA	NA	NA	NA	NA	\$32.47	NA
	Zone 1, per month	USBFP	TBD	\$24.89	TBD	\$27.38	\$27.16	TBD	\$26.71	NA	TBD
	Zone 2, per month	USBFP	TBD	\$28.83	TBD	\$33.41	\$24.93	TBD	\$44.07	NA	TBD
	Zone 3, per month	USBFP	TBD	\$29.16	TBD	\$24.47	\$25.05	TBD	\$50.83	NA	TBD
	Zone 4, per month	USBFP	NA	NA	NA	NA	NA	TBD	NA	NA	NA
	NRC - 1st	USBFP	\$212.90	\$211.32	TBD	\$209.77	\$209.47	TBD	\$215.00	\$309.57	TBD
	NRC - Add'l	USBFP	\$131.14	\$128.81	TBD	\$127.26	\$127.07	TBD	\$132.92	\$157.93	TBD
	NRC - Disconnect Charge - 1st	USBFP	\$131.15	\$127.64	TBD	\$133.53	\$135.74	TBD	\$96.50	NA	TBD
	NRC - Disconnect Charge - Add'l	USBFP	\$34.66	\$32.91	TBD	\$33.69	\$34.25	TBD	\$25.82	NA	TBD
	NRC - Service Order submitted Electronically, per LSR	SOMEK	\$3.50	\$2.75	NA	\$3.50	\$3.50	TBD	\$3.50	\$3.50	TBD
	NRC - Service Order submitted Electronically, per LSR - Disconnect	SOMEK	NA	\$0.42	NA	NA	NA	TBD	NA	NA	TBD
	NRC - Service Order submitted Manually, per LSR	SOMAN	NA	\$21.56	NA	\$29.24	\$29.24	TBD	NA	NA	TBD
	NRC - Service Order submitted Manually, per LSR, Disconnect	SOMAN	NA	\$3.84	NA	\$3.94	\$3.94	TBD	NA	NA	TBD
	NRC - Incremental Charge - Manual Service Order - 1st	SOMAN	TBD	NA	TBD	NA	\$18.14	TBD	NA	NA	TBD
	NRC - Incremental Charge - Manual Service Order - Add'l	SOMAN	TBD	NA	TBD	NA	\$8.06	TBD	NA	NA	TBD
	NRC - Incremental Charge - Manual Service Order - Disconnect	SOMAN	TBD	NA	TBD	NA	\$11.41	TBD	NA	NA	TBD

BELLSOUTH/EPB TELECOMMUNICATIONS RATES
NETWORK ELEMENTS
AND OTHER SERVICES

Unbundled Sub-Loop Modification											
	NRC - Load Coil/Equipment Removal per 2 Wire pair - 1st	ULM2X	\$358.90	\$357.81	TBD	\$357.82	\$332.79	TBD	\$360.33	\$358.71	TBD
	NRC - Load Coil/Equipment Removal per 2 Wire pair - Add'l	ULM2X	\$8.08	\$8.15	TBD	\$8.15	\$7.49	TBD	\$8.11	\$8.07	TBD
	NRC - Load Coil/Equipment Removal per 4 Wire pair - 1st	ULM4X	\$358.90	\$357.81	TBD	\$357.82	\$332.79	TBD	\$360.33	\$358.71	TBD
	NRC - Load Coil/Equipment Removal per 4 Wire pair - Add'l	ULM4X	\$8.08	\$8.15	TBD	\$8.15	\$7.49	TBD	\$8.11	\$8.07	TBD
	NRC - Bridge Tap Removal per pair unloaded - 1st	ULMBT	\$561.91	\$562.71	TBD	\$562.73	\$521.03	TBD	\$564.15	\$561.62	TBD
	NRC - Bridge Tap Removal per pair unloaded - Add'l	ULMBT	\$10.09	\$10.19	TBD	\$10.19	\$9.36	TBD	\$10.14	\$8.07	TBD
Loop Make Up											
	NRC - Loop Makeup - Preordering Without Reservation, per working facility queried (Manual) **	UMKLW	\$134.00	\$134.00	\$134.00	\$134.00	\$134.00	\$134.00	\$134.00	\$134.00	See Ex C-2
	Loop Makeup - Preordering Without Reservation, per spare facility queried (Manual) Maximum number of spare facilities per manual LMUSI is 3. **	UMKLW	\$134.00	\$134.00	\$134.00	\$134.00	\$134.00	\$134.00	\$134.00	\$134.00	See Ex C-2
	NRC-Loop Makeup - Preordering With Reservation, per spare facility queried (Manual) Max number of spare facilities per manual LMUSI is 3. **	UMKLP	\$140.00	\$140.00	\$140.00	\$140.00	\$140.00	\$140.00	\$140.00	\$140.00	See Ex C-2
	NRC - Loop Makeup - Preordering Without Reservation, per working facility queried (Mechanized) **		\$1.08	\$1.08	\$1.08	\$1.08	\$1.08	\$1.08	\$1.08	\$1.08	See Ex C-2
	Loop Makeup - Preordering Without Reservation, per spare facility queried (Mechanized) Max number of spare facilities per mechanized LMUSI is 10.**		\$1.08	\$1.08	\$1.08	\$1.08	\$1.08	\$1.08	\$1.08	\$1.08	See Ex C-2
	Loop Makeup - Preordering With Reservation, per spare facility queried (Mechanized) Max number of spare facilities per mechanized LMUSI is 10.**		\$1.08	\$1.08	\$1.08	\$1.08	\$1.08	\$1.08	\$1.08	\$1.08	See Ex C-2
Unbundled Network Terminating Wire, per pair, per month											
	NRC - UNTW Pair, per pair	UENPP	\$0.49	\$0.46	\$1.37	\$0.64	\$0.35	TBD	\$0.44	\$0.46	See Ex C-2
	NRC - Disconnect Charge, per pair	UENPP	\$40.02	\$65.35	\$2.48	\$65.35	\$64.77	TBD	\$65.82	\$60.93	See Ex C-2
	NRC - Service Order submitted Electronically, per LSR	SOMEK	\$0.87	NA	\$1.74	NA	NA	TBD	NA	NA	See Ex C-2
	NRC - Service Order submitted Electronically, per LSR - Disconnect	SOMEK	\$3.50	\$2.75	\$3.50	\$3.50	\$3.50	TBD	\$3.50	\$3.50	See Ex C-2
	NRC - Service Order submitted Electronically, per LSR - Disconnect	SOMEK	NA	\$0.42	NA	NA	NA	TBD	TBD	TBD	See Ex C-2
	NRC - Service Order submitted Manually, per LSR	SOMAN	NA	\$21.56	NA	\$29.24	\$29.24	TBD	TBD	TBD	See Ex C-2
	NRC - Service Order submitted Manually, per LSR, Disconnect	SOMAN	NA	\$3.84	NA	\$3.94	\$3.94	TBD	TBD	TBD	See Ex C-2
Sub-Loop Concentration - Channelization Sys (Outside CO)											
	NRC - Service Order submitted Electronically, per LSR	SOMEK	\$3.50	\$2.75	\$3.50	\$3.50	\$3.50	TBD	\$3.50	\$3.50	\$3.50
	NRC - Service Order submitted Electronically, per LSR - Disconnect	SOMEK	NA	\$0.42	NA	NA	NA	TBD	TBD	TBD	NA
	NRC - Service Order submitted Manually, per LSR	SOMAN	NA	\$21.56	NA	\$29.24	\$29.24	TBD	TBD	TBD	\$19.99
	NRC - Service Order submitted Manually, per LSR, Disconnect	SOMAN	NA	\$3.84	NA	\$3.94	\$3.94	TBD	TBD	TBD	NA
	NRC - Incremental Charge - Manual Service Order - 1st	SOMAN	TBD	NA	\$18.94	TBD	TBD	TBD	NA	NA	NA
	NRC - Incremental Charge - Manual Service Order - Add'l	SOMAN	TBD	NA	\$8.42	TBD	TBD	TBD	NA	NA	NA
TR008 - System A (96 channel capacity - channels 1-96), per month											
	NRC - 1st	UCT8A	\$829.76	\$477.76	\$724.79	\$493.89	\$546.21	TBD	\$579.03	\$571.42	\$683.78
	NRC - Add'l	UCT8A	\$404.46	\$408.22	\$632.36	\$408.23	\$407.65	TBD	\$587.83	\$586.42	\$634.31
	NRC-Disconnect, 1st	UCT8A	\$220.32	\$222.37	\$310.82	\$222.37	\$222.06	TBD	\$278.83	\$277.97	\$311.78
	NRC-Disconnect, Add'l	UCT8A	\$236.23	\$236.02	NA	\$253.87	\$258.08	TBD	NA	NA	NA
	NRC-Disconnect, Add'l	UCT8A	\$74.90	\$74.84	NA	\$80.50	\$81.83	TBD	NA	NA	NA
TR008 - System B (96 channel capacity - channels 97-192), per month											
	NRC - 1st	UCT8B	\$87.34	\$85.12	\$92.91	\$82.15	\$87.89	TBD	\$85.59	\$87.65	\$102.12
	NRC - Add'l	UCT8B	\$404.46	\$408.22	\$632.36	\$408.23	\$407.65	TBD	\$587.83	\$586.42	\$634.31
	NRC-Disconnect, 1st	UCT8B	\$220.32	\$222.37	\$310.82	\$222.37	\$222.06	TBD	\$278.83	\$277.97	\$311.78
	NRC-Disconnect, Add'l	UCT8B	\$236.23	\$236.02	NA	\$253.87	\$258.08	TBD	NA	NA	NA
	NRC-Disconnect, Add'l	UCT8B	\$74.90	\$74.84	NA	\$80.50	\$81.83	TBD	NA	NA	NA
TR303 - System A (96 channel capacity - channels 1-96), per month											
	NRC - 1st	UCT3A	\$868.77	\$512.86	\$764.42	\$530.75	\$584.28	TBD	\$615.62	\$611.62	\$726.87
	NRC - Add'l	UCT3A	\$404.46	\$408.22	\$632.36	\$408.23	\$407.65	TBD	\$587.83	\$586.42	\$634.31
	NRC-Disconnect, 1st	UCT3A	\$220.32	\$222.37	\$310.82	\$222.37	\$222.06	TBD	\$278.83	\$277.97	\$311.78
	NRC-Disconnect, Add'l	UCT3A	\$236.23	\$236.02	NA	\$253.87	\$258.08	TBD	NA	NA	NA
	NRC-Disconnect, Add'l	UCT3A	\$74.90	\$74.84	NA	\$80.50	\$81.83	TBD	NA	NA	NA
TR303 - System B (96 channel capacity - channels 97-192), per month											
	NRC - 1st	UCT3B	\$126.35	\$120.21	\$132.54	\$119.01	\$125.95	TBD	\$122.18	\$127.76	\$145.21
	NRC - Add'l	UCT3B	\$404.46	\$408.22	\$632.36	\$408.23	\$407.65	TBD	\$587.83	\$586.42	\$634.31

**BELLSOUTH/EPB TELECOMMUNICATIONS RATES
NETWORK ELEMENTS
AND OTHER SERVICES**

	NRC - Add'l	UCT3B	\$220.32	\$222.37	\$310.82	\$222.37	\$222.06	TBD	\$278.83	\$277.97	\$311.78	
	NRC-Disconnect, 1st	UCT3B	\$236.23	\$236.02	NA	\$253.87	\$258.08	TBD	NA	NA	NA	
	NRC-Disconnect, Add'l	UCT3B	\$74.90	\$74.84	NA	\$80.50	\$81.83	TBD	NA	NA	NA	
	DS1 Feeder Interface, per month	UCTFS	\$67.03	NA	\$72.12	NA	NA	TBD	\$64.63	\$69.24	\$76.73	
	Zone 1, per month	UCTFS	NA	\$56.65	TBD	\$60.01	\$73.29	TBD	TBD	TBD	TBD	
	Zone 2, per month	UCTFS	NA	\$65.86	TBD	\$60.04	\$88.72	TBD	TBD	TBD	TBD	
	Zone 3, per month	UCTFS	NA	\$107.08	TBD	\$106.11	\$187.11	TBD	TBD	TBD	TBD	
	Zone 4, per month	UCTFS	NA	NA	NA	NA	NA	TBD	NA	NA	NA	
	NRC 1st	UCTFS	\$192.51	\$211.55	\$425.74	\$209.62	\$209.47	TBD	\$237.09	\$236.32	\$418.37	
	NRC Add'l	UCTFS	\$105.73	\$129.04	\$198.06	\$127.11	\$127.07	TBD	\$116.01	\$115.55	\$198.67	
	NRC-Disconnect, 1st	UCTFS	\$56.94	\$127.78	NA	\$133.43	\$135.74	TBD	NA	NA	NA	
	NRC-Disconnect, Add'l	UCTFS	\$12.81	\$33.06	NA	\$33.59	\$34.25	TBD	NA	NA	NA	
	Channel Interface-2 Wire Voice-Loop Start or Ground Start, per mo	ULCC2	\$2.38	\$2.12	\$2.38	\$2.24	\$2.34	TBD	\$2.22	\$2.43	See Ex C-1	
	NRC 1st	ULCC2	\$20.88	\$21.07	\$41.82	\$21.08	\$21.05	TBD	\$28.66	\$28.58	See Ex C-1	
	NRC Add'l	ULCC2	\$20.77	\$20.96	\$41.58	\$20.96	\$20.93	TBD	\$28.50	\$28.42	See Ex C-1	
	NRC-Disconnect, 1st	ULCC2	\$10.00	\$9.99	NA	\$10.75	\$10.92	TBD	NA	NA	See Ex C-1	
	NRC-Disconnect, Add'l	ULCC2	\$9.94	\$9.93	NA	\$10.68	\$10.86	TBD	NA	NA	See Ex C-1	
	Channel Interface - 2 Wire ISDN, per month	ULCC1	\$9.51	\$8.48	\$9.53	\$8.98	\$9.34	TBD	\$8.88	\$9.72	\$10.43	
	NRC 1st	ULCC1	\$20.88	\$21.07	\$41.82	\$21.08	\$21.05	TBD	\$21.24	\$28.58	\$41.95	
	NRC Add'l	ULCC1	\$20.77	\$20.96	\$41.58	\$20.96	\$20.93	TBD	\$21.13	\$28.42	\$41.71	
	NRC-Disconnect, 1st	ULCC1	\$10.00	\$9.99	NA	\$10.75	\$10.92	TBD	NA	NA	NA	
	NRC-Disconnect, Add'l	ULCC1	\$9.94	\$9.93	NA	\$10.68	\$10.86	TBD	NA	NA	NA	
	Channel Interface - 2 Wire Voice - Reverse Battery, per month	ULCCR	\$14.14	\$12.61	\$14.17	\$13.35	\$13.89	TBD	\$13.20	\$14.46	\$15.51	
	NRC 1st	ULCCR	\$20.88	\$21.07	\$41.82	\$21.08	\$21.05	TBD	\$28.66	\$28.58	\$41.95	
	NRC Add'l	ULCCR	\$20.77	\$20.96	\$41.58	\$20.96	\$20.93	TBD	\$28.50	\$28.42	\$41.71	
	NRC-Disconnect, 1st	ULCCR	\$10.00	\$9.99	NA	\$10.75	\$10.92	TBD	NA	NA	NA	
	NRC-Disconnect, Add'l	ULCCR	\$9.94	\$9.93	NA	\$10.68	\$10.86	TBD	NA	NA	NA	
	Channel Interface - 4 Wire Voice (Specials Card), per month	ULCC4	\$8.43	\$7.52	\$8.45	\$7.96	\$8.29	TBD	\$7.87	\$8.62	\$9.26	
	NRC 1st	ULCC4	\$20.88	\$21.07	\$41.82	\$21.08	\$21.05	TBD	\$28.66	\$28.58	\$41.95	
	NRC Add'l	ULCC4	\$20.77	\$20.96	\$41.58	\$20.96	\$20.93	TBD	\$28.50	\$28.42	\$41.71	
	NRC-Disconnect, 1st	ULCC4	\$10.00	\$9.99	NA	\$10.75	\$10.92	TBD	NA	NA	NA	
	NRC-Disconnect, Add'l	ULCC4	\$9.94	\$9.93	NA	\$10.68	\$10.86	TBD	NA	NA	NA	
	Test Circuit, per month	UCTTC	\$41.21	\$36.76	\$41.30	\$38.90	\$40.49	TBD	\$38.47	\$42.14	\$45.22	
	NRC 1st	UCTTC	\$20.88	\$21.07	\$41.82	\$21.08	\$21.05	TBD	\$28.66	\$28.58	\$41.95	
	NRC Add'l	UCTTC	\$20.77	\$20.96	\$41.58	\$20.96	\$20.93	TBD	\$28.50	\$28.42	\$41.71	
	NRC-Disconnect, 1st	UCTTC	\$10.00	\$9.99	NA	\$10.75	\$10.92	TBD	NA	NA	NA	
	NRC-Disconnect, Add'l	UCTTC	\$9.94	\$9.93	NA	\$10.68	\$10.86	TBD	NA	NA	NA	
	Channel Interface - Digital 56Kbps, per month	ULCC5	\$12.49	\$11.14	\$12.51	\$11.79	\$12.27	TBD	\$11.66	\$12.77	\$13.71	
	NRC 1st	ULCC5	\$20.88	\$21.07	\$41.82	\$21.08	\$21.05	TBD	\$28.66	\$28.58	\$41.95	
	NRC Add'l	ULCC5	\$20.77	\$20.96	\$41.58	\$20.96	\$20.93	TBD	\$28.50	\$28.42	\$41.71	
	NRC-Disconnect, 1st	ULCC5	\$10.00	\$9.99	NA	\$10.75	\$10.92	TBD	NA	NA	NA	
	NRC-Disconnect, Add'l	ULCC5	\$9.94	\$9.93	NA	\$10.68	\$10.86	TBD	NA	NA	NA	
	Channel Interface - Digital 64Kbps, per month	ULCC6	\$12.49	\$11.14	\$12.51	\$14.08	\$12.27	TBD	\$11.66	\$12.77	\$13.71	
	NRC 1st	ULCC6	\$20.88	\$21.07	\$41.82	\$21.08	\$21.05	TBD	\$28.66	\$28.58	\$41.95	
	NRC Add'l	ULCC6	\$20.77	\$20.96	\$41.58	\$20.96	\$20.93	TBD	\$28.50	\$28.42	\$41.71	
	NRC-Disconnect, 1st	ULCC6	\$10.00	\$9.99	NA	\$10.75	\$10.92	TBD	NA	NA	NA	
	NRC-Disconnect, Add'l	ULCC6	\$9.94	\$9.93	NA	\$10.68	\$10.86	TBD	NA	NA	NA	
	Loop Concentration System (Inside C.O.)											
	NRC - Service Order submitted Electronically, per LSR	SOMEK	\$3.50	\$2.75	\$3.50	\$3.50	\$3.50	\$3.50	\$3.50	\$3.50	\$3.50	
	NRC - Service Order submitted Electronically, per LSR - Disconnect	SOMEK	NA	\$0.42	NA	NA	NA	NA	NA	NA	NA	
	NRC - Service Order submitted Manually, per LSR	SOMAN	NA	\$21.56	NA	\$29.24	\$29.24	NA	NA	NA	\$19.99	
	NRC - Service Order submitted Manually, per LSR, Disconnect	SOMAN	NA	\$3.84	NA	\$3.94	\$3.94	NA	NA	NA	NA	
	NRC - Incremental Charge - Manual Service Order - 1st	SOMAN	TBD	NA	\$18.94	TBD	\$18.14	\$25.52	TBD	\$44.06	TBD	
	NRC - Incremental Charge - Manual Service Order - Add'l	SOMAN	TBD	NA	\$8.42	TBD	\$8.06	\$11.34	TBD	\$13.55	TBD	
	TR008 -System A (96 channel capacity - channels 1-96), per month	UCT8A	\$327.44	\$470.73	\$316.63	\$522.17	\$432.54	\$454.79	\$375.96	\$399.21	\$380.06	
	NRC - 1st	UCT8A	\$1,115.10	\$651.05	\$1,111.95	\$651.04	\$650.11	\$1,115.10	\$1,113.00	\$1,119.30	\$1,114.05	

BELLSOUTH/EPB TELECOMMUNICATIONS RATES
NETWORK ELEMENTS
AND OTHER SERVICES

	NRC - Add'l	UCT8A	NA	NA	NA	NA	NA	NA	NA	NA	NA	NA
	NRC-Disconnect, 1st	UCT8A	NA	NA	NA	NA	NA	NA	NA	NA	NA	NA
	NRC-Disconnect, Add'l	UCT8A	NA	NA	NA	NA	NA	NA	NA	NA	NA	NA
	TR008 - System B (96 channel capacity - channels 97-192), per month	UCT8B	\$67.41	\$55.96	\$65.27	\$63.59	\$61.71	\$73.30	\$65.98	\$71.91	\$68.71	
	NRC - 1st	UCT8B	\$464.57	\$271.27	\$463.37	\$271.27	\$270.88	\$464.71	\$463.74	\$466.38	\$464.21	
	NRC - Add'l	UCT8B	NA	NA	NA	NA	NA	NA	NA	NA	NA	NA
	NRC-Disconnect, 1st	UCT8B	NA	NA	NA	NA	NA	NA	NA	NA	NA	NA
	NRC-Disconnect, Add'l	UCT8B	NA	NA	NA	NA	NA	NA	NA	NA	NA	NA
	TR303 - System A (96 channel capacity - channels 1-96), per month	UCT3A	\$375.18	\$510.37	\$362.87	\$567.21	\$476.24	\$506.70	\$422.68	\$450.13	\$428.73	
	NRC - 1st	UCT3A	\$1,115.10	\$651.05	\$1,111.95	\$651.04	\$650.11	\$1,115.10	\$1,113.00	\$1,119.30	\$1,114.05	
	NRC - Add'l	UCT3A	NA	NA	NA	NA	NA	NA	NA	NA	NA	NA
	NRC-Disconnect, 1st	UCT3A	NA	NA	NA	NA	NA	NA	NA	NA	NA	NA
	NRC-Disconnect, Add'l	UCT3A	NA	NA	NA	NA	NA	NA	NA	NA	NA	NA
	TR303 - System B (96 channel capacity - channels 97-192), per month	UCT3B	\$111.30	\$94.30	\$110.02	\$107.16	\$103.99	\$123.52	\$111.17	\$121.16	\$115.79	
	NRC - 1st	UCT3B	\$464.57	\$271.27	\$463.37	\$271.27	\$270.88	\$464.71	\$463.74	\$466.38	\$464.21	
	NRC - Add'l	UCT3B	NA	NA	NA	NA	NA	NA	NA	NA	NA	NA
	NRC-Disconnect, 1st	UCT3B	NA	NA	NA	NA	NA	NA	NA	NA	NA	NA
	NRC-Disconnect, Add'l	UCT3B	NA	NA	NA	NA	NA	NA	NA	NA	NA	NA
	DS1 Interface, per month	UCTCO	\$6.42	\$5.28	\$6.15	\$6.04	\$5.91	\$6.99	\$6.27	\$6.79	\$6.49	
	NRC 1st	UCTCO	\$367.70	\$126.61	\$366.72	\$126.61	\$126.43	\$367.80	\$367.04	\$369.13	\$367.41	
	NRC Add'l	UCTCO	\$132.03	\$92.17	\$130.63	\$92.17	\$92.04	\$132.07	\$131.79	\$132.54	\$131.92	
	NRC-Disconnect, 1st	UCTCO	NA	\$31.11	NA	\$33.46	\$34.02	NA	NA	NA	NA	NA
	NRC-Disconnect, Add'l	UCTCO	NA	\$8.71	NA	\$9.37	\$9.52	NA	NA	NA	NA	NA
	Channel Interface-2 Wire Voice-Loop Start or Ground Start, per month	ULCC2	\$2.55	\$2.10	\$2.44	\$2.40	\$2.35	\$2.77	\$0.89	\$2.69	See Ex C-1	
	NRC 1st	ULCC2	\$35.77	\$21.07	\$35.68	\$21.08	\$21.05	\$35.78	\$35.73	\$35.91	See Ex C-1	
	NRC Add'l	ULCC2	\$35.55	\$20.96	\$35.48	\$20.96	\$20.93	\$35.37	\$35.49	\$35.71	See Ex C-1	
	NRC-Disconnect, 1st	ULCC2	NA	\$9.99	NA	\$10.75	\$10.92	NA	NA	NA	See Ex C-1	
	NRC-Disconnect, Add'l	ULCC2	NA	\$9.93	NA	\$10.68	\$10.86	NA	NA	NA	See Ex C-1	
	Channel Interface - 2 Wire ISDN, per month	ULCC1	\$10.19	\$8.38	\$9.76	\$9.59	\$9.39	\$11.10	\$9.95	\$10.76	\$10.30	
	NRC 1st	ULCC1	\$35.77	\$21.07	\$35.68	\$21.08	\$21.05	\$35.78	\$35.71	\$35.91	\$35.74	
	NRC Add'l	ULCC1	\$35.55	\$20.96	\$35.48	\$20.96	\$20.93	\$35.37	\$35.51	\$35.71	\$35.54	
	NRC-Disconnect, 1st	ULCC1	NA	\$9.99	NA	\$10.75	\$10.92	NA	NA	NA	NA	
	NRC-Disconnect, Add'l	ULCC1	NA	\$9.93	NA	\$10.68	\$10.86	NA	NA	NA	NA	
	Channel Interface - 2 Wire Voice - Reverse Battery, per month	ULCCR	\$15.15	\$12.46	\$14.51	\$14.26	\$13.95	\$16.46	\$14.80	\$16.01	\$15.32	
	NRC 1st	ULCCR	\$35.77	\$21.07	\$35.68	\$21.08	\$21.05	\$35.78	\$35.71	\$35.91	\$35.74	
	NRC Add'l	ULCCR	\$35.55	\$20.96	\$35.48	\$20.96	\$20.93	\$35.37	\$35.51	\$35.71	\$35.54	
	NRC-Disconnect, 1st	ULCCR	NA	\$9.99	NA	\$10.75	\$10.92	NA	NA	NA	NA	
	NRC-Disconnect, Add'l	ULCCR	NA	\$9.93	NA	\$10.68	\$10.86	NA	NA	NA	NA	
	Channel Interface - 4 Wire Voice, per month	ULCC4	\$9.04	\$7.43	\$8.65	\$8.51	\$8.32	\$9.83	\$8.82	\$9.55	\$9.13	
	NRC 1st	ULCC4	\$35.77	\$21.07	\$35.68	\$21.08	\$21.05	\$35.78	\$35.71	\$35.91	\$35.74	
	NRC Add'l	ULCC4	\$35.55	\$20.96	\$35.48	\$20.96	\$20.93	\$35.37	\$35.51	\$35.71	\$35.54	
	NRC-Disconnect, 1st	ULCC4	NA	\$9.99	NA	\$10.75	\$10.92	NA	NA	NA	NA	
	NRC-Disconnect, Add'l	ULCC4	NA	\$9.93	NA	\$10.68	\$10.86	NA	NA	NA	NA	
	Test Circuit, per month	UCTTC	\$44.16	36.31	\$42.30	\$41.58	\$40.67	\$47.85	\$43.13	\$46.66	\$44.65	
	NRC 1st	UCTTC	\$35.77	\$21.07	\$35.68	\$21.08	\$21.05	\$35.78	\$35.71	\$35.91	\$35.74	
	NRC Add'l	UCTTC	\$35.55	\$20.96	\$35.48	\$20.96	\$20.93	\$35.37	\$35.51	\$35.71	\$35.54	
	NRC-Disconnect, 1st	UCTTC	\$35.55	\$9.99	NA	\$10.75	\$10.92	NA	NA	NA	NA	
	NRC-Disconnect, Add'l	UCTTC	\$35.55	\$9.93	NA	\$10.68	\$10.86	NA	NA	NA	NA	
	Channel Interface - Digital 56Kbps, per month	ULCC5	TBD	\$11.01	TBD	\$12.60	\$12.33	TBD	TBD	TBD	TBD	
	NRC 1st	ULCC5	TBD	\$21.07	TBD	\$21.08	\$21.05	TBD	TBD	TBD	TBD	
	NRC Add'l	ULCC5	TBD	\$20.96	TBD	\$20.96	\$20.93	TBD	TBD	TBD	TBD	
	NRC-Disconnect, 1st	ULCC5	TBD	\$9.99	NA	\$10.75	\$10.92	TBD	TBD	TBD	TBD	
	NRC-Disconnect, Add'l	ULCC5	TBD	\$9.93	NA	\$10.68	\$10.86	TBD	TBD	TBD	TBD	
	Channel Interface - Digital 64Kbps, per month	ULCC6	TBD	\$11.01	TBD	\$12.60	\$12.33	TBD	TBD	TBD	TBD	
	NRC 1st	ULCC6	TBD	\$21.07	TBD	\$21.08	\$21.05	TBD	TBD	TBD	TBD	
	NRC Add'l	ULCC6	TBD	\$20.96	TBD	\$20.96	\$20.93	TBD	TBD	TBD	TBD	

BELLSOUTH/EPB TELECOMMUNICATIONS RATES
NETWORK ELEMENTS
AND OTHER SERVICES

	NRC-Disconnect, 1st	ULCC6	TBD	\$9.99	NA	\$10.75	\$10.92	TBD	TBD	TBD	TBD	
	NRC-Disconnect, Add'l	ULCC6	TBD	\$9.93	NA	\$10.68	\$10.86	TBD	TBD	TBD	TBD	
LINE SHARING												
	2-Wire analog VG (SL1) for Line Sharing											See Ex C-2
	RC - per month**		TBD	TBD	TBD	TBD	TBD	TBD	TBD	TBD	TBD	See Ex C-2
	NRC - 1st**		TBD	TBD	TBD	TBD	TBD	TBD	TBD	TBD	TBD	See Ex C-2
	NRC - Add'l**		TBD	TBD	TBD	TBD	TBD	TBD	TBD	TBD	TBD	See Ex C-2
	System Splitter - 96 Line Capacity											
	RC - Per month **	ULSDA	\$100.00	\$100.00	\$100.00	\$100.00	\$100.00	\$100.00	\$100.00	\$100.00	\$100.00	See Ex C-2
	NRC - 1st **	ULSDA	\$150.00	\$150.00	\$150.00	\$300.00	\$150.00	\$300.00	\$300.00	\$300.00	\$300.00	See Ex C-2
	NRC - Add'l **	ULSDA	\$0.00	\$0.00	\$0.00	\$0.00	\$0.00	\$0.00	\$0.00	\$0.00	\$0.00	See Ex C-2
	NRC - Disconnect 1st **	ULSDA	\$150.00	\$150.00	\$150.00	NA	\$150.00	NA	NA	NA	NA	See Ex C-2
	NRC - Disconnect Add'l **	ULSDA	\$0.00	\$0.00	\$0.00	\$0.00	\$0.00	\$0.00	\$0.00	\$0.00	\$0.00	See Ex C-2
	System Splitter - 24 Line Capacity											
	RC - Per month **	ULSDB	\$25.00	\$25.00	\$25.00	\$25.00	\$25.00	\$25.00	\$25.00	\$25.00	\$25.00	See Ex C-2
	NRC - 1st **	ULSDB	\$150.00	\$150.00	\$150.00	\$300.00	\$150.00	\$300.00	\$300.00	\$300.00	\$300.00	See Ex C-2
	NRC - Add'l **	ULSDB	\$0.00	\$0.00	\$0.00	\$0.00	\$0.00	\$0.00	\$0.00	\$0.00	\$0.00	See Ex C-2
	NRC - Disconnect 1st **	ULSDB	\$150.00	\$150.00	\$150.00	NA	\$150.00	NA	NA	NA	NA	See Ex C-2
	NRC - Disconnect Add'l **	ULSDB	\$0.00	\$0.00	\$0.00	\$0.00	\$0.00	\$0.00	\$0.00	\$0.00	\$0.00	See Ex C-2
	Loop Capacity, Line Activation Per Occurrence											
	RC - Per Month **	ULSDC	\$6.00	\$6.00	\$6.00	\$6.00	\$6.00	\$6.00	\$6.00	\$6.00	\$6.00	See Ex C-2
	NRC - 1st **	ULSDC	\$40.00	\$40.00	\$40.00	\$40.00	\$40.00	\$40.00	\$40.00	\$40.00	\$40.00	See Ex C-2
	NRC - Add'l **	ULSDC	\$22.00	\$22.00	\$22.00	\$22.00	\$22.00	\$22.00	\$22.00	\$22.00	\$22.00	See Ex C-2
	NRC - Service Order submitted Electronically, per LSR	SOMEC	\$3.50	\$2.75	\$3.50	\$3.50	\$3.50	\$3.50	\$3.50	\$3.50	\$3.50	See Ex C-2
	NRC - Service Order submitted Electronically, per LSR - Disconnect	SOMEC	NA	\$0.42	NA	NA	NA	NA	NA	NA	NA	See Ex C-2
	NRC - Service Order submitted Manually, per LSR	SOMAN	NA	\$21.56	NA	\$29.24	NA	NA	NA	NA	NA	See Ex C-2
	NRC - Service Order submitted Manually, per LSR, Disconnect	SOMAN	NA	\$3.84	NA	\$3.94	NA	NA	NA	NA	NA	See Ex C-2
	NRC - Incremental Charge - Manual Service Order - 1st	SOMAN	\$27.37	NA	\$18.94	NA	\$18.14	\$25.52	\$26.94	\$44.22		See Ex C-2
	NRC - Incremental Charge - Manual Service Order - Add'l	SOMAN	\$12.97	NA	\$8.42	NA	\$8.06	\$11.34	\$12.76	\$13.55		See Ex C-2
	NRC - Incremental Charge - Manual Service Order - Disconnect	SOMAN	\$17.77	NA	NA	NA	\$11.41	\$16.06	NA	NA		See Ex C-2
	Subsequent Activity - Per Occurrence											
	NRC - 1st **	ULSDS	\$30.00	\$30.00	\$30.00	\$30.00	\$30.00	\$30.00	\$30.00	\$30.00	\$30.00	See Ex C-2
	NRC - Add'l **	ULSDS	\$15.00	\$15.00	\$15.00	\$15.00	\$15.00	\$15.00	\$15.00	\$15.00	\$15.00	See Ex C-2
	* Interim Rates subject to true-up											
NOTES:												
	1	In states where a specific NRC for customer transfer, feature additions and changes is not stated, the applicable NRC from the appropriate tariff applies.										
	2	Geographically Deaveraged UNE Zones and applicable rates have been established for certain services, as shown in this Agreement. Where Geographically Deaveraged UNE Zones and applicable rates are established, Statewide rates are obsolete. Further, BellSouth is in the process of enhancing its billing systems in order to accommodate this Geographically Deaveraged UNE Zone Rate Structure. Until these enhancements are accomplished, estimated to be mid 2001, the UNE Zone 1 rate will be billed for all services residing in Zones 1, 2, 3 or 4. Once billing enhancements are complete, all applicable UNE Zone rates reflected in this Agreement will be billed. Reference Internet Website http://www.interconnection.bellsouth.com/become_clec/ docs/interconnection/deavuzns.pdf to view Geographically Deaveraged UNE Zone Designations by Central Office.										

BELLSOUTH/EPB TELECOMMUNICATIONS RATES NETWORK ELEMENTS
AND OTHER SERVICES
PORTS

Attachment 2
Exhibit C
Rates - Page 23

DESCRIPTION	USOC	AL	FL	GA	KY	LA	MS	NC	SC	TN
LOCAL EXCHANGE SWITCHING (PORTS)										
2-Wire Analog Line Port (Res., Bus.), per month										
										See Ex C-1
2-Wire Voice Grade Line Port (Residence), per month										
										See Ex C-1
2-wire voice unbundled port - residence	UEPRL	\$2.07	\$1.62	\$1.85 - Note 1	\$2.61 - Note 1	\$2.20	\$2.11	\$2.19	\$2.35	See Ex C-1
2-wire voice unbundled port with caller ID - residence	UEPRC	\$2.07	\$1.62	\$1.85	\$2.61	\$2.20	\$2.11	\$2.00	\$2.35	See Ex C-1
2-wire voice unbundled port outgoing only - residence	UEPRO	\$2.07	\$1.62	\$1.85	\$2.61	\$2.20	\$2.11	\$2.00	\$2.35	See Ex C-1
2-wire voice grade unbundled AL extended local dialing parity port with caller ID	UEPAR	\$2.07	NA	NA	NA	NA	NA	NA	NA	See Ex C-1
2-wire voice grade unbundled KY extended local dialing parity port with caller ID	UEPRM	NA	NA	NA	\$2.61	NA	NA	NA	NA	See Ex C-1
2-wire voice grade unbundled LA extended local dialing parity port with caller ID	UEPAS	NA	NA	NA	NA	\$2.20	NA	NA	NA	See Ex C-1
2-wire voice grade unbundled MS extended local dialing parity port with caller ID	UEPAT	NA	NA	NA	NA	NA	\$2.11	NA	NA	See Ex C-1
2-wire voice grade unbundled SC extended local dialing parity port with caller ID	UEPAU	NA	NA	NA	NA	NA	NA	NA	\$2.35	See Ex C-1
2-wire voice grade unbundled TN extended local dialing parity port with caller ID	UEPAQ	NA	NA	NA	NA	NA	NA	NA	NA	See Ex C-1
2-wire voice unbundled FL area calling with caller ID - residence	UEPAF	NA	\$1.62	NA	NA	NA	NA	NA	NA	See Ex C-1
2-wire voice unbundled LA Area Plus with caller ID - residence (RUL)	UEPAG	NA	NA	NA	NA	\$2.20	NA	NA	NA	See Ex C-1
2-wire voice unbundled LA Area Plus with caller ID - residence (AC7)	UEPAH	NA	NA	NA	NA	\$2.20	NA	NA	NA	See Ex C-1
2-wire voice unbundled SC Area Calling port with Caller ID - residence (LW8)	UEPAJ	NA	NA	NA	NA	NA	NA	NA	\$2.35	See Ex C-1
2-wire voice unbundled TN Area Calling port with Caller ID - residence (F2R)	UEPAK	NA	NA	NA	NA	NA	NA	NA	NA	See Ex C-1
2-wire voice unbundled TN Area Calling port with Caller ID - residence (TACER)	UEPAL	NA	NA	NA	NA	NA	NA	NA	NA	See Ex C-1
2-wire voice unbundled TN Area Calling port with Caller ID - residence (TACSR)	UEPAM	NA	NA	NA	NA	NA	NA	NA	NA	See Ex C-1
2-wire voice unbundled TN Area Calling port with Caller ID - residence (1MF2X)	UEPAN	NA	NA	NA	NA	NA	NA	NA	NA	See Ex C-1
2-wire voice unbundled TN Area Calling port with Caller ID - residence (2MR)	UEPAO	NA	NA	NA	NA	NA	NA	NA	NA	See Ex C-1
2-wire voice unbundled res, low usage line port with Caller ID (LUM)	UEPAP	\$2.07	\$1.62	\$1.85	\$2.61	\$2.20	\$2.11	\$2.00	\$2.35	See Ex C-1
LOCAL NUMBER PORTABILITY (REQUIRES ONE PER PORT)	LNPCX									See Ex C-1
2-Wire Voice Grade Line Port(Business), per month										
										See Ex C-1
2-wire voice unbundled port without Caller ID	UEPBL	\$2.07	\$1.62	\$1.85	\$2.61	\$2.20	\$2.11	\$2.00	\$2.35	See Ex C-1
2-wire voice unbundled port with unbundled port with Caller+E484 ID	UEPBC	\$2.07	\$1.62	\$1.85	\$2.61	\$2.20	\$2.11	\$2.00	\$2.35	See Ex C-1
2-wire voice unbundled outgoing only port	UEPBO	\$2.07	\$1.62	\$1.85	\$2.61	\$2.20	\$2.11	\$2.00	\$2.35	See Ex C-1
2-wire voice grade unbundled AL extended local dialing parity port with caller ID	UEPAW	\$2.07	NA	NA	NA	NA	NA	NA	NA	See Ex C-1
2-wire voice grade unbundled KY extended local dialing parity port with caller ID	UEPBM	NA	NA	NA	\$2.61	NA	NA	NA	NA	See Ex C-1
2-wire voice grade unbundled LA extended local dialing parity port with caller ID	UEPAX	NA	NA	NA	NA	\$2.20	NA	NA	NA	See Ex C-1
2-wire voice grade unbundled MS extended local dialing parity port with caller ID	UEPAY	NA	NA	NA	NA	NA	\$2.11	NA	NA	See Ex C-1
2-wire voice grade unbundled SC extended local dialing parity port with caller ID	UEPAZ	NA	NA	NA	NA	NA	NA	NA	\$2.35	See Ex C-1
2-wire voice grade unbundled TN extended local dialing parity port with caller ID	UEPAV	NA	NA	NA	NA	NA	NA	NA	NA	See Ex C-1
2-wire voice unbundled incoming only port with Caller ID	UEPB1	\$2.07	\$1.62	\$1.85	\$2.61	\$2.20	\$2.11	\$2.00	\$2.35	See Ex C-1
2-wire voice unbundled LA Bus Area Calling Port with Caller ID (BUC)	UEPAA	NA	NA	NA	NA	\$2.20	NA	NA	NA	See Ex C-1
2-wire voice unbundled SC Bus Area Calling Port with Caller ID (LMB)	UEPAB	NA	NA	NA	NA	NA	NA	NA	\$2.35	See Ex C-1
2-wire voice unbundled TN Bus 2-Way Area Calling Port Economy Option (TACC1)	UEPAC	NA	NA	NA	NA	NA	NA	NA	NA	See Ex C-1
2-wire voice unbundled TN Bus 2-Way Area Calling Port Standard Option (TACC2)	UEPAD	NA	NA	NA	NA	NA	NA	NA	NA	See Ex C-1
2-wire voice unbundled TN Bus 2-WAY Collierville and Memphis Local Calling Port (B2F)	UEPAE	NA	NA	NA	NA	NA	NA	NA	NA	See Ex C-1
LOCAL NUMBER PORTABILITY (REQUIRES ONE PER PORT)	LNPCX									See Ex C-1
Non-Recurring Charges (NRC) - 1st (Residence)										
										See Ex C-1
2-wire voice unbundled port - residence	UEPRL	\$21.93	\$4.76	\$17.16	\$37.78	\$16.43	\$22.98	\$21.60	\$24.98	See Ex C-1
2-wire voice unbundled port with caller ID - residence	UEPRC	\$21.93	\$4.76	\$17.16	\$37.78	\$16.43	\$22.98	\$24.04	\$24.98	See Ex C-1
2-wire voice unbundled port outgoing only - residence	UEPRO	\$21.93	\$4.76	\$17.16	\$37.78	\$16.43	\$22.98	\$24.04	\$24.98	See Ex C-1
2-wire voice grade unbundled AL extended local dialing parity port with caller ID	UEPAR	\$21.93	NA	NA	NA	NA	NA	NA	NA	See Ex C-1

BELLSOUTH/EPB TELECOMMUNICATIONS RATES NETWORK ELEMENTS
AND OTHER SERVICES
PORTS

Attachment 2
Exhibit C
Rates - Page 24

DESCRIPTION	USOC	AL	FL	GA	KY	LA	MS	NC	SC	TN
2-wire voice grade unbundled KY extended local dialing parity port with caller ID	UEPRM	NA	NA	NA	\$37.78	NA	NA	NA	NA	See Ex C-1
2-wire voice grade unbundled LA extended local dialing parity port with caller ID	UEPAS	NA	NA	NA	NA	\$16.43	NA	NA	NA	See Ex C-1
2-wire voice grade unbundled MS extended local dialing parity port with caller ID	UEPAT	NA	NA	NA	NA	NA	\$22.98	NA	NA	See Ex C-1
2-wire voice grade unbundled SC extended local dialing parity port with caller ID	UEPAU	NA	NA	NA	NA	NA	NA	NA	\$24.98	See Ex C-1
2-wire voice grade unbundled TN extended local dialing parity port with caller ID	UEPAQ	NA	NA	NA	NA	NA	NA	NA	NA	See Ex C-1
2-wire voice unbundled FL area calling with caller ID - residence	UEPAF	NA	\$4.76	NA	NA	NA	NA	NA	NA	See Ex C-1
2-wire voice unbundled LA Area Plus with caller ID - residence (RUL)	UEPAG	NA	NA	NA	NA	\$16.43	NA	NA	NA	See Ex C-1
2-wire voice unbundled LA Area Plus with caller ID - residence (AC7)	UEPAH	NA	NA	NA	NA	\$16.43	NA	NA	NA	See Ex C-1
2-wire voice unbundled SC Area Calling port with Caller ID - residence (LW8)	UEPAJ	NA	NA	NA	NA	\$16.43	NA	NA	NA	See Ex C-1
2-wire voice unbundled TN Area Calling port with Caller ID - residence (F2R)	UEPAK	NA	NA	NA	NA	NA	NA	NA	\$24.98	See Ex C-1
2-wire voice unbundled TN Area Calling port with Caller ID - residence (TACER)	UEPAL	NA	NA	NA	NA	NA	NA	NA	NA	See Ex C-1
2-wire voice unbundled TN Area Calling port with Caller ID - residence (TACSR)	UEPAM	NA	NA	NA	NA	NA	NA	NA	NA	See Ex C-1
2-wire voice unbundled TN Area Calling port with Caller ID - residence (1MF2X)	UEPAN	NA	NA	NA	NA	NA	NA	NA	NA	See Ex C-1
2-wire voice unbundled TN Area Calling port with Caller ID - residence (2MR)	UEPAO	NA	NA	NA	NA	NA	NA	NA	NA	See Ex C-1
2-wire voice unbundled Res Low Usage Line Port with Caller+E563 ID (LUM)	UEPAP	NA	NA	NA	NA	NA	NA	NA	NA	See Ex C-1
NRC - Add'l (Residence)										
2-wire voice unbundled port - residence	UEPRL	\$21.93	\$4.54	\$17.16	\$37.78	\$16.43	\$22.98	\$21.60	\$24.98	See Ex C-1
2-wire voice unbundled port with caller ID - residence	UEPRC	\$21.93	\$4.54	\$17.16	\$37.78	\$16.43	\$22.98	\$9.08	\$24.98	See Ex C-1
2-wire voice unbundled port outgoing only - residence	UEPRO	\$21.93	\$4.54	\$17.16	\$37.78	\$16.43	\$22.98	\$9.08	\$24.98	See Ex C-1
2-wire voice grade unbundled AL extended local dialing parity port with caller ID	UEPAR	\$21.93	NA	NA	NA	NA	NA	NA	NA	See Ex C-1
2-wire voice grade unbundled KY extended local dialing parity port with caller ID	UEPRM	NA	NA	NA	\$37.78	NA	NA	NA	NA	See Ex C-1
2-wire voice grade unbundled LA extended local dialing parity port with caller ID	UEPAS	NA	NA	NA	NA	\$16.43	NA	NA	NA	See Ex C-1
2-wire voice grade unbundled MS extended local dialing parity port with caller ID	UEPAT	NA	NA	NA	NA	NA	\$22.98	NA	NA	See Ex C-1
2-wire voice grade unbundled SC extended local dialing parity port with caller ID	UEPAU	NA	NA	NA	NA	NA	NA	NA	\$24.98	See Ex C-1
2-wire voice grade unbundled TN extended local dialing parity port with caller ID	UEPAQ	NA	NA	NA	NA	NA	NA	NA	NA	See Ex C-1
2-wire voice unbundled FL area calling with caller ID - residence	UEPAF	NA	\$4.54	NA	NA	NA	NA	NA	NA	See Ex C-1
2-wire voice unbundled LA Area Plus with caller ID - residence (RUL)	UEPAG	NA	NA	NA	NA	\$16.43	NA	NA	NA	See Ex C-1
2-wire voice unbundled LA Area Plus with caller ID - residence (AC7)	UEPAH	NA	NA	NA	NA	\$16.43	NA	NA	NA	See Ex C-1
2-wire voice unbundled SC Area Calling port with Caller ID - residence (LW8)	UEPAJ	NA	NA	NA	NA	NA	NA	NA	\$24.98	See Ex C-1
2-wire voice unbundled TN Area Calling port with Caller ID - residence (F2R)	UEPAK	NA	NA	NA	NA	NA	NA	NA	NA	See Ex C-1
2-wire voice unbundled TN Area Calling port with Caller ID - residence (TACER)	UEPAL	NA	NA	NA	NA	NA	NA	NA	NA	See Ex C-1
2-wire voice unbundled TN Area Calling port with Caller ID - residence (TACSR)	UEPAM	NA	NA	NA	NA	NA	NA	NA	NA	See Ex C-1
2-wire voice unbundled TN Area Calling port with Caller ID - residence (1MF2X)	UEPAN	NA	NA	NA	NA	NA	NA	NA	NA	See Ex C-1
2-wire voice unbundled TN Area Calling port with Caller ID - residence (2MR)	UEPAO	NA	NA	NA	NA	NA	NA	NA	NA	See Ex C-1
2-wire voice unbundled Res Low Usage Line Port with Caller ID (LUM)	UEPAP	\$21.93	\$4.54	\$17.16	\$37.78	\$16.43	\$22.98	\$9.08	\$24.98	See Ex C-1
NRC - Subsequent Activity										
2-wire voice unbundled port - residence	USASC	\$10.00	\$10.00	\$10.00	\$10.00	\$10.00	\$10.00	\$10.00	\$10.00	See Ex C-1
NRC - 1st (Business)										
2-wire Voice Unbundled Port without Caller ID	UEPBL	\$21.93	\$4.76	\$17.16	\$37.55	\$16.43	\$22.98	\$21.60	\$24.98	See Ex C-1
2-wire voice unbundled port with Caller ID	UEPBC	\$21.93	\$4.76	\$17.16	\$37.55	\$16.43	\$22.98	\$24.04	\$24.98	See Ex C-1
2-wire voice unbundled outgoing only port	UEPBO	\$21.93	\$4.76	\$17.16	\$37.55	\$16.43	\$22.98	\$24.04	\$24.98	See Ex C-1
2-wire voice grade unbundled AL extended local dialing parity port with caller ID	UEPAW	\$21.93	NA	NA	NA	NA	NA	NA	NA	See Ex C-1
2-wire voice grade unbundled KY extended local dialing parity port with caller ID	UEPBM	NA	NA	NA	\$37.78	NA	NA	NA	NA	See Ex C-1
2-wire voice grade unbundled LA extended local dialing parity port with caller ID	UEPAX	NA	NA	NA	NA	\$16.43	NA	NA	NA	See Ex C-1
2-wire voice grade unbundled MS extended local dialing parity port with caller ID	UEPAY	NA	NA	NA	NA	NA	\$22.98	NA	NA	See Ex C-1
2-wire voice grade unbundled SC extended local dialing parity port with caller ID	UEPAZ	NA	NA	NA	NA	NA	NA	NA	\$24.98	See Ex C-1

BELLSOUTH/EPB TELECOMMUNICATIONS RATES NETWORK ELEMENTS
AND OTHER SERVICES
PORTS

Attachment 2
Exhibit C
Rates - Page 25

DESCRIPTION	USOC	AL	FL	GA	KY	LA	MS	NC	SC	TN
2-wire voice grade unbundled TN extended local dialing parity port with caller ID	UEPAV	NA	NA	NA	NA	NA	NA	NA	NA	See Ex C-1
2-wire voice unbundled Incoming only Port with Caller ID	UEPB1	\$21.93	\$4.76	\$17.16	\$37.55	\$16.43	\$22.98	\$24.04	\$24.98	See Ex C-1
2-wire voice unbundled LA Bus Area Calling Port with Caller ID (BUC)	UEPAA	NA	NA	NA	NA	\$16.43	NA	NA	NA	See Ex C-1
2-wire voice unbundled SC Bus Area Calling Port with Caller ID+E587 (LMB)	UEPAB	NA	NA	NA	NA	NA	NA	NA	\$24.98	See Ex C-1
2-wire voice unbundled TN Bus 2-way Area Calling Port Economy Option (TACC1)	UEPAC	NA	NA	NA	NA	NA	NA	NA	NA	See Ex C-1
2-wire voice unbundled TN Bus 2-way Area Calling Port Standard Option (TACC2)	UEPAD	NA	NA	NA	NA	NA	NA	NA	NA	See Ex C-1
2-wire voice unbundled TN Bus 2-way Collierville and Memphis Local Calling Port (B2F)	UEPAE	NA	NA	NA	NA	NA	NA	NA	NA	See Ex C-1
NRC - Add'l (Business)										See Ex C-1
2-wire voice unbundled port without Caller ID	UEPBL	\$21.93	\$4.54	\$17.16	\$37.55	\$16.43	\$22.98	\$21.60	\$24.98	See Ex C-1
2-wire voice unbundled port with Caller ID	UEPBC	\$21.93	\$4.54	\$17.16	\$37.55	\$16.43	\$22.98	\$9.08	\$24.98	See Ex C-1
2-wire voice unbundled outgoing only port	UEPBO	\$21.93	\$4.54	\$17.16	\$37.55	\$16.43	\$22.98	\$9.08	\$24.98	See Ex C-1
2-wire voice grade unbundled AL extended local dialing parity port with caller ID	UEPAW	\$21.93	NA	NA	NA	NA	NA	NA	NA	See Ex C-1
2-wire voice grade unbundled KY extended local dialing parity port with caller ID	UEPBM	NA	NA	NA	\$37.78	NA	NA	NA	NA	See Ex C-1
2-wire voice grade unbundled LA extended local dialing parity port with caller ID	UEPAX	NA	NA	NA	NA	\$16.43	NA	NA	NA	See Ex C-1
2-wire voice grade unbundled MS extended local dialing parity port with caller ID	UEPAY	NA	NA	NA	NA	NA	\$22.98	NA	NA	See Ex C-1
2-wire voice grade unbundled SC extended local dialing parity port with caller ID	UEPAZ	NA	NA	NA	NA	NA	NA	NA	\$24.98	See Ex C-1
2-wire voice grade unbundled TN extended local dialing parity port with caller ID	UEPAV	NA	NA	NA	NA	NA	NA	NA	NA	See Ex C-1
2-wire voice unbundled incoming only port with Caller ID	UEPB1	\$21.93	\$4.54	\$17.16	\$37.55	\$16.43	\$22.98	\$9.08	\$24.98	See Ex C-1
2-wire voice unbundled LA Bus Area Calling Port with Caller ID (BUC)	UEPAA	NA	NA	NA	NA	\$16.43	NA	NA	NA	See Ex C-1
2-wire voice unbundled SC Bus Area Calling Port with Caller ID (LMB)	UEPAB	NA	NA	NA	NA	NA	NA	NA	\$24.98	See Ex C-1
2-wire voice unbundled TN Bus 2-way Area Calling Port Economy Option (TACC1)	UEPAC	NA	NA	NA	NA	NA	NA	NA	NA	See Ex C-1
2-wire voice unbundled TN Bus 2-way Area Calling Port Standard Option (TACC2)	UEPAD	NA	NA	NA	NA	NA	NA	NA	NA	See Ex C-1
2-wire voice unbundled TN Bus 2-way Collierville and Memphis Local Calling Port (B2F)	UEPAE	NA	NA	NA	NA	NA	NA	NA	NA	See Ex C-1
NRC - Subsequent Activity	USASC	\$10.00	\$10.00	\$10.00	\$10.00	\$10.00	\$10.00	\$10.00	\$10.00	See Ex C-1
NRC - Disconnect Charge - 1st										See Ex C-1
2-wire voice unbundled port - residence	UEPRL	\$6.21	\$2.76	NA	NA	\$4.38	\$6.56	NA	NA	See Ex C-1
2-wire voice unbundled port with caller ID - residence	UEPRC	\$6.21	\$2.76	NA	NA	\$4.38	\$6.56	NA	NA	See Ex C-1
2-wire voice unbundled port outgoing only - residence	UEPRO	\$6.21	\$2.76	NA	NA	\$4.38	\$6.56	NA	NA	See Ex C-1
2-wire voice grade unbundled AL extended local dialing parity port with caller ID	UEPAR	\$6.21	NA	NA	NA	NA	NA	NA	NA	See Ex C-1
2-wire voice grade unbundled KY extended local dialing parity port with caller ID	UEPRM	NA	NA	NA	NA	NA	NA	NA	NA	See Ex C-1
2-wire voice grade unbundled LA extended local dialing parity port with caller ID	UEPAS	NA	NA	NA	NA	\$4.38	NA	NA	NA	See Ex C-1
2-wire voice grade unbundled MS extended local dialing parity port with caller ID	UEPAT	NA	NA	NA	NA	NA	\$6.56	NA	NA	See Ex C-1
2-wire voice grade unbundled SC extended local dialing parity port with caller ID	UEPAU	NA	NA	NA	NA	NA	NA	NA	NA	See Ex C-1
2-wire voice grade unbundled TN extended local dialing parity port with caller ID	UEPAQ	NA	NA	NA	NA	NA	NA	NA	NA	See Ex C-1
2-wire voice unbundled FL area calling with caller ID - residence	UEPAF	NA	\$2.76	NA	NA	NA	NA	NA	NA	See Ex C-1
2-wire voice unbundled LA Area Plus with caller ID - residence (RUL)	UEPAG	NA	NA	NA	NA	\$4.38	NA	NA	NA	See Ex C-1
2-wire voice unbundled LA Area Plus with caller ID - residence (AC7)	UEPAH	NA	NA	NA	NA	\$4.38	NA	NA	NA	See Ex C-1
2-wire voice unbundled SC Area Calling port with Caller ID - residence (LW8)	UEPAJ	NA	NA	NA	NA	NA	NA	NA	NA	See Ex C-1
2-wire voice unbundled TN Area Calling port with Caller ID - residence (F2R)	UEPAK	NA	NA	NA	NA	NA	NA	NA	NA	See Ex C-1
2-wire voice unbundled TN Area Calling port with Caller ID - residence (TACER)	UEPAL	NA	NA	NA	NA	NA	NA	NA	NA	See Ex C-1
2-wire voice unbundled TN Area Calling port with Caller ID - residence (TACSR)	UEPAM	NA	NA	NA	NA	NA	NA	NA	NA	See Ex C-1
2-wire voice unbundled TN Area Calling port with Caller ID - residence (1MF2X)	UEPAN	NA	NA	NA	NA	NA	NA	NA	NA	See Ex C-1

BELLSOUTH/EPB TELECOMMUNICATIONS RATES NETWORK ELEMENTS
AND OTHER SERVICES
PORTS

Attachment 2
Exhibit C
Rates - Page 26

DESCRIPTION	USOC	AL	FL	GA	KY	LA	MS	NC	SC	TN
2-wire voice unbundled TN Area Calling port with Caller ID - residence (2MR)	UEPAO	NA	NA	NA	NA	NA	NA	NA	NA	See Ex C-1
2-wire voice unbundled Res Low Usage Line Port with Caller ID (LUM)	UEPAP	\$6.21	\$2.76	NA	NA	\$4.38	\$6.56	NA	NA	See Ex C-1
2-wire voice unbundled port without Caller ID	UEPBL	\$6.21	\$2.76	NA	NA	\$4.38	\$6.56	NA	NA	See Ex C-1
2-wire voice unbundled port with Caller ID	UEPBC	\$6.21	\$2.76	NA	NA	\$4.38	\$6.56	NA	NA	See Ex C-1
2-wire voice unbundled outgoing only Port	UEPBO	\$6.21	\$2.76	NA	NA	\$4.38	\$6.56	NA	NA	See Ex C-1
2-wire voice grade unbundled AL extended local dialing parity port with caller ID	UEPAW	\$6.21	NA	NA	NA	NA	NA	NA	NA	See Ex C-1
2-wire voice grade unbundled KY extended local dialing parity port with caller ID	UEPBM	NA	NA	NA	NA	NA	NA	NA	NA	See Ex C-1
2-wire voice grade unbundled LA extended local dialing parity port with caller ID	UEPAX	NA	NA	NA	NA	\$4.38	NA	NA	NA	See Ex C-1
2-wire voice grade unbundled MS extended local dialing parity port with caller ID	UEPAY	NA	NA	NA	NA	NA	\$6.56	NA	NA	See Ex C-1
2-wire voice grade unbundled SC extended local dialing parity port with caller ID	UEPAZ	NA	NA	NA	NA	NA	NA	NA	NA	See Ex C-1
2-wire voice grade unbundled TN extended local dialing parity port with caller ID	UEPAV	NA	NA	NA	NA	NA	NA	NA	NA	See Ex C-1
2-wire voice unbundled Incoming only Port with Caller ID	UEPB1	\$6.21	\$2.76	NA	NA	\$4.38	\$6.56	NA	NA	See Ex C-1
2-wire voice unbundled LA Bus Area Calling Port with Caller ID (BUC)	UEPAA	NA	NA	NA	NA	\$4.38	NA	NA	NA	See Ex C-1
2-wire voice unbundles SC Bus Area Calling Port with Caller ID (LMB)	UEPAB	NA	NA	NA	NA	NA	NA	NA	NA	See Ex C-1
2-wire voice unbundled TN Bus 2-way Area Calling Port Economy Option (TACC1)	UEPAC	NA	NA	NA	NA	NA	NA	NA	NA	See Ex C-1
2-wire voice unbundled TN Bus 2-way Area Calling Port Standard Option (TACC2)	UEPAD	NA	NA	NA	NA	NA	NA	NA	NA	See Ex C-1
2-wire voice unbundled TN Bus 2-Way Collierville and Memphis Local Calling Port (B2F)	UEPAE	NA	NA	NA	NA	NA	NA	NA	NA	See Ex C-1
NRC - Disconnect Charge - Add'l										See Ex C-1
2-wire voice unbundled port - residence	UEPRL	\$6.21	\$2.59	NA	NA	\$4.38	\$6.56	NA	NA	See Ex C-1
2-wire voice unbundled port with caller ID - residence	UEPRC	\$6.21	\$2.59	NA	NA	\$4.38	\$6.56	NA	NA	See Ex C-1
2-wire voice unbundled port outgoing only - residence	UEPRO	\$6.21	\$2.59	NA	NA	\$4.38	\$6.56	NA	NA	See Ex C-1
2-wire voice grade unbundled AL extended local dialing parity port with caller ID	UEPAR	\$6.21	NA	NA	NA	NA	NA	NA	NA	See Ex C-1
2-wire voice grade unbundled KY extended local dialing parity port with caller ID	UEPRM	NA	NA	NA	NA	NA	NA	NA	NA	See Ex C-1
2-wire voice grade unbundled LA extended local dialing parity port with caller ID	UEPAS	NA	NA	NA	NA	\$4.38	NA	NA	NA	See Ex C-1
2-wire voice grade unbundled MS extended local dialing parity port with caller ID	UEPAT	NA	NA	NA	NA	NA	\$6.56	NA	NA	See Ex C-1
2-wire voice grade unbundled SC extended local dialing parity port with caller ID	UEPAU	NA	NA	NA	NA	NA	NA	NA	NA	See Ex C-1
2-wire voice grade unbundled TN extended local dialing parity port with caller ID	UEPAQ	NA	NA	NA	NA	NA	NA	NA	NA	See Ex C-1
2-wire voice unbundled FL area calling with caller ID - residence	UEPAF	NA	\$2.59	NA	NA	NA	NA	NA	NA	See Ex C-1
2-wire voice unbundled LA Area Plus with caller ID - residence (RUL)	UEPAG	NA	NA	NA	NA	\$4.38	NA	NA	NA	See Ex C-1
2-wire voice unbundled LA Area Plus with caller ID - residence (AC7)	UEPAH	NA	NA	NA	NA	\$4.38	NA	NA	NA	See Ex C-1
2-wire voice unbundled SC Area Calling port with Caller ID - residence (LW8)	UEPAJ	NA	NA	NA	NA	NA	NA	NA	NA	See Ex C-1
2-wire voice unbundled TN Area Calling port with Caller ID - residence (F2R)	UEPAK	NA	NA	NA	NA	NA	NA	NA	NA	See Ex C-1
2-wire voice unbundled TN Area Calling port with Caller ID - residence (TACER)	UEPAL	NA	NA	NA	NA	NA	NA	NA	NA	See Ex C-1
2-wire voice unbundled TN Area Calling port with Caller ID - residence (TACSR)	UEPAM	NA	NA	NA	NA	NA	NA	NA	NA	See Ex C-1
2-wire voice unbundled TN Area Calling port with Caller ID - residence (1MF2X)	UEPAN	NA	NA	NA	NA	NA	NA	NA	NA	See Ex C-1
2-wire voice unbundled TN Area Calling port with Caller ID - residence (2MR)	UEPAO	NA	NA	NA	NA	\$4.38	\$6.56	NA	NA	See Ex C-1
2-wire voice unbundled Res Low Usage Line Port with Caller ID (LUM)	UEPAP	\$6.21	\$2.59	NA	NA	\$4.38	\$6.56	NA	NA	See Ex C-1
2-wire voice unbundled port without Caller ID	UEPBL	\$6.21	\$2.59	NA	NA	\$4.38	\$6.56	NA	NA	See Ex C-1
2-wire voice unbundled port with Caller ID	UEPBC	\$6.21	\$2.59	NA	NA	\$4.38	\$6.56	NA	NA	See Ex C-1
2-wire voice unbundled outgoing only port	UEPBO	\$6.21	\$2.59	NA	NA	\$4.38	\$6.56	NA	NA	See Ex C-1
2-wire voice grade unbundled AL extended local dialing parity port with caller ID	UEPAW	\$6.21	NA	NA	NA	NA	NA	NA	NA	See Ex C-1
2-wire voice grade unbundled KY extended local dialing parity port with caller ID	UEPBM	NA	NA	NA	NA	NA	NA	NA	NA	See Ex C-1
2-wire voice grade unbundled LA extended local dialing parity port with caller ID	UEPAX	NA	NA	NA	NA	\$4.38	NA	NA	NA	See Ex C-1
2-wire voice grade unbundled MS extended local dialing parity port with caller ID	UEPAY	NA	NA	NA	NA	NA	\$6.56	NA	NA	See Ex C-1
2-wire voice grade unbundled SC extended local dialing parity port with caller ID	UEPAZ	NA	NA	NA	NA	NA	NA	NA	NA	See Ex C-1
2-wire voice grade unbundled TN extended local dialing parity port with caller ID	UEPAV	NA	NA	NA	NA	NA	NA	NA	NA	See Ex C-1
2-wire voice unbundled incoming only port with Caller ID	UEPB1	\$6.21	\$2.59	NA	NA	\$4.38	\$6.56	NA	NA	See Ex C-1

BELLSOUTH/EPB TELECOMMUNICATIONS RATES NETWORK ELEMENTS
AND OTHER SERVICES
PORTS

Attachment 2
Exhibit C
Rates - Page 27

DESCRIPTION	USOC	AL	FL	GA	KY	LA	MS	NC	SC	TN
2-wire voice unbundled LA Bus Area Calling Port with Caller ID (BUC)	UEPAA	NA	NA	NA	NA	\$4.38	NA	NA	NA	See Ex C-1
2-wire voice unbundled SC Bus Area Calling Port with Caller ID (LMB)	UEPAB	NA	NA	NA	NA	NA	NA	NA	NA	See Ex C-1
2-wire voice unbundled TN Bus 2-way Area Calling Port Economy Option (TACC1)	UEPAC	NA	NA	NA	NA	NA	NA	NA	NA	See Ex C-1
2-wire voice unbundled TN Bus 2-way Area Calling Port Standard Option (TACC2)	UEPAD	NA	NA	NA	NA	NA	NA	NA	NA	See Ex C-1
2-wire voice unbundled TN Bus 2-way Collierville and Memphis Local Calling Port (B2F)	UEPAE	NA	NA	NA	NA	NA	NA	NA	NA	See Ex C-1
NRC - OSS										See Ex C-1
NRC - OSS LSR Charge, Electronic, per LSR received from the CLEC by one of the OSS interactive interfaces	SOMEK	\$3.50	\$3.50	\$3.50	\$3.50	\$3.50	\$3.50	\$3.50	\$3.50	See Ex C-1
NRC - Incremental Charge - Manual Service Order - 1st	SOMAN	\$27.37	NA	\$18.94	NA	\$18.14	\$25.52	\$26.94	\$44.42	See Ex C-1
NRC - Incremental Charge - Manual Service Order - Add'l	SOMAN	\$12.97	NA	\$8.42	NA	\$8.06	\$11.34	\$12.76	\$14.63	See Ex C-1
NRC - Incremental Charge - Manual Service Order - Disconnect - 1st	SOMAN	\$17.77	NA	NA	NA	\$10.39	\$16.06	NA	NA	See Ex C-1
NRC - Incremental Charge - Manual Service Order - Disconnect - Add'l	SOMAN	\$1.44	NA	NA	NA	NA	NA	NA	NA	See Ex C-1
All available features, per month	UEPVF	\$5.55	\$3.40	NA	NA	\$8.28	\$6.75	NA	\$6.29	See Ex C-1
NRC - 1st (all types)		\$24.72	NA	NA	NA	NA	\$21.42	NA	\$36.24	See Ex C-1
NRC - Add'l (all types)		\$24.72	NA	NA	NA	NA	\$21.42	NA	\$36.24	See Ex C-1
NRC - Disconnect Charge - 1st		\$18.41	NA	NA	NA	NA	\$19.68	NA	NA	See Ex C-1
NRC - Disconnect Charge - Add'l		\$18.41	NA	NA	NA	NA	\$19.68	NA	NA	See Ex C-1
NRC - Incremental Charge - Manual Service Order - 1st	SOMAN	\$27.37	NA	NA	NA	NA	\$25.52	NA	\$44.42	See Ex C-1
NRC - Incremental Charge - Manual Service Order - Add'l	SOMAN	\$12.97	NA	NA	NA	NA	\$11.34	NA	\$14.63	See Ex C-1
NRC - Incremental Charge - Manual Service Order - Disconnect - 1st	SOMAN	\$17.77	NA	NA	NA	NA	\$16.06	NA	NA	See Ex C-1
NRC - Incremental Charge - Manual Service Order - Disconnect - Add'l	SOMAN	\$1.44	NA	NA	NA	NA	NA	NA	NA	See Ex C-1
Three available feature, per month	UEPVF	NA	NA	NA	NA	\$8.28	\$3.31	NA	\$3.03	See Ex C-1
NRC - 1st (all types)		NA	NA	NA	NA	NA	\$3.06	NA	\$4.53	See Ex C-1
NRC - Add'l (all types)		NA	NA	NA	NA	NA	\$3.06	NA	\$4.53	See Ex C-1
NRC - Disconnect Charge - 1st		NA	NA	NA	NA	NA	\$8.20	NA	NA	See Ex C-1
NRC - Disconnect Charge - Add'l		NA	NA	NA	NA	NA	\$8.20	NA	NA	See Ex C-1
NRC - Incremental Charge - Manual Service Order - 1st	SOMAN	NA	NA	NA	NA	NA	\$25.52	NA	\$44.42	See Ex C-1
NRC - Incremental Charge - Manual Service Order - Add'l	SOMAN	NA	NA	NA	NA	NA	\$11.34	NA	\$14.63	See Ex C-1
NRC - Incremental Charge - Manual Service Order - Disconnect - 1st	SOMAN	NA	NA	NA	NA	NA	\$16.06	NA	NA	See Ex C-1
NRC - Incremental Charge - Manual Service Order - Disconnect - Add'l	SOMAN	NA	NA	NA	NA	NA	NA	NA	NA	See Ex C-1
4-Wire Analog VG Port, per month	UEP4A	NA	\$8.74	\$8.47	NA	\$10.13	\$9.60	\$8.69	\$2.28	See Ex C-1
NRC - 1st	UEP4A	NA	\$4.76	\$17.16	NA	\$16.43	\$22.98	\$21.69	\$3.50	See Ex C-1
NRC - Add'l	UEP4A	NA	\$4.54	\$17.16	NA	\$16.43	\$22.98	\$21.69	\$3.50	See Ex C-1
NRC - Disconnect Charge - 1st	BFR	NA	\$2.82	NA	NA	\$3.77	\$6.56	NA	NA	See Ex C-1
NRC - Disconnect Charge - Add'l	BFR	NA	\$2.64	NA	NA	\$3.77	\$6.56	NA	NA	See Ex C-1
NRC - Incremental Charge - Manual Service Order - 1st	SOMAN	NA	\$21.56	\$18.94	NA	\$18.14	\$25.52	\$26.85	NA	See Ex C-1
NRC - Incremental Charge - Manual Service Order - Add'l	SOMAN	NA	\$21.56	\$8.42	NA	\$8.06	\$11.34	\$12.67	NA	See Ex C-1
NRC - Incremental Charge - Manual Service Order - Disconnect - 1st	SOMAN	NA	\$3.84	NA	NA	\$8.94	\$16.06	NA	NA	See Ex C-1
NRC - Incremental Charge - Manual Service Order - Disconnect - Add'l	SOMAN	NA	\$3.84	NA	NA	\$8.94	\$16.06	NA	NA	See Ex C-1
2-Wire DID Port, per month	UEPP2	\$12.08	\$9.38	\$11.35	NA	\$13.12	\$14.63	\$12.36	\$12.08	See Ex C-1
NRC - 1st	UEPP2	\$50.00	\$248.44	\$61.91	NA	\$59.28	\$83.09	\$81.84	\$50.00	See Ex C-1
NRC - Add'l	UEPP2	\$18.00	\$37.49	\$61.91	NA	\$59.28	\$83.09	\$81.84	\$50.00	See Ex C-1
NRC - Disconnect Charge - 1st	UEPP2	NA	\$113.28	NA	NA	\$9.20	\$13.48	NA	NA	See Ex C-1
NRC - Disconnect Charge - Add'l	UEPP2	NA	\$7.12	NA	NA	\$9.20	\$13.48	NA	NA	See Ex C-1
NRC - Incremental Charge - Manual Service Order - 1st	SOMAN	NA	\$21.56	\$18.94	NA	\$18.14	\$25.52	\$26.94	NA	See Ex C-1
NRC - Incremental Charge - Manual Service Order - Add'l	SOMAN	NA	\$21.56	\$8.42	NA	\$8.06	\$11.34	\$12.76	NA	See Ex C-1
NRC - Incremental Charge - Manual Service Order - Disconnect - 1st	SOMAN	NA	\$3.84	NA	NA	\$10.39	\$16.07	NA	NA	See Ex C-1

BELLSOUTH/EPB TELECOMMUNICATIONS RATES NETWORK ELEMENTS
AND OTHER SERVICES
PORTS

Attachment 2
Exhibit C
Rates - Page 28

DESCRIPTION	USOC	AL	FL	GA	KY	LA	MS	NC	SC	TN
NRC - Incremental Charge - Manual Service Order - Disconnect - Add'l	SOMAN	NA	\$3.84	NA	NA	\$10.39	\$16.07	NA	NA	See Ex C-1
4-Wire DS1 Port w/DID capability, per month	UEPDD	\$130.23	\$63.31	\$120.80	NA	\$149.27	\$146.46	\$123.65	\$130.23	See Ex C-1
NRC - 1st	UEPDD	\$50.00	\$413.93	\$89.44	NA	\$85.63	\$117.81	\$116.59	\$60.00	See Ex C-1
NRC - Add'l	UEPDD	\$18.00	\$191.44	\$52.46	NA	\$50.23	\$71.18	\$69.92	\$60.00	See Ex C-1
NRC - Disconnect Charge - 1st	UEPDD	NA	\$137.29	NA	NA	\$8.82	\$12.94	NA	NA	See Ex C-1
NRC - Disconnect Charge - Add'l	UEPDD	NA	\$4.65	NA	NA	\$8.82	\$12.94	NA	NA	See Ex C-1
NRC - Incremental Charge - Manual Service Order - 1st	SOMAN	NA	\$21.56	\$18.94	NA	\$18.14	\$25.52	\$26.94	NA	See Ex C-1
NRC - Incremental Charge - Manual Service Order - Add'l	SOMAN	NA	\$21.56	\$8.42	NA	\$8.06	\$11.34	\$12.76	NA	See Ex C-1
NRC - Incremental Charge - Manual Service Order - Disconnect - 1st	SOMAN	NA	\$3.84	NA	NA	\$10.39	\$16.06	NA	NA	See Ex C-1
NRC - Incremental Charge - Manual Service Order - Disconnect - Add'l	SOMAN	NA	\$3.84	NA	NA	\$10.39	\$16.06	NA	NA	See Ex C-1
2-Wire ISDN Port(2) (3), per month	U1PMA	\$16.42	\$10.20	\$13.47	\$12.33	\$23.33	\$51.91	\$24.50	\$33.74	See Ex C-1
NRC - 1st	U1PMA	\$63.24	\$155.34	\$47.37	\$90.48	\$45.35	\$63.59	\$62.29	\$65.79	See Ex C-1
NRC - Add'l	U1PMA	\$63.24	\$106.00	\$47.37	\$84.53	\$45.35	\$63.59	\$62.29	\$65.79	See Ex C-1
NRC - Disconnect Charge - 1st	U1PMA	\$5.69	\$93.37	NA	NA	\$4.31	\$7.04	NA	NA	See Ex C-1
NRC - Disconnect Charge - Add'l	U1PMA	\$5.69	\$20.98	NA	NA	\$4.31	\$7.04	NA	NA	See Ex C-1
NRC - Incremental Charge - Manual Service Order - 1st	SOMAN	\$56.19	\$21.56	\$39.98	NA	\$38.29	\$53.87	\$55.30	\$67.52	See Ex C-1
NRC - Incremental Charge - Manual Service Order - Add'l	SOMAN	\$56.19	\$21.56	\$39.98	NA	\$38.29	\$53.87	\$55.30	\$67.52	See Ex C-1
NRC - Incremental Charge - Manual Service Order - Disconnect - 1st	SOMAN	\$12.97	\$3.84	NA	NA	\$6.65	\$11.34	NA	NA	See Ex C-1
NRC - Incremental Charge - Manual Service Order - Disconnect - Add'l	SOMAN	\$12.97	\$3.84	NA	NA	\$6.65	\$11.34	NA	NA	See Ex C-1
NRC - User Profile per B Channel (4)	U1UMA	NA	NA	NA	\$5.61	NA	NA	NA	NA	See Ex C-1
2-Wire ISDN Port(2) (3) including all available features, per month	U1PMA	NA	NA	NA	NA	NA	NA	NA	\$38.68	See Ex C-1
NRC - 1st	U1PMA	NA	NA	NA	NA	NA	NA	NA	\$106.40	See Ex C-1
NRC - Add'l	U1PMA	NA	NA	NA	NA	NA	NA	NA	\$106.40	See Ex C-1
NRC - Disconnect Charge - 1st	U1PMA	NA	NA	NA	NA	NA	NA	NA	NA	See Ex C-1
NRC - Disconnect Charge - Add'l	U1PMA	NA	NA	NA	NA	NA	NA	NA	NA	See Ex C-1
NRC - Incremental Charge - Manual Service Order - 1st	SOMAN	NA	NA	NA	NA	NA	NA	NA	\$67.52	See Ex C-1
NRC - Incremental Charge - Manual Service Order - Add'l	SOMAN	NA	NA	NA	NA	NA	NA	NA	\$67.52	See Ex C-1
NRC - Incremental Charge - Manual Service Order - Disconnect - 1st	SOMAN	NA	NA	NA	NA	NA	NA	NA	NA	See Ex C-1
NRC - Incremental Charge - Manual Service Order - Disconnect - Add'l	SOMAN	NA	NA	NA	NA	NA	NA	NA	NA	See Ex C-1
2-Wire ISDN Port(2) (3) including three available features, per month	U1PMA	NA	NA	NA	NA	NA	NA	NA	\$36.01	See Ex C-1
NRC - 1st	U1PMA	NA	NA	NA	NA	NA	NA	NA	\$70.32	See Ex C-1
NRC - Add'l	U1PMA	NA	NA	NA	NA	NA	NA	NA	\$70.32	See Ex C-1
NRC - Incremental Charge - Manual Service Order - 1st	SOMAN	NA	NA	NA	NA	NA	NA	NA	\$67.52	See Ex C-1
NRC - Incremental Charge - Manual Service Order - Add'l	SOMAN	NA	NA	NA	NA	NA	NA	NA	\$67.52	See Ex C-1
4-Wire ISDN DS1 Port, per month	UEPEX	\$186.02	\$95.39	\$163.16	NA	\$194.72	\$213.21	\$179.75	\$214.79	See Ex C-1
NRC - 1st	UEPEX	\$244.85	\$417.51	\$186.80	NA	\$181.89	\$244.12	\$241.63	\$278.37	See Ex C-1
NRC - Add'l	UEPEX	\$244.85	\$203.18	\$186.80	NA	\$181.89	\$244.12	\$241.63	\$278.37	See Ex C-1
NRC - Disconnect Charge - 1st	UEPEX	\$51.19	\$149.75	NA	NA	\$27.11	\$53.32	NA	NA	See Ex C-1
NRC - Disconnect Charge - Add'l	UEPEX	\$51.19	\$37.93	NA	NA	\$27.11	\$53.32	NA	NA	See Ex C-1
NRC - Incremental Charge - Manual Service Order - 1st	SOMAN	\$54.75	\$21.56	\$37.88	NA	\$33.18	\$51.03	\$53.89	\$65.48	See Ex C-1
NRC - Incremental Charge - Manual Service Order - Add'l	SOMAN	\$54.75	\$21.56	\$37.88	NA	\$33.18	\$51.03	\$53.89	\$65.48	See Ex C-1
NRC - Incremental Charge - Manual Service Order - Disconnect - 1st	SOMAN	\$11.53	\$3.84	NA	NA	\$7.73	\$8.51	NA	NA	See Ex C-1
NRC - Incremental Charge - Manual Service Order - Disconnect - Add'l	SOMAN	\$11.53	\$3.84	NA	NA	\$7.73	\$8.51	NA	NA	See Ex C-1
4-Wire ISDN DS1 Port including all available features, per month	UEPEX	NA	NA	NA	\$275.48	NA	NA	NA	\$251.00	See Ex C-1
NRC - 1st	UEPEX	NA	NA	NA	\$181.27	NA	NA	NA	\$311.73	See Ex C-1
NRC - Add'l	UEPEX	NA	NA	NA	\$116.42	NA	NA	NA	\$311.73	See Ex C-1
NRC - Incremental Charge - Manual Service Order - 1st	SOMAN	NA	NA	NA	NA	NA	NA	NA	\$65.48	See Ex C-1
NRC - Incremental Charge - Manual Service Order - Add'l	SOMAN	NA	NA	NA	NA	NA	NA	NA	\$65.48	See Ex C-1

BELLSOUTH/EPB TELECOMMUNICATIONS RATES NETWORK ELEMENTS
AND OTHER SERVICES
PORTS

Attachment 2
Exhibit C
Rates - Page 29

DESCRIPTION	USOC	AL	FL	GA	KY	LA	MS	NC	SC	TN
2-Wire Analog Line Port (PBX), per month										
2 WIRE VOICE UNBUNDLED COMBINATION 2-WAY PBX TRUNK - Residence	UEPRD	\$2.07	\$1.62	\$1.85	\$2.61	\$2.20	\$2.11	\$2.18	\$2.35	See Ex C-1
LINE SIDE UNBUNDLED COMBINATION 2-WAY PBX TRUNK - BUSINESS	UEPPC	\$2.07	\$1.62	\$1.85	\$2.61	\$2.20	\$2.11	\$2.00	\$2.35	See Ex C-1
LINE SIDE UNBUNDLED OUTWARD PBX TRUNK - BUSINESS	UEPPO	\$2.07	\$1.62	\$1.85	\$2.61	\$2.20	\$2.11	\$2.00	\$2.35	See Ex C-1
LINE SIDE UNBUNDLED INCOMING PBX TRUNK - BUSINESS	UEPP1	\$2.07	\$1.62	\$1.85	\$2.61	\$2.20	\$2.11	\$2.00	\$2.35	See Ex C-1
LONG DISTANCE TERMINAL PBX TRUNK-BUSINESS	UEPLD	\$2.07	\$1.62	\$1.85	\$2.61	\$2.20	\$2.11	\$2.00	\$2.35	See Ex C-1
TN 2-WAY CALLING PLAN PBX TRUNK - BUSINESS	UEPT2	\$2.07	\$1.62	\$1.85	\$2.61	\$2.20	\$2.11	\$2.00	\$2.35	See Ex C-1
TN OUTWARD CALLING PLAN PBX TRUNK - BUSINESS	UEPTO	\$2.07	\$1.62	\$1.85	\$2.61	\$2.20	\$2.11	\$2.00	\$2.35	See Ex C-1
2-WIRE VOICE UNBUNDLED 2-WAY COMBINATION PBX AL CALLING PORT	UEPA2	\$2.07	NA	NA	NA	NA	NA	NA	NA	See Ex C-1
2-WIRE VOICE UNBUNDLED 2-WAY COMBINATION PBX LA CALLING PORT	UEPL2	NA	NA	NA	NA	\$2.20	NA	NA	NA	See Ex C-1
2-WIRE VOICE UNBUNDLED PBX LD TERMINAL PORTS	UEPLD	\$2.07	\$1.62	\$1.85	\$2.61	\$2.20	\$2.11	\$2.00	\$2.35	See Ex C-1
2-WIRE VOICE UNBUNDLED 2-WAY COMBINATION PBX TN CALLING PORT	UEPT2	NA	NA	NA	NA	NA	NA	NA	NA	See Ex C-1
2-WIRE VOICE UNBUNDLED 1-WAY OUTGOING PBX TN CALLING PORT	UEPTO	NA	NA	NA	NA	NA	NA	NA	NA	See Ex C-1
2-WIRE VOICE UNBUNDLED 2-WAY COMBINATION PBX USAGE PORT	UEPXA	\$2.07	\$1.62	\$1.85	\$2.61	\$2.20	\$2.11	\$2.00	\$2.35	See Ex C-1
2-WIRE VOICE UNBUNDLED PBX TOLL TERMINAL HOTEL PORTS	UEPXB	\$2.07	\$1.62	\$1.85	\$2.61	\$2.20	\$2.11	\$2.00	\$2.35	See Ex C-1
2-WIRE VOICE UNBUNDLED PBX LD DDD TERMINALS PORT	UEPXC	\$2.07	\$1.62	\$1.85	\$2.61	\$2.20	\$2.11	\$2.00	\$2.35	See Ex C-1
2-WIRE VOICE UNBUNDLED PBX LD TERMINAL SWITCHBOARD PORT	UEPXD	\$2.07	\$1.62	\$1.85	\$2.61	\$2.20	\$2.11	\$2.00	\$2.35	See Ex C-1
2-WIRE VOICE UNBUNDLED PBX LD TERMINAL SWITCHBOARD IDD CAPABLE PORT	UEPXE	\$2.07	\$1.62	\$1.85	\$2.61	\$2.20	\$2.11	\$2.00	\$2.35	See Ex C-1
2-WIRE VOICE UNBUNDLED 2-WAY PBX KY ROOM AREA CALLING PORT WITHOUT LUD	UEPXF	NA	NA	NA	\$2.61	NA	NA	NA	NA	See Ex C-1
2-WIRE VOICE UNBUNDLED PBX KY LUD AREA CALLING PORT	UEPXG	NA	NA	NA	\$2.61	NA	NA	NA	NA	See Ex C-1
2-WIRE VOICE UNBUNDLED PBX KY PREMIUM CALLING PORT	UEPXH	NA	NA	NA	\$2.61	NA	NA	NA	NA	See Ex C-1
2-WIRE VOICE UNBUNDLED 2-WAY KY AREA CALLING PORT WITHOUT LUD	UEPXJ	NA	NA	NA	\$2.61	NA	NA	NA	NA	See Ex C-1
2-WIRE VOICE UNBUNDLED 2-WAY PBX LA LOCAL OPTIONAL CALLING PORT	UEPXK	NA	NA	NA	NA	\$2.20	NA	NA	NA	See Ex C-1
2-WIRE VOICE UNBUNDLED 2-WAY PBX HOTEL/HOSPITAL ECONOMY ADMINISTRATIVE CALLING PORT	UEPXL	\$2.07	\$1.62	\$1.85	\$2.61	\$2.20	\$2.11	\$2.00	\$2.35	See Ex C-1
2-WIRE VOICE UNBUNDLED 2-WAY PBX HOTEL/HOSPITAL ECONOMY ROOM CALLING PORT	UEPXM	\$2.07	\$1.62	\$1.85	\$2.61	\$2.20	\$2.11	\$2.00	\$2.35	See Ex C-1
2-WIRE VOICE UNBUNDLED 1-WAY OUTGOING PBX HOTEL/HOSPITAL ECONOMY ADMINISTRATIVE CALLING PORTTN CALLING PORT	UEPXN	NA	NA	NA	NA	NA	NA	NA	NA	See Ex C-1
2-WIRE VOICE UNBUNDLED 1-WAY OUTGOING PBX HOTEL/HOSPITAL DISCOUNT ROOM CALLING PORT	UEPXO	\$2.07	\$1.62	\$1.85	\$2.61	\$2.20	\$2.11	\$2.00	\$2.35	See Ex C-1
2-WIRE VOICE UNBUNDLED 1-WAY OUTGOING PBX LA LOCAL DISCOUNT CALLING PORT	UEPXP	NA	NA	NA	NA	\$2.20	NA	NA	NA	See Ex C-1
2-WIRE VOICE UNBUNDLED 2-WAY PBX MS LOCAL ECONOMY CALLING PORT	UEPXQ	NA	NA	NA	NA	NA	\$2.11	NA	NA	See Ex C-1
2-WIRE VOICE UNBUNDLED 2-WAY PBX MS LOCAL OPTIONAL CALLING PORT	UEPXR	NA	NA	NA	NA	NA	\$2.11	NA	NA	See Ex C-1
2-WIRE VOICE UNBUNDLED 1-WAY OUTGOING PBXMEASURED PORT	UEPXS	\$2.07	\$1.62	\$1.85	\$2.61	\$2.20	\$2.11	\$2.00	\$2.35	See Ex C-1
2-WIRE VOICE UNBUNDLED 2-WAY PBX SC AREA PLUS CALLING PORT	UEPXT	NA	NA	NA	NA	NA	NA	NA	\$2.35	See Ex C-1
2-WIRE VOICE UNBUNDLED PBX COLLIERVERVILLE & MEMPHIS CALLING PORT	UEPXU	NA	NA	NA	NA	NA	NA	NA	NA	See Ex C-1
2-WIRE VOICE UNBUNDLED 2-WAY PBX TN REGIONSERV CALLING PORT	UEPXV	NA	NA	NA	NA	NA	NA	NA	NA	See Ex C-1
UNBUNDLED LOOP BILLING USOC (REQUIRES ONE PER PORT)	UEPLX									See Ex C-1

BELLSOUTH/EPB TELECOMMUNICATIONS RATES NETWORK ELEMENTS
AND OTHER SERVICES
PORTS

Attachment 2
Exhibit C
Rates - Page 30

DESCRIPTION	USOC	AL	FL	GA	KY	LA	MS	NC	SC	TN
LOCAL NUMBER PORTABILITY (REQUIRES ONE PER PORT)	LNPCP									See Ex C-1
NRC - 1st	UEPPC	\$21.93	\$62.56	\$17.16	\$36.47	\$16.43	\$22.98	\$24.04	\$24.36	See Ex C-1
2 WIRE VOICE UNBUNDLED COMBINATION 2-WAY PBX TRUNK - Residence	UEPRD	\$21.93	\$62.56	\$17.16	\$36.47	\$16.43	\$22.98	\$21.60	\$24.36	See Ex C-1
LINE SIDE UNBUNDLED COMBINATION 2-WAY PBX TRUNK - BUSINESS	UEPPC	\$21.93	\$62.56	\$17.16	\$36.47	\$16.43	\$22.98	\$24.04	\$24.36	See Ex C-1
LINE SIDE UNBUNDLED OUTWARD PBX TRUNK - BUSINESS	UEPPO	\$21.93	\$62.56	\$17.16	\$36.47	\$16.43	\$22.98	\$24.04	\$24.36	See Ex C-1
LINE SIDE UNBUNDLED INCOMING PBX TRUNK - BUSINESS	UEPP1	\$21.93	\$62.56	\$17.16	\$36.47	\$16.43	\$22.98	\$24.04	\$24.36	See Ex C-1
LONG DISTANCE TERMINAL PBX TRUNK-BUSINESS	UEPLD	\$21.93	\$62.56	\$17.16	\$36.47	\$16.43	\$22.98	\$24.04	\$24.36	See Ex C-1
TN 2-WAY CALLING PLAN PBX TRUNK - BUSINESS	UEPT2	\$21.93	\$62.56	\$17.16	\$36.47	\$16.43	\$22.98	\$24.04	\$24.36	See Ex C-1
TN OUTWARD CALLING PLAN PBX TRUNK - BUSINESS	UEPTO	\$21.93	\$62.56	\$17.16	\$36.47	\$16.43	\$22.98	\$24.04	\$24.36	See Ex C-1
2-WIRE VOICE UNBUNDLED 2-WAY COMBINATION PBX AL CALLING PORT	UEPA2	\$21.93	NA	NA	NA	NA	NA	NA	NA	See Ex C-1
2-WIRE VOICE UNBUNDLED 2-WAY COMBINATION PBX LA CALLING PORT	UEPL2	NA	NA	NA	NA	\$16.43	NA	NA	NA	See Ex C-1
2-WIRE VOICE UNBUNDLED PBX LD TERMINAL PORTS	UEPLD	\$21.93	\$62.56	\$17.16	\$36.47	\$16.43	\$22.98	\$24.04	\$24.36	See Ex C-1
2-WIRE VOICE UNBUNDLED 2-WAY COMBINATION PBX TN CALLING PORT	UEPT2	NA	NA	NA	NA	NA	NA	NA	NA	See Ex C-1
2-WIRE VOICE UNBUNDLED 1-WAY OUTGOING PBX TN CALLING PORT	UEPTO	NA	NA	NA	NA	NA	NA	NA	NA	See Ex C-1
2-WIRE VOICE UNBUNDLED 2-WAY COMBINATION PBX USAGE PORT	UEPXA	\$21.93	\$62.56	\$17.16	\$36.47	\$16.43	\$22.98	\$24.04	\$24.36	See Ex C-1
2-WIRE VOICE UNBUNDLED PBX TOLL TERMINAL HOTEL PORTS	UEPXB	\$21.93	\$62.56	\$17.16	\$36.47	\$16.43	\$22.98	\$24.04	\$24.36	See Ex C-1
2-WIRE VOICE UNBUNDLED PBX LD DDD TERMINALS PORT	UEPXC	\$21.93	\$62.56	\$17.16	\$36.47	\$16.43	\$22.98	\$24.04	\$24.36	See Ex C-1
2-WIRE VOICE UNBUNDLED PBX LD TERMINAL SWITCHBOARD PORT	UEPXD	\$21.93	\$62.56	\$17.16	\$36.47	\$16.43	\$22.98	\$24.04	\$24.36	See Ex C-1
2-WIRE VOICE UNBUNDLED PBX LD TERMINAL SWITCHBOARD IDD CAPABLE PORT	UEPXE	\$21.93	\$62.56	\$17.16	\$36.47	\$16.43	\$22.98	\$24.04	\$24.36	See Ex C-1
2-WIRE VOICE UNBUNDLED 2-WAY PBX KY ROOM AREA CALLING PORT WITHOUT LUD	UEPXF	NA	NA	NA	\$36.47	NA	NA	NA	NA	See Ex C-1
2-WIRE VOICE UNBUNDLED PBX KY LUD AREA CALLING PORT	UEPXG	NA	NA	NA	\$36.47	NA	NA	NA	NA	See Ex C-1
2-WIRE VOICE UNBUNDLED PBX KY PREMIUM CALLING PORT	UEPXH	NA	NA	NA	\$36.47	NA	NA	NA	NA	See Ex C-1
2-WIRE VOICE UNBUNDLED 2-WAY KY AREA CALLING PORT WITHOUT LUD	UEPXJ	NA	NA	NA	\$36.47	NA	NA	NA	NA	See Ex C-1
2-WIRE VOICE UNBUNDLED 2-WAY PBX LA LOCAL OPTIONAL CALLING PORT	UEPXK	NA	NA	NA	NA	\$16.43	NA	NA	NA	See Ex C-1
2-WIRE VOICE UNBUNDLED 2-WAY PBX HOTEL/HOSPITAL ECONOMY ADMINISTRATIVE CALLING PORT	UEPXL	\$21.93	\$62.56	\$17.16	\$36.47	\$16.43	\$22.98	\$24.04	\$24.36	See Ex C-1
2-WIRE VOICE UNBUNDLED 2-WAY PBX HOTEL/HOSPITAL ECONOMY ROOM CALLING PORT	UEPXM	\$21.93	\$62.56	\$17.16	\$36.47	\$16.43	\$22.98	\$24.04	\$24.36	See Ex C-1
2-WIRE VOICE UNBUNDLED 1-WAY OUTGOING PBX HOTEL/HOSPITAL ECONOMY ADMINISTRATIVE CALLING PORTTN CALLING PORT	UEPXN	NA	NA	NA	NA	NA	NA	NA	NA	See Ex C-1
2-WIRE VOICE UNBUNDLED 1-WAY OUTGOING PBX HOTEL/HOSPITAL DISCOUNT ROOM CALLING PORT	UEPXO	\$21.93	\$62.56	\$17.16	\$36.47	\$16.43	\$22.98	\$24.04	\$24.36	See Ex C-1
2-WIRE VOICE UNBUNDLED 1-WAY OUTGOING PBX LA LOCAL DISCOUNT CALLING PORT	UEPXP	NA	NA	NA	NA	\$16.43	NA	NA	NA	See Ex C-1
2-WIRE VOICE UNBUNDLED 2-WAY PBX MS LOCAL ECONOMY CALLING PORT	UEPXQ	NA	NA	NA	NA	NA	\$22.98	NA	NA	See Ex C-1
2-WIRE VOICE UNBUNDLED 2-WAY PBX MS LOCAL OPTIONAL CALLING PORT	UEPXR	NA	NA	NA	NA	NA	\$22.98	NA	NA	See Ex C-1
2-WIRE VOICE UNBUNDLED 1-WAY OUTGOING PBXMEASURED PORT	UEPXS	\$21.93	\$62.56	\$17.16	\$36.47	\$16.43	\$22.98	\$24.04	\$24.36	See Ex C-1
2-WIRE VOICE UNBUNDLED 2-WAY PBX SC AREA PLUS CALLING PORT	UEPXT	NA	NA	NA	NA	NA	NA	NA	\$24.36	See Ex C-1
2-WIRE VOICE UNBUNDLED PBX COLLIERVILLE & MEMPHIS CALLING PORT	UEPXU	NA	NA	NA	NA	NA	NA	NA	NA	See Ex C-1

BELLSOUTH/EPB TELECOMMUNICATIONS RATES NETWORK ELEMENTS
AND OTHER SERVICES
PORTS

Attachment 2
Exhibit C
Rates - Page 31

DESCRIPTION	USOC	AL	FL	GA	KY	LA	MS	NC	SC	TN
2-WIRE VOICE UNBUNDLED 2-WAY PBX TN REGIONSERV CALLING PORT	UEPXV	NA	NA	NA	NA	NA	NA	NA	NA	See Ex C-1
Subsequent Activity	USASC	\$10.00	\$10.00	\$10.00	\$10.00	\$10.00	\$10.00	\$10.00	\$10.00	See Ex C-1
NRC - Add'l										
2 WIRE VOICE UNBUNDLED COMBINATION 2-WAY PBX TRUNK - Residence	UEPRD	\$21.93	\$29.70	\$17.16	\$36.47	\$16.43	\$22.98	\$21.60	\$24.36	See Ex C-1
LINE SIDE UNBUNDLED COMBINATION 2-WAY PBX TRUNK - BUSINESS	UEPPC	\$21.93	\$29.70	\$17.16	\$36.47	\$16.43	\$22.98	\$9.05	\$24.36	See Ex C-1
LINE SIDE UNBUNDLED OUTWARD PBX TRUNK - BUSINESS	UEPPO	\$21.93	\$29.70	\$17.16	\$36.47	\$16.43	\$22.98	\$9.05	\$24.36	See Ex C-1
LINE SIDE UNBUNDLED INCOMING PBX TRUNK - BUSINESS	UEPP1	\$21.93	\$29.70	\$17.16	\$36.47	\$16.43	\$22.98	\$9.05	\$24.36	See Ex C-1
LONG DISTANCE TERMINAL PBX TRUNK-BUSINESS	UEPLD	\$21.93	\$29.70	\$17.16	\$36.47	\$16.43	\$22.98	\$9.05	\$24.36	See Ex C-1
TN 2-WAY CALLING PLAN PBX TRUNK - BUSINESS	UEPT2	\$21.93	\$29.70	\$17.16	\$36.47	\$16.43	\$22.98	\$9.05	\$24.36	See Ex C-1
TN OUTWARD CALLING PLAN PBX TRUNK - BUSINESS	UEPTO	\$21.93	\$29.70	\$17.16	\$36.47	\$16.43	\$22.98	\$9.05	\$24.36	See Ex C-1
2-WIRE VOICE UNBUNDLED 2-WAY COMBINATION PBX AL CALLING PORT	UEPA2	\$21.93	NA	NA	NA	NA	NA	NA	NA	See Ex C-1
2-WIRE VOICE UNBUNDLED 2-WAY COMBINATION PBX LA CALLING PORT	UEPL2	NA	NA	NA	NA	\$16.43	NA	NA	NA	See Ex C-1
2-WIRE VOICE UNBUNDLED PBX LD TERMINAL PORTS	UEPLD	\$21.93	\$29.70	\$17.16	\$36.47	\$16.43	\$22.98	\$9.05	\$24.36	See Ex C-1
2-WIRE VOICE UNBUNDLED 2-WAY COMBINATION PBX TN CALLING PORT	UEPT2	NA	NA	NA	NA	NA	NA	NA	NA	See Ex C-1
2-WIRE VOICE UNBUNDLED 1-WAY OUTGOING PBX TN CALLING PORT	UEPTO	NA	NA	NA	NA	NA	NA	NA	NA	See Ex C-1
2-WIRE VOICE UNBUNDLED 2-WAY COMBINATION PBX USAGE PORT	UEPXA	\$21.93	\$29.70	\$17.16	\$36.47	\$16.43	\$22.98	\$9.05	\$24.36	See Ex C-1
2-WIRE VOICE UNBUNDLED PBX TOLL TERMINAL HOTEL PORTS	UEPXB	\$21.93	\$29.70	\$17.16	\$36.47	\$16.43	\$22.98	\$9.05	\$24.36	See Ex C-1
2-WIRE VOICE UNBUNDLED PBX LD DDD TERMINALS PORT	UEPXC	\$21.93	\$29.70	\$17.16	\$36.47	\$16.43	\$22.98	\$9.05	\$24.36	See Ex C-1
2-WIRE VOICE UNBUNDLED PBX LD TERMINAL SWITCHBOARD PORT	UEPXD	\$21.93	\$29.70	\$17.16	\$36.47	\$16.43	\$22.98	\$9.05	\$24.36	See Ex C-1
2-WIRE VOICE UNBUNDLED PBX LD TERMINAL SWITCHBOARD IDD CAPABLE PORT	UEPXE	\$21.93	\$29.70	\$17.16	\$36.47	\$16.43	\$22.98	\$9.05	\$24.36	See Ex C-1
2-WIRE VOICE UNBUNDLED 2-WAY PBX KY ROOM AREA CALLING PORT WITHOUT LUD	UEPXF	NA	NA	NA	\$36.47	NA	NA	NA	NA	See Ex C-1
2-WIRE VOICE UNBUNDLED PBX KY LUD AREA CALLING PORT	UEPXG	NA	NA	NA	\$37.47	NA	NA	NA	NA	See Ex C-1
2-WIRE VOICE UNBUNDLED PBX KY PREMIUM CALLING PORT	UEPXH	NA	NA	NA	\$38.47	NA	NA	NA	NA	See Ex C-1
2-WIRE VOICE UNBUNDLED 2-WAY KY AREA CALLING PORT WITHOUT LUD	UEPXJ	NA	NA	NA	\$39.47	NA	NA	NA	NA	See Ex C-1
2-WIRE VOICE UNBUNDLED 2-WAY PBX LA LOCAL OPTIONAL CALLING PORT	UEPKK	NA	NA	NA	NA	\$16.43	NA	NA	NA	See Ex C-1
2-WIRE VOICE UNBUNDLED 2-WAY PBX HOTEL/HOSPITAL ECONOMY ADMINISTRATIVE CALLING PORT	UEPXL	\$21.93	\$29.70	\$17.16	\$36.47	\$16.43	\$22.98	\$9.05	\$24.36	See Ex C-1
2-WIRE VOICE UNBUNDLED 2-WAY PBX HOTEL/HOSPITAL ECONOMY ROOM CALLING PORT	UEPXM	\$21.93	\$29.70	\$17.16	\$36.47	\$16.43	\$22.98	\$9.05	\$24.36	See Ex C-1
2-WIRE VOICE UNBUNDLED 1-WAY OUTGOING PBX HOTEL/HOSPITAL ECONOMY ADMINISTRATIVE CALLING PORTTN CALLING PORT	UEPXN	NA	NA	NA	NA	NA	NA	NA	NA	See Ex C-1
2-WIRE VOICE UNBUNDLED 1-WAY OUTGOING PBX HOTEL/HOSPITAL DISCOUNT ROOM CALLING PORT	UEPXO	\$21.93	\$29.70	\$17.16	\$36.47	\$16.43	\$22.98	\$9.05	\$24.36	See Ex C-1
2-WIRE VOICE UNBUNDLED 1-WAY OUTGOING PBX LA LOCAL DISCOUNT CALLING PORT	UEPXP	NA	NA	NA	NA	\$16.43	NA	NA	NA	See Ex C-1
2-WIRE VOICE UNBUNDLED 2-WAY PBX MS LOCAL ECONOMY CALLING PORT	UEPXQ	NA	NA	NA	NA	NA	\$22.98	NA	NA	See Ex C-1
2-WIRE VOICE UNBUNDLED 2-WAY PBX MS LOCAL OPTIONAL CALLING PORT	UEPXR	NA	NA	NA	NA	NA	\$22.98	NA	NA	See Ex C-1
2-WIRE VOICE UNBUNDLED 1-WAY OUTGOING PBXMEASURED PORT	UEPXS	\$21.93	\$29.70	\$17.16	\$36.47	\$16.43	\$22.98	\$9.05	\$24.36	See Ex C-1
2-WIRE VOICE UNBUNDLED 2-WAY PBX SC AREA PLUS CALLING PORT	UEPXT	NA	NA	NA	NA	NA	NA	NA	\$24.36	See Ex C-1

BELLSOUTH/EPB TELECOMMUNICATIONS RATES NETWORK ELEMENTS
AND OTHER SERVICES
PORTS

Attachment 2
Exhibit C
Rates - Page 32

DESCRIPTION	USOC	AL	FL	GA	KY	LA	MS	NC	SC	TN
2-WIRE VOICE UNBUNDLED PBX COLLIERVERVILLE & MEMPHIS CALLING PORT	UEPXU	NA	NA	NA	NA	NA	NA	NA	NA	See Ex C-1
2-WIRE VOICE UNBUNDLED 2-WAY PBX TN REGIONSERV CALLING PORT	UEPXV	NA	NA	NA	NA	NA	NA	NA	NA	See Ex C-1
NRC - Disconnect Charge - 1st										See Ex C-1
2 WIRE VOICE UNBUNDLED COMBINATION 2-WAY PBX TRUNK - Residence	UEPRD	\$6.21	\$26.37	NA	NA	\$3.77	\$6.56	NA	NA	See Ex C-1
LINE SIDE UNBUNDLED COMBINATION 2-WAY PBX TRUNK - BUSINESS	UEPPC	\$6.21	\$26.37	NA	NA	\$3.77	\$6.56	NA	NA	See Ex C-1
LINE SIDE UNBUNDLED OUTWARD PBX TRUNK - BUSINESS	UEPPO	\$6.21	\$26.37	NA	NA	\$3.77	\$6.56	NA	NA	See Ex C-1
LINE SIDE UNBUNDLED INCOMING PBX TRUNK - BUSINESS	UEPP1	\$6.21	\$26.37	NA	NA	\$3.77	\$6.56	NA	NA	See Ex C-1
LONG DISTANCE TERMINAL PBX TRUNK-BUSINESS	UEPLD	\$6.21	\$26.37	NA	NA	\$3.77	\$6.56	NA	NA	See Ex C-1
TN 2-WAY CALLING PLAN PBX TRUNK - BUSINESS	UEPT2	\$6.21	\$26.37	NA	NA	\$3.77	\$6.56	NA	NA	See Ex C-1
TN OUTWARD CALLING PLAN PBX TRUNK - BUSINESS	UEPTO	\$6.21	\$26.37	NA	NA	\$3.77	\$6.56	NA	NA	See Ex C-1
2-WIRE VOICE UNBUNDLED 2-WAY COMBINATION PBX AL CALLING PORT	UEPA2	\$6.21	NA	NA	NA	NA	NA	NA	NA	See Ex C-1
2-WIRE VOICE UNBUNDLED 2-WAY COMBINATION PBX LA CALLING PORT	UEPL2	NA	NA	NA	NA	\$3.77	NA	NA	NA	See Ex C-1
2-WIRE VOICE UNBUNDLED PBX LD TERMINAL PORTS	UEPLD	\$6.21	\$26.37	NA	NA	\$3.77	\$6.56	NA	NA	See Ex C-1
2-WIRE VOICE UNBUNDLED 2-WAY COMBINATION PBX TN CALLING PORT	UEPT2	NA	NA	NA	NA	NA	NA	NA	NA	See Ex C-1
2-WIRE VOICE UNBUNDLED 1-WAY OUTGOING PBX TN CALLING PORT	UEPTO	NA	NA	NA	NA	NA	NA	NA	NA	See Ex C-1
2-WIRE VOICE UNBUNDLED 2-WAY COMBINATION PBX USAGE PORT	UEPXA	\$6.21	\$26.37	NA	NA	\$3.77	\$6.56	NA	NA	See Ex C-1
2-WIRE VOICE UNBUNDLED PBX TOLL TERMINAL HOTEL PORTS	UEPXB	\$6.21	\$26.37	NA	NA	\$3.77	\$6.56	NA	NA	See Ex C-1
2-WIRE VOICE UNBUNDLED PBX LD DDD TERMINALS PORT	UEPXC	\$6.21	\$26.37	NA	NA	\$3.77	\$6.56	NA	NA	See Ex C-1
2-WIRE VOICE UNBUNDLED PBX LD TERMINAL SWITCHBOARD PORT	UEPXD	\$6.21	\$26.37	NA	NA	\$3.77	\$6.56	NA	NA	See Ex C-1
2-WIRE VOICE UNBUNDLED PBX LD TERMINAL SWITCHBOARD IDD CAPABLE PORT	UEPXE	\$6.21	\$26.37	NA	NA	\$3.77	\$6.56	NA	NA	See Ex C-1
2-WIRE VOICE UNBUNDLED 2-WAY PBX KY ROOM AREA CALLING PORT WITHOUT LUD	UEPXF	NA	NA	NA	NA	NA	NA	NA	NA	See Ex C-1
2-WIRE VOICE UNBUNDLED PBX KY LUD AREA CALLING PORT	UEPXG	NA	NA	NA	NA	NA	NA	NA	NA	See Ex C-1
2-WIRE VOICE UNBUNDLED PBX KY PREMIUM CALLING PORT	UEPXH	NA	NA	NA	NA	NA	NA	NA	NA	See Ex C-1
2-WIRE VOICE UNBUNDLED 2-WAY KY AREA CALLING PORT WITHOUT LUD	UEPXJ	NA	NA	NA	NA	NA	NA	NA	NA	See Ex C-1
2-WIRE VOICE UNBUNDLED 2-WAY PBX LA LOCAL OPTIONAL CALLING PORT	UEPKK	NA	NA	NA	NA	\$3.77	NA	NA	NA	See Ex C-1
2-WIRE VOICE UNBUNDLED 2-WAY PBX HOTEL/HOSPITAL ECONOMY ADMINISTRATIVE CALLING PORT	UEPXL	\$6.21	\$26.37	NA	NA	\$3.77	\$6.56	NA	NA	See Ex C-1
2-WIRE VOICE UNBUNDLED 2-WAY PBX HOTEL/HOSPITAL ECONOMY ROOM CALLING PORT	UEPXM	\$6.21	\$26.37	NA	NA	\$3.77	\$6.56	NA	NA	See Ex C-1
2-WIRE VOICE UNBUNDLED 1-WAY OUTGOING PBX HOTEL/HOSPITAL ECONOMY ADMINISTRATIVE CALLING PORTTN CALLING PORT	UEPXN	NA	\$26.37	NA	NA	NA	NA	NA	NA	See Ex C-1
2-WIRE VOICE UNBUNDLED 1-WAY OUTGOING PBX HOTEL/HOSPITAL DISCOUNT ROOM CALLING PORT	UEPXO	\$6.21	\$26.37	NA	NA	\$3.77	\$6.56	NA	NA	See Ex C-1
2-WIRE VOICE UNBUNDLED 1-WAY OUTGOING PBX LA LOCAL DISCOUNT CALLING PORT	UEPXP	\$6.21	NA	NA	NA	\$3.77	\$6.56	NA	NA	See Ex C-1
2-WIRE VOICE UNBUNDLED 2-WAY PBX MS LOCAL ECONOMY CALLING PORT	UEPXQ	NA	NA	NA	NA	NA	\$6.56	NA	NA	See Ex C-1
2-WIRE VOICE UNBUNDLED 2-WAY PBX MS LOCAL OPTIONAL CALLING PORT	UEPXR	NA	NA	NA	NA	NA	\$6.56	NA	NA	See Ex C-1
2-WIRE VOICE UNBUNDLED 1-WAY OUTGOING PBXMEASURED PORT	UEPXS	\$6.21	\$26.37	NA	NA	\$3.77	\$6.56	NA	NA	See Ex C-1
2-WIRE VOICE UNBUNDLED 2-WAY PBX SC AREA PLUS CALLING PORT	UEPXT	NA	NA	NA	NA	NA	NA	NA	NA	See Ex C-1

BELLSOUTH/EPB TELECOMMUNICATIONS RATES NETWORK ELEMENTS
AND OTHER SERVICES
PORTS

Attachment 2
Exhibit C
Rates - Page 33

DESCRIPTION	USOC	AL	FL	GA	KY	LA	MS	NC	SC	TN
2-WIRE VOICE UNBUNDLED PBX COLLIERVERVILLE & MEMPHIS CALLING PORT	UEPXU	NA	NA	NA	NA	NA	NA	NA	NA	See Ex C-1
2-WIRE VOICE UNBUNDLED 2-WAY PBX TN REGIONSERV CALLING PORT	UEPXV	NA	NA	NA	NA	NA	NA	NA	NA	See Ex C-1
NRC - Disconnect Charge - Add'l										See Ex C-1
2 WIRE VOICE UNBUNDLED COMBINATION 2-WAY PBX TRUNK - Residence	UEPRD	\$6.21	\$1.69	NA	NA	\$3.77	\$6.56	NA	NA	See Ex C-1
LINE SIDE UNBUNDLED COMBINATION 2-WAY PBX TRUNK - BUSINESS	UEPPC	\$6.21	\$1.69	NA	NA	\$3.77	\$6.56	NA	NA	See Ex C-1
LINE SIDE UNBUNDLED OUTWARD PBX TRUNK - BUSINESS	UEPPO	\$6.21	\$1.69	NA	NA	\$3.77	\$6.56	NA	NA	See Ex C-1
LINE SIDE UNBUNDLED INCOMING PBX TRUNK - BUSINESS	UEPP1	\$6.21	\$1.69	NA	NA	\$3.77	\$6.56	NA	NA	See Ex C-1
LONG DISTANCE TERMINAL PBX TRUNK-BUSINESS	UEPLD	\$6.21	\$1.69	NA	NA	\$3.77	\$6.56	NA	NA	See Ex C-1
TN 2-WAY CALLING PLAN PBX TRUNK - BUSINESS	UEPT2	\$6.21	\$1.69	NA	NA	\$3.77	\$6.56	NA	NA	See Ex C-1
TN OUTWARD CALLING PLAN PBX TRUNK - BUSINESS	UEPTO	\$6.21	\$1.69	NA	NA	\$3.77	\$6.56	NA	NA	See Ex C-1
2-WIRE VOICE UNBUNDLED 2-WAY COMBINATION PBX AL CALLING PORT	UEPA2	\$6.21	NA	NA	NA	NA	NA	NA	NA	See Ex C-1
2-WIRE VOICE UNBUNDLED 2-WAY COMBINATION PBX LA CALLING PORT	UEPL2	NA	NA	NA	NA	\$3.77	NA	NA	NA	See Ex C-1
2-WIRE VOICE UNBUNDLED PBX LD TERMINAL PORTS	UEPLD	\$6.21	\$1.69	NA	NA	\$3.77	\$6.56	NA	NA	See Ex C-1
2-WIRE VOICE UNBUNDLED 2-WAY COMBINATION PBX TN CALLING PORT	UEPT2	NA	NA	NA	NA	NA	NA	NA	NA	See Ex C-1
2-WIRE VOICE UNBUNDLED 1-WAY OUTGOING PBX TN CALLING PORT	UEPTO	NA	NA	NA	NA	NA	NA	NA	NA	See Ex C-1
2-WIRE VOICE UNBUNDLED 2-WAY COMBINATION PBX USAGE PORT	UEPXA	\$6.21	\$1.69	NA	NA	\$3.77	\$6.56	NA	NA	See Ex C-1
2-WIRE VOICE UNBUNDLED PBX TOLL TERMINAL HOTEL PORTS	UEPXB	\$6.21	\$1.69	NA	NA	\$3.77	\$6.56	NA	NA	See Ex C-1
2-WIRE VOICE UNBUNDLED PBX LD DDD TERMINALS PORT	UEPXC	\$6.21	\$1.69	NA	NA	\$3.77	\$6.56	NA	NA	See Ex C-1
2-WIRE VOICE UNBUNDLED PBX LD TERMINAL SWITCHBOARD PORT	UEPXD	\$6.21	\$1.69	NA	NA	\$3.77	\$6.56	NA	NA	See Ex C-1
2-WIRE VOICE UNBUNDLED PBX LD TERMINAL SWITCHBOARD IDD CAPABLE PORT	UEPXE	\$6.21	\$1.69	NA	NA	\$3.77	\$6.56	NA	NA	See Ex C-1
2-WIRE VOICE UNBUNDLED 2-WAY PBX KY ROOM AREA CALLING PORT WITHOUT LUD	UEPXF	NA	NA	NA	NA	NA	NA	NA	NA	See Ex C-1
2-WIRE VOICE UNBUNDLED PBX KY LUD AREA CALLING PORT	UEPXG	NA	NA	NA	NA	NA	NA	NA	NA	See Ex C-1
2-WIRE VOICE UNBUNDLED PBX KY PREMIUM CALLING PORT	UEPXH	NA	NA	NA	NA	NA	NA	NA	NA	See Ex C-1
2-WIRE VOICE UNBUNDLED 2-WAY KY AREA CALLING PORT WITHOUT LUD	UEPXJ	NA	NA	NA	NA	NA	NA	NA	NA	See Ex C-1
2-WIRE VOICE UNBUNDLED 2-WAY PBX LA LOCAL OPTIONAL CALLING PORT	UEPKK	NA	NA	NA	NA	\$3.77	NA	NA	NA	See Ex C-1
2-WIRE VOICE UNBUNDLED 2-WAY PBX HOTEL/HOSPITAL ECONOMY ADMINISTRATIVE CALLING PORT	UEPXL	\$6.21	\$1.69	NA	NA	\$3.77	\$6.56	NA	NA	See Ex C-1
2-WIRE VOICE UNBUNDLED 2-WAY PBX HOTEL/HOSPITAL ECONOMY ROOM CALLING PORT	UEPXM	\$6.21	\$1.69	NA	NA	\$3.77	\$6.56	NA	NA	See Ex C-1
2-WIRE VOICE UNBUNDLED 1-WAY OUTGOING PBX HOTEL/HOSPITAL ECONOMY ADMINISTRATIVE CALLING PORTTN CALLING PORT	UEPXN	NA	NA	NA	NA	NA	NA	NA	NA	See Ex C-1
2-WIRE VOICE UNBUNDLED 1-WAY OUTGOING PBX HOTEL/HOSPITAL DISCOUNT ROOM CALLING PORT	UEPXO	\$6.21	\$1.69	NA	NA	\$3.77	\$6.56	NA	NA	See Ex C-1
2-WIRE VOICE UNBUNDLED 1-WAY OUTGOING PBX LA LOCAL DISCOUNT CALLING PORT	UEPXP	\$6.21	NA	NA	NA	\$3.77	\$6.56	NA	NA	See Ex C-1
2-WIRE VOICE UNBUNDLED 2-WAY PBX MS LOCAL ECONOMY CALLING PORT	UEPXQ	NA	NA	NA	NA	NA	\$6.56	NA	NA	See Ex C-1
2-WIRE VOICE UNBUNDLED 2-WAY PBX MS LOCAL OPTIONAL CALLING PORT	UEPXR	NA	NA	NA	NA	NA	\$6.56	NA	NA	See Ex C-1
2-WIRE VOICE UNBUNDLED 1-WAY OUTGOING PBXMEASURED PORT	UEPXS	\$6.21	\$1.69	NA	NA	\$3.77	\$6.56	NA	NA	See Ex C-1
2-WIRE VOICE UNBUNDLED 2-WAY PBX SC AREA PLUS CALLING PORT	UEPXT	NA	NA	NA	NA	NA	NA	NA	NA	See Ex C-1

BELLSOUTH/EPB TELECOMMUNICATIONS RATES NETWORK ELEMENTS
AND OTHER SERVICES
PORTS

Attachment 2
Exhibit C
Rates - Page 34

DESCRIPTION	USOC	AL	FL	GA	KY	LA	MS	NC	SC	TN
2-WIRE VOICE UNBUNDLED PBX COLLIERVERVILLE & MEMPHIS CALLING PORT	UEPXU	NA	NA	NA	NA	NA	NA	NA	NA	See Ex C-1
2-WIRE VOICE UNBUNDLED 2-WAY PBX TN REGIONSERV CALLING PORT	UEPXV	NA	NA	NA	NA	NA	NA	NA	NA	See Ex C-1
NRC - OSS										
NRC - OSS LSR Charge, Electronic, per LSR received from the CLEC by one of the OSS interactive interfaces	SOMEC	\$3.50	\$2.75	\$3.50	\$3.50	\$3.50	\$3.50	\$3.50	\$3.50	See Ex C-1
NRC - Incremental Charge - Manual Service Order - 1st	SOMAN	\$27.37	\$21.56	\$18.94	NA	\$18.14	\$25.52	\$26.94	\$41.86	See Ex C-1
NRC - Incremental Charge - Manual Service Order - Add'l	SOMAN	\$12.97	\$21.56	\$8.42	NA	\$8.06	\$11.34	\$12.76	\$14.46	See Ex C-1
NRC - Incremental Charge - Manual Service Order - Disconnect - 1st	SOMAN	\$17.77	\$3.84	NA	NA	\$8.94	\$16.06	NA	NA	See Ex C-1
NRC - Incremental Charge - Manual Service Order - Disconnect - Add'l	SOMAN	\$0.48	\$3.84	NA	NA	NA	NA	NA	NA	See Ex C-1
2-Wire Analog Hunting, per line per month										
NRC - 1st	HTGUX	See features	NA	NA	\$0.29	NA	See features	NA	See features	NA
NRC - Add'l	HTGUX	See features	NA	NA	\$2.14	NA	See features	NA	See features	NA
Coin Port, per month										
NRC - 1st		\$2.34	\$1.62	\$2.05	\$3.04	\$2.50	\$2.32	NA	\$2.77	See Ex C-1
NRC - Add'l		\$21.93	\$4.76	\$17.16	\$40.71	\$16.43	\$22.98	NA	\$24.75	See Ex C-1
NRC - Disconnect Charge - 1st		\$21.93	\$4.54	\$17.16	\$40.71	\$16.43	\$22.98	NA	\$24.75	See Ex C-1
NRC - Disconnect Charge - Add'l		\$5.21	\$2.76	NA	NA	\$4.15	\$6.56	NA	NA	See Ex C-1
NRC - Incremental Charge - Manual Service Order - 1st	SOMAN	\$5.21	\$2.59	NA	NA	\$4.15	\$6.56	NA	NA	See Ex C-1
NRC - Incremental Charge - Manual Service Order - Add'l	SOMAN	\$25.93	\$21.56	\$18.94	NA	\$18.14	\$25.52	NA	\$43.48	See Ex C-1
NRC - Incremental Charge - Manual Service Order - Disconnect - 1st	SOMAN	\$12.97	\$21.56	\$8.42	NA	\$8.06	\$11.34	NA	\$14.57	See Ex C-1
NRC - Incremental Charge - Manual Service Order - Disconnect - Add'l	SOMAN	\$16.33	\$3.84	NA	NA	\$9.86	\$16.06	NA	NA	See Ex C-1
VERTICAL FEATURES										
Local Switching Features offered with Port, Per month	N/A	NA	No add'l charge	NA	No add'l charge	\$8.28	NA	NA	See above	See Ex C-1
Three-Way Calling, per month										
NRC		\$1.12	NA	NA	NA	NA	\$1.32	\$0.89	\$1.10	See Ex C-1
NRC - Disconnect		\$1.03	NA	NA	NA	NA	\$1.02	\$1.51	\$1.51	See Ex C-1
Customer Changeable Speed Calling, per month										
NRC		\$0.55	NA	NA	NA	NA	\$0.5466	NA	NA	See Ex C-1
NRC - Disconnect		\$0.08	NA	NA	NA	NA	\$0.0755	\$0.17	\$0.1247	See Ex C-1
NRC		\$1.03	NA	NA	NA	NA	\$1.02	\$1.51	\$1.51	See Ex C-1
NRC - Disconnect		\$0.55	NA	NA	NA	NA	\$0.5466	NA	NA	See Ex C-1
Call Waiting										
NRC		\$0.03	NA	NA	NA	NA	\$0.033	\$0.09	\$0.0665	See Ex C-1
NRC - Disconnect		\$1.03	NA	NA	NA	NA	\$1.02	\$1.51	\$1.51	See Ex C-1
NRC - Disconnect		\$0.55	NA	NA	NA	NA	\$0.5466	NA	NA	See Ex C-1
Remote Activation of Call Forwarding, per month										
NRC		\$0.18	NA	NA	NA	NA	\$0.4859	\$0.85	\$0.3743	See Ex C-1
NRC - Disconnect		\$1.03	NA	NA	NA	NA	\$1.02	\$1.51	\$1.51	See Ex C-1
NRC - Disconnect		\$0.55	NA	NA	NA	NA	\$0.5466	NA	NA	See Ex C-1
Cancel Call Waiting, per month										
NRC		\$0.01	NA	NA	NA	NA	\$0.0082	\$0.01	\$0.0099	See Ex C-1
NRC - Disconnect		\$1.03	NA	NA	NA	NA	\$1.02	\$1.51	\$1.51	See Ex C-1
NRC - Disconnect		\$0.55	NA	NA	NA	NA	\$0.5466	NA	NA	See Ex C-1
Automatic Callback, per month										
NRC		\$0.29	NA	NA	NA	NA	\$0.9977	\$0.66	\$0.8015	See Ex C-1
NRC - Disconnect		\$1.03	NA	NA	NA	NA	\$1.02	\$1.51	\$1.51	See Ex C-1
NRC - Disconnect		\$0.55	NA	NA	NA	NA	\$0.5466	NA	NA	See Ex C-1
Automatic Recall, per month										
NRC		\$0.28	NA	NA	NA	NA	\$0.3164	\$0.29	\$0.3102	See Ex C-1
NRC - Disconnect		\$1.03	NA	NA	NA	NA	\$1.02	\$1.51	\$1.51	See Ex C-1
NRC - Disconnect		\$0.55	NA	NA	NA	NA	\$0.5466	NA	NA	See Ex C-1
Calling Number Delivery, per month										
NRC		\$0.22	NA	NA	NA	NA	\$0.1817	\$0.33	\$0.3272	See Ex C-1
NRC - Disconnect		\$1.03	NA	NA	NA	NA	\$1.02	\$1.51	\$1.51	See Ex C-1
NRC - Disconnect		\$0.55	NA	NA	NA	NA	\$0.5466	NA	NA	See Ex C-1
Calling Number Delivery Blocking, per month										
NRC		\$1.17	NA	NA	NA	NA	\$0.9913	\$0.02	\$0.3684	See Ex C-1
NRC - Disconnect		\$1.03	NA	NA	NA	NA	\$1.02	\$1.51	\$1.51	See Ex C-1

BELLSOUTH/EPB TELECOMMUNICATIONS RATES NETWORK ELEMENTS
AND OTHER SERVICES
PORTS

Attachment 2
Exhibit C
Rates - Page 35

DESCRIPTION	USOC	AL	FL	GA	KY	LA	MS	NC	SC	TN
NRC - Disconnect		\$0.55	NA	NA	NA	NA	\$0.5466	NA	NA	See Ex C-1
Customer Originated Trace, per month		\$0.14	NA	NA	NA	NA	\$0.1918	\$0.14	\$0.1402	See Ex C-1
NRC		\$1.03	NA	NA	NA	NA	\$1.02	\$1.51	\$1.51	See Ex C-1
NRC - Disconnect		\$0.55	NA	NA	NA	NA	\$0.5466	NA	NA	See Ex C-1
Selective Call Rejection, per month		\$0.13	NA	NA	NA	NA	\$0.1721	\$0.13	\$0.1528	See Ex C-1
NRC		\$1.03	NA	NA	NA	NA	\$1.02	\$1.51	\$1.51	See Ex C-1
NRC - Disconnect		\$0.55	NA	NA	NA	NA	\$0.5466	NA	NA	See Ex C-1
Selective Call Forwarding, per month		\$0.05	NA	NA	NA	NA	\$0.1050	\$0.28	\$0.1287	See Ex C-1
NRC		\$1.03	NA	NA	NA	NA	\$1.02	\$1.51	\$1.51	See Ex C-1
NRC - Disconnect		\$0.55	NA	NA	NA	NA	\$0.5466	NA	NA	See Ex C-1
Selective Call Acceptance, per month		\$0.29	NA	NA	NA	NA	\$0.4010	\$0.33	\$0.3283	See Ex C-1
NRC		\$1.03	NA	NA	NA	NA	\$1.02	\$1.51	\$1.51	See Ex C-1
NRC - Disconnect		\$0.55	NA	NA	NA	NA	\$0.5466	NA	NA	See Ex C-1
Multiline Hunt Service (Rotary)										See Ex C-1
Service per line, (in addition to port) , per month		\$0.11	NA	NA	NA	NA	\$0.1271	\$0.14	\$0.1301	See Ex C-1
NRC		\$1.03	NA	NA	NA	NA	\$1.02	\$1.51	\$1.51	See Ex C-1
NRC - Disconnect		\$0.55	NA	NA	NA	NA	\$0.5466	NA	NA	See Ex C-1
Call Forwarding Variable, per month		\$0.05	NA	NA	NA	NA	\$0.0474	\$0.10	\$0.0768	See Ex C-1
NRC		\$1.03	NA	NA	NA	NA	\$1.02	\$1.51	\$1.51	See Ex C-1
NRC - Disconnect		\$0.55	NA	NA	NA	NA	\$0.5466	NA	NA	See Ex C-1
Call Forwarding Busy Line, per month		\$0.03	NA	NA	NA	NA	\$0.0279	\$0.08	\$0.0603	See Ex C-1
NRC		\$1.03	NA	NA	NA	NA	\$1.02	\$1.51	\$1.51	See Ex C-1
NRC - Disconnect		\$0.55	NA	NA	NA	NA	\$0.5466	NA	NA	See Ex C-1
Call Forwarding Don't Answer All Calls, per month		\$0.03	NA	NA	NA	NA	\$0.0308	\$0.09	\$0.0655	See Ex C-1
NRC		\$1.03	NA	NA	NA	NA	\$1.02	\$1.51	\$1.51	See Ex C-1
NRC - Disconnect		\$0.55	NA	NA	NA	NA	\$0.5466	NA	NA	See Ex C-1
Remote Call Forwarding, per month		\$1.36	NA	NA	NA	NA	\$1.47	\$0.95	\$1.41	See Ex C-1
NRC		\$1.03	NA	NA	NA	NA	\$1.02	\$1.51	\$1.51	See Ex C-1
NRC - Disconnect		\$0.55	NA	NA	NA	NA	\$0.5466	NA	NA	See Ex C-1
Call Transfer, per month		\$0.12	NA	NA	NA	NA	\$0.1404	\$0.14	\$0.1392	See Ex C-1
NRC		\$1.03	NA	NA	NA	NA	\$1.02	\$1.51	\$1.51	See Ex C-1
NRC - Disconnect		\$0.55	NA	NA	NA	NA	\$0.5466	NA	NA	See Ex C-1
Call Hold, per month		\$0.03	NA	NA	NA	NA	\$0.0190	\$0.15	\$0.0677	See Ex C-1
NRC		\$1.03	NA	NA	NA	NA	\$1.02	\$1.51	\$1.51	See Ex C-1
NRC - Disconnect		\$0.55	NA	NA	NA	NA	\$0.5466	NA	NA	See Ex C-1
Toll Restricted Service, per month		\$0.04	NA	NA	NA	NA	\$0.0387	\$0.10	\$0.0743	See Ex C-1
NRC		\$1.03	NA	NA	NA	NA	\$1.02	\$1.51	\$1.51	See Ex C-1
NRC - Disconnect		\$0.55	NA	NA	NA	NA	\$0.5466	NA	NA	See Ex C-1
Message Waiting Indicator - Stutter Dial Tone, per month		\$0.03	NA	NA	NA	NA	\$0.0356	\$0.03	\$0.0318	See Ex C-1
NRC		\$1.03	NA	NA	NA	NA	\$1.02	\$1.51	\$1.51	See Ex C-1
NRC - Disconnect		\$0.55	NA	NA	NA	NA	\$0.5466	NA	NA	See Ex C-1
Anonymous Call Rejection, per month		\$0.93	NA	NA	NA	NA	\$0.9519	\$1.29	\$1.13	See Ex C-1
NRC		\$1.03	NA	NA	NA	NA	\$1.02	\$1.51	\$1.51	See Ex C-1
NRC - Disconnect		\$0.55	NA	NA	NA	NA	\$0.5466	NA	NA	See Ex C-1
Shared Call Appearances of a DN, per month		\$0.41	NA	NA	NA	NA	\$0.5015	\$0.29	\$0.3513	See Ex C-1
NRC		\$1.03	NA	NA	NA	NA	\$1.02	\$1.47	\$1.47	See Ex C-1
NRC - Disconnect		\$0.55	NA	NA	NA	NA	\$0.5466	NA	NA	See Ex C-1
Multiple Call Appearances, per month		\$0.09	NA	NA	NA	NA	\$0.0932	\$0.07	\$0.0891	See Ex C-1
NRC		\$1.03	NA	NA	NA	NA	\$1.02	\$1.47	\$1.47	See Ex C-1
NRC - Disconnect		\$0.55	NA	NA	NA	NA	\$0.5466	NA	NA	See Ex C-1
ISDN Bridged Call Exclusion, per month		\$0.00	NA	NA	NA	NA	\$0.0013	\$0.0011	\$0.0013	See Ex C-1
NRC		\$1.03	NA	NA	NA	NA	\$1.02	\$1.47	\$1.47	See Ex C-1
NRC - Disconnect		\$0.55	NA	NA	NA	NA	\$0.5466	NA	NA	See Ex C-1
Call by Call Access, per month		\$28.29	NA	NA	NA	NA	\$50.89	\$19.83	\$0.3621	See Ex C-1
NRC		\$28.94	NA	NA	NA	NA	\$28.61	\$33.33	\$33.36	See Ex C-1

BELLSOUTH/EPB TELECOMMUNICATIONS RATES NETWORK ELEMENTS
AND OTHER SERVICES
PORTS

Attachment 2
Exhibit C
Rates - Page 36

DESCRIPTION	USOC	AL	FL	GA	KY	LA	MS	NC	SC	TN
NRC - Disconnect		\$5.22	NA	NA	NA	NA	\$5.16	NA	NA	See Ex C-1
Privacy Release, per month		\$0.01	NA	NA	NA	NA	\$0.0030	\$0.0041	\$0.0116	See Ex C-1
NRC		\$1.03	NA	NA	NA	NA	\$1.02	\$1.51	\$1.51	See Ex C-1
NRC - Disconnect		\$0.55	NA	NA	NA	NA	\$0.5466	NA	NA	See Ex C-1
Multi Appearance Directory Number Calls, per month		\$0.10	NA	NA	NA	NA	\$0.1115	\$0.13	\$0.1048	See Ex C-1
NRC		\$1.03	NA	NA	NA	NA	\$1.02	\$1.51	\$1.51	See Ex C-1
NRC - Disconnect		\$0.55	NA	NA	NA	NA	\$0.5466	NA	NA	See Ex C-1
Make Set Busy, per month		\$0.01	NA	NA	NA	NA	\$0.0013	\$0.0020	\$0.0101	See Ex C-1
NRC		\$1.03	NA	NA	NA	NA	\$1.02	\$1.51	\$1.51	See Ex C-1
NRC - Disconnect		\$0.55	NA	NA	NA	NA	\$0.5466	NA	NA	See Ex C-1
Teen Service (Res. Dist. Alerting Service), per month		\$0.15	NA	NA	NA	NA	\$0.1071	\$0.26	\$0.2149	See Ex C-1
NRC		\$1.03	NA	NA	NA	NA	\$1.02	\$1.51	\$1.51	See Ex C-1
NRC - Disconnect		\$0.55	NA	NA	NA	NA	\$0.5466	NA	NA	See Ex C-1
Code Restriction and Diversion, per month		\$0.04	NA	NA	NA	NA	\$0.0464	\$0.09	\$0.0708	See Ex C-1
NRC		\$1.03	NA	NA	NA	NA	\$1.02	\$1.51	\$1.51	See Ex C-1
NRC - Disconnect		\$0.55	NA	NA	NA	NA	\$0.5466	NA	NA	See Ex C-1
Call Park, per month		\$0.04	NA	NA	NA	NA	\$0.0443	\$0.09	\$0.0694	See Ex C-1
NRC		\$1.03	NA	NA	NA	NA	\$1.02	\$1.51	\$1.51	See Ex C-1
NRC - Disconnect		\$0.55	NA	NA	NA	NA	\$0.5466	NA	NA	See Ex C-1
Automatic Line, per month		\$0.09	NA	NA	NA	NA	\$0.1111	\$0.14	\$0.1179	See Ex C-1
NRC		\$1.03	NA	NA	NA	NA	\$1.02	\$1.51	\$1.51	See Ex C-1
NRC - Disconnect		\$0.55	NA	NA	NA	NA	\$0.5466	NA	NA	See Ex C-1
2-WIRE ISDN BRI FEATURES										
Shared Primary Number-First Appr On Each Add'l Terminal	DS1FJ	TBD	TBD	TBD	TBD	TBD	TBD	TBD	TBD	TBD
Secondary Only Dn (Shared/Non-Shared) First Appearance	LLDSF	TBD	TBD	TBD	TBD	TBD	TBD	TBD	TBD	TBD
Shared Secondary Only Dn-First Appr On Each Add'l Term	DS1F1	TBD	TBD	TBD	TBD	TBD	TBD	TBD	TBD	TBD
Shared Non-ISDN DN	DOE	TBD	TBD	TBD	TBD	TBD	TBD	TBD	TBD	TBD
Privacy Release	DS1FU	TBD	TBD	TBD	TBD	TBD	TBD	TBD	TBD	TBD
Manual Exclusion	DS1FM	TBD	TBD	TBD	TBD	TBD	TBD	TBD	TBD	TBD
Call Forwarding Variable-Voice Or Voice/Data	LLNCV	TBD	TBD	TBD	TBD	TBD	TBD	TBD	TBD	TBD
Call Forwarding Variable - Data	LLOCD	TBD	TBD	TBD	TBD	TBD	TBD	TBD	TBD	TBD
Call Forwarding Variable - Feature Button - Voice	GJXCF	TBD	TBD	TBD	TBD	TBD	TBD	TBD	TBD	TBD
Call Forwarding Variable - Feature Button - Data	LLPCD	TBD	TBD	TBD	TBD	TBD	TBD	TBD	TBD	TBD
Call Forwarding Busy Line - Voice Or Voice/Data	LLQCV	TBD	TBD	TBD	TBD	TBD	TBD	TBD	TBD	TBD
Call Forwarding Busy Line - Data	LLRCD	TBD	TBD	TBD	TBD	TBD	TBD	TBD	TBD	TBD
Call Frwdng Busy Line-Prgrmmbl-Voice Or Voice/Data	M6AVA	TBD	TBD	TBD	TBD	TBD	TBD	TBD	TBD	TBD
Call Forwarding Busy Line - Programmable - Data	M6ADF	TBD	TBD	TBD	TBD	TBD	TBD	TBD	TBD	TBD
Call Forwarding Don't Answer - Voice Or Voice/Data	LLSCV	TBD	TBD	TBD	TBD	TBD	TBD	TBD	TBD	TBD
Call Forwarding Don't Answer - Data	LLUCD	TBD	TBD	TBD	TBD	TBD	TBD	TBD	TBD	TBD
Call Forwarding Don't Answer-Prgrmmble Voice Or Voice/Data	M6BVA	TBD	TBD	TBD	TBD	TBD	TBD	TBD	TBD	TBD
Call Forwarding Don't Answer - Programmable - Data	M6BDF	TBD	TBD	TBD	TBD	TBD	TBD	TBD	TBD	TBD
Call Frwdng Multiple Simultaneous - Voice Or Voice/Data	M6CV5	TBD	TBD	TBD	TBD	TBD	TBD	TBD	TBD	TBD
Call Forwarding Multiple Simultaneous - Data	M6CD5	TBD	TBD	TBD	TBD	TBD	TBD	TBD	TBD	TBD
Conference, Drop, Hold And Transfer	DS1FN	TBD	TBD	TBD	TBD	TBD	TBD	TBD	TBD	TBD
Six-Way Conference, Drop, Hold And Transfer	LLY6P	TBD	TBD	TBD	TBD	TBD	TBD	TBD	TBD	TBD
Multi-Line Hunt Group - Voice Or Voice/Data	HTG	TBD	TBD	TBD	TBD	TBD	TBD	TBD	TBD	TBD
Multi-Line Hunt Group - Data	HTGSD	TBD	TBD	TBD	TBD	TBD	TBD	TBD	TBD	TBD
Speed Calling	LLZSU	TBD	TBD	TBD	TBD	TBD	TBD	TBD	TBD	TBD
Visual Message Waiting Indicator	LLAVP	TBD	TBD	TBD	TBD	TBD	TBD	TBD	TBD	TBD
Audible Message Waiting Indicator	MWW	TBD	TBD	TBD	TBD	TBD	TBD	TBD	TBD	TBD
Additional Call Appearance, PDN Or DN	DS1FG	TBD	TBD	TBD	TBD	TBD	TBD	TBD	TBD	TBD
Call Tracing	NST	TBD	TBD	TBD	TBD	TBD	TBD	TBD	TBD	TBD
Call Return	NSS	TBD	TBD	TBD	TBD	TBD	TBD	TBD	TBD	TBD
Preferred Call Forwarding	NCE	TBD	TBD	TBD	TBD	TBD	TBD	TBD	TBD	TBD
Call Block	NSY	TBD	TBD	TBD	TBD	TBD	TBD	TBD	TBD	TBD

BELLSOUTH/EPB TELECOMMUNICATIONS RATES NETWORK ELEMENTS
AND OTHER SERVICES
PORTS

Attachment 2
Exhibit C
Rates - Page 37

DESCRIPTION	USOC	AL	FL	GA	KY	LA	MS	NC	SC	TN
Repeat Dialing	NSQ	TBD	TBD	TBD	TBD	TBD	TBD	TBD	TBD	TBD
Per Line Blocking For Agencies/Law Enforcement	NOB	TBD	TBD	TBD	TBD	TBD	TBD	TBD	TBD	TBD
Per Line Blocking For Non-Pub Customers	NOBNN	TBD	TBD	TBD	TBD	TBD	TBD	TBD	TBD	TBD
Per Line Blocking For General Public	NOBPC	TBD	TBD	TBD	TBD	TBD	TBD	TBD	TBD	TBD
Per Line Blocking For Non-Pub, And Non-Listed Customer	NOBPP	TBD	TBD	TBD	TBD	TBD	TBD	TBD	TBD	TBD
Per Line Blocking For Non-Pub Customers	NOBNP	TBD	TBD	TBD	TBD	TBD	TBD	TBD	TBD	TBD
Per Line Blocking For Non-Pub Customers	NOBNR	TBD	TBD	TBD	TBD	TBD	TBD	TBD	TBD	TBD
Call Return Denial Of, Per Activation	BCR	TBD	TBD	TBD	TBD	TBD	TBD	TBD	TBD	TBD
Repeat Dialing, Denial Of, Per Activation	BRD	TBD	TBD	TBD	TBD	TBD	TBD	TBD	TBD	TBD
Automatic Line/Direct Connect	M6GN9	TBD	TBD	TBD	TBD	TBD	TBD	TBD	TBD	TBD
Make Set Busy	M6MPD	TBD	TBD	TBD	TBD	TBD	TBD	TBD	TBD	TBD
Selective Call Acceptance	M6K16	TBD	TBD	TBD	TBD	TBD	TBD	TBD	TBD	TBD
Call Park/Call Retrieve	M6HP6	TBD	TBD	TBD	TBD	TBD	TBD	TBD	TBD	TBD
Call Transfer System Exception	M6QTD	TBD	TBD	TBD	TBD	TBD	TBD	TBD	TBD	TBD
Make Set Busy – Intragroup	M6MGD	TBD	TBD	TBD	TBD	TBD	TBD	TBD	TBD	TBD
All Customized Code Restrictions	CREX+	TBD	TBD	TBD	TBD	TBD	TBD	TBD	TBD	TBD
Additional Listings	CLT	TBD	TBD	TBD	TBD	TBD	TBD	TBD	TBD	TBD
Additional Listing No Rate	FLT	TBD	TBD	TBD	TBD	TBD	TBD	TBD	TBD	TBD
Cross Reference Listing	LLT	TBD	TBD	TBD	TBD	TBD	TBD	TBD	TBD	TBD
Non-Pub Listing No Rate	NP3	TBD	TBD	TBD	TBD	TBD	TBD	TBD	TBD	TBD
Non-List Listing	NLT	TBD	TBD	TBD	TBD	TBD	TBD	TBD	TBD	TBD
Non-List Listing No Rate	NLE	TBD	TBD	TBD	TBD	TBD	TBD	TBD	TBD	TBD
Alternate Call Listing	FNA	TBD	TBD	TBD	TBD	TBD	TBD	TBD	TBD	TBD
Manual Service Order Charge	SOMAN	TBD	TBD	TBD	TBD	TBD	TBD	TBD	TBD	TBD
All Selective Class Of Call Screening	SRG++	TBD	TBD	TBD	TBD	TBD	TBD	TBD	TBD	TBD
ISDN Message Waiting Indication-Lamp, per month										
NRC		\$0.01	NA	NA	NA	NA	\$0.0105	\$0.0107	\$0.0138	NA
NRC - Disconnect		\$1.03	NA	NA	NA	NA	\$1.02	\$1.47	\$1.47	NA
NRC - Disconnect		\$0.55	NA	NA	NA	NA	\$0.5466	NA	NA	NA
ISDN Feature Function Buttons										
NRC		NA	NA	NA	NA	NA	NA	NA	NA	NA
NRC - Disconnect		\$1.03	NA	NA	NA	NA	\$1.02	\$1.51	\$1.51	NA
NRC - Disconnect		\$0.55	NA	NA	NA	NA	\$0.5466	NA	NA	NA
Subsequent Ordering Charge – (per order, per line)										
NRC - Electronic - 1st		NA	NA	NA	NA	NA	NA	NA	NA	NA
NRC - Electronic - Add'l		\$2.88	NA	NA	NA	NA	\$2.84	\$5.42	\$1.36	NA
NRC - Manual - 1st		\$0.96	NA	NA	NA	NA	\$0.95	\$0.95	\$0.71	NA
NRC - Manual - Add'l		\$4.80	NA	NA	NA	NA	\$4.73	\$1.89	\$7.35	NA
NRC - Disconnect		\$0.96	NA	NA	NA	NA	\$0.95	NA	\$0.95	NA
NRC - Disconnect		\$2.88	NA	NA	NA	NA	\$2.84	NA	NA	NA
Unbundled Port Usage Charges										
End Office Switching (Port Usage)										
End Office Switching Function, per mou	N/A	\$0.0018	\$0.0008846	\$0.0016333	\$0.002562	\$0.0021	\$0.0023771	\$0.0017000	\$0.0019295	See Ex C-1
End Office Interoffice Trunk Port—Shared, per mou	N/A	\$0.0002	\$0.0001893	\$0.0001564	NA	\$0.0002	\$0.0001927	NA	\$0.0002581	See Ex C-1
Tandem Switching (Port Usage) (Local or Access Tandem)										
Tandem Switching Function per mou	N/A	\$0.00063	\$0.0001522	\$0.0006757	\$0.001096	\$0.0008	\$0.0007834	\$0.0009	\$0.0006843	See Ex C-1
Tandem Interoffice Trunk Port - Shared per mou			\$0.0002713	\$0.0002126	NA	\$0.0003	\$0.0002834	NA	\$0.0004034	See Ex C-1
Common (Shared) Transport										
Common (Shared) Transport per mile per mou	N/A	\$0.00001	\$0.0000039	\$0.000008	\$0.0000049	\$0.0000083	\$0.0000091	\$0.00001	\$0.0000121	See Ex C-1
Common (Shared) Transport Facilities Termination per mou	N/A	\$0.00045	\$0.0004579	\$0.0004152	\$0.000426	\$0.00047	\$0.0004281	\$0.00034	\$0.0004672	See Ex C-1
NOTES:										
1	Interim rates subject to true-up.									
1	Port rate includes all available features.									

BELLSOUTH/EPB TELECOMMUNICATIONS RATES NETWORK ELEMENTS
AND OTHER SERVICES
PORTS

DESCRIPTION	USOC	AL	FL	GA	KY	LA	MS	NC	SC	TN
2 Transmission/usage charges associated with POTS circuit switched usage will also apply to circuit switched voice and/or circuit switched data transmission by B-Channels associated with 2-wire ISDN ports.										
3 Access to B Channel or D Channel Packet capabilities will be available only through BFR/NBR Process. Rates for the packet capabilities will be determined via the BFR/NBR Process.										
4 This rate element is for those states which have a specific rate for User Profile per B Channel.										
5 This rate element is for use in those states with a different rate for additional minutes of use.										
6 Rates in FL are interim and shall be trued-up when final rates are ordered.										

BELLSOUTH/EPB TELECOMMUNICATIONS RATES
 NETWORK ELEMENTS
 AND OTHER SERVICES
 TRANSPORT

	DESCRIPTION	USOC	AL	FL	GA	KY	LA	MS	NC	SC	TN
	UNBUNDLED DEDICATED TRANSPORT - Local Channel										
	Local Channel - Dedicated - 2-Wire VG										
	2-wire VG per mile	1L5NC	\$0.00	\$0.00	\$0.00	\$0.00	\$0.00	\$0.00	\$0.00	\$0.00	See Ex C-1
	2-wire VG Monthly Recurring per month	ULDV2	\$14.61	\$29.33	\$13.91	\$22.26	\$14.94	\$17.83	\$14.83	\$16.83	See Ex C-1
	NRC - 2-wire VG - 1st	ULDV2	\$494.65	\$386.34	\$382.95	\$585.15	\$347.49	\$487.62	\$553.80	\$554.00	See Ex C-1
	NRC - 2-wire VG -Add'l	ULDV2	\$84.44	\$66.36	\$62.40	\$98.53	\$59.75	\$84.35	\$89.69	\$88.58	See Ex C-1
	NRC - 2-Wire VG - Disconnect Chg - 1st	ULDV2	\$77.81	\$67.91	NA	NA	\$53.68	\$77.69	NA	NA	See Ex C-1
	NRC - 2-Wire VG - Disconnect Chg - Add'l	ULDV2	\$7.63	\$5.92	NA	NA	\$6.60	\$8.95	NA	NA	See Ex C-1
	NRC - Manual Svc Order, per LSR	SOMAN	NA	\$21.56	NA	\$19.99	NA	NA	NA	NA	See Ex C-1
	NRC - Manual Svc Order, per LSR disconnect	SOMAN	NA	\$3.84	NA	NA	NA	NA	NA	NA	See Ex C-1
	NRC - Electronic Svc Order, per LSR	SOMECE	\$3.50	\$2.75	\$3.50	\$3.50	\$3.50	\$3.50	\$3.50	\$3.50	See Ex C-1
	NRC - Electronic Svc Order, per LSR disconnect	SOMECE	NA	\$0.42	NA	NA	NA	NA	NA	NA	See Ex C-1
	NRC - 2-Wire VG - Incremental Charge--Manual Svc Order - 1st	SOMAN	\$27.37	NA	\$18.94	\$41.46	\$18.14	\$25.50	\$42.17	\$43.75	See Ex C-1
	NRC - 2-Wire VG - Incremental Charge--Manual Svc Order - Add'l	SOMAN	\$18.37	NA	\$8.42	\$11.99	\$8.06	\$11.34	\$12.76	\$13.55	See Ex C-1
	NRC - 2-Wire VG - Incremental Charge--Manual Svc Order-Disconnect	SOMAN	\$17.75	NA	NA	NA	\$11.40	\$16.05	NA	NA	See Ex C-1
	Local Channel - Dedicated - 2-Wire VG Rev. Bat.										
	2-wire VG per mile	1L5NC	\$0.00	\$0.00	\$0.00	\$0.00	\$0.00	\$0.00	\$0.00	\$0.00	See Ex C-1
	2-wire VG Monthly Recurring per month	ULDR2	\$14.61	\$29.33	\$13.91	\$22.26	\$14.94	\$17.83	\$14.83	\$16.83	See Ex C-1
	NRC - 2-wire VG - 1st	ULDR2	\$494.65	\$3,865.34	\$382.95	\$585.15	\$347.49	\$487.62	\$553.80	\$554.00	See Ex C-1
	NRC - 2-wire VG -Add'l	ULDR2	\$84.44	\$66.36	\$62.40	\$98.53	\$59.75	\$84.35	\$89.69	\$88.58	See Ex C-1
	NRC - 2-Wire VG - Disconnect Chg - 1st	ULDR2	\$77.81	\$67.91	NA	NA	\$53.68	\$77.69	NA	NA	See Ex C-1
	NRC - 2-Wire VG - Disconnect Chg - Add'l	ULDR2	\$7.63	\$5.92	NA	NA	\$6.60	\$8.95	NA	NA	See Ex C-1
	NRC - Manual Svc Order, per LSR	SOMAN	NA	\$21.56	NA	\$19.99	NA	NA	NA	NA	See Ex C-1
	NRC - Manual Svc Order, per LSR disconnect	SOMAN	NA	\$3.84	NA	NA	NA	NA	NA	NA	See Ex C-1
	NRC - Electronic Svc Order, per LSR	SOMECE	\$3.50	\$2.75	\$3.50	\$3.50	\$3.50	\$3.50	\$3.50	\$3.50	See Ex C-1
	NRC - Electronic Svc Order, per LSR disconnect	SOMECE	NA	\$0.42	NA	NA	NA	NA	NA	NA	See Ex C-1
	NRC - 2-Wire VG - Incremental Charge--Manual Svc Order - 1st	SOMAN	\$27.37	NA	\$18.94	\$41.46	\$18.14	\$25.50	\$42.17	\$43.75	See Ex C-1
	NRC - 2-Wire VG - Incremental Charge--Manual Svc Order - Add'l	SOMAN	\$18.37	NA	\$8.42	\$11.99	\$8.06	\$11.34	\$12.76	\$13.55	See Ex C-1
	NRC - 2-Wire VG - Incremental Charge--Manual Svc Order-Disconnect	SOMAN	\$17.75	NA	NA	NA	\$11.40	\$16.05	NA	NA	See Ex C-1
	Local Channel - Dedicated - 4-Wire VG										
	4-wire VG per mile	1L5NC	\$0.00	\$0.00	\$0.00	\$0.00	\$0.00	\$0.00	\$0.00	\$0.00	See Ex C-1
	4-wire VG Monthly Recurring per month	ULDV4	\$15.77	\$30.50	\$14.99	\$23.38	\$16.21	\$19.03	\$15.87	\$18.05	See Ex C-1
	NRC - 4-Wire VG - 1st	ULDV4	\$502.43	\$387.21	\$368.44	\$585.15	\$352.75	\$495.25	\$562.23	\$562.46	See Ex C-1
	NRC - 4-Wire VG - Add'l	ULDV4	\$86.68	\$67.22	NA	\$98.53	\$61.33	\$86.56	\$92.67	\$91.57	See Ex C-1
	NRC - 4-Wire VG - Disconnect Chg - 1st	ULDV4	\$78.71	\$68.78	NA	NA	\$54.36	\$78.58	NA	NA	See Ex C-1
	NRC - 4-Wire VG - Disconnect Chg - Add'l	ULDV4	\$8.53	\$6.79	NA	NA	\$7.28	\$9.84	NA	NA	See Ex C-1
	NRC - Manual Svc Order, per LSR	SOMAN	NA	\$21.56	NA	\$19.99	NA	NA	NA	NA	See Ex C-1
	NRC - Manual Svc Order, per LSR disconnect	SOMAN	NA	\$3.84	NA	NA	NA	NA	NA	NA	See Ex C-1
	NRC - Electronic Svc Order, per LSR	SOMECE	\$3.50	\$2.75	\$3.50	\$3.50	\$3.50	\$3.50	\$3.50	\$3.50	See Ex C-1
	NRC - Electronic Svc Order, per LSR disconnect	SOMECE	\$3.50	\$0.42	NA	NA	NA	NA	NA	NA	See Ex C-1
	NRC - 4-Wire VG - Incremental Charge--Manual Svc Order - 1st	SOMAN	\$27.37	NA	\$18.94	\$41.46	\$18.14	\$25.52	\$42.17	\$43.64	See Ex C-1
	NRC - 4-Wire VG - Incremental Charge--Manual Svc Order - Add'l	SOMAN	\$18.73	NA	\$8.42	\$11.99	\$8.06	\$11.34	\$12.76	\$13.55	See Ex C-1
	NRC - 4-Wire VG - Incremental Charge--Manual Svc Order-Disconnect	SOMAN	\$17.75	NA	NA	NA	\$11.40	\$17.25	NA	NA	See Ex C-1
	Local Channel - Dedicated - DS1										
	DS1 per mile	1L5NC	\$0.00	\$0.00	\$0.00	\$0.00	\$0.00	\$0.00	\$0.00	\$0.00	See Ex C-1
	DS1 per month	ULDF1	\$35.52	\$43.53	\$38.36	\$43.80	\$43.80	\$38.91	\$35.68	\$37.20	See Ex C-1
	NRC - DS1 - 1st	ULDF1	\$503.57	\$242.45	\$356.15	\$538.95	\$348.56	\$494.83	\$534.48	\$534.81	See Ex C-1
	NRC - DS1 - Add'l	ULDF1	\$442.84	\$226.44	\$312.89	\$464.94	\$300.30	\$435.28	\$462.69	\$462.81	See Ex C-1
	NRC - DS1 - Disconnect Chg - 1st	ULDF1	\$46.28	\$41.13	\$122.31	NA	\$24.15	\$46.85	NA	NA	See Ex C-1
	NRC - DS1 - Disconnect Chg - Add'l	ULDF1	\$32.18	\$28.28	\$119.14	NA	\$21.31	\$33.02	NA	NA	See Ex C-1
	NRC - Manual Svc Order, per LSR	SOMAN	NA	\$21.56	NA	\$19.99	NA	NA	NA	NA	See Ex C-1
	NRC - Manual Svc Order, per LSR disconnect	SOMAN	NA	\$3.84	NA	NA	NA	NA	NA	NA	See Ex C-1
	NRC - Electronic Svc Order, per LSR	SOMECE	\$3.50	\$2.75	\$3.50	\$3.50	\$3.50	\$3.50	\$3.50	\$3.50	See Ex C-1

BELLSOUTH/EPB TELECOMMUNICATIONS RATES
 NETWORK ELEMENTS
 AND OTHER SERVICES
 TRANSPORT

DESCRIPTION	USOC	AL	FL	GA	KY	LA	MS	NC	SC	TN
NRC - Electronic Svc Order, per LSR disconnect	SOMEK	NA	\$0.42	NA	NA	NA	NA	NA	NA	See Ex C-1
NRC - DS1 - Incremental Charge--Manual Svc Order - 1st	SOMAN	\$61.95	NA	\$44.22	\$87.71	\$42.34	\$59.58	\$86.15	\$87.99	See Ex C-1
NRC - DS1 - Incremental Charge--Manual Svc Order - Add'l	SOMAN	\$0.00	NA	NA	NA	NA	NA	\$1.77	\$3.11	See Ex C-1
NRC - DS1 - Incremental Charge--Manual Svc Order-Disconnect	SOMAN	\$29.27	NA	\$18.03	NA	\$19.48	\$27.40	NA	NA	See Ex C-1
Local Channel - Dedicated - DS3										
DS3 - per mile per month	1L5NC	\$8.44	\$9.16	\$6.92	\$34.00	\$30.34	NA	NA	\$12.08	\$23.76
DS3 - Facility Termination per month	ULDF3	\$535.92	\$556.27	\$515.91	\$635.09	\$669.01	\$533.33	\$498.87	\$493.31	\$607.28
NRC - DS3 - Facility Termination - 1st	ULDF3	\$640.54	\$903.37	\$639.50	\$1,091	\$709.14	\$526.67	\$562.25	\$735.42	\$726.16
NRC - DS3 - Facility Termination - Add'l	ULDF3	\$426.28	\$528.05	\$426.31	\$661.23	\$402.63	\$493.71	\$527.88	\$519.31	\$411.64
NRC - DS3 - Facility Termination - Disconnect - 1st	ULDF3	\$121.72	\$221.46	\$122.31	NA	\$102.16	\$42.41	NA	NA	\$103.36
NRC - DS3 - Facility Termination - Disconnect - Add'l	ULDF3	\$118.54	\$154.90	\$119.14	NA	\$99.46	\$40.87	NA	NA	\$100.59
NRC - Manual Svc Order, per LSR	SOMAN	NA	\$21.56	NA	\$19.99	NA	NA	NA	NA	\$19.99
NRC - Manual Svc Order, per LSR disconnect	SOMAN	NA	\$3.84	NA	NA	NA	NA	NA	NA	NA
NRC - Electronic Svc Order, per LSR	SOMEK	\$3.50	\$2.75	\$3.50	\$3.50	\$3.50	\$3.50	\$3.50	\$3.50	\$3.50
NRC - Electronic Svc Order, per LSR disconnect	SOMEK	NA	\$0.42	NA	NA	NA	NA	NA	NA	NA
NRC - DS3 -Incremental Charge--Manual Svc Order - 1st	SOMAN	\$38.48	NA	\$37.55	\$93.12	\$50.25	\$31.49	\$56.25	\$54.26	NA
NRC - DS3 - Incremental Charge--Manual Svc Order - Add'l	SOMAN	\$38.48	NA	\$37.55	\$93.12	\$50.25	\$31.49	\$56.25	\$54.26	NA
NRC - DS3 - Incremental Charge--Manual Svc Order-Disconnect -1st	SOMAN	\$19.03	NA	\$18.03	NA	\$20.94	\$25.35	NA	NA	NA
NRC - DS3 - Incremental Charge--Manual Svc Order-Disconnect-Add'l	SOMAN	\$19.03	NA	\$18.03	NA	\$20.94	\$25.35	NA	NA	NA
Local Channel - Dedicated - STS-1										
STS-1 - per mile per month	1L5NC	\$8.44	\$9.16	\$6.92	\$34.00	\$8.77	\$38.98	NA	\$12.08	\$25.11
STS-1 - Facility Termination per month	ULDFS	\$525.40	\$565.48	\$517.56	\$635.09	\$558.00	\$531.39	\$498.87	\$481.14	\$615.65
NRC - STS-1 - Facility Termination - 1st	ULDFS	\$640.54	\$903.37	\$639.50	\$1,091	\$594.71	\$1,084.33	\$562.25	\$735.42	\$1,085.73
NRC - STS-1 - Facility Termination - Add'l	ULDFS	\$426.82	\$528.05	\$426.40	\$661.23	\$396.54	\$682.13	\$527.88	\$519.31	\$683.01
NRC - STS-1 - Facility Termination - Disconnect - 1st	ULDFS	\$121.72	\$221.46	\$122.31	NA	\$113.75	\$42.41	NA	NA	\$103.36
NRC - STS-1 - Facility Termination - Disconnect - Add'l	ULDFS	\$118.54	\$154.90	\$119.14	NA	\$110.80	\$40.87	NA	NA	\$100.59
NRC - Manual Svc Order, per LSR	SOMAN	NA	\$21.56	NA	\$19.99	NA	NA	NA	NA	\$19.99
NRC - Manual Svc Order, per LSR disconnect	SOMAN	NA	\$3.84	NA	NA	NA	NA	NA	NA	NA
NRC - Electronic Svc Order, per LSR	SOMEK	\$3.50	\$2.75	\$3.50	\$3.50	\$3.50	\$3.50	\$3.50	\$3.50	\$3.50
NRC - Electronic Svc Order, per LSR disconnect	SOMEK	NA	\$0.42	NA	NA	NA	NA	NA	NA	NA
NRC - STS-1 -Incremental Charge--Manual Svc Order - 1st	SOMAN	\$38.48	NA	\$37.55	\$93.12	\$34.92	\$96.10	\$56.25	\$54.26	NA
NRC - STS-1 - Incremental Charge--Manual Svc Order - Add'l	SOMAN	\$38.48	NA	\$37.55	\$93.12	\$34.92	\$96.10	\$56.25	\$54.26	NA
NRC - STS-1 - Incremental Charge--Manual Svc Order-Disconnect -1st	SOMAN	\$19.03	NA	\$18.03	NA	\$16.77	\$25.35	NA	NA	NA
NRC - STS-1 - Incremental Charge--Manual Svc Order-Disconnect-Add'l	SOMAN	\$19.03	NA	\$18.03	NA	\$16.77	\$25.35	NA	NA	NA
Local Channel - Dedicated - OC3										
OC3 per mile per month	1L5NC	\$7.09	\$8.93	\$5.82	\$28.56	\$25.48	\$35.55	\$21.27	\$10.15	\$19.95
OC3 Facility Termination per month		\$1,123	\$648.60	\$914.22	\$1,493	\$1,179	\$873.23	\$914.18	\$493.31	\$1,263
NRC - OC3 - Facility Termination - 1st		\$949.63	\$966.45	\$947.69	\$1,543	\$1,025	\$1,427.00	\$1,543	\$735.42	\$1,050
NRC - OC3 - Facility Termination - Add'l		\$413.38	\$408.85	\$413.00	\$661.23	\$402.63	\$549.17	\$670.92	\$519.31	\$411.64
NRC - OC3 - Facility Termination - Disconnect Chg - 1st		\$121.72	\$11.56	\$122.31	NA	\$102.16	\$134.07	NA	NA	\$103.36
NRC - OC3 - Facility Termination - Disconnect Chg - Add'l		\$118.54	\$108.34	\$119.14	NA	\$99.46	\$130.59	NA	NA	\$100.59
NRC - Manual Svc Order, per LSR	SOMAN	NA	\$21.56	NA	\$19.99	NA	NA	NA	NA	\$19.99
NRC - Manual Svc Order, per LSR disconnect	SOMAN	NA	\$3.84	NA	NA	NA	NA	NA	NA	NA
NRC - Electronic Svc Order, per LSR	SOMEK	\$3.50	\$2.75	\$3.50	\$3.50	\$3.50	\$3.50	\$3.50	\$3.50	\$3.50
NRC - Electronic Svc Order, per LSR disconnect	SOMEK	NA	\$0.42	NA	NA	NA	NA	NA	NA	NA
NRC - OC3 - Incremental Charge--Manual Svc Order - 1st	SOMAN	\$38.48	NA	\$37.55	\$93.12	\$50.25	\$68.62	\$99.10	\$54.26	NA
NRC - OC3 - Incremental Charge--Manual Svc Order - Add'l	SOMAN	\$38.48	NA	\$37.55	\$93.12	\$50.25	\$68.62	\$99.10	\$54.26	NA
NRC - OC3 - Incremental Charge--Manual Svc Order-Disconnect-1st	SOMAN	\$19.03	NA	\$18.03	NA	\$20.94	\$28.59	NA	NA	NA
NRC - OC3 - Incremental Charge--Manual Svc Order-Disconnect-Add'l	SOMAN	\$19.03	NA	\$18.03	NA	\$20.94	\$28.59	NA	NA	NA
Local Channel - Dedicated - OC12										
OC12 per mile per month	1L5NC	\$10.13	\$2,053.06	\$8.31	\$40.80	\$36.40	\$50.79	\$30.38	\$14.50	\$28.51
OC12 Facility Termination per month		\$5,630	\$1,183.46	\$3,185.00	\$4,492	\$3,895	\$3,414.00	\$3,316	\$4,414	\$7,158

BELLSOUTH/EPB TELECOMMUNICATIONS RATES
 NETWORK ELEMENTS
 AND OTHER SERVICES
 TRANSPORT

Attachment 2
 Exhibit C
 Rates - Page 41

DESCRIPTION	USOC	AL	FL	GA	KY	LA	MS	NC	SC	TN
NRC - OC12 - Facility Termination - 1st		\$1,165	\$408.85	\$1,162.00	\$1,858	\$1,245	\$1,742.00	\$1,853	\$1,259	\$1,276
NRC - OC12 - Facility Termination - Add'l		\$413.38	\$111.56	\$413.00	\$661.23	\$402.63	\$549.17	\$670.92	\$505.88	\$411.64
NRC - OC12 - Facility Termination - Disconnect Chg - 1st		\$121.72	\$108.34	\$122.31	NA	\$102.16	\$134.07	NA	NA	\$103.36
NRC - OC12 - Facility Termination - Disconnect Chg - Add'l		\$118.54	\$21.56	\$119.14	NA	\$99.46	\$130.59	NA	NA	\$100.59
NRC - Manual Svc Order, per LSR	SOMAN	NA	\$3.84	NA	\$19.99	NA	NA	NA	NA	\$19.99
NRC - Manual Svc Order, per LSR disconnect	SOMAN	NA	\$2.75	NA	NA	NA	NA	NA	NA	NA
NRC - Electronic Svc Order, per LSR	SOMECE	\$3.50	\$0.42	\$3.50	\$3.50	\$3.50	\$3.50	\$3.50	\$3.50	\$3.50
NRC - Electronic Svc Order, per LSR disconnect	SOMECE	NA	\$0.43	NA	NA	NA	NA	NA	NA	NA
NRC - OC12 - Incremental Charge--Manual Svc Order - 1st	SOMAN	\$38.48	NA	\$37.55	\$93.12	\$50.25	\$68.62	\$99.10	\$54.26	NA
NRC - OC12 - Incremental Charge--Manual Svc Order - Add'l	SOMAN	\$38.48	NA	\$37.55	\$93.12	\$50.25	\$68.62	\$99.10	\$54.26	NA
NRC - OC12 - Incremental Charge--Manual Svc Order-Disconnect-1st	SOMAN	\$19.03	NA	\$18.03	NA	\$20.94	\$28.59	NA	NA	NA
NRC - OC12 - Incremental Charge--Manual Svc Order-Disconnect-Add'l	SOMAN	\$19.03	NA	\$18.03	NA	\$20.94	\$28.59	NA	NA	NA
Local Channel - Dedicated - OC48										
OC48 per mile per month	1L5NC	\$33.22	\$36.04	\$27.25	\$133.84	\$119.40	\$166.59	\$99.66	\$47.57	\$93.50
OC48 Facility Termination per month		\$1,947	\$1,685.97	\$1,671	\$2,156	\$2,311	\$1,768.00	\$1,837	\$1,842	\$1,853
OC48 - Interface OC12 on OC48 per month		\$699.62	\$587.71	\$558.07	\$728.81	\$706.85	\$668.36	\$584.78	\$773.40	\$572.61
NRC - OC48 - Facility Termination - 1st		\$1,165	\$1,183.46	\$1,162.00	\$1,858	\$1,245	\$1,742.00	\$1,853	\$1,259	\$1,276
NRC - OC48 - Facility Termination - Add'l		\$413.38	\$408.85	\$413.00	\$661.23	\$402.63	\$549.17	\$670.92	\$505.88	\$411.64
NRC - OC48 - Interface OC12 on OC48 - 1st		\$540.10	\$543.72	\$539.36	\$844.21	\$532.13	\$729.04	\$852.47	\$635.04	\$544.55
NRC - OC48 - Interface OC12 on OC48 - Add'l		\$317.48	\$312.05	\$317.38	\$516.89	\$304.90	\$404.94	\$528.57	\$410.02	\$311.39
NRC - OC48 - Facility Termination - Disconnect Chg - 1st		\$121.72	\$111.56	\$122.31	NA	\$102.16	\$134.07	NA	NA	\$103.36
NRC - OC48 - Facility Termination - Disconnect Chg - Add'l		\$118.54	\$108.34	\$119.14	NA	\$99.46	\$130.59	NA	NA	\$100.59
NRC - OC48 - Interface OC12 on OC48 - Disconnect Chg - 1st		\$121.72	\$111.56	\$122.31	NA	\$102.16	\$134.07	NA	NA	\$103.36
NRC - OC48 - Interface OC12 on OC48 - Disconnect Chg - Add'l		\$118.54	\$108.34	\$119.14	NA	\$99.46	\$130.59	NA	NA	\$100.59
NRC - Manual Svc Order, per LSR	SOMAN	NA	\$21.56	NA	\$19.99	NA	NA	NA	NA	\$19.99
NRC - Manual Svc Order, per LSR disconnect	SOMAN	NA	\$3.84	NA	NA	NA	NA	NA	NA	NA
NRC - Electronic Svc Order, per LSR	SOMECE	\$3.50	\$2.75	\$3.50	\$3.50	\$3.50	\$3.50	\$3.50	\$3.50	\$3.50
NRC - Electronic Svc Order, per LSR disconnect	SOMECE	NA	\$0.42	NA	NA	NA	NA	NA	NA	NA
NRC - OC48 - Incremental Charge--Manual Svc Order - 1st	SOMAN	\$38.48	NA	\$37.55	\$93.12	\$50.25	\$68.62	\$99.10	\$54.26	NA
NRC - OC48 - Incremental Charge--Manual Svc Order - Add'l	SOMAN	\$38.48	NA	\$37.55	\$93.12	\$50.25	\$68.62	\$99.10	\$54.26	NA
NRC - OC48 - Interface-Incremental Cost-Manual Svc. Order vs. Electronic-	SOMAN	\$38.48	NA	\$37.55	\$93.12	\$50.25	\$68.62	\$99.10	\$54.26	NA
NRC - OC48 - Interface-Incremental Cost-Manual Svc. Order vs. Electronic-	SOMAN	\$38.48	NA	\$37.55	\$93.12	\$50.25	\$68.62	\$99.10	\$54.26	NA
NRC - OC48 - Incremental Charge--Manual Svc Order-Disconnect-1st	SOMAN	\$19.03	NA	\$18.03	NA	\$20.94	\$28.59	NA	NA	NA
NRC - OC48 - Incremental Charge--Manual Svc Order-Disconnect-Add'l	SOMAN	\$19.03	NA	\$18.03	NA	\$20.94	\$28.59	NA	NA	NA
NRC - OC48 - Interface-Incremental Cost-Manual Svc. Order vs. Electronic-	SOMAN	\$19.03	NA	\$18.03	NA	\$20.94	\$28.59	NA	NA	NA
NRC - OC48 - Interface-Incremental Cost-Manual Svc. Order vs. Electronic-	SOMAN	\$19.03	NA	\$18.03	NA	\$20.94	\$28.59	NA	NA	NA
UNBUNDLED DEDICATED TRANSPORT - Interoffice Channel										
Interoffice Transport - Dedicated - 2-wire VG										
2-Wire VG - per mile per month	1L5XX	\$0.0339	\$0.0098	\$0.0222	\$0.0301	\$0.0384	\$0.0323	\$0.0282	\$0.0373	See Ex C-1
2-Wire VG - Facility Termination per month	U1TV2	\$18.49	\$26.52	\$17.07	\$27.66	\$19.10	\$21.33	\$18.01	\$21.42	See Ex C-1
NRC - 2-wire VG - Facility Termination - 1st	U1TV2	\$107.11	\$81.09	\$79.61	\$142.31	\$76.20	\$106.72	\$137.48	\$136.44	See Ex C-1
NRC - 2-wire VG - Facility Termination - Add'l	U1TV2	\$48.27	\$54.83	\$36.08	\$56.21	\$34.54	\$48.83	\$52.58	\$51.37	See Ex C-1
NRC - 2-wire VG - Facility Termination - Disconnect Charge - 1st	U1TV2	\$37.16	\$31.01	NA	NA	\$28.03	\$38.05	NA	NA	See Ex C-1
NRC - 2-wire VG - Facility Termination - Disconnect Charge - Add'l	U1TV2	\$5.88	\$12.78	NA	NA	\$5.37	\$7.23	NA	NA	See Ex C-1
NRC - Manual Svc Order, per LSR	SOMAN	NA	\$21.56	NA	\$19.99	NA	NA	NA	NA	See Ex C-1
NRC - Manual Svc Order, per LSR disconnect	SOMAN	NA	\$3.84	NA	NA	NA	NA	NA	NA	See Ex C-1
NRC - Electronic Svc Order, per LSR	SOMECE	\$3.50	\$2.75	\$3.50	\$3.50	\$3.50	\$3.50	\$3.50	\$3.50	See Ex C-1
NRC - Electronic Svc Order, per LSR disconnect	SOMECE	NA	\$0.42	NA	NA	NA	NA	NA	NA	See Ex C-1
NRC - 2-wire VG - Incremental Charge--Manual Svc Order - 1st	SOMAN	\$27.37	NA	\$18.94	\$37.21	\$18.14	\$25.52	\$38.07	\$39.63	See Ex C-1
NRC - 2-wire VG - Incremental Charge--Manual Svc Order - Add'l	SOMAN	\$27.57	NA	\$18.94	\$37.21	\$18.14	\$25.52	\$38.07	\$39.63	See Ex C-1
NRC - 2-wire VG - Incremental Charge--Manual Svc Order-Disconnect--1st	SOMAN	\$12.97	NA	NA	NA	\$8.06	\$11.34	NA	NA	See Ex C-1
NRC - 2-wire VG - Incremental Charge--Manual Svc Order-Disconnect--Add'l	SOMAN	\$12.97	NA	NA	NA	\$8.06	\$11.34	NA	NA	See Ex C-1
Interoffice Transport - Dedicated - 2-wire VG - Rev Bat.										

BELLSOUTH/EPB TELECOMMUNICATIONS RATES
 NETWORK ELEMENTS
 AND OTHER SERVICES
 TRANSPORT

DESCRIPTION	USOC	AL	FL	GA	KY	LA	MS	NC	SC	TN
2-Wire VG - per mile per month	1L5XX	\$0.0339	\$0.0098	\$0.0222	\$0.0301	\$0.0384	\$0.0323	\$0.0282	\$0.0373	See Ex C-1
2-Wire VG - Facility Termination per month	U1TR2	\$18.49	\$26.52	\$17.07	\$27.66	\$19.10	\$21.33	\$18.00	\$21.42	See Ex C-1
NRC - 2-wire VG - Facility Termination -1st	U1TR2	\$107.11	\$81.09	\$79.61	\$142.31	\$76.20	\$106.72	\$137.48	\$136.44	See Ex C-1
NRC - 2-wire VG - Facility Termination - Add'l	U1TR2	\$48.27	\$54.83	\$36.08	\$56.21	\$34.54	\$48.83	\$52.58	\$51.37	See Ex C-1
NRC - 2-wire VG -Facility Termination - Disconnect Charge -1st	U1TR2	\$37.16	\$31.01	NA	NA	\$28.03	\$38.05	NA	NA	See Ex C-1
NRC - 2-wire VG - Facility Termination - Disconnect Charge -Add'l	U1TR2	\$5.88	\$12.78	NA	NA	\$5.37	\$7.23	NA	NA	See Ex C-1
NRC - Manual Svc Order, per LSR	SOMAN	NA	\$21.56	NA	\$19.99	NA	NA	NA	NA	See Ex C-1
NRC - Manual Svc Order, per LSR disconnect	SOMAN	NA	\$3.84	NA	NA	NA	NA	NA	NA	See Ex C-1
NRC - Electronic Svc Order, per LSR	SOMECE	\$3.50	\$2.75	\$3.50	\$3.50	\$3.50	\$3.50	\$3.50	\$3.50	See Ex C-1
NRC - Electronic Svc Order, per LSR disconnect	SOMECE	NA	\$0.42	NA	NA	NA	NA	NA	NA	See Ex C-1
NRC - 2-wire VG - Incremental Charge--Manual Svc Order - 1st	SOMAN	\$27.37	NA	\$18.94	\$37.21	\$18.14	\$25.52	\$38.07	\$39.63	See Ex C-1
NRC - 2-wire VG - Incremental Charge--Manual Svc Order - Add'l	SOMAN	\$27.37	NA	\$18.94	\$37.21	\$18.14	\$25.52	\$38.07	\$39.63	See Ex C-1
NRC - 2-wire VG - Incremental Charge--Manual Svc Order-Disconnect--1st	SOMAN	\$12.97	NA	NA	NA	\$8.06	\$11.34	NA	NA	See Ex C-1
NRC - 2-wire VG - Incremental Charge--Manual Svc Order-Disconnect--Add'l	SOMAN	\$12.97	NA	NA	NA	\$8.06	\$11.34	NA	NA	See Ex C-1
Common (Shared) Transport										
Common (Shared) Transport per mile per mou	NA	\$0.00001	\$0.000012	\$0.000008	\$0.0000049	\$0.0000083	\$0.0000091	\$0.00001	\$0.0000121	See Ex C-1
Common (Shared) Transport Facilities Termination per mou	NA	\$0.00045	\$0.0005	\$0.0004152	\$0.000426	\$0.00047	\$0.0004281	\$0.00034	\$0.0004672	See Ex C-1
Interoffice Transport - Dedicated - 4-wire VG										
4-Wire VG - per mile per month	1L5XX	NA	\$0.0098	NA	NA	NA	NA	NA	NA	NA
4-Wire VG - Facility Termination per month	U1TV4	NA	\$23.64	NA	NA	NA	NA	NA	NA	NA
NRC - 4-wire VG - Facility Termination -1st	U1TV4	NA	\$81.09	NA	NA	NA	NA	NA	NA	NA
NRC - 4-wire VG - Facility Termination - Add'l	U1TV4	NA	\$54.63	NA	NA	NA	NA	NA	NA	NA
NRC - 4-wire VG -Facility Termination - Disconnect Charge -1st	U1TV4	NA	\$31.01	NA	NA	NA	NA	NA	NA	NA
NRC - 4-wire VG - Facility Termination - Disconnect Charge -Add'l	U1TV4	NA	\$12.78	NA	NA	NA	NA	NA	NA	NA
NRC - Manual Svc Order, per LSR	SOMAN	NA	\$21.56	NA	NA	NA	NA	NA	NA	NA
NRC - Manual Svc Order, per LSR disconnect	SOMAN	NA	\$3.84	NA	NA	NA	NA	NA	NA	NA
NRC - Electronic Svc Order, per LSR	SOMECE	NA	\$2.77	NA	NA	NA	NA	NA	NA	NA
NRC - Electronic Svc Order, per LSR disconnect	SOMECE	NA	\$0.42	NA	NA	NA	NA	NA	NA	NA
NRC - 4-wire VG - Incremental Charge--Manual Svc Order - 1st	SOMAN	NA	NA	NA	NA	NA	NA	NA	NA	NA
NRC - 4-wire VG - Incremental Charge--Manual Svc Order - Add'l	SOMAN	NA	NA	NA	NA	NA	NA	NA	NA	NA
NRC - 4-wire VG - Incremental Charge--Manual Svc Order-Disconnect--1st	SOMAN	NA	NA	NA	NA	NA	NA	NA	NA	NA
NRC - 4-wire VG - Incremental Charge--Manual Svc Order-Disconnect--Add'l	SOMAN	NA	NA	NA	NA	NA	NA	NA	NA	NA
Interoffice Transport - Dedicated - DS0 - 56kbps										
DS0 - per mile per month	1L5XX	\$0.0339	\$0.0098	\$0.0222	\$0.0301	\$0.0384	\$0.0323	\$0.0282	\$0.0373	See Ex C-1
DS0 - Facility Termination per month	U1TD5	\$17.81	\$19.31	\$16.45	\$26.95	\$18.37	\$20.64	\$17.40	\$20.71	See Ex C-1
NRC - DS0 - Facility Termination - 1st	U1TD5	\$107.11	\$81.11	\$79.61	\$142.31	\$76.20	\$106.72	\$137.48	\$136.44	See Ex C-1
NRC - DS0 - Facility Termination - Add'l	U1TD5	\$48.27	\$54.83	\$36.08	\$56.21	\$34.54	\$48.83	\$52.58	\$51.37	See Ex C-1
NRC - DS0 -Facility Termination - Disconnect Charge - 1st	U1TD5	\$37.16	\$31.01	NA	NA	\$28.03	\$38.05	NA	NA	See Ex C-1
NRC - DS0 - Facility Termination - Disconnect Charge - Add'l	U1TD5	\$5.88	\$12.78	NA	NA	\$5.37	\$7.23	NA	NA	See Ex C-1
NRC - Manual Svc Order, per LSR	SOMAN	NA	\$21.56	NA	\$19.99	NA	NA	NA	NA	See Ex C-1
NRC - Manual Svc Order, per LSR disconnect	SOMAN	NA	\$3.84	NA	NA	NA	NA	NA	NA	See Ex C-1
NRC - Electronic Svc Order, per LSR	SOMECE	\$3.50	\$2.77	\$3.50	\$3.50	\$3.50	\$3.50	\$3.50	\$3.50	See Ex C-1
NRC - Electronic Svc Order, per LSR disconnect	SOMECE	NA	\$0.42	NA	NA	NA	NA	NA	NA	See Ex C-1
NRC - DS0 -Incremental Charge--Manual Svc Order - 1st	SOMAN	\$27.37	NA	\$18.94	\$37.21	\$18.14	\$25.52	\$38.07	\$39.63	See Ex C-1
NRC -DS0 - Incremental Charge--Manual Svc Order - Add'l	SOMAN	\$27.37	NA	\$18.94	\$37.21	\$18.14	\$25.52	\$38.07	\$39.63	See Ex C-1
NRC - DS0 -Incremental Charge--Manual Svc Order-Disconnect--1st	SOMAN	\$12.97	NA	NA	NA	\$8.06	\$11.34	NA	NA	See Ex C-1
NRC - DS0 -Incremental Charge--Manual Svc Order-Disconnect--Add'l	SOMAN	\$12.97	NA	NA	NA	\$8.06	\$11.34	NA	NA	See Ex C-1
Interoffice Transport - Dedicated -DS0 - 64 kbps										
DS0 - per mile per month	1L5XX	\$0.0339	\$0.0098	\$0.0222	\$0.0301	\$0.0384	\$0.0323	\$0.0282	\$0.0373	See Ex C-1
DS0 - Facility Termination per month	U1TD6	\$17.81	\$19.31	\$16.45	\$26.95	\$18.37	\$20.64	\$17.40	\$20.71	See Ex C-1
NRC - DS0 - Facility Termination - 1st	U1TD6	\$107.11	\$81.11	\$79.61	\$142.31	\$76.20	\$106.72	\$137.48	\$136.44	See Ex C-1
NRC - DS0 - Facility Termination - Add'l	U1TD6	\$48.27	\$54.83	\$36.08	\$56.21	\$34.54	\$48.83	\$52.58	\$51.37	See Ex C-1

BELLSOUTH/EPB TELECOMMUNICATIONS RATES
 NETWORK ELEMENTS
 AND OTHER SERVICES
 TRANSPORT

	DESCRIPTION	USOC	AL	FL	GA	KY	LA	MS	NC	SC	TN
	NRC - DS0 -Facility Termination - Disconnect Charge - 1st	U1TD6	\$37.16	\$31.01	NA	NA	\$28.03	\$38.05	NA	NA	See Ex C-1
	NRC - DS0 - Facility Termination - Disconnect Charge - Add'l	U1TD6	\$5.88	\$12.78	NA	NA	\$5.37	\$7.23	NA	NA	See Ex C-1
	NRC - Manual Svc Order, per LSR	SOMAN	NA	\$21.56	NA	\$19.99	NA	NA	NA	NA	See Ex C-1
	NRC - Manual Svc Order, per LSR disconnect	SOMAN	NA	\$3.84	NA	NA	NA	NA	NA	NA	See Ex C-1
	NRC - Electronic Svc Order, per LSR	SOMEK	\$3.50	\$2.77	\$3.50	\$3.50	\$3.50	\$3.50	\$3.50	\$3.50	See Ex C-1
	NRC - Electronic Svc Order, per LSR disconnect	SOMEK	NA	\$0.42	NA	NA	NA	NA	NA	NA	See Ex C-1
	NRC - DS0 -Incremental Charge--Manual Svc Order - 1st	SOMAN	\$27.37	NA	\$18.94	\$37.21	\$18.14	\$25.52	\$38.07	\$39.63	See Ex C-1
	NRC -DS0 - Incremental Charge--Manual Svc Order - Add'l	SOMAN	\$27.37	NA	\$18.94	\$37.21	\$18.14	\$25.52	\$38.07	\$39.63	See Ex C-1
	NRC - DS0 -Incremental Charge--Manual Svc Order-Disconnect--1st	SOMAN	\$12.97	NA	NA	NA	\$8.06	\$11.34	NA	NA	See Ex C-1
	NRC - DS0 -Incremental Charge--Manual Svc Order-Disconnect--Add'l	SOMAN	\$12.97	NA	NA	NA	\$8.06	\$11.34	NA	NA	See Ex C-1
	Interoffice Transport - Dedicated - DS1										
	DS1 - per mile per month	1L5XX	\$0.6920	\$0.6013	\$0.4523	\$0.4500	\$0.7831	\$0.6598	\$0.5753	\$0.7598	See Ex C-1
	DS1 - Facility Termination per month	U1TF1	\$79.69	\$99.79	\$78.47	\$55.05	\$93.40	\$74.40	\$71.29	\$94.98	See Ex C-1
	NRC - DS1-Facility Termination - 1st	U1TF1	\$198.15	\$45.91	\$147.07	\$298.18	\$140.49	\$196.28	\$217.17	\$216.27	See Ex C-1
	NRC - DS1 - Facility Termination - Add'l	U1TF1	\$148.18	\$44.18	\$111.75	\$231.23	\$106.69	\$147.31	\$163.75	\$162.70	See Ex C-1
	NRC - DS1 - Facility Termination - Disconnect Charge - 1st	U1TF1	\$25.44	\$30.30	NA	NA	\$20.00	\$26.56	NA	NA	See Ex C-1
	NRC - DS1 - Facility Termination -Disconnect Charge - Add'l	U1TF1	\$20.42	\$26.76	NA	NA	\$16.34	\$21.61	NA	NA	See Ex C-1
	NRC - Manual Svc Order, per LSR	SOMAN	NA	\$21.56	NA	\$19.99	NA	NA	NA	NA	See Ex C-1
	NRC - Manual Svc Order, per LSR disconnect	SOMAN	NA	\$3.84	NA	NA	NA	NA	NA	NA	See Ex C-1
	NRC - Electronic Svc Order, per LSR	SOMEK	\$3.50	\$2.77	\$3.50	\$3.50	\$3.50	\$3.50	\$3.50	\$3.50	See Ex C-1
	NRC - Electronic Svc Order, per LSR disconnect	SOMEK	NA	\$0.42	NA	NA	NA	NA	NA	NA	See Ex C-1
	NRC - DS1 - Incremental Charge--Manual Svc Order - 1st	SOMAN	\$27.37	NA	\$18.94	NA	\$18.14	\$25.52	\$38.07	\$39.63	See Ex C-1
	NRC -DS1 - Incremental Charge--Manual Svc Order - Add'l	SOMAN	\$27.37	NA	\$18.94	NA	\$18.14	\$25.52	\$38.07	\$39.63	See Ex C-1
	NRC - DS1 - Incremental Charge--Manual Svc Order-Disconnect--1st	SOMAN	\$12.97	NA	NA	NA	\$8.06	\$11.31	NA	NA	See Ex C-1
	NRC - DS1 - Incremental Charge--Manual Svc Order-Disconnect--Add'l	SOMAN	\$12.97	NA	NA	NA	\$8.06	\$11.34	NA	NA	See Ex C-1
	Interoffice Transport - Dedicated - DS3										
	DS3 - per mile per month	1L5XX	\$4.98	\$4.17	\$2.75	\$12.62	\$14.04	\$15.02	\$12.98	\$8.13	\$5.89
	DS3 -Facility Termination per month	U1TF3	\$898.15	\$1,121.93	\$788.00	\$1,204	\$1,101	\$744.38	\$720.38	\$967.70	\$760.20
	NRC - DS3 - Facility Termination -1st	U1TF3	\$511.77	\$557.69	\$511.10	\$946.23	\$611.41	\$686.74	\$794.94	\$606.72	\$625.91
	NRC - DS3 - Facility Termination - Add'l	U1TF3	\$330.92	\$325.61	\$330.77	\$516.89	\$304.90	\$477.76	\$579.55	\$423.45	\$311.39
	NRC - DS3 - Facility Termination - Disconnect Charge - 1st	U1TF3	\$121.72	\$111.56	\$122.31	NA	\$102.16	\$125.56	NA	NA	\$103.36
	NRC - DS3 - Facility Termination - Disconnect Charge - Add'l	U1TF3	\$118.54	\$108.34	\$119.14	NA	\$99.46	\$118.79	NA	NA	\$100.59
	NRC - Manual Svc Order, per LSR	SOMAN	NA	\$21.56	NA	\$19.99	NA	NA	NA	NA	\$19.99
	NRC - Manual Svc Order, per LSR disconnect	SOMAN	NA	\$3.84	NA	NA	NA	NA	NA	NA	NA
	NRC - Electronic Svc Order, per LSR	SOMEK	\$3.50	\$2.77	\$3.50	\$3.50	\$3.50	\$3.50	\$3.50	\$3.50	\$3.50
	NRC - Electronic Svc Order, per LSR disconnect	SOMEK	NA	\$0.42	NA	NA	NA	NA	NA	NA	NA
	NRC - DS3 - Incremental Charge--Manual Svc Order - 1st	SOMAN	\$38.48	NA	\$37.96	\$93.12	\$50.25	\$64.97	\$91.26	\$54.26	NA
	NRC - DS3 - Incremental Charge--Manual Svc Order - Add'l	SOMAN	\$38.48	NA	\$37.96	\$93.12	\$50.25	\$64.97	\$91.26	\$54.26	NA
	NRC - DS3 - Incremental Charge--Manual Svc Order-Disconnect--1st	SOMAN	\$19.03	NA	\$18.23	NA	\$20.94	\$27.08	NA	NA	NA
	NRC - DS3 - Incremental Charge--Manual Svc Order-Disconnect--Add'l	SOMAN	\$19.03	NA	\$18.23	NA	\$20.94	\$27.08	NA	NA	NA
	Interoffice Transport - Dedicated - STS-1										
	STS-1 - per mile per month	1L5XX	\$4.98	\$4.17	\$2.72	\$12.62	\$14.04	\$13.48	\$6.29	\$8.13	\$6.88
	STS-1 -Facility Termination per month	U1TFS	\$895.41	\$1,105.98	\$783.63	\$1,204	\$1,101	\$692.52	\$800.94	\$967.58	\$838.65
	NRC - STS-1 - Facility Termination -1st	U1TFS	\$511.77	\$557.69	\$449.91	\$946.23	\$611.41	\$858.15	\$624.86	\$606.72	\$858.26
	NRC - STS-1 - Facility Termination - Add'l	U1TFS	\$330.92	\$325.61	\$119.14	\$516.89	\$304.90	\$524.58	\$436.36	\$423.45	\$525.25
	NRC - STS-1 - Facility Termination - Disconnect Charge - 1st	U1TFS	\$121.72	\$111.56	\$137.17	NA	\$102.16	\$125.56	NA	NA	\$103.36
	NRC - STS-1 - Facility Termination - Disconnect Charge - Add'l	U1TFS	\$118.54	\$108.34	\$119.14	NA	\$99.46	\$118.79	NA	NA	\$100.59
	NRC - Manual Svc Order, per LSR	SOMAN	NA	\$21.56	NA	\$19.99	NA	NA	NA	NA	\$19.99
	NRC - Manual Svc Order, per LSR disconnect	SOMAN	NA	\$3.84	NA	NA	NA	NA	NA	NA	NA
	NRC - Electronic Svc Order, per LSR	SOMEK	\$3.50	\$2.77	\$3.50	\$3.50	\$3.50	\$3.50	\$3.50	\$3.50	\$3.50
	NRC - Electronic Svc Order, per LSR disconnect	SOMEK	NA	\$0.43	NA	NA	NA	NA	NA	NA	NA
	NRC - STS-1 - Incremental Charge--Manual Svc Order - 1st	SOMAN	\$38.48	NA	\$61.19	\$93.12	\$50.25	\$94.50	\$55.00	\$54.26	NA
	NRC - STS-1 - Incremental Charge--Manual Svc Order - Add'l	SOMAN	\$38.48	NA	\$61.19	\$93.12	\$50.25	\$94.50	\$55.00	\$54.26	NA

BELLSOUTH/EPB TELECOMMUNICATIONS RATES
 NETWORK ELEMENTS
 AND OTHER SERVICES
 TRANSPORT

Attachment 2
 Exhibit C
 Rates - Page 44

		DESCRIPTION	USOC	AL	FL	GA	KY	LA	MS	NC	SC	TN
		NRC - DS3 - Incremental Charge--Manual Svc Order-Disconnect--1st	SOMAN	\$19.03	NA	\$3.17	NA	\$20.94	\$27.08	NA	NA	NA
		NRC - DS3 - Incremental Charge--Manual Svc Order-Disconnect--Add'l	SOMAN	\$19.03	NA	\$3.17	NA	\$20.94	\$27.08	NA	NA	NA

BELLSOUTH/EPB TELECOMMUNICATIONS RATES
 NETWORK ELEMENTS
 AND OTHER SERVICES
 TRANSPORT

	DESCRIPTION	USOC	AL	FL	GA	KY	LA	MS	NC	SC	TN
	Interoffice Transport - Dedicated - OC3										
	OC3 -per mile per month	1L5XX	\$7.35	\$8.24	\$4.37	\$27.97	\$23.89	\$18.35	\$14.10	\$9.75	\$13.45
	OC3 -Facility Termination per month		\$2,475	\$3,020.08	\$2,187.00	\$3,390	\$2,990	\$1,892.00	\$2,071	\$2,802	\$2,124
	NRC - OC-3 - Facility Termination - 1st		\$820.85	\$869.65	\$819.29	\$1,399	\$927.35	\$1,283.00	\$1,381	\$915.64	\$950.10
	NRC - OC-3 - Facility Termination - Add'l		\$317.48	\$312.05	\$317.38	\$516.89	\$304.90	\$404.94	\$509.93	\$410.02	\$311.39
	NRC - OC-3 - Facility Termination - Disconnect Charge - 1st		\$121.72	\$111.56	\$122.31	NA	\$102.16	\$134.07	\$131.65	NA	\$103.36
	NRC - OC-3 - Facility Termination - Disconnect Charge - Add'l		\$118.54	\$108.34	\$119.14	NA	\$99.46	\$130.59	\$128.19	NA	\$100.59
	NRC - Manual Svc Order, per LSR	SOMAN	NA	\$21.56	NA	\$19.99	NA	NA	NA	NA	\$19.99
	NRC - Manual Svc Order, per LSR disconnect	SOMAN	NA	\$3.84	NA	NA	NA	NA	NA	NA	NA
	NRC - Electronic Svc Order, per LSR	SOMECE	\$3.50	\$2.77	\$3.50	\$3.50	\$3.50	\$3.50	\$3.50	\$3.50	\$3.50
	NRC - Electronic Svc Order, per LSR disconnect	SOMECE	NA	\$0.43	NA	NA	NA	NA	NA	NA	NA
	NRC - OC3 - Incremental Cost - Manual Svc Order vs. Electronic-1st	SOMAN	\$38.48	NA	\$37.55	\$93.12	\$50.25	\$68.62	\$94.77	\$54.26	NA
	NRC - OC3 - Incremental Cost - Manual Svc Order vs. Electronic-Add'l	SOMAN	\$38.48	NA	\$37.55	\$93.12	\$50.25	\$68.62	\$94.77	\$54.26	NA
	NRC - OC3 - Incremental Cost - Manual Svc Order vs. Electronic-Disconnect	SOMAN	\$19.03	NA	\$18.03	NA	\$20.94	\$28.59	\$29.76	NA	NA
	NRC - OC3 - Incremental Cost - Manual Svc Order vs. Electronic-Disconnect-Add'l	SOMAN	\$19.03	NA	\$18.03	NA	\$20.94	\$28.59	\$29.76	NA	NA
	Interoffice Transport - Dedicated - OC12										
	OC12 -per mile per month	1L5XX	\$19.26	\$26.45	\$15.05	\$84.88	\$74.44	\$60.42	\$48.55	\$32.52	\$49.80
	OC12 -Facility Termination		\$9,763	\$11,599.14	\$8,202.00	\$12,344	\$11,517	\$7,182	\$7,676	\$11,132	\$8,015
	NRC - OC12- Facility Termination - 1st		\$1,036	\$1,086.66	\$1,034.00	\$1,713	\$1,147	\$1,598	\$1,381	\$1,131	\$1,176
	NRC - OC12- Facility Termination - Add'l		\$317.48	\$312.05	\$317.38	\$516.89	\$304.90	\$404.94	\$509.93	\$410.02	\$311.39
	NRC - OC12 - Facility Termination - Disconnect Chg - 1st		\$121.72	\$111.56	\$122.31	NA	\$102.16	\$134.07	\$131.65	NA	\$103.36
	NRC - OC12 - Facility Termination - Disconnect Chg - Add'l		\$118.54	\$108.34	\$119.14	NA	\$99.46	\$130.59	\$128.19	NA	\$100.59
	NRC - Manual Svc Order, per LSR	SOMAN	NA	\$21.56	NA	\$19.99	NA	NA	NA	NA	\$19.99
	NRC - Manual Svc Order, per LSR disconnect	SOMAN	NA	\$3.84	NA	NA	NA	NA	NA	NA	NA
	NRC - Electronic Svc Order, per LSR	SOMECE	\$3.50	\$2.77	\$3.50	\$3.50	\$3.50	\$3.50	\$3.50	\$3.50	\$3.50
	NRC - Electronic Svc Order, per LSR disconnect	SOMECE	NA	\$0.43	NA	NA	NA	NA	NA	NA	NA
	NRC - OC12 - Incremental Cost - Manual Svc Order vs. Electronic-1st	SOMAN	\$38.48	NA	\$37.55	\$93.12	\$50.25	\$68.62	\$94.77	\$54.26	NA
	NRC - OC12 - Incremental Cost - Manual Svc Order vs. Electronic-Add'l	SOMAN	\$38.48	NA	\$37.55	\$93.12	\$50.25	\$68.62	\$94.77	\$54.26	NA
	NRC - OC12 - Incremental Cost - Manual Svc Order vs. Elect-Disconnect-1st	SOMAN	\$19.03	NA	\$18.03	NA	\$20.94	\$28.59	\$29.76	NA	NA
	NRC - OC12 - Incremental Cost - Manual Svc Order vs. Elect-Disconnect-Add'l	SOMAN	\$19.03	NA	\$18.03	NA	\$20.94	\$28.59	\$29.76	NA	NA
	Interoffice Transport - Dedicated - OC48										
	OC48 -per mile per month	1L5XX	\$30.65	\$34.07	\$25.70	\$138.02	\$128.59	\$102.43	\$120.02	\$45.92	\$106.55
	OC48 -Facility Termination per month		\$11,691	\$12,460.76	\$11,134.00	\$16,017	\$14,950	\$11,480	\$10,952	\$967.58	\$11,632
	OC48 -per Interface OC12 on OC48 per month		\$1,424	\$1,199.42	\$1,137.00	\$1,497	\$1,451	\$1,351.00	\$582.66	\$1,561	\$1,170
	NRC - OC48 - Facility Termination - 1st		\$1,036	\$1,086.66	\$1,034.00	\$1,713	\$1,147	\$1,598.00	\$1,722	\$1,131	\$1,176
	NRC - OC48 - Facility Termination - Add'l		\$317.48	\$312.05	\$317.38	\$516.89	\$304.90	\$404.94	\$542.73	\$410.02	\$311.39
	NRC - OC48 - Interface OC12 on OC48 - 1st		\$540.10	\$543.72	\$539.36	\$844.21	\$532.13	\$729.04	\$720.81	\$635.04	\$544.55
	NRC - OC48 - Interface OC12 on OC48 - Add'l		\$317.48	\$312.05	\$317.38	\$516.89	\$304.90	\$404.94	\$400.38	\$410.02	\$311.39
	NRC - OC48 - Facility Termination - Disconnect Chg - 1st		\$121.72	\$111.56	\$122.31	NA	\$102.16	\$134.07	\$131.65	NA	\$103.36
	NRC - OC48 - Facility Termination - Disconnect Chg - Add'l		\$118.54	\$108.34	\$119.14	NA	\$99.46	\$130.59	\$128.19	NA	\$100.59
	NRC - OC48 - Interface OC12 on OC48 - Disconnect - 1st		\$121.72	\$111.56	\$122.31	NA	\$102.16	\$134.07	\$131.65	NA	\$103.36
	NRC - OC48 - Interface OC12 on OC48 - Disconnect - Add'l		\$118.54	\$108.34	\$119.14	NA	\$99.46	\$130.59	\$128.19	NA	\$100.59
	NRC - Manual Svc Order, per LSR	SOMAN	NA	\$21.56	NA	\$19.99	NA	NA	NA	NA	\$19.99
	NRC - Manual Svc Order, per LSR disconnect	SOMAN	NA	\$3.84	NA	NA	NA	NA	NA	NA	NA
	NRC - Electronic Svc Order, per LSR	SOMECE	\$3.50	\$2.77	\$3.50	\$3.50	\$3.50	\$3.50	\$3.50	\$3.50	\$3.50
	NRC - Electronic Svc Order, per LSR disconnect	SOMECE	NA	\$0.43	NA	NA	NA	NA	NA	NA	NA
	NRC - OC48 - Incremental Cost - Manual Svc. Order vs. Electronic-1st	SOMAN	\$38.48	NA	\$37.55	\$93.12	\$50.25	\$68.62	\$69.34	\$54.26	NA
	NRC - OC48 - Incremental Cost - Manual Svc. Order vs. Electronic-Add'l	SOMAN	\$38.48	NA	\$37.55	\$93.12	\$50.25	\$68.62	\$69.34	\$54.26	NA
	NRC - OC48 - Interface- Incremental Cost - Manual Svc. Order vs. Electronic	SOMAN	\$38.48	NA	\$37.55	\$93.12	\$50.25	\$68.62	\$69.34	\$54.26	NA
	NRC - OC48 - Interface- Incremental Cost - Manual Svc. Order vs. Electronic-Add'l	SOMAN	\$38.48	NA	\$37.55	\$93.12	\$50.25	\$68.62	\$69.34	\$54.26	NA
	NRC - OC48 - Incremental Cost - Manual Svc. Order vs. Elect-Disconnect-1st	SOMAN	\$19.03	NA	\$18.03	NA	\$20.94	\$28.59	\$29.76	NA	NA
	NRC - OC48 - Incremental Cost - Manual Svc. Order vs. Elect-Disconnect-Add'l	SOMAN	\$19.03	NA	\$18.03	NA	\$20.94	\$28.59	\$29.76	NA	NA
	NRC - OC48-Interface-Incremental Cost-Manual Svc. Order vs. Elec-Disconnect	SOMAN	\$19.03	NA	\$18.03	NA	\$20.94	\$28.59	\$29.76	NA	NA
	NRC - OC48-Interface-Incremental Cost-Manual Svc. Order vs. Elec-Disconnect-Add'l	SOMAN	\$19.03	NA	\$18.03	NA	\$20.94	\$28.59	\$29.76	NA	NA

BELLSOUTH/EPB TELECOMMUNICATIONS RATES
 NETWORK ELEMENTS
 AND OTHER SERVICES
 TRANSPORT

DESCRIPTION	USOC	AL	FL	GA	KY	LA	MS	NC	SC	TN
UNBUNDLED CHANNELIZATION										
DS3 Channelization (DS3 to DS1)										
per Channelized System (28 DS1) per month	MQ3	\$225.36	\$220.97	\$182.04	\$236.32	\$245.84	\$229.30	\$226.81	\$200.01	See Ex C-1
NRC - 1st	MQ3	\$265.87	\$356.40	\$265.91	\$425.41	\$259.76	\$356.80	\$351.95	\$321.54	See Ex C-1
NRC - Add'l	MQ3	\$188.51	\$188.00	\$188.78	\$303.33	\$182.64	\$247.40	\$243.76	\$234.30	See Ex C-1
NRC -1st - Disconnect	MQ3	\$71.76	\$61.64	\$72.50	NA	\$60.96	\$79.94	\$77.90	NA	See Ex C-1
NRC -Add'l - Disconnect	MQ3	\$52.03	\$58.98	\$59.96	NA	\$50.46	\$65.20	\$63.32	NA	See Ex C-1
per Interface per month (COCI)	UC1D1	\$17.22	\$14.40	\$11.02	\$8.52	\$7.55	\$5.58	\$4.61	\$11.99	See Ex C-1
NRC - 1st	UC1D1	\$12.05	\$13.16	\$12.02	\$15.86	\$12.29	\$15.85	\$15.76	\$12.05	See Ex C-1
NRC - Add'l	UC1D1	\$8.69	\$9.43	\$8.66	\$11.36	\$8.80	\$11.35	\$11.28	\$8.68	See Ex C-1
NRC - Manual Svc Order, per LSR	SOMAN	NA	\$21.56	NA	\$19.99	NA	NA	NA	NA	See Ex C-1
NRC - Manual Svc Order, per LSR disconnect	SOMAN	NA	\$3.84	NA	NA	NA	NA	NA	NA	See Ex C-1
NRC - Electronic Svc Order, per LSR	SOMEQ	\$3.50	\$2.77	\$3.50	\$3.50	\$3.50	\$3.50	\$3.50	\$3.50	See Ex C-1
NRC - Electronic Svc Order, per LSR disconnect	SOMEQ	NA	\$0.43	NA	NA	NA	NA	NA	NA	See Ex C-1
Channel System - Incremental Cost - Manual Svc. Order vs. Electronic -1st	SOMAN	\$15.61	NA	\$14.75	\$41.47	\$19.74	\$26.95	\$28.13	\$25.59	See Ex C-1
Channel System - Incremental Cost - Manual Svc. Order vs. Electronic -Add'l	SOMAN	\$7.39	NA	\$6.55	\$11.99	\$8.77	\$11.98	\$13.33	\$8.92	See Ex C-1
Incremental Cost-Manual Svc. Order vs. Elect -Disconnect - 1st	SOMAN	\$11.67	NA	\$10.60	NA	\$12.43	\$16.97	\$18.26	NA	See Ex C-1
Incremental Cost-Manual Svc. Order vs. Elect -Disconnect - Add'l	SOMAN	\$0.9469	NA	NA	NA	NA	NA	\$1.48	NA	See Ex C-1
DS1 Channelization (DS1 to DS0)										
per Channelized System (24 DS0) per month	MQ1	\$136.82	\$153.60	\$126.22	\$200.01	\$209.87	\$146.87	\$177.72	\$147.51	See Ex C-1
NRC - 1st	MQ1	\$197.98	\$182.14	\$198.22	\$302.82	\$193.63	\$271.52	\$267.19	\$220.89	See Ex C-1
NRC - Add'l	MQ1	\$123.12	\$125.18	\$123.59	\$184.20	\$118.37	\$164.56	\$161.43	\$137.15	See Ex C-1
NRC -1sr - Disconnect	MQ1	\$30.18	\$19.52	\$31.03	NA	\$26.44	\$36.38	\$34.55	NA	See Ex C-1
NRC -Add'l - Disconnect	MQ1	\$18.86	\$18.14	\$19.75	NA	\$16.83	\$11.98	\$21.14	NA	See Ex C-1
- Interface (COCI)										
per OCU-DP(data) card per month (2.4-64kbs)	1D1DD	\$1.66	\$2.20	\$1.86	\$2.94	\$3.12	\$2.86	\$2.88	\$2.34	See Ex C-1
NRC - 1st	1D1DD	\$12.05	\$13.16	\$12.02	\$15.86	\$12.29	\$15.85	\$15.76	\$12.05	See Ex C-1
NRC - Add'l	1D1DD	\$8.69	\$9.43	\$8.66	\$11.36	\$8.80	\$11.35	\$11.28	\$8.68	See Ex C-1
per BRITE card per month	UC1CA	\$3.41	\$3.83	\$3.71	\$4.04	\$4.18	\$3.88	\$3.76	\$4.21	See Ex C-1
NRC - 1st	UC1CA	\$12.05	\$13.16	\$12.02	\$15.86	\$12.29	\$15.85	\$15.76	\$12.05	See Ex C-1
NRC - Add'l	UC1CA	\$8.69	\$9.43	\$8.66	\$11.36	\$8.80	\$11.35	\$11.28	\$8.68	See Ex C-1
per VG card per month (DS0)	1D1VG	\$0.8586	\$1.45	\$1.17	\$1.40	\$1.62	\$1.45	\$1.64	\$1.47	See Ex C-1
NRC - 1st	1D1VG	\$12.05	\$13.16	\$12.02	\$15.86	\$12.29	\$15.85	\$15.76	\$12.05	See Ex C-1
NRC - Add'l	1D1VG	\$8.69	\$9.43	\$8.66	\$11.36	\$8.80	\$11.35	\$11.28	\$8.68	See Ex C-1
NRC - Manual Svc Order, per LSR	SOMAN	NA	\$21.56	NA	\$19.99	NA	NA	NA	NA	See Ex C-1
NRC - Manual Svc Order, per LSR disconnect	SOMAN	NA	\$3.84	NA	NA	NA	NA	NA	NA	See Ex C-1
NRC - Electronic Svc Order, per LSR	SOMEQ	\$3.50	\$2.77	\$3.50	\$3.50	\$3.50	\$3.50	\$3.50	\$3.50	See Ex C-1
NRC - Electronic Svc Order, per LSR disconnect	SOMAN	NA	\$0.43	NA	NA	NA	NA	NA	NA	See Ex C-1
Channel System - Incremental Cost - Manual Svc. Order vs. Electronic -1st	SOMAN	\$15.61	NA	\$14.75	\$41.47	\$19.74	\$26.95	\$28.13	\$25.59	See Ex C-1
Channel System - Incremental Cost - Manual Svc. Order vs. Electronic -Add'l	SOMAN	\$7.39	NA	\$6.55	\$11.99	\$8.77	\$11.98	\$13.33	\$8.92	See Ex C-1
Incremental Cost-Manual Svc. Order vs. Elect -Disconnect - 1st	SOMAN	\$11.67	NA	\$10.70	NA	\$12.43	\$16.97	\$18.26	NA	See Ex C-1
Incremental Cost-Manual Svc. Order vs. Elect -Disconnect - Add'l	SOMAN	\$0.9469	NA	\$0.00	NA	NA	NA	\$1.48	NA	See Ex C-1
UNBUNDLED DARK FIBER										
Dark Fiber - Interoffice (four fiber strands) per route mile or fraction thereof, per month	1L5DF	\$25.80	\$28.82	\$24.96	\$31.95	\$32.28	\$33.93	\$29.86	\$36.75	See Ex C-1
NRC - Per each four-fiber dark fiber arrangement - 1st	UDF14	\$1,739.00	\$1,278.62	\$1,737.00	\$1,741.00	\$1,746.00	\$1,741.00	\$1,738.00	\$1,747.00	See Ex C-1
NRC - Per each four-fiber dark fiber arrangement - Add'l	UDF14	\$563.09	\$275.82	\$562.39	\$563.75	\$565.20	\$563.79	\$562.82	\$565.53	See Ex C-1
NRC -Disconnect--1st	UDF14	NA	\$587.64	NA	NA	NA	NA	NA	NA	See Ex C-1
NRC -Disconnect--Add'l	UDF14	NA	\$366.34	NA	NA	NA	NA	NA	NA	See Ex C-1
Dark Fiber - Local Channel(four fiber strands) per route mile or fraction thereof, per month	1L5DC	\$70.82	\$58.35	\$54.63	\$49.07	\$64.72	\$71.55	\$56.47	\$100.37	See Ex C-1
NRC - Per each four-fiber dark fiber arrangement - 1st	UDFC4	\$1,739.00	\$1,278.62	\$1,737.00	\$1,741.00	\$1,746.00	\$1,741.00	\$1,738.00	\$1,747.00	See Ex C-1
NRC - Per each four-fiber dark fiber arrangement - Add'l	UDFC4	\$563.09	\$275.82	\$562.39	\$563.75	\$565.20	\$563.79	\$562.82	\$565.53	See Ex C-1
NRC -Disconnect--1st	UDFC4	NA	\$587.64	NA	NA	NA	NA	NA	NA	See Ex C-1

BELLSOUTH/EPB TELECOMMUNICATIONS RATES
 NETWORK ELEMENTS
 AND OTHER SERVICES
 TRANSPORT

Attachment 2
 Exhibit C
 Rates - Page 47

	DESCRIPTION	USOC	AL	FL	GA	KY	LA	MS	NC	SC	TN
	NRC -Disconnect--Add'l	UDFC4	NA	\$366.34	NA	NA	NA	NA	NA	NA	See Ex C-1
	Dark Fiber - Local Loop (four fiber strands) per route mile or fraction thereof, per m	1L5DL	\$70.82	\$58.35	\$54.63	\$49.07	\$64.72	\$71.55	\$56.47	\$100.37	See Ex C-1
	NRC - Per each four-fiber dark fiber arrangement - 1st	UDFL4	\$1,739.00	\$1,278.62	\$1,737.00	\$1,741.00	\$1,746.00	\$1,741.00	\$1,738.00	\$1,747.00	See Ex C-1
	NRC - Per each four-fiber dark fiber arrangement - Add'l	UDFL4	\$563.09	\$275.82	\$562.39	\$563.75	\$565.20	\$563.79	\$562.82	\$565.53	See Ex C-1
	NRC -Disconnect--1st	UDFL4	NA	\$587.64	NA	NA	NA	NA	NA	NA	See Ex C-1
	NRC -Disconnect--Add'l	UDFL4	NA	\$366.34	NA	NA	NA	NA	NA	NA	See Ex C-1
	NOTES:										
	Interim rates subject to true-up.										

BELLSOUTH/EPB TELECOMMUNICATIONS RATES
 NETWORK ELEMENTS
 AND OTHER SERVICES
 LOOP/PORT COMBINATIONS

Attachment 2
 Exhibit C
 Rates - Page 48

DESCRIPTION	USOC	AL	FL	GA	KY	LA	MS	NC	SC	TN
UNBUNDLED LOOP COMBINATIONS										
Unbundled Loop/Port Combinations (Note 4)										
MARKET RATES (INCLUDING ALL VERTICAL FEATURES) (Note 1)										
Density Zone 1 / Top 8 MSAs in BellSouth Region			Orlando, Ft. Lauderdale, Miami	Atlanta		New Orleans		Greensboro-Winston Salem-Highpoint/Charlotte-Gastonia-Rock Hill		Nashville
Customers with 4 or more DS0 Equivalent										
Currently Combined (Note2)										
2-W Voice Grade Loop with 2-W Line Port (Res. and Bus.)										
2-W Voice Grade Line Port (Res.), per month										
2-wire voice unbundled port - residence	UEPRL	NA	\$14.00	\$14.00	NA	\$14.00	NA	\$14.00	NA	\$14.00
2-W voice unbundled port with caller ID - residence	UEPRC	NA	\$14.00	\$14.00	NA	\$14.00	NA	\$14.00	NA	\$14.00
2-W voice unbundled port outgoing only - residence	UEPRO	NA	\$14.00	\$14.00	NA	\$14.00	NA	\$14.00	NA	\$14.00
2-W voice grade unbundled AL extended local dialing parity port with caller ID	UEPAR	NA	NA	NA	NA	NA	NA	NA	NA	NA
2-W voice grade unbundled KY extended local dialing parity port with caller ID	UEPRM	NA	NA	NA	NA	NA	NA	NA	NA	NA
2-W voice grade unbundled LA extended local dialing parity port with caller ID	UEPAS	NA	NA	NA	NA	\$14.00	NA	NA	NA	NA
2-W voice grade unbundled MS extended local dialing parity port with caller ID	UEPAT	NA	NA	NA	NA	NA	NA	NA	NA	NA
2-W voice grade unbundled SC extended local dialing parity port with caller ID	UEPAU	NA	NA	NA	NA	NA	NA	NA	NA	NA
2-W voice grade unbundled TN extended local dialing parity port with caller ID	UEPAQ	NA	NA	NA	NA	NA	NA	NA	NA	\$14.00
2-W voice unbundled FL area calling with caller ID - residence	UEPAF	NA	\$14.00	NA	NA	NA	NA	NA	NA	NA
2-W voice unbundled LA Area Plus with caller ID - residence (RUL)	UEPAG	NA	NA	NA	NA	\$14.00	NA	NA	NA	NA
2-W voice unbundled LA Area Plus with caller ID - residence (ACT7)	UEPAH	NA	NA	NA	NA	\$14.00	NA	NA	NA	NA
2-W voice unbundled SC Area Calling port with Caller ID - residence (LW8)	UEPAJ	NA	NA	NA	NA	NA	NA	NA	NA	NA
2-W voice unbundled TN Area Calling port with Caller ID - residence (F2R)	UEPAK	NA	NA	NA	NA	NA	NA	NA	NA	\$14.00
2-W voice unbundled TN Area Calling port with Caller ID - residence (TACER)	UEPAL	NA	NA	NA	NA	NA	NA	NA	NA	\$14.00
2-W voice unbundled TN Area Calling port with Caller ID - residence (TACSR)	UEPAM	NA	NA	NA	NA	NA	NA	NA	NA	\$14.00
2-W voice unbundled TN Area Calling port with Caller ID - residence (1MF2X)	UEPAN	NA	NA	NA	NA	NA	NA	NA	NA	\$14.00
2-W voice unbundled TN Area Calling port with Caller ID - residence (2MR)	UEPAO	NA	NA	NA	NA	NA	NA	NA	NA	\$14.00
2-W voice unbundled res., low usage line port with Caller ID (LUM)	UEPAP	NA	\$14.00	\$14.00	NA	\$14.00	NA	\$14.00	NA	\$14.00
2-W Voice Grade Line Port (Bus.), per month										
2-W voice unbundled port without Caller ID	UEPBL	NA	\$14.00	\$14.00	NA	\$14.00	NA	\$14.00	NA	\$14.00
2-W voice unbundled port with unbundled port with Caller+E484 ID	UEPBC	NA	\$14.00	\$14.00	NA	\$14.00	NA	\$14.00	NA	\$14.00
2-W voice unbundled outgoing only port	UEPBO	NA	\$14.00	\$14.00	NA	\$14.00	NA	\$14.00	NA	\$14.00
2-W voice grade unbundled AL extended local dialing parity port with caller ID	UEPAW	NA	NA	NA	NA	NA	NA	NA	NA	NA
2-W voice grade unbundled KY extended local dialing parity port with caller ID	UEPBM	NA	NA	NA	NA	NA	NA	NA	NA	NA
2-W voice grade unbundled LA extended local dialing parity port with caller ID	UEPAX	NA	NA	NA	NA	\$14.00	NA	NA	NA	NA
2-W voice grade unbundled MS extended local dialing parity port with caller ID	UEPAY	NA	NA	NA	NA	NA	NA	NA	NA	NA
2-W voice grade unbundled SC extended local dialing parity port with caller ID	UEPAZ	NA	NA	NA	NA	NA	NA	NA	NA	NA
2-W voice grade unbundled TN extended local dialing parity port with caller ID	UEPAV	NA	NA	NA	NA	NA	NA	NA	NA	\$14.00
2-W voice unbundled incoming only port with Caller ID	UEPB1	NA	\$14.00	\$14.00	NA	\$14.00	NA	\$14.00	NA	\$14.00
2-W voice unbundled LA Bus Area Calling Port with Caller ID (BUC)	UEPAA	NA	NA	NA	NA	\$14.00	NA	NA	NA	NA
2-W voice unbundled SC Bus Area Calling Port with Caller ID (LMB)	UEPAB	NA	NA	NA	NA	NA	NA	NA	NA	NA
2-W voice unbundled TN Bus 2-Way Area Calling Port Economy Option (TACC1)	UEPAC	NA	NA	NA	NA	NA	NA	NA	NA	\$14.00
2-W voice unbundled TN Bus 2-Way Area Calling Port Standard Option (TACC2)	UEPAD	NA	NA	NA	NA	NA	NA	NA	NA	\$14.00
2-W voice unbundled TN Bus 2-WAY Collierville and Memphis Local Calling Port (B2F)	UEPAE	NA	NA	NA	NA	NA	NA	NA	NA	\$14.00
2-W Voice Grade Loop (SL1) (Res. and Bus.)										
RC - 2-W Voice Grade Loop - Statewide	UEPLX	NA	NA	NA	NA	NA	NA	\$14.18	NA	NA
RC - 2-W Voice Grade Loop Zone 1	UEPLX	NA	\$14.90	\$10.80	NA	\$14.05	NA	NA	NA	\$15.92
RC - 2-W Voice Grade Loop Zone 2	UEPLX	NA	\$18.51	\$12.47	NA	\$24.14	NA	NA	NA	\$20.79
RC - 2-W Voice Grade Loop Zone 3	UEPLX	NA	\$24.25	\$19.83	NA	\$49.30	NA	NA	NA	\$27.18
Combination Rates										
RC - 2-W Voice Grade Loop with 2-W Line Port, Statewide	Note 8	NA	NA	NA	NA	NA	NA	\$28.18	NA	NA

BELLSOUTH/EPB TELECOMMUNICATIONS RATES
 NETWORK ELEMENTS
 AND OTHER SERVICES
 LOOP/PORT COMBINATIONS

Attachment 2
 Exhibit C
 Rates - Page 49

DESCRIPTION	USOC	AL	FL	GA	KY	LA	MS	NC	SC	TN
RC - 2-W Voice Grade Loop with 2-W Line Port, Zone 1 (Note 6)	Note 8	NA	\$28.90	\$24.80	NA	\$28.05	NA	NA	NA	\$29.92
RC - 2-W Voice Grade Loop with 2-W Line Port, Zone 2 (Note 6)	Note 8	NA	\$32.51	\$26.47	NA	\$38.14	NA	NA	NA	\$34.79
RC - 2-W Voice Grade Loop with 2-W Line Port, Zone 3 (Note 6)	Note 8	NA	\$38.25	\$33.83	NA	\$63.30	NA	NA	NA	\$41.18

BELLSOUTH/EPB TELECOMMUNICATIONS RATES
 NETWORK ELEMENTS
 AND OTHER SERVICES
 LOOP/PORT COMBINATIONS

Attachment 2
 Exhibit C
 Rates - Page 50

DESCRIPTION	USOC	AL	FL	GA	KY	LA	MS	NC	SC	TN
Nonrecurring Charges										
2-W Voice Grade Line Port (Res. And Bus.)										
NRC - 2- wire voice grade unbundled port/loop combination - 1st, with change		NA	\$41.50	\$41.50	NA	\$41.50	NA	\$41.50	NA	\$41.50
NRC - 2-w voice grade unbundled port/loop combination - Add'l, with change		NA	\$41.50	\$41.50	NA	\$41.50	NA	\$41.50	NA	\$41.50
NRC - 2- wire voice grade unbundled port/loop combination - 1st, no change		NA	\$41.50	\$41.50	NA	\$41.50	NA	\$41.50	NA	\$41.50
NRC - 2- wire voice grade unbundled port/loop combination - Add'l, no change		NA	\$41.50	\$41.50	NA	\$41.50	NA	\$41.50	NA	\$41.50
NRC - 2-W Voice Grade Loop/Line Port Combination - Subsequent		NA	\$10.00	\$10.00	NA	\$10.00	NA	\$10.00	NA	\$10.00
NRC - 2-W VG Loop/Line Port Combination - OSS LSR Charge, Electronic, per LSR received from the CLEC by one of the OSS interactive interfaces	SOME C	NA	\$2.75	\$3.50	NA	\$3.50	NA	\$3.50	NA	\$3.50
NRC - 2-W Voice Grade Loop/Line Port Combination - Incremental Cost - Manual Svc.Order vs. Electronic - 1st	SOMAN	NA	\$21.56	\$33.76	NA	\$31.92	NA	\$40.18	NA	\$30.89
NRC - 2-W Voice Grade Loop/Line Port Combination - Incremental Cost - Manual Svc.Order vs. Electronic - Add'l	SOMAN	NA	\$21.56	\$7.86	NA	\$7.32	NA	\$9.45	NA	\$7.03
NRC- 2 Wire Voice Grade Loop/Line Port Combination - Subsequent Database Update - Electronic		NA	TBD	TBD	NA	\$2.11	NA	\$1.42	NA	TBD
NRC- 2 Wire Voice Grade Loop/Line Port Combination - Subsequent Database Update - Manual Service Order		NA	TBD	TBD	NA	\$5.12	NA	\$10.27	NA	TBD
NRC - Electronic Service Order Disconnect		NA	\$0.42	NA	NA	NA	NA	NA	NA	NA
NRC - Incremental Manual Service Order Disconnect		NA	\$3.84	\$20.00	NA	\$20.00	NA	\$20.00	NA	\$20.00
2-W Voice Grade Loop with 2-W Line Port PBX										
2-W Analog Line Port (PBX), per month										
2 WIRE VOICE UNBUNDLED COMBINATION 2-WAY PBX TRUNK - Residence	UEPRD	NA	\$14.00	\$14.00	NA	\$14.00	NA	\$14.00	NA	\$14.00
LINE SIDE UNBUNDLED COMBINATION 2-WAY PBX TRUNK - BUSINESS	UEPPC	NA	\$14.00	\$14.00	NA	\$14.00	NA	\$14.00	NA	\$14.00
LINE SIDE UNBUNDLED OUTWARD PBX TRUNK - BUSINESS	UEPPO	NA	\$14.00	\$14.00	NA	\$14.00	NA	\$14.00	NA	\$14.00
LINE SIDE UNBUNDLED INCOMING PBX TRUNK - BUSINESS	UEPP1	NA	\$14.00	\$14.00	NA	\$14.00	NA	\$14.00	NA	\$14.00
2-W VOICE UNBUNDLED 2-WAY COMBINATION PBX AL CALLING PORT	UEPA2	NA	NA	NA	NA	NA	NA	NA	NA	NA
2-W VOICE UNBUNDLED 2-WAY COMBINATION PBX LA CALLING PORT	UEPL2	NA	NA	NA	NA	\$14.00	NA	NA	NA	NA
2-W VOICE UNBUNDLED PBX LD TERMINAL PORTS	UEPLD	NA	\$14.00	\$14.00	NA	\$14.00	NA	\$14.00	NA	\$14.00
2-W VOICE UNBUNDLED 2-WAY COMBINATION PBX TN CALLING PORT	UEPT2	NA	NA	NA	NA	NA	NA	NA	NA	\$14.00
2-W VOICE UNBUNDLED 1-WAY OUTGOING PBX TN CALLING PORT	UEPTO	NA	NA	NA	NA	NA	NA	NA	NA	\$14.00
2-W VOICE UNBUNDLED 2-WAY COMBINATION PBX USAGE PORT	UEPXA	NA	\$14.00	\$14.00	NA	\$14.00	NA	\$14.00	NA	\$14.00
2-W VOICE UNBUNDLED PBX TOLL TERMINAL HOTEL PORTS	UEPXB	NA	\$14.00	\$14.00	NA	\$14.00	NA	\$14.00	NA	\$14.00
2-W VOICE UNBUNDLED PBX LD DDD TERMINALS PORT	UEPXC	NA	\$14.00	\$14.00	NA	\$14.00	NA	\$14.00	NA	\$14.00
2-W VOICE UNBUNDLED PBX LD TERMINAL SWITCHBOARD PORT	UEPXD	NA	\$14.00	\$14.00	NA	\$14.00	NA	\$14.00	NA	\$14.00
2-W VOICE UNBUNDLED PBX LD TERMINAL SWITCHBOARD IDD CAPABLE PORT	UEPXE	NA	\$14.00	\$14.00	NA	\$14.00	NA	\$14.00	NA	\$14.00
2-W VOICE UNBUNDLED 2-WAY PBX KY ROOM AREA CALLING PORT WITHOUT LUD	UEPXF	NA	NA	NA	NA	NA	NA	NA	NA	NA
2-W VOICE UNBUNDLED PBX KY LUD AREA CALLING PORT	UEPXG	NA	NA	NA	NA	NA	NA	NA	NA	NA
2-W VOICE UNBUNDLED PBX KY PREMIUM CALLING PORT	UEPXH	NA	NA	NA	NA	NA	NA	NA	NA	NA
2-W VOICE UNBUNDLED 2-WAY KY AREA CALLING PORT WITHOUT LUD	UEPXJ	NA	NA	NA	NA	NA	NA	NA	NA	NA
2-W VOICE UNBUNDLED 2-WAY PBX LA LOCAL OPTIONAL CALLING PORT	UEPXK	NA	NA	NA	NA	\$14.00	NA	NA	NA	NA
2-W VOICE UNBUNDLED 2-WAY PBX HOTEL/HOSPITAL ECONOMY ADMINISTRATIVE CALLING PORT	UEPXL	NA	\$14.00	\$14.00	NA	\$14.00	NA	\$14.00	NA	\$14.00
2-W VOICE UNBUNDLED 2-WAY PBX HOTEL/HOSPITAL ECONOMY ROOM CALLING PORT	UEPXM	NA	\$14.00	\$14.00	NA	\$14.00	NA	\$14.00	NA	\$14.00
2-W VOICE UNBUNDLED 1-WAY OUTGOING PBX HOTEL/HOSPITAL ECONOMY ADMINISTRATIVE CALLING PORTTN CALLING PORT	UEPXN	NA	NA	NA	NA	NA	NA	NA	NA	\$14.00
2-W VOICE UNBUNDLED 1-WAY OUTGOING PBX HOTEL/HOSPITAL discount ROOM CALLING PORT	UEPXO	NA	\$14.00	\$14.00	NA	\$14.00	NA	\$14.00	NA	\$14.00
2-W VOICE UNBUNDLED 1-WAY OUTGOING PBX LA LOCAL DISCOUNT CALLING PORT	UEPXP	NA	NA	NA	NA	\$14.00	NA	NA	NA	NA
2-W VOICE UNBUNDLED 2-WAY PBX MS LOCAL ECONOMY CALLING PORT	UEPXQ	NA	NA	NA	NA	NA	NA	NA	NA	NA
2-W VOICE UNBUNDLED 2-WAY PBX MS LOCAL OPTIONAL CALLING PORT	UEPXR	NA	NA	NA	NA	NA	NA	NA	NA	NA

BELLSOUTH/EPB TELECOMMUNICATIONS RATES
 NETWORK ELEMENTS
 AND OTHER SERVICES
 LOOP/PORT COMBINATIONS

Attachment 2
 Exhibit C
 Rates - Page 51

DESCRIPTION	USOC	AL	FL	GA	KY	LA	MS	NC	SC	TN
2-W VOICE UNBUNDLED 1-WAY OUTGOING PBX MEASURED PORT	UEPXS	NA	\$14.00	\$14.00	NA	\$14.00	NA	\$14.00	NA	\$14.00
2-W VOICE UNBUNDLED 2-WAY PBX SC AREA PLUS CALLING PORT	UEPXT	NA	NA	NA	NA	NA	NA	NA	NA	NA
2-W VOICE UNBUNDLED PBX COLLIERVILLE & MEMPHIS CALLING PORT	UEPXU	NA	NA	NA	NA	NA	NA	NA	NA	\$14.00
2-W VOICE UNBUNDLED 2-WAY PBX TN REGIONSERV CALLING PORT	UEPXV	NA	NA	NA	NA	NA	NA	NA	NA	\$14.00
LOCAL NUMBER PORTABILITY (REQUIRES ONE PER PORT)	LNPCP									
2-W Voice Grade Loop (SL1)										
RC - 2- Wire Voice Grade Loop - Statewide	UEPLX	NA	NA	NA	NA	NA	NA	\$14.18	NA	NA
RC - 2- Wire Voice Grade Loop - Zone 1	UEPLX	NA	\$14.90	\$10.80	NA	\$14.05	NA	NA	NA	\$15.92
RC - 2- Wire Voice Grade Loop - Zone 2	UEPLX	NA	\$18.51	\$12.47	NA	\$24.14	NA	NA	NA	\$20.79
RC - 2- Wire Voice Grade Loop - Zone 3	UEPLX	NA	\$24.25	\$19.83	NA	\$49.30	NA	NA	NA	\$27.18
RC - 2- Wire Voice Grade Loop - Zone 4	UEPLX	NA	NA	NA	NA	NA	NA	NA	NA	NA
Combination Rates										
RC - 2-W Voice Grade Loop with 2-W Line Port, Statewide	Note 8	NA	NA	NA	NA	NA	NA	\$28.18	NA	NA
RC - 2-W Voice Grade Loop with 2-W Line Port, Zone 1 (Note 6)	Note 8	NA	\$28.90	\$24.80	NA	\$28.05	NA	NA	NA	\$29.92
RC - 2-W Voice Grade Loop with 2-W Line Port, Zone 2 (Note 6)	Note 8	NA	\$32.51	\$26.47	NA	\$38.14	NA	NA	NA	\$34.79
RC - 2-W Voice Grade Loop with 2-W Line Port, Zone 3 (Note 6)	Note 8	NA	\$38.25	\$33.83	NA	\$63.30	NA	NA	NA	\$41.18
Nonrecurring Charges										
NRC - 2- wire voice grade unbundled port/loop combination - 1st, with change		NA	\$41.50	\$41.50	NA	\$41.50	NA	\$41.50	NA	\$41.50
NRC - 2-w voice grade unbundled port/loop combination - Add'l, with change		NA	\$41.50	\$41.50	NA	\$41.50	NA	\$41.50	NA	\$41.50
NRC - 2- wire voice grade unbundled port/loop combination - 1st, no change		NA	\$41.50	\$41.50	NA	\$41.50	NA	\$41.50	NA	\$41.50
NRC - 2- wire voice grade unbundled port/loop combination - Add'l, no change		NA	\$41.50	\$41.50	NA	\$41.50	NA	\$41.50	NA	\$41.50
NRC - 2-W Voice Grade Loop/Line Port Combination - Subsequent		NA	\$10.00	\$10.00	\$10.00	\$10.00	NA	\$10.00	NA	\$10.00
NRC - 2-W VG Loop/Line Port Combination - OSS LSR Charge, Electronic, per LSR received from CLEC by one of the OSS interactive interfaces (Note 7)	SOMEC	NA	\$2.75	\$3.50	NA	\$3.50	NA	\$3.50	NA	\$3.50
NRC - 2-W Voice Grade Loop/Line Port Combination - Incremental Cost - Manual Svc.Order vs. Electronic - 1st	SOMAN	NA	\$21.56	\$33.67	NA	\$31.92	NA	\$40.18	NA	\$30.89
NRC - 2-W Voice Grade Loop/Line Port Combination - Incremental Cost - Manual Svc.Order vs. Electronic - Add'l	SOMAN	NA	\$21.56	\$7.88	NA	\$7.32	NA	\$9.45	NA	\$7.03
NRC - 2 Wire Voice Grade Loop/Line Port Combination - Subsequent Database Update - Electronic		NA	TBD	TBD	NA	\$2.11	NA	\$1.42	NA	TBD
NRC - 2 Wire Voice Grade Loop/Line Port Combination - Subsequent Database Update - Manual Service Order		NA	TBD	TBD	NA	\$5.12	NA	\$10.27	NA	TBD
NRC - Electronic Service Order Disconnect		NA	\$0.42	NA	NA	NA	NA	NA	NA	NA
NRC - Incremental Manual Service Order Disconnect		NA	\$3.84	\$20.00	NA	\$20.00	NA	\$20.00	NA	\$20.00
COST BASED RATES (Notes 2 & 3)										
Currently Combined										
2-W Voice Grade Loop with 2-W Line Port										
2-W Voice Grade Line Port (Res.), per month										
2- wire voice unbundled port - residence	UEPRL	\$2.20	\$1.35	\$1.79	\$2.61	\$2.55	\$2.12	\$2.28	\$3.69	See Ex C-1
2-W voice unbundled port with caller ID - residence	UEPRC	\$2.20	\$1.35	\$1.79	\$2.61	\$2.55	\$2.12	\$2.28	\$3.69	See Ex C-1
2-W voice unbundled port outgoing only - residence	UEPRO	\$2.20	\$1.35	\$1.79	\$2.61	\$2.55	\$2.12	\$2.28	\$3.69	See Ex C-1
2-W voice grade unbundled AL extended local dialing parity port with caller ID	UEPAR	\$2.20	NA	NA	NA	NA	NA	NA	NA	See Ex C-1
2-W voice grade unbundled KY extended local dialing parity port with caller ID	UEPRM	NA	NA	NA	\$2.61	NA	NA	NA	NA	See Ex C-1
2-W voice grade unbundled LA extended local dialing parity port with caller ID	UEPAS	NA	NA	NA	NA	\$2.55	NA	NA	NA	See Ex C-1
2-W voice grade unbundled MS extended local dialing parity port with caller ID	UEPAT	NA	NA	NA	NA	NA	\$2.12	NA	NA	See Ex C-1
2-W voice grade unbundled SC extended local dialing parity port with caller ID	UEPAU	NA	NA	NA	NA	NA	NA	NA	\$3.69	See Ex C-1
2-W voice grade unbundled TN extended local dialing parity port with caller ID	UEPAQ	NA	NA	NA	NA	NA	NA	NA	NA	See Ex C-1
2-W voice unbundled FL area calling with caller ID - residence	UEPAF	NA	\$1.35	NA	NA	NA	NA	NA	NA	See Ex C-1
2-W voice unbundled LA Area Plus with caller ID - residence (RUL)	UEPAG	NA	NA	NA	NA	\$2.55	NA	NA	NA	See Ex C-1
2-W voice unbundled LA Area Plus with caller ID - residence (AC7)	UEPAH	NA	NA	NA	NA	\$2.55	NA	NA	NA	See Ex C-1
2-W voice unbundled SC Area Calling port with Caller ID - residence (LW8)	UEPAJ	NA	NA	NA	NA	NA	NA	NA	\$3.69	See Ex C-1
2-W voice unbundled TN Area Calling port with Caller ID - residence (F2R)	UEPAK	NA	NA	NA	NA	NA	NA	NA	NA	See Ex C-1
2-W voice unbundled TN Area Calling port with Caller ID - residence (TACER)	UEPAL	NA	NA	NA	NA	NA	NA	NA	NA	See Ex C-1
2-W voice unbundled TN Area Calling port with Caller ID - residence (TACSR)	UEPAM	NA	NA	NA	NA	NA	NA	NA	NA	See Ex C-1

BELLSOUTH/EPB TELECOMMUNICATIONS RATES
 NETWORK ELEMENTS
 AND OTHER SERVICES
 LOOP/PORT COMBINATIONS

Attachment 2
 Exhibit C
 Rates - Page 52

DESCRIPTION	USOC	AL	FL	GA	KY	LA	MS	NC	SC	TN
2-W voice unbundled TN Area Calling port with Caller ID - residence (1MF2X)	UEPAN	NA	NA	NA	NA	NA	NA	NA	NA	See Ex C-1
2-W voice unbundled TN Area Calling port with Caller ID - residence (2MR)	UEPAO	NA	NA	NA	NA	NA	NA	NA	NA	See Ex C-1
2-W voice unbundled res, low usage line port with Caller ID (LUM)	UEPAP	\$2.20	\$1.35	\$1.79	\$2.61	\$2.55	\$2.12	\$2.28	\$3.69	See Ex C-1
2-W Voice Grade Line Port (Bus.), per month										See Ex C-1
2-W voice unbundled port without Caller ID	UEPBL	\$2.20	\$1.35	\$1.79	\$2.61	\$2.55	\$2.12	\$2.28	\$3.69	See Ex C-1
2-W voice unbundled port with unbundled port with Caller+E484 ID	UEPBC	\$2.20	\$1.35	\$1.79	\$2.61	\$2.55	\$2.12	\$2.28	\$3.69	See Ex C-1
2-W voice unbundled outgoing only port	UEPBO	\$2.20	\$1.35	\$1.79	\$2.61	\$2.55	\$2.12	\$2.28	\$3.69	See Ex C-1
2-W voice grade unbundled AL extended local dialing parity port with caller ID	UEPAW	\$2.20	NA	NA	NA	NA	NA	NA	NA	See Ex C-1
2-W voice grade unbundled KY extended local dialing parity port with caller ID	UEPBM	NA	NA	NA	\$2.61	NA	NA	NA	NA	See Ex C-1
2-W voice grade unbundled LA extended local dialing parity port with caller ID	UEPAX	NA	NA	NA	NA	\$2.55	NA	NA	NA	See Ex C-1
2-W voice grade unbundled MS extended local dialing parity port with caller ID	UEPAY	NA	NA	NA	NA	NA	\$2.12	NA	NA	See Ex C-1
2-W voice grade unbundled SC extended local dialing parity port with caller ID	UEPAZ	NA	NA	NA	NA	NA	NA	NA	\$3.69	See Ex C-1
2-W voice grade unbundled TN extended local dialing parity port with caller ID	UEPAV	NA	NA	NA	NA	NA	NA	NA	NA	See Ex C-1
2-W voice unbundled incoming only port with Caller ID	UEPB1	\$2.20	\$1.35	\$1.79	\$2.61	\$2.55	\$2.12	\$2.28	\$3.69	See Ex C-1
2-W voice unbundled LA Bus Area Calling Port with Caller ID (BUC)	UEPAA	NA	NA	NA	NA	\$2.55	NA	NA	NA	See Ex C-1
2-W voice unbundled SC Bus Area Calling Port with Caller ID (LMB)	UEPAB	NA	NA	NA	NA	NA	NA	NA	\$3.69	See Ex C-1
2-W voice unbundled TN Bus 2-Way Area Calling Port Economy Option (TACC1)	UEPAC	NA	NA	NA	NA	NA	NA	NA	NA	See Ex C-1
2-W voice unbundled TN Bus 2-Way Area Calling Port Standard Option (TACC2)	UEPAD	NA	NA	NA	NA	NA	NA	NA	NA	See Ex C-1
2-W voice unbundled TN Bus 2-WAY Collierville and Memphis Local Calling Port (B2F)	UEPAE	NA	NA	NA	NA	NA	NA	NA	NA	See Ex C-1
2-W Voice Grade Loop (SL1)										
RC - 2- Wire Voice Grade Loop - Statewide	UEPLX	NA	NA	NA	NA	NA	NA	\$14.18	NA	See Ex C-1
RC - 2- Wire Voice Grade Loop - Zone 1	UEPLX	\$14.35	\$14.90	\$10.80	\$14.79	\$14.05	\$14.59	NA	\$17.02	See Ex C-1
RC - 2- Wire Voice Grade Loop - Zone 2	UEPLX	\$23.31	\$18.51	\$12.47	\$27.68	\$24.14	\$19.33	NA	\$25.66	See Ex C-1
RC - 2- Wire Voice Grade Loop - Zone 3	UEPLX	\$42.24	\$24.25	\$19.83	\$47.78	\$49.30	\$27.63	NA	\$33.99	See Ex C-1
RC - 2- Wire Voice Grade Loop - Zone 4	UEPLX	NA	NA	NA	NA	NA	\$36.47	NA	NA	See Ex C-1
Combination Rates										See Ex C-1
RC - 2-W Voice Grade Loop with 2-W Line Port, Statewide	Note 8	NA	NA	NA	NA	NA	NA	\$16.46	NA	See Ex C-1
RC - 2-W Voice Grade Loop with 2-W Line Port, Zone 1 (Note 6)	Note 8	\$16.55	\$16.25	\$12.59	\$17.40	\$16.60	\$16.71	NA	\$20.71	See Ex C-1
RC - 2-W Voice Grade Loop with 2-W Line Port, Zone 2 (Note 6)	Note 8	\$25.51	\$19.86	\$14.26	\$30.29	\$26.69	\$21.45	NA	\$29.35	See Ex C-1
RC - 2-W Voice Grade Loop with 2-W Line Port, Zone 3 (Note 6)	Note 8	\$44.44	\$25.60	\$21.62	\$50.39	\$51.85	\$29.75	NA	\$37.68	See Ex C-1
RC - 2-W Voice Grade Loop with 2-W Line Port, Zone 4 (Note 6)	Note 8	NA	NA	NA	NA	NA	\$38.59	NA	NA	See Ex C-1
Nonrecurring Charges										See Ex C-1
NRC - 2-W Voice Grade Loop/Line Port Combination - 1st, Switch as is	USAC2	\$2.80	\$0.1964	\$2.01	\$10.00	\$3.80	\$5.20	\$2.77	\$1.59	See Ex C-1
NRC - 2-W Voice Grade Loop/Line Port Combination - Add'l, Switch as is	USAC2	\$0.41	\$0.1964	\$0.3108	\$10.00	\$0.29	\$0.41	\$0.40	\$0.40	See Ex C-1
NRC - 2-W Voice Grade Loop/Line Port Combination - 1st, Switch with change	USACC	\$2.80	\$0.1964	\$2.01	\$10.00	\$3.80	\$5.20	\$2.77	\$1.59	See Ex C-1
NRC - 2-W VG Loop/Line Port Combination-Add'l, Switch with change	USACC	\$0.41	\$0.1964	\$0.3108	\$10.00	\$0.29	\$0.41	\$0.40	\$0.40	See Ex C-1
NRC - 2-W Voice Grade Loop/Line Port Combination - Subsequent	USAS2	\$10.00	\$10.00	\$10.00	\$10.00	\$10.00	\$10.00	\$10.00	\$10.00	See Ex C-1
NRC - 2-W VG Loop/Line Port Combination - OSS LSR Charge, Electronic, per LSR received from CLEC by one of the OSS interactive interfaces (Note 7)	SOMEC	\$3.50	\$2.75	\$3.50	\$3.50	\$3.50	\$3.50	\$3.50	\$3.50	See Ex C-1
NRC - 2-W Voice Grade Loop/Line Port Combination - Incremental Cost - Manual Svc.Order vs. Electronic - 1st	SOMAN	\$40.71	\$21.56	\$33.67	\$19.99	\$31.92	\$43.52	\$40.18	\$43.19	See Ex C-1
NRC - 2-W Voice Grade Loop/Line Port Combination - Incremental Cost - Manual Svc.Order vs. Electronic - Add'l	SOMAN	\$9.58	\$21.56	\$7.88	\$19.99	\$7.32	\$9.99	\$9.45	\$9.91	See Ex C-1
NRC- 2 Wire Voice Grade Loop/Line Port Combination - Subsequent Database Update- Electronic		\$1.44	TBD	TBD	TBD	\$2.11	\$2.87	\$1.42	\$0.71	See Ex C-1
NRC- 2 Wire Voice Grade Loop/Line Port Combination - Subsequent Database Update- Manual Service Order		\$8.25	TBD	TBD	TBD	\$5.12	\$6.88	\$10.27	\$8.91	See Ex C-1
NRC - Electronic Service Order Disconnect		NA	\$0.42	NA	NA	NA	NA	NA	NA	See Ex C-1
NRC - Incremental Manual Service Order Disconnect		\$20.00	\$3.84	\$20.00	\$20.00	\$20.00	\$20.00	\$20.00	\$20.00	See Ex C-1
NRCs for New (not Currently Combined) as ordered in Georgia:										See Ex C-1
NRC - 2-W Voice Grade Loop with 2-W Line Port - New - 1st	UEPRL	NA	NA	\$22.14	NA	NA	NA	NA	NA	See Ex C-1
NRC - 2-W Voice Grade Loop with 2-W Line Port - New - Add'l	UEPRL	NA	NA	\$15.25	NA	NA	NA	NA	NA	See Ex C-1
NRC - 2-W Voice Grade Loop with 2-W Line Port - New - 1st	UEPRC	NA	NA	\$22.14	NA	NA	NA	NA	NA	See Ex C-1
NRC - 2-W Voice Grade Loop with 2-W Line Port - New - Add'l	UEPRC	NA	NA	\$15.25	NA	NA	NA	NA	NA	See Ex C-1
NRC - 2-W Voice Grade Loop with 2-W Line Port - New - 1st	UEPRO	NA	NA	\$22.14	NA	NA	NA	NA	NA	See Ex C-1

BELLSOUTH/EPB TELECOMMUNICATIONS RATES
 NETWORK ELEMENTS
 AND OTHER SERVICES
 LOOP/PORT COMBINATIONS

Attachment 2
 Exhibit C
 Rates - Page 53

DESCRIPTION	USOC	AL	FL	GA	KY	LA	MS	NC	SC	TN
NRC - 2-W Voice Grade Loop with 2-W Line Port - New - Add'l	UEPRO	NA	NA	\$15.25	NA	NA	NA	NA	NA	See Ex C-1
NRC - 2-W Voice Grade Loop with 2-W Line Port - New - 1st	UEPAP	NA	NA	\$22.14	NA	NA	NA	NA	NA	See Ex C-1
NRC - 2-W Voice Grade Loop with 2-W Line Port - New - Add'l	UEPAP	NA	NA	\$15.25	NA	NA	NA	NA	NA	See Ex C-1
NRC - 2-W Voice Grade Loop with 2-W Line Port - New - 1st	UEPBL	NA	NA	\$22.14	NA	NA	NA	NA	NA	See Ex C-1
NRC - 2-W Voice Grade Loop with 2-W Line Port - New - Add'l	UEPBL	NA	NA	\$15.25	NA	NA	NA	NA	NA	See Ex C-1
NRC - 2-W Voice Grade Loop with 2-W Line Port - New - 1st	UEPBC	NA	NA	\$22.14	NA	NA	NA	NA	NA	See Ex C-1
NRC - 2-W Voice Grade Loop with 2-W Line Port - New - Add'l	UEPBC	NA	NA	\$15.25	NA	NA	NA	NA	NA	See Ex C-1
NRC - 2-W Voice Grade Loop with 2-W Line Port - New - 1st	UEPBO	NA	NA	\$22.14	NA	NA	NA	NA	NA	See Ex C-1
NRC - 2-W Voice Grade Loop with 2-W Line Port - New - Add'l	UEPBO	NA	NA	\$15.25	NA	NA	NA	NA	NA	See Ex C-1
NRC - 2-W Voice Grade Loop with 2-W Line Port - New - 1st	UEPB1	NA	NA	\$22.14	NA	NA	NA	NA	NA	See Ex C-1
NRC - 2-W Voice Grade Loop with 2-W Line Port - New - Add'l	UEPB1	NA	NA	\$15.25	NA	NA	NA	NA	NA	See Ex C-1

BELLSOUTH/EPB TELECOMMUNICATIONS RATES
 NETWORK ELEMENTS
 AND OTHER SERVICES
 LOOP/PORT COMBINATIONS

Attachment 2
 Exhibit C
 Rates - Page 54

DESCRIPTION	USOC	AL	FL	GA	KY	LA	MS	NC	SC	TN
NRC - 2-W Voice Grade Loop/Line Port Combination - Subsequent	USAS2	NA	NA	\$10.00	NA	NA	NA	NA	NA	See Ex C-1
NRC - 2-W Voice Grade Loop with 2-W Line Port - New - Disconnect - 1st		NA	NA	\$8.45	NA	NA	NA	NA	NA	See Ex C-1
NRC - 2-W Voice Grade Loop with 2-W Line Port - New - Disconnect - Add'l		NA	NA	\$3.91	NA	NA	NA	NA	NA	See Ex C-1
NRC - 2-W VG Loop/Line Port Combination - OSS LSR Charge, Electronic, per LSR received from CLEC by one of the OSS interactive interfaces (Note 7)	SOME C	NA	NA	\$3.50	NA	NA	NA	NA	NA	See Ex C-1
NRC - 2-W Voice Grade Loop with 2-W Line Port - Incremental Cost Manual vs. Electronic - New - 1st		NA	NA	\$37.06	NA	NA	NA	NA	NA	See Ex C-1
NRC - 2-W Voice Grade Loop with 2-W Line Port - Incremental Cost Manual vs. Electronic - New - Add'l		NA	NA	\$8.19	NA	NA	NA	NA	NA	See Ex C-1
NRC- 2 Wire Voice Grade Loop/Line Port Combination - Subsequent Database Update - Electronic		NA	NA	TBD	NA	NA	NA	NA	NA	See Ex C-1
NRC- 2 Wire Voice Grade Loop/Line Port Combination - Subsequent Database Update - Manual Service Order		NA	NA	TBD	NA	NA	NA	NA	NA	See Ex C-1
NRC - 2-W Voice Grade Loop with 2-W Line Port - Incremental Cost Manual vs. Electronic - New - Disconnect		NA	NA	\$11.17	NA	NA	NA	NA	NA	See Ex C-1
2-W VG Loop - Bus Only with 2-W DID Trunk Port										See Ex C-1
2 - Wire Line Port - DID Trunk Port, per month	UEPD1	TBD	\$9.36	\$11.35	\$10.84	\$13.12	\$14.63	\$12.12	TBD	See Ex C-1
2-W Voice Grade Loop (SL2)										
RC - 2- Wire Voice Grade Loop - Statewide	UECD1	NA	NA	NA	NA	NA	NA	\$11.76	NA	See Ex C-1
RC - 2- Wire Voice Grade Loop - Zone 1	UECD1	\$17.95	\$18.48	\$16.84	\$17.78	\$17.65	\$18.35	NA	\$21.57	See Ex C-1
RC - 2- Wire Voice Grade Loop - Zone 2	UECD1	\$29.16	\$22.43	\$19.45	\$23.96	\$30.32	\$24.33	NA	\$32.53	See Ex C-1
RC - 2- Wire Voice Grade Loop - Zone 3	UECD1	\$52.84	\$27.87	\$30.92	\$34.96	\$61.93	\$34.77	NA	\$43.08	See Ex C-1
RC - 2- Wire Voice Grade Loop - Zone 4	UECD1	NA	NA	NA	NA	NA	\$45.88	NA	NA	See Ex C-1
Combination Rates										See Ex C-1
RC - 2-W Voice Grade Loop with 2-W DID Port, Statewide	Note 8	NA	NA	NA	NA	NA	NA	\$23.79	NA	See Ex C-1
RC - 2-W Voice Grade Loop with 2-W DID Port, Zone 1 (Note 6)	Note 8	28.72	\$27.84	\$28.19	28.72	\$30.77	28.72	NA	28.72	See Ex C-1
RC - 2-W Voice Grade Loop with 2-W DID Port, Zone 2 (Note 6)	Note 8	34.91	\$31.79	\$30.80	34.91	\$43.44	34.91	NA	34.91	See Ex C-1
RC - 2-W Voice Grade Loop with 2-W DID Port, Zone 3 (Note 6)	Note 8	45.9	\$37.23	\$42.27	45.9	\$75.05	45.9	NA	45.9	See Ex C-1
RC - 2-W Voice Grade Loop with 2-W DID Port, Zone4 (Note 6)	Note 8	NA	NA	NA	NA	NA	TBD	NA	NA	See Ex C-1
NRC- 2- Wire Voice Grade Loop with 2- Wire DID Port - Conversion - Switch As Is - 1st port	USAC1	\$14.62	\$14.62	\$166.08	TBD	\$14.60	\$14.60	\$13.26	\$14.62	See Ex C-1
NRC- 2- Wire Voice Grade Loop with 2- Wire DID Port - Conversion - Switch As Is Each Addl Port	USAC1	\$3.73	\$3.73	\$140.01	TBD	\$3.72	\$3.72	\$8.39	\$3.73	See Ex C-1
NRC- 2- Wire Voice Grade Loop with 2- Wire DID Port - Conversion with changes - 1st port	USA1C	\$14.62	\$14.62	\$166.08	TBD	\$14.60	\$14.60	\$13.26	\$14.62	See Ex C-1
NRC- 2- Wire Voice Grade Loop with 2- Wire DID Port - Conversion with changes - Each Addl port	USA1C	\$3.73	\$3.73	\$140.01	TBD	\$3.72	\$3.72	\$8.39	\$3.73	See Ex C-1
NRC - 2-W DID Subsequent Activity - Per Svc Order - Add Trunks, Per Trunk	USAS1	\$53.57	\$53.57	NA	NA	\$53.50	\$53.50	NA	\$53.57	See Ex C-1
NRC - 2-W VG Loop/Line Port Combination - OSS LSR Charge, Electronic, per LSR received from CLEC by one of the OSS interactive interfaces (Note 7)	SOME C	\$3.50	\$2.75	\$3.50	\$3.50	\$3.50	\$3.50	\$3.50	\$3.50	See Ex C-1
NRC- 2- Wire Voice Grade Loop with 2- Wire DID Port - Incremental Cost- Manual Service Order - 1st	SOMAN	\$19.99	\$21.56	\$37.88	\$19.99	\$19.99	\$19.99	\$53.89	\$19.99	See Ex C-1
NRC- 2- Wire Voice Grade Loop with 2- Wire DID Port - Incremental Cost- Manual Service Order - Addl	SOMAN	\$19.99	\$21.56	\$16.84	\$19.99	\$19.99	\$19.99	\$11.34	\$19.99	See Ex C-1
NRC - Electronic Service Order Disconnect		\$0.42	\$0.42	\$0.42	\$0.42	\$0.42	\$0.42	\$0.42	\$0.42	See Ex C-1
NRC - Incremental Manual Service Order Disconnect		\$20.00	\$3.84	\$20.00	\$20.00	\$20.00	\$20.00	\$20.00	\$20.00	See Ex C-1
Telephone Number/Trunk Group Establishment										See Ex C-1
DID Trunk Termination (one required per port)	NDT	\$0.00	\$0.00	\$0.00	\$0.00	\$0.00	\$0.00	\$0.00	\$0.00	See Ex C-1
DID Numbers, Establish Trunk Group and Provide First Group of 20 DID Numbers (FL, GA, NC, & SC only)	NDZ	\$0.00	\$0.00	\$0.00	\$0.00	\$0.00	\$0.00	\$0.00	\$0.00	See Ex C-1
DID Numbers, Establish Trunk Group and Provide First Group of 20 DID Numbers (AL, KY, LA, MS, & TN). In addition, Provides Additional DID Numbers for each Group of 20 DID Numbers (Valid in All States)	ND4	\$0.00	\$0.00	\$0.00	\$0.00	\$0.00	\$0.00	\$0.00	\$0.00	See Ex C-1
DID Numbers, non-consecutive	ND5	\$0.00	\$0.00	\$0.00	\$0.00	\$0.00	\$0.00	\$0.00	\$0.00	See Ex C-1
2-W ISDN Digital Grade Loop with 2-W ISDN Digital Port										See Ex C-1
2-W ISDN Digital Port per month	UEPPB	\$16.42	\$8.51	\$13.47	\$12.99	\$11.42	\$51.91	\$24.37	\$33.74	See Ex C-1

BELLSOUTH/EPB TELECOMMUNICATIONS RATES
 NETWORK ELEMENTS
 AND OTHER SERVICES
 LOOP/PORT COMBINATIONS

Attachment 2
 Exhibit C
 Rates - Page 55

DESCRIPTION		USOC	AL	FL	GA	KY	LA	MS	NC	SC	TN
	2-W ISDN Digital Grade Loop										
	RC - 2-W ISDN Digital Grade Loop - Statewide	USL2X	NA	NA	NA	NA	NA	NA	\$19.08	NA	See Ex C-1

BELLSOUTH/EPB TELECOMMUNICATIONS RATES
 NETWORK ELEMENTS
 AND OTHER SERVICES
 LOOP/PORT COMBINATIONS

Attachment 2
 Exhibit C
 Rates - Page 56

DESCRIPTION	USOC	AL	FL	GA	KY	LA	MS	NC	SC	TN
RC - 2-W ISDN Digital Grade Loop - Zone 1	USL2X	\$23.23	\$22.48	\$21.89	\$22.41	\$28.87	\$21.86	NA	\$26.68	See Ex C-1
RC - 2-W ISDN Digital Grade Loop - Zone 2	USL2X	\$37.74	\$27.90	\$25.27	\$31.10	\$37.63	\$28.97	NA	\$40.24	See Ex C-1
RC - 2-W ISDN Digital Grade Loop - Zone 3	USL2X	\$68.38	\$30.78	\$40.17	\$42.36	\$48.42	\$41.40	NA	\$53.29	See Ex C-1
RC - 2-W ISDN Digital Grade Loop - Zone 4	USL2X	NA	NA	NA	NA	NA	\$54.64	NA	NA	See Ex C-1
Combination Rates										
RC - 2-W ISDN Digital Grade Loop with 2-W ISDN Digital Port - Statewide	Note 8	NA	NA	NA	NA	NA	NA	\$43.45	NA	See Ex C-1
RC - 2-W ISDN Digital Grade Loop with 2-W ISDN Digital Port - Zone 1	Note 8	\$39.65	\$30.99	\$35.36	\$34.40	\$34.84	\$73.77	NA	\$60.42	See Ex C-1
RC - 2-W ISDN Digital Grade Loop with 2-W ISDN Digital Port - Zone 2	Note 8	\$54.16	\$36.41	\$38.74	\$44.10	\$43.20	\$80.78	NA	\$73.98	See Ex C-1
RC - 2-W ISDN Digital Grade Loop with 2-W ISDN Digital Port - Zone 3	Note 8	\$84.80	\$39.30	\$53.64	\$55.35	\$59.69	\$93.31	NA	\$87.03	See Ex C-1
RC - 2-W ISDN Digital Grade Loop with 2-W ISDN Digital Port - Zone 4	Note 8	NA	NA	NA	NA	NA	\$106.55	NA	NA	See Ex C-1
NRC - 2-W ISDN Digital Grade Loop/2-W ISDN Digital Port - 1st conversion	USACB	\$79.12	\$86.79	\$239.95	\$79.12	\$79.01	\$79.12	\$174.35	\$79.12	See Ex C-1
NRC-2-W ISDN Digital Grade Loop/2-W ISDN Digital Port-Add'l conversion	USACB	\$54.04	\$54.04	\$156.92	\$54.04	\$53.97	\$54.04	\$174.35	\$54.04	See Ex C-1
NRC - 2-W ISDN Digital Grade Loop/2-W ISDN Digital Port - Non Feature Subsequent Activity	USASB	\$53.50	\$53.50	\$53.50	\$53.50	\$53.50	\$53.50	\$53.50	\$53.50	See Ex C-1
NRC - 2-W VG Loop/Line Port Combination - OSS LSR Charge, Electronic, per LSR received from CLEC by one of the OSS interactive interfaces (Note 7)	SOME C	\$3.50	\$2.75	\$3.50	\$3.50	\$3.50	\$3.50	\$3.50	\$3.50	See Ex C-1
NRC - 2-W ISDN Digital Grade Loop/2-W ISDN Digital Port - Incremental Cost- Manual Service Order - 1st	SOMAN	\$19.99	\$21.56	\$19.99	\$19.99	\$19.99	\$19.99	\$19.99	\$19.99	See Ex C-1
NRC - 2-W ISDN Digital Grade Loop/2-W ISDN Digital Port - Incremental Cost- Manual Service Order - Add'l	SOMAN	\$19.99	\$21.56	\$19.99	\$19.99	\$19.99	\$19.99	\$19.99	\$19.99	See Ex C-1
NRC - Electronic Service Order Disconnect		\$0.42	\$0.42	\$0.42	\$0.42	\$0.42	\$0.42	\$0.42	\$0.42	See Ex C-1
NRC - Incremental Manual Service Order Disconnect		\$20.00	\$3.84	\$20.00	\$20.00	\$20.00	\$20.00	\$20.00	\$20.00	See Ex C-1
4-W DS1 Digital Loop with 4-W ISDN DS1 Digital Trunk Port										See Ex C-1
4 - Wire ISDN DS1 Digital Trunk Port	UEPPP	\$186.02	\$95.39	\$163.16	\$113.21	\$107.55	\$213.21	\$179.01	\$214.79	See Ex C-1
4 - Wire DS1 Digital Loop										
RC - 4- Wire DS1 Digital Loop- Statewide	USL4P	NA	NA	NA	NA	NA	NA	\$62.71	NA	See Ex C-1
RC - 4- Wire DS1 Digital Loop- Zone 1	USL4P	\$51.74	\$92.48	\$55.53	\$106.04	\$100.70	\$50.99	NA	\$59.61	See Ex C-1
RC - 4- Wire DS1 Digital Loop- Zone 2	USL4P	\$84.05	\$119.68	\$3.21	\$135.15	\$129.12	\$67.58	NA	\$89.90	See Ex C-1
RC - 4- Wire DS1 Digital Loop- Zone 3	USL4P	\$152.29	\$194.70	\$101.93	\$186.26	\$344.16	\$96.58	NA	\$119.06	See Ex C-1
RC - 4-Wire DS1 Digital Loop - Zone 4	USL4P	NA	NA	NA	NA	NA	\$127.47	NA	NA	See Ex C-1
Combination Rates										
RC - 4-Wire DS1 Digital Loop with 4-wire ISDN DS1 Digital Port - Statewide	Note 8	NA	NA	NA	NA	NA	NA	\$241.72	NA	See Ex C-1
RC - 4-Wire DS1 Digital Loop with 4-wire ISDN DS1 Digital Port - Zone 1	Note 8	\$237.76	\$187.87	\$218.69	\$219.25	\$208.25	\$264.20	NA	\$274.40	See Ex C-1
RC - 4-Wire DS1 Digital Loop with 4-wire ISDN DS1 Digital Port - Zone 2	Note 8	\$270.07	\$215.07	\$227.29	\$248.36	\$236.67	\$280.79	NA	\$304.69	See Ex C-1
RC - 4-Wire DS1 Digital Loop with 4-wire ISDN DS1 Digital Port - Zone 3	Note 8	\$338.31	\$290.08	\$265.09	\$299.47	\$451.57	\$309.79	NA	\$333.85	See Ex C-1
RC - 4-Wire DS1 Digital Loop with 4-wire ISDN DS1 Digital Port - Zone 4	Note 8	NA	NA	NA	NA	NA	\$340.68	NA	NA	See Ex C-1
Local Number Portability										
Local Number Portability (1 per port)	LNPCN	\$1.75	\$1.75	\$1.75	\$1.75	\$1.75	\$1.75	\$1.75	\$1.75	See Ex C-1
Interface (Provisioning Only)										See Ex C-1
Voice/Data	PR71V	\$0.00	\$0.00	\$0.00	\$0.00	\$0.00	\$0.00	\$0.00	\$0.00	See Ex C-1
Digital Data	PR71D	\$0.00	\$0.00	\$0.00	\$0.00	\$0.00	\$0.00	\$0.00	\$0.00	See Ex C-1
Inward Data	PR71E	\$0.00	\$0.00	\$0.00	\$0.00	\$0.00	\$0.00	\$0.00	\$0.00	See Ex C-1
Non-Recurring Charges										
NRC - 4-Wire DS1 Digital Loop with 4-wire ISDN DS1 Digital Port Combination - 1st conversion	USACP	\$240.30	\$247.97	\$269.96	\$240.30	\$239.95	\$240.30	\$481.51	\$240.30	See Ex C-1
NRC - 4-Wire DS1 Digital Loop with 4-wire ISDN DS1 Digital Port Combination - Add'l conversion	USACP	\$157.17	\$157.17	\$269.96	\$157.17	\$156.94	\$157.17	\$481.51	\$157.17	See Ex C-1
NRC - 4 - Wire DS1 Digital Loop with 4 - Wire ISDN DS1 Digital Trunk Port - Subsequent Channel Activation - Per Channel	USASP	\$29.06	\$29.06	\$28.71	\$29.06	\$29.01	\$29.06	\$36.92	\$29.06	See Ex C-1
NRC - 4-Wire DS1 Digital Loop with 4-wire ISDN DS1 Digital Port Combination - Subsequent Inward/2-way Telephone Numbers	PR7TG	\$0.98	\$0.9804	\$0.9686	\$0.98	\$0.98	\$0.98	\$1.17	\$0.98	See Ex C-1
NRC - 4-Wire DS1 Digital Loop with 4-wire ISDN DS1 Digital Port Combination - Subsequent Outward Telephone numbers	PR7TP	\$23.02	\$23.02	\$22.75	\$23.02	\$22.99	\$23.02	\$28.17	\$23.02	See Ex C-1
NRC - 4-Wire DS1 Digital Loop with 4-wire ISDN DS1 Digital Port Combination - Subsequent Inward Telephone Numbers	PR7ZT	\$46.05	\$46.05	\$45.49	\$46.05	\$45.98	\$46.05	\$56.33	\$46.05	See Ex C-1
NRC - 4-Wire DS1 Digital Loop with 4-wire ISDN DS1 Digital Port Combination - Subsequent Service Order Per Order	USASP	\$147.47	\$147.47	\$147.47	\$147.47	\$147.47	\$147.47	\$255.25	\$147.47	See Ex C-1

BELLSOUTH/EPB TELECOMMUNICATIONS RATES
 NETWORK ELEMENTS
 AND OTHER SERVICES
 LOOP/PORT COMBINATIONS

DESCRIPTION	USOC	AL	FL	GA	KY	LA	MS	NC	SC	TN
NRC - 2-W VG Loop/Line Port Combination - OSS LSR Charge, Electronic, per LSR received from CLEC by one of the OSS interactive interfaces (Note 7)	SOME C	\$3.50	\$2.75	\$3.50	\$3.50	\$3.50	\$3.50	\$3.50	\$3.50	See Ex C-1
NRC - 4-Wire DS1 Digital Loop with 4-wire ISDN Digital Port - Incremental Cost-Manual Service Order - 1st	SOMAN	\$19.99	\$21.56	\$19.99	\$19.99	\$19.99	\$19.99	\$19.99	\$19.99	See Ex C-1
NRC - 4-Wire ISDN Digital Loop with 4-wire ISDN Digital Port - Incremental Cost-Manual Service Order - Addl	SOMAN	\$19.99	\$21.56	\$19.99	\$19.99	\$19.99	\$19.99	\$19.99	\$19.99	See Ex C-1
NRC - Electronic Service Order Disconnect		\$0.42	\$0.42	\$0.42	\$0.42	\$0.42	\$0.42	\$0.42	\$0.42	See Ex C-1
NRC - Incremental Manual Service Order Disconnect		\$20.00	\$3.84	\$20.00	\$20.00	\$20.00	\$20.00	\$20.00	\$20.00	See Ex C-1
4 - Wire DS1 Digital Loop with 4 - Wire DDITS Trunk Port										
4 - Wire DDITS Digital Trunk Port (Formerly DID Trunk Port)	UDD1T	\$130.23	\$63.31	\$120.80	\$83.28	\$149.27	\$146.46	\$123.65	TBD	See Ex C-1
4 - Wire DS1 Digital Loop	USLDC									
4 - Wire DS1 Digital Loop - Statewide	USLDC	NA	NA	NA	NA	NA	NA	\$62.71	NA	See Ex C-1
4 - Wire DS1 Digital Loop - Zone 1	USLDC	\$51.74	\$64.69	\$55.53	\$106.04	\$56.32	\$50.99	NA	\$59.61	See Ex C-1
4 - Wire DS1 Digital Loop - Zone 2	USLDC	\$84.05	\$94.71	\$64.13	\$135.15	\$96.73	\$67.58	NA	\$89.90	See Ex C-1
4 - Wire DS1 Digital Loop - Zone 3	USLDC	\$152.29	\$208.93	\$101.93	\$186.26	\$197.57	\$96.58	NA	\$119.06	See Ex C-1
4 - Wire DS1 Digital Loop - Zone 4	USLDC	NA	NA	NA	NA	NA	\$127.47	NA	NA	See Ex C-1
Combination Rates										
4 - Wire DS1 Digital Loop with 4 - Wire DDITS Trunk Port - Statewide	Note 8	NA	NA	NA	NA	NA	NA	\$186.36	NA	See Ex C-1
4 - Wire DS1 Digital Loop with 4 - Wire DDITS Trunk Port - Zone 1	Note 8	\$181.97	\$128.00	\$176.33	\$189.32	\$205.59	\$197.45	NA	TBD	See Ex C-1
4 - Wire DS1 Digital Loop with 4 - Wire DDITS Trunk Port - Zone 2	Note 8	\$214.28	\$158.02	\$184.93	\$218.43	\$246.00	\$214.04	NA	TBD	See Ex C-1
4 - Wire DS1 Digital Loop with 4 - Wire DDITS Trunk Port - Zone 3	Note 8	\$282.52	\$272.24	\$222.73	\$269.54	\$346.84	\$243.04	NA	TBD	See Ex C-1
4 - Wire DS1 Digital Loop with 4 - Wire DDITS Trunk Port - Zone 4	Note 8	NA	NA	NA	NA	NA	\$273.93	NA	NA	See Ex C-1
Local number Portability per DSO Activated	LNPCP	\$3.15	\$3.15	\$3.15	\$3.15	\$3.15	\$3.15	\$3.15	\$3.15	See Ex C-1
Central Office Terminating Point	CTG	\$0.00	\$0.00	\$0.00	\$0.00	\$0.00	\$0.00	\$0.00	\$0.00	See Ex C-1
Telephone Number / Trunk Group establishment										
Telephone Number for 2-Way Trunk Group	UDTGX	\$0.00	\$0.00	\$0.00	\$0.00	\$0.00	\$0.00	\$0.00	\$0.00	See Ex C-1
Telephone Number for 1-Way Outward Trunk Group	UDTGY	\$0.00	\$0.00	\$0.00	\$0.00	\$0.00	\$0.00	\$0.00	\$0.00	See Ex C-1
Telephone Number for 1-Way Inward Trunk Group Without DID	UDTGZ	\$0.00	\$0.00	\$0.00	\$0.00	\$0.00	\$0.00	\$0.00	\$0.00	See Ex C-1
DID Numbers, Establish Trunk Group and Provide First Group of 20 DID Numbers (FL, GA, NC, & SC only)	NDZ	\$0.00	\$0.00	\$0.00	\$0.00	\$0.00	\$0.00	\$0.00	\$0.00	See Ex C-1
DID Numbers, Establish Trunk Group and Provide First Group of 20 DID Numbers (AL, KY, LA, MS, & TN). In addition, Provides Additional DID Numbers for each Group of 20 DID Numbers (Valid in All States)	ND4	\$0.00	\$0.00	\$0.00	\$0.00	\$0.00	\$0.00	\$0.00	\$0.00	See Ex C-1
DID Numbers, Non- consecutive DID Numbers , Per Number	ND5	\$0.00	\$0.00	\$0.00	\$0.00	\$0.00	\$0.00	\$0.00	\$0.00	See Ex C-1
Interoffice Channel Mileage - (Dedicated DS1) FX/FCO for 4 - Wire DS1 Digital Loop with 4 - Wire DDITS Trunk Port										
Fixed cost 0-8 miles (Facilities Termination)	1LNO1	\$79.69	\$92.62	\$63.39	\$55.05	\$93.40	\$74.40	\$71.29	\$94.98	See Ex C-1
Additional costs per mile 0-8 miles	1LNOA	\$0.6920	\$0.2000	\$0.3068	\$0.4500	\$0.7831	\$0.6598	\$0.0783	\$0.7598	See Ex C-1
Fixed cost 9-25 miles (Facilities Termination)	1LNO2	\$0.00	\$0.00	\$0.00	\$0.00	\$0.00	\$0.00	\$0.00	\$0.00	See Ex C-1
additional costs per mile 9-25 miles	1LNOB	\$0.6920	\$0.2000	\$0.3068	\$0.4500	\$0.7831	\$0.6598	\$0.0783	\$0.7598	See Ex C-1
Fixed cost 25 + miles (Facilities Termination)	1LNO3	\$0.00	\$0.00	\$0.00	\$0.00	\$0.00	\$0.00	\$0.00	\$0.00	See Ex C-1
Additional costs 25 + miles	1LNOC	\$0.6920	\$0.2000	\$0.3068	\$0.4500	\$0.7831	\$0.6598	\$0.0783	\$0.7598	See Ex C-1
Enhanced Performance Charges										
Enhanced Performance Charges - as negotiated in contract	UDTPC	TBN	TBN	TBN	TBN	TBN	TBN	TBN	TBN	See Ex C-1
Non-recurring Charges										
NRC - 4-Wire DS1 Digital Loop with 4-Wire DDITS Trunk Port Combination - OSS LSR Charge, Electronic, per LSR received from the CLEC by one of the OSS interactive interfaces (Note 7)	SOME C	\$3.50	\$2.75	\$3.50	\$3.50	\$3.50	\$3.50	\$3.50	\$3.50	See Ex C-1
NRC- 4-Wire DS1 Digital Loop with 4-Wire DDITS Trunk Port - Incremental Cost-Manual Service Order - 1st	SOMAN	\$19.99	\$21.56	\$37.88	\$19.99	\$19.99	\$19.99	\$19.99	\$19.99	See Ex C-1
NRC- 4-Wire DS1 Digital Loop with 4-Wire DDITS Trunk Port - Incremental Cost-Manual Service Order - Add'l	SOMAN	\$19.99	\$21.56	\$16.84	\$19.99	\$19.99	\$19.99	\$19.99	\$19.99	See Ex C-1
NRC - Electronic Service Order Disconnect		TBD	\$0.42	TBD	TBD	TBD	TBD	TBD	TBD	See Ex C-1
NRC - Incremental Manual Service Order Disconnect		\$20.00	\$3.84	\$20.00	\$20.00	\$20.00	\$20.00	\$20.00	\$20.00	See Ex C-1

BELLSOUTH/EPB TELECOMMUNICATIONS RATES
 NETWORK ELEMENTS
 AND OTHER SERVICES
 LOOP/PORT COMBINATIONS

Attachment 2
 Exhibit C
 Rates - Page 58

DESCRIPTION		USOC	AL	FL	GA	KY	LA	MS	NC	SC	TN
	NRC -4 - Wire DS1 Digital Loop with 4 - Wire DDITS Trunk Port -Conversion - Switch as is - 1st	USAC4	TBD	\$268.82	\$269.96	\$261.15	\$266.76	TBD	\$490.38	TBD	See Ex C-1

BELLSOUTH/EPB TELECOMMUNICATIONS RATES
 NETWORK ELEMENTS
 AND OTHER SERVICES
 LOOP/PORT COMBINATIONS

Attachment 2
 Exhibit C
 Rates - Page 59

DESCRIPTION	USOC	AL	FL	GA	KY	LA	MS	NC	SC	TN
NRC -4 - Wire DS1 Digital Loop with 4 - Wire DDITS Trunk Port - Conversion - Switch as is - Additional	USAC4	TBD	\$134.07	\$269.96	\$134.08	\$123.16	TBD	\$490.38	TBD	See Ex C-1
NRC -4 - Wire DS1 Digital Loop with 4 - Wire DDITS Trunk Port - Conversion with DS1 changes - 1st	USAWA	TBD	\$268.82	\$269.96	\$261.15	\$266.76	TBD	\$490.38	TBD	See Ex C-1
NRC -4 - Wire DS1 Digital Loop with 4 - Wire DDITS Trunk Port - Conversion with DS1 Changes - Additional	USAWA	TBD	\$134.07	\$269.96	\$134.08	\$123.16	TBD	\$490.38	TBD	See Ex C-1
NRC -4 - Wire DS1 Digital Loop with 4 - Wire DDITS Trunk Port - Conversion with Change - Trunks - 1st	USAWB	TBD	\$268.82	\$269.96	\$261.15	\$266.76	TBD	\$490.38	TBD	See Ex C-1
NRC -4 - Wire DS1 Digital Loop with 4 - Wire DDITS Trunk Port - Conversion with Change - Trunks - Additional	USAWB	TBD	\$134.07	\$269.96	\$134.08	\$123.16	TBD	\$490.38	TBD	See Ex C-1
NRC -4 - Wire DS1 Digital Loop with 4 - Wire DDITS Digital Trunk Port - Subsequent Service Activity Per Service Order	USAS4	TBD	\$54.00	\$147.47	TBD	\$68.57	TBD	\$127.63	TBD	See Ex C-1
NRC -4 - Wire DS1 Digital Loop with 4 - Wire DDITS Trunk Port - New - 1st	UDDIT	NA	NA	\$858.30	NA	NA	NA	NA	NA	See Ex C-1
NRC -4 - Wire DS1 Digital Loop with 4 - Wire DDITS Trunk Port - New - Add'l	UDDIT	NA	NA	\$514.02	NA	NA	NA	NA	NA	See Ex C-1
NRC -4 - Wire DS1 Digital Loop with 4 - Wire DDITS Trunk Port - New - 1st - Disconnect	UDDIT	NA	NA	TBD	NA	NA	NA	NA	NA	See Ex C-1
NRC -4 - Wire DS1 Digital Loop with 4 - Wire DDITS Trunk Port - New - Additional Disconnect	UDDIT	TBD	NA	TBD	TBD	NA	TBD	\$11.98	TBD	See Ex C-1
NRC -4 - Wire DS1 Digital Loop with 4 - Wire DDITS Trunk Port - Subsequent Channel Activation - Per Channel - 2-Way Trunk	UDTTA	TBD	\$28.96	\$28.71	\$28.96	\$26.60	TBD	\$146.91	TBD	See Ex C-1
NRC -4 - Wire DS1 Digital Loop with 4 - Wire DDITS Trunk Port - Subsequent Channel Activation - Per Channel - 1-Way Outward Trunk	UDTTB	TBD	\$28.96	\$28.71	\$28.96	\$26.60	TBD	\$146.91	TBD	See Ex C-1
NRC -4 - Wire DS1 Digital Loop with 4 - Wire DDITS Trunk Port - Subsequent Channel Activation - Per Channel - 1-Way Inward Trunk Without DID	UDTTC	TBD	\$28.96	\$28.71	\$28.96	\$26.60	TBD	\$146.91	TBD	See Ex C-1
NRC -4 - Wire DS1 Digital Loop with 4 - Wire DDITS Trunk Port - Subsequent Channel Activation - Per Channel - 1-Way Inward Trunk With DID	UDTTD	TBD	\$28.96	\$28.71	\$28.96	\$26.60	TBD	\$146.91	TBD	See Ex C-1
NRC -4 - Wire DS1 Digital Loop with 4 - Wire DDITS Trunk Port - Subsequent Channel Activation - Per Channel - 2-Way DID with User Transfer	UDTTE	TBD	\$28.96	\$28.71	\$28.96	\$26.60	TBD	\$146.91	TBD	See Ex C-1
NRC -4 - Wire DS1 Digital Loop with 4 - Wire DDITS Digital Trunk Port - Subsequent Signaling Changes		TBD	TBD	TBD	TBD	TBD	TBD	\$29.65	TBD	See Ex C-1
NRC -4 - Wire DS1 Digital Loop with 4 - Wire DDITS Digital Trunk Port - Subsequent Telephone Numbers		TBD	TBD	TBD	TBD	TBD	TBD	\$120.96	TBD	See Ex C-1
NRC - Interoffice Channel Mileage - (Dedicated DS1) FX/FCO for 4 - Wire DS1 Digital Loop with 4 - Wire DDITS Trunk Port Fixed cost 0-8 miles (Facilities Termination) - 1st - New Only	1LNO1	\$198.15	NA	\$147.07	NA	NA	NA	NA	NA	See Ex C-1
NRC - Interoffice Channel Mileage - (Dedicated DS1) FX/FCO for 4 - Wire DS1 Digital Loop with 4 - Wire DDITS Trunk Port Fixed cost 0-8 miles (Facilities Termination) - Additional - New Only	1LNO2	\$148.18	NA	\$111.75	NA	NA	NA	NA	NA	See Ex C-1
NRC - Interoffice Channel Mileage - (Dedicated DS1) FX/FCO for 4 - Wire DS1 Digital Loop with 4 - Wire DDITS Trunk Port Fixed cost 0-8 miles (Facilities Termination) - Disconnect - 1st - New Only	1LNO3	\$25.44	NA	NA	NA	NA	NA	NA	NA	See Ex C-1
NRC - Interoffice Channel Mileage - (Dedicated DS1) FX/FCO for 4 - Wire DS1 Digital Loop with 4 - Wire DDITS Trunk Port Fixed cost 0-8 miles (Facilities Termination) - Disconnect Additional - New Only	1LNO4	\$20.42	NA	NA	NA	NA	NA	NA	NA	See Ex C-1
BIPOLAR 8 ZERO SUBSTITUTION										See Ex C-1
NRC - Superframe Format - Conversion or new install 1st	CCOSF	\$0.00	\$0.00	\$0.00	\$0.00	\$0.00	\$0.00	\$0.00	\$0.00	See Ex C-1
NRC - Superframe Format - Conversion or new install Additional	CCOSF	\$0.00	\$0.00	\$0.00	\$0.00	\$0.00	\$0.00	\$0.00	\$0.00	See Ex C-1
NRC - Extended Superframe Format - Change or Subsequent Activity - 1st	CCOSF	\$0.00	\$0.00	\$0.00	\$0.00	\$0.00	\$0.00	\$0.00	\$0.00	See Ex C-1
NRC - Extended Superframe Format - Change or Subsequent Activity-Add'l	CCOSF	\$600.00	\$655.00	\$600.00	\$730.00	\$605.00	\$600.00	\$615.00	\$605.00	See Ex C-1
NRC - Extended Superframe Format - Conversion or New Install 1st	CCOEF	\$0.00	\$0.00	\$0.00	\$0.00	\$0.00	\$0.00	\$0.00	\$0.00	See Ex C-1
NRC - Extended Superframe Format - Conversion or New Install - Additional	CCOEF	\$0.00	\$0.00	\$0.00	\$0.00	\$0.00	\$0.00	\$0.00	\$0.00	See Ex C-1
NRC - Extended Superframe Format - Change or Subsequent Activity - 1st	CCOEF	\$0.00	\$0.00	\$0.00	\$0.00	\$0.00	\$0.00	\$0.00	\$0.00	See Ex C-1
NRC - Extended Superframe Format - Change or Subsequent Activity-Add'l	CCOEF	\$600.00	\$655.00	\$600.00	\$730.00	\$605.00	\$600.00	\$615.00	\$605.00	See Ex C-1
Alternate Mark Inversion (AMI)										See Ex C-1
NRC - Superframe Format - 1st	MCOSF	\$0.00	\$0.00	\$0.00	\$0.00	\$0.00	\$0.00	\$0.00	\$0.00	See Ex C-1
NRC - Superframe Format - Additional	MCOSF	\$0.00	\$0.00	\$0.00	\$0.00	\$0.00	\$0.00	\$0.00	\$0.00	See Ex C-1
NRC - Extended Superframe Format - 1st	MCOPO	\$0.00	\$0.00	\$0.00	\$0.00	\$0.00	\$0.00	\$0.00	\$0.00	See Ex C-1
NRC - Extended Superframe Format - Additional	MCOPO	\$0.00	\$0.00	\$0.00	\$0.00	\$0.00	\$0.00	\$0.00	\$0.00	See Ex C-1

BELLSOUTH/EPB TELECOMMUNICATIONS RATES
 NETWORK ELEMENTS
 AND OTHER SERVICES
 LOOP/PORT COMBINATIONS

Attachment 2
 Exhibit C
 Rates - Page 60

DESCRIPTION	USOC	AL	FL	GA	KY	LA	MS	NC	SC	TN
2-W Voice Grade Loop with 2-W Line Port PBX										
2-W Analog Line Port (PBX), per month										
2 WIRE VOICE UNBUNDLED COMBINATION 2-WAY PBX TRUNK - Residence	UEPRD	\$2.20	\$1.35	\$1.79	\$2.61	\$2.55	\$2.12	\$2.28	\$3.69	See Ex C-1
LINE SIDE UNBUNDLED COMBINATION 2-WAY PBX TRUNK - BUSINESS	UEPPC	\$2.20	\$1.35	\$1.79	\$2.61	\$2.55	\$2.12	\$2.28	\$3.69	See Ex C-1
LINE SIDE UNBUNDLED OUTWARD PBX TRUNK - BUSINESS	UEPPO	\$2.20	\$1.35	\$1.79	\$2.61	\$2.55	\$2.12	\$2.28	\$3.69	See Ex C-1
LINE SIDE UNBUNDLED INCOMING PBX TRUNK - BUSINESS	UEPP1	\$2.20	\$1.35	\$1.79	\$2.61	\$2.55	\$2.12	\$2.28	\$3.69	See Ex C-1
2-W VOICE UNBUNDLED 2-WAY COMBINATION PBX AL CALLING PORT	UEPA2	\$2.20	NA	NA	NA	NA	NA	NA	NA	See Ex C-1
2-W VOICE UNBUNDLED 2-WAY COMBINATION PBX LA CALLING PORT	UEPL2	NA	NA	NA	NA	\$2.55	NA	NA	NA	See Ex C-1
2-W VOICE UNBUNDLED PBX LD TERMINAL PORTS	UEPLD	\$2.20	\$1.35	\$1.79	\$2.61	\$2.55	\$2.12	\$2.28	\$3.69	See Ex C-1
2-W VOICE UNBUNDLED 2-WAY COMBINATION PBX TN CALLING PORT	UEPT2	NA	NA	NA	NA	NA	NA	NA	NA	See Ex C-1
2-W VOICE UNBUNDLED 1-WAY OUTGOING PBX TN CALLING PORT	UEPTO	NA	NA	NA	NA	NA	NA	NA	NA	See Ex C-1
2-W VOICE UNBUNDLED 2-WAY COMBINATION PBX USAGE PORT	UEPXA	\$2.20	\$1.35	\$1.79	\$2.61	\$2.55	\$2.12	\$2.28	\$3.69	See Ex C-1
2-W VOICE UNBUNDLED PBX TOLL TERMINAL HOTEL PORTS	UEPXB	\$2.20	\$1.35	\$1.79	\$2.61	\$2.55	\$2.12	\$2.28	\$3.69	See Ex C-1
2-W VOICE UNBUNDLED PBX LD DDD TERMINALS PORT	UEPXC	\$2.20	\$1.35	\$1.79	\$2.61	\$2.55	\$2.12	\$2.28	\$3.69	See Ex C-1
2-W VOICE UNBUNDLED PBX LD TERMINAL SWITCHBOARD PORT	UEPXD	\$2.20	\$1.35	\$1.79	\$2.61	\$2.55	\$2.12	\$2.28	\$3.69	See Ex C-1
2-W VOICE UNBUNDLED PBX LD TERMINAL SWITCHBOARD IDD CAPABLE PORT	UEPXE	\$2.20	\$1.35	\$1.79	\$2.61	\$2.55	\$2.12	\$2.28	\$3.69	See Ex C-1
2-W VOICE UNBUNDLED 2-WAY PBX KY ROOM AREA CALLING PORT WITHOUT LUD	UEPXF	NA	NA	NA	\$2.61	NA	NA	NA	NA	See Ex C-1
2-W VOICE UNBUNDLED PBX KY LUD AREA CALLING PORT	UEPXG	NA	NA	NA	\$2.61	NA	NA	NA	NA	See Ex C-1
2-W VOICE UNBUNDLED PBX KY PREMIUM CALLING PORT	UEPXH	NA	NA	NA	\$2.61	NA	NA	NA	NA	See Ex C-1
2-W VOICE UNBUNDLED 2-WAY KY AREA CALLING PORT WITHOUT LUD	UEPXJ	NA	NA	NA	\$2.61	NA	NA	NA	NA	See Ex C-1
2-W VOICE UNBUNDLED 2-WAY PBX LA LOCAL OPTL CALLING PORT	UEPXK	NA	NA	NA	NA	\$2.55	NA	NA	NA	See Ex C-1
2-W VOICE UNBUNDLED 2-WAY PBX HOTEL/HOSPITAL ECONOMY ADMINISTRATIVE CALLING PORT	UEPXL	\$2.20	\$1.35	\$1.79	\$2.61	\$2.55	\$2.12	\$2.28	\$3.69	See Ex C-1
2-W VOICE UNBUNDLED 2-WAY PBX HOTEL/HOSPITAL ECONOMY ROOM CALLING PORT	UEPXM	\$2.20	\$1.35	\$1.79	\$2.61	\$2.55	\$2.12	\$2.28	\$3.69	See Ex C-1
2-W VOICE UNBUNDLED 1-WAY OUTGOING PBX HOTEL/HOSPITAL ECONOMY ADMINISTRATIVE CALLING PORT TN CALLING PORT	UEPXN	NA	NA	NA	NA	NA	NA	NA	NA	See Ex C-1
2-W VOICE UNBUNDLED 1-WAY OUTGOING PBX HOTEL/HOSPITAL discount ROOM CALLING PORT	UEPXO	\$2.20	\$1.35	\$1.79	\$2.61	\$2.55	\$2.12	\$2.28	\$3.69	See Ex C-1
2-W VOICE UNBUNDLED 1-WAY OUTGOING PBX LA LOCAL DISCOUNT CALLING PORT	UEPXP	NA	NA	NA	NA	\$2.55	NA	NA	NA	See Ex C-1
2-W VOICE UNBUNDLED 2-WAY PBX MS LOCAL ECON CALLING PORT	UEPXQ	NA	NA	NA	NA	NA	\$2.12	NA	NA	See Ex C-1
2-W VOICE UNBUNDLED 2-WAY PBX MS LOCAL OPTL CALLING PORT	UEPXR	NA	NA	NA	NA	NA	\$2.12	NA	NA	See Ex C-1
2-W VOICE UNBUNDLED 1-WAY OUTGOING PBXMEASURED PORT	UEPXS	\$2.20	\$1.35	\$1.79	\$2.61	\$2.55	\$2.12	\$2.28	\$3.69	See Ex C-1
2-W VOICE UNBUNDLED 2-WAY PBX SC AREA PLUS CALLING PORT	UEPXT	NA	NA	NA	NA	NA	NA	NA	\$3.69	See Ex C-1
2-W VOICE UNBUNDLED PBX COLLIERVILLE & MEMPHIS CALLING PORT	UEPXU	NA	NA	NA	NA	NA	NA	NA	NA	See Ex C-1
2-W VOICE UNBUNDLED 2-WAY PBX TN REGIONSERV CALLING PORT	UEPXV	NA	NA	NA	NA	NA	NA	NA	NA	See Ex C-1
LOCAL NUMBER PORTABILITY (REQUIRES ONE PER PORT)	LNPCP									See Ex C-1
2-W Voice Grade Loop (SL1)										
RC - 2- Wire Voice Grade Loop - Statewide	UEPLX	NA	NA	NA	NA	NA	NA	\$14.18	NA	See Ex C-1
RC - 2- Wire Voice Grade Loop - Zone 1	UEPLX	\$14.35	\$14.90	\$10.80	\$14.79	\$14.05	\$14.59	NA	\$17.02	See Ex C-1
RC - 2- Wire Voice Grade Loop - Zone 2	UEPLX	\$23.31	\$18.51	\$12.47	\$27.68	\$24.14	\$19.33	NA	\$25.66	See Ex C-1
RC - 2- Wire Voice Grade Loop - Zone 3	UEPLX	\$42.24	\$24.25	\$19.83	\$47.78	\$49.30	\$27.63	NA	\$33.99	See Ex C-1
RC - 2- Wire Voice Grade Loop - Zone 4	UEPLX	NA	NA	NA	NA	NA	\$36.47	NA	NA	See Ex C-1
Combination Rates										
RC - 2-W Voice Grade Loop with 2-W Line Port, Statewide	Note 8	NA	NA	NA	NA	NA	NA	\$16.46	NA	See Ex C-1
RC - 2-W Voice Grade Loop with 2-W Line Port, Zone 1 (Note 6)	Note 8	\$16.55	\$16.25	\$12.59	\$17.40	\$16.60	\$16.71	NA	\$20.71	See Ex C-1
RC - 2-W Voice Grade Loop with 2-W Line Port, Zone 2 (Note 6)	Note 8	\$25.51	\$19.86	\$14.26	\$30.29	\$26.69	\$21.45	NA	\$29.35	See Ex C-1
RC - 2-W Voice Grade Loop with 2-W Line Port, Zone 3 (Note 6)	Note 8	\$44.44	\$25.60	\$21.62	\$50.39	\$51.85	\$29.75	NA	\$37.68	See Ex C-1
RC - 2-W Voice Grade Loop with 2-W Line Port, Zone 4 (Note 6)	Note 8	NA	NA	NA	NA	NA	\$38.59	NA	NA	See Ex C-1
Nonrecurring Charges										
NRC - 2-W Voice Grade Loop/Line Port Combination - 1st, Switch as is	USAC2	\$2.80	\$15.82	\$2.01	\$10.00	\$3.80	\$5.20	\$2.77	\$1.59	See Ex C-1
NRC - 2-W Voice Grade Loop/Line Port Combination - Add'l, Switch as is	USAC2	\$0.41	\$3.80	\$0.3108	\$10.00	\$0.29	\$0.41	\$0.40	\$0.40	See Ex C-1
NRC - 2-W Voice Grade Loop/Line Port Combination - 1st, Switch with change	USACC	\$2.80	\$15.82	\$2.01	\$10.00	\$3.80	\$5.20	\$2.77	\$1.59	See Ex C-1
NRC - 2-W VG Loop/Line Port Combination - Add'l, Switch with change	USACC	\$0.41	\$3.80	\$0.3108	\$10.00	\$0.29	\$0.41	\$0.40	\$0.40	See Ex C-1

BELLSOUTH/EPB TELECOMMUNICATIONS RATES
 NETWORK ELEMENTS
 AND OTHER SERVICES
 LOOP/PORT COMBINATIONS

Attachment 2
 Exhibit C
 Rates - Page 61

DESCRIPTION	USOC	AL	FL	GA	KY	LA	MS	NC	SC	TN
NRC - 2-W Voice Grade Loop/Line Port Combination - Subsequent	USAS2	\$10.00	\$10.00	\$10.00	\$10.00	\$10.00	\$10.00	\$10.00	\$10.00	See Ex C-1
NRC - 2-W VG Loop/Line Port Combination - OSS LSR Charge, Electronic, per LSR received from CLEC by one of the OSS interactive interfaces (Note 7)	SOMEK	\$3.50	\$2.75	\$3.50	\$3.50	\$3.50	\$3.50	\$3.50	\$3.50	See Ex C-1
NRC - 2-W Voice Grade Loop/Line Port Combination - Incremental Cost - Manual Svc.Order vs. Electronic - 1st	SOMAN	\$40.71	\$21.56	\$33.67	\$19.99	\$31.92	\$43.52	\$40.18	\$43.19	See Ex C-1
NRC - 2-W Voice Grade Loop/Line Port Combination - Incremental Cost - Manual Svc.Order vs. Electronic - Add'l	SOMAN	\$9.58	\$21.56	\$7.88	\$19.99	\$7.32	\$0.99	\$9.45	\$9.91	See Ex C-1
NRC- 2 Wire Voice Grade Loop/Line Port Combination - Subsequent Database Update - Electronic		\$1.44	TBD	TBD	TBD	\$2.11	\$2.87	\$1.42	\$0.71	See Ex C-1
NRC- 2 Wire Voice Grade Loop/Line Port Combination - Subsequent Database Update - Manual Service Order		\$8.25	TBD	TBD	TBD	\$5.12	\$6.88	\$10.27	\$8.91	See Ex C-1
NRC - Electronic Service Order Disconnect		TBD	\$0.42	TBD	TBD	TBD	TBD	TBD	TBD	See Ex C-1
NRC - Incremental Manual Service Order Disconnect		\$20.00	\$3.84	\$20.00	\$20.00	\$20.00	\$20.00	\$20.00	\$20.00	See Ex C-1
NRCs for New (not Currently Combined) as ordered in Georgia:										See Ex C-1
NRC - 2-W Voice Grade Loop with 2-W Line Port - New - 1st	UEPRD	NA	NA	\$22.14	NA	NA	NA	NA	NA	See Ex C-1
NRC - 2-W Voice Grade Loop with 2-W Line Port - New - Add'l	UEPRD	NA	NA	\$15.25	NA	NA	NA	NA	NA	See Ex C-1
NRC - 2-W Voice Grade Loop with 2-W Line Port - New - 1st	UEPPC	NA	NA	\$22.14	NA	NA	NA	NA	NA	See Ex C-1
NRC - 2-W Voice Grade Loop with 2-W Line Port - New - Add'l	UEPPC	NA	NA	\$15.25	NA	NA	NA	NA	NA	See Ex C-1
NRC - 2-W Voice Grade Loop with 2-W Line Port - New - 1st	UEPPO	NA	NA	\$22.14	NA	NA	NA	NA	NA	See Ex C-1
NRC - 2-W Voice Grade Loop with 2-W Line Port - New - Add'l	UEPPO	NA	NA	\$15.25	NA	NA	NA	NA	NA	See Ex C-1
NRC - 2-W Voice Grade Loop with 2-W Line Port - New - 1st	UEPP1	NA	NA	\$22.14	NA	NA	NA	NA	NA	See Ex C-1
NRC - 2-W Voice Grade Loop with 2-W Line Port - New - Add'l	UEPP1	NA	NA	\$15.25	NA	NA	NA	NA	NA	See Ex C-1
NRC - 2-W Voice Grade Loop with 2-W Line Port - New - 1st	UEPLD	NA	NA	\$22.14	NA	NA	NA	NA	NA	See Ex C-1
NRC - 2-W Voice Grade Loop with 2-W Line Port - New - Add'l	UEPLD	NA	NA	\$15.25	NA	NA	NA	NA	NA	See Ex C-1
NRC - 2-W Voice Grade Loop with 2-W Line Port - New - 1st	UEPXA	NA	NA	\$22.14	NA	NA	NA	NA	NA	See Ex C-1
NRC - 2-W Voice Grade Loop with 2-W Line Port - New - Add'l	UEPXA	NA	NA	\$15.25	NA	NA	NA	NA	NA	See Ex C-1
NRC - 2-W Voice Grade Loop with 2-W Line Port - New - 1st	UEPXB	NA	NA	\$22.14	NA	NA	NA	NA	NA	See Ex C-1
NRC - 2-W Voice Grade Loop with 2-W Line Port - New - Add'l	UEPXB	NA	NA	\$15.25	NA	NA	NA	NA	NA	See Ex C-1
NRC - 2-W Voice Grade Loop with 2-W Line Port - New - 1st	UEPXC	NA	NA	\$22.14	NA	NA	NA	NA	NA	See Ex C-1
NRC - 2-W Voice Grade Loop with 2-W Line Port - New - Add'l	UEPXC	NA	NA	\$15.25	NA	NA	NA	NA	NA	See Ex C-1
NRC - 2-W Voice Grade Loop with 2-W Line Port - New - 1st	UEPXD	NA	NA	\$22.14	NA	NA	NA	NA	NA	See Ex C-1
NRC - 2-W Voice Grade Loop with 2-W Line Port - New - Add'l	UEPXD	NA	NA	\$15.25	NA	NA	NA	NA	NA	See Ex C-1
NRC - 2-W Voice Grade Loop with 2-W Line Port - New - 1st	UEPXE	NA	NA	\$22.14	NA	NA	NA	NA	NA	See Ex C-1
NRC - 2-W Voice Grade Loop with 2-W Line Port - New - Add'l	UEPXE	NA	NA	\$15.25	NA	NA	NA	NA	NA	See Ex C-1
NRC - 2-W Voice Grade Loop with 2-W Line Port - New - 1st	UEPXL	NA	NA	\$22.14	NA	NA	NA	NA	NA	See Ex C-1
NRC - 2-W Voice Grade Loop with 2-W Line Port - New - Add'l	UEPXL	NA	NA	\$15.25	NA	NA	NA	NA	NA	See Ex C-1
NRC - 2-W Voice Grade Loop with 2-W Line Port - New - 1st	UEPXM	NA	NA	\$22.14	NA	NA	NA	NA	NA	See Ex C-1
NRC - 2-W Voice Grade Loop with 2-W Line Port - New - Add'l	UEPXM	NA	NA	\$15.25	NA	NA	NA	NA	NA	See Ex C-1
NRC - 2-W Voice Grade Loop with 2-W Line Port - New - 1st	UEPXO	NA	NA	\$22.14	NA	NA	NA	NA	NA	See Ex C-1
NRC - 2-W Voice Grade Loop with 2-W Line Port - New - Add'l	UEPXO	NA	NA	\$15.25	NA	NA	NA	NA	NA	See Ex C-1
NRC - 2-W Voice Grade Loop with 2-W Line Port - New - 1st	UEPXS	NA	NA	\$22.14	NA	NA	NA	NA	NA	See Ex C-1
NRC - 2-W Voice Grade Loop with 2-W Line Port - New - Add'l	UEPXS	NA	NA	\$15.25	NA	NA	NA	NA	NA	See Ex C-1
NRC - 2-W Voice Grade Loop/Line Port Combination - Subsequent	USAS2	NA	NA	\$10.00	NA	NA	NA	NA	NA	See Ex C-1
NRC - 2-W Voice Grade Loop with 2-W Line Port - New - Disconnect - 1st		NA	NA	\$8.45	NA	NA	NA	NA	NA	See Ex C-1
NRC - 2-W Voice Grade Loop with 2-W Line Port - New - Disconnect - Add'l		NA	NA	\$3.91	NA	NA	NA	NA	NA	See Ex C-1
NRC - 2-W VG Loop/Line Port Combination - OSS LSR Charge, Electronic, per LSR received from CLEC by one of the OSS interactive interfaces (Note 7)	SOMEK	NA	NA	\$3.50	NA	NA	NA	NA	NA	See Ex C-1
NRC - 2-W Voice Grade Loop with 2-W Line Port - Incremental Cost Manual vs. Electronic - New - 1st		NA	NA	\$37.06	NA	NA	NA	NA	NA	See Ex C-1
NRC - 2-W Voice Grade Loop with 2-W Line Port - Incremental Cost Manual vs. Electronic - New - Add'l		NA	NA	\$8.19	NA	NA	NA	NA	NA	See Ex C-1
NRC- 2 Wire Voice Grade Loop/Line Port Combination - Subsequent Database Update - Electronic		NA	NA	TBD	NA	NA	NA	NA	NA	See Ex C-1
NRC- 2 Wire Voice Grade Loop/Line Port Combination - Subsequent Database Update - Manual Service Order		NA	NA	TBD	NA	NA	NA	NA	NA	See Ex C-1
NRC - 2-W Voice Grade Loop with 2-W Line Port - Incremental Cost Manual vs. Electronic - New - Disconnect		NA	NA	\$11.17	NA	NA	NA	NA	NA	See Ex C-1

BELLSOUTH/EPB TELECOMMUNICATIONS RATES
 NETWORK ELEMENTS
 AND OTHER SERVICES
 LOOP/PORT COMBINATIONS

DESCRIPTION	USOC	AL	FL	GA	KY	LA	MS	NC	SC	TN
All Other Loop/Port Combinations		TBD	TBD	Note 2	TBD	TBD	TBD	TBD	TBD	See Ex C-1
LOCAL NUMBER PORTABILITY (REQUIRES ONE PER PORT)	LNPCX									See Ex C-1
NOTES:										
Interim rates subject to true-up.										
1 Market Rates will apply in those areas where BellSouth is not required to provide circuit switching pursuant to FCC rules.										
2 In Georgia, rates will apply for Currently Combined as well as not Currently Combined loop/port combinations unless otherwise identified.										
3 In the absence of ordered rates by a State Commission, the recurring rates for Currently Combined combinations of loop/port network elements will be the sum of the recurring rates for the UNEs which make up the combinations, and the nonrecurring rates shall be as set forth in this section.										
4 End Office and Tandem Switching Usage and Common Transport Usage rates in the Port section of this rate exhibit shall apply to all combinations of loop/port network elements.										
5 Deleted										
6 Geographically Deaveraged UNE Zones and applicable rates have been established for certain services, as shown in this Agreement. Where Geographically Deaveraged UNE Zones and applicable rates are established, Statewide rates are obsolete. Further, BellSouth is in the process of enhancing its billing systems in order to accommodate this Geographically Deaveraged UNE Zone Rate Structure. Until these enhancements are accomplished, estimated to be mid 2001, the UNE Zone 1 rate will be billed for all services residing in Zones 1, 2, 3 or 4. Once billing enhancements are complete, all applicable UNE Zone rates reflected in this Agreement will be billed. Reference Internet Website http://www.interconnection.bellsouth.com/become_clec/docs/interconnection/deavuzns.pdf to view Geographically Deaveraged UNE Zone Designations by Central Office.										
7 In the absence of ordered OSS rates by a state commission, BellSouth will offer regionwide rates										
8 There is not a unique combination USOC. CLEC should submit the loop and port USOCs.										
9 Rates in FL are interim and shall be trued-up when final rates are ordered.										

BELLSOUTH/EPB TELECOMMUNICATIONS RATES
 NETWORK ELEMENTS
 AND OTHER SERVICES
 ENHANCED EXTENDED LINKS

ENHANCED EXTENDED LINKS (EELs)											
New EEL rates are the sum of the individual UNE network elements (interoffice transport and loop [channelization if applicable]).	USOC	AL	FL	GA	KY	LA	MS	NC	SC	TN	
DS1 Interoffice Channel and 2-wire VG Local Loop EEL:											
Recurring Charges											
2-wire VG Loop per month, statewide	UEAL2	NA	NA	NA	NA	NA	NA	\$19.50	NA	See Ex C-1	
2-wire VG Loop per month, Zone 1 (Note 1)	UEAL2	NA	\$20.52	\$15.40	NA	\$17.65	NA	TBD	NA	See Ex C-1	
2-wire VG Loop per month, Zone 2 (Note 1)	UEAL2	NA	TBD	\$17.78	NA	\$30.32	NA	TBD	NA	See Ex C-1	
2-wire VG Loop per month, Zone 3 (Note 1)	UEAL2	NA	TBD	\$28.26	NA	\$61.93	NA	TBD	NA	See Ex C-1	
2-wire VG Loop per month, Zone 4 (Note 1)	NA	NA	NA	NA	NA	NA	NA	NA	NA	See Ex C-1	
Interoffice Channel - Dedicated - DS1 - per mile per month	1L5XX	NA	\$0.6013	\$0.4523	NA	\$0.7831	NA	\$0.5753	NA	See Ex C-1	
Interoffice Channel - Dedicated - DS1 - Facility Termination per month	U1TF1	NA	\$99.79	\$78.47	NA	\$93.40	NA	\$71.29	NA	See Ex C-1	
DS1 Channelized System per month	MQ1	NA	\$153.60	\$18.23	NA	\$209.87	NA	\$177.72	NA	See Ex C-1	
VG (COCL) interface card per month	1D1VG	NA	\$1.45	\$2.20	NA	\$1.62	NA	\$1.64	NA	See Ex C-1	
Non-Recurring Charges - New EEL (Note 2)(Note 3)											
NRC- DS1 interoffice Facility Termination - 1st	U1TF1	NA	\$171.01	\$142.64	NA	\$160.49	NA	\$217.17	NA	See Ex C-1	
NRC-DS1 interoffice Facility Termination - Add'l	U1TF1	NA	\$101.84	\$94.87	NA	\$123.03	NA	\$163.75	NA	See Ex C-1	
NRC-2-wire VG Local Loop - 1st	UEAL2	NA	\$38.02	\$77.54	NA	\$128.42	NA	\$142.97	NA	See Ex C-1	
NRC-2-wire VG Local Loop - Add'l	UEAL2	NA	\$35.15	\$51.57	NA	\$93.60	NA	\$106.56	NA	See Ex C-1	
NRC-DS1 Channelization System -1st	MQ1	NA	\$275.18	\$206.09	NA	\$220.07	NA	\$193.63	NA	See Ex C-1	
NRC-DS1 Channelization System - Add'l	MQ1	NA	\$137.77	\$137.06	NA	\$135.20	NA	\$118.37	NA	See Ex C-1	
NRC-VG(COCL)interface card -1st	1D1VG	NA	\$12.16	\$12.02	NA	\$12.29	NA	\$15.76	NA	See Ex C-1	
NRC-VG(COCL)interface card - Add'l	1D1VG	NA	\$8.77	\$8.66	NA	\$8.80	NA	\$11.28	NA	See Ex C-1	
NRC- 2-wire VG Local Loop and Channelized DS1 Interoffice Combination - E	SOMECS	NA	\$3.17	\$3.50	NA	\$3.50	NA	\$3.50	NA	See Ex C-1	
NRC- 2-wire VG Local Loop and Channelized DS1 Interoffice Combination - M	SOMAN	NA	\$25.40	NA	NA	NA	NA	NA	NA	See Ex C-1	
NRC- 2-wire VG Local Loop and Channelized DS1 Interoffice Combination - M	SOMAN	NA	NA	\$33.63	NA	\$242.20	NA	\$66.20	NA	See Ex C-1	
NRC- 2-wire VG Local Loop and Channelized DS1 Interoffice Combination - M	SOMAN	NA	NA	\$27.49	NA	\$153.37	NA	\$51.40	NA	See Ex C-1	
NRC- 2-wire VG Local Loop and Channelized DS1 Interoffice Combination - M	SOMAN	NA	NA	\$19.88	NA	\$45.91	NA	NA	NA	See Ex C-1	
NRC- 2-wire VG Local Loop and Channelized DS1 Interoffice Combination - M	SOMAN	NA	NA	\$11.85	NA	\$8.06	NA	NA	NA	See Ex C-1	
DS1 Interoffice Channel and 4-wire VG Local Loop EEL:											
Recurring Charges											
4-wire VG Loop per month	UEAL4	NA	NA	NA	NA	NA	NA	\$27.49	NA	See Ex C-1	
4-wire VG Loop per month, Zone 1 (Note 1)	UEAL4	NA	\$24.26	\$22.88	NA	\$24.36	NA	NA	NA	See Ex C-1	
4-wire VG Loop per month, Zone 2 (Note 1)	UEAL4	NA	\$35.51	\$26.42	NA	\$41.85	NA	NA	NA	See Ex C-1	
4-wire VG Loop per month, Zone 3 (Note 1)	UEAL4	NA	\$78.35	\$41.99	NA	\$86.47	NA	NA	NA	See Ex C-1	
4-wire VG Loop per month, Zone 4 (Note 1)	NA	NA	NA	NA	NA	NA	NA	NA	NA	See Ex C-1	
Interoffice Channel - Dedicated - DS1 - per mile per month	1L5XX	NA	\$0.6013	\$0.4523	NA	\$0.7831	NA	\$0.5753	NA	See Ex C-1	
Interoffice Channel - Dedicated - DS1 - Facility Termination per month	U1TF1	NA	\$99.79	\$78.47	NA	\$93.40	NA	\$71.29	NA	See Ex C-1	
DS1 Channelized System per month	MQ1	NA	\$153.60	\$18.23	NA	\$209.87	NA	\$177.72	NA	See Ex C-1	
VG (COCL) interface card per month	1D1VG	NA	\$1.45	\$2.67	NA	\$1.62	NA	\$1.64	NA	See Ex C-1	
Non-Recurring Charges - New EEL (Note 2) (Note 3)											
NRC- DS1 interoffice Facility Termination - 1st	U1TF1	NA	\$171.01	\$142.64	NA	\$160.49	NA	\$534.48	NA	See Ex C-1	
NRC-DS1 interoffice Facility Termination - Add'l	U1TF1	NA	\$101.84	\$94.87	NA	\$123.03	NA	\$462.69	NA	See Ex C-1	
NRC-4-wire VG Local Loop - 1st	UEAL4	NA	\$329.76	\$228.99	NA	\$128.42	NA	\$288.47	NA	See Ex C-1	
NRC-4-wire VG Local Loop - Add'l	UEAL4	NA	\$178.91	\$203.26	NA	\$93.60	NA	\$237.45	NA	See Ex C-1	
NRC-DS1 Channelization System -1st	MQ1	NA	\$275.18	\$206.09	NA	\$220.07	NA	\$301.74	NA	See Ex C-1	
NRC-DS1 Channelization System - Add'l	MQ1	NA	\$137.77	\$137.06	NA	\$135.20	NA	\$182.57	NA	See Ex C-1	
NRC-VG(COCL)interface card -1st	1D1VG	NA	\$12.16	\$12.02	NA	\$12.29	NA	\$15.76	NA	See Ex C-1	
NRC-VG(COCL)interface card - Add'l	1D1VG	NA	\$8.77	\$8.66	NA	\$8.80	NA	\$11.28	NA	See Ex C-1	
NRC-DS1 interoffice channel and 4-wire VG Local Loop Combination - Electro	SOMECS	NA	\$3.17	\$3.50	NA	\$3.50	NA	\$3.50	NA	See Ex C-1	
NRC-DS1 interoffice channel and 4-wire VG Local Loop Combination - Manua	SOMAN	NA	\$25.40	NA	NA	NA	NA	NA	NA	See Ex C-1	
NRC-DS1 interoffice channel and 4-wire VG Local Loop Combination - Manua	SOMAN	NA	NA	\$33.63	NA	\$242.20	NA	\$66.20	NA	See Ex C-1	

BELLSOUTH/EPB TELECOMMUNICATIONS RATES
 NETWORK ELEMENTS
 AND OTHER SERVICES
 ENHANCED EXTENDED LINKS

New EEL rates are the sum of the individual UNE network elements (interoffice transport and loop [channelization if applicable]).	USOC	AL	FL	GA	KY	LA	MS	NC	SC	TN
NRC-DS1 interoffice channel and 4-wire VG Local Loop Combination - Manual	SOMAN	NA	NA	\$27.49	NA	\$153.37	NA	\$51.40	NA	See Ex C-1
NRC-DS1 interoffice channel and 4-wire VG Local Loop Combination - Manual	SOMAN	NA	NA	\$19.88	NA	\$45.91	NA	NA	NA	See Ex C-1
NRC-DS1 interoffice channel and 4-wire VG Local Loop Combination - Manual	SOMAN	NA	NA	\$11.85	NA	\$8.06	NA	NA	NA	See Ex C-1
DS1 Interoffice Channel and 2-wire ISDN Local Loop:										
Recurring Charges										
2-wire ISDN Loop per month	U1L2X	NA	NA	NA	NA	NA	NA	\$24.98	NA	NA
2-wire ISDN Loop per month, Zone 1 (Note 1)	U1L2X	NA	\$32.34	\$21.89	NA	\$21.15	NA	TBD	NA	\$15.54
2-wire ISDN Loop per month, Zone 2 (Note 1)	U1L2X	NA	\$47.35	\$25.27	NA	\$36.22	NA	TBD	NA	\$19.55
2-wire ISDN Loop per month, Zone 3 (Note 1)	U1L2X	NA	\$104.47	\$40.17	NA	\$74.19	NA	TBD	NA	\$28.02
2-wire ISDN Loop per month, Zone 4 (Note 1)	NA	NA	NA	NA	NA	NA	NA	NA	NA	NA
Interoffice Channel - Dedicated - DS1 - per mile per month	1L5XX	NA	\$0.6013	\$0.4523	NA	\$0.7831	NA	\$0.5753	NA	\$0.3525
Interoffice Channel - Dedicated - DS1 - Facility Termination per month	U1TF1	NA	\$99.79	\$78.47	NA	\$93.40	NA	\$71.29	NA	\$75.83
DS1 Channelized System per month	MQ1	NA	\$153.60	\$18.23	NA	\$209.87	NA	\$177.72	NA	\$165.21
2-wire ISDN(BRITE COCI) per month	UC1CA	NA	\$3.83	\$3.71	NA	\$4.18	NA	\$3.76	NA	\$3.33
Non-Recurring Charges - New EEL (Note 2)(Note 3)										
NRC- DS1 interoffice Facility Termination - 1st	U1TF1	NA	\$171.01	\$142.64	NA	\$160.49	NA	\$217.17	NA	\$165.53
NRC-DS1 interoffice Facility Termination - Add'l	U1TF1	NA	\$101.84	\$94.87	NA	\$123.03	NA	\$163.75	NA	\$124.84
NRC- 2-wire ISDN Local Loop - 1st	U1L2X	NA	\$329.76	\$77.54	NA	\$223.27	NA	\$325.91	NA	\$58.50
NRC- 2-wire ISDN Local Loop - Add'l	U1L2X	NA	\$148.55	\$51.57	NA	\$172.63	NA	\$251.31	NA	\$31.00
NRC-DS1 Channelization System -1st	MQ1	NA	\$275.18	\$206.09	NA	\$220.07	NA	\$301.74	NA	\$222.87
NRC-DS1 Channelization System - Add'l	MQ1	NA	\$137.77	\$137.06	NA	\$135.20	NA	\$182.57	NA	\$135.80
NRC-2-wire BRITE(COC)interface card -1st	UC1CA	NA	\$12.16	\$12.02	NA	\$12.29	NA	\$15.76	NA	\$12.61
NRC-2-wire BRITE(COC)interface card -Add'l	UC1CA	NA	\$8.77	\$8.66	NA	\$8.80	NA	\$11.28	NA	\$9.03
NRC-DS1 interoffice channel and 2-wire ISDN Local Loop Combination - Elec	SOMECA	NA	\$3.17	\$3.50	NA	\$3.50	NA	\$3.50	NA	\$3.50
NRC-DS1 interoffice channel and 2-wire ISDN Local Loop Combination - Mar	SOMAN	NA	\$25.40	NA	NA	NA	NA	NA	NA	\$19.99
NRC-DS1 interoffice channel and 2-wire ISDN Local Loop Combination - Mar	SOMAN	NA	NA	\$33.63	NA	\$57.58	NA	\$38.07	NA	NA
NRC-DS1 interoffice channel and 2-wire ISDN Local Loop Combination - Mar	SOMAN	NA	NA	\$27.49	NA	\$36.31	NA	\$38.07	NA	NA
NRC-DS1 interoffice channel and 2-wire ISDN Local Loop Combination - Mar	SOMAN	NA	NA	\$19.88	NA	\$16.12	NA	NA	NA	NA
NRC-DS1 interoffice channel and 2-wire ISDN Local Loop Combination - Mar	SOMAN	NA	NA	\$11.85	NA	\$8.06	NA	NA	NA	NA
DS1 Interoffice Channel and 4-wire 56 kbps Local Loop:										
Recurring Charges										
4-wire 56kbps Loop per month	UDL56	NA	NA	NA	NA	NA	NA	\$32.67	NA	See Ex C-1
4-wire 56kbps Loop per month, Zone 1 (Note 1)	UDL56	NA	\$39.08	\$26.44	NA	\$27.50	NA	TBD	NA	See Ex C-1
4-wire 56kbps Loop per month, Zone 2 (Note 1)	UDL56	NA	\$57.21	\$26.42	NA	\$47.24	NA	TBD	NA	See Ex C-1
4-wire 56kbps Loop per month, Zone 3 (Note 1)	UDL56	NA	\$126.22	\$46.53	NA	\$96.48	NA	TBD	NA	See Ex C-1
4-wire 56kbps Loop per month, Zone 4 (Note 1)	NA	NA	NA	NA	NA	NA	NA	NA	NA	See Ex C-1
Interoffice Channel - Dedicated - DS1 - per mile per month	1L5XX	NA	\$0.6013	\$0.4523	NA	\$0.7831	NA	\$0.5753	NA	See Ex C-1
Interoffice Channel - Dedicated - DS1 - Facility Termination per month	U1TF1	NA	\$99.79	\$78.47	NA	\$93.40	NA	\$71.29	NA	See Ex C-1
DS1 Channelized System per month	MQ1	NA	\$153.60	\$18.23	NA	\$209.87	NA	\$177.72	NA	See Ex C-1
4-wire 56kbps card COCI per month	1D1DD	NA	\$2.20	\$1.06	NA	\$3.12	NA	\$2.88	NA	See Ex C-1
Non-Recurring Charges - New EEL (Note 2) (Note 3)										
NRC- DS1 interoffice Facility Termination - 1st	U1TF1	NA	\$171.01	\$142.64	NA	\$160.49	NA	\$217.17	NA	See Ex C-1
NRC-DS1 interoffice Facility Termination - Add'l	U1TF1	NA	\$101.84	\$94.87	NA	\$123.03	NA	\$163.75	NA	See Ex C-1
NRC-4-wire 56kbps Local Loop - 1st	UDL56	NA	\$329.76	\$395.14	NA	\$333.28	NA	\$489.04	NA	See Ex C-1
NRC-4-wire 56kbps Local Loop - Add'l	UDL56	NA	\$148.55	\$206.98	NA	\$230.50	NA	\$337.51	NA	See Ex C-1
NRC-DS1 Channelization System -1st	MQ1	NA	\$275.18	\$206.09	NA	\$220.07	NA	\$301.74	NA	See Ex C-1
NRC-DS1 Channelization System - Add'l	MQ1	NA	\$137.77	\$137.06	NA	\$135.20	NA	\$182.57	NA	See Ex C-1
NRC-4-wire 56kbps(COC)interface card -1st	1D1DD	NA	\$12.16	\$12.02	NA	\$12.29	NA	\$15.76	NA	See Ex C-1
NRC-4-wire 56kbps(COC)interface card -Add'l	1D1DD	NA	\$8.77	\$8.66	NA	\$8.80	NA	\$11.28	NA	See Ex C-1
NRC-DS1 interoffice channel and 4-wire 56kbps Local Loop Combination - El	SOMECA	NA	\$3.17	\$3.50	NA	\$3.50	NA	\$3.50	NA	See Ex C-1
NRC-DS1 interoffice channel and 4-wire 56kbps Local Loop Combination - Ma	SOMAN	NA	\$25.40	NA	NA	NA	NA	NA	NA	See Ex C-1
NRC-DS1 interoffice channel and 4-wire 56kbps Local Loop Combination - Ma	SOMAN	NA	NA	\$33.63	NA	\$242.20	NA	\$65.01	NA	See Ex C-1

BELLSOUTH/EPB TELECOMMUNICATIONS RATES
 NETWORK ELEMENTS
 AND OTHER SERVICES
 ENHANCED EXTENDED LINKS

New EEL rates are the sum of the individual UNE network elements (interoffice transport and loop [channelization if applicable]).	USOC	AL	FL	GA	KY	LA	MS	NC	SC	TN
NRC-DS1 interoffice channel and 4-wire 56kbps Local Loop Combination - Ma	SOMAN	NA	NA	\$27.49	NA	\$153.37	NA	\$50.83	NA	See Ex C-1
NRC-DS1 interoffice channel and 4-wire 56kbps Local Loop Combination - Ma	SOMAN	NA	NA	\$19.88	NA	\$45.91	NA	NA	NA	See Ex C-1
NRC-DS1 interoffice channel and 4-wire 56kbps Local Loop Combination - Ma	SOMAN	NA	NA	\$11.85	NA	\$8.06	NA	NA	NA	See Ex C-1
DS1 Interoffice Channel and 4-wire 64 kbps Local Loop:										
Recurring Charges										
4-wire 64kbps Loop per month	UDL64	NA	NA	NA	NA	NA	NA	\$32.67	NA	See Ex C-1
4-wire 64kbps Loop per month, Zone 1 (Note 1)	UDL64	NA	\$39.08	\$26.44	NA	\$27.50	NA	TBD	NA	See Ex C-1
4-wire 64kbps Loop per month, Zone 2 (Note 1)	UDL64	NA	\$57.21	\$30.53	NA	\$47.24	NA	TBD	NA	See Ex C-1
4-wire 64kbps Loop per month, Zone 3 (Note 1)	UDL64	NA	\$126.22	\$46.53	NA	\$96.48	NA	TBD	NA	See Ex C-1
4-wire 64kbps Loop per month, Zone 4 (Note 1)	NA	NA	NA	NA	NA	NA	NA	NA	NA	See Ex C-1
Interoffice Channel - Dedicated - DS1 - per mile per month	1L5XX	NA	\$0.6013	\$0.4523	NA	\$0.7831	NA	\$0.5753	NA	See Ex C-1
Interoffice Channel - Dedicated - DS1 - Facility Termination per month	U1TF1	NA	\$99.79	\$78.47	NA	\$93.40	NA	\$71.29	NA	See Ex C-1
DS1 Channelized System per month	MQ1	NA	\$153.60	\$18.23	NA	\$209.87	NA	\$177.72	NA	See Ex C-1
4-wire 64kbps card COCI per month	1D1DD	NA	\$1.06	\$1.06	NA	\$3.12	NA	\$2.88	NA	See Ex C-1
Non-Recurring Charges - New EEL (Note 2) (Note 3)										See Ex C-1
NRC- DS1 interoffice - 1st	U1TF1	NA	\$171.01	\$142.64	NA	\$160.49	NA	\$217.17	NA	See Ex C-1
NRC- DS1 interoffice - Add'l	U1TF1	NA	\$101.84	\$94.87	NA	\$123.03	NA	\$163.75	NA	See Ex C-1
NRC-4-wire 64kbps Local Loop - 1st	UDL64	NA	\$329.76	\$395.14	NA	\$333.28	NA	\$489.04	NA	See Ex C-1
NRC-4-wire 64kbps Local Loop - Add'l	UDL64	NA	\$148.55	\$206.98	NA	\$230.50	NA	\$337.51	NA	See Ex C-1
NRC-DS1 Channelization System -1st	MQ1	NA	\$275.18	\$206.09	NA	\$220.07	NA	\$301.74	NA	See Ex C-1
NRC-DS1 Channelization System - Add'l	MQ1	NA	\$137.77	\$137.06	NA	\$135.20	NA	\$288.33	NA	See Ex C-1
NRC-4-wire 64kbps(COC)interface card -1st	1D1DD	NA	\$12.16	\$12.02	NA	\$12.29	NA	\$15.76	NA	See Ex C-1
NRC-4-wire 64kbps(COC)interface card -Add'l	1D1DD	NA	\$8.77	\$8.66	NA	\$8.80	NA	\$11.28	NA	See Ex C-1
NRC-DS1 interoffice channel and 4-wire 64kbps Local Loop Combination - El	SOMECA	NA	\$3.17	\$3.50	NA	\$3.50	NA	\$3.50	NA	See Ex C-1
NRC-DS1 interoffice channel and 4-wire 64kbps Local Loop Combination - Ma	SOMAN	NA	\$25.40	NA	NA	NA	NA	NA	NA	See Ex C-1
NRC-DS1 interoffice channel and 4-wire 64kbps Local Loop Combination - Ma	SOMAN	NA	NA	\$33.63	NA	\$242.20	NA	\$65.01	NA	See Ex C-1
NRC-DS1 interoffice channel and 4-wire 64kbps Local Loop Combination - Ma	SOMAN	NA	NA	\$27.49	NA	\$153.37	NA	\$50.83	NA	See Ex C-1
NRC-DS1 interoffice channel and 4-wire 64kbps Local Loop Combination - Ma	SOMAN	NA	NA	\$19.88	NA	\$45.91	NA	NA	NA	See Ex C-1
NRC-DS1 interoffice channel and 4-wire 64kbps Local Loop Combination - Ma	SOMAN	NA	NA	\$11.85	NA	\$8.06	NA	NA	NA	See Ex C-1
DS1 Interoffice Channel and DS1 Interoffice Local Loop:										
Recurring Charges										
DS1 Loop per month	USLXX	NA	NA	NA	NA	NA	NA	\$62.78	NA	NA
DS1 Loop per month, Zone 1 (Note 1)	USLXX	NA	\$64.69	\$52.40	NA	\$56.32	NA	TBD	NA	NA
DS1 Loop per month, Zone 2 (Note 1)	USLXX	NA	\$94.71	\$60.51	NA	\$96.73	NA	TBD	NA	NA
DS1 Loop per month, Zone 3 (Note 1)	USLXX	NA	\$208.93	\$96.18	NA	\$197.57	NA	TBD	NA	NA
DS1 Loop per month, Zone 4 (Note 1)	NA	NA	NA	NA	NA	NA	NA	NA	NA	NA
Interoffice Channel - Dedicated - DS1 - per mile per month	1L5XX	NA	\$0.6013	\$0.4523	NA	\$0.7831	NA	\$0.5753	NA	NA
Interoffice Channel - Dedicated - DS1 - Facility Termination per month	U1TF1	NA	\$99.79	\$78.47	NA	\$93.40	NA	\$71.29	NA	NA
Non-Recurring Charges - New EEL (Note 2) (Note 3)										
NRC- DS1 interoffice - 1st	U1TF1	NA	\$171.01	\$142.64	NA	\$160.49	NA	\$217.17	NA	NA
NRC- DS1 interoffice - Add'l	U1TF1	NA	\$101.84	\$94.87	NA	\$123.03	NA	\$163.75	NA	NA
NRC-DS1 Local Loop - 1st	USLXX	NA	\$627.78	\$627.44	NA	\$502.73	NA	\$714.84	NA	NA
NRC-DS1 Local Loop - Add'l	USLXX	NA	\$377.43	\$231.49	NA	\$293.92	NA	\$421.47	NA	NA
NRC-DS1 interoffice channel and DS1 Local Loop Combination - Electronic S	SOMECA	NA	\$3.17	\$3.50	NA	\$3.50	NA	\$3.50	NA	\$3.50
NRC-DS1 interoffice channel and DS1 Local Loop Combination - Manual Svc	SOMAN	NA	\$25.40	NA	NA	NA	NA	NA	NA	\$19.99
NRC-DS1 interoffice channel and DS1 Local Loop Combination - Manual Svc	SOMAN	NA	NA	\$33.63	NA	\$242.20	NA	\$65.01	NA	NA
NRC-DS1 interoffice channel and DS1 Local Loop Combination - Manual Svc	SOMAN	NA	NA	\$27.49	NA	\$153.37	NA	\$50.83	NA	NA
NRC-DS1 interoffice channel and DS1 Local Loop Combination - Manual Svc	SOMAN	NA	NA	\$19.88	NA	\$45.91	NA	NA	NA	NA
NRC-DS1 interoffice channel and DS1 Local Loop Combination - Manual Svc	SOMAN	NA	NA	\$11.85	NA	\$8.06	NA	NA	NA	NA

BELLSOUTH/EPB TELECOMMUNICATIONS RATES
NETWORK ELEMENTS
AND OTHER SERVICES
ENHANCED EXTENDED LINKS

New EEL rates are the sum of the individual UNE network elements (interoffice transport and loop [channelization if applicable]).	USOC	AL	FL	GA	KY	LA	MS	NC	SC	TN
DS3 Interoffice Channel and DS3 Local Loop:										
Recurring Charges										
DS3 Loop per Facility Termination per month	UE3PX	NA	\$404.58	\$390.34	NA	\$669.01	NA	\$387.01	NA	\$607.28
DS3 Loop per mile	1L5ND	NA	\$11.77	\$8.90	NA	\$30.34	NA	\$32.53	NA	\$23.76
Interoffice Channel - Dedicated - DS3 - Facility Termination per month	U1TF3	NA	\$1,121.93	\$717.60	NA	\$1,101	NA	\$720.38	NA	\$760.20
Interoffice Channel - Dedicated - DS3 - per mile per month	1L5XX	NA	\$4.17	\$6.46	NA	\$14.04	NA	\$12.98	NA	\$5.89
Non-Recurring Charges - New EEL (Note 2)(Note 3)										
NRC- DS3 interoffice - 1st	U1TF3	NA	\$154.30	\$633.41	NA	\$713.57	NA	\$794.94	NA	\$729.27
NRC- DS3 interoffice - Add'l	U1TF3	NA	\$77.50	\$449.91	NA	\$404.36	NA	\$579.55	NA	\$411.98
NRC-DS3 Local Loop - 1st	UE3PX	NA	\$1,020.45	\$761.81	NA	\$811.30	NA	\$964.04	NA	\$829.52
NRC-DS3 Local Loop - Add'l	UE3PX	NA	\$513.74	\$545.54	NA	\$502.09	NA	\$542.73	NA	\$512.23
NRC-DS3 interoffice channel and DS3 Local Loop Combination - Electronic Svc	SOMECS	NA	\$3.17	\$3.50	NA	\$3.50	NA	\$3.50	NA	\$3.50
NRC-DS3 interoffice channel and DS3 Local Loop Combination - Manual Svc	SOMAN	NA	\$25.40	NA	NA	NA	NA	NA	NA	\$19.99
NRC-DS3 interoffice channel and DS3 Local Loop Combination - Manual Svc	SOMAN	NA	NA	\$37.55	NA	\$100.50	NA	\$83.19	NA	NA
NRC-DS3 interoffice channel and DS3 Local Loop Combination - Manual Svc	SOMAN	NA	NA	\$37.55	NA	\$100.50	NA	\$69.01	NA	NA
NRC-DS3 interoffice channel and DS3 Local Loop Combination - Manual Svc	SOMAN	NA	NA	\$18.03	NA	\$41.88	NA	NA	NA	NA
NRC-DS3 interoffice channel and DS3 Local Loop Combination - Manual Svc	SOMAN	NA	NA	\$18.03	NA	\$41.88	NA	NA	NA	NA
STS-1 Interoffice Channel and STS-1 Local Loop:										
Recurring Charges										
STS-1 Loop per Facility Termination per month	UDLS1	NA	\$446.09	\$421.59	NA	\$497.08	NA	\$387.01	NA	\$400.21
STS-1 Loop per mile	1L5ND	NA	\$11.77	\$8.90	NA	\$38.98	NA	\$32.53	NA	\$30.53
Interoffice Channel - Dedicated - STS-1 - Facility Termination per month	U1TFS	NA	\$1,105.98	\$788.00	NA	\$1,101	NA	\$800.94	NA	\$838.65
Interoffice Channel - Dedicated - STS-1 - per mile per month	1L5XX	NA	\$4.17	\$2.72	NA	\$14.04	NA	\$6.29	NA	\$6.88
Non-Recurring Charges - New EEL (Note 2)(Note 3)										
NRC- STS-1 interoffice - 1st	U1TFS	NA	\$154.30	\$633.41	NA	\$713.57	NA	\$624.86	NA	\$961.62
NRC- STS-1 interoffice - Add'l	U1TFS	NA	\$77.50	\$449.91	NA	\$404.36	NA	\$436.36	NA	\$625.84
NRC-STS-1 Local Loop - 1st	UDLS1	NA	\$1,020.45	\$761.81	NA	\$811.30	NA	\$964.04	NA	\$829.52
NRC-STS-1 Local Loop - Add'l	UDLS1	NA	\$513.74	\$545.54	NA	\$502.09	NA	\$542.73	NA	\$512.23
NRC-STS-1 interoffice channel and STS-1 Local Loop Combination - Electronic Svc	SOMECS	NA	\$3.17	\$3.50	NA	\$3.50	NA	\$3.50	NA	\$3.50
NRC-STS-1 interoffice channel and STS-1 Local Loop Combination - Manual Svc	SOMAN	NA	\$25.40	NA	NA	NA	NA	NA	NA	\$19.99
NRC-STS-1 interoffice channel and STS-1 Local Loop Combination - Manual Svc	SOMAN	NA	NA	\$37.96	NA	\$100.50	NA	\$123.62	NA	NA
NRC-STS-1 interoffice channel and STS-1 Local Loop Combination - Manual Svc	SOMAN	NA	NA	\$37.96	NA	\$100.50	NA	\$84.76	NA	NA
NRC-STS-1 interoffice channel and STS-1 Local Loop Combination - Manual Svc	SOMAN	NA	NA	\$18.23	NA	\$41.88	NA	NA	NA	NA
NRC-STS-1 interoffice channel and STS-1 Local Loop Combination - Manual Svc	SOMAN	NA	NA	\$18.23	NA	\$41.88	NA	NA	NA	NA
DS3 Interoffice Channel and DS1 Local Loop:										
Recurring Charges										
DS1 Loop per month	USLXX	NA	NA	NA	NA	NA	NA	\$62.78	NA	NA
DS1 Loop per month, Zone 1 (Note 1)	USLXX	NA	\$64.69	\$52.40	NA	\$56.32	NA	TBD	NA	NA
DS1 Loop per month, Zone 2 (Note 1)	USLXX	NA	\$94.71	\$60.51	NA	\$96.73	NA	TBD	NA	NA
DS1 Loop per month, Zone 3 (Note 1)	USLXX	NA	\$208.93	\$96.18	NA	\$197.57	NA	TBD	NA	NA
DS1 Loop per month, Zone 4 (Note 1)	NA	NA	NA	NA	NA	NA	NA	NA	NA	NA
Interoffice Channel - Dedicated - DS3 - Facility Termination per month	U1TF3	NA	\$1,121.93	\$717.60	NA	\$1,101	NA	\$720.38	NA	NA
Interoffice Channel - Dedicated - DS3 - per mile per month	1L5XX	NA	\$4.17	\$6.46	NA	\$14.04	NA	\$12.98	NA	NA
DS3 Channelized System per month	MQ3	NA	\$220.97	\$202.91	NA	\$245.84	NA	\$226.81	NA	NA
DS3 Interface per month (DS1 COCI)	UC1D1	NA	\$14.40	\$0.67	NA	\$7.55	NA	\$4.61	NA	NA
Non-Recurring Charges - New EEL (Note 2)(Note 3)										
NRC- DS3 interoffice - 1st	U1TF3	NA	\$627.78	\$520.09	NA	\$713.57	NA	\$794.94	NA	NA
NRC- DS3 interoffice - Add'l	U1TF3	NA	\$377.43	\$282.38	NA	\$404.36	NA	\$579.55	NA	NA
NRC-DS1 Local Loop - 1st	USLXX	NA	\$338.52	\$142.64	NA	\$502.73	NA	\$714.84	NA	NA
NRC-DS1 Local Loop - Add'l	USLXX	NA	\$124.84	\$94.87	NA	\$293.92	NA	\$421.47	NA	NA
NRC-DS3 Channelization System -1st	MQ3	NA	\$404.85	\$316.28	NA	\$320.72	NA	\$351.95	NA	NA
NRC-DS3 Channelization System - Add'l	MQ3	NA	\$168.26	\$171.72	NA	\$233.10	NA	\$243.76	NA	NA

BELLSOUTH/EPB TELECOMMUNICATIONS RATES
 NETWORK ELEMENTS
 AND OTHER SERVICES
 ENHANCED EXTENDED LINKS

New EEL rates are the sum of the individual UNE network elements (interoffice transport and loop [channelization if applicable]).	USOC	AL	FL	GA	KY	LA	MS	NC	SC	TN
NRC-DS1(COC)interface card -1st	UC1D1	NA	\$12.16	\$12.02	NA	\$12.29	NA	\$15.76	NA	NA
NRC-DS1(COC)interface card -Add'l	UC1D1	NA	\$8.77	\$8.66	NA	\$8.80	NA	\$11.28	NA	NA
NRC-DS3 interoffice channel and DS1 Local Loop Combination - Electronic S	SOMEK	NA	\$3.17	\$3.50	NA	\$3.50	NA	\$3.50	NA	NA
NRC-DS3 interoffice channel and DS1 Local Loop Combination - Manual Svc	SOMAN	NA	\$25.40	\$33.63	NA	NA	NA	NA	NA	NA
NRC-DS3 interoffice channel and DS1 Local Loop Combination - Manual Svc	SOMAN	NA	NA	NA	NA	\$36.28	NA	\$118.20	NA	NA
NRC-DS3 interoffice channel and DS1 Local Loop Combination - Manual Svc	SOMAN	NA	NA	\$27.49	NA	\$26.20	NA	\$104.02	NA	NA
NRC-DS3 interoffice channel and DS1 Local Loop Combination - Manual Svc	SOMAN	NA	NA	\$19.88	NA	\$19.47	NA	NA	NA	NA
NRC-DS3 interoffice channel and DS1 Local Loop Combination - Manual Svc	SOMAN	NA	NA	\$11.85	NA	\$8.06	NA	NA	NA	NA

BELLSOUTH/EPB TELECOMMUNICATIONS RATES
 NETWORK ELEMENTS
 AND OTHER SERVICES
 ENHANCED EXTENDED LINKS

New EEL rates are the sum of the individual UNE network elements (interoffice transport and loop [channelization if applicable]).	USOC	AL	FL	GA	KY	LA	MS	NC	SC	TN
STS-1 Interoffice Channel and DS1 Local Loop:										
Recurring Charges										
DS1 Loop per month, Zone 1 (Note 1)	USLXX	NA	\$64.69	\$52.40	NA	\$56.32	NA	TBD	NA	NA
DS1 Loop per month, Zone 2 (Note 1)	USLXX	NA	\$94.71	\$60.51	NA	\$96.73	NA	TBD	NA	NA
DS1 Loop per month, Zone 3 (Note 1)	USLXX	NA	\$208.93	\$96.18	NA	\$197.57	NA	TBD	NA	NA
DS1 Loop per month, Zone 4 (Note 1)	NA	NA	NA	NA	NA	NA	NA	NA	NA	NA
Interoffice Channel - Dedicated - STS-1 - Facility Termination per month	U1TFS	NA	\$1,105.98	\$717.60	NA	\$1,101	NA	\$387.01	NA	NA
Interoffice Channel - Dedicated - STS-1 - per mile per month	1L5XX	NA	\$4.17	\$6.46	NA	\$14.04	NA	\$32.53	NA	NA
DS3 Channelized System per month	MQ3	NA	\$220.97	\$202.91	NA	\$245.84	NA	\$226.81	NA	NA
DS3 Interface per month (DS1 COCI)	UC1D1	NA	\$14.40	\$0.67	NA	\$7.55	NA	\$4.61	NA	NA
Non-Recurring Charges - New EEL (Note 2)(Note 3)										
NRC-DS1 Local Loop - 1st	USLXX	NA	\$627.78	\$520.09	NA	\$502.73	NA	\$714.84	NA	NA
NRC-DS1 Local Loop - Add'l	USLXX	NA	\$377.43	\$282.38	NA	\$293.92	NA	\$421.47	NA	NA
NRC- STS-1 interoffice - 1st	U1TFS	NA	\$154.30	\$142.64	NA	\$713.57	NA	\$624.86	NA	NA
NRC- STS-1 interoffice - Add'l	U1TFS	NA	\$77.50	\$94.87	NA	\$404.36	NA	\$436.36	NA	NA
NRC-DS3 Channelization System -1st	MQ3	NA	\$404.85	\$316.28	NA	\$320.72	NA	\$351.95	NA	NA
NRC-DS3 Channelization System - Add'l	MQ3	NA	\$168.26	\$171.72	NA	\$233.10	NA	\$243.76	NA	NA
NRC-DS1(COCI)interface card -1st	UC1D1	NA	\$12.16	\$12.02	NA	\$12.29	NA	\$15.76	NA	NA
NRC-DS1(COCI)interface card -Add'l	UC1D1	NA	\$8.77	\$8.66	NA	\$8.80	NA	\$11.28	NA	NA
NRC-STS-1 interoffice channel and DS1 Local Loop Combination - Electronic	SOMECA	NA	\$3.17	\$3.50	NA	\$3.50	NA	\$3.50	NA	NA
NRC-STS-1 interoffice channel and DS1 Local Loop Combination - Manual Sv	SOMAN	NA	\$25.40	NA	NA	NA	NA	NA	NA	NA
NRC-STS-1 interoffice channel and DS1 Local Loop Combination - Manual Sv	SOMAN	NA	NA	\$33.63	NA	\$68.39	NA	\$81.94	NA	NA
NRC-STS-1 interoffice channel and DS1 Local Loop Combination - Manual Sv	SOMAN	NA	NA	\$27.49	NA	\$58.31	NA	\$67.76	NA	NA
NRC-STS-1 interoffice channel and DS1 Local Loop Combination - Manual Sv	SOMAN	NA	NA	\$19.88	NA	\$50.49	NA	NA	NA	NA
NRC-STS-1 interoffice channel and DS1 Local Loop Combination - Manual Sv	SOMAN	NA	NA	\$11.85	NA	\$29.00	NA	NA	NA	NA
2-wire VG Interoffice Channel and 2-wire VG Local Loop:										
Recurring Charges										
2-wire VG Loop per month, statewide	UEAL2	NA	\$20.52	\$16.51	NA	\$19.35	NA	NA	NA	\$18.00
2-wire VG Loop per month, Zone 1 (Note 1)	UEAL2	NA	TBD	\$15.40	NA	\$17.65	NA	NA	NA	\$15.54
2-wire VG Loop per month, Zone 2 (Note 1)	UEAL2	NA	TBD	\$17.78	NA	\$30.32	NA	NA	NA	\$19.55
2-wire VG Loop per month, Zone 3 (Note 1)	UEAL2	NA	TBD	\$28.26	NA	\$61.93	NA	NA	NA	\$28.02
2-wire VG Loop per month, Zone 4 (Note 1)	NA	NA	NA	NA	NA	NA	NA	NA	NA	NA
Interoffice Channel - Dedicated - 2-wire VG - Facility Termination per month	U1TV2	NA	\$26.52	\$17.07	NA	\$19.10	NA	NA	NA	\$18.33
Interoffice Channel - Dedicated - 2-wire VG - per mile per month	1L5XX	NA	\$0.01	\$0.0222	NA	\$0.0384	NA	NA	NA	\$0.0173
Non-Recurring Charges - New EEL (Note 2)(Note 3)										
NRC- 2-wire VG interoffice - 1st	U1TV2	NA	\$112.10	\$79.61	NA	\$104.23	NA	NA	NA	\$83.35
NRC- 2-wire VG interoffice - Add'l	U1TV2	NA	\$67.61	\$36.08	NA	\$39.91	NA	NA	NA	\$20.88
NRC-2-wire VG Local Loop - 1st	UEAL2	NA	\$38.02	\$104.17	NA	\$128.42	NA	NA	NA	\$192.97
NRC-2-wire VG Local Loop - Add'l	UEAL2	NA	\$35.15	\$78.10	NA	\$93.60	NA	NA	NA	\$140.72
NRC-2-wire VG interoffice channel and 2-wire VG Local Loop Combination - E	SOMECA	NA	\$3.17	\$3.50	NA	\$3.50	NA	NA	NA	\$3.50
NRC-2-wire VG interoffice channel and 2-wire VG Local Loop Combination - M	SOMAN	NA	\$25.40	NA	NA	NA	NA	NA	NA	\$19.99
NRC-2-wire VG interoffice channel and 2-wire VG Local Loop Combination - M	SOMAN	NA	NA	\$37.88	NA	\$36.28	NA	NA	NA	NA
NRC-2-wire VG interoffice channel and 2-wire VG Local Loop Combination - M	SOMAN	NA	NA	\$27.36	NA	\$26.20	NA	NA	NA	NA
NRC-2-wire VG interoffice channel and 2-wire VG Local Loop Combination - M	SOMAN	NA	NA	NA	NA	\$19.47	NA	NA	NA	NA
NRC-2-wire VG interoffice channel and 2-wire VG Local Loop Combination - M	SOMAN	NA	NA	NA	NA	\$8.06	NA	NA	NA	NA
4-wire VG Interoffice Channel and 4-wire VG Local Loop:										
Recurring Charges										
4-wire VG Loop per month, Zone 1 (Note 1)	UEAL4	NA	\$24.26	NA	NA	NA	NA	NA	NA	NA
4-wire VG Loop per month, Zone 2 (Note 1)	UEAL4	NA	\$35.51	NA	NA	NA	NA	NA	NA	NA
4-wire VG Loop per month, Zone 3 (Note 1)	UEAL4	NA	\$78.35	NA	NA	NA	NA	NA	NA	NA
4-wire VG Loop per month, Zone 4 (Note 1)	NA	NA	NA	NA	NA	NA	NA	NA	NA	NA

BELLSOUTH/EPB TELECOMMUNICATIONS RATES
 NETWORK ELEMENTS
 AND OTHER SERVICES
 ENHANCED EXTENDED LINKS

New EEL rates are the sum of the individual UNE network elements (interoffice transport and loop [channelization if applicable]).	USOC	AL	FL	GA	KY	LA	MS	NC	SC	TN
Interoffice Channel - Dedicated - 4-wire VG - Facility Termination per month	U1TV4	NA	\$23.64	NA	NA	NA	NA	NA	NA	NA
Interoffice Channel - Dedicated - 4-wire VG - per mile per month	1L5XX	NA	\$0.0098	NA	NA	NA	NA	NA	NA	NA

BELLSOUTH/EPB TELECOMMUNICATIONS RATES
 NETWORK ELEMENTS
 AND OTHER SERVICES
 ENHANCED EXTENDED LINKS

New EEL rates are the sum of the individual UNE network elements (interoffice transport and loop [channelization if applicable]).	USOC	AL	FL	GA	KY	LA	MS	NC	SC	TN
Non-Recurring Charges - New EEL (Note 2)(Note 3)										
NRC- 4-wire VG interoffice - 1st	U1TV4	NA	\$160.33	NA	NA	NA	NA	NA	NA	NA
NRC- 4-wire VG interoffice - Add'l	U1TV4	NA	\$73.44	NA	NA	NA	NA	NA	NA	NA
NRC-4-wire VG Local Loop - 1st	UEAL4	NA	\$329.76	NA	NA	NA	NA	NA	NA	NA
NRC-4-wire VG Local Loop - Add'l	UEAL4	NA	\$148.55	NA	NA	NA	NA	NA	NA	NA
NRC-4-wire VG interoffice channel and 4-wire VG Local Loop Combination - E	SOMEK	NA	\$3.17	NA	NA	NA	NA	NA	NA	NA
NRC-4-wire VG interoffice channel and 4-wire VG Local Loop Combination - M	SOMAN	NA	\$25.40	NA	NA	NA	NA	NA	NA	NA
NRC-4-wire VG interoffice channel and 4-wire VG Local Loop Combination - M	SOMAN	NA	NA	NA	NA	NA	NA	NA	NA	NA
NRC-4-wire VG interoffice channel and 4-wire VG Local Loop Combination - M	SOMAN	NA	NA	NA	NA	NA	NA	NA	NA	NA
NRC-4-wire VG interoffice channel and 4-wire VG Local Loop Combination - M	SOMAN	NA	NA	NA	NA	NA	NA	NA	NA	NA
NRC-4-wire VG interoffice channel and 4-wire VG Local Loop Combination - M	SOMAN	NA	NA	NA	NA	NA	NA	NA	NA	NA
4-wire 56 kbps Interoffice Channel and 4-wire 56kbps Local Loop:										
Recurring Charges										
4-wire 56kbps Loop per month, Zone 1 (Note 1)	UDL56	NA	\$39.08	\$26.44	NA	\$24.36	NA	TBD	NA	\$15.92
4-wire 56kbps Loop per month, Zone 2 (Note 1)	UDL56	NA	\$57.21	\$26.42	NA	\$41.85	NA	TBD	NA	\$20.79
4-wire 56kbps Loop per month, Zone 3 (Note 1)	UDL56	NA	\$126.22	\$46.53	NA	\$86.47	NA	TBD	NA	\$27.18
4-wire 56kbps Loop per month, Zone 4 (Note 1)	NA	NA	NA	NA	NA	NA	NA	NA	NA	NA
Interoffice Channel - Dedicated - 4-wire 56kbps - Facility Termination per month	U1TD5	NA	\$23.64	\$16.45	NA	\$18.37	NA	\$17.40	NA	\$17.74
Interoffice Channel - Dedicated - 4-wire 56kbps - per mile per month	1L5XX	NA	\$0.0098	\$0.0222	NA	\$0.0384	NA	\$0.0282	NA	\$0.1730
Non-Recurring Charges - New EEL (Note 2)(Note 3)										
NRC- 4-wire 56kbps interoffice - 1st	U1TD5	NA	\$160.33	\$79.61	NA	\$104.23	NA	\$137.48	NA	\$83.35
NRC- 4-wire 56kbps interoffice - Add'l	U1TD5	NA	\$73.44	\$36.08	NA	\$39.91	NA	\$52.58	NA	\$20.88
NRC-4-wire 56kbps Local Loop - 1st	UDL56	NA	\$329.76	\$348.55	NA	\$421.27	NA	\$489.04	NA	\$643.00
NRC-4-wire 56kbps Local Loop - Add'l	UDL56	NA	\$148.55	\$241.20	NA	\$274.74	NA	\$337.51	NA	\$421.28
NRC-4-wire 56kbps interoffice channel and 4-wire 56kbps Local Loop Combination	SOMEK	NA	\$3.17	\$3.50	NA	\$3.50	NA	\$3.50	NA	\$3.50
NRC-4-wire 56kbps interoffice channel and 4-wire 56kbps Local Loop Combination	SOMAN	NA	\$25.40	NA	NA	NA	NA	NA	NA	\$19.99
NRC-4-wire 56kbps interoffice channel and 4-wire 56kbps Local Loop Combination	SOMAN	NA	NA	\$37.88	NA	\$36.28	NA	\$65.01	NA	NA
NRC-4-wire 56kbps interoffice channel and 4-wire 56kbps Local Loop Combination	SOMAN	NA	NA	\$27.36	NA	\$26.20	NA	\$50.83	NA	NA
NRC-4-wire 56kbps interoffice channel and 4-wire 56kbps Local Loop Combination	SOMAN	NA	NA	NA	NA	\$11.41	NA	NA	NA	NA
NRC-4-wire 56kbps interoffice channel and 4-wire 56kbps Local Loop Combination	SOMAN	NA	NA	NA	NA	NA	NA	NA	NA	NA
4-wire 64 kbps Interoffice Channel and 4-wire 64 kbps Local Loop:										
Recurring Charges										
4-wire 64kbps Loop per month, Zone 1 (Note 1)	UDL64	NA	\$39.08	\$26.44	NA	\$27.50	NA	TBD	NA	\$36.45
4-wire 64kbps Loop per month, Zone 2 (Note 1)	UDL64	NA	\$57.21	\$30.53	NA	\$47.24	NA	TBD	NA	\$45.87
4-wire 64kbps Loop per month, Zone 3 (Note 1)	UDL64	NA	\$126.22	\$46.53	NA	\$96.48	NA	TBD	NA	\$65.75
4-wire 64kbps Loop per month, Zone 4 (Note 1)	NA	NA	NA	NA	NA	NA	NA	NA	NA	NA
Interoffice Channel - Dedicated - 4-wire 64kbps - Facility Termination per month	U1TD6	NA	\$19.31	\$16.45	NA	\$18.37	NA	\$17.40	NA	\$17.74
Interoffice Channel - Dedicated - 4-wire 64kbps - per mile per month	1L5XX	NA	\$0.0098	\$0.0222	NA	\$0.0384	NA	\$0.0282	NA	\$0.1730
Non-Recurring Charges - New EEL (Note 2)(Note 3)										
NRC- 4-wire 64kbps interoffice - 1st	U1TD6	NA	\$160.33	\$79.61	NA	\$713.57	NA	\$137.48	NA	\$729.27
NRC- 4-wire 64kbps interoffice - Add'l	U1TD6	NA	\$73.44	\$36.08	NA	\$404.36	NA	\$52.58	NA	\$411.98
NRC-4-wire 64kbps Local Loop - 1st	UDL64	NA	\$329.76	\$348.55	NA	\$811.30	NA	\$489.04	NA	\$829.52
NRC-4-wire 64kbps Local Loop - Add'l	UDL64	NA	\$148.55	\$241.20	NA	\$502.09	NA	\$337.51	NA	\$512.23
NRC-4-wire 64kbps interoffice channel and 4-wire 64kbps Local Loop Combination	SOMEK	NA	\$3.17	\$3.50	NA	\$3.50	NA	\$3.50	NA	\$3.50
NRC-4-wire 64kbps interoffice channel and 4-wire 64kbps Local Loop Combination	SOMAN	NA	\$25.40	NA	NA	NA	NA	NA	NA	\$19.99
NRC-4-wire 64kbps interoffice channel and 4-wire 64kbps Local Loop Combination	SOMAN	NA	NA	\$37.55	NA	\$100.50	NA	\$65.01	NA	NA
NRC-4-wire 64kbps interoffice channel and 4-wire 64kbps Local Loop Combination	SOMAN	NA	NA	\$37.55	NA	\$100.50	NA	\$50.83	NA	NA
NRC-4-wire 64kbps interoffice channel and 4-wire 64kbps Local Loop Combination	SOMAN	NA	NA	\$18.03	NA	\$41.88	NA	NA	NA	NA
NRC-4-wire 64kbps interoffice channel and 4-wire 64kbps Local Loop Combination	SOMAN	NA	NA	\$18.03	NA	\$41.88	NA	NA	NA	NA
Network Elements used in Existing Combinations at UNE Rates (Note4)										

BELLSOUTH/EPB TELECOMMUNICATIONS RATES
 NETWORK ELEMENTS
 AND OTHER SERVICES
 ENHANCED EXTENDED LINKS

New EEL rates are the sum of the individual UNE network elements (interoffice transport and loop [channelization if applicable]).	USOC	AL	FL	GA	KY	LA	MS	NC	SC	TN
Local Loop:										
2-Wire Analog Voice Grade Loop - Service Level 2										
2-Wire Analog Voice Grade Loop - per mile per month	UNCVX	1L5ND	\$0.00	\$0.00	\$0.00	\$0.00	\$0.00	\$0.00	\$0.00	See Ex C-1
2-Wire Analog Voice Grade Loop -per month	UEAL2	NA	NA	NA	NA	NA	NA	\$19.50	NA	See Ex C-1

BELLSOUTH/EPB TELECOMMUNICATIONS RATES
 NETWORK ELEMENTS
 AND OTHER SERVICES
 ENHANCED EXTENDED LINKS

New EEL rates are the sum of the individual UNE network elements (interoffice transport and loop [channelization if applicable]).	USOC	AL	FL	GA	KY	LA	MS	NC	SC	TN
Zone 1	UEAL2	\$17.95	\$20.52	\$15.40	\$17.27	\$17.65	\$18.35	TBD	\$16.58	See Ex C-1
Zone 2	UEAL2	\$29.16	TBD	\$17.78	\$32.32	\$30.32	\$24.33	TBD	\$27.59	See Ex C-1
Zone 3	UEAL2	\$52.84	TBD	\$28.26	\$55.78	\$61.93	\$34.77	TBD	\$31.87	See Ex C-1
Zone 4	UEAL2	NA	NA	NA	NA	NA	\$45.88	NA	NA	See Ex C-1
NRC - Ordinarily Combined in GA (Note 5)										
NRC - 1st	UEAL2	NA	NA	\$104.17	NA	NA	NA	NA	NA	See Ex C-1
NRC - Add'l	UEAL2	NA	NA	\$78.10	NA	NA	NA	NA	NA	See Ex C-1
NRC - Disconnect Charge - 1st	UEAL2	NA	NA	NA	NA	NA	NA	NA	NA	See Ex C-1
NRC - Disconnect Charge - Add'l	UEAL2	NA	NA	NA	NA	NA	NA	NA	NA	See Ex C-1
NRC - Electronic Svc Order, per LSR	SOMECS	NA	NA	\$3.50	NA	NA	NA	NA	NA	See Ex C-1
NRC - Incremental Charge - Manual Service Order - 1st	SOMAN	NA	NA	\$18.94	NA	NA	NA	NA	NA	See Ex C-1
NRC - Incremental Charge - Manual Service Order - Add'l	SOMAN	NA	NA	\$8.42	NA	NA	NA	NA	NA	See Ex C-1
NRC - Incremental Charge - Manual Service Order - Disconnect	SOMAN	NA	NA	NA	NA	NA	NA	NA	NA	See Ex C-1
NRC-All Existing Combination "Switch As Is" Conversion Charge (Note 6)										
NRC-2/4-WIRE COMBINATION - "Switch As Is" Conversion Charge - 1st	UNCCC	\$54.03	\$32.75	\$58.43	\$54.09	\$54.23	\$54.09	\$54.00	\$54.26	See Ex C-1
NRC-2/4-WIRE COMBINATION - "Switch As Is" Conversion Charge - Add'l	UNCCC	\$32.11	\$32.75	\$26.99	\$32.16	\$32.24	\$32.16	\$32.10	\$32.25	See Ex C-1
NRC-2/4-WIRE COMBINATION - "Switch As Is" Conversion Charge - Discor	UNCCC	\$0.00	\$16.77	\$12.61	\$0.00	\$0.00	\$0.00	\$0.00	\$0.00	See Ex C-1
NRC-2/4-WIRE COMBINATION - "Switch As Is" Conversion Charge - Discor	UNCCC	\$0.00	\$16.77	\$12.61	\$0.00	\$0.00	\$0.00	\$0.00	\$0.00	See Ex C-1
2-Wire Analog Voice Grade Loop - Service Level 2 - (reverse battery)										
2-Wire Analog Voice Grade Loop - Loop[Start - per mile per month	1L5ND	\$0.00	\$0.00	\$0.00	\$0.00	\$0.00	\$0.00	\$0.00	\$0.00	See Ex C-1
2-Wire Analog Voice Grade Loop - Rev Bat - per month	UEAR2	NA	\$20.52	NA	NA	NA	NA	\$19.50	NA	See Ex C-1
Zone 1	UEAR2	\$17.95	\$23.23	\$16.84	\$17.27	\$17.65	\$18.35	TBD	\$21.57	See Ex C-1
Zone 2	UEAR2	\$29.16	\$22.43	\$19.45	\$32.32	\$30.32	\$24.33	TBD	\$32.53	See Ex C-1
Zone 3	UEAR2	\$52.84	\$27.87	\$30.92	\$55.78	\$61.93	\$34.77	TBD	\$43.08	See Ex C-1
Zone 4	UEAR2	NA	NA	NA	NA	NA	\$45.88	NA	NA	See Ex C-1
NRC - Ordinarily Combined in GA (Note 5)										
NRC - 1st	UEAR2	NA	NA	\$104.17	NA	NA	NA	NA	NA	See Ex C-1
NRC - Add'l	UEAR2	NA	NA	\$78.10	NA	NA	NA	NA	NA	See Ex C-1
NRC - Disconnect Charge - 1st	UEAR2	NA	NA	NA	NA	NA	NA	NA	NA	See Ex C-1
NRC - Disconnect Charge - Add'l	UEAR2	NA	NA	NA	NA	NA	NA	NA	NA	See Ex C-1
NRC - Electronic Svc Order, per LSR	SOMECS	NA	NA	\$3.50	NA	NA	NA	NA	NA	See Ex C-1
NRC - Incremental Charge - Manual Service Order - 1st	SOMAN	NA	NA	\$18.94	NA	NA	NA	NA	NA	See Ex C-1
NRC - Incremental Charge - Manual Service Order - Add'l	SOMAN	NA	NA	\$8.42	NA	NA	NA	NA	NA	See Ex C-1
NRC - Incremental Charge - Manual Service Order - Disconnect	SOMAN	NA	NA	NA	NA	NA	NA	NA	NA	See Ex C-1
NRC-All Existing Combination "Switch As Is" Conversion Charge (Note 6)										
NRC-2/4-WIRE COMBINATION - "Switch As Is" Conversion Charge - 1st	UNCCC	\$54.03	\$32.75	\$58.43	\$54.09	\$54.23	\$54.09	\$54.00	\$54.26	See Ex C-1
NRC-2/4-WIRE COMBINATION - "Switch As Is" Conversion Charge - Add'l	UNCCC	\$32.11	\$32.75	\$26.99	\$32.16	\$32.24	\$32.16	\$32.10	\$32.25	See Ex C-1
NRC-2/4-WIRE COMBINATION - "Switch As Is" Conversion Charge - Discor	UNCCC	\$0.00	\$16.77	\$12.61	\$0.00	\$0.00	\$0.00	\$0.00	\$0.00	See Ex C-1
NRC-2/4-WIRE COMBINATION - "Switch As Is" Conversion Charge - Discor	UNCCC	\$0.00	\$16.77	\$12.61	\$0.00	\$0.00	\$0.00	\$0.00	\$0.00	See Ex C-1
4-Wire Analog Voice Grade Loop										
4-Wire Analog Voice Grade Loop per mile per month	1L5ND	\$0.00	\$0.00	\$0.00	\$0.00	\$0.00	\$0.00	\$0.00	\$0.00	See Ex C-1
Zone 1	UEAL4	\$24.01	\$24.26	\$22.88	\$20.92	\$24.36	\$22.38	\$23.51	\$49.47	See Ex C-1
Zone 2	UEAL4	\$39.00	\$35.51	\$26.42	\$39.14	\$41.85	\$29.67	\$38.53	\$44.44	See Ex C-1
Zone 3	UEAL4	\$70.67	\$78.35	\$41.99	\$67.56	\$85.47	\$42.40	\$44.38	\$58.85	See Ex C-1
Zone 4	UEAL4	NA	NA	NA	NA	NA	\$55.96	NA	NA	See Ex C-1
NRC - Ordinarily Combined in GA (Note 5)										
NRC - 1st	UEAL4	NA	NA	\$206.95	NA	NA	NA	NA	NA	See Ex C-1
NRC - Add'l	UEAL4	NA	NA	\$170.57	NA	NA	NA	NA	NA	See Ex C-1
NRC - Disconnect Charge - 1st	UEAL4	NA	NA	NA	NA	NA	NA	NA	NA	See Ex C-1
NRC - Disconnect Charge - Add'l	UEAL4	NA	NA	NA	NA	NA	NA	NA	NA	See Ex C-1

BELLSOUTH/EPB TELECOMMUNICATIONS RATES
 NETWORK ELEMENTS
 AND OTHER SERVICES
 ENHANCED EXTENDED LINKS

New EEL rates are the sum of the individual UNE network elements (interoffice transport and loop [channelization if applicable]).	USOC	AL	FL	GA	KY	LA	MS	NC	SC	TN
NRC - Electronic Svc Order, per LSR	SOMEK	NA	NA	\$3.50	NA	NA	NA	NA	NA	See Ex C-1
NRC - Incremental Charge - Manual Service Order - 1st	SOMAN	NA	NA	NA	NA	NA	NA	NA	NA	See Ex C-1
NRC - Incremental Charge - Manual Service Order - Add'l	SOMAN	NA	NA	\$8.42	NA	NA	NA	NA	NA	See Ex C-1
NRC - Incremental Charge - Manual Service Order - Disconnect	SOMAN	NA	NA	NA	NA	NA	NA	NA	NA	See Ex C-1

BELLSOUTH/EPB TELECOMMUNICATIONS RATES
 NETWORK ELEMENTS
 AND OTHER SERVICES
 ENHANCED EXTENDED LINKS

New EEL rates are the sum of the individual UNE network elements (interoffice transport and loop [channelization if applicable]).	USOC	AL	FL	GA	KY	LA	MS	NC	SC	TN
NRC-All Existing Combination "Switch As Is" Conversion Charge (Note 6)										
NRC-2/4-WIRE COMBINATION - "Switch As Is" Conversion Charge - 1st	UNCCC	\$54.03	\$32.75	\$58.43	\$54.09	\$54.23	\$54.09	\$54.00	\$54.26	See Ex C-1
NRC-2/4-WIRE COMBINATION - "Switch As Is" Conversion Charge - Add'l	UNCCC	\$32.11	\$32.75	\$26.99	\$32.16	\$32.24	\$32.16	\$32.10	\$32.25	See Ex C-1
NRC- 2/4-WIRE COMBINATION - "Switch As Is" Conversion Charge - Discor	UNCCC	\$0.00	\$16.77	\$12.61	\$0.00	\$0.00	\$0.00	\$0.00	\$0.00	See Ex C-1
NRC- 2/4-WIRE COMBINATION - "Switch As Is" Conversion Charge - Discor	UNCCC	\$0.00	\$16.77	\$12.61	\$0.00	\$0.00	\$0.00	\$0.00	\$0.00	See Ex C-1
2-Wire ISDN Digital Grade Loop										
2-Wire ISDN Loop per mile per month	1L5ND	\$0.00	\$0.00	\$0.00	\$0.00	\$0.00	\$0.00	\$0.00	\$0.00	See Ex C-1
2-Wire ISDN Digital Grade Loop per month	U1L2X	NA	NA	NA	NA	NA	NA	\$24.98	NA	See Ex C-1
Zone 1	U1L2X	\$23.23	\$32.34	\$21.89	\$23.66	\$21.15	\$21.86	TBD	\$21.40	See Ex C-1
Zone 2	U1L2X	\$37.74	\$47.35	\$25.27	\$44.28	\$36.32	\$28.97	TBD	\$34.91	See Ex C-1
Zone 3	U1L2X	\$68.38	\$104.47	\$40.17	\$76.42	\$74.19	\$41.40	TBD	\$40.17	See Ex C-1
Zone 4	U1L2X	NA	NA	NA	NA	NA	\$54.64	NA	NA	See Ex C-1
NRC - Ordinarily Combined in GA (Note 5)										
NRC - 1st	U1L2X	NA	NA	\$233.38	NA	NA	NA	NA	NA	See Ex C-1
NRC - Add'l	U1L2X	NA	NA	\$180.35	NA	NA	NA	NA	NA	See Ex C-1
NRC - Disconnect Dcharge - 1st	U1L2X	NA	NA	NA	NA	NA	NA	NA	NA	See Ex C-1
NRC - Disconnect Charge - Add'l	U1L2X	NA	NA	NA	NA	NA	NA	NA	NA	See Ex C-1
NRC - Electronic Svc Order, per LSR	SOMECS	NA	NA	\$3.50	NA	NA	NA	NA	NA	See Ex C-1
NRC - Incremental Charge - Manual Service Order - 1st	SOMAN	NA	NA	\$18.94	NA	NA	NA	NA	NA	See Ex C-1
NRC - Incremental Charge - Manual Service Order - Add'l	SOMAN	NA	NA	\$8.42	NA	NA	NA	NA	NA	See Ex C-1
NRC - Incremental Charge - Manual Service Order - Disconnect	SOMAN	NA	NA	NA	NA	NA	NA	NA	NA	See Ex C-1
NRC-All Existing Combination "Switch As Is" Conversion Charge (Note 6)										
NRC-2/4-WIRE COMBINATION - "Switch As Is" Conversion Charge - 1st	UNCCC	\$54.03	\$32.75	\$58.43	\$54.09	\$54.23	\$54.09	\$54.00	\$54.26	See Ex C-1
NRC-2/4-WIRE COMBINATION - "Switch As Is" Conversion Charge - Add'l	UNCCC	\$32.11	\$32.75	\$26.99	\$32.16	\$32.24	\$32.16	\$32.10	\$32.25	See Ex C-1
NRC- 2/4-WIRE COMBINATION - "Switch As Is" Conversion Charge - Discor	UNCCC	\$0.00	\$16.77	\$12.61	\$0.00	\$0.00	\$0.00	\$0.00	\$0.00	See Ex C-1
NRC- 2/4-WIRE COMBINATION - "Switch As Is" Conversion Charge - Discor	UNCCC	\$0.00	\$16.77	\$12.61	\$0.00	\$0.00	\$0.00	\$0.00	\$0.00	See Ex C-1
4-Wire 56 kbps Digital Grade Loop										
4-Wire 56 kbps Digital Grade Loop per mile per month	1L5ND	\$0.00	\$0.00	\$0.00	\$0.00	\$0.00	\$0.00	\$0.00	\$0.00	See Ex C-1
4-Wire 56 kbps Digital Grade Loop per month	UDL56	NA	NA	NA	NA	NA	NA	\$32.67	NA	See Ex C-1
Zone 1	UDL56	\$27.33	\$33.90	\$26.44	NA	\$27.50	\$25.61	TBD	\$27.94	See Ex C-1
Zone 2	UDL56	\$44.40	\$44.72	\$30.53	NA	\$47.25	\$33.94	TBD	\$45.81	See Ex C-1
Zone 3	UDL56	\$80.45	\$50.85	\$46.53	NA	\$96.48	\$48.51	TBD	\$52.76	See Ex C-1
Zone 4	UDL56	NA	NA	NA	NA	NA	\$64.02	NA	NA	See Ex C-1
NRC - Ordinarily Combined in GA (Note 5)										
NRC - 1st	UDL56	NA	NA	\$348.55	NA	NA	NA	NA	NA	See Ex C-1
NRC - Add'l	UDL56	NA	NA	\$241.20	NA	NA	NA	NA	NA	See Ex C-1
NRC - Disconnect Dcharge - 1st	UDL56	NA	NA	NA	NA	NA	NA	NA	NA	See Ex C-1
NRC - Disconnect Charge - Add'l	UDL56	NA	NA	NA	NA	NA	NA	NA	NA	See Ex C-1
NRC - Electronic Svc Order, per LSR	SOMECS	NA	NA	\$3.50	NA	NA	NA	NA	NA	See Ex C-1
NRC - Incremental Charge - Manual Service Order - 1st	SOMAN	NA	NA	\$18.94	NA	NA	NA	NA	NA	See Ex C-1
NRC - Incremental Charge - Manual Service Order - Add'l	SOMAN	NA	NA	\$8.42	NA	NA	NA	NA	NA	See Ex C-1
NRC - Incremental Charge - Manual Service Order - Disconnect	SOMAN	NA	NA	NA	NA	NA	NA	NA	NA	See Ex C-1
NRC-All Existing Combination "Switch As Is" Conversion Charge (Note 6)										
NRC-2/4-WIRE COMBINATION - "Switch As Is" Conversion Charge - 1st	UNCCC	\$54.03	\$32.75	\$58.43	\$54.09	\$54.23	\$54.09	\$54.00	\$54.26	See Ex C-1
NRC-2/4-WIRE COMBINATION - "Switch As Is" Conversion Charge - Add'l	UNCCC	\$32.11	\$32.75	\$26.99	\$32.16	\$32.24	\$32.16	\$32.10	\$32.25	See Ex C-1
NRC- 2/4-WIRE COMBINATION - "Switch As Is" Conversion Charge - Discor	UNCCC	\$0.00	\$16.77	\$12.61	\$0.00	\$0.00	\$0.00	\$0.00	\$0.00	See Ex C-1
NRC- 2/4-WIRE COMBINATION - "Switch As Is" Conversion Charge - Discor	UNCCC	\$0.00	\$16.77	\$12.61	\$0.00	\$0.00	\$0.00	\$0.00	\$0.00	See Ex C-1
4-Wire 64 kbps Digital Grade Loop										
4-Wire 64 kbps Digital Grade Loop per mile per month	1L5ND	\$0.00	\$0.00	\$0.00	\$0.00	\$0.00	\$0.00	\$0.00	\$0.00	See Ex C-1
4-Wire 64 kbps Digital Grade Loop per month	UDL64	NA	NA	NA	NA	NA	NA	\$32.67	NA	See Ex C-1
Zone 1	UDL64	\$27.33	\$33.90	\$26.44	NA	\$27.50	\$25.61	TBD	\$27.94	See Ex C-1

BELLSOUTH/EPB TELECOMMUNICATIONS RATES
 NETWORK ELEMENTS
 AND OTHER SERVICES
 ENHANCED EXTENDED LINKS

New EEL rates are the sum of the individual UNE network elements (interoffice transport and loop [channelization if applicable]).	USOC	AL	FL	GA	KY	LA	MS	NC	SC	TN
Zone 2	UDL64	\$44.40	\$44.72	\$30.53	NA	\$47.25	\$33.94	TBD	\$45.81	See Ex C-1
Zone 3	UDL64	\$80.45	\$50.85	\$46.53	NA	\$96.48	\$48.51	TBD	\$52.76	See Ex C-1
Zone 4	UDL64	NA	NA	NA	NA	NA	\$64.02	NA	NA	See Ex C-1

BELLSOUTH/EPB TELECOMMUNICATIONS RATES
 NETWORK ELEMENTS
 AND OTHER SERVICES
 ENHANCED EXTENDED LINKS

New EEL rates are the sum of the individual UNE network elements (interoffice transport and loop [channelization if applicable]).	USOC	AL	FL	GA	KY	LA	MS	NC	SC	TN
NRC - Ordinarily Combined in GA (Note 5)										
NRC - 1st	UDL64	NA	NA	\$348.55	NA	NA	NA	NA	NA	See Ex C-1
NRC - Add'l	UDL64	NA	NA	\$241.20	NA	NA	NA	NA	NA	See Ex C-1
NRC - Disconnect Dcharge - 1st	UDL64	NA	NA	NA	NA	NA	NA	NA	NA	See Ex C-1
NRC - Disconnect Charge - Add'l	UDL64	NA	NA	NA	NA	NA	NA	NA	NA	See Ex C-1
NRC - Electronic Svc Order, per LSR	SOMECH	NA	NA	\$3.50	NA	NA	NA	NA	NA	See Ex C-1
NRC - Incremental Charge - Manual Service Order - 1st	SOMAN	NA	NA	\$18.94	NA	NA	NA	NA	NA	See Ex C-1
NRC - Incremental Charge - Manual Service Order - Add'l	SOMAN	NA	NA	\$8.42	NA	NA	NA	NA	NA	See Ex C-1
NRC - Incremental Charge - Manual Service Order - Disconnect	SOMAN	NA	NA	NA	NA	NA	NA	NA	NA	See Ex C-1
NRC-All Existing Combination "Switch As Is" Conversion Charge (Note 6)										
NRC-2/4-WIRE COMBINATION - "Switch As Is" Conversion Charge - 1st	UNCCC	\$54.03	\$32.75	\$58.43	\$54.09	\$54.23	\$54.09	\$54.00	\$54.26	See Ex C-1
NRC-2/4-WIRE COMBINATION - "Switch As Is" Conversion Charge - Add'l	UNCCC	\$32.11	\$32.75	\$26.99	\$32.16	\$32.24	\$32.16	\$32.10	\$32.25	See Ex C-1
NRC - 2/4-WIRE COMBINATION - "Switch As Is" Conversion Charge - Disconnect	UNCCC	\$0.00	\$16.77	\$12.61	\$0.00	\$0.00	\$0.00	\$0.00	\$0.00	See Ex C-1
NRC - 2/4-WIRE COMBINATION - "Switch As Is" Conversion Charge - Disconnect	UNCCC	\$0.00	\$16.77	\$12.61	\$0.00	\$0.00	\$0.00	\$0.00	\$0.00	See Ex C-1
4-Wire DS1 Digital Loop										
4-Wire DS1 Digital Loop per mile per month	1L5ND	\$0.00	\$0.00	\$0.00	\$0.00	\$0.00	\$0.00	\$0.00	\$0.00	See Ex C-1
4-Wire DS1 Digital Loop per month	USLXX	NA	NA	NA	NA	NA	NA	\$62.78	NA	See Ex C-1
Zone 1	USLXX	\$51.74	\$64.69	\$52.40	\$50.28	\$56.32	\$50.99	TBD	\$53.00	See Ex C-1
Zone 2	USLXX	\$84.05	\$94.71	\$60.51	\$94.06	\$96.73	\$67.58	TBD	\$89.93	See Ex C-1
Zone 3	USLXX	\$152.29	\$208.93	\$96.18	\$162.34	\$197.57	\$96.58	TBD	\$104.30	See Ex C-1
Zone 4	USLXX	NA	NA	NA	NA	NA	\$127.47	NA	NA	See Ex C-1
NRC - Ordinarily Combined in GA (Note 5)										
NRC - 1st	USLXX	NA	NA	\$429.98	NA	NA	NA	NA	NA	See Ex C-1
NRC - Add'l	USLXX	NA	NA	\$268.18	NA	NA	NA	NA	NA	See Ex C-1
NRC - Disconnect Charge - 1st	USLXX	NA	NA	NA	NA	NA	NA	NA	NA	See Ex C-1
NRC - Disconnect Charge - Add'l	USLXX	NA	NA	NA	NA	NA	NA	NA	NA	See Ex C-1
NRC - Electronic Svc Order, per LSR	SOMECH	NA	NA	\$3.50	NA	NA	NA	NA	NA	See Ex C-1
NRC - Incremental Charge - Manual Service Order - 1st	SOMAN	NA	NA	\$18.94	NA	NA	NA	NA	NA	See Ex C-1
NRC - Incremental Charge - Manual Service Order - Add'l	SOMAN	NA	NA	\$8.42	NA	NA	NA	NA	NA	See Ex C-1
NRC - Incremental Charge - Manual Service Order - Disconnect	SOMAN	NA	NA	NA	NA	NA	NA	NA	NA	See Ex C-1
NRC-All Existing Combination "Switch As Is" Conversion Charge (Note 6)										
NRC-DS1 COMBINATION - "Switch As Is" Conversion Charge - 1st	UNCCC	\$54.03	\$32.75	\$58.43	\$54.09	\$54.23	\$54.09	\$54.00	\$54.26	See Ex C-1
NRC-DS1 COMBINATION - "Switch As Is" Conversion Charge - Add'l	UNCCC	\$32.11	\$32.75	\$26.99	\$32.16	\$32.24	\$32.16	\$32.10	\$32.25	See Ex C-1
NRC - DS1 COMBINATION - "Switch As Is" Conversion Charge - Disconnect	UNCCC	\$0.00	\$16.77	\$12.61	\$0.00	\$0.00	\$0.00	\$0.00	\$0.00	See Ex C-1
NRC - DS1 COMBINATION - "Switch As Is" Conversion Charge - Disconnect	UNCCC	\$0.00	\$16.77	\$12.61	\$0.00	\$0.00	\$0.00	\$0.00	\$0.00	See Ex C-1
DS3 Local Loop										
per mile per month	1L5ND	\$10.85	\$11.77	\$8.90	\$43.69	\$38.98	\$54.39	\$32.53	\$15.53	\$30.53
facility termination per month	UE3PX	\$419.65	\$404.58	\$390.34	\$436.95	\$497.08	\$427.81	\$387.01	\$421.60	\$400.21
NRC - Ordinarily Combined in GA (Note 5)										
NRC - Facility Termination - 1st	UE3PX	NA	NA	\$639.50	NA	NA	NA	NA	NA	NA
NRC - Facility Termination - Add'l	UE3PX	NA	NA	\$426.40	NA	NA	NA	NA	NA	NA
NRC - Facility Termination - Disconnect - 1st	UE3PX	NA	NA	\$122.31	NA	NA	NA	NA	NA	NA
NRC - Facility Termination - Disconnect - Add'l	UE3PX	NA	NA	\$119.14	NA	NA	NA	NA	NA	NA
NRC - Manual Svc Order, per LSR	SOMAN	NA	NA	NA	NA	NA	NA	NA	NA	NA
NRC - Manual Svc Order, per LSR disconnect	SOMAN	NA	NA	NA	NA	NA	NA	NA	NA	NA
NRC - Electronic Svc Order, per LSR	SOMECH	NA	NA	\$3.50	NA	NA	NA	NA	NA	NA
NRC - Electronic Svc Order, per LSR disconnect	SOMECH	NA	NA	NA	NA	NA	NA	NA	NA	NA
NRC - Incremental Charge--Manual Svc Order - 1st	SOMAN	NA	NA	\$37.55	NA	NA	NA	NA	NA	NA
NRC - Incremental Charge--Manual Svc Order - Add'l	SOMAN	NA	NA	\$37.55	NA	NA	NA	NA	NA	NA
NRC - Incremental Cost - Manual Svc. Order vs. Elect-Disconnect-1st	SOMAN	NA	NA	\$18.03	NA	NA	NA	NA	NA	NA
NRC - Incremental Cost - Manual Svc. Order vs. Elect-Disconnect-Add'l	SOMAN	NA	NA	\$18.03	NA	NA	NA	NA	NA	NA
NRC-All Existing Combination "Switch As Is" Conversion Charge (Note 6)										

BELLSOUTH/EPB TELECOMMUNICATIONS RATES
 NETWORK ELEMENTS
 AND OTHER SERVICES
 ENHANCED EXTENDED LINKS

New EEL rates are the sum of the individual UNE network elements (interoffice transport and loop [channelization if applicable]).	USOC	AL	FL	GA	KY	LA	MS	NC	SC	TN
NRC-DS3 COMBINATION - "Switch As Is" Conversion Charge - 1st	UNCCC	\$54.03	\$32.75	\$58.43	\$54.09	\$54.23	\$54.09	\$54.00	\$54.26	\$54.13
NRC-DS3 COMBINATION - "Switch As Is" Conversion Charge - Add'l	UNCCC	\$32.11	\$32.75	\$26.99	\$32.16	\$32.24	\$32.16	\$32.10	\$32.25	\$32.17
NRC- DS3 COMBINATION - "Switch As Is" Conversion Charge - Disconnect	UNCCC	\$0.00	\$16.77	\$12.61	\$0.00	\$0.00	\$0.00	\$0.00	\$0.00	\$0.00
NRC- DS3 COMBINATION - "Switch As Is" Conversion Charge - Disconnect	UNCCC	\$0.00	\$16.77	\$12.61	\$0.00	\$0.00	\$0.00	\$0.00	\$0.00	\$0.00

BELLSOUTH/EPB TELECOMMUNICATIONS RATES
 NETWORK ELEMENTS
 AND OTHER SERVICES
 ENHANCED EXTENDED LINKS

New EEL rates are the sum of the individual UNE network elements (interoffice transport and loop [channelization if applicable]).	USOC	AL	FL	GA	KY	LA	MS	NC	SC	TN
STS-1 Local Loop										
per mile per month	1L5ND	\$10.85	\$11.77	\$8.90	\$43.69	\$38.98	\$54.39	\$32.53	\$15.53	\$30.53
facility termination per month	UDLS1	\$419.65	\$446.09	\$421.59	\$436.95	\$497.08	\$427.81	\$387.01	\$431.32	\$400.21
NRC - Ordinarily Combined in GA (Note 5)										
NRC - STS-1 - Facility Termination - 1st	UDLS1	NA	NA	\$639.50	NA	NA	NA	NA	NA	NA
NRC - STS-1 - Facility Termination - Add'l	UDLS1	NA	NA	\$426.40	NA	NA	NA	NA	NA	NA
NRC - STS-1 - Facility Termination - Disconnect - 1st	UDLS1	NA	NA	\$122.31	NA	NA	NA	NA	NA	NA
NRC - STS-1 - Facility Termination - Disconnect - Add'l	UDLS1	NA	NA	\$119.14	NA	NA	NA	NA	NA	NA
NRC - Manual Svc Order, per LSR	SOMAN	NA	NA	NA	NA	NA	NA	NA	NA	NA
NRC - Manual Svc Order, per LSR disconnect	SOMAN	NA	NA	NA	NA	NA	NA	NA	NA	NA
NRC - Electronic Svc Order, per LSR	SOMEK	NA	NA	\$3.50	NA	NA	NA	NA	NA	NA
NRC - Electronic Svc Order, per LSR disconnect	SOMEK	NA	NA	NA	NA	NA	NA	NA	NA	NA
NRC - STS-1 - Incremental Charge--Manual Svc Order - 1st	SOMAN	NA	NA	\$37.55	NA	NA	NA	NA	NA	NA
NRC - STS-1 - Incremental Charge--Manual Svc Order - Add'l	SOMAN	NA	NA	\$37.55	NA	NA	NA	NA	NA	NA
NRC - STS-1 - Incremental Cost - Manual Svc. Order vs. Elect-Disconnect	SOMAN	NA	NA	\$18.03	NA	NA	NA	NA	NA	NA
NRC - STS-1 - Incremental Cost - Manual Svc. Order vs. Elect-Disconnect	SOMAN	NA	NA	\$18.03	NA	NA	NA	NA	NA	NA
NRC-All Existing Combination "Switch As Is" Conversion Charge (Note 6)										
NRC-ST-1 COMBINATION - "Switch As Is" Conversion Charge - 1st	UNCCC	\$54.03	\$32.75	\$58.43	\$54.09	\$54.23	\$54.09	\$54.00	\$54.26	\$54.13
NRC-ST-1 COMBINATION - "Switch As Is" Conversion Charge - Add'l	UNCCC	\$32.11	\$32.75	\$26.99	\$32.16	\$32.24	\$32.16	\$32.10	\$32.25	\$32.17
NRC - STS-1 COMBINATION - "Switch As Is" Conversion Charge - Disconnect	UNCCC	\$0.00	\$16.77	\$12.61	\$0.00	\$0.00	\$0.00	\$0.00	\$0.00	\$0.00
NRC - STS-1 COMBINATION - "Switch As Is" Conversion Charge - Disconnect	UNCCC	\$0.00	\$16.77	\$12.61	\$0.00	\$0.00	\$0.00	\$0.00	\$0.00	\$0.00
OC-3 Local Loop										
per mile per month	1L5ND	\$7.09	\$8.93	\$6.75	\$33.15	\$29.58	\$41.27	\$24.69	\$11.78	\$23.16
facility termination per month		\$1,123	\$648.60	\$630.21	\$436.95	\$753.65	\$689.68	\$611.36	\$701.71	\$620.20
NRC - Ordinarily Combined in GA (Note 5)										
NRC - OC3 - Facility Termination - 1st		NA	NA	\$947.69	NA	NA	NA	NA	NA	NA
NRC - OC3 - Facility Termination - Add'l		NA	NA	\$413.00	NA	NA	NA	NA	NA	NA
NRC - OC3 - Facility Termination - Disconnect - 1st		NA	NA	\$122.31	NA	NA	NA	NA	NA	NA
NRC - OC3 - Facility Termination - Disconnect - Add'l		NA	NA	\$119.14	NA	NA	NA	NA	NA	NA
NRC - Electronic Svc Order, per LSR	SOMEK	NA	NA	\$3.50	NA	NA	NA	NA	NA	NA
NRC - OC3 - Incremental Charge--Manual Svc Order - 1st	SOMAN	NA	NA	\$37.55	NA	NA	NA	NA	NA	NA
NRC - OC3 - Incremental Charge--Manual Svc Order - Add'l	SOMAN	NA	NA	\$37.55	NA	NA	NA	NA	NA	NA
NRC - OC3 - Incremental Cost - Manual Svc. Order vs. Elect-Disconnect	SOMAN	NA	NA	\$18.03	NA	NA	NA	NA	NA	NA
NRC - OC3 - Incremental Cost - Manual Svc. Order vs. Elect-Disconnect	SOMAN	NA	NA	\$18.03	NA	NA	NA	NA	NA	NA
NRC-All Existing Combination "Switch As Is" Conversion Charge (Note 6)										
NRC-OC-3 COMBINATION - "Switch As Is" Conversion Charge - 1st	UNCCC	\$54.03	\$32.75	\$58.43	\$54.09	\$54.23	\$54.09	\$54.00	\$54.26	\$54.13
NRC-OC-3 COMBINATION - "Switch As Is" Conversion Charge - Add'l	UNCCC	\$32.11	\$32.75	\$26.99	\$32.16	\$32.24	\$32.16	\$32.10	\$32.25	\$32.17
NRC - OC-3 COMBINATION - "Switch As Is" Conversion Charge - Disconnect	UNCCC	\$0.00	\$16.77	\$12.61	\$0.00	\$0.00	\$0.00	\$0.00	\$0.00	\$0.00
NRC - OC-3 COMBINATION - "Switch As Is" Conversion Charge - Disconnect	UNCCC	\$0.00	\$16.77	\$12.61	\$0.00	\$0.00	\$0.00	\$0.00	\$0.00	\$0.00
OC-12 Local Loop										
per mile per month	1L5ND	\$10.13	\$11.18	\$8.31	\$40.80	\$36.40	\$50.79	\$30.38	\$14.50	\$28.51
facility termination per month		\$5,630	\$2,068	\$2,109	\$2,457	\$2,571	\$2,371	\$2,122	\$2,663	\$2,079
NRC - Ordinarily Combined in GA (Note 5)										
NRC - OC12 - Facility Termination - 1st		NA	NA	\$1,162	NA	NA	NA	NA	NA	NA
NRC - OC12 - Facility Termination - Add'l		NA	NA	\$413.00	NA	NA	NA	NA	NA	NA
NRC - OC12 - Facility Termination - Disconnect - 1st		NA	NA	\$122.31	NA	NA	NA	NA	NA	NA
NRC - OC12 - Facility Termination - Disconnect - Add'l		NA	NA	\$119.14	NA	NA	NA	NA	NA	NA
NRC - Electronic Svc Order, per LSR	SOMEK	NA	NA	\$3.50	NA	NA	NA	NA	NA	NA
NRC - OC12 - Incremental Charge - Manual Svc Order - 1st	SOMAN	NA	NA	\$37.55	NA	NA	NA	NA	NA	NA
NRC - OC12 - Incremental Charge - Manual Svc Order - Add'l	SOMAN	NA	NA	\$37.55	NA	NA	NA	NA	NA	NA
NRC - OC12 - Incremental Cost-Manual Svc. Order vs. Elect-Disconnect	SOMAN	NA	NA	\$18.03	NA	NA	NA	NA	NA	NA
NRC - OC12 - Incremental Cost-Manual Svc. Order vs. Elect-Disconnect	SOMAN	NA	NA	\$18.03	NA	NA	NA	NA	NA	NA

BELLSOUTH/EPB TELECOMMUNICATIONS RATES
 NETWORK ELEMENTS
 AND OTHER SERVICES
 ENHANCED EXTENDED LINKS

Attachment 2
 Exhibit C
 Rates - Page 79

New EEL rates are the sum of the individual UNE network elements (interoffice transport and loop [channelization if applicable]).	USOC	AL	FL	GA	KY	LA	MS	NC	SC	TN
NRC-All Existing Combination "Switch As Is" Conversion Charge (Note 6)										
NRC-OC-12 COMBINATION - "Switch As Is" Conversion Charge - 1st	UNCCC	\$54.03	\$32.75	\$58.43	\$54.09	\$54.23	\$54.09	\$54.00	\$54.26	\$54.13
NRC-OC-12 COMBINATION - "Switch As Is" Conversion Charge - Add'l	UNCCC	\$32.11	\$32.75	\$26.99	\$32.16	\$32.24	\$32.16	\$32.10	\$32.25	\$32.17
NRC-OC-12 COMBINATION - "Switch As Is" Conversion Charge - Disconnect	UNCCC	\$0.00	\$16.77	\$12.61	\$0.00	\$0.00	\$0.00	\$0.00	\$0.00	\$0.00
NRC-OC-12 COMBINATION - "Switch As Is" Conversion Charge - Disconnect	UNCCC	\$0.00	\$16.77	\$12.61	\$0.00	\$0.00	\$0.00	\$0.00	\$0.00	\$0.00

BELLSOUTH/EPB TELECOMMUNICATIONS RATES
NETWORK ELEMENTS
AND OTHER SERVICES
ENHANCED EXTENDED LINKS

New EEL rates are the sum of the individual UNE network elements (interoffice transport and loop [channelization if applicable]).	USOC	AL	FL	GA	KY	LA	MS	NC	SC	TN
OC-48 Local Loop										
per mile per month	1L5ND	\$33.22	\$36.67	\$27.25	\$166.59	\$119.40	\$166.59	\$120.02	\$47.57	\$93.50
facility termination per month		\$1,947	\$1,699	\$1,598	\$2,129	\$2,268	\$1,753	\$1,677	\$1,733	\$1,832
OC-12 Interface on OC-48 Loop per month		\$699.62	\$592.09	\$594.80	\$725.77	\$723.29	\$667.00	\$582.66	\$773.40	\$570.54
NRC - Ordinarily Combined in GA (Note 5)										
NRC - OC48 - Facility Termination - 1st		NA	NA	\$1,162	NA	NA	NA	NA	NA	NA
NRC - OC48 - Facility Termination - Add'l		NA	NA	\$413.00	NA	NA	NA	NA	NA	NA
NRC - OC48 - Interface OC12 on OC48 - 1st		NA	NA	\$539.36	NA	NA	NA	NA	NA	NA
NRC - OC48 - Interface OC12 on OC48 - Add'l		NA	NA	\$317.38	NA	NA	NA	NA	NA	NA
NRC - OC48 - Facility Termination - Disconnect - 1st		NA	NA	\$122.31	NA	NA	NA	NA	NA	NA
NRC - OC48 - Facility Termination - Disconnect - Add'l		NA	NA	\$119.14	NA	NA	NA	NA	NA	NA
NRC - OC48- Interface OC12 on OC48 - Disconnect - 1st		NA	NA	\$122.31	NA	NA	NA	NA	NA	NA
NRC - OC48 - Interface OC12 on OC48 - Disconnect - Add'l		NA	NA	\$119.14	NA	NA	NA	NA	NA	NA
NRC - Electronic Svc Order, per LSR	SOME C	NA	NA	\$3.50	NA	NA	NA	NA	NA	NA
NRC - OC48 - Facility Termination-Manual Svc Order vs Electronic-Disc	SOMAN	NA	NA	\$37.55	NA	NA	NA	NA	NA	NA
NRC - OC48 - Facility Termination-Manual Svc Order vs Electronic-Disc	SOMAN	NA	NA	\$37.55	NA	NA	NA	NA	NA	NA
NRC - OC48 - Interface - Manual Svc Order vs Electronic-Disconnect-1st	SOMAN	NA	NA	\$37.55	NA	NA	NA	NA	NA	NA
NRC - OC48 - Interface - Manual Svc Order vs Electronic-Disconnect-Add'l	SOMAN	NA	NA	\$37.55	NA	NA	NA	NA	NA	NA
NRC - OC-48 - Incremental Charge--Manual Svc Order-1st	SOMAN	NA	NA	\$18.03	NA	NA	NA	NA	NA	NA
NRC - OC-48 - Incremental Charge--Manual Svc Order-Add'l	SOMAN	NA	NA	\$18.03	NA	NA	NA	NA	NA	NA
NRC - OC48 - Interface OC12 on OC48 - Incremental Charge--Manual \$	SOMAN	NA	NA	\$18.03	NA	NA	NA	NA	NA	NA
NRC - OC48 - Interface OC12 on OC48 - Incremental Charge--Manual \$	SOMAN	NA	NA	\$18.03	NA	NA	NA	NA	NA	NA
NRC-All Existing Combination "Switch As Is" Conversion Charge (Note 6)										
NRC-OC-48 COMBINATION - "Switch As Is" Conversion Charge - 1st	UNCCC	\$54.03	\$32.75	\$58.43	\$54.09	\$54.23	\$54.09	\$54.00	\$54.26	\$54.13
NRC-OC-48 COMBINATION - "Switch As Is" Conversion Charge - Add'l	UNCCC	\$32.11	\$32.75	\$26.99	\$32.16	\$32.24	\$32.16	\$32.10	\$32.25	\$32.17
NRC-OC-48 COMBINATION - "Switch As Is" Conversion Charge - Disconnect	UNCCC	\$0.00	\$16.77	\$12.61	\$0.00	\$0.00	\$0.00	\$0.00	\$0.00	\$0.00
NRC-OC-48 COMBINATION - "Switch As Is" Conversion Charge - Disconnect	UNCCC	\$0.00	\$16.77	\$12.61	\$0.00	\$0.00	\$0.00	\$0.00	\$0.00	\$0.00
Local Channels:										
Local Channel - Dedicated - 2-Wire VG										
Monthly Recurring per month	ULDV2	\$14.61	\$29.33	\$13.91	\$22.26	\$14.94	\$17.83	\$14.83	\$16.83	See Ex C-1
Monthly Recurring per mile per month	1L5NC	\$0.00	\$0.00	\$0.00	\$0.00	\$0.00	\$0.00	\$0.00	\$0.00	See Ex C-1
NRC - Ordinarily Combined in GA (Note 5)										
NRC - 2-wire VG Local Channel - 1st	ULDV2	NA	NA	\$245.43	NA	NA	NA	NA	NA	See Ex C-1
NRC - 2-wire VG Local Channel -Add'l	ULDV2	NA	NA	\$33.90	NA	NA	NA	NA	NA	See Ex C-1
NRC - Electronic Svc Order, per LSR	SOME C	NA	NA	\$3.50	NA	NA	NA	NA	NA	See Ex C-1
NRC - 2-Wire VG - Incremental Charge--Manual Svc Order - 1st	SOMAN	NA	NA	\$33.63	NA	NA	NA	NA	NA	See Ex C-1
NRC - 2-Wire VG - Incremental Charge--Manual Svc Order - Add'l	SOMAN	NA	NA	\$27.49	NA	NA	NA	NA	NA	See Ex C-1
NRC - 2-Wire VG - Incremental Charge--Manual Svc Order - Disconnect - 1st	SOMAN	NA	NA	\$22.24	NA	NA	NA	NA	NA	See Ex C-1
NRC - 2-Wire VG - Incremental Charge--Manual Svc Order - Disconnect - Ad	SOMAN	NA	NA	\$8.08	NA	NA	NA	NA	NA	See Ex C-1
NRC-All Existing Combination "Switch As Is" Conversion Charge (Note 6)										
NRC-2/4-WIRE COMBINATION - "Switch As Is" Conversion Charge - 1st	UNCCC	\$54.03	\$32.75	\$58.43	\$54.09	\$54.23	\$54.09	\$54.00	\$54.26	See Ex C-1
NRC-2/4-WIRE COMBINATION - "Switch As Is" Conversion Charge - Add'l	UNCCC	\$32.11	\$32.75	\$26.99	\$32.16	\$32.24	\$32.16	\$32.10	\$32.25	See Ex C-1
NRC- 2/4-WIRE COMBINATION - "Switch As Is" Conversion Charge - Discor	UNCCC	\$0.00	\$16.77	\$12.61	\$0.00	\$0.00	\$0.00	\$0.00	\$0.00	See Ex C-1
NRC- 2/4-WIRE COMBINATION - "Switch As Is" Conversion Charge - Discor	UNCCC	\$0.00	\$16.77	\$12.61	\$0.00	\$0.00	\$0.00	\$0.00	\$0.00	See Ex C-1
Local Channel - Dedicated - 2-Wire VG - Rev Bat.										
Monthly Recurring per month	ULDR2	\$14.61	\$26.31	\$13.91	\$22.26	\$14.94	\$17.83	\$14.82	\$16.83	See Ex C-1
Monthly Recurring per mile per month	1L5NC	\$0.00	\$0.00	\$0.00	\$0.00	\$0.00	\$0.00	\$0.00	\$0.00	See Ex C-1
NRC - Ordinarily Combined in GA (Note 5)										
NRC - 2-wire VG Local Channel - 1st	ULDR2	NA	NA	\$245.43	NA	NA	NA	NA	NA	See Ex C-1
NRC - 2-wire VG Local Channel -Add'l	ULDR2	NA	NA	\$33.90	NA	NA	NA	NA	NA	See Ex C-1
NRC - Electronic Svc Order, per LSR	SOME C	NA	NA	\$3.50	NA	NA	NA	NA	NA	See Ex C-1
NRC - 2-Wire VG - Incremental Charge--Manual Svc Order - 1st	SOMAN	NA	NA	\$33.63	NA	NA	NA	NA	NA	See Ex C-1

BELLSOUTH/EPB TELECOMMUNICATIONS RATES
 NETWORK ELEMENTS
 AND OTHER SERVICES
 ENHANCED EXTENDED LINKS

New EEL rates are the sum of the individual UNE network elements (interoffice transport and loop [channelization if applicable]).	USOC	AL	FL	GA	KY	LA	MS	NC	SC	TN
	NRC - 2-Wire VG - Incremental Charge--Manual Svc Order - Add'l	SOMAN	NA	NA	\$27.49	NA	NA	NA	NA	NA
NRC - 2-Wire VG - Incremental Charge--Manual Svc Order - Disconnect - 1st	SOMAN	NA	NA	\$22.24	NA	NA	NA	NA	NA	See Ex C-1
NRC - 2-Wire VG - Incremental Charge--Manual Svc Order - Disconnect - Ad	SOMAN	NA	NA	\$8.08	NA	NA	NA	NA	NA	See Ex C-1
NRC-All Existing Combination "Switch As Is" Conversion Charge (Note 6)										
NRC-2/4-WIRE COMBINATION - "Switch As Is" Conversion Charge - 1st	UNCCC	\$54.03	\$32.75	\$58.43	\$54.09	\$54.23	\$54.09	\$54.00	\$54.26	See Ex C-1
NRC-2/4-WIRE COMBINATION - "Switch As Is" Conversion Charge - Add'l	UNCCC	\$32.11	\$32.75	\$26.99	\$32.16	\$32.24	\$32.16	\$32.10	\$32.25	See Ex C-1
NRC- 2/4-WIRE COMBINATION - "Switch As Is" Conversion Charge - Discor	UNCCC	\$0.00	\$16.77	\$12.61	\$0.00	\$0.00	\$0.00	\$0.00	\$0.00	See Ex C-1
NRC- 2/4-WIRE COMBINATION - "Switch As Is" Conversion Charge - Discor	UNCCC	\$0.00	\$16.77	\$12.61	\$0.00	\$0.00	\$0.00	\$0.00	\$0.00	See Ex C-1

BELLSOUTH/EPB TELECOMMUNICATIONS RATES
 NETWORK ELEMENTS
 AND OTHER SERVICES
 ENHANCED EXTENDED LINKS

New EEL rates are the sum of the individual UNE network elements (interoffice transport and loop [channelization if applicable]).	USOC	AL	FL	GA	KY	LA	MS	NC	SC	TN
Local Channel - Dedicated - 4-Wire VG										
Monthly Recurring per month	ULDV4	\$15.77	\$30.50	\$14.99	\$23.38	\$16.21	\$19.03	\$15.87	\$18.05	See Ex C-1
Monthly Recurring per mile per month	1L5NC	\$0.00	\$0.00	\$0.00	\$0.00	\$0.00	\$0.00	\$0.00	\$0.00	See Ex C-1
NRC - Ordinarily Combined in GA (Note 5)										
NRC-4-wire VG Local Channel - 1st	ULDV4	NA	NA	\$245.43	NA	NA	NA	NA	NA	See Ex C-1
NRC-4-wire VG Local Channel - Add'l	ULDV4	NA	NA	\$33.90	NA	NA	NA	NA	NA	See Ex C-1
NRC - Electronic Svc Order, per LSR	SOMEK	NA	NA	\$3.50	NA	NA	NA	NA	NA	See Ex C-1
NRC - 4-Wire VG Local Channel - Incremental Charge--Manual Svc Order - A	SOMAN	NA	NA	\$33.63	NA	NA	NA	NA	NA	See Ex C-1
NRC - 4-Wire VG Local Channel - Incremental Charge--Manual Svc Order - B	SOMAN	NA	NA	\$27.49	NA	NA	NA	NA	NA	See Ex C-1
NRC - 4-Wire VG Local Channel - Incremental Charge--Manual Svc Order - C	SOMAN	NA	NA	\$22.24	NA	NA	NA	NA	NA	See Ex C-1
NRC - 4-Wire VG Local Channel - Incremental Charge--Manual Svc Order - D	SOMAN	NA	NA	\$8.08	NA	NA	NA	NA	NA	See Ex C-1
NRC-All Existing Combination "Switch As Is" Conversion Charge (Note 6)										
NRC-2/4-WIRE COMBINATION - "Switch As Is" Conversion Charge - 1st	UNCCC	\$54.03	\$32.75	\$58.43	\$54.09	\$54.23	\$54.09	\$54.00	\$54.26	See Ex C-1
NRC-2/4-WIRE COMBINATION - "Switch As Is" Conversion Charge - Add'l	UNCCC	\$32.11	\$32.75	\$26.99	\$32.16	\$32.24	\$32.16	\$32.10	\$32.25	See Ex C-1
NRC- 2/4-WIRE COMBINATION - "Switch As Is" Conversion Charge - Disconnect	UNCCC	\$0.00	\$16.77	\$12.61	\$0.00	\$0.00	\$0.00	\$0.00	\$0.00	See Ex C-1
NRC- 2/4-WIRE COMBINATION - "Switch As Is" Conversion Charge - Disconnect	UNCCC	\$0.00	\$16.77	\$12.61	\$0.00	\$0.00	\$0.00	\$0.00	\$0.00	See Ex C-1
Local Channel - Dedicated - DS1										
DS1 Monthly Recurring per month	ULDF1	\$35.52	\$43.53	\$38.36	\$43.80	\$43.80	\$38.91	\$35.68	\$37.20	See Ex C-1
Monthly Recurring per mile per month	1L5NC	\$0.00	\$0.00	\$0.00	\$0.00	\$0.00	\$0.00	\$0.00	\$0.00	See Ex C-1
NRC - Ordinarily Combined in GA (Note 5)										
NRC - DS1 Local Channel - 1st	ULDF1	NA	NA	\$166.88	NA	NA	NA	NA	NA	See Ex C-1
NRC - DS1 Local Channel - Add'l	ULDF1	NA	NA	\$84.14	NA	NA	NA	NA	NA	See Ex C-1
NRC - Electronic Svc Order, per LSR	SOMEK	NA	NA	\$3.50	NA	NA	NA	NA	NA	See Ex C-1
NRC - DS1 Local Channel - Incremental Charge--Manual Svc Order - 1st	SOMAN	NA	NA	\$65.60	NA	NA	NA	NA	NA	See Ex C-1
NRC - DS1 Local Channel - Incremental Charge--Manual Svc Order - Add'l	SOMAN	NA	NA	\$33.53	NA	NA	NA	NA	NA	See Ex C-1
NRC - DS1 Local Channel - Incremental Charge--Manual Svc Order - Disconnect	SOMAN	NA	NA	\$35.76	NA	NA	NA	NA	NA	See Ex C-1
NRC - DS1 Local Channel - Incremental Charge--Manual Svc Order - Disconnect	SOMAN	NA	NA	\$14.05	NA	NA	NA	NA	NA	See Ex C-1
NRC-All Existing Combination "Switch As Is" Conversion Charge (Note 6)										
NRC-DS1 COMBINATION - "Switch As Is" Conversion Charge - 1st	UNCCC	\$54.03	\$32.75	\$58.43	\$54.09	\$54.23	\$54.09	\$54.00	\$54.26	See Ex C-1
NRC-DS1 COMBINATION - "Switch As Is" Conversion Charge - Add'l	UNCCC	\$32.11	\$32.75	\$26.99	\$32.16	\$32.24	\$32.16	\$32.10	\$32.25	See Ex C-1
NRC- DS1 COMBINATION - "Switch As Is" Conversion Charge - Disconnect	UNCCC	\$0.00	\$16.77	\$12.61	\$0.00	\$0.00	\$0.00	\$0.00	\$0.00	See Ex C-1
NRC- DS1 COMBINATION - "Switch As Is" Conversion Charge - Disconnect	UNCCC	\$0.00	\$16.77	\$12.61	\$0.00	\$0.00	\$0.00	\$0.00	\$0.00	See Ex C-1
Local Channel - Dedicated - DS3										
DS3 Local Channel - per mile per month	1L5NC	\$8.44	\$9.32	\$6.92	\$34.00	\$30.34	NA	NA	\$12.08	\$23.76
DS3 Local Channel - Facility Termination per month	ULDF3	\$535.92	\$556.27	\$515.91	\$635.09	\$669.01	\$533.33	\$498.87	\$493.31	\$607.28
NRC - Ordinarily Combined in GA (Note 5)										
NRC - DS3 Local Channel Facility Termination - 1st	ULDF3	NA	NA	\$639.50	NA	NA	NA	NA	NA	NA
NRC - DS3 Local Channel - Facility Termination - Add'l	ULDF3	NA	NA	\$426.40	NA	NA	NA	NA	NA	NA
NRC - Electronic Svc Order, per LSR	SOMEK	NA	NA	\$3.50	NA	NA	NA	NA	NA	NA
NRC - DS3 Local Channel - Incremental Charge--Manual Svc Order - 1st	SOMAN	NA	NA	\$37.55	NA	NA	NA	NA	NA	NA
NRC - DS3 Local Channel - Incremental Charge--Manual Svc Order - Add'l	SOMAN	NA	NA	\$37.55	NA	NA	NA	NA	NA	NA
NRC - DS3 Local Channel - Incremental Charge--Manual Svc Order - Disconnect	SOMAN	NA	NA	\$18.03	NA	NA	NA	NA	NA	NA
NRC - DS3 Local Channel - Incremental Charge--Manual Svc Order - Disconnect	SOMAN	NA	NA	\$18.03	NA	NA	NA	NA	NA	NA
NRC-All Existing Combination "Switch As Is" Conversion Charge (Note 6)										
NRC-DS3 COMBINATION - "Switch As Is" Conversion Charge - 1st	UNCCC	\$54.03	\$32.75	\$71.04	\$54.09	\$54.23	\$54.09	\$54.00	\$54.26	\$54.13
NRC-DS3 COMBINATION - "Switch As Is" Conversion Charge - Add'l	UNCCC	\$32.11	\$32.75	\$39.60	\$32.16	\$32.24	\$32.16	\$32.10	\$32.25	\$32.17
NRC- DS3 COMBINATION - "Switch As Is" Conversion Charge - Disconnect	UNCCC	\$0.00	\$16.77	\$0.00	\$0.00	\$0.00	\$0.00	\$0.00	\$0.00	\$0.00
NRC- DS3 COMBINATION - "Switch As Is" Conversion Charge - Disconnect	UNCCC	\$0.00	\$16.77	\$0.00	\$0.00	\$0.00	\$0.00	\$0.00	\$0.00	\$0.00
Local Channel - Dedicated - STS-1										
STS-1 Local Channel - per mile per month	1L5NC	\$8.44	\$9.32	\$6.92	\$34.00	\$8.77	\$38.98	NA	\$12.08	\$25.11

BELLSOUTH/EPB TELECOMMUNICATIONS RATES
 NETWORK ELEMENTS
 AND OTHER SERVICES
 ENHANCED EXTENDED LINKS

New EEL rates are the sum of the individual UNE network elements (interoffice transport and loop [channelization if applicable]).	USOC	AL	FL	GA	KY	LA	MS	NC	SC	TN
STS-1 Local Channel - Facility Termination per month	ULDFS	\$525.40	\$569.67	\$517.56	\$635.09	\$558.00	\$531.39	\$512.00	\$481.14	\$615.65
NRC - Ordinarily Combined in GA (Note 5)										
NRC - STS-1 Local Channel Facility Termination - 1st	ULDFS	NA	NA	\$761.81	NA	NA	NA	NA	NA	NA
NRC - STS-1 Local Channel - Facility Termination - Add'l	ULDFS	NA	NA	\$545.54	NA	NA	NA	NA	NA	NA
NRC - Electronic Svc Order, per LSR	SOMECS	NA	NA	\$3.50	NA	NA	NA	NA	NA	NA
NRC - STS-1 Local Channel - Incremental Charge--Manual Svc Order - 1st	SOMAN	NA	NA	\$37.55	NA	NA	NA	NA	NA	NA
NRC - STS-1 Local Channel - Incremental Charge--Manual Svc Order - Add'l	SOMAN	NA	NA	\$37.55	NA	NA	NA	NA	NA	NA
NRC - STS-1 Local Channel - Incremental Charge--Manual Svc Order - Discd	SOMAN	NA	NA	\$18.03	NA	NA	NA	NA	NA	NA

BELLSOUTH/EPB TELECOMMUNICATIONS RATES
 NETWORK ELEMENTS
 AND OTHER SERVICES
 ENHANCED EXTENDED LINKS

New EEL rates are the sum of the individual UNE network elements (interoffice transport and loop [channelization if applicable]).	USOC	AL	FL	GA	KY	LA	MS	NC	SC	TN
NRC - STS-1 Local Channel - Incremental Charge--Manual Svc Order - Disconnect	SOMAN	NA	NA	\$18.03	NA	NA	NA	NA	NA	NA
NRC-All Existing Combination "Switch As Is" Conversion Charge (Note 6)										
NRC-ST-1 COMBINATION - "Switch As Is" Conversion Charge - 1st	UNCCC	\$54.03	\$32.75	\$58.43	\$54.09	\$54.23	\$54.09	\$54.00	\$54.26	\$54.13
NRC-ST-1 COMBINATION - "Switch As Is" Conversion Charge - Add'l	UNCCC	\$32.11	\$32.75	\$26.99	\$32.16	\$32.24	\$32.16	\$32.10	\$32.25	\$32.17
NRC - STS-1 COMBINATION - "Switch As Is" Conversion Charge - Disconnect	UNCCC	\$0.00	\$16.77	\$12.61	\$0.00	\$0.00	\$0.00	\$0.00	\$0.00	\$0.00
NRC - STS-1 COMBINATION - "Switch As Is" Conversion Charge - Disconnect	UNCCC	\$0.00	\$16.77	\$12.61	\$0.00	\$0.00	\$0.00	\$0.00	\$0.00	\$0.00
Local Channel - OC3										
Local Channel - OC3 - per Mile	1L5NC	\$8.23	\$7.83	\$6.75	\$33.15	\$29.58	\$41.27	\$24.69	\$11.78	\$23.16
Local Channel - OC3 - per Facility Termination	TBA	\$691.33	\$940.35	\$630.21	\$713.29	\$753.65	\$689.68	\$611.36	\$701.71	\$620.20
NRC - Ordinarily Combined in GA (Note 5)										
NRC - OC3 - Facility Termination - 1st	TBA	NA	NA	\$947.69	NA	NA	NA	NA	NA	NA
NRC - OC3 - Facility Termination - Add'l	TBA	NA	NA	\$413.00	NA	NA	NA	NA	NA	NA
NRC - OC3 - Facility Termination - Disconnect - 1st	TBA	NA	NA	\$122.31	NA	NA	NA	NA	NA	NA
NRC - OC3 - Facility Termination - Disconnect - Add'l	TBA	NA	NA	\$119.14	NA	NA	NA	NA	NA	NA
NRC - Electronic Svc Order, per LSR	SOMECA	NA	NA	\$3.50	NA	NA	NA	NA	NA	NA
NRC - OC3 - Incremental Charge--Manual Svc Order - 1st	SOMAN	NA	NA	\$37.55	NA	NA	NA	NA	NA	NA
NRC - OC3 - Incremental Charge--Manual Svc Order - Add'l	SOMAN	NA	NA	\$37.55	NA	NA	NA	NA	NA	NA
NRC - OC3 - Incremental Cost - Manual Svc. Order vs. Elect-Disconnect-1st	SOMAN	NA	NA	\$18.03	NA	NA	NA	NA	NA	NA
NRC - OC3 - Incremental Cost - Manual Svc. Order vs. Elect-Disconnect-Add'l	SOMAN	NA	NA	\$18.03	NA	NA	NA	NA	NA	NA
NRC-All Existing Combination "Switch As Is" Conversion Charge (Note 6)										
NRC-OC-3 COMBINATION - "Switch As Is" Conversion Charge - 1st	UNCCC	\$54.03	\$32.75	\$58.43	\$54.09	\$54.23	\$54.09	\$54.00	\$54.26	\$54.13
NRC-OC-3 COMBINATION - "Switch As Is" Conversion Charge - Add'l	UNCCC	\$32.11	\$32.75	\$26.99	\$32.16	\$32.24	\$32.16	\$32.10	\$32.25	\$32.17
NRC - OC-3 COMBINATION - "Switch As Is" Conversion Charge - Disconnect	UNCCC	\$0.00	\$16.77	\$12.61	\$0.00	\$0.00	\$0.00	\$0.00	\$0.00	\$0.00
NRC - OC-3 COMBINATION - "Switch As Is" Conversion Charge - Disconnect	UNCCC	\$0.00	\$16.77	\$12.61	\$0.00	\$0.00	\$0.00	\$0.00	\$0.00	\$0.00
Local Channel - OC12										
Local Channel - OC12 - per Mile	1L5NC	\$10.13	\$11.18	\$8.31	\$40.80	\$36.40	\$50.79	\$30.38	\$14.50	\$28.51
Local Channel - OC12 - per Facility Termination	TBA	\$2,557	\$2,753	\$2,109	\$2,457	\$2,571	\$2,371	\$2,122	\$2,663	\$2,079
NRC - Ordinarily Combined in GA (Note 5)										
NRC - OC12 - Facility Termination - 1st	TBA	NA	NA	\$1,162	NA	NA	NA	NA	NA	NA
NRC - OC12 - Facility Termination - Add'l	TBA	NA	NA	\$413.00	NA	NA	NA	NA	NA	NA
NRC - OC12 - Facility Termination - Disconnect - 1st	TBA	NA	NA	\$122.31	NA	NA	NA	NA	NA	NA
NRC - OC12 - Facility Termination - Disconnect - Add'l	TBA	NA	NA	\$119.14	NA	NA	NA	NA	NA	NA
NRC - Electronic Svc Order, per LSR	SOMECA	NA	NA	\$3.50	NA	NA	NA	NA	NA	NA
NRC - OC12 - Incremental Charge - Manual Svc Order - 1st	SOMAN	NA	NA	\$37.55	NA	NA	NA	NA	NA	NA
NRC - OC12 - Incremental Charge - Manual Svc Order - Add'l	SOMAN	NA	NA	\$37.55	NA	NA	NA	NA	NA	NA
NRC - OC12 - Incremental Cost-Manual Svc. Order vs. Elect-Disconnect-1st	SOMAN	NA	NA	\$18.03	NA	NA	NA	NA	NA	NA
NRC - OC12 - Incremental Cost-Manual Svc. Order vs. Elect-Disconnect-Add'l	SOMAN	NA	NA	\$18.03	NA	NA	NA	NA	NA	NA
NRC-All Existing Combination "Switch As Is" Conversion Charge (Note 6)										
NRC-OC-12 COMBINATION - "Switch As Is" Conversion Charge - 1st	UNCCC	\$54.03	\$32.75	\$58.43	\$54.09	\$54.23	\$54.09	\$54.00	\$54.26	\$54.13
NRC-OC-12 COMBINATION - "Switch As Is" Conversion Charge - Add'l	UNCCC	\$32.11	\$32.75	\$26.99	\$32.16	\$32.24	\$32.16	\$32.10	\$32.25	\$32.17
NRC - OC-12 COMBINATION - "Switch As Is" Conversion Charge - Disconnect	UNCCC	\$0.00	\$16.77	\$12.61	\$0.00	\$0.00	\$0.00	\$0.00	\$0.00	\$0.00
NRC - OC-12 COMBINATION - "Switch As Is" Conversion Charge - Disconnect	UNCCC	\$0.00	\$16.77	\$12.61	\$0.00	\$0.00	\$0.00	\$0.00	\$0.00	\$0.00
Local Channel - OC48										
Local Channel - OC48 - per Mile	1L5NC	\$33.22	\$36.67	\$27.25	\$133.84	\$119.40	\$166.59	\$120.02	\$47.57	\$93.50
Local Channel - OC48 - per Facility Termination	TBA	\$1,713	\$1,944	\$1,598	\$2,129	\$2,268	\$1,753	\$1,677	\$1,733	\$1,832
Local Channel - OC12 interface on OC48 Facility	TBA	\$736.71	\$586.28	\$594.80	\$725.77	\$723.29	\$667.00	\$582.66	\$773.40	\$570.54
NRC - Ordinarily Combined in GA (Note 5)										
NRC - OC48 - Facility Termination - 1st	TBA	NA	NA	\$1,162	NA	NA	NA	NA	NA	NA
NRC - OC48 - Facility Termination - Add'l	TBA	NA	NA	\$413.00	NA	NA	NA	NA	NA	NA
NRC - OC48 - Interface OC12 on OC48 - 1st	TBA	NA	NA	\$539.36	NA	NA	NA	NA	NA	NA

BELLSOUTH/EPB TELECOMMUNICATIONS RATES
 NETWORK ELEMENTS
 AND OTHER SERVICES
 ENHANCED EXTENDED LINKS

New EEL rates are the sum of the individual UNE network elements (interoffice transport and loop [channelization if applicable]).	USOC	AL	FL	GA	KY	LA	MS	NC	SC	TN
NRC - OC48 - Interface OC12 on OC48 - Add'l	TBA	NA	NA	\$317.38	NA	NA	NA	NA	NA	NA
NRC - OC48 - Facility Termination - Disconnect - 1st	TBA	NA	NA	\$122.31	NA	NA	NA	NA	NA	NA
NRC - OC48 - Facility Termination - Disconnect - Add'l	TBA	NA	NA	\$119.14	NA	NA	NA	NA	NA	NA

BELLSOUTH/EPB TELECOMMUNICATIONS RATES
 NETWORK ELEMENTS
 AND OTHER SERVICES
 ENHANCED EXTENDED LINKS

New EEL rates are the sum of the individual UNE network elements (interoffice transport and loop [channelization if applicable]).	USOC	AL	FL	GA	KY	LA	MS	NC	SC	TN
NRC - OC48- Interface OC12 on OC48 - Disconnect - 1st	TBA	NA	NA	\$122.31	NA	NA	NA	NA	NA	NA
NRC - OC48 - Interface OC12 on OC48 - Disconnect - Add'l	TBA	NA	NA	\$119.14	NA	NA	NA	NA	NA	NA
NRC - Electronic Svc Order, per LSR	SOMECC	NA	NA	\$3.50	NA	NA	NA	NA	NA	NA
NRC - OC48 - Facility Termination-Manual Svc Order vs Electronic-Disconnect	SOMAN	NA	NA	\$18.03	NA	NA	NA	NA	NA	NA
NRC - OC48 - Facility Termination-Manual Svc Order vs Electronic-Disconnect-Add'l	SOMAN	NA	NA	\$18.03	NA	NA	NA	NA	NA	NA
NRC - OC48 - Interface - Manual Svc Order vs Electronic-Disconnect-1st	SOMAN	NA	NA	\$18.03	NA	NA	NA	NA	NA	NA
NRC - OC48 - Interface - Manual Svc Order vs Electronic-Disconnect-Add'l	SOMAN	NA	NA	\$18.03	NA	NA	NA	NA	NA	NA
NRC - OC-48 - Incremental Charge--Manual Svc Order-1st	SOMAN	NA	NA	\$37.55	NA	NA	NA	NA	NA	NA
NRC - OC-48 - Incremental Charge--Manual Svc Order-Add'l	SOMAN	NA	NA	\$37.55	NA	NA	NA	NA	NA	NA
NRC - OC48 - Interface OC12 on OC48 - Incremental Charge--Manual Svc Or	SOMAN	NA	NA	\$37.55	NA	NA	NA	NA	NA	NA
NRC - OC48 - Interface OC12 on OC48 - Incremental Charge--Manual Svc Or	SOMAN	NA	NA	\$37.55	NA	NA	NA	NA	NA	NA
NRC-All Existing Combination "Switch As Is" Conversion Charge (Note 6)										
NRC-OC-48 COMBINATION - "Switch As Is" Conversion Charge - 1st	UNCCC	\$54.03	\$32.75	\$58.43	\$54.09	\$54.23	\$54.09	\$54.00	\$54.26	\$54.13
NRC-OC-48 COMBINATION - "Switch As Is" Conversion Charge - Add'l	UNCCC	\$32.11	\$32.75	\$26.99	\$32.16	\$32.24	\$32.16	\$32.10	\$32.25	\$32.17
NRC- OC-48 COMBINATION - "Switch As Is" Conversion Charge - Disconnect	UNCCC	\$0.00	\$16.77	\$12.61	\$0.00	\$0.00	\$0.00	\$0.00	\$0.00	\$0.00
NRC- OC-48 COMBINATION - "Switch As Is" Conversion Charge - Disconnect	UNCCC	\$0.00	\$16.77	\$12.61	\$0.00	\$0.00	\$0.00	\$0.00	\$0.00	\$0.00
Interoffice Channels:										
Interoffice Channel - Dedicated - 2-wire VG										
Interoffice Channel - Dedicated 2-wire VG - per mile per month	1L5XX	\$0.0339	\$0.0100	\$0.0222	\$0.0301	\$0.0384	\$0.0323	\$0.0282	\$0.0373	See Ex C-1
Interoffice Channel - Dedicated 2-wire VG - Facility Termination per month	U1TV2	\$18.49	\$26.72	\$17.07	\$27.66	\$19.10	\$21.33	\$18.01	\$21.42	See Ex C-1
NRC - Ordinarily Combined in GA (Note 5)										
NRC - 2-wire VG Interoffice Channel - Facility Termination - 1st	U1TV2	NA	NA	\$79.61	NA	NA	NA	NA	NA	See Ex C-1
NRC - 2-wire VG Interoffice Channel - Facility Termination - Add'l	U1TV2	NA	NA	\$36.08	NA	NA	NA	NA	NA	See Ex C-1
NRC - Electronic Svc Order, per LSR	SOMECC	NA	NA	\$3.50	NA	NA	NA	NA	NA	See Ex C-1
NRC - 2-wire VG Interoffice Channel - Incremental Charge--Manual Svc Order	SOMAN	NA	NA	\$18.94	NA	NA	NA	NA	NA	See Ex C-1
NRC - 2-wire VG Interoffice Channel - Incremental Charge--Manual Svc Order	SOMAN	NA	NA	\$18.94	NA	NA	NA	NA	NA	See Ex C-1
NRC - 2-wire VG Interoffice Channel - Incremental Charge--Manual Svc Order	SOMAN	NA	NA	NA	NA	NA	NA	NA	NA	See Ex C-1
NRC - 2-wire VG Interoffice Channel - Incremental Charge--Manual Svc Order	SOMAN	NA	NA	NA	NA	NA	NA	NA	NA	See Ex C-1
NRC-All Existing Combination "Switch As Is" Conversion Charge (Note 6)										
NRC-2/4-WIRE COMBINATION - "Switch As Is" Conversion Charge - 1st	UNCCC	\$54.03	\$32.75	\$58.43	\$54.09	\$54.23	\$54.09	\$54.00	\$54.26	See Ex C-1
NRC-2/4-WIRE COMBINATION - "Switch As Is" Conversion Charge - Add'l	UNCCC	\$32.11	\$32.75	\$26.99	\$32.16	\$32.24	\$32.16	\$32.10	\$32.25	See Ex C-1
NRC- 2/4-WIRE COMBINATION - "Switch As Is" Conversion Charge - Disconnect	UNCCC	\$0.00	\$16.77	\$12.61	\$0.00	\$0.00	\$0.00	\$0.00	\$0.00	See Ex C-1
NRC- 2/4-WIRE COMBINATION - "Switch As Is" Conversion Charge - Disconnect	UNCCC	\$0.00	\$16.77	\$12.61	\$0.00	\$0.00	\$0.00	\$0.00	\$0.00	See Ex C-1
Interoffice Channel - Dedicated - 4-wire VG										
Interoffice Channel - Dedicated 4-wire VG - per mile per month	1L5XX	NA	\$0.0100	NA	NA	NA	NA	NA	NA	NA
Interoffice Channel - Dedicated 4-wire VG - Facility Termination per month	U1TV4	NA	\$23.82	NA	NA	NA	NA	NA	NA	NA
NRC - Ordinarily Combined in GA (Note 5)										
NRC - 4-wire VG Interoffice Channel - Facility Termination - 1st	U1TV4	NA	NA	NA	NA	NA	NA	NA	NA	NA
NRC - 4-wire VG Interoffice Channel - Facility Termination - Add'l	U1TV4	NA	NA	NA	NA	NA	NA	NA	NA	NA
NRC - Electronic Svc Order, per LSR	SOMECC	NA	NA	NA	NA	NA	NA	NA	NA	NA
NRC - 4-wire VG Interoffice Channel - Incremental Charge--Manual Svc Order	SOMAN	NA	NA	NA	NA	NA	NA	NA	NA	NA
NRC - 4-wire VG Interoffice Channel - Incremental Charge--Manual Svc Order	SOMAN	NA	NA	NA	NA	NA	NA	NA	NA	NA
NRC - 4-wire VG Interoffice Channel - Incremental Charge--Manual Svc Order	SOMAN	NA	NA	NA	NA	NA	NA	NA	NA	NA
NRC - 4-wire VG Interoffice Channel - Incremental Charge--Manual Svc Order	SOMAN	NA	NA	NA	NA	NA	NA	NA	NA	NA
NRC-All Existing Combination "Switch As Is" Conversion Charge (Note 6)										
NRC-2/4-WIRE COMBINATION - "Switch As Is" Conversion Charge - 1st	UNCCC	\$54.03	\$32.75	\$58.43	\$54.09	\$54.23	\$54.09	\$54.00	\$54.26	\$54.13
NRC-2/4-WIRE COMBINATION - "Switch As Is" Conversion Charge - Add'l	UNCCC	\$32.11	\$32.75	\$26.99	\$32.16	\$32.24	\$32.16	\$32.10	\$32.25	\$32.17
NRC- 2/4-WIRE COMBINATION - "Switch As Is" Conversion Charge - Disconnect	UNCCC	\$0.00	\$16.77	\$12.61	\$0.00	\$0.00	\$0.00	\$0.00	\$0.00	\$0.00
NRC- 2/4-WIRE COMBINATION - "Switch As Is" Conversion Charge - Disconnect	UNCCC	\$0.00	\$16.77	\$12.61	\$0.00	\$0.00	\$0.00	\$0.00	\$0.00	\$0.00
Interoffice Channel - Dedicated - DS0 - 56kbps										

BELLSOUTH/EPB TELECOMMUNICATIONS RATES
 NETWORK ELEMENTS
 AND OTHER SERVICES
 ENHANCED EXTENDED LINKS

New EEL rates are the sum of the individual UNE network elements (interoffice transport and loop [channelization if applicable]).	USOC	AL	FL	GA	KY	LA	MS	NC	SC	TN
Interoffice Channel - Dedicated - DS0 - 56kbps - per mile per month	1L5XX	\$0.0339	\$0.0100	\$0.0222	\$0.0301	\$0.0384	\$0.0323	\$0.0282	\$0.0373	See Ex C-1
Interoffice Channel - Dedicated - DS0 - 56 kbps - Facility Termination per mo	U1TD5	\$17.81	\$19.46	\$16.45	\$26.95	\$18.37	\$20.64	\$17.40	\$20.71	See Ex C-1
NRC - Ordinarily Combined in GA (Note 5)										
NRC - 4-wire 56kbps Interoffice Channel - Facility Termination - 1st	U1TD5	NA	NA	\$79.61	NA	NA	NA	NA	NA	See Ex C-1
NRC - 4-wire 56 kbps Interoffice Channel - Facility Termination - Add'l	U1TD5	NA	NA	\$36.08	NA	NA	NA	NA	NA	See Ex C-1
NRC - Electronic Svc Order, per LSR	SOMEK	NA	NA	\$3.50	NA	NA	NA	NA	NA	See Ex C-1
NRC - 4-wire 56 kbps Interoffice Channel - Incremental Charge--Manual Svc D	SOMAN	NA	NA	\$18.94	NA	NA	NA	NA	NA	See Ex C-1

BELLSOUTH/EPB TELECOMMUNICATIONS RATES
 NETWORK ELEMENTS
 AND OTHER SERVICES
 ENHANCED EXTENDED LINKS

New EEL rates are the sum of the individual UNE network elements (interoffice transport and loop [channelization if applicable]).	USOC	AL	FL	GA	KY	LA	MS	NC	SC	TN
NRC - 4-wire 56 kbps Interoffice Channel - Incremental Charge--Manual Svc	SOMAN	NA	NA	\$18.94	NA	NA	NA	NA	NA	See Ex C-1
NRC - 4-wire 56 kbps Interoffice Channel - Incremental Charge--Manual Svc	SOMAN	NA	NA	NA	NA	NA	NA	NA	NA	See Ex C-1
NRC - 4-wire 56 kbps Interoffice Channel - Incremental Charge--Manual Svc	SOMAN	NA	NA	NA	NA	NA	NA	NA	NA	See Ex C-1
NRC-All Existing Combination "Switch As Is" Conversion Charge (Note 6)										
NRC-2/4-WIRE COMBINATION - "Switch As Is" Conversion Charge - 1st	UNCCC	\$54.03	\$32.75	\$58.43	\$54.09	\$54.23	\$54.09	\$54.00	\$54.26	See Ex C-1
NRC-2/4-WIRE COMBINATION - "Switch As Is" Conversion Charge - Add'l	UNCCC	\$32.11	\$32.75	\$26.99	\$32.16	\$32.24	\$32.16	\$32.10	\$32.25	See Ex C-1
NRC- 2/4-WIRE COMBINATION - "Switch As Is" Conversion Charge - Disconnect	UNCCC	\$0.00	\$16.77	\$12.61	\$0.00	\$0.00	\$0.00	\$0.00	\$0.00	See Ex C-1
NRC- 2/4-WIRE COMBINATION - "Switch As Is" Conversion Charge - Disconnect	UNCCC	\$0.00	\$16.77	\$12.61	\$0.00	\$0.00	\$0.00	\$0.00	\$0.00	See Ex C-1
Interoffice Channel - Dedicated - DS0 - 64kbps										
Interoffice Channel - Dedicated - DS0 - 64kbps - per mile per month	1L5XX	\$0.0339	\$0.0100	\$0.0222	\$0.0301	\$0.0384	\$0.0323	\$0.0282	\$0.0373	See Ex C-1
Interoffice Channel - Dedicated - DS0 - 64 kbps - Facility Termination per month	U1TD6	\$17.81	\$19.46	\$16.45	\$26.95	\$18.37	\$20.64	\$17.40	\$20.71	See Ex C-1
NRC - Ordinarily Combined in GA (Note 5)										
NRC - 4-wire 64kbps Interoffice Channel - Facility Termination - 1st	U1TD6	NA	NA	\$79.61	NA	NA	NA	NA	NA	See Ex C-1
NRC - 4-wire 64 kbps Interoffice Channel - Facility Termination - Add'l	U1TD6	NA	NA	\$36.08	NA	NA	NA	NA	NA	See Ex C-1
NRC - Electronic Svc Order, per LSR	SOMEK	NA	NA	\$3.50	NA	NA	NA	NA	NA	See Ex C-1
NRC - 4-wire 64 kbps Interoffice Channel - Incremental Charge--Manual Svc	SOMAN	NA	NA	\$18.94	NA	NA	NA	NA	NA	See Ex C-1
NRC - 4-wire 64 kbps Interoffice Channel - Incremental Charge--Manual Svc	SOMAN	NA	NA	\$18.94	NA	NA	NA	NA	NA	See Ex C-1
NRC - 4-wire 64 kbps Interoffice Channel - Incremental Charge--Manual Svc	SOMAN	NA	NA	NA	NA	NA	NA	NA	NA	See Ex C-1
NRC - 4-wire 64 kbps Interoffice Channel - Incremental Charge--Manual Svc	SOMAN	NA	NA	NA	NA	NA	NA	NA	NA	See Ex C-1
NRC-All Existing Combination "Switch As Is" Conversion Charge (Note 6)										
NRC-2/4-WIRE COMBINATION - "Switch As Is" Conversion Charge - 1st	UNCCC	\$54.03	\$32.75	\$58.43	\$54.09	\$54.23	\$54.09	\$54.00	\$54.26	See Ex C-1
NRC-2/4-WIRE COMBINATION - "Switch As Is" Conversion Charge - Add'l	UNCCC	\$32.11	\$32.75	\$26.99	\$32.16	\$32.24	\$32.16	\$32.10	\$32.25	See Ex C-1
NRC- 2/4-WIRE COMBINATION - "Switch As Is" Conversion Charge - Disconnect	UNCCC	\$0.00	\$16.77	\$12.61	\$0.00	\$0.00	\$0.00	\$0.00	\$0.00	See Ex C-1
NRC- 2/4-WIRE COMBINATION - "Switch As Is" Conversion Charge - Disconnect	UNCCC	\$0.00	\$16.77	\$12.61	\$0.00	\$0.00	\$0.00	\$0.00	\$0.00	See Ex C-1
Interoffice Channel - Dedicated - DS1										
Interoffice Channel - Dedicated - DS1 - per mile per month	1L5XX	\$0.6920	\$0.6013	\$0.4523	\$0.4500	\$0.7831	\$0.6598	\$0.5753	\$0.7598	See Ex C-1
Interoffice Channel - Dedicated - DS1 - Facility Termination per month	U1TF1	\$79.69	\$99.79	\$78.47	\$55.05	\$93.40	\$74.40	\$71.29	\$94.98	See Ex C-1
NRC - Ordinarily Combined in GA (Note 5)										
NRC - DS1 Interoffice Channel - Facility Termination - 1st	U1TF1	NA	NA	\$169.57	NA	NA	NA	NA	NA	See Ex C-1
NRC - DS1 Interoffice Channel - Facility Termination - Add'l	U1TF1	NA	NA	\$112.77	NA	NA	NA	NA	NA	See Ex C-1
NRC - Electronic Svc Order, per LSR	SOMEK	NA	NA	\$3.50	NA	NA	NA	NA	NA	See Ex C-1
NRC - DS1 Interoffice Channel - Incremental Charge--Manual Svc Order - 1st	SOMAN	NA	NA	\$23.98	NA	NA	NA	NA	NA	See Ex C-1
NRC - DS1 Interoffice Channel - Incremental Charge--Manual Svc Order - Add'l	SOMAN	NA	NA	\$17.77	NA	NA	NA	NA	NA	See Ex C-1
NRC - DS1 Interoffice Channel - Incremental Charge--Manual Svc Order - Disconnect	SOMAN	NA	NA	\$15.13	NA	NA	NA	NA	NA	See Ex C-1
NRC - DS1 Interoffice Channel - Incremental Charge--Manual Svc Order - Disconnect	SOMAN	NA	NA	\$7.02	NA	NA	NA	NA	NA	See Ex C-1
NRC-All Existing Combination "Switch As Is" Conversion Charge (Note 6)										
NRC-DS1 COMBINATION - "Switch As Is" Conversion Charge - 1st	UNCCC	\$54.03	\$32.75	\$58.43	\$54.09	\$54.23	\$54.09	\$54.00	\$54.26	See Ex C-1
NRC-DS1 COMBINATION - "Switch As Is" Conversion Charge - Add'l	UNCCC	\$32.11	\$32.75	\$26.99	\$32.16	\$32.24	\$32.16	\$32.10	\$32.25	See Ex C-1
NRC- DS1 COMBINATION - "Switch As Is" Conversion Charge - Disconnect	UNCCC	\$0.00	\$16.77	\$12.61	\$0.00	\$0.00	\$0.00	\$0.00	\$0.00	See Ex C-1
NRC- DS1 COMBINATION - "Switch As Is" Conversion Charge - Disconnect	UNCCC	\$0.00	\$16.77	\$12.61	\$0.00	\$0.00	\$0.00	\$0.00	\$0.00	See Ex C-1
Interoffice Channel - Dedicated - DS3 - per mile per month										
Interoffice Channel - Dedicated - DS3 - per mile per month	1L5XX	\$4.98	\$4.25	\$6.46	\$12.06	\$16.15	\$13.48	\$12.98	\$19.14	\$6.88
Interoffice Channel - Dedicated - DS3 - Facility Termination per month	U1TF3	\$898.15	\$1,130	\$717.60	\$1,112.02	\$1,131.09	\$686.84	\$720.38	\$904.49	\$840.61
NRC - Ordinarily Combined in GA (Note 5)										
NRC - DS3 Interoffice Channel - Facility Termination - 1st	U1TF3	NA	NA	\$578.97	NA	NA	NA	NA	NA	NA
NRC - DS3 Interoffice Channel - Facility Termination - Add'l	U1TF3	NA	NA	\$312.17	NA	NA	NA	NA	NA	NA
NRC - Electronic Svc Order, per LSR	SOMEK	NA	NA	\$3.50	NA	NA	NA	NA	NA	NA
NRC - DS3 Interoffice Channel - Incremental Charge--Manual Svc Order - 1st	SOMAN	NA	NA	\$51.27	NA	NA	NA	NA	NA	NA
NRC - DS3 Interoffice Channel - Incremental Charge--Manual Svc Order - Add'l	SOMAN	NA	NA	\$38.87	NA	NA	NA	NA	NA	NA
NRC - DS3 Interoffice Channel - Incremental Charge--Manual Svc Order - Disconnect	SOMAN	NA	NA	\$30.42	NA	NA	NA	NA	NA	NA

BELLSOUTH/EPB TELECOMMUNICATIONS RATES
 NETWORK ELEMENTS
 AND OTHER SERVICES
 ENHANCED EXTENDED LINKS

New EEL rates are the sum of the individual UNE network elements (interoffice transport and loop [channelization if applicable]).	USOC	AL	FL	GA	KY	LA	MS	NC	SC	TN
NRC - DS3 Interoffice Channel - Incremental Charge--Manual Svc Order - Dis	SOMAN	NA	NA	\$18.76	NA	NA	NA	NA	NA	NA
NRC-All Existing Combination "Switch As Is" Conversion Charge (Note 6)										
NRC-DS3 COMBINATION - "Switch As Is" Conversion Charge - 1st	UNCCC	\$54.03	\$32.75	\$58.43	\$54.09	\$54.23	\$54.09	\$54.00	\$54.26	\$54.13
NRC-DS3 COMBINATION - "Switch As Is" Conversion Charge - Add'l	UNCCC	\$32.11	\$32.75	\$26.99	\$32.16	\$32.24	\$32.16	\$32.10	\$32.25	\$32.17
NRC- DS3 COMBINATION - "Switch As Is" Conversion Charge - Disconnect	UNCCC	\$0.00	\$16.77	\$12.61	\$0.00	\$0.00	\$0.00	\$0.00	\$0.00	\$0.00
NRC- DS3 COMBINATION - "Switch As Is" Conversion Charge - Disconnect	UNCCC	\$0.00	\$16.77	\$12.61	\$0.00	\$0.00	\$0.00	\$0.00	\$0.00	\$0.00

BELLSOUTH/EPB TELECOMMUNICATIONS RATES
 NETWORK ELEMENTS
 AND OTHER SERVICES
 ENHANCED EXTENDED LINKS

New EEL rates are the sum of the individual UNE network elements (interoffice transport and loop [channelization if applicable]).	USOC	AL	FL	GA	KY	LA	MS	NC	SC	TN
Interoffice Channel - Dedicated - STS-1										
Interoffice Channel - Dedicated - STS-1 - per mile per month	1L5XX	\$4.98	\$9.32	\$2.72	\$12.62	\$14.04	\$15.02	\$12.98	\$8.13	\$5.89
Interoffice Channel - Dedicated - STS-1 - Facility Termination per month	U1TFS	\$898.15	\$569.67	\$788.00	\$1,204	\$1,101	\$744.38	\$720.38	\$967.70	\$760.20
NRC - Ordinarily Combined in GA (Note 5)										
NRC - STS-1 Interoffice Channel - Facility Termination - 1st	U1TFS	NA	NA	\$587.08	NA	NA	NA	NA	NA	NA
NRC - STS-1 Interoffice Channel - Facility Termination - Add'l	U1TFS	NA	NA	\$238.28	NA	NA	NA	NA	NA	NA
NRC - Electronic Svc Order, per LSR	SOMECS	NA	NA	\$3.50	NA	NA	NA	NA	NA	NA
NRC - STS-1 Interoffice Channel - Incremental Charge--Manual Svc Order - 1st	SOMAN	NA	NA	\$61.19	NA	NA	NA	NA	NA	NA
NRC - STS-1 Interoffice Channel - Incremental Charge--Manual Svc Order - Add'l	SOMAN	NA	NA	\$61.19	NA	NA	NA	NA	NA	NA
NRC - STS-1 Interoffice Channel - Incremental Charge--Manual Svc Order - Disconnect	SOMAN	NA	NA	\$3.17	NA	NA	NA	NA	NA	NA
NRC - STS-1 Interoffice Channel - Incremental Charge--Manual Svc Order - Add'l Disconnect	SOMAN	NA	NA	\$3.17	NA	NA	NA	NA	NA	NA
NRC-All Existing Combination "Switch As Is" Conversion Charge (Note 6)										
NRC-STIS-1 COMBINATION - "Switch As Is" Conversion Charge - 1st	UNCCC	\$54.03	\$32.75	\$58.43	\$54.09	\$54.23	\$54.09	\$54.00	\$54.26	\$54.13
NRC-STIS-1 COMBINATION - "Switch As Is" Conversion Charge - Add'l	UNCCC	\$32.11	\$32.75	\$26.99	\$32.16	\$32.24	\$32.16	\$32.10	\$32.25	\$32.17
NRC - STS-1 COMBINATION - "Switch As Is" Conversion Charge - Disconnect	UNCCC	\$0.00	\$16.77	\$12.61	\$0.00	\$0.00	\$0.00	\$0.00	\$0.00	\$0.00
NRC - STS-1 COMBINATION - "Switch As Is" Conversion Charge - Disconnect Add'l	UNCCC	\$0.00	\$16.77	\$12.61	\$0.00	\$0.00	\$0.00	\$0.00	\$0.00	\$0.00
Interoffice Channel - OC3										
Interoffice Channel - OC3 - per Mile	1L5XX	\$7.35	\$8.38	\$4.37	\$27.97	\$23.89	\$18.35	\$14.10	\$9.75	\$13.45
Interoffice Channel - OC3 - per Facility Termination	TBA	\$2,475	\$3,043	\$2,187	\$3,390	\$2,990	\$1,892	\$2,071	\$2,802	\$2,124
NRC - Ordinarily Combined in GA (Note 5)										
NRC - OC3 - Facility Termination - 1st	TBA	NA	NA	\$947.69	NA	NA	NA	NA	NA	NA
NRC - OC3 - Facility Termination - Add'l	TBA	NA	NA	\$413.00	NA	NA	NA	NA	NA	NA
NRC - OC3 - Facility Termination - Disconnect - 1st	TBA	NA	NA	\$122.31	NA	NA	NA	NA	NA	NA
NRC - OC3 - Facility Termination - Disconnect - Add'l	TBA	NA	NA	\$119.14	NA	NA	NA	NA	NA	NA
NRC - Electronic Svc Order, per LSR	SOMECS	NA	NA	\$3.50	NA	NA	NA	NA	NA	NA
NRC - OC3 - Incremental Charge--Manual Svc Order - 1st	SOMAN	NA	NA	\$37.55	NA	NA	NA	NA	NA	NA
NRC - OC3 - Incremental Charge--Manual Svc Order - Add'l	SOMAN	NA	NA	\$37.55	NA	NA	NA	NA	NA	NA
NRC - OC3 -Incremental Cost - Manual Svc. Order vs. Elect-Disconnect-1st	SOMAN	NA	NA	\$18.03	NA	NA	NA	NA	NA	NA
NRC - OC3 -Incremental Cost - Manual Svc. Order vs. Elect-Disconnect-Add'l	SOMAN	NA	NA	\$18.03	NA	NA	NA	NA	NA	NA
NRC-All Existing Combination "Switch As Is" Conversion Charge (Note 6)										
NRC-OC-3 COMBINATION - "Switch As Is" Conversion Charge - 1st	UNCCC	\$54.03	\$32.75	\$58.43	\$54.09	\$54.23	\$54.09	\$54.00	\$54.26	\$54.13
NRC-OC-3 COMBINATION - "Switch As Is" Conversion Charge - Add'l	UNCCC	\$32.11	\$32.75	\$26.99	\$32.16	\$32.24	\$32.16	\$32.10	\$32.25	\$32.17
NRC - OC-3 COMBINATION - "Switch As Is" Conversion Charge - Disconnect	UNCCC	\$0.00	\$16.77	\$12.61	\$0.00	\$0.00	\$0.00	\$0.00	\$0.00	\$0.00
NRC - OC-3 COMBINATION - "Switch As Is" Conversion Charge - Disconnect Add'l	UNCCC	\$0.00	\$16.77	\$12.61	\$0.00	\$0.00	\$0.00	\$0.00	\$0.00	\$0.00
Interoffice Channel - OC12										
Interoffice Channel - OC12 - per Mile	1L5XX	\$19.26	\$26.91	\$15.05	\$84.88	\$74.44	\$60.42	\$30.38	\$32.52	\$49.80
Interoffice Channel - OC12 - per Facility Termination	TBA	\$9,763	\$11,685	\$8,202	\$12,344	\$11,517	\$7,182	\$7,676	\$11,132	\$8,015
NRC - Ordinarily Combined in GA (Note 5)										
NRC - OC12 - Facility Termination - 1st	TBA	NA	NA	\$1,034	NA	NA	NA	NA	NA	NA
NRC - OC12 - Facility Termination - Add'l	TBA	NA	NA	\$317.38	NA	NA	NA	NA	NA	NA
NRC - OC12 - Facility Termination - Disconnect - 1st	TBA	NA	NA	\$122.31	NA	NA	NA	NA	NA	NA
NRC - OC12 - Facility Termination - Disconnect - Add'l	TBA	NA	NA	\$119.14	NA	NA	NA	NA	NA	NA
NRC - Electronic Svc Order, per LSR	SOMECS	NA	NA	\$3.50	NA	NA	NA	NA	NA	NA
NRC - OC12 - Incremental Charge - Manual Svc Order - 1st	SOMAN	NA	NA	\$37.55	NA	NA	NA	NA	NA	NA
NRC - OC12 - Incremental Charge - Manual Svc Order - Add'l	SOMAN	NA	NA	\$37.55	NA	NA	NA	NA	NA	NA
NRC - OC12 - Incremental Cost-Manual Svc. Order vs. Elect-Disconnect-1st	SOMAN	NA	NA	\$18.03	NA	NA	NA	NA	NA	NA
NRC - OC12 - Incremental Cost-Manual Svc. Order vs. Elect-Disconnect-Add'l	SOMAN	NA	NA	\$18.03	NA	NA	NA	NA	NA	NA
NRC-All Existing Combination "Switch As Is" Conversion Charge (Note 6)										
NRC-OC-12 COMBINATION - "Switch As Is" Conversion Charge - 1st	UNCCC	\$54.03	\$32.75	\$58.43	\$54.09	\$54.23	\$54.09	\$54.00	\$54.26	\$54.13
NRC-OC-12 COMBINATION - "Switch As Is" Conversion Charge - Add'l	UNCCC	\$32.11	\$32.75	\$26.99	\$32.16	\$32.24	\$32.16	\$32.10	\$32.25	\$32.17
NRC - OC-12 COMBINATION - "Switch As Is" Conversion Charge - Disconnect	UNCCC	\$0.00	\$16.77	\$12.61	\$0.00	\$0.00	\$0.00	\$0.00	\$0.00	\$0.00

BELLSOUTH/EPB TELECOMMUNICATIONS RATES
 NETWORK ELEMENTS
 AND OTHER SERVICES
 ENHANCED EXTENDED LINKS

New EEL rates are the sum of the individual UNE network elements (interoffice transport and loop [channelization if applicable]).	USOC	AL	FL	GA	KY	LA	MS	NC	SC	TN
NRC- OC-12 COMBINATION - "Switch As Is" Conversion Charge - Disconnect	UNCCC	\$0.00	\$16.77	\$12.61	\$0.00	\$0.00	\$0.00	\$0.00	\$0.00	\$0.00
Interoffice Channel - OC48										
Interoffice Channel - OC48 - per Mile	1L5XX	\$30.65	\$34.66	\$25.70	\$138.02	\$128.59	\$102.43	\$120.02	\$45.92	\$106.55
Interoffice Channel - OC48 - per Facility Termination	TBA	\$11,691	\$12,554	\$11,134	\$16,017	\$14,950	\$11,480	\$10,952	\$967.58	\$11,632
Interoffice Channel - OC12 interface on OC48 Facility	TBA	\$1,424	\$1,208	\$1,137.00	\$1,497	\$1,451	\$1,351.00	\$582.66	\$1,561	\$1,170
NRC - Ordinarily Combined in GA (Note 5)										

BELLSOUTH/EPB TELECOMMUNICATIONS RATES
 NETWORK ELEMENTS
 AND OTHER SERVICES
 ENHANCED EXTENDED LINKS

New EEL rates are the sum of the individual UNE network elements (interoffice transport and loop [channelization if applicable]).	USOC	AL	FL	GA	KY	LA	MS	NC	SC	TN	
NRC - OC48 - Facility Termination - 1st	TBA	NA	NA	\$1,034	NA	NA	NA	NA	NA	NA	
NRC - OC48 - Facility Termination - Add'l	TBA	NA	NA	\$317.38	NA	NA	NA	NA	NA	NA	
NRC - OC48 - Interface OC12 on OC48 - 1st	TBA	NA	NA	\$539.36	NA	NA	NA	NA	NA	NA	
NRC - OC48 - Interface OC12 on OC48 - Add'l	TBA	NA	NA	\$317.38	NA	NA	NA	NA	NA	NA	
NRC - OC48 - Facility Termination - Disconnect - 1st	TBA	NA	NA	\$122.31	NA	NA	NA	NA	NA	NA	
NRC - OC48 - Facility Termination - Disconnect - Add'l	TBA	NA	NA	\$119.14	NA	NA	NA	NA	NA	NA	
NRC - OC48 - Interface OC12 on OC48 - Disconnect - 1st	TBA	NA	NA	\$122.31	NA	NA	NA	NA	NA	NA	
NRC - OC48 - Interface OC12 on OC48 - Disconnect - Add'l	TBA	NA	NA	\$37.55	NA	NA	NA	NA	NA	NA	
NRC - Electronic Svc Order, per LSR	SOMECS	NA	NA	\$3.50	NA	NA	NA	NA	NA	NA	
NRC - OC48 - Facility Termination-Manual Svc Order vs Electronic-Disconnect	SOMAN	NA	NA	\$37.55	NA	NA	NA	NA	NA	NA	
NRC - OC48 - Facility Termination-Manual Svc Order vs Electronic-Disconnect-Add'l	SOMAN	NA	NA	\$37.55	NA	NA	NA	NA	NA	NA	
NRC - OC48 - Interface - Manual Svc Order vs Electronic-Disconnect-1st	SOMAN	NA	NA	\$37.55	NA	NA	NA	NA	NA	NA	
NRC - OC48 - Interface - Manual Svc Order vs Electronic-Disconnect-Add'l	SOMAN	NA	NA	\$18.03	NA	NA	NA	NA	NA	NA	
NRC - OC-48 - Incremental Charge--Manual Svc Order-1st	SOMAN	NA	NA	\$18.03	NA	NA	NA	NA	NA	NA	
NRC - OC-48 - Incremental Charge--Manual Svc Order-Add'l	SOMAN	NA	NA	\$18.03	NA	NA	NA	NA	NA	NA	
NRC - OC48 - Interface OC12 on OC48 - Incremental Charge--Manual Svc Order	SOMAN	NA	NA	\$18.03	NA	NA	NA	NA	NA	NA	
NRC - OC48 - Interface OC12 on OC48 - Incremental Charge--Manual Svc Order-Add'l	SOMAN	NA	NA	\$18.03	NA	NA	NA	NA	NA	NA	
NRC-All Existing Combination "Switch As Is" Conversion Charge (Note 6)											
NRC-OC-48 COMBINATION - "Switch As Is" Conversion Charge - 1st	UNCCC	\$54.03	\$32.75	\$58.43	\$54.09	\$54.23	\$54.09	\$54.00	\$54.26	\$54.13	
NRC-OC-48 COMBINATION - "Switch As Is" Conversion Charge - Add'l	UNCCC	\$32.11	\$32.75	\$26.99	\$32.16	\$32.24	\$32.16	\$32.10	\$32.25	\$32.17	
NRC - OC-48 COMBINATION - "Switch As Is" Conversion Charge - Disconnect	UNCCC	\$0.00	\$16.77	\$12.61	\$0.00	\$0.00	\$0.00	\$0.00	\$0.00	\$0.00	
NRC - OC-48 COMBINATION - "Switch As Is" Conversion Charge - Disconnect-Add'l	UNCCC	\$0.00	\$16.77	\$12.61	\$0.00	\$0.00	\$0.00	\$0.00	\$0.00	\$0.00	
Channelization:											
DS3 Channelization											
DS3 Channelized System per month	MQ3	\$225.36	\$222.61	\$182.04	\$236.32	\$245.84	\$229.30	\$226.81	\$200.01	See Ex C-1	
DS3 Interface per month (DS1 COCI)	UC1D1	\$17.22	\$14.51	\$11.02	\$8.52	\$7.55	\$5.58	\$4.61	\$11.99	See Ex C-1	
NRC - Ordinarily Combined in GA (Note 5)											
NRC - DS3 Channelization - 1st	MQ3	NA	NA	\$316.28	NA	NA	NA	NA	NA	See Ex C-1	
NRC - DS3 Channelization - Add'l	MQ3	NA	NA	\$171.72	NA	NA	NA	NA	NA	See Ex C-1	
NRC - Channel Activation - 1st	UC1D1	NA	NA	\$12.02	NA	NA	NA	NA	NA	See Ex C-1	
NRC - Channel Activation - Add'l	UC1D1	NA	NA	\$8.66	NA	NA	NA	NA	NA	See Ex C-1	
NRC - Electronic Svc Order, per LSR	SOMECS	NA	NA	\$3.50	NA	NA	NA	NA	NA	See Ex C-1	
NRC - DS3 Channelization - Incremental Charge--Manual Svc Order - 1st	SOMAN	NA	NA	\$50.72	NA	NA	NA	NA	NA	See Ex C-1	
NRC - DS3 Channelization - Incremental Charge--Manual Svc Order - Add'l	SOMAN	NA	NA	\$38.45	NA	NA	NA	NA	NA	See Ex C-1	
NRC - DS3 Channelization - Incremental Charge--Manual Svc Order - Disconnect	SOMAN	NA	NA	\$30.09	NA	NA	NA	NA	NA	See Ex C-1	
NRC - DS3 Channelization - Incremental Charge--Manual Svc Order - Disconnect-Add'l	SOMAN	NA	NA	\$18.56	NA	NA	NA	NA	NA	See Ex C-1	
NRC-All Existing Combination "Switch As Is" Conversion Charge (Note 6)											
NRC-DS3/STS-1 COMBINATION - "Switch As Is" Conversion Charge - 1st	UNCCC	\$54.03	\$32.75	\$58.43	\$54.09	\$54.23	\$54.09	\$54.00	\$54.26	See Ex C-1	
NRC-DS3/STS-1 COMBINATION - "Switch As Is" Conversion Charge - Add'l	UNCCC	\$32.11	\$32.75	\$26.99	\$32.16	\$32.24	\$32.16	\$32.10	\$32.25	See Ex C-1	
NRC - DS3/STS-1 COMBINATION - "Switch As Is" Conversion Charge - Disconnect	UNCCC	\$0.00	\$16.77	\$12.61	\$0.00	\$0.00	\$0.00	\$0.00	\$0.00	See Ex C-1	
NRC - DS3/STS-1 COMBINATION - "Switch As Is" Conversion Charge - Disconnect-Add'l	UNCCC	\$0.00	\$16.77	\$12.61	\$0.00	\$0.00	\$0.00	\$0.00	\$0.00	See Ex C-1	

BELLSOUTH/EPB TELECOMMUNICATIONS RATES
 NETWORK ELEMENTS
 AND OTHER SERVICES
 ENHANCED EXTENDED LINKS

New EEL rates are the sum of the individual UNE network elements (interoffice transport and loop [channelization if applicable]).	USOC	AL	FL	GA	KY	LA	MS	NC	SC	TN
DS1 Channelization										
DS1 Channelized System per month	MQ1	\$136.82	\$154.74	\$126.22	\$200.01	\$209.87	\$146.87	\$177.72	\$147.51	See Ex C-1
OCU-DP(data) interface card per month (2.4-64kbs)	1D1DD	\$1.66	\$2.22	\$1.86	\$2.94	\$3.12	\$2.86	\$2.88	\$2.34	See Ex C-1
VG interface card per month	1D1VG	\$0.8586	\$1.46	\$1.17	\$1.40	\$1.62	\$1.45	\$1.64	\$1.47	See Ex C-1
2-wire ISDN(BRITE card) per month	UC1CA	\$3.41	\$3.86	\$3.71	\$4.04	\$4.18	\$3.88	\$3.76	\$4.21	See Ex C-1
NRC - Ordinarily Combined in GA (Note 5)										
NRC - DS1 Channelization - 1st	MQ1	NA	NA	\$206.09	NA	NA	NA	NA	NA	See Ex C-1
NRC - DS1 Channelization - Add'l	MQ1	NA	NA	\$137.06	NA	NA	NA	NA	NA	See Ex C-1
NRC - Channel Activation VG - 1st	1D1VG	NA	NA	\$12.02	NA	NA	NA	NA	NA	See Ex C-1
NRC - Channel Activation VG - Add'l	1D1VG	NA	NA	\$8.66	NA	NA	NA	NA	NA	See Ex C-1
NRC - Channel Activation OCU-DP- 1st	1D1DD	NA	NA	\$12.02	NA	NA	NA	NA	NA	See Ex C-1
NRC - Channel Activation OCU-DP- Add'l	1D1DD	NA	NA	\$8.66	NA	NA	NA	NA	NA	See Ex C-1
NRC - Channel Activation BRITE - 1st	UCICA	NA	NA	\$12.02	NA	NA	NA	NA	NA	See Ex C-1
NRC - Channel Activation BRITE - Add'l	UCICA	NA	NA	\$8.66	NA	NA	NA	NA	NA	See Ex C-1
NRC - Electronic Svc Order, per LSR	SOMECS	NA	NA	\$3.50	NA	NA	NA	NA	NA	See Ex C-1
NRC - DS1 Channelization - Incremental Charge--Manual Svc Order - 1st	SOMAN	NA	NA	\$14.75	NA	NA	NA	NA	NA	See Ex C-1
NRC - DS1 Channelization - Incremental Charge--Manual Svc Order - Add'l	SOMAN	NA	NA	\$6.55	NA	NA	NA	NA	NA	See Ex C-1
NRC - DS1 Channelization - Incremental Charge--Manual Svc Order - Discon	SOMAN	NA	NA	\$10.70	NA	NA	NA	NA	NA	See Ex C-1
NRC - DS1 Channelization - Incremental Charge--Manual Svc Order - Discon	SOMAN	NA	NA	\$0.00	NA	NA	NA	NA	NA	See Ex C-1
NRC-All Existing Combination "Switch As Is" Conversion Charge (Note 6)										
NRC-DS1 COMBINATION - "Switch As Is" Conversion Charge - 1st	UNCCC	\$54.03	\$32.75	\$58.43	\$54.09	\$54.23	\$54.09	\$54.00	\$54.26	See Ex C-1
NRC-DS1 COMBINATION - "Switch As Is" Conversion Charge - Add'l	UNCCC	\$32.11	\$32.75	\$26.99	\$32.16	\$32.24	\$32.16	\$32.10	\$32.25	See Ex C-1
NRC - DS1 COMBINATION - "Switch As Is" Conversion Charge - Disconnect	UNCCC	\$0.00	\$16.77	\$12.61	\$0.00	\$0.00	\$0.00	\$0.00	\$0.00	See Ex C-1
NRC - DS1 COMBINATION - "Switch As Is" Conversion Charge - Disconnect	UNCCC	\$0.00	\$16.77	\$12.61	\$0.00	\$0.00	\$0.00	\$0.00	\$0.00	See Ex C-1
Access to DCS - Customer Reconfiguration (FlexServ)										
DS1 DSC Termination with DS0 Switching		TBD	\$28.72	\$22.86	TBD	TBD	TBD	TBD	TBD	TBD
DS1 DSC Termination with DS1 Switching		TBD	\$12.23	\$8.64	TBD	TBD	TBD	TBD	TBD	TBD
DS3 DSC Termination with DS1 Switching		TBD	\$154.31	\$151.85	TBD	TBD	TBD	TBD	TBD	TBD
NRC - Ordinarily Combined in GA:										
NRC - Customer Configuration Establishment		TBD	\$2.97	\$2.91	TBD	TBD	TBD	TBD	TBD	TBD
NRC - Customer Configuration Establishment - Disconnect		TBD	\$3.44	\$3.36	TBD	TBD	TBD	TBD	TBD	TBD
NRC - DS1 DSC Termination with DS0 Switching - 1st		TBD	\$51.50	\$32.07	TBD	TBD	TBD	TBD	TBD	TBD
NRC - DS1 DSC Termination with DS0 Switching - Add'l		TBD	\$39.64	\$31.49	TBD	TBD	TBD	TBD	TBD	TBD
NRC - DS1 DSC Termination with DS0 Switching - Disconnect - 1st		TBD	\$31.06	\$20.16	TBD	TBD	TBD	TBD	TBD	TBD
NRC - DS1 DSC Termination with DS0 Switching - Disconnect - Add'l		TBD	\$24.98	\$20.16	TBD	TBD	TBD	TBD	TBD	TBD
NRC - DS1 DSC Termination with NRC - DS1 Switching - 1st		TBD	\$37.23	\$18.07	TBD	TBD	TBD	TBD	TBD	TBD
NRC - DS1 DSC Termination with NRC - DS1 Switching - Add'l		TBD	\$25.36	\$17.49	TBD	TBD	TBD	TBD	TBD	TBD
NRC - DS1 DSC Termination with NRC - DS1 Switching - Disconnect - 1st		TBD	\$22.81	\$12.10	TBD	TBD	TBD	TBD	TBD	TBD
NRC - DS1 DSC Termination with NRC - DS1 Switching - Disconnect - Add'l		TBD	\$16.73	\$12.10	TBD	TBD	TBD	TBD	TBD	TBD
NRC - DS3 DSC Termination with DS1 Switching - 1st		TBD	\$51.50	\$32.07	TBD	TBD	TBD	TBD	TBD	TBD
NRC - DS3 DSC Termination with DS1 Switching - Add'l		TBD	\$39.64	\$31.49	TBD	TBD	TBD	TBD	TBD	TBD
NRC - DS3 DSC Termination with DS1 Switching - Disconnect - 1st		TBD	\$31.06	\$20.16	TBD	TBD	TBD	TBD	TBD	TBD
NRC - DS3 DSC Termination with DS1 Switching - Disconnect - Add'l		TBD	\$24.98	\$20.16	TBD	TBD	TBD	TBD	TBD	TBD
NRC-All Existing Combination "Switch As Is" Conversion Charge (Note 6)										
NRC-DCS COMBINATION - "Switch As Is" Conversion Charge - 1st	UNCCC	\$54.03	\$32.75	\$58.43	\$54.09	\$54.23	\$54.09	\$54.00	\$54.26	\$54.13
NRC-DCS COMBINATION - "Switch As Is" Conversion Charge - Add'l	UNCCC	\$32.11	\$32.75	\$26.99	\$32.16	\$32.24	\$32.16	\$32.10	\$32.25	\$32.17
NRC - DCS COMBINATION - "Switch As Is" Conversion Charge - Disconnect	UNCCC	\$0.00	\$16.77	\$12.61	\$0.00	\$0.00	\$0.00	\$0.00	\$0.00	\$0.00
NRC - DCS COMBINATION - "Switch As Is" Conversion Charge - Disconnect	UNCCC	\$0.00	\$16.77	\$12.61	\$0.00	\$0.00	\$0.00	\$0.00	\$0.00	\$0.00
Node (Synchronet)										
Node per month	UNCNT	\$15.77	\$16.35	\$13.98	\$18.11	\$15.43	\$16.15	\$16.00	\$14.55	\$17.11
NRC - Ordinarily Combined in GA:										

BELLSOUTH/EPB TELECOMMUNICATIONS RATES
 NETWORK ELEMENTS
 AND OTHER SERVICES
 ENHANCED EXTENDED LINKS

New EEL rates are the sum of the individual UNE network elements (interoffice transport and loop [channelization if applicable]).	USOC	AL	FL	GA	KY	LA	MS	NC	SC	TN
NRC - Node - 1st	UNCNT	NA	NA	\$47.19	NA	NA	NA	NA	NA	NA
NRC - Node - Add'l	UNCNT	NA	NA	\$4.47	NA	NA	NA	NA	NA	NA
NRC - Node - Disconnect - 1st	UNCNT	NA	NA	\$13.81	NA	NA	NA	NA	NA	NA
NRC - Node - Disconnect - Add'l	UNCNT	NA	NA	\$3.95	NA	NA	NA	NA	NA	NA
NRC - Node - Incremental Charge - Manual Service Order - 1st	SOMAN	NA	NA	\$21.73	NA	NA	NA	NA	NA	NA
NRC - Node - Incremental Charge - Manual Service Order - Add'l	SOMAN	NA	NA	NA	NA	NA	NA	NA	NA	NA
NRC - Node - Incremental Charge - Manual Service Order - Disconnect - 1st	SOMAN	NA	NA	\$3.87	NA	NA	NA	NA	NA	NA
NRC - Node - Incremental Charge - Manual Service Order - Disconnect - Add'l	SOMAN	NA	NA	NA	NA	NA	NA	NA	NA	NA
NRC-All Existing Combination "Switch As Is" Conversion Charge (Note 6)										
NRC-Node - "Switch As Is" Conversion Charge - 1st	UNCCC	\$54.03	\$32.75	\$58.43	\$54.09	\$54.23	\$54.09	\$54.00	\$54.26	\$54.13
NRC-Node - "Switch As Is" Conversion Charge - Add'l	UNCCC	\$32.11	\$32.75	\$26.99	\$32.16	\$32.24	\$32.16	\$32.10	\$32.25	\$32.17
NRC - Node - "Switch As Is" Conversion Charge - Disconnect - 1st	UNCCC	\$0.00	\$16.77	\$12.61	\$0.00	\$0.00	\$0.00	\$0.00	\$0.00	\$0.00
NRC - Node - "Switch As Is" Conversion Charge - Disconnect - Add'l	UNCCC	\$0.00	\$16.77	\$12.61	\$0.00	\$0.00	\$0.00	\$0.00	\$0.00	\$0.00
Optional Features & Functions:										
NRC - Clear Channel Capability (B8ZS/ESF) Option - Subsequent - per DS1	C COEF	\$184.85	\$184.92	\$184.62	\$184.91	\$184.65	\$184.60	\$184.76	\$185.26	\$185.16
NRC - Clear Channel Capability (B8ZS/ESF) Option - Subsequent - per DS1	C COEF	\$23.81	\$23.82	\$23.78	\$23.82	\$23.70	\$23.78	\$23.60	\$23.86	\$23.85
NRC - Clear Channel Capability (B8ZS/ESF) Option - Subsequent - per DS1	C COEF	\$1.99	\$2.07	\$2.03	\$1.99	\$1.97	\$1.96	\$1.99	\$1.99	\$2.03
NRC - Clear Channel Capability (B8ZS/ESF) Option - Subsequent - per DS1	C COEF	\$0.77	\$0.80	\$0.79	\$0.78	\$0.77	\$0.76	\$0.78	\$0.78	\$0.79
NRC - Clear Channel Capability (B8ZS/ESF) Option - Subsequent - Manual Se	SOMAN	\$29.23	\$21.73	\$29.33	\$29.24	\$29.20	\$29.33	\$29.33	\$29.33	\$29.33
NRC - Clear Channel Capability (B8ZS/ESF) Option - Subsequent - Manual S	SOMAN	\$3.93	\$3.87	\$3.93	\$3.94	\$3.92	\$3.93	\$3.93	\$3.93	\$3.93
NRC - Clear Channel Capability (B8ZS/SF) Option - Subsequent - per DS1	C CCOSF	\$184.85	\$184.92	\$184.62	\$184.91	\$184.65	\$184.60	\$184.76	\$185.26	\$185.16
NRC - Clear Channel Capability (B8ZS/SF) Option - Subsequent - per DS1	C CCOSF	\$23.81	\$23.82	\$23.78	\$23.82	\$23.70	\$23.78	\$23.60	\$23.86	\$23.85
NRC - Clear Channel Capability (B8ZS/SF) Option - Subsequent - per DS1	C CCOSF	\$1.99	\$2.07	\$2.03	\$1.99	\$1.97	\$1.96	\$1.99	\$1.99	\$2.03
NRC - Clear Channel Capability (B8ZS/SF) Option - Subsequent - per DS1	C CCOSF	\$0.77	\$0.80	\$0.79	\$0.78	\$0.77	\$0.76	\$0.78	\$0.78	\$0.79
NRC - Clear Channel Capability (B8ZS/SF) Option - Subsequent - Manual Se	SOMAN	\$29.23	\$21.73	\$29.33	\$29.24	\$29.20	\$29.33	\$29.33	\$29.33	\$29.33
NRC - Clear Channel Capability (B8ZS/SF) Option - Subsequent - Manual S	SOMAN	\$3.93	\$3.87	\$3.93	\$3.94	\$3.92	\$3.93	\$3.93	\$3.93	\$3.93
Notes :										
Interim rates subject to true-up.										
1 Geographically Deaveraged UNE Zones and applicable rates have been established for certain services, as shown in this Agreement. Where Geographically Deaveraged UNE Zones and applicable rates are established, Statewide rates are obsolete. Further, BellSouth is in the process of enhancing its billing systems in order to accommodate this Geographically Deaveraged UNE Zone Rate Structure. Until these enhancements are accomplished, estimated to be mid 2001, the UNE Zone 1 rate will be billed for all services residing in Zones 1, 2, 3 or 4. Once billing enhancements are complete, all applicable UNE Zone rates reflected in this Agreement will be billed. Reference Internet Website http://www.interconnection.bellsouth.com/become_clec/docs/interconnection/deavuzns.pdf to view Geographically Deaveraged UNE Zone Designations by Central Office.										
2 New EELs will only be available in the State of Georgia and in density Zone 1 of the following MSAs in the BellSouth Region:										
Florida - Miami, Orlando, Ft. Lauderdale										
Louisiana - New Orleans										
N. Carolina - Greensboro, Charlotte										
Tennessee - Nashville										
3 Unapproved rates are subject to true up.										
4 Add together the recurring rates of all the applicable network elements in order to obtain total monthly recurring rate.										
* Examples:										
- 2-wire VG Loop + Voice Grade Interface Card + DS1 Channelization System + DS1 Interoffice Channel										
- DS1 Loop + DS1 Interface Card + DS3 Channelization System + DS3 Interoffice Channel										
- DS3 Local Channel + DS3 Interoffice Channel + DS3 Channelization System + DS1 Interface Card										
5 The Ordinarily Combined in GA NRC applies to new combinations within the State of Georgia.										
6 The "Switch As Is" NRC is a conversion charge. One SAI charge is applicable per circuit.										

BELLSOUTH/EPB TELECOMMUNICATIONS RATES
 NETWORK ELEMENTS
 AND OTHER SERVICES
 OSS/SWA 8XX/DATABASES

Attachment 2
 Exhibit C
 Rates - Page 95

DESCRIPTION	USOC	AL	FL	GA	KY	LA	MS	NC	SC	TN
Operational Support Systems										
Recovery of incremental OSS costs, per CLP, per month		NA	NA	NA	NA	NA	NA	\$305.00	NA	NA
RC - OSS OLEC Daily Usage File: Recording, Per Message		\$0.0002	\$0.008	\$0.0001275	\$0.0008611	\$0.00019	\$0.0001179	\$0.0003	\$0.0002862	See Ex C-1
RC - OSS OLEC Daily Usage File: Message Processing, Per Message		\$0.0033	\$0.004	\$0.0082548	\$0.0032357	\$0.0024	\$0.0032089	\$0.0032	\$0.0032344	See Ex C-1
RC - OSS OLEC Daily Usage File: Message Distribution, Per Magnetic Tape		\$55.19	\$54.95	\$28.85	\$55.68	\$47.3000	\$54.62	\$54.61	\$54.72	See Ex C-1
RC - OSS OLEC Daily Usage File: Data Transmission		\$0.00004	\$0.001	\$0.0000434	\$0.0000365	\$0.0000300	\$0.0000354	\$0.00004	\$0.0000357	See Ex C-1
Access Daily Usage File (ADUF)										
RC - ADUF, Message Processing, per message		\$0.004	\$0.004	\$0.0136327	\$0.004	\$0.004	\$0.004	\$0.004	\$0.004	\$0.004
RC - ADUF, Message Distribution, per Magnetic Tape provisioned		NA	NA	NA	NA	NA	NA	NA	NA	NA
RC - ADUF, Data Transmission (CONNECT:DIRECT), per message		\$0.001	\$0.001	\$0.0000434	\$0.001	\$0.0000305	\$0.001	\$0.001	\$0.001	\$0.001
Enhanced Optional Daily Usage File (EODUF)										
Enhanced Optional Daily Usage File: Message Processing, Per Message		\$0.004	\$0.004	\$0.0034555	\$0.004	\$0.004	\$0.004	\$0.004	\$0.004	\$0.004
Enhanced Optional Daily Usage File: Message Processing, per magnetic		NA	NA	NA	NA	NA	NA	NA	NA	NA
Enhanced Optional Daily Usage File: Data Transmission		NA	NA	NA	NA	NA	NA	NA	NA	NA
SWA 8XX Toll Free Dialing Ten Digit Screening Service (Note 1)										
8XX Access Ten Digit Screening (all types), per call (Note 2)	N/A	\$0.0005	\$0.0006531	\$0.0004868	NA	\$0.0005305	\$0.0005321	\$0.00050	\$0.0005227	See Ex C-1
8XX Access Ten Digit Screening Svc. W/8XX No. Delivery										
per query	N/A	NA	NA	NA	\$0.0010	NA	NA	\$0.00365	NA	NA
for 8XX Numbers, with Optional Complex Features, per query	N/A	NA	NA	NA	\$0.0011	NA	NA	\$0.00431	NA	NA
8XX Access Ten Digit Screening Svc. W/POTS No. Delivery										
per query	N/A	NA	NA	NA	\$0.0010	NA	NA	\$0.00383	NA	NA
with Optional Complex Features, per query	N/A	NA	NA	NA	\$0.0011	NA	NA	\$0.00431	NA	NA
8XX Access Ten Digit Screening Svc. W/800 No. Delivery										
per message	N/A	NA	NA	NA	NA	NA	NA	NA	NA	NA
for 8XX Numbers, w/Optional Complex Features, per message	N/A	NA	NA	NA	NA	NA	NA	NA	NA	NA
8XX Access Ten Digit Screening Svc. W/POTS No. Delivery										
per message	N/A	NA	NA	NA	NA	NA	NA	NA	NA	NA
with Optional Complex Features, per message	N/A	NA	NA	NA	NA	NA	NA	NA	NA	NA
Reservation Charge per 8XX number reserved										
NRC - 1st	N8R1X	\$7.13	NA	\$6.57	\$10.05	\$6.29	\$8.46	\$7.05	\$6.38	See Ex C-1
NRC - Add'l	N8R1X	\$0.97	NA	\$0.76	\$1.19	\$0.73	\$0.96	\$0.96	\$0.9583	See Ex C-1
NRC - Incremental Charge - Manual Service Order - 1st	SOMAN	\$27.37	NA	\$18.94	NA	\$18.14	\$25.52	\$26.94	\$27.84	See Ex C-1
NRC - Incremental Charge - Manual Service Order - Add'l	SOMAN	NA	NA	NA	NA	NA	NA	NA	NA	See Ex C-1
Per 8XX # Established w/o POTS (w/8XX No.) Translations										
NRC - 1st	N/A	\$15.88	NA	\$12.81	\$30.59	\$12.27	\$17.04	\$23.82	\$22.63	See Ex C-1
NRC - Add'l	N/A	\$1.97	NA	\$1.45	\$3.22	\$1.39	\$1.93	\$2.73	\$2.73	See Ex C-1
NRC - Disconnect Charge - 1st	N/A	\$10.04	NA	NA	NA	\$8.30	\$11.32	NA	\$42.95	See Ex C-1
NRC - Disconnect Charge - Add'l	N/A	\$0.97	NA	NA	NA	\$0.73	\$0.96	NA	NA	See Ex C-1
NRC - Incremental Charge - Manual Service Order - 1st	SOMAN	\$27.37	NA	\$18.94	NA	\$18.14	\$25.52	\$41.35	NA	See Ex C-1
NRC - Incremental Charge - Manual Service Order - Add'l	SOMAN	NA	NA	NA	NA	NA	NA	NA	NA	See Ex C-1
NRC - Incremental Charge - Manual Service Order - Disconnect	SOMAN	\$17.75	NA	NA	NA	\$11.40	\$16.05	NA	NA	See Ex C-1
Per 8XX # Established with POTS Translations										
NRC - 1st	N8FTX	\$15.88	NA	\$12.81	\$30.59	\$12.27	\$17.04	\$23.82	\$22.63	See Ex C-1
NRC - Add'l	N8FTX	\$1.97	NA	\$1.45	\$3.22	\$1.39	\$1.93	\$2.73	\$2.73	See Ex C-1
NRC - Disconnect Charge - 1st	N8FTX	\$10.04	NA	NA	NA	\$8.30	\$11.32	NA	\$42.95	See Ex C-1
NRC - Disconnect Charge - Add'l	N8FTX	\$0.97	NA	NA	NA	\$0.73	\$0.96	NA	NA	See Ex C-1
NRC - Incremental Charge - Manual Service Order - 1st	SOMAN	\$27.37	NA	\$18.94	NA	\$18.14	\$25.52	\$41.35	NA	See Ex C-1
NRC - Incremental Charge - Manual Service Order - Add'l	SOMAN	NA	NA	NA	NA	NA	NA	NA	NA	See Ex C-1
NRC - Incremental Charge - Manual Service Order - Disconnect	SOMAN	\$17.75	NA	NA	NA	\$11.40	\$16.05	NA	NA	See Ex C-1
Customized Area of Service per 8XX Number										
NRC - 1st	N8FCX	\$5.69	NA	\$4.46	\$6.97	\$4.27	\$5.63	\$5.63	\$5.64	See Ex C-1
NRC - Add'l	N8FCX	\$2.85	NA	\$2.23	\$3.49	\$2.14	\$2.81	\$2.82	\$2.82	See Ex C-1
NRC - Incremental Charge - Manual Service Order - 1st	SOMAN	NA	NA	NA	NA	NA	NA	NA	NA	See Ex C-1
NRC - Incremental Charge - Manual Service Order - Add'l	SOMAN	NA	NA	NA	NA	NA	NA	NA	NA	See Ex C-1
Multiple Inter LATA Carrier Routing per Carrier Requested per 8XX #										
NRC - 1st	N8FMX	\$6.66	NA	\$5.22	\$8.16	\$5.00	\$6.59	\$6.59	\$6.60	See Ex C-1
NRC - Add'l	N8FMX	\$3.81	NA	\$2.99	\$4.67	\$2.86	\$3.77	\$3.77	\$3.78	See Ex C-1

BELLSOUTH/EPB TELECOMMUNICATIONS RATES
 NETWORK ELEMENTS
 AND OTHER SERVICES
 OSS/SWA 8XX/DATABASES

Attachment 2
 Exhibit C
 Rates - Page 96

DESCRIPTION	USOC	AL	FL	GA	KY	LA	MS	NC	SC	TN
NRC - Incremental Charge - Manual Service Order - 1st	SOMAN	NA	NA	NA	NA	NA	NA	NA	NA	See Ex C-1
NRC - Incremental Charge - Manual Service Order - Add'l	SOMAN	NA	NA	NA	NA	NA	NA	NA	NA	See Ex C-1
Change Charge per request										
NRC - 1st	N8FAX	\$8.10	NA	\$7.33	\$11.24	\$7.01	\$9.42	\$8.01	\$7.34	See Ex C-1
NRC - Add'l	N8FAX	\$0.97	NA	\$0.76	\$1.19	\$0.73	\$0.96	\$0.96	\$0.9583	See Ex C-1
NRC - Incremental Charge - Manual Service Order - 1st	SOMAN	\$27.37	NA	\$18.94	NA	\$18.14	\$25.52	\$26.94	\$27.84	See Ex C-1
NRC - Incremental Charge - Manual Service Order - Add'l	SOMAN	NA	NA	NA	NA	NA	NA	NA	NA	See Ex C-1
Call Handling and Destination Features										
NRC - 1st	N8FDX	\$5.69	NA	\$4.72	\$6.97	\$4.27	\$5.63	\$5.63	\$5.64	See Ex C-1
NRC - Add'l	N8FDX	NA	NA	\$4.46	\$6.97	\$4.27	\$5.63	NA	\$5.64	See Ex C-1
LINE INFORMATION DATABASE ACCESS (LIDB)										
LIDB Common Transport per query	QQT	\$0.0004	\$0.0003	\$0.0000338	\$0.00006	\$0.0000418	\$0.0000446	\$0.0003	\$0.0000442	See Ex C-1
LIDB Validation per query	OQU	\$0.041003	\$0.041003	\$0.0105974	\$0.00938	\$0.0103774	\$0.0142132	\$0.013400	\$0.0141003	See Ex C-1
LIDB Originating Point Code Establishment or Change - NRC	N/A	\$64.36	NA	\$50.30	\$107.60	\$48.17	\$63.63	\$91.00	\$61.62	See Ex C-1
NRC - Incremental Charge - Electronic Service Order		NA	NA	NA	NA	NA	NA	\$62.26	NA	See Ex C-1
NRC - Incremental Charge - Manual Service Order - 1st	SOMAN	\$25.93	NA	\$18.94	NA	\$18.14	\$25.52	\$26.94	\$27.84	See Ex C-1
NRC - Incremental Charge - Manual Service Order - Add'l	SOMAN	NA	NA	NA	NA	NA	NA	NA	\$27.84	See Ex C-1
CCS7 SIGNALING TRANSPORT SERVICE										
CCS7 Signaling Connection, per link (A link) per month		\$18.79	\$5.00	\$17.05	\$16.31	\$19.48	\$21.58	\$155.00	\$21.79	See Ex C-1
NRC		\$171.98	\$400.00	\$131.96	\$354.95	\$126.34	\$169.72	\$510.00	\$277.07	See Ex C-1
NRC - Disconnect		\$135.70	NA	NA	NA	\$101.10	\$134.08	NA	\$42.95	See Ex C-1
NRC - Incremental Charge - Manual Service Order	SOMAN	\$25.93	NA	\$18.94	NA	\$18.14	\$25.52	NA	NA	See Ex C-1
NRC - Incremental Charge - Manual Service Order - Disconnect	SOMAN	\$16.31	NA	NA	NA	\$11.40	\$16.05	NA	NA	See Ex C-1
CCS7 Signaling Connection, per link (B link) (also known as D link) per month		\$18.79	\$5.00	\$17.05	\$16.31	\$19.48	\$21.58	\$155.00	\$21.79	See Ex C-1
NRC		\$171.98	\$400.00	\$131.96	\$354.95	\$126.34	\$169.72	\$510.00	\$277.07	See Ex C-1
NRC - Disconnect		\$135.70	NA	NA	NA	\$101.10	\$134.08	NA	\$42.95	See Ex C-1
NRC - Incremental Charge - Manual Service Order	SOMAN	\$25.93	NA	\$18.94	NA	\$18.14	\$25.52	NA	NA	See Ex C-1
NRC - Incremental Charge - Manual Service Order - Disconnect	SOMAN	\$16.31	NA	NA	NA	\$11.40	\$16.05	NA	NA	See Ex C-1
CCS7 Signaling Termination, per STP port per month		\$148.72	\$113.00	\$133.99	\$174.08	\$161.99	\$161.12	\$132.88	\$156.33	See Ex C-1
CCS7 Signaling Usage, per ISUP message		\$0.00004	\$0.00001	\$0.0000354	\$0.000037893	\$0.0000430	\$0.0000456	\$0.00004	\$0.0000452	See Ex C-1
(applicable when measurement and billing capability exists.)										
CCS7 Signaling Usage, per TCAP message		\$0.0001	\$0.00004	\$0.0000870	\$0.000102042	\$0.0001052	\$0.0001115	\$0.00009	\$0.0001108	See Ex C-1
(applicable when measurement and billing capability exists.)										
CCS7 Signaling Usage Surrogate, per link per LATA per mo (9)		\$376.12	\$64.00	\$340.67	\$329.98	\$406.71	\$406.53	\$338.98	\$396.55	See Ex C-1
CCS7 Signaling Point Code, Establishment or Change, per STP affected										
NRC		\$62.00	\$62.00	\$62.00	\$62.00	\$62.00	\$62.00	\$62.00	\$62.00	\$62.00
OPERATOR CALL PROCESSING										
Operator Provided Call Handling per min - Using BST LIDB	N/A	\$1.21	\$1.00	\$0.9680296	\$1.6016	\$0.91	\$1.19	\$1.20	\$1.21	NA
Call Completion Access Termination Charge per call attempt	N/A	\$0.08	NA	NA	NA	NA	NA	NA	\$0.08	NA
Operator Provided Call Handling per min - Using Foreign LIDB	N/A	\$1.25	\$1.00	\$1.02	\$1.6249	\$0.96	\$1.24	\$1.24	\$1.25	NA
Call Completion Access Termination Charge per call attempt	N/A	\$0.08	NA	NA	NA	NA	NA	NA	\$0.08	NA
Operator Provided Call Handling, per call	N/A	NA	NA	NA	NA	NA	NA	NA	NA	\$0.30
Fully Automated Call Handling per call - Using BST LIDB	N/A	\$0.11	\$0.10	\$0.0776409	\$0.0856	\$0.10	\$0.1072884	\$0.11	\$0.1115808	\$0.15
Fully Automated Call Handling per call - Using Foreign LIDB	N/A	\$0.13	\$0.10	\$0.0976984	\$0.1071	\$0.12	\$0.1253666	\$0.12	\$0.1293459	\$0.15
Professional recording of name (OCP alone)	USOD1	\$7,000.00	\$7,000.00	\$7,000.00	\$7,000.00	\$7,000.00	\$7,000.00	\$7,000.00	\$7,000.00	\$7,000.00
Professional recording of name (DA and OCP alone)	USOD1	\$7,000.00	\$7,000.00	\$7,000.00	\$7,000.00	\$7,000.00	\$7,000.00	\$7,000.00	\$7,000.00	\$7,000.00
DRAM or front-end loading, per TOPS switch	USOD2	\$250.00	\$250.00	\$250.00	\$250.00	\$250.00	\$250.00	\$250.00	\$250.00	\$250.00
AABS or back-end loading, per IVS	USOD2	\$225.00	\$225.00	\$225.00	\$225.00	\$225.00	\$225.00	\$225.00	\$225.00	\$225.00
EBAS or 0- automation loading, per NAV shelf	USOD2	\$270.00	\$270.00	\$270.00	\$270.00	\$270.00	\$270.00	\$270.00	\$270.00	\$270.00
Recording Charge per Branded Announcement - Disconnect - Initial	N/A	\$9.61	NA	NA	NA	NA	NA	NA	NA	NA
Recording Charge per Branded Announcement - Disconnect - Subsequent	N/A	\$9.61	NA	NA	NA	NA	NA	NA	NA	NA
INWARD OPERATOR SERVICES										
Verification, per minute	N/A	\$1.16	NA	\$0.921083	NA	\$0.86	\$1.14	\$1.15	\$1.15	NA
Verification and Emergency Interrupt, per minute	N/A	\$1.16	NA	\$0.921083	NA	\$0.86	\$1.14	\$1.15	\$1.15	NA
Verification, per call	VIL	NA	\$0.80	NA	\$1.00	NA	NA	\$0.54	NA	\$0.90
Verification and Emergency Interrupt, per call	N/A	NA	\$1.00	NA	\$1.111	NA	NA	\$0.65	NA	\$1.95

BELLSOUTH/EPB TELECOMMUNICATIONS RATES
 NETWORK ELEMENTS
 AND OTHER SERVICES
 OSS/SWA 8XX/DATABASES

Attachment 2
 Exhibit C
 Rates - Page 97

DESCRIPTION	USOC	AL	FL	GA	KY	LA	MS	NC	SC	TN
DIRECTORY ASSISTANCE SERVICES										
Directory Assist Call Completion Access Svc (DACC), per call attempt	N/A	\$0.10	\$0.10	\$0.10	\$0.10	\$0.10	\$0.10	\$0.062	\$0.10	\$0.10
Call Completion Access Term charge per completed call	N/A	NA	NA	NA	NA	NA	NA	NA	\$0.08	NA
Number Services Intercept per query	N/A	\$0.0235	\$0.01	\$0.0097497	\$0.0086	\$0.02	\$0.0188268	\$0.0110	\$0.0124036	\$0.15
Number Services Intercept per Intercept Query Update	N/A	NA	NA	NA	\$0.0055	NA	NA	NA	NA	NA
Directory Assistance Access Service Calls, per call	N/A	\$0.275	\$0.275	\$0.275	\$0.275	\$0.275	\$0.275	\$0.260000	\$0.275	\$0.275
Professional recording of name (DA alone)	N/A	\$3,000.00	\$3,000.00	\$3,000.00	\$3,000.00	\$3,000.00	\$3,000.00	\$3,000.00	\$3,000.00	\$3,000.00
Professional recording of name (DA and OCP alone)	N/A	\$7,000.00	\$7,000.00	\$7,000.00	\$7,000.00	\$7,000.00	\$7,000.00	\$7,000.00	\$7,000.00	\$7,000.00
DRAM or front-end loading, per TOPS switch	N/A	\$250.00	\$250.00	\$250.00	\$250.00	\$250.00	\$250.00	\$250.00	\$250.00	\$250.00
AABS or back-end loading, per IVS	N/A	\$225.00	\$225.00	\$225.00	\$225.00	\$225.00	\$225.00	\$225.00	\$225.00	\$225.00
EBAS or 0- automation loading, per NAV shelf	N/A	\$270.00	\$270.00	\$270.00	\$270.00	\$270.00	\$270.00	\$270.00	\$270.00	\$270.00
Recording Charge per Branded Announcement – Disconnect – Initial	N/A	\$9.61	NA	NA	NA	NA	NA	NA	NA	NA
Recording Charge per Branded Announcement – Disconnect – Subsequent	N/A	\$9.61	NA	NA	NA	NA	NA	NA	NA	NA
Directory Transport										
Directory Transport - Local Channel DS1, per month	N/A	\$35.52	\$43.64	\$38.36	\$36.32	\$43.83	\$38.91	\$35.68	\$37.20	\$133.81
NRC - 1st	N/A	\$503.57	\$242.45	\$356.15	\$637.46	\$339.69	\$494.83	\$534.48	\$534.81	\$868.97
NRC - Add'l	N/A	\$442.84	\$226.44	\$312.89	\$546.94	\$298.29	\$435.28	\$462.69	\$462.81	\$486.83
NRC - Disconnect Charge - 1st	N/A	\$46.28	NA	NA	NA	\$33.02	\$46.85	NA	NA	NA
NRC - Disconnect Charge - Add'l	N/A	\$32.18	NA	NA	NA	\$23.32	\$33.02	NA	NA	NA
NRC - Incremental Charge-Manual Svc Order - NRC - 1st	SOMAN	\$61.99	NA	\$44.22	NA	\$42.34	\$59.58	\$86.15	\$87.99	NA
NRC - Incremental Charge-Manual Svc Order - NRC -add'l	N/A	NA	NA	NA	NA	NA	NA	\$1.77	NA	NA
NRC - Incremental Charge-Manual Svc Order - NRC-Disconnect	SOMAN	\$29.27	NA	NA	NA	\$19.48	\$27.41	NA	\$3.11	NA
Directory Transport - Dedicated DS1 Level Interoffice per mile per mo	N/A	\$0.6923	\$0.6013	\$0.4523	\$0.45	\$0.78	\$0.6598	\$0.5753	\$0.7598	\$23.00
Directory Transport - Dedicated DS1 Level Interoffice per facility termination	N/A	\$79.69	\$99.79	\$78.47	\$55.05	\$93.40	\$74.40	\$71.29	\$94.98	\$90.00
NRC - 1st	N/A	\$198.15	\$45.91	\$147.07	\$298.18	\$140.49	\$196.28	\$217.17	\$216.27	\$100.49
NRC - Add'l	N/A	\$148.18	\$44.18	\$111.75	\$231.18	\$106.69	\$147.31	\$163.75	\$162.70	\$100.49
NRC - Disconnect Charge - 1st	N/A	\$25.44	NA	NA	NA	\$20.00	\$26.56	NA	NA	NA
NRC - Disconnect Charge - Add'l	N/A	\$20.42	NA	NA	NA	\$16.34	\$21.61	NA	NA	NA
NRC - Incremental Charge - Manual Service Order - 1st	SOMAN	\$27.37	NA	\$18.94	NA	\$18.14	\$25.52	\$38.07	\$39.63	NA
NRC - Incremental Charge - Manual Service Order - Add'l	SOMAN	\$27.37	NA	NA	NA	\$18.14	\$25.52	\$38.07	\$39.63	NA
NRC - Incremental Charge - Manual Service Order - Disconnect - 1st	SOMAN	\$12.97	NA	NA	NA	\$8.06	\$11.34	NA	NA	NA
NRC - Incremental Charge - Manual Service Order - Disconnect - Add'l	SOMAN	\$12.97	NA	NA	NA	\$8.06	\$11.34	NA	NA	NA
Switched Common Transport per DA Access Service per call	N/A	\$0.0003	\$0.0003	\$0.0002906	\$0.000175	\$0.0003274	\$0.0002997	\$0.00020	\$0.000327	NA
Switched Common Transport per DA Access Service per call per mile	N/A	\$0.0003	\$0.0001	\$0.000186	\$0.00004	\$0.000175	\$0.000202	\$0.0003	\$0.000303	NA
Access Tandem Switching per DA Access Service per call	N/A	\$0.0023	\$0.00055	\$0.0019152	\$0.000783	\$0.0025257	\$0.0023713	\$0.0021	\$0.0024809	NA
DA Interconnection, per DA Access Service Call	N/A	\$0.00269	NA	\$0.00269	NA	NA	NA	\$0.00	\$0.000269	NA
Directory Transport-Installation NRC, per trunk or signaling connection										
NRC - 1st	N/A	\$260.69	\$206.06	\$204.23	\$501.98	\$195.54	\$257.73	NA	\$407.81	NA
NRC - Add'l	N/A	\$5.95	\$4.71	\$4.42	\$13.32	\$4.23	\$5.85	NA	\$11.00	NA
NRC - Disconnect Charge - 1st	N/A	\$173.46	NA	NA	NA	NA	NA	NA	NA	NA
NRC - Disconnect Charge - Add'l	N/A	\$5.95	NA	NA	NA	NA	NA	NA	NA	NA
NRC - Incremental Charge - Manual Service Order - 1st	SOMAN	NA	NA	\$44.22	NA	\$130.05	\$171.49	NA	NA	NA
NRC - Incremental Charge - Manual Service Order - Add'l	SOMAN	NA	NA	NA	NA	\$4.23	\$5.85	NA	NA	NA
NRC - Manual Service Order - 1st	N/A	NA	NA	NA	NA	NA	NA	\$407.53	NA	NA
NRC - Manual Service Order - Add'l	N/A	NA	NA	NA	NA	NA	NA	\$10.98	NA	NA
Directory Assistance Database Service (DADS)										
Directory Assistance Database Service charge per listing	N/A	\$0.0446	\$0.001	\$0.0445	\$0.0193	\$0.0443	\$0.0447	\$0.04460	\$0.0444	NA
Directory Assistance Database Service, per month	DBSOF	\$128.55	\$100.00	\$95.50	\$120.76	\$90.54	\$126.17	\$126.26	\$127.23	NA
AIN										
AIN, per message	CAM	NA	\$0.00004	NA	NA	NA	NA	NA	NA	NA
AIN - BellSouth AIN SMS Access Service	CAM								NA	NA
Service Establishment Charge, per state, initial set-up										
NRC	CAMSE	\$197.49	NA	\$90.25	NA	\$153.31	\$174.03	\$294.77	\$296.16	See Ex C-1
NRC - Disconnect	CAMSE	\$114.22	NA	NA	NA	\$78.06	\$135.96	NA	NA	See Ex C-1
Port Connection - Dial/Shared Access										

BELLSOUTH/EPB TELECOMMUNICATIONS RATES
 NETWORK ELEMENTS
 AND OTHER SERVICES
 OSS/SWA 8XX/DATABASES

Attachment 2
 Exhibit C
 Rates - Page 98

DESCRIPTION	USOC	AL	FL	GA	KY	LA	MS	NC	SC	TN
NRC	CAMDP	\$64.05	NA	\$29.66	NA	\$50.07	\$53.47	\$86.94	\$87.29	See Ex C-1
NRC - Disconnect	CAMDP	\$27.04	NA	NA	NA	\$18.61	\$37.70	NA	NA	See Ex C-1
Port Connection - ISDN Access										
NRC	CAM1P	\$64.05	NA	\$29.66	NA	\$50.07	\$53.47	\$86.94	\$87.29	See Ex C-1
NRC - Disconnect	CAM1P	\$27.04	NA	NA	NA	\$18.61	\$37.70	NA	NA	See Ex C-1
User ID Codes - per User ID Code										
NRC	CAMAU	\$141.84	NA	\$84.43	NA	\$104.95	\$129.83	\$200.83	\$202.08	See Ex C-1
NRC - Disconnect	CAMAU	\$70.05	NA	NA	NA	\$48.95	\$79.91	NA	NA	See Ex C-1
Security Card per User ID Code, initial or replacement										
NRC	CAMRC	\$142.13	NA	\$35.44	NA	\$125.33	\$131.54	\$172.05	\$172.26	See Ex C-1
NRC - Disconnect	CAMRC	\$35.26	NA	NA	NA	\$24.40	\$45.77	NA	NA	See Ex C-1
Storage, per unit (100Kb)	N/A	\$0.0026	NA	\$0.0023	NA	\$0.0029	\$0.0029	\$0.0023	\$0.0028	See Ex C-1
Session per minute	N/A	\$0.0892	NA	\$0.0795604	NA	\$0.10	\$0.0975650	\$0.0791	\$0.0942966	See Ex C-1
CO. Performed Session, per minute					NA	\$1.97	\$2.09	\$2.08	\$2.07	See Ex C-1
AIN - BellSouth AIN Toolkit Service										
AIN, Service Creation Tools	CAMBP	NA	TBD	NA	NA	NA	NA	NA	NA	NA
Service Establishment Charge, per state, initial set-up										
NRC	BAPSC	\$192.69	NA	\$86.74	NA	\$153.25	\$169.31	\$290.05	\$291.41	See Ex C-1
NRC - Disconnect	BAPSC	\$114.22	NA	NA	NA	\$78.05	\$135.96	NA	NA	See Ex C-1
Training Session, per customer										
NRC	BAPVX	\$8,363.00	NA	\$8,348.00	NA	\$8,315.00	\$8,379.00	\$8,363.00	\$8,333.00	See Ex C-1
NRC - Disconnect	BAPVX	NA	NA	NA	NA	NA	NA	NA	NA	See Ex C-1
Trigger Access Charge, per trigger, per DN, Term. Attempt										
NRC	BAPTT	\$49.64	NA	\$19.13	NA	\$41.08	\$39.30	\$72.76	\$73.02	See Ex C-1
NRC - Disconnect	BAPTT	\$27.04	NA	NA	NA	\$18.60	\$37.70	NA	NA	See Ex C-1
Trigger Access Charge, per trigger per DN, Off-Hook Delay										
NRC	BAPTD	\$49.64	NA	\$114.80	NA	\$41.08	\$39.30	\$72.76	\$73.02	See Ex C-1
NRC - Disconnect	BAPTD	\$27.04	NA	NA	NA	\$18.60	\$37.70	NA	NA	See Ex C-1
Trigger Access Charge, per trigger, per DN, Off-Hook Immediate										
NRC	BAPTM	\$49.64	NA	\$19.13	NA	\$41.08	\$39.30	\$72.76	\$73.02	See Ex C-1
NRC - Disconnect	BAPTM	\$27.04	NA	NA	NA	\$18.60	\$37.70	NA	NA	See Ex C-1
Trigger Access Charge, per trigger, per DN, 10-Digit PODP										
NRC	BAPTO	\$117.98	NA	\$70.06	NA	\$92.99	\$106.90	\$149.95	\$150.25	See Ex C-1
NRC - Disconnect	BAPTO	\$37.90	NA	NA	NA	\$26.73	\$48.44	NA	NA	See Ex C-1
Trigger Access Charge, per trigger, per DN, CDP										
NRC	BAPTC	\$117.98	NA	\$70.06	NA	\$92.99	\$106.90	\$149.95	\$150.25	See Ex C-1
NRC - Disconnect	BAPTC	\$37.90	NA	NA	NA	\$26.73	\$48.44	NA	NA	See Ex C-1
Trigger Access Charge, per trigger, per DN, Feature Code										
NRC	BAPTF	\$117.98	NA	\$70.06	NA	\$92.99	\$106.90	\$149.95	\$150.25	See Ex C-1
NRC - Disconnect	BAPTF	\$37.90	NA	NA	NA	\$26.73	\$48.44	NA	NA	See Ex C-1
Query Charge, per query		\$0.024	NA	\$0.0209223	NA	\$0.03	\$0.0256138	\$0.02	\$0.0250662	See Ex C-1
Type 1 Node Charge, per AIN Toolkit Subscription, per node, per query		\$0.006	NA	\$0.0053137	NA	\$0.0065	\$0.0065161	\$0.005	\$0.0062979	See Ex C-1
SCP Storage Charge, per SMS Access Acct, per 100 Kb	N/A	\$1.63	NA	\$1.46	NA	\$1.79	\$1.79	\$1.45	\$1.73	See Ex C-1
Monthly Report - per AIN Toolkit Service Subscription	BAPMS	\$16.00	NA	\$15.96	NA	\$15.89	\$16.01	\$15.98	\$15.93	See Ex C-1
NRC	BAPMS	\$44.56	NA	\$22.64	NA	\$34.61	\$44.02	\$71.80	\$72.15	See Ex C-1
NRC - Disconnect	BAPMS	\$31.84	NA	NA	NA	\$21.97	\$31.28	NA	NA	See Ex C-1
Special Study - per AIN Toolkit Service Subscription	BAPLS	\$0.10	NA	\$0.0861109	NA	\$0.08	\$0.0810536	\$0.08	\$0.0872769	See Ex C-1
NRC	BAPLS	\$47.74	NA	\$22.64	NA	\$37.77	\$47.21	\$47.20	\$47.35	See Ex C-1
NRC - Disconnect	BAPLS	\$15.90	NA	NA	NA	NA	NA	NA	NA	See Ex C-1
Call Event Report - per AIN Toolkit Service Subscription	BAPDS	\$15.90	NA	\$15.87	NA	\$15.81	\$15.93	\$15.90	\$15.84	See Ex C-1
NRC	BAPDS	\$44.56	NA	\$22.64	NA	\$34.61	\$44.02	\$71.80	\$72.15	See Ex C-1
NRC - Disconnect	BAPDS	\$31.84	NA	NA	NA	\$21.97	\$31.28	NA	NA	See Ex C-1
Call Event special Study - per AIN Toolkit Service Subscription	BAPES	\$0.003	NA	\$0.0028704	NA	\$0.0026	\$0.0027018	\$0.003	\$0.0029092	See Ex C-1
NRC	BAPES	\$47.74	NA	\$22.64	NA	\$37.77	\$47.21	\$47.20	\$47.35	See Ex C-1
NRC - Disconnect	BAPES	\$15.90	NA	NA	NA	\$37.77	NA	NA	NA	See Ex C-1
CALLING NAME (CNAM) QUERY SERVICE										

BELLSOUTH/EPB TELECOMMUNICATIONS RATES
 NETWORK ELEMENTS
 AND OTHER SERVICES
 OSS/SWA 8XX/DATABASES

Attachment 2
 Exhibit C
 Rates - Page 99

DESCRIPTION	USOC	AL	FL	GA	KY	LA	MS	NC	SC	TN
CNAM (Database Owner), Per Query	N/A	\$0.016	\$0.016	\$0.016	\$0.016	\$0.016	\$0.016	\$0.016	\$0.016	\$0.016
CNAM (Non-Database Owner), Per Query *	N/A	\$0.01	\$0.01	\$0.01	\$0.01	\$0.01	\$0.01	\$0.01	\$0.01	\$0.01
NRC, applicable when CLEC-1 uses the Character Based User Interface	N/A	\$595.00	\$595.00	\$595.00	\$595.00	\$595.00	\$595.00	\$595.00	\$595.00	\$595.00
* Volume and term arrangements are also available.										
SELECTIVE ROUTING										
Per Line or PBX Trunk, each		NA	NA	NA	\$10.00 (Interim	NA	NA	NA	NA	TBD
NRC		NA	NA	NA	NA	NA	NA	NA	NA	TBD
Customized routing per unique line class code, per request, per switch										
NRC	USRCR	\$230.60	\$229.65	\$180.62	\$229.65	\$229.65	\$227.99	\$229.65	\$226.22	See Ex C-1
NRC - Incremental Charge - Manual Service Order		\$25.93	NA	\$18.94	NA	NA	\$25.52	NA	\$27.84	See Ex C-1
VIRTUAL COLLOCATION										
2-wire Cross-Connect (Loop)										
RC	UEAC2	\$0.28	\$0.0502	\$0.30	\$0.31	\$0.26	\$0.3996	\$0.09	\$0.3648	\$0.30
NRC - 1st	UEAC2	\$30.76	\$11.57	\$12.60	\$54.21	\$23.04	\$30.93	\$41.78	\$41.50	\$19.20
NRC - Add'l	UEAC2	\$29.40	\$11.57	\$12.60	\$51.07	\$22.11	\$29.59	\$39.23	\$38.94	\$19.20
NRC - 1st - Manual Service Order		NA	NA	NA	NA	NA	NA	\$4.75	NA	NA
NRC - Add'l - Manual Service Order		NA	NA	NA	NA	NA	NA	\$4.75	NA	NA
NRC - Disconnect - 1st	UEAC2	\$12.75	NA	NA	NA	\$9.48	\$12.76	NA	NA	NA
NRC - Disconnect - Add'l	UEAC2	\$11.38	NA	NA	NA	\$8.54	\$11.43	NA	NA	NA
2-wire Cross-Connect (Port)										
RC	VE1R2	\$0.28	\$0.0502	\$0.30	\$0.31	\$0.26	\$0.3996	\$0.09	\$0.3648	\$0.30
NRC - 1st	VE1R2	\$30.76	\$11.57	\$12.60	\$54.21	\$23.04	\$30.93	\$41.78	\$41.50	\$19.20
NRC - Add'l	VE1R2	\$29.40	\$11.57	\$12.60	\$51.07	\$22.11	\$29.59	\$39.23	\$38.94	\$19.20
NRC - 1st - Manual Service Order		NA	NA	NA	NA	NA	NA	\$4.75	NA	NA
NRC - Add'l - Manual Service Order		NA	NA	NA	NA	NA	NA	\$4.75	NA	NA
NRC - Disconnect - 1st	VE1R2	\$12.75	NA	NA	NA	\$9.48	\$12.76	NA	NA	NA
NRC - Disconnect - Add'l	VE1R2	\$11.38	NA	NA	NA	\$8.54	\$11.43	NA	NA	NA
4-wire Cross-Connect (Loop)										
RC	UEAC4	\$0.56	\$0.0502	\$0.50	\$0.62	\$0.52	\$0.7992	\$0.18	\$0.7297	\$0.50
NRC - 1st	UEAC4	\$66.71	\$11.57	\$12.60	\$54.23	\$23.23	\$31.17	\$41.91	\$41.56	\$19.20
NRC - Add'l	UEAC4	\$50.43	\$11.57	\$12.60	\$50.96	\$22.24	\$29.77	\$39.25	\$38.90	\$19.20
NRC - 1st - Manual Service Order		NA	NA	NA	NA	NA	NA	\$4.73	NA	NA
NRC - Add'l - Manual Service Order		NA	NA	NA	NA	NA	NA	\$4.73	NA	NA
NRC - Disconnect - 1st	UEAC4	\$12.82	NA	NA	NA	\$9.53	\$12.83	NA	NA	NA
NRC - Disconnect - Add'l	UEAC4	\$11.39	NA	NA	NA	\$8.55	\$11.43	NA	NA	NA
4-wire Cross-Connect (Port)										
RC	VE1R4	\$0.56	\$0.0502	\$0.50	\$0.62	\$0.52	\$0.7992	\$0.18	\$0.7297	\$0.50
NRC - 1st	VE1R4	\$66.71	\$11.57	\$12.60	\$54.23	\$23.23	\$31.17	\$41.91	\$41.56	\$19.20
NRC - Add'l	VE1R4	\$50.43	\$11.57	\$12.60	\$50.96	\$22.24	\$29.77	\$39.25	\$38.90	\$19.20
NRC - 1st - Manual Service Order		NA	NA	NA	NA	NA	NA	\$4.73	NA	NA
NRC - Add'l - Manual Service Order		NA	NA	NA	NA	NA	NA	\$4.73	NA	NA
NRC - Disconnect - 1st	VE1R4	\$12.82	NA	NA	NA	\$9.53	\$12.83	NA	NA	NA
NRC - Disconnect - Add'l	VE1R4	\$11.39	NA	NA	NA	\$8.55	\$11.43	NA	NA	NA
2-fiber Cross-Connect										
RC	CNC2F	\$12.10	NA	\$15.64	\$15.64	\$19.13	\$15.64	\$15.99	\$15.06	\$15.64
NRC - 1st	CNC2F	\$55.46	NA	\$41.56	\$41.56	\$41.07	\$41.56	\$67.34	\$69.28	\$41.56
NRC - Add'l	CNC2F	\$39.18	NA	\$29.82	\$29.82	\$29.63	\$29.82	\$48.55	\$48.89	\$29.82
NRC - Disconnect - 1st	CNC2F	\$16.83	NA	NA	NA	\$12.84	\$12.96	NA	NA	NA
NRC - Disconnect - Add'l	CNC2F	\$13.27	NA	NA	NA	\$10.29	\$10.34	NA	NA	NA
4-fiber Cross-Connect										
RC	CNC4F	\$21.75	NA	\$28.11	\$28.11	\$34.38	\$28.11	\$28.74	\$27.08	\$28.11
NRC - 1st	CNC4F	\$66.71	NA	\$50.53	\$50.53	\$49.81	\$50.53	\$82.35	\$84.07	\$50.53
NRC - Add'l	CNC4F	\$50.43	NA	\$38.78	\$38.78	\$38.37	\$38.78	\$63.56	\$63.68	\$38.78
NRC - Disconnect - 1st	CNC4F	\$21.86	NA	NA	NA	\$16.75	\$16.97	NA	NA	NA
NRC - Disconnect - Add'l	CNC4F	\$18.31	NA	NA	NA	\$14.20	\$14.35	NA	NA	NA
DS1 Cross-Connects										

BELLSOUTH/EPB TELECOMMUNICATIONS RATES
 NETWORK ELEMENTS
 AND OTHER SERVICES
 OSS/SWA 8XX/DATABASES

DESCRIPTION	USOC	AL	FL	GA	KY	LA	MS	NC	SC	TN
RC		NA	NA	NA	NA	NA	NA	\$0.97	NA	NA
NRC - 1st		NA	NA	NA	NA	NA	NA	\$71.02	NA	NA
NRC - Add'l		NA	NA	NA	NA	NA	NA	\$51.08	NA	NA
NRC - Manual Service Order - 1st		NA	NA	NA	NA	NA	NA	\$4.70	NA	NA
NRC - Manual Service Order - Add'l		NA	NA	NA	NA	NA	NA	\$4.70	NA	NA
DS3 Cross-Connects										
RC		NA	NA	NA	NA	NA	NA	\$12.33	NA	NA
NRC - 1st		NA	NA	NA	NA	NA	NA	\$69.84	NA	NA
NRC - Add'l		NA	NA	NA	NA	NA	NA	\$49.43	NA	NA
NRC - Manual Service Order - 1st		NA	NA	NA	NA	NA	NA	\$4.70	NA	NA
NRC - Manual Service Order - Add'l		NA	NA	NA	NA	NA	NA	\$4.70	NA	NA
If no rate is identified in the contract, the rate for the specific service or function will be as set forth in applicable BellSouth tariff or as negotiated by the parties upon request by either party.										
Interim rates subject to true-up.										
1 BellSouth and CLEC shall negotiate rates for this offering. If agreement is not reached within sixty (60) days of the Effective Date, either party may petition the Florida PSC to settle the disputed charge or charges. (FL)										
2 This rate element is for those states w/o separate rates for 800 calls with 800 No. Delivery vs. POTS No. Delivery and calls with Optional Complex Features vs. w/o Optional Complex Features.										
3 This charge is only applicable where signaling usage measurement or billing capability does not exist.										

UNBUNDLED NETWORK ELEMENT	UNBUNDLED NETWORK ELEMENT AS STATED IN DOCKET 97-01262	Not in TRA Docket 97-01262	Zone	BCS	USOC	RATES					OSS RATES														
						Recurring	Nonrecurring		Disconnect		Svc Order Submitted Elec per LSR	Svc Order Submitted Manually per LSR	Incremental Charge - Manual Svc Order vs. Electronic-1st	Incremental Charge - Manual Svc Order vs. Electronic-Add'l	Incremental Charge - Manual Svc Order vs. Electronic-Disc 1st	Incremental Charge - Manual Svc Order vs. Electronic-Disc Add'l									
							First	Add'l	First	Add'l															
							SOMECS	SOMAN	SOMAN	SOMAN															
Geographically Deaveraged UNE Zones and applicable rates have been established for certain services, as shown in this Agreement. Where Geographically Deaveraged UNE Zones and applicable rates are established, Statewide rates are obsolete. Further, BellSouth is in the process of enhancing its billing systems in order to accommodate this Geographically Deaveraged UNE Zone Rate Structure. Until these enhancements are accomplished, the UNE Zone 1 rate will be billed for all services residing in Zones 1, 2, 3 or 4. Once billing enhancements are complete, all applicable UNE Zone rates reflected in this Agreement will be billed. Reference Internet Website http://www.interconnection.bellsouth.com/become_clec/docs/interconnection/deavuzns.pdf to view Geographically Deaveraged UNE Zone Designations by Central Office.																									
UNBUNDLED EXCHANGE ACCESS LOOP																									
2-WIRE ANALOG VOICE GRADE LOOP																									
2-Wire Analog Voice Grade Loop - Service Level 1- Zone 1	2-Wire Analog Voice Grade Loop - Service Level 1 - Zone 1		1	UEANL	UEAL2	\$13.19	\$31.99	\$20.02	\$10.65	\$1.41			\$20.35	\$10.54	\$13.32										
2-Wire Analog Voice Grade Loop - Service Level 1- Zone 2	2-Wire Analog Voice Grade Loop - Service Level 1 - Zone 2		2	UEANL	UEAL2	\$17.23	\$31.99	\$20.02	\$10.65	\$1.41			\$20.35	\$10.54	\$13.32										
2-Wire Analog Voice Grade Loop - Service Level 1- Zone 3	2-Wire Analog Voice Grade Loop - Service Level 1 - Zone 3		3	UEANL	UEAL2	\$22.53	\$31.99	\$20.02	\$10.65	\$1.41			\$20.35	\$10.54	\$13.32										
Manual Order Coordination for UVL-SL1s (per loop)*	2-WAVGL - SL1 - Manual Order Coordination			UEANL	UEAMC		\$36.52	\$36.52	\$9.18	\$9.18															
Order Coordination for Specified Conversion Time for UVL-SL1 (per LSR) *	Coordination for Specified Conversion Time			UEANL	OCOSL		\$34.29	\$34.29																	
Engineering Information (EI)-Interim rates until cost is prepared based on input that reflect the work required to extract the EI		*			UEANM	\$40.00																			
2-Wire Analog Voice Grade Loop - Service Level 2 w/Loop or Ground Start Signaling - Zone 1	2-Wire Analog Voice Grade Loop - Service Level 2 - Zone 1		1	UEA	UEAL2	\$16.56	\$75.06	\$48.20	\$28.70	\$17.64			\$20.35	\$10.54	\$13.32										
2-Wire Analog Voice Grade Loop - Service Level 2 w/Loop or Ground Start Signaling - Zone 2	2-Wire Analog Voice Grade Loop - Service Level 2 - Zone 2		2	UEA	UEAL2	\$21.63	\$75.06	\$48.20	\$28.70	\$17.64			\$20.35	\$10.54	\$13.32										
2-Wire Analog Voice Grade Loop - Service Level 2 w/Loop or Ground Start Signaling - Zone 3	2-Wire Analog Voice Grade Loop - Service Level 2 - Zone 3		3	UEA	UEAL2	\$28.28	\$75.06	\$48.20	\$28.70	\$17.64			\$20.35	\$10.54	\$13.32										
Order Coordination for Specified Conversion Time (per LSR)	Coordination for Specified Conversion Time			UEA	OCOSL		\$34.29	\$34.29																	
2-Wire Analog Voice Grade Loop - Service Level 2 w/Reverse Battery Signaling - Zone 1	2-Wire Analog Voice Grade Loop - Service Level 2 - Zone 1		1	UEA	UEAR2	\$16.56	\$75.06	\$48.20	\$28.70	\$17.64			\$20.35	\$10.54	\$13.32										
2-Wire Analog Voice Grade Loop - Service Level 2 w/Reverse Battery Signaling - Zone 2	2-Wire Analog Voice Grade Loop - Service Level 2 - Zone 2		2	UEA	UEAR2	\$21.63	\$75.06	\$48.20	\$28.70	\$17.64			\$20.35	\$10.54	\$13.32										
2-Wire Analog Voice Grade Loop - Service Level 2 w/Reverse Battery Signaling - Zone 3	2-Wire Analog Voice Grade Loop - Service Level 2 - Zone 3		3	UEA	UEAR2	\$28.28	\$75.06	\$48.20	\$28.70	\$17.64			\$20.35	\$10.54	\$13.32										
Order Coordination for Specified Conversion Time (per LSR)	Coordination for Specified Conversion Time			UEA	OCOSL		\$34.29	\$34.29																	
4-WIRE ANALOG VOICE GRADE LOOP																									
4-Wire Analog Voice Grade Loop - Zone 1	4-Wire Analog Voice Grade Loop - Zone 1		1	UEA	UEAL4	\$24.70	\$122.76	\$85.57	\$76.35	\$39.16			\$20.35	\$10.54	\$13.32										
4-Wire Analog Voice Grade Loop - Zone 2	4-Wire Analog Voice Grade Loop - Zone 2		2	UEA	UEAL4	\$32.25	\$122.76	\$85.57	\$76.35	\$39.16			\$20.35	\$10.54	\$13.32										
4-Wire Analog Voice Grade Loop - Zone 3	4-Wire Analog Voice Grade Loop - Zone 3		3	UEA	UEAL4	\$42.17	\$122.76	\$85.57	\$76.35	\$39.16			\$20.35	\$10.54	\$13.32										
Order Coordination for Specified Conversion Time (per LSR)	4-Wire AVGL - Order Coordination for Specified Conversion Time			UEA	OCOSL		\$34.29	\$34.29																	
2-WIRE ISDN DIGITAL GRADE LOOP																									
2-Wire ISDN Digital Grade Loop - Zone 1	2-Wire ISDN Digital Grade Loop - Zone 1		1	UDN	U1L2X	\$22.00	\$142.76	\$88.88	\$76.35	\$39.16			\$20.35	\$10.54	\$13.32										
2-Wire ISDN Digital Grade Loop - Zone 2	2-Wire ISDN Digital Grade Loop - Zone 2		2	UDN	U1L2X	\$29.02	\$142.76	\$88.88	\$76.35	\$39.16			\$20.35	\$10.54	\$13.32										
2-Wire ISDN Digital Grade Loop - Zone 3	2-Wire ISDN Digital Grade Loop - Zone 3		3	UDN	U1L2X	\$37.95	\$142.76	\$88.88	\$76.35	\$39.16			\$20.35	\$10.54	\$13.32										
Order Coordination For Specified Conversion Time (per LSR)	Order Coordination for Specified Conversion Time			UDN	OCOSL		\$34.29	\$34.29																	

2-WIRE ASYMMETRICAL DIGITAL SUBSCRIBER LINE (ADSL) COMPATIBLE LOOP																
	2-Wire ADSL Compatible Loop including Man Svc Inquiry and Facility Reservation - Zone 1	2-Wire ADSL Compatible Loop - Zone 1		1	UAL	UAL2X	\$13.82	\$270.01	\$234.63	\$74.54	\$39.14			\$20.35	\$10.54	\$13.32
	2-Wire ADSL Compatible Loop including Man Svc Inquiry and Facility Reservation - Zone 2	2-Wire ADSL Compatible Loop - Zone 2		2	UAL	UAL2X	\$18.05	\$270.01	\$234.63	\$74.54	\$39.14			\$20.35	\$10.54	\$13.32
	2-Wire ADSL Compatible Loop including Man Svc Inquiry and Facility Reservation - Zone 3	2-Wire ADSL Compatible Loop - Zone 3		3	UAL	UAL2X	\$23.60	\$270.01	\$234.63	\$74.54	\$39.14			\$20.35	\$10.54	\$13.32
	Order Coordination for Specified Conversion Time	2-Wire ADSL Digital Grade Loop - Order Coordination for Specified Conversion Time			UAL	OCOSL		\$34.29	\$34.29							
	2 Wire ADSL Compatible Loop without Man Svc Inquiry and Facility Reservation - Zone 1		*	1	UAL	UAL2W	\$13.82	\$31.99	\$20.02	\$10.65	\$1.41	\$3.50		\$20.35	\$10.54	\$13.32
	2 Wire ADSL Compatible Loop without Man Svc Inquiry and Facility Reservation - Zone 2		*	2	UAL	UAL2W	\$18.05	\$31.99	\$20.02	\$10.65	\$1.41	\$3.50		\$20.35	\$10.54	\$13.32
	2 Wire ADSL Compatible Loop without Man Svc Inquiry and Facility Reservation - Zone 3		*	3	UAL	UAL2W	\$23.60	\$31.99	\$20.02	\$10.65	\$1.41	\$3.50		\$20.35	\$10.54	\$13.32
	Order Coordination-Time Specific, per LSR		*		UAL	OCOSL		\$34.29								
2-WIRE HIGH BIT RATE DIGITAL SUBSCRIBER LINE (HDSL) COMPATIBLE LOOP																
	2-Wire HDSL Compatible Loop including manual service inquiry and facility reservation - Zone 1	2-Wire High Bit Rate DSL Compatible Loop - Zone 1		1	UHL	UHL2X	\$10.83	\$270.01	\$234.63	\$74.54	\$39.14			\$20.35	\$10.54	\$13.32
	2-Wire HDSL Compatible Loop including manual service inquiry and facility reservation - Zone 2	2-Wire High Bit Rate DSL Compatible Loop - Zone 2		2	UHL	UHL2X	\$14.15	\$270.01	\$234.63	\$74.54	\$39.14			\$20.35	\$10.54	\$13.32
	2-Wire HDSL Compatible Loop including manual service inquiry and facility reservation - Zone 3	2-Wire High Bit Rate DSL Compatible Loop - Zone 3		3	UHL	UHL2X	\$18.50	\$270.01	\$234.63	\$74.54	\$39.14			\$20.35	\$10.54	\$13.32
	Order Coordination for Specified Conversion Time	2-Wire HDSL Loop - Order Coordination for Specified Conversion Time			UHL	OCOSL		\$34.29	\$34.29							
	2 Wire HDSL Compatible Loop without Man Svc Inquiry and Facility Reservation - Zone 1		*	1	UHL	UHL2W	\$10.83	\$31.99	\$20.02	\$10.65	\$1.41	\$3.50		\$20.35	\$10.54	\$13.32
	2 Wire HDSL compatible loop without manual service inquiry and facility reservation		*	2	UHL	UHL2W	\$14.15	\$31.99	\$20.02	\$10.65	\$1.41	\$3.50		\$20.35	\$10.54	\$13.32
	2 Wire HDSL compatible loop without manual service inquiry and facility reservation		*	3	UHL	UHL2W	\$18.50	\$31.99	\$20.02	\$10.65	\$1.41	\$3.50		\$20.35	\$10.54	\$13.32
	Order Coordination-Time Specific, per LSR		*		UHL	OCOSL		\$34.29								
4-WIRE HIGH BIT RATE DIGITAL SUBSCRIBER LINE (HDSL) COMPATIBLE LOOP																
	4-Wire HDSL Compatible Loop including manual service inquiry and facility reservation - Zone 1	4-Wire HDSL Compatible Loop - Zone 1		1	UHL	UHL4X	\$13.93	\$279.60	\$244.22	\$74.54	\$39.14			\$20.35	\$10.54	\$13.32
	4-Wire HDSL Compatible Loop including manual service inquiry and facility reservation - Zone 2	4-Wire HDSL Compatible Loop - Zone 2		2	UHL	UHL4X	\$18.20	\$279.60	\$244.22	\$74.54	\$39.14			\$20.35	\$10.54	\$13.32
	4-Wire HDSL Compatible Loop including manual service inquiry and facility reservation - Zone 3	4-Wire HDSL Compatible Loop - Zone 3		3	UHL	UHL4X	\$23.80	\$279.60	\$244.22	\$74.54	\$39.14			\$20.35	\$10.54	\$13.32
	Order Coordination for Specified Conversion Time	4-Wire HDSL Loop Order Coordination for Specified Conversion Time			UHL	OCOSL		\$34.29	\$34.29							
	4 Wire HDSL Compatible Loop without Man Svc Inquiry and Facility Reservation - Zone 1		*	1	UHL	UHL4W	\$13.93	\$31.99	\$20.02	\$10.65	\$1.41	\$3.50		\$20.35	\$10.54	\$13.32
	4 Wire HDSL Compatible Loop without Man Svc Inquiry and Facility Reservation - Zone 2		*	2	UHL	UHL4W	\$18.20	\$31.99	\$20.02	\$10.65	\$1.41	\$3.50		\$20.35	\$10.54	\$13.32
	4 Wire HDSL Compatible Loop without Man Svc Inquiry and Facility Reservation - Zone 3		*	3	UHL	UHL4W	\$23.80	\$31.99	\$20.02	\$10.65	\$1.41	\$3.50		\$20.35	\$10.54	\$13.32
	Order Coordination-Time Specific, per LSR		*		UHL	OCOSL		\$34.29								
4-WIRE DS1 DIGITAL LOOP																
	4-Wire DS1 Digital Loop - Zone 1	4-Wire DS1 Digital Loop - Zone 1		1	USL	USLXX	\$57.73	\$313.08	\$219.72	\$96.86	\$40.45			\$18.98	\$8.43	\$11.95
	4-Wire DS1 Digital Loop - Zone 2	4-Wire DS1 Digital Loop - Zone 2		2	USL	USLXX	\$75.40	\$313.08	\$219.72	\$96.86	\$40.45			\$18.98	\$8.43	\$11.95
	4-Wire DS1 Digital Loop - Zone 3	4-Wire DS1 Digital Loop - Zone 3		3	USL	USLXX	\$98.59	\$313.08	\$219.72	\$96.86	\$40.45			\$18.98	\$8.43	\$11.95
	Order Coordination for Specified Conversion Time	4-Wire DS1 Loop - Order Coordination for Specified Conversion Time			USL	OCOSL		\$34.59	\$34.59							

4-WIRE 56 OR 64 KBPS DIGITAL GRADE LOOP																
	4-Wire 56 Kbps Digital Grade Loop - Zone 1	4-Wire 56 or 64 Kbps Digital Grade Loop - Zone 1		1	UDL	UDL56	\$31.10	\$207.01	\$141.38	\$90.70	\$44.18			\$20.35	\$10.54	\$13.32
	4-Wire 56 Kbps Digital Grade Loop - Zone 2	4-Wire 56 or 64 Kbps Digital Grade Loop - Zone 2		2	UDL	UDL56	\$40.61	\$207.01	\$141.38	\$90.70	\$44.18			\$20.35	\$10.54	\$13.32
	4-Wire 56 Kbps Digital Grade Loop - Zone 3	4-Wire 56 or 64 Kbps Digital Grade Loop - Zone 3		3	UDL	UDL56	\$53.11	\$207.01	\$141.38	\$90.70	\$44.18			\$20.35	\$10.54	\$13.32
	Order Coordination for Specified Conversion Time	4-Wire 56/64 kbps Dig. GL - Order Coordination for Specified Conversion Time			UDL	OCOSL		\$34.29	\$34.29							
	4-Wire 64 Kbps Digital Grade Loop - Zone 1	4-Wire 56 or 64 Kbps Digital Grade Loop - Zone 1		1	UDL	UDL64	\$31.10	\$207.01	\$141.38	\$90.70	\$44.18			\$20.35	\$10.54	\$13.32
	4-Wire 64 Kbps Digital Grade Loop - Zone 2	4-Wire 56 or 64 Kbps Digital Grade Loop - Zone 2		2	UDL	UDL64	\$40.61	\$207.01	\$141.38	\$90.70	\$44.18			\$20.35	\$10.54	\$13.32
	4-Wire 64 Kbps Digital Grade Loop - Zone 3	4-Wire 56 or 64 Kbps Digital Grade Loop - Zone 3		3	UDL	UDL64	\$53.11	\$207.01	\$141.38	\$90.70	\$44.18			\$20.35	\$10.54	\$13.32
	Order Coordination for Specified Conversion Time	4-Wire 56/64 kbps Dig. GL - Order Coordination for Specified Conversion Time			UDL	OCOSL		\$34.29	\$34.29							
SUB-LOOPS																
Sub-Loop Distribution																
	Sub-Loop - Per Cross Box Location - CLEC Feeder Facility Set-Up		*		UEANL	USBSA		\$517.25	\$517.25					\$20.35	\$10.54	\$13.32
	Sub-Loop - Per Cross Box Location - Per 25 Pair Panel Set-Up		*		UEANL	USBSB		\$42.68	\$42.68					\$20.35	\$10.54	\$13.32
	Sub-Loop Distribution Per 2-Wire Analog Voice Grade Loop - Statewide	Loop Distribution - per 2-WAVGL		sw	UEANL	USBN2	\$10.02	\$148.84	\$112.34	\$73.14	\$36.65			\$20.35	\$10.54	\$13.32
	Sub-Loop Distribution - Order Coordination, per sub-loop pair		*		UEANL	USBMC		\$36.52								
	Sub-Loop Distribution - Order Coordination for Specified Time Conversion, per LSR	Sub-Loop Distribution - Order Coordination for Specified Conversion Time			UEANL	OCOSL		\$34.29								
Sub-Loop Feeder																
	DS0 Set-up per Cross Box location - CLEC Distribution Facility set-up (for access to Feeder)		*		UEA, UDN,UCL, UDL	USBFW		\$517.25	\$517.25					\$20.35	\$10.54	\$13.32
	DS0 Set-up per Cross Box location - per 25 pair panel set-up (for access to Feeder)		*		UEA, UDN,UCL, UDL	USBFX		\$42.68	\$42.68					\$20.35	\$10.54	\$13.32
	Sub-Loop Feeder- Per 2-Wire Analog Voice Grade Ground-Start Loop - Statewide	Loop Feeder per 2-WAVGL		sw	UEA	USBFA	\$12.05	\$122.24	\$85.05	\$76.35	\$39.16			\$20.35	\$10.54	\$13.32
	Sub-Loop Feeder- Per 2-Wire Analog Voice Grade Loop-Start Loop - Statewide	Loop Feeder per 2-WAVGL		sw	UEA	USBFB	\$12.05	\$122.24	\$85.05	\$76.35	\$39.16			\$20.35	\$10.54	\$13.32
	Sub-Loop Feeder - Per 2-Wire Analog Voice Grade Reverse Battery Loop - Statewide	Loop Feeder per 2-WAVGL		sw	UEA	USBFC	\$12.05	\$122.24	\$85.05	\$76.35	\$39.16			\$20.35	\$10.54	\$13.32
	Sub-Loop Feeder - Order Coordination for Specified Conversion Time, per LSR	Sub-Loop Feeder - Order Coordination for Specified Conversion Time			UEA	OCOSL		\$34.29								
Network Interface Device (NID)																
	Network Interface Device Cross Connect	NID per 2-Wire Loop			UENTW	UNDC2	\$1.15	\$0.74				\$3.50		\$19.99	\$19.99	\$19.99
	Network Interface Device Cross Connect	NID per 4-Wire Loop			UENTW	UNDC4	\$1.27	\$0.74				\$3.50		\$19.99	\$19.99	\$19.99
UNBUNDLED LOOP CONCENTRATION																
	Loop Channelization System	Loop Channelization system - DLC (Inside CO)			ULC	ULCCS	\$307.07	\$307.34	\$74.37	\$4.18		\$3.50		\$20.35	\$10.54	\$13.32
	CO Channel Interface - 2-Wire Voice Grade	CO Channel Interface - 2-Wire Voice Grade			ULC	ULCC2	\$1.20	\$9.57	\$9.52	\$8.66	\$8.60	\$3.50		\$20.35	\$10.54	\$13.32
	Unbundled Loop Concentration - Channel Interface-2 Wire Voice-Loop Start or Ground Start	CO Channel Interface - 2-Wire Voice Grade			UEA	ULCC2	\$1.20	\$9.57	\$9.52	\$8.66	\$8.60	\$3.50		\$20.35	\$10.54	\$13.32

UNBUNDLED SUB-LOOP CONCENTRATION (OUTSIDE CO)																	
		Loop Concentration - Channelization System	Loop Concentration - Channelization System (Outside CO)			TBD	UCT8A	\$328.28	\$651.09	\$283.42	\$207.92	\$50.94	\$3.50	\$20.35	\$10.54	\$13.32	
		Remote Channel Interface - 2-Wire Voice Grade Loop	Loop Concentration - Remote Channel Interface - 2-WAVGL (Outside CO)			TBD	ULCC2	\$0.88	\$9.43	\$9.40	\$4.71	\$4.70	\$3.50	\$20.35	\$10.54	\$13.32	
		Loop Concentration - Remote terminal Cabinet (Outside CO)	Loop Concentration - Remote Terminal Cabinet (Outside CO)					ICB					\$3.50				
		Channel Interface - 2 Wire Voice-Loop Start or Ground Start	Loop Concentration - Remote Channel Interface - 2-WAVGL (Outside CO)			TBD	ULCC2	\$0.88	\$9.43	\$9.40	\$4.71	\$4.70	\$3.50	\$20.35	\$10.54	\$13.32	
UNBUNDLED LOCAL EXCHANGE SWITCHING(PORTS)																	
		Exchange Ports															
		Exchange Ports - 2-Wire Analog Line Port- Res.	Exchange Ports - 2-Wire Analog Line Port (Res./Bus.)			UEPSR	UEPRL	\$1.89	\$9.93	\$9.19	\$3.66	\$2.92		\$20.35	\$10.54	\$13.32	\$1.40
		Note: Although the Port rate includes all available vertical features in TN, the desired feature(s) will need to be ordered.)															
		Exchange Ports - 2-Wire Analog Line Port with Caller ID - Res.	Exchange Ports - 2-Wire Analog Line Port (Res./Bus.)			UEPSR	UEPRC	\$1.89	\$9.93	\$9.19	\$3.66	\$2.92		\$20.35	\$10.54	\$13.32	\$1.40
		Exchange Ports - 2-Wire Analog Line Port outgoing only - Res.	Exchange Ports - 2-Wire Analog Line Port (Res./Bus.)			UEPSR	UEPRO	\$1.89	\$9.93	\$9.19	\$3.66	\$2.92		\$20.35	\$10.54	\$13.32	\$1.40
		Exchange Ports - 2-Wire VG unbundled TN extended local dialing parity Port with Caller ID - Res.	Exchange Ports - 2-Wire Analog Line Port (Res./Bus.)			UEPSR	UEPAQ	\$1.89	\$9.93	\$9.19	\$3.66	\$2.92		\$20.35	\$10.54	\$13.32	\$1.40
		Exchange Ports - 2-Wire VG unbundled Tennessee Area Calling port with Caller ID - Res (F2R)	Exchange Ports - 2-Wire Analog Line Port (Res./Bus.)			UEPSR	UEPAK	\$1.89	\$9.93	\$9.19	\$3.66	\$2.92		\$20.35	\$10.54	\$13.32	\$1.40
		Exchange Ports - 2-Wire VG unbundled Tennessee Area Calling port with Caller ID - Res (TACER)	Exchange Ports - 2-Wire Analog Line Port (Res./Bus.)			UEPSR	UEPAL	\$1.89	\$9.93	\$9.19	\$3.66	\$2.92		\$20.35	\$10.54	\$13.32	\$1.40
		Exchange Ports - 2-Wire VG unbundled Tennessee Area Calling port with Caller ID - Res (TACSR)	Exchange Ports - 2-Wire Analog Line Port (Res./Bus.)			UEPSR	UEPAM	\$1.89	\$9.93	\$9.19	\$3.66	\$2.92		\$20.35	\$10.54	\$13.32	\$1.40
		Exchange Ports - 2-Wire VG unbundled Tennessee Area Calling port with Caller ID - Res (1MF2X)	Exchange Ports - 2-Wire Analog Line Port (Res./Bus.)			UEPSR	UEPAN	\$1.89	\$9.93	\$9.19	\$3.66	\$2.92		\$20.35	\$10.54	\$13.32	\$1.40
		Exchange Ports - 2-Wire VG unbundled Tennessee Area Calling port with Caller ID - Res (2MR)	Exchange Ports - 2-Wire Analog Line Port (Res./Bus.)			UEPSR	UEPAO	\$1.89	\$9.93	\$9.19	\$3.66	\$2.92		\$20.35	\$10.54	\$13.32	\$1.40
		Exchange Ports - 2-Wire VG unbundled res, low usage line port with Caller ID (LUM)	Exchange Ports - 2-Wire Analog Line Port (Res./Bus.)			UEPSR	UEPAP	\$1.89	\$9.93	\$9.19	\$3.66	\$2.92		\$20.35	\$10.54	\$13.32	\$1.40
		Subsequent Activity			*	UEPSR	USASC		\$10.00	\$10.00							
		All Available Vertical Features	[Exchange Ports includes all Applicable Features.]			UEPSR	UEPVF	\$0.00	\$0.00	\$0.00							
		Exchange Ports - 2-Wire Analog Line Port without Caller ID - Bus	Exchange Ports - 2-Wire Analog Line Port (Res./Bus.)			UEPSB	UEPBL	\$1.89	\$9.93	\$9.19	\$3.66	\$2.92		\$20.35	\$10.54	\$13.32	\$1.40
		Exchange Ports - 2-Wire VG unbundled Line Port with unbundled port with Caller+E484 ID - Bus.	Exchange Ports - 2-Wire Analog Line Port (Res./Bus.)			UEPSB	UEPBC	\$1.89	\$9.93	\$9.19	\$3.66	\$2.92		\$20.35	\$10.54	\$13.32	\$1.40
		Exchange Ports - 2-Wire Analog Line Port outgoing only - Bus.	Exchange Ports - 2-Wire Analog Line Port (Res./Bus.)			UEPSB	UEPBO	\$1.89	\$9.93	\$9.19	\$3.66	\$2.92		\$20.35	\$10.54	\$13.32	\$1.40
		Exchange Ports - 2-Wire VG unbundled TN extended local dialing parity Port with Caller ID - Bus.	Exchange Ports - 2-Wire Analog Line Port (Res./Bus.)			UEPSB	UEPAV	\$1.89	\$9.93	\$9.19	\$3.66	\$2.92		\$20.35	\$10.54	\$13.32	\$1.40
		Exchange Ports - 2-Wire VG unbundled incoming only port with Caller ID - Bus	Exchange Ports - 2-Wire Analog Line Port (Res./Bus.)			UEPSB	UEPB1	\$1.89	\$9.93	\$9.19	\$3.66	\$2.92		\$20.35	\$10.54	\$13.32	\$1.40
		Exchange Ports - 2-Wire VG unbundled TN Bus 2-Way Area Calling Port Economy Option - Bus (TACC1)	Exchange Ports - 2-Wire Analog Line Port (Res./Bus.)			UEPSB	UEPAC	\$1.89	\$9.93	\$9.19	\$3.66	\$2.92		\$20.35	\$10.54	\$13.32	\$1.40
		Exchange Ports - 2-Wire VG unbundled TN Bus 2-Way Area Calling Port Standard Option - Bus (TACC2)	Exchange Ports - 2-Wire Analog Line Port (Res./Bus.)			UEPSB	UEPAD	\$1.89	\$9.93	\$9.19	\$3.66	\$2.92		\$20.35	\$10.54	\$13.32	\$1.40

	Exchange Ports-2-Wire VG unbundled TN Bus 2-Way Collierville & Memphis Local Calling Port-Bus (B2F)	Exchange Ports - 2-Wire Analog Line Port (Res./Bus.)			UEPSB	UEPAE	\$1.89	\$9.93	\$9.19	\$3.66	\$2.92		\$20.35	\$10.54	\$13.32	\$1.40	
	Subsequent Activity		*		UEPSB	USASC		\$10.00	\$10.00								
	All Available Vertical Features	[Exchange Ports includes all Applicable Features.]			UEPSB	UEPVF	\$0.00	\$0.00	\$0.00								
	Exchange Ports - 4-Wire Analog Voice Grade Port	Exchange Ports - 4-Wire Analog Voice Grade Port				UEP4A	\$8.27	\$9.93	\$9.19	\$3.66	\$2.92		\$20.35	\$10.54	\$13.32	\$1.40	
	Subsequent Activity		*			USASC		\$10.00	\$10.00								
	All Available Vertical Features	[Exchange Ports includes all Applicable Features.]				UEPVF	\$0.00	\$0.00	\$0.00								
	Exchange Ports - 2-Wire DID Port	Exchange Ports - 2-Wire DID Port			UEPEX	UEPP2	\$8.97	\$47.75	\$47.01	\$9.21	\$8.47		\$20.35	\$10.54	\$13.32	\$1.40	
	Subsequent Activity		*		UEPEX	USASC		\$10.00	\$10.00								
	All Available Vertical Features	[Exchange Ports includes all Applicable Features.]			UEPEX	UEPVF	\$0.00	\$0.00	\$0.00								
	Exchange Ports - DDITS Port - 4-Wire DS1 Port with DID capability	Exchange Ports - 4-Wire DID Port			UEPDD	UEPDD	\$35.74	\$75.93	\$38.15	\$8.77	\$8.04		\$20.35	\$10.54	\$13.32	\$1.40	
	Subsequent Activity		*		UEPDD	USACP		\$10.00	\$10.00								
	Exchange Ports - 2-Wire ISDN Port (See Notes below.)	Exchange Ports - 2-Wire ISDN Port			U1PMA	U1PMA	\$16.26	\$30.23	\$29.49	\$4.10	\$4.10		\$41.43	\$42.17	\$9.80	\$9.80	
	Subsequent Activity		*		UEPDD	USASC		\$10.00	\$10.00								
	All Available Vertical Features	[Exchange Ports includes all Applicable Features.]			UEPDD	UEPVF	\$0.00	\$0.00	\$0.00								
NOTE: Transmission/usage charges associated with POTS circuit switched usage will also apply to circuit switched voice and/or circuit switched data transmission by B-Channels associated with 2-wire ISDN ports.																	
NOTE: Access to B Channel or D Channel Packet capabilities will be available only through BFR/NBR Process. Rates for the packet capabilities will be determined via the BFR/NBR Process.																	
	Exchange Ports - 2-Wire ISDN Port -- Channel Profiles		*			U1UMA	\$0.00	\$0.00	\$0.00								
	Exchange Ports - 4-Wire ISDN DS1 Port	Exchange Ports - 4-Wire ISDN DS1 Port			UEPEX	UEPEX	\$75.04	\$148.66	\$147.18	\$38.46	\$36.98		\$40.69	\$42.17	\$9.07	\$10.54	
	2-Wire VG Unbundled 2-Way PBX Trunk - Res	Exchange Ports - 2-Wire Analog Line Port (PBX)			UEPSE	UEPRD	\$1.79	\$9.93	\$9.19	\$3.66	\$2.92		\$20.35	\$10.54	\$13.32	\$1.40	
	2-Wire VG Line Side Unbundled 2-Way PBX Trunk - Bus	Exchange Ports - 2-Wire Analog Line Port (PBX)			UEPSP	UEPPC	\$1.79	\$9.93	\$9.19	\$3.66	\$2.92		\$20.35	\$10.54	\$13.32	\$1.40	
	2-Wire VG Line Side Unbundled Outward PBX Trunk - Bus	Exchange Ports - 2-Wire Analog Line Port (PBX)			UEPSP	UEPPO	\$1.79	\$9.93	\$9.19	\$3.66	\$2.92		\$20.35	\$10.54	\$13.32	\$1.40	
	2-Wire VG Line Side Unbundled Incoming PBX Trunk - Bus	Exchange Ports - 2-Wire Analog Line Port (PBX)			UEPSP	UEPP1	\$1.79	\$9.93	\$9.19	\$3.66	\$2.92		\$20.35	\$10.54	\$13.32	\$1.40	
	2-Wire Analog Long Distance Terminal PBX Trunk - Bus	Exchange Ports - 2-Wire Analog Line Port (PBX)			UEPSP	UEPLD	\$1.79	\$9.93	\$9.19	\$3.66	\$2.92		\$20.35	\$10.54	\$13.32	\$1.40	
	2-Wire Analog TN 2-Way Calling Plan PBX Trunk - Bus	Exchange Ports - 2-Wire Analog Line Port (PBX)			UEPSP	UEPT2	\$1.79	\$9.93	\$9.19	\$3.66	\$2.92		\$20.35	\$10.54	\$13.32	\$1.40	
	2-Wire TN Outward Calling Plan PBX Trunk - Bus	Exchange Ports - 2-Wire Analog Line Port (PBX)			UEPSP	UEPTO	\$1.79	\$9.93	\$9.19	\$3.66	\$2.92		\$20.35	\$10.54	\$13.32	\$1.40	
	2-Wire Voice Unbundled PBX LD Terminal Ports	Exchange Ports - 2-Wire Analog Line Port (PBX)			UEPSP	UEPLD	\$1.79	\$9.93	\$9.19	\$3.66	\$2.92		\$20.35	\$10.54	\$13.32	\$1.40	
	2-Wire Voice Unbundled 2-Way PBX Tennessee Calling Port	Exchange Ports - 2-Wire Analog Line Port (PBX)			UEPSP	UEPT2	\$1.79	\$9.93	\$9.19	\$3.66	\$2.92		\$20.35	\$10.54	\$13.32	\$1.40	
	2-Wire Voice Unbundled 1-Way Outgoing PBX Tennessee Calling Port	Exchange Ports - 2-Wire Analog Line Port (PBX)			UEPSP	UEPTO	\$1.79	\$9.93	\$9.19	\$3.66	\$2.92		\$20.35	\$10.54	\$13.32	\$1.40	
	2-Wire Vice Unbundled 2-Way PBX Usage Port	Exchange Ports - 2-Wire Analog Line Port (PBX)			UEPSP	UEPXA	\$1.79	\$9.93	\$9.19	\$3.66	\$2.92		\$20.35	\$10.54	\$13.32	\$1.40	
	2-Wire Voice Unbundled PBX Toll Terminal Hotel Ports	Exchange Ports - 2-Wire Analog Line Port (PBX)			UEPSP	UEPXB	\$1.79	\$9.93	\$9.19	\$3.66	\$2.92		\$20.35	\$10.54	\$13.32	\$1.40	
	2-Wire Voice Unbundled PBX LD DDD Terminals Port	Exchange Ports - 2-Wire Analog Line Port (PBX)			UEPSP	UEPXC	\$1.79	\$9.93	\$9.19	\$3.66	\$2.92		\$20.35	\$10.54	\$13.32	\$1.40	
	2-Wire Voice Unbundled PBX LD Terminal Switchboard Port	Exchange Ports - 2-Wire Analog Line Port (PBX)			UEPSP	UEPXD	\$1.79	\$9.93	\$9.19	\$3.66	\$2.92		\$20.35	\$10.54	\$13.32	\$1.40	
	2-Wire Voice Unbundled PBX LD Terminal Switchboard IDD Capable Port	Exchange Ports - 2-Wire Analog Line Port (PBX)			UEPSP	UEPXE	\$1.79	\$9.93	\$9.19	\$3.66	\$2.92		\$20.35	\$10.54	\$13.32	\$1.40	
	2-Wire Voice Unbundled 2-Way PBX Hotel/Hospital Economy Administrative Calling Port	Exchange Ports - 2-Wire Analog Line Port (PBX)			UEPSP	UEPXL	\$1.79	\$9.93	\$9.19	\$3.66	\$2.92		\$20.35	\$10.54	\$13.32	\$1.40	
	2-Wire Voice Unbundled 2-Way PBX Hotel/Hospital Economy Room Calling Port	Exchange Ports - 2-Wire Analog Line Port (PBX)			UEPSP	UEPXM	\$1.79	\$9.93	\$9.19	\$3.66	\$2.92		\$20.35	\$10.54	\$13.32	\$1.40	

BELLSOUTH/EPB TELECOMMUNICATIONS RATES
TENNESSEE

	2-Wire Voice Unbundled 1-Way Outgoing PBX Hotel/Hospital Economy Admin Calling Port TN Calling Port	Exchange Ports - 2-Wire Analog Line Port (PBX)			UEPSP	UEPXN	\$1.79	\$9.93	\$9.19	\$3.66	\$2.92			\$20.35	\$10.54	\$13.32	\$1.40
	2-Wire Voice Unbundled 1-Way Outgoing PBX Hotel/Hospital Discount Room Calling Port	Exchange Ports - 2-Wire Analog Line Port (PBX)			UEPSP	UEPXO	\$1.79	\$9.93	\$9.19	\$3.66	\$2.92			\$20.35	\$10.54	\$13.32	\$1.40

	2-Wire Voice Unbundled 1-Way Outgoing PBX Measured Port	Exchange Ports - 2-Wire Analog Line Port (PBX)			UEPSP	UEPXS	\$1.79	\$9.93	\$9.19	\$3.66	\$2.92			\$20.35	\$10.54	\$13.32	\$1.40
	2-Wire Voice Unbundled PBX Collierville and Memphis Calling Port	Exchange Ports - 2-Wire Analog Line Port (PBX)			UEPSP	UEPXU	\$1.79	\$9.93	\$9.19	\$3.66	\$2.92			\$20.35	\$10.54	\$13.32	\$1.40
	2-Wire Voice Unbundled 2-Way PBX Tennessee Region/Serv Calling Port	Exchange Ports - 2-Wire Analog Line Port (PBX)			UEPSP	UEPXV	\$1.79	\$9.93	\$9.19	\$3.66	\$2.92			\$20.35	\$10.54	\$13.32	\$1.40
	Subsequent Activity		*		UEPSP	USASC		\$10.00	\$10.00								
	All Available Vertical Features	[Exchange Ports includes all Applicable Features.]			UEPSP	UEPVF	\$0.00	\$0.00	\$0.00								
	Exchange Ports - Coin Port	Exchange Ports - Coin Port					\$2.11	\$9.93	\$9.19	\$3.66	\$2.92			\$20.35	\$10.54	\$13.32	\$1.40
UNBUNDLED LOCAL SWITCHING, PORT USAGE																	
End Office Switching (Port Usage)																	
	End Office Switching Function, Per MOU	End Office Switching Function					\$0.0008041										
	End Office Trunk Port - Shared, Per MOU	End Office Interoffice Trunk Port - Shared, per MOU															
Tandem Switching (Port Usage) (Local or Access Tandem)																	
	Tandem Switching Function Per MOU	Tandem Switching Function					\$0.0009778										
	Tandem Trunk Port - Shared, Per MOU	Tandem Interoffice Trunk Port - Shared, per MOU															
UNBUNDLED TRANSPORT																	
COMMON TRANSPORT (Shared)																	
	Common Transport - Per Mile, Per MOU	Common Transport - per mile, per MOU					\$0.0000064										
	Common Transport - Facilities Termination Per MOU	Common Transport - Facilities Termination per MOU					\$0.0003871										
INTEROFFICE CHANNEL - DEDICATED TRANSPORT - VOICE GRADE																	
	Interoffice Channel - Dedicated Transport - 2-Wire Voice Grade - Per Mile per month	Interoffice Transport - Dedicated - Voice Grade - per mile per MOU			U1TVX	1L5XX	\$0.0174										
	Interoffice Channel - Dedicated Transport- 2-Wire Voice Grade - Facility Termination per month	Interoffice Transport - Dedicated - 2-Wire Voice Grade - Facility Termination			U1TVX	U1TV2	\$18.58	\$55.39	\$17.37	\$27.96	\$3.51			\$20.35	\$21.09	\$9.80	\$10.54
	Interoffice Channel - Dedicated Transport- 2-Wire Voice Grade Rev Bat. - Per Mile per month	Interoffice Transport - Dedicated - Voice Grade - per mile per MOU			U1TVX	1L5XX	\$0.0174										
	Interoffice Channel-Dedicated Transport- 2-Wire Voice Grade Rev Bat.-Facility Termination per month	Interoffice Transport - Dedicated - 2-Wire Voice Grade - Facility Termination			U1TVX	U1TR2	\$18.58	\$55.39	\$17.37	\$27.96	\$3.51			\$20.35	\$21.09	\$9.80	\$10.54
INTEROFFICE CHANNEL - DEDICATED TRANSPORT - 56/64 KBPS																	
	Interoffice Channel - Dedicated Transport - 56 kbps - per mile per month	Interoffice Transport - Dedicated - DSO - 56/64 kbps - per mile			U1TDX	1L5XX	\$0.0174										
	Interoffice Channel - Dedicated Transport - 56 kbps - Facility Termination per month	Interoffice Transport - Dedicated - DSO - 56/64 kbps - Facility Termination			U1TDX	U1TD5	\$17.98	\$55.39	\$17.37	\$27.96	\$3.51			\$20.35	\$21.09	\$9.80	\$10.54
	Interoffice Channel - Dedicated Transport - 64 kbps - per mile per month	Interoffice Transport - Dedicated - DSO - 56/64 kbps - per mile			U1TDX	1L5XX	\$0.0174										
	Interoffice Channel - Dedicated Transport - 64 kbps - Facility Termination per month	Interoffice Transport - Dedicated - DSO - 56/64 kbps - Facility Termination			U1TDX	U1TD6	\$17.98	\$55.39	\$17.37	\$27.96	\$3.51			\$20.35	\$21.09	\$9.80	\$10.54
INTEROFFICE CHANNEL - DEDICATED TRANSPORT - DS1																	
	Interoffice Channel - Dedicated Channel - DS1 - Per Mile per month	Interoffice Transport - Dedicated - DS1 - per mile			U1TD1	1L5XX	\$0.3562										
	Interoffice Channel - Dedicated Transport - DS1 - Facility Termination per month	Interoffice Transport - Dedicated - DS1 - Facility Termination			U1TD1	U1TF1	\$77.86	\$112.40	\$76.27	\$19.55	\$14.99			\$20.35	\$21.09	\$9.80	\$10.54

LOCAL CHANNEL - DEDICATED TRANSPORT																
	Local Channel - Dedicated - 2-Wire Voice Grade Per Mile per month		*		ULDVX	1L5NC	\$0.00									
	Local Channel - Dedicated - 2-Wire Voice Grade per month - Zone 1	Local Channel - Dedicated - 2-Wire Voice Grade [shown here deaveraged]		1	ULDVX	ULDV2	\$17.18	\$199.33	\$24.16	\$54.81	\$4.80		\$20.35	\$10.54	\$13.30	\$0.00
	Local Channel - Dedicated - 2-Wire Voice Grade per month - Zone 2	Wire Voice Grade [shown here deaveraged]		2	ULDVX	ULDV2	\$22.44	\$199.33	\$24.16	\$54.81	\$4.80		\$20.35	\$10.54	\$13.30	\$0.00
	Local Channel - Dedicated - 2-Wire Voice Grade per month - Zone 3	Local Channel - Dedicated - 2-Wire Voice Grade [shown here deaveraged]		3	ULVDX	ULDV2	\$29.34	\$199.33	\$24.16	\$54.81	\$4.80		\$20.35	\$10.54	\$13.30	\$0.00
	Local Channel - Dedicated - 2-Wire Voice Grade Rev. Bat. Per Mile per month		*		ULDVX	1L5NC	\$0.00									
	Local Channel - Dedicated - 2-Wire Voice Grade Rev. Bat. Per month - Zone 1	Local Channel - Dedicated - 2-Wire Voice Grade [shown here deaveraged]		1	ULDVX	ULDR2	\$17.18	\$199.33	\$24.16	\$54.81	\$4.80		\$20.35	\$10.54	\$13.30	\$0.00
	Local Channel - Dedicated - 2-Wire Voice Grade Rev. Bat. Per Month - Zone 2	Wire Voice Grade [shown here deaveraged]		2	ULDVX	ULDR2	\$22.44	\$199.33	\$24.16	\$54.81	\$4.80		\$20.35	\$10.54	\$13.30	\$0.00
	Local Channel - Dedicated - 2-Wire Voice Grade Rev. Bat. Per Month - Zone 3	Local Channel - Dedicated - 2-Wire Voice Grade [shown here deaveraged]		3	ULDVX	ULDR2	\$29.34	\$199.33	\$24.16	\$54.81	\$4.80		\$20.35	\$10.54	\$13.30	\$0.00
	Local Channel - Dedicated - 4-Wire Voice Grade Per Mile per month		*		ULDDX	1L5NC	\$0.00									
	Local Channel - Dedicated - 4-Wire Voice Grade per month - Zone 1	Local Channel - Dedicated - 4-Wire Voice Grade [shown here deaveraged]		1	ULDDX	ULDV4	\$18.18	\$201.53	\$24.83	\$55.52	\$5.51		\$20.35	\$10.54	\$13.30	\$0.00
	Local Channel - Dedicated - 4-Wire Voice Grade per month - Zone 2	Local Channel - Dedicated - 4-Wire Voice Grade [shown here deaveraged]		2	ULDDX	ULDV4	\$23.74	\$201.53	\$24.83	\$55.52	\$5.51		\$20.35	\$10.54	\$13.30	\$0.00
	Local Channel - Dedicated - 4-Wire Voice Grade per month - Zone 3	Local Channel - Dedicated - 4-Wire Voice Grade [shown here deaveraged]		3	ULDDX	ULDV4	\$31.05	\$201.53	\$24.83	\$55.52	\$5.51		\$20.35	\$10.54	\$13.30	\$0.00
	Local Channel - Dedicated - DS1 Per Mile per month		*		ULDD1	1L5NC	\$0.00									
	Local Channel - Dedicated - DS1 per month - Zone 1	Local Channel - Dedicated DS1 [shown here deaveraged]		1	ULDD1	ULDF1	\$36.24	\$277.35	\$233.26	\$33.18	\$22.30		\$45.68	\$1.76	\$21.75	\$1.76
	Local Channel - Dedicated - DS1 per month - Zone 2	Local Channel - Dedicated DS1 [shown here deaveraged]		2	ULDD1	ULDF1	\$47.33	\$277.35	\$233.26	\$33.18	\$22.30		\$45.68	\$1.76	\$21.75	\$1.76
	Local Channel - Dedicated - DS1 per month - Zone 3	Local Channel - Dedicated DS1 [shown here deaveraged]		3	ULDD1	ULDF1	\$61.89	\$277.35	\$233.26	\$33.18	\$22.30		\$45.68	\$1.76	\$21.75	\$1.76
MULTIPLEXERS																
	Channelization - DS1 to DS0 Channel System	Channelization - Channel System DS1 to DS0			UXTD1	MQ1	\$80.77	\$141.87	\$77.11	\$14.51	\$13.46		\$20.35	\$9.80	\$11.49	\$1.18
	OCU-DP COCI (data) - DS1 to DS0 Channel System - per month (2.4-64kbs)	Interface Unit - Interface DS1 to DSO - OCU - DP Card			UDL	1D1DD	\$1.82	\$6.07	\$4.66				\$20.35	\$9.80	\$11.49	\$1.18
	2-wire ISDN COCI (BRITE) - DS1 to DS0 Channel System - per month	Interface Unit - Interface DS1 to DSO - Brite Card			UDN	UC1CA	\$3.10	\$6.07	\$4.66				\$20.35	\$9.80	\$11.49	\$1.18
	Voice Grade COCI - DS1 to DS0 Channel System - per month	Interface Unit - Interface DS1 to DSO - Voice Grade Card			UEA	1D1VG	\$0.91	\$6.07	\$4.66				\$20.35	\$9.80	\$11.49	\$1.18
	DS3 to DS1 Channel System per month	Channelization - Channel System DS3 to DS1			UXTD3	MQ3	\$222.98	\$308.03	\$108.47	\$44.47	\$42.62		\$20.35	\$9.80	\$11.49	\$1.18
	STS1 to DS1 Channel System per month	Channelization - Channel System DS3 to DS1			UXTS1	MQ3	\$222.98	\$308.03	\$108.47	\$44.47	\$42.62		\$20.35	\$9.80	\$11.49	\$1.18
	DS3 Interface Unit (DS1 COCI) used with Loop per month	Interface Unit - Interface DS3 to DS1			USL	UC1D1	\$17.58	\$6.07	\$4.66				\$20.35	\$9.80	\$11.49	\$1.18
	DS3 Interface Unit (DS1 COCI) used with Local Channel per month	Interface Unit - Interface DS3 to DS1			ULDD1	UC1D1	\$17.58	\$6.07	\$4.66				\$20.35	\$9.80	\$11.49	\$1.18
	DS3 Interface Unit (DS1 COCI) used with Interoffice Channel per month	Interface Unit - Interface DS3 to DS1			U1TD1	UC1D1	\$17.58	\$6.07	\$4.66				\$20.35	\$9.80	\$11.49	\$1.18

DARK FIBER																
	Dark Fiber, Four Fiber Strands, Per Route Mile or Fraction Thereof per month - Local Channel	Dark Fiber, per 4 fiber strands, per route mile or fraction thereof			UDF	1L5DC	\$53.23									
	NRC Dark Fiber - Local Channel	Dark Fiber, per 4 fiber strands, per route mile or fraction thereof			UDF	UDFC4		\$1,219.22	\$169.75	\$453.22	\$339.34					
	Dark Fiber, Four Fiber Strands, Per Route Mile or Fraction Thereof per month - Interoffice Channel	Dark Fiber, per 4 fiber strands, per route mile or fraction thereof			UDF	1L5DF	\$53.23									
	NRC Dark Fiber - Interoffice Channel	Dark Fiber, per 4 fiber strands, per route mile or fraction thereof			UDF	UDF14		\$1,219.22	\$169.75	\$453.22	\$339.34					
	Dark Fiber, Four Fiber Strands, Per Route Mile or Fraction Thereof per month - Local Loop	Dark Fiber, per 4 fiber strands, per route mile or fraction thereof			UDF	1L5DL	\$53.23									
	NRC Dark Fiber - Local Loop	Dark Fiber, per 4 fiber strands, per route mile or fraction thereof			UDF	UDFL4		\$1,219.22	\$169.75	\$453.22	\$339.34					
8XX ACCESS TEN DIGIT SCREENING																
	8XX Access Ten Digit Screening, Per Call	800 Access Ten digit screening (800 ATDS) per call					\$0.0005192									
	8XX Access Ten Digit Screening, Reservation Charge Per 8XX Number Reserved	800 Access Ten digit screening Reservation Charge per 800 Number Reserved				N8R1X		\$5.21	\$0.76					\$20.35		
	8XX Access Ten Digit Screening, Per 8XX No. Established W/O POTS Translations	800 Access Ten digit screening per 800 # established w/o POTS Translations						\$11.47	\$1.46	\$7.34	\$0.7602			\$20.35	\$13.28	
	8XX Access Ten Digit Screening, Per 8XX No. Established With POTS Translations	800 Access Ten digit screening per 800 # established with POTS Translations				N8FTX		\$11.47	\$1.46	\$7.34	\$0.7602			\$20.35	\$13.28	
	8XX Access Ten Digit Screening, Customized Area of Service Per 8XX Number	800 Access Ten digit screening Customized Area of Service per 800 Number				N8FCX		\$4.47	\$2.24							
	8XX Access Ten Digit Screening, Multiple InterLATA CXR Routing Per CXR Requested Per 8XX No.	800 ATDS, Multiple InterLATA CXR Routing per CXR Requested per 800 #				N8FMX		\$5.23	\$3.00							
	8XX Access Ten Digit Screening, Change Charge Per Request	800 Access Ten digit screening, Change Charge per Request				N8FAX		\$5.97	\$0.76					\$20.35		
	8XX Access Ten Digit Screening, Call Handling and Destination Features	800 Access Ten digit screening, Call Handling and Destination Features				N8FDX		\$4.47								
LINE INFORMATION DATA BASE ACCESS (LIDB)																
	LIDB Common Transport Per Query	LIDB Common Transport per Query				OQT	\$0.0000354									
	LIDB Validation Per Query	LIDB Validation per Query				OQU	\$0.0117403									
	LIDB Originating Point Code Establishment or Change	LIDB Originating Point Code Establishment or Change						\$49.03						\$20.35		
SIGNALING (CCS7)																
	CCS7 Signaling Termination, Per STP Port	CCS7 Signaling Termination per STP Port					\$138.41									
	CCS7 Signaling Usage, Per TCAP Message	CCS7 Signaling Usage per TCAP Message					\$0.0000916									
	CCS7 Signaling Connection, Per link (A link)	CCS7 Signaling Connection per 56 kbps facility					\$17.84	\$130.84						\$20.35		
	CCS7 Signaling Connection, Per link (B link) (also known as D link)	CCS7 Signaling Connection per 56 kbps facility					\$17.84	\$130.84						\$20.35		
	CCS7 Signaling Usage, Per ISUP Message	CCS7 Signaling Usage, per call setup message					\$0.0000373									
	CCS7 Signaling Usage Surrogate, per link per LATA	CCS7 Signaling Usage Surrogate, per 56 kbps facility per LATA per month					\$352.30							\$20.35		
SELECTIVE ROUTING																
	Selective Routing Per Unique Line Class Code Per Request Per Switch	Selective Routing (Interim Solution Line Class Codes) per Unique Line Class Code per Request per Switch				USRCR		\$179.60						\$20.35		

AIN - BELLSOUTH AIN SMS ACCESS SERVICE																			
	AIN SMS Access Service - Service Establishment, Per State, Initial Setup	AIN SMS Access Service - Service Establishment, per State, Initial Setup																	
	AIN SMS Access Service - Port Connection - Dial/Shared Access	AIN SMS Access Service - Port Connection - Dial/Shared Access																	
	AIN SMS Access Service - Port Connection - ISDN Access	AIN SMS Access Service - Port Connection - ISDN Access																	
	AIN SMS Access Service - User Identification Codes - Per User ID Code	AIN SMS Access Service - User Identification Codes - Per User ID Code																	
	AIN SMS Access Service - Security Card, Per User ID Code, Initial or Replacement	AIN SMS Access Service - Security Card, per User ID Code, Initial or Replacement																	
	AIN SMS Access Service - Storage, Per Unit (100 Kilobytes)	AIN SMS Access Service - Storage, per unit (100 kilobytes)																	
	AIN SMS Access Service - Session, Per Minute	AIN SMS Access Service - Session, per minute																	
	AIN SMS Access Service - Company Performed Session, Per Minute	AIN SMS Access Service - company performed session, per minute																	
AIN - BELLSOUTH AIN TOOLKIT SERVICE																			
	AIN Toolkit Service - Service Establishment Charge, Per State, Initial Setup	AIN TS - Service Establishment Charge per State, Initial Setup																	
	AIN Toolkit Service - Training Session, Per Customer	AIN TS - Training Session, per Customer																	
	AIN Toolkit Service - Trigger Access Charge, Per Trigger, Per DN, Term, Attempt	AIN TS - Trigger Access Charge, per Trigger per DN, Term Attempt																	
	AIN Toolkit Service - Trigger Access Charge, Per Trigger, Per DN, Off-Hook Delay	AIN TS - Trigger Access Charge, per Trigger per DN, Off Hook Delay																	
	AIN Toolkit Service - Trigger Access Charge, Per Trigger, Per DN, Off-Hook Immediate	AIN TS - Trigger Access Charge, per Trigger per DN, Off Hook Immediate																	
	AIN Toolkit Service - Trigger Access Charge, Per Trigger, Per DN, 10-Digit PODP	AIN TS - Trigger Access Charge, per Trigger per DN, 10-Digit PODP																	
	AIN Toolkit Service - Trigger Access Charge, Per Trigger, Per DN, CDP	AIN TS - Trigger Access Charge, per Trigger per DN, CDP																	
	AIN Toolkit Service - Trigger Access Charge, Per Trigger, Per DN, Feature Code	AIN TS - Trigger Access Charge, per Trigger per DN, Feature Code																	
	AIN Toolkit Service - Query Charge, Per Query	AIN TS - Query Charge, Per Query																	
	AIN Toolkit Service - Type 1 Node Charge, Per AIN Toolkit Subscription, Per Node, Per Query	AIN TS - Type 1 Node Charge, per AIN Toolkit subscription, per Node, per query																	
	AIN Toolkit Service - SCP Storage Charge, Per SMS Access Account, Per 100 Kilobytes	AIN TS - SCP Storage charge, per SMS access account, per 100 kilobytes																	
	AIN Toolkit Service - Monthly report - Per AIN Toolkit Service Subscription	AIN TS - Monthly Report - per AIN TS Subscription																	
	AIN Toolkit Service - Special Study - Per AIN Toolkit Service Subscription	AIN TS - Special Study - per AIN TS Subscription																	
	AIN Toolkit Service - Call Event Report - Per AIN Toolkit Service Subscription	AIN TS - Call Event Report - per AIN TS Subscription																	
	AIN Toolkit Service - Call Event Special Study - Per AIN Toolkit Service Subscription	AIN TS - Call Event Special Study - per AIN TS Subscription																	
ODUF/EDOUF/ADUF/CMDS																			
OPTIONAL DAILY USAGE FILE (ODUF)																			
	ODUF: Recording, per message	OSS OLEC Daily Usage File Recording per message																	
	ODUF: Message Processing, per message	OSS OLEC Daily Usage File Message Distribution per message																	

	ODUF: Message Processing, per Magnetic Tape provisioned	OSS OLEC Daily Usage File Message Distribution per magnetic tape provisioned				\$52.75													
	ODUF: Data Transmission (CONNECT:DIRECT), per message	OSS OLEC Daily Usage File Data Transmission (Connect: Direct), per message				\$0.0000339													
UNBUNDLED PORT/LOOP COMBINATIONS - COST BASED RATES																			
Cost Based Rates are applied where BellSouth is required by FCC and/or State Commission rule to provide Unbundled Local Switching or Switch Ports. BellSouth is required to offer unbundled port/loop combinations that are Currently Combined in Tennessee unless the end user has four or more DSL equivalent lines and is in Zone 1 of one of the Top 8 MSAs in BellSouth's region. In the absence of a rate schedule by the state commission, the recurring rates for combinations of port/loop network elements will be the sum of the recurring rates for the UNEs which make up the combinations, and the nonrecurring rates shall be as set forth in this section.																			
Vertical features shall apply to the Unbundled Port/Loop Combination - Cost Based Rate section in the same manner as they are applied to the Stand-Alone Unbundled Port section of this Rate Exhibit.																			
End Office and Tandem Switching Usage and Common Transport Usage rates in the Port section of this rate exhibit shall apply to all combinations of loop/port network elements except for UNE Coin Port/Loop Combinations which have a flat rate usage charge (USOC: URECU).																			
For Currently Combined Combos in TN, the nonrecurring charges shall be those identified in the Nonrecurring Charges - Currently Combined sections.																			
2-WIRE VOICE GRADE LOOP WITH 2-WIRE LINE PORT (RES)																			
UNE Port/Loop Combination Rates																			
	2-Wire VG Loop/Port Combo - Zone 1	2-Wire Voice Grade Loop with 2-Wire Line Port - Zone 1		1		\$14.18													
	2-Wire VG Loop/Port Combo - Zone 2	2-Wire Voice Grade Loop with 2-Wire Line Port - Zone 2		2		\$18.01													
	2-Wire VG Loop/Port Combo - Zone 3	2-Wire Voice Grade Loop with 2-Wire Line Port - Zone 3		3		\$23.02													
UNE Loop Rates																			
	2-Wire Voice Grade Loop (SL1) - Zone 1		**	1	UEPRX	UEPLX	\$12.29												
	2-Wire Voice Grade Loop (SL1) - Zone 2		**	2	UEPRX	UEPLX	\$16.12												
	2-Wire Voice Grade Loop (SL1) - Zone 3		**	3	UEPRX	UEPLX	\$21.13												
2-Wire Voice Grade Line Port Rates (Res)																			
	2-Wire voice unbundled port - residence		**		UEPRX	UEPRL	\$1.89												
	2-Wire voice unbundled port with Caller ID-res		**		UEPRX	UEPRC	\$1.89												
	2-W voice unbundled port outgoing only-res		**		UEPRX	UEPRO	\$1.89												
	2-Wire VG unbundled Tennessee extended local dialing parity port with Caller ID-res		**		UEPRX	UEPAQ	\$1.89												
	2-Wire voice unbundled Tennessee Area Calling port with Caller ID - res (F2R)		**		UEPRX	UEPAK	\$1.89												
	2-Wire voice unbundled Tennessee Area Calling port with Caller ID - res (TACER)		**		UEPRX	UEPAL	\$1.89												
	2-Wire voice unbundled Tennessee Area Calling port with Caller ID - res (TACSR)		**		UEPRX	UEPAM	\$1.89												
	2-Wire voice unbundled Tennessee Area Calling port with Caller ID - res (1MF2X)		**		UEPRX	UEPAN	\$1.89												
	2-Wire voice unbundled Tennessee Area Calling port with Caller ID - res (2MR)		**		UEPRX	UEPAO	\$1.89												
	2-Wire voice unbundles res, low usage line port with Caller ID (LUM)		**		UEPRX	UEPAP	\$1.89												
FEATURES																			
	All Available Vertical Features	[Exchange Ports includes all Applicable Features.]	**		UEPRX	UEPVF	\$0.00	\$0.00	\$0.00										
LOCAL NUMBER PORTABILITY																			
	Local Number Portability (1 per port)		**		UEPRX	LNPCX	\$0.35												
NONRECURRING CHARGES (NRCs) - CURRENTLY COMBINED																			
	2-Wire Voice Grade Loop / Line Port Combination - Conversion - Switch-as-is	2-Wire Voice Grade Loop/Line Port Combo - Switch-as-is			UEPRX	USAC2	\$1.03	\$0.29				\$30.89	\$7.03						
	2-Wire Voice Grade Loop / Line Port Combination - Conversion - Switch with change		*		UEPRX	USACC	\$1.03	\$0.29				\$30.89	\$7.03						
	2-Wire Voice Grade Loop / Line Port Combination - Conversion - Subsequent Database Update	2-Wire Voice Grade Loop/Line Port Combo - Subsequent Database Update					\$0.76					\$7.97							
ADDITIONAL NRCs																			

BELLSOUTH/EPB TELECOMMUNICATIONS RATES
TENNESSEE

	2-Wire Voice Grade Loop/Line Port Combination - Subsequent Activity		**		UEPRX	USAS2		\$10.00	\$10.00								
--	--	--	----	--	-------	-------	--	---------	---------	--	--	--	--	--	--	--	--

2-WIRE VOICE GRADE LOOP WITH 2-WIRE LINE PORT (BUS)									
UNE Port/Loop Combination Rates									
2-Wire VG Loop/Port Combo - Zone 1	2-Wire Voice Grade Loop with 2-Wire Line Port - Zone 1		1			\$14.18			
2-Wire VG Loop/Port Combo - Zone 2	2-Wire Voice Grade Loop with 2-Wire Line Port - Zone 2		2			\$18.01			
2-Wire VG Loop/Port Combo - Zone 3	2-Wire Voice Grade Loop with 2-Wire Line Port - Zone 3		3			\$23.02			
UNE Loop Rates									
2-Wire Voice Grade Loop (SL1) - Zone 1		**	1	UEPBX	UEPLX	\$12.29			
2-Wire Voice Grade Loop (SL1) - Zone 2		**	2	UEPBX	UEPLX	\$16.12			
2-Wire Voice Grade Loop (SL1) - Zone 3		**	3	UEPBX	UEPLX	\$21.13			
2-Wire Voice Grade Line Port (Bus)									
2-Wire voice unbundled port without Caller ID - bus		**		UEPBX	UEPBL	\$1.89			
2-Wire voice unbundled port with Caller + E484 ID - bus		**		UEPBX	UEPBC	\$1.89			
2-W voice unbundled port outgoing only-bus		**		UEPBX	UEPBO	\$1.89			
2-Wire VG unbundled Tennessee extended local dialing parity port with Caller ID - bus		**		UEPBX	UEPAV	\$1.89			
2-Wire voice unbundled incoming only port with Caller ID - Bus		**		UEPBX	UPEB1	\$1.89			
2-Wire voice unbundled Tennessee Bus 2-Way Area Calling Port Economy Option (TACC1)		**		UEPBX	UEPAC	\$1.89			
2-Wire voice unbundled Tennessee Bus 2-Way Area Calling Port Standard Option (TACC2)		**		UEPBX	UEPAD	\$1.89			
2-W voice unbundled Tennessee Bus 2-Way Collierville and Memphis Local Calling Port (B2F)		**		UEPBX	UEPAE	\$1.89			
LOCAL NUMBER PORTABILITY									
Local Number Portability (1 per port)		**		UEPBX	LNPCX	\$0.35			
FEATURES									
All Available Vertical Features	[Exchange Ports includes all Applicable Features.]	**		UEPBX	UEPVF	\$0.00	\$0.00	\$0.00	
NONRECURRING CHARGES (NRCs) - CURRENTLY COMBINED									
2-Wire Voice Grade Loop / Line Port Combination - Conversion - Switch-as-is	2-Wire Voice Grade Loop/Line Port Combo - Switch-as-is			UEPBX	USAC2	\$1.03	\$0.29	\$30.89	\$7.03
2-Wire VG Loop / Line Port Combination - Conversion - Switch with change		*		UEPBX	USACC	\$1.03	\$0.29	\$30.89	\$7.03
2-Wire Voice Grade Loop / Line Port Combination - Conversion - Subsequent Database Update	2-Wire Voice Grade Loop/Line Port Combo - Subsequent Database Update					\$0.76		\$7.97	
ADDITIONAL NRCs									
2-Wire Voice Grade Loop/Line Port Combination - Subsequent Activity		**		UEPBX	USAS2	\$10.00	\$10.00		
2-WIRE VOICE GRADE LOOP WITH 2-WIRE LINE PORT (RES - PBX)									
UNE Port/Loop Combination Rates									
2-Wire VG Loop/Port Combo - Zone 1	2-Wire Voice Grade Loop with 2-Wire Line Port - Zone 1		1			\$14.18			
2-Wire VG Loop/Port Combo - Zone 2	2-Wire Voice Grade Loop with 2-Wire Line Port - Zone 2		2			\$18.01			
2-Wire VG Loop/Port Combo - Zone 3	2-Wire Voice Grade Loop with 2-Wire Line Port - Zone 3		3			\$23.02			
UNE Loop Rates									
2-Wire Voice Grade Loop (SL 1) - Zone 1		**	1	UEPRG	UEPLX	\$12.39			
2-Wire Voice Grade Loop (SL 1) - Zone 2		**	2	UEPRG	UEPLX	\$16.22			

	2-Wire Voice Grade Loop (SL 1) - Zone 3		**	3	UEPRG	UEPLX	\$21.23												
2-Wire Voice Grade Line Port Rates (RES - PBX)																			
	2-Wire VG Unbundled Combination 2-Way PBX Trunk Port - Res		**		UEPRG	UEPRD	\$1.79												
LOCAL NUMBER PORTABILITY																			
	Local Number Portability (1 per port)		**		UEPRG	LNPCP	\$3.15												
FEATURES																			
	All Available Vertical Features	[Exchange Ports includes all Applicable Features.]	**		UEPRG	UEPVF	\$0.00	\$0.00	\$0.00										
NONRECURRING CHARGES (NRCs) - CURRENTLY COMBINED																			
	2-Wire VG Loop/ Line Port Combination (PBX) - Conversion - Switch-As-Is	2-Wire Voice Grade Loop/Line Port Combo - Switch-as-is			UEPRG	USAC2	\$1.03	\$0.29							\$30.89	\$7.03			
	2-Wire VG Loop/ Line Port Combination (PBX) - Conversion - Switch with Change		*		UEPRG	USACC	\$1.03	\$0.29							\$30.89	\$7.03			
	2-Wire Voice Grade Loop / Line Port Combination - Conversion - Subsequent Database Update	2-Wire Voice Grade Loop/Line Port Combo - Subsequent Database Update					\$0.76								\$7.97				
ADDITIONAL NRCs																			
	2-Wire Voice Grade Loop/ Line Port Combination (PBX) - Subsequent Activity		**		UEPRG	USAS2	\$10.00	\$10.00							\$30.89	\$7.03			
2-WIRE VOICE GRADE LOOP WITH 2-WIRE LINE PORT (BUS - PBX)																			
UNE Port/Loop Combination Rates																			
	2-Wire VG Loop/Port Combo - Zone 1	2-Wire Voice Grade Loop with 2-Wire Line Port - Zone 1		1			\$14.18												
	2-Wire VG Loop/Port Combo - Zone 2	2-Wire Voice Grade Loop with 2-Wire Line Port - Zone 2		2			\$18.01												
	2-Wire VG Loop/Port Combo - Zone 3	2-Wire Voice Grade Loop with 2-Wire Line Port - Zone 3		3			\$23.02												
UNE Loop Rates																			
	2-Wire Voice Grade Loop (SL 1) - Zone 1		**	1	UEPPX	UEPLX	\$12.39												
	2-Wire Voice Grade Loop (SL 1) - Zone 2		**	2	UEPPX	UEPLX	\$16.22												
	2-Wire Voice Grade Loop (SL 1) - Zone 3		**	3	UEPPX	UEPLX	\$21.23												
2-Wire Voice Grade Line Port Rates (BUS - PBX)																			
	Line Side Unbundled Combination 2-Way PBX Trunk Port - Bus		**		UEPPX	UEPPC	\$1.79												
	Line Side Unbundled Outward PBX Trunk Port - Bus		**		UEPPX	UEPPO	\$1.79												
	Line Side Unbundled Incoming PBX Trunk Port - Bus		**		UEPPX	UEPP1	\$1.79												
	2-Wire Voice Unbundled PBX LD Terminal Ports		**		UEPPX	UEPLD	\$1.79												
	2-Wire Voice Unbundled 2-Way Combination PBX Tennessee Calling Port		**		UEPPX	UEPT2	\$1.79												
	2-Wire Voice Unbundled 1-Way Outgoing PBX Tennessee Calling Port		**		UEPPX	UEPTO	\$1.79												
	2-Wire Voice Unbundled 2-Way Combination PBX Usage Port		**		UEPPX	UEPXA	\$1.79												
	2-Wire Voice Unbundled PBX Toll Terminal Hotel Ports		**		UEPPX	UEPXB	\$1.79												
	2-Wire Voice Unbundled PBX LD DDD Terminals Port		**		UEPPX	UEPXC	\$1.79												
	2-Wire Voice Unbundled PBX LD Terminal Switchboard Port		**		UEPPX	UEPXD	\$1.79												
	2-Wire Voice Unbundled PBX LD Terminal Switchboard IDD Capable Port		**		UEPPX	UEPXE	\$1.79												
	2-Wire Voice Unbundled 2-Way PBX Hotel/Hospital Economy Administrative Calling Port		**		UEPPX	UEPXL	\$1.79												

	2-Wire Voice Unbundled 2-Way PBX Hotel/Hospital Economy Room Calling Port		**		UEPPX	UEPXM	\$1.79										
--	--	--	----	--	-------	-------	--------	--	--	--	--	--	--	--	--	--	--

	2-Wire Voice Unbundled 1-Way Outgoing PBX Hotel/Hospital Economy Admin Calling Port TN Calling Port		**	UEPPX	UEPXN	\$1.79													
	2-Wire Voice Unbundled 1-Way Outgoing PBX Hotel/Hospital Discount Room Calling Port		**	UEPPX	UEPXO	\$1.79													
	2-Wire Voice Unbundled 1-Way Outgoing PBX Measured Port		**	UEPPX	UEPXS	\$1.79													
	2-Wire Voice Unbundled PBX Collierville and Memphis Calling Port		**	UEPPX	UEPXU	\$1.79													
	2-Wire Voice Unbundled 2-Way PBX Tennessee RegionServ Calling Port		**	UEPPX	UEPXV	\$1.79													
LOCAL NUMBER PORTABILITY																			
	Local Number Portability (1 per port)		**	UEPPX	LNPCP	\$3.15													
FEATURES																			
	All Available Vertical Features	[Exchange Ports includes all Applicable Features.]	**	UEPPX	UEPVF	\$0.00	\$0.00	\$0.00											
NONRECURRING CHARGES (NRCs) - CURRENTLY COMBINED																			
	2-Wire VG Loop/ Line Port Combination (PBX) - Conversion - Switch-As-Is	2-Wire Voice Grade Loop/Line Port Combo - Switch-as-is		UEPPX	USAC2	\$1.03	\$0.29								\$30.89	\$7.03			
	2-Wire VG Loop/ Line Port Combination (PBX) - Conversion - Switch with Change		*	UEPPX	USACC	\$1.03	\$0.29								\$30.89	\$7.03			
	2-Wire VG Loop / Line Port Combination - Conversion - Subsequent Database Update	2-Wire Voice Grade Loop/Line Port Combo - Subsequent Database Update				\$0.76									\$7.97				
ADDITIONAL NRCs																			
	2-Wire Voice Grade Loop/ Line Port Combination (PBX) - Subsequent Activity		**	UEPPX	USAS2	\$10.00	\$10.00								\$30.89	\$7.03			
2-WIRE VOICE GRADE LOOP- BUS ONLY - WITH 2-WIRE DID TRUNK PORT																			
UNE Port/Loop Combination Rates																			
	2-Wire VG Loop/2-Wire DID Trunk Port Combo - Zone 1	2-Wire Voice Grade Loop with 2-Wire DID Trunk Port - Zone 1																	
	2-Wire VG Loop/2-Wire DID Trunk Port Combo - Zone 2	2-Wire Voice Grade Loop with 2-Wire DID Trunk Port - Zone 2																	
	2-Wire VG Loop/2-Wire DID Trunk Port Combo - Zone 3	2-Wire Voice Grade Loop with 2-Wire DID Trunk Port - Zone 3																	
UNE Loop Rates																			
	2-Wire Analog Voice Grade Loop - (SL2) - UNE Zone 1																		
	2-Wire Analog Voice Grade Loop - (SL2) - UNE Zone 2																		
	2-Wire Analog Voice Grade Loop - (SL2) - UNE Zone 3																		
UNE Port Rate																			
	Exchange Ports - 2-Wire DID Port			UEPPX	UEPD1	\$8.78													
NONRECURRING CHARGES - CURRENTLY COMBINED																			
	2-Wire Voice Grade Loop / 2-Wire DID Trunk Port Combination - Switch-as-is	2-Wire Voice Grade Loop with 2-Wire DID Trunk Port Combo - Switch-as-is		UEPPX	USAC1	\$8.76	\$5.75								\$41.43	\$9.80			
	2-Wire Voice Grade Loop / 2-Wire DID Trunk Port Combination Conversion with Changes		*	UEPPX	USA1C	\$8.76	\$5.75			\$3.50				\$41.43	\$9.80	\$20.00	\$20.00		
Telephone Number/Trunk Group Establishment Charges																			
	DID Trunk Termination (One Per Port)		**	UEPPX	NDT	\$0.00	\$0.00	\$0.00		\$3.50				\$41.43	\$9.80	\$20.00	\$20.00		
	DID Numbers, Establish Trunk Group and Provide First Group of 20 DID Numbers		**	UEPPX	NDZ	\$0.00	\$0.00	\$0.00		\$3.50				\$41.43	\$9.80	\$20.00	\$20.00		
	Additional DID Numbers for each Group of 20 DID Numbers		**	UEPPX	ND4	\$0.00	\$0.00	\$0.00		\$3.50				\$41.43	\$9.80	\$20.00	\$20.00		

BELLSOUTH/EPB TELECOMMUNICATIONS RATES
 TENNESSEE

	DID Numbers, Non- consecutive DID Numbers , Per Number		**		UEPPX	ND5	\$0.00	\$0.00	\$0.00			\$3.50		\$41.43	\$9.80	\$20.00	\$20.00
--	---	--	----	--	-------	-----	--------	--------	--------	--	--	--------	--	---------	--------	---------	---------

LOCAL NUMBER PORTABILITY															
	Local Number Portability (1 per port)		**		UEPPX	LNPCP	\$3.15	\$0.00	\$0.00						
2-WIRE ISDN DIGITAL GRADE LOOP WITH 2-WIRE ISDN DIGITAL LINE SIDE PORT															
UNE Port/Loop Combination Rates															
	2W ISDN Digital Grade Loop/2W ISDN Digital Line Side Port - Zone 1	2-Wire ISDN Digital Grade Loop with 2-Wire ISDN Digital Line Side Port - Zone 1	1				\$32.27					\$19.99	\$19.99	\$20.00	\$20.00
	2W ISDN Digital Grade Loop/2W ISDN Digital Line Side Port - Zone 2	2-Wire ISDN Digital Grade Loop with 2-Wire ISDN Digital Line Side Port - Zone 2	2				\$34.78					\$19.99	\$19.99	\$20.00	\$20.00
	2W ISDN Digital Grade Loop/2W ISDN Digital Line Side Port - Zone 3	2-Wire ISDN Digital Grade Loop with 2-Wire ISDN Digital Line Side Port - Zone 3	3				\$44.32					\$19.99	\$19.99	\$20.00	\$20.00
UNE Loop Rates															
	2-Wire ISDN Digital Grade Loop - UNE Zone 1		1		UEPPB UEPPR	USL2X	\$16.20								
	2-Wire ISDN Digital Grade Loop - UNE Zone 2		2		UEPPB UEPPR	USL2X	\$18.71								
	2-Wire ISDN Digital Grade Loop - UNE Zone 3		3		UEPPB UEPPR	USL2X	\$28.25								
UNE Port Rate															
	Exchange Port - 2-Wire ISDN Line Side Port				UEPPB UEPPR	UEPPB	\$16.07								
NONRECURRING CHARGES - CURRENTLY COMBINED															
	2-Wire ISDN Digital Grade Loop / 2-Wire ISDN Line Side Port Combination - Conversion	2-Wire ISDN Digital Grade Loop 2-Wire ISDN Line Side Port Combo - Switch-as-is			UEPPB	USACB		\$117.23	\$117.23		\$3.50	\$19.99	\$19.99	\$20.00	\$20.00
ADDITIONAL NRCs															
	2-Wire ISDN Digital Grade Loop / 2-Wire ISDN Line Side Port Combination-Non Feature Subs Activity	2-Wire ISDN Digital Grade Loop 2-Wire ISDN Line Side Port Combo - Non Feature Subsequent Activity			UEPPB	USASB		\$212.88			\$3.50	\$19.99	\$19.99	\$20.00	\$20.00
LOCAL NUMBER PORTABILITY															
	Local Number Portability (1 per port)		**		UEPPR	LNPCX	\$0.35	\$0.00	\$0.00						
B-CHANNEL USER PROFILE ACCESS:															
	CVS/CSD (DMS/5ESS)		**		UEPPB	U1UCA	\$0.00	\$0.00	\$0.00						
	CVS (EWSO)		**		UEPPB	U1UCB	\$0.00	\$0.00	\$0.00						
	CSD		**		UEPPB	U1UCC	\$0.00	\$0.00	\$0.00						
B-CHANNEL AREA PLUS USER PROFILE ACCESS: (AL, KY, LA, MS SC, MS, & TN)															
	CVS/CSD (DMS/5ESS)		**		UEPPB	U1UCD	\$0.00	\$0.00	\$0.00						
	CVS (EWSO)		**		UEPPB	U1UCE	\$0.00	\$0.00	\$0.00						
	CSD		**		UEPPB	U1UCF	\$0.00	\$0.00	\$0.00						
	USER TERMINAL SERVICE PROFILE (EWSO ONLY)		**		UEPPB	U1UMA	\$0.00	\$0.00	\$0.00						
VERTICAL FEATURES															
	One per Channel B User Profile		**		UEPPB	UEPVF	\$0.00	\$0.00	\$0.00						
4-WIRE DS1 DIGITAL LOOP WITH 4-WIRE ISDN DS1 DIGITAL TRUNK PORT															
UNE Port/Loop Combination Rates															
	4W DS1 Digital Loop/4W ISDN DS1 Digital Trunk Port - Zone 1	4-Wire DS1 Digital Loop with 4-Wire ISDN DS1 Digital Trunk Port - Zone 1	1				\$132.58					\$19.99	\$19.99	\$20.00	\$20.00
	4W DS1 Digital Loop/4W ISDN DS1 Digital Trunk Port - Zone 2	4-Wire DS1 Digital Loop with 4-Wire ISDN DS1 Digital Trunk Port - Zone 2	2				\$150.25					\$19.99	\$19.99	\$20.00	\$20.00

	4W DS1 Digital Loop/4W ISDN DS1 Digital Trunk Port - Zone 3	4-Wire DS1 Digital Loop with 4-Wire ISDN DS1 Digital Trunk Port - Zone 3	3			\$173.44						\$19.99	\$19.99	\$20.00	\$20.00
UNE Loop Rates															
	4-Wire DS1 Digital Loop - UNE Zone 1		1	UEPPP	USL4P	\$57.73									
	4-Wire DS1 Digital Loop - UNE Zone 2		2	UEPPP	USL4P	\$75.40									
	4-Wire DS1 Digital Loop - UNE Zone 3		3	UEPPP	USL4P	\$98.59									
UNE Port Rate															
	Exchange Ports - 4-Wire ISDN DS1 Port			UEPPP	UEPPP	\$74.85									
NONRECURRING CHARGES - CURRENTLY COMBINED															
	4-Wire DS1 Digital Loop / 4-Wire ISDN DS1 Digital Trunk Port Combination - Conversion-Switch-as-is	4-Wire DS1 Digital Loop with 4-Wire ISDN DS1 Digital Trunk Port Combo - Switch-as-is		UEPPP	USACP	\$328.53	\$328.53					\$19.99	\$19.99	\$20.00	\$20.00
ADDITIONAL NRCs															
	4-Wire DS1 Dig Loop / 4-Wire ISDN DS1 Dig Trunk Port Combination-Sub Channel Activation-Per Channel	4-Wire DS1 Digital Loop with 4-Wire ISDN DS1 Digital Trunk Port Combo - Subsequent Channel Activation - Per Channel		UEPPP	USASP	\$28.39						\$19.99	\$19.99	\$20.00	\$20.00
	4-Wire DS1 Dig Loop / 4-Wire ISDN DS1 Dig Trunk Port Combination-Sub Inward/2-Way Telephone Numbers	4-Wire DS1 Digital Loop with 4-Wire ISDN DS1 Digital Trunk Port Combo - Subsequent Inward/2-way Telephone Numbers		UEPPP	PR7TG	\$0.94						\$19.99	\$19.99	\$20.00	\$20.00
	4-Wire DS1 Dig Loop / 4-Wire ISDN DS1 Dig Trunk Port Combination-Sub Outward Telephone Numbers	4-Wire DS1 Digital Loop with 4-Wire ISDN DS1 Digital Trunk Port Combo - Subsequent Outward Telephone Numbers		UEPPP	PR7TP	\$22.36						\$19.99	\$19.99	\$20.00	\$20.00
	4-Wire DS1 Dig Loop / 4-Wire ISDN DS1 Dig Trunk Port Combination-Subsequent Inward Telephone Numbers	4-Wire DS1 Digital Loop with 4-Wire ISDN DS1 Digital Trunk Port Combo - Subsequent Inward Telephone Numbers		UEPPP	PR7ZT	\$44.71						\$19.99	\$19.99	\$20.00	\$20.00
	4-Wire DS1 Dig Loop / 4-Wire ISDN DS1 Dig Trunk Port Combination-Subsequent Service Order Per Order	4-Wire DS1 Digital Loop with 4-Wire ISDN DS1 Digital Trunk Port Combo - Subsequent Service Order Per Order		UEPPP	USASP	\$189.76						\$19.99	\$19.99	\$20.00	\$20.00
LOCAL NUMBER PORTABILITY															
	Local Number Portability (1 per port)		**	UEPPP	LNPCN	\$1.75									
INTERFACE (Provisioning Only)															
	Voice/Data		**	UEPPP	PR71V	\$0.00									
	Digital Data		**	UEPPP	PR71D	\$0.00									
	Inward Data		**	UEPPP	PR71E	\$0.00									
CALL TYPES															
	Inward		**	UEPPP	PR7C1	\$0.00									
	Outward		**	UEPPP	PR7C0	\$0.00									
	Two-way		**	UEPPP	PR7CC	\$0.00									
4-WIRE DS1 DIGITAL LOOP WITH 4-WIRE DDITS TRUNK PORT															
UNE Port/Loop Combination Rates															
	4W DS1 Digital Loop/4W DDITS Trunk Port - Zone 1	4-Wire DS1 Digital Loop With 4-Wire DID Trunk Port - Zone 1	1			\$93.28									
	4W DS1 Digital Loop/4W DDITS Trunk Port - Zone 2	4-Wire DS1 Digital Loop With 4-Wire DID Trunk Port - Zone 2	2			\$110.95									
	4W DS1 Digital Loop/4W DDITS Trunk Port - Zone 3	4-Wire DS1 Digital Loop With 4-Wire DID Trunk Port - Zone 3	3			\$134.14									

UNE Loop Rates														
	4-Wire DS1 Digital Loop - UNE Zone 1		1	UEPDC	USLDC	\$57.53								
	4-Wire DS1 Digital Loop - UNE Zone 2		2	UEPDC	USLDC	\$75.40								
	4-Wire DS1 Digital Loop - UNE Zone 3		3	UEPDC	USLDC	\$98.59								
UNE Port Rate														
	4-Wire DDITS Digital Trunk Port			UEPDC	UDD1T	\$35.55								
NONRECURRING CHARGES - CURRENTLY COMBINED														
	4-Wire DS1 Digital Loop / 4-Wire DDITS Trunk Port Combination - Switch-as-is	4-Wire DS1 Digital Loop/4-Wire DID Trunk Port Combo-Switch-as-is		UEPDC	USAC4	\$312.91	\$312.91			\$3.50	\$19.99	\$19.99	\$20.00	\$20.00
	4-Wire DS1 Digital Loop / 4-Wire DDITS Trunk Port Combination - Conversion with DS1 Changes		*	UEPDC	USAWA	\$312.91	\$312.91			\$3.50	\$19.99	\$19.99	\$20.00	\$20.00
	4-Wire DS1 Digital Loop / 4-Wire DDITS Trunk Port Combination - Conversion with Change - Trunk	4-Wire DS1 Digital Loop/4-Wire DID Trunk Port Combo - Switch-as-is		UEPDC	USAWB	\$312.91	\$312.91			\$3.50	\$19.99	\$19.99	\$20.00	\$20.00
ADDITIONAL NRCs														
	4-Wire DS1 Dig Loop / 4-Wire DDITS Trunk Port Combination-Subsequent Service Activity Per Svc Order	4-Wire DS1 Digital Loop 4-Wire DID Trunk Port Combo - Subsequent Service Order Per Order		UEPDC	USAS4	\$94.88	\$94.88			\$3.50	\$19.99	\$19.99	\$20.00	\$20.00
	4-Wire DS1 Dig Loop/4-Wire DDITS Trk Port Combination-NRC-Sub Channel Activation-Per Chanl-2-Way Trk	4-Wire DS1 Digital Loop/4-Wire DID Trunk Port Combo - Subsequent Channel Activation Per Channel		UEPDC	UDTTA	\$108.67				\$3.50	\$19.99	\$19.99	\$20.00	\$20.00
	4-Wire DS1 Dig Loop/4-Wire DDITS Trk Port Combo-Sub Channel Activation-Per Chanl-1-Way Outward Trk	4-Wire DS1 Digital Loop/4-Wire DID Trunk Port Combo - Subsequent Channel Activation Per Channel		UEPDC	UDTTB	\$108.67				\$3.50	\$19.99	\$19.99	\$20.00	\$20.00
	4-Wire DS1 Dig Loop/4-Wire DDITS Trk Port Combo-Sub Chan Activation-Per Chan-1-Way Inwrd Trk w/o DID	4-Wire DS1 Digital Loop/4-Wire DID Trunk Port Combo - Subsequent Channel Activation Per Channel		UEPDC	UDTTC	\$108.67				\$3.50	\$19.99	\$19.99	\$20.00	\$20.00
	4-Wire DS1 Dig Loop/4-Wire DDITS Trk Port Combo-Sub Chan Activation-Per Chan-1-Way Inwrd Trk with DID	4-Wire DS1 Digital Loop/4-Wire DID Trunk Port Combo - Subsequent Channel Activation Per Channel		UEPDC	UDTTD	\$108.67				\$3.50	\$19.99	\$19.99	\$20.00	\$20.00
	4-Wire DS1 Dig Loop/4-Wire DDITS Trk Port Combo-Sub Chan Activ'n-Per Chan-2-Way DID with User Trans	4-Wire DS1 Digital Loop/4-Wire DID Trunk Port Combo - Subsequent Channel Activation Per Channel		UEPDC	UDTTE	\$108.67				\$3.50	\$19.99	\$19.99	\$20.00	\$20.00
	4-Wire DS1 Digital Loop / 4-Wire DDITS Trunk Port Combination - Subsequent Signaling Changes	4-Wire DS1 Digital Loop 4-Wire DID Trunk Port Combo - Subsequent Signaling Changes		UEPDC		\$22.92				\$3.50	\$19.99	\$19.99	\$20.00	\$20.00
	4-Wire DS1 Digital Loop / 4-Wire DDITS Trunk Port Combination - Subsequent Service Order Per Order	4-Wire DS1 Digital Loop 4-Wire DID Trunk Port Combo - Subsequent Service Order Per Order		UEPDC	USAS4	\$94.88	\$94.88			\$3.50	\$19.99	\$19.99	\$20.00	\$20.00
	4-Wire DS1 Dig Loop/4-Wire ISDN DS1 Digital Trunk Port Combination - Subsequent Telephone Numbers	4-Wire DS1 Digital Loop 4-Wire DID Trunk Port Combo - Subsequent Telephone Numbers		UEPDC		\$88.68				\$3.50	\$19.99	\$19.99	\$20.00	\$20.00
BIPOLAR & ZERO SUBSTITUTION														
	Superframe Format - Conversion or New Install		**	UEPDC	CC0SF	\$0.00	\$0.00	\$0.00						
	Extended Superframe Format - Conversion or New Install		**	UEPDC	CC0EF	\$0.00	\$0.00	\$0.00						
	Superframe Format - Subsequent Activity		**	UEPDC	CC0SF	\$0.00	\$590.00	\$590.00		\$3.50	\$19.99	\$19.99	\$20.00	\$20.00
	Extended Superframe Format - Subsequent Activity		**	UEPDC	CC0EF	\$0.00	\$590.00	\$590.00		\$3.50	\$19.99	\$19.99	\$20.00	\$20.00
Alternate Mark Inversion														
	Superframe Format		**	UEPDC	MCO5F		\$0.00	\$0.00						
	Extended SuperFrame Format		**	UEPDC	MCOPO		\$0.00	\$0.00						

Telephone Number/Trunk Group Establishment Charges																		
	Telephone Number for 2-Way Trunk Group		**		UEPDC	UDTGX	\$0.00							\$3.50	\$19.99	\$19.99	\$20.00	\$20.00
	Telephone Number for 1-Way Outward Trunk Group		**		UEPDC	UDTGY	\$0.00							\$3.50	\$19.99	\$19.99	\$20.00	\$20.00
	Telephone Number for 1-Way Inward Trunk Group Without DID		**		UEPDC	UDTGZ	\$0.00							\$3.50	\$19.99	\$19.99	\$20.00	\$20.00
	DID Numbers, Establish Trunk Group and Provide First Group of 20 DID Numbers		**		UEPDC	NDZ	\$0.00							\$3.50	\$19.99	\$19.99	\$20.00	\$20.00
	Additional DID Numbers for each Group of 20 DID Numbers		**		UEPDC	ND4	\$0.00							\$3.50	\$19.99	\$19.99	\$20.00	\$20.00
	DID Numbers, Non- consecutive DID Numbers , Per Number		**		UEPDC	ND5	\$0.00							\$3.50	\$19.99	\$19.99	\$20.00	\$20.00
Dedicated DS1 (Interoffice Channel Mileage) - FX/FCO for 4-Wire DS1 Digital Loop with 4-Wire DDITS Trunk Port																		
	Interoffice Channel Mileage - Fixed rate 0-8 miles (Facilities Termination)		**		UEPDC	1LNO1	\$75.83							\$3.50	\$19.99	\$19.99	\$20.00	\$20.00
	Interoffice Channel Mileage - Additional rate per mile - 0-8 miles		**		UEPDC	1LNOA	\$0.3525							\$3.50	\$19.99	\$19.99	\$20.00	\$20.00
	Interoffice Channel Mileage - Fixed rate 9-25 miles (Facilities Termination)		**		UEPDC	1LNO2	\$0.0000											
	Interoffice Channel Mileage - Additional rate per mile - 9-25 miles		**		UEPDC	1LNOB	\$0.3525							\$3.50	\$19.99	\$19.99	\$20.00	\$20.00
	Interoffice Channel Mileage - Fixed rate 25+ miles (Facilities Termination)		**		UEPDC	1LNO3	\$0.0000											
	Interoffice Channel Mileage - Additional rate per mile - 25+ miles		**		UEPDC	1LNOC	\$0.3525							\$3.50	\$19.99	\$19.99	\$20.00	\$20.00
	Local Number Portability, per DS0 Activated		**		UEPDC	LNPCP	\$3.15											
	Central Office Terminating Point		**		UEPDC	CTG	\$0.00											
ENHANCED EXTENDED LINK (EELs)																		
NOTE: New (not currently combined) loop/transport (EEL) combinations are only available in density Zone 1 of the Nashville MSA in TN for customers w/ 4 or more lines.																		
For Currently Combined EELs, network element recurring and Switch As Is Charges apply. For new EELs, network element recurring and nonrecurring apply (no Switch As Is Charge).																		
2-WIRE VOICE GRADE EXTENDED LOOP WITH DEDICATED DS1 INTEROFFICE TRANSPORT (EEL)																		
	First 2-Wire Analog Voice Grade Loop - SL2/DS1 Interficed Transport Combination - Zone 1	2-Wire Voice Grade Extended Loop With DS1 Dedicated Interoffice Transport (First 2-Wire Voice Grade with DS1 excluding mileage) - Zone 1		1	UNCVX	UEAL2	\$176.10											
	First 2-Wire Analog Voice Grade Loop - SL2/DS1 Interficed Transport Combination - Zone 2	2-Wire Voice Grade Extended Loop With DS1 Dedicated Interoffice Transport (First 2-Wire Voice Grade with DS1 excluding mileage) - Zone 2		2	UNCVX	UEAL2	\$181.17											
	First 2-Wire Analog Voice Grade Loop - SL2/DS1 Interficed Transport Combination - Zone 3	2-Wire Voice Grade Extended Loop With DS1 Dedicated Interoffice Transport (First 2-Wire Voice Grade with DS1 excluding mileage) - Zone 3		3	UNCVX	UEAL2	\$187.82											
	Interoffice Transport - Dedicated - DS1 combination - Per Mile per month	Interoffice Transport Dedicated DS1 - Per Mile			UNC1X	1L5XX	\$0.3562											
	Each Additional 2-Wire Analog VG Loop- SL2 in the same DS1 Interoffice Transport Combination- Zone 1	2-Wire Voice Grade Extended Loop With DS1 Dedicated Interoffice Transport (Additional 2-Wire Voice Grade Loop in same DS1 excluding mileage) - Zone 1		1	UNCVX	UEAL2	\$17.47											
	Each Additional 2-Wire Analog VG Loop- SL2 in the same DS1 Interoffice Transport Combination- Zone 2	2-Wire Voice Grade Extended Loop With DS1 Dedicated Interoffice Transport (Additional 2-Wire Voice Grade Loop in same DS1 excluding mileage) - Zone 2		2	UNCVX	UEAL2	\$22.54											

	Each Additional 2-Wire Analog VG Loop- SL2 in the same DS1 Interoffice Transport Combination- Zone 3	2-Wire Voice Grade Extended Loop With DS1 Dedicated Interoffice Transport (Additional 2-Wire Voice Grade Loop in same DS1 excluding mileage) - Zone 3	3	UNCVX	UEAL2	\$29.19												
	Nonrecurring Currently Combined Network Elements Switch -As-Is Charge	Non-Recurring Cost for Extended Loop or Local Channel and Interoffice Combination-Switch-as-is		UNC1X	UNCCC		\$52.73	\$24.62	\$9.12	\$9.12								
4-WIRE VOICE GRADE EXTENDED LOOP WITH DEDICATED DS1 INTEROFFICE TRANSPORT (EEL)																		
	First 4-Wire Analog Voice Grade Loop/DS1 Interoffice Transport Combination - Zone 1	Loop With DS1 Dedicated Interoffice Transport (First 4-Wire 56 or 64 kbps Digital Grade Loop with DS1 excluding mileage)-Zone 1	1	UNCVX	UEAL4	\$184.24												
	First 4-Wire Analog Voice Grade Loop/DS1 Interoffice Transport Combination - Zone 2	4-Wire Voice Grade Extended Loop With DS1 Dedicated Interoffice Transport (First 4-Wire 56 or 64 kbps Digital Grade Loop with DS1 excluding mileage)-Zone 2	2	UNCVX	UEAL4	\$191.80												
	First 4-Wire Analog Voice Grade Loop/DS1 Interoffice Transport Combination - Zone 3	4-Wire Voice Grade Extended Loop With DS1 Dedicated Interoffice Transport (First 4-Wire 56 or 64 kbps Digital Grade Loop with DS1 excluding mileage)-Zone 3	3	UNCVX	UEAL4	\$201.72												
	Interoffice Transport - Dedicated - DS1 combination - Per Mile Per Month	Interoffice Transport - Dedicated - DS1 - Per Mile		UNC1X	1L5XX	\$0.3562												
	Additional 4-Wire Analog Voice Grade Loop in same DS1 Interoffice Transport Combination - Zone 1	4-Wire Voice Grade Extended Loop With DS1 Dedicated Interoffice Transport (Additional 4-Wire 56 or 64 kbps in same DS1 excluding mileage) -Zone 1	1	UNCVX	UEAL4	\$25.61												
	Additional 4-Wire Analog Voice Grade Loop in same DS1 Interoffice Transport Combination - Zone 2	4-Wire Voice Grade Extended Loop With DS1 Dedicated Interoffice Transport (Additional 4-Wire 56 or 64 kbps in same DS1 excluding mileage) -Zone 2	2	UNCVX	UEAL4	\$33.17												
	Additional 4-Wire Analog Voice Grade Loop in same DS1 Interoffice Transport Combination - Zone 3	4-Wire Voice Grade Extended Loop With DS1 Dedicated Interoffice Transport (Additional 4-Wire 56 or 64 kbps in same DS1 excluding mileage) -Zone 3	3	UNCVX	UEAL4	\$43.09												
	Nonrecurring Currently Combined Network Elements Switch -As-Is Charge	Non-Recurring Cost for Extended Loop or Local Channel and Interoffice combination Switch-as-is		UNC1X	UNCCC		\$52.73	\$24.62	\$9.12	\$9.12								
4-WIRE 56 KBPS EXTENDED DIGITAL LOOP WITH DEDICATED DS1 INTEROFFICE TRANSPORT (EEL)																		
	First 4-Wire 56Kbps Digital Grade Loop/DS1 Interoffice Transport Combination - Zone 1	4-Wire 56 or 64 kbps Extended Digital Loop With Dedicated DS1 Interoffice Transport (First 4-Wire 56 or 64 kbps Digital Grade Loop with DS1 excluding mileage) - Zone 1	1	UNCDX	UDL56	\$190.64												
	First 4-Wire 56Kbps Digital Grade Loop/DS1 Interoffice Transport Combination - Zone 2	4-Wire 56 or 64 kbps Extended Digital Loop With Dedicated DS1 Interoffice Transport (First 4-Wire 56 or 64 kbps Digital Grade Loop with DS1 excluding mileage) - Zone 2	2	UNCDX	UDL56	\$200.16												

	First 4-Wire 56Kbps Digital Grade Loop/DS1 Interoffice Transport Combination - Zone 3	4-Wire 56 or 64 kbps Extended Digital Loop With Dedicated DS1 Interoffice Transport (First 4-Wire 56 or 64 kbps Digital Grade Loop with DS1 excluding mileage) - Zone 3	3	UNCDX	UDL56	\$212.65												
	Interoffice Transport - Dedicated - DS1 combination - Per Mile Per Month	Interoffice Transport - Dedicated - DS1 - Per Mile		UNC1X	1L5XX	\$0.3562												
	Additional 4-Wire 56Kbps Digital Grade Loop in same DS1 Interoffice Transport Combination - Zone 1	4-Wire 56 or 64 kbps Extended Digital Loop With Dedicated DS1 Interoffice Transport (Additional 4-Wire 56 or 64 kbps Digital Grade Loop in same DS1 excluding mileage) -Zone 1	1	UNCDX	UDL56	\$32.01												
	Additional 4-Wire 56Kbps Digital Grade Loop in same DS1 Interoffice Transport Combination - Zone 2	4-Wire 56 or 64 kbps Extended Digital Loop With Dedicated DS1 Interoffice Transport (Additional 4-Wire 56 or 64 kbps Digital Grade Loop in same DS1 excluding mileage) -Zone 2	2	UNCDX	UDL56	\$41.52												
	Additional 4-Wire 56Kbps Digital Grade Loop in same DS1 Interoffice Transport Combination - Zone 3	4-Wire 56 or 64 kbps Extended Digital Loop With Dedicated DS1 Interoffice Transport (Additional 4-Wire 56 or 64 kbps Digital Grade Loop in same DS1 excluding mileage) -Zone 3	3	UNCDX	UDL56	\$54.02												
	Nonrecurring Currently Combined Network Elements Switch -As-Is Charge	Nonrecurring Cost for Extended Loop or Local Channel and Interoffice Combination Switch-as-is		UNC1X	UNCCC		\$52.73	\$24.62	\$9.12	\$9.12								
4-WIRE 64 KBPS EXTENDED DIGITAL LOOP WITH DEDICATED DS1 INTEROFFICE TRANSPORT (EEL)																		
	First 4-Wire 64Kbps Digital Grade Loop/DS1 Interoffice Transport Combination - Zone 1	4-Wire 56 or 64 kbps Extended Digital Loop With Dedicated DS1 Interoffice Transport (First 4-Wire 56 or 64 kbps Digital Grade Loop with DS1 excluding mileage) - Zone 1	1	UNCDX	UDL64	\$190.64												
	First 4-Wire 64Kbps Digital Grade Loop/DS1 Interoffice Transport Combination - Zone 2	4-Wire 56 or 64 kbps Extended Digital Loop With Dedicated DS1 Interoffice Transport (First 4-Wire 56 or 64 kbps Digital Grade Loop with DS1 excluding mileage) - Zone 2	2	UNCDX	UDL64	\$200.16												
	First 4-Wire 64Kbps Digital Grade Loop/DS1 Interoffice Transport Combination - Zone 3	4-Wire 56 or 64 kbps Extended Digital Loop With Dedicated DS1 Interoffice Transport (First 4-Wire 56 or 64 kbps Digital Grade Loop with DS1 excluding mileage) - Zone 3	3	UNCDX	UDL64	\$212.65												
	Interoffice Transport - Dedicated - DS1 combination - Per Mile Per Month	Interoffice Transport - Dedicated - DS1 - Per Mile		UNC1X	1L5XX	\$0.3562												
	Additional 4-Wire 56Kbps Digital Grade Loop in same DS1 Interoffice Transport Combination - Zone 1	4-Wire 56 or 64 kbps Extended Digital Loop With Dedicated DS1 Interoffice Transport (Additional 4-Wire 56 or 64 kbps Digital Grade Loop in same DS1 excluding mileage) -Zone 1	1	UNCDX	UDL64	\$32.01												
	Additional 4-Wire 56Kbps Digital Grade Loop in same DS1 Interoffice Transport Combination - Zone 2	4-Wire 56 or 64 kbps Extended Digital Loop With Dedicated DS1 Interoffice Transport (Additional 4-Wire 56 or 64 kbps Digital Grade Loop in same DS1 excluding mileage) -Zone 2	2	UNCDX	UDL64	\$41.52												

		Additional 4-Wire546Kbps Digital Grade Loop in same DS1 Interoffice Transport Combination - Zone 3	4-Wire 56 or 64 kbps Extended Digital Loop With Dedicated DS1 Interoffice Transport (Additional 4-Wire 56 or 64 kbps Digital Grade Loop in same DS1 excluding mileage) -Zone 3	3	UNCDX	UDL64	\$54.02											
		Nonrecurring Currently Combined Network Elements Switch -As-is Charge	Nonrecurring Cost for Extended Loop or Local Channel and Interoffice Combination Switch-as-is		UNC1X	UNCCC		\$52.73	\$24.62	\$9.12	\$9.12							

2-WIRE VOICE GRADE DEDICATED EXTENDED LOCAL CHANNEL WITH DEDICATED DS1 INTEROFFICE TRANSPORT (EEL)															
	First 2-Wire Local Channel with/DS1 Interoffice Transport Combination - Zone 1	Extended 2-Wire Voice Grade Dedicated Local Channel with Dedicated DS1 Interoffice Transport (First 2-Wire Local Channel with DS1 excluding mileage) - Zone 1		1				\$176.72							
	First 2-Wire Local Channel with/DS1 Interoffice Transport Combination - Zone 2	Extended 2-Wire Voice Grade Dedicated Local Channel with Dedicated DS1 Interoffice Transport (First 2-Wire Local Channel with DS1 excluding mileage) - Zone 2		2				\$181.98							
	First 2-Wire Local Channel with/DS1 Interoffice Transport Combination - Zone 3	Extended 2-Wire Voice Grade Dedicated Local Channel with Dedicated DS1 Interoffice Transport (First 2-Wire Local Channel with DS1 excluding mileage) - Zone 3		3				\$188.88							
	Interoffice Transport - Dedicated - DS1 combination - Per Mile Per Month	Interoffice Transport - Dedicated - DS1 - Per Mile			UNC1X	U1TF1		\$0.3562							
	Additional 2-Wire Voice Grade Channel in Same DS1 Interoffice Transport Combination - Zone 1	Extended 2-Wire Voice Grade Dedicated Local Channel with Dedicated DS1 Interoffice Transport (Additional 2-Wire Voice Grade Channel in same DS1 excluding mileage) -Zone 1		1				\$18.09							
	Additional 2-Wire Voice Grade Channel in Same DS1 Interoffice Transport Combination - Zone 2	Extended 2-Wire Voice Grade Dedicated Local Channel with Dedicated DS1 Interoffice Transport (Additional 2-Wire Voice Grade Channel in same DS1 excluding mileage) -Zone 2		2				\$23.35							
	Additional 2-Wire Voice Grade Channel in Same DS1 Interoffice Transport Combination - Zone 3	Extended 2-Wire Voice Grade Dedicated Local Channel with Dedicated DS1 Interoffice Transport (Additional 2-Wire Voice Grade Channel in same DS1 excluding mileage) -Zone 3		3				\$30.25							
	Nonrecurring Currently Combined Network Elements Switch -As-Is Charge	Nonrecurring Cost for Extended Loop or Local Channel and Interoffice combination Switch-as-is			UNC1X	UNCCC		\$52.73	\$24.62	\$9.12	\$9.12				
4-WIRE VOICE GRADE DEDICATED EXTENDED LOCAL CHANNEL WITH DEDICATED DS1 INTEROFFICE TRANSPORT (EEL)															
	First 4-Wire Local Channel with/DS1 Interoffice Transport Combination - Zone 1	Extended 4-Wire Voice Grade Dedicated Local Channel with Dedicated DS1 Interoffice Transport (First 4-Wire Local Channel with DS1 excluding mileage) - Zone 1		1				\$177.73							
	First 4-Wire Local Channel with/DS1 Interoffice Transport Combination - Zone 2	Extended 4-Wire Voice Grade Dedicated Local Channel with Dedicated DS1 Interoffice Transport (First 4-Wire Local Channel with DS1 excluding mileage) - Zone 2		2				\$183.29							
	First 4-Wire Local Channel with/DS1 Interoffice Transport Combination - Zone 3	Extended 4-Wire Voice Grade Dedicated Local Channel with Dedicated DS1 Interoffice Transport (First 4-Wire Local Channel with DS1 excluding mileage) - Zone 3		3				\$190.59							
	Interoffice Transport - Dedicated - DS1 combination - Per Mile Per Month	Interoffice Transport - Dedicated - DS1 - Per Mile			UNC1X	U1TF1		\$0.3562							

	Additional 4-Wire Voice Grade Channel in Same DS1 Interoffice Transport Combination - Zone 1	Extended 4-Wire Voice Grade Dedicated Local Channel with Dedicated DS1 Interoffice Transport (Additional 4-Wire Voice Grade Channel in same DS1 excluding mileage) -Zone 1		1				\$19.09										
	Additional 4-Wire Voice Grade Channel in Same DS1 Interoffice Transport Combination - Zone 2	Extended 4-Wire Voice Grade Dedicated Local Channel with Dedicated DS1 Interoffice Transport (Additional 4-Wire Voice Grade Channel in same DS1 excluding mileage) -Zone 2		2				\$24.66										
	Additional 4-Wire Voice Grade Channel in Same DS1 Interoffice Transport Combination - Zone 3	Extended 4-Wire Voice Grade Dedicated Local Channel with Dedicated DS1 Interoffice Transport (Additional 4-Wire Voice Grade Channel in same DS1 excluding mileage) -Zone 3		3				\$31.96										
	Nonrecurring Currently Combined Network Elements Switch -As-Is Charge	Nonrecurring Cost for Extended Loop or Local Channel and Interoffice Combination Switch-as-is				UNC1X	UNCCC		\$52.73	\$24.62	\$9.12	\$9.12						
4-WIRE DS1 DIGITAL EXTENDED LOOP WITH DEDICATED DS1 INTEROFFICE TRANSPORT (EEL)																		
	First 4-Wire DS1 Digital Loop in Combination with DS1 Interoffice Transport - Zone 1	Extended 4-Wire DS1 Digital Loop With Dedicated DS1 Interoffice Transport (First 4-Wire DS1 Digital Loop with DS1 excluding mileage) - Zone 1		1	UNC1X	USLXX		\$135.59										
	First 4-Wire DS1 Digital Loop in Combination with DS1 Interoffice Transport - Zone 2	Extended 4-Wire DS1 Digital Loop With Dedicated DS1 Interoffice Transport (First 4-Wire DS1 Digital Loop with DS1 excluding mileage) - Zone 2		2	UNC1X	USLXX		\$153.26										
	First 4-Wire DS1 Digital Loop in Combination with DS1 Interoffice Transport - Zone 3	Extended 4-Wire DS1 Digital Loop With Dedicated DS1 Interoffice Transport (First 4-Wire DS1 Digital Loop with DS1 excluding mileage) - Zone 3		3	UNC1X	USLXX		\$176.45										
	Interoffice Transport - Dedicated - DS1 combination - Facility Termination Per Month	Interoffice Transport - Dedicated - DS1 - Per Mile			UNC1X	U1TF1		\$0.3562										
	Additional 4-Wire DS1 Digital Loop in same same DS1 Interoffice Transport Combination - Zone 1	Extended 4-Wire DS1 Digital Loop With Dedicated DS1 Interoffice Transport (Additional 4-Wire DS1 Digital Loop in same DS1 excluding mileage) - Zone 1		1	UNC1X	USLXX		\$57.73										
	Additional 4-Wire DS1 Digital Loop in same same DS1 Interoffice Transport Combination - Zone 2	Extended 4-Wire DS1 Digital Loop With Dedicated DS1 Interoffice Transport (Additional 4-Wire DS1 Digital Loop in same DS1 excluding mileage) - Zone 2		2	UNC1X	USLXX		\$75.40										
	Additional 4-Wire DS1 Digital Loop in same same DS1 Interoffice Transport Combination - Zone 3	Extended 4-Wire DS1 Digital Loop With Dedicated DS1 Interoffice Transport (Additional 4-Wire DS1 Digital Loop in same DS1 excluding mileage) - Zone 3		3	UNC1X	USLXX		\$98.59										
	Nonrecurring Currently Combined Network Elements Switch -As-Is Charge	Nonrecurring Cost for Extended Loop or Local Channel and Interoffice Combination Switch-as-is			UNC1X	UNCCC			\$52.73	\$24.62	\$9.12	\$9.12						
Currently Combined Network Transport Elements (Non-Switched Combinations Resulting from a Conversion)																		
Local Channel - Dedicated - 2-Wire VG																		
	Monthly Recurring per month		**		UNCVX	ULDV2		\$19.43	\$199.33	\$24.16	\$54.81	\$4.80		\$20.35	\$10.54	\$13.30		
	Monthly Recurring per mile per month		**		UNCVX	1L5NC		\$0.00										
Local Channel - Dedicated - 2-Wire VG - Rev Bat.																		
	Monthly Recurring per month		**		UNCVX	ULDR2		\$19.43	\$199.33	\$24.16	\$54.81	\$4.80		\$20.35	\$10.54	\$13.30		

	Monthly Recurring per mile per month		**	UNCVX	1L5NC	\$0.00											
--	--------------------------------------	--	----	-------	-------	--------	--	--	--	--	--	--	--	--	--	--	--

Local Channel - Dedicated - 4-Wire VG															
	Monthly Recurring per month	**		UNCVX	ULDV4	\$20.56	\$201.53	\$24.83	\$55.52	\$5.51		\$20.35	\$10.54	\$13.30	
	Monthly Recurring per mile per month	**		UNCVX	1L5NC	\$0.00									
Local Channel - Dedicated - DS1															
	DS1 Monthly Recurring per month	**		UNC1X	ULDF1	\$20.56	\$201.53	\$24.83	\$55.52	\$5.51		\$20.35	\$10.54	\$13.30	
	Monthly Recurring per mile per month	**		UNC1X	1L5NC	\$0.00									
Interoffice Channel - Dedicated - 2-wire VG															
	Interoffice Channel - Dedicated - 2-wire VG - per mile per month	**		UNCVX	1L5XX	\$0.0174									
	Interoffice Channel - Dedicated - 2-wire VG - Facility Termination per month	**		UNCVX	U1TV2	\$18.58	\$55.39	\$17.37	\$27.96	\$3.51		\$20.35	\$21.09	\$9.80	\$10.54
Interoffice Channel - Dedicated - 2-wire VG Rev Battery															
	Interoffice Channel - Dedicated - 2-wire VG - per mile per month	**		UNCVX	1L5XX	\$0.02									
	Interoffice Channel - Dedicated - 2-wire VG - Facility Termination per month	**		UNCVX	U1TR2	\$18.58	\$55.39	\$17.37	\$27.96	\$3.51		\$20.35	\$21.09	\$9.80	\$10.54
Interoffice Channel - Dedicated - 56kbps															
	Interoffice Channel - Dedicated - 56 kbps - per mile per month	**		UNCDX	1L5XX	\$0.0174									
	Interoffice Channel - Dedicated - 56 kbps - Facility Termination per month	**		UNCDX	U1TD5	\$17.98	\$55.39	\$17.37	\$27.96	\$3.51		\$20.35	\$21.09	\$9.80	\$10.54
Interoffice Channel - Dedicated - 64kbps															
	Interoffice Channel - Dedicated - 64 kbps - per mile per month	**		UNCDX	1L5XX	\$0.02									
	Interoffice Channel - Dedicated - 64 kbps - Facility Termination per month	**		UNCDX	U1TD6	\$17.98	\$55.39	\$17.37	\$27.96	\$3.51		\$20.35	\$21.09	\$9.80	\$10.54
Interoffice Channel - Dedicated - DS1															
	Interoffice Channel - Dedicated - DS1 - per mile per month	**		UNC1X	1L5XX	\$0.3562									
	Interoffice Channel - Dedicated - DS1 - Facility Termination per month	**		UNC1X	U1TF1	\$77.86	\$112.40	\$76.27	\$19.55	\$14.99		\$20.35	\$21.09	\$9.80	\$10.54
Local Loop - Dedicated - 2-Wire VG															
	Local Loop - Dedicated - 2-Wire VG - Monthly Recurring per month - Zone 1	**	1	UNCVX	UEAL2	\$16.56	\$75.06	\$48.20	\$28.70	\$17.64		\$20.35	\$10.54	\$13.32	
	Local Loop - Dedicated - 2-Wire VG - Monthly Recurring per month - Zone 2	**	2	UNCVX	UEAL2	\$21.63	\$192.97	\$140.72	\$28.70	\$17.64		\$20.35	\$10.54	\$13.32	
	Local Loop - Dedicated - 2-Wire VG - Monthly Recurring per month - Zone 3	**	3	UNCVX	UEAL2	\$28.28	\$192.97	\$140.72	\$28.70	\$17.64		\$20.35	\$10.54	\$13.32	
	Local Loop - Dedicated - 2-Wire VG - Monthly Recurring per mile per month	**		UNCVX	1L5ND	\$0.00									
	Local Loop - Dedicated - 2-Wire VG - Rev Bat - Monthly Recurring per month - Zone 1	**	1	UNCVX	UEAR2	\$16.56	\$75.06	\$48.20	\$28.70	\$17.64		\$20.35	\$10.54	\$13.32	
	Local Loop - Dedicated - 2-Wire VG - Rev Bat - Monthly Recurring per month - Zone 2	**	2	UNCVX	UEAR2	\$21.63	\$192.97	\$140.72	\$28.70	\$17.64		\$20.35	\$10.54	\$13.32	
	Local Loop - Dedicated - 2-Wire VG - Rev Bat - Monthly Recurring per month - Zone 3	**	3	UNCVX	UEAR2	\$28.28	\$192.97	\$140.72	\$28.70	\$17.64		\$20.35	\$10.54	\$13.32	
	Monthly Recurring per mile per month	**		UNCVX	1L5ND	\$0.00									
Local Loop - Dedicated - 4-Wire VG															
	Local Loop - Dedicated - 4-Wire VG - Monthly Recurring per month - Zone 1	**	1	UNCVX	UEAL4	\$24.70	\$122.76	\$85.57	\$76.35	\$39.16		\$20.35	\$10.54	\$13.32	
	Local Loop - Dedicated - 4-Wire VG - Monthly Recurring per month - Zone 2	**	2	UNCVX	UEAL4	\$32.25	\$122.76	\$85.57	\$76.35	\$39.16		\$20.35	\$10.54	\$13.32	
	Local Loop - Dedicated - 4-Wire VG - Monthly Recurring per month - Zone 3	**	3	UNCVX	UEAL4	\$42.17	\$122.76	\$85.57	\$76.35	\$39.16		\$20.35	\$10.54	\$13.32	
	Monthly Recurring per mile per month	**		UNCVX	1L5ND	\$0.00									
Local Loop - Dedicated - 2-Wire ISDN Digital															
	Local Loop - Dedicated - 2-Wire ISDN - Monthly Recurring per month - Zone 2	**	2	UNCVX	U1L2X	\$29.02	\$142.76	\$88.88	\$76.35	\$39.16		\$20.35	\$10.54	\$13.32	
	Local Loop - Dedicated - 2-Wire ISDN - Monthly Recurring per month - Zone 3	**	3	UNCVX	U1L2X	\$37.95	\$142.76	\$88.88	\$76.35	\$39.16		\$20.35	\$10.54	\$13.32	
	Monthly Recurring per mile per month	**		UNCVX	1L5ND	\$0.00									
Local Loop - Dedicated - 4-Wire 56 kbps Digital															
	Local Loop - Dedicated - 4-Wire 56 kbps Digital - Monthly Recurring per month - Zone 1	**	1	UNCVX	UDL56	\$31.10	\$207.01	\$141.38	\$90.70	\$44.18		\$20.35	\$10.54	\$13.32	

	Local Loop - Dedicated - 4-Wire 56 kbps Digital - Monthly Recurring per month-Zone 3	**	3	UNCVX	UDL56	\$53.11	\$207.01	\$141.38	\$90.70	\$44.18			\$20.35	\$10.54	\$13.32	
	4-Wire 56 kbps Digital Grade Loop per mile per month	**		UNCVX	1L5ND	\$0.00										
	Local Loop - Dedicated - 4-Wire 64 kbps Digital															
	Local Loop - Dedicated - 4-Wire 64 kbps Digital - Monthly Recurring per month - Zone 1	**	1	UNCVX	UDL64	\$31.10	\$207.01	\$141.38	\$90.70	\$44.18			\$20.35	\$10.54	\$13.32	
	Local Loop - Dedicated - 4-Wire 64 kbps Digital - Monthly Recurring per month-Zone 2	**	2	UNCVX	UDL64	\$40.61	\$207.01	\$141.38	\$90.70	\$44.18			\$20.35	\$10.54	\$13.32	
	Local Loop - Dedicated - 4-Wire 64 kbps Digital - Monthly Recurring per month-Zone 3	**	3	UNCVX	UDL64	\$53.11	\$207.01	\$141.38	\$90.70	\$44.18			\$20.35	\$10.54	\$13.32	
	4-Wire 64 kbps Digital Grade Loop per mile per month	**		UNCVX	1L5ND	\$0.00										
	Local Loop - Dedicated - DS1															
	Local Loop - Dedicated - DS1 - Monthly Recurring per month - Zone 1	**	1	UNC1X	USLXX	\$57.73	\$313.08	\$219.72	\$96.86	\$40.45			\$18.98	\$8.43	\$11.95	
	Local Loop - Dedicated - DS1 - Monthly Recurring per month - Zone 2	**	2	UNC1X	USLXX	\$75.40	\$313.08	\$219.72	\$96.86	\$40.45			\$18.98	\$8.43	\$11.95	
	Local Loop - Dedicated - DS1 - Monthly Recurring per month - Zone 3	**	3	UNC1X	USLXX	\$98.59	\$313.08	\$219.72	\$96.86	\$40.45			\$18.98	\$8.43	\$11.95	
	Local Loop - Dedicated - DS1 - Monthly Recurring per mile per month	**		UNC1X	1L5ND	\$0.00										
	DS1 Channelization															
	DS1 to DS0 Channel System per month	**		UNC1X	MQ1	\$80.77	\$141.87	\$77.11	\$14.51	\$13.46			\$20.35	\$9.80	\$11.49	\$1.18
	OCU-DP COCI (data) - DS1 to DS0 Channel System - per month (2.4-64kbs)	**		UNCDX	1D1DD	\$1.82	\$6.07	\$4.66					\$20.35	\$9.80	\$11.49	\$1.18
	2-wire ISDN COCI (BRITE) - DS1 to DS0 Channel System - per month	**		UNCNX	UC1CA	\$3.10	\$6.07	\$4.66					\$20.35	\$9.80	\$11.49	\$1.18
	Voice Grade COCI - DS1 to DS0 Channel System - per month	**		UNCVX	1D1VG	\$0.91	\$6.07	\$4.66					\$20.35	\$9.80	\$11.49	\$1.18
	MULTIPLEXERS															
	DS3 to DS1 Channel System per month	**		UNC3X	MQ3	\$222.98	\$308.03	\$108.47	\$44.47	\$42.62			\$20.35	\$9.80	\$11.49	\$1.18
	STS1 to DS1 Channel System per month	**		UNCSX	MQ3	\$222.98	\$308.03	\$108.47	\$44.47	\$42.62			\$20.35	\$9.80	\$11.49	\$1.18
	DS3 Interface Unit (DS1 COCI) used with Loop per month	**		UNC1X	UC1D1	\$17.58	\$6.07	\$4.66					\$20.35	\$9.80	\$11.49	\$1.18
	* Rates for these elements, products or services were not ordered by the TRA in Docket No. 97-01262. However, such elements, products or services are necessary for the provision of other elements, products or services for which permanent rates were ordered.															
	** Rates for these elements, products or services are related to a combination(s) ordered by the TRA in Docket No. 97-01262.															

UNBUNDLED NETWORK ELEMENT	Interim or Permanent	Zone	BCS	USOC	RATES				OSS RATES						
					Recurring	Nonrecurring		Nonrecurring Disconnect		Svc Order Submitted Elec per LSR SOME C	Svc Order Submitted Manually per LSR SOMAN	Charge - Manual Svc Order vs. Electronic- SOMAN	Charge - Manual Svc Order vs. Electronic- SOMAN	Charge - Manual Svc Order vs. Electronic- SOMAN	Charge - Manual Svc Order vs. Electronic- SOMAN
						First	Add'l	First	Add'l						
LOOP MODIFICATION															
Unbundled Loop Modification - Load Coil / Equipment Removal per 2 Wire pair - short	I		UAL, UHL, UCL	ULM2L		\$65.40				\$3.50		\$19.99	\$19.99		
Unbundled Loop Modification - Load Coil / Equipment Removal per 2 Wire pair - long	I		UAL, UHL, UCL	ULM2G		\$710.71	\$23.77			\$3.50		\$19.99	\$19.99		
Unbundled Loop Modification - Load Coil / Equipment Removal per 4 Wire pair - short	I		UAL, UHL, UCL	ULM4L		\$65.40				\$3.50		\$19.99	\$19.99		
Unbundled Loop Modification - Load Coil / Equipment Removal per 4 Wire pair - long	I		UAL, UHL, UCL	ULM4G		\$710.71	\$23.77			\$3.50		\$19.99	\$19.99		
Unbundled Loop Modification - Bridged Tap Removal, per pair unloaded	I		UAL, UHL, UCL	ULMBT		\$65.44				\$3.50		\$19.99	\$19.99		
SUB-LOOPS															
Sub-Loop Distribution															
Sub-Loop - Per Building Equipment Room - CLEC Feeder Facility Set-Up	I		UEANL	USBSC		\$313.01						\$20.35	\$10.54	\$13.32	
Sub-Loop - Per Building Equipment Room - Per 25 Pair Panel Set-Up	I		UEANL	USBSD		\$108.06	\$108.06					\$20.35	\$10.54	\$13.32	
Sub-Loop 2-Wire Intrabuilding Network Cable (INC)	I		UEANL	USBR2	\$1.35	\$94.56	\$29.35					\$20.35	\$10.54	\$13.32	
Sub-Loop 4-Wire Intrabuilding Network Cable (INC)	I		UEANL	USBR4	\$2.26	\$116.14	\$37.10					\$20.35	\$10.54	\$13.32	
Unbundled Network Terminating Wire (UNTW)															
Unbundled Network Terminating Wire (UNTW) per Pair	I		UENTW	UENPP	\$0.4555	\$2.48	\$2.48								
LOOP MAKE-UP															
LMU - Preordering Without Reservation, per working facility queried (Manual)	I			UMKLW		\$100.00	\$100.00								
LMU - Preordering Without Reservation, per spare facility queried (Manual)	I			UMKLW		\$100.00	\$100.00								
LMU - Preordering With Reservation, per spare facility queried (Manual)	I			UMKLP		\$100.00	\$100.00								
LMU - Preordering Without Reservation, per working facility queried (Mechanized)	I					\$0.6888	\$0.6888								
LMU - Preordering Without Reservation, per spare facility queried (Mechanized)	I					\$0.6888	\$0.6888								
LMU - Preordering With Reservation, per spare facility queried (Mechanized)	I					\$0.6888	\$0.6888								
Note: Max number of spare facilities per manual LMUSI is 3. Max number of spare facilities per mechanized LMUSI is 10.															
LINE SHARING															
2-Wire Analog VG (SL1) for Line Sharing - UNE Zone 1*	P				\$13.19	\$31.99	\$20.02					\$20.35	\$10.54	\$13.32	
2-Wire Analog VG (SL1) for Line Sharing - UNE Zone 2*	P				\$17.23	\$31.99	\$20.02					\$20.35	\$10.54	\$13.32	
2-Wire Analog VG (SL1) for Line Sharing - UNE Zone 3*	P				\$22.53	\$31.99	\$20.02					\$20.35	\$10.54	\$13.32	
2-Wire Unbundled Copper Loop/Short for Line Sharing- without manual SI and facility res-UNE Zone 1*	I	1			\$13.19	\$31.99	\$20.02					\$20.35	\$10.54	\$13.32	
2-Wire Unbundled Copper Loop/Short for Line Sharing- without manual SI and facility res-UNE Zone 2*	I	2			\$17.23	\$31.99	\$20.02					\$20.35	\$10.54	\$13.32	
2-Wire Unbundled Copper Loop/Short for Line Sharing- without manual SI and facility res-UNE Zone 3*	I	3			\$22.53	\$31.99	\$20.02					\$20.35	\$10.54	\$13.32	
2-Wire Unbundled Copper Loop/Long for Line Sharing- without manual SI and facility res-UNE Zone 1*	I	1			\$13.19	\$31.99	\$20.02					\$20.35	\$10.54	\$13.32	
2-Wire Unbundled Copper Loop/Long for Line Sharing- without manual SI and facility res-UNE Zone 2*	I	2			\$17.23	\$31.99	\$20.02					\$20.35	\$10.54	\$13.32	
2-Wire Unbundled Copper Loop/Long for Line Sharing- without manual SI and facility res-UNE Zone 3*	I	3			\$22.53	\$31.99	\$20.02					\$20.35	\$10.54	\$13.32	
Line Sharing Splitter															
Line Sharing Splitter, per System 96 Line Capacity	I			ULSDA	\$100.00	\$150.00	\$0.00	\$150.00	\$0.00	\$3.50		\$19.99	\$19.99	\$19.99	\$19.99
Line Sharing Splitter, per System 24 Line Capacity	I			ULSDB	\$25.00	\$150.00	\$0.00	\$150.00	\$0.00	\$3.50		\$19.99	\$19.99	\$19.99	\$19.99

BELLSOUTH/EPB TELECOMMUNICATIONS INTERIM RATES
TENNESSEE

Attachment 2
Exhibit C-2
TN Rates - 131

Line Sharing Splitter - per Line Activation **	I		ULSDC	\$0.61	\$40.00	\$21.39		\$3.50		\$19.99	\$19.99	\$19.99	\$19.99
Line Sharing Splitter - per Subsequent Activity per Line Rearrangement	I		ULSDS		\$30.00	\$15.00		\$3.50		\$19.99	\$19.99	\$19.99	\$19.99
Note: Interim rates are subject to retroactive true-up.													
* For all loops offered by BellSouth to provide xDSL services, regardless of the BellSouth product title, the SL1 loop rates shall apply. Recurring and nonrecurring rates for this rate element are 2-Wire analog VG (SL1) permanent rates as ordered in Docket 97-01262. The recurring and nonrecurring rates in TN for 2-Wire analog VG (SL1) for Line Sharing or for 2-Wire Unbundled Copper Loop for Line Sharing is for a stand-alone loop purchased by EPB TELECOMMUNICATIONS to provide both analog voice service and xDSL services or in the event EPB TELECOMMUNICATIONS wishes to continue providing xDSL services to an end-user who terminates its BellSouth-provided voice service. These rates apply when EPB TELECOMMUNICATIONS purchases the splitter from BellSouth.													
** Recurring rate for Line Sharing Splitter per Line Activation is as a result of a regional settlement for that rate element.													

Attachment 3
Network Interconnection

TABLE OF CONTENTS

1. Network Interconnection..... 3

2. Interconnection Trunk Group Architectures 5

3. Network Design And Management For Interconnection 13

4. Local Dialing Parity..... 16

5. Interconnection Compensation 17

6. Frame Relay Service Interconnection 24

7. Operational Support Systems (OSS) 27

Rates..... Exhibit A

Basic Architecture Exhibit B

One Way Architecture Exhibit C

Two Way Architecture Exhibit D

Supergroup Architecture Exhibit E

The Parties shall provide interconnection with each other's networks for the transmission and routing of telephone exchange service (local) and exchange access (intraLATA toll and switched access) on the following terms:

1. **Network Interconnection**

All negotiated rates, terms and conditions set forth in this Attachment pertain only to the provision of network interconnection where EPB Telecommunications owns and provides its switch(es).

1.1 Network Interconnection for Call Transport and Termination may be provided by the Parties at any technically feasible point. Requests to BellSouth for interconnection at points other than as set forth in this Attachment may be made through the Bona Fide Request/New Business Request process set out in General Terms and Conditions.

1.1.1 An Interconnection Point (IP) is the physical telecommunications equipment interface that performs the interconnection function for BellSouth and EPB Telecommunications. Each Party is responsible for providing the network on its side of the IP. Furthermore, the IP must be located within the LATA in which Local Traffic is originating. The IP determines the point at which the originating Party shall pay the terminating Party for the Call Transport and Termination of that traffic.

1.1.1.1 Pursuant to the provisions of this Attachment, the location of the Interconnection Point shall be established by mutual agreement of the Parties. In selecting the Interconnection Point, both Parties will act in good faith and select the point which is most efficient for both Parties. Each Party shall be responsible for engineering and maintaining the network on its side of the Interconnection Point. Additional Interconnection Points in a particular LATA may be established by mutual agreement of the Parties. If the Parties are unable to agree to a mutual Interconnection Point, each Party will designate the Interconnection Point for its originated traffic. When the Parties mutually agree to utilize two-way interconnection trunk groups for the exchange of local and intraLATA toll traffic between each other, the Parties shall mutually agree to the location of Interconnection Point(s).

1.2 **Interconnection via Dedicated Transport Facilities**

1.2.1 As part of Local Interconnection Call Transport and Termination Service, the originating Party may obtain Local Channel facilities (i.e., entrance facilities) from the terminating Party from the originating Party's specified Interconnection Point

to its Serving Wire Center. The portion of Local Channel facilities utilized for Local Traffic shall be determined based upon the application of the Percent Local Facility (PLF) Factor as defined in this Attachment. Additionally, the charges applied to the portion of the Local Channel used for Local Traffic as determined by the PLF are as set forth in Exhibit A to this Attachment. This factor shall be reported in addition to the switched dedicated transport jurisdictional factors specified in the BellSouth intrastate and interstate switched access tariffs.

- 1.2.2 Additionally, either Party may obtain Dedicated Interoffice Transport facilities from its designated Serving Wire Center to the other Party's first point of switching. The portion of Dedicated Interoffice Transport facilities utilized for Local Traffic shall be determined based upon the application of the Percent Local Facility (PLF) Factor as defined in this Attachment. Additionally, the charges applied to the portion of the Dedicated Interoffice Transport used for Local Traffic as determined by the PLF are as set forth in Exhibit A to this Attachment. This factor shall be reported in addition to the switched dedicated transport jurisdictional factors specified in the BellSouth intrastate and interstate switched access tariffs.
- 1.2.3 For the purposes of this Attachment, **Local Channel** (i.e., entrance facility) is defined as a switch transport facility between a Party's Interconnection Point and its Serving Wire Center.
- 1.2.4 For the purposes of this Attachment, **Serving Wire Center** is defined as the wire center owned by one Party from which the other Party would normally obtain dial tone for its Interconnection Point.
- 1.2.5 For the purposes of this Attachment, **Dedicated Interoffice Transport** is defined as a switch transport facility between a Party's Serving Wire Center and the first point of switching on the other Party's common (shared) network.
- 1.3 **Fiber Meet**
- 1.3.1 **Fiber Meet** is an interconnection arrangement whereby the Parties physically interconnect their networks via an optical fiber interface (as opposed to an electrical interface) at which one Party's facilities, provisioning, and maintenance responsibility begins and the other Party's responsibility ends (i.e. Interconnection Point).
- 1.3.2 If EPB Telecommunications elects to interconnect with BellSouth pursuant to a Fiber Meet, EPB Telecommunications and BellSouth shall jointly engineer and operate a Synchronous Optical Network ("SONET") transmission system by which they shall interconnect their transmission and routing of Local Traffic via a Local Channel facility at either the DS0, DS1, or DS3 level. The Parties shall work jointly to determine the specific transmission system. However, EPB Telecommunications' SONET transmission must be compatible with BellSouth's

equipment in the BellSouth Interconnection Wire Center (BIWC). The same vendor's equipment and software version must be used, and the Data Communications Channel (DCC) must be turned off.

- 1.3.3 BellSouth shall, wholly at its own expense, procure, install and maintain the agreed upon SONET equipment in the BIWC.
- 1.3.4 EPB Telecommunications shall, wholly at its own expense, procure, install and maintain the agreed upon SONET equipment in the EPB Telecommunications Interconnection Wire Center ("EPB Telecommunications Wire Center").
- 1.3.5 BellSouth shall designate an Interconnection Point outside the BIWC as a Fiber Meet point, and shall make all necessary preparations to receive, and to allow and enable EPB Telecommunications to deliver, fiber optic facilities into the Interconnection Point with sufficient spare length to reach the fusion splice point at the Interconnection Point. BellSouth shall, wholly at its own expense, procure, install, and maintain the fusion splicing point in the Interconnection Point. A Common Language Location Identification ("CLLI") code will be established for each Interconnection Point. The code established must be a building type code. All orders shall originate from the Interconnection Point (i.e., Interconnection Point to EPB Telecommunications, Interconnection Point to BellSouth).
- 1.3.6 EPB Telecommunications shall deliver and maintain such strands wholly at its own expense. Upon verbal request by EPB Telecommunications, BellSouth shall allow EPB Telecommunications access to the Fiber Meet entry point for maintenance purposes as promptly as possible.
- 1.3.7 The Parties shall jointly coordinate and undertake maintenance of the SONET transmission system. Each Party shall be responsible for maintaining the components of their own SONET transmission system.
- 1.3.8 Each Party will be responsible for (i) providing its own transport facilities to the Fiber Meet, and (ii) the cost to build-out its facilities to such Fiber Meet.
- 1.3.9 Neither Party shall charge the other for its portion of the Fiber Meet facility used exclusively for non-transit Local Traffic (i.e. the Local Channel). Charges incurred for other services including dedicated transport facilities will apply. Charges for Switched and Special Access Services shall be billed in accordance with the applicable Access Service tariff (i.e. the BellSouth Interstate or Intrastate Access Services Tariff).

2. Interconnection Trunk Group Architectures

- 2.1 BellSouth and EPB Telecommunications shall establish interconnecting trunk groups and trunk group configurations between networks including the establishment of one-way or two-way trunks in accordance with the following provisions set forth in this Agreement. For trunking purposes, traffic will be

routed based on the digits dialed by the originating end user and in accordance with the Local Exchange Routing Guide (LERG).

- 2.2 EPB Telecommunications shall establish an interconnection trunk group(s) to at least one BellSouth access tandem within the LATA for the delivery of EPB Telecommunications' originated local and intraLATA toll traffic and for the receipt and delivery of Transit Traffic. To the extent EPB Telecommunications desires to terminate local and intraLATA toll traffic to BellSouth and Transit Traffic to third parties subtending other BellSouth access tandems within the LATA, other than the one EPB Telecommunications has established interconnection trunk groups to, EPB Telecommunications shall order Multiple Tandem Access, as described in this Attachment, to such other BellSouth access tandems or order interconnection trunk groups to such other BellSouth access tandems.
- 2.2.1 Notwithstanding the forgoing, EPB Telecommunications shall establish an interconnection trunk group(s) to all BellSouth access and local tandems in the LATA where EPB Telecommunications has homed (i.e. assigned) its NPA/NXXs. EPB Telecommunications shall home its NPA/NXXs on the BellSouth tandems that serve the Exchange Rate Center Areas to which the NPA/NXXs are assigned. The specified association between BellSouth tandems and Exchange Rate Centers is defined in the national Local Exchange Routing Guide (LERG). EPB Telecommunications shall enter its NPA/NXX access and/or local tandem homing arrangement into the LERG.
- 2.3 Switched Access traffic will be delivered to and by Interexchange Carriers (IXCs) based on EPB Telecommunications' NXX Access Tandem homing arrangement as specified by EPB Telecommunications in the LERG.
- 2.4 Any EPB Telecommunications interconnection request that deviates from the interconnection trunk group architectures as described in this Agreement that affects traffic delivered to EPB Telecommunications from a BellSouth switch that requires special BellSouth switch translations and other network modifications will require EPB Telecommunications to submit a Bona Fide Request/New Business Request (BFR/NBR) via the BFR/NBR Process set forth in General Terms and Conditions.
- 2.5 Charges, both non-recurring and recurring, associated with interconnecting trunk groups between BellSouth and EPB Telecommunications are set forth in Exhibit A. To the extent a rate associated with the interconnecting trunk group is not set forth in Exhibit A, the interim rate shall be as set forth in the appropriate BellSouth tariff for Switched Access services. Once a cost based rate is established by BellSouth, the interim tariff rate shall be trued up and the cost based rate will be applied retroactively to the effective date of this agreement.
- 2.6 For two-way trunk groups that carry both Parties' local and IntraLATA Toll traffic only, excluding trunk groups that carry Transit Traffic, the Parties shall be

compensated for the nonrecurring and recurring charges for dedicated transport trunks and facilities at 50% of the applicable contractual or tariff rates for the services provided by each Party. EPB Telecommunications shall be responsible for ordering and paying for any two-way trunks carrying Transit Traffic.

- 2.7 All trunk groups will be provisioned as Signaling System 7 (SS7) capable where technically feasible. If SS7 is not technically feasible multi-frequency (MF) protocol signaling shall be used.
- 2.8 In cases where EPB Telecommunications is also an IXC, the IXC's Feature Group D (FG D) trunk group(s) must remain separate from the local interconnection trunk group(s).
- 2.9 Unless in response to a blocking situation or for a project, when either Party orders interconnection trunk group augmentations, a Firm Order Confirmation (FOC) shall be returned to the ordering Party within four (4) business days from receipt of a valid, error free ASR. A project is defined as a new trunk group or the request of 96 or more trunks on a single or multiple trunk group(s) in a given local calling area. Blocking situations and projects shall be managed through the BellSouth Interconnection Trunking Project Management group and EPB Telecommunications' equivalent trunking group.
- 2.10 **Interconnection Trunk Groups for Exchange of Local, IntraLATA Toll and Transit Traffic**
- 2.10.1 If the Parties' originated local and/or intraLATA toll traffic is utilizing the same two-way trunk group, the Parties shall mutually agree to use this type of two-way interconnection trunk group with the quantity of trunks being mutually determined and the provisioning being jointly coordinated. Furthermore, the Interconnection Point(s) for two-way interconnection trunk groups transporting both Parties local and/or intraLATA toll shall be mutually agreed upon. EPB Telecommunications shall order such two-way trunks via the Access Service Request (ASR) process in place for Local Interconnection upon determination by the Parties, in a joint planning meeting, that such trunk groups shall be utilized. BellSouth will use the Trunk Group Service Request (TGSR) to request changes in trunking. Both Parties reserve the right to issue ASRs, if so required, in the normal course of business. Furthermore, the Parties shall jointly review such trunk performance and forecasts on a periodic basis. The Parties use of two-way interconnection trunk groups for the transport of local and/or intraLATA toll traffic between the Parties does not preclude either Party from establishing additional one-way interconnection trunks for the delivery of its originated local and/or intraLATA toll traffic to the other Party.
- 2.10.2 **BellSouth Access Tandem Interconnection Architectures**

BellSouth Access Tandem Interconnection provides intratandem access to subtending end offices. BellSouth Multiple Tandem Access (MTA), described later in this Agreement, may be ordered using any of the following access tandem architectures.

2.10.2.1 **Basic Architecture**

2.10.2.1.1 In this architecture, EPB Telecommunications' originating Local and IntraLATA Toll and originating and terminating Transit Traffic is transported on a single two-way trunk group between EPB Telecommunications and BellSouth access tandem(s) within a LATA. This group carries intratandem Transit Traffic between EPB Telecommunications and Independent Companies, Interexchange Carriers, other CLECs and other network providers with which EPB Telecommunications desires interconnection and has the proper contractual arrangements. This group also carries EPB Telecommunications originated intertandem traffic transiting a single BellSouth access tandem destined to third party tandems such as an Independent Company tandem or other CLEC tandem. BellSouth originated Local and IntraLATA Toll traffic is transported on a single one-way trunk group terminating to EPB Telecommunications. Other trunk groups for operator services, directory assistance, emergency services and intercept may be established if required. The LERG should be referenced for current routing and tandem serving arrangements. The Basic Architecture is illustrated in Exhibit B.

2.10.2.2 **One-Way Trunk Group Architecture**

2.10.2.2.1 In this architecture, the Parties interconnect using two one-way trunk groups. One one-way trunk group carries EPB Telecommunications-originated local and intraLATA toll traffic destined for BellSouth end-users. The other one-way trunk group carries BellSouth-originated local and intraLATA toll traffic destined for EPB Telecommunications end-users. A third two-way trunk group is established for EPB Telecommunications' originating and terminating Transit Traffic. This group carries intratandem Transit Traffic between EPB Telecommunications and Independent Companies, Interexchange Carriers, other CLECs and other network providers with which EPB Telecommunications desires interconnection and has the proper contractual arrangements. This group also carries EPB Telecommunications originated intertandem traffic transiting a single BellSouth access tandem destined to third party tandems such as an Independent Company tandem or other CLEC tandem. Other trunk groups for operator services, directory assistance, emergency services and intercept may be established if required. The LERG should be referenced for current routing and tandem serving arrangements. The One-Way Trunk Group Architecture is illustrated in Exhibit C.

2.10.2.3 **Two-Way Trunk Group Architecture**

2.10.2.3.1 The Two-Way Trunk Group Architecture establishes one two-way trunk group to carry local and intraLATA toll traffic between EPB Telecommunications and

BellSouth. In addition, a two-way transit trunk group must be established for EPB Telecommunications' originating and terminating Transit Traffic. This group carries intratandem Transit Traffic between EPB Telecommunications and Independent Companies, Interexchange Carriers, other CLECs and other network providers with which EPB Telecommunications desires interconnection and has the proper contractual arrangements. This group also carries EPB Telecommunications originated intertandem traffic transiting a single BellSouth access tandem destined to third party tandems such as an Independent Company tandem or other CLEC tandem. Other trunk groups for operator services, directory assistance, emergency services and intercept may be established if required. The LERG should be referenced for current routing and tandem serving arrangements. The Two-Way Trunk Group Architecture is illustrated in Exhibit D.

2.10.2.4 **Supergroup Architecture**

2.10.2.4.1 In the Supergroup Architecture, the Parties' Local and IntraLATA Toll and EPB Telecommunications' Transit Traffic are exchanged on a single two-way trunk group between EPB Telecommunications and BellSouth. This group carries intratandem Transit Traffic between EPB Telecommunications and Independent Companies, Interexchange Carriers, other CLECs and other network providers with which EPB Telecommunications desires interconnection and has the proper contractual arrangements. This group also carries EPB Telecommunications originated intertandem traffic transiting a single BellSouth access tandem destined to third party tandems such as an Independent Company tandem or other CLEC tandem. Other trunk groups for operator services, directory assistance, emergency services and intercept may be established if required. The LERG should be referenced for current routing and tandem serving arrangements. The Supergroup Architecture is illustrated in Exhibit E.

2.10.3 **Multiple Access Tandem Service**

2.10.3.1 BellSouth **Multiple Tandem Access (MTA)** provides for LATA wide BellSouth transport and termination of EPB Telecommunications-originated intraLATA toll and Local Traffic, that is transported by BellSouth, by establishing an interconnection trunk group(s) at a BellSouth access tandem with routing through multiple BellSouth access tandems as required. However, EPB Telecommunications must still establish an interconnection trunk group(s) at all BellSouth access tandems where EPB Telecommunications NXXs are "homed". If EPB Telecommunications does not have NXXs homed at a BellSouth access tandem within a LATA and elects not to establish an interconnection trunk group(s) at such BellSouth access tandem, EPB Telecommunications can order MTA in each BellSouth access tandem within the LATA where it does have an interconnection trunk group(s) and BellSouth will terminate traffic to end-users served through those BellSouth access tandems where EPB Telecommunications does not have an interconnection trunk group(s). MTA shall be provisioned in accordance with BellSouth's Ordering Guidelines.

- 2.10.3.2 MTA does not include switched access traffic that transits the BellSouth network to an Interexchange Carrier (IXC). Switched Access traffic will be delivered to and by IXCs based on EPB Telecommunications' NXX Access Tandem homing arrangement as specified by EPB Telecommunications in the LERG.
- 2.10.3.3 For EPB Telecommunications-originated local and intraLATA toll traffic that BellSouth transports but is destined for termination by a third Party network (Transit Traffic), BellSouth MTA is required if multiple BellSouth access tandems are necessary to deliver the call to the third Party network.
- 2.10.3.4 The Parties agree that compensation for the BellSouth transport and/or termination of EPB Telecommunications' Local Traffic and intraLATA toll traffic will be billed on a statewide basis at the applicable rates specified in Exhibit A to this Attachment for Local Traffic and at the BellSouth intrastate switched access tariff rates for intraLATA toll traffic.
- 2.10.3.5 To the extent EPB Telecommunications does not purchase MTA in a calling area that has multiple access tandems serving the calling area as defined by BellSouth, EPB Telecommunications must establish an interconnection trunk group(s) to every access tandem in the calling area in order to serve the entire calling area. To the extent EPB Telecommunications does not purchase MTA and provides intraLATA toll service to its customers, it may be necessary for it to establish an interconnection trunk group(s) to additional BellSouth access tandems that serve end offices outside the local calling area. To the extent EPB Telecommunications routes its traffic in such a way that utilizes BellSouth's MTA service without properly ordering MTA service, EPB Telecommunications agrees to pay BellSouth the associated transport and termination charges.
- 2.10.4 **Local Tandem Interconnection**
- 2.10.4.1 Local Tandem Interconnection arrangement allows EPB Telecommunications to establish an interconnection trunk group(s) at BellSouth local tandems for: (1) the delivery of EPB Telecommunications-originated Local Traffic transported and terminated by BellSouth to BellSouth end offices within the local calling area as defined in BellSouth's General Subscriber Services Tariff (GSST), section A3 served by those BellSouth local tandems, and (2) for local Transit Traffic transported by BellSouth for third party network providers who have also established an interconnection trunk group(s) at those BellSouth local tandems.
- 2.10.4.2 When a specified local calling area is served by more than one BellSouth local tandem, EPB Telecommunications must designate a "home" local tandem for each of its assigned NPA/NXXs and establish trunk connections to such local tandems. Additionally, EPB Telecommunications may choose to establish an interconnection trunk group(s) at the BellSouth local tandems where it has no codes homing but is not required to do so. EPB Telecommunications may deliver Local Traffic to a "home" BellSouth local tandem that is destined for other BellSouth or third party

network provider end offices subtending other BellSouth local tandems in the same local calling area where EPB Telecommunications does not choose to establish an interconnection trunk group(s). It is EPB Telecommunications' responsibility to enter its own NPA/NXX local tandem homing arrangements into the LERG either directly or via a vendor in order for other third party network providers to determine appropriate traffic routing to EPB Telecommunications' codes. Likewise, EPB Telecommunications shall obtain its routing information from the LERG.

- 2.10.4.3 Notwithstanding establishing an interconnection trunk group(s) to BellSouth's local tandems, EPB Telecommunications must also establish an interconnection trunk group(s) to BellSouth access tandems within the LATA on which EPB Telecommunications has NPA/NXXs homed for the delivery of Interexchange Carrier Switched Access (SWA) and toll traffic, and traffic to Type 2A CMRS connections located at the access tandems. BellSouth shall not switch SWA traffic through more than one BellSouth access tandem. SWA, Type 2A CMRS or toll traffic routed to the local tandem in error will not be backhauled to the BellSouth access tandem for completion. (Type 2A CMRS interconnection is defined in BellSouth's A35 General Subscriber Services Tariff).
- 2.10.4.4 BellSouth's provisioning of local tandem interconnection assumes that EPB Telecommunications has executed the necessary local interconnection agreements with the other third party network providers subtending those local tandems as required by the Act.
- 2.10.5 **Direct End Office-to-End Office Interconnection**
- 2.10.5.1 Direct End Office-to-End Office one-way or two-way interconnection trunk groups allow for the delivery of a Party's originating local or intraLATA toll traffic to the terminating Party on a direct end office-to-end office basis.
- 2.10.5.2 The Parties shall utilize direct end office-to-end office trunk groups under the following conditions:
- 2.10.5.2.1 Tandem Exhaust - If a tandem through which the Parties are interconnected is unable to, or is forecasted to be unable to support additional traffic loads for any period of time, the Parties will mutually agree on an end office trunking plan that will alleviate the tandem capacity shortage and ensure completion of traffic between EPB Telecommunications and BellSouth's subscribers.
- 2.10.5.2.2 Traffic Volume –To the extent either Party has the capability to measure the amount of traffic between a EPB Telecommunications switching center and a BellSouth end office, either Party shall install and retain direct end office trunking sufficient to handle actual or reasonably forecasted traffic volumes, whichever is greater, between a EPB Telecommunications switching center and a BellSouth end office where the traffic exceeds or is forecasted to exceed a single DS1 of traffic

per month. Either Party will install additional capacity between such points when overflow traffic between EPB Telecommunications' switching center and BellSouth's end office exceeds or is forecasted to exceed a single DS1 of traffic per month. In the case of one way trunking, additional trunking shall only be required by the Party whose trunking has achieved the preceding usage threshold.

- 2.10.5.2.3 Mutual Agreement - The Parties may install direct end office trunking upon mutual agreement in the absence of conditions (1) or (2) above, and agreement will not unreasonably be withheld.

2.10.6 Transit Traffic Trunk Group

- 2.10.6.1 Transit Traffic trunks can either be two-way trunks or two one-way trunks ordered by EPB Telecommunications to deliver and receive local and intraLATA toll Transit Traffic from third parties, such as Independent Companies and other CLECs, via BellSouth access tandems (or BellSouth local tandems for Local Traffic), and Switched Access traffic to and from Interexchange Carriers via BellSouth access tandems pursuant to the Transit Traffic section of this Attachment. Establishing Transit Traffic trunks at BellSouth access and local tandems provides intratandem access to the third parties also interconnected at those tandems.

2.10.6.2 Toll Free Traffic

- 2.10.6.2.1 If EPB Telecommunications chooses BellSouth to handle Toll Free database queries from its switches, all EPB Telecommunications originating Toll Free traffic will be routed over the Transit Traffic Trunk Group.

- 2.10.6.2.2 All originating Toll Free Service (Toll Free) calls for which EPB Telecommunications requests that BellSouth perform the Service Switching Point ("SSP") function (i.e., perform the database query) shall be delivered using GR-394 format over the Transit Traffic Trunk Group. Carrier Code "0110" and Circuit Code (to be determined for each LATA) shall be used for all such calls.

- 2.10.6.2.3 EPB Telecommunications may handle its own Toll Free database queries from its switch. If so, EPB Telecommunications will determine the nature (local/intraLATA/interLATA) of the Toll Free call based on the response from the database. If the query determines that the call is a BellSouth local or intraLATA Toll Free number, EPB Telecommunications will route the post-query local or IntraLATA converted ten-digit local number to BellSouth over the local or intraLATA trunk group. If the query determines that the call is a third party (ICO or other CLEC) local or intraLATA Toll Free number, EPB Telecommunications will route the post-query local or intraLATA converted ten-digit local number to BellSouth over the Transit Traffic Trunk Group. In such case, EPB Telecommunications is to provide a Toll Free billing record when appropriate. If the query reveals the call is an interLATA Toll Free number, EPB

Telecommunications will route the post-query interLATA call (Toll Free number) directly from its switch for carriers interconnected with its network or over the Transit Traffic Trunk Group to carriers not directly connected to its network but are connected to BellSouth's access tandem. Calls will be routed to BellSouth over the local/intraLATA and Transit Traffic Trunk Groups within the LATA in which the calls originate.

- 2.10.6.2.4 All post-query Toll Free Service (Toll Free) calls for which EPB Telecommunications performs the SSP function, if delivered to BellSouth, shall be delivered using GR-394 format for calls destined to IXCs, and GR-317 format for calls destined to end offices that directly subtend the BellSouth access tandem.

3. Network Design And Management For Interconnection

- 3.1 Network Management and Changes. Both Parties will work cooperatively with each other to install and maintain the most effective and reliable interconnected telecommunications networks, including but not limited to, the exchange of toll-free maintenance contact numbers and escalation procedures. Both Parties agree to provide public notice of changes in the information necessary for the transmission and routing of services using its local exchange facilities or networks, as well as of any other changes that would affect the interoperability of those facilities and networks.
- 3.2 Interconnection Technical Standards. The interconnection of all networks will be based upon accepted industry/national guidelines for transmission standards and traffic blocking criteria. Interconnecting facilities shall conform, at a minimum, to the telecommunications industry standard of DS-1 pursuant to Bellcore Standard No. TR-NWT-00499. Signal transfer point, Signaling System 7 ("SS7") connectivity is required at each interconnection point. BellSouth will provide out-of-band signaling using Common Channel Signaling Access Capability where technically and economically feasible, in accordance with the technical specifications set forth in the BellSouth Guidelines to Technical Publication, TR-TSV-000905. Facilities of each Party shall provide the necessary on-hook, off-hook answer and disconnect supervision and shall hand off calling number ID (Calling Party Number) when technically feasible.
- 3.3 Quality of Interconnection. The local interconnection for the transmission and routing of telephone exchange service and exchange access that each Party provides to each other will be at least equal in quality to what it provides to itself and any subsidiary or affiliate, where technically feasible, or to any other Party to which each Party provides local interconnection.
- 3.4 Network Management Controls. Both Parties will work cooperatively with each other to apply sound network management principles by invoking appropriate network management controls (e.g., call gapping) to alleviate or prevent network congestion.

- 3.5 Common Channel Signaling. Both Parties will provide LEC-to-LEC Common Channel Signaling (“CCS”) to each other, where available, in conjunction with all traffic in order to enable full interoperability of CLASS features and functions except for call return. All CCS signaling parameters will be provided, including automatic number identification (“ANI”), originating line information (“OLI”) calling company category, charge number, etc. All privacy indicators will be honored, and each Party will cooperate with each other on the exchange of Transactional Capabilities Application Part (“TCAP”) messages to facilitate full interoperability of CCS-based features between the respective networks. Neither Party shall alter the CCS parameters, or be a party to altering such parameters, or knowingly pass CCS parameters that have been altered in order to circumvent appropriate interconnection charges.
- 3.6 Signaling Call Information. BellSouth and EPB Telecommunications will send and receive 10 digits for Local Traffic. Additionally, BellSouth and EPB Telecommunications will exchange the proper call information, i.e. originated call company number and destination call company number, CIC, and OZZ, including all proper translations for routing between networks and any information necessary for billing.
- 3.7 **Forecasting for Trunk Provisioning**
- 3.7.1 Within six (6) months after execution of this agreement, EPB Telecommunications shall provide an initial interconnection trunk group forecast for each LATA that it shall provide service within BellSouth’s region. Upon receipt of EPB Telecommunications’ forecast, the Parties shall schedule and participate in a joint planning meeting to develop a joint interconnection trunk group forecast. Each forecast provided under this Section shall be deemed “Confidential Information” under the General Terms and Conditions of this Agreement.
- 3.7.1.1 At a minimum, the forecast shall include the projected quantity of Transit Trunks, EPB Telecommunications-to-BellSouth one-way trunks (“EPB Telecommunications Trunks”), BellSouth-to-EPB Telecommunications one-way trunks (“Reciprocal Trunks”) and/or two-way interconnection trunks, if the Parties have agreed to interconnect using two-way trunking to transport the Parties’ local and intraLATA toll. The quantities shall be projected for a minimum of six months in advance and shall include the current year plus next two years total forecasted quantities. Considering EPB Telecommunications’ provided forecast, the Parties shall mutually develop Reciprocal Trunk and/or two-way interconnection trunk forecast quantities for the time periods listed and to be included within the initial forecast.
- 3.7.1.2 Additionally all forecasts shall include, at a minimum, Access Carrier Terminal Location (“ACTL”), trunk group type (local/intraLATA toll, Transit, Operator Services, 911, etc.), A location/Z location (CLLI codes for EPB Telecommunications location and BellSouth location where the trunks shall

terminate), interface type (e.g., DS1), Direction of Signaling, Trunk Group Number, if known, (commonly referred to as the 2-6 code) and forecasted trunks in service each year (cumulative).

- 3.7.2 Each Party shall exercise its best efforts to provide the quantity of interconnection trunks mutually forecasted. However, the provision of the forecasted quantity of interconnection trunks is subject to trunk terminations and facility capacity existing at the time the trunk order is submitted. Furthermore, the receipt and development of trunk forecasts does not imply any liability for failure to perform if capacity (trunk terminations or facilities) is not available for use at the forecasted time.
- 3.7.3 The submitting and development of interconnection trunk forecasts shall not replace the ordering process in place for local interconnection trunks.
- 3.7.4 Once initial interconnection trunk forecasts have been developed, EPB Telecommunications shall continue to provide interconnection trunk forecasts on a semiannual basis or at otherwise mutually agreeable intervals. EPB Telecommunications shall use its best efforts to make the forecasts as accurate as possible based on reasonable engineering criteria. Interconnection trunk forecasts shall be updated and provided to BellSouth on an as needed basis, but no less frequently than semiannually and no more frequently than monthly. Upon receipt of EPB Telecommunications' forecast, including forecast updates, the Parties shall confer to mutually develop BellSouth Reciprocal Trunk and/or two-way interconnection trunk forecasted quantities for the listed time periods within such subsequent forecasts.

3.8 **Trunk Utilization**

- 3.8.1 BellSouth and EPB Telecommunications shall monitor traffic on each interconnection trunk group that is installed pursuant to the initial interconnection trunk requirements and subsequent forecasts. At any time after the end of a calendar quarter, based on a review of the capacity utilization during such quarter for installed Reciprocal Trunk groups and/or two-way interconnection trunk groups, subject to the provision of the section following, after fifteen (15) business days advance written notice to EPB Telecommunications, BellSouth may disconnect any Non-utilized Reciprocal Trunk(s) and EPB Telecommunications shall refund to BellSouth any associated trunk and facility charges paid by BellSouth. In addition, BellSouth may request EPB Telecommunications to disconnect any Non-utilized two-way interconnection trunk(s), if BellSouth has determined that the trunk group is not being utilized at eighty-five percent (85%) of the time consistent busy hour utilization level, provided that the Parties have not otherwise agreed. EPB Telecommunications shall comply with such request, subject to Section 3.8.1.1 below. Non-utilized trunks are defined as the trunks not being utilized as a result of a time consistent busy hour utilization of less than 85%.

- 3.8.1.1 Within ten (10) business days following the notice prescribed in the section above, EPB Telecommunications may request that BellSouth not disconnect or not request disconnection for some or all of the Non-utilized Trunks, in which event BellSouth shall keep the trunks in service and may invoice EPB Telecommunications for, and EPB Telecommunications shall pay, all applicable recurring and nonrecurring trunk and facility access tariff charges for the Non-utilized Trunks. The charges shall be applied retroactive to the date on which such trunks were installed and to continue until such trunks are disconnected, or to the extent EPB Telecommunications requests that such trunks remain in service, until the trunk group reaches an eighty-five percent (85%) time-consistent busy hour utilization level. In addition, EPB Telecommunications shall reimburse BellSouth for any nonrecurring and/or recurring charges BellSouth may have paid to EPB Telecommunications for the Non-utilized Trunks and for any trunk installation expense BellSouth incurred. This expense shall equal the nonrecurring installation charge for trunks in BellSouth's intrastate tariff. Furthermore, the EPB Telecommunications forecasts for each subsequent forecast period shall be automatically reduced by the number of Reciprocal Trunks and/or two-way interconnection trunks that have been determined to be subject to disconnection pursuant to the foregoing procedures.
- 3.8.2 To the extent EPB Telecommunications requests BellSouth and BellSouth agrees to install additional Reciprocal and/or two-way interconnection trunks in any forecast period following the initial forecasting period that are not included in the forecast for that period (as such forecast may be revised from time to time), such trunks may be provisioned by BellSouth subject to the conditions set forth in the preceding sections above, and all applicable recurring and nonrecurring charges for such trunks shall be billed to and paid by EPB Telecommunications until such trunk groups reach an eighty-five percent (85%) time-consistent busy hour utilization level.
- 3.8.3 To the extent that any interconnection trunk group is utilized at a time-consistent busy hour of ninety percent (90%) or greater, the Parties shall negotiate in good faith for the installation of augmented facilities.

4. Local Dialing Parity

- 4.1 BellSouth and EPB Telecommunications shall provide local and toll dialing parity to each other with no unreasonable dialing delays. Dialing parity shall be provided for all originating telecommunications services that require dialing to route a call. BellSouth and EPB Telecommunications shall permit similarly situated telephone exchange service end users to dial the same number of digits to make a local telephone call notwithstanding the identity of the end user's or the called party's telecommunications service provider.

5. Interconnection Compensation

5.1 Compensation for Call Transportation and Termination for Local Traffic

5.1.1 For reciprocal compensation between the Parties pursuant to this Attachment, Local Traffic is defined as any circuit switched call that is originated by an end user of one Party and terminated to an end user of the other Party within a given LATA on that other Party's network, except for those calls that are originated or terminated through switched access arrangements as established by the ruling regulatory body.

5.1.1.1 Additionally, Local Traffic includes any cross boundary, voice-to-voice intrastate, interLATA or interstate, interLATA calls between specific wire centers established as a local call by the ruling regulatory body.

5.1.1.2 As clarification of this definition and for reciprocal transport and termination compensation, Local Traffic does not include traffic that originates from or is directed to or through an enhanced service provider or information service provider.

5.1.1.3 As further clarification, Local Traffic does not include calls that do not transmit information of the user's choosing. In any event, neither Party shall pay reciprocal compensation to the other if the "traffic" to which such reciprocal compensation would otherwise apply was generated, in whole or in part, for the purpose of creating an obligation on the part of the originating carrier to pay reciprocal compensation for such traffic.

5.1.2 The Parties shall provide for the mutual and reciprocal recovery of the costs for the elemental functions performed in transporting and terminating Local Traffic on each other's network. The Parties agree that charges for transport and termination of calls on its respective networks are as set forth in Exhibit A to this Attachment.

5.1.3 For the purposes of this Attachment, **Common (Shared) Transport** is defined as the transport of the originating Party's traffic by the terminating Party over the terminating Party's common (shared) facilities between the terminating Party's tandem switch and end office switch and/or between the terminating Party's tandem switches.

5.1.4 For the purposes of this Attachment, **Tandem Switching** is defined as the function that establishes a communications path between two switching offices through a third switching office (the Tandem switch).

- 5.1.5 For the purposes of this Attachment, **End Office Switching** is defined as the function that establishes a communications path between the trunk side and line side of the End Office switch.
- 5.1.6 If EPB Telecommunications utilizes a switch outside the LATA and BellSouth chooses to purchase dedicated or common (shared) transport from EPB Telecommunications for transport and termination of BellSouth originated traffic, BellSouth will pay EPB Telecommunications no more than the airline miles between the V & H coordinates of the Interconnection Point within the LATA where EPB Telecommunications receives the BellSouth-originated traffic and the V & H coordinates of the BellSouth Exchange Rate Center Area that the EPB Telecommunications terminating NPA/NXX is associated in the same LATA. For these situations, BellSouth will compensate EPB Telecommunications at either dedicated or common (shared) transport rates specified in Exhibit A and based upon the functions provided by EPB Telecommunications as defined in this Attachment.
- 5.1.7 Neither Party shall represent Switched Access Traffic as Local Traffic for purposes of payment of reciprocal compensation.
- 5.1.8 Pursuant to the definition of Local Traffic in this Attachment, and for the purpose of delivery of BellSouth originating traffic to EPB Telecommunications, BellSouth shall pay to EPB Telecommunications reciprocal compensation for Local Traffic delivered to EPB Telecommunications end users physically located within the LATA in which the call originated and within which the EPB Telecommunications end user's NPA/NXX is assigned. If EPB Telecommunications assigns NPA/NXXs to specific BellSouth rate centers within the LATA and assigns numbers from those NPA/NXXs to EPB Telecommunications end users physically located outside of that LATA, BellSouth traffic originating from within the LATA where the NPA/NXXs are assigned and delivered to a EPB Telecommunications customer physically located outside of such LATA, shall not be deemed Local Traffic, and no compensation from BellSouth to EPB Telecommunications shall be due therefor. Further, EPB Telecommunications agrees to identify such interLATA traffic to BellSouth and to compensate BellSouth for originating and transporting such interLATA traffic to EPB Telecommunications at BellSouth's switched access tariff rates.
- 5.1.9 If EPB Telecommunications does not identify such interLATA traffic to BellSouth, to the best of BellSouth's ability BellSouth will determine which whole EPB Telecommunications NPA/NXXs on which to charge the applicable rates for originating network access service as reflected in BellSouth's Access Service Tariff. BellSouth shall make appropriate billing adjustments if EPB Telecommunications can provide sufficient information for BellSouth to determine whether or not said traffic is Local Traffic.

- 5.2 **Percent Local Use.** Each Party shall report to the other a Percent Local Usage (“PLU”). The application of the PLU will determine the amount of local minutes to be billed to the other Party. For purposes of developing the PLU, each Party shall consider every local call and every long distance call, excluding Transit Traffic. Each Party shall update its PLU on the first of January, April, July and October of the year and shall send it to the other Party to be received no later than 30 calendar days after the first of each such month based on local usage for the past three months ending the last day of December, March, June and September, respectively. Requirements associated with PLU calculation and reporting shall be as set forth in BellSouth’s Percent Local Use Reporting Guidebook, as it is amended from time to time. Notwithstanding the foregoing, where the terminating Party has message recording technology that identifies the jurisdiction of traffic terminated as defined in this Agreement, such information, in lieu of the PLU factor, shall at the terminating Party’s option be utilized to determine the appropriate local usage compensation to be paid.
- 5.3 **Percent Local Facility.** Each Party shall report to the other a Percent Local Facility (“PLF”). The application of the PLF will determine the portion of switched dedicated transport to be billed per the local jurisdiction rates. The PLF shall be applied to multiplexing, local channel and interoffice channel switched dedicated transport utilized in the provision of local interconnection trunks. Each Party shall update its PLF on the first of January, April, July and October of the year and shall send it to the other Party to be received no later than 30 calendar days after the first of each such month to be effective the first bill period the following month, respectively. Requirements associated with PLU and PLF calculation and reporting shall be as set forth in BellSouth’s Percent Local Facility Reporting Guidebook, as it is amended from time to time.
- 5.4 **Percent Interstate Usage.** Each Party shall report to the other the projected Percent Interstate Usage (“PIU”). All jurisdictional report requirements, rules and regulations for Interexchange Carriers specified in BellSouth’s Intrastate Access Services Tariff will apply to EPB Telecommunications. After interstate and intrastate traffic percentages have been determined by use of PIU procedures, the PLU and PLF factors will be used for application and billing of local interconnection. Each Party shall update its PIUs on the first of January, April, July and October of the year and shall send it to the other Party to be received no later than 30 calendar days after the first of each such month, for all services showing the percentages of use (PIUs, PLU, and PLF) for the past three months ending the last day of December, March, June and September. Notwithstanding the foregoing, where the terminating Party has message recording technology that identifies the jurisdiction of traffic terminated as defined in this Agreement, such information, in lieu of the PIU and PLU factors, shall at the terminating Party’s option be utilized to determine the appropriate local usage compensation to be paid.

5.5 **Audits.** On thirty (30) days written notice, each Party must provide the other the ability and opportunity to conduct an annual audit to ensure the proper billing of traffic. BellSouth and EPB Telecommunications shall retain records of call detail for a minimum of nine months from which a PLU, PLF and/or PIU can be ascertained. The audit shall be accomplished during normal business hours at an office designated by the Party being audited. Audit requests shall not be submitted more frequently than one (1) time per calendar year. Audits shall be performed by a mutually acceptable independent auditor paid for by the Party requesting the audit. The PLU and/or PIU shall be adjusted based upon the audit results and shall apply to the usage for the quarter the audit was completed, to the usage for the quarter prior to the completion of the audit, and to the usage for the two quarters following the completion of the audit. If, as a result of an audit, either Party is found to have overstated the PLU and/or PIU by twenty percentage points (20%) or more, that Party shall reimburse the auditing Party for the cost of the audit.

5.6 **Rate True-up**

This section applies only to Tennessee and other rates that are interim or expressly subject to true-up under this attachment.

5.6.1 The interim prices for Unbundled Network Elements and Other Services and Local Interconnection shall be subject to true-up according to the following procedures:

5.6.2 The interim prices shall be true-up, either up or down, based on final prices determined either by further agreement between the Parties, or by a final order (including any appeals) of the Commission which final order meets the criteria of (3) below. The Parties shall implement the true-up by comparing the actual volumes and demand for each item, together with interim prices for each item, with the final prices determined for each item. Each Party shall keep its own records upon which the true-up can be based, and any final payment from one Party to the other shall be in an amount agreed upon by the Parties based on such records. In the event of any disagreement as between the records or the Parties regarding the amount of such true-up, the Parties agree that the body having jurisdiction over the matter shall be called upon to resolve such differences, or the Parties may mutually agree to submit the matter to the Dispute Resolution process in accordance with the provisions of Section 12 of the General Terms and Conditions and Attachment 1 of the Agreement.

5.6.3 The Parties may continue to negotiate toward final prices, but in the event that no such agreement is reached within nine (9) months, either Party may petition the Commission to resolve such disputes and to determine final prices for each item. Alternatively, upon mutual agreement, the Parties may submit the matter to the Dispute Resolution Process set forth in the General Terms and Conditions of the

Agreement, so long as they file the resulting Agreement with the Commission as a “negotiated agreement” under Section 252(e) of the Act.

5.6.4 An effective order of the Commission that forms the basis of a true-up shall be based upon cost studies submitted by either or both Parties to the Commission and shall be binding upon BellSouth and EPB Telecommunications specifically or upon all carriers generally, such as a generic cost proceeding.

5.7 **Compensation for IntraLATA Toll Traffic**

5.7.1 IntraLATA Toll Traffic. IntraLATA Toll Traffic is defined as any telephone call that is not local or switched access per this Agreement.

5.7.2 Compensation for intraLATA toll traffic. For terminating its intraLATA toll traffic on the other company’s network, the originating Party will pay the terminating Party BellSouth’s current intrastate or interstate, whichever is appropriate, terminating switched access tariff rates as set forth in BellSouth’s Intrastate or Interstate Access Services Tariff. The appropriate charges will be determined by the routing of the call. If EPB Telecommunications is the BellSouth end user’s presubscribed interexchange carrier or if the BellSouth end user uses EPB Telecommunications as an interexchange carrier on a 101XXXX basis, BellSouth will charge EPB Telecommunications the appropriate BellSouth tariff charges for originating switched access services. When EPB Telecommunications files its intrastate tariff, BellSouth will pay EPB Telecommunications at the rates in the approved tariff.

5.7.3 Compensation for 8XX Traffic. Each Party shall compensate the other pursuant to the appropriate switched access charges, including the database query charge as set forth in the BellSouth intrastate or interstate switched access tariffs.

5.7.4 Records for 8XX Billing. Each Party will provide to the other the appropriate records necessary for billing intraLATA 8XX customers. The records provided will be in a standard EMI format.

5.7.5 8XX Access Screening. BellSouth’s provision of 8XX TFD to EPB Telecommunications requires interconnection from EPB Telecommunications to BellSouth 8XX SCP. Such interconnections shall be established pursuant to BellSouth’s Common Channel Signaling Interconnection Guidelines and Bellcore’s CCS Network Interface Specification document, TR-TSV-000905. EPB Telecommunications shall establish CCS7 interconnection at the BellSouth Local Signal Transfer Points serving the BellSouth 8XX SCPs that EPB Telecommunications desires to query. The terms and conditions for 8XX TFD are set out in BellSouth’s Intrastate Access Services Tariff as amended.

5.8 **Mutual Provision of Switched Access Service**

- 5.8.1 Switched Access Traffic. Switched Access Traffic is described in the BellSouth Access Tariff. Additionally, any Public Switched Telephone Network interexchange telecommunications traffic, regardless of transport protocol method, where the originating and terminating points, end-to-end points, are in different LATAs, or are in the same LATA and the Parties' Switched Access services are used for the origination or termination of the call, shall be considered Switched Access Traffic. Irrespective of transport protocol method used, a call which originates in one LATA and terminates in another LATA (i.e., the end-to-end points of the call), shall not be compensated as local.
- 5.8.2 When EPB Telecommunications' end office switch, subtending the BellSouth Access Tandem switch for receipt or delivery of switched access traffic, provides an access service connection to or from an interexchange carrier ("IXC") by either a direct trunk group to the IXC utilizing BellSouth facilities, or via BellSouth's tandem switch, each Party will provide its own access services to the IXC and bill on a multi-bill, multi-tariff meet-point basis. Each Party will bill its own access services rates to the IXC with the exception of the interconnection charge. The interconnection charge will be billed by the Party providing the end office function. Each party will use the Multiple Exchange Carrier Access Billing (MECAB) guidelines to establish meet point billing for all applicable traffic. Thirty (30)-day billing periods will be employed for these arrangements. For tandem routed traffic, the tandem company agrees to provide to the Initial Billing Company as defined in MECAB, at no charge, all the switched access detail usage data, recorded at the access tandem, within no more than sixty (60) days after the recording date. The Initial Billing Company will provide the switched access summary usage data, for all originating and terminating traffic, to all Subsequent Billing Companies as defined in MECAB within 10 days of rendering the initial bill to the IXC. Each Party will notify the other when it is not feasible to meet these requirements so that the customers may be notified for any necessary revenue accrual associated with the significantly delayed recording or billing. As business requirements change data reporting requirements may be modified as necessary.
- 5.8.3 In the event that either Party fails to provide the appropriate MECAB switched access usage data to the other Party within 90 days after the recording date and the receiving Party is unable to bill and/or collect access revenues due to the sending Party's failure to provide such data within said time period, then the Party failing to send the data as specified herein shall be liable to the other Party in an amount equal to the unbillable or uncollectible revenues. Each company will provide complete documentation to the other to substantiate any claim of unbillable switched access revenues, and a negotiated settlement will be agreed upon between the Parties.
- 5.8.4 Each Party will retain for a minimum period of sixty (60) days, access message detail sufficient to recreate any data which is lost or damaged by their company or any third party involved in processing or transporting data.

- 5.8.5 Each Party agrees to recreate the lost or damaged data within forty-eight (48) hours of notification by the other or by an authorized third party handling the data.
- 5.8.6 Each Party also agrees to process the recreated data within forty-eight (48) hours of receipt at its data processing center.
- 5.8.7 All claims should be filed with the other Party within 120 days of the receipt of the date of the unbillable usage.
- 5.8.8 The Initial Billing Company shall keep records of its billing activities relating to jointly-provided Intrastate and Interstate access services in sufficient detail to permit the Subsequent Billing Party to, by formal or informal review or audit, to verify the accuracy and reasonableness of the jointly-provided access billing data provided by the Initial Billing Party. Each Party agrees to cooperate in such formal or informal reviews or audits and further agrees to jointly review the findings of such reviews or audits in order to resolve any differences concerning the findings thereof.
- 5.8.9 EPB Telecommunications agrees not to deliver switched access traffic to BellSouth for termination except over EPB Telecommunications ordered switched access trunks and facilities.
- 5.9 **Transit Traffic Service**
- 5.9.1 BellSouth shall provide tandem switching and transport services for EPB Telecommunications' Transit Traffic. Transit traffic is traffic originating on EPB Telecommunications' network that is switched and/or transported by BellSouth and delivered to a third party's network, or traffic originating on a third Party's network that is switched and/or transported by BellSouth and delivered to EPB Telecommunications' network. Rates for local Transit Traffic shall be the applicable Call Transport and Termination charges as set forth in Exhibit A to this Attachment. Rates for intraLATA toll and Switched Access Transit Traffic shall be the applicable charges as set forth in BellSouth Interstate or Intrastate Switched Access tariffs. Switched Access Transit Traffic presumes that EPB Telecommunications' end office is subtending the BellSouth Access Tandem for switched access traffic to and from EPB Telecommunications' end users utilizing BellSouth facilities, either by direct trunks with the IXC, or via the BellSouth Access Tandem. Billing associated with all Transit Traffic shall be pursuant to MECAB guidelines. Pursuant to these guidelines, the Initial Billing Company shall provide summary usage data, for all originating and terminating Transit Traffic, to all Subsequent Billing Companies. Traffic between EPB Telecommunications and Wireless Type 1 third parties shall not be treated as Transit Traffic from a routing or billing perspective. Traffic between EPB Telecommunications and Wireless Type 2A or UNE-CLEC third parties shall not be treated as Transit Traffic from a routing or billing perspective until BellSouth and the Wireless carrier or UNE-

CLEC third party have the capability to properly meet-point-bill in accordance with MECAB guidelines.

5.9.2 In the event that either Party fails to provide the appropriate MECAB usage data to the other Party within 90 days after the recording date and the receiving Party is unable to bill and/or collect Transit Traffic revenues due to the sending Party's failure to provide such data within said time period, then the Party failing to send the data as specified herein shall be liable to the other Party in an amount equal to the unbillable or uncollectible revenues. Each company will provide complete documentation to the other to substantiate any claim of unbillable revenues and a negotiated settlement will be agreed upon between the Parties

5.9.2 The delivery of traffic which transits the BellSouth network and is transported to another carrier's network is excluded from any BellSouth billing guarantees and will be delivered at the rates stipulated in this Agreement to a terminating carrier. BellSouth agrees to deliver this traffic to the terminating carrier; provided, however, that EPB Telecommunications is solely responsible for negotiating and executing any appropriate contractual agreements with the terminating carrier for the receipt of this traffic through the BellSouth network. BellSouth will not be liable for any compensation to the terminating carrier or to EPB Telecommunications. EPB Telecommunications agrees to compensate BellSouth for any charges or costs for the delivery of Transit Traffic to a connecting carrier on behalf of EPB Telecommunications. Additionally, the Parties agree that any billing to a third party or other telecommunications carrier under this section shall be pursuant to MECAB procedures.

5.10 **Interconnection with Enhanced Service Providers (ESPs)/Information Service Providers (ISPs).**

5.10.1 ESP/ISP traffic shall not be included in the interconnection compensation arrangements of this Agreement.

6. Frame Relay Service Interconnection

6.1 In addition to the Local Interconnection services set forth above, BellSouth will offer a network to network Interconnection arrangement between BellSouth's and EPB Telecommunications' frame relay switches as set forth below. The following provisions will apply only to Frame Relay Service and Exchange Access Frame Relay Service in those states in which EPB Telecommunications is certified and providing Frame Relay Service as a Local Exchange Carrier and where traffic is being exchanged between EPB Telecommunications and BellSouth Frame Relay Switches in the same LATA.

6.2 The Parties agree to establish two-way Frame Relay facilities between their respective Frame Relay Switches to the mutually agreed upon Frame Relay Service point(s) of interconnection ("POI(s)") within the LATA. All POIs shall be within

the same Frame Relay Network Serving Areas as defined in Section A40 of BellSouth's General Subscriber Service Tariff except as set forth in this Attachment.

- 6.3 Upon the request of either Party, such interconnection will be established where BellSouth and EPB Telecommunications have Frame Relay Switches in the same LATA. Where there are multiple Frame Relay switches in one central office, an interconnection with any one of the switches will be considered an interconnection with all of the switches at that central office for purposes of routing packet traffic.
- 6.4 The Parties agree to provision local and IntraLATA Frame Relay Service and Exchange Access Frame Relay Service (both intrastate and interstate) over Frame Relay interconnection facilities between the respective Frame Relay switches and the POIs.
- 6.5 The Parties agree to assess each other reciprocal charges for the facilities that each provides to the other according to the Percent Local Circuit Use Factor (PLCU), determined as follows:
- 6.5.1 If the data packets originate and terminate in locations in the same LATA, and consistent with the local definitions of the Agreement, the traffic is considered local. Frame Relay framed packet data is transported within Virtual Circuits (VC). For the purposes of this Agreement, if all the data packets transported within a VC remain within the LATA, then consistent with the local definitions in this Agreement, the traffic on that VC is local ("Local VC").
- 6.5.2 If the originating and terminating locations of the two way packet data traffic are not in the same LATA, the traffic on that VC is interLATA ("InterLATA VC").
- 6.5.3 The PLCU is determined by dividing the total number of Local VCs, by the total number of VCs on each Frame Relay facility. To facilitate implementation, EPB Telecommunications may determine its PLCU in aggregate, by dividing the total number of Local VCs in a given LATA by the total number VCs in that LATA. The Parties agree to renegotiate the method for determining PLCU, at BellSouth's request, and within 90 days, if BellSouth notifies EPB Telecommunications that it has found that this method does not adequately represent the PLCU.
- 6.5.4 If there are no VCs on a facility when it is billed, the PLCU will be zero.
- 6.5.5 BellSouth will provide the circuit between the Parties' respective Frame Relay Switches. The Parties will be compensated as follows: BellSouth will invoice, and EPB Telecommunications will pay, the total non-recurring and recurring charges for the circuit based upon the rates set forth in BellSouth's Interstate Access Tariff, FCC No. 1. EPB Telecommunications will then invoice, and BellSouth will pay, an amount calculated by multiplying the BellSouth billed charges for the circuit by one-half of EPB Telecommunications' PLCU.

- 6.6 The Parties agree to compensate each other for Frame Relay network-to-network interface (NNI) ports based upon the NNI rates set forth in BellSouth's Interstate Access Tariff, FCC No. 1. Compensation for each pair of NNI ports will be calculated as follows: BellSouth will invoice, and EPB Telecommunications will pay, the total non-recurring and recurring charges for the NNI port. EPB Telecommunications will then invoice, and BellSouth will pay, an amount calculated by multiplying the BellSouth billed non-recurring and recurring charges for the NNI port by EPB Telecommunications' PLCU.
- 6.7 Each Party agrees that there will be no charges to the other Party for its own subscriber's Permanent Virtual Circuit (PVC) rate elements for the local PVC segment from its Frame Relay switch to its own subscriber's premises. PVC rate elements include the Data Link Connection Identifier (DLCI) and Committed Information Rate (CIR).
- 6.8 For the PVC segment between the EPB Telecommunications and BellSouth Frame Relay switches, compensation for the PVC charges is based upon the rates in BellSouth's Interstate Access Tariff, FCC No. 1.
- 6.9 Compensation for PVC rate elements will be calculated as follows:
- 6.9.1 If EPB Telecommunications orders a VC connection between a BellSouth subscriber's PVC segment and a PVC segment from the BellSouth Frame Relay switch to the EPB Telecommunications Frame Relay switch, BellSouth will invoice, and EPB Telecommunications will pay, the total non-recurring and recurring PVC charges for the PVC segment between the BellSouth and EPB Telecommunications Frame Relay switches. If the VC is a Local VC, EPB Telecommunications will then invoice and BellSouth will pay, the total nonrecurring and recurring PVC charges billed for that segment. If the VC is not local, no compensation will be paid to EPB Telecommunications for the PVC segment.
- 6.9.2 If BellSouth orders a Local VC connection between a EPB Telecommunications subscriber's PVC segment and a PVC segment from the EPB Telecommunications Frame Relay switch to the BellSouth Frame Relay switch, BellSouth will invoice, and EPB Telecommunications will pay, the total non-recurring and recurring PVC and CIR charges for the PVC segment between the BellSouth and EPB Telecommunications Frame Relay switches. If the VC is a Local VC, EPB Telecommunications will then invoice and BellSouth will pay the total non-recurring and recurring PVC and CIR charges billed for that segment. If the VC is not local, no compensation will be paid to EPB Telecommunications for the PVC segment.
- 6.9.3 The Parties agree to compensate each other for requests to change a PVC segment or PVC service order record, according to the Feature Change charge as set forth in the BellSouth access tariff BellSouth Tariff FCC No. 1.

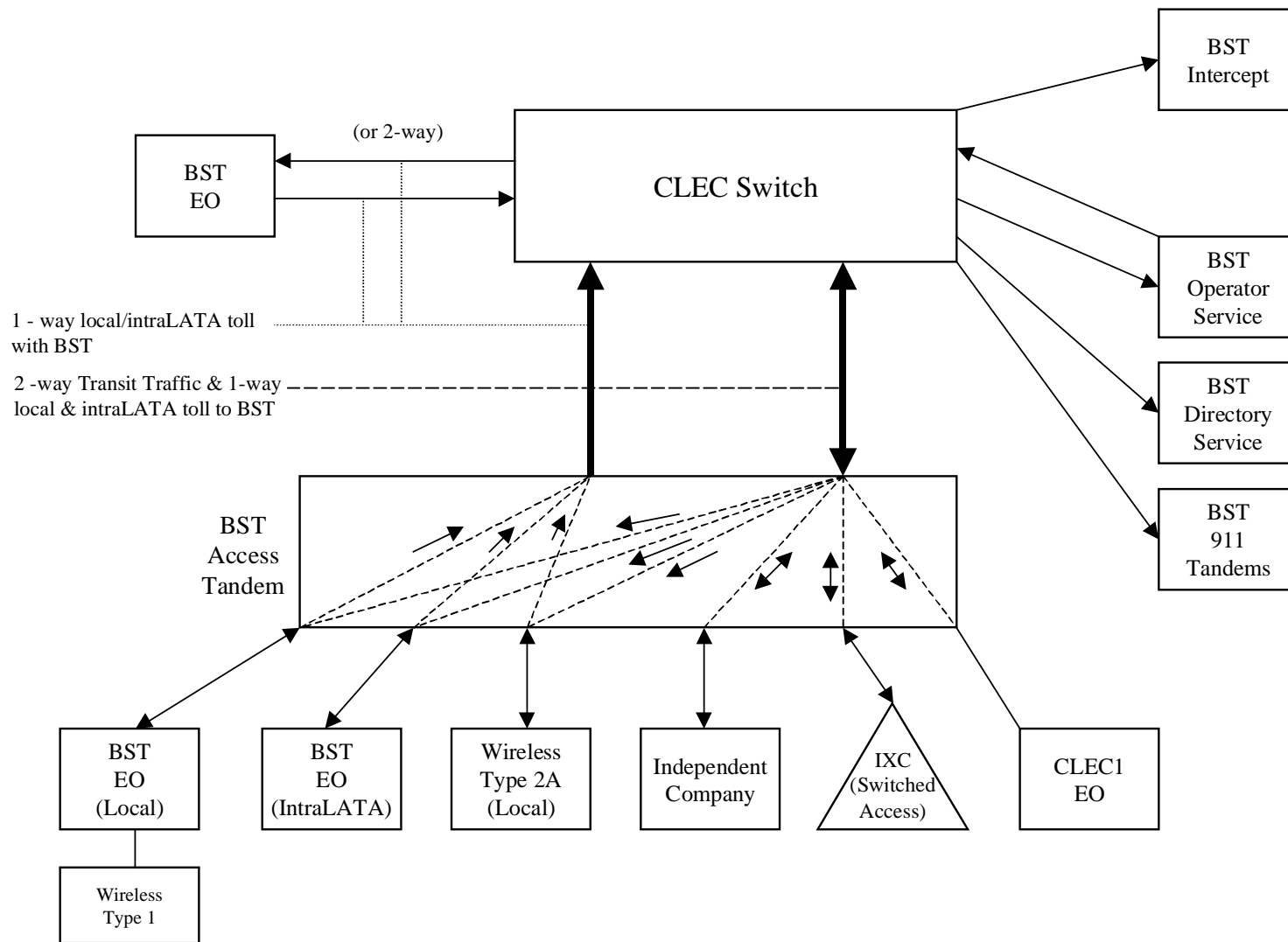
- 6.9.4 If EPB Telecommunications requests a change, BellSouth will invoice and EPB Telecommunications will pay a Feature Change charge for each affected PVC segment.
- 6.9.4.1 If BellSouth requests a change to a Local VC, EPB Telecommunications will invoice and BellSouth will pay a Feature Change charge for each affected PVC segment.
- 6.9.5 The Parties agree to limit the sum of the CIR for the VCs on a DS1 NNI port to not more than three times the port speed, or not more than six times the port speed on a DS3 NNI port.
- 6.9.6 Except as expressly provided herein, this Agreement does not address or alter in any way either Party's provision of Exchange Access Frame Relay Service or interLATA Frame Relay Service. All charges by each Party to the other for carriage of Exchange Access Frame Relay Service or interLATA Frame Relay Service are included in the BellSouth access tariff BellSouth Tariff FCC No. 1.
- 6.10 EPB Telecommunications will identify and report quarterly to BellSouth the PLCU of the Frame Relay facilities it uses, per section 6.5.3 above.
- 6.11 Either Party may request a review or audit of the various service components, consistent with the provisions of section E2 of the BellSouth State Access Services tariffs or Section 2 of the BellSouth FCC No.1 Tariff.
- 6.12 If during the term of this Agreement, BellSouth obtains authority to provide interLATA Frame Relay in any State, the Parties agree to renegotiate this arrangement for the exchange of Frame Relay Service Traffic within one hundred eighty (180) days of the date BellSouth receives interLATA authority. In the event the Parties fail to renegotiate this Section 6 within the one hundred eighty day period, they will submit this matter to the appropriate State commission(s) for resolution.

7. Operational Support Systems (OSS)

The terms, conditions and rates for OSS are as set forth in Attachment 2.

Basic Architecture

Exhibit B



One-Way Architecture

Exhibit C

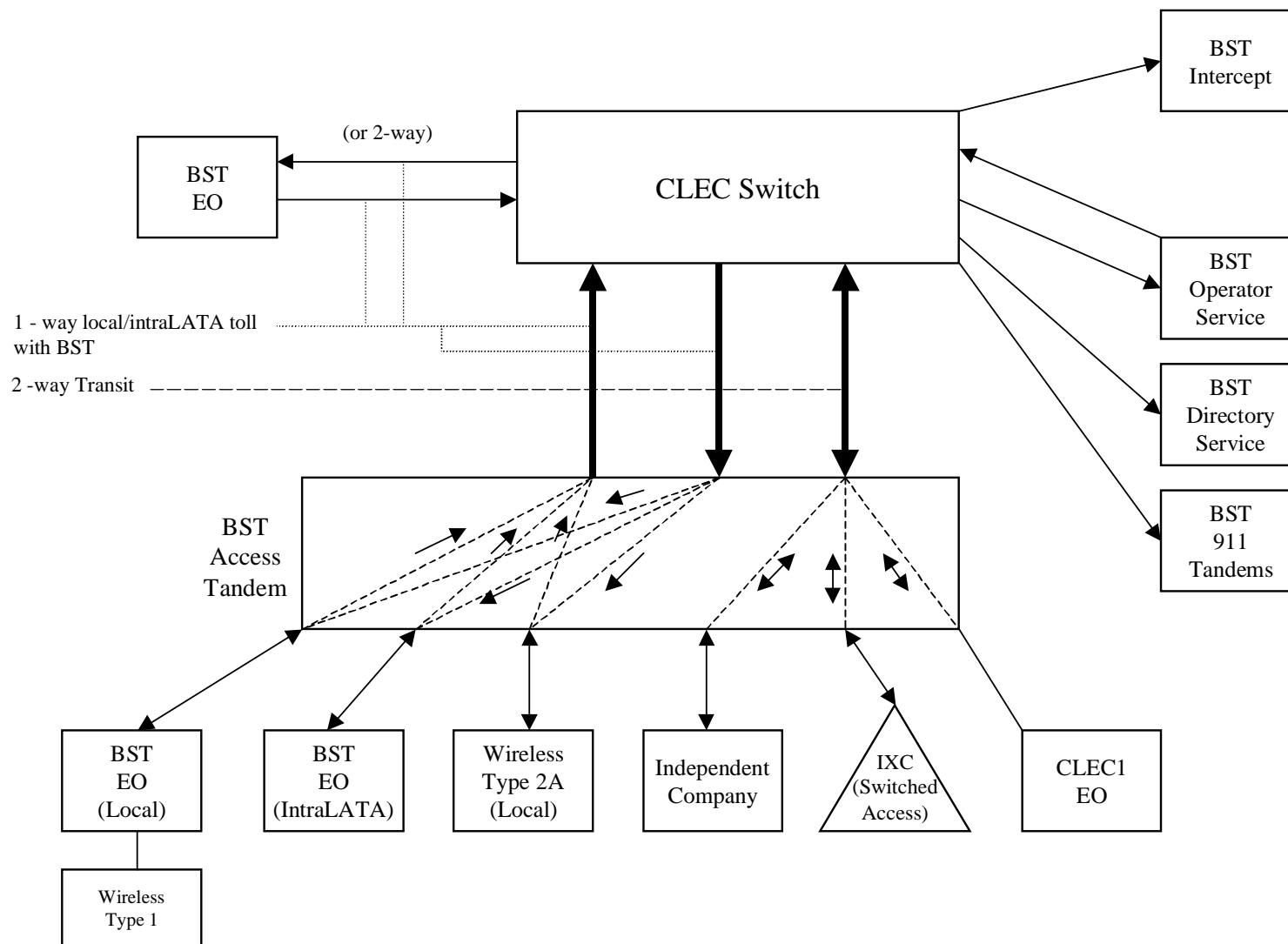


Exhibit D

Two-Way Architecture

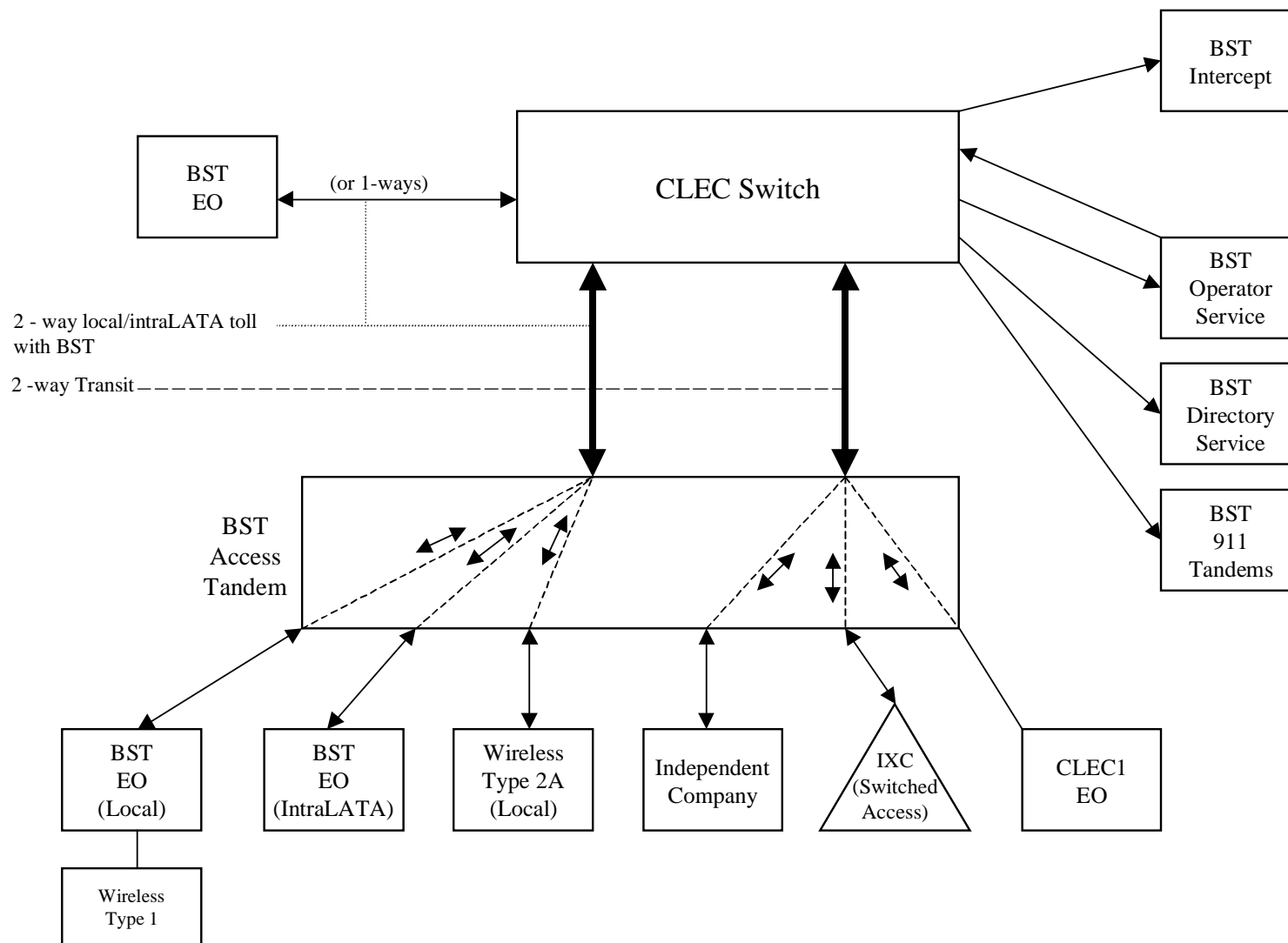
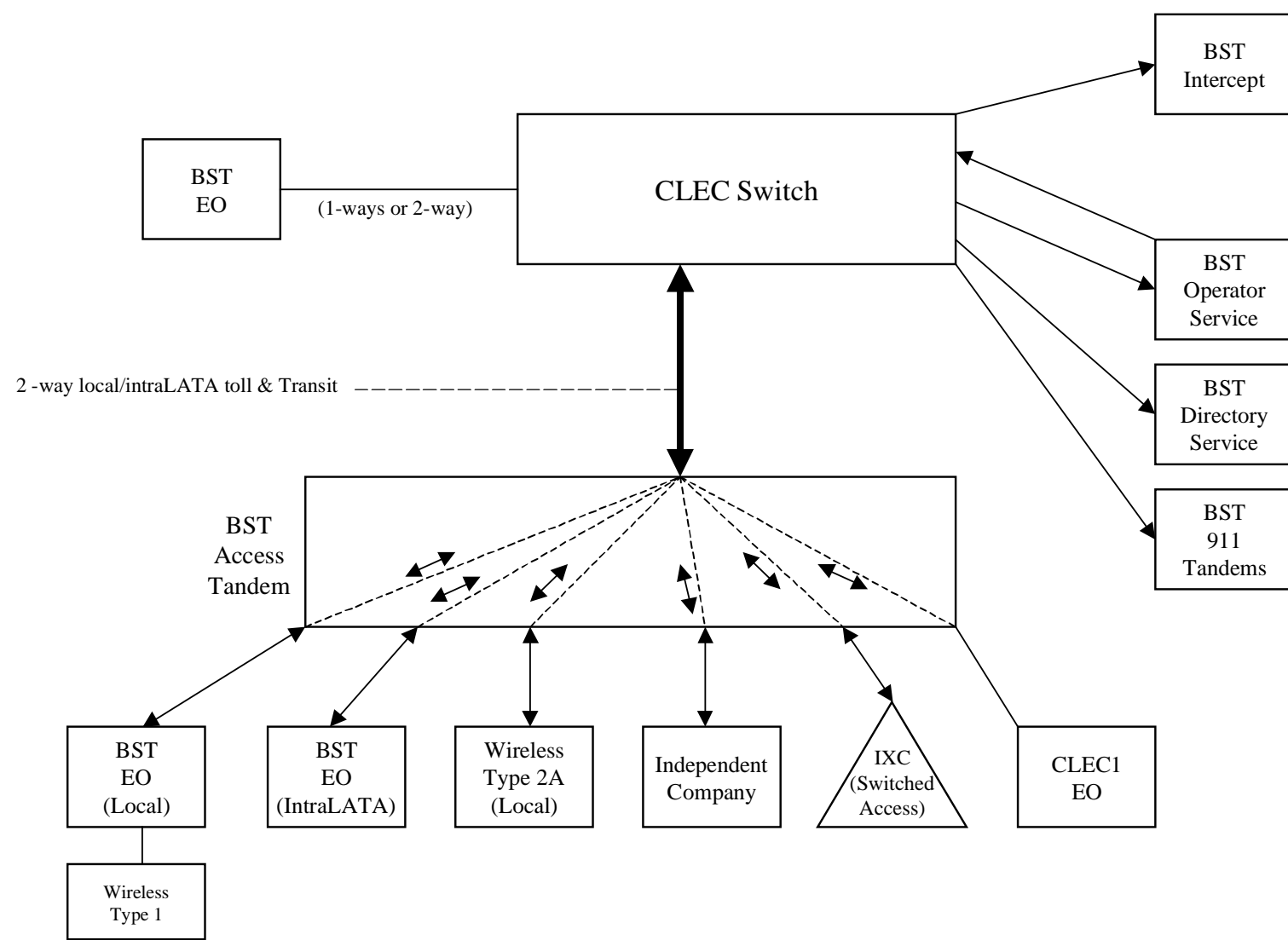


Exhibit E

Supergroup Architecture



BELLSOUTH/EPB TELECOMMUNICATIONS RATES
LOCAL INTERCONNECTION

		RATES BY STATE									
DESCRIPTION		USOC	AL	FL	GA	KY	LA	MS	NC	SC	TN
LOCAL INTERCONNECTION (CALL TRANSPORT AND TERMINATION)											
	End Office Switching, per mou	N/A	\$0.0018	NA	\$0.0016333	\$0.002562	\$0.00210	\$0.0023771	\$0.0015	\$0.0019295	See Ex A-1
	Direct Local Interconnection, per mou (same as End Office Switching in FL)		NA	\$0.002	NA	NA	NA	NA	NA	NA	NA
	Tandem Switching, per mou	N/A	\$0.00063	\$0.00029	\$0.0006757	\$0.001096	\$0.0008	\$0.0007834	\$0.0006	\$0.0006843	See Ex A-1
	Tandem Local Interconnection, per mou (includes end office switching element)	N/A	NA	\$0.00325	NA	NA	NA	NA	NA	NA	NA
	Multiple Tandem Switching, per mou (applies to initial tandem only), effective 10/99	N/A	NA	\$0.00125	NA	NA	NA	NA	NA	NA	NA
	Local Intermediary, per mou (applies to transit traffic only)	N/A	NA	\$0.00125	NA	NA	NA	NA	NA	NA	NA
	Tandem Intermediary Charge, per mou*	N/A	\$0.0015	NA	NA	\$0.001096	NA	NA	NA	NA	NA
	*(This charge is applicable only to transit traffic and is applied in addition to applicable switching and/or interconnection charges.)										
TRUNK CHARGE											
	Interim charges, both non-recurring and recurring, associated with interconnecting trunk groups between BellSouth and EPB Telecommunications shall be as set forth in this Exhibit. At such time as BellSouth develops a final cost based rate for such interconnecting trunk groups, the Parties shall amend this agreement to include such final cost based rates and shall true up such charges in accordance with this Attachment.										
	Installation Trunk Side Service - per DSO										
	NRC - 1st	TPP++	\$333.69	\$336.43	\$333.28	\$334.09	\$334.94	\$334.11	\$333.54	\$335.14	\$334.29
	NRC - Add'l	TPP++	\$56.91	\$57.38	\$56.84	\$57.12	\$56.98	\$56.98	\$56.88	\$57.16	\$57.01
INTEROFFICE TRANSPORT											
Common (Shared) Transport											
	Common (Shared) Transport per mile per mou	N/A	\$0.00001	\$0.000012	\$0.000008	\$0.0000049	\$0.0000083	\$0.0000091	\$0.00001	\$0.0000121	See Ex A-1
	Common (Shared) Transport Facilities Termination per mou	N/A	\$0.00045	\$0.0005	\$0.0004152	\$0.000426	\$0.00047	\$0.0004281	\$0.00034	\$0.0004672	See Ex A-1
Interoffice Channel Transport - Dedicated - VG											
Interoffice Transport - Dedicated - 2-wire VG											
	2-Wire VG - per mile per month	1L5XF	\$0.0339	\$0.0098	\$0.0222	NA	\$0.0384	NA	\$0.0282	\$0.0373	See Ex A-1
	2-Wire VG - Facility Termination per month	1L5XF	\$18.49	\$26.52	\$17.07	NA	\$19.10	NA	\$18.01	\$21.42	See Ex A-1
	NRC - 2-wire VG - Facility Termination -1st	1L5XF	\$107.11	\$81.09	\$79.61	NA	\$76.20	NA	\$137.48	\$136.44	See Ex A-1
	NRC - 2-wire VG - Facility Termination - Add'l	1L5XF	\$48.27	\$54.83	\$36.08	NA	\$34.54	NA	\$52.58	\$51.37	See Ex A-1
	NRC - 2-wire VG -Facility Termination - Disconnect Charge -1st	1L5XF	\$37.16	\$31.01	NA	NA	\$28.03	NA	NA	NA	See Ex A-1
	NRC - 2-wire VG - Facility Termination - Disconnect Charge -Add'l	1L5XF	\$5.88	\$12.78	NA	NA	\$5.37	NA	NA	NA	See Ex A-1
	NRC - Manual Svc Order, per LSR	SOMAN	NA	\$21.56	NA	NA	NA	NA	NA	NA	See Ex A-1
	NRC - Manual Svc Order, per LSR disconnect	SOMAN	NA	\$3.84	NA	NA	NA	NA	NA	NA	See Ex A-1
	NRC - Electronic Svc Order, per LSR	SOMECE	\$3.50	\$2.75	\$3.50	NA	\$3.50	NA	\$3.50	\$3.50	See Ex A-1
	NRC - Electronic Svc Order, per LSR disconnect	SOMECE	NA	\$0.42	NA	NA	NA	NA	NA	NA	See Ex A-1
	NRC - 2-wire VG - Incremental Charge--Manual Svc Order - 1st	SOMAN	\$27.37	NA	\$18.94	NA	\$18.14	NA	\$38.07	\$39.63	See Ex A-1
	NRC - 2-wire VG - Incremental Charge--Manual Svc Order - Add'l	SOMAN	\$27.57	NA	\$18.94	NA	\$18.14	NA	\$38.07	\$39.63	See Ex A-1
	NRC - 2-wire VG - Incremental Charge--Manual Svc Order-Disconnect--1st	SOMAN	\$12.97	NA	NA	NA	\$8.06	NA	NA	NA	See Ex A-1
	NRC - 2-wire VG - Incremental Charge--Manual Svc Order-Disconnect--Add'l	SOMAN	\$12.97	NA	NA	NA	\$8.06	NA	NA	NA	See Ex A-1
Interoffice Transport - Dedicated - 2 Wire VG - Kentucky & Mississippi											
	2-Wire VG - per mile per month	1L5NF	NA	NA	NA	\$0.0301	NA	\$0.0323	NA	NA	NA
	2-Wire VG - Facility Termination per month	1L5NF	NA	NA	NA	\$27.66	NA	\$21.33	NA	NA	NA
	NRC - 2-wire VG - Facility Termination -1st	1L5NF	NA	NA	NA	\$142.31	NA	\$106.72	NA	NA	NA
	NRC - 2-wire VG - Facility Termination - Add'l	1L5NF	NA	NA	NA	\$56.21	NA	\$48.83	NA	NA	NA
	NRC - 2-wire VG -Facility Termination - Disconnect Charge -1st	1L5NF	NA	NA	NA	NA	NA	\$38.05	NA	NA	NA
	NRC - 2-wire VG - Facility Termination - Disconnect Charge -Add'l	1L5NF	NA	NA	NA	NA	NA	\$7.23	NA	NA	NA
	NRC - Manual Svc Order, per LSR	SOMAN	NA	NA	NA	\$19.99	NA	NA	NA	NA	NA
	NRC - Manual Svc Order, per LSR disconnect	SOMAN	NA	NA	NA	NA	NA	NA	NA	NA	NA
	NRC - Electronic Svc Order, per LSR	SOMECE	NA	NA	NA	\$3.50	NA	\$3.50	NA	NA	NA
	NRC - Electronic Svc Order, per LSR disconnect	SOMECE	NA	NA	NA	NA	NA	NA	NA	NA	NA
	NRC - 2-wire VG - Incremental Charge--Manual Svc Order - 1st	SOMAN	NA	NA	NA	NA	NA	\$25.52	NA	NA	NA
	NRC - 2-wire VG - Incremental Charge--Manual Svc Order - Add'l	SOMAN	NA	NA	NA	NA	NA	\$25.52	NA	NA	NA

BELLSOUTH/EPB TELECOMMUNICATIONS RATES
LOCAL INTERCONNECTION

		RATES BY STATE									
DESCRIPTION	USOC	AL	FL	GA	KY	LA	MS	NC	SC	TN	
NRC - 2-wire VG - Incremental Charge--Manual Svc Order-Disconnect--1st	SOMAN	NA	NA	NA	NA	NA	\$11.34	NA	NA	NA	
NRC - 2-wire VG - Incremental Charge--Manual Svc Order-Disconnect--Add'l	SOMAN	NA	NA	NA	NA	NA	\$11.34	NA	NA	NA	
Interoffice Transport - Dedicated - DS0 - 56/64 KBPS											
DS0 - per mile per month	1L5XK	\$0.0339	\$0.0098	\$0.0222	NA	\$0.0384	NA	\$0.0282	\$0.0373	See Ex A-1	
DS0 - Facility Termination per month	1L5XK	\$17.81	\$19.31	\$16.45	NA	\$18.37	NA	\$17.40	\$20.71	See Ex A-1	
NRC - DS0 - Facility Termination - 1st	1L5XK	\$107.11	\$81.11	\$79.61	NA	\$76.20	NA	\$137.48	\$136.44	See Ex A-1	
NRC - DS0 - Facility Termination - Add'l	1L5XK	\$48.27	\$54.83	\$36.08	NA	\$34.54	NA	\$52.58	\$51.37	See Ex A-1	
NRC - DS0 -Facility Termination - Disconnect Charge - 1st	1L5XK	\$37.16	\$31.01	NA	NA	\$28.03	NA	NA	NA	See Ex A-1	
NRC - DS0 - Facility Termination - Disconnect Charge - Add'l	1L5XK	\$5.88	\$12.78	NA	NA	\$5.37	NA	NA	NA	See Ex A-1	
NRC - Manual Svc Order, per LSR	SOMAN	NA	\$21.56	NA	NA	NA	NA	NA	NA	See Ex A-1	
NRC - Manual Svc Order, per LSR disconnect	SOMAN	NA	\$3.84	NA	NA	NA	NA	NA	NA	See Ex A-1	
NRC - Electronic Svc Order, per LSR	SOMECE	\$3.50	\$2.77	\$3.50	NA	\$3.50	NA	\$3.50	\$3.50	See Ex A-1	
NRC - Electronic Svc Order, per LSR disconnect	SOMECE	NA	\$0.42	NA	NA	NA	NA	NA	NA	See Ex A-1	
NRC - DS0 -Incremental Charge--Manual Svc Order - 1st	SOMAN	\$27.37	NA	\$18.94	NA	\$18.14	NA	\$38.07	\$39.63	See Ex A-1	
NRC -DS0 - Incremental Charge--Manual Svc Order - Add'l	SOMAN	\$27.37	NA	\$18.94	NA	\$18.14	NA	\$38.07	\$39.63	See Ex A-1	
NRC - DS0 -Incremental Charge--Manual Svc Order-Disconnect--1st	SOMAN	\$12.97	NA	NA	NA	\$8.06	NA	NA	NA	See Ex A-1	
NRC - DS0 -Incremental Charge--Manual Svc Order-Disconnect--Add'l	SOMAN	\$12.97	NA	NA	NA	\$8.06	NA	NA	NA	See Ex A-1	
Interoffice Transport - Dedicated - DS0 - 56/64 KBPS - Kentucky & Mississippi											
DS0 - per mile per month	1L5NK	NA	NA	NA	\$0.0301	NA	\$0.0323	NA	NA	NA	
DS0 - Facility Termination per month	1L5NK	NA	NA	NA	\$26.95	NA	\$20.64	NA	NA	NA	
NRC - DS0 - Facility Termination - 1st	1L5NK	NA	NA	NA	\$142.31	NA	\$106.72	NA	NA	NA	
NRC - DS0 - Facility Termination - Add'l	1L5NK	NA	NA	NA	\$56.21	NA	\$48.83	NA	NA	NA	
NRC - DS0 -Facility Termination - Disconnect Charge - 1st	1L5NK	NA	NA	NA	NA	NA	\$38.05	NA	NA	NA	
NRC - DS0 - Facility Termination - Disconnect Charge - Add'l	1L5NK	NA	NA	NA	NA	NA	\$7.23	NA	NA	NA	
NRC - Manual Svc Order, per LSR	SOMAN	NA	NA	NA	\$19.99	NA	NA	NA	NA	NA	
NRC - Manual Svc Order, per LSR disconnect	SOMAN	NA	NA	NA	NA	NA	NA	NA	NA	NA	
NRC - Electronic Svc Order, per LSR	SOMECE	NA	NA	NA	\$3.50	NA	\$3.50	NA	NA	NA	
NRC - Electronic Svc Order, per LSR disconnect	SOMECE	NA	NA	NA	NA	NA	NA	NA	NA	NA	
NRC - DS0 -Incremental Charge--Manual Svc Order - 1st	SOMAN	NA	NA	NA	\$37.21	NA	\$25.52	NA	NA	NA	
NRC -DS0 - Incremental Charge--Manual Svc Order - Add'l	SOMAN	NA	NA	NA	\$37.21	NA	\$25.52	NA	NA	NA	
NRC - DS0 -Incremental Charge--Manual Svc Order-Disconnect--1st	SOMAN	NA	NA	NA	NA	NA	\$11.31	NA	NA	NA	
NRC - DS0 -Incremental Charge--Manual Svc Order-Disconnect--Add'l	SOMAN	NA	NA	NA	NA	NA	\$11.34	NA	NA	NA	
Interoffice Transport - Dedicated - DS1											
DS1 - per mile per month	1L5XL	\$0.6920	\$0.6013	\$0.4523	NA	\$0.7831	NA	\$0.5753	\$0.7598	See Ex A-1	
DS1 -Facility Termination per month	1L5XL	\$79.69	\$99.79	\$78.47	NA	\$93.40	NA	\$71.29	\$94.98	See Ex A-1	
NRC - DS1-Facility Termination - 1st	1L5XL	\$198.15	\$45.91	\$147.07	NA	\$140.49	NA	\$217.17	\$216.27	See Ex A-1	
NRC - DS1 - Facility Termination - Add'l	1L5XL	\$148.18	\$44.18	\$111.75	NA	\$106.69	NA	\$163.75	\$162.70	See Ex A-1	
NRC - DS1 - Facility Termination - Disconnect Charge - 1st	1L5XL	\$25.44	\$30.30	NA	NA	\$20.00	NA	NA	NA	See Ex A-1	
NRC - DS1 - Facility Termination -Disconnect Charge - Add'l	1L5XL	\$20.42	\$26.76	NA	NA	\$16.34	NA	NA	NA	See Ex A-1	
NRC - Manual Svc Order, per LSR	SOMAN	NA	\$21.56	NA	NA	NA	NA	NA	NA	See Ex A-1	
NRC - Manual Svc Order, per LSR disconnect	SOMAN	NA	\$3.84	NA	NA	NA	NA	NA	NA	See Ex A-1	
NRC - Electronic Svc Order, per LSR	SOMECE	\$3.50	\$2.77	\$3.50	NA	\$3.50	NA	\$3.50	\$3.50	See Ex A-1	
NRC - Electronic Svc Order, per LSR disconnect	SOMECE	NA	\$0.42	NA	NA	NA	NA	NA	NA	See Ex A-1	
NRC - DS1 - Incremental Charge--Manual Svc Order - 1st	SOMAN	\$27.37	NA	\$18.94	NA	\$18.14	NA	\$38.07	\$39.63	See Ex A-1	
NRC -DS1 - Incremental Charge--Manual Svc Order - Add'l	SOMAN	\$27.37	NA	\$18.94	NA	\$18.14	NA	\$38.07	\$39.63	See Ex A-1	
NRC - DS1 - Incremental Charge--Manual Svc Order-Disconnect--1st	SOMAN	\$12.97	NA	NA	NA	\$8.06	NA	NA	NA	See Ex A-1	
NRC - DS1 - Incremental Charge--Manual Svc Order-Disconnect--Add'l	SOMAN	\$12.97	NA	NA	NA	\$8.06	NA	NA	NA	See Ex A-1	
Interoffice Transport - Dedicated - DS1 - Kentucky & Mississippi											
DS1 - per mile per month	1L5NL	NA	NA	NA	\$0.4500	NA	\$0.6598	NA	NA	NA	
DS1 -Facility Termination per month	1L5NL	NA	NA	NA	\$55.05	NA	\$74.40	NA	NA	NA	
NRC - DS1-Facility Termination - 1st	1L5NL	NA	NA	NA	\$298.18	NA	\$196.28	NA	NA	NA	

BELLSOUTH/EPB TELECOMMUNICATIONS RATES
LOCAL INTERCONNECTION

		RATES BY STATE									
DESCRIPTION	USOC	AL	FL	GA	KY	LA	MS	NC	SC	TN	
NRC - DS1 - Facility Termination - Add'l	1L5NL	NA	NA	NA	\$231.23	NA	\$147.31	NA	NA	NA	
NRC - DS1 - Facility Termination - Disconnect Charge - 1st	1L5NL	NA	NA	NA	NA	NA	\$26.56	NA	NA	NA	
NRC - DS1 - Facility Termination -Disconnect Charge - Add'l	1L5NL	NA	NA	NA	NA	NA	\$21.61	NA	NA	NA	
NRC - Manual Svc Order, per LSR	SOMAN	NA	NA	NA	\$19.99	NA	NA	NA	NA	NA	
NRC - Manual Svc Order, per LSR disconnect	SOMAN	NA	NA	NA	NA	NA	NA	NA	NA	NA	
NRC - Electronic Svc Order, per LSR	SOMECE	NA	NA	NA	\$3.50	NA	\$3.50	NA	NA	NA	
NRC - Electronic Svc Order, per LSR disconnect	SOMECE	NA	NA	NA	NA	NA	NA	NA	NA	NA	
NRC - DS1 - Incremental Charge--Manual Svc Order - 1st	SOMAN	NA	NA	NA	NA	NA	\$25.52	NA	NA	NA	
NRC -DS1 - Incremental Charge--Manual Svc Order - Add'l	SOMAN	NA	NA	NA	NA	NA	\$25.52	NA	NA	NA	
NRC - DS1 - Incremental Charge--Manual Svc Order-Disconnect--1st	SOMAN	NA	NA	NA	NA	NA	\$11.31	NA	NA	NA	
NRC - DS1 - Incremental Charge--Manual Svc Order-Disconnect--Add'l	SOMAN	NA	NA	NA	NA	NA	\$11.34	NA	NA	NA	
Interoffice Transport - Dedicated - DS3											
DS3 - per mile per month	1L5XM	\$4.98	\$4.17	\$2.72	NA	\$14.04	NA	\$12.98	\$8.13	\$5.89	
DS3 -Facility Termination per month	1L5XM	\$898.15	\$1,121.93	\$788.00	NA	\$1,101	NA	\$720.38	\$967.70	\$760.20	
NRC - DS3 - Facility Termination -1st	1L5XM	\$511.77	\$557.69	\$511.10	NA	\$611.41	NA	\$794.94	\$606.72	\$625.91	
NRC - DS3 - Facility Termination - Add'l	1L5XM	\$330.92	\$325.61	\$330.77	NA	\$304.90	NA	\$579.55	\$423.45	\$311.39	
NRC - DS3 - Facility Termination - Disconnect Charge - 1st	1L5XM	\$121.72	\$111.56	\$122.31	NA	\$102.16	NA	NA	NA	\$103.36	
NRC - DS3 - Facility Termination - Disconnect Charge - Add'l	1L5XM	\$118.54	\$108.34	\$119.14	NA	\$99.46	NA	NA	NA	\$100.59	
NRC - Manual Svc Order, per LSR	SOMAN	NA	\$21.56	NA	NA	NA	NA	NA	NA	\$19.99	
NRC - Manual Svc Order, per LSR disconnect	SOMAN	NA	\$3.84	NA	NA	NA	NA	NA	NA	NA	
NRC - Electronic Svc Order, per LSR	SOMECE	\$3.50	\$2.77	\$3.50	NA	\$3.50	NA	\$3.50	\$3.50	\$3.50	
NRC - Electronic Svc Order, per LSR disconnect	SOMECE	NA	\$0.42	NA	NA	NA	NA	NA	NA	NA	
NRC - DS3 - Incremental Charge--Manual Svc Order - 1st	SOMAN	\$38.48	NA	\$37.55	NA	\$50.25	NA	\$91.26	\$54.26	NA	
NRC - DS3 - Incremental Charge--Manual Svc Order - Add'l	SOMAN	\$38.48	NA	\$37.55	NA	\$50.25	NA	\$91.26	\$54.26	NA	
NRC - DS3 - Incremental Charge--Manual Svc Order-Disconnect--1st	SOMAN	\$19.03	NA	\$18.03	NA	\$20.94	NA	NA	NA	NA	
NRC - DS3 - Incremental Charge--Manual Svc Order-Disconnect--Add'l	SOMAN	\$19.03	NA	\$18.03	NA	\$20.94	NA	NA	NA	NA	
Interoffice Transport - Dedicated - DS3 - Kentucky & Mississippi											
DS3 - per mile per month	1L5NM	NA	NA	NA	\$12.62	NA	\$15.02	NA	NA	NA	
DS3 -Facility Termination per month	1L5NM	NA	NA	NA	\$1,204	NA	\$744.38	NA	NA	NA	
NRC - DS3 - Facility Termination -1st	1L5NM	NA	NA	NA	\$946.23	NA	\$686.74	NA	NA	NA	
NRC - DS3 - Facility Termination - Add'l	1L5NM	NA	NA	NA	\$516.89	NA	\$477.76	NA	NA	NA	
NRC - DS3 - Facility Termination - Disconnect Charge - 1st	1L5NM	NA	NA	NA	NA	NA	\$125.56	NA	NA	NA	
NRC - DS3 - Facility Termination - Disconnect Charge - Add'l	1L5NM	NA	NA	NA	NA	NA	\$118.79	NA	NA	NA	
NRC - Manual Svc Order, per LSR	SOMAN	NA	NA	NA	\$19.99	NA	NA	NA	NA	NA	
NRC - Manual Svc Order, per LSR disconnect	SOMAN	NA	NA	NA	NA	NA	NA	NA	NA	NA	
NRC - Electronic Svc Order, per LSR	SOMECE	NA	NA	NA	\$3.50	NA	\$3.50	NA	NA	NA	
NRC - Electronic Svc Order, per LSR disconnect	SOMECE	NA	NA	NA	NA	NA	NA	NA	NA	NA	
NRC - DS3 - Incremental Charge--Manual Svc Order - 1st	SOMAN	NA	NA	NA	\$93.12	NA	\$64.97	NA	NA	NA	
NRC - DS3 - Incremental Charge--Manual Svc Order - Add'l	SOMAN	NA	NA	NA	\$93.12	NA	\$64.97	NA	NA	NA	
NRC - DS3 - Incremental Charge--Manual Svc Order-Disconnect--1st	SOMAN	NA	NA	NA	NA	NA	\$27.08	NA	NA	NA	
NRC - DS3 - Incremental Charge--Manual Svc Order-Disconnect--Add'l	SOMAN	NA	NA	NA	NA	NA	\$27.08	NA	NA	NA	
Local Channel - Dedicated											
Local Channel - Dedicated - 2-Wire VG											
Monthly Recurring per month	TEFV2	\$14.61	\$29.33	\$13.91	\$22.26	\$14.94	\$17.83	\$14.83	\$16.83	See Ex A-1	
NRC - 2-wire VG - Facility Termination - 1st	TEFV2	\$494.65	\$386.34	\$382.95	\$585.15	\$347.49	\$487.62	\$553.80	\$554.00	See Ex A-1	
NRC - 2-wire VG - Facility Termination - Add'l	TEFV2	\$84.44	\$66.36	\$62.40	\$98.53	\$59.75	\$84.35	\$89.69	\$88.58	See Ex A-1	
NRC - 2-wire VG - Facility Termination - Disconnect - 1st	TEFV2	\$77.81	\$67.91	NA	\$11.99	\$53.68	\$77.69	NA	NA	See Ex A-1	
NRC - 2-wire VG - Facility Termination - Disconnect - Add'l	TEFV2	\$7.63	\$5.92	NA	NA	\$6.60	\$8.95	NA	NA	See Ex A-1	
NRC - Manual Svc Order, per LSR	SOMAN	NA	\$21.56	NA	\$19.99	NA	NA	NA	NA	See Ex A-1	
NRC - Manual Svc Order, per LSR disconnect	SOMAN	NA	\$3.84	NA	NA	NA	NA	NA	NA	See Ex A-1	
NRC - Electronic Svc Order, per LSR	SOMECE	\$3.50	\$2.75	\$3.50	\$3.50	\$3.50	\$3.50	\$3.50	\$3.50	See Ex A-1	
NRC - Electronic Svc Order, per LSR disconnect	SOMECE	NA	\$0.42	NA	NA	NA	NA	NA	NA	See Ex A-1	
NRC - 2-wire VG - Incremental Charge--Manual Svc Order - 1st	SOMAN	\$27.37	NA	\$18.94	NA	\$18.14	\$25.52	\$42.17	\$43.75	See Ex A-1	

BELLSOUTH/EPB TELECOMMUNICATIONS RATES
LOCAL INTERCONNECTION

		RATES BY STATE									
DESCRIPTION	USOC	AL	FL	GA	KY	LA	MS	NC	SC	TN	
NRC - 2-wire VG - Incremental Charge--Manual Svc Order - Add'l	SOMAN	\$18.37	NA	\$8.42	NA	\$8.06	\$11.34	\$12.76	\$13.55	See Ex A-1	
NRC - 2-wire VG - Incremental Cost - Manual Svc. Order vs. Elect-Disconnect-1st	SOMAN	\$17.75	NA	NA	NA	\$11.40	\$16.05	NA	NA	See Ex A-1	
Local Channel - Dedicated - 4-Wire VG											
Monthly Recurring per month	TEFV4	\$15.77	\$30.50	\$14.99	\$23.38	\$16.21	\$19.03	\$15.87	\$18.05	See Ex A-1	
NRC - 4-Wire VG - 1st	TEFV4	\$502.43	\$387.21	\$368.44	\$585.15	\$352.75	\$495.25	\$562.23	\$562.46	See Ex A-1	
NRC - 4-Wire VG - Add'l	TEFV4	\$86.68	\$67.22	\$64.05	\$98.53	\$61.33	\$86.56	\$92.67	\$91.57	See Ex A-1	
NRC - 4-Wire VG - Disconnect Chg - 1st	TEFV4	\$78.71	\$68.78	NA	NA	\$54.36	\$78.58	NA	NA	See Ex A-1	
NRC - 4-Wire VG - Disconnect Chg - Add'l	TEFV4	\$8.53	\$6.79	NA	NA	\$7.28	\$9.84	NA	NA	See Ex A-1	
NRC - Manual Svc Order, per LSR	SOMAN	NA	\$21.56	NA	\$19.99	NA	NA	NA	NA	See Ex A-1	
NRC - Manual Svc Order, per LSR disconnect	SOMAN	NA	\$3.84	NA	NA	NA	NA	NA	NA	See Ex A-1	
NRC - Electronic Svc Order, per LSR	SOMEC	NA	\$2.75	\$3.50	\$3.50	\$3.50	\$3.50	\$3.50	\$3.50	See Ex A-1	
NRC - Electronic Svc Order, per LSR disconnect	SOMEC	\$3.50	\$0.42	NA	NA	NA	NA	NA	NA	See Ex A-1	
NRC - 4-Wire VG - Incremental Charge--Manual Svc Order - 1st	SOMAN	\$27.37	NA	\$18.94	NA	\$18.14	\$25.52	\$42.17	\$43.64	See Ex A-1	
NRC - 4-Wire VG - Incremental Charge--Manual Svc Order - Add'l	SOMAN	\$18.73	NA	\$8.42	NA	\$8.06	\$11.34	\$12.76	\$13.55	See Ex A-1	
Local Channel - Dedicated - DS1											
DS1 Monthly Recurring per month	TEFHG	\$35.52	\$43.53	\$38.36	\$43.80	\$43.80	\$38.91	\$35.68	\$37.20	See Ex A-1	
NRC - DS1 - 1st	TEFHG	\$503.57	\$242.45	\$356.15	\$538.95	\$348.56	\$494.83	\$534.48	\$534.81	See Ex A-1	
NRC - DS1 - Add'l	TEFHG	\$442.84	\$226.44	\$312.89	\$464.94	\$300.30	\$435.28	\$462.69	\$462.81	See Ex A-1	
NRC - DS1 - Disconnect Chg - 1st	TEFHG	\$46.28	\$41.13	NA	NA	\$24.15	\$46.85	NA	NA	See Ex A-1	
NRC - DS1 - Disconnect Chg - Add'l	TEFHG	\$32.18	\$28.28	NA	NA	\$21.31	\$33.02	NA	NA	See Ex A-1	
NRC - Manual Svc Order, per LSR	SOMAN	NA	\$21.56	NA	\$19.99	NA	NA	NA	NA	See Ex A-1	
NRC - Manual Svc Order, per LSR disconnect	SOMAN	NA	\$3.84	NA	NA	NA	NA	NA	NA	See Ex A-1	
NRC - Electronic Svc Order, per LSR	SOMEC	\$3.50	\$2.75	\$3.50	\$3.50	\$3.50	\$3.50	\$3.50	\$3.50	See Ex A-1	
NRC - Electronic Svc Order, per LSR disconnect	SOMEC	NA	\$0.42	NA	NA	NA	NA	NA	NA	See Ex A-1	
NRC - DS1 - Incremental Charge--Manual Svc Order - 1st	SOMAN	\$61.95	NA	\$44.22	\$87.71	\$42.34	\$59.58	\$86.15	\$87.99	See Ex A-1	
NRC - DS1 - Incremental Charge--Manual Svc Order - Add'l	SOMAN	\$0.00	NA	NA	NA	NA	NA	\$1.77	\$3.11	See Ex A-1	
Local Channel - Dedicated - DS3											
DS3 - Facility Termination per month	TEFHJ	\$541.78	\$570.06	\$550.01	\$697.89	\$696.07	\$533.33	\$498.87	\$498.58	\$633.15	
NRC - DS3 - Facility Termination - 1st	TEFHJ	\$640.54	\$903.37	\$639.50	\$1,091.00	\$594.71	\$526.67	\$562.25	\$735.42	\$726.16	
NRC - DS3 - Facility Termination - Add'l	TEFHJ	\$426.28	\$528.05	\$426.40	\$661.23	\$396.54	\$493.71	\$527.88	\$519.31	\$411.64	
NRC - DS3 - Facility Termination - Disconnect - 1st	TEFHJ	\$121.72	\$221.46	\$122.31	NA	\$113.75	\$42.41	NA	NA	\$103.36	
NRC - DS3 - Facility Termination - Disconnect - Add'l	TEFHJ	\$118.54	\$154.90	\$119.14	NA	\$110.80	\$40.87	NA	NA	\$100.59	
NRC - Manual Svc Order, per LSR	SOMAN	NA	\$21.56	NA	\$19.99	NA	NA	NA	NA	\$19.99	
NRC - Manual Svc Order, per LSR disconnect	SOMAN	NA	\$3.84	NA	NA	NA	NA	NA	NA	NA	
NRC - Electronic Svc Order, per LSR	SOMEC	\$3.50	\$2.75	\$3.50	\$3.50	\$3.50	\$3.50	\$3.50	\$3.50	\$3.50	
NRC - Electronic Svc Order, per LSR disconnect	SOMEC	NA	\$0.42	NA	NA	NA	NA	NA	NA	NA	
NRC - DS3 -Incremental Charge--Manual Svc Order - 1st	SOMAN	\$38.48	NA	\$37.55	\$93.12	\$50.25	\$31.49	\$56.25	\$54.26	NA	
NRC - DS3 - Incremental Charge--Manual Svc Order - Add'l	SOMAN	\$38.48	NA	\$37.55	\$93.12	\$50.25	\$31.49	\$56.25	\$54.26	NA	
NRC - DS3 - Incremental Charge--Manual Svc Order-Disconnect -1st	SOMAN	\$19.03	NA	\$18.03	NA	\$20.94	\$25.35	NA	NA	NA	
NRC - DS3 - Incremental Charge--Manual Svc Order-Disconnect-Add'l	SOMAN	\$19.03	NA	\$18.03	NA	\$20.94	\$25.35	NA	NA	NA	
CHANNELIZATION											
DS3 Channelization (DS3 to DS1)											
per Channelized System (28 DS1) per month	SATCS	\$188.51	\$220.97	\$188.78	NA	\$182.64	NA	\$243.76	\$234.30	See Ex A-1	
NRC - 1st	SATCS	\$71.76	\$356.40	\$72.50	NA	\$60.96	NA	\$77.90	NA	See Ex A-1	
NRC - Add'l	SATCS	\$52.03	\$188.00	\$59.96	NA	\$50.46	NA	\$63.32	NA	See Ex A-1	
NRC -1st - Disconnect	SATCS	\$17.22	\$61.64	\$11.02	NA	\$7.55	NA	\$4.61	\$11.99	See Ex A-1	
NRC -Add'l - Disconnect	SATCS	\$12.05	\$58.98	\$12.02	NA	\$12.29	NA	\$15.76	\$12.05	See Ex A-1	
per Interface per month (COI)	SATCO	\$8.69	\$14.40	\$8.66	NA	\$8.80	NA	\$11.28	\$8.68	See Ex A-1	
NRC - 1st	SATCO	NA	\$13.16	NA	NA	NA	NA	NA	NA	See Ex A-1	
NRC - Add'l	SATCO	NA	\$9.43	NA	NA	NA	NA	NA	NA	See Ex A-1	

BELLSOUTH/EPB TELECOMMUNICATIONS RATES
LOCAL INTERCONNECTION

		RATES BY STATE									
DESCRIPTION	USOC	AL	FL	GA	KY	LA	MS	NC	SC	TN	
NRC - Manual Svc Order, per LSR	SOMECS	\$3.50	\$21.56	\$3.50	NA	\$3.50	NA	\$3.50	\$3.50	See Ex A-1	
NRC - Manual Svc Order, per LSR disconnect	SOMAN	NA	\$3.84	NA	NA	NA	NA	NA	NA	See Ex A-1	
NRC - Electronic Svc Order, per LSR	SOMAN	\$15.61	NA	\$14.91	NA	\$19.74	NA	\$28.13	\$25.59	See Ex A-1	
NRC - Electronic Svc Order, per LSR disconnect	SOMAN	\$7.39	NA	\$6.63	NA	\$8.77	NA	\$13.33	\$8.92	See Ex A-1	
Channel System - Incremental Cost - Manual Svc. Order vs. Electronic -1st	SOMAN	\$11.67	NA	\$10.82	NA	\$12.43	NA	\$18.26	NA	See Ex A-1	
Channel System - Incremental Cost - Manual Svc. Order vs. Electronic -Add'l	SOMAN	\$0.9469	NA	NA	NA	NA	NA	\$1.48	NA	See Ex A-1	
DS3 Channelization (DS3 to DS1) - Kentucky & Mississippi											
per Channelized System (28 DS1) per month	SATNS	NA	NA	NA	\$236.32	NA	\$247.40	NA	NA	NA	
NRC - 1st	SATNS	NA	NA	NA	\$425.41	NA	\$79.94	NA	NA	NA	
NRC - Add'l	SATNS	NA	NA	NA	\$303.33	NA	\$65.20	NA	NA	NA	
NRC -1st - Disconnect	SATNS	NA	NA	NA	NA	NA	\$5.58	NA	NA	NA	
NRC -Add'l - Disconnect	SATNS	NA	NA	NA	NA	NA	\$15.85	NA	NA	NA	
per Interface per month (COCI)	SATCO	NA	NA	NA	\$8.52	NA	\$11.35	NA	NA	NA	
NRC - 1st	SATCO	NA	NA	NA	\$19.99	NA	NA	NA	NA	NA	
NRC - Add'l	SATCO	NA	NA	NA	NA	NA	NA	NA	NA	NA	
NRC - Manual Svc Order, per LSR	SOMAN	NA	NA	NA	\$3.50	NA	\$3.50	NA	NA	NA	
NRC - Manual Svc Order, per LSR disconnect	SOMAN	NA	NA	NA	NA	NA	NA	NA	NA	NA	
NRC - Electronic Svc Order, per LSR	SOMECS	NA	NA	NA	NA	NA	\$26.95	NA	NA	NA	
NRC - Electronic Svc Order, per LSR disconnect	SOMECS	NA	NA	NA	NA	NA	\$11.98	NA	NA	NA	
Channel System - Incremental Cost - Manual Svc. Order vs. Electronic -1st	SOMAN	NA	NA	NA	\$41.47	NA	\$16.97	NA	NA	NA	
Channel System - Incremental Cost - Manual Svc. Order vs. Electronic -Add'l	SOMAN	NA	NA	NA	\$11.99	NA	NA	NA	NA	NA	
DS1 Channelization (DS1 to DS0)											
per Channelized System (24 DS0) per month	SATC1	\$136.82	\$153.60	\$126.22	NA	\$209.87	NA	\$177.72	\$147.51	See Ex A-1	
NRC - 1st	SATC1	\$197.98	\$182.14	\$198.22	NA	\$193.63	NA	\$267.19	\$220.89	See Ex A-1	
NRC - Add'l	SATC1	\$123.12	\$125.18	\$123.59	NA	\$118.37	NA	\$161.43	\$137.15	See Ex A-1	
NRC -1sr - Disconnect	SATC1	\$30.18	\$19.52	\$31.03	NA	\$26.44	NA	\$34.55	NA	See Ex A-1	
NRC -Add'l - Disconnect	SATC1	\$18.86	\$18.14	\$19.75	NA	\$16.83	NA	\$21.14	NA	See Ex A-1	
- Interface (COCI)											
per OCU-DP(data) card per month (2.4-64kbs)	SATSA	\$1.66	\$2.20	\$1.86	NA	\$3.12	NA	\$2.88	\$2.34	See Ex A-1	
NRC - 1st	SATSA	\$12.05	\$13.16	\$12.02	NA	\$12.29	NA	\$15.76	\$12.05	See Ex A-1	
NRC - Add'l	SATSA	\$8.69	\$9.43	\$8.66	NA	\$8.80	NA	\$11.28	\$8.68	See Ex A-1	
per BRITE card per month	SATSA	\$3.41	\$3.83	\$3.71	NA	\$4.18	NA	\$3.76	\$4.21	See Ex A-1	
NRC - 1st	SATSA	\$12.05	\$13.16	\$12.02	NA	\$12.29	NA	\$15.76	\$12.05	See Ex A-1	
NRC - Add'l	SATSA	\$8.69	\$9.43	\$8.66	NA	\$8.80	NA	\$11.28	\$8.68	See Ex A-1	
per VG card per month (DS0)	SATSA	\$0.86	\$1.45	\$1.17	NA	\$1.62	NA	\$1.64	\$1.47	See Ex A-1	
NRC - 1st	SATSA	\$12.05	\$13.16	\$12.02	NA	\$12.29	NA	\$15.76	\$12.05	See Ex A-1	
NRC - Add'l	SATSA	\$8.69	\$9.43	\$8.66	NA	\$8.80	NA	\$11.28	\$8.68	See Ex A-1	
NRC - Manual Svc Order, per LSR	SOMAN	NA	\$21.56	NA	NA	NA	NA	NA	NA	See Ex A-1	
NRC - Manual Svc Order, per LSR disconnect	SOMAN	NA	\$3.84	NA	NA	NA	NA	NA	NA	See Ex A-1	
NRC - Electronic Svc Order, per LSR	SOMECS	\$3.50	\$2.77	\$3.50	NA	\$3.50	NA	\$3.50	\$3.50	See Ex A-1	
NRC - Electronic Svc Order, per LSR disconnect	SOMECS	NA	\$0.43	NA	NA	NA	NA	NA	NA	See Ex A-1	
Channel System - Incremental Cost - Manual Svc. Order vs. Electronic -1st	SOMAN	\$15.61	NA	\$14.75	NA	\$19.74	NA	\$28.13	\$25.59	See Ex A-1	
Channel System - Incremental Cost - Manual Svc. Order vs. Electronic -Add'l	SOMAN	\$7.39	NA	\$6.55	NA	\$8.77	NA	\$13.33	\$8.92	See Ex A-1	
Incremental Cost-Manual Svc. Order vs. Elect -Disconnect - 1st	SOMAN	\$11.67	NA	\$10.70	NA	\$12.43	NA	\$18.26	NA	See Ex A-1	
Incremental Cost-Manual Svc. Order vs. Elect -Disconnect - Add'l	SOMAN	\$0.9469	NA	\$0.00	NA	NA	NA	\$1.48	NA	See Ex A-1	
DS1 Channelization (DS1 to DS0) - Kentucky & Mississippi											
per Channelized System (24 DS0) per month	SASTN1	NA	NA	NA	\$200.01	NA	\$146.87	NA	NA	NA	
NRC - 1st	SASTN1	NA	NA	NA	\$302.82	NA	\$271.52	NA	NA	NA	
NRC - Add'l	SASTN1	NA	NA	NA	\$184.20	NA	\$164.56	NA	NA	NA	
NRC -1sr - Disconnect	SASTN1	NA	NA	NA	NA	NA	\$36.38	NA	NA	NA	
NRC -Add'l - Disconnect	SASTN1	NA	NA	NA	NA	NA	\$11.98	NA	NA	NA	
- Interface (COCI)											
per OCU-DP(data) card per month (2.4-64kbs)	SATSA	NA	NA	NA	\$2.94	NA	\$2.86	NA	NA	NA	
NRC - 1st	SATSA	NA	NA	NA	\$15.86	NA	\$15.85	NA	NA	NA	

BELLSOUTH/EPB TELECOMMUNICATIONS RATES
LOCAL INTERCONNECTION

DESCRIPTION		USOC	RATES BY STATE									
			AL	FL	GA	KY	LA	MS	NC	SC	TN	
	NRC - Add'l	SATSA	NA	NA	NA	\$11.36	NA	\$11.35	NA	NA	NA	
	per BRITE card per month	SATSA	NA	NA	NA	\$4.04	NA	\$3.88	NA	NA	NA	
	NRC - 1st	SATSA	NA	NA	NA	\$15.86	NA	\$15.85	NA	NA	NA	
	NRC - Add'l	SATSA	NA	NA	NA	\$11.36	NA	\$11.35	NA	NA	NA	
	per VG card per month (DS0)	SATSA	NA	NA	NA	\$1.40	NA	\$1.45	NA	NA	NA	
	NRC - 1st	SATSA	NA	NA	NA	\$15.86	NA	\$15.85	NA	NA	NA	
	NRC - Add'l	SATSA	NA	NA	NA	\$11.36	NA	\$11.35	NA	NA	NA	
	NRC - Manual Svc Order, per LSR	SOMAN	NA	NA	NA	\$19.99	NA	NA	NA	NA	NA	
	NRC - Manual Svc Order, per LSR disconnect	SOMAN	NA	NA	NA	NA	NA	NA	NA	NA	NA	
	NRC - Electronic Svc Order, per LSR	SOMECE	NA	NA	NA	\$3.50	NA	\$3.50	NA	NA	NA	
	NRC - Electronic Svc Order, per LSR disconnect	SOMECE	NA	NA	NA	NA	NA	NA	NA	NA	NA	
	Channel System - Incremental Cost - Manual Svc. Order vs. Electronic -1st	SOMAN	NA	NA	NA	\$41.47	NA	\$19.74	NA	NA	NA	
	Channel System - Incremental Cost - Manual Svc. Order vs. Electronic -Add'l	SOMAN	NA	NA	NA	\$11.99	NA	\$8.77	NA	NA	NA	
	Incremental Cost-Manual Svc. Order vs. Elect -Disconnect - 1st	SOMAN	NA	NA	NA	NA	NA	\$12.43	NA	NA	NA	
	Incremental Cost-Manual Svc. Order vs. Elect -Disconnect - Add'l	SOMAN	NA	NA	NA	NA	NA	NA	NA	NA	NA	
Local Interconnection Mid-Span Meet												
Local Channel - Dedicated - DS1												
	DS1 Monthly Recurring per month	TEFHG	\$14.84	\$17.27	\$15.95	\$17.19	\$19.93	\$16.48	\$16.58	\$15.87	\$17.90	
	NRC - DS1 - 1st	TEFHG	\$546.69	\$553.19	\$545.80	\$547.16	\$548.70	\$546.77	\$546.22	\$548.72	\$547.48	
	NRC - DS1 - Add'l	TEFHG	\$471.61	\$477.22	\$470.84	\$472.01	\$473.34	\$471.68	\$471.20	\$473.36	\$472.29	
	NRC - DS1 - Disconnect Chg - 1st	TEFHG	TBD	TBD	TBD	TBD	TBD	TBD	TBD	TBD	TBD	
	NRC - DS1 - Disconnect Chg - Add'l	TEFHG	TBD	TBD	TBD	TBD	TBD	TBD	TBD	TBD	TBD	
	NRC - DS1 - Incremental Charge--Manual Svc Order - 1st	SOMAN	\$89.52	90.0705	\$88.87	\$89.09	\$89.34	\$89.03	\$88.94	\$89.34	\$89.14	
	NRC - DS1 - Incremental Charge--Manual Svc Order - Add'l	SOMAN	\$89.52	90.0705	88.8666	89.0879	89.3388	89.0255	\$88.94	\$89.34	\$89.14	
	NRC - DS1 - Incremental Charge--Manual Svc Order-Disconnect	SOMAN	TBD	TBD	TBD	TBD	TBD	TBD	TBD	TBD	TBD	
Local Channel - Dedicated - DS3												
	DS3 - Facility Termination per month	TEFHJ	\$214.60	\$245.65	\$231.61	\$275.82	\$287.11	\$218.84	\$232.80	\$222.56	\$285.50	
	NRC - DS3 - Facility Termination - 1st	TEFHJ	\$1,066.46	\$1,079.15	\$1,064.72	\$1,067.37	\$1,070.38	\$1,066.63	\$1,065.55	\$1,070.42	\$1,068.00	
	NRC - DS3 - Facility Termination - Add'l	TEFHJ	\$670.88	678.85.98	\$669.79	\$671.45	\$673.34	\$670.98	\$670.31	\$673.37	\$671.85	
	NRC - DS1 - Disconnect Chg - 1st	TEFHJ	TBD	TBD	TBD	TBD	TBD	TBD	TBD	TBD	TBD	
	NRC - DS1 - Disconnect Chg - Add'l	TEFHJ	TBD	TBD	TBD	TBD	TBD	TBD	TBD	TBD	TBD	
	NRC - DS3 -Incremental Charge--Manual Svc Order - 1st	SOMAN	\$94.49	\$95.61	\$94.34	\$94.57	\$94.84	\$94.50	\$94.41	\$94.94	\$94.63	
	NRC - DS3 - Incremental Charge--Manual Svc Order - Add'l	SOMAN	\$94.49	\$95.61	\$94.34	\$94.57	\$94.84	\$94.50	\$94.41	\$94.94	\$94.63	
	NRC - DS1 - Incremental Charge--Manual Svc Order-Disconnect	SOMAN	TBD	TBD	TBD	TBD	TBD	TBD	TBD	TBD	TBD	
NOTES:												
If no rate is identified in the contract, the rate for the specific service or function will be as set forth in applicable BellSouth tariff or as negotiated by the Parties upon request by either Party.												

**BELLSOUTH/EPB TELECOMMUNICATIONS RATES
TENNESSEE
LOCAL INTERCONNECTION**

Attachment 3
Exhibit A-1
TN Rates - 7

UNBUNDLED NETWORK ELEMENT	USOC	RATES						OSS RATES					
		Recurring	Nonrecurring		Nonrecurring Disconnect		Svc Order Submitted Elec per LSR SOMECS	Svc Order Submitted Manually per LSR SOMAN	Incremental Charge - Manual Svc Order vs. Electronic-1st SOMAN	Incremental Charge - Manual Svc Order vs. Electronic-Add'l SOMAN	Incremental Charge - Manual Svc Order vs. Electronic-Disc 1st SOMAN	Incremental Charge - Manual Svc Order vs. Electronic-Disc Add'l SOMAN	
			First	Add'l	First	Add'l							
LOCAL INTERCONNECTION (CALL TRANSPORT AND TERMINATION)													
END OFFICE SWITCHING													
End Office Switching Function, Per MOU		\$0.0008041											
TANDEM SWITCHING													
Tandem Switching Function Per MOU		\$0.0009778											
LOCAL INTERCONNECTION (TRANSPORT)													
COMMON TRANSPORT (Shared)													
Common Transport - Per Mile, Per MOU		\$0.0000064											
Common Transport - Facilities Termination Per MOU		\$0.0003871											
INTEROFFICE CHANNEL - DEDICATED TRANSPORT - VOICE GRADE													
Interoffice Channel - Dedicated Transport - 2-Wire Voice Grade - Per Mile per month	1L5XF	\$0.0174											
Interoffice Channel - Dedicated Transport- 2-Wire Voice Grade - Facility Termination per month	1L5XF	\$18.58	\$55.39	\$17.37	\$27.96	\$3.51			\$20.35	\$21.09	\$9.80	\$10.54	
INTEROFFICE CHANNEL - DEDICATED TRANSPORT - 56/64 KBPS													
Interoffice Channel - Dedicated Transport - 56 kbps - per mile per month	1L5XK	\$0.0174											
Interoffice Channel - Dedicated Transport - 56 kbps - Facility Termination per month	1L5XK	\$17.98	\$55.39	\$17.37	\$27.96	\$3.51			\$20.35	\$21.09	\$9.80	\$10.54	
Interoffice Channel - Dedicated Transport - 64 kbps - per mile per month	1L5XK	\$0.0174											
Interoffice Channel - Dedicated Transport - 64 kbps - Facility Termination per month	1L5XK	\$17.98	\$55.39	\$17.37	\$27.96	\$3.51			\$20.35	\$21.09	\$9.80	\$10.54	
INTEROFFICE CHANNEL - DEDICATED TRANSPORT - DS1													
Interoffice Channel - Dedicated Channel - DS1 - Per Mile per month	1L5XIL	\$0.3562											
Interoffice Channel - Dedicated Transport - DS1 - Facility Termination per month	1L5XIL	\$77.86	\$112.40	\$76.27	\$19.55	\$14.99			\$20.35	\$21.09	\$9.80	\$10.54	
LOCAL CHANNEL - DEDICATED TRANSPORT													
Local Channel - Dedicated - 2-Wire Voice Grade per month - Zone 1	TEFV2	\$17.18	\$199.33	\$24.16	\$54.81	\$4.80			\$20.35	\$10.54	\$13.30	\$0.00	
Local Channel - Dedicated - 2-Wire Voice Grade per month - Zone 2	TEFV2	\$22.44	\$199.33	\$24.16	\$54.81	\$4.80			\$20.35	\$10.54	\$13.30	\$0.00	
Local Channel - Dedicated - 2-Wire Voice Grade per month - Zone 3	TEFV2	\$29.34	\$199.33	\$24.16	\$54.81	\$4.80			\$20.35	\$10.54	\$13.30	\$0.00	

**BELLSOUTH/EPB TELECOMMUNICATIONS RATES
TENNESSEE
LOCAL INTERCONNECTION**

Attachment 3
Exhibit A-1
TN Rates - 8

Local Channel - Dedicated - 4-Wire Voice Grade per month - Zone 1	TEFV4	\$18.18	\$201.53	\$24.83	\$55.52	\$5.51			\$20.35	\$10.54	\$13.30	\$0.00
Local Channel - Dedicated - 4-Wire Voice Grade per month - Zone 2	TEFV4	\$23.74	\$201.53	\$24.83	\$55.52	\$5.51			\$20.35	\$10.54	\$13.30	\$0.00
Local Channel - Dedicated - 4-Wire Voice Grade per month - Zone 3	TEFV4	\$31.05	\$201.53	\$24.83	\$55.52	\$5.51			\$20.35	\$10.54	\$13.30	\$0.00
Local Channel - Dedicated - DS1 per month - Zone 1	TEFHG	\$36.24	\$277.35	\$233.26	\$33.18	\$22.30			\$45.68	\$1.76	\$21.75	\$1.76
Local Channel - Dedicated - DS1 per month - Zone 2	TEFHG	\$47.33	\$277.35	\$233.26	\$33.18	\$22.30			\$45.68	\$1.76	\$21.75	\$1.76
Local Channel - Dedicated - DS1 per month - Zone 3	TEFHG	\$61.89	\$277.35	\$233.26	\$33.18	\$22.30			\$45.68	\$1.76	\$21.75	\$1.76
MULTIPLEXERS												
Channelization - DS1 to DS0 Channel System	SATC1	\$80.77	\$141.87	\$77.11	\$14.51	\$13.46			\$20.35	\$9.80	\$11.49	\$1.18
OCU-DP COCI (data) - DS1 to DS0 Channel System - per month (2.4-64kbs)	SATSA	\$1.82	\$6.07	\$4.66					\$20.35	\$9.80	\$11.49	\$1.18
2-wire ISDN COCI (BRITE) - DS1 to DS0 Channel System - per month	SATSA	\$3.10	\$6.07	\$4.66					\$20.35	\$9.80	\$11.49	\$1.18
Voice Grade COCI - DS1 to DS0 Channel System - per month	SATSA	\$.91	\$6.07	\$4.66					\$20.35	\$9.80	\$11.49	\$1.18
DS3 to DS1 Channel System per month	SATCS	\$222.98	\$308.03	\$108.47	\$44.47	\$42.62			\$20.35	\$9.80	\$11.49	\$1.18
DS3 Interface Unit (DS1 COCI) per month	SATCO	\$17.58	\$6.07	\$4.66					\$20.35	\$9.80	\$11.49	\$1.18

Attachment 4
Physical Collocation

BELLSOUTH PHYSICAL COLLOCATION

1. Scope of Attachment

1.1 **Scope of Attachment.** The rates, terms, and conditions contained within this Attachment shall only apply when EPB Telecommunications is occupying the Collocation Space as a sole occupant or as a Host within a Premises location pursuant to Section 4. This Attachment is applicable to Premises owned or leased by BellSouth. However, if the Premises occupied by BellSouth is leased by BellSouth from a third party, special considerations and intervals may apply in addition to the terms and conditions of this Attachment.

All the negotiated rates, terms and conditions set forth in this Attachment pertain to collocation and the provisioning of Collocation Space.

1.2 **Right to Occupy.** BellSouth shall offer to EPB Telecommunications collocation on rates, terms, and conditions that are just, reasonable, non-discriminatory and consistent with the rules of the Federal Communications Commission (“FCC”). Subject to Section 4 of this Attachment, BellSouth allows EPB Telecommunications to occupy that certain area designated by BellSouth within a BellSouth Premises, or on BellSouth property upon which the BellSouth Premises is located, of a size which is specified by EPB Telecommunications and agreed to by BellSouth (hereinafter “Collocation Space”). BellSouth Premises include BellSouth Central Offices and Serving Wire Centers. The necessary rates, terms and conditions for BellSouth locations other than BellSouth Premises shall be negotiated upon request for collocation at such location(s). Neither BellSouth nor any of BellSouth’s affiliates may reserve space for future use on more preferential terms than those set forth above.

1.2.1 In all states other than Florida, the size specified by EPB Telecommunications may contemplate a request for space sufficient to accommodate EPB Telecommunications' growth within a two-year period.

1.2.2 In the state of Florida, the size specified by EPB Telecommunications may contemplate a request for space sufficient to accommodate EPB Telecommunications' growth within an eighteen (18) month period.

1.3 **Space Reclamation.** In the event of space exhaust within a Central Office Premises, BellSouth may include in its documentation for the Petition for Waiver filing any unutilized space in the Central Office Premises. EPB Telecommunications will be responsible for any justification of unutilized space within its space, if such justification is required by the appropriate state commission.

1.4 **Use of Space.** EPB Telecommunications shall use the Collocation Space for the purposes of installing, maintaining and operating EPB Telecommunications' equipment (to include testing and monitoring equipment) necessary for interconnection with

BellSouth services and facilities, including access to unbundled network elements, for the provision of telecommunications services. Pursuant to Section 5 following, EPB Telecommunications may, at its option, place EPB Telecommunications-owned fiber entrance facilities to the Collocation Space. The Collocation Space may be used for no other purposes except as specifically described herein or authorized in writing by BellSouth.

- 1.5 Rates and Charges. EPB Telecommunications agrees to pay the rates and charges identified in Exhibit A attached hereto.
- 1.6 Due Dates. In all states other than Georgia, if any due date contained in this Attachment falls on a weekend or National holiday, then the due date will be the next business day thereafter.
- 1.7 The parties agree to comply with all applicable federal, state, county, local and administrative laws, rules, ordinances, regulations and codes in the performance of their obligations hereunder.

2. Space Notification

- 2.1 Availability of Space. Upon submission of an Application pursuant to Section 6, BellSouth will permit EPB Telecommunications to physically collocate, pursuant to the terms of this Attachment, at any BellSouth Premises, unless BellSouth has determined that there is no space available due to space limitations or that physical collocation is not practical for technical reasons.
- 2.1.1 Availability Notification. Unless otherwise specified, BellSouth will respond to an application within ten (10) calendar days as to whether space is available or not available within a BellSouth Premises. This interval excludes National Holidays. If the amount of space requested is not available, BellSouth will notify EPB Telecommunications of the amount of space that is available.
- 2.1.2 BellSouth will respond to a Florida Application within fifteen (15) calendar days as to whether space is available or not available within a BellSouth Premises. If the amount of space requested is not available, BellSouth will notify EPB Telecommunications of the amount of space that is available.
- 2.1.3 BellSouth will respond to a Louisiana Application within ten (10) calendar days for space availability for one (1) to ten (10) Applications; fifteen (15) calendar days for eleven (11) to twenty (20) Applications; and for more than twenty (20) Applications, it is increased by five (5) calendar days for every five additional Applications received within five (5) business days. If the amount of space requested is not available, BellSouth will notify EPB Telecommunications of the amount of space that is available.

- 2.1.4 BellSouth will respond to a Mississippi Application within ten (10) business days as to whether space is available or not available within a BellSouth Premises. If the amount of space requested is not available, BellSouth will notify EPB Telecommunications of the amount of space that is available.
- 2.2 Reporting. Upon request from EPB Telecommunications, BellSouth will provide a written report (“Space Availability Report”) specifying the amount of Collocation Space available at the Premises requested, the number of collocators present at the Premises, any modifications in the use of the space since the last report on the Premises requested and the measures BellSouth is taking to make additional space available for collocation arrangements.
- 2.2.1 The request from EPB Telecommunications for a Space Availability Report must be written and must include the Premises and Common Language Location Identification (“CLLI”) code of the Premises. Such information regarding Premises and CLLI code is located in the National Exchange Carriers Association (NECA) Tariff FCC No. 4.
- 2.2.2 BellSouth will respond to a request for a Space Availability Report for a particular Premises within ten (10) calendar days of receipt of such request. BellSouth will make best efforts to respond in ten (10) calendar days to such a request when the request includes from two (2) to five (5) Premises within the same state. The response time for requests of more than five (5) Premises shall be negotiated between the Parties. If BellSouth cannot meet the ten calendar day response time, BellSouth shall notify EPB Telecommunications and inform EPB Telecommunications of the time frame under which it can respond.
- 2.2.2.1 In Mississippi, BellSouth will respond to a request for a Space Availability Report for a particular Premises within ten (10) business days of receipt of such request. BellSouth will make best efforts to respond in ten (10) business days to such a request when the request includes from two (2) to five (5) Premises within the same state. The response time for requests of more than five (5) Premises shall be negotiated between the Parties. If BellSouth cannot meet the ten business day response time, BellSouth shall notify EPB Telecommunications and inform EPB Telecommunications of the time frame under which it can respond.
- 2.3 Denial of Application. After notifying EPB Telecommunications that BellSouth has no available space in the requested Premises (“Denial of Application”), BellSouth will allow EPB Telecommunications, upon request, to tour the entire Premises within ten (10) calendar days of such Denial of Application. In order to schedule said tour within ten (10) calendar days, the request for a tour of the Premises must be received by BellSouth within five (5) calendar days of the Denial of Application.
- 2.3.1 Denial of Application. In Mississippi, after notifying EPB Telecommunications that BellSouth has no available space in the requested Premises (“Denial of Application”), BellSouth will allow EPB Telecommunications, upon request, to tour the entire Premises within ten (10) business days of such Denial of Application. In order to

schedule said tour within ten (10) business days, the request for a tour of the Premises must be received by BellSouth within five (5) business days of the Denial of Application.

2.4 Filing of Petition for Waiver. Upon Denial of Application BellSouth will timely file a petition with the Commission pursuant to 47 U.S.C. § 251(c)(6). BellSouth shall provide to the Commission any information requested by that Commission. Such information shall include which space, if any, BellSouth or any of BellSouth's affiliates have reserved for future use and a detailed description of the specific future uses for which the space has been reserved. Subject to an appropriate nondisclosure agreement or provision, BellSouth shall permit EPB Telecommunications to inspect any floor plans or diagrams that BellSouth provides to the Commission.

2.5 Waiting List. Unless otherwise specified, on a first-come, first-served basis governed by the date of receipt of an Application or Letter of Intent, BellSouth will maintain a waiting list of requesting carriers who have either received a Denial of Application or, where it is publicly known that the Premises is out of space, have submitted a Letter of Intent to collocate. BellSouth will notify the telecommunications carriers on the waiting list when space becomes available according to how much space becomes available and the position of telecommunications carrier on said waiting list. EPB Telecommunications must submit an updated, complete, and correct Application to BellSouth within 30 calendar days (in Mississippi, 30 business days) of such notification or notify BellSouth in writing within that time that EPB Telecommunications wants to maintain its place on the waiting list either without accepting such space or accepting an amount of space less than its original request. If EPB Telecommunications does not submit such an Application or notify BellSouth in writing as described above, BellSouth will offer such space to the next CLEC on the waiting list and remove EPB Telecommunications from the waiting list. Upon request, BellSouth will advise EPB Telecommunications as to its position on the list.

2.5.1 In Florida, on a first-come, first-served basis governed by the date of receipt of an Application or Letter of Intent, BellSouth will maintain a waiting list of requesting carriers who have either received a Denial of Application or, where it is publicly known that the Premises is out of space, have submitted a Letter of Intent to collocate. Sixty (60) days prior to space becoming available, if known, BellSouth will notify the Florida PSC and the telecommunications carriers on the waiting list by mail when space becomes available according to the position of telecommunications carrier on said waiting list. If not known sixty (60) days in advance, BellSouth shall notify the Florida PSC and the telecommunications carriers on the waiting list within two days of the determination that space is available.

2.6 Public Notification. BellSouth will maintain on its Interconnection Services website a notification document that will indicate all Central Offices that are without available space. BellSouth shall update such document within ten (10) calendar days (in Mississippi, 10 business days) of the Denial of Application due to Space Exhaust. BellSouth will also post a document on its Interconnection Services website that

contains a general notice where space has become available in a Central Office previously on the space exhaust list. BellSouth shall allocate said available space pursuant to the waiting list referenced in Section 2.5.

2.7 Regulatory Agency Procedures. Notwithstanding the foregoing, should any state or federal regulatory agency impose procedures or intervals applicable to EPB Telecommunications that are different from procedures or intervals set forth in this section, whether now in effect or that become effective after execution of this Agreement, those procedures or intervals shall supersede the requirements set forth herein for that jurisdiction for all applications submitted for the first time after the effective date thereof.

3. Collocation Options

3.1 Cageless. BellSouth shall allow EPB Telecommunications to collocate EPB Telecommunications' equipment and facilities without requiring the construction of a cage or similar structure. BellSouth shall allow EPB Telecommunications to have direct access to its equipment and facilities. BellSouth shall make cageless collocation available in single bay increments pursuant to Section 7. Except where EPB Telecommunications' equipment requires special technical considerations (e.g., special cable racking, isolated ground plane), BellSouth shall assign cageless Collocation Space in conventional equipment rack lineups where feasible. For equipment requiring special technical considerations, EPB Telecommunications must provide the equipment layout, including spatial dimensions for such equipment pursuant to generic requirements contained in BellCore (Telcordia) GR-63-Core and shall be responsible for constructing all special technical requirements associated with such equipment pursuant to Section 6 following.

3.2 Cages. BellSouth shall construct enclosures in compliance with EPB Telecommunications' collocation request. At EPB Telecommunications' request, BellSouth shall permit EPB Telecommunications to subcontract the construction of physical collocation arrangements with a contractor certified by BellSouth ("BellSouth Certified Contractor"), provided however, that BellSouth shall not unreasonably withhold approval of contractors.

3.3 When EPB Telecommunications subcontracts the construction, EPB Telecommunications must arrange with a BellSouth Certified Contractor to construct a collocation arrangement enclosure in accordance with BellSouth's guidelines and specifications prior to starting equipment installation and at EPB Telecommunications' sole expense. BellSouth will provide guidelines and specifications upon request. Where local building codes require enclosure specifications more stringent than BellSouth's standard enclosure specification, EPB Telecommunications and EPB Telecommunications' BellSouth Certified Contractor must comply with the more

- stringent local building code requirements. EPB Telecommunications' BellSouth Certified Contractor shall be responsible for filing and receiving any and all necessary permits and/or licenses for such construction. BellSouth shall cooperate with EPB Telecommunications and provide, at EPB Telecommunications' expense, the documentation, including architectural drawings, necessary for EPB Telecommunications to obtain the zoning, permits and/or other licenses. BellSouth shall pass on to EPB Telecommunications the costs of providing the documentation. The BellSouth Certified Contractor shall bill EPB Telecommunications directly for all work performed for EPB Telecommunications pursuant to this Attachment and BellSouth shall have no liability for nor responsibility to pay such charges imposed by the BellSouth Certified Contractor. EPB Telecommunications must provide the local BellSouth building contact with two Access Keys used to enter the locked enclosure. Except in case of emergency, BellSouth will not access EPB Telecommunications' locked enclosure prior to notifying EPB Telecommunications.
- 3.3.1 BellSouth may elect to review EPB Telecommunications' plans and specifications prior to allowing construction to start to ensure compliance with BellSouth's guidelines and specifications. BellSouth shall complete its review within fifteen (15) calendar days. EPB Telecommunications shall be able to design caged enclosures in amounts as small as sufficient to house and maintain a single rack or bay of equipment. If BellSouth reviews EPB Telecommunications' plans and specifications prior to construction, then BellSouth will have the right to inspect the enclosure after construction to make sure it is constructed according to the submitted plans and specifications. If BellSouth elects not to review EPB Telecommunications' plans and specifications prior to construction, EPB Telecommunications will be entitled to request BellSouth to review; and in the event EPB Telecommunications does not request a BellSouth review, BellSouth shall have the right to inspect the enclosure after construction to make sure it is constructed according to BellSouth's guidelines and specifications. BellSouth may require EPB Telecommunications to remove or correct within seven (7) calendar days at EPB Telecommunications' expense any structure that does not meet these plans and specifications or, where applicable, BellSouth guidelines and specifications.
- 3.4 Shared (Subleased) Caged Collocation. EPB Telecommunications may allow other telecommunications carriers to share EPB Telecommunications' caged collocation arrangement pursuant to terms and conditions agreed to by EPB Telecommunications ("Host") and other telecommunications carriers ("Guests") and pursuant to this section, except where the BellSouth Premises is located within a leased space and BellSouth is prohibited by said lease from offering such an option. EPB Telecommunications shall notify BellSouth in writing upon execution of any agreement between the Host and its Guest within ten (10) calendar days (in Mississippi, ten (10) business days) of its execution and prior to any Firm Order. Further, such notice shall include the name of the Guest(s) and the term of the agreement, and shall contain a certification by EPB Telecommunications that said agreement imposes upon the Guest(s) the same terms and conditions for Collocation Space as set forth in this Attachment between BellSouth and EPB Telecommunications.

- 3.4.1 EPB Telecommunications, as the host CLEC shall be the sole interface and responsible Party to BellSouth for the assessment and billing of rates and charges contained within this Attachment; and for the purposes of ensuring that the safety and security requirements of this Attachment are fully complied with by the Guest, its employees and agents. BellSouth shall prorate the costs of the collocation space based on the number of collocators and the space used by each. In all states other than Florida, and in addition to the foregoing, EPB Telecommunications shall be the responsible party to BellSouth for the purpose of submitting Applications for initial and additional equipment placement of Guest. In the event the Host and Guest jointly submit an initial Application, only one Application Fee will be assessed. A separate initial Guest application shall require the assessment of a Subsequent Application Fee, as set forth in Exhibit A, if this Application is not the initial Application made for the arrangement. Notwithstanding the foregoing, Guest may arrange directly with BellSouth for the provision of the interconnecting facilities between BellSouth and Guest and for the provision of the services and access to unbundled network elements.
- 3.4.2 EPB Telecommunications shall indemnify and hold harmless BellSouth from any and all claims, actions, causes of action, of whatever kind or nature arising out of the presence of EPB Telecommunications' Guests in the Collocation Space except to the extent caused by BellSouth's sole negligence, gross negligence, or willful misconduct.
- 3.5 Adjacent Collocation. BellSouth will permit adjacent collocation arrangements ("Adjacent Arrangement") on the Premises' property where physical collocation space within the Premises is legitimately exhausted, subject to technical feasibility, where the Adjacent Arrangement does not interfere with access to existing or planned structures or facilities on the Premises property and where permitted by zoning and other applicable state and local regulations. The Adjacent Arrangement shall be constructed or procured by EPB Telecommunications and in conformance with BellSouth's design and construction specifications. Further, EPB Telecommunications shall construct, procure, maintain and operate said Adjacent Arrangement(s) pursuant to all of the terms and conditions set forth in this Attachment. Rates shall be negotiated at the time of the request for the Adjacent Arrangement.
- 3.5.1 Should EPB Telecommunications elect such option, EPB Telecommunications must arrange with a BellSouth Certified Contractor to construct an Adjacent Arrangement structure in accordance with BellSouth's guidelines and specifications. BellSouth will provide guidelines and specifications upon request. Where local building codes require enclosure specifications more stringent than BellSouth's standard specification, EPB Telecommunications and EPB Telecommunications' BellSouth Certified Contractor must comply with the more stringent local building code requirements. EPB Telecommunications' BellSouth Certified Contractor shall be responsible for filing and receiving any and all necessary zoning, permits and/or licenses for such construction. EPB Telecommunications' BellSouth Certified Contractor shall bill EPB Telecommunications directly for all work performed for EPB Telecommunications pursuant to this Attachment and BellSouth shall have no liability for nor responsibility to pay such charges imposed by the BellSouth Certified Contractor. EPB

- Telecommunications must provide the local BellSouth building contact with two cards, keys or other access device used to enter the locked enclosure. Except in cases of emergency, BellSouth shall not access EPB Telecommunications' locked enclosure prior to notifying EPB Telecommunications.
- 3.5.2 EPB Telecommunications must submit its plans and specifications to BellSouth with its Firm Order. BellSouth may elect to review EPB Telecommunications' plans and specifications prior to construction of an Adjacent Arrangement(s) to ensure compliance with BellSouth's guidelines and specifications. BellSouth shall complete its review within fifteen (15) calendar days. If BellSouth reviews EPB Telecommunications' plans and specifications prior to construction, then BellSouth will have the right to inspect the Adjacent Arrangement after construction to make sure it is constructed according to the submitted plans and specifications. If BellSouth elects not to review EPB Telecommunications' plans and specifications prior to construction, EPB Telecommunications will be entitled to request BellSouth to review; and in the event EPB Telecommunications does not request a BellSouth review, BellSouth shall have the right to inspect the Adjacent Arrangement after construction to make sure it is constructed according to BellSouth's guidelines and specifications. BellSouth may require EPB Telecommunications to remove or correct within seven (7) calendar days at EPB Telecommunications' expense any structure that does not meet these plans and specifications or, where applicable, BellSouth's guidelines and specifications
- 3.5.3 EPB Telecommunications shall provide a concrete pad, the structure housing the arrangement, heating/ventilation/air conditioning ("HVAC"), lighting, and all facilities that connect the structure (i.e. racking, conduits, etc.) to the BellSouth point of demarcation. At EPB Telecommunications' option, and where the local authority having jurisdiction permits, BellSouth shall provide an AC power source and access to physical collocation services and facilities subject to the same nondiscriminatory requirements as applicable to any other physical collocation arrangement. EPB Telecommunications' BellSouth Certified Contractor shall be responsible for filing and receiving any and all necessary zoning, permits and/or licenses for such arrangement.
- 3.5.4 BellSouth shall allow Shared (Subleased) Caged Collocation within an Adjacent Arrangement pursuant to the terms and conditions set forth in Section 3.4 preceding.

4. Occupancy

- 4.1 Commencement Date. The "Commencement Date" shall be the day EPB Telecommunications' equipment becomes operational as described in Article 4.2, following.
- 4.2 Occupancy. BellSouth will notify EPB Telecommunications in writing that the Collocation Space is ready for occupancy. EPB Telecommunications must notify BellSouth in writing that collocation equipment installation is complete and is operational with BellSouth's network. BellSouth may, at its option, not accept orders

for interconnected service until receipt of such notice. For purposes of this paragraph, EPB Telecommunications' telecommunications equipment will be deemed operational when cross-connected to BellSouth's network for the purpose of service provision.

- 4.3 Termination of Occupancy. In addition to any other provisions addressing Termination of Occupancy in this Attachment, Termination of Occupancy may occur in the following circumstances:
- 4.3.1 EPB Telecommunications may terminate occupancy in a particular Collocation Space by submitting a Subsequent Application requesting termination of occupancy.
- 4.3.2 Upon termination of such occupancy, EPB Telecommunications at its expense shall remove its equipment and other property from the Collocation Space. EPB Telecommunications shall have thirty (30) calendar days from the termination date to complete such removal, including the removal of all equipment and facilities of EPB Telecommunications' Guests, unless CLEC's guest has assumed responsibility for the collocation space housing the guest equipment and executed the documentation required by BellSouth prior to such removal date. EPB Telecommunications shall continue payment of monthly fees to BellSouth until such date as EPB Telecommunications has fully vacated the Collocation Space. Should EPB Telecommunications or EPB Telecommunications' Guest fail to vacate the Collocation Space within thirty (30) calendar days from the termination date, BellSouth shall have the right to remove the equipment and other property of EPB Telecommunications or EPB Telecommunications' Guest at EPB Telecommunications' expense and with no liability for damage or injury to EPB Telecommunications or EPB Telecommunications' Guest's property unless caused by the gross negligence or intentional misconduct of BellSouth. Upon termination of EPB Telecommunications' right to occupy Collocation Space, EPB Telecommunications shall surrender such Collocation Space to BellSouth in the same condition as when first occupied by EPB Telecommunications except for ordinary wear and tear, unless otherwise agreed to by the Parties. EPB Telecommunications shall be responsible for the cost of removing any enclosure, together with all support structures (e.g., racking, conduits), at the termination of occupancy and restoring the grounds to their original condition.

5. Use of Collocation Space

- 5.1 Equipment Type. BellSouth permits the collocation of any type of equipment necessary for interconnection to BellSouth's network or for access to unbundled network elements in the provision of telecommunications services.
- 5.1.1 Such equipment must at a minimum meet the following BellCore (Telcordia) Network Equipment Building Systems (NEBS) General Equipment Requirements: Criteria Level 1 requirements as outlined in the BellCore (Telcordia) Special Report SR-3580, Issue 1; equipment design spatial requirements per GR-63-CORE, Section 2; thermal heat dissipation per GR-063-CORE, Section 4, Criteria 77-79; acoustic noise per GR-

063-CORE, Section 4, Criterion 128, and National Electric Code standards. Except where otherwise required by a Commission, BellSouth shall comply with the applicable FCC rules relating to denial of collocation based on EPB Telecommunications' failure to comply with this section.

- 5.1.2 EPB Telecommunications shall not request more DS0, DS1, DS3 and optical terminations for a collocation arrangement than the total port or termination capacity of the transmission equipment physically installed in the arrangement. The total capacity of the transmission equipment collocated in the arrangement will include equipment contained in the application in question as well as equipment already placed in the arrangement. Collocated cross-connect devices are not considered transmission equipment. If full network termination capacity of the transmission equipment being installed is not requested in the application, additional network terminations for the installed equipment will require the submission of another application. In the event that EPB Telecommunications submits an application for terminations that exceed the total capacity of the collocated equipment, EPB Telecommunications will be informed of the discrepancy and will be required to submit a revision to the application.
- 5.1.3 EPB Telecommunications shall not use the Collocation Space for marketing purposes nor shall it place any identifying signs or markings in the area surrounding the Collocation Space or on the grounds of the Premises.
- 5.1.4 EPB Telecommunications shall place a plaque or other identification affixed to EPB Telecommunications' equipment necessary to identify EPB Telecommunications' equipment, including a list of emergency contacts with telephone numbers.
- 5.2 Entrance Facilities. EPB Telecommunications may elect to place EPB Telecommunications-owned or EPB Telecommunications-leased fiber entrance facilities into the Collocation Space. BellSouth will designate the point of interconnection in close proximity to the Premises building housing the Collocation Space, such as an entrance manhole or a cable vault which are physically accessible by both Parties. EPB Telecommunications will provide and place fiber cable at the point of entrance of sufficient length to be pulled through conduit and into the splice location. EPB Telecommunications will provide and install a sufficient length of fire retardant riser cable, to which the entrance cable will be spliced, which will extend from the splice location to EPB Telecommunications' equipment in the Collocation Space. In the event EPB Telecommunications utilizes a non-metallic, riser-type entrance facility, a splice will not be required. EPB Telecommunications must contact BellSouth for instructions prior to placing the entrance facility cable in the manhole. EPB Telecommunications is responsible for maintenance of the entrance facilities. At EPB Telecommunications' option BellSouth will accommodate where technically feasible a microwave entrance facility pursuant to separately negotiated terms and conditions. In the case of adjacent collocation, unless BellSouth determines that limited space is available for the entrance facilities, copper facilities may be used between the adjacent collocation arrangement and the central office termination point.

- 5.2.1 Dual Entrance. BellSouth will provide at least two interconnection points at each Premises where there are at least two such interconnection points available and where capacity exists. Upon receipt of a request for physical collocation under this Attachment, BellSouth shall provide EPB Telecommunications with information regarding BellSouth's capacity to accommodate dual entrance facilities. If conduit in the serving manhole(s) is available and is not reserved for another purpose for utilization within 12 months of the receipt of an application for collocation, BellSouth will make the requested conduit space available for installing a second entrance facility to EPB Telecommunications' arrangement. The location of the serving manhole(s) will be determined at the sole discretion of BellSouth. Where dual entrance is not available due to lack of capacity, BellSouth will so state in the Application Response.
- 5.2.2 Shared Use. EPB Telecommunications may utilize spare capacity on an existing interconnector entrance facility for the purpose of providing an entrance facility to another EPB Telecommunications collocation arrangement within the same BellSouth Premises. EPB Telecommunications must arrange with BellSouth for BellSouth to splice the utilized entrance facility capacity to EPB Telecommunications-provided riser cable.
- 5.3 Demarcation Point. BellSouth will designate the point(s) of demarcation between EPB Telecommunications' equipment and/or network and BellSouth's network. Each Party will be responsible for maintenance and operation of all equipment/facilities on its side of the demarcation point. For 2-wire and 4-wire connections to BellSouth's network, the demarcation point shall be a common block on the BellSouth designated conventional distributing frame. EPB Telecommunications shall be responsible for providing, and a supplier certified by BellSouth ("EPB Telecommunications' BellSouth Certified Supplier") shall be responsible for installing and properly labeling/stenciling, the common block, and necessary cabling pursuant to Section 6.5. For all other terminations BellSouth shall designate a demarcation point on a per arrangement basis. EPB Telecommunications or its agent must perform all required maintenance to equipment/facilities on its side of the demarcation point, pursuant to Section 5.4, following, and may self-provision cross-connects that may be required within the Collocation Space to activate service requests. At EPB Telecommunications' option and expense, a Point of Termination ("POT") bay or frame may be placed in the Collocation Space, but will not serve as the demarcation point. EPB Telecommunications must make arrangements with a BellSouth Certified Supplier for such placement.
- 5.4 EPB Telecommunications' Equipment and Facilities. EPB Telecommunications, or if required by this Attachment, EPB Telecommunications' BellSouth Certified Supplier, is solely responsible for the design, engineering, installation, testing, provisioning, performance, monitoring, maintenance and repair of the equipment and facilities used by EPB Telecommunications which must be performed in compliance with all applicable BellSouth policies and guidelines. Such equipment and facilities may include but are not limited to cable(s); equipment; and point of termination connections. EPB Telecommunications and its selected BellSouth Certified Supplier

must follow and comply with all BellSouth requirements outlined in BellSouth's TR 73503, TR 73519, TR 73572, and TR 73564.

- 5.5 BellSouth's Access to Collocation Space. From time to time BellSouth may require access to the Collocation Space. BellSouth retains the right to access such space for the purpose of making BellSouth equipment and building modifications (e.g., running, altering or removing racking, ducts, electrical wiring, HVAC, and cables). BellSouth will give notice to EPB Telecommunications at least 48 hours before access to the Collocation Space is required. EPB Telecommunications may elect to be present whenever BellSouth performs work in the Collocation Space. The Parties agree that EPB Telecommunications will not bear any of the expense associated with this work.
- 5.6 Access. Pursuant to Section 11, EPB Telecommunications shall have access to the Collocation Space twenty-four (24) hours a day, seven (7) days a week. EPB Telecommunications agrees to provide the name and social security number or date of birth or driver's license number of each employee, contractor, or agents of EPB Telecommunications or EPB Telecommunications' Guests provided with access keys or devices ("Access Keys") prior to the issuance of said Access Keys. Key acknowledgement forms must be signed by EPB Telecommunications and returned to BellSouth Access Management within 15 calendar days of EPB Telecommunications' receipt. Failure to return properly acknowledged forms will result in the holding of subsequent requests until acknowledgements are current. Access Keys shall not be duplicated under any circumstances. EPB Telecommunications agrees to be responsible for all Access Keys and for the return of all said Access Keys in the possession of EPB Telecommunications employees, contractors, Guests, or agents after termination of the employment relationship, contractual obligation with EPB Telecommunications or upon the termination of this Attachment or the termination of occupancy of an individual collocation arrangement.
- 5.6.1 Lost or Stolen Access Keys. EPB Telecommunications shall notify BellSouth in writing within 24 hours of becoming aware in the case of lost or stolen Access Keys. Should it become necessary for BellSouth to re-key buildings or deactivate a card as a result of a lost Access Key(s) or for failure to return an Access Key(s), EPB Telecommunications shall pay for all reasonable costs associated with the re-keying or deactivating the card.
- 5.7 Interference or Impairment. Notwithstanding any other provisions of this Attachment, EPB Telecommunications shall not use any product or service provided under this Agreement, any other service related thereto or used in combination therewith, or place or use any equipment or facilities in any manner that 1) significantly degrades, interferes with or impairs service provided by BellSouth or by any other entity or any person's use of its telecommunications service; 2) endangers or damages the equipment, facilities or other property of BellSouth or of any other entity or person; 3) compromises the privacy of any communications; or 4) creates an unreasonable risk of injury or death to any individual or to the public. If BellSouth reasonably determines that any equipment or facilities of EPB Telecommunications violates the provisions of

- this paragraph, BellSouth shall give written notice to EPB Telecommunications, which notice shall direct EPB Telecommunications to cure the violation within forty-eight (48) hours of EPB Telecommunications' actual receipt of written notice or, at a minimum, to commence curative measures within 24 hours and to exercise reasonable diligence to complete such measures as soon as possible thereafter. After receipt of the notice, the Parties agree to consult immediately and, if necessary, to inspect the arrangement.
- 5.7.1 Except in the case of the deployment of an advanced service which significantly degrades the performance of other advanced services or traditional voice band services, if EPB Telecommunications fails to take curative action within 48 hours or if the violation is of a character which poses an immediate and substantial threat of damage to property, injury or death to any person, or any other significant degradation, interference or impairment of BellSouth's or another entity's service, then and only in that event BellSouth may take such action as it deems appropriate to correct the violation, including without limitation the interruption of electrical power to EPB Telecommunications' equipment. BellSouth will endeavor, but is not required, to provide notice to EPB Telecommunications prior to taking such action and shall have no liability to EPB Telecommunications for any damages arising from such action, except to the extent that such action by BellSouth constitutes willful misconduct.
- 5.7.2 For purposes of this Section 5.7, the term significantly degrade shall mean an action that noticeably impairs a service from a user's perspective. In the case of the deployment of an advanced service which significantly degrades the performance of other advanced services or traditional voice band services and EPB Telecommunications fails to take curative action within 48 hours then BellSouth will establish before the relevant Commission that the technology deployment is causing the significant degradation. Any claims of network harm presented to EPB Telecommunications or, if subsequently necessary, the relevant Commission, must be supported with specific and verifiable information. Where BellSouth demonstrates that a deployed technology is significantly degrading the performance of other advanced services or traditional voice band services, EPB Telecommunications shall discontinue deployment of that technology and migrate its customers to technologies that will not significantly degrade the performance of other such services. Where the only degraded service itself is a known disturber, and the newly deployed technology satisfies at least one of the criteria for a presumption that is acceptable for deployment under section 47 C.F.R. 51.230, the degraded service shall not prevail against the newly-deployed technology.
- 5.8 Personalty and its Removal. Facilities and equipment placed by EPB Telecommunications in the Collocation Space shall not become a part of the Collocation Space, even if nailed, screwed or otherwise fastened to the Collocation Space, but shall retain their status as personal property and may be removed by EPB Telecommunications at any time. Any damage caused to the Collocation Space by

EPB Telecommunications' employees, agents or representatives during the removal of such property shall be promptly repaired by EPB Telecommunications at its expense.

5.9 Alterations. In no case shall EPB Telecommunications or any person acting on behalf of EPB Telecommunications make any rearrangement, modification, improvement, addition, repair, or other alteration which could affect in any way space, power, HVAC, and/or safety considerations to the Collocation Space or the BellSouth Premises without the written consent of BellSouth, which consent shall not be unreasonably withheld. The cost of any such specialized alterations shall be paid by EPB Telecommunications. Any material rearrangement, modification, improvement, addition, repair, or other alteration shall require a Subsequent Application and Subsequent Application Fee, pursuant to sub-section 6.2.2.

5.10 Janitorial Service. EPB Telecommunications shall be responsible for the general upkeep of the Collocation Space. EPB Telecommunications shall arrange directly with a BellSouth Certified Contractor for janitorial services applicable to Caged Collocation Space. BellSouth shall provide a list of such contractors on a site-specific basis upon request.

6. Ordering and Preparation of Collocation Space

6.1 Should any state or federal regulatory agency impose procedures or intervals applicable to EPB Telecommunications that are different from procedures or intervals set forth in this section, whether now in effect or that become effective after execution of this Agreement, those procedures or intervals shall supersede the requirements set forth herein for that jurisdiction for all applications submitted for the first time after the effective date thereof.

6.2 Application for Space. EPB Telecommunications shall submit an application document when EPB Telecommunications or EPB Telecommunications' Guest(s), as defined in Section 3.4, desires to request or modify the use of the Collocation Space.

6.2.1 Initial Application. For EPB Telecommunications or EPB Telecommunications' Guest(s) initial equipment placement, EPB Telecommunications shall submit to BellSouth a Physical Expanded Interconnection Application Document ("Application"). The Application is Bona Fide when it is complete and accurate, meaning that all required fields on the application are completed with the appropriate type of information. The Bona Fide Application shall contain a detailed description and schematic drawing of the equipment to be placed in EPB Telecommunications' Collocation Space(s) and an estimate of the amount of square footage required.

6.2.2 Subsequent Application. In the event EPB Telecommunications or EPB Telecommunications' Guest(s) desires to modify the use of the Collocation Space ("Augmentation"), EPB Telecommunications shall complete an Application detailing all information regarding the modification to the Collocation Space ("Subsequent

Application”). The minimum Subsequent Application Fee shall be considered a partial payment of the applicable Subsequent Application Fee which shall be calculated as set forth below. BellSouth shall determine what modifications, if any, to the Premises are required to accommodate the change requested by EPB Telecommunications in the Application. Such necessary modifications to the Premises may include but are not limited to, floor loading changes, changes necessary to meet HVAC requirements, changes to power plant requirements, equipment additions, etc. The fee paid by EPB Telecommunications for its request to modify the use of the Collocation Space shall be dependent upon the level of assessment needed for the modification requested. Where the Subsequent Application does not require assessment for provisioning or construction work by BellSouth, no Subsequent Application Fee will be required and the pre-paid fee shall be refunded to EPB Telecommunications. The fee for an Application where the modification requested has limited effect (e.g., does not require assessment related to capital expenditure by BellSouth) shall be the Subsequent Application Fee as set forth in Exhibit A. If the modification requires capital expenditure assessment, a full Application Fee shall apply. In the event such modifications require the assessment of a full Application Fee as set forth in Exhibit A, the outstanding balance shall be due by EPB Telecommunications within 30 calendar days following EPB Telecommunications' receipt of a bill or invoice from BellSouth. The Subsequent Application is Bona Fide when it is complete and accurate, meaning that all required fields on the Application are completed with the appropriate type of information.

6.3 Application Response. In Alabama, North Carolina, and Tennessee, in addition to the notice of space availability pursuant to Section 2.1, BellSouth will respond as to whether the Application is Bona Fide, and if it is not Bona Fide, the items necessary to cause the Application to become Bona Fide. Sufficient detail will be provided to permit EPB Telecommunications a reasonable opportunity to correct each deficiency. EPB Telecommunications must correct any deficiencies in its Application and resubmit a Bona Fide Application within ten (10) calendar days of being notified of the deficiencies in the original Application. If EPB Telecommunications fails to resubmit its Application as Bona Fide within this ten (10) day period, EPB Telecommunications will lose its place in the collocation queue. When space has been determined to be available, BellSouth will provide a written response (“Application Response”), which will include, at a minimum, the configuration of the space, the Cable Installation Fee, Cable Records Fee, and the space preparation fees, as described in Section 7.

6.3.1 Application Response. Except as otherwise provided, for all States that have ordered provisioning intervals but not application response intervals, the following will apply. In addition to the notice of space availability pursuant to Section 2.1, BellSouth will respond as to whether the Application is Bona Fide, and if it is not Bona Fide, the items necessary to cause the Application to become Bona Fide. When space has been determined to be available, BellSouth will provide a written response (“Application Response”) within thirty (30) calendar days of receipt of a Bona Fide Application. The Application Response will include, at a minimum, the configuration of the space, the Cable Installation Fee, Cable Records Fee, and the space preparation fees, as

- described in Section 7. When multiple applications are submitted in a state within a fifteen (15) calendar day window, BellSouth will respond to the Bona Fide Applications as soon as possible, but no later than the following: within thirty (30) calendar days for Bona Fide Applications 1-5; within thirty-six (36) calendar days for Bona Fide Applications 6-10; within forty-two (42) calendar days for Bona Fide Applications 11-15. Response intervals for multiple Bona Fide Applications submitted within the same timeframe for the same state in excess of 15 must be negotiated. All negotiations shall consider the total volume from all requests from telecommunications companies for collocation.
- 6.3.2 Application Response (Florida). Within fifteen (15) calendar days of receipt of a Bona Fide Application, BellSouth will respond as to whether space is available or not available within a particular Premises. Additionally, when space has been determined to be available or when a lesser amount of space than that requested is available, then with respect to the space available, BellSouth will provide a written response (“Application Response”) including sufficient information to enable EPB Telecommunications to place a Firm Order. The Application Response will include, at a minimum, the configuration of the space, the Cable Installation Fee, Cable Records Fee, and the space preparation fees, as described in Section 7. When EPB Telecommunications submits ten (10) or more Applications within ten (10) calendar days, the initial fifteen (15) day response period will increase by ten (10) days for every additional ten (10) Applications or fraction thereof.
- 6.3.3 Application Response (Georgia) In addition to the notice of space availability pursuant to Section 2.1, BellSouth will respond as to whether the Application is Bona Fide, and if it is not Bona Fide, the items necessary to cause the Application to become Bona Fide. When space has been determined to be available for caged or cageless arrangements, BellSouth will provide a written response (“Application Response”) within thirty (30) calendar days of receipt of a Bona Fide Application. The Application Response will include, at a minimum, the configuration of the space, the Cable Installation Fee, Cable Records Fee, and the space preparation fees, as described in Section 7.
- 6.3.4 Application Response (Kentucky) In addition to the notice of space availability pursuant to Section 2.1, BellSouth will respond as to whether the Application is Bona Fide, and if it is not Bona Fide, the items necessary to cause the Application to become Bona Fide. When space has been determined to be available, BellSouth will provide a written response (“Application Response”) within thirty (30) calendar days of receipt of a Bona Fide Application. The Application Response will include, at a minimum, the configuration of the space, the Cable Installation Fee, Cable Records Fee, and the space preparation fees, as described in Section 7. When multiple applications are submitted in a state within a fifteen (15) calendar day window, BellSouth will respond to the Bona Fide Applications as soon as possible, but no later than the following: within thirty (30) calendar days for Bona Fide Applications 1-5; within thirty-six (36) calendar days for Bona Fide Applications 6-10; within forty-two (42) calendar days for Bona Fide Applications 11-15. Response intervals for multiple Bona Fide

Applications submitted within the same timeframe for the same state in excess of 15 must be negotiated. All negotiations shall consider the total volume from all requests from telecommunications companies for collocation.

- 6.3.5 Application Response (Louisiana). In addition to the notice of space availability pursuant to Section 2.1, BellSouth will respond as to whether the Application is Bona Fide, and if it is not Bona Fide, the items necessary to cause the Application to become Bona Fide. BellSouth will respond as to whether space is available or not available within a particular Premises in accordance with Section 2. The Application Response will include, at a minimum, the configuration of the space, the Cable Installation Fee, Cable Records Fee, and the space preparation fees, as described in Section 7. BellSouth will respond with a full Application Response within 30 calendar days for one to ten Applications; 35 calendar days for eleven to twenty Applications; and for requests of more than twenty Application it is increased by five calendar days for every five Applications received within five business days.
- 6.3.6 Application Response (Mississippi). In addition to the notice of space availability pursuant to Section 2. BellSouth will respond as to whether the Application is Bona Fide, and if it is not Bona Fide, the items necessary to cause the Application to become Bona Fide. When space has been determined to be available, BellSouth will provide a written response (“Application Response”) within thirty (30) business days of receipt of a Bona Fide Application. The Application Response will include, at a minimum, the configuration of the space, the Cable Installation Fee, Cable Records Fee, and the space preparation fees, as described in Section 7. When multiple applications are submitted in a state within a fifteen (15) business day window, BellSouth will respond to the Bona Fide Applications as soon as possible, but no later than the following: within thirty (30) business days for Bona Fide Applications 1-5; within thirty-six (36) business days for Bona Fide Applications 6-10; within forty-two (42) business days for Bona Fide Applications 11-15. Response intervals for multiple Bona Fide Applications submitted within the same timeframe for the same state in excess of 15 must be negotiated. All negotiations shall consider the total volume from all requests from telecommunications companies for collocation.
- 6.4 Application Modifications. In Alabama, North Carolina, and Tennessee, if a modification or revision is made to any information in the Bona Fide Application for Physical Collocation or the Bona Fide Application for Adjacent Collocation, with the exception of modifications to Customer Information, Contact Information or Billing Contact Information, either at the request of EPB Telecommunications or necessitated by technical considerations, said Application shall be considered a new Application and shall be handled as a new Application for purposes of the provisioning interval and BellSouth shall charge EPB Telecommunications a Subsequent Application Fee. Major changes such as requesting additional space or adding equipment may require EPB Telecommunications to submit the Application with an Application Fee.
- 6.4.1 Application Modifications. For all States that have ordered provisioning intervals but not application response intervals, and except as otherwise specified, the following will

- apply: If a modification or revision is made to any information in the Bona Fide Application for Physical Collocation or the Bona Fide Application for Adjacent Collocation, with the exception of modifications to Customer Information, Contact Information or Billing Contact Information, either at the request of EPB Telecommunications or necessitated by technical considerations, BellSouth will respond to the Bona Fide Application within thirty (30) calendar days after BellSouth receives such revised application or at such other date as the Parties agree. If, at any time, BellSouth needs to reevaluate EPB Telecommunications' Bona Fide Application as a result of changes requested by EPB Telecommunications to EPB Telecommunications' original application, then BellSouth will charge EPB Telecommunications a Subsequent Application Fee. Major changes such as requesting additional space or adding additional equipment may require EPB Telecommunications to resubmit the Application with an Application Fee.
- 6.4.2 Application Modifications (Florida). If a modification or revision is made to any information in the Bona Fide Application for Physical Collocation or the Bona Fide Application for Adjacent Collocation, with the exception of modifications to Customer Information, Contact Information or Billing Contact Information, either at the request of EPB Telecommunications or necessitated by technical considerations, BellSouth will respond to the Bona Fide Application within fifteen (15) calendar days after BellSouth receives such revised Application or at such other date as the Parties agree. If, at any time, BellSouth needs to reevaluate EPB Telecommunications' Bona Fide Application as a result of changes requested by EPB Telecommunications to EPB Telecommunications' original Application, then BellSouth will charge EPB Telecommunications a Subsequent Application Fee. Major changes such as requesting additional space or adding additional equipment may require EPB Telecommunications to resubmit the Application with an Application Fee.
- 6.4.3 Application Modifications (Kentucky & Georgia). If a modification or revision is made to any information in the Bona Fide Application for Physical Collocation or the Bona Fide Application for Adjacent Collocation, with the exception of modifications to Customer Information, Contact Information or Billing Contact Information, either at the request of EPB Telecommunications or necessitated by technical considerations, BellSouth will respond to the Bona Fide Application within thirty (30) calendar days after BellSouth receives such revised Application or at such other date as the Parties agree. If, at any time, BellSouth needs to reevaluate EPB Telecommunications' Bona Fide Application as a result of changes requested by EPB Telecommunications to CLEC's original Application, then BellSouth will charge EPB Telecommunications a Subsequent Application Fee. Major changes such as requesting additional space or adding additional equipment may require EPB Telecommunications to resubmit the Application with an Application Fee.
- 6.4.4 Application Modifications (Mississippi). If a modification or revision is made to any information in the Bona Fide Application for Physical Collocation or the Bona Fide Application for Adjacent Collocation, with the exception of modifications to Customer Information, Contact Information or Billing Contact Information, either at the request

- of EPB Telecommunications or necessitated by technical considerations, BellSouth will respond to the Bona Fide Application within thirty (30) business days after BellSouth receives such revised Application or at such other date as the Parties agree. If, at any time, BellSouth needs to reevaluate EPB Telecommunications' Bona Fide Application as a result of changes requested by EPB Telecommunications to CLEC's original Application, then BellSouth will charge EPB Telecommunications a Subsequent Application Fee. Major changes such as requesting additional space or adding additional equipment may require EPB Telecommunications to resubmit the Application with an Application Fee.
- 6.4.5 Application Modifications (Louisiana). If a modification or revision is made to any information in the Bona Fide Application for Physical Collocation or the Bona Fide Application for Adjacent Collocation, with the exception of modifications to Customer Information, Contact Information or Billing Contact Information, either at the request of EPB Telecommunications or necessitated by technical considerations, BellSouth will respond to the Bona Fide Application within thirty (30) calendar days after BellSouth receives such revised application or at such other date as the Parties agree. BellSouth will respond to such modifications or revisions within 30 calendar days for one to ten revised Applications; 35 calendar days for eleven to twenty revised Applications; and for requests of more than twenty revised Applications it is increased by five calendar days for every five revised Applications received within five business days. If, at any time, BellSouth needs to reevaluate EPB Telecommunications' Bona Fide Application as a result of changes requested by EPB Telecommunications to CLEC's original application, then BellSouth will charge EPB Telecommunications a Subsequent Application Fee. Major changes such as requesting additional space or adding additional equipment may require EPB Telecommunications to resubmit the application with an Application Fee.
- 6.5 Bona Fide Firm Order. In Alabama, North Carolina, and Tennessee, EPB Telecommunications shall indicate its intent to proceed with equipment installation in a BellSouth Premises by submitting a Physical Expanded Interconnection Firm Order document ("Firm Order") to BellSouth. A Firm Order shall be considered Bona Fide when EPB Telecommunications has completed the Application/Inquiry process described in Section 6.2, preceding, and has submitted the Firm Order document indicating acceptance of the Application Response provided by BellSouth. The Bona Fide Firm Order must be received by BellSouth no later than seven (7) calendar days after BellSouth's Application Response to EPB Telecommunications' Bona Fide Application, unless BellSouth provides an Application Response on or before the ten-day response interval set forth in section 2.1, in which case EPB Telecommunications must submit its Bona Fide Firm Order to BellSouth within seventeen (17) calendar days of BellSouth's receipt of the Bona Fide Application. If EPB Telecommunications fails to submit its Bona Fide Firm Order to BellSouth within the time frames set forth above, the provisioning intervals set forth in section 6.6 shall apply from the date of receipt of the Bona Fide Firm Order and not from the date of the Bona Fide Application. If EPB Telecommunications fails to submit a Bona Fide Firm Order

within fifteen (15) days of receipt of An Application Response, the Application will expire.

- 6.5.1 Bona Fide Firm Order. Except as otherwise provided, in all States that have ordered provisioning intervals but not addressed Firm Order intervals, the following shall apply. EPB Telecommunications shall indicate its intent to proceed with equipment installation in a BellSouth Premises by submitting a Physical Expanded Interconnection Firm Order document (“Firm Order”) to BellSouth. A Firm Order shall be considered Bona Fide when EPB Telecommunications has completed the Application/Inquiry process described in Section 6.2, preceding and has submitted the Firm Order document indicating acceptance of the Application Response provided by BellSouth. The Bona Fide Firm Order must be received by BellSouth no later than thirty (30) calendar days after BellSouth’s Application Response to EPB Telecommunications’ Bona Fide Application or the Application will expire.
- 6.5.2 Bona Fide Firm Order (Kentucky & Mississippi). EPB Telecommunications shall indicate its intent to proceed with equipment installation in a BellSouth Premises by submitting a Physical Expanded Interconnection Firm Order document (“Firm Order”) to BellSouth. A Firm Order shall be considered Bona Fide when EPB Telecommunications has completed the Application/Inquiry process described in Section 6.2, preceding and has submitted the Firm Order document indicating acceptance of the Application Response provided by BellSouth. The Bona Fide Firm Order must be received by BellSouth no later than thirty (30) calendar days (in Mississippi 30 business days) after BellSouth’s Application Response to EPB Telecommunications’ Bona Fide Application or the Application will expire.
- 6.5.3 BellSouth will establish a firm order date based upon the date BellSouth is in receipt of a Bona Fide Firm Order. BellSouth will acknowledge the receipt of EPB Telecommunications’ Bona Fide Firm Order within seven (7) calendar days of receipt indicating that the Bona Fide Firm Order has been received. A BellSouth response to a Bona Fide Firm Order will include a Firm Order Confirmation containing the firm order date. No revisions will be made to a Bona Fide Firm Order.
- 6.5.4 BellSouth will permit one accompanied site visit to EPB Telecommunications’ designated collocation arrangement location after receipt of the Bona Fide Firm Order without charge to EPB Telecommunications.
- 6.5.5 EPB Telecommunications must submit to BellSouth the completed Access Control Request Form for all employees or agents requiring access to the BellSouth Premises a minimum of 30 calendar days prior to the date EPB Telecommunications desires access to the Collocation Space. EPB Telecommunications may submit such a request at any time subsequent to BellSouth’s receipt of the Bona Fide Firm Order. In the event EPB Telecommunications desires access to the Collocation Space after submitting such a request but prior to access being approved, BellSouth shall permit EPB Telecommunications to access the Collocation Space, accompanied by a security

escort at EPB Telecommunications' expense. EPB Telecommunications must request escorted access at least three (3) business days prior to the date such access is desired.

6.6

- 6.6.1 Construction and Provisioning Interval. In Alabama, North Carolina, and Tennessee, BellSouth will complete construction for collocation arrangements within a maximum of 90 calendar days from receipt of an Application or as agreed to by the Parties. Under extraordinary conditions, BellSouth may elect to renegotiate an alternative provisioning interval with EPB Telecommunications or seek a waiver from this interval from the Commission. Examples of extraordinary conditions include, but are not limited to, extended license or permitting intervals; major BellSouth equipment rearrangement or addition; power plant addition or upgrade; major mechanical addition or upgrade; major upgrade for ADA compliance; environmental hazard or hazardous materials abatement; and arrangements for which equipment shipping intervals are extraordinary in length.
- 6.6.2 Construction and Provisioning Interval (Florida). BellSouth will complete construction for collocation arrangements as soon as possible and within a maximum of 90 calendar days from receipt of a Bona Fide Firm Order or as agreed to by the Parties. For changes to collocation space after initial space completion, BellSouth will complete construction for collocation arrangements as soon as possible and within a maximum of 45 calendar days from receipt of a Bona Fide Firm Order or as agreed to by the Parties. If BellSouth does not believe that construction will be completed within the relevant time frame and BellSouth and EPB Telecommunications cannot agree upon a completion date, within 45 calendar days of receipt of the Bona Fide Firm Order for an initial request, and within 30 calendar days for Augmentations, BellSouth may seek an extension from the Florida PSC.
- 6.6.3 Construction and Provisioning Interval (Georgia). BellSouth will use best efforts to complete construction for caged collocation arrangements under ordinary conditions as soon as possible and within a maximum of 90 calendar days from receipt of a Bona Fide Firm Order or as agreed to by the Parties. BellSouth will use best efforts to complete construction for cageless collocation arrangements under ordinary conditions as soon as possible and within a maximum of 60 calendar days from receipt of a Bona Fide Firm Order and 90 calendar days for extraordinary conditions or as agreed to by the Parties. Ordinary conditions are defined as space available with only minor changes to support systems required, such as but not limited to, HVAC, cabling and the power plant(s). Extraordinary conditions are defined to include but are not limited to major BellSouth equipment rearrangement or addition; power plant addition or upgrade; major mechanical addition or upgrade; major upgrade for ADA compliance; environmental hazard or hazardous materials abatement; and arrangements for which equipment shipping intervals are extraordinary in length. BellSouth may elect to

- renegotiate an alternative provisioning interval with EPB Telecommunications or seek a waiver from this interval from the Commission.
- 6.6.4 Construction and Provisioning Interval (Louisiana). BellSouth will complete construction for collocation arrangements under ordinary conditions as soon as possible and within a maximum of 120 calendar days from receipt of a Bona Fide Firm Order for an initial request, and within 60 calendar days for an Augmentation, or as agreed to by the Parties. Ordinary conditions are defined as space available with only minor changes to support systems required, such as but not limited to, HVAC, cabling and the power plant(s). BellSouth will complete construction of all other Collocation Space ("extraordinary conditions") within 180 calendar days of the receipt of a Bona Fide Firm Order. Examples of extraordinary conditions include but are not limited to, extended license or permitting intervals; major BellSouth equipment rearrangement or addition; power plant addition or upgrade; major mechanical addition or upgrade; major upgrade for ADA compliance; environmental hazard or hazardous materials abatement; and arrangements for which equipment shipping intervals are extraordinary in length. BellSouth may elect to renegotiate an alternative provisioning interval with EPB Telecommunications or seek a waiver from this interval from the Commission.
- 6.6.5 Construction and Provisioning Interval (Mississippi). Excluding the time interval required to secure the appropriate government licenses and permits, BellSouth will complete construction for collocation arrangements under ordinary conditions as soon as possible and within a maximum of 120 calendar days from receipt of a Bona Fide Firm Order or as agreed to by the Parties. Ordinary conditions are defined as space available with only minor changes to support systems required, such as but not limited to, HVAC, cabling and the power plant(s). Excluding the time interval required to secure the appropriate government licenses and permits, BellSouth will complete construction of all other Collocation Space ("extraordinary conditions") within 180 calendar days of the receipt of a Bona Fide Firm Order. Examples of extraordinary conditions include but are not limited to, extended license or permitting intervals; major BellSouth equipment rearrangement or addition; power plant addition or upgrade; major mechanical addition or upgrade; major upgrade for ADA compliance; environmental hazard or hazardous materials abatement; and arrangements for which equipment shipping intervals are extraordinary in length. BellSouth may elect to renegotiate an alternative provisioning interval with EPB Telecommunications or seek a waiver from this interval from the Commission.
- 6.6.6 Construction and Provisioning Interval (Kentucky). Excluding the time interval required to secure the appropriate government licenses and permits, BellSouth will use best efforts to complete construction for collocation arrangements under ordinary conditions as soon as possible and within a maximum of 90 calendar days from receipt of a Bona Fide Firm Order or as agreed to by the Parties. Ordinary conditions are defined as space available with only minor changes to support systems required, such as but not limited to, HVAC, cabling and the power plant(s). Excluding the time interval required to secure the appropriate government licenses and permits, BellSouth will use best efforts to complete construction of all other Collocation Space

- ("extraordinary conditions") within 130 calendar days of the receipt of a Bona Fide Firm Order. Extraordinary conditions are defined to include but are not limited to major BellSouth equipment rearrangement or addition; power plant addition or upgrade; major mechanical addition or upgrade; major upgrade for ADA compliance; environmental hazard or hazardous materials abatement; and arrangements for which equipment shipping intervals are extraordinary in length. BellSouth may elect to renegotiate an alternative provisioning interval with EPB Telecommunications or seek a waiver from this interval from the Commission.
- 6.6.7 Construction and Provisioning Interval (South Carolina). BellSouth will complete the construction and provisioning activities for cageless and caged collocation arrangements as soon as possible, but no later than 90 calendar days from receipt of a bona fide firm order. BellSouth may elect to renegotiate an alternative provisioning interval with EPB Telecommunications or seek a waiver from this interval from the Commission.
- 6.7 Joint Planning. Joint planning between BellSouth and EPB Telecommunications will commence within a maximum of twenty (20) calendar days from BellSouth's receipt of a Bona Fide Firm Order. BellSouth will provide the preliminary design of the Collocation Space and the equipment configuration requirements as reflected in the Bona Fide Application and affirmed in the Bona Fide Firm Order. The Collocation Space completion time period will be provided to EPB Telecommunications during joint planning.
- 6.8 Permits. Each Party or its agents will diligently pursue filing for the permits required for the scope of work to be performed by that Party or its agents within ten (10) calendar days of the completion of finalized construction designs and specifications.
- 6.9 Acceptance Walk Through. EPB Telecommunications will contact BellSouth within seven (7) days of collocation space being ready to schedule an acceptance walk through of each Collocation Space requested from BellSouth by EPB Telecommunications. BellSouth will correct any deviations to EPB Telecommunications' original or jointly amended requirements within seven (7) calendar days after the walk through, unless the Parties jointly agree upon a different time frame.
- 6.10 Use of BellSouth Certified Supplier. EPB Telecommunications shall select a supplier which has been approved as a BellSouth Certified Supplier to perform all engineering and installation work. EPB Telecommunications and EPB Telecommunications' BellSouth Certified Supplier must follow and comply with all BellSouth requirements outlined in BellSouth's TR 73503, TR 73519, TR 73572, and TR 73564. In some cases, EPB Telecommunications must select separate BellSouth Certified Suppliers for transmission equipment, switching equipment and power equipment. BellSouth shall provide EPB Telecommunications with a list of BellSouth Certified Suppliers upon request. The BellSouth Certified Supplier(s) shall be responsible for installing EPB Telecommunications' equipment and components, extending power cabling to the

- BellSouth power distribution frame, performing operational tests after installation is complete, and notifying BellSouth's equipment engineers and EPB Telecommunications upon successful completion of installation, etc. The BellSouth Certified Supplier shall bill EPB Telecommunications directly for all work performed for EPB Telecommunications pursuant to this Attachment and BellSouth shall have no liability for nor responsibility to pay such charges imposed by the BellSouth Certified Supplier. BellSouth shall consider certifying EPB Telecommunications or any supplier proposed by EPB Telecommunications. All work performed by or for EPB Telecommunications shall conform to generally accepted industry guidelines and standards.
- 6.11 Alarm and Monitoring. BellSouth shall place environmental alarms in the Premises for the protection of BellSouth equipment and facilities. EPB Telecommunications shall be responsible for placement, monitoring and removal of environmental and equipment alarms used to service EPB Telecommunications' Collocation Space. Upon request, BellSouth will provide EPB Telecommunications with applicable tariffed service(s) to facilitate remote monitoring of collocated equipment by EPB Telecommunications. Both Parties shall use best efforts to notify the other of any verified environmental hazard known to that Party.
- 6.12 Basic Telephone Service. Upon request of EPB Telecommunications, BellSouth will provide basic telephone service to the Collocation Space under the rates, terms and conditions of the current tariff offering for the service requested.
- 6.13 Virtual to Physical Collocation Relocation. In the event physical Collocation Space was previously denied at a location due to technical reasons or space limitations, and that physical Collocation Space has subsequently become available, EPB Telecommunications may relocate its virtual collocation arrangements to physical collocation arrangements and pay the appropriate non-recurring fees for physical collocation and for the rearrangement or reconfiguration of services terminated in the virtual collocation arrangement, as outlined in the appropriate BellSouth tariffs. In the event that BellSouth knows when additional space for physical collocation may become available at the location requested by EPB Telecommunications, such information will be provided to EPB Telecommunications in BellSouth's written denial of physical collocation. To the extent that (i) physical Collocation Space becomes available to EPB Telecommunications within 180 calendar days of BellSouth's written denial of EPB Telecommunications' request for physical collocation, (ii) BellSouth had knowledge that the space was going to become available, and (iii) EPB Telecommunications was not informed in the written denial that physical Collocation Space would become available within such 180 calendar days, then EPB Telecommunications may transition its virtual collocation arrangement to a physical collocation arrangement and will receive a credit for any nonrecurring charges previously paid for such virtual collocation. EPB Telecommunications must arrange with a BellSouth Certified Supplier for the relocation of equipment from its virtual Collocation Space to its physical Collocation Space and will bear the cost of such relocation.

- 6.14 Cancellation. If, at anytime prior to space acceptance, EPB Telecommunications cancels its order for the Collocation Space(s), EPB Telecommunications will reimburse BellSouth in the following manner: BellSouth will ascertain how far preparation work has progressed. EPB Telecommunications will be billed the applicable non recurring rate for any and all work processes for which work has begun.
- 6.15 Licenses. EPB Telecommunications, at its own expense, will be solely responsible for obtaining from governmental authorities, and any other appropriate agency, entity, or person, all rights, privileges, and licenses necessary or required to operate as a provider of telecommunications services to the public or to occupy the Collocation Space.
- 6.16 Environmental Compliance. The Parties agree to utilize and adhere to the Environmental Hazard Guidelines identified as Exhibit B attached hereto.

7. Rates and Charges

- 7.1 BellSouth shall assess an Application Fee via a service order which shall be issued at the time BellSouth responds that space is available pursuant to section 2.1. Payment of said Application Fee will be due as dictated by EPB Telecommunications' current billing cycle and is non-refundable.
- 7.2 Space Preparation. Space preparation fees consist of a nonrecurring charge for Firm Order Processing and monthly recurring charges for Central Office Modifications, assessed per arrangement, per square foot, and Common Systems Modifications, assessed per arrangement, per square foot for cageless and per cage for caged collocation. EPB Telecommunications shall remit payment of the nonrecurring Firm Order Processing Fee coincident with submission of a Bona Fide Firm Order. The recurring charges for space preparation apply beginning on the date on which BellSouth releases the Collocation Space for occupancy or on the date EPB Telecommunications first occupies the Collocation Space, whichever is sooner. The charges recover the costs associated with preparing the Collocation Space, which includes survey, engineering of the Collocation Space, design and modification costs for network, building and support systems. In the event EPB Telecommunications opts for cageless space, the space preparation fees will be assessed based on the total floor space dedicated to EPB Telecommunications as prescribed in Section 7.7.
- 7.3 Space Preparation Fee in Florida. Space preparation fees include a nonrecurring charge for Firm Order Processing and monthly recurring charges for Central Office Modifications, assessed per arrangement, per square foot, and Common Systems Modifications, assessed per arrangement, per square foot for cageless and per cage for caged collocation. EPB Telecommunications shall remit payment of the nonrecurring Firm Order Processing Fee coincident with submission of a Bona Fide Firm Order. The recurring charges for space preparation apply beginning on the date on which

- BellSouth releases the Collocation Space for occupancy or on the date EPB Telecommunications first occupies the Collocation Space, whichever is sooner. The charges recover the costs associated with preparing the Collocation Space, which includes survey, engineering of the Collocation Space, design and modification costs for network, building and support systems. In the event EPB Telecommunications opts for cageless space, space preparation fees will be assessed based on the total floor space dedicated to EPB Telecommunications as prescribed in Section 7.7
- 7.4 Space Preparation Fee in Georgia. In Georgia, the Space Preparation Fee is a one-time fee, assessed per arrangement, per location. It recovers a portion of costs associated with preparing the Collocation Space, which includes survey, engineering of the Collocation Space, design and modification costs for network, power, building and support systems. This is a set fee of \$100 per square foot as established by the Georgia Public Service Commission Order in Docket No. 7061-U. In the event EPB Telecommunications opts for non-enclosed space, the space preparation fee will be assessed based on the total floor space dedicated to EPB Telecommunications as prescribed in Section 7.7.
- 7.5 Space Preparation Fee in North Carolina. In North Carolina, space preparation fees consist of monthly recurring charges for Central Office Modifications, assessed per arrangement, per square foot; Common Systems Modifications, assessed per arrangement, per square foot for cageless and per cage for caged collocation; and Power, assessed per the nominal -48V DC ampere requirements specified by EPB Telecommunications on the Bona Fide Application. The space preparation charges apply beginning on the date on which BellSouth releases the Collocation Space for occupancy or on the date EPB Telecommunications first occupies the Collocation Space, whichever is sooner. The charges recover the costs associated with preparing the Collocation Space, which includes survey, engineering of the Collocation Space, design and modification costs for network, building and support systems. In the event EPB Telecommunications opts for cageless space, the space preparation fees will be assessed based on the total floor space dedicated to EPB Telecommunications as described in Section 7.7.
- 7.6 Cable Installation. Cable Installation Fee(s) are assessed per entrance cable placed.
- 7.7 Floor Space. The Floor Space Charge includes reasonable charges for lighting, HVAC, and other allocated expenses associated with maintenance of the Premises but does not recover any power-related costs incurred by BellSouth. When the Collocation Space is enclosed, EPB Telecommunications shall pay floor space charges based upon the number of square feet so enclosed. When the Collocation Space is not enclosed, EPB Telecommunications shall pay floor space charges based upon the following floor space calculation: $[(\text{depth of the equipment lineup in which the rack is placed}) + (0.5 \times \text{maintenance aisle depth}) + (0.5 \times \text{wiring aisle depth})] \times (\text{width of rack and spacers})$. For purposes of this calculation, the depth of the equipment lineup shall consider the footprint of equipment racks plus any equipment overhang. BellSouth will assign unenclosed Collocation Space in conventional equipment rack

- lineups where feasible. In the event EPB Telecommunications' collocated equipment requires special cable racking, isolated grounding or other treatment which prevents placement within conventional equipment rack lineups, EPB Telecommunications shall be required to request an amount of floor space sufficient to accommodate the total equipment arrangement. Floor space charges are due beginning with the date on which BellSouth releases the Collocation Space for occupancy or on the date EPB Telecommunications first occupies the Collocation Space, whichever is sooner.
- 7.8 Power. BellSouth shall make available -48 Volt (-48V) DC power for EPB Telecommunications' Collocation Space at a BellSouth Power Board or BellSouth Battery Distribution Fuse Bay ("BDFB") at EPB Telecommunications' option within the Premises.
- 7.8.1 Recurring charges for -48V DC power will be assessed per ampere per month based upon the BellSouth Certified Supplier engineered and installed power feed fused ampere capacity. Rates include redundant feeder fuse positions (A&B) and common cable rack to EPB Telecommunications' equipment or space enclosure. When obtaining power from a BDFB, fuses and power cables (A&B) must be engineered (sized), and installed by EPB Telecommunications' BellSouth Certified Supplier. When obtaining power from a BellSouth power board, power cables (A&B) must be engineered (sized), and installed by EPB Telecommunications' BellSouth Certified power Supplier. EPB Telecommunications is responsible for contracting with a BellSouth Certified Supplier for power distribution feeder cable runs from a BellSouth BDFB or power board to EPB Telecommunications' equipment. Determination of the BellSouth BDFB or BellSouth power board as the power source will be made at BellSouth's sole, but reasonable, discretion. The BellSouth Certified Supplier contracted by EPB Telecommunications must provide BellSouth a copy of the engineering power specification prior to the day on which EPB Telecommunications' equipment becomes operational ("Commencement Date"). BellSouth will provide the common power feeder cable support structure between the BellSouth BDFB or power board and EPB Telecommunications' arrangement area. EPB Telecommunications shall contract with a BellSouth Certified Supplier who will be responsible for the following: dedicated power cable support structure within EPB Telecommunications' arrangement; power cable feeds; terminations of cable. Any terminations at a BellSouth power board must be performed by a BellSouth Certified power Supplier. EPB Telecommunications shall comply with all applicable National Electric Code (NEC), BellSouth TR73503, Telcordia (BellCore) and ANSI Standards regarding power cabling.
- 7.8.2 If BellSouth has not previously invested in power plant capacity for collocation at a specific site, EPB Telecommunications has the option to add its own dedicated power plant; provided, however, that such work shall be performed by a BellSouth Certified Supplier who shall comply with BellSouth's guidelines and specifications. Where the addition of EPB Telecommunications' dedicated power plant results in construction of a new power plant room, upon termination of EPB Telecommunications' right to occupy collocation space at such site, EPB Telecommunications shall have the right to

- remove its equipment from the power plant room, but shall otherwise leave the room intact.
- 7.8.3 If EPB Telecommunications elects to install its own DC Power Plant, BellSouth shall provide AC power to feed EPB Telecommunications' DC Power Plant. Charges for AC power will be assessed per breaker ampere per month. Rates include the provision of commercial and standby AC power. When obtaining power from a BellSouth service panel, protection devices and power cables must be engineered (sized), and installed by EPB Telecommunications' BellSouth Certified Supplier except that BellSouth shall engineer and install protection devices and power cables for Adjacent Collocation. EPB Telecommunications' BellSouth Certified Supplier must also provide a copy of the engineering power specification prior to the Commencement Date. Charges for AC power shall be assessed pursuant to the rates specified in Exhibit A. AC power voltage and phase ratings shall be determined on a per location basis. At EPB Telecommunications' option, EPB Telecommunications may arrange for AC power in an Adjacent Collocation arrangement from a retail provider of electrical power.
- 7.9 Security Escort. A security escort will be required whenever EPB Telecommunications or its approved agent desires access to the entrance manhole or must have access to the Premises after the one accompanied site visit allowed pursuant to Section 6.6.2 prior to completing BellSouth's Security Training requirements and/or prior to Space Acceptance. Rates for a security escort are assessed according to the schedule appended hereto as Exhibit A beginning with the scheduled escort time. BellSouth will wait for one-half (1/2) hour after the scheduled time for such an escort and EPB Telecommunications shall pay for such half-hour charges in the event EPB Telecommunications fails to show up.
- 7.10 Cable Record charges. These charges apply for work required to build cable records in company systems. The VG/DS0 per cable record charge is for a maximum of 3600 records. The Fiber cable record charge is for a maximum of 99 records.
- 7.11 Rate "True-Up". The Parties agree that the prices reflected as interim herein shall be "trued-up" (up or down) based on final prices either determined by further agreement or by an effective order, in a proceeding involving BellSouth before the regulatory authority for the state in which the services are being performed or any other body having jurisdiction over this Agreement (hereinafter "Commission"). Under the "true-up" process, the interim price for each service shall be multiplied by the volume of that service purchased to arrive at the total interim amount paid for that service ("Total Interim Price"). The final price for that service shall be multiplied by the volume purchased to arrive at the total final amount due ("Total Final Price"). The Total Interim Price shall be compared with the Total Final Price. If the Total Final Price is more than the Total Interim Price, EPB Telecommunications shall pay the difference to BellSouth. If the Total Final Price is less than the Total Interim Price, BellSouth shall pay the difference to EPB Telecommunications. Each Party shall keep its own records upon which a "true-up" can be based and any final payment from one Party to

the other shall be in an amount agreed upon by the Parties based on such records. In the event of any disagreement as between the records or the Parties regarding the amount of such “true-up,” the Parties agree that the Commission shall be called upon to resolve such differences.

- 7.12 Other. If no rate is identified in the contract, the rate for the specific service or function will be negotiated by the Parties upon request by either Party. Payment of all other charges under this Attachment shall be due as dictated by EPB Telecommunications' current billing cycle. EPB Telecommunications will pay a late payment charge as specified in the current State Tariff.

8. Insurance

- 8.1 EPB Telecommunications shall, at its sole cost and expense, procure, maintain, and keep in force insurance as specified in this Section 8 and underwritten by insurance companies licensed to do business in the states applicable under this Attachment and having a Best's Insurance Rating of A-.
- 8.2 EPB Telecommunications shall maintain the following specific coverage:
- 8.2.1 Commercial General Liability coverage in the amount of ten million dollars (\$10,000,000.00) or a combination of Commercial General Liability and Excess/Umbrella coverage totaling not less than ten million dollars (\$10,000,000.00). BellSouth shall be named as an Additional Insured on the Commercial General Liability policy as specified herein.
- 8.2.2 Statutory Workers Compensation coverage and Employers Liability coverage in the amount of one hundred thousand dollars (\$100,000.00) each accident, one hundred thousand dollars (\$100,000.00) each employee by disease, and five hundred thousand dollars (\$500,000.00) policy limit by disease.
- 8.2.3 All Risk Property coverage on a full replacement cost basis insuring all of EPB Telecommunications' real and personal property situated on or within BellSouth's Central Office location(s).
- 8.2.4 EPB Telecommunications may elect to purchase business interruption and contingent business interruption insurance, having been advised that BellSouth assumes no liability for loss of profit or revenues should an interruption of service occur.
- 8.3 The limits set forth in Section 8.2 above may be increased by BellSouth from time to time during the term of this Attachment upon thirty (30) days notice to EPB Telecommunications to at least such minimum limits as shall then be customary with respect to comparable occupancy of BellSouth structures.
- 8.4 All policies purchased by EPB Telecommunications shall be deemed to be primary and not contributing to or in excess of any similar coverage purchased by BellSouth. All

- insurance must be in effect on or before the date equipment is delivered to BellSouth's Premises and shall remain in effect for the term of this Attachment or until all EPB Telecommunications' property has been removed from BellSouth's Premises, whichever period is longer. If EPB Telecommunications fails to maintain required coverage, BellSouth may pay the premiums thereon and seek reimbursement of same from EPB Telecommunications.
- 8.5 EPB Telecommunications shall submit certificates of insurance reflecting the coverage required pursuant to this Section a minimum of ten (10) business days prior to the commencement of any work in the Collocation Space. Failure to meet this interval may result in construction and equipment installation delays. EPB Telecommunications shall arrange for BellSouth to receive thirty (30) business days' advance notice of cancellation from EPB Telecommunications' insurance company. EPB Telecommunications shall forward a certificate of insurance and notice of cancellation/non-renewal to BellSouth at the following address:
- BellSouth Telecommunications, Inc.
Attn.: Risk Management Coordinator
17H53 BellSouth Center
675 W. Peachtree Street
Atlanta, Georgia 30375
- 8.6 EPB Telecommunications must conform to recommendations made by BellSouth's fire insurance company to the extent BellSouth has agreed to, or shall hereafter agree to, such recommendations.
- 8.7 Self-Insurance. If EPB Telecommunications' net worth exceeds five hundred million dollars (\$500,000,000), EPB Telecommunications may elect to request self-insurance status in lieu of obtaining any of the insurance required in Sections 8.2.1 and 8.2.2. EPB Telecommunications shall provide audited financial statements to BellSouth thirty (30) days prior to the commencement of any work in the Collocation Space. BellSouth shall then review such audited financial statements and respond in writing to EPB Telecommunications in the event that self-insurance status is not granted to EPB Telecommunications. If BellSouth approves EPB Telecommunications for self-insurance, EPB Telecommunications shall annually furnish to BellSouth, and keep current, evidence of such net worth that is attested to by one of EPB Telecommunications' corporate officers. The ability to self-insure shall continue so long as the EPB Telecommunications meets all of the requirements of this Section. If the EPB Telecommunications subsequently no longer satisfies this Section, EPB Telecommunications is required to purchase insurance as indicated by Sections 8.2.1 and 8.2.2.
- 8.8 The net worth requirements set forth in Section 8.7 may be increased by BellSouth from time to time during the term of this Attachment upon thirty (30) days' notice to EPB Telecommunications to at least such minimum limits as shall then be customary with respect to comparable occupancy of BellSouth structures.

- 8.9 Failure to comply with the provisions of this Section will be deemed a material breach of this Attachment.

9. Mechanics Liens

- 9.1 If any mechanics lien or other liens shall be filed against property of either Party (BellSouth or EPB Telecommunications), or any improvement thereon by reason of or arising out of any labor or materials furnished or alleged to have been furnished or to be furnished to or for the other Party or by reason of any changes, or additions to said property made at the request or under the direction of the other Party, the other Party directing or requesting those changes shall, within thirty (30) business days after receipt of written notice from the Party against whose property said lien has been filed, either pay such lien or cause the same to be bonded off the affected property in the manner provided by law. The Party causing said lien to be placed against the property of the other shall also defend, at its sole cost and expense, on behalf of the other, any action, suit or proceeding which may be brought for the enforcement of such liens and shall pay any damage and discharge any judgment entered thereon.

10. Inspections

- 10.1 BellSouth may conduct an inspection of EPB Telecommunications' equipment and facilities in the Collocation Space(s) prior to the activation of facilities between EPB Telecommunications' equipment and equipment of BellSouth. BellSouth may conduct an inspection if EPB Telecommunications adds equipment and may otherwise conduct routine inspections at reasonable intervals mutually agreed upon by the Parties. BellSouth shall provide EPB Telecommunications with a minimum of forty-eight (48) hours or two (2) business days, whichever is greater, advance notice of all such inspections. All costs of such inspection shall be borne by BellSouth.

11. Security and Safety Requirements

- 11.1 The security and safety requirements set forth in this section are as stringent as the security requirements BellSouth maintains at its own premises either for their own employees or for authorized contractors. Only BellSouth employees, BellSouth Certified Contractors and authorized employees, authorized Guests, pursuant to Section 3.4, preceding, or authorized agents of EPB Telecommunications will be permitted in the BellSouth Premises. EPB Telecommunications shall provide its employees and agents with picture identification which must be worn and visible at all times while in the Collocation Space or other areas in or around the Premises. The photo Identification card shall bear, at a minimum, the employee's name and photo, and the EPB Telecommunications name. BellSouth reserves the right to remove from its premises any employee of EPB Telecommunications not possessing identification issued by EPB Telecommunications or who have violated any of BellSouth's policies as outlined in the CLEC Security Training documents. EPB Telecommunications shall

- hold BellSouth harmless for any damages resulting from such removal of its personnel from BellSouth premises. EPB Telecommunications shall be solely responsible for ensuring that any Guest of EPB Telecommunications is in compliance with all subsections of this Section 11.
- 11.1.1 EPB Telecommunications will be required, at its own expense, to conduct a statewide investigation of criminal history records for each EPB Telecommunications employee being considered for work on the BellSouth Premises, for the states/counties where the EPB Telecommunications employee has worked and lived for the past five years. Where state law does not permit statewide collection or reporting, an investigation of the applicable counties is acceptable. EPB Telecommunications shall not be required to perform this investigation if an affiliated company of EPB Telecommunications has performed an investigation of the EPB Telecommunications employee seeking access, if such investigation meets the criteria set forth above. This requirement will not apply if EPB Telecommunications has performed a pre-employment statewide investigation of criminal history records, or where state law does not permit an investigation of the applicable counties for the EPB Telecommunications employee seeking access, for the states/counties where the EPB Telecommunications employee has worked and lived for the past five years.
- 11.1.2 EPB Telecommunications will be required to administer to their personnel assigned to the BellSouth Premises security training either provided by BellSouth, or meeting criteria defined by BellSouth.
- 11.1.3 EPB Telecommunications shall not assign to the BellSouth Premises any personnel with records of felony criminal convictions. EPB Telecommunications shall not assign to the BellSouth Premises any personnel with records of misdemeanor convictions, except for misdemeanor traffic violations, without advising BellSouth of the nature and gravity of the offense(s). BellSouth reserves the right to refuse building access to any EPB Telecommunications personnel who have been identified to have misdemeanor criminal convictions. Notwithstanding the foregoing, in the event that EPB Telecommunications chooses not to advise BellSouth of the nature and gravity of any misdemeanor conviction, EPB Telecommunications may, in the alternative, certify to BellSouth that it shall not assign to the BellSouth Premises any personnel with records of misdemeanor convictions (other than misdemeanor traffic violations).
- 11.1.4 EPB Telecommunications shall not knowingly assign to the BellSouth Premises any individual who was a former employee of BellSouth and whose employment with BellSouth was terminated for a criminal offense whether or not BellSouth sought prosecution of the individual for the criminal offense.
- 11.1.5 EPB Telecommunications shall not knowingly assign to the BellSouth Premises any individual who was a former contractor of BellSouth and whose access to a BellSouth Premises was revoked due to commission of a criminal offense whether or not BellSouth sought prosecution of the individual for the criminal offense.

- 11.1.6 For each EPB Telecommunications employee requiring access to a BellSouth Premises pursuant to this Attachment, EPB Telecommunications shall furnish BellSouth, prior to an employee gaining such access, a certification that the aforementioned background check and security training were completed. The certification will contain a statement that no felony convictions were found and certifying that the security training was completed by the employee. If the employee's criminal history includes misdemeanor convictions, EPB Telecommunications will disclose the nature of the convictions to BellSouth at that time. In the alternative, EPB Telecommunications may certify to BellSouth that it shall not assign to the BellSouth Premises any personnel with records of misdemeanor convictions other than misdemeanor traffic violations.
- 11.1.7 At BellSouth's request, EPB Telecommunications shall promptly remove from BellSouth's Premises any employee of EPB Telecommunications BellSouth does not wish to grant access to its premises 1) pursuant to any investigation conducted by BellSouth or 2) prior to the initiation of an investigation in the event that an employee of EPB Telecommunications is found interfering with the property or personnel of BellSouth or another CLEC, provided that an investigation shall promptly be commenced by BellSouth.
- 11.2 Notification to BellSouth. BellSouth reserves the right to interview EPB Telecommunications' employees, agents, or contractors in the event of wrongdoing in or around BellSouth's property or involving BellSouth's or another CLEC's property or personnel, provided that BellSouth shall provide reasonable notice to EPB Telecommunications' Security contact of such interview. EPB Telecommunications and its contractors shall reasonably cooperate with BellSouth's investigation into allegations of wrongdoing or criminal conduct committed by, witnessed by, or involving EPB Telecommunications' employees, agents, or contractors. Additionally, BellSouth reserves the right to bill EPB Telecommunications for all reasonable costs associated with investigations involving its employees, agents, or contractors if it is established and mutually agreed in good faith that EPB Telecommunications' employees, agents, or contractors are responsible for the alleged act. BellSouth shall bill EPB Telecommunications for BellSouth property which is stolen or damaged where an investigation determines the culpability of EPB Telecommunications' employees, agents, or contractors and where EPB Telecommunications agrees, in good faith, with the results of such investigation. EPB Telecommunications shall notify BellSouth in writing immediately in the event that the CLEC discovers one of its employees already working on the BellSouth premises is a possible security risk. Upon request of the other Party, the Party who is the employer shall discipline consistent with its employment practices, up to and including removal from BellSouth Premises, any employee found to have violated the security and safety requirements of this section. EPB Telecommunications shall hold BellSouth harmless for any damages resulting from such removal of its personnel from BellSouth premises.
- 11.3 Use of Supplies. Unauthorized use of telecommunications equipment or supplies by either Party, whether or not used routinely to provide telephone service (e.g. plug-in

- cards,) will be strictly prohibited and handled appropriately. Costs associated with such unauthorized use may be charged to the offending Party, as may be all associated investigative costs.
- 11.4 Use of Official Lines. Except for non-toll calls necessary in the performance of their work, neither Party shall use the telephones of the other Party on the BellSouth Premises. Charges for unauthorized telephone calls may be charged to the offending Party, as may be all associated investigative costs.
- 11.5 Accountability. Full compliance with the Security requirements of this section shall in no way limit the accountability of either Party to the other for the improper actions of its employees.

12. Destruction of Collocation Space

- 12.1 In the event a Collocation Space is wholly or partially damaged by fire, windstorm, tornado, flood or by similar causes to such an extent as to be rendered wholly unsuitable for EPB Telecommunications' permitted use hereunder, then either Party may elect within ten (10) business days after such damage, to terminate occupancy of the damaged Collocation Space, and if either Party shall so elect, by giving the other written notice of termination, both Parties shall stand released of and from further liability under the terms hereof. If the Collocation Space shall suffer only minor damage and shall not be rendered wholly unsuitable for EPB Telecommunications' permitted use, or is damaged and the option to terminate is not exercised by either Party, BellSouth covenants and agrees to proceed promptly without expense to EPB Telecommunications, except for improvements not the property of BellSouth, to repair the damage. BellSouth shall have a reasonable time within which to rebuild or make any repairs, and such rebuilding and repairing shall be subject to delays caused by storms, shortages of labor and materials, government regulations, strikes, walkouts, and causes beyond the control of BellSouth, which causes shall not be construed as limiting factors, but as exemplary only. EPB Telecommunications may, at its own expense, accelerate the rebuild of its collocated space and equipment provided however that a BellSouth Certified Contractor is used and the necessary space preparation has been completed. Rebuild of equipment must be performed by a BellSouth Certified Vendor. If EPB Telecommunications' acceleration of the project increases the cost of the project, then those additional charges will be incurred by EPB Telecommunications. Where allowed and where practical, EPB Telecommunications may erect a temporary facility while BellSouth rebuilds or makes repairs. In all cases where the Collocation Space shall be rebuilt or repaired, EPB Telecommunications shall be entitled to an equitable abatement of rent and other charges, depending upon the unsuitability of the Collocation Space for EPB Telecommunications' permitted use, until such Collocation Space is fully repaired and restored and EPB Telecommunications' equipment installed therein (but in no event later than thirty (30) business days after the Collocation Space is fully repaired and restored). Where EPB Telecommunications has placed an Adjacent Arrangement pursuant to Section 3.5,

EPB Telecommunications shall have the sole responsibility to repair or replace said Adjacent Arrangement provided herein. Pursuant to this section, BellSouth will restore the associated services to the Adjacent Arrangement.

13. Eminent Domain

- 13.1 If the whole of a Collocation Space or Adjacent Arrangement shall be taken by any public authority under the power of eminent domain, then this Attachment shall terminate with respect to such Collocation Space or Adjacent Arrangement as of the day possession shall be taken by such public authority and rent and other charges for the Collocation Space or Adjacent Arrangement shall be paid up to that day with proportionate refund by BellSouth of such rent and charges as may have been paid in advance for a period subsequent to the date of the taking. If any part of the Collocation Space or Adjacent Arrangement shall be taken under eminent domain, BellSouth and EPB Telecommunications shall each have the right to terminate this Attachment with respect to such Collocation Space or Adjacent Arrangement and declare the same null and void, by written notice of such intention to the other Party within ten (10) business days after such taking.

14. Nonexclusivity

- 14.1 EPB Telecommunications understands that this Attachment is not exclusive and that BellSouth may enter into similar agreements with other Parties. Assignment of space pursuant to all such agreements shall be determined by space availability and made on a first come, first served basis.

**EXHIBIT A: BELLSOUTH/EPB Telecommunications RATES – ALABAMA
PHYSICAL COLLOCATION**

Rates marked with an asterisk (*) are interim and are subject to true-up

USOC	Rate Element Description	Unit	Recurring Rate (RC)	Non-Recurring Rate (NRC)
PE1BA	Application Fee	Per request	NA	\$3,760.00
PE1CA	Subsequent Application Fee	Per request	NA	\$3,134.00 Minimum
PE1SJ	Space Preparation Fees Firm Order Processing*			\$1,211.00
PE1SK	Central Office Modifications*	Per sq. ft.	\$2.24	
PE1SL	Common Systems Modifications – Cageless*	Per sq. ft.	\$3.01	
PE1SM	Common Systems Modifications – Caged*	Per cage	\$102.16	
PE1BW	Space Enclosure (100 sq. ft. minimum) Welded Wire-mesh	Per first 100 sq. ft.	\$178.65	NA
PE1C W	Welded Wire-mesh	Per add'l 50 sq. ft.	\$17.52	NA
PE1PJ	Floor Space	Per sq. ft.	\$3.68	NA
PE1BD	Cable Installation	Per cable	NA	\$1,751.00
PE1PM	Cable Support Structure	Per entrance cable	\$19.67	NA
PE1PL	Power -48V DC Power*	Per amp	\$9.00	NA
PE1FB	120V AC Power single phase*	Per breaker amp	\$5.63	-
PE1FD	240V AC Power single phase*	Per breaker amp	\$11.26	-
PE1FE	120V AC Power three phase*	Per breaker amp	\$16.89	-
PE1FG	277 AC Power three phase*	Per breaker amp	\$38.99	-
PE1P2	Cross Connects 2-wire	Per cross connect	\$0.031	First/Add'l \$33.68/\$31.79
PE1P4	4-wire		\$0.062	\$33.63/\$31.67
PE1P1	DS-1		\$1.28	\$52.93/\$39.87
PE1P3	DS-3		\$16.27	\$51.99/\$38.59
PE1F2	2-fiber		\$3.23	\$52.00/\$38.60
PE1F4	4-fiber		\$5.73	\$64.54/\$51.14

ALABAMA (continued)				
USOC	Rate Element Description	Unit	Recurring Rate (RC)	Non-Recurring Rate (NRC)
PE1AX	Security Access System Security System*	Per central office	\$52.27	
PE1A1	New Access Card Activation*	Per card	\$.059	\$55.57
PE1AA	Administrative change, existing card*	Per card		\$15.58
PE1AR	Replace lost or stolen card*	Per card		\$45.56
PE1AK	Initial Key	Per key	NA	\$26.19
PE1AL	Replace lost or stolen key	Per key	NA	\$26.19
PE1SR	Space Availability Report*	Per premises requested		\$2,150.00
	POT Bay Arrangements <i>Prior to 6/1/99</i>	Per cross connect		
PE1PE	2-Wire Cross-Connect		\$0.08	NA
PE1PF	4-Wire Cross-Connect		\$0.17	NA
PE1PG	DS1 Cross-Connect		\$0.69	NA
PE1PH	DS3 Cross-Connect		\$4.74	NA
PE1B2	2-Fiber Cross-Connect		\$32.02	NA
PE1B4	4-Fiber Cross-Connect		\$40.48	NA
	Cable Records ¹			Note 2
				Initial/Subsequent
PE1CR	Cable Records	Per request	NA	\$1708/\$1166
PE1CD	VG/DS0 Cable	Per cable record	NA	\$923.51/\$923.51
PE1CO	VG/DS0 Cable	Per each 100 pair	NA	\$18.02/\$18.02
PE1C1	DS1	Per T1TIE	NA	\$8.44/\$8.44
PE1C3	DS3	Per T3TIE	NA	\$29.53/\$29.53
PE1CB	Fiber Cable	Per cable record	NA	\$278.95/\$278.95

ALABAMA (continued)				
USOC	Rate Element Description	Unit	Recurring Rate (RC)	Non-Recurring Rate (NRC)
	Security Escort	Per half hr/add'l half hr		
PE1BT	Basic Time		NA	\$33.85/\$21.45
PE1OT	Overtime		NA	\$44.09/\$27.71
PE1PT	Premium Time		NA	\$54.33/\$33.96

Note(s):

N/A refers to rate elements which do not have a negotiated rate.
Note1: Cable records charges apply for work required to build cable records in company systems. The VG/DS0 per cable record charge is for a maximum of 3600 records. The Fiber cable record charge is for a maximum of 99 records.
Note 2: The initial charge applies when the cables are first installed and inventoried. The subsequent charge applies when additional cables are installed and inventoried at the same location.

**EXHIBIT A: BELLSOUTH/EPB Telecommunications RATES – FLORIDA
PHYSICAL COLLOCATION**

USOC	Rate Element Description	Unit	Recurring Rate (RC)	Non-Recurring Rate (NRC)
PE1BA	Application Fee	Per request		\$3,791.00
PE1CA	Subsequent Application Fee	Per request	NA	\$3,160.00
PE1SJ	Space Preparation Fees			\$1,211.00
PE1SK	Firm Order Processing	Per sq. ft.	\$2.58	
PE1SL	Central Office Modifications	Per sq. ft.	\$2.96	
PE1SM	Common Systems Modifications – Cageless	Per cage	\$100.66	
	Common Systems Modifications – Caged			
PE1BW	Space Enclosure (100 sq. ft. minimum)	Per first 100 sq. ft.	\$205.93	NA
PE1C	Wire Cage	Per add'l 50 sq. ft.	\$20.20	NA
W	Wire Cage			
PE1PJ	Floor Space	Per sq. ft.	\$6.57	NA
PE1BD	Cable Installation	Per cable		\$1,826.00
PE1PM	Cable Support Structure		\$21.66	NA
PE1PL	Power			
PE1FB	-48V DC Power	Per amp	\$8.86	NA
PE1FD	120V AC Power single phase	Per breaker amp	\$5.62	-
PE1FE	240V AC Power single phase	Per breaker amp	\$11.26	-
PE1FG	120V AC Power three phase	Per breaker amp	\$16.88	-
	277 AC Power three phase	Per breaker amp	\$38.98	-
	Cross Connects			First/Add'l
	2-wire	Per cross connect	\$0.74	\$34.53/\$32.51
	4-wire	Per cross connect	\$1.148	\$34.54/\$32.53
	DS1	Per cross connect	\$1.29	\$54.15/\$40.94
	DS3	Per cross connect	\$17.48	\$53.28/\$39.65
	2-fiber	Per cross connect	\$2.96	\$53.28/\$39.66
	4-fiber	Per cross connect	\$5.66	\$66.08/\$52.47

FLORIDA (continued)				
USOC	Rate Element Description	Unit	Recurring Rate (RC)	Non-Recurring Rate (NRC)
PE1AX	Security Access System Security System	Per premises	\$89.48	
PE1A1	New Access Card Activation	Per card	\$.06	\$56.03
PE1AA	Administrative change, existing card	Per card		\$15.71
PE1AR	Replace lost or stolen card	Per card		\$45.93
PE1AK	Initial Key	Per key	NA	\$26.41
PE1AL	Replace lost or stolen key	Per key	NA	\$26.41
PE1SR	Space Availability Report	Per premises requested		\$2,168.00
	POT Bay (Note 1)		NA	NA
	Cable Records ²			Note 3 initial/subsequent
PE1CR	Cable Records	Per request	NA	\$1709/\$1166
PE1CD	VG/DS0 Cable	Per cable record	NA	\$923.86/\$923.86
PE1CO	VG/DS0 Cable	Per each 100 pair	NA	\$18.03/\$18.03
PE1C1	DS1	Per T1TIE	NA	\$8.44/\$8.44
PE1C3	DS3	Per T3TIE	NA	\$29.54/\$29.54
PE1CB	Fiber Cable	Per cable record	NA	\$279.05/\$279.05
PE1BQ	Security Escort Basic Time	Per ¼ hour	NA	\$10.89
PE1OQ	Overtime		NA	\$13.64
PE1PQ	Premium Time		NA	\$16.40

Note(s):

N/A refers to rate elements which do not have a negotiated rate.

- (1) **POT Bays:** BellSouth's Florida specific rates were established in the Florida Public Service Commission Docket No. 960833. The Commission did not set permanent rates for POT Bays, given the assumption by the Parties to the Proceeding that they will always provide their own POT Bays. It will be necessary for EPB Telecommunications to provide its own POT Bays per BellSouth specifications and provide the necessary information from which BellSouth can inventory.
- (2) Cable records charges apply for work required to build cable records in company systems. The VG/DS0 per cable record charge is for a maximum of 3600 records. The Fiber cable record charge is for a maximum of 99 records.
- (3) The initial charge applies when the cables are first installed and inventoried. The subsequent charge applies when additional cables are installed and inventoried at the same location.

**EXHIBIT A: BELLSOUTH/EPB Telecommunications RATES – GEORGIA
PHYSICAL COLLOCATION**

Rates marked with an asterisk (*) are interim and subject to true-up

USOC	Rate Element Description	Unit	Recurring Rate (RC)	Non-Recurring Rate (NRC)
PE1BA	Application Fee	Per request	NA	\$3,755.00
PE1CA	Subsequent Application Fee	Per request	NA	\$3,130.00 Minimum
PE1BB	Space Preparation Fee (Note 2)	Per sq. ft.	NA	\$100.00
PE1BW	Space Enclosure (100 sq. ft. minimum) Welded Wire-mesh	Per first 100 sq. ft.	\$187.36	NA
PE1C W	Welded Wire-mesh	Per add'l 50 sq. ft.	\$18.38	NA
PE1PJ	Floor Space Zone A	Per sq. ft.	\$4.47	NA
PE1PK	Zone B	Per sq. ft.	\$4.47	NA
PE1BD	Cable Installation	Per cable	NA	\$1,693.00
PE1PM	Cable Support Structure	Per entrance cable	\$19.26	NA
PE1PL	Power -48V DC Power	Per amp	\$5.00	NA
PE1FB	120V AC Power single phase*	Per breaker amp	\$5.52	-
PE1FD	240V AC Power single phase*	Per breaker amp	\$11.05	-
PE1FE	120V AC Power three phase*	Per breaker amp	\$16.58	-
PE1FG	277 AC Power three phase*	Per breaker amp	\$38.27	-
PE1P2	Cross Connects 2-wire	Per cross connect	\$0.030	First/Add'l \$33.76/\$31.86
PE1P4	4-wire		\$0.061	\$33.77/\$31.80
PE1P1	DS-1		\$1.13	\$53.05/\$39.99
PE1P3	DS-3		\$14.43	\$52.14/\$38.71
PE1F2	2-fiber		\$2.86	\$52.14/\$38.72
PE1F4	4-fiber		\$5.08	\$64.74/\$51.31

GEORGIA (continued)				
USOC	Rate Element Description	Unit	Recurring Rate (RC)	Non-Recurring Rate (NRC)
PE1AX	Security Access System Security System*	Per premises	\$40.00	
PE1A1	New Access Card Activation*	Per card	\$.058	\$55.51
PE1AA	Administrative change, existing card*	Per card		\$15.56
PE1AR	Replace lost or stolen card*	Per card		\$45.50
PE1AK	Initial Key	Per key	NA	\$26.16
PE1AL	Replace lost or stolen key	Per key	NA	\$26.16
PE1SR	Space Availability Report*	Per premises requested		\$2,148.00
	POT Bay Arrangements <i>Prior to 6/1/99</i>	Per cross-connect		
PE1PE	2-Wire Cross-Connect		\$0.40	NA
PE1PF	4-Wire Cross-Connect		\$1.20	NA
PE1PG	DS1 Cross-Connect		\$1.20	NA
PE1PH	DS3 Cross-Connect		\$8.00	NA
PE1B2	2 Fiber Cross-Connect		\$38.79	NA
PE1B4	4 Fiber Cross-Connect		\$52.31	NA
	Cable Records ¹			Note 2
				Initial/subsequent
PE1CR	Cable Records	Per request	NA	\$1706/\$1164
PE1CD	VG/DS0 Cable	Per cable record	NA	\$922.38/\$922.38
PE1CO	VG/DS0 Cable	Per each 100 pair	NA	\$18.00/\$18.00
PE1C1	DS1	Per T1TIE	NA	\$8.43/\$8.43
PE1C3	DS3	Per T3TIE	NA	\$29.49/\$29.49
PE1CB	Fiber Cable	Per cable record	NA	\$278.61/\$278.61
	Security Escort	Per half hr./Add'l half hr.		
PE1BT	Basic Time		NA	\$33.81/\$21.42
PE1OT	Overtime		NA	\$44.03/\$27.67
PE1PT	Premium Time		NA	\$54.26/\$33.92

N/A refers to rate elements which do not have a negotiated rate.

Note (1) Cable records charges apply for work required to build cable records in company systems. The VG/DS0 per cable record charge is for a maximum of 3600 records. The Fiber cable record charge is for a maximum of 99 records.

Note 2: The initial charge applies when the cables are first installed and inventoried. The subsequent charge applies when additional cables are installed and inventoried at the same location.

**EXHIBIT A: BELLSOUTH/EPB Telecommunications RATES – KENTUCKY
PHYSICAL COLLOCATION**

Rates marked with an asterisk (*) are interim and are subject to true-up.

USOC	Rate Element Description	Unit	Recurring Rate (RC)	Non-Recurring Rate (NRC)
PE1BA	Application Fee	Per request	NA	\$3,761.00
PE1CA	Subsequent Application Fee	Per request	NA	\$3,135.00 Minimum
PE1SJ	Space Preparation Fees Firm Order Processing*			\$1,202.00
PE1SK	Central Office Modifications*	Per sq. ft.	\$2.38	
PE1SL	Common Systems Modifications – Cageless*	Per sq. ft.	\$3.30	
PE1SM	Common Systems Modifications – Caged*	Per cage	\$112.11	
PE1BW	Space Enclosure (100 sq. ft. minimum) Welded Wire-mesh	Per first 100 sq. ft.	\$189.85	NA
PE1C W	Welded Wire-mesh	Per add'l 50 sq. ft.	\$18.62	NA
PE1PJ	Floor Space	Per sq. ft.	\$8.20	NA
PE1BD	Cable Installation	Per cable	NA	\$1,755.00
PE1PM	Cable Support Structure	Per entrance cable	\$20.14	NA
PE1PL	Power -48V DC Power*	Per amp	\$8.77	NA
PE1FB	120V AC Power single phase*	Per breaker amp	\$5.58	-
PE1FD	240V AC Power single phase*	Per breaker amp	\$11.16	-
PE1FE	120V AC Power three phase*	Per breaker amp	\$16.74	-
PE1FG	277 AC Power three phase*	Per breaker amp	\$38.65	-
PE1P2	Cross Connects 2-wire	Per cross connect	\$0.037	First/Add'l \$33.67/\$31.78
PE1P4	4-wire		\$0.075	\$33.66/\$31.70
PE1P1	DS-1		\$1.51	\$52.97/\$39.90
PE1P3	DS-3		\$19.15	\$52.04/\$38.62
PE1F2	2-fiber		\$3.80	\$52.04/\$38.63
PE1F4	4-fiber		\$6.75	\$64.59/\$51.18

KENTUCKY (continued)				
USOC	Rate Element Description	Unit	Recurring Rate (RC)	Non-Recurring Rate (NRC)
PE1AX	Security Access System Security System*	Per premises	\$78.11	
PE1A1	New Access Card Activation	Per card	\$.059	\$55.59
PE1AA	Administrative change, existing card	Per card		\$15.59
PE1AR	Replace lost or stolen card	Per card		\$45.58
PE1AK	Initial Key	Per key	NA	\$26.20
PE1AL	Replace lost or stolen key	Per key	NA	\$26.20
PE1SR	Space Availability Report	Per premises requested		\$2,151
	POT Bay Arrangements <i>Prior to 6/1/99</i>	Per cross-connect		
PE1PE	2-Wire Cross-Connect		\$0.06	NA
PE1PF	4-Wire Cross-Connect		\$0.15	NA
PE1PG	DS1 Cross-Connect		\$0.58	NA
PE1PH	DS3 Cross-Connect		\$4.51	NA
PE1B2	2 Fiber Cross-Connect		\$38.79	NA
PE1B4	4 Fiber Cross-Connect		\$52.31	NA
	Security Escort	Per half hr./Add'l half hr.		
PE1BT	Basic Time		NA	\$33.86/\$21.46
PE1OT	Overtime		NA	\$44.10/\$27.72
PE1PT	Premium Time		NA	\$54.35/\$33.97
	Cable Records ¹			Note 2
				Initial/subsequent
PE1CR	Cable Records	Per request	NA	\$1709/1166
PE1CD	VG/DS0 Cable	Per cable record	NA	\$923.83/\$923.83
PE1CO	VG/DS0 Cable	Per each 100 pair	NA	\$18.03/\$18.03
PE1C1	DS1	Per T1TIE	NA	\$8.44/\$8.44
PE1C3	DS3	Per T3TIE	NA	\$29.54/\$29.54
PE1CB	Fiber Cable	Per cable record	NA	\$279.05/\$279.05

Note(s):

N/A refers to rate elements which do not have a negotiated rate.

Note1: Cable records charges apply for work required to build cable records in company systems. The VG/DS0 per cable record charge is for a maximum of 3600 records. The Fiber cable record charge is for a maximum of 99 records.

Note 2: The initial charge applies when the cables are first installed and inventoried. The subsequent charge applies when additional cables are installed and inventoried at the same location.

**EXHIBIT A: BELLSOUTH/EPB Telecommunications RATES – LOUISIANA
PHYSICAL COLLOCATION**

Rates marked with an asterisk (*) are interim and are subject to true-up.

USOC	Rate Element Description	Unit	Recurring Rate (RC)	Non-Recurring Rate (NRC)
PE1BA	Application Fee	Per request	NA	\$3756.00
PE1CA	Subsequent Application Fee	Per request	NA	\$3131.00 Minimum
PE1SJ	Space Preparation Fees Firm Order Processing*			\$1,200.00
PE1SK	Central Office Modifications*	Per sq. ft.	\$2.60	
PE1SL	Common Systems Modifications – Cageless*	Per sq. ft.	\$3.15	
PE1SM	Common Systems Modifications – Caged*	Per cage	\$105.87	
PE1BW	Space Enclosure (100 sq. ft. minimum) Welded Wire-mesh	Per first 100 sq. ft.	\$207.06	NA
PE1C W	Welded Wire-mesh	Per add'l 50 sq. ft.	\$20.31	NA
PE1PJ	Floor Space	Per sq. ft.	\$5.94	NA
PE1BD	Cable Installation	Per cable	NA	\$1,753.00
PE1PM	Cable Support Structure	Per entrance cable	\$21.16	NA
PE1PL	Power -48V DC Power*	Per amp	\$9.20	NA
PE1FB	120V AC Power single phase*	Per breaker amp	\$5.66	-
PE1FD	240V AC Power single phase*	Per breaker amp	\$11.34	-
PE1FE	120V AC Power three phase*	Per breaker amp	\$17.00	-
PE1FG	277 AC Power three phase*	Per breaker amp	\$39.26	-
PE1P2	Cross Connects 2-wire	Per cross connect	\$0.036	First/Add'l \$33.61/\$31.76
PE1P4	4-wire		\$0.073	\$33.53/\$31.58
PE1P1	DS-1		\$1.20	\$52.80/\$39.76
PE1P3	DS-3		\$15.26	\$51.86/\$38.49

LOUISIANA (continued)				
USOC	Rate Element Description	Unit	Recurring Rate (RC)	Non-Recurring Rate (NRC)
PE1F2	Cross Connects (continued)	Per cross connect		First/Add'l
	2-fiber		\$3.03	\$51.86/\$38.49
PE1F4	4-fiber		\$5.38	\$64.36/\$50.99
PE1AX	Security Access System Security System*	Per premises	\$60.60	
PE1A1	New Access Card Activation*	Per card	\$0.60	\$55.51
PE1AA	Administrative change, existing card*	Per card		\$15.57
PE1AR	Replace lost or stolen card	Per card		\$45.51
PE1AK	Initial Key	Per key	NA	\$26.16
PE1AL	Replace lost or stolen key	Per key	NA	\$26.16
PE1SR	Space Availability Report*	Per premises requested		\$2,148
PE1PE	POT Bay Arrangements <i>Prior to 6/1/99</i> 2-Wire Cross-Connect	Per cross-connect	\$0.0776	NA
PE1PF	4-Wire Cross-Connect		\$0.1552	NA
PE1PG	DS1 Cross-Connect		\$0.6406	NA
PE1PH	DS3 Cross-Connect		\$4.75	NA
PE1B2	2 Fiber Cross-Connect		\$47.44	NA
PE1B4	4 Fiber Cross-Connect		\$63.97	NA
	Cable Records ¹			Note 2
				Initial/subsequent
PE1CR	Cable Records	Per request	NA	\$1706/\$1165
PE1CD	VG/DS0 Cable	Per cable record	NA	\$922.51/\$922.51
PE1CO	VG/DS0 Cable	Per each 100 pair	NA	\$18.00/\$18.00
PE1C1	DS1	Per T1TIE	NA	\$8.43/\$8.43
PE1C3	DS3	Per T3TIE	NA	\$29.49/\$29.49
PE1CB	Fiber Cable	Per cable record	NA	\$278.65/\$278.65

LOUISIANA (continued)				
USOC	Rate Element Description	Unit	Recurring Rate (RC)	Non-Recurring Rate (NRC)
	Security Escort	Per half hr./Add'l half hr.		
PE1BT	Basic Time		NA	\$33.97/\$21.53
PE1OT	Overtime		NA	\$44.25/\$27.81
PE1PT	Premium Time		NA	\$54.53/\$34.09

Note(s):

N/A refers to rate elements which do not have a negotiated rate.

Note1: Cable records charges apply for work required to build cable records in company systems. The VG/DS0 per cable record charge is for a maximum of 3600 records. The Fiber cable record charge is for a maximum of 99 records.

Note 2: The initial charge applies when the cables are first installed and inventoried. The subsequent charge applies when additional cables are installed and inventoried at the same location.

**EXHIBIT A: BELLSOUTH/EPB Telecommunications RATES – MISSISSIPPI
PHYSICAL COLLOCATION**

Rates marked with an asterisk (*) are interim and are subject to true-up.

USOC	Rate Element Description	Unit	Recurring Rate (RC)	Non-Recurring Rate (NRC)
PE1BA	Application Fee	Per request	NA	\$3,755.00
PE1CA	Subsequent Application Fee	Per request	NA	\$3,130.00 Minimum
PE1SJ	Space Preparation Fees Firm Order Processing*			\$1,200.00
PE1SK	Central Office Modifications*	Per sq. ft.	\$2.61	
PE1SL	Common Systems Modifications – Cageless*	Per sq. ft.	\$2.88	
PE1SM	Common Systems Modifications – Caged*	Per cage	\$97.85	
PE1BW	Space Enclosure(100 sq. ft. minimum) Welded Wire-mesh	Per first 100 sq. ft.	\$208.30	NA
PE1C W	Welded Wire-mesh	Per add'l 50 sq. ft.	\$20.43	NA
PE1PJ	Floor Space	Per sq. ft.	\$6.53	
PE1BD	Cable Installation	Per cable	NA	\$1,871.00
PE1PM	Cable Support Structure	Per entrance cable	\$19.90	NA
PE1PL	Power -48V DC Power*	Per amp	\$8.96	NA
PE1FB	120V AC Power single phase*	Per breaker amp	\$5.61	-
PE1FD	240V AC Power single phase*	Per breaker amp	\$11.23	-
PE1FE	120V AC Power three phase*	Per breaker amp	\$16.84	-
PE1FG	277 AC Power three phase*	Per breaker amp	\$38.89	-
PE1P2 PE1P4	Cross Connects 2-wire 4-wire	Per cross connect	\$0.038 \$0.076	First/Add'l \$33.65/\$31.77 \$33.46/\$31.52

MISSISSIPPI (continued)				
USOC	Rate Element Description	Unit	Recurring Rate (RC)	Non-Recurring Rate (NRC)
PE1P1	Cross Connects (continued) DS-1	Per cross connect	\$1.30	First/Add'l \$52.73/\$39.70
PE1P3	DS-3		\$16.55	\$51.78/\$38.43
PE1F2	2-fiber		\$3.28	\$51.78/\$38.43
PE1F4	4-fiber		\$5.83	\$64.27/\$50.91
PE1AX	Security Access System Security System*	Per premises	\$85.54	
PE1A1	New Access Card Activation*	Per card	\$0.061	\$55.50
PE1AA	Administrative change, existing card*	Per card		\$15.56
PE1AR	Replace lost or stolen card	Per card		\$45.50
PE1AK	Initial Key	Per key	NA	\$26.16
PE1AL	Replace lost or stolen key	Per key	NA	\$26.16
PE1SR	Space Availability Report*	Per premises requested		\$2,147.00
PE1PE	POT Bay Arrangements <i>Prior to 6/1/99</i> 2-Wire Cross-Connect	Per cross-connect	\$0.1195	NA
PE1PF	4-Wire Cross-Connect		\$0.2389	NA
PE1PG	DS1 Cross-Connect		\$0.9862	NA
PE1PH	DS3 Cross-Connect		\$5.81	NA
PE1B2	2 Fiber Cross-Connect		\$38.79	NA
PE1B4	4 Fiber Cross-Connect		\$52.31	NA
PE1CR	Cable Records ¹			Note 2 Initial/subsequent
PE1CR	Cable Records	Per request	NA	\$1706/1164
PE1CD	VG/DS0 Cable	Per cable record	NA	\$922.28/\$922.28
PE1CO	VG/DS0 Cable	Per each 100 pair	NA	\$18.00/\$18.00
PE1C1	DS1	Per T1TIE	NA	\$8.42/\$8.42
PE1C3	DS3	Per T3TIE	NA	\$29.49/\$29.49
PE1CB	Fiber Cable	Per cable record	NA	\$278.58/\$278.58

MISSISSIPPI (continued)				
USOC	Rate Element Description	Unit	Recurring Rate (RC)	Non-Recurring Rate (NRC)
	Security Escort	Per half hr./Add'l half hr.		
PE1BT	Basic Time		NA	\$33.80/\$21.42
PE1OT	Overtime		NA	\$44.03/\$27.67
PE1PT	Premium Time		NA	\$54.26/\$33.92

Note(s):

N/A refers to rate elements which do not have a negotiated rate.

Note1: Cable records charges apply for work required to build cable records in company systems. The VG/DS0 per cable record charge is for a maximum of 3600 records. The Fiber cable record charge is for a maximum of 99 records.

Note 2: The initial charge applies when the cables are first installed and inventoried. The subsequent charge applies when additional cables are installed and inventoried at the same location.

**EXHIBIT A: BELLSOUTH/EPB Telecommunications RATES – NORTH CAROLINA
PHYSICAL COLLOCATION**

Rates marked with an asterisk (*) are interim and are subject to true-up.

USOC	Rate Element Description	Unit	Recurring Rate (RC)	Non-Recurring Rate (NRC)
PE1BA	Application Fee*	Per request	NA	\$3,850.00
PE1CA	Subsequent Application Fee	Per request	NA	\$3,119.00 Minimum
	Space Preparation Fees			
	Central Office Modification*	Per sq. ft.	\$1.57	
	Common Systems Modification – Cageless*	Per sq. ft.	\$3.26	
	Common Systems Modification – Caged*	Per cage	\$110.79	
	Power*	Per nominal –48v DC Amp	\$5.76	
PE1BW	Space Enclosure (100 sq. ft. minimum)			
PE1C	Welded Wire-mesh*	Per first 100 sq. ft.	\$102.76	NA
W	Welded Wire-mesh*	Per add'l 50 sq. ft.	\$10.44	NA
PE1PJ	Floor Space*	Per sq. ft.	\$3.45	NA
PE1BD	Cable Installation*	Per cable	NA	\$2,305.00
PE1PM	Cable Support Structure*	Per entrance cable	\$21.33	NA
PE1PL	Power			
PE1FB	-48V DC Power*	Per amp	\$6.65	NA
PE1FD	120V AC Power single phase*	Per breaker amp	\$5.50	-
PE1FE	240V AC Power single phase*	Per breaker amp	\$11.01	-
PE1FG	120V AC Power three phase*	Per breaker amp	\$16.51	-
	277 AC Power three phase*	Per breaker amp	\$38.12	-
PE1P2	Cross Connects (Note 1)	Per cross connect		First/Add'l
PE1P4	2-wire*		\$0.32	\$41.78/\$39.23
PE1P1	4-wire*		\$0.64	\$41.91/\$39.25
PE1P3	DS-1*		\$2.34	\$71.02/\$51.08
PE1F2	DS-3*		\$42.84	\$69.84/\$49.43
PE1F4	2-fiber		\$2.94	\$51.97/\$38.59
	4-fiber		\$5.62	\$64.53/\$51.15

NORTH CAROLINA (continued)				
USOC	Rate Element Description	Unit	Recurring Rate (RC)	Non-Recurring Rate (NRC)
PE1AX	Security Access System Security System*	Per premises	\$41.03	
PE1A1	New Access Card Activation*	Per card	\$0.062	\$55.30
PE1AA	Administrative change, existing card*	Per card		\$15.51
PE1AR	Replace lost or stolen card	Per card		\$45.34
PE1AK	Initial Key	Per key	NA	\$26.18
PE1AL	Replace lost or stolen key	Per key	NA	\$26.18
PE1SR	Space Availability Report*	Per premises requested		\$2,140.00
	POT Bay Arrangements <i>Prior to 6/1/99</i>	Per cross-connect		
PE1PE	2-Wire Cross-Connect		\$0.10	NA
PE1PF	4-Wire Cross-Connect		\$0.19	NA
PE1PG	DS1 Cross-Connect		\$0.79	NA
PE1PH	DS3 Cross-Connect		\$4.85	NA
PE1B2	2 Fiber Cross-Connect		\$45.30	NA
PE1B4	4 Fiber Cross-Connect		\$61.09	NA
	Security Escort	Per half hr./Add'l half hr.		
PE1BT	Basic Time		NA	\$42.92/\$25.56
PE1OT	Overtime		NA	\$54.51/\$32.44
PE1PT	Premium Time		NA	\$66.10/\$39.32
	Cable Records ¹			Note 2
				Initial/subsequent
PE1CR	Cable Records	Per request	NA	\$1707/\$1165
PE1CD	VG/DS0 Cable	Per cable record	NA	\$923.08/\$923.08
PE1CO	VG/DS0 Cable	Per each 100 pair	NA	\$18.02/\$18.02
PE1C1	DS1	Per T1TIE	NA	\$8.43/\$8.43
PE1C3	DS3	Per T3TIE	NA	\$29.51/\$29.51
PE1CB	Fiber Cable	Per cable record	NA	\$278.82/\$278.82

**EXHIBIT A: BELLSOUTH/EPB Telecommunications RATES – NORTH CAROLINA
PHYSICAL COLLOCATION (continued)**

Note(s):

N/A refers to rate elements which do not have a negotiated rate.

Note1: Cable records charges apply for work required to build cable records in company systems. The VG/DS0 per cable record charge is for a maximum of 3600 records. The Fiber cable record charge is for a maximum of 99 records.

Note 2: The initial charge applies when the cables are first installed and inventoried. The subsequent charge applies when additional cables are installed and inventoried at the same location.

**EXHIBIT A: BELLSOUTH/EPB Telecommunications RATES – SOUTH CAROLINA
PHYSICAL COLLOCATION**

Rates marked with an asterisk (*) are interim and are subject to true-up.

USOC	Rate Element Description	Unit	Recurring Rate (RC)	Non-Recurring Rate (NRC)
PE1BA	Application Fee	Per request	NA	\$3768.00
PE1CA	Subsequent Application Fee	Per request	NA	\$3,141.00 Minimum
PE1SJ	Space Preparation Fees Firm Order Processing*			\$1,204.00
PE1SK	Central Office Modifications*	Per sq. ft.	\$2.75	
PE1SL	Common Systems Modifications – Cageless*	Per sq. ft.	\$3.24	
PE1SM	Common Systems Modifications – Caged*	Per cage	\$110.17	
PE1BW	Space Enclosure (100 sq. ft. minimum) Welded Wire-mesh	Per first 100 sq. ft.	\$219.19	NA
PE1C W	Welded Wire-mesh	Per add'l 50 sq. ft.	\$21.50	NA
PE1PJ	Floor Space	Per sq. ft.	\$3.95	NA
PE1BD	Cable Installation	Per cable	NA	\$1,621.00
PE1PM	Cable Support Structure	Per entrance cable	\$21.33	NA
PE1PL	Power -48V DC Power*	Per amp	\$9.19	NA
PE1FB	120V AC Power single phase*	Per breaker amp	\$5.67	-
PE1FD	240V AC Power single phase*	Per breaker amp	\$11.36	-
PE1FE	120V AC Power three phase*	Per breaker amp	\$17.03	-
PE1FG	277 AC Power three phase*	Per breaker amp	\$39.33	-
PE1P2	Cross Connects 2-wire	Per cross connect	\$0.034	First/Add'l \$33.75/\$31.86
PE1P4	4-wire		\$0.068	\$33.71/\$31.75
PE1P1	DS-1		\$1.12	\$53.05/\$39.96
PE1P3	DS-3		\$14.21	\$52.11/\$38.68
PE1F2	2-fiber		\$2.82	\$52.11/\$38.69
PE1F4	4-fiber		\$5.01	\$64.69/\$51.26

SOUTH CAROLINA (continued)				
USOC	Rate Element Description	Unit	Recurring Rate (RC)	Non-Recurring Rate (NRC)
PE1AX	Security Access System Security System*	Per premises	\$74.12	
PE1A1	New Access Card Activation*	Per card	\$0.060	\$55.70
PE1AA	Administrative change, existing card*	Per card		\$15.62
PE1AR	Replace lost or stolen card	Per card		\$45.66
PE1AK	Initial Key	Per key	NA	\$26.25
PE1AL	Replace lost or stolen key	Per key	NA	\$26.25
PE1SR	Space Availability Report*	Per premises requested		\$2,155.00
	POT Bay Arrangements <i>Prior to 6/1/99</i>	Per cross-connect		
PE1PE	2-Wire Cross-Connect		\$0.1091	NA
PE1PF	4-Wire Cross-Connect		\$0.2181	NA
PE1PG	DS1 Cross-Connect		\$0.9004	NA
PE1PH	DS3 Cross-Connect		\$5.64	NA
PE1B2	2 Fiber Cross-Connect		\$37.36	NA
PE1B4	4 Fiber Cross-Connect		\$50.38	NA
	Security Escort	Per half hr./Add'l half hr.		
PE1BT	Basic Time		NA	\$33.92/\$21.50
PE1OT	Overtime		NA	\$44.19/\$27.77
PE1PT	Premium Time		NA	\$54.45/\$34.04
	Cable Records ¹			Note 2
				Initial/subsequent
PE1CR	Cable Records	Per request	NA	\$1712/\$1168
PE1CD	VG/DS0 Cable	Per cable record	NA	\$925.57/\$925.57
PE1CO	VG/DS0 Cable	Per each 100 pair	NA	\$18.06/\$18.06
PE1C1	DS1	Per T1TIE	NA	\$8.45/\$8.45
PE1C3	DS3	Per T3TIE	NA	\$29.59/\$29.59
PE1CB	Fiber Cable	Per cable record	NA	\$279.57/\$279.57

**EXHIBIT A: BELLSOUTH/EPB Telecommunications RATES – SOUTH CAROLINA
PHYSICAL COLLOCATION (continued)**

Note(s):

N/A refers to rate elements which do not have a negotiated rate.

Note1: Cable records charges apply for work required to build cable records in company systems. The VG/DS0 per cable record charge is for a maximum of 3600 records. The Fiber cable record charge is for a maximum of 99 records.

Note 2: The initial charge applies when the cables are first installed and inventoried. The subsequent charge applies when additional cables are installed and inventoried at the same location.

**EXHIBIT A: BELLSOUTH/EPB Telecommunications RATES – TENNESSEE
PHYSICAL COLLOCATION**

* Rates are interim and are subject to true-up.

USOC	Rate Element Description	Unit	Recurring Rate (RC)	Non-Recurring Rate (NRC)
PE1BA	Application Fee	Per request	NA	\$3,767.00
PE1CA	Subsequent Application Fee	Per request	NA	\$3,140.00 Minimum
PE1SJ	Space Preparation Fees Firm Order Processing*			\$1,204.00
PE1SK	Central Office Modifications*	Per sq. ft.	\$2.74	
PE1SL	Common Systems Modifications – Cageless*	Per sq. ft.	\$2.95	
PE1SM	Common Systems Modifications – Caged*	Per cage	\$100.14	
PE1BW	Space Enclosure (100 sq. ft. minimum) Welded Wire-mesh	Per first 100 sq. ft.	\$218.53	NA
PE1C W	Welded Wire-mesh	Per add'l 50 sq. ft.	\$21.44	NA
PE1PJ	Floor Space	Per sq. ft.	\$6.75	NA
PE1BD	Cable Installation	Per cable	NA	\$1,757.00
PE1PM	Cable Support Structure	Per entrance cable	\$19.80	NA
PE1PL	Power -48V DC Power*	Per amp	\$8.87	NA
PE1FB	120V AC Power single phase*	Per breaker amp	\$5.60	-
PE1FD	240V AC Power single phase*	Per breaker amp	\$11.22	-
PE1FE	120V AC Power three phase*	Per breaker amp	\$16.82	-
PE1FG	277 AC Power three phase*	Per breaker amp	\$38.84	-
PE1P2	Cross Connects 2-wire	Per cross connect	\$0.033	First/Add'l \$33.82/\$31.92
PE1P4	4-wire		\$0.066	\$33.94/\$31.95
PE1P1	DS-1		\$1.51	\$53.27/\$40.16
PE1P3	DS-3		\$19.26	\$52.37/\$38.89
PE1F2	2-fiber		\$3.82	\$52.37/\$38.89
PE1F4	4-fiber		\$6.79	\$65.03/\$51.55

TENNESSEE (continued)				
USOC	Rate Element Description	Unit	Recurring Rate (RC)	Non-Recurring Rate (NRC)
PE1AX	Security Access System	Per premises	\$55.99	
	Security System			
PE1A1	New Access Card Activation	Per card	\$.059	\$55.67
PE1AA	Administrative change, existing card	Per card		\$15.61
PE1AR	Replace lost or stolen card	Per card		\$45.64
PE1AK	Initial Key	Per key	NA	\$26.24
PE1AL	Replace lost or stolen key	Per key	NA	\$26.24
PE1SR	Space Availability Report*	Per premises requested		\$2,154.00
	POT Bay Arrangements <i>Prior to 6/1/99</i>	Per cross-connect		
PE1PE	2-Wire Cross-Connect		\$0.40	NA
PE1PF	4-Wire Cross-Connect		\$1.20	NA
PE1PG	DS1 Cross-Connect		\$1.20	NA
PE1PH	DS3 Cross-Connect		\$8.00	NA
PE1B2	2 Fiber Cross-Connect		\$38.79	NA
PE1B4	4 Fiber Cross-Connect		\$52.31	NA
	Security Escort	Per half hr./Add'l half hr.		
PE1BT	Basic Time		NA	\$33.91/\$21.49
PE1OT	Overtime		NA	\$44.17/\$27.76
PE1PT	Premium Time		NA	\$54.42/\$34.02
	Cable Records ¹			Note 2
				Initial/subsequent
PE1CR	Cable Records	Per request	NA	\$1711/\$1168
PE1CD	VG/DS0 Cable	Per cable record	NA	\$925.06/\$925.06
PE1CO	VG/DS0 Cable	Per each 100 pair	NA	\$18.05/\$18.05
PE1C1	DS1	Per T1TIE	NA	\$8.45/\$8.45
PE1C3	DS3	Per T3TIE	NA	\$29.57/\$29.57
PE1CB	Fiber Cable	Per cable record	NA	\$279.42/\$279.42

Note(s):

N/A refers to rate elements which do not have a negotiated rate.

Note1: Cable records charges apply for work required to build cable records in company systems. The VG/DS0 per cable record charge is for a maximum of 3600 records. The Fiber cable record charge is for a maximum of 99 records.

Note 2: The initial charge applies when the cables are first installed and inventoried. The subsequent charge applies when additional cables are installed and inventoried at the same location.

EXHIBIT B**ENVIRONMENTAL AND SAFETY
PRINCIPLES**

The following principles provide basic guidance on environmental and safety issues when applying for and establishing Physical Collocation arrangements.

1. GENERAL PRINCIPLES

- 1.1 **Compliance with Applicable Law.** BellSouth and EPB Telecommunications agree to comply with applicable federal, state, and local environmental and safety laws and regulations including U.S. Environmental Protection Agency (USEPA) regulations issued under the Clean Air Act (CAA), Clean Water Act (CWA), Resource Conservation and Recovery Act (RCRA), Comprehensive Environmental Response, Compensation and Liability Act (CERCLA), Superfund Amendments and Reauthorization Act (SARA), the Toxic Substances Control Act (TSCA), and OSHA regulations issued under the Occupational Safety and Health Act of 1970, as amended and NFPA and National Electrical Codes (NEC) and the NESC (“Applicable Laws”). Each Party shall notify the other if compliance inspections are conducted by regulatory agencies and/or citations are issued that relate to any aspect of this Attachment.
- 1.2 **Notice.** BellSouth and EPB Telecommunications shall provide notice to the other, including Material Safety Data Sheets (MSDSs), of known and recognized physical hazards or Hazardous Chemicals existing on site or brought on site. Each Party is required to provide specific notice for known potential Imminent Danger conditions. EPB Telecommunications should contact 1-800-743-6737 for BellSouth MSDS sheets.
- 1.3 **Practices/Procedures.** BellSouth may make available additional environmental control procedures for EPB Telecommunications to follow when working at a BellSouth Premises (See Section 2, below). These practices/procedures will represent the regular work practices required to be followed by the employees and contractors of BellSouth for environmental protection. EPB Telecommunications will require its contractors, agents and others accessing the BellSouth Premises to comply with these practices. Section 2 lists the Environmental categories where BST practices should be followed by CLEC when operating in the BellSouth Premises.
- 1.4 **Environmental and Safety Inspections.** BellSouth reserves the right to inspect the EPB Telecommunications space with proper notification. BellSouth reserves the right to stop any EPB Telecommunications work operation that imposes Imminent Danger to the environment, employees or other persons in the area or Facility.
- 1.5 **Hazardous Materials Brought On Site.** Any hazardous materials brought into, used, stored or abandoned at the BellSouth Premises by EPB Telecommunications are owned by EPB Telecommunications. EPB Telecommunications will indemnify BellSouth for claims, lawsuits or damages to persons or property caused by these

materials. Without prior written BellSouth approval, no substantial new safety or environmental hazards can be created by EPB Telecommunications or different hazardous materials used by EPB Telecommunications at BellSouth Facility. EPB Telecommunications must demonstrate adequate emergency response capabilities for its materials used or remaining at the BellSouth Facility.

1.6 **Spills and Releases.** When contamination is discovered at a BellSouth Premises, the Party discovering the condition must notify BellSouth. All Spills or Releases of regulated materials will immediately be reported by EPB Telecommunications to BellSouth.

1.7 **Coordinated Environmental Plans and Permits.** BellSouth and EPB Telecommunications will coordinate plans, permits or information required to be submitted to government agencies, such as emergency response plans, spill prevention control and countermeasures (SPCC) plans and community reporting. If fees are associated with filing, BellSouth and EPB Telecommunications will develop a cost sharing procedure. If BellSouth's permit or EPA identification number must be used, EPB Telecommunications must comply with all of BellSouth's permit conditions and environmental processes, including environmental "best management practices (BMP)" (see Section 2, below) and/or selection of BST disposition vendors and disposal sites.

1.8 **Environmental and Safety Indemnification.** BellSouth and EPB Telecommunications shall indemnify, defend and hold harmless the other Party from and against any claims (including, without limitation, third-party claims for personal injury or death or real or personal property damage), judgments, damages, (including direct and indirect damages, and punitive damages), penalties, fines, forfeitures, costs, liabilities, interest and losses arising in connection with the violation or alleged violation of any Applicable Law or contractual obligation or the presence or alleged presence of contamination arising out of the acts or omissions of the indemnifying Party, its agents, contractors, or employees concerning its operations at the Facility.

2. CATEGORIES FOR CONSIDERATION OF ENVIRONMENTAL ISSUES

When performing functions that fall under the following Environmental categories on BellSouth's Premises, EPB Telecommunications agrees to comply with the applicable sections of the current issue of BellSouth's Environmental and Safety Methods and Procedures (M&Ps), incorporated herein by this reference. EPB Telecommunications further agrees to cooperate with BellSouth to ensure that EPB Telecommunications' employees, agents, and/or subcontractors are knowledgeable of and satisfy those provisions of BellSouth's Environmental M&Ps which apply to the specific Environmental function being performed by EPB Telecommunications, its employees, agents and/or subcontractors.

The most current version of reference documentation must be requested from BellSouth.

ENVIRONMENTAL CATEGORIES	ENVIRONMENTAL ISSUES	ADDRESSED BY THE FOLLOWING DOCUMENTATION
Disposal of hazardous material or other regulated material (e.g., batteries, fluorescent tubes, solvents & cleaning materials)	<p>Compliance with all applicable local, state, & federal laws and regulations</p> <p>Pollution liability insurance</p> <p>EVET approval of contractor</p>	<ul style="list-style-type: none"> • Std T&C 450 • Fact Sheet Series 17000 • Std T&C 660-3 • Approved Environmental Vendor List (Contact E/S Management)
Emergency response	Hazmat/waste release/spill firesafety emergency	<ul style="list-style-type: none"> • Fact Sheet Series 1700 • Building Emergency Operations Plan (EOP) (specific to and located on Premises)
Contract labor/outsourcing for services with environmental implications to be performed on BellSouth Premises (e.g., disposition of hazardous material/waste; maintenance of storage tanks)	<p>Compliance with all applicable local, state, & federal laws and regulations</p> <p>Performance of services in accordance with BST's environmental M&Ps</p> <p>Insurance</p>	<ul style="list-style-type: none"> • Std T&C 450 • Std T&C 450-B • (Contact E/S for copy of appropriate E/S M&Ps.) • Std T&C 660
Transportation of hazardous material	<p>Compliance with all applicable local, state, & federal laws and regulations</p> <p>Pollution liability insurance</p> <p>EVET approval of contractor</p>	<ul style="list-style-type: none"> • Std T&C 450 • Fact Sheet Series 17000 • Std T&C 660-3 • Approved Environmental Vendor List (Contact E/S Management)
<p>Maintenance/operations work which may produce a waste</p> <p>Other maintenance work</p>	<p>Compliance with all application local, state, & federal laws and regulations</p> <p>Protection of BST employees and equipment</p>	<ul style="list-style-type: none"> • Std T&C 450 • 29CFR 1910.147 (OSHA Standard) • 29CFR 1910 Subpart O (OSHA Standard)
Janitorial services	All waste removal and disposal must conform to all applicable	<ul style="list-style-type: none"> • P&SM Manager - Procurement

	federal, state and local regulations All Hazardous Material and Waste Asbestos notification and protection of employees and equipment	Procurement • Fact Sheet Series 17000 • GU-BTEN-001BT, Chapter 3 • BSP 010-170-001BS (Hazcom)
Manhole cleaning	Compliance with all applicable local, state, & federal laws and regulations Pollution liability insurance EVET approval of contractor	• Std T&C 450 • Fact Sheet 14050 • BSP 620-145-011PR Issue A, August 1996 • Std T&C 660-3 • Approved Environmental Vendor List (Contact E/S Management)
Removing or disturbing building materials that may contain asbestos	Asbestos work practices	• GU-BTEN-001BT, Chapter 3

3. DEFINITIONS

Generator. Under RCRA, the person whose act produces a Hazardous Waste, as defined in 40 CFR 261, or whose act first causes a Hazardous Waste to become subject to regulation. The Generator is legally responsible for the proper management and disposal of Hazardous Wastes in accordance with regulations.

Hazardous Chemical. As defined in the U.S. Occupational Safety and Health (OSHA) hazard communication standard (29 CFR 1910.1200), any chemical which is a health hazard or physical hazard.

Hazardous Waste. As defined in section 1004 of RCRA.

Imminent Danger. Any conditions or practices at a facility which are such that a danger exists which could reasonably be expected to cause immediate death or serious harm to people or immediate significant damage to the environment or natural resources.

Spill or Release. As defined in Section 101 of CERCLA.

4. ACRONYMS

E/S – Environmental/Safety

EVET - Environmental Vendor Evaluation Team

DEC/LDEC - Department Environmental Coordinator/Local Department Environmental Coordinator

GU-BTEN-001BT - BellSouth Environmental Methods and Procedures

NESC - National Electrical Safety Codes

P&SM - Property & Services Management

Std. T&C - Standard Terms & Conditions

Remote Site Physical Collocation

BELLSOUTH
REMOTE SITE PHYSICAL COLLOCATION

1. Scope of Attachment

- 1.1 Scope of Attachment. The rates, terms, and conditions contained within this Attachment shall only apply when EPB Telecommunications is occupying the Remote Collocation Space as a sole occupant or as a Host within a Remote Site Location pursuant to Section 4.

All the negotiated rates, terms and conditions set forth in this Attachment pertain to Remote Site Collocation and the provisioning of Remote Collocation Space.

- 1.2 Right to occupy. BellSouth shall offer to EPB Telecommunications Remote Site Collocation on rates, terms, and conditions that are just, reasonable, non-discriminatory and consistent with the rules of the Federal Communications Commission ("FCC"). Subject to the rates, terms, and conditions of this Attachment, BellSouth hereby grants to EPB Telecommunications a right to occupy that certain area designated by BellSouth within a BellSouth Remote Site Location, of a size which is specified by EPB Telecommunications and agreed to by BellSouth (hereinafter "Remote Collocation Space"). BellSouth Remote Site Locations include cabinets, huts, and controlled environmental vaults owned or leased by BellSouth that house BellSouth Network Facilities. To the extent this Attachment does not include all the necessary rates, terms and conditions for other BellSouth remote locations other than cabinets, huts and controlled environmental vaults, the Parties will negotiate said rates, terms, and conditions at the request for Remote Site collocation at BellSouth remote locations other than those specified above.

- 1.2.1 In all states other than Florida, the size specified by EPB Telecommunications may contemplate a request for space sufficient to accommodate EPB Telecommunications' growth within a two year period. Neither BellSouth nor any of BellSouth's affiliates may reserve space for future use on more preferential terms than those set forth above.

- 1.2.2 In the state of Florida, the size specified by EPB Telecommunications may contemplate a request for space sufficient to accommodate EPB Telecommunications' growth within an eighteen (18) month period.
- 1.3 Third Party Property. If the Premises, or the property on which it is located, is leased by BellSouth from a Third Party or otherwise controlled by a Third Party, special considerations and intervals may apply in addition to the terms and conditions of this Agreement. Additionally, where BellSouth notifies EPB Telecommunications that BellSouth's agreement with a Third Party does not grant BellSouth the ability to provide access and use rights to others, upon EPB Telecommunications' request, BellSouth will use its best efforts to obtain the owner's consent and to otherwise secure such rights for EPB Telecommunications. EPB Telecommunications agrees to reimburse BellSouth for the reasonable and demonstrable costs incurred by BellSouth in obtaining such rights for EPB Telecommunications. In cases where a Third Party agreement does not grant BellSouth the right to provide access and use rights to others as contemplated by this Agreement and BellSouth, despite its best efforts, is unable to secure such access and use rights for EPB Telecommunications as above, EPB Telecommunications shall be responsible for obtaining such permission to access and use such property . BellSouth shall cooperate with EPB Telecommunications in obtaining such permission.
- 1.4 Space Reclamation. In the event of space exhaust within a Remote Site Location, BellSouth may include in its documentation for the Petition for Waiver filing any vacant space in the Remote Site Location. EPB Telecommunications will be responsible for any justification of vacant space within its Remote Collocation Space, if such justification is required by the appropriate state commission.
- 1.5 Use of Space. EPB Telecommunications shall use the Remote Collocation Space for the purposes of installing, maintaining and operating EPB Telecommunications' equipment (to include testing and monitoring equipment) necessary, for interconnection with BellSouth services and facilities, including access to unbundled network elements, for the provision of telecommunications services. The Remote Collocation Space may be used for no other purposes except as specifically described herein or authorized in writing by BellSouth.
- 1.6 Rates and charges. EPB Telecommunications agrees to pay the rates and charges identified in Exhibit A attached hereto.

- 1.7 Due Dates. In all states except Georgia, if any due date contained in this Attachment falls on a weekend or holiday, then the due date will be the next business day thereafter.
- 2. Space Notification**
- 2.1 Availability of Space. Upon submission of an Application pursuant to Section 6, BellSouth will permit EPB Telecommunications to physically collocate, pursuant to the terms of this Attachment, at any BellSouth Remote Site Location, unless BellSouth has determined that there is no space available due to space limitations or that Remote Site collocation is not practical for technical reasons. In the event space is not immediately available at a Remote Site Location, BellSouth reserves the right to make additional space available, in which case the conditions in Section 6.5 shall apply, or BellSouth may elect to deny space in accordance with this section in which case virtual or adjacent collocation options may be available. If the amount of space requested is not available, BellSouth will notify EPB Telecommunications of the amount that is available.
- 2.2 Availability Notification. Unless otherwise specified, BellSouth will respond to an application within ten (10) calendar days as to whether space is available or not available within a BellSouth Remote Site Location. This interval excludes National Holidays. If the amount of space requested is not available, BellSouth will notify EPB Telecommunications of the amount of space that is available.
- 2.2.1 BellSouth will respond to a Florida Application within fifteen (15) calendar days as to whether space is available or not available within a BellSouth Remote Site Location. If the amount of space requested is not available, BellSouth will notify EPB Telecommunications of the amount that is available.
- 2.2.2 BellSouth will respond to a Louisiana Application within ten (10) calendar days for space availability for one (1) to ten (10) Applications; fifteen (15) calendar days for eleven (11) to twenty (20) Applications; and for more than twenty (20) Applications, it is increased by five (5) calendar days for every five additional Applications received within five (5) business days. If the amount of space requested is not available, BellSouth will notify EPB Telecommunications of the amount of space that is available.
- 2.2.3 BellSouth will respond to a Mississippi Application within ten (10) business days as to whether space is available or not available within a BellSouth Premises. If the amount of space requested is not available, BellSouth will notify EPB Telecommunications of the amount of space that is available.

- 2.3 Reporting. Upon request from EPB Telecommunications, BellSouth will provide a written report ("Space Availability Report") specifying the amount of Remote Collocation Space available at the Remote Site Location requested, the number of collocators present at the Remote Site Location, any modifications in the use of the space since the last report on the Remote Site Location requested and the measures BellSouth is taking to make additional space available for collocation arrangements.
- 2.3.1 The request from EPB Telecommunications for a Space Availability Report must be written and must include the Common Language Location Identification ("CLLI") code for both the Remote Site Location and the serving central office. Such information regarding the CLLI code for the serving central offices located in the National Exchange Carriers Association (NECA) Tariff FCC No. 4. If EPB Telecommunications is unable to obtain the CLLI code, from for example a site visit to the remote site, EPB Telecommunications may request the CLLI code from BellSouth. To obtain a CLLI code for a remote site directly from BellSouth, EPB Telecommunications should submit to BellSouth a Remote Site Interconnection Request for Remote Site CLLI Code prior to submitting its request for a Space Availability Report. EPB Telecommunications should complete all the requested information and submit the Request with the applicable fee to BellSouth.
- 2.3.2 BellSouth will respond to a request for a Space Availability Report for a particular Remote Site Location within ten (10) calendar days of receipt of such request. This interval excludes national holidays. BellSouth will make best efforts to respond in ten (10) calendar days to such a request when the request includes from two (2) to five (5) Remote Site Locations within the same state. The response time for requests of more than five (5) Remote Site Locations shall be negotiated between the Parties. If BellSouth cannot meet the ten calendar day response time, BellSouth shall notify EPB Telecommunications and inform EPB Telecommunications of the time frame under which it can respond.
- 2.3.3 In Mississippi, BellSouth will respond to a request for a Space Availability Report for a particular Remote Site Location within ten (10) business days of receipt of such request. BellSouth will make best efforts to respond in ten (10) business days to such a request when the request includes from two (2) to five (5) Remote Site Locations within the same state. The response time for requests of more than five (5) Remote Site Locations shall be negotiated between the Parties. If BellSouth cannot meet the ten business day response time, BellSouth shall notify EPB Telecommunications and inform EPB Telecommunications of the time frame under which it can respond.

- 2.4 Denial of Application. After notifying EPB Telecommunications that BellSouth has no available space in the requested Remote Site Location (“Denial of Application”), BellSouth will allow EPB Telecommunications, upon request, to tour the Remote Site Location within ten (10) calendar days of such Denial of Application. This interval excludes national holidays. In order to schedule said tour within ten (10) calendar days, the request for a tour of the Remote Site Location must be received by BellSouth within five (5) calendar days of the Denial of Application.
- 2.4.1 Denial of Application. In Mississippi, after notifying EPB Telecommunications that BellSouth has no available space in the requested Premises (“Denial of Application”), BellSouth will allow EPB Telecommunications, upon request, to tour the Remote Site Location within ten (10) business days of such Denial of Application. In order to schedule said tour within ten (10) business days, the request for a tour of the Remote Site Location must be received by BellSouth within five (5) business days of the Denial of Application.
- 2.5 Filing of Petition for Waiver. Upon Denial of Application BellSouth will timely file a petition with the Commission pursuant to 47 U.S.C. § 251(c)(6). BellSouth shall provide to the Commission any information requested by that Commission. Such information shall include which space, if any, BellSouth or any of BellSouth’s affiliates have reserved for future use and a detailed description of the specific future uses for which the space has been reserved. Subject to an appropriate nondisclosure agreement or provision, BellSouth shall permit EPB Telecommunications to inspect any plans or diagrams that BellSouth provides to the Commission.
- 2.6 Waiting List. Unless otherwise specified, on a first-come, first-served basis governed by the date of receipt of an Application or Letter of Intent, BellSouth will maintain a waiting list of requesting carriers who have either received a Denial of Application or, where it is publicly known that the Remote Site Location is out of space, have submitted a Letter of Intent to collocate. BellSouth will notify the telecommunications carriers on the waiting list when space becomes available according to how much space becomes available and the position of telecommunications carrier on said waiting list. EPB Telecommunications must submit an updated, complete, and correct Application to BellSouth within 30 calendar days (in Mississippi, 30 business days) or notify BellSouth in writing that EPB Telecommunications wants to maintain its place on the waiting list either without accepting such space or accepting an amount of space less than its original request. If EPB Telecommunications does not submit such an Application or notify BellSouth in writing as described above, BellSouth will offer such space to the next

- CLEC on the waiting list and remove EPB Telecommunications from the waiting list. Upon request, BellSouth will advise EPB Telecommunications as to its position on the list.
- 2.6.1 In Florida, on a first-come, first-served basis governed by the date of receipt of an Application or Letter of Intent, BellSouth will maintain a waiting list of requesting carriers who have either received a Denial of Application or, where it is publicly known that the Remote Site Location is out of space, have submitted a Letter of Intent to collocate. Sixty (60) days prior to space becoming available, if known, BellSouth will notify the Florida PSC and the telecommunications carriers on the waiting list by mail when space becomes available according to the position of telecommunications carrier on said waiting list. If not known sixty (60) days in advance, BellSouth shall notify the Florida PSC and the telecommunications carriers on the waiting list within two days of the determination that space is available.
- 2.7 Public Notification. BellSouth will maintain on its Interconnection Services website a notification document that will indicate all Remote Site Locations that are without available space. BellSouth shall update such document within ten (10) calendar days (in Mississippi, 10 business days) of the Denial of Application date. This interval excludes national holidays. BellSouth will also post a document on its Interconnection Services website that contains a general notice where space has become available in a Remote Site Location previously on the space exhaust list. BellSouth shall allocate said available space pursuant to the waiting list referenced in Section 2.6.
- 2.8 Regulatory Agency Procedures. Notwithstanding the foregoing, should any state or federal regulatory agency impose procedures or intervals different than procedures or intervals set forth in this section applicable to EPB Telecommunications, whether now in effect or that become effective after execution of this Agreement, those procedures or intervals shall supersede the requirements set forth herein for all Applications submitted for the first time after the effective date thereof for that jurisdiction.
- 3. Collocation Options**
- 3.1 Compliance. The parties agree to comply with all applicable federal, state, county, local and administrative laws, orders, rules, ordinances, regulations, and codes in the performance of their obligations hereunder.
- 3.2 Cageless. BellSouth shall allow EPB Telecommunications to collocate EPB Telecommunications' equipment and facilities without requiring the construction of a cage or similar structure. BellSouth shall allow EPB

- Telecommunications to have direct access to its equipment and facilities. BellSouth shall make cageless collocation available in single rack/bay increments pursuant to Section 6. For equipment requiring special technical considerations, EPB Telecommunications must provide the equipment layout, including spatial dimensions for such equipment pursuant to generic requirements contained in BellCore (Telcordia) GR-63-Core and shall be responsible for constructing all special technical requirements associated with such equipment pursuant to Section 6.8 following. Subject to space availability and technical feasibility, at EPB Telecommunications' option, EPB Telecommunications may enclose its equipment.
- 3.3 Shared (Subleased) Collocation. EPB Telecommunications may allow other telecommunications carriers to share EPB Telecommunications' Remote Site collocation arrangement pursuant to terms and conditions agreed to by EPB Telecommunications ("Host") and other telecommunications carriers ("Guests") and pursuant to this section, except where the BellSouth Remote Site Location is located within a leased space and BellSouth is prohibited by said lease from offering such an option or is located on property for which BellSouth holds an easement and such easement does not permit such an option. EPB Telecommunications shall notify BellSouth in writing upon execution of any agreement between the Host and its Guest within ten (10) calendar days (in Mississippi, 10 business days) of its execution and prior to any Firm Order. Further, such notice shall include the name of the Guest(s) and the term of the agreement, and shall contain a certification by EPB Telecommunications that said agreement imposes upon the Guest(s) the same terms and conditions for Remote Collocation Space as set forth in this Attachment between BellSouth and EPB Telecommunications.
- 3.3.1 EPB Telecommunications shall be the sole interface and responsible Party to BellSouth for assessment of rates and charges contained within this Attachment; and for the purposes of ensuring that the safety and security requirements of this Attachment are fully complied with by the Guest, its employees and agents. In all states other than Florida, and in addition to the foregoing, EPB Telecommunications shall be the responsible party to BellSouth for the purpose of submitting Applications for initial and additional equipment placement of Guest. In the event the Host and Guest jointly submit an Application, only one Application Fee will be assessed. A separate Guest Application shall require the assessment of an Application Fee, as set forth in Exhibit A. Notwithstanding the foregoing, Guest may arrange directly with BellSouth for the provision of the interconnecting facilities between BellSouth and Guest and for the provision of the services and access to unbundled network elements.

- 3.3.2 EPB Telecommunications shall indemnify and hold harmless BellSouth from any and all claims, actions, causes of action, of whatever kind or nature arising out of the presence of EPB Telecommunications' Guests in the Remote Collocation Space except to the extent caused by BellSouth's sole negligence, gross negligence, or willful misconduct.
- 3.4 Adjacent Collocation. BellSouth will provide approval for adjacent Remote Site collocation arrangements ("Remote Site Adjacent Arrangement") where space within the Remote Site Location is legitimately exhausted, subject to technical feasibility, where the Remote Site Adjacent Arrangement does not interfere with access to existing or planned structures or facilities on the Remote Site Location property and where permitted by zoning and other applicable state and local regulations. The Remote Site Adjacent Arrangement shall be constructed or procured by EPB Telecommunications and in conformance with BellSouth's design and construction specifications. Further, EPB Telecommunications shall construct, procure, maintain and operate said Remote Site Adjacent Arrangement(s) pursuant to all of the terms and conditions set forth in this Attachment. Rates shall be negotiated at the time of the request for the Remote Site Adjacent Arrangement.
- 3.4.2 Should EPB Telecommunications elect such an option, EPB Telecommunications must arrange with a BellSouth Certified Contractor to construct a Remote Site Adjacent Arrangement structure in accordance with BellSouth's guidelines and specifications. BellSouth will provide guidelines and specifications upon request. Where local building codes require enclosure specifications more stringent than BellSouth's standard specification, EPB Telecommunications and EPB Telecommunications' BellSouth Certified Contractor must comply with local building code requirements. EPB Telecommunications' BellSouth Certified Contractor shall be responsible for filing and receiving any and all necessary zoning, permits and/or licenses for such construction. EPB Telecommunications' BellSouth Certified Contractor shall bill EPB Telecommunications directly for all work performed for EPB Telecommunications pursuant to this Attachment and BellSouth shall have no liability for nor responsibility to pay such charges imposed by the BellSouth Certified Contractor. EPB Telecommunications must provide the local BellSouth Remote Site Location contact with two cards, keys or other access device used to enter the locked enclosure. Except in cases of emergency, BellSouth shall not access EPB Telecommunications' locked enclosure prior to notifying EPB Telecommunications.
- 3.4.3 BellSouth maintains the right to review EPB Telecommunications' plans and specifications prior to construction of a Remote Site Adjacent

- Arrangement(s). BellSouth shall complete its review within fifteen (15) calendar days. BellSouth may inspect the Remote Site Adjacent Arrangement(s) following construction and prior to the Commencement Date, as defined in Section 4.1 following, to ensure the design and construction comply with BellSouth's guidelines and specifications. BellSouth may require EPB Telecommunications, at EPB Telecommunications' sole cost, to correct any deviations from BellSouth's guidelines and specifications found during such inspection(s), up to and including removal of the Remote Site Adjacent Arrangement, within seven (7) calendar days of BellSouth's inspection, unless the Parties mutually agree to an alternative time frame.
- 3.4.4 EPB Telecommunications shall provide a concrete pad, the structure housing the arrangement, heating/ventilation/air conditioning ("HVAC"), lighting, and all facilities that connect the structure (i.e. racking, conduits, etc.) to the BellSouth point of demarcation. At EPB Telecommunications' option, and where the local authority having jurisdiction permits, BellSouth shall provide an AC power source and access to physical collocation services and facilities subject to the same nondiscriminatory requirements as applicable to any other physical collocation arrangement. EPB Telecommunications' BellSouth Certified Contractor shall be responsible for filing and receiving any and all necessary zoning, permits and/or licenses for such arrangement.
- 3.4.5 BellSouth shall allow Shared (Subleased) Caged Collocation within a Remote Site Adjacent Arrangement pursuant to the terms and conditions set forth in Section 3.3 preceding.
- 4. Occupancy**
- 4.1 Commencement Date. The "Commencement Date" shall be the day EPB Telecommunications's equipment becomes operational as described in Article 4.2, following.
- 4.2 Occupancy. BellSouth will notify EPB Telecommunications in writing that the Remote Collocation Space is ready for occupancy. EPB Telecommunications must notify BellSouth in writing that collocation equipment installation is complete and is operational with BellSouth's network. BellSouth may, at its option, not accept orders for interconnected service until receipt of such notice. For purposes of this paragraph, EPB Telecommunications' telecommunications equipment will be deemed operational when connected to BellSouth's network for the purpose of service provision.

4.3 Termination. Except where otherwise agreed to by the Parties, EPB Telecommunications may terminate occupancy in a particular Remote Collocation Space upon thirty (30) calendar days prior written notice to BellSouth. Upon termination of such occupancy, EPB Telecommunications at its expense shall remove its equipment and other property from the Remote Collocation Space. EPB Telecommunications shall have thirty (30) calendar days from the termination date to complete such removal, including the removal of all equipment and facilities of EPB Telecommunications' Guests; provided, however, that EPB Telecommunications shall continue payment of monthly fees to BellSouth until such date as EPB Telecommunications has fully vacated the Remote Collocation Space. Should EPB Telecommunications or EPB Telecommunications' Guest fail to vacate the Remote Collocation Space within thirty (30) calendar days from the termination date, BellSouth shall have the right to remove the equipment and other property of EPB Telecommunications or EPB Telecommunications' Guest at EPB Telecommunications' expense and with no liability for damage or injury to EPB Telecommunications or EPB Telecommunications' Guest's property unless caused by the gross negligence or intentional misconduct of BellSouth. Upon termination of occupancy with respect to a Remote Collocation Space, EPB Telecommunications shall surrender such Remote Collocation Space to BellSouth in the same condition as when first occupied by the EPB Telecommunications except for ordinary wear and tear unless otherwise agreed to by the Parties. EPB Telecommunications shall be responsible for the cost of removing any enclosure, together with all support structures (e.g., racking, conduits), of a Remote Site Adjacent Arrangement at the termination of occupancy and restoring the grounds to their original condition.

5. Use of Remote Collocation Space

5.1 Equipment Type. BellSouth permits the collocation of any type of equipment necessary for interconnection to BellSouth's network or for access to unbundled network elements in the provision of telecommunications services.

5.1.1 Such equipment must at a minimum meet the following BellCore (Telcordia) Network Equipment Building Systems (NEBS) General Equipment Requirements: Criteria Level 1 requirements as outlined in the BellCore (Telcordia) Special Report SR-3580, Issue 1; equipment design spatial requirements per GR-63-CORE, Section 2; thermal heat dissipation per GR-063-CORE, Section 4, Criteria 77-79; acoustic noise per GR-063-CORE, Section 4, Criterion 128, and National Electric Code standards. . Except where otherwise required by a Commission, BellSouth shall comply with the

applicable FCC rules relating to denial of collocation based on EPB Telecommunications' failure to comply with this section.

- 5.1.2 EPB Telecommunications shall not use the Remote Collocation Space for marketing purposes nor shall it place any identifying signs or markings in the area surrounding the Remote Collocation Space or on the grounds of the Remote Site Location.
- 5.1.3 EPB Telecommunications shall place a plaque or other identification affixed to EPB Telecommunications' equipment necessary to identify EPB Telecommunications' equipment, including a list of emergency contacts with telephone numbers.
- 5.1.4 All EPB Telecommunications equipment installation shall comply with BellSouth TR 73503-11, Section 8, "Grounding - Engineering Procedures." Metallic cable sheaths and metallic strength members of optical fiber cables as well as the metallic cable sheaths of all copper conductor cables shall be bonded to the designated grounding bus for the remote collocation site. All copper conductor pairs, working and non-working, shall be equipped with a solid state protector unit (over-voltage protection only) which has been listed by a nationally recognized testing laboratory.
- 5.2 Entrance Facilities. EPB Telecommunications may elect to place EPB Telecommunications-owned or EPB Telecommunications-leased entrance facilities into the Remote Collocation Space from EPB Telecommunications' point of presence. BellSouth will designate the point of interconnection at the Remote Site Location housing the Remote Collocation Space which is physically accessible by both Parties. EPB Telecommunications will provide and place copper cable through conduit from the Remote Collocation Space to the Feeder Distribution Interface to the splice location of sufficient length for splicing by BellSouth. EPB Telecommunications must contact BellSouth for instructions prior to placing the entrance facility cable . EPB Telecommunications is responsible for maintenance of the entrance facilities.
- 5.2.1 Shared Use. EPB Telecommunications may utilize spare capacity on an existing interconnector entrance facility for the purpose of providing an entrance facility to another EPB Telecommunications collocation arrangement within the same BellSouth Remote Site Location.
- 5.3 Demarcation Point. BellSouth will designate the point(s) of demarcation between EPB Telecommunications' equipment and/or network and BellSouth's network. Each Party will be responsible for maintenance and operation of all equipment/facilities on its side of the demarcation point. EPB

Telecommunications or its agent must perform all required maintenance to EPB Telecommunications equipment/facilities on its side of the demarcation point, pursuant to Section 5.8, following

- 5.4 EPB Telecommunications' Equipment and Facilities. EPB Telecommunications, or if required by this Attachment, EPB Telecommunications' BellSouth Certified Supplier, is solely responsible for the design, engineering, installation, testing, provisioning, performance, monitoring, maintenance and repair of the equipment and facilities used by EPB Telecommunications.
- 5.5 BellSouth's Access to Remote Collocation Space. BellSouth retains the right to access the Remote Collocation Space for the purpose of making BellSouth equipment and Remote Site Location modifications
- 5.6 Access. Pursuant to Section 11, EPB Telecommunications shall have access to the Remote Collocation Space twenty-four (24) hours a day, seven (7) days a week. EPB Telecommunications agrees to provide the name and social security number or date of birth or driver's license number of each employee, contractor, or agents of EPB Telecommunications or EPB Telecommunications' Guests provided with access keys or devices ("Access Keys") prior to the issuance of said Access Keys. Key acknowledgement forms must be signed by EPB Telecommunications and returned to BellSouth Access Management within 15 calendar days of EPB Telecommunications' receipt. Failure to return properly acknowledged forms will result in the holding of subsequent requests until acknowledgements are current. Access Keys shall not be duplicated under any circumstances. EPB Telecommunications agrees to be responsible for all Access Keys and for the return of all said Access Keys in the possession of EPB Telecommunications employees, contractors, Guests, or agents after termination of the employment relationship, contractual obligation with EPB Telecommunications or upon the termination of this Attachment or the termination of occupancy of an individual Remote Site collocation arrangement.
- 5.7 Lost or Stolen Access Keys. EPB Telecommunications shall notify BellSouth in writing immediately in the case of lost or stolen Access Keys. Should it become necessary for BellSouth to re-key Remote Site Locations as a result of a lost Access Key(s) or for failure to return an Access Key(s), EPB Telecommunications shall pay for all reasonable costs associated with the re-keying.

- 5.8 Interference or Impairment. Notwithstanding any other provisions of this Attachment, equipment and facilities placed in the Remote Collocation Space shall not significantly degrade, interfere with or impair service provided by BellSouth or by any other interconnector located in the Remote Site Location; shall not endanger or damage the facilities of BellSouth or of any other interconnector, the Remote Collocation Space, or the Remote Site Location; shall not compromise the privacy of any communications carried in, from, or through the Remote Site Location; and shall not create an unreasonable risk of injury or death to any individual or to the public. If BellSouth reasonably determines that any equipment or facilities of EPB Telecommunications violates the provisions of this paragraph, BellSouth shall give written notice to EPB Telecommunications, which notice shall direct EPB Telecommunications to cure the violation within forty-eight (48) hours of EPB Telecommunications' actual receipt of written notice or, at a minimum, to commence curative measures within 24 hours and to exercise reasonable diligence to complete such measures as soon as possible thereafter. After receipt of the notice, the Parties agree to consult immediately and, if necessary, to inspect the arrangement. Except in the case of the deployment of an advanced service which significantly degrades the performance of other advanced services or traditional voice band services, if EPB Telecommunications fails to take curative action within 48 hours or if the violation is of a character which poses an immediate and substantial threat of damage to property, injury or death to any person, or other interference/impairment of the services provided by BellSouth or any other interconnector, then and only in that event BellSouth may take such action as it deems appropriate to correct the violation, including without limitation the interruption of electrical power to EPB Telecommunications' equipment. BellSouth will endeavor, but is not required, to provide notice to EPB Telecommunications prior to taking such action and shall have no liability to EPB Telecommunications for any damages arising from such action, except to the extent that such action by BellSouth constitutes willful misconduct. For purposes of this section, the term significantly degrade shall mean an action that noticeably impairs a service from a user's perspective. In the case of the deployment of an advanced service which significantly degrades the performance of other advanced services or traditional voice band services and EPB Telecommunications fails to take curative action within 48 hours then BellSouth will establish before the relevant Commission that the technology deployment is causing the significant degradation. Any claims of network harm presented to EPB Telecommunications or, if subsequently necessary, the relevant Commission, must be supported with specific and verifiable information. Where BellSouth demonstrates that a deployed technology is significantly degrading the performance of other advanced services or traditional voice band services, EPB Telecommunications shall

discontinue deployment of that technology and migrate its customers to technologies that will not significantly degrade the performance of other such services. Where the only degraded service itself is a known disturber, and the newly deployed technology satisfies at least one of the criteria for a presumption that is acceptable for deployment under 47 C.F.R. 51.230, the degraded service shall not prevail against the newly-deployed technology.

- 5.9 Presence of Facilities. Facilities and equipment placed by EPB Telecommunications in the Remote Collocation Space shall not become a part of the Remote Site Location, even if nailed, screwed or otherwise fastened to the Remote Collocation Space but shall retain its status as personality and may be removed by EPB Telecommunications at any time. Any damage caused to the Remote Collocation Space by EPB Telecommunications' employees, agents or representatives shall be promptly repaired by EPB Telecommunications at its expense.
- 5.10 Alterations. In no case shall EPB Telecommunications or any person acting on behalf of EPB Telecommunications make any rearrangement, modification, improvement, addition, repair, or other alteration which could affect in any way space, power, HVAC, and/or safety considerations to the Remote Collocation Space or the BellSouth Remote Site Location without the written consent of BellSouth, which consent shall not be unreasonably withheld. The cost of any such specialized alterations shall be paid by EPB Telecommunications. Any material rearrangement, modification, improvement, addition, repair, or other alteration shall require an Application Fee, pursuant to sub-section 6.2.
- 5.11 Upkeep of Remote Collocation Space. EPB Telecommunications shall be responsible for the general upkeep and cleaning of the Remote Collocation Space. EPB Telecommunications shall be responsible for removing any EPB Telecommunications debris from the Remote Collocation Space and from in and around the Remote Collocation Site on each visit.

6. Ordering and Preparation of Remote Collocation Space

- 6.1 State or Federal Regulatory agency impose procedures or intervals. Should any state or federal regulatory agency impose procedures or intervals different than procedures or intervals set forth in this section applicable to EPB Telecommunications, whether now in effect or that become effective after execution of this Agreement, those procedures or intervals shall supersede the requirements set forth herein for all applications submitted for the first time after the effective date thereof for that jurisdiction.

- 6.2 Application for Space. EPB Telecommunications shall submit a Remote Site Collocation Application when EPB Telecommunications or EPB Telecommunications' Guest(s), as defined in Section 3.3, desires to request or modify the use of the Remote Collocation Space.
- 6.3 Initial Application. For EPB Telecommunications or EPB Telecommunications' Guest(s) equipment placement, EPB Telecommunications shall submit to BellSouth an Application. The Application is Bona Fide when it is complete and accurate, meaning that all required fields on the Application are completed with the appropriate type of information. The Bona Fide Application shall contain a detailed description and schematic drawing of the equipment to be placed in EPB Telecommunications' Remote Collocation Space(s) in addition to the CLLI code applicable to that location. Prior to submitting the application, CLLI information can be obtained in the manner set forth in Section 2.3.1.
- 6.4 Application Fee. BellSouth will assess an Application Fee on a service order which shall be issued at the time BellSouth responds that space is available pursuant to Section 2. Payment of the Application Fee will be due as dictated by EPB Telecommunications' current billing cycle and is non-refundable.
- 6.5 Application Response. In Alabama, North Carolina, and Tennessee, In addition to the notice of space availability pursuant to Section 2, BellSouth will respond within ten (10) calendar days of receipt of an Application stating whether the Application is Bona Fide, and if it is not Bona Fide, the items necessary to cause the Application to become Bona Fide. Sufficient detail will be provided to permit EPB Telecommunications a reasonable opportunity to correct each deficiency. EPB Telecommunications must correct any deficiencies in its Application and resubmit a Bona Fide Application within ten (10) calendar days of being notified of the deficiencies in the original Application. If EPB Telecommunications fails to resubmit its Application as Bona Fide within this ten (10) day period, EPB Telecommunications will lose its place in the collocation queue. This interval excludes national holidays. When space has been determined to be available, BellSouth will provide a written response ("Application Response"), which will include the configuration of the space and an estimate of the interval to provide the Remote Collocation Space.
- 6.5.1 Application Response. Except as otherwise provided, for all States that have ordered provisioning intervals but not application response intervals, the following will apply. In addition to the notice of space availability pursuant to Section 2, BellSouth will respond as to whether the Application is Bona Fide,

- and if it is not Bona Fide, the items necessary to cause the Application to become Bona Fide. When space has been determined to be available, BellSouth will provide a written response ("Application Response") within thirty (30) calendar days of receipt of a Bona Fide Application. When multiple applications are submitted in a state within a fifteen (15) calendar day window, BellSouth will respond to the Bona Fide Applications as soon as possible, but no later than the following: within thirty (30) calendar days for Bona Fide Applications 1-5; within thirty-six (36) calendar days for Bona Fide Applications 6-10; within forty-two (42) calendar days for Bona Fide Applications 11-15. Response intervals for multiple Bona Fide Applications submitted within the same timeframe for the same state in excess of 15 must be negotiated. All negotiations shall consider the total volume from all requests from telecommunications companies for collocation.
- 6.5.2 Application Response (Florida). Within fifteen (15) calendar days of receipt of a Bona Fide Application, BellSouth will respond as to whether space is available or not available within a particular Remote Site Location. Additionally, when space has been determined to be available or when a lesser amount of space than that requested is available, then with respect to the space available, BellSouth will provide a written response ("Application Response") including sufficient information to enable EPB Telecommunications to place a Firm Order. When EPB Telecommunications submits ten (10) or more Applications within ten (10) calendar days, the initial fifteen (15) day response period will increase by ten (10) days for every additional ten (10) Applications or fraction thereof.
- 6.5.3 Application Response (Georgia) In addition to the notice of space availability pursuant to Section 2.1, BellSouth will respond as to whether the Application is Bona Fide, and if it is not Bona Fide, the items necessary to cause the Application to become Bona Fide. When space has been determined to be available for caged or cageless arrangements, BellSouth will provide a written response ("Application Response") within thirty (30) calendar days of receipt of a Bona Fide Application. The Application Response will include, at a minimum, the configuration of the space, the Cable Installation Fee, Cable Records Fee, and the space preparation fees, as described in Section 7.
- 6.5.4 Application Response (Louisiana). In addition to the notice of space availability pursuant to Section 2, BellSouth will respond as to whether the Application is Bona Fide, and if it is not Bona Fide, the items necessary to cause the Application to become Bona Fide. BellSouth will respond as to whether space is available or not available within a particular Remote Site Location in accordance with Section 2. BellSouth will respond with a full

- Application Response within 30 calendar days for one to ten Applications; 35 calendar days for eleven to twenty Applications; and for requests of more than twenty Application it is increased by five calendar days for every five Applications received within five business days.
- 6.5.5 Application Response (Mississippi) In addition to the notice of space availability pursuant to Section 2, BellSouth will respond as to whether the Application is Bona Fide, and if it is not Bona Fide, the items necessary to cause the Application to become Bona Fide. When space has been determined to be available, BellSouth will provide a written response (“Application Response”) within thirty (30) business days of receipt of a Bona Fide Application. When multiple applications are submitted in a state within a fifteen (15) business day window, BellSouth will respond to the Bona Fide Applications as soon as possible, but no later than the following: within thirty (30) business days for Bona Fide Applications 1-5; within thirty-six (36) business days for Bona Fide Applications 6-10; within forty-two (42) business days for Bona Fide Applications 11-15. Response intervals for multiple Bona Fide Applications submitted within the same timeframe for the same state in excess of 15 must be negotiated. All negotiations shall consider the total volume from all requests from telecommunications companies for collocation.
- 6.5.6 Application Response (Kentucky) In addition to the notice of space availability pursuant to Section 2, BellSouth will respond as to whether the Application is Bona Fide, and if it is not Bona Fide, the items necessary to cause the Application to become Bona Fide. When space has been determined to be available, BellSouth will provide a written response (“Application Response”) within thirty (30) calendar days of receipt of a Bona Fide Application. When multiple applications are submitted in a state within a fifteen (15) calendar day window, BellSouth will respond to the Bona Fide Applications as soon as possible, but no later than the following: within thirty (30) calendar days for Bona Fide Applications 1-5; within thirty-six (36) calendar days for Bona Fide Applications 6-10; within forty-two (42) calendar days for Bona Fide Applications 11-15. Response intervals for multiple Bona Fide Applications submitted within the same timeframe for the same state in excess of 15 must be negotiated. All negotiations shall consider the total volume from all requests from telecommunications companies for collocation.
- 6.6 Application Modifications. In Alabama, North Carolina, and Tennessee, if a modification or revision is made to any information in the Bona Fide Application for Remote Site Collocation or the Bona Fide Application for Adjacent Remote Site Collocation, with the exception of modifications to Customer Information, Contact Information or Billing Contact Information, either at the request of EPB Telecommunications or necessitated by

technical considerations, said Application shall be considered a new Application and shall be handled as a new Application for purposes of the provisioning interval, and BellSouth shall charge EPB Telecommunications a Subsequent Application Fee. Major changes, such as requesting additional space or adding equipment may require EPB Telecommunications to submit the Application with an Application Fee.

- 6.6.1 Application Modifications. For all States that have ordered provisioning intervals but not application response intervals, and except as otherwise specified, the following will apply. If a modification or revision is made to any information in the Bona Fide Application for Remote Site Collocation or the Bona Fide Application for Adjacent Remote Site Collocation, with the exception of modifications to Customer Information, Contact Information or Billing Contact Information, either at the request of EPB Telecommunications or necessitated by technical considerations, BellSouth will respond to the Bona Fide Application within thirty (30) calendar days after BellSouth receives such revised application or at such other date as the Parties agree. If, at any time, BellSouth needs to reevaluate EPB Telecommunications' Bona Fide Application as a result of changes requested by EPB Telecommunications to EPB Telecommunications' original application, then BellSouth will charge EPB Telecommunications a Subsequent Application Fee. Major changes such as requesting additional space or adding additional equipment may require EPB Telecommunications to resubmit the Application with an Application Fee.
- 6.6.2 Application Modifications (Florida). If a modification or revision is made to any information in the Bona Fide Application for Remote Site Collocation or the Bona Fide Application for Adjacent Remote Site Collocation, with the exception of modifications to Customer Information, Contact Information or Billing Contact Information, either at the request of EPB Telecommunications or necessitated by technical considerations, BellSouth will respond to the Bona Fide Application within fifteen (15) calendar days after BellSouth receives such revised Application or at such other date as the Parties agree. If, at any time, BellSouth needs to reevaluate EPB Telecommunications' Bona Fide Application as a result of changes requested by EPB Telecommunications to CLEC's original , then BellSouth will charge EPB Telecommunications a Subsequent Application Fee. Major changes such as requesting additional space or adding additional equipment may require EPB Telecommunications to resubmit the Application with an Application Fee.
- 6.6.3 Application Modifications (Mississippi). If a modification or revision is made to any information in the Bona Fide Application for Remote Site Collocation or the Bona Fide Application for Adjacent Collocation, with the exception of

modifications to Customer Information, Contact Information or Billing Contact Information, either at the request of EPB Telecommunications or necessitated by technical considerations, BellSouth will respond to the Bona Fide Application within thirty (30) business days after BellSouth receives such revised Application or at such other date as the Parties agree. If, at any time, BellSouth needs to reevaluate EPB Telecommunications' Bona Fide Application as a result of changes requested by EPB Telecommunications to CLEC's original Application, then BellSouth will charge EPB Telecommunications a Subsequent Application Fee. Major changes such as requesting additional space or adding additional equipment may require EPB Telecommunications to resubmit the Application with an Application Fee.

6.6.4 Application Modifications (Louisiana). If a modification or revision is made to any information in the Bona Fide Application for Remote Site Collocation or the Bona Fide Application for Adjacent Remote Site Collocation, with the exception of modifications to Customer Information, Contact Information or Billing Contact Information, either at the request of EPB Telecommunications or necessitated by technical considerations, BellSouth will respond to the Bona Fide Application within thirty (30) calendar days after BellSouth receives such revised Application or at such other date as the Parties agree. BellSouth will respond to such modifications or revisions within 30 calendar days for one to ten revised Applications; 35 calendar days for eleven to twenty revised Applications; and for requests of more than twenty revised Applications it is increased by five calendar days for every five revised Applications received within five business days. If, at any time, BellSouth needs to reevaluate EPB Telecommunications' Bona Fide Application as a result of changes requested by EPB Telecommunications to CLEC's original Application, then BellSouth will charge EPB Telecommunications a Subsequent Application Fee. Major changes such as requesting additional space or adding additional equipment may require EPB Telecommunications to resubmit the Application with an Application Fee.

6.6.5 Application Modifications (Kentucky & Georgia). If a modification or revision is made to any information in the Bona Fide Application for Remote Site Collocation or the Bona Fide Application for Adjacent Collocation, with the exception of modifications to Customer Information, Contact Information or Billing Contact Information, either at the request of EPB Telecommunications or necessitated by technical considerations, BellSouth will respond to the Bona Fide Application within thirty (30) calendar days after BellSouth receives such revised Application or at such other date as the Parties agree. If, at any time, BellSouth needs to reevaluate EPB Telecommunications' Bona Fide Application as a result of changes requested by EPB Telecommunications to EPB Telecommunications' original Application, then

BellSouth will charge EPB Telecommunications a Subsequent Application Fee. Major changes such as requesting additional space or adding additional equipment may require EPB Telecommunications to resubmit the Application with an Application Fee.

- 6.7 Bona Fide Firm Order. In Alabama, North Carolina, and Tennessee, EPB Telecommunications shall indicate its intent to proceed with equipment installation in a BellSouth Remote Site Location by submitting a Bona Fide Firm Order to BellSouth. A Firm Order shall be considered Bona Fide when EPB Telecommunications has completed the Application/Inquiry process described in Section 6.3, preceding, and has submitted the Firm Order document indicating acceptance of the Application Response provided by BellSouth. The Bona Fide Firm Order must be received by BellSouth no later than seven (7) calendar days after BellSouth's Application Response to EPB Telecommunications' Bona Fide Application, unless BellSouth provides an Application Response on or before the ten-day response interval set forth in section 2, in which case EPB Telecommunications must submit its Bona Fide Firm Order to BellSouth within seventeen (17) calendar days of BellSouth's receipt of the Bona Fide Application. If EPB Telecommunications fails to submit its Bona Fide Firm Order to BellSouth within the time frames set forth above, the provisioning intervals set forth in section 6.6 shall apply from the date of receipt of the Bona Fide Firm Order and not from the date of the Bona Fide Application. If EPB Telecommunications fails to submit a Bona Fide Firm Order within fifteen (15) days of receipt of an Application Response, the Application will expire.
- 6.7.1 Bona Fide Firm Order. Except as otherwise provided, in all States that have ordered provisioning intervals but not addressed Firm Order intervals, the following shall apply. EPB Telecommunications shall indicate its intent to proceed with equipment installation in a BellSouth Remote Site Location by submitting a Physical Expanded Interconnection Firm Order document ("Firm Order") to BellSouth. A Firm Order shall be considered Bona Fide when EPB Telecommunications has completed the Application/Inquiry process described in Section 6.3, preceding and has submitted the Firm Order document indicating acceptance of the Application Response provided by BellSouth. The Bona Fide Firm Order must be received by BellSouth no later than thirty (30) calendar days (in Mississippi 30 business days) after BellSouth's Application Response to EPB Telecommunications' Bona Fide Application or the Application will expire.
- 6.7.2 Bona Fide Firm Order (Kentucky & Mississippi). EPB Telecommunications shall indicate its intent to proceed with equipment installation in a BellSouth Remote Terminal Location by submitting a Physical Expanded

- Interconnection Firm Order document ("Firm Order") to BellSouth. A Firm Order shall be considered Bona Fide when EPB Telecommunications has completed the Application/Inquiry process described in Section 6.3, preceding and has submitted the Firm Order document indicating acceptance of the Application Response provided by BellSouth. The Bona Fide Firm Order must be received by BellSouth no later than thirty (30) calendar days (in Mississippi 30 business days) after BellSouth's Application Response to EPB Telecommunications' Bona Fide Application or the Application will expire.
- 6.7.3 BellSouth will establish a firm order date based upon the date BellSouth is in receipt of a Bona Fide Firm Order. BellSouth will acknowledge the receipt of EPB Telecommunications' Bona Fide Firm Order within seven (7) calendar days of receipt indicating that the Bona Fide Firm Order has been received. A BellSouth response to a Bona Fide Firm Order will include a Firm Order Confirmation containing the firm order date. No revisions will be made to a Bona Fide Firm Order.
- 6.8 BellSouth will permit one accompanied site visit to EPB Telecommunications' designated Remote Collocation Space after receipt of the Bona Fide Firm Order without charge to EPB Telecommunications.
- 6.9 EPB Telecommunications must submit to BellSouth the completed Access Control Request Form for all employees or agents requiring access to the BellSouth Remote Site Location a minimum of 30 calendar days prior to the date EPB Telecommunications desires access to the Remote Collocation Space. EPB Telecommunications may submit such a request at any time subsequent to BellSouth's receipt of the Bona Fide Firm Order. In the event EPB Telecommunications desires access to the Collocation Space after submitting such a request but prior to Access being approved, BellSouth shall permit EPB Telecommunications to access the Collocation Space, accompanied by a security escort at EPB Telecommunications' expense. EPB Telecommunications must request escorted access at least three (3) business days prior to the date such access is desired.
- 6.10 Construction and Provisioning Interval. In Alabama, North Carolina, and Tennessee, BellSouth will complete construction for Remote Site collocation arrangements within a maximum of 90 calendar days from receipt of an Application, or as agreed to by both parties. Under extraordinary conditions, BellSouth may elect to renegotiate an alternative provisioning interval with EPB Telecommunications or seek a waiver from this interval from the Commission. Examples of extraordinary conditions include, but are not limited to, extended license or permitting intervals; major BellSouth

equipment rearrangement or addition; power plant addition or upgrade; major mechanical addition or upgrade; major upgrade for ADA compliance; environmental hazard or hazardous materials abatement; and arrangements for which equipment shipping intervals are extraordinary in length.

- 6.10.1 Construction and Provisioning Interval (Florida). BellSouth will complete construction for collocation arrangements as soon as possible and within a maximum of 90 calendar days from receipt of a Bona Fide Firm Order or as agreed to by the Parties. For changes to collocation space after initial space completion, BellSouth will complete construction for collocation arrangements as soon as possible and within a maximum of 45 calendar days from receipt of a Bona Fide Firm Order or as agreed to by the Parties. If BellSouth does not believe that construction will be completed within the relevant time frame and BellSouth and EPB Telecommunications cannot agree upon a completion date, within 45 calendar days of receipt of the Bona Fide Firm Order for an initial request, and within 30 calendar days for Augmentations, BellSouth may seek an extension from the Florida PSC.
- 6.10.2 Construction and Provisioning Interval (Georgia). BellSouth will use best efforts to complete construction for caged collocation arrangements under ordinary conditions as soon as possible and within a maximum of 90 calendar days from receipt of a Bona Fide Firm Order or as agreed to by the Parties. BellSouth will use best efforts to complete construction for cageless collocation arrangements under ordinary conditions as soon as possible and within a maximum of 60 calendar days from receipt of a Bona Fide Firm Order and 90 calendar days for extraordinary conditions or as agreed to by the Parties. Ordinary conditions are defined as space available with only minor changes to support systems required, such as but not limited to, HVAC, cabling and the power plant(s). Extraordinary conditions are defined to include but are not limited to major BellSouth equipment rearrangement or addition; power plant addition or upgrade; major mechanical addition or upgrade; major upgrade for ADA compliance; environmental hazard or hazardous materials abatement; and arrangements for which equipment shipping intervals are extraordinary in length. BellSouth may elect to renegotiate an alternative provisioning interval with EPB Telecommunications or seek a waiver from this interval from the Commission.
- 6.10.3 Construction and Provisioning Interval (Louisiana). BellSouth will complete construction for collocation arrangements under ordinary conditions as soon as possible and within a maximum of 120 calendar days from receipt of a Bona Fide Firm Order for an initial request, and within 60 calendar days for

- an Augmentation, or as agreed to by the Parties. Ordinary conditions are defined as space available with only minor changes to support systems required, such as but not limited to, HVAC, cabling and the power plant(s). BellSouth will complete construction of all other Collocation Space ("extraordinary conditions") within 180 calendar days of the receipt of a Bona Fide Firm Order. Examples of extraordinary conditions include but are not limited to, extended license or permitting intervals; major BellSouth equipment rearrangement or addition; power plant addition or upgrade; major mechanical addition or upgrade; major upgrade for ADA compliance; environmental hazard or hazardous materials abatement; and arrangements for which equipment shipping intervals are extraordinary in length. BellSouth may elect to renegotiate an alternative provisioning interval with EPB Telecommunications or seek a waiver from this interval from the Commission.
- 6.10.4 Construction and Provisioning Interval (Mississippi). Excluding the time interval required to secure the appropriate government licenses and permits, BellSouth will complete construction for collocation arrangements under ordinary conditions as soon as possible and within a maximum of 120 calendar days from receipt of a Bona Fide Firm Order or as agreed to by the Parties. Ordinary conditions are defined as space available with only minor changes to support systems required, such as but not limited to, HVAC, cabling and the power plant(s). Excluding the time interval required to secure the appropriate government licenses and permits, BellSouth will complete construction of all other Collocation Space ("extraordinary conditions") within 180 calendar days of the receipt of a Bona Fide Firm Order. Examples of extraordinary conditions include but are not limited to, extended license or permitting intervals; major BellSouth equipment rearrangement or addition; power plant addition or upgrade; major mechanical addition or upgrade; major upgrade for ADA compliance; environmental hazard or hazardous materials abatement; and arrangements for which equipment shipping intervals are extraordinary in length. BellSouth may elect to renegotiate an alternative provisioning interval with EPB Telecommunications or seek a waiver from this interval from the Commission.
- 6.10.5 Construction and Provisioning Interval (Kentucky). Excluding the time interval required to secure the appropriate government licenses and permits, BellSouth will use best efforts to complete construction for collocation arrangements under ordinary conditions as soon as possible and within a maximum of 90 calendar days from receipt of a Bona Fide Firm Order or as agreed to by the Parties. Ordinary conditions are defined as space available with only minor changes to support systems required, such as but not limited to, HVAC, cabling and the power plant(s). Excluding the time interval required to secure the appropriate government licenses and permits,

BellSouth will use best efforts to complete construction of all other Collocation Space ("extraordinary conditions") within 130 calendar days of the receipt of a Bona Fide Firm Order. Extraordinary conditions are defined to include but are not limited to major BellSouth equipment rearrangement or addition; power plant addition or upgrade; major mechanical addition or upgrade; major upgrade for ADA compliance; environmental hazard or hazardous materials abatement; and arrangements for which equipment shipping intervals are extraordinary in length. BellSouth may elect to renegotiate an alternative provisioning interval with EPB Telecommunications or seek a waiver from this interval from the Commission.

- 6.10.6 Construction and Provisioning Interval (South Carolina). BellSouth will complete the construction and provisioning activities for cageless and caged collocation arrangements as soon as possible, but no later than 90 calendar days from receipt of a bona fide firm order. BellSouth may elect to renegotiate an alternative provisioning interval with EPB Telecommunications or seek a waiver from this interval from the Commission.
- 6.11 In the event BellSouth does not have space immediately available at a Remote Site Location, BellSouth may elect to make additional space available by, for example but not limited to, rearranging BellSouth facilities or constructing additional capacity. In such cases, excluding the time interval required to secure the appropriate government licenses and permits or additional public or private rights of way, BellSouth will provision the Remote Collocation Space in a nondiscriminatory manner and at parity with BellSouth and will provide EPB Telecommunications with the estimated completion date in its Response.
- 6.12 Permits. Each Party or its agents will diligently pursue filing for the permits required for the scope of work to be performed by that Party or its agents within ten (10) calendar days of the completion of finalized construction designs and specifications.
- 6.13 Acceptance Walk Through. Upon request, EPB Telecommunications will contact BellSouth within seven (7) days of collocation space being ready to schedule an acceptance walk through of each Remote Collocation Space requested from BellSouth by EPB Telecommunications. BellSouth will correct any deviations to EPB Telecommunications' original or jointly amended requirements within seven (7) calendar days after the walk through, unless the Parties jointly agree upon a different time frame.
- 6.14 Use of BellSouth Certified Supplier. EPB Telecommunications shall select a supplier that has been approved as a BellSouth Certified Supplier to perform

- all engineering and installation work required in the Remote Collocation Space per TR 73503 specifications. BellSouth shall provide EPB Telecommunications with a list of BellSouth Certified Suppliers upon request. The BellSouth Certified Supplier(s) shall be responsible for installing EPB Telecommunications's equipment and components, extending power cabling to the BellSouth power distribution frame, performing operational tests after installation is complete, and notifying BellSouth's Outside Plant engineers and EPB Telecommunications upon successful completion of installation. The BellSouth Certified Supplier shall bill EPB Telecommunications directly for all work performed for EPB Telecommunications pursuant to this Attachment and BellSouth shall have no liability for nor responsibility to pay such charges imposed by the BellSouth Certified Supplier. BellSouth shall consider certifying EPB Telecommunications or any supplier proposed by EPB Telecommunications. All work performed by or for EPB Telecommunications shall conform to generally accepted industry guidelines and standards.
- 6.15 Alarm and Monitoring. BellSouth may place alarms in the Remote Site Location for the protection of BellSouth equipment and facilities. EPB Telecommunications shall be responsible for placement, monitoring and removal of alarms used to service EPB Telecommunications' Remote Collocation Space and for ordering the necessary services therefor. Both Parties shall use best efforts to notify the other of any verified hazardous conditions known to that Party.
- 6.16 Basic Telephone Service. Upon request of EPB Telecommunications, BellSouth will provide basic telephone service to the Remote Collocation Space under the rates, terms and conditions of the current tariff offering for the service requested.
- 6.17 Virtual Remote Site Collocation Relocation. BellSouth offers Virtual Collocation pursuant to the terms and conditions set forth in its F.C.C. Tariff No. 1 for Remote Site Collocation locations. The rates shall be the same as provided in this Exhibit A of this agreement. For the interconnection to BellSouth's network and access to BellSouth unbundled network elements, EPB Telecommunications may purchase 2-wire and 4-wire cross-connects as set forth the service inquiry procedures established for sub loop unbundling as set forth in Attachment 2 of the Interconnection Agreement, and EPB Telecommunications may place within its Virtual Collocation arrangements the telecommunications equipment set forth in Section 5.1. In the event physical Remote Collocation Space was previously denied at a Remote Site Location due to technical reasons or space limitations, and that physical Remote Collocation Space has subsequently become available, EPB

- Telecommunications may relocate its virtual Remote Site collocation arrangements to physical Remote Site collocation arrangements and pay the appropriate non-recurring fees for physical Remote Site collocation and for the rearrangement or reconfiguration of services terminated in the virtual Remote Site collocation arrangement, as outlined in the appropriate BellSouth tariffs. In the event that BellSouth knows when additional space for physical Remote Site collocation may become available at the location requested by EPB Telecommunications, such information will be provided to EPB Telecommunications in BellSouth's written denial of physical Remote Site collocation. To the extent that (i) physical Remote Collocation Space becomes available to EPB Telecommunications within 180 calendar days of BellSouth's written denial of EPB Telecommunications' request for physical collocation, and (ii) EPB Telecommunications was not informed in the written denial that physical Remote Collocation Space would become available within such 180 calendar days, then EPB Telecommunications may relocate its virtual Remote Site collocation arrangement to a physical Remote Site collocation arrangement and will receive a credit for any nonrecurring charges previously paid for such virtual Remote Site collocation. EPB Telecommunications must arrange with a BellSouth Certified Supplier for the relocation of equipment from its virtual Remote Collocation Space to its physical Remote Collocation Space and will bear the cost of such relocation.
- 6.18 Cancellation. If, at anytime prior to space acceptance, EPB Telecommunications cancels its order for the Remote Collocation Space(s), EPB Telecommunications will reimburse BellSouth in the following manner: BellSouth will ascertain how far preparation work has progressed. EPB Telecommunications will be billed the applicable non recurring rate for any and all work processes for which work has begun.
- 6.19 Licenses. EPB Telecommunications, at its own expense, will be solely responsible for obtaining from governmental authorities, and any other appropriate agency, entity, or person, all rights, privileges, and licenses necessary or required to operate as a provider of telecommunications services to the public or to occupy the Remote Collocation Space.
- 6.20 Environmental Hazard Guidelines. The Parties agree to utilize and adhere to the Environmental Hazard Guidelines identified as Exhibit B attached hereto.
- 7. Rates and Charges**
- 7.1 Recurring Fees. Recurring fees for space occupancy shall be billed upon space completion or space acceptance, whichever occurs first. Other

charges shall be billed upon request for the services. All charges shall be due as dictated by EPB Telecommunications' current billing cycle.

- 7.2 Rack/Bay Space. The rack/bay space charge includes reasonable charges for air conditioning, ventilation and other allocated expenses associated with maintenance of the Remote Site Location, and includes amperage necessary to power EPB Telecommunications' equipment. EPB Telecommunications shall pay rack/bay space charges based upon the number of racks/bays requested. BellSouth will assign Remote Collocation Space in conventional remote site rack/bay lineups where feasible
- 7.3 Power. BellSouth shall make available –48 Volt (-48V) DC power for EPB Telecommunications' Remote Collocation Space at a BellSouth Power Board (Fuse and Alarm Panel) or BellSouth Battery Distribution Fuse Bay (“BDFB”) at EPB Telecommunications' option within the Remote Site Location. The charge for power shall be assessed as part of the recurring charge for rack/bay space. If the power requirements for EPB Telecommunications' equipment exceeds the capacity for the rack/bay, then such power requirements shall be assessed on a recurring per amp basis for the individual case.
- 7.3.1 Charges for AC power will be assessed per breaker ampere per month. Rates include the provision of commercial and standby AC power. When obtaining power from a BellSouth service panel, protection devices and power cables must be engineered (sized), and installed by EPB Telecommunications' BellSouth Certified Supplier except that BellSouth shall engineer and install protection devices and power cables for Adjacent Collocation. EPB Telecommunications' BellSouth Certified Supplier must also provide a copy of the engineering power specification prior to the Commencement Date. AC power voltage and phase ratings shall be determined on a per location basis. At EPB Telecommunications' option, EPB Telecommunications may arrange for AC power in an Adjacent Collocation arrangement from a retail provider of electrical power.
- 7.4 Security Escort. A security escort will be required whenever EPB Telecommunications or its approved agent desires access to the Remote Site Location after the one accompanied site visit allowed prior to completing BellSouth's Security Training requirements and/or prior to Space Acceptance. The parties agree that a security escort will not be required for remote site collocation. However, if one is needed, the parties will negotiate appropriate security escort rates which will be assessed on a one half (1/2) hour increment basis.

- 7.5 Rate “True-Up”. The Parties agree that the prices reflected as interim herein shall be “trued-up” (up or down) based on final prices either determined by further agreement or by final order, including any appeals, in a proceeding involving BellSouth before the regulatory authority for the state in which the services are being performed or any other body having jurisdiction over this Agreement (hereinafter “Commission”). Under the “true-up” process, the interim price for each service shall be multiplied by the volume of that service purchased to arrive at the total interim amount paid for that service (“Total Interim Price”). The final price for that service shall be multiplied by the volume purchased to arrive at the total final amount due (“Total Final Price”). The Total Interim Price shall be compared with the Total Final Price. If the Total Final Price is more than the Total Interim Price, EPB Telecommunications shall pay the difference to BellSouth. If the Total Final Price is less than the Total Interim Price, BellSouth shall pay the difference to EPB Telecommunications. Each Party shall keep its own records upon which a “true-up” can be based and any final payment from one Party to the other shall be in an amount agreed upon by the Parties based on such records. In the event of any disagreement as between the records or the Parties regarding the amount of such “true-up,” the Parties agree that the Commission shall be called upon to resolve such differences.
- 7.6 Other. If no rate is identified in the contract, the rate for the specific service or function will be negotiated by the Parties upon request by either Party. Payment of all other charges under this Attachment shall be due as dictated by EPB Telecommunications' current billing cycle. EPB Telecommunications will pay a late payment charge as specified in the current State Tariff.
- 8. Insurance**
- 8.1 Maintain Insurance. EPB Telecommunications shall, at its sole cost and expense, procure, maintain, and keep in force insurance as specified in this Section 8 and underwritten by insurance companies licensed to do business in the states applicable under this Attachment and having a Best's Insurance Rating of A-.
- 8.2 Coverage. EPB Telecommunications shall maintain the following specific coverage:
- 8.2.1 Commercial General Liability coverage in the amount of ten million dollars (\$10,000,000.00) or a combination of Commercial General Liability and Excess/Umbrella coverage totaling not less than ten million dollars (\$10,000,000.00). BellSouth shall be named as an Additional Insured on the Commercial General Liability policy as specified herein.

- 8.2.2 Statutory Workers Compensation coverage and Employers Liability coverage in the amount of one hundred thousand dollars (\$100,000.00) each accident, one hundred thousand dollars (\$100,000.00) each employee by disease, and five hundred thousand dollars (\$500,000.00) policy limit by disease.
- 8.2.3 All Risk Property coverage on a full replacement cost basis insuring all of EPB Telecommunications' real and personal property situated on or within BellSouth's Remote Site Location.
- 8.2.4 EPB Telecommunications may elect to purchase business interruption and contingent business interruption insurance, having been advised that BellSouth assumes no liability for loss of profit or revenues should an interruption of service occur.
- 8.3 Limits. The limits set forth in Section 8.2 above may be increased by BellSouth from time to time during the term of this Attachment upon thirty (30) days notice to EPB Telecommunications to at least such minimum limits as shall then be customary with respect to comparable occupancy of BellSouth structures.
- 8.4 All policies purchased by EPB Telecommunications shall be deemed to be primary. All policies purchased by EPB Telecommunications shall be deemed to be primary and not contributing to or in excess of any similar coverage purchased by BellSouth. All insurance must be in effect on or before the date equipment is delivered to BellSouth's Remote Site Location and shall remain in effect for the term of this Attachment or until all EPB Telecommunications's property has been removed from BellSouth's Remote Site Location, whichever period is longer. If EPB Telecommunications fails to maintain required coverage, BellSouth may pay the premiums thereon and seek reimbursement of same from EPB Telecommunications.
- 8.5 Submit certificates of insurance. EPB Telecommunications shall submit certificates of insurance reflecting the coverage required pursuant to this Section a minimum of ten (10) business days prior to the commencement of any work in the Remote Collocation Space. Failure to meet this interval may result in construction and equipment installation delays. EPB Telecommunications shall arrange for BellSouth to receive thirty (30) business days' advance notice of cancellation from EPB Telecommunications's insurance company. EPB Telecommunications shall forward a certificate of insurance and notice of cancellation/non-renewal to BellSouth at the following address:

BellSouth Telecommunications, Inc.
Attn.: Risk Management Coordinator
675 W. Peachtree Street
Rm. 17H53
Atlanta, Georgia 30375

- 8.6 Conformance to recommendations made by BellSouth's fire insurance company. EPB Telecommunications must conform to recommendations made by BellSouth's fire insurance company to the extent BellSouth has agreed to, or shall hereafter agree to, such recommendations.
- 8.7 Self-Insurance. If EPB Telecommunications' net worth exceeds five hundred million dollars (\$500,000,000), EPB Telecommunications may elect to request self-insurance status in lieu of obtaining any of the insurance required in Sections 8.2.1 and 8.2.3. EPB Telecommunications shall provide audited financial statements to BellSouth thirty (30) days prior to the commencement of any work in the Remote Collocation Space. BellSouth shall then review such audited financial statements and respond in writing to EPB Telecommunications in the event that self-insurance status is not granted to EPB Telecommunications. If BellSouth approves EPB Telecommunications for self-insurance, EPB Telecommunications shall annually furnish to BellSouth, and keep current, evidence of such net worth that is attested to by one of EPB Telecommunications' corporate officers. The ability to self-insure shall continue so long as EPB Telecommunications meets all of the requirements of this Section. If EPB Telecommunications subsequently no longer satisfies this Section, EPB Telecommunications is required to purchase insurance as indicated by Sections 8.2.1 and 8.2.3.
- 8.8 Net worth requirements. The net worth requirements set forth in Section 8.7 may be increased by BellSouth from time to time during the term of this Attachment upon thirty (30) days' notice to EPB Telecommunications to at least such minimum limits as shall then be customary with respect to comparable occupancy of BellSouth structures.
- 8.9 Failure to comply. Failure to comply with the provisions of this Section will be deemed a material breach of this Attachment.
- 9. Mechanics Liens**
- 9.1 Mechanics Lien or other Liens. If any mechanics lien or other liens shall be filed against property of either Party (BellSouth or EPB Telecommunications), or any improvement thereon by reason of or arising out of any labor or materials furnished or alleged to have been furnished or to be furnished to or

for the other Party or by reason of any changes, or additions to said property made at the request or under the direction of the other Party, the other Party directing or requesting those changes shall, within thirty (30) business days after receipt of written notice from the Party against whose property said lien has been filed, either pay such lien or cause the same to be bonded off the affected property in the manner provided by law. The Party causing said lien to be placed against the property of the other shall also defend, at its sole cost and expense, on behalf of the other, any action, suit or proceeding which may be brought for the enforcement of such liens and shall pay any damage and discharge any judgment entered thereon.

10. Inspections

- 10.1 BellSouth may conduct inspection. BellSouth may conduct an inspection of EPB Telecommunications' equipment and facilities in the Remote Collocation Space(s) prior to the activation of facilities between EPB Telecommunications' equipment and equipment of BellSouth. BellSouth may conduct an inspection if EPB Telecommunications adds equipment and may otherwise conduct routine inspections at reasonable intervals mutually agreed upon by the Parties. BellSouth shall provide EPB Telecommunications with a minimum of forty-eight (48) hours or two (2) business days, whichever is greater, advance notice of all such inspections. All costs of such inspection shall be borne by BellSouth.

11. Security and Safety Requirements

- 11.1 The security and safety requirements. The security and safety requirements set forth in this section are as stringent as the security requirements BellSouth maintains at its own Remote Site Location either for their own employees or for authorized contractors. Only BellSouth employees, BellSouth Certified Contractors and authorized employees, authorized Guests, pursuant to Section 3.3, proceeding, or authorized agents of EPB Telecommunications will be permitted in the BellSouth Remote Site Location. EPB Telecommunications shall provide its employees and agents with picture identification which must be worn and visible at all times while in the Remote Collocation Space or other areas in or around the Remote Site Location. The photo Identification card shall bear, at a minimum, the employee's name and photo, and the EPB Telecommunications name. BellSouth reserves the right to remove from its Remote Site Location any employee of EPB Telecommunications not possessing identification issued by EPB Telecommunications or who have violated any of BellSouth's policies as outlined in the CLEC Security Training documents. EPB Telecommunications shall hold BellSouth harmless for any damages

resulting from such removal of its personnel from BellSouth Remote Site Location. EPB Telecommunications shall be solely responsible for ensuring that any Guest of EPB Telecommunications is in compliance with all subsections of this Section 11.

- 11.1.1 EPB Telecommunications will be required, at its own expense, to conduct a statewide investigation of criminal history records for each EPB Telecommunications employee being considered for work on the BellSouth Remote Site Location, for the states/counties where the EPB Telecommunications employee has worked and lived for the past five years. Where state law does not permit statewide collection or reporting, an investigation of the applicable counties is acceptable.
- 11.1.2 EPB Telecommunications will be required to administer to their personnel assigned to the BellSouth Remote Site Location security training either provided by BellSouth, or meeting criteria defined by BellSouth.
- 11.1.3 EPB Telecommunications shall not assign to the BellSouth Remote Site Location any personnel with records of felony criminal convictions. EPB Telecommunications shall not assign to the BellSouth Remote Site Location any personnel with records of misdemeanor convictions, except for misdemeanor traffic violations, without advising BellSouth of the nature and gravity of the offense(s). BellSouth reserves the right to refuse building access to any EPB Telecommunications personnel who have been identified to have misdemeanor criminal convictions. Notwithstanding the foregoing, in the even that EPB Telecommunications chooses not to advise BellSouth of the nature and gravity of any misdemeanor conviction, EPB Telecommunications may, in the alternative, certify to BellSouth that it shall not assign to the BellSouth Remote Site Location any personnel with records of misdemeanor convictions (other than misdemeanor traffic violations).
- 11.1.4 For each EPB Telecommunications employee requiring access to a BellSouth Remote Site Location pursuant to this Attachment, EPB Telecommunications shall furnish BellSouth, prior to an employee gaining such access, a certification that the aforementioned background check and security training were completed. The certification will contain a statement that no felony convictions were found and certifying that the security training was completed by the employee. If the employee's criminal history includes misdemeanor convictions, EPB Telecommunications will disclose the nature of the convictions to BellSouth at that time. In the alternative, EPB Telecommunications may certify to BellSouth that it shall not assign to the BellSouth Remote Site Location any personnel with records of misdemeanor convictions other than misdemeanor traffic violations.

- 11.1.5 At BellSouth's request, EPB Telecommunications shall promptly remove from the BellSouth's Remote Site Location any employee of EPB Telecommunications BellSouth does not wish to grant access to its Remote Site Location 1) pursuant to any investigation conducted by BellSouth or 2) prior to the initiation of an investigation in the event that an employee of EPB Telecommunications is found interfering with the property or personnel of BellSouth or another CLEC, provided that an investigation shall promptly be commenced by BellSouth.
- 11.2 Notification to BellSouth. BST reserves the right to interview EPB Telecommunications' employees, agents, or contractors in the event of wrongdoing in or around BellSouth's property or involving BellSouth's or another CLEC's property or personnel, provided that BellSouth shall provide reasonable notice to EPB Telecommunications' Security contact of such interview. EPB Telecommunications and its contractors shall reasonably cooperate with BellSouth's investigation into allegations of wrongdoing or criminal conduct committed by, witnessed by, or involving EPB Telecommunications' employees, agents, or contractors. Additionally, BellSouth reserves the right to bill EPB Telecommunications for all reasonable costs associated with investigations involving its employees, agents, or contractors if it is established and mutually agreed in good faith that EPB Telecommunications' employees, agents, or contractors are responsible for the alleged act. BellSouth shall bill EPB Telecommunications for BellSouth property which is stolen or damaged where an investigation determines the culpability of EPB Telecommunications' employees, agents, or contractors and where EPB Telecommunications agrees, in good faith, with the results of such investigation. EPB Telecommunications shall notify BellSouth in writing immediately in the event that the CLEC discovers one of its employees already working on the BellSouth Remote Site Location is a possible security risk. Upon request of the other Party, the Party who is the employer shall discipline consistent with its employment practices, up to and including removal from the BellSouth Remote Site Location, any employee found to have violated the security and safety requirements of this section. EPB Telecommunications shall hold BellSouth harmless for any damages resulting from such removal of its personnel from BellSouth Remote Site Location.
- 11.3 Use of Supplies. Unauthorized use of telecommunications equipment or supplies either Party, whether or not used routinely to provide telephone service (e.g. plug-in cards,) will be strictly prohibited and handled appropriately. Costs associated with such unauthorized use may be charged to the offending Party, as may be all associated investigative costs.

11.4 Use of Official Lines. Except for non-toll calls necessary in the performance of their work, neither Party shall use the telephones of the other Party on the BellSouth Remote Site Location. Charges for unauthorized telephone calls may be charged to the offending Party, as may be all associated investigative costs.

11.5 Accountability. Full compliance with the Security requirements of this section shall in no way limit the accountability of either Party to the other for the improper actions of its employees.

12. Destruction of Remote Collocation Space

12.1 Remote Collocation Space is damaged. In the event a Remote Collocation Space is wholly or partially damaged by fire, windstorm, tornado, flood or by similar causes to such an extent as to be rendered wholly unsuitable for EPB Telecommunications' permitted use hereunder, then either Party may elect within ten (10) business days after such damage, to terminate this Attachment with respect to the affected Remote Collocation Space, and if either Party shall so elect, by giving the other written notice of termination, both Parties shall stand released of and from further liability under the terms hereof with respect to such Remote Collocation Space. If the Remote Collocation Space shall suffer only minor damage and shall not be rendered wholly unsuitable for EPB Telecommunications' permitted use, or is damaged and the option to terminate is not exercised by either Party, BellSouth covenants and agrees to proceed promptly without expense to EPB Telecommunications, except for improvements not the property of BellSouth, to repair the damage. BellSouth shall have a reasonable time within which to rebuild or make any repairs, and such rebuilding and repairing shall be subject to delays caused by storms, shortages of labor and materials, government regulations, strikes, walkouts, and causes beyond the control of BellSouth, which causes shall not be construed as limiting factors, but as exemplary only. EPB Telecommunications may, at its own expense, accelerate the rebuild of its Remote Collocation Space and equipment provided however that a BellSouth Certified Contractor is used and the necessary space preparation has been completed. Rebuild of equipment must be performed by a BellSouth Certified Vendor. If EPB Telecommunications' acceleration of the project increases the cost of the project, then those additional charges will be incurred by EPB Telecommunications. Where allowed and where practical, EPB Telecommunications may erect a temporary facility while BellSouth rebuilds or makes repairs. In all cases where the Remote Collocation Space shall be rebuilt or repaired, EPB Telecommunications shall be entitled to an equitable

abatement of rent and other charges, depending upon the unsuitability of the Remote Collocation Space for EPB Telecommunications's permitted use, until such Remote Collocation Space is fully repaired and restored and EPB Telecommunications's equipment installed therein (but in no event later than thirty (30) business days after the Remote Collocation Space is fully repaired and restored). Where EPB Telecommunications has placed a Remote Site Adjacent Arrangement pursuant to section 3.4, EPB Telecommunications shall have the sole responsibility to repair or replace said Remote Site Adjacent Arrangement provided herein. Pursuant to this section, BellSouth will restore the associated services to the Remote Site Adjacent Arrangement.

13. Eminent Domain

13.1 Power of Eminent Domain. If the whole of a Remote Collocation Space or Remote Site Adjacent Arrangement shall be taken by any public authority under the power of eminent domain, then this Attachment shall terminate with respect to such Remote Collocation Space or Remote Site Adjacent Arrangement as of the day possession shall be taken by such public authority and rent and other charges for the Remote Collocation Space or Remote Site Adjacent Arrangement shall be paid up to that day with proportionate refund by BellSouth of such rent and charges as may have been paid in advance for a period subsequent to the date of the taking. If any part of the Remote Collocation Space or Remote Site Adjacent Arrangement shall be taken under eminent domain, BellSouth and EPB Telecommunications shall each have the right to terminate this Attachment with respect to such Remote Collocation Space or Remote Site Adjacent Arrangement and declare the same null and void, by written notice of such intention to the other Party within ten (10) business days after such taking.

14. Nonexclusivity

14.1 Attachment is not exclusive. EPB Telecommunications understands that this Attachment is not exclusive and that BellSouth may enter into similar agreements with other Parties. Assignment of space pursuant to all such agreements shall be determined by space availability and made on a first come, first served basis.

**EXHIBIT A: BELLSOUTH/EPB Telecommunications RATES – ALABAMA
REMOTE SITE COLLOCATION**

Rates marked with an asterisk (*) are interim and are subject to true-up

USOC	Rate Element Description	Unit	Recurring Rate (RC)	Non-Recurring Rate (NRC)
PE1RA	Application Fee*	Per request	N/A	\$869.18
PE1RB	Cabinet Space *	Per Rack/Bay	\$230.19	N/A
PE1RC	Power Upgrade*	Per fused amp	N/A	ICB/TBD
PE1RD	Security Access System New Key*	Per Key	N/A	\$26.19
PE1SR	Space Availability Report*	Per premises requested	N/A	\$231.74
PE1RE	Request for CLLI*	Per Premises Requested	N/A	\$75.11
AEH	Additional Engineering Fee (Note 1)	Per request, First half hour/add'l half hour	N/A	-
PE1BT	Security Escort (Note 1) Basic Time	Per half hr/add'l half hr	NA	-
PE1OT	Overtime		NA	-
PE1PT	Premium Time		NA	-

Note(s):

N/A stipulates the part of the rate element (RC or NRC) not applying to the element
ICB/TBD rates will be on an Individual Case Basis .

- (1) Security Escort and Additional Engineering Fees should not be needed for remote site collocation. If they become necessary, the parties will negotiate appropriate rates.

**EXHIBIT A: BELLSOUTH/EPB Telecommunications RATES – FLORIDA
REMOTE SITE COLLOCATION**

Rates marked with an asterisk (*) are interim and are subject to true-up

USOC	Rate Element Description	Unit	Recurring Rate (RC)	Non-Recurring Rate (NRC)
PE1RA	Application Fee*	Per request	N/A	\$874.14
PE1RB	Cabinet Space *	Per Rack/Bay	\$232.50	N/A
PE1RC	Power Upgrade*	Per fused amp	N/A	ICB/TBD
PE1RD	Security Access System New Key*	Per Key	N/A	\$26.20
PE1SR	Space Availability Report*	Per premises requested	N/A	\$231.45
PE1RE	Request for CLLI*	Per Premises Requested	N/A	\$75.13
AEH	Additional Engineering Fee (Note 1)	Per request, First half hour/add'l half hour	N/A	-
PE1BT	Security Escort (Note 1) Basic Time	Per half hr/add'l half hr	NA	-
PE1OT	Overtime		NA	-
PE1PT	Premium Time		NA	-

Note(s):

N/A stipulates the part of the rate element (RC or NRC) not applying to the element
ICB/TBD rates will be on an Individual Case Basis.

- (1) Security Escort and Additional Engineering Fees should not be needed for remote site collocation. If they become necessary, the parties will negotiate appropriate rates.

**EXHIBIT A: BELLSOUTH/EPB Telecommunications RATES – GEORGIA
REMOTE SITE COLLOCATION**

Rates marked with an asterisk (*) are interim and are subject to true-up

USOC	Rate Element Description	Unit	Recurring Rate (RC)	Non-Recurring Rate (NRC)
PE1RA	Application Fee*	Per request	N/A	\$931.61
PE1RB	Cabinet Space *	Per Rack/Bay	\$224.82	N/A
PE1RC	Power Upgrade*	Per fused amp	N/A	ICB/TBD
PE1RD	Security Access System New Key*	Per Key	N/A	\$25.88
PE1SR	Space Availability Report*	Per premises requested	N/A	\$229.02
PE1RE	Request for CLLI*	Per Premises Requested	N/A	\$74.22
AEH	Additional Engineering Fee (Note 1)	Per request, First half hour/add'l half hour	N/A	-
PE1BT	Security Escort (Note 1) Basic Time	Per half hr/add'l half hr	NA	-
PE1OT	Overtime		NA	-
PE1PT	Premium Time		NA	-

Note(s):

N/A stipulates the part of the rate element (RC or NRC) not applying to the element
ICB/TBD rates will be on an Individual Case Basis.

- (1) Security Escort and Additional Engineering Fees should not be needed for remote site collocation. If they become necessary, the parties will negotiate appropriate rates.

**EXHIBIT A: BELLSOUTH/EPB Telecommunications RATES – KENTUCKY
REMOTE SITE COLLOCATION**

Rates marked with an asterisk (*) are interim and are subject to true-up

USOC	Rate Element Description	Unit	Recurring Rate (RC)	Non-Recurring Rate (NRC)
PE1RA	Application Fee*	Per request	N/A	\$868.91
PE1RB	Cabinet Space *	Per Rack/Bay	\$224.41	N/A
PE1RC	Power Upgrade*	Per fused amp	N/A	ICB/TBD
PE1RD	Security Access System New Key*	Per Key	N/A	\$26.60
PE1SR	Space Availability Report*	Per premises requested	N/A	\$231.82
PE1RE	Request for CLLI*	Per Premises Requested	N/A	\$75.13
AEH	Additional Engineering Fee (Note 1)	Per request, First half hour/add'l half hour	N/A	-
PE1BT	Security Escort (Note 1) Basic Time	Per half hr/add'l half hr	NA	-
PE1OT	Overtime		NA	-
PE1PT	Premium Time		NA	-

Note(s):

N/A stipulates the part of the rate element (RC or NRC) not applying to the element
ICB/TBD rates will be on an Individual Case Basis.

- (1) Security Escort and Additional Engineering Fees should not be needed for remote site collocation. If they become necessary, the parties will negotiate appropriate rates.

**EXHIBIT A: BELLSOUTH/EPB Telecommunications RATES – LOUISIANA
REMOTE SITE COLLOCATION**

Rates marked with an asterisk (*) are interim and are subject to true-up

USOC	Rate Element Description	Unit	Recurring Rate (RC)	Non-Recurring Rate (NRC)
PE1RA	Application Fee*	Per request	N/A	\$868.25
PE1RB	Cabinet Space *	Per Rack/Bay	\$257.01	N/A
PE1RC	Power Upgrade*	Per fused amp	N/A	ICB/TBD
PE1RD	Security Access System New Key*	Per Key	N/A	\$26.16
PE1SR	Space Availability Report*	Per premises requested	N/A	\$231.49
PE1RE	Request for CLLI*	Per Premises Requested	N/A	\$75.02
AEH	Additional Engineering Fee (Note 1)	Per request, First half hour/add'l half hour	N/A	-
PE1BT	Security Escort (Note 1) Basic Time	Per half hr/add'l half hr	NA	-
PE1OT	Overtime		NA	-
PE1PT	Premium Time		NA	-

Note(s):

N/A stipulates the part of the rate element (RC or NRC) not applying to the element
ICB/TBD rates will be on an Individual Case Basis.

- (1) Security Escort and Additional Engineering Fees should not be needed for remote site collocation. If they become necessary, the parties will negotiate appropriate rates.

**EXHIBIT A: BELLSOUTH/EPB Telecommunications RATES – MISSISSIPPI
REMOTE SITE COLLOCATION**

Rates marked with an asterisk (*) are interim and are subject to true-up

USOC	Rate Element Description	Unit	Recurring Rate (RC)	Non-Recurring Rate (NRC)
PE1RA	Application Fee*	Per request	N/A	\$868.60
PE1RB	Cabinet Space *	Per Rack/Bay	\$241.11	N/A
PE1RC	Power Upgrade*	Per fused amp	N/A	ICB/TBD
PE1RD	Security Access System New Key*	Per Key	N/A	\$26.16
PE1SR	Space Availability Report*	Per premises requested	N/A	\$231.43
PE1RE	Request for CLLI*	Per Premises Requested	N/A	\$75.01
AEH	Additional Engineering Fee (Note 1)	Per request, First half hour/add'l half hour	N/A	-
PE1BT	Security Escort (Note 1) Basic Time	Per half hr/add'l half hr	NA	-
PE1OT	Overtime		NA	-
PE1PT	Premium Time		NA	-

Note(s):

N/A stipulates the part of the rate element (RC or NRC) not applying to the element
ICB/TBD rates will be on an Individual Case Basis.

- (1) Security Escort and Additional Engineering Fees should not be needed for remote site collocation. If they become necessary, the parties will negotiate appropriate rates.

**EXHIBIT A: BELLSOUTH/EPB Telecommunications RATES – NORTH CAROLINA
REMOTE SITE COLLOCATION**

Rates marked with an asterisk (*) are interim and are subject to true-up

USOC	Rate Element Description	Unit	Recurring Rate (RC)	Non-Recurring Rate (NRC)
PE1RA	Application Fee*	Per request	N/A	\$865.34
PE1RB	Cabinet Space *	Per Rack/Bay	\$254.02	N/A
PE1RC	Power Upgrade*	Per fused amp	N/A	ICB/TBD
PE1RD	Security Access System New Key*	Per Key	N/A	\$26.06
PE1SR	Space Availability Report*	Per premises requested	N/A	\$230.60
PE1RE	Request for CLLI*	Per Premises Requested	N/A	\$74.74
AEH	Additional Engineering Fee (Note 1)	Per request, First half hour/add'l half hour	N/A	-
PE1BT	Security Escort (Note 1) Basic Time	Per half hr/add'l half hr	NA	-
PE1OT	Overtime		NA	-
PE1PT	Premium Time		NA	-

Note(s):

N/A stipulates the part of the rate element (RC or NRC) not applying to the element
ICB/TBD rates will be on an Individual Case Basis.

- (1) Security Escort and Additional Engineering Fees should not be needed for remote site collocation. If they become necessary, the parties will negotiate appropriate rates.

**EXHIBIT A: BELLSOUTH/EPB Telecommunications RATES – SOUTH CAROLINA
REMOTE SITE COLLOCATION**

Rates marked with an asterisk (*) are interim and are subject to true-up

USOC	Rate Element Description	Unit	Recurring Rate (RC)	Non-Recurring Rate (NRC)
PE1RA	Application Fee*	Per request	N/A	\$871.12
PE1RB	Cabinet Space *	Per Rack/Bay	\$246.44	N/A
PE1RC	Power Upgrade*	Per fused amp	N/A	ICB/TBD
PE1RD	Security Access System New Key*	Per Key	N/A	\$26.25
PE1SR	Space Availability Report*	Per premises requested	N/A	\$232.25
PE1RE	Request for CLLI*	Per Premises Requested	N/A	\$75.27
AEH	Additional Engineering Fee (Note 1)	Per request, First half hour/add'l half hour	N/A	-
PE1BT	Security Escort (Note 1) Basic Time	Per half hr/add'l half hr	NA	-
PE1OT	Overtime		NA	-
PE1PT	Premium Time		NA	-

Note(s):

N/A stipulates the part of the rate element (RC or NRC) not applying to the element
ICB/TBD rates will be on an Individual Case Basis.

- (1) Security Escort and Additional Engineering Fees should not be needed for remote site collocation. If they become necessary, the parties will negotiate appropriate rates.

**EXHIBIT A: BELLSOUTH/EPB Telecommunications RATES – TENNESSEE
REMOTE SITE COLLOCATION**

Rates marked with an asterisk (*) are interim and are subject to true-up

USOC	Rate Element Description	Unit	Recurring Rate (RC)	Non-Recurring Rate (NRC)
PE1RA	Application Fee*	Per request	N/A	\$872.95
PE1RB	Cabinet Space *	Per Rack/Bay	\$219.37	N/A
PE1RC	Power Upgrade*	Per fused amp	N/A	ICB/TBD
PE1RD	Security Access System New Key*	Per Key	N/A	\$26.23
PE1SR	Space Availability Report*	Per premises requested	N/A	\$232.12
PE1RE	Request for CLLI*	Per Premises Requested	N/A	\$75.23
AEH	Additional Engineering Fee (Note 1)	Per request, First half hour/add'l half hour	N/A	-
PE1BT	Security Escort (Note 1) Basic Time	Per half hr/add'l half hr	NA	-
PE1OT	Overtime		NA	-
PE1PT	Premium Time		NA	-

Note(s):

N/A stipulates the part of the rate element (RC or NRC) not applying to the element
ICB/TBD rates will be on an Individual Case Basis.

- (1) Security Escort and Additional Engineering Fees should not be needed for remote site collocation. If they become necessary, the parties will negotiate appropriate rates.

ENVIRONMENTAL AND SAFETY PRINCIPLES

The following principles provide basic guidance on environmental and safety issues when applying for and establishing Physical Collocation arrangements.

1. GENERAL PRINCIPLES

- 1.1 Compliance with Applicable Law. BellSouth and EPB Telecommunications agree to comply with applicable federal, state, and local environmental and safety laws and regulations including U.S. Environmental Protection Agency (USEPA) regulations issued under the Clean Air Act (CAA), Clean Water Act (CWA), Resource Conservation and Recovery Act (RCRA), Comprehensive Environmental Response, Compensation and Liability Act (CERCLA), Superfund Amendments and Reauthorization Act (SARA), the Toxic Substances Control Act (TSCA), and OSHA regulations issued under the Occupational Safety and Health Act of 1970, as amended and NFPA and National Electrical Codes (NEC) and the NESC ("Applicable Laws"). Each Party shall notify the other if compliance inspections are conducted by regulatory agencies and/or citations are issued that relate to any aspect of this Attachment.
- 1.2 Notice. BellSouth and EPB Telecommunications shall provide notice to the other, including Material Safety Data Sheets (MSDSs), of known and recognized physical hazards or Hazardous Chemicals existing on site or brought on site. Each Party is required to provide specific notice for known potential Imminent Danger conditions. EPB Telecommunications should contact 1-800-743-6737 for BellSouth MSDS sheets.
- 1.3 Practices/Procedures. BellSouth may make available additional environmental control procedures for EPB Telecommunications to follow when working at a BellSouth Premises (See Section 2, below). These practices/procedures will represent the regular work practices required to be followed by the employees and contractors of BellSouth for environmental protection. EPB Telecommunications will require its contractors, agents and others accessing the BellSouth Premises to comply with these practices. Section 2 lists the Environmental categories where BST practices should be followed by CLEC when operating in the BellSouth Premises.
- 1.4 Environmental and Safety Inspections. BellSouth reserves the right to inspect the EPB Telecommunications space with proper notification.

BellSouth reserves the right to stop any EPB Telecommunications work operation that imposes Imminent Danger to the environment, employees or other persons in the area or Facility.

- 1.5 Hazardous Materials Brought On Site. Any hazardous materials brought into, used, stored or abandoned at the BellSouth Premises by EPB Telecommunications are owned by EPB Telecommunications. EPB Telecommunications will indemnify BellSouth for claims, lawsuits or damages to persons or property caused by these materials. Without prior written BellSouth approval, no substantial new safety or environmental hazards can be created by EPB Telecommunications or different hazardous materials used by EPB Telecommunications at BellSouth Facility. EPB Telecommunications must demonstrate adequate emergency response capabilities for its materials used or remaining at the BellSouth Facility.
- 1.6 Spills and Releases. When contamination is discovered at a BellSouth Premises, the Party discovering the condition must notify BellSouth. All Spills or Releases of regulated materials will immediately be reported by EPB Telecommunications to BellSouth.
- 1.7 Coordinated Environmental Plans and Permits. BellSouth and EPB Telecommunications will coordinate plans, permits or information required to be submitted to government agencies, such as emergency response plans, spill prevention control and countermeasures (SPCC) plans and community reporting. If fees are associated with filing, BellSouth and EPB Telecommunications will develop a cost sharing procedure. If BellSouth's permit or EPA identification number must be used, EPB Telecommunications must comply with all of BellSouth's permit conditions and environmental processes, including environmental "best management practices (BMP)" (see Section 2, below) and/or selection of BST disposition vendors and disposal sites.
- 1.8 Environmental and Safety Indemnification. BellSouth and EPB Telecommunications shall indemnify, defend and hold harmless the other Party from and against any claims (including, without limitation, third-party claims for personal injury or death or real or personal property damage), judgments, damages, (including direct and indirect damages, and punitive damages), penalties, fines, forfeitures, costs, liabilities, interest and losses arising in connection with the violation or alleged violation of any Applicable Law or contractual obligation or the presence or alleged presence of contamination arising out of the acts or omissions of the indemnifying Party, its agents, contractors, or employees concerning its operations at the Facility.

2. CATEGORIES FOR CONSIDERATION OF ENVIRONMENTAL ISSUES

When performing functions that fall under the following Environmental categories on BellSouth's Premises, EPB Telecommunications agrees to comply with the applicable sections of the current issue of BellSouth's Environmental and Safety Methods and Procedures (M&Ps), incorporated herein by this reference. EPB Telecommunications further agrees to cooperate with BellSouth to ensure that EPB Telecommunications' employees, agents, and/or subcontractors are knowledgeable of and satisfy those provisions of BellSouth's Environmental M&Ps which apply to the specific Environmental function being performed by EPB Telecommunications, its employees, agents and/or subcontractors.

The most current version of reference documentation must be requested from BellSouth.

ENVIRONMENTAL CATEGORIES	ENVIRONMENTAL ISSUES	ADDRESSED BY THE FOLLOWING DOCUMENTATION
Disposal of hazardous material or other regulated material (e.g., batteries, fluorescent tubes, solvents & cleaning materials)	Compliance with all applicable local, state, & federal laws and regulations Pollution liability insurance EVET approval of contractor	<ul style="list-style-type: none"> • Std T&C 450 • Fact Sheet Series 17000 • Std T&C 660-3 • Approved Environmental Vendor List (Contact E/S Management)
Emergency response	Hazmat/waste release/spill firesafety emergency	<ul style="list-style-type: none"> • Fact Sheet Series 1700 • Building Emergency Operations Plan (EOP) (specific to and located on Premises)
Contract labor/outsourcing for services with environmental implications to be performed on BellSouth Premises (e.g., disposition of hazardous material/waste; maintenance of storage tanks)	Compliance with all applicable local, state, & federal laws and regulations Performance of services in accordance with BST's environmental M&Ps Insurance	<ul style="list-style-type: none"> • Std T&C 450 • Std T&C 450-B • (Contact E/S for copy of appropriate E/S M&Ps.) • Std T&C 660

<p>Transportation of hazardous material</p>	<p>Compliance with all applicable local, state, & federal laws and regulations</p> <p>Pollution liability insurance</p> <p>EVET approval of contractor</p>	<ul style="list-style-type: none"> • Std T&C 450 • Fact Sheet Series 17000 • Std T&C 660-3 • Approved Environmental Vendor List (Contact E/S Management)
<p>Maintenance/operations work which may produce a waste</p> <p>Other maintenance work</p>	<p>Compliance with all application local, state, & federal laws and regulations</p> <p>Protection of BST employees and equipment</p>	<ul style="list-style-type: none"> • Std T&C 450 • 29CFR 1910.147 (OSHA Standard) • 29CFR 1910 Subpart O (OSHA Standard)
<p>Janitorial services</p>	<p>All waste removal and disposal must conform to all applicable federal, state and local regulations</p> <p>All Hazardous Material and Waste</p> <p>Asbestos notification and protection of employees and equipment</p>	<ul style="list-style-type: none"> • P&SM Manager - Procurement • Fact Sheet Series 17000 • GU-BTEN-001BT, Chapter 3 • BSP 010-170-001BS (Hazcom)
<p>Manhole cleaning</p>	<p>Compliance with all applicable local, state, & federal laws and regulations</p> <p>Pollution liability insurance</p> <p>EVET approval of contractor</p>	<ul style="list-style-type: none"> • Std T&C 450 • Fact Sheet 14050 • BSP 620-145-011PR Issue A, August 1996 • Std T&C 660-3 • Approved Environmental Vendor List (Contact E/S Management)
<p>Removing or disturbing building materials that may contain asbestos</p>	<p>Asbestos work practices</p>	<ul style="list-style-type: none"> • GU-BTEN-001BT, Chapter 3

3. DEFINITIONS

Generator. Under RCRA, the person whose act produces a Hazardous Waste, as defined in 40 CFR 261, or whose act first causes a Hazardous Waste to become subject to regulation. The Generator is legally responsible for the proper management and disposal of Hazardous Wastes in accordance with regulations.

Hazardous Chemical. As defined in the U.S. Occupational Safety and Health (OSHA) hazard communication standard (29 CFR 1910.1200), any chemical which is a health hazard or physical hazard.

Hazardous Waste. As defined in section 1004 of RCRA.

Imminent Danger. Any conditions or practices at a facility which are such that a danger exists which could reasonably be expected to cause immediate death or serious harm to people or immediate significant damage to the environment or natural resources.

Spill or Release. As defined in Section 101 of CERCLA.

4. ACRONYMS

E/S – Environmental/Safety

EVET - Environmental Vendor Evaluation Team

DEC/LDEC - Department Environmental Coordinator/Local Department Environmental Coordinator

GU-BTEN-001BT - BellSouth Environmental Methods and Procedures

NESC - National Electrical Safety Codes

P&SM - Property & Services Management

Std. T&C - Standard Terms & Conditions

Attachment 5

Access to Numbers and Number Portability

TABLE OF CONTENTS

1. NON-DISCRIMINATORY ACCESS TO TELEPHONE NUMBERS 2

2. NUMBER PORTABILITY PERMANENT SOLUTION 2

3. SERVICE PROVIDER NUMBER PORTABILITY 3

4. SPNP IMPLEMENTATION 4

5. TRANSITION TO PERMANENT NUMBER PORTABILITY 6

6. CONVERSION POLICY 7

7. TRUE-UP 9

8. OPERATIONAL SUPPORT SYSTEM (OSS) RATES 10

Rates.....Exhibit A

ACCESS TO NUMBERS AND NUMBER PORTABILITY

1. Non-Discriminatory Access to Telephone Numbers

All the negotiated rates, terms and conditions set forth in this Attachment pertain to the provisioning of local number portability.

- 1.1 During the term of this Agreement, EPB Telecommunications shall contact the North American Numbering Plan Administrator, Neustar, for the assignment of numbering resources. In order to be assigned a Central Office Code, EPB Telecommunications will be required to complete the Central Office Code (NXX) Assignment Request and Confirmation Form (Code Request Form) in accordance with Industry Numbering Committee's Central Office Code (NXX) Assignment Guidelines (INC 95-0407-008).
- 1.2 For the purposes of the resale of BellSouth's telecommunications services by EPB Telecommunications, BellSouth will provide EPB Telecommunications with on line access to telephone numbers for reservation on a first come first served basis. Until December 1, 2000, such reservations of telephone numbers, on a pre-ordering basis shall be for a period of ninety (90) days. After December 1, 2000, BellSouth's reservation of telephone number practices shall be in accordance with the appropriate FCC rules and regulations. EPB Telecommunications acknowledges that there may be instances where there is a shortage of telephone numbers in a particular Common Language Location Identifier Code (CLLIC) and in such instances BellSouth may request that EPB Telecommunications cancel its reservations of numbers. EPB Telecommunications shall comply with such request.
- 1.3 Further, upon EPB Telecommunications request and for the purposes of the resale of BellSouth's telecommunications services by EPB Telecommunications, BellSouth will reserve up to 100 telephone numbers per CLLIC, for EPB Telecommunications' sole use. Such telephone number reservations shall be transmitted to EPB Telecommunications via electronic file transfer. Until December 1, 2000, such reservations shall be valid for ninety (90) days from the reservation date. After December 1, 2000, BellSouth's reservation of telephone number practices shall be in accordance with the appropriate FCC rules and regulations. EPB Telecommunications acknowledges that there may be instances where there is a shortage of telephone numbers in a particular CLLIC and in such instances BellSouth shall use its best efforts to reserve for a ninety (90) day period a sufficient quantity for EPB Telecommunications' reasonable need in that particular CLLIC.

2. Number Portability Permanent Solution

2.1 The FCC, the Commissions, and industry fora have developed and BellSouth is implementing a permanent approach to providing service provider number portability. Both Parties will implement a permanent approach as developed and approved by the Commission, the FCC and industry fora. Consistent with the requirements to move to Permanent Number Portability (PNP) as set forth in Section 5 of this Attachment, Interim Service Provider Number Portability (SPNP) may be available only until such permanent solution is implemented in an end office.

2.2 End User Line Charge. Recovery of charges associated with implementing PNP through a monthly charge assessed to end users has been authorized by the FCC. This end user line charge will be as filed in BellSouth's FCC Tariff No. 1 and will be billed to CLEC where CLEC is a subscriber to local switching or where CLEC is a reseller of BellSouth telecommunications services. This charge will not be discounted.

3. Service Provider Number Portability

3.1 Definition. Until the industry-wide permanent solution is implemented in an end office, BellSouth shall provide Service Provider Number Portability (SPNP). SPNP is an interim service arrangement whereby an end user who switches subscription of his local exchange service from BellSouth to a CLEC, or vice versa, is permitted to retain the use of his existing assigned telephone number, provided that the end user remains at the same location for his local exchange service or changes locations and service providers but stays within the same serving wire center of his existing number.

3.2 Methods of Providing Number Portability. SPNP is available through either remote call forwarding or direct inward dialing trunks, at the election of EPB Telecommunications. Remote call forwarding (SPNP-RCF) is an existing switch-based BellSouth service that redirects calls within the telephone network. Direct inward dialing trunks (SPNP-DID) allow calls to be routed over a dedicated facility to the EPB Telecommunications switch that serves the subscriber.

3.3 Signaling Requirements. SS7 Signaling is required for the provision of SPNP services. SPNP-DID is available from BellSouth on a per DS0, DS1, or DS3 basis. Where SPNP-DID is technically feasible and is provided on a DS1 or a DS3 basis, the applicable channelization rates are those specified in Section E6 in BellSouth's Intrastate Access Tariffs, incorporated herein by this reference. SPNP is available only for basic local exchange service.

3.4 Rates

Rates for SPNP are set out in Exhibit A to this Attachment. If no rate is identified in the Attachment, the rate for the specific service or function will be as set forth in applicable BellSouth tariff or as negotiated by the Parties upon request by either Party.

4. SPNP Implementation

- 4.1 SPNP is available only where a CLEC or BellSouth is currently providing, or will begin providing concurrent with provision of SPNP, basic local exchange service to the affected end user. SPNP for a particular telephone number is available only from the central office originally providing local exchange service to the end user. SPNP for a particular assigned telephone number will be disconnected when any end user, Commission, BellSouth, or CLEC initiated activity (e.g., a change in exchange boundaries) would normally result in a telephone number change had the end user retained his initial local exchange service.
- 4.2.1 SPNP-RCF, as contemplated by this Agreement, is a telecommunications service whereby a call dialed to an SPNP-RCF equipped telephone number is automatically forwarded to an assigned seven- or ten- digit telephone number within the local calling area as defined in BellSouth's General Subscriber Services Tariff. The forwarded-to number shall be specified by the CLEC or BellSouth, as appropriate. The forwarding Party will provide identification of the originating telephone number, via SS7 signaling, to the receiving Party. Identification of the originating telephone number to the SPNP-RCF end user cannot be guaranteed, however. SPNP-RCF provides a single call path for the forwarding of no more than one simultaneous call to the receiving Party's specified forwarded-to number.
- 4.2.2 SPNP-DID service, as contemplated by this Agreement, provides trunk side access to end office switches for direct inward dialing to the other Party's premises equipment from the telecommunications network to lines associated with the other Party's switching equipment and must be provided on all trunks in a group arranged for inward service. A SPNP-DID trunk termination charge, provided with SS7 Signaling only, applies for each trunk voice grade equivalent. In addition, direct facilities are required from the end office where a ported number resides to the end office serving the ported end user customer. The rates for a switched local channel and switched dedicated transport apply as contained in BellSouth's Intrastate Access Services tariff, as said tariff is amended from time to time. Transport mileage will be calculated as the airline distance between the end office where the number is ported and the Point of Interface ("POI") using the V&H coordinate method. SPNP-DID must be established with a minimum configuration of two channels and one unassigned telephone number per switch, per arrangement for control purposes. Transport facilities arranged for SPNP-DID may not be mixed with any other type of trunk group, with no outgoing calls placed over said facilities. SPNP-DID will be provided only where such facilities are available and where the switching equipment of the ordering Party is properly equipped. Where SPNP-DID service is required from more than one wire center or from separate trunk groups within the same wire center, such service provided from each wire center or each trunk group within the same wire center shall be considered a separate service. Only customer-dialed sent-paid calls will be completed to the first number of a SPNP-DID number group; however, there are no restrictions on calls completed to other numbers of a SPNP-DID number group. Sent-paid calls refer to those calls placed by an end user who physically

deposits currency in a public telephone. Interface group arrangements provided for terminating the switched transport at the Party's terminal location are as set forth in of BellSouth's Intrastate Access Services Tariff, § E6.1.3.A as amended from time to time.

- 4.3.1 SPNP-DID Service requires ordering consecutive telephone numbers in blocks of twenty. To order non-consecutive telephone numbers or telephone numbers in less than blocks of twenty, the BFR/NBR process must be used. SS7 Signaling is required for the provision of either of these services.
- 4.4 The calling Party shall be responsible for payment of the applicable charges for sent-paid calls to the SPNP number. For collect, third-party, or other operator-assisted non-sent paid calls to the ported telephone number, BellSouth or the CLEC shall be responsible for the payment of charges under the same terms and conditions for which the end user would have been liable for those charges. Either Party may request that the other block collect and third party non-sent paid calls to the SPNP-assigned telephone number. If a Party does not request blocking, the other Party will provide itemized local usage detail for the billing of non-sent paid calls on the monthly bill of usage charges provided at the individual end user account level. The detail will include itemization of all billable usage. Each Party shall have the option of receiving this usage data on a daily basis via a data file transfer arrangement. This arrangement will utilize the existing industry uniform standard, known as EMI standards, for exchange of billing data. Files of usage data will be created daily for the optional service. Usage originated and recorded in the sending BellSouth RAO will be provided in unrated or rated format, depending on processing system. CLEC usage originated elsewhere and delivered via CMDS to the sending BellSouth RAO shall be provided in rated format.
- 4.5 Each Party shall be responsible for obtaining authorization from the end user for the handling of the disconnection of the end user's service, the provision of new local service and the provision of SPNP services. Each Party shall be responsible for coordinating the provision of service with the other to assure that its switch is capable of accepting SPNP ported traffic. Each Party shall be responsible for providing equipment and facilities that are compatible with the other's service parameters, interfaces, equipment and facilities and shall be required to provide sufficient terminating facilities and services at the terminating end of an SPNP call to adequately handle all traffic to that location and shall be solely responsible to ensure that its facilities, equipment and services do not interfere with or impair any facility, equipment, or service of the other Party or any of its end users. In the event that either Party determines in its reasonable judgment that the other Party will likely impair or is impairing, or interfering with any equipment, facility or service or any of its end users, that Party may either refuse to provide SPNP service or may terminate SPNP service to the other Party after providing appropriate notice.
- 4.6 Each Party shall be responsible for providing an appropriate intercept announcement service for any telephone numbers subscribed to SPNP services for

which it is not presently providing local exchange service or terminating to an end user. Where either Party chooses to disconnect or terminate any SPNP service, that Party shall be responsible for designating the preferred standard type of announcement to be provided.

- 4.7 Each Party shall be the other Party's single point of contact for all repair calls on behalf of each Party's end user. Each Party reserves the right to contact the other Party's customers if deemed necessary for maintenance purposes.
- 4.8 Neither Party shall be responsible for adverse effects on any service, facility or equipment from the use of SPNP services. End-to-end transmission characteristics may vary depending on the distance and routing necessary to complete calls over SPNP facilities and the fact that another carrier is involved in the provisioning of service. Therefore, end-to-end transmission characteristics cannot be specified by either Party for such calls. Neither Party shall be responsible to the other if any necessary change in protection criteria or in any of the facilities, operation, or procedures of either renders any facilities provided by the other Party obsolete or renders necessary modification of the other Party's equipment.
- 4.9 For terminating IXC traffic ported to either Party which requires use of either Party's tandem switching, the tandem provider will bill the IXC tandem switching, the interconnection charge, and a portion of the transport, and the other Party will bill the IXC local switching, the carrier common line and a portion of the transport. If the tandem provider is unable to provide the necessary access records to permit the other Party to bill the IXC directly for terminating access to ported numbers, then the tandem provider will bill the IXC full terminating switched access charges at the tandem provider's rate and will compensate the other Party at the tandem Party's tariff rates via a process used by BellSouth to estimate the amount of ported switched access revenues due the other Party. If an intraLATA toll call is delivered, the delivering Party will pay terminating access rates to the other Party. This subsection does not apply in cases where SPNP-DID is utilized for number portability.

5. Transition to Permanent Number Portability

- 5.1 Once PNP is implemented in an end office both Parties must withdraw their SPNP offerings. The transition from existing SPNP arrangements to PNP shall occur within one hundred twenty (120) days from the date PNP is implemented in the end office. Neither Party shall charge the other Party for conversion from SPNP to PNP. The Parties shall comply with any SPNP/PNP transition processes established by the FCC and State commissions and appropriate industry number portability work groups.
- 5.1.1 Notwithstanding the foregoing, the Parties acknowledge that the FCC has determined once PNP has been deployed pursuant to the FCC's orders, rules and regulations, that all local exchange carriers (LECs) have the duty to provide PNP.

Therefore, either Party, at any time, may seek appropriate legal or regulatory relief concerning the transition from SPNP to PNP or other related issues.

6. Conversion Policy

6.1 BellSouth implemented the conversion of Interim Number Portability (INP) to Local Number Portability (PNP) as follows:

6.1.1 Conversion of SPNP numbers to PNP is handled as a project.

6.1.2 All SPNP numbers in PNP capable switches will be converted to PNP within 120 days after the end of the phase for that MSA or wire center.

6.1.3 BellSouth will continue to offer SPNP until the completion date of the phase for the wire center.

6.2 Conversion Schedule

6.2.1 The schedule to implement PNP in the 21 MSAs in the BellSouth region is as mandated by the FCC may be viewed by accessing the Carrier Notification Web site. The notification also outlines the conversion schedule for all of BellSouth's switches.

6.3 Specific Conversion activities

6.3.1 The BellSouth Account Teams contact each CLEC with SPNP accounts to negotiate a conversion schedule.

6.3.2 During the 120-day conversion period for each MSA, the Local Carrier Service Center (LCSC) will provide special handling for the requests to convert SPNP to PNP. These requests will be logged by a project manager and project managed to ensure end user service outage is minimal. Unless listing changes are requested, the CLECs may use a specially designed form provided by the project manager or account team in lieu of the Local Service Request (LSR), End User (EU), and Number Portability (NP) forms.

6.3.3 If changes are to be made to the SPNP account, the LSR should follow the normal process flow for ordering instead of the SPNP to PNP conversion plan.

6.4 Firm Order Confirmation

6.4.1 During the conversion period, if a CLEC uses the request form in lieu of the LSR, the form will include provisions for providing a manual FOC. If the request is submitted through EDI, the FOC will be sent back to the CLEC via EDI.

6.5 Routing of Calls to the Local Routing Number (LRN)

- 6.5.1 Trigger orders are not used for SPNP telephone numbers. Once the activate message is sent to the Number Portability Administration Center (NPAC) by the new service provider, (with exception of the end user's serving wire center) incoming calls are routed to the new provider. Calls from within the end user's servicing wire center will not route to the new Local Routing Number (LRN) until the porting D order processes.
- 6.6 Permanent Number Solution
 - 6.6.1 BellSouth and EPB Telecommunications will adhere to the process flows and cutover guidelines outlined in the LNP Reference Guide accessible via the Internet at the following site: <http://www.interconnection.bellsouth.com>.
 - 6.6.1.1 BellSouth and EPB Telecommunications will work cooperatively to implement changes to PNP process flows ordered by the FCC or as recommended by standard industry fora addressing PNP.
 - 6.6.1.2 Both Parties shall cooperate in the process of porting numbers from one carrier to another so as to limit service outage for the ported subscriber. BellSouth will set LRN unconditional or 10-digit triggers where applicable which should ensure no interruption to the end user. Where triggers are set, BellSouth removes the ported number at the same time the trigger is removed.
 - 6.6.1.2.1 Trigger orders as used in this Attachment refer to a service order issued in advance of the porting of a number utilizing PNP that provides the following: initiates call queries to the AIN SS7 network in advance of the number being ported; and provides for the CLEC to be in control of when a number ports to the new service provider.
 - 6.6.1.3 For porting of numbers where triggers are not set, the Parties shall coordinate the porting of the number between service providers so as to minimize service interruptions to the end user.
 - 6.6.1.4 BellSouth will provide ordering support for EPB Telecommunications' PNP requests Monday through Friday 8:00 AM until 8:00 PM EST. BellSouth normal hours of operation for provisioning support are defined in Attachment 6. Ordering and provisioning support required by EPB Telecommunications outside of these hours will be considered outside of normal business hours and will be subject to overtime billing. For stand alone PNP where LRN unconditional or 10-digit triggers are set, CLEC may port numbers during times that are supported by NPAC 24 hours a day 7 days a week. BellSouth will provide maintenance assistance to CLEC 24 hours a day 7 days a week to resolve issues arising from the porting of numbers for problems isolated to the BellSouth network.
 - 6.6.1.5 Performance Measurements for BellSouth providing PNP are located in Attachment 9 to this Agreement, incorporated herein by this reference.

- 6.6.2 BellSouth will use best efforts to update switch translations, where necessary, in time frames that are consistent with the time frames BellSouth's end users experience or as offered to other CLECs.
- 6.6.3 CLEC may request deployment of PNP according to and pursuant to the rules and regulations set forth in 47 CFR § 52.23.

7. True-up

- 7.1 **This section applies only to Tennessee and other rates that are interim or expressly subject to true-up under this attachment.**
- 7.2 The interim prices for Network Elements and Other Services and Local Interconnection shall be subject to true-up according to the following procedures:
- 7.3 The interim prices shall be true-up, either up or down, based on final prices determined either by further agreement between the Parties, or by a final order (including any appeals) of the Commission which final order meets the criteria of (3) below. The Parties shall implement the true-up by comparing the actual volumes and demand for each item, together with interim prices for each item, with the final prices determined for each item. Each Party shall keep its own records upon which the true-up can be based, and any final payment from one Party to the other shall be in an amount agreed upon by the Parties based on such records. In the event of any disagreement as between the records or the Parties regarding the amount of such true-up, the Parties agree that the body having jurisdiction over the matter shall be called upon to resolve such differences, or the Parties may mutually agree to submit the matter to the Dispute Resolution process in accordance with the provisions in the General Terms and Conditions and Attachment 1 of this Agreement.
- 7.4 The Parties may continue to negotiate toward final prices, but in the event that no such agreement is reached within nine (9) months, either Party may petition the Commission to resolve such disputes and to determine final prices for each item. Alternatively, upon mutual agreement, the Parties may submit the matter to the Dispute Resolution Process set forth in the General Terms and Conditions and Attachment 1 of the Agreement incorporated herein by reference, so long as they file the resulting Agreement with the Commission as a "negotiated Agreement" under Section 252(e) of the Act.
- 7.5 An effective order of the Commission that forms the basis of a true-up shall be based upon cost studies submitted by either or both Parties to the Commission and shall be binding upon BellSouth and EPB Telecommunications specifically or upon all carriers generally, such as a generic cost proceeding.

8. Operational Support System (OSS) Rates

The terms, conditions and rates for OSS are as set forth in Section 2 of Attachment 2.

BELLSOUTH/EPB TELECOMMUNICATIONS RATES
SERVICE PROVIDER
NUMBER PORTABILITY

DESCRIPTION	USOC	RATES BY STATE								
		AL	FL	GA	KY	LA	MS	NC	SC	TN
INTERIM SERVICE PROVIDER NUMBER PORTABILITY - RCF (1) (2)										
RCF, per number ported (Business Line), 10 paths	TNPBL	NA	NA	NA	NA	NA	NA	\$2.25	NA	NA
RCF, per number ported (Residence Line), 6 paths	TNPRL	NA	NA	NA	NA	NA	NA	\$1.15	NA	NA
RCF, per number ported (Business Line)	TNPBL	\$2.13	NA	\$2.03	NA	\$2.29	\$2.34	\$1.66	\$2.17	\$1.50
NRC - Electronic	TNPBL	\$0.65	NA	\$0.51	NA	\$0.49	\$0.6441	\$0.71	\$0.7046	NA
NRC - Disconnect Charge	TNPBL	\$0.07	NA	NA	NA	\$0.05	\$0.0644	\$0.50	NA	NA
RCF, per number ported (Residence Line)	TNPRL	\$2.13	NA	\$2.03	NA	\$2.29	\$2.34	\$1.66	\$2.17	\$1.25
NRC	TNPRL	\$0.65	NA	\$0.51	NA	\$0.49	\$0.6441	\$0.71	\$0.7046	NA
NRC - Disconnect Charge	TNPRL	\$0.07	NA	NA	NA	\$0.05	\$0.0644	\$0.50	NA	NA
RCF, add'l capacity for simultaneous call forwarding, per additional path	N/A	\$0.32	NA	\$0.2836	NA	\$0.38	\$0.3838	\$0.32	\$0.3854	\$0.50
RCF, per service order, per location	(++) Bus = TNPBD Res = TNPRD									
NRC - 1st	TNP++	\$1.44	NA	\$2.10	NA	\$2.02	\$2.84	\$2.73	\$1.37	\$25.00
NRC - Add'l	TNP++	\$1.44	NA	\$2.10	NA	\$2.02	\$2.84	\$2.73	\$1.37	\$25.00
NRC - Disconnect - 1st	TNP++	\$1.44	NA	NA	NA	\$2.01	\$2.84	NA	NA	NA
NRC - Disconnect - Add'l	TNP++	\$1.44	NA	NA	NA	\$2.01	\$2.84	NA	NA	NA
NRC - Incremental Charge - Manual Service Order - 1st	SOMAN	\$27.37	NA	NA	NA	\$18.14	\$25.52	\$45.80	NA	NA
NRC - Incremental Charge - Manual Service Order - Add'l	SOMAN	\$27.37	NA	NA	NA	\$18.14	\$25.52	\$45.80	NA	NA
NRC - Incremental Charge - Manual Service Order - Disconnect - 1st	SOMAN	\$17.77	NA	NA	NA	\$11.41	\$16.06	NA	\$44.70	NA
NRC - Incremental Charge - Manual Service Order - Disconnect - Add'l	SOMAN	\$17.77	NA	NA	NA	\$11.41	\$16.06	NA	\$44.70	NA
INTERIM SERVICE PROVIDER NUMBER PORTABILITY - DID										
DID per number ported, Residence - NRC	TNPDR	\$1.18	NA	\$0.93	NA	\$0.89	\$1.17	\$2.25	\$2.25	NA
DID per number ported, Residence - NRC - Disconnect	TNPDR	\$1.18	NA	NA	NA	\$0.90	\$1.17	NA	NA	NA
DID per number ported, Business - NRC	TNPDB	\$1.18	NA	\$0.93	NA	\$0.89	\$1.17	\$2.25	\$2.25	NA
DID per number ported, Business - NRC - Disconnect	TNPDB	\$1.18	NA	NA	NA	\$0.90	\$1.17	NA	NA	NA
DID per service order, per location										
NRC - 1st	TNPRD	\$1.44	NA	\$2.10	NA	\$2.02	\$2.84	\$2.73	\$1.37	NA
NRC - Add'l	TNPRD	\$1.44	NA	\$2.10	NA	\$2.02	\$2.84	\$2.73	\$1.37	NA
NRC - Disconnect - 1st	TNPRD	\$1.44	NA	NA	NA	\$2.01	\$2.84	NA	\$44.70	NA
NRC - Disconnect - Add'l	TNPRD	\$1.44	NA	NA	NA	\$2.01	\$2.84	NA	\$44.70	NA
NRC - Incremental Charge - Manual Service Order - 1st	SOMAN	\$27.37	NA	\$18.94	NA	\$18.14	\$25.52	\$45.80	NA	NA
NRC - Incremental Charge - Manual Service Order - Add'l	SOMAN	\$27.37	NA	NA	NA	\$18.14	\$25.52	\$45.80	NA	NA
NRC - Incremental Charge - Manual Service Order - Disconnect - 1st	SOMAN	\$17.77	NA	NA	NA	\$11.41	\$16.06	NA	NA	NA
NRC - Incremental Charge - Manual Service Order - Disconnect - Add'l	SOMAN	\$17.77	NA	NA	NA	\$11.41	\$16.06	NA	NA	NA
DID, per trunk termination, Initial	TNPT2	\$11.84	NA	\$10.73	NA	\$12.46	\$13.78	\$11.43	\$13.16	NA
DID, per trunk termination, Initial - NRC	TNPT2	\$173.73	NA	\$135.47	NA	\$129.69	\$171.68	\$217.88	\$218.03	NA
DID, per trunk termination, Initial - Disconnect	TNPT2	\$50.43	NA	NA	NA	\$37.85	\$49.86	NA	NA	NA
DID, per trunk termination, Subsequent	TNPT2	\$11.84	NA	\$10.73	NA	\$12.46	\$13.78	\$11.43	\$13.16	NA
DID, per trunk termination, Subsequent - NRC	TNPT2	\$51.35	NA	\$39.53	NA	\$37.85	\$50.69	\$73.56	\$73.63	NA
DID, per trunk termination, Subsequent - Disconnect	TNPT2	\$25.00	NA	NA	NA	\$18.75	\$24.71	NA	NA	NA

NOTES:

If no rate is identified in the contract, the rate for the specific service or function will be as set forth in applicable BellSouth tariff or as negotiated by the Parties upon request by either Party.

1 Until the FCC issues its order implementing a cost recovery mechanism for permanent number portability, the Company will track its costs of providing interim SPNP with sufficient detail to verify the costs. This will facilitate the Florida PSC's consideration of the recovery of these costs in Docket 950737-TP. (FL)

2 BellSouth and CLEC will each bear their own costs of providing remote call forwarding as an interim number portability option. (KY)

Attachment 6
Pre-Ordering, Ordering and Provisioning,
Maintenance and Repair

TABLE OF CONTENTS

1. QUALITY OF PRE-ORDERING, ORDERING AND PROVISIONING, MAINTENANCE AND REPAIR.....3

2. ACCESS TO OPERATIONS SUPPORT SYSTEMS.....4

3. MISCELLANEOUS ORDERING AND PROVISIONING GUIDELINES.....5

PRE-ORDERING, ORDERING AND PROVISIONING, MAINTENANCE AND REPAIR

1. Quality of Pre-Ordering, Ordering and Provisioning, Maintenance and Repair

1.1 All the negotiated terms and conditions set forth in this Attachment pertain to pre-ordering, ordering and provisioning and maintenance and repair.

1.2 BellSouth shall provide pre-ordering, ordering and provisioning and maintenance and repair services to EPB Telecommunications that are equivalent to the pre-ordering, ordering and provisioning and maintenance and repair services BellSouth provides to itself or any other CLEC, where technically feasible. The guidelines for pre-ordering, ordering and provisioning and maintenance and repair are set forth in the various guides and business rules, as appropriate, and as they are amended from time to time during this Agreement. The guides and business rules may be referenced at the following site:

<http://www.interconnection.bellsouth.com>.

1.3 For purposes of this Agreement, BellSouth's regular working hours for provisioning are defined as follows:

Monday – Friday – 8:00 a.m. – 5:00 p.m. (Excluding Holidays)
(Resale/UNE non-coordinated,
coordinated orders and order
coordinated-time specific)
Saturday - 8:00 a.m. – 5:00 p.m. (Excluding Holidays)
(Resale/UNE non-coordinated
orders)

The above hours represent the hours, either Eastern or Central Time, of where the physical work is being performed.

1.3.1 It is understood and agreed that BellSouth technicians involved in provisioning service to EPB Telecommunications may work shifts outside of BellSouth's regular working hours as defined in Section 1.3 above. To the extent that EPB Telecommunications requests that work necessarily required in the provisioning of service to be performed outside BellSouth's regular working hours and that work is performed by a BellSouth technician during his or her scheduled shift such that BellSouth does not incur any additional costs in performing the work on behalf of EPB Telecommunications, BellSouth will not assess EPB Telecommunications additional charges beyond the rates and charges specified in this Agreement.

1.4 All other EPB Telecommunications requests for provisioning and installation services are considered outside of the normal hours of operation and may be performed subject to the application of overtime billing charges.

2. Access to Operations Support Systems

2.1 BellSouth shall provide EPB Telecommunications access to operations support systems (“OSS”) functions for pre-ordering, ordering and provisioning, maintenance and repair and billing. Access to the OSS is available through a variety of means, including electronic interfaces. BellSouth also provides manual interfaces. The OSS functions available to CLECs through the electronic interfaces are:

2.1.1 Pre-Ordering. BellSouth provides electronic access to the following pre-ordering functions: service address validation, telephone number selection, service and feature availability, due date information, and upon Commission approval of confidentiality protections, to customer record information. Access is provided through the Local Exchange Navigation System (LENS) interface and the Telecommunications Access Gateway (TAG) interface. Customer Record Information includes but is not limited to, customer specific information in CRIS and RSAG. In addition, EPB Telecommunications shall provide to BellSouth access to customer record information including electronic access where available. Otherwise, EPB Telecommunications shall provide paper copies of customer record information within the same intervals that BellSouth provides paper copies to EPB Telecommunications. The Parties agree not to view, copy, or otherwise obtain access to the customer record information of any customer without that customer's permission and further agree that EPB Telecommunications and BellSouth will obtain access to customer record information only in strict compliance with applicable laws, rules, or regulations of the State in which the service is provided. In the event EPB Telecommunications accesses the record information of a particular customer, that fact shall be available only to those employees of BellSouth who need to know in order to service EPB Telecommunications' requests, but in no event shall said fact be furnished to personnel of BellSouth in marketing, customer service, or any department or division of BellSouth for the purpose of contacting said customer.

2.1.2 Service Ordering and Provisioning. BellSouth provides electronic options for the exchange of ordering and provisioning information. BellSouth provides an Electronic Data Interchange (EDI) interface, and the TAG ordering interface for non-complex and certain complex resale requests and certain network elements. The EDI interface or the TAG ordering interface may be integrated with the TAG pre-ordering interface by EPB Telecommunications. BellSouth provides integrated pre-ordering, ordering and provisioning capability through the LENS interface for non-complex and certain complex resale service requests and certain network element requests.

2.1.3 Service Trouble Reporting and Repair (a.k.a Maintenance and Repair). Service trouble reporting and repair allows EPB Telecommunications to report and monitor service troubles and obtain repair services. BellSouth shall offer EPB Telecommunications service trouble reporting in a non-discriminatory manner that provides EPB Telecommunications the equivalent ability to report and monitor

service troubles that BellSouth provides to itself. BellSouth also provides EPB Telecommunications an estimated time to repair, an appointment time or a commitment time, as appropriate, on trouble reports. BellSouth provides several options for electronic trouble reporting. For exchange services, BellSouth offers EPB Telecommunications non-discriminatory access to the Trouble Analysis Facilitation Interface (TAFI). In addition, BellSouth offers an industry standard, machine-to-machine Electronic Communications Trouble Administration (ECTA) Gateway interface. For designed services, BellSouth provides non-discriminatory trouble reporting via the ECTA Gateway. BellSouth also offers ECTA functionality through the machine-to-machine EC-CPM/TA interface. If EPB Telecommunications requests BellSouth to repair a trouble after normal working hours, EPB Telecommunications will be billed the appropriate overtime charges associated with this request pursuant to BellSouth's tariffs. BellSouth and EPB Telecommunications agree to adhere to BellSouth's Operational Understanding and as it is amended from time to time during this Agreement which may be accessed via the Internet @ <http://www.interconnection.bellsouth.com>

- 2.2 Change Management. BellSouth provides a collaborative process for change management of the electronic interfaces through the Change Control Process (CCP). Guidelines for this process are set forth in the CCP document and as it is amended from time to time during this Agreement.
- 2.3 BellSouth's Versioning Policy for Industry Standard Machine-to-Machine Electronic Interfaces. Pursuant to the CCP, BellSouth will issue new software releases for new industry standards for its industry standard, machine-to-machine and its human-to-machine electronic interfaces. When a new release of new industry standards is implemented, BellSouth will continue to support both the new release (N) and the prior release (N-1). When BellSouth implements the next release (N+1), BellSouth will eliminate support for the (N-1) release and support the two newest releases (N and N+1). Thus, BellSouth will always support the two most current releases. BellSouth will issue documents to EPB Telecommunications with sufficient notice to allow EPB Telecommunications to make the necessary changes to their systems and operations to migrate to the newest release in a timely fashion. This policy is set forth in the CCP document and as it is amended from time to time during this Agreement.
- 2.4 Rates. All costs incurred by BellSouth to develop and implement operational interfaces to the OSS shall be recovered from the carriers that use the services. Charges for use of OSS shall be as set forth in Attachments 1 and 2 of this Agreement.

3. Miscellaneous Ordering and Provisioning Guidelines

- 3.1 Pending Orders. To ensure the most efficient use of facilities and resources, orders placed in the hold or pending status by EPB Telecommunications will be held for a

maximum of thirty (30) days from the date the order is placed on hold. After such time, if EPB Telecommunications wishes to reinstate an order, EPB Telecommunications may be required to submit a new service order.

- 3.2 Single Point of Contact. EPB Telecommunications will be the single point of contact with BellSouth for ordering activity for network elements and other services used by EPB Telecommunications to provide services to its end users, except that BellSouth may accept an order directly from another CLEC, or BellSouth, acting with authorization of the affected end user. EPB Telecommunications and BellSouth shall each execute a blanket letter of authorization with respect to customer orders. The Parties shall each be entitled to adopt their own internal processes for verification of customer authorization for orders, provided, however, that such processes shall comply with applicable state and federal law including, until superseded, the FCC guidelines and orders applicable to Presubscribed Interexchange Carrier (PIC) changes including Un-PIC. Pursuant to such an order, BellSouth may disconnect any network element associated with the service to be disconnected and being used by EPB Telecommunications to provide service to that end user and reuse such network elements or facilities to enable such other LEC to provide service to the end user. BellSouth will notify EPB Telecommunications that such an order has been processed, but will not be required to notify EPB Telecommunications in advance of such processing.
- 3.3 Use of Facilities. When a customer of a CLEC elects to discontinue service and transfer service to another local exchange carrier, including BellSouth, BellSouth shall have the right to reuse the facilities provided to CLEC by BellSouth for retail or resale service, loop and/or port for that customer. In addition, BellSouth may disconnect and reuse facilities when the facility is in a denied state and BellSouth has received an order to establish new service or transfer of service from a customer or a customer's CLEC at the same address served by the denied facility.
- 3.3.1 Upon receipt of a service order, BellSouth will do the following:
- 3.3.1.1 Process disconnect and reconnect orders to provision the service which shall be due dated using current interval guidelines.
- 3.3.1.2 Reuse the serving facility for the retail, resale service, or network element at the same location.
- 3.3.1.3 Notify EPB Telecommunications after the disconnect order has been completed.
- 3.4 Release of Facilities. When a customer of EPB Telecommunications or BellSouth elects to change his/her carrier to the other Party, the Party providing service shall release the subscriber's service to the other Party concurrent with the due date of the service order, which shall be established based on the standard interval for the subscriber's requested service as set forth in the BellSouth Product and Services Interval Guide.

- 3.5 Contact Numbers. The Parties agree to provide one another with toll-free nationwide (50 states) contact numbers for the purpose of ordering, provisioning and maintenance of services.
- 3.6 Subscription Functions. In cases where BellSouth performs subscription functions for an inter-exchange carrier (i.e. PIC and LPIC changes via Customer Account Record Exchange (CARE)), BellSouth will provide the affected inter-exchange carriers with the Operating Company Number (OCN) of the local provider for the purpose of obtaining end user billing account and other end user information required under subscription requirements.
- 3.7 Cancellation Charges. If EPB Telecommunications cancels an order for network elements or other services, any costs incurred by BellSouth in conjunction with the provisioning of that order will be recovered in accordance with FCC No. 1 Tariff, Section 5.
- 3.8 Expedite Charges. For expedited requests by EPB Telecommunications, expedited charges will apply for intervals less than the standard interval as outlined in the BellSouth Product and Services Interval Guide. The charges as outlined in BellSouth's FCC No. 1 Tariff, Section 5, will apply.

Attachment 7

Billing

TABLE OF CONTENTS

1. Payment and Billing Arrangements..... 3

2. Billing Disputes..... 6

3. RAO Hosting..... 6

4. Optional Daily Usage File..... 10

5. Access Daily Usage File..... 13

Rates.....Exhibit A

BILLING

1. Payment and Billing Arrangements

All negotiated rates, terms and conditions set forth in this Attachment pertain to billing and billing accuracy certifications.

- 1.1 Billing. BellSouth agrees to provide billing through the Carrier Access Billing System (CABS) and through the Customer Records Information System (CRIS) depending on the particular service(s) that EPB Telecommunications requests. BellSouth will bill and record in accordance with this Agreement those charges EPB Telecommunications incurs as a result of EPB Telecommunications purchasing from BellSouth Network Elements and Other Services as set forth in this Agreement. BellSouth will format all bills in CBOS Standard or CLUB/EDI format, depending on the type of service ordered. For those services where standards have not yet been developed, BellSouth's billing format will change as necessary when standards are finalized by the industry forum.
- 1.1.1 For any service(s) BellSouth orders from EPB Telecommunications, EPB Telecommunications shall bill BellSouth in CABS format.
- 1.1.2 If either Party requests multiple billing media or additional copies of bills, the Billing Party will provide these at a reasonable cost.
- 1.2 Master Account. After receiving certification as a local exchange company from the appropriate regulatory agency, EPB Telecommunications will provide the appropriate BellSouth account manager the necessary documentation to enable BellSouth to establish a master account for Local Interconnection, Network Elements and Other Services, and/or resold services. Such documentation shall include the Application for Master Account, proof of authority to provide telecommunications services, an Operating Company Number (OCN) assigned by the National Exchange Carriers Association (NECA), Carrier Identification Code (CIC), Group Access Code (GAC), Access Customer Name and Abbreviation (ACNA) and a tax exemption certificate, if applicable.
- 1.3 Payment Responsibility. Payment of all charges will be the responsibility of EPB Telecommunications. EPB Telecommunications shall make payment to BellSouth for all services billed. BellSouth is not responsible for payments not received by EPB Telecommunications from EPB Telecommunications' customer. BellSouth will not become involved in billing disputes that may arise between EPB Telecommunications and EPB Telecommunications' customer. Payments made to BellSouth as payment on account will be credited to an accounts receivable master account and not to an end user's account.
- 1.4 Payment Due. The payment will be due on or before the next bill date (i.e., same date in the following month as the bill date) and is payable in immediately available funds. Payment is considered to have been made when received by BellSouth.

If the payment due date falls on a Sunday or on a Holiday which is observed on a Monday, the payment due date shall be the first non-Holiday day following such Sunday or Holiday. If the payment due date falls on a Saturday or on a Holiday which is observed on Tuesday, Wednesday, Thursday, or Friday, the payment due date shall be the last non-Holiday day preceding such Saturday or Holiday. If payment is not received by the payment due date, a late payment penalty, as set forth in Section 1.6, below, shall apply.

- 1.5 Tax Exemption. Upon proof of tax exempt certification from EPB Telecommunications, the total amount billed to EPB Telecommunications will not include those taxes or fees for which the CLEC is exempt. EPB Telecommunications will be solely responsible for the computation, tracking, reporting and payment of all taxes and like fees associated with the services provided to the end user of EPB Telecommunications.
- 1.6 Late Payment. If any portion of the payment is received by BellSouth after the payment due date as set forth preceding, or if any portion of the payment is received by BellSouth in funds that are not immediately available to BellSouth, then a late payment penalty shall be due to BellSouth. The late payment penalty shall be the portion of the payment not received by the payment due date times a late factor and will be applied on a per bill basis. The late factor shall be as set forth in Section A2 of the General Subscriber Services Tariff, Section B2 of the Private Line Service Tariff or Section E2 of the Intrastate Access Tariff, whichever BellSouth determines is appropriate. EPB Telecommunications will be charged a fee for all returned checks as set forth in Section A2 of the General Subscriber Services Tariff or pursuant to the applicable state law.
- 1.7 Discontinuing Service to EPB Telecommunications. The procedures for discontinuing service to EPB Telecommunications are as follows:
 - 1.7.1 BellSouth reserves the right to suspend or terminate service for nonpayment of services or in the event of prohibited, unlawful or improper use of BellSouth facilities or service or any other violation or noncompliance by EPB Telecommunications of the rules and regulations contained in BellSouth's tariffs.
 - 1.7.2 If payment of account is not received by the bill date in the month after the original bill date, BellSouth may provide written notice to EPB Telecommunications that additional applications for service will be refused and that any pending orders for service will not be completed if payment is not received by the fifteenth day following the date of the notice. In addition, BellSouth may, at the same time, give thirty (30)days notice to EPB Telecommunications at the billing address to discontinue the provision of existing services to EPB Telecommunications at any time thereafter.

- 1.7.3 In the case of such discontinuance, all billed charges, as well as applicable termination charges, shall become due.
- 1.7.4 If BellSouth does not discontinue the provision of the services involved on the date specified in the thirty days notice and EPB Telecommunications' noncompliance continues, nothing contained herein shall preclude BellSouth's right to discontinue the provision of the services to EPB Telecommunications without further notice.
- 1.7.5 If payment is not received or satisfactory arrangements made for payment by the date given in the written notification, EPB Telecommunications' services will be discontinued. Upon discontinuance of service on EPB Telecommunications' account, service to EPB Telecommunications' end users will be denied. BellSouth will reestablish service at the request of the end user or EPB Telecommunications for BellSouth to reestablish service upon payment of the appropriate connection fee and subject to BellSouth's normal application procedures. EPB Telecommunications is solely responsible for notifying the end user of the proposed service disconnection. If within fifteen (15) days after an end user's service has been denied and no arrangements to reestablish service have been made consistent with this subsection, the end user's service will be disconnected.
- 1.8 Deposit Policy. When purchasing services from BellSouth, EPB Telecommunications will be required to complete the BellSouth Credit Profile and provide information regarding credit worthiness. Based on the results of the credit analysis, BellSouth reserves the right to secure the account with a suitable form of security deposit. Such security deposit shall take the form of cash, an Irrevocable Letter of Credit (BellSouth form), Surety Bond (BellSouth form) or, in its sole discretion, some other form of security. Any such security deposit shall in no way release EPB Telecommunications from its obligation to make complete and timely payments of its bill. Such security shall be required prior to the inauguration of service. If, in the sole opinion of BellSouth, circumstances so warrant and/or gross monthly billing has increased beyond the level initially used to determine the level of security, BellSouth reserves the right to request additional security and/or file a Uniform Commercial Code (UCC1) security interest in EPB Telecommunications' "accounts receivables and proceeds." Interest on a security deposit, if provided in cash, shall accrue and be paid in accordance with the terms in the appropriate BellSouth tariff.
- 1.9 Rates. Rates for Optional Daily Usage File (ODUF), Access Daily Usage File (ADUF), and Centralized Message Distribution Service (CMDS) are set out in Exhibit A to this Attachment. If no rate is identified in this Attachment, the rate for the specific service or function will be as set forth in applicable BellSouth tariff or as negotiated by the Parties upon request by either Party.

2. Billing Disputes

- 2.1 Billing disputes shall be handled pursuant to the terms of this section.
- 2.1.1 Each Party agrees to notify the other Party in writing upon the discovery of a billing dispute. In the event of a billing dispute, the Parties will endeavor to resolve the dispute within sixty (60) calendar days of the notification date.
- 2.2 If a Party disputes a charge and does not pay such charge by the payment due date, or if a payment or any portion of a payment is received by either Party after the payment due date, or if a payment or any portion of a payment is received in funds which are not immediately available to the other Party, then a late payment penalty shall be assessed. For bills rendered by either Party for payment, the late payment charge for both Parties shall be calculated based on the portion of the payment not received by the payment due date times the late factor as set forth in the following BellSouth tariffs: for services purchased from the General Subscribers Services Tariff for purposes of resale and for ports and non-designed loops, Section A2 of the General Subscriber Services Tariff; for services purchased from the Private Line Tariff for purposes of resale, Section B2 of the Private Line Service Tariff; and for network elements and other services and local interconnection charges, Section E2 of the Access Service Tariff. In no event, however, shall interest be assessed by either Party on any previously assessed late payment charges. The Parties shall assess interest on previously assessed late payment charges only in a state where it has the authority pursuant to its tariffs.

3. RAO Hosting

- 3.1 RAO Hosting, Calling Card and Third Number Settlement System (CATS) and Non-Intercompany Settlement System (NICS) services provided to EPB Telecommunications by BellSouth will be in accordance with the methods and practices regularly adopted and applied by BellSouth to its own operations during the term of this Agreement, including such revisions as may be made from time to time by BellSouth.
- 3.2 EPB Telecommunications shall furnish all relevant information required by BellSouth for the provision of RAO Hosting, CATS and NICS.
- 3.3 Compensation amounts, if applicable, will be billed by BellSouth to EPB Telecommunications on a monthly basis in arrears. Amounts due from one Party to the other (excluding adjustments) are payable within thirty (30) days of receipt of the billing statement.
- 3.4 EPB Telecommunications must have its own unique hosted RAO code. Requests for establishment of RAO status where BellSouth is the selected CMDS interfacing host, require written notification from EPB Telecommunications to the BellSouth

RAO Hosting coordinator at least eight (8) weeks prior to the proposed effective date. The proposed effective date will be mutually agreed upon between the Parties with consideration given to time necessary for the completion of required Telcordia (formerly BellCore) functions. BellSouth will request the assignment of an RAO code from its connecting contractor, currently Telcordia (formerly BellCore), on behalf of EPB Telecommunications and will coordinate all associated conversion activities.

- 3.5 BellSouth will receive messages from EPB Telecommunications that are to be processed by BellSouth, another LEC or CLEC in the BellSouth region or a LEC outside the BellSouth region.
- 3.6 BellSouth will perform invoice sequence checking, standard EMI format editing, and balancing of message data with the EMI trailer record counts on all data received from EPB Telecommunications.
- 3.7 All data received from EPB Telecommunications that is to be processed or billed by another LEC or CLEC within the BellSouth region will be distributed to that LEC or CLEC in accordance with the Agreement(s) which may be in effect between BellSouth and the involved LEC or CLEC.
- 3.8 All data received from EPB Telecommunications that is to be placed on the CMDS network for distribution outside the BellSouth region will be handled in accordance with the agreement(s) which may be in effect between BellSouth and its connecting contractor (currently Telcordia (formerly BellCore)).
- 3.9 BellSouth will receive messages from the CMDS network that are destined to be processed by EPB Telecommunications and will forward them to EPB Telecommunications on a daily basis.
- 3.10 Transmission of message data between BellSouth and EPB Telecommunications will be via CONNECT:Direct.
- 3.11 All messages and related data exchanged between BellSouth and EPB Telecommunications will be formatted in accordance with accepted industry standards for EMI formatted records and packed between appropriate EMI header and trailer records, also in accordance with accepted industry standards.
- 3.12 EPB Telecommunications will ensure that the recorded message detail necessary to recreate files provided to BellSouth will be maintained for back-up purposes for a period of three (3) calendar months beyond the related message dates.
- 3.13 Should it become necessary for EPB Telecommunications to send data to BellSouth more than sixty (60) days past the message date(s), EPB Telecommunications will notify BellSouth in advance of the transmission of the data. If there will be impacts outside the BellSouth region, BellSouth will work

with its connecting contractor and EPB Telecommunications to notify all affected Parties.

- 3.14 In the event that data to be exchanged between the two Parties should become lost or destroyed, both Parties will work together to determine the source of the problem. Once the cause of the problem has been jointly determined and the responsible Party (BellSouth or EPB Telecommunications) identified and agreed to, the company responsible for creating the data (BellSouth or EPB Telecommunications) will make every effort to have the affected data restored and retransmitted. If the data cannot be retrieved, the responsible Party will be liable to the other Party for any resulting lost revenue. Lost revenue may be a combination of revenues that could not be billed to the end users and associated access revenues. Both Parties will work together to estimate the revenue amount based upon historical data through a method mutually agreed upon. The resulting estimated revenue loss will be paid by the responsible Party to the other Party within three (3) calendar months of the date of problem resolution, or as mutually agreed upon by the Parties.
- 3.15 Should an error be detected by the EMI format edits performed by BellSouth on data received from EPB Telecommunications, the entire pack containing the affected data will not be processed by BellSouth. BellSouth will notify EPB Telecommunications of the error condition. EPB Telecommunications will correct the error(s) and will resend the entire pack to BellSouth for processing. In the event that an out-of-sequence condition occurs on subsequent packs, EPB Telecommunications will resend these packs to BellSouth after the pack containing the error has been successfully reprocessed by BellSouth.
- 3.16 In association with message distribution service, BellSouth will provide EPB Telecommunications with associated intercompany settlements reports (CATS and NICS) as appropriate.
- 3.17 In no case shall either Party be liable to the other for any direct or consequential damages incurred as a result of the obligations set out in this Agreement.
- 3.18 RAO Compensation
- 3.18.1 Rates for message distribution service provided by BellSouth for EPB Telecommunications are as set forth in Exhibit A to this Attachment.
- 3.18.2 Rates for data transmission associated with message distribution service are as set forth in Exhibit A to this Attachment.
- 3.18.3 Data circuits (private line or dial-up) will be required between BellSouth and EPB Telecommunications for the purpose of data transmission. Where a dedicated line is required, EPB Telecommunications will be responsible for ordering the circuit, overseeing its installation and coordinating the installation with BellSouth. EPB

Telecommunications will also be responsible for any charges associated with this line. Equipment required on the BellSouth end to attach the line to the mainframe computer and to transmit successfully ongoing will be negotiated on a case by case basis. Where a dial-up facility is required, dial circuits will be installed in the BellSouth data center by BellSouth and the associated charges assessed to EPB Telecommunications. Additionally, all message toll charges associated with the use of the dial circuit by EPB Telecommunications will be the responsibility of EPB Telecommunications. Associated equipment on the BellSouth end, including a modem, will be negotiated on a case by case basis between the Parties.

- 3.18.4 All equipment, including modems and software, that is required on the EPB Telecommunications end for the purpose of data transmission will be the responsibility of EPB Telecommunications.
- 3.19 Intercompany Settlements Messages
- 3.19.1 This Section addresses the settlement of revenues associated with traffic originated from or billed by EPB Telecommunications as a facilities based provider of local exchange telecommunications services outside the BellSouth region. Only traffic that originates in one Bell operating territory and bills in another Bell operating territory is included. Traffic that originates and bills within the same Bell operating territory will be settled on a local basis between EPB Telecommunications and the involved company(ies), unless that company is participating in NICS.
- 3.19.2 Both traffic that originates outside the BellSouth region by EPB Telecommunications and is billed within the BellSouth region, and traffic that originates within the BellSouth region and is billed outside the BellSouth region by EPB Telecommunications, is covered by this Agreement (CATS). Also covered is traffic that either is originated by or billed by EPB Telecommunications, involves a company other than EPB Telecommunications, qualifies for inclusion in the CATS settlement, and is not originated or billed within the BellSouth region (NICS).
- 3.19.3 Once EPB Telecommunications is operating within the BellSouth territory, revenues associated with calls originated and billed within the BellSouth region will be settled via Telcordia (formerly BellCore)'s, its successor or assign, NICS system.
- 3.19.4 BellSouth will receive the monthly NICS reports from Telcordia (formerly BellCore), its successor or assign, on behalf of EPB Telecommunications. BellSouth will distribute copies of these reports to EPB Telecommunications on a monthly basis.
- 3.19.5 BellSouth will receive the monthly Calling Card and Third Number Settlement System (CATS) reports from Telcordia (formerly BellCore), its successor or assign, on behalf of EPB Telecommunications. BellSouth will distribute copies of these reports to EPB Telecommunications on a monthly basis.

- 3.19.6 BellSouth will collect the revenue earned by EPB Telecommunications from the Bell operating company in whose territory the messages are billed (CATS), less a per message billing and collection fee of five cents (\$0.05), on behalf of EPB Telecommunications. BellSouth will remit the revenue billed by EPB Telecommunications to the Bell operating company in whose territory the messages originated, less a per message billing and collection fee of five cents (\$0.05), on behalf on EPB Telecommunications. These two amounts will be netted together by BellSouth and the resulting charge or credit issued to EPB Telecommunications via a monthly Carrier Access Billing System (CABS) miscellaneous bill.
- 3.19.7 BellSouth will collect the revenue earned by EPB Telecommunications within the BellSouth territory from another CLEC also within the BellSouth territory (NICS) where the messages are billed, less a per message billing and collection fee of five cents (\$0.05), on behalf of EPB Telecommunications. BellSouth will remit the revenue billed by EPB Telecommunications within the BellSouth region to the CLEC also within the BellSouth region, where the messages originated, less a per message billing and collection fee of five cents (\$0.05). These two amounts will be netted together by BellSouth and the resulting charge or credit issued to EPB Telecommunications via a monthly CABS miscellaneous bill.

BellSouth and EPB Telecommunications agree that monthly netted amounts of less than fifty dollars (\$50.00) will not be settled.

4. Optional Daily Usage File

- 4.1 Upon written request from EPB Telecommunications, BellSouth will provide the Optional Daily Usage File (ODUF) service to EPB Telecommunications pursuant to the terms and conditions set forth in this section.
- 4.2 EPB Telecommunications shall furnish all relevant information required by BellSouth for the provision of the ODUF.
- 4.3 The Optional Daily Usage Feed will contain billable messages that were carried over the BellSouth Network and processed in the BellSouth Billing System, but billed to a EPB Telecommunications customer.
- 4.4 Charges for delivery of the ODUF will appear on EPB Telecommunications' monthly bills. The charges are as set forth in Exhibit A to this Attachment.
- 4.5 The Optional Daily Usage Feed will contain both rated and unrated messages. All messages will be in the standard Alliance for Telecommunications Industry Solutions (ATIS) EMI record format.

- 4.6 Messages that error in the billing system of EPB Telecommunications will be the responsibility of EPB Telecommunications. If, however, EPB Telecommunications should encounter significant volumes of errored messages that prevent processing by EPB Telecommunications within its systems, BellSouth will work with EPB Telecommunications to determine the source of the errors and the appropriate resolution.
- 4.7 The following specifications shall apply to the Optional Daily Usage Feed.
- 4.7.1 Usage To Be Transmitted
- 4.7.1.1 The following messages recorded by BellSouth will be transmitted to EPB Telecommunications:
- Message recording for per use/per activation type services (examples: ` Three -Way Calling, Verify, Interrupt, Call Return, etc.)
 - Measured billable Local
 - Directory Assistance messages
 - IntraLATA Toll
 - WATS and 800 Service
 - N11
 - Information Service Provider Messages
 - Operator Services Messages
 - Operator Services Message Attempted Calls (Network Element only)
 - Credit/Cancel Records
 - Usage for Voice Mail Message Service
- 4.7.1.2 Rated Incollects (originated in BellSouth and from other companies) can also be on ODUF. Rated Incollects will be intermingled with BellSouth recorded rated and unrated usage. Rated Incollects will not be packed separately.
- 4.7.1.3 BellSouth will perform duplicate record checks on records processed to ODUF. Any duplicate messages detected will be deleted and not sent to EPB Telecommunications.
- 4.7.1.4 In the event that EPB Telecommunications detects a duplicate on ODUF they receive from BellSouth, EPB Telecommunications will drop the duplicate message (EPB Telecommunications will not return the duplicate to BellSouth).

4.7.2 Physical File Characteristics

4.7.2.1 ODUF will be distributed to EPB Telecommunications via an agreed medium with CONNECT:Direct being the preferred transport method. The Daily Usage Feed will be a variable block format (2476) with an LRECL of 2472. The data on the Daily Usage Feed will be in a non-compacted EMI format (175 byte format plus modules). It will be created on a daily basis (Monday through Friday except holidays). Details such as dataset name and delivery schedule will be addressed during negotiations of the distribution medium. There will be a maximum of one dataset per workday per OCN.

4.7.2.2 Data circuits (private line or dial-up) may be required between BellSouth and EPB Telecommunications for the purpose of data transmission. Where a dedicated line is required, EPB Telecommunications will be responsible for ordering the circuit, overseeing its installation and coordinating the installation with BellSouth. EPB Telecommunications will also be responsible for any charges associated with this line. Equipment required on the BellSouth end to attach the line to the mainframe computer and to transmit successfully ongoing will be negotiated on a case by case basis. Where a dial-up facility is required, dial circuits will be installed in the BellSouth data center by BellSouth and the associated charges assessed to EPB Telecommunications. Additionally, all message toll charges associated with the use of the dial circuit by EPB Telecommunications will be the responsibility of EPB Telecommunications. Associated equipment on the BellSouth end, including a modem, will be negotiated on a case by case basis between the Parties. All equipment, including modems and software, that is required on EPB Telecommunications' end for the purpose of data transmission will be the responsibility of EPB Telecommunications.

4.7.3 Packing Specifications

4.7.3.1 A pack will contain a minimum of one message record or a maximum of 99,999 message records plus a pack header record and a pack trailer record. One transmission can contain a maximum of 99 packs and a minimum of one pack.

4.7.3.2 The OCN, From RAO, and Invoice Number will control the invoice sequencing. The From RAO will be used to identify to EPB Telecommunications which BellSouth RAO that is sending the message. BellSouth and EPB Telecommunications will use the invoice sequencing to control data exchange. BellSouth will be notified of sequence failures identified by EPB Telecommunications and resend the data as appropriate.

The data will be packed using ATIS EMI records.

4.7.4 Pack Rejection

4.7.4.1 EPB Telecommunications will notify BellSouth within one business day of rejected packs (via the mutually agreed medium). Packs could be rejected because of pack sequencing discrepancies or a critical edit failure on the Pack Header or Pack Trailer records (i.e. out-of-balance condition on grand totals, invalid data populated). Standard ATIS EMI Error Codes will be used. EPB Telecommunications will not be required to return the actual rejected data to BellSouth. Rejected packs will be corrected and retransmitted to EPB Telecommunications by BellSouth.

4.7.5 Control Data

4.7.5.1 EPB Telecommunications will send one confirmation record per pack that is received from BellSouth. This confirmation record will indicate EPB Telecommunications received the pack and the acceptance or rejection of the pack. Pack Status Code(s) will be populated using standard ATIS EMI error codes for packs that were rejected by EPB Telecommunications for reasons stated in the above section.

4.7.6 Testing

4.7.6.1 Upon request from EPB Telecommunications, BellSouth shall send test files to EPB Telecommunications for ODUF. The Parties agree to review and discuss the file's content and/or format. For testing of usage results, BellSouth shall request that EPB Telecommunications set up a production (LIVE) file. The live test may consist of EPB Telecommunications' employees making test calls for the types of services EPB Telecommunications requests on ODUF. These test calls are logged by EPB Telecommunications, and the logs are provided to BellSouth. These logs will be used to verify the files. Testing will be completed within 30 calendar days from the date on which the initial test file was sent.

5. Access Daily Usage File

5.1. Upon written request from EPB Telecommunications, BellSouth will provide the Access Daily Usage File (ADUF) service to EPB Telecommunications pursuant to the terms and conditions set forth in this section.

5.2 EPB Telecommunications shall furnish all relevant information required by BellSouth for the provision of ADUF.

5.3 ADUF will contain access messages associated with a port that EPB Telecommunications has purchased from BellSouth

- 5.4 Charges for delivery of ADUF will appear on EPB Telecommunications' monthly bills. The charges are as set forth in Exhibit A to this Attachment. All messages will be in the standard ATIS EMI record format.
- 5.5 Messages that error in the billing system of EPB Telecommunications will be the responsibility of EPB Telecommunications. If, however, EPB Telecommunications should encounter significant volumes of errored messages that prevent processing by EPB Telecommunications within its systems, BellSouth will work with EPB Telecommunications to determine the source of the errors and the appropriate resolution.
- 5.6 Usage To Be Transmitted
 - 5.6.1 The following messages recorded by BellSouth will be transmitted to EPB Telecommunications:
 - 5.6.1.1 Recorded originating and terminating interstate and intrastate access records associated with a port.
 - 5.6.1.2 Recorded terminating access records for undetermined jurisdiction access records associated with a port.
 - 5.6.2 When EPB Telecommunications purchases Network Element ports from BellSouth and calls are made using these ports, BellSouth will handle the calls as follows:
 - 5.6.2.1 Originating from Network Element and carried by Interexchange Carrier:
 - 5.6.2.1.1 BellSouth will bill network element to CLEC and send access record to the CLEC via ADUF.
 - 5.6.2.2 Originating from network element and carried by BellSouth (EPB Telecommunications is BellSouth's toll customer).
 - 5.6.2.3 Terminating on network element and carried by Interexchange Carrier:
 - 5.6.2.3.1 BellSouth will bill network element to EPB Telecommunications and send access record to EPB Telecommunications.
 - 5.6.2.4 Terminating on network element and carried by BellSouth:
 - 5.6.2.4.1 BellSouth will bill network element to EPB Telecommunications and send access record to EPB Telecommunications.
 - 5.6.3 BellSouth will perform duplicate record checks on records processed to ADUF. Any duplicate messages detected will be dropped and not sent to EPB Telecommunications.

5.6.4 In the event that EPB Telecommunications detects a duplicate on ADUF they receive from BellSouth, EPB Telecommunications will drop the duplicate message (EPB Telecommunications will not return the duplicate to BellSouth.)

5.6.5 Physical File Characteristics

5.6.5.1 ADUF will be distributed to EPB Telecommunications via an agreed medium with CONNECT:Direct being the preferred transport method. The Daily Usage Feed will be a fixed block format (2476) with an LRECL of 2472. The data on the Daily Usage Feed will be in a non-compacted EMI format (210 byte format plus modules). It will be created on a daily basis (Monday through Friday except holidays). Details such as dataset name and delivery schedule will be addressed during negotiations of the distribution medium. There will be a maximum of one dataset per workday per OCN.

5.6.5.2 Data circuits (private line or dial-up) may be required between BellSouth and EPB Telecommunications for the purpose of data transmission. Where a dedicated line is required, EPB Telecommunications will be responsible for ordering the circuit, overseeing its installation and coordinating the installation with BellSouth. EPB Telecommunications will also be responsible for any charges associated with this line. Equipment required on the BellSouth end to attach the line to the mainframe computer and to transmit successfully ongoing will be negotiated on a case by case basis. Where a dial-up facility is required, dial circuits will be installed in the BellSouth data center by BellSouth and the associated charges assessed to EPB Telecommunications. Additionally, all message toll charges associated with the use of the dial circuit by EPB Telecommunications will be the responsibility of EPB Telecommunications. Associated equipment on the BellSouth end, including a modem, will be negotiated on a case by case basis between the Parties. All equipment, including modems and software, that is required on EPB Telecommunications' end for the purpose of data transmission will be the responsibility of EPB Telecommunications.

5.6.6 Packing Specifications

5.6.6.1 A pack will contain a minimum of one message record or a maximum of 99,999 message records plus a pack header record and a pack trailer record. One transmission can contain a maximum of 99 packs and a minimum of one pack.

5.6.6.2 The OCN, From RAO, and Invoice Number will control the invoice sequencing. The From RAO will be used to identify to EPB Telecommunications which BellSouth RAO is sending the message. BellSouth and EPB Telecommunications will use the invoice sequencing to control data exchange. BellSouth will be notified of sequence failures identified by EPB Telecommunications and resend the data as appropriate.

The data will be packed using ATIS EMI records.

5.6.7 Pack Rejection

5.6.7.1 EPB Telecommunications will notify BellSouth within one business day of rejected packs (via the mutually agreed medium). Packs could be rejected because of pack sequencing discrepancies or a critical edit failure on the Pack Header or Pack Trailer records (i.e. out-of-balance condition on grand totals, invalid data populated). Standard ATIS EMI Error Codes will be used. EPB Telecommunications will not be required to return the actual rejected data to BellSouth. Rejected packs will be corrected and retransmitted to EPB Telecommunications by BellSouth.

5.6.8 Control Data

5.6.8.1 EPB Telecommunications will send one confirmation record per pack that is received from BellSouth. This confirmation record will indicate EPB Telecommunications received the pack and the acceptance or rejection of the pack. Pack Status Code(s) will be populated using standard ATIS EMI error codes for packs that were rejected by EPB Telecommunications for reasons stated in the above section.

5.6.9 Testing

5.6.9.1 Upon request from EPB Telecommunications, BellSouth shall send a test file of generic data to EPB Telecommunications via Connect:Direct or Text File via E-Mail. The Parties agree to review and discuss the test file's content and/or format.

BELLSOUTH/EPB TELECOMMUNICATIONS RATES
 ODUF/ADUF/CMDS

DESCRIPTION	USOC	RATES BY STATE								
		AL	FL	GA	KY	LA	MS	NC	SC	TN
ODUF/ADUF/CMDS										
ODUF: Recording, per message	N/A	\$0.0002	\$0.008	\$0.0001275	\$0.0008611	\$0.00019	\$0.0001179	\$0.0003	\$0.0002862	\$0.0000044
ODUF: Message Processing, per message	N/A	\$0.0033	\$0.004	\$0.0082548	\$0.0032357	\$0.0024	\$0.0032089	\$0.0032	\$0.0032344	\$0.0027366
ADUF: Message Processing, per message	N/A	\$0.004	\$0.004	\$0.0136327	\$0.004	\$0.004	\$0.004	\$0.004	\$0.004	\$0.004
CMDS: Message Processing, per message	N/A	\$0.004	\$0.004	\$0.004	\$0.004	\$0.004	\$0.004	\$0.004	\$0.004	\$0.004
ODUF: Message Processing, per magnetic tape provisioned	N/A	\$55.19	\$54.95	\$28.85	\$55.68	\$47.30	\$54.62	\$54.61	\$54.72	\$52.75
ODUF: Data Transmission (CONNECT:DIRECT), per message	N/A	\$0.00004	\$0.001	\$0.0000434	\$0.0000365	\$0.00003	\$0.0000354	\$0.0004	\$0.0000357	\$0.0000339
ADUF: Data Transmission (CONNECT:DIRECT), per message	N/A	\$0.001	\$0.001	\$0.0000434	\$0.001	\$0.001	\$0.001	\$0.001	\$0.001	\$0.001
CMDS: Data Transmission (CONNECT:DIRECT), per message	N/A	\$0.001	\$0.001	\$0.001	\$0.001	\$0.001	\$0.001	\$0.001	\$0.001	\$0.001
NOTES:										
If no rate is identified in the contract, the rate for the specific service or function will be as set forth in applicable BellSouth tariff or as negotiated by the Parties upon request by either Party.										

Attachment 8

Rights-of-Way, Conduits and Pole Attachments

Rights-of-Way, Conduits and Pole Attachments

BellSouth will provide nondiscriminatory access to any pole, duct, conduit, or right-of-way owned or controlled by BellSouth pursuant to 47 U.S.C. § 224, as amended by the Act, pursuant to terms and conditions of a license agreement subsequently negotiated with BellSouth's Competitive Structure Provisioning Center.

Attachment 9

Performance Measurements

Performance Measurements

Upon a particular Commission's issuance of an Order pertaining to Performance Measurements in a proceeding expressly applicable to all CLECs generally, BellSouth shall implement in that state such Performance Measurements as of the date specified by the Commission.

AGREEMENT IMPLEMENTATION TEMPLATE (Residence)
for
EPB Telecommunications
BellSouth Standard Interconnection Agreement

Agreement Effective Date: 5/16/01	Agreement Expiration Date: 5/15/03
Account Manager:	Account Manager Tel No:

Attachment Name/Number	Section Number	Version Date	Planned Activities
Terms/Conditions	1	09/29/00	
	2	09/29/00	
	3	09/29/00	
	4	09/29/00	
	5	09/29/00	
	6	09/29/00	
	7	09/29/00	
	8	09/29/00	
	9	09/29/00	
	10	09/29/00	
	11	09/29/00	
	12	09/29/00	
	13	09/29/00	
	14	09/29/00	
	15	09/29/00	
	16	09/29/00	
	17	09/29/00	
	18	09/29/00	
	19	09/29/00	
	20	09/29/00	
	21	09/29/00	
	22	09/29/00	
	23	09/29/00	
	24	09/29/00	
	25	09/29/00	
	26	09/29/00	
	27	09/29/00	

AGREEMENT IMPLEMENTATION TEMPLATE (Residence)
for
EPB Telecommunications
BellSouth Standard Interconnection Agreement

Attachment Name/Number	Section Number	Version Date	Planned Activities
	28	09/29/00	
	29	09/29/00	
	30	09/29/00	
	31	09/29/00	
	32	09/29/00	
	33	09/29/00	
1-Resale	1	09/29/00	
	2	09/29/00	
	3	09/29/00	
	4	09/29/00	
	5	09/29/00	
	6	09/29/00	
	7	09/29/00	
	8	09/29/00	
	9	09/29/00	
	10	09/29/00	
	11	09/29/00	
	12	09/29/00	
	Exhibit A	09/29/00	
	Exhibit B	09/29/00	
	Exhibit C	09/29/00	
	Exhibit D	09/29/00	
	Exhibit E	09/29/00	
	Exhibit F	09/29/00	
2-Network Elements & Oth Svs	1	09/29/00	
	2	09/29/00	
	3	09/29/00	
	4	09/29/00	
	5	09/29/00	
	6	09/29/00	

**AGREEMENT IMPLEMENTATION TEMPLATE (Residence)
for
EPB Telecommunications
BellSouth Standard Interconnection Agreement**

Attachment Name/Number	Section Number	Version Date	Planned Activities
	7	09/29/00	
	8	09/29/00	
	9	09/29/00	
	10	09/29/00	
	11	09/29/00	
	12	09/29/00	
	13	09/29/00	
	Exhibit A	09/29/00	
	Exhibit B	09/29/00	
	Exhibit C	09/29/00	
3-Local Interconnection	1	09/29/00	
	2	09/29/00	
	3	09/29/00	
	4	09/29/00	
	5	09/29/00	
	6	09/29/00	
	7	09/29/00	
	Exhibit A	09/29/00	
	Exhibit B	09/29/00	
	Exhibit C	09/29/00	
	Exhibit D	09/29/00	
	Exhibit E	09/29/00	
4-Physical Collocation	1	09/29/00	
	2	09/29/00	
	3	09/29/00	
	4	09/29/00	
	5	09/29/00	
	6	09/29/00	
	7	09/29/00	
	8	09/29/00	

**AGREEMENT IMPLEMENTATION TEMPLATE (Residence)
for
EPB Telecommunications
BellSouth Standard Interconnection Agreement**

Attachment Name/Number	Section Number	Version Date	Planned Activities
	9	09/29/00	
	10	09/29/00	
	11	09/29/00	
	12	09/29/00	
	13	09/29/00	
	14	09/29/00	
	Exhibit A	09/29/00	
	Exhibit B	09/29/00	
5-Access to Numbers/Num Portability	1	09/29/00	
	2	09/29/00	
	3	09/29/00	
	4	09/29/00	
	5	09/29/00	
	6	09/29/00	
	7	09/29/00	
	8	09/29/00	
	Exhibit A	09/29/00	
6-Pre-Ordering, Ordering/ Provisioning/Maint/Repair	1	09/29/00	
	2	09/29/00	
	3	09/29/00	
7-Billing	1	09/29/00	
	2	09/29/00	
	3	09/29/00	
	4	09/29/00	
	5	09/29/00	
	Exhibit A	09/29/00	
8-ROW/Conduits/PoleAtt	1	09/29/00	
9-Perf Measurement		09/29/00	
10-Agrmt Implementation Template		09/29/00	
11-Disaster Recovery		09/29/00	

AGREEMENT IMPLEMENTATION TEMPLATE (Business)
for
EPB Telecommunications
BellSouth Standard Interconnection Agreement

Agreement Effective Date:	Agreement Expiration Date:
Account Manager:	Account Manager Tel No:

Attachment Name	Section No.	Version Date	Planned Activities
Terms/Conditions	1	09/29/00	
	2	09/29/00	
	3	09/29/00	
	4	09/29/00	
	5	09/29/00	
	6	09/29/00	
	7	09/29/00	
	8	09/29/00	
	9	09/29/00	
	10	09/29/00	
	11	09/29/00	
	12	09/29/00	
	13	09/29/00	
	14	09/29/00	
	15	09/29/00	
	16	09/29/00	
	17	09/29/00	
	18	09/29/00	
	19	09/29/00	
	20	09/29/00	
	21	09/29/00	
	22	09/29/00	
	23	09/29/00	
	24	09/29/00	
	25	09/29/00	
	26	09/29/00	
	27	09/29/00	

AGREEMENT IMPLEMENTATION TEMPLATE (Business)
for
EPB Telecommunications
BellSouth Standard Interconnection Agreement

Attachment Name	Section No.	Version Date	Planned Activities
	28	09/29/00	
	29	09/29/00	
	30	09/29/00	
	31	09/29/00	
	32	09/29/00	
	33	09/29/00	
1-Resale	1	09/29/00	
	2	09/29/00	
	3	09/29/00	
	4	09/29/00	
	5	09/29/00	
	6	09/29/00	
	7	09/29/00	
	8	09/29/00	
	9	09/29/00	
	10	09/29/00	
	11	09/29/00	
	12	09/29/00	
	Exhibit A	09/29/00	
	Exhibit B	09/29/00	
	Exhibit C	09/29/00	
	Exhibit D	09/29/00	
	Exhibit E	09/29/00	
	Exhibit F	09/29/00	
2-Network Elements & Other Services	1	09/29/00	
	2	09/29/00	
	3	09/29/00	
	4	09/29/00	
	5	09/29/00	
	6	09/29/00	

AGREEMENT IMPLEMENTATION TEMPLATE (Business)
for
EPB Telecommunications
BellSouth Standard Interconnection Agreement

Attachment Name	Section No.	Version Date	Planned Activities
	7	09/29/00	
	8	09/29/00	
	9	09/29/00	
	10	09/29/00	
	11	09/29/00	
	12	09/29/00	
	13	09/29/00	
	Exhibit A	09/29/00	
	Exhibit B	09/29/00	
	Exhibit C	09/29/00	
3-Local Interconnection	1	09/29/00	
	2	09/29/00	
	3	09/29/00	
	4	09/29/00	
	5	09/29/00	
	6	09/29/00	
	7	09/29/00	
	Exhibit A	09/29/00	
	Exhibit B	09/29/00	
	Exhibit C	09/29/00	
	Exhibit D	09/29/00	
	Exhibit E	09/29/00	
4-Physical Collocation	1	09/29/00	
	2	09/29/00	
	3	09/29/00	
	4	09/29/00	
	5	09/29/00	
	6	09/29/00	
	7	09/29/00	
	8	09/29/00	

AGREEMENT IMPLEMENTATION TEMPLATE (Business)
for
EPB Telecommunications
BellSouth Standard Interconnection Agreement

Attachment Name	Section No.	Version Date	Planned Activities
	9	09/29/00	
	10	09/29/00	
	11	09/29/00	
	12	09/29/00	
	13	09/29/00	
	14	09/29/00	
	Exhibit A	09/29/00	
	Exhibit B	09/29/00	
5-Access to Numbers/Num Portability	1	09/29/00	
	2	09/29/00	
	3	09/29/00	
	4	09/29/00	
	5	09/29/00	
	6	09/29/00	
	7	09/29/00	
	8	09/29/00	
	Exhibit A	09/29/00	
6-Pre-Ord/Ord/Prov/Maint/ Repair	1	09/29/00	
	2	09/29/00	
	3	09/29/00	
7-Billing	1	09/29/00	
	2	09/29/00	
	3	09/29/00	
	4	09/29/00	
	5	09/29/00	
	Exhibit A	09/29/00	
8-ROW/Conduits/PoleAtt	1	09/29/00	
9-Perf Measurement		09/29/00	
10-Agmt Implementation Template		09/29/00	
11-Disaster Recovery Plan		09/29/00	

Attachment 11 BellSouth Disaster Recovery Plan

The attached BellSouth Disaster Recovery Plan is for the state of Tennessee. The BellSouth Disaster Recovery Plan for the remaining states can be accessed via the internet @ <http://www.interconnection.bellsouth.com>.

**2000
BELLSOUTH
TENNESSEE
DISASTER RECOVERY PLANNING**

For

CLECS

CONTENTS

	<u>PAGE</u>
1.0 Purpose	4
2.0 Single Point of Contact	4
3.0 Identifying the Problem	4
3.1 Site Control	5
3.2 Environmental Concerns	6
4.0 The Emergency Control Center (ECC)	6
5.0 Recovery Procedures	7
5.1 CLEC Outage	7
5.2 BellSouth Outage	7
5.2.1 Loss of Central Office	8
5.2.2 Loss of a Central Office with Serving Wire Center Functions	8
5.2.3 Loss of a Central Office with Tandem Functions	8
5.2.4 Loss of a Facility Hub	9
5.3 Combined Outage (CLEC and BellSouth Equipment)	9
6.0 T1 Identification Procedures	9
7.0 Acronyms	10

1.0 PURPOSE

In the unlikely event of a disaster occurring that affects BellSouth's long-term ability to deliver traffic to a Competitive Local Exchange Carrier (CLEC), general procedures have been developed to hasten the recovery process. Since each location is different and could be affected by an assortment of potential problems, a detailed recovery plan is impractical. However, in the process of reviewing recovery activities for specific locations, some basic procedures emerge that appear to be common in most cases.

These general procedures should apply to any disaster that affects the delivery of traffic for an extended time period. Each CLEC will be given the same consideration during an outage and service will be restored as quickly as possible.

This document will cover the basic recovery procedures that would apply to every CLEC.

2.0 SINGLE POINT OF CONTACT

When a problem is experienced, regardless of the severity, the BellSouth Network Management Center (NMC) will observe traffic anomalies and begin monitoring the situation. Controls will be appropriately applied to insure the sanity of BellSouth's network; and, in the event that a switch or facility node is lost, the NMC will attempt to circumvent the failure using available reroutes.

BellSouth's NMC will remain in control of the restoration efforts until the problem has been identified as being a long-term outage. At that time, the NMC will contact BellSouth's Emergency Control Center (ECC) and relinquish control of the recovery efforts. Even though the ECC may take charge of the situation, the NMC will continue to monitor the circumstances and restore traffic as soon as damaged network elements are revitalized.

The telephone number for the BellSouth Network Management Center in Atlanta, as published in Telcordia's National Network Management Directory, is 404-321-2516.

3.0 IDENTIFYING THE PROBLEM

During the early stages of problem detection, the NMC will be able to tell which CLECs are affected by the catastrophe. Further analysis and/or first hand observation will determine if the disaster has affected CLEC equipment only; BellSouth equipment only or a combination. The initial restoration activity will be largely determined by the equipment that is affected.

Once the nature of the disaster is determined and after verifying the cause of the problem, the NMC will initiate reroutes and/or transfers that are jointly agreed upon by the affected CLECs' Network Management Center and the BellSouth NMC. The type and percentage of controls used will depend upon available network capacity. Controls necessary to stabilize the situation will be invoked and the NMC will attempt to re-establish as much traffic as possible.

For long term outages, recovery efforts will be coordinated by the Emergency Control Center (ECC). Traffic controls will continue to be applied by the NMC until facilities are re-established. As equipment is made available for service, the ECC will instruct the NMC to begin removing the controls and allow traffic to resume.

3.1 SITE CONTROL

In the total loss of building use scenario, what likely exists will be a smoking pile of rubble. This rubble will contain many components that could be dangerous. It could also contain any personnel on the premises at the time of the disaster. For these reasons, the local fire marshal with the assistance of the police will control the site until the building is no longer a threat to surrounding properties and the companies have secured the site from the general public.

During this time, the majority owner of the building should be arranging for a demolition contractor to mobilize to the site with the primary objective of reaching the cable entrance facility for a damage assessment. The results of this assessment would then dictate immediate plans for restoration, both short term and permanent.

In a less catastrophic event, i.e., the building is still standing and the cable entrance facility is usable, the situation is more complex. The site will initially be controlled by local authorities until the threat to adjacent property has diminished. Once the site is returned to the control of the companies, the following events should occur.

An initial assessment of the main building infrastructure systems (mechanical, electrical, fire and life safety, elevators, and others) will establish building needs. Once these needs are determined, the majority owner should lead the building restoration efforts. There may be situations where the site will not be totally restored within the confines of the building. The companies must individually determine their needs and jointly assess the cost of permanent restoration to determine the overall plan of action.

Multiple restoration trailers from each company will result in the need for designated space and installation order. This layout and control is required to maximize the amount of restoration equipment that can be placed at the site, and the priority of placements.

Care must be taken in this planning to insure other restoration efforts have logistical access to the building. Major components of telephone and building equipment will need to be removed and replaced. A priority for this equipment must also be jointly established to facilitate overall site restoration. (Example: If the AC switchgear has sustained damage, this would be of the highest priority in order to regain power, lighting, and HVAC throughout the building.)

If the site will not accommodate the required restoration equipment, the companies would then need to quickly arrange with local authorities for street closures, rights of way or other possible options available.

3.2 ENVIRONMENTAL CONCERNS

In the worse case scenario, many environmental concerns must be addressed. Along with the police and fire marshal, the state environmental protection department will be on site to monitor the situation.

Items to be concerned with in a large central office building could include:

1. Emergency engine fuel supply. Damage to the standby equipment and the fuel handling equipment could have created "spill" conditions that have to be handled within state and federal regulations.
2. Asbestos containing materials that may be spread throughout the wreckage. Asbestos could be in many components of building, electrical, mechanical, outside plant distribution, and telephone systems.
3. Lead and acid. These materials could be present in potentially large quantities depending upon the extent of damage to the power room.
4. Mercury and other regulated compounds resident in telephone equipment.
5. Other compounds produced by the fire or heat.

Once a total loss event occurs at a large site, local authorities will control immediate clean up (water placed on the wreckage by the fire department) and site access.

At some point, the companies will become involved with local authorities in the overall planning associated with site clean up and restoration. Depending on the clean up approach taken, delays in the restoration of several hours to several days may occur.

In a less severe disaster, items listed above are more defined and can be addressed individually depending on the damage.

In each case, the majority owner should coordinate building and environmental restoration as well as maintain proper planning and site control.

4.0 THE EMERGENCY CONTROL CENTER (ECC)

The ECC is located in the Colonnade Building in Birmingham, Alabama. During an emergency, the ECC staff will convene a group of pre-selected experts to inventory the damage and initiate corrective actions. These experts have regional access to BellSouth's personnel and equipment and will assume control of the restoration activity anywhere in the nine-state area.

In the past, the ECC has been involve with restoration activities resulting from hurricanes, ice storms and floods. They have demonstrated their capabilities during these calamities as well as

during outages caused by human error or equipment failures. This group has an excellent record of restoring service as quickly as possible.

During a major disaster, the ECC may move emergency equipment to the affected location, direct recovery efforts of local personnel and coordinate service restoration activities with the CLECs. The ECC will attempt to restore service as quickly as possible using whatever means is available; leaving permanent solutions, such as the replacement of damaged buildings or equipment, for local personnel to administer.

Part of the ECC's responsibility, after temporary equipment is in place, is to support the NMC efforts to return service to the CLECs. Once service has been restored, the ECC will return control of the network to normal operational organizations. Any long-term changes required after service is restored will be made in an orderly fashion and will be conducted as normal activity.

5.0 RECOVERY PROCEDURES

The nature and severity of any disaster will influence the recovery procedures. One crucial factor in determining how BellSouth will proceed with restoration is whether or not BellSouth's equipment is incapacitated. Regardless of who's equipment is out of service, BellSouth will move as quickly as possible to aid with service recovery; however, the approach that will be taken may differ depending upon the location of the problem.

5.1 CLEC OUTAGE

For a problem limited to one CLEC (or a building with multiple CLECs), BellSouth has several options available for restoring service quickly. For those CLECs that have agreements with other CLECs, BellSouth can immediately start directing traffic to a provisional CLEC for completion. This alternative is dependent upon BellSouth having concurrence from the affected CLECs.

Whether or not the affected CLECs have requested a traffic transfer to another CLEC will not impact BellSouth's resolve to re-establish traffic to the original destination as quickly as possible.

5.2 BELLSOUTH OUTAGE

Because BellSouth's equipment has varying degrees of impact on the service provided to the CLECs, restoring service from damaged BellSouth equipment is different. The outage will probably impact a number of Carriers simultaneously. However, the ECC will be able to initiate immediate actions to correct the problem.

A disaster involving any of BellSouth's equipment locations could impact the CLECs, some more than others. A disaster at a Central Office (CO) would only impact the delivery of traffic to and from that one location, but the incident could affect many Carriers. If the Central Office is a Serving Wire Center (SWC), then traffic from the entire area to those Carriers served from that switch would also be impacted. If the switch functions as an Access Tandem, or there is a tandem in the building, traffic from every CO to every CLEC could be interrupted. A disaster that destroys a facility hub could disrupt various traffic flows, even though the switching equipment may be unaffected.

The NMC would be the first group to observe a problem involving BellSouth's equipment. Shortly after a disaster, the NMC will begin applying controls and finding re-routes for the

completion of as much traffic as possible. These reroutes may involve delivering traffic to alternate Carriers upon receiving approval from the CLECs involved. In some cases, changes in translations will be required. If the outage is caused by the destruction of equipment, then the ECC will assume control of the restoration.

5.2.1 Loss of a Central Office

When BellSouth loses a Central Office, the ECC will

- a) Place specialists and emergency equipment on notice;
- b) Inventory the damage to determine what equipment and/or functions are lost;
- c) Move containerized emergency equipment and facility equipment to the stricken area, if necessary;
- d) Begin reconnecting service for Hospitals, Police and other emergency agencies; and
- e) Begin restoring service to CLECs and other customers.

5.2.2 Loss of a Central Office with Serving Wire Center Functions

The loss of a Central Office that also serves as a Serving Wire Center (SWC) will be restored as described in section 5.2.1.

5.2.3 Loss of a Central Office with Tandem Functions

When BellSouth loses a Central Office building that serves as an Access Tandem and as a SWC, the ECC will

- a) Place specialists and emergency equipment on notice;
- b) Inventory the damage to determine what equipment and/or functions are lost;
- c) Move containerized emergency equipment and facility equipment to the stricken area, if necessary;
- d) Begin reconnecting service for Hospitals, Police and other emergency agencies;
- e) Re-direct as much traffic as possible to the alternate access tandem (if available) for delivery to those CLECs utilizing a different location as a SWC;
- f) Begin aggregating traffic to a location near the damaged building. From this location, begin re-establishing trunk groups to the CLECs for the delivery of traffic normally found on the direct trunk groups. (This aggregation point may be the alternate access tandem location or another CO on a primary facility route.)
- g) Begin restoring service to CLECs and other customers.

5.2.4 Loss of a Facility Hub

In the event that BellSouth loses a facility hub, the recovery process is much the same as above. Once the NMC has observed the problem and administered the appropriate controls, the ECC will assume authority for the repairs. The recovery effort will include

- a) Placing specialists and emergency equipment on notice;
- b) Inventorying the damage to determine what equipment and/or functions are lost;
- c) Moving containerized emergency equipment to the stricken area, if necessary;
- d) Reconnecting service for Hospitals, Police and other emergency agencies; and
- e) Restoring service to CLECs and other customers. If necessary, BellSouth will aggregate the traffic at another location and build temporary facilities. This alternative would be viable for a location that is destroyed and building repairs are required.

5.3 COMBINED OUTAGE (CLEC AND BELLSOUTH EQUIPMENT)

In some instances, a disaster may impact BellSouth's equipment as well as the CLECs'. This situation will be handled in much the same way as described in section 5.2.3. Since BellSouth and the CLECs will be utilizing temporary equipment, close coordination will be required.

6.0 T1 IDENTIFICATION PROCEDURES

During the restoration of service after a disaster, BellSouth may be forced to aggregate traffic for delivery to a CLEC. During this process, T1 traffic may be consolidated onto DS3s and may become unidentifiable to the Carrier. Because resources will be limited, BellSouth may be forced to "package" this traffic entirely differently than normally received by the CLECs. Therefore, a method for identifying the T1 traffic on the DS3s and providing the information to the Carriers is required.

7.0 ACRONYMS

- CO - Central Office (BellSouth)
- DS3 - Facility that carries 28 T1s (672 circuits)
- ECC - Emergency Control Center (BellSouth)
- CLEC - Competitive Local Exchange Carrier
- NMC - Network Management Center
- SWC - Serving Wire Center (BellSouth switch)
- T1 - Facility that carries 24 circuits

Hurricane Information

During a hurricane, BellSouth will make every effort to keep CLECs updated on the status of our network. Information centers will be set up throughout BellSouth Telecommunications. These centers are not intended to be used for escalations, but rather to keep the CLEC informed of network related issues, area damages and dispatch conditions, etc.

Hurricane-related information can also be found on line at http://www.interconnection.bellsouth.com/network/disaster/dis_resp.htm. Information concerning Mechanized Disaster Reports can also be found at this website by clicking on CURRENT MDR REPORTS or by going directly to <http://www.interconnection.bellsouth.com/network/disaster/mdrs.htm>.

BST Disaster Management Plan

BellSouth maintenance centers have geographical and redundant communication capabilities. In the event of a disaster removing any maintenance center from service another geographical center would assume maintenance responsibilities. The contact numbers will not change and the transfer will be transparent to the CLEC.

Attachment 12

Bona Fide Request and New Business Requests Process

BONA FIDE REQUEST AND NEW BUSINESS REQUESTS PROCESS

- 1.0 The Parties agree that EPB Telecommunications is entitled to order any Network Element, Interconnection option, service option or Resale Service required to be made available by the Communications Act of 1934, as modified by the Telecommunications Act of 1996 (the "Act"), FCC requirements or State Commission requirements. EPB Telecommunications also shall be permitted to request the development of new or revised facilities or service options which are not required by the Act. Procedures applicable to requesting the addition of such facilities or service options are specified in this Attachment 12.
- 2.0 Bona Fide Requests ("BFR") are to be used when EPB Telecommunications makes a request of BellSouth to provide a new or modified network element, interconnection option, or other service option pursuant to the Act that was not previously included in the Agreement. New Business Requests ("NBRs") are to be used when EPB Telecommunications makes a request of BellSouth to provide a new or custom capability or function to meet EPB Telecommunications' business needs that was not previously included in the Agreement. The BFR/NBR process is intended to facilitate the two-way exchange of information between EPB Telecommunications and BellSouth, necessary for accurate processing of requests in a consistent and timely fashion.
- 3.0 A BFR shall be submitted in writing by EPB Telecommunications and shall specifically identify the required service date, technical requirements, space requirements and/or such specifications that clearly define the request such that BellSouth has sufficient information to analyze and prepare a response. Such a request also shall include a EPB Telecommunications' designation of the request as being (i) pursuant to the Telecommunications Act of 1996 (i.e. a "BFR") or (ii) pursuant to the needs of the business (i.e. a "NBR"). The request shall be sent to EPB Telecommunications' Account Executive.
- 4.0 EPB Telecommunications may cancel a BFR or NBR at any time. If EPB Telecommunications cancels the request more than three (3) business days after submitting it, EPB Telecommunications shall pay BellSouth's reasonable and demonstrable costs of processing and/or implementing the BFR or NBR up to the date of cancellation. If EPB Telecommunications does not cancel a BFR or NBR, EPB Telecommunications shall pay BellSouth's reasonable and demonstrable costs of processing and implementing the request.
- 5.0 Within twenty-five (25) business days of its receipt of a BFR or NBR from EPB Telecommunications, BellSouth shall respond to EPB Telecommunications by providing a preliminary analysis of such Interconnection, Network Element, or other facility or service option that

is the subject of the BFR or NBR. The preliminary analysis shall confirm that BellSouth will either offer access to the Interconnection, Network Element, or other facility or service option, or provide an explanation of why it is not technically feasible and/or why the request does not qualify as an Interconnection, Network Element, or is not otherwise required to be provided under the Act.

- 6.0 If BellSouth determines that the Interconnection, Network Element, or other facility or service option that is the subject of the BFR is technically feasible, BellSouth shall propose a firm price and a detailed implementation plan within fifty (50) business days after receipt of the BFR. BellSouth may, but shall not be required to, provide a firm time and cost proposal for a NBR.
- 7.0 Within thirty (30) business days after its receipt of (i) a refusal of BellSouth to provide a BFR or NBR price quote, or (ii) the BFR or NBR price quote and implementation plan from BellSouth, EPB Telecommunications must either confirm or cancel its order for such facility or service option. If it believes such quote is not consistent with the requirements of the Act, EPB Telecommunications may at that time seek FCC or state Commission arbitration of its request, as appropriate. Any such arbitration applicable to Network Elements and/or Interconnection shall be conducted in accordance with standards prescribed in Section 252 of the Act.
- 8.0 Unless EPB Telecommunications agrees otherwise, all prices shall be consistent with the pricing principles of the Act, FCC and/or the State Commission.
- 9.0 If either Party to a BFR or NBR believes that the other Party is not requesting, negotiating, or processing the Bona Fide Request in good faith, or disputes a determination, or price or cost quote, such Party may seek FCC or state Commission resolution of the dispute, as appropriate.
- 10.0 Upon agreement to the terms of a BFR or NBR, an amendment to the Agreement may be required.

AMENDMENT TO
INTERCONNECTION AGREEMENT BETWEEN
BELLSOUTH TELECOMMUNICATIONS, INC.
AND
ELECTRIC POWER BOARD OF CHATTANOOGA
DATED MAY 11, 2001

This Agreement (the "Amendment") is made and entered into between BellSouth Telecommunications, Inc. ("BellSouth") a Georgia corporation, and Electric Power Board of Chattanooga ("EPB Telecommunications"), an independent board of the City of Chattanooga, a Tennessee municipal corporation, and shall be deemed effective as of the date of the last signature of both Parties ("Effective Date").

WHEREAS, The Parties desire to amend that certain Interconnection Agreement between BellSouth and EPB Telecommunications dated May 11, 2001 (the "Interconnection Agreement");

NOW THEREFORE, in consideration of the mutual provisions contained herein and other good and valuable consideration, the receipt and sufficiency of which are hereby acknowledged, BellSouth and EPB Telecommunications hereby covenant and agree as follows:

1. The Parties agree to include the following Sections in Attachment 2 of the Agreement.
 - 4.1.3.2.1 Unbundled Local Switching, together with Common Transport and, if necessary, Tandem Switching, provides to EPB Telecommunications local subscribers local calling and the ability to presubscribe to a primary carrier for intraLATA toll service and a primary carrier for interLATA toll service.
 - 4.1.3.2.2 Provided that EPB Telecommunications purchases unbundled local switching from BellSouth and uses the BellSouth CIC for its end users' LPIC or if a BellSouth local end user selects BellSouth as its LPIC, then the Parties will consider as local any calls originated by an EPB Telecommunications local end user, or originated by a BellSouth local end user and terminated to an EPB Telecommunications local end user, where such calls originate and terminate in the same LATA, except for those calls originated and terminated through switched access arrangements (i.e., calls that are transported by a party other than BellSouth). For such calls, BellSouth will charge EPB Telecommunications the UNE elements for the BellSouth facilities utilized. Neither Party shall bill the other originating or terminating switched access charges for such calls. Intercarrier compensation for local calls between BellSouth and EPB

Telecommunications shall be as described in BellSouth's UNE Local Call Flows set forth on BellSouth's web site.

- 4.1.3.2.3 Where EPB Telecommunications purchases unbundled local switching from BellSouth but does not use the BellSouth CIC for its end users' LPIC, BellSouth will consider as local those direct dialed telephone calls that originate from an EPB Telecommunications end user and terminate within the basic local calling area or within the extended local calling areas and that are dialed using 7 or 10 digits as defined and specified in Section A3 of BellSouth's General Subscriber Services Tariffs. For such local calls, BellSouth will charge EPB Telecommunications the UNE elements for the BellSouth facilities utilized. Intercarrier compensation for local calls between BellSouth and EPB Telecommunications shall be as described in BellSouth's UNE Local Call Flows set forth on BellSouth's web site.
- 4.1.3.2.4 For any calls that originate and terminate through switched access arrangements (i.e., calls that are transported by a party other than BellSouth), BellSouth shall bill EPB Telecommunications the UNE elements for the BellSouth facilities utilized. Each Party may bill the toll provider originating or terminating switched access charges, as appropriate.
- 4.1.3.2.5 Reverse billed toll calls, such as intraLATA 800 calls, calling card calls and third party billed calls, where BellSouth is the carrier shall also be considered as local calls and EPB Telecommunications shall not bill BellSouth originating or terminating switched access for such calls.
- 4.1.3.2.6 BellSouth shall assess retroactive charges for UNE transport and switching associated with using the BellSouth LPIC if a CLEC has been able to previously select BellSouth as the end user LPIC prior to the option allowing the selection of a BellSouth provided LATA-wide local calling area being offered.

5. The Parties agree that all of the other provisions of the Interconnection Agreement, dated May 11, 2001 shall remain in full force and effect.

6. Either or both of the Parties is authorized to submit this Amendment to the respective state regulatory authorities for approval subject to Section 252(e) of the Federal Telecommunications Act of 1996.

IN WITNESS WHEREOF, the parties hereto have caused this Amendment to be executed by their respective duly authorized representatives on the data indicated below.

BellSouth Telecommunications, Inc.

EPB Telecommunications

Signature

Signature

Name

Name

Title

Title

Date

Date

**Amendment to the Interconnection Agreement
By and Between BellSouth Telecommunications, Inc.
And Electric Power Board of Chattanooga
Dated May 16, 2001**

This Agreement refers to the Interconnection Agreement (“the Agreement”) entered into by Electric Power Board of Chattanooga (“EPB Telecommunications”) and BellSouth Telecommunications, Inc. (“BellSouth”) on May 16, 2001. This Amendment (“Amendment”) is made by and between EPB Telecommunications and BellSouth and shall be deemed effective as of July 31, 2001.

NOW THEREFORE, in consideration of the mutual provisions contained herein and other good and valuable consideration, the receipt and sufficiency of which are hereby acknowledged, EPB Telecommunications and BellSouth (individually, a “Party” and collectively, the “Parties”) hereby covenant and agree as follows:

1. The Parties hereby mutually agree to delete in its entirety Section 5 of Attachment 2 of the Agreement and replace it with the new Section 5 below:

- 5. Unbundled Network Element Combinations
 - 5.1. Unbundled Network Element Combinations shall include: 1) Enhanced Extended Links (EELs); 2) UNE Loops/Special Access Combinations; 3) Loop/Port Combinations; and 4) Transport Combinations.
 - 5.2. For purposes of this Section, references to “Currently Combined” network elements shall mean that such network elements are in fact already combined by BellSouth in the BellSouth network to provide service to a particular end user at a particular location.
 - 5.2.1 Pursuant to the Authority’s orders in Docket No. 97-01262 and Docket No. 99-00430, BellSouth shall provide to EPB Telecommunications in Tennessee UNE combinations in accordance with the terms of this Agreement regardless of whether such combinations are Currently Combined. Neither Party waives any rights to appeal or otherwise challenge the Authority’s directive that BellSouth provide these UNE combinations.
 - 5.3. Enhanced Extended Links (EELs)
 - 5.3.1 Where facilities permit and where necessary to comply with an effective FCC and/or State Commission order, or as otherwise mutually agreed by the Parties, BellSouth shall offer access to loop and transport combinations, also known as the Enhanced Extended Link (“EEL”) as defined in Section 5.3.2 below.
 - 5.3.2 Subject to Section 5.3.3 below, BellSouth will provide access to the EEL in the combinations set forth in Section 5.3.4 following. EPB Telecommunications shall provide to BellSouth a letter certifying that EPB Telecommunications is providing a significant amount of local exchange service (as described in this Sections 5.3.7) over such combinations. This offering is intended to provide connectivity from an end user’s location through that end user’s SWC to EPB Telecommunications' POP serving wire center. The circuit must be connected to EPB Telecommunications' switch for the purpose of provisioning telephone exchange service to EPB Telecommunications' end-user customers. The EEL will be connected to EPB Telecommunications' facilities in EPB

Telecommunications' collocation space at the POP SWC, or EPB Telecommunications may purchase BellSouth's access facilities between EPB Telecommunications' POP and EPB Telecommunications' collocation space at the POP SWC.

- 5.3.3 BellSouth shall provide EEL combinations to EPB Telecommunications in Georgia and Tennessee regardless of whether or not such EELs are Currently Combined. In all other states, BellSouth shall make available to EPB Telecommunications those EEL combinations described in Section 5.3.4 below only to the extent such combinations are Currently Combined. Furthermore, BellSouth will make available EEL combinations to EPB Telecommunications in density Zone 1, as defined in 47 CFR 69.123 as of January 1, 1999, in the Atlanta, GA; Miami, FL; Orlando, FL; Ft. Lauderdale, FL; Charlotte-Gastonia-Rock Hill, NC; Greensboro-Winston Salem-High Point, NC; Nashville, TN; and New Orleans, LA, MSAs regardless of whether or not such EELs are Currently Combined. Except as stated above, EELs will be provided to EPB Telecommunications only to the extent such network elements are Currently Combined.
- 5.3.4 EEL Combinations
 - 5.3.4.1 DS1 Interoffice Channel + DS1 Channelization + 2-wire VG Local Loop
 - 5.3.4.2 DS1 Interoffice Channel + DS1 Channelization + 4-wire VG Local Loop
 - 5.3.4.3 DS1 Interoffice Channel + DS1 Channelization + 2-wire ISDN Local Loop
 - 5.3.4.4 DS1 Interoffice Channel + DS1 Channelization + 4-wire 56 kbps Local Loop
 - 5.3.4.5 DS1 Interoffice Channel + DS1 Channelization + 4-wire 64 kbps Local Loop
 - 5.3.4.6 DS1 Interoffice Channel + DS1 Local Loop
 - 5.3.4.7 DS3 Interoffice Channel + DS3 Local Loop
 - 5.3.4.8 STS-1 Interoffice Channel + STS-1 Local Loop
 - 5.3.4.9 DS3 Interoffice Channel + DS3 Channelization + DS1 Local Loop
 - 5.3.4.10 STS-1 Interoffice Channel + DS3 Channelization + DS1 Local Loop
 - 5.3.4.11 2-wire VG Interoffice Channel + 2-wire VG Local Loop
 - 5.3.4.12 4-wire VG Interoffice Channel + 4-wire VG Local Loop
 - 5.3.4.13 4-wire 56 kbps Interoffice Channel + 4-wire 56 kbps Local Loop
 - 5.3.4.14 4-wire 64 kbps Interoffice Channel + 4-wire 64 kbps Local Loop
- 5.3.5 EEL combinations for DS1 level and above will be available only when EPB Telecommunications provides and handles at least one third of the end user's local traffic over the facility provided. In addition, on the DS1 loop portion of the combination, at least fifty (50) percent of the activated channels must have

at least five (5) percent local voice traffic individually and, for the entire DS1 facility, at least ten (10) percent of the traffic must be local voice traffic.

- 5.3.6 When combinations of loop and transport network elements include multiplexing, each of the individual DS1 circuits must meet the above criteria.
- 5.3.7 Special Access Service Conversions
 - 5.3.7.1 EPB Telecommunications may not convert special access services to combinations of loop and transport network elements, whether or not EPB Telecommunications self-provides its entrance facilities (or obtains entrance facilities from a third party), unless EPB Telecommunications uses the combination to provide a significant amount of local exchange service, in addition to exchange access service, to a particular customer. To the extent EPB Telecommunications requests to convert any special access services to combinations of loop and transport network elements at UNE prices, EPB Telecommunications shall provide to BellSouth a letter certifying that EPB Telecommunications is providing a significant amount of local exchange service (as described in this Section) over such combinations. The certification letter shall also indicate under what local usage option EPB Telecommunications seeks to qualify for conversion of special access circuits. EPB Telecommunications shall be deemed to be providing a significant amount of local exchange service over such combinations if one of the following options is met:
 - 5.3.7.1.1 EPB Telecommunications certifies that it is the exclusive provider of an end user's local exchange service. The loop-transport combinations must terminate at EPB Telecommunications' collocation arrangement in at least one BellSouth central office. This option does not allow loop-transport combinations to be connected to BellSouth's tariffed services. Under this option, EPB Telecommunications is the end user's only local service provider, and thus, is providing more than a significant amount of local exchange service. EPB Telecommunications can then use the loop-transport combinations that serve the end user to carry any type of traffic, including using them to carry 100 percent interstate access traffic; or
 - 5.3.7.1.2 EPB Telecommunications certifies that it provides local exchange and exchange access service to the end user customer's premises and handles at least one third of the end user customer's local traffic measured as a percent of total end user customer local dialtone lines; and for DS1 circuits and above, at least 50 percent of the activated channels on the loop portion of the loop-transport combination have at least 5 percent local voice traffic individually, and the entire loop facility has at least 10 percent local voice traffic. When a loop-transport combination includes multiplexing, each of the individual DS1 circuits must meet this criteria. The loop-transport combination must terminate at EPB Telecommunications' collocation arrangement in at least one BellSouth central office. This option does not allow loop-transport combinations to be connected to BellSouth tariffed services; or
 - 5.3.7.1.3 EPB Telecommunications certifies that at least 50 percent of the activated channels on a circuit are used to provide originating and terminating local dialtone service and at least 50 percent of the traffic on each of these local dialtone channels is local voice traffic, and that the entire loop facility has at

least 33 percent local voice traffic. When a loop-transport combination includes multiplexing, each of the individual DS1 circuits must meet this criteria. This option does not allow loop-transport combinations to be connected to BellSouth's tariffed services. Under this option, collocation is not required. EPB Telecommunications does not need to provide a defined portion of the end user's local service, but the active channels on any loop-transport combination, and the entire facility, must carry the amount of local exchange traffic specified in this option.

- 5.3.7.2 In addition, there may be extraordinary circumstances where EPB Telecommunications is providing a significant amount of local exchange service, but does not qualify under any of the three options set forth in Section 5.3.7.1. In such case, EPB Telecommunications may petition the FCC for a waiver of the local usage options set forth in the June 2, 2000 Order. If a waiver is granted, then upon EPB Telecommunications' request the Parties shall amend this Agreement to the extent necessary to incorporate the terms of such waiver for such extraordinary circumstance.
- 5.3.7.3 BellSouth may at its sole discretion audit EPB Telecommunications records in order to verify the type of traffic being transmitted over combinations of loop and transport network elements. The audit shall be conducted by a third party independent auditor, and EPB Telecommunications shall be given thirty days written notice of scheduled audit. Such audit shall occur no more than one time in a calendar year, unless results of an audit find noncompliance with the significant amount of local exchange service requirement. In the event of noncompliance, EPB Telecommunications shall reimburse BellSouth for the cost of the audit. If, based on its audits, BellSouth concludes that EPB Telecommunications is not providing a significant amount of local exchange traffic over the combinations of loop and transport network elements, BellSouth may file a complaint with the appropriate Commission, pursuant to the dispute resolution process as set forth in the Interconnection Agreement. In the event that BellSouth prevails, BellSouth may convert such combinations of loop and transport network elements to special access services and may seek appropriate retroactive reimbursement from EPB Telecommunications.
- 5.3.7.4 EPB Telecommunications may convert special access circuits to combinations of loop and transport UNEs pursuant to the terms of this Section and subject to the termination provisions in the applicable special access tariffs, if any.
- 5.3.8 Rates
 - 5.3.8.1 Georgia
 - 5.3.8.1.3 The non-recurring and recurring rates for the EEL Combinations of network elements set forth in 5.3.4, whether Currently Combined or new, are as set forth in Exhibit C of this Attachment.
 - 5.3.8.1.4 On an interim basis, for combinations of loop and transport network elements not set forth in Section 5.3.4, where the elements are not Currently Combined but are ordinarily combined in BellSouth's network, the non-recurring and recurring charges for such UNE combinations shall be the sum of the stand-alone non-recurring and recurring charges of the network elements which make up the combination. These interim rates shall be subject to true-up based on

the Commission's review of BellSouth's cost studies.

- 5.3.8.1.5. To the extent that EPB Telecommunications seeks to obtain other combinations of network elements that BellSouth ordinarily combines in its network which have not been specifically priced by the Commission when purchased in combined form, EPB Telecommunications, at its option, can request that such rates be determined pursuant to the BFR/NBR process set forth in this Agreement.
- 5.3.8.2 Tennessee
 - 5.3.8.2.1 The non-recurring and recurring rates for the EEL Combinations of network elements set forth in 5.3.4 whether Currently Combined or new, are as set forth in Exhibit C of this Attachment.
 - 5.3.8.2.2 Where the elements are not Currently Combined but are ordinarily combined in BellSouth's network, the non-recurring and recurring charges for such UNE combinations shall be the sum of the stand-alone non-recurring and recurring charges of the network elements which make up the combination.
 - 5.3.8.2.3 To the extent that EPB Telecommunications seeks to obtain other combinations of network elements that BellSouth ordinarily combines in its network which have not been specifically priced by the Commission when purchased in combined form, EPB Telecommunications, at its option, can request that such rates be determined pursuant to the Bona Fide Request/New Business Request (NBR) process set forth in this Agreement.
- 5.3.8.3 All Other States
 - 5.3.8.3.1 Subject to Section 5.3.2 and 5.3.3 preceding, for all other states, the non-recurring and recurring rates for the Currently Combined EEL combinations set forth in Section 5.3.4 and other Currently Combined network elements will be the sum of the recurring rates for the individual network elements plus a non recurring charge set forth in Exhibit C of this Attachment.
- 5.3.8.4 Multiplexing
 - 5.3.8.4.1 Where multiplexing functionality is required in connection with loop and transport combinations, such multiplexing will be provided at the rates and on the terms set forth in this Agreement.
- 5.4 Other Network Element Combinations
 - 5.4.1 In the states of Georgia and Tennessee, BellSouth shall make available to EPB Telecommunications, in accordance with Section 5.4.2.1 below: (1) combinations of network elements other than EELs that are Currently Combined; and (2) combinations of network elements other than EELs that are not Currently Combined but that BellSouth ordinarily combines in its network. In all other states, BellSouth shall make available to EPB Telecommunications, in accordance with Section 5.4.2.2 below, combinations of network elements other than EELs only to the extent such combinations are Currently Combined.
 - 5.4.2 Rates

- 5.4.2.1 Georgia
 - 5.4.2.1.1 The non-recurring and recurring rates for Other Network Element combinations, whether Currently Combined or new, are as set forth in Exhibit C of this Attachment.
 - 5.4.2.1.2 On an interim basis, for Other Network Element combinations where the elements are not Currently Combined but are ordinarily combined in BellSouth's network, the non-recurring and recurring charges for such UNE combinations shall be the sum of the stand-alone non-recurring and recurring charges of the network elements which make up the combination. These interim rates shall be subject to true-up based on the Commission's review of BellSouth's cost studies.
 - 5.4.2.1.3 To the extent that EPB Telecommunications seeks to obtain other combinations of network elements that BellSouth ordinarily combines in its network which have not been specifically priced by the Commission when purchased in combined form, EPB Telecommunications, at its option, can request that such rates be determined pursuant to the BFR/NBR process set forth in this Agreement.
- 5.4.2.2 Tennessee
 - 5.4.2.2.1 The non-recurring and recurring rates for the Other Network Element combinations set forth in 5.3.4 whether Currently Combined or new, are as set forth in Exhibit C to this Attachment.
 - 5.4.2.2.2 Where the elements are not Currently Combined but are ordinarily combined in BellSouth's network, the non-recurring and recurring charges for such UNE combinations shall be the sum of the stand-alone non-recurring and recurring charges of the network elements which make up the combination.
 - 5.4.2.2.3 To the extent that EPB Telecommunications seeks to obtain other combinations of network elements that BellSouth ordinarily combines in its network which have not been specifically priced by the Commission when purchased in combined form, EPB Telecommunications, at its option, can request that such rates be determined pursuant to the Bona Fide Request/New Business Request (NBR) process set forth in this Agreement.
- 5.4.2.2 All Other States
 - 5.4.2.2.1 For all other states, the non-recurring and recurring rates for the Other Network Element Combinations that are Currently Combined will be the sum of the recurring rates for the individual network elements plus a non recurring charge set forth in Exhibit C of this Attachment.
- 5.5 UNE/Special Access Combinations
 - 5.5.1 Additionally, BellSouth shall make available to EPB Telecommunications a combination of an unbundled loop and tariffed special access interoffice facilities. To the extent EPB Telecommunications will require multiplexing functionality in connection with such combination, BellSouth will provide access to multiplexing within the central office pursuant to the terms,

conditions and rates set forth in its Access Services Tariffs. The tariffed special access interoffice facilities and any associated tariffed services, including but not limited to multiplexing, shall not be eligible for conversion to UNEs as described in Section 5.3.7.

5.5.2 Rates

5.5.2.1 The non-recurring and recurring rates for UNE/Special Access Combinations will be the sum of the unbundled loop rates as set forth in Exhibit C and the interoffice transport rates and multiplexing rates as set forth in the Access Services Tariff.

5.6 Port/Loop Combinations

5.6.1 At EPB Telecommunications' request, BellSouth shall provide access to combinations of port and loop network elements, as set forth in Section 5.6.3 below, that are Currently Combined in BellSouth's network except as specified in Sections 5.6.1.1 and 5.6.1.2 below.

5.6.1.1 BellSouth shall not provide combinations of port and loop network elements on an unbundled basis in locations where, pursuant to FCC rules, BellSouth is not required to provide circuit switching as an unbundled network element.

5.6.1.2 In accordance with effective and applicable FCC rules, BellSouth shall not be required to provide circuit switching as an unbundled network element in density Zone 1, as defined in 47 CFR 69.123 as of January 1, 1999 of the Atlanta, GA; Miami, FL; Orlando, FL; Ft. Lauderdale, FL; Charlotte-Gastonia-Rock Hill, NC; Greensboro-Winston Salem-High Point, NC; Nashville, TN; and New Orleans, LA, MSAs to EPB Telecommunications if EPB Telecommunications' customer has 4 or more DS0 equivalent lines.

5.6.2 Combinations of port and loop network elements provide local exchange service for the origination or termination of calls. BellSouth shall make available the following loop and port combinations at the terms and at the rates set forth below:

5.6.2.1 In Georgia and Tennessee, BellSouth shall provide to EPB Telecommunications combinations of port and loop network elements to EPB Telecommunications on an unbundled basis regardless of whether or not such combinations are Currently Combined except in those locations where BellSouth is not required to provide circuit switching, as set forth in Section 5.6.1.2 above. The rates for such combinations shall be the cost based rates set forth in Exhibit C of this Attachment.

5.6.2.2 In all other states, BellSouth shall provide to EPB Telecommunications combinations of port and loop network elements on an unbundled basis if such combinations are Currently Combined, except in those locations where BellSouth is not required to provide unbundled circuit switching, as set forth in Sections 5.6.1.1 and 5.6.1.2 above. The rates for such combinations shall be the cost based rates set forth in Exhibit C of this Attachment.

- 5.6.2.3 In all states other than Georgia and Tennessee, except in those locations where BellSouth is not required to provide unbundled circuit switching, as set forth in Sections 5.6.1.1 and 5.6.1.2, BellSouth shall provide to EPB Telecommunications combinations of port and loop network elements that are not Currently Combined. The rates for such combinations shall be negotiated by the Parties.
- 5.6.2.4 In those locations where BellSouth is not required to provide unbundled circuit switching, as set forth in Sections 5.6.1.1 and 5.6.1.2, BellSouth shall provide to EPB Telecommunications combinations of port and loop network elements whether or not such combinations are Currently Combined. The rates for Currently Combined combinations are the market based rates as set forth in Exhibit C. The rates for not Currently Combined combinations shall be negotiated by the Parties.
- 5.6.3 Combination Offerings
 - 5.6.3.1 2-wire voice grade port, voice grade loop, unbundled end office switching, unbundled end office trunk port, common transport per mile per MOU, common transport facilities termination, tandem switching, and tandem trunk port.
 - 5.6.3.2 2-wire voice grade DID port, voice grade loop, unbundled end office switching, unbundled end office trunk port, common transport per mile per MOU, common transport facilities termination, tandem switching, and tandem trunk port.
 - 5.6.3.3 2-wire CENTREX port, voice grade loop, unbundled end office switching, unbundled end office trunk port, common transport per mile per MOU, common transport facilities termination, tandem switching, and tandem trunk port.
 - 5.6.3.4 2-wire ISDN Basic Rate Interface, voice grade loop, unbundled end office switching, unbundled end office trunk port, common transport per mile per MOU, common transport facilities termination, tandem switching, and tandem trunk port.
 - 5.6.3.5 4-wire ISDN Primary Rate Interface, DS1 loop, unbundled end office switching, unbundled end office trunk port, common transport per mile per MOU, common transport facilities termination, tandem switching, and tandem trunk port.
 - 5.6.3.6 4-wire DS1 Trunk port, DS1 Loop, unbundled end office switching, unbundled end office trunk port, common transport per mile per MOU, common transport facilities termination, tandem switching, and tandem trunk port.
- 5.7 Rates
 - 5.7.1 The prices that EPB Telecommunications shall pay to BellSouth for Network Elements and Other Services are set forth in Exhibit C to this Attachment. If EPB Telecommunications purchases a service(s) from a

tariff, all terms and conditions and rates as set forth in such tariff shall apply.

5.8 Operational Support Systems (OSS)

5.8.1 The terms, conditions and rates for OSS are as set forth in Section 2.13 of this Attachment.

2. All of the other provisions of the Interconnection Agreement shall remain unchanged and in full force and effect.

3. Either or both of the Parties are authorized to submit this Amendment to the appropriate State Public Service Commissions or other Regulatory Agencies for approval subject to Section 252 (e) of the Federal Telecommunications Act of 1996.

IN WITNESS WHEREOF, the Parties hereto have caused this Amendment to be executed by their respective duly authorized representatives on the date indicated below.

Electric Power Board of Chattanooga

BellSouth Telecommunications, Inc.

Signature

Signature

Name

Gregory R. Follensbee

Name

Title

Senior Director

Title

Date

Date

**Amendment to the Interconnection Agreement
By and Between BellSouth Telecommunications, Inc.
And Electric Power Board of Chattanooga
Dated May 16, 2001**

This Agreement refers to the Interconnection Agreement (“the Agreement”) entered into by Electric Power Board of Chattanooga (“EPB Telecommunications”) and BellSouth Telecommunications, Inc. (“BellSouth”) on May 16, 2001. This Amendment (“Amendment”) is made by and between EPB Telecommunications and BellSouth and shall be deemed effective on July 31, 2001.

NOW THEREFORE, in consideration of the mutual provisions contained herein and other good and valuable consideration, the receipt and sufficiency of which are hereby acknowledged, EPB Telecommunications and BellSouth (individually, a “Party” and collectively, the “Parties”) hereby covenant and agree as follows:

1. The Parties hereby mutually agree to delete in its entirety Exhibits C, C-1, and C-2 to Attachment 2 of the Agreement and replace it with the new Exhibit C, which is attached hereto and incorporated by this reference.
2. All of the other provisions of the Interconnection Agreement shall remain unchanged and in full force and effect.
3. Either or both of the Parties are authorized to submit this Amendment to the appropriate State Public Service Commissions or other Regulatory Agencies for approval subject to Section 252 (e) of the Federal Telecommunications Act of 1996.

IN WITNESS WHEREOF, the Parties hereto have caused this Amendment to be executed by their respective duly authorized representatives on the date indicated below.

Electric Power Board of Chattanooga	BellSouth Telecommunications, Inc.
On File _____ Signature	On File _____ Signature
W. E. Chapman, Jr. _____ Name	C.W. Boltz _____ Name
Senior Vice President _____ Title	Managing Director _____ Title
08/24/2001 _____ Date	09/04/2001 _____ Date

UNBUNDLED NETWORK ELEMENTS
AL

CATEGORY	NOTES	UNBUNDLED NETWORK ELEMENT	Interim	Zone	BCS	USOC	RATES (\$)					OSS RATES (\$)					
							Nonrecurring		Nonrecurring			Svc Order Submitted Elec per LSR	Svc Order Submitted Manually per LSR	Incremental Charge - Manual Svc Order vs. Electronic-1st	Incremental Charge - Manual Svc Order vs. Electronic-Add'l	Incremental Charge - Manual Svc Order vs. Electronic-Disc 1st	Incremental Charge - Manual Svc Order vs. Electronic-Disc Add'l
							Rec	First	Add'l	First	Add'l						
							Disconnect										
The "Zone" shown in the sections for stand-alone loops or loops as part of a combination refers to Geographically Deaveraged UNE Zones. To view Geographically Deaveraged UNE Zone Designations by Central Office, refer to Internet Website: http://www.interconnection.bellsouth.com/become_a_clec/html/interconnection.htm																	
UNBUNDLED EXCHANGE ACCESS LOOP																	
2-WIRE ANALOG VOICE GRADE LOOP																	
		2-Wire Analog Voice Grade Loop - Service Level 1- Zone		1	UEANL	UEAL2	15.24	59.03	43.14	15.21	3.22		27.37	12.97	17.77	17.77	
		2-Wire Analog Voice Grade Loop - Service Level 1- Zone		2	UEANL	UEAL2	24.75	59.03	43.14	15.21	3.22		27.37	12.97	17.77	17.77	
		2-Wire Analog Voice Grade Loop - Service Level 1- Zone		3	UEANL	UEAL2	44.85	59.03	43.14	15.21	3.22		23.97	12.97	17.77	17.77	
		2 Wire Analog Voice Grade Loop-Service Level 1-Line Splitting- Zone		1	UEPSR, UEPSB	UEALS	15.24	59.03	43.14	15.21	3.22		27.37	12.97	17.77	17.77	
		2 Wire Analog Voice Grade Loop- Service Level 1-Line Splitting-Zone		2	UEPSR, UEPSB	UEALS	24.75	59.03	43.14	15.21	3.22		27.37	12.97	17.77	17.77	
		2 Wire Analog Voice Grade Loop-Service Level 1-Line Splitting-Zone		3	UEPSR, UEPSB	UEALS	44.85	59.03	43.14	15.21	3.22		23.97	12.97	17.77	17.77	
		Engineering Information Document (E			UEANL			28.75	28.75								
		Manual Order Coordination for UVL-SL1s (per loop			UEANL	UEAMC		51.29	51.29								
		Order Coordination for Specified Conversion Time for UVL-SL1 (per LSR			UEANL	OCOSL		45.99	45.99								
		2-Wire Analog Voice Grade Loop - Service Level 2 w/Loop or Ground Start Signaling - Zone 1		1	UEA	UEAL2	17.95	145.46	108.4	40.31	26.01		27.37	12.97	17.77	17.77	
		2-Wire Analog Voice Grade Loop - Service Level 2 w/Loop or Ground Start Signaling - Zone 2		2	UEA	UEAL2	29.16	145.46	108.4	40.31	26.01		27.37	12.97	17.77	17.77	
		2-Wire Analog Voice Grade Loop - Service Level 2 w/Loop or Ground Start Signaling - Zone 3		3	UEA	UEAL2	52.84	145.46	108.4	40.31	26.01		27.37	12.97	17.77	17.77	
		Order Coordination for Specified Conversion Time (per LSI			UEA	OCOSL		45.99									
		2-Wire Analog Voice Grade Loop - Service Level 2 w/Reverse Battery Signaling Zone 1		1	UEA	UEAR2	17.95	145.46	108.4	40.31	26.01		27.37	12.97	17.77	17.77	
		2-Wire Analog Voice Grade Loop - Service Level 2 w/Reverse Battery Signaling Zone 2		2	UEA	UEAR2	29.16	145.46	108.4	40.31	26.01		27.37	12.97	17.77	17.77	
		2-Wire Analog Voice Grade Loop - Service Level 2 w/Reverse Battery Signaling Zone 3		3	UEA	UEAR2	52.84	145.46	108.4	40.31	26.01		27.37	12.97	17.77	17.77	
		Order Coordination for Specified Conversion Time (per LSI			UEA	OCOSL		45.99									
4-WIRE ANALOG VOICE GRADE LOOP																	
		4-Wire Analog Voice Grade Loop - Zone		1	UEA	UEAL4	24.01	293.7	241.76	108.96	57.01		27.37	12.97	17.77	17.77	
		4-Wire Analog Voice Grade Loop - Zone		2	UEA	UEAL4	39	293.7	241.76	108.96	57.01		27.37	12.97	17.77	17.77	
		4-Wire Analog Voice Grade Loop - Zone		3	UEA	UEAL4	70.67	293.7	241.76	108.96	57.01		27.37	12.97	17.77	17.77	
		Order Coordination for Specified Conversion Time (per LSI			UEA	OCOSL		45.99									
2-WIRE ISDN DIGITAL GRADE LOOP																	
		2-Wire ISDN Digital Grade Loop - Zone		1	UDN	U1L2X	23.23	331.85	255.87	108.95	57.01		27.37	12.97	17.77	17.77	
		2-Wire ISDN Digital Grade Loop - Zone		2	UDN	U1L2X	37.74	331.85	255.87	108.95	57.01		27.37	12.97	17.77	17.77	
		2-Wire ISDN Digital Grade Loop - Zone		3	UDN	U1L2X	68.38	331.85	255.87	108.95	57.01		27.37	12.97	17.77	17.77	
		Order Coordination For Specified Conversion Time (per LSI			UDN	OCOSL		45.99									
2-WIRE Universal Digital Channel (UDC) COMPATIBLE LOOP																	
		2-Wire Universal Digital Channel (UDC) Compatible Loop - Zone		I 1	UDC	UDC2X	16.84	104.17	78.1	108.95	57.01		18.94	8.42	17.77	17.77	
		2-Wire Universal Digital Channel (UDC) Compatible Loop - Zone		I 2	UDC	UDC2X	19.45	104.17	78.1	108.95	57.01		18.94	8.42	17.77	17.77	
		2-Wire Universal Digital Channel (UDC) Compatible Loop - Zone		I 3	UDC	UDC2X	30.92	104.17	78.1	108.95	57.01		18.94	8.42	17.77	17.77	
2-WIRE ASYMMETRICAL DIGITAL SUBSCRIBER LINE (ADSL) COMPATIBLE LOOP																	
		2-Wire Asymmetrical Digital Subscriber Line (ADSL) Compatible Loop															
		2 Wire Unbundled ADSL Loop including manual service inquiry & facility reservat - Zone 1		1	UAL	UAL2X	12.09	514.21	464.58	106.65	56.98		27.37	12.97	17.77	17.77	
		2 Wire Unbundled ADSL Loop including manual service inquiry & facility reservat - Zone 2		2	UAL	UAL2X	19.64	514.21	464.58	106.65	56.98		27.37	12.97	17.77	17.77	
		2 Wire Unbundled ADSL Loop including manual service inquiry & facility reservat - Zone 3		3	UAL	UAL2X	35.59	514.21	464.58	106.65	56.98		27.37	12.97	17.77	17.77	
		Order Coordination for Specified Conversion Time (per LSI			UAL	OCOSL		45.99									

UNBUNDLED NETWORK ELEMENTS
AL

CATEGORY	NOTES	UNBUNDLED NETWORK ELEMENT	Interim	Zone	BCS	USOC	RATES (\$)					OSS RATES (\$)						
							Nonrecurring		Nonrecurring			Svc Order Submitted Elec per LSR	Svc Order Submitted Manually per LSR	Incremental Charge - Manual Svc Order vs. Electronic-1st	Incremental Charge - Manual Svc Order vs. Electronic-Add'l	Incremental Charge - Manual Order vs. Electronic-Disc 1st	Incremental Charge - Manual Svc Order vs. Electronic-Disc Add'l	
							Rec	First	Add'l	First	Add'l							SOMEc
												Disconnect						
		2 Wire Unbundled ADSL Loop without manual service inquiry & facility reservation - Zone 1		1	UAL	UAL2W	12.09	204.88	129.08	100.52	15.82				27.37	12.97	17.77	17.77
		2 Wire Unbundled ADSL Loop without manual service inquiry & facility reservation - Zone 2		2	UAL	UAL2W	19.64	204.88	129.08	100.52	15.82				27.37	12.97	17.77	17.77
		2 Wire Unbundled ADSL Loop without manual service inquiry & facility reservation - Zone 3		3	UAL	UAL2W	35.59	204.88	129.08	100.52	15.82				27.37	12.97	17.77	17.77
		Order Coordination for Specified Conversion Time (per LSI)			UAL	OCOSL		45.99										
		2-WIRE HIGH BIT RATE DIGITAL SUBSCRIBER LINE (HDSL) COMPATIBLE LOOP																
		2 Wire Unbundled HDSL Loop including manual service inquiry & facility reservation - Zone 1		1	UHL	UHL2X	9.41	514.21	464.58	106.65	56.98				27.37	12.97	17.77	17.77
		2 Wire Unbundled HDSL Loop including manual service inquiry & facility reservation - Zone 2		2	UHL	UHL2X	15.29	514.21	464.58	106.65	56.98				27.37	12.97	17.77	17.77
		2 Wire Unbundled HDSL Loop including manual service inquiry & facility reservation - Zone 3		3	UHL	UHL2X	27.7	514.21	464.58	106.65	56.98				27.37	12.97	17.77	17.77
		Order Coordination for Specified Conversion Time			UHL	OCOSL		45.99										
		2 Wire Unbundled HDSL Loop without manual service inquiry and facility reservation - Zone 1		1	UHL	UHL2W	9.41	222.2	146.4	100.52	15.82				27.37	12.97	17.77	17.77
		2 Wire Unbundled HDSL Loop without manual service inquiry and facility reservation - Zone 2		2	UHL	UHL2W	15.29	222.2	146.4	100.52	15.82				27.37	12.97	17.77	17.77
		2 Wire Unbundled HDSL Loop without manual service inquiry and facility reservation - Zone 3		3	UHL	UHL2W	27.7	222.2	146.4	100.52	15.82				27.37	12.97	17.77	17.77
		Order Coordination for Specified Conversion Time			UHL	OCOSL		45.99										
		4-WIRE HIGH BIT RATE DIGITAL SUBSCRIBER LINE (HDSL) COMPATIBLE LOOP																
		4 Wire Unbundled HDSL Loop including manual service inquiry and facility reservation - Zone 1		1	UHL	UHL4X	11.52	541.13	491.5	106.65	56.98				27.37	12.97	17.77	17.77
		4-Wire Unbundled HDSL Loop including manual service inquiry and facility reservation - Zone 2		2	UHL	UHL4X	18.71	541.13	491.5	106.65	56.98				27.37	12.97	17.77	17.77
		4-Wire Unbundled HDSL Loop including manual service inquiry and facility reservation - Zone 3		3	UHL	UHL4X	33.9	541.13	491.5	106.65	56.98				27.37	12.97	17.77	17.77
		Order Coordination for Specified Conversion Time			UHL	OCOSL		45.99										
		4-Wire Unbundled HDSL Loop without manual service inquiry and facility reservation - Zone 1		1	UHL	UHL4W	11.52	279.39	203.59	109.99	20.7				27.37	12.97	17.77	17.77
		4-Wire Unbundled HDSL Loop without manual service inquiry and facility reservation - Zone 2		2	UHL	UHL4W	18.71	279.39	203.59	109.99	20.7				27.37	12.97	17.77	17.77
		4-Wire Unbundled HDSL Loop without manual service inquiry and facility reservation - Zone 3		3	UHL	UHL4W	33.9	279.39	203.59	109.99	20.7				27.37	12.97	17.77	17.77
		Order Coordination for Specified Conversion Time			UHL	OCOSL		45.99										
		4-WIRE DS1 DIGITAL LOOP																
		4-Wire DS1 Digital Loop - Zone 1		1	USL	USLXX	51.74	610.13	380.26	134.77	55.97				27.37	12.97	17.77	17.77
		4-Wire DS1 Digital Loop - Zone 2		2	USL	USLXX	84.05	610.13	380.26	134.77	55.97				27.37	12.97	17.77	17.77
		4-Wire DS1 Digital Loop - Zone 3		3	USL	USLXX	152.29	610.13	380.26	134.77	55.97				27.37	12.97	17.77	17.77
		Order Coordination for Specified Conversion Time			USL	OCOSL		49.18										
		4-WIRE 19.2, 56 OR 64 KBPS DIGITAL GRADE LOOP																
		4 Wire Unbundled Digital 19.2 Kbps		1	UDL	UDL19	27.33	498.05	343.7	129.62	64.25				27.37	12.97	17.77	17.77
		4 Wire Unbundled Digital 19.2 Kbps		2	UDL	UDL19	44.4	498.05	343.7	129.62	64.25				27.37	12.97	17.77	17.77
		4 Wire Unbundled Digital 19.2 Kbps		3	UDL	UDL19	80.45	498.05	343.7	129.62	64.25				27.37	12.97	17.77	17.77
		4 Wire Unbundled Digital Loop 56 Kbps - Zone 1		1	UDL	UDL56	27.33	498.05	343.7	129.62	64.25				27.37	12.97	17.77	17.77
		4 Wire Unbundled Digital Loop 56 Kbps - Zone 2		2	UDL	UDL56	44.4	498.05	343.7	129.62	64.25				27.37	12.97	17.77	17.77
		4 Wire Unbundled Digital Loop 56 Kbps - Zone 3		3	UDL	UDL56	80.45	498.05	343.7	129.62	64.25				27.37	12.97	17.77	17.77
		Order Coordination for Specified Conversion Time			UDL	OCOSL		45.99										
		4 Wire Unbundled Digital Loop 64 Kbps - Zone 1		1	UDL	UDL64	27.33	498.05	343.7	129.62	64.25				27.37	12.97	17.77	17.77
		4 Wire Unbundled Digital Loop 64 Kbps - Zone 2		2	UDL	UDL64	44.4	498.05	343.7	129.62	64.25				27.37	12.97	17.77	17.77
		4 Wire Unbundled Digital Loop 64 Kbps - Zone 3		3	UDL	UDL64	80.45	498.05	343.7	129.62	64.25				27.37	12.97	17.77	17.77
		Order Coordination for Specified Conversion Time			UDL	OCOSL		45.99										
		2-WIRE Unbundled COPPER LOOP																

UNBUNDLED NETWORK ELEMENTS
AL

CATEGORY	NOTES	UNBUNDLED NETWORK ELEMENT	Interim	Zone	BCS	USOC	RATES (\$)					OSS RATES (\$)											
							Nonrecurring	Nonrecurring	Disconnect			Somec	SOMAN	SOMAN	SOMAN	SOMAN	Incremental Charge - Manual Svc Order vs. Electronic-Disc 1st	Incremental Charge - Manual Svc Order vs. Electronic-Disc Add'l					
							Rec	First	Add'l	First	Add'l												
		2-Wire Unbundled Copper Loop/Short including manual service inquiry & facility reservation - Zone 1		1	UCL	UCLPB	11.9	283.37	163.68	120.15	22.37												
		2-Wire Unbundled Copper Loop/Short including manual service inquiry & facility reservation - Zone 2		2	UCL	UCLPB	13.74	283.37	163.68	120.15	22.37												
		2 Wire Unbundled Copper Loop/Short including manual service inquiry & facility reservation - Zone 3		3	UCL	UCLPB	21.83	283.37	163.68	120.15	22.37												
		Order Coordination for Unbundled Copper Loops (per loop)				UCL	UCLMC	51.29	51.29														
		2-Wire Unbundled Copper Loop/Short without manual service inquiry and facility reservation - Zone 1	I	1	UCL	UCLPW	11.9	104.17	78.1														
		2-Wire Unbundled Copper Loop/Short without manual service inquiry and facility reservation - Zone 2	I	2	UCL	UCLPW	13.74	104.17	78.1														
		2-Wire Unbundled Copper Loop/Short without manual service inquiry and facility reservation - Zone 3	I	3	UCL	UCLPW	21.83	104.17	78.1														
		Order Coordination for Unbundled Copper Loops (per loop)				UCL	UCLMC	51.29	51.29														
		2-Wire Unbundled Copper Loop/Long - includes manual svc. inquiry and facility reservation - Zone 1		1	UCL	UCL2L	35.43	270.28	150.59	120.15	22.37												
		2-Wire Unbundled Copper Loop/Long - includes manual svc. inquiry and facility reservation - Zone 2		2	UCL	UCL2L	40.91	270.28	150.59	120.15	22.37												
		2-Wire Unbundled Copper Loop/Long - includes manual svc. inquiry and facility reservation - Zone 3		3	UCL	UCL2L	65.02	270.28	150.59	120.15	22.37												
		Order Coordination for Unbundled Copper Loops (per loop)				UCL	UCLMC	51.29	51.29														
		2-Wire Unbundled Copper Loop/Long - without manual service inquiry and facility reservation - Zone 1	I	1	UCL	UCL2W	35.43	104.17	78.1														
		2-Wire Unbundled Copper Loop/Long - without manual service inquiry and facility reservation - Zone 2	I	2	UCL	UCL2W	40.91	104.17	78.1														
		2-Wire Unbundled Copper Loop/Long - without manual service inquiry and facility reservation - Zone 3	I	3	UCL	UCL2W	65.02	104.17	78.1														
		Order Coordination for Unbundled Copper Loops (per loop)				UCL	UCLMC	51.29	51.29														
		2-Wire Unbundled Copper Loop - Non-Designed Zone	I	1	UEQ	UEQ2X	11.01	44.69	22.4	25.65	7.06												
		2 Wire Unbundled Copper Loop - Non-Designed - Zone	I	2	UEQ	UEQ2X	12.67	44.69	22.4	25.65	7.06												
		2 Wire Unbundled Copper Loop - Non-Designed - Zone	I	3	UEQ	UEQ2X	20.22	44.69	22.4	25.65	7.06												
		Order Coordination 2 Wire Unbundled Copper Loop - Non-Designed (per loop)				UEQ	USBMC	51.29	51.29														
		Engineering Information Documer				UEQ		28.75	28.75														
		Loop Testing - Basic 1st Half Hou				UEQ	URET1	78.92	78.92														
		Loop Testing - Basic Additional Half Hou				UEQ	URETA	23.33	23.33														
		4-WIRE COPPER LOOP																					
		4-Wire Copper Loop/Short - including manual service inquiry and facility reservation - Zone 1		1	UCL	UCL4S	16.65	331.78	212.09	130.69	27.6												
		4-Wire Copper Loop/Short - including manual service inquiry and facility reservation - Zone 2		2	UCL	UCL4S	19.22	331.78	212.09	130.69	27.6												
		4-Wire Copper Loop/Short - including manual service inquiry and facility reservation - Zone 3		3	UCL	UCL4S	30.55	331.78	212.09	130.69	27.6												
		Order Coordination for Unbundled Copper Loops (per loop)				UCL	UCLMC	36.46	36.46														
		4-Wire Copper Loop/Short - without manual service inquiry and facility reservation - Zone 1	I	1	UCL	UCL4W	16.65	104.17	78.1														
		4-Wire Copper Loop/Short - without manual service inquiry and facility reservation - Zone 2	I	2	UCL	UCL4W	19.22	104.17	78.1														
		4-Wire Copper Loop/Short - without manual service inquiry and facility reservation - Zone 3	I	3	UCL	UCL4W	30.55	104.17	78.1														
		Order Coordination for Unbundled Copper Loops (per loop)				UCL	UCLMC	36.46	36.46														
		4-Wire Unbundled Copper Loop/Long - includes manual svc. inquiry and facility reservation - Zone 1		1	UCL	UCL4L	47.56	318.7	199	130.69	27.6												
		4-Wire Unbundled Copper Loop/Long - includes manual svc. inquiry and facility reservation - Zone 2		2	UCL	UCL4L	54.92	318.7	199	130.69	27.6												
		4-Wire Unbundled Copper Loop/Long - includes manual svc. inquiry and facility reservation - Zone 3		3	UCL	UCL4L	87.3	318.7	199	130.69	27.6												
		Order Coordination for Unbundled Copper Loops (per loop)				UCL	UCLMC	36.46	36.46														

UNBUNDLED NETWORK ELEMENTS
AL

CATEGORY	NOTES	UNBUNDLED NETWORK ELEMENT	Interim	Zone	BCS	USOC	RATES (\$)			OSS RATES (\$)								
							Nonrecurring	Nonrecurring	Nonrecurring	Incremental Charge - Manual Svc Order vs. Electronic-1st	Incremental Charge - Manual Svc Order vs. Electronic-Add'l	Incremental Charge - Manual Svc Order vs. Electronic-Disc 1st	Incremental Charge - Manual Svc Order vs. Electronic-Disc Add'l					
							Rec	First	Add'l	Disconnect		SOMEK	SOMAN	SOMAN	SOMAN	SOMAN	SOMAN	
										First	Add'l							
		4-Wire Unbundled Copper Loop/Long - without manual svc. inquiry and facility reservation - Zone 1	I	1	UCL	UCL4O	47.56	104.17	78.1						18.94	8.42		
		4-Wire Unbundled Copper Loop/Long - without manual svc. inquiry and facility reservation - Zone 2	I	2	UCL	UCL4O	54.92	104.17	78.1						18.94	8.42		
		4-Wire Unbundled Copper Loop/Long - without manual svc. inquiry and facility reservation - Zone 3	I	3	UCL	UCL4O	87.3	104.17	78.1						18.94	8.42		
		Order Coordination for Unbundled Copper Loops (per loop)			UCL	UCLMC		36.46	36.46									
LOOP MODIFICATION																		
		Unbundled Loop Modification, Removal of Load Coils - 2 Wire pair less than equal to 18k ft	I		UAL, UHL, UCL, UEQ, ULS	ULM2L		67.39	67.39									
		Unbundled Loop Modification, Removal of Load Coils - 2 wire greater than 18k ft	I		UCL, ULS	ULM2G		337.5	337.5									
		Unbundled Loop Modification Removal of Load Coils - 4 Wire less than or equal to 18K ft	I		UHL, UCL	ULM4L		67.39	67.39									
		Unbundled Loop Modification Removal of Load Coils - 4 Wire pair greater than 18k ft	I		UCL	ULM4G		337.5	337.5									
		Unbundled Loop Modification Removal of Bridged Tap Removal, per unbundled loop	I		UAL, UHL, UCL, UEQ, UEF, ULS	ULMBT		78.1	78.1									
SUB-LOOPS																		
Sub-Loop Distribution																		
		Sub-Loop - Per Cross Box Location - CLEC Feeder Facility Set-L	I		UEANL	USBSA		421.08	421.08						18.94	8.42		
		Sub-Loop - Per Cross Box Location - Per 25 Pair Panel Set-L	I		UEANL	USBSB		67.1	67.1						18.94	8.42		
		Sub-Loop - Per Building Equipment Room - CLEC Feeder Facility Set-L	I		UEANL	USBSC		394.74	394.74						18.94	8.42		
		Sub-Loop - Per Building Equipment Room - Per 25 Pair Panel Set-L	I		UEANL	USBSD		154.57	154.57						18.94	8.42		
		Sub-Loop Distribution Per 2-Wire Analog Voice Grade Loop - Statewi		sw	UEANL	USBN2	9.12	207.01	171.32						18.94	8.42		
		Order Coordination for Unbundled Sub-Loops, per sub-loop pair			UEANL	USBMC		45.99	45.99									
		Sub-Loop Distribution Per 4-Wire Analog Voice Grade Loop - Statewi		sw	UEANL	USBN4	8.32	219.35	72.99	123.72	28.77				18.94	8.42		
		Order Coordination for Unbundled Sub-Loops, per sub-loop pair			UEANL	USBMC		45.99	45.99									
		Sub-Loop 2-Wire IntraBuilding Network Cable (INC)	I		UEANL	USBR2	1.61	137.03	41.59	115.85	19.17				18.94	8.42		
		Order Coordination for Unbundled Sub-Loops, per sub-loop pair			UEANL	USBMC		45.99	45.99									
		Sub-Loop 4-Wire IntraBuilding Network Cable (INC)	I		UEANL	USBR4	2.96	176.46	55.11	122.17	19.57				18.94	8.42		
		Order Coordination for Unbundled Sub-Loops, per sub-loop pair			UEANL	USBMC		45.99	45.99									
		2 Wire Copper Unbundled Sub-Loop Distribution - Statewi		sw	UEF	UCS2X	5.54	175.16	55.5	108.86	24.53				18.94	8.42		
		Order Coordination for Unbundled Sub-Loops, per sub-loop pair			UEF	USBMC		45.99	45.99									
		4 Wire Copper Unbundled Sub-Loop Distribution - Statewi		sw	UEF	UCS4X	6.89	219.35	72.99	123.72	28.77				18.94	8.42		
		Order Coordination for Unbundled Sub-Loops, per sub-loop pair			UEF	USBMC		45.99	45.99									
Sub-Loop Feeder																		
		USL-Feeder, DS0 Set-up per Cross Box location - CLEC Distribution Facility set-L			UEA, UDN,UCL,UDL,UDC	USBFW		421.08										
		USL Feeder - DS0 Set-up per Cross Box location - per 25 pair set-u			UEA, UDN,UCL,UDL,UDC	USBFX		67.1	67.1									
		USL Feeder DS1 Set-up at DSX location, per DS1 terminat			USL	USBFZ		519.95	11.32									
		Unbundled Sub-Loop Feeder Loop, 2 Wire Ground-Start, Voice Grade- Statewi		sw	UEA	USBFA	8.58	206.44	170.05	119.95	27.04				18.94	8.42		
		Order Coordination for Specified Conversion Time, per LSR			UEA	OCOSL		45.99										
		Unbundled Sub-Loop Feeder Loop, 2 Wire Loop-Start, Voice Grade - Statewi		sw	UEA	USBFB	8.58	206.44	170.05	119.95	27.04				18.94	8.42		
		Order Coordination for Specified Time Conversion, per LSR			UEA	OCOSL		45.99										
		Unbundled Sub-Loop Feeder Loop, 2 Wire Reverse Battery, Voice Grade Loop - Statewide		sw	UEA	USBFC	8.58	206.44	170.05	119.95	27.04				18.94	8.42		
		Order Coordination For Specified Conversion Time, per LS			UEA	OCOSL		45.99										
		Unbundled Sub-Loop Feeder Loop, 4 Wire Ground-Start, Voice Grade - Statewi		sw	UEA	USBFD	19.91	243.41	81.32	134.77	33.93				18.94	8.42		
		Order Coordination For Specified Conversion Time, Per LS			UEA	OCOSL		45.99										
		Unbundled Sub-Loop Feeder Loop, 4 Wire Loop-Start, Voice Grade - Statewi		sw	UEA	USBFE	19.91	243.41	81.32	134.77	33.93				18.94	8.42		
		Order Coordination For Specified Conversion Time, Per LS			UEA	OCOSL		45.99										
		Unbundled Sub-Loop Feeder Loop, 2-Wire ISDN BRI - Statewi		sw	UDN	USBFF	17.73	208.5	62.31	119.68	29.58				19.99	19.99	19.99	19.99
		Order Coordination For Specified Conversion Time, Per LS			UDN	OCOSL		45.99										

UNBUNDLED NETWORK ELEMENTS
AL

CATEGORY	NOTES	UNBUNDLED NETWORK ELEMENT	Interim	Zone	BCS	USOC	RATES (\$)					OSS RATES (\$)								
							Nonrecurring		Disconnect			SOMEc	SOMAN	SOMAN	SOMAN	SOMAN	SOMAN			
							Rec	First	Add'l	First	Add'l									
		Unbundled Sub-Loop Feeder, 2 Wire UDC (IDSL compatibl			sw	UDC	USBFS	17.73	208.5	62.31	119.68	29.58								
		Unbundled Sub-Loop Feeder Loop, 4-Wire DS1 - Statewi			sw	USL	USBFG	79.3	203.69	128.76	124.09	34.8								
		Order Coordination For Specified Conversion Time, per L\$					USL		45.99											
		Unbundled Sub-Loop Feeder Loop, 2-Wire Copper Loop - Statewi			sw	UCL	USBFH	7.22	195.38	63.15	119.68	29.58			18.94	8.42				
		Order Coordination For Specified Conversion Time, per L\$					UCL		45.99											
		Sub-Loop Feeder - Per 4-Wire Copper Loop - Statewi			sw	UCL	USBFJ	13.72	243.41	81.32	134.77	33.93			18.94	8.42				
		Order Coordination For Specified Conversion Time, per L\$					UCL		45.99											
		Sub-Loop Feeder - Per 4-Wire 19.2 Kbps Digital Grade Loc			sw	UDL	USBFN	24.5	243.41	81.32	134.77	33.93			19.99	19.99	19.99		19.99	
		Sub-Loop Feeder - Per 4-Wire 56 Kbps Digital Grade Loop - Statewi			sw	UDL	USBFO	24.5	243.41	81.32	134.77	33.93			19.99	19.99	19.99		19.99	
		Order Coordination For Specified Time Conversion, per L\$					UDL		45.99											
		Sub-Loop Feeder - Per 4-Wire 64 Kbps Digital Grade Loop - Statewi			sw	UDL	USBFP	24.5	243.41	81.32	134.77	33.93			19.99	19.99	19.99		19.99	
		Order Coordination For Specified Conversion Time, per L\$					UDL		45.99											
		Unbundled Sub-Loop Modification																		
		Unbundled Sub-Loop Modification - 2-W Copper Dist Load Coil/Equip Removal per 2-W PR				UEF	ULM2X		355.71	12.26					18.94	8.42				
		Unbundled Sub-loop Modification - 4-W Copper Dist Load Coil/Equip Removal per W PR				UEF	ULM4X		355.71	12.26					18.94	8.42				
		Unbundled Sub-loop Modification - 2-w/4-w Copper Dist Bridged Tap Removal, per PR unloaded				UEF	ULM4T		560.55	14.3					18.94	8.42				
		Unbundled Network Terminating Wire (UNTW)																		
		Unbundled Network Terminating Wire (UNTW) per Pa				UENTW	UENPP	1.37	2.48	2.48	1.74	1.74			18.94	8.42				
		Network Interface Device (NID)																		
		Network Interface Device (NID) - 1-2 line:				UENTW	UND12		86.46	56.75					18.94	8.42				
		Network Interface Device (NID) - 1-6 line:				UENTW	UND16		127.93	98.21					18.94	8.42				
		Network Interface Device Cross Connect - 2 V'				UENTW	UNDC2		11.73	11.73					18.94	8.42				
		Network Interface Device Cross Connect - 4V'				UENTW	UNDC4		11.73	11.73					18.94	8.42				
		UNBUNDLED LOOP CONCENTRATION																		
		Unbundled Loop Concentration - System A (TR00t				ULC	UCT8A	441.42	650.81	650.81					19.99	19.99	19.99		19.99	
		Unbundled Loop Concentration - System B (TR00t				ULC	UCT8B	52.97	271.17	271.17					19.99	19.99	19.99		19.99	
		Unbundled Loop Concentration - System A (TR30t				ULC	UCT3A	478.93	650.81	650.81					19.99	19.99	19.99		19.99	
		Unbundled Loop Concentration - System B (TR30t				ULC	UCT3B	89.26	271.17	271.17					19.99	19.99	19.99		19.99	
		Unbundled Loop Concentration - DS1 Loop Interface Ca				ULC	UCTCO	5.04	126.57	92.14	33.57	9.4			19.99	19.99	19.99		19.99	
		Unbundled Loop Concentration - ISDN Loop Interface (Brite Car				UDN	ULCC1	8	21.07	20.96	10.78	10.71			19.99	19.99	19.99		19.99	
		Unbundled Loop Concentration - UDC Loop Interface (Brite Car				UDC	ULCCU	8	21.07	20.96	10.78	10.71			19.99	19.99	19.99		19.99	
		Unbundled Loop Concentration - 2 Wire Voice-Loop Start or Ground Start Loop Interface (POTS Card'				UEA	ULCC2	2	21.07	20.96	10.78	10.71			18.94	8.42				
		Unbundled Loop Concentration - 2 Wire Voice - Reverse Battery Loop Interface (SPOTS Card)				UEA	ULCCR	11.89	21.07	20.96	10.78	10.71			18.94	8.42				
		Unbundled Loop Concentration - 4 Wire Voice Loop Interface (Specials Ca				UEA	ULCC4	7.09	21.07	20.96	10.78	10.71			18.94	8.42				
		Unbundled Loop Concentration - TEST CIRCUIT Car				ULC	UCTTC	34.67	21.07	20.96	10.78	10.71			19.99	19.99	19.99		19.99	
		Unbundled Loop Concentration - Digital 19.2 Kbps Data Loop Interfa				UDL	ULCC7	10.51	21.07	20.96	10.78	10.71			19.99	19.99	19.99		19.99	
		Unbundled Loop Concentration - Digital 56 Kbps Data Loop Interfa				UDL	ULCC5	10.51	21.07	20.96	10.78	10.71			19.99	19.99	19.99		19.99	
		Unbundled Loop Concentration - Digital 64 Kbps Data Loop Interfa				UDL	ULCC6	10.51	21.07	20.96	10.78	10.71			19.99	19.99	19.99		19.99	
		UNBUNDLED SUB-LOOP CONCENTRATION (OUTSIDE CO)																		
		UNE OTHER, PROVISIONING ONLY - NO RATE																		
		NID - Dispatch and Service Order for NID installation				UENTW	UNDBX													
		UNTW Circuit Id Establishment, Provisioning Only - No Rate				UENTW	UENCE													
		Unbundled Contract Name, Provisioning Only - No Rate				UEANL,UEF,UEQ,UENTW	UNEcn													
		Unbundled Contact Name, Provisioning Only - no rate				UAL,UCL,UDC,UDL,UDN,UEA,UHL,ULC	UNEcn	0	0											

UNBUNDLED NETWORK ELEMENTS
AL

CATEGORY	NOTES	UNBUNDLED NETWORK ELEMENT	Interim	Zone	BCS	USOC	RATES (\$)					OSS RATES (\$)					
							Nonrecurring		Nonrecurring			Svc Order Submitted Elec per LSR	Svc Order Submitted Manually per LSR	Incremental Charge - Manual Svc Order vs. Electronic-1st	Incremental Charge - Manual Svc Order vs. Electronic-Add'l	Incremental Charge - Manual Order vs. Electronic-Disc 1st	Incremental Charge - Manual Svc Order vs. Electronic-Disc Add'l
							Rec	First	Add'l	First	Add'l						
							SOMEK	SOMAN	SOMAN	SOMAN	SOMAN	SOMAN	SOMAN				
		Unbundled Sub-Loop Feeder-2 Wire Cross Box Jumper - no ra			UEA,UDN,UCL,UDC	USBFQ	0	0									
		Unbundled Sub-Loop Feeder-4 Wire Cross Box Jumper - no ra			UEA,USL,UCL,UDL	USBFQ	0	0									
		Unbundled DS1 Loop - Superframe Format Option - no ra			USL	CCOSF	0	0									
		Unbundled DS1 Loop - Expanded Superframe Format option - no ra			USL	CCOEF	0	0									
HIGH CAPACITY UNBUNDLED LOCAL LOOP																	
	NOTE: 4 month minimum billing period																
		High Capacity Unbundled Local Loop - DS3 - Per Mile per mon			UE3	1L5ND	10.16										
		High Capacity Unbundled Local Loop - DS3 - Facility Termination per mon			UE3	UE3PX	74.52	903.37	527.87	238.97	167.16		31.31	31.31	3.93	3.93	
		High Capacity Unbundled Local Loop - STS-1 - Per Mile per mon			UDLSX	1L5ND	10.16										
		High Capacity Unbundled Local Loop - STS-1 - Facility Termination per mon			UDLSX	UDLS1	387.67	903.03	527.87	238.97	167.16		31.31	31.31	3.93	3.93	
LOOP MAKE-UP																	
		Loop Make-up - Preordering Without Reservation, per working or spare facility queried (Manual)	I		UMK	UMKLW		131.22	131.22								
		Loop Make-up - Preordering With Reservation, per spare facility queried (Manual)	I		UMK	UMKLP		136.93	136.93								
		Loop Make-up--With or Without Reservation, per working or spare facility queried (Mechanized)	I		UMK	PSUMK	0.9809855										
LINE SHARING																	
		Line Sharing Splitter, per System 96 Line Capacity	I		ULS	ULSDA	152.7	221.09	0	254.79	0						
		Line Sharing Splitter, per System 24 Line Capacity	I		ULS	ULSDB	38.18	221.09	0	254.79	0						
		Line Sharing Splitter, Per System, 8 Line Capacity	I		ULS	ULSD8	12.73	221.09	0	254.79	0						
		Line Sharing - per Line Activation	I		ULS	ULSDC	0.61	39.09	20.94	22.15	9.46		27.37	12.97	17.77	17.77	
		Line Sharing - per Subsequent Activity per Line Rearrangement	I		ULS	ULSDS		34.9	16.18				27.37	12.97	17.77	17.77	
		Line Sharing-CLEC/DLEC Owned Splitter in CO-per occurrence of each group of 8 lines (16 pair)	I		ULS	ULSDG		57.7		11.39							
UNBUNDLED TRANSPORT																	
COMMON TRANSPORT (Shared)																	
		Common Transport - Per Mile, Per MO						0.00001									
		Common Transport - Facilities Termination Per MO						0.00045									
NOTE: INTEROFFICE CHANNEL - DEDICATED TRANSPORT - minimum billing period: below DS3 = one month, DS3 and above four months																	
INTEROFFICE CHANNEL - DEDICATED TRANSPORT - VOICE GRADE																	
		Interoffice Channel - Dedicated Transport - 2-Wire Voice Grade - Per Mile per month			U1TVX	1L5XX	0.0101										
		Interoffice Channel - Dedicated Transport- 2- Wire Voice Grade - Facility Termination per month			U1TVX	U1TV2	24.15	81.07	54.82	33.47	13.78		31.31	31.31	3.93	3.93	
		Interoffice Channel - Dedicated Transport - 2-Wire Voice Grade Rev Bat. - Per Mile per month			U1TVX	1L5XX	0.0101										
		Interoffice Channel - Dedicated Transport- 2- Wire VG Rev Bat. - Facility Termination per month			U1TVX	U1TR2	24.15	81.07	54.82	33.47	13.78		31.31	31.31	3.93	3.93	
		Interoffice Channel - Dedicated Transport - 4-Wire Voice Grade - Per Mile per month			U1TVX	1L5XX	0.0101										
		Interoffice Channel - Dedicated Transport - 4- Wire Voice Grade - Facility Termination per month			U1TVX	U1TV4	21.41	81.07	54.82	33.47	13.79		31.31	31.31	3.93	3.93	
		Interoffice Channel - Dedicated Transport - 56 kbps - per mile per mon			U1TDX	1L5XX	0.0101										
		Interoffice Channel - Dedicated Transport - 56 kbps - Facility Termination per mon			U1TDX	U1TD5	17.28	81.07	54.82	33.47	13.79		31.31	31.31	3.93	3.93	
		Interoffice Channel - Dedicated Transport - 64 kbps - per mile per mon			U1TDX	1L5XX	0.0101										
		Interoffice Channel - Dedicated Transport - 64 kbps - Facility Termination per mon			U1TDX	U1TD6	17.28	81.07	54.82	33.47	13.79		31.31	31.31	3.93	3.93	

UNBUNDLED NETWORK ELEMENTS
AL

CATEGORY	NOTES	UNBUNDLED NETWORK ELEMENT	Interim	Zone	BCS	USOC	RATES (\$)					OSS RATES (\$)											
							Nonrecurring		Nonrecurring			Svc Order Submitted Elec per LSR	Svc Order Submitted Manually per LSR	Incremental Charge - Manual Svc Order vs. Electronic-1st	Incremental Charge - Manual Svc Order vs. Electronic-Add'l	Incremental Charge - Manual Svc Order vs. Electronic-Disc 1st	Incremental Charge - Manual Svc Order vs. Electronic-Disc Add'l						
							Rec	First	Add'l	First	Add'l							SOMEc	SOMAN	SOMAN	SOMAN	SOMAN	
							Disconnect					SOMEc	SOMAN	SOMAN	SOMAN	SOMAN	SOMAN						
		INTEROFFICE CHANNEL - DEDICATED TRANSPORT - DS1																					
		Interoffice Channel - Dedicated Channel - DS1 - Per Mile per mon			U1TD1	1L5XX	0.2067																
		Interoffice Channel - Dedicated Tranport - DS1 - Facility Termination per mor			U1TD1	U1TF1	68.75	178.53	163.61	32.7	28.88					31.31	31.31	3.93	3.93				
		INTEROFFICE CHANNEL - DEDICATED TRANSPORT- DS3																					
		Interoffice Channel - Dedicated Transport - DS3 - Per Mile per mon			U1TD3	1L5XX	4.67																
		Interoffice Channel - Dedicated Transport - DS3 - Facility Termination per mor			U1TD3	U1TF3	804.02	557.49	325.51	120.39	116.91					31.31	31.31	3.93	3.93				
		INTEROFFICE CHANNEL - DEDICATED TRANSPORT- STS-1																					
		Interoffice Channel - Dedicated Transport - STS-1 - Per Mile per mon			U1TS1	1L5XX	6.89																
		Interoffice Channel - Dedicated Transport - STS-1 - Facility Termination per mor			U1TS1	U1TFS	801.57	557.49	325.51	120.39	116.91					31.31	31.31	3.93	3.93				
		LOCAL CHANNEL - DEDICATED TRANSPORT																					
		NOTE: LOCAL CHANNEL DEDICATED TRANSPORT - minimum billing period - below DS3=one month, DS3 and above=four months																					
		Local Channel - Dedicated - 2-Wire Voice Grade Per Month			ULCVX	ULDV2	15.96	386.19	66.33	73.28	6.39					31.31	31.31	3.93	3.93				
		Local Channel - Dedicated - 2-Wire Voice Grade Rev Bat per mon			ULCVX	ULDR2	15.96	386.19	66.33	73.28	6.39					31.31	31.31	3.93	3.93				
		Local Channel - Dedicated - 4-Wire Voice Grade per mon			UNCVX	ULDV4	17.06	387.21	67.2	74.22	7.33					31.31	31.31	3.93	3.93				
		Local Channel - Dedicated - DS1 per month - Zone		1	ULDD1	ULDF1	41.52	354.94	307.43	44.38	30.52					31.31	31.31	3.93	3.93				
		Local Channel - Dedicated - DS1 per month - Zone		2	ULDD1	ULDF1	61.05	354.94	307.43	44.38	30.52					31.31	31.31	3.93	3.93				
		Local Channel - Dedicated - DS1 per month - Zone		3	ULDD1	ULDF1	47.29	354.94	307.43	44.38	30.52					31.31	31.31	3.93	3.93				
		Local Channel - Dedicated - DS3 - Per Mile per mon			ULDD3	1L5NC	7.91																
		Local Channel - Dedicated - DS3 - Facility Termination per mon			ULDD3	ULDF3	476.04	903.37	527.87	238.87	167.16					31.31	31.31	3.93	3.93				
		Local Channel - Dedicated - STS-1 - Per Mile per mon			ULDS1	1L5NC	7.91																
		Local Channel - Dedicated - STS-1 - Facility Termination per mon			ULDS1	ULDFS	466.84	903.37	527.87	238.87	167.16					31.31	31.31	3.93	3.93				
		MULTIPLEXERS																					
		Channelization - DS1 to DS0 Channel System			UXTD1	MQ1	122.5	182.08	125.14	21.07	19.58					31.31	31.31	3.93	3.93				
		OCU-DP COCI (data) - DS1 to DS0 Channel System - per month (2.4-64kb)			UDL	1D1DD	1.36	13.15	9.43														
		2-wire ISDN COCI (BRITE) - DS1 to DS0 Channel System - per mont			UDN	UC1CA	2.92	13.15	9.43														
		Voice Grade COCI - DS1 to DS0 Channel System - per mon			UEA	1D1VG	0.64	13.15	9.43														
		DS3 to DS1 Channel System per mont			UXTD3	MQ3	201.37	356.28	187.94	66.51	63.65					31.31	31.31	3.93	3.93				
		STS1 to DS1 Channel System per mont			UXTS1	MQ3	201.37									31.31	31.31	3.93	3.93				
		DS3 Interface Unit (DS1 COCI) used with Loop per mont			USL	UC1D1	15.39	13.15	9.43														
		DARK FIBER																					
		Dark Fiber, Four Fiber Strands, Per Route Mile or Fraction Thereof per month - Local Channe			UDF	1L5DC	68.84																
		NRC Dark Fiber - Local Channe			UDF	UDFC4		1278.17	275.73	634.11	395.32					31.31	31.31	3.93	3.93				
		Dark Fiber, Four Fiber Strands, Per Route Mile or Fraction Thereof per month - Interoffice Channe			UDF	1L5DF	25.53																
		NRC Dark Fiber - Interoffice Channe			UDF	UDF14		1278.17	275.73	634.11	395.32					31.31	31.31	3.93	3.93				
		Dark Fiber, Four Fiber Strands, Per Route Mile or Fraction Thereof per month - Local Loop			UDF	1L5DL	68.84																
		NRC Dark Fiber - Local Loop			UDF	UDFL4		1278.17	275.73	634.11	395.32					31.31	31.31	3.93	3.93				
		TRANSPORT OTHER																					
		Optional Features & Functions:																					
		Clear Channel Capability (B8ZS/ESF) Option - Subsequent - per DS1 Chanr			UNC1X	CCOEF		184.85	23.81	1.99	0.77					29.23	3.93						
		Clear Channel Capability (B8ZS/SF) Option - Subsequent - per DS1 Chanr			UNC1X	CCOSF		184.85	23.81	1.99	0.77					29.23	3.93						
		8XX ACCESS TEN DIGIT SCREENING																					
		8XX Access Ten Digit Screening, Per Ca			OHD		0.0005																
		8XX Access Ten Digit Screening, Reservation Charge Per 8XX Number Reserv			OHD	N8R1X		7.13	0.97							27.37	27.37	17.75	17.75				
		8XX Access Ten Digit Screening, Per 8XX No. Established W/O POTS Translation			OHD			15.88	1.97	10.04	0.97					27.37	27.37	17.75	17.75				
		8XX Access Ten Digit Screening, Per 8XX No. Established With POTS Translation			OHD	N8FTX		15.88	1.97	10.04	0.97					27.37	27.37	17.75	17.75				
		8XX Access Ten Digit Screening, Customized Area of Service Per 8XX Numb			OHD	N8FCX		5.69	2.85							27.37	27.37	17.75	17.75				

UNBUNDLED NETWORK ELEMENTS
AL

CATEGORY	NOTES	UNBUNDLED NETWORK ELEMENT	Interim	Zone	BCS	USOC	RATES (\$)					OSS RATES (\$)					
							Nonrecurring		Nonrecurring			Svc Order Submitted Elec per LSR	Svc Order Submitted Manually per LSR	Incremental Charge - Manual Svc Order vs. Electronic-1st	Incremental Charge - Manual Svc Order vs. Electronic-Add'l	Incremental Charge - Manual Order vs. Electronic-Disc 1st	Incremental Charge - Manual Svc Order vs. Electronic-Disc Add'l
							Rec	First	Add'l	First	Add'l						
							SOMEK	SOMAN	SOMAN	SOMAN	SOMAN	SOMAN					
		8XX Access Ten Digit Screening, Multiple InterLATA CXR Routing Per CXR Requested Per 8XX No			OHD	N8FMX		6.66	3.81				27.37	27.37	17.75	17.75	
		8XX Access Ten Digit Screening, Change Charge Per Reque			OHD	N8FAX		8.1	0.97				27.37	27.37	17.75	17.75	
		8XX Access Ten Digit Screening, Call Handling and Destination Featur			OHD	N8FDX		5.69					27.37	27.37	17.75	17.75	
LINE INFORMATION DATA BASE ACCESS (LIDB)																	
		LIDB Common Transport Per Quer			OQT			0.0004									
		LIDB Validation Per Quer			OQU			0.0142									
		LIDB Originating Point Code Establishment or Chang			OQT, OQU	NRPBX		64.36					27.37	27.37	17.75	17.75	
SIGNALING (CCS7)																	
		CCS7 Signaling Termination, Per STP Por			1DB	PT8SX		148.72					25.93	25.93	16.31	16.31	
		CCS7 Signaling Usage, Per TCAP Messag			1DB			0.0001									
		NOTE: Applicable when measurement and billing capability exists.															
		CCS7 Signaling Connection, Per link (A link			1DB	TPP++		18.79	171.98	171.98	135.7	135.7	25.93	25.93	16.31	16.31	
		CCS7 Signaling Connection, Per link (B link) (also known as D lin			1DB	TPP++		18.79	171.98	171.98	135.7	135.7	25.93	25.93	16.31	16.31	
		CCS7 Signaling Usage, Per ISUP Messag			1DB			0.0004									
		NOTE: Applicable when measurement and billing capability exists.															
		CCS7 Signaling Usage Surrogate, per link per LAT			1DB	STU56		376.12					25.93	25.93	16.31	16.31	
		CCS7 Signaling Point Code, per Originating Point Code Establishment or Change, per STP affectec			1DB	CCAPO		40	40				25.93	25.93	16.31	16.31	
		CCS7 Signaling Point Code, per Destination Point Code Establishment or Change, Per Stp Affectec			1DB	CCAPD		8	8				25.93	25.93	16.31	16.31	
E911 SERVICE																	
CALLING NAME (CNAM) SERVICE																	
		CNAM for DB Owners, Per Quer			OQV			0.016									
		CNAM for Non DB Owners, Per Quer			OQV			0.01									
		CNAM (Non-Databs Owner), NRC, applies when using the Character Based User Interface (CHUI)			OQV	CDDCH		595	595				27.37	27.37	17.75	17.75	
LNP QUERY SERVICE																	
OPERATOR SERVICES AND DIRECTORY ASSISTANCE																	
OPERATOR CALL PROCESSING																	
		Oper. Call Processing - Oper. Provided, Per Min. - Using BST LID						1.2									
		Oper. Call Processing - Oper. Provided, Per Min. - Using Foreign LID						1.24									
		Oper. Call Processing - Fully Automated, per Call - Using BST LID						0.2									
		Oper. Call Processing - Fully Automated, per Call - Using Foreign LIC						0.2									
INWARD OPERATOR SERVICES																	
		Inward Operator Services - Verification, Per Minut						1.15									
		Inward Operator Services - Verification and Emergency Interrupt - Per Minu						1.15									
BRANDING - OPERATOR CALL PROCESSING																	
		Recording of Custom Branded OA Announcement				CBAOS		7000	7000	9.61	9.61		19.99	19.99	19.99	19.99	
		Loading of Custom Branded OA Announcement per shelf/NAV				CBAOL		500	500				19.99	19.99			
DIRECTORY ASSISTANCE SERVICES																	
DIRECTORY ASSISTANCE ACCESS SERVICE																	
		Directory Assistance Access Service Calls, Charge Per Ca						0.275									
DIRECTORY ASSISTANCE CALL COMPLETION ACCESS SERVICE (DACC)																	
		Directory Assistance Call Completion Access Service (DACC), Per Call Attem						0.1									

UNBUNDLED NETWORK ELEMENTS
AL

CATEGORY	NOTES	UNBUNDLED NETWORK ELEMENT	Interim	Zone	BCS	USOC	RATES (\$)					OSS RATES (\$)							
							Nonrecurring	Nonrecurring		Disconnect		SOME C	SOMAN	SOMAN	SOMAN	SOMAN	SOMAN		
							Rec	First	Add'l	First	Add'l								
UNBRANDING																			
DIRECTORY TRANSPORT																			
		Directory Transport - Local Channel DS					35.52	503.57	442.84	46.28	32.18			61.99	61.99	29.27	29.27		
		Directory Transport - DS1 Level Interoffice Per Mil					0.6923												
		Directory Transport - DS1 Level Interoffice Per Facility Termination					79.69	198.15	148.18	25.44	20.42			27.37	27.37	12.97	12.97		
		Switched Common Transport Per DA Access Service Per Call					0.0003												
		Switched Common Transport Per DA Access Service Per Call Per Mi					0.00003												
		Access Tandem Switching Per DA Access Service Per Call					0.0023												
		Directory Transport - DA Interconnection Per DA Service Charge					0.00269												
		Directory Transport - Installation NRC, Per Trunk or Signaling Connection						260.69	5.95	173.46	5.95			61.99	61.99	29.27	29.27		
DIRECTORY ASSISTANCE DATA BASE SERVICE (DADS)																			
		Directory Assistance Data Base Service Charge Per Listing					0.04												
		Directory Assistance Data Base Service, per month					150												
BRANDING - DIRECTORY ASSISTANCE																			
		Custom Branding Announcement, per Recording to be used with the provision of DA Loading of Custom Branded Announcement per DRAM Card/Switch			AMT	CBADA		3000	3000										
					AMT	CBADC		690	690										
SELECTIVE ROUTING																			
		Selective Routing Per Unique Line Class Code Per Request Per Switch				USRCR		230.6	230.6					40.71	9.58				
VIRTUAL COLLOCATION																			
		Virtual Collocation - 2-wire Cross Connects (loop)			ueanl,uea,udn,udc,ual,ucl,ucl,ueaq	UEAC2	0.28	30.76	29.4	12.75	11.38			19.99	19.99	19.99	19.99		
		Virtual Collocation - 2-wire Cross Connects (port)				VE1R2	0.28	30.76	29.4	12.75	11.38			19.99	19.99	19.99	19.99		
		Virtual Collocation - 4-wire Cross Connects (loop)			uea,ucl,ucl,ud	UEAC4	0.56	66.71	50.43	12.82	11.39			19.99	19.99	19.99	19.99		
		Virtual Collocation - 4-wire Cross Connects (port)				VE1R4	0.56	66.71	50.43	12.82	11.39			19.99	19.99	19.99	19.99		
		Virtual Collocation - 2-Fiber Cross Connect				CNC2F	12.1	55.46	39.18	16.83	13.27			19.99	19.99	19.99	19.99		
		Virtual Collocation - 4-Fiber Cross Connect				CNC4F	21.75	66.71	50.43	21.86	18.31			19.99	19.99	19.99	19.99		
		Virtual Collocation - DS1 Cross Connect			USL,ULC	CNC1X	7.5	155	14										
AIN SELECTIVE CARRIER ROUTING																			
		Regional Service Establishment	I		SRC	SRCEC		202197.82		17181.39				27.37	27.37	27.37	27.37		
		End Office Establishment	I		SRC	SRCEO		339.75	339.75	3.39	3.39			27.37	27.37	27.37	27.37		
		Query NRC, per query	I		SRC		0.0031412												
AIN - BELLSOUTH AIN SMS ACCESS SERVICE																			
		AIN SMS Access Service - Service Establishment, Per State, Initial Setup				CAMSE		197.49	197.49	114.22	114.22			27.37	27.37	17.75	17.75		
		AIN SMS Access Service - Port Connection - Dial/Shared Access				CAMPD		64.05	64.05	27.04	27.04			27.37	27.37	17.75	17.75		
		AIN SMS Access Service - Port Connection - ISDN Access				CAM1P		64.05	64.05	27.04	27.04			27.37	27.37	17.75	17.75		
		AIN SMS Access Service - User Identification Codes - Per User ID Code				CAMAU		141.84	141.84	70.05	70.05			27.37	27.37	17.75	17.75		
		AIN SMS Access Service - Security Card, Per User ID Code, Initial or Replacement				CAMRC		142.13	142.13	35.26	35.26			27.37	27.37	17.75	17.75		
		AIN SMS Access Service - Storage, Per Unit (100 Kilobytes)					0.0026												
		AIN SMS Access Service - Session, Per Minute					0.0892												
		AIN SMS Access Service - Company Performed Session, Per Minute					2.08												
AIN - BELLSOUTH AIN TOOLKIT SERVICE																			
		AIN Toolkit Service - Service Establishment Charge, Per State, Initial Setup				BAPSC		192.69	192.69	114.22	114.22			27.37	27.37	17.75	17.75		
		AIN Toolkit Service - Training Session, Per Customer				BAPVX		8363	8363					27.37	27.37	17.75	17.75		
		AIN Toolkit Service - Trigger Access Charge, Per Trigger, Per DN, Term. Attempt				BAPTT		49.64	49.64	27.04	27.04			27.37	27.37	17.75	17.75		
		AIN Toolkit Service - Trigger Access Charge, Per Trigger, Per DN, Off-Hook Delay				BAPTD		49.64	49.64	27.04	27.04			27.37	27.37	17.75	17.75		
		AIN Toolkit Service - Trigger Access Charge, Per Trigger, Per DN, Off-Hook Immediate				BAPTM		49.64	49.64	27.04	27.04			27.37	27.37	17.75	17.75		
		AIN Toolkit Service - Trigger Access Charge, Per Trigger, Per DN, 10-Digit POD				BAPTO		117.98	117.98	37.9	37.9			27.37	27.37	17.75	17.75		
		AIN Toolkit Service - Trigger Access Charge, Per Trigger, Per DN, CD				BAPTC		117.98	117.98	37.9	37.9			27.37	27.37	17.75	17.75		
		AIN Toolkit Service - Trigger Access Charge, Per Trigger, Per DN, Feature Code				BAPTF		117.98	117.98	37.9	37.9			27.37	27.37	17.75	17.75		
		AIN Toolkit Service - Query Charge, Per Query					0.024												
		AIN Toolkit Service - Type 1 Node Charge, Per AIN Toolkit Subscription, Per Node, Per Query					0.006												

UNBUNDLED NETWORK ELEMENTS
AL

CATEGORY	NOTES	UNBUNDLED NETWORK ELEMENT	Interim	Zone	BCS	USOC	RATES (\$)				OSS RATES (\$)							
							Nonrecurring		Nonrecurring		Svc Order Submitted Elec per LSR	Svc Order Submitted Manually per LSR	Incremental Charge - Manual Svc Order vs. Electronic-1st	Incremental Charge - Manual Svc Order vs. Electronic-Add'l	Incremental Charge - Manual Svc Order vs. Electronic-Disc 1st	Incremental Charge - Manual Svc Order vs. Electronic-Disc Add'l		
							Rec	First	Add'l	First							Add'l	SOMEc
		AIN Toolkit Service - SCP Storage Charge, Per SMS Access Account, Per 100 Kilobytes					1.63											
		AIN Toolkit Service - Monthly report - Per AIN Toolkit Service Subscriptic				BAPMS	16	44.56	44.56	31.84	31.84		27.37	27.37	17.75	17.75		
		AIN Toolkit Service - Special Study - Per AIN Toolkit Service Subscriptic				BAPLS	0.1	47.74	47.74	15.9	15.9		27.37	27.37	17.75	17.75		
		AIN Toolkit Service - Call Event Report - Per AIN Toolkit Service Subscriptic				BAPDS	15.9	44.56	44.56	31.84	31.84		27.37	27.37	17.75	17.75		
		AIN Toolkit Service - Call Event Special Study - Per AIN Toolkit Service Subscription				BAPES	0.003	47.74	47.74				27.37	27.37	17.75	17.75		
ODUF/EDOUF/ADUF/CMDS																		
		ACCESS DAILY USAGE FILE (ADUF)																
		ADUF: Message Processing, per message					0.004											
		ADUF: Data Transmission (CONNECT:DIRECT), per message					0.001											
		ENHANCED OPTIONAL DAILY USAGE FILE (EODUF)																
		EODUF: Message Processing, per message					0.004											
		OPTIONAL DAILY USAGE FILE (ODUF)																
		ODUF: Recording, per message					0.0002											
		ODUF: Message Processing, per message					0.0033											
		ODUF: Message Processing, per Magnetic Tape provisione					55.19											
		ODUF: Data Transmission (CONNECT:DIRECT), per message					0.00004											
ENHANCED EXTENDED LINK (EELs)																		
		NOTE: New EELs available in State of Georgia, density zone 1 of following SMAs: Orlando, FL; Miami, FL; Ft. Lauderdale, FL; Nashville, TN; New Orleans, LA;																
		NOTE: Charlotte-Gastonia-Rockhill, NC; Greensboro-Winston Salem-High Point, NC. Use all rates below except Switch As Is Charge.																
		NOTE: In all states, EEL network elements shown below also apply to currently combined facilities which are converted to UNE rates. A Switch As Is Charge applies to currently combined facilities converted to UNEs.(Non-recurring rates do not apply.)																
		NOTE: In Georgia, the EEL network elements apply to ordinarily combined network elements per the GA PSC order.(No Switch As Is Charge.)																
2-WIRE VOICE GRADE EXTENDED LOOP WITH DEDICATED DS1 INTEROFFICE TRANSPORT (EEL)																		
		First 2-Wire VG Loop(SL2) in a DS1 Interofficed Transport Combination - Zone		1	UNCVX	UEAL2	17.95											
		First 2-Wire VG Grade Loop(SL2) in a DS1 Interofficed Transport Combination - Zone 2		2	UNCVX	UEAL2	29.16											
		First 2-Wire VG Grade Loop(SL2) in a DS1 Interofficed Transport Combination - Zone 3		3	UNCVX	UEAL2	52.84											
		Interoffice Transport - Dedicated - DS1 combination - Per Mile per mon			UNC1X	1L5XX	0.2067											
		Interoffice Transport - Dedicated - DS1 combination - Facility Termination per month			UNC1X	U1TF1	68.75											
		DS1 Channelization System Per Mont			UNC1X	MQ1	122.5											
		Voice Grade COCI - DS1 To Ds0 Interface - Per Month			UNCVX	1D1VG	0.64											
		Each Additional 2-Wire VG Loop(SL 2) in the same DS1 Interoffice Transport Combination - Zone		1	UNCVX	UEAL2	17.95											
		Each Additional 2-Wire VG Loop(SL2) in the same DS1 Interoffice Transport Combination - Zone ;		2	UNCVX	UEAL2	29.16											
		Each Additional 2-Wire VG Loop(SL2) in the same DS1 Interoffice Transport Combination - Zone ;		3	UNCVX	UEAL2	52.84											
		Voice Grade COCI - DS1 to DS0 Channel System combination - per mon			UNCVX	1D1VG	0.64											
		Nonrecurring Currently Combined Network Elements Switch -As-Is Charç			UNC1X	UNCCC		11.18	11.18	13.96	13.96		31.31	31.31	3.93	3.93		
4-WIRE VOICE GRADE EXTENDED LOOP WITH DEDICATED DS1 INTEROFFICE TRANSPORT (EEL)																		

UNBUNDLED NETWORK ELEMENTS
AL

CATEGORY	NOTES	UNBUNDLED NETWORK ELEMENT	Interim	Zone	BCS	USOC	RATES (\$)				OSS RATES (\$)										
							Nonrecurring		Nonrecurring		Svc Order Submitted Elec per LSR	Svc Order Submitted Manually per LSR	Incremental Charge - Manual Svc Order vs. Electronic-1st	Incremental Charge - Manual Svc Order vs. Electronic-Add'l	Incremental Charge - Manual Svc Order vs. Electronic-Disc 1st	Incremental Charge - Manual Svc Order vs. Electronic-Disc Add'l					
							Rec	First	Add'l	First							Add'l	SOME C	SOMAN	SOMAN	SOMAN
		First 4-Wire Analog Voice Grade Loop in a DS1 Interoffice Transport Combination Zone 1		1	UNCVX	UEAL4	24.01														
		First 4-Wire Analog Voice Grade Loop in a DS1 Interoffice Transport Combination Zone 2		2	UNCVX	UEAL4	39														
		First 4-Wire Analog Voice Grade Loop in a DS1 Interoffice Transport Combination Zone 3		3	UNCVX	UEAL4	70.67														
		Interoffice Transport - Dedicated - DS1 combination - Per Mile Per Mon			UNC1X	1L5XX	0.2067														
		Interoffice Transport - Dedicated - DS1 - Facility Termination Per Mon			UNC1X	U1TF1	68.75														
		Channelization - Channel System DS1 to DS0 combination Per Mor			UNC1X	MQ1	122.5														
		Voice Grade COCI - DS1 to DS0 Channel System combination - per mon			UNCVX	1D1VG	0.64														
		Additional 4-Wire Analog Voice Grade Loop in same DS1 Interoffice Transport Combination - Zone		1	UNCVX	UEAL4	24.01														
		Additional 4-Wire Analog Voice Grade Loop in same DS1 Interoffice Transport Combination - Zone		2	UNCVX	UEAL4	39														
		Additional 4-Wire Analog Voice Grade Loop in same DS1 Interoffice Transport Combination - Zone		3	UNCVX	UEAL4	70.67														
		Voice Grade COCI - DS1 to DS0 Channel System combination - per mon			UNCVX	1D1VG	0														
		Nonrecurring Currently Combined Network Elements Switch -As-Is Char			UNC1X	UNCCC		11.18	11.18	13.96	13.96				31.31	31.31	3.93			3.93	
		4-WIRE 56 KBPS EXTENDED DIGITAL LOOP WITH DEDICATED DS1 INTEROFFICE TRANSPORT (EEL)																			
		First 4-Wire 56Kbps Digital Grade Loop in a DS1 Interoffice Transport Combination Zone 1		1	UNCDX	UDL56	27.33														
		First 4-Wire 56Kbps Digital Grade Loop in a DS1 Interoffice Transport Combination Zone 2		2	UNCDX	UDL56	44.4														
		First 4-Wire 56Kbps Digital Grade Loop in a DS1 Interoffice Transport Combination Zone 3		3	UNCDX	UDL56	80.45														
		Interoffice Transport - Dedicated - DS1 combination - Per Mile Per Mon			UNC1X	1L5XX	0.2067														
		Interoffice Transport - Dedicated - DS1 - combination Facility Termination Per Month			UNC1X	U1TF1	68.75								31.31	31.31	3.93			3.93	
		Channelization - Channel System DS1 to DS0 combination Per Mor			UNC1X	MQ1	122.5														
		OCU-DP COCI (data) - DS1 to DS0 Channel System - per month (2.4-64kbs)			UNCDX	1D1DD	1.36														
		Additional 4-Wire 56Kbps Digital Grade Loop in same DS1 Interoffice Transport Combination - Zone		1	UNCDX	UDL56	27.33								31.31	31.31	3.93			3.93	
		Additional 4-Wire 56Kbps Digital Grade Loop in same DS1 Interoffice Transport Combination - Zone		2	UNCDX	UDL56	44.4								31.31	31.31	3.93			3.93	
		Additional 4-Wire 56Kbps Digital Grade Loop in same DS1 Interoffice Transport Combination - Zone		3	UNCDX	UDL56	80.45								31.31	31.31	3.93			3.93	
		OCU-DP COCI (data) - DS1 to DS0 Channel System - combination per month (2.4-64kbs)			UNCDX	1D1DD	1.36														
		Nonrecurring Currently Combined Network Elements Switch -As-Is Char			UNC1X	UNCCC		11.18	11.18	13.96	13.96				31.31	31.31	3.93			3.93	
		4-WIRE 64 KBPS EXTENDED DIGITAL LOOP WITH DEDICATED DS1 INTEROFFICE TRANSPORT (EEL)																			
		First 4-Wire 64Kbps Digital Grade Loop in a DS1 Interoffice Transport Combination Zone 1		1	UNCDX	UDL64	27.33														
		First 4-Wire 64Kbps Digital Grade Loop in a DS1 Interoffice Transport Combination Zone 2		2	UNCDX	UDL64	44.4														
		First 4-Wire 64Kbps Digital Grade Loop in a DS1 Interoffice Transport Combination Zone 3		3	UNCDX	UDL64	80.45														
		Interoffice Transport - Dedicated - DS1 combination - Per Mile Per Mon			UNC1X	1L5XX	0.2067														
		Interoffice Transport - Dedicated - DS1 combination - Facility Termination Per Month			UNC1X	U1TF1	68.75														
		Channelization - Channel System DS1 to DS0 combination Per Mor			UNC1X	MQ1	122.5														
		OCU-DP COCI (data) - DS1 to DS0 Channel System combination - per month (2.4-64kbs)			UNCDX	1D1DD	1.36	0	0												
		Additional 4-Wire 64Kbps Digital Grade Loop in same DS1 Interoffice Transport Combination - Zone		1	UNCDX	UDL64	27.33														
		Additional 4-Wire 64Kbps Digital Grade Loop in same DS1 Interoffice Transport Combination - Zone		2	UNCDX	UDL64	44.4														
		Additional 4-Wire 64Kbps Digital Grade Loop in same DS1 Interoffice Transport Combination - Zone		3	UNCDX	UDL64	80.45														
		OCU-DP COCI (data) - DS1 to DS0 Channel System combination - per month (2.4-64kbs)			UNCDX	1D1DD	1.36														
		Nonrecurring Currently Combined Network Elements Switch -As-Is Char			UNC1X	UNCCC		11.18	11.18	13.96	13.96				31.31	31.31	3.93			3.93	

UNBUNDLED NETWORK ELEMENTS
AL

CATEGORY	NOTES	UNBUNDLED NETWORK ELEMENT	Interim	Zone	BCS	USOC	RATES (\$)				OSS RATES (\$)							
							Nonrecurring		Nonrecurring		SOME C	SOMAN	SOMAN	SOMAN	SOMAN	SOMAN		
							Rec	First	Add'l	Disconnect							First	Add'l
		4-WIRE DS1 DIGITAL EXTENDED LOOP WITH DEDICATED DS1 INTEROFFICE TRANSPORT (EEL)																
		4-Wire DS1 Digital Loop in Combination with DS1 Interoffice Transport - Zone		1	UNC1X	USLXX	51.74											
		4-Wire DS1 Digital Loop in Combination with DS1 Interoffice Transport - Zone		2	UNC1X	USLXX	84.05											
		4-Wire DS1 Digital Loop in Combination with DS1 Interoffice Transport - Zone		3	UNC1X	USLXX	152.29											
		Interoffice Transport - Dedicated - DS1 combination - Per Mile Per Mon			UNC1X	1L5XX	0.2067											
		Interoffice Transport - Dedicated - DS1 combination - Facility Termination Per Month			UNC1X	U1TF1	68.75											
		Nonrecurring Currently Combined Network Elements Switch -As-Is Char			UNC1X	UNCCC		11.18	11.18	13.96	13.96			31.31	31.31	3.93	3.93	
		4-WIRE DS1 DIGITAL EXTENDED LOOP WITH DEDICATED DS3 INTEROFFICE TRANSPORT (EEL)																
		First DS1 Loop in DS3 Interoffice Transport Combination - Zone		1	UNC1X	USLXX	51.74											
		First DS1 Loop in DS3 Interoffice Transport Combination - Zone		2	UNC1X	USLXX	84.05											
		First DS1 Loop in DS3 Interoffice Transport Combination - Zone		3	UNC1X	USLXX	152.29											
		Interoffice Transport - Dedicated - DS3 combination - Per Mile Per Mon			UNC3X	1L5XX	4.67											
		Interoffice Transport - Dedicated - DS3 - Facility Termination per mon			UNC3X	U1TF3	804.02											
		DS3 to DS1 Channel System combination per mon			UNC3X	MQ3	201.37											
		DS3 Interface Unit (DS1 COCI) combination per month			UNC1X	UC1D1	15.39											
		Additional DS1 Loop in DS3 Interoffice Transport Combination - Zone		1	UNC1X	USLXX	51.74											
		Additional DS1 Loop in DS3 Interoffice Transport Combination - Zone		2	UNC1X	USLXX	84.05											
		Additional DS1 Loop in DS3 Interoffice Transport Combination - Zone		3	UNC1X	USLXX	152.29											
		DS3 Interface Unit (DS1 COCI) combination per month			UNC1X	UC1D1	15.39											
		Nonrecurring Currently Combined Network Elements Switch -As-Is Char			UNC3X	UNCCC		11.18	11.18	13.96	13.96			31.31	31.31	3.93	3.93	
		2-WIRE VOICE GRADE EXTENDED LOOP/ 2 WIRE VOICE GRADE INTEROFFICE TRANSPORT (EEL)																
		2-Wire VG Loop used with 2-wire VG Interoffice Transport Combination - Zone		1	UNCVX	UEAL2	17.95											
		2-Wire VG Loop used with 2-wire VG Interoffice Transport Combination - Zone		2	UNCVX	UEAL2	29.16											
		2-Wire VG Loop used with 2-wire VG Interoffice Transport Combination - Zone		3	UNCVX	UEAL2	52.84											
		Interoffice Transport - Dedicated - 2-wire VG combination - Per Mile Per Mon			UNCVX	1L5XX	0.0101											
		Interoffice Transport - Dedicated - 2-Wire Voice Grade combination - Facility Termination per month			UNCVX	U1TV2	24.15							31.31	31.31	3.93	3.93	
		Nonrecurring Currently Combined Network Elements Switch -As-Is Char			UNCVX	UNCCC		11.18	11.18	13.96	13.96			31.31	31.31	3.93	3.93	
		4-WIRE VOICE GRADE EXTENDED LOOP/ 4 WIRE VOICE GRADE INTEROFFICE TRANSPORT (EEL)																
		4-Wire VG Loop used with 4-wire VG Interoffice Transport Combination - Zone		1	UNCVX	UEAL4	24.01											
		4-Wire VG Loop used with 4-wire VG Interoffice Transport Combination - Zone		2	UNCVX	UEAL4	39											
		4-Wire VG Loop used with 4-wire VG Interoffice Transport Combination - Zone		3	UNCVX	UEAL4	70.67											
		Interoffice Transport - Dedicated - 4-wire VG combination - Per Mile Per Mon			UNCVX	1L5XX	0.0101											
		Interoffice Transport - Dedicated - 4-Wire Voice Grade combination - Facility Termination per month			UNCVX	U1TV4	21.41											
		Nonrecurring Currently Combined Network Elements Switch -As-Is Char			UNCVX	UNCCC		11.18	11.18	13.96	13.96			31.31	31.31	3.93	3.93	
		DS3 DIGITAL EXTENDED LOOP WITH DEDICATED DS3 INTEROFFICE TRANSPORT (EEL)																
		High Capacity Unbundled Local Loop - DS3 combination - Per Mile per mon			UNC3X	1L5ND	10.16											
		High Capacity Unbundled Local Loop - DS3 combination - Facility Termination per month			UNC3X	UE3PX	74.52											
		Interoffice Transport - Dedicated - DS3 - Per Mile per mon			UNC3X	1L5XX	4.67											
		Interoffice Transport - Dedicated - DS3 combination - Facility Termination per month			UNC3X	U1TF3	804.02											
		Nonrecurring Currently Combined Network Elements Switch -As-Is Char			UNC3X	UNCCC		11.18	11.18	13.96	13.96			31.31	31.31	3.93	3.93	
		STS1 DIGITAL EXTENDED LOOP WITH DEDICATED STS1 INTEROFFICE TRANSPORT (EEL)																
		High Capacity Unbundled Local Loop - STS1 combination - Per Mile per mon			UNC3X	1L5ND	10.16											
		High Capacity Unbundled Local Loop - STS1 combination - Facility Termination per month			UNC3X	UDL1	387.67											
		Interoffice Transport - Dedicated - STS1 combination - Per Mile per mon			UNC3X	1L5XX	6.89											
		Interoffice Transport - Dedicated - STS1 combination - Facility Termination per month			UNC3X	U1TFS	801.57											
		Nonrecurring Currently Combined Network Elements Switch -As-Is Char			UNC3X	UNCCC		11.18	11.18	13.96	13.96			31.31	31.31	3.93	3.93	
		2-WIRE ISDN EXTENDED LOOP WITH DS1 INTEROFFICE TRANSPORT (EEL)																
		First 2-Wire ISDN Loop in a DS1 Interoffice Combination Transport - Zone		1	UNCNX	U1L2X	23.23											
		First 2-Wire ISDN Loop in a DS1 Interoffice Combination Transport - Zone		2	UNCNX	U1L2X	37.74											

UNBUNDLED NETWORK ELEMENTS
AL

CATEGORY	NOTES	UNBUNDLED NETWORK ELEMENT	Interim	Zone	BCS	USOC	RATES (\$)				OSS RATES (\$)									
							Nonrecurring		Nonrecurring		SOMECH	SOMAN	SOMAN	SOMAN	SOMAN	SOMAN				
							Rec	First	Add'l	Disconnect							First	Add'l		
		First 2-Wire ISDN Loop in a DS1 Interoffice Combination Transport - Zone		3	UNCNX	U1L2X	68.38													
		Interoffice Transport - Dedicated - DS1 combination - Per Mi			UNC1X	1L5XX	0.2067													
		Interoffice Transport - Dedicated - DS1 combination - Facility Termination per mor			UNC1X	U1TF1	68.75													
		Channelization - Channel System DS1 to DS0 combination - per mor			UNC1X	MQ1	122.5													
		2-wire ISDN COCI (BRITE) - DS1 to DS0 Channel System combination - per mor			UNCNX	UC1CA	2.92													
		Additional 2-wire ISDN Loop in same DS1 Interoffice Transport Combination - Zone 1		1	UNCNX	U1L2X	23.23													
		Additional 2-wire ISDN Loop in same DS1 Interoffice Transport Combination - Zone 2		2	UNCNX	U1L2X	37.74													
		Additional 2-wire ISDN Loop in same DS1 Interoffice Transport Combination - Zone 3		3	UNCNX	U1L2X	68.38													
		2-wire ISDN COCI (BRITE) - DS1 to DS0 Channel System combination - per mor			UNCNX	UC1CA	2.92													
		Nonrecurring Currently Combined Network Elements Switch -As-Is Charge			UNC1X	UNCCC		11.18	11.18	13.96	13.96			31.31	31.31	3.93	3.93			
		4-WIRE DS1 DIGITAL EXTENDED LOOP WITH DEDICATED STS-1 INTEROFFICE TRANSPORT (EEL)																		
		First DS1 Loop in STS1 Interoffice Transport Combination - Zone		1	UNC1X	USLXX	51.74													
		First DS1 Loop in STS1 Interoffice Transport Combination - Zone		2	UNC1X	USLXX	84.05													
		First DS1 Loop in STS1 Interoffice Transport Combination - Zone		3	UNC1X	USLXX	152.29													
		Interoffice Transport - Dedicated - STS1 combination - Per Mile Per Mon			UNCSX	1L5XX	6.89													
		Interoffice Transport - Dedicated - STS1 combination - Facility Termination			UNCSX	U1TFS	801.57													
		STS1 to DS1 Channel System combination per month			UNCSX	MQ3	201.37													
		DS3 Interface Unit (DS1 COCI) combination per month			UNC1X	UC1D1	15.39													
		Additional DS1 Loop in STS1 Interoffice Transport Combination - Zone		1	UNC1X	USLXX	51.74													
		Additional DS1 Loop in STS1 Interoffice Transport Combination - Zone		2	UNC1X	USLXX	84.05													
		Additional DS1 Loop in STS1 Interoffice Transport Combination - Zone		3	UNC1X	USLXX	152.29													
		DS3 Interface Unit (DS1 COCI) combination per month			UNC1X	UC1D1	15.39													
		Nonrecurring Currently Combined Network Elements Switch -As-Is Charge			UNCSX	UNCCC		11.18	11.18	13.96	13.96			31.31	31.31	3.93	3.93			
		4-WIRE 56 KBPS DIGITAL EXTENDED LOOP WITH 56 KBPS INTEROFFICE TRANSPORT (EEL)																		
		4-wire 56 kbps Loop/4-wire 56 kbps Interoffice Transport Combination - Zone		1	UNCDX	UDL56	27.33													
		4-wire 56 kbps Loop/4-wire 56 kbps Interoffice Transport Combination - Zone		2	UNCDX	UDL56	44.4													
		4-wire 56 kbps Loop/4-wire 56 kbps Interoffice Transport Combination - Zone		3	UNCDX	UDL56	80.45													
		Interoffice Transport - Dedicated - 4-wire 56 kbps combination - Per Mi			UNCDX	1L5XX	0.0101													
		Interoffice Transport - Dedicated - 4-wire 56 kbps combination - Facility Termination			UNCDX	U1TD5	17.28													
		Nonrecurring Currently Combined Network Elements Switch -As-Is Charge			UNCDX	UNCCC		11.18	11.18	13.96	13.96			31.31	31.31	3.93	3.93			
		4-WIRE 64 KBPS DIGITAL EXTENDED LOOP WITH 64 KBPS INTEROFFICE TRANSPORT (EEL)																		
		4-wire 64 kbps Loop/4-wire 64 kbps Interoffice Transport Combination - Zone		1	UNCDX	UDL64	27.33													
		4-wire 64 kbps Loop/4-wire 64 kbps Interoffice Transport Combination - Zone		2	UNCDX	UDL64	44.4													
		4-wire 64 kbps Loop/4-wire 64 kbps Interoffice Transport Combination - Zone		3	UNCDX	UDL64	80.45													
		Interoffice Transport - Dedicated - 4-wire 64 kbps combination - Per Mi			UNCDX	1L5XX	0.0101													
		Interoffice Transport - Dedicated - 4-wire 64 kbps combination - Facility Termination			UNCDX	U1TD6	17.28													
		Nonrecurring Currently Combined Network Elements Switch -As-Is Charge			UNCDX	UNCCC		11.18	11.18	13.96	13.96			31.31	31.31	3.93	3.93			
		ADDITIONAL NETWORK ELEMENTS																		
		When used as a part of a currently combined facility, the non-recurring charges do not apply, but a Switch As Is charge does apply.																		
		When used as ordinarily combined network elements in Georgia, the non-recurring charges apply and the Switch As Is Charge does not.																		
		Node (SynchroNet)																		
		Node per month			UNCDX	UNCNT	15.77													
		Nonrecurring Currently Combined Network Elements "Switch As Is" Charge (One applies to each combination)																		
		2/4-Wire VG Interoffice Channel used in a COMBINATION - "Switch As Is" Conversion Charge			UNCVX	UNCCC		11.18	11.18	13.96	13.96			31.31	31.31	3.93	3.93			
		56/64 kbps Interoffice Channel used in a COMBINATION - "Switch As Is" Conversion Charge			UNCDX	UNCCC		11.18	11.18	13.96	13.96			31.31	31.31	3.93	3.93			

UNBUNDLED NETWORK ELEMENTS
AL

CATEGORY	NOTES	UNBUNDLED NETWORK ELEMENT	Interim	Zone	BCS	USOC	RATES (\$)				OSS RATES (\$)						
							Nonrecurring		Nonrecurring		Svc Order Submitted Elec per LSR	Svc Order Submitted Manually per LSR	Incremental Charge - Manual Svc Order vs. Electronic-1st	Incremental Charge - Manual Svc Order vs. Electronic-Add'l	Incremental Charge - Manual Svc Order vs. Electronic-Disc 1st	Incremental Charge - Manual Svc Order vs. Electronic-Disc Add'l	
							Rec	First	Add'l	First							Add'l
		DS1 Interoffice Channel used in a COMBINATION - "Switch As Is" Conversion Charge			UNC1X	UNCCC		11.18	11.18	13.96	13.96			31.31	31.31	3.93	3.93
		DS3 Interoffice Channel used in a COMBINATION - "Switch As Is" Conversion Charge			UNC3X	UNCCC		11.18	11.18	13.96	13.96			31.31	31.31	3.93	3.93
		STS1 Interoffice or Local Loop used in a COMBINATION - "Switch As Is" Conversion Charge			UNCSX	UNCCC		11.18	11.18	13.96	13.96			31.31	31.31	3.93	3.93
		NOTE: Local Channel - Dedicated Transport - minimum billing period - Below DS3=one month, DS3 and above=four months															
OPERATIONAL SUPPORT SYSTEMS																	
		NOTE: (1) Electronic Service Order: CLEC-1 should contact its contract negotiator if it prefers the state specific electronic service ordering charges as ordered by the State Commissions															
		NOTE: (1) Continued: The electronic service ordering charge currently contained in this rate exhibit is the BellSouth regional electronic service ordering charge															
		NOTE: (1) Concluded: CLEC-1 may elect either the state specific Commission ordered rates for the electronic service ordering charges, or CLEC-1 may elect the regional electronic service ordering charge.															
		NOTE: (2) Manual Service Order charge: disconnect, in the state of Florida, to be billed on a per LSR basis															
		Electronic OSS Charge, per LSR, submitted via BST's OSS interactive interfaces (Regional)				SOMEc		3.5									
UNBUNDLED LOCAL EXCHANGE SWITCHING (PORTS)																	
		Exchange Ports															
		NOTE: Although the Port Rate includes all available features in GA & TN, the desired features will need to be ordered using retail USOCs															
		2-WIRE VOICE GRADE LINE PORT RATES (RES)															
		Exchange Ports - 2-Wire Analog Line Port- Re:			UEPSR	UEPRL	2.07	21.93	21.93	6.21	6.21			27.37	12.97	17.77	1.44
		Exchange Ports - 2-Wire Analog Line Port with Caller ID - Re			UEPSR	UEPRC	2.07	21.93	21.93	6.21	6.21			27.37	12.97	17.77	1.44
		Exchange Ports - 2-Wire Analog Line Port outgoing only - Re			UEPSR	UEPRO	2.07	21.93	21.93	6.21	6.21			27.37	12.97	17.77	1.44
		Exchange Ports - 2-Wire VG unbundled AL extended local dialing parity Port with Caller ID - Res.			UEPSR	UEPAR	2.07	21.93	21.93	6.21	6.21			27.37	12.97	17.77	1.44
		Exchange Ports - 2-Wire VG unbundled res, low usage line port with Caller ID (LUM)			UEPSR	UEPAP	2.07	21.93	21.93	6.21	6.21			27.37	12.97	17.77	1.44
		Subsequent Activity			UEPSR	USASC	0	0	0								
		FEATURES															
		All Available Vertical Feature			UEPSR	UEPVF	5.55	0	0					27.37	12.97	17.77	1.44
		2-WIRE VOICE GRADE LINE PORT RATES (BUS)															
		Exchange Ports - 2-Wire Analog Line Port without Caller ID - B:			UEPSB	UEPBL	2.07	21.93	21.93	6.21	6.21			27.37	12.97	17.77	1.44
		Exchange Ports - 2-Wire VG unbundled Line Port with unbundled port with Caller+E484 ID - Bus			UEPSB	UEPBC	2.07	21.93	21.93	6.21	6.21			27.37	12.97	17.77	1.44
		Exchange Ports - 2-Wire Analog Line Port outgoing only - Bu			UEPSB	UEPBO	2.07	21.93	21.93	6.21	6.21			27.37	12.97	17.77	1.44
		Exchange Ports - 2-Wire VG unbundled AL extended local dialing parity Port with Caller ID - Bus.			UEPSB	UEPAW	2.07	21.93	21.93	6.21	6.21			27.37	12.97	17.77	1.44
		Exchange Ports - 2-Wire VG unbundled incoming only port with Caller ID - B:			UEPSB	UEPB1	2.07	21.93	21.93	6.21	6.21			27.37	12.97	17.77	1.44
		Subsequent Activity			UEPSB	USASC	0	0	0								
		FEATURES															
		All Available Vertical Feature			UEPSB	UEPVF	5.55	0	0					27.37	12.97	17.77	1.44
		EXCHANGE PORT RATES (DID & PBX)															
		Exchange Ports - 2-Wire DID Port			UEPEX	UEPP2	9.2	238.61	37.48	119.79				19.99	19.99	19.99	19.99
		Exchange Ports - DDITS Port - 4-Wire DS1 Port with DID capabilit			UEPDD	UEPDD	68.67	404.04	191.38	145.18	4.92			19.99	19.99	19.99	19.99
		Exchange Ports - 2-Wire ISDN Port (See Notes below)			UEPTX UEPSX	U1PMA	11.19	145.54	105.97	95.57	21.47			19.99	19.99	19.99	19.99
		All Features Offerec			UEPTX UEPSX	UEPVF	5.55	0	0								

UNBUNDLED NETWORK ELEMENTS
AL

CATEGORY	NOTES	UNBUNDLED NETWORK ELEMENT	Interim	Zone	BCS	USOC	RATES (\$)					OSS RATES (\$)					
							Rec	First	Add'l	First	Add'l	Disconnect	SOMEc	SOMAN	SOMAN	SOMAN	SOMAN
							Nonrecurring					Nonrecurring					
							Disconnect										
		NOTE: Transmission/usage charges associated with POTS circuit switched usage will also apply to circuit switched voice and/or circuit switched data transmission by B-Channels associated with 2-wire ISDN ports.															
		NOTE: Access to B Channel or D Channel Packet capabilities will be available only through BFR/New Business Request Process. Rates for the packet capabilities will be determined via the Bona Fide Request/New Business Request Process.															
		Exchange Ports - 2-Wire ISDN Port -- Channel Profiles			UEPTX UEPSX	U1UMA	0	0	0								
		Exchange Ports - 4-Wire ISDN DS1 Por			UEPEX	UEPEX	96.37	407.62	203.11	158.35	40.11			54.75	54.75	11.53	11.53
		2-Wire VG Unbundled 2-Way PBX Trunk - Re:			UEPSE	UEPRD	2.07	21.93	21.93	6.21	6.21			27.37	12.97	17.77	1.44
		2-Wire VG Line Side Unbundled 2-Way PBX Trunk - Bu			UEPSP	UEPPC	2.07	21.93	21.93	6.21	6.21			27.37	12.97	17.77	0.48
		2-Wire VG Line Side Unbundled Outward PBX Trunk - Bu			UEPSP	UEPPO	2.07	21.93	21.93	6.21	6.21			27.37	12.97	17.77	1.44
		2-Wire VG Line Side Unbundled Incoming PBX Trunk - Bu			UEPSP	UEPP1	2.07	21.93	21.93	6.21	6.21			27.37	12.97	17.77	1.44
		2-Wire Analog Long Distance Terminal PBX Trunk - Bu			UEPSP	UEPLD	2.07	21.93	21.93	6.21	6.21			27.37	12.97	17.77	1.44
		2-Wire Voice Unbundled 2-Way PBX Alabama Calling Pc			UEPSP	UEPA2	2.07	21.93	21.93	6.21	6.21			27.37	12.97	17.77	1.44
		2-Wire Voice Unbundled PBX LD Terminal Port			UEPSP	UEPLD	2.07	21.93	21.93	6.21	6.21			27.37	12.97	17.77	1.44
		2-Wire Vice Unbundled 2-Way PBX Usage Po			UEPSP	UEPXA	2.07	21.93	21.93	6.21	6.21			27.37	12.97	17.77	1.44
		2-Wire Voice Unbundled PBX Toll Terminal Hotel Por			UEPSP	UEPXB	2.07	21.93	21.93	6.21	6.21			27.37	12.97	17.77	1.44
		2-Wire Voice Unbundled PBX LD DDD Terminals Po			UEPSP	UEPXC	2.07	21.93	21.93	6.21	6.21			27.37	12.97	17.77	1.44
		2-Wire Voice Unbundled PBX LD Terminal Switchboard Pc			UEPSP	UEPXD	2.07	21.93	21.93	6.21	6.21			27.37	12.97	17.77	1.44
		2-Wire Voice Unbundled PBX LD Terminal Switchboard IDD Capable Pc			UEPSP	UEPXE	2.07	21.93	21.93	6.21	6.21			27.37	12.97	17.77	1.44
		2-Wire Voice Unbundled 2-Way PBX Hotel/Hospital Economy Administrative Calling Port			UEPSP	UEPXL	2.07	21.93	21.93	6.21	6.21			27.37	12.97	17.77	1.44
		2-Wire Voice Unbundled 2-Way PBX Hotel/Hospital Economy Room Calling P:			UEPSP	UEPXM	2.07	21.93	21.93	6.21	6.21			27.37	12.97	17.77	1.44
		2-Wire Voice Unbundled 1-Way Outgoing PBX Hotel/Hospital Discount Room Calling Port			UEPSP	UEPXO	2.07	21.93	21.93	6.21	6.21			27.37	12.97	17.77	1.44
		2-Wire Voice Unbundled 1-Way Outgoing PBX Measured Pc			UEPSP	UEPXS	2.07	21.93	21.93	6.21	6.21			27.37	12.97	17.77	1.44
		Subsequent Activity			UEPSP	USASC	0	0	0								
	FEATURES																
		All Available Vertical Feature			UEPSP UEPSE	UEPVF	5.55	0	0					27.37	12.97	17.77	1.44
	EXCHANGE PORT RATES (COIN)																
		Exchange Ports - Coin Por					2.34	21.93	21.93	5.21	5.21			25.93	12.97	16.33	0.48
		NOTE: Transmission/usage charges associated with POTS circuit switched usage will also apply to circuit switched voice and/or circuit switched data transmission by B-Channels associated with 2-wire ISDN ports.															
		NOTE: Access to B Channel or D Channel Packet capabilities will be available only through BFR/New Business Request Process. Rates for the packet capabilities will be determined via the Bona Fide Request/New Business Request Process.															
		UNBUNDLED LOCAL SWITCHING, PORT USAGE															
		End Office Switching (Port Usage)															
		End Office Switching Function, Per MOL					0.0018										
		End Office Trunk Port - Shared, Per MOL					0.0002										
		Tandem Switching (Port Usage) (Local or Access Tandem)															
		Tandem Switching Function Per MOL					0.00063										
		Common Transport															
		Common Transport - Per Mile, Per MOL					0.00001										
		Common Transport - Facilities Termination Per MO					0.00045										
		UNBUNDLED PORT/LOOP COMBINATIONS - COST BASED RATES															
		Cost Based Rates are applied where BellSouth is required by FCC and/or State Commission rule to provide Unbundled Local Switching or Switch Ports.															
		Features shall apply to the Unbundled Port/Loop Combination - Cost Based Rate section in the same manner as they are applied to the Stand-Alone Unbundled Port section of this Rate Exhibit.															

UNBUNDLED NETWORK ELEMENTS
AL

CATEGORY	NOTES	UNBUNDLED NETWORK ELEMENT	Interim	Zone	BCS	USOC	RATES (\$)						OSS RATES (\$)					
							Nonrecurring			Nonrecurring			Svc Order Submitted Elec per LSR	Svc Order Submitted Manually per LSR	Incremental Charge - Manual Svc Order vs. Electronic-1st	Incremental Charge - Manual Svc Order vs. Electronic-Add'l	Incremental Charge - Manual Svc Order vs. Electronic-Disc 1st	Incremental Charge - Manual Svc Order vs. Electronic-Disc Add'l
							Rec	First	Add'l	Disconnect	First	Add'l						
End Office and Tandem Switching Usage and Common Transport Usage rates in the Port section of this rate exhibit shall apply to all combinations of loop/port network elements except for UNE Coin Port/Loop Combinations.																		
For Georgia, the recurring UNE Port and Loop charges listed apply to Currently Combined and Not Currently Combined Combos and the first and additional Port nonrecurring charges apply to Not Currently Combined Combos. For Currently Combined Combos in GA and all other states, the nonrecurring charges shall be those identified in the Nonrecurring - Currently Combined sections.																		
2-WIRE VOICE GRADE LOOP WITH 2-WIRE LINE PORT (RES)																		
UNE Port/Loop Combination Rates																		
		2-Wire VG Loop/Port Combo - Zone		1														
		2-Wire VG Loop/Port Combo - Zone		2														
		2-Wire VG Loop/Port Combo - Zone		3														
UNE Loop Rates																		
		2-Wire Voice Grade Loop (SL1) - Zone		1	UEPRX	UEPLX												
		2-Wire Voice Grade Loop (SL1) - Zone		2	UEPRX	UEPLX												
		2-Wire Voice Grade Loop (SL1) - Zone		3	UEPRX	UEPLX												
2-Wire Voice Grade Line Port Rates (Res)																		
		2-Wire voice unbundled port - residenc			UEPRX	UEPRL	2.2							40.71	9.58			
		2-Wire voice unbundled port with Caller ID - re			UEPRX	UEPRC	2.2							40.71	9.58			
		2-Wire voice unbundled port outgoing only - re			UEPRX	UEPRO	2.2							40.71	9.58			
		2-Wire voice Grade unbundled Alabama extended local dialing parity port with Caller ID - res			UEPRX	UEPAR	2.2							40.71	9.58			
		2-Wire voice unbundles res, low usage line port with Caller ID (LUN)			UEPRX	UEPAP	2.2							40.71	9.58			
FEATURES																		
		All Features Offerec			UEPRX	UEPVF	5.55	0	0					40.71	9.58			
LOCAL NUMBER PORTABILITY																		
		Local Number Portability (1 per port			UEPRX	LNPCX	0.35											
NONRECURRING CHARGES (NRCs) - CURRENTLY COMBINED																		
		2-Wire Voice Grade Loop / Line Port Combination - Conversion - Switch-as			UEPRX	USAC2		2.8	0.41					40.71	9.58			
		2-Wire Voice Grade Loop / Line Port Combination - Conversion - Switch with change			UEPRX	USACC		2.8	0.41					40.71	9.58			
		2-Wire Voice Grade Loop / Line Port Combination - Conversion - Subsequent Database Updat						1.44						8.25				
ADDITIONAL NRCs																		
		2-Wire Voice Grade Loop/Line Port Combination - Subsequent Activ			UEPRX	USAS2	0	0	0									
2-WIRE VOICE GRADE LOOP WITH 2-WIRE LINE PORT (BUS)																		
UNE Port/Loop Combination Rates																		
		2-Wire VG Loop/Port Combo - Zone		1														
		2-Wire VG Loop/Port Combo - Zone		2														
		2-Wire VG Loop/Port Combo - Zone		3														
UNE Loop Rates																		
		2-Wire Voice Grade Loop (SL1) - Zone		1	UEPBX	UEPLX	14.35											
		2-Wire Voice Grade Loop (SL1) - Zone		2	UEPBX	UEPLX	23.31											
		2-Wire Voice Grade Loop (SL1) - Zone		3	UEPBX	UEPLX	42.24											
2-Wire Voice Grade Line Port (Bus)																		
		2-Wire voice unbundled port without Caller ID - bu			UEPBX	UEPBL	2.2							40.71	9.58			
		2-Wire voice unbundled port with Caller + E484 ID - bu			UEPBX	UEPBC	2.2							40.71	9.58			
		2-Wire voice unbundled port outgoing only - bu			UEPBX	UEPBO	2.2							40.71	9.58			
		2-Wire voice Grade unbundled Alabama extended local dialing parity port with Caller ID - bus			UEPBX	UEPAW	2.2							40.71	9.58			
		2-Wire voice unbundled incoming only port with Caller ID - Bu			UEPBX	UEPB1	2.2							40.71	9.58			

UNBUNDLED NETWORK ELEMENTS
AL

CATEGORY	NOTES	UNBUNDLED NETWORK ELEMENT	Interim	Zone	BCS	USOC	RATES (\$)						OSS RATES (\$)							
							Nonrecurring			Nonrecurring			SOMEK	SOMAN	SOMAN	SOMAN	SOMAN	SOMAN		
							Rec	First	Add'l	Disconnect	First	Add'l								
		LOCAL NUMBER PORTABILITY																		
		Local Number Portability (1 per port)			UEPBX	LNPCX	0.35													
		FEATURES																		
		All Features Offerec			UEPBX	UEPVF	5.55	0	0					40.71	9.58					
		NONRECURRING CHARGES (NRCs) - CURRENTLY COMBINED																		
		2-Wire Voice Grade Loop / Line Port Combination - Conversion - Switch-as			UEPBX	USAC2		2.8	0.41					40.71	9.58					
		2-Wire Voice Grade Loop / Line Port Combination - Conversion - Switch with change			UEPBX	USACC		2.8	0.41											
		2-Wire Voice Grade Loop / Line Port Combination - Conversion - Subsequent Database Updatr						1.44						8.25						
		ADDITIONAL NRCs																		
		2-Wire Voice Grade Loop/Line Port Combination - Subsequent Activ			UEPBX	USAS2								40.71	9.58					
		2-WIRE VOICE GRADE LOOP WITH 2-WIRE LINE PORT (RES - PBX)																		
		UNE Port/Loop Combination Rates																		
		2-Wire VG Loop/Port Combo - Zone		1				16.55												
		2-Wire VG Loop/Port Combo - Zone :		2				25.51												
		2-Wire VG Loop/Port Combo - Zone :		3				44.44												
		UNE Loop Rates																		
		2-Wire Voice Grade Loop (SL 1) - Zone		1	UEPRG	UEPLX		14.35												
		2-Wire Voice Grade Loop (SL 1) - Zone		2	UEPRG	UEPLX		23.31												
		2-Wire Voice Grade Loop (SL 1) - Zone		3	UEPRG	UEPLX		42.24												
		2-Wire Voice Grade Line Port Rates (RES - PBX)																		
		2-Wire VG Unbundled Combination 2-Way PBX Trunk Port - Re			UEPRG	UEPRD		2.2						40.71	9.58					
		LOCAL NUMBER PORTABILITY																		
		Local Number Portability (1 per port)			UEPRG	LNPCP	3.5													
		FEATURES																		
		All Features Offerec			UEPRG	UEPVF	5.55	0	0					40.71	9.58					
		NONRECURRING CHARGES (NRCs) - CURRENTLY COMBINED																		
		2-Wire Voice Grade Loop/ Line Port Combination (PBX) - Conversion - Switch-As-Is			UEPRG	USAC2		2.8	0.41					40.71	9.58					
		2-Wire Voice Grade Loop/ Line Port Combination (PBX) - Conversion - Switch with Change			UEPRG	USACC		2.8	0.41					40.71	9.58					
		2-Wire Voice Grade Loop / Line Port Combination - Conversion - Subsequent Database Update						1.44						8.25						
		ADDITIONAL NRCs																		
		2-Wire Voice Grade Loop/ Line Port Combination (PBX) - Subsequent Activ			UEPRG	USAS2	0	0	0											
		PBX Subsequent Activity - Change/Rearrange Multiline Hunt Gro						14.64	14.64					19.99	19.99	19.99	19.99			
		2-WIRE VOICE GRADE LOOP WITH 2-WIRE LINE PORT (BUS - PBX)																		
		UNE Port/Loop Combination Rates																		
		2-Wire VG Loop/Port Combo - Zone		1				16.55												
		2-Wire VG Loop/Port Combo - Zone :		2				25.51												
		2-Wire VG Loop/Port Combo - Zone :		3				44.44												
		UNE Loop Rates																		
		2-Wire Voice Grade Loop (SL 1) - Zone		1	UEPPX	UEPLX		14.35												
		2-Wire Voice Grade Loop (SL 1) - Zone		2	UEPPX	UEPLX		23.31												

UNBUNDLED NETWORK ELEMENTS
AL

CATEGORY	NOTES	UNBUNDLED NETWORK ELEMENT	Interim	Zone	BCS	USOC	RATES (\$)				OSS RATES (\$)									
							Nonrecurring		Nonrecurring		SOMEc	SOMAN	SOMAN	SOMAN	SOMAN	SOMAN				
							Rec	First	Add'l	First							Add'l			
		2-Wire Voice Grade Loop (SL 1) - Zone		3	UEPPX	UEPLX	42.24													
		2-Wire Voice Grade Line Port Rates (BUS - PBX)																		
		Line Side Unbundled Combination 2-Way PBX Trunk Port - Bu			UEPPX	UEPPC	2.2						40.71	9.58						
		Line Side Unbundled Outward PBX Trunk Port - Bu			UEPPX	UEPPO	2.2						40.71	9.58						
		Line Side Unbundled Incoming PBX Trunk Port - Bu			UEPPX	UEPP1	2.2						40.71	9.58						
		2-Wire Voice Unbundled 2-Way Combination PBX Alabama Calling P			UEPPX	UEPA2	2.2						40.71	9.58						
		2-Wire Voice Unbundled PBX LD Terminal Port			UEPPX	UEPLD	2.2						27.37	9.58						
		2-Wire Voice Unbundled 2-Way Combination PBX Usage Pc			UEPPX	UEPXA	2.2						40.71	9.58						
		2-Wire Voice Unbundled PBX Toll Terminal Hotel Por			UEPPX	UEPXB	2.2						40.71	9.58						
		2-Wire Voice Unbundled PBX LD DDD Terminals Po			UEPPX	UEPXC	2.2						40.71	9.58						
		2-Wire Voice Unbundled PBX LD Terminal Switchboard Pc			UEPPX	UEPXD	2.2						40.71	9.58						
		2-Wire Voice Unbundled PBX LD Terminal Switchboard IDD Capable Pc			UEPPX	UEPXE	2.2						40.71	9.58						
		2-Wire Voice Unbundled 2-Way PBX Hotel/Hospital Economy Administrative Calling Port			UEPPX	UEPXL	2.2						40.71	9.58						
		2-Wire Voice Unbundled 2-Way PBX Hotel/Hospital Economy Room Calling P			UEPPX	UEPXM	2.2						40.71	9.58						
		2-Wire Voice Unbundled 1-Way Outgoing PBX Hotel/Hospital Discount Room Calling Port			UEPPX	UEPXO	2.2						40.71	9.58						
		2-Wire Voice Unbundled 1-Way Outgoing PBX Measured Pc			UEPPX	UEPXS	2.2						40.71	9.58						
		LOCAL NUMBER PORTABILITY																		
		Local Number Portability (1 per port)			UEPPX	LNPCP	3.15													
		FEATURES																		
		All Features Offerec			UEPPX	UEPVF	5.55	0	0				40.71	9.58						
		NONRECURRING CHARGES (NRCs) - CURRENTLY COMBINED																		
		2-Wire Voice Grade Loop/ Line Port Combination (PBX) - Conversion - Switch-As			UEPPX	USAC2		2.8	0.41				40.71	9.58						
		2-Wire Voice Grade Loop/ Line Port Combination (PBX) - Conversion - Switch with Change			UEPPX	USACC		2.8	0.41				40.71	9.58						
		2-Wire Voice Grade Loop / Line Port Combination - Conversion - Subsequent Database Updat						1.44					8.25							
		ADDITIONAL NRCs																		
		2-Wire Voice Grade Loop/ Line Port Combination (PBX) - Subsequent Activ			UEPPX	USAS2	0	0	0											
		PBX Subsequent Activity - Change/Rearrange Multiline Hunt Gro						14.64	14.64				19.99	19.99	19.99	19.99				
		2-WIRE VOICE GRADE LOOP WITH 2-WIRE ANALOG LINE COIN PORT																		
		UNE Port/Loop Combination Rates																		
		2-Wire VG Coin Port/Loop Combo - Zone 1					16.88													
		2-Wire VG Coin Port/Loop Combo - Zone 2					25.84													
		2-Wire VG Coin Port/Loop Combo - Zone 3					44.77													
		UNE Loop Rates																		
		2-Wire Voice Grade Loop (SL1) - Zone			UEPCO	UEPLX	14.35													
		2-Wire Voice Grade Loop (SL1) - Zone			UEPCO	UEPLX	23.31													
		2-Wire Voice Grade Loop (SL1) - Zone			UEPCO	UEPLX	42.24													
		2-Wire Voice Grade Line Ports (COIN)																		
		2-Wire Coin 2-Way without Operator Screening and without Blocking (AL, KY, LA, MS)			UEPCO	UEPRF	2.53						40.71	9.58						
		2-Wire Coin 2-Way with Operator Screening (AL, KY)			UEPCO	UEPRE	2.53						40.71	9.58						
		2-Wire Coin 2-Way with Operator Screening and Blocking: 011, 900/976, 1+DDD (AL, KY, LA, MS)			UEPCO	UEPRA	2.53						40.71	9.58						
		2-Wire Coin 2-Way with Operator Screening and 011 Blocking (AL, LA, MS)			UEPCO	UEPRB	2.53						40.71	9.58						
		2-Wire Coin 2-Way with Operator Screening & Blocking: 900/976, 1+DDD, 011+, & Local (AL, KY, LA, MS)			UEPCO	UEPCD	2.53						40.71	9.58						
		2-Wire Coin Outward with Operator Screening and 011 Blocking (AL, FL)			UEPCO	UEPRK	2.53						40.71	9.58						

UNBUNDLED NETWORK ELEMENTS
AL

CATEGORY	NOTES	UNBUNDLED NETWORK ELEMENT	Interim	Zone	BCS	USOC	RATES (\$)					OSS RATES (\$)								
							Nonrecurring		Nonrecurring			SOMEC	SOMAN	SOMAN	SOMAN	SOMAN	SOMAN			
							Rec	First	Add'l	First	Add'l									
		2-Wire Coin Outward with Operator Screening and Blocking: 011, 900/976, 1+DDD (AL, KY, LA, MS)			UEPCO	UEPRH	2.53													
		2-Wire Coin Outward Operator Screening & Blocking: 900/976, 1+DDD, 011+, and Local (AL, KY, LA, MS)			UEPCO	UEPCN	2.53													
		2-Wire 2-Way Smartline with 900/976 (all states except LA)			UEPCO	UEPCK	2.53													
		2-Wire Coin Outward Smartline with 900/976 (all states except LA)			UEPCO	UEPCR	2.53													
		ADDITIONAL UNE COIN PORT/LOOP (RC)																		
		UNE Coin Port/Loop Combo Usage (Flat Rate)			UEPCO	URECU	1.56	0	0											
		LOCAL NUMBER PORTABILITY																		
		Local Number Portability (1 per port)			UEPCO	LNPCX	0.35													
		NONRECURRING CHARGES - CURRENTLY COMBINED																		
		2-Wire Voice Grade Loop / Line Port Combination - Conversion - Switch-as			UEPCO	USAC2		2.8	0.41											
		2-Wire Voice Grade Loop / Line Port Combination - Conversion - Switch with change			UEPCO	USACC		2.8	0.41											
		ADDITIONAL NRCs																		
		2-Wire Voice Grade Loop/Line Port Combination - Subsequent Activ			UEPCO	USAS2		0	0											
		2-WIRE VOICE GRADE LOOP- BUS ONLY - WITH 2-WIRE DID TRUNK PORT																		
		UNE Port/Loop Combination Rates																		
		2-Wire VG Loop/2-Wire DID Trunk Port Combo - UNE Zone		1				29.59												
		2-Wire VG Loop/2-Wire DID Trunk Port Combo - UNE Zone		2				36.58												
		2-Wire VG Loop/2-Wire DID Trunk Port Combo - UNE Zone		3				45.06												
		UNE Loop Rates																		
		2-Wire Analog Voice Grade Loop - (SL2) - UNE Zone		1	UEPPX	UECD1	20.42	211.32	136.39	105.76	21.07									
		2-Wire Analog Voice Grade Loop - (SL2) - UNE Zone		2	UEPPX	UECD1	27.41	211.32	136.39	105.76	21.07									
		2-Wire Analog Voice Grade Loop - (SL2) - UNE Zone		3	UEPPX	UECD1	35.89	211.32	136.39	105.76	21.07									
		UNE Port Rate																		
		Exchange Ports - 2-Wire DID Por			UEPPX	UEPD1	9.17	238.61	37.48	119.79	7.52									
		NONRECURRING CHARGES - CURRENTLY COMBINED																		
		2-Wire Voice Grade Loop / 2-Wire DID Trunk Port Combination - Switch-as			UEPPX	USAC1		14.61	3.73											
		2-Wire Voice Grade Loop / 2-Wire DID Trunk Port Conversion with BellSouth Allowable Change:			UEPPX	USA1C		14.61	3.73											
		ADDITIONAL NRCs																		
		2-Wire DID Subsequent Activity - Add Trunks, Per Trunl			UEPPX	USAS1		53.56	53.56											
		Telephone Number/Trunk Group Establishment Charges																		
		DID Trunk Termination (One Per Port)			UEPPX	NDT	0	0	0											
		Additional DID Numbers for each Group of 20 DID Number			UEPPX	ND4	0	0	0											
		DID Numbers, Non- consecutive DID Numbers , Per Numbe			UEPPX	ND5	0	0	0											
		Reserve Non-Consecutive DID number			UEPPX	ND6	0	0	0											
		Reserve DID Numbers			UEPPX	NDV	0	0	0											
		LOCAL NUMBER PORTABILITY																		
		Local Number Portability (1 per port)			UEPPX	LNPCP	3.15													
		2-WIRE ISDN DIGITAL GRADE LOOP WITH 2-WIRE ISDN DIGITAL LINE SIDE PORT																		
		UNE Port/Loop Combination Rates																		
		2W ISDN Digital Grade Loop/2W ISDN Digital Line Side Port - UNE Zone		1	UEPPB	UEPPR	36.62													
		2W ISDN Digital Grade Loop/2W ISDN Digital Line Side Port - UNE Zone		2	UEPPB	UEPPR	44.49													

UNBUNDLED NETWORK ELEMENTS
AL

CATEGORY	NOTES	UNBUNDLED NETWORK ELEMENT	Interim	Zone	BCS	USOC	RATES (\$)					OSS RATES (\$)						
							Nonrecurring		Nonrecurring			Svc Order Submitted Elec per LSR	Svc Order Submitted Manually per LSR	Incremental Charge - Manual Svc Order vs. Electronic-1st	Incremental Charge - Manual Svc Order vs. Electronic-Add'l	Incremental Charge - Manual Svc Order vs. Electronic-Disc 1st	Incremental Charge - Manual Svc Order vs. Electronic-Disc Add'l	
							Rec	First	Add'l	First	Add'l							Disconnect
							SOMEK	SOMAN	SOMAN	SOMAN	SOMAN	SOMAN	SOMAN					
		2W ISDN Digital Grade Loop/2W ISDN Digital Line Side Port - UNE Zone		3	UEPPB UEPPR		55.39											
UNE Loop Rates																		
		2-Wire ISDN Digital Grade Loop - UNE Zone		1	UEPPB UEPPR	USL2X	27.2	234.48	159.54	105.76	21.07			19.99	19.99	19.99	19.99	
		2-Wire ISDN Digital Grade Loop - UNE Zone		2	UEPPB UEPPR	USL2X	35.07	234.48	159.54	105.76	21.07			19.99	19.99	19.99	19.99	
		2-Wire ISDN Digital Grade Loop - UNE Zone		3	UEPPB UEPPR	USL2X	45.97	234.48	159.54	105.76	21.07			19.99	19.99	19.99	19.99	
UNE Port Rate																		
		Exchange Port - 2-Wire ISDN Line Side Po			UEPPB UEPPR	UEPPB	9.42	145.54	105.97	95.57	21.47			19.99	19.99	19.99	19.99	
NONRECURRING CHARGES - CURRENTLY COMBINED																		
		2-Wire ISDN Digital Grade Loop / 2-Wire ISDN Line Side Port Combination - Conversion			UEPPB UEPPR	USACB	0	77.01	54.04					19.99	19.99	19.99	19.99	
ADDITIONAL NRCs																		
LOCAL NUMBER PORTABILITY																		
		Local Number Portability (1 per port)			UEPPB UEPPR	LNPCX	0.35	0	0									
B-CHANNEL USER PROFILE ACCESS:																		
		CVS/CSD (DMS/5ESS)			UEPPB UEPPR	U1UCA	0	0	0									
		CVS (EWSD)			UEPPB UEPPR	U1UCB	0	0	0									
		CSD			UEPPB UEPPR	U1UCC	0	0	0									
B-CHANNEL AREA PLUS USER PROFILE ACCESS: (AL,KY,LA,MS SC,MS, & TN)																		
		CVS/CSD (DMS/5ESS)			UEPPB UEPPR	U1UCD	0	0	0									
		CVS (EWSD)			UEPPB UEPPR	U1UCE	0	0	0									
		CSD			UEPPB UEPPR	U1UCF	0	0	0									
USER TERMINAL PROFILE																		
		User Terminal Profile (EWSD only)			UEPPB UEPPR	U1UMA	0	0	0									
VERTICAL FEATURES																		
		All Vertical Features - One per Channel B User Profile			UEPPB UEPPR	UEPVF	5.55	0	0									
INTEROFFICE CHANNEL MILEAGE																		
		Interoffice Channel mileage each, including first mile and facilities termination			UEPPB UEPPR	M1GNC	17.81	107.11	48.27				19.99	19.99	19.99	19.99		
		Interoffice Channel mileage each, additional mile			UEPPB UEPPR	M1GNM	0.0339	0	0			0						
4-WIRE DS1 DIGITAL LOOP WITH 4-WIRE ISDN DS1 DIGITAL TRUNK PORT																		
UNE Port/Loop Combination Rates																		
		4W DS1 Digital Loop/4W ISDN DS1 Digital Trunk Port - UNE Zone		1	UEPPP		198.29											
		4W DS1 Digital Loop/4W ISDN DS1 Digital Trunk Port - UNE Zone		2	UEPPP		274											

UNBUNDLED NETWORK ELEMENTS
AL

CATEGORY	NOTES	UNBUNDLED NETWORK ELEMENT	Interim	Zone	BCS	USOC	RATES (\$)					OSS RATES (\$)							
							Nonrecurring		Nonrecurring			SOME C	SOMAN	SOMAN	SOMAN	SOMAN	SOMAN		
							Rec	First	Add'l	First	Add'l							Disconnect	
		4W DS1 Digital Loop/4W ISDN DS1 Digital Trunk Port - UNE Zone		3	UEPPP		425.41												
		UNE Loop Rates																	
		4-Wire DS1 Digital Loop - UNE Zone		1	UEPPP	USL4P	101.92	504.93	315.07	89.4	23.41			19.99	19.99	19.99	19.99		
		4-Wire DS1 Digital Loop - UNE Zone :		2	UEPPP	USL4P	177.63	504.93	315.07	89.4	23.41			19.99	19.99	19.99	19.99		
		4-Wire DS1 Digital Loop - UNE Zone :		3	UEPPP	USL4P	329.04	504.93	315.07	89.4	23.41			19.99	19.99	19.99	19.99		
		UNE Port Rate																	
		Exchange Ports - 4-Wire ISDN DS1 Por			UEPPP	UEPPP	96.37	407.62	203.11	158.35	40.11			19.99	19.99	19.99	19.99		
		NONRECURRING CHARGES - CURRENTLY COMBINED																	
		4-Wire DS1 Digital Loop / 4-Wire ISDN DS1 Digital Trunk Port Combination - Conversion -Switch-as-is			UEPPP	USACP	0	238.13	157.11					19.99	19.99	19.99	19.99		
		ADDITIONAL NRCs																	
		4-Wire DS1 Loop/4-W ISDN Digtl Trk Port - Subsqt Actvy- Inward/two way tel nos within Std Allowance			UEPPP	PR7TF		0.9801						19.99	19.99	19.99	19.99		
		4-Wire DS1 Loop / 4-Wire ISDN DS1 Digital Trunk Port - Outward Tel Numbers (All States except NC)			UEPPP	PR7TO		23.02	23.02					19.99	19.99	19.99	19.99		
		4-Wire DS1 Loop / 4-Wire ISDN DS1 Digital Trk Port - Subsequent Inward Tel Nos Above Std Allowance			UEPPP	PR7ZT		46.05	46.05					19.99	19.99	19.99	19.99		
		LOCAL NUMBER PORTABILITY																	
		Local Number Portability (1 per port)			UEPPP	LNPCN	1.75												
		INTERFACE (Provisioning Only)																	
		Voice/Data			UEPPP	PR71V	0	0	0										
		Digital Data			UEPPP	PR71D	0	0	0										
		Inward Data			UEPPP	PR71E	0	0	0										
		New or Additional "B" Channel																	
		New or Additional - Voice/Data B Channel			UEPPP	PR7BV	0	29.05						19.99	19.99	19.99	19.99		
		New or Additional - Digital Data B Channel			UEPPP	PR7BF	0	29.05						19.99	19.99	19.99	19.99		
		New or Additional Inward Data B Channel			UEPPP	PR7BD	0	29.05						19.99	19.99	19.99	19.99		
		New or Additional Useage Sensitive Voice Data B Channel			UEPPP	PR7BS	0	29.05						19.99	19.99	19.99	19.99		
		New or Additional Useage Sensitive Digital Data B Channel			UEPPP	PR7BU	0	29.05						19.99	19.99	19.99	19.99		
		CALL TYPES																	
		Inward			UEPPP	PR7C1	0	0	0										
		Outward			UEPPP	PR7C0	0	0	0										
		Two-way			UEPPP	PR7CC	0	0	0										
		Interoffice Channel Mileage																	
		Fixed Each Including First Mil			UEPPP	1LN1A	80.382	198.15	148.18	25.44				19.99	19.99	19.99	19.99		
		Each Airline-Fractional Additional Mil			UEPPP	1LN1B	0.692												
		4-WIRE DS1 DIGITAL LOOP WITH 4-WIRE DDITS TRUNK PORT																	
		UNE Port/Loop Combination Rates																	
		4W DS1 Digital Loop/4W DDITS Trunk Port - UNE Zone		1	UEPDC		170.59							19.99	19.99	19.99	19.99		
		4W DS1 Digital Loop/4W DDITS Trunk Port - UNE Zone		2	UEPDC		246.3							19.99	19.99	19.99	19.99		
		4W DS1 Digital Loop/4W DDITS Trunk Port - UNE Zone		3	UEPDC		397.71							19.99	19.99	19.99	19.99		
		UNE Loop Rates																	
		4-Wire DS1 Digital Loop - UNE Zone		1	UEPDC	USLDC	101.92	504.93	315.07	89.4	23.41			19.99	19.99	19.99	19.99		
		4-Wire DS1 Digital Loop - UNE Zone :		2	UEPDC	USLDC	177.63	504.93	315.07	89.4	23.41			19.99	19.99	19.99	19.99		
		4-Wire DS1 Digital Loop - UNE Zone :		3	UEPDC	USLDC	329.04	504.93	315.07	89.4	23.41			19.99	19.99	19.99	19.99		
		UNE Port Rate																	

UNBUNDLED NETWORK ELEMENTS
AL

CATEGORY	NOTES	UNBUNDLED NETWORK ELEMENT	Interim	Zone	BCS	USOC	RATES (\$)					OSS RATES (\$)						
							Nonrecurring		Disconnect			SOMEK	SOMAN	SOMAN	SOMAN	SOMAN	SOMAN	
							Rec	First	Add'l	First	Add'l							
		4-Wire DDITS Digital Trunk Por			UEPDC	UDD1T	68.67	404.04	191.38	145.18	4.92				19.99	19.99	19.99	19.99
NONRECURRING CHARGES - CURRENTLY COMBINED																		
		4-Wire DS1 Digital Loop / 4-Wire DDITS Trunk Port Combination - Switch-as-			UEPDC	USAC4		258.98	134.03						19.99	19.99	19.99	19.99
		4-Wire DS1 Digital Loop / 4-Wire DDITS Trunk Port Combination - Conversion w/ DS1 Changes			UEPDC	USAWA		258.98	134.04						19.99	19.99	19.99	19.99
		4-Wire DS1 Digital Loop / 4-Wire DDITS Trunk Port Combination - Conversion w/ Change - Trunk			UEPDC	USAWB		258.98	134.03						19.99	19.99	19.99	19.99
ADDITIONAL NRCs																		
		4-Wire DS1 Loop / 4-Wire DDITS Trunk Port - NRC - Subsequent Channel Activation/Chan - 2-Way Trunk			UEPDC	UDTTA		28.85	28.95						19.99	19.99	19.99	19.99
		4-Wire DS1 Loop / 4-Wire DDITS Trunk Port - Subsequent Channel Activation/Chan - 1-Way Outward Trunk			UEPDC	UDTTB		28.85	28.85						19.99	19.99	19.99	19.99
		4-Wire DS1 Loop / 4-Wire DDITS Trunk Port - Subsqt Channel Activation/Chan Inward Trunk w/out DIC			UEPDC	UDTTC		28.85	28.85						19.99	19.99	19.99	19.99
		4-Wire DS1 Loop / 4-Wire DDITS Trunk Port - Subsqt Chan Activation Per Chan Inward Trunk with DID			UEPDC	UDTTD		28.85	28.85						19.99	19.99	19.99	19.99
		4-Wire DS1 Loop / 4-Wire DDITS Trunk Port - Subsqt Chan Activation / Chan - 2-Way DID w User Trans			UEPDC	UDTTE		28.85	28.85						19.99	19.99	19.99	19.99
BIPOLAR 8 ZERO SUBSTITUTION																		
		B8ZS - Superframe Format			UEPDC	CCOSF		0	600						19.99	19.99	19.99	19.99
		B8ZS - Extended Superframe Forma			UEPDC	CCOEF		0	600						19.99	19.99	19.99	19.99
Alternate Mark Inversion																		
		AMI - Superframe Format			UEPDC	MCOSF		0	0									
		AMI - Extended SuperFrame Forma			UEPDC	MCOPO		0	0									
Telephone Number/Trunk Group Establishment Charges																		
		Telephone Number for 2-Way Trunk Grou			UEPDC	UDTGX		0										
		Telephone Number for 1-Way Outward Trunk Grou			UEPDC	UDTGY		0							19.99			
		Telephone Number for 1-Way Inward Trunk Group Without DI			UEPDC	UDTGZ		0							19.99			
		DID Numbers for each Group of 20 DID Number			UEPDC	ND4		0	0						19.99			
		DID Numbers, Non- consecutive DID Numbers , Per Numbe			UEPDC	ND5		0							19.99			
		Reserve Non-Consecutive DID Nos			UEPDC	ND6		0	0	0					19.99			
		Reserve DID Numbers			UEPDC	NDV		0	0	0					19.99			
Dedicated DS1 (Interoffice Channel Mileage) - FX/FCO for 4-Wire DS1 Digital Loop with 4-Wire DDITS Trunk Port																		
		Interoffice Channel Mileage - Fixed rate 0-8 miles (Facilities Terminatic			UEPDC	1LNO1	79.69	198.15	148.18	25.44	20.42				19.99	19.99	19.99	19.99
		Interoffice Channel Mileage - Additional rate per mile - 0-8 mil			UEPDC	1LNOA	0.692	0	0									
		Interoffice Channel Mileage - Fixed rate 9-25 miles (Facilities Terminatic			UEPDC	1LNO2	0	0	0									
		Interoffice Channel Mileage - Additional rate per mile - 9-25 mil			UEPDC	1LNOB	0.692	0	0									
		Interoffice Channel Mileage - Fixed rate 25+ miles (Facilities Terminatic			UEPDC	1LNO3	0	0	0	0								
		Interoffice Channel Mileage - Additional rate per mile - 25+ mil			UEPDC	1LNOC	0.692	0	0									
		Local Number Portability, per DS0 Activate			UEPDC	LNPCP	3.15	0	0	0								
		Central Office Terminating Poir			UEPDC	CTG	0											
4-WIRE DS1 LOOP WITH CHANNELIZATION WITH PORT																		
		System is 1 DS1 Loop, 1 D4 Channel Bank, and up to 24 Feature Activations																
		Each System can have up to 24 combinations of rates depending on type and number of ports used																
UNE DS1 Loop																		
		4-Wire DS1 Loop - UNE Zone 1			UEPMG	USLDC	101.92	0	0									
		4-Wire DS1 Loop - UNE Zone 2			UEPMG	USLDC	177.63	0	0									

UNBUNDLED NETWORK ELEMENTS
AL

CATEGORY	NOTES	UNBUNDLED NETWORK ELEMENT	Interim	Zone	BCS	USOC	RATES (\$)				OSS RATES (\$)								
							Nonrecurring		Nonrecurring		Svc Order Submitted Elec per LSR	Svc Order Submitted Manually per LSR	Incremental Charge - Manual Svc Order vs. Electronic-1st	Incremental Charge - Manual Svc Order vs. Electronic-Add'l	Incremental Charge - Manual Svc Order vs. Electronic-Disc 1st	Incremental Charge - Manual Svc Order vs. Electronic-Disc Add'l			
							Rec	First	Add'l	First							Add'l	SOMEc	SOMAN
		4-Wire DS1 Loop - UNE Zone :			UEPMG	USLDC	329.04	0	0										
UNE DSO Channelization Capacities (D4 Channel Bank Configurations)																			
		24 DSO Channel Capacity - 1 per DS			UEPMG	VUM24	115.89	0	0										
		48 DSO Channel Capacity - 1 per 2 DS1			UEPMG	VUM48	231.78	0	0										
		96 DSO Channel Capacity -1per 4 DS1			UEPMG	VUM96	463.56	0	0										
		144 DS0 Channel Capacity - 1 per 6 DS1			UEPMG	VUM14	695.34	0	0										
		192 DS0 Channel Capacity -1 per 8 DS1			UEPMG	VUM19	980	0	0										
		240 DS0 Channel Capacity - 1 per 10 DS1			UEPMG	VUM20	1158.9	0	0										
		288 DS0 Channel Capacity - 1 per 12 DS1			UEPMG	VUM28	1390.68	0	0										
		384 DS0 Channel Capacity - 1 per 16 DS1			UEPMG	VUM38	1854.24	0	0										
		480 DS0 Channel Capacity - 1 per 20 DS1			UEPMG	VUM40	2317.8	0	0										
		576 DS0 Channel Capacity -1 per 24 DS1			UEPMG	VUM57	2781.36	0	0										
		672 DS0 Channel Capacity - 1 per 28 DS1			UEPMG	VUM67	3244.92	0	0										
Non-Recurring Charges (NRC) Associated with 4-Wire DS1 Loop with Channelization with Port - Conversion Charge Based on a System																			
A Minimum System configuration is One (1) DS1, One (1) D4 Channel Bank, and Up To 24 DSO Ports with Feature Activations.																			
Multiples of this configuration functioning as one are considered Add'l after the minimum system configuration is counted.																			
		NRC - Conversion (Currently Combined) with or without BellSouth Allowed Change			UEPMG	USAC4	0	300.95	16.72				19.99	19.99	19.99	19.99			
System Additions at End User Locations Where 4-Wire DS1 Loop with Channelization with Port Combination Currently Exists and New (Not Currently Combined) In Georgia Only																			
		NRC - 1 DS1/D4 Channel Bank - Add NRC for each Port and Assoc Feature Activation - New GA Only			UEPMG	VUMD4	0	716.11	468.04	148.75	17.65			19.99	19.99	19.99	19.99		
Bipolar 8 Zero Substitution																			
		Clear Channel Capability Format, superframe - Subsequent Activity Or			UEPMG	CCOSF	0	0	600				19.99	19.99	19.99	19.99			
		Clear Channel Capability Format - Extended Superframe - Subsequent Activity O			UEPMG	CCOEF	0	0	600				19.99	19.99	19.99	19.99			
Alternate Mark Inversion (AMI)																			
		Superframe Forma			UEPMG	MCOSF	0	0	0										
		Extended Superframe Forms			UEPMG	MCOPO	0	0	0										
Exchange Ports Associated with 4-Wire DS1 Loop with Channelization with Port Exchange Ports																			
		Line Side Combination Channelized PBX Trunk Port - Busine:			UEPPX	UEPCX	1.58	0	0	0	0		19.99						
		Line Side Outward Channelized PBX Trunk Port - Busines			UEPPX	UEPOX	1.58	0	0	0	0		19.99						
		Line Side Inward Only Channelized PBX Trunk Port without Di			UEPPX	UEP1X	1.58	0	0	0	0		19.99						
		2-Wire Trunk Side Unbundled Channelized DID Trunk Po			UEPPX	UEPDM	9.2	0	0	0	0		19.99						
		2-Wire Channelized PBX Area Calling Service Combination Port (AL On			UEPPX	UEPA4	1.58	0	0				19.99						
		2 Wire Channelized PBX Area Calling Service Outgoing Only Port (AL On			UEPPX	UEPA3	1.58	0	0				19.99						
Feature Activations - Unbundled Loop Concentration																			

UNBUNDLED NETWORK ELEMENTS
AL

CATEGORY	NOTES	UNBUNDLED NETWORK ELEMENT	Interim	Zone	BCS	USOC	RATES (\$)					OSS RATES (\$)					
							Nonrecurring		Nonrecurring			Svc Order Submitted Elec per LSR	Svc Order Submitted Manually per LSR	Incremental Charge - Manual Svc Order vs. Electronic-1st	Incremental Charge - Manual Svc Order vs. Electronic-Add'l	Incremental Charge - Manual Svc Order vs. Electronic-Disc 1st	Incremental Charge - Manual Svc Order vs. Electronic-Disc Add'l
							Rec	First	Add'l	First	Add'l						
		Feature (Service) Activation for each Line Side Port Terminated in D4 Ba			UEPPX	1PQWM	0.64	25.39	13.41	4.19	4.16			19.99	19.99	19.99	19.99
		Feature (Service) Activation for each Trunk Side Port Terminated in D4 Ba			UEPPX	1PQUW	0.64	78.13	18.42	59.24	11.58			19.99	19.99	19.99	19.99
		Telephone Number/ Group Establishment Charges for DID Service															
		DID Trunk Termination (1 per Port)			UEPPX	NDT	0										
		DID Numbers - groups of 20 - Valid all State			UEPPX	ND4	0	0	0				19.99				
		Non-Consecutive DID Numbers - per numbe			UEPPX	ND5	0	0	0				19.99				
		Reserve Non-Consecutive DID Number			UEPPX	ND6	0	0	0								
		Reserve DID Numbers			UEPPX	NDV	0	0	0								
		Local Number Portability															
		Local Number Portability - 1 per poi			UEPPX	LNPCP	3.15	0	0								
		FEATURES - Vertical and Optional															
		Local Switching Features Offered with Line Side Ports Only															
		All Features Available			UEPPX	UEPVF	5.55	0	0				19.99				
		UNBUNDLED PORT LOOP COMBINATIONS - MARKET RATES															
		Market Rates shall apply where BellSouth is not required to provide unbundled local switching or switch ports per FCC and/or State Commission rules.															
		These scenarios include:															
		1. Unbundled port/loop combinations that are Not Currently Combined in all of the BellSouth states except as noted for Georgia and Tennessee.															
		2. Unbundled port/loop combinations that are Currently Combined or Not Currently Combined in Zone 1 of the Top 8 MSAs in BellSouth's region for end users with 4 or more DSO equivalent lines.															
		The Top 8 MSAs in BellSouth's region are: FL (Orlando, Ft. Lauderdale, Miami); GA (Atlanta); LA (New Orleans); NC (Greensboro-Winston Salem-Highpoint/Charlotte-Gastonia-Rock Hill); TN (Nashville).															
		BellSouth currently is developing the billing capability to mechanically bill the recurring unbundled port Market Rates in this section as well as the nonrecurring Market Rates in this section for Currently Combined port/loop combinations in Zone 1 of the Top 8 MSAs in BellSouth's region for end 4 or more DSO equivalent lines. In the interim, BellSouth shall bill the rates in the Cost-Based section preceding in lieu of such Market Rates and reserves the right to true-up the billing difference.															
		The Market Rate for unbundled ports includes all available features in all states.															
		End Office and Tandem Switching Usage and Common Transport Usage rates in the Port section of this rate exhibit shall apply to all combinations of loop/port network elements except for UNE Coin Port/Loop Combinations which have a flat rate usage charge (USOC: URECU).															
		For Not Currently Combined scenarios where Market Rates apply, the Nonrecurring charges are listed in the First and Additional NRC columns for each Port USOC. For Currently Combined scenarios, the Nonrecurring charges are listed in the NRC - Currently Combined section. Additional NRCs may apply also and are categorized accordingly.															
		2-WIRE VOICE GRADE LOOP WITH 2-WIRE LINE PORT (RES)															
		UNE Port/Loop Combination Rates															
		2-Wire VG Loop/Port Combo - Zone		1			28.35										
		2-Wire VG Loop/Port Combo - Zone		2			37.31										
		2-Wire VG Loop/Port Combo - Zone		3			56.24										
		UNE Loop Rates															
		2-Wire Voice Grade Loop (SL1) - Zone		1	UEPRX	UEPLX	14.35										
		2-Wire Voice Grade Loop (SL1) - Zone		2	UEPRX	UEPLX	23.31										
		2-Wire Voice Grade Loop (SL1) - Zone		3	UEPRX	UEPLX	42.24										
		2-Wire Voice Grade Line Port (Res)															
		2-Wire voice unbundled port - residenc			UEPRX	UEPRL	14	90	90				40.71	9.58			

UNBUNDLED NETWORK ELEMENTS
AL

CATEGORY	NOTES	UNBUNDLED NETWORK ELEMENT	Interim	Zone	BCS	USOC	RATES (\$)						OSS RATES (\$)							
							Nonrecurring			Nonrecurring			SOMEC	SOMAN	SOMAN	SOMAN	SOMAN	SOMAN		
							Rec	First	Add'l	Disconnect		First							Add'l	
		2-Wire voice unbundled port with Caller ID - re			UEPRX	UEPRC	14	90	90											
		2-Wire voice unbundled port outgoing only - re			UEPRX	UEPRO	14	90	90											
		2-Wire voice unbundles res. low usage line port with Caller ID (LUN)			UEPRX	UEPAP	14	90	90											
		LOCAL NUMBER PORTABILITY																		
		Local Number Portability (1 per port)			UEPRX	LNPCX	0.35													
		FEATURES																		
		All Features Offerec			UEPRX	UEPVF	0	0	0											
		NONRECURRING CHARGES - CURRENTLY COMBINED																		
		ADDITIONAL NRCs																		
		NRC - 2-Wire Voice Grade Loop/Line Port Combination - Subseque			UEPRX	USAS2		0	0											
		2-WIRE VOICE GRADE LOOP WITH 2-WIRE LINE PORT (BUS)																		
		UNE Port/Loop Combination Rates																		
		2-Wire VG Loop/Port Combo - Zone		1			28.35													
		2-Wire VG Loop/Port Combo - Zone :		2			37.31													
		2-Wire VG Loop/Port Combo - Zone :		3			56.24													
		UNE Loop Rates																		
		2-Wire Voice Grade Loop (SL1) - Zone		1	UEPBX	UEPLX	14.35													
		2-Wire Voice Grade Loop (SL1) - Zone		2	UEPBX	UEPLX	23.31													
		2-Wire Voice Grade Loop (SL1) - Zone		3	UEPBX	UEPLX	42.24													
		2-Wire Voice Grade Line Port (Bus)																		
		2-Wire voice unbundled port without Caller ID - bu			UEPBX	UEPBL	14	90	90											
		2-Wire voice unbundled port with Caller + E484 ID - bu			UEPBX	UEPBC	14	90	90											
		2-Wire voice unbundled port outgoing only - bu			UEPBX	UEPBO	14	90	90											
		LOCAL NUMBER PORTABILITY																		
		Local Number Portability (1 per port)			UEPBX	LNPCX	0.35													
		FEATURES																		
		NONRECURRING CHARGES - CURRENTLY COMBINED																		
		ADDITIONAL NRCs																		
		NRC - 2-Wire Voice Grade Loop/Line Port Combination - Subseque			UEPBX	USAS2		0	0											
		2-WIRE VOICE GRADE LOOP WITH 2-WIRE LINE PORT (RES - PBX)																		
		UNE Port/Loop Combination Rates																		
		2-Wire VG Loop/Port Combo - Zone		1			28.35													
		2-Wire VG Loop/Port Combo - Zone :		2			37.31													
		2-Wire VG Loop/Port Combo - Zone :		3			56.24													
		UNE Loop Rates																		
		2-Wire Voice Grade Loop (SL1) - Zone		1	UEPRG	UEPLX	14.35													
		2-Wire Voice Grade Loop (SL1) - Zone		2	UEPRG	UEPLX	23.31													
		2-Wire Voice Grade Loop (SL1) - Zone		3	UEPRG	UEPLX	42.24													
		2-Wire Voice Grade Line Port Rates (RES - PBX)																		
		2-Wire VG Unbundled Combination 2-Way PBX Trunk Port - Re			UEPRG	UEPRD	14	90	90											
		LOCAL NUMBER PORTABILITY																		
		Local Number Portability (1 per port)			UEPRG	LNPCP	3.15													
		FEATURES																		

UNBUNDLED NETWORK ELEMENTS
AL

CATEGORY	NOTES	UNBUNDLED NETWORK ELEMENT	Interim	Zone	BCS	USOC	RATES (\$)					OSS RATES (\$)							
							Nonrecurring	Nonrecurring	Disconnect		SOME C	SOMAN	SOMAN	SOMAN	SOMAN	SOMAN			
							Rec	First	Add'l	First	Add'l								
NONRECURRING CHARGES - CURRENTLY COMBINED																			
ADDITIONAL NRCs																			
		2-Wire Loop/Line Side Port Combination - Non feature - Subsequent Activity- Nonrecurring						0	0										
		PBX Subsequent Activity - Change/Rearrange Multiline Hunt Gro						14.64	14.64				19.99	19.99	19.99	19.99			
2-WIRE VOICE GRADE LOOP WITH 2-WIRE LINE PORT (BUS - PBX)																			
UNE Port/Loop Combination Rates																			
		2-Wire VG Loop/Port Combo - Zone		1				28.35											
		2-Wire VG Loop/Port Combo - Zone		2				37.31											
		2-Wire VG Loop/Port Combo - Zone		3				56.24											
UNE Loop Rates																			
		2-Wire Voice Grade Loop (SL1) - Zone		1	UEPPX	UEPLX		14.35											
		2-Wire Voice Grade Loop (SL1) - Zone		2	UEPPX	UEPLX		23.31											
		2-Wire Voice Grade Loop (SL1) - Zone		3	UEPPX	UEPLX		42.24											
2-Wire Voice Grade Line Port Rates (BUS - PBX)																			
		Line Side Unbundled Combination 2-Way PBX Trunk Port - Bt			UEPPX	UEPPC		14	90	90			40.71	9.58					
		Line Side Unbundled Outward PBX Trunk Port - Bu			UEPPX	UEPPO		14	90	90			40.71	9.58					
		Line Side Unbundled Incoming PBX Trunk Port - Bu			UEPPX	UEPP1		14	90	90			40.71	9.58					
		2-Wire Voice Unbundled 2-Way Combination PBX Alabama Calling P			UEPPX	UEPA2		14	90	90			40.71	9.58					
		2-Wire Voice Unbundled PBX LD Terminal Port			UEPPX	UEPLD		14	90	90			40.71	9.58					
		2-Wire Voice Unbundled 2-Way Combination PBX Usage Pc			UEPPX	UEPXA		14	90	90			40.71	9.58					
		2-Wire Voice Unbundled PBX Toll Terminal Hotel Por			UEPPX	UEPXB		14	90	90			40.71	9.58					
		2-Wire Voice Unbundled PBX LD DDD Terminals Po			UEPPX	UEPXC		14	90	90			40.71	9.58					
		2-Wire Voice Unbundled PBX LD Terminal Switchboard Pc			UEPPX	UEPXD		14	90	90			40.71	9.58					
		2-Wire Voice Unbundled PBX LD Terminal Switchboard IDD Capable Pc			UEPPX	UEPXE		14	90	90			40.71	9.58					
		2-Wire Voice Unbundled 2-Way PBX Hotel/Hospital Economy Administrative Calling Port			UEPPX	UEPXL		14	90	90			40.71	9.58					
		2-Wire Voice Unbundled 2-Way PBX Hotel/Hospital Economy Room Calling P			UEPPX	UEPXM		14	90	90			40.71	9.58					
		2-Wire Voice Unbundled 1-Way Outgoing PBX Hotel/Hospital Discount Room Calling Port			UEPPX	UEPXO		14	90	90			40.71	9.58					
		2-Wire Voice Unbundled 1-Way Outgoing PBX Measured Pc			UEPPX	UEPXS		14	90	90			40.71	9.58					
LOCAL NUMBER PORTABILITY																			
		Local Number Portability (1 per port			UEPPX	LNPCP		3.15											
FEATURES																			
NONRECURRING CHARGES - CURRENTLY COMBINED																			
ADDITIONAL NRCs																			
		2-Wire Voice Grade Loop/ Line Port Combination - Subseque			UEPPX	USAS2		0	0										
		2-Wire Loop/Line Side Port Combination - Non feature - Subsequent Activity- Nonrecurring						0	0										
		PBX Subsequent Activity - Change/Rearrange Multiline Hunt Gro						14.64	14.64				19.99	19.99	19.99	19.99			
2-WIRE VOICE GRADE LOOP WITH 2-WIRE ANALOG LINE COIN PORT																			
UNE Port/Loop Combination Rates																			
		2-Wire VG Coin Port/Loop Combo - Zone 1						28.35											
		2-Wire VG Coin Port/Loop Combo - Zone 2						37.31											
		2-Wire VG Coin Port/Loop Combo - Zone 3						56.24											
UNE Loop Rates																			
		2-Wire Voice Grade Loop (SL1) - Zone			UEPCO	UEPLX		14.35											
		2-Wire Voice Grade Loop (SL1) - Zone			UEPCO	UEPLX		23.31											
		2-Wire Voice Grade Loop (SL1) - Zone			UEPCO	UEPLX		42.24											

UNBUNDLED NETWORK ELEMENTS
AL

CATEGORY	NOTES	UNBUNDLED NETWORK ELEMENT	Interim	Zone	BCS	USOC	RATES (\$)						OSS RATES (\$)					
							Rec	First	Add'l	First	Add'l	SOMEK	SOMAN	SOMAN	SOMAN	SOMAN	SOMAN	SOMAN
							Nonrecurring			Nonrecurring			Disconnect					
							Rec	First	Add'l	First	Add'l	SOMEK	SOMAN	SOMAN	SOMAN	SOMAN	SOMAN	SOMAN
		2-Wire Voice Grade Line Port Rates (Coin)																
		2-Wire Coin 2-Way without Operator Screening and without Blocking (AL, KY, LA, MS)			UEPCO	UEPRF	14	90	90					40.71	9.58			
		2-Wire Coin 2-Way with Operator Screening (AL, KY)			UEPCO	UEPRE	14	90	90					40.71	9.58			
		2-Wire Coin 2-Way with Operator Screening and Blocking: 011, 900/976, 1+DDD (AL, KY, LA, MS, SC)			UEPCO	UEPRA	14	90	90					40.71	9.58			
		2-Wire Coin 2-Way with Operator Screening and 011 Blocking (AL, LA, MS)			UEPCO	UEPRB	14	90	90					40.71	9.58			
		2-Wire Coin 2-Way with Operator Screening & Blocking: 900/976, 1+DDD, 011+, & Local (AL, KY, LA, MS)			UEPCO	UEPCD	14	90	90					40.71	9.58			
		2-Wire Coin Outward with Operator Screening and 011 Blocking (AL, FL)			UEPCO	UEPRK	14	90	90					40.71	9.58			
		2-Wire Coin Outward with Operator Screening and Blocking: 011, 900/976, 1+DDD (AL, KY, LA, MS)			UEPCO	UEPRH	14	90	90					40.71	9.58			
		2-Wire Coin Outward Operator Screening & Blocking: 900/976, 1+DDD, 011+, & Local (AL, KY, LA, MS)			UEPCO	UEPCN	14	90	90					40.71	9.58			
		LOCAL NUMBER PORTABILITY																
		Local Number Portability (1 per port)			UEPCO	LNPCX	0.35											
		NONRECURRING CHARGES - CURRENTLY COMBINED																
		ADDITIONAL NRCs																
		2-Wire Voice Grade Loop/ Line Port Combination - Subseque			UEPCO	USAS2	0	0										

UNBUNDLED NETWORK ELEMENTS
FL

CATEGORY	NOTES	UNBUNDLED NETWORK ELEMENT	Interim	Zone	BCS	USOC	RATES (\$)					OSS RATES (\$)						
							Rec	First	Add'l	First	Add'l	SOMEc	SOMAN	SOMAN	SOMAN	SOMAN	SOMAN	SOMAN
							Nonrecurring		Nonrecurring									
										Disconnect								
							Rec	First	Add'l	First	Add'l	SOMEc	SOMAN	SOMAN	SOMAN	SOMAN	SOMAN	SOMAN
The "Zone" shown in the sections for stand-alone loops or loops as part of a combination refers to Geographically Deaveraged UNE Zones. To view Geographically Deaveraged UNE Zone Designations by Central Office, refer to Internet Website: http://www.interconnection.bellsouth.com/become_a_clec/html/interconnection.htm																		
UNBUNDLED EXCHANGE ACCESS LOOP																		
2-WIRE ANALOG VOICE GRADE LOOP																		
		2-Wire Analog Voice Grade Loop - Service Level 1- Zone		1	UEANL	UEAL2	11.74	44.68	20.57	23.1	5.92		10.73				1.65	
		2-Wire Analog Voice Grade Loop - Service Level 1- Zone		2	UEANL	UEAL2	16.26	44.68	20.57	23.1	5.92		10.73				1.65	
		2-Wire Analog Voice Grade Loop - Service Level 1- Zone		3	UEANL	UEAL2	30.75	44.68	20.57	23.1	5.92		10.73				1.65	
		2 Wire Analog Voice Grade Loop-Service Level 1-Line Splitting- Zone		1	UEPSR, UEPSB	UEALS	11.74	44.68	20.57	23.1	5.92		10.73				1.65	
		2 Wire Analog Voice Grade Loop- Service Level 1-Line Splitting-Zone		2	UEPSR, UEPSB	UEALS	16.26	44.68	20.57	23.1	5.92		10.73					
		2 Wire Analog Voice Grade Loop-Service Level 1-Line Splitting-Zone		3	UEPSR, UEPSB	UEALS	30.75	44.68	20.57	23.1	5.92		10.73				1.65	
		Engineering Information Document (EI)			UEANL			28.77	28.77									
		Manual Order Coordination for UVL-SL1s (per loop)			UEANL	UEAMC		8.12	8.12									
		Order Coordination for Specified Conversion Time for UVL-SL1 (per LSR)			UEANL	OCOSL		20.75	20.75									
		2-Wire Analog Voice Grade Loop - Service Level 2 w/Loop or Ground Start Signaling Zone 1		1	UEA	UEAL2	13.43	122.38	74.35	57.28	10.83		10.73				1.65	
		2-Wire Analog Voice Grade Loop - Service Level 2 w/Loop or Ground Start Signaling Zone 2		2	UEA	UEAL2	18.6	122.38	74.35	57.28	10.83		10.73				1.65	
		2-Wire Analog Voice Grade Loop - Service Level 2 w/Loop or Ground Start Signaling Zone 3		3	UEA	UEAL2	35.18	122.38	74.35	57.28	10.83		10.73				1.65	
		Order Coordination for Specified Conversion Time (per LSF			UEA	OCOSL		20.75										
		2-Wire Analog Voice Grade Loop - Service Level 2 w/Reverse Battery Signaling - Zone 1		1	UEA	UEAR2	13.43	122.38	74.35	57.28	10.83		10.73				1.65	
		2-Wire Analog Voice Grade Loop - Service Level 2 w/Reverse Battery Signaling - Zone 2		2	UEA	UEAR2	18.6	122.38	74.35	57.28	10.83		10.73				1.65	
		2-Wire Analog Voice Grade Loop - Service Level 2 w/Reverse Battery Signaling - Zone 3		3	UEA	UEAR2	35.18	122.38	74.35	57.28	10.83		10.73				1.65	
		Order Coordination for Specified Conversion Time (per LSF			UEA	OCOSL		20.75										
4-WIRE ANALOG VOICE GRADE LOOP																		
		4-Wire Analog Voice Grade Loop - Zone 1		1	UEA	UEAL4	21.23	151.34	103.82	60.47	14.02		10.73				1.65	
		4-Wire Analog Voice Grade Loop - Zone 2		2	UEA	UEAL4	29.41	151.34	103.82	60.47	14.02		10.73				1.65	
		4-Wire Analog Voice Grade Loop - Zone 3		3	UEA	UEAL4	55.63	151.34	103.82	60.47	14.02		10.73				1.65	
		Order Coordination for Specified Conversion Time (per LSF			UEA	OCOSL		20.75										
2-WIRE ISDN DIGITAL GRADE LOOP																		
		2-Wire ISDN Digital Grade Loop - Zone 1		1	UDN	U1L2X	20.44	133.15	85.12	56.1	9.65		10.73				1.65	
		2-Wire ISDN Digital Grade Loop - Zone 2		2	UDN	U1L2X	28.31	133.15	85.12	56.1	9.65		10.73				1.65	
		2-Wire ISDN Digital Grade Loop - Zone 3		3	UDN	U1L2X	53.56	133.15	85.12	56.1	9.65		10.73				1.65	
		Order Coordination For Specified Conversion Time (per LSR			UDN	OCOSL		20.75										
2-WIRE Universal Digital Channel (UDC) COMPATIBLE LOOP																		
		2-Wire Universal Digital Channel (UDC) Compatible Loop - Zone		1	UDC	UDC2X	20.44	133.15	85.12	56.1	9.65		10.73				1.65	
		2-Wire Universal Digital Channel (UDC) Compatible Loop - Zone		2	UDC	UDC2X	28.31	133.15	85.12	56.1	9.65		10.73				1.65	

UNBUNDLED NETWORK ELEMENTS
FL

CATEGORY	NOTES	UNBUNDLED NETWORK ELEMENT	Interim	Zone	BCS	USOC	RATES (\$)					OSS RATES (\$)					
							Nonrecurring		Nonrecurring			SOMEK	SOMAN	SOMAN	SOMAN	SOMAN	SOMAN
							Rec	First	First	First	Add'l						
		2-Wire Universal Digital Channel (UDC) Compatible Loop - Zone		3	UDC	UDC2X	53.56	133.15	85.12	56.1	9.65		10.73			1.65	
		2-WIRE ASYMMETRICAL DIGITAL SUBSCRIBER LINE (ADSL) COMPATIBLE LOOP															
		2-Wire Asymmetrical Digital Subscriber Line (ADSL) Compatible Loop															
		2 Wire Unbundled ADSL Loop including manual service inquiry & facility reservation - Zone 1		1	UAL	UAL2X	11.52	134.8	93.62	67.66	14.09		10.73			1.65	
		2 Wire Unbundled ADSL Loop including manual service inquiry & facility reservation - Zone 2		2	UAL	UAL2X	15.96	134.8	93.62	67.66	14.09		10.73			1.65	
		2 Wire Unbundled ADSL Loop including manual service inquiry & facility reservation - Zone 3		3	UAL	UAL2X	30.19	134.8	93.62	67.66	14.09		10.73			1.65	
		Order Coordination for Specified Conversion Time (per LSF			UAL	OCOSL		20.75									
		2 Wire Unbundled ADSL Loop without manual service inquiry & facility reservation - Zone 1		1	UAL	UAL2W	11.52	112.55	64.12	54.67	8.22		10.73			1.65	
		2 Wire Unbundled ADSL Loop without manual service inquiry & facility reservation - Zone 2		2	UAL	UAL2W	15.96	112.55	64.12	54.67	8.22		10.73			1.65	
		2 Wire Unbundled ADSL Loop without manual service inquiry & facility reservation - Zone 3		3	UAL	UAL2W	30.19	112.55	64.12	54.67	8.22		10.73			1.65	
		Order Coordination for Specified Conversion Time (per LSF			UAL	OCOSL		20.75									
		2-WIRE HIGH BIT RATE DIGITAL SUBSCRIBER LINE (HDSL) COMPATIBLE LOOP															
		2-WIRE HIGH BIT RATE DIGITAL SUBSCRIBER LINE (HDSL) COMPATIBLE LOOP															
		2 Wire Unbundled HDSL Loop including manual service inquiry & facility reservation - Zone 1		1	UHL	UHL2X	9.12	143.43	102.25	67.66	14.09		10.73			1.65	
		2 Wire Unbundled HDSL Loop including manual service inquiry & facility reservation - Zone 2		2	UHL	UHL2X	12.63	143.43	102.25	67.66	14.09		10.73			1.65	
		2 Wire Unbundled HDSL Loop including manual service inquiry & facility reservation - Zone 3		3	UHL	UHL2X	23.9	143.43	102.25	67.66	14.09		10.73			1.65	
		Order Coordination for Specified Conversion Tim			UHL	OCOSL		20.75									
		2 Wire Unbundled HDSL Loop without manual service inquiry and facility reservation - Zone 1		1	UHL	UHL2W	9.12	121.17	72.75	54.67	8.22		10.73			1.65	
		2 Wire Unbundled HDSL Loop without manual service inquiry and facility reservation - Zone 2		2	UHL	UHL2W	12.63	121.17	72.75	54.67	8.22		10.73			1.65	
		2 Wire Unbundled HDSL Loop without manual service inquiry and facility reservation - Zone 3		3	UHL	UHL2W	23.9	121.17	72.75	54.67	8.22		10.73			1.65	
		Order Coordination for Specified Conversion Tim			UHL	OCOSL		20.75									
		4-WIRE HIGH BIT RATE DIGITAL SUBSCRIBER LINE (HDSL) COMPATIBLE LOOP															
		4-Wire Unbundled HDSL Loop including manual service inquiry and facility reservation - Zone 1		1	UHL	UHL4X	14.24	174.28	125.3	69.56	11.37		10.73			1.65	
		4-Wire Unbundled HDSL Loop including manual service inquiry and facility reservation - Zone 2		2	UHL	UHL4X	19.72	174.28	125.3	69.56	11.37		10.73			1.65	
		4-Wire Unbundled HDSL Loop including manual service inquiry and facility reservation - Zone 3		3	UHL	UHL4X	37.31	174.28	125.3	69.56	11.37		10.73			1.65	
		Order Coordination for Specified Conversion Tim			UHL	OCOSL		20.75									
		4-Wire Unbundled HDSL Loop without manual service inquiry and facility reservation - Zone 1		1	UHL	UHL4W	14.24	152.02	104.11	56.57	10.12		10.73			1.65	
		4-Wire Unbundled HDSL Loop without manual service inquiry and facility reservation - Zone 2		2	UHL	UHL4W	19.72	152.02	104.11	56.57	10.12		10.73			1.65	
		4-Wire Unbundled HDSL Loop without manual service inquiry and facility reservation - Zone 3		3	UHL	UHL4W	37.31	152.02	104.11	56.57	10.12		10.73			1.65	
		Order Coordination for Specified Conversion Tim			UHL	OCOSL		20.75									

UNBUNDLED NETWORK ELEMENTS
FL

CATEGORY	NOTES	UNBUNDLED NETWORK ELEMENT	Interim	Zone	BCS	USOC	RATES (\$)					OSS RATES (\$)								
							Rec	First	Add'l	First	Add'l	SOMEc	SOMAN	SOMAN	SOMAN	SOMAN	SOMAN			
							Nonrecurring		Nonrecurring											
							Disconnect		Disconnect											
							Rec	First	Add'l	First	Add'l	SOMEc	SOMAN	SOMAN	SOMAN	SOMAN	SOMAN			
		4-WIRE DS1 DIGITAL LOOP																		
		4-Wire DS1 Digital Loop - Zone 1		1	USL	USLXX	69.22	282.15	163.51	47.4	10.22		10.73						1.65	
		4-Wire DS1 Digital Loop - Zone 2		2	USL	USLXX	95.89	282.15	163.51	47.4	10.22		10.73						1.65	
		4-Wire DS1 Digital Loop - Zone 3		3	USL	USLXX	181.38	282.15	163.51	47.4	10.22		10.73						1.65	
		Order Coordination for Specified Conversion Tim			USL	OCOSL		20.75												
		4-WIRE 19.2, 56 OR 64 KBPS DIGITAL GRADE LOOP																		
		4 Wire Unbundled Digital 19.2 Kbps		1	UDL	UDL19	24.48	145.66	98.14	60.47	14.02		10.73						1.65	
		4 Wire Unbundled Digital 19.2 Kbps		2	UDL	UDL19	33.91	145.66	98.14	60.47	14.02		10.73						1.65	
		4 Wire Unbundled Digital 19.2 Kbps		3	UDL	UDL19	64.14	145.66	98.14	60.47	14.02		10.73						1.65	
		4 Wire Unbundled Digital Loop 56 Kbps - Zone 1		1	UDL	UDL56	24.48	145.66	98.14	60.47	14.02		10.73						1.65	
		4 Wire Unbundled Digital Loop 56 Kbps - Zone 2		2	UDL	UDL56	33.91	145.66	98.14	60.47	14.02		10.73						1.65	
		4 Wire Unbundled Digital Loop 56 Kbps - Zone 3		3	UDL	UDL56	64.14	145.66	98.14	60.47	14.02		10.73						1.65	
		Order Coordination for Specified Conversion Tim			UDL	OCOSL		20.75												
		4 Wire Unbundled Digital Loop 64 Kbps - Zone 1		1	UDL	UDL64	24.48	145.66	98.14	60.47	14.02		10.73						1.65	
		4 Wire Unbundled Digital Loop 64 Kbps - Zone 2		2	UDL	UDL64	33.91	145.66	98.14	60.47	14.02		10.73						1.65	
		4 Wire Unbundled Digital Loop 64 Kbps - Zone 3		3	UDL	UDL64	64.14	145.66	98.14	60.47	14.02		10.73						1.65	
		Order Coordination for Specified Conversion Tim			UDL	OCOSL		20.75												
		2-WIRE Unbundled COPPER LOOP																		
		2-Wire Unbundled Copper Loop/Short including manual service inquiry & facility reservation - Zone 1		1	UCL	UCLPB	11.52	133.88	92.7	67.66	14.09		10.73						1.65	
		2-Wire Unbundled Copper Loop/Short including manual service inquiry & facility reservation - Zone 2		2	UCL	UCLPB	15.96	133.88	92.7	67.66	14.09		10.73						1.65	
		2 Wire Unbundled Copper Loop/Short including manual service inquiry & facility reservation - Zone 3		3	UCL	UCLPB	30.19	133.88	92.7	67.66	14.09		10.73						1.65	
		Order Coordination for Unbundled Copper Loops (per loop)			UCL	UCLMC		8.12	8.12											
		2-Wire Unbundled Copper Loop/Short without manual service inquiry and facility reservation - Zone 1		1	UCL	UCLPW	11.52	111.62	63.19	54.67	8.22		10.73						1.65	
		2-Wire Unbundled Copper Loop/Short without manual service inquiry and facility reservation - Zone 2		2	UCL	UCLPW	15.96	111.62	63.19	54.67	8.22		10.73						1.65	
		2-Wire Unbundled Copper Loop/Short without manual service inquiry and facility reservation - Zone 3		3	UCL	UCLPW	30.19	111.62	63.19	54.67	8.22		10.73						1.65	
		Order Coordination for Unbundled Copper Loops (per loop)			UCL	UCLMC		8.12	8.12											
		2-Wire Unbundled Copper Loop/Long - includes manual svc. inquiry and facility reservation - Zone 1		1	UCL	UCL2L	33.57	133.88	92.7	67.66	14.09		10.73						1.65	
		2-Wire Unbundled Copper Loop/Long - includes manual svc. inquiry and facility reservation - Zone 2		2	UCL	UCL2L	46.5	133.88	92.7	67.66	14.09		10.73						1.65	
		2-Wire Unbundled Copper Loop/Long - includes manual svc. inquiry and facility reservation - Zone 3		3	UCL	UCL2L	87.96	133.88	92.7	67.66	14.09		10.73						1.65	
		Order Coordination for Unbundled Copper Loops (per loop)			UCL	UCLMC		8.12	8.12											
		2-Wire Unbundled Copper Loop/Long - without manual service inquiry and facility reservation - Zone 1		1	UCL	UCL2W	33.57	111.62	63.19	54.67	8.22		10.73						1.65	
		2-Wire Unbundled Copper Loop/Long - without manual service inquiry and facility reservation - Zone 2		2	UCL	UCL2W	46.5	111.62	63.19	54.67	8.22		10.73						1.65	
		2-Wire Unbundled Copper Loop/Long - without manual service inquiry and facility reservation - Zone 3		3	UCL	UCL2W	87.96	111.62	63.19	54.67	8.22		10.73						1.65	
		Order Coordination for Unbundled Copper Loops (per loop)			UCL	UCLMC		8.12	8.12											
		2-Wire Unbundled Copper Loop - Non-Designed Zone 1	I	1	UEQ	UEQ2X	11.01	44.69	22.4	25.65	7.06		10.73						1.65	
		2 Wire Unbundled Copper Loop - Non-Designed - Zone 2	I	2	UEQ	UEQ2X	12.67	44.69	22.4	25.65	7.06		10.73						1.65	

UNBUNDLED NETWORK ELEMENTS
FL

CATEGORY	NOTES	UNBUNDLED NETWORK ELEMENT	Interim	Zone	BCS	USOC	RATES (\$)					OSS RATES (\$)							
							Rec	First	Add'l	First	Add'l	SOMEc	SOMAN	SOMAN	SOMAN	SOMAN	SOMAN		
							Nonrecurring		Nonrecurring										
							Disconnect												
							Rec	First	Add'l	First	Add'l	SOMEc	SOMAN	SOMAN	SOMAN	SOMAN	SOMAN		
		2 Wire Unbundled Copper Loop - Non-Designed - Zone 1	I	3	UEQ	UEQ2X	20.22	44.69	22.4	25.65	7.06		10.73					1.65	
		Order Coordination 2 Wire Unbundled Copper Loop - Non-Designed (per loop)			UEQ	USBMC		8.12	8.12										
		Engineering Information Documen			UEQ			28.77	28.77										
		Loop Testing - Basic 1st Half Hou			UEQ	URET1		78.92	78.92										
		Loop Testing - Basic Additional Half Hou			UEQ	URETA		23.33	23.33										
		4-WIRE COPPER LOOP																	
		4-Wire Copper Loop/Short - including manual service inquiry and facility reservation - Zone 1		1	UCL	UCL4S	16.18	160.36	119.69	69.56	15.99		10.73					1.65	
		4-Wire Copper Loop/Short - including manual service inquiry and facility reservation - Zone 2		2	UCL	UCL4S	22.41	160.36	119.69	69.56	15.99		10.73					1.65	
		4-Wire Copper Loop/Short - including manual service inquiry and facility reservation - Zone 3		3	UCL	UCL4S	42.39	160.36	119.69	69.56	15.99		10.73					1.65	
		Order Coordination for Unbundled Copper Loops (per loop)			UCL	UCLMC		8.12	8.12										
		4-Wire Copper Loop/Short - without manual service inquiry and facility reservation - Zone 1		1	UCL	UCL4W	16.18	138.1	90.19	56.57	10.12		10.73					1.65	
		4-Wire Copper Loop/Short - without manual service inquiry and facility reservation - Zone 2		2	UCL	UCL4W	22.41	138.1	90.19	56.57	10.12		10.73					1.65	
		4-Wire Copper Loop/Short - without manual service inquiry and facility reservation - Zone 3		3	UCL	UCL4W	42.39	138.1	90.19	56.57	10.12		10.73					1.65	
		Order Coordination for Unbundled Copper Loops (per loop)			UCL	UCLMC		8.12	8.12										
		4-Wire Unbundled Copper Loop/Long - includes manual svc. inquiry and facility reservation - Zone 1		1	UCL	UCL4L	57.88	160.36	119.69	69.56	15.99		10.73					1.65	
		4-Wire Unbundled Copper Loop/Long - includes manual svc. inquiry and facility reservation - Zone 2		2	UCL	UCL4L	80.18	160.36	119.69	69.56	15.99		10.73					1.65	
		4-Wire Unbundled Copper Loop/Long - includes manual svc. inquiry and facility reservation - Zone 3		3	UCL	UCL4L	151.67	160.36	119.69	69.56	15.99		10.73					1.65	
		Order Coordination for Unbundled Copper Loops (per loop)			UCL	UCLMC		8.12	8.12										
		4-Wire Unbundled Copper Loop/Long - without manual svc. inquiry and facility reservation - Zone 1		1	UCL	UCL4O	57.88	138.1	90.19	56.57	10.12		10.73					1.65	
		4-Wire Unbundled Copper Loop/Long - without manual svc. inquiry and facility reservation - Zone 2		2	UCL	UCL4O	80.18	138.1	90.19	56.57	10.12		10.73					1.65	
		4-Wire Unbundled Copper Loop/Long - without manual svc. inquiry and facility reservation - Zone 3		3	UCL	UCL4O	151.67	138.1	90.19	56.57	10.12		10.73					1.65	
		Order Coordination for Unbundled Copper Loops (per loop)			UCL	UCLMC		8.12	8.12										
		LOOP MODIFICATION																	
		Unbundled Loop Modification, Removal of Load Coils - 2 Wire pair less than or equal to 18k ft			UAL, UHL, UCL, UEQ, ULS	ULM2L		0	0										
		Unbundled Loop Modification, Removal of Load Coils - 2 wire greater than 18k			UCL, ULS	ULM2G		309.32	309.32										
		Unbundled Loop Modification Removal of Load Coils - 4 Wire less than or equal to 18K ft			UHL, UCL	ULM4L		0	0										
		Unbundled Loop Modification Removal of Load Coils - 4 Wire pair greater than 18k			UCL	ULM4G		309.32	309.32										
					UAL, UHL, UCL, UEQ, UEF, ULS	ULMBT		9.48	9.48										
		SUB-LOOPS																	
		Sub-Loop Distribution																	

UNBUNDLED NETWORK ELEMENTS
FL

CATEGORY	NOTES	UNBUNDLED NETWORK ELEMENT	Interim	Zone	BCS	USOC	RATES (\$)					OSS RATES (\$)					
							Rec	First	Add'l	First	Add'l	SOMEc	SOMAN	SOMAN	SOMAN	SOMAN	SOMAN
							Nonrecurring					Nonrecurring					
							Disconnect										
							Rec	First	Add'l	First	Add'l	SOMEc	SOMAN	SOMAN	SOMAN	SOMAN	SOMAN
		Sub-Loop - Per Cross Box Location - CLEC Feeder Facility Set-U	I		UEANL	USBSA		467.08	467.08				10.73				1.65
		Sub-Loop - Per Cross Box Location - Per 25 Pair Panel Set-U	I		UEANL	USBSB		11.27	11.27				10.73				1.65
		Sub-Loop - Per Building Equipment Room - CLEC Feeder Facility Set-U	I		UEANL	USBSC		152.58	152.58				10.73				1.65
		Sub-Loop - Per Building Equipment Room - Per 25 Pair Panel Set-U	I		UEANL	USBSD		43.54	43.54				10.73				1.65
		Sub-Loop Distribution Per 2-Wire Analog Voice Grade Loop - Zone		1	UEANL	USBN2	6.9	54.26	19.64	37.03	4.1		10.73				1.65
		Sub-Loop Distribution Per 2-Wire Analog Voice Grade Loop - Zone		2	UEANL	USBN2	9.56	54.26	19.64	37.03	4.1		10.73				1.65
		Sub-Loop Distribution Per 2-Wire Analog Voice Grade Loop - Zone		3	UEANL	USBN2	18.08	54.26	19.64	37.03	4.1		10.73				1.65
		Order Coordination for Unbundled Sub-Loops, per sub-loop pair			UEANL	USBMC		8.12	8.12								
		Sub-Loop Distribution Per 4-Wire Analog Voice Grade Loop - Zone		1	UEANL	USBN4	7.35	62.05	27.42	37.98	5.05		10.73				1.65
		Sub-Loop Distribution Per 4-Wire Analog Voice Grade Loop - Zone		2	UEANL	USBN4	10.18	62.05	27.42	37.98	5.05		10.73				1.65
		Sub-Loop Distribution Per 4-Wire Analog Voice Grade Loop - Zone		3	UEANL	USBN4	19.25	62.05	27.42	37.98	5.05		10.73				1.65
		Order Coordination for Unbundled Sub-Loops, per sub-loop pair			UEANL	USBMC		8.12	8.12								
		Sub-Loop 2-Wire Intrabuilding Network Cable (INC)	I		UEANL	USBR2	3.33	46.74	12.11	37.03	4.1		10.73				1.65
		Order Coordination for Unbundled Sub-Loops, per sub-loop pair			UEANL	USBMC		8.12	8.12								
		Sub-Loop 4-Wire Intrabuilding Network Cable (INC)	I		UEANL	USBR4	6.32	50.41	15.78	37.98	5.05		10.73				1.65
		Order Coordination for Unbundled Sub-Loops, per sub-loop pair			UEANL	USBMC		8.12	8.12								
		2 Wire Copper Unbundled Sub-Loop Distribution - Zone	I	1	UEF	UCS2X	5.66	54.26	19.64	37.03	4.1		10.73				1.65
		2 Wire Copper Unbundled Sub-Loop Distribution - Zone	I	2	UEF	UCS2X	7.83	54.26	19.64	37.03	4.1		10.73				1.65
		2 Wire Copper Unbundled Sub-Loop Distribution - Zone	I	3	UEF	UCS2X	14.82	54.26	19.64	37.03	4.1		10.73				1.65
		Order Coordination for Unbundled Sub-Loops, per sub-loop pair			UEF	USBMC		23.24	23.24								
		4 Wire Copper Unbundled Sub-Loop Distribution - Zone	I	1	UEF	UCS4X	4.72	62.05	27.42	37.98	5.05		10.73				1.65
		4 Wire Copper Unbundled Sub-Loop Distribution - Zone	I	2	UEF	UCS4X	6.53	62.05	27.42	37.98	5.05		10.73				1.65
		4 Wire Copper Unbundled Sub-Loop Distribution - Zone	I	3	UEF	UCS4X	12.36	62.05	27.42	37.98	5.05		10.73				1.65
		Order Coordination for Unbundled Sub-Loops, per sub-loop pair			UEF	USBMC		8.12	8.12								
		Sub-Loop Feeder															
		USL-Feeder, DS0 Set-up per Cross Box location - CLEC Distribution Facility set-u			UEA, UDN,UC L,UDL,U DC	USBFW		467.08									
		USL Feeder - DS0 Set-up per Cross Box location - per 25 pair set-up			UEA, UDN,UC L,UDL,U DC	USBFX		45.28	45.28								
		USL Feeder DS1 Set-up at DSX location, per DS1 terminatio			USL	USBFZ		522.41	11.32								
		Unbundled Sub-Loop Feeder Loop, 2 Wire Ground Start, Voice Grade - Zone		1	UEA	USBFA	7.6	83.62	46.2	45.57	10.19		10.73				1.65
		Unbundled Sub-Loop Feeder Loop, 2 Wire Ground-Start, Voice Grade - Zone		2	UEA	USBFA	10.53	83.62	46.2	45.57	10.19		10.73				1.65
		Unbundled Sub-Loop Feeder Loop, Per 2 Wire Ground-Start, Voice Grade - Zone		3	UEA	USBFA	19.92	83.62	46.2	45.57	10.19		10.73				1.65
		Order Coordination for Specified Conversion Time, per LSR			UEA	OCOSL		20.75									
		Unbundled Sub-Loop Feeder Loop, 2 Wire Loop-Start, Voice Grade - Zone		1	UEA	USBFB	7.6	83.62	46.2	45.57	10.19		10.73				1.65
		Unbundled Sub-Loop Feeder Loop, 2 Wire Loop-Start, Voice Grade - Zone		2	UEA	USBFB	10.53	83.62	46.2	45.57	10.19		10.73				1.65
		Unbundled Sub-Loop Feeder Loop, 2 Wire Start Loop, Voice Grade - Zone		3	UEA	USBFB	19.92	83.62	46.2	45.57	10.19		10.73				1.65
		Order Coordination for Specified Time Conversion, per LSR			UEA	OCOSL		20.75									
		Unbundled Sub-Loop Feeder Loop, 2 Wire Reverse Battery, Voice Grade - Zone		1	UEA	USBFC	7.6	83.62	46.2	45.57	10.19		10.73				1.65
		Unbundled Sub-Loop Feeder Loop, 2 Wire Reverse Battery, Voice Grade - Zone		2	UEA	USBFC	10.53	83.62	46.2	45.57	10.19		10.73				1.65
		Unbundled Sub-Loop Feeder Loop, 2 Wire Analog Reverse Battery, Voice Grade - Zone 3		3	UEA	USBFC	19.92	83.62	46.2	45.57	10.19		10.73				1.65
		Order Coordination For Specified Conversion Time, per LSI			UEA	OCOSL		20.75									
		Unbundled Sub-Loop Feeder Loop, 4 Wire Ground-Start, Voice Grade - Zone		1	UEA	USBFD	16.05	96.4	58.12	48.55	11.33		10.73				1.65
		Unbundled Sub-Loop Feeder Loop, 4 Wire Ground-Start, Voice Grade - Zone		2	UEA	USBFD	22.23	96.4	58.12	48.55	11.33		10.73				1.65
		Unbundled Sub-Loop Feeder Loop, 4 Wire Ground Start, Voice Grade - Zone		3	UEA	USBFD	42.06	96.4	58.12	48.55	11.33		10.73				1.65
		Order Coordination For Specified Conversion Time, Per LSI			UEA	OCOSL		20.75									
		Unbundled Sub-Loop Feeder Loop, 4 Wire Loop-Start, Voice Grade - Zone		1	UEA	USBFE	16.05	96.4	58.12	48.55	11.33		10.73				1.65
		Unbundled Sub-Loop Feeder Loop, 4 Wire Loop-Start, Voice Grade - Zone		2	UEA	USBFE	22.23	96.4	58.12	48.55	11.33		10.73				1.65

UNBUNDLED NETWORK ELEMENTS
FL

CATEGORY	NOTES	UNBUNDLED NETWORK ELEMENT	Interim	Zone	BCS	USOC	RATES (\$)					OSS RATES (\$)					
							Nonrecurring		Disconnect			SOMEK	SOMAN	SOMAN	SOMAN	SOMAN	SOMAN
							Rec	First	Add'l	First	Add'l						
		Unbundled Sub-Loop Feeder Loop, 4 Wire Loop-Start, Voice Grade - Zone		3	UEA	USBFE	42.06	96.4	58.12	48.55	11.33		10.73			1.65	
		Order Coordination For Specified Conversion Time, Per LSI			UEA	OCOSL		20.75									
		Unbundled Sub-Loop Feeder Loop, 2 Wire ISDN BRI - Zone		1	UDN	USBFF	16.18	98.91	60.12	46.95	9.74		10.73			1.65	
		Unbundled Sub-Loop Feeder Loop, 2-Wire ISDN BRI - Zone		2	UDN	USBFF	22.41	98.91	60.12	46.95	9.74		10.73			1.65	
		Unbundled Sub-Loop Feeder Loop, 2-Wire ISDN BRI - Zone		3	UDN	USBFF	42.39	98.91	60.12	46.95	9.74		10.73			1.65	
		Order Coordination For Specified Conversion Time, Per LSI			UDN	OCOSL		20.75									
		Unbundled Sub-Loop Feeder, 2 Wire UDC (IDSL compatible)		1	UDC	USBFS	16.18	98.91	60.12	46.95	9.74		10.73			1.65	
		Unbundled Sub-Loop Feeder, 2 Wire UDC (IDSL compatible)		2	UDC	USBFS	22.41	98.91	60.12	46.95	9.74		10.73			1.65	
		Unbundled Sub-Loop Feeder, 2 Wire UDC (IDSL compatible)		3	UDC	USBFS	42.39	98.91	60.12	46.95	9.74		10.73			1.65	
		Unbundled Sub-Loop Feeder Loop, 4-Wire DS1 - Zone		1	USL	USBFG	43.64	120.61	70.34	65.07	16.2		10.73			1.65	
		Unbundled Sub-Loop Feeder Loop, 4-Wire DS1 - Zone		2	USL	USBFG	60.45	120.61	70.34	65.07	16.2		10.73			1.65	
		Unbundled Sub-Loop Feeder Loop, 4-Wire DS1 - Zone		3	USL	USBFG	114.36	120.61	70.34	65.07	16.2		10.73			1.65	
		Order Coordination For Specified Conversion Time, Per LSI			USL	OCOSL		20.75									
		Unbundled Sub-Loop Feeder, 2-Wire Copper Loop - Zone		1	UCL	USBFH	6.65	76.87	38.08	45.64	8.43		10.73			1.65	
		Unbundled Sub-Loop Feeder Loop, 2-Wire Copper Loop - Zone		2	UCL	USBFH	9.22	76.87	38.08	45.64	8.43		10.73			1.65	
		Unbundled Sub-Loop Feeder Loop, 2-Wire Copper Loop - Zone		3	UCL	USBFH	17.44	76.87	38.08	45.64	8.43		10.73			1.65	
		Order Coordination For Specified Conversion Time, per LSI			UCL	OCOSL		20.75									
		Sub-Loop Feeder - Per 4-Wire Copper Loop - Zone 1		1	UCL	USBFJ	12.76	89.85	51.57	46.59	9.38		10.73			1.65	
		Sub-Loop Feeder - Per 4-Wire Copper Loop - Zone 2		2	UCL	USBFJ	17.67	89.85	51.57	46.59	9.38		10.73			1.65	
		Sub-Loop Feeder - Per 4-Wire Copper Loop - Zone 3		3	UCL	USBFJ	33.43	89.85	51.57	46.59	9.38		10.73			1.65	
		Order Coordination For Specified Conversion Time, per LSI			UDL	OCOSL		20.75									
		Sub-Loop Feeder - Per 4-Wire 19.2 Kbps Digital Grade Loop		1	UDL	USBFN	17.52	90.72	52.43	48.55	11.33		10.73			1.65	
		Sub-Loop Feeder - Per 4-Wire 19.2 Kbps Digital Grade Loop		2	UDL	USBFN	24.28	90.72	52.43	48.55	11.33		10.73			1.65	
		Sub-Loop Feeder - Per 4-Wire 19.2 Kbps Digital Grade Loop		3	UDL	USBFN	45.92	90.72	52.43	48.55	11.33		10.73			1.65	
		Sub-Loop Feeder - Per 4-Wire 56 Kbps Digital Grade Loop - Zone		1	UDL	USBFO	17.52	90.72	52.43	48.55	11.33		10.73			1.65	
		Sub-Loop Feeder - Per 4-Wire 56 Kbps Digital Grade Loop - Zone		2	UDL	USBFO	24.28	90.72	52.43	48.55	11.33		10.73			1.65	
		Sub-Loop Feeder - Per 4-Wire 56 Kbps Digital Grade Loop - Zone		3	UDL	USBFO	45.92	90.72	52.43	48.55	11.33		10.73			1.65	
		Order Coordination For Specified Time Conversion, per LSI			UDL	OCOSL		20.75									
		Sub-Loop Feeder - Per 4-Wire 64 Kbps Digital Grade Loop - Zone		1	UDL	USBFP	17.52	90.72	52.43	48.55	11.33		10.73			1.65	
		Sub-Loop Feeder - Per 4-Wire 64 Kbps Digital Grade Loop - Zone		2	UDL	USBFP	24.28	90.72	52.43	48.55	11.33		10.73			1.65	
		Sub-Loop Feeder - Per 4-Wire 64 Kbps Digital Grade Loop - Zone		3	UDL	USBFP	45.92	90.72	52.43	48.55	11.33		10.73			1.65	
		Order Coordination For Specified Conversion Time, per LSI			UDL	OCOSL		20.75									
		Unbundled Sub-Loop Modification															
		Unbundled Sub-Loop Modification - 2-W Copper Dist Load Coil/Equip Removal per 2-W PR			UEF	ULM2X		9.11		9.11			10.73			1.65	
		Unbundled Sub-loop Modification - 4-W Copper Dist Load Coil/Equip Removal per 4-W PR			UEF	ULM4X		9.11		9.11			10.73			1.65	
		Unbundled Sub-loop Modification - 2-w/4-w Copper Dist Bridged Tap Removal, per PR unloaded			UEF	ULM4T		14.05		14.05			10.73			1.65	
		Unbundled Network Terminating Wire (UNTW)															
		Unbundled Network Terminating Wire (UNTW) per Pai			UENTW	UENPP	0.3682	21.85		21.85			10.73			1.65	
		Network Interface Device (NID)															
		Network Interface Device (NID) - 1-2 lines			UENTW	UND12		63.72		40.94			10.73			1.65	
		Network Interface Device (NID) - 1-6 lines			UENTW	UND16		105.96		83.17			10.73			1.65	
		Network Interface Device Cross Connect - 2 W			UENTW	UNDC2		7.12		7.12			10.73			1.65	
		Network Interface Device Cross Connect - 4W			UENTW	UNDC4		7.12		7.12			10.73			1.65	

UNBUNDLED NETWORK ELEMENTS
FL

CATEGORY	NOTES	UNBUNDLED NETWORK ELEMENT	Interim	Zone	BCS	USOC	RATES (\$)					OSS RATES (\$)										
							Rec	First	Add'l	First	Add'l	SOMEc	SOMAN	SOMAN	SOMAN	SOMAN	SOMAN	SOMAN				
							Nonrecurring		Nonrecurring													
									Disconnect													
UNBUNDLED LOOP CONCENTRATION																						
		Unbundled Loop Concentration - System A (TR008			ULC	UCT8A	461.86	324.01	324.01													1.65
		Unbundled Loop Concentration - System B (TR008			ULC	UCT8B	54.91	135	135													1.65
		Unbundled Loop Concentration - System A (TR303			ULC	UCT3A	500.74	324.01	324.01													1.65
		Unbundled Loop Concentration - System B (TR303			ULC	UCT3B	92.53	135	135													1.65
		Unbundled Loop Concentration - DS1 Loop Interface Car			ULC	UCTCO	5.18	64.65	46.45	16.67	4.35											1.65
		Unbundled Loop Concentration - ISDN Loop Interface (Brite Carc			UDN	ULCC1	8.22	14.96	14.88	6.11	6.07											1.65
		Unbundled Loop Concentration - UDC Loop Interface (Brite Carc			UDC	ULCCU	8.22	14.96	14.88	6.11	6.07											1.65
		Unbundled Loop Concentration - -2 Wire Voice-Loop Start or Ground Start Loop Interface (POTS Card)			UEA	ULCC2	2.06	14.96	14.88	6.11	6.07											1.65
		Unbundled Loop Concentration - 2 Wire Voice - Reverse Battery Loop Interface (SPOTS Card)			UEA	ULCCR	12.22	14.96	14.88	6.11	6.07											19.99
		Unbundled Loop Concentration - 4 Wire Voice Loop Interface (Specials Carc			UEA	ULCC4	7.29	14.96	14.89	6.11	6.07											1.65
		Unbundled Loop Concentration - TEST CIRCUIT Car			ULC	UCTTC	35.63	14.96	14.88	6.11	6.07											1.65
		Unbundled Loop Concentration - Digital 19.2 Kbps Data Loop Interfac			UDL	ULCC7	10.8	14.96	14.88	6.11	6.07											1.65
		Unbundled Loop Concentration - Digital 56 Kbps Data Loop Interfac			UDL	ULCC5	10.8	14.96	14.88	6.11	6.07											1.65
		Unbundled Loop Concentration - Digital 64 Kbps Data Loop Interfac			UDL	ULCC6	10.8	14.96	14.88	6.11	6.07											1.65
UNBUNDLED SUB-LOOP CONCENTRATION (OUTSIDE CO)																						
UNE OTHER, PROVISIONING ONLY - NO RATE																						
		NID - Dispatch and Service Order for NID installation			UENTW	UNDBX																
		UNTW Circuit Id Establishment, Provisioning Only - No Rate			UENTW	UEENCE																
		Unbundled Contract Name, Provisioning Only - No Rate			UEANL, UEF,UE Q,UE W	UNECN																
		Unbundled Contact Name, Provisioning Only - no rate			UAL,UC L,UDC, UDL,UD N,UEA, UHL,UL C	UNECN	0	0														
		Unbundled Sub-Loop Feeder-2 Wire Cross Box Jumper - no rat			UEA,UD N,UCL, UDC	USBFQ	0	0														
		Unbundled Sub-Loop Feeder-4 Wire Cross Box Jumper - no rat			UEA,US L,UCL,U DL	USBFR	0	0														
		Unbundled DS1 Loop - Superframe Format Option - no rat			USL	CCOSF	0	0														
		Unbundled DS1 Loop - Expanded Superframe Format option - no rat			USL	CCOEF	0	0														
HIGH CAPACITY UNBUNDLED LOCAL LOOP																						
		NOTE: 4 month minimum billing period																				
		High Capacity Unbundled Local Loop - DS3 - Per Mile per mont			UE3	1L5ND	10.06															
		High Capacity Unbundled Local Loop - DS3 - Facility Termination per mont			UE3	UE3PX	387.1	501.59	309.24	125.43	87.3											1.65
		High Capacity Unbundled Local Loop - STS-1 - Per Mile per mont			UDLSX	1L5ND	10.06															
		High Capacity Unbundled Local Loop - STS-1 - Facility Termination per mont			UDLSX	UDLS1	426.68	501.59	309.24	125.43	87.3											1.65
LOOP MAKE-UP																						

UNBUNDLED NETWORK ELEMENTS
FL

CATEGORY	NOTES	UNBUNDLED NETWORK ELEMENT	Interim	Zone	BCS	USOC	RATES (\$)					OSS RATES (\$)									
							Rec	First	Add'l	First	Add'l	SOMEc	SOMAN	SOMAN	SOMAN	SOMAN	SOMAN	SOMAN			
							Nonrecurring		Nonrecurring												
							Disconnect														
		Loop Makeup - Preordering Without Reservation, per working or spare facility queried (Manual).			UMK	UMKLN		43.1	43.1												
		Loop Makeup - Preordering With Reservation, per spare facility queried (Manual).			UMK	UMKLP		45.72	45.72												
		Loop Makeup--With or Without Reservation, per working or spare facility queried (Mechanized)			UMK	PSUMK	0.6757														
LINE SHARING																					
		Line Sharing Splitter, per System 96 Line Capacit	I		ULS	ULSDA	100	150	0	150	0										
		Line Sharing Splitter, per System 24 Line Capacit	I		ULS	ULSDB	25	150	0	150	0										
		Line Sharing Splitte, Per System, 8 Line Capacit	I		ULS	ULSD8	8.33	150	0	150	0										
		Line Sharing - per Line Activatio	I		ULS	ULSDC	0.61	40	22											1.65	
		Line Sharing - per Subsequent Activity per Line Rearrangeme	I		ULS	ULSDS		30	15											1.65	
UNBUNDLED TRANSPORT																					
		COMMON TRANSPORT (Shared)																			
		Common Transport - Per Mile, Per MOU																		0.0000039	
		Common Transport - Facilities Termination Per MOL																		0.0004579	
		NOTE: INTEROFFICE CHANNEL - DEDICATED TRANSPORT - minimum billing period: below DS3 = one month, DS3 and above four months																			
		INTEROFFICE CHANNEL - DEDICATED TRANSPORT - VOICE GRADE																			
		Interoffice Channel - Dedicated Transport - 2-Wire Voice Grade - Per Mile per month			U1TVX	1L5XX	0.0084														
		Interoffice Channel - Dedicated Transport- 2- Wire Voice Grade - Facility Termination per month			U1TVX	U1TV2	26.02	42.69	28.66	16.51	6.34										1.65
		Interoffice Channel - Dedicated Transport- 2-Wire Voice Grade Rev Bat. - Per Mile per month			U1TVX	1L5XX	0.0084														
		Interoffice Channel - Dedicated Transport- 2- Wire VG Rev Bat. - Facility Termination per month			U1TVX	U1TR2	26.02	42.69	28.66	16.51	6.34										1.65
		Interoffice Channel - Dedicated Transport - 4-Wire Voice Grade - Per Mile per month			U1TVX	1L5XX	0.0084														
		Interoffice Channel - Dedicated Transport - 4- Wire Voice Grade - Facility Termination per month			U1TVX	U1TV4	23.2	42.69	28.66	16.51	6.34										1.65
		Interoffice Channel - Dedicated Transport - 56 kbps - per mile per mont			U1TDX	1L5XX	0.0084														
		Interoffice Channel - Dedicated Transport - 56 kbps - Facility Termination per month			U1TDX	U1TD5	18.95	42.69	28.66	16.51	6.34										1.65
		Interoffice Channel - Dedicated Transport - 64 kbps - per mile per mont			U1TDX	1L5XX	0.0084														
		Interoffice Channel - Dedicated Transport - 64 kbps - Facility Termination per month			U1TDX	U1TD6	18.95	42.69	28.66	16.51	6.34										1.65
		INTEROFFICE CHANNEL - DEDICATED TRANSPORT - DS1																			
		Interoffice Channel - Dedicated Channel - DS1 - Per Mile per month			U1TD1	1L5XX	0.171														
		Interoffice Channel - Dedicated Transport - DS1 - Facility Termination per month			U1TD1	U1TF1	90.87	95.16	88.78	16.74	14.85										1.65
		INTEROFFICE CHANNEL - DEDICATED TRANSPORT - DS3																			
		Interoffice Channel - Dedicated Transport - DS3 - Per Mile per month			U1TD3	1L5XX	3.57														
		Interoffice Channel - Dedicated Transport - DS3 - Facility Termination per month			U1TD3	U1TF3	1101	302.43	197.7	64.94	63.61										1.65
		INTEROFFICE CHANNEL - DEDICATED TRANSPORT - STS-1																			
		Interoffice Channel - Dedicated Transport - STS-1 - Per Mile per month			U1TS1	1L5XX	3.57														
		Interoffice Channel - Dedicated Transport - STS-1 - Facility Termination per month			U1TS1	U1TFS	1085	302.43	197.7	64.94	63.61										1.65

UNBUNDLED NETWORK ELEMENTS
FL

CATEGORY	NOTES	UNBUNDLED NETWORK ELEMENT	Interim	Zone	BCS	USOC	RATES (\$)					OSS RATES (\$)								
							Rec	First	Add'l	First	Add'l	SOMEc	SOMAN	SOMAN	SOMAN	SOMAN	SOMAN			
							Nonrecurring		Nonrecurring											
							Disconnect													
							Rec	First	Add'l	First	Add'l	SOMEc	SOMAN	SOMAN	SOMAN	SOMAN	SOMAN			
		LOCAL CHANNEL - DEDICATED TRANSPORT																		
		NOTE: LOCAL CHANNEL DEDICATED TRANSPORT - minimum billing period - below DS3=one month, DS3 and above=four months																		
		Local Channel - Dedicated - 2-Wire Voice Grade per month - Zone		1	ULCVX	ULDV2	21.04	239.67	42.34	33.93	3.61		10.73							1.65
		Local Channel - Dedicated - 2-Wire Voice Grade per month - Zone		2	ULCVX	ULDV2	29.15	239.67	42.34	33.93	3.61		10.73							1.65
		Local Channel - Dedicated - 2-Wire Voice Grade per month - Zone		3	UNCVX	ULDV2	55.14	239.67	42.34	33.93	3.61		10.73							1.65
		Local Channel - Dedicated - 2-Wire Voice Grade Rev. Bat. Per month - Zone		1	ULCVX	ULDR2	21.04	239.67	42.34	33.93	3.61		10.73							1.65
		Local Channel - Dedicated - 2-Wire Voice Grade Rev. Bat. Per Month - Zone		2	ULCVX	ULDR2	29.15	239.67	42.34	33.93	3.61		10.73							1.65
		Local Channel - Dedicated - 2-Wire Voice Grade Rev. Bat. Per Month - Zone		3	UNCVX	ULDR2	55.14	239.67	42.34	33.93	3.61		10.73							1.65
		Local Channel - Dedicated - 4-Wire Voice Grade per month - Zone		1	UNCVX	ULDV4	21.91	240.3	42.97	34.47	4.15		10.73							1.65
		Local Channel - Dedicated - 4-Wire Voice Grade per month - Zone		2	UNCVX	ULDV4	30.35	240.3	42.97	34.47	4.15		10.73							1.65
		Local Channel - Dedicated - 4-Wire Voice Grade per month - Zone		3	UNCVX	ULDV4	57.4	240.3	42.97	34.47	4.15		10.73							1.65
		Local Channel - Dedicated - DS1 per month - Zone		1	ULDD1	ULDF1	34.49	195.33	165.48	21.9	15.28		10.73							1.65
		Local Channel - Dedicated - DS1 per month - Zone		2	ULDD1	ULDF1	47.78	195.33	165.48	21.9	15.28		10.73							1.65
		Local Channel - Dedicated - DS1 per month - Zone		3	ULDD1	ULDF1	90.38	195.33	165.48	21.9	15.28		10.73							1.65
		Local Channel - Dedicated - DS3 - Per Mile per montl			ULDD3	1L5NC	7.83													
		Local Channel - Dedicated - DS3 - Facility Termination per mont			ULDD3	ULDF3	554.83	501.59	309.24	125.43	87.3		10.73							1.65
		Local Channel - Dedicated - STS-1 - Per Mile per montl			ULDS1	1L5NC	7.83													
		Local Channel - Dedicated - STS-1 - Facility Termination per mont			ULDS1	ULDFS	563.73	501.59	309.24	125.43	87.3		10.73							1.65
		MULTIPLEXERS																		
		Channelization - DS1 to DS0 Channel System			UXTD1	MQ1	151.74	91.44	64.57	10	9.46		10.73							1.65
		OCU-DP COCI (data) - DS1 to DS0 Channel System - per month (2.4-64kbs			UDL	1D1DD	2.16	9.08	6.38											
		2-wire ISDN COCI (BRITE) - DS1 to DS0 Channel System - per month			UDN	UC1CA	3.76	9.08	6.38											
		Voice Grade COCI - DS1 to DS0 Channel System - per month			UEA	1D1VG	1.42	9.08	6.38											
		DS3 to DS1 Channel System per month			UXTD3	MQ3	218.7	179.66	106.96	36.37	35.22		10.73							1.65
		STS1 to DS1 Channel System per month			UXTS1	MQ3	218.7	179.66	106.96	36.37	35.22		10.73							1.65
		DS3 Interface Unit (DS1 COCI) used with Loop per month			USL	UC1D1	14.24	9.08	6.38											
		DARK FIBER																		
		Dark Fiber, Four Fiber Strands, Per Route Mile or Fraction Thereof per month - Local Channel			UDF	1L5DC	54.11													
		NRC Dark Fiber - Local Channel			UDF	UDFC4		677.34	174.79	277.72	179.41		10.73							1.65
		Dark Fiber, Four Fiber Strands, Per Route Mile or Fraction Thereof per month - Interoffice Channel			UDF	1L5DF	25.14													
		NRC Dark Fiber - Interoffice Channel			UDF	UDF14		677.34	174.79	277.72	179.41		10.73							1.65
		Dark Fiber, Four Fiber Strands, Per Route Mile or Fraction Thereof per month - Local Loop			UDF	1L5DL	54.11													
		NRC Dark Fiber - Local Loop			UDF	UDFL4		677.34	174.79	277.72	179.41		10.73							1.65
		TRANSPORT OTHER																		
		Optional Features & Functions:																		
		Clear Channel Capability (B8ZS/ESF) Option - Subsequent - per DS1 Chann			UNC1X	CCOEF		184.92	23.82	2.07	0.8		10.73							1.65
		Clear Channel Capability (B8ZS/SF) Option - Subsequent - per DS1 Chann			UNC1X	CCOSF		184.92	23.82	2.07	0.8		10.73							1.65
		8XX ACCESS TEN DIGIT SCREENING																		
		8XX Access Ten Digit Screening, Per Ca			OHD		0.0006165													
		8XX Access Ten Digit Screening, Reservation Charge Per 8XX Number Reserve			OHD	N8R1X		3.74	0.64				10.73							1.65
		8XX Access Ten Digit Screening, Per 8XX No. Established W/O POTS Translator			OHD			7.92	1.06	5.2	0.64		10.73							1.65
		8XX Access Ten Digit Screening, Per 8XX No. Established With POTS Translator			OHD	N8FTX		7.92	1.06	5.2	0.64		10.73							1.65
		8XX Access Ten Digit Screening, Customized Area of Service Per 8XX Number			OHD	N8FCX		3.74	1.87				10.73							1.65
		8XX Access Ten Digit Screening, Multiple InterLATA CXR Routing Per CXR Requested Per 8XX No.			OHD	N8FMX		4.37	2.5				10.73							1.65
		8XX Access Ten Digit Screening, Change Charge Per Request			OHD	N8FAX		4.37	0.64				10.73							1.65
		8XX Access Ten Digit Screening, Call Handling and Destination Feature			OHD	N8FDX		3.74					10.73							1.65

UNBUNDLED NETWORK ELEMENTS
FL

CATEGORY	NOTES	UNBUNDLED NETWORK ELEMENT	Interim	Zone	BCS	USOC	RATES (\$)				OSS RATES (\$)							
							Rec	First	Add'l	Disconnect	SOMEc	SOMAN	SOMAN	SOMAN	SOMAN	SOMAN		
		8XX Access Ten Digit Screening, w/ 8XX No. Delivery, per que			OHD		0.0006165											
		8XX Access Ten Digit Screening, w/ POTS No. Delivery, per que			OHD		0.0006165											
LINE INFORMATION DATA BASE ACCESS (LIDB)																		
		LIDB Common Transport Per Query			OQT		0.0000195											
		LIDB Validation Per Quen			OQU		0.0132254											
		LIDB Originating Point Code Establishment or Chang			OQT, OQU	NRPBX		49.71	49.71	49.71	49.71		10.73				1.65	
SIGNALING (CCS7)																		
		CCS7 Signaling Termination, Per STP Port			1DB	PT8SX	129.77						10.73				1.65	
		CCS7 Signaling Usage, Per TCAP Messagt			1DB		0.0000592											
		NOTE: Applicable when measurement and billing capability exists.																
		CCS7 Signaling Connection, Per link (A link			1DB	TPP++	18.39	39.28	39.28	16.51	16.51		10.73				1.65	
		CCS7 Signaling Connection, Per link (B link) (also known as D link)			1DB	TPP++	18.39	39.28	39.28	16.51	16.51		10.73				1.65	
		CCS7 Signaling Usage, Per ISUP Message			1DB		0.0000148											
		NOTE: Applicable when measurement and billing capability exists.																
		CCS7 Signaling Usage Surrogate, per link per LAT			1DB	STU56	676.89						10.73				1.65	
		CCS7 Signaling Point Code, per Originating Point Code Establishment or Change, per STP affected			1DB	CCAPO		41.5	41.5				10.73				1.65	
		CCS7 Signaling Point Code, per Destination Point Code Establishment or Change, Per Stp Affected			1DB	CCAPD		8	8				10.73				1.65	
E911 SERVICE																		
		Local Channel - Dedicated - 2-wr Voice Grade - Zone					21.04	239.67	42.34	33.93	3.61		10.73				1.65	
		Local Channel - Dedicated - 2-wr Voice Grade - Zone :					29.15	239.67	42.34	33.93	3.61		10.73				1.65	
		Local Channel - Dedicated - 2-wr Voice Grade - Zone :					55.14	239.67	42.34	33.93	3.61		10.73				1.65	
		Interoffice Transport - Dedicated - 2-wr Voice Grade Per Mil					0.0084											
		Interoffice Transport - Dedicated - 2-wr Voice Grade Per Facility Terminat					26.02	42.69	28.66	16.51	6.34		10.73				1.65	
		Local Channel - Dedicated - DS1 - Zone :					34.49	195.33	165.48	21.9	15.28		10.73				1.65	
		Local Channel - Dedicated - DS1 - Zone :					47.78	195.33	165.48	21.9	15.28		10.73				1.65	
		Local Channel - Dedicated - DS1 - Zone :					90.38	195.33	165.48	21.9	15.28		10.73				1.65	
		Interoffice Transport - Dedicated - DS1 Per Mil					0.171											
		Interoffice Transport - Dedicated - DS1 Per Facility Terminatio					90.87	95.16	88.78	16.74	14.85		10.73				1.65	
CALLING NAME (CNAM) SERVICE																		
		CNAM for DB Owners, Per Query			OQV		0.0010161											
		CNAM for Non DB Owners, Per Query			OQV		0.0010161											
		CNAM For DB Owners - Service Establishmen			OQV			22.85	22.85	17.14	17.14		10.73				1.65	
		CNAM For Non DB Owners - Service Establishmen			OQV			22.85	22.85	17.14	17.14		10.73				1.65	
		CNAM For DB Owners - Service Provisioning With Point Code Establishme			OQV			1435	1061	317.7	233.6		10.73				1.65	
		CNAM For Non Db Owners - Service Provisioning With Point Code Establishme			OQV			492.73	355.07	322.83	233.6		10.73				1.65	
		CNAM (Non-Databs Owner), NRC, applies when using the Character Based User Interface (CHUI)			OQV	CDDCH		595	595				10.73				1.65	
LNP QUERY SERVICE																		
		LNP Charge Per query					0.000842											
		LNP Service Establishment Manua						12.46	12.46	9.35	9.35		10.73				1.65	
		LNP Service Provisioning with Point Code Establishmer						591.01	301.93	218.42	160.6		10.73				1.65	
OPERATOR SERVICES AND DIRECTORY ASSISTANCE																		
OPERATOR CALL PROCESSING																		

UNBUNDLED NETWORK ELEMENTS
FL

CATEGORY	NOTES	UNBUNDLED NETWORK ELEMENT	Interim	Zone	BCS	USOC	RATES (\$)					OSS RATES (\$)					
							Nonrecurring	Nonrecurring	Nonrecurring	Nonrecurring	Nonrecurring	SOMEc	SOMAN	SOMAN	SOMAN	SOMAN	SOMAN
							Rec	First	Add'l	First	Add'l	SOMEc	SOMAN	SOMAN	SOMAN	SOMAN	SOMAN
		Oper. Call Processing - Oper. Provided, Per Min. - Using BST LID					1.2										
		Oper. Call Processing - Oper. Provided, Per Min. - Using Foreign LID					1.24										
		Oper. Call Processing - Fully Automated, per Call - Using BST LID					0.2										
		Oper. Call Processing - Fully Automated, per Call - Using Foreign LID					0.2										
INWARD OPERATOR SERVICES																	
		Inward Operator Services - Verification, Per Ca					1										
		Inward Operator Services - Verification and Emergency Interrupt - Per Ca					1.95										
BRANDING - OPERATOR CALL PROCESSING																	
		Recording of Custom Branded OA Announcement				CBAOS		7000	7000	9.61	9.61		10.73				1.65
		Loading of Custom Branded OA Announcement per shelf/NAV				CBAOL		500	500				10.73				
DIRECTORY ASSISTANCE SERVICES																	
DIRECTORY ASSISTANCE ACCESS SERVICE																	
		Directory Assistance Access Service Calls, Charge Per Ca					0.275										
DIRECTORY ASSISTANCE CALL COMPLETION ACCESS SERVICE (DACC)																	
		Directory Assistance Call Completion Access Service (DACC), Per Call Attempt					0.1										
UNBRANDING																	
DIRECTORY TRANSPORT																	
		Directory Transport - Local Channel DS					43.64	242.45	226.44				10.73				1.65
		Directory Transport - DS1 Level Interoffice Per Mil					0.6013										
		Directory Transport - DS1 Level Interoffice Per Facility Terminatic					99.79	45.91	44.18				10.73				1.65
		Switched Common Transport Per DA Access Service Per Ca					0.0003										
		Switched Common Transport Per DA Access Service Per Call Per Mil					0.00001										
		Access Tandem Switching Per DA Access Service Per Ca					0.00055										
		Directory Transport - Installation NRC, Per Trunk or Signaling Connectic						206.06	4.71				10.73				1.65
DIRECTORY ASSISTANCE DATA BASE SERVICE (DADS)																	
		Directory Assistance Data Base Service Charge Per Listin					0.04										
		Directory Assistance Data Base Service, per mont				DBSOF	150										
BRANDING - DIRECTORY ASSISTANCE																	
		Custom Branding Announcement, per Recording to be used with the provision of DA				AMT		3000	3000								
		Loading of Custom Branded Announcement per DRAM Card/Switch				AMT		690	690								
SELECTIVE ROUTING																	
		Selective Routing Per Unique Line Class Code Per Request Per Switc				USRCR		84.33	84.33	11.46	11.46		10.73				1.65
VIRTUAL COLLOCATION																	
		Virtual Collocation - 2-wire Cross Connects (loop			ueanl,ue	UEAC2	0.0297	33.86	31.95				10.73				1.65
		Virtual Collocation - 2-wire Cross Connects (port			a,udn,ud	VE1R2	0.0502	11.57	11.57				10.73				1.65
		Virtual Collocation - 4-wire Cross Connects (loop			c,uai,uhi	UEAC4	0.0594	33.99	32				10.73				1.65
		Virtual Collocation - 4-wire Cross Connects (port			,ucl,ueq	VE1R4	0.0502	11.57	11.57				10.73				1.65
		Virtual Collocatin - DS1 Cross Connect:			uea,uhi,	USL,UL	1.37	53.3	40.2								
					ucl,udl	C											
AIN SELECTIVE CARRIER ROUTING																	
		Regional Service Establishment				SRC	SRCEC	191575		6974			10.73				1.65
		End Office Establishment				SRC	SRCEO	168.89	168.89	0.63	0.63		10.73				1.65
		Query NRC, per query				SRC		0.0030998									

UNBUNDLED NETWORK ELEMENTS
FL

CATEGORY	NOTES	UNBUNDLED NETWORK ELEMENT	Interim	Zone	BCS	USOC	RATES (\$)					OSS RATES (\$)							
							Rec	First	Add'l	First	Add'l	SOMEc	SOMAN	SOMAN	SOMAN	SOMAN	SOMAN		
							Nonrecurring		Nonrecurring										
							Disconnect												
							Rec	First	Add'l	First	Add'l	SOMEc	SOMAN	SOMAN	SOMAN	SOMAN	SOMAN		
AIN - BELLSOUTH AIN SMS ACCESS SERVICE																			
		AIN SMS Access Service - Service Establishment, Per State, Initial Setup				CAMSE		39.27	39.27	33.04	33.04		10.73					1.65	
		AIN SMS Access Service - Port Connection - Dial/Shared Access				CAMDP		7.79	7.79	7.38	7.38		10.73					1.65	
		AIN SMS Access Service - Port Connection - ISDN Access				CAM1P		7.79	7.79	7.38	7.38		10.73					1.65	
		AIN SMS Access Service - User Identification Codes - Per User ID Code				CAMAU		34.85	34.85	21.97	21.97		10.73					1.65	
		AIN SMS Access Service - Security Card, Per User ID Code, Initial or Replacement				CAMRC		73.76	73.76	9.51	9.51		10.73					1.65	
		AIN SMS Access Service - Storage, Per Unit (100 Kilobytes)						0.0029											
		AIN SMS Access Service - Session, Per Minute						0.7985											
		AIN SMS Access Service - Company Performed Session, Per Minute						0.4155											
AIN - BELLSOUTH AIN TOOLKIT SERVICE																			
		AIN Toolkit Service - Service Establishment Charge, Per State, Initial Setup				BAPSC		39.27	39.27	33.04	33.04		10.73					1.65	
		AIN Toolkit Service - Training Session, Per Customer				BAPVX		8406	8406				10.73					1.65	
		AIN Toolkit Service - Trigger Access Charge, Per Trigger, Per DN, Term. Attempt				BAPTT		7.79	7.79	7.38	7.38		10.73					1.65	
		AIN Toolkit Service - Trigger Access Charge, Per Trigger, Per DN, Off-Hook Delay				BAPTD		7.79	7.79	7.38	7.38		10.73					1.65	
		AIN Toolkit Service - Trigger Access Charge, Per Trigger, Per DN, Off-Hook Immediate				BAPTM		7.79	7.79	7.38	7.38		10.73					1.65	
		AIN Toolkit Service - Trigger Access Charge, Per Trigger, Per DN, 10-Digit PODP				BAPTO		34.32	34.32	11.66	11.66		10.73					1.65	
		AIN Toolkit Service - Trigger Access Charge, Per Trigger, Per DN, CDP				BAPTC		34.32	34.32	11.66	11.66		10.73					1.65	
		AIN Toolkit Service - Trigger Access Charge, Per Trigger, Per DN, Feature Code				BAPTF		34.32	34.32	11.66	11.66		10.73					1.65	
		AIN Toolkit Service - Query Charge, Per Query						0.0509436											
		AIN Toolkit Service - Type 1 Node Charge, Per AIN Toolkit Subscription, Per Node, Per Query						0.0062787											
		AIN Toolkit Service - SCP Storage Charge, Per SMS Access Account, Per 100 Kilobytes						0.06											
		AIN Toolkit Service - Monthly report - Per AIN Toolkit Service Subscription				BAPMS	8	7.79	7.79	4.47	4.47		10.73					1.65	
		AIN Toolkit Service - Special Study - Per AIN Toolkit Service Subscription				BAPLS	3.85	8.62	8.62				10.73					1.65	
		AIN Toolkit Service - Call Event Report - Per AIN Toolkit Service Subscription				BAPDS	4.28	7.79	7.79	4.47	4.47		10.73					1.65	
		AIN Toolkit Service - Call Event Special Study - Per AIN Toolkit Service Subscription				BAPES	0.13	8.62	8.62				10.73					1.65	
ODUF/EDOUF/ADUF/CMDS																			
		ACCESS DAILY USAGE FILE (ADUF)																	
		ADUF: Message Processing, per message						0.013928											
		ADUF: Data Transmission (CONNECT:DIRECT), per message						0.00012927											
		ENHANCED OPTIONAL DAILY USAGE FILE (EODUF)																	
		EODUF: Message Processing, per message						0.222451											
		OPTIONAL DAILY USAGE FILE (ODUF)																	
		ODUF: Recording, per message						0.0000068											
		ODUF: Message Processing, per message						0.006614											
		ODUF: Message Processing, per Magnetic Tape provisione						48.77											
		ODUF: Data Transmission (CONNECT:DIRECT), per message						0.00010772											
ENHANCED EXTENDED LINK (EELs)																			

UNBUNDLED NETWORK ELEMENTS
FL

CATEGORY	NOTES	UNBUNDLED NETWORK ELEMENT	Interim	Zone	BCS	USOC	RATES (\$)					OSS RATES (\$)								
							Rec	First	Add'l	First	Add'l	SOMEc	SOMAN	SOMAN	SOMAN	SOMAN	SOMAN	SOMAN		
							Nonrecurring		Nonrecurring											
									Disconnect											
							Rec	First	Add'l	First	Add'l	SOMEc	SOMAN	SOMAN	SOMAN	SOMAN	SOMAN	SOMAN	SOMAN	SOMAN
		NOTE: New EELs available in State of Georgia, density zone 1 of following SMAs: Orlando, FL; Miami, FL; Ft. Lauderdale, FL; Nashville, TN; New Orleans, LA;																		
		NOTE: Charlotte-Gastonia-Rockhill, NC; Greensboro-Winston Salem-High Point, NC. Use all rates below except Switch As Is Charge.																		
		NOTE: In all states, EEL network elements shown below also apply to currently combined facilities which are converted to UNE rates. A Switch As Is Charge applies to currently combined facilities converted to UNEs.(Non-recurring rates do not apply.)																		
		NOTE: In Georgia, the EEL network elements apply to ordinarily combined network elements per the GA PSC order.(No Switch As Is Charge.)																		
		2-WIRE VOICE GRADE EXTENDED LOOP WITH DEDICATED DS1 INTEROFFICE TRANSPORT (EEL)																		
		First 2-Wire VG Loop(SL2) in a DS1 Interofficed Transport Combination - Zone 1		1	UNCVX	UEAL2	13.43	115.02	54.58	43.28	5.68		10.73							1.65
		First 2-Wire VG Grade Loop(SL2) in a DS1 Interofficed Transport Combination - Zone 2		2	UNCVX	UEAL2	18.6	115.02	54.58	43.28	5.68		10.73							1.65
		First 2-Wire VG Grade Loop(SL2) in a DS1 Interofficed Transport Combination - Zone 3		3	UNCVX	UEAL2	35.18	115.02	54.58	43.28	5.68		10.73							1.65
		Interoffice Transport - Dedicated - DS1 combination - Per Mile per mont			UNC1X	1L5XX	0.171													
		Interoffice Transport - Dedicated - DS1 combination - Facility Termination per mon			UNC1X	U1TF1	90.87	157.3	110.42	41.12	16.18		10.73							1.65
		DS1 Channelization System Per Mont			UNC1X	MQ1	151.74	51.63	13.29	1.35	1.21									
		Voice Grade COCI - DS1 To DS0 Interface - Per Month			UNCVX	1D1VG	1.42	6.05	4.36											
		Each Additional 2-Wire VG Loop(SL 2) in the same DS1 Interoffice Transport Combination - Zone 1		1	UNCVX	UEAL2	13.43	115.02	54.58	43.28	5.68		10.73							1.65
		Each Additional 2-Wire VG Loop(SL2) in the same DS1 Interoffice Transport Combination - Zone 2		2	UNCVX	UEAL2	18.6	115.02	54.58	43.28	5.68		10.73							1.65
		Each Additional 2-Wire VG Loop(SL2) in the same DS1 Interoffice Transport Combination - Zone 3		3	UNCVX	UEAL2	35.18	115.02	54.58	43.28	5.68		10.73							1.65
		Voice Grade COCI - DS1 to DS0 Channel System combination - per mont			UNCVX	1D1VG	1.42	6.05	4.36											
		Nonrecurring Currently Combined Network Elements Switch -As-Is Charg			UNC1X	UNCCC		8.1	8.1	8.1	8.1		10.73							1.65
		4-WIRE VOICE GRADE EXTENDED LOOP WITH DEDICATED DS1 INTEROFFICE TRANSPORT (EEL)																		
		First 4-Wire Analog Voice Grade Loop in a DS1 Interoffice Transport Combination - Zone 1		1	UNCVX	UEAL4	21.23	115.02	54.58	43.28	5.68		10.73							1.65
		First 4-Wire Analog Voice Grade Loop in a DS1 Interoffice Transport Combination - Zone 2		2	UNCVX	UEAL4	29.41	115.02	54.58	43.28	5.68		10.73							1.65
		First 4-Wire Analog Voice Grade Loop in a DS1 Interoffice Transport Combination - Zone 3		3	UNCVX	UEAL4	55.63	115.02	54.58	43.28	5.68		10.73							1.65
		Interoffice Transport - Dedicated - DS1 combination - Per Mile Per Mont			UNC1X	1L5XX	0.171													
		Interoffice Transport - Dedicated - DS1 - Facility Termination Per Mont			UNC1X	U1TF1	90.87	157.3	110.42	41.12	16.18		10.73							1.65
		Channelization - Channel System DS1 to DS0 combination Per Mont			UNC1X	MQ1	151.74	51.63	13.29	1.35	1.21									
		Voice Grade COCI - DS1 to DS0 Channel System combination - per mont			UNCVX	1D1VG	1.42	6.05	4.36											
		Additional 4-Wire Analog Voice Grade Loop in same DS1 Interoffice Transport Combination - Zone 1		1	UNCVX	UEAL4	21.23	115.02	54.58	43.28	5.68		10.73							1.65
		Additional 4-Wire Analog Voice Grade Loop in same DS1 Interoffice Transport Combination - Zone 2		2	UNCVX	UEAL4	29.41	115.02	54.58	43.28	5.68		10.73							1.65
		Additional 4-Wire Analog Voice Grade Loop in same DS1 Interoffice Transport Combination - Zone 3		3	UNCVX	UEAL4	55.63	115.02	54.58	43.28	5.68		10.73							1.65
		Voice Grade COCI - DS1 to DS0 Channel System combination - per mont			UNCVX	1D1VG	1.42	6.05	4.36											
		Nonrecurring Currently Combined Network Elements Switch -As-Is Charg			UNC1X	UNCCC		8.1	8.1	8.1	8.1		10.73							1.65
		4-WIRE 56 KBPS EXTENDED DIGITAL LOOP WITH DEDICATED DS1 INTEROFFICE TRANSPORT (EEL)																		

UNBUNDLED NETWORK ELEMENTS
FL

CATEGORY	NOTES	UNBUNDLED NETWORK ELEMENT	Interim	Zone	BCS	USOC	RATES (\$)					OSS RATES (\$)					
							Nonrecurring		Nonrecurring			SOMEc	SOMAN	SOMAN	SOMAN	SOMAN	SOMAN
							Rec	First	Add'l	First	Add'l						
		First 4-Wire 56Kbps Digital Grade Loop in a DS1 Interoffice Transport Combination - Zone 1		1	UNCDX	UDL56	24.48	115.02	54.58	43.28	5.68		10.73			1.65	
		First 4-Wire 56Kbps Digital Grade Loop in a DS1 Interoffice Transport Combination - Zone 2		2	UNCDX	UDL56	33.91	115.02	54.58	43.28	5.68		10.73			1.65	
		First 4-Wire 56Kbps Digital Grade Loop in a DS1 Interoffice Transport Combination - Zone 3		3	UNCDX	UDL56	64.14	115.02	54.58	43.28	5.68		10.73			1.65	
		Interoffice Transport - Dedicated - DS1 combination - Per Mile Per Mont			UNC1X	1L5XX	0.171										
		Interoffice Transport - Dedicated - DS1 - combination Facility Termination Per Mon			UNC1X	U1TF1	90.87	157.3	110.42	41.12	16.18		10.73			1.65	
		Channelization - Channel System DS1 to DS0 combination Per Mon			UNC1X	MQ1	151.74	51.63	13.29	1.35	1.21						
		OCU-DP COCI (data) - DS1 to DS0 Channel System - per month (2.4-64kbs)			UNCDX	1D1DD	2.16	6.05	4.36								
		Additional 4-Wire 56Kbps Digital Grade Loopin same DS1 Interoffice Transport Combination - Zone 1		1	UNCDX	UDL56	24.48	115.02	54.58	43.28	5.68		10.73			1.65	
		Additional 4-Wire 56Kbps Digital Grade Loopin same DS1 Interoffice Transport Combination - Zone 2		2	UNCDX	UDL56	33.91	115.02	54.58	43.28	5.68		10.73			1.65	
		Additional 4-Wire 56Kbps Digital Grade Loopin same DS1 Interoffice Transport Combination - Zone 3		3	UNCDX	UDL56	64.14	115.02	54.58	43.28	5.68		10.73			1.65	
		OCU-DP COCI (data) - DS1 to DS0 Channel System - combination per month (2.4-64kbs)			UNCDX	1D1DD	2.16	9.08	6.38								
		Nonrecurring Currently Combined Network Elements Switch -As-Is Charg			UNC1X	UNCCC		8.1	8.1	8.1	8.1		10.73			1.65	
		4-WIRE 64 KBPS EXTENDED DIGITAL LOOP WITH DEDICATED DS1 INTEROFFICE TRANSPORT (EEL)															
		First 4-Wire 64Kbps Digital Grade Loop in a DS1 Interoffice Transport Combination - Zone 1		1	UNCDX	UDL64	24.48	115.02	54.58	43.28	5.68		10.73			1.65	
		First 4-Wire 64Kbps Digital Grade Loop in a DS1 Interoffice Transport Combination - Zone 2		2	UNCDX	UDL64	33.91	115.02	54.58	43.28	5.68		10.73			1.65	
		First 4-Wire 64Kbps Digital Grade Loop in a DS1 Interoffice Transport Combination - Zone 3		3	UNCDX	UDL64	64.14	115.02	54.58	43.28	5.68		10.73			1.65	
		Interoffice Transport - Dedicated - DS1 combination - Per Mile Per Mont			UNC1X	1L5XX	0.171										
		Interoffice Transport - Dedicated - DS1 combination - Facility Termination Per Mon			UNC1X	U1TF1	90.87	157.3	110.42	41.12	16.18		10.73			1.65	
		Channelization - Channel System DS1 to DS0 combination Per Mon			UNC1X	MQ1	151.74	51.63	13.29	1.35	1.21						
		OCU-DP COCI (data) - DS1 to DS0 Channel System combination - per month (2.4-64kbs)			UNCDX	1D1DD	2.16	6.05	4.36								
		Additional 4-Wire 64Kbps Digital Grade Loopin same DS1 Interoffice Transport Combination - Zone 1		1	UNCDX	UDL64	24.48	115.02	54.58	43.28	5.68		10.73			1.65	
		Additional 4-Wire 64Kbps Digital Grade Loopin same DS1 Interoffice Transport Combination - Zone 2		2	UNCDX	UDL64	33.91	115.02	54.58	43.28	5.68		10.73			1.65	
		Additional 4-Wire 64Kbps Digital Grade Loopin same DS1 Interoffice Transport Combination - Zone 3		3	UNCDX	UDL64	64.14	115.02	54.58	43.28	5.68		10.73			1.65	
		OCU-DP COCI (data) - DS1 to DS0 Channel System combination - per month (2.4-64kbs)			UNCDX	1D1DD	2.16	6.05	4.36								
		Nonrecurring Currently Combined Network Elements Switch -As-Is Charg			UNC1X	UNCCC		8.1	8.1	8.1	8.1		10.73			1.65	
		4-WIRE DS1 DIGITAL EXTENDED LOOP WITH DEDICATED DS1 INTEROFFICE TRANSPORT (EEL)															
		4-Wire DS1 Digital Loop in Combination with DS1 Interoffice Transport - Zone		1	UNC1X	USLXX	69.22	196.32	110.28	76.38	13.03		10.73			1.65	
		4-Wire DS1 Digital Loop in Combination with DS1 Interoffice Transport - Zone		2	UNC1X	USLXX	95.89	196.32	110.28	76.38	13.03		10.73			1.65	
		4-Wire DS1 Digital Loop in Combination with DS1 Interoffice Transport - Zone		3	UNC1X	USLXX	181.38	196.32	110.28	76.38	13.03		10.73			1.65	
		Interoffice Transport - Dedicated - DS1 combination - Per Mile Per Mont			UNC1X	1L5XX	0.171										
		Interoffice Transport - Dedicated - DS1 combination - Facility Termination Per Mon			UNC1X	U1TF1	90.87	157.3	110.42	41.12	16.18		10.73			1.65	
		Nonrecurring Currently Combined Network Elements Switch -As-Is Charg			UNC1X	UNCCC		8.1	8.1	8.1	8.1		10.73			1.65	
		4-WIRE DS1 DIGITAL EXTENDED LOOP WITH DEDICATED DS3 INTEROFFICE TRANSPORT (EEL)															
		First DS1Loop in DS3 Interoffice Transport Combination - Zone		1	UNC1X	USLXX	69.22	196.32	110.28	76.38	13.03		10.73			1.65	
		First DS1Loop in DS3 Interoffice Transport Combination - Zone		2	UNC1X	USLXX	95.89	196.32	110.28	76.38	13.03		10.73			1.65	
		First DS1Loop in DS3 Interoffice Transport Combination - Zone		3	UNC1X	USLXX	181.38	196.32	110.28	76.38	13.03		10.73			1.65	

UNBUNDLED NETWORK ELEMENTS
FL

CATEGORY	NOTES	UNBUNDLED NETWORK ELEMENT	Interim	Zone	BCS	USOC	RATES (\$)					OSS RATES (\$)						
							Nonrecurring		Nonrecurring			SOMEc	SOMAN	SOMAN	SOMAN	SOMAN	SOMAN	
							Rec	First	Add'l	First	Add'l							
		Interoffice Transport - Dedicated - DS3 combination - Per Mile Per Mont			UNC3X	1L5XX	3.57											
		Interoffice Transport - Dedicated - DS3 - Facility Termination per mont			UNC3X	U1TF3	1101	288.5	124.61	34.8	19.96		10.73				1.65	
		DS3 to DS1 Channel System combination per mont			UNC3X	MQ3	218.7	104.13	50.98	10.96	3.84							
		DS3 Interface Unit (DS1 COC) combination per month			UNC1X	UC1D1	14.24	6.05	4.36									
		Additional DS1Loop in DS3 Interoffice Transport Combination - Zone		1	UNC1X	USLXX	69.22	196.32	110.28	76.38	13.03		10.73				1.65	
		Additional DS1Loop in DS3 Interoffice Transport Combination - Zone		2	UNC1X	USLXX	95.89	196.32	110.28	76.38	13.03		10.73				1.65	
		Additional DS1Loop in DS3 Interoffice Transport Combination - Zone		3	UNC1X	USLXX	181.38	196.32	110.28	76.38	13.03		10.73				1.65	
		DS3 Interface Unit (DS1 COC) combination per month			UNC1X	UC1D1	14.24	6.05	4.36									
		Nonrecurring Currently Combined Network Elements Switch -As-Is Charg			UNC3X	UNCCC		8.1	8.1	8.1	8.1		10.73				1.65	
2-WIRE VOICE GRADE EXTENDED LOOP/ 2 WIRE VOICE GRADE INTEROFFICE TRANSPORT (EEL)																		
		2-WireVG Loop used with 2-wire VG Interoffice Transport Combination - Zone		1	UNCVX	UEAL2	13.43	115.02	54.58	43.28	5.68		10.73				1.65	
		2-WireVG Loop used with 2-wire VG Interoffice Transport Combination - Zone		2	UNCVX	UEAL2	18.6	115.02	54.58	43.28	5.68		10.73				1.65	
		2-WireVG Loop used with 2-wire VG Interoffice Transport Combination - Zone		3	UNCVX	UEAL2	35.18	115.02	54.58	43.28	5.68		10.73				1.65	
		Interoffice Transport - Dedicated - 2-wire VG combination - Per Mile Per Mont			UNCVX	1L5XX	0.0084											
		Interoffice Transport - Dedicated - 2- Wire Voice Grade combination - Facility Termination per mont			UNCVX	U1TV2	26.02	85.38	47.42	40.82	16.25		10.73				1.65	
		Nonrecurring Currently Combined Network Elements Switch -As-Is Charg			UNCVX	UNCCC		8.1	8.1	8.1	8.1		10.73				1.65	
4-WIRE VOICE GRADE EXTENDED LOOP/ 4 WIRE VOICE GRADE INTEROFFICE TRANSPORT (EEL)																		
		4-WireVG Loop used with 4-wire VG Interoffice Transport Combination - Zone		1	UNCVX	UEAL4	21.23	115.02	54.58	43.28	5.68		10.73				1.65	
		4-WireVG Loop used with 4-wire VG Interoffice Transport Combination - Zone		2	UNCVX	UEAL4	29.41	115.02	54.58	43.28	5.68		10.73				1.65	
		4-WireVG Loop used with 4-wire VG Interoffice Transport Combination - Zone		3	UNCVX	UEAL4	55.63	115.02	54.58	43.28	5.68		10.73				1.65	
		Interoffice Transport - Dedicated - 4-wire VG combination - Per Mile Per Mont			UNCVX	1L5XX	0.0084											
		Interoffice Transport - Dedicated - 4- Wire Voice Grade combination - Facility Termination per mont			UNCVX	U1TV4	23.2	85.38	47.42	40.82	16.25		10.73				1.65	
		Nonrecurring Currently Combined Network Elements Switch -As-Is Charg			UNCVX	UNCCC		8.1	8.1	8.1	8.1		10.73				1.65	
DS3 DIGITAL EXTENDED LOOP WITH DEDICATED DS3 INTEROFFICE TRANSPORT (EEL)																		
		High Capacity Unbundled Local Loop - DS3 combination - Per Mile per mont			UNC3X	1L5ND	10.06											
		High Capacity Unbundled Local Loop - DS3 combination - Facility Termination per month			UNC3X		387.1	220.36	139.5	60.49	23.69							
		Interoffice Transport - Dedicated - DS3 - Per Mile per mont			UNC3X	1L5XX	3.57											
		Interoffice Transport - Dedicated - DS3 combination - Facility Termination per per month			UNC3X	U1TF3	1101	288.5	124.61	34.8	19.96		10.73				1.65	
		Nonrecurring Currently Combined Network Elements Switch -As-Is Charg			UNC3X	UNCCC		8.1	8.1	8.1	8.1		10.73				1.65	
STS1 DIGITAL EXTENDED LOOP WITH DEDICATED STS1 INTEROFFICE TRANSPORT (EEL)																		
		High Capacity Unbundled Local Loop - STS1 combination - Per Mile per mont			UNCSX	1L5ND	10.06											
		High Capacity Unbundled Local Loop - STS1 combination - Facility Termination per month			UNCSX	UDLS1	426.68	220.36	139.5	60.49	23.69							
		Interoffice Transport - Dedicated - STS1 combination - Per Mile per mont			UNCSX	1L5XX	3.57											
		Interoffice Transport - Dedicated - STS1 combination - Facility Termination per mon			UNCSX	U1TFS	1085	288.5	124.61	34.8	19.96		10.73				1.65	
		Nonrecurring Currently Combined Network Elements Switch -As-Is Charg			UNCSX	UNCCC		8.1	8.1	8.1	8.1		10.73				1.65	
2-WIRE ISDN EXTENDED LOOP WITH DS1 INTEROFFICE TRANSPORT (EEL)																		
		First 2-Wire ISDN Loop in a DS1 Interoffice Combination Transport - Zone		1	UNCNX	U1L2X	20.44	115.02	54.58	43.28	5.68		10.73				1.65	
		First 2-Wire ISDN Loop in a DS1 Interoffice Combination Transport - Zone		2	UNCNX	U1L2X	28.31	115.02	54.58	43.28	5.68		10.73				1.65	
		First 2-Wire ISDN Loop in a DS1 Interoffice Combination Transport - Zone		3	UNCNX	U1L2X	53.56	115.02	54.58	43.28	5.68		10.73				1.65	
		Interoffice Transport - Dedicated - DS1 combination - Per Mil			UNC1X	1L5XX	0.171											

UNBUNDLED NETWORK ELEMENTS
FL

CATEGORY	NOTES	UNBUNDLED NETWORK ELEMENT	Interim	Zone	BCS	USOC	RATES (\$)					OSS RATES (\$)					
							Rec	First	Add'l	First	Add'l	SOMEc	SOMAN	SOMAN	SOMAN	SOMAN	SOMAN
							Nonrecurring					Nonrecurring					
							Disconnect										
							Rec	First	Add'l	First	Add'l	SOMEc	SOMAN	SOMAN	SOMAN	SOMAN	SOMAN
		Interoffice Transport - Dedicated - DS1 combination - Facility Termination per month			UNC1X	U1TF1	90.87	157.3	110.42	41.12	16.18						1.65
		Channelization - Channel System DS1 to DS0 combination - per month			UNC1X	MQ1	151.74	51.63	13.29	1.35	1.21						
		2-wire ISDN COCI (BRITE) - DS1 to DS0 Channel System combination - per month			UNCNX	UC1CA	3.76	6.05	4.36								
		Additional 2-wire ISDN Loop in same DS1 Interoffice Transport Combination - Zone	1		UNCNX	U1L2X	20.44	115.02	54.58	43.28	5.68		10.73				1.65
		Additional 2-wire ISDN Loop in same DS1 Interoffice Transport Combination - Zone	2		UNCNX	U1L2X	28.31	115.02	54.58	43.28	5.68		10.73				1.65
		Additional 2-wire ISDN Loop in same DS1 Interoffice Transport Combination - Zone	3		UNCNX	U1L2X	53.56	115.02	54.58	43.28	5.68		10.73				1.65
		2-wire ISDN COCI (BRITE) - DS1 to DS0 Channel System combination - per month			UNCNX	UC1CA	3.76	6.05	4.36								
		Nonrecurring Currently Combined Network Elements Switch -As-Is Charge			UNC1X	UNCCC		8.1	8.1	8.1	8.1		10.73				1.65
		4-WIRE DS1 DIGITAL EXTENDED LOOP WITH DEDICATED STS-1 INTEROFFICE TRANSPORT (EEL)															
		First DS1 Loop in STS1 Interoffice Transport Combination - Zone	1		UNC1X	USLXX	69.22	196.32	110.28	76.38	13.03		10.73				1.65
		First DS1 Loop in STS1 Interoffice Transport Combination - Zone	2		UNC1X	USLXX	95.89	196.32	110.28	76.38	13.03		10.73				1.65
		First DS1 Loop in STS1 Interoffice Transport Combination - Zone	3		UNC1X	USLXX	181.38	196.32	110.28	76.38	13.03		10.73				1.65
		Interoffice Transport - Dedicated - STS1 combination - Per Mile Per Month			UNC1X	1L5XX	3.57										
		Interoffice Transport - Dedicated - STS1 combination - Facility Termination			UNC1X	U1TFS	1085	288.5	124.61	34.8	16.96		10.73				1.65
		STS1 to DS1 Channel System combination per month			UNC1X	MQ3	218.7	104.13	50.98	10.96	3.84						
		DS3 Interface Unit (DS1 COCI) combination per month			UNC1X	UC1D1	14.24	6.05	4.36								
		Additional DS1 Loop in STS1 Interoffice Transport Combination - Zone	1		UNC1X	USLXX	69.22	196.32	110.28	76.38	13.03		10.73				1.65
		Additional DS1 Loop in STS1 Interoffice Transport Combination - Zone	2		UNC1X	USLXX	95.89	196.32	110.28	76.38	13.03		10.73				1.65
		Additional DS1 Loop in STS1 Interoffice Transport Combination - Zone	3		UNC1X	USLXX	181.38	196.32	110.28	76.38	13.03		10.73				1.65
		DS3 Interface Unit (DS1 COCI) combination per month			UNC1X	UC1D1	14.24	6.05	4.36								
		Nonrecurring Currently Combined Network Elements Switch -As-Is Charge			UNC1X	UNCCC		8.1	8.1	8.1	8.1		10.73				1.65
		4-WIRE 56 KBPS DIGITAL EXTENDED LOOP WITH 56 KBPS INTEROFFICE TRANSPORT (EEL)															
		4-wire 56 kbps Loop/4-wire 56 kbps Interoffice Transport Combination - Zone	1		UNC1X	UDL56	24.48	115.02	54.58	43.28	5.68		10.73				1.65
		4-wire 56 kbps Loop/4-wire 56 kbps Interoffice Transport Combination - Zone	2		UNC1X	UDL56	33.91	115.02	54.58	43.28	5.68		10.73		1.65		
		4-wire 56 kbps Loop/4-wire 56 kbps Interoffice Transport Combination - Zone	3		UNC1X	UDL56	64.14	115.02	54.58	43.28	5.68		10.73				1.65
		Interoffice Transport - Dedicated - 4-wire 56 kbps combination - Per Mile			UNC1X	1L5XX	0.0098										
		Interoffice Transport - Dedicated - 4-wire 56 kbps combination - Facility Termination			UNC1X	U1TD5	19.31	85.38	47.42	40.82	16.25		10.73				1.65
		Nonrecurring Currently Combined Network Elements Switch -As-Is Charge			UNC1X	UNCCC		8.1	8.1	8.1	8.1		10.73				1.65
		4-WIRE 64 KBPS DIGITAL EXTENDED LOOP WITH 64 KBPS INTEROFFICE TRANSPORT (EEL)															
		4-wire 64 kbps Loop/4-wire 64 kbps Interoffice Transport Combination - Zone	1		UNC1X	UDL64	24.48	115.02	54.58	43.28	5.68		10.73				1.65
		4-wire 64 kbps Loop/4-wire 64 kbps Interoffice Transport Combination - Zone	2		UNC1X	UDL64	33.91	115.02	54.58	43.28	5.68		10.73				1.65
		4-wire 64 kbps Loop/4-wire 64 kbps Interoffice Transport Combination - Zone	3		UNC1X	UDL64	64.14	115.02	54.58	43.28	5.68		10.73				1.65
		Interoffice Transport - Dedicated - 4-wire 64 kbps combination - Per Mile			UNC1X	1L5XX	0.0098										
		Interoffice Transport - Dedicated - 4-wire 64 kbps combination - Facility Termination			UNC1X	U1TD6	19.31	149.56	86	71.35	31.91		10.73				1.65
		Nonrecurring Currently Combined Network Elements Switch -As-Is Charge			UNC1X	UNCCC		8.1	8.1	8.1	8.1		10.73				1.65
		ADDITIONAL NETWORK ELEMENTS															
		When used as a part of a currently combined facility, the non-recurring charges do not apply, but a Switch As Is charge does apply.															
		When used as ordinarily combined network elements in Georgia, the non-recurring charges apply and the Switch As Is Charge does not.															
		Node (SynchroNet)															
		Node per month			UNC1X	UNCNT	16.35										

UNBUNDLED NETWORK ELEMENTS
FL

CATEGORY	NOTES	UNBUNDLED NETWORK ELEMENT	Interim	Zone	BCS	USOC	RATES (\$)					OSS RATES (\$)							
							Rec	First	Add'l	First	Add'l	SOMEc	SOMAN	SOMAN	SOMAN	SOMAN	SOMAN		
							Nonrecurring		Nonrecurring										
									Disconnect										
							Rec	First	Add'l	First	Add'l	SOMEc	SOMAN	SOMAN	SOMAN	SOMAN	SOMAN		
		Nonrecurring Currently Combined Network Elements "Switch As Is" Charge (One applies to each combination)																	
		2/4-Wire VG Interoffice Channel used in a COMBINATION - "Switch As Is" Conversion Charge			UNCVX	UNCCC		8.1	8.1	8.1	8.1		10.73						1.65
		56/64 kbps Interoffice Channel used in a COMBINATION - "Switch As Is" Conversion Charge			UNCDX	UNCCC		8.1	8.1	8.1	8.1		10.73						1.65
		DS1 Interoffice Channel used in a COMBINATION - "Switch As Is" Conversion Charge			UNC1X	UNCCC		8.1	8.1	8.1	8.1		10.73						1.65
		DS3 Interoffice Channel used in a COMBINATION - "Switch As Is" Conversion Charge			UNC3X	UNCCC		8.1	8.1	8.1	8.1		10.73						1.65
		STS1 Interoffice or Local Loop used in a COMBINATION - "Switch As Is" Conversion Charge			UNCSX	UNCCC		8.1	8.1	8.1	8.1		10.73						1.65
		NOTE: Local Channel - Dedicated Transport - minimum billing period - Below DS3=one month, DS3 and above=four months																	
		OPERATIONAL SUPPORT SYSTEMS																	
		NOTE: (1) Electronic Service Order: CLEC-1 should contact its contract negotiator if it prefers the state specific electronic service ordering charges as ordered by the State Commissions																	
		NOTE: (1) Continued: The electronic service ordering charge currently contained in this rate exhibit is the BellSouth regional electronic service ordering charge																	
		NOTE: (1) Concluded: CLEC-1 may elect either the state specific Commission ordered rates for the electronic service ordering charges, or CLEC-1 may elect the regional electronic service ordering charge.																	
		NOTE: (2) Manual Service Order charge: disconnect, in the state of Florida, to be billed on a per LSR basis																	
		Electronic OSS Charge, per LSR, submitted via BST's OSS interactive interfaces (Regional)				SOMEc		3.5											
		UNBUNDLED LOCAL EXCHANGE SWITCHING (PORTS)																	
		Exchange Ports																	
		NOTE: Although the Port Rate includes all available features in GA & TN, the desired features will need to be ordered using retail USOCs																	
		2-WIRE VOICE GRADE LINE PORT RATES (RES)																	
		Exchange Ports - 2-Wire Analog Line Port- Res			UEPSR	UEPRL	1.34	3.37	3.27	1.69	1.62		10.73						1.65
		Exchange Ports - 2-Wire Analog Line Port with Caller ID - Re:			UEPSR	UEPRC	1.34	3.37	3.27	1.69	1.62		10.73						1.65
		Exchange Ports - 2-Wire Analog Line Port outgoing only - Re:			UEPSR	UEPRO	1.34	3.37	3.27	1.69	1.62		10.73						1.65
		Exchange Ports - 2-Wire VG unbundled Florida area calling with Caller ID - Re			UEPSR	UEPAF	1.34	3.37	3.27	1.69	1.62		10.73						1.65
		Exchange Ports - 2-Wire VG unbundled res, low usage line port with Caller ID (LUI)			UEPSR	UEPAP	1.34	3.37	3.27	1.69	1.62		10.73						1.65
		Subsequent Activity			UEPSR	USASC	0	0	0										
		FEATURES																	
		All Available Vertical Feature:			UEPSR	UEPVF	2.17	0	0				10.73						1.65
		2-WIRE VOICE GRADE LINE PORT RATES (BUS)																	
		Exchange Ports - 2-Wire Analog Line Port without Caller ID - Bu			UEPSB	UEPBL	1.34	3.37	3.27	1.69	1.62		10.73						1.65
		Exchange Ports - 2-Wire VG unbundled Line Port with unbundled port with Caller+E484 ID - Bus.			UEPSB	UEPBC	1.34	3.37	3.27	1.69	1.62		10.73						1.65
		Exchange Ports - 2-Wire Analog Line Port outgoing only - Bu			UEPSB	UEPBO	1.34	3.37	3.27	1.69	1.62		10.73						1.65
		Exchange Ports - 2-Wire VG unbundled incoming only port with Caller ID - Br			UEPSB	UEPB1	1.34	3.37	3.27	1.69	1.62		10.73						1.65
		Subsequent Activity			UEPSB	USASC	0	0	0										
		FEATURES																	

UNBUNDLED NETWORK ELEMENTS
FL

CATEGORY	NOTES	UNBUNDLED NETWORK ELEMENT	Interim	Zone	BCS	USOC	RATES (\$)					OSS RATES (\$)							
							Nonrecurring	Nonrecurring	Nonrecurring	Disconnect	SOME	SOMAN	SOMAN	SOMAN	SOMAN	SOMAN	Incremental Charge - Manual Svc Order vs. Electronic-Disc 1st	Incremental Charge - Manual Svc Order vs. Electronic-Disc Add'l	
							Rec	First	Add'l	First	Add'l	SOME	SOMAN	SOMAN	SOMAN	SOMAN	SOMAN		
		All Available Vertical Feature:			UEPSB	UEPVF	2.17	0	0				10.73						1.65
EXCHANGE		PORT RATES (DID & PBX)																	
		Exchange Ports - 2-Wire DID Port			UEPEX	UEPP2	8.81	70.69	14.26	37.81	3.84		10.73						1.65
		Exchange Ports - DDITS Port - 4-Wire DS1 Port with DID capability			UEPDD	UEPDD	52.73	136.24	70.1	44	2.8		10.73						1.65
		Exchange Ports - 2-Wire ISDN Port (See Notes below.)			UEPXS	U1PMA	8.46	42.22	45.69	24.91	10.75		10.73						1.65
		All Features Offrec			UEPXS	UEPVF	2.17	0	0										
		NOTE: Transmission/usage charges associated with POTS circuit switched usage will also apply to circuit switched voice and/or circuit switched data transmission by B-Channels associated with 2-wire ISDN ports.																	
		NOTE: Access to B Channel or D Channel Packet capabilities will be available only through BFR/New Business Request Process. Rates for the packet capabilities will be determined via the Bona Fide Request/New Business Request Process.																	
		Exchange Ports - 2-Wire ISDN Port -- Channel Profiles			UEPTX	U1UMA	0	0	0										
		Exchange Ports - 4-Wire ISDN DS1 Por			UEPXS	UEPEX	79.35	157.42	85.8	44.89	16.43		10.73						1.65
		2-Wire VG Unbundled 2-Way PBX Trunk - Re:			UEPSE	UEPRD	1.34	35.22	16.39	11.14	0.648		10.73						1.65
		2-Wire VG Line Side Unbundled 2-Way PBX Trunk - Bu			UEPSP	UEPPC	1.34	35.22	16.39	11.14	0.648		10.73						1.65
		2-Wire VG Line Side Unbundled Outward PBX Trunk - Bu			UEPSP	UEPPO	1.34	35.22	16.39	11.14	0.648		10.73						1.65
		2-Wire VG Line Side Unbundled Incoming PBX Trunk - Bu			UEPSP	UEPP1	1.34	35.22	16.39	11.14	0.648		10.73						1.65
		2-Wire Analog Long Distance Terminal PBX Trunk - Bu			UEPSP	UEPLD	1.34	35.22	16.39	11.14	0.648		10.73						1.65
		2-Wire Voice Unbundled PBX LD Terminal Port:			UEPSP	UEPLD	1.34	35.22	16.39	11.14	0.648		10.73						1.65
		2-Wire Vice Unbundled 2-Way PBX Usage Por			UEPSP	UEPXA	1.34	35.22	16.39	11.14	0.648		10.73						1.65
		2-Wire Voice Unbundled PBX Toll Terminal Hotel Port			UEPSP	UEPXB	1.34	35.22	16.39	11.14	0.648		10.73						1.65
		2-Wire Voice Unbundled PBX LD DDD Terminals Po:			UEPSP	UEPXC	1.34	35.22	16.39	11.14	0.648		10.73						1.65
		2-Wire Voice Unbundled PBX LD Terminal Switchboard Po			UEPSP	UEPXD	1.34	35.22	16.39	11.14	0.648		10.73						1.65
		2-Wire Voice Unbundled PBX LD Terminal Switchboard IDD Capable Po			UEPSP	UEPXE	1.34	35.22	16.39	11.14	0.648		10.73						1.65
		2-Wire Voice Unbundled 2-Way PBX Hotel/Hospital Economy Administrative Calling Port			UEPSP	UEPXL	1.34	35.22	16.39	11.14	0.648		10.73						1.65
		2-Wire Voice Unbundled 2-Way PBX Hotel/Hospital Economy Room Calling Po			UEPSP	UEPXM	1.34	35.22	16.39	11.14	0.648		10.73						1.65
		2-Wire Voice Unbundled 1-Way Outgoing PBX Hotel/Hospital Discount Room Calling Port			UEPSP	UEPXO	1.34	35.22	16.39	11.14	0.648		10.73						1.65
		2-Wire Voice Unbundled 1-Way Outgoing PBX Measured Po			UEPSP	UEPXS	1.34	35.22	16.39	11.14	0.648		10.73						1.65
		Subsequent Activity			UEPSP	USASC	0	0	0										
FEATURES																			
		All Available Vertical Feature:			UEPSE	UEPVF	2.17	0	0				10.73						1.65
EXCHANGE		PORT RATES (COIN)																	
		Exchange Ports - Coin Por					1.34	3.37	3.27	1.69	1.62		10.73						1.65
		NOTE: Transmission/usage charges associated with POTS circuit switched usage will also apply to circuit switched voice and/or circuit switched data transmission by B-Channels associated with 2-wire ISDN ports.																	
		NOTE: Access to B Channel or D Channel Packet capabilities will be available only through BFR/New Business Request Process. Rates for the packet capabilities will be determined via the Bona Fide Request/New Business Request Process.																	
UNBUNDLED LOCAL SWITCHING, PORT USAGE																			
		End Office Switching (Port Usage)																	
		End Office Switching Function, Per MOL																	
		End Office Trunk Port - Shared, Per MOL																	
							0.0007341												
							0.0001571												

UNBUNDLED NETWORK ELEMENTS
FL

CATEGORY	NOTES	UNBUNDLED NETWORK ELEMENT	Interim	Zone	BCS	USOC	RATES (\$)					OSS RATES (\$)								
							Rec	First	Add'l	First	Add'l	SOMEc	SOMAN	SOMAN	SOMAN	SOMAN	SOMAN	SOMAN		
							Nonrecurring		Nonrecurring											
									Disconnect											
		Tandem Switching (Port Usage) (Local or Access Tandem)																		
		Tandem Switching Function Per MOL																		
		Tandem Trunk Port - Shared, Per MOL																		
		Common Transport																		
		Common Transport - Per Mile, Per MOU																		
		Common Transport - Facilities Termination Per MOL																		
		UNBUNDLED PORT/LOOP COMBINATIONS - COST BASED RATES																		
		Cost Based Rates are applied where BellSouth is required by FCC and/or State Commission rule to provide Unbundled Local Switching or Switch Ports.																		
		Features shall apply to the Unbundled Port/Loop Combination - Cost Based Rate section in the same manner as they are applied to the Stand-Alone Unbundled Port section of this Rate Exhibit.																		
		End Office and Tandem Switching Usage and Common Transport Usage rates in the Port section of this rate exhibit shall apply to all combinations of loop/port network elements except for UNE Coin Port/Loop Combinations.																		
		For Georgia, the recurring UNE Port and Loop charges listed apply to Currently Combined and Not Currently Combined Combos and the first and additional Port nonrecurring charges apply to Not Currently Combined Combos. For Currently Combined Combos in GA and all other states, the nonrecurring charges shall be those identified in the Nonrecurring - Currently Combined sections.																		
		2-WIRE VOICE GRADE LOOP WITH 2-WIRE LINE PORT (RES)																		
		UNE Port/Loop Combination Rates																		
		2-Wire VG Loop/Port Combo - Zone 1		1																
		2-Wire VG Loop/Port Combo - Zone 2		2																
		2-Wire VG Loop/Port Combo - Zone 3		3																
		UNE Loop Rates																		
		2-Wire Voice Grade Loop (SL1) - Zone 1		1	UEPRX	UEPLX														
		2-Wire Voice Grade Loop (SL1) - Zone 2		2	UEPRX	UEPLX														
		2-Wire Voice Grade Loop (SL1) - Zone 3		3	UEPRX	UEPLX														
		2-Wire Voice Grade Line Port Rates (Res)																		
		2-Wire voice unbundled port - residency			UEPRX	UEPRL														
		2-Wire voice unbundled port with Caller ID - re			UEPRX	UEPRC														
		2-Wire voice unbundled port outgoing only - re			UEPRX	UEPRO														
		2-Wire voice unbundled Florida Area Calling with Caller ID - re			UEPRX	UEPAF														
		2-Wire voice unbundled res. low usage line port with Caller ID (LUA)			UEPRX	UEPAP														
		FEATURES																		
		All Features Offerec			UEPRX	UEPVF														
		LOCAL NUMBER PORTABILITY																		
		Local Number Portability (1 per port)			UEPRX	LNPCX														
		NONRECURRING CHARGES (NRCs) - CURRENTLY COMBINED																		
		2-Wire Voice Grade Loop / Line Port Combination - Conversion - Switch-as-			UEPRX	USAC2														
		2-Wire Voice Grade Loop / Line Port Combination - Conversion - Switch with chan			UEPRX	USACC														
		ADDITIONAL NRCs																		
		2-Wire Voice Grade Loop/Line Port Combination - Subsequent Activi			UEPRX	USAS2														
		2-WIRE VOICE GRADE LOOP WITH 2-WIRE LINE PORT (BUS)																		

UNBUNDLED NETWORK ELEMENTS
FL

CATEGORY	NOTES	UNBUNDLED NETWORK ELEMENT	Interim	Zone	BCS	USOC	RATES (\$)					OSS RATES (\$)													
							Rec	First	Add'l	First	Add'l	SOME C	SOMAN	SOMAN	SOMAN	SOMAN	SOMAN	SOMAN							
																			Nonrecurring		Nonrecurring		Disconnect		
UNE Port/Loop Combination Rates																									
		2-Wire VG Loop/Port Combo - Zone 1		1			13.01																		
		2-Wire VG Loop/Port Combo - Zone 2		2			17.15																		
		2-Wire VG Loop/Port Combo - Zone 3		3			30.45																		
UNE Loop Rates																									
		2-Wire Voice Grade Loop (SL1) - Zone 1		1	UEPBX	UEPLX	11.89																		
		2-Wire Voice Grade Loop (SL1) - Zone 2		2	UEPBX	UEPLX	16.03																		
		2-Wire Voice Grade Loop (SL1) - Zone 3		3	UEPBX	UEPLX	29.33																		
2-Wire Voice Grade Line Port (Bus)																									
		2-Wire voice unbundled port without Caller ID - bu			UEPBX	UEPBL	1.12																		
		2-Wire voice unbundled port with Caller + E484 ID - bu			UEPBX	UEPBC	1.12																		
		2-Wire voice unbundled port outgoing only - bu			UEPBX	UEPBO	1.12																		
		2-Wire voice unbundled incoming only port with Caller ID - Bu			UEPBX	UEPB1	1.12																		
LOCAL NUMBER PORTABILITY																									
		Local Number Portability (1 per port)			UEPBX	LNPCX	0.35																		
FEATURES																									
		All Features Offerec			UEPBX	UEPVF	2.17	0	0																
NONRECURRING CHARGES (NRCs) - CURRENTLY COMBINED																									
		2-Wire Voice Grade Loop / Line Port Combination - Conversion - Switch-as-			UEPBX	USAC2		0.092	0.092																
		2-Wire Voice Grade Loop / Line Port Combination - Conversion - Switch with chan			UEPBX	USACC		0.092	0.092																
ADDITIONAL NRCs																									
		2-Wire Voice Grade Loop/Line Port Combination - Subsequent Activi			UEPBX	USAS2																			
2-WIRE VOICE GRADE LOOP WITH 2-WIRE LINE PORT (RES - PBX)																									
UNE Port/Loop Combination Rates																									
		2-Wire VG Loop/Port Combo - Zone 1		1			13.01																		
		2-Wire VG Loop/Port Combo - Zone 2		2			17.15																		
		2-Wire VG Loop/Port Combo - Zone 3		3			30.45																		
UNE Loop Rates																									
		2-Wire Voice Grade Loop (SL 1) - Zone 1		1	UEPRG	UEPLX	11.89																		
		2-Wire Voice Grade Loop (SL 1) - Zone 2		2	UEPRG	UEPLX	16.03																		
		2-Wire Voice Grade Loop (SL 1) - Zone 3		3	UEPRG	UEPLX	29.33																		
2-Wire Voice Grade Line Port Rates (RES - PBX)																									
		2-Wire VG Unbundled Combination 2-Way PBX Trunk Port - Re			UEPRG	UEPRD	1.12																		
LOCAL NUMBER PORTABILITY																									
		Local Number Portability (1 per port)			UEPRG	LNPCP	3.5																		
FEATURES																									
		All Features Offerec			UEPRG	UEPVF	2.17	0	0																
NONRECURRING CHARGES (NRCs) - CURRENTLY COMBINED																									

UNBUNDLED NETWORK ELEMENTS
FL

CATEGORY	NOTES	UNBUNDLED NETWORK ELEMENT	Interim	Zone	BCS	USOC	RATES (\$)					OSS RATES (\$)							
							Rec	First	Add'l	First	Add'l	SOMEc	SOMAN	SOMAN	SOMAN	SOMAN	SOMAN		
							Nonrecurring		Nonrecurring										
							Disconnect												
							Rec	First	Add'l	First	Add'l	SOMEc	SOMAN	SOMAN	SOMAN	SOMAN	SOMAN		
		2-Wire Voice Grade Loop/ Line Port Combination (PBX) - Conversion - Switch-As-			UEPRG	USAC2		7.62	1.72				10.73						
		2-Wire Voice Grade Loop/ Line Port Combination (PBX) - Conversion - Switch with Change			UEPRG	USACC		7.62	1.72				10.73						
		ADDITIONAL NRCs																	
		2-Wire Voice Grade Loop/ Line Port Combination (PBX) - Subsequent Activi			UEPRG	USAS2	0	0	0				10.73					1.65	
		PBX Subsequent Activity - Change/Rearrange Multiline Hunt Gro						7.09	7.09										
		2-WIRE VOICE GRADE LOOP WITH 2-WIRE LINE PORT (BUS - PBX)																	
		UNE Port/Loop Combination Rates																	
		2-Wire VG Loop/Port Combo - Zone 1		1				13.01											
		2-Wire VG Loop/Port Combo - Zone 2		2				17.15											
		2-Wire VG Loop/Port Combo - Zone 3		3				30.45											
		UNE Loop Rates																	
		2-Wire Voice Grade Loop (SL 1) - Zone 1		1	UEPPX	UEPLX		11.89											
		2-Wire Voice Grade Loop (SL 1) - Zone 2		2	UEPPX	UEPLX		16.03											
		2-Wire Voice Grade Loop (SL 1) - Zone 3		3	UEPPX	UEPLX		29.33											
		2-Wire Voice Grade Line Port Rates (BUS - PBX)																	
		Line Side Unbundled Combination 2-Way PBX Trunk Port - Bu			UEPPX	UEPPC	1.12						10.73					1.65	
		Line Side Unbundled Outward PBX Trunk Port - Bu			UEPPX	UEPPO	1.12						10.73					1.65	
		Line Side Unbundled Incoming PBX Trunk Port - Bu			UEPPX	UEPP1	1.12						10.73					1.65	
		2-Wire Voice Unbundled PBX LD Terminal Port			UEPPX	UEPLD	1.12						10.73					1.65	
		2-Wire Voice Unbundled 2-Way Combination PBX Usage Po			UEPPX	UEPXA	1.12						10.73					1.65	
		2-Wire Voice Unbundled PBX Toll Terminal Hotel Port			UEPPX	UEPXB	1.12						10.73					1.65	
		2-Wire Voice Unbundled PBX LD DDD Terminals Por			UEPPX	UEPXC	1.12						10.73					1.65	
		2-Wire Voice Unbundled PBX LD Terminal Switchboard Po			UEPPX	UEPXD	1.12						10.73					1.65	
		2-Wire Voice Unbundled PBX LD Terminal Switchboard IDD Capable Po			UEPPX	UEPXE	1.12						10.73					1.65	
		2-Wire Voice Unbundled 2-Way PBX Hotel/Hospital Economy Administrative Calling Port			UEPPX	UEPXL	1.12						10.73					1.65	
		2-Wire Voice Unbundled 2-Way PBX Hotel/Hospital Economy Room Calling Po			UEPPX	UEPXM	1.12						10.73					1.65	
		2-Wire Voice Unbundled 1-Way Outgoing PBX Hotel/Hospital Discount Room Calling Port			UEPPX	UEPXO	1.12						10.73					1.65	
		2-Wire Voice Unbundled 1-Way Outgoing PBX Measured Po			UEPPX	UEPXS	1.12						10.73					1.65	
		LOCAL NUMBER PORTABILITY																	
		Local Number Portability (1 per port)			UEPPX	LNPCP	3.15												
		FEATURES																	
		All Features Offerec			UEPPX	UEPVF	2.17	0	0				10.73					1.65	
		NONRECURRING CHARGES (NRCs) - CURRENTLY COMBINED																	
		2-Wire Voice Grade Loop/ Line Port Combination (PBX) - Conversion - Switch-As-			UEPPX	USAC2		7.62	1.72				10.73					1.65	
		2-Wire Voice Grade Loop/ Line Port Combination (PBX) - Conversion - Switch with Change			UEPPX	USACC		7.62	1.72				10.73					1.65	
		ADDITIONAL NRCs																	
		2-Wire Voice Grade Loop/ Line Port Combination (PBX) - Subsequent Activi			UEPPX	USAS2	0	0	0										

UNBUNDLED NETWORK ELEMENTS
FL

CATEGORY	NOTES	UNBUNDLED NETWORK ELEMENT	Interim	Zone	BCS	USOC	RATES (\$)					OSS RATES (\$)								
							Rec	First	Add'l	First	Add'l	SOMEc	SOMAN	SOMAN	SOMAN	SOMAN	SOMAN	SOMAN		
							Nonrecurring		Nonrecurring											
									Disconnect											
		PBX Subsequent Activity - Change/Rearrange Multiline Hunt Gro					Rec	7.09	7.09											1.65
		2-WIRE VOICE GRADE LOOP WITH 2-WIRE ANALOG LINE COIN PORT																		
		UNE Port/Loop Combination Rates																		
		2-Wire VG Coin Port/Loop Combo - Zone 1						13.01												
		2-Wire VG Coin Port/Loop Combo - Zone 2						17.15												
		2-Wire VG Coin Port/Loop Combo - Zone 3						30.45												
		UNE Loop Rates																		
		2-Wire Voice Grade Loop (SL1) - Zone 1				UEPCO	UEPLX	11.89												
		2-Wire Voice Grade Loop (SL1) - Zone 2				UEPCO	UEPLX	16.03												
		2-Wire Voice Grade Loop (SL1) - Zone 3				UEPCO	UEPLX	29.33												
		2-Wire Voice Grade Line Ports (COIN)																		
		2-Wire Coin 2-Way with Operator Screening and Blocking: 011, 900/976, 1+DDD (FL)				UEPCO	UEP2F	1.12					10.73							1.65
		2-Wire Coin 2-Way with Operator Screening and 011 Blocking (FL)				UEPCO	UEPFA	1.12					10.73							1.65
		2-Wire Coin 2-Way with Operator Screening and Blocking: 900/976, 1+DDD, 011+, and Local (FL)				UEPCO	UEPCG	1.12					10.73							1.65
		2-Wire Coin Outward with Operator Screening and 011 Blocking (AL, FL)				UEPCO	UEPRK	1.12					10.73							1.65
		2-Wire Coin Outward with Operator Screening and Blocking: 900/976, 1+DDD, 011+ (FL)				UEPCO	UEPOF	1.12					10.73							1.65
		2-Wire Coin Outward with Operator Screening and Blocking: 900/976, 1+DDD, 011+, and Local (FL, GA)				UEPCO	UEPCQ	1.12					10.73							1.65
		2-Wire 2-Way Smartline with 900/976 (all states except LA)				UEPCO	UEPCK	1.12					10.73							1.65
		2-Wire Coin Outward Smartline with 900/976 (all states except LA)				UEPCO	UEPCR	1.12					10.73							1.65
		ADDITIONAL UNE COIN PORT/LOOP (RC)																		
		UNE Coin Port/Loop Combo Usage (Flat Rate)				UEPCO	URECU	1.86	0	0										
		LOCAL NUMBER PORTABILITY																		
		Local Number Portability (1 per port)				UEPCO	LNPCX	0.35												
		NONRECURRING CHARGES - CURRENTLY COMBINED																		
		2-Wire Voice Grade Loop / Line Port Combination - Conversion - Switch-as-				UEPCO	USAC2	0.092	0.092				10.73							1.65
		2-Wire Voice Grade Loop / Line Port Combination - Conversion - Switch with chan				UEPCO	USACC	0.092	0.092				10.73							1.65
		ADDITIONAL NRCs																		
		2-Wire Voice Grade Loop/Line Port Combination - Subsequent Activi				UEPCO	USAS2	0	0				10.73							
		2-WIRE VOICE GRADE LOOP- BUS ONLY - WITH 2-WIRE DID TRUNK PORT																		
		UNE Port/Loop Combination Rates																		
		2-Wire VG Loop/2-Wire DID Trunk Port Combo - UNE Zone 1						22.22												
		2-Wire VG Loop/2-Wire DID Trunk Port Combo - UNE Zone 2						27.39												
		2-Wire VG Loop/2-Wire DID Trunk Port Combo - UNE Zone 3						43.79												
		UNE Loop Rates																		
		2-Wire Analog Voice Grade Loop - (SL2) - UNE Zone 1				1	UEPPX	UECD1	13.43	122.38	74.35	57.28	10.83		10.73					1.65

UNBUNDLED NETWORK ELEMENTS
FL

CATEGORY	NOTES	UNBUNDLED NETWORK ELEMENT	Interim	Zone	BCS	USOC	RATES (\$)					OSS RATES (\$)								
							Rec	First	Add'l	First	Add'l	SOMEc	SOMAN	SOMAN	SOMAN	SOMAN	SOMAN	SOMAN		
							Nonrecurring		Nonrecurring											
							Nonrecurring		Disconnect											
		2-Wire Analog Voice Grade Loop - (SL2) - UNE Zone :		2	UEPPX	UECD1	18.6	122.38	74.35	57.28	10.83									
		2-Wire Analog Voice Grade Loop - (SL2) - UNE Zone :		3	UEPPX	UECD1	35.18	122.38	74.35	57.28	10.83									
		UNE Port Rate																		
		Exchange Ports - 2-Wire DID Por			UEPPX	UEPD1	8.79	70.69	14.26	37.81	3.84		10.73							1.65
		NONRECURRING CHARGES - CURRENTLY COMBINED																		
		2-Wire Voice Grade Loop / 2-Wire DID Trunk Port Combination - Switch-as-i			UEPPX	USAC1		7.08	1.69				10.73							1.65
		2-Wire Voice Grade Loop / 2-Wire DID Trunk Port Conversion with BellSouth Allowable Changes			UEPPX	USA1C		7.08	1.69				10.73							1.65
		ADDITIONAL NRCs																		
		2-Wire DID Subsequent Activity - Add Trunks, Per Trun			UEPPX	USAS1		29.08	29.08				10.73							1.65
		Telephone Number/Trunk Group Establishment Charges																		
		DID Trunk Termination (One Per Port			UEPPX	NDT	0	0	0				10.73							1.65
		DID Numbers, Establish Trunk Group and Provide First Group of 20 DID Number			UEPPX	NDZ	0	0	0				10.73							1.65
		Additional DID Numbers for each Group of 20 DID Number			UEPPX	ND4	0	0	0				10.73							1.65
		DID Numbers, Non- consecutive DID Numbers , Per Numbe			UEPPX	ND5	0	0	0				10.73							1.65
		Reserve Non-Consecutive DID number			UEPPX	ND6	0	0	0				10.73							1.65
		Reserve DID Numbers			UEPPX	NDV	0	0	0				10.73							1.65
		LOCAL NUMBER PORTABILITY																		
		Local Number Portability (1 per port			UEPPX	LNPCP	3.15													
		2-WIRE ISDN DIGITAL GRADE LOOP WITH 2-WIRE ISDN DIGITAL LINE SIDE PORT																		
		UNE Port/Loop Combination Rates																		
		2W ISDN Digital Grade Loop/2W ISDN Digital Line Side Port - UNE Zone		1	UEPPB UEPPR		30.29													
		2W ISDN Digital Grade Loop/2W ISDN Digital Line Side Port - UNE Zone :		2	UEPPB UEPPR		36.51													
		2W ISDN Digital Grade Loop/2W ISDN Digital Line Side Port - UNE Zone :		3	UEPPB UEPPR		56.45													
		UNE Loop Rates																		
		2-Wire ISDN Digital Grade Loop - UNE Zone 1		1	UEPPB UEPPR	USL2X	23.22	133.15	85.12	56.1	9.65		10.73							1.65
		2-Wire ISDN Digital Grade Loop - UNE Zone 2		2	UEPPB UEPPR	USL2X	29.44	133.15	85.12	56.1	9.65		10.73							1.65
		2-Wire ISDN Digital Grade Loop - UNE Zone 3		3	UEPPB UEPPR	USL2X	49.38	133.15	85.12	56.1	9.65		10.73							1.65
		UNE Port Rate																		
		Exchange Port - 2-Wire ISDN Line Side Por			UEPPB UEPPR	UEPPB	7.07	42.22	45.69	24.91	10.75		10.73							1.65
		NONRECURRING CHARGES - CURRENTLY COMBINED																		
		2-Wire ISDN Digital Grade Loop / 2-Wire ISDN Line Side Port Combination - Conversion			UEPPB UEPPR	USACB	0	27.61	15.33				10.73							1.65
		ADDITIONAL NRCs																		
		LOCAL NUMBER PORTABILITY																		
		Local Number Portability (1 per port			UEPPB UEPPR	LNPCX	0.35	0	0											
		B-CHANNEL USER PROFILE ACCESS:																		

UNBUNDLED NETWORK ELEMENTS
FL

CATEGORY	NOTES	UNBUNDLED NETWORK ELEMENT	Interim	Zone	BCS	USOC	RATES (\$)					OSS RATES (\$)					
							Rec	First	Add'l	First	Add'l	SOMEc	SOMAN	SOMAN	SOMAN	SOMAN	SOMAN
							Nonrecurring					Nonrecurring					
							Disconnect										
							Rec	First	Add'l	First	Add'l	SOMEc	SOMAN	SOMAN	SOMAN	SOMAN	SOMAN
		CVS/CSD (DMS/5ESS)			UEPPB UEPPR	U1UCA	0	0	0								
		CVS (EWSd)			UEPPB UEPPR	U1UCB	0	0	0								
		CSD			UEPPB UEPPR	U1UCC	0	0	0								
		B-CHANNEL AREA PLUS USER PROFILE ACCESS: (AL,KY,LA,MS SC,MS, & TN)															
		USER TERMINAL PROFILE															
		User Terminal Profile (EWSd only)			UEPPR	U1UMA	0	0	0								
		VERTICAL FEATURES															
		All Vertical Features - One per Channel B User Profile			UEPPB UEPPR	UEPVF	2.17	0	0								
		INTEROFFICE CHANNEL MILEAGE															
		Interoffice Channel mileage each, including first mile and facilities termination			UEPPB UEPPR	M1GNC	19.79	42.69	28.66	16.51	6.34		10.73				1.65
		Interoffice Channel mileage each, additional mile			UEPPB UEPPR	M1GNM	0.0084	0	0				10.73				1.65
		4-WIRE DS1 DIGITAL LOOP WITH 4-WIRE ISDN DS1 DIGITAL TRUNK PORT															
		UNE Port/Loop Combination Rates															
		4W DS1 Digital Loop/4W ISDN DS1 Digital Trunk Port - UNE Zone 1		1	UEPPP		148.57										
		4W DS1 Digital Loop/4W ISDN DS1 Digital Trunk Port - UNE Zone 2		2	UEPPP		175.24										
		4W DS1 Digital Loop/4W ISDN DS1 Digital Trunk Port - UNE Zone 3		3	UEPPP		260.73										
		UNE Loop Rates															
		4-Wire DS1 Digital Loop - UNE Zone 1		1	UEPPP	USL4P	69.22	282.15	163.51	47.4	10.22		10.73				1.65
		4-Wire DS1 Digital Loop - UNE Zone 2		2	UEPPP	USL4P	95.89	282.15	163.51	47.4	47.4		10.73				1.65
		4-Wire DS1 Digital Loop - UNE Zone 3		3	UEPPP	USL4P	181.38	282.15	163.51	47.4	10.22		10.73				1.65
		UNE Port Rate															
		Exchange Ports - 4-Wire ISDN DS1 Por			UEPPP	UEPPP	79.35	157.42	85.8	44.89	16.43		10.73				1.65
		NONRECURRING CHARGES - CURRENTLY COMBINED															
		4-Wire DS1 Digital Loop / 4-Wire ISDN DS1 Digital Trunk Port Combination - Conversion -Switch-as-is			UEPPP	USACP	0	61.25	55.34				10.73				1.65
		ADDITIONAL NRCs															
		4-Wire DS1 Loop/4-W ISDN Digtl Trk Port - Subsqtl Actvy- Inward/two way tel nos within Std Allowanc			UEPPP	PR7TF		0.4879					10.73				1.65
		4-Wire DS1 Loop / 4-Wire ISDN DS1 Digital Trunk Port - Outward Tel Numbers (All States except NC)			UEPPP	PR7TO		11.46	11.46				10.73				1.65
		4-Wire DS1 Loop / 4-Wire ISDN DS1 Digital Trk Port - Subsequent Inward Tel Nos Above Std Allowanc			UEPPP	PR7ZT		22.92	22.92				10.73				1.65
		LOCAL NUMBER PORTABILITY															
		Local Number Portability (1 per port)			UEPPP	LNPCN	1.75										
		INTERFACE (Provisioning Only)															
		Voice/Data			UEPPP	PR71V	0	0	0								
		Digital Data			UEPPP	PR71D	0	0	0								
		Inward Data			UEPPP	PR71E	0	0	0								

UNBUNDLED NETWORK ELEMENTS
FL

CATEGORY	NOTES	UNBUNDLED NETWORK ELEMENT	Interim	Zone	BCS	USOC	RATES (\$)					OSS RATES (\$)											
							Nonrecurring		Nonrecurring			SOMEc	SOMAN	SOMAN	SOMAN	SOMAN	SOMAN						
							Rec	First	Add'l	First	Add'l												
		New or Additional "B" Channel																					
		New or Additional - Voice/Data B Channel			UEPPP	PR7BV	0	13.96													10.73	1.65	
		New or Additional - Digital Data B Channel			UEPPP	PR7BF	0	13.96														10.73	1.65
		New or Additional Inward Data B Channel			UEPPP	PR7BD	0	13.96														10.73	1.65
		New or Additional Usage Sensitive Voice Data B Channel			UEPPP	PR7BS	0	13.96														10.73	19.99
		New or Additional Usage Sensitive Digital Data B Channel			UEPPP	PR7BU	0	13.96														10.73	1.65
		CALL TYPES																					
		Inward			UEPPP	PR7C1	0	0	0														
		Outward			UEPPP	PR7C0	0	0	0														
		Two-way			UEPPP	PR7CC	0	0	0														
		Interoffice Channel Mileage																					
		Fixed Each Including First Mil			UEPPP	1LN1A	91.04	95.15	88.78	16.74	14.85											10.73	1.65
		Each Airline-Fractional Additional Mil			UEPPP	1LN1B	0.171																
		4-WIRE DS1 DIGITAL LOOP WITH 4-WIRE DDITS TRUNK PORT																					
		UNE Port/Loop Combination Rates																					
		4W DS1 Digital Loop/4W DDITS Trunk Port - UNE Zone 1		1	UEPDC		121.95															10.73	1.65
		4W DS1 Digital Loop/4W DDITS Trunk Port - UNE Zone 2		2	UEPDC		148.62															10.73	1.65
		4W DS1 Digital Loop/4W DDITS Trunk Port - UNE Zone 3		3	UEPDC		234.11															10.73	1.65
		UNE Loop Rates																					
		4-Wire DS1 Digital Loop - UNE Zone 1		1	UEPDC	USLDC	69.22	282.15	163.51	47.4	10.22											10.73	1.65
		4-Wire DS1 Digital Loop - UNE Zone 2		2	UEPDC	USLDC	95.89	282.15	163.51	47.4	10.22											10.73	1.65
		4-Wire DS1 Digital Loop - UNE Zone 3		3	UEPDC	USLDC	181.38	282.15	163.51	47.4	10.22											10.73	1.65
		UNE Port Rate																					
		4-Wire DDITS Digital Trunk Port			UEPDC	UDD1T	52.73	136.24	70.1	44	2.8											10.73	1.65
		NONRECURRING CHARGES - CURRENTLY COMBINED																					
		4-Wire DS1 Digital Loop / 4-Wire DDITS Trunk Port Combination - Switch-as-i			UEPDC	USAC4		71.29	42.11													10.73	1.65
		4-Wire DS1 Digital Loop / 4-Wire DDITS Trunk Port Combination - Conversion with DS1 Changes			UEPDC	USAWA		71.29	42.11													10.73	1.65
		4-Wire DS1 Digital Loop / 4-Wire DDITS Trunk Port Combination - Conversion with Change - Trunk			UEPDC	USAWB		71.29	42.11													10.73	1.65
		ADDITIONAL NRCs																					
		4-Wire DS1 Loop / 4-Wire DDITS Trunk Port - NRC - Subsequent Channel Activation/Chan - 2-Way Trunk			UEPDC	UDTTA		14.14	14.14													10.73	1.65
		4-Wire DS1 Loop / 4-Wire DDITS Trunk Port - Subsequent Channel Activation/Chan - 1-Way Outward Trunk			UEPDC	UDTTB		14.14	14.14													10.73	1.65
		4-Wire DS1 Loop / 4-Wire DDITS Trunk Port - Subsqt Channel Activation/Chan Inward Trunk w/out DIC			UEPDC	UDTTC		14.14	14.14													10.73	1.65
		4-Wire DS1 Loop / 4-Wire DDITS Trunk Port - Subsqt Chan Activation Per Chan - Inward Trunk with DIC			UEPDC	UDTTD		14.14	14.14													10.73	1.65
		4-Wire DS1 Loop / 4-Wire DDITS Trunk Port - Subsqt Chan Activation / Chan - 2-Way DID w User Trans			UEPDC	UDTTE		14.14	14.14													10.73	1.65
		BIPOLAR 8 ZERO SUBSTITUTION																					
		B8ZS - Superframe Format			UEPDC	CCOSF		0	655													10.73	1.65

UNBUNDLED NETWORK ELEMENTS
FL

CATEGORY	NOTES	UNBUNDLED NETWORK ELEMENT	Interim	Zone	BCS	USOC	RATES (\$)					OSS RATES (\$)						
							Rec	First	Add'l	First	Add'l	SOMEc	SOMAN	SOMAN	SOMAN	SOMAN	SOMAN	SOMAN
		B8ZS - Extended Superframe Format			UEPDC	CCOEF	0	655				10.73				1.65		
		Alternate Mark Inversion																
		AMI -Superframe Format			UEPDC	MCOSF	0	0										
		AMI - Extended SuperFrame Forma			UEPDC	MCOPO	0	0										
		Telephone Number/Trunk Group Establishment Charges																
		Telephone Number for 2-Way Trunk Group			UEPDC	UDTGX	0					10.73						
		Telephone Number for 1-Way Outward Trunk Group			UEPDC	UDTGY	0					10.73						
		Telephone Number for 1-Way Inward Trunk Group Without DII			UEPDC	UDTGZ	0					10.73						
		DID Numbers, Establish Trunk Group and Provide First Group of 20 DID Number			UEPDC	NDZ	0	0	0			10.73						
		DID Numbers for each Group of 20 DID Numbers:			UEPDC	ND4	0					10.73						
		DID Numbers, Non- consecutive DID Numbers , Per Number			UEPDC	ND5	0					10.73						
		Reserve Non-Consecutive DID Nos			UEPDC	ND6	0	0	0			10.73						
		Reserve DID Numbers			UEPDC	NDV	0	0	0			10.73						
		Dedicated DS1 (Interoffice Channel Mileage) - FX/FCO for 4-Wire DS1 Digital Loop with 4-Wire DDITS Trunk Port																
		Interoffice Channel Mileage - Fixed rate 0-8 miles (Facilities Termination)			UEPDC	1LNO1	90.87	95.16	88.78	16.74	14.85	10.73				1.65		
		Interoffice Channel Mileage - Additional rate per mile - 0-8 mile			UEPDC	1LNOA	0.171	0	0									
		Interoffice Channel Mileage - Fixed rate 9-25 miles (Facilities Termination)			UEPDC	1LNO2	0	0	0									
		Interoffice Channel Mileage - Additional rate per mile - 9-25 mile			UEPDC	1LNOB	0.171	0	0									
		Interoffice Channel Mileage - Fixed rate 25+ miles (Facilities Termination)			UEPDC	1LNO3	0	0	0	0								
		Interoffice Channel Mileage - Additional rate per mile - 25+ mile			UEPDC	1LNOC	0.171	0	0									
		Local Number Portability, per DS0 Activation			UEPDC	LNPCP	3.15	0	0	0								
		Central Office Terminating Point			UEPDC	CTG	0											
		4-WIRE DS1 LOOP WITH CHANNELIZATION WITH PORT																
		System is 1 DS1 Loop, 1 D4 Channel Bank, and up to 24 Feature Activations																
		Each System can have up to 24 combinations of rates depending on type and number of ports used																
		UNE DS1 Loop																
		4-Wire DS1 Loop - UNE Zone 1			UEPMG	USLDC	69.22	0	0									
		4-Wire DS1 Loop - UNE Zone 2			UEPMG	USLDC	95.89	0	0									
		4-Wire DS1 Loop - UNE Zone 3			UEPMG	USLDC	181.38	0	0									

UNBUNDLED NETWORK ELEMENTS
FL

CATEGORY	NOTES	UNBUNDLED NETWORK ELEMENT	Interim	Zone	BCS	USOC	RATES (\$)					OSS RATES (\$)						
							Rec	First	Add'l	First	Add'l	SOMEc	SOMAN	SOMAN	SOMAN	SOMAN	SOMAN	SOMAN
							Nonrecurring					Nonrecurring						
							Disconnect											
							Rec	First	Add'l	First	Add'l	SOMEc	SOMAN	SOMAN	SOMAN	SOMAN	SOMAN	SOMAN
		UNE DSO Channelization Capacities (D4 Channel Bank Configurations)																
		24 DSO Channel Capacity - 1 per DS1			UEPMG	VUM24	121.31	0	0									
		48 DSO Channel Capacity - 1 per 2 DS1s			UEPMG	VUM48	242.62	0	0									
		96 DSO Channel Capacity -1per 4 DS1s			UEPMG	VUM96	485.24	0	0									
		144 DSO Channel Capacity - 1 per 6 DS1s			UEPMG	VUM14	727.86	0	0									
		192 DSO Channel Capacity -1 per 8 DS1s			UEPMG	VUM19	970.48	0	0									
		240 DSO Channel Capacity - 1 per 10 DS1s			UEPMG	VUM20	1213.1	0	0									
		288 DSO Channel Capacity - 1 per 12 DS1s			UEPMG	VUM28	1455.72	0	0									
		384 DSO Channel Capacity - 1 per 16 DS1s			UEPMG	VUM38	1940.96	0	0									
		480 DSO Channel Capacity - 1 per 20 DS1s			UEPMG	VUM40	2426.2	0	0									
		576 DSO Channel Capacity -1 per 24 DS1s			UEPMG	VUM57	2911.44	0	0									
		672 DSO Channel Capacity - 1 per 28 DS1s			UEPMG	VUM67	3396.68	0	0									
		Non-Recurring Charges (NRC) Associated with 4-Wire DS1 Loop with Channelization with Port - Conversion Charge Based on a System																
		A Minimum System configuration is One (1) DS1, One (1) D4 Channel Bank, and Up To 24 DSO Ports with Feature Activations.																
		Multiples of this configuration functioning as one are considered Add'l after the minimum system configuration is counted.																
		NRC - Conversion (Currently Combined) with or without BellSouth Allowed Changes			UEPMG	USAC4	0	72.61	3.82				10.73				1.65	
		System Additions at End User Locations Where 4-Wire DS1 Loop with Channelization with Port Combination Currently Exists and																
		New (Not Currently Combined) In Georgia Only																
		NRC - 1 DS1/D4 Channel Bank - Add NRC for each Port and Assoc Feature Activation - New GA Only			UEPMG	VUMD4	0	726.11	468.21	145.32	17.24		10.73				1.65	
		Bipolar 8 Zero Substitution																
		Clear Channel Capability Format, superframe - Subsequent Activity Only			UEPMG	CCOSF	0	0	655				10.73				1.65	
		Clear Channel Capability Format - Extended Superframe - Subsequent Activity Only			UEPMG	CCOEF	0	0	655				10.73				1.65	
		Alternate Mark Inversion (AMI)																
		Superframe Format			UEPMG	MCOSF	0	0	0									
		Extended Superframe Format			UEPMG	MCOPO	0	0	0									
		Exchange Ports Associated with 4-Wire DS1 Loop with Channelization with Port																
		Exchange Ports																
		Line Side Combination Channelized PBX Trunk Port - Business			UEPPX	UEPCX	1.34	0	0	0	0		10.73				1.65	
		Line Side Outward Channelized PBX Trunk Port - Business			UEPPX	UEPOX	1.34	0	0	0	0		10.73				1.65	
		Line Side Inward Only Channelized PBX Trunk Port without DID			UEPPX	UEP1X	1.34	0	0	0	0		10.73				1.65	
		2-Wire Trunk Side Unbundled Channelized DID Trunk Port			UEPPX	UEPDM	8.81	0	0	0	0		10.73				1.65	
		Feature Activations - Unbundled Loop Concentration																
		Feature (Service) Activation for each Line Side Port Terminated in D4 Bank			UEPPX	1PQWM	0.66	25.4	13.41	3.96	3.93		10.73				1.65	
		Feature (Service) Activation for each Trunk Side Port Terminated in D4 Bank			UEPPX	1PQWU	0.66	78.16	18.42	56.03	10.95		10.73				1.65	
		Telephone Number/ Group Establishment Charges for DID Service																

UNBUNDLED NETWORK ELEMENTS
FL

CATEGORY	NOTES	UNBUNDLED NETWORK ELEMENT	Interim	Zone	BCS	USOC	RATES (\$)					OSS RATES (\$)						
							Rec	First	Add'l	First	Add'l	SOME C	SOMAN	SOMAN	SOMAN	SOMAN	SOMAN	
							Nonrecurring		Nonrecurring									
									Disconnect									
		DID Trunk Termination (1 per Port)			UEPPX	NDT	0						10.73					
		Estab Trk Grp and Provide 1st 20 DID Nos. (FL,GA, NC, & SC)			UEPPX	NDZ	0	0	0				10.73					
		DID Numbers - groups of 20 - Valid all States			UEPPX	ND4	0	0	0				10.73					
		Non-Consecutive DID Numbers - per number			UEPPX	ND5	0	0	0				10.73					
		Reserve Non-Consecutive DID Numbers			UEPPX	ND6	0	0	0				10.73					
		Reserve DID Numbers			UEPPX	NDV	0	0	0				10.73					
		Local Number Portability																
		Local Number Portability - 1 per port			UEPPX	LNPCP	3.15	0	0									
		FEATURES - Vertical and Optional																
		Local Switching Features Offered with Line Side Ports Only																
		All Features Available			UEPPX	UEPVF	2.17	0	0				10.73				1.65	
		UNBUNDLED PORT LOOP COMBINATIONS - MARKET RATES																
		Market Rates shall apply where BellSouth is not required to provide unbundled local switching or switch ports per FCC and/or State Commission rules.																
		These scenarios include:																
		1. Unbundled port/loop combinations that are Not Currently Combined in all of the BellSouth states except as noted for Georgia and Tennessee.																
		2. Unbundled port/loop combinations that are Currently Combined or Not Currently Combined in Zone 1 of the Top 8 MSAs in BellSouth's region for end users with 4 or more DS0 equivalent lines.																
		The Top 8 MSAs in BellSouth's region are: FL (Orlando, Ft. Lauderdale, Miami); GA (Atlanta); LA (New Orleans); NC (Greensboro-Winston Salem-Highpoint/Charlotte-Gastonia-Rock Hill); TN (Nashville).																
		BellSouth currently is developing the billing capability to mechanically bill the recurring unbundled port Market Rates in this section as well as the nonrecurring Market Rates in this section for Currently Combined port/loop combinations in Zone 1 of the Top 8 MSAs in BellSouth's region for end users with 4 or more DS0 equivalent lines. In the interim, BellSouth shall bill the rates in the Cost-Based section preceding in lieu of such Market Rates and reserves the right to true-up the billing difference.																
		The Market Rate for unbundled ports includes all available features in all states.																
		End Office and Tandem Switching Usage and Common Transport Usage rates in the Port section of this rate exhibit shall apply to all combinations of loop/port network elements except for UNE Coin Port/Loop Combinations which have a flat rate usage charge (USOC: URECU).																
		For Not Currently Combined scenarios where Market Rates apply, the Nonrecurring charges are listed in the First and Additional NRC columns for each Port USOC. For Currently Combined scenarios, the Nonrecurring charges are listed in the NRC - Currently Combined section. Additional NRCs may apply also and are categorized accordingly.																
		2-WIRE VOICE GRADE LOOP WITH 2-WIRE LINE PORT (RES)																
		UNE Port/Loop Combination Rates																
		2-Wire VG Loop/Port Combo - Zone 1		1			25.89											
		2-Wire VG Loop/Port Combo - Zone 2		2			30.03											
		2-Wire VG Loop/Port Combo - Zone 3		3			43.33											
		UNE Loop Rates																
		2-Wire Voice Grade Loop (SL1) - Zone 1		1	UEPRX	UEPLX	11.89											
		2-Wire Voice Grade Loop (SL1) - Zone 2		2	UEPRX	UEPLX	16.03											
		2-Wire Voice Grade Loop (SL1) - Zone 3		3	UEPRX	UEPLX	29.33											
		2-Wire Voice Grade Line Port (Res)																
		2-Wire voice unbundled port - residency			UEPRX	UEPRL	14	90	90				10.73				1.65	

UNBUNDLED NETWORK ELEMENTS
FL

CATEGORY	NOTES	UNBUNDLED NETWORK ELEMENT	Interim	Zone	BCS	USOC	RATES (\$)					OSS RATES (\$)					
							Nonrecurring		Nonrecurring			SOMEc	SOMAN	SOMAN	SOMAN	SOMAN	SOMAN
							Rec	First	Add'l	First	Add'l						
		2-Wire voice unbundled port with Caller ID - re			UEPRX	UEPRC	14	90	90				10.73			1.65	
		2-Wire voice unbundled port outgoing only - re			UEPRX	UEPRO	14	90	90				10.73			1.65	
		2-Wire voice unbundled Florida Area Calling with Caller ID - re			UEPRX	UEPAF	14	90	90				10.73			1.65	
		2-Wire voice unbundles res, low usage line port with Caller ID (LUK)			UEPRX	UEPAP	14	90	90				10.73			1.65	
		LOCAL NUMBER PORTABILITY															
		Local Number Portability (1 per port)			UEPRX	LNPCX	0.35										
		FEATURES															
		All Features Offerec			UEPRX	UEPVF	0	0	0								
		2-Wire Voice Grade Loop / Line Port Combination - Switch-as-i			UEPRX	USAC2		41.5	41.5								
		2-Wire Voice Grade Loop / Line Port Combination - Switch with chang			UEPRX	USACC		41.5	41.5								
		ADDITIONAL NRCs															
		NRC - 2-Wire Voice Grade Loop/Line Port Combination - Subsequer			UEPRX	USAS2		0	0								
		2-WIRE VOICE GRADE LOOP WITH 2-WIRE LINE PORT (BUS)															
		UNE Port/Loop Combination Rates															
		2-Wire VG Loop/Port Combo - Zone 1		1				25.89									
		2-Wire VG Loop/Port Combo - Zone 2		2				30.03									
		2-Wire VG Loop/Port Combo - Zone 3		3				43.33									
		UNE Loop Rates															
		2-Wire Voice Grade Loop (SL1) - Zone 1		1	UEPBX	UEPLX		11.89									
		2-Wire Voice Grade Loop (SL1) - Zone 2		2	UEPBX	UEPLX		16.03									
		2-Wire Voice Grade Loop (SL1) - Zone 3		3	UEPBX	UEPLX		29.33									
		2-Wire Voice Grade Line Port (Bus)															
		2-Wire voice unbundled port without Caller ID - bu			UEPBX	UEPBL	14	90	90				10.73			1.65	
		2-Wire voice unbundled port with Caller + E484 ID - bu			UEPBX	UEPBC	14	90	90				10.73			1.65	
		2-Wire voice unbundled port outgoing only - bu			UEPBX	UEPBO	14	90	90				10.73			1.65	
		LOCAL NUMBER PORTABILITY															
		Local Number Portability (1 per port)			UEPBX	LNPCX	0.35										
		FEATURES															
		NONRECURRING CHARGES - CURRENTLY COMBINED															
		2-Wire Voice Grade Loop / Line Port Combination - Switch-as-i			UEPBX	USAC2		41.5	41.5								
		2-Wire Voice Grade Loop / Line Port Combination - Switch with chang			UEPBX	USACC		41.5	41.5								
		ADDITIONAL NRCs															
		NRC - 2-Wire Voice Grade Loop/Line Port Combination - Subsequer			UEPBX	USAS2		0	0								
		2-WIRE VOICE GRADE LOOP WITH 2-WIRE LINE PORT (RES - PBX)															
		UNE Port/Loop Combination Rates															
		2-Wire VG Loop/Port Combo - Zone 1		1				25.89									
		2-Wire VG Loop/Port Combo - Zone 2		2				30.03									
		2-Wire VG Loop/Port Combo - Zone 3		3				43.33									

UNBUNDLED NETWORK ELEMENTS
FL

CATEGORY	NOTES	UNBUNDLED NETWORK ELEMENT	Interim	Zone	BCS	USOC	RATES (\$)					OSS RATES (\$)							
							Nonrecurring		Nonrecurring			SOMEc	SOMAN	SOMAN	SOMAN	SOMAN	SOMAN		
							Rec	First	Add'l	First	Add'l								
		UNE Loop Rates																	
		2-Wire Voice Grade Loop (SL1) - Zone 1		1	UEPRG	UEPLX	11.89												
		2-Wire Voice Grade Loop (SL1) - Zone 2		2	UEPRG	UEPLX	16.03												
		2-Wire Voice Grade Loop (SL1) - Zone 3		3	UEPRG	UEPLX	29.33												
		2-Wire Voice Grade Line Port Rates (RES - PBX)																	
		2-Wire VG Unbundled Combination 2-Way PBX Trunk Port - Re			UEPRG	UEPRD	14	90	90			10.73						1.65	
		LOCAL NUMBER PORTABILITY																	
		Local Number Portability (1 per port)			UEPRG	LNPCP	3.15												
		FEATURES																	
		NONRECURRING CHARGES - CURRENTLY COMBINED																	
		2-Wire Voice Grade Loop/ Line Port Combination - Switch-As-I			UEPRG	USAC2		41.5	41.5										
		2-Wire Voice Grade Loop/ Line Port Combination - Switch with Chang			UEPRG	USACC		41.5	41.5										
		ADDITIONAL NRCs																	
		2 Wire Loop/Line Side Port Combination - Non feature - Subsequent Activity- Nonrecurring						0	0										
		PBX Subsequent Activity - Change/Rearrange Multiline Hunt Gro						7.09	7.09			10.73						1.65	
		2-WIRE VOICE GRADE LOOP WITH 2-WIRE LINE PORT (BUS - PBX)																	
		UNE Port/Loop Combination Rates																	
		2-Wire VG Loop/Port Combo - Zone 1		1			25.89												
		2-Wire VG Loop/Port Combo - Zone 2		2			30.03												
		2-Wire VG Loop/Port Combo - Zone 3		3			43.33												
		UNE Loop Rates																	
		2-Wire Voice Grade Loop (SL1) - Zone 1		1	UEPPX	UEPLX	11.89												
		2-Wire Voice Grade Loop (SL1) - Zone 2		2	UEPPX	UEPLX	16.03												
		2-Wire Voice Grade Loop (SL1) - Zone 3		3	UEPPX	UEPLX	29.33												
		2-Wire Voice Grade Line Port Rates (BUS - PBX)																	
		Line Side Unbundled Combination 2-Way PBX Trunk Port - Bu			UEPPX	UEPPC	14	90	90			10.73						1.65	
		Line Side Unbundled Outward PBX Trunk Port - Bu			UEPPX	UEPPO	14	90	90			10.73						1.65	
		Line Side Unbundled Incoming PBX Trunk Port - Bu			UEPPX	UEPP1	14	90	90			10.73						1.65	
		2-Wire Voice Unbundled PBX LD Terminal Port			UEPPX	UEPLD	14	90	90			10.73						1.65	
		2-Wire Voice Unbundled 2-Way Combination PBX Usage Poi			UEPPX	UEPXA	14	90	90			10.73						1.65	
		2-Wire Voice Unbundled PBX Toll Terminal Hotel Port			UEPPX	UEPXB	14	90	90			10.73						1.65	
		2-Wire Voice Unbundled PBX LD DDD Terminals Poi			UEPPX	UEPXC	14	90	90			10.73							
		2-Wire Voice Unbundled PBX LD Terminal Switchboard Po			UEPPX	UEPXD	14	90	90			10.73						1.65	
		2-Wire Voice Unbundled PBX LD Terminal Switchboard IDD Capable Po			UEPPX	UEPXE	14	90	90			10.73						1.65	
		2-Wire Voice Unbundled 2-Way PBX Hotel/Hospital Economy Administrative Calling Port			UEPPX	UEPXL	14	90	90			10.73						1.65	
		2-Wire Voice Unbundled 2-Way PBX Hotel/Hospital Economy Room Calling Po			UEPPX	UEPXM	14	90	90			10.73						1.65	
		2-Wire Voice Unbundled 1-Way Outgoing PBX Hotel/Hospital Discount Room Calling Port			UEPPX	UEPXO	14	90	90			10.73						1.65	

UNBUNDLED NETWORK ELEMENTS
FL

CATEGORY	NOTES	UNBUNDLED NETWORK ELEMENT	Interim	Zone	BCS	USOC	RATES (\$)					OSS RATES (\$)				
							Rec	First	Add'l	First	Add'l	SOMEc	SOMAN	SOMAN	SOMAN	SOMAN
							Nonrecurring		Nonrecurring							
							Disconnect									
		2-Wire Voice Unbundled 1-Way Outgoing PBX Measured Po			UEPPX	UEPXS	14	90	90				10.73			1.65
		LOCAL NUMBER PORTABILITY														
		Local Number Portability (1 per port)			UEPPX	LNPCP	3.15									
		FEATURES														
		NONRECURRING CHARGES - CURRENTLY COMBINED														
		2-Wire Voice Grade Loop/ Line Port Combination - Switch-As-I			UEPPX	USAC2		41.5	41.5							
		2-Wire Voice Grade Loop/ Line Port Combination - Switch with Chang			UEPPX	USACC		41.5	41.5							
		ADDITIONAL NRCs														
		2-Wire Voice Grade Loop/ Line Port Combination - Subsequer			UEPPX	USAS2		0	0							
		2 Wire Loop/Line Side Port Combination - Non feature - Subsequent Activity- Nonrecurring						0	0							
		PBX Subsequent Activity - Change/Rearrange Multiline Hunt Gro						7.09	7.09			10.73				1.65
		2-WIRE VOICE GRADE LOOP WITH 2-WIRE ANALOG LINE COIN PORT														
		UNE Port/Loop Combination Rates														
		2-Wire VG Coin Port/Loop Combo – Zone 1						25.89								
		2-Wire VG Coin Port/Loop Combo – Zone 2						30.03								
		2-Wire VG Coin Port/Loop Combo – Zone 3						43.33								
		UNE Loop Rates														
		2-Wire Voice Grade Loop (SL1) - Zone 1			UEPCO	UEPLX		11.89								
		2-Wire Voice Grade Loop (SL1) - Zone 2			UEPCO	UEPLX		16.03								
		2-Wire Voice Grade Loop (SL1) - Zone 3			UEPCO	UEPLX		29.33								
		2-Wire Voice Grade Line Port Rates (Coin)														
		2-Wire Coin 2-Way with Operator Screening and Blocking: 011, 900/976, 1+DDD (FL)			UEPCO	UEP2F	14	90	90			10.73				1.65
		2-Wire Coin 2-Way with Operator Screening and 011 Blocking (FL)			UEPCO	UEPFA	14	90	90			10.73				1.65
		2-Wire Coin 2-Way with Operator Screening and Blocking: 900/976, 1+DDD, 011+, and Local (FL)			UEPCO	UEPCG	14	90	90			10.73				1.65
		2-Wire Coin Outward with Operator Screening and 011 Blocking (AL, FL)			UEPCO	UEPRK	14	90	90			10.73				1.65
		2-Wire Coin Outward with Operator Screening and Blocking: 900/976, 1+DDD, 011+ (FL)			UEPCO	UEPOF	14	90	90			10.73				1.65
		2-Wire Coin Outward with Operator Screening and Blocking: 900/976, 1+DDD, 011+, and Local (FL, GA)			UEPCO	UEPCQ	14	90	90			10.73				1.65
		LOCAL NUMBER PORTABILITY														
		Local Number Portability (1 per port)			UEPCO	LNPCX	0.35									
		NONRECURRING CHARGES - CURRENTLY COMBINED														
		2-Wire Voice Grade Loop/ Line Port Combination - Switch-As-Is			UEPCO	USAC2		41.5	41.5							
		2-Wire Voice Grade Loop/ Line Port Combination - Switch with Chang			UEPCO	USACC		41.5	41.5							
		ADDITIONAL NRCs														
		2-Wire Voice Grade Loop/ Line Port Combination - Subsequer			UEPCO	USAS2		0	0							

UNBUNDLED NETWORK ELEMENTS
GA

CATEGORY	NOTES	UNBUNDLED NETWORK ELEMENT	Interim	Zone	BCS	USOC	RATES (\$)						OSS RATES (\$)						
							Rec	First	Add'l	First	Add'l	SOMEC	SOMAN	SOMAN	SOMAN	SOMAN	SOMAN		
							Nonrecurring			Nonrecurring			Svc Order Submitted Elec per LSR	Svc Order Submitted Manually per LSR	Incremental Charge - Manual Svc Order vs. Electronic-1st	Incremental Charge - Manual Svc Order vs. Electronic-Add'l	Incremental Charge - Manual Svc Order vs. Electronic-Disc 1st	Incremental Charge - Manual Svc Order vs. Electronic-Disc Add'l	
							Disconnect			Disconnect									
							Rec	First	Add'l	First	Add'l	SOMEC	SOMAN	SOMAN	SOMAN	SOMAN	SOMAN	SOMAN	SOMAN
	The "Zone" shown in the sections for stand-alone loops or loops as part of a combination refers to Geographically Deaveraged UNE Zones. To view Geographically Deaveraged UNE Zone Designations by Central Office, refer to Internet Website: http://www.interconnection.bellsouth.com/become_a_clec/html/interconnection.htm																		
UNBUNDLED EXCHANGE ACCESS LOOP																			
2-WIRE ANALOG VOICE GRADE LOOP																			
		2-Wire Analog Voice Grade Loop - Service Level 1- Zone		1	UEANL	UEAL2	14.21	42.54	31.33						18.94	8.42			
		2-Wire Analog Voice Grade Loop - Service Level 1- Zone		2	UEANL	UEAL2	16.41	42.54	31.33						18.94	8.42			
		2-Wire Analog Voice Grade Loop - Service Level 1- Zone		3	UEANL	UEAL2	26.08	42.54	31.33						18.94	8.42			
		2 Wire Analog Voice Grade Loop-Service Level 1-Line Splitting- Zone		1	UEPSR, UEPSB	UEALS	14.21	42.54	31.33						18.94	8.42			
		2 Wire Analog Voice Grade Loop- Service Level 1-Line Splitting-Zone		2	UEPSR, UEPSB	UEALS	16.41	42.54	31.33						18.94	8.42	1.65		
		2 Wire Analog Voice Grade Loop-Service Level 1-Line Splitting-Zone		3	UEPSR, UEPSB	UEALS	26.08	42.54	31.33						18.94	8.42			
		Engineering Information Document (EI)			UEANL			28.72	28.72										
		Manual Order Coordination for UVL-SL1s (per loop)			UEANL	UEAMC		36.46	36.46										
		Order Coordination for Specified Conversion Time for UVL-SL1 (per LSR)			UEANL	OCOSL		34.22	34.22										
		CLEC to CLEC Conversion Charge without outside dispatc			UEANL	UREWO		25	20										
		2-Wire Analog Voice Grade Loop - Service Level 2 w/Loop or Ground Start Signaling Zone 1		1	UEA	UEAL2	16.84	104.17	78.1						18.94	8.42			
		2-Wire Analog Voice Grade Loop - Service Level 2 w/Loop or Ground Start Signaling Zone 2		2	UEA	UEAL2	19.45	104.17	78.1						18.94	8.42			
		2-Wire Analog Voice Grade Loop - Service Level 2 w/Loop or Ground Start Signaling Zone 3		3	UEA	UEAL2	30.92	104.17	78.1						18.94	8.42			
		Order Coordination for Specified Conversion Time (per LSF			UEA	OCOSL		34.22											
		2-Wire Analog Voice Grade Loop - Service Level 2 w/Reverse Battery Signaling - Zone 1		1	UEA	UEAR2	16.84	104.17	78.1						18.94	8.42			
		2-Wire Analog Voice Grade Loop - Service Level 2 w/Reverse Battery Signaling - Zone 2		2	UEA	UEAR2	19.45	104.17	78.1						18.94	8.42			
		2-Wire Analog Voice Grade Loop - Service Level 2 w/Reverse Battery Signaling - Zone 3		3	UEA	UEAR2	30.92	104.17	78.1						18.94	8.42			
		Order Coordination for Specified Conversion Time (per LSF			UEA	OCOSL		34.22											
		CLEC to CLEC Conversion Charge without outside dispatc			UEA	UREWO		75	50										
4-WIRE ANALOG VOICE GRADE LOOP																			
		4-Wire Analog Voice Grade Loop - Zone 1		1	UEA	UEAL4	22.26	206.95	170.57						18.94	8.42			
		4-Wire Analog Voice Grade Loop - Zone 2		2	UEA	UEAL4	25.7	206.95	170.57						18.94	8.42			
		4-Wire Analog Voice Grade Loop - Zone 3		3	UEA	UEAL4	40.86	206.95	170.57						18.94	8.42			
		Order Coordination for Specified Conversion Time (per LSF			UEA	OCOSL		34.22											
2-WIRE ISDN DIGITAL GRADE LOOP																			
		2-Wire ISDN Digital Grade Loop - Zone 1		1	UDN	U1L2X	21.89	233.38	180.35						18.94	8.42			
		2-Wire ISDN Digital Grade Loop - Zone 2		2	UDN	U1L2X	25.27	233.38	180.35						18.94	8.42			
		2-Wire ISDN Digital Grade Loop - Zone 3		3	UDN	U1L2X	40.17	233.38	180.35						18.94	8.42			
		Order Coordination For Specified Conversion Time (per LSR			UDN	OCOSL		34.22											

UNBUNDLED NETWORK ELEMENTS
GA

CATEGORY	NOTES	UNBUNDLED NETWORK ELEMENT	Interim	Zone	BCS	USOC	RATES (\$)					OSS RATES (\$)								
							Rec	First	Add'l	First	Add'l	SOMEK	SOMAN	SOMAN	SOMAN	SOMAN	SOMAN			
		CLEC to CLEC Conversion Charge without outside dispatc			UDN	UREWO		75	50											
		2-WIRE Universal Digital Channel (UDC) COMPATIBLE LOOP																		
		2-Wire Universal Digital Channel (UDC) Compatible Loop - Zone 1	I	1	UDC	UDC2X	16.84	104.17	78.1				18.94	8.42						
		2-Wire Universal Digital Channel (UDC) Compatible Loop - Zone 2	I	2	UDC	UDC2X	19.45	104.17	78.1				18.94	8.42						
		2-Wire Universal Digital Channel (UDC) Compatible Loop - Zone 3	I	3	UDC	UDC2X	30.92	104.17	78.1				18.94	8.42						
		CLEC to CLEC Conversion Charge without outside dispatch			UDC	UREWO		75	50											
		2-WIRE ASYMMETRICAL DIGITAL SUBSCRIBER LINE (ADSL) COMPATIBLE LOOP																		
		2-Wire Asymmetrical Digital Subscriber Line (ADSL) Compatible Loop																		
		2 Wire Unbundled ADSL Loop including manual service inquiry & facility reservation - Zone 1		1	UAL	UAL2X	11.23	281.87	163.58	115.19	21.44		18.94	8.42						
		2 Wire Unbundled ADSL Loop including manual service inquiry & facility reservation - Zone 2		2	UAL	UAL2X	12.97	281.87	163.58	115.19	21.44		18.94	8.42						
		2 Wire Unbundled ADSL Loop including manual service inquiry & facility reservation - Zone 3		3	UAL	UAL2X	20.62	281.87	163.58	115.19	21.44		18.94	8.42						
		Order Coordination for Specified Conversion Time (per LSF			UAL	OCOSL		34.22												
		2 Wire Unbundled ADSL Loop without manual service inquiry & facility reservation - Zone 1	I	1	UAL	UAL2W	11.23	104.17	78.1	97.18	15.99		18.94	8.42						
		2 Wire Unbundled ADSL Loop without manual service inquiry & facility reservation - Zone 2	I	2	UAL	UAL2W	12.97	104.17	78.1	97.18	15.99		18.94	8.42						
		2 Wire Unbundled ADSL Loop without manual service inquiry & facility reservation - Zone 3	I	3	UAL	UAL2W	20.62	104.17	78.1	97.18	15.99		18.94	8.42						
		Order Coordination for Specified Conversion Time (per LSF			UAL	OCOSL		34.22												
		CLEC to CLEC Conversion Charge without outside dispatc			UAL	UREWO		75	50											
		2-WIRE HIGH BIT RATE DIGITAL SUBSCRIBER LINE (HDSL) COMPATIBLE LOOP																		
		2-Wire High Bit Rate Digital Subscriber Line (HDSL) Compatible Loop																		
		2 Wire Unbundled HDSL Loop including manual service inquiry & facility reservation - Zone 1		1	UHL	UHL2X	7.88	298.99	180.7	115.19	21.44		18.94	8.42						
		2 Wire Unbundled HDSL Loop including manual service inquiry & facility reservation - Zone 2		2	UHL	UHL2X	9.09	298.99	180.7	115.19	21.44		18.94	8.42						
		2 Wire Unbundled HDSL Loop including manual service inquiry & facility reservation - Zone 3		3	UHL	UHL2X	14.46	298.99	180.7	115.19	21.44		18.94	8.42						
		Order Coordination for Specified Conversion Tim			UHL	OCOSL		34.22												
		2 Wire Unbundled HDSL Loop without manual service inquiry and facility reservation - Zone 1	I	1	UHL	UHL2W	7.88	104.17	78.1				18.94	8.42						
		2 Wire Unbundled HDSL Loop without manual service inquiry and facility reservation - Zone 2	I	2	UHL	UHL2W	9.09	104.17	78.1				18.94	8.42						
		2 Wire Unbundled HDSL Loop without manual service inquiry and facility reservation - Zone 3	I	3	UHL	UHL2W	14.48	104.17	78.1				18.94	8.42						
		Order Coordination for Specified Conversion Tim			UHL	OCOSL		34.22												
		CLEC to CLEC Conversion Charge without outside dispatc			UHL	UREWO		75	50											
		4-WIRE HIGH BIT RATE DIGITAL SUBSCRIBER LINE (HDSL) COMPATIBLE LOOP																		
		4 Wire Unbundled HDSL Loop including manual service inquiry and facility reservation - Zone 1	I	1	UHL	UHL4X	10.39	355.5	237.21	121.27	25.61		18.94	8.42						
		4-Wire Unbundled HDSL Loop including manual service inquiry and facility reservation - Zone 2		2	UHL	UHL4X	12	355.5	237.21	121.27	25.61		18.94	8.42						
		4-Wire Unbundled HDSL Loop including manual service inquiry and facility reservation - Zone 3	I	3	UHL	UHL4X	19.07	355.5	237.21	121.27	25.61		18.94	8.42						

UNBUNDLED NETWORK ELEMENTS
GA

CATEGORY	NOTES	UNBUNDLED NETWORK ELEMENT	Interim	Zone	BCS	USOC	RATES (\$)				OSS RATES (\$)								
							Rec	First	Add'l	Disconnect	SOMEC	SOMAN	SOMAN	SOMAN	SOMAN	SOMAN			
																	First	Add'l	
		Order Coordination for Specified Conversion Tim			UHL	OCOSL		34.22											
		4-Wire Unbundled HDSL Loop without manual service inquiry and facility reservation - Zone 1	I	1	UHL	UHL4W	10.39	104.17	78.1				18.94	8.42					
		4-Wire Unbundled HDSL Loop without manual service inquiry and facility reservation - Zone 2	I	2	UHL	UHL4W	12	104.17	78.1				18.94	8.42					
		4-Wire Unbundled HDSL Loop without manual service inquiry and facility reservation - Zone 3	I	3	UHL	UHL4W	19.07	104.17	78.1				18.94	8.42					
		Order Coordination for Specified Conversion Tim			UHL	OCOSL		34.22											
		CLEC to CLEC Conversion Charge without outside dispatc			UHL	UREWO		75	50										
		4-WIRE DS1 DIGITAL LOOP																	
		4-Wire DS1 Digital Loop - Zone 1		1	USL	USLXX	55.53	429.98	268.18				18.94	8.42					
		4-Wire DS1 Digital Loop - Zone 2		2	USL	USLXX	64.13	429.98	268.18				18.94	8.42					
		4-Wire DS1 Digital Loop - Zone 3		3	USL	USLXX	101.93	429.98	268.18				18.94	8.42					
		Order Coordination for Specified Conversion Tim			USL	OCOSL		34.52											
		CLEC to CLEC Conversion Charge without outside dispatc			USL	UREWO		100	75										
		4-WIRE 19.2, 56 OR 64 KBPS DIGITAL GRADE LOOP																	
		4 Wire Unbundled Digital 19.2 Kbps		1	UDL	UDL19	25.75	348.55	241.2				18.94	8.42					
		4 Wire Unbundled Digital 19.2 Kbps		2	UDL	UDL19	29.74	348.55	241.2				18.94	8.42					
		4 Wire Unbundled Digital 19.2 Kbps		3	UDL	UDL19	47.27	348.55	241.2				18.94	8.42					
		4 Wire Unbundled Digital Loop 56 Kbps - Zone 1		1	UDL	UDL56	25.75	348.55	241.2				18.94	8.42					
		4 Wire Unbundled Digital Loop 56 Kbps - Zone 2		2	UDL	UDL56	29.74	348.55	241.2				18.94	8.42					
		4 Wire Unbundled Digital Loop 56 Kbps - Zone 3		3	UDL	UDL56	47.27	348.55	241.2				18.94	8.42					
		Order Coordination for Specified Conversion Tim			UDL	OCOSL		34.22											
		4 Wire Unbundled Digital Loop 64 Kbps - Zone 1		1	UDL	UDL64	25.75	348.55	241.2				18.94	8.42					
		4 Wire Unbundled Digital Loop 64 Kbps - Zone 2		2	UDL	UDL64	29.74	348.55	241.2				18.94	8.42					
		4 Wire Unbundled Digital Loop 64 Kbps - Zone 3		3	UDL	UDL64	47.27	348.55	241.2				18.94	8.42					
		Order Coordination for Specified Conversion Tim			UDL	OCOSL		34.22											
		CLEC to CLEC Conversion Charge without outside dispatc			UDL	UREWO		75	50										
		2-WIRE Unbundled COPPER LOOP																	
		2-Wire Unbundled Copper Loop/Short including manual service inquiry & facility reservation - Zone 1		1	UCL	UCLPB	11.9	280.03	161.74	115.19	21.44		18.94	8.42					
		2-Wire Unbundled Copper Loop/Short including manual service inquiry & facility reservation - Zone 2		2	UCL	UCLPB	13.74	280.03	161.74	115.19	21.44		18.94	8.42					
		2 Wire Unbundled Copper Loop/Short including manual service inquiry & facility reservation - Zone 3		3	UCL	UCLPB	21.83	280.03	161.74	115.19	21.44		18.94	8.42					
		Order Coordination for Unbundled Copper Loops (per loop)			UCL	UCLMC		36.46	36.46										
		2-Wire Unbundled Copper Loop/Short without manual service inquiry and facility reservation - Zone 1	I	1	UCL	UCLPW	11.9	104.17	78.1				18.94	8.42					
		2-Wire Unbundled Copper Loop/Short without manual service inquiry and facility reservation - Zone 2	I	2	UCL	UCLPW	13.74	104.17	78.1				18.94	8.42					
		2-Wire Unbundled Copper Loop/Short without manual service inquiry and facility reservation - Zone 3	I	3	UCL	UCLPW	21.83	104.17	78.1				18.94	8.42					
		Order Coordination for Unbundled Copper Loops (per loop)			UCL	UCLMC		36.46	36.46										
		2-Wire Unbundled Copper Loop/Long - includes manual svc. inquiry and facility reservation - Zone 1		1	UCL	UCL2L	35.43	267.12	148.83	115.19	21.44		18.94	8.42					

UNBUNDLED NETWORK ELEMENTS
GA

CATEGORY	NOTES	UNBUNDLED NETWORK ELEMENT	Interim	Zone	BCS	USOC	RATES (\$)					OSS RATES (\$)					
							Rec	First	Add'l	First	Add'l	SOMEK	SOMAN	SOMAN	SOMAN	SOMAN	SOMAN
							Nonrecurring		Nonrecurring								
									Disconnect								
							Rec	First	Add'l	First	Add'l	SOMEK	SOMAN	SOMAN	SOMAN	SOMAN	SOMAN
		2-Wire Unbundled Copper Loop/Long - includes manual svc. inquiry and facility reservation - Zone 2		2	UCL	UCL2L	40.91	267.12	148.83	115.19	21.44			18.94	8.42		
		2-Wire Unbundled Copper Loop/Long - includes manual svc. inquiry and facility reservation - Zone 3		3	UCL	UCL2L	65.02	267.12	148.83	115.19	21.44			18.94	8.42		
		Order Coordination for Unbundled Copper Loops (per loop)			UCL	UCLMC		36.46	36.46								
		2-Wire Unbundled Copper Loop/Long - without manual service inquiry and facility reservation - Zone 1	I	1	UCL	UCL2W	35.43	104.17	78.1				18.94	8.42			
		2-Wire Unbundled Copper Loop/Long - without manual service inquiry and facility reservation - Zone 2	I	2	UCL	UCL2W	40.91	104.17	78.1				18.94	8.42			
		2-Wire Unbundled Copper Loop/Long - without manual service inquiry and facility reservation - Zone 3	I	3	UCL	UCL2W	65.02	104.17	78.1				18.94	8.42			
		Order Coordination for Unbundled Copper Loops (per loop)			UCL	UCLMC		36.46	36.46								
		CLEC to CLEC Conversion Charge without outside dispatc			UCL	UREWO		75	50								
		2-Wire Unbundled Copper Loop - Non-Designed Zone	I	1	UEQ	UEQ2X	11.01	44.69	22.4	25.65	7.06		18.94	8.42			
		2 Wire Unbundled Copper Loop - Non-Designed - Zone 1	I	2	UEQ	UEQ2X	12.67	44.69	22.4	25.65	7.06		18.94	8.42			
		2 Wire Unbundled Copper Loop - Non-Designed - Zone 3	I	3	UEQ	UEQ2X	20.22	44.69	22.4	25.65	7.06		18.94	8.42			
		Order Coordination 2 Wire Unbundled Copper Loop - Non-Designed (per loop)			UEQ	USBMC		36.46	36.46								
		Engineering Information Documen			UEQ			28.72	28.72								
		Loop Testing - Basic 1st Half Hou			UEQ	URET1		78.92	78.92								
		Loop Testing - Basic Additional Half Hou			UEQ	URETA		23.33	23.33								
		CLEC to CLEC Conversion Charge without outside dispatc			UEQ	UREWO		25	20								
4-WIRE COPPER LOOP																	
		4-Wire Copper Loop/Short - including manual service inquiry and facility reservation - Zone 1		1	UCL	UCL4S	16.65	327.87	209.58	121.27	25.61		18.94	8.42			
		4-Wire Copper Loop/Short - including manual service inquiry and facility reservation - Zone 2		2	UCL	UCL4S	19.22	327.87	209.58	121.27	25.61		18.94	8.42			
		4-Wire Copper Loop/Short - including manual service inquiry and facility reservation - Zone 3		3	UCL	UCL4S	30.55	327.87	209.58	121.27	25.61		18.94	8.42			
		Order Coordination for Unbundled Copper Loops (per loop)			UCL	UCLMC		36.46	36.46								
		4-Wire Copper Loop/Short - without manual service inquiry and facility reservation - Zone 1	I	1	UCL	UCL4W	16.65	104.17	78.1				18.94	8.42			
		4-Wire Copper Loop/Short - without manual service inquiry and facility reservation - Zone 2	I	2	UCL	UCL4W	19.22	104.17	78.1				18.94	8.42			
		4-Wire Copper Loop/Short - without manual service inquiry and facility reservation - Zone 3	I	3	UCL	UCL4W	30.55	104.17	78.1				18.94	8.42			
		Order Coordination for Unbundled Copper Loops (per loop)			UCL	UCLMC		36.46	36.46								
		4-Wire Unbundled Copper Loop/Long - includes manual svc. inquiry and facility reservation - Zone 1		1	UCL	UCL4L	47.56	314.96	196.67	121.27	25.61		18.94	8.42			
		4-Wire Unbundled Copper Loop/Long - includes manual svc. inquiry and facility reservation - Zone 2		2	UCL	UCL4L	54.92	314.96	196.67	121.27	25.61		18.94	8.42			
		4-Wire Unbundled Copper Loop/Long - includes manual svc. inquiry and facility reservation - Zone 3		3	UCL	UCL4L	87.3	314.96	196.67	121.27	25.61		18.94	8.42			
		Order Coordination for Unbundled Copper Loops (per loop)			UCL	UCLMC		36.46	36.46								
		4-Wire Unbundled Copper Loop/Long - without manual svc. inquiry and facility reservation - Zone 1	I	1	UCL	UCL4O	47.56	104.17	78.1				18.94	8.42			
		4-Wire Unbundled Copper Loop/Long - without manual svc. inquiry and facility reservation - Zone 2	I	2	UCL	UCL4O	54.92	104.17	78.1				18.94	8.42			
		4-Wire Unbundled Copper Loop/Long - without manual svc. inquiry and facility reservation - Zone 3	I	3	UCL	UCL4O	87.3	104.17	78.1				18.94	8.42			
		Order Coordination for Unbundled Copper Loops (per loop)			UCL	UCLMC		36.46	36.46								
		CLEC to CLEC Conversion Charge without outside dispatc			UCL	UREWO		75	50								
LOOP MODIFICATION																	

UNBUNDLED NETWORK ELEMENTS
GA

CATEGORY	NOTES	UNBUNDLED NETWORK ELEMENT	Interim	Zone	BCS	USOC	RATES (\$)					OSS RATES (\$)								
							Rec	First	Add'l	First	Add'l	SOMEK	SOMAN	SOMAN	SOMAN	SOMAN	SOMAN			
		Unbundled Loop Modification, Removal of Load Coils - 2 Wire pair less than or equal to 18k ft			UAL, UHL, UCL, UEQ, ULS	ULM2L		67.39	67.39											
		Unbundled Loop Modification, Removal of Load Coils - 2 wire greater than 18k			UCL, ULS	ULM2G		337.5	337.5											
		Unbundled Loop Modification Removal of Load Coils - 4 Wire less than or equal to 18K ft			UHL, UCL	ULM4L		67.39	67.39											
		Unbundled Loop Modification Removal of Load Coils - 4 Wire pair greater than 18k			UCL	ULM4G		337.5	337.5											
		Unbundled Loop Modification Removal of Bridged Tap Removal, per unbundled loc			UAL, UHL, UCL, UEQ, UEF, ULS	ULMBT		78.1	78.1											
SUB-LOOPS																				
		Sub-Loop Distribution																		
		Sub-Loop - Per Cross Box Location - CLEC Feeder Facility Set-U	I		UEANL	USBSA		421.08	421.08						18.94	8.42				
		Sub-Loop - Per Cross Box Location - Per 25 Pair Panel Set-U	I		UEANL	USBSB		67.1	67.1						18.94	8.42				
		Sub-Loop - Per Building Equipment Room - CLEC Feeder Facility Set-U	I		UEANL	USBSC		394.74	394.74						18.94	8.42				
		Sub-Loop - Per Building Equipment Room - Per 25 Pair Panel Set-U	I		UEANL	USBSD		154.57	154.57						18.94	8.42				
		Sub-Loop Distribution Per 2-Wire Analog Voice Grade Loop - Statewid		sw	UEANL	USBN2	9.12	207.01	171.32						18.94	8.42				
		Order Coordination for Unbundled Sub-Loops, per sub-loop pair			UEANL	USBMC		34.22	34.22											
		Sub-Loop Distribution Per 4-Wire Analog Voice Grade Loop - Statewid		sw	UEANL	USBN4	8.32	219.35	72.99	123.72	28.77				18.94	8.42				
		Order Coordination for Unbundled Sub-Loops, per sub-loop pair			UEANL	USBMC		34.22	34.22											
		Sub-Loop 2-Wire IntraBuilding Network Cable (INC)	I		UEANL	USBR2	1.61	137.03	41.59	115.85	19.17				18.94	8.42				
		Order Coordination for Unbundled Sub-Loops, per sub-loop pair			UEANL	USBMC		34.22	34.22											
		Sub-Loop 4-Wire IntraBuilding Network Cable (INC)	I		UEANL	USBR4	2.96	176.46	55.11	122.17	19.57				18.94	8.42				
		Order Coordination for Unbundled Sub-Loops, per sub-loop pair			UEANL	USBMC		34.22	34.22											
		2 Wire Copper Unbundled Sub-Loop Distribution - Zone	I	1	UEF	UCS2X	5.54	175.16	55.5	108.86	24.53				18.84	8.42				
		2 Wire Copper Unbundled Sub-Loop Distribution - Zone	I	2	UEF	UCS2X	5.54	175.16	55.5	108.86	24.53				18.94	8.42				
		2 Wire Copper Unbundled Sub-Loop Distribution - Zone	I	3	UEF	UCS2X	5.54	175.16	55.5	108.86	24.53				18.94	8.42				
		Order Coordination for Unbundled Sub-Loops, per sub-loop pair			UEF	USBMC		34.22	34.22											
		4 Wire Copper Unbundled Sub-Loop Distribution - Zone	I	1	UEF	UCS4X	6.89	219.35	72.99	123.72	28.77				18.94	8.42				
		4 Wire Copper Unbundled Sub-Loop Distribution - Zone	I	2	UEF	UCS4X	6.89	219.35	72.99	123.72	28.77				18.94	8.42				
		4 Wire Copper Unbundled Sub-Loop Distribution - Zone	I	3	UEF	UCS4X	6.89	219.35	72.99	123.72	28.77				18.94	8.42				
		Order Coordination for Unbundled Sub-Loops, per sub-loop pair			UEF	USBMC		34.22	34.22											
		Sub-Loop Feeder																		

UNBUNDLED NETWORK ELEMENTS
GA

CATEGORY	NOTES	UNBUNDLED NETWORK ELEMENT	Interim	Zone	BCS	USOC	RATES (\$)					OSS RATES (\$)								
							Rec	First	Add'l	First	Add'l	SOMEc	SOMAN	SOMAN	SOMAN	SOMAN	SOMAN			
		USL-Feeder, DS0 Set-up per Cross Box location - CLEC Distribution Facility set-u			UEA, UDN,UCL,UDL,UDC	USBFW		\$421.08												
		USL Feeder - DS0 Set-up per Cross Box location - per 25 pair set-up			UEA, UDN,UCL,UDL,UDC	USBFX		67.1	67.1											
		USL Feeder DS1 Set-up at DSX location, per DS1 termination			USL	USBFZ		521.57	11.3											
		Unbundled Sub-Loop Feeder Loop, 2 Wire Ground-Start, Voice Grade - Statewid		sw	UEA	USBFA	8.58	206.44	170.05				18.94	8.42						
		Order Coordination for Specified Conversion Time, per LSR			UEA	OCOSL		34.22												
		Unbundled Sub-Loop Feeder Loop, 2 Wire Loop-Start, Voice Grade - Statewid		sw	UEA	USBFB	8.58	206.44	170.05				18.94	8.42						
		Order Coordination for Specified Time Conversion, per LSR			UEA	OCOSL		34.22												
		Unbundled Sub-Loop Feeder Loop, 2 Wire Reverse Battery, Voice Grade Loop - Statewid		sw	UEA	USBFC	8.58	206.44	170.05				18.94	8.42						
		Order Coordination For Specified Conversion Time, per LSI			UEA	OCOSL		34.22												
		Unbundled Sub-Loop Feeder Loop, 4 Wire Ground-Start, Voice Grade - Statewid		sw	UEA	USBFD	\$19.91	\$243.41	\$81.32	\$134.77	\$33.93		18.94	8.42						
		Order Coordination For Specified Conversion Time, Per LSI			UEA	OCOSL		34.22												
		Unbundled Sub-Loop Feeder Loop, 4 Wire Loop-Start, Voice Grade - Statewid		sw	UEA	USBFE	19.91	\$243.41	\$81.32	\$134.77	\$33.93		18.94	8.42						
		Order Coordination For Specified Conversion Time, Per LSI			UEA	OCOSL		34.22												
		Unbundled Sub-Loop Feeder Loop, 2-Wire ISDN BRI - Statewid		sw	UDN	USBFF	\$17.73	\$208.50	\$62.31	\$119.68	\$29.58		18.94	8.42						
		Order Coordination For Specified Conversion Time, Per LSI			UDN	OCOSL		34.22												
		Unbundled Sub-Loop Feeder, 2 Wire UDC (IDSL compatible)		sw	UDC	USBFS	17.73	208.5	62.31	119.68	29.58		19.99	19.99	19.99	19.99				
		Unbundled Sub-Loop Feeder Loop, 4-Wire DS1 - Statewid		sw	USL	USBFG	79.3	203.69	128.76	124.09	34.8		19.99	19.99	19.99	19.99				
		Order Coordination For Specified Conversion Time, Per LSI			USL	OCOSL		34.22												
		Unbundled Sub-Loop Feeder Loop, 2-Wire Copper Loop - Statewid		sw	UCL	USBFH	7.22	195.38	63.15	119.68	29.58		18.94	8.42						
		Order Coordination For Specified Conversion Time, per LSI			UCL	OCOSL		34.22												
		Sub-Loop Feeder - Per 4-Wire Copper Loop - Statewid		sw	UCL	USBFJ	13.72	243.41	81.32	134.77	33.93		18.94	8.42						
		Order Coordination For Specified Conversion Time, per LSI			UCL	OCOSL		34.22												
		Sub-Loop Feeder - Per 4-Wire 19.2 Kbps Digital Grade Loop		sw	UDL	USBFN	24.5	243.41	81.32	134.77	33.93		19.99	19.99	19.99	19.99				
		Sub-Loop Feeder - Per 4-Wire 56 Kbps Digital Grade Loop - Statewid		sw	UDL	USBFO	24.5	243.41	81.32	134.77	33.93		19.99	19.99	19.99	19.99				
		Order Coordination For Specified Time Conversion, per LSI			UDL	OCOSL		34.22												
		Sub-Loop Feeder - Per 4-Wire 64 Kbps Digital Grade Loop - Statewid		sw	UDL	USBFP	24.5	243.41	81.32	134.77	33.93		19.99	19.99	19.99	19.99				
		Order Coordination For Specified Conversion Time, per LSI			UDL	OCOSL		34.22												
		Unbundled Network Terminating Wire (UNTW)																		
		Unbundled Network Terminating Wire (UNTW) per Pai			UENTW	UENPP	1.37	\$2.48	\$2.48	\$1.74	\$1.74		18.94	8.42						
		Network Interface Device (NID)																		
		Network Interface Device (NID) - 1-2 lines		I	UENTW	UND12		86.37	56.69				18.94	8.42						
		Network Interface Device (NID) - 1-6 lines		I	UENTW	UND16		127.93	98.21				18.94	8.42						
		Network Interface Device Cross Connect - 2 W		I	UENTW	UNDC2		6.15	6.15				18.94	8.42						
		Network Interface Device Cross Connect - 4W			UENTW	UNDC4		6.15	6.15											
		UNBUNDLED LOOP CONCENTRATION																		
		Unbundled Loop Concentration - System A (TR008)			ULC	UCT8A	441.42	650.81	650.81				19.99	19.99	19.99	19.99				
		Unbundled Loop Concentration - System B (TR008)			ULC	UCT8B	52.97	271.17	271.17				19.99	19.99	19.99	19.99				
		Unbundled Loop Concentration - System A (TR303)			ULC	UCT3A	478.93	650.81	650.81				19.99	19.99	19.99	19.99				
		Unbundled Loop Concentration - System B (TR303)			ULC	UCT3B	89.26	271.17	271.17				19.99	19.99	19.99	19.99				

UNBUNDLED NETWORK ELEMENTS
GA

CATEGORY	NOTES	UNBUNDLED NETWORK ELEMENT	Interim	Zone	BCS	USOC	RATES (\$)					OSS RATES (\$)											
							Nonrecurring			Nonrecurring		SOME C	SOMAN	SOMAN	SOMAN	SOMAN	SOMAN	Svc Order Submitted Elec per LSR	Svc Order Submitted Manually per LSR	Incremental Charge - Manual Svc Order vs. Electronic-1st	Incremental Charge - Manual Svc Order vs. Electronic-Add'l	Incremental Charge - Manual Svc Order vs. Electronic-Disc 1st	Incremental Charge - Manual Svc Order vs. Electronic-Disc Add'l
							Rec	First	Add'l	Disconnect	First												
		Unbundled Loop Concentration - DS1 Loop Interface Car			ULC	UCTCO	5.04	126.57	92.14	33.57	9.4					19.99	19.99	19.99	19.99				
		Unbundled Loop Concentration - ISDN Loop Interface (Brite Carc			UDN	ULCC1	8	21.07	20.96	10.78	10.71				19.99	19.99	19.99	19.99					
		Unbundled Loop Concentration - UDC Loop Interface (Brite Carc			UDC	ULCCU	8	21.07	20.96	10.78	10.71				19.99	19.99	19.99	19.99					
		Unbundled Loop Concentration - 2 Wire Voice-Loop Start or Ground Start Loop Interface (POTS Card)			UEA	ULCC2	2	21.07	20.96	10.78	10.71				19.99	19.99	19.99	19.99					
		Unbundled Loop Concentration - 2 Wire Voice - Reverse Battery Loop Interface (SPOTS Card)			UEA	ULCCR	11.89	21.07	20.96	10.78	10.71				19.99	19.99	19.99	19.99					
		Unbundled Loop Concentration - 4 Wire Voice Loop Interface (Specials Carc			UEA	ULCC4	7.09	21.07	20.96	10.78	10.71				19.99	19.99	19.99	19.99					
		Unbundled Loop Concentration - TEST CIRCUIT Car			ULC	UCTTC	34.67	21.07	20.96	10.78	10.71				19.99	19.99	19.99	19.99					
		Unbundled Loop Concentration - Digital 19.2 Kbps Data Loop Interfac			UDL	ULCC7	10.51	21.07	20.96	10.78	10.71				19.99	19.99	19.99	19.99					
		Unbundled Loop Concentration - Digital 56 Kbps Data Loop Interfac			UDL	ULCC5	10.51	21.07	20.96	10.78	10.71				19.99	19.99	19.99	19.99					
		Unbundled Loop Concentration - Digital 64 Kbps Data Loop Interfac			UDL	ULCC6	10.51	21.07	20.96	10.78	10.71				19.99	19.99	19.99	19.99					
UNBUNDLED SUB-LOOP CONCENTRATION (OUTSIDE CO)																							
UNE OTHER, PROVISIONING ONLY - NO RATE																							
		NID - Dispatch and Service Order for NID installation			UENTW	UNDBX																	
		UNTW Circuit Id Establishment, Provisioning Only - No Rate			UENTW	UENCE																	
		Unbundled Contract Name, Provisioning Only - No Rate			UEANL, UEF, UE Q, UENT W	UNECN																	
		Unbundled Contact Name, Provisioning Only - no rate			JAL, UC L, UDC, UDL, UD N, UEA, UHL, UL C	UNECN	0	0															
		Unbundled Sub-Loop Feeder-2 Wire Cross Box Jumper - no rat			UEA, UD N, UCL, UDC	USBFQ	0	0															
		Unbundled Sub-Loop Feeder-4 Wire Cross Box Jumper - no rat			UEA, US L, UCL, U DL	USBFR	0	0															
		Unbundled DS1 Loop - Superframe Format Option - no rat			USL	CCOSF	0	0															
		Unbundled DS1 Loop - Expanded Superframe Format option - no rat			USL	CCOEF	0	0															
HIGH CAPACITY UNBUNDLED LOCAL LOOP																							
		NOTE: 4 month minimum billing period																					
		High Capacity Unbundled Local Loop - DS3 - Per Mile per mont			UE3	1L5ND	8.9																
		High Capacity Unbundled Local Loop - DS3 - Facility Termination per mon			UE3	UE3PX	390.34	639.5	426.4	122.31	119.14			37.55	37.55	18.03	18.03						
		High Capacity Unbundled Local Loop - STS-1 - Per Mile per mont			UDLSX	1L5ND	8.9																
		High Capacity Unbundled Local Loop - STS-1 - Facility Termination per mon			UDLSX	UDLS1	421.59	639.5	426.4	122.31	119.14			37.55	37.55	18.03	18.03						
LOOP MAKE-UP																							
		Loop Makeup - Preordering Without Reservation, per working or spare facility queried (Manual).			UMK	UMKLW		35	35														
		Loop Makeup - Preordering With Reservation, per spare facility queried (Manual).			UMK	UMKLP		45	45														

UNBUNDLED NETWORK ELEMENTS
GA

CATEGORY	NOTES	UNBUNDLED NETWORK ELEMENT	Interim	Zone	BCS	USOC	RATES (\$)					OSS RATES (\$)								
							Rec	First	Add'l	First	Add'l	SOME C	SOMAN	SOMAN	SOMAN	SOMAN	SOMAN	SOMAN		
		Loop Makeup--With or Without Reservation, per working or spare facility queried (Mechanized)			UMK	PSUMK	0.075													
LINE SHARING																				
		Line Sharing Splitter, per System 96 Line Capacit	I		ULS	ULSDA	152.7	221.09	0	254.79	0									
		Line Sharing Splitter, per System 24 Line Capacit	I		ULS	ULSDB	38.18	221.09	0	254.79	0									
		Line Sharing Splitte, Per System, 8 Line Capacit	I		ULS	ULSD8	12.73	221.093	0	254.79	0									
		Line Sharing - per Line Activation	I		ULS	ULSDC	0.61	39.09	20.94	22.15	9.46				18.94		8.42			
		Line Sharing - per Subsequent Activity per Line Rearrangeme	I		ULS	ULSDS		34.9	16.18						18.94		8.42			
		Unbundled Network Element, Line Share Service - Provisioning Only - Rsud-V	I		ULS	ULSLE	0	0	0	0	0				0		0			
		Rsud-Vc Data, Loop Capacity, Line Activation, Per Occurrenc	I		ULS	ULSLC	15	25	20	24	19				18.94		8.42			
		Rsud-Vc Data, Subsequent Activity, Per Occurreno	I		ULS	ULSLS		35	30						18.94		8.42			
UNBUNDLED TRANSPORT																				
COMMON TRANSPORT (Shared)																				
		Common Transport - Per Mile, Per MOU																		
		Common Transport - Facilities Termination Per MOU																		
		NOTE: INTEROFFICE CHANNEL - DEDICATED TRANSPORT - minimum billing period: below DS3 = one month, DS3 and above four months																		
INTEROFFICE CHANNEL - DEDICATED TRANSPORT - VOICE GRADE																				
		Interoffice Channel - Dedicated Transport - 2-Wire Voice Grade - Per Mile per mon			U1TVX	1L5XX	0.0222													
		Interoffice Channel - Dedicated Transport- 2- Wire Voice Grade - Facility Termination per month			U1TVX	U1TV2	17.07	79.61	36.08						18.94		18.94			
		Interoffice Channel - Dedicated Transport- 2-Wire Voice Grade Rev Bat. - Per Mile per month			U1TVX	1L5XX	0.0222													
		Interoffice Channel - Dedicated Transport- 2- Wire VG Rev Bat. - Facility Termination per month			U1TVX	U1TR2	17.07	79.61	36.08	0	0				18.94		18.94			
		Interoffice Channel - Dedicated Transport - 56 kbps - per mile per mont			U1TDX	1L5XX	0.0222													
		Interoffice Channel - Dedicated Transport - 56 kbps - Facility Termination per mon			U1TDX	U1TD5	16.45	79.61	36.08						18.94		18.94			
		Interoffice Channel - Dedicated Transport - 64 kbps - per mile per mont			U1TDX	1L5XX	0.0222													
		Interoffice Channel - Dedicated Transport - 64 kbps - Facility Termination per mon			U1TDX	U1TD6	16.45	79.61	36.08	0	0				18.94		18.94			
INTEROFFICE CHANNEL - DEDICATED TRANSPORT - DS1																				
		Interoffice Channel - Dedicated Channel - DS1 - Per Mile per mont			U1TD1	1L5XX	0.4523													
		Interoffice Channel - Dedicated Tranport - DS1 - Facility Termination per mon			U1TD1	U1TF1	78.47	147.07	111.75						18.94		18.94			
INTEROFFICE CHANNEL - DEDICATED TRANSPORT- DS3																				
		Interoffice Channel - Dedicated Transport - DS3 - Per Mile per mont			U1TD3	1L5XX	2.72													
		Interoffice Channel - Dedicated Transport - DS3 - Facility Termination per mon			U1TD3	U1TF3	788	511.1	330.77	122.31	119.14				37.55		37.55	18.03	18.03	
INTEROFFICE CHANNEL - DEDICATED TRANSPORT- STS-1																				
		Interoffice Channel - Dedicated Transport - STS-1 - Per Mile per mont			U1TS1	1L5XX	2.72													
		Interoffice Channel - Dedicated Transport - STS-1 - Facility Termination per mon			U1TS1	U1TFS	783.63	511.1	449.91	122.31	119.14				61.19		61.19	3.17	3.17	

UNBUNDLED NETWORK ELEMENTS
GA

CATEGORY	NOTES	UNBUNDLED NETWORK ELEMENT	Interim	Zone	BCS	USOC	RATES (\$)					OSS RATES (\$)					
							Rec	First	Add'l	First	Add'l	SOME	SOMAN	SOMAN	SOMAN	SOMAN	SOMAN
							Nonrecurring					Nonrecurring					
							Disconnect										
							Rec	First	Add'l	First	Add'l	SOME	SOMAN	SOMAN	SOMAN	SOMAN	SOMAN
LOCAL CHANNEL - DEDICATED TRANSPORT																	
NOTE: LOCAL CHANNEL DEDICATED TRANSPORT - minimum billing period - below DS3=one month, DS3 and above=four months																	
		Local Channel - Dedicated - 2-Wire Voice Grade Per Month			ULCVX	ULDV2	13.91	382.95	62.4					18.94	8.42		
		Local Channel - Dedicated - 2-Wire Voice Grade Rev Bat per mont			ULCVX	ULDR2	13.91	382.95	62.4					18.94	18.94		
		Local Channel - Dedicated - 4-Wire Voice Grade per mont			UNCVX	ULDV4	14.99	368.44	64.05					18.94	8.42		
		Local Channel - Dedicated - DS1 per mont			ULDD1	ULDF1	38.36	356.15	312.89	122.31	119.14			44.22	44.22	18.03	18.03
		Local Channel - Dedicated - DS3 - Per Mile per mont			ULDD3	1L5NC	6.92										
		Local Channel - Dedicated - DS3 - Facility Termination per mont			ULDD3	ULDF3	515.91	639.5	426.31	122.31	119.14			37.55	37.55	18.03	18.03
		Local Channel - Dedicated - STS-1- Per Mile per mont			ULDS1	1L5NC	6.92										
		Local Channel - Dedicated - STS-1 - Facility Termination per mont			ULDS1	ULDFS	517.56	639.5	426.31	122.31	119.14			18.94	18.94		
MULTIPLEXERS																	
		Channelization - DS1 to DS0 Channel Syster			UXTD1	MQ1	126.22	198.22	123.59	31.03	19.75			14.75	6.55	10.7	
		OCU-DP COCI (data) - DS1 to DS0 Channel System - per month (2.4-64kbs			UDL	1D1DD	1.86	12.02	8.66								
		2-wire ISDN COCI (BRITE) - DS1 to DS0 Channel Systsem - per mont			UDN	UC1CA	3.37	12.02	8.66								
		Voice Grade COCI - DS1 to DS0 Channel System - per mont			UEA	1D1VG	1.17	12.02	8.66								
		DS3 to DS1 Channel System per mont			UXTD3	MQ3	182.04	265.91	188.78	72.5	59.96			14.75	6.55	10.6	
		STS1 to DS1 Channel System per mont			UXTS1	MQ3	182.04	265.91	188.78	72.5	59.96			18.94	18.94		
		DS3 Interface Unit (DS1 COCI) used with Loop per mont			USL	UC1D1	11.02	12.02	8.66								
DARK FIBER																	
		Dark Fiber, Four Fiber Strands, Per Route Mile or Fraction Thereof per month - Local Channel			UDF	1L5DC	44.22										
		NRC Dark Fiber - Local Channe			UDF	UDFC4		1355.29	273.69								
		Dark Fiber, Four Fiber Strands, Per Route Mile or Fraction Thereof per month - Interoffice Channe			UDF	1L5DF	44.22										
		NRC Dark Fiber - Interoffice Channe			UDF	UDF14		1355.29	273.69	0	0			18.94	18.94		
		Dark Fiber, Four Fiber Strands, Per Route Mile or Fraction Thereof per month - Local Loop			UDF	1L5DL	44.22										
		NRC Dark Fiber - Local Loop			UDF	UDFL4		1355.29	273.69	0	0			18.94	18.94		
TRANSPORT OTHER																	
Optional Features & Functions:																	
		Clear Channel Capability (B8ZS/ESF) Option - Subsequent - per DS1 Chann			UNC1X	CCOEF		184.62	23.78	2.03	0.79			29.33	3.93		
		Clear Channel Capability (B8ZS/SF) Option - Subsequent - per DS1 Chann			UNC1X	CCOSF		184.62	23.78	2.03	0.79			29.33	3.93		
8XX ACCESS TEN DIGIT SCREENING																	
		8XX Access Ten Digit Screening, Per Ca			OHD		0.0004868										
		8XX Access Ten Digit Screening, Reservation Charge Per 8XX Number Reserve			OHD	N8R1X		6.57	0.76					18.94	18.94		
		8XX Access Ten Digit Screening, Per 8XX No. Established W/O POTS Translator			OHD			12.81	1.45					18.94	18.94		
		8XX Access Ten Digit Screening, Per 8XX No. Established With POTS Translator			OHD	N8FTX		12.81	1.45					18.94	18.94		
		8XX Access Ten Digit Screening, Customized Area of Service Per 8XX Numb			OHD	N8FCX		4.46	2.23					18.94	18.94		
		8XX Access Ten Digit Screening, Multiple InterLATA CXR Routing Per CXR Requested Per 8XX No.			OHD	N8FMX		5.22	2.99					18.94	18.94		
		8XX Access Ten Digit Screening, Change Charge Per Reque:			OHD	N8FAX		7.33	0.76					18.94	18.94		

UNBUNDLED NETWORK ELEMENTS
GA

CATEGORY	NOTES	UNBUNDLED NETWORK ELEMENT	Interim	Zone	BCS	USOC	RATES (\$)				OSS RATES (\$)								
							Rec	First	Add'l	Disconnect	SOMEK	SOMAN	SOMAN	SOMAN	SOMAN	SOMAN			
		8XX Access Ten Digit Screening, Call Handling and Destination Featur			OHD	N8FDX	4.72	4.46											
LINE INFORMATION DATA BASE ACCESS (LIDB)																			
		LIDB Common Transport Per Query			OQT		0.0000338												
		LIDB Validation Per Query			OQU		0.0105974												
		LIDB Originating Point Code Establishment or Chang			OQT, OQU	NRPBX	50.3					18.94	18.94						
SIGNALING (CCS7)																			
		CCS7 Signaling Termination, Per STP Port			1DB	PT8SX	133.99					18.94	18.94						
		CCS7 Signaling Usage, Per TCAP Message			1DB		0.000087												
		NOTE: Applicable when measurement and billing capability exists.																	
		CCS7 Signaling Connection, Per link (A link)			1DB	TPP++	17.05	131.96	131.96			18.94	18.94						
		CCS7 Signaling Connection, Per link (B link) (also known as D link)			1DB	TPP++	17.05	131.96	131.96			18.94	18.94						
		CCS7 Signaling Usage, Per ISUP Message			1DB		0.0000354												
		NOTE: Applicable when measurement and billing capability exists.																	
		CCS7 Signaling Usage Surrogate, per link per LAT			1DB	STU56	340.67					18.94	18.94						
		CCS7 Signaling Point Code, per Originating Point Code Establishment or Change, per STP affected			1DB	CCAPO	40	40				18.94	18.94						
		CCS7 Signaling Point Code, per Destination Point Code Establishment or Change, Per Stp Affected			1DB	CCAPD	8	8				18.94	18.94						
E911 SERVICE																			
CALLING NAME (CNAM) SERVICE																			
		CNAM for DB Owners, Per Query			OQV		0.016												
		CNAM for Non DB Owners, Per Query			OQV		0.01												
		CNAM (Non-Databs Owner), NRC, applies when using the Character Based User Interface (CHUI)			OQV	CDDCH	595	595				18.94	18.94						
LNP QUERY SERVICE																			
OPERATOR SERVICES AND DIRECTORY ASSISTANCE																			
OPERATOR CALL PROCESSING																			
		Oper. Call Processing - Oper. Provided, Per Min. - Using BST LID					1.2												
		Oper. Call Processing - Oper. Provided, Per Min. - Using Foreign LID					1.24												
		Oper. Call Processing - Fully Automated, per Call - Using BST LID					0.2												
		Oper. Call Processing - Fully Automated, per Call - Using Foreign LID					0.2												
INWARD OPERATOR SERVICES																			
		Inward Operator Svcs - Verification, Per Minute					1.15												
		Inward Operator Services - Verification and Emergency Interrupt - Per Minute					1.15												
BRANDING - OPERATOR CALL PROCESSING																			
		Recording of Custom Branded OA Announcement				CBAOS	7000	7000	9.61	9.61		19.99	19.99	19.99	19.99				
		Loading of Custom Branded OA Announcement per shelf/NAV				CBAOL	500	500				19.99	19.99						
DIRECTORY ASSISTANCE SERVICES																			
DIRECTORY ASSISTANCE ACCESS SERVICE																			
		Directory Assistance Access Service Calls, Charge Per Ca					0.275												
DIRECTORY ASSISTANCE CALL COMPLETION ACCESS SERVICE (DACC)																			
		Directory Assistance Call Completion Access Service (DACC), Per Call Attempt					0.1												

UNBUNDLED NETWORK ELEMENTS
GA

CATEGORY	NOTES	UNBUNDLED NETWORK ELEMENT	Interim	Zone	BCS	USOC	RATES (\$)					OSS RATES (\$)						
							Rec	First	Add'l	First	Add'l	SOME C	SOMAN	SOMAN	SOMAN	SOMAN	SOMAN	SOMAN
							Nonrecurring		Nonrecurring									
							Disconnect		Disconnect									
							Rec	First	Add'l	First	Add'l	SOME C	SOMAN	SOMAN	SOMAN	SOMAN	SOMAN	SOMAN
UNBRANDING																		
DIRECTORY TRANSPORT																		
		Directory Transport - Local Channel DS					38.36	356.15	312.89					44.22	44.22			
		Directory Transport - DS1 Level Interoffice Per Mil					0.4523											
		Directory Transport - DS1 Level Interoffice Per Facility Termination					76.47	147.07	111.75					18.94	18.94			
		Switched Common Transport Per DA Access Service Per Ca					0.0002906											
		Switched Common Transport Per DA Access Service Per Call Per Mil					0.0000186											
		Access Tandem Switching Per DA Access Service Per Ca					0.0019152											
		Directory Transport - DA Interconnection Per DA Service Ca					0.00269											
		Directory Transport - Installation NRC, Per Trunk or Signaling Connect						204.23	4.42					44.22	44.22			
DIRECTORY ASSISTANCE DATA BASE SERVICE (DADS)																		
		Directory Assistance Data Base Service Charge Per Listin					0.04											
		Directory Assistance Data Base Service, per mont				DBSOF	150											
BRANDING - DIRECTORY ASSISTANCE																		
		Custom Branding Announcement, per Recording to be used with the provision of DA			AMT	CBADA		3000	3000									
		Loading of Custom Branded Announcement per DRAM Card/Switch			AMT	CBADC		690	690									
SELECTIVE ROUTING																		
		Selective Routing Per Unique Line Class Code Per Request Per Switc				USRCR		180.62	180.62					33.67	7.88			
VIRTUAL COLLOCATION																		
		Virtual Collocation - 2-wire Cross Connects (loop			ueanl,ue		UEAC2	0.0283	24.56	23.56	9.2	8.3		19.99	19.99	19.99	19.99	
		Virtual Collocation - 2-wire Cross Connects (port			a,udn,ud		VE1R2	0.0283	24.56	23.56	9.2	8.3		19.99	19.99	19.99	19.99	
		Virtual Collocation - 4-wire Cross Connects (loop			c,ucl,ucl		UEAC4	0.0566	24.75	23.7	9.03	8.1		19.99	19.99	19.99	19.99	
		Virtual Collocation - 4-wire Cross Connects (port			uea,ucl,		VE1R4	0.0566	24.75	23.7	9.03	8.1		19.99	19.99	19.99	19.99	
		Virtual Collocation - 2-Fiber Cross Connect:			ucl,udl		CNC2F	2.88	41.72	30.36	10.43	8.36		2.2	2.2			
		Virtual Collocation - 4-Fiber Cross Connects					CNC4F	5.76	51.03	39.67	13.71	11.65		2.2	2.2			
		Virtual Collocatin - DS1 Cross Connect:			USL,UL		CNC1X	7.5	155	14								
AIN SELECTIVE CARRIER ROUTING																		
		Regional Service Establishment			SRC	SRCEC		391788						19.99	19.99	19.99	19.99	
		End Office Establishment			SRC	SRCEO		320.53	320.53					19.99	19.99	19.99	19.99	
		Line/Port NRC, per end user			SRC	SRCLP		2.06	2.06					19.99	19.99	19.99	19.99	
		Query NRC, per query			SRC			0.000448										
AIN - BELLSOUTH AIN SMS ACCESS SERVICE																		
		AIN SMS Access Service - Service Establishment, Per State, Initial Setup				CAMSE		90.25	90.25					18.94	18.94			
		AIN SMS Access Service - Port Connection - Dial/Shared Access				CAMDP		29.66	29.66					18.94	18.94			
		AIN SMS Access Service - Port Connection - ISDN Access				CAM1P		29.66	29.66					18.94	18.94			
		AIN SMS Access Service - User Identification Codes - Per User ID Code				CAMAU		84.43	84.43					18.94	18.94			
		AIN SMS Access Service - Security Card, Per User ID Code, Initial or Replacement				CAMRC		35.44	35.44					18.94	18.94			
		AIN SMS Access Service - Storage, Per Unit (100 Kilobytes)						0.0023										
		AIN SMS Access Service - Session, Per Minute						0.0795604										
		AIN SMS Access Service - Company Performed Session, Per Minute						2.08										

UNBUNDLED NETWORK ELEMENTS
GA

CATEGORY	NOTES	UNBUNDLED NETWORK ELEMENT	Interim	Zone	BCS	USOC	RATES (\$)					OSS RATES (\$)						
							Nonrecurring		Nonrecurring			Svc Order Submitted Elec per LSR	Svc Order Submitted Manually per LSR	Incremental Charge - Manual Svc Order vs. Electronic-1st	Incremental Charge - Manual Svc Order vs. Electronic-Add'l	Incremental Charge - Manual Svc Order vs. Electronic-Disc 1st	Incremental Charge - Manual Svc Order vs. Electronic-Disc Add'l	
							Rec	First	Add'l	First	Add'l							Disconnect
							SOMEC	SOMAN	SOMAN	SOMAN	SOMAN	SOMAN						
AIN - BELLSOUTH AIN TOOLKIT SERVICE																		
		AIN Toolkit Service - Service Establishment Charge, Per State, Initial Setup				BAPSC	86.74	86.74					18.94	18.94				
		AIN Toolkit Service - Training Session, Per Customer				BAPVX	8348	8348					18.94	18.94				
		AIN Toolkit Service - Trigger Access Charge, Per Trigger, Per DN, Term. Attempt				BAPTT	19.13	19.13					18.94	18.94				
		AIN Toolkit Service - Trigger Access Charge, Per Trigger, Per DN, Off-Hook Delay				BAPTD	114.8	114.8					18.94	18.94				
		AIN Toolkit Service - Trigger Access Charge, Per Trigger, Per DN, Off-Hook Immediate				BAPTM	19.13	19.13					18.94	18.94				
		AIN Toolkit Service - Trigger Access Charge, Per Trigger, Per DN, 10-Digit PODP				BAPTO	70.06	70.06					18.94	18.94				
		AIN Toolkit Service - Trigger Access Charge, Per Trigger, Per DN, CDP				BAPTC	70.06	70.06					18.94	18.94				
		AIN Toolkit Service - Trigger Access Charge, Per Trigger, Per DN, Feature Code				BAPTF	70.06	70.06					18.94	18.94				
		AIN Toolkit Service - Query Charge, Per Query					0.0209223											
		AIN Toolkit Service - Type 1 Node Charge, Per AIN Toolkit Subscription, Per Node, Per Query					0.0053137											
		AIN Toolkit Service - SCP Storage Charge, Per SMS Access Account, Per 100 Kilobytes					1.46											
		AIN Toolkit Service - Monthly report - Per AIN Toolkit Service Subscription				BAPMS	15.96	22.64	22.64				18.94	18.94				
		AIN Toolkit Service - Special Study - Per AIN Toolkit Service Subscription				BAPLS	0.0861109	22.64	22.64				18.94	18.94				
		AIN Toolkit Service - Call Event Report - Per AIN Toolkit Service Subscription				BAPDS	15.87	22.64	22.64				18.94	18.94				
		AIN Toolkit Service - Call Event Special Study - Per AIN Toolkit Service Subscription				BAPES	0.0028704	22.64	22.64				18.94	18.94				
ODUF/EDOUF/ADUF/CMDS																		
		ACCESS DAILY USAGE FILE (ADUF)																
		ADUF: Message Processing, per message					0.0136327											
		ADUF: Data Transmission (CONNECT:DIRECT), per message					0.0000434											
		ENHANCED OPTIONAL DAILY USAGE FILE (EODUF)																
		EODUF: Message Processing, per message					0.0034555											
		OPTIONAL DAILY USAGE FILE (ODUF)																
		ODUF: Recording, per message					0.0001275											
		ODUF: Message Processing, per message					0.0082548											
		ODUF: Message Processing, per Magnetic Tape provisione					28.85											
		ODUF: Data Transmission (CONNECT:DIRECT), per message					0.0000434											
ENHANCED EXTENDED LINK (EELs)																		
		NOTE: New EELs available in State of Georgia, density zone 1 of following SMAs: Orlando, FL; Miami, FL; Ft. Lauderdale, FL; Nashville, TN; New Orleans, LA;																
		NOTE: Charlotte-Gastonia-Rockhill, NC; Greensboro-Winston Salem-High Point, NC. Use all rates below except Switch As Is Charge.																
		NOTE: In all states, EEL network elements shown below also apply to currently combined facilities which are converted to UNE rates. A Switch As Is Charge applies to currently combined facilities converted to UNEs.(Non-recurring rates do not apply.)																
		NOTE: In Georgia, the EEL network elements apply to ordinarily combined network elements per the GA PSC order.(No Switch As Is Charge.)																
		2-WIRE VOICE GRADE EXTENDED LOOP WITH DEDICATED DS1 INTEROFFICE TRANSPORT (EEL)																
		First 2-Wire VG Loop(SL2) in a DS1 Interofficed Transport Combination - Zone		1	UNCVX	UEAL2	16.84	104.17	78.1	36.43	36.43		18.94	18.94				

UNBUNDLED NETWORK ELEMENTS
GA

CATEGORY	NOTES	UNBUNDLED NETWORK ELEMENT	Interim	Zone	BCS	USOC	RATES (\$)					OSS RATES (\$)						
							Nonrecurring		Nonrecurring			Svc Order Submitted Elec per LSR	Svc Order Submitted Manually per LSR	Incremental Charge - Manual Svc Order vs. Electronic-1st	Incremental Charge - Manual Svc Order vs. Electronic-Add'l	Incremental Charge - Manual Svc Order vs. Electronic-Disc 1st	Incremental Charge - Manual Svc Order vs. Electronic-Disc Add'l	
							Rec	First	Add'l	First	Add'l							SOMEC
							Disconnect											
		First 2-Wire VG Grade Loop(SL2) in a DS1 Interofficed Transport Combination - Zone 2		2	UNCVX	UEAL2	18.81	104.17	78.1	36.43	36.43				18.94	18.94		
		First 2-Wire VG Grade Loop(SL2) in a DS1 Interofficed Transport Combination - Zone 3		3	UNCVX	UEAL2	29.31	104.17	78.1	36.43	36.43				18.94	18.94		
		Interoffice Transport - Dedicated - DS1 combination - Per Mile per mont			UNC1X	1L5XX	0.4523											
		Interoffice Transport - Dedicated - DS1 combination - Facility Termination per mont			UNC1X	U1TF1	80.89	170.66	82.42	35.38	13.58				18.94	18.94		
		DS1 Channelization System Per Month			UNC1X	MQ1	0	23.97	59.09	43.65	5.22							
		Voice Grade COCI - DS1 To Ds0 Interface - Per Month			UNCVX	1D1VG	1.17	12.02	8.66									
		Each Additional 2-Wire VG Loop(SL 2) in the same DS1 Interoffice Transport Combination - Zone 1		1	UNCVX	UEAL2	16.84	104.17	78.1	36.43	36.43				18.94	18.94		
		Each Additional 2-Wire VG Loop(SL2) in the same DS1 Interoffice Transport Combination - Zone 2		2	UNCVX	UEAL2	18.81	104.17	78.1	36.43	36.43				18.94	18.94		
		Each Additional 2-Wire VG Loop(SL2) in the same DS1 Interoffice Transport Combination - Zone 3		3	UNCVX	UEAL2	29.31	104.17	78.1	36.43	36.43				18.94	18.94		
		Voice Grade COCI - DS1 to DS0 Channel System combination - per mont			UNCVX	1D1VG	1.17	12.02	8.66									
		Nonrecurring Currently Combined Network Elements Switch -As-Is Charg			UNC1X	UNCCC		12.97	11.27	12.61	12.61				18.94	18.94		
		4-WIRE VOICE GRADE EXTENDED LOOP WITH DEDICATED DS1 INTEROFFICE TRANSPORT (EEL)																
		First 4-Wire Analog Voice Grade Loop in a DS1 Interoffice Transport Combination - Zone 1		1	UNCVX	UEAL4	24.38	247.63	206.79	44.42	59.41				18.94	18.94		
		First 4-Wire Analog Voice Grade Loop in a DS1 Interoffice Transport Combination - Zone 2		2	UNCVX	UEAL4	27.92	247.63	206.79	44.42	59.41				18.94	18.94		
		First 4-Wire Analog Voice Grade Loop in a DS1 Interoffice Transport Combination - Zone 3		3	UNCVX	UEAL4	43.49	247.63	206.79	44.42	59.41				18.94	18.94		
		Interoffice Transport - Dedicated - DS1 combination - Per Mile Per Mont			UNC1X	1L5XX	0.4523											
		Interoffice Transport - Dedicated - DS1 - Facility Termination Per Mont			UNC1X	U1TF1	80.89	170.66	82.42	35.38	13.58				18.94	18.94		
		Channelization - Channel System DS1 to DS0 combination Per Month			UNC1X	MQ1	0	23.97	59.09	43.65	5.22							
		Voice Grade COCI - DS1 to DS0 Channel System combination - per mont			UNCVX	1D1VG	1.17	12.02	8.66									
		Additional 4-Wire Analog Voice Grade Loop in same DS1 Interoffice Transport Combination - Zone 1		1	UNCVX	UEAL4	24.38	247.63	206.79	44.42	59.41				18.94	18.94		
		Additional 4-Wire Analog Voice Grade Loop in same DS1 Interoffice Transport Combination - Zone 2		2	UNCVX	UEAL4	27.92	247.63	206.79	44.42	59.41				18.94	18.94		
		Additional 4-Wire Analog Voice Grade Loop in same DS1 Interoffice Transport Combination - Zone 3		3	UNCVX	UEAL4	43.49	247.63	206.79	44.42	59.41				18.94	18.94		
		Voice Grade COCI - DS1 to DS0 Channel System combination - per mont			UNCVX	1D1VG	1.17	12.02	8.66									
		Nonrecurring Currently Combined Network Elements Switch -As-Is Charg			UNC1X	UNCCC		12.97	11.27	12.61	12.61				18.94	18.94		
		4-WIRE 56 KBPS EXTENDED DIGITAL LOOP WITH DEDICATED DS1 INTEROFFICE TRANSPORT (EEL)																
		First 4-Wire 56Kbps Digital Grade Loop in a DS1 Interoffice Transport Combination - Zone 1		1	UNCDX	UDL56	25.64	395.44	234.19	62.76	65.83				18.94	18.94		
		First 4-wire 56Kbps Digital Grade Loop in a DS1 Interoffice Transport Combination - Zone 2		2	UNCDX	UDL56	29.73	395.44	234.19	62.76	65.83				18.94	18.94		
		First 4-Wire 56Kbps Digital Grade Loop in a DS1 Interoffice Transport Combination - Zone 3		3	UNCDX	UDL56	47.73	395.44	234.19	62.76	65.83				18.94	18.94		
		Interoffice Transport - Dedicated - DS1 combination - Per Mile Per Mont			UNC1X	1L5XX	0.4523											
		Interoffice Transport - Dedicated - DS1 - combination Facility Termination Per Mon			UNC1X	U1TF1	80.89	170.66	82.42	35.38	13.58				18.94	18.94		
		Channelization - Channel System DS1 to DS0 combination Per Month			UNC1X	MQ1	0	23.97	59.09	43.65	5.22							
		OCU-DP COCI (data) - DS1 to DS0 Channel System - per month (2.4-64kbs)			UNCDX	1D1DD	1.86	12.02	8.66									
		Additional 4-Wire 56Kbps Digital Grade Loopin same DS1 Interoffice Transport Combination - Zone 1		1	UNCDX	UDL56	25.64	395.44	234.19	62.76	65.83				18.94	18.94		
		Additional 4-Wire 56Kbps Digital Grade Loopin same DS1 Interoffice Transport Combination - Zone 2		2	UNCDX	UDL56	29.73	395.44	234.19	62.76	65.83				18.94	18.94		

UNBUNDLED NETWORK ELEMENTS
GA

CATEGORY	NOTES	UNBUNDLED NETWORK ELEMENT	Interim	Zone	BCS	USOC	RATES (\$)					OSS RATES (\$)					
							Nonrecurring		Nonrecurring			SOMEC	SOMAN	SOMAN	SOMAN	SOMAN	SOMAN
							Rec	First	Add'l	First	Add'l						
							Rec	First	Add'l	First	Add'l	Disconnect	SOMEC	SOMAN	SOMAN	SOMAN	SOMAN
		Additional 4-Wire 56Kbps Digital Grade Loop in same DS1 Interoffice Transport Combination - Zone 3		3	UNCDX	UDL56	47.73	395.44	234.19	62.76	65.83			18.94	18.94		
		OCU-DP COCI (data) - DS1 to DS0 Channel System - combination per month (2.4-64kbs)			UNCDX	1D1DD	1.86	12.02	8.66								
		Nonrecurring Currently Combined Network Elements Switch -As-Is Charg			UNC1X	UNCCC		12.97	11.27	12.61	12.61			18.94	18.94		
		4-WIRE 64 KBPS EXTENDED DIGITAL LOOP WITH DEDICATED DS1 INTEROFFICE TRANSPORT (EEL)															
		First 4-Wire 64Kbps Digital Grade Loop in a DS1 Interoffice Transport Combination - Zone 1		1	UNCDX	UDL64	25.64	395.44	234.19	62.76	65.83			18.94	18.94		
		First 4-Wire 64Kbps Digital Grade Loop in a DS1 Interoffice Transport Combination - Zone 2		2	UNCDX	UDL64	29.73	395.44	234.19	62.76	65.83			18.94	18.94		
		First 4-Wire 64Kbps Digital Grade Loop in a DS1 Interoffice Transport Combination - Zone 3		3	UNCDX	UDL64	47.73	395.44	234.19	62.76	65.83			18.94	18.94		
		Interoffice Transport - Dedicated - DS1 combination - Per Mile Per Mont			UNC1X	1L5XX	0.4523										
		Interoffice Transport - Dedicated - DS1 combination - Facility Termination Per Mon			UNC1X	U1TF1	80.89	170.66	82.42	35.38	13.58			18.94	18.94		
		Channelization - Channel System DS1 to DS0 combination Per Mon			UNC1X	MQ1	0	23.97	59.09	43.65	5.22						
		OCU-DP COCI (data) - DS1 to DS0 Channel System combination - per month (2.4-64kbs)			UNCDX	1D1DD	1.86	12.02	8.66								
		Additional 4-Wire 64Kbps Digital Grade Loop in same DS1 Interoffice Transport Combination - Zone 1		1	UNCDX	UDL64	25.64	395.44	234.19	62.76	65.83			18.94	18.94		
		Additional 4-Wire 64Kbps Digital Grade Loop in same DS1 Interoffice Transport Combination - Zone 2		2	UNCDX	UDL64	29.73	395.44	234.19	62.76	65.83			18.94	18.94		
		Additional 4-Wire 64Kbps Digital Grade Loop in same DS1 Interoffice Transport Combination - Zone 3		3	UNCDX	UDL64	47.73	395.44	234.19	62.76	65.83			18.94	18.94		
		OCU-DP COCI (data) - DS1 to DS0 Channel System combination - per month (2.4-64kbs)			UNCDX	1D1DD	1.86	12.02	8.66								
		Nonrecurring Currently Combined Network Elements Switch -As-Is Charg			UNC1X	UNCCC		12.97	11.27	12.61	12.61			18.94	18.94		
		4-WIRE DS1 DIGITAL EXTENDED LOOP WITH DEDICATED DS1 INTEROFFICE TRANSPORT (EEL)															
		4-Wire DS1 Digital Loop in Combination with DS1 Interoffice Transport - Zone 1		1	UNC1X	USLXX	25.75	467.17	197.76	96.87	32.58			18.94	18.94		
		4-Wire DS1 Digital Loop in Combination with DS1 Interoffice Transport - Zone 2		2	UNC1X	USLXX	29.74	467.17	197.76	96.87	32.58			18.94	18.94		
		4-Wire DS1 Digital Loop in Combination with DS1 Interoffice Transport - Zone 3		3	UNC1X	USLXX	47.27	467.17	197.76	96.87	32.58			18.94	18.94		
		Interoffice Transport - Dedicated - DS1 combination - Per Mile Per Mont			UNC1X	1L5XX	0.4523										
		Interoffice Transport - Dedicated - DS1 combination - Facility Termination Per Mon			UNC1X	U1TF1	80.89	170.66	82.42	35.38	13.58			18.94	18.94		
		Nonrecurring Currently Combined Network Elements Switch -As-Is Charg			UNC1X	UNCCC		12.97	11.27	12.61	12.61			18.94	18.94		
		4-WIRE DS1 DIGITAL EXTENDED LOOP WITH DEDICATED DS3 INTEROFFICE TRANSPORT (EEL)															
		First DS1Loop in DS3 Interoffice Transport Combination - Zone 1		1	UNC1X	USLXX	42.05	467.14	197.78	96.87	32.58			18.94	18.94		
		First DS1Loop in DS3 Interoffice Transport Combination - Zone 2		2	UNC1X	USLXX	50.16	467.14	197.78	96.87	32.58			18.94	18.94		
		First DS1Loop in DS3 Interoffice Transport Combination - Zone 3		3	UNC1X	USLXX	85.83	467.14	197.78	96.87	32.58			18.94	18.94		
		Interoffice Transport - Dedicated - DS3 combination - Per Mile Per Mont			UNC3X	1L5XX	2.72										
		Interoffice Transport - Dedicated - DS3 - Facility Termination per mont			UNC3X	U1TF3	788	182.68	115.53	0	14.32			18.94	18.94		
		DS3 to DS1 Channel System combination per mont			UNC3X	MQ3	151.21	95.04	65.94	0	7.21						
		DS3 Interface Unit (DS1 COCI) combination per month			UNC1X	UC1D1	11.02	12.02	8.66								
		Additional DS1Loop in DS3 Interoffice Transport Combination - Zone 1		1	UNC1X	USLXX	42.05	467.14	197.78	96.87	32.58			18.94	18.94		
		Additional DS1Loop in DS3 Interoffice Transport Combination - Zone 2		2	UNC1X	USLXX	50.16	467.14	197.78	96.87	32.58			18.94	18.94		
		Additional DS1Loop in DS3 Interoffice Transport Combination - Zone 3		3	UNC1X	USLXX	85.83	467.14	197.78	96.87	32.58			18.94	18.94		
		DS3 Interface Unit (DS1 COCI) combination per month			UNC1X	UC1D1	11.02	12.02	8.66								
		Nonrecurring Currently Combined Network Elements Switch -As-Is Charg			UNC3X	UNCCC		12.97	11.27	12.61	12.61			18.94	18.94		
		2-WIRE VOICE GRADE EXTENDED LOOP/ 2 WIRE VOICE GRADE INTEROFFICE TRANSPORT (EEL)															
		2-WireVG Loop used with 2-wire VG Interoffice Transport Combination - Zone 1		1	UNCVX	UEAL2	16.84	104.17	78.1	36.43	36.43			18.94	18.94		
		2-WireVG Loop used with 2-wire VG Interoffice Transport Combination - Zone 2		2	UNCVX	UEAL2	19.45	104.17	78.1	36.43	36.43			18.94	18.94		

UNBUNDLED NETWORK ELEMENTS
GA

CATEGORY	NOTES	UNBUNDLED NETWORK ELEMENT	Interim	Zone	BCS	USOC	RATES (\$)					OSS RATES (\$)						
							Nonrecurring		Nonrecurring			Svc Order Submitted Elec per LSR	Svc Order Submitted Manually per LSR	Incremental Charge - Manual Svc Order vs. Electronic-1st	Incremental Charge - Manual Svc Order vs. Electronic-Add'l	Incremental Charge - Manual Svc Order vs. Electronic-Disc 1st	Incremental Charge - Manual Svc Order vs. Electronic-Disc Add'l	
							Rec	First	Add'l	First	Add'l							Disconnect
							First	Add'l	First	Add'l	SOMEK	SOMAN	SOMAN	SOMAN	SOMAN	SOMAN		
		2-WireVG Loop used with 2-wire VG Interoffice Transport Combination - Zone		3	UNCVX	UEAL2	30.92	104.17	78.1	36.43	36.43						18.94	18.94
		Interoffice Transport - Dedicated - 2-wire VG combination - Per Mile Per Mont			UNCVX	1L5XX	0.0222											
		Interoffice Transport - Dedicated - 2- Wire Voice Grade combination - Facility Termination per month			UNCVX	U1TV2	17.07	79.61	36.08								55.4	27.36
		Nonrecurring Currently Combined Network Elements Switch -As-Is Charg			UNCVX	UNCCC		12.97	11.27	12.61	12.61						18.94	18.94
		4-WIRE VOICE GRADE EXTENDED LOOP/ 4 WIRE VOICE GRADE INTEROFFICE TRANSPORT (EEL)																
		4-WireVG Loop used with 4-wire VG Interoffice Transport Combination - Zone		1	UNCVX	UEAL4	22.26	247.63	206.79	44.42	59.41						18.94	18.94
		4-WireVG Loop used with 4-wire VG Interoffice Transport Combination - Zone		2	UNCVX	UEAL4	25.7	247.63	206.79	44.42	59.41						18.94	18.94
		4-WireVG Loop used with 4-wire VG Interoffice Transport Combination - Zone		3	UNCVX	UEAL4	40.86	247.63	206.79	44.42	59.41						18.94	18.94
		Interoffice Transport - Dedicated - 4-wire VG combination - Per Mile Per Mont			UNCVX	1L5XX	0.0222											
		Interoffice Transport - Dedicated - 4- Wire Voice Grade combination - Facility Termination per month			UNCVX	U1TV4	17.07	79.61	36.08								18.94	18.94
		Nonrecurring Currently Combined Network Elements Switch -As-Is Charg			UNCVX	UNCCC		12.97	11.27	12.61	12.61						18.94	18.94
		DS3 DIGITAL EXTENDED LOOP WITH DEDICATED DS3 INTEROFFICE TRANSPORT (EEL)																
		High Capacity Unbundled Local Loop - DS3 combination - Per Mile per mon			UNC3X	1L5ND	8.9											
		High Capacity Unbundled Local Loop - DS3 combination - Facility Termination per month			UNC3X	UE3PX	390.34	639.5	426.4	122.31	119.14							
		Interoffice Transport - Dedicated - DS3 - Per Mile per month			UNC3X	1L5XX	2.72											
		Interoffice Transport - Dedicated - DS3 combination - Facility Termination per per month			UNC3X	U1TF3	788	182.68	115.53	0	14.32						18.94	18.94
		Nonrecurring Currently Combined Network Elements Switch -As-Is Charg			UNC3X	UNCCC		12.97	11.27	12.61	12.61						18.94	18.94
		STS1 DIGITAL EXTENDED LOOP WITH DEDICATED STS1 INTEROFFICE TRANSPORT (EEL)																
		High Capacity Unbundled Local Loop - STS1 combination - Per Mile per mon			UNC3X	1L5ND	8.9											
		High Capacity Unbundled Local Loop - STS1 combination - Facility Termination per month			UNC3X	UDLS1	421.59	639.5	426.4	122.31	119.14							
		Interoffice Transport - Dedicated - STS1 combination - Per Mile per mont			UNC3X	1L5XX	2.72											
		Interoffice Transport - Dedicated - STS1 combination - Facility Termination per mon			UNC3X	U1TFS	783.63	182.68	115.53	0	14.32						18.94	18.94
		Nonrecurring Currently Combined Network Elements Switch -As-Is Charg			UNC3X	UNCCC		12.97	11.27	12.61	12.61						18.94	18.94
		2-WIRE ISDN EXTENDED LOOP WITH DS1 INTEROFFICE TRANSPORT (EEL)																
		First 2-Wire ISDN Loop in a DS1 Interoffice Combination Transport - Zone		1	UNCNX	U1L2X	21.89	233.38	180.38								18.94	8.42
		First 2-Wire ISDN Loop in a DS1 Interoffice Combination Transport - Zone		2	UNCNX	U1L2X	25.27	233.38	180.38								18.94	18.94
		First 2-Wire ISDN Loop in a DS1 Interoffice Combination Transport - Zone		3	UNCNX	U1L2X	40.17	233.38	180.38								18.94	18.94
		Interoffice Transport - Dedicated - DS1 combination - Per Mil			UNC1X	1L5XX	0.4523											
		Interoffice Transport - Dedicated - DS1 combination - Facility Termination per mon			UNC1X	U1TF1	80.89	170.66	82.42	35.38	13.58						18.94	18.94
		Channelization - Channel System DS1 to DS0 combination - per mon			UNC1X	MQ1	0	23.97	59.09	43.65	5.22							
		2-wire ISDN COCI (BRITE) - DS1 to DS0 Channel System combination - per mont			UNCNX	UC1CA	3.37	12.02	8.66									
		Additional 2-wire ISDN Loop in same DS1Interoffice Transport Combination - Zone		1	UNCNX	U1L2X	21.89	233.38	180.38								18.94	18.94
		Additional 2-wire ISDN Loop in same DS1Interoffice Transport Combination - Zone		2	UNCNX	U1L2X	25.27	233.38	180.38								18.94	18.94
		Additional 2-wire ISDN Loop in same DS1Interoffice Transport Combination - Zone		3	UNCNX	U1L2X	40.17	233.38	180.38								18.94	18.94
		2-wire ISDN COCI (BRITE) - DS1 to DS0 Channel System combintaion- per mont			UNCNX	UC1CA	3.37	12.02	8.66									
		Nonrecurring Currently Combined Network Elements Switch -As-Is Charg			UNC1X	UNCCC		12.97	11.27	12.61	12.61						18.94	18.94
		4-WIRE DS1 DIGITAL EXTENDED LOOP WITH DEDICATED STS-1 INTEROFFICE TRANSPORT (EEL)																
		First DS1 Loop in STS1 Interoffice Transport Combination - Zone		1	UNC1X	USLXX	55.53	467.17	197.76	96.87	32.58						18.94	18.94
		First DS1 Loop in STS1 Interoffice Transport Combination - Zone		2	UNC1X	USLXX	64.13	467.17	197.76	96.87	32.58						18.94	18.94
		First DS1 Loop in STS1 Interoffice Transport Combination - Zone		3	UNC1X	USLXX	101.93	467.17	197.76	96.87	32.58						18.94	18.94
		Interoffice Transport - Dedicated - STS1 combination - Per Mile Per Mont			UNC3X	1L5XX	2.72											

UNBUNDLED NETWORK ELEMENTS
GA

CATEGORY	NOTES	UNBUNDLED NETWORK ELEMENT	Interim	Zone	BCS	USOC	RATES (\$)				OSS RATES (\$)									
							Rec	First	Add'l	Disconnect	SOMEc	SOMAN	SOMAN	SOMAN	SOMAN	SOMAN	SOMAN			
		Interoffice Transport - Dedicated - STS1 combination - Facility Terminatic			UNCSX	U1TFS	783.63	182.68	115.53	0	14.32									
		STS1 to DS1 Channel System combination per mont			UNCSX	MO3	182.04	95.04	65.94	0	7.21									
		DS3 Interface Unit (DS1 COC) combination per month			UNC1X	UC1D1	11.02	12.02	8.66											
		Additional DS1Loop in STS1 Interoffice Transport Combination - Zone	1		UNC1X	USLXX	55.53	467.17	197.76	96.87	32.58			18.94	18.94					
		Additional DS1Loop in STS1 Interoffice Transport Combination - Zone	2		UNC1X	USLXX	64.13	467.17	197.76	96.87	32.58			18.94	18.94					
		Additional DS1Loop in STS1 Interoffice Transport Combination - Zone	3		UNC1X	USLXX	101.93	467.17	197.76	96.87	32.58			18.94	18.94					
		DS3 Interface Unit (DS1 COC) combination per month			UNC1X	UC1D1	11.02	12.02	8.66											
		Nonrecurring Currently Combined Network Elements Switch -As-Is Charq			UNCSX	UNCCC		12.97	11.27	12.61	12.61			18.94	18.94					
		4-WIRE 56 KBPS DIGITAL EXTENDED LOOP WITH 56 KBPS INTEROFFICE TRANSPORT (EEL)																		
		4-wire 56 kbps Loop/4-wire 56 kbps Interoffice Transport Combination - Zone	1		UNCDX	UDL56	25.75	395.44	234.19					18.94	18.94					
		4-wire 56 kbps Loop/4-wire 56 kbps Interoffice Transport Combination - Zone	2		UNCDX	UDL56	29.74	395.44	234.19					18.94	18.94					
		4-wire 56 kbps Loop/4-wire 56 kbps Interoffice Transport Combination - Zone	3		UNCDX	UDL56	47.27	395.44	234.19					18.94	18.94					
		Interoffice Transport - Dedicated - 4-wire 56 kbps combination - Per Mil			UNCDX	1L5XX	0.0222													
		Interoffice Transport - Dedicated - 4-wire 56 kbps combination - Facility Terminatic			UNCDX	U1TD5	16.45	147.07	111.75					18.94	18.94					
		Nonrecurring Currently Combined Network Elements Switch -As-Is Charq			UNCDX	UNCCC		12.97	11.27	12.61	12.61			18.94	18.94					
		4-WIRE 64 KBPS DIGITAL EXTENDED LOOP WITH 64 KBPS INTEROFFICE TRANSPORT (EEL)																		
		4-wire 64 kbps Loop/4-wire 64 kbps Interoffice Transport Combination - Zone	1		UNCDX	UDL64	25.75	395.44	234.19					18.94	18.94					
		4-wire 64 kbps Loop/4-wire 64 kbps Interoffice Transport Combination - Zone	2		UNCDX	UDL64	29.74	395.44	234.19					18.94	18.94					
		4-wire 64 kbps Loop/4-wire 64 kbps Interoffice Transport Combination - Zone	3		UNCDX	UDL64	47.27	395.44	234.19					18.94	18.94					
		Interoffice Transport - Dedicated - 4-wire 64 kbps combination - Per Mil			UNCDX	1L5XX	0.0222													
		Interoffice Transport - Dedicated - 4-wire 64 kbps combination - Facility Terminatic			UNCDX	U1TD6	16.45	147.07	111.75					18.94	18.94					
		Nonrecurring Currently Combined Network Elements Switch -As-Is Charq			UNCDX	UNCCC		12.97	11.27	11.27	12.61			18.94	18.94					
		ADDITIONAL NETWORK ELEMENTS																		
		When used as a part of a currently combined facility, the non-recurring charges do not apply, but a Switch As Is charge does apply.																		
		When used as ordinarly combined network elements in Georgia, the non-recurring charges apply and the Switch As Is Charge does not.																		
		Node (SynchroNet)																		
		Node per month			UNCDX	UNCNT	13.98													
		Nonrecurring Currently Combined Network Elements "Switch As Is" Charge (One applies to each combination)																		
		2/4-Wire VG Interoffice Channel used in a COMBINATION - "Switch As Is" Conversion Charge			UNCVX	UNCCC		12.97	11.27	12.61	12.61			18.94	18.94					
		56/64 kbps Interoffice Channel used in a COMBINATION - "Switch As Is" Conversion Charge			UNCDX	UNCCC		12.97	11.27	12.61	12.61			18.94	18.94					
		DS1 Interoffice Channel used in a COMBINATION - "Switch As Is" Conversion Charge			UNC1X	UNCCC		12.97	11.27	12.61	12.61			18.94	18.94					
		DS3 Interoffice Channel used in a COMBINATION - "Switch As Is" Conversion Charge			UNC3X	UNCCC		12.97	11.27	12.61	12.61			18.94	18.94					
		STS1 Interoffice or Local Loop used in a COMBINATION - "Switch As Is" Conversion Charge			UNCSX	UNCCC		12.97	11.27	12.61	12.61			18.94	18.94					
		NOTE: Local Channel - Dedicated Transport - minimum billing period - Below DS3=one month, DS3 and above=four months																		
		Local Channel - Dedicated - 2-Wire Voice Grade per mont			UNCXV	ULDV2	13.91	272.07	60.43					18.94	18.94					
		Local Channel - Dedicated - 4-Wire Voice Grade per mont			UNCXV	ULDV4	14.99	272.07	60.43					18.94	18.94					
		Local Channel - Dedicated - DS1 Per Montl			UNC1X	ULDF1	38.36	164.99	113.76											
		OPERATIONAL SUPPORT SYSTEMS																		

UNBUNDLED NETWORK ELEMENTS
GA

CATEGORY	NOTES	UNBUNDLED NETWORK ELEMENT	Interim	Zone	BCS	USOC	RATES (\$)						OSS RATES (\$)																	
							Nonrecurring			Nonrecurring			Svc Order Submitted Elec per LSR	Svc Order Submitted Manually per LSR	Incremental Charge - Manual Svc Order vs. Electronic-1st	Incremental Charge - Manual Svc Order vs. Electronic-Add'l	Incremental Charge - Manual Svc Order vs. Electronic-Disc 1st	Incremental Charge - Manual Svc Order vs. Electronic-Disc Add'l												
							Rec	First	Add'l	First	Add'l	Disconnect																		
													SOMEK	SOMAN	SOMAN	SOMAN	SOMAN	SOMAN												
		NOTE: (1) Electronic Service Order: CLEC-1 should contact its contract negotiator if it prefers the state specific electronic service ordering charges as ordered by the State Commissions																												
		NOTE: (1) Continued: The electronic service ordering charge currently contained in this rate exhibit is the BellSouth regional electronic service ordering charge																												
		NOTE: (1) Concluded: CLEC-1 may elect either the state specific Commission ordered rates for the electronic service ordering charges, or CLEC-1 may elect the regional electronic service ordering charge.																												
		NOTE: (2) Manual Service Order charge: disconnect, in the state of Florida, to be billed on a per LSR basis																												
		Electronic OSS Charge, per LSR, submitted via BST's OSS interactive interfaces (Regional)														SOMEK														
UNBUNDLED LOCAL EXCHANGE SWITCHING (PORTS)																														
		Exchange Ports																												
		NOTE: Although the Port Rate includes all available features in GA & TN, the desired features will need to be ordered using retail USOCs																												
		2-WIRE VOICE GRADE LINE PORT RATES (RES)																												
		Exchange Ports - 2-Wire Analog Line Port- Res																												
		Exchange Ports - 2-Wire Analog Line Port with Caller ID - Res																												
		Exchange Ports - 2-Wire Analog Line Port outgoing only - Res																												
		Exchange Ports - 2-Wire VG unbundled res, low usage line port with Caller ID (LUI																												
		Subsequent Activity																												
		FEATURES																												
		All Available Vertical Feature:																												
		2-WIRE VOICE GRADE LINE PORT RATES (BUS)																												
		Exchange Ports - 2-Wire Analog Line Port without Caller ID - Bu																												
		Exchange Ports - 2-Wire VG unbundled Line Port with unbundled port with Caller+E484 ID - Bus																												
		Exchange Ports - 2-Wire Analog Line Port outgoing only - Bu																												
		Exchange Ports - 2-Wire VG unbundled incoming only port with Caller ID - B																												
		Subsequent Activity																												
		FEATURES																												
		All Available Vertical Feature:																												
		EXCHANGE PORT RATES (DID & PBX)																												
		Exchange Ports - 2-Wire DID Port																												
		Exchange Ports - DDITS Port - 4-Wire DS1 Port with DID capabilit																												

UNBUNDLED NETWORK ELEMENTS
GA

CATEGORY	NOTES	UNBUNDLED NETWORK ELEMENT	Interim	Zone	BCS	USOC	RATES (\$)						OSS RATES (\$)					
							Nonrecurring			Nonrecurring			Svc Order Submitted Elec per LSR	Svc Order Submitted Manually per LSR	Incremental Charge - Manual Svc Order vs. Electronic-1st	Incremental Charge - Manual Svc Order vs. Electronic-Add'l	Incremental Charge - Manual Svc Order vs. Electronic-Disc 1st	Incremental Charge - Manual Svc Order vs. Electronic-Disc Add'l
							Rec	First	Add'l	First	Add'l	Disconnect						
							Disconnect		SOMEC	SOMAN	SOMAN	SOMAN	SOMAN	SOMAN				
		Exchange Ports - 2-Wire ISDN Port (See Notes below.			UEPTX UEPSX	U1PMA	13.47	47.37	47.37					39.98	39.98			
		All Features Offerec			UEPTX UEPSX	UEPVF	0	0	0									
<p>NOTE: Transmission/usage charges associated with POTS circuit switched usage will also apply to circuit switched voice and/or circuit switched data transmission by B-Channels associated with 2-wire ISDN ports.</p>																		
<p>NOTE: Access to B Channel or D Channel Packet capabilities will be available only through BFR/New Business Request Process. Rates for the packet capabilities will be determined via the Bona Fide Request/New Business Request Process.</p>																		
		Exchange Ports - 2-Wire ISDN Port -- Channel Profiles			UEPTX UEPSX	U1UMA	0	0	0									
		Exchange Ports - 4-Wire ISDN DS1 Por			UEPEX	UEPEX	163.16	186.8	186.8					37.88	37.88			
		2-Wire VG Unbundled 2-Way PBX Trunk - Re:			UEPSE	UEPRD	1.85	17.16	17.16					18.94	8.42			
		2-Wire VG Line Side Unbundled 2-Way PBX Trunk - Bu			UEPSP	UEPPC	1.85	17.16	17.16					18.94	8.42			
		2-Wire VG Line Side Unbundled Outward PBX Trunk - Bu			UEPSP	UEPPO	1.85	17.16	17.16					18.94	8.42			
		2-Wire VG Line Side Unbundled Incoming PBX Trunk - Bu			UEPSP	UEPP1	1.85	17.16	17.16					18.94	8.42			
		2-Wire Analog Long Distance Terminal PBX Trunk - Bu			UEPSP	UEPLD	1.85	17.16	17.16					18.94	8.42			
		2-Wire Voice Unbundled PBX LD Terminal Port			UEPSP	UEPLD	1.85	17.16	17.16					18.94	8.42			
		2-Wire Vice Unbundled 2-Way PBX Usage Por			UEPSP	UEPXA	1.85	17.16	17.16					18.94	8.42			
		2-Wire Voice Unbundled PBX Toll Terminal Hotel Port			UEPSP	UEPXB	1.85	17.16	17.16					18.94	8.42			
		2-Wire Voice Unbundled PBX LD DDD Terminals Po			UEPSP	UEPXC	1.85	17.16	17.16					18.94	8.42			
		2-Wire Voice Unbundled PBX LD Terminal Switchboard Po			UEPSP	UEPXD	1.85	17.16	17.16					18.94	8.42			
		2-Wire Voice Unbundled PBX LD Terminal Switchboard IDD Capable Po			UEPSP	UEPXE	1.85	17.16	17.16					18.94	8.42			
		2-Wire Voice Unbundled 2-Way PBX Hotel/Hospital Economy Administrative Calling Port			UEPSP	UEPXL	1.85	17.16	17.16					18.94	8.42			

UNBUNDLED NETWORK ELEMENTS
GA

CATEGORY	NOTES	UNBUNDLED NETWORK ELEMENT	Interim	Zone	BCS	USOC	RATES (\$)					OSS RATES (\$)								
							Rec	First	Add'l	First	Add'l	SOMEK	SOMAN	SOMAN	SOMAN	SOMAN	SOMAN			
							Nonrecurring		Nonrecurring											
							Disconnect		Disconnect											
							Rec	First	Add'l	First	Add'l	SOMEK	SOMAN	SOMAN	SOMAN	SOMAN	SOMAN	SOMAN		
		2-Wire Voice Unbundled 2-Way PBX Hotel/Hospital Economy Room Calling Po			UEPSP	UEPXM	1.85	17.16	17.16					18.94	8.42					
		2-Wire Voice Unbundled 1-Way Outgoing PBX Hotel/Hospital Discount Room Calling Port			UEPSP	UEPXO	1.85	17.16	17.16					18.94	8.42					
		2-Wire Voice Unbundled 1-Way Outgoing PBX Measured Po			UEPSP	UEPXS	1.85	17.16	17.16					18.94	8.42					
		Subsequent Activiti			UEPSP	USASC	0	0	0											
	FEATURES																			
		All Available Vertical Feature:			UEPSE	UEPVF	0	0	0					18.94	8.42					
		EXCHANGE PORT RATES (COIN)																		
		Exchange Ports - Coin Por					2.05	17.16	17.16					18.94	8.42					
		NOTE: Transmission/usage charges associated with POTS circuit switched usage will also apply to circuit switched voice and/or circuit switched data transmission by B-Channels associated with 2-wire ISDN ports.																		
		NOTE: Access to B Channel or D Channel Packet capabilities will be available only through BFR/New Business Request Process. Rates for the packet capabilities will be determined via the Bona Fide Request/New Business Request Process.																		
		UNBUNDLED LOCAL SWITCHING, PORT USAGE																		
		End Office Switching (Port Usage)																		
		End Office Switching Function, Per MOL					0.0016333													
		End Office Trunk Port - Shared, Per MOL					0.0001564													
		Tandem Switching (Port Usage) (Local or Access Tandem)																		
		Tandem Switching Function Per MOL					0.0006757													
		Tandem Trunk Port - Shared, Per MOL					0.0002126													
		Common Transport																		
		Common Transport - Per Mile, Per MOU					0.000008													
		Common Transport - Facilities Termination Per MOL					0.0004152													
		UNBUNDLED PORT/LOOP COMBINATIONS - COST BASED RATES																		
		Cost Based Rates are applied where BellSouth is required by FCC and/or State Commission rule to provide Unbundled Local Switching or Switch Ports.																		
		Features shall apply to the Unbundled Port/Loop Combination - Cost Based Rate section in the same manner as they are applied to the Stand-Alone Unbundled Port section of this Rate Exhibit.																		
		End Office and Tandem Switching Usage and Common Transport Usage rates in the Port section of this rate exhibit shall apply to all combinations of loop/port network elements except for UNE Coin Port/Loop Combinations.																		
		For Georgia, the recurring UNE Port and Loop charges listed apply to Currently Combined and Not Currently Combined Combos and the first and additional Port nonrecurring charges apply to Not Currently Combined Combos. For Currently Combined Combos in GA and all other states, the nonrecurring charges shall be those identified in the Nonrecurring - Currently Combined sections.																		
		2-WIRE VOICE GRADE LOOP WITH 2-WIRE LINE PORT (RES)																		
		UNE Port/Loop Combination Rates																		
		2-Wire VG Loop/Port Combo - Zone 1		1			12.59													
		2-Wire VG Loop/Port Combo - Zone 2		2			14.26													
		2-Wire VG Loop/Port Combo - Zone 3		3			21.62													
		UNE Loop Rates																		
		2-Wire Voice Grade Loop (SL1) - Zone 1		1	UEPRX	UEPLX	10.8													

UNBUNDLED NETWORK ELEMENTS
GA

CATEGORY	NOTES	UNBUNDLED NETWORK ELEMENT	Interim	Zone	BCS	USOC	RATES (\$)					OSS RATES (\$)							
							Nonrecurring		Nonrecurring			SOMEC	SOMAN	SOMAN	SOMAN	SOMAN	SOMAN		
							Rec	First	Add'l	First	Add'l								
		2-Wire Voice Grade Loop (SL1) - Zone 1		2	UEPRX	UEPLX	12.47												
		2-Wire Voice Grade Loop (SL1) - Zone 2		3	UEPRX	UEPLX	19.83												
		2-Wire Voice Grade Line Port Rates (Res)																	
		2-Wire voice unbundled port - residency			UEPRX	UEPRL	1.79	22.14	15.25	8.45	3.91				33.67	7.88			
		2-Wire voice unbundled port with Caller ID - re			UEPRX	UEPRC	1.79	22.14	15.25	8.45	3.91				37.06	7.88			
		2-Wire voice unbundled port outgoing only - re			UEPRX	UEPRO	1.79	22.14	15.25	8.45	3.91				33.67	7.88			
		2-Wire voice unbundles res, low usage line port with Caller ID (LUK)			UEPRX	UEPAP	1.79	22.14	15.25	8.45	3.91				33.67	7.88			
		FEATURES																	
		All Features Offrec			UEPRX	UEPVF	0	0	0						33.67	7.88			
		LOCAL NUMBER PORTABILITY																	
		Local Number Portability (1 per port)			UEPRX	LNPCX	0.35												
		NONRECURRING CHARGES (NRCs) - CURRENTLY COMBINED																	
		2-Wire Voice Grade Loop / Line Port Combination - Conversion - Switch-as-			UEPRX	USAC2		2.01	0.3108						33.67	7.88			
		2-Wire Voice Grade Loop / Line Port Combination - Conversion - Switch with chang			UEPRX	USACC		2.01	0.3108						33.67	7.88			
		ADDITIONAL NRCs																	
		2-Wire Voice Grade Loop/Line Port Combination - Subsequent Activi			UEPRX	USAS2	0	0	0										
		2-WIRE VOICE GRADE LOOP WITH 2-WIRE LINE PORT (BUS)																	
		UNE Port/Loop Combination Rates																	
		2-Wire VG Loop/Port Combo - Zone 1		1			12.59												
		2-Wire VG Loop/Port Combo - Zone 2		2			14.26												
		2-Wire VG Loop/Port Combo - Zone 3		3			21.62												
		UNE Loop Rates																	
		2-Wire Voice Grade Loop (SL1) - Zone 1		1	UEPBX	UEPLX	10.8												
		2-Wire Voice Grade Loop (SL1) - Zone 2		2	UEPBX	UEPLX	12.47												
		2-Wire Voice Grade Loop (SL1) - Zone 3		3	UEPBX	UEPLX	19.83												
		2-Wire Voice Grade Line Port (Bus)																	
		2-Wire voice unbundled port without Caller ID - bu			UEPBX	UEPBL	1.79	22.14	15.25	8.45	3.91				33.67	7.88			
		2-Wire voice unbundled port with Caller + E484 ID - bu			UEPBX	UEPBC	1.79	22.14	15.25	8.45	3.91				33.67	7.88	11.17	3.91	
		2-Wire voice unbundled port outgoing only - bu			UEPBX	UEPBO	1.79	22.14	15.25	8.45	3.91				33.67	7.88			
		2-Wire voice unbundled incoming only port with Caller ID - Bu			UEPBX	UEPB1	1.79	22.14	15.25	8.45	3.91				33.67	7.88			
		LOCAL NUMBER PORTABILITY																	
		Local Number Portability (1 per port)			UEPBX	LNPCX	0.35												
		FEATURES																	
		All Features Offrec			UEPBX	UEPVF	0	0	0						33.67	7.88			
		NONRECURRING CHARGES (NRCs) - CURRENTLY COMBINED																	
		2-Wire Voice Grade Loop / Line Port Combination - Conversion - Switch-as-			UEPBX	USAC2		2.01	0.3108						33.67	7.88			
		2-Wire Voice Grade Loop / Line Port Combination - Conversion - Switch with chang			UEPBX	USACC		2.01	0.3108										
		ADDITIONAL NRCs																	
		2-Wire Voice Grade Loop/Line Port Combination - Subsequent Activi			UEPBX	USAS2									33.67	7.88			

UNBUNDLED NETWORK ELEMENTS
GA

CATEGORY	NOTES	UNBUNDLED NETWORK ELEMENT	Interim	Zone	BCS	USOC	RATES (\$)					OSS RATES (\$)						
							Rec	First	Add'l	First	Add'l	SOMEc	SOMAN	SOMAN	SOMAN	SOMAN	SOMAN	
							Nonrecurring		Nonrecurring									
							Disconnect		Disconnect									
		2-WIRE VOICE GRADE LOOP WITH 2-WIRE LINE PORT (RES - PBX)																
		UNE Port/Loop Combination Rates																
		2-Wire VG Loop/Port Combo - Zone 1		1				12.59										
		2-Wire VG Loop/Port Combo - Zone 2		2				14.26										
		2-Wire VG Loop/Port Combo - Zone 3		3				21.62										
		UNE Loop Rates																
		2-Wire Voice Grade Loop (SL 1) - Zone 1		1	UEPRG	UEPLX		10.8										
		2-Wire Voice Grade Loop (SL 1) - Zone 2		2	UEPRG	UEPLX		12.47										
		2-Wire Voice Grade Loop (SL 1) - Zone 3		3	UEPRG	UEPLX		19.83										
		2-Wire Voice Grade Line Port Rates (RES - PBX)																
		2-Wire VG Unbundled Combination 2-Way PBX Trunk Port - Re			UEPRG	UEPRD		1.79	22.14	15.25	8.45	3.91			33.67	7.88		
		LOCAL NUMBER PORTABILITY																
		Local Number Portability (1 per port)			UEPRG	LNPCP		3.5										
		FEATURES																
		All Features Offerec			UEPRG	UEPVF		0	0	0					33.67	7.88		
		NONRECURRING CHARGES (NRCs) - CURRENTLY COMBINED																
		2-Wire Voice Grade Loop/ Line Port Combination (PBX) - Conversion - Switch-As-			UEPRG	USAC2		2.01	0.3108						33.67	7.88		
		2-Wire Voice Grade Loop/ Line Port Combination (PBX) - Conversion - Switch with Change			UEPRG	USACC		2.01	0.3108						33.67	7.88		
		ADDITIONAL NRCs																
		2-Wire Voice Grade Loop/ Line Port Combination (PBX) - Subsequent Activi			UEPRG	USAS2		0	0	0								
		PBX Subsequent Activity - Change/Rearrange Multiline Hunt Gro							14.64	14.64					19.99	19.99	19.99	19.99
		2-WIRE VOICE GRADE LOOP WITH 2-WIRE LINE PORT (BUS - PBX)																
		UNE Port/Loop Combination Rates																
		2-Wire VG Loop/Port Combo - Zone 1		1				12.59										
		2-Wire VG Loop/Port Combo - Zone 2		2				14.26										
		2-Wire VG Loop/Port Combo - Zone 3		3				21.62										
		UNE Loop Rates																
		2-Wire Voice Grade Loop (SL 1) - Zone 1		1	UEPPX	UEPLX		10.8										
		2-Wire Voice Grade Loop (SL 1) - Zone 2		2	UEPPX	UEPLX		12.47										
		2-Wire Voice Grade Loop (SL 1) - Zone 3		3	UEPPX	UEPLX		19.83										
		2-Wire Voice Grade Line Port Rates (BUS - PBX)																
		Line Side Unbundled Combination 2-Way PBX Trunk Port - Bu			UEPPX	UEPPC		1.79	22.14	15.25	8.45	3.91			33.67	7.88		
		Line Side Unbundled Outward PBX Trunk Port - Bu			UEPPX	UEPPO		1.79	22.14	15.25	8.45	3.91			33.67	7.88		
		Line Side Unbundled Incoming PBX Trunk Port - Bu			UEPPX	UEPP1		1.79	22.14	15.25	8.45	3.91			33.67	7.88		
		2-Wire Voice Unbundled PBX LD Terminal Port			UEPPX	UEPLD		1.79	22.14	15.25	8.45	3.91			33.67	7.88		
		2-Wire Voice Unbundled 2-Way Combination PBX Usage Poi			UEPPX	UEPXA		1.79	22.14	15.25	8.45	3.91			37.06	7.88		
		2-Wire Voice Unbundled PBX Toll Terminal Hotel Port			UEPPX	UEPXB		1.79	22.14	15.25	8.45	3.91			33.67	7.88		
		2-Wire Voice Unbundled PBX LD DDD Terminals Poi			UEPPX	UEPXC		1.79	22.14	15.25	8.45	3.91			33.67	7.88		

UNBUNDLED NETWORK ELEMENTS
GA

CATEGORY	NOTES	UNBUNDLED NETWORK ELEMENT	Interim	Zone	BCS	USOC	RATES (\$)					OSS RATES (\$)							
							Nonrecurring		Nonrecurring			SOMEC	SOMAN	SOMAN	SOMAN	SOMAN	SOMAN		
							Rec	First	Add'l	First	Add'l								
		2-Wire Voice Unbundled PBX LD Terminal Switchboard Po			UEPPX	UEPXD	1.79	22.14	15.25	8.45	3.91					33.67	7.88		
		2-Wire Voice Unbundled PBX LD Terminal Switchboard IDD Capable Po			UEPPX	UEPXE	1.79	22.14	15.25	8.45	3.91					33.67	7.88		
		2-Wire Voice Unbundled 2-Way PBX Hotel/Hospital Economy Administrative Calling Port			UEPPX	UEPXL	1.79	22.14	15.25	8.45	3.91					33.67	7.88		
		2-Wire Voice Unbundled 2-Way PBX Hotel/Hospital Economy Room Calling Po			UEPPX	UEPXM	1.79	22.14	15.25	8.45	3.91					33.67	7.88		
		2-Wire Voice Unbundled 1-Way Outgoing PBX Hotel/Hospital Discount Room Calling Port			UEPPX	UEPXO	1.79	22.14	15.25	8.45	3.91					33.67	7.88		
		2-Wire Voice Unbundled 1-Way Outgoing PBX Measured Po			UEPPX	UEPXS	1.79	22.14	15.25	8.45	3.91					33.67	7.88		
		LOCAL NUMBER PORTABILITY																	
		Local Number Portability (1 per port)			UEPPX	LNPCP	3.15												
		FEATURES																	
		All Features Offerec			UEPPX	UEPVF	0	0	0							33.67	7.88		
		NONRECURRING CHARGES (NRCs) - CURRENTLY COMBINED																	
		2-Wire Voice Grade Loop/ Line Port Combination (PBX) - Conversion - Switch-As-			UEPPX	USAC2		2.01	0.3108							33.67	7.88		
		2-Wire Voice Grade Loop/ Line Port Combination (PBX) - Conversion - Switch with Change			UEPPX	USACC		2.01	0.3108							33.67	7.88		
		ADDITIONAL NRCs																	
		2-Wire Voice Grade Loop/ Line Port Combination (PBX) - Subsequent Activi			UEPPX	USAS2	0	0	0										
		PBX Subsequent Activity - Change/Rearrange Multiline Hunt Gro						14.64	14.64							19.99	19.99	19.99	19.99
		2-WIRE VOICE GRADE LOOP WITH 2-WIRE ANALOG LINE COIN PORT																	
		UNE Port/Loop Combination Rates																	
		2-Wire VG Coin Port/Loop Combo – Zone 1						12.69											
		2-Wire VG Coin Port/Loop Combo – Zone 2						14.36											
		2-Wire VG Coin Port/Loop Combo – Zone 3						21.72											
		UNE Loop Rates																	
		2-Wire Voice Grade Loop (SL1) - Zone 1			UEPCO	UEPLX	10.8												
		2-Wire Voice Grade Loop (SL1) - Zone 2			UEPCO	UEPLX	12.47												
		2-Wire Voice Grade Loop (SL1) - Zone 3			UEPCO	UEPLX	19.83												
		2-Wire Voice Grade Line Ports (COIN)																	
		2-Wire Coin 2-Way with Operator Screening (GA)			UEPCO	UEPGC	1.89	22.14	15.25	8.45	3.91					33.67	7.88		
		2-Wire Coin 2-Way with Operator Screening and Blocking: 011, 900/976, 1+DDD (GA)			UEPCO	UEP2G	1.89	22.14	15.25	8.45	3.91					33.67	7.88		
		2-Wire Coin 2-Way with Operator Screening and 011 Blocking (GA)			UEPCO	UEPGA	1.89	22.14	15.25	8.45	3.91					33.67	7.88		
		2-Wire Coin 2-Way with Operator Screening and 900/976 Blocking (GA)			UEPCO	UEPGB	1.89	22.14	15.25	8.45	3.91					33.67	7.88		
		2-Wire Coin 2-Way with Operator Screening and Blocking: 900/976, 1+DDD, 011+, and Local (GA)			UEPCO	UEPCH	1.89	22.14	15.25	8.45	3.91					33.67	7.88		
		2-Wire Coin Outward with Operator Screening and 011 Blocking (GA, KY, MI)			UEPCO	UEPRJ	1.89	22.14	15.25	8.45	3.91					33.67	7.88		
		2-Wire Coin Outward with Operator Screening and Blocking: 900/976, 1+DDD, 011+, and Local (FL, GA)			UEPCO	UEPCQ	1.89	22.14	15.25	8.45	3.91					33.67	7.88		
		2-Wire 2-Way Smartline with 900/976 (all states except LA)			UEPCO	UEPCK	1.89	22.14	15.25	8.45	3.91					33.67	7.88		

UNBUNDLED NETWORK ELEMENTS
GA

CATEGORY	NOTES	UNBUNDLED NETWORK ELEMENT	Interim	Zone	BCS	USOC	RATES (\$)					OSS RATES (\$)					
							Nonrecurring		Nonrecurring			Svc Order Submitted Elec per LSR	Svc Order Submitted Manually per LSR	Incremental Charge - Manual Svc Order vs. Electronic-1st	Incremental Charge - Manual Svc Order vs. Electronic-Add'l	Incremental Charge - Manual Svc Order vs. Electronic-Disc 1st	Incremental Charge - Manual Svc Order vs. Electronic-Disc Add'l
							Rec	First	Add'l	First	Add'l						
							SOMEC	SOMAN	SOMAN	SOMAN	SOMAN	SOMAN	SOMAN				
		2-Wire Coin Outward Smartline with 900/976 (all states except L/			UEPCO	UEPCR	1.89	22.14	15.25	8.45	3.91			33.67	7.88		
ADDITIONAL UNE COIN PORT/LOOP (RC)																	
		UNE Coin Port/Loop Combo Usage (Flat Rate)			UEPCO	URECU	3.59	0	0								
LOCAL NUMBER PORTABILITY																	
		Local Number Portability (1 per port)			UEPCO	LNPCX	0.35										
NONRECURRING CHARGES - CURRENTLY COMBINED																	
		2-Wire Voice Grade Loop / Line Port Combination - Conversion - Switch-as-			UEPCO	USAC2	2.01	0.3108						33.67	7.88		
		2-Wire Voice Grade Loop / Line Port Combination - Conversion - Switch with chang			UEPCO	USACC	2.01	0.31						33.67	7.88		
ADDITIONAL NRCs																	
		2-Wire Voice Grade Loop/Line Port Combination - Subsequent Activi			UEPCO	USAS2	0	0						33.67	7.88		
2-WIRE VOICE GRADE LOOP- BUS ONLY - WITH 2-WIRE DID TRUNK PORT																	
UNE Port/Loop Combination Rates																	
		2-Wire VG Loop/2-Wire DID Trunk Port Combo - UNE Zone 1		1			28.19										
		2-Wire VG Loop/2-Wire DID Trunk Port Combo - UNE Zone 2		2			30.8										
		2-Wire VG Loop/2-Wire DID Trunk Port Combo - UNE Zone 3		3			42.27										
UNE Loop Rates																	
		2-Wire Analog Voice Grade Loop - (SL2) - UNE Zone 1		1	UEPPX	UECD1	16.84	104.17	78.1					19.99	19.99	19.99	19.99
		2-Wire Analog Voice Grade Loop - (SL2) - UNE Zone 2		2	UEPPX	UECD1	19.45	104.17	78.1					19.99	19.99	19.99	19.99
		2-Wire Analog Voice Grade Loop - (SL2) - UNE Zone 3		3	UEPPX	UECD1	30.92	104.78	104.1					19.99	19.99	19.99	19.99
UNE Port Rate																	
		Exchange Ports - 2-Wire DID Por			UEPPX	UEPD1	11.35	61.91	61.91					19.99	19.99	19.99	19.99
NONRECURRING CHARGES - CURRENTLY COMBINED																	
		2-Wire Voice Grade Loop / 2-Wire DID Trunk Port Combination - Switch-as-i			UEPPX	USAC1	93.38	93.38						19.99	19.99	19.99	19.99
		2-Wire Voice Grade Loop / 2-Wire DID Trunk Port Conversion with BellSouth Allowable Changes			UEPPX	USA1C	93.38	93.38						19.99	19.99	19.99	19.99
ADDITIONAL NRCs																	
Telephone Number/Trunk Group Establishment Charges																	
		DID Trunk Termination (One Per Port)			UEPPX	NDT	0	0	0					19.99	19.99	19.99	19.99
		DID Numbers, Establish Trunk Group and Provide First Group of 20 DID Number			UEPPX	NDZ	0	0	0					19.99	19.99	19.99	19.99
		Additional DID Numbers for each Group of 20 DID Number			UEPPX	ND4	0	0	0					19.99	19.99	19.99	19.99
		DID Numbers, Non- consecutive DID Numbers , Per Numbe			UEPPX	ND5	0	0	0				19.99				
		Reserve Non-Consecutive DID numbers			UEPPX	ND6	0	0	0				19.99				
		Reserve DID Numbers			UEPPX	NDV	0	0	0				19.99				
LOCAL NUMBER PORTABILITY																	
		Local Number Portability (1 per port)			UEPPX	LNPCP	3.15										
2-WIRE ISDN DIGITAL GRADE LOOP WITH 2-WIRE ISDN DIGITAL LINE SIDE PORT																	

UNBUNDLED NETWORK ELEMENTS
GA

CATEGORY	NOTES	UNBUNDLED NETWORK ELEMENT	Interim	Zone	BCS	USOC	RATES (\$)					OSS RATES (\$)						
							Rec	First	Add'l	First	Add'l	Svc Order Submitted Elec per LSR	Svc Order Submitted Manually per LSR	Incremental Charge - Manual Svc Order vs. Electronic-1st	Incremental Charge - Manual Svc Order vs. Electronic-Add'l	Incremental Charge - Manual Svc Order vs. Electronic-Disc 1st	Incremental Charge - Manual Svc Order vs. Electronic-Disc Add'l	
																		Nonrecurring
							Rec	First	Add'l	First	Add'l	SOME C	SOMAN	SOMAN	SOMAN	SOMAN	SOMAN	
UNE Port/Loop Combination Rates																		
		2W ISDN Digital Grade Loop/2W ISDN Digital Line Side Port - UNE Zone		1	UEPPB UEPPR		35.36											
		2W ISDN Digital Grade Loop/2W ISDN Digital Line Side Port - UNE Zone		2	UEPPB UEPPR		38.74											
		2W ISDN Digital Grade Loop/2W ISDN Digital Line Side Port - UNE Zone		3	UEPPB UEPPR		53.64											
UNE Loop Rates																		
		2-Wire ISDN Digital Grade Loop - UNE Zone 1		1	UEPPB UEPPR	USL2X	21.89	252.32	188.77			19.99	19.99	19.99	19.99			
		2-Wire ISDN Digital Grade Loop - UNE Zone 2		2	UEPPB UEPPR	USL2X	25.27	252.32	188.77			19.99	19.99	19.99	19.99			
		2-Wire ISDN Digital Grade Loop - UNE Zone 3		3	UEPPB UEPPR	USL2X	40.17	252.32	188.77			19.99	19.99	19.99	19.99			
UNE Port Rate																		
		Exchange Port - 2-Wire ISDN Line Side Port			UEPPB UEPPR	UEPPB	13.47	47.37	47.37			19.99	19.99	19.99	19.99			
NONRECURRING CHARGES - CURRENTLY COMBINED																		
		2-Wire ISDN Digital Grade Loop / 2-Wire ISDN Line Side Port Combination - Conversion			UEPPB UEPPR	USACB	0	93.38	93.38			19.99	19.99	19.99	19.99			
ADDITIONAL NRCs																		
		2-Wire ISDN Loop / 2-Wire ISDN Port Combination - Sub Actvy - Non Feature/Add Trunk			UEPPB UEPPR	USASB		165.95				19.99	19.99	19.99	19.99			
LOCAL NUMBER PORTABILITY																		
		Local Number Portability (1 per port)			UEPPB UEPPR	LNPCX	0.35	0	0									
B-CHANNEL USER PROFILE ACCESS:																		
		CVS/CSD (DMS/5ESS)			UEPPB UEPPR	U1UCA	0	0	0									
		CVS (EWS D)			UEPPB UEPPR	U1UCB	0	0	0									
		CSD			UEPPB UEPPR	U1UCC	0	0	0									
B-CHANNEL AREA PLUS USER PROFILE ACCESS: (AL,KY,LA,MS SC,MS, & TN)																		
USER TERMINAL PROFILE																		
		User Terminal Profile (EWS D only)			UEPPR	U1UMA	0	0	0									
VERTICAL FEATURES																		
		All Vertical Features - One per Channel B User Profile			UEPPB UEPPR	UEPVF	0	0	0									
INTEROFFICE CHANNEL MILEAGE																		
		Interoffice Channel mileage each, including first mile and facilities termination			UEPPB UEPPR	M1GNC	16.47	79.61	36.08			19.99	19.99	19.99	19.99			
		Interoffice Channel mileage each, additional mile			UEPPB UEPPR	M1GNM	0.0222	0	0		0							
4-WIRE DS1 DIGITAL LOOP WITH 4-WIRE ISDN DS1 DIGITAL TRUNK PORT																		
UNE Port/Loop Combination Rates																		
		4W DS1 Digital Loop/4W ISDN DS1 Digital Trunk Port - UNE Zone		1	UEPPP		218.69											

UNBUNDLED NETWORK ELEMENTS
GA

CATEGORY	NOTES	UNBUNDLED NETWORK ELEMENT	Interim	Zone	BCS	USOC	RATES (\$)				OSS RATES (\$)								
							Nonrecurring		Nonrecurring		SOMEC	SOMAN	SOMAN	SOMAN	SOMAN	SOMAN			
							Rec	First	Add'l	Disconnect							First	Add'l	
		4W DS1 Digital Loop/4W ISDN DS1 Digital Trunk Port - UNE Zone :		2	UEPPP		227.29												
		4W DS1 Digital Loop/4W ISDN DS1 Digital Trunk Port - UNE Zone :		3	UEPPP		265.09												
		UNE Loop Rates																	
		4-Wire DS1 Digital Loop - UNE Zone 1		1	UEPPP	USL4P	55.53	448.92	276.6			19.99	19.99	19.99	19.99				
		4-Wire DS1 Digital Loop - UNE Zone 2		2	UEPPP	USL4P	64.13	448.92	276.6			19.99	19.99	19.99	19.99				
		4-Wire DS1 Digital Loop - UNE Zone 3		3	UEPPP	USL4P	101.93	448.92	276.6			19.99	19.99	19.99	19.99				
		UNE Port Rate																	
		Exchange Ports - 4-Wire ISDN DS1 Por			UEPPP	UEPPP	163.16	186.8	186.8			19.99	19.99	19.99	19.99				
		NONRECURRING CHARGES - CURRENTLY COMBINED																	
		4-Wire DS1 Digital Loop / 4-Wire ISDN DS1 Digital Trunk Port Combination - Conversion - Switch-as-is			UEPPP	USACP	0	269.96	269.96			19.99	19.99	19.99	19.99				
		ADDITIONAL NRCs																	
		4-Wire DS1 Loop/4-W ISDN Digitl Trk Port - Subsq Actvy- Inward/two way tel nos within Std Allowance			UEPPP	PR7TF		0.9686				19.99	19.99	19.99	19.99				
		4-Wire DS1 Loop / 4-Wire ISDN DS1 Digital Trunk Port - Outward Tel Numbers (All States except NC)			UEPPP	PR7TO		22.75	22.75			19.99	19.99	19.99	19.99				
		4-Wire DS1 Loop / 4-Wire ISDN DS1 Digital Trk Port - Subsequent Inward Tel Nos Above Std Allowance			UEPPP	PR7ZT		45.49	45.49			19.99	19.99	19.99	19.99				
		LOCAL NUMBER PORTABILITY																	
		Local Number Portability (1 per port)			UEPPP	LNPCN	1.75												
		INTERFACE (Provisioning Only)																	
		Voice/Data			UEPPP	PR71V	0	0	0										
		Digital Data			UEPPP	PR71D	0	0	0										
		Inward Data			UEPPP	PR71E	0	0	0										
		New or Additional "B" Channel																	
		New or Additional - Voice/Data B Channel			UEPPP	PR7BV	0	28.71				19.99	19.99	19.99	19.99				
		New or Additional - Digital Data B Channel			UEPPP	PR7BF	0	28.71				19.99	19.99	19.99	19.99				
		New or Additional Inward Data B Channel			UEPPP	PR7BD	0	28.71				19.99	19.99	19.99	19.99				
		New or Additional Useage Sensitive Voice Data B Channel			UEPPP	PR7BS	0	28.71				19.99	19.99	19.99	19.99				
		New or Additional Useage Sensitive Digital Data B Channel			UEPPP	PR7BU	0	28.71				19.99	19.99	19.99	19.99				
		CALL TYPES																	
		Inward			UEPPP	PR7C1	0	0	0										
		Outward			UEPPP	PR7C0	0	0	0										
		Two-way			UEPPP	PR7CC	0	0	0										
		Interoffice Channel Mileage																	
		Fixed Each Including First Mil			UEPPP	1LN1A	78.9223	147.07	111.75	0		19.99	19.99	19.99	19.99				
		Each Airline-Fractional Additional Mil			UEPPP	1LN1B	0.4523												
		4-WIRE DS1 DIGITAL LOOP WITH 4-WIRE DDITS TRUNK PORT																	
		UNE Port/Loop Combination Rates																	
		4W DS1 Digital Loop/4W DDITS Trunk Port - UNE Zone :		1	UEPDC		176.33					19.99	19.99	19.99	19.99				
		4W DS1 Digital Loop/4W DDITS Trunk Port - UNE Zone :		2	UEPDC		184.93					19.99	19.99	19.99	19.99				
		4W DS1 Digital Loop/4W DDITS Trunk Port - UNE Zone :		3	UEPDC		222.73					19.99	19.99	19.99	19.99				
		UNE Loop Rates																	

UNBUNDLED NETWORK ELEMENTS
GA

CATEGORY	NOTES	UNBUNDLED NETWORK ELEMENT	Interim	Zone	BCS	USOC	RATES (\$)				OSS RATES (\$)									
							Rec	First	Add'l	Disconnect	SOMEc	SOMAN	SOMAN	SOMAN	SOMAN	SOMAN				
		4-Wire DS1 Digital Loop - UNE Zone 1		1	UEPDC	USLDC	55.53	448.92	276											
		4-Wire DS1 Digital Loop - UNE Zone 2		2	UEPDC	USLDC	64.13	448.92	276.6											
		4-Wire DS1 Digital Loop - UNE Zone 3		3	UEPDC	USLDC	101.93	448.92	276.6											
		UNE Port Rate																		
		4-Wire DDITS Digital Trunk Por			UEPDC	UDD1T	120.8	89.44	52.46											
		NONRECURRING CHARGES - CURRENTLY COMBINED																		
		4-Wire DS1 Digital Loop / 4-Wire DDITS Trunk Port Combination - Switch-as-i			UEPDC	USAC4		269.96	269.96											
		4-Wire DS1 Digital Loop / 4-Wire DDITS Trunk Port Combination - Conversion with DS1 Changes			UEPDC	USAWA		269.96	269.96											
		4-Wire DS1 Digital Loop / 4-Wire DDITS Trunk Port Combination - Conversion with Change - Trunk			UEPDC	USAWB		269.96	269.96											
		ADDITIONAL NRCs																		
		4-Wire DS1 Loop / 4-Wire DDITS Trunk Port - Subsequent Service Activity Per Service Order			UEPDC	USAS4		147.47	147.47											
		4-Wire DS1 Loop / 4-Wire DDITS Trunk Port - NRC - Subsequent Channel Activation/Chan - 2-Way Trunk			UEPDC	UDTTA		28.71	28.71											
		4-Wire DS1 Loop / 4-Wire DDITS Trunk Port - Subsequent Channel Activation/Chan - 1-Way Outward Trunk			UEPDC	UDTTB		28.71	28.71											
		4-Wire DS1 Loop / 4-Wire DDITS Trunk Port - Subsqt Channel Activation/Chan Inward Trunk w/out DIC			UEPDC	UDTTC		28.71	28.71											
		4-Wire DS1 Loop / 4-Wire DDITS Trunk Port - Subsqt Chan Activation Per Chan - Inward Trunk with DIC			UEPDC	UDTTD		28.71	28.71											
		4-Wire DS1 Loop / 4-Wire DDITS Trunk Port - Subsqt Chan Activation / Chan - 2-Way DID w User Trans			UEPDC	UDTTE		28.71	28.71											
		BIPOLAR 8 ZERO SUBSTITUTION																		
		B8ZS - Superframe Format			UEPDC	CCOSF		0	600											
		B8ZS - Extended Superframe Format			UEPDC	CCOEF		0	600											
		Alternate Mark Inversion																		
		AMI - Superframe Format			UEPDC	MCOSF		0	0											
		AMI - Extended SuperFrame Forma			UEPDC	MCOPO		0	0											
		Telephone Number/Trunk Group Establishment Charges																		
		Telephone Number for 2-Way Trunk Group			UEPDC	UDTGX		0												
		Telephone Number for 1-Way Outward Trunk Group			UEPDC	UDTGY														
		Telephone Number for 1-Way Inward Trunk Group Without DI			UEPDC	UDTGZ														
		DID Numbers, Establish Trunk Group and Provide First Group of 20 DID Number			UEPDC	NDZ		0	0	0										
		DID Numbers for each Group of 20 DID Numbers			UEPDC	ND4														
		DID Numbers, Non- consecutive DID Numbers , Per Numbe			UEPDC	ND5														

UNBUNDLED NETWORK ELEMENTS
GA

CATEGORY	NOTES	UNBUNDLED NETWORK ELEMENT	Interim	Zone	BCS	USOC	RATES (\$)					OSS RATES (\$)					
							Rec	First	Add'l	First	Add'l	SOMEC	SOMAN	SOMAN	SOMAN	SOMAN	SOMAN
		Reserve Non-Consecutive DID Nos			UEPDC	ND6	0	0	0			19.99					
		Reserve DID Numbers			UEPDC	NDV	0	0	0			19.99					
Dedicated DS1 (Interoffice Channel Mileage) - FX/FCO for 4-Wire DS1 Digital Loop with 4-Wire DDITS Trunk Port																	
		Interoffice Channel Mileage - Fixed rate 0-8 miles (Facilities Termination)			UEPDC	1LNO1	78.47	147.07	111.75	0	0		19.99	19.99	19.99	19.99	
		Interoffice Channel Mileage - Additional rate per mile - 0-8 mile			UEPDC	1LNOA	0.4523	0	0								
		Interoffice Channel Mileage - Fixed rate 9-25 miles (Facilities Termination)			UEPDC	1LNO2	0	0	0								
		Interoffice Channel Mileage - Additional rate per mile - 9-25 mile			UEPDC	1LNOB	0.4523	0	0								
		Interoffice Channel Mileage - Fixed rate 25+ miles (Facilities Termination)			UEPDC	1LNO3	0	0	0	0							
		Interoffice Channel Mileage - Additional rate per mile - 25+ mile			UEPDC	1LNOC	0.4523	0	0								
		Local Number Portability, per DS0 Activation			UEPDC	LNPCP	3.15	0	0	0							
		Central Office Terminating Point			UEPDC	CTG	0										
4-WIRE DS1 LOOP WITH CHANNELIZATION WITH PORT																	
System is 1 DS1 Loop, 1 D4 Channel Bank, and up to 24 Feature Activations																	
Each System can have up to 24 combinations of rates depending on type and number of ports used																	
UNE DS1 Loop																	
		4-Wire DS1 Loop - UNE Zone 1			UEPMG	USLDC	55.53	0	0								
		4-Wire DS1 Loop - UNE Zone 2			UEPMG	USLDC	64.13	0	0								
		4-Wire DS1 Loop - UNE Zone 3			UEPMG	USLDC	101.93	0	0								
UNE DSO Channelization Capacities (D4 Channel Bank Configurations)																	
		24 DSO Channel Capacity - 1 per DS1			UEPMG	VUM24	102.64	0	0								
		48 DSO Channel Capacity - 1 per 2 DS1s			UEPMG	VUM48	205.28	0	0								
		96 DSO Channel Capacity - 1 per 4 DS1s			UEPMG	VUM96	410.56	0	0								
		144 DSO Channel Capacity - 1 per 6 DS1s			UEPMG	VUM14	615.84	0	0								
		192 DSO Channel Capacity - 1 per 8 DS1s			UEPMG	VUM19	821.12	0	0								
		240 DSO Channel Capacity - 1 per 10 DS1s			UEPMG	VUM20	1026.4	0	0								
		288 DSO Channel Capacity - 1 per 12 DS1s			UEPMG	VUM28	1231.68	0	0								
		384 DSO Channel Capacity - 1 per 16 DS1s			UEPMG	VUM38	1642.24	0	0								
		480 DSO Channel Capacity - 1 per 20 DS1s			UEPMG	VUM40	2052.8	0	0								
		576 DSO Channel Capacity - 1 per 24 DS1s			UEPMG	VUM57	2463.36	0	0								
		672 DSO Channel Capacity - 1 per 28 DS1s			UEPMG	VUM67	2873.92	0	0								
Non-Recurring Charges (NRC) Associated with 4-Wire DS1 Loop with Channelization with Port - Conversion Charge Based on a System																	
A Minimum System configuration is One (1) DS1, One (1) D4 Channel Bank, and Up To 24 DSO Ports with Feature Activations.																	
Multiples of this configuration functioning as one are considered Add'l after the minimum system configuration is counted.																	
		NRC - Conversion (Currently Combined) with or without BellSouth Allowed Changes			UEPMG	USAC4	0	328.35	16.52			19.99	19.99	19.99	19.99		
System Additions at End User Locations Where 4-Wire DS1 Loop with Channelization with Port Combination Currently Exists and																	

UNBUNDLED NETWORK ELEMENTS
GA

CATEGORY	NOTES	UNBUNDLED NETWORK ELEMENT	Interim	Zone	BCS	USOC	RATES (\$)				OSS RATES (\$)						
							Rec	First	Add'l	Disconnect	SOME C	SOMAN	SOMAN	SOMAN	SOMAN	SOMAN	
							Nonrecurring		Nonrecurring								
							Disconnect		Disconnect								
							Rec	First	Add'l	First	Add'l	SOME C	SOMAN	SOMAN	SOMAN	SOMAN	
		New (Not Currently Combined) In Georgia Only															
		NRC - 1 DS1/D4 Channel Bank - Add NRC for each Port and Assoc Feature Activation - New GA Only			UEPMG	VUMD4	0	738.61	462.53	144.05	17.09			19.99	19.99	19.99	19.99
		Bipolar 8 Zero Substitution															
		Clear Channel Capability Format, superframe - Subsequent Activity Only			UEPMG	CCOSF	0	0	600					19.99	19.99	19.99	19.99
		Clear Channel Capability Format - Extended Superframe - Subsequent Activity Only			UEPMG	CCOEF	0	0	600					19.99	19.99	19.99	19.99
		Alternate Mark Inversion (AMI)															
		Superframe Format			UEPMG	MCOSF	0	0	0								
		Extended Superframe Format			UEPMG	MCOPO	0	0	0								
		Exchange Ports Associated with 4-Wire DS1 Loop with Channelization with Port Exchange Ports															
		Line Side Combination Channelized PBX Trunk Port - Business			UEPPX	UEPCX	1.79	0	0	0	0			19.99			
		Line Side Outward Channelized PBX Trunk Port - Business			UEPPX	UEPOX	1.79	0	0	0	0			19.99			
		Line Side Inward Only Channelized PBX Trunk Port without DID			UEPPX	UEP1X	1.79	0	0	0	0			19.99			
		2-Wire Trunk Side Unbundled Channelized DID Trunk Port			UEPPX	UEPDM	11.35	0	0	0	0			19.99			
		Feature Activations - Unbundled Loop Concentration															
		Feature (Service) Activation for each Line Side Port Terminated in D4 Bank			UEPPX	1PQWM	0.62	25.09	13.25	3.99	3.97			19.99	19.99	19.99	19.99
		Feature (Service) Activation for each Trunk Side Port Terminated in D4 Bank			UEPPX	1PQWU	0.62	77.21	18.2	56.49	11.04			19.99	19.99	19.99	19.99
		Telephone Number/ Group Establishment Charges for DID Service															
		DID Trunk Termination (1 per Port)			UEPPX	NDT	0										
		Estab Trk Grp and Provide 1st 20 DID Nos. (FL, GA, NC, & SC)			UEPPX	NDZ	0	0	0					19.99			
		DID Numbers - groups of 20 - Valid all States			UEPPX	ND4	0	0	0					19.99			
		Non-Consecutive DID Numbers - per number			UEPPX	ND5	0	0	0					19.99			
		Reserve Non-Consecutive DID Numbers			UEPPX	ND6	0	0	0								
		Reserve DID Numbers			UEPPX	NDV	0	0	0								
		Local Number Portability															
		Local Number Portability - 1 per port			UEPPX	LNPCP	3.15	0	0								
		FEATURES - Vertical and Optional															
		Local Switching Features Offered with Line Side Ports Only															
		All Features Available			UEPPX	UEPVF	0	0	0					19.99			
		UNBUNDLED PORT LOOP COMBINATIONS - MARKET RATES															
		Market Rates shall apply where BellSouth is not required to provide unbundled local switching or switch ports per FCC and/or State Commission rules.															
		These scenarios include:															

UNBUNDLED NETWORK ELEMENTS
GA

CATEGORY	NOTES	UNBUNDLED NETWORK ELEMENT	Interim	Zone	BCS	USOC	RATES (\$)				OSS RATES (\$)									
							Rec	First	Add'l	Disconnect	SOMEc	SOMAN	SOMAN	SOMAN	SOMAN	SOMAN				
		1. Unbundled port/loop combinations that are Not Currently Combined in all of the BellSouth states except as noted for Georgia and Tennessee.																		
		2. Unbundled port/loop combinations that are Currently Combined or Not Currently Combined in Zone 1 of the Top 8 MSAs in BellSouth's region for end users with 4 or more DS0 equivalent lines.																		
		The Top 8 MSAs in BellSouth's region are: FL (Orlando, Ft. Lauderdale, Miami); GA (Atlanta); LA (New Orleans); NC (Greensboro-Winston Salem-Highpoint/Charlotte-Gastonia-Rock Hill); TN (Nashville).																		
		BellSouth currently is developing the billing capability to mechanically bill the recurring unbundled port Market Rates in this section as well as the nonrecurring Market Rates in this section for Currently Combined port/loop combinations in Zone 1 of the Top 8 MSAs in BellSouth's region for end users with 4 or more DS0 equivalent lines. In the interim, BellSouth shall bill the rates in the Cost-Based section preceding in lieu of such Market Rates and reserves the right to true-up the billing difference.																		
		The Market Rate for unbundled ports includes all available features in all states.																		
		End Office and Tandem Switching Usage and Common Transport Usage rates in the Port section of this rate exhibit shall apply to all combinations of loop/port network elements except for UNE Coin Port/Loop Combinations which have a flat rate usage charge (USOC: URECU).																		
		For Not Currently Combined scenarios where Market Rates apply, the Nonrecurring charges are listed in the First and Additional NRC columns for each Port USOC. For Currently Combined scenarios, the Nonrecurring charges are listed in the NRC - Currently Combined section. Additional NRCs may apply also and are categorized accordingly.																		
		2-WIRE VOICE GRADE LOOP WITH 2-WIRE LINE PORT (RES)																		
		UNE Port/Loop Combination Rates																		
		2-Wire VG Loop/Port Combo - Zone 1		1			24.8													
		2-Wire VG Loop/Port Combo - Zone 2		2			26.47													
		2-Wire VG Loop/Port Combo - Zone 3		3			33.83													
		UNE Loop Rates																		
		2-Wire Voice Grade Loop (SL1) - Zone 1		1	UEPRX	UEPLX	10.8													
		2-Wire Voice Grade Loop (SL1) - Zone 2		2	UEPRX	UEPLX	12.47													
		2-Wire Voice Grade Loop (SL1) - Zone 3		3	UEPRX	UEPLX	19.83													
		2-Wire Voice Grade Line Port (Res)																		
		2-Wire voice unbundled port - residency			UEPRX	UEPRL	14	90	90				33.67	7.88						
		2-Wire voice unbundled port with Caller ID - re			UEPRX	UEPRC	14	90	90				33.67	7.88						
		2-Wire voice unbundled port outgoing only - re			UEPRX	UEPRO	14	90	90				33.67	7.88						
		2-Wire voice unbundles res, low usage line port with Caller ID (LUA)			UEPRX	UEPAP	14	90	90				33.67	7.88						
		LOCAL NUMBER PORTABILITY																		
		Local Number Portability (1 per port)			UEPRX	LNPCX	0.35													
		FEATURES																		
		All Features Offerec			UEPRX	UEPVF	0	0	0											
		2-Wire Voice Grade Loop / Line Port Combination - Switch-as-i			UEPRX	USAC2		41.5	41.5											
		2-Wire Voice Grade Loop / Line Port Combination - Switch with chang			UEPRX	USACC		41.5	41.5											
		ADDITIONAL NRCs																		
		NRC - 2-Wire Voice Grade Loop/Line Port Combination - Subsequer			UEPRX	USAS2		0	0											
		2-WIRE VOICE GRADE LOOP WITH 2-WIRE LINE PORT (BUS)																		
		UNE Port/Loop Combination Rates																		
		2-Wire VG Loop/Port Combo - Zone 1		1			24.8													
		2-Wire VG Loop/Port Combo - Zone 2		2			26.47													
		2-Wire VG Loop/Port Combo - Zone 3		3			33.83													
		UNE Loop Rates																		

UNBUNDLED NETWORK ELEMENTS
GA

CATEGORY	NOTES	UNBUNDLED NETWORK ELEMENT	Interim	Zone	BCS	USOC	RATES (\$)				OSS RATES (\$)									
							Nonrecurring		Nonrecurring		Svc Order Submitted Elec per LSR	Svc Order Submitted Manually per LSR	Incremental Charge - Manual Svc Order vs. Electronic-1st	Incremental Charge - Manual Svc Order vs. Electronic-Add'l	Incremental Charge - Manual Svc Order vs. Electronic-Disc 1st	Incremental Charge - Manual Svc Order vs. Electronic-Disc Add'l				
							Rec	First	Add'l	Disconnect										
		2-Wire Voice Grade Loop (SL1) - Zone 1		1	UEPBX	UEPLX	10.8													
		2-Wire Voice Grade Loop (SL1) - Zone 2		2	UEPBX	UEPLX	12.47													
		2-Wire Voice Grade Loop (SL1) - Zone 3		3	UEPBX	UEPLX	19.83													
		2-Wire Voice Grade Line Port (Bus)																		
		2-Wire voice unbundled port without Caller ID - bu			UEPBX	UEPBL	14	90	90				33.67	7.88						
		2-Wire voice unbundled port with Caller + E484 ID - bu			UEPBX	UEPBC	14	90	90				33.67	7.88						
		2-Wire voice unbundled port outgoing only - bu			UEPBX	UEPBO	14	90	90				33.67	7.88						
		LOCAL NUMBER PORTABILITY																		
		Local Number Portability (1 per port)			UEPBX	LNPCX	0.35													
		FEATURES																		
		NONRECURRING CHARGES - CURRENTLY COMBINED																		
		2-Wire Voice Grade Loop / Line Port Combination - Switch-as-i			UEPBX	USAC2		41.5	41.5											
		2-Wire Voice Grade Loop / Line Port Combination - Switch with chang			UEPBX	USACC		41.5	41.5											
		ADDITIONAL NRCs																		
		NRC - 2-Wire Voice Grade Loop/Line Port Combination - Subsequer			UEPBX	USAS2		0	0											
		2-WIRE VOICE GRADE LOOP WITH 2-WIRE LINE PORT (RES - PBX)																		
		UNE Port/Loop Combination Rates																		
		2-Wire VG Loop/Port Combo - Zone 1		1			24.8													
		2-Wire VG Loop/Port Combo - Zone 2		2			26.47													
		2-Wire VG Loop/Port Combo - Zone 3		3			33.83													
		UNE Loop Rates																		
		2-Wire Voice Grade Loop (SL1) - Zone 1		1	UEPRG	UEPLX	10.8													
		2-Wire Voice Grade Loop (SL1) - Zone 2		2	UEPRG	UEPLX	12.47													
		2-Wire Voice Grade Loop (SL1) - Zone 3		3	UEPRG	UEPLX	19.83													
		2-Wire Voice Grade Line Port Rates (RES - PBX)																		
		2-Wire VG Unbundled Combination 2-Way PBX Trunk Port - Re			UEPRG	UEPRD	14	90	90				33.67	7.88						
		LOCAL NUMBER PORTABILITY																		
		Local Number Portability (1 per port)			UEPRG	LNPCP	3.15													
		FEATURES																		
		NONRECURRING CHARGES - CURRENTLY COMBINED																		
		2-Wire Voice Grade Loop/ Line Port Combination - Switch-As-I			UEPRG	USAC2		41.5	41.5											
		2-Wire Voice Grade Loop/ Line Port Combination - Switch with Chang			UEPRG	USACC		41.5	41.5											
		ADDITIONAL NRCs																		
		2 Wire Loop/Line Side Port Combination - Non feature - Subsequent Activity- Nonrecurring						0	0											
		PBX Subsequent Activity - Change/Rearrange Multiline Hunt Gro						14.64	14.64				19.99	19.99	19.99	19.99				
		2-WIRE VOICE GRADE LOOP WITH 2-WIRE LINE PORT (BUS - PBX)																		
		UNE Port/Loop Combination Rates																		

UNBUNDLED NETWORK ELEMENTS
GA

CATEGORY	NOTES	UNBUNDLED NETWORK ELEMENT	Interim	Zone	BCS	USOC	RATES (\$)				OSS RATES (\$)								
							Nonrecurring		Nonrecurring		SOMEC	SOMAN	SOMAN	SOMAN	SOMAN	SOMAN			
							Rec	First	Add'l	Disconnect							First	Add'l	
		2-Wire VG Loop/Port Combo - Zone 1		1			24.8												
		2-Wire VG Loop/Port Combo - Zone 2		2			26.47												
		2-Wire VG Loop/Port Combo - Zone 3		3			33.83												
		UNE Loop Rates																	
		2-Wire Voice Grade Loop (SL1) - Zone 1		1	UEPPX	UEPLX	10.8												
		2-Wire Voice Grade Loop (SL1) - Zone 2		2	UEPPX	UEPLX	12.47												
		2-Wire Voice Grade Loop (SL1) - Zone 3		3	UEPPX	UEPLX	19.83												
		2-Wire Voice Grade Line Port Rates (BUS - PBX)																	
		Line Side Unbundled Combination 2-Way PBX Trunk Port - Bu			UEPPX	UEPPC	14	90	90				33.67	7.88					
		Line Side Unbundled Outward PBX Trunk Port - Bu			UEPPX	UEPPO	14	90	90				33.67	7.88					
		Line Side Unbundled Incoming PBX Trunk Port - Bu			UEPPX	UEPP1	14	90	90				33.67	7.88					
		2-Wire Voice Unbundled PBX LD Terminal Port			UEPPX	UEPLD	14	90	90				33.67	7.88					
		2-Wire Voice Unbundled 2-Way Combination PBX Usage Port			UEPPX	UEPXA	14	90	90				33.67	7.88					
		2-Wire Voice Unbundled PBX Toll Terminal Hotel Port			UEPPX	UEPXB	14	90	90				33.67	7.88					
		2-Wire Voice Unbundled PBX LD DDD Terminals Port			UEPPX	UEPXC	14	90	90				33.67	7.88					
		2-Wire Voice Unbundled PBX LD Terminal Switchboard Port			UEPPX	UEPXD	14	90	90				33.67	7.88					
		2-Wire Voice Unbundled PBX LD Terminal Switchboard IDD Capable Port			UEPPX	UEPXE	14	90	90				33.67	7.88					
		2-Wire Voice Unbundled 2-Way PBX Hotel/Hospital Economy Administrative Calling Port			UEPPX	UEPXL	14	90	90				33.67	7.88					
		2-Wire Voice Unbundled 2-Way PBX Hotel/Hospital Economy Room Calling Port			UEPPX	UEPXM	14	90	90				33.67	7.88					
		2-Wire Voice Unbundled 1-Way Outgoing PBX Hotel/Hospital Discount Room Calling Port			UEPPX	UEPXO	14	90	90				33.67	7.88					
		2-Wire Voice Unbundled 1-Way Outgoing PBX Measured Port			UEPPX	UEPXS	14	90	90				33.67	7.88					
		LOCAL NUMBER PORTABILITY																	
		Local Number Portability (1 per port)			UEPPX	LNPCP	3.15												
		FEATURES																	
		NONRECURRING CHARGES - CURRENTLY COMBINED																	
		2-Wire Voice Grade Loop/ Line Port Combination - Switch-As-I			UEPPX	USAC2		41.5	41.5										
		2-Wire Voice Grade Loop/ Line Port Combination - Switch with Change			UEPPX	USACC		41.5	41.5										
		ADDITIONAL NRCs																	
		2-Wire Voice Grade Loop/ Line Port Combination - Subsequent			UEPPX	USAS2		0	0										
		2 Wire Loop/Line Side Port Combination - Non feature - Subsequent Activity- Nonrecurring						0	0										
		PBX Subsequent Activity - Change/Rearrange Multiline Hunt Group						14.64	14.64				19.99	19.99	19.99	19.99			
		2-WIRE VOICE GRADE LOOP WITH 2-WIRE ANALOG LINE COIN PORT																	
		UNE Port/Loop Combination Rates																	
		2-Wire VG Coin Port/Loop Combo - Zone 1					24.8												
		2-Wire VG Coin Port/Loop Combo - Zone 2					26.47												
		2-Wire VG Coin Port/Loop Combo - Zone 3					33.83												
		UNE Loop Rates																	
		2-Wire Voice Grade Loop (SL1) - Zone 1			UEPCO	UEPLX	10.8												
		2-Wire Voice Grade Loop (SL1) - Zone 2			UEPCO	UEPLX	12.47												
		2-Wire Voice Grade Loop (SL1) - Zone 3			UEPCO	UEPLX	19.83												
		2-Wire Voice Grade Line Port Rates (Coin)																	

**UNBUNDLED NETWORK ELEMENTS
GA**

CATEGORY	NOTES	UNBUNDLED NETWORK ELEMENT	Interim	Zone	BCS	USOC	RATES (\$)					OSS RATES (\$)							
							Rec	First	Add'l	First	Add'l	Disconnect	SOME	SOMAN	SOMAN	SOMAN	SOMAN	SOMAN	
		2-Wire Coin 2-Way with Operator Screening (GA)			UEPCO	UEPGC	14	90	90							33.67	7.88		
		2-Wire Coin 2-Way with Operator Screening and Blocking: 011, 900/976, 1+DDD (GA)			UEPCO	UEP2G	14	90	90						33.67	7.88			
		2-Wire Coin 2-Way with Operator Screening and 011 Blocking (GA)			UEPCO	UEPGA	14	90	90						33.67	7.88			
		2-Wire Coin 2-Way with Operator Screening and 900/976 Blocking (GA)			UEPCO	UEPGB	14	90	90						33.67	7.88			
		2-Wire Coin 2-Way with Operator Screening and Blocking: 900/976, 1+DDD, 011+, and Local (GA)			UEPCO	UEPCH	14	90	90						33.67	7.88			
		2-Wire Coin Outward with Operator Screening and 011Blocking (GA, KY, MS)			UEPCO	UEPRJ	14	90	90						33.67	7.88			
		2-Wire Coin Outward with Operator Screening and Blocking: 900/976, 1+DDD, 011+, and Local (FL, GA)			UEPCO	UEPCQ	14	90	90						33.67	7.88			
		LOCAL NUMBER PORTABILITY																	
		Local Number Portability (1 per port			UEPCO	LNPCX	0.35												
		NONRECURRING CHARGES - CURRENTLY COMBINED																	
		2-Wire Voice Grade Loop/ Line Port Combination - Switch-As-Is			UEPCO	USAC2		41.5	41.5										
		2-Wire Voice Grade Loop/ Line Port Combination - Switch with Chang			UEPCO	USACC		41.5	41.5										
		ADDITIONAL NRCs																	
		2-Wire Voice Grade Loop/ Line Port Combination - Subsequer			UEPCO	USAS2		0	0										

UNBUNDLED NETWORK ELEMENTS
GA

CATEGORY	NOTES	UNBUNDLED NETWORK ELEMENT	Interim	Zone	BCS	USOC	RATES (\$)					OSS RATES (\$)					
							Rec	First	Add'l	First	Add'l	SOMEK	SOMAN	SOMAN	SOMAN	SOMAN	SOMAN
							Nonrecurring		Nonrecurring			Svc Order Submitted Elec per LSR	Svc Order Submitted Manually per LSR	Incremental Charge - Manual Svc Order vs. Electronic-1st	Incremental Charge - Manual Svc Order vs. Electronic-Add'l	Incremental Charge - Manual Svc Order vs. Electronic-Disc 1st	Incremental Charge - Manual Svc Order vs. Electronic-Disc Add'l
							Disconnect		Disconnect								
							Rec	First	Add'l	First	Add'l	SOMEK	SOMAN	SOMAN	SOMAN	SOMAN	SOMAN
		Superframe Format			UEPDC	MCOSF		0	0								
		Central Office Terminating Poin			UEPDC	CTG	0	0	0								

UNBUNDLED NETWORK ELEMENTS
KY

CATEGORY	NOTES	UNBUNDLED NETWORK ELEMENT	Interim	Zone	BCS	USOC	RATES (\$)					OSS RATES (\$)					
							Rec	First	Add'l	First	Add'l	SOME C	SOMAN	SOMAN	SOMAN	SOMAN	SOMAN
The "Zone" shown in the sections for stand-alone loops or loops as part of a combination refers to Geographically Deaveraged UNE Zones. To view Geographically Deaveraged UNE Zone Designations by Central Office, refer to Internet Website: http://www.interconnection.bellsouth.com/become_a_clec/html/interconnection.htm																	
UNBUNDLED EXCHANGE ACCESS LOOP																	
2-WIRE ANALOG VOICE GRADE LOOP																	
		2-Wire Analog Voice Grade Loop - Service Level 1- Zone		1	UEANL	UEAL2	13.54	70.44	44.05	46.93	10.4					19.99	
		2-Wire Analog Voice Grade Loop - Service Level 1- Zone		2	UEANL	UEAL2	19.73	70.44	44.05	46.93	10.4					19.99	
		2-Wire Analog Voice Grade Loop - Service Level 1- Zone		3	UEANL	UEAL2	28.27	70.44	44.05	46.93	10.4					19.99	
		2 Wire Analog Voice Grade Loop-Service Level 1-Line Splitting- Zone		1	UEPSR, UEPSB	UEALS	13.54	70.44	44.05	46.93	10.4					19.99	
		2 Wire Analog Voice Grade Loop- Service Level 1-Line Splitting-Zone		2	UEPSR, UEPSB	UEALS	19.73	70.44	44.05	46.93	10.4					19.99	
		2 Wire Analog Voice Grade Loop-Service Level 1-Line Splitting-Zone		3	UEPSR, UEPSB	UEALS	28.27	70.44	44.05	46.93	10.4					19.99	
		Engineering Information Document (EI)			UEANL			28.76	28.76								
		Manual Order Coordination for UVL-SL1s (per loop)			UEANL	UEAMC		16.31	16.31								
		Order Coordination for Specified Conversion Time for UVL-SL1 (per LSR)			UEANL	OCOSL		36.18	36.18								
		2-Wire Analog Voice Grade Loop - Service Level 2 w/Loop or Ground Start Signaling - Zone 1		1	UEA	UEAL2	17.27	236.75	177.1							19.99	
		2-Wire Analog Voice Grade Loop - Service Level 2 w/Loop or Ground Start Signaling - Zone 2		2	UEA	UEAL2	32.32	236.75	177.1							19.99	
		2-Wire Analog Voice Grade Loop - Service Level 2 w/Loop or Ground Start Signaling - Zone 3		3	UEA	UEAL2	55.78	236.75	177.1							19.99	
		Order Coordination for Specified Conversion Time (per LSF			UEA	OCOSL		36.18									
		2-Wire Analog Voice Grade Loop - Service Level 2 w/Reverse Battery Signaling - Zone 1		1	UEA	UEAR2	17.27	236.75	177.1							19.99	
		2-Wire Analog Voice Grade Loop - Service Level 2 w/Reverse Battery Signaling - Zone 2		2	UEA	UEAR2	32.32	236.75	177.1							19.99	
		2-Wire Analog Voice Grade Loop - Service Level 2 w/Reverse Battery Signaling - Zone 3		3	UEA	UEAR2	55.78	236.75	177.1							19.99	
		Order Coordination for Specified Conversion Time (per LSF			UEA	OCOSL		36.18									
4-WIRE ANALOG VOICE GRADE LOOP																	
		4-Wire Analog Voice Grade Loop - Zone 1		1	UEA	UEAL4	20.92	457.14	348.83							19.99	
		4-Wire Analog Voice Grade Loop - Zone 2		2	UEA	UEAL4	39.14	457.14	348.83							19.99	
		4-Wire Analog Voice Grade Loop - Zone 3		3	UEA	UEAL4	67.57	457.14	348.83							19.99	
		Order Coordination for Specified Conversion Time (per LSF			UEA	OCOSL		36.18									
2-WIRE ISDN DIGITAL GRADE LOOP																	
		2-Wire ISDN Digital Grade Loop - Zone 1		1	UDN	U1L2X	23.66	541.28	431.61							19.99	
		2-Wire ISDN Digital Grade Loop - Zone 2		2	UDN	U1L2X	44.28	541.28	431.61							19.99	
		2-Wire ISDN Digital Grade Loop - Zone 3		3	UDN	U1L2X	76.42	541.28	431.61							19.99	
		Order Coordination For Specified Conversion Time (per LSR			UDN	OCOSL		36.18									
2-WIRE Universal Digital Channel (UDC) COMPATIBLE LOOP																	
		2-Wire Universal Digital Channel (UDC) Compatible Loop - Zone 1		1	UDC	UDC2X	25.73	233.47	158.51	105.49	20.48					19.99	
		2-Wire Universal Digital Channel (UDC) Compatible Loop - Zone 2		2	UDC	UDC2X	34.83	233.47	158.51	105.49	20.48					19.99	
		2-Wire Universal Digital Channel (UDC) Compatible Loop - Zone 3		3	UDC	UDC2X	45.56	233.47	158.51	105.49	20.48					19.99	

UNBUNDLED NETWORK ELEMENTS
KY

CATEGORY	NOTES	UNBUNDLED NETWORK ELEMENT	Interim	Zone	BCS	USOC	RATES (\$)					OSS RATES (\$)								
							Nonrecurring			Nonrecurring		Svc Order Submitted Elec per LSR	Svc Order Submitted Manually per LSR	Incremental Charge - Manual Svc Order vs. Electronic-1st	Incremental Charge - Manual Svc Order vs. Electronic-Add'l	Incremental Charge - Manual Svc Order vs. Electronic-Disc 1st	Incremental Charge - Manual Svc Order vs. Electronic-Disc Add'l			
							Rec	First	Add'l	Disconnect										
										First	Add'l	SOME C	SOMAN	SOMAN	SOMAN	SOMAN	SOMAN			
		2-WIRE ASYMMETRICAL DIGITAL SUBSCRIBER LINE (ADSL) COMPATIBLE LOOP																		
		2-WIRE ASYMMETRICAL DIGITAL SUBSCRIBER LINE (ADSL) COMPATIBLE LOOP																		
		2 Wire Unbundled ADSL Loop including manual service inquiry & facility reservation - Zone 1		1	UAL	UAL2X	8.79	713.5	609.44				19.99							
		2 Wire Unbundled ADSL Loop including manual service inquiry & facility reservation - Zone 2		2	UAL	UAL2X	16.46	713.5	609.44				19.99							
		2 Wire Unbundled ADSL Loop including manual service inquiry & facility reservation - Zone 3		3	UAL	UAL2X	28.4	713.5	609.44				19.99							
		Order Coordination for Specified Conversion Time (per LSF			UAL	OCOSL		36.18												
		2 Wire Unbundled ADSL Loop without manual service inquiry & facility reservation - Zone 1		1	UAL	UAL2W	8.79	205.25	129.42	100.89	15.88		19.99							
		2 Wire Unbundled ADSL Loop without manual service inquiry & facility reservation - Zone 2		2	UAL	UAL2W	16.46	205.25	129.42	100.89	15.88		19.99							
		2 Wire Unbundled ADSL Loop without manual service inquiry & facility reservation - Zone 3		3	UAL	UAL2W	28.4	205.25	129.42	100.89	15.88		19.99							
		Order Coordination for Specified Conversion Time (per LSF			UAL	OCOSL		36.18												
		2-WIRE HIGH BIT RATE DIGITAL SUBSCRIBER LINE (HDSL) COMPATIBLE LOOP																		
		2-WIRE HIGH BIT RATE DIGITAL SUBSCRIBER LINE (HDSL) COMPATIBLE LOOP																		
		2 Wire Unbundled HDSL Loop including manual service inquiry & facility reservation - Zone 1		1	UHL	UHL2X	6.29	713.5	609.44				19.99							
		2 Wire Unbundled HDSL Loop including manual service inquiry & facility reservation - Zone 2		2	UHL	UHL2X	11.78	713.5	609.44				19.99							
		2 Wire Unbundled HDSL Loop including manual service inquiry & facility reservation - Zone 3		3	UHL	UHL2X	20.33	713.5	609.44				19.99							
		Order Coordination for Specified Conversion Tim			UHL	OCOSL		36.18												
		2 Wire Unbundled HDSL Loop without manual service inquiry and facility reservation - Zone 1		1	UHL	UHL2W	6.29	222.58	146.75	100.89	15.88		19.99							
		2 Wire Unbundled HDSL Loop without manual service inquiry and facility reservation - Zone 2		2	UHL	UHL2W	11.78	222.58	146.75	100.89	15.88		19.99							
		2 Wire Unbundled HDSL Loop without manual service inquiry and facility reservation - Zone 3		3	UHL	UHL2W	20.33	222.58	146.75	100.89	15.88		19.99							
		Order Coordination for Specified Conversion Tim			UHL	OCOSL		36.18												
		4-WIRE HIGH BIT RATE DIGITAL SUBSCRIBER LINE (HDSL) COMPATIBLE LOOP																		
		4 Wire Unbundled HDSL Loop including manual service inquiry and facility reservation - Zone 1		1	UHL	UHL4X	7.68	748.93	646.17				19.99							
		4-Wire Unbundled HDSL Loop including manual service inquiry and facility reservation - Zone 2	I	2	UHL	UHL4X	14.38	748.93	646.17				19.99							
		4-Wire Unbundled HDSL Loop including manual service inquiry and facility reservation - Zone 3		3	UHL	UHL4X	24.82	748.93	646.17				19.99							
		Order Coordination for Specified Conversion Tim			UHL	OCOSL		36.18												
		4-Wire Unbundled HDSL Loop without manual service inquiry and facility reservation - Zone 1		1	UHL	UHL4W	7.68	279.79	203.96	109.64	20.64		19.99							
		4-Wire Unbundled HDSL Loop without manual service inquiry and facility reservation - Zone 2		2	UHL	UHL4W	14.38	279.79	203.96	109.64	20.64		19.99							
		4-Wire Unbundled HDSL Loop without manual service inquiry and facility reservation - Zone 3		3	UHL	UHL4W	24.82	279.79	203.96	109.64	20.64		19.99							
		Order Coordination for Specified Conversion Tim			UHL	OCOSL		36.18												
		4-WIRE DS1 DIGITAL LOOP																		
		4-Wire DS1 Digital Loop - Zone 1		1	USL	USLXX	50.26	849.8	523.27				19.99							

UNBUNDLED NETWORK ELEMENTS
KY

CATEGORY	NOTES	UNBUNDLED NETWORK ELEMENT	Interim	Zone	BCS	USOC	RATES (\$)					OSS RATES (\$)								
							Nonrecurring		Nonrecurring			SOMEC	SOMAN	SOMAN	SOMAN	SOMAN	SOMAN			
							Rec	First	Add'l	First	Add'l							Disconnect		
		4-Wire DS1 Digital Loop - Zone 2		2	USL	USLXX	94.06	849.8	523.27											
		4-Wire DS1 Digital Loop - Zone 3		3	USL	USLXX	162.34	849.8	523.27											
		Order Coordination for Specified Conversion Tim			USL	OCOSL		36.18												
		4-WIRE 19.2, 56 OR 64 KBPS DIGITAL GRADE LOOP																		
		4 Wire Unbundled Digital 19.2 Kbps		1	UDL	UDL19	35.92	250.99	176.03	116.85	27.85									
		4 Wire Unbundled Digital 19.2 Kbps		2	UDL	UDL19	40.32	250.99	176.03	116.85	27.85									
		4 Wire Unbundled Digital 19.2 Kbps		3	UDL	UDL19	37.9	250.99	176.03	116.85	27.85									
		4 Wire Unbundled Digital Loop 56 Kbps - Zone		1	UDL	UDL56	35.92	250.99	176.03	116.85	27.85									
		4 Wire Unbundled Digital Loop 56 Kbps - Zone :		2	UDL	UDL56	40.32	250.99	176.03	116.85	27.85									
		4 Wire Unbundled Digital Loop 56 Kbps - Zone :		3	UDL	UDL56	37.9	250.99	176.03	116.85	27.85									
		Order Coordination for Specified Conversion Tim			UDL	OCOSL		36.18												
		4 Wire Unbundled Digital Loop 64 Kbps - Zone		1	UDL	UDL64	35.92	250.99	176.03	116.85	27.85									
		4 Wire Unbundled Digital Loop 64 Kbps - Zone :		2	UDL	UDL64	40.32	250.99	176.03	116.85	27.85									
		4 Wire Unbundled Digital Loop 64 Kbps - Zone :		3	UDL	UDL64	37.9	250.99	176.03	116.85	27.85									
		Order Coordination for Specified Conversion Tim			UDL	OCOSL		36.18												
		2-WIRE Unbundled COPPER LOOP																		
		2-Wire Unbundled Copper Loop/Short including manual service inquiry & facility reservation - Zone 1		1	UCL	UCLPB	14.94	283.77	164.04	120.6	22.45									
		2-Wire Unbundled Copper Loop/Short including manual service inquiry & facility reservation - Zone 2		2	UCL	UCLPB	15.15	283.77	164.04	120.6	22.45									
		2 Wire Unbundled Copper Loop/Short including manual service inquiry & facility reservation - Zone 3		3	UCL	UCLPB	15.73	283.77	164.04	120.6	22.45									
		Order Coordination for Unbundled Copper Loops (per loop)			UCL	UCLMC		16.31	16.31											
		2-Wire Unbundled Copper Loop/Short without manual service inquiry and facility reservation - Zone 1		1	UCL	UCLPW	14.94	203.39	127.56	100.89	15.88									
		2-Wire Unbundled Copper Loop/Short without manual service inquiry and facility reservation - Zone 2		2	UCL	UCLPW	15.15	203.39	127.56	100.89	15.88									
		2-Wire Unbundled Copper Loop/Short without manual service inquiry and facility reservation - Zone 3		3	UCL	UCLPW	15.73	203.39	127.56	100.89	15.88									
		Order Coordination for Unbundled Copper Loops (per loop)			UCL	UCLMC		16.31	16.31											
		2-Wire Unbundled Copper Loop/Long - includes manual svc. inquiry and facility reservation - Zone 1		1	UCL	UCL2L	36.19	270.38	150.65	120.6	22.45									
		2-Wire Unbundled Copper Loop/Long - includes manual svc. inquiry and facility reservation - Zone 2		2	UCL	UCL2L	49.31	270.38	150.65	120.6	22.45									
		2-Wire Unbundled Copper Loop/Long - includes manual svc. inquiry and facility reservation - Zone 3		3	UCL	UCL2L	80.78	270.38	150.65	120.6	22.45									
		Order Coordination for Unbundled Copper Loops (per loop)			UCL	UCLMC		16.31	16.31											
		2-Wire Unbundled Copper Loop/Long - without manual service inquiry and facility reservation - Zone 1		1	UCL	UCL2W	36.19	190	114.17	100.89	15.88									
		2-Wire Unbundled Copper Loop/Long - without manual service inquiry and facility reservation - Zone 2		2	UCL	UCL2W	49.31	190	114.17	100.89	15.88									
		2-Wire Unbundled Copper Loop/Long - without manual service inquiry and facility reservation - Zone 3		3	UCL	UCL2W	80.78	190	114.17	100.89	15.88									
		Order Coordination for Unbundled Copper Loops (per loop)			UCL	UCLMC		16.31	16.31											
		2-Wire Unbundled Copper Loop - Non-Designed Zone		I	1	UEQ	UEQ2X	11.01	44.69	22.4	25.65	7.06								
		2 Wire Unbundled Copper Loop - Non-Designed - Zone :		I	2	UEQ	UEQ2X	12.67	44.69	22.4	25.65	7.06								
		2 Wire Unbundled Copper Loop - Non-Designed - Zone :		I	3	UEQ	UEQ2X	20.22	44.69	22.4	25.65	7.06								
		Order Coordination 2 Wire Unbundled Copper Loop - Non-Designed (per loop)				UEQ	USBMC		16.31	16.31										
		Engineering Information Documen				UEQ			28.76	28.76										

UNBUNDLED NETWORK ELEMENTS
KY

CATEGORY	NOTES	UNBUNDLED NETWORK ELEMENT	Interim	Zone	BCS	USOC	RATES (\$)					OSS RATES (\$)								
							Nonrecurring		Nonrecurring			Svc Order Submitted Elec per LSR	Svc Order Submitted Manually per LSR	Incremental Charge - Manual Svc Order vs. Electronic-1st	Incremental Charge - Manual Svc Order vs. Electronic-Add'l	Incremental Charge - Manual Svc Order vs. Electronic-Disc 1st	Incremental Charge - Manual Svc Order vs. Electronic-Disc Add'l			
							Rec	First	Add'l	First	Add'l							SOME C	SOMAN	SOMAN
		Loop Testing - Basic 1st Half Hou			UEQ	URET1		78.92	78.92											
		Loop Testing - Basic Additional Half Hou			UEQ	URETA		23.33	23.33											
		4-WIRE COPPER LOOP																		
		4-Wire Copper Loop/Short - including manual service inquiry and facility reservation - Zone 1		1	UCL	UCL4S	25.26	332.2	212.46	130.27	27.51	19.99								
		4-Wire Copper Loop/Short - including manual service inquiry and facility reservation - Zone 2		2	UCL	UCL4S	23	332.2	212.46	130.27	27.51	19.99								
		4-Wire Copper Loop/Short - including manual service inquiry and facility reservation - Zone 3		3	UCL	UCL4S	19.08	332.2	212.46	130.27	27.51	19.99								
		Order Coordination for Unbundled Copper Loops (per loop)			UCL	UCLMC		16.31	16.31											
		4-Wire Copper Loop/Short - without manual service inquiry and facility reservation - Zone 1		1	UCL	UCL4W	25.26	251.82	175.99	109.64	20.64	19.99								
		4-Wire Copper Loop/Short - without manual service inquiry and facility reservation - Zone 2		2	UCL	UCL4W	23	251.82	175.99	109.64	20.64	19.99								
		4-Wire Copper Loop/Short - without manual service inquiry and facility reservation - Zone 3		3	UCL	UCL4W	19.08	251.82	175.99	109.64	20.64	19.99								
		Order Coordination for Unbundled Copper Loops (per loop)			UCL	UCLMC		16.31	16.31											
		4-Wire Unbundled Copper Loop/Long - includes manual svc. inquiry and facility reservation - Zone 1		1	UCL	UCL4L	61.02	318.81	199.07	130.27	27.51	19.99								
		4-Wire Unbundled Copper Loop/Long - includes manual svc. inquiry and facility reservation - Zone 2		2	UCL	UCL4L	55.74	318.81	199.07	130.27	27.51	19.99								
		4-Wire Unbundled Copper Loop/Long - includes manual svc. inquiry and facility reservation - Zone 3		3	UCL	UCL4L	88.97	318.81	199.07	130.27	27.51	19.99								
		Order Coordination for Unbundled Copper Loops (per loop)			UCL	UCLMC		16.31	16.31											
		4-Wire Unbundled Copper Loop/Long - without manual svc. inquiry and facility reservation - Zone 1		1	UCL	UCL4O	61.02	238.42	162.6	109.64	20.64	19.99								
		4-Wire Unbundled Copper Loop/Long - without manual svc. inquiry and facility reservation - Zone 2		2	UCL	UCL4O	55.74	238.42	162.6	109.64	20.64	19.99								
		4-Wire Unbundled Copper Loop/Long - without manual svc. inquiry and facility reservation - Zone 3		3	UCL	UCL4O	88.97	238.42	162.6	109.64	20.64	19.99								
		Order Coordination for Unbundled Copper Loops (per loop)			UCL	UCLMC		16.31	16.31											
		LOOP MODIFICATION																		
		Unbundled Loop Modification, Removal of Load Coils - 2 Wire pair less than or equal to 18k ft			UAL, UHL, UCL, UEQ, ULS	ULM2L		65.2	65.2											
		Unbundled Loop Modification, Removal of Load Coils - 2 wire greater than 18k			UCL, ULS	ULM2G		341.64	341.64											
		Unbundled Loop Modification Removal of Load Coils - 4 Wire less than or equal to 18K ft			UHL, UCL	ULM4L		65.2	65.2											
		Unbundled Loop Modification Removal of Load Coils - 4 Wire pair greater than 18k			UCL	ULM4G		341.64	341.64											
		Unbundled Loop Modification Removal of Bridged Tap Removal, per unbundled loc			UAL, UHL, UCL, UEQ, UEF, ULS	ULMBT		65.24	65.24											
		SUB-LOOPS																		
		Sub-Loop Distribution																		
		Sub-Loop - Per Cross Box Location - CLEC Feeder Facility Set-U		I	UEANL	USBSA		600.03	600.03			19.99								
		Sub-Loop - Per Cross Box Location - Per 25 Pair Panel Set-U		I	UEANL	USBSB		45.28	45.28			19.99								
		Sub-Loop - Per Building Equipment Room - CLEC Feeder Facility Set-U		I	UEANL	USBSC		379.89	379.89			19.99								

UNBUNDLED NETWORK ELEMENTS
KY

CATEGORY	NOTES	UNBUNDLED NETWORK ELEMENT	Interim	Zone	BCS	USOC	RATES (\$)				OSS RATES (\$)						
							Nonrecurring	Disconnect		Nonrecurring		SOMEc	SOMAN	SOMAN	SOMAN	SOMAN	SOMAN
				Rec	First	Add'l	First	Add'l									
		Sub-Loop - Per Building Equipment Room - Per 25 Pair Panel Set-U		I	UEANL	USBSD		111.55	111.55								
		Sub-Loop Distribution Per 2-Wire Analog Voice Grade Loop - Zone		I	1	UEANL	USBN2	9.03	131.64	61.93	90.83	13.44					
		Sub-Loop Distribution Per 2-Wire Analog Voice Grade Loop - Zone		I	2	UEANL	USBN2	12.25	131.64	61.93	90.83	13.44					
		Sub-Loop Distribution Per 2-Wire Analog Voice Grade Loop - Zone		I	3	UEANL	USBN2	16.71	131.64	61.93	90.83	13.44					
		Order Coordination for Unbundled Sub-Loops, per sub-loop pair				UEANL	USBMC		36.18	36.18							
		Sub-Loop Distribution Per 4-Wire Analog Voice Grade Loop - Zone			1	UEANL	USBN4	10.18	158.12	88.41	99.1	18.08					
		Sub-Loop Distribution Per 4-Wire Analog Voice Grade Loop - Zone			2	UEANL	USBN4	9.44	158.12	88.41	99.1	18.08					
		Sub-Loop Distribution Per 4-Wire Analog Voice Grade Loop - Zone			3	UEANL	USBN4	13.38	158.12	88.41	99.1	18.08					
		Order Coordination for Unbundled Sub-Loops, per sub-loop pair				UEANL	USBMC		36.18	36.18							
		Sub-Loop 2-Wire Intrabuilding Network Cable (INC		I		UEANL	USBR2	3.23	106.06	36.35	90.83	13.44					
		Order Coordination for Unbundled Sub-Loops, per sub-loop pair				UEANL	USBMC		36.18	36.18							
		Sub-Loop 4-Wire Intrabuilding Network Cable (INC		I		UEANL	USBR4	6.29	118.54	48.84	99.1	18.08					
		Order Coordination for Unbundled Sub-Loops, per sub-loop pair				UEANL	USBMC		36.18	36.18							
		2 Wire Copper Unbundled Sub-Loop Distribution - Zone		I	1	UEF	UCS2X	8.01	131.64	61.93	90.83	13.44					
		2 Wire Copper Unbundled Sub-Loop Distribution - Zone		I	2	UEF	UCS2X	9.18	131.64	61.93	90.83	13.44					
		2 Wire Copper Unbundled Sub-Loop Distribution - Zone		I	3	UEF	UCS2X	11.02	131.64	61.93	90.83	13.44					
		Order Coordination for Unbundled Sub-Loops, per sub-loop pair				UEF	USBMC		36.18	36.18							
		4 Wire Copper Unbundled Sub-Loop Distribution - Zone		I	1	UEF	UCS4X	10.65	158.12	88.41	99.1	18.08					
		4 Wire Copper Unbundled Sub-Loop Distribution - Zone		I	2	UEF	UCS4X	9.71	158.12	88.41	99.1	18.08					
		4 Wire Copper Unbundled Sub-Loop Distribution - Zone		I	3	UEF	UCS4X	8.45	158.12	88.41	99.1	18.08					
		Order Coordination for Unbundled Sub-Loops, per sub-loop pair				UEF	USBMC		36.18	36.18							
		Sub-Loop Feeder															
		USL-Feeder, DS0 Set-up per Cross Box location - CLEC Distribution Facility set-u				UEA, UDN,UC L,UDL,U DC	USBFW		600.03								
		USL Feeder - DS0 Set-up per Cross Box location - per 25 pair set-up				UEA, UDN,UC L,UDL,U DC	USBFX		45.28	45.28							
		USL Feeder DS1 Set-up at DSX location, per DS1 termination				USL	USBFZ		527.98	11.32							
		Unbundled Sub-Loop Feeder Loop, 2 Wire Ground Start, Voice Grade - Zone			1	UEA	USBFA	10.36	184.97	111.91	108.76	26.76					
		Unbundled Sub-Loop Feeder Loop, 2 Wire Ground-Start, Voice Grade - Zone			2	UEA	USBFA	13.62	184.97	111.91	108.76	26.76					
		Unbundled Sub-Loop Feeder Loop, Per 2 Wire Ground-Start, Voice Grade - Zone			3	UEA	USBFA	19.69	184.97	111.91	108.76	26.76					
		Order Coordination for Specified Conversion Time, per LSR				UEA	OCOSL		36.18								
		Unbundle Sub-Loop Feeder Loop, 2 Wire Loop-Start, Voice Grade - Zone			1	UEA	USBFB	10.36	184.97	111.91	108.76	26.76					
		Unbundled Sub-Loop Feeder Loop, 2 Wire Loop-Start, Voice Grade - Zone			2	UEA	USBFB	13.62	184.97	111.91	108.76	26.76					
		Unbundled Sub-Loop Feeder Loop, 2 Wire Start Loop, Voice Grade - Zone			3	UEA	USBFB	19.69	184.97	111.91	108.76	26.76					
		Order Coordination for Specified Time Conversion, per LSR				UEA	OCOSL		36.18								
		Unbundled Sub-Loop Feeder Loop, 2 Wire Reverse Battery, Voice Grade - Zone			1	UEA	USBFC	10.36	184.97	111.91	108.76	26.76					
		Unbundled Sub-Loop Feeder Loop, 2 Wire Reverse Battery, Voice Grade - Zone			2	UEA	USBFC	13.62	184.97	111.91	108.76	26.76					
		Unbundled Sub-Loop Feeder Loop, 2 Wire Analog Reverse Battery, Voice Grade - Zone 3			3	UEA	USBFC	19.69	184.97	111.91	108.76	26.76					
		Order Coordination For Specified Conversion Time, per LSI				UEA	OCOSL		36.18								
		Unbundled Sub-Loop Feeder Loop, 4 Wire Ground-Start, Voice Grade - Zone			1	UEA	USBFD	30.69	213.56	138.6	122.64	33.64					
		Unbundled Sub-Loop Feeder Loop, 4 Wire Ground-Start, Voice Grade - Zone			2	UEA	USBFD	36.12	213.56	138.6	122.64	33.64					
		Unbundled Sub-Loop Feeder Loop, 4 Wire Ground Start, Voice Grade - Zone			3	UEA	USBFD	22.9	213.56	138.6	122.64	33.64					
		Order Coordination For Specified Conversion Time, Per LSI				UEA	OCOSL		36.18								
		Unbundled Sub-Loop Feeder Loop, 4 Wire Loop-Start, Voice Grade - Zone			1	UEA	USBFE	30.69	213.56	138.6	122.64	33.64					
		Unbundled Sub-Loop Feeder Loop, 4 Wire Loop-Start, Voice Grade - Zone			2	UEA	USBFE	36.12	213.56	138.6	122.64	33.64					
		Unbundled Sub-Loop Feeder Loop, 4 Wire Loop-Start, Voice Grade - Zone			3	UEA	USBFE	22.9	213.56	138.6	122.64	33.64					
		Order Coordination For Specified Conversion Time, Per LSI				UEA	OCOSL		36.18								
		Unbundled Sub-Loop Feeder Loop, 2 Wire ISDN BRI - Zone			1	UDN	USBFF	17.75	211.3	136.34	111.02	26.01					
		Unbundled Sub-Loop Feeder Loop, 2-Wire ISDN BRI - Zone			2	UDN	USBFF	23.67	211.3	136.34	111.02	26.01					

UNBUNDLED NETWORK ELEMENTS
KY

CATEGORY	NOTES	UNBUNDLED NETWORK ELEMENT	Interim	Zone	BCS	USOC	RATES (\$)					OSS RATES (\$)										
							Nonrecurring		Nonrecurring		SOMEC	SOMAN	SOMAN	SOMAN	SOMAN	SOMAN	Svc Order Submitted Elec per LSR	Svc Order Submitted Manually per LSR	Incremental Charge - Manual Svc Order vs. Electronic-1st	Incremental Charge - Manual Svc Order vs. Electronic-Add'l	Incremental Charge - Manual Svc Order vs. Electronic-Disc 1st	Incremental Charge - Manual Svc Order vs. Electronic-Disc Add'l
							Rec	First	Add'l	First												
		Unbundled Sub-Loop Feeder Loop, 2-Wire ISDN BRI - Zone :		3	UDN	USBFF	29.9	211.3	136.34	111.02	26.01		19.99									
		Order Coordination For Specified Conversion Time, Per LSI			UDN	OCOSL		36.18														
		Unbundled Sub-Loop Feeder, 2 Wire UDC (IDSL compatible		1	UDC	USBFS	17.75	211.3	136.34	111.02	26.01		19.99									
		Unbundled Sub-Loop Feeder, 2 Wire UDC (IDSL compatible		2	UDC	USBFS	23.67	211.3	136.34	111.02	26.01		19.99									
		Unbundled Sub-Loop Feeder, 2 Wire UDC (IDSL compatible		3	UDC	USBFS	29.9	211.3	136.34	111.02	26.01		19.99									
		Unbundled Sub-Loop Feeder Loop, 4-Wire DS1 - Zone :		1	USL	USBFG	75.1	202.14	127.18	122.64	33.64		19.99									
		Unbundled Sub-Loop Feeder Loop, 4-Wire DS1 - Zone :		2	USL	USBFG	104.53	202.14	127.18	122.64	33.64		19.99									
		Unbundled Sub-Loop Feeder Loop, 4-Wire DS1 - Zone :		3	USL	USBFG	152.36	202.14	127.18	122.64	33.64		19.99									
		Order Coordination For Specified Conversion Time, Per LSI			USL	OCOSL		36.18														
		Unbundled Sub-Loop Feeder, 2-Wire Copper Loop - Zone		1	UCL	USBFH	8.29	167.62	92.66	106.42	21.41		19.99									
		Unbundled Sub-Loop Feeder Loop, 2-Wire Copper Loop - Zone		2	UCL	USBFH	7.3	167.62	92.66	106.42	21.41		19.99									
		Unbundled Sub-Loop Feeder Loop, 2-Wire Copper Loop - Zone		3	UCL	USBFH	6.03	167.62	92.66	106.42	21.41		19.99									
		Order Coordination For Specified Conversion Time, per LSI			UCL	OCOSL		36.18														
		Sub-Loop Feeder - Per 4-Wire Copper Loop - Zone 1		1	UCL	USBFJ	16.55	202.05	127.09	115.43	26.43		19.99									
		Sub-Loop Feeder - Per 4-Wire Copper Loop - Zone 2		2	UCL	USBFJ	15.35	202.05	127.09	115.43	26.43		19.99									
		Sub-Loop Feeder - Per 4-Wire Copper Loop - Zone 3		3	UCL	USBFJ	12.52	202.05	127.09	115.43	26.43		19.99									
		Order Coordination For Specified Conversion Time, per LSI			UCL	OCOSL		36.18														
		Sub-Loop Feeder - Per 4-Wire 19.2 Kbps Digital Grade Loop		1	UDL	USBFN	27.38	202.14	127.18	122.64	33.64		19.99									
		Sub-Loop Feeder - Per 4-Wire 19.2 Kbps Digital Grade Loop		2	UDL	USBFN	33.41	202.14	127.18	122.64	33.64		19.99									
		Sub-Loop Feeder - Per 4-Wire 19.2 Kbps Digital Grade Loop		3	UDL	USBFN	24.47	202.14	127.18	122.64	33.64		19.99									
		Sub-Loop Feeder - Per 4-Wire 56 Kbps Digital Grade Loop - Zone		1	UDL	USBFO	27.38	202.14	127.18	122.64	33.64		19.99									
		Sub-Loop Feeder - Per 4-Wire 56 Kbps Digital Grade Loop - Zone :		2	UDL	USBFO	33.41	202.14	127.18	122.64	33.64		19.99									
		Sub-Loop Feeder - Per 4-Wire 56 Kbps Digital Grade Loop - Zone :		3	UDL	USBFO	24.47	202.14	127.18	122.64	33.64		19.99									
		Order Coordination For Specified Time Conversion, per LSI			UDL	OCOSL		36.18														
		Sub-Loop Feeder - Per 4-Wire 64 Kbps Digital Grade Loop - Zone		1	UDL	USBFP	27.38	202.14	127.18	122.64	33.64		19.99									
		Sub-Loop Feeder - Per 4-Wire 64 Kbps Digital Grade Loop - Zone :		2	UDL	USBFP	33.41	202.14	127.18	122.64	33.64		19.99									
		Sub-Loop Feeder - Per 4-Wire 64 Kbps Digital Grade Loop - Zone :		3	UDL	USBFP	24.47	202.14	127.18	122.64	33.64		19.99									
		Order Coordination For Specified Conversion Time, per LSI			UDL	OCOSL		36.18														
		Unbundled Sub-Loop Modification																				
		Unbundled Sub-Loop Modification - 2-W Copper Dist Load Coil/Equip Removal per 2-W PR			UEF	ULM2X		355.83	12.27				19.99									
		Unbundled Sub-loop Modification - 4-W Copper Dist Load Coil/Equip Removal per 4-W PR			UEF	ULM4X		355.83	12.27				19.99									
		Unbundled Sub-loop Modification - 2-w/4-w Copper Dist Bridged Tap Removal, per PR unloaded			UEF	ULM4T		560.74	14.3				19.99									
		Unbundled Network Terminating Wire (UNTW)																				
		Unbundled Network Terminating Wire (UNTW) per Pai			UENTW	UENPP	0.64	62.83	62.83				19.99									
		Network Interface Device (NID)																				
		Network Interface Device (NID) - 1-2 lines			UENTW	UND12		89.66	57.24				19.99									
		Network Interface Device (NID) - 1-6 lines			UENTW	UND16		129.24	99.52				19.99									
		Network Interface Device Cross Connect - 2 W			UENTW	UNDC2		11.78	11.78				19.99									
		Network Interface Device Cross Connect - 4W			UENTW	UNDC4		11.78	11.78				19.99									
		UNBUNDLED LOOP CONCENTRATION																				
		Unbundled Loop Concentration - System A (TR00E			ULC	UCT8A	522.17	651.04	651.04				19.99									
		Unbundled Loop Concentration - System B (TR00E			ULC	UCT8B	63.59	271.27	271.27				19.99									
		Unbundled Loop Concentration - System A (TR30E			ULC	UCT3A	567.21	651.04	651.04				19.99									
		Unbundled Loop Concentration - System B (TR30E			ULC	UCT3B	107.16	271.27	271.27				19.99									

UNBUNDLED NETWORK ELEMENTS
KY

CATEGORY	NOTES	UNBUNDLED NETWORK ELEMENT	Interim	Zone	BCS	USOC	RATES (\$)					OSS RATES (\$)					
							Nonrecurring		Nonrecurring			Svc Order Submitted Elec per LSR	Svc Order Submitted Manually per LSR	Incremental Charge - Manual Svc Order vs. Electronic-1st	Incremental Charge - Manual Svc Order vs. Electronic-Add'l	Incremental Charge - Manual Svc Order vs. Electronic-Disc 1st	Incremental Charge - Manual Svc Order vs. Electronic-Disc Add'l
							Rec	First	Add'l	First	Add'l						
							Disconnect										
		Unbundled Loop Concentration - DS1 Loop Interface Car			ULC	UCTCO	6.04	126.61	92.17	33.46	9.37		19.99				
		Unbundled Loop Concentration - ISDN Loop Interface (Brite Carc			UDN	ULCC1	9.59	21.08	20.96	10.75	10.68		19.99				
		Unbundled Loop Concentration - UDC Loop Interface (Brite Carc			UDC	ULCCU	9.59	21.08	20.96	10.75	10.68		19.99				
		Unbundled Loop Concentration - 2 Wire Voice-Loop Start or Ground Start Loop Interface (POTS Card)			UEA	ULCC2	2.4	21.08	20.96	10.75	10.68		19.99				
		Unbundled Loop Concentration - 2 Wire Voice - Reverse Battery Loop Interface (SPOTS Card)			UEA	ULCCR	14.26	21.08	20.96	10.75	10.68		19.99				
		Unbundled Loop Concentration - 4 Wire Voice Loop Interface (Specials Carc			UEA	ULCC4	8.51	21.08	20.96	10.75	10.68		19.99				
		Unbundled Loop Concentration - TEST CIRCUIT Car			ULC	UCTTC	41.58	21.08	20.96	10.75	10.68		19.99				
		Unbundled Loop Concentration - Digital 19.2 Kbps Data Loop Interfac			UDL	ULCC7	12.6	21.08	20.96	10.75	10.68		19.99				
		Unbundled Loop Concentration - Digital 56 Kbps Data Loop Interfac			UDL	ULCC5	12.6	21.08	20.96	10.75	10.68		19.99				
		Unbundled Loop Concentration - Digital 64 Kbps Data Loop Interfac			UDL	ULCC6	12.6	21.08	20.96	10.75	10.68		19.99				
UNBUNDLED SUB-LOOP CONCENTRATION (OUTSIDE CO)																	
UNE OTHER, PROVISIONING ONLY - NO RATE																	
		NID - Dispatch and Service Order for NID installation			UENTW	UNDBX											
		UNTW Circuit Id Establishment, Provisioning Only - No Rate			UENTW	UENCE											
		Unbundled Contract Name, Provisioning Only - No Rate			UEANL, UEF, UE Q, UENT W	UNECN											
		Unbundled Contact Name, Provisioning Only - no rate			JAL, UCL, UDC, UDL, UD N, UEA, UHL, UL C	UNECN	0	0									
		Unbundled Sub-Loop Feeder-2 Wire Cross Box Jumper - no rat			UEA, UD N, UCL, UDC	USBFQ	0	0									
		Unbundled Sub-Loop Feeder-4 Wire Cross Box Jumper - no rat			UEA, US L, UCL, U DL	USBFR	0	0									
		Unbundled DS1 Loop - Superframe Format Option - no rat			USL	CCOSF	0	0									
		Unbundled DS1 Loop - Expanded Superframe Format option - no rat			USL	CCOEF	0	0									
HIGH CAPACITY UNBUNDLED LOCAL LOOP																	
		NOTE: 4 month minimum billing period															
		High Capacity Unbundled Local Loop - DS3 - Per Mile per mont			UE3	1L5ND	11.53										
		High Capacity Unbundled Local Loop - DS3 - Facility Termination per mon			UE3	UE3PX	379.72	903.37	528.05	238.97	166.62		19.99				
		High Capacity Unbundled Local Loop - STS-1 - Per Mile per mont			UDLSX	1L5ND	11.53										
		High Capacity Unbundled Local Loop - STS-1 - Facility Termination per mon			UDLSX	UDLS1	394.76	903.34	528.05	238.2	166.62		19.99				
LOOP MAKE-UP																	
		Loop Makeup - Preordering Without Reservation, per working or spare facility queried (Manual).			UMK	UMKLV		47.98	47.98								
		Loop Makeup - Preordering With Reservation, per spare facility queried (Manual).			UMK	UMKLP		50.88	50.88								
		Loop Makeup--With or Without Reservation, per working or spare facility queried (Mechanized)			UMK	PSUMK	0.6746										
LINE SHARING																	

UNBUNDLED NETWORK ELEMENTS
KY

CATEGORY	NOTES	UNBUNDLED NETWORK ELEMENT	Interim	Zone	BCS	USOC	RATES (\$)					OSS RATES (\$)							
							Nonrecurring		Nonrecurring			Svc Order Submitted Elec per LSR	Svc Order Submitted Manually per LSR	Incremental Charge - Manual Svc Order vs. Electronic-1st	Incremental Charge - Manual Svc Order vs. Electronic-Add'l	Incremental Charge - Manual Svc Order vs. Electronic-Disc 1st	Incremental Charge - Manual Svc Order vs. Electronic-Disc Add'l		
							Rec	First	Add'l	Disconnect									
								First	Add'l	First	Add'l	SOME C	SOMAN	SOMAN	SOMAN	SOMAN	SOMAN		
		Line Sharing Splitter, per System 96 Line Capacit	I		ULS	ULSDA	203.33	377.71	0	357.29	0		0						
		Line Sharing Splitter, per System 24 Line Capacit	I		ULS	ULSDB	50.83	377.71	0	357.29	0		0						
		Line Sharing Splitte, Per System, 8 Line Capacit	I		ULS	ULSD8	16.94	377.71	0	357.29	0		0						
		Line Sharing - per Line Activatio	I		ULS	ULSDC	0.61	37.02	21.2	20.1	9.87		19.99						
		Line Sharing - per Subsequent Activity per Line Rearrangeme	I		ULS	ULSDS		32.78	16.38				19.99						
		Line Sharing-CLEC/DLEC Owned Splitter in CO-per occurrence of each group of 8 lines (16 pair)	I		ULS	ULSDG		57.72		11.43									
UNBUNDLED TRANSPORT																			
COMMON TRANSPORT (Shared)																			
		Common Transport - Per Mile, Per MOU											0.0000049						
		Common Transport - Facilities Termination Per MOU											0.000426						
NOTE: INTEROFFICE CHANNEL - DEDICATED TRANSPORT - minimum billing period: below DS3 = one month, DS3 and above four months																			
INTEROFFICE CHANNEL - DEDICATED TRANSPORT - VOICE GRADE																			
		Interoffice Channel - Dedicated Transport - 2-Wire Voice Grade - Per Mile per month			U1TVX	1L5XX	0.0118												
		Interoffice Channel - Dedicated Transport- 2- Wire Voice Grade - Facility Termination per month			U1TVX	U1TV2	29.51	81.07	54.84	33.36	13.75		19.99						
		Interoffice Channel - Dedicated Transport- 2-Wire Voice Grade Rev Bat. - Per Mile per month			U1TVX	1L5XX	0.0118												
		Interoffice Channel - Dedicated Transport- 2- Wire VG Rev Bat. - Facility Termination per month			U1TVX	U1TR2	29.51	81.07	54.84	33.36	13.75		19.99						
		Interoffice Channel - Dedicated Transport - 4-Wire Voice Grade - Per Mile per month			U1TVX	1L5XX	0.0118												
		Interoffice Channel - Dedicated Transport - 4- Wire Voice Grade - Facility Termination per month			U1TVX	U1TV4	29.51	81.1	54.84	33.36	13.75		19.99						
		Interoffice Channel - Dedicated Transport - 56 kbps - per mile per month			U1TDX	1L5XX	0.0118												
		Interoffice Channel - Dedicated Transport - 56 kbps - Facility Termination per month			U1TDX	U1TD5	29.51	81.1	54.82	33.36	13.75		19.99						
		Interoffice Channel - Dedicated Transport - 64 kbps - per mile per month			U1TDX	1L5XX	0.0118												
		Interoffice Channel - Dedicated Transport - 64 kbps - Facility Termination per month			U1TDX	U1TD6	29.51	81.1	54.82	33.36	13.75		19.99						
INTEROFFICE CHANNEL - DEDICATED TRANSPORT - DS1																			
		Interoffice Channel - Dedicated Channel - DS1 - Per Mile per month			U1TD1	1L5XX	0.2407												
		Interoffice Channel - Dedicated Transport - DS1 - Facility Termination per month			U1TD1	U1TF1	97.38	178.53	163.67	32.59	28.79		19.99						
INTEROFFICE CHANNEL - DEDICATED TRANSPORT- DS3																			
		Interoffice Channel - Dedicated Transport - DS3 - Per Mile per month			U1TD3	1L5XX	5.1												
		Interoffice Channel - Dedicated Transport - DS3 - Facility Termination per month			U1TD3	U1TF3	1191.53	557.49	325.51	120.39	116.54		19.99						
INTEROFFICE CHANNEL - DEDICATED TRANSPORT- STS-1																			
		Interoffice Channel - Dedicated Transport - STS-1 - Per Mile per month			U1TS1	1L5XX	5.1												
		Interoffice Channel - Dedicated Transport - STS-1 - Facility Termination per month			U1TS1	U1TFS	1165.53	557.69	325.62	120	116.54		19.99						
LOCAL CHANNEL - DEDICATED TRANSPORT																			
NOTE: LOCAL CHANNEL DEDICATED TRANSPORT - minimum billing period - below DS3=one month, DS3 and above=four months																			
		Local Channel - Dedicated - 2-Wire Voice Grade Per Month			ULCVX	ULDV2	18.18	386.33	66.35	73.28	6.37		19.99						
		Local Channel - Dedicated - 2-Wire Voice Grade Rev Bat per month			ULCVX	ULDR2	18.18	386.33	66.35	73.28	6.37		19.99						
		Local Channel - Dedicated - 4-Wire Voice Grade per month			UNCVX	ULDV4	20.12	387.22	67.22	73.98	7.31		19.99						

UNBUNDLED NETWORK ELEMENTS
KY

CATEGORY	NOTES	UNBUNDLED NETWORK ELEMENT	Interim	Zone	BCS	USOC	RATES (\$)					OSS RATES (\$)									
							Nonrecurring		Nonrecurring			SOMEC	SOMAN	SOMAN	SOMAN	SOMAN	SOMAN				
							Rec	First	Add'l	First	Add'l										
		Local Channel - Dedicated - DS1 per month - Zone :		1	ULDD1	ULDF1	44.63	355.06	307.53	44.24	30.42										
		Local Channel - Dedicated - DS1 per month - Zone :		2	ULDD1	ULDF1	40.74	355.06	307.53	44.24	30.42										
		Local Channel - Dedicated - DS1 per month - Zone :		3	ULDD1	ULDF1	42.95	355.06	307.53	44.24	30.42										
		Local Channel - Dedicated - DS3 - Per Mile per month			ULDD3	1L5NC	8.98														
		Local Channel - Dedicated - DS3 - Facility Termination per month			ULDD3	ULDF3	583.57	903.34	528.05	238.2	166.62										
		Local Channel - Dedicated - STS-1- Per Mile per month			ULDS1	1L5NC	8.98														
		Local Channel - Dedicated - STS-1 - Facility Termination per month			ULDS1	ULDFS	550.34	903.34	528.05	238.2	166.62										
MULTIPLEXERS																					
		Channelization - DS1 to DS0 Channel System			UXTD1	MQ1	139.65	182.08	125.19	21	19.52										
		OCU-DP COCI (data) - DS1 to DS0 Channel System - per month (2.4-64kbs)			UDL	1D1DD	1.63	13.16	9.43												
		2-wire ISDN COCI (BRITE) - DS1 to DS0 Channel System - per month			UDN	UC1CA	23.5	13.16	9.43												
		Voice Grade COCI - DS1 to DS0 Channel System - per month			UEA	1D1VG	0.7676	13.16	9.43												
		DS3 to DS1 Channel System per month			UXTD3	MQ3	194.82	356.4	188	66.3	63.44										
		STS1 to DS1 Channel System per month			UXTS1	MQ3	194.82														
		DS3 Interface Unit (DS1 COCI) used with Loop per month			USL	UC1D1	14.53	13.16	9.43												
DARK FIBER																					
		Dark Fiber, Four Fiber Strands, Per Route Mile or Fraction Thereof per month - Local Channel			UDF	1L5DC	48														
		NRC Dark Fiber - Local Channel			UDF	UDFC4		1278.61	275.83	632.07	394.05										
		Dark Fiber, Four Fiber Strands, Per Route Mile or Fraction Thereof per month - Interoffice Channel			UDF	1L5DF	31.51														
		NRC Dark Fiber - Interoffice Channel			UDF	UDF14		1278.61	275.83	632.07	394.05										
		Dark Fiber, Four Fiber Strands, Per Route Mile or Fraction Thereof per month - Local Loop			UDF	1L5DL	48														
		NRC Dark Fiber - Local Loop			UDF	UDFL4		1278.61	275.83	632.07	394.05										
TRANSPORT OTHER																					
Optional Features & Functions:																					
		Clear Channel Capability (B8ZS/ESF) Option - Subsequent - per DS1 Channel			UNC1X	CCOEF		184.91	23.82	1.99	0.78										
		Clear Channel Capability (B8ZS/SF) Option - Subsequent - per DS1 Channel			UNC1X	CCOSF		184.91	23.82	1.99	0.78										
8XX ACCESS TEN DIGIT SCREENING																					
		8XX Access Ten Digit Screening, Per Call			OHD																
		8XX Access Ten Digit Screening, Reservation Charge Per 8XX Number Reserve			OHD	N8R1X		10.05	1.19												
		8XX Access Ten Digit Screening, Per 8XX No. Established W/O POTS Translation			OHD			30.59	3.22												
		8XX Access Ten Digit Screening, Per 8XX No. Established With POTS Translation			OHD	N8FTX		30.59	3.22												
		8XX Access Ten Digit Screening, Customized Area of Service Per 8XX Number			OHD	N8FCX		6.97	3.49												
		8XX Access Ten Digit Screening, Multiple InterLATA CXR Routing Per CXR Requested Per 8XX No.			OHD	N8FMX		8.16	4.67												
		8XX Access Ten Digit Screening, Change Charge Per Request			OHD	N8FAX		11.24	1.19												
		8XX Access Ten Digit Screening, Call Handling and Destination Features			OHD	N8FDX		6.97													
		8XX Access Ten Digit Screening, w/ 8XX No. Delivery, per query			OHD		0.001														
		8XX Access Ten Digit Screening w/8XX No. Delivery for 8XX Numbers, with Optional Complex Features, per query			OHD		0.0011														
		8XX Access Ten Digit Screening, w/ POTS No. Delivery, per query			OHD		0.001														
		8XX Access Ten Digit Screening w/ POTS No. Delivery, with Optional Complex Features, per query			OHD		0.0011														
LINE INFORMATION DATA BASE ACCESS (LIDB)																					
		LIDB Common Transport Per Query			OQT		0.00006														
		LIDB Validation Per Query			OQU		0.00938														
		LIDB Originating Point Code Establishment or Change			OQT, OQU	NRPBX		107.6													

UNBUNDLED NETWORK ELEMENTS
KY

CATEGORY	NOTES	UNBUNDLED NETWORK ELEMENT	Interim	Zone	BCS	USOC	RATES (\$)				OSS RATES (\$)					
							354.95				Svc Order Submitted Elec per LSR	Svc Order Submitted Manually per LSR	Incremental Charge - Manual Svc Order vs. Electronic-1st	Incremental Charge - Manual Svc Order vs. Electronic-Add'l	Incremental Charge - Manual Svc Order vs. Electronic-Disc 1st	Incremental Charge - Manual Svc Order vs. Electronic-Disc Add'l
							Nonrecurring		Nonrecurring							
							Rec		Disconnect							
							First	Add'l	First	Add'l	SOMEK	SOMAN	SOMAN	SOMAN	SOMAN	SOMAN
SIGNALING (CCS7)																
		CCS7 Signaling Termination, Per STP Port			1DB	PT8SX	174.08									
		CCS7 Signaling Usage, Per TCAP Message			1DB		0.000102042						19.99			
		NOTE: Applicable when measurement and billing capability exists.														
		CCS7 Signaling Connection, Per link (A link)			1DB	TPP++	16.31	354.95	354.95	174.08	174.08		19.99			
		CCS7 Signaling Connection, Per link (B link) (also known as D link)			1DB	TPP++	16.31	354.95	354.95	174.08	174.08		19.99			
		CCS7 Signaling Usage, Per ISUP Message			1DB		0.000037893									
		NOTE: Applicable when measurement and billing capability exists.														
		CCS7 Signaling Usage Surrogate, per link per LAT			1DB	STU56	329.98						19.99			
		CCS7 Signaling Point Code, per Originating Point Code Establishment or Change, per STP affected			1DB	CCAPO		40	40				19.99			
		CCS7 Signaling Point Code, per Destination Point Code Establishment or Change, Per Stp Affected			1DB	CCAPD		8	8				19.99			
E911 SERVICE																
CALLING NAME (CNAM) SERVICE																
		CNAM for DB Owners, Per Query			OQV		0.016									
		CNAM for Non DB Owners, Per Query			OQV		0.01									
		CNAM (Non-Databs Owner), NRC, applies when using the Character Based User Interface (CHUI)			OQV	CDDCH		595	595				19.99			
LNP QUERY SERVICE																
OPERATOR SERVICES AND DIRECTORY ASSISTANCE																
OPERATOR CALL PROCESSING																
		Oper. Call Processing - Oper. Provided, Per Min. - Using BST LID					1.2									
		Oper. Call Processing - Oper. Provided, Per Min. - Using Foreign LID					1.24									
		Oper. Call Processing - Fully Automated, per Call - Using BST LID					0.2									
		Oper. Call Processing - Fully Automated, per Call - Using Foreign LID					0.2									
INWARD OPERATOR SERVICES																
		Inward Operator Services - Verification, Per Ca					1									
		Inward Operator Services - Verification and Emergency Interrupt - Per Ca					1.95									
BRANDING - OPERATOR CALL PROCESSING																
		Recording of Custom Branded OA Announcement				CBAOS		7000	7000	9.61	9.61		19.99			
		Loading of Custom Branded OA Announcement per shelf/NAV				CBAOL		500	500				19.99	19.99	19.99	
DIRECTORY ASSISTANCE SERVICES																
DIRECTORY ASSISTANCE ACCESS SERVICE																
		Directory Assistance Access Service Calls, Charge Per Ca					0.275									
DIRECTORY ASSISTANCE CALL COMPLETION ACCESS SERVICE (DACC)																
		Directory Assistance Call Completion Access Service (DACC), Per Call Attempt					0.1									
UNBRANDING																
DIRECTORY TRANSPORT																
		Directory Transport - Local Channel DS					36.32	637.46	546.94				19.99			
		Directory Transport - DS1 Level Interoffice Per Mil					0.45									
		Directory Transport - DS1 Level Interoffice Per Facility Terminatic					55.05	298.18	231.18				19.99			
		Switched Common Transport Per DA Access Service Per Ca					0.000175									
		Switched Common Transport Per DA Access Service Per Call Per Mil					0.000004									

UNBUNDLED NETWORK ELEMENTS
KY

CATEGORY	NOTES	UNBUNDLED NETWORK ELEMENT	Interim	Zone	BCS	USOC	RATES (\$)				OSS RATES (\$)							
							Rec	First	Add'l	Disconnect	SOME C	SOMAN	SOMAN	SOMAN	SOMAN	SOMAN		
		Access Tandem Switching Per DA Access Service Per Ca					0.000783											
		Directory Transport - Installation NRC, Per Trunk or Signaling Connectic						501.98	13.32				19.99					
		DIRECTORY ASSISTANCE DATA BASE SERVICE (DADS)																
		Directory Assistance Data Base Service Charge Per Listin					0.04											
		Directory Assistance Data Base Service, per mont				DBSOF	150											
		BRANDING - DIRECTORY ASSISTANCE																
		Custom Branding Announcement, per Recording to be used with the provision of DA				AMT		3000	3000									
		Loading of Custom Branded Announcement per DRAM Card/Switch				AMT		690	690									
		SELECTIVE ROUTING																
		Selective Routing Per Unique Line Class Code Per Request Per Switc				USRCR		229.65	229.65				19.99	19.99				
		VIRTUAL COLLOCATION																
		Virtual Collocation - 2-wire Cross Connects (loop				ueanl,ue a,udn,ud c,uai,uhl .ucl,ueq	UEAC2	0.31	54.21	51.07			19.99					
		Virtual Collocation - 2-wire Cross Connects (port					VE1R2	0.31	54.21	51.07			19.99					
		Virtual Collocation - 4-wire Cross Connects (loop				uea,uhl, ucl,udl	UEAC4	0.62	54.23	50.96			19.99					
		Virtual Collocation - 4-wire Cross Connects (port					VE1R4	0.62	54.23	50.96			19.99					
		Virtual Collocation - 2-Fiber Cross Connect:					CNC2F	15.64	41.56	29.82			19.99	19.99	19.99	19.99	19.99	19.99
		Virtual Collocation - 4-Fiber Cross Connects					CNC4F	28.11	50.53	38.78			19.99	19.99	19.99	19.99	19.99	19.99
		Virtual Collocatin - DS1 Cross Connect:				USL,UL C	CNC1X	1.5	44.07	31.86	12.76	11.53						
		AIN SELECTIVE CARRIER ROUTING																
		Regional Service Establishment				SRC	SRCEC		391788				19.99					
		End Office Establishment				SRC	SRCEO		320.53	320.53			19.99					
		Line/Port NRC, per end user				SRC	SRCLP		2.06	2.06			19.99					
		Query NRC, per query				SRC		0.000448										
		AIN - BELLSOUTH AIN SMS ACCESS SERVICE																
		AIN - BELLSOUTH AIN TOOLKIT SERVICE																
		ODUF/EDOUF/ADUF/CMDS																
		ACCESS DAILY USAGE FILE (ADUF)																
		ADUF: Message Processing, per message						0.004										
		ADUF: Data Transmission (CONNECT:DIRECT), per message						0.001										
		ENHANCED OPTIONAL DAILY USAGE FILE (EODUF)																
		EODUF: Message Processing, per message						0.004										
		OPTIONAL DAILY USAGE FILE (ODUF)																
		ODUF: Recording, per message						0.0008611										
		ODUF: Message Processing, per message						0.0032357										
		ODUF: Message Processing, per Magnetic Tape provisione						55.68										
		ODUF: Data Transmission (CONNECT:DIRECT), per message						0.0000365										
		ENHANCED EXTENDED LINK (EELs)																

UNBUNDLED NETWORK ELEMENTS
KY

CATEGORY	NOTES	UNBUNDLED NETWORK ELEMENT	Interim	Zone	BCS	USOC	RATES (\$)					OSS RATES (\$)								
												Svc Order Submitted Elec per LSR	Svc Order Submitted Manually per LSR	Incremental Charge - Manual Svc Order vs. Electronic-1st	Incremental Charge - Manual Svc Order vs. Electronic-Add'l	Incremental Charge - Manual Svc Order vs. Electronic-Disc 1st	Incremental Charge - Manual Svc Order vs. Electronic-Disc Add'l			
							Nonrecurring		Nonrecurring			Disconnect			SOMEC	SOMAN	SOMAN	SOMAN	SOMAN	SOMAN
							Rec	First	Add'l	First	Add'l	First	Add'l							
		NOTE: New EELs available in State of Georgia, density zone 1 of following SMAs: Orlando, FL; Miami, FL; Ft. Lauderdale, FL; Nashville, TN; New Orleans, LA;																		
		NOTE: Charlotte-Gastonia-Rockhill, NC; Greensboro-Winston Salem-High Point, NC. Use all rates below except Switch As Is Charge.																		
		NOTE: In all states, EEL network elements shown below also apply to currently combined facilities which are converted to UNE rates. A Switch As Is Charge applies to currently combined facilities converted to UNEs.(Non-recurring rates do not apply.)																		
		NOTE: In Georgia, the EEL network elements apply to ordinarily combined network elements per the GA PSC order.(No Switch As Is Charge.)																		
		2-WIRE VOICE GRADE EXTENDED LOOP WITH DEDICATED DS1 INTEROFFICE TRANSPORT (EEL)																		
		First 2-Wire VG Loop(SL2) in a DS1 Interofficed Transport Combination - Zone		1	UNCVX	UEAL2	17.27													
		First 2-Wire VG Grade Loop(SL2) in a DS1 Interofficed Transport Combination - Zone 2		2	UNCVX	UEAL2	32.32													
		First 2-Wire VG Grade Loop(SL2) in a DS1 Interofficed Transport Combination - Zone 3		3	UNCVX	UEAL2	55.78													
		Interoffice Transport - Dedicated - DS1 combination - Per Mile per mont			UNC1X	1L5XX	0.2407													
		Interoffice Transport - Dedicated - DS1 combination - Facility Termination per mont			UNC1X	U1TF1	97.38													
		DS1 Channelization System Per Montl			UNC1X	MQ1	139.65													
		Voice Grade COCI - DS1 To Ds0 Interface - Per Month			UNCVX	1D1VG	0.7676													
		Each Additional 2-Wire VG Loop(SL 2) in the same DS1 Interoffice Transport Combination - Zone 1		1	UNCVX	UEAL2	17.27													
		Each Additional 2-Wire VG Loop(SL2) in the same DS1 Interoffice Transport Combination - Zone 2		2	UNCVX	UEAL2	32.32													
		Each Additional 2-Wire VG Loop(SL2) in the same DS1 Interoffice Transport Combination - Zone 3		3	UNCVX	UEAL2	55.78													
		Voice Grade COCI - DS1 to DS0 Channel System combination - per mont			UNCVX	1D1VG	0.7676													
		Nonrecurring Currently Combined Network Elements Switch -As-Is Charg			UNC1X	UNCCC		11.19	11.19	13.91	13.91		19.99							
		4-WIRE VOICE GRADE EXTENDED LOOP WITH DEDICATED DS1 INTEROFFICE TRANSPORT (EEL)																		
		First 4-Wire Analog Voice Grade Loop in a DS1 Interoffice Transport Combination - Zone 1		1	UNCVX	UEAL4	20.92													
		First 4-Wire Analog Voice Grade Loop in a DS1 Interoffice Transport Combination - Zone 2		2	UNCVX	UEAL4	39.14													
		First 4-Wire Analog Voice Grade Loop in a DS1 Interoffice Transport Combination - Zone 3		3	UNCVX	UEAL4	67.57													
		Interoffice Transport - Dedicated - DS1 combination - Per Mile Per Mont			UNC1X	1L5XX	0.2407													
		Interoffice Transport - Dedicated - DS1 - Facility Termination Per Mont			UNC1X	U1TF1	97.38													
		Channelization - Channel System DS1 to DS0 combination Per Montl			UNC1X	MQ1	139.65													
		Voice Grade COCI - DS1 to DS0 Channel System combination - per mont			UNCVX	1D1VG	0.7676													
		Additional 4-Wire Analog Voice Grade Loop in same DS1 Interoffice Transport Combination - Zone 1		1	UNCVX	UEAL4	20.92													
		Additional 4-Wire Analog Voice Grade Loop in same DS1 Interoffice Transport Combination - Zone 2		2	UNCVX	UEAL4	39.14													
		Additional 4-Wire Analog Voice Grade Loop in same DS1 Interoffice Transport Combination - Zone 3		3	UNCVX	UEAL4	67.57													
		Nonrecurring Currently Combined Network Elements Switch -As-Is Charg			UNC1X	UNCCC		11.19	11.19	13.91	13.91		19.99							
		4-WIRE 56 KBPS EXTENDED DIGITAL LOOP WITH DEDICATED DS1 INTEROFFICE TRANSPORT (EEL)																		
		First 4-Wire 56Kbps Digital Grade Loop in a DS1 Interoffice Transport Combination - Zone 1		1	UNCDX	UDL56	35.92													
		First 4-wire 56Kbps Digital Grade Loop in a DS1 Interoffice Transport Combination - Zone 2		2	UNCDX	UDL56	40.32													

UNBUNDLED NETWORK ELEMENTS
KY

CATEGORY	NOTES	UNBUNDLED NETWORK ELEMENT	Interim	Zone	BCS	USOC	RATES (\$)				OSS RATES (\$)									
							Nonrecurring		Nonrecurring		SOMEC	SOMAN	SOMAN	SOMAN	SOMAN	SOMAN				
							Rec	First	Add'l	First							Add'l	Disconnect		
		First 4-Wire 56Kbps Digital Grade Loop in a DS1 Interoffice Transport Combination - Zone 3		3	UNC1X	UDL56	37.9													
		Interoffice Transport - Dedicated - DS1 combination - Per Mile Per Mont			UNC1X	1L5XX	0.2407													
		Interoffice Transport - Dedicated - DS1 - combination Facility Termination Per Mon			UNC1X	U1TF1	97.38					19.99								
		Channelization - Channel System DS1 to DS0 combination Per Mon			UNC1X	MQ1	139.65													
		OCU-DP COCI (data) - DS1 to DS0 Channel System - per month (2.4-64kbs)			UNC1X	1D1DD	1.63													
		Additional 4-Wire 56Kbps Digital Grade Loopin same DS1 Interoffice Transport Combination - Zone 1		1	UNC1X	UDL56	35.92					19.99								
		Additional 4-Wire 56Kbps Digital Grade Loopin same DS1 Interoffice Transport Combination - Zone 2		2	UNC1X	UDL56	40.32					19.99								
		Additional 4-Wire 56Kbps Digital Grade Loopin same DS1 Interoffice Transport Combination - Zone 3		3	UNC1X	UDL56	37.9					19.99								
		OCU-DP COCI (data) - DS1 to DS0 Channel System - combination per month (2.4-64kbs)			UNC1X	1D1DD	1.63													
		Nonrecurring Currently Combined Network Elements Switch -As-Is Charg			UNC1X	UNCCC		11.19	11.19	13.91	13.91	19.99								
		4-WIRE 64 KBPS EXTENDED DIGITAL LOOP WITH DEDICATED DS1 INTEROFFICE TRANSPORT (EEL)																		
		First 4-Wire 64Kbps Digital Grade Loop in a DS1 Interoffice Transport Combination - Zone 1		1	UNC1X	UDL64	35.92													
		First 4-Wire 64Kbps Digital Grade Loop in a DS1 Interoffice Transport Combination - Zone 2		2	UNC1X	UDL64	40.32													
		First 4-Wire 64Kbps Digital Grade Loop in a DS1 Interoffice Transport Combination - Zone 3		3	UNC1X	UDL64	37.9													
		Interoffice Transport - Dedicated - DS1 combination - Per Mile Per Mont			UNC1X	1L5XX	0.2407													
		Interoffice Transport - Dedicated - DS1 combination - Facility Termination Per Mon			UNC1X	U1TF1	97.38													
		Channelization - Channel System DS1 to DS0 combination Per Mon			UNC1X	MQ1	139.65													
		OCU-DP COCI (data) - DS1 to DS0 Channel System combination - per month (2.4-64kbs)			UNC1X	1D1DD	1.63	0	0											
		Additional 4-Wire 64Kbps Digital Grade Loopin same DS1 Interoffice Transport Combination - Zone 1		1	UNC1X	UDL64	35.92													
		Additional 4-Wire 64Kbps Digital Grade Loopin same DS1 Interoffice Transport Combination - Zone 2		2	UNC1X	UDL64	40.32													
		Additional 4-Wire 64Kbps Digital Grade Loopin same DS1 Interoffice Transport Combination - Zone 3		3	UNC1X	UDL64	37.9													
		OCU-DP COCI (data) - DS1 to DS0 Channel System combination - per month (2.4-64kbs)			UNC1X	1D1DD	1.63													
		Nonrecurring Currently Combined Network Elements Switch -As-Is Charg			UNC1X	UNCCC		11.19	11.19	13.91	13.91	19.99								
		4-WIRE DS1 DIGITAL EXTENDED LOOP WITH DEDICATED DS1 INTEROFFICE TRANSPORT (EEL)																		
		4-Wire DS1 Digital Loop in Combination with DS1 Interoffice Transport - Zone 1		1	UNC1X	USLXX	50.26													
		4-Wire DS1 Digital Loop in Combination with DS1 Interoffice Transport - Zone 2		2	UNC1X	USLXX	94.06													
		4-Wire DS1 Digital Loop in Combination with DS1 Interoffice Transport - Zone 3		3	UNC1X	USLXX	162.34													
		Interoffice Transport - Dedicated - DS1 combination - Per Mile Per Mont			UNC1X	1L5XX	0.2407													
		Interoffice Transport - Dedicated - DS1 combination - Facility Termination Per Mon			UNC1X	U1TF1	97.38													
		Nonrecurring Currently Combined Network Elements Switch -As-Is Charg			UNC1X	UNCCC		11.19	11.19	13.91	13.91	19.99								
		4-WIRE DS1 DIGITAL EXTENDED LOOP WITH DEDICATED DS3 INTEROFFICE TRANSPORT (EEL)																		
		First DS1Loop in DS3 Interoffice Transport Combination - Zone 1		1	UNC1X	USLXX	50.26													
		First DS1Loop in DS3 Interoffice Transport Combination - Zone 2		2	UNC1X	USLXX	94.06													
		First DS1Loop in DS3 Interoffice Transport Combination - Zone 3		3	UNC1X	USLXX	162.34													
		Interoffice Transport - Dedicated - DS3 combination - Per Mile Per Mont			UNC3X	1L5XX	5.1													
		Interoffice Transport - Dedicated - DS3 - Facility Termination per mont			UNC3X	U1TF3	1191.53													
		DS3 to DS1 Channel System combination per mont			UNC3X	MQ3	194.82													
		DS3 Interface Unit (DS1 COCI) combination per month			UNC1X	UC1D1	14.53													
		Additional DS1Loop in DS3 Interoffice Transport Combination - Zone 1		1	UNC1X	USLXX	50.26													
		Additional DS1Loop in DS3 Interoffice Transport Combination - Zone 2		2	UNC1X	USLXX	94.06													

UNBUNDLED NETWORK ELEMENTS
KY

CATEGORY	NOTES	UNBUNDLED NETWORK ELEMENT	Interim	Zone	BCS	USOC	RATES (\$)				OSS RATES (\$)									
							Nonrecurring		Nonrecurring		Svc Order Submitted Elec per LSR	Svc Order Submitted Manually per LSR	Incremental Charge - Manual Svc Order vs. Electronic-1st	Incremental Charge - Manual Svc Order vs. Electronic-Add'l	Incremental Charge - Manual Svc Order vs. Electronic-Disc 1st	Incremental Charge - Manual Svc Order vs. Electronic-Disc Add'l				
							Rec	First	Add'l	First							Add'l	SOMEC	SOMAN	SOMAN
		Additional DS1Loop in DS3 Interoffice Transport Combination - Zone		3	UNC1X	USLXX	162.34													
		DS3 Interface Unit (DS1 COC) combination per month			UNC1X	UC1D1	14.53													
		Nonrecurring Currently Combined Network Elements Switch -As-Is Chrg			UNC3X	UNCCC		11.19	11.19	13.91	13.91		19.99							
		2-WIRE VOICE GRADE EXTENDED LOOP/ 2 WIRE VOICE GRADE INTEROFFICE TRANSPORT (EEL)																		
		2-WireVG Loop used with 2-wire VG Interoffice Transport Combination - Zone		1	UNCVX	UEAL2	17.27													
		2-WireVG Loop used with 2-wire VG Interoffice Transport Combination - Zone		2	UNCVX	UEAL2	32.32													
		2-WireVG Loop used with 2-wire VG Interoffice Transport Combination - Zone		3	UNCVX	UEAL2	55.78													
		Interoffice Transport - Dedicated - 2-wire VG combination - Per Mile Per Mont			UNCVX	1L5XX	0.0118													
		Interoffice Transport - Dedicated - 2- Wire Voice Grade combination - Facility Termination per month			UNCVX	U1TV2	29.51						19.99							
		Nonrecurring Currently Combined Network Elements Switch -As-Is Chrg			UNCVX	UNCCC		11.19	11.19	13.91	13.91		19.99							
		4-WIRE VOICE GRADE EXTENDED LOOP/ 4 WIRE VOICE GRADE INTEROFFICE TRANSPORT (EEL)																		
		4-WireVG Loop used with 4-wire VG Interoffice Transport Combination - Zone		1	UNCVX	UEAL4	20.92													
		4-WireVG Loop used with 4-wire VG Interoffice Transport Combination - Zone		2	UNCVX	UEAL4	39.14													
		4-WireVG Loop used with 4-wire VG Interoffice Transport Combination - Zone		3	UNCVX	UEAL4	67.57													
		Interoffice Transport - Dedicated - 4-wire VG combination - Per Mile Per Mont			UNCVX	1L5XX	0.0118													
		Interoffice Transport - Dedicated - 4- Wire Voice Grade combination - Facility Termination per month			UNCVX	U1TV4	29.51													
		Nonrecurring Currently Combined Network Elements Switch -As-Is Chrg			UNCVX	UNCCC		11.19	11.19	13.91	13.91		19.99							
		DS3 DIGITAL EXTENDED LOOP WITH DEDICATED DS3 INTEROFFICE TRANSPORT (EEL)																		
		High Capacity Unbundled Local Loop - DS3 combination - Per Mile per mont			UNC3X	1L5ND	11.53													
		High Capacity Unbundled Local Loop - DS3 combination - Facility Termination per month			UNC3X	UE3PX	379.72													
		Interoffice Transport - Dedicated - DS3 - Per Mile per mont			UNC3X	1L5XX	5.1													
		Interoffice Transport - Dedicated - DS3 combination - Facility Termination per month			UNC3X	U1TF3	1191.53													
		Nonrecurring Currently Combined Network Elements Switch -As-Is Chrg			UNC3X	UNCCC		11.19	11.19	13.91	13.91		19.99							
		STS1 DIGITAL EXTENDED LOOP WITH DEDICATED STS1 INTEROFFICE TRANSPORT (EEL)																		
		High Capacity Unbundled Local Loop - STS1 combination - Per Mile per mont			UNC3X	1L5ND	11.53													
		High Capacity Unbundled Local Loop - STS1 combination - Facility Termination per month			UNC3X	UDLS1	394.76													
		Interoffice Transport - Dedicated - STS1 combination - Per Mile per mont			UNC3X	1L5XX	5.1													
		Interoffice Transport - Dedicated - STS1 combination - Facility Termination per month			UNC3X	U1TFS	1165.53													
		Nonrecurring Currently Combined Network Elements Switch -As-Is Chrg			UNC3X	UNCCC		11.19	11.19	13.91	13.91		19.99							
		2-WIRE ISDN EXTENDED LOOP WITH DS1 INTEROFFICE TRANSPORT (EEL)																		
		First 2-Wire ISDN Loop in a DS1 Interoffice Combination Transport - Zone		1	UNCNX	U1L2X	23.66													
		First 2-Wire ISDN Loop in a DS1 Interoffice Combination Transport - Zone		2	UNCNX	U1L2X	44.28													
		First 2-Wire ISDN Loop in a DS1 Interoffice Combination Transport - Zone		3	UNCNX	U1L2X	76.42													
		Interoffice Transport - Dedicated - DS1 combination - Per Mil			UNC1X	1L5XX	0.2407													
		Interoffice Transport - Dedicated - DS1 combination - Facility Termination per month			UNC1X	U1TF1	97.38													
		Channelization - Channel System DS1 to DS0 combination - per month			UNC1X	MQ1	139.65													
		2-wire ISDN COC(BRITE) - DS1 to DS0 Channel System combination - per month			UNCNX	UC1CA	23.5													
		Additional 2-wire ISDN Loop in same DS1Interoffice Transport Combination - Zone		1	UNCNX	U1L2X	23.66													
		Additional 2-wire ISDN Loop in same DS1Interoffice Transport Combination - Zone		2	UNCNX	U1L2X	44.28													

UNBUNDLED NETWORK ELEMENTS
KY

CATEGORY	NOTES	UNBUNDLED NETWORK ELEMENT	Interim	Zone	BCS	USOC	RATES (\$)				OSS RATES (\$)						
							Rec	First	Add'l	Disconnect	SOME C	SOMAN	SOMAN	SOMAN	SOMAN	SOMAN	
							Nonrecurring	Nonrecurring									
							Rec	First	Add'l	First	Add'l	SOME C	SOMAN	SOMAN	SOMAN	SOMAN	SOMAN
		Additional 2-wire ISDN Loop in same DS1 Interoffice Transport Combination - Zone		3	UNCNX	U1L2X	76.42										
		2-wire ISDN COCI (BRITE) - DS1 to DS0 Channel System combination - per mont			UNCNX	UC1CA	23.5										
		Nonrecurring Currently Combined Network Elements Switch -As-Is Charg			UNC1X	UNCCC		11.19	11.19	13.91	13.91		19.99				
		4-WIRE DS1 DIGITAL EXTENDED LOOP WITH DEDICATED STS-1 INTEROFFICE TRANSPORT (EEL)															
		First DS1 Loop in STS1 Interoffice Transport Combination - Zone		1	UNC1X	USLXX	50.26										
		First DS1 Loop in STS1 Interoffice Transport Combination - Zone		2	UNC1X	USLXX	94.06										
		First DS1 Loop in STS1 Interoffice Transport Combination - Zone		3	UNC1X	USLXX	162.34										
		Interoffice Transport - Dedicated - STS1 combination - Per Mile Per Mont			UNCSX	1L5XX	5.1										
		Interoffice Transport - Dedicated - STS1 combination - Facility Terminatic			UNCSX	U1TFS	1165.53										
		STS1 to DS1 Channel System combination per mont			UNCSX	MQ3	194.82										
		DS3 Interface Unit (DS1 COCI) combination per month			UNC1X	UC1D1	14.53										
		Additional DS1 Loop in STS1 Interoffice Transport Combination - Zone		1	UNC1X	USLXX	50.26										
		Additional DS1 Loop in STS1 Interoffice Transport Combination - Zone		2	UNC1X	USLXX	94.06										
		Additional DS1 Loop in STS1 Interoffice Transport Combination - Zone		3	UNC1X	USLXX	162.34										
		DS3 Interface Unit (DS1 COCI) combination per month			UNC1X	UC1D1	14.53										
		Nonrecurring Currently Combined Network Elements Switch -As-Is Charg			UNCSX	UNCCC		11.19	11.19	13.91	13.91		19.99				
		4-WIRE 56 KBPS DIGITAL EXTENDED LOOP WITH 56 KBPS INTEROFFICE TRANSPORT (EEL)															
		4-wire 56 kbps Loop/4-wire 56 kbps Interoffice Transport Combination - Zone		1	UNCDX	UDL56	35.92										
		4-wire 56 kbps Loop/4-wire 56 kbps Interoffice Transport Combination - Zone		2	UNCDX	UDL56	40.32										
		4-wire 56 kbps Loop/4-wire 56 kbps Interoffice Transport Combination - Zone		3	UNCDX	UDL56	37.9										
		Interoffice Transport - Dedicated - 4-wire 56 kbps combination - Per Mil			UNCDX	1L5XX	0.0118										
		Interoffice Transport - Dedicated - 4-wire 56 kbps combination - Facility Terminatic			UNCDX	U1TD5	21.26										
		Nonrecurring Currently Combined Network Elements Switch -As-Is Charg			UNCDX	UNCCC		11.19	11.19	13.91	13.91		19.99				
		4-WIRE 64 KBPS DIGITAL EXTENDED LOOP WITH 64 KBPS INTEROFFICE TRANSPORT (EEL)															
		4-wire 64 kbps Loop/4-wire 64 kbps Interoffice Transport Combination - Zone		1	UNCDX	UDL64	35.92										
		4-wire 64 kbps Loop/4-wire 64 kbps Interoffice Transport Combination - Zone		2	UNCDX	UDL64	40.32										
		4-wire 64 kbps Loop/4-wire 64 kbps Interoffice Transport Combination - Zone		3	UNCDX	UDL64	37.9										
		Interoffice Transport - Dedicated - 4-wire 64 kbps combination - Per Mil			UNCDX	1L5XX	0.0118										
		Interoffice Transport - Dedicated - 4-wire 64 kbps combination - Facility Terminatic			UNCDX	U1TD6	21.26										
		Nonrecurring Currently Combined Network Elements Switch -As-Is Charg			UNCDX	UNCCC		11.19	11.19	13.91	13.91		19.99				
		ADDITIONAL NETWORK ELEMENTS															
		When used as a part of a currently combined facility, the non-recurring charges do not apply, but a Switch As Is charge does apply.															
		When used as ordinarily combined network elements in Georgia, the non-recurring charges apply and the Switch As Is Charge does not.															
		Nonrecurring Currently Combined Network Elements "Switch As Is" Charge (One applies to each combination)															
		2/4-Wire VG Interoffice Channel used in a COMBINATION - "Switch As Is" Conversion Charge			UNCVX	UNCCC		11.19	11.19	13.91	13.91		19.99				
		56/64 kbps Interoffice Channel used in a COMBINATION - "Switch As Is" Conversion Charge			UNCDX	UNCCC		11.19	11.19	13.91	13.91		19.99				
		DS1 Interoffice Channel used in a COMBINATION - "Switch As Is" Conversion Charge			UNC1X	UNCCC		11.19	11.19	13.91	13.91		19.99				
		DS3 Interoffice Channel used in a COMBINATION - "Switch As Is" Conversion Charge			UNC3X	UNCCC		11.19	11.19	13.91	13.91		19.99				

UNBUNDLED NETWORK ELEMENTS
KY

CATEGORY	NOTES	UNBUNDLED NETWORK ELEMENT	Interim	Zone	BCS	USOC	RATES (\$)					OSS RATES (\$)					
							Nonrecurring		Nonrecurring			SOMEK	SOMAN	SOMAN	SOMAN	SOMAN	SOMAN
				Disconnect													
				Rec	First	Add'l	First	Add'l									
		ST31 Interoffice or Local Loop used in a COMBINATION - "Switch As Is" Conversion Charge			UNCSX	UNCCC	11.19	11.19	13.91	13.91		19.99					
		NOTE: Local Channel - Dedicated Transport - minimum billing period - Below DS3=one month, DS3 and above=four months															
OPERATIONAL SUPPORT SYSTEMS																	
		NOTE: (1) Electronic Service Order: CLEC-1 should contact its contract negotiator if it prefers the state specific electronic service ordering charges as ordered by the State Commissions															
		NOTE: (1) Continued: The electronic service ordering charge currently contained in this rate exhibit is the BellSouth regional electronic service ordering charge															
		NOTE: (1) Concluded: CLEC-1 may elect either the state specific Commission ordered rates for the electronic service ordering charges, or CLEC-1 may elect the regional electronic service ordering charge.															
		NOTE: (2) Manual Service Order charge: disconnect, in the state of Florida, to be billed on a per LSR basis															
		Electronic OSS Charge, per LSR, submitted via BST's OSS interactive interfaces (Regional)				SOMEK	3.5										
UNBUNDLED LOCAL EXCHANGE SWITCHING (PORTS)																	
		Exchange Ports															
		NOTE: Although the Port Rate includes all available features in GA & TN, the desired features will need to be ordered using retail USOCs															
		2-WIRE VOICE GRADE LINE PORT RATES (RES)															
		Exchange Ports - 2-Wire Analog Line Port- Res			UEPSR	UEPRL	2.61	24.98	24.98			19.99					
		Exchange Ports - 2-Wire Analog Line Port with Caller ID - Re:			UEPSR	UEPRC	2.61	24.98	24.98			19.99					
		Exchange Ports - 2-Wire Analog Line Port outgoing only - Re:			UEPSR	UEPRO	2.61	24.98	24.98			19.99					
		Exchange Ports - 2-Wire VG unbundled KY extended local dialing parity Port with Caller ID - Res.			UEPSR	UEPRM	2.61	24.98	24.98			19.99					
		Exchange Ports - 2-Wire VG unbundled res, low usage line port with Caller ID (LUI			UEPSR	UEPAP	2.61	24.98	24.98			19.99					
		Subsequent Activity)			UEPSR	USASC	0	0	0								
		FEATURES															
		All Available Vertical Feature:			UEPSR	UEPVF	3.39	0	0			19.99					
		2-WIRE VOICE GRADE LINE PORT RATES (BUS)															
		Exchange Ports - 2-Wire Analog Line Port without Caller ID - Bu			UEPSB	UEPBL	2.61	37.55	37.55			19.99					
		Exchange Ports - 2-Wire VG unbundled Line Port with unbundled port with Caller+E484 ID - Bus.			UEPSB	UEPBC	2.61	37.55	37.55			19.99					
		Exchange Ports - 2-Wire Analog Line Port outgoing only - Bu			UEPSB	UEPBO	2.61	37.55	37.55			19.99					
		Exchange Ports - 2-Wire VG unbundled KY extended local dialing parity Port with Caller ID - Bus.			UEPSB	UEPBM	2.61	37.78	37.78			19.99					
		Exchange Ports - 2-Wire VG unbundled incoming only port with Caller ID - B:			UEPSB	UEPB1	2.61	37.55	37.55			19.99					
		Subsequent Activity)			UEPSB	USASC	0	0	0								
		FEATURES															
		All Available Vertical Feature:			UEPSB	UEPVF	3.39	0	0			19.99					
		EXCHANGE PORT RATES (DID & PBX)															
		Exchange Ports - 2-Wire DID Port			UEPEX	UEPP2	10.97	238.69	37.49	119.4	7.5	19.99					
		Exchange Ports - DDITS Port - 4-Wire DS1 Port with DID capabilit			UEPDD	UEPDD	83.28	404.18	191.44	144.71	4.9	19.99					
		Exchange Ports - 2-Wire ISDN Port (See Notes below.			UEPTX	U1PMA	15.02	145.59	106.01	95.93	21.55	19.99					
		All Features Offerec			UEPSX	UEPVF	3.39	0	0								

UNBUNDLED NETWORK ELEMENTS
KY

CATEGORY	NOTES	UNBUNDLED NETWORK ELEMENT	Interim	Zone	BCS	USOC	RATES (\$)					OSS RATES (\$)									
							Nonrecurring			Nonrecurring		Svc Order Submitted Elec per LSR	Svc Order Submitted Manually per LSR	Incremental Charge - Manual Svc Order vs. Electronic-1st	Incremental Charge - Manual Svc Order vs. Electronic-Add'l	Incremental Charge - Manual Svc Order vs. Electronic-Disc 1st	Incremental Charge - Manual Svc Order vs. Electronic-Disc Add'l				
							Rec	First	Add'l	First	Add'l							SOMEc	SOMAN	SOMAN	SOMAN
		NOTE: Transmission/usage charges associated with POTS circuit switched usage will also apply to circuit switched voice and/or circuit switched data transmission by B-Channels associated with 2-wire ISDN ports.																			
		NOTE: Access to B Channel or D Channel Packet capabilities will be available only through BFR/New Business Request Process. Rates for the packet capabilities will be determined via the Bona Fide Request/New Business Request Process.																			
		Exchange Ports - 2-Wire ISDN Port -- Channel Profile			UEPTX	U1UMA	0	0	0												
		Exchange Ports - 4-Wire ISDN DS1 Por			UEPEX	UEPEX	113.21	407.77	203.18	157.84	39.98	19.99									
		2-Wire VG Unbundled 2-Way PBX Trunk - Re:			UEPSE	UEPRD	2.61	36.47	36.47			19.99									
		2-Wire VG Line Side Unbundled 2-Way PBX Trunk - Bu			UEPSP	UEPPC	2.61	36.47	36.47			19.99									
		2-Wire VG Line Side Unbundled Outward PBX Trunk - Bu			UEPSP	UEPPO	2.61	36.47	36.47			19.99									
		2-Wire VG Line Side Unbundled Incoming PBX Trunk - Bu			UEPSP	UEPP1	2.61	36.47	36.47			19.99									
		2-Wire Analog Long Distance Terminal PBX Trunk - Bu			UEPSP	UEPLD	2.61	36.47	36.47			19.99									
		2-Wire Voice Unbundled PBX LD Terminal Port			UEPSP	UEPLD	2.61	36.47	36.47			19.99									
		2-Wire Voice Unbundled 2-Way PBX Usage Por			UEPSP	UEPXA	2.61	36.47	36.47			19.99									
		2-Wire Voice Unbundled PBX Toll Terminal Hotel Port			UEPSP	UEPXB	2.61	36.47	36.47			19.99									
		2-Wire Voice Unbundled PBX LD DDD Terminals Por			UEPSP	UEPXC	2.61	36.47	36.47			19.99									
		2-Wire Voice Unbundled PBX LD Terminal Switchboard Po			UEPSP	UEPXD	2.61	36.47	36.47			19.99									
		2-Wire Voice Unbundled PBX LD Terminal Switchboard IDD Capable Po			UEPSP	UEPXE	2.61	36.47	36.47			19.99									
		2-Wire Voice Unbundled 2-Way PBX Kentucky Room Area Calling Port Without LU			UEPSP	UEPXF	2.61	36.47	36.47			19.99									
		2-Wire Voice Unbundled PBX Kentucky LUD Area Calling Po			UEPSP	UEPXG	2.61	36.47	36.47			19.99									
		2-Wire Voice Unbundled PBX Kentucky Premium Calling Po			UEPSP	UEPXH	2.61	36.47	36.47			19.99									
		2-Wire Voice Unbundled 2-Way PBX Kentucky Area Calling Port Without LU			UEPSP	UEPXJ	2.61	36.47	36.47			19.99									
		2-Wire Voice Unbundled 2-Way PBX Hotel/Hospital Economy Administrative Calling Port			UEPSP	UEPXL	2.61	36.47	36.47			19.99									
		2-Wire Voice Unbundled 2-Way PBX Hotel/Hospital Economy Room Calling Po			UEPSP	UEPXM	2.61	36.47	36.47			19.99									
		2-Wire Voice Unbundled 1-Way Outgoing PBX Hotel/Hospital Discount Room Calling Port			UEPSP	UEPXO	2.61	36.47	36.47			19.99									
		2-Wire Voice Unbundled 1-Way Outgoing PBX Measured Po			UEPSP	UEPXS	2.61	36.47	36.47			19.99									
		Subsequent Activity			UEPSP	USASC	0	0	0												
		FEATURES																			
		All Available Vertical Feature:			UEPSE	UEPVF	3.39	0	0			19.99									
		EXCHANGE PORT RATES (COIN)																			
		Exchange Ports - Coin Por					3.04	40.71	40.71			19.99									
		Local Switching Features offered with Port																			
		NOTE: Transmission/usage charges associated with POTS circuit switched usage will also apply to circuit switched voice and/or circuit switched data transmission by B-Channels associated with 2-wire ISDN ports.																			
		NOTE: Access to B Channel or D Channel Packet capabilities will be available only through BFR/New Business Request Process. Rates for the packet capabilities will be determined via the Bona Fide Request/New Business Request Process.																			
		Exchange port - 4-wire ISDN trunk port -all available features include			UEPEX		275.48	181.27	116.42			19.99									
		UNBUNDLED LOCAL SWITCHING, PORT USAGE																			
		End Office Switching (Port Usage)																			
		End Office Switching Function, Per MOL					0.002562														
		Tandem Switching (Port Usage) (Local or Access Tandem)																			
		Tandem Switching Function Per MOL					0.001096														

UNBUNDLED NETWORK ELEMENTS
KY

CATEGORY	NOTES	UNBUNDLED NETWORK ELEMENT	Interim	Zone	BCS	USOC	RATES (\$)				OSS RATES (\$)									
							Nonrecurring		Nonrecurring		Svc Order Submitted Elec per LSR	Svc Order Submitted Manually per LSR	Incremental Charge - Manual Svc Order vs. Electronic-1st	Incremental Charge - Manual Svc Order vs. Electronic-Add'l	Incremental Charge - Manual Svc Order vs. Electronic-Disc 1st	Incremental Charge - Manual Svc Order vs. Electronic-Disc Add'l				
							Rec	First	Add'l	Add'l							Disconnect	SOME C	SOMAN	SOMAN
		Common Transport																		
		Common Transport - Per Mile, Per MOL					0.000049													
		Common Transport - Facilities Termination Per MOL					0.000426													
		UNBUNDLED PORT/LOOP COMBINATIONS - COST BASED RATES																		
		Cost Based Rates are applied where BellSouth is required by FCC and/or State Commission rule to provide Unbundled Local Switching or Switch Ports.																		
		Features shall apply to the Unbundled Port/Loop Combination - Cost Based Rate section in the same manner as they are applied to the Stand-Alone Unbundled Port section of this Rate Exhibit.																		
		End Office and Tandem Switching Usage and Common Transport Usage rates in the Port section of this rate exhibit shall apply to all combinations of loop/port network elements except for UNE Coin Port/Loop Combinations.																		
		For Georgia, the recurring UNE Port and Loop charges listed apply to Currently Combined and Not Currently Combined Combos and the first and additional Port nonrecurring charges apply to Not Currently Combined Combos. For Currently Combined Combos in GA and all other states, the nonrecurring charges shall be those identified in the Nonrecurring - Currently Combined sections.																		
		2-WIRE VOICE GRADE LOOP WITH 2-WIRE LINE PORT (RES)																		
		UNE Port/Loop Combination Rates																		
		2-Wire VG Loop/Port Combo - Zone 1		1			16.15													
		2-Wire VG Loop/Port Combo - Zone 2		2			22.34													
		2-Wire VG Loop/Port Combo - Zone 3		3			30.88													
		UNE Loop Rates																		
		2-Wire Voice Grade Loop (SL1) - Zone 1		1	UEPRX	UEPLX	13.54													
		2-Wire Voice Grade Loop (SL1) - Zone 2		2	UEPRX	UEPLX	19.73													
		2-Wire Voice Grade Loop (SL1) - Zone 3		3	UEPRX	UEPLX	28.27													
		2-Wire Voice Grade Line Port Rates (Res)																		
		2-Wire voice unbundled port - residency			UEPRX	UEPRL	2.61						19.99	19.99						
		2-Wire voice unbundled port with Caller ID - re			UEPRX	UEPRC	2.61						19.99							
		2-Wire voice unbundled port outgoing only - re			UEPRX	UEPRO	2.61						19.99							
		2-Wire voice Grade unbundled Kentucky extended local dialing parity port with Caller ID - res			UEPRX	UEPRM	2.61						19.99							
		2-Wire voice unbundles res, low usage line port with Caller ID (LU)			UEPRX	UEPAP	2.61						19.99							
		FEATURES																		
		All Features Offerec			UEPRX	UEPVF	3.39	0	0				19.99							
		LOCAL NUMBER PORTABILITY																		
		Local Number Portability (1 per port)			UEPRX	LNPCX	0.35													
		NONRECURRING CHARGES (NRCs) - CURRENTLY COMBINED																		
		2-Wire Voice Grade Loop / Line Port Combination - Conversion - Switch-as-			UEPRX	USAC2		10	10				19.99							
		2-Wire Voice Grade Loop / Line Port Combination - Conversion - Switch with chan			UEPRX	USACC		10	10				19.99							
		ADDITIONAL NRCs																		
		2-Wire Voice Grade Loop/Line Port Combination - Subsequent Activi			UEPRX	USAS2	0	0	0											
		2-WIRE VOICE GRADE LOOP WITH 2-WIRE LINE PORT (BUS)																		
		UNE Port/Loop Combination Rates																		
		2-Wire VG Loop/Port Combo - Zone 1		1			16.15													
		2-Wire VG Loop/Port Combo - Zone 2		2			22.34													
		2-Wire VG Loop/Port Combo - Zone 3		3			30.88													

UNBUNDLED NETWORK ELEMENTS
KY

CATEGORY	NOTES	UNBUNDLED NETWORK ELEMENT	Interim	Zone	BCS	USOC	RATES (\$)				OSS RATES (\$)										
							Nonrecurring		Nonrecurring		Svc Order Submitted Elec per LSR	Svc Order Submitted Manually per LSR	Incremental Charge - Manual Svc Order vs. Electronic-1st	Incremental Charge - Manual Svc Order vs. Electronic-Add'l	Incremental Charge - Manual Svc Order vs. Electronic-Disc 1st	Incremental Charge - Manual Svc Order vs. Electronic-Disc Add'l					
							Rec	First	Add'l	Add'l							Disconnect	SOMEc	SOMAN	SOMAN	SOMAN
UNE Loop Rates																					
		2-Wire Voice Grade Loop (SL1) - Zone 1		1	UEPBX	UEPLX	13.54														
		2-Wire Voice Grade Loop (SL1) - Zone 2		2	UEPBX	UEPLX	19.73														
		2-Wire Voice Grade Loop (SL1) - Zone 3		3	UEPBX	UEPLX	28.27														
2-Wire Voice Grade Line Port (Bus)																					
		2-Wire voice unbundled port without Caller ID - bu			UEPBX	UEPBL	2.61						19.99								
		2-Wire voice unbundled port with Caller + E484 ID - bu			UEPBX	UEPBC	2.61						19.99								
		2-Wire voice unbundled port outgoing only - bu			UEPBX	UEPBO	2.61						19.99								
		2-Wire voice Grade unbundled Kentucky extended local dialing parity port with Caller ID - bus			UEPBX	UEPBM	2.61						19.99								
		2-Wire voice unbundled incoming only port with Caller ID - Bu			UEPBX	UPEB1	2.61						19.99								
LOCAL NUMBER PORTABILITY																					
		Local Number Portability (1 per port)			UEPBX	LNPCX	0.35														
FEATURES																					
		All Features Offerec			UEPBX	UEPVF	3.39	0	0				19.99								
NONRECURRING CHARGES (NRCs) - CURRENTLY COMBINED																					
		2-Wire Voice Grade Loop / Line Port Combination - Conversion - Switch-as-			UEPBX	USAC2		10	10				19.99								
		2-Wire Voice Grade Loop / Line Port Combination - Conversion - Switch with chan			UEPBX	USACC		10	10												
ADDITIONAL NRCs																					
		2-Wire Voice Grade Loop/Line Port Combination - Subsequent Activi			UEPBX	USAS2							19.99								
2-WIRE VOICE GRADE LOOP WITH 2-WIRE LINE PORT (RES - PBX)																					
UNE Port/Loop Combination Rates																					
		2-Wire VG Loop/Port Combo - Zone 1		1			16.15														
		2-Wire VG Loop/Port Combo - Zone 2		2			22.34														
		2-Wire VG Loop/Port Combo - Zone 3		3			30.88														
UNE Loop Rates																					
		2-Wire Voice Grade Loop (SL 1) - Zone 1		1	UEPRG	UEPLX	13.54														
		2-Wire Voice Grade Loop (SL 1) - Zone 2		2	UEPRG	UEPLX	19.73														
		2-Wire Voice Grade Loop (SL 1) - Zone 3		3	UEPRG	UEPLX	28.27														
2-Wire Voice Grade Line Port Rates (RES - PBX)																					
		2-Wire VG Unbundled Combination 2-Way PBX Trunk Port - Re			UEPRG	UEPRD	2.61						19.99	19.99							
LOCAL NUMBER PORTABILITY																					
		Local Number Portability (1 per port)			UEPRG	LNPCP	3.5														
FEATURES																					
		All Features Offerec			UEPRG	UEPVF	3.39	0	0				19.99								
NONRECURRING CHARGES (NRCs) - CURRENTLY COMBINED																					
		2-Wire Voice Grade Loop/ Line Port Combination (PBX) - Conversion - Switch-As-			UEPRG	USAC2		10	10				19.99								
		2-Wire Voice Grade Loop/ Line Port Combination (PBX) - Conversion - Switch with Change			UEPRG	USACC		10	10				19.99								

UNBUNDLED NETWORK ELEMENTS
KY

CATEGORY	NOTES	UNBUNDLED NETWORK ELEMENT	Interim	Zone	BCS	USOC	RATES (\$)					OSS RATES (\$)														
							Nonrecurring	Nonrecurring	Disconnect		SOMEC	SOMAN	SOMAN	SOMAN	SOMAN	SOMAN	Svc Order Submitted Elec per LSR	Svc Order Submitted Manually per LSR	Incremental Charge - Manual Svc Order vs. Electronic-1st	Incremental Charge - Manual Svc Order vs. Electronic-Add'l	Incremental Charge - Manual Svc Order vs. Electronic-Disc 1st	Incremental Charge - Manual Svc Order vs. Electronic-Disc Add'l				
							Rec	First	Add'l	First	Add'l															
		ADDITIONAL NRCs																								
		2-Wire Voice Grade Loop/ Line Port Combination (PBX) - Subsequent Activi PBX Subsequent Activity - Change/Rearrange Multiline Hunt Gro			UEPRG	USAS2	0	0	0																	
		2-WIRE VOICE GRADE LOOP WITH 2-WIRE LINE PORT (BUS - PBX)																								
		UNE Port/Loop Combination Rates																								
		2-Wire VG Loop/Port Combo - Zone 1		1				16.15																		
		2-Wire VG Loop/Port Combo - Zone 2		2				22.34																		
		2-Wire VG Loop/Port Combo - Zone 3		3				30.88																		
		UNE Loop Rates																								
		2-Wire Voice Grade Loop (SL 1) - Zone 1		1	UEPPX	UEPLX		13.54																		
		2-Wire Voice Grade Loop (SL 1) - Zone 2		2	UEPPX	UEPLX		19.73																		
		2-Wire Voice Grade Loop (SL 1) - Zone 3		3	UEPPX	UEPLX		28.27																		
		2-Wire Voice Grade Line Port Rates (BUS - PBX)																								
		Line Side Unbundled Combination 2-Way PBX Trunk Port - Bu			UEPPX	UEPPC		2.61																		
		Line Side Unbundled Outward PBX Trunk Port - Bu			UEPPX	UEPPO		2.61																		
		Line Side Unbundled Incoming PBX Trunk Port - Bu			UEPPX	UEPP1		2.61																		
		2-Wire Voice Unbundled PBX LD Terminal Port			UEPPX	UEPLD		2.61																		
		2-Wire Voice Unbundled 2-Way Combination PBX Usage Po			UEPPX	UEPXA		2.61																		
		2-Wire Voice Unbundled PBX Toll Terminal Hotel Port			UEPPX	UEPXB		2.61																		
		2-Wire Voice Unbundled PBX LD DDD Terminals Po			UEPPX	UEPXC		2.61																		
		2-Wire Voice Unbundled PBX LD Terminal Switchboard Po			UEPPX	UEPXD		2.61																		
		2-Wire Voice Unbundled PBX LD Terminal Switchboard IDD Capable Po			UEPPX	UEPXE		2.61																		
		2-Wire Voice Unbundled 2-Way PBX Kentucky Room Area Calling Port without LU			UEPPX	UEPXF		2.61																		
		2-Wire Voice Unbundled PBX Kentucky LUD Area Calling Po			UEPPX	UEPXG		2.61																		
		2-Wire Voice Unbundled PBX Kentucky Premium Calling Po			UEPPX	UEPXH		2.61																		
		2-Wire Voice Unbundled 2-Way Kentucky Area Calling Port without LU			UEPPX	UEPXJ		2.61																		
		2-Wire Voice Unbundled 2-Way PBX Hotel/Hospital Economy Administrative Calling Port			UEPPX	UEPXL		2.61																		
		2-Wire Voice Unbundled 2-Way PBX Hotel/Hospital Economy Room Calling Po			UEPPX	UEPXM		2.61																		
		2-Wire Voice Unbundled 1-Way Outgoing PBX Hotel/Hospital Discount Room Calling Port			UEPPX	UEPXO		2.61																		
		2-Wire Voice Unbundled 1-Way Outgoing PBX Measured Po			UEPPX	UEPXS		2.61																		
		LOCAL NUMBER PORTABILITY																								
		Local Number Portability (1 per port)			UEPPX	LNPCP		3.15																		
		FEATURES																								
		All Features Offerec			UEPPX	UEPVF		3.39	0	0																
		NONRECURRING CHARGES (NRCs) - CURRENTLY COMBINED																								
		2-Wire Voice Grade Loop/ Line Port Combination (PBX) - Conversion - Switch-As-			UEPPX	USAC2		10	10																	
		2-Wire Voice Grade Loop/ Line Port Combination (PBX) - Conversion - Switch with Change			UEPPX	USACC		10	10																	
		ADDITIONAL NRCs																								

UNBUNDLED NETWORK ELEMENTS
KY

CATEGORY	NOTES	UNBUNDLED NETWORK ELEMENT	Interim	Zone	BCS	USOC	RATES (\$)						OSS RATES (\$)							
							Nonrecurring			Nonrecurring			Svc Order Submitted Elec per LSR	Svc Order Submitted Manually per LSR	Incremental Charge - Manual Svc Order vs. Electronic-1st	Incremental Charge - Manual Svc Order vs. Electronic-Add'l	Incremental Charge - Manual Svc Order vs. Electronic-Disc 1st	Incremental Charge - Manual Svc Order vs. Electronic-Disc Add'l		
							Rec	First	Add'l	First	Add'l	Disconnect								
							SOMEC	SOMAN	SOMAN	SOMAN	SOMAN	SOMAN								
		2-Wire Voice Grade Loop/ Line Port Combination (PBX) - Subsequent Activi PBX Subsequent Activity - Change/Rearrange Multiline Hunt Gro			UEPPX	USAS2	0	0	0											
		2-WIRE VOICE GRADE LOOP WITH 2-WIRE ANALOG LINE COIN PORT																		
		UNE Port/Loop Combination Rates																		
		2-Wire VG Coin Port/Loop Combo – Zone 1					16.15													
		2-Wire VG Coin Port/Loop Combo – Zone 2					22.64													
		2-Wire VG Coin Port/Loop Combo – Zone 3					31.09													
		UNE Loop Rates																		
		2-Wire Voice Grade Loop (SL1) - Zone 1			UEPCO	UEPLX	13.54													
		2-Wire Voice Grade Loop (SL1) - Zone 2			UEPCO	UEPLX	19.73													
		2-Wire Voice Grade Loop (SL1) - Zone 3			UEPCO	UEPLX	28.27													
		2-Wire Voice Grade Line Ports (COIN)																		
		2-Wire Coin 2-Way without Operator Screening and without Blocking (AL, KY, LA, MS)			UEPCO	UEPRF	2.91					19.99	19.99							
		2-Wire Coin 2-Way with Operator Screening (AL, KY)			UEPCO	UEPRE	2.91					19.99								
		2-Wire Coin 2-Way with Operator Screening and Blocking: 011, 900/976, 1+DDD (AL, KY, LA, MS)			UEPCO	UEPRA	2.91					19.99								
		2-Wire Coin 2-Way with Operator Screening and 011 Blocking (KY)			UEPCO	UEPKA	2.91					19.99								
		2-Wire Coin 2-Way with Operator Screening & Blocking: 900/976, 1+DDD, 011+, & Local (AL, KY, LA, MS)			UEPCO	UEPCD	2.91					19.99								
		2-Wire Coin Outward without Blocking and without Operator Screening (KY, LA, MS)			UEPCO	UEPRN	2.91					19.99								
		2-Wire Coin Outward with Operator Screening and 011 Blocking (GA, KY, MS)			UEPCO	UEPRJ	2.91					19.99								
		2-Wire Coin Outward with Operator Screening and Blocking: 011, 900/976, 1+DDD (AL, KY, LA, MS)			UEPCO	UEPRH	2.91					19.99								
		2-Wire Coin Outward Operator Screening & Blocking: 900/976, 1+DDD, 011+, and Local (AL, KY, LA, MS)			UEPCO	UEPCN	2.91					19.99								
		2-Wire 2-Way Smartline with 900/976 (all states except LA)			UEPCO	UEPCK	2.91					19.99								
		2-Wire Coin Outward Smartline with 900/976 (all states except LA)			UEPCO	UEPCR	2.91					19.99								
		ADDITIONAL UNE COIN PORT/LOOP (RC)																		
		UNE Coin Port/Loop Combo Usage (Flat Rate)			UEPCO	URECU	2.57	0	0											
		LOCAL NUMBER PORTABILITY																		
		Local Number Portability (1 per port)			UEPCO	LNPCX	0.35													
		NONRECURRING CHARGES - CURRENTLY COMBINED																		
		2-Wire Voice Grade Loop / Line Port Combination - Conversion - Switch-as-			UEPCO	USAC2		10	10			19.99								
		2-Wire Voice Grade Loop / Line Port Combination - Conversion - Switch with chang			UEPCO	USACC		10	10			19.99								
		ADDITIONAL NRCs																		
		2-Wire Voice Grade Loop/Line Port Combination - Subsequent Activi			UEPCO	USAS2		0	0			19.99								
		2-WIRE VOICE GRADE LOOP- BUS ONLY - WITH 2-WIRE DID TRUNK PORT																		
		UNE Port/Loop Combination Rates																		

UNBUNDLED NETWORK ELEMENTS
KY

CATEGORY	NOTES	UNBUNDLED NETWORK ELEMENT	Interim	Zone	BCS	USOC	RATES (\$)					OSS RATES (\$)							
							Nonrecurring		Nonrecurring			SOMEC	SOMAN	SOMAN	SOMAN	SOMAN	SOMAN		
							Rec	First	Add'l	First	Add'l								
		2-Wire VG Loop/2-Wire DID Trunk Port Combo - UNE Zone 1		1			28.72												
		2-Wire VG Loop/2-Wire DID Trunk Port Combo - UNE Zone 2		2			34.9												
		2-Wire VG Loop/2-Wire DID Trunk Port Combo - UNE Zone 3		3			45.9												
		UNE Loop Rates																	
		2-Wire Analog Voice Grade Loop - (SL2) - UNE Zone 1		1	UEPPX	UECD1	17.78	210.31	135.35	105.49	20.43		19.99						
		2-Wire Analog Voice Grade Loop - (SL2) - UNE Zone 2		2	UEPPX	UECD1	23.96	210.31	135.35	105.49	20.43		19.99						
		2-Wire Analog Voice Grade Loop - (SL2) - UNE Zone 3		3	UEPPX	UECD1	34.96	210.31	135.35	105.49	20.43		19.99						
		UNE Port Rate																	
		Exchange Ports - 2-Wire DID Por			UEPPX	UEPD1	10.94	238.69	37.49	119.4	7.5		19.99						
		NONRECURRING CHARGES - CURRENTLY COMBINED																	
		2-Wire Voice Grade Loop / 2-Wire DID Trunk Port Conversion with BellSouth Allowable Charges			UEPPX	USA1C		14.62	3.73				19.99						
		ADDITIONAL NRCs																	
		2-Wire DID Subsequent Activity - Add Trunks, Per Trun			UEPPX	USAS1		53.58	53.58				19.99						
		Telephone Number/Trunk Group Establishment Charges																	
		DID Trunk Termination (One Per Port			UEPPX	NDT	0	0	0				19.99						
		Additional DID Numbers for each Group of 20 DID Number			UEPPX	ND4	0	0	0				19.99						
		DID Numbers, Non- consecutive DID Numbers , Per Numbe			UEPPX	ND5	0	0	0				19.99						
		Reserve Non-Consecutive DID numbers			UEPPX	ND6	0	0	0				19.99						
		Reserve DID Numbers			UEPPX	NDV	0	0	0				19.99						
		LOCAL NUMBER PORTABILITY																	
		Local Number Portability (1 per port			UEPPX	LNPCP	3.15												
		2-WIRE ISDN DIGITAL GRADE LOOP WITH 2-WIRE ISDN DIGITAL LINE SIDE PORT																	
		UNE Port/Loop Combination Rates																	
		2W ISDN Digital Grade Loop/2W ISDN Digital Line Side Port - UNE Zone		1	UEPPB UEPPR		35.4												
		2W ISDN Digital Grade Loop/2W ISDN Digital Line Side Port - UNE Zone 2		2	UEPPB UEPPR		44.09												
		2W ISDN Digital Grade Loop/2W ISDN Digital Line Side Port - UNE Zone 3		3	UEPPB UEPPR		55.35												
		UNE Loop Rates																	
		2-Wire ISDN Digital Grade Loop - UNE Zone 1		1	UEPPB UEPPR	USL2X	22.41	233.47	158.51	105.49	20.48		19.99						
		2-Wire ISDN Digital Grade Loop - UNE Zone 2		2	UEPPB UEPPR	USL2X	31.1	233.47	158.51	105.49	20.48		19.99						
		2-Wire ISDN Digital Grade Loop - UNE Zone 3		3	UEPPB UEPPR	USL2X	42.36	233.47	158.51	105.49	20.48		19.99						
		UNE Port Rate																	
		Exchange Port - 2-Wire ISDN Line Side Por			UEPPB UEPPR	UEPPB	12.99	145.59	106.01	95.93	21.55		19.99						
		NONRECURRING CHARGES - CURRENTLY COMBINED																	
		2-Wire ISDN Digital Grade Loop / 2-Wire ISDN Line Side Port Combination - Conversion			UEPPB UEPPR	USACB	0	77.04	54.04				19.99						
		ADDITIONAL NRCs																	
		LOCAL NUMBER PORTABILITY																	

UNBUNDLED NETWORK ELEMENTS
KY

CATEGORY	NOTES	UNBUNDLED NETWORK ELEMENT	Interim	Zone	BCS	USOC	RATES (\$)					OSS RATES (\$)								
							Rec	First	Add'l	First	Add'l	SOME C	SOMAN	SOMAN	SOMAN	SOMAN	SOMAN			
		Local Number Portability (1 per port)			UEPPB UEPPR	LNPCX	0.35	0	0											
B-CHANNEL USER PROFILE ACCESS:																				
		CVS/CSD (DMS/5ESS)			UEPPB UEPPR	U1UCA	0	0	0											
		CVS (EWSD)			UEPPB UEPPR	U1UCB	0	0	0											
		CSD			UEPPB UEPPR	U1UCC	0	0	0											
B-CHANNEL AREA PLUS USER PROFILE ACCESS: (AL, KY, LA, MS SC, MS, & TN)																				
		CVS/CSD (DMS/5ESS)			UEPPB UEPPR	U1UCD	0	0	0											
		CVS (EWSD)			UEPPB UEPPR	U1UCE	0	0	0											
		CSD			UEPPB UEPPR	U1UCF	0	0	0											
USER TERMINAL PROFILE																				
		User Terminal Profile (EWSD only)			UEPPR	U1UMA	0	0	0											
VERTICAL FEATURES																				
		All Vertical Features - One per Channel B User Profile			UEPPB UEPPR	UEPVF	3.39	0	0											
INTEROFFICE CHANNEL MILEAGE																				
		Interoffice Channel mileage each, including first mile and facilities termination			UEPPB UEPPR	M1GNC	26.98	142.31	56.21				19.99							
		Interoffice Channel mileage each, additional mile			UEPPB UEPPR	M1GNM	0.0301	0	0				0							
4-WIRE DS1 DIGITAL LOOP WITH 4-WIRE ISDN DS1 DIGITAL TRUNK PORT																				
UNE Port/Loop Combination Rates																				
		4W DS1 Digital Loop/4W ISDN DS1 Digital Trunk Port - UNE Zone 1		1	UEPPP		219.25													
		4W DS1 Digital Loop/4W ISDN DS1 Digital Trunk Port - UNE Zone 2		2	UEPPP		248.36													
		4W DS1 Digital Loop/4W ISDN DS1 Digital Trunk Port - UNE Zone 3		3	UEPPP		299.47													
UNE Loop Rates																				
		4-Wire DS1 Digital Loop - UNE Zone 1		1	UEPPP	USL4P	106.04	505.12	315.18	89.11	23.33		19.99							
		4-Wire DS1 Digital Loop - UNE Zone 2		2	UEPPP	USL4P	135.15	505.1	315.18	89.11	23.33		19.99							
		4-Wire DS1 Digital Loop - UNE Zone 3		3	UEPPP	USL4P	186.15	505.1	315.18	89.11	23.33		19.99							
UNE Port Rate																				
		Exchange Ports - 4-Wire ISDN DS1 Por			UEPPP	UEPPP	113.21	407.77	203.18	157.77	39.98		19.99							
NONRECURRING CHARGES - CURRENTLY COMBINED																				
		4-Wire DS1 Digital Loop / 4-Wire ISDN DS1 Digital Trunk Port Combination - Conversion - Switch-as-is			UEPPP	USACP	0	238.22	157.17				19.99							
ADDITIONAL NRCs																				
		4-Wire DS1 Loop/4-W ISDN Digt Trk Port - Subsqct Actvy- Inward/two way tel nos within Std Allowanc			UEPPP	PR7TF		0.9804					19.99							
		4-Wire DS1 Loop / 4-Wire ISDN DS1 Digital Trunk Port - Outward Tel Numbers (All States except NC)			UEPPP	PR7TO		23.02	23.02				19.99							
		4-Wire DS1 Loop / 4-Wire ISDN DS1 Digital Trk Port - Subsequent Inward Tel Nos Above Std Allowanc			UEPPP	PR7ZT		46.05	46.05				19.99							

UNBUNDLED NETWORK ELEMENTS
KY

CATEGORY	NOTES	UNBUNDLED NETWORK ELEMENT	Interim	Zone	BCS	USOC	RATES (\$)					OSS RATES (\$)					
							Rec	First	Add'l	First	Add'l	SOMEC	SOMAN	SOMAN	SOMAN	SOMAN	SOMAN
							Nonrecurring					Nonrecurring					
							Disconnect										
							Rec	First	Add'l	First	Add'l	SOMEC	SOMAN	SOMAN	SOMAN	SOMAN	SOMAN
		LOCAL NUMBER PORTABILITY															
		Local Number Portability (1 per port)			UEPPP	LNPCN	1.75										
		INTERFACE (Provisioning Only)															
		Voice/Data			UEPPP	PR71V	0	0	0								
		Digital Data			UEPPP	PR71D	0	0	0								
		Inward Data			UEPPP	PR71E	0	0	0								
		New or Additional "B" Channel															
		New or Additional - Voice/Data B Channel			UEPPP	PR7BV	0	29.06					19.99				
		New or Additional - Digital Data B Channel			UEPPP	PR7BF	0	29.06					19.99				
		New or Additional Inward Data B Channel			UEPPP	PR7BD	0	29.06					19.99				
		New or Additional Usage Sensitive Voice Data B Channel			UEPPP	PR7BS	0	29.06					19.99				
		New or Additional Usage Sensitive Digital Data B Channel			UEPPP	PR7BU	0	29.06					19.99				
		CALL TYPES															
		Inward			UEPPP	PR7C1	0	0	0								
		Outward			UEPPP	PR7C0	0	0	0								
		Two-way			UEPPP	PR7CC	0	0	0								
		Interoffice Channel Mileage															
		Fixed Each Including First Mil			UEPPP	1LN1A	55.5	298.18	231.23	0			19.99				
		Each Airline-Fractional Additional Mil			UEPPP	1LN1B	0.45										
		4-WIRE DS1 DIGITAL LOOP WITH 4-WIRE DDITS TRUNK PORT															
		UNE Port/Loop Combination Rates															
		4W DS1 Digital Loop/4W DDITS Trunk Port - UNE Zone 1		1	UEPDC		189.32						19.99				
		4W DS1 Digital Loop/4W DDITS Trunk Port - UNE Zone 2		2	UEPDC		218.43						19.99				
		4W DS1 Digital Loop/4W DDITS Trunk Port - UNE Zone 3		3	UEPDC		269.54						19.99				
		UNE Loop Rates															
		4-Wire DS1 Digital Loop - UNE Zone 1		1	UEPDC	USLDC	106.04	505.1	315.18	89.11	23.33		19.99				
		4-Wire DS1 Digital Loop - UNE Zone 2		2	UEPDC	USLDC	135.15	505.1	315.18	89.11	23.33		19.99				
		4-Wire DS1 Digital Loop - UNE Zone 3		3	UEPDC	USLDC	186.15	505.1	315.18	89.11	23.33		19.99				
		UNE Port Rate															
		4-Wire DDITS Digital Trunk Port			UEPDC	UDD1T	83.28	404.18	191.44	144.77	4.9		19.99				
		NONRECURRING CHARGES - CURRENTLY COMBINED															
		4-Wire DS1 Digital Loop / 4-Wire DDITS Trunk Port Combination - Switch-as-i			UEPDC	USAC4		261.15	134.08				19.99				
		4-Wire DS1 Digital Loop / 4-Wire DDITS Trunk Port Combination - Conversion with DS1 Changes			UEPDC	USAWA		261.15	134.08				19.99				
		4-Wire DS1 Digital Loop / 4-Wire DDITS Trunk Port Combination - Conversion with Change - Trunk			UEPDC	USAWB		261.15	134.08				19.99				
		ADDITIONAL NRCs															
		4-Wire DS1 Loop / 4-Wire DDITS Trunk Port - NRC - Subsequent Channel Activation/Chan - 2-Way Trunk			UEPDC	UDTTA		28.96	28.96				19.99				
		4-Wire DS1 Loop / 4-Wire DDITS Trunk Port - Subsequent Channel Activation/Chan - 1-Way Outward Trunk			UEPDC	UDTTB		28.96	28.96				19.99				

UNBUNDLED NETWORK ELEMENTS
KY

CATEGORY	NOTES	UNBUNDLED NETWORK ELEMENT	Interim	Zone	BCS	USOC	RATES (\$)						OSS RATES (\$)					
							Nonrecurring			Nonrecurring			Svc Order Submitted Elec per LSR	Svc Order Submitted Manually per LSR	Incremental Charge - Manual Svc Order vs. Electronic-1st	Incremental Charge - Manual Svc Order vs. Electronic-Add'l	Incremental Charge - Manual Svc Order vs. Electronic-Disc 1st	Incremental Charge - Manual Svc Order vs. Electronic-Disc Add'l
							Rec	First	Add'l	Disconnect								
								First	Add'l	First	Add'l	SOME C	SOMAN	SOMAN	SOMAN	SOMAN	SOMAN	
		4-Wire DS1 Loop / 4-Wire DDITS Trunk Port - Subsqt Channel Activation/Chan Inward Trunk w/out DIC			UEPDC	UDTTC		28.96	28.96				19.99					
		4-Wire DS1 Loop / 4-Wire DDITS Trunk Port - Subsqt Chan Activation Per Chan - Inward Trunk with DIC			UEPDC	UDTTD		28.96	28.96				19.99					
		4-Wire DS1 Loop / 4-Wire DDITS Trunk Port - Subsqt Chan Activation / Chan - 2-Way DID w User Trans			UEPDC	UDTTE		28.96	28.96				19.99					
		BIPOLAR 8 ZERO SUBSTITUTION																
		B8ZS - Superframe Format			UEPDC	CCOSF		0	730				19.99					
		B8ZS - Extended Superframe Format			UEPDC	CCOEF		0	730				19.99					
		Alternate Mark Inversion																
		AMI - Superframe Format			UEPDC	MCOSF		0	0									
		AMI - Extended SuperFrame Format			UEPDC	MCOPO		0	0									
		Telephone Number/Trunk Group Establishment Charges																
		Telephone Number for 2-Way Trunk Group			UEPDC	UDTGX	0											
		Telephone Number for 1-Way Outward Trunk Group			UEPDC	UDTGY	0						19.99					
		Telephone Number for 1-Way Inward Trunk Group Without DLI			UEPDC	UDTGZ	0						19.99					
		DID Numbers for each Group of 20 DID Numbers			UEPDC	ND4	0						19.99					
		DID Numbers, Non- consecutive DID Numbers , Per Number			UEPDC	ND5	0						19.99					
		Reserve Non-Consecutive DID Nos			UEPDC	ND6	0	0	0				19.99					
		Reserve DID Numbers			UEPDC	NDV	0	0	0				19.99					
		Dedicated DS1 (Interoffice Channel Mileage) - FX/FCO for 4-Wire DS1 Digital Loop with 4-Wire DDITS Trunk Port																
		Interoffice Channel Mileage - Fixed rate 0-8 miles (Facilities Termination)			UEPDC	1LNO1	55.05	298.18	231.23	0	0		19.99					
		Interoffice Channel Mileage - Additional rate per mile - 0-8 mile			UEPDC	1LNOA	0.45	0	0									
		Interoffice Channel Mileage - Fixed rate 9-25 miles (Facilities Termination)			UEPDC	1LNO2	0	0	0									
		Interoffice Channel Mileage - Additional rate per mile - 9-25 mile			UEPDC	1LNOB	0.45	0	0									
		Interoffice Channel Mileage - Fixed rate 25+ miles (Facilities Termination)			UEPDC	1LNO3	0	0	0	0								
		Interoffice Channel Mileage - Additional rate per mile - 25+ mile			UEPDC	1LNOC	0.45	0	0									
		Local Number Portability, per DS0 Activation			UEPDC	LNPCP	3.15	0	0	0								
		Central Office Terminating Point			UEPDC	CTG	0											
		4-WIRE DS1 LOOP WITH CHANNELIZATION WITH PORT																
		System is 1 DS1 Loop, 1 D4 Channel Bank, and up to 24 Feature Activations																
		Each System can have up to 24 combinations of rates depending on type and number of ports used																

UNBUNDLED NETWORK ELEMENTS
KY

CATEGORY	NOTES	UNBUNDLED NETWORK ELEMENT	Interim	Zone	BCS	USOC	RATES (\$)				OSS RATES (\$)										
							Rec	First	Add'l	Disconnect	SOME C	SOMAN	SOMAN	SOMAN	SOMAN	SOMAN					
		UNE DS1 Loop																			
		4-Wire DS1 Loop - UNE Zone 1			UEPMG	USLDC	106.04	0	0												
		4-Wire DS1 Loop - UNE Zone 2			UEPMG	USLDC	135.15	0	0												
		4-Wire DS1 Loop - UNE Zone 3			UEPMG	USLDC	186.15	0	0												
		UNE DSO Channelization Capacities (D4 Channel Bank Configurations)																			
		24 DSO Channel Capacity - 1 per DS1			UEPMG	VUM24	136.99	0	0												
		48 DSO Channel Capacity - 1 per 2 DS1s			UEPMG	VUM48	273.98	0	0												
		96 DSO Channel Capacity -1per 4 DS1s			UEPMG	VUM96	547.96	0	0												
		144 DSO Channel Capacity - 1 per 6 DS1s			UEPMG	VUM14	821.94	0	0												
		192 DSO Channel Capacity -1 per 8 DS1s			UEPMG	VUM19	1095.92	0	0												
		240 DSO Channel Capacity - 1 per 10 DS1s			UEPMG	VUM20	1369.9	0	0												
		288 DSO Channel Capacity - 1 per 12 DS1s			UEPMG	VUM28	1643.88	0	0												
		384 DSO Channel Capacity - 1 per 16 DS1s			UEPMG	VUM38	2191.84	0	0												
		480 DSO Channel Capacity - 1 per 20 DS1s			UEPMG	VUM40	2739.8	0	0												
		576 DSO Channel Capacity -1 per 24 DS1s			UEPMG	VUM57	3287.76	0	0												
		672 DSO Channel Capacity - 1 per 28 DS1s			UEPMG	VUM67	3835.72	0	0												
		Non-Recurring Charges (NRC) Associated with 4-Wire DS1 Loop with Channelization with Port - Conversion Charge Based on a System																			
		A Minimum System configuration is One (1) DS1, One (1) D4 Channel Bank, and Up To 24 DSO Ports with Feature Activations.																			
		Multiples of this configuration functioning as one are considered Add'l after the minimum system configuration is counted.																			
		NRC - Conversion (Currently Combined) with or without BellSouth Allowed Changes			UEPMG	USAC4	0	301.05	16.72						19.99						
		System Additions at End User Locations Where 4-Wire DS1 Loop with Channelization with Port Combination Currently Exists and New (Not Currently Combined) In Georgia Only																			
		NRC - 1 DS1/D4 Channel Bank - Add NRC for each Port and Assoc Feature Activation - New GA Only			UEPMG	VUMD4	0	716.36	468.2	149.3	17.71				19.99						
		Bipolar 8 Zero Substitution																			
		Clear Channel Capability Format, superframe - Subsequent Activity Only			UEPMG	CCOSF	0	0	730						19.99						
		Clear Channel Capability Format - Extended Superframe - Subsequent Activity Only			UEPMG	CCOEF	0	0	730						19.99						
		Alternate Mark Inversion (AMI)																			
		Superframe Format			UEPMG	MCOSF	0	0	0												
		Extended Superframe Format			UEPMG	MCOPO	0	0	0												
		Exchange Ports Associated with 4-Wire DS1 Loop with Channelization with Port																			
		Exchange Ports																			
		Line Side Combination Channelized PBX Trunk Port - Business			UEPPX	UEPCX	1.66	0	0	0	0				19.99						
		Line Side Outward Channelized PBX Trunk Port - Business			UEPPX	UEPOX	1.66	0	0	0	0				19.99						
		Line Side Inward Only Channelized PBX Trunk Port without DID			UEPPX	UEP1X	1.66	0	0	0	0				19.99						
		2-Wire Trunk Side Unbundled Channelized DID Trunk Port			UEPPX	UEPDM	10.97	0	0	0	0				19.99						
		Feature Activations - Unbundled Loop Concentration																			

UNBUNDLED NETWORK ELEMENTS
KY

CATEGORY	NOTES	UNBUNDLED NETWORK ELEMENT	Interim	Zone	BCS	USOC	RATES (\$)					OSS RATES (\$)								
							Nonrecurring		Nonrecurring			Svc Order Submitted Elec per LSR	Svc Order Submitted Manually per LSR	Incremental Charge - Manual Svc Order vs. Electronic-1st	Incremental Charge - Manual Svc Order vs. Electronic-Add'l	Incremental Charge - Manual Svc Order vs. Electronic-Disc 1st	Incremental Charge - Manual Svc Order vs. Electronic-Disc Add'l			
							Rec	First	Add'l	First	Add'l							SOMEC	SOMAN	SOMAN
							Disconnect													
		Feature (Service) Activation for each Line Side Port Terminated in D4 Bank			UEPPX	1PQWM	0.77	25.4	13.41	4.17	4.15									
		Feature (Service) Activation for each Trunk Side Port Terminated in D4 Bank			UEPPX	1PQWU	0.77	78.15	19.68	59.05	11.54									
		Telephone Number/ Group Establishment Charges for DID Service																		
		DID Trunk Termination (1 per Port)			UEPPX	NDT	0													
		DID Numbers - groups of 20 - Valid all States			UEPPX	ND4	0	0	0											
		Non-Consecutive DID Numbers - per number			UEPPX	ND5	0	0	0											
		Reserve Non-Consecutive DID Numbers			UEPPX	ND6	0	0	0											
		Reserve DID Numbers			UEPPX	NDV	0	0	0											
		Local Number Portability																		
		Local Number Portability - 1 per port			UEPPX	LNPCP	3.15	0	0											
		FEATURES - Vertical and Optional																		
		Local Switching Features Offered with Line Side Ports Only																		
		All Features Available			UEPPX	UEPVF	3.39	0	0											
		UNBUNDLED PORT LOOP COMBINATIONS - MARKET RATES																		
		Market Rates shall apply where BellSouth is not required to provide unbundled local switching or switch ports per FCC and/or State Commission rules.																		
		These scenarios include:																		
		1. Unbundled port/loop combinations that are Not Currently Combined in all of the BellSouth states except as noted for Georgia and Tennessee.																		
		2. Unbundled port/loop combinations that are Currently Combined or Not Currently Combined in Zone 1 of the Top 8 MSAs in BellSouth's region for end users with 4 or more DS0 equivalent lines.																		
		The Top 8 MSAs in BellSouth's region are: FL (Orlando, Ft. Lauderdale, Miami); GA (Atlanta); LA (New Orleans); NC (Greensboro-Winston Salem-Highpoint/Charlotte-Gastonia-Rock Hill); TN (Nashville).																		
		BellSouth currently is developing the billing capability to mechanically bill the recurring unbundled port Market Rates in this section as well as the nonrecurring Market Rates in this section for Currently Combined port/loop combinations in Zone 1 of the Top 8 MSAs in BellSouth's region for end users with 4 or more DS0 equivalent lines. In the interim, BellSouth shall bill the rates in the Cost-Based section preceding in lieu of such Market Rates and reserves the right to true-up the billing difference.																		
		The Market Rate for unbundled ports includes all available features in all states.																		
		End Office and Tandem Switching Usage and Common Transport Usage rates in the Port section of this rate exhibit shall apply to all combinations of loop/port network elements except for UNE Coin Port/Loop Combinations which have a flat rate usage charge (USOC: URECU).																		
		For Not Currently Combined scenarios where Market Rates apply, the Nonrecurring charges are listed in the First and Additional NRC columns for each Port USOC. For Currently Combined scenarios, the Nonrecurring charges are listed in the NRC - Currently Combined section. Additional NRCs may apply also and are categorized accordingly.																		
		2-WIRE VOICE GRADE LOOP WITH 2-WIRE LINE PORT (RES)																		
		UNE Port/Loop Combination Rates																		
		2-Wire VG Loop/Port Combo - Zone 1			1		27.54													
		2-Wire VG Loop/Port Combo - Zone 2			2		33.73													
		2-Wire VG Loop/Port Combo - Zone 3			3		42.27													
		UNE Loop Rates																		
		2-Wire Voice Grade Loop (SL1) - Zone 1			1	UEPRX	UEPLX	13.54												
		2-Wire Voice Grade Loop (SL1) - Zone 2			2	UEPRX	UEPLX	19.73												
		2-Wire Voice Grade Loop (SL1) - Zone 3			3	UEPRX	UEPLX	28.27												

UNBUNDLED NETWORK ELEMENTS
KY

CATEGORY	NOTES	UNBUNDLED NETWORK ELEMENT	Interim	Zone	BCS	USOC	RATES (\$)					OSS RATES (\$)									
							Nonrecurring			Nonrecurring		Svc Order Submitted Elec per LSR	Svc Order Submitted Manually per LSR	Incremental Charge - Manual Svc Order vs. Electronic-1st	Incremental Charge - Manual Svc Order vs. Electronic-Add'l	Incremental Charge - Manual Svc Order vs. Electronic-Disc 1st	Incremental Charge - Manual Svc Order vs. Electronic-Disc Add'l				
							Rec	First	Add'l	Disconnect											
								First	Add'l	First	Add'l	SOME C	SOMAN	SOMAN	SOMAN	SOMAN	SOMAN				
		2-Wire Voice Grade Line Port (Res)																			
		2-Wire voice unbundled port - residency			UEPRX	UEPRL	14	90	90												
		2-Wire voice unbundled port with Caller ID - re			UEPRX	UEPRC	14	90	90												
		2-Wire voice unbundled port outgoing only - re			UEPRX	UEPRO	14	90	90												
		2-Wire voice unbundles res, low usage line port with Caller ID (LUK)			UEPRX	UEPAP	14	90	90												
		LOCAL NUMBER PORTABILITY																			
		Local Number Portability (1 per port)			UEPRX	LNPCX	0.35														
		FEATURES																			
		All Features Offerec			UEPRX	UEPVF	0	0	0												
		ADDITIONAL NRCs																			
		NRC - 2-Wire Voice Grade Loop/Line Port Combination - Subsequer			UEPRX	USAS2		0	0												
		2-WIRE VOICE GRADE LOOP WITH 2-WIRE LINE PORT (BUS)																			
		UNE Port/Loop Combination Rates																			
		2-Wire VG Loop/Port Combo - Zone 1		1			27.54														
		2-Wire VG Loop/Port Combo - Zone 2		2			33.73														
		2-Wire VG Loop/Port Combo - Zone 3		3			42.27														
		UNE Loop Rates																			
		2-Wire Voice Grade Loop (SL1) - Zone 1		1	UEPBX	UEPLX	13.54														
		2-Wire Voice Grade Loop (SL1) - Zone 2		2	UEPBX	UEPLX	19.73														
		2-Wire Voice Grade Loop (SL1) - Zone 3		3	UEPBX	UEPLX	28.27														
		2-Wire Voice Grade Line Port (Bus)																			
		2-Wire voice unbundled port without Caller ID - bu			UEPBX	UEPBL	14	90	90												
		2-Wire voice unbundled port with Caller + E484 ID - bu			UEPBX	UEPBC	14	90	90												
		2-Wire voice unbundled port outgoing only - bu			UEPBX	UEPBO	14	90	90												
		LOCAL NUMBER PORTABILITY																			
		Local Number Portability (1 per port)			UEPBX	LNPCX	0.35														
		FEATURES																			
		NONRECURRING CHARGES - CURRENTLY COMBINED																			
		ADDITIONAL NRCs																			
		NRC - 2-Wire Voice Grade Loop/Line Port Combination - Subsequer			UEPBX	USAS2		0	0												
		2-WIRE VOICE GRADE LOOP WITH 2-WIRE LINE PORT (RES - PBX)																			
		UNE Port/Loop Combination Rates																			
		2-Wire VG Loop/Port Combo - Zone 1		1			27.54														
		2-Wire VG Loop/Port Combo - Zone 2		2			33.73														
		2-Wire VG Loop/Port Combo - Zone 3		3			42.27														
		UNE Loop Rates																			
		2-Wire Voice Grade Loop (SL1) - Zone 1		1	UEPRG	UEPLX	13.54														
		2-Wire Voice Grade Loop (SL1) - Zone 2		2	UEPRG	UEPLX	19.73														
		2-Wire Voice Grade Loop (SL1) - Zone 3		3	UEPRG	UEPLX	28.27														

UNBUNDLED NETWORK ELEMENTS
KY

CATEGORY	NOTES	UNBUNDLED NETWORK ELEMENT	Interim	Zone	BCS	USOC	RATES (\$)					OSS RATES (\$)					
							Nonrecurring			Nonrecurring		Svc Order Submitted Elec per LSR	Svc Order Submitted Manually per LSR	Incremental Charge - Manual Svc Order vs. Electronic-1st	Incremental Charge - Manual Svc Order vs. Electronic-Add'l	Incremental Charge - Manual Svc Order vs. Electronic-Disc 1st	Incremental Charge - Manual Svc Order vs. Electronic-Disc Add'l
							Rec	First	Add'l	Disconnect							
							First	Add'l	First	Add'l	SOME C	SOMAN	SOMAN	SOMAN	SOMAN	SOMAN	
2-Wire Voice Grade Line Port Rates (RES - PBX)																	
		2-Wire VG Unbundled Combination 2-Way PBX Trunk Port - Re			UEPRG	UEPRD	14	90	90				19.99				
LOCAL NUMBER PORTABILITY																	
		Local Number Portability (1 per port)			UEPRG	LNPCP	3.15										
FEATURES																	
NONRECURRING CHARGES - CURRENTLY COMBINED																	
ADDITIONAL NRCs																	
		2 Wire Loop/Line Side Port Combination - Non feature - Subsequent Activity- Nonrecurring						0	0								
		PBX Subsequent Activity - Change/Rearrange Multiline Hunt Gro						14.64	14.64				19.99				
2-WIRE VOICE GRADE LOOP WITH 2-WIRE LINE PORT (BUS - PBX)																	
UNE Port/Loop Combination Rates																	
		2-Wire VG Loop/Port Combo - Zone 1		1				27.54									
		2-Wire VG Loop/Port Combo - Zone 2		2				33.73									
		2-Wire VG Loop/Port Combo - Zone 3		3				42.27									
UNE Loop Rates																	
		2-Wire Voice Grade Loop (SL1) - Zone 1		1	UEPPX	UEPLX		13.54									
		2-Wire Voice Grade Loop (SL1) - Zone 2		2	UEPPX	UEPLX		19.73									
		2-Wire Voice Grade Loop (SL1) - Zone 3		3	UEPPX	UEPLX		28.27									
2-Wire Voice Grade Line Port Rates (BUS - PBX)																	
		Line Side Unbundled Combination 2-Way PBX Trunk Port - Bu			UEPPX	UEPPC	14	90	90				19.99				
		Line Side Unbundled Outward PBX Trunk Port - Bu			UEPPX	UEPPO	14	90	90				19.99				
		Line Side Unbundled Incoming PBX Trunk Port - Bu			UEPPX	UEPP1	14	90	90				19.99				
		2-Wire Voice Unbundled PBX LD Terminal Port			UEPPX	UEPLD	14	90	90				19.99				
		2-Wire Voice Unbundled 2-Way Combination PBX Usage Po			UEPPX	UEPXA	14	90	90				19.99				
		2-Wire Voice Unbundled PBX Toll Terminal Hotel Port			UEPPX	UEPXB	14	90	90				19.99				
		2-Wire Voice Unbundled PBX LD DDD Terminals Po			UEPPX	UEPXC	14	90	90				19.99				
		2-Wire Voice Unbundled PBX LD Terminal Switchboard Po			UEPPX	UEPXD	14	90	90				19.99				
		2-Wire Voice Unbundled PBX LD Terminal Switchboard IDD Capable Po			UEPPX	UEPXE	14	90	90				19.99				
		2-Wire Voice Unbundled 2-Way PBX Kentucky Room Area Calling Port without LU			UEPPX	UEPXF	14	90	90				19.99				
		2-Wire Voice Unbundled PBX Kentucky LUD Area Calling Po			UEPPX	UEPXG	14	90	90				19.99				
		2-Wire Voice Unbundled PBX Kentucky Premium Calling Po			UEPPX	UEPXH	14	90	90				19.99				
		2-Wire Voice Unbundled 2-Way Kentucky Area Calling Port without LU			UEPPX	UEPXJ	14	90	90				19.99				
		2-Wire Voice Unbundled 2-Way PBX Hotel/Hospital Economy Administrative Calling Port			UEPPX	UEPXL	14	90	90				19.99				
		2-Wire Voice Unbundled 2-Way PBX Hotel/Hospital Economy Room Calling Po			UEPPX	UEPXM	14	90	90				19.99				
		2-Wire Voice Unbundled 1-Way Outgoing PBX Hotel/Hospital Discount Room Calling Port			UEPPX	UEPXO	14	90	90				19.99				
		2-Wire Voice Unbundled 1-Way Outgoing PBX Measured Po			UEPPX	UEPXS	14	90	90				19.99				
LOCAL NUMBER PORTABILITY																	
		Local Number Portability (1 per port)			UEPPX	LNPCP	3.15										

UNBUNDLED NETWORK ELEMENTS
KY

CATEGORY	NOTES	UNBUNDLED NETWORK ELEMENT	Interim	Zone	BCS	USOC	RATES (\$)				OSS RATES (\$)									
							Nonrecurring		Nonrecurring		Svc Order Submitted Elec per LSR	Svc Order Submitted Manually per LSR	Incremental Charge - Manual Svc Order vs. Electronic-1st	Incremental Charge - Manual Svc Order vs. Electronic-Add'l	Incremental Charge - Manual Svc Order vs. Electronic-Disc 1st	Incremental Charge - Manual Svc Order vs. Electronic-Disc Add'l				
							Rec	First	Add'l	First							Add'l	SOME C	SOMAN	SOMAN
FEATURES																				
NONRECURRING CHARGES - CURRENTLY COMBINED																				
ADDITIONAL NRCs																				
		2-Wire Voice Grade Loop/ Line Port Combination - Subsequer			UEPPX	USAS2		0	0											
		2 Wire Loop/Line Side Port Combination - Non feature - Subsequent Activity- Nonrecurring						0	0											
		PBX Subsequent Activity - Change/Rearrange Multiline Hunt Gro						14.64	14.64		19.99									
2-WIRE VOICE GRADE LOOP WITH 2-WIRE ANALOG LINE COIN PORT																				
UNE Port/Loop Combination Rates																				
		2-Wire VG Coin Port/Loop Combo – Zone 1						27.54												
		2-Wire VG Coin Port/Loop Combo – Zone 2						33.73												
		2-Wire VG Coin Port/Loop Combo – Zone 3						42.27												
UNE Loop Rates																				
		2-Wire Voice Grade Loop (SL1) - Zone 1			UEPCO	UEPLX		13.54												
		2-Wire Voice Grade Loop (SL1) - Zone 2			UEPCO	UEPLX		19.73												
		2-Wire Voice Grade Loop (SL1) - Zone 3			UEPCO	UEPLX		28.27												
2-Wire Voice Grade Line Port Rates (Coin)																				
		2-Wire Coin 2-Way without Operator Screening and without Blocking (AL, KY, LA, MS)			UEPCO	UEPRF		14	90	90		19.99								
		2-Wire Coin 2-Way with Operator Screening (AL, KY)			UEPCO	UEPRE		14	90	90		19.99								
		2-Wire Coin 2-Way with Operator Screening and Blocking: 011, 900/976, 1+DDD (AL, KY, LA, MS, SC)			UEPCO	UEPRA		14	90	90		19.99								
		2-Wire Coin 2-Way with Operator Screening and 011 Blocking (KY)			UEPCO	UEPKA		14	90	90			33.67	7.88						
		2-Wire Coin 2-Way with Operator Screening & Blocking: 900/976, 1+DDD, 011+, & Local (AL, KY, LA, MS)			UEPCO	UEPCD		14	90	90		19.99								
		2-Wire Coin Outward without Blocking and without Operator Screening (KY, LA, MS)			UEPCO	UEPRN		14	90	90		19.99								
		2-Wire Coin Outward with Operator Screening and 011Blocking (GA, KY, MS)			UEPCO	UEPRJ		14	90	90		19.99								
		2-Wire Coin Outward with Operator Screening and Blocking: 011, 900/976, 1+DDD (AL, KY, LA, MS)			UEPCO	UEPRH		14	90	90		19.99								
		2-Wire Coin Outward Operator Screening & Blocking: 900/976, 1+DDD, 011+, & Local (AL, KY, LA, MS)			UEPCO	UEPCN		14	90	90		19.99								
LOCAL NUMBER PORTABILITY																				
		Local Number Portability (1 per port)			UEPCO	LNPCX		0.35												
NONRECURRING CHARGES - CURRENTLY COMBINED																				
ADDITIONAL NRCs																				
		2-Wire Voice Grade Loop/ Line Port Combination - Subsequer			UEPCO	USAS2		0	0											

UNBUNDLED NETWORK ELEMENTS
LA

CATEGORY	NOTES	UNBUNDLED NETWORK ELEMENT	Interim	Zone	BCS	USOC	RATES (\$)					OSS RATES (\$)					
							Rec	First	Add'l	First	Add'l	SOME C	SOMAN	SOMAN	SOMAN	SOMAN	SOMAN
							Nonrecurring					Nonrecurring					
							Disconnect										
							Rec	First	Add'l	First	Add'l	SOME C	SOMAN	SOMAN	SOMAN	SOMAN	SOMAN
The "Zone" shown in the sections for stand-alone loops or loops as part of a combination refers to Geographically Deaveraged UNE Zones. To view Geographically Deaveraged UNE Zone Designations by Central Office, refer to Internet Website: http://www.interconnection.bellsouth.com/become_a_clec/html/interconnection.htm																	
UNBUNDLED EXCHANGE ACCESS LOOP																	
2-WIRE ANALOG VOICE GRADE LOOP																	
		2-Wire Analog Voice Grade Loop - Service Level 1- Zone		1	UEANL	UEAL2	14.96	40.69	29.96	11.48	3.36			18.14	8.06	11.41	11.41
		2-Wire Analog Voice Grade Loop - Service Level 1- Zone		2	UEANL	UEAL2	25.69	40.69	29.96	11.48	3.36			18.14	8.06	11.41	11.41
		2-Wire Analog Voice Grade Loop - Service Level 1- Zone		3	UEANL	UEAL2	52.47	40.69	29.96	11.48	3.36			18.14	8.06	11.41	11.41
		2 Wire Analog Voice Grade Loop-Service Level 1-Line Splitting- Zone		1	UEPSR, UEPSB	UEALS	14.96	40.69	29.96	11.48	3.36			18.14	8.06	11.41	11.41
		2 Wire Analog Voice Grade Loop- Service Level 1-Line Splitting-Zone		2	UEPSR, UEPSB	UEALS	25.69	40.69	29.96	11.48	3.36			18.14	8.06	11.41	11.41
		2 Wire Analog Voice Grade Loop-Service Level 1-Line Splitting-Zone		3	UEPSR, UEPSB	UEALS	52.47	40.69	29.96	11.48	3.36			18.14	8.06	11.41	11.41
		Engineering Information Document (EI)			UEANL			28.72	28.72								
		Manual Order Coordination for UVL-SL1s (per loop)			UEANL	UEAMC		34.9	34.9								
		Order Coordination for Specified Conversion Time for UVL-SL1 (per LSR)			UEANL	OCOSL		32.77	32.77								
		2-Wire Analog Voice Grade Loop - Service Level 2 w/Loop or Ground Start Signaling - Zone 1		1	UEA	UEAL2	17.65	99.69	74.73	28.73	18.87			18.14	8.06	11.41	11.41
		2-Wire Analog Voice Grade Loop - Service Level 2 w/Loop or Ground Start Signaling - Zone 2		2	UEA	UEAL2	30.32	99.69	74.73	28.73	18.87			18.14	8.06	11.41	11.41
		2-Wire Analog Voice Grade Loop - Service Level 2 w/Loop or Ground Start Signaling - Zone 3		3	UEA	UEAL2	61.93	99.69	74.73	28.73	18.87			18.14	8.06	11.41	11.41
		Order Coordination for Specified Conversion Time (per LSF			UEA	OCOSL		32.77									
		2-Wire Analog Voice Grade Loop - Service Level 2 w/Reverse Battery Signaling - Zone 1		1	UEA	UEAR2	17.65	99.69	74.73	28.73	18.87			18.14	8.06	11.41	11.41
		2-Wire Analog Voice Grade Loop - Service Level 2 w/Reverse Battery Signaling - Zone 2		2	UEA	UEAR2	30.32	99.69	74.73	28.73	18.87			18.14	8.06	11.41	11.41
		2-Wire Analog Voice Grade Loop - Service Level 2 w/Reverse Battery Signaling - Zone 3		3	UEA	UEAR2	61.93	99.69	74.73	28.73	18.87			18.14	8.06	11.41	11.41
		Order Coordination for Specified Conversion Time (per LSF			UEA	OCOSL		32.77									
4-WIRE ANALOG VOICE GRADE LOOP																	
		4-Wire Analog Voice Grade Loop - Zone 1		1	UEA	UEAL4	24.36	198.1	163.26	74.27	39.44			18.14	8.06	11.41	11.41
		4-Wire Analog Voice Grade Loop - Zone 2		2	UEA	UEAL4	41.85	198.1	163.26	74.27	39.44			18.14	8.06	11.41	11.41
		4-Wire Analog Voice Grade Loop - Zone 3		3	UEA	UEAL4	85.47	198.1	163.26	74.27	39.44			18.14	8.06	11.41	11.41
		Order Coordination for Specified Conversion Time (per LSF			UEA	OCOSL		32.77									
2-WIRE ISDN DIGITAL GRADE LOOP																	
		2-Wire ISDN Digital Grade Loop - Zone 1		1	UDN	U1L2X	21.15	223.27	172.63	74.27	39.44			18.14	8.06	11.41	11.41
		2-Wire ISDN Digital Grade Loop - Zone 2		2	UDN	U1L2X	36.32	223.27	172.63	74.27	39.44			18.14	8.06	11.41	11.41
		2-Wire ISDN Digital Grade Loop - Zone 3		3	UDN	U1L2X	74.19	223.27	172.63	74.27	39.44			18.14	8.06	11.41	11.41
		Order Coordination For Specified Conversion Time (per LSR			UDN	OCOSL		32.77									
2-WIRE Universal Digital Channel (UDC) COMPATIBLE LOOP																	
		2-Wire Universal Digital Channel (UDC) Compatible Loop - Zone 1		1	UDC	UDC2X	28.55	233.18	158.33	105.01	20.41			18.14	8.06	11.41	11.41
		2-Wire Universal Digital Channel (UDC) Compatible Loop - Zone 2		2	UDC	UDC2X	37.12	233.18	158.33	105.01	20.41			18.14	8.06	11.41	11.41
		2-Wire Universal Digital Channel (UDC) Compatible Loop - Zone 3		3	UDC	UDC2X	51.88	233.18	158.33	105.01	20.41			18.14	8.06	11.41	11.41

UNBUNDLED NETWORK ELEMENTS
LA

CATEGORY	NOTES	UNBUNDLED NETWORK ELEMENT	Interim	Zone	BCS	USOC	RATES (\$)					OSS RATES (\$)									
							Nonrecurring			Nonrecurring		Svc Order Submitted Elec per LSR	Svc Order Submitted Manually per LSR	Incremental Charge - Manual Svc Order vs. Electronic-1st	Incremental Charge - Manual Svc Order vs. Electronic-Add'l	Incremental Charge - Manual Svc Order vs. Electronic-Disc 1st	Incremental Charge - Manual Svc Order vs. Electronic-Disc Add'l				
							Rec	First	Add'l	First	Add'l							SOMEK	SOMAN	SOMAN	SOMAN
		2-WIRE ASYMMETRICAL DIGITAL SUBSCRIBER LINE (ADSL) COMPATIBLE LOOP																			
		2-WIRE ASYMMETRICAL DIGITAL SUBSCRIBER LINE (ADSL) COMPATIBLE LOOP																			
		2 Wire Unbundled ADSL Loop including manual service inquiry & facility reservation - Zone 1		1	UAL	UAL2X	11.9	343.13	310.03	72.54	39.42			18.14	8.06	11.41	11.41				
		2 Wire Unbundled ADSL Loop including manual service inquiry & facility reservation - Zone 2		2	UAL	UAL2X	20.43	343.13	310.03	72.54	39.42			18.14	8.06	11.41	11.41				
		2 Wire Unbundled ADSL Loop including manual service inquiry & facility reservation - Zone 3		3	UAL	UAL2X	41.73	343.13	310.03	72.54	39.42			18.14	8.06	11.41	11.41				
		Order Coordination for Specified Conversion Time (per LSF			UAL	OCOSL		32.77													
		2 Wire Unbundled ADSL Loop without manual service inquiry & facility reservation - Zone 1		1	UAL	UAL2W	11.9	204.74	129.02	100.41	15.81			18.14	8.06	11.41	11.41				
		2 Wire Unbundled ADSL Loop without manual service inquiry & facility reservation - Zone 2		2	UAL	UAL2W	20.43	204.74	129.02	100.41	15.81			18.14	8.06	11.41	11.41				
		2 Wire Unbundled ADSL Loop without manual service inquiry & facility reservation - Zone 3		3	UAL	UAL2W	41.73	204.74	129.02	100.41	15.81			18.14	8.06	11.41	11.41				
		Order Coordination for Specified Conversion Time (per LSF			UAL	OCOSL		32.77													
		2-WIRE HIGH BIT RATE DIGITAL SUBSCRIBER LINE (HDSL) COMPATIBLE LOOP																			
		2-WIRE HIGH BIT RATE DIGITAL SUBSCRIBER LINE (HDSL) COMPATIBLE LOOP																			
		2 Wire Unbundled HDSL Loop including manual service inquiry & facility reservation - Zone 1		1	UHL	UHL2X	8.97	343.13	310.03	72.54	39.42			18.14	8.06	11.41	11.41				
		2 Wire Unbundled HDSL Loop including manual service inquiry & facility reservation - Zone 2		2	UHL	UHL2X	15.41	343.13	310.03	72.54	39.42			18.14	8.06	11.41	11.41				
		2 Wire Unbundled HDSL Loop including manual service inquiry & facility reservation - Zone 3		3	UHL	UHL2X	31.48	343.13	310.03	72.54	39.42			18.14	8.06	11.41	11.41				
		Order Coordination for Specified Conversion Tim			UHL	OCOSL		32.77													
		2 Wire Unbundled HDSL Loop without manual service inquiry and facility reservation - Zone 1		1	UHL	UHL2W	8.97	222.04	146.33	100.41	15.81			18.14	8.06	11.41	11.41				
		2 Wire Unbundled HDSL Loop without manual service inquiry and facility reservation - Zone 2		2	UHL	UHL2W	15.41	222.04	146.33	100.41	15.81			18.14	8.06	11.41	11.41				
		2 Wire Unbundled HDSL Loop without manual service inquiry and facility reservation - Zone 3		3	UHL	UHL2W	31.48	222.04	146.33	100.41	15.81			18.14	8.06	11.41	11.41				
		Order Coordination for Specified Conversion Tim			UHL	OCOSL		32.77													
		4-WIRE HIGH BIT RATE DIGITAL SUBSCRIBER LINE (HDSL) COMPATIBLE LOOP																			
		4 Wire Unbundled HDSL Loop including manual service inquiry and facility reservation - Zone 1		1	UHL	UHL4X	12.97	361.45	328.35	72.54	39.42			18.14	8.06	11.41	11.41				
		4-Wire Unbundled HDSL Loop including manual service inquiry and facility reservation - Zone 2		2	UHL	UHL4X	21.76	361.45	328.35	72.54	39.42			18.14	8.06	11.41	11.41				
		4-Wire Unbundled HDSL Loop including manual service inquiry and facility reservation - Zone 3		3	UHL	UHL4X	44.44	361.45	328.35	72.54	39.42			18.14	8.06	11.41	11.41				
		Order Coordination for Specified Conversion Tim			UHL	OCOSL		32.77													
		4-Wire Unbundled HDSL Loop without manual service inquiry and facility reservation - Zone 1		1	UHL	UHL4W	12.97	279.17	203.45	111.45	20.98			18.14	8.06	11.41	11.41				
		4-Wire Unbundled HDSL Loop without manual service inquiry and facility reservation - Zone 2		2	UHL	UHL4W	21.76	279.17	203.45	111.45	20.98			18.14	8.06	11.41	11.41				
		4-Wire Unbundled HDSL Loop without manual service inquiry and facility reservation - Zone 3		3	UHL	UHL4W	44.44	279.17	203.45	111.45	20.98			18.14	8.06	11.41	11.41				
		Order Coordination for Specified Conversion Tim			UHL	OCOSL		32.77													
		4-WIRE DS1 DIGITAL LOOP																			
		4-Wire DS1 Digital Loop - Zone 1		1	USL	USLXX	56.32	410.38	255.48	92.35	38.44			18.14	8.06	11.41	11.41				

UNBUNDLED NETWORK ELEMENTS
LA

CATEGORY	NOTES	UNBUNDLED NETWORK ELEMENT	Interim	Zone	BCS	USOC	RATES (\$)					OSS RATES (\$)						
							Nonrecurring		Disconnect			SOMEK	SOMAN	SOMAN	SOMAN	SOMAN	SOMAN	
							Rec	First	Add'l	First	Add'l							
		4-Wire DS1 Digital Loop - Zone 2		2	USL	USLXX	96.73	410.38	255.48	92.35	38.44				18.14	8.06	11.41	11.41
		4-Wire DS1 Digital Loop - Zone 3		3	USL	USLXX	197.57	410.38	255.48	92.35	38.44				18.14	8.06	11.41	11.41
		Order Coordination for Specified Conversion Tim			USL	OCOSL			33.05									
		4-WIRE 19.2, 56 OR 64 KBPS DIGITAL GRADE LOOP																
		4 Wire Unbundled Digital 19.2 Kbps		1	UDL	UDL19	27.5	333.28	230.5	87.99	44.24				18.14	8.06	11.41	11.41
		4 Wire Unbundled Digital 19.2 Kbps		2	UDL	UDL19	47.24	333.28	230.5	87.99	44.24				18.14	8.04	11.41	11.41
		4 Wire Unbundled Digital 19.2 Kbps		3	UDL	UDL19	96.48	333.28	230.5	87.99	44.24				18.14	8.06	11.41	11.41
		4 Wire Unbundled Digital Loop 56 Kbps - Zone		1	UDL	UDL56	27.5	333.28	230.5	87.99	44.24				18.14	8.06	11.41	11.41
		4 Wire Unbundled Digital Loop 56 Kbps - Zone :		2	UDL	UDL56	47.24	333.28	230.5	87.99	44.24				18.14	8.06	11.41	11.41
		4 Wire Unbundled Digital Loop 56 Kbps - Zone :		3	UDL	UDL56	96.48	333.28	230.5	87.99	44.24				18.14	8.06	11.41	11.41
		Order Coordination for Specified Conversion Tim			UDL	OCOSL			32.77									
		4 Wire Unbundled Digital Loop 64 Kbps - Zone		1	UDL	UDL64	27.5	333.28	230.5	87.99	44.24				18.14	8.06	11.41	11.41
		4 Wire Unbundled Digital Loop 64 Kbps - Zone :		2	UDL	UDL64	47.24	333.28	230.5	87.99	44.24				18.14	8.06	11.41	11.41
		4 Wire Unbundled Digital Loop 64 Kbps - Zone :		3	UDL	UDL64	96.48	333.28	230.5	87.99	44.24				18.14	8.06	11.41	11.41
		Order Coordination for Specified Conversion Tim			UDL	OCOSL			32.77									
		2-WIRE Unbundled COPPER LOOP																
		2-Wire Unbundled Copper Loop/Short including manual service inquiry & facility reservation - Zone 1		1	UCL	UCLPB	15.97	283.15	163.59	120.02	22.34				19.99	19.99	19.99	19.99
		2-Wire Unbundled Copper Loop/Short including manual service inquiry & facility reservation - Zone 2		2	UCL	UCLPB	17.99	283.15	163.59	120.02	22.34				19.99	19.99	19.99	19.99
		2 Wire Unbundled Copper Loop/Short including manual service inquiry & facility reservation - Zone 3		3	UCL	UCLPB	18.18	283.15	163.59	120.02	22.34				19.99	19.99	19.99	19.99
		Order Coordination for Unbundled Copper Loops (per loop)			UCL	UCLMC			34.9	34.9								
		2-Wire Unbundled Copper Loop/Short without manual service inquiry and facility reservation - Zone 1		1	UCL	UCLPW	15.97	202.88	127.16	100.41	15.81				19.99	19.99	19.99	19.99
		2-Wire Unbundled Copper Loop/Short without manual service inquiry and facility reservation - Zone 2		2	UCL	UCLPW	17.47	202.88	127.16	100.41	15.81				19.99	19.99	19.99	19.99
		2-Wire Unbundled Copper Loop/Short without manual service inquiry and facility reservation - Zone 3		3	UCL	UCLPW	18.18	202.88	127.16	100.41	15.81				19.99	19.99	19.99	19.99
		Order Coordination for Unbundled Copper Loops (per loop)			UCL	UCLMC			34.9	34.9								
		2-Wire Unbundled Copper Loop/Long - includes manual svc. inquiry and facility reservation - Zone 1		1	UCL	UCL2L	42.85	269.99	150.43	120.02	22.34				19.99	19.99	19.99	19.99
		2-Wire Unbundled Copper Loop/Long - includes manual svc. inquiry and facility reservation - Zone 2		2	UCL	UCL2L	57.79	269.99	150.43	120.02	22.34				19.99	19.99	19.99	19.99
		2-Wire Unbundled Copper Loop/Long - includes manual svc. inquiry and facility reservation - Zone 3		3	UCL	UCL2L	100.8	269.99	150.43	120.02	22.34				19.99	19.99	19.99	19.99
		Order Coordination for Unbundled Copper Loops (per loop)			UCL	UCLMC			34.9	34.9								
		2-Wire Unbundled Copper Loop/Long - without manual service inquiry and facility reservation - Zone 1		1	UCL	UCL2W	42.85	189.73	114.01	100.41	15.81				19.99	19.99	19.99	19.99
		2-Wire Unbundled Copper Loop/Long - without manual service inquiry and facility reservation - Zone 2		2	UCL	UCL2W	57.79	189.73	114.01	100.41	15.81				19.99	19.99	19.99	19.99
		2-Wire Unbundled Copper Loop/Long - without manual service inquiry and facility reservation - Zone 3		3	UCL	UCL2W	100.8	189.73	114.01	100.41	15.81				19.99	19.99	19.99	19.99
		Order Coordination for Unbundled Copper Loops (per loop)			UCL	UCLMC			34.9	34.9								
		2-Wire Unbundled Copper Loop - Non-Designed Zone		I	1	UEQ	UEQ2X	11.01	44.69	22.4	25.65	7.06			18.14	8.06	11.41	11.41
		2 Wire Unbundled Copper Loop - Non-Designed - Zone :		I	2	UEQ	UEQ2X	12.67	44.69	22.4	25.65	7.06			18.14	8.06	11.41	11.41
		2 Wire Unbundled Copper Loop - Non-Designed - Zone :		I	3	UEQ	UEQ2X	20.22	44.69	22.4	25.65	7.06			18.14	8.06	11.41	11.41
		Order Coordination 2 Wire Unbundled Copper Loop - Non-Designed (per loop)				UEQ	USBMC		34.9	34.9								
		Engineering Information Documen				UEQ			28.72	28.72								

UNBUNDLED NETWORK ELEMENTS
LA

CATEGORY	NOTES	UNBUNDLED NETWORK ELEMENT	Interim	Zone	BCS	USOC	RATES (\$)					OSS RATES (\$)								
							Rec	First	Add'l	First	Add'l	SOMEc	SOMAN	SOMAN	SOMAN	SOMAN	SOMAN	SOMAN		
							Nonrecurring		Nonrecurring											
							Disconnect		Disconnect											
		Loop Testing - Basic 1st Half Hou			UEQ	URET1		78.92	78.92											
		Loop Testing - Basic Additional Half Hou			UEQ	URETA		23.33	23.33											
		4-WIRE COPPER LOOP																		
		4-Wire Copper Loop/Short - including manual service inquiry and facility reservation - Zone 1		1	UCL	UCL4S	28.68	331.51	211.94	132.43	27.97		19.99	19.99	19.99	19.99				
		4-Wire Copper Loop/Short - including manual service inquiry and facility reservation - Zone 2		2	UCL	UCL4S	26.01	331.51	211.94	132.43	27.97		19.99	19.99	19.99	19.99				
		4-Wire Copper Loop/Short - including manual service inquiry and facility reservation - Zone 3		3	UCL	UCL4S	27.9	331.51	211.94	132.43	27.97		19.99	19.99	19.99	19.99				
		Order Coordination for Unbundled Copper Loops (per loop)			UCL	UCLMC		34.9	34.9											
		4-Wire Copper Loop/Short - without manual service inquiry and facility reservation - Zone 1		1	UCL	UCL4W	28.68	251.24	175.52	111.45	20.98		19.99	19.99	19.99	19.99				
		4-Wire Copper Loop/Short - without manual service inquiry and facility reservation - Zone 2		2	UCL	UCL4W	26.01	251.24	175.52	111.45	20.98		19.99	19.99	19.99	19.99				
		4-Wire Copper Loop/Short - without manual service inquiry and facility reservation - Zone 3		3	UCL	UCL4W	27.9	251.24	175.52	111.45	20.98		19.99	19.99	19.99	19.99				
		Order Coordination for Unbundled Copper Loops (per loop)			UCL	UCLMC		34.9	34.9											
		4-Wire Unbundled Copper Loop/Long - includes manual svc. inquiry and facility reservation - Zone 1		1	UCL	UCL4L	76.23	318.35	198.79	132.43	27.97		19.99	19.99	19.99	19.99				
		4-Wire Unbundled Copper Loop/Long - includes manual svc. inquiry and facility reservation - Zone 2		2	UCL	UCL4L	112.23	318.35	198.79	132.43	27.97		19.99	19.99	19.99	19.99				
		4-Wire Unbundled Copper Loop/Long - includes manual svc. inquiry and facility reservation - Zone 3		3	UCL	UCL4L	138.01	318.35	198.79	132.43	27.97		19.99	19.99	19.99	19.99				
		Order Coordination for Unbundled Copper Loops (per loop)			UCL	UCLMC		34.9	34.9											
		4-Wire Unbundled Copper Loop/Long - without manual svc. inquiry and facility reservation - Zone 1		1	UCL	UCL4O	76.23	238.09	162.37	111.45	20.98		19.99	19.99	19.99	19.99				
		4-Wire Unbundled Copper Loop/Long - without manual svc. inquiry and facility reservation - Zone 2		2	UCL	UCL4O	112.23	238.09	162.37	111.45	20.98		19.99	19.99	19.99	19.99				
		4-Wire Unbundled Copper Loop/Long - without manual svc. inquiry and facility reservation - Zone 3		3	UCL	UCL4O	138.01	238.09	162.37	111.45	20.98		19.99	19.99	19.99	19.99				
		Order Coordination for Unbundled Copper Loops (per loop)			UCL	UCLMC		34.9	34.9											
		LOOP MODIFICATION																		
		Unbundled Loop Modification, Removal of Load Coils - 2 Wire pair less than or equal to 18k ft			UAL, UHL, UCL, UEQ, ULS	ULM2L		65.11	65.11											
		Unbundled Loop Modification, Removal of Load Coils - 2 wire greater than 18k			UCL, ULS	ULM2G		341.16	341.16											
		Unbundled Loop Modification Removal of Load Coils - 4 Wire less than or equal to 18K ft			UHL, UCL	ULM4L		65.11	65.11											
		Unbundled Loop Modification Removal of Load Coils - 4 Wire pair greater than 18k			UCL	ULM4G		341.16	341.16											
		Unbundled Loop Modification Removal of Bridged Tap Removal, per unbundled loc			UAL, UHL, UCL, UEQ, UEL, ULS	ULMBT		65.15	65.15											
		SUB-LOOPS																		
		Sub-Loop Distribution																		
		Sub-Loop - Per Cross Box Location - CLEC Feeder Facility Set-U	I		UEANL	USBSA		612.58	612.58				18.14	8.06	11.41	11.41				
		Sub-Loop - Per Cross Box Location - Per 25 Pair Panel Set-U	I		UEANL	USBSB		45.22	45.22				18.14	8.06	11.41	11.41				
		Sub-Loop - Per Building Equipment Room - CLEC Feeder Facility Set-U	I		UEANL	USBSC		379.35	379.35				18.14	8.06	11.41	11.41				

UNBUNDLED NETWORK ELEMENTS
LA

CATEGORY	NOTES	UNBUNDLED NETWORK ELEMENT	Interim	Zone	BCS	USOC	RATES (\$)				OSS RATES (\$)						
							Rec	First	Add'l	Disconnect	SOMEc	SOMAN	SOMAN	SOMAN	SOMAN	SOMAN	
							Nonrecurring		Nonrecurring								
							Rec	First	Add'l	First	Add'l	SOMEc	SOMAN	SOMAN	SOMAN	SOMAN	SOMAN
		Sub-Loop - Per Building Equipment Room - Per 25 Pair Panel Set-U	I		UEANL	USBSD		110.17	110.17					18.14	8.06	11.41	11.41
		Sub-Loop Distribution Per 2-Wire Analog Voice Grade Loop - Zone	I	1	UEANL	USBN2	10.23	131.45	61.84	90.39	13.37			18.14	8.06	11.41	11.41
		Sub-Loop Distribution Per 2-Wire Analog Voice Grade Loop - Zone	I	2	UEANL	USBN2	13.92	131.45	61.84	90.39	13.37			18.14	8.06	11.41	11.41
		Sub-Loop Distribution Per 2-Wire Analog Voice Grade Loop - Zone	I	3	UEANL	USBN2	20.22	131.45	61.84	90.39	13.37			18.14	8.06	11.41	11.41
		Order Coordination for Unbundled Sub-Loops, per sub-loop pair			UEANL	USBMC		32.77	32.77								
		Sub-Loop Distribution Per 4-Wire Analog Voice Grade Loop - Zone		1	UEANL	USBN4	15.14	157.89	88.29	100.74	18.38			18.14	8.06	11.41	11.41
		Sub-Loop Distribution Per 4-Wire Analog Voice Grade Loop - Zone		2	UEANL	USBN4	19.64	157.89	88.29	100.74	18.38			18.14	8.06	11.41	11.41
		Sub-Loop Distribution Per 4-Wire Analog Voice Grade Loop - Zone		3	UEANL	USBN4	24	157.89	88.29	100.74	18.38			18.14	8.06	11.41	11.41
		Order Coordination for Unbundled Sub-Loops, per sub-loop pair			UEANL	USBMC		32.77	32.77								
		Sub-Loop 2-Wire Intrabuilding Network Cable (INC	I		UEANL	USBR2	3.18	105.91	36.3	90.39	13.37			18.14	8.06	11.41	11.41
		Order Coordination for Unbundled Sub-Loops, per sub-loop pair			UEANL	USBMC		32.77	32.77								
		Sub-Loop 4-Wire Intrabuilding Network Cable (INC	I		UEANL	USBR4	7.2	118.39	48.77	100.74	18.38			18.14	8.06	11.41	11.41
		Order Coordination for Unbundled Sub-Loops, per sub-loop pair			UEANL	USBMC		32.77	32.77								
		2 Wire Copper Unbundled Sub-Loop Distribution - Zone	I	1	UEF	UCS2X	8.41	131.45	61.84	90.39	13.37			18.14	8.06	11.41	11.41
		2 Wire Copper Unbundled Sub-Loop Distribution - Zone	I	2	UEF	UCS2X	11	131.45	61.84	90.39	13.37			18.14	8.06	11.41	11.41
		2 Wire Copper Unbundled Sub-Loop Distribution - Zone	I	3	UEF	UCS2X	13.5	131.45	61.84	90.39	13.37			18.14	8.06	11.41	11.41
		Order Coordination for Unbundled Sub-Loops, per sub-loop pair			UEF	USBMC		32.77	32.77								
		4 Wire Copper Unbundled Sub-Loop Distribution - Zone	I	1	UEF	UCS4X	10.13	157.89	88.29	100.74	18.38			18.14	8.06	11.41	11.41
		4 Wire Copper Unbundled Sub-Loop Distribution - Zone	I	2	UEF	UCS4X	13.06	157.89	88.29	100.74	18.38			18.14	8.06	11.41	11.41
		4 Wire Copper Unbundled Sub-Loop Distribution - Zone	I	3	UEF	UCS4X	17.02	157.89	88.29	100.74	18.38			18.14	8.06	11.41	11.41
		Order Coordination for Unbundled Sub-Loops, per sub-loop pair			UEF	USBMC		32.77	32.77								
		Sub-Loop Feeder															
		USL-Feeder, DS0 Set-up per Cross Box location - CLEC Distribution Facility set-u			UEA, UDN,UC L,UDL,U DC	USBFW		612.58									
		USL Feeder - DS0 Set-up per Cross Box location - per 25 pair set-up			UEA, UDN,UC L,UDL,U DC	USBFX		45.22	45.22								
		USL Feeder DS1 Set-up at DSX location, per DS1 termination			USL	USBFZ		568.98	11.3								
		Unbundled Sub-Loop Feeder Loop, 2 Wire Ground Start, Voice Grade - Zone		1	UEA	USBFA	10.98	184.76	111.8	108.27	26.66			19.99	19.99	19.99	19.99
		Unbundled Sub-Loop Feeder Loop, 2 Wire Ground-Start, Voice Grade - Zone		2	UEA	USBFA	13.31	184.76	111.8	108.27	26.66			19.99	19.99	19.99	19.99
		Unbundled Sub-Loop Feeder Loop, Per 2 Wire Ground-Start, Voice Grade - Zone		3	UEA	USBFA	21.51	184.76	111.8	108.27	26.66			19.99	19.99	19.99	19.99
		Order Coordination for Specified Conversion Time, per LSR			UEA	OCOSL		32.77									
		Unbundle Sub-Loop Feeder Loop, 2 Wire Loop-Start, Voice Grade - Zone		1	UEA	USBFB	10.98	184.76	111.8	108.27	26.66			19.99	19.99	19.99	19.99
		Unbundled Sub-Loop Feeder Loop, 2 Wire Loop-Start, Voice Grade - Zone		2	UEA	USBFB	13.31	184.76	111.8	108.27	26.66			19.99	19.99	19.99	19.99
		Unbundled Sub-Loop Feeder Loop, 2 Wire Start Loop, Voice Grade - Zone		3	UEA	USBFB	21.51	184.76	111.8	108.27	26.66			19.99	19.99	19.99	19.99
		Order Coordination for Specified Time Conversion, per LSR			UEA	OCOSL		32.77									
		Unbundled Sub-Loop Feeder Loop, 2 Wire Reverse Battery, Voice Grade - Zone		1	UEA	USBFC	10.98	184.76	111.8	108.27	26.66			19.99	19.99	19.99	19.99
		Unbundled Sub-Loop Feeder Loop, 2 Wire Reverse Battery, Voice Grade - Zone		2	UEA	USBFC	13.31	184.76	111.8	108.27	26.66			19.99	19.99	19.99	19.99
		Unbundled Sub-Loop Feeder Loop, 2 Wire Analog Reverse Battery, Voice Grade - Zone 3		3	UEA	USBFC	21.51	184.76	111.8	108.27	26.66			19.99	19.99	19.99	19.99
		Order Coordination For Specified Conversion Time, per LSI			UEA	OCOSL		32.77									
		Unbundled Sub-Loop Feeder Loop, 4 Wire Ground-Start, Voice Grade - Zone		1	UEA	USBFD	25.83	213.33	138.47	124.72	34.25			19.99	19.99	19.99	19.99
		Unbundled Sub-Loop Feeder Loop, 4 Wire Ground-Start, Voice Grade - Zone		2	UEA	USBFD	28.93	213.33	138.47	124.72	34.25			19.99	19.99	19.99	19.99
		Unbundled Sub-Loop Feeder Loop, 4 Wire Ground Start, Voice Grade - Zone		3	UEA	USBFD	25.51	213.33	138.47	124.72	34.25			19.99	19.99	19.99	19.99
		Order Coordination For Specified Conversion Time, Per LSI			UEA	OCOSL		32.77									
		Unbundled Sub-Loop Feeder Loop, 4 Wire Loop-Start, Voice Grade - Zone		1	UEA	USBFE	25.83	213.33	138.47	124.72	34.25			19.99	19.99	19.99	19.99
		Unbundled Sub-Loop Feeder Loop, 4 Wire Loop-Start, Voice Grade - Zone		2	UEA	USBFE	36.93	213.33	138.47	124.72	34.25			19.99	19.99	19.99	19.99
		Unbundled Sub-Loop Feeder Loop, 4 Wire Loop-Start, Voice Grade - Zone		3	UEA	USBFE	25.51	213.33	138.47	124.72	34.25			19.99	19.99	19.99	19.99
		Order Coordination For Specified Conversion Time, Per LSI			UEA	OCOSL		32.77									
		Unbundled Sub-Loop Feeder Loop, 2 Wire ISDN BRI - Zone		1	UDN	USBFF	19.39	211.05	136.19	110.52	25.91			19.99	19.99	19.99	19.99
		Unbundled Sub-Loop Feeder Loop, 2-Wire ISDN BRI - Zone		2	UDN	USBFF	24.12	211.05	136.19	110.52	25.91			19.99	19.99	19.99	19.99

UNBUNDLED NETWORK ELEMENTS
LA

CATEGORY	NOTES	UNBUNDLED NETWORK ELEMENT	Interim	Zone	BCS	USOC	RATES (\$)					OSS RATES (\$)						
							Rec	First	Add'l	First	Add'l	SOME C	SOMAN	SOMAN	SOMAN	SOMAN	SOMAN	
							Nonrecurring		Nonrecurring									
							Disconnect											
		Unbundled Sub-Loop Feeder Loop, 2-Wire ISDN BRI - Zone :		3	UDN	USBFF	32.5	211.05	136.19	110.52	25.91			19.99	19.99	19.99	19.99	
		Order Coordination For Specified Conversion Time, Per LSI			UDN	OCOSL		32.77										
		Unbundled Sub-Loop Feeder, 2 Wire UDC (IDSL compatible		1	UDC	USBFS	19.39	211.05	136.19	110.52	25.91			19.99	19.99	19.99	19.99	
		Unbundled Sub-Loop Feeder, 2 Wire UDC (IDSL compatible		2	UDC	USBFS	24.12	211.05	136.19	110.52	25.91			19.99	19.99	19.99	19.99	
		Unbundled Sub-Loop Feeder, 2 Wire UDC (IDSL compatible		3	UDC	USBFS	32.5	211.05	136.19	110.52	25.91			19.99	19.99	19.99	19.99	
		Unbundled Sub-Loop Feeder Loop, 4-Wire DS1 - Zone :		1	USL	USBFG	64.62	201.93	127.07	124.72	34.25			19.99	19.99	19.99	19.99	
		Unbundled Sub-Loop Feeder Loop, 4-Wire DS1 - Zone :		2	USL	USBFG	92.63	201.93	127.07	124.72	34.25			19.99	19.99	19.99	19.99	
		Unbundled Sub-Loop Feeder Loop, 4-Wire DS1 - Zone :		3	USL	USBFG	309.79	201.93	127.07	124.72	34.25			19.99	19.99	19.99	19.99	
		Order Coordination For Specified Conversion Time, Per LSI			USL	OCOSL		32.77										
		Unbundled Sub-Loop Feeder, 2-Wire Copper Loop - Zone		1	UCL	USBFH	8.74	167.38	92.53	105.91	21.31			19.99	19.99	19.99	19.99	
		Unbundled Sub-Loop Feeder Loop, 2-Wire Copper Loop - Zone		2	UCL	USBFH	7.61	167.38	92.53	105.91	21.31			19.99	19.99	19.99	19.99	
		Unbundled Sub-Loop Feeder Loop, 2-Wire Copper Loop - Zone		3	UCL	USBFH	5.83	167.38	92.53	105.91	21.31			19.99	19.99	19.99	19.99	
		Order Coordination For Specified Conversion Time, per LSI			UCL	OCOSL		32.77										
		Sub-Loop Feeder - Per 4-Wire Copper Loop - Zone :		1	UCL	USBFJ	20.46	201.76	126.91	117.34	26.87			19.99	19.99	19.99	19.99	
		Sub-Loop Feeder - Per 4-Wire Copper Loop - Zone :		2	UCL	USBFJ	14.8	201.76	126.91	117.34	26.87			19.99	19.99	19.99	19.99	
		Sub-Loop Feeder - Per 4-Wire Copper Loop - Zone :		3	UCL	USBFJ	12.89	201.76	126.91	117.34	26.87			19.99	19.99	19.99	19.99	
		Order Coordination For Specified Conversion Time, per LSI			UCL	OCOSL		32.77										
		Sub-Loop Feeder - Per 4-Wire 19.2 Kbps Digital Grade Loop		1	UDL	USBFN	27.11	201.93	127.07	124.72	34.25			19.99	19.99	19.99	19.99	
		Sub-Loop Feeder - Per 4-Wire 19.2 Kbps Digital Grade Loop		2	UDL	USBFN	24.84	201.93	127.07	124.72	34.25			19.99	19.99	19.99	19.99	
		Sub-Loop Feeder - Per 4-Wire 19.2 Kbps Digital Grade Loop		3	UDL	USBFN	24.95	201.93	127.07	124.72	34.25			19.99	19.99	19.99	19.99	
		Sub-Loop Feeder - Per 4-Wire 56 Kbps Digital Grade Loop - Zone		1	UDL	USBFO	27.11	201.93	127.07	124.72	34.25			19.99	19.99	19.99	19.99	
		Sub-Loop Feeder - Per 4-Wire 56 Kbps Digital Grade Loop - Zone :		2	UDL	USBFO	24.84	201.93	127.07	124.72	34.25			19.99	19.99	19.99	19.99	
		Sub-Loop Feeder - Per 4-Wire 56 Kbps Digital Grade Loop - Zone :		3	UDL	USBFO	24.95	201.93	127.07	124.72	34.25			19.99	19.99	19.99	19.99	
		Order Coordination For Specified Time Conversion, per LSI			UDL	OCOSL		32.77										
		Sub-Loop Feeder - Per 4-Wire 64 Kbps Digital Grade Loop - Zone		1	UDL	USBFP	27.11	201.93	127.07	124.72	34.25			19.99	19.99	19.99	19.99	
		Sub-Loop Feeder - Per 4-Wire 64 Kbps Digital Grade Loop - Zone :		2	UDL	USBFP	24.84	201.93	127.07	124.72	34.25			19.99	19.99	19.99	19.99	
		Sub-Loop Feeder - Per 4-Wire 64 Kbps Digital Grade Loop - Zone :		3	UDL	USBFP	24.95	201.93	127.07	124.72	34.25			19.99	19.99	19.99	19.99	
		Order Coordination For Specified Conversion Time, per LSI			UDL	OCOSL		32.77										
		Unbundled Sub-Loop Modification																
		Unbundled Sub-Loop Modification - 2-W Copper Dist Load Coil/Equip Removal per 2-W PR			UEF	ULM2X		355.32	12.25					18.14	8.06	11.41	11.41	
		Unbundled Sub-loop Modification - 4-W Copper Dist Load Coil/Equip Removal per 4-W PR			UEF	ULM4X		355.32	12.25					18.14	8.06	11.41	11.41	
		Unbundled Sub-loop Modification - 2-w/4-w Copper Dist Bridged Tap Removal, per PR unloaded			UEF	ULM4T		559.94	14.28					18.14	8.06	11.41	11.41	
		Unbundled Network Terminating Wire (UNTW)																
		Unbundled Network Terminating Wire (UNTW) per Pai			UENTW	UENPP	0.35	62.26	62.26					18.14	8.06	11.41	1.41	
		Network Interface Device (NID)																
		Network Interface Device (NID) - 1-2 lines			UENTW	UND12		86.37	56.69					18.14	8.06	11.41	11.41	
		Network Interface Device (NID) - 1-6 lines			UENTW	UND16		127.79	98.11					18.14	8.06	11.41	11.41	
		Network Interface Device Cross Connect - 2 W			UENTW	UNDC2		11.72	11.72					18.14	8.06	11.41	11.41	
		Network Interface Device Cross Connect - 4W			UENTW	UNDC4		11.72	11.72					18.14	8.06	11.41	11.41	
		UNBUNDLED LOOP CONCENTRATION																
		Unbundled Loop Concentration - System A (TR00E			ULC	UCT8A	432.54	650.11	650.11					19.99	19.99	19.99	19.99	
		Unbundled Loop Concentration - System B (TR00E			ULC	UCT8B	61.71	270.88	270.88					19.99	19.99	19.99	19.99	
		Unbundled Loop Concentration - System A (TR30E			ULC	UCT3A	476.24	650.11	650.11					19.99	19.99	19.99	19.99	
		Unbundled Loop Concentration - System B (TR30E			ULC	UCT3B	103.99	270.88	270.88					19.99	19.99	19.99	19.99	

UNBUNDLED NETWORK ELEMENTS
LA

CATEGORY	NOTES	UNBUNDLED NETWORK ELEMENT	Interim	Zone	BCS	USOC	RATES (\$)					OSS RATES (\$)					
							Nonrecurring		Nonrecurring			Svc Order Submitted Elec per LSR	Svc Order Submitted Manually per LSR	Incremental Charge - Manual Svc Order vs. Electronic-1st	Incremental Charge - Manual Svc Order vs. Electronic-Add'l	Incremental Charge - Manual Svc Order vs. Electronic-Disc 1st	Incremental Charge - Manual Svc Order vs. Electronic-Disc Add'l
							Rec	First	Add'l	First	Add'l						
												Disconnect					
		Unbundled Loop Concentration - DS1 Loop Interface Car			ULC	UCTCO	5.91	126.43	92.04	34.02	9.52			19.99	19.99	19.99	19.99
		Unbundled Loop Concentration - ISDN Loop Interface (Brite Carc			UDN	ULCC1	9.39	21.05	20.93	10.92	10.86			19.99	19.99	19.99	19.99
		Unbundled Loop Concentration - UDC Loop Interface (Brite Carc			UDC	ULCCU	9.39	21.05	20.93	10.92	10.86			19.99	19.99	19.99	19.99
		Unbundled Loop Concentration - 2 Wire Voice-Loop Start or Ground Start Loop Interface (POTS Card)			UEA	ULCC2	2.35	21.05	20.93	10.92	10.86			19.99	19.99	19.99	19.99
		Unbundled Loop Concentration - 2 Wire Voice - Reverse Battery Loop Interface (SPOTS Card)			UEA	ULCCR	13.95	21.05	20.93	10.92	10.86			19.99	19.99	19.99	19.99
		Unbundled Loop Concentration - 4 Wire Voice Loop Interface (Specials Carc			UEA	ULCC4	8.32	21.05	20.93	10.92	10.86			19.99	19.99	19.99	19.99
		Unbundled Loop Concentration - TEST CIRCUIT Car			ULC	UCTTC	40.67	21.05	20.93	10.92	10.86			19.99	19.99	19.99	19.99
		Unbundled Loop Concentration - Digital 19.2 Kbps Data Loop Interfac			UDL	ULCC7	12.33	21.05	20.93	10.92	10.86			19.99	19.99	19.99	19.99
		Unbundled Loop Concentration - Digital 56 Kbps Data Loop Interfac			UDL	ULCC5	12.33	21.05	20.93	10.92	10.86			19.99	19.99	19.99	19.99
		Unbundled Loop Concentration - Digital 64 Kbps Data Loop Interfac			UDL	ULCC6	12.33	21.05	20.93	10.92	10.86			19.99	19.99	19.99	19.99
UNBUNDLED SUB-LOOP CONCENTRATION (OUTSIDE CO)																	
UNE OTHER, PROVISIONING ONLY - NO RATE																	
		NID - Dispatch and Service Order for NID installation			UENTW	UNDBX											
		UNTW Circuit Id Establishment, Provisioning Only - No Rate			UENTW	UENCE											
		Unbundled Contract Name, Provisioning Only - No Rate			UEANL, UEF,UE Q,UENT W	UNECN											
		Unbundled Contact Name, Provisioning Only - no rate			JAL,UC L,UDC, JDL,UD N,UEA, UHL,UL C	UNECN	0	0									
		Unbundled Sub-Loop Feeder-2 Wire Cross Box Jumper - no rat			UEA,UD N,UCL, UDC	USBFQ	0	0									
		Unbundled Sub-Loop Feeder-4 Wire Cross Box Jumper - no rat			UEA,US L,UCL,U DL	USBFR	0	0									
		Unbundled DS1 Loop - Superframe Format Option - no rat			USL	CCOSF	0	0									
		Unbundled DS1 Loop - Expanded Superframe Format option - no rat			USL	CCOEF	0	0									
HIGH CAPACITY UNBUNDLED LOCAL LOOP																	
		NOTE: 4 month minimum billing period															
		High Capacity Unbundled Local Loop - DS3 - Per Mile per mont			UE3	1L5ND	12.75										
		High Capacity Unbundled Local Loop - DS3 - Facility Termination per mon			UE3	UE3PX	419.1	902.06	527.6	242.15	169.38			31.27	31.27	3.92	3.92
		High Capacity Unbundled Local Loop - STS-1 - Per Mile per mont			UDLSX	1L5ND	12.75										
		High Capacity Unbundled Local Loop - STS-1 - Facility Termination per mon			UDLSX	UDLS1	433.21	902.06	527.06	242.15	169.38			31.27	31.27	3.92	3.92
LOOP MAKE-UP																	
		Loop Makeup - Preordering Without Reservation, per working or spare facility queried (Manual).			UMK	UMKLV		47.91	47.91								
		Loop Makeup - Preordering With Reservation, per spare facility queried (Manual).			UMK	UMKLP		50.8	50.8								
		Loop Makeup--With or Without Reservation, per working or spare facility queried (Mechanized)			UMK	PSUMK	0.6852										
LINE SHARING																	

UNBUNDLED NETWORK ELEMENTS
LA

CATEGORY	NOTES	UNBUNDLED NETWORK ELEMENT	Interim	Zone	BCS	USOC	RATES (\$)					OSS RATES (\$)							
							Nonrecurring			Nonrecurring		SOMEC	SOMAN	SOMAN	SOMAN	SOMAN	SOMAN		
							Rec	First	Add'l	First	Add'l								
		Line Sharing Splitter, per System 96 Line Capacit	I		ULS	ULSDA	215.88	377.17	0	355.58	0								
		Line Sharing Splitter, per System 24 Line Capacit	I		ULS	ULSDB	53.97	377.17	0	355.58	0								
		Line Sharing Splitte, Per System, 8 Line Capacit	I		ULS	ULSD8	17.99	377.17	0	355.58	0								
		Line Sharing - per Line Activation	I		ULS	ULSDC	0.61	36.97	21.17	20	9.82			18.14	8.06	11.41	11.41		
		Line Sharing - per Subsequent Activity per Line Rearrangeme	I		ULS	ULSDS		32.74	16.35					18.14	8.06	11.41	11.41		
		Line Sharing-CLEC/DLEC Owned Splitter in CO-per occurrence of each group of 8 lines (16 pair)	I		ULS	ULSDG		57.64		11.37									
UNBUNDLED TRANSPORT																			
COMMON TRANSPORT (Shared)																			
		Common Transport - Per Mile, Per MOU					0.0000083												
		Common Transport - Facilities Termination Per MOU					0.00047												
NOTE: INTEROFFICE CHANNEL - DEDICATED TRANSPORT - minimum billing period: below DS3 = one month, DS3 and above four months																			
INTEROFFICE CHANNEL - DEDICATED TRANSPORT - VOICE GRADE																			
		Interoffice Channel - Dedicated Transport - 2-Wire Voice Grade - Per Mile per month			U1TVX	1L5XX	0.0165												
		Interoffice Channel - Dedicated Transport- 2- Wire Voice Grade - Facility Termination per month			U1TVX	U1TV2	26.12	80.98	54.76	33.91	13.97			31.27	31.27	3.92	3.92		
		Interoffice Channel - Dedicated Transport- 2-Wire Voice Grade Rev Bat. - Per Mile per month			U1TVX	1L5XX	0.0165												
		Interoffice Channel - Dedicated Transport- 2- Wire VG Rev Bat. - Facility Termination per month			U1TVX	U1TR2	26.12	80.98	54.76	33.91	13.97			31.27	31.27	3.92	3.92		
		Interoffice Channel - Dedicated Transport - 4-Wire Voice Grade - Per Mile per month			U1TVX	1L5XX	0.0165												
		Interoffice Channel - Dedicated Transport - 4- Wire Voice Grade - Facility Termination per month			U1TVX	U1TV4	22.89	80.98	54.76	33.91	13.97			31.27	31.27	3.92	3.92		
		Interoffice Channel - Dedicated Transport - 56 kbps - per mile per month			U1TDX	1L5XX	0.0165												
		Interoffice Channel - Dedicated Transport - 56 kbps - Facility Termination per month			U1TDX	U1TD5	26.12	80.98	54.76	33.91	13.97			31.27	31.27	3.92	3.92		
		Interoffice Channel - Dedicated Transport - 64 kbps - per mile per month			U1TDX	1L5XX	0.0165												
		Interoffice Channel - Dedicated Transport - 64 kbps - Facility Termination per month			U1TDX	U1TD6	26.12	80.98	54.76	33.91	13.97			31.27	31.27	3.92	3.92		
INTEROFFICE CHANNEL - DEDICATED TRANSPORT - DS1																			
		Interoffice Channel - Dedicated Channel - DS1 - Per Mile per month			U1TD1	1L5XX	0.3367												
		Interoffice Channel - Dedicated Transport - DS1 - Facility Termination per month			U1TD1	U1TF1	81.45	178.34	163.44	33.13	29.27			31.27	31.27	3.92	39.92		
INTEROFFICE CHANNEL - DEDICATED TRANSPORT- DS3																			
		Interoffice Channel - Dedicated Transport - DS3 - Per Mile per month			U1TD3	1L5XX	7.46												
		Interoffice Channel - Dedicated Transport - DS3 - Facility Termination per month			U1TD3	U1TF3	982.87	556.98	325.16	121.99	118.47			31.27	31.27	3.92	3.92		
INTEROFFICE CHANNEL - DEDICATED TRANSPORT- STS-1																			
		Interoffice Channel - Dedicated Transport - STS-1 - Per Mile per month			U1TS1	1L5XX	7.67												
		Interoffice Channel - Dedicated Transport - STS-1 - Facility Termination per month			U1TS1	U1TFS	959.46	556.89	325.16	121.99	118.47			31.27	31.27	3.92	3.92		
LOCAL CHANNEL - DEDICATED TRANSPORT																			
NOTE: LOCAL CHANNEL DEDICATED TRANSPORT - minimum billing period - below DS3=one month, DS3 and above=four months																			
		Local Channel - Dedicated - 2-Wire Voice Grade Per Month			ULCVX	ULDV2	21.42	385.78	66.26	74.25	6.48			31.27	31.27	3.92	3.92		
		Local Channel - Dedicated - 2-Wire Voice Grade Rev Bat per month			ULCVX	ULDR2	21.42	385.78	66.26	74.25	6.48			31.27	31.27	3.92	3.92		
		Local Channel - Dedicated - 4-Wire Voice Grade per month			UNCVX	ULDV4	22.7	385.78	66.26	74.25	6.48			31.26	31.26	3.92	3.92		

UNBUNDLED NETWORK ELEMENTS
LA

CATEGORY	NOTES	UNBUNDLED NETWORK ELEMENT	Interim	Zone	BCS	USOC	RATES (\$)					OSS RATES (\$)									
							Nonrecurring		Nonrecurring			SOMEK	SOMAN	SOMAN	SOMAN	SOMAN	SOMAN				
							Rec	First	Add'l	First	Add'l										
		Local Channel - Dedicated - DS1 per month - Zone :		1	ULDD1	ULDF1	45.1	354.56	307.1	44.97	30.93										
		Local Channel - Dedicated - DS1 per month - Zone :		2	ULDD1	ULDF1	85.62	354.56	307.1	44.97	30.93										
		Local Channel - Dedicated - DS1 per month - Zone :		3	ULDD1	ULDF1	144.95	354.56	307.1	44.97	30.93										
		Local Channel - Dedicated - DS3 - Per Mile per month			ULDD3	1L5NC	9.92														
		Local Channel - Dedicated - DS3 - Facility Termination per month			ULDD3	ULDF3	534.82	902.06	527.3	242.16	169.38										
		Local Channel - Dedicated - STS-1-Per Mile per month			ULDS1	1L5NC	9.92														
		Local Channel - Dedicated - STS-1 - Facility Termination per month			ULDS1	ULDFS	529.62	902.06	527.3	242.16	169.38										
		Local Channel - Dedicated - OC12 - Facility Termination per month					3372.85	1181.77	402.63	102.16	99.46										
MULTIPLEXERS																					
		Channelization - DS1 to DS0 Channel System			UXTD1	MQ1	121.5	181.88	125.01	21.35	19.84										
		OCU-DP COCI (data) - DS1 to DS0 Channel System - per month (2.4-64kbs)			UDL	1D1DD	1.6	13.14	9.42												
		2-wire ISDN COCI (BRITE) - DS1 to DS0 Channel System - per month			UDN	UC1CA	3.43	13.14	9.42												
		Voice Grade COCI - DS1 to DS0 Channel System - per month			UEA	1D1VG	0.7509	13.14	9.42												
		DS3 to DS1 Channel System per month			UXTD3	MQ3	233.25	355.89	187.73	67.4	64.49										
		STS1 to DS1 Channel System per month			UXTS1	MQ3	233.25	355.89	187.73	67.4	64.49										
		DS3 Interface Unit (DS1 COCI) used with Loop per month			USL	UC1D1	13.64	13.14	9.42												
DARK FIBER																					
		Dark Fiber, Four Fiber Strands, Per Route Mile or Fraction Thereof per month - Local Channel			UDF	1L5DC	62.92														
		NRC Dark Fiber - Local Channel			UDF	UDFC4		1276.79	275.43	642.55	400.58										
		Dark Fiber, Four Fiber Strands, Per Route Mile or Fraction Thereof per month - Interoffice Channel			UDF	1L5DF	31.78														
		NRC Dark Fiber - Interoffice Channel			UDF	UDF14		1276.79	275.43	642.55	400.58										
		Dark Fiber, Four Fiber Strands, Per Route Mile or Fraction Thereof per month - Local Loop			UDF	1L5DL	62.92														
		NRC Dark Fiber - Local Loop			UDF	UDFL4		1276.79	275.43	642.55	400.58										
TRANSPORT OTHER																					
Optional Features & Functions:																					
		Clear Channel Capability (B8ZS/ESF) Option - Subsequent - per DS1 Channel			UNC1X	CCOEF		184.65	23.7	1.97	0.77										
		Clear Channel Capability (B8ZS/SF) Option - Subsequent - per DS1 Channel			UNC1X	CCOSF		184.65	23.7	1.97	0.77										
8XX ACCESS TEN DIGIT SCREENING																					
		8XX Access Ten Digit Screening, Per Call			OHD		0.0005305														
		8XX Access Ten Digit Screening, Reservation Charge Per 8XX Number Reserve			OHD	N8R1X		6.29	0.73	18.14											
		8XX Access Ten Digit Screening, Per 8XX No. Established W/O POTS Translation			OHD			12.27	1.39	8.3	0.73										
		8XX Access Ten Digit Screening, Per 8XX No. Established With POTS Translation			OHD	N8FTX		12.27	1.39	8.3	0.73										
		8XX Access Ten Digit Screening, Customized Area of Service Per 8XX Number			OHD	N8FCX		4.27	2.14												
		8XX Access Ten Digit Screening, Multiple InterLATA CXR Routing Per CXR Requested Per 8XX No.			OHD	N8FMX		5	2.86												
		8XX Access Ten Digit Screening, Change Charge Per Request			OHD	N8FAX		7.01	0.73												
		8XX Access Ten Digit Screening, Call Handling and Destination Features			OHD	N8FDX		4.27													
LINE INFORMATION DATA BASE ACCESS (LIDB)																					
		LIDB Common Transport Per Query			OQT		0.0000418														
		LIDB Validation Per Query			OQU		0.0103774														
		LIDB Originating Point Code Establishment or Change			OQT, OQU	NRPBX		48.17													
SIGNALING (CCS7)																					
		CCS7 Signaling Termination, Per STP Port			1DB	PT8SX	161.99														
		CCS7 Signaling Usage, Per TCAP Message			1DB		0.0001052														
		NOTE: Applicable when measurement and billing capability exists.																			
		CCS7 Signaling Connection, Per Link (A link)			1DB	TPP++	19.48	126.34	126.34	101.1	101.1										

UNBUNDLED NETWORK ELEMENTS
LA

CATEGORY	NOTES	UNBUNDLED NETWORK ELEMENT	Interim	Zone	BCS	USOC	RATES (\$)					OSS RATES (\$)					
							Nonrecurring		Nonrecurring			SOMEC	SOMAN	SOMAN	SOMAN	SOMAN	SOMAN
							Rec	First	Add'l	First	Add'l						
		CCS7 Signaling Connection, Per link (B link) (also known as D link)			1DB	TPP++	19.48	126.34	126.34	101.1	101.1			18.14	18.14	11.4	11.4
		CCS7 Signaling Usage, Per ISUP Message			1DB		0.000043										
		NOTE: Applicable when measurement and billing capability exists.															
		CCS7 Signaling Usage Surrogate, per link per LAT.			1DB	STU56	406.71							18.14	18.14	11.4	11.4
		CCS7 Signaling Point Code, per Originating Point Code Establishment or Change, per STP affected			1DB	CCAPO		40	40					18.14	18.14	11.4	11.4
		CCS7 Signaling Point Code, per Destination Point Code Establishment or Change, Per Stp Affected			1DB	CCAPD		8	8					18.14	18.14	11.4	11.4
E911 SERVICE																	
CALLING NAME (CNAM) SERVICE																	
		CNAM for DB Owners, Per Query				OQV	0.016										
		CNAM for Non DB Owners, Per Query				OQV	0.01										
		CNAM (Non-Databs Owner), NRC, applies when using the Character Based User Interface (CHUI)				OQV	CDDCH	595	595					18.14	18.14	11.4	11.4
LNP QUERY SERVICE																	
OPERATOR SERVICES AND DIRECTORY ASSISTANCE																	
OPERATOR CALL PROCESSING																	
		Oper. Call Processing - Oper. Provided, Per Min. - Using BST LID					1.2										
		Oper. Call Processing - Oper. Provided, Per Min. - Using Foreign LID					1.24										
		Oper. Call Processing - Fully Automated, per Call - Using BST LID					0.2										
		Oper. Call Processing - Fully Automated, per Call - Using Foreign LID					0.2										
INWARD OPERATOR SERVICES																	
		Inward Operator Services - Verification, Per Minut					1.15										
		Inward Operator Services - Verification and Emergency Interrupt - Per Minu					1.15										
BRANDING - OPERATOR CALL PROCESSING																	
		Recording of Custom Branded OA Announcement				CBAOS	7000	7000	9.61	9.61				19.99	19.99	19.99	19.99
		Loading of Custom Branded OA Announcement per shelf/NAV				CBAOL	500	500						19.99	19.99		
DIRECTORY ASSISTANCE SERVICES																	
DIRECTORY ASSISTANCE ACCESS SERVICE																	
		Directory Assistance Access Service Calls, Charge Per Ca					0.275										
DIRECTORY ASSISTANCE CALL COMPLETION ACCESS SERVICE (DACC)																	
		Directory Assistance Call Completion Access Service (DACC), Per Call Attempt					0.1										
UNBRANDING																	
DIRECTORY TRANSPORT																	
		Directory Transport - Local Channel DS					43.83	339.69	298.29	33.02	23.32			42.34	42.34	19.48	19.48
		Directory Transport - DS1 Level Interoffice Per Mil					0.78										
		Directory Transport - DS1 Level Interoffice Per Facility Terminatic					93.4	140.49	106.69	20	16.34			18.14	18.14	8.06	8.06
		Switched Common Transport Per DA Access Service Per Ca					0.0003274										
		Switched Common Transport Per DA Access Service Per Call Per Mil					0.0000175										
		Access Tandem Switching Per DA Access Service Per Ca					0.0025257										
		Directory Transport - Installation NRC, Per Trunk or Signaling Connectic					195.54	4.23						130.05	4.23		
DIRECTORY ASSISTANCE DATA BASE SERVICE (DADS)																	
		Directory Assistance Data Base Service Charge Per Listin					0.04										

UNBUNDLED NETWORK ELEMENTS
LA

CATEGORY	NOTES	UNBUNDLED NETWORK ELEMENT	Interim	Zone	BCS	USOC	RATES (\$)				OSS RATES (\$)							
							Rec	First	Add'l	Disconnect	SOME C	SOMAN	SOMAN	SOMAN	SOMAN	SOMAN		
		Directory Assistance Data Base Service, per month				DBSOF	150											
BRANDING - DIRECTORY ASSISTANCE																		
		Custom Branding Announcement, per Recording to be used with the provision of DA Loading of Custom Branded Announcement per DRAM Card/Switch			AMT	CBADA	3000	3000										
					AMT	CBADC	690	690										
SELECTIVE ROUTING																		
		Selective Routing Per Unique Line Class Code Per Request Per Switc				USRCR	229.65	229.65				31.92	7.32					
VIRTUAL COLLOCATION																		
		Virtual Collocation - 2-wire Cross Connects (loop)			ueanl,uea,udn,udc,ucl,uhl,ucl,ueq	UEAC2	0.26	23.04	22.11	9.48	8.54		19.99	19.99	19.99	19.99		
		Virtual Collocation - 2-wire Cross Connects (port)				VE1R2	0.26	23.04	22.11	9.48	8.54		19.99	19.99	19.99	19.99		
		Virtual Collocation - 4-wire Cross Connects (loop)			uea,uhl,ucl,udl	UEAC4	0.52	23.23	22.24	9.53	8.55		19.99	19.99	19.99	19.99		
		Virtual Collocation - 4-wire Cross Connects (port)				VE1R4	0.52	23.23	22.24	9.53	8.55		19.99	19.99	19.99	19.99		
		Virtual Collocation - 2-Fiber Cross Connect:				CNC2F	19.13	41.07	29.63	12.84	10.29		19.99	19.99	19.99	19.99		
		Virtual Collocation - 4-Fiber Cross Connects				CNC4F	34.38	49.81	38.37	16.75	14.2		19.99	19.99	19.99	19.99		
		Virtual Collocatin - DS1 Cross Connect:			USL,ULC	CNC1X	7.5	43.61	30.6	9.56	8.63							
AIN SELECTIVE CARRIER ROUTING																		
		Regional Service Establishment				SRC	SRCEC	391788					19.99	19.99	19.99	19.99		
		End Office Establishment				SRC	SRCEO	320.53	320.53				19.99	19.99	19.99	19.99		
		Line/Port NRC, per end user				SRC	SRCLP	2.06	2.06				19.99	19.99	19.99	19.99		
		Query NRC, per query				SRC		0.000448										
AIN - BELLSOUTH AIN SMS ACCESS SERVICE																		
		AIN SMS Access Service - Service Establishment, Per State, Initial Setu				CAMSE	153.31	153.31	78.06	78.06			18.14	18.14	11.4	11.4		
		AIN SMS Access Service - Port Connection - Dial/Shared Acces				CAMDP	50.07	50.07	18.61	18.61			18.14	18.14	11.4	11.4		
		AIN SMS Access Service - Port Connection - ISDN Acces:				CAM1P	50.07	50.07	18.61	18.61			18.14	18.14	11.4	11.4		
		AIN SMS Access Service - User Identification Codes - Per User ID Cod				CAMAU	104.95	104.95	48.95	48.95			18.14	18.14	11.4	11.4		
		AIN SMS Access Service - Security Card, Per User ID Code, Initial or Replacemer				CAMRC	125.33	125.33	24.4	24.4			18.14	18.14	11.4	11.4		
		AIN SMS Access Service - Storage, Per Unit (100 Kilobytes)					0.0029											
		AIN SMS Access Service - Session, Per Minute					0.1											
		AIN SMS Access Service - Company Performed Session, Per Minute					1.97											
AIN - BELLSOUTH AIN TOOLKIT SERVICE																		
		AIN Toolkit Service - Service Establishment Charge, Per State, Initial Setu				BAPSC	153.25	153.25	78.05	78.05			18.14	18.14	11.4	11.4		
		AIN Toolkit Service - Training Session, Per Custome				BAPVX	8315	8315					18.14	18.14	11.4	11.4		
		AIN Toolkit Service - Trigger Access Charge, Per Trigger, Per DN, Term. Attemp				BAPTT	41.08	41.08	18.6	18.6			18.14	18.14	11.4	11.4		
		AIN Toolkit Service - Trigger Access Charge, Per Trigger, Per DN, Off-Hook Dela				BAPTD	41.08	41.08	18.6	18.6			18.14	18.14	11.4	11.4		
		AIN Toolkit Service - Trigger Access Charge, Per Trigger, Per DN, Off-Hook Immediate				BAPTM	41.08	41.08	18.6	18.6			18.14	18.14	11.4	11.4		
		AIN Toolkit Service - Trigger Access Charge, Per Trigger, Per DN, 10-Digit POD				BAPTO	92.99	92.99	26.73	26.73			18.14	18.14	11.4	11.4		
		AIN Toolkit Service - Trigger Access Charge, Per Trigger, Per DN, CDI				BAPTC	92.99	92.99	26.73	26.73			18.14	18.14	11.4	11.4		
		AIN Toolkit Service - Trigger Access Charge, Per Trigger, Per DN, Feature Cod				BAPTF	92.99	92.99	26.73	26.73			18.14	18.14	11.4	11.4		
		AIN Toolkit Service - Query Charge, Per Quer					0.03											
		AIN Toolkit Service - Type 1 Node Charge, Per AIN Toolkit Subscription, Per Node, Per Query					0.0065											

UNBUNDLED NETWORK ELEMENTS
LA

CATEGORY	NOTES	UNBUNDLED NETWORK ELEMENT	Interim	Zone	BCS	USOC	RATES (\$)					OSS RATES (\$)								
							Rec	First	Add'l	First	Add'l	SOMEc	SOMAN	SOMAN	SOMAN	SOMAN	SOMAN			
							Nonrecurring		Nonrecurring											
							Disconnect		Disconnect											
		AIN Toolkit Service - SCP Storage Charge, Per SMS Access Account, Per 100 Kilobytes					1.79													
		AIN Toolkit Service - Monthly report - Per AIN Toolkit Service Subscriptic				BAPMS	15.89	34.61	34.61	21.97	21.97			18.14	18.14	11.4	11.4			
		AIN Toolkit Service - Special Study - Per AIN Toolkit Service Subscriptic				BAPLS	0.08	37.77	37.77					18.14	18.14	11.4	11.4			
		AIN Toolkit Service - Call Event Report - Per AIN Toolkit Service Subscriptic				BAPDS	15.81	34.61	34.61	21.97	21.97			18.14	18.14	11.4	11.4			
		AIN Toolkit Service - Call Event Special Study - Per AIN Toolkit Service Subscriptic				BAPEs	0.0026	37.77	37.77					18.14	18.14	11.4	11.4			
ODUF/EDOUF/ADUF/CMDS																				
ACCESS DAILY USAGE FILE (ADUF)																				
		ADUF: Message Processing, per message																		
		ADUF: Data Transmission (CONNECT:DIRECT), per message					0.0000305													
ENHANCED OPTIONAL DAILY USAGE FILE (EODUF)																				
		EODUF: Message Processing, per message					0.004													
OPTIONAL DAILY USAGE FILE (ODUF)																				
		ODUF: Recording, per message					0.00019													
		ODUF: Message Processing, per message					0.0024													
		ODUF: Message Processing, per Magnetic Tape provisione					47.3													
		ODUF: Data Transmission (CONNECT:DIRECT), per message					0.00003													
ENHANCED EXTENDED LINK (EELs)																				
NOTE: New EELs available in State of Georgia, density zone 1 of following SMAs: Orlando, FL; Miami, FL; Ft. Lauderdale, FL; Nashville, TN; New Orleans, LA;																				
NOTE: Charlotte-Gastonia-Rockhill, NC; Greensboro-Winston Salem-High Point, NC. Use all rates below except Switch As Is Charge.																				
NOTE: In all states, EEL network elements shown below also apply to currently combined facilities which are converted to UNE rates. A Switch As Is Charge applies to currently combined facilities converted to UNEs.(Non-recurring rates do not apply.)																				
NOTE: In Georgia, the EEL network elements apply to ordinarily combined network elements per the GA PSC order.(No Switch As Is Charge.)																				
2-WIRE VOICE GRADE EXTENDED LOOP WITH DEDICATED DS1 INTEROFFICE TRANSPORT (EEL)																				
		First 2-Wire VG Loop(SL2) in a DS1 Interofficed Transport Combination - Zone	1	UNCVX	UEAL2		17.65	193.82	92.77	82.08	12.22			31.27	31.27	3.92	3.92			
		First 2-Wire VG Grade Loop(SL2) in a DS1 Interofficed Transport Combination - Zone	2	UNCVX	UEAL2		30.32	193.82	92.77	82.08	12.22			31.27	31.27	3.92	3.92			
		First 2-Wire VG Grade Loop(SL2) in a DS1 Interofficed Transport Combination - Zone	3	UNCVX	UEAL2		61.93	193.82	92.77	82.08	12.22			31.27	31.27	3.92	3.92			
		Interoffice Transport - Dedicated - DS1 combination - Per Mile per mont		UNC1X	1L5XX		0.3367													
		Interoffice Transport - Dedicated - DS1 combination - Facility Termination per mon		UNC1X	U1TF1		81.45	295.39	213.86	78.86	34.76			31.27	31.27	3.92	3.92			
		DS1 Channelization System Per Month		UNC1X	MQ1		121.5	123.37	26.67	3.42	3.08									
		Voice Grade COCI - DS1 To DS0 Interface - Per Month		UNCVX	1D1VG		0.7509	12.15	8.76											
		Each Additional 2-Wire VG Loop(SL 2) in the same DS1 Interoffice Transport	1	UNCVX	UEAL2		17.65	193.82	92.77	82.08	12.22			31.27	31.27	3.92	3.92			
		Combination - Zone 1																		
		Each Additional 2-Wire VG Loop(SL2) in the same DS1 Interoffice Transport	2	UNCVX	UEAL2		30.32	193.82	92.77	82.08	12.22			31.27	31.27	3.92	3.92			
		Combination - Zone 2																		
		Each Additional 2-Wire VG Loop(SL2) in the same DS1 Interoffice Transport	3	UNCVX	UEAL2		61.93	193.82	92.77	82.08	12.22			31.27	31.27	3.92	3.92			
		Combination - Zone 3																		
		Voice Grade COCI - DS1 to DS0 Channel System combination - per mont		UNCVX	1D1VG		0.7509	12.15	8.76											

UNBUNDLED NETWORK ELEMENTS
LA

CATEGORY	NOTES	UNBUNDLED NETWORK ELEMENT	Interim	Zone	BCS	USOC	RATES (\$)					OSS RATES (\$)					
							Nonrecurring		Disconnect			SOMEC	SOMAN	SOMAN	SOMAN	SOMAN	SOMAN
							Rec	First	Add'l	First	Add'l						
		Nonrecurring Currently Combined Network Elements Switch -As-Is Charg			UNC1X	UNCCC	11.17	11.7	14.14	14.14			31.27	31.27	3.92	3.92	
		4-WIRE VOICE GRADE EXTENDED LOOP WITH DEDICATED DS1 INTEROFFICE TRANSPORT (EEL)															
		First 4-Wire Analog Voice Grade Loop in a DS1 Interoffice Transport Combination - Zone 1		1	UNCVX	UEAL4	24.36	193.82	92.77	82.08	12.22			31.27	31.27	3.92	3.92
		First 4-Wire Analog Voice Grade Loop in a DS1 Interoffice Transport Combination - Zone 2		2	UNCVX	UEAL4	41.85	193.82	92.77	82.08	12.22			31.27	31.27	3.92	3.92
		First 4-Wire Analog Voice Grade Loop in a DS1 Interoffice Transport Combination - Zone 3		3	UNCVX	UEAL4	85.47	193.82	92.77	82.08	12.22			31.27	31.27	3.92	3.92
		Interoffice Transport - Dedicated - DS1 combination - Per Mile Per Mont			UNC1X	1L5XX	0.3367										
		Interoffice Transport - Dedicated - DS1 - Facility Termination Per Mont			UNC1X	U1TF1	81.45	295.39	213.86	78.86	34.76			31.27	31.27	3.92	3.92
		Channelization - Channel System DS1 to DS0 combination Per Mont			UNC1X	MQ1	121.5	123.37	26.67	3.42	3.08						
		Voice Grade COCI - DS1 to DS0 Channel System combination - per mont			UNCVX	1D1VG	0.7509	12.15	8.76								
		Additional 4-Wire Analog Voice Grade Loop in same DS1 Interoffice Transport Combination - Zone 1		1	UNCVX	UEAL4	24.36	193.82	92.77	82.08	12.22			31.27	31.27	3.92	3.92
		Additional 4-Wire Analog Voice Grade Loop in same DS1 Interoffice Transport Combination - Zone 2		2	UNCVX	UEAL4	41.85	193.82	92.77	82.08				31.27	31.27	3.92	3.92
		Additional 4-Wire Analog Voice Grade Loop in same DS1 Interoffice Transport Combination - Zone 3		3	UNCVX	UEAL4	85.47	193.82	92.77	82.08	12.22			31.27	31.27	3.92	3.92
		Voice Grade COCI - DS1 to DS0 Channel System combination - per mont			UNCVX	1D1VG	0.7509	12.15	8.76								
		Nonrecurring Currently Combined Network Elements Switch -As-Is Charg			UNC1X	UNCCC	11.17	11.7	14.14	14.14			31.27	31.27	3.92	3.92	
		4-WIRE 56 KBPS EXTENDED DIGITAL LOOP WITH DEDICATED DS1 INTEROFFICE TRANSPORT (EEL)															
		First 4-Wire 56Kbps Digital Grade Loop in a DS1 Interoffice Transport Combination - Zone 1		1	UNCDX	UDL56	27.5	193.82	92.77	92.08	12.22			31.27	31.27	3.92	3.92
		First 4-wire 56Kbps Digital Grade Loop in a DS1 Interoffice Transport Combination - Zone 2		2	UNCDX	UDL56	47.24	193.82	92.77	92.08	12.22			31.27	31.27	3.92	3.92
		First 4-Wire 56Kbps Digital Grade Loop in a DS1 Interoffice Transport Combination - Zone 3		3	UNCDX	UDL56	96.48	193.82	92.77	92.08	12.22			31.27	31.27	3.92	3.92
		Interoffice Transport - Dedicated - DS1 combination - Per Mile Per Mont			UNC1X	1L5XX	0.3367										
		Interoffice Transport - Dedicated - DS1 - combination Facility Termination Per Mon			UNC1X	U1TF1	81.45	295.39	213.71	78.86	34.78			31.27	31.27	3.92	3.92
		Channelization - Channel System DS1 to DS0 combination Per Mon			UNC1X	MQ1	121.5	123.37	26.67	3.42	3.08						
		OCU-DP COCI (data) - DS1 to DS0 Channel System - per month (2.4-64kbs)			UNCDX	1D1DD	1.6	12.15	8.76								
		Additional 4-Wire 56Kbps Digital Grade Loop in same DS1 Interoffice Transport Combination - Zone 1		1	UNCDX	UDL56	27.5	193.82	92.77	92.08	12.22			31.27	31.27	3.92	3.92
		Additional 4-Wire 56Kbps Digital Grade Loop in same DS1 Interoffice Transport Combination - Zone 2		2	UNCDX	UDL56	47.24	193.82	92.77	82.08	12.22			31.27	31.27	3.92	3.92
		Additional 4-Wire 56Kbps Digital Grade Loop in same DS1 Interoffice Transport Combination - Zone 3		3	UNCDX	UDL56	96.48	193.82	92.77	82.08	12.22			31.27	31.27	3.92	3.92
		OCU-DP COCI (data) - DS1 to DS0 Channel System - combination per month (2.4-64kbs)			UNCDX	1D1DD	1.6	13.14	9.42								
		Nonrecurring Currently Combined Network Elements Switch -As-Is Charg			UNC1X	UNCCC	11.17	11.7	14.14	14.14			31.27	31.27	3.92	3.92	
		4-WIRE 64 KBPS EXTENDED DIGITAL LOOP WITH DEDICATED DS1 INTEROFFICE TRANSPORT (EEL)															
		First 4-Wire 64Kbps Digital Grade Loop in a DS1 Interoffice Transport Combination - Zone 1		1	UNCDX	UDL64	27.5	193.82	92.77	92.08	12.22			31.27	31.27	3.92	3.92
		First 4-Wire 64Kbps Digital Grade Loop in a DS1 Interoffice Transport Combination - Zone 2		2	UNCDX	UDL64	47.24	193.82	92.77	92.08	12.22			31.27	31.27	3.92	3.92
		First 4-Wire 64Kbps Digital Grade Loop in a DS1 Interoffice Transport Combination - Zone 3		3	UNCDX	UDL64	96.48	193.82	92.77	92.08	12.22			31.27	31.27	3.92	3.92
		Interoffice Transport - Dedicated - DS1 combination - Per Mile Per Mont			UNC1X	1L5XX	0.3367										
		Interoffice Transport - Dedicated - DS1 combination - Facility Termination Per Mon			UNC1X	U1TF1	81.45	295.39	213.71	78.86	34.78			31.27	31.27	3.92	3.92
		Channelization - Channel System DS1 to DS0 combination Per Mon			UNC1X	MQ1	121.5	123.37	26.67	3.42	3.08						
		OCU-DP COCI (data) - DS1 to DS0 Channel System combination - per month (2.4-64kbs)			UNCDX	1D1DD	1.6	12.15	8.76								

UNBUNDLED NETWORK ELEMENTS
LA

CATEGORY	NOTES	UNBUNDLED NETWORK ELEMENT	Interim	Zone	BCS	USOC	RATES (\$)					OSS RATES (\$)						
							Rec	First	Add'l	First	Add'l	SOMEC	SOMAN	SOMAN	SOMAN	SOMAN	SOMAN	
																		Nonrecurring
		Additional 4-Wire 64Kbps Digital Grade Loopin same DS1 Interoffice Transport Combination - Zone 1		1	UNCDX	UDL64	27.5	193.82	92.77	92.08	12.22				31.27	31.27	3.92	3.92
		Additional 4-Wire 64Kbps Digital Grade Loopin same DS1 Interoffice Transport Combination - Zone 2		2	UNCDX	UDL64	47.24	193.82	92.77	92.08	12.22				31.27	31.27	3.92	3.92
		Additional 4-Wire 64Kbps Digital Grade Loopin same DS1 Interoffice Transport Combination - Zone 3		3	UNCDX	UDL64	96.48	193.82	92.77	92.08	12.22				31.27	31.27	3.92	3.92
		OCU-DP COC1 (data) - DS1 to DS0 Channel System combination - per month (2.4-64kbs)			UNCDX	1D1DD	1.6	12.15	8.76									
		Nonrecurring Currently Combined Network Elements Switch -As-Is Chrg			UNC1X	UNCCC		11.17	11.7	14.14	14.14				31.27	31.27	3.92	3.92
		4-WIRE DS1 DIGITAL EXTENDED LOOP WITH DEDICATED DS1 INTEROFFICE TRANSPORT (EEL)																
		4-Wire DS1 Digital Loop in Combination with DS1 Interoffice Transport - Zone		1	UNC1X	USLXX	56.32	348.15	207.55	89.88	28				31.27	31.27	3.92	3.92
		4-Wire DS1 Digital Loop in Combination with DS1 Interoffice Transport - Zone		2	UNC1X	USLXX	96.73	348.15	207.55	89.88	28				31.27	31.27	3.92	3.92
		4-Wire DS1 Digital Loop in Combination with DS1 Interoffice Transport - Zone		3	UNC1X	USLXX	197.57	348.15	207.55	89.88	28				31.27	31.27	3.92	3.92
		Interoffice Transport - Dedicated - DS1 combination - Per Mile Per Mont			UNC1X	1L5XX	0.3367											
		Interoffice Transport - Dedicated - DS1 combination - Facility Termination Per Mon			UNC1X	U1TF1	81.45	295.39	213.86	78.86	34.76				31.27	31.27	3.92	3.92
		Nonrecurring Currently Combined Network Elements Switch -As-Is Chrg			UNC1X	UNCCC		11.17	11.7	14.14	13.91				31.27	31.27	3.92	3.92
		4-WIRE DS1 DIGITAL EXTENDED LOOP WITH DEDICATED DS3 INTEROFFICE TRANSPORT (EEL)																
		First DS1Loop in DS3 Interoffice Transport Combination - Zone		1	UNC1X	USLXX	56.32	348.15	92.77	89.88	12.22				31.27	31.27	3.92	3.92
		First DS1Loop in DS3 Interoffice Transport Combination - Zone		2	UNC1X	USLXX	96.73	348.15	92.77	89.88	12.22				31.27	31.27	3.92	3.92
		First DS1Loop in DS3 Interoffice Transport Combination - Zone		3	UNC1X	USLXX	197.57	348.15	92.77	89.88	12.22				31.27	31.27	3.92	3.92
		Interoffice Transport - Dedicated - DS3 combination - Per Mile Per Mont			UNC3X	1L5XX	7.46											
		Interoffice Transport - Dedicated - DS3 - Facility Termination per mont			UNC3X	U1TF3	982.87	507.48	221.03	54.07	28.12				31.27	31.27	3.92	3.92
		DS3 to DS1 Channel System combination per mont			UNC3X	MQ3	233.25	323.12	127.13	37.72	19.37							
		DS3 Interface Unit (DS1 COC1) combination per month			UNC1X	UC1D1	13.64	12.16	8.77									
		Additional DS1Loop in DS3 Interoffice Transport Combination - Zone		1	UNC1X	USLXX	56.32	348.15	92.77	89.88	12.22				31.27	31.27	3.92	3.92
		Additional DS1Loop in DS3 Interoffice Transport Combination - Zone		2	UNC1X	USLXX	96.73	348.15	92.77	89.88	12.22				31.27	31.27	3.92	3.92
		Additional DS1Loop in DS3 Interoffice Transport Combination - Zone		3	UNC1X	USLXX	197.57	348.15	92.77	89.88	12.22				31.27	31.27	3.92	3.92
		DS3 Interface Unit (DS1 COC1) combination per month			UNC1X	UC1D1	13.64	12.16	8.77									
		Nonrecurring Currently Combined Network Elements Switch -As-Is Chrg			UNC3X	UNCCC		11.17	11.7	14.14	14.14				31.27	31.27	3.92	3.92
		2-WIRE VOICE GRADE EXTENDED LOOP/ 2 WIRE VOICE GRADE INTEROFFICE TRANSPORT (EEL)																
		2-WireVG Loop used with 2-wire VG Interoffice Transport Combination - Zone		1	UNCVX	UEAL2	17.65	193.82	92.77	82.08	12.22				31.27	31.27	3.92	3.92
		2-WireVG Loop used with 2-wire VG Interoffice Transport Combination - Zone		2	UNCVX	UEAL2	30.32	193.82	92.77	82.08	12.22				31.27	31.27	3.92	3.92
		2-WireVG Loop used with 2-wire VG Interoffice Transport Combination - Zone		3	UNCVX	UEAL2	61.93	193.82	92.77	82.08	12.22				31.27	31.27	3.92	3.92
		Interoffice Transport - Dedicated - 2-wire VG combination - Per Mile Per Mont			UNCVX	1L5XX	0.0165											
		Interoffice Transport - Dedicated - 2- Wire Voice Grade combination - Facility Termination per mont			UNCVX	U1TV2	26.12	149.36	85.88	78.02	34.89				31.27	31.27	3.92	3.92
		Nonrecurring Currently Combined Network Elements Switch -As-Is Chrg			UNCVX	UNCCC		11.17	11.7	14.14	14.14				31.27	31.27	3.92	3.92
		4-WIRE VOICE GRADE EXTENDED LOOP/ 4 WIRE VOICE GRADE INTEROFFICE TRANSPORT (EEL)																
		4-WireVG Loop used with 4-wire VG Interoffice Transport Combination - Zone		1	UNCVX	UEAL4	24.36	193.82	92.77	82.08	12.22				31.27	31.27	3.92	3.92
		4-WireVG Loop used with 4-wire VG Interoffice Transport Combination - Zone		2	UNCVX	UEAL4	41.85	193.82	92.77	82.08	12.22				31.27	31.27	3.92	3.92
		4-WireVG Loop used with 4-wire VG Interoffice Transport Combination - Zone		3	UNCVX	UEAL4	85.47	193.82	92.77	82.08	12.22				31.27	31.27	3.92	3.92
		Interoffice Transport - Dedicated - 4-wire VG combination - Per Mile Per Mont			UNCVX	1L5XX	0.0165											
		Interoffice Transport - Dedicated - 4- Wire Voice Grade combination - Facility Termination per mont			UNCVX	U1TV4	22.89	149.36	85.88	78.02	34.89				31.27	31.27	3.92	3.92
		Nonrecurring Currently Combined Network Elements Switch -As-Is Chrg			UNCVX	UNCCC		11.17	11.7	14.14	14.14				31.27	31.27	3.92	3.92
		DS3 DIGITAL EXTENDED LOOP WITH DEDICATED DS3 INTEROFFICE TRANSPORT (EEL)																
		High Capacity Unbundled Local Loop - DS3 combination - Per Mile per mont			UNC3X	1L5ND	12.75											

UNBUNDLED NETWORK ELEMENTS
LA

CATEGORY	NOTES	UNBUNDLED NETWORK ELEMENT	Interim	Zone	BCS	USOC	RATES (\$)					OSS RATES (\$)							
							Nonrecurring			Nonrecurring		SOMEC	SOMAN	SOMAN	SOMAN	SOMAN	SOMAN		
							Rec	First	Add'l	First	Add'l							Disconnect	
		High Capacity Unbundled Local Loop - DS3 combination - Facility Termination per month			UNC3X	UE3PX	419.1	387.7	258.22										
		Interoffice Transport - Dedicated - DS3 - Per Mile per month			UNC3X	1L5XX	7.46												
		Interoffice Transport - Dedicated - DS3 combination - Facility Termination per month			UNC3X	U1TF3	982.87	610.38	249.26	72.2	39.88			31.27	31.27	3.92	3.92		
		Nonrecurring Currently Combined Network Elements Switch -As-Is Charg			UNC3X	UNCCC		11.17	11.7	14.14	14.14			31.27	31.27	3.92	3.92		
		STS1 DIGITAL EXTENDED LOOP WITH DEDICATED STS1 INTEROFFICE TRANSPORT (EEL)																	
		High Capacity Unbundled Local Loop - STS1 combination - Per Mile per month			UNC3X	1L5ND	12.75												
		High Capacity Unbundled Local Loop - STS1 combination - Facility Termination per month			UNC3X	UDLS1	433.21	387.7	258.22										
		Interoffice Transport - Dedicated - STS1 combination - Per Mile per month			UNC3X	1L5XX	7.67												
		Interoffice Transport - Dedicated - STS1 combination - Facility Termination per month			UNC3X	U1TFS	959.46	610.38	249.26	72.2	39.88			31.27	31.27	3.92	3.92		
		Nonrecurring Currently Combined Network Elements Switch -As-Is Charg			UNC3X	UNCCC		11.17	11.7	14.14	14.14			31.27	31.27	3.92	3.92		
		2-WIRE ISDN EXTENDED LOOP WITH DS1 INTEROFFICE TRANSPORT (EEL)																	
		First 2-Wire ISDN Loop in a DS1 Interoffice Combination Transport - Zone		1	UNC1X	U1L2X	21.15	193.82	92.77	82.08	12.22			31.27	31.27	3.92	3.92		
		First 2-Wire ISDN Loop in a DS1 Interoffice Combination Transport - Zone		2	UNC1X	U1L2X	36.32	193.82	92.77	82.08	12.22			31.27	31.27	3.92	3.92		
		First 2-Wire ISDN Loop in a DS1 Interoffice Combination Transport - Zone		3	UNC1X	U1L2X	74.19	193.82	92.77	82.08	12.22			31.27	31.27	3.92	3.92		
		Interoffice Transport - Dedicated - DS1 combination - Per Mile			UNC1X	1L5XX	0.3367												
		Interoffice Transport - Dedicated - DS1 combination - Facility Termination per month			UNC1X	U1TF1	81.45	295.39	213.86	78.86	34.76			31.27	31.27	3.92	3.92		
		Channelization - Channel System DS1 to DS0 combination - per month			UNC1X	MQ1	121.5	123.37	26.67	3.42	3.08								
		2-wire ISDN COCI (BRITE) - DS1 to DS0 Channel System combination -per month			UNC1X	UC1CA	3.43	12.15	8.76										
		Additional 2-wire ISDN Loop in same DS1Interoffice Transport Combination - Zone		1	UNC1X	U1L2X	21.15	193.82	92.77	82.08	12.22			31.27	31.27	3.92	3.92		
		Additional 2-wire ISDN Loop in same DS1Interoffice Transport Combination - Zone		2	UNC1X	U1L2X	36.32	193.82	92.77	82.08	12.22			31.27	31.27	3.92	3.92		
		Additional 2-wire ISDN Loop in same DS1Interoffice Transport Combination - Zone		3	UNC1X	U1L2X	74.19	193.82	92.77	82.08	12.22			31.27	31.27	3.92	3.92		
		2-wire ISDN COCI (BRITE) - DS1 to DS0 Channel System combination -per month			UNC1X	UC1CA	3.43	12.15	8.76										
		Nonrecurring Currently Combined Network Elements Switch -As-Is Charg			UNC1X	UNCCC		11.17	11.7	14.14	14.14			31.27	31.27	3.92	3.92		
		4-WIRE DS1 DIGITAL EXTENDED LOOP WITH DEDICATED STS-1 INTEROFFICE TRANSPORT (EEL)																	
		First DS1 Loop in STS1 Interoffice Transport Combination - Zone		1	UNC1X	USLXX	56.32	348.15	207.55	89.88	28			31.27	31.27	3.92	3.92		
		First DS1 Loop in STS1 Interoffice Transport Combination - Zone		2	UNC1X	USLXX	96.73	348.15	207.55	89.88	28			31.27	31.27	3.92	3.92		
		First DS1 Loop in STS1 Interoffice Transport Combination - Zone		3	UNC1X	USLXX	197.57	348.15	207.55	89.88	28			31.27	31.27	3.92	3.92		
		Interoffice Transport - Dedicated - STS1 combination - Per Mile Per Month			UNC3X	1L5XX	7.67												
		Interoffice Transport - Dedicated - STS1 combination - Facility Termination			UNC3X	U1TFS	959.46	610.38	249.52	72.52	39.88			31.27	31.27	3.92	3.92		
		STS1 to DS1 Channel System combination per month			UNC3X	MQ3	233.25	220.23	98.9	19.27	7.61								
		DS3 Interface Unit (DS1 COCI) combination per month			UNC1X	UC1D1	13.64	12.16	8.77										
		Additional DS1Loop in STS1 Interoffice Transport Combination - Zone		1	UNC1X	USLXX	56.32	348.15	207.55	89.88	28			31.27	31.27	3.92	3.92		
		Additional DS1Loop in STS1 Interoffice Transport Combination - Zone		2	UNC1X	USLXX	96.73	348.15	207.55	89.88	28			31.27	31.27	3.92	3.92		
		Additional DS1Loop in STS1 Interoffice Transport Combination - Zone		3	UNC1X	USLXX	197.57	348.15	207.55	89.88	28			31.27	31.27	3.92	3.92		
		DS3 Interface Unit (DS1 COCI) combination per month			UNC1X	UC1D1	13.64	12.16	8.77										
		Nonrecurring Currently Combined Network Elements Switch -As-Is Charg			UNC3X	UNCCC		11.17	11.7	14.14	14.14			31.27	31.27	3.92	3.92		
		4-WIRE 56 KBPS DIGITAL EXTENDED LOOP WITH 56 KBPS INTEROFFICE TRANSPORT (EEL)																	
		4-wire 56 kbps Loop/4-wire 56 kbps Interoffice Transport Combination - Zone		1	UNC1X	UDL56	27.5	193.82	92.77	82.08	12.22			31.27	31.27	3.92	3.92		
		4-wire 56 kbps Loop/4-wire 56 kbps Interoffice Transport Combination - Zone		2	UNC1X	UDL56	47.24	193.82	92.77	82.08	12.22			31.27	31.27	3.92	3.92		
		4-wire 56 kbps Loop/4-wire 56 kbps Interoffice Transport Combination - Zone		3	UNC1X	UDL56	96.48	193.82	92.77	82.08	12.22			31.27	31.27	3.92	3.92		
		Interoffice Transport - Dedicated - 4-wire 56 kbps combination - Per Mile			UNC1X	1L5XX	0.0165												
		Interoffice Transport - Dedicated - 4-wire 56 kbps combination - Facility Termination			UNC1X	U1TD5	18.04	149.36	86	78.02	34.89			31.27	31.27	3.92	3.92		
		Nonrecurring Currently Combined Network Elements Switch -As-Is Charg			UNC1X	UNCCC		11.17	11.7	14.14	14.14			31.27	31.27	3.92	3.92		

UNBUNDLED NETWORK ELEMENTS
LA

CATEGORY	NOTES	UNBUNDLED NETWORK ELEMENT	Interim	Zone	BCS	USOC	RATES (\$)					OSS RATES (\$)													
							Rec	First	Add'l	First	Add'l	SOMEc	SOMAN	SOMAN	SOMAN	SOMAN	SOMAN	SOMAN							
																			Nonrecurring		Nonrecurring		Disconnect		
4-WIRE 64 KBPS DIGITAL EXTENDED LOOP WITH 64 KBPS INTEROFFICE TRANSPORT (EEL)																									
		4-wire 64 kbps Loop/4-wire 64 kbps Interoffice Transport Combination - Zone		1	UNCDX	UDL64	27.5	193.82	92.77	82.08	12.22							31.27	31.27	3.92	3.92				
		4-wire 64 kbps Loop/4-wire 64 kbps Interoffice Transport Combination - Zone		2	UNCDX	UDL64	47.24	193.82	92.77	82.08	12.22							31.27	31.27	3.92	3.92				
		4-wire 64 kbps Loop/4-wire 64 kbps Interoffice Transport Combination - Zone		3	UNCDX	UDL64	96.48	193.82	92.77	82.08	12.22							31.27	31.27	3.92	3.92				
		Interoffice Transport - Dedicated - 4-wire 64 kbps combination - Per Mil			UNCDX	1L5XX	0.0165																		
		Interoffice Transport - Dedicated - 4-wire 64 kbps combination - Facility Terminatic			UNCDX	U1TD6	18.04	149.36	86	78.02	34.89							31.27	31.27	3.92	3.92				
		Nonrecurring Currently Combined Network Elements Switch -As-Is Charg			UNCDX	UNCCC		0	11.7	14.14	14.14							31.27	31.27	3.92	3.92				
ADDITIONAL NETWORK ELEMENTS																									
When used as a part of a currently combined facility, the non-recurring charges do not apply, but a Switch As Is charge does apply.																									
When used as ordinary combined network elements in Georgia, the non-recurring charges apply and the Switch As Is Charge does not.																									
Access to DCS - Customer Reconfiguration (FlexServ)																									
Node (SynchroNet)																									
		Node per month			UNCDX	UNCNT	15.43																		
Nonrecurring Currently Combined Network Elements "Switch As Is" Charge (One applies to each combination)																									
		2/4-Wire VG Interoffice Channel used in a COMBINATION - "Switch As Is" Conversion Charge			UNCVX	UNCCC		11.17	11.7	14.14	14.14							31.27	31.27	3.92	3.92				
		56/64 kbps Interoffice Channel used in a COMBINATION - "Switch As Is" Conversion Charge			UNCDX	UNCCC		11.17	11.7	14.14	14.14							31.27	31.27	3.92	3.92				
		DS1 Interoffice Channel used in a COMBINATION - "Switch As Is" Conversion Charge			UNC1X	UNCCC		11.17	11.7	14.14	14.14							31.27	31.27	3.92	3.92				
		DS3 Interoffice Channel used in a COMBINATION - "Switch As Is" Conversion Charge			UNC3X	UNCCC		11.17	11.7	14.14	14.14							31.27	31.27	3.92	3.92				
		STS1 Interoffice or Local Loop used in a COMBINATION - "Switch As Is" Conversion Charge			UNCSX	UNCCC		11.17	11.7	14.14	14.14							31.27	31.27	3.92	3.92				
NOTE: Local Channel - Dedicated Transport - minimum billing period - Below DS3=one month, DS3 and above=four months																									
OPERATIONAL SUPPORT SYSTEMS																									
NOTE: (1) Electronic Service Order: CLEC-1 should contact its contract negotiator if it prefers the state specific electronic service ordering charges as ordered by the State Commissions																									
NOTE: (1) Continued: The electronic service ordering charge currently contained in this rate exhibit is the BellSouth regional electronic service ordering charge																									
NOTE: (1) Concluded: CLEC-1 may elect either the state specific Commission ordered rates for the electronic service ordering charges, or CLEC-1 may elect the regional electronic service ordering charge.																									
NOTE: (2) Manual Service Order charge: disconnect, in the state of Florida, to be billed on a per LSR basis																									
		Electronic OSS Charge, per LSR, submitted via BST's OSS interactive interfaces (Regional)				SOMEc		3.5																	
UNBUNDLED LOCAL EXCHANGE SWITCHING (PORTS)																									
Exchange Ports																									
NOTE: Although the Port Rate includes all available features in GA & TN, the desired features will need to be ordered using retail USOCs																									
2-WIRE VOICE GRADE LINE PORT RATES (RES)																									
		Exchange Ports - 2-Wire Analog Line Port- Res			UEPSR	UEPRL	2.2	16.43	16.43	4.38	4.38							18.14	8.06	10.39	10.39				

UNBUNDLED NETWORK ELEMENTS
LA

CATEGORY	NOTES	UNBUNDLED NETWORK ELEMENT	Interim	Zone	BCS	USOC	RATES (\$)					OSS RATES (\$)										
							Rec	First	Add'l	First	Add'l	SOMEC	SOMAN	SOMAN	SOMAN	SOMAN	SOMAN	SOMAN				
																			Nonrecurring		Nonrecurring	
																			Disconnect		Disconnect	
		Exchange Ports - 2-Wire Analog Line Port with Caller ID - Re:			UEPSR	UEPRC	2.2	16.43	16.43	4.38	4.38			18.14	8.06	10.39	10.39					
		Exchange Ports - 2-Wire Analog Line Port outgoing only - Re:			UEPSR	UEPRO	2.2	16.43	16.43	4.38	4.38			18.14	8.06	10.39	10.39					
		Exchange Ports - 2-Wire VG unbundled LA extended local dialing parity Port with Caller ID - Res.			UEPSR	UEPAS	2.2	16.43	16.43	4.38	4.38			18.14	8.06	10.39	10.39					
		Exchange Ports - 2-Wire VG unbundled Louisiana Area Plus with Caller ID - Res (RUL)			UEPSR	UEPAG	2.2	16.43	16.43	4.38	4.38			18.14	8.06	10.39	10.39					
		Exchange Ports - 2-Wire VG unbundled res, low usage line port with Caller ID (LUI/ Subsequent Activity)			UEPSR	UEPAP	2.2	16.43	16.43	4.38	4.38			18.14	8.06	10.39	10.39					
					UEPSR	USASC	0	0	0													
	FEATURES																					
		All Available Vertical Feature:			UEPSR	UEPVF	8.28	0	0					18.14	8.06	10.39	10.39					
		2-WIRE VOICE GRADE LINE PORT RATES (BUS)																				
		Exchange Ports - 2-Wire Analog Line Port without Caller ID - Bu			UEPSB	UEPBL	2.2	16.43	16.43	4.38	4.38			18.14	8.06	10.39	10.39					
		Exchange Ports - 2-Wire VG unbundled Line Port with unbundled port with Caller+E484 ID - Bus.			UEPSB	UEPBC	2.2	16.43	16.43	4.38	4.38			18.14	8.06	10.39	10.39					
		Exchange Ports - 2-Wire Analog Line Port outgoing only - Bu			UEPSB	UEPBO	2.2	16.43	16.43	4.38	4.38			18.14	8.06	10.39	10.39					
		Exchange Ports - 2-Wire VG unbundled LA extended local dialing parity Port with Caller ID - Bus.			UEPSB	UEPAX	2.2	16.43	16.43	4.38	4.38			18.14	8.06	10.39	10.39					
		Exchange Ports - 2-Wire VG unbundled incoming only port with Caller ID - Bu			UEPSB	UEPB1	2.2	16.43	16.43	4.38	4.38			18.14	8.06	10.39	10.39					
		Exchange Ports - 2-Wire VG unbundled Louisiana Bus Area Calling Port with Caller ID - Bus (BUC)			UEPSB	UEPAA	2.2	16.43	16.43	4.38	4.38			18.14	8.06	10.39	10.39					
		Subsequent Activity			UEPSB	USASC	0	0	0													
	FEATURES																					
		All Available Vertical Feature:			UEPSB	UEPVF	8.28	0	0					18.14	8.06	10.39	10.39					
		EXCHANGE PORT RATES (DID & PBX)																				
		Exchange Ports - 2-Wire DID Port			UEPEX	UEPP2	9.52	238.35	37.44	121.38	7.63			18.14	8.06	10.39	10.39					
		Exchange Ports - DDITS Port - 4-Wire DS1 Port with DID capabilit			UEPDD	UEPDD	77.66	403.61	191.17	147.11	4.98			19.99	19.99	19.99	19.99					
		Exchange Ports - 2-Wire ISDN Port (See Notes below.			UEPTX	U1PMA	11.42	145.38	105.86	95.47	21.45			38.29	38.29	6.65	6.65					
		All Features Offerec			UEPTX	UEPSX	8.28	0	0													
					UEPSX	UEPVF	8.28	0	0													
		NOTE: Transmission/usage charges associated with POTS circuit switched usage will also apply to circuit switched voice and/or circuit switched data transmission by B-Channels associated with 2-wire ISDN ports.																				
		NOTE: Access to B Channel or D Channel Packet capabilities will be available only through BFR/New Business Request Process. Rates for the packet capabilities will be determined via the Bona Fide Request/New Business Request Process.																				
		Exchange Ports - 2-Wire ISDN Port -- Channel Profiles			UEPTX	UEPSX	0	0	0													
		Exchange Ports - 4-Wire ISDN DS1 Por			UEPEX	UEPEX	107.55	407.19	202.89	160.46	40.65			33.18	33.18	7.73	7.73					
		2-Wire VG Unbundled 2-Way PBX Trunk - Re:			UEPSE	UEPRD	2.2	16.43	16.43	3.77	3.77			18.14	8.06	8.94	8.94					
		2-Wire VG Line Side Unbundled 2-Way PBX Trunk - Bu			UEPSP	UEPPC	2.2	16.43	16.43	3.77	3.77			18.14	8.06	8.94	8.94					
		2-Wire VG Line Side Unbundled Outward PBX Trunk - Bu			UEPSP	UEPPO	2.2	16.43	16.43	3.77	3.77			18.14	8.06	8.94	8.94					
		2-Wire VG Line Side Unbundled Incoming PBX Trunk - Bu			UEPSP	UEPP1	2.2	16.43	16.43	3.77	3.77			18.14	8.06	8.94	8.94					
		2-Wire Analog Long Distance Terminal PBX Trunk - Bu			UEPSP	UEPLD	2.2	16.43	16.43	3.77	3.77			18.14	8.06	8.94	8.94					
		2-Wire Voice Unbundled 2-Way PBX Louisiana Calling Po			UEPSP	UEPL2	2.2	16.43	16.43	3.77	3.77			18.14	8.06	8.94	8.94					
		2-Wire Voice Unbundled PBX LD Terminal Port			UEPSP	UEPLD	2.2	16.43	16.43	3.77	3.77			18.14	8.06	8.94	8.94					
		2-Wire Vice Unbundled 2-Way PBX Usage Por			UEPSP	UEPXA	2.2	16.43	16.43	3.77	3.77			18.14	8.06	8.94	8.94					
		2-Wire Voice Unbundled PBX Toll Terminal Hotel Port			UEPSP	UEPXB	2.2	16.43	16.43	3.77	3.77			18.14	8.06	8.94	8.94					
		2-Wire Voice Unbundled PBX LD DDD Terminals Por			UEPSP	UEPXC	2.2	16.43	16.43	3.77	3.77			18.14	8.06	8.94	8.94					

UNBUNDLED NETWORK ELEMENTS
LA

CATEGORY	NOTES	UNBUNDLED NETWORK ELEMENT	Interim	Zone	BCS	USOC	RATES (\$)					OSS RATES (\$)								
							Rec	First	Add'l	First	Add'l	SOME C	SOMAN	SOMAN	SOMAN	SOMAN	SOMAN			
		2-Wire Voice Unbundled PBX LD Terminal Switchboard Po			UEPSP	UEPXD	2.2	16.43	16.43	3.77	3.77				18.14	8.06	8.94	8.94		
		2-Wire Voice Unbundled PBX LD Terminal Switchboard IDD Capable Po			UEPSP	UEPXE	2.2	16.43	16.43	3.77	3.77				18.14	8.06	8.94	8.94		
		2-Wire Voice Unbundled 2-Way PBX Louisiana Local Optional Calling Pc			UEPSP	UEPXX	2.2	16.43	16.43	3.77	3.77				18.14	8.06	8.94	8.94		
		2-Wire Voice Unbundled 2-Way PBX Hotel/Hospital Economy Administrative Calling Port			UEPSP	UEPXL	2.2	16.43	16.43	3.77	3.77				18.14	8.06	8.94	8.94		
		2-Wire Voice Unbundled 2-Way PBX Hotel/Hospital Economy Room Calling Po			UEPSP	UEPXM	2.2	16.43	16.43	3.77	3.77				18.14	8.06	8.94	8.94		
		2-Wire Voice Unbundled 1-Way Outgoing PBX Hotel/Hospital Discount Room Calling Port			UEPSP	UEPXO	2.2	16.43	16.43	3.77	3.77				18.14	8.06	8.94	8.94		
		2-Wire Voice Unbundled 1-Way Outgoing PBX Louisiana Local Discount Calling Pc			UEPSP	UEPXP	2.2	16.43	16.43	3.77	3.77				18.14	8.06	8.94	8.94		
		2-Wire Voice Unbundled 1-Way Outgoing PBX Measured Po			UEPSP	UEPXS	2.2	16.43	16.43	3.77	3.77				18.14	8.06	8.94	8.94		
		Subsequent Activity			UEPSP	USASC	0	0	0											
	FEATURES																			
		All Available Vertical Feature:			UEPSE	UEPVF	8.28	0	0						18.14	8.06	8.94			
	EXCHANGE PORT RATES (COIN)																			
		Exchange Ports - Coin Por					2.5	16.43	16.43	4.15	4.15				18.14	8.06	9.86	9.86		
		NOTE: Transmission/usage charges associated with POTS circuit switched usage will also apply to circuit switched voice and/or circuit switched data transmission by B-Channels associated with 2-wire ISDN ports.																		
		NOTE: Access to B Channel or D Channel Packet capabilities will be available only through BFR/New Business Request Process. Rates for the packet capabilities will be determined via the Bona Fide Request/New Business Request Process.																		
		UNBUNDLED LOCAL SWITCHING, PORT USAGE																		
		End Office Switching (Port Usage)																		
		End Office Switching Function, Per MOL																		
		End Office Trunk Port - Shared, Per MOL																		
		Tandem Switching (Port Usage) (Local or Access Tandem)																		
		Tandem Switching Function Per MOL																		
		Tandem Trunk Port - Shared, Per MOL																		
		Common Transport																		
		Common Transport - Per Mile, Per MOU																		
		Common Transport - Facilities Termination Per MOL																		
		UNBUNDLED PORT/LOOP COMBINATIONS - COST BASED RATES																		
		Cost Based Rates are applied where BellSouth is required by FCC and/or State Commission rule to provide Unbundled Local Switching or Switch Ports.																		
		Features shall apply to the Unbundled Port/Loop Combination - Cost Based Rate section in the same manner as they are applied to the Stand-Alone Unbundled Port section of this Rate Exhibit.																		
		End Office and Tandem Switching Usage and Common Transport Usage rates in the Port section of this rate exhibit shall apply to all combinations of loop/port network elements except for UNE Coin Port/Loop Combinations.																		
		For Georgia, the recurring UNE Port and Loop charges listed apply to Currently Combined and Not Currently Combined Combos and the first and additional Port nonrecurring charges apply to Not Currently Combined Combos. For Currently Combined Combos in GA and all other states, the nonrecurring charges shall be those identified in the Nonrecurring - Currently Combined sections.																		
		2-WIRE VOICE GRADE LOOP WITH 2-WIRE LINE PORT (RES)																		
		UNE Port/Loop Combination Rates																		
		2-Wire VG Loop/Port Combo - Zone 1																		
		2-Wire VG Loop/Port Combo - Zone 2																		
		2-Wire VG Loop/Port Combo - Zone 3																		

UNBUNDLED NETWORK ELEMENTS
LA

CATEGORY	NOTES	UNBUNDLED NETWORK ELEMENT	Interim	Zone	BCS	USOC	RATES (\$)				OSS RATES (\$)								
							Nonrecurring		Nonrecurring		Svc Order Submitted Elec per LSR	Svc Order Submitted Manually per LSR	Incremental Charge - Manual Svc Order vs. Electronic-1st	Incremental Charge - Manual Svc Order vs. Electronic-Add'l	Incremental Charge - Manual Svc Order vs. Electronic-Disc 1st	Incremental Charge - Manual Svc Order vs. Electronic-Disc Add'l			
							Rec	First	Add'l	Disconnect							SOME C	SOMAN	SOMAN
		UNE Loop Rates																	
		2-Wire Voice Grade Loop (SL1) - Zone 1		1	UEPRX	UEPLX	14.05												
		2-Wire Voice Grade Loop (SL1) - Zone 2		2	UEPRX	UEPLX	24.14												
		2-Wire Voice Grade Loop (SL1) - Zone 3		3	UEPRX	UEPLX	49.3												
		2-Wire Voice Grade Line Port Rates (Res)																	
		2-Wire voice unbundled port - residency			UEPRX	UEPRL	2.55						31.92	7.32					
		2-Wire voice unbundled port with Caller ID - re			UEPRX	UEPRC	2.55						31.92	7.32					
		2-Wire voice unbundled port outgoing only - re			UEPRX	UEPRO	2.55						31.92	7.32					
		2-Wire voice Grade unbundled Louisiana extended local dialing parity port with Caller ID - res			UEPRX	UEPAS	2.55						31.92	7.32					
		2-Wire voice unbundled Louisiana Area Plus with Caller ID - res (RUI)			UEPRX	UEPAG	2.55						31.92	7.32					
		2-Wire voice unbundles res. low usage line port with Caller ID (LUA)			UEPRX	UEPAP	2.55						31.92	7.32					
		FEATURES																	
		All Features Offerec			UEPRX	UEPVF	8.28	0	0				31.92	7.32					
		LOCAL NUMBER PORTABILITY																	
		Local Number Portability (1 per port)			UEPRX	LNPCX	0.35												
		NONRECURRING CHARGES (NRCs) - CURRENTLY COMBINED																	
		2-Wire Voice Grade Loop / Line Port Combination - Conversion - Switch-as-			UEPRX	USAC2		3.8	0.29				31.92	7.32					
		2-Wire Voice Grade Loop / Line Port Combination - Conversion - Switch with chang			UEPRX	USACC		3.8	0.29				31.92	7.32					
		2-Wire Voice Grade Loop / Line Port Combination - Conversion - Subsequent Database Update						2.11					5.12						
		ADDITIONAL NRCs																	
		2-Wire Voice Grade Loop/Line Port Combination - Subsequent Activi			UEPRX	USAS2	0	0	0										
		2-WIRE VOICE GRADE LOOP WITH 2-WIRE LINE PORT (BUS)																	
		UNE Port/Loop Combination Rates																	
		2-Wire VG Loop/Port Combo - Zone 1		1			16.6												
		2-Wire VG Loop/Port Combo - Zone 2		2			26.69												
		2-Wire VG Loop/Port Combo - Zone 3		3			51.85												
		UNE Loop Rates																	
		2-Wire Voice Grade Loop (SL1) - Zone 1		1	UEPBX	UEPLX	14.05												
		2-Wire Voice Grade Loop (SL1) - Zone 2		2	UEPBX	UEPLX	24.14												
		2-Wire Voice Grade Loop (SL1) - Zone 3		3	UEPBX	UEPLX	49.3												
		2-Wire Voice Grade Line Port (Bus)																	
		2-Wire voice unbundled port without Caller ID - bu			UEPBX	UEPBL	2.55						31.92	7.32					
		2-Wire voice unbundled port with Caller + E484 ID - bu			UEPBX	UEPBC	2.55						31.92	7.32					
		2-Wire voice unbundled port outgoing only - bu			UEPBX	UEPBO	2.55						31.92	7.32					
		2-Wire voice Grade unbundled Louisiana extended local dialing parity port with Caller ID - bus			UEPBX	UEPAX	2.55						31.92	7.32					
		2-Wire voice unbundled incoming only port with Caller ID - Bu			UEPBX	UEPB1	2.55						31.92	7.32					
		2-Wire voice unbundled Louisiana Bus Area Calling Port with Caller ID (BU)			UEPBX	UEPAA	2.55						31.92	7.32					
		LOCAL NUMBER PORTABILITY																	
		Local Number Portability (1 per port)			UEPBX	LNPCX	0.35												

UNBUNDLED NETWORK ELEMENTS
LA

CATEGORY	NOTES	UNBUNDLED NETWORK ELEMENT	Interim	Zone	BCS	USOC	RATES (\$)						OSS RATES (\$)						
							Rec	First	Add'l	First	Add'l	SOMECD	SOMAN	SOMAN	SOMAN	SOMAN	SOMAN	SOMAN	
							Nonrecurring			Nonrecurring			Svc Order Submitted Elec per LSR	Svc Order Submitted Manually per LSR	Incremental Charge - Manual Svc Order vs. Electronic-1st	Incremental Charge - Manual Svc Order vs. Electronic-Add'l	Incremental Charge - Manual Svc Order vs. Electronic-Disc 1st	Incremental Charge - Manual Svc Order vs. Electronic-Disc Add'l	
							Disconnect			SOMECD	SOMAN	SOMAN	SOMAN	SOMAN	SOMAN	SOMAN			
	FEATURES																		
		All Features Offerec			UEPBX	UEPVF	8.28	0	0							31.92	7.32		
		NONRECURRING CHARGES (NRCs) - CURRENTLY COMBINED																	
		2-Wire Voice Grade Loop / Line Port Combination - Conversion - Switch-as-			UEPBX	USAC2	3.8	0.29								31.92	7.32		
		2-Wire Voice Grade Loop / Line Port Combination - Conversion - Switch with chang			UEPBX	USACC	3.8	0.29											
		2-Wire Voice Grade Loop / Line Port Combination - Conversion - Subsequent Database Update					2.11									5.12			
		ADDITIONAL NRCs																	
		2-Wire Voice Grade Loop/Line Port Combination - Subsequent Activi			UEPBX	USAS2										31.92	7.32		
		2-WIRE VOICE GRADE LOOP WITH 2-WIRE LINE PORT (RES - PBX)																	
		UNE Port/Loop Combination Rates																	
		2-Wire VG Loop/Port Combo - Zone 1		1			16.6												
		2-Wire VG Loop/Port Combo - Zone 2		2			26.69												
		2-Wire VG Loop/Port Combo - Zone 3		3			51.85												
		UNE Loop Rates																	
		2-Wire Voice Grade Loop (SL 1) - Zone 1		1	UEPRG	UEPLX	14.05												
		2-Wire Voice Grade Loop (SL 1) - Zone 2		2	UEPRG	UEPLX	24.14												
		2-Wire Voice Grade Loop (SL 1) - Zone 3		3	UEPRG	UEPLX	49.3												
		2-Wire Voice Grade Line Port Rates (RES - PBX)																	
		2-Wire VG Unbundled Combination 2-Way PBX Trunk Port - Re			UEPRG	UEPRD	2.55									31.92	7.32		
		LOCAL NUMBER PORTABILITY																	
		Local Number Portability (1 per port			UEPRG	LNPCP	3.5												
		FEATURES																	
		All Features Offerec			UEPRG	UEPVF	8.28	0	0							31.92	7.32		
		NONRECURRING CHARGES (NRCs) - CURRENTLY COMBINED																	
		2-Wire Voice Grade Loop/ Line Port Combination (PBX) - Conversion - Switch-As-			UEPRG	USAC2	3.8	0.29								31.92	7.32		
		2-Wire Voice Grade Loop/ Line Port Combination (PBX) - Conversion - Switch with Change			UEPRG	USACC	3.8	0.29								31.92	7.32		
		2-Wire Voice Grade Loop / Line Port Combination - Conversion - Subsequent Database Update					2.11									5.12			
		ADDITIONAL NRCs																	
		2-Wire Voice Grade Loop/ Line Port Combination (PBX) - Subsequent Activi			UEPRG	USAS2	0	0	0										
		PBX Subsequent Activity - Change/Rearrange Multiline Hunt Gro					14.64	14.64								19.99	19.99	19.99	19.99
		2-WIRE VOICE GRADE LOOP WITH 2-WIRE LINE PORT (BUS - PBX)																	
		UNE Port/Loop Combination Rates																	
		2-Wire VG Loop/Port Combo - Zone 1		1			16.6												
		2-Wire VG Loop/Port Combo - Zone 2		2			26.69												
		2-Wire VG Loop/Port Combo - Zone 3		3			51.85												
		UNE Loop Rates																	

UNBUNDLED NETWORK ELEMENTS
LA

CATEGORY	NOTES	UNBUNDLED NETWORK ELEMENT	Interim	Zone	BCS	USOC	RATES (\$)				OSS RATES (\$)									
							Nonrecurring		Nonrecurring		Svc Order Submitted Elec per LSR	Svc Order Submitted Manually per LSR	Incremental Charge - Manual Svc Order vs. Electronic-1st	Incremental Charge - Manual Svc Order vs. Electronic-Add'l	Incremental Charge - Manual Svc Order vs. Electronic-Disc 1st	Incremental Charge - Manual Svc Order vs. Electronic-Disc Add'l				
							Rec	First	Add'l	Disconnect							First	Add'l	SOMEc	SOMAN
		2-Wire Voice Grade Loop (SL 1) - Zone 1		1	UEPPX	UEPLX	14.05													
		2-Wire Voice Grade Loop (SL 1) - Zone 2		2	UEPPX	UEPLX	24.14													
		2-Wire Voice Grade Loop (SL 1) - Zone 3		3	UEPPX	UEPLX	49.3													
		2-Wire Voice Grade Line Port Rates (BUS - PBX)																		
		Line Side Unbundled Combination 2-Way PBX Trunk Port - Bu			UEPPX	UEPPC	2.55						31.92	7.32						
		Line Side Unbundled Outward PBX Trunk Port - Bu			UEPPX	UEPPO	2.55						31.92	7.32						
		Line Side Unbundled Incoming PBX Trunk Port - Bu			UEPPX	UEPP1	2.55						31.92	7.32						
		2-Wire Voice Unbundled 2-Way Combination PBX Louisiana Calling Pc			UEPPX	UEPL2	2.55						31.92	7.32						
		2-Wire Voice Unbundled PBX LD Terminal Port			UEPPX	UEPLD	2.55						31.92	7.32						
		2-Wire Voice Unbundled 2-Way Combination PBX Usage Poi			UEPPX	UEPXA	2.55						31.92	7.32						
		2-Wire Voice Unbundled PBX Toll Terminal Hotel Port			UEPPX	UEPXB	2.55						31.92	7.32						
		2-Wire Voice Unbundled PBX LD DDD Terminals Poi			UEPPX	UEPXC	2.55						31.92	7.32						
		2-Wire Voice Unbundled PBX LD Terminal Switchboard Po			UEPPX	UEPXD	2.55						31.92	7.32						
		2-Wire Voice Unbundled PBX LD Terminal Switchboard IDD Capable Po			UEPPX	UEPXE	2.55						31.92	7.32						
		2-Wire Voice Unbundled 2-Way PBX Louisiana Local Optional Calling Pc			UEPPX	UEP XK	2.55						31.92	7.32						
		2-Wire Voice Unbundled 2-Way PBX Hotel/Hospital Economy Administrative Calling Port			UEPPX	UEPXL	2.55						31.92	7.32						
		2-Wire Voice Unbundled 2-Way PBX Hotel/Hospital Economy Room Calling Po			UEPPX	UEPXM	2.55						31.92	7.32						
		2-Wire Voice Unbundled 1-Way Outgoing PBX Hotel/Hospital Discount Room Calling Port			UEPPX	UEPXO	2.55						31.92	7.32						
		2-Wire Voice Unbundled 1-Way Outgoing PBX Louisiana Local Discount Calling Pc			UEPPX	UEPXP	2.55						31.92	7.32						
		2-Wire Voice Unbundled 1-Way Outgoing PBX Measured Po			UEPPX	UEPXS	2.55						31.92	7.32						
		LOCAL NUMBER PORTABILITY																		
		Local Number Portability (1 per port)			UEPPX	LNPCP	3.15													
		FEATURES																		
		All Features Offerec			UEPPX	UEPVF	8.28	0	0				31.92	7.32						
		NONRECURRING CHARGES (NRCs) - CURRENTLY COMBINED																		
		2-Wire Voice Grade Loop/ Line Port Combination (PBX) - Conversion - Switch-As-			UEPPX	USAC2		3.8	0.29				31.92	7.32						
		2-Wire Voice Grade Loop/ Line Port Combination (PBX) - Conversion - Switch with Change			UEPPX	USACC		3.8	0.29				31.92	7.32						
		2-Wire Voice Grade Loop / Line Port Combination - Conversion - Subsequent Database Update							2.11					5.12						
		ADDITIONAL NRCs																		
		2-Wire Voice Grade Loop/ Line Port Combination (PBX) - Subsequent Activi			UEPPX	USAS2	0	0	0											
		PBX Subsequent Activity - Change/Rearrange Multiline Hunt Gro						14.64	14.64				19.99	19.99	19.99	19.99				
		2-WIRE VOICE GRADE LOOP WITH 2-WIRE ANALOG LINE COIN PORT																		
		UNE Port/Loop Combination Rates																		
		2-Wire VG Coin Port/Loop Combo - Zone 1					16.79													
		2-Wire VG Coin Port/Loop Combo - Zone 2					26.88													
		2-Wire VG Coin Port/Loop Combo - Zone 3					52.04													
		UNE Loop Rates																		
		2-Wire Voice Grade Loop (SL1) - Zone 1			UEPCO	UEPLX	14.05													
		2-Wire Voice Grade Loop (SL1) - Zone 2			UEPCO	UEPLX	24.14													
		2-Wire Voice Grade Loop (SL1) - Zone 3			UEPCO	UEPLX	49.3													

UNBUNDLED NETWORK ELEMENTS
LA

CATEGORY	NOTES	UNBUNDLED NETWORK ELEMENT	Interim	Zone	BCS	USOC	RATES (\$)					OSS RATES (\$)					
							Nonrecurring		Nonrecurring			Svc Order Submitted Elec per LSR	Svc Order Submitted Manually per LSR	Incremental Charge - Manual Svc Order vs. Electronic-1st	Incremental Charge - Manual Svc Order vs. Electronic-Add'l	Incremental Charge - Manual Svc Order vs. Electronic-Disc 1st	Incremental Charge - Manual Svc Order vs. Electronic-Disc Add'l
							Rec	First	Add'l	First	Add'l						
							SOMECD	SOMAN	SOMAN	SOMAN	SOMAN	SOMAN	SOMAN				
2-Wire Voice Grade Line Ports (COIN)																	
		2-Wire Coin 2-Way without Operator Screening and without Blocking (AL, KY, LA, MS)			UEPCO	UEPRF	2.74						31.92	7.32			
		2-Wire Coin 2-Way with Operator Screening and Blocking: 011, 900/976, 1+DDD (AL, KY, LA, MS)			UEPCO	UEPRA	2.74						31.92	7.32			
		2-Wire Coin 2-Way with Operator Screening and 011 Blocking (AL, LA, MS)			UEPCO	UEPRB	2.74						31.92	7.32			
		2-Wire Coin 2-Way with Operator Screening & Blocking: 900/976, 1+DDD, 011+, & Local (AL, KY, LA, MS)			UEPCO	UEPCD	2.74						31.92	7.32			
		2-Wire Coin Outward without Blocking and without Operator Screening (KY, LA, MS)			UEPCO	UEPRN	2.74						31.92	7.32			
		2-Wire Coin Outward with Operator Screening and 011 Blocking (LA)			UEPCO	UEPLA	2.74						31.92	7.32			
		2-Wire Coin Outward with Operator Screening and Blocking: 011, 900/976, 1+DDD (AL, KY, LA, MS)			UEPCO	UEPRH	2.74						31.92	7.32			
		2-Wire Coin Outward Operator Screening & Blocking: 900/976, 1+DDD, 011+, and Local (AL, KY, LA, MS)			UEPCO	UEPCN	2.74						31.92	7.32			
		2-Wire Coin 2-Way Smartline with 900/976 (Louisiana only)			UEPCO	UEPNA	2.74						31.92	7.32			
		2-Wire Coin Outward Smartline with 900/976 (Louisiana only)			UEPCO	UEPCB	2.74						31.92	7.32			
ADDITIONAL UNE COIN PORT/LOOP (RC)																	
		UNE Coin Port/Loop Combo Usage (Flat Rate)			UEPCO	URECU	1.81	0	0								
LOCAL NUMBER PORTABILITY																	
		Local Number Portability (1 per port)			UEPCO	LNPCX	0.35										
NONRECURRING CHARGES - CURRENTLY COMBINED																	
		2-Wire Voice Grade Loop / Line Port Combination - Conversion - Switch-as-			UEPCO	USAC2		3.8	0.29				31.92	7.32			
		2-Wire Voice Grade Loop / Line Port Combination - Conversion - Switch with chang			UEPCO	USACC		3.8	0.29				31.92	7.32			
ADDITIONAL NRCs																	
		2-Wire Voice Grade Loop/Line Port Combination - Subsequent Activi			UEPCO	USAS2		0	0				31.92	7.32			
2-WIRE VOICE GRADE LOOP- BUS ONLY - WITH 2-WIRE DID TRUNK PORT																	
UNE Port/Loop Combination Rates																	
		2-Wire VG Loop/2-Wire DID Trunk Port Combo - UNE Zone 1		1				28.99									
		2-Wire VG Loop/2-Wire DID Trunk Port Combo - UNE Zone 2		2				35.35									
		2-Wire VG Loop/2-Wire DID Trunk Port Combo - UNE Zone 3		3				49.88									
UNE Loop Rates																	
		2-Wire Analog Voice Grade Loop - (SL2) - UNE Zone 1		1	UEPPX	UECD1	19.5	210.21	135.21	105.01	20.41		19.99	19.99	19.99	19.99	
		2-Wire Analog Voice Grade Loop - (SL2) - UNE Zone 2		2	UEPPX	UECD1	25.86	210.06	135.21	105.01	20.41		19.99	19.99	19.99	19.99	
		2-Wire Analog Voice Grade Loop - (SL2) - UNE Zone 3		3	UEPPX	UECD1	40.39	210.06	135.21	105.21	20.41		19.99	19.99	19.99	19.99	
UNE Port Rate																	
		Exchange Ports - 2-Wire DID Por			UEPPX	UEPD1	9.49	238.35	37.44	121.38	7.63		19.99	19.99	19.99	19.99	
NONRECURRING CHARGES - CURRENTLY COMBINED																	
		2-Wire Voice Grade Loop / 2-Wire DID Trunk Port Combination - Switch-as-i			UEPPX	USAC1		14.6	3.72				19.99	19.99	19.99	19.99	
		2-Wire Voice Grade Loop / 2-Wire DID Trunk Port Conversion with BellSouth Allowable Changes			UEPPX	USA1C		14.6	3.72				19.99	19.99	19.99	19.99	

UNBUNDLED NETWORK ELEMENTS
LA

CATEGORY	NOTES	UNBUNDLED NETWORK ELEMENT	Interim	Zone	BCS	USOC	RATES (\$)					OSS RATES (\$)														
							Nonrecurring			Nonrecurring		SOMEC	SOMAN	SOMAN	SOMAN	SOMAN	SOMAN									
							Rec	First	Add'l	First	Add'l															
		ADDITIONAL NRCs																								
		2-Wire DID Subsequent Activity - Add Trunks, Per Trun			UEPPX	USAS1		53.5	53.5												19.99	19.99	19.99	19.99		
		Telephone Number/Trunk Group Establishment Charges																								
		DID Trunk Termination (One Per Port			UEPPX	NDT	0	0	0																19.99	
		Additional DID Numbers for each Group of 20 DID Number			UEPPX	ND4	0	0	0																19.99	
		DID Numbers, Non- consecutive DID Numbers , Per Numbe			UEPPX	ND5	0	0	0																19.99	
		Reserve Non-Consecutive DID number			UEPPX	ND6	0	0	0																19.99	
		Reserve DID Numbers			UEPPX	NDV	0	0	0																19.99	
		LOCAL NUMBER PORTABILITY																								
		Local Number Portability (1 per port			UEPPX	LNPCP	3.15																			
		2-WIRE ISDN DIGITAL GRADE LOOP WITH 2-WIRE ISDN DIGITAL LINE SIDE PORT																								
		UNE Port/Loop Combination Rates																								
		2W ISDN Digital Grade Loop/2W ISDN Digital Line Side Port - UNE Zone		1	UEPPB UEPPR		34.43																			
		2W ISDN Digital Grade Loop/2W ISDN Digital Line Side Port - UNE Zone :		2	UEPPB UEPPR		43.62																			
		2W ISDN Digital Grade Loop/2W ISDN Digital Line Side Port - UNE Zone :		3	UEPPB UEPPR		58.76																			
		UNE Loop Rates																								
		2-Wire ISDN Digital Grade Loop - UNE Zone 1		1	UEPPB UEPPR	USL2X	24.92	233.18	158.33	105.04	20.41															19.99
		2-Wire ISDN Digital Grade Loop - UNE Zone 2		2	UEPPB UEPPR	USL2X	33.11	233.18	158.33	105.01	20.41															19.99
		2-Wire ISDN Digital Grade Loop - UNE Zone 3		3	UEPPB UEPPR	USL2X	49.25	223.18	158.33	105.01	20.41															19.99
		UNE Port Rate																								
		Exchange Port - 2-Wire ISDN Line Side Por			UEPPB UEPPR	UEPPB	9.51	145.38	105.86	95.47	21.45															19.99
		NONRECURRING CHARGES - CURRENTLY COMBINED																								
		2-Wire ISDN Digital Grade Loop / 2-Wire ISDN Line Side Port Combination - Conversion			UEPPB UEPPR	USACB	0	76.93	53.97																	19.99
		ADDITIONAL NRCs																								
		LOCAL NUMBER PORTABILITY																								
		Local Number Portability (1 per port			UEPPB UEPPR	LNPCX	0.35	0	0																	
		B-CHANNEL USER PROFILE ACCESS:																								
		CVS/CSD (DMS/5ESS)			UEPPB UEPPR	U1UCA	0	0	0																	
		CVS (EWSD)			UEPPB UEPPR	U1UCB	0	0	0																	
		CSD			UEPPB UEPPR	U1UCC	0	0	0																	
		B-CHANNEL AREA PLUS USER PROFILE ACCESS: (AL,KY,LA,MS SC,MS, & TN)																								
		CVS/CSD (DMS/5ESS)			UEPPB UEPPR	U1UCD	0	0	0																	
		CVS (EWSD)			UEPPB UEPPR	U1UCE	0	0	0																	

UNBUNDLED NETWORK ELEMENTS
LA

CATEGORY	NOTES	UNBUNDLED NETWORK ELEMENT	Interim	Zone	BCS	USOC	RATES (\$)					OSS RATES (\$)							
							Rec	First	Add'l	Nonrecurring		SOME C	SOMAN	SOMAN	SOMAN	SOMAN	SOMAN		
										First	Add'l								
		CSD			UEPPB UEPPR	U1UCF	0	0	0										
USER TERMINAL PROFILE																			
		User Terminal Profile (EWSD only)			UEPPR	U1UMA	0	0	0										
VERTICAL FEATURES																			
		All Vertical Features - One per Channel B User Profile			UEPPB UEPPR	UEPVF	8.28	0	0										
INTEROFFICE CHANNEL MILEAGE																			
		Interoffice Channel mileage each, including first mile and facilities termination			UEPPB UEPPR	M1GNC	18.4	76.2	34.54				19.99	19.99	19.99	19.99			
		Interoffice Channel mileage each, additional mile			UEPPB UEPPR	M1GNM	0.0384	0	0			0							
4-WIRE DS1 DIGITAL LOOP WITH 4-WIRE ISDN DS1 DIGITAL TRUNK PORT																			
UNE Port/Loop Combination Rates																			
		4W DS1 Digital Loop/4W ISDN DS1 Digital Trunk Port - UNE Zone 1		1	UEPPP		207.97												
		4W DS1 Digital Loop/4W ISDN DS1 Digital Trunk Port - UNE Zone 2		2	UEPPP		236.26												
		4W DS1 Digital Loop/4W ISDN DS1 Digital Trunk Port - UNE Zone 3		3	UEPPP		450.74												
UNE Loop Rates																			
		4-Wire DS1 Digital Loop - UNE Zone 1		1	UEPPP	USL4P	100.42	504.38	314.73	90.59	23.72		19.99	19.99	19.99	19.99			
		4-Wire DS1 Digital Loop - UNE Zone 2		2	UEPPP	USL4P	128.71	504.38	314.73	90.59	23.72		19.99	19.99	19.99	19.99			
		4-Wire DS1 Digital Loop - UNE Zone 3		3	UEPPP	USL4P	343.19	504.38	314.73	90.59	23.72		19.99	19.99	19.99	19.99			
UNE Port Rate																			
		Exchange Ports - 4-Wire ISDN DS1 Por			UEPPP	UEPPP	107.55	407.19	202.89	160.46	40.65		19.99	19.99	19.99	19.99			
NONRECURRING CHARGES - CURRENTLY COMBINED																			
		4-Wire DS1 Digital Loop / 4-Wire ISDN DS1 Digital Trunk Port Combination - Conversion - Switch-as-it			UEPPP	USACP	0	237.88	156.94				19.99	19.99	19.99	19.99			
ADDITIONAL NRCs																			
		4-Wire DS1 Loop/4-W ISDN Digitl Trk Port - Subsq't Actvy- Inward/two way tel nos within Std Allowance			UEPPP	PR7TF		0.979					19.99	19.99	19.99	19.99			
		4-Wire DS1 Loop / 4-Wire ISDN DS1 Digital Trunk Port - Outward Tel Numbers (All States except NC)			UEPPP	PR7TO		22.99	22.99				19.99	19.99	19.99	19.99			
		4-Wire DS1 Loop / 4-Wire ISDN DS1 Digital Trk Port - Subsequent Inward Tel Nos Above Std Allowance			UEPPP	PR7ZT		45.98	45.98				19.99	19.99	19.99	19.99			
LOCAL NUMBER PORTABILITY																			
		Local Number Portability (1 per port)			UEPPP	LNPCN	1.75												
INTERFACE (Provisioning Only)																			
		Voice/Data			UEPPP	PR71V	0	0	0										
		Digital Data			UEPPP	PR71D	0	0	0										
		Inward Data			UEPPP	PR71E	0	0	0										
New or Additional "B" Channel																			
		New or Additional - Voice/Data B Channel			UEPPP	PR7BV	0	29.01					19.99	19.99	19.99	19.99			
		New or Additional - Digital Data B Channel			UEPPP	PR7BF	0	29.01					19.99	19.99	19.99	19.99			
		New or Additional Inward Data B Channel			UEPPP	PR7BD	0	29.01					19.99	19.99	19.99	19.99			
		New or Additional Useage Sensitive Voice Data B Channel			UEPPP	PR7BS	0	29.01					19.99	19.99	19.99	19.99			
		New or Additional Useage Sensitive Digital Data B Channel			UEPPP	PR7BU	0	29.01					19.99	19.99	19.99	19.99			

UNBUNDLED NETWORK ELEMENTS
LA

CATEGORY	NOTES	UNBUNDLED NETWORK ELEMENT	Interim	Zone	BCS	USOC	RATES (\$)					OSS RATES (\$)											
							Nonrecurring			Nonrecurring		Svc Order Submitted Elec per LSR	Svc Order Submitted Manually per LSR	Incremental Charge - Manual Svc Order vs. Electronic-1st	Incremental Charge - Manual Svc Order vs. Electronic-Add'l	Incremental Charge - Manual Svc Order vs. Electronic-Disc 1st	Incremental Charge - Manual Svc Order vs. Electronic-Disc Add'l						
							Rec	First	Add'l	First	Add'l							SOMECD	SOMAN	SOMAN	SOMAN	SOMAN	SOMAN
CALL TYPES																							
		Inward			UEPPP	PR7C1	0	0	0														
		Outward			UEPPP	PR7C0	0	0	0														
		Two-way			UEPPP	PR7CC	0	0	0														
		Interoffice Channel Mileage																					
		Fixed Each Including First Mil			UEPPP	1LN1A	94.1831	140.49	106.69	20			19.99	19.99	19.99	19.99							
		Each Airline-Fractional Additional Mil			UEPPP	1LN1B	0.7831																
4-WIRE DS1 DIGITAL LOOP WITH 4-WIRE DDITS TRUNK PORT																							
UNE Port/Loop Combination Rates																							
		4W DS1 Digital Loop/4W DDITS Trunk Port - UNE Zone 1		1	UEPDC		178.08						19.99	19.99	19.99	19.99							
		4W DS1 Digital Loop/4W DDITS Trunk Port - UNE Zone 2		2	UEPDC		206.37						19.99	19.99	19.99	19.99							
		4W DS1 Digital Loop/4W DDITS Trunk Port - UNE Zone 3		3	UEPDC		420.85						19.99	19.99	19.99	19.99							
UNE Loop Rates																							
		4-Wire DS1 Digital Loop - UNE Zone 1		1	UEPDC	USLDC	100.42	504.38	314.73	90.59	23.72		19.99	19.99	19.99	19.99							
		4-Wire DS1 Digital Loop - UNE Zone 2		2	UEPDC	USLDC	128.71	504.38	314.73	90.59	23.72		19.99	19.99	19.99	19.99							
		4-Wire DS1 Digital Loop - UNE Zone 3		3	UEPDC	USLDC	343.19	504.38	314.73	90.59	23.72		19.99	19.99	19.99	19.99							
UNE Port Rate																							
		4-Wire DDITS Digital Trunk Por			UEPDC	UDD1T	77.66	403.61	191.17	147.11	4.98		19.99	19.99	19.99	19.99							
NONRECURRING CHARGES - CURRENTLY COMBINED																							
		4-Wire DS1 Digital Loop / 4-Wire DDITS Trunk Port Combination - Switch-as-i			UEPDC	USAC4		266.76	123.16				19.99	19.99	19.99	19.99							
		4-Wire DS1 Digital Loop / 4-Wire DDITS Trunk Port Combination - Conversion with DS1 Changes			UEPDC	USAWA		266.76	123.16				19.99	19.99	19.99	19.99							
		4-Wire DS1 Digital Loop / 4-Wire DDITS Trunk Port Combination - Conversion with Change - Trunk			UEPDC	USAWB		266.76	123.16				19.99	19.99	19.99	19.99							
ADDITIONAL NRCs																							
		4-Wire DS1 Loop / 4-Wire DDITS Trunk Port - NRC - Subsequent Channel Activation/Chan - 2-Way Trunk			UEPDC	UDTTA		26.6	26.6				19.99	19.99	19.99	19.99							
		4-Wire DS1 Loop / 4-Wire DDITS Trunk Port - Subsequent Channel Activation/Chan - 1-Way Outward Trunk			UEPDC	UDTTB		26.6	26.6				19.99	19.99	19.99	19.99							
		4-Wire DS1 Loop / 4-Wire DDITS Trunk Port - Subsqt Channel Activation/Chan Inward Trunk w/out DLE			UEPDC	UDTTC		26.6	26.6				19.99	19.99	19.99	19.99							
		4-Wire DS1 Loop / 4-Wire DDITS Trunk Port - Subsqt Chan Activation Per Chan - Inward Trunk with DLE			UEPDC	UDTTD		26.6	26.6				19.99	19.99	19.99	19.99							
		4-Wire DS1 Loop / 4-Wire DDITS Trunk Port - Subsqt Chan Activation / Chan - 2-Way DID w User Trans			UEPDC	UDTTE		26.6	26.6				19.99	19.99	19.99	19.99							
BIPOLAR 8 ZERO SUBSTITUTION																							
		B8ZS -Superframe Format			UEPDC	CCOSF		0	605				19.99	19.99	19.99	19.99							
		B8ZS - Extended Superframe Format			UEPDC	CCOEF		0	605				19.99	19.99	19.99	19.99							
Alternate Mark Inversion																							
		AMI -Superframe Format			UEPDC	MCOSF		0	0														
		AMI - Extended SuperFrame Forma			UEPDC	MCOPO		0	0														

UNBUNDLED NETWORK ELEMENTS
LA

CATEGORY	NOTES	UNBUNDLED NETWORK ELEMENT	Interim	Zone	BCS	USOC	RATES (\$)					OSS RATES (\$)												
							Nonrecurring			Nonrecurring		Svc Order Submitted Elec per LSR	Svc Order Submitted Manually per LSR	Incremental Charge - Manual Svc Order vs. Electronic-1st	Incremental Charge - Manual Svc Order vs. Electronic-Add'l	Incremental Charge - Manual Svc Order vs. Electronic-Disc 1st	Incremental Charge - Manual Svc Order vs. Electronic-Disc Add'l							
							Rec	First	Add'l	First	Add'l							SOMEc	SOMAN	SOMAN	SOMAN	SOMAN	SOMAN	
Telephone Number/Trunk Group Establishment Charges																								
		Telephone Number for 2-Way Trunk Group			UEPDC	UDTGX	0																	
		Telephone Number for 1-Way Outward Trunk Group			UEPDC	UDTGY	0					19.99												
		Telephone Number for 1-Way Inward Trunk Group Without DI			UEPDC	UDTGZ	0					19.99												
		DID Numbers for each Group of 20 DID Numbers			UEPDC	ND4	0					19.99												
		DID Numbers, Non- consecutive DID Numbers , Per Number			UEPDC	ND5	0					19.99												
		Reserve Non-Consecutive DID Nos			UEPDC	ND6	0	0	0			19.99												
		Reserve DID Numbers			UEPDC	NDV	0	0	0			19.99												
Dedicated DS1 (Interoffice Channel Mileage) - FX/FCO for 4-Wire DS1 Digital Loop with 4-Wire DDITS Trunk Port																								
		Interoffice Channel Mileage - Fixed rate 0-8 miles (Facilities Termination)			UEPDC	1LNO1	93.4	140.49	106.69	20	16.34		19.99	19.99	19.99	19.99								
		Interoffice Channel Mileage - Additional rate per mile - 0-8 mile			UEPDC	1LNOA	0.7831	0	0															
		Interoffice Channel Mileage - Fixed rate 9-25 miles (Facilities Termination)			UEPDC	1LNO2	0	0	0															
		Interoffice Channel Mileage - Additional rate per mile - 9-25 mile			UEPDC	1LNOB	0.7831	0	0															
		Interoffice Channel Mileage - Fixed rate 25+ miles (Facilities Termination)			UEPDC	1LNO3	0	0	0	0														
		Interoffice Channel Mileage - Additional rate per mile - 25+ mile			UEPDC	1LNOC	0.7831	0	0															
		Local Number Portability, per DS0 Activation			UEPDC	LNPCP	3.15	0	0	0														
		Central Office Terminating Point			UEPDC	CTG	0																	
4-WIRE DS1 LOOP WITH CHANNELIZATION WITH PORT																								
System is 1 DS1 Loop, 1 D4 Channel Bank, and up to 24 Feature Activations																								
Each System can have up to 24 combinations of rates depending on type and number of ports used																								
UNE DS1 Loop																								
		4-Wire DS1 Loop - UNE Zone 1			UEPMG	USLDC	100.42	0	0															
		4-Wire DS1 Loop - UNE Zone 2			UEPMG	USLDC	128.71	0	0															
		4-Wire DS1 Loop - UNE Zone 3			UEPMG	USLDC	343.19	0	0															
UNE DSO Channelization Capacities (D4 Channel Bank Configurations)																								
		24 DSO Channel Capacity - 1 per DS1			UEPMG	VUM24	112.51	0	0															
		48 DSO Channel Capacity - 1 per 2 DS1s			UEPMG	VUM48	225.02	0	0															
		96 DSO Channel Capacity -1per 4 DS1s			UEPMG	VUM96	450.04	0	0															
		144 DSO Channel Capacity - 1 per 6 DS1s			UEPMG	VUM14	675.06	0	0															
		192 DSO Channel Capacity -1 per 8 DS1s			UEPMG	VUM19	900.08	0	0															
		240 DSO Channel Capacity - 1 per 10 DS1s			UEPMG	VUM20	1125.1	0	0															
		288 DSO Channel Capacity - 1 per 12 DS1s			UEPMG	VUM28	1350.12	0	0															
		384 DSO Channel Capacity - 1 per 16 DS1s			UEPMG	VUM38	1800.16	0	0															

UNBUNDLED NETWORK ELEMENTS
LA

CATEGORY	NOTES	UNBUNDLED NETWORK ELEMENT	Interim	Zone	BCS	USOC	RATES (\$)				OSS RATES (\$)								
							Nonrecurring		Nonrecurring		Svc Order Submitted Elec per LSR	Svc Order Submitted Manually per LSR	Incremental Charge - Manual Svc Order vs. Electronic-1st	Incremental Charge - Manual Svc Order vs. Electronic-Add'l	Incremental Charge - Manual Svc Order vs. Electronic-Disc 1st	Incremental Charge - Manual Svc Order vs. Electronic-Disc Add'l			
							Rec	First	Add'l	First							Add'l	SOMECE	SOMAN
		480 DS0 Channel Capacity - 1 per 20 DS1s			UEPMG	VUM40	2250.2	0	0										
		576 DS0 Channel Capacity -1 per 24 DS1s			UEPMG	VUM57	2700.24	0	0										
		672 DS0 Channel Capacity - 1 per 28 DS1s			UEPMG	VUM67	3150.28	0	0										
		Non-Recurring Charges (NRC) Associated with 4-Wire DS1 Loop with Channelization with Port - Conversion Charge Based on a System																	
		A Minimum System configuration is One (1) DS1, One (1) D4 Channel Bank, and Up To 24 DSO Ports with Feature Activations.																	
		Multiples of this configuration functioning as one are considered Add'l after the minimum system configuration is counted.																	
		NRC - Conversion (Currently Combined) with or without BellSouth Allowed Changes			UEPMG	USAC4	0	300.63	16.7					19.99	19.99	19.99	19.99		
		System Additions at End User Locations Where 4-Wire DS1 Loop with Channelization with Port Combination Currently Exists and New (Not Currently Combined) In Georgia Only																	
		NRC - 1 DS1/D4 Channel Bank - Add NRC for each Port and Assoc Feature Activation - New GA Only			UEPMG	VUMD4	0	715.54	467.54	148.34	17.63			19.99	19.99	19.99	19.99		
		Bipolar 8 Zero Substitution																	
		Clear Channel Capability Format, superframe - Subsequent Activity Only			UEPMG	CCOSF	0	0	605					19.99	19.99	19.99	19.99		
		Clear Channel Capability Format - Extended Superframe - Subsequent Activity Only			UEPMG	CCOEF	0	0	605					19.99	19.99	19.99	19.99		
		Alternate Mark Inversion (AMI)																	
		Superframe Format			UEPMG	MCOSF	0	0	0										
		Extended Superframe Format			UEPMG	MCOPO	0	0	0										
		Exchange Ports Associated with 4-Wire DS1 Loop with Channelization with Port																	
		Exchange Ports																	
		Line Side Combination Channelized PBX Trunk Port - Business			UEPPX	UEPCX	1.72	0	0	0	0			19.99					
		Line Side Outward Channelized PBX Trunk Port - Business			UEPPX	UEPOX	1.72	0	0	0	0			19.99					
		Line Side Inward Only Channelized PBX Trunk Port without DID			UEPPX	UEP1X	1.72	0	0	0	0			19.99					
		2-Wire Trunk Side Unbundled Channelized DID Trunk Port			UEPPX	UEPDM	9.52	0	0	0	0			19.99					
		Feature Activations - Unbundled Loop Concentration																	
		Feature (Service) Activation for each Line Side Port Terminated in D4 Bank			UEPPX	1PQWM	0.75	25.36	13.4	4.47	4.24			19.99	19.99	19.99	19.99		
		Feature (Service) Activation for each Trunk Side Port Terminated in D4 Bank			UEPPX	1PQWU	0.75	78.05	18.4	60.03	11.73			19.99	19.99	19.99	19.99		
		Telephone Number/ Group Establishment Charges for DID Service																	
		DID Trunk Termination (1 per Port)			UEPPX	NDT	0												
		DID Numbers - groups of 20 - Valid all States			UEPPX	ND4	0	0	0					19.99					
		Non-Consecutive DID Numbers - per number			UEPPX	ND5	0	0	0					19.99					
		Reserve Non-Consecutive DID Numbers			UEPPX	ND6	0	0	0										
		Reserve DID Numbers			UEPPX	NDV	0	0	0										
		Local Number Portability																	
		Local Number Portability - 1 per port			UEPPX	LNPCP	3.15	0	0										
		FEATURES - Vertical and Optional																	
		Local Switching Features Offered with Line Side Ports Only																	
		All Features Available			UEPPX	UEPVF	8.28	0	0					19.99					

UNBUNDLED NETWORK ELEMENTS
LA

CATEGORY	NOTES	UNBUNDLED NETWORK ELEMENT	Interim	Zone	BCS	USOC	RATES (\$)					OSS RATES (\$)					
							Rec	First	Add'l	First	Add'l	SOME C	SOMAN	SOMAN	SOMAN	SOMAN	SOMAN
							Nonrecurring		Nonrecurring			Svc Order Submitted Elec per LSR	Svc Order Submitted Manually per LSR	Incremental Charge - Manual Svc Order vs. Electronic-1st	Incremental Charge - Manual Svc Order vs. Electronic-Add'l	Incremental Charge - Manual Svc Order vs. Electronic-Disc 1st	Incremental Charge - Manual Svc Order vs. Electronic-Disc Add'l
							Disconnect		Disconnect								
							Rec	First	Add'l	First	Add'l	SOME C	SOMAN	SOMAN	SOMAN	SOMAN	SOMAN
UNBUNDLED PORT LOOP COMBINATIONS - MARKET RATES																	
		Market Rates shall apply where BellSouth is not required to provide unbundled local switching or switch ports per FCC and/or State Commission rules.															
		These scenarios include:															
		1. Unbundled port/loop combinations that are Not Currently Combined in all of the BellSouth states except as noted for Georgia and Tennessee.															
		2. Unbundled port/loop combinations that are Currently Combined or Not Currently Combined in Zone 1 of the Top 8 MSAs in BellSouth's region for end users with 4 or more DS0 equivalent lines.															
		The Top 8 MSAs in BellSouth's region are: FL (Orlando, Ft. Lauderdale, Miami); GA (Atlanta); LA (New Orleans); NC (Greensboro-Winston Salem-Highpoint/Charlotte-Gastonia-Rock Hill); TN (Nashville).															
		BellSouth currently is developing the billing capability to mechanically bill the recurring unbundled port Market Rates in this section as well as the nonrecurring Market Rates in this section for Currently Combined port/loop combinations in Zone 1 of the Top 8 MSAs in BellSouth's region for end users with 4 or more DS0 equivalent lines. In the interim, BellSouth shall bill the rates in the Cost-Based section preceding in lieu of such Market Rates and reserves the right to true-up the billing difference.															
		The Market Rate for unbundled ports includes all available features in all states.															
		End Office and Tandem Switching Usage and Common Transport Usage rates in the Port section of this rate exhibit shall apply to all combinations of loop/port network elements except for UNE Coin Port/Loop Combinations which have a flat rate usage charge (USOC: URECU).															
		For Not Currently Combined scenarios where Market Rates apply, the Nonrecurring charges are listed in the First and Additional NRC columns for each Port USOC. For Currently Combined scenarios, the Nonrecurring charges are listed in the NRC - Currently Combined section. Additional NRCs may apply also and are categorized accordingly.															
		2-WIRE VOICE GRADE LOOP WITH 2-WIRE LINE PORT (RES)															
		UNE Port/Loop Combination Rates															
		2-Wire VG Loop/Port Combo - Zone 1		1													
		2-Wire VG Loop/Port Combo - Zone 2		2													
		2-Wire VG Loop/Port Combo - Zone 3		3													
		UNE Loop Rates															
		2-Wire Voice Grade Loop (SL1) - Zone 1		1	UEPRX	UEPLX											
		2-Wire Voice Grade Loop (SL1) - Zone 2		2	UEPRX	UEPLX											
		2-Wire Voice Grade Loop (SL1) - Zone 3		3	UEPRX	UEPLX											
		2-Wire Voice Grade Line Port (Res)															
		2-Wire voice unbundled port - residency			UEPRX	UEPRL											
		2-Wire voice unbundled port with Caller ID - re			UEPRX	UEPRC											
		2-Wire voice unbundled port outgoing only - re			UEPRX	UEPRO											
		2-Wire voice Grade unbundled Louisiana extended local dialing parity port with Caller ID - res			UEPRX	UEPAS											
		2-Wire voice unbundled Louisiana Area Plus with Caller ID - res (RUI)			UEPRX	UEPAG											
		2-Wire voice unbundled Louisiana Area Plus with Caller ID - res (AC)			UEPRX	UEPAH											
		2-Wire voice unbundles res. low usage line port with Caller ID (LUA)			UEPRX	UEPAP											
		LOCAL NUMBER PORTABILITY															
		Local Number Portability (1 per port)			UEPRX	LNPCX											
		FEATURES															
		All Features Offered			UEPRX	UEPVF											
		2-Wire Voice Grade Loop / Line Port Combination - Switch-as-i			UEPRX	USAC2											

UNBUNDLED NETWORK ELEMENTS
LA

CATEGORY	NOTES	UNBUNDLED NETWORK ELEMENT	Interim	Zone	BCS	USOC	RATES (\$)						OSS RATES (\$)									
							Nonrecurring			Nonrecurring			SOMECS	SOMAN	SOMAN	SOMAN	SOMAN	SOMAN				
							Rec	First	Add'l	Disconnect		First							Add'l			
		2-Wire Voice Grade Loop / Line Port Combination - Switch with chang			UEPRX	USACC		41.5	41.5													
ADDITIONAL NRCs																						
		NRC - 2-Wire Voice Grade Loop/Line Port Combination - Subsequer			UEPRX	USAS2		0	0													
2-WIRE VOICE GRADE LOOP WITH 2-WIRE LINE PORT (BUS)																						
UNE Port/Loop Combination Rates																						
		2-Wire VG Loop/Port Combo - Zone 1		1				28.05														
		2-Wire VG Loop/Port Combo - Zone 2		2				38.14														
		2-Wire VG Loop/Port Combo - Zone 3		3				63.3														
UNE Loop Rates																						
		2-Wire Voice Grade Loop (SL1) - Zone 1		1	UEPBX	UEPLX		14.05														
		2-Wire Voice Grade Loop (SL1) - Zone 2		2	UEPBX	UEPLX		24.14														
		2-Wire Voice Grade Loop (SL1) - Zone 3		3	UEPBX	UEPLX		49.3														
2-Wire Voice Grade Line Port (Bus)																						
		2-Wire voice unbundled port without Caller ID - bu			UEPBX	UEPBL		14	90	90												
		2-Wire voice unbundled port with Caller + E484 ID - bu			UEPBX	UEPBC		14	90	90												
		2-Wire voice unbundled port outgoing only - bu			UEPBX	UEPBO		14	90	90												
		2-Wire voice Grade unbundled Louisiana extended local dialing parity port with Caller ID - bus			UEPBX	UEPAX		14	90	90												
		2-Wire voice unbundled Louisiana Bus Area Calling Port with Caller ID (BU)			UEPBX	UEPAA		14														
LOCAL NUMBER PORTABILITY																						
		Local Number Portability (1 per port)			UEPBX	LNPCX		0.35														
FEATURES																						
NONRECURRING CHARGES - CURRENTLY COMBINED																						
		2-Wire Voice Grade Loop / Line Port Combination - Switch-as-i			UEPBX	USAC2		41.5	41.5													
		2-Wire Voice Grade Loop / Line Port Combination - Switch with chang			UEPBX	USACC		41.5	41.5													
ADDITIONAL NRCs																						
		NRC - 2-Wire Voice Grade Loop/Line Port Combination - Subsequer			UEPBX	USAS2		0	0													
2-WIRE VOICE GRADE LOOP WITH 2-WIRE LINE PORT (RES - PBX)																						
UNE Port/Loop Combination Rates																						
		2-Wire VG Loop/Port Combo - Zone 1		1				28.05														
		2-Wire VG Loop/Port Combo - Zone 2		2				38.14														
		2-Wire VG Loop/Port Combo - Zone 3		3				63.3														
UNE Loop Rates																						
		2-Wire Voice Grade Loop (SL1) - Zone 1		1	UEPRG	UEPLX		14.05														
		2-Wire Voice Grade Loop (SL1) - Zone 2		2	UEPRG	UEPLX		24.14														
		2-Wire Voice Grade Loop (SL1) - Zone 3		3	UEPRG	UEPLX		49.3														
2-Wire Voice Grade Line Port Rates (RES - PBX)																						
		2-Wire VG Unbundled Combination 2-Way PBX Trunk Port - Re			UEPRG	UEPRD		14	90	90												
LOCAL NUMBER PORTABILITY																						

UNBUNDLED NETWORK ELEMENTS
LA

CATEGORY	NOTES	UNBUNDLED NETWORK ELEMENT	Interim	Zone	BCS	USOC	RATES (\$)				OSS RATES (\$)								
							Rec	First	Add'l	Disconnect	SOME C	SOMAN	SOMAN	SOMAN	SOMAN	SOMAN			
		Local Number Portability (1 per port)			UEPRG	LNPCP	3.15												
	FEATURES																		
	NONRECURRING CHARGES - CURRENTLY COMBINED																		
		2-Wire Voice Grade Loop/ Line Port Combination - Switch-As-I			UEPRG	USAC2	41.5	41.5											
		2-Wire Voice Grade Loop/ Line Port Combination - Switch with Chang			UEPRG	USACC	41.5	41.5											
	ADDITIONAL NRCs																		
		2 Wire Loop/Line Side Port Combination - Non feature - Subsequent Activity- Nonrecurring					0	0											
		PBX Subsequent Activity - Change/Rearrange Multiline Hunt Gro					14.64	14.64				19.99	19.99	19.99	19.99				
		2-WIRE VOICE GRADE LOOP WITH 2-WIRE LINE PORT (BUS - PBX)																	
	UNE Port/Loop Combination Rates																		
		2-Wire VG Loop/Port Combo - Zone 1		1			28.05												
		2-Wire VG Loop/Port Combo - Zone 2		2			38.14												
		2-Wire VG Loop/Port Combo - Zone 3		3			63.3												
	UNE Loop Rates																		
		2-Wire Voice Grade Loop (SL1) - Zone 1		1	UEPPX	UEPLX	14.05												
		2-Wire Voice Grade Loop (SL1) - Zone 2		2	UEPPX	UEPLX	24.14												
		2-Wire Voice Grade Loop (SL1) - Zone 3		3	UEPPX	UEPLX	49.3												
	2-Wire Voice Grade Line Port Rates (BUS - PBX)																		
		Line Side Unbundled Combination 2-Way PBX Trunk Port - Bu			UEPPX	UEPPC	14	90	90				31.92	7.32					
		Line Side Unbundled Outward PBX Trunk Port - Bu			UEPPX	UEPPO	14	90	90				31.92	7.32					
		Line Side Unbundled Incoming PBX Trunk Port - Bu			UEPPX	UEPP1	14	90	90				31.92	7.32					
		2-Wire Voice Unbundled 2-Way Combination PBX Louisiana Calling Pc			UEPPX	UEPL2	14						31.92	7.32					
		2-Wire Voice Unbundled PBX LD Terminal Port			UEPPX	UEPLD	14	90	90				31.92	7.32					
		2-Wire Voice Unbundled 2-Way Combination PBX Usage Po			UEPPX	UEPXA	14	90	90				31.92	7.32					
		2-Wire Voice Unbundled PBX Toll Terminal Hotel Port			UEPPX	UEPXB	14	90	90				31.92	7.32					
		2-Wire Voice Unbundled PBX LD DDD Terminals Poi			UEPPX	UEPXC	14	90	90				31.92	7.32					
		2-Wire Voice Unbundled PBX LD Terminal Switchboard Po			UEPPX	UEPXD	14	90	90				31.92	7.32					
		2-Wire Voice Unbundled PBX LD Terminal Switchboard IDD Capable Po			UEPPX	UEPXE	14	90	90				31.92	7.32					
		2-Wire Voice Unbundled 2-Way PBX Louisiana Local Optional Calling Pc			UEPPX	UEPKK	14	90	90				31.92	7.32					
		2-Wire Voice Unbundled 2-Way PBX Hotel/Hospital Economy Administrative Calling Port			UEPPX	UEPXL	14	90	90				31.92	7.32					
		2-Wire Voice Unbundled 2-Way PBX Hotel/Hospital Economy Room Calling Po			UEPPX	UEPXM	14	90	90				31.92	7.32					
		2-Wire Voice Unbundled 1-Way Outgoing PBX Hotel/Hospital Discount Room Calling Port			UEPPX	UEPXO	14	90	90				31.92	7.32					
		2-Wire Voice Unbundled 1-Way Outgoing PBX Louisiana Local Discount Calling Pc			UEPPX	UEPXP	14	90	90				31.92	7.32					
		2-Wire Voice Unbundled 1-Way Outgoing PBX Measured Po			UEPPX	UEPXS	14	90	90				31.92	7.32					
	LOCAL NUMBER PORTABILITY																		
		Local Number Portability (1 per port)			UEPPX	LNPCP	3.15												
	FEATURES																		
	NONRECURRING CHARGES - CURRENTLY COMBINED																		

UNBUNDLED NETWORK ELEMENTS
LA

CATEGORY	NOTES	UNBUNDLED NETWORK ELEMENT	Interim	Zone	BCS	USOC	RATES (\$)				OSS RATES (\$)						
							Rec	First	Add'l	Disconnect	SOME C	SOMAN	SOMAN	SOMAN	SOMAN	SOMAN	
		2-Wire Voice Grade Loop/ Line Port Combination - Switch-As-I			UEPPX	USAC2	41.5	41.5									
		2-Wire Voice Grade Loop/ Line Port Combination - Switch with Chang			UEPPX	USACC	41.5	41.5									
		ADDITIONAL NRCs															
		2-Wire Voice Grade Loop/ Line Port Combination - Subsequer			UEPPX	USAS2	0	0									
		2 Wire Loop/Line Side Port Combination - Non feature - Subsequent Activity- Nonrecurring					0	0									
		PBX Subsequent Activity - Change/Rearrange Multiline Hunt Gro					14.64	14.64				19.99	19.99	19.99	19.99		
		2-WIRE VOICE GRADE LOOP WITH 2-WIRE ANALOG LINE COIN PORT															
		UNE Port/Loop Combination Rates															
		2-Wire VG Coin Port/Loop Combo – Zone 1					28.05										
		2-Wire VG Coin Port/Loop Combo – Zone 2					38.14										
		2-Wire VG Coin Port/Loop Combo – Zone 3					63.3										
		UNE Loop Rates															
		2-Wire Voice Grade Loop (SL1) - Zone 1			UEPCO	UEPLX	14.05										
		2-Wire Voice Grade Loop (SL1) - Zone 2			UEPCO	UEPLX	24.14										
		2-Wire Voice Grade Loop (SL1) - Zone 3			UEPCO	UEPLX	49.3										
		2-Wire Voice Grade Line Port Rates (Coin)															
		2-Wire Coin 2-Way without Operator Screening and without Blocking (AL, KY, LA, MS)			UEPCO	UEPRF	14	90	90				31.92	7.32			
		2-Wire Coin 2-Way with Operator Screening and Blocking: 011, 900/976, 1+DDD (AL, KY, LA, MS, SC)			UEPCO	UEPRA	14	90	90				31.92	7.32			
		2-Wire Coin 2-Way with Operator Screening and 011 Blocking (AL, LA, MS)			UEPCO	UEPRB	14	90	90				31.92	7.32			
		2-Wire Coin 2-Way with Operator Screening & Blocking: 900/976, 1+DDD, 011+, & Local (AL, KY, LA, MS)			UEPCO	UEPCD	14	90	90				31.92	7.32			
		2-Wire Coin Outward without Blocking and without Operator Screening (KY, LA, MS)			UEPCO	UEPRN	14	90	90				31.92	7.32			
		2-Wire Coin Outward with Operator Screening and 011 Blocking (LA)			UEPCO	UEPLA	14	90	90				31.92	7.32			
		2-Wire Coin Outward with Operator Screening and Blocking: 011, 900/976, 1+DDD (AL, KY, LA, MS)			UEPCO	UEPRH	14	90	90				31.92	7.32			
		2-Wire Coin Outward Operator Screening & Blocking: 900/976, 1+DDD, 011+, & Local (AL, KY, LA, MS)			UEPCO	UEPCN	14	90	90				31.92	7.32			
		LOCAL NUMBER PORTABILITY															
		Local Number Portability (1 per port)			UEPCO	LNPCX	0.35										
		NONRECURRING CHARGES - CURRENTLY COMBINED															
		2-Wire Voice Grade Loop/ Line Port Combination - Switch-As-Is			UEPCO	USAC2	41.5	41.5									
		2-Wire Voice Grade Loop/ Line Port Combination - Switch with Chang			UEPCO	USACC	41.5	41.5									
		ADDITIONAL NRCs															
		2-Wire Voice Grade Loop/ Line Port Combination - Subsequer			UEPCO	USAS2	0	0									

UNBUNDLED NETWORK ELEMENTS
MS

CATEGORY	NOTES	UNBUNDLED NETWORK ELEMENT	Interim	Zone	BCS	USOC	RATES (\$)					OSS RATES (\$)					
							Rec	First	Add'l	First	Add'l	SOME C	SOMAN	SOMAN	SOMAN	SOMAN	SOMAN
							Nonrecurring		Nonrecurring			Svc Order Submitted Elec per LSR	Svc Order Submitted Manually per LSR	Incremental Charge - Manual Svc Order vs. Electronic-1st	Incremental Charge - Manual Svc Order vs. Electronic-Add'l	Incremental Charge - Manual Svc Order vs. Electronic-Disc 1st	Incremental Charge - Manual Svc Order vs. Electronic-Disc Add'l
							Disconnect		Disconnect								
							Rec	First	Add'l	First	Add'l	SOME C	SOMAN	SOMAN	SOMAN	SOMAN	SOMAN
The "Zone" shown in the sections for stand-alone loops or loops as part of a combination refers to Geographically Deaveraged UNE Zones. To view Geographically Deaveraged UNE Zone Designations by Central Office, refer to Internet Website: http://www.interconnection.bellsouth.com/become_a_clec/html/interconnection.htm																	
UNBUNDLED EXCHANGE ACCESS LOOP																	
		2-WIRE ANALOG VOICE GRADE LOOP															
		2-Wire Analog Voice Grade Loop - Service Level 1- Zone		1	UEANL	UEAL2	15.58	59.25	43.67	16.35	4.06			25.52	11.34	16.06	16.06
		2-Wire Analog Voice Grade Loop - Service Level 1- Zone		2	UEANL	UEAL2	20.65	59.25	43.67	16.35	4.06			25.52	11.34	16.06	16.06
		2-Wire Analog Voice Grade Loop - Service Level 1- Zone		3	UEANL	UEAL2	29.51	59.25	43.67	16.35	4.6			25.52	11.34	16.06	16.06
		2-Wire Analog Voice Grade Loop - Service Level 1- Zone		4	UEANL	UEAL2	38.94	59.25	43.67	16.35	4.06			25.52	11.34	16.06	16.06
		2 Wire Analog Voice Grade Loop-Service Level 1-Line Splitting- Zone		1	UEPSR, UEPSB	UEALS	15.58	59.25	43.67	16.35	4.06			25.52	11.34	16.06	16.06
		2 Wire Analog Voice Grade Loop- Service Level 1-Line Splitting-Zone		2	UEPSR, UEPSB	UEALS	20.65	59.25	43.67	16.35	4.06			25.52	11.34	16.06	16.06
		2 Wire Analog Voice Grade Loop-Service Level 1-Line Splitting-Zone		3	UEPSR, UEPSB	UEALS	29.51	59.25	43.67	16.35	4.6			25.52	11.34	16.06	16.06
		2 Wire Analog Voice Grade Loop-Service Level 1-Line Splitting-Zone		4	UEPSR, UEPSB	UEALS	38.94	59.25	43.97	16.35	4.06			25.52	11.34	16.06	16.06
		Engineering Information Document (EI)			UEANL			28.72	28.72								
		Manual Order Coordination for UVL-SL1s (per loop)			UEANL	UEAMC		50.29	50.29								
		Order Coordination for Specified Conversion Time for UVL-SL1 (per LSR)			UEANL	OCOSL		45.27	45.27								
		2-Wire Analog Voice Grade Loop - Service Level 2 w/Loop or Ground Start Signaling Zone 1		1	UEA	UEAL2	18.35	144.01	107.7	40.98	26.95			25.52	11.34	16.06	16.06
		2-Wire Analog Voice Grade Loop - Service Level 2 w/Loop or Ground Start Signaling Zone 2		2	UEA	UEAL2	24.33	144.01	107.7	40.98	26.95			25.52	11.34	16.06	16.06
		2-Wire Analog Voice Grade Loop - Service Level 2 w/Loop or Ground Start Signaling Zone 3		3	UEA	UEAL2	34.77	144.01	107.7	40.98	26.95			25.52	11.34	16.06	16.06
		2-Wire Analog Voice Grade Loop - Service Level 2 w/Loop or Ground Start Signaling Zone 4		4	UEA	UEAL2	45.88	144.01	107.7	40.98	26.95			25.52	11.34	16.06	16.06
		Order Coordination for Specified Conversion Time (per LSF			UEA	OCOSL		45.27									
		2-Wire Analog Voice Grade Loop - Service Level 2 w/Reverse Battery Signaling - Zone 1		1	UEA	UEAR2	18.35	144.01	107.7	40.98	26.95			25.52	11.34	16.06	16.06
		2-Wire Analog Voice Grade Loop - Service Level 2 w/Reverse Battery Signaling - Zone 2		2	UEA	UEAR2	24.33	144.01	107.7	40.98	26.95			25.52	11.34	16.06	16.06
		2-Wire Analog Voice Grade Loop - Service Level 2 w/Reverse Battery Signaling - Zone 3		3	UEA	UEAR2	34.77	144.01	107.7	40.98	26.95			25.52	11.34	16.06	16.06
		2-Wire Analog Voice Grade Loop - Service Level 2 w/Reverse Battery Signaling - Zone 4		4	UEA	UEAR2	45.88	144.01	107.7	40.98	26.95			25.52	11.34	16.06	16.06
		Order Coordination for Specified Conversion Time (per LSF			UEA	OCOSL		45.27									
		4-WIRE ANALOG VOICE GRADE LOOP															
		4-Wire Analog Voice Grade Loop - Zone 1		1	UEA	UEAL4	22.38	289.06	238.19	108.14	57.28			25.52	11.34	16.06	16.06
		4-Wire Analog Voice Grade Loop - Zone 2		2	UEA	UEAL4	29.67	289.06	238.19	108.14	57.28			25.52	11.34	16.06	16.06
		4-Wire Analog Voice Grade Loop - Zone 3		3	UEA	UEAL4	42.4	289.06	238.19	108.14	57.28			25.52	11.34	16.06	16.06
		4-Wire Analog Voice Grade Loop - Zone 4		4	UEA	UEAL4	55.96	289.06	238.19	108.14	57.28			25.52	11.34	16.06	16.06
		Order Coordination for Specified Conversion Time (per LSF			UEA	OCOSL		45.27									
		2-WIRE ISDN DIGITAL GRADE LOOP															
		2-Wire ISDN Digital Grade Loop - Zone 1		1	UDN	U1L2X	21.86	326.38	252	108.14	57.27			25.52	11.34	16.06	16.06

UNBUNDLED NETWORK ELEMENTS
MS

CATEGORY	NOTES	UNBUNDLED NETWORK ELEMENT	Interim	Zone	BCS	USOC	RATES (\$)					OSS RATES (\$)					
							Nonrecurring		Nonrecurring			SOMEc	SOMAN	SOMAN	SOMAN	SOMAN	SOMAN
							Rec	First	First	Add'l	First						
							Disconnect	Disconnect	Disconnect	Disconnect	Disconnect	Disconnect					
		2-Wire ISDN Digital Grade Loop - Zone 1		2	UDN	U1L2X	28.97	326.38	252	108.14	57.27			25.52	11.34	16.06	16.06
		2-Wire ISDN Digital Grade Loop - Zone 2		3	UDN	U1L2X	41.4	326.38	252	108.14	57.27			25.52	11.34	16.06	16.06
		2-Wire ISDN Digital Grade Loop - Zone 3		4	UDN	U1L2X	54.64	326.38	252					25.52	11.34	16.06	16.06
		Order Coordination For Specified Conversion Time (per LSR			UDN	OCOSL		45.27									
		2-WIRE Universal Digital Channel (UDC) COMPATIBLE LOOP															
		2-Wire Universal Digital Channel (UDC) Compatible Loop - Zone 1		1	UDC	UDC2X	32.48	233.54	158.71	104.88	20.59			25.52	11.34	16.06	16.06
		2-Wire Universal Digital Channel (UDC) Compatible Loop - Zone 2		2	UDC	UDC2X	42.06	233.54	158.71	104.88	20.59			25.52	11.34	16.06	16.06
		2-Wire Universal Digital Channel (UDC) Compatible Loop - Zone 3		3	UDC	UDC2X	55.26	233.54	158.71	104.88	20.59			25.52	11.34	16.06	16.06
		2-Wire Universal Digital Channel (UDC) Compatible Loop - Zone 4		4	UDC	UDC2X	71.05	233.54	158.71	104.88	20.59			25.52	11.34	16.06	16.06
		2-WIRE ASYMMETRICAL DIGITAL SUBSCRIBER LINE (ADSL) COMPATIBLE LOOP															
		2-WIRE ASYMMETRICAL DIGITAL SUBSCRIBER LINE (ADSL) COMPATIBLE LOOP															
		2 Wire Unbundled ADSL Loop including manual service inquiry & facility reservation - Zone 1		1	UAL	UAL2X	10.87	504.82	456.24	105.86	57.25			25.52	11.34	16.06	16.06
		2 Wire Unbundled ADSL Loop including manual service inquiry & facility reservation - Zone 2		2	UAL	UAL2X	14.4	504.82	456.24	105.86	57.25			25.52	11.34	16.06	16.06
		2 Wire Unbundled ADSL Loop including manual service inquiry & facility reservation - Zone 3		3	UAL	UAL2X	20.58	504.82	456.24	105.86	57.25			25.52	11.34	16.06	16.06
		2 Wire Unbundled ADSL Loop including manual service inquiry & facility reservation - Zone 4		4	UAL	UAL2X	27.16	504.82	456.24	105.86	57.25			25.52	11.34	16.06	16.06
		Order Coordination for Specified Conversion Time (per LSF			UAL	OCOSL		45.27									
		2 Wire Unbundled ADSL Loop without manual service inquiry & facility reservation - Zone 1		1	UAL	UAL2W	10.87	204.56	128.86	100.05	15.75			25.52	11.34	16.06	16.06
		2 Wire Unbundled ADSL Loop without manual service inquiry & facility reservation - Zone 2		2	UAL	UAL2W	14.4	204.56	128.86	100.05	15.75			25.52	11.34	16.06	16.06
		2 Wire Unbundled ADSL Loop without manual service inquiry & facility reservation - Zone 3		3	UAL	UAL2W	20.58	204.56	128.86	100.05	15.75			25.52	11.34	16.06	16.06
		2 Wire Unbundled ADSL Loop without manual service inquiry & facility reservation - Zone 4		4	UAL	UAL2W	27.16	204.56	128.86	100.05	15.75			25.52	11.34	16.06	16.06
		Order Coordination for Specified Conversion Time (per LSF			UAL	OCOSL		45.27									
		2-WIRE HIGH BIT RATE DIGITAL SUBSCRIBER LINE (HDSL) COMPATIBLE LOOP															
		2-WIRE HIGH BIT RATE DIGITAL SUBSCRIBER LINE (HDSL) COMPATIBLE LOOP															
		2 Wire Unbundled HDSL Loop including manual service inquiry & facility reservation - Zone 1		1	UHL	UHL2X	8.5	504.82	456.24	105.86	57.25			25.52	11.34	16.06	16.06
		2 Wire Unbundled HDSL Loop including manual service inquiry & facility reservation - Zone 2		2	UHL	UHL2X	11.26	504.82	456.24	105.86	57.25			25.52	11.34	16.06	16.06
		2 Wire Unbundled HDSL Loop including manual service inquiry & facility reservation - Zone 3		3	UHL	UHL2X	16.1	504.82	456.24	105.86	57.25			25.52	11.34	16.06	16.06
		2 Wire Unbundled HDSL Loop including manual service inquiry & facility reservation - Zone 4		4	UHL	UHL2X	21.25	504.82	456.24	105.86	57.25			25.52	11.34	16.06	16.06
		Order Coordination for Specified Conversion Time			UHL	OCOSL		45.27									
		2 Wire Unbundled HDSL Loop without manual service inquiry and facility reservation - Zone 1		1	UHL	UHL2W	8.5	204.56	128.86	100.05	15.75			25.52	11.34	16.06	16.06
		2 Wire Unbundled HDSL Loop without manual service inquiry and facility reservation - Zone 2		2	UHL	UHL2W	11.26	204.56	128.86	100.05	15.75			25.52	11.34	16.06	16.06
		2 Wire Unbundled HDSL Loop without manual service inquiry and facility reservation - Zone 3		3	UHL	UHL2W	16.1	204.56	128.86	100.05	15.75			25.52	11.34	16.06	16.06
		2 Wire Unbundled HDSL Loop without manual service inquiry and facility reservation - Zone 4		4	UHL	UHL2W	21.25	204.56	128.86	100.05	15.75			25.52	11.34	16.06	16.06
		Order Coordination for Specified Conversion Time			UHL	OCOSL		45.27									
		4-WIRE HIGH BIT RATE DIGITAL SUBSCRIBER LINE (HDSL) COMPATIBLE LOOP															

UNBUNDLED NETWORK ELEMENTS
MS

CATEGORY	NOTES	UNBUNDLED NETWORK ELEMENT	Interim	Zone	BCS	USOC	RATES (\$)					OSS RATES (\$)					
							Nonrecurring		Nonrecurring			Svc Order Submitted Elec per LSR	Svc Order Submitted Manually per LSR	Incremental Charge - Manual Svc Order vs. Electronic-1st	Incremental Charge - Manual Svc Order vs. Electronic-Add'l	Incremental Charge - Manual Svc Order vs. Electronic-Disc 1st	Incremental Charge - Manual Svc Order vs. Electronic-Disc Add'l
							Rec	First	Add'l	First	Add'l						
							SOMEc	SOMAN	SOMAN	SOMAN	SOMAN	SOMAN	SOMAN				
		4 Wire Unbundled HDSL Loop including manual service inquiry and facility reservation - Zone 1		1	UHL	UHL4X	10.36	531.21	482.63	105.86	57.25			25.52	11.34	16.06	16.06
		4-Wire Unbundled HDSL Loop including manual service inquiry and facility reservation - Zone 2		2	UHL	UHL4X	13.73	531.21	482.63	105.86	57.25			25.52	11.34	16.06	16.06
		4-Wire Unbundled HDSL Loop including manual service inquiry and facility reservation - Zone 3		3	UHL	UHL4X	19.62	531.21	482.63	105.86	57.25			25.52	11.34	16.06	16.06
		4-Wire Unbundled HDSL Loop including manual service inquiry and facility reservation - Zone 4		4	UHL	UHL4X	25.9	531.21	482.63	105.86	57.25			25.52	11.34	16.06	16.06
		Order Coordination for Specified Conversion Tim			UHL	OCOSL		45.27									
		4-Wire Unbundled HDSL Loop without manual service inquiry and facility reservation Zone 1		1	UHL	UHL4W	10.36	221.85	146.16	100.05	15.75			25.52	11.34	16.06	16.06
		4-Wire Unbundled HDSL Loop without manual service inquiry and facility reservation Zone 2		2	UHL	UHL4W	13.73	221.85	146.16	100.05	15.75			25.52	11.34	16.06	16.06
		4-Wire Unbundled HDSL Loop without manual service inquiry and facility reservation Zone 3		3	UHL	UHL4W	19.62	221.85	146.16	100.05	15.75			25.52	11.34	16.06	16.06
		4-Wire Unbundled HDSL Loop without manual service inquiry and facility reservation Zone 4		4	UHL	UHL4W	25.9	221.85	146.16	100.05	15.75			25.52	11.34	16.06	16.06
		Order Coordination for Specified Conversion Tim			UHL	OCOSL		45.27									
		4-WIRE DS1 DIGITAL LOOP															
		4-Wire DS1 Digital Loop - Zone 1		1	USL	USLXX	50.99	599.09	373.9	133.53	56.25			25.52	11.34	16.06	16.06
		4-Wire DS1 Digital Loop - Zone 2		2	USL	USLXX	67.58	599.09	373.9	133.53	56.25			25.52	11.34	16.06	16.06
		4-Wire DS1 Digital Loop - Zone 3		3	USL	USLXX	96.58	599.09	373.9	133.53	56.25			25.52	11.34	16.06	16.06
		4-Wire DS1 Digital Loop - Zone 4		4	USL	USLXX	127.4	599.09	373.9	133.53	56.25			25.52	11.34	16.06	16.06
		Order Coordination for Specified Conversion Tim			USL	OCOSL		48.17									
		4-WIRE 19.2, 56 OR 64 KBPS DIGITAL GRADE LOOP															
		4 Wire Unbundled Digital 19.2 Kbps		1	UDL	UDL19	25.61	489	337.93	128.36	64.35			25.52	11.34	16.06	16.06
		4 Wire Unbundled Digital 19.2 Kbps		2	UDL	UDL19	33.94	489	337.93	128.36	64.35			25.52	11.34	16.06	16.06
		4 Wire Unbundled Digital 19.2 Kbps		3	UDL	UDL19	48.51	489	337.93	128.36	64.35			25.52	11.34	16.06	16.06
		4 Wire Unbundled Digital 19.2 Kbps		4	UDL	UDL19	64.02	489	337.93	128.36	64.35			25.52	11.34	16.06	16.06
		4 Wire Unbundled Digital Loop 56 Kbps - Zone		1	UDL	UDL56	25.61	489	337.93	128.36	64.35			25.52	11.34	16.06	16.06
		4 Wire Unbundled Digital Loop 56 Kbps - Zone		2	UDL	UDL56	33.94	489	337.93	128.36	64.35			25.52	11.34	16.06	16.06
		4 Wire Unbundled Digital Loop 56 Kbps - Zone		3	UDL	UDL56	48.51	489	337.93	128.36	64.35			25.52	11.34	16.06	16.06
		4 Wire Unbundled Digital Loop 56 Kbps - Zone		4	UDL	UDL56	64.02	489	337.93	128.36	64.35			25.52	11.34	16.06	16.06
		Order Coordination for Specified Conversion Tim			UDL	OCOSL		45.27									
		4 Wire Unbundled Digital Loop 64 Kbps - Zone		1	UDL	UDL64	25.61	489	337.93	128.36	64.35			25.52	11.34	16.06	16.06
		4 Wire Unbundled Digital Loop 64 Kbps - Zone		2	UDL	UDL64	33.94	489	337.93	128.36	64.35			25.52	11.34	16.06	16.06
		4 Wire Unbundled Digital Loop 64 Kbps - Zone		3	UDL	UDL64	48.51	489	337.93	128.36	64.35			25.52	11.34	16.06	16.06
		4 Wire Unbundled Digital Loop 64 Kbps - Zone		4	UDL	UDL64	64.02	489	337.93	128.36	64.35			25.52	11.34	16.06	16.06
		Order Coordination for Specified Conversion Tim			UDL	OCOSL		45.27									
		2-WIRE Unbundled COPPER LOOP															
		2-Wire Unbundled Copper Loop/Short including manual service inquiry & facility reservation - Zone 1		1	UCL	UCLPB	16.85	282.94	163.41	119.58	22.26			19.99	19.99	19.99	19.99
		2-Wire Unbundled Copper Loop/Short including manual service inquiry & facility reservation - Zone 2		2	UCL	UCLPB	22.34	282.94	163.41	119.58	22.26			19.99	19.99	19.99	19.99
		2 Wire Unbundled Copper Loop/Short including manual service inquiry & facility reservation - Zone 3		3	UCL	UCLPB	31.92	282.94	163.41	119.58	22.26			19.99	19.99	19.99	19.99
		2 Wire Unbundled Copper Loop/Short including manual service inquiry & facility reservation - Zone 4		4	UCL	UCLPB	42.13	282.94	163.41	119.58	22.26			19.99	19.99	19.99	19.99
		Order Coordination for Unbundled Copper Loops (per loop)			UCL	UCLMC		50.29	50.29								

UNBUNDLED NETWORK ELEMENTS
MS

CATEGORY	NOTES	UNBUNDLED NETWORK ELEMENT	Interim	Zone	BCS	USOC	RATES (\$)					OSS RATES (\$)						
							Rec	First	Add'l	First	Add'l	SOMECS	SOMAN	SOMAN	SOMAN	SOMAN	SOMAN	
							Nonrecurring		Disconnect									
		2-Wire Unbundled Copper Loop/Short without manual service inquiry and facility reservation - Zone 1		1	UCL	UCLPW	16.85	202.7	127	100.05	15.75				19.99	19.99	19.99	19.99
		2-Wire Unbundled Copper Loop/Short without manual service inquiry and facility reservation - Zone 2		2	UCL	UCLPW	22.34	202.7	127	100.05	15.75				19.99	19.99	19.99	19.99
		2-Wire Unbundled Copper Loop/Short without manual service inquiry and facility reservation - Zone 3		3	UCL	UCLPW	31.92	202.7	127	100.05	15.75				19.99	19.99	19.99	19.99
		2-Wire Unbundled Copper Loop/Short without manual service inquiry and facility reservation - Zone 4		4	UCL	UCLPW	42.13	202.7	127	100.05	15.75				19.99	19.99	19.99	19.99
		Order Coordination for Unbundled Copper Loops (per loop)				UCL	UCLMC	50.29	50.29									
		2-Wire Unbundled Copper Loop/Long - includes manual svc. inquiry and facility reservation - Zone 1		1	UCL	UCL2L	47.74	269.92	150.39	119.58	22.26				19.99	19.99	19.99	19.99
		2-Wire Unbundled Copper Loop/Long - includes manual svc. inquiry and facility reservation - Zone 2		2	UCL	UCL2L	70.63	269.92	150.39	119.58	22.26				19.99	19.99	19.99	19.99
		2-Wire Unbundled Copper Loop/Long - includes manual svc. inquiry and facility reservation - Zone 3		3	UCL	UCL2L	104.29	269.92	150.39	119.58	22.26				19.99	19.99	19.99	19.99
		2-Wire Unbundled Copper Loop/Long - includes manual svc. inquiry and facility reservation - Zone 4		4	UCL	UCL2L	112.55	269.92	150.39	119.58	22.26				19.99	19.99	19.99	19.99
		Order Coordination for Unbundled Copper Loops (per loop)				UCL	UCLMC	50.29	50.29									
		2-Wire Unbundled Copper Loop/Long - without manual service inquiry and facility reservation - Zone 1		1	UCL	UCL2W	47.74	189.68	113.98	100.05	15.75				19.99	19.99	19.99	19.99
		2-Wire Unbundled Copper Loop/Long - without manual service inquiry and facility reservation - Zone 2		2	UCL	UCL2W	70.63	189.68	113.98	100.05	15.75				19.99	19.99	19.99	19.99
		2-Wire Unbundled Copper Loop/Long - without manual service inquiry and facility reservation - Zone 3		3	UCL	UCL2W	104.29	189.68	113.98	100.05	15.75				19.99	19.99	19.99	19.99
		2-Wire Unbundled Copper Loop/Long - without manual service inquiry and facility reservation - Zone 4		4	UCL	UCL2W	112.55	189.68	113.98	100.05	15.75				19.99	19.99	19.99	19.99
		Order Coordination for Unbundled Copper Loops (per loop)				UCL	UCLMC	50.29	50.29									
		2-Wire Unbundled Copper Loop - Non-Designed Zone		I	1	UEQ	UEQ2X	11.01	44.69	22.4	25.65	7.06			25.52	11.34	16.06	16.06
		2 Wire Unbundled Copper Loop - Non-Designed - Zone 1		I	2	UEQ	UEQ2X	12.67	44.69	22.4	25.65	7.06			25.52	11.34	16.06	16.06
		2 Wire Unbundled Copper Loop - Non-Designed - Zone 2		I	3	UEQ	UEQ2X	20.22	44.69	22.4	25.65	7.06			25.52	11.34	16.06	16.06
		2 Wire Unbundled Copper Loop - Non-Designed - Zone 3		I	4	UEQ	UEQ2X	20.22	44.69	22.4	25.65	7.06			25.52	11.34	16.06	16.06
		Order Coordination 2 Wire Unbundled Copper Loop - Non-Designed (per loop)				UEQ	USBMC	50.29	50.29									
		Engineering Information Documen				UEQ		28.72	28.72									
		Loop Testing - Basic 1st Half Hou				UEQ	URET1	78.92	78.92									
		Loop Testing - Basic Additional Half Hou				UEQ	URETA	23.33	23.33									
		4-WIRE COPPER LOOP																
		4-Wire Copper Loop/Short - including manual service inquiry and facility reservation - Zone 1		1	UCL	UCL4S	22.24	331.29	211.76	133.82	28.26				19.99	19.99	19.99	19.99
		4-Wire Copper Loop/Short - including manual service inquiry and facility reservation - Zone 2		2	UCL	UCL4S	25.82	331.29	211.76	133.82	28.26				19.99	19.99	19.99	19.99
		4-Wire Copper Loop/Short - including manual service inquiry and facility reservation - Zone 3		3	UCL	UCL4S	28.12	331.29	211.76	133.82	28.26				19.99	19.99	19.99	19.99
		Order Coordination for Unbundled Copper Loops (per loop)				UCL	UCLMC	50.29	50.29									
		4-Wire Copper Loop/Short - without manual service inquiry and facility reservation - Zone 1		1	UCL	UCL4W	22.24	251.04	175.34	112.63	21.21				19.99	19.99	19.99	19.99
		4-Wire Copper Loop/Short - without manual service inquiry and facility reservation - Zone 2		2	UCL	UCL4W	25.82	251.04	175.34	112.63	21.21				19.99	19.99	19.99	19.99
		4-Wire Copper Loop/Short - without manual service inquiry and facility reservation - Zone 3		3	UCL	UCL4W	28.12	251.04	175.34	112.63	21.21				19.99	19.99	19.99	19.99
		Order Coordination for Unbundled Copper Loops (per loop)				UCL	UCLMC	50.29	50.29									
		4-Wire Unbundled Copper Loop/Long - includes manual svc. inquiry and facility reservation - Zone 1		1	UCL	UCL4L	82.53	318.27	198.74	133.82	28.26				19.99	19.99	19.99	19.99
		4-Wire Unbundled Copper Loop/Long - includes manual svc. inquiry and facility reservation - Zone 2		2	UCL	UCL4L	127.11	318.27	198.74	133.82	28.26				19.99	19.99	19.99	19.99

UNBUNDLED NETWORK ELEMENTS
MS

CATEGORY	NOTES	UNBUNDLED NETWORK ELEMENT	Interim	Zone	BCS	USOC	RATES (\$)					OSS RATES (\$)					
							Nonrecurring		Nonrecurring			Svc Order Submitted Elec per LSR	Svc Order Submitted Manually per LSR	Incremental Charge - Manual Svc Order vs. Electronic-1st	Incremental Charge - Manual Svc Order vs. Electronic-Add'l	Incremental Charge - Manual Svc Order vs. Electronic-Disc 1st	Incremental Charge - Manual Svc Order vs. Electronic-Disc Add'l
							Rec	First	Add'l	First	Add'l						
							SOMEK	SOMAN	SOMAN	SOMAN	SOMAN	SOMAN					
		4-Wire Unbundled Copper Loop/Long - includes manual svc. inquiry and facility reservation - Zone 3		3	UCL	UCL4L	138.69	318.27	198.74	133.82	28.26			19.99	19.99	19.99	19.99
		Order Coordination for Unbundled Copper Loops (per loop)			UCL	UCLMC		50.29	50.29								
		4-Wire Unbundled Copper Loop/Long - without manual svc. inquiry and facility reservation - Zone 1		1	UCL	UCL4O	82.53	238.02	162.33	112.63	21.2			19.99	19.99	19.99	19.99
		4-Wire Unbundled Copper Loop/Long - without manual svc. inquiry and facility reservation - Zone 2		2	UCL	UCL4O	127.11	238.02	162.33	112.63	21.2			19.99	19.99	19.99	19.99
		4-Wire Unbundled Copper Loop/Long - without manual svc. inquiry and facility reservation - Zone 3		3	UCL	UCL4O	138.69	238.02	162.33	112.63	21.2			19.99	19.99	19.99	19.99
		Order Coordination for Unbundled Copper Loops (per loop)			UCL	UCLMC		50.29	50.29								
LOOP MODIFICATION																	
		Unbundled Loop Modification, Removal of Load Coils - 2 Wire pair less than or equal to 18k ft			UAL, UHL, UCL, UEQ, ULS	ULM2L		65.09	65.09								
		Unbundled Loop Modification, Removal of Load Coils - 2 wire greater than 18k			UCL, ULS	ULM2G		341.07	341.07								
		Unbundled Loop Modification Removal of Load Coils - 4 Wire less than or equal to 18K ft			UHL, UCL	ULM4L		65.09	65.09								
		Unbundled Loop Modification Removal of Load Coils - 4 Wire pair greater than 18k			UCL	ULM4G		341.07	341.07								
		Unbundled Loop Modification Removal of Bridged Tap Removal, per unbundled loc			UAL, UHL, UCL, UEQ, UEF, ULS	ULMBT		65.13	65.13								
SUB-LOOPS																	
Sub-Loop Distribution																	
		Sub-Loop - Per Cross Box Location - CLEC Feeder Facility Set-U		I	UEANL	USBSA		540.53	540.53					25.52	11.34	16.06	16.06
		Sub-Loop - Per Cross Box Location - Per 25 Pair Panel Set-U		I	UEANL	USBSB		45.21	45.21					25.52	11.34	16.06	16.06
		Sub-Loop - Per Building Equipment Room - CLEC Feeder Facility Set-U		I	UEANL	USBSC		379.25	379.25					25.52	11.34	16.06	16.06
		Sub-Loop - Per Building Equipment Room - Per 25 Pair Panel Set-U		I	UEANL	USBSD		111.97	111.97					25.52	11.34	16.06	16.06
		Sub-Loop Distribution Per 2-Wire Analog Voice Grade Loop - Zone		I	1	UEANL	USBN2	10.75	131.42	61.83	90.07	13.33		25.52	11.34	16.06	16.06
		Sub-Loop Distribution Per 2-Wire Analog Voice Grade Loop - Zone		I	2	UEANL	USBN2	14.4	131.42	61.83	90.07	13.33		25.52	11.34	16.06	16.06
		Sub-Loop Distribution Per 2-Wire Analog Voice Grade Loop - Zone		I	3	UEANL	USBN2	18.53	131.42	61.83	90.07	13.33		25.52	11.34	16.06	16.06
		Sub-Loop Distribution Per 2-Wire Analog Voice Grade Loop - Zone		I	4	UEANL	USBN2	23.19	131.42	61.83	90.07	13.33		25.52	11.34	16.06	16.06
		Order Coordination for Unbundled Sub-Loops, per sub-loop pair			UEANL	USBMC		45.27	45.27								
		Sub-Loop Distribution Per 4-Wire Analog Voice Grade Loop - Zone		I	1	UEANL	USBN4	11.29	157.85	88.26	101.8	18.57		25.52	11.34	16.06	16.06
		Sub-Loop Distribution Per 4-Wire Analog Voice Grade Loop - Zone		I	2	UEANL	USBN4	19.41	157.85	88.26	101.8	18.57		25.52	11.34	16.06	16.06
		Sub-Loop Distribution Per 4-Wire Analog Voice Grade Loop - Zone		I	3	UEANL	USBN4	20.9	157.85	88.26	101.8	18.57		25.52	11.34	16.06	16.06
		Sub-Loop Distribution Per 4-Wire Analog Voice Grade Loop - Zone		I	4	UEANL	USBN4	20.9	157.85	105.88	90.07	13.33		25.52	11.34	16.06	16.06
		Order Coordination for Unbundled Sub-Loops, per sub-loop pair			UEANL	USBMC		45.27	45.27								
		Sub-Loop 2-Wire Intra-Building Network Cable (INC)		I	UEANL	USBR2	2.79	105.88	36.29	90.07	13.33			25.52	11.34	16.06	16.06
		Order Coordination for Unbundled Sub-Loops, per sub-loop pair			UEANL	USBMC		45.27	45.27								
		Sub-Loop 4-Wire Intra-Building Network Cable (INC)		I	UEANL	USBR4	5.39	118.34	48.76	101.8	18.57			25.52	11.34	16.06	16.06
		Order Coordination for Unbundled Sub-Loops, per sub-loop pair			UEANL	USBMC		45.27	45.27								
		2 Wire Copper Unbundled Sub-Loop Distribution - Zone		I	1	UEF	UCS2X	8.74	131.42	61.83	90.07	13.33		25.52	11.34	16.06	16.06
		2 Wire Copper Unbundled Sub-Loop Distribution - Zone		I	2	UEF	UCS2X	9.31	131.42	61.83	90.07	13.33		25.52	11.34	16.06	16.06
		2 Wire Copper Unbundled Sub-Loop Distribution - Zone		I	3	UEF	UCS2X	10.6	131.42	61.83	90.07	13.33		25.52	11.34	16.06	16.06
		2 Wire Copper Unbundled Sub-Loop Distribution - Zone		I	4	UEF	UCS2X	12.57	131.42	61.83	90.07	13.33		25.52	11.34	16.06	16.06
		Order Coordination for Unbundled Sub-Loops, per sub-loop pair			UEF	USBMC		45.27	45.27								
		4 Wire Copper Unbundled Sub-Loop Distribution - Zone		I	1	UEF	UCS4X	7.46	157.85	88.26	101.8	18.57		25.52	11.34	16.06	16.06
		4 Wire Copper Unbundled Sub-Loop Distribution - Zone		I	2	UEF	UCS4X	14.58	157.85	88.26	101.8	18.57		25.52	11.34	16.06	16.06

UNBUNDLED NETWORK ELEMENTS MS

CATEGORY	NOTES	UNBUNDLED NETWORK ELEMENT	Interim	Zone	BCS	USOC	RATES (\$)					OSS RATES (\$)						
							Nonrecurring		Nonrecurring			SOMECC	SOMAN	SOMAN	SOMAN	SOMAN	SOMAN	
							Rec	First	Add'l	First	Add'l							Disconnect
							Rec	First	Add'l	First	Add'l	Disconnect	SOMECC	SOMAN	SOMAN	SOMAN	SOMAN	SOMAN
		4 Wire Copper Unbundled Sub-Loop Distribution - Zone	I	3	UEF	UCS4X	18.61	157.85	88.26	101.8	18.57				25.52	11.34	16.06	16.06
		4 Wire Copper Unbundled Sub-Loop Distribution - Zone		4	UEF	UCS4X	18.61	157.85	88.26	101.8	18.57				25.52	11.34	16.06	16.06
		Order Coordination for Unbundled Sub-Loops, per sub-loop pair			UEF	USBMC		45.27	45.27									
		Sub-Loop Feeder																
		USL-Feeder, DS0 Set-up per Cross Box location - CLEC Distribution Facility set-u			UEA, UDN, UCL, UDL, UDC	USBFW		540.53										
		USL Feeder - DS0 Set-up per Cross Box location - per 25 pair set-up			UEA, UDN, UCL, UDL, UDC	USBFX		45.21	45.21									
		USL Feeder DS1 Set-up at DSX location, per DS1 termination			UEA	USBFZ		534.46	11.3									
		Unbundled Sub-Loop Feeder Loop, 2 Wire Ground Start, Voice Grade - Zone		1	UEA	USBFA	12.34	185.12	112.19	108.13	26.82				19.99	19.99	19.99	19.99
		Unbundled Sub-Loop Feeder Loop, 2 Wire Ground-Start, Voice Grade - Zone		2	UEA	USBFA	17.1	185.12	112.19	108.13	26.82				19.99	19.99	19.99	19.99
		Unbundled Sub-Loop Feeder Loop, Per 2 Wire Ground-Start, Voice Grade - Zone		3	UEA	USBFA	25.55	185.12	112.19	108.13	26.82				19.99	19.99	19.99	19.99
		Unbundled Sub-Loop Feeder Loop, 2 Wire Ground-Start Loop, Voice Grade - Zone		4	UEA	USBFA	32.36	185.12	112.19	108.13	26.82				19.99	19.99	19.99	19.99
		Order Coordination for Specified Conversion Time, per LSR			UEA	OCOSL		45.27										
		Unbundled Sub-Loop Feeder Loop, 2 Wire Loop-Start, Voice Grade - Zone		1	UEA	USBFB	12.34	185.12	112.19	108.13	26.82				19.99	19.99	19.99	19.99
		Unbundled Sub-Loop Feeder Loop, 2 Wire Loop-Start, Voice Grade - Zone		2	UEA	USBFB	17.1	185.12	112.19	108.13	26.82				19.99	19.99	19.99	19.99
		Unbundled Sub-Loop Feeder Loop, 2 Wire Start Loop, Voice Grade - Zone		3	UEA	USBFB	25.55	185.12	112.19	108.13	26.82				19.99	19.99	19.99	19.99
		Unbundled Sub-Loop Feeder Loop, 2 Wire Loop-Start, Voice Grade - Zone		4	UEA	USBFB	32.36	185.12	112.19	108.13	26.82				19.99	19.99	19.99	19.99
		Order Coordination for Specified Time Conversion, per LSR			UEA	OCOSL		45.27										
		Unbundled Sub-Loop Feeder Loop, 2 Wire Reverse Battery, Voice Grade - Zone		1	UEA	USBFC	12.34	185.12	112.19	108.13	26.82				19.99	19.99	19.99	19.99
		Unbundled Sub-Loop Feeder Loop, 2 Wire Reverse Battery, Voice Grade - Zone		2	UEA	USBFC	17.1	185.12	112.19	108.13	26.82				19.99	19.99	19.99	19.99
		Unbundled Sub-Loop Feeder Loop, 2 Wire Analog Reverse Battery, Voice Grade - Zone 3		3	UEA	USBFC	25.55	185.12	112.19	108.13	26.82				19.99	19.99	19.99	19.99
		Unbundled Sub-Loop Feeder Loop, 2 Wire Reverse Battery, Voice Grade - Zone		4	UEA	USBFC	32.36	185.12	112.19	108.13	26.82				19.99	19.99	19.99	19.99
		Order Coordination For Specified Conversion Time, per LSI			UEA	OCOSL		45.27										
		Unbundled Sub-Loop Feeder Loop, 4 Wire Ground-Start, Voice Grade - Zone		1	UEA	USBFD	28.24	213.89	139.06	126.45	35.02				19.99	19.99	19.99	19.99
		Unbundled Sub-Loop Feeder Loop, 4 Wire Ground-Start, Voice Grade - Zone		2	UEA	USBFD	32.51	213.89	139.06	126.45	35.02				19.99	19.99	19.99	19.99
		Unbundled Sub-Loop Feeder Loop, 4 Wire Ground Start, Voice Grade - Zone		3	UEA	USBFD	41.5	213.89	139.06	126.45	35.02				19.99	19.99	19.99	19.99
		Order Coordination For Specified Conversion Time, Per LSI			UEA	OCOSL		45.27										
		Unbundled Sub-Loop Feeder Loop, 4 Wire Loop-Start, Voice Grade - Zone		1	UEA	USBFE	28.24	213.89	139.06	126.45	35.02				19.99	19.99	19.99	19.99
		Unbundled Sub-Loop Feeder Loop, 4 Wire Loop-Start, Voice Grade - Zone		2	UEA	USBFE	32.51	213.89	139.06	126.45	35.02				19.99	19.99	19.99	19.99
		Unbundled Sub-Loop Feeder Loop, 4 Wire Loop-Start, Voice Grade - Zone		3	UEA	USBFE	41.5	213.89	139.06	126.45	35.02				19.99	19.99	19.99	19.99
		Order Coordination For Specified Conversion Time, Per LSI			UEA	OCOSL		45.27										
		Unbundled Sub-Loop Feeder Loop, 2 Wire ISDN BRI - Zone		1	UDN	USBFF	22.46	211.41	136.58	110.37	26.07				19.99	19.99	19.99	19.99
		Unbundled Sub-Loop Feeder Loop, 2-Wire ISDN BRI - Zone		2	UDN	USBFF	28.25	211.41	136.58	110.37	26.07				19.99	19.99	19.99	19.99
		Unbundled Sub-Loop Feeder Loop, 2-Wire ISDN BRI - Zone		3	UDN	USBFF	37.36	211.41	136.58	110.37	26.07				19.99	19.99	19.99	19.99
		Unbundled Sub-Loop Feeder Loop, 2-Wire ISDN BRI - Zone		4	UDN	USBFF	48.23	211.41	136.58	110.37	26.07				19.99	19.99	19.99	19.99
		Order Coordination For Specified Conversion Time, Per LSI			UDN	OCOSL		45.27										
		Unbundled Sub-Loop Feeder, 2 Wire UDC (IDSL compatible)		1	UDC	USBFS	22.46	211.41	136.58	110.37	26.07				19.99	19.99	19.99	19.99
		Unbundled Sub-Loop Feeder, 2 Wire UDC (IDSL compatible)		2	UDC	USBFS	28.25	211.41	136.58	110.37	26.07				19.99	19.99	19.99	19.99
		Unbundled Sub-Loop Feeder, 2 Wire UDC (IDSL compatible)		3	UDC	USBFS	37.36	211.41	136.58	110.37	26.07				19.99	19.99	19.99	19.99
		Unbundled Sub-Loop Feeder, 2 Wire UDC (IDSL compatible)		4	UDC	USBFS	48.23	211.41	136.58	110.37	26.07				19.99	19.99	19.99	19.99
		Unbundled Sub-Loop Feeder Loop, 4-Wire DS1 - Zone		1	USL	USBFG	76.62	202.5	127.66	126.45	35.02				19.99	19.99	19.99	19.99
		Unbundled Sub-Loop Feeder Loop, 4-Wire DS1 - Zone		2	USL	USBFG	178.54	202.5	127.66	126.45	35.02				19.99	19.99	19.99	19.99
		Unbundled Sub-Loop Feeder Loop, 4-Wire DS1 - Zone		3	USL	USBFG	224.48	202.5	127.66	126.45	35.02				19.99	19.99	19.99	19.99
		Unbundled Sub-Loop Feeder Loop, 4-Wire DS1 - Zone		4	USL	USBFG	538.86	202.5	127.66	126.45	35.02				19.99	19.99	19.99	19.99
		Order Coordination For Specified Conversion Time, Per LSI			USL	OCOSL		45.27										
		Unbundled Sub-Loop Feeder, 2-Wire Copper Loop - Zone		1	UCL	USBFH	7.07	167.34	92.51	105.53	21.21				19.99	19.99	19.99	19.99
		Unbundled Sub-Loop Feeder Loop, 2-Wire Copper Loop - Zone		2	UCL	USBFH	6.05	167.34	92.51	105.53	21.21				19.99	19.99	19.99	19.99

UNBUNDLED NETWORK ELEMENTS
MS

CATEGORY	NOTES	UNBUNDLED NETWORK ELEMENT	Interim	Zone	BCS	USOC	RATES (\$)					OSS RATES (\$)					
							Rec	First	Add'l	First	Add'l	SOMEK	SOMAN	SOMAN	SOMAN	SOMAN	SOMAN
						Nonrecurring		Nonrecurring									
						Disconnect											
		Unbundled Sub-Loop Feeder Loop, 2-Wire Copper Loop - Zone		3	UCL	USBFH	5.3	167.34	92.51	105.53	21.21			19.99	19.99	19.99	19.99
		Unbundled Sub-Loop Feeder, 2-Wire Copper Loop - Zone		4	UCL	USBFH	4.13	167.34	92.51	105.53	21.21			19.99	19.99	19.99	19.99
		Order Coordination For Specified Conversion Time, per LSI			UCL	OCOSL		45.27									
		Sub-Loop Feeder - Per 4-Wire Copper Loop - Zone 1		1	UCL	USBFJ	16.34	201.71	126.88	118.58	27.15			19.99	19.99	19.99	19.99
		Sub-Loop Feeder - Per 4-Wire Copper Loop - Zone 2		2	UCL	USBFJ	12.77	201.71	126.88	118.58	27.15			19.99	19.99	19.99	19.99
		Sub-Loop Feeder - Per 4-Wire Copper Loop - Zone 3		3	UCL	USBFJ	11.06	201.71	126.88	118.58	27.15			19.99	19.99	19.99	19.99
		Order Coordination For Specified Conversion Time, per LSI			UCL	OCOSL		45.27									
		Sub-Loop Feeder - Per 4-Wire 19.2 Kbps Digital Grade Loop		1	UDL	USBFN	28.48	202.5	127.66	126.45	35.02			19.99	19.99	19.99	19.99
		Sub-Loop Feeder - Per 4-Wire 19.2 Kbps Digital Grade Loop		2	UDL	USBFN	24.17	202.5	127.66	126.45	35.02			19.99	19.99	19.99	19.99
		Sub-Loop Feeder - Per 4-Wire 19.2 Kbps Digital Grade Loop		3	UDL	USBFN	30.57	202.5	127.66	126.45	35.02			19.99	19.99	19.99	19.99
		Sub-Loop Feeder - Per 4-Wire 19.2 Kbps Digital Grade Loop		4	UDL	USBFN	28.9	202.5	127.66	126.45	35.02			19.99	19.99	19.99	19.99
		Sub-Loop Feeder - Per 4-Wire 56 Kbps Digital Grade Loop - Zone		1	UDL	USBFO	28.48	202.5	127.66	126.45	35.02			19.99	19.99	19.99	19.99
		Sub-Loop Feeder - Per 4-Wire 56 Kbps Digital Grade Loop - Zone 1		2	UDL	USBFO	24.17	202.5	127.66	126.45	35.02			19.99	19.99	19.99	19.99
		Sub-Loop Feeder - Per 4-Wire 56 Kbps Digital Grade Loop - Zone 2		3	UDL	USBFO	30.57	202.5	127.66	126.45	35.02			19.99	19.99	19.99	19.99
		Sub-Loop Feeder - Per 4-Wire 56 Kbps Digital Grade Loop - Zone 3		4	UDL	USBFO	28.9	202.5	127.66	126.45	35.02			19.99	19.99	19.99	19.99
		Order Coordination For Specified Conversion Time, per LSI			UDL	OCOSL		45.27									
		Sub-Loop Feeder - Per 4-Wire 64 Kbps Digital Grade Loop - Zone		1	UDL	USBFP	28.48	202.5	127.66	126.45	35.02			19.99	19.99	19.99	19.99
		Sub-Loop Feeder - Per 4-Wire 64 Kbps Digital Grade Loop - Zone 1		2	UDL	USBFP	24.17	202.5	127.66	126.45	35.02			19.99	19.99	19.99	19.99
		Sub-Loop Feeder - Per 4-Wire 64 Kbps Digital Grade Loop - Zone 2		3	UDL	USBFP	30.57	202.5	127.66	126.45	35.02	19.99		19.99	19.99	19.99	19.99
		Sub-Loop Feeder - Per 4-Wire 64 Kbps Digital Grade Loop - Zone 3		4	UDL	USBFP	28.9	202.5	127.66	126.45	35.02			19.99	19.99	19.99	19.99
		Order Coordination For Specified Conversion Time, per LSI			UDL	OCOSL		45.27									
		Unbundled Sub-Loop Modification															
		Unbundled Sub-Loop Modification - 2-W Copper Dist Load Coil/Equip Removal per 2-W PR			UEF	ULM2X		355.23	12.25					25.52	11.34	16.06	16.06
		Unbundled Sub-loop Modification - 4-W Copper Dist Load Coil/Equip Removal per 4-W PR			UEF	ULM4X		355.23	12.25					25.52	11.34	16.06	16.06
		Unbundled Sub-loop Modification - 2-w/4-w Copper Dist Bridged Tap Removal, per PR unloaded			UEF	ULM4T		559.8	14.28					25.52	11.34	16.06	16.06
		Unbundled Network Terminating Wire (UNTW)															
		Unbundled Network Terminating Wire (UNTW) per Pai			UENTW	UENPP	0.37	62.97	62.97					25.52	11.34	16.06	16.06
		Network Interface Device (NID)															
		Network Interface Device (NID) - 1-2 lines			UENTW	UND12		87.05	57.38					25.52	11.34	16.06	16.06
		Network Interface Device (NID) - 1-6 lines			UENTW	UND16		129.67	100					25.52	11.34	16.06	16.06
		Network Interface Device Cross Connect - 2 V			UENTW	UNDC2		11.79	11.79					25.52	11.34	16.06	16.06
		Network Interface Device Cross Connect - 4V			UENTW	UNDC4		11.79	11.79					25.52	11.34	16.06	16.06
		UNBUNDLED LOOP CONCENTRATION															
		Unbundled Loop Concentration - System A (TR008)			ULC	UCT8A	442.98	649.95	649.95					19.99	19.99	19.99	19.99
		Unbundled Loop Concentration - System B (TR008)			ULC	UCT8B	57.94	270.81	270.81					19.99	19.99	19.99	19.99
		Unbundled Loop Concentration - System A (TR303)			ULC	UCT3A	484.01	649.95	649.95					19.99	19.99	19.99	19.99
		Unbundled Loop Concentration - System B (TR303)			ULC	UCT3B	97.64	270.81	270.81					19.99	19.99	19.99	19.99
		Unbundled Loop Concentration - DS1 Loop Interface Car			ULC	UCTCO	5.5	126.4	92.02	34.38	9.62			19.99	19.99	19.99	19.99
		Unbundled Loop Concentration - ISDN Loop Interface (Brite Carc			UDN	ULCC1	8.74	21.04	20.93	11.04	10.97			19.99	19.99	19.99	19.99
		Unbundled Loop Concentration - UDC Loop Interface (Brite Carc			UDC	ULCCU	8.74	21.04	20.93	11.04	10.97			19.99	19.99	19.99	19.99
		Unbundled Loop Concentration - 2 Wire Voice-Loop Start or Ground Start Loop Interface (POTS Card)			UEA	ULCC2	2.18	21.04	20.93	11.04	10.97			19.99	19.99	19.99	19.99
		Unbundled Loop Concentration - 2 Wire Voice - Reverse Battery Loop Interface (SPOTS Card)			UEA	ULCCR	12.99	21.04	20.93	11.04	10.97			19.99	19.99	19.99	19.99
		Unbundled Loop Concentration - 4 Wire Voice Loop Interface (Specials Carc			UEA	ULCC4	7.75	21.04	20.93	11.04	10.97			19.99	19.99	19.99	19.99
		Unbundled Loop Concentration - TEST CIRCUIT Car			ULC	UCTTC	37.85	21.04	20.93	11.04	10.97			19.99	19.99	19.99	19.99

UNBUNDLED NETWORK ELEMENTS
MS

CATEGORY	NOTES	UNBUNDLED NETWORK ELEMENT	Interim	Zone	BCS	USOC	RATES (\$)					OSS RATES (\$)							
							Nonrecurring		Nonrecurring			SOMEC	SOMAN	SOMAN	SOMAN	SOMAN	SOMAN		
Rec	First	Add'l	First	Add'l	Incremental Charge - Manual Svc Order vs. Electronic-1st	Incremental Charge - Manual Svc Order vs. Electronic-Add'l	Incremental Charge - Manual Svc Order vs. Electronic-Disc 1st	Incremental Charge - Manual Svc Order vs. Electronic-Disc Add'l											
		Unbundled Loop Concentration - Digital 19.2 Kbps Data Loop Interfac			UDL	ULCC7	11.47	21.04	20.93	11.04	10.97								
		Unbundled Loop Concentration - Digital 56 Kbps Data Loop Interfac			UDL	ULCC5	11.47	21.04	20.93	11.04	10.97								
		Unbundled Loop Concentration - Digital 64 Kbps Data Loop Interfac			UDL	ULCC6	11.47	21.04	20.93	11.04	10.97								
UNBUNDLED SUB-LOOP CONCENTRATION (OUTSIDE CO)																			
UNE OTHER, PROVISIONING ONLY - NO RATE																			
		NID - Dispatch and Service Order for NID installation			UENTW	UNDBX													
		UNTW Circuit Id Establishment, Provisioning Only - No Rate			UENTW	UENCE													
		Unbundled Contract Name, Provisioning Only - No Rate			UEANL, UEF, UE Q, UENT W	UNECN													
		Unbundled Contact Name, Provisioning Only - no rate			UAL, UCL, UDC, UDL, UDN, UEA, UHL, ULC	UNECN	0	0											
		Unbundled Sub-Loop Feeder-2 Wire Cross Box Jumper - no rat			UEA, UDN, UCL, UDC	USBFQ	0	0											
		Unbundled Sub-Loop Feeder-4 Wire Cross Box Jumper - no rat			UEA, UDL, UCL, UDL	USBFR	0	0											
		Unbundled DS1 Loop - Superframe Format Option - no rat			USL	CCOSF	0	0											
		Unbundled DS1 Loop - Expanded Superframe Format option - no rat			USL	CCOEF	0	0											
HIGH CAPACITY UNBUNDLED LOCAL LOOP																			
		NOTE: 4 month minimum billing period																	
		High Capacity Unbundled Local Loop - DS3 - Per Mile per mont			UE3	1L5ND	14.16												
		High Capacity Unbundled Local Loop - DS3 - Facility Termination per mon			UE3	UE3PX	396.3	901.82	527.16	244.7	171.16			31.26	31.26	3.91	3.91		
		High Capacity Unbundled Local Loop - STS-1 - Per Mile per mont			UDLSX	1L5ND	14.16												
		High Capacity Unbundled Local Loop - STS-1 - Facility Termination per mon			UDLSX	UDLS1	411.34	901.82	527.16	244.7	171.16			31.26	31.26	3.91	3.91		
LOOP MAKE-UP																			
		Loop Makeup - Preordering Without Reservation, per working or spare facility queried (Manual).			UMK	UMKLW		47.9	47.9										
		Loop Makeup - Preordering With Reservation, per spare facility queried (Manual).			UMK	UMKLP		50.79	50.79										
		Loop Makeup--With or Without Reservation, per working or spare facility queried (Mechanized)			UMK	PSUMK	0.6793												
LINE SHARING																			
		Line Sharing Splitter, per System 96 Line Capacit	I		ULS	ULSDA	206.52	377.08	0	354.29	0		0						
		Line Sharing Splitter, per System 24 Line Capacit	I		ULS	ULSDB	51.63	377.08	0	354.29	0		0						
		Line Sharing Splitte, Per System, 8 Line Capacit	I		ULS	ULSD8	17.21	377.08	0	354.29	0		0						
		Line Sharing - per Line Activatio	I		ULS	ULSDC	0.61	36.96	21.17	19.93	9.78		25.52	11.34	16.06	16.06			
		Line Sharing - per Subsequent Activity per Line Rearrangeme	I		ULS	ULSDS		32.73	16.35				25.52	11.34	16.06	16.06			
		Line Sharing-CLEC/DLEC Owned Splitter in CO-per occurrence of each group of 8 lines (16 pair)	I		ULS	ULSDG		57.62		11.33									

UNBUNDLED NETWORK ELEMENTS
MS

CATEGORY	NOTES	UNBUNDLED NETWORK ELEMENT	Interim	Zone	BCS	USOC	RATES (\$)					OSS RATES (\$)								
							Rec	First	Add'l	First	Add'l	SOME C	SOMAN	SOMAN	SOMAN	SOMAN	SOMAN	SOMAN		
							Nonrecurring		Nonrecurring											
							Disconnect		Disconnect											
							Rec	First	Add'l	First	Add'l	SOME C	SOMAN	SOMAN	SOMAN	SOMAN	SOMAN	SOMAN	SOMAN	
UNBUNDLED TRANSPORT																				
		COMMON TRANSPORT (Shared)																		
		Common Transport - Per Mile, Per MOU					0.0000091													
		Common Transport - Facilities Termination Per MOL					0.0004281													
		NOTE: INTEROFFICE CHANNEL - DEDICATED TRANSPORT - minimum billing period: below DS3 = one month, DS3 and above four months																		
		INTEROFFICE CHANNEL - DEDICATED TRANSPORT - VOICE GRADE																		
		Interoffice Channel - Dedicated Transport - 2-Wire Voice Grade - Per Mile per month				U1TVX	1L5XX	0.0112												
		Interoffice Channel - Dedicated Transport- 2- Wire Voice Grade - Facility Termination per month				U1TVX	U1TV2	24.75	80.96	54.74	34.27	14.12			31.26	31.26	3.91	3.91		
		Interoffice Channel - Dedicated Transport- 2-Wire Voice Grade Rev Bat. - Per Mile per month				U1TVX	1L5XX	0.0112												
		Interoffice Channel - Dedicated Transport- 2- Wire VG Rev Bat. - Facility Termination per month				U1TVX	U1TR2	24.75	80.96	54.74	34.27	14.12			31.26	31.26	3.91	3.91		
		Interoffice Channel - Dedicated Transport - 4-Wire Voice Grade - Per Mile per month				U1TVX	1L5XX	0.0112												
		Interoffice Channel - Dedicated Transport - 4- Wire Voice Grade - Facility Termination per month				U1TVX	U1TV4	21.75	80.96	54.74	34.27	14.12			31.26	31.26	3.91	3.91		
		Interoffice Channel - Dedicated Transport - 56 kbps - per mile per mont				U1TDX	1L5XX	0.0112												
		Interoffice Channel - Dedicated Transport - 56 kbps - Facility Termination per mon				U1TDX	U1TD5	17.24	80.96	54.58	34.27	14.12			31.26	31.26	3.91	3.91		
		Interoffice Channel - Dedicated Transport - 64 kbps - per mile per mont				U1TDX	1L5XX	0.0112												
		Interoffice Channel - Dedicated Transport - 64 kbps - Facility Termination per mon				U1TDX	U1TD6	17.24	80.96	54.58	34.27	14.12			31.26	31.26	3.91	3.91		
		INTEROFFICE CHANNEL - DEDICATED TRANSPORT - DS1																		
		Interoffice Channel - Dedicated Channel - DS1 - Per Mile per mont				U1TD1	1L5XX	0.2293												
		Interoffice Channel - Dedicated Tranport - DS1 - Facility Termination per mon				U1TD1	U1TF1	63	178.29	163.4	33.4	29.57			31.26	31.26	3.91	3.91		
		INTEROFFICE CHANNEL - DEDICATED TRANSPORT- DS3																		
		Interoffice Channel - Dedicated Transport - DS3 - Per Mile per mont				U1TD3	1L5XX	5.43												
		Interoffice Channel - Dedicated Transport - DS3 - Facility Termination per mon				U1TD3	U1TF3	705.42	556.75	325.07	123.28	119.71			31.26	31.26	3.91	3.91		
		INTEROFFICE CHANNEL - DEDICATED TRANSPORT- STS-1																		
		Interoffice Channel - Dedicated Transport - STS-1 - Per Mile per mont				U1TS1	1L5XX	5.43												
		Interoffice Channel - Dedicated Transport - STS-1 - Facility Termination per mon				U1TS1	U1TFS	707.97	556.75	325.07	123.28	119.71			31.26	31.26	3.91	3.91		
		LOCAL CHANNEL - DEDICATED TRANSPORT																		
		NOTE: LOCAL CHANNEL DEDICATED TRANSPORT - minimum billing period - below DS3=one month, DS3 and above=four months																		
		Local Channel - Dedicated - 2-Wire Voice Grade Per Month				ULCVX	ULDV2	16.39	385.68	67.11	75.04	6.55			31.26	31.26	3.91	3.91		
		Local Channel - Dedicated - 2-Wire Voice Grade Rev Bat per mont				ULCVX	ULDR2	16.39	385.68	67.11	75.04	6.55			31.26	31.26	3.91	3.91		
		Local Channel - Dedicated - 4-Wire Voice Grade per mont				UNCVX	ULDV4	17.59	385.68	67.11	76	7.51			31.26	31.26	3.91	3.91		
		Local Channel - Dedicated - DS1 per month - Zone 1				ULDD1	ULDF1	41.4	354.47	307.02	45	31.25			31.26	31.26	3.91	3.91		
		Local Channel - Dedicated - DS1 per month - Zone 2				ULDD1	ULDF1	47.27	354.47	307.02	45	31.25			31.26	31.26	3.91	3.91		
		Local Channel - Dedicated - DS1 per month - Zone 3				ULDD1	ULDF1	553.26	354.47	307.02	45	30.52			31.26	31.26	3.91	3.91		
		Local Channel - Dedicated - DS3 - Per Mile per mont				ULDD3	1L5NC	11.02												
		Local Channel - Dedicated - DS3 - Facility Termination per mont				ULDD3	ULDF3	455.69	901.82	527.16	244.7	171.16			31.26	31.26	3.91	3.91		
		Local Channel - Dedicated - STS-1 - Per Mile per mont				ULDS1	1L5NC	11.02												
		Local Channel - Dedicated - STS-1 - Facility Termination per mont				ULDS1	ULDFS	449.26	901.82	527.16	244.7	171.16			31.26	31.26	3.91	3.91		
		MULTIPLEXERS																		
		Channelization - DS1 to DS0 Channel Syster				UXTD1	MQ1	125.29	181.84	124.98	21.57	20.05			31.26	31.26	3.91	3.91		

UNBUNDLED NETWORK ELEMENTS
MS

CATEGORY	NOTES	UNBUNDLED NETWORK ELEMENT	Interim	Zone	BCS	USOC	RATES (\$)						OSS RATES (\$)					
							Nonrecurring			Nonrecurring			SOMECE	SOMAN	SOMAN	SOMAN	SOMAN	SOMAN
							Rec	First	Add'l	First	Add'l	Disconnect						
		OCU-DP COCI (data) - DS1 to DS0 Channel System - per month (2.4-64kbs)			UDL	1D1DD	1.49	13.13	9.41									
		2-wire ISDN COCI (BRITE) - DS1 to DS0 Channel System - per month			UDN	UC1CA	3.19	13.13	9.41									
		Voice Grade COCI - DS1 to DS0 Channel System - per month			UEA	1D1VG	0.6988	13.13	6.41									
		DS3 to DS1 Channel System per month			UXTD3	MQ3	207.87	355.8	187.69	68.11	65.17			31.26	31.26	3.91	3.91	
		STS1 to DS1 Channel System per month			UXTS1	MQ3	207.87							31.26	31.26	3.91	3.91	
		DS3 Interface Unit (DS1 COCI) used with Loop per month			USL	UC1D1	15.78	13.13	9.41									
DARK FIBER																		
		Dark Fiber, Four Fiber Strands, Per Route Mile or Fraction Thereof per month - Local Channel			UDF	1L5DC	66.94											
		NRC Dark Fiber - Local Channel			UDF	UDFC4		1276.46	275.36	649.31	404.8			31.26	31.26	3.91	3.91	
		Dark Fiber, Four Fiber Strands, Per Route Mile or Fraction Thereof per month - Interoffice Channel			UDF	1L5DF	32.13											
		NRC Dark Fiber - Interoffice Channel			UDF	UDF14		1276.46	275.36	649.31	404.8			31.26	31.26	3.91	3.91	
		Dark Fiber, Four Fiber Strands, Per Route Mile or Fraction Thereof per month - Local Loop			UDF	1L5DL	66.94											
		NRC Dark Fiber - Local Loop			UDF	UDFL4		1276.46	275.36	649.31	404.8			31.26	31.26	3.91	3.91	
TRANSPORT OTHER																		
Optional Features & Functions:																		
		Clear Channel Capability (B8ZS/ESF) Option - Subsequent - per DS1 Channel			UNC1X	CCOEF		184.6	23.78	1.96	0.76			29.33	3.93			
		Clear Channel Capability (B8ZS/SF) Option - Subsequent - per DS1 Channel			UNC1X	CCOSF		184.6	23.78	1.96	0.76			29.33	3.93			
8XX ACCESS TEN DIGIT SCREENING																		
		8XX Access Ten Digit Screening, Per Call			OHD		0.0005321											
		8XX Access Ten Digit Screening, Reservation Charge Per 8XX Number Reserve			OHD	N8R1X		8.46	0.96					25.52	25.52	16.05	16.05	
		8XX Access Ten Digit Screening, Per 8XX No. Established W/O POTS Translation			OHD			17.04	1.93	11.32	0.96			25.52	25.52	16.05	16.05	
		8XX Access Ten Digit Screening, Per 8XX No. Established With POTS Translation			OHD	N8FTX		17.04	1.93	11.32	0.96			25.52	25.52	16.05	16.05	
		8XX Access Ten Digit Screening, Customized Area of Service Per 8XX Number			OHD	N8FCX		5.63	2.81					25.52	25.52	16.05	16.05	
		8XX Access Ten Digit Screening, Multiple InterLATA CXR Routing Per CXR Requested Per 8XX No.			OHD	N8FMX		6.59	3.77					25.52	25.52	16.05	16.05	
		8XX Access Ten Digit Screening, Change Charge Per Request			OHD	N8FAX		9.42	0.96					25.52	25.52	16.05	16.05	
		8XX Access Ten Digit Screening, Call Handling and Destination Feature			OHD	N8FDX		5.63	5.63					25.52	25.52	16.05	16.05	
LINE INFORMATION DATA BASE ACCESS (LIDB)																		
		LIDB Common Transport Per Query			OQT		0.0000446											
		LIDB Validation Per Query			OQU		0.0142132											
		LIDB Originating Point Code Establishment or Change			OQT, OQU	NRPBX		63.63						25.52	25.52	16.05	16.05	
SIGNALING (CCS7)																		
		CCS7 Signaling Termination, Per STP Port			1DB	PT8SX	161.12							25.52	25.52	16.05	16.05	
		CCS7 Signaling Usage, Per TCAP Message			1DB		0.0001115											
		NOTE: Applicable when measurement and billing capability exists.																
		CCS7 Signaling Connection, Per link (A link)			1DB	TPP++	21.58	169.72	169.72	134.08	134.08			25.52	25.52	16.05	16.05	
		CCS7 Signaling Connection, Per link (B link) (also known as D link)			1DB	TPP++	21.58	169.72	169.72	134.08	134.08			25.52	25.52	16.05	16.05	
		CCS7 Signaling Usage, Per ISUP Message			1DB		0.0000456											
		NOTE: Applicable when measurement and billing capability exists.																
		CCS7 Signaling Usage Surrogate, per link per LAT			1DB	STU56	406.53							25.52	25.52	16.05	16.05	
		CCS7 Signaling Point Code, per Originating Point Code Establishment or Change, per STP affected			1DB	CCAPO		40	40					25.52	25.52	16.05	16.05	
		CCS7 Signaling Point Code, per Destination Point Code Establishment or Change, per STP affected			1DB	CCAPD		8	8					25.52	25.52	16.05	16.05	
E911 SERVICE																		

UNBUNDLED NETWORK ELEMENTS
MS

CATEGORY	NOTES	UNBUNDLED NETWORK ELEMENT	Interim	Zone	BCS	USOC	RATES (\$)					OSS RATES (\$)					
							Rec	First	Add'l	First	Add'l	SOMEc	SOMAN	SOMAN	SOMAN	SOMAN	SOMAN
							Nonrecurring		Nonrecurring								
									Disconnect								
CALLING NAME (CNAM) SERVICE																	
		CNAM for DB Owners, Per Quen			QVQ		0.016										
		CNAM for Non DB Owners, Per Quen			QVQ		0.01										
		CNAM (Non-Databs Owner), NRC, applies when using the Character Based User Interface (CHUI)			QVQ	CDDCH	595	595				25.52	25.52	16.05	16.05		
LNP QUERY SERVICE																	
OPERATOR SERVICES AND DIRECTORY ASSISTANCE																	
OPERATOR CALL PROCESSING																	
		Oper. Call Processing - Oper. Provided, Per Min. - Using BST LID					1.2										
		Oper. Call Processing - Oper. Provided, Per Min. - Using Foreign LID					1.24										
		Oper. Call Processing - Fully Automated, per Call - Using BST LID					0.2										
		Oper. Call Processing - Fully Automated, per Call - Using Foreign LID					0.2										
INWARD OPERATOR SERVICES																	
		Inward Operator Services - Verification, Per Minut					1.15										
		Inward Operator Services - Verification and Emergency Interrupt - Per Minu					1.15										
BRANDING - OPERATOR CALL PROCESSING																	
		Recording of Custom Branded OA Announcement			CBAOS		7000	7000	9.61	9.61		19.99	19.99	19.99	19.99		
		Loading of Custom Branded OA Announcement per shelf/NAV			CBAOL		500	500				19.99	19.99				
DIRECTORY ASSISTANCE SERVICES																	
DIRECTORY ASSISTANCE ACCESS SERVICE																	
		Directory Assistance Access Service Calls, Charge Per Ca					0.275										
DIRECTORY ASSISTANCE CALL COMPLETION ACCESS SERVICE (DACC)																	
		Directory Assistance Call Completion Access Service (DACC), Per Call Attempt					0.1										
UNBRANDING																	
DIRECTORY TRANSPORT																	
		Directory Transport - Local Channel DS					38.91	494.83	435.28	46.85	33.02	59.58	59.58	27.41	27.41		
		Directory Transport - DS1 Level Interoffice Per Mil					0.6598										
		Directory Transport - DS1 Level Interoffice Per Facility Terminatic					74.4	196.28	147.31	26.56	21.61	25.52	25.52	11.34	11.34		
		Switched Common Transport Per DA Access Service Per Ca					0.0002997										
		Switched Common Transport Per DA Access Service Per Call Per Mil					0.0000202										
		Access Tandem Switching Per DA Access Service Per Ca					0.0023713										
		Directory Transport - Installation NRC, Per Trunk or Signaling Connectic					257.73	5.85				171.49	5.85				
DIRECTORY ASSISTANCE DATA BASE SERVICE (DADS)																	
		Directory Assistance Data Base Service Charge Per Listin					0.04										
		Directory Assistance Data Base Service, per mont			DBSOF		150										
BRANDING - DIRECTORY ASSISTANCE																	
		Custom Branding Announcement, per Recording to be used with the provision of DA			AMT	CBADA	3000	3000									
		Loading of Custom Branded Announcement per DRAM Card/Switch			AMT	CBADC	690	690									
SELECTIVE ROUTING																	
		Selective Routing Per Unique Line Class Code Per Request Per Switc				USRCR	227.99	227.99				43.52	9.99				
VIRTUAL COLLOCATION																	

UNBUNDLED NETWORK ELEMENTS
MS

CATEGORY	NOTES	UNBUNDLED NETWORK ELEMENT	Interim	Zone	BCS	USOC	RATES (\$)					OSS RATES (\$)						
							Rec	First	Add'l	First	Add'l	SOMECD	SOMAN	SOMAN	SOMAN	SOMAN	SOMAN	SOMAN
							Nonrecurring					Nonrecurring						
							Disconnect					Disconnect						
							Rec	First	Add'l	First	Add'l	SOMECD	SOMAN	SOMAN	SOMAN	SOMAN	SOMAN	SOMAN
		Virtual Collocation - 2-wire Cross Connects (loop)			uean,ue	UEAC2	0.3996	30.93	29.59	12.76	11.43			19.99	19.99	19.99	19.99	19.99
		Virtual Collocation - 2-wire Cross Connects (port)			c,ual,uhl	VE1R2	0.3996	30.93	29.59	12.76	11.43			19.99	19.99	19.99	19.99	19.99
		Virtual Collocation - 4-wire Cross Connects (loop)			uea,uhl,	UEAC4	0.7992	31.17	29.77	12.83	11.43			19.99	19.99	19.99	19.99	19.99
		Virtual Collocation - 4-wire Cross Connects (port)			ucl,udl	VE1R4	0.7992	31.17	29.77	12.83	11.43			19.99	19.99	19.99	19.99	19.99
		Virtual Collocation - 2-Fiber Cross Connect:				CNC2F	15.64	41.56	29.82	12.96	10.34			19.99	19.99	19.99	19.99	19.99
		Virtual Collocation - 4-Fiber Cross Connects				CNC4F	28.11	50.53	38.78	16.97	14.35			19.99	19.99	19.99	19.99	19.99
		Virtual Collocatin - DS1 Cross Connect:			USL,UL	CNC1X	7.5	155	14									
		AIN SELECTIVE CARRIER ROUTING																
		Regional Service Establishment			SRC	SRCEC		391788						19.99	19.99	19.99	19.99	19.99
		End Office Establishment			SRC	SRCEO		320.53	320.53					19.99	19.99	19.99	19.99	19.99
		Line/Port NRC, per end user			SRC	SRCLP		2.06	2.06					19.99	19.99	19.99	19.99	19.99
		Query NRC, per query			SRC		0.000448											
		AIN - BELLSOUTH AIN SMS ACCESS SERVICE																
		AIN SMS Access Service - Service Establishment, Per State, Initial Setu				CAMSE		174.03	174.03	135.96	135.96			25.52	25.52	16.05	16.05	16.05
		AIN SMS Access Service - Port Connection - Dial/Shared Acces				CAMDP		53.47	53.47	37.7	37.7			25.52	25.52	16.05	16.05	16.05
		AIN SMS Access Service - Port Connection - ISDN Acces:				CAM1P		53.47	53.47	37.7	37.7			25.52	25.52	16.05	16.05	16.05
		AIN SMS Access Service - User Identification Codes - Per User ID Cod				CAMAU		129.83	129.83	79.91	79.91			25.52	25.52	16.05	16.05	16.05
		AIN SMS Access Service - Security Card, Per User ID Code, Initial or Replacemer				CAMRC		131.54	131.54	45.77	45.77			25.52	25.52	16.05	16.05	16.05
		AIN SMS Access Service - Storage, Per Unit (100 Kilobytes)					0.0029											
		AIN SMS Access Service - Session, Per Minute					0.097565											
		AIN SMS Access Service - Company Performed Session, Per Minute					2.09											
		AIN - BELLSOUTH AIN TOOLKIT SERVICE																
		AIN Toolkit Service - Service Establishment Charge, Per State, Initial Setu				BAPSC		169.31	169.31	135.96	135.96			25.52	25.52	16.05	16.05	16.05
		AIN Toolkit Service - Training Session, Per Custome				BAPVX		8379	8379					25.52	25.52	16.05	16.05	16.05
		AIN Toolkit Service - Trigger Access Charge, Per Trigger, Per DN, Term. Attempt				BAPT		39.3	39.3	37.7	37.7			25.52	25.52	16.05	16.05	16.05
		AIN Toolkit Service - Trigger Access Charge, Per Trigger, Per DN, Off-Hook Dela				BAPTD		39.3	39.3	37.7	37.7			25.52	25.52	16.05	16.05	16.05
		AIN Toolkit Service - Trigger Access Charge, Per Trigger, Per DN, Off-Hook Immediate				BAPTM		39.3	39.3	37.7	37.7			25.52	25.52	16.05	16.05	16.05
		AIN Toolkit Service - Trigger Access Charge, Per Trigger, Per DN, 10-Digit POD				BAPTO		106.9	106.9	48.44	48.44			25.52	25.52	16.05	16.05	16.05
		AIN Toolkit Service - Trigger Access Charge, Per Trigger, Per DN, CDI				BAPTC		106.9	106.9	48.44	48.44			25.52	25.52	16.05	16.05	16.05
		AIN Toolkit Service - Trigger Access Charge, Per Trigger, Per DN, Feature Cod				BAPTF		106.9	106.9	48.44	48.44			25.52	25.52	16.05	16.05	16.05
		AIN Toolkit Service - Query Charge, Per Quer					0.0256138											
		AIN Toolkit Service - Type 1 Node Charge, Per AIN Toolkit Subscription, Per Node, Per Query					0.0065161											
		AIN Toolkit Service - SCP Storage Charge, Per SMS Access Account, Per 100 Kilobytes					1.79											
		AIN Toolkit Service - Monthly report - Per AIN Toolkit Service Subscriptic				BAPMS	16.01	44.02	44.02	31.28	31.28			25.52	25.52	16.05	16.05	16.05
		AIN Toolkit Service - Special Study - Per AIN Toolkit Service Subscriptic				BAPLS	0.0810536	47.21	47.21					25.52	25.52	16.05	16.05	16.05
		AIN Toolkit Service - Call Event Report - Per AIN Toolkit Service Subscriptic				BAPDS	15.93	44.02	44.02	31.28	31.28			25.52	25.52	16.05	16.05	16.05
		AIN Toolkit Service - Call Event Special Study - Per AIN Toolkit Service Subscriptic				BAPES	0.0027018	47.21	47.21					25.52	25.52	16.05	16.05	16.05
		ODOUF/ODOUF/ADUF/CMDS																

UNBUNDLED NETWORK ELEMENTS
MS

CATEGORY	NOTES	UNBUNDLED NETWORK ELEMENT	Interim	Zone	BCS	USOC	RATES (\$)				OSS RATES (\$)						
							Rec	First	Add'l	Disconnect	SOMEc	SOMAN	SOMAN	SOMAN	SOMAN	SOMAN	
							Nonrecurring		Nonrecurring								
							Disconnect		Disconnect								
							Rec	First	Add'l	First	Add'l	SOMEc	SOMAN	SOMAN	SOMAN	SOMAN	SOMAN
		ACCESS DAILY USAGE FILE (ADUF)															
		ADUF: Message Processing, per message					0.004										
		ADUF: Data Transmission (CONNECT:DIRECT), per message					0.001										
		ENHANCED OPTIONAL DAILY USAGE FILE (EODUF)															
		EODUF: Message Processing, per message					0.004										
		OPTIONAL DAILY USAGE FILE (ODUF)															
		ODUF: Recording, per message					0.0001179										
		ODUF: Message Processing, per message					0.0032089										
		ODUF: Message Processing, per Magnetic Tape provisione					54.62										
		ODUF: Data Transmission (CONNECT:DIRECT), per message					0.0000354										
		ENHANCED EXTENDED LINK (EELs)															
		NOTE: New EELs available in State of Georgia, density zone 1 of following SMAs: Orlando, FL; Miami, FL; Ft. Lauderdale, FL; Nashville, TN; New Orleans, LA;															
		NOTE: Charlotte-Gastonia-Rockhill, NC; Greensboro-Winston Salem-High Point, NC. Use all rates below except Switch As Is Charge.															
		NOTE: In all states, EEL network elements shown below also apply to currently combined facilities which are converted to UNE rates. A Switch As Is Charge applies to currently combined facilities converted to UNEs.(Non-recurring rates do not apply.)															
		NOTE: In Georgia, the EEL network elements apply to ordinarily combined network elements per the GA PSC order.(No Switch As Is Charge.)															
		2-WIRE VOICE GRADE EXTENDED LOOP WITH DEDICATED DS1 INTEROFFICE TRANSPORT (EEL)															
		First 2-Wire VG Loop(SL2) in a DS1 Interofficed Transport Combination - Zone 1	1	UNCVX	UEAL2		18.35										
		First 2-Wire VG Grade Loop(SL2) in a DS1 Interofficed Transport Combination - Zone 2	2	UNCVX	UEAL2		24.33										
		First 2-Wire VG Grade Loop(SL2) in a DS1 Interofficed Transport Combination - Zone 3	3	UNCVX	UEAL2		34.77										
		First 2-Wire VG Loop(SL2) in a DS1 Interofficed Transport Combination - Zone 4	4	NA	NA		44.77										
		Interoffice Transport - Dedicated - DS1 combination - Per Mile per mont		UNC1X	1L5XX		0.2293										
		Interoffice Transport - Dedicated - DS1 combination - Facility Termination per mon		UNC1X	U1TF1		63										
		DS1 Channelization System Per Month		UNC1X	MQ1		125.29										
		Voice Grade COCI - DS1 To Ds0 Interface - Per Month		UNCVX	1D1VG		0.6988										
		Each Additional 2-Wire VG Loop(SL 2) in the same DS1 Interoffice Transport Combination - Zone 1	1	UNCVX	UEAL2		18.35										
		Each Additional 2-Wire VG Loop(SL2) in the same DS1 Interoffice Transport Combination - Zone 2	2	UNCVX	UEAL2		24.33										
		Each Additional 2-Wire VG Loop(SL2) in the same DS1 Interoffice Transport Combination - Zone 3	3	UNCVX	UEAL2		34.77										
		Each Additional 2-Wire VG Loop(SL2) in the same DS1 Interoffice Transport Combination - Zone 4	4	NA	NA		44.77										
		Voice Grade COCI - DS1 to DS0 Channel System combination - per mont		UNCVX	1D1VG		0.6988										
		Nonrecurring Currently Combined Network Elements Switch -As-Is Charg		UNC1X	UNCCC			11.17	11.17	14.29	14.29		31.26	31.26	3.91	3.91	
		4-WIRE VOICE GRADE EXTENDED LOOP WITH DEDICATED DS1 INTEROFFICE TRANSPORT (EEL)															
		First 4-Wire Analog Voice Grade Loop in a DS1 Interoffice Transport Combination - Zone 1	1	UNCVX	UEAL4		22.38										
		First 4-Wire Analog Voice Grade Loop in a DS1 Interoffice Transport Combination - Zone 2	2	UNCVX	UEAL4		29.67										

UNBUNDLED NETWORK ELEMENTS
MS

CATEGORY	NOTES	UNBUNDLED NETWORK ELEMENT	Interim	Zone	BCS	USOC	RATES (\$)				OSS RATES (\$)								
							Nonrecurring		Nonrecurring		Svc Order Submitted Elec per LSR	Svc Order Submitted Manually per LSR	Incremental Charge - Manual Svc Order vs. Electronic-1st	Incremental Charge - Manual Svc Order vs. Electronic-Add'l	Incremental Charge - Manual Svc Order vs. Electronic-Disc 1st	Incremental Charge - Manual Svc Order vs. Electronic-Disc Add'l			
							Rec	First	Add'l	Disconnect									
							First	Add'l	First	Add'l	SOMEC	SOMAN	SOMAN	SOMAN	SOMAN	SOMAN			
		First 4-Wire Analog Voice Grade Loop in a DS1 Interoffice Transport Combination - Zone 3		3	UNCVX	UEAL4	42.4												
		First 4-Wire Analog Voice Grade Loop in a DS1 Interoffice Transport Combination - Zone 4		4	NA	NA	63												
		Interoffice Transport - Dedicated - DS1 combination - Per Mile Per Mont			UNC1X	1L5XX	0.2293												
		Interoffice Transport - Dedicated - DS1 - Facility Termination Per Mont			UNC1X	U1TF1	63												
		Channelization - Channel System DS1 to DS0 combination Per Mont			UNC1X	MQ1	125.29												
		Voice Grade COCI - DS1 to DS0 Channel System combination - per mont			UNCVX	1D1VG	0.6988												
		Additional 4-Wire Analog Voice Grade Loop in same DS1 Interoffice Transport Combination - Zone 1		1	UNCVX	UEAL4	22.38												
		Additional 4-Wire Analog Voice Grade Loop in same DS1 Interoffice Transport Combination - Zone 2		2	UNCVX	UEAL4	29.67												
		Additional 4-Wire Analog Voice Grade Loop in same DS1 Interoffice Transport Combination - Zone 3		3	UNCVX	UEAL4	42.4												
		Nonrecurring Currently Combined Network Elements Switch -As-Is Charg			UNC1X	UNCCC		11.17	11.17	14.29	14.29			31.26	31.26	3.91	3.91		
		4-WIRE 56 KBPS EXTENDED DIGITAL LOOP WITH DEDICATED DS1 INTEROFFICE TRANSPORT (EEL)																	
		First 4-Wire 56Kbps Digital Grade Loop in a DS1 Interoffice Transport Combination - Zone 1		1	UNCDX	UDL56	25.61												
		First 4-wire 56Kbps Digital Grade Loop in a DS1 Interoffice Transport Combination - Zone 2		2	UNCDX	UDL56	33.94												
		First 4-Wire 56Kbps Digital Grade Loop in a DS1 Interoffice Transport Combination - Zone 3		3	UNCDX	UDL56	48.51												
		First 4-Wire 56Kbps Digital Grade Loop in a DS1 Interoffice Transport Combination - Zone 4		4	NA	NA	44.77												
		Interoffice Transport - Dedicated - DS1 combination - Per Mile Per Mont			UNC1X	1L5XX	0.2293												
		Interoffice Transport - Dedicated - DS1 - combination Facility Termination Per Mon			UNC1X	U1TF1	63							31.26	31.26	3.91	3.91		
		Channelization - Channel System DS1 to DS0 combination Per Mon			UNC1X	MQ1	125.29												
		OCU-DP COCI (data) - DS1 to DS0 Channel System - per month (2.4-64kbs)			UNCDX	1D1DD	1.49												
		Additional 4-Wire 56Kbps Digital Grade Loopin same DS1 Interoffice Transport Combination - Zone 1		1	UNCDX	UDL56	25.61							31.26	31.26	3.91	3.91		
		Additional 4-Wire 56Kbps Digital Grade Loopin same DS1 Interoffice Transport Combination - Zone 2		2	UNCDX	UDL56	33.94							31.26	31.26	3.91	3.91		
		Additional 4-Wire 56Kbps Digital Grade Loopin same DS1 Interoffice Transport Combination - Zone 3		3	UNCDX	UDL56	48.51							31.26	31.26	3.91	3.91		
		Additional 4-Wire 56Kbps Digital Grade Loopin same DS1 Interoffice Transport Combination - Zone 4		4	NA	NA	44.77												
		OCU-DP COCI (data) - DS1 to DS0 Channel System - combination per month (2.4-64kbs)			UNCDX	1D1DD	1.49												
		Nonrecurring Currently Combined Network Elements Switch -As-Is Charg			UNC1X	UNCCC		11.17	11.17	14.29	14.29			31.26	31.26	3.91	3.91		
		4-WIRE 64 KBPS EXTENDED DIGITAL LOOP WITH DEDICATED DS1 INTEROFFICE TRANSPORT (EEL)																	
		First 4-Wire 64Kbps Digital Grade Loop in a DS1 Interoffice Transport Combination - Zone 1		1	UNCDX	UDL64	25.61												
		First 4-Wire 64Kbps Digital Grade Loop in a DS1 Interoffice Transport Combination - Zone 2		2	UNCDX	UDL64	33.94												
		First 4-Wire 64Kbps Digital Grade Loop in a DS1 Interoffice Transport Combination - Zone 3		3	UNCDX	UDL64	48.51												
		First 4-Wire 64Kbps Digital Grade Loop in a DS1 Interoffice Transport Combination - Zone 4		4	NA	NA	44.77												
		Interoffice Transport - Dedicated - DS1 combination - Per Mile Per Mont			UNC1X	1L5XX	0.2293												
		Interoffice Transport - Dedicated - DS1 combination - Facility Termination Per Mon			UNC1X	U1TF1	63												
		Channelization - Channel System DS1 to DS0 combination Per Mon			UNC1X	MQ1	125.29												
		OCU-DP COCI (data) - DS1 to DS0 Channel System combination - per month (2.4-64kbs)			UNCDX	1D1DD	1.49	0	0										
		Additional 4-Wire 64Kbps Digital Grade Loopin same DS1 Interoffice Transport Combination - Zone 1		1	UNCDX	UDL64	25.61												

UNBUNDLED NETWORK ELEMENTS
MS

CATEGORY	NOTES	UNBUNDLED NETWORK ELEMENT	Interim	Zone	BCS	USOC	RATES (\$)				OSS RATES (\$)								
							Nonrecurring		Nonrecurring		Svc Order Submitted Elec per LSR	Svc Order Submitted Manually per LSR	Incremental Charge - Manual Svc Order vs. Electronic-1st	Incremental Charge - Manual Svc Order vs. Electronic-Add'l	Incremental Charge - Manual Svc Order vs. Electronic-Disc 1st	Incremental Charge - Manual Svc Order vs. Electronic-Disc Add'l			
							Rec	First	Add'l	Disconnect							First	Add'l	SOMEC
		Additional 4-Wire 64Kbps Digital Grade Loopin same DS1 Interoffice Transport Combination - Zone 2		2	UNCDX	UDL64	33.94												
		Additional 4-Wire 64Kbps Digital Grade Loopin same DS1 Interoffice Transport Combination - Zone 3		3	UNCDX	UDL64	48.51												
		Additional 4-Wire 64Kbps Digital Grade Loopin same DS1 Interoffice Transport Combination - Zone 4		4	NA	NA	44.77												
		OCU-DP COC1 (data) - DS1 to DS0 Channel System combination - per month (2.4-64Kbps)			UNCDX	1D1DD	1.49												
		Nonrecurring Currently Combined Network Elements Switch -As-Is Charg			UNC1X	UNCCC		11.17	11.18	14.29	14.29			31.26	31.26	3.91	3.91		
4-WIRE DS1 DIGITAL EXTENDED LOOP WITH DEDICATED DS1 INTEROFFICE TRANSPORT (EEL)																			
		4-Wire DS1 Digital Loop in Combination with DS1 Interoffice Transport - Zone		1	UNC1X	USLXX	50.99												
		4-Wire DS1 Digital Loop in Combination with DS1 Interoffice Transport - Zone		2	UNC1X	USLXX	67.58												
		4-Wire DS1 Digital Loop in Combination with DS1 Interoffice Transport - Zone		3	UNC1X	USLXX	96.58												
		4-Wire DS1 Digital Loop in Combination with DS1 Interoffice Transport - Zone		4	NA	NA	566.41												
		Interoffice Transport - Dedicated - DS1 combination - Per Mile Per Mont			UNC1X	1L5XX	0.2293												
		Interoffice Transport - Dedicated - DS1 combination - Facility Termination Per Mon			UNC1X	U1TF1	63												
		Nonrecurring Currently Combined Network Elements Switch -As-Is Charg			UNC1X	UNCCC		11.17	11.17	14.29	14.29			31.26	31.26	3.91	3.91		
4-WIRE DS1 DIGITAL EXTENDED LOOP WITH DEDICATED DS3 INTEROFFICE TRANSPORT (EEL)																			
		First DS1Loop in DS3 Interoffice Transport Combination - Zone		1	UNC1X	USLXX	50.99												
		First DS1Loop in DS3 Interoffice Transport Combination - Zone		2	UNC1X	USLXX	67.58												
		First DS1Loop in DS3 Interoffice Transport Combination - Zone		3	UNC1X	USLXX	96.58												
		First DS1Loop in DS3 Interoffice Transport Combination - Zone		4	NA	NA	566.44												
		Interoffice Transport - Dedicated - DS3 combination - Per Mile Per Mont			UNC3X	1L5XX	5.43												
		Interoffice Transport - Dedicated - DS3 - Facility Termination per mont			UNC3X	U1TF3	705.42												
		DS3 to DS1 Channel System combination per mont			UNC3X	MQ3	207.87												
		DS3 Interface Unit (DS1 COC1) combination per month			UNC1X	UC1D1	15.78												
		Additional DS1Loop in DS3 Interoffice Transport Combination - Zone		1	UNC1X	USLXX	50.99												
		Additional DS1Loop in DS3 Interoffice Transport Combination - Zone		2	UNC1X	USLXX	67.58												
		Additional DS1Loop in DS3 Interoffice Transport Combination - Zone		3	UNC1X	USLXX	96.58												
		Additional DS1Loop in DS3 Interoffice Transport Combination - Zone		4	UNC1X	USLXX	566.44												
		DS3 Interface Unit (DS1 COC1) combination per month			UNC1X	UC1D1	15.78												
		Nonrecurring Currently Combined Network Elements Switch -As-Is Charg			UNC3X	UNCCC		11.17	11.17	14.29	14.29			31.26	31.26	3.91	3.91		
2-WIRE VOICE GRADE EXTENDED LOOP/ 2 WIRE VOICE GRADE INTEROFFICE TRANSPORT (EEL)																			
		2-WireVG Loop used with 2-wire VG Interoffice Transport Combination - Zone		1	UNCVX	UEAL2	18.35												
		2-WireVG Loop used with 2-wire VG Interoffice Transport Combination - Zone		2	UNCVX	UEAL2	24.33												
		2-WireVG Loop used with 2-wire VG Interoffice Transport Combination - Zone		3	UNCVX	UEAL2	34.77												
		A.1.2 2-WireVG Loop used with 2-wire VG Interoffice Transport Combination - Zone		4	NA	NA	44.77												
		Interoffice Transport - Dedicated - 2-wire VG combination - Per Mile Per Mont			UNCVX	1L5XX	0.0112												
		Interoffice Transport - Dedicated - 2- Wire Voice Grade combination - Facility Termination per mont			UNCVX	U1TV2	24.75							31.26	31.26	3.91	3.91		
		Nonrecurring Currently Combined Network Elements Switch -As-Is Charg			UNCVX	UNCCC		11.17	11.17	14.29	14.29			31.26	31.26	3.91	3.91		
4-WIRE VOICE GRADE EXTENDED LOOP/ 4 WIRE VOICE GRADE INTEROFFICE TRANSPORT (EEL)																			
		4-WireVG Loop used with 4-wire VG Interoffice Transport Combination - Zone		1	UNCVX	UEAL4	22.38												
		4-WireVG Loop used with 4-wire VG Interoffice Transport Combination - Zone		2	UNCVX	UEAL4	29.67												
		4-WireVG Loop used with 4-wire VG Interoffice Transport Combination - Zone		3	UNCVX	UEAL4	42.4												
		4-WireVG Loop used with 4-wire VG Interoffice Transport Combination - Zone		4	NA	NA	63												
		Interoffice Transport - Dedicated - 4-wire VG combination - Per Mile Per Mont			UNCVX	1L5XX	0.0112												

UNBUNDLED NETWORK ELEMENTS
MS

CATEGORY	NOTES	UNBUNDLED NETWORK ELEMENT	Interim	Zone	BCS	USOC	RATES (\$)				OSS RATES (\$)								
							Nonrecurring		Nonrecurring		SOMEC	SOMAN	SOMAN	SOMAN	SOMAN	SOMAN			
							Rec	First	Add'l	Disconnect							First	Add'l	
		Interoffice Transport - Dedicated - 4- Wire Voice Grade combination - Facility Termination per month			UNCVX	U1TV4	21.75												
		Nonrecurring Currently Combined Network Elements Switch -As-Is Chrg			UNCVX	UNCCC		11.17	11.17	14.29	14.29				31.26	31.26	3.91	3.91	
		DS3 DIGITAL EXTENDED LOOP WITH DEDICATED DS3 INTEROFFICE TRANSPORT (EEL)																	
		High Capacity Unbundled Local Loop - DS3 combination - Per Mile per month			UNC3X	1L5ND	14.16												
		High Capacity Unbundled Local Loop - DS3 combination - Facility Termination per month			UNC3X	UE3PX	396.3												
		Interoffice Transport - Dedicated - DS3 - Per Mile per month			UNC3X	1L5XX	5.43												
		Interoffice Transport - Dedicated - DS3 combination - Facility Termination per month			UNC3X	U1TF3	705.42												
		Nonrecurring Currently Combined Network Elements Switch -As-Is Chrg			UNC3X	UNCCC		11.17	11.17	14.29	14.29				31.26	31.26	3.91	3.91	
		STS1 DIGITAL EXTENDED LOOP WITH DEDICATED STS1 INTEROFFICE TRANSPORT (EEL)																	
		High Capacity Unbundled Local Loop - STS1 combination - Per Mile per month			UNC3X	1L5ND	14.16												
		High Capacity Unbundled Local Loop - STS1 combination - Facility Termination per month			UNC3X	UDLS1	411.34												
		Interoffice Transport - Dedicated - STS1 combination - Per Mile per month			UNC3X	1L5XX	5.43												
		Interoffice Transport - Dedicated - STS1 combination - Facility Termination per month			UNC3X	U1TFS	707.97												
		Nonrecurring Currently Combined Network Elements Switch -As-Is Chrg			UNC3X	UNCCC		11.17	11.17	14.29	14.29				31.26	31.26	3.91	3.91	
		2-WIRE ISDN EXTENDED LOOP WITH DS1 INTEROFFICE TRANSPORT (EEL)																	
		First 2-Wire ISDN Loop in a DS1 Interoffice Combination Transport - Zone		1	UNCNX	U1L2X	21.86												
		First 2-Wire ISDN Loop in a DS1 Interoffice Combination Transport - Zone		2	UNCNX	U1L2X	28.97												
		First 2-Wire ISDN Loop in a DS1 Interoffice Combination Transport - Zone		3	UNCNX	U1L2X	41.4												
		First 2-Wire ISDN Loop in a DS1 Interoffice Combination Transport - Zone		4	NA	NA	71.05												
		Interoffice Transport - Dedicated - DS1 combination - Per Mile			UNC1X	1L5XX	0.2293												
		Interoffice Transport - Dedicated - DS1 combination - Facility Termination per month			UNC1X	U1TF1	63												
		Channelization - Channel System DS1 to DS0 combination - per month			UNC1X	MQ1	125.29												
		2-wire ISDN COCI (BRITE) - DS1 to DS0 Channel System combination - per month			UNCNX	UC1CA	3.19												
		Additional 2-wire ISDN Loop in same DS1 Interoffice Transport Combination - Zone		1	UNCNX	U1L2X	21.86												
		Additional 2-wire ISDN Loop in same DS1 Interoffice Transport Combination - Zone		2	UNCNX	U1L2X	28.97												
		Additional 2-wire ISDN Loop in same DS1 Interoffice Transport Combination - Zone		3	UNCNX	U1L2X	41.4												
		Additional 2-wire ISDN Loop in same DS1 Interoffice Transport Combination - Zone		4	NA	NA	71.05												
		2-wire ISDN COCI (BRITE) - DS1 to DS0 Channel System combination - per month			UNCNX	UC1CA	3.19												
		Nonrecurring Currently Combined Network Elements Switch -As-Is Chrg			UNC1X	UNCCC		11.17	11.17	14.29	14.29				31.26	31.26	3.91	3.91	
		4-WIRE DS1 DIGITAL EXTENDED LOOP WITH DEDICATED STS-1 INTEROFFICE TRANSPORT (EEL)																	
		First DS1 Loop in STS1 Interoffice Transport Combination - Zone		1	UNC1X	USLXX	50.99												
		First DS1 Loop in STS1 Interoffice Transport Combination - Zone		2	UNC1X	USLXX	67.58												
		First DS1 Loop in STS1 Interoffice Transport Combination - Zone		3	UNC1X	USLXX	96.58												
		First DS1 Loop in STS1 Interoffice Transport Combination - Zone		4	NA	NA	566.44												
		Interoffice Transport - Dedicated - STS1 combination - Per Mile Per Month			UNC3X	1L5XX	5.43												
		Interoffice Transport - Dedicated - STS1 combination - Facility Termination			UNC3X	U1TFS	707.97												
		STS1 to DS1 Channel System combination per month			UNC3X	MQ3	207.87												
		DS3 Interface Unit (DS1 COCI) combination per month			UNC1X	UC1D1	15.78												
		Additional DS1 Loop in STS1 Interoffice Transport Combination - Zone		1	UNC1X	USLXX	50.99												
		Additional DS1 Loop in STS1 Interoffice Transport Combination - Zone		2	UNC1X	USLXX	67.58												
		Additional DS1 Loop in STS1 Interoffice Transport Combination - Zone		3	UNC1X	USLXX	96.58												
		Additional DS1 Loop in STS1 Interoffice Transport Combination - Zone		4	NA	NA	566.44												
		DS3 Interface Unit (DS1 COCI) combination per month			UNC1X	UC1D1	15.78												

UNBUNDLED NETWORK ELEMENTS
MS

CATEGORY	NOTES	UNBUNDLED NETWORK ELEMENT	Interim	Zone	BCS	USOC	RATES (\$)				OSS RATES (\$)							
							Rec	First	Add'l	Disconnect	SOME C	SOMAN	SOMAN	SOMAN	SOMAN	SOMAN	SOMAN	
							Nonrecurring		Nonrecurring									
							Disconnect											
							Rec	First	Add'l	First	Add'l	SOME C	SOMAN	SOMAN	SOMAN	SOMAN	SOMAN	
		Nonrecurring Currently Combined Network Elements Switch -As-Is Charg			UNCSX	UNCCC		11.17	11.17		14.29	14.29			31.26	31.26	3.91	3.91
		4-WIRE 56 KBPS DIGITAL EXTENDED LOOP WITH 56 KBPS INTEROFFICE TRANSPORT (EEL)																
		4-wire 56 kbps Loop/4-wire 56 kbps Interoffice Transport Combination - Zone		1	UNCDX	UDL56	25.61											
		4-wire 56 kbps Loop/4-wire 56 kbps Interoffice Transport Combination - Zone		2	UNCDX	UDL56	33.94											
		4-wire 56 kbps Loop/4-wire 56 kbps Interoffice Transport Combination - Zone		3	UNCDX	UDL56	48.51											
		4-wire 56 kbps Loop/4-wire 56 kbps Interoffice Transport Combination - Zone		4	NA	NA	44.77											
		Interoffice Transport - Dedicated - 4-wire 56 kbps combination - Per Mil			UNCDX	1L5XX	0.0112											
		Interoffice Transport - Dedicated - 4-wire 56 kbps combination - Facility Terminatic			UNCDX	U1TD5	17.24											
		Nonrecurring Currently Combined Network Elements Switch -As-Is Charg			UNCDX	UNCCC		11.17	11.17		14.29	14.29			31.26	31.26	3.91	3.91
		4-WIRE 64 KBPS DIGITAL EXTENDED LOOP WITH 64 KBPS INTEROFFICE TRANSPORT (EEL)																
		4-wire 64 kbps Loop/4-wire 64 kbps Interoffice Transport Combination - Zone		1	UNCDX	UDL64	25.61											
		4-wire 64 kbps Loop/4-wire 64 kbps Interoffice Transport Combination - Zone		2	UNCDX	UDL64	33.94											
		4-wire 64 kbps Loop/4-wire 64 kbps Interoffice Transport Combination - Zone		3	UNCDX	UDL64	48.51											
		4-wire 64 kbps Loop/4-wire 64 kbps Interoffice Transport Combination - Zone		4	NA	NA	44.77											
		Interoffice Transport - Dedicated - 4-wire 64 kbps combination - Per Mil			UNCDX	1L5XX	0.0112											
		Interoffice Transport - Dedicated - 4-wire 64 kbps combination - Facility Terminatic			UNCDX	U1TD6	17.24											
		Nonrecurring Currently Combined Network Elements Switch -As-Is Charg			UNCDX	UNCCC		11.17	11.17		14.29	14.29			31.26	31.26	3.91	3.91
		ADDITIONAL NETWORK ELEMENTS																
		When used as a part of a currently combined facility, the non-recurrng charges do not apply, but a Switch As Is charge does apply.																
		When used as ordinarly combined network elements in Georgia, the non-recurring charges apply and the Switch As Is Charge does not.																
		Nonrecurring Currently Combined Network Elements "Switch As Is" Charge (One applies to each combination)																
		2/4-Wire VG Interoffice Channel used in a COMBINATION - "Switch As Is" Conversion Charge			UNCVX	UNCCC		11.17	11.17		14.29	14.29			31.26	31.26	3.91	3.91
		56/64 kbps Interoffice Channel used in a COMBINATION - "Switch As Is" Conversion Charge			UNCDX	UNCCC		11.17	11.17		14.29	14.29			31.26	31.26	3.91	3.91
		DS1 Interoffice Channel used in a COMBINATION - "Switch As Is" Conversion Charge			UNC1X	UNCCC		11.17	11.17		14.29	14.29			31.26	31.26	3.91	3.91
		DS3 Interoffice Channel used in a COMBINATION - "Switch As Is" Conversion Charge			UNC3X	UNCCC		11.17	11.17		14.29	14.29			31.26	31.26	3.91	3.91
		STS1 Interoffice or Local Loop used in a COMBINATION - "Switch As Is" Conversion Charge			UNCSX	UNCCC		11.17	11.17		14.29	14.29			31.26	31.26	3.91	3.91
		NOTE: Local Channel - Dedicated Transport - minimum billing period - Below DS3=one month, DS3 and above=four months																
		OPERATIONAL SUPPORT SYSTEMS																
		NOTE: (1) Electronic Service Order: CLEC-1 should contact its contract negotiator if it prefers the state specific electronic service ordering charges as ordered by the State Commissions																
		NOTE: (1) Continued: The electronic service ordering charge currently contained in this rate exhibit is the BellSouth regional electronic service ordering charge																
		NOTE: (1) Concluded: CLEC-1 may elect either the state specific Commission ordered rates for the electronic service ordering charges, or CLEC-1 may elect the regional electronic service ordering charge.																
		NOTE: (2) Manual Service Order charge: disconnect, in the state of Florida, to be billed on a per LSR basis																
		Electronic OSS Charge, per LSR, submitted via BST's OSS interactive interfaces (Regional)				SOME C		3.5										
		UNBUNDLED LOCAL EXCHANGE SWITCHING (PORTS)																

UNBUNDLED NETWORK ELEMENTS
MS

CATEGORY	NOTES	UNBUNDLED NETWORK ELEMENT	Interim	Zone	BCS	USOC	RATES (\$)					OSS RATES (\$)								
							Rec	First	Add'l	First	Add'l	SOMEc	SOMAN	SOMAN	SOMAN	SOMAN	SOMAN	SOMAN		
							Nonrecurring		Nonrecurring											
							Disconnect		Disconnect											
							Rec	First	Add'l	First	Add'l	SOMEc	SOMAN	SOMAN	SOMAN	SOMAN	SOMAN	SOMAN	SOMAN	SOMAN
		Exchange Ports																		
		NOTE: Although the Port Rate includes all available features in GA & TN, the desired features will need to be ordered using retail USOCs																		
		2-WIRE VOICE GRADE LINE PORT RATES (RES)																		
		Exchange Ports - 2-Wire Analog Line Port- Res			UEPSR	UEPRL	2.11	22.98	22.98	6.56	6.56			25.52	11.34	16.06	16.06			
		Exchange Ports - 2-Wire Analog Line Port with Caller ID - Re:			UEPSR	UEPRC	2.11	22.98	22.98	6.56	6.56			25.52	11.34	16.06	16.06			
		Exchange Ports - 2-Wire Analog Line Port outgoing only - Re:			UEPSR	UEPRO	2.11	22.98	22.98	6.56	6.56			25.52	11.34	16.06	16.06			
		Exchange Ports - 2-Wire VG unbundled MS extended local dialing parity Port with Caller ID - Res.			UEPSR	UEPAT	2.11	22.98	22.98	6.56	6.56			25.52	11.34	16.06	16.06			
		Exchange Ports - 2-Wire VG unbundled res, low usage line port with Caller ID (LUI)			UEPSR	UEPAP	2.11	22.98	22.98	6.56	6.56			25.52	11.34	16.06	16.06			
		Subsequent Activity			UEPSR	USASC	0	0	0											
		FEATURES																		
		All Available Vertical Feature:			UEPSR	UEPVF	6.75	0	0					25.52	11.34	16.06	16.06			
		2-WIRE VOICE GRADE LINE PORT RATES (BUS)																		
		Exchange Ports - 2-Wire Analog Line Port without Caller ID - Bu			UEPSB	UEPBL	2.11	22.98	22.98	6.56	6.56			25.52	11.34	16.06	16.06			
		Exchange Ports - 2-Wire VG unbundled Line Port with unbundled port with Caller+E484 ID - Bus.			UEPSB	UEPBC	2.11	22.98	22.98	6.56	6.56			25.52	11.34	16.06	16.06			
		Exchange Ports - 2-Wire Analog Line Port outgoing only - Bu			UEPSB	UEPBO	2.11	22.98	22.98	6.56	6.56			25.52	11.34	16.06	16.06			
		Exchange Ports - 2-Wire VG unbundled MS extended local dialing parity Port with Caller ID - Bus.			UEPSB	UEPAY	2.11	22.98	22.98	6.56	6.56			25.52	11.34	16.06	16.06			
		Exchange Ports - 2-Wire VG unbundled incoming only port with Caller ID - B:			UEPSB	UEPB1	2.11	22.98	22.98	6.56	6.56			25.52	11.34	16.06	16.06			
		Subsequent Activity			UEPSB	USASC	0	0	0											
		FEATURES																		
		All Available Vertical Feature:			UEPSB	UEPVF	6.75	0	0					25.52	11.34	16.06	16.06			
		EXCHANGE PORT RATES (DID & PBX)																		
		Exchange Ports - 2-Wire DID Port			UEPEX	UEPP2	9.43	238.29	37.43	122.66	7.71			25.52	11.34	16.06	16.06			
		Exchange Ports - DDITS Port - 4-Wire DS1 Port with DID capabilit			UEPDD	UEPDD	72.96	403.5	191.12	148.66	5.04			19.99	19.99	19.99	19.99			
		Exchange Ports - 2-Wire ISDN Port (See Notes below.			UEPTX UEPSX	U1PMA	17.14	145.35	105.83	95.12	21.37			53.87	53.87	11.34	11.34			
		All Features Offerec			UEPTX UEPSX	UEPVF	6.75	0	0											
		NOTE: Transmission/usage charges associated with POTS circuit switched usage will also apply to circuit switched voice and/or circuit switched data transmission by B-Channels associated with 2-wire ISDN ports.																		
		NOTE: Access to B Channel or D Channel Packet capabilities will be available only through BFR/New Business Request Process. Rates for the packet capabilities will be determined via the Bona Fide Request/New Business Request Process.																		
		Exchange Ports - 2-Wire ISDN Port -- Channel Profiles			UEPTX UEPSX	U1UMA	0	0	0											
		Exchange Ports - 4-Wire ISDN DS1 Por			UEPEX	UEPEX	105.79	407.08	202.84	162.15	41.07			51.03	51.03	8.51	8.51			
		2-Wire VG Unbundled 2-Way PBX Trunk - Re:			UEPSE	UEPRD	2.11	22.98	22.98	6.56	6.56			25.52	11.34	16.06	16.06			
		2-Wire VG Line Side Unbundled 2-Way PBX Trunk - Bu			UEPSP	UEPPC	2.11	22.98	22.98	6.56	6.56			25.52	11.34	16.06	16.06			
		2-Wire VG Line Side Unbundled Outward PBX Trunk - Bu			UEPSP	UEPPO	2.11	22.98	22.98	6.56	6.56			25.52	11.34	16.06	16.06			
		2-Wire VG Line Side Unbundled Incoming PBX Trunk - Bu			UEPSP	UEPP1	2.11	22.98	22.98	6.56	6.56			25.52	11.34	16.06	16.06			
		2-Wire Analog Long Distance Terminal PBX Trunk - Bu			UEPSP	UEPLD	2.11	22.98	22.98	6.56	6.56			25.52	11.34	16.06	16.06			
		2-Wire Voice Unbundled PBX LD Terminal Port:			UEPSP	UEPLD	2.11	22.98	22.98	6.56	6.56			25.52	11.34	16.06	16.06			

UNBUNDLED NETWORK ELEMENTS
MS

CATEGORY	NOTES	UNBUNDLED NETWORK ELEMENT	Interim	Zone	BCS	USOC	RATES (\$)						OSS RATES (\$)					
							Nonrecurring			Nonrecurring			Svc Order Submitted Elec per LSR	Svc Order Submitted Manually per LSR	Incremental Charge - Manual Svc Order vs. Electronic-1st	Incremental Charge - Manual Svc Order vs. Electronic-Add'l	Incremental Charge - Manual Svc Order vs. Electronic-Disc 1st	Incremental Charge - Manual Svc Order vs. Electronic-Disc Add'l
Disconnect			SOMECS	SOMAN	SOMAN	SOMAN	SOMAN	SOMAN										
Rec	First	Add'l							First	Add'l								
		2-Wire Vice Unbundled 2-Way PBX Usage Por			UEPSP	UEPXA	2.11	22.98	22.98	6.56	6.56				25.52	11.34	16.06	16.06
		2-Wire Voice Unbundled PBX Toll Terminal Hotel Port			UEPSP	UEPXB	2.11	22.98	22.98	6.56	6.56				25.52	11.34	16.06	16.06
		2-Wire Voice Unbundled PBX LD DDD Terminals Poi			UEPSP	UEPXC	2.11	22.98	22.98	6.56	6.56				25.52	11.34	16.06	16.06
		2-Wire Voice Unbundled PBX LD Terminal Switchboard Po			UEPSP	UEPXD	2.11	22.98	22.98	6.56	6.56				25.52	11.34	16.06	16.06
		2-Wire Voice Unbundled PBX LD Terminal Switchboard IDD Capable Po			UEPSP	UEPXE	2.11	22.98	22.98	6.56	6.56				25.52	11.34	16.06	16.06
		2-Wire Voice Unbundled 2-Way PBX Hotel/Hospital Economy Administrative Calling Port			UEPSP	UEPXL	2.11	22.98	22.98	6.56	6.56				25.52	11.34	16.06	16.06
		2-Wire Voice Unbundled 2-Way PBX Hotel/Hospital Economy Room Calling Po			UEPSP	UEPXM	2.11	22.98	22.98	6.56	6.56				25.52	11.34	16.06	16.06
		2-Wire Voice Unbundled 1-Way Outgoing PBX Hotel/Hospital Discount Room Calling Port			UEPSP	UEPXO	2.11	22.98	22.98	6.56	6.56				25.52	11.34	16.06	16.06
		2-Wire Voice Unbundled 2-Way PBX Mississippi Local Economy Calling Po			UEPSP	UEPXQ	2.11	22.98	22.98	6.56	6.56				25.52	11.34	16.06	16.06
		2-Wire Voice Unbundled 2-Way PBX Mississippi Local Optional Calling Po			UEPSP	UEPXR	2.11	22.98	22.98	6.56	6.56				25.52	11.34	16.06	16.06
		2-Wire Voice Unbundled 1-Way Outgoing PBX Measured Po			UEPSP	UEPXS	2.11	22.98	22.98	6.56	6.56				25.52	11.34	16.06	16.06
		Subsequent Activity			UEPSP	USASC	0	0	0									
FEATURES		All Available Vertical Feature:			UEPSE	UEPVF	6.75	0	0						25.52	11.34	16.06	
EXCHANGE PORT RATES (COIN)		Exchange Ports - Coin Por					2.32	22.98	22.98	6.56	6.56				25.52	11.34	16.06	16.06
<p>NOTE: Transmission/usage charges associated with POTS circuit switched usage will also apply to circuit switched voice and/or circuit switched data transmission by B-Channels associated with 2-wire ISDN ports.</p>																		
<p>NOTE: Access to B Channel or D Channel Packet capabilities will be available only through BFR/New Business Request Process. Rates for the packet capabilities will be determined via the Bona Fide Request/New Business Request Process.</p>																		
UNBUNDLED LOCAL SWITCHING, PORT USAGE																		
		End Office Switching (Port Usage)																
		End Office Switching Function, Per MOL																
		End Office Trunk Port - Shared, Per MOL																
		Tandem Switching (Port Usage) (Local or Access Tandem)																
		Tandem Switching Function Per MOL																
		Tandem Trunk Port - Shared, Per MOL																
		Common Transport																
		Common Transport - Per Mile, Per MOU																
		Common Transport - Facilities Termination Per MOL																
UNBUNDLED PORT/LOOP COMBINATIONS - COST BASED RATES																		
<p>Cost Based Rates are applied where BellSouth is required by FCC and/or State Commission rule to provide Unbundled Local Switching or Switch Ports.</p>																		
<p>Features shall apply to the Unbundled Port/Loop Combination - Cost Based Rate section in the same manner as they are applied to the Stand-Alone Unbundled Port section of this Rate Exhibit.</p>																		
<p>End Office and Tandem Switching Usage and Common Transport Usage rates in the Port section of this rate exhibit shall apply to all combinations of loop/port network elements except for UNE Coin Port/Loop Combinations.</p>																		
<p>For Georgia, the recurring UNE Port and Loop charges listed apply to Currently Combined and Not Currently Combined Combos and the first and additional Port nonrecurring charges apply to Not Currently Combined Combos. For Currently Combined Combos in GA and all other states, the nonrecurring charges shall be those identified in the Nonrecurring - Currently Combined sections.</p>																		
		2-WIRE VOICE GRADE LOOP WITH 2-WIRE LINE PORT (RES)																
		UNE Port/Loop Combination Rates																

UNBUNDLED NETWORK ELEMENTS
MS

CATEGORY	NOTES	UNBUNDLED NETWORK ELEMENT	Interim	Zone	BCS	USOC	RATES (\$)				OSS RATES (\$)									
							Nonrecurring		Nonrecurring		Svc Order Submitted Elec per LSR	Svc Order Submitted Manually per LSR	Incremental Charge - Manual Svc Order vs. Electronic-1st	Incremental Charge - Manual Svc Order vs. Electronic-Add'l	Incremental Charge - Manual Svc Order vs. Electronic-Disc 1st	Incremental Charge - Manual Svc Order vs. Electronic-Disc Add'l				
							Rec	First	Add'l	First							Add'l	SOMEc	SOMAN	SOMAN
		2-Wire VG Loop/Port Combo - Zone 1		1			16.71													
		2-Wire VG Loop/Port Combo - Zone 2		2			21.45													
		2-Wire VG Loop/Port Combo - Zone 3		3			29.75													
		2-Wire VG Loop/Port Combo - Zone 4		4			38.59													
		UNE Loop Rates																		
		2-Wire Voice Grade Loop (SL1) - Zone 1		1	UEPRX	UEPLX	14.59													
		2-Wire Voice Grade Loop (SL1) - Zone 2		2	UEPRX	UEPLX	19.33													
		2-Wire Voice Grade Loop (SL1) - Zone 3		3	UEPRX	UEPLX	27.63													
		2-Wire Voice Grade Loop (SL1) - Zone 4		4	UEPRX	UEPLX	36.47													
		2-Wire Voice Grade Line Port Rates (Res)																		
		2-Wire voice unbundled port - residency			UEPRX	UEPRL	2.12						43.52	9.99						
		2-Wire voice unbundled port with Caller ID - re			UEPRX	UEPRC	2.12						43.52	9.99						
		2-Wire voice unbundled port outgoing only - re			UEPRX	UEPRO	2.12						43.52	9.99						
		2-Wire voice Grade unbundled Mississippi extended local dialing parity port with Caller ID - res			UEPRX	UEPAT	2.12						43.52	9.99						
		2-Wire voice unbundles res, low usage line port with Caller ID (LUK)			UEPRX	UEPAP	2.12						43.52	9.99						
		FEATURES																		
		All Features Offerec			UEPRX	UEPVF	6.75	0	0				43.52	9.99						
		LOCAL NUMBER PORTABILITY																		
		Local Number Portability (1 per port)			UEPRX	LNPCX	0.35													
		NONRECURRING CHARGES (NRCs) - CURRENTLY COMBINED																		
		2-Wire Voice Grade Loop / Line Port Combination - Conversion - Switch-as-			UEPRX	USAC2		5.2	0.41				43.52	9.99						
		2-Wire Voice Grade Loop / Line Port Combination - Conversion - Switch with chang			UEPRX	USACC		5.2	0.41				43.52	9.99						
		2-Wire Voice Grade Loop / Line Port Combination - Conversion - Subsequent Database Update						2.87					6.88							
		ADDITIONAL NRCs																		
		2-Wire Voice Grade Loop/Line Port Combination - Subsequent Activi			UEPRX	USAS2	0	0	0											
		2-WIRE VOICE GRADE LOOP WITH 2-WIRE LINE PORT (BUS)																		
		UNE Port/Loop Combination Rates																		
		2-Wire VG Loop/Port Combo - Zone 1		1			16.71													
		2-Wire VG Loop/Port Combo - Zone 2		2			21.45													
		2-Wire VG Loop/Port Combo - Zone 3		3			29.75													
		UNE Loop Rates																		
		2-Wire Voice Grade Loop (SL1) - Zone 1		1	UEPBX	UEPLX	14.59													
		2-Wire Voice Grade Loop (SL1) - Zone 2		2	UEPBX	UEPLX	19.33													
		2-Wire Voice Grade Loop (SL1) - Zone 3		3	UEPBX	UEPLX	27.63													
		2-Wire Voice Grade Loop (SL1) - Zone 4		4	UEPBX	UEPLX	36.47													
		2-Wire Voice Grade Line Port (Bus)																		
		2-Wire voice unbundled port without Caller ID - bu			UEPBX	UEPBL	2.12						43.52	9.99						
		2-Wire voice unbundled port with Caller + E484 ID - bu			UEPBX	UEPBC	2.12						43.52	9.99						
		2-Wire voice unbundled port outgoing only - bu			UEPBX	UEPBO	2.12						43.52	9.99						
		2-Wire voice Grade unbundled Mississippi extended local dialing parity port with Caller ID - bus			UEPBX	UEPAY	2.12						43.52	9.99						
		2-Wire voice unbundled incoming only port with Caller ID - Bu			UEPBX	UEPB1	2.12						43.52	9.99						

UNBUNDLED NETWORK ELEMENTS
MS

CATEGORY	NOTES	UNBUNDLED NETWORK ELEMENT	Interim	Zone	BCS	USOC	RATES (\$)				OSS RATES (\$)								
							Nonrecurring		Nonrecurring		Svc Order Submitted Elec per LSR	Svc Order Submitted Manually per LSR	Incremental Charge - Manual Svc Order vs. Electronic-1st	Incremental Charge - Manual Svc Order vs. Electronic-Add'l	Incremental Charge - Manual Svc Order vs. Electronic-Disc 1st	Incremental Charge - Manual Svc Order vs. Electronic-Disc Add'l			
							Rec	First	Add'l	First							Add'l	SOMECH	SOMAN
		LOCAL NUMBER PORTABILITY																	
		Local Number Portability (1 per port)			UEPBX	LNPCX	0.35												
		FEATURES																	
		All Features Offerec			UEPBX	UEPVF	6.75	0	0			43.52	9.99						
		NONRECURRING CHARGES (NRCs) - CURRENTLY COMBINED																	
		2-Wire Voice Grade Loop / Line Port Combination - Conversion - Switch-as-			UEPBX	USAC2		5.2	0.41			43.52	9.99						
		2-Wire Voice Grade Loop / Line Port Combination - Conversion - Switch with chang			UEPBX	USACC		5.2	0.41										
		2-Wire Voice Grade Loop / Line Port Combination - Conversion - Subsequent Database Update						2.87				6.88							
		ADDITIONAL NRCs																	
		2-Wire Voice Grade Loop/Line Port Combination - Subsequent Activi			UEPBX	USAS2						43.52	9.99						
		2-WIRE VOICE GRADE LOOP WITH 2-WIRE LINE PORT (RES - PBX)																	
		UNE Port/Loop Combination Rates																	
		2-Wire VG Loop/Port Combo - Zone 1		1			16.71												
		2-Wire VG Loop/Port Combo - Zone 2		2			21.45												
		2-Wire VG Loop/Port Combo - Zone 3		3			29.75												
		2-Wire VG Loop/Port Combo - Zone 4		4			38.59												
		UNE Loop Rates																	
		2-Wire Voice Grade Loop (SL 1) - Zone 1		1	UEPRG	UEPLX	14.59												
		2-Wire Voice Grade Loop (SL 1) - Zone 2		2	UEPRG	UEPLX	19.33												
		2-Wire Voice Grade Loop (SL 1) - Zone 3		3	UEPRG	UEPLX	27.63												
		2-Wire Voice Grade Loop (SL 1) - Zone 4		4	UEPRG	UEPLX	36.47												
		2-Wire Voice Grade Line Port Rates (RES - PBX)																	
		2-Wire VG Unbundled Combination 2-Way PBX Trunk Port - Re			UEPRG	UEPRD	2.12					43.52	9.99						
		LOCAL NUMBER PORTABILITY																	
		Local Number Portability (1 per port)			UEPRG	LNPCP	3.5												
		FEATURES																	
		All Features Offerec			UEPRG	UEPVF	6.75	0	0			43.52	9.99						
		NONRECURRING CHARGES (NRCs) - CURRENTLY COMBINED																	
		2-Wire Voice Grade Loop/ Line Port Combination (PBX) - Conversion - Switch-As-			UEPRG	USAC2		5.2	0.41			43.52	9.99						
		2-Wire Voice Grade Loop/ Line Port Combination (PBX) - Conversion - Switch with Change			UEPRG	USACC		5.2	0.41			43.52	9.99						
		2-Wire Voice Grade Loop / Line Port Combination - Conversion - Subsequent Database Update						2.87				6.88							
		ADDITIONAL NRCs																	
		2-Wire Voice Grade Loop/ Line Port Combination (PBX) - Subsequent Activi			UEPRG	USAS2	0	0	0										
		PBX Subsequent Activity - Change/Rearrange Multiline Hunt Gro						14.64	14.64			19.99	19.99	19.99	19.99				
		2-WIRE VOICE GRADE LOOP WITH 2-WIRE LINE PORT (BUS - PBX)																	

UNBUNDLED NETWORK ELEMENTS
MS

CATEGORY	NOTES	UNBUNDLED NETWORK ELEMENT	Interim	Zone	BCS	USOC	RATES (\$)				OSS RATES (\$)									
							Nonrecurring		Nonrecurring		Svc Order Submitted Elec per LSR	Svc Order Submitted Manually per LSR	Incremental Charge - Manual Svc Order vs. Electronic-1st	Incremental Charge - Manual Svc Order vs. Electronic-Add'l	Incremental Charge - Manual Svc Order vs. Electronic-Disc 1st	Incremental Charge - Manual Svc Order vs. Electronic-Disc Add'l				
							Rec	First	Add'l	First							Add'l	SOMEc	SOMAN	SOMAN
		UNE Port/Loop Combination Rates																		
		2-Wire VG Loop/Port Combo - Zone 1		1			16.71													
		2-Wire VG Loop/Port Combo - Zone 2		2			21.45													
		2-Wire VG Loop/Port Combo - Zone 3		3			29.75													
		2-Wire VG Loop/Port Combo - Zone 4		4			38.59													
		UNE Loop Rates																		
		2-Wire Voice Grade Loop (SL 1) - Zone 1		1	UEPPX	UEPLX	14.59													
		2-Wire Voice Grade Loop (SL 1) - Zone 2		2	UEPPX	UEPLX	19.33													
		2-Wire Voice Grade Loop (SL 1) - Zone 3		3	UEPPX	UEPLX	27.63													
		2-Wire Voice Grade Loop (SL 1) - Zone 4		4	UEPPX	UEPLX	36.47													
		2-Wire Voice Grade Line Port Rates (BUS - PBX)																		
		Line Side Unbundled Combination 2-Way PBX Trunk Port - Bu			UEPPX	UEPPC	2.12						43.52	9.99						
		Line Side Unbundled Outward PBX Trunk Port - Bu			UEPPX	UEPPO	2.12						43.52	9.99						
		Line Side Unbundled Incoming PBX Trunk Port - Bu			UEPPX	UEPP1	2.12						43.52	9.99						
		2-Wire Voice Unbundled PBX LD Terminal Port			UEPPX	UEPLD	2.12						43.52	9.99						
		2-Wire Voice Unbundled 2-Way Combination PBX Usage Po			UEPPX	UEPXA	2.12						43.52	9.99						
		2-Wire Voice Unbundled PBX Toll Terminal Hotel Port			UEPPX	UEPXB	2.12						43.52	9.99						
		2-Wire Voice Unbundled PBX LD DDD Terminals Po			UEPPX	UEPXC	2.12						43.52	9.99						
		2-Wire Voice Unbundled PBX LD Terminal Switchboard Po			UEPPX	UEPXD	2.12						43.52	9.99						
		2-Wire Voice Unbundled PBX LD Terminal Switchboard IDD Capable Po			UEPPX	UEPXE	2.12						43.52	9.99						
		2-Wire Voice Unbundled 2-Way PBX Hotel/Hospital Economy Administrative Calling Port			UEPPX	UEPXL	2.12						43.52	9.99						
		2-Wire Voice Unbundled 2-Way PBX Hotel/Hospital Economy Room Calling Po			UEPPX	UEPXM	2.12						43.52	9.99						
		2-Wire Voice Unbundled 1-Way Outgoing PBX Hotel/Hospital Discount Room Calling Port			UEPPX	UEPXO	2.12						43.52	9.99						
		2-Wire Voice Unbundled 2-Way PBX Mississippi Local Economy Calling Po			UEPPX	UEPXQ	2.12						43.52	9.99						
		2-Wire Voice Unbundled 2-Way PBX Mississippi Local Optional Calling Po			UEPPX	UEPXR	2.12						43.52	9.99						
		2-Wire Voice Unbundled 1-Way Outgoing PBX Measured Po			UEPPX	UEPXS	2.12						43.52	9.99						
		LOCAL NUMBER PORTABILITY																		
		Local Number Portability (1 per port)			UEPPX	LNPCP	3.15													
		FEATURES																		
		All Features Offerec			UEPPX	UEPVF	6.75	0	0				43.52	9.99						
		NONRECURRING CHARGES (NRCs) - CURRENTLY COMBINED																		
		2-Wire Voice Grade Loop/ Line Port Combination (PBX) - Conversion - Switch-As-Change			UEPPX	USAC2		5.2	0.41				43.52	9.99						
		2-Wire Voice Grade Loop/ Line Port Combination (PBX) - Conversion - Switch with Change			UEPPX	USACC		5.2	0.41				43.52	9.99						
		2-Wire Voice Grade Loop / Line Port Combination - Conversion - Subsequent Database Update							2.87					6.88						
		ADDITIONAL NRCs																		
		2-Wire Voice Grade Loop/ Line Port Combination (PBX) - Subsequent Activi PBX Subsequent Activity - Change/Rearrange Multiline Hunt Gro			UEPPX	USAS2	0	0	0				14.64	14.64			19.99	19.99	19.99	19.99
		2-WIRE VOICE GRADE LOOP WITH 2-WIRE ANALOG LINE COIN PORT																		
		UNE Port/Loop Combination Rates																		
		2-Wire VG Coin Port/Loop Combo - Zone 1					17.06													
		2-Wire VG Coin Port/Loop Combo - Zone 2					21.8													

UNBUNDLED NETWORK ELEMENTS
MS

CATEGORY	NOTES	UNBUNDLED NETWORK ELEMENT	Interim	Zone	BCS	USOC	RATES (\$)				OSS RATES (\$)									
							Rec	First	Add'l	Disconnect	SOME C	SOMAN	SOMAN	SOMAN	SOMAN	SOMAN				
		2-Wire VG Coin Port/Loop Combo – Zone 3					30.1													
		2-Wire VG Coin Port/Loop Combo – Zone 4					38.94													
		UNE Loop Rates																		
		2-Wire Voice Grade Loop (SL1) - Zone 1			UEPCO	UEPLX	14.59													
		2-Wire Voice Grade Loop (SL1) - Zone 2			UEPCO	UEPLX	19.33													
		2-Wire Voice Grade Loop (SL1) - Zone 3			UEPCO	UEPLX	27.63													
		2-Wire Voice Grade Loop (SL1) - Zone 4			UEPCO	UEPLX	36.47													
		2-Wire Voice Grade Line Ports (COIN)																		
		2-Wire Coin 2-Way without Operator Screening and without Blocking (AL, KY, LA, MS)			UEPCO	UEPRF	2.47						43.52	9.99						
		2-Wire Coin 2-Way without Operator Screening and without Blocking; with Dialing Parity (Note 3) (MS)			UEPCO	UEPMC	2.47						43.52	9.99						
		2-Wire Coin 2-Way with Operator Screening and Blocking: 011, 900/976, 1+DDD (AL, KY, LA, MS)			UEPCO	UEPRA	2.47						43.52	9.99						
		2-Wire Coin 2-W with Operator Screening and Blocking: 011, 900/976, 1+DDD; with Dialing Parity (MS)			UEPCO	UEPMA	2.47						43.52	9.99						
		2-Wire Coin 2-Way with Operator Screening and 011 Blocking (AL, LA, MS)			UEPCO	UEPRB	2.47						43.52	9.99						
		2-Wire Coin 2-Way with Operator Screening and 011 Blocking; with Dialing Parity (MS)			UEPCO	UEPMB	2.47						43.52	9.99						
		2-Wire Coin 2-Way with Operator Screening & Blocking: 900/976, 1+DDD, 011+, & Local (AL, KY, LA, MS)			UEPCO	UEPCD	2.47						43.52	9.99						
		2-Wire Coin 2-W Operator Screening: 900 Block: 900/976, 1+DDD, 011+, Local; with Dialing Parity (MS)			UEPCO	UEPCJ	2.47						43.52	9.99						
		2-Wire Coin Outward without Blocking and without Operator Screening (KY, LA, MS)			UEPCO	UEPRN	2.47						43.52	9.99						
		2-Wire Coin Outward without Blocking and without Operator Screening; With Dialing Parity (MS)			UEPCO	UEPME	2.47						43.52	9.99						
		2-Wire Coin Outward with Operator Screening and 011 Blocking (GA, KY, MS)			UEPCO	UEPRJ	2.47						43.52	9.99						
		2-Wire Coin Outward with Operator Screening and 011 Blocking; with Dialing Parity (MS)			UEPCO	UEPMD	2.47						43.52	9.99						
		2-Wire Coin Outward with Operator Screening and Blocking: 011, 900/976, 1+DDD (AL, KY, LA, MS)			UEPCO	UEPRH	2.47						43.52	9.99						
		2-Wire Coin Outward Operator Screening & Blocking: 900/976, 1+DDD, 011+, and Local (AL, KY, LA, MS)			UEPCO	UEPCN	2.47						43.52	9.99						
		2-Wire Coin Out Operator Screen & Block: 900/976, 1+DDD, 011+, and Local; with Dialing Parity (MS)			UEPCO	UEPCS	2.47						43.52	9.99						
		2-Wire 2-Way Smartline with 900/976 (all states except LA)			UEPCO	UEPCK	2.47						43.52	9.99						
		2-Wire Coin Outward Smartline with 900/976 (all states except LA)			UEPCO	UEPCR	2.47						43.52	9.99						
		ADDITIONAL UNE COIN PORT/LOOP (RC)																		
		UNE Coin Port/Loop Combo Usage (Flat Rate)			UEPCO	URECU	4.62	0	0											
		LOCAL NUMBER PORTABILITY																		
		Local Number Portability (1 per port)			UEPCO	LNPCX	0.35													
		NONRECURRING CHARGES - CURRENTLY COMBINED																		
		2-Wire Voice Grade Loop / Line Port Combination - Conversion - Switch-as-			UEPCO	USAC2		5.2	0.41				43.52	9.99						
		2-Wire Voice Grade Loop / Line Port Combination - Conversion - Switch with chan			UEPCO	USACC		5.2	0.41				43.52	9.99						
		ADDITIONAL NRCs																		

UNBUNDLED NETWORK ELEMENTS
MS

CATEGORY	NOTES	UNBUNDLED NETWORK ELEMENT	Interim	Zone	BCS	USOC	RATES (\$)					OSS RATES (\$)					
							Nonrecurring		Nonrecurring			Svc Order Submitted Elec per LSR	Svc Order Submitted Manually per LSR	Incremental Charge - Manual Svc Order vs. Electronic-1st	Incremental Charge - Manual Svc Order vs. Electronic-Add'l	Incremental Charge - Manual Svc Order vs. Electronic-Disc 1st	Incremental Charge - Manual Svc Order vs. Electronic-Disc Add'l
							Rec	First	Add'l	Disconnect							
										First	Add'l	SOME C	SOMAN	SOMAN	SOMAN	SOMAN	SOMAN
		2-Wire Voice Grade Loop/Line Port Combination - Subsequent Activi			UEPCO	USAS2	0	0					43.52	9.99			
		2-WIRE VOICE GRADE LOOP- BUS ONLY - WITH 2-WIRE DID TRUNK PORT															
		UNE Port/Loop Combination Rates															
		2-Wire VG Loop/2-Wire DID Trunk Port Combo - UNE Zone 1		1			31.12										
		2-Wire VG Loop/2-Wire DID Trunk Port Combo - UNE Zone 2		2			39.6										
		2-Wire VG Loop/2-Wire DID Trunk Port Combo - UNE Zone 3		3			52.14										
		2-Wire VG Loop/2-Wire DID Trunk Port Combo - UNE Zone 4		4			63.91										
		UNE Loop Rates															
		2-Wire Analog Voice Grade Loop - (SL2) - UNE Zone 1		1	UEPPX	UECD1	21.71	210.42	135.59	104.08	20.59		19.99	19.99	19.99	19.99	
		2-Wire Analog Voice Grade Loop - (SL2) - UNE Zone 2		2	UEPPX	UECD1	30.19	210.42	135.59	106.05	21.21		19.99	19.99	19.99	19.99	
		2-Wire Analog Voice Grade Loop - (SL2) - UNE Zone 3		3	UEPPX	UECD1	42.73	210.42	135.59	104.08	20.59		19.99	19.99	19.99	19.99	
		2-Wire Analog Voice Grade Loop - (SL2) - UNE Zone 4		4	UEPPX	UECD1	54.5	210.42	135.59	104.08	20.59		19.99	19.99	19.99	19.99	
		UNE Port Rate															
		Exchange Ports - 2-Wire DID Por			UEPPX	UEPD1	9.41	238.29	37.43	122.66	7.71		19.99	19.99	19.99	19.99	
		NONRECURRING CHARGES - CURRENTLY COMBINED															
		2-Wire Voice Grade Loop / 2-Wire DID Trunk Port Combination - Switch-as-i			UEPPX	USAC1	14.59	3.72					19.99	19.99	19.99	19.99	
		2-Wire Voice Grade Loop / 2-Wire DID Trunk Port Conversion with BellSouth Allowable Changes			UEPPX	USA1C	14.59	3.72					19.99	19.99	19.99	19.99	
		ADDITIONAL NRCs															
		2-Wire DID Subsequent Activity - Add Trunks, Per Trun			UEPPX	USAS1	53.49	53.49					19.99	19.99	19.99	19.99	
		Telephone Number/Trunk Group Establishment Charges															
		DID Trunk Termination (One Per Port			UEPPX	NDT	0	0	0				19.99	19.99	19.99	19.99	
		Additional DID Numbers for each Group of 20 DID Number			UEPPX	ND4	0	0	0				19.99	19.99	19.99	19.99	
		DID Numbers, Non- consecutive DID Numbers , Per Numbe			UEPPX	ND5	0	0	0			19.99					
		Reserve Non-Consecutive DID number			UEPPX	ND6	0	0	0			19.99					
		Reserve DID Numbers			UEPPX	NDV	0	0	0			19.99					
		LOCAL NUMBER PORTABILITY															
		Local Number Portability (1 per port			UEPPX	LNPCP	3.15										
		2-WIRE ISDN DIGITAL GRADE LOOP WITH 2-WIRE ISDN DIGITAL LINE SIDE PORT															
		UNE Port/Loop Combination Rates															
		2W ISDN Digital Grade Loop/2W ISDN Digital Line Side Port - UNE Zone		1	UEPPB UEPPR		42.99										
		2W ISDN Digital Grade Loop/2W ISDN Digital Line Side Port - UNE Zone 2		2	UEPPB UEPPR		53.29										
		2W ISDN Digital Grade Loop/2W ISDN Digital Line Side Port - UNE Zone 3		3	UEPPB UEPPR		67.27										
		2W ISDN Digital Grade Loop/2W ISDN Digital Line Side Port - UNE Zone 4		4	UEPPB UEPPR		106.55										
		UNE Loop Rates															
		2-Wire ISDN Digital Grade Loop - UNE Zone 1		1	UEPPB UEPPR	USL2X	28.66	233.54	157.71	104.88	20.59		19.99	19.99	19.99	19.99	
		2-Wire ISDN Digital Grade Loop - UNE Zone 2		2	UEPPB UEPPR	USL2X	38.96	233.54	158.71	104.88	20.59		19.99	19.99	19.99	19.99	
		2-Wire ISDN Digital Grade Loop - UNE Zone 3		3	UEPPB UEPPR	USL2X	52.94	233.54	158.71	104.88	20.59		19.99	19.99	19.99	19.99	
		2-Wire ISDN Digital Grade Loop - UNE Zone 4		4	UEPPB UEPPR	USL2X	106.55	233.54	158.71	104.88	20.59		19.99	19.99	19.99	19.99	

UNBUNDLED NETWORK ELEMENTS
MS

CATEGORY	NOTES	UNBUNDLED NETWORK ELEMENT	Interim	Zone	BCS	USOC	RATES (\$)					OSS RATES (\$)						
							Nonrecurring		Nonrecurring			Svc Order Submitted Elec per LSR	Svc Order Submitted Manually per LSR	Incremental Charge - Manual Svc Order vs. Electronic-1st	Incremental Charge - Manual Svc Order vs. Electronic-Add'l	Incremental Charge - Manual Svc Order vs. Electronic-Disc 1st	Incremental Charge - Manual Svc Order vs. Electronic-Disc Add'l	
							Rec	First	Add'l	First	Add'l							Disconnect
							SOMECH	SOMAN	SOMAN	SOMAN	SOMAN	SOMAN	SOMAN					
		UNE Port Rate																
		Exchange Port - 2-Wire ISDN Line Side Por			UEPPB UEPPR	UEPPB	14.33	145.35	105.83	95.12	21.37			19.99	19.99	19.99	19.99	
		NONRECURRING CHARGES - CURRENTLY COMBINED																
		2-Wire ISDN Digital Grade Loop / 2-Wire ISDN Line Side Port Combination - Conversion			UEPPB UEPPR	USACB	0	76.91	42.99					19.99	19.99	19.99	19.99	
		ADDITIONAL NRCs																
		LOCAL NUMBER PORTABILITY																
		Local Number Portability (1 per port)			UEPPB UEPPR	LNPCX	0.35	0	0									
		B-CHANNEL USER PROFILE ACCESS:																
		CVS/CSD (DMS/5ESS)			UEPPB UEPPR	U1UCA	0	0	0									
		CVS (EWSD)			UEPPB UEPPR	U1UCB	0	0	0									
		CSD			UEPPB UEPPR	U1UCC	0	0	0									
		B-CHANNEL AREA PLUS USER PROFILE ACCESS: (AL,KY,LA,MS SC,MS, & TN)																
		CVS/CSD (DMS/5ESS)			UEPPB UEPPR	U1UCD	0	0	0									
		CVS (EWSD)			UEPPB UEPPR	U1UCE	0	0	0									
		CSD			UEPPB UEPPR	U1UCF	0	0	0									
		USER TERMINAL PROFILE																
		User Terminal Profile (EWSD only)			UEPPR	U1UMA	0	0	0									
		VERTICAL FEATURES																
		All Vertical Features - One per Channel B User Profile			UEPPB UEPPR	UEPVF	6.75	0	0									
		INTEROFFICE CHANNEL MILEAGE																
		Interoffice Channel mileage each, including first mile and facilities termination			UEPPB UEPPR	M1GNC	20.67	106.72	48.83					19.99	19.99	19.99	19.99	
		Interoffice Channel mileage each, additional mile			UEPPB UEPPR	M1GNM	0.0323	0	0				0					
		4-WIRE DS1 DIGITAL LOOP WITH 4-WIRE ISDN DS1 DIGITAL TRUNK PORT																
		UNE Port/Loop Combination Rates																
		4W DS1 Digital Loop/4W ISDN DS1 Digital Trunk Port - UNE Zone 1		1	UEPPP		212.84											
		4W DS1 Digital Loop/4W ISDN DS1 Digital Trunk Port - UNE Zone 2		2	UEPPP		318.5											
		4W DS1 Digital Loop/4W ISDN DS1 Digital Trunk Port - UNE Zone 3		3	UEPPP		356.97											
		4W DS1 Digital Loop/4W ISDN DS1 Digital Trunk Port - UNE Zone 4		4	UEPPP		672.23						19.99					
		UNE Loop Rates																
		4-Wire DS1 Digital Loop - UNE Zone 1		1	UEPPP	USL4P	107.5	504.26	315.65	91.54	23.97			19.99	19.99	19.99	19.99	
		4-Wire DS1 Digital Loop - UNE Zone 2		2	UEPPP	USL4P	212.71	504.26	315.65	91.54	23.97			19.99	19.99	19.99	19.99	
		4-Wire DS1 Digital Loop - UNE Zone 3		3	UEPPP	USL4P	251.18	504.26	315.35	91.54	23.97			19.99	19.99	19.99	19.99	
		4-Wire DS1 Digital Loop - UNE Zone 4		4	UEPPP	USL4P	566.44	504.26	315.65	91.54	23.97			19.99	19.99	19.99	19.99	
		UNE Port Rate																
		Exchange Ports - 4-Wire ISDN DS1 Por			UEPPP	UEPPP	105.79	407.08	202.84	162.15	41.07			19.99	19.99	19.99	19.99	

UNBUNDLED NETWORK ELEMENTS
MS

CATEGORY	NOTES	UNBUNDLED NETWORK ELEMENT	Interim	Zone	BCS	USOC	RATES (\$)					OSS RATES (\$)										
							Nonrecurring			Nonrecurring		Svc Order Submitted Elec per LSR	Svc Order Submitted Manually per LSR	Incremental Charge - Manual Svc Order vs. Electronic-1st	Incremental Charge - Manual Svc Order vs. Electronic-Add'l	Incremental Charge - Manual Svc Order vs. Electronic-Disc 1st	Incremental Charge - Manual Svc Order vs. Electronic-Disc Add'l					
							Rec	First	Add'l	First	Add'l							SOMEc	SOMAN	SOMAN	SOMAN	SOMAN
NONRECURRING CHARGES - CURRENTLY COMBINED																						
		4-Wire DS1 Digital Loop / 4-Wire ISDN DS1 Digital Trunk Port Combination - Conversion -Switch-as-it			UEPPP	USACP	0	237.82	156.9					19.99	19.99	19.99	19.99					
ADDITIONAL NRCs																						
		4-Wire DS1 Loop/4-W ISDN Digtl Trk Port - Subsqct Actvy- Inward/two way tel nos within Std Allowance			UEPPP	PR7TF		0.9788						19.99	19.99	19.99	19.99					
		4-Wire DS1 Loop / 4-Wire ISDN DS1 Digital Trunk Port - Outward Tel Numbers (All States except NC)			UEPPP	PR7TO		23.02	23.02					19.99	19.99	19.99	19.99					
		4-Wire DS1 Loop / 4-Wire ISDN DS1 Digital Trk Port - Subsequent Inward Tel Nos Above Std Allowanc			UEPPP	PR7ZT		46.05	46.05					19.99	19.99	19.99	19.99					
LOCAL NUMBER PORTABILITY																						
		Local Number Portability (1 per port			UEPPP	LNPCN	1.75															
INTERFACE (Provsioning Only)																						
		Voice/Data			UEPPP	PR71V	0	0	0													
		Digital Data			UEPPP	PR71D	0	0	0													
		Inward Data			UEPPP	PR71E	0	0	0													
New or Additional "B" Channel																						
		New or Additional - Voice/Data B Channel			UEPPP	PR7BV	0	29.01						19.99	19.99	19.99	19.99					
		New or Additional - Digital Data B Channel			UEPPP	PR7BF	0	29.01						19.99	19.99	19.99	19.99					
		New or Additional Inward Data B Channel			UEPPP	PR7BD	0	29.01						19.99	19.99	19.99	19.99					
		New or Additional Usage Sensitive Voice Data B Channel			UEPPP	PR7BS	0	29.01						19.99	19.99	19.99	19.99					
		New or Additional Usage Sensitive Digital Data B Channel			UEPPP	PR7BU	0	29.01						19.99	19.99	19.99	19.99					
CALL TYPES																						
		Inward			UEPPP	PR7C1	0	0	0													
		Outward			UEPPP	PR7C0	0	0	0													
		Two-way			UEPPP	PR7CC	0	0	0													
Interoffice Channel Mileage																						
		Fixed Each Including First Mil			UEPPP	1LN1A	75.0598	196.28	147.31	26.56				19.99	19.99	19.99	19.99					
		Each Airline-Fractional Additional Mil			UEPPP	1LN1B	0.6598															
4-WIRE DS1 DIGITAL LOOP WITH 4-WIRE DDITS TRUNK PORT																						
UNE Port/Loop Combination Rates																						
		4W DS1 Digital Loop/4W DDITS Trunk Port - UNE Zone 1		1	UEPDC		180.01							19.99	19.99	19.99	19.99					
		4W DS1 Digital Loop/4W DDITS Trunk Port - UNE Zone 2		2	UEPDC		285.67							19.99	19.99	19.99	19.99					
		4W DS1 Digital Loop/4W DDITS Trunk Port - UNE Zone 3		3	UEPDC		324.14							19.99	19.99	19.99	19.99					
		4W DS1 Digital Loop/4W DDITS Trunk Port - UNE Zone 4		4	UEPDC		639.4							19.99	19.99	19.99	19.99					
UNE Loop Rates																						
		4-Wire DS1 Digital Loop - UNE Zone 1		1	UEPDC	USLDC	50.99	599.09	373.9	91.54	23.97			19.99	19.99	19.99	19.99					
		4-Wire DS1 Digital Loop - UNE Zone 2		2	UEPDC	USLDC	212.7	504.26	315.65	91.54	23.97			19.99	19.99	19.99	19.99					
		4-Wire DS1 Digital Loop - UNE Zone 3		3	UEPDC	USLDC	251.18	504.26	315.65	91.54	23.97			19.99	19.99	19.99	19.99					
		4-Wire DS1 Digital Loop - UNE Zone 4		4	UEPDC	USLDC	566.44	504.26	315.65	91.54	23.97			19.99	19.99	19.99	19.99					
UNE Port Rate																						

UNBUNDLED NETWORK ELEMENTS
MS

CATEGORY	NOTES	UNBUNDLED NETWORK ELEMENT	Interim	Zone	BCS	USOC	RATES (\$)					OSS RATES (\$)					
							Nonrecurring		Nonrecurring			Svc Order Submitted Elec per LSR	Svc Order Submitted Manually per LSR	Incremental Charge - Manual Svc Order vs. Electronic-1st	Incremental Charge - Manual Svc Order vs. Electronic-Add'l	Incremental Charge - Manual Svc Order vs. Electronic-Disc 1st	Incremental Charge - Manual Svc Order vs. Electronic-Disc Add'l
							Rec	First	Add'l	First	Add'l						
							SOME	SOMAN	SOMAN	SOMAN	SOMAN	SOMAN					
		4-Wire DDITS Digital Trunk Por			UEPDC	UDD1T	72.96	403.5	191.12	148.66	5.04			19.99	19.99	19.99	19.99
NONRECURRING CHARGES - CURRENTLY COMBINED																	
		4-Wire DS1 Digital Loop / 4-Wire DDITS Trunk Port Combination - Switch-as-i			UEPDC	USAC4		259.07	134.08					19.99	19.99	19.99	19.99
		4-Wire DS1 Digital Loop / 4-Wire DDITS Trunk Port Combination - Conversion with DS1 Changes			UEPDC	USAWA		258.63	133.85					19.99	19.99	19.99	19.99
		4-Wire DS1 Digital Loop / 4-Wire DDITS Trunk Port Combination - Conversion with Change - Trunk			UEPDC	USAWB		258.63	133.85					19.99	19.99	19.99	19.99
ADDITIONAL NRCs																	
		4-Wire DS1 Loop / 4-Wire DDITS Trunk Port - NRC - Subsequent Channel Activation/Chan - 2-Way Trunk			UEPDC	UDTTA		28.91	28.91					19.99	19.99	19.99	19.99
		4-Wire DS1 Loop / 4-Wire DDITS Trunk Port - Subsequent Channel Activation/Chan - 1-Way Outward Trunk			UEPDC	UDTTB		28.91	28.91					19.99	19.99	19.99	19.99
		4-Wire DS1 Loop / 4-Wire DDITS Trunk Port - Subsqt Channel Activation/Chan Inward Trunk w/out DII			UEPDC	UDTTC		28.91	28.91					19.99	19.99	19.99	19.99
		4-Wire DS1 Loop / 4-Wire DDITS Trunk Port - Subsqt Chan Activation Per Chan - Inward Trunk with DII			UEPDC	UDTTD		28.91	28.91					19.99	19.99	19.99	19.99
		4-Wire DS1 Loop / 4-Wire DDITS Trunk Port - Subsqt Chan Activation / Chan - 2-Way DID w User Trans			UEPDC	UDTTE		28.91	28.91					19.99	19.99	19.99	19.99
BIPOLAR 8 ZERO SUBSTITUTION																	
		B8ZS - Superframe Format			UEPDC	CCOSF		0	600					19.99	19.99	19.99	19.99
		B8ZS - Extended Superframe Format			UEPDC	CCOEF		0	600					19.99	19.99	19.99	19.99
Alternate Mark Inversion																	
		AMI - Superframe Format			UEPDC	MCOSF		0	0								
		AMI - Extended SuperFrame Forma			UEPDC	MCOPO		0	0								
Telephone Number/Trunk Group Establishment Charges																	
		Telephone Number for 2-Way Trunk Group			UEPDC	UDTGX	0										
		Telephone Number for 1-Way Outward Trunk Group			UEPDC	UDTGY	0						19.99			0	
		Telephone Number for 1-Way Inward Trunk Group Without DII			UEPDC	UDTGZ	0						19.99				
		DID Numbers for each Group of 20 DID Numbers			UEPDC	ND4	0						19.99				
		DID Numbers, Non- consecutive DID Numbers , Per Number			UEPDC	ND5	0						19.99				
		Reserve Non-Consecutive DID Nos			UEPDC	ND6	0	0	0				19.99				
		Reserve DID Numbers			UEPDC	NDV	0	0	0				19.99				
Dedicated DS1 (Interoffice Channel Mileage) - FX/FCO for 4-Wire DS1 Digital Loop with 4-Wire DDITS Trunk Port																	
		Interoffice Channel Mileage - Fixed rate 0-8 miles (Facilities Termination)			UEPDC	1LNO1	74.4	196.28	147.31	26.56	21.61			19.99	19.99	19.99	19.99
		Interoffice Channel Mileage - Additional rate per mile - 0-8 mile			UEPDC	1LNOA	0.6598	0	0								
		Interoffice Channel Mileage - Fixed rate 9-25 miles (Facilities Termination)			UEPDC	1LNO2	0	0	0								

UNBUNDLED NETWORK ELEMENTS
MS

CATEGORY	NOTES	UNBUNDLED NETWORK ELEMENT	Interim	Zone	BCS	USOC	RATES (\$)						OSS RATES (\$)					
							Nonrecurring			Nonrecurring			Svc Order Submitted Elec per LSR	Svc Order Submitted Manually per LSR	Incremental Charge - Manual Svc Order vs. Electronic-1st	Incremental Charge - Manual Svc Order vs. Electronic-Add'l	Incremental Charge - Manual Svc Order vs. Electronic-Disc 1st	Incremental Charge - Manual Svc Order vs. Electronic-Disc Add'l
							Rec	First	Add'l	Disconnect								
										First	Add'l	SOMEC	SOMAN	SOMAN	SOMAN	SOMAN	SOMAN	
		Interoffice Channel Mileage - Additional rate per mile - 9-25 mile			UEPDC	1LNOB	0.6598	0	0									
		Interoffice Channel Mileage - Fixed rate 25+ miles (Facilities Termination)			UEPDC	1LNO3	0	0	0									
		Interoffice Channel Mileage - Additional rate per mile - 25+ mile			UEPDC	1LNOC	0.6598	0	0									
		Local Number Portability, per DSO Activation			UEPDC	LNPCP	3.15	0	0	0								
		Central Office Terminating Point			UEPDC	CTG	0											
		4-WIRE DS1 LOOP WITH CHANNELIZATION WITH PORT																
		System is 1 DS1 Loop, 1 D4 Channel Bank, and up to 24 Feature Activations																
		Each System can have up to 24 combinations of rates depending on type and number of ports used																
		UNE DS1 Loop																
		4-Wire DS1 Loop - UNE Zone 1			UEPMG	USLDC	107.05	0	0									
		4-Wire DS1 Loop - UNE Zone 2			UEPMG	USLDC	212.7	0	0									
		4-Wire DS1 Loop - UNE Zone 3			UEPMG	USLDC	251.18	0	0									
		4-Wire DS1 Loop - UNE Zone 4			UEPMG	USLDC	566.44	0	0			19.99	19.99	19.99	19.99			
		UNE DSO Channelization Capacities (D4 Channel Bank Configurations)																
		24 DSO Channel Capacity - 1 per DS1			UEPMG	VUM24	115.78	0	0									
		48 DSO Channel Capacity - 1 per 2 DS1s			UEPMG	VUM48	231.56	0	0									
		96 DSO Channel Capacity -1per 4 DS1s			UEPMG	VUM96	463.12	0	0									
		144 DSO Channel Capacity - 1 per 6 DS1s			UEPMG	VUM14	694.68	0	0									
		192 DSO Channel Capacity -1 per 8 DS1s			UEPMG	VUM19	926.24	0	0									
		240 DSO Channel Capacity - 1 per 10 DS1s			UEPMG	VUM20	1157.8	0	0									
		288 DSO Channel Capacity - 1 per 12 DS1s			UEPMG	VUM28	1389.36	0	0									
		384 DSO Channel Capacity - 1 per 16 DS1s			UEPMG	VUM38	1852.48	0	0									
		480 DSO Channel Capacity - 1 per 20 DS1s			UEPMG	VUM40	2315.6	0	0									
		576 DSO Channel Capacity -1 per 24 DS1s			UEPMG	VUM57	2778.72	0	0									
		672 DSO Channel Capacity - 1 per 28 DS1s			UEPMG	VUM67	3241.84	0	0									
		Non-Recurring Charges (NRC) Associated with 4-Wire DS1 Loop with Channelization with Port - Conversion Charge Based on a System																
		A Minimum System configuration is One (1) DS1, One (1) D4 Channel Bank, and Up To 24 DSO Ports with Feature Activations.																
		Multiples of this configuration functioning as one are considered Add'l after the minimum system configuration is counted.																
		NRC - Conversion (Currently Combined) with or without BellSouth Allowed Changes			UEPMG	USAC4	0	300.55	16.7			19.99	19.99	19.99	19.99			
		System Additions at End User Locations Where 4-Wire DS1 Loop with Channelization with Port Combination Currently Exists and New (Not Currently Combined) In Georgia Only																
		NRC - 1 DS1/D4 Channel Bank - Add NRC for each Port and Assoc Feature Activation - New GA Only			UEPMG	VUMD4	0	715.15	327.39	148.05	17.56	19.99	19.99	19.99	19.99			
		Bipolar 8 Zero Substitution																
		Clear Channel Capability Format, superframe - Subsequent Activity Only			UEPMG	CCOSF	0	0	600			19.99	19.99	19.99	19.99			
		Clear Channel Capability Format - Extended Superframe - Subsequent Activity Only			UEPMG	CCOEF	0	0	600			19.99	19.99	19.99	19.99			
		Alternate Mark Inversion (AMI)																
		Superframe Format			UEPMG	MCOSF	0	0	0									

UNBUNDLED NETWORK ELEMENTS MS

CATEGORY	NOTES	UNBUNDLED NETWORK ELEMENT	Interim	Zone	BCS	USOC	RATES (\$)				OSS RATES (\$)											
							Rec	First	Add'l	First	Add'l	Svc Order Submitted Elec per LSR	Svc Order Submitted Manually per LSR	Incremental Charge - Manual Svc Order vs. Electronic-1st	Incremental Charge - Manual Svc Order vs. Electronic-Add'l	Incremental Charge - Manual Svc Order vs. Electronic-Disc 1st	Incremental Charge - Manual Svc Order vs. Electronic-Disc Add'l					
																		Nonrecurring		Nonrecurring		
		Extended Superframe Format			UEPMG	MCOPO	0	0	0													
		Exchange Ports Associated with 4-Wire DS1 Loop with Channelization with Port																				
		Exchange Ports																				
		Line Side Combination Channelized PBX Trunk Port - Business			UEPPX	UEPCX	1.76	0	0	0	0		19.99									
		Line Side Outward Channelized PBX Trunk Port - Business			UEPPX	UEPOX	1.76	0	0	0	0		19.99									
		Line Side Inward Only Channelized PBX Trunk Port without DID			UEPPX	UEP1X	1.76	0	0	0	0		19.99									
		2-Wire Trunk Side Unbundled Channelized DID Trunk Port			UEPPX	UEPDM	9.43	0	0	0	0		19.99									
		Feature Activations - Unbundled Loop Concentration																				
		Feature (Service) Activation for each Line Side Port Terminated in D4 Bank			UEPPX	1PQWM	0.7	25.36	13.39	4.29	4.26		19.99	19.99	19.99	19.99						
		Feature (Service) Activation for each Trunk Side Port Terminated in D4 Bank			UEPPX	1PQWU	0.7	78.03	18.39	60.66	11.85		19.99	19.99	19.99	19.99						
		Telephone Number/ Group Establishment Charges for DID Service																				
		DID Trunk Termination (1 per Port)			UEPPX	NDT	0															
		DID Numbers - groups of 20 - Valid all States			UEPPX	ND4	0	0	0				19.99									
		Non-Consecutive DID Numbers - per number			UEPPX	ND5	0	0	0				19.99									
		Reserve Non-Consecutive DID Numbers			UEPPX	ND6	0	0	0													
		Reserve DID Numbers			UEPPX	NDV	0	0	0													
		Local Number Portability																				
		Local Number Portability - 1 per port			UEPPX	LNPCP	3.15	0	0													
		FEATURES - Vertical and Optional																				
		Local Switching Features Offered with Line Side Ports Only																				
		All Features Available			UEPPX	UEPVF	6.75	0	0				19.99									
		UNBUNDLED PORT LOOP COMBINATIONS - MARKET RATES																				
		Market Rates shall apply where BellSouth is not required to provide unbundled local switching or switch ports per FCC and/or State Commission rules.																				
		These scenarios include:																				
		1. Unbundled port/loop combinations that are Not Currently Combined in all of the BellSouth states except as noted for Georgia and Tennessee.																				
		2. Unbundled port/loop combinations that are Currently Combined or Not Currently Combined in Zone 1 of the Top 8 MSAs in BellSouth's region for end users with 4 or more DS0 equivalent lines.																				
		The Top 8 MSAs in BellSouth's region are: FL (Orlando, Ft. Lauderdale, Miami); GA (Atlanta); LA (New Orleans); NC (Greensboro-Winston Salem-Highpoint/Charlotte-Gastonia-Rock Hill); TN (Nashville).																				
		BellSouth currently is developing the billing capability to mechanically bill the recurring unbundled port Market Rates in this section as well as the nonrecurring Market Rates in this section for Currently Combined port/loop combinations in Zone 1 of the Top 8 MSAs in BellSouth's region for end users with 4 or more DS0 equivalent lines. In the interim, BellSouth shall bill the rates in the Cost-Based section preceding in lieu of such Market Rates and reserves the right to true-up the billing difference.																				
		The Market Rate for unbundled ports includes all available features in all states.																				
		End Office and Tandem Switching Usage and Common Transport Usage rates in the Port section of this rate exhibit shall apply to all combinations of loop/port network elements except for UNE Coin Port/Loop Combinations which have a flat rate usage charge (USOC: URECU).																				

UNBUNDLED NETWORK ELEMENTS
MS

CATEGORY	NOTES	UNBUNDLED NETWORK ELEMENT	Interim	Zone	BCS	USOC	RATES (\$)						OSS RATES (\$)						
							Nonrecurring			Nonrecurring			Svc Order Submitted Elec per LSR	Svc Order Submitted Manually per LSR	Incremental Charge - Manual Svc Order vs. Electronic-1st	Incremental Charge - Manual Svc Order vs. Electronic-Add'l	Incremental Charge - Manual Svc Order vs. Electronic-Disc 1st	Incremental Charge - Manual Svc Order vs. Electronic-Disc Add'l	
							Rec	First	Add'l	First	Add'l	Disconnect							
							SOME C	SOMAN	SOMAN	SOMAN	SOMAN	SOMAN							
		For Not Currently Combined scenarios where Market Rates apply, the Nonrecurring charges are listed in the First and Additional NRC columns for each Port USOC. For Currently Combined scenarios, the Nonrecurring charges are listed in the NRC - Currently Combined section. Additional NRCs may apply also and are categorized accordingly.																	
		2-WIRE VOICE GRADE LOOP WITH 2-WIRE LINE PORT (RES)																	
		UNE Port/Loop Combination Rates																	
		2-Wire VG Loop/Port Combo - Zone 1		1			28.59												
		2-Wire VG Loop/Port Combo - Zone 2		2			33.33												
		2-Wire VG Loop/Port Combo - Zone 3		3			41.63												
		2-Wire VG Loop/Port Combo - Zone 4		4			50.47												
		UNE Loop Rates																	
		2-Wire Voice Grade Loop (SL1) - Zone 1		1	UEPRX	UEPLX	14.59												
		2-Wire Voice Grade Loop (SL1) - Zone 2		2	UEPRX	UEPLX	19.33												
		2-Wire Voice Grade Loop (SL1) - Zone 3		3	UEPRX	UEPLX	27.63												
		2-Wire Voice Grade Loop (SL1) - Zone 4		4	UEPRX	UEPLX	36.47												
		2-Wire Voice Grade Line Port (Res)																	
		2-Wire voice unbundled port - residency			UEPRX	UEPRL	14	90	90				43.52	9.99					
		2-Wire voice unbundled port with Caller ID - re			UEPRX	UEPRC	14	90	90				43.52	9.99					
		2-Wire voice unbundled port outgoing only - re			UEPRX	UEPRO	14	90	90				43.52	9.99					
		2-Wire voice unbundles res, low usage line port with Caller ID (LUM)			UEPRX	UEPAP	14	90	90				43.52	9.99					
		LOCAL NUMBER PORTABILITY																	
		Local Number Portability (1 per port)			UEPRX	LNPCX	0.35												
		FEATURES																	
		All Features Offerec			UEPRX	UEPVF	0	0	0										
		ADDITIONAL NRCs																	
		NRC - 2-Wire Voice Grade Loop/Line Port Combination - Subsequer			UEPRX	USAS2		0	0										
		2-WIRE VOICE GRADE LOOP WITH 2-WIRE LINE PORT (BUS)																	
		UNE Port/Loop Combination Rates																	
		2-Wire VG Loop/Port Combo - Zone 1		1			28.59												
		2-Wire VG Loop/Port Combo - Zone 2		2			33.33												
		2-Wire VG Loop/Port Combo - Zone 3		3			41.63												
		2-Wire VG Loop/Port Combo - Zone 4		4			50.47												
		UNE Loop Rates																	
		2-Wire Voice Grade Loop (SL1) - Zone 1		1	UEPBX	UEPLX	14.59												
		2-Wire Voice Grade Loop (SL1) - Zone 2		2	UEPBX	UEPLX	19.33												
		2-Wire Voice Grade Loop (SL1) - Zone 3		3	UEPBX	UEPLX	27.63												
		2-Wire Voice Grade Loop (SL1) - Zone 4		4	UEPBX	UEPLX	36.47												
		2-Wire Voice Grade Line Port (Bus)																	
		2-Wire voice unbundled port without Caller ID - bu			UEPBX	UEPBL	14	90	90				43.52	9.99					
		2-Wire voice unbundled port with Caller + E484 ID - bu			UEPBX	UEPBC	14	90	90				43.52	9.99					
		2-Wire voice unbundled port outgoing only - bu			UEPBX	UEPBO	14	90	90				43.52	9.99					
		LOCAL NUMBER PORTABILITY																	
		Local Number Portability (1 per port)			UEPBX	LNPCX	0.35												

UNBUNDLED NETWORK ELEMENTS
MS

CATEGORY	NOTES	UNBUNDLED NETWORK ELEMENT	Interim	Zone	BCS	USOC	RATES (\$)					OSS RATES (\$)					
							Rec	First	Add'l	First	Add'l	SOME C	SOMAN	SOMAN	SOMAN	SOMAN	SOMAN
							Nonrecurring		Nonrecurring			Svc Order Submitted Elec per LSR	Svc Order Submitted Manually per LSR	Incremental Charge - Manual Svc Order vs. Electronic-1st	Incremental Charge - Manual Svc Order vs. Electronic-Add'l	Incremental Charge - Manual Svc Order vs. Electronic-Disc 1st	Incremental Charge - Manual Svc Order vs. Electronic-Disc Add'l
							Disconnect										
							Rec	First	Add'l	First	Add'l	SOME C	SOMAN	SOMAN	SOMAN	SOMAN	SOMAN
		FEATURES															
		NONRECURRING CHARGES - CURRENTLY COMBINED															
		ADDITIONAL NRCs															
		NRC - 2-Wire Voice Grade Loop/Line Port Combination - Subsequer			UEPBX	USAS2		0	0								
		2-WIRE VOICE GRADE LOOP WITH 2-WIRE LINE PORT (RES - PBX)															
		UNE Port/Loop Combination Rates															
		2-Wire VG Loop/Port Combo - Zone 1		1				28.59									
		2-Wire VG Loop/Port Combo - Zone 2		2				33.33									
		2-Wire VG Loop/Port Combo - Zone 3		3				41.63									
		2-Wire VG Loop/Port Combo - Zone 4		4				50.47					43.52	9.99			
		UNE Loop Rates															
		2-Wire Voice Grade Loop (SL1) - Zone 1		1	UEPRG	UEPLX		14.59									
		2-Wire Voice Grade Loop (SL1) - Zone 2		2	UEPRG	UEPLX		19.33									
		2-Wire Voice Grade Loop (SL1) - Zone 3		3	UEPRG	UEPLX		27.63									
		2-Wire Voice Grade Loop (SL1) - Zone 4		4	UEPRG	UEPLX		36.47									
		2-Wire Voice Grade Line Port Rates (RES - PBX)															
		2-Wire VG Unbundled Combination 2-Way PBX Trunk Port - Re			UEPRG	UEPRD		14	90	90				43.52	9.99		
		LOCAL NUMBER PORTABILITY															
		Local Number Portability (1 per port)			UEPRG	LNPCP		3.15									
		FEATURES															
		NONRECURRING CHARGES - CURRENTLY COMBINED															
		ADDITIONAL NRCs															
		2 Wire Loop/Line Side Port Combination - Non feature - Subsequent Activity- Nonrecurring						0	0								
		PBX Subsequent Activity - Change/Rearrange Multiline Hunt Gro						14.64	14.64				19.99	19.99	19.99	19.99	
		2-WIRE VOICE GRADE LOOP WITH 2-WIRE LINE PORT (BUS - PBX)															
		UNE Port/Loop Combination Rates															
		2-Wire VG Loop/Port Combo - Zone 1		1				28.59									
		2-Wire VG Loop/Port Combo - Zone 2		2				33.33									
		2-Wire VG Loop/Port Combo - Zone 3		3				41.63									
		2-Wire VG Loop/Port Combo - Zone 4		4				50.47									
		UNE Loop Rates															
		2-Wire Voice Grade Loop (SL1) - Zone 1		1	UEPPX	UEPLX		14.59									
		2-Wire Voice Grade Loop (SL1) - Zone 2		2	UEPPX	UEPLX		19.33									
		2-Wire Voice Grade Loop (SL1) - Zone 3		3	UEPPX	UEPLX		27.63									
		2-Wire Voice Grade Loop (SL1) - Zone 4		4	UEPPX	UEPLX											
		2-Wire Voice Grade Line Port Rates (BUS - PBX)															
		Line Side Unbundled Combination 2-Way PBX Trunk Port - Bu			UEPPX	UEPPC		14	90	90				43.52	9.99		
		Line Side Unbundled Outward PBX Trunk Port - Bu			UEPPX	UEPPO		14	90	90				43.52	9.99		
		Line Side Unbundled Incoming PBX Trunk Port - Bu			UEPPX	UEPP1		14	90	90				43.52	9.99		

UNBUNDLED NETWORK ELEMENTS
MS

CATEGORY	NOTES	UNBUNDLED NETWORK ELEMENT	Interim	Zone	BCS	USOC	RATES (\$)						OSS RATES (\$)							
							Nonrecurring			Nonrecurring			SOMEC	SOMAN	SOMAN	SOMAN	SOMAN	SOMAN		
							Rec	First	Add'l	First	Add'l	Disconnect								
		2-Wire Voice Unbundled PBX LD Terminal Port			UEPPX	UEPLD	14	90	90											
		2-Wire Voice Unbundled 2-Way Combination PBX Usage Port			UEPPX	UEPXA	14	90	90											
		2-Wire Voice Unbundled PBX Toll Terminal Hotel Port			UEPPX	UEPXB	14	90	90											
		2-Wire Voice Unbundled PBX LD DDD Terminals Port			UEPPX	UEPXC	14	90	90											
		2-Wire Voice Unbundled PBX LD Terminal Switchboard Port			UEPPX	UEPXD	14	90	90											
		2-Wire Voice Unbundled PBX LD Terminal Switchboard IDD Capable Port			UEPPX	UEPXE	14	90	90											
		2-Wire Voice Unbundled 2-Way PBX Hotel/Hospital Economy Administrative Calling Port			UEPPX	UEPXL	14	90	90											
		2-Wire Voice Unbundled 2-Way PBX Hotel/Hospital Economy Room Calling Port			UEPPX	UEPXM	14	90	90											
		2-Wire Voice Unbundled 1-Way Outgoing PBX Hotel/Hospital Discount Room Calling Port			UEPPX	UEPXO	14	90	90											
		2-Wire Voice Unbundled 2-Way PBX Mississippi Local Economy Calling Port			UEPPX	UEPXQ	14	90	90											
		2-Wire Voice Unbundled 2-Way PBX Mississippi Local Optional Calling Port			UEPPX	UEPXR	14	90	90											
		2-Wire Voice Unbundled 1-Way Outgoing PBX Measured Port			UEPPX	UEPXS	14	90	90											
		LOCAL NUMBER PORTABILITY																		
		Local Number Portability (1 per port)			UEPPX	LNPCP	3.15													
		FEATURES																		
		NONRECURRING CHARGES - CURRENTLY COMBINED																		
		ADDITIONAL NRCs																		
		2-Wire Voice Grade Loop/ Line Port Combination - Subsequent			UEPPX	USAS2		0	0											
		2 Wire Loop/Line Side Port Combination - Non feature - Subsequent Activity- Nonrecurring						0	0											
		PBX Subsequent Activity - Change/Rearrange Multiline Hunt Group						14.64	14.64											
		2-WIRE VOICE GRADE LOOP WITH 2-WIRE ANALOG LINE COIN PORT																		
		UNE Port/Loop Combination Rates																		
		2-Wire VG Coin Port/Loop Combo – Zone 1						28.59												
		2-Wire VG Coin Port/Loop Combo – Zone 2						33.33												
		2-Wire VG Coin Port/Loop Combo – Zone 3						41.63												
		2-Wire VG Coin Port/Loop Combo – Zone 4						50.47												
		UNE Loop Rates																		
		2-Wire Voice Grade Loop (SL1) - Zone 1			UEPCO	UEPLX		14.59												
		2-Wire Voice Grade Loop (SL1) - Zone 2			UEPCO	UEPLX		19.33												
		2-Wire Voice Grade Loop (SL1) - Zone 3			UEPCO	UEPLX		27.63												
		2-Wire Voice Grade Loop (SL1) - Zone 4			UEPCO	UEPLX		36.47												
		2-Wire Voice Grade Line Port Rates (Coin)																		
		2-Wire Coin 2-Way without Operator Screening and without Blocking (AL, KY, LA, MS)			UEPCO	UEPRF	14	90	90											
		2-Wire Coin 2-Way without Operator Screening and without Blocking; with Dialing Parity (Note 3) (MS)			UEPCO	UEPMC	14	90	90											
		2-Wire Coin 2-Way with Operator Screening and Blocking: 011, 900/976, 1+DDD (AL, KY, LA, MS, SC)			UEPCO	UEPRA	14	90	90											
		2-Wire Coin 2-W with Operator Screening and Blocking: 011, 900/976, 1+DDD; with Dialing Parity (MS)			UEPCO	UEPMA	14													
		2-Wire Coin 2-Way with Operator Screening and 011 Blocking (AL, LA, MS)			UEPCO	UEPRB	14	90	90											
		2-Wire Coin 2-Way with Operator Screening and 011 Blocking; with Dialing Parity (MS)			UEPCO	UEPMB	14	90	90											

UNBUNDLED NETWORK ELEMENTS
MS

CATEGORY	NOTES	UNBUNDLED NETWORK ELEMENT	Interim	Zone	BCS	USOC	RATES (\$)					OSS RATES (\$)					
							Nonrecurring			Nonrecurring		Svc Order Submitted Elec per LSR	Svc Order Submitted Manually per LSR	Incremental Charge - Manual Svc Order vs. Electronic-1st	Incremental Charge - Manual Svc Order vs. Electronic-Add'l	Incremental Charge - Manual Svc Order vs. Electronic-Disc 1st	Incremental Charge - Manual Svc Order vs. Electronic-Disc Add'l
							Rec	First	Add'l	First	Add'l						
							SOMEC	SOMAN	SOMAN	SOMAN	SOMAN	SOMAN					
		2-Wire Coin 2-Way with Operator Screening & Blocking: 900/976, 1+DDD, 011+, & Local (AL, KY, LA, MS)			UEPCO	UEPCD	14	90	90				43.52	9.99			
		2-Wire Coin 2-W Oper Screen & Blocking: 900/976, 1+DDD, 011+, and Local; with Dialing Parity (MS)			UEPCO	UEPCJ	14	90	90				43.52	9.99			
		2-Wire Coin Outward without Blocking and without Operator Screening (KY, LA, MS)			UEPCO	UEPRN	14	90	90				43.52	9.99			
		2-Wire Coin Outward without Blocking and without Operator Screening; with Dialing Parity (MS)			UEPCO	UEPME	14	90	90				43.52	9.99			
		2-Wire Coin Outward with Operator Screening and 011Blocking (GA, KY, MS)			UEPCO	UEPRJ	14	90	90				43.52	9.99			
		2-Wire Coin Outward with Operator Screening and 011 Blocking; with Dialing Parity (MS)			UEPCO	UEPMD	14	90	90				43.52	9.99			
		2-Wire Coin Outward with Operator Screening and Blocking: 011, 900/976, 1+DDD (AL, KY, LA, MS)			UEPCO	UEPRH	14	90	90				43.52	9.99			
		2-Wire Coin Outward Operator Screening & Blocking: 900/976, 1+DDD, 011+, & Local (AL, KY, LA, MS)			UEPCO	UEPCN	14	90	90				43.52	9.99			
		2-Wire Coin Out Operator Screen & Blocking: 900/976, 1+DDD, 011+, & Local; with Dialing Parity (MS)			UEPCO	UEPCS	14	90	90				43.52	9.99			
		LOCAL NUMBER PORTABILITY															
		Local Number Portability (1 per port)			UEPCO	LNPCX	0.35										
		NONRECURRING CHARGES - CURRENTLY COMBINED															
		ADDITIONAL NRCs															
		2-Wire Voice Grade Loop/ Line Port Combination - Subsequer			UEPCO	USAS2		0	0								

UNBUNDLED NETWORK ELEMENTS
NC

CATEGORY	NOTES	UNBUNDLED NETWORK ELEMENT	Interim	Zone	BCS	USOC	RATES (\$)						OSS RATES (\$)					
							Nonrecurring			Nonrecurring			Svc Order Submitted Elec per LSR	Svc Order Submitted Manually per LSR	Incremental Charge - Manual Svc Order vs. Electronic-1st	Incremental Charge - Manual Svc Order vs. Electronic-Add'l	Incremental Charge - Manual Svc Order vs. Electronic-Disc 1st	Incremental Charge - Manual Svc Order vs. Electronic-Disc Add'l
							Rec	First	Add'l	Disconnect		SOMEc						
										First	Add'l							
The "Zone" shown in the sections for stand-alone loops or loops as part of a combination refers to Geographically Deaveraged UNE Zones. To view Geographically Deaveraged UNE Zone Designations by Central Office, refer to Internet Website: http://www.interconnection.bellsouth.com/become_a_clec/html/interconnection.htm																		
UNBUNDLED EXCHANGE ACCESS LOOP																		
2-WIRE ANALOG VOICE GRADE LOOP																		
		2-Wire Analog Voice Grade Loop - Service Level 1- Statewide		sw	UEANL	UEAL2	15.88	57.99	42.37				26.94	12.76				
		2 Wire Analog Voice Grade Loop -Service Level 1-Statewide- Line Splitt			UEPSR, UEPSB	UEALS	15.88	57.99	42.37				26.94	12.76				
		2 Wire Analog Voice Grade Loop-Service Level 1-Line Splitting- Zone		1	UEPSR, UEPSB	UEALS												
		2 Wire Analog Voice Grade Loop-Service Level 1-Line Splitting-Zone		3	UEPSR, UEPSB	UEALS												
		Engineering Information Document (E			UEANL			28.74	28.74									
		Manual Order Coordination for UVL-SL1s (per loop			UEANL	UEAMC		61.38	61.38									
		Order Coordination for Specified Conversion Time for UVL-SL1 (per LSR			UEANL	OCOSL		45.34	45.34									
		2-Wire Analog Voice Grade Loop - Service Level 2 w/Loop or Ground Start Signaling - Statewide		sw	UEA	UEAL2	19.5	142.97	106.56				26.94	12.76				
		Order Coordination for Specified Conversion Time (per LSI			UEA	OCOSL		45.34										
		2-Wire Analog Voice Grade Loop - Service Level 2 w/Reverse Battery Signaling-Statewide		sw	UEA	UEAR2	19.5	142.97	106.56				26.94	12.76				
		Order Coordination for Specified Conversion Time (per LSI			UEA	OCOSL		45.34										
4-WIRE ANALOG VOICE GRADE LOOP																		
		4-Wire Analog Voice Grade Loop - Statewide		sw	UEA	UEAL4	27.49	288.47	237.45				26.94	12.76				
		Order Coordination for Specified Conversion Time (per LSI			UEA	OCOSL		45.34										
2-WIRE ISDN DIGITAL GRADE LOOP																		
		2-Wire ISDN Digital Grade Loop - Statewide		sw	UDN	U1L2X	24.98	325.91	251.31				26.94	12.76				
		Order Coordination For Specified Conversion Time (per LSI			UDN	OCOSL		45.34										
2-WIRE Universal Digital Channel (UDC) COMPATIBLE LOOP																		
		2-Wire Universal Digital Channel (UDC) Compatible Loop - Statewide		sw	UDC	UDC2X	24.98	325.91	251.31				26.94	12.76				
2-WIRE ASYMMETRICAL DIGITAL SUBSCRIBER LINE (ADSL) COMPATIBLE LOOP																		
		2-WIRE ASYMMETRICAL DIGITAL SUBSCRIBER LINE (ADSL) COMPATIBLE LOOP																
		2 Wire Unbundled ADSL Loop including manual service inquiry & facility reservat - Statewide		sw	UAL	UAL2X	14.6	504.9	456.17				26.94	12.76				
		Order Coordination for Specified Conversion Time (per LSI			UAL	OCOSL		45.34										
		2 Wire Unbundled ADSL Loop without manual service inquiry and facility reservat - Statewide		sw	UAL	UAL2W	14.6	203.85	128.42				26.94	12.76				
		Order Coordination for Specified Conversion Time (per LSI			UAL	OCOSL		45.34										
2-WIRE HIGH BIT RATE DIGITAL SUBSCRIBER LINE (HDSL) COMPATIBLE LOOP																		
		2-WIRE HIGH BIT RATE DIGITAL SUBSCRIBER LINE (HDSL) COMPATIBLE LOOP																
		2 Wire Unbundled HDSL Loop including manual service inquiry and facility reservation - Statewide		sw	UHL	UHL2X	11.98	504.9	456.17				26.94	12.76				
		Order Coordination for Specified Conversion Tim			UHL	OCOSL		45.34										
		2 Wire Unbundled HDSL Loop without manual service inquiry and facility reservation - Statewide		sw	UHL	UHL2W	11.98	221.08	145.65				26.94	12.76				
		Order Coordination for Specified Conversion Tim			UHL	OCOSL		45.34										
4-WIRE HIGH BIT RATE DIGITAL SUBSCRIBER LINE (HDSL) COMPATIBLE LOOP																		
		4 Wire Unbundled HDSL Loop including manual service inquiry and facility reservation - Statewide		sw	UHL	UHL4X	13.97	531.35	482.62				26.94	12.76				
		Order Coordination for Specified Conversion Tim			UHL	OCOSL		45.34										
		4-Wire Unbundled HDSL Loop without manual service inquiry and facility reservation - Statewide		sw	UHL	UHL4W	13.97	277.99	202.56				26.94	12.76				

UNBUNDLED NETWORK ELEMENTS
NC

CATEGORY	NOTES	UNBUNDLED NETWORK ELEMENT	Interim	Zone	BCS	USOC	RATES (\$)						OSS RATES (\$)					
							Nonrecurring			Nonrecurring			Svc Order Submitted Elec per LSR	Svc Order Submitted Manually per LSR	Incremental Charge - Manual Svc Order vs. Electronic-1st	Incremental Charge - Manual Svc Order vs. Electronic-Add'l	Incremental Charge - Manual Order vs. Electronic-Disc 1st	Incremental Charge - Manual Order vs. Electronic-Disc Add'l
							Rec	First	Add'l	First	Add'l	Disconnect						
							SOMEc	SOMAN	SOMAN	SOMAN	SOMAN	SOMAN	SOMAN					
		Order Coordination for Specified Conversion Tin			UHL	OCOSL		45.34										
		4-WIRE DS1 DIGITAL LOOP																
		4-Wire DS1 Digital Loop - Statewid		sw	USL	USLXX	62.78	714.84	421.47				42.19	12.76				
		Order Coordination for Specified Conversion Tin			USL	OCOSL		48.31										
		4-WIRE 19.2, 56 OR 64 KBPS DIGITAL GRADE LOOP																
		4 Wire Unbundled Digital 19.2 Kbps		sw	UDL	UDL19	32.67	489.04	337.51				19.99	19.99	19.99	19.99		
		4 Wire Unbundled Digital Loop 56 Kbp		sw	UDL	UDL56	32.67	489.04	337.51				26.94	12.76				
		Order Coordination for Specified Conversion Tin			UDL	OCOSL		45.34										
		4 Wire Unbundled Digital Loop 64 Kbps - Statewic		sw	UDL	UDL64	32.67	489.04	337.51				26.94	12.76				
		Order Coordination for Specified Conversion Tin			UDL	OCOSL		45.34										
		2-WIRE Unbundled COPPER LOOP																
		2-Wire Unbundled Copper Loop/Short including manual service inquiry & facility reservation - Zone 1		1	UCL	UCLPB	13.4	281.95	162.85				19.99	19.99	19.99	19.99		
		2-Wire Unbundled Copper Loop/Short including manual service inquiry & facility reservation - Zone 2		2	UCL	UCLPB	21.76	281.95	162.85				19.99	19.99	19.99	19.99		
		2 Wire Unbundled Copper Loop/Short including manual service inquiry & facility reservation - Zone 3		3	UCL	UCLPB	25.01	281.95	162.85				19.99	19.99	19.99	19.99		
		Order Coordination for Unbundled Copper Loops (per loo			UCL	UCLMC		61.38	61.38									
		2-Wire Unbundled Copper Loop/Short without manual service inquiry and facility reservation - Zone 1		1	UCL	UCLPW	13.4	250.17	174.74				19.99	19.99	19.99	19.99		
		2-Wire Unbundled Copper Loop/Short without manual service inquiry and facility reservation - Zone 2		2	UCL	UCLPW	21.76	250.17	174.74				19.99	19.99	19.99	19.99		
		2-Wire Unbundled Copper Loop/Short without manual service inquiry and facility reservation - Zone 3		3	UCL	UCLPW	25.01	250.17	174.74				19.99	19.99	19.99	19.99		
		Order Coordination for Unbundled Copper Loops (per loop)			UCL	UCLMC		61.38	61.38									
		2-Wire Unbundled Copper Loop/Long - includes manual svc. inquiry and facility reservation - Zone 1		1	UCL	UCL2L	37.79	268.96	149.86				19.99	19.99	19.99	19.99		
		2-Wire Unbundled Copper Loop/Long - includes manual svc. inquiry and facility reservation - Zone 2		2	UCL	UCL2L	63.16	268.96	149.86				19.99	19.99	19.99	19.99		
		2-Wire Unbundled Copper Loop/Long - includes manual svc. inquiry and facility reservation - Zone 3		3	UCL	UCL2L	73.02	268.96	149.86				19.99	19.99	19.99	19.99		
		Order Coordination for Unbundled Copper Loops (per loop)			UCL	UCLMC		61.38	61.38									
		2-Wire Unbundled Copper Loop/Long - without manual service inquiry and facility reservation - Zone 1		1	UCL	UCL2W	37.79	189	113.57				19.99	19.99	19.99	19.99		
		2-Wire Unbundled Copper Loop/Long - without manual service inquiry and facility reservation - Zone 2		2	UCL	UCL2W	63.16	189	113.57				19.99	19.99	19.99	19.99		
		2-Wire Unbundled Copper Loop/Long - without manual service inquiry and facility reservation - Zone 3		3	UCL	UCL2W	73.02	189	113.57				19.99	19.99	19.99	19.99		
		Order Coordination for Unbundled Copper Loops (per loo			UCL	UCLMC		61.38	61.38									
		2-Wire Unbundled Copper Loop Non-Designed - S1		I	sw	UEQ	UEQ2X	15.88	57.99	42.37			26.94	26.94	26.94	26.94		
		Order Coordination 2 Wire Unbundled Copper Loop - Non-Designed (per loo			UEQ	USBMC		61.38	61.38									
		Engineering Information Documer			UEQ			28.74	28.74									
		Loop Testing - Basic 1st Half Hou			UEQ	URET1		78.92	78.92									
		Loop Testing - Basic Additional Half Hou			UEQ	URETA		23.33	23.33									
		4-WIRE COPPER LOOP																
		4-Wire Copper Loop/Short - including manual service inquiry and facility reservati - Zone 1		1	UCL	UCL4S	17.63	330.13	211.02				19.99	19.99	19.99	19.99		
		4-Wire Copper Loop/Short - including manual service inquiry and facility reservati - Zone 2		2	UCL	UCL4S	28.89	330.13	211.02				19.99	19.99	19.99	19.99		
		4-Wire Copper Loop/Short - including manual service inquiry and facility reservati - Zone 3		3	UCL	UCL4S	33.28	330.13	211.02				19.99	19.99	19.99	19.99		
		Order Coordination for Unbundled Copper Loops (per loo			UCL	UCLMC		61.38	61.38									

UNBUNDLED NETWORK ELEMENTS
NC

CATEGORY	NOTES	UNBUNDLED NETWORK ELEMENT	Interim	Zone	BCS	USOC	RATES (\$)					OSS RATES (\$)															
							Nonrecurring			Nonrecurring		SOMEK	SOMAN	SOMAN	SOMAN	SOMAN	SOMAN										
Rec	First	Add'l	First	Add'l	Disconnect																						
		4-Wire Copper Loop/Short - without manual service inquiry and facility reservation - Zone 1		1	UCL	UCL4W	17.63	250.17	174.74																		
		4-Wire Copper Loop/Short - without manual service inquiry and facility reservation - Zone 2		2	UCL	UCL4W	28.89	250.17	174.74																		
		4-Wire Copper Loop/Short - without manual service inquiry and facility reservation - Zone 3		3	UCL	UCL4W	33.28	250.17	174.74																		
		Order Coordination for Unbundled Copper Loops (per loc)				UCLMC		61.38	61.38																		
		4-Wire Unbundled Copper Loop/Long - includes manual svc. inquiry and facility reservation - Zone 1		1	UCL	UCL4L	53.68	317.14	198.03																		
		4-Wire Unbundled Copper Loop/Long - includes manual svc. inquiry and facility reservation - Zone 2		2	UCL	UCL4L	90.07	317.14	198.03																		
		4-Wire Unbundled Copper Loop/Long - includes manual svc. inquiry and facility reservation - Zone 3		3	UCL	UCL4L	104.23	317.14	198.03																		
		Order Coordination for Unbundled Copper Loops (per loc)				UCLMC		61.38	61.38																		
		4-Wire Unbundled Copper Loop/Long - without manual svc. inquiry and facility reservation - Zone 1		1	UCL	UCL4O	53.68	237.18	161.75																		
		4-Wire Unbundled Copper Loop/Long - without manual svc. inquiry and facility reservation - Zone 2		2	UCL	UCL4O	90.07	237.18	161.75																		
		4-Wire Unbundled Copper Loop/Long - without manual svc. inquiry and facility reservation - Zone 3		3	UCL	UCL4O	104.23	237.18	161.75																		
		Order Coordination for Unbundled Copper Loops (per loc)				UCLMC		61.38	61.38																		
LOOP MODIFICATION																											
		Unbundled Loop Modification, Removal of Load Coils - 2 Wire pair less than or equal to 18k ft				UAL, UHL, UCL, UEQ, ULS																					
		Unbundled Loop Modification, Removal of Load Coils - 2 wire greater than 18k ft				UCL, ULS	ULM2L	64.85	64.85																		
		Unbundled Loop Modification Removal of Load Coils - 4 Wire less than or equal to 18k ft				UHL, UCL	ULM2G	339.84	339.84																		
		Unbundled Loop Modification Removal of Load Coils - 4 Wire pair greater than 18k ft				UCL	ULM4L	64.85	64.85																		
		Unbundled Loop Modification Removal of Bridged Tap Removal, per unbundled loop				UAL, UHL, UCL, UEQ, UEF, ULS	ULM4G	339.84	339.84																		
		Unbundled Loop Modification Removal of Bridged Tap Removal, per unbundled loop				UAL, UHL, UCL, UEQ, UEF, ULS	ULMBT	64.9	64.9																		
SUB-LOOPS																											
Sub-Loop Distribution																											
		Sub-Loop - Per Cross Box Location - CLEC Feeder Facility Set-L		1		UEANL	USBSA	498.09	498.09																		
		Sub-Loop - Per Cross Box Location - Per 25 Pair Panel Set-L		1		UEANL	USBSB	45.04	45.04																		
		Sub-Loop - Per Building Equipment Room - CLEC Feeder Facility Set-L		1		UEANL	USBSC	313.01	313.01																		
		Sub-Loop - Per Building Equipment Room - Per 25 Pair Panel Set-L		1		UEANL	USBSD	108.06	108.06																		
		Sub-Loop Distribution Per 2-Wire Analog Voice Grade Loop - Zone		1		UEANL	USBN2	7.99	126.03	54.54	71.13	10.16															
		Sub-Loop Distribution Per 2-Wire Analog Voice Grade Loop - Zone		2		UEANL	USBN2	12.63	126.03	54.54	71.13	10.16															
		Sub-Loop Distribution Per 2-Wire Analog Voice Grade Loop - Zone		3		UEANL	USBN2	14.43	126.03	54.54	71.13	10.16															
		Order Coordination for Unbundled Sub-Loops, per sub-loop pair				UEANL	USBMC	45.34	45.34																		
		Sub-Loop Distribution Per 4-Wire Analog Voice Grade Loop - Zone		1		UEANL	USBN4	9.23	156.52	79.66	78.56	13.53															
		Sub-Loop Distribution Per 4-Wire Analog Voice Grade Loop - Zone		2		UEANL	USBN4	14.63	156.52	79.66	78.56	13.53															
		Sub-Loop Distribution Per 4-Wire Analog Voice Grade Loop - Zone		3		UEANL	USBN4	16.73	156.52	79.66	78.56	13.53															
		Order Coordination for Unbundled Sub-Loops, per sub-loop pair				UEANL	USBMC	45.34	45.34																		
		Sub-Loop 2-Wire Intrabuilding Network Cable (INC)		1		UEANL	USBR2	3.5	114.05	37.2	76.58	10.81															
		Order Coordination for Unbundled Sub-Loops, per sub-loop pair				UEANL	USBMC	45.34	45.34																		
		Sub-Loop 4-Wire Intrabuilding Network Cable (INC)		1		UEANL	USBR4	3.75	127.67	50.82	78.71	10.69															
		Order Coordination for Unbundled Sub-Loops, per sub-loop pair				UEANL	USBMC	45.34	45.34																		
		2 Wire Copper Unbundled Sub-Loop Distribution - Zone		1	1	UEF	UCS2X	7.33	137.1	60.24	76.58	10.81															
		2 Wire Copper Unbundled Sub-Loop Distribution - Zone		2	1	UEF	UCS2X	10.95	137.1	60.24	76.58	10.81															
		2 Wire Copper Unbundled Sub-Loop Distribution - Zone		3	1	UEF	UCS2X	12.36	137.1	60.24	76.58	10.81															
		Order Coordination for Unbundled Sub-Loops, per sub-loop pair				UEF	USBMC	45.34	45.34																		
		4 Wire Copper Unbundled Sub-Loop Distribution - Zone		1	1	UEF	UCS4X	7.14	162.24	85.38	78.56	13.53															
		4 Wire Copper Unbundled Sub-Loop Distribution - Zone		2	1	UEF	UCS4X	11.09	162.24	85.38	78.56	13.53															
		4 Wire Copper Unbundled Sub-Loop Distribution - Zone		3	1	UEF	UCS4X	12.63	162.24	85.38	78.56	13.53															
		Order Coordination for Unbundled Sub-Loops, per sub-loop pair				UEF	USBMC	45.34	45.34																		

UNBUNDLED NETWORK ELEMENTS
NC

CATEGORY	NOTES	UNBUNDLED NETWORK ELEMENT	Interim	Zone	BCS	USOC	RATES (\$)						OSS RATES (\$)					
							Nonrecurring			Nonrecurring			SOMEK	SOMAN	SOMAN	SOMAN	SOMAN	SOMAN
							Rec	First	Add'l	First	Add'l	Disconnect						
		Unbundled Sub-Loop Modification - 2-W Copper Dist Load Coil/Equip Removal per 2-W PR			UEF	ULM2X		353.95	12.2						26.94	12.76		
		Unbundled Sub-loop Modification - 4-W Copper Dist Load Coil/Equip Removal per W PR			UEF	ULM4X		353.95	12.2						26.94	12.76		
		Unbundled Sub-loop Modification - 2-w/4-w Copper Dist Bridged Tap Removal, per PR unloaded			UEF	ULM4T		557.78	14.23						26.94	12.76		
		Unbundled Network Terminating Wire (UNTW)																
		Unbundled Network Terminating Wire (UNTW) per Pa			UENTW	UENPP	0.44	64.98	64.98						26.94	12.76		
		Network Interface Device (NID)																
		Network Interface Device (NID) - 1-2 line:	I		UENTW	UND12		86.37	56.69						26.94	12.76		
		Network Interface Device (NID) - 1-6 line:	I		UENTW	UND16		127.93	98.21						26.94	12.76		
		Network Interface Device Cross Connect - 2 V	I		UENTW	UNDC2		11.68	11.68						26.94	12.76		
		Network Interface Device Cross Connect - 4V	I		UENTW	UNDC4		11.68	11.68						26.94	12.76		
		UNBUNDLED LOOP CONCENTRATION																
		Unbundled Loop Concentration - System A (TR00)			ULC	UCT8A	398.41	652.26	652.26						19.99	19.99	19.99	19.99
		Unbundled Loop Concentration - System B (TR00)			ULC	UCT8B	58.36	271.78	271.78						19.99	19.99	19.99	19.99
		Unbundled Loop Concentration - System A (TR30)			ULC	UCT3A	439.73	652.25	652.26						19.99	19.99	19.99	19.99
		Unbundled Loop Concentration - System B (TR30)			ULC	UCT3B	98.34	271.78	271.78						19.99	19.99	19.99	19.99
		Unbundled Loop Concentration - DS1 Loop Interface Ca			ULC	UCTCO	5.52	126.85	92.35	33.65	9.42				19.99	19.99	19.99	19.99
		Unbundled Loop Concentration - ISDN Loop Interface (Brite Car			UDN	ULCC1	8.77	21.11	21	10.81	10.74				19.99	19.99	19.99	19.99
		Unbundled Loop Concentration - UDC Loop Interface (Brite Car			UDC	ULCCU	8.77	21.11	21	10.81	10.74				19.99	19.99	19.99	19.99
		Unbundled Loop Concentration - 2 Wire Voice-Loop Start or Ground Start Loop Interface (POTS Card)			UEA	ULCC2	2.19	21.11	21	10.81	10.74				19.99	19.99	19.99	19.99
		Unbundled Loop Concentration - 2 Wire Voice - Reverse Battery Loop Interface (SPOTS Card)			UEA	ULCCR	13.03	21.11	21	10.81	10.74				19.99	19.99	19.99	19.99
		Unbundled Loop Concentration - 4 Wire Voice Loop Interface (Specials Ca			UEA	ULCC4	7.77	21.11	21	10.81	10.74				19.99	19.99	19.99	19.99
		Unbundled Loop Concentration - TEST CIRCUIT Car			ULC	UCTTC	37.98	21.11	21	10.81	10.74				19.99	19.99	19.99	19.99
		Unbundled Loop Concentration - Digital 19.2 Kbps Data Loop Interfa			UDL	ULCC7	11.51	21.11	21	10.81	10.74				19.99	19.99	19.99	19.99
		Unbundled Loop Concentration - Digital 56 Kbps Data Loop Interfa			UDL	ULCC5	11.51	21.11	21	10.81	10.74				19.99	19.99	19.99	19.99
		Unbundled Loop Concentration - Digital 64 Kbps Data Loop Interfa			UDL	ULCC6	11.51	21.11	21	10.81	10.74				19.99	19.99	19.99	19.99
		UNBUNDLED SUB-LOOP CONCENTRATION (OUTSIDE CO)																
		UNE OTHER, PROVISIONING ONLY - NO RATE																
		NID - Dispatch and Service Order for NID installation			UENTW	UNDBX												
		UNTW Circuit Id Establishment, Provisioning Only - No Rate			UENTW	UENCE												
		Unbundled Contract Name, Provisioning Only - No Rate			UEANL,UEF,UEQ,UENTW	UNECN												
		Unbundled Contact Name, Provisioning Only - no rate			UAL,UCL,UDC,UDL,UDN,UEA,UHL,ULC	UNECN	0	0										
		Unbundled Sub-Loop Feeder-2 Wire Cross Box Jumper - no ra			UEA,UDN,UC,UDC	USBFQ	0	0										
		Unbundled Sub-Loop Feeder-4 Wire Cross Box Jumper - no ra			UEA,USL,UC,UDL	USBFR	0	0										
		Unbundled DS1 Loop - Superframe Format Option - no ra			USL	CCOSF	0	0										
		Unbundled DS1 Loop - Expanded Superframe Format option - no ra			USL	CCOEF	0	0										
		HIGH CAPACITY UNBUNDLED LOCAL LOOP																
		NOTE: 4 month minimum billing period																
		High Capacity Unbundled Local Loop - DS3 - Per Mile per mon			UE3	1L5ND	11.12											
		High Capacity Unbundled Local Loop - DS3 - Facility Termination per mor			UE3	UE3PX	404.98	1071	646.12						53.48	53.48		
		High Capacity Unbundled Local Loop - STS-1 - Per Mile per mon			UDLSX	1L5ND	11.12											

UNBUNDLED NETWORK ELEMENTS
NC

CATEGORY	NOTES	UNBUNDLED NETWORK ELEMENT	Interim	Zone	BCS	USOC	RATES (\$)						OSS RATES (\$)												
							Nonrecurring			Nonrecurring			Svc Order Submitted Elec per LSR	Svc Order Submitted Manually per LSR	Incremental Charge - Manual Svc Order vs. Electronic-1st	Incremental Charge - Manual Svc Order vs. Electronic-Add'l	Incremental Charge - Manual Svc Order vs. Electronic-Disc 1st	Incremental Charge - Manual Svc Order vs. Electronic-Disc Add'l							
			Rec	First	Add'l	Disconnect		SOMEc	SOMAN	SOMAN	SOMAN	SOMAN							SOMAN						
High Capacity Unbundled Local Loop - STS-1 - Facility Termination per mor					UDLSX	UDLS1	417.7	1071	649.12																
LOOP MAKE-UP																									
		Loop Makeup - Preordering Without Reservation, per working or spare facility queried (Manual).			UMK	UMKLW		56.34	56.34																
		Loop Makeup - Preordering With Reservation, per spare facility queried (Manual).			UMK	UMKLP		58.56	58.56																
		Loop Makeup--With or Without Reservation, per working or spare facility queried (Mechanized)			UMK	PSUMK	1.04																		
LINE SHARING																									
		Line Sharing Splitter, per System 96 Line Capaci	I		ULS	ULSDA	152.73	424.61	0																
		Line Sharing Splitter, per System 24 Line Capaci	I		ULS	ULSDB	38.18	424.61	0																
		Line Sharing Splitte, Per System, 8 Line Capaci	I		ULS	ULSD8	12.73	424.61	0																
		Line Sharing - per Line Activatio	I		ULS	ULSDC	0.61	56.92	28.59																
		Line Sharing - per Subsequent Activity per Line Rearrangeme	I		ULS	ULSDS		35.14	16.29																
UNBUNDLED TRANSPORT																									
COMMON TRANSPORT (Shared)																									
		Common Transport - Per Mile, Per MOL						0.00001																	
		Common Transport - Facilities Termination Per MO						0.00034																	
NOTE: INTEROFFICE CHANNEL - DEDICATED TRANSPORT - minimum billing period: below DS3 = one month, DS3 and above four months																									
INTEROFFICE CHANNEL - DEDICATED TRANSPORT - VOICE GRADE																									
		Interoffice Channel - Dedicated Transport - 2-Wire Voice Grade - Per Mile per month			U1TVX	1L5XX	0.0282																		
		Interoffice Channel - Dedicated Transport- 2- Wire Voice Grade - Facility Termination per month			U1TVX	U1TV2	18	137.48	52.58																
		Interoffice Channel - Dedicated Transport- 2-Wire Voice Grade Rev Bat. - Per M per month			U1TVX	1L5XX	0.0282																		
		Interoffice Channel - Dedicated Transport- 2- Wire VG Rev Bat. - Facility Termination per month			U1TVX	U1TR2	18	18	52.58	0	0														
		Interoffice Channel - Dedicated Transport - 4-Wire Voice Grade - Per Mile per month			U1TVX	1L5XX	0.0125																		
		Interoffice Channel - Dedicated Transport - 4- Wire Voice Grade - Facility Termination per month			U1TVX	U1TV4	22.16	106.11	65.95																
		Interoffice Channel - Dedicated Transport - 56 kbps - per mile per mon			U1TDX	1L5XX	0.0282																		
		Interoffice Channel - Dedicated Transport - 56 kbps - Facility Termination per mor			U1TDX	U1TD5	17.4	137.48	52.58																
		Interoffice Channel - Dedicated Transport - 64 kbps - per mile per mon			U1TDX	1L5XX	0.0282																		
		Interoffice Channel - Dedicated Transport - 64 kbps - Facility Termination per mor			U1TDX	U1TD6	17.4	137.48	52.58	0	0														
INTEROFFICE CHANNEL - DEDICATED TRANSPORT - DS1																									
		Interoffice Channel - Dedicated Channel - DS1 - Per Mile per mon			U1TD1	1L5XX	0.5753																		
		Interoffice Channel - Dedicated Tranport - DS1 - Facility Termination per mor			U1TD1	U1TF1	71.29	217.17	163.75																
INTEROFFICE CHANNEL - DEDICATED TRANSPORT - DS3																									
		Interoffice Channel - Dedicated Transport - DS3 - Per Mile per mon			U1TD3	1L5XX	12.98																		
		Interoffice Channel - Dedicated Transport - DS3 - Facility Termination per mor			U1TD3	U1TF3	720.38	794.94	579.55																
INTEROFFICE CHANNEL - DEDICATED TRANSPORT - STS-1																									
		Interoffice Channel - Dedicated Transport - STS-1 - Per Mile per mon			U1TS1	1L5XX	6.14																		
		Interoffice Channel - Dedicated Transport - STS-1 - Facility Termination per mor			U1TS1	U1TFS	790.37	642.23	408.89																

UNBUNDLED NETWORK ELEMENTS
NC

CATEGORY	NOTES	UNBUNDLED NETWORK ELEMENT	Interim	Zone	BCS	USOC	RATES (\$)						OSS RATES (\$)											
							Nonrecurring			Nonrecurring			SOMEc	SOMAN	SOMAN	SOMAN	SOMAN	SOMAN						
							Rec	First	Add'l	First	Add'l	Disconnect												
																			SOMEc	SOMAN	SOMAN	SOMAN	SOMAN	SOMAN
LOCAL CHANNEL - DEDICATED TRANSPORT																								
NOTE: LOCAL CHANNEL DEDICATED TRANSPORT - minimum billing period - below DS3=one month, DS3 and above=four months																								
		Local Channel - Dedicated - 2-Wire Voice Grade Per Month			ULCVX	ULDV2	14.82	553.8	89.69					42.17	12.76									
		Local Channel - Dedicated - 2-Wire Voice Grade Rev Bat per mon			ULCVX	ULDR2	14.82	553.8	89.69	0	0			38.07	38.07									
		Local Channel - Dedicated - 4-Wire Voice Grade per mon			UNCVX	ULDV4	15.87	562.23	92.67					42.17	12.76									
		Local Channel - Dedicated - DS1 per mont			ULDD1	ULDF1	35.68	534.48	462.69					86.15	1.77									
		Local Channel - Dedicated - DS3 - Per Mile per mont			ULDD3	1L5NC	8.66																	
		Local Channel - Dedicated - DS3 - Facility Termination per mon			ULDD3	ULDF3	496.76	562.25	527.86					56.25	56.25									
		Local Channel - Dedicated - STS-1 - Per Mile per mont			ULDS1	1L5NC	8.66																	
		Local Channel - Dedicated - STS-1 - Facility Termination per mon			ULDS1	ULDFS	484.06	562.25	527.86	0	0			38.07	38.07									
MULTIPLEXERS																								
		Channelization - DS1 to DS0 Channel System			UXTD1	MQ1	146.69	197.78	140.06					24.85	8.16									
		OCU-DP COCI (data) - DS1 to DS0 Channel System - per month (2.4-64kb)			UDL	1D1DD	2	15.76	13.09															
		2-wire ISDN COCI (BRITe) - DS1 to DS0 Channel System - per month			UDN	UC1CA	3.59	15.76	13.09															
		Voice Grade COCI - DS1 to DS0 Channel System - per month			UEA	1D1VG	1.27	15.76	9.38															
		DS3 to DS1 Channel System per month			UXTD3	MQ3	233.1	403.97	234.4					24.78	7.42									
		STS1 to DS1 Channel System per month			UXTS1	MQ3	233.1	403.97	234.4					38.07	38.07									
		DS3 Interface Unit (DS1 COCI) used with Loop per month			USL	UC1D1	16.07	13.09	9.38															
DARK FIBER																								
		Dark Fiber, Four Fiber Strands, Per Route Mile or Fraction Thereof per month - Local Channel			UDF	1L5DC	53.86																	
		NRC Dark Fiber - Local Channel			UDF	UDFC4		1807	562.96					38.07	38.07									
		Dark Fiber, Four Fiber Strands, Per Route Mile or Fraction Thereof per month - Interoffice Channel			UDF	1L5DF	27.71																	
		NRC Dark Fiber - Interoffice Channel			UDF	UDF14		1807	562.96	0	0			38.07	38.07									
		Dark Fiber, Four Fiber Strands, Per Route Mile or Fraction Thereof per month - Local Loop			UDF	1L5DL	53.86																	
		NRC Dark Fiber - Local Loop			UDF	UDFL4		1807	562.96	0	0			38.07	38.07									
TRANSPORT OTHER																								
Optional Features & Functions:																								
		Clear Channel Capability (B8ZS/ESF) Option - Subsequent - per DS1 Channel			UNC1X	CCOEF		184.76	23.6	1.99	0.78			29.33	3.93									
		Clear Channel Capability (B8ZS/SF) Option - Subsequent - per DS1 Channel			UNC1X	CCOSF		184.76	23.6	1.99	0.78			29.33	3.93									
8XX ACCESS TEN DIGIT SCREENING																								
		8XX Access Ten Digit Screening, Per Call			OHD		0.0005																	
		8XX Access Ten Digit Screening, Reservation Charge Per 8XX Number Reserved			OHD	N8R1X		7.05	0.96					26.94	26.94									
		8XX Access Ten Digit Screening, Per 8XX No. Established W/O POTS Translation			OHD			23.82	2.73					26.94	26.94									
		8XX Access Ten Digit Screening, Per 8XX No. Established With POTS Translation			OHD	N8FTX		23.82	2.73					26.94	26.94									
		8XX Access Ten Digit Screening, Customized Area of Service Per 8XX Number			OHD	N8FCX		5.63	2.82					26.94	26.94									
		8XX Access Ten Digit Screening, Multiple InterLATA CXR Routing Per CXR Requested Per 8XX No.			OHD	N8FMX		6.59	3.77					26.94	26.94									
		8XX Access Ten Digit Screening, Change Charge Per Request			OHD	N8FAX		8.01	0.96					26.94	26.94									
		8XX Access Ten Digit Screening, Call Handling and Destination Feature			OHD	N8FDX		5.63						26.94	26.94									
		8XX Access Ten Digit Screening, w/ 8XX No. Delivery, per query			OHD		0.00365																	
		8XX Access Ten Digit Screening w/8XX No. Delivery for 8XX Numbers, with Optional Complex Features, per query			OHD		0.00431																	
		8XX Access Ten Digit Screening, w/ POTS No. Delivery, per query			OHD		0.00383																	
		8XX Access Ten Digit Screening w/ POTS No. Delivery, with Optional Complex Features, per query			OHD		0.00431																	
LINE INFORMATION DATA BASE ACCESS (LIDB)																								
		LIDB Common Transport Per Query			OQT		0.0003																	
		LIDB Validation Per Query			OQU		0.0134																	
		LIDB Originating Point Code Establishment or Change			OQT, OQU	NRPBX		62.26					62.26	26.94	26.94									
SIGNALING (CCS7)																								

UNBUNDLED NETWORK ELEMENTS
NC

CATEGORY	NOTES	UNBUNDLED NETWORK ELEMENT	Interim	Zone	BCS	USOC	RATES (\$)				OSS RATES (\$)										
							Nonrecurring		Nonrecurring		Svc Order Submitted Elec per LSR	Svc Order Submitted Manually per LSR	Incremental Charge - Manual Svc Order vs. Electronic-1st	Incremental Charge - Manual Svc Order vs. Electronic-Add'l	Incremental Charge - Manual Svc Order vs. Electronic-Disc 1st	Incremental Charge - Manual Svc Order vs. Electronic-Disc Add'l					
							Rec	First	Add'l	First							Add'l	SOMEc	SOMAN	SOMAN	SOMAN
		CCS7 Signaling Termination, Per STP Por			1DB	PT8SX	132.83														
		CCS7 Signaling Usage, Per TCAP Messag			1DB		0.00009														
		NOTE: Applicable when measurement and billing capability exists.																			
		CCS7 Signaling Connection, Per link (A link			1DB	TPP++	18.22	278.02	278.02												
		CCS7 Signaling Connection, Per link (B link) (also known as D lin			1DB	TPP++	18.22	278.02	278.02												
		CCS7 Signaling Usage, Per ISUP Messag			1DB		0.00004														
		NOTE: Applicable when measurement and billing capability exists.																			
		CCS7 Signaling Usage Surrogate, per link per LAT			1DB	STU56	338.98														
		CCS7 Signaling Point Code, per Originating Point Code Establishment or Change, per STP affectec			1DB	CCAPO		40	40												
		CCS7 Signaling Point Code, per Destination Point Code Establishment or Change, Per Stp Affectec			1DB	CCAPD		8	8												
E911 SERVICE																					
CALLING NAME (CNAM) SERVICE																					
		CNAM for DB Owners, Per Quer			QQV		0.016														
		CNAM for Non DB Owners, Per Quer			QQV		0.01														
		CNAM (Non-Databs Owner), NRC, applies when using the Character Based User Interface (CHUI)			QQV	CDDCH		595	595												
LNP QUERY SERVICE																					
OPERATOR SERVICES AND DIRECTORY ASSISTANCE																					
OPERATOR CALL PROCESSING																					
		Oper. Call Processing - Oper. Provided, Per Min. - Using BST LID					1.2														
		Oper. Call Processing - Oper. Provided, Per Min. - Using Foreign LID					1.24														
		Oper. Call Processing - Fully Automated, per Call - Using BST LID					0.11														
		Oper. Call Processing - Fully Automated, per Call - Using Foreign LIC					0.12														
INWARD OPERATOR SERVICES																					
		Inward Operator Services - Verification, Per Ca					0.8														
		Inward Operator Services - Verification, Per Minut					1.15														
		Inward Operator Services - Verification and Emergency Interrupt - Per C					0.85														
		Inward Operator Services - Verification and Emergency Interrupt - Per Minu					1.15														
BRANDING - OPERATOR CALL PROCESSING																					
		Recording of Custom Branded OA Announcement				CBAOS		7000	7000	9.61	9.61										
		Loading of Custom Branded OA Announcement per shelf/NAV				CBAOL		500	500												
DIRECTORY ASSISTANCE SERVICES																					
DIRECTORY ASSISTANCE ACCESS SERVICE																					
		Directory Assistance Access Service Calls, Charge Per Ca					0.26														
DIRECTORY ASSISTANCE CALL COMPLETION ACCESS SERVICE (DACC)																					
		Directory Assistance Call Completion Access Service (DACC), Per Call Attem					0.062														
UNBRANDING																					
DIRECTORY TRANSPORT																					
		Directory Transport - Local Channel DS					35.68	534.48	462.69												
		Directory Transport - DS1 Level Interoffice Per Mil					0.5753														
		Directory Transport - DS1 Level Interoffice Per Facility Terminati					71.29	217.17	163.75												
		Switched Common Transport Per DA Access Service Per Ca					0.0002														
		Switched Common Transport Per DA Access Service Per Call Per Mi					0.00003														
		Access Tandem Switching Per DA Access Service Per Ca					0.0021														

UNBUNDLED NETWORK ELEMENTS
NC

CATEGORY	NOTES	UNBUNDLED NETWORK ELEMENT	Interim	Zone	BCS	USOC	RATES (\$)						OSS RATES (\$)						
							Nonrecurring			Nonrecurring			SOMEc	SOMAN	SOMAN	SOMAN	SOMAN	SOMAN	
							Rec	First	Add'l	First	Add'l	Disconnect							
		DIRECTORY ASSISTANCE DATA BASE SERVICE (DADS)																	
		Directory Assistance Data Base Service Charge Per Listir					0.04												
		Directory Assistance Data Base Service, per mont				DBSOF	150												
		BRANDING - DIRECTORY ASSISTANCE																	
		Custom Branding Announcement, per Recording to be used with the provision of DA			AMT	CBADA	3000	3000											
		Loading of Custom Branded Announcement per DRAM Card/Switch			AMT	CBADC	690	690											
		SELECTIVE ROUTING																	
		Selective Routing Per Unique Line Class Code Per Request Per Swit				USRCR	229.65	229.65					40.18	9.45					
		VIRTUAL COLLOCATION																	
		Virtual Collocation - 2-wire Cross Connects (loop			ueanl,uea,udn,udc,uah,uhl,ud,ueq	UEAC2	0.09	41.78	39.23	4.75	4.75		19.99	19.99	19.99	19.99			
		Virtual Collocation - 2-wire Cross Connects (por				VE1R2	0.09	41.78	39.23	4.75	4.75		19.99	19.99	19.99	19.99			
		Virtual Collocation - 4-wire Cross Connects (loop			uea,uhl,ucl,udl	UEAC4	0.18	41.91	39.25	4.73	4.73		19.99	19.99	19.99	19.99			
		Virtual Collocation - 4-wire Cross Connects (por				VE1R4	0.18	41.91	39.25	4.73	4.73		19.99	19.99	19.99	19.99			
		Virtual Collocation - 2-Fiber Cross Connect				CNC2F	15.99	67.34	48.55				19.99	19.99	19.99	19.99			
		Virtual Collocation - 4-Fiber Cross Connects				CNC4F	28.74	82.35	63.56				19.99	19.99	19.99	19.99			
		Virtual Collocatin - DS1 Cross Connect			USL,ULC	CNC1X	0.97	71.02	51.08										
		AIN SELECTIVE CARRIER ROUTING																	
		Regional Service Establishment			SRC	SRCEC		391788					19.99	19.99	19.99	19.99			
		End Office Establishment			SRC	SRCEO		320.53	320.53				19.99	19.99	19.99	19.99			
		Line/Port NRC, per end user			SRC	SRCLP		2.06	2.06				19.99	19.99	19.99	19.99			
		Query NRC, per query			SRC		0.000448												
		AIN - BELLSOUTH AIN SMS ACCESS SERVICE																	
		AIN SMS Access Service - Service Establishment, Per State, Initial Setup				CAMSE		294.77	294.77				26.94	26.94					
		AIN SMS Access Service - Port Connection - Dial/Shared Access				CAMPD		86.94	86.94				26.94	26.94					
		AIN SMS Access Service - Port Connection - ISDN Access				CAM1P		86.94	86.94				26.94	26.94					
		AIN SMS Access Service - User Identification Codes - Per User ID Code				CAMAU		200.83	200.83				26.94	26.94					
		AIN SMS Access Service - Security Card, Per User ID Code, Initial or Replacement				CAMRC		172.05	172.05				26.94	26.94					
		AIN SMS Access Service - Storage, Per Unit (100 Kilobytes)					0.0023												
		AIN SMS Access Service - Session, Per Minute					0.0791												
		AIN SMS Access Service - Company Performed Session, Per Minute					2.08												
		AIN - BELLSOUTH AIN TOOLKIT SERVICE																	
		AIN Toolkit Service - Service Establishment Charge, Per State, Initial Setup				BAPSC		290.05	290.05				26.94	26.94					
		AIN Toolkit Service - Training Session, Per Customer				BAPVX		8363	8363				26.94	26.94					
		AIN Toolkit Service - Trigger Access Charge, Per Trigger, Per DN, Term, Attempt				BAPTT		72.76	72.76				26.94	26.94					
		AIN Toolkit Service - Trigger Access Charge, Per Trigger, Per DN, Off-Hook Delay				BAPTD		72.76	72.76				26.94	26.94					
		AIN Toolkit Service - Trigger Access Charge, Per Trigger, Per DN, Off-Hook Immediate				BAPTM		72.76	72.76				26.94	26.94					
		AIN Toolkit Service - Trigger Access Charge, Per Trigger, Per DN, 10-Digit PODP				BAPTO		149.95	149.95				26.94	26.94					
		AIN Toolkit Service - Trigger Access Charge, Per Trigger, Per DN, CDP				BAPTC		149.95	149.95				26.94	26.94					
		AIN Toolkit Service - Trigger Access Charge, Per Trigger, Per DN, Feature Code				BAPTF		149.95	149.95				26.94	26.94					
		AIN Toolkit Service - Query Charge, Per Query					0.02												
		AIN Toolkit Service - Type 1 Node Charge, Per AIN Toolkit Subscription, Per Node, Per Query					0.005												
		AIN Toolkit Service - SCP Storage Charge, Per SMS Access Account, Per 100 Kilobytes					1.45												
		AIN Toolkit Service - Monthly report - Per AIN Toolkit Service Subscription				BAPMS	15.98	71.8	71.8				26.94	26.94					
		AIN Toolkit Service - Special Study - Per AIN Toolkit Service Subscription				BAPLS	0.08	47.2	47.2				26.94	26.94					
		AIN Toolkit Service - Call Event Report - Per AIN Toolkit Service Subscription				BAPDS	15.9	71.8	71.8				26.94	26.94					
		AIN Toolkit Service - Call Event Special Study - Per AIN Toolkit Service Subscription				BAPES	0.003	47.2	47.2				26.94	26.94					

UNBUNDLED NETWORK ELEMENTS
NC

CATEGORY	NOTES	UNBUNDLED NETWORK ELEMENT	Interim	Zone	BCS	USOC	RATES (\$)				OSS RATES (\$)					
							Nonrecurring		Nonrecurring		Svc Order Submitted Elec per LSR	Svc Order Submitted Manually per LSR	Incremental Charge - Manual Svc Order vs. Electronic-1st	Incremental Charge - Manual Svc Order vs. Electronic-Add'l	Incremental Charge - Manual Svc Order vs. Electronic-Disc 1st	Incremental Charge - Manual Svc Order vs. Electronic-Disc Add'l
							Rec	First	Add'l	Add'l						
							Disconnect		SOMEc	SOMAN	SOMAN	SOMAN	SOMAN	SOMAN		
ODUF/EDOUF/ADUF/CMDS																
ACCESS DAILY USAGE FILE (ADUF)																
		ADUF: Message Processing, per message					0.004									
		ADUF: Data Transmission (CONNECT:DIRECT), per message					0.001									
ENHANCED OPTIONAL DAILY USAGE FILE (EODUF)																
		EODUF: Message Processing, per message					0.004									
OPTIONAL DAILY USAGE FILE (ODUF)																
		ODUF: Recording, per message					0.0003									
		ODUF: Message Processing, per message					0.0032									
		ODUF: Message Processing, per Magnetic Tape provision					54.61									
		ODUF: Data Transmission (CONNECT:DIRECT), per message					0.00004									
ENHANCED EXTENDED LINK (EELs)																
NOTE: New EELs available in State of Georgia, density zone 1 of following SMAs: Orlando, FL; Miami, FL; Ft. Lauderdale, FL; Nashville, TN; New Orleans, LA;																
NOTE: Charlotte-Gastonia-Rockhill, NC; Greensboro-Winston Salem-High Point, NC. Use all rates below except Switch As Is Charge.																
NOTE: In all states, EEL network elements shown below also apply to currently combined facilities which are converted to UNE rates. A Switch As Is Charge applies to currently combined facilities converted to UNEs.(Non-recurring rates do not apply.)																
NOTE: In Georgia, the EEL network elements apply to ordinarily combined network elements per the GA PSC order.(No Switch As Is Charge.)																
2-WIRE VOICE GRADE EXTENDED LOOP WITH DEDICATED DS1 INTEROFFICE TRANSPORT (EEL)																
		First 2-Wire VG Loop - Service Level 2/DS1 Interofficed Transport Combination - Statewide		sw	UNCVX	UEAL2	19.5	142.97	106.56				38.07	38.07		
		Interoffice Transport - Dedicated - DS1 combination - Per Mile per mon			UNC1X	1L5XX	0.5753									
		Interoffice Transport - Dedicated - DS1 combination - Facility Termination per month			UNC1X	U1TF1	71.29	217.17	163.75				38.07	38.07		
		DS1 Channelization System Per Month			UNC1X	MQ1	146.69	197.78	140.06							
		Voice Grade COCI - DS1 To DS0 Interface - Per Month			UNCVX	1D1VG	1.27	13.09	9.38							
		Each Additional 2-Wire Vg Loop(SL2) In The Same Ds1 Interoffice Transport Combination Per Month			UNCVX	UEAL2	19.5	142.97	108.56				21.75	21.75		
		Each Additional 2-Wire VG Loop(SL2) in the same DS1 Interoffice Transport Combination - Zone 1		3	UNCVX	UEAL2										
		Voice Grade COCI - DS1 to DS0 Channel System combination - per mon			UNCVX	1D1VG	1.27	13.09	9.38							
		Nonrecurring Currently Combined Network Elements Switch -As-Is Char			UNC1X	UNCCC		21.75	21.75	32.28	10.96		38.07	38.07		
4-WIRE VOICE GRADE EXTENDED LOOP WITH DEDICATED DS1 INTEROFFICE TRANSPORT (EEL)																
		First 4-Wire Analog Voice Grade Loop/DS1 Interoffice Transport Combination - Statewide		sw	UNCVX	UEAL4	27.49	288.47	237.45				21.75	21.75		
		Interoffice Transport - Dedicated - DS1 combination - Per Mile Per Mon			UNC1X	1L5XX	0.5753									
		Interoffice Transport - Dedicated - DS1 - Facility Termination Per Mon			UNC1X	U1TF1	71.29	217.17	163.75				38.07	38.07		
		Channelization - Channel System DS1 to DS0 combination Per Mon			UNC1X	MQ1	146.69	197.78	140.06							
		Voice Grade COCI - DS1 to DS0 Channel System combination - per mon			UNCVX	1D1VG	0	13.09	9.38							
		Additional 4-Wire Analog Voice Grade Loop in same DS1 Interoffice Transport Combination - Statewide		sw	UNCVX	UEAL4	27.49	288.47	237.45				38.07	38.07		
		Additional 4-Wire Analog Voice Grade Loop in same DS1 Interoffice Transport Combination - Zone 1		4	NA	NA	27.49									
		Voice Grade COCI - DS1 to DS0 Channel System combination - per mon			UNCVX	1D1VG	1.27	13.09	9.38							
		Nonrecurring Currently Combined Network Elements Switch -As-Is Char			UNC1X	UNCCC		21.75	21.75	32.28	10.96		38.07	38.07		
4-WIRE 56 KBPS EXTENDED DIGITAL LOOP WITH DEDICATED DS1 INTEROFFICE TRANSPORT (EEL)																

UNBUNDLED NETWORK ELEMENTS
NC

CATEGORY	NOTES	UNBUNDLED NETWORK ELEMENT	Interim	Zone	BCS	USOC	RATES (\$)					OSS RATES (\$)									
							Nonrecurring			Nonrecurring		SOMEc	SOMAN	SOMAN	SOMAN	SOMAN	SOMAN				
							Rec	First	Add'l	First	Add'l										
		First 4-Wire 56Kbps Digital Grade Loop/DS1 Interoffice Transport Combination - Statewide		sw	UNC1X	UDL56	37.67	489.04	337.51												
		Interoffice Transport - Dedicated - DS1 combination - Per Mile Per Mon			UNC1X	1L5XX	0.5753														
		Interoffice Transport - Dedicated - DS1 - combination Facility Termination Per Month			UNC1X	U1TF1	71.29	217.17	163.75												
		Channelization - Channel System DS1 to DS0 combination Per Mor			UNC1X	MQ1	146.69	197.78	140.06												
		OCU-DP COCI (data) - DS1 to DS0 Channel System - per month (2.4-64kb)			UNC1X	1D1DD	2	15.76	11.28												
		Additional 4-Wire 56Kbps Digital Grade Loopin same DS1 Interoffice Transport Combination - Statewide		sw	UNC1X	UDL56	37.67	489.04	337.51												
		OCU-DP COCI (data) - DS1 to DS0 Channel System - combination per month (2.4-64kbs)			UNC1X	1D1DD	2	15.76	13.09												
		Nonrecurring Currently Combined Network Elements Switch -As-Is Char			UNC1X	UNCCC		21.75	21.75	32.28	10.96										
		4-WIRE 64 KBPS EXTENDED DIGITAL LOOP WITH DEDICATED DS1 INTEROFFICE TRANSPORT (EEL)																			
		First 4-Wire 64Kbps Digital Grade Loop/DS1 Interoffice Transport Combination - Statewide		sw	UNC1X	UDL64	37.67	489.04	337.51												
		Interoffice Transport - Dedicated - DS1 combination - Per Mile Per Mon			UNC1X	1L5XX	0.5753														
		Interoffice Transport - Dedicated - DS1 combination - Facility Termination Per Month			UNC1X	U1TF1	71.29	217.17	163.75												
		Channelization - Channel System DS1 to DS0 combination Per Mor			UNC1X	MQ1	146.69	197.78	140.06												
		OCU-DP COCI (data) - DS1 to DS0 Channel System combination - per month (2.4-64kbs)			UNC1X	1D1DD	2	15.76	11.28												
		Additional 4-Wire 64Kbps Digital Grade Loopin same DS1 Interoffice Transport Combination - Statewide		sw	UNC1X	UDL64	37.67	489.04	337.51												
		OCU-DP COCI (data) - DS1 to DS0 Channel System combination - per month (2.4-64kbs)			UNC1X	1D1DD	2	15.76	11.28												
		Nonrecurring Currently Combined Network Elements Switch -As-Is Char			UNC1X	UNCCC		21.75	21.75	32.28	10.96										
		4-WIRE DS1 DIGITAL EXTENDED LOOP WITH DEDICATED DS1 INTEROFFICE TRANSPORT (EEL)																			
		4-Wire DS1 Digital Loop in Combination with DS1 Interoffice Transport - Statewi		sw	UNC1X	USLXX	62.78	714.84	421.47												
		Interoffice Transport - Dedicated - DS1 combination - Per Mile Per Mon			UNC1X	1L5XX	0.5753														
		Interoffice Transport - Dedicated - DS1 combination - Facility Termination Per Month			UNC1X	U1TF1	71.29	217.17	163.75												
		Nonrecurring Currently Combined Network Elements Switch -As-Is Char			UNC1X	UNCCC		21.75	21.75	32.28	10.96										
		4-WIRE DS1 DIGITAL EXTENDED LOOP WITH DEDICATED DS3 INTEROFFICE TRANSPORT (EEL)																			
		First DS1Loop in DS3 Interoffice Transport Combination - Statewi		sw	UNC1X	USLXX	62.78	714.84	421.47												
		Interoffice Transport - Dedicated - DS3 combination - Per Mile Per Mon			UNC3X	1L5XX	12.98														
		Interoffice Transport - Dedicated - DS3 - Facility Termination per mon			UNC3X	U1TF3	720.38	794.94	579.55												
		DS3 to DS1 Channel System combination per mon			UNC3X	MQ3	233.1	403.97	234.4												
		DS3 Interface Unit (DS1 COCI) combination per mont			UNC1X	UC1D1	16.07	13.09	9.38												
		Additional DS1Loop in DS3 Interoffice Transport Combination - Statewi		sw	UNC1X	USLXX	62.78	714.84	421.47												
		DS3 Interface Unit (DS1 COCI) combination per mont			UNC1X	UC1D1	16.07	13.09	9.38												
		Nonrecurring Currently Combined Network Elements Switch -As-Is Char			UNC3X	UNCCC		21.75	21.75	32.28	10.96										
		2-WIRE VOICE GRADE EXTENDED LOOP/ 2 WIRE VOICE GRADE INTEROFFICE TRANSPORT (EEL)																			
		2-WireVG Loop used with 2-wire VG Interoffice Transport Combination - Statewi		sw	UNCVX	UEAL2	19.5	142.97	106.56												
		Interoffice Transport - Dedicated - 2-wire VG combination - Per Mile Per Mon			UNCVX	1L5XX	0.0282														
		Interoffice Transport - Dedicated - 2- Wire Voice Grade combination - Facility Termination per mont			UNCVX	U1TV2	18	137.48	52.58												
		Nonrecurring Currently Combined Network Elements Switch -As-Is Char			UNCVX	UNCCC		21.75	21.75	32.28	10.96										
		4-WIRE VOICE GRADE EXTENDED LOOP/ 4 WIRE VOICE GRADE INTEROFFICE TRANSPORT (EEL)																			
		4-WireVG Loop used with 4-wire VG Interoffice Transport Combination - Statewi		sw	UNCVX	UEAL4	27.49	288.47	237.45	82.08	12.22										
		Interoffice Transport - Dedicated - 4-wire VG combination - Per Mile Per Mon			UNCVX	1L5XX	0.0125														
		Interoffice Transport - Dedicated - 4- Wire Voice Grade combination - Facility Termination per mont			UNCVX	U1TV4	22.16	106.11	65.95												
		Nonrecurring Currently Combined Network Elements Switch -As-Is Char			UNCVX	UNCCC		21.75	21.75	32.28	10.96										
		DS3 DIGITAL EXTENDED LOOP WITH DEDICATED DS3 INTEROFFICE TRANSPORT (EEL)																			
		High Capacity Unbundled Local Loop - DS3 combination - Per Mile per mor			UNC3X	1L5ND	11.12														

UNBUNDLED NETWORK ELEMENTS
NC

CATEGORY	NOTES	UNBUNDLED NETWORK ELEMENT	Interim	Zone	BCS	USOC	RATES (\$)						OSS RATES (\$)						
							Nonrecurring			Nonrecurring			SOMEc	SOMAN	SOMAN	SOMAN	SOMAN	SOMAN	
							Rec	First	Add'l	First	Add'l	Disconnect							
		High Capacity Unbundled Local Loop - DS3 combination - Facility Termination per month			UNC3X	UE3PX	404.98	1071	646.12										
		Interoffice Transport - Dedicated - DS3 - Per Mile per month			UNC3X	1L5XX	12.98												
		Interoffice Transport - Dedicated - DS3 combination - Facility Termination per month			UNC3X	U1TF3	720.38	794.94	679.55						91.26	91.26			
		Nonrecurring Currently Combined Network Elements Switch -As-Is Char			UNC3X	UNCCC		21.75	21.75	32.28	10.96				38.07	38.07			
		STS1 DIGITAL EXTENDED LOOP WITH DEDICATED STS1 INTEROFFICE TRANSPORT (EEL)																	
		High Capacity Unbundled Local Loop - STS1 combination - Per Mile per mor			UNCSX	1L5ND	11.12												
		High Capacity Unbundled Local Loop - STS1 combination - Facility Termination per month			UNCSX	UDLS1	417.7	1071	646.12										
		Interoffice Transport - Dedicated - STS1 combination - Per Mile per mon			UNCSX	1L5XX	6.14												
		Interoffice Transport - Dedicated - STS1 combination - Facility Termination per month			UNCSX	U1TFS	790.37	794.94	679.55						53.48	53.48			
		Nonrecurring Currently Combined Network Elements Switch -As-Is Char			UNCSX	UNCCC		21.75	21.75	32.28	10.96				38.07	38.07			
		2-WIRE ISDN EXTENDED LOOP WITH DS1 INTEROFFICE TRANSPORT (EEL)																	
		First 2-Wire ISDN Loop/DS1 Interoffice Combination Transport - Statewk	sw		UNCNX	U1L2X	24.98	325.91	251.31						38.07	38.07			
		Interoffice Transport - Dedicated - DS1 combination - Per Mi			UNC1X	1L5XX	0.5753												
		Interoffice Transport - Dedicated - DS1 combination - Facility Termination per mor			UNC1X	U1TF1	71.29	217.17	163.75						38.07	38.07			
		Channelization - Channel System DS1 to DS0 combination - per mor			UNC1X	MQ1	146.69	197.78	140.06										
		2-wire ISDN COCI (BRITE) - DS1 to DS0 Channel System combination - per mon			UNCNX	UC1CA	3.59	15.76	11.28										
		Additional 2-wire ISDN Loop in same DS1 Interoffice Transport Combination - Statewide	sw		UNCNX	U1L2X	24.98	325.91	251.31						38.07	38.07			
		2-wire ISDN COCI (BRITE) - DS1 to DS0 Channel System combintaion- per mon			UNCNX	UC1CA	3.59	15.76	11.28										
		Nonrecurring Currently Combined Network Elements Switch -As-Is Char			UNC1X	UNCCC		21.75	21.75	32.28	10.96				38.07	38.07			
		4-WIRE DS1 DIGITAL EXTENDED LOOP WITH DEDICATED STS-1 INTEROFFICE TRANSPORT (EEL)																	
		First DS1 Loop in STS1 Interoffice Transport Combination - Statewk	sw		UNCIX	USLXX	62.71	714.84	757.03						53.48	53.48			
		Interoffice Transport - Dedicated - STS1 combination - Per Mile Per Mon			UNCSX	1L5XX	6.14												
		Interoffice Transport - Dedicated - STS1 combination - Facility Termination			UNCSX	U1TFS	790.37	624.23	408.89						53.48	53.48			
		STS1 to DS1 Channel System combination per month			UNCSX	MQ3	233.1	403.9	234.4										
		DS3 Interface Unit (DS1 COCI) combination per month			UNC1X	UC1D1	16.07	13.09	9.38										
		Additional DS1 Loop in STS1 Interoffice Transport Combination - Statewi	sw		UNC1X	USLXX	62.71	714.84	757.03						38.07	38.07			
		DS3 Interface Unit (DS1 COCI) combination per month			UNC1X	UC1D1	16.07	13.09	9.38										
		Nonrecurring Currently Combined Network Elements Switch -As-Is Char			UNCSX	UNCCC		21.75	21.75	32.28	10.96				38.07	38.07			
		4-WIRE 56 KBPS DIGITAL EXTENDED LOOP WITH 56 KBPS INTEROFFICE TRANSPORT (EEL)																	
		4-wire 56 kbps Loop/4-wire 56 kbps Interoffice Transport Combination - Statewi	sw		UNCDX	UDL56	37.67	489.04	337.51										
		Interoffice Transport - Dedicated - 4-wire 56 kbps combination - Per Mi			UNCDX	1L5XX	0.0282												
		Interoffice Transport - Dedicated - 4-wire 56 kbps combination - Facility Termination			UNCDX	U1TD5	17.4	137.4504	52.58						38.07	38.07			
		Nonrecurring Currently Combined Network Elements Switch -As-Is Char			UNCDX	UNCCC		21.75	21.75	32.28	10.96				38.07	38.07			
		4-WIRE 64 KBPS DIGITAL EXTENDED LOOP WITH 64 KBPS INTEROFFICE TRANSPORT (EEL)																	
		4-wire 64 kbps Loop/4-wire 64 kbps Interoffice Transport Combination - Statewi	sw		UNCDX	UDL64	37.67												
		Interoffice Transport - Dedicated - 4-wire 64 kbps combination - Per Mi			UNCDX	1L5XX	0.0282												
		Interoffice Transport - Dedicated - 4-wire 64 kbps combination - Facility Termination			UNCDX	U1TD6	17.4	137.48	52.58						38.07	38.07			
		Nonrecurring Currently Combined Network Elements Switch -As-Is Char			UNCDX	UNCCC		21.75	21.75	32.28	10.96				38.07	38.07			
		ADDITIONAL NETWORK ELEMENTS																	
		When used as a part of a currently combined facility, the non-recurring charges do not apply, but a Switch As Is charge does apply.																	
		When used as ordinarility combined network elements in Georgia, the non-recurring charges apply and the Switch As Is Charge does not.																	
		Node (SynchroNet)																	
		Node per month			UNCDX	UNCNT	16												

UNBUNDLED NETWORK ELEMENTS
NC

CATEGORY	NOTES	UNBUNDLED NETWORK ELEMENT	Interim	Zone	BCS	USOC	RATES (\$)				OSS RATES (\$)							
							Nonrecurring		Nonrecurring		Svc Order Submitted Elec per LSR	Svc Order Submitted Manually per LSR	Incremental Charge - Manual Svc Order vs. Electronic-1st	Incremental Charge - Manual Svc Order vs. Electronic-Add'l	Incremental Charge - Manual Svc Order vs. Electronic-Disc 1st	Incremental Charge - Manual Svc Order vs. Electronic-Disc Add'l		
							Rec	First	Add'l	First							Add'l	SOMEc
Nonrecurring Currently Combined Network Elements "Switch As Is" Charge (One applies to each combination)																		
		2/4-Wire VG Interoffice Channel used in a COMBINATION - "Switch As Is" Conversion Charge			UNCVX	UNCCC	21.75	21.75	32.28	10.96			38.07	38.07				
		56/64 kbps Interoffice Channel used in a COMBINATION - "Switch As Is" Conversion Charge			UNCDX	UNCCC	21.75	21.75	32.28	10.96			38.07	38.07				
		DS1 Interoffice Channel used in a COMBINATION - "Switch As Is" Conversion Charge			UNC1X	UNCCC	21.75	21.75	32.28	10.96			38.07	38.07				
		DS3 Interoffice Channel used in a COMBINATION - "Switch As Is" Conversion Charge			UNC3X	UNCCC	21.75	21.75	32.28	10.96			38.07	38.07				
		STS1 Interoffice or Local Loop used in a COMBINATION - "Switch As Is" Conversion Charge			UNCSX	UNCCC	21.75	21.75	32.28	10.96			38.07	38.07				
NOTE: Local Channel - Dedicated Transport - minimum billing period - Below DS3=one month, DS3 and above=four months																		
OPERATIONAL SUPPORT SYSTEMS																		
NOTE: (1) Electronic Service Order: CLEC-1 should contact its contract negotiator if it prefers the state specific electronic service ordering charges as ordered by the State Commissions																		
NOTE: (1) Continued: The electronic service ordering charge currently contained in this rate exhibit is the BellSouth regional electronic service ordering charge																		
NOTE: (1) Concluded: CLEC-1 may elect either the state specific Commission ordered rates for the electronic service ordering charges, or CLEC-1 may elect the regional electronic service ordering charge.																		
NOTE: (2) Manual Service Order charge: disconnect, in the state of Florida, to be billed on a per LSR basis																		
		Electronic OSS Charge, per LSR, submitted via BST's OSS interactive interfaces (Regional)				SOMEc	3.5											
UNBUNDLED LOCAL EXCHANGE SWITCHING (PORTS)																		
Exchange Ports																		
NOTE: Although the Port Rate includes all available features in GA & TN, the desired features will need to be ordered using retail USOCs																		
2-WIRE VOICE GRADE LINE PORT RATES (RES)																		
		Exchange Ports - 2-Wire Analog Line Port- Re			UEPSR	UEPRL	2.19	21.6	21.6				26.94	12.76				
		Exchange Ports - 2-Wire Analog Line Port with Caller ID - Re			UEPSR	UEPRC	2.19	21.6	21.6				26.94	12.76				
		Exchange Ports - 2-Wire Analog Line Port outgoing only - Re			UEPSR	UEPRO	2.19	21.6	21.6				26.94	12.76				
		Exchange Ports - 2-Wire VG unbundled res, low usage line port with Caller ID (LUM)			UEPSR	UEPAP	2.19	21.6	21.6				26.94	12.76				
		Subsequent Activity			UEPSR	USASC	0	0	0									
		FEATURES																
		All Available Vertical Feature			UEPSR	UEPVF	3.4	0	0				26.94	12.76				
2-WIRE VOICE GRADE LINE PORT RATES (BUS)																		
		Exchange Ports - 2-Wire Analog Line Port without Caller ID - Bu			UEPSB	UEPBL	2.19	21.6	21.6				26.94	12.76				
		Exchange Ports - 2-Wire VG unbundled Line Port with unbundled port with Caller+E484 ID - Bus			UEPSB	UEPBC	2.19	21.6	21.6				26.94	12.76				
		Exchange Ports - 2-Wire Analog Line Port outgoing only - Bu			UEPSB	UEPBO	2.19	21.6	21.6				26.94	12.76				
		Exchange Ports - 2-Wire VG unbundled incoming only port with Caller ID - B			UEPSB	UEPB1	2.19	21.6	21.6				26.94	12.76				
		Subsequent Activity			UEPSB	USASC	0	0	0									
		FEATURES																
		All Available Vertical Feature			UEPSB	UEPVF	3.4	0	0				26.94	12.76				
EXCHANGE PORT RATES (DID & PBX)																		
		Exchange Ports - 2-Wire DID Port			UEPEX	UEPP2	12.36	108.78	84.6				26.94	12.76				
		Exchange Ports - DDITS Port - 4-Wire DS1 Port with DID capabilit			UEPDD	UEPDD	123.65	143.53	82.68				19.99	19.99	19.99	19.99		
		Exchange Ports - 2-Wire ISDN Port (See Notes below			UEPTX UEPSX	U1PMA	24.5	117.59	117.59				55.3	55.3				

UNBUNDLED NETWORK ELEMENTS
NC

CATEGORY	NOTES	UNBUNDLED NETWORK ELEMENT	Interim	Zone	BCS	USOC	RATES (\$)						OSS RATES (\$)					
							Nonrecurring			Nonrecurring			Svc Order Submitted Elec per LSR	Svc Order Submitted Manually per LSR	Incremental Charge - Manual Svc Order vs. Electronic-1st	Incremental Charge - Manual Svc Order vs. Electronic-Add'l	Incremental Charge - Manual Svc Order vs. Electronic-Disc 1st	Incremental Charge - Manual Svc Order vs. Electronic-Disc Add'l
							Rec	First	Add'l	First	Add'l	SOMEc						
		All Features Offerec			UEPTX UEPSX	UEPVF	3.4	0	0									
	NOTE: Transmission/usage charges associated with POTS circuit switched usage will also apply to circuit switched voice and/or circuit switched data transmission by B-Channels associated with 2-wire ISDN ports.																	
	NOTE: Access to B Channel or D Channel Packet capabilities will be available only through BFR/New Business Request Process. Rates for the packet capabilities will be determined via the Bona Fide Request/New Business Request Process.																	
		Exchange Ports - 2-Wire ISDN Port -- Channel Profiles			UEPTX UEPSX	U1UMA	0	0	0									
		Exchange Ports - 4-Wire ISDN DS1 Por			UEPEX	UEPEX	179.75	241.63	241.63					53.89	53.89			
		2-Wire VG Unbundled 2-Way PBX Trunk - Re:			UEPSE	UEPRD	2.18	21.6	21.6					26.94	12.76			
		2-Wire VG Line Side Unbundled 2-Way PBX Trunk - Bu			UEPSP	UEPPC	2.18	21.6	21.6					26.94	12.76			
		2-Wire VG Line Side Unbundled Outward PBX Trunk - Bu			UEPSP	UEPPO	2.18	21.6	21.6					26.94	12.76			
		2-Wire VG Line Side Unbundled Incoming PBX Trunk - Bu			UEPSP	UEPP1	2.18	21.6	21.6					26.94	12.76			
		2-Wire Analog Long Distance Terminal PBX Trunk - Bu			UEPSP	UEPLD	2.18	21.6	21.6					26.94	12.76			
		2-Wire Voice Unbundled PBX LD Terminal Port			UEPSP	UEPLD	2.18	21.6	21.6					26.94	12.76			
		2-Wire Vice Unbundled 2-Way PBX Usage Po			UEPSP	UEPXA	2.18	21.6	21.6					26.94	12.76			
		2-Wire Voice Unbundled PBX Toll Terminal Hotel Por			UEPSP	UEPXB	2.18	21.6	21.6					26.94	12.76			
		2-Wire Voice Unbundled PBX LD DDD Terminals Po			UEPSP	UEPXC	2.18	21.6	21.6					26.94	12.76			
		2-Wire Voice Unbundled PBX LD Terminal Switchboard Pc			UEPSP	UEPXD	2.18	21.6	21.6					26.94	12.76			
		2-Wire Voice Unbundled PBX LD Terminal Switchboard IDD Capable Pc			UEPSP	UEPXE	2.18	21.6	21.6					26.94	12.76			
		2-Wire Voice Unbundled 2-Way PBX Hotel/Hospital Economy Administrative Calling Port			UEPSP	UEPXL	2.18	21.6	21.6					26.94	12.76			
		2-Wire Voice Unbundled 2-Way PBX Hotel/Hospital Economy Room Calling P			UEPSP	UEPXM	2.18	21.6	21.6					26.94	12.76			
		2-Wire Voice Unbundled 1-Way Outgoing PBX Hotel/Hospital Discount Room Calling Port			UEPSP	UEPXO	2.18	21.6	21.6					26.94	12.76			
		2-Wire Voice Unbundled 1-Way Outgoing PBX Measured Pc			UEPSP	UEPXS	2.18	21.6	21.6					26.94	12.76			
		Subsequent Activity			UEPSP	USASC	0	0	0									
	FEATURES																	
		All Available Vertical Feature			UEPSE	UEPVF	3.4	0	0					26.94	12.76			
	EXCHANGE PORT RATES (COIN)																	
		Exchange Ports - Coin Por					2.59	21.6	21.6					26.94	12.76			
	NOTE: Transmission/usage charges associated with POTS circuit switched usage will also apply to circuit switched voice and/or circuit switched data transmission by B-Channels associated with 2-wire ISDN ports.																	
	NOTE: Access to B Channel or D Channel Packet capabilities will be available only through BFR/New Business Request Process. Rates for the packet capabilities will be determined via the Bona Fide Request/New Business Request Process.																	
UNBUNDLED LOCAL SWITCHING, PORT USAGE																		
		End Office Switching (Port Usage)																
		End Office Switching Function, Per MOL						0.0015										
		End Office Trunk Port - Shared, Per MOL						0.00023										
		Tandem Switching (Port Usage) (Local or Access Tandem)																
		Tandem Switching Function Per MOL						0.0006										
		Tandem Trunk Port - Shared, Per MOL						0.0003										
		Common Transport																
		Common Transport - Per Mile, Per MOL						0.00001										
		Common Transport - Facilities Termination Per MO						0.00034										
UNBUNDLED PORT/LOOP COMBINATIONS - COST BASED RATES																		
		Cost Based Rates are applied where BellSouth is required by FCC and/or State Commission rule to provide Unbundled Local Switching or Switch Ports.																
		Features shall apply to the Unbundled Port/Loop Combination - Cost Based Rate section in the same manner as they are applied to the Stand-Alone Unbundled Port section of this Rate Exhibit.																

UNBUNDLED NETWORK ELEMENTS
NC

CATEGORY	NOTES	UNBUNDLED NETWORK ELEMENT	Interim	Zone	BCS	USOC	RATES (\$)						OSS RATES (\$)						
							Nonrecurring			Nonrecurring			Svc Order Submitted Elec per LSR	Svc Order Submitted Manually per LSR	Incremental Charge - Manual Svc Order vs. Electronic-1st	Incremental Charge - Manual Svc Order vs. Electronic-Add'l	Incremental Charge - Manual Svc Order vs. Electronic-Disc 1st	Incremental Charge - Manual Svc Order vs. Electronic-Disc Add'l	
							Rec	First	Add'l	Disconnect									
										First	Add'l		SOMEc	SOMAN	SOMAN	SOMAN	SOMAN	SOMAN	
		End Office and Tandem Switching Usage and Common Transport Usage rates in the Port section of this rate exhibit shall apply to all combinations of loop/port network elements except for UNE Coin Port/Loop Combinations.																	
		For Georgia, the recurring UNE Port and Loop charges listed apply to Currently Combined and Not Currently Combined Combos and the first and additional Port nonrecurring charges apply to Not Currently Combined Combos. For Currently Combined Combos in GA and all other states, the nonrecurring charges shall be those identified in the Nonrecurring - Currently Combined sections.																	
		2-WIRE VOICE GRADE LOOP WITH 2-WIRE LINE PORT (RES)																	
		UNE Port/Loop Combination Rates																	
		2-Wire VG Loop/Port Combo - Statewid		sw			16.46												
		UNE Loop Rates																	
		2-Wire Voice Grade Loop (SL1) - Statewid		sw	UEPRX	UEPLX	14.18												
		2-Wire Voice Grade Line Port Rates (Res)																	
		2-Wire voice unbundled port - residenc			UEPRX	UEPRL	2.28					40.18	9.45						
		2-Wire voice unbundled port with Caller ID - re			UEPRX	UEPRC	2.28					40.18	9.45						
		2-Wire voice unbundled port outgoing only - re			UEPRX	UEPRO	2.28					40.18	9.45						
		2-Wire voice unbundles res. low usage line port with Caller ID (LUI)			UEPRX	UEPAP	2.28					40.18	9.45						
		FEATURES																	
		All Features Offerec			UEPRX	UEPVF	3.4	0	0			40.18	9.45						
		LOCAL NUMBER PORTABILITY																	
		Local Number Portability (1 per port)			UEPRX	LNPCX	0.35												
		NONRECURRING CHARGES (NRCs) - CURRENTLY COMBINED																	
		2-Wire Voice Grade Loop / Line Port Combination - Conversion - Switch-as			UEPRX	USAC2	2.77	0.4				40.18	9.45						
		2-Wire Voice Grade Loop / Line Port Combination - Conversion - Switch with change			UEPRX	USACC	2.77	0.4				40.18	9.45						
		2-Wire Voice Grade Loop / Line Port Combination - Conversion - Subsequent Database Update					1.42					10.27							
		ADDITIONAL NRCs																	
		2-Wire Voice Grade Loop/Line Port Combination - Subsequent Activ			UEPRX	USAS2	0	0	0										
		2-WIRE VOICE GRADE LOOP WITH 2-WIRE LINE PORT (BUS)																	
		UNE Port/Loop Combination Rates																	
		2-Wire VG Loop/Port Combo - Statewid		sw			16.46												
		UNE Loop Rates																	
		2-Wire Voice Grade Loop (SL1) - Statewid		sw	UEPBX	UEPLX	14.18												
		2-Wire Voice Grade Line Port (Bus)																	
		2-Wire voice unbundled port without Caller ID - bu			UEPBX	UEPBL	2.28					40.18	9.45						
		2-Wire voice unbundled port with Caller + E484 ID - bu			UEPBX	UEPBC	2.28					40.18	9.45						
		2-Wire voice unbundled port outgoing only - bu			UEPBX	UEPBO	2.28					40.18	9.45						
		2-Wire voice unbundled incoming only port with Caller ID - Bt			UEPBX	UEPB1	2.28					40.18	9.45						
		LOCAL NUMBER PORTABILITY																	
		Local Number Portability (1 per port)			UEPBX	LNPCX	0.35												
		FEATURES																	
		All Features Offerec			UEPBX	UEPVF	3.4	0	0			40.18	9.45						
		NONRECURRING CHARGES (NRCs) - CURRENTLY COMBINED																	
		2-Wire Voice Grade Loop / Line Port Combination - Conversion - Switch-as			UEPBX	USAC2	2.77	0.4				40.18	9.45						
		2-Wire Voice Grade Loop / Line Port Combination - Conversion - Switch with change			UEPBX	USACC	2.77	0.4				40.18	9.45						

UNBUNDLED NETWORK ELEMENTS
NC

CATEGORY	NOTES	UNBUNDLED NETWORK ELEMENT	Interim	Zone	BCS	USOC	RATES (\$)				OSS RATES (\$)					
							Nonrecurring		Nonrecurring		Svc Order Submitted Elec per LSR	Svc Order Submitted Manually per LSR	Incremental Charge - Manual Svc Order vs. Electronic-1st	Incremental Charge - Manual Svc Order vs. Electronic-Add'l	Incremental Charge - Manual Svc Order vs. Electronic-Disc 1st	Incremental Charge - Manual Svc Order vs. Electronic-Disc Add'l
							Rec	First	Add'l	Disconnect						
							SOMEc	SOMAN	SOMAN	SOMAN	SOMAN	SOMAN	SOMAN			
		2-Wire Voice Grade Loop / Line Port Combination - Conversion - Subsequent Database Update						1.42						10.27		
		ADDITIONAL NRCs														
		2-Wire Voice Grade Loop/Line Port Combination - Subsequent Activ			UEPBX	USAS2								40.18	9.45	
		2-WIRE VOICE GRADE LOOP WITH 2-WIRE LINE PORT (RES - PBX)														
		UNE Port/Loop Combination Rates														
		2-Wire VG Loop/Port Combo - Statewid		sw			16.46									
		UNE Loop Rates														
		2-Wire Voice Grade Loop (SL 1) - Statewid		sw	UEPRG	UEPLX	14.18									
		2-Wire Voice Grade Line Port Rates (RES - PBX)														
		2-Wire VG Unbundled Combination 2-Way PBX Trunk Port - Re			UEPRG	UEPRD	2.28							40.18	9.45	
		LOCAL NUMBER PORTABILITY														
		Local Number Portability (1 per port)			UEPRG	LNPCP	3.5									
		FEATURES														
		All Features Offerec			UEPRG	UEPVF	3.4	0	0					40.18	9.45	
		NONRECURRING CHARGES (NRCs) - CURRENTLY COMBINED														
		2-Wire Voice Grade Loop/ Line Port Combination (PBX) - Conversion - Switch-As			UEPRG	USAC2	2.77	0.4						40.18	9.45	
		2-Wire Voice Grade Loop/ Line Port Combination (PBX) - Conversion - Switch with Change			UEPRG	USACC	2.77	0.4						40.18	9.45	
		2-Wire Voice Grade Loop / Line Port Combination - Conversion - Subsequent Database Update						1.42						10.27		
		ADDITIONAL NRCs														
		2-Wire Voice Grade Loop/ Line Port Combination (PBX) - Subsequent Activ			UEPRG	USAS2	0	0	0					19.99	19.99	19.99
		PBX Subsequent Activity - Change/Rearrange Multiline Hunt Gro						14.64	14.64							
		2-WIRE VOICE GRADE LOOP WITH 2-WIRE LINE PORT (BUS - PBX)														
		UNE Port/Loop Combination Rates														
		2-Wire VG Loop/Port Combo - Statewid		sw			16.46									
		UNE Loop Rates														
		2-Wire Voice Grade Loop (SL 1) - Statewid		sw	UEPPX	UEPLX	14.18									
		2-Wire Voice Grade Line Port Rates (BUS - PBX)														
		Line Side Unbundled Combination 2-Way PBX Trunk Port - Bu			UEPPX	UEPPC	2.28							40.18	9.45	
		Line Side Unbundled Outward PBX Trunk Port - Bu			UEPPX	UEPPO	2.28							40.18	9.45	
		Line Side Unbundled Incoming PBX Trunk Port - Bu			UEPPX	UEPP1	2.28							40.18	9.45	
		2-Wire Voice Unbundled PBX LD Terminal Port			UEPPX	UEPLD	2.28							40.18	9.45	
		2-Wire Voice Unbundled 2-Way Combination PBX Usage Pc			UEPPX	UEPXA	2.28							40.18	9.45	
		2-Wire Voice Unbundled PBX Toll Terminal Hotel Por			UEPPX	UEPXB	2.28							40.18	9.45	
		2-Wire Voice Unbundled PBX LD DDD Terminals Po			UEPPX	UEPXC	2.28							40.18	9.45	
		2-Wire Voice Unbundled PBX LD Terminal Switchboard Pc			UEPPX	UEPXD	2.28							40.18	9.45	
		2-Wire Voice Unbundled PBX LD Terminal Switchboard IDD Capable Pc			UEPPX	UEPXE	2.28							40.18	9.45	
		2-Wire Voice Unbundled 2-Way PBX Hotel/Hospital Economy Administrative Calling Port			UEPPX	UEPXL	2.28							40.18	9.45	
		2-Wire Voice Unbundled 2-Way PBX Hotel/Hospital Economy Room Calling P			UEPPX	UEPXM	2.28							40.18	9.45	
		2-Wire Voice Unbundled 1-Way Outgoing PBX Hotel/Hospital Discount Room Calling Port			UEPPX	UEPXO	2.28							40.18	9.45	
		2-Wire Voice Unbundled 1-Way Outgoing PBX Measured Pc			UEPPX	UEPXS	2.28							40.18	9.45	

UNBUNDLED NETWORK ELEMENTS
NC

CATEGORY	NOTES	UNBUNDLED NETWORK ELEMENT	Interim	Zone	BCS	USOC	RATES (\$)						OSS RATES (\$)					
							Nonrecurring			Nonrecurring			Svc Order Submitted Elec per LSR	Svc Order Submitted Manually per LSR	Incremental Charge - Manual Svc Order vs. Electronic-1st	Incremental Charge - Manual Svc Order vs. Electronic-Add'l	Incremental Charge - Manual Svc Order vs. Electronic-Disc 1st	Incremental Charge - Manual Svc Order vs. Electronic-Disc Add'l
							Rec	First	Add'l	First	Add'l	Disconnect						
							Disconnect		SOMEC	SOMAN	SOMAN	SOMAN	SOMAN	SOMAN				
LOCAL NUMBER PORTABILITY																		
		Local Number Portability (1 per port)			UEPPX	LNPCP	3.15											
FEATURES																		
		All Features Offerec			UEPPX	UEPVF	3.4	0	0				40.18	9.45				
NONRECURRING CHARGES (NRCs) - CURRENTLY COMBINED																		
		2-Wire Voice Grade Loop/ Line Port Combination (PBX) - Conversion - Switch-As-Is			UEPPX	USAC2		2.77	0.4				40.18	9.45				
		2-Wire Voice Grade Loop/ Line Port Combination (PBX) - Conversion - Switch with Change			UEPPX	USACC		2.77	0.4				40.18	9.45				
		2-Wire Voice Grade Loop / Line Port Combination - Conversion - Subsequent Database Update							1.42				10.27					
ADDITIONAL NRCs																		
		2-Wire Voice Grade Loop/ Line Port Combination (PBX) - Subsequent Activ			UEPPX	USAS2	0	0	0									
		PBX Subsequent Activity - Change/Rearrange Multiline Hunt Gro						14.64	14.64				19.99	19.99	19.99			
2-WIRE VOICE GRADE LOOP WITH 2-WIRE ANALOG LINE COIN PORT																		
UNE Port/Loop Combination Rates																		
		2-Wire VG Coin Port/Loop Combo - Statewide					16.8											
UNE Loop Rates																		
		2-Wire Voice Grade Loop (SL1) - Statewid			UEPCO	UEPLX	14.18											
2-Wire Voice Grade Line Ports (COIN)																		
		2-Wire Coin 2-Way without Operator Screening and without Blocking (NC)			UEPCO	UEPND	2.62						40.18	9.45				
		2-Wire Coin 2-Way with Operator Screening (NC)			UEPCO	UEPNC	2.62						40.18	9.45				
		2-Wire Coin 2-Way with Operator Screening and Blocking: 011, 900/976, 1+DDD (NC, TN)			UEPCO	UEPRP	2.62						40.18	9.45				
		2-Wire Coin 2-Way with Operator Screening and 011 Blocking (NC)			UEPCO	UEPNB	2.62						40.18	9.45				
		2-Wire Coin 2-Way with Operator Screening: 900 Blocking: 900/976, 1+DDD, 011+, and Local (NC, TN)			UEPCO	UEPCA	2.62						40.18	9.45				
		2-Wire Coin Outward with Operator Screening and 011 Blocking (NC)			UEPCO	UEPNE	2.62						40.18	9.45				
		2-Wire Coin Outward with Operator Screening and Blocking: 900/976, 1+DDD, 011+, and Local (NC)			UEPCO	UEPCL	2.62						40.18	9.45				
		2-Wire 2-Way Smartline with 900/976 (all states except LA)			UEPCO	UEPCK	2.62						40.18	9.45				
		2-Wire Coin Outward Smartline with 900/976 (all states except LA)			UEPCO	UEPCR	2.62						40.18	9.45				
ADDITIONAL UNE COIN PORT/LOOP (RC)																		
		UNE Coin Port/Loop Combo Usage (Flat Rat			UEPCO	URECU	3.7	0	0									
LOCAL NUMBER PORTABILITY																		
		Local Number Portability (1 per port)			UEPCO	LNPCX	0.35											
NONRECURRING CHARGES - CURRENTLY COMBINED																		
		2-Wire Voice Grade Loop / Line Port Combination - Conversion - Switch-as			UEPCO	USAC2		2.77	0.4				40.18	9.45				
		2-Wire Voice Grade Loop / Line Port Combination - Conversion - Switch with change			UEPCO	USACC		2.77	0.4				40.18	9.45				
ADDITIONAL NRCs																		
		2-Wire Voice Grade Loop/Line Port Combination - Subsequent Activ			UEPCO	USAS2		0	0				40.18	9.45				
2-WIRE VOICE GRADE LOOP- BUS ONLY - WITH 2-WIRE DID TRUNK PORT																		
UNE Port/Loop Combination Rates																		
		2-Wire VG Loop/2-Wire DID Trunk Port Combo - Statewid		sw			31.07											
UNE Loop Rates																		
		2-Wire Analog Voice Grade Loop - (SL2) - Statewid		sw			19.5	142.97	106.56				19.99					

UNBUNDLED NETWORK ELEMENTS
NC

CATEGORY	NOTES	UNBUNDLED NETWORK ELEMENT	Interim	Zone	BCS	USOC	RATES (\$)						OSS RATES (\$)							
							Nonrecurring			Nonrecurring			Svc Order Submitted Elec per LSR	Svc Order Submitted Manually per LSR	Incremental Charge - Manual Svc Order vs. Electronic-1st	Incremental Charge - Manual Svc Order vs. Electronic-Add'l	Incremental Charge - Manual Svc Order vs. Electronic-Disc 1st	Incremental Charge - Manual Svc Order vs. Electronic-Disc Add'l		
							Rec	First	Add'l	First	Add'l	Disconnect								
		UNE Port Rate																		
		Exchange Ports - 2-Wire DID Por			UEPPX	UEPD1	12.36	108.78	94.6											
		NONRECURRING CHARGES - CURRENTLY COMBINED																		
		2-Wire Voice Grade Loop / 2-Wire DID Trunk Port Combination - Switch-as-			UEPPX	USAC1		13.26	8.39											
		2-Wire Voice Grade Loop / 2-Wire DID Trunk Port Conversion with BellSouth Allowable Change:			UEPPX	USA1C		13.26	8.39											
		ADDITIONAL NRCs																		
		2-Wire DID Subsequent Activity - Add Trunks, Per Trunk			UEPPX	USAS1		53.49												
		Telephone Number/Trunk Group Establishment Charges																		
		DID Trunk Termination (One Per Port)			UEPPX	NDT	0	0	0											
		DID Numbers, Establish Trunk Group and Provide First Group of 20 DID Number			UEPPX	NDZ	0	0	0											
		Additional DID Numbers for each Group of 20 DID Number			UEPPX	ND4	0	0	0											
		DID Numbers, Non- consecutive DID Numbers , Per Number			UEPPX	ND5	0	0	0											
		Reserve Non-Consecutive DID number			UEPPX	ND6	0	0	0											
		Reserve DID Numbers			UEPPX	NDV	0	0	0											
		LOCAL NUMBER PORTABILITY																		
		Local Number Portability (1 per port)			UEPPX	LNPCP	3.15													
		2-WIRE ISDN DIGITAL GRADE LOOP WITH 2-WIRE ISDN DIGITAL LINE SIDE PORT																		
		UNE Port/Loop Combination Rates																		
		2W ISDN Digital Grade Loop/2W ISDN Digital Line Side Port - Statewid		sw	UEPPB UEPPR		44.49													
		UNE Loop Rates																		
		2-Wire ISDN Digital Grade Loop - Statewid		sw	UEPPB UEPPR	USL2X	20.12	325.91	251.31											
		UNE Port Rate																		
		Exchange Port - 2-Wire ISDN Line Side Port			UEPPB UEPPR	UEPPB	24.37	117.59	117.59											
		NONRECURRING CHARGES - CURRENTLY COMBINED																		
		2-Wire ISDN Digital Grade Loop / 2-Wire ISDN Line Side Port Combination - Conversion			UEPPB UEPPR	USACB	0	174.35	174.35											
		ADDITIONAL NRCs																		
		LOCAL NUMBER PORTABILITY																		
		Local Number Portability (1 per port)			UEPPB UEPPR	LNPCX	0.35	0	0											
		B-CHANNEL USER PROFILE ACCESS:																		
		CVS/CSD (DMS/5ESS)			UEPPB UEPPR	U1UCA	0	0	0											
		CVS (EWSD)			UEPPB UEPPR	U1UCB	0	0	0											
		CSD			UEPPB UEPPR	U1UCC	0	0	0											
		B-CHANNEL AREA PLUS USER PROFILE ACCESS: (AL,KY,LA,MS SC,MS, & TN)																		
		USER TERMINAL PROFILE																		
		User Terminal Profile (EWSD only)			UEPPR	U1UMA	0	0	0											
		VERTICAL FEATURES																		

UNBUNDLED NETWORK ELEMENTS
NC

CATEGORY	NOTES	UNBUNDLED NETWORK ELEMENT	Interim	Zone	BCS	USOC	RATES (\$)				OSS RATES (\$)									
							Nonrecurring		Nonrecurring		Svc Order Submitted Elec per LSR	Svc Order Submitted Manually per LSR	Incremental Charge - Manual Svc Order vs. Electronic-1st	Incremental Charge - Manual Svc Order vs. Electronic-Add'l	Incremental Charge - Manual Svc Order vs. Electronic-Disc 1st	Incremental Charge - Manual Svc Order vs. Electronic-Disc Add'l				
							Rec	First	Add'l	First							Add'l	SOMEc	SOMAN	SOMAN
		All Vertical Features - One per Channel B User Profile			UEPPB UEPPR	UEPVF	3.4	0	0											
		INTEROFFICE CHANNEL MILEAGE																		
		Interoffice Channel mileage each, including first mile and facilities termination			UEPPB UEPPR	M1GNC	17.42	137.48	52.58				19.99	19.99	19.99	19.99				
		Interoffice Channel mileage each, additional mile			UEPPB UEPPR	M1GNM	0.0282	0	0		0									
		4-WIRE DS1 DIGITAL LOOP WITH 4-WIRE ISDN DS1 DIGITAL TRUNK PORT																		
		UNE Port/Loop Combination Rates																		
		4W DS1 Digital Loop/4W ISDN DS1 Digital Trunk Port - Statewid		sw	UEPPP		241.72													
		UNE Loop Rates																		
		4-Wire DS1 Digital Loop - UNE Zone :		3	UEPPP	USL4P														
		UNE Port Rate																		
		Exchange Ports - 4-Wire ISDN DS1 Por			UEPPP	UEPPP	179.01	241.63	241.63				19.99	19.99	19.99	19.99				
		NONRECURRING CHARGES - CURRENTLY COMBINED																		
		4-Wire DS1 Digital Loop / 4-Wire ISDN DS1 Digital Trunk Port Combination - Conversion -Switch-as-is			UEPPP	USACP	0	481.51	481.51				19.99	19.99	19.99	19.99				
		ADDITIONAL NRCs																		
		4-Wire DS1 Loop / 4-Wire ISDN DS1 Digital Trunk Port - Subsequent Inward/2-Wire Tel Nos - NC Only			UEPPP	PR7TG		1.17	1.17				19.99	19.99	19.99	19.99				
		4-Wire DS1 Loop/4-Wire ISDN Digital Trunk Port - Subsequent Activity Outward tel nos. (NC only)			UEPPP	PR7TP		28.17	28.17				19.99	19.99	19.99	19.99				
		4-Wire DS1 Loop / 4-Wire ISDN DS1 Digital Trk Port - Subsequent Inward Tel Nos Above Std Allowance			UEPPP	PR7ZT		56.33	56.33				19.99	19.99	19.99	19.99				
		LOCAL NUMBER PORTABILITY																		
		Local Number Portability (1 per port)			UEPPP	LNPCN	1.75													
		INTERFACE (Provisioning Only)																		
		Voice/Data			UEPPP	PR71V	0	0	0											
		Digital Data			UEPPP	PR71D	0	0	0											
		Inward Data			UEPPP	PR71E	0	0	0											
		New or Additional "B" Channel																		
		New or Additional - Voice/Data B Channel			UEPPP	PR7BV	0	36.92					19.99	19.99	19.99	19.99				
		New or Additional - Digital Data B Channel			UEPPP	PR7BF	0	36.92					19.99	19.99	19.99	19.99				
		New or Additional Inward Data B Channel			UEPPP	PR7BD	0	36.92					19.99	19.99	19.99	19.99				
		New or Additional Useage Sensitive Voice Data B Channel			UEPPP	PR7BS	0	36.92					19.99	19.99	19.99	19.99				
		New or Additional Useage Sensitive Digital Data B Channel			UEPPP	PR7BU	0	36.92					19.99	19.99	19.99	19.99				
		CALL TYPES																		
		Inward			UEPPP	PR7C1	0	0	0											
		Outward			UEPPP	PR7C0	0	0	0											
		Two-way			UEPPP	PR7CC	0	0	0											
		Interoffice Channel Mileage																		
		Fixed Each Including First Mil			UEPPP	1LN1A	71.3683	217.17	163.75	0			19.99	19.99	19.99	19.99				
		Each Airline-Fractional Additional Mil			UEPPP	1LN1B	0.0783													
		4-WIRE DS1 DIGITAL LOOP WITH 4-WIRE DDITS TRUNK PORT																		
		UNE Port/Loop Combination Rates																		
		4W DS1 Digital Loop/4W DDITS Trunk Port - Statewid		sw	UEPDC		186.23						19.99	19.99	19.99	19.99				

UNBUNDLED NETWORK ELEMENTS
NC

CATEGORY	NOTES	UNBUNDLED NETWORK ELEMENT	Interim	Zone	BCS	USOC	RATES (\$)						OSS RATES (\$)					
							Nonrecurring			Nonrecurring			Svc Order Submitted Elec per LSR	Svc Order Submitted Manually per LSR	Incremental Charge - Manual Svc Order vs. Electronic-1st	Incremental Charge - Manual Svc Order vs. Electronic-Add'l	Incremental Charge - Manual Svc Order vs. Electronic-Disc 1st	Incremental Charge - Manual Svc Order vs. Electronic-Disc Add'l
							Rec	First	Add'l	First	Add'l	SOMEc						
UNE Loop Rates																		
		4-Wire DS1 Digital Loop - Statewid		sw	UEPDC	USLDC	62.71	714.84	482.62					19.99	19.99	19.99	19.99	
UNE Port Rate																		
		4-Wire DDITS Digital Trunk Por			UEPDC	UDD1T	123.65	116.59	69.92					19.99	19.99	19.99	19.99	
NONRECURRING CHARGES - CURRENTLY COMBINED																		
		4-Wire DS1 Digital Loop / 4-Wire DDITS Trunk Port Combination - Switch-as-			UEPDC	USAC4		288.86	133.87					19.99	19.99	19.99	19.99	
		4-Wire DS1 Digital Loop / 4-Wire DDITS Trunk Port Combination - Conversion w/ DS1 Changes			UEPDC	USAWA		288.86	133.37					19.99	19.99	19.99	19.99	
		4-Wire DS1 Digital Loop / 4-Wire DDITS Trunk Port Combination - Conversion w/ Change - Trunk			UEPDC	USAWB		288.86	133.37					19.99	19.99	19.99	19.99	
ADDITIONAL NRCs																		
		4-Wire DS1 Loop / 4-Wire DDITS Trunk Port - Subsequent Service Activity Per Service Order			UEPDC	USAS4		127.63	127.63									
		4-Wire DS1 Loop / 4-Wire DDITS Trunk Port - NRC - Subsequent Channel Activation/Chan - 2-Way Trunk			UEPDC	UDTTA		28.81	28.81					19.99	19.99	19.99	19.99	
		4-Wire DS1 Loop / 4-Wire DDITS Trunk Port - Subsequent Channel Activation/Chan - 1-Way Outward Trunk			UEPDC	UDTTB		28.81	28.81					19.99	19.99	19.99	19.99	
		4-Wire DS1 Loop / 4-Wire DDITS Trunk Port - Subsqnt Channel Activation/Chan Inward Trunk w/out DID			UEPDC	UDTTC		28.81	28.81					19.99	19.99	19.99	19.99	
		4-Wire DS1 Loop / 4-Wire DDITS Trunk Port - Subsqnt Chan Activation Per Chan Inward Trunk with DID			UEPDC	UDTTD		28.81	28.81					19.99	19.99	19.99	19.99	
		4-Wire DS1 Loop / 4-Wire DDITS Trunk Port - Subsqnt Chan Activation / Chan - 2-Way DID w User Trans			UEPDC	UDTTE		28.81	28.81					19.99	19.99	19.99	19.99	
BIPOLAR 8 ZERO SUBSTITUTION																		
		B8ZS - Superframe Format			UEPDC	CCOSF		0	615					19.99	19.99	19.99	19.99	
		B8ZS - Extended Superframe Forma			UEPDC	CCOEF		0	615					19.99	19.99	19.99	19.99	
Alternate Mark Inversion																		
		AMI - Superframe Format			UEPDC	MCOSF		0	0									
		AMI - Extended SuperFrame Forma			UEPDC	MCOPO		0	0									
Telephone Number/Trunk Group Establishment Charges																		
		Telephone Number for 2-Way Trunk Group			UEPDC	UDTGX		0										
		Telephone Number for 1-Way Outward Trunk Grou			UEPDC	UDTGY		0						19.99				
		Telephone Number for 1-Way Inward Trunk Group Without DI			UEPDC	UDTGZ		0						19.99				
		DID Numbers, Establish Trunk Group and Provide First Group of 20 DID Numbe			UEPDC	NDZ		0	0					19.99				
		DID Numbers for each Group of 20 DID Number			UEPDC	ND4		0						19.99				
		DID Numbers, Non- consecutive DID Numbers , Per Numbe			UEPDC	ND5		0						19.99				
		Reserve Non-Consecutive DID Nos			UEPDC	ND6		0	0					19.99				
		Reserve DID Numbers			UEPDC	NDV		0	0					19.99				
Dedicated DS1 (Interoffice Channel Mileage) - FX/FCO for 4-Wire DS1 Digital Loop with 4-Wire DDITS Trunk Port																		
		Interoffice Channel Mileage - Fixed rate 0-8 miles (Facilities Terminatic			UEPDC	1LNO1	71.29	217.17	163.75	0	0			19.99	19.99	19.99	19.99	
		Interoffice Channel Mileage - Additional rate per mile - 0-8 mil			UEPDC	1LNOA	0.0783	0	0									
		Interoffice Channel Mileage - Fixed rate 9-25 miles (Facilities Terminatic			UEPDC	1LNO2	0	0	0									
		Interoffice Channel Mileage - Additional rate per mile - 9-25 mil			UEPDC	1LNOB	0.0783	0	0									
		Interoffice Channel Mileage - Fixed rate 25+ miles (Facilities Terminatic			UEPDC	1LNO3	0	0	0	0								
		Interoffice Channel Mileage - Additional rate per mile - 25+ mil			UEPDC	1LNOc	0.0783	0	0									
		Local Number Portability, per DS0 Activate			UEPDC	LNPCP	3.15	0	0	0								
		Central Office Terminating Poir			UEPDC	CTG	0											

UNBUNDLED NETWORK ELEMENTS
NC

CATEGORY	NOTES	UNBUNDLED NETWORK ELEMENT	Interim	Zone	BCS	USOC	RATES (\$)				OSS RATES (\$)								
							Nonrecurring		Nonrecurring		Svc Order Submitted Elec per LSR	Svc Order Submitted Manually per LSR	Incremental Charge - Manual Svc Order vs. Electronic-1st	Incremental Charge - Manual Svc Order vs. Electronic-Add'l	Incremental Charge - Manual Svc Order vs. Electronic-Disc 1st	Incremental Charge - Manual Svc Order vs. Electronic-Disc Add'l			
							Rec	First	Add'l	First							Add'l		
							Disconnect				SOMEc	SOMAN	SOMAN	SOMAN	SOMAN	SOMAN			
		4-WIRE DS1 LOOP WITH CHANNELIZATION WITH PORT																	
		System is 1 DS1 Loop, 1 D4 Channel Bank, and up to 24 Feature Activations																	
		Each System can have up to 24 combinations of rates depending on type and number of ports used																	
		UNE DS1 Loop																	
		4-Wire DS1 Loop - UNE Zone 1			UEPMG	USLDC	62.71	0	0										
		UNE DSO Channelization Capacities (D4 Channel Bank Configurations)																	
		24 DSO Channel Capacity - 1 per DS1			UEPMG	VUM24	123.06	0	0										
		48 DSO Channel Capacity - 1 per 2 DS1s			UEPMG	VUM48	246.12	0	0										
		96 DSO Channel Capacity -1per 4 DS1s			UEPMG	VUM96	492.24	0	0										
		144 DSO Channel Capacity - 1 per 6 DS1s			UEPMG	VUM14	738.36	0	0										
		192 DSO Channel Capacity -1 per 8 DS1s			UEPMG	VUM19	984.48	0	0										
		240 DSO Channel Capacity - 1 per 10 DS1s			UEPMG	VUM20	1230.6	0	0										
		288 DSO Channel Capacity - 1 per 12 DS1s			UEPMG	VUM28	1476.72	0	0										
		384 DSO Channel Capacity - 1 per 16 DS1s			UEPMG	VUM38	1968.96	0	0										
		480 DSO Channel Capacity - 1 per 20 DS1s			UEPMG	VUM40	2461.2	0	0										
		576 DSO Channel Capacity -1 per 24 DS1s			UEPMG	VUM57	2953.44	0	0										
		672 DSO Channel Capacity - 1 per 28 DS1s			UEPMG	VUM67	3445.68	0	0										
		Non-Recurring Charges (NRC) Associated with 4-Wire DS1 Loop with Channelization with Port - Conversion Charge Based on a System																	
		A Minimum System configuration is One (1) DS1, One (1) D4 Channel Bank, and Up To 24 DSO Ports with Feature Activations.																	
		Multiples of this configuration functioning as one are considered Add'l after the minimum system configuration is counted.																	
		NRC - Conversion (Currently Combined) with or without BellSouth Allowed Change			UEPMG	USAC4	0	330.61	16.64				19.99	19.99	19.99	19.99			
		System Additions at End User Locations Where 4-Wire DS1 Loop with Channelization with Port Combination Currently Exists and New (Not Currently Combined) in Georgia Only																	
		NRC - 1 DS1/D4 Channel Bank - Add NRC for each Port and Assoc Feature Activation - New GA Only			UEPMG	VUMD4	0	743.74	326.22	149.02	17.68			19.99	19.99	19.99	19.99		
		Bipolar 8 Zero Substitution																	
		Clear Channel Capability Format, superframe - Subsequent Activity Only			UEPMG	CCOSF	0	0	615					19.99	19.99	19.99	19.99		
		Clear Channel Capability Format - Extended Superframe - Subsequent Activity Only			UEPMG	CCOEF	0	0	615					19.99	19.99	19.99	19.99		
		Alternate Mark Inversion (AMI)																	
		Superframe Format			UEPMG	MCOSF	0	0	0										
		Extended Superframe Format			UEPMG	MCOPO	0	0	0										
		Exchange Ports Associated with 4-Wire DS1 Loop with Channelization with Port Exchange Ports																	
		Line Side Combination Channelized PBX Trunk Port - Business			UEPPX	UEPCX	2.28	0	0	0	0			19.99					
		Line Side Outward Channelized PBX Trunk Port - Business			UEPPX	UEPOX	2.28	0	0	0	0			19.99					
		Line Side Inward Only Channelized PBX Trunk Port without DID			UEPPX	UEP1X	2.28	0	0	0	0			19.99					
		2-Wire Trunk Side Unbundled Channelized DID Trunk Port			UEPPX	UEPDM	13.26	0	0	0	0			19.99					
		Feature Activations - Unbundled Loop Concentration																	

UNBUNDLED NETWORK ELEMENTS
NC

CATEGORY	NOTES	UNBUNDLED NETWORK ELEMENT	Interim	Zone	BCS	USOC	RATES (\$)					OSS RATES (\$)						
							Nonrecurring		Disconnect			Svc Order Submitted Elec per LSR	Svc Order Submitted Manually per LSR	Incremental Charge - Manual Svc Order vs. Electronic-1st	Incremental Charge - Manual Svc Order vs. Electronic-Add'l	Incremental Charge - Manual Svc Order vs. Electronic-Disc 1st	Incremental Charge - Manual Svc Order vs. Electronic-Disc Add'l	
							Rec	First	Add'l	First	Add'l							SOMEc
		Feature (Service) Activation for each Line Side Port Terminated in D4 Bank			UEPPX	1PQWM	0.65	25.27	13.34	4.15	4.12				19.99	19.99	19.99	19.99
		Feature (Service) Activation for each Trunk Side Port Terminated in D4 Bank			UEPPX	1PQWU	0.65	77.75	18.33	58.74	11.48				19.99	19.99	19.99	19.99
		Telephone Number/ Group Establishment Charges for DID Service																
		DID Trunk Termination (1 per Port)			UEPPX	NDT	0											
		Estab Trk Grp and Provide 1st 20 DID Nos. (FL,GA, NC, & SC)			UEPPX	NDZ	0	0	0						19.99			
		DID Numbers - groups of 20 - Valid all States			UEPPX	ND4	0	0	0						19.99			
		Non-Consecutive DID Numbers - per number			UEPPX	ND5	0	0	0						19.99			
		Reserve Non-Consecutive DID Numbers			UEPPX	ND6	0	0	0									
		Reserve DID Numbers			UEPPX	NDV	0	0	0									
		Local Number Portability																
		Local Number Portability - 1 per port			UEPPX	LNPCP	3.15	0	0									
		FEATURES - Vertical and Optional																
		Local Switching Features Offered with Line Side Ports Only																
		All Features Available			UEPPX	UEPVF	3.4	0	0						19.99			
		UNBUNDLED PORT LOOP COMBINATIONS - MARKET RATES																
		Market Rates shall apply where BellSouth is not required to provide unbundled local switching or switch ports per FCC and/or State Commission rules.																
		These scenarios include:																
		1. Unbundled port/loop combinations that are Not Currently Combined in all of the BellSouth states except as noted for Georgia and Tennessee.																
		2. Unbundled port/loop combinations that are Currently Combined or Not Currently Combined in Zone 1 of the Top 8 MSAs in BellSouth's region for end users with 4 or more DS0 equivalent lines.																
		The Top 8 MSAs in BellSouth's region are: FL (Orlando, Ft. Lauderdale, Miami); GA (Atlanta); LA (New Orleans); NC (Greensboro-Winston Salem-Highpoint/Charlotte-Gastonia-Rock Hill); TN (Nash																
		BellSouth currently is developing the billing capability to mechanically bill the recurring unbundled port Market Rates in this section as well as the nonrecurring Market Rates in this section for Currently Combined port/loop combinations in Zone 1 of the Top 8 MSAs in BellSouth's region for end users with 4 or more DS0 equivalent lines. In the interim, BellSouth shall bill the rates in the Cost-Based section preceding in lieu of such Market Rates and reserves the right to true-up the billing difference.																
		The Market Rate for unbundled ports includes all available features in all states.																
		End Office and Tandem Switching Usage and Common Transport Usage rates in the Port section of this rate exhibit shall apply to all combinations of loop/port network elements except for UNE Coin Port/Loop Combinations which have a flat rate usage charge (USOC: URECU).																
		For Not Currently Combined scenarios where Market Rates apply, the Nonrecurring charges are listed in the First and Additional NRC columns for each Port USOC. For Currently Combined scenarios, the Nonrecurring charges are listed in the NRC - Currently Combined section. Additional NRCs may apply also and are categorized accordingly.																
		2-WIRE VOICE GRADE LOOP WITH 2-WIRE LINE PORT (RES)																
		UNE Port/Loop Combination Rates																
		2-Wire VG Loop/Port Combo - Statewid		sw			28.18											
		UNE Loop Rates																
		2-Wire Voice Grade Loop (SL1) - Statewid		sw	UEPRX	UEPLX	14.18											
		2-Wire Voice Grade Line Port (Res)																
		2-Wire voice unbundled port - residenc			UEPRX	UEPRL	14	90	90						40.18	9.45		
		2-Wire voice unbundled port with Caller ID - re			UEPRX	UEPRC	14	90	90						40.18	9.45		
		2-Wire voice unbundled port outgoing only - re			UEPRX	UEPRO	14	90	90						40.18	9.45		

UNBUNDLED NETWORK ELEMENTS
NC

CATEGORY	NOTES	UNBUNDLED NETWORK ELEMENT	Interim	Zone	BCS	USOC	RATES (\$)						OSS RATES (\$)									
							Nonrecurring			Nonrecurring			Svc Order Submitted Elec per LSR	Svc Order Submitted Manually per LSR	Incremental Charge - Manual Svc Order vs. Electronic-1st	Incremental Charge - Manual Svc Order vs. Electronic-Add'l	Incremental Charge - Manual Svc Order vs. Electronic-Disc 1st	Incremental Charge - Manual Svc Order vs. Electronic-Disc Add'l				
Rec	First	Add'l	First	Add'l	SOME C	SOMA N	SOMA N	SOMA N	SOMA N	SOMA N												
		2-Wire voice unbundles res, low usage line port with Caller ID (LUN)			UEPRX	UEPAP	14	90	90													
LOCAL NUMBER PORTABILITY																						
		Local Number Portability (1 per port)			UEPRX	LNPCX	0.35															
FEATURES																						
		All Features Offerec			UEPRX	UEPVF	0	0	0													
		2-Wire Voice Grade Loop / Line Port Combination - Switch-as-			UEPRX	USAC2		41.5	41.5													
		2-Wire Voice Grade Loop / Line Port Combination - Switch with chan			UEPRX	USACC		41.5	41.5													
ADDITIONAL NRCs																						
		NRC - 2-Wire Voice Grade Loop/Line Port Combination - Subseque			UEPRX	USAS2		0	0													
2-WIRE VOICE GRADE LOOP WITH 2-WIRE LINE PORT (BUS)																						
UNE Port/Loop Combination Rates																						
		2-Wire VG Loop/Port Combo - Statewid		sw			28.18															
UNE Loop Rates																						
		2-Wire Voice Grade Loop (SL1) - Statewid		sw	UEPBX	UEPLX	14.18															
2-Wire Voice Grade Line Port (Bus)																						
		2-Wire voice unbundled port without Caller ID - bu			UEPBX	UEPBL	14	90	90				40.18	9.45								
		2-Wire voice unbundled port with Caller + E484 ID - bu			UEPBX	UEPBC	14	90	90				40.18	9.45								
		2-Wire voice unbundled port outgoing only - bu			UEPBX	UEPBO	14	90	90				40.18	9.45								
LOCAL NUMBER PORTABILITY																						
		Local Number Portability (1 per port)			UEPBX	LNPCX	0.35															
FEATURES																						
NONRECURRING CHARGES - CURRENTLY COMBINED																						
		2-Wire Voice Grade Loop / Line Port Combination - Switch-as-			UEPBX	USAC2		41.5	41.5													
		2-Wire Voice Grade Loop / Line Port Combination - Switch with chan			UEPBX	USACC		41.5	41.5													
ADDITIONAL NRCs																						
		NRC - 2-Wire Voice Grade Loop/Line Port Combination - Subseque			UEPBX	USAS2		0	0													
2-WIRE VOICE GRADE LOOP WITH 2-WIRE LINE PORT (RES - PBX)																						
UNE Port/Loop Combination Rates																						
		2-Wire VG Loop/Port Combo - Statewid		sw			28.18						40.18	9.45	20	20						
UNE Loop Rates																						
		2-Wire Voice Grade Loop (SL1) - Statewid		sw	UEPRG	UEPLX	14.18															
2-Wire Voice Grade Line Port Rates (RES - PBX)																						
		2-Wire VG Unbundled Combination 2-Way PBX Trunk Port - Re			UEPRG	UEPRD	14	90	90				40.18	9.45								
LOCAL NUMBER PORTABILITY																						
		Local Number Portability (1 per port)			UEPRG	LNPCP	3.15															
FEATURES																						
NONRECURRING CHARGES - CURRENTLY COMBINED																						
		2-Wire Voice Grade Loop/ Line Port Combination - Switch-As-			UEPRG	USAC2		41.5	41.5													
		2-Wire Voice Grade Loop/ Line Port Combination - Switch with Chan			UEPRG	USACC		41.5	41.5													
ADDITIONAL NRCs																						
		2 Wire Loop/Line Side Port Combination - Non feature - Subsequent Activity- Nonrecurring						0	0													

UNBUNDLED NETWORK ELEMENTS
NC

CATEGORY	NOTES	UNBUNDLED NETWORK ELEMENT	Interim	Zone	BCS	USOC	RATES (\$)						OSS RATES (\$)					
							Nonrecurring			Nonrecurring			SOMEc	SOMAN	SOMAN	SOMAN	SOMAN	SOMAN
							Rec	First	Add'l	First	Add'l	Disconnect						
		PBX Subsequent Activity - Change/Rearrange Multiline Hunt Gro						14.64	14.64					19.99	19.99	19.99	19.99	
		2-WIRE VOICE GRADE LOOP WITH 2-WIRE LINE PORT (BUS - PBX)																
		UNE Port/Loop Combination Rates																
		2-Wire VG Loop/Port Combo - Statewid		sw			28.18											
		UNE Loop Rates																
		2-Wire Voice Grade Loop (SL1) - Statewid		sw	UEPPX	UEPLX	14.18											
		2-Wire Voice Grade Line Port Rates (BUS - PBX)																
		Line Side Unbundled Combination 2-Way PBX Trunk Port - Bu			UEPPX	UEPPC	14	90	90					40.18	9.45			
		Line Side Unbundled Outward PBX Trunk Port - Bu			UEPPX	UEPPO	14	90	90					40.18	9.45			
		Line Side Unbundled Incoming PBX Trunk Port - Bu			UEPPX	UEPP1	14	90	90					40.18	9.45			
		2-Wire Voice Unbundled PBX LD Terminal Port			UEPPX	UEPLD	14	90	90					40.18	9.45			
		2-Wire Voice Unbundled 2-Way Combination PBX Usage Pc			UEPPX	UEPXA	14	90	90					40.18	9.45			
		2-Wire Voice Unbundled PBX Toll Terminal Hotel Por			UEPPX	UEPXB	14	90	90					40.18	9.45			
		2-Wire Voice Unbundled PBX LD DDD Terminals Po			UEPPX	UEPXC	14	90	90					40.18	9.45			
		2-Wire Voice Unbundled PBX LD Terminal Switchboard Pc			UEPPX	UEPXD	14	90	90					40.18	9.45			
		2-Wire Voice Unbundled PBX LD Terminal Switchboard IDD Capable Pc			UEPPX	UEPXE	14	90	90					40.18	9.45			
		2-Wire Voice Unbundled 2-Way PBX Hotel/Hospital Economy Administrative Calling Port			UEPPX	UEPXL	14	90	90					40.18	9.45			
		2-Wire Voice Unbundled 2-Way PBX Hotel/Hospital Economy Room Calling P			UEPPX	UEPXM	14	90	90					40.18	9.45			
		2-Wire Voice Unbundled 1-Way Outgoing PBX Hotel/Hospital Discount Room Calling Port			UEPPX	UEPXO	14	90	90					40.18	9.45			
		2-Wire Voice Unbundled 1-Way Outgoing PBX Measured Pc			UEPPX	UEPXS	14	90	90					40.18	9.45			
		LOCAL NUMBER PORTABILITY																
		Local Number Portability (1 per port)			UEPPX	LNPCP	3.15											
		FEATURES																
		NONRECURRING CHARGES - CURRENTLY COMBINED																
		2-Wire Voice Grade Loop/ Line Port Combination - Switch-As-			UEPPX	USAC2		41.5	41.5									
		2-Wire Voice Grade Loop/ Line Port Combination - Switch with Chan			UEPPX	USACC		41.5	41.5									
		ADDITIONAL NRCs																
		2-Wire Voice Grade Loop/ Line Port Combination - Subseque			UEPPX	USAS2		0	0									
		2 Wire Loop/Line Side Port Combination - Non feature - Subsequent Activity-Nonrecurring						0	0									
		PBX Subsequent Activity - Change/Rearrange Multiline Hunt Gro						14.64	14.64					19.99	19.99	19.99	19.99	
		2-WIRE VOICE GRADE LOOP WITH 2-WIRE ANALOG LINE COIN PORT																
		UNE Port/Loop Combination Rates																
		2-Wire VG Coin Port/Loop Combo - Statewide					28.18											
		UNE Loop Rates																
		2-Wire Voice Grade Loop (SL1) - Statewid			UEPCO	UEPLX	14.18											
		2-Wire Voice Grade Line Port Rates (Coin)																
		2-Wire Coin 2-Way without Operator Screening and without Blocking (NC)			UEPCO	UEPND	14	90	90					40.18	9.45			
		2-Wire Coin 2-Way with Operator Screening (NC)			UEPCO	UEPNC	14	90	90					40.18	9.45			
		2-Wire Coin 2-Way with Operator Screening and Blocking: 011, 900/976, 1+DDD (NC, TN)			UEPCO	UEPRP	14							40.18	9.45			
		2-Wire Coin 2-Way with Operator Screening and 011 Blocking (NC)			UEPCO	UEPNB	14	90	90					40.18	9.45			
		2-Wire Coin 2-Way with Operator Screening and Blocking: 900/976, 1+DDD, 011+, and Local (NC, TN)			UEPCO	UEPCA	14	90	90					40.18	9.45			
		2-Wire Coin Outward with Operator Screening and 011 Blocking (NC)			UEPCO	UEPNE	14	90	90					40.18	9.45			
		2-Wire Coin Outward with Operator Screening and Blocking: 900/976, 1+DDD, 011+, and Local (NC)			UEPCO	UEPCL	14	90	90					40.18	9.45			

UNBUNDLED NETWORK ELEMENTS
NC

CATEGORY	NOTES	UNBUNDLED NETWORK ELEMENT	Interim	Zone	BCS	USOC	RATES (\$)					OSS RATES (\$)					
							Rec	First	Add'l	First	Add'l	SOMEc	SOMAN	SOMAN	SOMAN	SOMAN	SOMAN
							Nonrecurring		Nonrecurring			Svc Order Submitted Elec per LSR	Svc Order Submitted Manually per LSR	Incremental Charge - Manual Svc Order vs. Electronic-1st	Incremental Charge - Manual Svc Order vs. Electronic-Add'l	Incremental Charge - Manual Svc Order vs. Electronic-Disc 1st	Incremental Charge - Manual Svc Order vs. Electronic-Disc Add'l
							Nonrecurring		Nonrecurring			Disconnect					
							Rec	First	Add'l	First	Add'l	SOMEc	SOMAN	SOMAN	SOMAN	SOMAN	SOMAN
		LOCAL NUMBER PORTABILITY															
		Local Number Portability (1 per port)			UEPCO	LNPCX	0.35										
		NONRECURRING CHARGES - CURRENTLY COMBINED															
		2-Wire Voice Grade Loop/ Line Port Combination - Switch-As-I			UEPCO	USAC2		41.5	41.5								
		2-Wire Voice Grade Loop/ Line Port Combination - Switch with Chan			UEPCO	USACC		41.5	41.5								
		ADDITIONAL NRCs															
		2-Wire Voice Grade Loop/ Line Port Combination - Subseque			UEPCO	USAS2		0	0								

UNBUNDLED NETWORK ELEMENTS
SC

CATEGORY	NOTES	UNBUNDLED NETWORK ELEMENT	Interim	Zone	BCS	USOC	RATES (\$)						OSS RATES (\$)					
							Nonrecurring			Nonrecurring			Svc Order Submitted Elec per LSR	Svc Order Submitted Manually per LSR	Incremental Charge - Manual Svc Order vs. Electronic-1st	Incremental Charge - Manual Svc Order vs. Electronic-Add'l	Incremental Charge - Manual Svc Order vs. Electronic-Disc 1st	Incremental Charge - Manual Svc Order vs. Electronic-Disc Add'l
							Rec	First	Add'l	First	Add'l	Disconnect						
							SOME	SOMAN	SOMAN	SOMAN	SOMAN	SOMAN						
The "Zone" shown in the sections for stand-alone loops or loops as part of a combination refers to Geographically Deaveraged UNE Zones. To view Geographically Deaveraged UNE Zone Designations by Central Office, refer to Internet Website: http://www.interconnection.bellsouth.com/become_a_clec/html/interconnection.htm																		
UNBUNDLED EXCHANGE ACCESS LOOP																		
2-WIRE ANALOG VOICE GRADE LOOP																		
		2-Wire Analog Voice Grade Loop - Service Level 1- Zone		1	UEANL	UEAL2	18.48	70.44	44.05			44.22	13.55					
		2-Wire Analog Voice Grade Loop - Service Level 1- Zone		2	UEANL	UEAL2	27.87	70.44	44.05			44.22	13.55					
		2-Wire Analog Voice Grade Loop - Service Level 1- Zone		3	UEANL	UEAL2	36.91	70.44	44.05			44.22	13.55					
		2 Wire Analog Voice Grade Loop-Service Level 1-Line Splitting- Zone		1	UEPSR, UEPSB	UEALS	18.48	70.44	44.05			44.22	13.55					
		2 Wire Analog Voice Grade Loop- Service Level 1-Line Splitting- Zone		2	UEPSR, UEPSB	UEALS	27.87	70.44	44.05			44.22	13.55					
		2 Wire Analog Voice Grade Loop-Service Level 1-Line Splitting- Zone		3	UEPSR, UEPSB	UEALS	36.91	70.44	44.05			44.22	13.55					
		Engineering Information Document (E			UEANL			28.82	28.82									
		Manual Order Coordination for UVL-SL1s (per loop			UEANL	UEAMC		62.1	62.1									
		Order Coordination for Specified Conversion Time for UVL-SL1 (per LSR			UEANL	OCOSL		45.43	45.43									
		2-Wire Analog Voice Grade Loop - Service Level 2 w/Loop or Ground Start Signaling - Zone 1		1	UEA	UEAL2	21.57	178.12	128.8			44.42	13.55					
		2-Wire Analog Voice Grade Loop - Service Level 2 w/Loop or Ground Start Signaling - Zone 2		2	UEA	UEAL2	32.53	178.12	128.8			44.42	13.55					
		2-Wire Analog Voice Grade Loop - Service Level 2 w/Loop or Ground Start Signaling - Zone 3		3	UEA	UEAL2	43.08	178.12	128.8			44.42	13.55					
		Order Coordination for Specified Conversion Time (per LSI			UEA	OCOSL		45.43										
		2-Wire Analog Voice Grade Loop - Service Level 2 w/Reverse Battery Signaling Zone 1		1	UEA	UEAR2	21.57	178.12	128.8			44.42	13.55					
		2-Wire Analog Voice Grade Loop - Service Level 2 w/Reverse Battery Signaling Zone 2		2	UEA	UEAR2	32.53	178.12	128.8			44.42	13.55					
		2-Wire Analog Voice Grade Loop - Service Level 2 w/Reverse Battery Signaling Zone 3		3	UEA	UEAR2	43.08	178.12	128.8			44.42	13.55					
		Order Coordination for Specified Conversion Time (per LSI			UEA	OCOSL		45.43										
4-WIRE ANALOG VOICE GRADE LOOP																		
		4-Wire Analog Voice Grade Loop - Zone		1	UEA	UEAL4	29.47	383.39	286.77			44.06	13.55					
		4-Wire Analog Voice Grade Loop - Zone		2	UEA	UEAL4	44.44	383.39	286.77			44.06	13.55					
		4-Wire Analog Voice Grade Loop - Zone		3	UEA	UEAL4	58.85	383.39	286.77			44.06	13.55					
		Order Coordination for Specified Conversion Time (per LSI			UEA	OCOSL		45.43										
2-WIRE ISDN DIGITAL GRADE LOOP																		
		2-Wire ISDN Digital Grade Loop - Zone		1	UDN	U1L2X	26.68	423.04	301.75			44.42	13.55					
		2-Wire ISDN Digital Grade Loop - Zone		2	UDN	U1L2X	40.24	423.04	301.75			44.42	13.55					
		2-Wire ISDN Digital Grade Loop - Zone		3	UDN	U1L2X	53.85	423.04	301.75			44.42	13.55					
		Order Coordination For Specified Conversion Time (per LSI			UDN	OCOSL		45.43										
2-WIRE Universal Digital Channel (UDC) COMPATIBLE LOOP																		
		2-Wire Universal Digital Channel (UDC) Compatible Loop - Zone		1	UDC	UDC2X	31.51	235.15	160.05	106.09	21.21	44.42	13.55					
		2-Wire Universal Digital Channel (UDC) Compatible Loop - Zone		2	UDC	UDC2X	40.95	235.15	160.05	106.09	21.21	44.42	13.55					
		2-Wire Universal Digital Channel (UDC) Compatible Loop - Zone		3	UDC	UDC2X	47.12	235.15	160.05	106.09	21.21	44.42	13.55					
2-WIRE ASYMMETRICAL DIGITAL SUBSCRIBER LINE (ADSL) COMPATIBLE LOOP																		
		2-WIRE ASYMMETRICAL DIGITAL SUBSCRIBER LINE (ADSL) COMPATIBLE LOOP																
		2 Wire Unbundled ADSL Loop including manual service inquiry & facility reservat - Zone 1		1	UAL	UAL2X	17.1	600.61	507.33			44.42	13.55					
		2 Wire Unbundled ADSL Loop including manual service inquiry & facility reservat - Zone 2		2	UAL	UAL2X	25.79	600.61	507.33			44.42	13.55					
		2 Wire Unbundled ADSL Loop including manual service inquiry & facility reservat - Zone 3		3	UAL	UAL2X	34.15	600.61	507.33			44.42	13.55					
		Order Coordination for Specified Conversion Time (per LSI			UAL	OCOSL		45.43										

UNBUNDLED NETWORK ELEMENTS
SC

CATEGORY	NOTES	UNBUNDLED NETWORK ELEMENT	Interim	Zone	BCS	USOC	RATES (\$)					OSS RATES (\$)					
							Nonrecurring			Nonrecurring		Svc Order Submitted Elec per LSR	Svc Order Submitted Manually per LSR	Incremental Charge - Manual Svc Order vs. Electronic-1st	Incremental Charge - Manual Svc Order vs. Electronic-Add'l	Incremental Charge - Manual Svc Order vs. Electronic-Disc 1st	Incremental Charge - Manual Svc Order vs. Electronic-Disc Add'l
							Rec	First	Add'l	Disconnect							
										First	Add'l	SOMEc	SOMAN	SOMAN	SOMAN	SOMAN	SOMAN
		2 Wire Unbundled ADSL Loop without manual service inquiry & facility reservation - Zone 1		1	UAL	UAL2W	17.1	205.28	129.32	100.74	15.86			44.42	13.55		
		2 Wire Unbundled ADSL Loop without manual service inquiry & facility reservation - Zone 2		2	UAL	UAL2W	25.79	205.25	129.32	100.74	15.86			44.42	13.55		
		2 Wire Unbundled ADSL Loop without manual service inquiry & facility reservation - Zone 3		3	UAL	UAL2W	34.15	205.28	129.32	100.74	15.86			44.42	13.55		
		Order Coordination for Specified Conversion Time (per LSI)			UAL	OCOSL		45.43									
		2-WIRE HIGH BIT RATE DIGITAL SUBSCRIBER LINE (HDSL) COMPATIBLE LOOP															
		2-WIRE HIGH BIT RATE DIGITAL SUBSCRIBER LINE (HDSL) COMPATIBLE LOOP															
		2 Wire Unbundled HDSL Loop including manual service inquiry & facility reservation - Zone 1		1	UHL	UHL2X	12.21	600.61	507.33					44.06	13.55		
		2 Wire Unbundled HDSL Loop including manual service inquiry & facility reservation - Zone 2		2	UHL	UHL2X	18.41	600.61	507.33					44.06	13.55		
		2 Wire Unbundled HDSL Loop including manual service inquiry & facility reservation - Zone 3		3	UHL	UHL2X	24.39	600.61	507.33					44.06	13.55		
		Order Coordination for Specified Conversion Time			UHL	OCOSL		45.43									
		2 Wire Unbundled HDSL Loop without manual service inquiry and facility reservation - Zone 1		1	UHL	UHL2W	12.21	222.65	146.68	100.74	15.86			44.06	13.55		
		2 Wire Unbundled HDSL Loop without manual service inquiry and facility reservation - Zone 2		2	UHL	UHL2W	18.41	222.65	146.68	100.74	15.86			44.06	13.55		
		2 Wire Unbundled HDSL Loop without manual service inquiry and facility reservation - Zone 3		3	UHL	UHL2W	24.39	222.65	146.68	100.74	15.86			44.06	13.55		
		Order Coordination for Specified Conversion Time			UHL	OCOSL		45.43									
		4-WIRE HIGH BIT RATE DIGITAL SUBSCRIBER LINE (HDSL) COMPATIBLE LOOP															
		4 Wire Unbundled HDSL Loop including manual service inquiry and facility reservation - Zone 1		1	UHL	UHL4X	16.21	625.11	532.78					44.06	13.55		
		4-Wire Unbundled HDSL Loop including manual service inquiry and facility reservation - Zone 2		2	UHL	UHL4X	24.45	625.11	532.78					44.06	13.55		
		4-Wire Unbundled HDSL Loop including manual service inquiry and facility reservation - Zone 3		3	UHL	UHL4X	32.38	625.11	532.78					44.06	13.55		
		Order Coordination for Specified Conversion Time			UHL	OCOSL		45.43									
		4-Wire Unbundled HDSL Loop without manual service inquiry and facility reservation - Zone 1		1	UHL	UHL4W	16.21	279.96	203.99	110.24	20.75			44.06	13.55		
		4-Wire Unbundled HDSL Loop without manual service inquiry and facility reservation - Zone 2		2	UHL	UHL4W	24.45	279.96	203.99	110.24	20.75			44.06	13.55		
		4-Wire Unbundled HDSL Loop without manual service inquiry and facility reservation - Zone 3		3	UHL	UHL4W	32.38	279.96	203.99	110.24	20.75			44.06	13.55		
		Order Coordination for Specified Conversion Time			UHL	OCOSL		45.43									
		4-WIRE DS1 DIGITAL LOOP															
		4-Wire DS1 Digital Loop - Zone 1		1	USL	USLXX	59.61	715.77	421.5					43.77	13.55		
		4-Wire DS1 Digital Loop - Zone 2		2	USL	USLXX	89.9	715.77	421.5					43.77	13.55		
		4-Wire DS1 Digital Loop - Zone 3		3	USL	USLXX	119.06	715.77	421.5					43.77	13.55		
		Order Coordination for Specified Conversion Time			USL	OCOSL		48.47									
		4-WIRE 19.2, 56 OR 64 KBPS DIGITAL GRADE LOOP															
		4 Wire Unbundled Digital 19.2 Kbps		1	UDL	UDL19	34.26	602.73	393.5					44.06	13.55		
		4 Wire Unbundled Digital 19.2 Kbps		2	UDL	UDL19	51.67	602.73	393.5					44.06	13.55		
		4 Wire Unbundled Digital 19.2 Kbps		3	UDL	UDL19	68.43	602.73	393.5					44.06	13.55		
		4 Wire Unbundled Digital Loop 56 Kbps - Zone 1		1	UDL	UDL56	34.26	602.73	393.5					44.06	13.55		
		4 Wire Unbundled Digital Loop 56 Kbps - Zone 2		2	UDL	UDL56	51.67	602.73	393.5					44.06	13.55		
		4 Wire Unbundled Digital Loop 56 Kbps - Zone 3		3	UDL	UDL56	68.43	602.73	393.5					44.06	13.55		
		Order Coordination for Specified Conversion Time			UDL	OCOSL		45.43									
		4 Wire Unbundled Digital Loop 64 Kbps - Zone 1		1	UDL	UDL64	34.26	602.73	393.5					44.06	13.55		
		4 Wire Unbundled Digital Loop 64 Kbps - Zone 2		2	UDL	UDL64	51.67	602.73	393.5					44.06	13.55		
		4 Wire Unbundled Digital Loop 64 Kbps - Zone 3		3	UDL	UDL64	68.47	602.73	393.5					44.06	13.55		
		Order Coordination for Specified Conversion Time			UDL	OCOSL		45.43									
		2-WIRE Unbundled COPPER LOOP															

UNBUNDLED NETWORK ELEMENTS
SC

CATEGORY	NOTES	UNBUNDLED NETWORK ELEMENT	Interim	Zone	BCS	USOC	RATES (\$)					OSS RATES (\$)					
							Nonrecurring		Nonrecurring			Svc Order Submitted Elec per LSR	Svc Order Submitted Manually per LSR	Incremental Charge - Manual Svc Order vs. Electronic-1st	Incremental Charge - Manual Svc Order vs. Electronic-Add'l	Incremental Charge - Manual Svc Order vs. Electronic-Disc 1st	Incremental Charge - Manual Svc Order vs. Electronic-Disc Add'l
							Rec	First	Add'l	First	Add'l						
							SOME C	SOMAN	SOMAN	SOMAN	SOMAN	SOMAN					
		2-Wire Unbundled Copper Loop/Short including manual service inquiry & facility reservation - Zone 1		1	UCL	UCLPB	15.24	283.95	163.99	120.42	22.42			19.99	19.99	19.99	19.99
		2-Wire Unbundled Copper Loop/Short including manual service inquiry & facility reservation - Zone 2		2	UCL	UCLPB	17.14	283.95	163.99	120.42	22.42			19.99	19.99	19.99	19.99
		2 Wire Unbundled Copper Loop/Short including manual service inquiry & facility reservation - Zone 3		3	UCL	UCLPB	17.68	283.95	163.99	120.42	22.42			19.99	19.99	19.99	19.99
		Order Coordination for Unbundled Copper Loops (per loop)			UCL	UCLMC		62.1	62.1								
		2-Wire Unbundled Copper Loop/Short without manual service inquiry and facility reservation - Zone 1		1	UCL	UCLPW	15.24	203.42	127.45	100.74	15.86			19.99	19.99	19.99	19.99
		2-Wire Unbundled Copper Loop/Short without manual service inquiry and facility reservation - Zone 2		2	UCL	UCLPW	17.14	203.42	127.45	100.74	15.86			19.99	19.99	19.99	19.99
		2-Wire Unbundled Copper Loop/Short without manual service inquiry and facility reservation - Zone 3		3	UCL	UCLPW	17.68	203.42	127.45	100.74	15.86			19.99	19.99	19.99	19.99
		Order Coordination for Unbundled Copper Loops (per loop)			UCL	UCLMC		62.1	62.1								
		2-Wire Unbundled Copper Loop/Long - includes manual svc. inquiry and facility reservation - Zone 1		1	UCL	UCL2L	47.77	270.89	150.93	120.42	22.42			19.99	19.99	19.99	19.99
		2-Wire Unbundled Copper Loop/Long - includes manual svc. inquiry and facility reservation - Zone 2		2	UCL	UCL2L	69.16	270.89	150.93	120.42	22.42			19.99	19.99	19.99	19.99
		2-Wire Unbundled Copper Loop/Long - includes manual svc. inquiry and facility reservation - Zone 3		3	UCL	UCL2L	84.94	270.89	150.93	120.42	22.42			19.99	19.99	19.99	19.99
		Order Coordination for Unbundled Copper Loops (per loop)			UCL	UCLMC		62.1	62.1								
		2-Wire Unbundled Copper Loop/Long - without manual service inquiry and facility reservation - Zone 1		1	UCL	UCL2W	47.77	190.36	114.39	100.74	15.86			19.99	19.99	19.99	19.99
		2-Wire Unbundled Copper Loop/Long - without manual service inquiry and facility reservation - Zone 2		2	UCL	UCL2W	69.16	190.36	114.39	100.74	15.86			19.99	19.99	19.99	19.99
		2-Wire Unbundled Copper Loop/Long - without manual service inquiry and facility reservation - Zone 3		3	UCL	UCL2W	84.94	190.36	114.39	100.74	15.86			19.99	19.99	19.99	19.99
		Order Coordination for Unbundled Copper Loops (per loop)			UCL	UCLMC		62.1	62.1								
		2-Wire Unbundled Copper Loop - Non-Designed Zone	I	1	UEQ	UEQ2X	11.01	44.69	22.4	25.65	7.06			44.22	13.55		
		2 Wire Unbundled Copper Loop - Non-Designed - Zone	I	2	UEQ	UEQ2X	12.67	44.69	22.4	25.65	7.06			44.22	13.55		
		2 Wire Unbundled Copper Loop - Non-Designed - Zone	I	3	UEQ	UEQ2X	20.22	44.69	22.4	25.65	7.06			44.22	13.55		
		Order Coordination 2 Wire Unbundled Copper Loop - Non-Designed (per loc)			UEQ	USBMC		62.1	62.1								
		Engineering Information Documer			UEQ			28.82	28.82								
		Loop Testing - Basic 1st Half Hou			UEQ	URET1		78.92	78.92								
		Loop Testing - Basic Additional Half Hou			UEQ	URETA		23.33	23.33								
		4-WIRE COPPER LOOP															
		4-Wire Copper Loop/Short - including manual service inquiry and facility reservation - Zone 1		1	UCL	UCL4S	24.55	332.47	212.51	130.98	27.68			19.99	19.99	19.99	19.99
		4-Wire Copper Loop/Short - including manual service inquiry and facility reservation - Zone 2		2	UCL	UCL4S	26.13	332.47	212.51	130.98	27.68			19.99	19.99	19.99	19.99
		4-Wire Copper Loop/Short - including manual service inquiry and facility reservation - Zone 3		3	UCL	UCL4S	24.17	332.47	212.51	130.98	27.68			19.99	19.99	19.99	19.99
		Order Coordination for Unbundled Copper Loops (per loop)			UCL	UCLMC		62.1	62.1								
		4-Wire Copper Loop/Short - without manual service inquiry and facility reservation - Zone 1		1	UCL	UCL4W	24.55	251.94	175.94	110.24	20.75			19.99	19.99	19.99	19.99
		4-Wire Copper Loop/Short - without manual service inquiry and facility reservation - Zone 2		2	UCL	UCL4W	26.13	251.94	175.94	110.24	20.75			19.99	19.99	19.99	19.99
		4-Wire Copper Loop/Short - without manual service inquiry and facility reservation - Zone 3		3	UCL	UCL4W	24.17	251.94	175.94	110.24	20.75			19.99	19.99	19.99	19.99
		Order Coordination for Unbundled Copper Loops (per loop)			UCL	UCLMC		62.1	62.1								
		4-Wire Unbundled Copper Loop/Long - includes manual svc. inquiry and facility reservation - Zone 1		1	UCL	UCL4L	96.61	319.41	199.45	130.98	27.66			19.99	19.99	19.99	19.99
		4-Wire Unbundled Copper Loop/Long - includes manual svc. inquiry and facility reservation - Zone 2		2	UCL	UCL4L	148.48	319.41	199.45	130.98	27.66			19.99	19.99	19.99	19.99
		4-Wire Unbundled Copper Loop/Long - includes manual svc. inquiry and facility reservation - Zone 3		3	UCL	UCL4L	180.12	319.41	199.45	130.98	27.66			19.99	19.99	19.99	19.99
		Order Coordination for Unbundled Copper Loops (per loop)			UCL	UCLMC		62.1	62.1								

UNBUNDLED NETWORK ELEMENTS
SC

CATEGORY	NOTES	UNBUNDLED NETWORK ELEMENT	Interim	Zone	BCS	USOC	RATES (\$)					OSS RATES (\$)					
							Nonrecurring			Nonrecurring		Svc Order Submitted Elec per LSR	Svc Order Submitted Manually per LSR	Incremental Charge - Manual Svc Order vs. Electronic-1st	Incremental Charge - Manual Svc Order vs. Electronic-Add'l	Incremental Charge - Manual Svc Order vs. Electronic-Disc 1st	Incremental Charge - Manual Svc Order vs. Electronic-Disc Add'l
							Rec	First	Add'l	First	Add'l						
											SOME C	SOMAN	SOMAN	SOMAN	SOMAN	SOMAN	
		4-Wire Unbundled Copper Loop/Long - without manual svc. inquiry and facility reservation - Zone 1		1	UCL	UCL4O	96.61	238.87	162.9	110.24	20.75			19.99	19.99	19.99	19.99
		4-Wire Unbundled Copper Loop/Long - without manual svc. inquiry and facility reservation - Zone 2		2	UCL	UCL4O	148.48	238.87	162.9	110.24	20.75			19.99	19.99	19.99	19.99
		4-Wire Unbundled Copper Loop/Long - without manual svc. inquiry and facility reservation - Zone 3		3	UCL	UCL4O	180.12	238.87	162.9	110.24	20.75			19.99	19.99	19.99	19.99
		Order Coordination for Unbundled Copper Loops (per loop)			UCL	UCLMC		62.1	62.1								
LOOP MODIFICATION																	
		Unbundled Loop Modification, Removal of Load Coils - 2 Wire pair less than or equal to 18k ft			UAL, UHL, UCL, UEQ, ULS	ULM2L		65.32	65.32								
		Unbundled Loop Modification, Removal of Load Coils - 2 wire greater than 18k ft			UCL, ULS	ULM2G		342.29	342.29								
		Unbundled Loop Modification Removal of Load Coils - 4 Wire less than or equal to 18k ft			UHL, UCL	ULM4L		65.32	65.32								
		Unbundled Loop Modification Removal of Load Coils - 4 Wire pair greater than 18k ft			UCL	ULM4G		342.29	342.29								
		Unbundled Loop Modification Removal of Bridged Tap Removal, per unbundled loop			UAL, UHL, UCL, UEQ, UEF, ULS	ULMBT		65.37	65.37								
SUB-LOOPS																	
Sub-Loop Distribution																	
		Sub-Loop - Per Cross Box Location - CLEC Feeder Facility Set-L		I	UEANL	USBSA		507.75	507.75					44.22	13.55		
		Sub-Loop - Per Cross Box Location - Per 25 Pair Panel Set-L		I	UEANL	USBSB		45.37	45.37					44.22	13.55		
		Sub-Loop - Per Building Equipment Room - CLEC Feeder Facility Set-L		I	UEANL	USBSC		380.6	380.6					44.22	13.55		
		Sub-Loop - Per Building Equipment Room - Per 25 Pair Panel Set-L		I	UEANL	USBSD		111.15	111.15					44.22	13.55		
		Sub-Loop Distribution Per 2-Wire Analog Voice Grade Loop - Zone 1		I	1	UEANL	USBN2	11.09	131.88	62.05	90.69	13.42		44.22	13.55		
		Sub-Loop Distribution Per 2-Wire Analog Voice Grade Loop - Zone 2		I	2	UEANL	USBN2	15.72	131.88	62.05	90.69	13.42		44.22	13.55		
		Sub-Loop Distribution Per 2-Wire Analog Voice Grade Loop - Zone 3		I	3	UEANL	USBN2	18.49	131.88	62.05	90.69	13.42		44.22	13.55		
		Order Coordination for Unbundled Sub-Loops, per sub-loop pair			UEANL	USBMC		45.43	45.43								
		Sub-Loop Distribution Per 4-Wire Analog Voice Grade Loop - Zone 1		1	UEANL	USBN4	17.64	158.41	88.58	99.64	18.17			44.22	13.55		
		Sub-Loop Distribution Per 4-Wire Analog Voice Grade Loop - Zone 2		2	UEANL	USBN4	24.25	158.41	88.58	99.64	18.17			44.22	13.55		
		Sub-Loop Distribution Per 4-Wire Analog Voice Grade Loop - Zone 3		3	UEANL	USBN4	23.63	158.41	88.58	99.64	18.17			44.22	13.55		
		Order Coordination for Unbundled Sub-Loops, per sub-loop pair			UEANL	USBMC		45.43	45.43								
		Sub-Loop 2-Wire Intra-building Network Cable (INC)		I	UEANL	USBR2	3.01	106.26	36.42	90.69	13.42			44.22	13.55		
		Order Coordination for Unbundled Sub-Loops, per sub-loop pair			UEANL	USBMC		45.43	45.43								
		Sub-Loop 4-Wire Intra-building Network Cable (INC)		I	UEANL	USBR4	6.7	118.76	48.93	99.64	18.17			44.22	13.55		
		Order Coordination for Unbundled Sub-Loops, per sub-loop pair			UEANL	USBMC		45.43	45.43								
		2 Wire Copper Unbundled Sub-Loop Distribution - Zone 1		I	1	UEF	UCS2X	8.59	131.88	62.05	90.69	13.42		44.22	13.55		
		2 Wire Copper Unbundled Sub-Loop Distribution - Zone 2		I	2	UEF	UCS2X	12.29	131.88	62.05	90.69	13.42		44.22	13.55		
		2 Wire Copper Unbundled Sub-Loop Distribution - Zone 3		I	3	UEF	UCS2X	13.1	131.88	62.05	90.69	13.42		44.22	13.55		
		Order Coordination for Unbundled Sub-Loops, per sub-loop pair			UEF	USBMC		45.43	45.43								
		4 Wire Copper Unbundled Sub-Loop Distribution - Zone 1		I	1	UEF	UCS4X	9.81	158.41	88.58	99.64	18.17		44.22	13.55		
		4 Wire Copper Unbundled Sub-Loop Distribution - Zone 2		I	2	UEF	UCS4X	17.71	158.41	88.58	99.64	18.17		44.22	13.55		
		4 Wire Copper Unbundled Sub-Loop Distribution - Zone 3		I	3	UEF	UCS4X	15.8	158.41	88.58	99.64	18.17		44.22	13.55		
		Order Coordination for Unbundled Sub-Loops, per sub-loop pair			UEF	USBMC		45.43	45.43								
Sub-Loop Feeder																	
		USL-Feeder, DS0 Set-up per Cross Box location - CLEC Distribution Facility set-up			UEA, UDN, UCL, UDL, UDC	USBFW		507.75									

UNBUNDLED NETWORK ELEMENTS
SC

CATEGORY	NOTES	UNBUNDLED NETWORK ELEMENT	Interim	Zone	BCS	USOC	RATES (\$)						OSS RATES (\$)					
							Nonrecurring			Nonrecurring			SOMEC	SOMAN	SOMAN	SOMAN	SOMAN	SOMAN
							Rec	First	Add'l	First	Add'l	Disconnect						
					UEA, UDN, UCL, UDL, UDC													
		USL Feeder - DS0 Set-up per Cross Box location - per 25 pair set-u				USL	USBFX	45.37	45.37									
		USL Feeder DS1 Set-up at DSX location, per DS1 terminatic				USL	USBFZ	523.87	11.34									
		Unbundled Sub-Loop Feeder Loop, 2 Wire Ground Start, Voice Grade - Zone 1		1		UEA	USBFA	11.16	186.56	113.37	109.36	27.48			19.99	19.99	19.99	19.99
		Unbundled Sub-Loop Feeder Loop, 2 Wire Ground-Start, Voice Grade - Zone 2		2		UEA	USBFA	14.67	186.56	113.37	109.36	27.48			19.99	19.99	19.99	19.99
		Unbundled Sub-Loop Feeder Loop, Per 2 Wire Ground-Start, Voice Grade - Zone 3		3		UEA	USBFA	18.43	186.56	113.37	109.36	27.48			19.99	19.99	19.99	19.99
		Order Coordination for Specified Conversion Time, per LSR				UEA	OCOSL	45.43										
		Unbundled Sub-Loop Feeder Loop, 2 Wire Loop-Start, Voice Grade - Zone 1		1		UEA	USBFB	11.16	186.56	113.37	109.36	27.48			19.99	19.99	19.99	19.99
		Unbundled Sub-Loop Feeder Loop, 2 Wire Loop-Start, Voice Grade - Zone 2		2		UEA	USBFB	14.67	186.56	113.37	109.36	27.48			19.99	19.99	19.99	19.99
		Unbundled Sub-Loop Feeder Loop, 2 Wire Start Loop, Voice Grade - Zone 3		3		UEA	USBFB	18.43	186.56	113.37	109.36	27.48			19.99	19.99	19.99	19.99
		Order Coordination for Specified Time Conversion, per LSR				UEA	OCOSL	45.43										
		Unbundled Sub-Loop Feeder Loop, 2 Wire Reverse Battery, Voice Grade - Zone 1		1		UEA	USBFC	11.16	186.56	113.37	109.36	27.48			19.99	19.99	19.99	19.99
		Unbundled Sub-Loop Feeder Loop, 2 Wire Reverse Battery, Voice Grade - Zone 2		2		UEA	USBFC	14.67	186.56	113.37	109.36	27.48			19.99	19.99	19.99	19.99
		Unbundled Sub-Loop Feeder Loop, 2 Wire Analog Reverse Battery, Voice Grade - Zone 3		3		UEA	USBFC	18.43	186.56	113.37	109.36	27.48			19.99	19.99	19.99	19.99
		Order Coordination For Specified Conversion Time, per LS				UEA	OCOSL	45.43										
		Unbundled Sub-Loop Feeder Loop, 4 Wire Ground-Start, Voice Grade - Zone 1		1		UEA	USBFD	27.04	215.82	140.72	124.52	35.03			19.99	19.99	19.99	19.99
		Unbundled Sub-Loop Feeder Loop, 4 Wire Ground-Start, Voice Grade - Zone 2		2		UEA	USBFD	34.46	215.82	140.72	124.52	35.03			19.99	19.99	19.99	19.99
		Unbundled Sub-Loop Feeder Loop, 4 Wire Ground Start, Voice Grade - Zone 3		3		UEA	USBFD	32.55	215.82	140.72	124.52	35.03			19.99	19.99	19.99	19.99
		Order Coordination For Specified Conversion Time, Per LS				UEA	OCOSL	45.43										
		Unbundled Sub-Loop Feeder Loop, 4 Wire Loop-Start, Voice Grade - Zone 1		1		UEA	USBFE	27.04	215.82	140.72	124.52	35.03			19.99	19.99	19.99	19.99
		Unbundled Sub-Loop Feeder Loop, 4 Wire Loop-Start, Voice Grade - Zone 2		2		UEA	USBFE	34.46	215.82	140.72	124.52	35.03			19.99	19.99	19.99	19.99
		Unbundled Sub-Loop Feeder Loop, 4 Wire Loop-Start, Voice Grade - Zone 3		3		UEA	USBFE	32.55	215.82	140.72	124.52	35.03			19.99	19.99	19.99	19.99
		Order Coordination For Specified Conversion Time, Per LS				UEA	OCOSL	45.43										
		Unbundled Sub-Loop Feeder Loop, 2 Wire ISDN BRI - Zone 1		1		UDN	USBFF	21.31	212.94	137.84	111.61	26.73			19.99	19.99	19.99	19.99
		Unbundled Sub-Loop Feeder Loop, 2-Wire ISDN BRI - Zone 2		2		UDN	USBFF	26.15	212.94	137.84	111.61	26.73			19.99	19.99	19.99	19.99
		Unbundled Sub-Loop Feeder Loop, 2-Wire ISDN BRI - Zone 3		3		UDN	USBFF	29.36	212.94	137.84	111.61	26.73			19.99	19.99	19.99	19.99
		Order Coordination For Specified Conversion Time, Per LS				UDN	OCOSL	45.43										
		Unbundled Sub-Loop Feeder, 2 Wire UDC (IDSL compatibl		1		UDC	USBFS	21.31	212.94	137.84	111.61	26.73			19.99	19.99	19.99	19.99
		Unbundled Sub-Loop Feeder, 2 Wire UDC (IDSL compatibl		2		UDC	USBFS	26.15	212.94	137.84	111.61	26.73			19.99	19.99	19.99	19.99
		Unbundled Sub-Loop Feeder, 2 Wire UDC (IDSL compatibl		3		UDC	USBFS	29.36	212.94	137.84	111.61	26.73			19.99	19.99	19.99	19.99
		Unbundled Sub-Loop Feeder Loop, 4-Wire DS1 - Zone 1		1		USL	USBFG	79.79	204.38	129.38	124.52	35.03			19.99	19.99	19.99	19.99
		Unbundled Sub-Loop Feeder Loop, 4-Wire DS1 - Zone 2		2		USL	USBFG	155.94	204.38	129.38	124.52	35.03			19.99	19.99	19.99	19.99
		Unbundled Sub-Loop Feeder Loop, 4-Wire DS1 - Zone 3		3		USL	USBFG	290.5	204.38	129.38	124.52	35.03			19.99	19.99	19.99	19.99
		Order Coordination For Specified Conversion Time, Per LS				USL	OCOSL	45.43										
		Unbundled Sub-Loop Feeder, 2-Wire Copper Loop - Zone 1		1		UCL	USBFH	7.47	167.94	92.84	106.27	21.38			19.99	19.99	19.99	19.99
		Unbundled Sub-Loop Feeder Loop, 2-Wire Copper Loop - Zone 2		2		UCL	USBFH	6	167.94	92.84	106.27	21.38			19.99	19.99	19.99	19.99
		Unbundled Sub-Loop Feeder Loop, 2-Wire Copper Loop - Zone 3		3		UCL	USBFH	5.74	167.94	92.84	106.27	21.38			19.99	19.99	19.99	19.99
		Order Coordination For Specified Conversion Time, per LS				UCL	OCOSL	45.43										
		Sub-Loop Feeder - Per 4-Wire Copper Loop - Zone 1		1		UCL	USBFJ	16.51	202.43	127.33	116.06	26.57			19.99	19.99	19.99	19.99
		Sub-Loop Feeder - Per 4-Wire Copper Loop - Zone 2		2		UCL	USBFJ	10.35	202.43	127.33	116.06	26.57			19.99	19.99	19.99	19.99
		Sub-Loop Feeder - Per 4-Wire Copper Loop - Zone 3		3		UCL	USBFJ	10.52	202.43	127.33	116.06	26.57			19.99	19.99	19.99	19.99
		Order Coordination For Specified Conversion Time, per LS				UCL	OCOSL	45.43										
		Sub-Loop Feeder - Per 4-Wire 19.2 Kbps Digital Grade Loc		1		UDL	USBFN	26.27	204.38	129.28	124.52	35.03			19.99	19.99	19.99	19.99
		Sub-Loop Feeder - Per 4-Wire 19.2 Kbps Digital Grade Loc		2		UDL	USBFN	26.62	204.38	129.28	124.52	35.03			19.99	19.99	19.99	19.99
		Sub-Loop Feeder - Per 4-Wire 19.2 Kbps Digital Grade Loc		3		UDL	USBFN	25.21	204.38	129.28	124.52	35.03			19.99	19.99	19.99	19.99
		Sub-Loop Feeder - Per 4-Wire 56 Kbps Digital Grade Loop - Zone 1		1		UDL	USBFO	26.27	204.38	129.28	124.52	35.03			19.99	19.99	19.99	19.99
		Sub-Loop Feeder - Per 4-Wire 56 Kbps Digital Grade Loop - Zone 2		2		UDL	USBFO	26.62	204.38	129.28	124.52	35.03			19.99	19.99	19.99	19.99
		Sub-Loop Feeder - Per 4-Wire 56 Kbps Digital Grade Loop - Zone 3		3		UDL	USBFO	25.21	204.38	129.28	124.52	35.03			19.99	19.99	19.99	19.99
		Order Coordination For Specified Time Conversion, per LS				UDL	OCOSL	45.43										
		Sub-Loop Feeder - Per 4-Wire 64 Kbps Digital Grade Loop - Zone 1		1		UDL	USBFP	26.27	204.38	129.28	124.52	35.03			19.99	19.99	19.99	19.99
		Sub-Loop Feeder - Per 4-Wire 64 Kbps Digital Grade Loop - Zone 2		2		UDL	USBFP	26.62	204.38	129.28	124.52	35.03			19.99	19.99	19.99	19.99
		Sub-Loop Feeder - Per 4-Wire 64 Kbps Digital Grade Loop - Zone 3		3		UDL	USBFP	25.21	204.38	129.28	124.52	35.03			19.99	19.99	19.99	19.99
		Order Coordination For Specified Conversion Time, per LS				UDL	OCOSL	45.43										
		Unbundled Sub-Loop Modification																
		Unbundled Sub-Loop Modification - 2-W Copper Dist Load Coil/Equip Removal per 2-W PR				UEF	ULM2X	356.5	12.29						44.22	13.55		
		Unbundled Sub-loop Modification - 4-W Copper Dist Load Coil/Equip Removal per 4-W PR				UEF	ULM4X	356.5	12.29						44.22	13.55		

UNBUNDLED NETWORK ELEMENTS
SC

CATEGORY	NOTES	UNBUNDLED NETWORK ELEMENT	Interim	Zone	BCS	USOC	RATES (\$)				OSS RATES (\$)						
							Nonrecurring		Nonrecurring		Svc Order Submitted Elec per LSR	Svc Order Submitted Manually per LSR	Incremental Charge - Manual Svc Order vs. Electronic-1st	Incremental Charge - Manual Svc Order vs. Electronic-Add'l	Incremental Charge - Manual Svc Order vs. Electronic-Disc 1st	Incremental Charge - Manual Svc Order vs. Electronic-Disc Add'l	
							Rec	First	Add'l	Disconnect							First
		Unbundled Sub-loop Modification - 2-w/4-w Copper Dist Bridged Tap Removal, per PR unloaded			UEF	ULM4T		561.8	14.33					44.22	13.55		
		Unbundled Network Terminating Wire (UNTW)															
		Unbundled Network Terminating Wire (UNTW) per Pa			UENTW	UENPP	0.41	62.71	62.71					44.22	13.55		
		Network Interface Device (NID)															
		Network Interface Device (NID) - 1-2 line:			UENTW	UND12		87.36	57.58					44.22	13.55		
		Network Interface Device (NID) - 1-6 line:			UENTW	UND16		128.84	99.06					44.22	13.55		
		Network Interface Device Cross Connect - 2 V			UENTW	UNDC2		11.83	11.83					44.22	13.55		
		Network Interface Device Cross Connect - 4V			UENTW	UNDC4		11.83	11.83					44.22	13.55		
		UNBUNDLED LOOP CONCENTRATION															
		Unbundled Loop Concentration - System A (TR00)			ULC	UCT8A	398.41	652.26	652.26					19.99	19.99	19.99	19.99
		Unbundled Loop Concentration - System B (TR00)			ULC	UCT8B	58.36	271.78	271.78					19.99	19.99	19.99	19.99
		Unbundled Loop Concentration - System A (TR30)			ULC	UCT3A	439.73	652.26	652.26					19.99	19.99	19.99	19.99
		Unbundled Loop Concentration - System B (TR30)			ULC	UCT3B	98.34	271.78	271.78					19.99	19.99	19.99	19.99
		Unbundled Loop Concentration - DS1 Loop Interface Ca			ULC	UCTCO	5.52	126.85	92.35	33.65	9.42			19.99	19.99	19.99	19.99
		Unbundled Loop Concentration - ISDN Loop Interface (Brite Car			UDN	ULCC1	8.77	21.11	21	10.81	10.74			19.99	19.99	19.99	19.99
		Unbundled Loop Concentration - UDC Loop Interface (Brite Car			UDC	ULCCU	8.77	21.11	21	10.81	10.74			19.99	19.99	19.99	19.99
		Unbundled Loop Concentration - 2 Wire Voice-Loop Start or Ground Start Loop Interface (POTS Card)			UEA	ULCC2	2.19	21.11	21	10.81	10.74			19.99	19.99	19.99	19.99
		Unbundled Loop Concentration - 2 Wire Voice - Reverse Battery Loop Interface (SPOTS Card)			UEA	ULCCR	13.03	21.11	21	10.81	10.74			19.99	19.99	19.99	19.99
		Unbundled Loop Concentration - 4 Wire Voice Loop Interface (Specials Ca			UEA	ULCC4	7.77	21.11	21	10.81	10.74			19.99	19.99	19.99	19.99
		Unbundled Loop Concentration - TEST CIRCUIT Car			ULC	UCTTC	37.98	21.11	21	10.81	10.74			19.99	19.99	19.99	19.99
		Unbundled Loop Concentration - Digital 19.2 Kbps Data Loop Interfa			UDL	ULCC7	11.51	21.11	21	10.81	10.74			19.99	19.99	19.99	19.99
		Unbundled Loop Concentration - Digital 56 Kbps Data Loop Interfa			UDL	ULCC5	11.51	21.11	21	10.81	10.74			19.99	19.99	19.99	19.99
		Unbundled Loop Concentration - Digital 64 Kbps Data Loop Interfa			UDL	ULCC6	11.51	21.11	21	10.81	10.74			19.99	19.99	19.99	19.99
		UNBUNDLED SUB-LOOP CONCENTRATION (OUTSIDE CO)															
		UNE OTHER, PROVISIONING ONLY - NO RATE															
		NID - Dispatch and Service Order for NID installation			UENTW	UNDBX											
		UNTW Circuit Id Establishment, Provisioning Only - No Rate			UENTW	UENCE											
		Unbundled Contract Name, Provisioning Only - No Rate			UEANL, UE, UE Q, UENTW	UNECN											
		Unbundled Contact Name, Provisioning Only - no rate			UAL, UCL, UDC, UDL, UDN, UEA, UHL, ULC	UNECN	0	0									
		Unbundled Sub-Loop Feeder-2 Wire Cross Box Jumper - no ra			UEA, UDN, UCL, UDC	USBFQ	0	0									
		Unbundled Sub-Loop Feeder-4 Wire Cross Box Jumper - no ra			UEA, USL, UCL, UDL												
		Unbundled DS1 Loop - Superframe Format Option - no ra			USL	CCOSF	0	0									
		Unbundled DS1 Loop - Expanded Superframe Format option - no ra			USL	CCOEF	0	0									
		HIGH CAPACITY UNBUNDLED LOCAL LOOP															
		NOTE: 4 month minimum billing period															
		High Capacity Unbundled Local Loop - DS3 - Per Mile per mon			UE3	1L5ND	15.33										
		High Capacity Unbundled Local Loop - DS3 - Facility Termination per mor			UE3	UE3PX	382.95	905.04	529.05	239.5	167.53			31.38	31.38	3.94	3.94

UNBUNDLED NETWORK ELEMENTS
SC

CATEGORY	NOTES	UNBUNDLED NETWORK ELEMENT	Interim	Zone	BCS	USOC	RATES (\$)				OSS RATES (\$)							
							Nonrecurring	Nonrecurring	Nonrecurring	Nonrecurring	Incremental Charge - Manual Svc Order vs. Electronic-1st	Incremental Charge - Manual Svc Order vs. Electronic-Add'l	Incremental Charge - Manual Svc Order vs. Electronic-Disc 1st	Incremental Charge - Manual Svc Order vs. Electronic-Disc Add'l				
							Rec	First	Add'l	First	Add'l	SOME C	SOMAN	SOMAN	SOMAN	SOMAN	SOMAN	
		High Capacity Unbundled Local Loop - STS-1 - Per Mile per mon			UDLSX	1L5ND	15.33											
		High Capacity Unbundled Local Loop - STS-1 - Facility Termination per mor			UDLSX	UDLS1	391.86	905.04	529.05	239.5	167.53			31.38	31.38	3.94	3.94	
LOOP MAKE-UP																		
		Loop Makeup - Preordering Without Reservation, per working or spare facility queried (Manual).			UMK	UMKLV		48.07	48.07									
		Loop Makeup - Preordering With Reservation, per spare facility queried (Manual).			UMK	UMKLP		50.97	50.97									
		Loop Makeup--With or Without Reservation, per working or spare facility queried (Mechanized)			UMK	PSUMK	0.6873		0.6873									
LINE SHARING																		
		Line Sharing Splitter, per System 96 Line Capaci	I		ULS	ULSDA	216.22	378.42	0	356.76	0	0						
		Line Sharing Splitter, per System 24 Line Capaci	I		ULS	ULSDB	54.05	378.42	0	356.76	0	0						
		Line Sharing Splitte, Per System, 8 Line Capaci	I		ULS	ULSD8	18.02	378.42	0	356.76	0	0						
		Line Sharing - per Line Activatio	I		ULS	ULSDC	0.61	37.09	21.24	20.07	9.85		44.22	13.55				
		Line Sharing - per Subsequent Activity per Line Rearrangeme	I		ULS	ULSDS		32.84	16.41				44.22	13.56				
		Line Sharing-CLEC/DLEC Owned Splitter in CO-per occurrence of each group of 8 lines (16 pair)	I		ULS	ULSDG		57.83		11.41								
UNBUNDLED TRANSPORT																		
COMMON TRANSPORT (Shared)																		
		Common Transport - Per Mile, Per MOL					0.0000121											
		Common Transport - Facilities Termination Per MO					0.0004672											
NOTE: INTEROFFICE CHANNEL - DEDICATED TRANSPORT - minimum billing period: below DS3 = one month, DS3 and above four months																		
INTEROFFICE CHANNEL - DEDICATED TRANSPORT - VOICE GRADE																		
		Interoffice Channel - Dedicated Transport - 2-Wire Voice Grade - Per Mile per month			U1TVX	1L5XX	0.0167											
		Interoffice Channel - Dedicated Transport- 2- Wire Voice Grade - Facility Termination per month			U1TVX	U1TV2	24.3	81.25	54.94	33.54	13.82			31.38	31.38	9.8	9.8	
		Interoffice Channel - Dedicated Transport- 2-Wire Voice Grade Rev Bat. - Per M per month			U1TVX	1L5XX	0.0167											
		Interoffice Channel - Dedicated Transport- 2- Wire VG Rev Bat. - Facility Termination per month			U1TVX	U1TR2	24.3	81.25	54.94	33.54	13.82			31.38	31.38	9.8	9.8	
		Interoffice Channel - Dedicated Transport - 4-Wire Voice Grade - Per Mile per month			U1TVX	1L5XX	0.0167											
		Interoffice Channel - Dedicated Transport - 4- Wire Voice Grade - Facility Termination per month			U1TVX	U1TV4	21.29	81.25	54.94	33.54	13.82			31.38	31.38	3.94	3.94	
		Interoffice Channel - Dedicated Transport - 56 kbps - per mile per mon			U1TDX	1L5XX	0.0167											
		Interoffice Channel - Dedicated Transport - 56 kbps - Facility Termination per mor			U1TDX	U1TD5	16.76	81.25	54.94	33.54	13.82			31.38	31.38	3.94	3.94	
		Interoffice Channel - Dedicated Transport - 64 kbps - per mile per mon			U1TDX	1L5XX	0.0282											
		Interoffice Channel - Dedicated Transport - 64 kbps - Facility Termination per mor			U1TDX	U1TD6	16.76	81.25	54.94	33.54	13.82			31.38	31.38	9.8	9.8	
INTEROFFICE CHANNEL - DEDICATED TRANSPORT - DS1																		
		Interoffice Channel - Dedicated Channel - DS1 - Per Mile per mon			U1TD1	1L5XX	0.3415											
		Interoffice Channel - Dedicated Transport - DS1 - Facility Termination per mor			U1TD1	U1TF1	77.14	178.93	163.98	32.77	28.95			31.38	31.38	3.94	3.94	
INTEROFFICE CHANNEL - DEDICATED TRANSPORT- DS3																		
		Interoffice Channel - Dedicated Transport - DS3 - Per Mile per mon			U1TD3	1L5XX	8.02											
		Interoffice Channel - Dedicated Transport - DS3 - Facility Termination per mor			U1TD3	U1TF3	880.65	558.74	326.23	120.66	117.17			31.38	31.38	3.94	3.94	
INTEROFFICE CHANNEL - DEDICATED TRANSPORT- STS-1																		
		Interoffice Channel - Dedicated Transport - STS-1 - Per Mile per mon			U1TS1	1L5XX	8.02											
		Interoffice Channel - Dedicated Transport - STS-1 - Facility Termination per mor			U1TS1	U1TFS	880.55	558.74	326.26	120.66	117.17			31.38	31.38	3.94	3.94	

UNBUNDLED NETWORK ELEMENTS
SC

CATEGORY	NOTES	UNBUNDLED NETWORK ELEMENT	Interim	Zone	BCS	USOC	RATES (\$)					OSS RATES (\$)					
							Nonrecurring			Nonrecurring		Svc Order Submitted Elec per LSR	Svc Order Submitted Manually per LSR	Incremental Charge - Manual Svc Order vs. Electronic-1st	Incremental Charge - Manual Svc Order vs. Electronic-Add'l	Incremental Charge - Manual Svc Order vs. Electronic-Disc 1st	Incremental Charge - Manual Svc Order vs. Electronic-Disc Add'l
							Rec	First	Add'l	Disconnect							
LOCAL CHANNEL - DEDICATED TRANSPORT																	
NOTE: LOCAL CHANNEL DEDICATED TRANSPORT - minimum billing period - below DS3=one month, DS3 and above=four months																	
		Local Channel - Dedicated - 2-Wire Voice Grade Per Month			ULCVX	ULDV2	15.33	387.05	66.48	73.44	6.41			31.38	31.38	3.94	3.94
		Local Channel - Dedicated - 2-Wire Voice Grade Rev Bat per mon			ULCVX	ULDR2	15.33	387.05	66.48	73.44	6.41			31.38	31.38	3.94	3.94
		Local Channel - Dedicated - 4-Wire Voice Grade per mon			UNCVX	ULDV4	16.54	387.93	67.35	74.38	7.35			31.38	31.38	3.94	3.94
		Local Channel - Dedicated - DS1 per month - Zone		1	ULDD1	ULDF1	42.62	355.73	308.11	44.48	30.59			31.38	31.38	3.94	3.94
		Local Channel - Dedicated - DS1 per month - Zone		2	ULDD1	ULDF1	70.32	355.73	308.11	44.48	30.59			31.38	31.38	3.94	3.94
		Local Channel - Dedicated - DS1 per month - Zone		3	ULDD1	ULDF1	190.68	355.73	308.11	44.48	30.59			31.38	31.38	3.94	3.94
		Local Channel - Dedicated - DS3 - Per Mile per mon			ULDD3	1L5NC	11.93										
		Local Channel - Dedicated - DS3 - Facility Termination per mon			ULDD3	ULDF3	446	905.04	529.05	239.5	167.53			31.38	31.38	3.94	3.94
		Local Channel - Dedicated - STS-1 - Per Mile per mon			ULDS1	1L5NC	11.93										
		Local Channel - Dedicated - STS-1 - Facility Termination per mon			ULDS1	ULDFS	435.1	905.04	529.05	239.5	167.53			31.38	31.38	3.94	3.94
MULTIPLEXERS																	
		Channelization - DS1 to DS0 Channel System			UXTD1	MQ1	134.46	182.48	125.42	21.12	19.62			31.38	31.38	3.947	3.94
		OCU-DP COCI (data) - DS1 to DS0 Channel System - per month (2.4-64kb)			UDL	1D1DD	1.49		13.18	9.45							
		2-wire ISDN COCI (BRITE) - DS1 to DS0 Channel System - per month			UDN	UC1CA	3.2		13.18	9.45							
		Voice Grade COCI - DS1 to DS0 Channel System - per month			UEA	1D1VG	0.7012		13.18	9.45							
		DS3 to DS1 Channel System per month			UXTD3	MQ3	180.03	357.07	188.36	66.66	63.79			31.38	31.38	3.94	3.94
		STS1 to DS1 Channel System per month			UXTS1	MQ3	180.03							31.38	31.38	3.94	3.94
		DS3 Interface Unit (DS1 COCI) used with Loop per month			USL	UC1D1	10.8	13.18	9.45								
DARK FIBER																	
		Dark Fiber, Four Fiber Strands, Per Route Mile or Fraction Thereof per month - Local Channel			UDF	1L5DC	97.65										
		NRC Dark Fiber - Local Channel			UDF	UDFC4		1281.02	276.34	635.52	396.21			31.26	31.26	3.94	3.94
		Dark Fiber, Four Fiber Strands, Per Route Mile or Fraction Thereof per month - Interoffice Channel			UDF	1L5DF	36.41										
		NRC Dark Fiber - Interoffice Channel			UDF	UDF14		1281.02	276.34	635.52	396.21			31.38	31.38	3.94	3.94
		Dark Fiber, Four Fiber Strands, Per Route Mile or Fraction Thereof per month - Local Loop			UDF	1L5DL	97.65										
		NRC Dark Fiber - Local Loop			UDF	UDFL4		1281.02	276.34	635.52	396.21			31.38	31.38	3.94	3.94
TRANSPORT OTHER																	
Optional Features & Functions:																	
		Clear Channel Capability (B8ZS/ESF) Option - Subsequent - per DS1 Channel			UNC1X	CCOEF		185.26	23.86	1.99	0.78			29.33	3.93		
		Clear Channel Capability (B8ZS/SF) Option - Subsequent - per DS1 Channel			UNC1X	CCOSF		185.26	23.86	1.99	0.78			29.33	3.93		
8XX ACCESS TEN DIGIT SCREENING																	
		8XX Access Ten Digit Screening, Per Call			OHD		0.0005227										
		8XX Access Ten Digit Screening, Reservation Charge Per 8XX Number Reserved			OHD	N8R1X		6.38	0.9583					27.84	27.84		
		8XX Access Ten Digit Screening, Per 8XX No. Established W/O POTS Translation			OHD			22.63	2.73					27.84	27.84		
		8XX Access Ten Digit Screening, Per 8XX No. Established With POTS Translation			OHD	N8FTX		22.63	2.73					27.84	27.84		
		8XX Access Ten Digit Screening, Customized Area of Service Per 8XX Number			OHD	N8FCX		5.64	2.82					27.84	27.84		
		8XX Access Ten Digit Screening, Multiple InterLATA CXR Routing Per CXR Requested Per 8XX No.			OHD	N8FMX		6.6	3.78					27.84	27.84		
		8XX Access Ten Digit Screening, Change Charge Per Request			OHD	N8FAX		7.34	0.9583					27.84	27.84		
		8XX Access Ten Digit Screening, Call Handling and Destination Features			OHD	N8FDX		5.64						27.84	27.84		
LINE INFORMATION DATA BASE ACCESS (LIDB)																	
		LIDB Common Transport Per Query			OQT		0.0000442										
		LIDB Validation Per Query			OQU		0.0145286										
		LIDB Originating Point Code Establishment or Change			OQT, OQU	NRPBX		61.62						27.84	27.84		
SIGNALING (CCS7)																	

UNBUNDLED NETWORK ELEMENTS
SC

CATEGORY	NOTES	UNBUNDLED NETWORK ELEMENT	Interim	Zone	BCS	USOC	RATES (\$)				OSS RATES (\$)										
							Nonrecurring		Nonrecurring		Svc Order Submitted Elec per LSR	Svc Order Submitted Manually per LSR	Incremental Charge - Manual Svc Order vs. Electronic-1st	Incremental Charge - Manual Svc Order vs. Electronic-Add'l	Incremental Charge - Manual Svc Order vs. Electronic-Disc 1st	Incremental Charge - Manual Svc Order vs. Electronic-Disc Add'l					
							Rec	First	Add'l	Add'l							Disconnect				
		CCS7 Signaling Termination, Per STP Por			1DB	PT8SX	156.33														
		CCS7 Signaling Usage, Per TCAP Messag			1DB		0.0001108														
		NOTE: Applicable when measurement and billing capability exists.																			
		CCS7 Signaling Connection, Per link (A link			1DB	TPP++	21.79	277.07	277.07												
		CCS7 Signaling Connection, Per link (B link) (also known as D lin			1DB	TPP++	21.79	277.07	277.07												
		CCS7 Signaling Usage, Per ISUP Messag			1DB		0.0000452														
		NOTE: Applicable when measurement and billing capability exists.																			
		CCS7 Signaling Usage Surrogate, per link per LAT			1DB	STU56	396.55														
		CCS7 Signaling Point Code, per Originating Point Code Establishment or Change, per STP affectec			1DB	CCAPO		40	40												
		CCS7 Signaling Point Code, per Destination Point Code Establishment or Change, Per Stp Affectec			1DB	CCAPD		8	8												
E911 SERVICE																					
CALLING NAME (CNAM) SERVICE																					
		CNAM for DB Owners, Per Quer			OQV		0.016														
		CNAM for Non DB Owners, Per Quer			OQV		0.01														
		CNAM (Non-Databs Owner), NRC, applies when using the Character Based User Interface (CHUI)			OQV	CDDCH		595	595												
LNP QUERY SERVICE																					
OPERATOR SERVICES AND DIRECTORY ASSISTANCE																					
OPERATOR CALL PROCESSING																					
		Oper. Call Processing - Oper. Provided, Per Min. - Using BST LID					1.2														
		Oper. Call Processing - Oper. Provided, Per Min. - Using Foreign LID					1.24														
		Oper. Call Processing - Fully Automated, per Call - Using BST LID					0.2														
		Oper. Call Processing - Fully Automated, per Call - Using Foreign LIC					0.2														
INWARD OPERATOR SERVICES																					
		Inward Operator Services - Verification, Per Minut					1.15														
		Inward Operator Services - Verification and Emergency Interrupt - Per Minu					1.15														
BRANDING - OPERATOR CALL PROCESSING																					
		Recording of Custom Branded OA Announcement				CBAOS		7000	7000	9.61	9.61										
		Loading of Custom Branded OA Announcement per shelf/NAV				CBAOL		500	500												
DIRECTORY ASSISTANCE SERVICES																					
DIRECTORY ASSISTANCE ACCESS SERVICE																					
		Directory Assistance Access Service Calls, Charge Per Ce					0.275														
DIRECTORY ASSISTANCE CALL COMPLETION ACCESS SERVICE (DACC)																					
		Directory Assistance Call Completion Access Service (DACC), Per Call Attem					0.1														
UNBRANDING																					
DIRECTORY TRANSPORT																					
		Directory Transport - Local Channel DS					37.2	534.81	462.81												
		Directory Transport - DS1 Level Interoffice Per Mil					0.7598														
		Directory Transport - DS1 Level Interoffice Per Facility Terminati					94.98	216.27	162.7												
		Switched Common Transport Per DA Access Service Per Cz					0.000327														
		Switched Common Transport Per DA Access Service Per Call Per Mi					0.000303														
		Access Tandem Switching Per DA Access Service Per Ca					0.0024805														
		Directory Transport - DA Interconnection Per DA Service Cz					0.000269														
		Directory Transport - Installation NRC, Per Trunk or Signaling Connecti						407.81	11												

UNBUNDLED NETWORK ELEMENTS
SC

CATEGORY	NOTES	UNBUNDLED NETWORK ELEMENT	Interim	Zone	BCS	USOC	RATES (\$)				OSS RATES (\$)									
							Nonrecurring		Nonrecurring		Svc Order Submitted Elec per LSR	Svc Order Submitted Manually per LSR	Incremental Charge - Manual Svc Order vs. Electronic-1st	Incremental Charge - Manual Svc Order vs. Electronic-Add'l	Incremental Charge - Manual Svc Order vs. Electronic-Disc 1st	Incremental Charge - Manual Svc Order vs. Electronic-Disc Add'l				
							Rec	First	Add'l	First							Add'l	SOME C	SOMAN	SOMAN
		DIRECTORY ASSISTANCE DATA BASE SERVICE (DADS)																		
		Directory Assistance Data Base Service Charge Per Listir						0.04												
		Directory Assistance Data Base Service, per mont				DBSOF		150												
		BRANDING - DIRECTORY ASSISTANCE																		
		Custom Branding Announcement, per Recording to be used with the provision of DA			AMT	CBADA		3000	3000											
		Loading of Custom Branded Announcement per DRAM Card/Switch			AMT	CBADC		690	690											
		SELECTIVE ROUTING																		
		Selective Routing Per Unique Line Class Code Per Request Per Swit				USRCR		226.22	226.22			43.19	9.91							
		VIRTUAL COLLOCATION																		
		Virtual Collocation - 2-wire Cross Connects (loop			ueanl,ue a,udn,ud c,uah,uhl, ucl,ueq	UEAC2	0.3648	41.5	38.94			19.99	19.99	19.99	19.99					
		Virtual Collocation - 2-wire Cross Connects (por				VE1R2	0.3648	41.5	38.94			19.99	19.99	19.99	19.99					
		Virtual Collocation - 4-wire Cross Connects (loop			uea,uhl,u cl,udl	UEAC4	0.7297	41.56	38.9			19.99	19.99	19.99	19.99					
		Virtual Collocation - 4-wire Cross Connects (por				VE1R4	0.7297	41.56	38.9			19.99	19.99	19.99	19.99					
		Virtual Collocation - 2-Fiber Cross Connect				CNC2F	15.06	69.28	48.89			19.99	19.99	19.99	19.99					
		Virtual Collocation - 4-Fiber Cross Connects				CNC4F	27.08	84.07	63.68			19.99	19.99	19.99	19.99					
		Virtual Collocatin - DS1 Cross Connect			USL,U LC	CNC1X	7.5	155	14											
		AIN SELECTIVE CARRIER ROUTING																		
		Regional Service Establishment			SRC	SRCEC		391788				19.99	19.99	19.99	19.99					
		End Office Establishment			SRC	SRCEO		320.53	320.53			19.99	19.99	19.99	19.99					
		Line/Port NRC, per end user			SRC	SRCLP		2.06	2.06			19.99	19.99	19.99	19.99					
		Query NRC, per query			SRC		0.000448													
		AIN - BELL SOUTH AIN SMS ACCESS SERVICE																		
		AIN SMS Access Service - Service Establishment, Per State, Initial Setup				CAMSE		296.16	296.16			27.84	27.84							
		AIN SMS Access Service - Port Connection - Dial/Shared Access				CAMPD		87.29	87.29			27.84	27.84							
		AIN SMS Access Service - Port Connection - ISDN Access				CAM1P		87.29	87.29			27.84	27.84							
		AIN SMS Access Service - User Identification Codes - Per User ID Code				CAMAU		202.08	202.08			27.84	27.84							
		AIN SMS Access Service - Security Card, Per User ID Code, Initial or Replacement				CAMRC		172.26	172.26			27.84	27.84							
		AIN SMS Access Service - Storage, Per Unit (100 Kilobytes)					0.0028													
		AIN SMS Access Service - Session, Per Minute					0.0942966													
		AIN SMS Access Service - Company Performed Session, Per Minute					2.07													
		AIN - BELL SOUTH AIN TOOLKIT SERVICE																		
		AIN Toolkit Service - Service Establishment Charge, Per State, Initial Setup				BAPSC		291.41	291.41			27.84	27.84							
		AIN Toolkit Service - Training Session, Per Customer				BAPVX		8333	8333			27.84	27.84							
		AIN Toolkit Service - Trigger Access Charge, Per Trigger, Per DN, Term. Attempt				BAPTT		73.02	73.02			27.84	27.84							
		AIN Toolkit Service - Trigger Access Charge, Per Trigger, Per DN, Off-Hook Delay				BAPTD		73.02	73.02			27.84	27.84							
		AIN Toolkit Service - Trigger Access Charge, Per Trigger, Per DN, Off-Hook Immediate				BAPTM		73.02	73.02			27.84	27.84							
		AIN Toolkit Service - Trigger Access Charge, Per Trigger, Per DN, 10-Digit PDDP				BAPTO		150.25	150.25			27.84	27.84							
		AIN Toolkit Service - Trigger Access Charge, Per Trigger, Per DN, CDP				BAPTC		150.25	150.25			27.84	27.84							
		AIN Toolkit Service - Trigger Access Charge, Per Trigger, Per DN, Feature Code				BAPTF		150.25	150.25			27.84	27.84							
		AIN Toolkit Service - Query Charge, Per Query					0.0250662													
		AIN Toolkit Service - Type 1 Node Charge, Per AIN Toolkit Subscription, Per Node, Per Query					0.0062979													
		AIN Toolkit Service - SCP Storage Charge, Per SMS Access Account, Per 100 Kilobytes					1.73													
		AIN Toolkit Service - Monthly report - Per AIN Toolkit Service Subscription				BAPMS	15.93	72.15	72.15			27.84	27.84							
		AIN Toolkit Service - Special Study - Per AIN Toolkit Service Subscription				BAPLS	0.0872769	47.35	47.35			27.84	27.84							
		AIN Toolkit Service - Call Event Report - Per AIN Toolkit Service Subscription				BAPDS	15.84	72.15	72.15			27.84	27.84							

UNBUNDLED NETWORK ELEMENTS
SC

CATEGORY	NOTES	UNBUNDLED NETWORK ELEMENT	Interim	Zone	BCS	USOC	RATES (\$)				OSS RATES (\$)							
							Nonrecurring	Nonrecurring	Disconnect	SOME C	SOMAN	SOMAN	SOMAN	SOMAN	SOMAN	SOMAN		
							Rec	First	Add'l	First	Add'l	SOME C	SOMAN	SOMAN	SOMAN	SOMAN	SOMAN	SOMAN
		AIN Toolkit Service - Call Event Special Study - Per AIN Toolkit Service Subscription				BAPES	0.0029092	47.35	47.35						27.84	27.84		
ODUF/EDOUF/ADUF/CMDS																		
		ACCESS DAILY USAGE FILE (ADUF)																
		ADUF: Message Processing, per message					0.004											
		ADUF: Data Transmission (CONNECT:DIRECT), per message					0.001											
		ENHANCED OPTIONAL DAILY USAGE FILE (EODUF)																
		EODUF: Message Processing, per message					0.004											
		OPTIONAL DAILY USAGE FILE (ODUF)																
		ODUF: Recording, per message					0.0002862											
		ODUF: Message Processing, per message					0.0032344											
		ODUF: Message Processing, per Magnetic Tape provisione					54.72											
		ODUF: Data Transmission (CONNECT:DIRECT), per message					0.0000357											
ENHANCED EXTENDED LINK (EELs)																		
		NOTE: New EELs available in State of Georgia, density zone 1 of following SMAs: Orlando, FL; Miami, FL; Ft. Lauderdale, FL; Nashville, TN; New Orleans, LA;																
		NOTE: Charlotte-Gastonia-Rockhill, NC; Greensboro-Winston Salem-High Point, NC. Use all rates below except Switch As Is Charge.																
		NOTE: In all states, EEL network elements shown below also apply to currently combined facilities which are converted to UNE rates. A Switch As Is Charge applies to currently combined facilities converted to UNEs.(Non-recurring rates do not apply.)																
		NOTE: In Georgia, the EEL network elements apply to ordinarily combined network elements per the GA PSC order.(No Switch As Is Charge.)																
2-WIRE VOICE GRADE EXTENDED LOOP WITH DEDICATED DS1 INTEROFFICE TRANSPORT (EEL)																		
		First 2-Wire VG Loop(SL2) in a DS1 Interofficed Transport Combination - Zone 1		1	UNCVX	UEAL2	21.57											
		First 2-Wire VG Grade Loop(SL2) in a DS1 Interofficed Transport Combination - Zone 2		2	UNCVX	UEAL2	32.53											
		First 2-Wire VG Grade Loop(SL2) in a DS1 Interofficed Transport Combination - Zone 3		3	UNCVX	UEAL2	43.08											
		Interoffice Transport - Dedicated - DS1 combination - Per Mile per mon			UNC1X	1L5XX	0.3415											
		Interoffice Transport - Dedicated - DS1 combination - Facility Termination per month			UNC1X	U1TF1	77.14											
		DS1 Channelization System Per Mont			UNC1X	MQ1	134.46											
		Voice Grade COCI - DS1 To DS0 Interface - Per Mont			UNCVX	1D1VG	0.7012											
		Each Additional 2-Wire VG Loop(SL 2) in the same DS1 Interoffice Transport Combination - Zone 1		1	UNCVX	UEAL2	21.57											
		Each Additional 2-Wire VG Loop(SL2) in the same DS1 Interoffice Transport Combination - Zone 2		2	UNCVX	UEAL2	32.53											
		Each Additional 2-Wire VG Loop(SL2) in the same DS1 Interoffice Transport Combination - Zone 3		3	UNCVX	UEAL2	43.08											
		Voice Grade COCI - DS1 to DS0 Channel System combination - per mon			UNCVX	1D1VG	0.7012											
		Nonrecurring Currently Combined Network Elements Switch -As-Is Char			UNC1X	UNCCC		11.21	11.21	13.99	13.99			31.38	31.38	3.94	3.94	
4-WIRE VOICE GRADE EXTENDED LOOP WITH DEDICATED DS1 INTEROFFICE TRANSPORT (EEL)																		
		First 4-Wire Analog Voice Grade Loop in a DS1 Interoffice Transport Combination Zone 1		1	UNCVX	UEAL4	29.47											
		First 4-Wire Analog Voice Grade Loop in a DS1 Interoffice Transport Combination Zone 2		2	UNCVX	UEAL4	44.44											
		First 4-Wire Analog Voice Grade Loop in a DS1 Interoffice Transport Combination Zone 3		3	UNCVX	UEAL4	58.85											

UNBUNDLED NETWORK ELEMENTS
SC

CATEGORY	NOTES	UNBUNDLED NETWORK ELEMENT	Interim	Zone	BCS	USOC	RATES (\$)				OSS RATES (\$)									
							Nonrecurring		Nonrecurring		Svc Order Submitted Elec per LSR	Svc Order Submitted Manually per LSR	Incremental Charge - Manual Svc Order vs. Electronic-1st	Incremental Charge - Manual Svc Order vs. Electronic-Add'l	Incremental Charge - Manual Svc Order vs. Electronic-Disc 1st	Incremental Charge - Manual Svc Order vs. Electronic-Disc Add'l				
							Rec	First	Add'l	First							Add'l	SOMEC	SOMAN	SOMAN
		Interoffice Transport - Dedicated - DS1 combination - Per Mile Per Mon			UNC1X	1L5XX	0.3415													
		Interoffice Transport - Dedicated - DS1 - Facility Termination Per Mon			UNC1X	U1TF1	77.14													
		Channelization - Channel System DS1 to DS0 combination Per Mor			UNC1X	MQ1	134.46													
		Voice Grade COCI - DS1 to DS0 Channel System combination - per mon			UNCVX	1D1VG	0.7012													
		Additional 4-Wire Analog Voice Grade Loop in same DS1 Interoffice Transport Combination - Zone		1	UNCVX	UEAL4	29.47													
		Additional 4-Wire Analog Voice Grade Loop in same DS1 Interoffice Transport Combination - Zone		2	UNCVX	UEAL4	44.44													
		Additional 4-Wire Analog Voice Grade Loop in same DS1 Interoffice Transport Combination - Zone		3	UNCVX	UEAL4	58.85													
		Nonrecurring Currently Combined Network Elements Switch -As-Is Char			UNC1X	UNCCC		11.21	11.21	13.99	13.99			31.38	31.38	3.94	3.94			
		4-WIRE 56 KBPS EXTENDED DIGITAL LOOP WITH DEDICATED DS1 INTEROFFICE TRANSPORT (EEL)																		
		First 4-Wire 56Kbps Digital Grade Loop in a DS1 Interoffice Transport Combination Zone 1		1	UNCDX	UDL56	34.26													
		First 4-wire 56Kbps Digital Grade Loop in a DS1 Interoffice Transport Combination Zone 2		2	UNCDX	UDL56	51.67													
		First 4-Wire 56Kbps Digital Grade Loop in a DS1 Interoffice Transport Combination Zone 3		3	UNCDX	UDL56	68.43													
		Interoffice Transport - Dedicated - DS1 combination - Per Mile Per Mon			UNC1X	1L5XX	0.3415													
		Interoffice Transport - Dedicated - DS1 - combination Facility Termination Per Month			UNC1X	U1TF1	77.14							31.38	31.38	3.94	3.94			
		Channelization - Channel System DS1 to DS0 combination Per Mor			UNC1X	MQ1	134.46													
		OCU-DP COCI (data) - DS1 to DS0 Channel System - per month (2.4-64kb)			UNCDX	1D1DD	1.49													
		Additional 4-Wire 56Kbps Digital Grade Loopin same DS1 Interoffice Transport Combination - Zone		1	UNCDX	UDL56	34.26							31.38	31.38	3.94	3.94			
		Additional 4-Wire 56Kbps Digital Grade Loopin same DS1 Interoffice Transport Combination - Zone		2	UNCDX	UDL56	51.67							31.38	31.38	3.94	3.94			
		Additional 4-Wire 56Kbps Digital Grade Loopin same DS1 Interoffice Transport Combination - Zone		3	UNCDX	UDL56	68.43							31.38	31.38	3.94	3.94			
		OCU-DP COCI (data) - DS1 to DS0 Channel System - combination per month (2.4-64kbs)			UNCDX	1D1DD	1.49													
		Nonrecurring Currently Combined Network Elements Switch -As-Is Char			UNC1X	UNCCC		11.21	11.21	13.99	13.99			31.38	31.38	3.94	3.94			
		4-WIRE 64 KBPS EXTENDED DIGITAL LOOP WITH DEDICATED DS1 INTEROFFICE TRANSPORT (EEL)																		
		First 4-Wire 64Kbps Digital Grade Loop in a DS1 Interoffice Transport Combination Zone 1		1	UNCDX	UDL64	34.26													
		First 4-Wire 64Kbps Digital Grade Loop in a DS1 Interoffice Transport Combination Zone 2		2	UNCDX	UDL64	51.67													
		First 4-Wire 64Kbps Digital Grade Loop in a DS1 Interoffice Transport Combination Zone 3		3	UNCDX	UDL64	68.43													
		Interoffice Transport - Dedicated - DS1 combination - Per Mile Per Mon			UNC1X	1L5XX	0.3415													
		Interoffice Transport - Dedicated - DS1 combination - Facility Termination Per Month			UNC1X	U1TF1	77.14													
		Channelization - Channel System DS1 to DS0 combination Per Mor			UNC1X	MQ1	134.46													
		OCU-DP COCI (data) - DS1 to DS0 Channel System combination - per month (2.4-64kbs)			UNCDX	1D1DD	1.49	0	0											
		Additional 4-Wire 64Kbps Digital Grade Loopin same DS1 Interoffice Transport Combination - Zone		1	UNCDX	UDL64	34.26													
		Additional 4-Wire 64Kbps Digital Grade Loopin same DS1 Interoffice Transport Combination - Zone		2	UNCDX	UDL64	51.67													
		Additional 4-Wire 64Kbps Digital Grade Loopin same DS1 Interoffice Transport Combination - Zone		3	UNCDX	UDL64	68.43													
		OCU-DP COCI (data) - DS1 to DS0 Channel System combination - per month (2.4-64kbs)			UNCDX	1D1DD	1.49													
		Nonrecurring Currently Combined Network Elements Switch -As-Is Char			UNC1X	UNCCC		11.21	11.21	13.99	13.99			31.38	31.38	3.94	3.94			
		4-WIRE DS1 DIGITAL EXTENDED LOOP WITH DEDICATED DS1 INTEROFFICE TRANSPORT (EEL)																		
		4-Wire DS1 Digital Loop in Combination with DS1 Interoffice Transport - Zone		1	UNC1X	USLXX	59.61													
		4-Wire DS1 Digital Loop in Combination with DS1 Interoffice Transport - Zone		2	UNC1X	USLXX	89.9													
		4-Wire DS1 Digital Loop in Combination with DS1 Interoffice Transport - Zone		3	UNC1X	USLXX	119.06													
		Interoffice Transport - Dedicated - DS1 combination - Per Mile Per Mon			UNC1X	1L5XX	0.3415													

UNBUNDLED NETWORK ELEMENTS
SC

CATEGORY	NOTES	UNBUNDLED NETWORK ELEMENT	Interim	Zone	BCS	USOC	RATES (\$)				OSS RATES (\$)									
							Nonrecurring		Nonrecurring		Svc Order Submitted Elec per LSR	Svc Order Submitted Manually per LSR	Incremental Charge - Manual Svc Order vs. Electronic-1st	Incremental Charge - Manual Svc Order vs. Electronic-Add'l	Incremental Charge - Manual Svc Order vs. Electronic-Disc 1st	Incremental Charge - Manual Svc Order vs. Electronic-Disc Add'l				
							Rec	First	Add'l	First							Add'l	SOMECC	SOMAN	SOMAN
							Disconnect		Disconnect		Disconnect		Disconnect		Disconnect		Disconnect			
		Interoffice Transport - Dedicated - DS1 combination - Facility Termination Per Month			UNC1X	U1TF1	77.14													
		Nonrecurring Currently Combined Network Elements Switch -As-Is Char			UNC1X	UNCCC		11.21	11.21	13.99	13.99			31.38	31.38	3.94	3.94			
		4-WIRE DS1 DIGITAL EXTENDED LOOP WITH DEDICATED DS3 INTEROFFICE TRANSPORT (EEL)																		
		First DS1Loop in DS3 Interoffice Transport Combination - Zone		1	UNC1X	USLXX	59.61													
		First DS1Loop in DS3 Interoffice Transport Combination - Zone		2	UNC1X	USLXX	89.9													
		First DS1Loop in DS3 Interoffice Transport Combination - Zone		3	UNC1X	USLXX	119.06													
		Interoffice Transport - Dedicated - DS3 combination - Per Mile Per Mon			UNC3X	1L5XX	8.02													
		Interoffice Transport - Dedicated - DS3 - Facility Termination per mon			UNC3X	U1TF3	880.65													
		DS3 to DS1 Channel System combination per mon			UNC3X	MQ3	180.03													
		DS3 Interface Unit (DS1 COCI) combination per month			UNC1X	UC1D1	10.8													
		Additional DS1Loop in DS3 Interoffice Transport Combination - Zone		1	UNC1X	USLXX	59.61													
		Additional DS1Loop in DS3 Interoffice Transport Combination - Zone		2	UNC1X	USLXX	89.9													
		Additional DS1Loop in DS3 Interoffice Transport Combination - Zone		3	UNC1X	USLXX	119.06													
		DS3 Interface Unit (DS1 COCI) combination per month			UNC1X	UC1D1	10.8													
		Nonrecurring Currently Combined Network Elements Switch -As-Is Char			UNC3X	UNCCC		11.21	11.21	13.99	13.99			31.38	31.38	3.94	3.94			
		2-WIRE VOICE GRADE EXTENDED LOOP/ 2 WIRE VOICE GRADE INTEROFFICE TRANSPORT (EEL)																		
		2-WireVG Loop used with 2-wire VG Interoffice Transport Combination - Zone		1	UNCVX	UEAL2	21.57													
		2-WireVG Loop used with 2-wire VG Interoffice Transport Combination - Zone		2	UNCVX	UEAL2	32.53													
		2-WireVG Loop used with 2-wire VG Interoffice Transport Combination - Zone		3	UNCVX	UEAL2	43.08													
		Interoffice Transport - Dedicated - 2-wire VG combination - Per Mile Per Mon			UNCVX	1L5XX	0.0167													
		Interoffice Transport - Dedicated - 2-Wire Voice Grade combination - Facility Termination per month			UNCVX	U1TV2	24.3							31.38	31.38	3.94	3.94			
		Nonrecurring Currently Combined Network Elements Switch -As-Is Char			UNCVX	UNCCC		11.21	11.21	13.99	13.99			31.38	31.38	3.94	3.94			
		4-WIRE VOICE GRADE EXTENDED LOOP/ 4 WIRE VOICE GRADE INTEROFFICE TRANSPORT (EEL)																		
		4-WireVG Loop used with 4-wire VG Interoffice Transport Combination - Zone		1	UNCVX	UEAL4	29.47													
		4-WireVG Loop used with 4-wire VG Interoffice Transport Combination - Zone		2	UNCVX	UEAL4	44.44													
		4-WireVG Loop used with 4-wire VG Interoffice Transport Combination - Zone		3	UNCVX	UEAL4	58.85													
		Interoffice Transport - Dedicated - 4-wire VG combination - Per Mile Per Mon			UNCVX	1L5XX	0.0167													
		Interoffice Transport - Dedicated - 4-Wire Voice Grade combination - Facility Termination per month			UNCVX	U1TV4	21.29													
		Nonrecurring Currently Combined Network Elements Switch -As-Is Char			UNCVX	UNCCC		11.21	11.21	13.99	13.99			31.38	31.38	3.94	3.94			
		DS3 DIGITAL EXTENDED LOOP WITH DEDICATED DS3 INTEROFFICE TRANSPORT (EEL)																		
		High Capacity Unbundled Local Loop - DS3 combination - Per Mile per mor			UNC3X	1L5ND	15.33													
		High Capacity Unbundled Local Loop - DS3 combination - Facility Termination per month			UNC3X	UE3PX	382.95													
		Interoffice Transport - Dedicated - DS3 - Per Mile per mon			UNC3X	1L5XX	8.02													
		Interoffice Transport - Dedicated - DS3 combination - Facility Termination per month			UNC3X	U1TF3	880.65													
		Nonrecurring Currently Combined Network Elements Switch -As-Is Char			UNC3X	UNCCC		11.21	11.21	13.99	13.99			31.38	31.38	3.94	3.94			
		STS1 DIGITAL EXTENDED LOOP WITH DEDICATED STS1 INTEROFFICE TRANSPORT (EEL)																		
		High Capacity Unbundled Local Loop - STS1 combination - Per Mile per mor			UNCSX	1L5ND	15.33													
		High Capacity Unbundled Local Loop - STS1 combination - Facility Termination per month			UNCSX	UDLS1	391.86													
		Interoffice Transport - Dedicated - STS1 combination - Per Mile per mon			UNCSX	1L5XX	8.02													
		Interoffice Transport - Dedicated - STS1 combination - Facility Termination per month			UNCSX	U1TFS	880.55													
		Nonrecurring Currently Combined Network Elements Switch -As-Is Char			UNCSX	UNCCC		11.21	11.21	13.99	13.99			31.38	31.38	3.94	3.94			
		2-WIRE ISDN EXTENDED LOOP WITH DS1 INTEROFFICE TRANSPORT (EEL)																		
		First 2-Wire ISDN Loop in a DS1 Interoffice Combination Transport - Zone		1	UNCNX	U1L2X	26.68													
		First 2-Wire ISDN Loop in a DS1 Interoffice Combination Transport - Zone		2	UNCNX	U1L2X	40.24													
		First 2-Wire ISDN Loop in a DS1 Interoffice Combination Transport - Zone		3	UNCNX	U1L2X	53.85													
		Interoffice Transport - Dedicated - DS1 combination - Per Mi			UNC1X	1L5XX	0.3415													
		Interoffice Transport - Dedicated - DS1 combination - Facility Termination per mor			UNC1X	U1TF1	77.14													
		Channelization - Channel System DS1 to DS0 combination - per mor			UNC1X	MQ1	134.46													
		2-wire ISDN COCI (BRITE) - DS1 to DS0 Channel System combination - per mon			UNCNX	UC1CA	3.2													

UNBUNDLED NETWORK ELEMENTS
SC

CATEGORY	NOTES	UNBUNDLED NETWORK ELEMENT	Interim	Zone	BCS	USOC	RATES (\$)				OSS RATES (\$)									
							Nonrecurring		Nonrecurring		Svc Order Submitted Elec per LSR	Svc Order Submitted Manually per LSR	Incremental Charge - Manual Svc Order vs. Electronic-1st	Incremental Charge - Manual Svc Order vs. Electronic-Add'l	Incremental Charge - Manual Svc Order vs. Electronic-Disc 1st	Incremental Charge - Manual Svc Order vs. Electronic-Disc Add'l				
							Rec	First	Add'l	First							Add'l	SOMEC	SOMAN	SOMAN
		Additional 2-wire IDSN Loop in same DS1 Interoffice Transport Combination - Zone 1		1	UNCNX	U1L2X	26.68													
		Additional 2-wire IDSN Loop in same DS1 Interoffice Transport Combination - Zone 2		2	UNCNX	U1L2X	40.24													
		Additional 2-wire IDSN Loop in same DS1 Interoffice Transport Combination - Zone 3		3	UNCNX	U1L2X	53.85													
		2-wire IDSN COCI (BRITE) - DS1 to DS0 Channel System combination - per month			UNCNX	UC1CA	3.2													
		Nonrecurring Currently Combined Network Elements Switch -As-Is Charge			UNC1X	UNCCC		11.21	11.21	13.99	13.99			31.38	31.38	3.94	3.94			
		4-WIRE DS1 DIGITAL EXTENDED LOOP WITH DEDICATED STS-1 INTEROFFICE TRANSPORT (EEL)																		
		First DS1 Loop in STS1 Interoffice Transport Combination - Zone 1		1	UNC1X	USLXX	59.61													
		First DS1 Loop in STS1 Interoffice Transport Combination - Zone 2		2	UNC1X	USLXX	89.9													
		First DS1 Loop in STS1 Interoffice Transport Combination - Zone 3		3	UNC1X	USLXX	119.06													
		Interoffice Transport - Dedicated - STS1 combination - Per Mile Per Month			UNCSX	1L5XX	8.02													
		Interoffice Transport - Dedicated - STS1 combination - Facility Termination			UNCSX	U1TFS	880.55													
		STS1 to DS1 Channel System combination per month			UNCSX	MQ3	180.03													
		DS3 Interface Unit (DS1 COCI) combination per month			UNC1X	UC1D1	10.8													
		Additional DS1 Loop in STS1 Interoffice Transport Combination - Zone 1		1	UNC1X	USLXX	59.61													
		Additional DS1 Loop in STS1 Interoffice Transport Combination - Zone 2		2	UNC1X	USLXX	89.9													
		Additional DS1 Loop in STS1 Interoffice Transport Combination - Zone 3		3	UNC1X	USLXX	119.06													
		DS3 Interface Unit (DS1 COCI) combination per month			UNC1X	UC1D1	10.8													
		Nonrecurring Currently Combined Network Elements Switch -As-Is Charge			UNCSX	UNCCC		11.21	11.21	13.99	13.99			31.38	31.38	3.94	3.94			
		4-WIRE 56 KBPS DIGITAL EXTENDED LOOP WITH 56 KBPS INTEROFFICE TRANSPORT (EEL)																		
		4-wire 56 kbps Loop/4-wire 56 kbps Interoffice Transport Combination - Zone 1		1	UNCDX	UDL56	34.26													
		4-wire 56 kbps Loop/4-wire 56 kbps Interoffice Transport Combination - Zone 2		2	UNCDX	UDL56	51.67													
		4-wire 56 kbps Loop/4-wire 56 kbps Interoffice Transport Combination - Zone 3		3	UNCDX	UDL56	68.43													
		Interoffice Transport - Dedicated - 4-wire 56 kbps combination - Per Mile			UNCDX	1L5XX	0.0167													
		Interoffice Transport - Dedicated - 4-wire 56 kbps combination - Facility Termination			UNCDX	U1TD5	16.76													
		Nonrecurring Currently Combined Network Elements Switch -As-Is Charge			UNCDX	UNCCC		11.21	11.21	13.99	13.99			31.38	31.38	3.94	3.94			
		4-WIRE 64 KBPS DIGITAL EXTENDED LOOP WITH 64 KBPS INTEROFFICE TRANSPORT (EEL)																		
		4-wire 64 kbps Loop/4-wire 64 kbps Interoffice Transport Combination - Zone 1		1	UNCDX	UDL64	34.26													
		4-wire 64 kbps Loop/4-wire 64 kbps Interoffice Transport Combination - Zone 2		2	UNCDX	UDL64	51.67													
		4-wire 64 kbps Loop/4-wire 64 kbps Interoffice Transport Combination - Zone 3		3	UNCDX	UDL64	68.47													
		Interoffice Transport - Dedicated - 4-wire 64 kbps combination - Per Mile			UNCDX	1L5XX	0.0167													
		Interoffice Transport - Dedicated - 4-wire 64 kbps combination - Facility Termination			UNCDX	U1TD6	16.76													
		Nonrecurring Currently Combined Network Elements Switch -As-Is Charge			UNCDX	UNCCC		11.21	11.21	13.99	13.99			31.38	31.38	3.94	3.94			
		ADDITIONAL NETWORK ELEMENTS																		
		When used as a part of a currently combined facility, the non-recurring charges do not apply, but a Switch As Is charge does apply.																		
		When used as ordinarily combined network elements in Georgia, the non-recurring charges apply and the Switch As Is Charge does not.																		
		Node (SynchroNet)																		
		Node per month			UNCDX	UNCNT	14.55													
		Nonrecurring Currently Combined Network Elements "Switch As Is" Charge (One applies to each combination)																		
		2/4-Wire VG Interoffice Channel used in a COMBINATION - "Switch As Is" Conversion Charge			UNCVX	UNCCC		11.21	11.21	13.99	13.99			31.38	31.38	3.94	3.94			
		56/64 kbps Interoffice Channel used in a COMBINATION - "Switch As Is" Conversion Charge			UNCDX	UNCCC		11.21	11.21	13.99	13.99			31.38	31.38	3.94	3.94			
		DS1 Interoffice Channel used in a COMBINATION - "Switch As Is" Conversion Charge			UNC1X	UNCCC		11.21	11.21	13.99	13.99			31.38	31.38	3.94	3.94			
		DS3 Interoffice Channel used in a COMBINATION - "Switch As Is" Conversion Charge			UNC3X	UNCCC		11.21	11.21	13.99	13.99			31.38	31.38	3.94	3.94			

UNBUNDLED NETWORK ELEMENTS
SC

CATEGORY	NOTES	UNBUNDLED NETWORK ELEMENT	Interim	Zone	BCS	USOC	RATES (\$)				OSS RATES (\$)						
							Nonrecurring	Nonrecurring	Nonrecurring	Nonrecurring	Incremental Charge - Manual Svc Order vs. Electronic-1st	Incremental Charge - Manual Svc Order vs. Electronic-Add'l	Incremental Charge - Manual Svc Order vs. Electronic-Disc 1st	Incremental Charge - Manual Svc Order vs. Electronic-Disc Add'l			
							Rec	First	Add'l	First	Add'l	SOME C	SOMAN	SOMAN	SOMAN	SOMAN	SOMAN
		STS1 Interoffice or Local Loop used in a COMBINATION - "Switch As Is" Conversion Charge			UNCSX	UNCCC		11.21	11.21	13.99	13.99			31.38	31.38	3.94	3.94
		NOTE: Local Channel - Dedicated Transport - minimum billing period - Below DS3=one month, DS3 and above=four months															
OPERATIONAL SUPPORT SYSTEMS																	
		NOTE: (1) Electronic Service Order: CLEC-1 should contact its contract negotiator if it prefers the state specific electronic service ordering charges as ordered by the State Commissions															
		NOTE: (1) Continued: The electronic service ordering charge currently contained in this rate exhibit is the BellSouth regional electronic service ordering charge															
		NOTE: (1) Concluded: CLEC-1 may elect either the state specific Commission ordered rates for the electronic service ordering charges, or CLEC-1 may elect the regional electronic service ordering charge															
		NOTE: (2) Manual Service Order charge: disconnect, in the state of Florida, to be billed on a per LSR basis															
		Electronic OSS Charge, per LSR, submitted via BST's OSS interactive interfaces (Regional)				SOME C		3.5									
UNBUNDLED LOCAL EXCHANGE SWITCHING (PORTS)																	
		Exchange Ports															
		NOTE: Although the Port Rate includes all available features in GA & TN, the desired features will need to be ordered using retail USOCs															
		2-WIRE VOICE GRADE LINE PORT RATES (RES)															
		Exchange Ports - 2-Wire Analog Line Port- Re:			UEPSR	UEPRL	2.35	24.98	24.98					44.42	14.63		
		Exchange Ports - 2-Wire Analog Line Port with Caller ID - Re			UEPSR	UEPRC	2.35	24.98	24.98					44.42	14.63		
		Exchange Ports - 2-Wire Analog Line Port outgoing only - Re			UEPSR	UEPRO	2.35	24.98	24.98					44.42	14.63		
		Exchange Ports - 2-Wire VG unbundled SC extended local dialing parity Port with Caller ID - Res.			UEPSR	UEPAU	2.35	24.98	24.98					44.42	14.63		
		Exchange Ports - 2-Wire VG unbundled South Carolina Area Calling port with Caller ID - Res (LW8)			UEPSR	UEPAJ	2.35	24.98	24.98					44.42	14.63		
		Exchange Ports - 2-Wire VG unbundled res, low usage line port with Caller ID (LUM)			UEPSR	UEPAP	2.35	24.98	24.98					44.42	14.63		
		Subsequent Activity			UEPSR	USASC	0	0	0								
		FEATURES															
		All Available Vertical Feature			UEPSR	UEPVF	6.29	0	0					44.42	14.63		
		2-WIRE VOICE GRADE LINE PORT RATES (BUS)															
		Exchange Ports - 2-Wire Analog Line Port without Caller ID - Bu			UEPSB	UEPBL	2.35	24.98	24.98					44.42	14.63		
		Exchange Ports - 2-Wire VG unbundled Line Port with unbundled port with Caller+E484 ID - Bus			UEPSB	UEPBC	2.35	24.98	24.98					44.42	14.63		
		Exchange Ports - 2-Wire Analog Line Port outgoing only - Bu			UEPSB	UEPBO	2.35	24.98	24.98					44.42	14.63		
		Exchange Ports - 2-Wire VG unbundled SC extended local dialing parity Port with Caller ID - Bus.			UEPSB	UEPAZ	2.35	24.98	24.98					44.42	14.63		
		Exchange Ports - 2-Wire VG unbundled incoming only port with Caller ID - Bu			UEPSB	UEPB1	2.35	24.98	24.98					44.42	14.63		
		Exchange Ports - 2-Wire VG unbundled South Carolina Bus Area Calling Port with Caller ID - Bus (LMB)			UEPSB	UEPAB	2.35	24.98	24.98					44.42	14.63		
		Subsequent Activity			UEPSB	USASC	0	0	0								
		FEATURES															
		All Available Vertical Feature			UEPSB	UEPVF	6.29	0	0					44.42	14.63		
		EXCHANGE PORT RATES (DID & PBX)															
		Exchange Ports - 2-Wire DID Port			UEPEX	UEPP2	8.86	239.14	37.56	120.05	7.54			67.52	67.52		
		Exchange Ports - DDITS Port - 4-Wire DS1 Port with DID capabilit			UEPDD	UEPDD	73.62	404.94	191.8	145.5	4.93			19.99	19.99	19.99	19.99
		Exchange Ports - 2-Wire ISDN Port (See Notes below)			UEPTX	U1PMA	13.38	145.86	106.21	95.79	21.52			67.52	67.52		
		All Features Offerec			UEPTX	UEPSX	6.29	0	0								

UNBUNDLED NETWORK ELEMENTS
SC

CATEGORY	NOTES	UNBUNDLED NETWORK ELEMENT	Interim	Zone	BCS	USOC	RATES (\$)					OSS RATES (\$)					
							Rec	First	Add'l	First	Add'l	SOME	SOMAN	SOMAN	SOMAN	SOMAN	SOMAN
												Svc Order Submitted Elec per LSR	Svc Order Submitted Manually per LSR	Incremental Charge - Manual Svc Order vs. Electronic-1st	Incremental Charge - Manual Svc Order vs. Electronic-Add'l	Incremental Charge - Manual Svc Order vs. Electronic-Disc 1st	Incremental Charge - Manual Svc Order vs. Electronic-Disc Add'l
							Nonrecurring				Nonrecurring						
							Disconnect				Disconnect						
							Rec	First	Add'l	First	Add'l	SOME	SOMAN	SOMAN	SOMAN	SOMAN	SOMAN
	NOTE: Transmission/usage charges associated with POTS circuit switched usage will also apply to circuit switched voice and/or circuit switched data transmission by B-Channels associated with 2-wire ISDN ports.																
	NOTE: Access to B Channel or D Channel Packet capabilities will be available only through BFR/New Business Request Process. Rates for the packet capabilities will be determined via the Bona Fide Request/New Business Request Process.																
		Exchange Ports - 2-Wire ISDN Port -- Channel Profiles			UEPTX			0	0	0							
		Exchange Ports - 4-Wire ISDN DS1 Por			UEPSX	U1UMA		107.44	408.53	203.56	158.7	21.52			65.48	65.48	
		2-Wire VG Unbundled 2-Way PBX Trunk - Re:			UEPEX	UEPEX		2.35	24.36	24.36					41.86	14.46	
		2-Wire VG Line Side Unbundled 2-Way PBX Trunk - Bu			UEPSE	UEPRD		2.35	24.36	24.36					41.86	14.46	
		2-Wire VG Line Side Unbundled Outward PBX Trunk - Bu			UEPSP	UEPPC		2.35	24.36	24.36					41.86	14.46	
		2-Wire VG Line Side Unbundled Incoming PBX Trunk - Bu			UEPSP	UEPPO		2.35	24.36	24.36					41.86	14.46	
		2-Wire Analog Long Distance Terminal PBX Trunk - Bu			UEPSP	UEPP1		2.35	24.36	24.36					41.86	14.46	
		2-Wire Voice Unbundled PBX LD Terminal Port			UEPSP	UEPLD		2.35	24.36	24.36					41.86	14.46	
		2-Wire Voice Unbundled 2-Way PBX Usage Po			UEPSP	UEPLD		2.35	24.36	24.36					41.86	14.46	
		2-Wire Voice Unbundled PBX Toll Terminal Hotel Por			UEPSP	UEPXA		2.35	24.36	24.36					41.86	14.46	
		2-Wire Voice Unbundled PBX LD DDD Terminals Po			UEPSP	UEPXB		2.35	24.36	24.36					41.86	14.46	
		2-Wire Voice Unbundled PBX LD Terminal Switchboard Pc			UEPSP	UEPXC		2.35	24.36	24.36					41.86	14.46	
		2-Wire Voice Unbundled PBX LD Terminal Switchboard IDD Capable Pc			UEPSP	UEPXD		2.35	24.36	24.36					41.86	14.46	
		2-Wire Voice Unbundled 2-Way PBX Hotel/Hospital Economy Administrative Calling Port			UEPSP	UEPXE		2.35	24.36	24.36					41.86	14.46	
		2-Wire Voice Unbundled 2-Way PBX Hotel/Hospital Economy Room Calling P			UEPSP	UEPXL		2.35	24.36	24.36					41.86	14.46	
		2-Wire Voice Unbundled 1-Way Outgoing PBX Hotel/Hospital Discount Room Calling Port			UEPSP	UEPXM		2.35	24.36	24.36					41.86	14.46	
		2-Wire Voice Unbundled 1-Way Outgoing PBX Measured Pc			UEPSP	UEPXO		2.35	24.36	24.36					41.86	14.46	
		2-Wire Voice Unbundled 2-Way PBX South Carolina Area Plus Calling P			UEPSP	UEPXS		2.35	24.36	24.36					41.86	14.46	
		Subsequent Activity			UEPSP	UEPXT		2.35	24.36	24.36					41.86	14.46	
	FEATURES				UEPSP	USASC		0	0	0							
		All Available Vertical Feature			UEPSE	UEPVF		6.29	0	0					41.86	14.46	
	EXCHANGE PORT RATES (COIN)																
		Exchange Ports - Coin Por						2.77	24.75	24.75					43.48	14.57	
		Local Switching Features offered with Port															
	NOTE: Transmission/usage charges associated with POTS circuit switched usage will also apply to circuit switched voice and/or circuit switched data transmission by B-Channels associated with 2-wire ISDN ports.																
	NOTE: Access to B Channel or D Channel Packet capabilities will be available only through BFR/New Business Request Process. Rates for the packet capabilities will be determined via the Bona Fide Request/New Business Request Process.																
		Exchange port - 4-wire ISDN trunk port -all available features includ			UEPEX			251	311.73	311.73					65.48	65.48	
		Exchange Port - 2-wire ISDN digital line side port with three features includ			U1PMA			36.01	70.32	70.32					67.52	67.52	
		UNBUNDLED LOCAL SWITCHING, PORT USAGE															
		End Office Switching (Port Usage)															
		End Office Switching Function, Per MOL						0.0019295									
		End Office Trunk Port - Shared, Per MOL						0.0002581									
		Tandem Switching (Port Usage) (Local or Access Tandem)															
		Tandem Switching Function Per MOL						0.0006843									
		Tandem Trunk Port - Shared, Per MOL						0.0004034									
		Common Transport															
		Common Transport - Per Mile, Per MOL						0.0000121									
		Common Transport - Facilities Termination Per MO						0.0004672									
		UNBUNDLED PORT/LOOP COMBINATIONS - COST BASED RATES															
		Cost Based Rates are applied where BellSouth is required by FCC and/or State Commission rule to provide Unbundled Local Switching or Switch Ports.															

UNBUNDLED NETWORK ELEMENTS
SC

CATEGORY	NOTES	UNBUNDLED NETWORK ELEMENT	Interim	Zone	BCS	USOC	RATES (\$)					OSS RATES (\$)															
							Nonrecurring		Nonrecurring			Svc Order Submitted Elec per LSR	Svc Order Submitted Manually per LSR	Incremental Charge - Manual Svc Order vs. Electronic-1st	Incremental Charge - Manual Svc Order vs. Electronic-Add'l	Incremental Charge - Manual Svc Order vs. Electronic-Disc 1st	Incremental Charge - Manual Svc Order vs. Electronic-Disc Add'l										
							Rec	First	Add'l	First	Add'l							SOME C	SOMAN	SOMAN	SOMAN	SOMAN	SOMAN				
							Disconnect																				
Features shall apply to the Unbundled Port/Loop Combination - Cost Based Rate section in the same manner as they are applied to the Stand-Alone Unbundled Port section of this Rate Exhibit.																											
End Office and Tandem Switching Usage and Common Transport Usage rates in the Port section of this rate exhibit shall apply to all combinations of loop/port network elements except for UNE Coin Port/Loop Combinations.																											
For Georgia, the recurring UNE Port and Loop charges listed apply to Currently Combined and Not Currently Combined Combos and the first and additional Port nonrecurring charges apply to Not Currently Combined Combos. For Currently Combined Combos in GA and all other states, the nonrecurring charges shall be those identified in the Nonrecurring - Currently Combined sections.																											
2-WIRE VOICE GRADE LOOP WITH 2-WIRE LINE PORT (RES)																											
UNE Port/Loop Combination Rates																											
		2-Wire VG Loop/Port Combo - Zone		1																							
		2-Wire VG Loop/Port Combo - Zone		2																							
		2-Wire VG Loop/Port Combo - Zone		3																							
UNE Loop Rates																											
		2-Wire Voice Grade Loop (SL1) - Zone		1	UEPRX	UEPLX																					
		2-Wire Voice Grade Loop (SL1) - Zone		2	UEPRX	UEPLX																					
		2-Wire Voice Grade Loop (SL1) - Zone		3	UEPRX	UEPLX																					
2-Wire Voice Grade Line Port Rates (Res)																											
		2-Wire voice unbundled port - residenc			UEPRX	UEPRL																					
		2-Wire voice unbundled port with Caller ID - re			UEPRX	UEPRC																					
		2-Wire voice unbundled port outgoing only - re			UEPRX	UEPRO																					
		2-Wire voice Grade unbundled South Carolina extended local dialing parity port w Caller ID - res			UEPRX	UEPAU																					
		2-Wire voice unbundled South Carolina Area Calling port with Caller ID - res (LW)			UEPRX	UEPAJ																					
		2-Wire voice unbundles res, low usage line port with Caller ID (LUI)			UEPRX	UEPAP																					
FEATURES																											
		All Features Offerec			UEPRX	UEPVF																					
LOCAL NUMBER PORTABILITY																											
		Local Number Portability (1 per port)			UEPRX	LNPCX																					
NONRECURRING CHARGES (NRCs) - CURRENTLY COMBINED																											
		2-Wire Voice Grade Loop / Line Port Combination - Conversion - Switch-as			UEPRX	USAC2																					
		2-Wire Voice Grade Loop / Line Port Combination - Conversion - Switch with change			UEPRX	USACC																					
		2-Wire Voice Grade Loop / Line Port Combination - Conversion - Subsequent Database Updat																									
ADDITIONAL NRCs																											
		2-Wire Voice Grade Loop/Line Port Combination - Subsequent Activ			UEPRX	USAS2																					
2-WIRE VOICE GRADE LOOP WITH 2-WIRE LINE PORT (BUS)																											
UNE Port/Loop Combination Rates																											
		2-Wire VG Loop/Port Combo - Zone		1																							
		2-Wire VG Loop/Port Combo - Zone		2																							
		2-Wire VG Loop/Port Combo - Zone		3																							
UNE Loop Rates																											
		2-Wire Voice Grade Loop (SL1) - Zone		1	UEPBX	UEPLX																					
		2-Wire Voice Grade Loop (SL1) - Zone		2	UEPBX	UEPLX																					
		2-Wire Voice Grade Loop (SL1) - Zone		3	UEPBX	UEPLX																					
2-Wire Voice Grade Line Port (Bus)																											
		2-Wire voice unbundled port without Caller ID - bu			UEPBX	UEPBL																					
		2-Wire voice unbundled port with Caller + E484 ID - bu			UEPBX	UEPBC																					
		2-Wire voice unbundled port outgoing only - bu			UEPBX	UEPBO																					

UNBUNDLED NETWORK ELEMENTS
SC

CATEGORY	NOTES	UNBUNDLED NETWORK ELEMENT	Interim	Zone	BCS	USOC	RATES (\$)				OSS RATES (\$)					
							Nonrecurring		Nonrecurring		Svc Order Submitted Elec per LSR	Svc Order Submitted Manually per LSR	Incremental Charge - Manual Svc Order vs. Electronic-1st	Incremental Charge - Manual Svc Order vs. Electronic-Add'l	Incremental Charge - Manual Svc Order vs. Electronic-Disc 1st	Incremental Charge - Manual Svc Order vs. Electronic-Disc Add'l
							Rec	First	First	Add'l						
							SOMEc	SOMAN	SOMAN	SOMAN	SOMAN	SOMAN	SOMAN			
		2-Wire voice Grade unbundled South Carolina extended local dialing parity port w Caller ID - bus			UEPBX	UEPAZ	3.69						43.19	9.91		
		2-Wire voice unbundled incoming only port with Caller ID - Bus			UEPBX	UPEB1	3.69						43.19	9.91		
		2-Wire voice unbundled South Carolina Bus Area Calling Port with Caller ID (LM)			UEPBX	UEPAB	3.69						43.19	9.91		
		LOCAL NUMBER PORTABILITY														
		Local Number Portability (1 per port)			UEPBX	LNPCX	0.35									
		FEATURES														
		All Features Offerec			UEPBX	UEPVF	6.29	0	0				43.19	9.91		
		NONRECURRING CHARGES (NRCs) - CURRENTLY COMBINED														
		2-Wire Voice Grade Loop / Line Port Combination - Conversion - Switch-as			UEPBX	USAC2	1.59	0.4					43.19	9.91		
		2-Wire Voice Grade Loop / Line Port Combination - Conversion - Switch with change			UEPBX	USACC	1.59	0.4								
		2-Wire Voice Grade Loop / Line Port Combination - Conversion - Subsequent Database Updat						71					8.91			
		ADDITIONAL NRCs														
		2-Wire Voice Grade Loop/Line Port Combination - Subsequent Activ			UEPBX	USAS2							43.19	9.91		
		2-WIRE VOICE GRADE LOOP WITH 2-WIRE LINE PORT (RES - PBX)														
		UNE Port/Loop Combination Rates														
		2-Wire VG Loop/Port Combo - Zone		1			20.71									
		2-Wire VG Loop/Port Combo - Zone :		2			29.35									
		2-Wire VG Loop/Port Combo - Zone :		3			37.68									
		UNE Loop Rates														
		2-Wire Voice Grade Loop (SL 1) - Zone		1	UEPRG	UEPLX	17.02									
		2-Wire Voice Grade Loop (SL 1) - Zone		2	UEPRG	UEPLX	25.66									
		2-Wire Voice Grade Loop (SL 1) - Zone		3	UEPRG	UEPLX	33.99									
		2-Wire Voice Grade Line Port Rates (RES - PBX)														
		2-Wire VG Unbundled Combination 2-Way PBX Trunk Port - Re			UEPRG	UEPRD	3.69						43.19	9.91		
		LOCAL NUMBER PORTABILITY														
		Local Number Portability (1 per port)			UEPRG	LNPCP	3.5									
		FEATURES														
		All Features Offerec			UEPRG	UEPVF	6.29	0	0				43.19	9.91		
		NONRECURRING CHARGES (NRCs) - CURRENTLY COMBINED														
		2-Wire Voice Grade Loop/ Line Port Combination (PBX) - Conversion - Switch-As			UEPRG	USAC2	1.59	0.4					43.19	9.91		
		2-Wire Voice Grade Loop/ Line Port Combination (PBX) - Conversion - Switch with Change			UEPRG	USACC	1.59	0.4					43.19	9.91		
		2-Wire Voice Grade Loop / Line Port Combination - Conversion - Subsequent Database Updat						0.71					8.91			
		ADDITIONAL NRCs														
		2-Wire Voice Grade Loop/ Line Port Combination (PBX) - Subsequent Activ			UEPRG	USAS2	0	0	0				19.99	19.99	19.99	19.99
		PBX Subsequent Activity - Change/Rearrange Multiline Hunt Gro						14.64	14.64							
		2-WIRE VOICE GRADE LOOP WITH 2-WIRE LINE PORT (BUS - PBX)														
		UNE Port/Loop Combination Rates														
		2-Wire VG Loop/Port Combo - Zone		1			20.71									
		2-Wire VG Loop/Port Combo - Zone :		2			29.35									

UNBUNDLED NETWORK ELEMENTS
SC

CATEGORY	NOTES	UNBUNDLED NETWORK ELEMENT	Interim	Zone	BCS	USOC	RATES (\$)				OSS RATES (\$)								
							Nonrecurring		Nonrecurring		Svc Order Submitted Elec per LSR	Svc Order Submitted Manually per LSR	Incremental Charge - Manual Svc Order vs. Electronic-1st	Incremental Charge - Manual Svc Order vs. Electronic-Add'l	Incremental Charge - Manual Svc Order vs. Electronic-Disc 1st	Incremental Charge - Manual Svc Order vs. Electronic-Disc Add'l			
							Rec	First	Add'l	First							Add'l	SOMECD	SOMAN
		2-Wire VG Loop/Port Combo - Zone :		3			37.68												
		UNE Loop Rates																	
		2-Wire Voice Grade Loop (SL 1) - Zone		1	UEPPX	UEPLX	17.02												
		2-Wire Voice Grade Loop (SL 1) - Zone		2	UEPPX	UEPLX	25.66												
		2-Wire Voice Grade Loop (SL 1) - Zone		3	UEPPX	UEPLX	33.99												
		2-Wire Voice Grade Line Port Rates (BUS - PBX)																	
		Line Side Unbundled Combination 2-Way PBX Trunk Port - Bu			UEPPX	UEPPC	3.69					43.19	9.91						
		Line Side Unbundled Outward PBX Trunk Port - Bu			UEPPX	UEPPO	3.69					43.19	9.91						
		Line Side Unbundled Incoming PBX Trunk Port - Bu			UEPPX	UEPP1	3.69					43.19	9.91						
		2-Wire Voice Unbundled PBX LD Terminal Port			UEPPX	UEPLD	3.69					43.19	9.91						
		2-Wire Voice Unbundled 2-Way Combination PBX Usage Pc			UEPPX	UEPXA	3.69					43.19	9.91						
		2-Wire Voice Unbundled PBX Toll Terminal Hotel Por			UEPPX	UEPXB	3.69					43.19	9.91						
		2-Wire Voice Unbundled PBX LD DDD Terminals Po			UEPPX	UEPXC	3.69					43.19	9.91						
		2-Wire Voice Unbundled PBX LD Terminal Switchboard Pc			UEPPX	UEPXD	3.69					43.19	9.91						
		2-Wire Voice Unbundled PBX LD Terminal Switchboard IDD Capable Pr			UEPPX	UEPXE	3.69					43.19	9.91						
		2-Wire Voice Unbundled 2-Way PBX Hotel/Hospital Economy Administrative Calling Port			UEPPX	UEPXL	3.69					43.19	9.91						
		2-Wire Voice Unbundled 2-Way PBX Hotel/Hospital Economy Room Calling Pi			UEPPX	UEPXM	3.69					43.19	9.91						
		2-Wire Voice Unbundled 1-Way Outgoing PBX Hotel/Hospital Discount Room Calling Port			UEPPX	UEPXO	3.69					43.19	9.91						
		2-Wire Voice Unbundled 1-Way Outgoing PBX Measured Pc			UEPPX	UEPXS	3.69					43.19	9.91						
		2-Wire Voice Unbundled 2-Way PBX South Carolina Area Plus Calling Pi			UEPPX	UEPXT	3.69					43.19	9.91						
		LOCAL NUMBER PORTABILITY																	
		Local Number Portability (1 per port)			UEPPX	LNPCP	3.15												
		FEATURES																	
		All Features Offerec			UEPPX	UEPVF	6.29	0	0			43.19	9.91						
		NONRECURRING CHARGES (NRCs) - CURRENTLY COMBINED																	
		2-Wire Voice Grade Loop/ Line Port Combination (PBX) - Conversion - Switch-As Is			UEPPX	USAC2		1.59	0.4			43.19	9.91						
		2-Wire Voice Grade Loop/ Line Port Combination (PBX) - Conversion - Switch with Change			UEPPX	USACC		1.59	0.4			43.19	9.91						
		2-Wire Voice Grade Loop / Line Port Combination - Conversion - Subsequent Database Updatr							0.71			8.91							
		ADDITIONAL NRCs																	
		2-Wire Voice Grade Loop/ Line Port Combination (PBX) - Subsequent Activ PBX Subsequent Activity - Change/Rearrange Multiline Hunt Gro			UEPPX	USAS2	0	0	0	14.64	14.64	19.99	19.99	19.99	19.99				
		2-WIRE VOICE GRADE LOOP WITH 2-WIRE ANALOG LINE COIN PORT																	
		UNE Port/Loop Combination Rates																	
		2-Wire VG Coin Port/Loop Combo - Zone 1					21.06												
		2-Wire VG Coin Port/Loop Combo - Zone 2					29.7												
		2-Wire VG Coin Port/Loop Combo - Zone 3					28.03												
		UNE Loop Rates																	
		2-Wire Voice Grade Loop (SL1) - Zone			UEPCO	UEPLX	17.02												
		2-Wire Voice Grade Loop (SL1) - Zone			UEPCO	UEPLX	25.66												
		2-Wire Voice Grade Loop (SL1) - Zone			UEPCO	UEPLX	33.99												
		2-Wire Voice Grade Line Ports (COIN)																	
		2-Wire Coin 2-Way without Operator Screening and without Blocking (SC)			UEPCO	UEPSD	4.04					43.19	9.91						
		2-Wire Coin 2-Way with Operator Screening and Blocking: 011, 900/976, 1+DDD (SC)			UEPCO	UEPSA	4.04					43.19	9.91						
		2-Wire Coin 2-Way with Operator Screening and 011 Blocking (SC)			UEPCO	UEPSH	4.04					43.19	9.91						

UNBUNDLED NETWORK ELEMENTS
SC

CATEGORY	NOTES	UNBUNDLED NETWORK ELEMENT	Interim	Zone	BCS	USOC	RATES (\$)					OSS RATES (\$)									
							Rec	First	Add'l	First	Add'l	SOME C	SOMAN	SOMAN	SOMAN	SOMAN	SOMAN	SOMAN			
							Nonrecurring		Nonrecurring		Disconnect										
		2-Wire Coin 2-Way with Operator Screening and 011 Blocking; with Dialing Parity (SC)			UEPCO	UEPSC	4.04														
		2-Wire Coin 2-Way with Operator Screening and: 900 Blocking: 900/976, 1+DDD, 011+, and Local (SC)			UEPCO	UEPCC	4.04														
		2-Wire Coin 2-W Operator Screen: 900 Block: 900/976, 1+DDD, 011+, Local; Enhanced Call OPT 3YV (SC)			UEPCO	UEPCE	4.04														
		2-Wire Coin 2-W Operator Screen: 900 Block: 900/976, 1+DDD, 011+, Local; Enhanced Call OPT AP7 (SC)			UEPCO	UEPCF	4.04														
		2-Wire Coin Outward without Blocking and without Operator Screening (SC)			UEPCO	UEPSG	4.04														
		2-Wire Coin Outward with Operator Screening and 011 Blocking (SC)			UEPCO	UEPSF	4.04														
		2-Wire Coin Outward with Operator Screening and Blocking: 011, 900/976, 1+DDD (SC)			UEPCO	UEPSJ	4.04														
		2-Wire Coin Outward with Operator Screening and Blocking: 900/976, 1+DDD, 011+, and Local (SC)			UEPCO	UEPCM	4.04														
		2-Wire Coin Out Operator Screen & Block: 900/976, 1+DDD, 011+, Local; Enhanced Calling OPT 3YW (SC)			UEPCO	UEPCP	4.04														
		2-Wire 2-Way Smartline with 900/976 (all states except LA)			UEPCO	UEPCK	4.04														
		2-Wire Coin Outward Smartline with 900/976 (all states except LA)			UEPCO	UEPCR	4.04														
		ADDITIONAL UNE COIN PORT/LOOP (RC)																			
		UNE Coin Port/Loop Combo Usage (Flat Rate)			UEPCO	URECU	4.05	0	0												
		LOCAL NUMBER PORTABILITY																			
		Local Number Portability (1 per port)			UEPCO	LNPCX	0.35														
		NONRECURRING CHARGES - CURRENTLY COMBINED																			
		2-Wire Voice Grade Loop / Line Port Combination - Conversion - Switch-as			UEPCO	USAC2		1.59	0.4												
		2-Wire Voice Grade Loop / Line Port Combination - Conversion - Switch with change			UEPCO	USACC		1.59	0.4												
		ADDITIONAL NRCs																			
		2-Wire Voice Grade Loop/Line Port Combination - Subsequent Activ			UEPCO	USAS2		0	0												
		2-WIRE VOICE GRADE LOOP- BUS ONLY - WITH 2-WIRE DID TRUNK PORT																			
		UNE Port/Loop Combination Rates																			
		2-Wire VG Loop/2-Wire DID Trunk Port Combo - UNE Zone		1																	
		2-Wire VG Loop/2-Wire DID Trunk Port Combo - UNE Zone		2																	
		2-Wire VG Loop/2-Wire DID Trunk Port Combo - UNE Zone		3																	
		UNE Loop Rates																			
		2-Wire Analog Voice Grade Loop - (SL2) - UNE Zone		1	UEPPX	UECD1	20.85	211.95	128.8	106.09	21.21										
		2-Wire Analog Voice Grade Loop - (SL2) - UNE Zone		2	UEPPX	UECD1	28.91	21.95	136.85	106.09	21.21										
		2-Wire Analog Voice Grade Loop - (SL2) - UNE Zone		3	UEPPX	UECD1	35.57	211.95	136.85	106.09	21.21										
		UNE Port Rate																			
		Exchange Ports - 2-Wire DID Por			UEPPX	UEPD1	8.83	239.14	37.56	120.05	7.54										
		NONRECURRING CHARGES - CURRENTLY COMBINED																			
		2-Wire Voice Grade Loop / 2-Wire DID Trunk Port Combination - Switch-as			UEPPX	USAC1		14.62	3.73												
		2-Wire Voice Grade Loop / 2-Wire DID Trunk Port Conversion with BellSouth Allowable Change:			UEPPX	USA1C		14.62	3.73												
		ADDITIONAL NRCs																			
		2-Wire DID Subsequent Activity - Add Trunks, Per Trunk			UEPPX	USAS1		53.68													
		Telephone Number/Trunk Group Establishment Charges																			
		DID Trunk Termination (One Per Port)			UEPPX	NDT	0	0	0												
		DID Numbers, Establish Trunk Group and Provide First Group of 20 DID Numbe			UEPPX	NDZ		0	0												
		Additional DID Numbers for each Group of 20 DID Numbe			UEPPX	ND4	0	0	0												
		DID Numbers, Non- consecutive DID Numbers , Per Numbe			UEPPX	ND5		0	0												

UNBUNDLED NETWORK ELEMENTS
SC

CATEGORY	NOTES	UNBUNDLED NETWORK ELEMENT	Interim	Zone	BCS	USOC	RATES (\$)						OSS RATES (\$)					
							Rec	First	Add'l	First	Add'l	SOMECD	SOMAN	SOMAN	SOMAN	SOMAN	SOMAN	
							Nonrecurring			Nonrecurring			Svc Order Submitted Elec per LSR	Svc Order Submitted Manually per LSR	Incremental Charge - Manual Svc Order vs. Electronic-1st	Incremental Charge - Manual Svc Order vs. Electronic-Add'l	Incremental Charge - Manual Svc Order vs. Electronic-Disc 1st	Incremental Charge - Manual Svc Order vs. Electronic-Disc Add'l
							Disconnect											
		Reserve Non-Consecutive DID number			UEPPX	ND6	0	0	0						19.99			
		Reserve DID Numbers			UEPPX	NDV	0	0	0						19.99			
		LOCAL NUMBER PORTABILITY																
		Local Number Portability (1 per port)			UEPPX	LNPCP	3.15											
		2-WIRE ISDN DIGITAL GRADE LOOP WITH 2-WIRE ISDN DIGITAL LINE SIDE PORT																
		UNE Port/Loop Combination Rates																
		2W ISDN Digital Grade Loop/2W ISDN Digital Line Side Port - UNE Zone		1	UEPPB UEPPR		38.58											
		2W ISDN Digital Grade Loop/2W ISDN Digital Line Side Port - UNE Zone		2	UEPPB UEPPR		48.25											
		2W ISDN Digital Grade Loop/2W ISDN Digital Line Side Port - UNE Zone		3	UEPPB UEPPR		55.29											
		UNE Loop Rates																
		2-Wire ISDN Digital Grade Loop - UNE Zone		1	UEPPB UEPPR	USL2X	27.38	235.15	160.04	106.09	21.21				19.99	19.99	19.99	19.99
		2-Wire ISDN Digital Grade Loop - UNE Zone		2	UEPPB UEPPR	USL2X	37.05	235.15	160.14	106.09	21.21				19.99	19.99	19.99	19.99
		2-Wire ISDN Digital Grade Loop - UNE Zone		3	UEPPB UEPPR	USL2X	44.09	235.15	160.04	106.09	21.21				19.99	19.99	19.99	19.99
		UNE Port Rate																
		Exchange Port - 2-Wire ISDN Line Side Po			UEPPB UEPPR	UEPPB	11.2	145.86	106.21	95.79	21.52				19.99	19.99	19.99	19.99
		NONRECURRING CHARGES - CURRENTLY COMBINED																
		2-Wire ISDN Digital Grade Loop / 2-Wire ISDN Line Side Port Combination - Conversion			UEPPB UEPPR	USACB	0	77.18	54.15						19.99	19.99	19.99	19.99
		ADDITIONAL NRCs																
		LOCAL NUMBER PORTABILITY																
		Local Number Portability (1 per port)			UEPPB UEPPR	LNPCX	0.35	0	0									
		B-CHANNEL USER PROFILE ACCESS:																
		CVS/CSD (DMS/5ESS)			UEPPB UEPPR	U1UCA	0	0	0									
		CVS (EWSD)			UEPPB UEPPR	U1UCB	0	0	0									
		CSD			UEPPB UEPPR	U1UCC	0	0	0									
		B-CHANNEL AREA PLUS USER PROFILE ACCESS: (AL,KY,LA,MS SC,MS, & TN)																
		CVS/CSD (DMS/5ESS)			UEPPB UEPPR	U1UCD	0	0	0									
		CVS (EWSD)			UEPPB UEPPR	U1UCE	0	0	0									
		CSD			UEPPB UEPPR	U1UCF	0	0	0									
		USER TERMINAL PROFILE																
		User Terminal Profile (EWSD only)			UEPPR	U1UMA	0	0	0									
		VERTICAL FEATURES																
		All Vertical Features - One per Channel B User Profile			UEPPB UEPPR	UEPVF	6.29	0	0									

UNBUNDLED NETWORK ELEMENTS
SC

CATEGORY	NOTES	UNBUNDLED NETWORK ELEMENT	Interim	Zone	BCS	USOC	RATES (\$)						OSS RATES (\$)					
							Nonrecurring			Nonrecurring			Svc Order Submitted Elec per LSR	Svc Order Submitted Manually per LSR	Incremental Charge - Manual Svc Order vs. Electronic-1st	Incremental Charge - Manual Svc Order vs. Electronic-Add'l	Incremental Charge - Manual Svc Order vs. Electronic-Disc 1st	Incremental Charge - Manual Svc Order vs. Electronic-Disc Add'l
							Rec	First	Add'l	First	Add'l	Disconnect						
							SOME	SOMAN	SOMAN	SOMAN	SOMAN	SOMAN	SOMAN					
INTEROFFICE CHANNEL MILEAGE																		
		Interoffice Channel mileage each, including first mile and facilities termination			UEPPB UEPPR	M1GN	20.74	136.44	51.37				19.99	19.99	19.99	19.99		
		Interoffice Channel mileage each, additional mile			UEPPB UEPPR	M1GNM	0.0373	0	0		0							
4-WIRE DS1 DIGITAL LOOP WITH 4-WIRE ISDN DS1 DIGITAL TRUNK PORT																		
UNE Port/Loop Combination Rates																		
		4W DS1 Digital Loop/4W ISDN DS1 Digital Trunk Port - UNE Zone		1	UEPPP		221.03											
		4W DS1 Digital Loop/4W ISDN DS1 Digital Trunk Port - UNE Zone		2	UEPPP		301.73											
		4W DS1 Digital Loop/4W ISDN DS1 Digital Trunk Port - UNE Zone		3	UEPPP		434.8											
UNE Loop Rates																		
		4-Wire DS1 Digital Loop - UNE Zone		1	UEPPP	USL4P	113.59	505.05	315.77	89.6	23.46		19.99	19.99	19.99	19.99		
		4-Wire DS1 Digital Loop - UNE Zone :		2	UEPPP	USL4P	194.29	505.05	315.77	89.6	23.46		19.99	19.99	19.99	19.99		
		4-Wire DS1 Digital Loop - UNE Zone :		3	UEPPP	USL4P	327.36	505.05	315.77	89.6	23.46		19.99	19.99	19.99	19.99		
UNE Port Rate																		
		Exchange Ports - 4-Wire ISDN DS1 Por			UEPPP	UEPPP	107.44	295.52	295.52				19.99	19.99	19.99	19.99		
NONRECURRING CHARGES - CURRENTLY COMBINED																		
		4-Wire DS1 Digital Loop / 4-Wire ISDN DS1 Digital Trunk Port Combination - Conversion -Switch-as-is			UEPPP	USACP	0	238.67	157.46				19.99	19.99	19.99	19.99		
ADDITIONAL NRCs																		
		4-Wire DS1 Loop/4-W ISDN Digtl Trk Port - Subsq Actvy- Inward/two way tel nos within Std Allowanc			UEPPP	PR7TF		0.9822					19.99	19.99	19.99	19.99		
		4-Wire DS1 Loop / 4-Wire ISDN DS1 Digital Trunk Port - Outward Tel Numbers (All States except NC)			UEPPP	PR7TO		23.02	23.02				19.99	19.99	19.99	19.99		
		4-Wire DS1 Loop / 4-Wire ISDN DS1 Digital Trk Port - Subsequent Inward Tel Nos Above Std Allowanc			UEPPP	PR7ZT		46.05	46.05				19.99	19.99	19.99	19.99		
LOCAL NUMBER PORTABILITY																		
		Local Number Portability (1 per port			UEPPP	LNPCN	1.75											
		Voice/Data			UEPPP	PR71V	0	0	0									
		Digital Data			UEPPP	PR71D	0	0	0									
		Inward Data			UEPPP	PR71E	0	0	0									
New or Additional "B" Channel																		
		New or Additional - Voice/Data B Channel			UEPPP	PR7BV	0	29.11					19.99	19.99	19.99	19.99		
		New or Additional - Digital Data B Channel			UEPPP	PR7BF	0	29.11					19.99	19.99	19.99	19.99		
		New or Additional Inward Data B Channel			UEPPP	PR7BD	0	29.11					19.99	19.99	19.99	19.99		
		New or Additional Usage Sensitive Voice Data B Channel			UEPPP	PR7BS	0	29.11					19.99	19.99	19.99	19.99		
		New or Additional Usage Sensitive Digital Data B Channel			UEPPP	PR7BU	0	29.11					19.99	19.99	19.99	19.99		
CALL TYPES																		
		Inward			UEPPP	PR7C1	0	0	0									
		Outward			UEPPP	PR7C0	0	0	0									
		Two-way			UEPPP	PR7CC	0	0	0									
Interoffice Channel Mileage																		
		Fixed Each Including First Mil			UEPPP	1LN1A	95.7398	216.27	162.7	0			19.99	19.99	19.99	19.99		
		Each Airline-Fractional Additional Mil			UEPPP	1LN1B	0.7598											
4-WIRE DS1 DIGITAL LOOP WITH 4-WIRE DDITS TRUNK PORT																		
UNE Port/Loop Combination Rates																		
		4W DS1 Digital Loop/4W DDITS Trunk Port - UNE Zone		1	UEPDC		187.21						19.99	19.99	19.99	19.99		

UNBUNDLED NETWORK ELEMENTS
SC

CATEGORY	NOTES	UNBUNDLED NETWORK ELEMENT	Interim	Zone	BCS	USOC	RATES (\$)					OSS RATES (\$)								
							Rec	First	Add'l	First	Add'l	SOME	SOMAN	SOMAN	SOMAN	SOMAN	SOMAN			
		4W DS1 Digital Loop/4W DDITS Trunk Port - UNE Zone		2	UEPDC		267.91													
		4W DS1 Digital Loop/4W DDITS Trunk Port - UNE Zone		3	UEPDC		400.98													
		UNE Loop Rates																		
		4-Wire DS1 Digital Loop - UNE Zone		1	UEPDC	USLDC	113.59	505.05	315.77	89.6	23.46					19.99	19.99	19.99	19.99	
		4-Wire DS1 Digital Loop - UNE Zone		2	UEPDC	USLDC	194.29	505.05	315.77	89.6	23.46					19.99	19.99	19.99	19.99	
		4-Wire DS1 Digital Loop - UNE Zone		3	UEPDC	USLDC	327.36	505.05	315.77	89.6	23.46					19.99	19.99	19.99	19.99	
		UNE Port Rate																		
		4-Wire DDITS Digital Trunk Por			UEPDC	UDD1T	73.62	404.94	191.8	145.5	4.93					19.99	19.99	19.99	19.99	
		NONRECURRING CHARGES - CURRENTLY COMBINED																		
		4-Wire DS1 Digital Loop / 4-Wire DDITS Trunk Port Combination - Switch-as-			UEPDC	USAC4		259.56	134.33							19.99	19.99	19.99	19.99	
		4-Wire DS1 Digital Loop / 4-Wire DDITS Trunk Port Combination - Conversion with DS1 Changes			UEPDC	USAWA		259.56	134.33							19.99	19.99	19.99	19.99	
		4-Wire DS1 Digital Loop / 4-Wire DDITS Trunk Port Combination - Conversion with Change - Trunk			UEPDC	USAWB		259.56	134.33							19.99	19.99	19.99	19.99	
		ADDITIONAL NRCs																		
		4-Wire DS1 Loop / 4-Wire DDITS Trunk Port - Subsequent Channel Activation/Chan - 1-Way Outward Trunk			UEPDC	UDTTB		29.01	29.01							19.99	19.99	19.99	19.99	
		4-Wire DS1 Loop / 4-Wire DDITS Trunk Port - Subsqnt Channel Activation/Chan Inward Trunk w/out DID			UEPDC	UDTTC		29.01	29.01							19.99	19.99	19.99	19.99	
		4-Wire DS1 Loop / 4-Wire DDITS Trunk Port - Subsqnt Chan Activation Per Chan Inward Trunk with DID			UEPDC	UDTTD		29.01	29.01							19.99	19.99	19.99	19.99	
		4-Wire DS1 Loop / 4-Wire DDITS Trunk Port - Subsqnt Chan Activation / Chan - 2-Way DID w User Trans			UEPDC	UDTTE		29.01	29.01							19.99	19.99	19.99	19.99	
		BIPOLAR 8 ZERO SUBSTITUTION																		
		B8ZS - Superframe Format			UEPDC	CCOSF		0	605							19.99	19.99	19.99	19.99	
		B8ZS - Extended Superframe Forma			UEPDC	CCOEF		0	605							19.99	19.99	19.99	19.99	
		Alternate Mark Inversion																		
		AMI - Superframe Format			UEPDC	MCOSF		0	0											
		AMI - Extended SuperFrame Forma			UEPDC	MCOPO		0	0											
		Telephone Number/Trunk Group Establishment Charges																		
		Telephone Number for 2-Way Trunk Group			UEPDC	UDTGX		0												
		Telephone Number for 1-Way Outward Trunk Group			UEPDC	UDTGY		0								19.99				
		Telephone Number for 1-Way Inward Trunk Group Without DI			UEPDC	UDTGZ		0								19.99				
		DID Numbers, Establish Trunk Group and Provide First Group of 20 DID Number			UEPDC	NDZ		0	0	0						19.99				
		DID Numbers for each Group of 20 DID Number			UEPDC	ND4		0								19.99				
		DID Numbers, Non- consecutive DID Numbers , Per Numbe			UEPDC	ND5		0								19.99				
		Reserve Non-Consecutive DID Nos			UEPDC	ND6		0	0	0						19.99				
		Reserve DID Numbers			UEPDC	NDV		0	0	0						19.99				
		Dedicated DS1 (Interoffice Channel Mileage) - FX/FCO for 4-Wire DS1 Digital Loop with 4-Wire DDITS Trunk Port																		
		Interoffice Channel Mileage - Fixed rate 0-8 miles (Facilities Terminatic			UEPDC	1LNO1	94.98	216.27	162.7	0	0					19.99	19.99	19.99	19.99	
		Interoffice Channel Mileage - Additional rate per mile - 0-8 mil			UEPDC	1LNOA	0.7598	0	0											
		Interoffice Channel Mileage - Fixed rate 9-25 miles (Facilities Terminatic			UEPDC	1LNO2	0	0	0											
		Interoffice Channel Mileage - Additional rate per mile - 9-25 mil			UEPDC	1LNOB	0.7598	0	0											
		Interoffice Channel Mileage - Fixed rate 25+ miles (Facilities Terminatic			UEPDC	1LNO3	0	0	0	0										
		Interoffice Channel Mileage - Additional rate per mile - 25+ mil			UEPDC	1LNOC	0.7598	0	0											
		Local Number Portability, per DS0 Activate			UEPDC	LNPCP	3.15	0	0	0										
		Central Office Terminating Poir			UEPDC	CTG	0													

UNBUNDLED NETWORK ELEMENTS
SC

CATEGORY	NOTES	UNBUNDLED NETWORK ELEMENT	Interim	Zone	BCS	USOC	RATES (\$)				OSS RATES (\$)								
							Nonrecurring		Nonrecurring		Svc Order Submitted Elec per LSR	Svc Order Submitted Manually per LSR	Incremental Charge - Manual Svc Order vs. Electronic-1st	Incremental Charge - Manual Svc Order vs. Electronic-Add'l	Incremental Charge - Manual Svc Order vs. Electronic-Disc 1st	Incremental Charge - Manual Svc Order vs. Electronic-Disc Add'l			
							Rec	First	Add'l	Add'l							Disconnect	SOMEc	SOMAN
		4-WIRE DS1 LOOP WITH CHANNELIZATION WITH PORT																	
		System is 1 DS1 Loop, 1 D4 Channel Bank, and up to 24 Feature Activations																	
		Each System can have up to 24 combinations of rates depending on type and number of ports used																	
		UNE DS1 Loop																	
		4-Wire DS1 Loop - UNE Zone 1			UEPMG	USLDC	113.59	0	0										
		4-Wire DS1 Loop - UNE Zone 2			UEPMG	USLDC	194.29	0	0										
		4-Wire DS1 Loop - UNE Zone 3			UEPMG	USLDC	327.36	0	0										
		UNE DSO Channelization Capacities (D4 Channel Bank Configurations)																	
		24 DSO Channel Capacity - 1 per DS1			UEPMG	VUM24	103.47	0	0										
		48 DSO Channel Capacity - 1 per 2 DS1s			UEPMG	VUM48	206.94	0	0										
		96 DSO Channel Capacity - 1per 4 DS1s			UEPMG	VUM96	413.88	0	0										
		144 DSO Channel Capacity - 1 per 6 DS1s			UEPMG	VUM14	620.82	0	0										
		192 DSO Channel Capacity - 1 per 8 DS1s			UEPMG	VUM19	827.76	0	0										
		240 DSO Channel Capacity - 1 per 10 DS1s			UEPMG	VUM20	1034.7	0	0										
		288 DSO Channel Capacity - 1 per 12 DS1s			UEPMG	VUM28	1241.64	0	0										
		384 DSO Channel Capacity - 1 per 16 DS1s			UEPMG	VUM38	1655.52	0	0										
		480 DSO Channel Capacity - 1 per 20 DS1s			UEPMG	VUM40	2069.4	0	0										
		576 DSO Channel Capacity - 1 per 24 DS1s			UEPMG	VUM57	2483.28	0	0										
		672 DSO Channel Capacity - 1 per 28 DS1s			UEPMG	VUM67	2897.16	0	0										
		Non-Recurring Charges (NRC) Associated with 4-Wire DS1 Loop with Channelization with Port - Conversion Charge Based on a System																	
		A Minimum System configuration is One (1) DS1, One (1) D4 Channel Bank, and Up To 24 DSO Ports with Feature Activations.																	
		Multiples of this configuration functioning as one are considered Add'l after the minimum system configuration is counted.																	
		NRC - Conversion (Currently Combined) with or without BellSouth Allowed Chang			UEPMG	USAC4	0	301.62	16.76			19.99	19.99	19.99	19.99				
		System Additions at End User Locations Where 4-Wire DS1 Loop with Channelization with Port Combination Currently Exists and New (Not Currently Combined) In Georgia Only																	
		NRC - 1 DS1/D4 Channel Bank - Add NRC for each Port and Assoc Feature Activation - New GA Only			UEPMG	VUMD4	0	717.71	425.81	149.08	17.69		19.99	19.99	19.99	19.99			
		Bipolar 8 Zero Substitution																	
		Clear Channel Capability Format, superframe - Subsequent Activity Only			UEPMG	CCOSF	0	0	605				19.99	19.99	19.99	19.99			
		Clear Channel Capability Format - Extended Superframe - Subsequent Activity Only			UEPMG	CCOEF	0	0	605				19.99	19.99	19.99	19.99			
		Alternate Mark Inversion (AMI)																	
		Superframe Format			UEPMG	MCOSF	0	0	0										
		Extended Superframe Format			UEPMG	MCOPO	0	0	0										
		Exchange Ports Associated with 4-Wire DS1 Loop with Channelization with Port																	
		Exchange Ports																	
		Line Side Combination Channelized PBX Trunk Port - Business			UEPPX	UEPCX	1.65	0	0	0	0		19.99						
		Line Side Outward Channelized PBX Trunk Port - Business			UEPPX	UEPOX	1.65	0	0	0	0		19.99						
		Line Side Inward Only Channelized PBX Trunk Port without DID			UEPPX	UEP1X	1.65	0	0	0	0		19.99						

UNBUNDLED NETWORK ELEMENTS
SC

CATEGORY	NOTES	UNBUNDLED NETWORK ELEMENT	Interim	Zone	BCS	USOC	RATES (\$)				OSS RATES (\$)							
							Nonrecurring		Nonrecurring		Svc Order Submitted Elec per LSR	Svc Order Submitted Manually per LSR	Incremental Charge - Manual Svc Order vs. Electronic-1st	Incremental Charge - Manual Svc Order vs. Electronic-Add'l	Incremental Charge - Manual Svc Order vs. Electronic-Disc 1st	Incremental Charge - Manual Svc Order vs. Electronic-Disc Add'l		
							Rec	First	Add'l	Add'l							Disconnect	SOME
		2-Wire Trunk Side Unbundled Channelized DID Trunk Port			UEPPX	UEPDM	8.86	0	0	0	0		19.99					
		Feature Activations - Unbundled Loop Concentration																
		Feature (Service) Activation for each Line Side Port Terminated in D4 Bank			UEPPX	1PQWM	0.7	25.45	13.44	4.2	4.17			19.99	19.99	19.99	19.99	
		Feature (Service) Activation for each Trunk Side Port Terminated in D4 Bank			UEPPX	1PQUW	0.7	78.31	18.46	59.37	11.6			19.99	19.99	19.99	19.99	
		Telephone Number/ Group Establishment Charges for DID Service																
		DID Trunk Termination (1 per Port)			UEPPX	NDT	0											
		Estab Trk Grp and Provide 1st 20 DID Nos. (FL,GA, NC,& SC)			UEPPX	NDZ	0	0	0					19.99				
		DID Numbers - groups of 20 - Valid all States			UEPPX	ND4	0	0	0					19.99				
		Non-Consecutive DID Numbers - per number			UEPPX	ND5	0	0	0					19.99				
		Reserve Non-Consecutive DID Numbers			UEPPX	ND6	0	0	0									
		Reserve DID Numbers			UEPPX	NDV	0	0	0									
		Local Number Portability																
		Local Number Portability - 1 per port			UEPPX	LNPDP	3.15	0	0									
		FEATURES - Vertical and Optional																
		Local Switching Features Offered with Line Side Ports Only																
		All Features Available			UEPPX	UEPVF	6.29	0	0					19.99				
		UNBUNDLED PORT LOOP COMBINATIONS - MARKET RATES																
		Market Rates shall apply where BellSouth is not required to provide unbundled local switching or switch ports per FCC and/or State Commission rules.																
		These scenarios include:																
		1. Unbundled port/loop combinations that are Not Currently Combined in all of the BellSouth states except as noted for Georgia and Tennessee.																
		2. Unbundled port/loop combinations that are Currently Combined or Not Currently Combined in Zone 1 of the Top 8 MSAs in BellSouth's region for end users with 4 or more DS0 equivalent lines.																
		The Top 8 MSAs in BellSouth's region are: FL (Orlando, Ft. Lauderdale, Miami); GA (Atlanta); LA (New Orleans); NC (Greensboro-Winston Salem-Highpoint/Charlotte-Gastonia-Rock Hill); TN (Nashville).																
		BellSouth currently is developing the billing capability to mechanically bill the recurring unbundled port Market Rates in this section as well as the nonrecurring Market Rates in this section for Currently Combined port/loop combinations in Zone 1 of the Top 8 MSAs in BellSouth's region for end users with 4 or more DS0 equivalent lines. In the interim, BellSouth shall bill the rates in the Cost-Based section preceding of such Market Rates and reserves the right to true-up the billing difference.																
		The Market Rate for unbundled ports includes all available features in all states.																
		End Office and Tandem Switching Usage and Common Transport Usage rates in the Port section of this rate exhibit shall apply to all combinations of loop/port network elements except for UNE Coin Port/Loop Combinations which have a flat rate usage charge (USOC: URECU).																
		For Not Currently Combined scenarios where Market Rates apply, the Nonrecurring charges are listed in the First and Additional NRC columns for each Port USOC. For Currently Combined scenarios, the Nonrecurring charges are listed in the NRC - Currently Combined section. Additional NRCs may apply also and are categorized accordingly.																
		2-WIRE VOICE GRADE LOOP WITH 2-WIRE LINE PORT (RES)																
		UNE Port/Loop Combination Rates																
		2-Wire VG Loop/Port Combo - Zone		1			31.02											
		2-Wire VG Loop/Port Combo - Zone		2			39.66											
		2-Wire VG Loop/Port Combo - Zone		3			47.99											
		UNE Loop Rates																

UNBUNDLED NETWORK ELEMENTS
SC

CATEGORY	NOTES	UNBUNDLED NETWORK ELEMENT	Interim	Zone	BCS	USOC	RATES (\$)						OSS RATES (\$)							
							Nonrecurring			Nonrecurring			Svc Order Submitted Elec per LSR	Svc Order Submitted Manually per LSR	Incremental Charge - Manual Svc Order vs. Electronic-1st	Incremental Charge - Manual Svc Order vs. Electronic-Add'l	Incremental Charge - Manual Svc Order vs. Electronic-Disc 1st	Incremental Charge - Manual Svc Order vs. Electronic-Disc Add'l		
							Rec	First	Add'l	Disconnect		SOMEC							SOMAN	SOMAN
		2-Wire Voice Grade Loop (SL1) - Zone		1	UEPRX	UEPLX	17.02													
		2-Wire Voice Grade Loop (SL1) - Zone		2	UEPRX	UEPLX	25.66													
		2-Wire Voice Grade Loop (SL1) - Zone		3	UEPRX	UEPLX	33.99													
		2-Wire Voice Grade Line Port (Res)																		
		2-Wire voice unbundled port - residenc			UEPRX	UEPRL	14	90	90				43.19	9.91						
		2-Wire voice unbundled port with Caller ID - re			UEPRX	UEPRC	14	90	90				43.19	9.91						
		2-Wire voice unbundled port outgoing only - re			UEPRX	UEPRO	14	90	90				43.19	9.91						
		2-Wire voice unbundles res, low usage line port with Caller ID (LUI)			UEPRX	UEPAP	14	90	90				43.19	9.91						
		LOCAL NUMBER PORTABILITY																		
		Local Number Portability (1 per port)			UEPRX	LNPCX	0.35													
		FEATURES																		
		All Features Offerec			UEPRX	UEPVF	0	0	0											
		ADDITIONAL NRCs																		
		NRC - 2-Wire Voice Grade Loop/Line Port Combination - Subseque			UEPRX	USAS2		0	0											
		2-WIRE VOICE GRADE LOOP WITH 2-WIRE LINE PORT (BUS)																		
		UNE Port/Loop Combination Rates																		
		2-Wire VG Loop/Port Combo - Zone		1			31.02													
		2-Wire VG Loop/Port Combo - Zone :		2			39.66													
		2-Wire VG Loop/Port Combo - Zone :		3			47.99													
		UNE Loop Rates																		
		2-Wire Voice Grade Loop (SL1) - Zone		1	UEPBX	UEPLX	17.02													
		2-Wire Voice Grade Loop (SL1) - Zone		2	UEPBX	UEPLX	25.66													
		2-Wire Voice Grade Loop (SL1) - Zone		3	UEPBX	UEPLX	33.99													
		2-Wire Voice Grade Line Port (Bus)																		
		2-Wire voice unbundled port without Caller ID - bu			UEPBX	UEPBL	14	90	90				43.19	9.91						
		2-Wire voice unbundled port with Caller + E484 ID - bu			UEPBX	UEPBC	14	90	90				43.19	9.91						
		2-Wire voice unbundled port outgoing only - bu			UEPBX	UEPBO	14	90	90				43.19	9.91						
		2-Wire voice Grade unbundled South Carolina extended local dialing parity port v																		
		Caller ID - bus			UEPBX	UEPAZ	14	90	90				43.19	9.91						
		2-Wire voice unbundled South Carolina Bus Area Calling Port with Caller ID (LM			UEPBX	UEPAB	14	90	90				43.19	9.91						
		LOCAL NUMBER PORTABILITY																		
		Local Number Portability (1 per port)			UEPBX	LNPCX	0.35													
		FEATURES																		
		NONRECURRING CHARGES - CURRENTLY COMBINED																		
		ADDITIONAL NRCs																		
		NRC - 2-Wire Voice Grade Loop/Line Port Combination - Subseque			UEPBX	USAS2		0	0											
		2-WIRE VOICE GRADE LOOP WITH 2-WIRE LINE PORT (RES - PBX)																		
		UNE Port/Loop Combination Rates																		
		2-Wire VG Loop/Port Combo - Zone		1			31.02													
		2-Wire VG Loop/Port Combo - Zone :		2			39.66													
		2-Wire VG Loop/Port Combo - Zone :		3			47.99													
		UNE Loop Rates																		
		2-Wire Voice Grade Loop (SL1) - Zone		1	UEPRG	UEPLX	17.02													
		2-Wire Voice Grade Loop (SL1) - Zone		2	UEPRG	UEPLX	25.66													
		2-Wire Voice Grade Loop (SL1) - Zone		3	UEPRG	UEPLX	33.99													

UNBUNDLED NETWORK ELEMENTS
SC

CATEGORY	NOTES	UNBUNDLED NETWORK ELEMENT	Interim	Zone	BCS	USOC	RATES (\$)					OSS RATES (\$)									
							Nonrecurring			Nonrecurring		Svc Order Submitted Elec per LSR	Svc Order Submitted Manually per LSR	Incremental Charge - Manual Svc Order vs. Electronic-1st	Incremental Charge - Manual Svc Order vs. Electronic-Add'l	Incremental Charge - Manual Svc Order vs. Electronic-Disc 1st	Incremental Charge - Manual Svc Order vs. Electronic-Disc Add'l				
							Rec	First	Add'l	Disconnect First	Disconnect Add'l							SOMEK	SOMAN	SOMAN	SOMAN
		2-Wire Voice Grade Line Port Rates (RES - PBX)																			
		2-Wire VG Unbundled Combination 2-Way PBX Trunk Port - Re			UEPRG	UEPRD	14	90	90												
		LOCAL NUMBER PORTABILITY																			
		Local Number Portability (1 per port)			UEPRG	LNPCP	3.15														
		FEATURES																			
		NONRECURRING CHARGES - CURRENTLY COMBINED																			
		ADDITIONAL NRCs																			
		2-Wire Loop/Line Side Port Combination - Non feature - Subsequent Activity- Nonrecurring						0	0												
		PBX Subsequent Activity - Change/Rearrange Multiline Hunt Gro						14.64	14.64												
		2-WIRE VOICE GRADE LOOP WITH 2-WIRE LINE PORT (BUS - PBX)																			
		UNE Port/Loop Combination Rates																			
		2-Wire VG Loop/Port Combo - Zone		1			31.02														
		2-Wire VG Loop/Port Combo - Zone :		2			39.66														
		2-Wire VG Loop/Port Combo - Zone :		3			47.99														
		UNE Loop Rates																			
		2-Wire Voice Grade Loop (SL1) - Zone		1	UEPPX	UEPLX	17.02														
		2-Wire Voice Grade Loop (SL1) - Zone		2	UEPPX	UEPLX	25.66														
		2-Wire Voice Grade Loop (SL1) - Zone		3	UEPPX	UEPLX	33.99														
		2-Wire Voice Grade Line Port Rates (BUS - PBX)																			
		Line Side Unbundled Combination 2-Way PBX Trunk Port - Bu			UEPPX	UEPPC	14	90	90												
		Line Side Unbundled Outward PBX Trunk Port - Bu			UEPPX	UEPPO	14	90	90												
		Line Side Unbundled Incoming PBX Trunk Port - Bu			UEPPX	UEPP1	14	90	90												
		2-Wire Voice Unbundled PBX LD Terminal Port			UEPPX	UEPLD	14	90	90												
		2-Wire Voice Unbundled 2-Way Combination PBX Usage Pc			UEPPX	UEPXA	14	90	90												
		2-Wire Voice Unbundled PBX Toll Terminal Hotel Por			UEPPX	UEPXB	14	90	90												
		2-Wire Voice Unbundled PBX LD DDD Terminals Po			UEPPX	UEPXC	14	90	90												
		2-Wire Voice Unbundled PBX LD Terminal Switchboard Pc			UEPPX	UEPXD	14	90	90												
		2-Wire Voice Unbundled PBX LD Terminal Switchboard IDD Capable Pc			UEPPX	UEPXE	14	90	90												
		2-Wire Voice Unbundled 2-Way PBX Hotel/Hospital Economy Administrative Calling Port			UEPPX	UEPXL	14	90	90												
		2-Wire Voice Unbundled 2-Way PBX Hotel/Hospital Economy Room Calling P			UEPPX	UEPXM	14	90	90												
		2-Wire Voice Unbundled 1-Way Outgoing PBX Hotel/Hospital Discount Room Calling Port			UEPPX	UEPXO	14	90	90												
		2-Wire Voice Unbundled 1-Way Outgoing PBX Measured Pc			UEPPX	UEPXS	14	90	90												
		LOCAL NUMBER PORTABILITY																			
		Local Number Portability (1 per port)			UEPPX	LNPCP	3.15														
		FEATURES																			
		NONRECURRING CHARGES - CURRENTLY COMBINED																			
		ADDITIONAL NRCs																			
		2-Wire Voice Grade Loop/ Line Port Combination - Subseque			UEPPX	USAS2		0	0												
		2 Wire Loop/Line Side Port Combination - Non feature - Subsequent Activity- Nonrecurring						0	0												
		PBX Subsequent Activity - Change/Rearrange Multiline Hunt Gro						14.64	14.64												
		2-WIRE VOICE GRADE LOOP WITH 2-WIRE ANALOG LINE COIN PORT																			
		UNE Port/Loop Combination Rates																			
		2-Wire VG Coin Port/Loop Combo - Zone 1					31.02														
		2-Wire VG Coin Port/Loop Combo - Zone 2					39.66														

UNBUNDLED NETWORK ELEMENTS
SC

CATEGORY	NOTES	UNBUNDLED NETWORK ELEMENT	Interim	Zone	BCS	USOC	RATES (\$)					OSS RATES (\$)					
							Nonrecurring		Nonrecurring			Svc Order Submitted Elec per LSR	Svc Order Submitted Manually per LSR	Incremental Charge - Manual Svc Order vs. Electronic-1st	Incremental Charge - Manual Svc Order vs. Electronic-Add'l	Incremental Charge - Manual Svc Order vs. Electronic-Disc 1st	Incremental Charge - Manual Svc Order vs. Electronic-Disc Add'l
							Rec	First	Add'l	First	Add'l						
							SOME	SOMAN	SOMAN	SOMAN	SOMAN	SOMAN					
		2-Wire VG Coin Port/Loop Combo – Zone 3					47.99										
		UNE Loop Rates															
		2-Wire Voice Grade Loop (SL1) - Zone			UEPCO	UEPLX	17.02										
		2-Wire Voice Grade Loop (SL1) - Zone			UEPCO	UEPLX	25.66										
		2-Wire Voice Grade Loop (SL1) - Zone			UEPCO	UEPLX	33.99										
		2-Wire Voice Grade Line Port Rates (Coin)															
		2-Wire Coin 2-Way without Operator Screening and without Blocking (SC)			UEPCO	UEPSD	14	90	90				43.19	9.91			
		2-Wire Coin 2-Way with Operator Screening and Blocking: 011, 900/976, 1+DDD (AL, KY, LA, MS, SC)			UEPCO	UEPRA	14	90	90				43.19	9.91			
		2-Wire Coin 2-Way with Operator Screening and Blocking: 011, 900/976, 1+DDD (SC)			UEPCO	UEPSA	14	90	90				43.19	9.91			
		2-Wire Coin 2-Way with Operator Screening and 011 Blocking (SC)			UEPCO	UEPSH	14	90	90				43.19	9.91			
		2-Wire Coin 2-Way with Operator Screening and 011 Blocking; with Dialing Parity (SC)			UEPCO	UEPSC	14	90	90				43.19	9.91			
		2-Wire Coin 2-Way with Operator Screening and Blocking: 900/976, 1+DDD, 011+, and Local (SC)			UEPCO	UEPCC	14	90	90				43.19	9.91			
		2-Wire Coin 2-W Oper Screen & Blocking: 900/976, 1+DDD, 011+ & Local; Enhanced Calling OPT 3YV (SC)			UEPCO	UEPCE	14	90	90				43.19	9.91			
		2-Wire Coin 2-W Oper Screen & Block: 900/976, 1+DDD, 011+, & Local; Enhanced Calling OPT AP7 (SC)			UEPCO	UEPCF	14	90	90				43.19	9.91			
		2-Wire Coin Outward without Blocking and without Operator Screening (SC)			UEPCO	UEPSG	14	90	90				43.19	9.91			
		2-Wire Coin Outward with Operator Screening and 011 Blocking (SC)			UEPCO	UEPSF	14	90	90				43.19	9.91			
		2-Wire Coin Outward with Operator Screening and Blocking: 011, 900/976, 1+DDD (SC)			UEPCO	UEPSJ	14	90	90				43.19	9.91			
		2-Wire Coin Outward with Operator Screening and Blocking: 900/976, 1+DDD, 011+, and Local (SC)			UEPCO	UEPCM	14	90	90				43.19	9.91			
		2-Wire Coin Out Oper Screen & Block: 900/976, 1+DDD, 011+, & Local; w/ Enhanced Call OPT 3YW (SC)			UEPCO	UEPCP	14	90	90				43.19	9.91			
		LOCAL NUMBER PORTABILITY															
		Local Number Portability (1 per port)			UEPCO	LNPCX	0.35										
		NONRECURRING CHARGES - CURRENTLY COMBINED															
		ADDITIONAL NRCs															
		2-Wire Voice Grade Loop/ Line Port Combination - Subseque			UEPCO	USAS2		0	0								

UNBUNDLED NETWORK ELEMENTS
TN

CATEGORY	NOTES	UNBUNDLED NETWORK ELEMENT	Interim	Zone	BCS	USOC	RATES (\$)					OSS RATES (\$)					
							Nonrecurring		Nonrecurring		Svc Order Submitted Elec per LSR	Svc Order Submitted Manually per LSR	Incremental Charge - Manual Svc Order vs. Electronic-1st	Incremental Charge - Manual Svc Order vs. Electronic-Add'l	Incremental Charge - Manual Svc Order vs. Electronic-Disc 1st	Incremental Charge - Manual Svc Order vs. Electronic-Disc Add'l	
							Rec	First	Add'l	First							Add'l
							Disconnect		SOMEC	SOMAN	SOMAN	SOMAN	SOMAN	SOMAN			
The "Zone" shown in the sections for stand-alone loops or loops as part of a combination refers to Geographically Deaveraged UNE Zones. To view Geographically Deaveraged UNE Zone Designations by Central Office, refer to Internet Website: http://www.interconnection.bellsouth.com/become_a_clec/html/interconnection.htm																	
UNBUNDLED EXCHANGE ACCESS LOOP																	
2-WIRE ANALOG VOICE GRADE LOOP																	
		2-Wire Analog Voice Grade Loop - Service Level 1- Zone		1	UEANL	UEAL2	15.92	78.93	50.98	10.65	1.41			20.35	10.54	13.32	13.32
		2-Wire Analog Voice Grade Loop - Service Level 1- Zone		2	UEANL	UEAL2	20.79	78.93	50.98	10.65	1.41			20.35	10.54	13.32	13.32
		2-Wire Analog Voice Grade Loop - Service Level 1- Zone		3	UEANL	UEAL2	27.18	78.93	50.98	10.65	1.41			20.35	10.54	13.32	13.32
		2 Wire Analog Voice Grade Loop-Service Level 1-Line Splitting- Zone		1	UEPSR, UEPSB	UEALS	15.92	78.93	50.98	10.65	1.41			20.35	10.54	13.32	13.32
		2 Wire Analog Voice Grade Loop- Service Level 1-Line Splitting-Zone		2	UEPSR, UEPSB	UEALS	20.79	78.93	50.98	10.65	1.41			20.35	10.54	13.32	13.32
		2 Wire Analog Voice Grade Loop-Service Level 1-Line Splitting-Zone		3	UEPSR, UEPSB	UEALS	27.18	78.93	50.98	10.65	1.41			20.35	10.54	13.32	13.32
		Engineering Information Document (EI)			UEANL			28.8	28.8								
		Manual Order Coordination for UVL-SL1s (per loop)			UEANL	UEAMC		36.46	36.46								
		Order Coordination for Specified Conversion Time for UVL-SL1 (per LSR)			UEANL	OCOSL		34.29	34.29								
		2-Wire Analog Voice Grade Loop - Service Level 2 w/Loop or Ground Start Signaling Zone 1		1	UEA	UEAL2	16.56	75.06	48.2	28.7	17.64			20.35	10.54	13.32	13.32
		2-Wire Analog Voice Grade Loop - Service Level 2 w/Loop or Ground Start Signaling Zone 2		2	UEA	UEAL2	21.63	75.06	48.2	28.7	17.64			20.35	10.54	13.32	13.32
		2-Wire Analog Voice Grade Loop - Service Level 2 w/Loop or Ground Start Signaling Zone 3		3	UEA	UEAL2	28.28	75.06	48.2	28.7	17.64			20.35	10.54	13.32	13.32
		Order Coordination for Specified Conversion Time (per LSF			UEA	OCOSL		34.29									
		2-Wire Analog Voice Grade Loop - Service Level 2 w/Reverse Battery Signaling - Zone 1		1	UEA	UEAR2	16.56	75.06	48.2	28.7	17.64			20.35	10.54	13.32	13.32
		2-Wire Analog Voice Grade Loop - Service Level 2 w/Reverse Battery Signaling - Zone 2		2	UEA	UEAR2	21.63	75.06	48.2	28.7	17.64			20.35	10.54	13.32	13.32
		2-Wire Analog Voice Grade Loop - Service Level 2 w/Reverse Battery Signaling - Zone 3		3	UEA	UEAR2	28.28	75.06	48.2	28.7	17.64			20.35	10.54	13.32	13.32
		Order Coordination for Specified Conversion Time (per LSF			UEA	OCOSL		34.29									
		4-WIRE ANALOG VOICE GRADE LOOP															
		4-Wire Analog Voice Grade Loop - Zone 1		1	UEA	UEAL4	24.7	122.76	85.57	76.35	39.16			20.35	10.54	13.32	13.32
		4-Wire Analog Voice Grade Loop - Zone 2		2	UEA	UEAL4	32.25	122.76	85.57	76.35	39.16			20.35	10.54	13.32	13.32
		4-Wire Analog Voice Grade Loop - Zone 3		3	UEA	UEAL4	42.17	122.76	85.57	76.35	39.16			20.35	10.54	13.32	13.32
		Order Coordination for Specified Conversion Time (per LSF			UEA	OCOSL		34.29									
		2-WIRE ISDN DIGITAL GRADE LOOP															
		2-Wire ISDN Digital Grade Loop - Zone 1		1	UDN	U1L2X	22	142.76	88.88	76.35	39.16			20.35	10.54	13.32	13.32
		2-Wire ISDN Digital Grade Loop - Zone 2		2	UDN	U1L2X	29.02	142.76	88.88	76.35	39.16			20.35	10.54	13.32	13.32
		2-Wire ISDN Digital Grade Loop - Zone 3		3	UDN	U1L2X	37.95	142.76	88.88	76.35	39.16			20.35	10.54	13.32	13.32
		Order Coordination For Specified Conversion Time (per LSR			UDN	OCOSL		34.29									
		2-WIRE Universal Digital Channel (UDC) COMPATIBLE LOOP															
		2-Wire Universal Digital Channel (UDC) Compatible Loop - Zone 1		1	UDC	UDC2X	21.15	228.92	152.42	110.01	21.63			20.35	10.54	13.32	13.32
		2-Wire Universal Digital Channel (UDC) Compatible Loop - Zone 2		2	UDC	UDC2X	27.62	228.92	152.42	110.01	21.63			20.35	10.54	13.32	13.32
		2-Wire Universal Digital Channel (UDC) Compatible Loop - Zone 3		3	UDC	UDC2X	36.12	228.92	152.42	110.01	21.63			20.35	10.54	13.32	13.32

UNBUNDLED NETWORK ELEMENTS
TN

CATEGORY	NOTES	UNBUNDLED NETWORK ELEMENT	Interim	Zone	BCS	USOC	RATES (\$)					OSS RATES (\$)						
							Nonrecurring		Nonrecurring		SOME C	SOMAN	SOMAN	SOMAN	SOMAN	SOMAN		
							Rec	First	Add'l	First							Add'l	
		2-WIRE ASYMMETRICAL DIGITAL SUBSCRIBER LINE (ADSL) COMPATIBLE LOOP																
		2-WIRE ASYMMETRICAL DIGITAL SUBSCRIBER LINE (ADSL) COMPATIBLE LOOP																
		2 Wire Unbundled ADSL Loop including manual service inquiry & facility reservation - Zone 1		1	UAL	UAL2X	13.82	270.01	234.63	74.54	39.14			20.35	10.54	13.32	13.32	
		2 Wire Unbundled ADSL Loop including manual service inquiry & facility reservation - Zone 2		2	UAL	UAL2X	18.05	270.01	234.63	74.54	39.14			20.35	10.54	13.32	13.32	
		2 Wire Unbundled ADSL Loop including manual service inquiry & facility reservation - Zone 3		3	UAL	UAL2X	23.6	270.01	234.63	74.54	39.14			20.35	10.54	13.32	13.32	
		Order Coordination for Specified Conversion Time (per LSF			UAL	OCOSL		34.29										
		2 Wire Unbundled ADSL Loop without manual service inquiry & facility reservation - Zone 1	I	1	UAL	UAL2W	13.82	31.99	20.02	10.65	1.41			20.35	10.54	13.32	13.32	
		2 Wire Unbundled ADSL Loop without manual service inquiry & facility reservation - Zone 2	I	2	UAL	UAL2W	18.05	31.99	20.02	10.65	1.41			20.35	10.54	13.32	13.32	
		2 Wire Unbundled ADSL Loop without manual service inquiry & facility reservation - Zone 3	I	3	UAL	UAL2W	23.6	31.99	20.02	10.65	1.41			20.35	10.54	13.32	13.32	
		Order Coordination for Specified Conversion Time (per LSF			UAL	OCOSL		34.29										
		2-WIRE HIGH BIT RATE DIGITAL SUBSCRIBER LINE (HDSL) COMPATIBLE LOOP																
		2-WIRE HIGH BIT RATE DIGITAL SUBSCRIBER LINE (HDSL) COMPATIBLE LOOP																
		2 Wire Unbundled HDSL Loop including manual service inquiry & facility reservation - Zone 1		1	UHL	UHL2X	10.83	270.01	234.63	74.54	39.14			20.35	10.54	13.32	13.32	
		2 Wire Unbundled HDSL Loop including manual service inquiry & facility reservation - Zone 2		2	UHL	UHL2X	14.15	270.01	234.63	74.54	39.14			20.35	10.54	13.32	13.32	
		2 Wire Unbundled HDSL Loop including manual service inquiry & facility reservation - Zone 3		3	UHL	UHL2X	18.5	270.01	234.63	74.54	39.14			20.35	10.54	13.32	13.32	
		Order Coordination for Specified Conversion Tim			UHL	OCOSL		34.29										
		2 Wire Unbundled HDSL Loop without manual service inquiry and facility reservation - Zone 1	I	1	UHL	UHL2W	10.83	31.99	20.02	10.65	1.41			20.35	10.54	13.32	13.32	
		2 Wire Unbundled HDSL Loop without manual service inquiry and facility reservation - Zone 2	I	2	UHL	UHL2W	14.15	31.99	20.02	10.65	1.41			20.35	10.54	13.32	13.32	
		2 Wire Unbundled HDSL Loop without manual service inquiry and facility reservation - Zone 3	I	3	UHL	UHL2W	18.5	31.99	20.02	10.65	1.41			20.35	10.54	13.32	13.32	
		Order Coordination for Specified Conversion Tim			UHL	OCOSL		34.29										
		4-WIRE HIGH BIT RATE DIGITAL SUBSCRIBER LINE (HDSL) COMPATIBLE LOOP																
		4 Wire Unbundled HDSL Loop including manual service inquiry and facility reservation - Zone 1		1	UHL	UHL4X	13.93	279.6	244.22	74.54	39.14			20.35	10.54	13.32	13.32	
		4-Wire Unbundled HDSL Loop including manual service inquiry and facility reservation - Zone 2		2	UHL	UHL4X	18.2	279.6	244.22	74.54	39.14			20.35	10.54	13.32	13.32	
		4-Wire Unbundled HDSL Loop including manual service inquiry and facility reservation - Zone 3		3	UHL	UHL4X	23.8	279.6	244.22	74.54	39.14			20.35	10.54	13.32	13.32	
		Order Coordination for Specified Conversion Tim			UHL	OCOSL		34.29										
		4-Wire Unbundled HDSL Loop without manual service inquiry and facility reservation - Zone 1	I	1	UHL	UHL4W	13.93	31.99	20.02	10.65	1.41			20.35	10.54	13.32	13.32	
		4-Wire Unbundled HDSL Loop without manual service inquiry and facility reservation - Zone 2	I	2	UHL	UHL4W	18.2	31.99	20.02	10.65	1.41			20.35	10.54	13.32	13.32	
		4-Wire Unbundled HDSL Loop without manual service inquiry and facility reservation - Zone 3	I	3	UHL	UHL4W	23.8	31.99	20.02	10.65	1.41			20.35	10.54	13.32	13.32	
		Order Coordination for Specified Conversion Tim			UHL	OCOSL		34.29										
		4-WIRE DS1 DIGITAL LOOP																
		4-Wire DS1 Digital Loop - Zone 1		1	USL	USLXX	57.73	313.08	219.72	96.86	40.45			18.98	8.43	11.95	11.95	
		4-Wire DS1 Digital Loop - Zone 2		2	USL	USLXX	75.4	313.08	219.72	96.86	40.45			18.98	8.43	11.95	11.95	

UNBUNDLED NETWORK ELEMENTS
TN

CATEGORY	NOTES	UNBUNDLED NETWORK ELEMENT	Interim	Zone	BCS	USOC	RATES (\$)					OSS RATES (\$)						
							Rec	First	Add'l	First	Add'l	SOME C	SOMAN	SOMAN	SOMAN	SOMAN	SOMAN	SOMAN
							Nonrecurring		Nonrecurring									
							Disconnect		Disconnect									
		4-Wire DS1 Digital Loop - Zone 3			USL	USLXX	98.59	313.08	219.72	96.86	40.45				18.98	8.43	11.95	11.95
		Order Coordination for Specified Conversion Tim			USL	OCOSL		34.59										
		4-WIRE 19.2, 56 OR 64 KBPS DIGITAL GRADE LOOP																
		4 Wire Unbundled Digital 19.2 Kbps		1	UDL	UDL19	31.1	207.01	141.38	90.7				20.35	10.54	13.32	13.32	
		4 Wire Unbundled Digital 19.2 Kbps		2	UDL	UDL19	40.61	207.01	141.38	90.7	44.18			20.35	10.54	13.32	13.32	
		4 Wire Unbundled Digital 19.2 Kbps		3	UDL	UDL19	53.11	207.01	141.38	90.7	44.18			20.35	10.54	13.32	13.32	
		4 Wire Unbundled Digital Loop 56 Kbps - Zone		1	UDL	UDL56	31.1	207.01	141.38	90.7	44.18			20.35	10.54	13.32	13.32	
		4 Wire Unbundled Digital Loop 56 Kbps - Zone		2	UDL	UDL56	40.61	207.01	141.38	90.7	44.18			20.35	10.54	13.32	13.32	
		4 Wire Unbundled Digital Loop 56 Kbps - Zone		3	UDL	UDL56	53.11	207.01	141.38	90.7	44.18			20.35	10.54	13.32	13.32	
		Order Coordination for Specified Conversion Tim			UDL	OCOSL		34.29										
		4 Wire Unbundled Digital Loop 64 Kbps - Zone		1	UDL	UDL64	31.1	207.01	141.38	90.7	44.18			20.35	10.54	13.32	13.32	
		4 Wire Unbundled Digital Loop 64 Kbps - Zone		2	UDL	UDL64	40.61	207.01	141.38	90.7	44.18			20.35	10.54	13.32	13.32	
		4 Wire Unbundled Digital Loop 64 Kbps - Zone		3	UDL	UDL64	53.11	207.01	141.38	90.7	44.18			20.35	10.54	13.32	13.32	
		Order Coordination for Specified Conversion Tim			UDL	OCOSL		34.29										
		2-WIRE Unbundled COPPER LOOP																
		2 Wire Unbundled Copper Loop/Short including manual service inquiry & fac. reservation - Statewide		I	sw	UCL	UCLPB	12.16	131.99	120.02	10.65	1.41			20.35	10.54	13.32	13.32
		Order Coordination for Unbundled Copper Loops (per loop)				UCL	UCLMC		36.52	36.52								
		2-Wire Unbundled Copper Loop/Short without manual svc. inquiry and facility reservation - Statewide		I	sw	UCL	UCLPW	12.16	31.99	20.02	10.65	1.41			20.35	10.54	13.32	13.32
		Order Coordination for Unbundled Copper Loops (per loop)				UCL	UCLMC		36.52	36.52								
		2-Wire Unbundled Copper Loop/Long - includes manual svc inquiry and facility reservation - Statewide		I	sw	UCL	UCL2L	12.16	131.99	120.02	10.65	1.41			20.35	10.54	13.32	13.32
		Order Coordination for Unbundled Copper Loops (per loop)				UCL	UCLMC		36.52	36.52								
		2-Wire Unbundled Copper Loop/Long - without manual svc. inquiry and facility reservation - Statewide		I	sw	UCL	UCL2W	12.16	31.99	20.02	10.65	1.41			20.35	10.54	13.32	13.32
		Order Coordination for Unbundled Copper Loops (per loop)				UCL	UCLMC		36.52	36.52								
		2-Wire Unbundled Copper Loop - Non-Designed Zone		I	1	UEQ	UEQ2X	13.19	31.99	20.02	10.65	1.41			19.99	19.99	19.99	19.99
		2 Wire Unbundled Copper Loop - Non-Designed - Zone		I	2	UEQ	UEQ2X	17.23	31.99	20.02	10.65	1.41			19.99	19.99	19.99	19.99
		2 Wire Unbundled Copper Loop - Non-Designed - Zone		I	3	UEQ	UEQ2X	22.53	31.99	20.02	10.65	1.41			19.99	19.99	19.99	19.99
		Order Coordination 2 Wire Unbundled Copper Loop - Non-Designed (per loop)				UEQ	USBMC		36.46	36.46								
		Engineering Information Documen				UEQ			28.8	28.8								
		Loop Testing - Basic 1st Half Hou				UEQ	URET1		78.92	78.92								
		Loop Testing - Basic Additional Half Hou				UEQ	URETA		23.33	23.33								
		4-WIRE COPPER LOOP																
		4-Wire Copper Loop/Short - including manual service inquiry and facility reservation - Statewide		I	sw	UCL	UCL4S	12.16	131.99	120.02	10.65	1.41			20.35	10.54	13.32	13.32
		Order Coordination for Unbundled Copper Loops (per loop)				UCL	UCLMC		36.52	36.52								
		4-Wire Copper Loop/Short - without manual service inquiry and facility reservation - Statewide		I	sw	UCL	UCL4W	12.16	31.99	20.02	10.65	1.41			20.35	10.54	13.32	13.32
		Order Coordination for Unbundled Copper Loops (per loop)				UCL	UCLMC		36.52	36.52								
		4-Wire Unbundled Copper Loop/Long - includes manual svc inquiry and facility reservation - Statewide		I	sw	UCL	UCL4L	12.15	131.99	120.02	10.65	1.41			20.35	10.54	13.32	13.32
		Order Coordination for Unbundled Copper Loops (per loop)				UCL	UCLMC		36.52	36.52								
		4-Wire Unbundled Copper Loop/Long - without manual svc. inquiry and facility reservation - Statewide		I	sw	UCL	UCL4O	12.16	31.99	20.02	10.65	1.41			20.35	10.54	13.32	13.32

UNBUNDLED NETWORK ELEMENTS
TN

CATEGORY	NOTES	UNBUNDLED NETWORK ELEMENT	Interim	Zone	BCS	USOC	RATES (\$)					OSS RATES (\$)								
							Rec	First	Add'l	First	Add'l	SOME C	SOMAN	SOMAN	SOMAN	SOMAN	SOMAN	SOMAN		
		Order Coordination for Unbundled Copper Loops (per loop)			UCL	UCLMC		36.52	36.52											
LOOP MODIFICATION																				
		Unbundled Loop Modification, Removal of Load Coils - 2 Wire pair less than or equal to 18k ft	I		UAL, UHL, UCL, UEQ, ULS	ULM2L		65.4	65.4											
		Unbundled Loop Modification, Removal of Load Coils - 2 wire greater than 18k	I		UCL, ULS	ULM2G		710.71	23.77											
		Unbundled Loop Modification Removal of Load Coils - 4 Wire less than or equal to 18K ft	I		UHL, UCL	ULM4L		65.4	65.4											
		Unbundled Loop Modification Removal of Load Coils - 4 Wire pair greater than 18k	I		UCL	ULM4G		710.71	23.77											
		Unbundled Loop Modification Removal of Bridged Tap Removal, per unbundled loc	I		UAL, UHL, UCL, UEQ, UEF, ULS	ULMBT		65.44	65.44											
SUB-LOOPS																				
Sub-Loop Distribution																				
		Sub-Loop - Per Cross Box Location - CLEC Feeder Facility Set-U	I		UEANL	USB SA		517.25	517.25					20.35	10.54	13.32	13.32			
		Sub-Loop - Per Cross Box Location - Per 25 Pair Panel Set-U	I		UEANL	USB SB		42.68	42.68					20.35	10.54	13.32	13.32			
		Sub-Loop - Per Building Equipment Room - CLEC Feeder Facility Set-U	I		UEANL	USB SC		313.01	313.01					20.35	10.54	13.32	13.32			
		Sub-Loop - Per Building Equipment Room - Per 25 Pair Panel Set-U	I		UEANL	USB SD		108.06	108.06					20.35	10.54	13.32	13.32			
		Sub-Loop Distribution Per 2-Wire Analog Voice Grade Loop - Statewid		sw	UEANL	USB N2	10.02	148.84	112.34	73.14	36.65			20.35	10.54	13.32	13.32			
		Order Coordination for Unbundled Sub-Loops, per sub-loop pair			UEANL	USB MC		34.29	34.29											
		Sub-Loop Distribution Per 4-Wire Analog Voice Grade Loop - Zone		1	UEANL	USB N4	7.3	147.93	75.11	99.96	16.98			20.35	10.54	13.32	13.32			
		Sub-Loop Distribution Per 4-Wire Analog Voice Grade Loop - Zone		2	UEANL	USB N4	9.54	147.93	75.11	99.96	16.98			20.35	10.54	13.32	13.32			
		Sub-Loop Distribution Per 4-Wire Analog Voice Grade Loop - Zone		3	UEANL	USB N4	12.47	147.93	75.11	99.96	16.98			20.35	10.54	13.32	13.32			
		Order Coordination for Unbundled Sub-Loops, per sub-loop pair			UEANL	USB MC		34.29	34.29											
		Sub-Loop 2-Wire Intrabuilding Network Cable (INC	I		UEANL	USB R2	1.35	94.56	29.35	94.41	13.09			20.35	10.54	13.32	13.32			
		Order Coordination for Unbundled Sub-Loops, per sub-loop pair			UEANL	USB MC		34.29	34.29											
		Sub-Loop 4-Wire Intrabuilding Network Cable (INC	I		UEANL	USB R4	2.26	116.14	37.1	99.96	16.98			20.35	10.54	13.32	13.32			
		Order Coordination for Unbundled Sub-Loops, per sub-loop pair			UEANL	USB MC		34.29	34.29											
		2 Wire Copper Unbundled Sub-Loop Distribution - Zone	I	1	UEF	UCS2X	5.16	110.71	37.89	94.41	13.09			20.35	10.54	13.32	13.32			
		2 Wire Copper Unbundled Sub-Loop Distribution - Zone	I	2	UEF	UCS2X	6.74	110.71	37.89	94.41	13.09			20.35	10.54	13.32	13.32			
		2 Wire Copper Unbundled Sub-Loop Distribution - Zone	I	3	UEF	UCS2X	8.81	110.71	37.89	94.41	13.09			20.35	10.54	13.32	13.32			
		Order Coordination for Unbundled Sub-Loops, per sub-loop pair			UEF	USB MC		34.29	34.29											
		4 Wire Copper Unbundled Sub-Loop Distribution - Zone	I	1	UEF	UCS4X	6.52	117.12	44.3	99.96	16.98			20.35	10.54	13.32	13.32			
		4 Wire Copper Unbundled Sub-Loop Distribution - Zone	I	2	UEF	UCS4X	8.52	117.12	44.3	99.96	16.98			20.35	10.54	13.32	13.32			
		4 Wire Copper Unbundled Sub-Loop Distribution - Zone	I	3	UEF	UCS4X	11.14	117.12	44.3	99.96	16.98			20.35	10.54	13.32	13.32			
		Order Coordination for Unbundled Sub-Loops, per sub-loop pair			UEF	USB MC		34.29	34.29											
Sub-Loop Feeder																				
		USL-Feeder, DS0 Set-up per Cross Box location - CLEC Distribution Facility set-u			UEA, UDN, UCL, UDL, UDC	USB FW		517.25												
		USL Feeder - DS0 Set-up per Cross Box location - per 25 pair set-up			UEA, UDN, UCL, UDL, UDC	USB FX		42.68	42.68											
		USL Feeder DS1 Set-up at DSX location, per DS1 termination			USL	USB FZ		531.04	11.34											
		Unbundled Sub-Loop Feeder Loop, 2 Wire Ground-Start, Voice Grade- Statewid		sw	UEA	USB FA	12.05	122.24	85.05	76.35	39.16			19.99	20.35	10.54	13.32	13.32		

UNBUNDLED NETWORK ELEMENTS
TN

CATEGORY	NOTES	UNBUNDLED NETWORK ELEMENT	Interim	Zone	BCS	USOC	RATES (\$)					OSS RATES (\$)						
							Nonrecurring		Nonrecurring			Svc Order Submitted Elec per LSR	Svc Order Submitted Manually per LSR	Incremental Charge - Manual Svc Order vs. Electronic-1st	Incremental Charge - Manual Svc Order vs. Electronic-Add'l	Incremental Charge - Manual Svc Order vs. Electronic-Disc 1st	Incremental Charge - Manual Svc Order vs. Electronic-Disc Add'l	
							Rec	First	Add'l	First	Add'l							Disconnect
							SOMEK	SOMAN	SOMAN	SOMAN	SOMAN	SOMAN	SOMAN					
		Order Coordination for Specified Conversion Time, per LSI			UEA	OCOSL		34.29										
		Unbundled Sub-Loop Feeder Loop, 2 Wire Loop-Start, Voice Grade - Statewid	sw		UEA	USBFB	12.05	122.24	85.05	76.35	39.16			20.35	10.54	13.32	13.32	
		Order Coordination for Specified Time Conversion, per LSI			UEA	OCOSL		34.29										
		Unbundled Sub-Loop Feeder Loop, 2 Wire Reverse Battery, Voice Grade Loop - Statewide	sw		UEA	USBFC	12.05	122.24	85.05	76.35	39.16			20.35	10.54	13.32	13.32	
		Order Coordination For Specified Conversion Time, per LSI			UEA	OCOSL		34.29										
		Unbundled Sub-Loop Feeder Loop, 4 Wire Ground-Start, Voice Grade - Zone		1	UEA	USBFD	21.52	137.31	61.93	118.04	30.13			20.35	10.54	13.32	13.32	
		Unbundled Sub-Loop Feeder Loop, 4 Wire Ground-Start, Voice Grade - Zone		2	UEA	USBFD	28.11	137.31	61.93	118.04	30.13			20.35	10.54	13.32	13.32	
		Unbundled Sub-Loop Feeder Loop, 4 Wire Ground Start, Voice Grade - Zone		3	UEA	USBFD	36.76	137.31	61.93	118.04	30.13			20.35	10.54	13.32	13.32	
		Order Coordination For Specified Conversion Time, Per LSI			UEA	OCOSL		34.29										
		Unbundled Sub-Loop Feeder Loop, 4 Wire Loop-Start, Voice Grade - Zone		1	UEA	USBFE	21.52	137.31	61.93	118.04	30.13			20.35	10.54	13.32	13.32	
		Unbundled Sub-Loop Feeder Loop, 4 Wire Loop-Start, Voice Grade - Zone		2	UEA	USBFE	28.11	137.31	61.93	118.04	30.13			20.35	10.54	13.32	13.32	
		Unbundled Sub-Loop Feeder Loop, 4 Wire Loop-Start, Voice Grade - Zone		3	UEA	USBFE	36.76	137.31	61.93	118.04	30.13			20.35	10.54	13.32	13.32	
		Order Coordination For Specified Conversion Time, Per LSI			UEA	OCOSL		34.29										
		Unbundled Sub-Loop Feeder Loop, 2 Wire ISDN BRI - Zone		1	UDN	USBFF	16.11	142.83	67.45	104.67	18.53			19.99	19.99	19.99	19.99	
		Unbundled Sub-Loop Feeder Loop, 2-Wire ISDN BRI - Zone		2	UDN	USBFF	21.04	142.83	67.45	104.67	18.53			19.99	19.99	19.99	19.99	
		Unbundled Sub-Loop Feeder Loop, 2-Wire ISDN BRI - Zone		3	UDN	USBFF	27.51	142.83	67.45	104.64	18.53			19.99	19.99	19.99	19.99	
		Order Coordination For Specified Conversion Time, Per LSI			UDN	OCOSL		34.29										
		Unbundled Sub-Loop Feeder, 2 Wire UDC (IDSL compatible		1	UDC	USBFS	16.11	142.83	67.45	104.67	18.53			19.99	19.99	19.99	19.99	
		Unbundled Sub-Loop Feeder, 2 Wire UDC (IDSL compatible		2	UDC	USBFS	21.04	142.83	67.45	104.67	18.53			19.99	19.99	19.99	19.99	
		Unbundled Sub-Loop Feeder, 2 Wire UDC (IDSL compatible		3	UDC	USBFS	27.51	142.83	67.45	104.64	18.53			19.99	19.99	19.99	19.99	
		Unbundled Sub-Loop Feeder Loop, 4-Wire DS1 - Zone		1	USL	USBFG	39.74	116	40.62	106.82	18.91			19.99	19.99	19.99	19.99	
		Unbundled Sub-Loop Feeder Loop, 4-Wire DS1 - Zone		2	USL	USBFG	51.9	116	40.62	106.82	18.91			19.99	19.99	19.99	19.99	
		Unbundled Sub-Loop Feeder Loop, 4-Wire DS1 - Zone		3	USL	USBFG	67.86	116	40.62	106.82	18.91			19.99	19.99	19.99	19.99	
		Order Coordination For Specified Conversion Time, Per LSI			USL	OCOSL		34.29										
		Unbundled Sub-Loop Feeder, 2-Wire Copper Loop - Zone		1	UCL	USBFH	9.52	114.27	38.89	104.64	18.53			19.99	19.99	19.99	19.99	
		Unbundled Sub-Loop Feeder Loop, 2-Wire Copper Loop - Zone		2	UCL	USBFH	12.43	114.27	38.89	104.64	18.53			19.99	19.99	19.99	19.99	
		Unbundled Sub-Loop Feeder Loop, 2-Wire Copper Loop - Zone		3	UCL	USBFH	16.26	114.27	38.89	104.64	18.53			19.99	19.99	19.99	19.99	
		Order Coordination For Specified Conversion Time, per LSI			UCL	OCOSL		34.29										
		Sub-Loop Feeder - Per 4-Wire Copper Loop - Zone		1	UCL	USBFJ	14.37	123.41	48.03	110.44	22.53			19.99	19.99	19.99	19.99	
		Sub-Loop Feeder - Per 4-Wire Copper Loop - Zone		2	UCL	USBFJ	18.76	123.41	48.03	110.44	22.53			19.99	19.99	19.99	19.99	
		Sub-Loop Feeder - Per 4-Wire Copper Loop - Zone		3	UCL	USBFJ	24.53	123.41	48.03	110.44	22.53			19.99	19.99	19.99	19.99	
		Order Coordination For Specified Conversion Time, per LSI			UDL	OCOSL		34.29										
		Sub-Loop Feeder - Per 4-Wire 19.2 Kbps Digital Grade Loop		1	UDL	USBFN	26.06	116	40.62	106.82	18.91	19.99		19.99	19.99	19.99	19.99	
		Sub-Loop Feeder - Per 4-Wire 19.2 Kbps Digital Grade Loop		2	UDL	USBFN	34.03	116	40.62	106.82	18.91			19.99	19.99	19.99	19.99	
		Sub-Loop Feeder - Per 4-Wire 19.2 Kbps Digital Grade Loop		3	UDL	USBFN	44.5	116	40.62	106.82	18.91			19.99	19.99	19.99	19.99	
		Sub-Loop Feeder - Per 4-Wire 56 Kbps Digital Grade Loop - Zone		1	UDL	USBFO	26.06	116	40.62	106.82	18.91			19.99	19.99	19.99	19.99	
		Sub-Loop Feeder - Per 4-Wire 56 Kbps Digital Grade Loop - Zone		2	UDL	USBFO	34.03	116	40.62	106.82	18.91			19.99	19.99	19.99	19.99	
		Sub-Loop Feeder - Per 4-Wire 56 Kbps Digital Grade Loop - Zone		3	UDL	USBFO	44.5	116	40.62	106.82	18.91			19.99	19.99	19.99	19.99	
		Order Coordination For Specified Time Conversion, per LSI			UDL	OCOSL		34.29										
		Sub-Loop Feeder - Per 4-Wire 64 Kbps Digital Grade Loop - Zone		1	UDL	USBFP	26.06	116	40.62	106.82	18.91			19.99	19.99	19.99	19.99	
		Sub-Loop Feeder - Per 4-Wire 64 Kbps Digital Grade Loop - Zone		2	UDL	USBFP	34.03	116	40.62	106.82	18.91			19.99	19.99	19.99	19.99	
		Sub-Loop Feeder - Per 4-Wire 64 Kbps Digital Grade Loop - Zone		3	UDL	USBFP	44.5	116	40.62	106.82	18.91			19.99	19.99	19.99	19.99	
		Order Coordination For Specified Conversion Time, per LSI			UDL	OCOSL		34.29										
		Unbundled Sub-Loop Modification																
		Unbundled Sub-Loop Modification - 2-W Copper Dist Load Coil/Equip Removal per 2-W PR			UEF	ULM2X		335.35	7.82					20.34	10.54	13.32	13.32	
		Unbundled Sub-loop Modification - 4-W Copper Dist Load Coll/Equip Removal per 4-W PR			UEF	ULM4X		335.36	7.82					20.35	10.54	13.32	13.32	
		Unbundled Sub-loop Modification - 2-w/4-w Copper Dist Bridged Tap Removal, per PR unloaded			UEF	ULM4T		528.48	9.74					20.35	10.54	13.32	13.32	

UNBUNDLED NETWORK ELEMENTS
TN

CATEGORY	NOTES	UNBUNDLED NETWORK ELEMENT	Interim	Zone	BCS	USOC	RATES (\$)					OSS RATES (\$)								
							Nonrecurring		Nonrecurring			SOMEK	SOMAN	SOMAN	SOMAN	SOMAN	SOMAN			
							Rec	First	Add'l	First	Add'l									
		Unbundled Network Terminating Wire (UNTW)																		
		Unbundled Network Terminating Wire (UNTW) per Pai	I		UENTW	UENPP	0.45	2.48	2.48								20.35	10.54	13.32	13.32
		Network Interface Device (NID)																		
		Network Interface Device (NID) - 1-2 lines			UENTW	UND12		89.69	54.56								20.35	10.54	13.32	13.32
		Network Interface Device (NID) - 1-6 lines			UENTW	UND16		129.65	94.51								20.35	10.54	13.32	13.32
		Network Interface Device Cross Connect - 2 W			UENTW	UNDC2		0.74	0.74								20.35	10.54	13.32	13.32
		Network Interface Device Cross Connect - 4W			UENTW	UNDC4		0.74	0.74								20.35	10.54	13.32	13.32
		UNBUNDLED LOOP CONCENTRATION																		
		Loop Channelization System			ULC	ULCCS	307.07	307.34	74.37	4.18							20.35	10.54	13.32	13.32
		CO Channel Interface - 2-Wire Voice Grade			ULC	ULCC2	1.2	9.57	9.52	8.66	8.6						20.35	10.54	13.32	13.32
		Unbundled Loop Concentration - System A (TR008			ULC	UCT8A	500.18	613.6	613.6								20.35	10.54	13.32	13.32
		Unbundled Loop Concentration - System B (TR008			ULC	UCT8B	54.82	255.67	255.67								20.35	10.54	13.32	13.32
		Unbundled Loop Concentration - System A (TR303			ULC	UCT3A	539	613.6	613.6								20.35	10.54	13.32	13.32
		Unbundled Loop Concentration - System B (TR303			ULC	UCT3B	92.37	255.67	255.67								20.35	10.54	13.32	13.32
		Unbundled Loop Concentration - DS1 Loop Interface Car			ULC	UCTCO	6.23	74.39	53.07	30.23	8.46						20.35	10.54	13.32	13.32
		Unbundled Loop Concentration - ISDN Loop Interface (Brite Carc			UDN	ULCC1	8.46	8.69	8.65	9.71	9.65						20.35	10.54	13.32	13.32
		Unbundled Loop Concentration - UDC Loop Interface (Brite Carc			UDC	ULCCU	8.46	8.69	8.65	9.71	9.65						20.35	10.54	13.32	13.32
		Unbundled Loop Concentration - 2 Wire Voice-Loop Start or Ground Start Loop Interface (POTS Card)			UEA	ULCC2	2.32	8.69	8.65	9.71	9.65						20.35	10.54	13.32	13.32
		Unbundled Loop Concentration - 2 Wire Voice - Reverse Battery Loop Interface (SPOTS Card)			UEA	ULCCR	12.45	8.69	8.65	9.71	9.65						20.35	10.54	13.32	13.32
		Unbundled Loop Concentration - 4 Wire Voice Loop Interface (Specials Carc			UEA	ULCC4	7.53	8.69	8.65	9.71	9.65						20.35	10.54	13.32	13.32
		Unbundled Loop Concentration - TEST CIRCUIT Car			ULC	UCTTC	35.77	8.69	8.65	9.71	9.65						20.35	10.54	13.32	13.32
		Unbundled Loop Concentration - Digital 19.2 Kbps Data Loop Interfac			UDL	ULCC7	11.03	8.069	8.65	9.71	9.65						20.35	10.54	13.32	13.32
		Unbundled Loop Concentration - Digital 56 Kbps Data Loop Interfac			UDL	ULCC5	11.03	8.69	8.65	9.71	9.65						20.35	10.54	13.32	13.32
		Unbundled Loop Concentration - Digital 64 Kbps Data Loop Interfac			UDL	ULCC6	11.03	8.69	8.65	9.71	9.65						20.35	10.54	13.32	13.32
		UNBUNDLED SUB-LOOP CONCENTRATION (OUTSIDE CO)																		
		UNE OTHER, PROVISIONING ONLY - NO RATE																		
		NID - Dispatch and Service Order for NID installation			UENTW	UNDBX														
		UNTW Circuit Id Establishment, Provisioning Only - No Rate			UENTW	UEENCE														
		Unbundled Contract Name, Provisioning Only - No Rate			UEANL, UEF, UE Q, UENT W	UNECN														
		Unbundled Contact Name, Provisioning Only - no rate			UAL, UCL, UDC, UDL, UDN, UEA, UHL, ULC	UNECN	0	0												
		Unbundled Sub-Loop Feeder-2 Wire Cross Box Jumper - no rat			UEA, UDN, UCL, UDC	USBFQ	0	0												
		Unbundled Sub-Loop Feeder-4 Wire Cross Box Jumper - no rat			UEA, USL, UCL, UDL	USBFR	0	0												

UNBUNDLED NETWORK ELEMENTS
TN

CATEGORY	NOTES	UNBUNDLED NETWORK ELEMENT	Interim	Zone	BCS	USOC	RATES (\$)					OSS RATES (\$)							
							Rec	First	Add'l	First	Add'l	SOMEK	SOMAN	SOMAN	SOMAN	SOMAN	SOMAN		
		Unbundled DS1 Loop - Superframe Format Option - no rat			USL	CCOSF	0	0											
		Unbundled DS1 Loop - Expanded Superframe Format option - no rat			USL	CCOEF	0	0											
HIGH CAPACITY UNBUNDLED LOCAL LOOP																			
	NOTE: 4 month minimum billing period																		
		High Capacity Unbundled Local Loop - DS3 - Per Mile per mont			UE3	1L5ND	9.19												
		High Capacity Unbundled Local Loop - DS3 - Facility Termination per mon			UE3	UE3PX	374.24	595.67	304.5	234.83	170.16			36.84	36.84	19.01	19.01		
		High Capacity Unbundled Local Loop - STS-1 - Per Mile per mont			UDLSX	1L5ND	9.19												
		High Capacity Unbundled Local Loop - STS-1 - Facility Termination per mon			UDLSX	UDLS1	389.35	595.37	304.5	215.82	151.15			36.84	36.84	19.01	19.01		
LOOP MAKE-UP																			
		Loop Makeup - Preordering Without Reservation, per working or spare facility queried (Manual).	I		UMK	UMKLV		100	100										
		Loop Makeup - Preordering With Reservation, per spare facility queried (Manual).	I		UMK	UMKLP		100	100										
		Loop Makeup--With or Without Reservation, per working or spare facility queried (Mechanized)	I		UMK	PSUMK	0.6888												
LINE SHARING																			
		Line Sharing Splitter, per System 96 Line Capacit	I		ULS	ULSDA	100	150	0	150	0		0						
		Line Sharing Splitter, per System 24 Line Capacit	I		ULS	ULSDB	25	150	0	150	0		0						
		Line Sharing Splitte, Per System, 8 Line Capacit	I		ULS	ULSD8	8.33	150	0	150	0		0						
		Line Sharing - per Line Activatio	I		ULS	ULSDC	0.61	40	21.39	35.06	10.79			20.35	10.54	13.32	13.32		
		Line Sharing - per Subsequent Activity per Line Rearrangeme	I		ULS	ULSDS		30	15					20.35	10.54	13.32	13.32		
UNBUNDLED TRANSPORT																			
COMMON TRANSPORT (Shared)																			
		Common Transport - Per Mile, Per MOU					0.0000064												
		Common Transport - Facilities Termination Per MOU					0.0003871												
	NOTE: INTEROFFICE CHANNEL - DEDICATED TRANSPORT - minimum billing period: below DS3 = one month, DS3 and above four months																		
INTEROFFICE CHANNEL - DEDICATED TRANSPORT - VOICE GRADE																			
		Interoffice Channel - Dedicated Transport - 2-Wire Voice Grade - Per Mile per mon			U1TVX	1L5XX	0.0174												
		Interoffice Channel - Dedicated Transport- 2- Wire Voice Grade - Facility Termination per month			U1TVX	U1TV2	18.53	55.39	17.37	27.96	3.51			20.35	21.09	9.8	10.54		
		Interoffice Channel - Dedicated Transport- 2-Wire Voice Grade Rev Bat. - Per Mile per month			U1TVX	1L5XX	0.0174												
		Interoffice Channel - Dedicated Transport- 2- Wire VG Rev Bat. - Facility Termination per month			U1TVX	U1TR2	18.53	55.39	17.37	27.96	3.51			20.35	21.09	9.8	10.54		
		Interoffice Channel - Dedicated Transport - 4-Wire Voice Grade - Per Mile per month			U1TVX	1L5XX	0.0054												
		Interoffice Channel - Dedicated Transport - 4- Wire Voice Grade - Facility Termination per month			U1TVX	U1TV4	24.09	37.87	26.02	30.78	13.07			15.08	15.08	8.66	8.66		
		Interoffice Channel - Dedicated Transport - 56 kbps - per mile per mont			U1TDX	1L5XX	0.0174												
		Interoffice Channel - Dedicated Transport - 56 kbps - Facility Termination per mon			U1TDX	U1TD5	18.53	55.39	17.37	27.96	3.51			20.35	21.09	9.8	10.54		
		Interoffice Channel - Dedicated Transport - 64 kbps - per mile per mont			U1TDX	1L5XX	0.0174												
		Interoffice Channel - Dedicated Transport - 64 kbps - Facility Termination per mon			U1TDX	U1TD6	18.53	55.39	17.37	27.96	3.51			20.35	21.09	9.8	10.54		
INTEROFFICE CHANNEL - DEDICATED TRANSPORT - DS1																			
		Interoffice Channel - Dedicated Channel - DS1 - Per Mile per mont			U1TD1	1L5XX	0.3525												

UNBUNDLED NETWORK ELEMENTS
TN

CATEGORY	NOTES	UNBUNDLED NETWORK ELEMENT	Interim	Zone	BCS	USOC	RATES (\$)					OSS RATES (\$)					
							Nonrecurring		Nonrecurring			SOMEK	SOMAN	SOMAN	SOMAN	SOMAN	SOMAN
							Rec	First	Add'l	First	Add'l						
							Disconnect										
		Interoffice Channel - Dedicated Transport - DS1 - Facility Termination per mon			U1TD1	U1TF1	77.83	112.4	76.27	19.55	14.99			20.35	21.09	9.8	10.54
		INTEROFFICE CHANNEL - DEDICATED TRANSPORT- DS3															
		Interoffice Channel - Dedicated Transport - DS3 - Per Mile per mont			U1TD3	1L5XX	2.34										
		Interoffice Channel - Dedicated Transport - DS3 - Facility Termination per mon			U1TD3	U1TF3	848.99	395.29	176.56	109.04	105.91			36.84	36.84	19.01	19.01
		INTEROFFICE CHANNEL - DEDICATED TRANSPORT- STS-1															
		Interoffice Channel - Dedicated Transport - STS-1 - Per Mile per mont			U1TS1	1L5XX	2.34										
		Interoffice Channel - Dedicated Transport - STS-1 - Facility Termination per mon			U1TS1	U1TFS	849.3	395.29	176.56	109.04	105.91			36.84	36.84	19.01	19.01
		LOCAL CHANNEL - DEDICATED TRANSPORT															
		NOTE: LOCAL CHANNEL DEDICATED TRANSPORT - minimum billing period - below DS3=one month, DS3 and above=four months															
		Local Channel - Dedicated - 2-Wire Voice Grade Per Month			ULCVX	ULDV2	19.02	199.33	24.16	54.81	4.8			20.35	10.54	13.32	13.32
		Local Channel - Dedicated - 2-Wire Voice Grade Rev Bat per mont			ULCVX	ULDR2	19.02	199.33	24.16	54.81	4.8			20.35	21.09	9.8	10.54
		Local Channel - Dedicated - 4-Wire Voice Grade per mont			UNCVX	ULDV4	20.56	201.53	24.83	55.52	5.51			20.35	20.35	13.32	13.32
		Local Channel - Dedicated - DS1 per mont!			ULDD1	ULDF1	40.99	277.35	233.26	33.16	22.3			45.68	1.76	21.75	1.76
		Local Channel - Dedicated - DS3 - Per Mile per mont!			ULDD3	1L5NC	7.15										
		Local Channel - Dedicated - DS3 - Facility Termination per mont			ULDD3	ULDF3	611.3	595.37	304.5	215.82	151.15			36.84	36.84	19.01	19.01
		Local Channel - Dedicated - STS-1 - Per Mile per mont!			ULDS1	1L5NC	7.15										
		Local Channel - Dedicated - STS-1 - Facility Termination per mont			ULDS1	ULDFS	599.59	595.37	304.5	215.82	151.15			20.35	21.09	9.8	10.54
		MULTIPLEXERS															
		Channelization - DS1 to DS0 Channel Syster			UXTD1	MQ1	80.77	141.67	77.11	44.47	42.62			20.35	9.8	11.49	1.18
		OCU-DP COCI (data) - DS1 to DS0 Channel System - per month (2.4-64kbs			UDL	1D1DD	1.82	6.07	4.66								
		2-wire ISDN COCI (BRITE) - DS1 to DS0 Channel Systsem - per mont!			UDN	UC1CA	3.1	6.07	4.66								
		Voice Grade COCI - DS1 to DS0 Channel System - per mont!			UEA	1D1VG	0.91	6.07	4.66								
		DS3 to DS1 Channel System per mont!			UXTD3	MQ3	222.98	308.03	108.47	6.34	4.23			20.35	9.8	11.49	1.18
		STS1 to DS1 Channel System per mont!			UXTS1	MQ3	222.98	308.03	108.47	6.34	4.23			20.35	21.09	9.8	9.8
		DS3 Interface Unit (DS1 COCI) used with Loop per mont!			USL	UC1D1	17.58	6.07	4.66								
		DARK FIBER															
		Dark Fiber, Four Fiber Strands, Per Route Mile or Fraction Thereof per month - Local Channel			UDF	1L5DC	53.23										
		NRC Dark Fiber - Local Channe			UDF	UDFC4		1219.22	169.75	453.22	339.34			20.35	21.09	9.8	10.54
		Dark Fiber, Four Fiber Strands, Per Route Mile or Fraction Thereof per month - Interoffice Channe			UDF	1L5DF	53.23										
		NRC Dark Fiber - Interoffice Channe			UDF	UDF14		1219.22	169.75	453.22	339.34			20.35	21.09	9.8	10.54
		Dark Fiber, Four Fiber Strands, Per Route Mile or Fraction Thereof per month - Local Loop			UDF	1L5DL	53.23										
		NRC Dark Fiber - Local Loop			UDF	UDFL4		1219.22	169.75	453.22	339.34			20.35	21.09	9.8	10.54
		TRANSPORT OTHER															
		Clear Channel Capability (B8ZS/ESF) Option - Subsequent - per DS1 Chann			UNC1X	CCOEF		185.16	23.85	2.03	0.79			20.35	21.09	9.8	10.54
		Clear Channel Capability (B8ZS/SF) Option - Subsequent - per DS1 Chann			UNC1X	CCOSF		185.16	23.85	2.03	0.79			20.35	21.09	9.8	10.54
		8XX ACCESS TEN DIGIT SCREENING															
		8XX Access Ten Digit Screening, Per Ca			OHD		0.0005192										
		8XX Access Ten Digit Screening, Reservation Charge Per 8XX Number Reserve			OHD	N8R1X		5.21	0.76					20.35	20.35	13.28	13.28
		8XX Access Ten Digit Screening, Per 8XX No. Established W/O POTS Translator			OHD			11.47	1.46	7.34	0.7602			20.35	20.35	13.28	13.28
		8XX Access Ten Digit Screening, Per 8XX No. Established With POTS Translator			OHD	N8FTX		11.47	1.46	7.34	0.7602			20.35	20.35	13.28	13.28
		8XX Access Ten Digit Screening, Customized Area of Service Per 8XX Numb			OHD	N8FCX		4.47	2.24					20.35	20.35	13.28	13.28
		8XX Access Ten Digit Screening, Multiple InterLATA CXR Routing Per CXR Requested Per 8XX No.			OHD	N8FMX		5.23	3					20.35	20.35	13.28	13.28
		8XX Access Ten Digit Screening, Change Charge Per Reque			OHD	N8FAX		5.97	0.76					20.35	20.35	13.28	13.28
		8XX Access Ten Digit Screening, Call Handling and Destination Featur			OHD	N8FDX		4.47						20.35	20.35	13.28	13.28

UNBUNDLED NETWORK ELEMENTS
TN

CATEGORY	NOTES	UNBUNDLED NETWORK ELEMENT	Interim	Zone	BCS	USOC	RATES (\$)				OSS RATES (\$)												
							Nonrecurring		Nonrecurring		SOMEK	SOMAN	SOMAN	SOMAN	SOMAN	SOMAN							
							Rec	First	Add'l	Disconnect							First	Add'l					
LINE INFORMATION DATA BASE ACCESS (LIDB)																							
		LIDB Common Transport Per Query			OQT		0.0000354																
		LIDB Validation Per Query			OQU		0.0117403																
		LIDB Originating Point Code Establishment or Change			OQT, OQU	NRPBX		49.03					20.35	20.35	13.28	13.28							
SIGNALING (CCS7)																							
		CCS7 Signaling Termination, Per STP Port			1DB	PT8SX	138.41						20.35	20.35	13.32	13.32							
		CCS7 Signaling Usage, Per TCAP Message			1DB		0.0000916																
		NOTE: Applicable when measurement and billing capability exists.																					
		CCS7 Signaling Connection, Per link (A link)			1DB	TPP++	17.84	130.84	130.84				20.35	20.35	13.32	13.32							
		CCS7 Signaling Connection, Per link (B link) (also known as D link)			1DB	TPP++	17.84	130.84	130.84				20.35	20.35	13.32	13.32							
		CCS7 Signaling Usage, Per ISUP Message			1DB		0.0000373																
		NOTE: Applicable when measurement and billing capability exists.																					
		CCS7 Signaling Usage Surrogate, per link per LAT			1DB	STU56	352.3						20.35	20.35	13.32	13.32							
		CCS7 Signaling Point Code, per Originating Point Code Establishment or Change, per STP affected			1DB	CCAPO		40	40				20.35	20.35	13.32	13.32							
		CCS7 Signaling Point Code, per Destination Point Code Establishment or Change, Per Stp Affected			1DB	CCAPD		8	8				20.35	20.35	13.32	13.32							
E911 SERVICE																							
CALLING NAME (CNAM) SERVICE																							
		CNAM for DB Owners, Per Query			OQV		0.016																
		CNAM for Non DB Owners, Per Query			OQV		0.01																
		CNAM (Non-Databs Owner), NRC, applies when using the Character Based User Interface (CHUI)			OQV	CDDCH		595	595				20.35	20.35	13.28	13.28							
LNP QUERY SERVICE																							
OPERATOR CALL PROCESSING																							
		Oper. Call Processing - Oper. Provided, Per Min. - Using BST LID					1.2																
		Oper. Call Processing - Oper. Provided, Per Min. - Using Foreign LID					1.24																
		Oper. Call Processing - Fully Automated, per Call - Using BST LID					0.2																
		Oper. Call Processing - Fully Automated, per Call - Using Foreign LID					0.2																
INWARD OPERATOR SERVICES																							
		Inward Operator Services - Verification, Per Ca					1																
		Inward Operator Services - Verification and Emergency Interrupt - Per Ca					1.95																
BRANDING - OPERATOR CALL PROCESSING																							
		Recording of Custom Branded OA Announcement				CBAOS		7000	7000	9.61	9.61		19.99	19.99	19.99	19.99							
		Loading of Custom Branded OA Announcement per shelf/NAV				CBAOL		500	500				19.99	19.99									
DIRECTORY ASSISTANCE SERVICES																							
DIRECTORY ASSISTANCE ACCESS SERVICE																							
		Directory Assistance Access Service Calls, Charge Per Ca					0.275																
DIRECTORY ASSISTANCE CALL COMPLETION ACCESS SERVICE (DACC)																							
		Directory Assistance Call Completion Access Service (DACC), Per Call Attempt					0.1																
UNBRANDING																							
DIRECTORY TRANSPORT																							

UNBUNDLED NETWORK ELEMENTS
TN

CATEGORY	NOTES	UNBUNDLED NETWORK ELEMENT	Interim	Zone	BCS	USOC	RATES (\$)				OSS RATES (\$)									
							Rec	First	Add'l	Disconnect	SOME C	SOMAN	SOMAN	SOMAN	SOMAN	SOMAN				
		Directory Transport - Local Channel DS					133.81	868.97	486.83											
		Directory Transport - DS1 Level Interoffice Per Mil					23													
		Directory Transport - DS1 Level Interoffice Per Facility Termination					90	100.49	100.49											
		DIRECTORY ASSISTANCE DATA BASE SERVICE (DADS)																		
		Directory Assistance Data Base Service Charge Per Listin					0.04													
		Directory Assistance Data Base Service, per month				DBSOF	150													
		BRANDING - DIRECTORY ASSISTANCE																		
		Custom Branding Announcement, per Recording to be used with the provision of DA				AMT		3000	3000											
		Loading of Custom Branded Announcement per DRAM Card/Switch				AMT		690	690											
		SELECTIVE ROUTING																		
		Selective Routing Per Unique Line Class Code Per Request Per Switc				USRCR		179.6	179.6											
		VIRTUAL COLLOCATION																		
		Virtual Collocatin - DS1 Cross Connect:				USL_UL C	CNC1X	1.319	32.22	17.76	10.46	8.75								
		AIN SELECTIVE CARRIER ROUTING																		
		Regional Service Establishment				SRC	SRCEC		391788											
		End Office Establishment				SRC	SRCEO		320.53	320.53										
		Line/Port NRC, per end user				SRC	SRCLP		2.06	2.06										
		Query NRC, per query				SRC		0.000448												
		AIN - BELLSOUTH AIN SMS ACCESS SERVICE																		
		AIN SMS Access Service - Service Establishment, Per State, Initial Setu					CAMSE		135.56	135.56										
		AIN SMS Access Service - Port Connection - Dial/Shared Acces					CAMDP		41.75	41.75										
		AIN SMS Access Service - Port Connection - ISDN Acces					CAM1P		41.75	41.75										
		AIN SMS Access Service - User Identification Codes - Per User ID Cod					CAMAU		96.63	96.63										
		AIN SMS Access Service - Security Card, Per User ID Code, Initial or Replacemr					CAMRC		113.67	113.67										
		AIN SMS Access Service - Storage, Per Unit (100 Kilobytes)						0.0024												
		AIN SMS Access Service - Session, Per Minut						0.0820123												
		AIN SMS Access Service - Company Performed Session, Per Minut						2.27												
		AIN - BELLSOUTH AIN TOOLKIT SERVICE																		
		AIN Toolkit Service - Service Establishment Charge, Per State, Initial Setu					BAPSC		132.04	132.04										
		AIN Toolkit Service - Training Session, Per Custome					BAPVX		7915	7915										
		AIN Toolkit Service - Trigger Access Charge, Per Trigger, Per DN, Term. Attempt					BAPT		31.21	31.21										
		AIN Toolkit Service - Trigger Access Charge, Per Trigger, Per DN, Off-Hook Dela					BAPTD		31.21	31.21										
		AIN Toolkit Service - Trigger Access Charge, Per Trigger, Per DN, Off-Hook Immediate					BAPTM		31.21	31.21										
		AIN Toolkit Service - Trigger Access Charge, Per Trigger, Per DN, 10-Digit POD					BAPTO		85.24	85.24										
		AIN Toolkit Service - Trigger Access Charge, Per Trigger, Per DN, CDI					BAPTC		85.24	85.24										
		AIN Toolkit Service - Trigger Access Charge, Per Trigger, Per DN, Feature Cod					BAPTF		85.24	85.24										
		AIN Toolkit Service - Query Charge, Per Quer						0.0211882												
		AIN Toolkit Service - Type 1 Node Charge, Per AIN Toolkit Subscription, Per Node, Per Query						0.0054774												
		AIN Toolkit Service - SCP Storage Charge, Per SMS Access Account, Per 100 Kilobytes						1.5												
		AIN Toolkit Service - Monthly report - Per AIN Toolkit Service Subscriptic					BAPMS	17.43	33.52	33.52										
		AIN Toolkit Service - Special Study - Per AIN Toolkit Service Subscriptic					BAPLS	0.1321116	36.23	36.23										

UNBUNDLED NETWORK ELEMENTS
TN

CATEGORY	NOTES	UNBUNDLED NETWORK ELEMENT	Interim	Zone	BCS	USOC	RATES (\$)					OSS RATES (\$)								
							Rec	First	Add'l	First	Add'l	SOMEc	SOMAN	SOMAN	SOMAN	SOMAN	SOMAN	SOMAN		
							Nonrecurring		Nonrecurring											
							Disconnect		Disconnect											
							Rec	First	Add'l	First	Add'l	SOMEc	SOMAN	SOMAN	SOMAN	SOMAN	SOMAN	SOMAN	SOMAN	SOMAN
		AIN Toolkit Service - Call Event Report - Per AIN Toolkit Service Subscriptic				BAPDS	17.35	33.52	33.52					20.35	20.35	13.28	13.28			
		AIN Toolkit Service - Call Event Special Study - Per AIN Toolkit Service Subscriptic				BAPEs	0.0511435	36.23	36.23					20.35	20.35	13.28	13.28			
		ODUF/EDOUF/ADUF/CMDS																		
		OPTIONAL DAILY USAGE FILE (ODUF)																		
		ODUF: Recording, per message					0.0000044													
		ODUF: Message Processing, per message					0.0027366													
		ODUF: Message Processing, per Magnetic Tape provisione					52.75													
		ODUF: Data Transmission (CONNECT;DIRECT), per message					0.0000339													
		ENHANCED EXTENDED LINK (EELs)																		
		NOTE: New EELs available in State of Georgia, density zone 1 of following SMAs: Orlando, FL; Miami, FL; Ft. Lauderdale, FL; Nashville, TN; New Orleans, LA;																		
		NOTE: Charlotte-Gastonia-Rockhill, NC; Greensboro-Winston Salem-High Point, NC. Use all rates below except Switch As Is Charge.																		
		NOTE: In all states, EEL network elements shown below also apply to currently combined facilities which are converted to UNE rates. A Switch As Is Charge applies to currently combined facilities converted to UNEs.(Non-recurring rates do not apply.)																		
		NOTE: In Georgia, the EEL network elements apply to ordinarily combined network elements per the GA PSC order.(No Switch As Is Charge.)																		
		2-WIRE VOICE GRADE EXTENDED LOOP WITH DEDICATED DS1 INTEROFFICE TRANSPORT (EEL)																		
		First 2-Wire VG Loop(SL2) in a DS1 Interofficed Transport Combination - Zone 1	1	UNCVX	UEAL2		16.56	108.76	35.47	72.94	10.86			20.35	21.09	9.8	10.54			
		First 2-Wire VG Grade Loop(SL2) in a DS1 Interofficed Transport Combination - Zone 2	2	UNCVX	UEAL2		21.63	108.76	35.47	72.94	10.86			20.35	21.09	9.8	10.54			
		First 2-Wire VG Grade Loop(SL2) in a DS1 Interofficed Transport Combination - Zone 3	3	UNCVX	UEAL2		28.28	108.76	35.47	72.94	10.86			20.35	21.09	9.8	10.54			
		Interoffice Transport - Dedicated - DS1 combination - Per Mile per mont		UNC1X	1L5XX		0.3525													
		Interoffice Transport - Dedicated - DS1 combination - Facility Termination per mon		UNC1X	U1TF1		77.83	171.24	113.12	70.07	30.9			20.35	21.09	9.8	10.54			
		DS1 Channelization System Per Montl		UNC1X	MQ1		80.77	214.52	49.95	75.98	13.6									
		Voice Grade COCI - DS1 To Ds0 Interface - Per Month		UNCVX	1D1VG		0.91	5.7	4.42											
		Each Additional 2-Wire VG Loop(SL 2) in the same DS1 Interoffice Transport Combination - Zone 1	1	UNCVX	UEAL2		16.56	108.76	35.47	72.94	10.86			20.35	21.09	9.8	10.54			
		Each Additional 2-Wire VG Loop(SL2) in the same DS1 Interoffice Transport Combination - Zone 2	2	UNCVX	UEAL2		21.63	108.76	35.47	72.94	10.86			20.35	21.09	9.8	10.54			
		Each Additional 2-Wire VG Loop(SL2) in the same DS1 Interoffice Transport Combination - Zone 3	3	UNCVX	UEAL2		28.28	108.76	35.47	72.94	10.86			20.35	21.09	9.8	10.54			
		Voice Grade COCI - DS1 to DS0 Channel System combination - per mont		UNCVX	1D1VG		0.91	5.7	4.42											
		Nonrecurring Currently Combined Network Elements Switch -As-Is Charg		UNC1X	UNCCC			52.73	24.62	9.12	9.12			20.35	21.09	9.8	10.54			
		4-WIRE VOICE GRADE EXTENDED LOOP WITH DEDICATED DS1 INTEROFFICE TRANSPORT (EEL)																		
		First 4-Wire Analog Voice Grade Loop in a DS1 Interoffice Transport Combination - Zone 1	1	UNCVX	UEAL4		24.7	108.76	35.47	72.94	10.86			20.35	21.09	9.8	10.54			
		First 4-Wire Analog Voice Grade Loop in a DS1 Interoffice Transport Combination - Zone 2	2	UNCVX	UEAL4		32.25	108.76	35.47	72.94	10.86			20.35	21.09	9.8	10.54			
		First 4-Wire Analog Voice Grade Loop in a DS1 Interoffice Transport Combination - Zone 3	3	UNCVX	UEAL4		42.17	108.76	35.47	72.94	10.86			20.35	21.09	9.8	10.54			

UNBUNDLED NETWORK ELEMENTS
TN

CATEGORY	NOTES	UNBUNDLED NETWORK ELEMENT	Interim	Zone	BCS	USOC	RATES (\$)				OSS RATES (\$)								
							Nonrecurring		Nonrecurring		SOMEK	SOMAN	SOMAN	SOMAN	SOMAN	SOMAN			
							Rec	First	Add'l	Disconnect							First	Add'l	
		Interoffice Transport - Dedicated - DS1 combination - Per Mile Per Mont			UNC1X	1L5XX	0.3525												
		Interoffice Transport - Dedicated - DS1 - Facility Termination Per Mont			UNC1X	U1TF1	77.83	171.24	113.12	70.07	30.9			20.35	21.09	9.8	10.54		
		Channelization - Channel System DS1 to DS0 combination Per Mont			UNC1X	MQ1	80.77	214.52	49.95	75.98	13.6								
		Voice Grade COCI - DS1 to DS0 Channel System combination - per mont			UNCVX	1D1VG	0.91	5.7	4.42										
		Additional 4-Wire Analog Voice Grade Loop in same DS1 Interoffice Transport Combination - Zone 1		1	UNCVX	UEAL4	24.7	108.76	35.47	72.94	10.86			20.35	21.09	9.8	10.54		
		Additional 4-Wire Analog Voice Grade Loop in same DS1 Interoffice Transport Combination - Zone 2		2	UNCVX	UEAL4	32.25	108.76	35.47	72.94	10.86			20.35	21.09	9.8	10.54		
		Additional 4-Wire Analog Voice Grade Loop in same DS1 Interoffice Transport Combination - Zone 3		3	UNCVX	UEAL4	42.17	108.76	35.47	72.94	10.86			20.35	21.09	9.8	10.54		
		Voice Grade COCI - DS1 to DS0 Channel System combination - per mont			UNCVX	1D1VG	0.91	5.7	4.42										
		Nonrecurring Currently Combined Network Elements Switch -As-Is Charg			UNC1X	UNCCC		52.73	24.62	9.12	9.12			20.35	21.09	9.8	10.54		
		4-WIRE 56 KBPS EXTENDED DIGITAL LOOP WITH DEDICATED DS1 INTEROFFICE TRANSPORT (EEL)																	
		First 4-Wire 56Kbps Digital Grade Loop in a DS1 Interoffice Transport Combination - Zone 1		1	UNCDX	UDL56	31.1	108.76	35.47	72.94	10.86			20.35	21.09	9.8	10.54		
		First 4-Wire 56Kbps Digital Grade Loop in a DS1 Interoffice Transport Combination - Zone 2		2	UNCDX	UDL56	40.61	108.76	35.47	72.94	10.86			20.35	21.09	9.8	10.54		
		First 4-Wire 56Kbps Digital Grade Loop in a DS1 Interoffice Transport Combination - Zone 3		3	UNCDX	UDL56	53.11	108.76	35.47	72.94	10.86			20.35	21.09	9.8	10.54		
		Interoffice Transport - Dedicated - DS1 combination - Per Mile Per Mont			UNC1X	1L5XX	0.3525												
		Interoffice Transport - Dedicated - DS1 - combination Facility Termination Per Mon			UNC1X	U1TF1	77.83	171.24	113.12	70.07	30.9			20.35	21.09	9.8	10.54		
		Channelization - Channel System DS1 to DS0 combination Per Mon			UNC1X	MQ1	80.77	214.52	49.95	75.98	13.6								
		OCU-DP COCI (data) - DS1 to DS0 Channel System - per month (2.4-64kbs)			UNCDX	1D1DD	1.82	5.7	4.42										
		Additional 4-Wire 56Kbps Digital Grade Loopin same DS1 Interoffice Transport Combination - Zone 1		1	UNCDX	UDL56	31.1	108.76	35.47	72.94	10.86			20.35	21.09	9.8	10.54		
		Additional 4-Wire 56Kbps Digital Grade Loopin same DS1 Interoffice Transport Combination - Zone 2		2	UNCDX	UDL56	40.61	108.76	35.47	72.94	10.86			20.35	21.09	9.8	10.54		
		Additional 4-Wire 56Kbps Digital Grade Loopin same DS1 Interoffice Transport Combination - Zone 3		3	UNCDX	UDL56	53.11	108.76	35.47	72.94	10.86			20.35	21.09	9.8	10.54		
		OCU-DP COCI (data) - DS1 to DS0 Channel System - combination per month (2.4-64kbs)			UNCDX	1D1DD	1.82	6.07	4.66										
		Nonrecurring Currently Combined Network Elements Switch -As-Is Charg			UNC1X	UNCCC		52.73	24.62	9.12	9.12			20.35	21.09	9.8	10.54		
		4-WIRE 64 KBPS EXTENDED DIGITAL LOOP WITH DEDICATED DS1 INTEROFFICE TRANSPORT (EEL)																	
		First 4-Wire 64Kbps Digital Grade Loop in a DS1 Interoffice Transport Combination - Zone 1		1	UNCDX	UDL64	31.1	108.76	35.47	72.94	10.86			20.35	21.09	9.8	10.54		
		First 4-Wire 64Kbps Digital Grade Loop in a DS1 Interoffice Transport Combination - Zone 2		2	UNCDX	UDL64	40.61	108.76	35.47	72.94	10.86			20.35	21.09	9.8	10.54		
		First 4-Wire 64Kbps Digital Grade Loop in a DS1 Interoffice Transport Combination - Zone 3		3	UNCDX	UDL64	53.11	108.76	35.47	72.94	10.86			20.35	21.09	9.8	10.54		
		Interoffice Transport - Dedicated - DS1 combination - Per Mile Per Mont			UNC1X	1L5XX	0.3525												
		Interoffice Transport - Dedicated - DS1 combination - Facility Termination Per Mon			UNC1X	U1TF1	77.83	171.24	113.12	70.07	30.9			20.35	21.09	9.8	10.54		
		Channelization - Channel System DS1 to DS0 combination Per Mon			UNC1X	MQ1	80.77	214.52	49.95	75.98	13.6								
		OCU-DP COCI (data) - DS1 to DS0 Channel System combination - per month (2.4-64kbs)			UNCDX	1D1DD	1.82	5.7	4.42										
		Additional 4-Wire 64Kbps Digital Grade Loopin same DS1 Interoffice Transport Combination - Zone 1		1	UNCDX	UDL64	31.1	108.76	35.47	72.94	10.86			20.35	21.09	9.8	10.54		
		Additional 4-Wire 64Kbps Digital Grade Loopin same DS1 Interoffice Transport Combination - Zone 2		2	UNCDX	UDL64	40.61	108.76	35.47	72.94	10.86			20.35	21.09	9.8	10.54		
		Additional 4-Wire 64Kbps Digital Grade Loopin same DS1 Interoffice Transport Combination - Zone 3		3	UNCDX	UDL64	53.11	108.76	35.47	72.94	10.86			20.35	21.09	9.8	10.54		
		OCU-DP COCI (data) - DS1 to DS0 Channel System combination - per month (2.4-64kbs)			UNCDX	1D1DD	1.82	5.7	4.42										
		Nonrecurring Currently Combined Network Elements Switch -As-Is Charg			UNC1X	UNCCC		52.73	24.62	9.12	9.12			20.35	21.09	9.8	10.54		

UNBUNDLED NETWORK ELEMENTS
TN

CATEGORY	NOTES	UNBUNDLED NETWORK ELEMENT	Interim	Zone	BCS	USOC	RATES (\$)					OSS RATES (\$)							
							Nonrecurring		Nonrecurring			SOMEK	SOMAN	SOMAN	SOMAN	SOMAN	SOMAN		
							Rec	First	Add'l	First	Add'l							Disconnect	
		4-WIRE DS1 DIGITAL EXTENDED LOOP WITH DEDICATED DS1 INTEROFFICE TRANSPORT (EEL)																	
		4-Wire DS1 Digital Loop in Combination with DS1 Interoffice Transport - Zone		1	UNC1X	USLXX	57.73	228.4	161.74	79.87	24.88					20.35	21.09	9.8	10.54
		4-Wire DS1 Digital Loop in Combination with DS1 Interoffice Transport - Zone		2	UNC1X	USLXX	75.4	228.4	161.74	79.87	24.88					20.35	21.09	9.8	10.54
		4-Wire DS1 Digital Loop in Combination with DS1 Interoffice Transport - Zone		3	UNC1X	USLXX	98.59	228.4	161.74	79.87	24.88					20.35	21.09	9.8	10.54
		Interoffice Transport - Dedicated - DS1 combination - Per Mile Per Mont			UNC1X	1L5XX	0.3525												
		Interoffice Transport - Dedicated - DS1 combination - Facility Termination Per Mon			UNC1X	U1TF1	77.83	171.24	113.12	70.07	30.9					20.35	21.09	9.8	10.54
		Nonrecurring Currently Combined Network Elements Switch -As-Is Chrg			UNC1X	UNCCC		52.73	24.62	9.12	9.12					20.35	21.09	9.8	10.54
		4-WIRE DS1 DIGITAL EXTENDED LOOP WITH DEDICATED DS3 INTEROFFICE TRANSPORT (EEL)																	
		First DS1Loop in DS3 Interoffice Transport Combination - Zone		1	UNC1X	USLXX	57.73	240.23	180.87	106.78	45.24					20.35	21.09	9.8	10.54
		First DS1Loop in DS3 Interoffice Transport Combination - Zone		2	UNC1X	USLXX	75.4	240.23	180.87	106.78	45.24					20.35	21.09	9.8	10.54
		First DS1Loop in DS3 Interoffice Transport Combination - Zone		3	UNC1X	USLXX	98.59	240.23	180.87	106.78	45.24					20.35	21.09	9.8	10.54
		Interoffice Transport - Dedicated - DS3 combination - Per Mile Per Mont			UNC3X	1L5XX	2.34												
		Interoffice Transport - Dedicated - DS3 - Facility Termination per mont			UNC3X	U1TF3	848.99	428.1	153.81	64.43	35.43					20.35	21.09	9.8	10.54
		DS3 to DS1 Channel System combination per mont			UNC3X	MO3	222.98	319.48	126.63	45.53	17.05								
		DS3 Interface Unit (DS1 COC) combination per month			UNC1X	UC1D1	17.58	6.52	2.58										
		Additional DS1Loop in DS3 Interoffice Transport Combination - Zone		1	UNC1X	USLXX	57.73	240.23	180.87	106.78	45.24					20.35	21.09	9.8	10.54
		Additional DS1Loop in DS3 Interoffice Transport Combination - Zone		2	UNC1X	USLXX	75.4	240.23	180.87	106.78	45.24					20.35	21.09	9.8	10.54
		Additional DS1Loop in DS3 Interoffice Transport Combination - Zone		3	UNC1X	USLXX	98.59	240.23	180.87	106.78	45.24					20.35	21.09	9.8	10.54
		DS3 Interface Unit (DS1 COC) combination per month			UNC1X	UC1D1	17.58	6.52	2.58										
		Nonrecurring Currently Combined Network Elements Switch -As-Is Chrg			UNC3X	UNCCC		52.73	24.62	9.12	9.12					20.35	21.09	9.8	10.54
		2-WIRE VOICE GRADE EXTENDED LOOP/ 2 WIRE VOICE GRADE INTEROFFICE TRANSPORT (EEL)																	
		2-WireVG Loop used with 2-wire VG Interoffice Transport Combination - Zone		1	UNCVX	UEAL2	16.56	108.76	35.47	72.94	10.86					20.35	21.09	9.8	10.54
		2-WireVG Loop used with 2-wire VG Interoffice Transport Combination - Zone		2	UNCVX	UEAL2	21.63	108.76	35.47	72.94	10.86					20.35	21.09	9.8	10.54
		2-WireVG Loop used with 2-wire VG Interoffice Transport Combination - Zone		3	UNCVX	UEAL2	28.28	108.76	35.47	72.94	10.86					20.35	21.09	9.8	10.54
		Interoffice Transport - Dedicated - 2-wire VG combination - Per Mile Per Mont			UNCVX	1L5XX	0.0174												
		Interoffice Transport - Dedicated - 2- Wire Voice Grade combination - Facility Termination per mont			UNCVX	U1TV2	18.53	79.86	44.06	69.32	31					20.35	21.09	9.8	10.54
		Nonrecurring Currently Combined Network Elements Switch -As-Is Chrg			UNCVX	UNCCC		52.73	24.62	9.12	9.12					20.35	21.09	9.8	10.54
		4-WIRE VOICE GRADE EXTENDED LOOP/ 4 WIRE VOICE GRADE INTEROFFICE TRANSPORT (EEL)																	
		4-WireVG Loop used with 4-wire VG Interoffice Transport Combination - Zone		1	UNCVX	UEAL4	24.7	108.75	35.47	72.94	10.85					20.35	21.09	9.8	10.54
		4-WireVG Loop used with 4-wire VG Interoffice Transport Combination - Zone		2	UNCVX	UEAL4	32.25	108.75	35.47	72.94	10.85					20.35	21.09	9.8	10.54
		4-WireVG Loop used with 4-wire VG Interoffice Transport Combination - Zone		3	UNCVX	UEAL4	42.17	108.75	35.47	72.94	10.85					20.35	21.09	9.8	10.54
		Interoffice Transport - Dedicated - 4-wire VG combination - Per Mile Per Mont			UNCVX	1L5XX	0.0054												
		Interoffice Transport - Dedicated - 4- Wire Voice Grade combination - Facility Termination per mont			UNCVX	U1TV4	24.09	79.83	44.08	69.32	31					20.35	21.09	9.8	10.54
		Nonrecurring Currently Combined Network Elements Switch -As-Is Chrg			UNCVX	UNCCC		52.73	24.62	9.12	9.12					20.35	21.09	9.8	10.54
		DS3 DIGITAL EXTENDED LOOP WITH DEDICATED DS3 INTEROFFICE TRANSPORT (EEL)																	
		High Capacity Unbundled Local Loop - DS3 combination - Per Mile per mon			UNC3X	1L5ND	9.19												
		High Capacity Unbundled Local Loop - DS3 combination - Facility Termination per month			UNC3X	UE3PX	374.24	240.23	180.87	106.78	45.24								
		Interoffice Transport - Dedicated - DS3 - Per Mile per mont			UNC3X	1L5XX	2.34												
		Interoffice Transport - Dedicated - DS3 combination - Facility Termination per per month			UNC3X	U1TF3	848.99	428.01	153.81	64.43	35.43					20.35	21.09	9.8	10.54
		Nonrecurring Currently Combined Network Elements Switch -As-Is Chrg			UNC3X	UNCCC		52.73	24.62	9.12	9.12					20.35	21.09	9.8	10.54
		STS1 DIGITAL EXTENDED LOOP WITH DEDICATED STS1 INTEROFFICE TRANSPORT (EEL)																	
		High Capacity Unbundled Local Loop - STS1 combination - Per Mile per mon			UNC3X	1L5ND	9.19												

UNBUNDLED NETWORK ELEMENTS
TN

CATEGORY	NOTES	UNBUNDLED NETWORK ELEMENT	Interim	Zone	BCS	USOC	RATES (\$)					OSS RATES (\$)						
							Nonrecurring		Nonrecurring			SOMEK	SOMAN	SOMAN	SOMAN	SOMAN	SOMAN	
							Rec	First	Add'l	First	Add'l							
							Disconnect											
		High Capacity Unbundled Local Loop - STS1 combination - Facility Termination per month			UNCXSX	UDLS1	389.35	240.23	180.87	106.78	45.24							
		Interoffice Transport - Dedicated - STS1 combination - Per Mile per mont			UNCXSX	1L5XX	2.34											
		Interoffice Transport - Dedicated - STS1 combination - Facility Termination per mon			UNCXSX	U1TFS	849.3	428.01	153.81	64.43	35.43		20.35	21.09	9.8	10.54		
		Nonrecurring Currently Combined Network Elements Switch -As-Is Charg			UNCXSX	UNCCC		52.73	24.62	9.12	9.12		20.35	21.09	9.8	10.54		
		2-WIRE ISDN EXTENDED LOOP WITH DS1 INTEROFFICE TRANSPORT (EEL)																
		First 2-Wire ISDN Loop in a DS1 Interoffice Combination Transport - Zone	1		UNCNXX	U1L2X	22	108.76	35.47	72.94	10.86		20.35	21.09	9.8	10.54		
		First 2-Wire ISDN Loop in a DS1 Interoffice Combination Transport - Zone	2		UNCNXX	U1L2X	29.02	108.76	35.47	72.94	10.86		20.35	21.09	9.8	10.54		
		First 2-Wire ISDN Loop in a DS1 Interoffice Combination Transport - Zone	3		UNCNXX	U1L2X	37.95	108.76	35.47	72.94	10.86		20.35	21.09	9.8	10.54		
		Interoffice Transport - Dedicated - DS1 combination - Per Mil			UNC1XX	1L5XX	0.3525											
		Interoffice Transport - Dedicated - DS1 combination - Facility Termination per mon			UNC1XX	U1TF1	77.83	171.24	113.12	70.07	30.9		20.35	21.09	9.8	10.54		
		Channelization - Channel System DS1 to DS0 combination - per mont			UNC1XX	MQ1	80.77	49.95	75.98	13.6								
		2-wire ISDN COCI (BRITE) - DS1 to DS0 Channel System combination - per mont			UNCNXX	UC1CA	3.1	6.16	0.6									
		Additional 2-wire ISDN Loop in same DS1Interoffice Transport Combination - Zone	1		UNCNXX	U1L2X	22	108.76	35.47	72.94	10.86		20.35	21.09	9.8	10.54		
		Additional 2-wire ISDN Loop in same DS1Interoffice Transport Combination - Zone	2		UNCNXX	U1L2X	29.02	108.76	35.47	72.94	10.86		20.35	21.09	9.8	10.54		
		Additional 2-wire ISDN Loop in same DS1Interoffice Transport Combination - Zone	3		UNCNXX	U1L2X	37.95	108.76	35.47	72.94	10.86		20.35	21.09	9.8	10.54		
		2-wire ISDN COCI (BRITE) - DS1 to DS0 Channel System combination - per mont			UNCNXX	UC1CA	3.1	6.16	0.6									
		Nonrecurring Currently Combined Network Elements Switch -As-Is Charg			UNC1XX	UNCCC		52.73	24.62	9.12	9.12		20.35	21.09	9.8	10.54		
		4-WIRE DS1 DIGITAL EXTENDED LOOP WITH DEDICATED STS-1 INTEROFFICE TRANSPORT (EEL)																
		First DS1 Loop in STS1 Interoffice Transport Combination - Zone	1		UNC1XX	USLXX	57.73	228.4	161.74	0	24.88		20.35	21.09	9.8	10.54		
		First DS1 Loop in STS1 Interoffice Transport Combination - Zone	2		UNC1XX	USLXX	75.4	228.4	161.74	0	24.88		20.35	21.09	9.8	10.54		
		First DS1 Loop in STS1 Interoffice Transport Combination - Zone	3		UNC1XX	USLXX	98.59	228.4	161.74	0	24.88		20.35	21.09	9.8	10.54		
		Interoffice Transport - Dedicated - STS1 combination - Per Mile Per Mont			UNCXSX	1L5XX	2.34											
		Interoffice Transport - Dedicated - STS1 combination - Facility Terminatic			UNCXSX	U1TFS	849.3	426.01	153.61	64.43	35.43		20.35	21.09	9.8	10.54		
		STS1 to DS1 Channel System combination per mont			UNCXSX	MQ3	222.98	428.01	153.81	64.43	25.43							
		DS3 Interface Unit (DS1 COCI) combination per month			UNC1XX	UC1D1	17.58	5.7	4.42									
		Additional DS1Loop in STS1 Interoffice Transport Combination - Zone	1		UNC1XX	USLXX	57.73	228.4	161.74	0	24.88		20.35	21.09	9.8	10.54		
		Additional DS1Loop in STS1 Interoffice Transport Combination - Zone	2		UNC1XX	USLXX	75.4	228.4	161.74	0	24.88		20.35	21.09	9.8	10.54		
		Additional DS1Loop in STS1 Interoffice Transport Combination - Zone	3		UNC1XX	USLXX	98.59	228.4	161.74	0	24.88		20.35	21.09	9.8	10.54		
		DS3 Interface Unit (DS1 COCI) combination per month			UNC1XX	UC1D1	17.58	5.7	4.42									
		Nonrecurring Currently Combined Network Elements Switch -As-Is Charg			UNCXSX	UNCCC		52.73	24.62	9.12	9.12		20.35	21.09	9.8	10.54		
		4-WIRE 56 KBPS DIGITAL EXTENDED LOOP WITH 56 KBPS INTEROFFICE TRANSPORT (EEL)																
		4-wire 56 kbps Loop/4-wire 56 kbps Interoffice Transport Combination - Zone	1		UNCNDX	UDL56	31.1	108.76	35.47	72.94	10.86		20.35	21.09	9.8	10.54		
		4-wire 56 kbps Loop/4-wire 56 kbps Interoffice Transport Combination - Zone	2		UNCNDX	UDL56	40.61	108.76	35.47	72.94	10.86		20.35	21.09	9.8	10.54		
		4-wire 56 kbps Loop/4-wire 56 kbps Interoffice Transport Combination - Zone	3		UNCNDX	UDL56	53.11	108.76	35.47	72.94	10.86		20.35	21.09	9.8	10.54		
		Interoffice Transport - Dedicated - 4-wire 56 kbps combination - Per Mil			UNCNDX	1L5XX	0.174											
		Interoffice Transport - Dedicated - 4-wire 56 kbps combination - Facility Terminatic			UNCNDX	U1TD5	22.1	58.54	38.32	13.98	8.59		20.35	21.09	9.8	10.54		
		Nonrecurring Currently Combined Network Elements Switch -As-Is Charg			UNCNDX	UNCCC		52.73	24.62	9.12	9.12		20.35	21.09	9.8	10.54		
		4-WIRE 64 KBPS DIGITAL EXTENDED LOOP WITH 64 KBPS INTEROFFICE TRANSPORT (EEL)																
		4-wire 64 kbps Loop/4-wire 64 kbps Interoffice Transport Combination - Zone	1		UNCNDX	UDL64	31.1	108.76	35.47	72.94	10.86		20.35	21.09	9.8	10.54		
		4-wire 64 kbps Loop/4-wire 64 kbps Interoffice Transport Combination - Zone	2		UNCNDX	UDL64	40.61	108.76	35.47	72.94	10.86		20.35	21.09	9.8	10.54		
		4-wire 64 kbps Loop/4-wire 64 kbps Interoffice Transport Combination - Zone	3		UNCNDX	UDL64	53.11	35.47	35.47	72.94	10.86		20.35	21.09	9.8	10.54		
		Interoffice Transport - Dedicated - 4-wire 64 kbps combination - Per Mil			UNCNDX	1L5XX	0.174											
		Interoffice Transport - Dedicated - 4-wire 64 kbps combination - Facility Terminatic			UNCNDX	U1TD6	22.1	58.54	38.32	13.98	8.59		20.35	21.09	9.8	10.54		
		Nonrecurring Currently Combined Network Elements Switch -As-Is Charg			UNCNDX	UNCCC		52.73	24.62	9.12	9.12		20.35	21.09	9.8	10.54		

UNBUNDLED NETWORK ELEMENTS
TN

CATEGORY	NOTES	UNBUNDLED NETWORK ELEMENT	Interim	Zone	BCS	USOC	RATES (\$)				OSS RATES (\$)										
							Rec	First	Add'l	Disconnect	SOME C	SOMAN	SOMAN	SOMAN	SOMAN	SOMAN					
ADDITIONAL NETWORK ELEMENTS																					
		When used as a part of a currently combined facility, the non-recurring charges do not apply, but a Switch As Is charge does apply.																			
		When used as ordinarily combined network elements in Georgia, the non-recurring charges apply and the Switch As Is Charge does not.																			
		Node (SynchroNet)																			
		Node per month			UNC DX	UNC NT	17.11														
		Nonrecurring Currently Combined Network Elements "Switch As Is" Charge (One applies to each combination)																			
		2/4-Wire VG Interoffice Channel used in a COMBINATION - "Switch As Is" Conversion Charge			UNC VX	UNCC C	52.73	24.62	9.12	9.12		20.35	21.09	9.8	10.54						
		56/64 kbps Interoffice Channel used in a COMBINATION - "Switch As Is" Conversion Charge			UNC DX	UNCC C	52.73	24.62	9.12	9.12		20.35	21.09	9.8	10.54						
		DS1 Interoffice Channel used in a COMBINATION - "Switch As Is" Conversion Charge			UNC 1X	UNCC C	52.73	24.62	9.12	9.12		20.35	21.09	9.8	10.54						
		DS3 Interoffice Channel used in a COMBINATION - "Switch As Is" Conversion Charge			UNC 3X	UNCC C	52.73	24.62	9.12	9.12		20.35	21.09	9.8	10.54						
		STS1 Interoffice or Local Loop used in a COMBINATION - "Switch As Is" Conversion Charge			UNC SX	UNCC C	52.73	24.62	9.12	9.12		20.35	21.09	9.8	10.54						
		NOTE: Local Channel - Dedicated Transport - minimum billing period - Below DS3=one month, DS3 and above=four months																			
		Local Channel - Dedicated - 2-Wire Voice Grade per mont			UNC XV	ULD V2	19.02														
		Local Channel - Dedicated - 4-Wire Voice Grade per mont			UNC XV	ULD V4	20.56														
		Local Channel - Dedicated - DS1 Per Montl			UNC 1X	ULD F1	40														
OPERATIONAL SUPPORT SYSTEMS																					
		NOTE: (1) Electronic Service Order: CLEC-1 should contact its contract negotiator if it prefers the state specific electronic service ordering charges as ordered by the State Commissions																			
		NOTE: (1) Continued: The electronic service ordering charge currently contained in this rate exhibit is the BellSouth regional electronic service ordering charge																			
		NOTE: (1) Concluded: CLEC-1 may elect either the state specific Commission ordered rates for the electronic service ordering charges, or CLEC-1 may elect the regional electronic service ordering charge.																			
		NOTE: (2) Manual Service Order charge: disconnect, in the state of Florida, to be billed on a per LSR basis																			
		Electronic OSS Charge, per LSR, submitted via BST's OSS interactive interfaces (Regional)				SOME C	3.5														
UNBUNDLED LOCAL EXCHANGE SWITCHING (PORTS)																					
		Exchange Ports																			
		NOTE: Although the Port Rate includes all available features in GA & TN, the desired features will need to be ordered using retail USOCs																			
		2-WIRE VOICE GRADE LINE PORT RATES (RES)																			
		Exchange Ports - 2-Wire Analog Line Port- Res			UEPS R	UEPRL	1.89	9.93	9.19	3.66	2.92		20.35	10.54	13.32	1.4					
		Exchange Ports - 2-Wire Analog Line Port with Caller ID - Re:			UEPS R	UEPRC	1.89	9.93	9.19	3.66	2.92		20.35	10.54	13.32	1.4					
		Exchange Ports - 2-Wire Analog Line Port outgoing only - Re:			UEPS R	UEPRO	1.89	9.93	9.19	3.66	2.92		20.35	10.54	13.32	1.4					
		Exchange Ports - 2-Wire VG unbundled TN extended local dialing parity Port with Caller ID - Res.			UEPS R	UEPAQ	1.89	9.93	9.19	3.66	2.92		20.35	10.54	13.32	1.4					
		Exchange Ports - 2-Wire VG unbundled Tennessee Area Plus with Caller ID - Res (AC7)			UEPS R	UEPAH	1.89	9.93	9.19	3.66	2.92		20.35	10.54	13.32	1.4					
		Exchange Ports - 2-Wire VG unbundled Tennessee Area Calling port with Caller ID Res (F2R)			UEPS R	UEPAK	1.89	9.93	9.19	3.66	2.92		20.35	10.54	13.32	1.4					

UNBUNDLED NETWORK ELEMENTS
TN

CATEGORY	NOTES	UNBUNDLED NETWORK ELEMENT	Interim	Zone	BCS	USOC	RATES (\$)					OSS RATES (\$)						
							Rec	First	Add'l	First	Add'l	SOME C	SOMAN	SOMAN	SOMAN	SOMAN	SOMAN	SOME C
		Exchange Ports - 2-Wire VG unbundled Tennessee Area Calling port with Caller ID Res (TACER)			UEPSR	UEPAL	1.89	9.93	9.19	3.66	2.92				20.35	10.54	13.32	1.4
		Exchange Ports - 2-Wire VG unbundled Tennessee Area Calling port with Caller ID Res (TACSR)			UEPSR	UEPAM	1.89	9.93	9.19	3.66	2.92				20.35	10.54	13.32	1.4
		Exchange Ports - 2-Wire VG unbundled Tennessee Area Calling port with Caller ID Res (1MF2X)			UEPSR	UEPAN	1.89	9.93	9.19	3.66	2.92				20.35	10.54	13.32	1.4
		Exchange Ports - 2-Wire VG unbundled Tennessee Area Calling port with Caller ID Res (2MR)			UEPSR	UEPAO	1.89	9.93	9.19	3.66	2.92				20.35	10.54	13.32	1.4
		Exchange Ports - 2-Wire VG unbundled res, low usage line port with Caller ID (LUI Subsequent Activity)			UEPSR	UEPAP	1.89	9.93	9.19	3.66	2.92				20.35	10.54	13.32	1.4
		Exchange Ports - 2-Wire VG unbundled res, low usage line port with Caller ID (LUI Subsequent Activity)			UEPSR	USASC	0	0	0									
		FEATURES																
		All Available Vertical Feature:			UEPSR	UEPVF	0	0	0						20.35	10.54	13.32	1.4
		2-WIRE VOICE GRADE LINE PORT RATES (BUS)																
		Exchange Ports - 2-Wire Analog Line Port without Caller ID - Bu			UEPSB	UEPBL	1.89	9.93	9.19	3.66	2.92				20.35	10.54	13.32	1.4
		Exchange Ports - 2-Wire VG unbundled Line Port with unbundled port with Caller+E484 ID - Bus.			UEPSB	UEPBC	1.89	9.93	9.19	3.66	2.92				20.35	10.54	13.32	1.4
		Exchange Ports - 2-Wire Analog Line Port outgoing only - Bu			UEPSB	UEPBO	1.89	9.93	9.19	3.66	2.92				20.35	10.54	13.32	1.4
		Exchange Ports - 2-Wire VG unbundled TN extended local dialing parity Port with Caller ID - Bus.			UEPSB	UEPAV	1.89	9.93	9.19	3.66	2.92				20.35	10.54	13.32	1.4
		Exchange Ports - 2-Wire VG unbundled incoming only port with Caller ID - Bu			UEPSB	UEPB1	1.89	9.93	9.19	3.66	2.92				20.35	10.54	13.32	1.4
		Exchange Ports - 2-Wire VG unbundled TN Bus 2-Way Area Calling Port Economy Option - Bus (TACC1)			UEPSB	UEPAC	1.89	9.93	9.19	3.66	2.92				20.35	10.54	13.32	1.4
		Exchange Ports - 2-Wire VG unbundled TN Bus 2-Way Area Calling Port Standard Option - Bus (TACC2)			UEPSB	UEPAD	1.89	9.93	9.19	3.66	2.92				20.35	10.54	13.32	1.4
		Exchange Ports - 2-Wire VG unbundled TN Bus 2-Way Collierville & Memphis Local Calling Port - Bus (B2F)			UEPSB	UEPAE	1.89	9.93	9.19	3.66	2.92				20.35	10.54	13.32	1.4
		Subsequent Activity			UEPSB	USASC	0	0	0									
		FEATURES																
		All Available Vertical Feature:			UEPSB	UEPVF	0	0	0						20.35	10.54	13.32	1.4
		EXCHANGE PORT RATES (DID & PBX)																
		Exchange Ports - 2-Wire DID Port			UEPEX	UEPP2	8.97	47.75	47.01	9.21	8.47				20.35	10.54	13.32	1.4
		Exchange Ports - DDITS Port - 4-Wire DS1 Port with DID capability			UEPDD	UEPDD	35.74	75.93	38.15	8.77	8.04				19.99	19.99	19.99	19.99
		Exchange Ports - 2-Wire ISDN Port (See Notes below.)			UEPTSX	U1PMA	16.26	30.23	29.49	4.1	4.1				41.43	42.17	9.8	9.8
		NOTE: Transmission/usage charges associated with POTS circuit switched usage will also apply to circuit switched voice and/or circuit switched data transmission by B-Channels associated with 2-wire ISDN ports.																
		NOTE: Access to B Channel or D Channel Packet capabilities will be available only through BFR/New Business Request Process. Rates for the packet capabilities will be determined via the Bona Fide Request/New Business Request Process.																
		Exchange Ports - 2-Wire ISDN Port -- Channel Profiles			UEPTX	U1UMA	0	0	0									
		Exchange Ports - 4-Wire ISDN DS1 Por			UEPEX	UEPEX	75.04	148.66	147.18	38.46	36.98				40.69	42.17	9.07	10.54
		2-Wire VG Unbundled 2-Way PBX Trunk - Re:			UEPSE	UEPRD	1.79	9.93	9.19	3.66	2.92				20.35	10.54	13.32	1.4
		2-Wire VG Line Side Unbundled 2-Way PBX Trunk - Bu			UEPSP	UEPPC	1.79	9.93	9.19	3.66	2.92				20.35	10.54	13.32	1.4
		2-Wire VG Line Side Unbundled Outward PBX Trunk - Bu			UEPSP	UEPPO	1.79	9.93	9.19	3.66	2.92				20.35	10.54	13.32	1.4
		2-Wire VG Line Side Unbundled Incoming PBX Trunk - Bu			UEPSP	UEPP1	1.79	9.93	9.19	3.66	2.92				20.35	10.54	13.32	1.4
		2-Wire Analog Long Distance Terminal PBX Trunk - Bu			UEPSP	UEPLD	1.79	9.93	9.19	3.66	2.92				20.35	10.54	13.32	1.4
		2-Wire Analog TN 2-Way Calling Plan PBX Trunk - Bu			UEPSP	UEPT2	1.79	9.93	9.19	3.66	2.92				20.35	10.54	13.32	1.4
		2-Wire TN Outward Calling Plan PBX Trunk - Bu			UEPSP	UEPTO	1.79	9.93	9.19	3.66	2.92				20.35	10.54	13.32	1.4
		2-Wire Voice Unbundled PBX LD Terminal Port:			UEPSP	UEPLD	1.79	9.93	9.19	3.66	2.92				20.35	10.54	13.32	1.4

UNBUNDLED NETWORK ELEMENTS
TN

CATEGORY	NOTES	UNBUNDLED NETWORK ELEMENT	Interim	Zone	BCS	USOC	RATES (\$)					OSS RATES (\$)							
							Rec	First	Add'l	First	Add'l	SOMEc	SOMAN	SOMAN	SOMAN	SOMAN	SOMAN		
							Nonrecurring		Nonrecurring										
							Disconnect		Disconnect										
		2-Wire Voice Unbundled 2-Way PBX Tennessee Calling Po			UEPSP	UEPT2	1.79	9.93	9.19	3.66	2.92			20.35	10.54	13.32	1.4		
		2-Wire Voice Unbundled 1-Way Outgoing PBX Tennessee Calling Po			UEPSP	UEPTO	1.79	9.93	9.19	3.66	2.92			20.35	10.54	13.32	1.4		
		2-Wire Voice Unbundled 2-Way PBX Usage Por			UEPSP	UEPXA	1.79	9.93	9.19	3.66	2.92			20.35	10.54	13.32	1.4		
		2-Wire Voice Unbundled PBX Toll Terminal Hotel Port			UEPSP	UEPXB	1.79	9.93	9.19	3.66	2.92			20.35	10.54	13.32	1.4		
		2-Wire Voice Unbundled PBX LD DDD Terminals Por			UEPSP	UEPXC	1.79	9.93	9.19	3.66	2.92			20.35	10.54	13.32	1.4		
		2-Wire Voice Unbundled PBX LD Terminal Switchboard Po			UEPSP	UEPXD	1.79	9.93	9.19	3.66	2.92			20.35	10.54	13.32	1.4		
		2-Wire Voice Unbundled PBX LD Terminal Switchboard IDD Capable Po			UEPSP	UEPXE	1.79	9.93	9.19	3.66	2.92			20.35	10.54	13.32	1.4		
		2-Wire Voice Unbundled 2-Way PBX Hotel/Hospital Economy Administrative Calling Port			UEPSP	UEPXL	1.79	9.93	9.19	3.66	2.92			20.35	10.54	13.32	1.4		
		2-Wire Voice Unbundled 2-Way PBX Hotel/Hospital Economy Room Calling Po			UEPSP	UEPXM	1.79	9.93	9.19	3.66	2.92			20.35	10.54	13.32	1.4		
		2-Wire Voice Unbundled 1-Way Out PBX Hotel/Hospital Economy Administrative Calling Port TN Calling Por			UEPSP	UEPXN	1.79	9.93	9.19	3.66	2.92			20.35	10.54	13.32	1.4		
		2-Wire Voice Unbundled 1-Way Outgoing PBX Hotel/Hospital Discount Room Calling Port			UEPSP	UEPXO	1.79	9.93	9.19	3.66	2.92			20.35	10.54	13.32	1.4		
		2-Wire Voice Unbundled 1-Way Outgoing PBX Measured Po			UEPSP	UEPXS	1.79	9.93	9.19	3.66	2.92			20.35	10.54	13.32	1.4		
		2-Wire Voice Unbundled PBX Collierville and Memphis Calling Po			UEPSP	UEPXU	1.79	9.93	9.19	3.66	2.92			20.35	10.54	13.32	1.4		
		2-Wire Voice Unbundled 2-Way PBX Tennessee RegionServ Calling Po			UEPSP	UEPXV	1.79	9.93	9.19	3.66	2.92			20.35	10.54	13.32	1.4		
		Subsequent Activity			UEPSP	USASC	0	0	0										
	FEATURES																		
		All Available Vertical Feature:			UEPSE	UEPVF	0	0	0					20.35	10.54	13.32	1.4		
	EXCHANGE PORT RATES (COIN)																		
		Exchange Ports - Coin Por					2.11	9.93	9.19	3.66	2.92			20.35	10.54	13.32	1.4		
		NOTE: Transmission/usage charges associated with POTS circuit switched usage will also apply to circuit switched voice and/or circuit switched data transmission by B-Channels associated with 2-wire ISDN ports.																	
		NOTE: Access to B Channel or D Channel Packet capabilities will be available only through BFR/New Business Request Process. Rates for the packet capabilities will be determined via the Bona Fide Request/New Business Request Process.																	
		UNBUNDLED LOCAL SWITCHING, PORT USAGE																	
		End Office Switching (Port Usage)																	
		End Office Switching Function, Per MOL					0.0008041												
		Tandem Switching (Port Usage) (Local or Access Tandem)																	
		Tandem Switching Function Per MOL					0.0009778												
		Common Transport																	
		Common Transport - Per Mile, Per MOU					0.0000064												
		Common Transport - Facilities Termination Per MOL					0.0003871												
		UNBUNDLED PORT/LOOP COMBINATIONS - COST BASED RATES																	
		Cost Based Rates are applied where BellSouth is required by FCC and/or State Commission rule to provide Unbundled Local Switching or Switch Ports.																	
		Features shall apply to the Unbundled Port/Loop Combination - Cost Based Rate section in the same manner as they are applied to the Stand-Alone Unbundled Port section of this Rate Exhibit.																	
		End Office and Tandem Switching Usage and Common Transport Usage rates in the Port section of this rate exhibit shall apply to all combinations of loop/port network elements except for UNE Coin Port/Loop Combinations.																	
		For Georgia, the recurring UNE Port and Loop charges listed apply to Currently Combined and Not Currently Combined Combos and the first and additional Port nonrecurring charges apply to Not Currently Combined Combos. For Currently Combined Combos in GA and all other state nonrecurring charges shall be those identified in the Nonrecurring - Currently Combined sections.																	
		2-WIRE VOICE GRADE LOOP WITH 2-WIRE LINE PORT (RES)																	

UNBUNDLED NETWORK ELEMENTS
TN

CATEGORY	NOTES	UNBUNDLED NETWORK ELEMENT	Interim	Zone	BCS	USOC	RATES (\$)				OSS RATES (\$)									
							Nonrecurring		Nonrecurring		SOMEK	SOMAN	SOMAN	SOMAN	SOMAN	SOMAN				
							Rec	First	Add'l	Disconnect							First	Add'l		
UNE Port/Loop Combination Rates																				
		2-Wire VG Loop/Port Combo - Zone 1		1			14.18													
		2-Wire VG Loop/Port Combo - Zone 2		2			18.01													
		2-Wire VG Loop/Port Combo - Zone 3		3			23.02													
UNE Loop Rates																				
		2-Wire Voice Grade Loop (SL1) - Zone 1		1	UEPRX	UEPLX	12.48													
		2-Wire Voice Grade Loop (SL1) - Zone 2		2	UEPRX	UEPLX	16.31													
		2-Wire Voice Grade Loop (SL1) - Zone 3		3	UEPRX	UEPLX	21.32													
2-Wire Voice Grade Line Port Rates (Res)																				
		2-Wire voice unbundled port - residency			UEPRX	UEPRL	1.7						30.89	7.03						
		2-Wire voice unbundled port with Caller ID - re			UEPRX	UEPRC	1.7						30.89	7.03						
		2-Wire voice unbundled port outgoing only - re			UEPRX	UEPRO	1.7						30.89	7.03						
		2-Wire voice Grade unbundled Tennessee extended local dialing parity port with Caller ID - res			UEPRX	UEPAQ	1.7						30.89	7.03						
		2-Wire voice unbundled Tennessee Area Plus with Caller ID - res (AC)			UEPRX	UEPAH	1.7						30.89	7.03						
		2-Wire voice unbundled Tennessee Area Calling port with Caller ID - res (F2)			UEPRX	UEPAK	1.7						30.89	7.03						
		2-Wire voice unbundled Tennessee Area Calling port with Caller ID - res (TACE)			UEPRX	UEPAL	1.7						30.89	7.03						
		2-Wire voice unbundled Tennessee Area Calling port with Caller ID - res (TACSI)			UEPRX	UEPAM	1.7						30.89	7.03						
		2-Wire voice unbundled Tennessee Area Calling port with Caller ID - res (1MF2)			UEPRX	UEPAN	1.7						30.89	7.03						
		2-Wire voice unbundled Tennessee Area Calling port with Caller ID - res (2MI)			UEPRX	UEPAO	1.7						30.89	7.03						
		2-Wire voice unbundles res, low usage line port with Caller ID (LUA)			UEPRX	UEPAP	1.7						30.89	7.03						
FEATURES																				
		All Features Offerec			UEPRX	UEPVF	0	0	0				30.89	7.03						
LOCAL NUMBER PORTABILITY																				
		Local Number Portability (1 per port)			UEPRX	LNPCX	0.35													
NONRECURRING CHARGES (NRCs) - CURRENTLY COMBINED																				
		2-Wire Voice Grade Loop / Line Port Combination - Conversion - Switch-as-			UEPRX	USAC2		1.03	0.29				30.89	7.03						
		2-Wire Voice Grade Loop / Line Port Combination - Conversion - Switch with chang			UEPRX	USACC		1.03	0.29				30.89	7.03						
		2-Wire Voice Grade Loop / Line Port Combination - Conversion - Subsequent Database Update						0.76					7.97							
ADDITIONAL NRCs																				
		2-Wire Voice Grade Loop/Line Port Combination - Subsequent Activi			UEPRX	USAS2	0	0	0											
2-WIRE VOICE GRADE LOOP WITH 2-WIRE LINE PORT (BUS)																				
UNE Port/Loop Combination Rates																				
		2-Wire VG Loop/Port Combo - Zone 1		1			14.18													
		2-Wire VG Loop/Port Combo - Zone 2		2			18.01													
		2-Wire VG Loop/Port Combo - Zone 3		3			23.02													
UNE Loop Rates																				
		2-Wire Voice Grade Loop (SL1) - Zone 1		1	UEPBX	UEPLX	12.48													
		2-Wire Voice Grade Loop (SL1) - Zone 2		2	UEPBX	UEPLX	16.31													
		2-Wire Voice Grade Loop (SL1) - Zone 3		3	UEPBX	UEPLX	21.32													
2-Wire Voice Grade Line Port (Bus)																				
		2-Wire voice unbundled port without Caller ID - bu			UEPBX	UEPBL	1.7						30.89	7.03						
		2-Wire voice unbundled port with Caller + E484 ID - bu			UEPBX	UEPBC	1.7						30.89	7.03						

UNBUNDLED NETWORK ELEMENTS
TN

CATEGORY	NOTES	UNBUNDLED NETWORK ELEMENT	Interim	Zone	BCS	USOC	RATES (\$)						OSS RATES (\$)							
							Rec	Nonrecurring		Nonrecurring		SOMECS	SOMAN	SOMAN	SOMAN	SOMAN	SOMAN			
								First	Add'l	First	Add'l									
		2-Wire voice unbundled port outgoing only - bu			UEPBX	UEPBO	1.7													
		2-Wire voice Grade unbundled Tennessee extended local dialing parity port with Caller ID - bus			UEPBX	UEPAV	1.7													
		2-Wire voice unbundled incoming only port with Caller ID - Bu			UEPBX	UEPB1	1.7													
		2-Wire voice unbundled Tennessee Bus 2-Way Area Calling Port Economy Option (TACC1)			UEPBX	UEPAC	1.7													
		2-Wire voice unbundled Tennessee Bus 2-Way Area Calling Port Standard Option (TACC2)			UEPBX	UEPAD	1.7													
		2-Wire voice unbundled Tennessee Bus 2-Way Collierville and Memphis Local Calling Port (B2F)			UEPBX	UEPAE	1.7													
LOCAL NUMBER PORTABILITY																				
		Local Number Portability (1 per port)			UEPBX	LNPCX	0.35													
FEATURES																				
		All Features Offerec			UEPBX	UEPVF	0	0	0									30.89	7.03	
NONRECURRING CHARGES (NRCs) - CURRENTLY COMBINED																				
		2-Wire Voice Grade Loop / Line Port Combination - Conversion - Switch-as-			UEPBX	USAC2		1.03	0.29									30.89	7.03	
		2-Wire Voice Grade Loop / Line Port Combination - Conversion - Switch with chan			UEPBX	USACC		1.03	0.29											
		2-Wire Voice Grade Loop / Line Port Combination - Conversion - Subsequent Database Update						0.76										7.97		
ADDITIONAL NRCs																				
		2-Wire Voice Grade Loop/Line Port Combination - Subsequent Activi			UEPBX	USAS2												30.89	7.03	
2-WIRE VOICE GRADE LOOP WITH 2-WIRE LINE PORT (RES - PBX)																				
UNE Port/Loop Combination Rates																				
		2-Wire VG Loop/Port Combo - Zone 1		1				14.18												
		2-Wire VG Loop/Port Combo - Zone 2		2				18.01												
		2-Wire VG Loop/Port Combo - Zone 3		3				23.02												
		2-Wire Voice Grade Loop (SL 1) - Zone 1		1	UEPRG	UEPLX		12.48												
		2-Wire Voice Grade Loop (SL 1) - Zone 2		2	UEPRG	UEPLX		16.31												
		2-Wire Voice Grade Loop (SL 1) - Zone 3		3	UEPRG	UEPLX		21.32												
2-Wire Voice Grade Line Port Rates (RES - PBX)																				
		2-Wire VG Unbundled Combination 2-Way PBX Trunk Port - Re			UEPRG	UEPRD	1.7											30.89	7.03	
LOCAL NUMBER PORTABILITY																				
		Local Number Portability (1 per port)			UEPRG	LNPCP	3.5													
FEATURES																				
		All Features Offerec			UEPRG	UEPVF	0	0	0									30.89	7.03	
NONRECURRING CHARGES (NRCs) - CURRENTLY COMBINED																				
		2-Wire Voice Grade Loop/ Line Port Combination (PBX) - Conversion - Switch-As-			UEPRG	USAC2		1.03	0.29									30.89	7.03	
		2-Wire Voice Grade Loop/ Line Port Combination (PBX) - Conversion - Switch with Change			UEPRG	USACC		1.03	0.29									30.89	7.03	
		2-Wire Voice Grade Loop / Line Port Combination - Conversion - Subsequent Database Update						0.76										7.97		
ADDITIONAL NRCs																				

UNBUNDLED NETWORK ELEMENTS
TN

CATEGORY	NOTES	UNBUNDLED NETWORK ELEMENT	Interim	Zone	BCS	USOC	RATES (\$)				OSS RATES (\$)						
							Rec	First	Add'l	Disconnect	SOMEc	SOMAN	SOMAN	SOMAN	SOMAN	SOMAN	
							Nonrecurring		Nonrecurring				Incremental Charge - Manual Svc Order vs. Electronic-1st	Incremental Charge - Manual Svc Order vs. Electronic-1st	Incremental Charge - Manual Svc Order vs. Electronic-Disc Add'l	Incremental Charge - Manual Svc Order vs. Electronic-Disc Add'l	
							Rec	First	Add'l	First	Add'l	SOMEc	SOMAN	SOMAN	SOMAN	SOMAN	
		2-Wire Voice Grade Loop/ Line Port Combination (PBX) - Subsequent Activi			UEPRG	USAS2	0	0	0								
		PBX Subsequent Activity - Change/Rearrange Multiline Hunt Gro						14.64	14.64					19.99	19.99	19.99	19.99
		2-WIRE VOICE GRADE LOOP WITH 2-WIRE LINE PORT (BUS - PBX)															
		UNE Port/Loop Combination Rates															
		2-Wire VG Loop/Port Combo - Zone 1		1			14.18										
		2-Wire VG Loop/Port Combo - Zone 2		2			18.01										
		2-Wire VG Loop/Port Combo - Zone 3		3			23.02										
		UNE Loop Rates															
		2-Wire Voice Grade Loop (SL 1) - Zone 1		1	UEPPX	UEPLX	12.48										
		2-Wire Voice Grade Loop (SL 1) - Zone 2		2	UEPPX	UEPLX	16.31										
		2-Wire Voice Grade Loop (SL 1) - Zone 3		3	UEPPX	UEPLX	21.32										
		2-Wire Voice Grade Line Port Rates (BUS - PBX)															
		Line Side Unbundled Combination 2-Way PBX Trunk Port - Bu			UEPPX	UEPPC	1.7							30.89	7.03		
		Line Side Unbundled Outward PBX Trunk Port - Bu			UEPPX	UEPPO	1.7							30.89	7.03		
		Line Side Unbundled Incoming PBX Trunk Port - Bu			UEPPX	UEPP1	1.7							30.89	7.03		
		2-Wire Voice Unbundled PBX LD Terminal Port			UEPPX	UEPLD	1.7							30.89	7.03		
		2-Wire Voice Unbundled 2-Way Combination PBX Tennessee Calling Pc			UEPPX	UEPT2	1.7							30.89	7.03		
		2-Wire Voice Unbundled 1-Way Outgoing PBX Tennessee Calling Pc			UEPPX	UEPTO	1.7							30.89	7.03		
		2-Wire Voice Unbundled 2-Way Combination PBX Usage Po			UEPPX	UEPXA	1.7							30.89	7.03		
		2-Wire Voice Unbundled PBX Toll Terminal Hotel Port			UEPPX	UEPXB	1.7							30.89	7.03		
		2-Wire Voice Unbundled PBX LD DDD Terminals Po			UEPPX	UEPXC	1.7							30.89	7.03		
		2-Wire Voice Unbundled PBX LD Terminal Switchboard Po			UEPPX	UEPXD	1.7							30.89	7.03		
		2-Wire Voice Unbundled PBX LD Terminal Switchboard IDD Capable Po			UEPPX	UEPXE	1.7							30.89	7.03		
		2-Wire Voice Unbundled 2-Way PBX Hotel/Hospital Economy Administrative Calling Port			UEPPX	UEPXL	1.7							30.89	7.03		
		2-Wire Voice Unbundled 2-Way PBX Hotel/Hospital Economy Room Calling Po			UEPPX	UEPXM	1.7							30.89	7.03		
		2-Wire Voice Unbundled 1W Out PBX Hotel/Hospital Economy Administrative Calling Port TN Calling Por			UEPPX	UEPXN	1.7							30.89	7.03		
		2-Wire Voice Unbundled 1-Way Outgoing PBX Hotel/Hospital Discount Room Calling Port			UEPPX	UEPXO	1.7							30.89	7.03		
		2-Wire Voice Unbundled 1-Way Outgoing PBX Measured Po			UEPPX	UEPXS	1.7							30.89	7.03		
		2-Wire Voice Unbundled PBX Collierville and Memphis Calling Po			UEPPX	UEPXU	1.7							30.89	7.03		
		2-Wire Voice Unbundled 2-Way PBX Tennessee RegionServ Calling Pc			UEPPX	UEPXV	1.7							30.89	7.03		
		LOCAL NUMBER PORTABILITY															
		Local Number Portability (1 per port)			UEPPX	LNPCP	3.15										
		FEATURES															
		All Features Offerec			UEPPX	UEPVF	0	0	0					30.89	7.03		
		NONRECURRING CHARGES (NRCs) - CURRENTLY COMBINED															
		2-Wire Voice Grade Loop/ Line Port Combination (PBX) - Conversion - Switch-As-			UEPPX	USAC2		1.03	0.29					30.89	7.03		
		2-Wire Voice Grade Loop/ Line Port Combination (PBX) - Conversion - Switch with Change			UEPPX	USACC		1.03	0.29					30.89	7.03		
		2-Wire Voice Grade Loop / Line Port Combination - Conversion - Subsequent Database Update						0.76						7.97			
		ADDITIONAL NRCs															
		2-Wire Voice Grade Loop/ Line Port Combination (PBX) - Subsequent Activi			UEPPX	USAS2	0	0	0								
		PBX Subsequent Activity - Change/Rearrange Multiline Hunt Gro						14.64	14.64					19.99	19.99	19.99	19.99

UNBUNDLED NETWORK ELEMENTS
TN

CATEGORY	NOTES	UNBUNDLED NETWORK ELEMENT	Interim	Zone	BCS	USOC	RATES (\$)						OSS RATES (\$)							
							Rec	First	Add'l	First	Add'l	SOME C	SOMAN	SOMAN	SOMAN	SOMAN	SOMAN	SOMAN		
							Nonrecurring			Nonrecurring										
							Disconnect													
		UNE Port/Loop Combination Rates																		
		2-Wire VG Coin Port/Loop Combo – Zone 1																		
		2-Wire VG Coin Port/Loop Combo – Zone 2																		
		2-Wire VG Coin Port/Loop Combo – Zone 3																		
		UNE Loop Rates																		
		2-Wire Voice Grade Loop (SL1) - Zone 1			UEPCO	UEPLX	12.48													
		2-Wire Voice Grade Loop (SL1) - Zone 2			UEPCO	UEPLX	16.31													
		2-Wire Voice Grade Loop (SL1) - Zone 3			UEPCO	UEPLX	21.32													
		2-Wire Voice Grade Line Ports (COIN)																		
		2-Wire Coin 2-Way without Operator Screening and without Blocking (TN)			UEPCO	UEPTB	1.88									30.89	7.03			
		2-Wire Coin 2-Way with Operator Screening and Blocking: 011, 900/976, 1+DDD (NC, TN)			UEPCO	UEPRP	1.88									30.89	7.03			
		2-Wire Coin 2-Way with Operator Screening and 011 Blocking (TN)			UEPCO	UEPTA	1.88									30.89	7.03			
		2-Wire Coin 2-Way with Operator Screening: 900 Blocking: 900/976, 1+DDD, 011+, and Local (NC, TN)			UEPCO	UEPCA	1.88									30.89	7.03			
		2-Wire Coin Outward with Operator Screening and 011 Blocking (TN)			UEPCO	UEPTC	1.88									30.89	7.03			
		2-Wire Coin Outward with Operator Screening and Blocking: 900/976, 1+DDD, 011+, and Local (TN)			UEPCO	UEPOT	1.88									30.89	7.03			
		2-Wire 2-Way Smartline with 900/976 (all states except LA)			UEPCO	UEPOT	1.88									30.89	7.03			
		2-Wire Coin Outward Smartline with 900/976 (all states except LA)			UEPCO	UEPCK	1.88									30.89	7.03			
		2-Wire Coin Outward Smartline with 900/976 (all states except LA)			UEPCO	UEPCR	1.88									30.89	7.03			
		ADDITIONAL UNE COIN PORT/LOOP (RC)																		
		UNE Coin Port/Loop Combo Usage (Flat Rate)			UEPCO	URECU	3.45	0	0											
		Local Number Portability (1 per port)			UEPCO	LNPCX	0.35													
		2-Wire Voice Grade Loop / Line Port Combination - Conversion - Switch-as-			UEPCO	USAC2		1.03	0.29							30.89	7.03			
		2-Wire Voice Grade Loop / Line Port Combination - Conversion - Switch with change			UEPCO	USACC		1.03	0.29							30.89	7.03			
		2-Wire Voice Grade Loop/Line Port Combination - Subsequent Activation			UEPCO	USAS2		0	0							30.89	7.03			
		2-WIRE VOICE GRADE LOOP- BUS ONLY - WITH 2-WIRE DID TRUNK PORT																		
		UNE Port/Loop Combination Rates																		
		2-Wire VG Loop/2-Wire DID Trunk Port Combo - UNE Zone 1		1			18.38													
		2-Wire VG Loop/2-Wire DID Trunk Port Combo - UNE Zone 2		2			19.87													
		2-Wire VG Loop/2-Wire DID Trunk Port Combo - UNE Zone 3		3			24.78													
		2-Wire Analog Voice Grade Loop - (SL2) - UNE Zone 1		1	UEPPX	UECD1	9.6	75.06	48.2	28.7	17.64				19.99	19.99	19.99	19.99		
		2-Wire Analog Voice Grade Loop - (SL2) - UNE Zone 2		2	UEPPX	UECD1	11.09	75.06	48.2	28.7	17.61				19.99	19.99	19.99	19.99		
		2-Wire Analog Voice Grade Loop - (SL2) - UNE Zone 3		3	UEPPX	UECD1	16	75.06	48.2	28.7	17.64				19.99	19.99	19.99	19.99		
		Exchange Ports - 2-Wire DID Port			UEPPX	UEPD1	8.78	47.75	47.01	9.21	8.47				19.99	19.99	19.99	19.99		
		NONRECURRING CHARGES - CURRENTLY COMBINED																		
		2-Wire Voice Grade Loop / 2-Wire DID Trunk Port Combination - Switch-as-1			UEPPX	USAC1		8.76	5.75						19.99	19.99	19.99	19.99		
		2-Wire Voice Grade Loop / 2-Wire DID Trunk Port Conversion with BellSouth Allowable Changes			UEPPX	USA1C		8.76	5.75						19.99	19.99	19.99	19.99		
		Telephone Number/Trunk Group Establishment Charges																		
		DID Trunk Termination (One Per Port)			UEPPX	NDT	0	0	0						19.99	19.99	19.99	19.99		
		Additional DID Numbers for each Group of 20 DID Number			UEPPX	ND4	0	0	0						19.99	19.99	19.99	19.99		
		DID Numbers, Non- consecutive DID Numbers , Per Number			UEPPX	ND5	0	0	0											

UNBUNDLED NETWORK ELEMENTS
TN

CATEGORY	NOTES	UNBUNDLED NETWORK ELEMENT	Interim	Zone	BCS	USOC	RATES (\$)					OSS RATES (\$)							
							Rec	First	Add'l	First	Add'l	SOME C	SOMAN	SOMAN	SOMAN	SOMAN	SOMAN		
																		Nonrecurring	
		Reserve Non-Consecutive DID numbers			UEPPX	ND6	0	0	0										
		Reserve DID Numbers			UEPPX	NDV	0	0	0										
		LOCAL NUMBER PORTABILITY																	
		Local Number Portability (1 per port)			UEPPX	LNPCP	3.15												
		2-WIRE ISDN DIGITAL GRADE LOOP WITH 2-WIRE ISDN DIGITAL LINE SIDE PORT																	
		UNE Port/Loop Combination Rates																	
		2W ISDN Digital Grade Loop/2W ISDN Digital Line Side Port - UNE Zone		1	UEPPB UEPPR		32.27												
		2W ISDN Digital Grade Loop/2W ISDN Digital Line Side Port - UNE Zone :		2	UEPPB UEPPR		34.78												
		2W ISDN Digital Grade Loop/2W ISDN Digital Line Side Port - UNE Zone :		3	UEPPB UEPPR		44.32												
		2-Wire ISDN Digital Grade Loop - UNE Zone 1		1	UEPPB UEPPR	USL2X	16.2	142.76	88.88	76.35	39.16			19.99	19.99	19.99	19.99		
		2-Wire ISDN Digital Grade Loop - UNE Zone 2		2	UEPPB UEPPR	USL2X	18.71	142.76	88.88	76.35	39.16			19.99	19.99	19.99	19.99		
		2-Wire ISDN Digital Grade Loop - UNE Zone 3		3	UEPPB UEPPR	USL2X	28.25	142.76	88.88	76.35	39.16			19.99	19.99	19.99	19.99		
		Exchange Port - 2-Wire ISDN Line Side Port			UEPPB UEPPR	UEPPB	16.07	30.23	29.49					19.99	19.99	19.99	19.99		
		NONRECURRING CHARGES - CURRENTLY COMBINED																	
		2-Wire ISDN Digital Grade Loop / 2-Wire ISDN Line Side Port Combination - Conversion			UEPPB UEPPR	USACB	0	117.23	117.23					19.99	19.99	19.99	19.99		
		ADDITIONAL NRCs																	
		2-Wire ISDN Loop / 2-Wire ISDN Port Combination - Sub Actvy - Non Feature/Add Trunk			UEPPB UEPPR	USASB		212.88						19.99	19.99	19.99	19.99		
		LOCAL NUMBER PORTABILITY																	
		Local Number Portability (1 per port)			UEPPB UEPPR	LNPCX	0.35	0	0										
		B-CHANNEL USER PROFILE ACCESS:																	
		CVS/CSD (DMS/5ESS)			UEPPB UEPPR	U1UCA	0	0	0										
		CVS (EWSD)			UEPPB UEPPR	U1UCB	0	0	0										
		CSD			UEPPB UEPPR	U1UCC	0	0	0										
		B-CHANNEL AREA PLUS USER PROFILE ACCESS: (AL,KY,LA,MS SC,MS, & TN)																	
		CVS/CSD (DMS/5ESS)			UEPPB UEPPR	U1UCD	0	0	0										
		CVS (EWSD)			UEPPB UEPPR	U1UCE	0	0	0										
		CSD			UEPPB UEPPR	U1UCF	0	0	0										
		USER TERMINAL PROFILE																	
		User Terminal Profile (EWSD only)			UEPPR	U1UMA	0	0	0										
		VERTICAL FEATURES																	
		All Vertical Features - One per Channel B User Profile			UEPPB UEPPR	UEPVF	0	0	0										

UNBUNDLED NETWORK ELEMENTS
TN

CATEGORY	NOTES	UNBUNDLED NETWORK ELEMENT	Interim	Zone	BCS	USOC	RATES (\$)					OSS RATES (\$)					
							Nonrecurring		Nonrecurring			Svc Order Submitted Elec per LSR	Svc Order Submitted Manually per LSR	Incremental Charge - Manual Svc Order vs. Electronic-1st	Incremental Charge - Manual Svc Order vs. Electronic-Add'l	Incremental Charge - Manual Svc Order vs. Electronic-Disc 1st	Incremental Charge - Manual Svc Order vs. Electronic-Disc Add'l
							Rec	First	Add'l	Disconnect							
							First	Add'l	SOMEc	SOMAN	SOMAN	SOMAN	SOMAN	SOMAN			
		Interoffice Channel mileage each, including first mile and facilities termination			UEPPB UEPPR	M1GNC	17.91	53.99	17.37				19.99	19.99	19.99	19.99	
		Interoffice Channel mileage each, additional mile			UEPPB UEPPR	M1GNM	0.173	0	0		0						
		4-WIRE DS1 DIGITAL LOOP WITH 4-WIRE ISDN DS1 DIGITAL TRUNK PORT															
		UNE Port/Loop Combination Rates															
		4W DS1 Digital Loop/4W ISDN DS1 Digital Trunk Port - UNE Zone 1		1	UEPPP		132.58										
		4W DS1 Digital Loop/4W ISDN DS1 Digital Trunk Port - UNE Zone 2		2	UEPPP		150.25										
		4W DS1 Digital Loop/4W ISDN DS1 Digital Trunk Port - UNE Zone 3		3	UEPPP		173.44										
		4-Wire DS1 Digital Loop - UNE Zone 1		1	UEPPP	USL4P	57.73	313.08	219.72	96.86	40.45		19.99	19.99	19.99	19.99	
		4-Wire DS1 Digital Loop - UNE Zone 2		2	UEPPP	USL4P	75.4	313.08	219.72	96.86	40.45		19.99	19.99	19.99	19.99	
		4-Wire DS1 Digital Loop - UNE Zone 3		3	UEPPP	USL4P	98.59	313.08	219.72	96.86	40.55		19.99	19.99	19.99	19.99	
		Exchange Ports - 4-Wire ISDN DS1 Por			UEPPP	UEPPP	74.85	148.66	147.18	38.46	36.98		19.99	19.99	19.99	19.99	
		NONRECURRING CHARGES - CURRENTLY COMBINED															
		4-Wire DS1 Digital Loop / 4-Wire ISDN DS1 Digital Trunk Port Combination - Conversion -Switch-as-it			UEPPP	USACP	0	328.53	328.53				19.99	19.99	19.99	19.99	
		ADDITIONAL NRCs															
		4-Wire DS1 Loop/4-W ISDN Digt Trk Port - Subsqrt Actvy- Inward/two way tel nos within Std Allowance			UEPPP	PR7TF		0.94					19.99	19.99	19.99	19.99	
		4-Wire DS1 Loop / 4-Wire ISDN DS1 Digital Trunk Port - Outward Tel Numbers (All States except NC)			UEPPP	PR7TO		22.36	22.36				19.99	19.99	19.99	19.99	
		4-Wire DS1 Loop / 4-Wire ISDN DS1 Digital Trk Port - Subsequent Inward Tel Nos Above Std Allowanc			UEPPP	PR7ZT		44.71	44.7				19.99	19.99	19.99	19.99	
		LOCAL NUMBER PORTABILITY															
		Local Number Portability (1 per port)			UEPPP	LNPCN	1.75										
		INTERFACE (Provisioning Only)															
		Voice/Data			UEPPP	PR71V	0	0	0								
		Digital Data			UEPPP	PR71D	0	0	0								
		Inward Data			UEPPP	PR71E	0	0	0								
		New or Additional "B" Channel															
		New or Additional - Voice/Data B Channel			UEPPP	PR7BV	0	28.39					19.99	19.99	19.99	19.99	
		New or Additional - Digital Data B Channel			UEPPP	PR7BF	0	29.11					19.99	19.99	19.99	19.99	
		New or Additional Inward Data B Channel			UEPPP	PR7BD	0	29.39					19.99	19.99	19.99	19.99	
		New or Additional Usage Sensitive Voice Data B Channel			UEPPP	PR7BS	0	28.39					19.99	19.99	19.99	19.99	
		New or Additional Usage Sensitive Digital Data B Channel			UEPPP	PR7BU	0	28.39					19.99	19.99	19.99	19.99	
		CALL TYPES															
		Inward			UEPPP	PR7C1	0	0	0								
		Outward			UEPPP	PR7C0	0	0	0								
		Two-way			UEPPP	PR7CC	0	0	0								
		Interoffice Channel Mileage															
		Fixed Each Including First Mile			UEPPP	1LN1A	76.1825	145.98	109.85	19.55			19.99	19.99	19.99	19.99	
		Each Airline-Fractional Additional Mil			UEPPP	1LN1B	0.3525										
		4-WIRE DS1 DIGITAL LOOP WITH 4-WIRE DDITS TRUNK PORT															
		UNE Port/Loop Combination Rates															
		4W DS1 Digital Loop/4W DDITS Trunk Port - UNE Zone 1		1	UEPDC		93.28						19.99	19.99	19.99	19.99	
		4W DS1 Digital Loop/4W DDITS Trunk Port - UNE Zone 2		2	UEPDC		110.95						19.99	19.99	19.99	19.99	

UNBUNDLED NETWORK ELEMENTS
TN

CATEGORY	NOTES	UNBUNDLED NETWORK ELEMENT	Interim	Zone	BCS	USOC	RATES (\$)				OSS RATES (\$)								
							Rec	First	Add'l	Disconnect	SOME C	SOMAN	SOMAN	SOMAN	SOMAN	SOMAN			
		4W DS1 Digital Loop/4W DDITS Trunk Port - UNE Zone 1		3	UEPDC		134.14												
		4-Wire DS1 Digital Loop - UNE Zone 1		1	UEPDC	USLDC	57.53	313.08	219.72	96.86	40.45			19.99	19.99	19.99	19.99		
		4-Wire DS1 Digital Loop - UNE Zone 2		2	UEPDC	USLDC	75.4	313.08	219.72	96.86	40.45			19.99	19.99	19.99	19.99		
		4-Wire DS1 Digital Loop - UNE Zone 3		3	UEPDC	USLDC	98.59	313.08	219.72	96.86	40.45			19.99	19.99	19.99	19.99		
		4-Wire DDITS Digital Trunk Port			UEPDC	UDD1T	35.55	75.93	38.15					19.99	19.99	19.99	19.99		
		NONRECURRING CHARGES - CURRENTLY COMBINED																	
		4-Wire DS1 Digital Loop / 4-Wire DDITS Trunk Port Combination - Switch-as-i			UEPDC	USAC4		312.91	312.91					19.99	19.99	19.99	19.99		
		4-Wire DS1 Digital Loop / 4-Wire DDITS Trunk Port Combination - Conversion with DS1 Changes			UEPDC	USAWA		312.91	312.91					19.99	19.99	19.99	19.99		
		4-Wire DS1 Digital Loop / 4-Wire DDITS Trunk Port Combination - Conversion with Change - Trunk			UEPDC	USAWB		312.91	312.91					19.99	19.99	19.99	19.99		
		ADDITIONAL NRCs																	
		4-Wire DS1 Loop / 4-Wire DDITS Trunk Port - Subsequent Service Activity Per Service Order			UEPDC	USAS4		94.88	94.88										
		4-Wire DS1 Loop / 4-Wire DDITS Trunk Port - NRC - Subsequent Channel Activation/Chan - 2-Way Trunk			UEPDC	UDTTA		108.67	108.67					19.99	19.99	19.99	19.99		
		4-Wire DS1 Loop / 4-Wire DDITS Trunk Port - Subsequent Channel Activation/Chan - 1-Way Outward Trunk			UEPDC	UDTTB		108.67	108.67					19.99	19.99	19.99	19.99		
		4-Wire DS1 Loop / 4-Wire DDITS Trunk Port - Subsqt Channel Activation/Chan Inward Trunk w/out DI			UEPDC	UDTTC		108.67	108.67					19.99	19.99	19.99	19.99		
		4-Wire DS1 Loop / 4-Wire DDITS Trunk Port - Subsqt Chan Activation Per Chan - Inward Trunk with DI			UEPDC	UDTTD		108.67	108.67					19.99	19.99	19.99	19.99		
		4-Wire DS1 Loop / 4-Wire DDITS Trunk Port - Subsqt Chan Activation / Chan - 2-Way DID w User Trans			UEPDC	UDTTE		108.67	108.67					19.99	19.99	19.99	19.99		
		BIPOLAR 8 ZERO SUBSTITUTION																	
		B8ZS - Superframe Format			UEPDC	CCOSF		0	590					19.99	19.99	19.99	19.99		
		B8ZS - Extended Superframe Format			UEPDC	CCOEF		0	590					19.99	19.99	19.99	19.99		
		Alternate Mark Inversion																	
		AMI -Superframe Format			UEPDC	MCOSF		0	0										
		AMI - Extended SuperFrame Forma			UEPDC	MCOPO		0	0										
		Telephone Number/Trunk Group Establishment Charges																	
		Telephone Number for 2-Way Trunk Group			UEPDC	UDTGX		0											
		Telephone Number for 1-Way Outward Trunk Group			UEPDC	UDTGY		0						19.99					
		Telephone Number for 1-Way Inward Trunk Group Without DI			UEPDC	UDTGZ		0						19.99					
		DID Numbers for each Group of 20 DID Numbers			UEPDC	ND4		0						19.99					
		DID Numbers, Non- consecutive DID Numbers, Per Number			UEPDC	ND5		0						19.99					
		Reserve Non-Consecutive DID Nos			UEPDC	ND6		0	0	0									
		Reserve DID Numbers			UEPDC	NDV		0	0	0				19.99					

UNBUNDLED NETWORK ELEMENTS
TN

CATEGORY	NOTES	UNBUNDLED NETWORK ELEMENT	Interim	Zone	BCS	USOC	RATES (\$)				OSS RATES (\$)						
							Rec	First	Add'l	Disconnect	SOMEc	SOMAN	SOMAN	SOMAN	SOMAN	SOMAN	
							Nonrecurring		Nonrecurring								
									Disconnect								
							Rec	First	Add'l	First	Add'l	SOMEc	SOMAN	SOMAN	SOMAN	SOMAN	SOMAN
Dedicated DS1 (Interoffice Channel Mileage) - FX/FCO for 4-Wire DS1 Digital Loop with 4-Wire DDITS Trunk Port																	
		Interoffice Channel Mileage - Fixed rate 0-8 miles (Facilities Termination)			UEPDC	1LNO1	75.83	145.98	109.85	19.66	14.99			19.99	19.99	19.99	19.99
		Interoffice Channel Mileage - Additional rate per mile - 0-8 mile			UEPDC	1LNOA	0.3525	0	0								
		Interoffice Channel Mileage - Fixed rate 9-25 miles (Facilities Termination)			UEPDC	1LNO2	0	0	0								
		Interoffice Channel Mileage - Additional rate per mile - 9-25 mile			UEPDC	1LNOB	0.3525	0	0								
		Interoffice Channel Mileage - Fixed rate 25+ miles (Facilities Termination)			UEPDC	1LNO3	0	0	0	0							
		Interoffice Channel Mileage - Additional rate per mile - 25+ mile			UEPDC	1LNOC	0.3525	0	0								
		Local Number Portability, per DS0 Activation			UEPDC	LNPCP	3.15	0	0	0							
		Central Office Terminating Point			UEPDC	CTG	0										
4-WIRE DS1 LOOP WITH CHANNELIZATION WITH PORT																	
System is 1 DS1 Loop, 1 D4 Channel Bank, and up to 24 Feature Activations																	
Each System can have up to 24 combinations of rates depending on type and number of ports used																	
UNE DS1 Loop																	
		4-Wire DS1 Loop - UNE Zone 1			UEPMG	USLDC	57.73	0	0								
		4-Wire DS1 Loop - UNE Zone 2			UEPMG	USLDC	75.4	0	0								
		4-Wire DS1 Loop - UNE Zone 3			UEPMG	USLDC	98.59	0	0								
UNE DSO Channelization Capacities (D4 Channel Bank Configurations)																	
		24 DSO Channel Capacity - 1 per DS1			UEPMG	VUM24	131.87	0	0								
		48 DSO Channel Capacity - 1 per 2 DS1s			UEPMG	VUM48	263.74	0	0								
		96 DSO Channel Capacity -1per 4 DS1s			UEPMG	VUM96	527.48	0	0								
		144 DSO Channel Capacity - 1 per 6 DS1s			UEPMG	VUM14	791.42	0	0								
		192 DSO Channel Capacity -1 per 8 DS1s			UEPMG	VUM19	827.76	0	0								
		240 DSO Channel Capacity - 1 per 10 DS1s			UEPMG	VUM20	1318.7	0	0								
		288 DSO Channel Capacity - 1 per 12 DS1s			UEPMG	VUM28	1582.44	0	0								
		384 DSO Channel Capacity - 1 per 16 DS1s			UEPMG	VUM38	2109.92	0	0								
		480 DSO Channel Capacity - 1 per 20 DS1s			UEPMG	VUM40	2637.4	0	0								
		576 DSO Channel Capacity -1 per 24 DS1s			UEPMG	VUM57	3164.88	0	0								
		672 DSO Channel Capacity - 1 per 28 DS1s			UEPMG	VUM67	3692.36	0	0								
Non-Recurring Charges (NRC) Associated with 4-Wire DS1 Loop with Channelization with Port - Conversion Charge Based on a System																	
A Minimum System configuration is One (1) DS1, One (1) D4 Channel Bank, and Up To 24 DSO Ports with Feature Activations.																	
Multiples of this configuration functioning as one are considered Add'l after the minimum system configuration is counted.																	
		NRC - Conversion (Currently Combined) with or without Bell/South Allowed Changes			UEPMG	USAC4	0	303.61	15.74					19.99	19.99	19.99	19.99
System Additions at End User Locations Where 4-Wire DS1 Loop with Channelization with Port Combination Currently Exists and																	
New (Not Currently Combined) In Georgia Only																	
		NRC - 1 DS1/D4 Channel Bank - Add NRC for each Port and Assoc Feature Activation - New GA Only			UEPMG	VUMD4	0	704.68	441.48	138.36	16.41			19.99	19.99	19.99	19.99

UNBUNDLED NETWORK ELEMENTS
TN

CATEGORY	NOTES	UNBUNDLED NETWORK ELEMENT	Interim	Zone	BCS	USOC	RATES (\$)				OSS RATES (\$)						
							Rec	First	Add'l	Disconnect	SOME C	SOMAN	SOMAN	SOMAN	SOMAN	SOMAN	
							Nonrecurring		Nonrecurring		Svc Order Submitted Elec per LSR	Svc Order Submitted Manually per LSR	Incremental Charge - Manual Svc Order vs. Electronic-1st	Incremental Charge - Manual Svc Order vs. Electronic-Add'l	Incremental Charge - Manual Svc Order vs. Electronic-Disc 1st	Incremental Charge - Manual Svc Order vs. Electronic-Disc Add'l	
							Rec	First	Add'l	First							Add'l
Bipolar 8 Zero Substitution																	
		Clear Channel Capability Format, superframe - Subsequent Activity Only			UEPMG	CCOSF	0	0	590					19.99	19.99	19.99	19.99
		Clear Channel Capability Format - Extended Superframe - Subsequent Activity Only			UEPMG	CCOEF	0	0	590					19.99	19.99	19.99	19.99
Alternate Mark Inversion (AMI)																	
		Superframe Format			UEPMG	MCOSF	0	0	0								
		Extended Superframe Format			UEPMG	MCPOPO	0	0	0								
Exchange Ports Associated with 4-Wire DS1 Loop with Channelization with Port Exchange Ports																	
		Line Side Combination Channelized PBX Trunk Port - Business			UEPPX	UEPCX	1.79	0	0	0	0		19.99				
		Line Side Outward Channelized PBX Trunk Port - Business			UEPPX	UEPOX	1.79	0	0	0	0		19.99				
		Line Side Inward Only Channelized PBX Trunk Port without DID			UEPPX	UEP1X	1.79	0	0	0	0		19.99				
		2-Wire Trunk Side Unbundled Channelized DID Trunk Port			UEPPX	UEPDM	8.97	0	0	0	0		19.99				
Feature Activations - Unbundled Loop Concentration																	
		Feature (Service) Activation for each Line Side Port Terminated in D4 Bank			UEPPX	1PQWM	0.66	23.94	12.64	3.82	3.8			19.99	19.99	19.99	19.99
		Feature (Service) Activation for each Trunk Side Port Terminated in D4 Bank			UEPPX	1PQWU	0.66	73.67	17.37	54.09	10.57			19.99	19.99	19.99	19.99
Telephone Number/ Group Establishment Charges for DID Service																	
		DID Trunk Termination (1 per Port)			UEPPX	NDT	0										
		DID Numbers - groups of 20 - Valid all States			UEPPX	ND4	0	0	0								
		Non-Consecutive DID Numbers - per number			UEPPX	ND5	0	0	0			19.99					
		Reserve Non-Consecutive DID Numbers			UEPPX	ND6	0	0	0								
		Reserve DID Numbers			UEPPX	NDV	0	0	0								
Local Number Portability																	
		Local Number Portability - 1 per port			UEPPX	LNPCP	3.15	0	0								
FEATURES - Vertical and Optional																	
Local Switching Features Offered with Line Side Ports Only																	
		All Features Available			UEPPX	UEPVF	0	0	0			19.99					
UNBUNDLED PORT LOOP COMBINATIONS - MARKET RATES																	
Market Rates shall apply where BellSouth is not required to provide unbundled local switching or switch ports per FCC and/or State Commission rules.																	
These scenarios include:																	
1. Unbundled port/loop combinations that are Not Currently Combined in all of the BellSouth states except as noted for Georgia and Tennessee.																	
2. Unbundled port/loop combinations that are Currently Combined or Not Currently Combined in Zone 1 of the Top 8 MSAs in BellSouth's region for end users with 4 or more DS0 equivalent lines.																	
The Top 8 MSAs in BellSouth's region are: FL (Orlando, Ft. Lauderdale, Miami); GA (Atlanta); LA (New Orleans); NC (Greensboro-Winston Salem-Highpoint/Charlotte-Gastonia-Rock Hill); TN (Nashville).																	

UNBUNDLED NETWORK ELEMENTS
TN

CATEGORY	NOTES	UNBUNDLED NETWORK ELEMENT	Interim	Zone	BCS	USOC	RATES (\$)						OSS RATES (\$)					
							Rec	First	Add'l	First	Add'l	SOME C	SOMAN	SOMAN	SOMAN	SOMAN	SOMAN	SOMAN
							Nonrecurring			Nonrecurring			Svc Order Submitted Elec per LSR	Svc Order Submitted Manually per LSR	Incremental Charge - Manual Svc Order vs. Electronic-1st	Incremental Charge - Manual Svc Order vs. Electronic-Add'l	Incremental Charge - Manual Svc Order vs. Electronic-Disc 1st	Incremental Charge - Manual Svc Order vs. Electronic-Disc Add'l
							Disconnect			Disconnect								
							Rec	First	Add'l	First	Add'l	SOME C	SOMAN	SOMAN	SOMAN	SOMAN	SOMAN	SOMAN
		BellSouth currently is developing the billing capability to mechanically bill the recurring unbundled port Market Rates in this section as well as the nonrecurring Market Rates in this section for Currently Combined port/loop combinations in Zone 1 of the Top 8 MSAs in BellSouth's region for end users with 4 or more DS0 equivalent lines. In the interim, BellSouth shall bill the rates in the Cost-Based section preceding in lieu of such Market Rates and reserves the right to true-up the billing difference.																
		The Market Rate for unbundled ports includes all available features in all states.																
		End Office and Tandem Switching Usage and Common Transport Usage rates in the Port section of this rate exhibit shall apply to all combinations of loop/port network elements except for UNE Coin Port/Loop Combinations which have a flat rate usage charge (USOC: URECU).																
		For Not Currently Combined scenarios where Market Rates apply, the Nonrecurring charges are listed in the First and Additional NRC columns for each Port USOC. For Currently Combined scenarios, the Nonrecurring charges are listed in the NRC - Currently Combined section. Additional NRCs may apply also and are categorized accordingly.																
		2-WIRE VOICE GRADE LOOP WITH 2-WIRE LINE PORT (RES)																
		UNE Port/Loop Combination Rates																
		2-Wire VG Loop/Port Combo - Zone 1		1			26.48											
		2-Wire VG Loop/Port Combo - Zone 2		2			30.31											
		2-Wire VG Loop/Port Combo - Zone 3		3			35.32											
		UNE Loop Rates																
		2-Wire Voice Grade Loop (SL1) - Zone 1		1	UEPRX	UEPLX	12.48											
		2-Wire Voice Grade Loop (SL1) - Zone 2		2	UEPRX	UEPLX	16.31											
		2-Wire Voice Grade Loop (SL1) - Zone 3		3	UEPRX	UEPLX	21.32											
		2-Wire Voice Grade Line Port (Res)																
		2-Wire voice unbundled port - residency			UEPRX	UEPRL	14	90	90					30.89	7.03			
		2-Wire voice unbundled port with Caller ID - re			UEPRX	UEPRC	14	90	90					30.89	7.03			
		2-Wire voice unbundled port outgoing only - re			UEPRX	UEPRO	14	90	90					30.89	7.03			
		2-Wire voice Grade unbundled Tennessee extended local dialing parity port with Caller ID - res			UEPRX	UEPAQ	14	90	90					30.89	7.03			
		2-Wire voice unbundled Tennessee Area Calling port with Caller ID - res (F2I)			UEPRX	UEPAK	14	90	90					30.89	7.03			
		2-Wire voice unbundled Tennessee Area Calling port with Caller ID - res (TACEI)			UEPRX	UEPAL	14	90	90					30.89	7.03			
		2-Wire voice unbundled Tennessee Area Calling port with Caller ID - res (TACSI)			UEPRX	UEPAM	14	90	90					30.89	7.03			
		2-Wire voice unbundled Tennessee Area Calling port with Caller ID - res (1MF2)			UEPRX	UEPAN	14	90	90					30.89	7.03			
		2-Wire voice unbundled Tennessee Area Calling port with Caller ID - res (2MI)			UEPRX	UEPAO	14	90	90					30.89	7.03			
		2-Wire voice unbundles res, low usage line port with Caller ID (LUA)			UEPRX	UEPAP	14	90	90					30.89	7.03			
		LOCAL NUMBER PORTABILITY																
		Local Number Portability (1 per port)			UEPRX	LNPCX	0.35											
		FEATURES																
		All Features Offerec			UEPRX	UEPVF	0	0	0									
		2-Wire Voice Grade Loop / Line Port Combination - Switch-as-i			UEPRX	USAC2		41.5	41.5									
		2-Wire Voice Grade Loop / Line Port Combination - Switch with chang			UEPRX	USACC		41.5	41.5									
		ADDITIONAL NRCs																
		NRC - 2-Wire Voice Grade Loop/Line Port Combination - Subsequer			UEPRX	USAS2		0	0									
		2-WIRE VOICE GRADE LOOP WITH 2-WIRE LINE PORT (BUS)																
		UNE Port/Loop Combination Rates																
		2-Wire VG Loop/Port Combo - Zone 1		1			26.48											
		2-Wire VG Loop/Port Combo - Zone 2		2			30.31											
		2-Wire VG Loop/Port Combo - Zone 3		3			35.32											
		UNE Loop Rates																
		2-Wire Voice Grade Loop (SL1) - Zone 1		1	UEPBX	UEPLX	12.48											
		2-Wire Voice Grade Loop (SL1) - Zone 2		2	UEPBX	UEPLX	16.31											
		2-Wire Voice Grade Loop (SL1) - Zone 3		3	UEPBX	UEPLX	21.32											
		2-Wire Voice Grade Line Port (Bus)																
		2-Wire voice unbundled port without Caller ID - bu			UEPBX	UEPBL	14	90	90					30.89	7.03			
		2-Wire voice unbundled port with Caller + E484 ID - bu			UEPBX	UEPBC	14	90	90					30.89	7.03			

UNBUNDLED NETWORK ELEMENTS
TN

CATEGORY	NOTES	UNBUNDLED NETWORK ELEMENT	Interim	Zone	BCS	USOC	RATES (\$)					OSS RATES (\$)								
							Nonrecurring		Nonrecurring		SOME C	SOMAN	SOMAN	SOMAN	SOMAN	SOMAN				
							Rec	First	Add'l	First							Add'l			
		2-Wire voice unbundled port outgoing only - bu			UEPBX	UEPBO	14	90	90											
		2-Wire voice Grade unbundled Tennessee extended local dialing parity port with Caller ID - bus			UEPBX	UEPAV	14	90	90											
		2-Wire voice unbundled Tennessee Bus 2-Way Area Calling Port Economy Option (TACC1)			UEPBX	UEPAC	14													
		2-Wire voice unbundled Tennessee Bus 2-Way Area Calling Port Standard Option (TACC2)			UEPBX	UEPAD	14	90	90											
		2-Wire voice unbundled Tennessee Bus 2-Way Collierville and Memphis Local Calling Port (B2F)			UEPBX	UEPAE	14													
		LOCAL NUMBER PORTABILITY																		
		Local Number Portability (1 per port)			UEPBX	LNPCX	0.35													
		FEATURES																		
		NONRECURRING CHARGES - CURRENTLY COMBINED																		
		2-Wire Voice Grade Loop / Line Port Combination - Switch-as-i			UEPBX	USAC2		41.5	41.5											
		2-Wire Voice Grade Loop / Line Port Combination - Switch with chang			UEPBX	USACC		41.5	41.5											
		ADDITIONAL NRCs																		
		NRC - 2-Wire Voice Grade Loop/Line Port Combination - Subsequer			UEPBX	USAS2		0	0											
		2-WIRE VOICE GRADE LOOP WITH 2-WIRE LINE PORT (RES - PBX)																		
		UNE Port/Loop Combination Rates																		
		2-Wire VG Loop/Port Combo - Zone 1		1				26.48												
		2-Wire VG Loop/Port Combo - Zone 2		2				30.31												
		2-Wire VG Loop/Port Combo - Zone 3		3				35.32												
		UNE Loop Rates																		
		2-Wire Voice Grade Loop (SL1) - Zone 1		1	UEPRG	UEPLX		12.48												
		2-Wire Voice Grade Loop (SL1) - Zone 2		2	UEPRG	UEPLX		16.31												
		2-Wire Voice Grade Loop (SL1) - Zone 3		3	UEPRG	UEPLX		21.32												
		2-Wire Voice Grade Line Port Rates (RES - PBX)																		
		2-Wire VG Unbundled Combination 2-Way PBX Trunk Port - Re			UEPRG	UEPRD	14	90	90											
		LOCAL NUMBER PORTABILITY																		
		Local Number Portability (1 per port)			UEPRG	LNPCP	3.15													
		FEATURES																		
		NONRECURRING CHARGES - CURRENTLY COMBINED																		
		2-Wire Voice Grade Loop/ Line Port Combination - Switch-As-I			UEPRG	USAC2		41.5	41.5											
		2-Wire Voice Grade Loop/ Line Port Combination - Switch with Chang			UEPRG	USACC		41.5	41.5											
		ADDITIONAL NRCs																		
		2 Wire Loop/Line Side Port Combination - Non feature - Subsequent Activity- Nonrecurring						0	0											
		PBX Subsequent Activity - Change/Rearrange Multiline Hunt Gro						14.64	14.64											
		2-WIRE VOICE GRADE LOOP WITH 2-WIRE LINE PORT (BUS - PBX)																		
		UNE Port/Loop Combination Rates																		
		2-Wire VG Loop/Port Combo - Zone 1		1				26.48												
		2-Wire VG Loop/Port Combo - Zone 2		2				30.31												
		2-Wire VG Loop/Port Combo - Zone 3		3				35.32												
		UNE Loop Rates																		
		2-Wire Voice Grade Loop (SL1) - Zone 1		1	UEPPX	UEPLX		12.48												
		2-Wire Voice Grade Loop (SL1) - Zone 2		2	UEPPX	UEPLX		16.31												
		2-Wire Voice Grade Loop (SL1) - Zone 3		3	UEPPX	UEPLX		21.32												
		2-Wire Voice Grade Line Port Rates (BUS - PBX)																		
		Line Side Unbundled Combination 2-Way PBX Trunk Port - Bu			UEPPX	UEPPC	14	90	90											
		Line Side Unbundled Outward PBX Trunk Port - Bu			UEPPX	UEPPO	14	90	90											
		Line Side Unbundled Incoming PBX Trunk Port - Bu			UEPPX	UEPP1	14	90	90											

UNBUNDLED NETWORK ELEMENTS
TN

CATEGORY	NOTES	UNBUNDLED NETWORK ELEMENT	Interim	Zone	BCS	USOC	RATES (\$)						OSS RATES (\$)					
							Rec	First	Add'l	First	Add'l	SOMEK	SOMAN	SOMAN	SOMAN	SOMAN	SOMAN	SOMAN
							Nonrecurring			Nonrecurring			Svc Order Submitted Elec per LSR	Svc Order Submitted Manually per LSR	Incremental Charge - Manual Svc Order vs. Electronic-1st	Incremental Charge - Manual Svc Order vs. Electronic-Add'l	Incremental Charge - Manual Svc Order vs. Electronic-Disc 1st	Incremental Charge - Manual Svc Order vs. Electronic-Disc Add'l
							Nonrecurring			Disconnect								
							Rec	First	Add'l	First	Add'l	SOMEK	SOMAN	SOMAN	SOMAN	SOMAN	SOMAN	
		2-Wire Voice Unbundled PBX LD Terminal Port			UEPPX	UEPLD	14	90	90						30.89	7.03		
		2-Wire Voice Unbundled 2-Way Combination PBX Tennessee Calling Pc			UEPPX	UEPT2	14								30.89	7.03		
		2-Wire Voice Unbundled 1-Way Outgoing PBX Tennessee Calling Pc			UEPPX	UEPTO	14								30.89	7.03		
		2-Wire Voice Unbundled 2-Way Combination PBX Usage Po			UEPPX	UEPXA	14	90	90						30.89	7.03		
		2-Wire Voice Unbundled PBX Toll Terminal Hotel Port			UEPPX	UEPXB	14	90	90						30.89	7.03		
		2-Wire Voice Unbundled PBX LD DDD Terminals Po			UEPPX	UEPXC	14	90	90						30.89	7.03		
		2-Wire Voice Unbundled PBX LD Terminal Switchboard Po			UEPPX	UEPXD	14	90	90						30.89	7.03		
		2-Wire Voice Unbundled PBX LD Terminal Switchboard IDD Capable Po			UEPPX	UEPXE	14	90	90						30.89	7.03		
		2-Wire Voice Unbundled 2-Way PBX Hotel/Hospital Economy Administrative Calling Port			UEPPX	UEPXL	14	90	90						30.89	7.03		
		2-Wire Voice Unbundled 2-Way PBX Hotel/Hospital Economy Room Calling Po			UEPPX	UEPXM	14	90	90						30.89	7.03		
		2-Wire Voice Unbundled 1-W Out PBX Hotel/Hospital Economy Administrative Callin Port TN			UEPPX	UEPXN	14	90	90						30.89	7.03		
		2-Wire Voice Unbundled 1-Way Outgoing PBX Hotel/Hospital Discount Room Calling Port			UEPPX	UEPXO	14	90	90						30.89	7.03		
		2-Wire Voice Unbundled 1-Way Outgoing PBX Measured Po			UEPPX	UEPXS	14	90	90						30.89	7.03		
		2-Wire Voice Unbundled PBX Collierville and Memphis Calling Po			UEPPX	UEPXU	14	90	90						30.89	7.03		
		2-Wire Voice Unbundled 2-Way PBX Tennessee RegionServ Calling Pc			UEPPX	UEPXV	14	90	90						30.89	7.03		
		LOCAL NUMBER PORTABILITY																
		Local Number Portability (1 per port)			UEPPX	LNPCP	3.15											
		FEATURES																
		NONRECURRING CHARGES - CURRENTLY COMBINED																
		2-Wire Voice Grade Loop/ Line Port Combination - Switch-As-I			UEPPX	USAC2		41.5	41.5									
		2-Wire Voice Grade Loop/ Line Port Combination - Switch with Chang			UEPPX	USACC		41.5	41.5									
		ADDITIONAL NRCs															20	20
		2-Wire Voice Grade Loop/ Line Port Combination - Subsequer			UEPPX	USAS2		0	0									
		2 Wire Loop/Line Side Port Combination - Non feature - Subsequent Activity- Nonrecurring						0	0									
		PBX Subsequent Activity - Change/Rearrange Multiline Hunt Gro						14.64	14.64						19.99	19.99	19.99	19.99
		2-WIRE VOICE GRADE LOOP WITH 2-WIRE ANALOG LINE COIN PORT																
		UNE Port/Loop Combination Rates																
		2-Wire VG Coin Port/Loop Combo – Zone 1						26.48										
		2-Wire VG Coin Port/Loop Combo – Zone 2						30.31										
		2-Wire VG Coin Port/Loop Combo – Zone 3						35.32										
		UNE Loop Rates																
		2-Wire Voice Grade Loop (SL1) - Zone 1			UEPCO	UEPLX		12.48										
		2-Wire Voice Grade Loop (SL1) - Zone 2			UEPCO	UEPLX		16.31										
		2-Wire Voice Grade Loop (SL1) - Zone 3			UEPCO	UEPLX		21.32										
		2-Wire Voice Grade Line Port Rates (Coin)																
		2-Wire Coin 2-Way without Operator Screening and without Blocking (TN)			UEPCO	UEPTB	14	90	90						30.89	7.03		
		2-Wire Coin 2-Way with Operator Screening and Blocking: 011, 900/976, 1+DDD (NC, TN)			UEPCO	UEPRP	14								30.89	7.03		
		2-Wire Coin 2-Way with Operator Screening and 011 Blocking (TN)			UEPCO	UEPTA	14	90	90						30.89	7.03		
		2-Wire Coin 2-Way with Operator Screening and Blocking: 900/976, 1+DDD, 011+, and Local (NC, TN)			UEPCO	UEPCA	14	90	90						30.89	7.03		
		2-Wire Coin Outward with Operator Screening and 011 Blocking (TN)			UEPCO	UEPTC	14	90	90						30.89	7.03		
		2-Wire Coin Outward with Operator Screening and Blocking: 900/976, 1+DDD, 011+, and Local (TN)			UEPCO	UEPOT	14	90	90						30.89	7.03		
		LOCAL NUMBER PORTABILITY																
		Local Number Portability (1 per port)			UEPCO	LNPCX	0.35											
		NONRECURRING CHARGES - CURRENTLY COMBINED																
		2-Wire Voice Grade Loop/ Line Port Combination - Switch-As-Is			UEPCO	USAC2		41.5	41.5									

UNBUNDLED NETWORK ELEMENTS
TN

CATEGORY	NOTES	UNBUNDLED NETWORK ELEMENT	Interim	Zone	BCS	USOC	RATES (\$)					OSS RATES (\$)									
							Rec	First	Add'l	First	Add'l	SOMEc	SOMAN	SOMAN	SOMAN	SOMAN	SOMAN	SOMAN			
		2-Wire Voice Grade Loop/ Line Port Combination - Switch with Chang			UEPCO	USACC		41.5	41.5												
	ADDITIONAL NRCs																				
		2-Wire Voice Grade Loop/ Line Port Combination - Subsequer			UEPCO	USAS2		0	0												

**AMENDMENT
TO THE
INTERCONNECTION AGREEMENT BETWEEN
ELECTRIC POWER BOARD OF CHATTANOOGA
AND
BELLSOUTH TELECOMMUNICATIONS, INC.
DATED MAY 16, 2001**

Pursuant to this Amendment, (the "Amendment"), Electric Power Board Of Chattanooga ("EPB Telecommunications"), an independent board of the City of Chattanooga, a Tennessee municipal corporation, and BellSouth Telecommunications, Inc. ("BellSouth"), a Georgia Corporation, hereinafter referred to collectively as the "Parties," hereby agree to amend that certain Interconnection Agreement between the Parties dated May 16, 2001 ("Agreement").

NOW THEREFORE, in consideration of the mutual provisions contained herein and other good and valuable consideration, the receipt and sufficiency of which are hereby acknowledged, the Parties hereby covenant and agree as follows:

1. Attachment 2, Section 4.1.3.2.2 is augmented as follows:

"Intercarrier compensation for local calls between BellSouth and EPB Telecommunications shall be as described in BellSouth's UNE Local Call Flows set forth on BellSouth's web site."

is deleted in its' entirety and replaced with

"Intercarrier compensation for local calls between BellSouth and EPB Telecommunications shall be as described in BellSouth's UNE Local Call Flows set forth in Exhibit D."

2. Attachment 2, Section 4.1.3.2.3 is augmented as follows:

"Intercarrier compensation for local calls between BellSouth and EPB Telecommunications shall be as described in BellSouth's UNE Local Call Flows set forth on BellSouth's web site."

is deleted in its' entirety and replaced with

"Intercarrier compensation for local calls between BellSouth and EPB Telecommunications shall be as described in BellSouth's UNE Local Call Flows set forth in Exhibit D."

3. The said Call Flow exhibit is attached hereto as Exhibit "D".

4. All of the other provisions of the Agreement, dated May 16, 2001, shall remain in full force and effect.
5. Either or both of the Parties is authorized to submit this Amendment to the respective state regulatory authorities for approval subject to Section 252(e) of the Federal Telecommunications Act of 1996.

IN WITNESS WHEREOF, the Parties hereto have caused this Amendment to be executed by their respective duly authorized representatives on the date indicated below.

Electric Power Board of Chattanooga

BellSouth Telecommunications, Inc.

On File
Signature

On File
Signature

W.E. Chapman, Jr.
Name

C.W. Boltz
Name

Senior Vice President
Title

Managing Director
Title

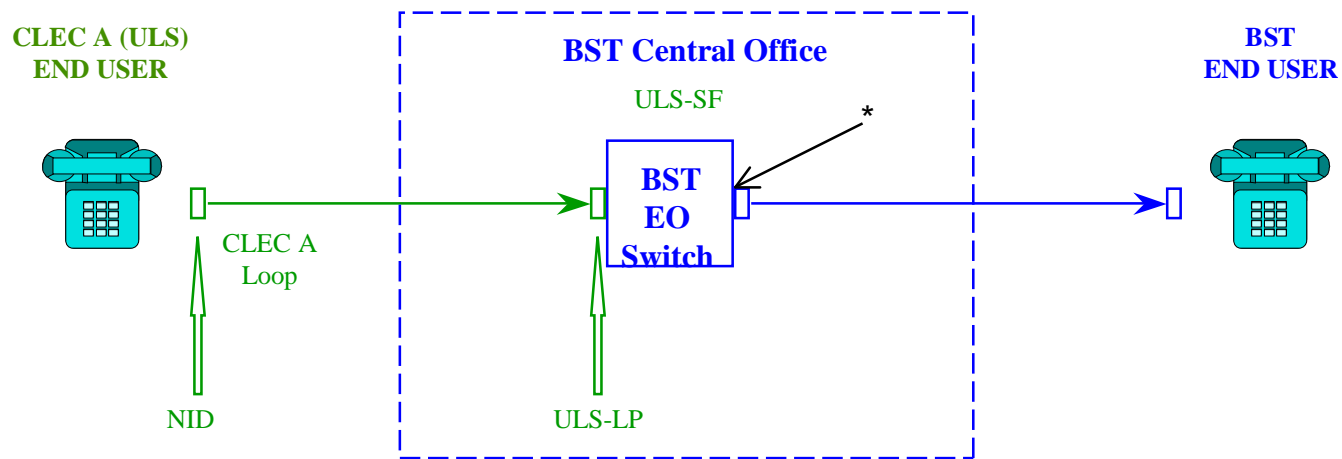
12/4/01
Date

12/13/01
Date

UNE PORT/LOOP SWITCHED COMBINATION BILLING ARRANGEMENTS

1. BST Network - Calling Within a 7 and 10 Digit Dialing Scope

Intraoffice/Intraswitch



Billing Concept

-- Unbundled Network Elements

Usage Recordings

-- Call Code 001/072 (NOT MBI13) is made at the End Office. No tandem indicator, no access time, no attempts. No term recording.
-- Normal EO recordings appropriate to the type of service will be made.

BST bills CLEC A

-- ULS-LP (loop and port monthly)
-- ULS-SF (unbundled switching)

Billing Factors

-- NA

Record Exchange

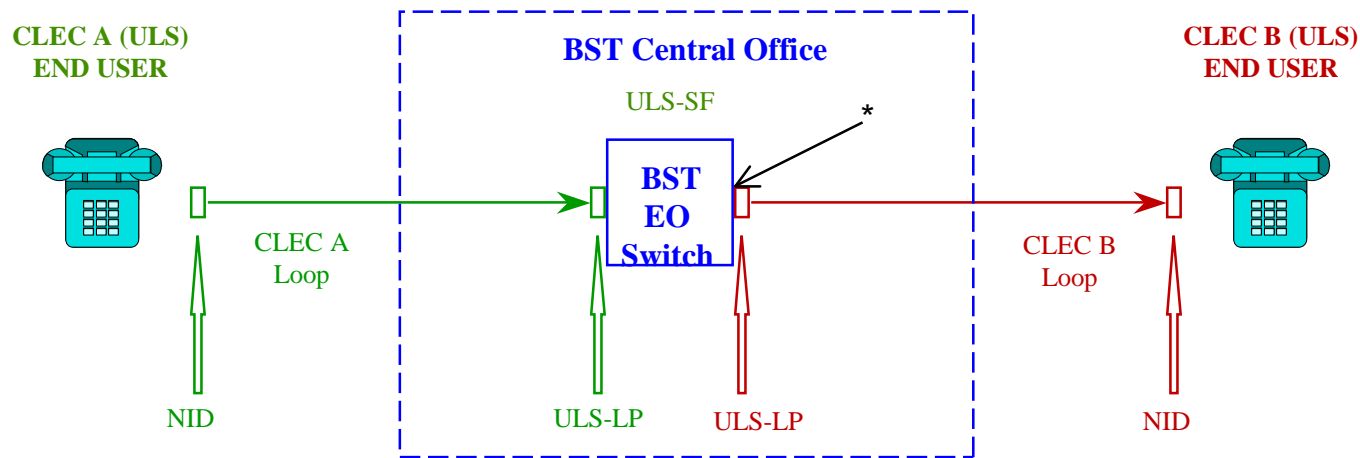
BellSouth sends CLEC A ODUF 10-01-31 (See Local/Toll Exceptions)

* indicates demarcation between UNE Network and other Networks

UNE PORT/LOOP SWITCHED COMBINATION BILLING ARRANGEMENTS

2. BST Network - Calling Within a 7 and 10 Digit Dialing Scope

Intraoffice/Intraswitch



Billing Concept

-- Unbundled Network Elements

Usage Recordings

-- Call Code 001/072 (NOT MBI13) is made at the End Office. No tandem indicator, no access time, no attempts. No term recording.
-- Normal EO recordings appropriate to the type of service will be made.

BST bills CLEC A

-- ULS-LP (loop and port monthly)
-- ULS-SF (unbundled switching - originating)

BST bills CLEC B

-- ULS-LP (loop and port monthly)

Billing Factors

-- NA

Record Exchange

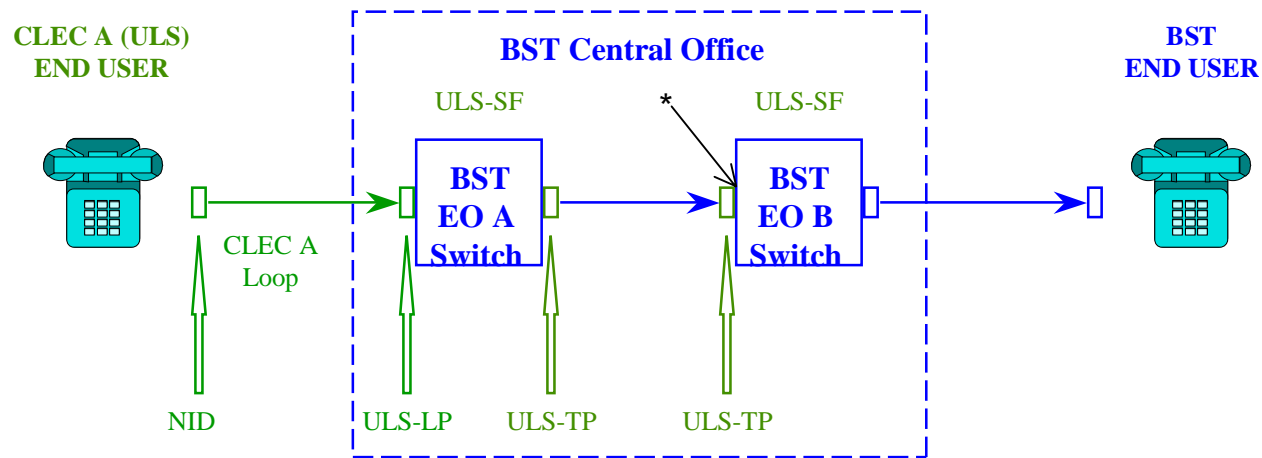
BellSouth sends CLEC A ODUF 10-01-31 (See Local/Toll Exceptions)

* indicates demarcation between UNE Network and other Networks

Note: The Industry has not developed a means to uniquely identify calls originating from unbundled ports, such as depicted above from CLEC A. Currently, such calls appear to the terminating Party, such as CLEC B above, as though they were originated by BellSouth. Therefore, until such time as calls originating from unbundled ports can be uniquely identified to the originating Party, BellSouth shall charge CLEC A for un

UNE PORT/LOOP SWITCHED COMBINATION BILLING ARRANGEMENTS

3. BST Network - Calling Within a 7 and 10 Digit Dialing Scope Intraoffice/Interswitch



Billing Concept

-- Unbundled Network Elements

Usage Recordings

-- Call Code 001/072 (NOT MBI13) is made at the End Office. No tandem indicator, no access time, no attempts. No term recording.
-- Normal EO recordings appropriate to the type of service will be made.

* indicates demarcation between UNE Network and other Networks

BST bills CLEC A

-- ULS-LP (loop and port monthly)
-- 2 ULS-SFs (unbundled switching - originating and terminating, summarized at originating EO A)
-- 2 ULS-TPs (trunk ports)
-- UIT-S (unbundled transport, fixed, mileage calculated from EO A to EO B) (zero transport miles)

Reciprocal Compensation

BST bills CLEC A Unbundled Local Switching as indicated above.

Billing Factors

-- NA

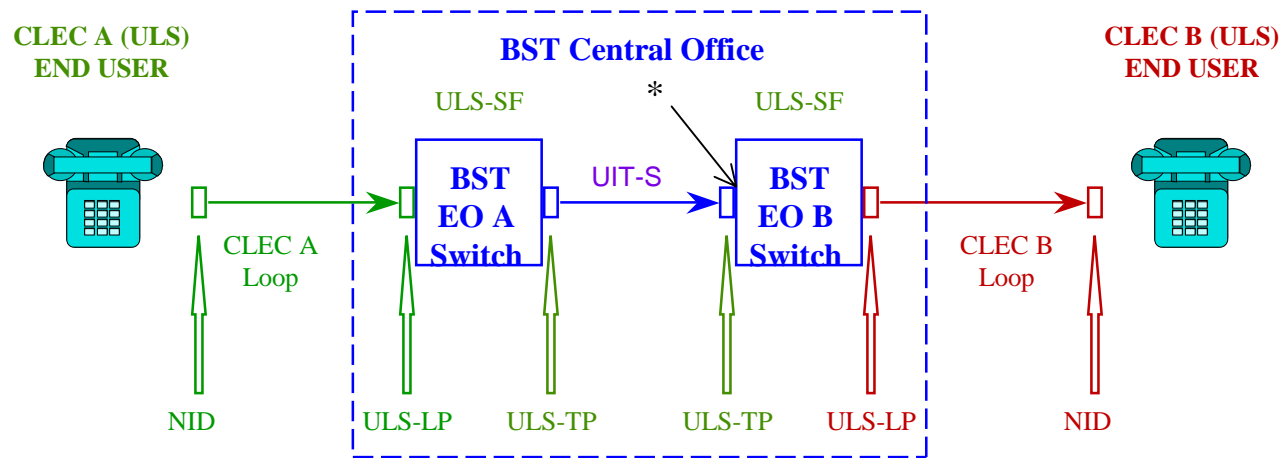
Record Exchange

BellSouth sends CLEC A ODUF 10-01-31 (See Local/Toll Exceptions)

UNE PORT/LOOP SWITCHED COMBINATION BILLING ARRANGEMENTS

4. BST Network - Calling Within a 7 and 10 Digit Dialing Scope

Intraoffice/Interswitch



Billing Concept

-- Unbundled Network Elements

Usage Recordings

-- Call Code 001/072 (NOT MBI13) is made at the End Office. No tandem indicator, no access time, no attempts. No term recording.
 -- Normal EO recordings appropriate to the type of service will be made.

BST bills CLEC A

-- ULS-LP (loop and port monthly)
 -- 2 ULS-SFs (unbundled switching - originating and terminating, summarized at originating EO A)
 -- 2 ULS-TPs (trunk ports)
 -- UIT-S (unbundled transport, fixed, mileage calculated from EO A to EO B) (zero transport miles)

BST bills CLEC B

-- ULS-LP (loop and port monthly)

Billing Factors

-- NA

Record Exchange

BellSouth sends CLEC A ODUF 10-01-31 (See Local/Toll Exceptions)

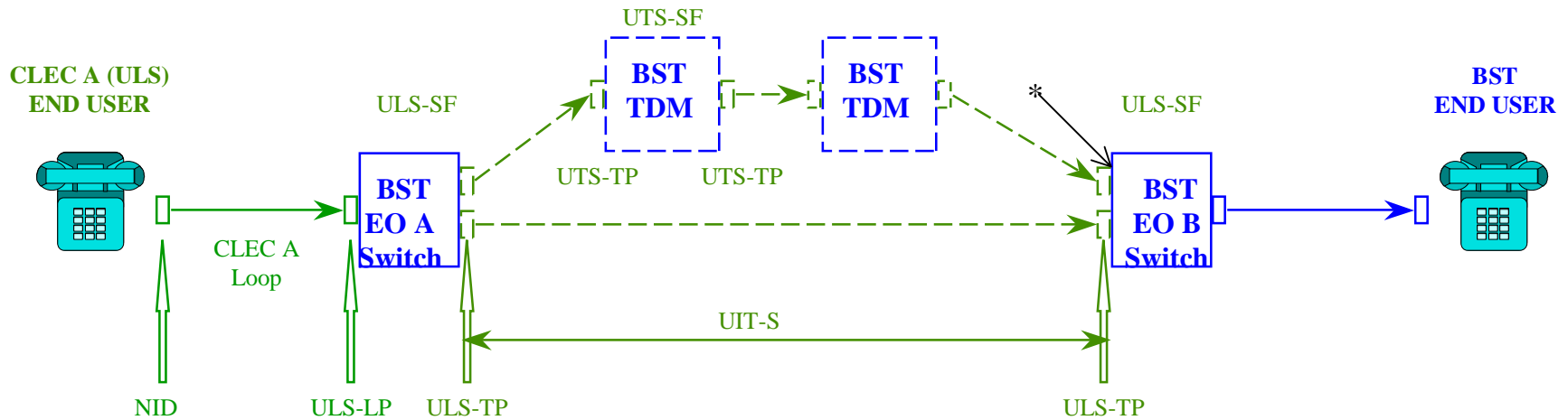
* indicates demarcation between UNE Network and other Networks

Note: The Industry has not developed a means to uniquely identify calls originating from unbundled ports, such as depicted above from CLEC A. Currently, such calls appear to the terminating Party, such as CLEC B above, as though they were originated by BellSouth. Therefore, until such time as calls originating from unbundled ports can be uniquely identified to the originating Party and such information can be passed to the terminating Party in a billing record, for this call scenario BellSouth shall charge CLEC A for End Office Switching or ULS-SF at End Office B, shall not charge CLEC B for ULS-SF at End Office B and shall not provide a billing record to CLEC B.

11/13/01

UNE PORT/LOOP SWITCHED COMBINATION BILLING ARRANGEMENTS

5. BST Network - Calling Within a 7 and 10 Digit Dialing Scope Interoffice



Billing Concept

-- Unbundled Network Elements

Usage Recordings

-- Call Code 001/072 (NOT MBI13) or Call Code 006/072 is made at the End Office. No tandem indicator, no access time, no attempts. No terminating recording.
 -- Normal EO recordings appropriate to the type of service will be made.

NOTE: Call code 006 records are related to ELCA plans.

* indicates demarcation between UNE Network and other Networks

BST bills CLEC A

-- ULS-LP (loop and port monthly)
 -- 2 ULS-SFs (unbundled switching - originating and terminating, summarized at originating EO A)
 -- 2 ULS-TPs (end office trunk ports)
 -- UIT-S (unbundled transport-shared, fixed and per mile, mileage calculated from EO A to EO B)
 -- UTS-SF (unbundled melded tandem switching)
 -- 2 UTS-TPs (melded tandem trunk ports)

Reciprocal Compensation

BST bills CLEC A Unbundled Local Switching as indicated above.

Billing Factors

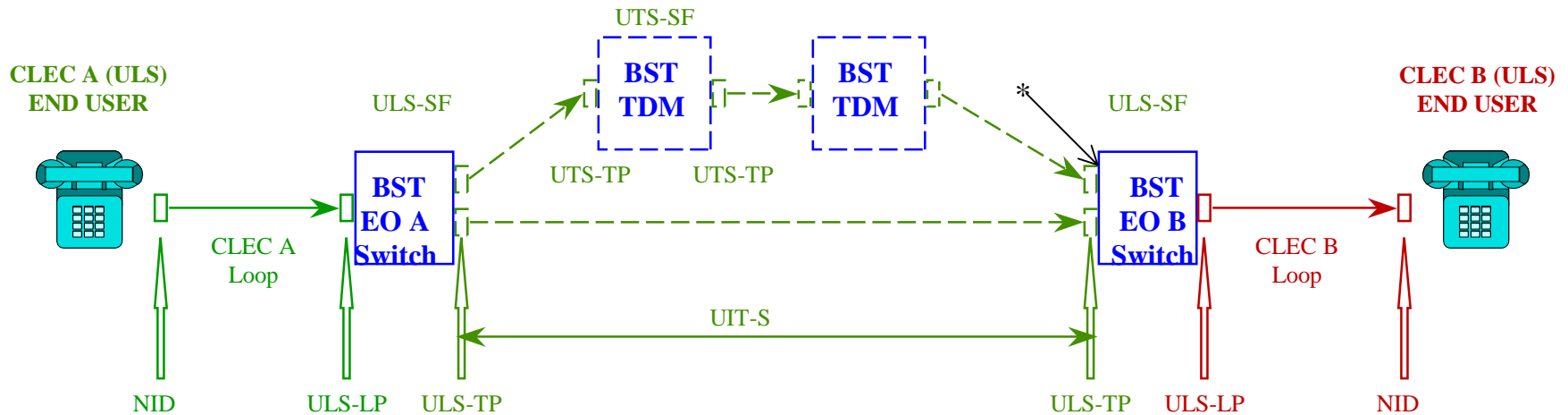
-- NA

Record Exchange

BellSouth sends CLEC A ODUF 10-01-31 (See Local/Toll Exceptions)

UNE PORT/LOOP SWITCHED COMBINATION BILLING ARRANGEMENTS

6. BST Network - Calling Within a 7 and 10 Digit Dialing Scope Interoffice



Billing Concept

-- Unbundled Network Elements

Usage Recordings

-- Call Code 00/072 (NOT MBI13) or Call Code 006/072 is made at the End Office. No tandem indicator, no access time, no attempts. No term recording.
 -- Normal EO recordings appropriate to the type of service will be made.

NOTE: Call code 006 records are related to ELCA plans.

BST bills CLEC A

-- ULS-LP (loop and port monthly)
 -- 2 ULS-SFs (unbundled switching - originating and terminating, summarized at EO A)
 -- 2 ULS-TPs (end office trunk ports)
 -- UIT-S (unbundled transport - shared, fixed and per mil, mileage from EO A to EO B)
 -- UTS-SF (unbundled melded tandem switching)
 -- 2 UTS-TPs (melded tandem trunk ports)

BST bills CLEC B

-- ULS-LP (loop and port monthly)

Billing Factors

-- NA

Record Exchange

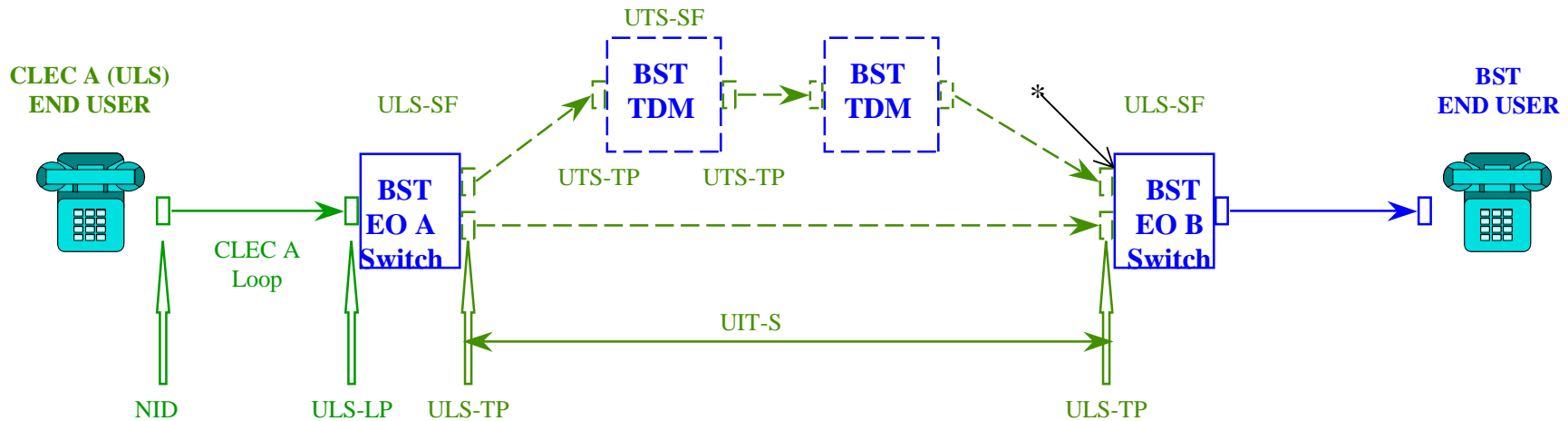
BellSouth sends CLEC A ODUF 10-01-31
 (See Local/Toll Exceptions)

* indicates demarcation between UNE Network and other Networks

Note: The Industry has not developed a means to uniquely identify calls originating from unbundled ports, such as depicted above from CLEC A. Currently, such calls appear to the terminating Party, such as CLEC B above, as though they were originated by BellSouth. Therefore, until such time as calls originating from unbundled ports can be uniquely identified to the originating Party and such information can be passed to the terminating Party in a billing record, for this call scenario BellSouth shall charge CLEC A for End Office Switching or ULS-SF at End Office B, shall not charge CLEC B for ULS-SF at End Office B and shall not provide a billing record to CLEC B.

UNE PORT/LOOP SWITCHED COMBINATION BILLING ARRANGEMENTS

7. BST Network – Call terminating outside of the originating 7 & 10 digit dialing arrangement but within the lata (i.e. 1+ call) - Interoffice



Billing Concept

-- Unbundled Network Elements

Usage Recordings

-- Call Code 006 is made at the End Office.
 No tandem indicator, no access time, no attempts. No terminating recording.
 -- Normal EO recordings appropriate to the type of service will be made.

Reciprocal Compensation

BST bills CLEC A Unbundled Local Switching as indicated above.

BST bills CLEC A

-- ULS-LP (loop and port monthly)
 -- 2 ULS-SFs (unbundled switching - originating and terminating, summarized at originating EO A)
 -- 2 ULS-TPs (end office trunk ports)
 -- UIT-S (unbundled transport-shared, fixed and per mile, mileage calculated from EO A to EO B)
 -- UTS-SF (unbundled melded tandem switching)
 -- 2 UTS-TPs (melded tandem trunk ports)

Billing Factors

-- NA

Record Exchange

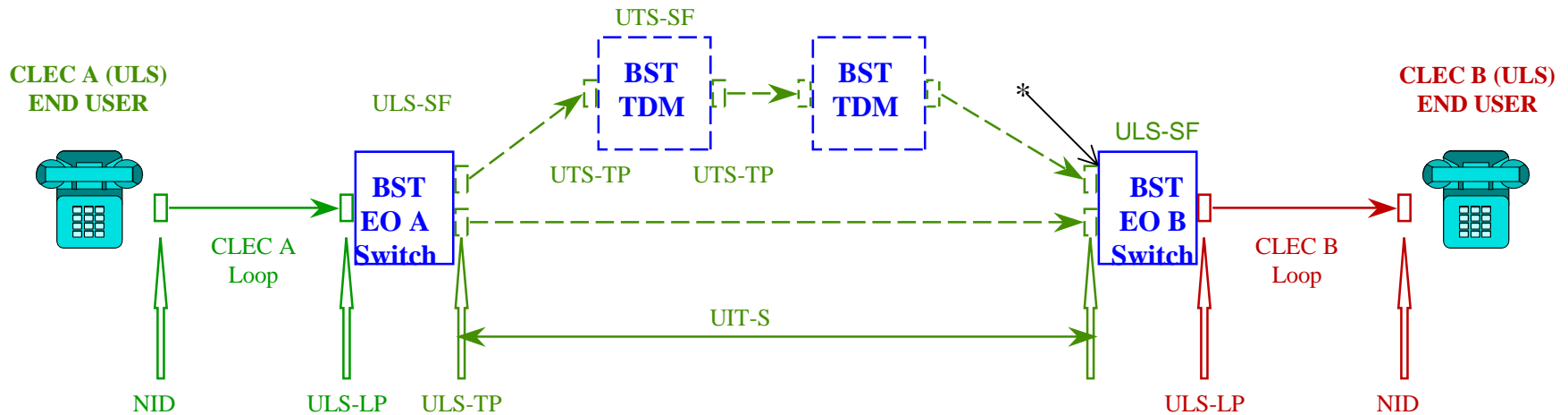
BellSouth sends CLEC A ODUF 10-01-01

* indicates demarcation between UNE Network and other Networks

Note: CLEC A must LPIC BST in order for BellSouth to transport and terminate this call. Appropriate terms and conditions must be contained within the CLEC/BellSouth Interconnection Agreement in order for BellSouth to provide this functionality to the CLEC.

UNE PORT/LOOP SWITCHED COMBINATION BILLING ARRANGEMENTS

8. BST Network – Call terminating outside of the originating 7 & 10 digit dialing arrangement but within the lata (i.e. 1+ call) - Interoffice



Billing Concept

-- Unbundled Network Elements

Usage Recordings

- Call Code 006 is made at the End Office.
- No tandem indicator, no access time, no attempts. No term recording.
- Normal EO recordings appropriate to the type of service will be made.

* indicates demarcation between UNE Network and other Networks

BST bills CLEC A

- ULS-LP (loop and port monthly)
- 2 ULS-SFs (unbundled switching - originating and terminating, summarized at originating EO A)
- 2 ULS-TPs (end office trunk ports)
- UIT-S (unbundled transport-shared, fixed and per mile, mileage calculated from EO A to EO B)
- UTS-SF (unbundled melded tandem switching)
- 2 UTS-TPs (melded tandem trunk ports)

BST bills CLEC B

- ULS-LP (loop and port monthly)

Billing Factors

-- NA

Record Exchange

BellSouth sends CLEC A
ODUF 10-01-01

Note: CLEC A must LPIC BST in order for BellSouth to transport and terminate this call. Appropriate terms and conditions must be contained within the CLEC/BellSouth Interconnection Agreement in order for BellSouth to provide this functionality to the CLEC.

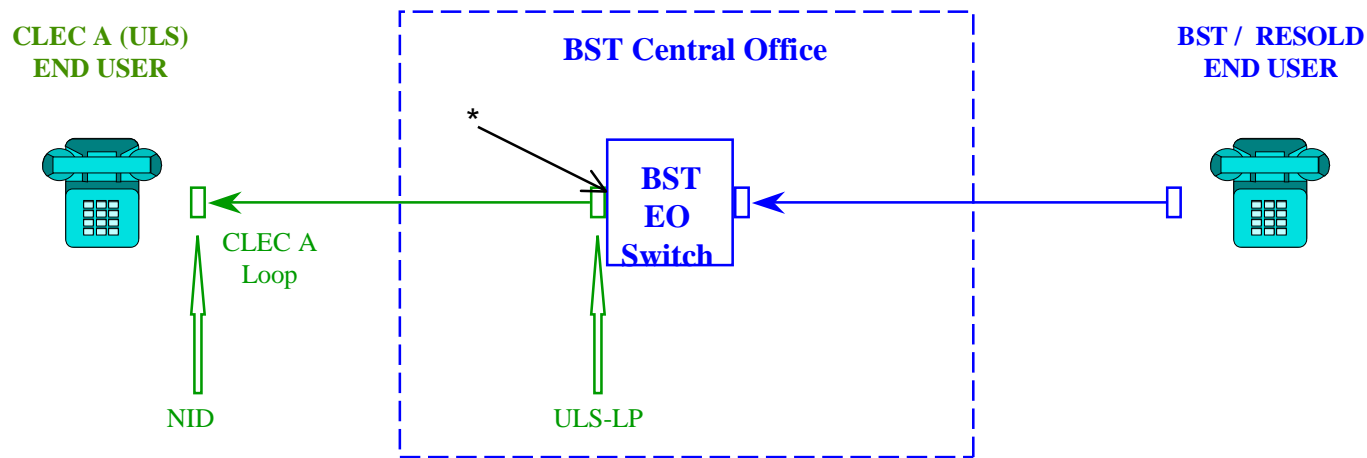
Note: The Industry has not developed a means to uniquely identify calls originating from unbundled ports, such as depicted above from CLEC A. Currently, such calls appear to the terminating Party, such as CLEC B above, as though they were originated by BellSouth. Therefore, until such time as calls originating from unbundled ports can be uniquely identified to the originating Party and such information can be passed to the terminating Party in a billing record, for this call scenario BellSouth shall charge CLEC A for End Office Switching or ULS-SF at End Office B, shall not charge CLEC B for ULS-SF at End Office B and shall not provide a billing record to CLEC B.

11/13/01

UNE PORT/LOOP SWITCHED COMBINATION BILLING ARRANGEMENTS

9. BST Network - Calling Within a 7 and 10 Digit Dialing Scope

Intraoffice/Intraswitch



Billing Concept

-- Unbundled Network Elements

Usage Recordings

- Call Code 001/072 is made at the End Office.
No tandem indicator, no access time, no attempts.
No term recording. Note this is MBI13 if the BST end user has flat-rated service.
- Normal EO recordings appropriate to the type of service will be made.

* indicates demarcation between UNE Network and other Networks

BST bills CLEC A

-- ULS-LP (loop and port monthly)

Billing Factors

-- NA

Record Exchange

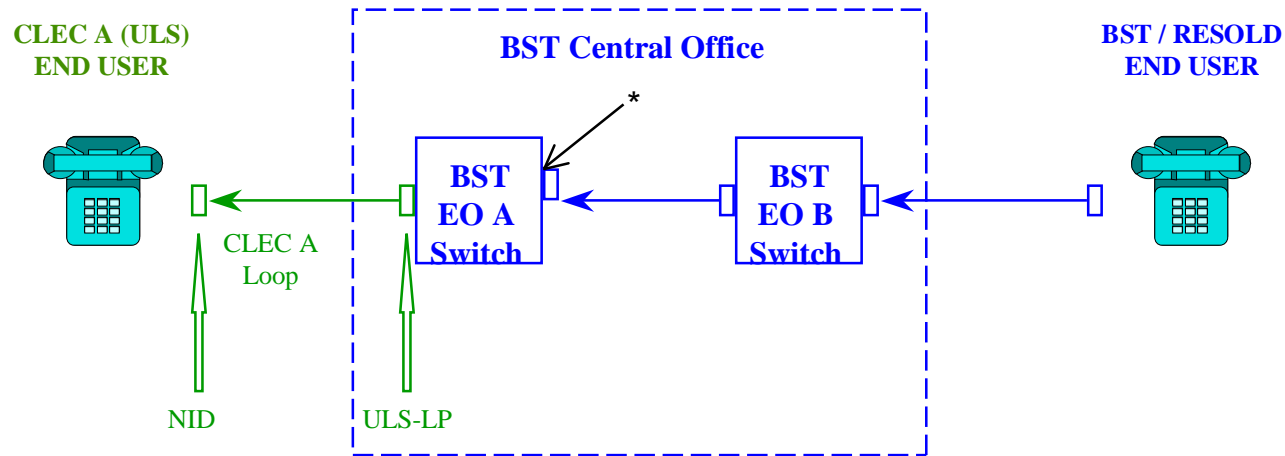
-- NA

Reciprocal Compensation

CLEC A does not charge BellSouth reciprocal compensation for this call scenario as UNE CLEC A does not incur any switching costs that it may be entitled to charge BellSouth for terminating local switching.

UNE PORT/LOOP SWITCHED COMBINATION BILLING ARRANGEMENTS

10. BST Network - Calling Within a 7 and 10 Digit Dialing Scope Intraoffice/Interswitch



Billing Concept

-- Unbundled Network Elements

Usage Recordings

- Call Code 001/072 is made at the End Office B
No tandem indicator, no access time, no attempts.
No term recording. Note this is MBI13 if the BST end user has flat-rated service.
- Normal EO recordings appropriate to the type of service will be made.

* indicates demarcation between UNE Network and other Networks

BST bills CLEC A

-- ULS-LP (loop and port monthly)

Billing Factors

-- NA

Record Exchange

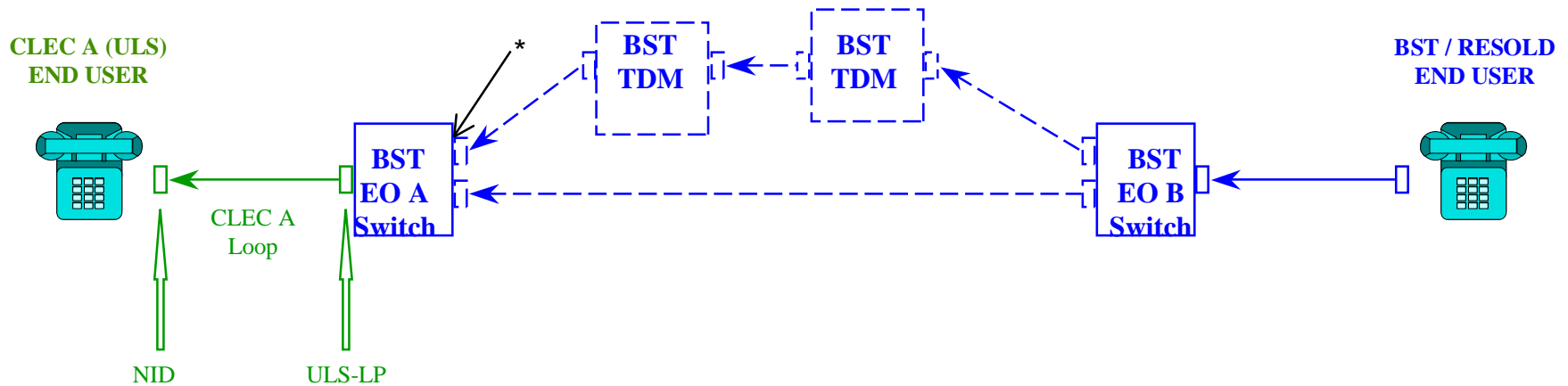
-- NA

Reciprocal Compensation

CLEC A does not charge BellSouth reciprocal compensation as the charges that UNE CLEC A may be entitled to charge BellSouth for terminating local switching would be the same as the charges BellSouth would charge UNE CLEC A for unbundled switching. Such charges would net to zero, since they are the same rate. Therefore, neither Party charges for the unbundled local switching functionality.

UNE PORT/LOOP SWITCHED COMBINATION BILLING ARRANGEMENTS

11. BST Network - Calling Within a 7 and 10 Digit Dialing Scope Interoffice



Billing Concept

-- Unbundled Network Elements

BST bills CLEC A

-- ULS-LP (loop and port monthly)

Billing Factors

-- NA

Usage Recordings

-- Call Code 001/072 (NOT MBI13) or Call Code 006/072

is made at the End Office B. No tandem indicator, no access time, no attempts. No term recording

Note this is MBI13 if the BST end user has flat-rated service.

-- Normal EO recordings appropriate to the type of service will be made.

NOTE: Call code 006 records are related to ELCA plans.

Record Exchange

-- NA

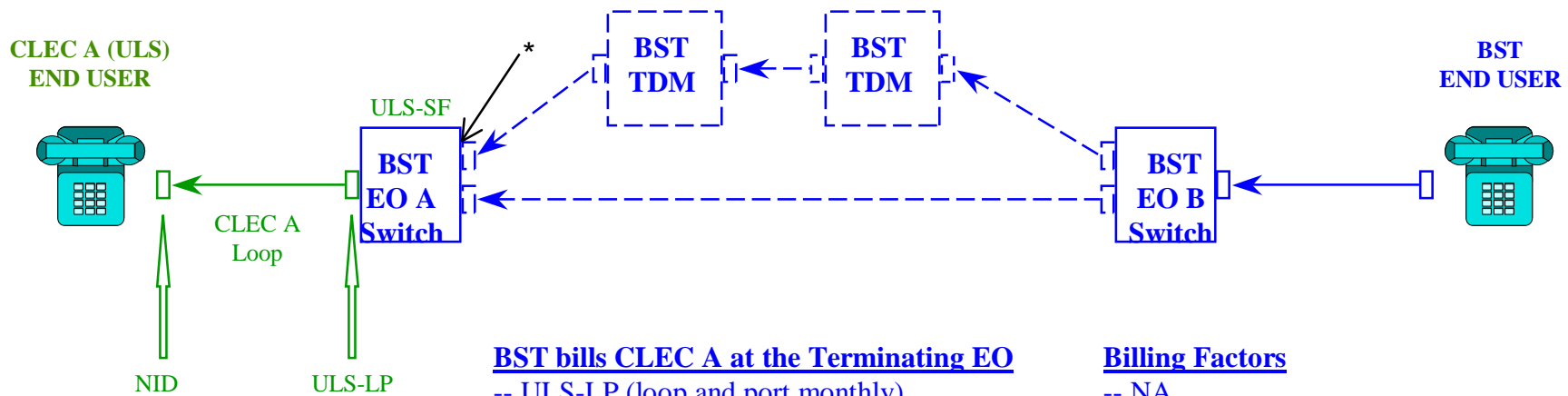
Reciprocal Compensation

CLEC A does not charge BellSouth reciprocal compensation as the charges that UNE CLEC A may be entitled to charge BellSouth for terminating local switching would be the same as the charges BellSouth would charge UNE CLEC A for unbundled switching. Such charges would net to zero, since they are the same rate. Therefore, neither Party charges for the unbundled local switching functionality.

* indicates demarcation between UNE Network and other Networks

UNE PORT/LOOP SWITCHED COMBINATION BILLING ARRANGEMENTS

12. BST Network - Call terminating outside of the originating 7 & 10 digit dialing arrangement but within the lata (i.e. 1+ call) - Interoffice



BST bills CLEC A at the Terminating EO

- ULS-LP (loop and port monthly)
- ULS-SF (unbundled switching - terminating)

Billing Factors

- NA

Record Exchange

BellSouth sends CLEC A ADUF 11-01-01, so the CLEC may be able to quantify end office usage. Terminating switched access charges shall not apply.

Billing Concept

- Unbundled Network Elements

Usage Recordings

- Call Code 006/072 is made at the End Office B. No tandem indicator, no access time, no attempts. No term recording.
 - Normal EO recordings appropriate to the type of service will be made.
- NOTE: Call code 006 records are related to ELCA plans.

* indicates demarcation between UNE Network and other Networks

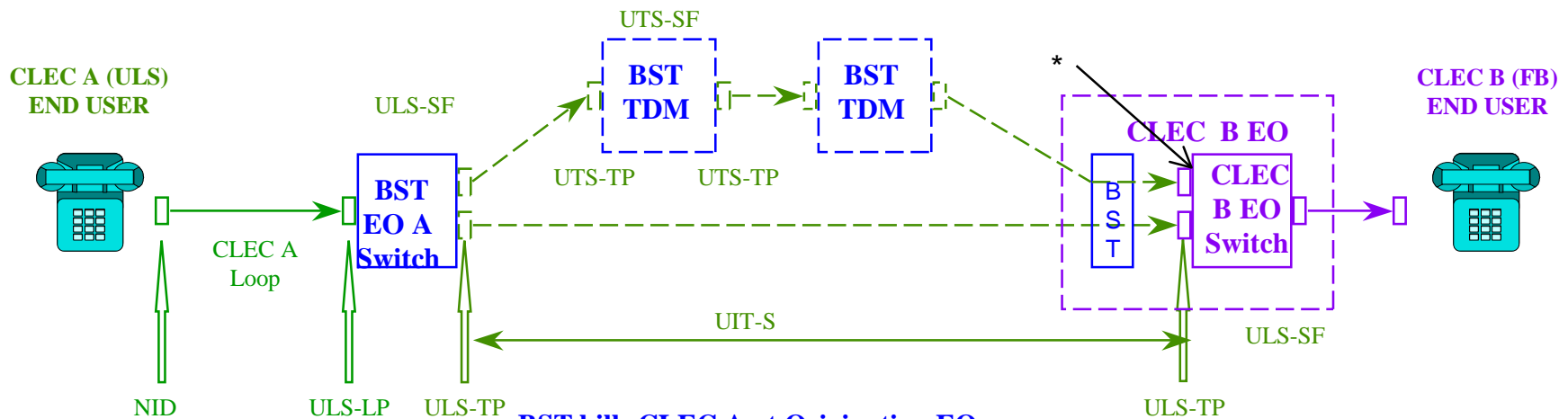
Reciprocal Compensation:

Currently, for this call flow CLEC A may bill BellSouth ULS-SF for end office switching at EO A. This is due to the fact that BellSouth's billing system currently bills ULS-SF to CLEC A at EO A. Because these rates are the same and the charges net to zero, BellSouth would normally not charge, but until BellSouth modifies its billing system to not charge CLEC A for ULS-SF, CLEC A may bill the equivalent charges back to BellSouth.

A terminating access (ADUF) record is provided as this is the only means available to provide CLEC A a way to quantify the terminating usage. However, access charges shall not be billed to BellSouth as BellSouth treats such calls that it terminates as Local calls and bills the originating ULS CLEC Unbundled Local Switching at the UNE rates and not terminating access.

UNE PORT/LOOP SWITCHED COMBINATION BILLING ARRANGEMENTS

13. Multi-Network - Calling Within a 7 and 10 Digit Dialing Scope Interoffice (ULS CLEC and FB-CLEC Networks)



BST bills CLEC A at Originating EO

- ULS-LP (loop and port monthly)
- 2 ULS-SF (unbundled switching originating and terminating, summarized at EO A)
- 2 ULS-TPs (end office trunk port)
- UIT-S (unbundled transport - shared, fixed and per mile, mileage from EO A to EO B)
- UTS-SF (unbundled melded tandem switching)
- 2 UTS-TPs (melded tandem trunk ports)

FB CLEC B billing

- The Industry has not established how CLEC B may Bill CLEC A for reciprocal compensation. In the interim, BST shall bill the terminating EO switching to CLEC A and pay Reciprocal compensation to CLEC B as such calls appear to be originated by BST end users.

Billing Factors

BST provides CLEC B with PIU & PLU for Local Interconnection billing

Record Exchange

BellSouth sends CLEC A ODUF 10-01-31 (See Local/Toll Exceptions)

Billing Concept

- Unbundled Network Elements
- Local Interconnection

Usage Recordings

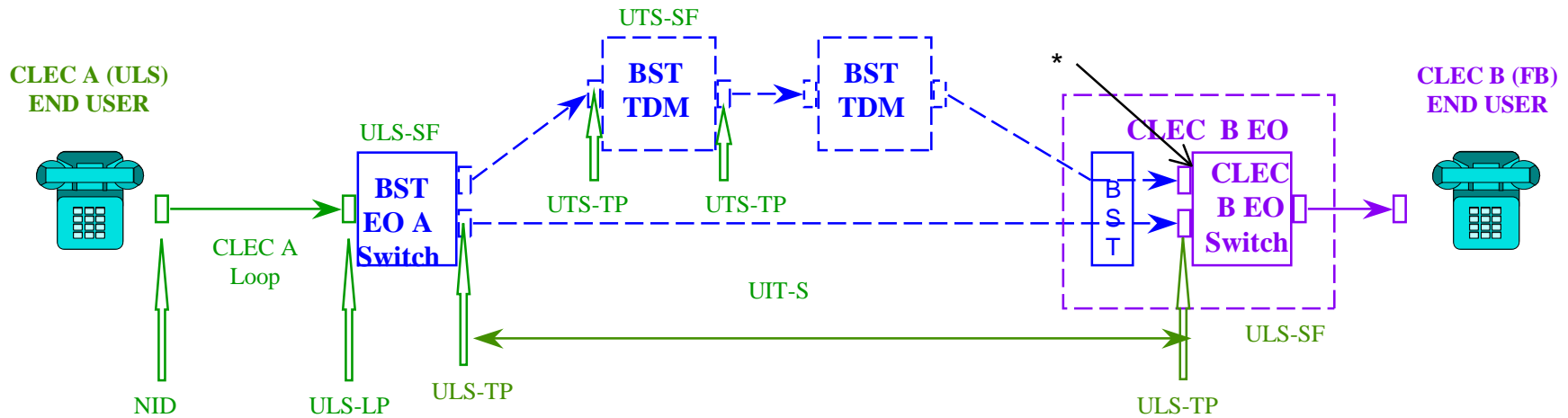
- Call Code 001/072 (NOT MBI13) or Call Code 006/072 is made at the End Office. No tandem indicator, no access time, no attempts. No term recording.
- Normal EO recordings appropriate to the type of service will be made.

NOTE: Call code 006 records are related to ELCA plans.

* indicates demarcation between UNE Network and other Networks

UNE PORT/LOOP SWITCHED COMBINATION BILLING ARRANGEMENTS

14. Multi-Network – Call terminating outside of the originating 7 & 10 digit dialing arrangement but within the lata (i.e. 1+ call) - Interoffice



Billing Concept

- Unbundled Network Elements
- Local Interconnection

Usage Recordings

- Call Code 006 is made at the End Office. No tandem indicator, no access time, no attempts. No term recording.
- Normal EO recordings appropriate to the type of service will be made.

* indicates demarcation between UNE Network and other Networks

BST bills CLEC A

- ULS-LP (loop and port monthly)
- 2 ULS-SFs (unbundled switching - originating and terminating, summarized at originating EO A)
- 2 ULS-TPs (end office trunk ports)
- UIT-S (unbundled transport-shared, fixed and per mile, mileage calculated from EO A to EO B)
- UTS-SF (unbundled melded tandem switching)
- 2 UTS-TPs (melded tandem trunk ports)

FB CLEC B Billing

- The Industry has not established how CLEC B may Bill CLEC A for reciprocal compensation. In the interim, BST shall bill the terminating EO switching to CLEC A and pay Reciprocal compensation to CLEC B as such calls appear to be originated by BST end users.

Billing Factors

- N/A

Record Exchange

BellSouth sends CLEC A ODUF 10-01-01

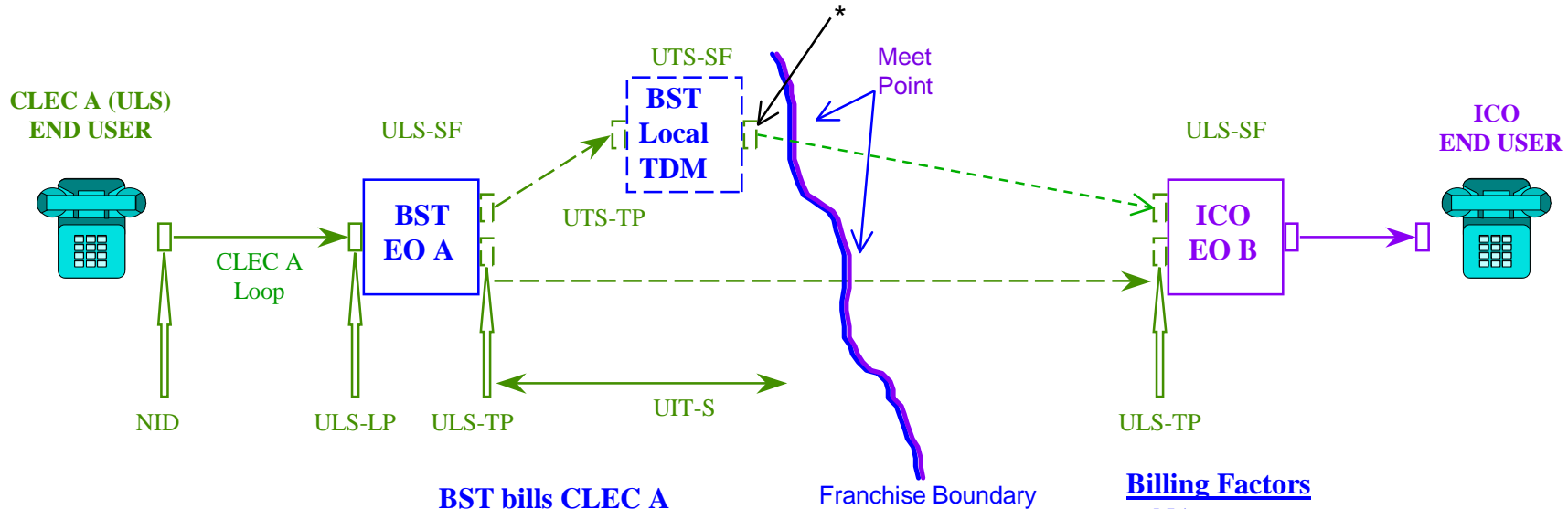
Note: CLEC A must LPIC BST in order for BellSouth to transport and terminate this call. Appropriate terms and conditions must be contained within the CLEC/BellSouth Interconnection Agreement in order for BellSouth to provide this functionality to the CLEC.

UNE PORT/LOOP SWITCHED COMBINATION BILLING ARRANGEMENTS

Slide #15 Left Blank Intentionally

UNE PORT/LOOP SWITCHED COMBINATION BILLING ARRANGEMENTS

15A. Multi-Network – Calling Within a 7 and 10 Digit Dialing Scope Interoffice



Billing Concept

- Unbundled Network Elements
- Interconnection

Usage Recordings

- Call Code 001/072 is made at originating End Office. (if direct routing exists, still use melded since 001 cannot indicate tandem vs. direct routing)

* indicates demarcation between UNE Network and other Networks

BST bills CLEC A

- ULS-LP (loop and port monthly)
- 1 ULS-SF (unbundled switching originating, summarized at EO A)
- 1 ULS-TPs (end office trunk port)
- UIT-S (unbundled transport - shared, fixed and per mile, mileage from EO A to BST local tandem) Note: use default of 0 miles since do not know meet point, using mileage to local tandem, but since no mapping of EO to local tandems will now have default of 0 miles since EO & some local tandems are co-located)
- UTS-SF (unbundled melded tandem switching)
- 1 UTS-TPs (melded tandem trunk ports)

Note: ICO and BST local calls are bill and keep

Billing Factors

-- NA

Record Exchange

BellSouth sends CLEC A ODUF 10-01-31 (See Local/Toll Exceptions)

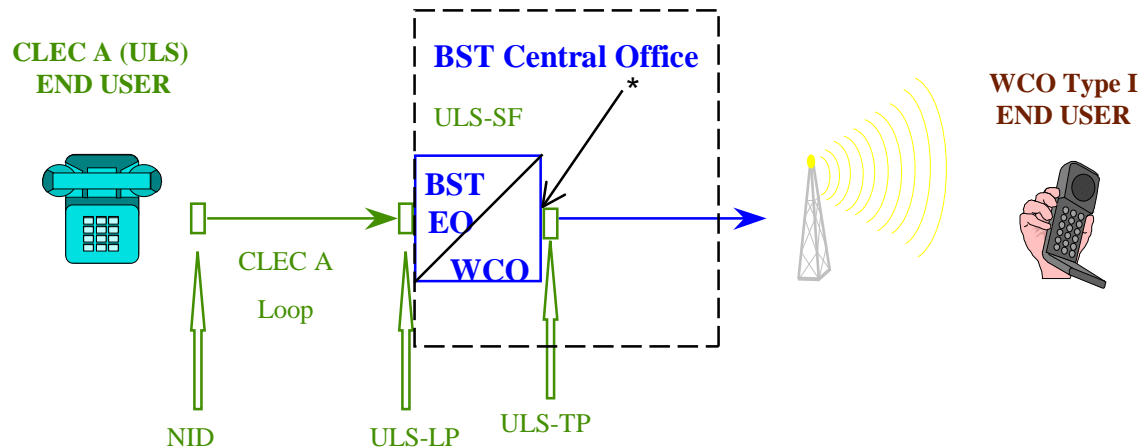
UNE PORT/LOOP SWITCHED COMBINATION BILLING ARRANGEMENTS

Slide #16 Left Blank Intentionally

UNE PORT/LOOP SWITCHED COMBINATION BILLING ARRANGEMENTS

17. BST-Network - Calling Within a 7 and 10 Digit Dialing Scope

Type I - Intraoffice/IntraSwitch



Billing Concept

- Unbundled Network Elements
- Interconnection

Usage Recordings

- Call Code 001/072 is made at the End Office.

BST bills CLEC A

- ULS-LP (loop and port monthly)
- 1 ULS-SFs (unbundled switching - originating)

Billing Factors

- NA

Record Exchange

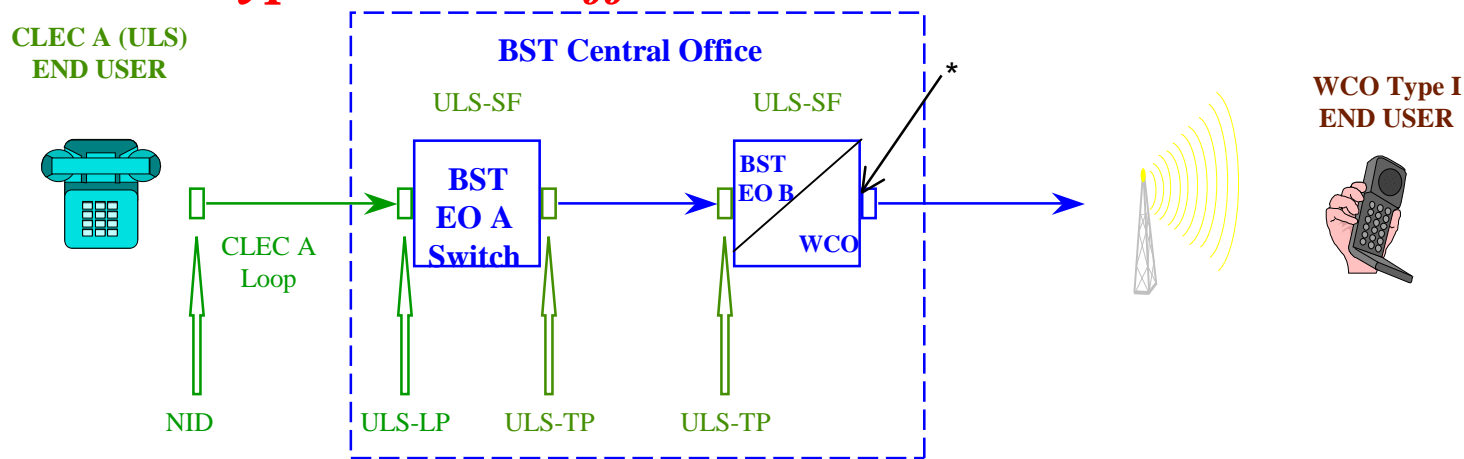
BellSouth sends CLEC A ODUF 10-01-31
(See Local/Toll Exceptions)
10-01-01 is sent to CLEC A if WCO
NPA-NXX is Land-to-Mobile

* indicates demarcation between UNE
Network and other Networks

UNE PORT/LOOP SWITCHED COMBINATION BILLING ARRANGEMENTS

17A. BST Network - Calling Within a 7 and 10 Digit Dialing Scope

Type I - Intraoffice/InterSwitch



Billing Concept

-- Unbundled Network Elements

Usage Recordings

-- Call Code 001/072 (NOT MBI13) is made at the End Office. No tandem indicator, no access time, no attempts. No term recording.
 -- Normal EO recordings appropriate to the type of service will be made.

* indicates demarcation between UNE Network and other Networks

BST bills CLEC A

-- ULS-LP (loop and port monthly)
 -- 2 ULS-SFs (unbundled switching - originating and terminating, summarized at originating EO A)
 -- 2 ULS-TPs (trunk ports)
 -- UIT-S (unbundled transport, fixed, mileage calculated from EO A to EO B) (zero transport miles)

Billing Factors

-- NA

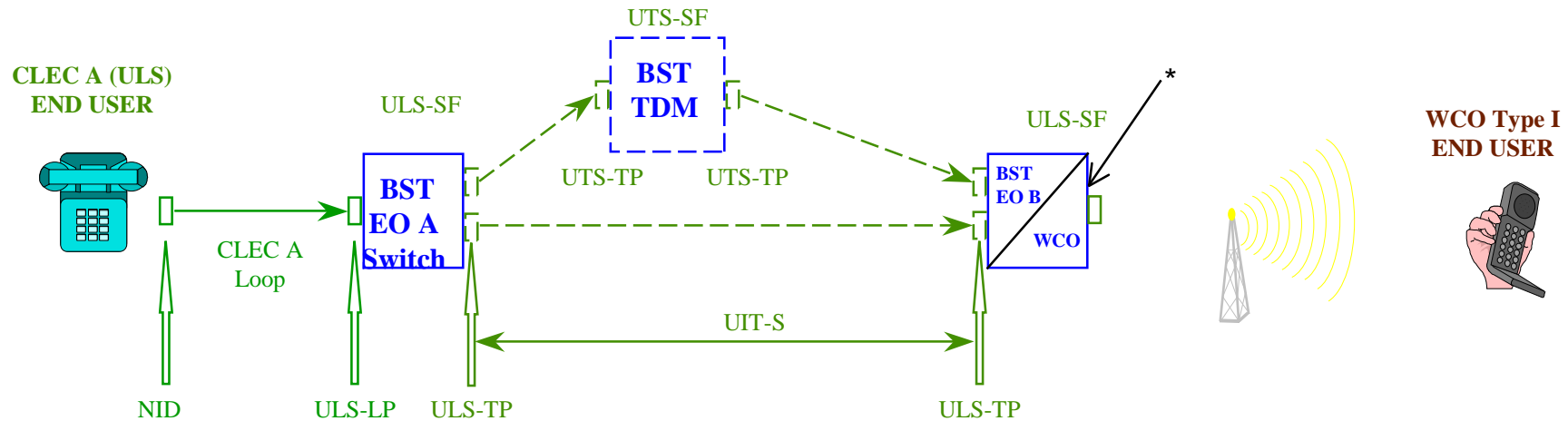
Record Exchange

BellSouth sends CLEC A ODUF 10-01-31 (See Local/Toll Exceptions) 10-01-01 is sent to CLEC A if WCO NPA-NXX is Land-to-Mobile

UNE PORT/LOOP SWITCHED COMBINATION BILLING ARRANGEMENTS

18. BST-Network - Calling Within a 7 and 10 Digit Dialing Scope

Type I Interoffice



Billing Concept

- Unbundled Network Elements
- WCO Interconnection

Usage Recordings

- Call Code 001/006/072 is made at originating End Office no tandem indicator

BST bills CLEC A

- ULS-LP (loop and port monthly)
- 2 ULS-SFs (unbundled local switching - originating, summarized at originating EO A)
- 2 ULS-TP (end office trunk ports)
- UIT-S (unbundled transport - shared, fixed and per mile, mileage from EO A to EO B)
- UTS-SF (unbundled melded tandem switching)
- 2 UTS-TPs (melded tandem trunk ports)

Billing Factors

- NA

Record Exchange

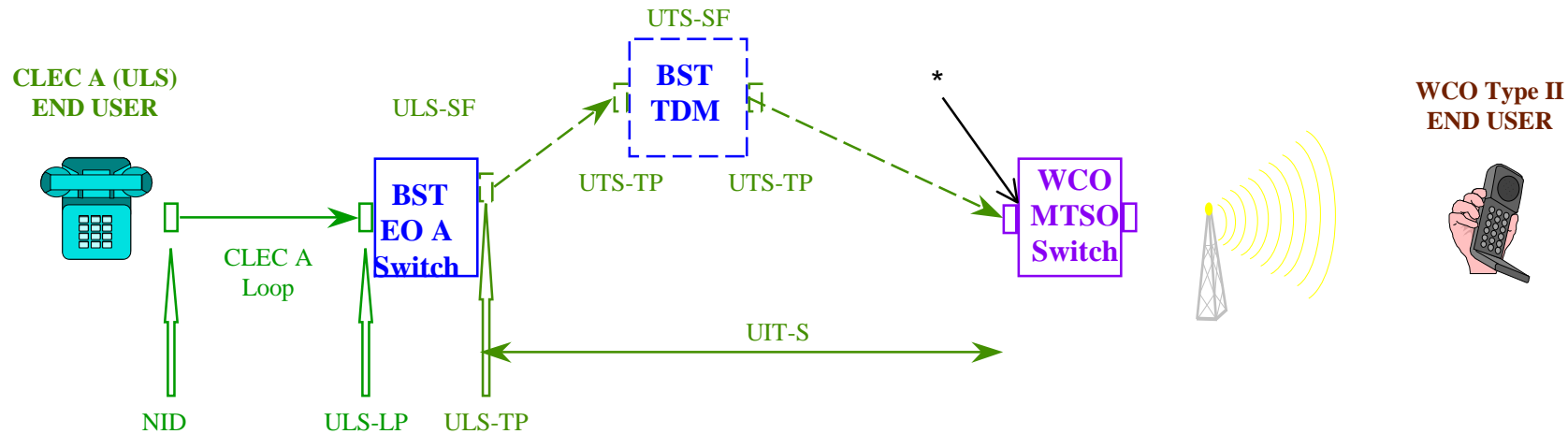
- BellSouth sends CLEC A ODUF 10-01-31 (See Local/Toll Exceptions)
- 10-01-01 is sent to CLEC A if WCO NPA-NXX is Land-to-Mobile

* indicates demarcation between UNE Network and other Networks

UNE PORT/LOOP SWITCHED COMBINATION BILLING ARRANGEMENTS

19. Multi-Network - Calling Within a 7 and 10 Digit Dialing Scope

Type II-A



Billing Concept

- Unbundled Network Elements
- WCO Interconnection

Usage Recordings

- Call Code 001/006/072 is made at originating End Office

No tandem indicator but entire NPA/NNX is wireless in Type 2 and Type 2 connects only at tandems

BST bills CLEC A

- ULS-LP (loop and port monthly)
- 1 ULS-SFs (unbundled local switching - originating)
- 1 ULS-TPs (end office trunk ports)
- UIT-S (unbundled transport - shared, fixed and per mile , mileage from EO A to MTSO)
- UTS-SF (full rate unbundled tandem switching)
- 2 UTS-TPs (full rate tandem trunk ports)

Billing Factors

- NA

Record Exchange

BellSouth sends CLEC A ODUF 10-01-31 (See Local/Toll Exceptions)

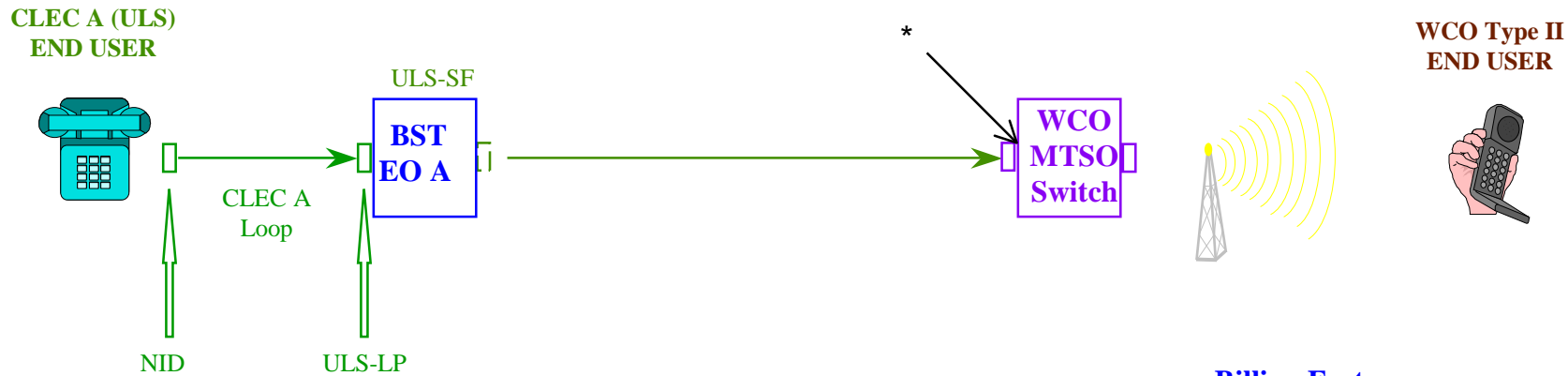
10-01-01 is sent to CLEC A if WCO NPA-NXX is Land-to-Mobile

* indicates demarcation between UNE Network and other Networks

UNE PORT/LOOP SWITCHED COMBINATION BILLING ARRANGEMENTS

19a. Multi-Network - Calling Within a 7 and 10 Digit Dialing Scope

Type II-B



Billing Concept

- Unbundled Network Elements
- WCO Interconnection - Type 2B where WCO purchases trunk from EOA to MTSO

Usage Recordings

- Call Code 001/006/072 is made at originating End Office

BST bills CLEC A

- ULS-LP (loop and port monthly)
- 1 ULS-SFs (unbundled local switching - originating)

* indicates demarcation between UNE Network and other Networks

Billing Factors

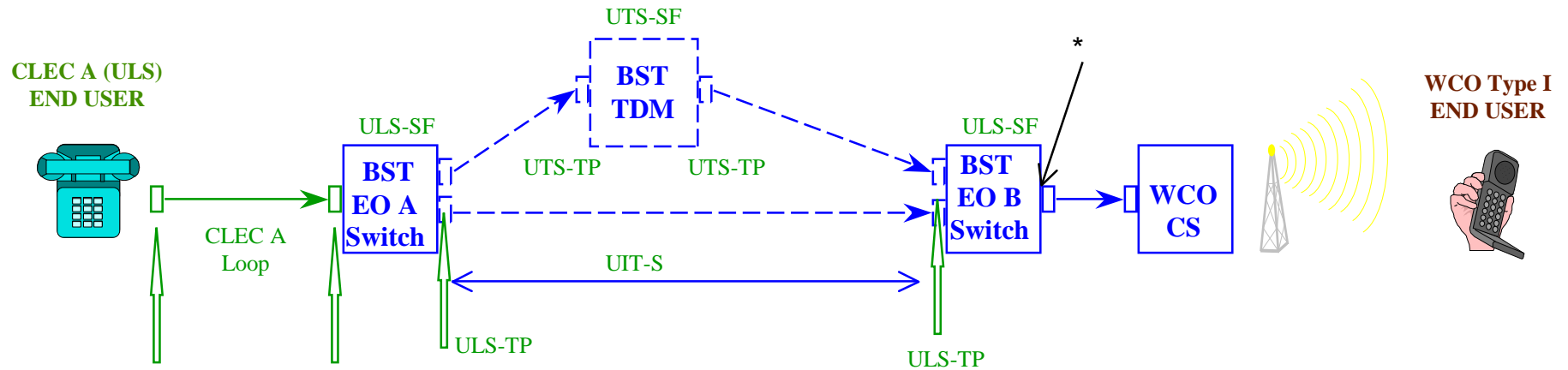
-- NA

Record Exchange

BellSouth sends CLEC A ODUF 10-01-31 (See Local/Toll Exceptions)
10-01-01 is sent to CLEC A if WCO
NPA-NXX is Land-to-Mobile

UNE PORT/LOOP SWITCHED COMBINATION BILLING ARRANGEMENTS

20. Multi-Network - Call terminating outside of the originating 7 & 10 digit dialing arrangement but within the lata (i.e. 1+ call) – Interoffice - Type I



BST bills CLEC A at Originating EO

- ULS-LP (loop and port monthly)
- 2 ULS-SFs (unbundled local switching - originating, summarized at originating EO A)
- 2 ULS-TP (end office trunk ports)
- UIT-S (unbundled transport - shared, fixed and per mile, mileage from EO A to EO B)
- UTS-SF (unbundled merged tandem switching)
- 2 UTS-TPs (merged tandem trunk ports)

Billing Factors

- NA

Record Exchange

BellSouth sends CLEC A ODUF 10-01-31 (See Local/Toll Exceptions)
10-01-01 is sent to CLEC A if WCO NPA-NXX is Land-to-Mobile

Billing Concept

- Unbundled Network Elements
- WCO Interconnection

Usage Recordings

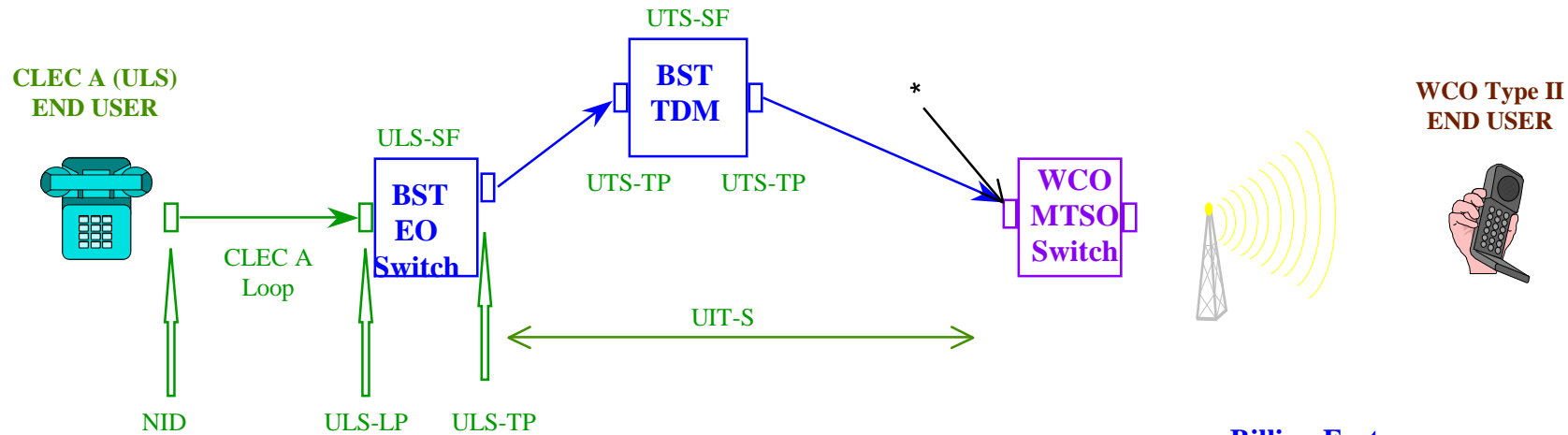
- Call Code 006 is made at originating End Office A

* indicates demarcation between UNE Network and other Networks

Note: CLEC A must LPIC BST in order for BellSouth to transport and terminate this call. Appropriate terms and conditions must be contained within the CLEC/BellSouth Interconnection Agreement in order for BellSouth to provide this functionality to the CLEC.

UNE PORT/LOOP SWITCHED COMBINATION BILLING ARRANGEMENTS

21. Multi-Network - Call terminating outside of the originating 7 & 10 digit dialing arrangement but within the lata (i.e. 1+ call) – Interoffice - Type II-A



Billing Concept

- Unbundled Network Elements
- WCO Interconnection

Usage Recordings

- Call Code 006 is made at originating End Office (can involve multiple tandems)
- non-BST UNE originated TNs should be excluded from Land-to-Mobilescreening for reverse billing retail service
- Entire NPA/NNX is wireless for Type 2, which only connects at tandems

BST bills CLEC A at originating EO

- ULS-LP (loop and port monthly recurring)
- 1 ULS-SFs (unbundled local switching - originating)
- 1 ULS-TPs (end office trunk ports)
- UIT-S (unbundled transport - shared, fixed and per mile , mileage from EO A to MTSO)
- UTS-SF (full rate unbundled tandem switching)
- 2 UTS-TPs (full rate tandem trunk ports)

Billing Factors

- NA

Record Exchange

BellSouth sends CLEC A
ODUF 10-01-01

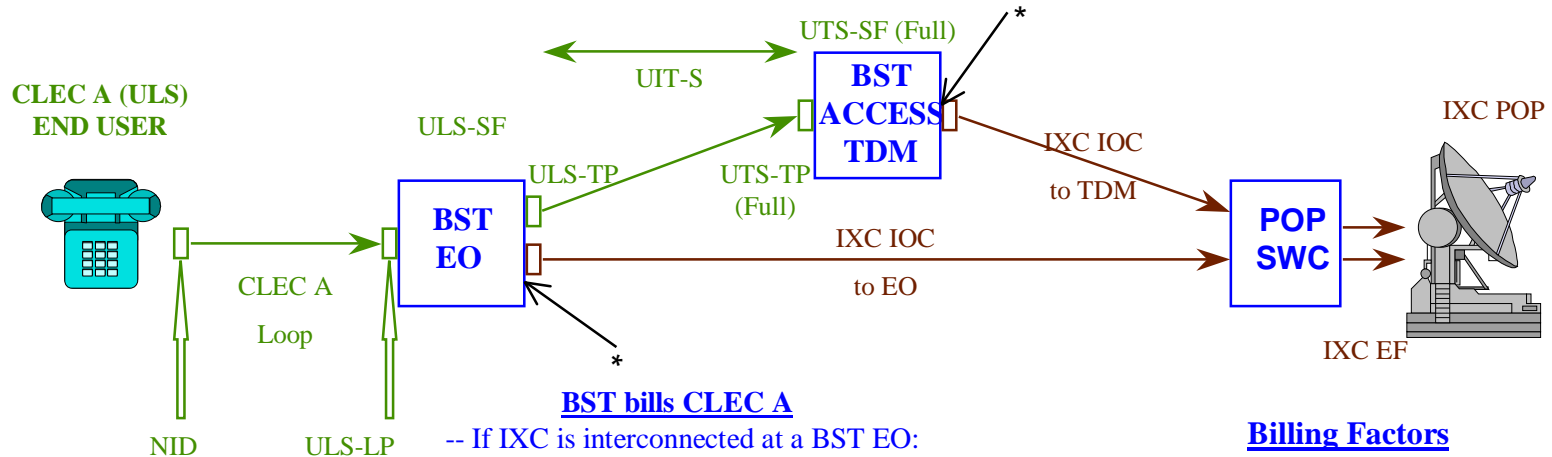
* indicates demarcation between UNE Network and other Networks

Note: CLEC A must LPIC BST in order for BellSouth to transport and terminate this call. Appropriate terms and conditions must be contained within the CLEC/BellSouth Interconnection Agreement in order for BellSouth to provide this functionality to the CLEC

UNE PORT/LOOP SWITCHED COMBINATION BILLING ARRANGEMENTS

22. INTERSTATE / INTRASTATE ACCESS CALLING

(Access Reform) Multi-Network Interoffice



BST bills CLEC A

- If IXC is interconnected at a BST EO:
 - ULS-LP (loop and port monthly)
 - ULS-SF (unbundled switching - originating)
- If IXC is interconnected at a BST Access TDM:
 - ULS-LP (loop and port monthly)
 - ULS-SF (unbundled switching - originating)
 - ULS-TP (end office trunk ports)
 - UIT-S (unbundled transport - shared, mileage from BST)
 - EO and BST AT, fixed and per mile)
 - UTS-TP (unbundled full rate tandem trunk ports)
 - UTS-SF (unbundled full rate tandem switching)

CLEC A bills IXC

- Originating Access as agreed upon between CLEC A & IXC

BST bills IXC

- Dedicated Switched Local Channel (Entrance Facility)
- Dedicated Switched Transport (between POP SWC and UNE CLEC EO) if direct routed, dedicated transport (between POP SWC and Access Tandem) if tandem routed)

Billing Factors

- IXC will provide PIUs to BST and CLEC A

Record Exchange

- BellSouth sends CLEC A ADUF Originating 11-01-01

Demarcation Point between UNE Network and IXC Network

- Access Tandem Switch if tandem
- Terminating End office Switch (trunk side) if direct

* indicates demarcation between UNE Network and other Networks

Billing Concept

- Access Reform
- Unbundled Network Elements
- Note that this call flow applies to intralata toll with non-BST LPIC

Usage Recordings

- Call Code 110/117 on FGD
- Call Code 134 on FGB

UNE PORT/LOOP SWITCHED COMBINATION BILLING ARRANGEMENTS

Slide #23 Left Blank Intentionally

UNE PORT/LOOP SWITCHED COMBINATION BILLING ARRANGEMENTS

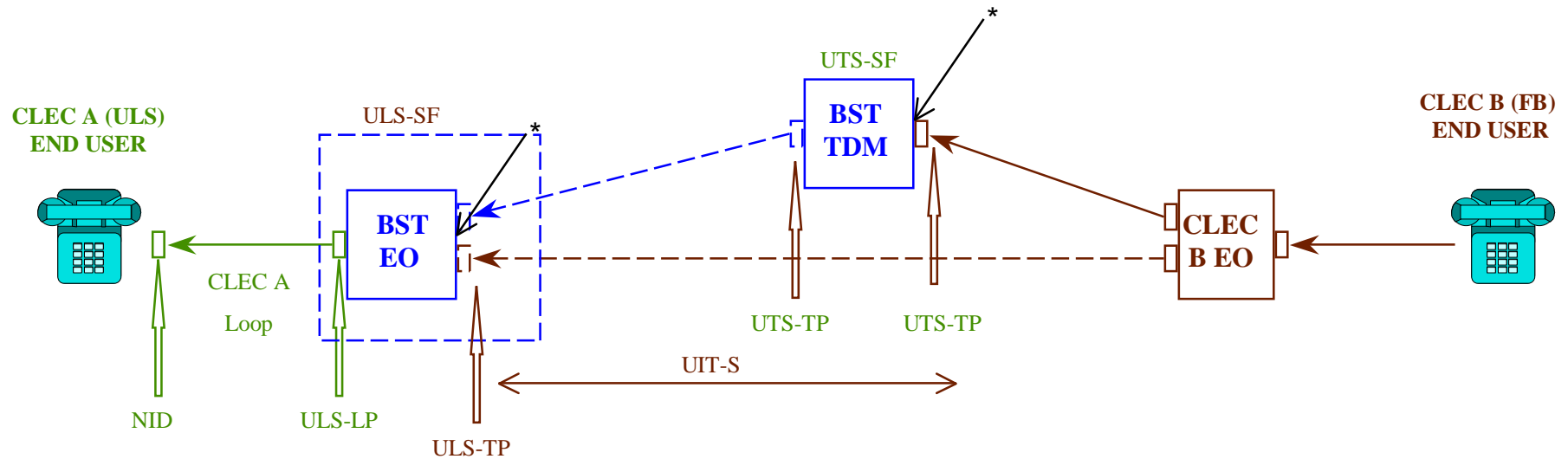
Slide #24 Left Blank Intentionally

UNE PORT/LOOP SWITCHED COMBINATION BILLING ARRANGEMENTS

Slide #25 Left Blank Intentionally

UNE PORT/LOOP SWITCHED COMBINATION BILLING ARRANGEMENTS

26. Multi-Network – Local Calling - Interoffice



Billing Concept

-- Local Interconnection

Usage Recordings

-- Call Code 119, 066, or 720

BST bills CLEC A

- If CLEC B is interconnected at a BST EO
 - ULS-LP (loop and port monthly)
 - ULS-SF (unbundled local switching - terminating)
- If CLEC B is interconnected at a BST TDM
 - ULS-LP (loop and port monthly)
 - ULS-SF (unbundled local switching - terminating)
 - ULS-TP (unbundled end office trunk ports)
 - UIT-S (unbundled transport - shared between BST EO and BST AT or local tandem, fixed and per mile, mileage from BST AT associated with CLEC B EO to BST EO)
 - UTS-TP (unbundled full rate tandem trunk port)
 - UTS-SF (unbundled full rate tandem switching)

CLEC A bills CLEC B

-- Local Interconnection / charges per agreement

Billing Factors

-- CLEC B provides CLEC A a PIU & PLU

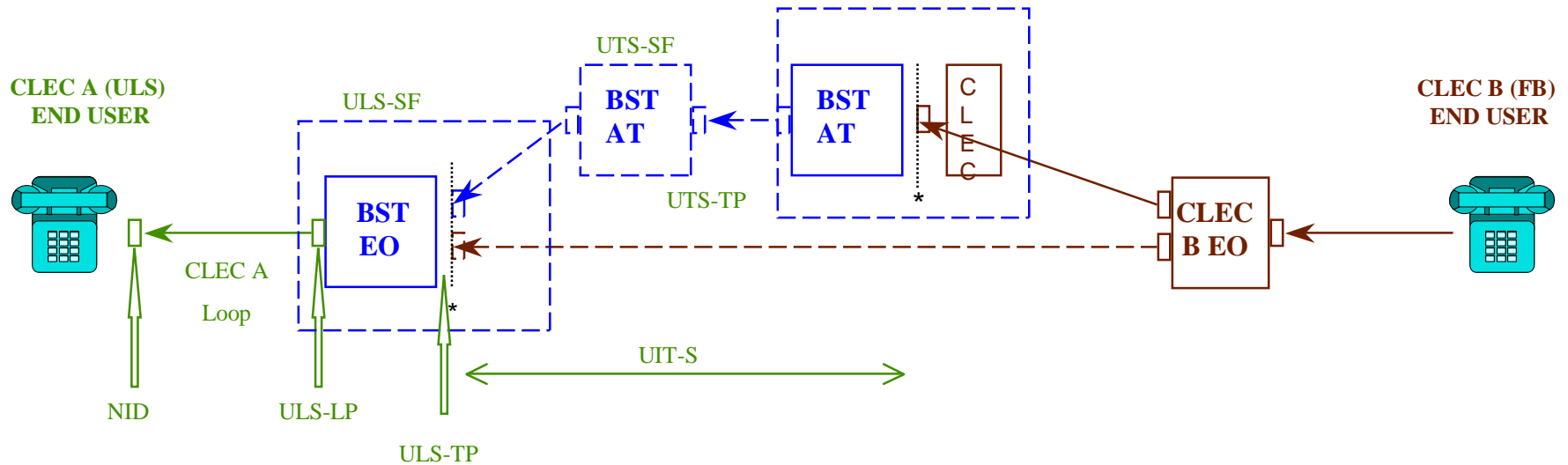
Record Exchange

BellSouth sends CLEC A
ADUF Terminating 11-01-01

* indicates demarcation between UNE Network and other Networks

UNE PORT/LOOP SWITCHED COMBINATION BILLING ARRANGEMENTS

27. Multi-Network - Intralata Toll Calling - Interoffice



BST bills CLEC A

- If CLEC B is interconnected at a BST EO:
 - ULS-LP (loop and port monthly)
 - ULS-SF (unbundled local switching - terminating)
- If CLEC B is interconnected at a BST Access TDM:
 - ULS-LP (loop and port monthly)
 - ULS-SF (unbundled local switching - terminating)
 - ULS-TP (unbundled end office trunk ports)
 - UIT-S (unbundled transport - shared between BST EO and BST AT, fixed and per mile, mileage from BST AT associated with CLEC B EO to BST EO)
 - UTS-TP (unbundled full rate tandem trunk port)
 - UTS-SF (unbundled full rate tandem switching)

CLEC A bills CLEC B

- Access as agreed upon between CLEC A and CLEC B

Billing Concept

- Local Interconnection

Usage Recordings

- Call Code 119, 066, or 720

* indicates demarcation between UNE Network and other Networks

Billing Factors

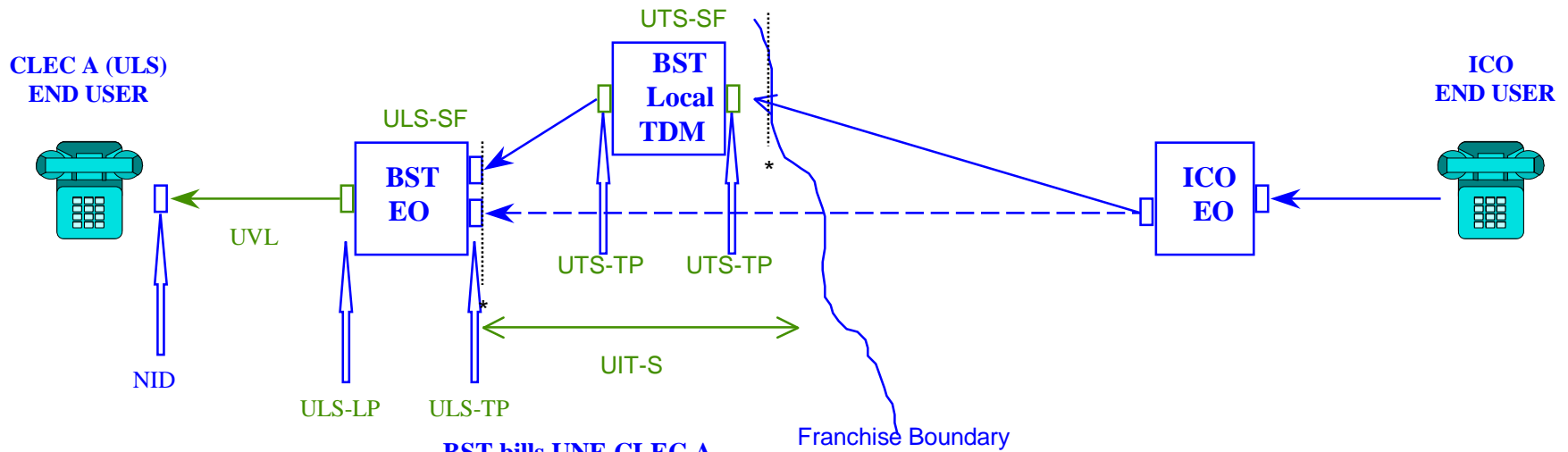
- FB CLEC B provides PIU and PLU to CLEC A

Record Exchange

BellSouth sends CLEC A
ADUF Terminating 11-01-01

UNE PORT/LOOP SWITCHED COMBINATION BILLING ARRANGEMENTS

28. Multi-Network – Local Calling - Interoffice



Billing Concept

- Unbundled Network Elements
- Interconnection

Usage Recordings

- Call Code 720
(from BST Local Tandem) or NA*
CC720 has tandem indicator
(drop any interlata calls since there is
also a CC119 which is used to bill)

BST bills UNE CLEC A

- If the ICO is interconnected at a BST EO:
 - ULS-LP (loop and port monthly)
 - ULS-SF (unbundled local switching - terminating)
- If the ICO is interconnected at a BST TDM (local or access):
 - ULS-LP (loop and port monthly)
 - ULS-SF (unbundled local switching - terminating)
 - ULS-TP (unbundled end office trunk ports)
 - UIT-S (unbundled transport - shared between BST EO
and BST Tandem, fixed and per mile, mileage from BST
Tandem to BST EO)
 - 2 UTS-TP (unbundled full rate tandem trunk port)
 - UTS-SF (unbundled full rate tandem switching)

Billing Factors

- N/A

Record Exchange

BellSouth sends CLEC A
ADUF Terminating 11-01-01
(CIC of 000 should
be in this record)

* indicates demarcation between UNE
Network and other Networks

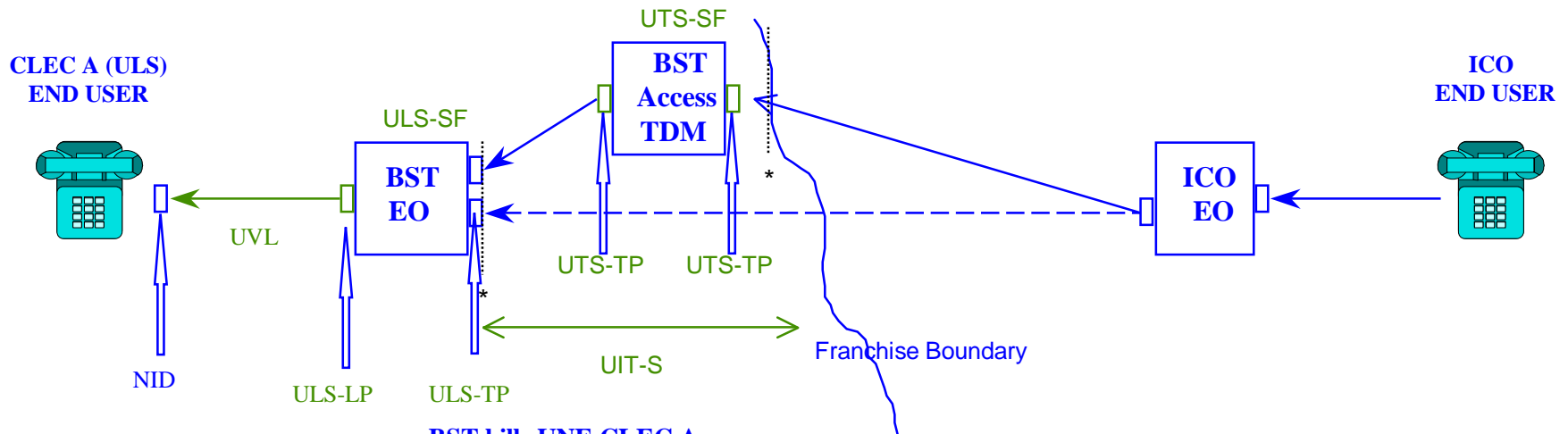
CLEC A may bill ICO

- Local Interconnection charges per agreement.

UNE PORT/LOOP SWITCHED COMBINATION BILLING ARRANGEMENTS

29. Multi-Network IntraLATA Toll CALLING

Interoffice



Billing Concept

- Unbundled Network Elements
- Interconnection

Usage Recordings

- Call Code 720 (from BST Access Tandem) or NA*
- (CC720 made even if pre-subscribed LPIC - any interlata CC720 is dropped since assume CC119 used to bill)

BST bills UNE CLEC A

- If the ICO is interconnected at a BST EO:
 - ULS-LP (loop and port monthly)
 - ULS-SF (unbundled local switching - terminating)
- If the ICO is interconnected at a BST Access TDM:
 - ULS-LP (loop and port monthly)
 - ULS-SF (unbundled local switching - terminating)
 - ULS-TP (unbundled end office trunk ports)
 - UIT-S (unbundled transport - shared between BST EO and BST Access Tandem, fixed and per mile, mileage from BST Access Tandem to BST EO)
 - 2 UTS-TP (unbundled full rate tandem trunk port)
 - UTS-SF (unbundled full rate tandem switching)

BST/ICO Settlements apply

ICO puts call into settlements process - can be PCP/ORP Plans

CLEC A may bill ICO

- Local Interconnection charges per agreement.

Billing Factors

- N/A

Record Exchange

BellSouth sends CLEC A ADUF Terminating 11-01-01 (CIC of 0000 should be in this record)

* indicates demarcation between UNE Network and other Networks

UNE PORT/LOOP SWITCHED COMBINATION BILLING ARRANGEMENTS

Slide #30 Left Blank Intentionally

UNE PORT/LOOP SWITCHED COMBINATION BILLING ARRANGEMENTS

Slide #31. Left Blank Intentionally

UNE PORT/LOOP SWITCHED COMBINATION BILLING ARRANGEMENTS

Slide #32. Left Blank Intentionally

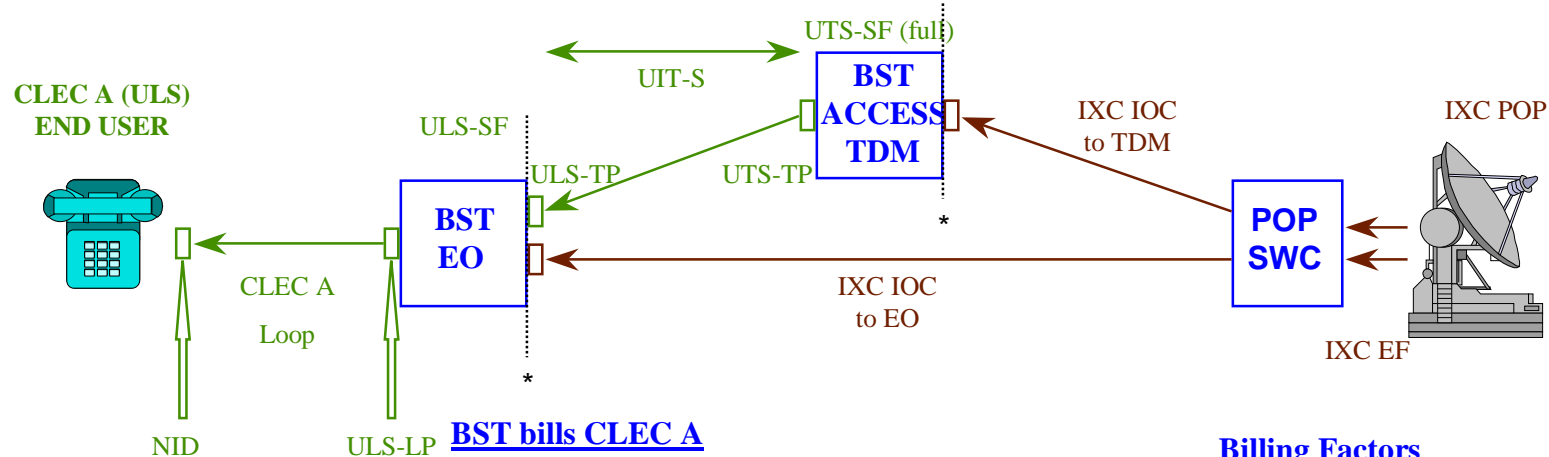
UNE PORT/LOOP SWITCHED COMBINATION BILLING ARRANGEMENTS

Slide #32a. Left Blank Intentionally

UNE PORT/LOOP SWITCHED COMBINATION BILLING ARRANGEMENTS

33. INTERSTATE / INTRASTATE ACCESS CALLING

(Access Reform) Multi-Network Interoffice



Billing Concept

- Unbundled Network Elements
- Access Reform

Usage Recordings

- Call Code 119 on FG D
- Call Code 135 on FG B

BST bills CLEC A

- If the IXC is interconnected at a BST EO:
 - ULS-LP (loop and port monthly)
 - ULS-SF (unbundled switching - terminating EO)
- If the IXC is interconnected at a BST Access TDM:
 - ULS-LP (loop and port monthly)
 - ULS-SF (unbundled switching - terminating EO)
 - ULS-TP (end office trunk port)
 - UIT-S (unbundled transport - shared, mileage from BST EO and BST AT)
 - UTS-TP (Full Tandem trunk Port)
 - UTS-SF (unbundled full tandem switching)

CLEC A may bill IXC

- Terminating Access as agreed upon between CLEC A & IXC

BST bills IXC

- BST portion of dedicated switched transport from IXC POP to BST AT if tandem-routed or BST portion of dedicated transport from IXC POP to CLEC EO if direct

Billing Factors

- IXC must provide terminating PIUs and possibly PLU to BST and CLEC A

Record Exchange

- BellSouth sends CLEC A
- ADUF Terminating 11-01-01

* indicates demarcation between UNE Network and other Networks

UNE PORT/LOOP SWITCHED COMBINATION BILLING ARRANGEMENTS

Slide #34 Left Blank Intentionally

UNE PORT/LOOP SWITCHED COMBINATION BILLING ARRANGEMENTS

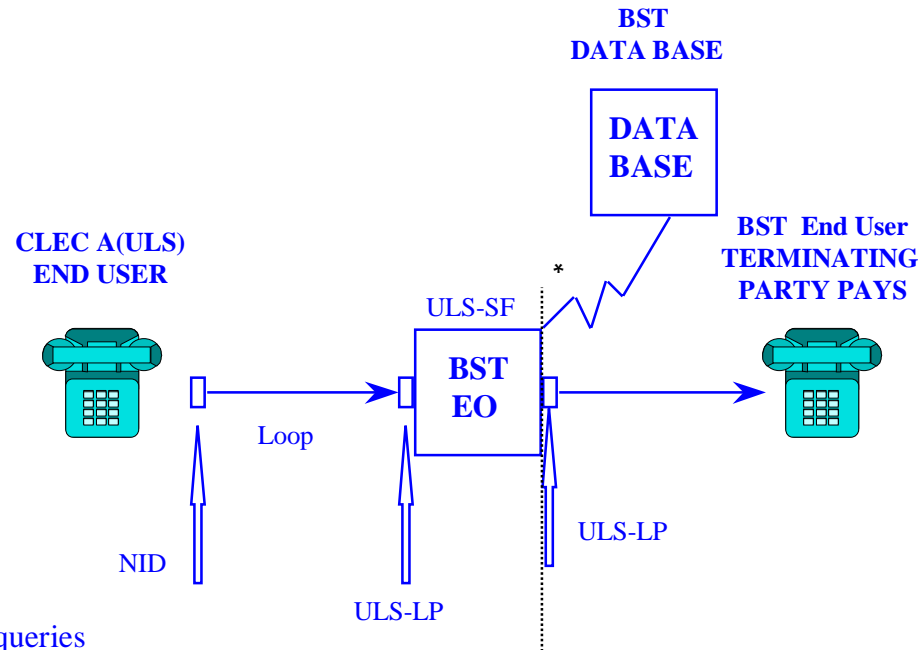
Slide #35 Left Blank Intentionally

UNE PORT/LOOP SWITCHED COMBINATION BILLING ARRANGEMENTS

Slide #36 Left Blank Intentionally

UNE PORT/LOOP SWITCHED COMBINATION BILLING ARRANGEMENTS

37. BST Network Intralata 800 - Intraoffice/Intraswitch



Billing Concept

- End office capable of data base queries
- Unbundled Network Elements
- Terminating Party Pays Services (Includes 800 Services)

Usage Recordings

- Call Code 142 for 800 is made at the End Office (no tandem indicator)

BST bills CLEC A

- ULS-LP (Loop and port monthly)
- ULS-SF (unbundled local switching - originating)
- 800 Data Base Dip

BST bills BST 800 Number

- CRIS bills Terminating Party Pays

CLEC A may bill BST

- Originating Access (LT, EO, CCL)
- 800 Data Base Dip

Billing Factors

- N/A

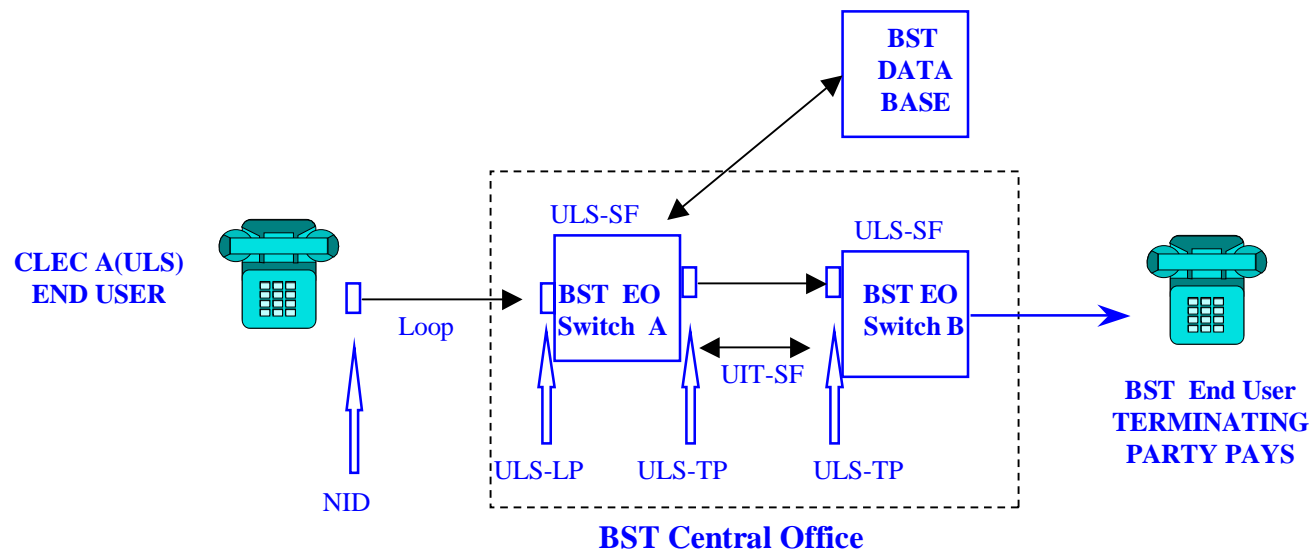
Record Exchange

BellSouth sends CLEC A
ADUF 11-01-25
(CIC of 5124)

* indicates demarcation between UNE Network and other Networks

UNE PORT/LOOP SWITCHED COMBINATION BILLING ARRANGEMENTS

37a. BST Network Intralata 800 - Intraoffice/Interswitch



Billing Concept

- End office capable of data base queries
- Unbundled Network Elements
- Terminating Party Pays Services (Includes 800 Services)

Usage Recordings

- Call Code 142 for 800 is made at the End Office (no tandem indicator)

BST bills CLEC A

- ULS-LP (Loop and port monthly)
- 1 ULS-SF (unbundled local switching - originating)
- 1 ULS-TPs (end office trunk ports)
- UIT-S (unbundled transport - shared, fixed and per mile , mileage from Switch A to Switch B - zero transport miles)
- 800 Data Base Dip

BST bills BST 800 Number

- CRIS bills Terminating Party Pays

CLEC A may bill BST

- Originating Access (LT, EO, CCL)
- 800 Data Base Dip

Billing Factors

- N/A

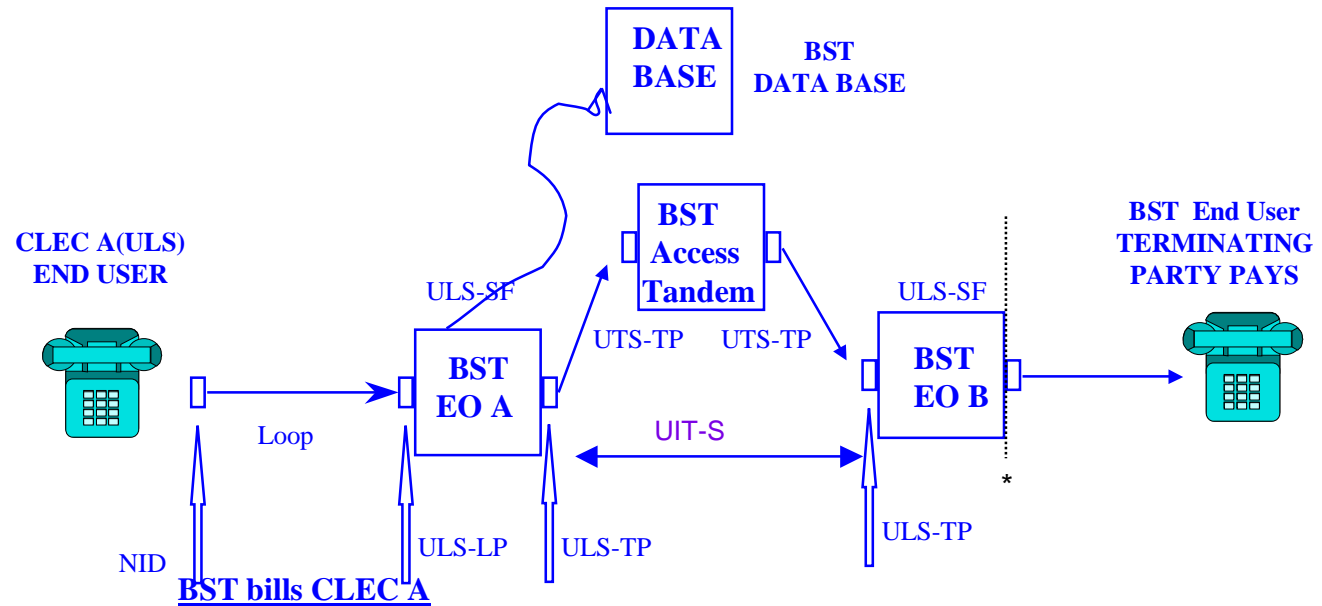
Record Exchange

BellSouth sends CLEC A
ADUF 11-01-25
(CIC of 5124)

* indicates demarcation between UNE Network and other Networks

UNE PORT/LOOP SWITCHED COMBINATION BILLING ARRANGEMENTS

38. BST Network Intralata 800 - Interoffice



Billing Concept

- capable of data base queries
- Unbundled Network Elements
- Terminating Party Pays Services (Includes 800 Services)

Usage Recordings

- Call Code 142 for 800 is made at the End Office (no tandem indicator)

BST bills CLEC A

- ULS-LP (Loop and port monthly)
- 1 ULS-SF (unbundled local switching originating summarized at originating EO A)
- UIT-S (unbundled shared transport, fixed & per mile, mileage from BST EO A to BST EO B)
- 1 ULS-TP (end office trunk port)
- UTS-SF (melded tandem switching)
- 2 UTS-TP (melded tandem trunk ports)
- 800 Data Base Dip

BST bills BST 800 Number

- CRIS bills Terminating Party Pays
- CLEC A may bill BST
- Originating Access (LT, EO, CCL)
- 800 Data Base Dip

Billing Factors

- N/A

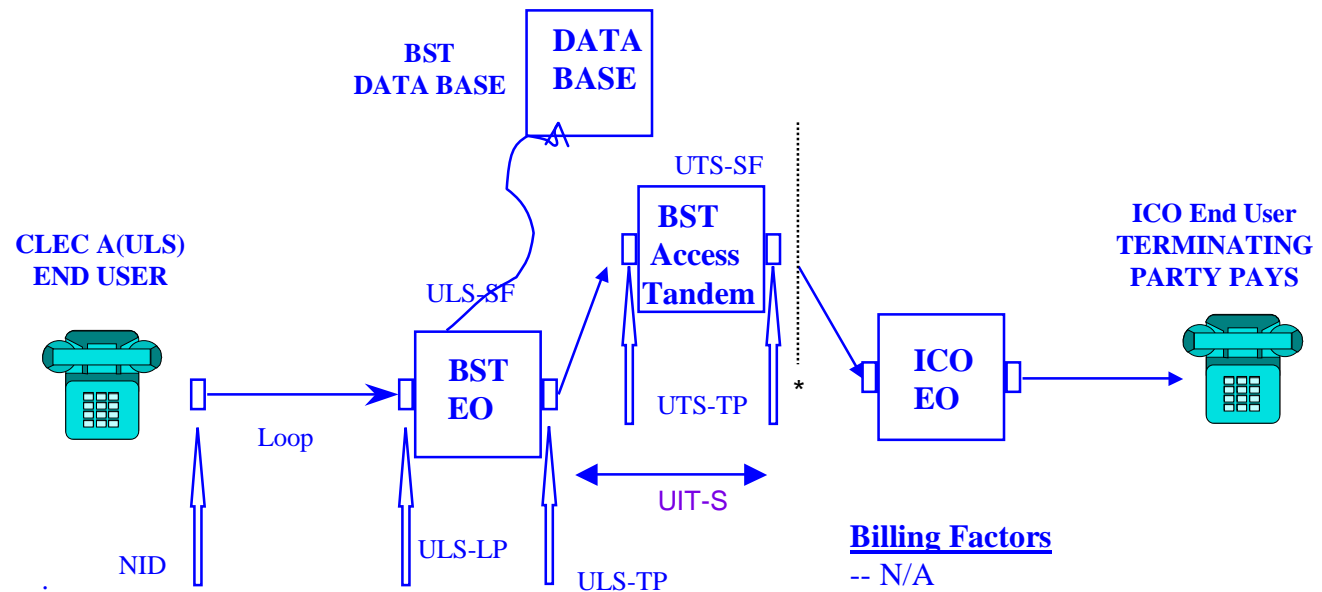
Record Exchange

BellSouth sends CLEC A
ADUF 11-01-25
(CIC of 5124)

* indicates demarcation between UNE Network and other Networks

UNE PORT/LOOP SWITCHED COMBINATION BILLING ARRANGEMENTS

38A. Multi-Network Intralata 800 - Interoffice



Billing Concept

- Meet point billing
- BST EO capable of data base queries
- Unbundled Network Elements
- Terminating Party Pays Services (Includes 800 Services)

Note: UNE cannot be used for intralata 800

Usage Recordings

- Call Code 142 for 800 is made at the End Office (no tandem indicator)

BST bills CLEC A

- ULS-LP (Loop and port monthly)
- ULS-SF (unbundled local switching - originating)
- UIT-S (unbundled shared transport, mileage from BST EO and BST tandem, default to zero miles, see note on right)
- ULS-TP (end office trunk port)
- 2 UTS-TP (melded tandem trunk ports)
- UTS-SF (melded tandem switching)
- 800 Data Base Dip

ICO bills ICO EU

- Terminating Party Pays

CLEC A may bill ICO

- Originating Access (LT, EO, CCL)
- 800 Data Base Dip

Billing Factors

- N/A

Record Exchange

BellSouth sends CLEC A
ADUF 11-01-25
(CIC of 0000)

BellSouth sends 010125 record to ICO

CLEC A may send EMR 1150XX to BST in error

Note: default UIT-S to zero miles since do not know: if call was tandem routed, meet point with ICO, and that EO and tandem could possibly be co-located

* indicates demarcation between UNE Network and other Networks

UNE PORT/LOOP SWITCHED COMBINATION BILLING ARRANGEMENTS

Slide #39 Left Blank Intentionally

UNE PORT/LOOP SWITCHED COMBINATION BILLING ARRANGEMENTS

Slide #40 Left Blank Intentionally

UNE PORT/LOOP SWITCHED COMBINATION BILLING ARRANGEMENTS

Slide #41 Left Blank Intentionally

UNE PORT/LOOP SWITCHED COMBINATION BILLING ARRANGEMENTS

Slide #42 Left Blank Intentionally

UNE PORT/LOOP SWITCHED COMBINATION BILLING ARRANGEMENTS

Slide #43 Left Blank Intentionally

UNE PORT/LOOP SWITCHED COMBINATION BILLING ARRANGEMENTS

Slide #44 Left Blank Intentionally

UNE PORT/LOOP SWITCHED COMBINATION BILLING ARRANGEMENTS

Slide #45 Left Blank Intentionally

UNE PORT/LOOP SWITCHED COMBINATION BILLING ARRANGEMENTS

Slide #46 Left Blank Intentionally

UNE PORT/LOOP SWITCHED COMBINATION BILLING ARRANGEMENTS

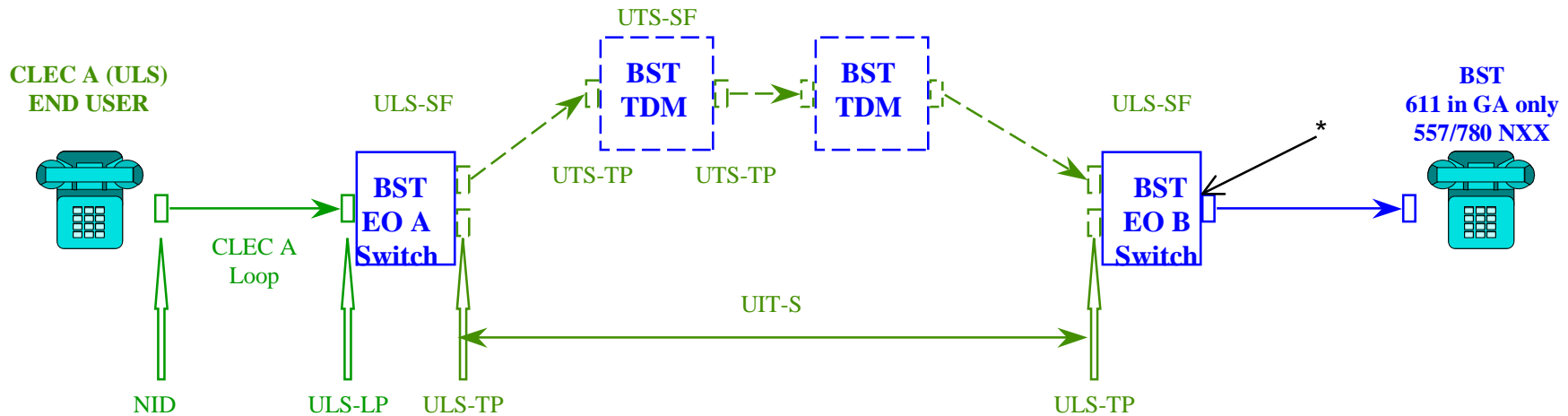
Slide #47. Left Blank Intentionally

UNE PORT/LOOP SWITCHED COMBINATION BILLING ARRANGEMENTS

Slide #48. Left Blank Intentionally

UNE PORT/LOOP SWITCHED COMBINATION BILLING ARRANGEMENTS

49. BST Network - Interoffice Terminating to BST Official Telephone Numbers (including 611 in GA)



Billing Concept

-- Unbundled Network Elements

Usage Recordings

-- Call Code 001, 006, 072 (005 in 1AESS) is made at the End Office.

No tandem indicator, no access time, no attempts. It does not matter whether the call is local or intralata toll.

BST bills CLEC A

- ULS-LP (loop and port monthly)
- 2 ULS-SF (unbundled local switching, originating and terminating, summarized at originating EO A)
- 2 ULS-TP (end office ports)
- UIT-S unbundled transport - shared, fixed and per mile)
- UTS-SF (unbundled full tandem switching)
- 2 UTS-TP (full tandem trunk ports)

Billing Factors

-- NA

Record Exchange

BellSouth sends CLEC A ODUF 10-01-31 or 10-01-01 (see Local Toll Exceptions)

Note 1: For 611 calls originating from a Siemen's EWSD switch and if CLEC A has not subscribed to Selective Call Routing via the AIN Platform, BellSouth currently does not have the capability to bill UNE usage elements nor provide DUF records.

Note 2: use end office and tandem V&H coordinates for mileage since these calls may be routed interstate over corporate Network.

* indicates demarcation between UNE Network and other Networks

UNE PORT/LOOP SWITCHED COMBINATION BILLING ARRANGEMENTS

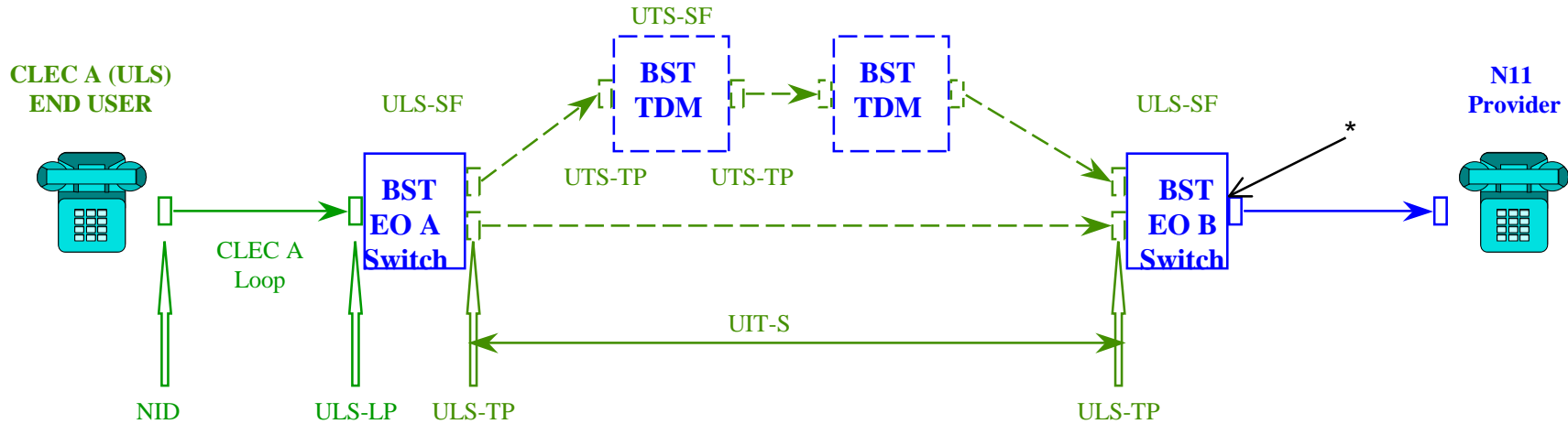
Slide #50 Left Blank Intentionally

UNE PORT/LOOP SWITCHED COMBINATION BILLING ARRANGEMENTS

Slide #51 Left Blank Intentionally

UNE PORT/LOOP SWITCHED COMBINATION BILLING ARRANGEMENTS

52. BST Network - N11 Calling – Interoffice (including 611 in FL, NC and SC)



Billing Concept

-- Unbundled Network Elements

Usage Recordings

-- Call Code 001 (NOT MBI13) or
Call Code 006/072 is made at the End Office.
No tandem indicator, no access time, no
attempts. No terminating recording.
-- Normal EO recordings appropriate
to the type of service will be made.
NOTE: Call code 006 records are related
to ELCA plans.

BST bills CLEC A

-- ULS-LP (loop and port monthly)
-- 1 ULS-SFs (unbundled switching -
originating summarized at originating EO A)

Note 1: For 611 calls originating from a Siemen's
EWSD switch and if CLEC A has not subscribed
to Selective Call Routing via the AIN Platform,
BellSouth currently does not have the capability to
bill UNE usage elements nor provide DUF records.

Billing Factors

-- NA

Record Exchange

* BellSouth sends CLEC A
ODUF 10-01-18

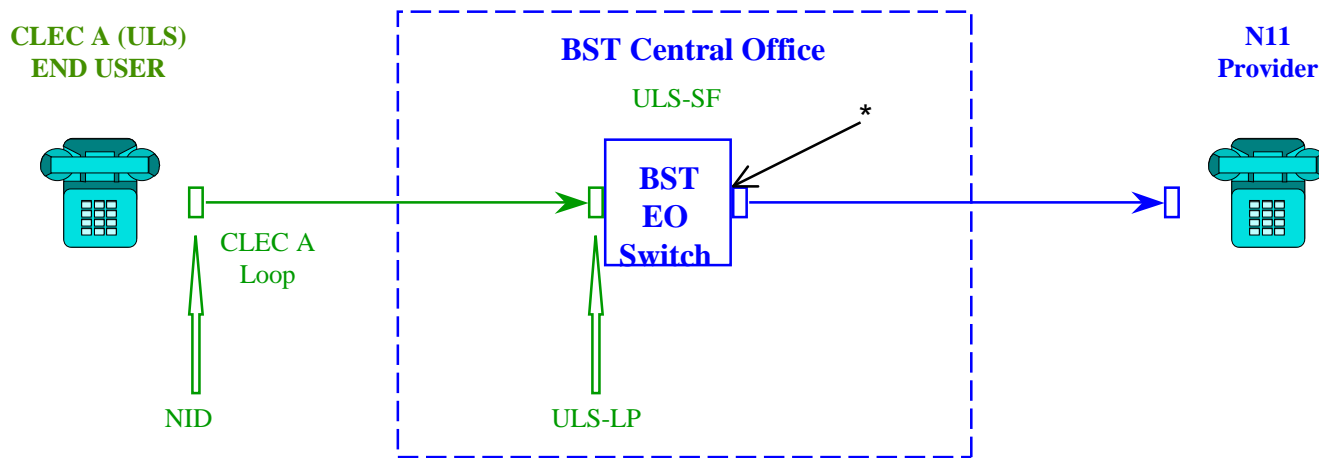
• For 611 Calls in FL, NC and SC,
BellSouth sends CLEC A ODUF
10-01-31 or 10-01-01
(see Local Toll Exceptions)
(See exception in note 1)

* indicates demarcation between UNE
Network and other Networks

UNE PORT/LOOP SWITCHED COMBINATION BILLING ARRANGEMENTS

52A. BST Network - N11 Calling - Intraoffice/Intraswitch

(including 611 in FL, NC and SC)



Billing Concept

-- Unbundled Network Elements

Usage Recordings

- Call Code 001/072 (NOT MBI13) is made at the End Office. No tandem indicator, no access time, no attempts. No term recording.
- Normal EO recordings appropriate to the type of service will be made.

BST bills CLEC A

- ULS-LP (loop and port monthly)
- ULS-SF (unbundled switching)

Billing Factors

-- NA

Record Exchange

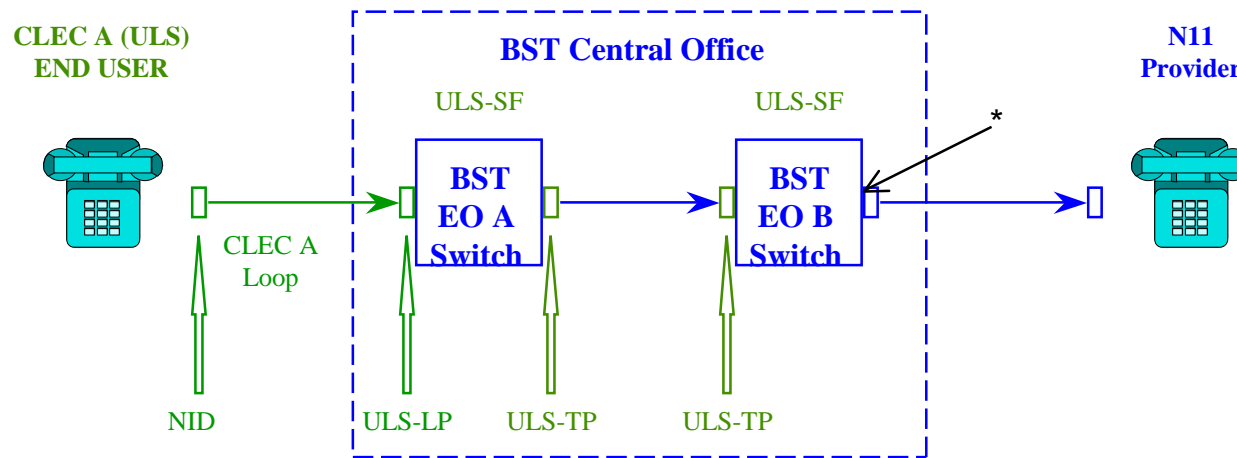
- * BellSouth sends CLEC A ODUF 10-01-18
- For 611 Calls in FL, NC and SC, BellSouth sends CLEC A ODUF 10-01-31 or 10-01-01 (see Local Toll Exceptions) (See exception in note 1)

* indicates demarcation between UNE Network and other Networks

Note 1: For 611 calls originating from a Siemen's EWSD switch and if CLEC A has not subscribed to Selective Call Routing via the AIN Platform, BellSouth currently does not have the capability to bill UNE usage elements nor provide DUF records.

UNE PORT/LOOP SWITCHED COMBINATION BILLING ARRANGEMENTS

52B. BST Network - N11 - Intraoffice/Interswitch (including 611 in FL, NC and SC)



Billing Concept

-- Unbundled Network Elements

Usage Recordings

-- Call Code 001/072 (NOT MBI13) is made at the End Office. No tandem indicator, no access time, no attempts. No term recording.
-- Normal EO recordings appropriate to the type of service will be made.

Note 1: For 611 calls originating from a Siemen's EWSD switch and if CLEC A has not subscribed to Selective Call Routing via the AIN Platform, BellSouth currently does not have the capability to bill UNE usage elements nor provide DUF records.

BST bills CLEC A

-- ULS-LP (loop and port monthly)
-- 1 ULS-SFs (unbundled switching - originating, summarized at originating EO A)

Billing Factors

-- NA

Record Exchange

* BellSouth sends CLEC A ODUF 10-01-18
• For 611 Calls in FL, NC and SC, BellSouth sends CLEC A ODUF 10-01-31 or 10-01-01 (see Local Toll Exceptions) (See exception in note 1)

* indicates demarcation between UNE Network and other Networks

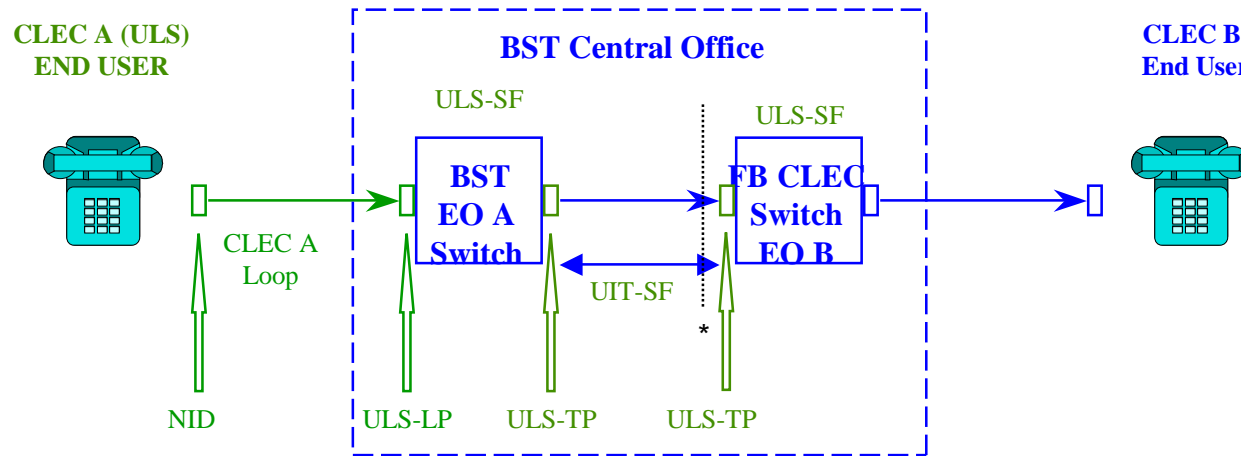
UNE PORT/LOOP SWITCHED COMBINATION BILLING ARRANGEMENTS

Slide #53 Left Blank Intentionally

UNE PORT/LOOP SWITCHED COMBINATION BILLING ARRANGEMENTS

54. Multi-Network – Calling Within a 7 and 10 Digit Dialing Scope

Intraoffice/Interswitch FB CLEC Switch Co-located in BST CO



Billing Concept

- Unbundled Network Elements
- Assume 1st 8 characters of FB CLEC CLLI code are same as BST EO A

Usage Recordings

- Call Code 001 (NOT MBI13)/CC006/CC072 is made at the End Office A. No tandem indicator, no access time, no attempts. No term recording.

* indicates demarcation between UNE Network and other Networks

BST bills CLEC A

- ULS-LP (loop and port monthly)
- 2 ULS-SFs (unbundled switching - originating, summarized at originating & terminating EO A)
- 2 ULS-TPs (trunk ports)
- UIT-S (unbundled transport, fixed, mileage calculated from EO A to EO B) (zero transport miles since V&H's for EO A and B are the same)

FB CLEC B Billing

---- The Industry has not established how CLEC B may Bill CLEC A for reciprocal compensation. In the interim, BST shall bill the terminating EO switching to CLEC A and pay Reciprocal compensation to CLEC B as such calls appear to be originated by BST end users.

Billing Factors

- NA

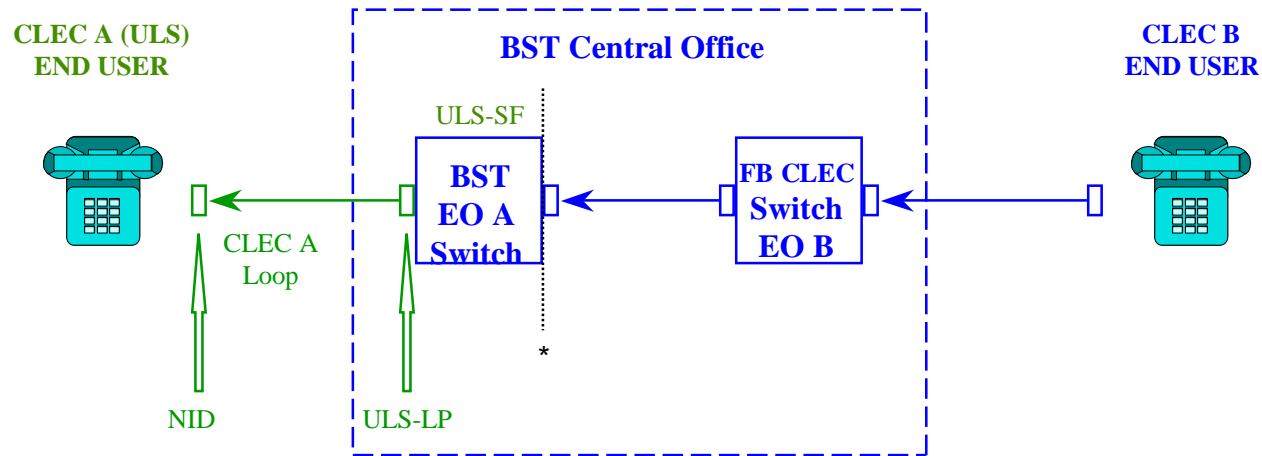
Record Exchange

BellSouth sends CLEC A ODUF 10-01-31 (See Local/Toll Exceptions)

UNE PORT/LOOP SWITCHED COMBINATION BILLING ARRANGEMENTS

55. Multi-Network LOCAL CALLING

Intraoffice/Interswitch FB CLEC Switch Co-located in BST CO



Billing Concept

-- Unbundled Network Elements

Usage Recordings

-- Call Code 119, 720 made at End Office A.

BST bills CLEC A

-- ULS-LP (loop and port monthly)
-- ULS-SF (unbundled local switching - terminating)

CLEC A bills CLEC B

-- Local Interconnection / charges per agreement (recovers cost for ULS-SF)

Billing Factors

-- NA

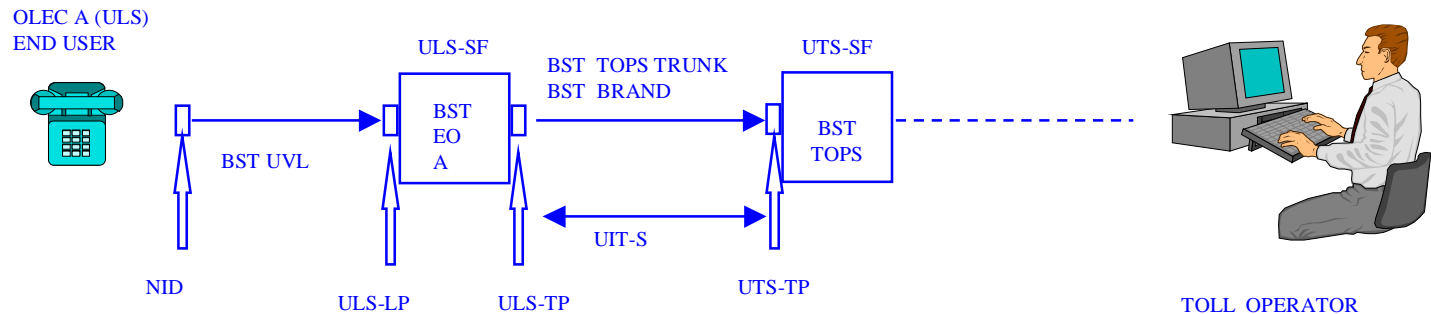
Record Exchange

BellSouth sends CLEC A
ADUF Terminating 11-01-01

* indicates demarcation between UNE Network and other Networks

UNE PORT/LOOP SWITCHED COMBINATION BILLING ARRANGEMENTS

O1. OPERATOR CALL PROCESSING - NO ATTEMPT - BST BRAND OR UNBRANDED ZERO MINUS



Billing Concept

-- Unbundled Network Elements

Usage Recordings

- Call Code 196 made at the TOPS (no attempts) (use elapsed time)
- Call Code 189(non-billable)
- Call Code 192 (DA charges/credits)

Query Operator only -
Call is NOT outpulsed
Operator Call Handling
NOT subsequent to DA

BST bills CLEC A

- ULS-LP (loop and port monthly)
- 1 ULS-SFs (unbundled switching - originating, summarized at originating EO A)
- 1 ULS-TPs (end office trunk port)
- UIT-S (unbundled transport-shared, fixed and per mile, mileage calculated from BST EO to TOPS)
- 1 UTS-TP (tandem trunk port - full)
- 1 UTS-SF (unbundled tandem switching - full)
- Per call/minute operator charges per CLEC contract
- DA charges/credits (CC 192)

Billing Factors

-- NA

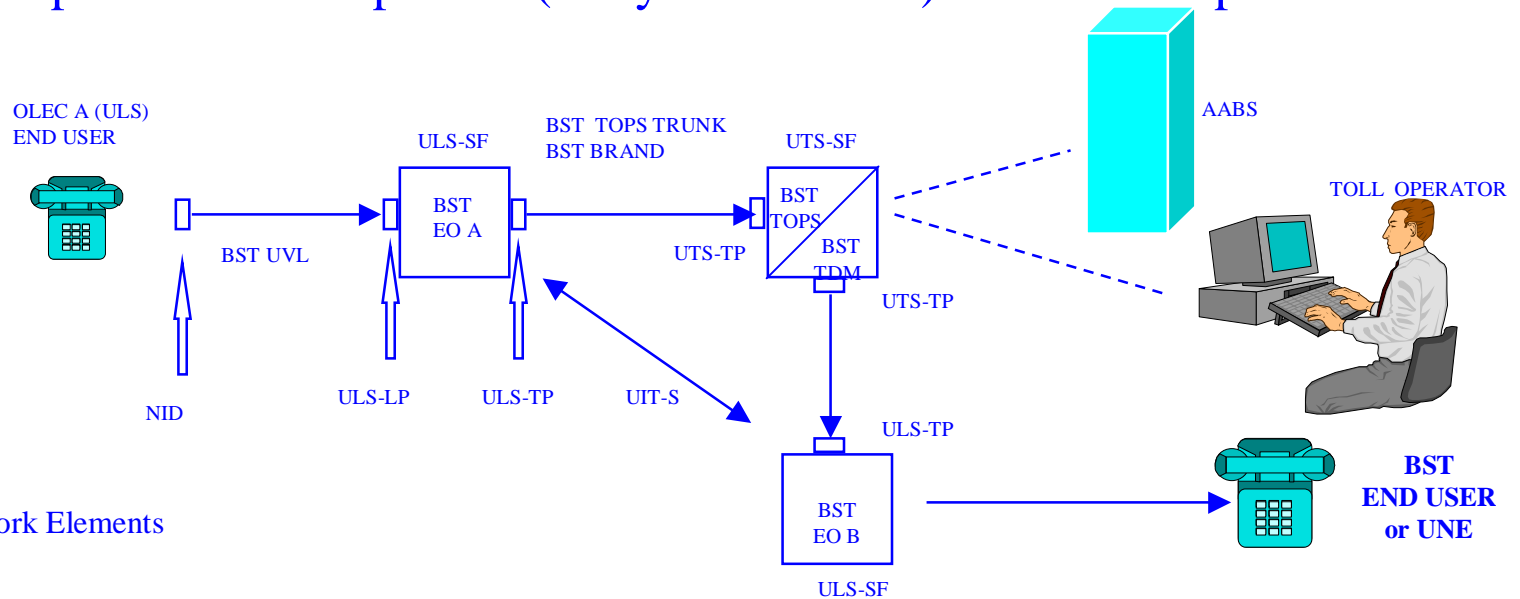
Record Exchange

BellSouth sends CLEC A
ODUF 10-01-01

UNE PORT/LOOP SWITCHED COMBINATION BILLING ARRANGEMENTS

O2. OPERATOR CALL PROCESSING - BST BRAND OR UNBRANDED ZERO MINUS or ZERO PLUS

Incomplete Call Completion (Busy/No Answer) or Call Completion



Billing Concept

-- Unbundled Network Elements

Usage Recordings

- Call Code 192 made at the TOPS
TOPS functions like tandem, but no
tandem indicator in call detail
(use elapsed time)
- Call Code 189 (non-billable)
- Call Code 192 (DA charges/credits)

CLEC end user dials 0 - BST Operator dials
terminating number and handles billing or
CLEC end user dials 0+ terminating number
Operator Call Handling NOT subsequent to DA
Operator Call Handling - Incomplete Call Completion
or call completed

BST bills CLEC A

- ULS-LP (loop and port monthly)
- 2 ULS-SFs (unbundled switching -
originating and terminating, summarized
at originating EO A)
- 2 ULS-TPs (end office trunk ports)
- UIT-S (unbundled transport-shared, fixed and
per mile, mileage calculated from BST EO A to BST EO B)
- 2 UTS-TP (unbundled full tandem trunk ports)
- UTS-SF (unbundled full tandem switching)
- Per call/minute operator charges per CLEC contract
- DA charges/credits (CC 192)

Billing Factors

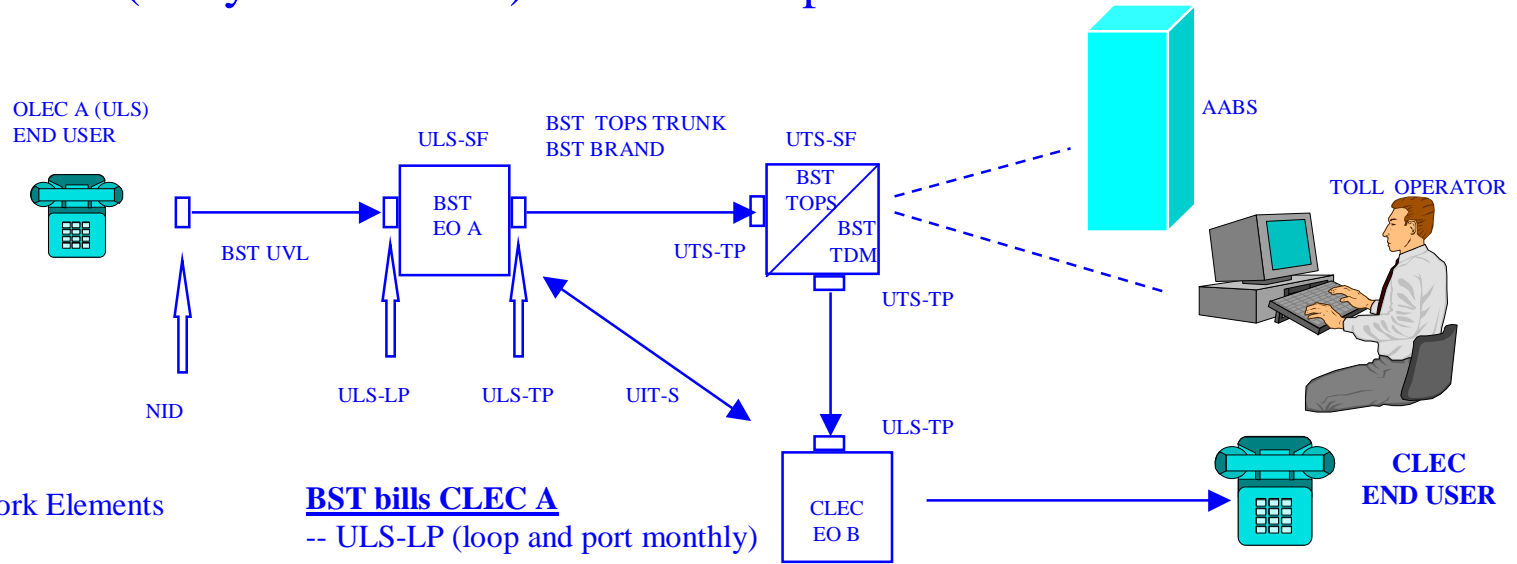
-- NA

Record Exchange

BellSouth sends CLEC A
ODUF 10-01-31 or 10-01-01
(indicator 18 set to 2)

UNE PORT/LOOP SWITCHED COMBINATION BILLING ARRANGEMENTS

02A. OPERATOR CALL PROCESSING - BST BRAND or UNBRANDED ZERO MINUS or ZERO PLUS LOCAL , Incomplete Call Completion (Busy/No Answer) or Call Completion to CLEC



Billing Concept

-- Unbundled Network Elements

Usage Recordings

- Call Code 192 made at the TOPS TOPS functions like tandem, but no tandem indicator in call detail (use elapsed time)
- Call Code 189 (non-billable)
- Call Code 192 (DA charges/credits)

CLEC end user dials 0 - BST Operator dials terminating number and handles billing or CLEC end user dials 0+ terminating number Operator Call Handling NOT subsequent to DA Operator Call Handling - Incomplete Call Completion or call completed

BST bills CLEC A

- ULS-LP (loop and port monthly)
- 2 ULS-SFs (unbundled switching - originating and terminating, summarized at originating EO A)
- 2 ULS-TPs (end office trunk ports)
- UIT-S (unbundled transport-shared, fixed and per mile, mileage calculated from BST EO A to CLEC EO B)
- 2 UTS-TP (unbundled full tandem trunk ports)
- UTS-SF (unbundled full tandem switching)

(Note: only bill 1 UTS-SF even though sometimes switching in TOPS and in TDM occur)

- Per call/minute operator charges per CLEC contract
- DA charges/credits (CC 192)

FB CLEC may bill BST

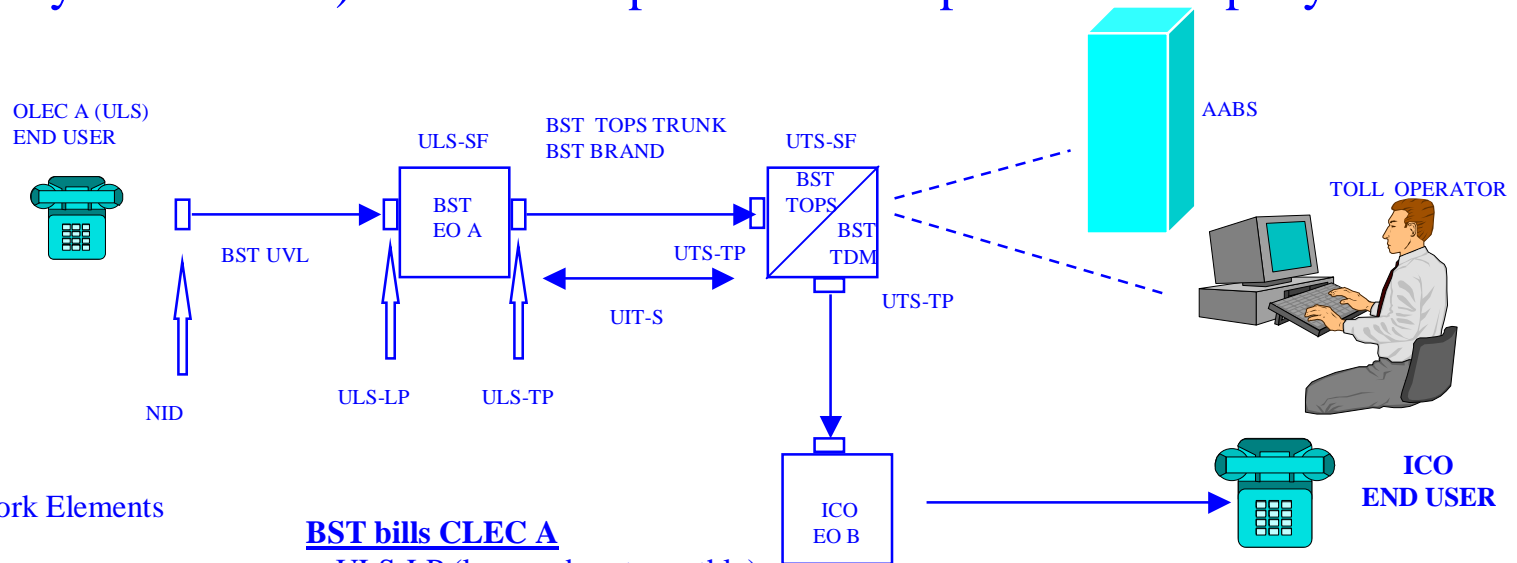
Reciprocal Compensation

Billing Factors

- NA
- Record Exchange**
BellSouth sends CLEC A ODUF 10-01-31 or 10-01-01 (indicator 18 set to 2)

UNE PORT/LOOP SWITCHED COMBINATION BILLING ARRANGEMENTS

O2B. OPERATOR CALL PROCESSING - BST BRAND or UNBRANDED ZERO MINUS or ZERO PLUS LOCAL, Incomplete Call Completion (Busy/No Answer) or Call Completion to Independent Company



Billing Concept

-- Unbundled Network Elements

Usage Recordings

- Call Code 192 made at the TOPS TOPS functions like tandem, but no tandem indicator in call detail (use elapsed time)
- Call Code 189 (non-billable)
- Call Code 192 (DA charges/credits)

CLEC end user dials 0 - BST Operator dials terminating number and handles billing or CLEC end user dials 0+ terminating number Operator Call Handling NOT subsequent to DA Operator Call Handling - Incomplete Call Completion or call completed

BST bills CLEC A

- ULS-LP (loop and port monthly)
- 1 ULS-SFs (unbundled switching - originating, summarized at originating EO A)
- 1 ULS-TPs (end office trunk ports)
- UIT-S (unbundled transport-shared, fixed and per mile, mileage calculated from BST EO A to TOPS)
- 2 UTS-TP (unbundled full tandem trunk ports)
- UTS-SF (unbundled full tandem switching)
- Per call/minute operator charges per CLEC contract
- DA charges/credits (CC 192)

BST/ICO

Local is bill & keep (no settlement)

Billing Factors

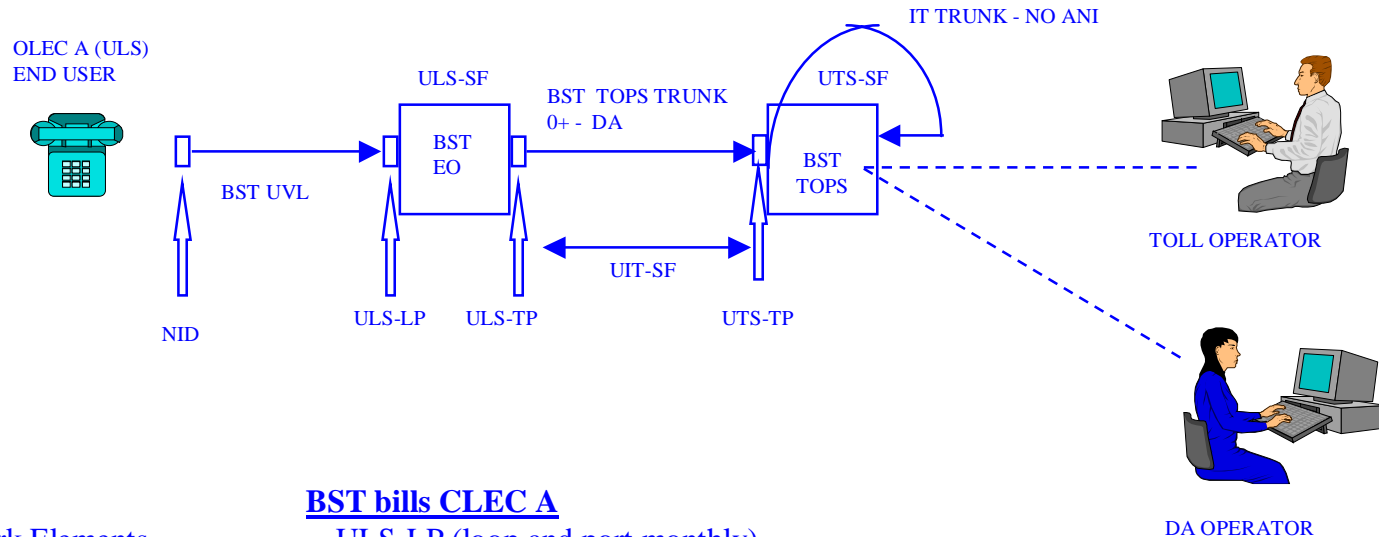
-- NA

Record Exchange

BellSouth sends CLEC A ODUF 10-01-31 or 10-01-01 (indicator 18 set to 2)

UNE PORT/LOOP SWITCHED COMBINATION BILLING ARRANGEMENTS

O3. ZERO PLUS - OPERATOR CALL PROCESSING- BST BRAND OR UNBRANDED 0+ DIRECTORY ASSISTANCE



Billing Concept

-- Unbundled Network Elements

Usage Recordings

- Call Code 192 made at the TOPS (module 052) (use elapsed time)
- Call Code 195 made at TOPS is discarded
- Call Code 189 (non-billable)
- Call Code 192 (DA charges/credits)

BST and OLECs on trunk group

End user dials: East: 0+411
West : 0+411
0+ Home NPA 555

BST bills CLEC A

- ULS-LP (loop and port monthly)
- 1 ULS-SFs (unbundled switching - originating, summarized at originating EO)
- 1 ULS-TPs (end office trunk ports)
- UIT-S (unbundled transport-shared, fixed and per mile, mileage calculated from BST EO to TOPS)
- 1 UTS-TP (unbundled full tandem trunk port)
- 1 UTS-SF (unbundled tandem switching - full)
- Per call/minute operator charges per CLEC contract
- DA charges/credits (CC 192)

Billing Factors

-- NA

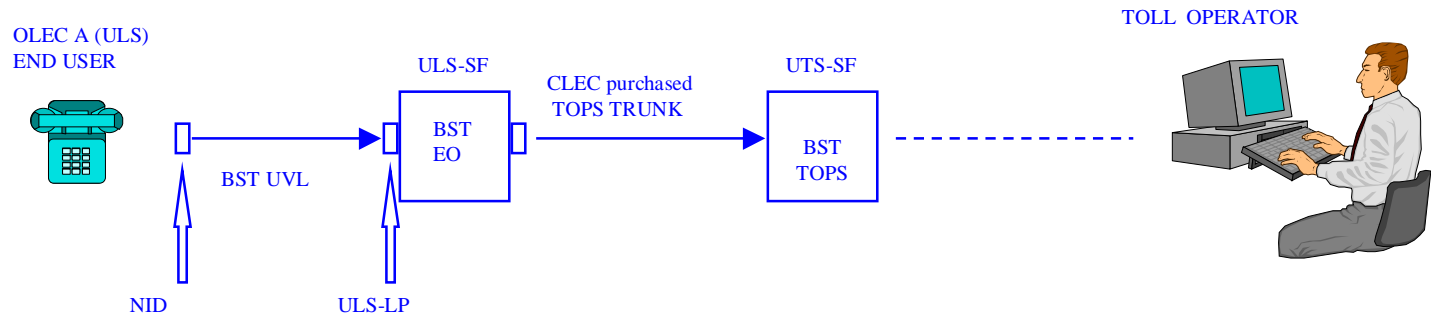
Record Exchange

BellSouth sends CLEC A
ODUF 10-01-32

UNE PORT/LOOP SWITCHED COMBINATION BILLING ARRANGEMENTS

O4. OPERATOR CALL PROCESSING -NO ATTEMPT

CLEC BRAND - LINE CLASS CODE METHOD



Billing Concept

-- Unbundled Network Elements

Usage Recordings

-- Call Code 196 made at the TOPS
(use elapsed time)

BST bills CLEC A

-- ULS-LP (loop and port monthly)
-- 1 ULS-SFs (unbundled switching -
originating, summarized at originating EO)
-- 1 UTS-SF (unbundled tandem switching - full)

Billing Factors

-- NA

Record Exchange

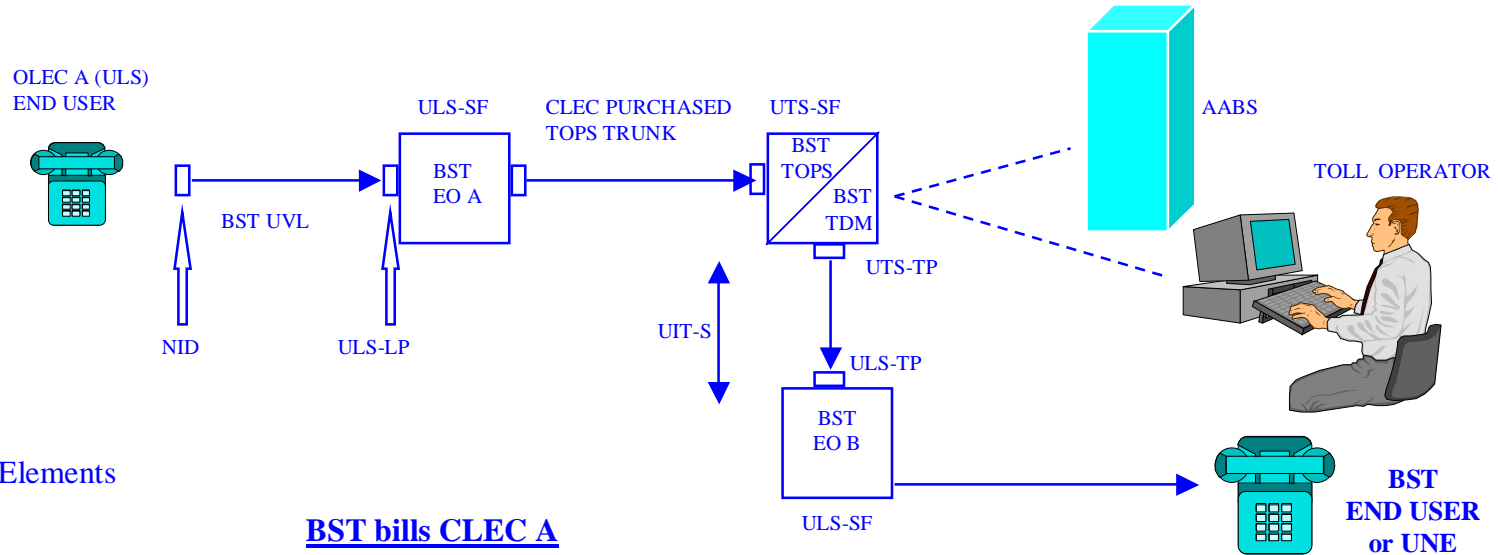
BellSouth sends CLEC A
ODUF 10-01-01

CLEC orders Customized Routing /LCCs

ZERO MINUS
NO ATTEMPT
ANI
Query Operator only
Operator Call Handling NOT subsequent to DA

UNE PORT/LOOP SWITCHED COMBINATION BILLING ARRANGEMENTS

O6. OPERATOR CALL PROCESSING - CLEC BRAND ZERO MINUS or ZERO PLUS - LINE CLASS CODE METHOD Incomplete Call Completion (Busy/No Answer) or Call Completed



Billing Concept

-- Unbundled Network Elements

Usage Recordings

- Call Code 192 made at TOPS
- Assumes line class code method
- TOPS functions like a tandem
- Call Code 189 (non-billable)
- Call Code 192 (DA charges/credits)

CLEC End User dials 0- BST Operator dials terminating number and handles billing or CLEC End user dials 0+ terminating number Operator Call Handling NOT subsequent to DA Operator Call Handling - Incomplete Call Completion Call is NOT answered or Call is answered.

BST bills CLEC A

- ULS-LP (loop and port monthly)
- 2 ULS-SFs (unbundled switching - originating and terminating, summarized at originating EO)
- 1 ULS-TPs (end office trunk ports)
- UIT-S (unbundled transport, fixed and per mile with mileage from TOPS to EO B)
- 1 UTS-TP (full tandem trunk ports)
- 1 UTS-SF (unbundled full tandem switching)
- DA charges/credits (CC 192)

Billing Factors

-- NA

Record Exchange

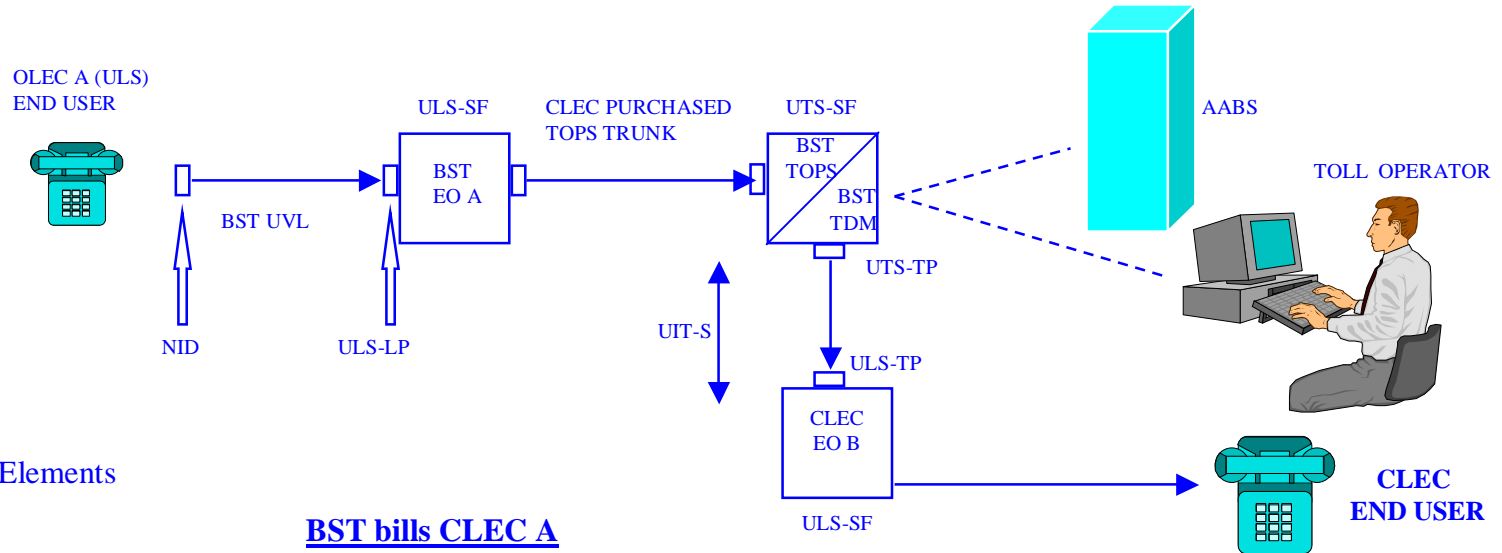
BellSouth sends CLEC A ODUF 10-01-31 or 10-01-01 (indicator 18 set to 2)

UNE PORT/LOOP SWITCHED COMBINATION BILLING ARRANGEMENTS

O6A. OPERATOR CALL PROCESSING - CLEC BRAND

ZERO MINUS or ZERO PLUS LOCAL- LINE CLASS CODE METHOD

Incomplete Call Completion (Busy/No Answer) or Call Completed to CLEC



Billing Concept

-- Unbundled Network Elements

Usage Recordings

- Call Code 192 made at TOPS
- Assumes line class code method
- TOPS functions like a tandem
- Call Code 189 (non-billable)
- Call Code 192 (DA charges/credits)

CLEC End User dials 0- BST Operator dials terminating number and handles billing or CLEC End user dials 0+ terminating number Operator Call Handling NOT subsequent to DA Operator Call Handling - Incomplete Call Completion Call is NOT answered or Call is answered.

BST bills CLEC A

- ULS-LP (loop and port monthly)
- 2 ULS-SFs (unbundled switching - originating and terminating, summarized at originating EO)
- 1 ULS-TPs (end office trunk ports)
- UIT-S (unbundled transport, fixed and per mile with mileage from TOPS to EO B)
- 1 UTS-TP (full tandem trunk ports)
- 1 UTS-SF (full tandem switching)
- DA charges/credits (CC 192)

FB CLEC may bill BST

Reciprocal Compensation per agreement

Billing Factors

-- NA

Record Exchange

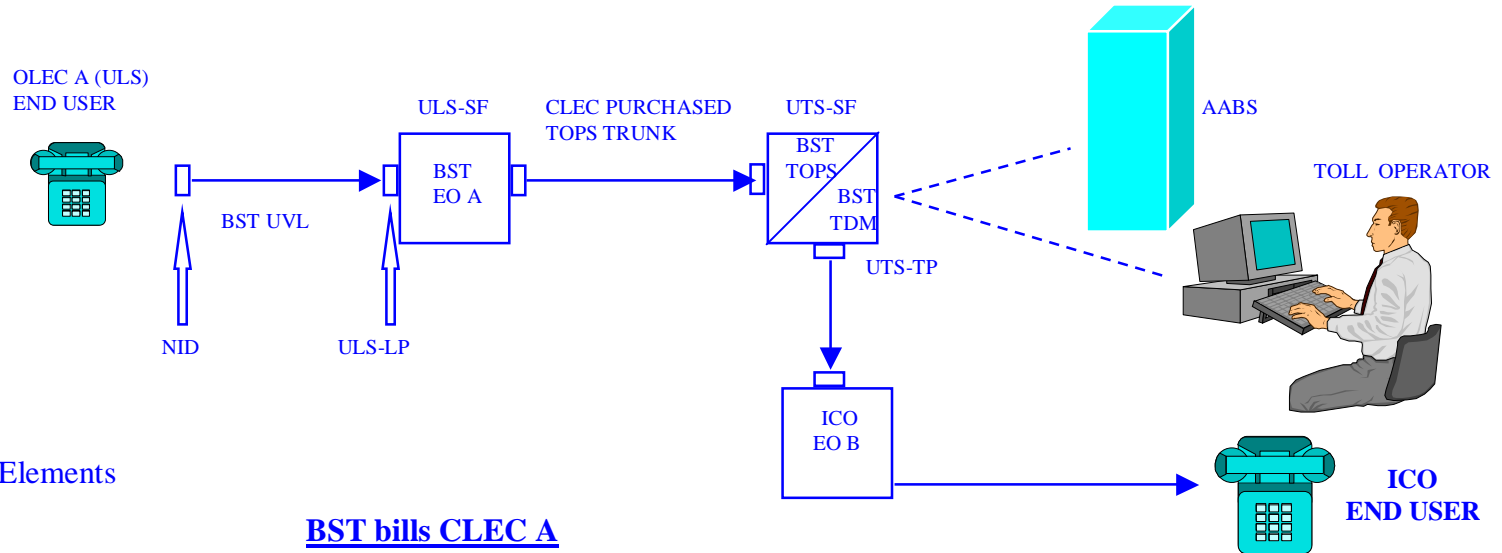
BellSouth sends CLEC A
ODUF 10-01-31 or 10-01-01
(indicator 18 set to 2)

UNE PORT/LOOP SWITCHED COMBINATION BILLING ARRANGEMENTS

O6B. OPERATOR CALL PROCESSING - CLEC BRAND

ZERO MINUS or ZERO PLUS LOCAL - LINE CLASS CODE METHOD

Incomplete Call Completion (Busy/No Answer) or Call Completed to ICO



Billing Concept

-- Unbundled Network Elements

Usage Recordings

- Call Code 192 made at TOPS
- Assumes line class code method
- TOPS functions like a tandem
- Call Code 189 (non-billable)
- Call Code 192 (DA charges/credits)

CLEC End User dials 0- BST Operator dials terminating number and handles billing or CLEC End user dials 0+ terminating number Operator Call Handling NOT subsequent to DA Operator Call Handling - Incomplete Call Completion Call is NOT answered or Call is answered.

BST bills CLEC A

- ULS-LP (loop and port monthly)
- 1 ULS-SFs (unbundled switching - originating, summarized at originating EO A)
- 1 UTS-TP (full tandem trunk port)
- 1 UTS-SF (full tandem switching)
- DA charges/credits (CC 192)

BST/ICO

Local is bill & keep (no settlement)

Billing Factors

-- NA

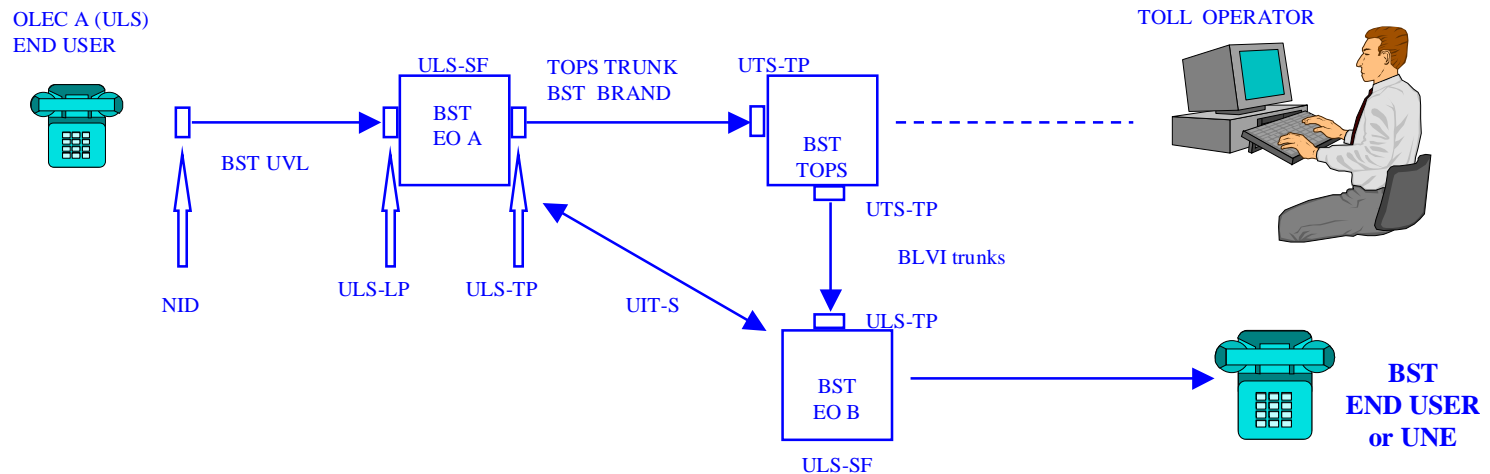
Record Exchange

BellSouth sends CLEC A
ODUF 10-01-31 or 10-01-01
(indicator 18 set to 2)

UNE PORT/LOOP SWITCHED COMBINATION BILLING ARRANGEMENTS

08. OPERATOR CALL PROCESSING - BUSY LINE VERIFY & INTERRUPT

BST BRAND or UNBRANDED



BST bills CLEC A

- ULS-LP (loop and port monthly)
- 2 ULS-SFs (unbundled switching - originating and terminating, summarized at originating EO A)
- 2 ULS-TPs (end office trunk ports)
- UIT-S (unbundled transport-shared, fixed and per mile, mileage calculated from BST EO A to EO B)
- 2 UTS-TP (full tandem trunk ports)
- UTS-SF (unbundled full tandem switching)
- Per message charge

Billing Concept

- Unbundled Network Elements

Usage Recordings

- Call Code 198 made at the TOPS
- TOPs functions like a tandem
- Use elapsed time

Operator Call Handling NOT subsequent to DA

Billing Factors

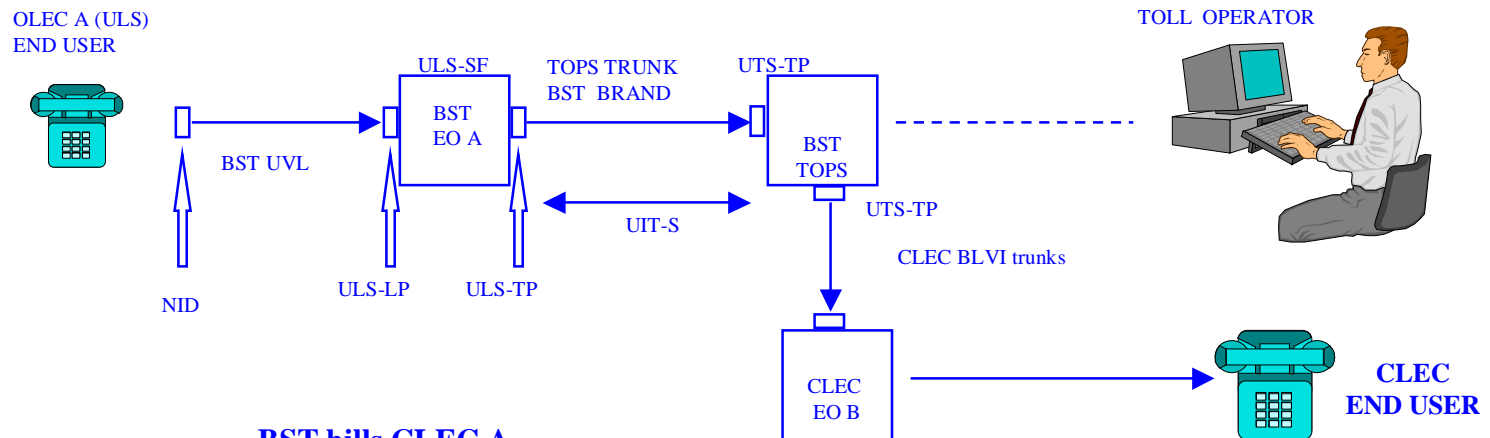
- NA

Record Exchange

- BellSouth sends CLEC A
- ODUF 10-01-35 (verify only)
- ODUF 10-01-37 (verify/Interrupt)

UNE PORT/LOOP SWITCHED COMBINATION BILLING ARRANGEMENTS

O8A. OPERATOR CALL PROCESSING - BUSY LINE VERIFY & INTERRUPT to CLEC - BST BRAND or UNBRANDED



BST bills CLEC A

- ULS-LP (loop and port monthly)
 - 1 ULS-SFs (unbundled switching - summarized at originating EO A)
 - 1 ULS-TPs (end office trunk port)
 - UIT-S (unbundled transport-shared, fixed and per mile, mileage calculated from BST EO A to TOPS)
 - 1 UTS-TP (full tandem trunk port)
 - UTS-SF (unbundled full tandem switching)
- Per message charge

FB CLEC may bill BST

No Reciprocal Compensation is billed since CLEC B does not make a recording

Billing Concept

- Unbundled Network Elements

Usage Recordings

- Call Code 198 made at the TOPS
- TOPs functions like a tandem
- Use elapsed time

Operator Call Handling NOT subsequent to DA

Billing Factors

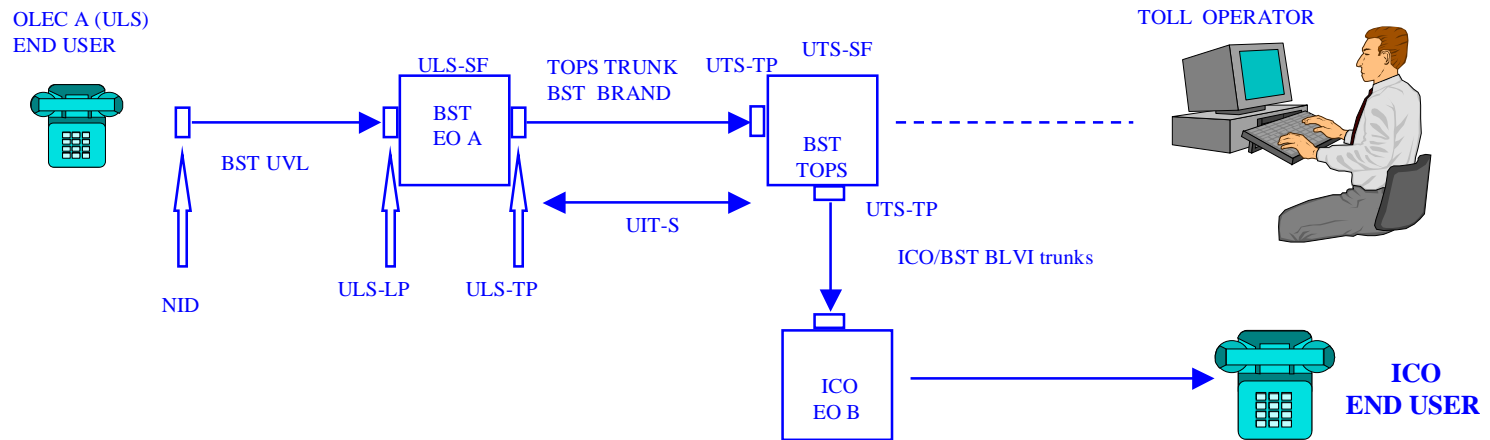
- NA

Record Exchange

- BellSouth sends CLEC A
- ODUF 10-01-35 (verify only)
- ODUF 10-01-37 (verify/Interrupt)

UNE PORT/LOOP SWITCHED COMBINATION BILLING ARRANGEMENTS

O8B. OPERATOR CALL PROCESSING - BUSY LINE VERIFY & INTERRUPT to ICO - BST BRAND or UNBRANDED



Billing Concept

-- Unbundled Network Elements

Usage Recordings

-- Call Code 198 made at the TOPS
TOPs functions like a tandem
Use elapsed time

BST bills CLEC A

-- ULS-LP (loop and port monthly)
-- 1 ULS-SFs (unbundled switching - originating, summarized at originating EO A)
-- 1 ULS-TPs (end office trunk ports)
-- UIT-S (unbundled transport-shared, fixed and per mile, mileage calculated from BST EO A to TOPS)
-- 2 UTS-TP (full tandem trunk ports)
-- UTS-SF (unbundled full tandem switching)
Per message charge

Billing Factors

-- NA

Record Exchange

BellSouth sends CLEC A
ODUF 10-01-35 (verify only)
ODUF 10-01-37 (verify/Interrupt)

Operator Call Handling NOT subsequent to DA

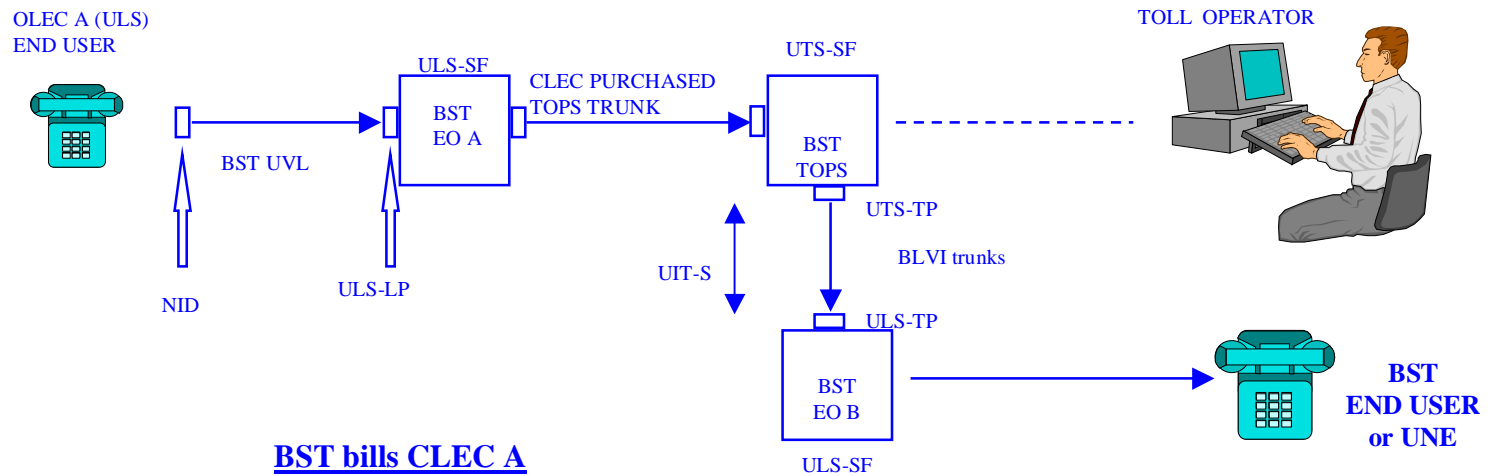
BST/ICO

Local is bill & keep (no settlement)

UNE PORT/LOOP SWITCHED COMBINATION BILLING ARRANGEMENTS

O9. OPERATOR CALL PROCESSING - BUSY LINE VERIFY & INTERRUPT

CLEC BRANDED



BST bills CLEC A

- ULS-LP (loop and port monthly)
 - 2 ULS-SFs (unbundled switching - originating and terminating, summarized at originating EO A)
 - 1 ULS-TPs (end office trunk ports)
 - UIT-S (unbundled transport-shared, fixed and per mile, mileage calculated from BST TOPS to EO B)
 - 1 UTS-TP (full tandem trunk ports)
 - UTS-SF (unbundled full tandem switching)
- Per message charge

Billing Concept

- Unbundled Network Elements

Usage Recordings

- Call Code 198 made at the TOPS
- TOPs functions like a tandem
- Use elapsed time

Operator Call Handling NOT subsequent to DA

Billing Factors

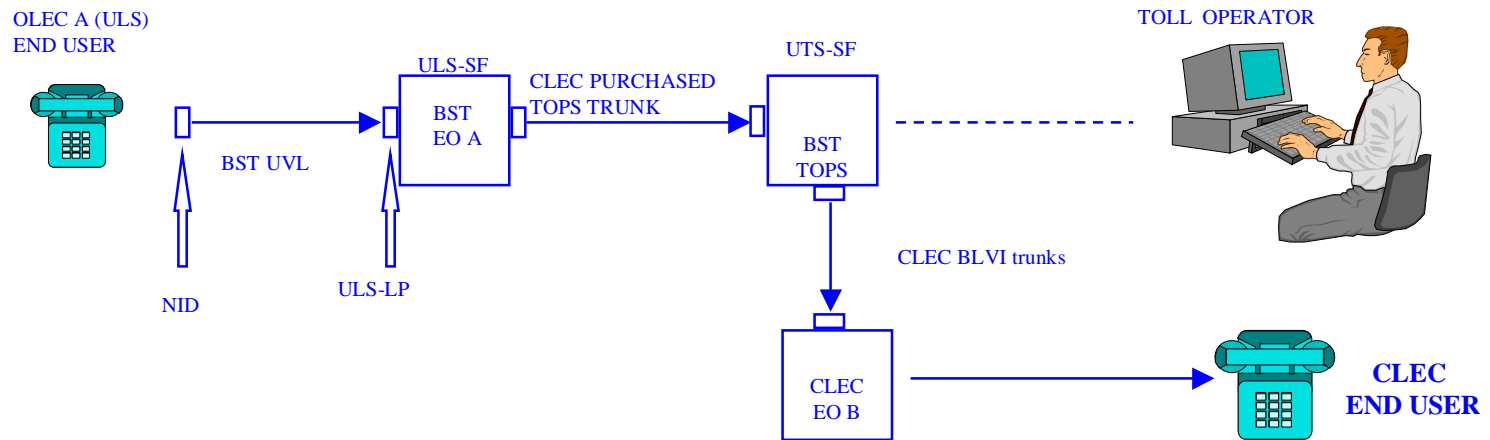
- NA

Record Exchange

- BellSouth sends CLEC A
- ODUF 10-01-35 (verify only)
- ODUF 10-01-37 (verify/Interrupt)

UNE PORT/LOOP SWITCHED COMBINATION BILLING ARRANGEMENTS

O9A. OPERATOR CALL PROCESSING - BUSY LINE VERIFY & INTERRUPT to CLEC - CLEC BRANDED



Billing Concept

-- Unbundled Network Elements

Usage Recordings

-- Call Code 198 made at the TOPS
TOPs functions like a tandem
Use elapsed time

BST bills CLEC A

-- ULS-LP (loop and port monthly)
-- 1 ULS-SFs (unbundled switching -
originating, summarized at originating EO A)
-- UTS-SF (unbundled full tandem switching)
Per message charge

FB CLEC may bill BST

No Reciprocal Compensation is billed since CLEC B
does not make a recording

Billing Factors

-- NA

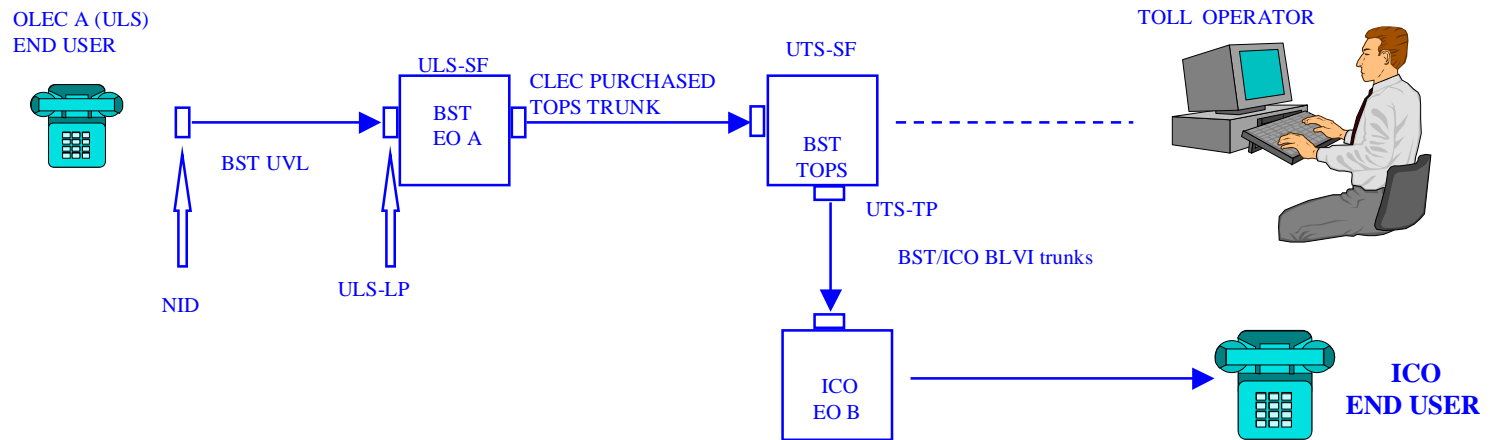
Record Exchange

BellSouth sends CLEC A
ODUF 10-01-35 (verify only)
ODUF 10-01-37 (verify/Interrupt)

Operator Call Handling NOT subsequent to DA

UNE PORT/LOOP SWITCHED COMBINATION BILLING ARRANGEMENTS

O9B. OPERATOR CALL PROCESSING - BUSY LINE VERIFY & INTERRUPT to ICO - CLEC BRANDED



BST bills CLEC A

- ULS-LP (loop and port monthly)
- 1 ULS-SFs (unbundled switching - originating, summarized at originating EO A)
- 1 UTS-TP (full tandem trunk ports)
- UTS-SF (unbundled full tandem switching)
- Per message charge

BST/ICO

Local is bill & keep (no settlement)

Billing Concept

- Unbundled Network Elements

Usage Recordings

- Call Code 198 made at the TOPS
- TOPs functions like a tandem
- Use elapsed time

Operator Call Handling NOT subsequent to DA

Billing Factors

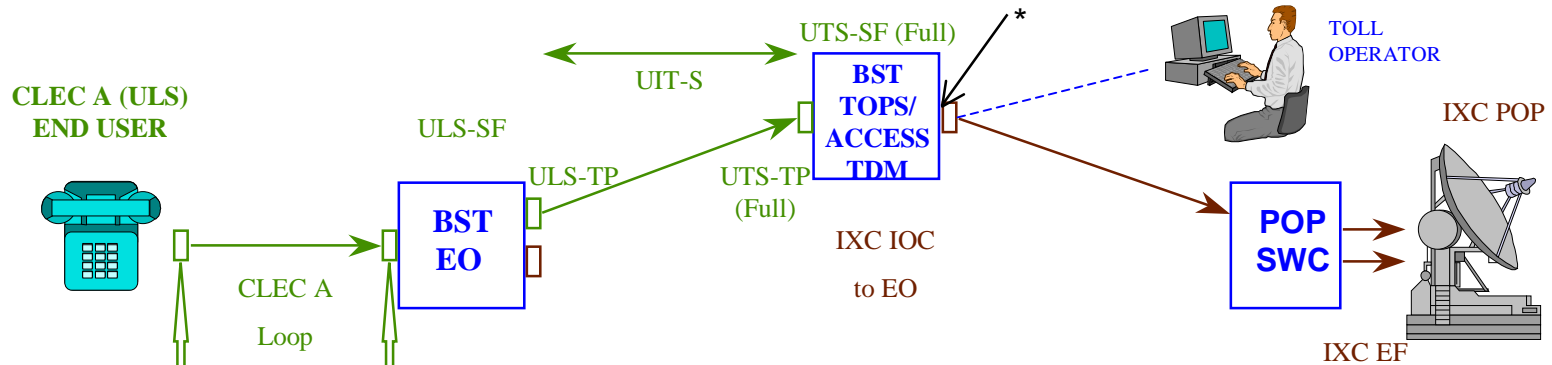
- NA

Record Exchange

- BellSouth sends CLEC A
- ODUF 10-01-35 (verify only)
- ODUF 10-01-37 (verify/Interrupt)

UNE PORT/LOOP SWITCHED COMBINATION BILLING ARRANGEMENTS

O9C. OPERATOR TRANSFER SERVICE



BST bills CLEC A

- ULS-LP (loop and port monthly)
- ULS-SF (unbundled switching - originating)
Charges below apply if IXC tandem routed
- ULS-TP (end office trunk ports)
- UIT-S (unbundled transport - shared, mileage from BST EO and BST AT, fixed and per mile)
- UTS-TP (unbundled full rate tandem trunk ports)
- UTS-SF (unbundled full rate tandem switching)

CLEC A bills IXC

- Originating Access as agreed upon between CLEC A & IXC

BST bills IXC

- Dedicated Switched Local Channel (Entrance Facility)
- Dedicated Switched Transport (between POP SWC and Access Tandem)
- Operator Transfer Charge

Billing Factors

- IXC will provide PIUs to BST and CLEC A

Record Exchange

- BST will send originating access records via ADUF to CLEC A so that CLEC A can bill the IXC

Demarcation Point between UNE Network and IXC Network

Access Tandem Switch

* indicates demarcation between UNE Network and other Networks

Billing Concept

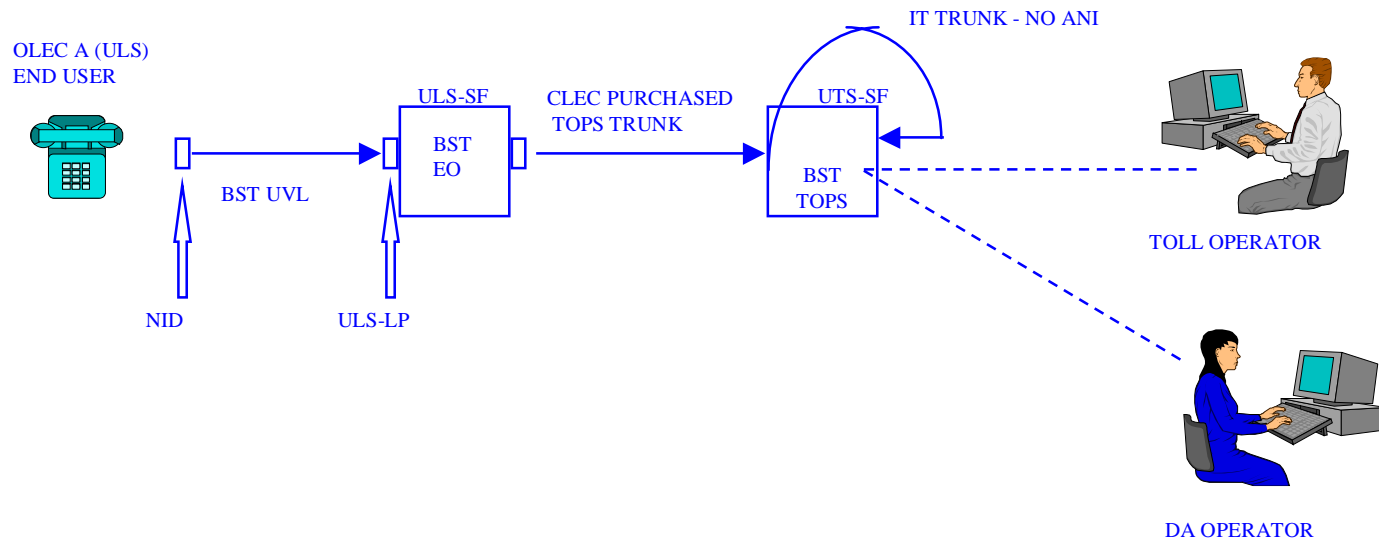
- Access Reform
- Unbundled Network Elements

Usage Recordings

- Call Code 190

UNE PORT/LOOP SWITCHED COMBINATION BILLING ARRANGEMENTS

O10. ZERO PLUS - DIRECTORY ASSISTANCE - CLEC BRAND



Billing Concept

-- Unbundled Network Elements

Usage Recordings

- Call Code 192 made at the TOPS (module 052) (use elapsed time)
- Call Code 195 from TOPS is discarded
- Call Code 189 (non-billable)
- Call Code 192 (DA charges/credits)

0+ 411 or Home NPA 555

BST bills CLEC A

- ULS-LP (loop and port monthly)
- 1 ULS-SFs (unbundled switching - originating, summarized at originating EO A)
- UTS-SF (Unbundled tandem switching full)
- DA charges/credits (CC 192)

Billing Factors

-- NA

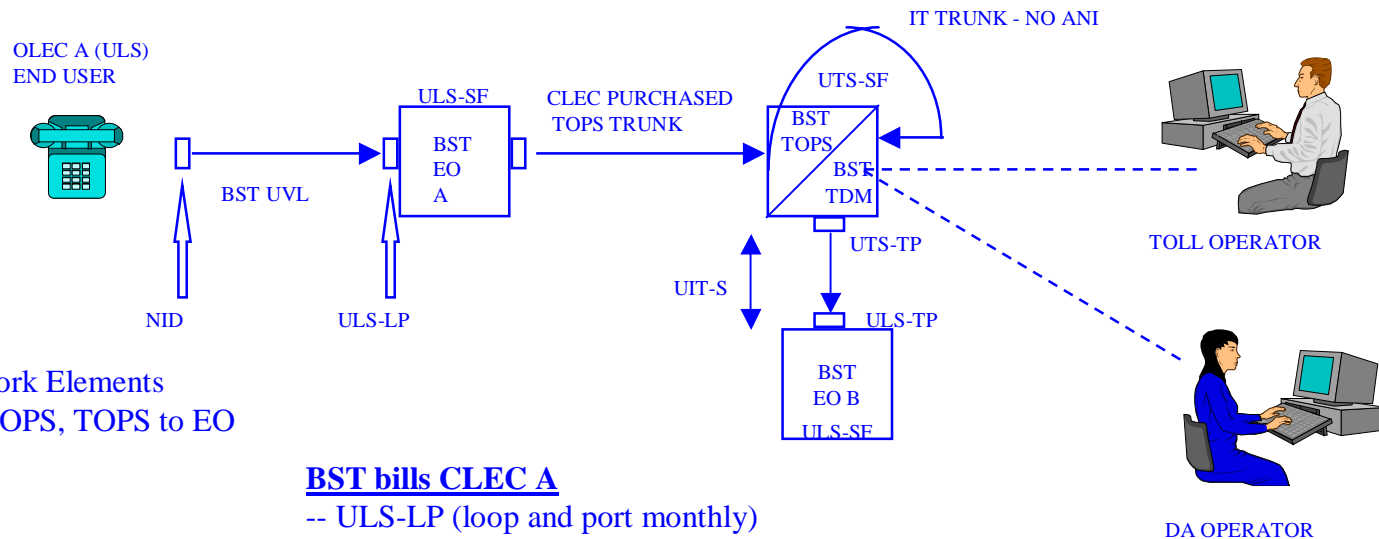
Record Exchange

BellSouth sends CLEC A
ODUF 10-01-32

UNE PORT/LOOP SWITCHED COMBINATION BILLING ARRANGEMENTS

O10A. ZERO PLUS - DIRECTORY ASSISTANCE with DACC

- CLEC BRAND



Billing Concept

- Unbundled Network Elements (2 calls: UNE to TOPS, TOPS to EO B)

Usage Recordings

- Call Code 192 made at the TOPS (module 052) actual terminating TN for DACC in this recording
- Call Code 195 from TOPS is discarded
- Call code 192 from TOPS with terminating number of 411 or 555-1212 (module 51)
- Call Code 189 (non-billable)
- Call Code 192 (DA charges/credits)

BST bills CLEC A

- ULS-LP (loop and port monthly)
- 1 ULS-SFs (unbundled switching - originating, summarized at originating EO A) (CC192/terminating TN 555-1212 or 411)
- UTS-SF (unbundled tandem switching full)
- Rate elements below based on CC192 with actual terminating TN
- 1 UIT-S (unbundled transport, fixed, mileage calculated from TOPS to EO B) (CC192)
- 1 ULS-SFs (unbundled switching - terminating) (CC192)
- 1 ULS-TP (end office trunk port) (CC192)
- 1 UTS-TPs (tandem office trunk ports - full) (CC192)
- DA charges/credits (CC 192)

Billing Factors

- NA

Record Exchange

- BellSouth sends CLEC A
- ODUF 10-01-32 (DA Record)
- ODUF 10-01-18 (DACC Record)
- ODUF 10-01-01 (completed call)

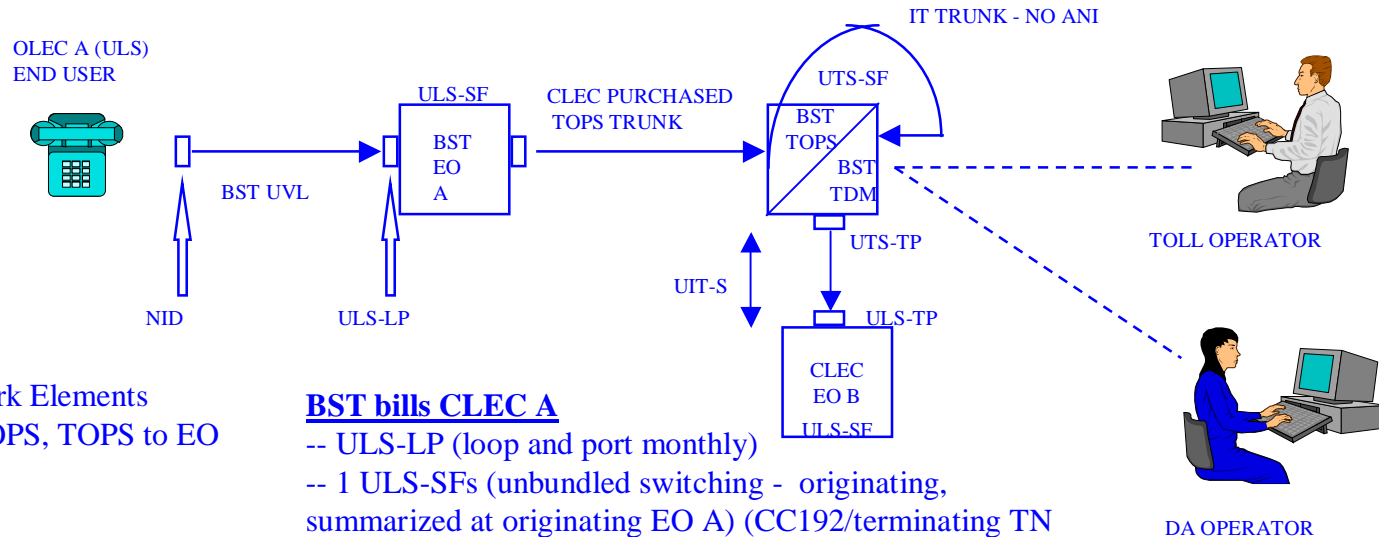
0+ 411 or Home NPA 555

11/13/01

UNE PORT/LOOP SWITCHED COMBINATION BILLING ARRANGEMENTS

O10AA. ZERO PLUS - DIRECTORY ASSISTANCE with DACC to CLEC

- CLEC BRAND



Billing Concept

- Unbundled Network Elements (2 calls: UNE to TOPS, TOPS to EO B)

Usage Recordings

- Call Code 192 made at the TOPS (module 052) actual terminating TN for DACC in this recording
- Call Code 195 from TOPS is discarded
- Call code 192 from TOPS with terminating number of 411 or 555-1212 (module 51)
- Call Code 189 (non-billable)
- Call Code 192 (DA charges/credits)

0+ 411 or Home NPA 555

BST bills CLEC A

- ULS-LP (loop and port monthly)
 - 1 ULS-SFs (unbundled switching - originating, summarized at originating EO A) (CC192/terminating TN 555-1212 or 411)
 - UTS-SF (unbundled tandem switching)
- Rate elements below based on CC192 with actual terminating TN
- 1 UIT-S (unbundled transport, fixed, mileage calculated from TOPS to EO B) (CC192)
 - 1 ULS-SFs (unbundled switching - terminating) (CC192)
 - 1 ULS-TP (end office trunk port) (CC192)
 - 1 UTS-TPs (tandem office trunk ports - full) (CC192)
 - DA charges/credits (CC 192)

FB CLEC may bill BST

Reciprocal Compensation per agreement

Billing Factors

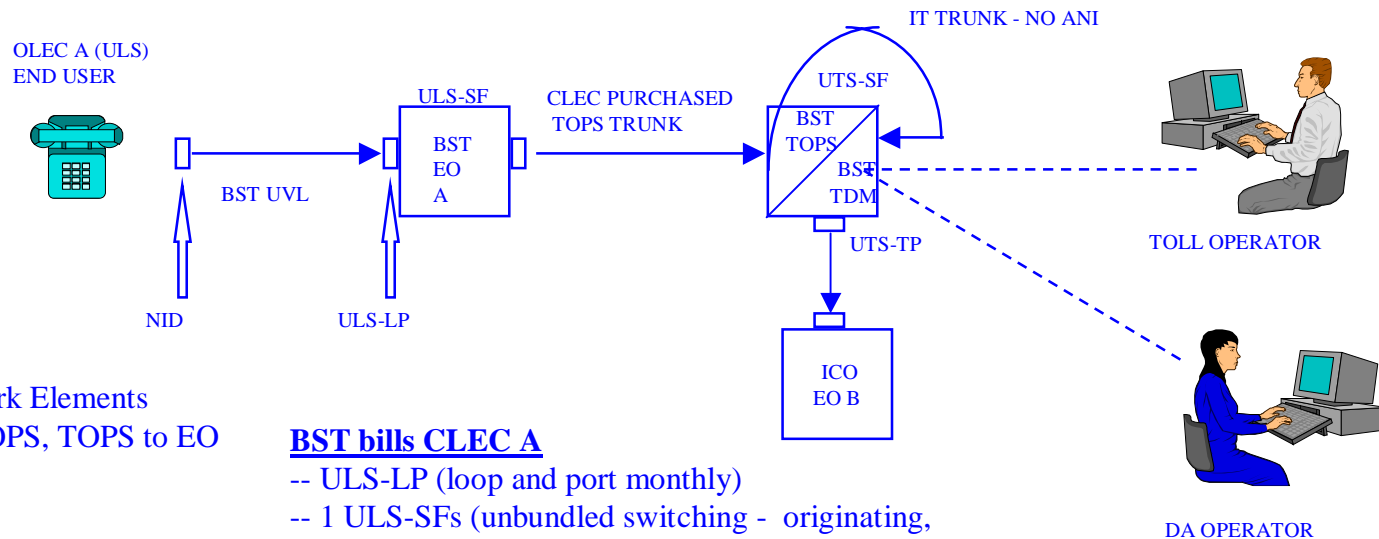
- NA

Record Exchange

- BellSouth sends CLEC A
- ODUF 10-01-32 (DA Record)
- ODUF 10-01-18 (DACC Record)
- ODUF 10-01-01 (completed call)

UNE PORT/LOOP SWITCHED COMBINATION BILLING ARRANGEMENTS

O10AB. ZERO PLUS - DIRECTORY ASSISTANCE with DACC to ICO - CLEC BRAND



Billing Concept

- Unbundled Network Elements (2 calls: UNE to TOPS, TOPS to EO B)

Usage Recordings

- Call Code 192 made at the TOPS (module 052) actual terminating TN for DACC in this recording
- Call Code 195 from TOPS is discarded
- Call code 192 from TOPS with terminating number of 411 or 555-1212 (module 51)
- Call Code 189 (non-billable)
- Call Code 192 (DA charges/credits)

0+ 411 or Home NPA 555

BST bills CLEC A

- ULS-LP (loop and port monthly)
- 1 ULS-SFs (unbundled switching - originating, summarized at originating EO A) (CC192/terminating TN 555-1212 or 411)
- 1 UTS-SF (unbundled tandem switching)
- Rate elements below based on CC192 with actual terminating TN
- 1 UTS-TPs (tandem office trunk ports - full) (CC192)
- DA charges/credits (CC 192)

BST/ICO

Local is bill & keep (no settlement)

Billing Factors

-- NA

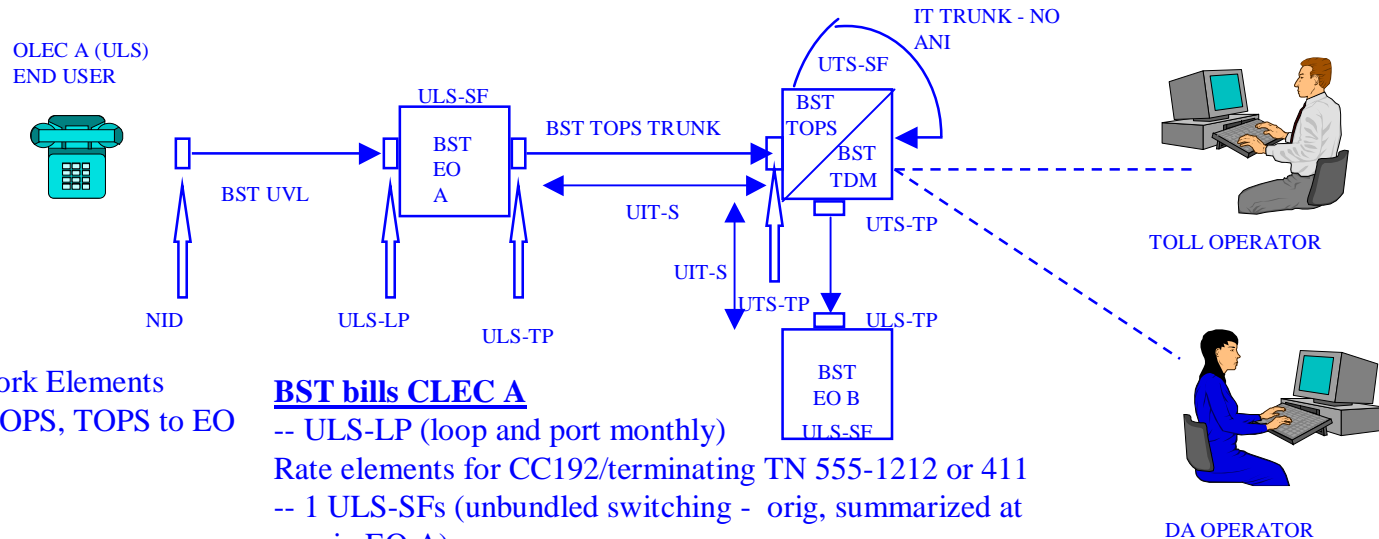
Record Exchange

BellSouth sends CLEC A
 ODUF 10-01-32 (DA Record)
 ODUF 10-01-18 (DACC Record)
 ODUF 10-01-01 (completed call)

UNE PORT/LOOP SWITCHED COMBINATION BILLING ARRANGEMENTS

O10B. ZERO PLUS - DIRECTORY ASSISTANCE with DACC

- BST BRAND OR UNBRANDED



Billing Concept

- Unbundled Network Elements (2 calls: UNE to TOPS, TOPS to EO B)

Usage Recordings

- Call Code 192 made at the TOPS (module 052) actual terminating TN for DACC in this recording
- Call Code 195 from TOPS is discarded
- Call code 192 from TOPS with terminating number of 411 or 555-1212 (module 51)
- Call Code 189 (non-billable)
- Call Code 192 (DA charges/credits)

BST bills CLEC A

- ULS-LP (loop and port monthly)
- Rate elements for CC192/terminating TN 555-1212 or 411
- 1 ULS-SFs (unbundled switching - orig, summarized at orig EO A)
- 1 ULS-TP (end office trunk port)
- UIT-S (unbundled transport, fixed, mileage calculated from EO A to TOPS)
- UTS-SF (unbundled tandem switching full)
- 1 UTS-TP (tandem office trunk ports-full)
- Rate elements below based on CC192 with actual term TN
- 1 UIT-S (unbundled transport, fixed, mileage calculated from TOPS to EO B) (CC192)
- 1 ULS-SFs (unbundled switching - terminating) (CC192)
- 1 ULS-TP (end office trunk port) (CC192)
- 1 UTS-TPs (tandem office trunk ports - full) (CC192)
- DA charges/credits (CC 192)

Billing Factors

- NA

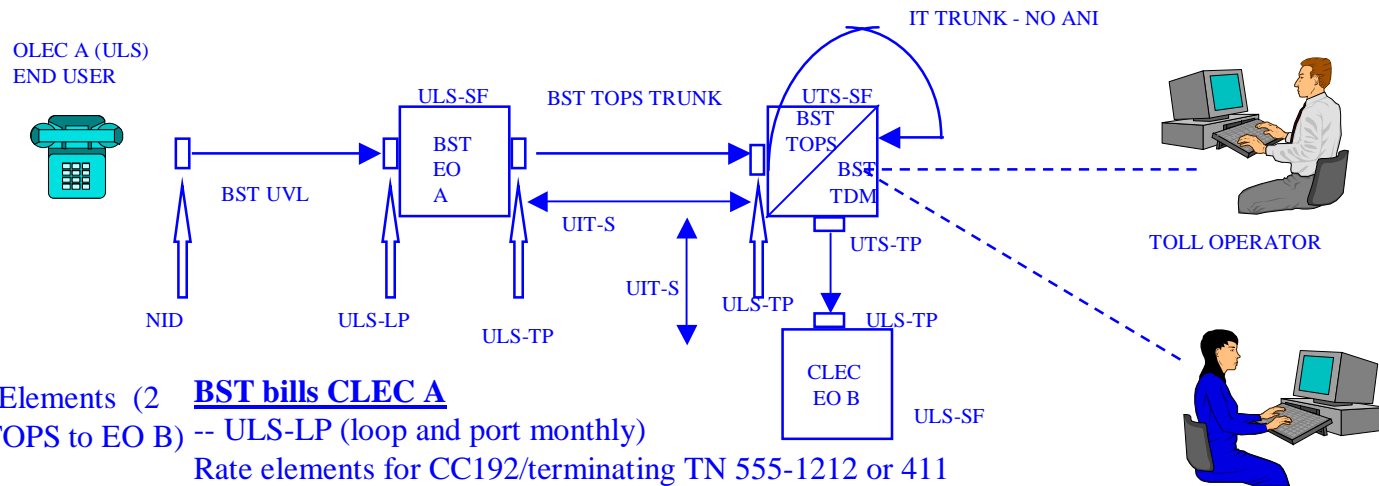
Record Exchange

- BellSouth sends CLEC A
- ODUF 10-01-32 (DA Record)
- ODUF 10-01-18 (DACC Record)
- ODUF 10-01-01 (completed call)

0+ 411 or Home NPA 555

11/13/01

UNE PORT/LOOP SWITCHED COMBINATION BILLING ARRANGEMENTS O10BA. ZERO PLUS - DIRECTORY ASSISTANCE with DACC to CLEC - BST BRAND OR UNBRANDED



Billing Concept

-- Unbundled Network Elements (2 calls: UNE to TOPS, TOPS to EO B)

Usage Recordings

-- Call Code 192 made at the TOPS (module 052) actual terminating TN for DACC in this recording
-- Call Code 195 from TOPS is discarded
-- Call code 192 from TOPS with terminating number of 411 or 555-1212 (module 51)
-- Call Code 189 (non-billable)
-- Call Code 192 (DA charges/credits)

0+ 411 or Home NPA 555

BST bills CLEC A

-- ULS-LP (loop and port monthly)
Rate elements for CC192/terminating TN 555-1212 or 411
-- 1 ULS-SFs (unbundled switching - orig, summarized at orig EO A)
-- 1 ULS-TP (end office trunk port)
-- UIT-S (unbundled transport, fixed, mileage calculated from EO A to TOPS)
-- 1 UTS-SF (Unbundled full tandem switching)
-- 1 UTS-TP (tandem office trunk ports-full)
Rate elements below based on CC192 with actual term. TN
-- 1 UIT-S (unbundled transport, fixed, mileage calculated from TOPS to EO B) (CC192)
-- 1 ULS-SFs (unbundled switching - terminating) (CC192)
-- 1 ULS-TP (end office trunk port) (CC192)
-- 1 UTS-TPs (tandem office trunk ports - full) (CC192)
-- DA charges/credits (CC 192)

DA OPERATOR

Billing Factors

-- NA

Record Exchange

BellSouth sends CLEC A
ODUF 10-01-32 (DA Record)
ODUF 10-01-18 (DACC Record)
ODUF 10-01-01 (completed call)

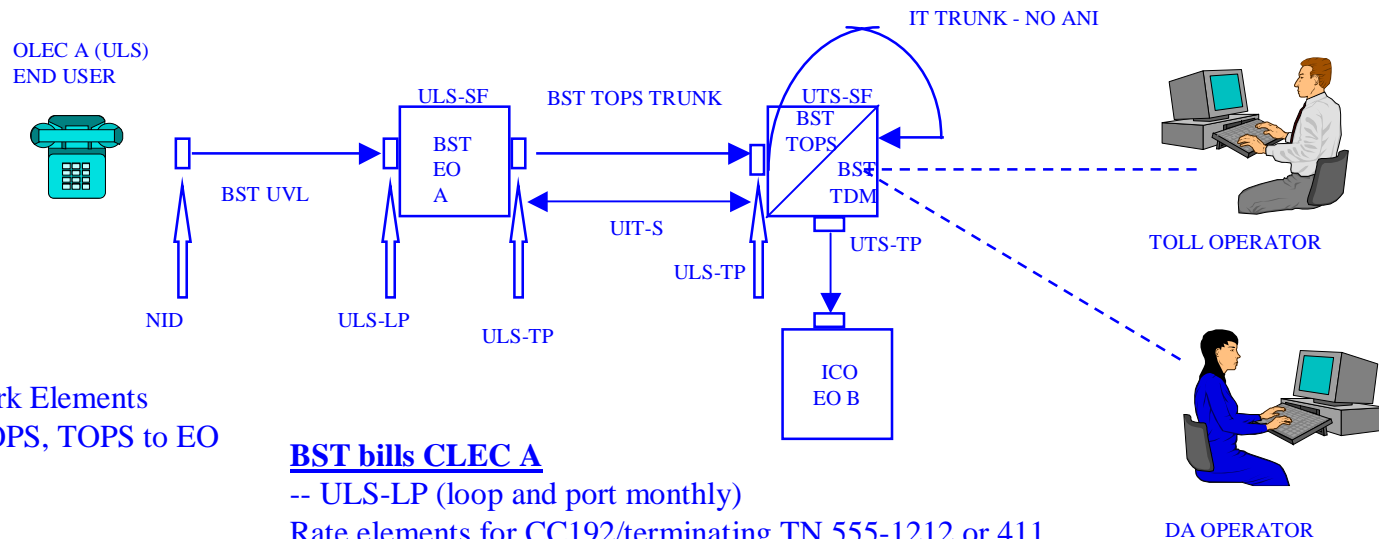
FB CLEC may bill BST

Reciprocal Compensation per agreement

UNE PORT/LOOP SWITCHED COMBINATION BILLING ARRANGEMENTS

O10BB. ZERO PLUS - DIRECTORY ASSISTANCE with DACC to ICO

- BST BRAND OR UNBRANDED



Billing Concept

- Unbundled Network Elements (2 calls: UNE to TOPS, TOPS to EO B)

Usage Recordings

- Call Code 192 made at the TOPS (module 052) actual terminating TN for DACC in this recording
- Call Code 195 from TOPS is discarded
- Call code 192 from TOPS with terminating number of 411 or 555-1212 (module 51)
- Call Code 189 (non-billable)
- Call Code 192 (DA charges/credits)

BST bills CLEC A

- ULS-LP (loop and port monthly)
- Rate elements for CC192/terminating TN 555-1212 or 411
- 1 ULS-SFs (unbundled switching - orig, summarized at orig EO A)
- 1 ULS-TP (end office trunk port)
- UIT-S (unbundled transport, fixed, mileage calculated from EO A to TOPS)
- 1 UTS-SF (Unbundled full tandem switching)
- 1 UTS-TP (tandem office trunk ports-full)
- Rate elements below based on CC192 with actual term TN
- 1 UTS-TPs (tandem office trunk ports - full) (CC192)
- DA charges/credits (CC 192)

Billing Factors

- NA

Record Exchange

- BellSouth sends CLEC A
- ODUF 10-01-32 (DA Record)
- ODUF 10-01-18 (DACC Record)
- ODUF 10-01-01 (completed call)

BST/ICO

- Local is bill & keep (no settlement)

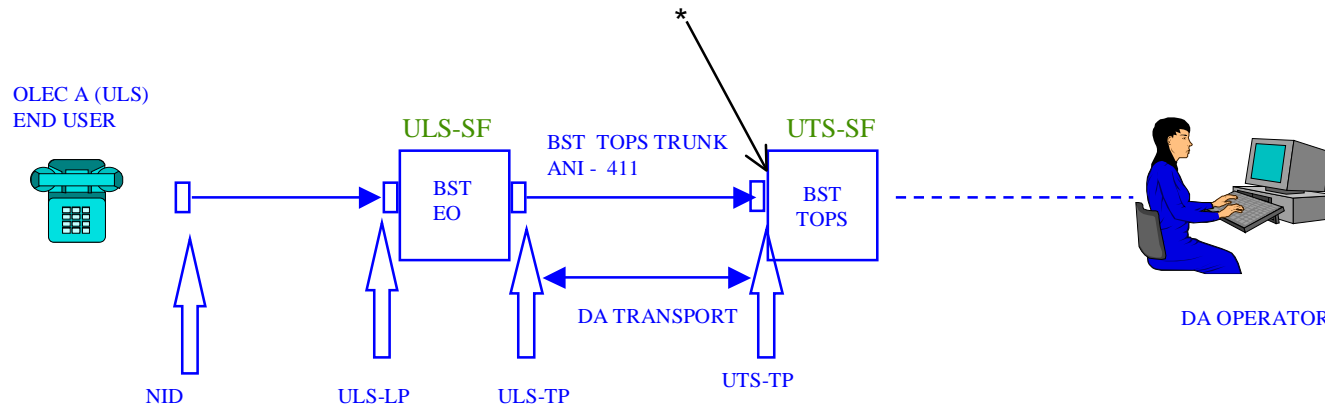
0+ 411 or Home NPA 555

11/13/01

UNE PORT/LOOP SWITCHED COMBINATION BILLING ARRANGEMENTS

D1. DIRECTORY ASSISTANCE - BST BRAND, UNBRANDED

Note: these call flows depict only the UNE usage elements to be billed not the specific DA charges



Billing Concept

-- Unbundled Network Elements
 Note: all DA calls are considered local

Usage Recordings

-- Call Code 194 is made at the TOPS
 (note: BST branded and unbranded use different BST TOPS trunk facilities
 Unbranded contains all unbranded CLECs)
 -- Call Code 189 (non-billable)
 -- Call Code 192 (DA charges/credits)

End User dials:

Eastern States - 411
 Western States - 1+411
 or Home NPA 555

Call is not completed

11/13/01

BST bills CLEC A

-- ULS-LP (loop and port monthly)
 -- 1 ULS-SFs (unbundled switching - originating, summarized at originating EO)
 - 1 ULS-TPs (end office trunk ports)
 -- UIT-S (unbundled transport, fixed, mileage calculated from EO to TOPS)
 -- UTS-SF (unbundled tandem switching full)
 -- 1 UTS-TP (unbundled full tandem trunk port)
 -- DA charges/credits (CC 192)

* indicates demarcation between UNE Network and other Networks

Billing Factors

-- NA

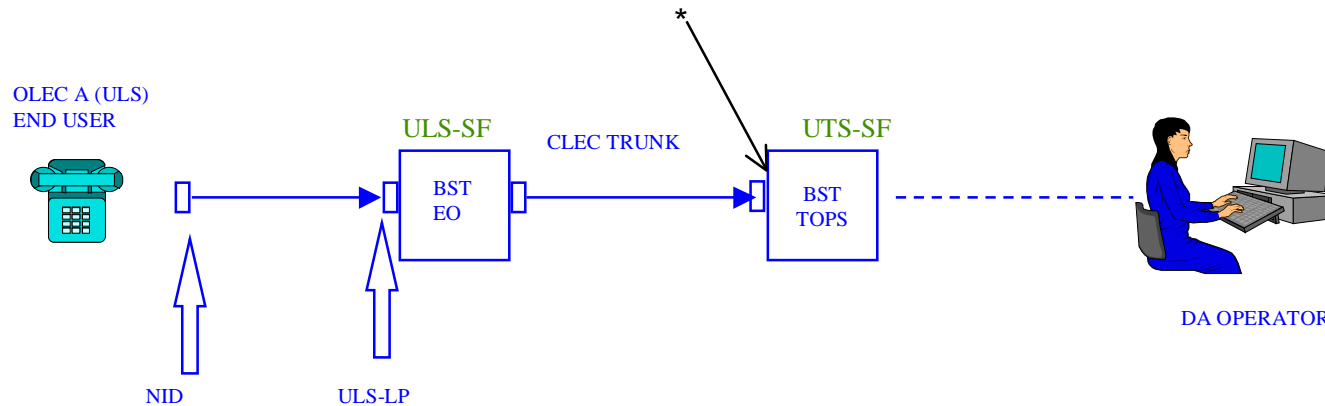
Record Exchange

BellSouth sends CLEC A
 ODUF 10-01-32

UNE PORT/LOOP SWITCHED COMBINATION BILLING ARRANGEMENTS

D2. DIRECTORY ASSISTANCE - CLEC BRANDED

Note: these call flows depict only the UNE usage elements to be billed not the specific DA charges



Billing Concept

- Unbundled Network Elements
- Note: all DA calls are considered local

Usage Recordings

- Call Code 194 is made at the TOPS
- Call Code 189 (non-billable)
- Call Code 192 (DA charges/credits)

End User dials:

- Eastern States - 411
- Western States - 1+411
- or Home NPA 555

Call is not completed

BST bills CLEC A

- ULS-LP (loop and port monthly)
- 1 ULS-SFs (unbundled switching - originating, summarized at originating EO)
- UTS-SF (unbundled tandem switching full)
- DA charges/credits (CC 192)

* indicates demarcation between UNE Network and other Networks

Billing Factors

- NA

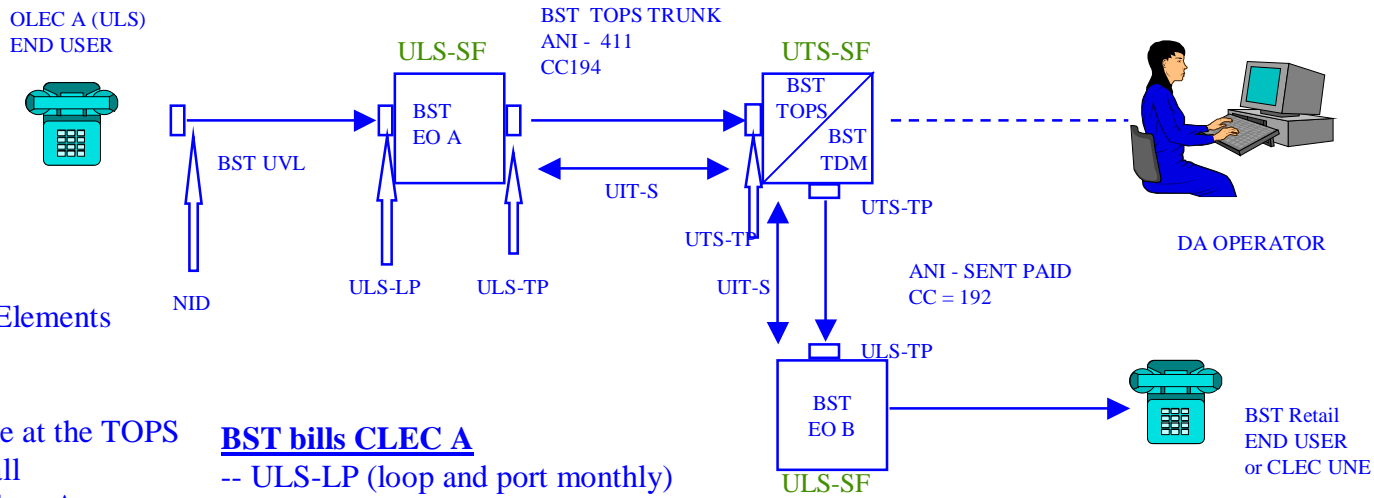
Record Exchange

BellSouth sends CLEC A
ODUF 10-01-32

UNE PORT/LOOP SWITCHED COMBINATION BILLING ARRANGEMENTS

D3. DIRECTORY ASSISTANCE With CALL COMPLETION WITHIN the LATA - BST BRAND or UNBRANDED

Note: these call flows depict only the UNE usage elements to be billed not the specific DA charges



Billing Concept

-- Unbundled Network Elements

Usage Recordings

- Call Code 194 is made at the TOPS for DA portion of the call
TOPS functions like a tandem. Assume CC194 contains operator work time
- Call Code 192 is made at the TOPS for DACC portion of the call
Assume CC192 contains call time.
- Call Code 189 (non-billable)
- Call Code 192 (DA charges/credits)

End User dials: home NPA 555 or East - 411 West - 1+411

Call Completion subsequent to DA or Call Completion is busy or no answer

BST bills CLEC A

- ULS-LP (loop and port monthly)
- 1 ULS-SFs (unbundled switching - originating) (CC194)
- 1 ULS-TPs (end office trunk port) (CC194)
- UIT-S (unbundled transport, fixed, mileage calculated from EOA to TOPS) (CC194)
- UTS-SF (unbundled full tandem switching) (CC194)
- 1 UTS-TPs (tandem office trunk ports - full) (CC194)
- 1 UIT-S (unbundled transport, fixed, mileage calculated from TOPS to EO B) (CC192)
- 1 ULS-SFs (unbundled switching - terminating) (CC192)
- 1 ULS-TP (end office trunk port) (CC192)
- 1 UTS-TPs (tandem office trunk ports - full) (CC192)
- DA charges/credits (CC 192)

Billing Factors

-- NA

Record Exchange

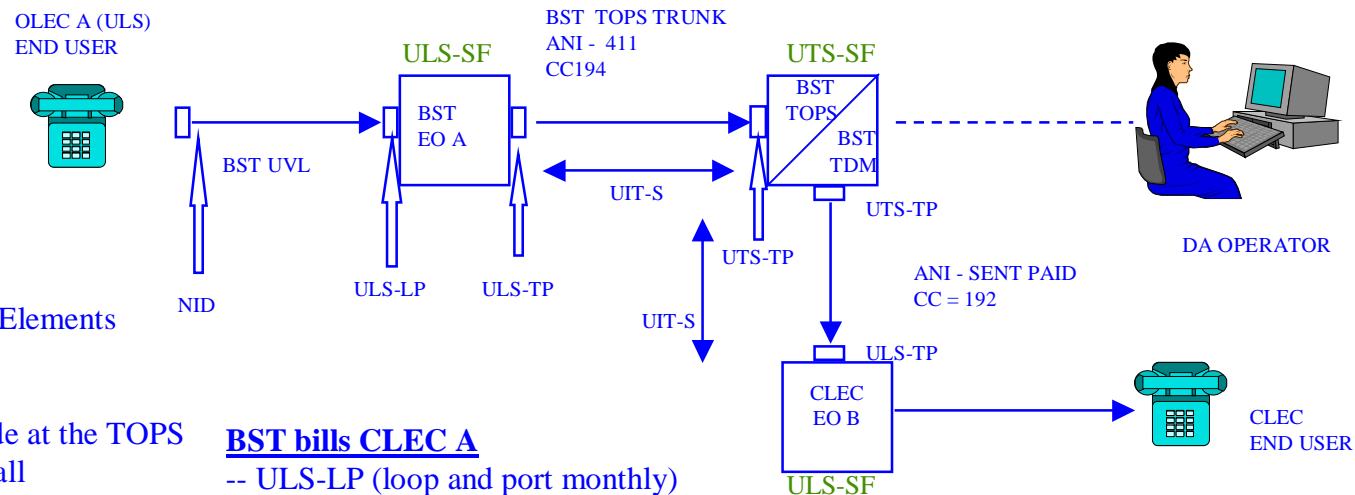
BellSouth sends CLEC A
ODUF 10-01-32 (DA Record)
ODUF 10-01-18 (DACC Record)
ODUF 10-01-01 (completed call)

UNE PORT/LOOP SWITCHED COMBINATION BILLING ARRANGEMENTS

D3A. DIRECTORY ASSISTANCE With CALL COMPLETION to CLEC

WITHIN the LATA - BST BRAND or UNBRANDED

Note: these call flows depict only the UNE usage elements to be billed not the specific DA charges



Billing Concept

-- Unbundled Network Elements

Usage Recordings

- Call Code 194 is made at the TOPS for DA portion of the call
TOPS functions like a tandem. Assume CC194 contains operator work time
- Call Code 192 is made at the TOPS for DACC portion of the call
Assume CC192 contains call time.
- Call Code 189 (non-billable)
- Call Code 192 (DA charges/credits)

End User dials: home NPA 555 or East - 411 West - 1+411
Call Completion subsequent to DA or Call Completion is busy or no answer

BST bills CLEC A

- ULS-LP (loop and port monthly)
- 1 ULS-SFs (unbundled switching - originating) (CC194)
- 1 ULS-TPs (end office trunk port) (CC194)
- UIT-S (unbundled transport, fixed, mileage calculated from EOA to TOPS) (CC194)
- UTS-SF (unbundled full tandem switching) (CC194)
- 1 UTS-TPs (tandem office trunk ports - full) (CC194)
- 1 UIT-S (unbundled transport, fixed, mileage calculated from TOPS to EO B) (CC192)
- 1 ULS-SFs (unbundled switching - terminating) (CC192)
- 1 ULS-TP (end office trunk port) (CC192)
- 1 UTS-TPs (tandem office trunk ports - full) (CC192)
- DA charges/credits (CC 192)

Billing Factors

-- NA

Record Exchange

BellSouth sends CLEC A
ODUF 10-01-32 (DA Record)
ODUF 10-01-18 (DACC Record)
ODUF 10-01-01 (completed call)

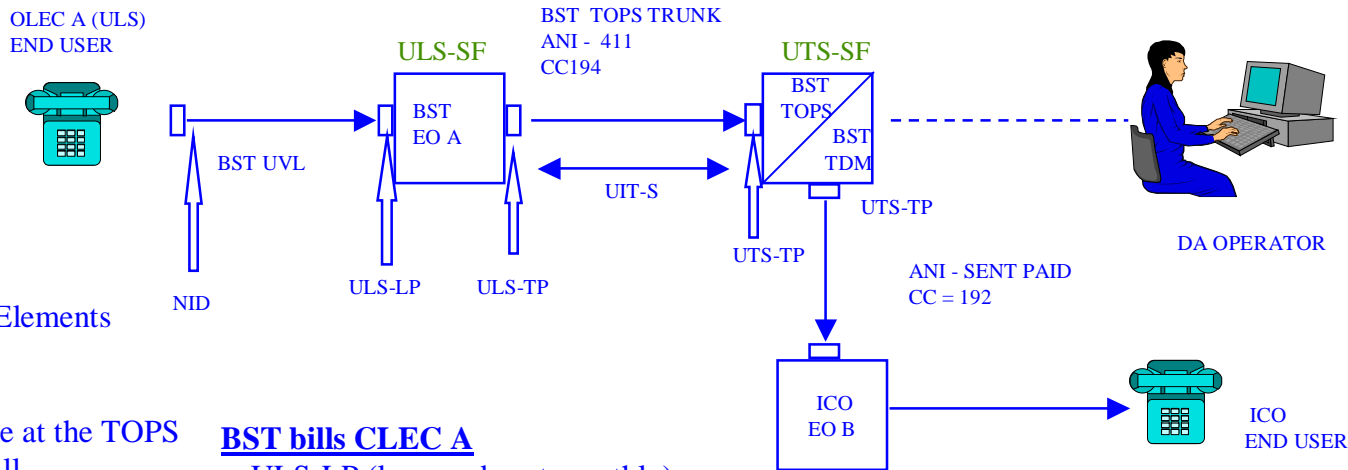
FB CLEC may bill BST

Reciprocal Compensation per agreement

UNE PORT/LOOP SWITCHED COMBINATION BILLING ARRANGEMENTS

D3B. DIRECTORY ASSISTANCE With CALL COMPLETION to ICO WITHIN the LATA - BST BRAND or UNBRANDED

Note: these call flows depict only the UNE usage elements to be billed not the specific DA charges



Billing Concept

-- Unbundled Network Elements

Usage Recordings

- Call Code 194 is made at the TOPS for DA portion of the call
 - TOPS functions like a tandem. Assume CC194 contains operator work time
- Call Code 192 is made at the TOPS for DACC portion of the call
 - Assume CC192 contains call time.
- Call Code 189 (non-billable)
- Call Code 192 (DA charges/credits)

End User dials: home NPA 555 or
 East - 411
 West - 1+411
 Call Completion subsequent to DA
 or Call Completion is busy or no answer

BST bills CLEC A

- ULS-LP (loop and port monthly)
- 1 ULS-SFs (unbundled switching - originating) (CC194)
- 1 ULS-TPs (end office trunk port) (CC194)
- UIT-S (unbundled transport, fixed, mileage calculated from EOA to TOPS) (CC194)
- UTS-SF (unbundled full tandem switching) (CC194)
- 1 UTS-TPs (tandem office trunk ports - full) (CC194)
- 1 UTS-TPs (tandem office trunk ports - full) (CC192)
- DA charges/credits (CC 192)

Billing Factors

-- NA

Record Exchange

BellSouth sends CLEC A
 ODUF 10-01-32 (DA Record)
 ODUF 10-01-18 (DACC Record)
 ODUF 10-01-01 (completed call)

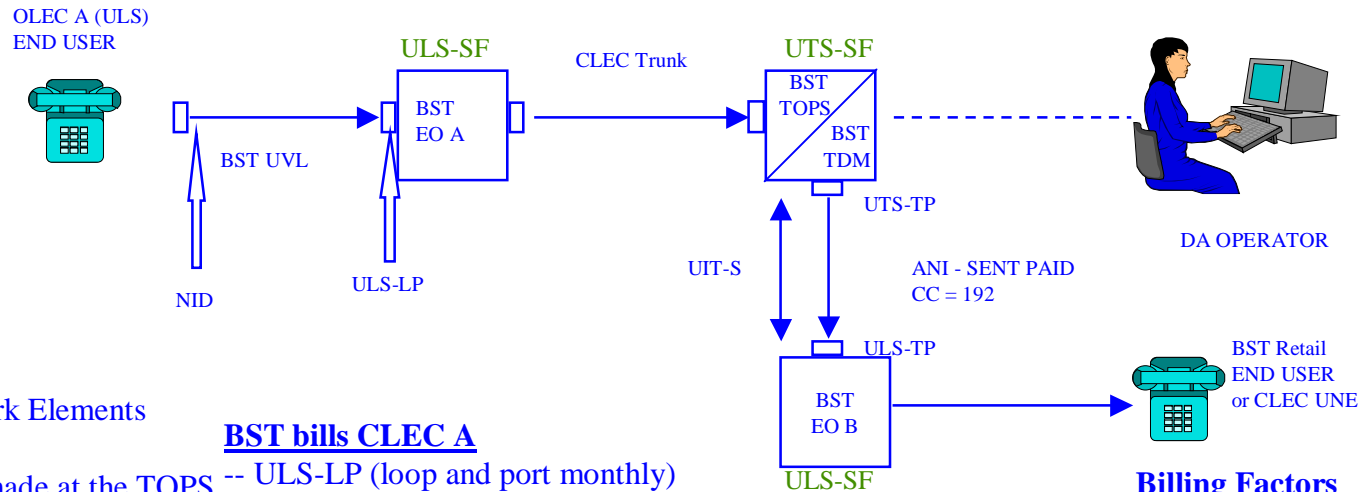
BST/ICO

Local is bill & keep (no settlement)

UNE PORT/LOOP SWITCHED COMBINATION BILLING ARRANGEMENTS

D4. DIRECTORY ASSISTANCE With CALL COMPLETION - WITHIN the LATA - CLEC BRANDED

Note: these call flows depict only the UNE usage elements to be billed not the specific DA charges



Billing Concept

-- Unbundled Network Elements

Usage Recordings

- Call Code 194 is made at the TOPS
TOPS functions like a tandem Assume
CC194 contains operator work time
- Call Code 192 is made at the TOPS
Assume CC192 contains call time.
- Call Code 189
- Call Code 192 (DA
charges/credits)

End User dials: home NPA 555 or
East - 411
West - 1+411

Call Completion subsequent to DA
or Call Completion is busy or no answer

BST bills CLEC A

- ULS-LP (loop and port monthly)
- 1 ULS-SFs (unbundled switching - originating) (CC194)
- UTS-SF (unbundled full tandem switching) (CC194)
- 1 UIT-S (unbundled transport, fixed, mileage calculated
from TOPS to EO B) (CC192)
- 1 ULS-SFs (unbundled switching - terminating) (CC192)
- 1 ULS-TP (end office trunk port) (CC192)
- 1 UTS-TPs (tandem office trunk ports - full) (CC192)
- DA charges/credits (CC 192)

Billing Factors

-- NA

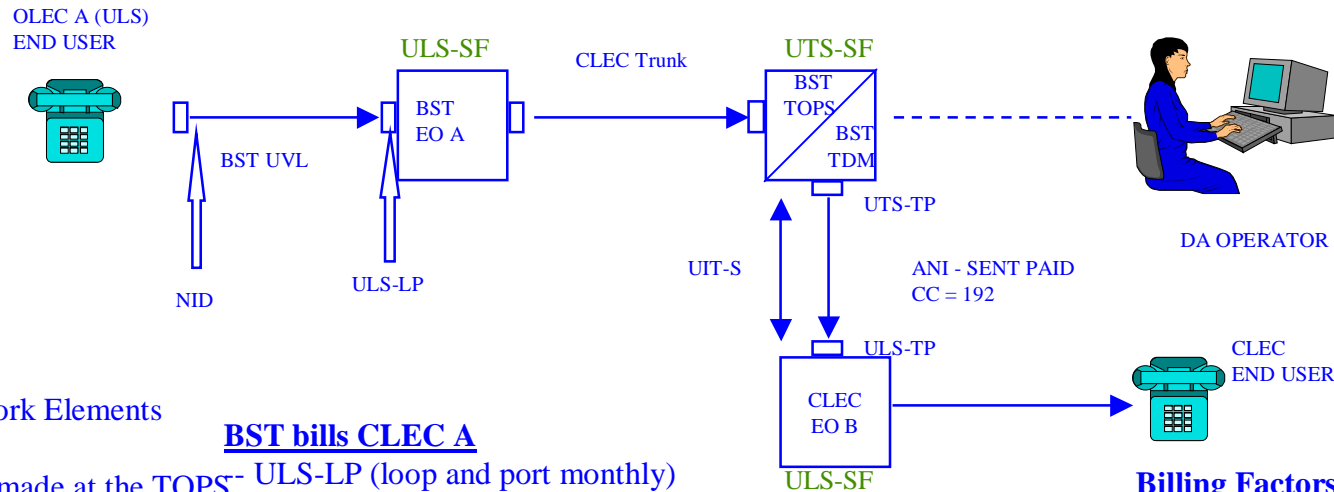
Record Exchange

BellSouth sends CLEC A
ODUF 10-01-32 (DA Record)
ODUF 10-01-18 (DACC Record)
ODUF 10-01-01 (completed call)

UNE PORT/LOOP SWITCHED COMBINATION BILLING ARRANGEMENTS

D4A. DIRECTORY ASSISTANCE With CALL COMPLETION to CLEC - WITHIN the LATA - CLEC BRANDED

Note: these call flows depict only the UNE usage elements to be billed not the specific DA charges



Billing Concept

-- Unbundled Network Elements

Usage Recordings

- Call Code 194 is made at the TOPS Assume CC194 contains operator work time
- Call Code 192 is made at the TOPS Assume CC192 contains call time.
- Call Code 189 (non-billable)
- Call Code 192 (DA charges/credits)

End User dials: home NPA 555 or
East - 411
West - 1+411

Call Completion subsequent to DA
or Call Completion is busy or no answer

BST bills CLEC A

- ULS-LP (loop and port monthly)
- 1 ULS-SFs (unbundled switching - originating) (CC194)
- UTS-SF (unbundled full tandem switching) (CC194)
- 1 UIT-S (unbundled transport, fixed, mileage calculated from TOPS to EO B) (CC192)
- 1 ULS-SFs (unbundled switching - terminating) (CC192)
- 1 ULS-TP (end office trunk port) (CC192)
- 1 UTS-TPs (tandem office trunk ports - full) (CC192)
- DA charges/credits (CC 192)

Billing Factors

-- NA

Record Exchange

BellSouth sends CLEC A
ODUF 10-01-32 (DA Record)
ODUF 10-01-18 (DACC Record)
ODUF 10-01-01 (completed call)

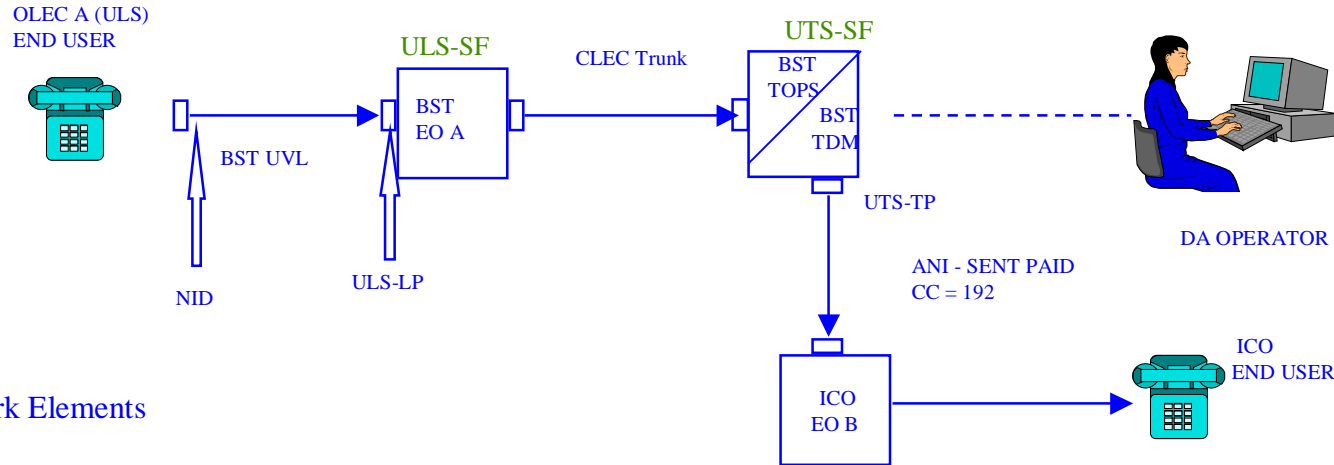
FB CLEC may bill BST

Reciprocal Compensation per agreement

UNE PORT/LOOP SWITCHED COMBINATION BILLING ARRANGEMENTS

D4B. DIRECTORY ASSISTANCE With CALL COMPLETION to ICO - WITHIN the LATA - CLEC BRANDED

Note: these call flows depict only the UNE usage elements to be billed not the specific DA charges



Billing Concept

-- Unbundled Network Elements

Usage Recordings

- Call Code 194 is made at the TOPS
TOPS functions like a tandem Assume
CC194 contains operator work time
- Call Code 192 is made at the TOPS
Assume CC192 contains call time.
- Call Code 189 (non-billable)
- Call Code 192 (DA
charges/credits)

End User dials: home NPA 555 or
East - 411
West - 1+411

Call Completion subsequent to DA
or Call Completion is busy or no answer

BST bills CLEC A

- ULS-LP (loop and port monthly)
- 1 ULS-SFs (unbundled switching - originating) (CC194)
- UTS-SF (unbundled full tandem switching) (CC194)
- 1 UTS-TPs (tandem office trunk ports - full) (CC192)
- DA charges/credits (CC 192)

BST/ICO

Local is bill & keep (no settlement)

Billing Factors

-- NA

Record Exchange

BellSouth sends CLEC A
ODUF 10-01-32 (DA Record)
ODUF 10-01-18 (DACC Record)
ODUF 10-01-01 (completed call)

UNE PORT/LOOP SWITCHED COMBINATION BILLING ARRANGEMENTS Glossary

ADUF - Access Daily Usage File (general EMI category 11)
BST - BellSouth Telecommunications
BSWC- BellSouth Serving Wire Center
CLEC - Competitive Local Exchange Company
EF - Entrance Facility
FB - Facility Based (FB CLECs include CLECs and non-Section 259 ICOs)
EO - End Office
ICO - Independent Telephone Company (a.k.a. ITC) that are covered by Section 259 of the FCC Order.
MTA- Major Trading Area
NCTA - Non-conversation and Attempt Factors
NID - Network Interface Device
ODUF - CLEC Daily Usage File (primarily contains but not limited EMI category 01, 10, some 11 query records , non access records)
POI - Point of Interface
TDM - Tandem Switching Office
TSP - Tandem Service Provider
Toll Call - Toll calls are carried on the BST IntraLATA network. The switch CIC code will be the BST IntraLATA code 5124.
UVL - Unbundled Voice Loop
ULS-LP - Unbundled Circuit Switching-Line Port
ULS-SF - Unbundled Circuit Switching - Switching Functionality
UIT-S - Unbundled Interoffice Transport - Shared. UIT-S cannot be dedicated trunks.
UIT-D - Unbundled Interoffice Transport - Direct. UIT-D provides dedicated trunks.
UNE - Unbundled Network Element
UTS -SF - Unbundled Tandem Switching - Switching Functionality
UTS -TP - Unbundled Tandem Switching - Trunk Port

PROPOSED UNE BILLING ARRANGEMENTS

Notes

- *Local Toll Exceptions*
- *Records sent to UNE CLECs that subscribe to ODUF will reflect call types as recorded by the originating switch. Calls that are recorded by the switch as Local, that remain within the originating LATA, and are carried over the BellSouth network will be sent on ODUF as local records. Calls that are recorded by the originating switch as toll, that remain within the LATA, and are carried on the BellSouth network will be sent on ODUF as toll records. There are three unique aspects involved in the reason BellSouth provides the records as the switch records them:*
- *1. Dialing Parity – All calls can be dialed in parity with BellSouth retail plans. The calls are recorded in the same manner as we do for our retail customers. If the switch records a toll call, ODUF provides the UNE CLEC with a toll record.*
- *2. BellSouth Retail Customers and Resale – When processing calls recorded by BellSouth switches, BellSouth does not necessarily look at type of call to determine if it should be billed local or toll rates **to the end users**. The call is processed by verifying the From and To numbers and determining what is allowed in the tariff for the calling plan of the end user. BellSouth bills its retail customers as mandated in the tariffs.*
- *3. CLEC UNE Calling Plans – BellSouth cannot control how a UNE CLEC bills end users for calls. The UNE CLEC can create its own unique calling plan for local/toll, or mirror the BellSouth calling plans. This is a business decision the UNE CLEC makes, not BellSouth. Therefore, if the UNE CLEC decides to mirror the BellSouth local/toll calling plans, it is up to the UNE CLEC to develop all the systems necessary to process and bill the ODUF calls, as does BellSouth.*
- *In summary, BellSouth must bill retail customers and Resale CLECs according to the calling plan chosen by the end user, and as mandated in the tariffs. UNE CLECs have the flexibility of creating their own unique calling plans or mirroring the BellSouth calling plans. Therefore, BellSouth provides the UNE CLECs with call data, strictly as it is recorded within the BellSouth switches.*

**AMENDMENT
TO THE
AGREEMENT BETWEEN
ELECTRIC POWER BOARD OF CHATTANOOGA
AND
BELLSOUTH TELECOMMUNICATIONS, INC.
DATED MAY 16, 2001**

Pursuant to this Amendment, (the "Amendment") Electric Power Board of Chattanooga ("EPB Telecommunications") and BellSouth Telecommunications, Inc. ("BellSouth"), hereinafter referred to collectively as the "Parties", hereby agree to amend that certain Interconnection Agreement between the Parties dated May 16, 2001 ("Agreement").

WHEREAS, BellSouth and EPB Telecommunications entered into the Agreement on May 16, 2001, and;

NOW THEREFORE, in consideration of the mutual provisions contained herein and other good and valuable consideration, the receipt and sufficiency of which are hereby acknowledged, the Parties hereby covenant and agree as follows:

1. Attachment 1, Resale, Section 6.6, is hereby deleted in its entirety and replaced with new Section 6.6, as set forth in Exhibit 1 attached hereto and incorporated herein by this reference.
2. Attachment 7, Billing, Section 1.8, is hereby deleted in its entirety and replaced with a new Section 1.8, as set forth in Exhibit 1 attached hereto and incorporated herein by this reference.
3. All of the other provisions of the Agreement, dated May 16, 2001, shall remain in full force and effect.
4. Either or both of the Parties are authorized to submit this Amendment to the respective state regulatory authorities for approval subject to Section 252(e) of the Federal Telecommunications Act of 1996.

IN WITNESS WHEREOF, the Parties hereto have caused this Amendment to be executed by their respective duly authorized representatives and shall be deemed effective the date of the last signature of both Parties.

BellSouth Telecommunications, Inc.

By: Original Signature on File

Name: Gregory R. Follensbee

Title: Senior Director

Date: 4/26/02

Electric Power Board of Chattanooga

By: Original Signature on File

Name: W. E. Chapman

Title: Senior Vice President

Date: 4/19/02

Attachment 1 – Resale

- 6.6 EPB Telecommunications shall complete the BellSouth Credit Profile and provide information to BellSouth regarding credit worthiness. Based on the results of the credit analysis, BellSouth reserves the right to secure the account with a suitable form of security deposit. Such security deposit shall take the form of cash, an Irrevocable Letter of Credit (BellSouth form), Surety Bond (BellSouth form) or, in BellSouth's sole discretion, some other form of security. The fact that a security deposit has been made in no way relieves EPB Telecommunications from complying with BellSouth's regulations as to advance payments. Any such security deposit shall in no way release EPB Telecommunications from its obligation to make complete and timely payments of its bill. EPB Telecommunications shall pay any applicable deposits prior to the inauguration of service. If, in the sole opinion of BellSouth, circumstances so warrant and/or gross monthly billing has increased beyond the level initially used to determine the level of security deposit, BellSouth reserves the right to request additional security and/or file a Uniform Commercial Code (UCC-1) security interest in EPB Telecommunications' "accounts receivables and proceeds." Interest on a security deposit, if provided in cash, shall accrue and be paid in accordance with the terms in the appropriate BellSouth tariff. Security deposits collected under this Section shall not exceed two months' estimated billing. In the event EPB Telecommunications fails to remit to BellSouth any deposit requested pursuant to this Section, service to EPB Telecommunications may be terminated, and any security deposits will be applied to EPB Telecommunications' account(s). In the event EPB Telecommunications defaults on its account, service to EPB Telecommunications will be terminated, and any security deposits will be applied to its account.

Attachment 7 - Billing

- 1.8 EPB Telecommunications shall complete the BellSouth Credit Profile and provide information to BellSouth regarding credit worthiness. Based on the results of the credit analysis, BellSouth reserves the right to secure the account with a suitable form of security deposit. Such security deposit shall take the form of cash, an Irrevocable Letter of Credit (BellSouth form), Surety Bond (BellSouth form) or, in BellSouth's sole discretion, some other form of security. Any such security deposit shall in no way release EPB Telecommunications from its obligation to make complete and timely payments of its bill. EPB Telecommunications shall pay any applicable deposits prior to the inauguration of service. If, in the sole opinion of BellSouth, circumstances so warrant and/or gross monthly billing has increased beyond the level initially used to determine the level of security deposit, BellSouth reserves the right to request additional security and/or file a Uniform Commercial Code (UCC-1) security interest in EPB Telecommunications' "accounts receivables and proceeds." Interest on a security deposit, if provided in cash, shall accrue and be paid in accordance with the terms in the appropriate BellSouth tariff. Security deposits collected under this Section shall not exceed two months' estimated billing. In the event EPB Telecommunications fails to remit to BellSouth any deposit requested pursuant to this Section, service to EPB Telecommunications may be terminated, and any security deposits will be applied to EPB Telecommunications' account(s). In the event that EPB Telecommunications defaults on its account, service to EPB Telecommunications will be

terminated in accordance with Section 1.7 of this Attachment, and any security deposits held will be applied to its account.

**AMENDMENT
TO THE
AGREEMENT BETWEEN
ELECTRIC POWER BOARD OF CHATTANOOGA AND
BELLSOUTH TELECOMMUNICATIONS, INC.
DATED MAY 16, 2001**

Pursuant to this Agreement, (the "Amendment"), Electric Power Board of Chattanooga, ("EPB Telecommunications"), an independent board of the City of Chattanooga, a Tennessee municipal corporation, and BellSouth Telecommunications, Inc. ("BellSouth"), a Georgia corporation, having an office at 675 W. Peachtree Street, Atlanta, Georgia, 30375, on behalf of itself, hereinafter referred to collectively as the "Parties," hereby agree to amend that certain Interconnection Agreement between the Parties dated May 16, 2001 ("Agreement").

WHEREAS, BellSouth and EPB Telecommunications entered into the Agreement on May 16, 2001 and;

WHEREAS, the Parties desire to amend the Agreement to include Unbundled Remote Call Forwarding (URCF) service.

NOW THEREFORE, in consideration of the mutual provisions contained herein and other good and valuable consideration, the receipt and sufficiency of which are hereby acknowledged, the Parties hereby covenant and agree as follows:

1. Section 4.1 of Attachment 2 is amended to include a new Section 4.1.7 Remote Call Forwarding incorporated herein below:

4.1.7 Remote Call Forwarding

- 4.1.7.1 As an option, BellSouth shall make available to EPB Telecommunications an unbundled port with Remote Call Forwarding capability ("URCF service"). URCF service combines the functionality of unbundled local switching, tandem switching and common transport to forward calls from the URCF service telephone number (the number dialed by the calling party) to another telephone number selected by the URCF service subscriber. When ordering URCF service, EPB Telecommunications will ensure that the following conditions are satisfied:

- 4.1.7.1.1 That the end user of the forward-to number (service) agrees to receive calls forwarded using the URCF service (if such end user is different from the URCF service end user);
 - 4.1.7.1.2 That the forward-to number (service) is equipped with sufficient capacity to receive the volume of calls that will be generated from the URCF service;
 - 4.1.7.1.3 That the URCF service will not be utilized to forward calls to another URCF or similar service; and
 - 4.1.7.1.4 That the forward-to number (service) is not a public safety number (e.g. 911, fire or police number).
- 4.1.7.2 In addition to the charge for the URCF service port, BellSouth shall charge EPB Telecommunications the rates set forth in Exhibit C for unbundled local switching, tandem switching, and common transport, including all associated usage, incurred for calls from the URCF service telephone number (the number dialed by the calling party) to the forward- to number (service).
2. Attachment 2 Exhibit C –UNE Rates of the Agreement is amended to add URCF Service rates, incorporated herein by reference as Exhibit 1 to this Amendment.
 3. All of the other provisions of the Agreement, dated May 16, 2001 shall remain in full force and effect.
 4. Either or both of the Parties is authorized to submit this Amendment to the respective state regulatory authorities for approval subject to Section 252(e) of the Federal Telecommunications Act of 1996.

This Amendment shall be deemed effective 30 calendar days following the date of the last signature of both parties.

IN WITNESS WHEREOF, the Parties hereto have caused this Amendment to be executed by their respective duly authorized representatives on the date indicated below.

BellSouth Telecommunications, Inc.

**Electric Power Board of
Chattanooga**

By: Original Signature on File

By: Original Signature on File

Name: C. W. Boltz

Name: W. E. Chapman

Title: Managing Director

Title: Senior Vice President

Date: 5/29/02

Date: 5/24/02

Exhibit 1

UNEs - Alabama											Attachment 2		Exhibit C		
CATEGORY	RATE ELEMENTS	Interim	Zone	BCS	USOC	RATES(\$)				OSS RATES(\$)					
						Rec	First	Add'l	Nonrecurring	Nonrecurring Disconnect	SOME C	SOMAN	SOMAN	SOMAN	SOMAN
UNBUNDLED LOCAL EXCHANGE SWITCHING(PORTS)															
UNBUNDLED PORT WITH REMOTE CALL FORWARDING CAPABILITY															
UNBUNDLED REMOTE CALL FORWARDING SERVICE - RESIDENCE															
	Unbundled Remote Call Forwarding Service, Area Calling, Res			UEPVR	UERAC	2.07	21.93	21.93				27.37	12.97	17.77	1.44
	Unbundled Remote Call Forwarding Service, Local Calling - Res			UEPVR	UERLC	2.07	21.93	21.93				27.37	12.97	17.77	1.44
	Unbundled Remote Call Forwarding Service, InterLATA - Res			UEPVR	UERTE	2.07	21.93	21.93				27.37	12.97	17.77	1.44
	Unbundled Remote Call Forwarding Service, IntraLATA - Res			UEPVR	UERTR	2.07	21.93	21.93				27.37	12.97	17.77	1.44
Non-Recurring															
	Unbundled Remote Call Forwarding Service - Conversion - Switch-as-is			UEPVR	USAC2		2.80	0.41				40.71	9.58		
	Unbundled Remote Call Forwarding Service - Conversion with allowed change (PIC and LPIC)			UEPVR	USACC		2.80	0.41							
UNBUNDLED REMOTE CALL FORWARDING - Bus															
	Unbundled Remote Call Forwarding Service, Area Calling - Bus			UEPVB	UERAC	2.07	21.93	21.93				27.37	12.97	17.77	1.44
	Unbundled Remote Call Forwarding Service, Local Calling - Bus			UEPVB	UERLC	2.07	21.93	21.93				27.37	12.97	17.77	1.44
	Unbundled Remote Call Forwarding Service, InterLATA - Bus			UEPVB	UERTE	2.07	21.93	21.93				27.37	12.97	17.77	1.44
	Unbundled Remote Call Forwarding Service, IntraLATA - Bus			UEPVB	UERTR	2.07	21.93	21.93				27.37	12.97	17.77	1.44
	Unbundled Remote Call Forwarding Service Expanded and Exception Local Calling			UEPVB	UERVJ	2.07	21.93	21.93				27.37	12.97	17.77	1.44
Non-Recurring															
	Unbundled Remote Call Forwarding Service - Conversion - Switch-as-is			UEPVB	USAC2		2.80	0.41				40.71	9.58		
	Unbundled Remote Call Forwarding Service - Conversion with allowed change (PIC and LPIC)			UEPVB	USACC		2.80	0.41							

UNEs - Florida											Attachment 2		Exhibit C			
CATEGORY	RATE ELEMENTS	Interim	Zone	BCS	USOC	RATES(\$)					OSS RATES(\$)					
						Rec	First	Add'l	First	Add'l	SOMEc	SOMAN	SOMAN	SOMAN	SOMAN	SOMAN
UNBUNDLED LOCAL EXCHANGE SWITCHING(PORTS)																
UNBUNDLED PORT WITH REMOTE CALL FORWARDING CAPABILITY																
UNBUNDLED REMOTE CALL FORWARDING SERVICE - RESIDENCE																
	Unbundled Remote Call Forwarding Service, Area Calling, Res			UEPVR	UERAC	1.40	3.74	3.63	1.88	1.80		11.90				
	Unbundled Remote Call Forwarding Service, Local Calling - Res			UEPVR	UERLC	1.40	3.74	3.63	1.88	1.80		11.90				
	Unbundled Remote Call Forwarding Service, InterLATA - Res			UEPVR	UERTE	1.40	3.74	3.63	1.88	1.80		11.90				
	Unbundled Remote Call Forwarding Service, IntraLATA - Res			UEPVR	UERTR	1.40	3.74	3.63	1.88	1.80		11.90				
	Non-Recurring															
	Unbundled Remote Call Forwarding Service - Conversion - Switch-as-is			UEPVR	USAC2		0.102	0.102				11.90				
	Unbundled Remote Call Forwarding Service - Conversion with allowed change (PIC and LPIC)			UEPVR	USACC		0.102	0.102								
UNBUNDLED REMOTE CALL FORWARDING - Bus																
	Unbundled Remote Call Forwarding Service, Area Calling - Bus			UEPVB	UERAC	1.40	3.74	3.63	1.88	1.80		11.90				
	Unbundled Remote Call Forwarding Service, Local Calling - Bus			UEPVB	UERLC	1.40	3.74	3.63	1.88	1.80		11.90				
	Unbundled Remote Call Forwarding Service, InterLATA - Bus			UEPVB	UERTE	1.40	3.74	3.63	1.88	1.80		11.90				
	Unbundled Remote Call Forwarding Service, IntraLATA - Bus			UEPVB	UERTR	1.40	3.74	3.63	1.88	1.80		11.90				
	Unbundled Remote Call Forwarding Service Expanded and Exception Local Calling			UEPVB	UEVJ	1.40	3.74	3.63	1.88	1.80		11.90				
	Non-Recurring															
	Unbundled Remote Call Forwarding Service - Conversion - Switch-as-is			UEPVB	USAC2		0.102	0.102				11.90				
	Unbundled Remote Call Forwarding Service - Conversion with allowed change (PIC and LPIC)			UEPVB	USACC		0.102	0.102								

UNEs - Georgia											Attachment 2		Exhibit C						
CATEGORY	RATE ELEMENTS					Interim	Zone	BCS	USOC	RATES(\$)				OSS RATES(\$)					
	Rec	Nonrecurring		Nonrecurring Disconnect						SOMEc	SOMAN	SOMAN	SOMAN	SOMAN	SOMAN	SOMAN	Incremental Charge - Manual Svc Order vs. Electronic-Disc 1st	Incremental Charge - Manual Svc Order vs. Electronic-Disc Add'l	
			First	Add'l	First	Add'l													
UNBUNDLED LOCAL EXCHANGE SWITCHING(PORTS)																			
UNBUNDLED PORT WITH REMOTE CALL FORWARDING CAPABILITY																			
UNBUNDLED REMOTE CALL FORWARDING SERVICE - RESIDENCE																			
	Unbundled Remote Call Forwarding Service, Area Calling - Res						UEPVR	UERAC	1.85	17.16	17.16				18.94	8.42			
	Unbundled Remote Call Forwarding Service, Local Calling - Res						UEPVR	UERLC	1.85	17.16	17.16				18.94	8.42			
	Unbundled Remote Call Forwarding Service, InterLATA - Res						UEPVR	UERTE	1.85	17.16	17.16				18.94	8.42			
	Unbundled Remote Call Forwarding Service, IntraLATA - Res						UEPVR	UERTR	1.85	17.16	17.16				18.94	8.42			
Non-Recurring																			
	Unbundled Remote Call Forwarding Service - Conversion - Switch-as-is						UEPVR	USAC2		2.01	0.31				33.67	7.88	11.17	3.91	
	Unbundled Remote Call Forwarding Service - Conversion with allowed change (PIC and LPIC)						UEPVR	USACC		2.01	0.31								
UNBUNDLED REMOTE CALL FORWARDING - Bus																			
	Unbundled Remote Call Forwarding Service, Area Calling - Bus						UEPVB	UERAC	1.85	17.16	17.16				18.94	8.42			
	Unbundled Remote Call Forwarding Service, Local Calling - Bus						UEPVB	UERLC	1.85	17.16	17.16				18.94	8.42			
	Unbundled Remote Call Forwarding Service, InterLATA - Bus						UEPVB	UERTE	1.85	17.16	17.16				18.94	8.42			
	Unbundled Remote Call Forwarding Service, IntraLATA - Bus						UEPVB	UERTR	1.85	17.16	17.16				18.94	8.42			
	Unbundled Remote Call Forwarding Service Expanded and Exception Local Calling						UEPVB	UERVJ	1.85	17.16	17.16				18.94	8.42			
Non-Recurring																			
	Unbundled Remote Call Forwarding Service - Conversion - Switch-as-is						UEPVB	USAC2		2.01	0.31				33.67	7.88	11.17	3.91	
	Unbundled Remote Call Forwarding Service - Conversion with allowed change (PIC and LPIC)						UEPVB	USACC		2.01	0.31								

UNEs - Kentucky											Attachment 2		Exhibit C			
CATEGORY	RATE ELEMENTS	Interim	Zone	BCS	USOC	RATES(\$)					OSS RATES(\$)					
						Rec	First	Add'l	First	Add'l	SOME C	SOMAN	SOMAN	SOMAN	SOMAN	SOMAN
UNBUNDLED LOCAL EXCHANGE SWITCHING(PORTS)																
UNBUNDLED PORT WITH REMOTE CALL FORWARDING CAPABILITY																
UNBUNDLED REMOTE CALL FORWARDING SERVICE - RESIDENCE																
	Unbundled Remote Call Forwarding Service, Area Calling, Res			UEPVR	UERAC	1.49	3.74	3.63				7.86				
	Unbundled Remote Call Forwarding Service, Local Calling - Res			UEPVR	UERLC	1.49	3.74	3.63				7.86				
	Unbundled Remote Call Forwarding Service, InterLATA - Res			UEPVR	UERTE	1.49	3.74	3.63				7.86				
	Unbundled Remote Call Forwarding Service, IntraLATA - Res			UEPVR	UERTR	1.49	3.74	3.63				7.86				
Non-Recurring																
	Unbundled Remote Call Forwarding Service - Conversion - Switch-as-is			UEPVR	USAC2		0.10	0.10				7.86				
	Unbundled Remote Call Forwarding Service - Conversion with allowed change (PIC and LPIC)			UEPVR	USACC		0.10	0.10								
UNBUNDLED REMOTE CALL FORWARDING - Bus																
	Unbundled Remote Call Forwarding Service, Area Calling - Bus			UEPVB	UERAC	1.49	3.74	3.63				7.86				
	Unbundled Remote Call Forwarding Service, Local Calling - Bus			UEPVB	UERLC	1.49	3.74	3.63				7.86				
	Unbundled Remote Call Forwarding Service, InterLATA - Bus			UEPVB	UERTE	1.49	3.74	3.63				7.86				
	Unbundled Remote Call Forwarding Service, IntraLATA - Bus			UEPVB	UERTR	1.49	3.74	3.63				7.86				
Non-Recurring																
	Unbundled Remote Call Forwarding Service - Conversion - Switch-as-is			UEPVB	USAC2		0.10	0.10				7.86				
	Unbundled Remote Call Forwarding Service - Conversion with allowed change (PIC and LPIC)			UEPVB	USACC		0.10	0.10								

UNEs - Louisiana														Attachment 2		Exhibit C	
CATEGORY	RATE ELEMENTS	Interim	Zone	BCS	USOC	RATES(\$)						OSS RATES(\$)					
						Rec	First	Add'l	First	Add'l	SOMEc	SOMAN	SOMAN	SOMAN	SOMAN	SOMAN	SOMAN
UNBUNDLED LOCAL EXCHANGE SWITCHING(PORTS)																	
UNBUNDLED PORT WITH REMOTE CALL FORWARDING CAPABILITY																	
UNBUNDLED REMOTE CALL FORWARDING SERVICE - RESIDENCE																	
	Unbundled Remote Call Forwarding Service, Area Calling, Res			UEPVR	UERAC	1.52	2.31	2.21					15.20				
	Unbundled Remote Call Forwarding Service, Local Calling - Res			UEPVR	UERLC	1.52	2.31	2.21					15.20				
	Unbundled Remote Call Forwarding Service, InterLATA - Res			UEPVR	UERTE	1.52	2.31	2.21					15.20				
	Unbundled Remote Call Forwarding Service, IntraLATA - Res			UEPVR	UERTR	1.52	2.31	2.21					15.20				
	Non-Recurring																
	Unbundled Remote Call Forwarding Service - Conversion - Switch-as-is			UEPVR	USAC2		0.10	0.10					15.20				
	Unbundled Remote Call Forwarding Service - Conversion with allowed change (PIC and LPIC)			UEPVR	USACC		0.10	0.10									
UNBUNDLED REMOTE CALL FORWARDING - Bus																	
	Unbundled Remote Call Forwarding Service, Area Calling - Bus			UEPVB	UERAC	1.52	2.31	2.21					15.20				
	Unbundled Remote Call Forwarding Service, Local Calling - Bus			UEPVB	UERLC	1.52	2.31	2.21					15.20				
	Unbundled Remote Call Forwarding Service, InterLATA - Bus			UEPVB	UERTE	1.52	2.31	2.21					15.20				
	Unbundled Remote Call Forwarding Service, IntraLATA - Bus			UEPVB	UERTR	1.52	2.31	2.21					15.20				
	Unbundled Remote Call Forwarding Service Expanded and Exception Local Calling			UEPVB	UERVJ	1.52	2.31	2.21					15.20				
	Non-Recurring																
	Unbundled Remote Call Forwarding Service - Conversion - Switch-as-is			UEPVB	USAC2		0.10	0.10					15.20				
	Unbundled Remote Call Forwarding Service - Conversion with allowed change (PIC and LPIC)			UEPVB	USACC		0.10	0.10									

CATEGORY	RATE ELEMENTS	Interim	Zone	BCS	USOC	RATES(\$)					OSS RATES(\$)						
						Rec	First	Add'l	First	Add'l	SOME	SOMA	SOMA	SOMA	Inc	Inc	
							Nonrecurring		Nonrecurring Disconnect			Svc Order Submitted Elec per LSR	Svc Order Submitted Manually per LSR	Incremental Charge - Manual Svc Order vs. Electronic-1st	Incremental Charge - Manual Svc Order vs. Electronic-Add'l	Incremental Charge - Manual Svc Order vs. Electronic-Disc 1st	Incremental Charge - Manual Svc Order vs. Electronic-Disc Add'l
							Rec	First	Add'l	First	Add'l	SOME	SOMA	SOMA	SOMA	SOMA	SOMA
UNBUNDLED LOCAL EXCHANGE SWITCHING(PORTS)																	
UNBUNDLED PORT WITH REMOTE CALL FORWARDING CAPABILITY																	
UNBUNDLED REMOTE CALL FORWARDING SERVICE - RESIDENCE																	
	Unbundled Remote Call Forwarding Service, Area Calling, Res			UEPVR	UERAC	1.41	2.39	2.29	1.42	1.33							
	Unbundled Remote Call Forwarding Service, Local Calling - Res			UEPVR	UERLC	1.41	2.39	2.29	1.42	1.33							
	Unbundled Remote Call Forwarding Service, InterLATA - Res			UEPVR	UERTE	1.41	2.39	2.29	1.42	1.33							
	Unbundled Remote Call Forwarding Service, IntraLATA - Res			UEPVR	UERTR	1.41	2.39	2.29	1.42	1.33							
	Non-Recurring																
	Unbundled Remote Call Forwarding Service - Conversion - Switch-as-is			UEPVR	USAC2		0.0988	0.0988						15.75			
	Unbundled Remote Call Forwarding Service - Conversion with allowed change (PIC and LPIC)			UEPVR	USACC		0.0988	0.0988									
UNBUNDLED REMOTE CALL FORWARDING - Bus																	
	Unbundled Remote Call Forwarding Service, Area Calling - Bus			UEPVB	UERAC	1.41	2.39	2.29	1.42	1.33							
	Unbundled Remote Call Forwarding Service, Local Calling - Bus			UEPVB	UERLC	1.41	2.39	2.29	1.42	1.33							
	Unbundled Remote Call Forwarding Service, InterLATA - Bus			UEPVB	UERTE	1.41	2.39	2.29	1.42	1.33							
	Unbundled Remote Call Forwarding Service, IntraLATA - Bus			UEPVB	UERTR	1.41	2.39	2.29	1.42	1.33							
	Unbundled Remote Call Forwarding Service Expanded and Exception Local Calling			UEPVB	UERVJ	1.41	2.39	2.29	1.42	1.33							
	Non-Recurring																
	Unbundled Remote Call Forwarding Service - Conversion - Switch-as-is			UEPVB	USAC2		0.0988	0.0988						15.75			
	Unbundled Remote Call Forwarding Service - Conversion with allowed change (PIC and LPIC)			UEPVB	USACC		0.0988	0.0988									

UNEs - North Carolina												Attachment 2			Exhibit C										
CATEGORY		RATE ELEMENTS				Interim	Zone	BCS	USOC	RATES(\$)					OSS RATES(\$)										
UNBUNDLED LOCAL EXCHANGE SWITCHING(PORTS)																									
UNBUNDLED PORT WITH REMOTE CALL FORWARDING CAPABILITY																									
UNBUNDLED REMOTE CALL FORWARDING SERVICE - RESIDENCE																									
		Unbundled Remote Call Forwarding Service, Area Calling - Res						UEPVR	UERAC	2.19	21.60	21.60							26.94	12.76					
		Unbundled Remote Call Forwarding Service, Local Calling - Res						UEPVR	UERLC	2.19	21.60	21.60							26.94	12.76					
		Unbundled Remote Call Forwarding Service, InterLATA - Res						UEPVR	UERTE	2.19	21.60	21.60							26.94	12.76					
		Unbundled Remote Call Forwarding Service, IntraLATA - Res						UEPVR	UERTR	2.19	21.60	21.60							26.94	12.76					
Non-Recurring																									
		Unbundled Remote Call Forwarding Service - Conversion - Switch-as-is						UEPVR	USAC2		2.77	0.40							26.94	12.76					
		Unbundled Remote Call Forwarding Service - Conversion with allowed change (PIC and LPIC)						UEPVR	USACC		2.77	0.40													
UNBUNDLED REMOTE CALL FORWARDING - Bus																									
		Unbundled Remote Call Forwarding Service, Area Calling - Bus						UEPVB	UERAC	2.19	21.60	21.60							26.94	12.76					
		Unbundled Remote Call Forwarding Service, Local Calling - Bus						UEPVB	UERLC	2.19	21.60	21.60							26.94	12.76					
		Unbundled Remote Call Forwarding Service, InterLATA - Bus						UEPVB	UERTE	2.19	21.60	21.60							26.94	12.76					
		Unbundled Remote Call Forwarding Service, IntraLATA - Bus						UEPVB	UERTR	2.19	21.60	21.60							26.94	12.76					
		Unbundled Remote Call Forwarding Service Expanded and Exception Local Calling						UEPVB	UEVJ	2.19	21.60	21.60							26.94	12.76					
Non-Recurring																									
		Unbundled Remote Call Forwarding Service - Conversion - Switch-as-is						UEPVB	USAC2		2.77	0.40							26.94	12.76					
		Unbundled Remote Call Forwarding Service - Conversion with allowed change (PIC and LPIC)						UEPVB	USACC		2.77	0.40													

CATEGORY	RATE ELEMENTS	Interim	Zone	BCS	USOC	RATES(\$)				OSS RATES(\$)															
						Rec	First	Add'l	Nonrecurring Disconnect First	Add'l	SOMEc	SOMAN	SOMAN	SOMAN	SOMAN	Incremental Charge - Manual Svc Order vs. Electronic-Disc 1st	Incremental Charge - Manual Svc Order vs. Electronic-Disc Add'l								
UNBUNDLED LOCAL EXCHANGE SWITCHING(PORTS)																									
UNBUNDLED PORT WITH REMOTE CALL FORWARDING CAPABILITY																									
UNBUNDLED REMOTE CALL FORWARDING SERVICE - RESIDENCE																									
	Unbundled Remote Call Forwarding Service, Area Calling, Res			UEPVR	UERAC	1.65	2.38	2.28	1.42	1.33		15.69													
	Unbundled Remote Call Forwarding Service, Local Calling - Res			UEPVR	UERLC	1.65	2.38	2.28	1.42	1.33		15.69													
	Unbundled Remote Call Forwarding Service, InterLATA - Res			UEPVR	UERTE	1.65	2.38	2.28	1.42	1.33		15.69													
	Unbundled Remote Call Forwarding Service, IntraLATA - Res			UEPVR	UERTR	1.65	2.38	2.28	1.42	1.33		15.69													
	Non-Recurring																								
	Unbundled Remote Call Forwarding Service - Conversion - Switch-as-is			UEPVR	USAC2		0.10	0.10				15.69													
	Unbundled Remote Call Forwarding Service - Conversion with allowed change (PIC and LPIC)			UEPVR	USACC		0.10	0.10																	
UNBUNDLED REMOTE CALL FORWARDING - Bus																									
	Unbundled Remote Call Forwarding Service, Area Calling - Bus			UEPVB	UERAC	1.65	2.38	2.28	1.42	1.33		15.69													
	Unbundled Remote Call Forwarding Service, Local Calling - Bus			UEPVB	UERLC	1.65	2.38	2.28	1.42	1.33		15.69													
	Unbundled Remote Call Forwarding Service, InterLATA - Bus			UEPVB	UERTE	1.65	2.38	2.28	1.42	1.33		15.69													
	Unbundled Remote Call Forwarding Service, IntraLATA - Bus			UEPVB	UERTR	1.65	2.38	2.28	1.42	1.33		15.69													
	Unbundled Remote Call Forwarding Service Expanded and Exception Local Calling			UEPVB	UERVJ	1.65	2.38	2.28	1.42	1.33		15.69													
	Non-Recurring																								
	Unbundled Remote Call Forwarding Service - Conversion - Switch-as-is			UEPVB	USAC2		0.10	0.10				15.69													
	Unbundled Remote Call Forwarding Service - Conversion with allowed change (PIC and LPIC)			UEPVB	USACC		0.10	0.10																	

UNEs - Tennessee											Attachment 2		Exhibit C			
CATEGORY	RATE ELEMENTS	Interim	Zone	BCS	USOC	RATES(\$)					OSS RATES(\$)					
						Rec	First	Add'l	First	Add'l	SOME C	SOMAN	SOMAN	SOMAN	SOMAN	SOMAN
UNBUNDLED LOCAL EXCHANGE SWITCHING(PORTS)																
UNBUNDLED PORT WITH REMOTE CALL FORWARDING CAPABILITY																
UNBUNDLED REMOTE CALL FORWARDING SERVICE - RESIDENCE																
	Unbundled Remote Call Forwarding Service, Area Calling, Res			UEPVR	UERAC	1.89	9.93	9.19	3.66	2.92			20.35	10.54	13.32	1.40
	Unbundled Remote Call Forwarding Service, Local Calling - Res			UEPVR	UERLC	1.89	9.93	9.19	3.66	2.92			20.35	10.54	13.32	1.40
	Unbundled Remote Call Forwarding Service, InterLATA - Res			UEPVR	UERTE	1.89	9.93	9.19	3.66	2.92			20.35	10.54	13.32	1.40
	Unbundled Remote Call Forwarding Service, IntraLATA - Res			UEPVR	UERTR	1.89	9.93	9.19	3.66	2.92			20.35	10.54	13.32	1.40
Non-Recurring																
	Unbundled Remote Call Forwarding Service - Conversion - Switch-as-is			UEPVR	USAC2		1.03	0.29					20.35	10.54	13.32	1.40
	Unbundled Remote Call Forwarding Service - Conversion with allowed change (PIC and LPIC)			UEPVR	USACC		1.03	0.29								
UNBUNDLED REMOTE CALL FORWARDING - Bus																
	Unbundled Remote Call Forwarding Service, Area Calling - Bus			UEPVB	UERAC	1.89	9.93	9.19	3.66	2.92			20.35	10.54	13.32	1.40
	Unbundled Remote Call Forwarding Service, Local Calling - Bus			UEPVB	UERLC	1.89	9.93	9.19	3.66	2.92			20.35	10.54	13.32	1.40
	Unbundled Remote Call Forwarding Service, InterLATA - Bus			UEPVB	UERTE	1.89	9.93	9.19	3.66	2.92			20.35	10.54	13.32	1.40
	Unbundled Remote Call Forwarding Service, IntraLATA - Bus			UEPVB	UERTR	1.89	9.93	9.19	3.66	2.92			20.35	10.54	13.32	1.40
	Unbundled Remote Call Forwarding Service Expanded and Exception Local Calling			UEPVB	UERVJ	1.89	9.93	9.19	3.66	2.92			20.35	10.54	13.32	1.40
Non-Recurring																
	Unbundled Remote Call Forwarding Service - Conversion - Switch-as-is			UEPVB	USAC2		1.03	0.29					20.35	10.54	13.32	1.40
	Unbundled Remote Call Forwarding Service - Conversion with allowed change (PIC and LPIC)			UEPVB	USACC		1.03	0.29								