

# **BELLSOUTH® / CLEC Agreement**

***Customer Name: Z-TEL, Inc.***

Z-Tel Communications, Inc.	2
Interconnection Agreement	3
Z-Tel Amdmt - FL Ordered Rates	517
Z-Tel Amendment - TN Ordered Rates	568
Z-TEL, Inc. Amdmt - Unbranding	613

**AGREEMENT  
BETWEEN  
BELLSOUTH TELECOMMUNICATIONS INC.  
AND  
Z-TELECOMMUNICATIONS, INC.**

**AGREEMENT  
BETWEEN  
BELLSOUTH TELECOMMUNICATIONS INC.  
AND  
Z-TELECOMMUNICATIONS, INC.**

## **TABLE OF CONTENTS**

### **General Terms and Conditions**

#### **Part A**

1. Purpose
2. Term of the Agreement
3. Ordering Procedures
4. Parity
5. White Pages Listings
6. Bona Fide Request/New Business Request Process for Further Unbundling
7. Court Ordered Requests for Call Detail Records and Other Subscriber Information
8. Liability and Indemnification
9. Intellectual Property Rights and Indemnification
10. Treatment of Proprietary and Confidential Information
11. Assignments
12. Resolution of Disputes
13. Taxes
14. Force Majeure
15. Year 2000 Compliance
16. Modification of Agreement
17. Waivers
18. Governing Law
19. Arm's Length Negotiations
20. Notices
21. Rule of Construction
22. Headings of No Force or Effect
23. Multiple Counterparts
24. Implementation of Agreement
25. Guides
26. Filing of Agreement
27. Entire Agreement

#### **Part B - Definitions**

**Attachment 1 - Resale**

**Attachment 2 - Network Elements and Other Services**

**Attachment 3 - Network Interconnection**

**Attachment 4 - Physical Collocation**

**Attachment 5 - Access to Numbers and Number Portability**

**Attachment 6 - Ordering and Provisioning**

**Attachment 7 - Billing and Billing Accuracy Certification**

**Attachment 8 - Rights-of-Way, Conduits and Pole Attachments**

**Attachment 9 - Performance Measurements**

**Attachment 10- Agreement Implementation Template**

**Attachment 11- BellSouth Disaster Recovery Plan**

**Attachment 12 – High Frequency Spectrum**



## AGREEMENT

**THIS AGREEMENT** is made by and between BellSouth Telecommunications, Inc., (“BellSouth”), a Georgia corporation, and Z-Tel Communications, Inc. (“Z-Tel”), a Delaware corporation, and shall be deemed effective as of the date of signatures by both parties. This Agreement may refer to either BellSouth or Z-Tel or both as a “Party” or “Parties.”

### WITNESSETH

WHEREAS, BellSouth is a local exchange telecommunications company authorized to provide telecommunications services in the states of Alabama, Florida, Georgia, Kentucky, Louisiana, Mississippi, North Carolina, South Carolina and Tennessee; and

WHEREAS, Z-Tel is or seeks to become an alternative local exchange telecommunications company (“CLEC”) authorized to provide telecommunications services in the states of Alabama, Florida, Georgia, Kentucky, Louisiana, Mississippi, North Carolina, South Carolina, and Tennessee; and

WHEREAS, the Parties wish to resell BellSouth’s telecommunications services and/or interconnect their facilities, purchase network elements and other services, and exchange traffic specifically for the purposes of fulfilling their obligations pursuant to sections 251 and 252 of the Telecommunications Act of 1996 (“the Act”).

**NOW THEREFORE**, in consideration of the mutual agreements contained herein, BellSouth and Z-Tel agree as follows:

#### **1. Term of the Agreement**

- 1.1 The term of this Agreement shall be two years, beginning as of the date of signature by both Parties and shall apply to the states of Alabama, Florida, Georgia, Kentucky, Louisiana, Mississippi, North Carolina, South Carolina, and Tennessee. If as of the expiration of this Agreement, a Subsequent Agreement (as defined in Section 2.2 below) has not been executed by the Parties, this Agreement shall continue on a month-to-month basis at the same terms conditions and prices as those in effect as of the expiration date hereof while a Subsequent Agreement is being negotiated. The Parties’ rights and obligations with respect to this Agreement after expiration shall be as set forth in Section 2.4 below.
- 1.2 The Parties agree that by no later than one hundred and eighty (180) days prior to the expiration of this Agreement, they shall commence negotiations with regard to the terms, conditions and prices of resale and/or local interconnection to be effective beginning on the expiration date of this Agreement (“Subsequent Agreement”).

- 1.3 If, within one hundred and thirty-five (135) days of commencing the negotiation referred to in Section 2.2 above, the Parties are unable to satisfactorily negotiate new resale and/or local interconnection terms, conditions and prices, either Party may petition the Commission to establish appropriate local interconnection and/or resale arrangements pursuant to 47 U.S.C. 252. The Parties agree that, in such event, they shall encourage the Commission to issue its order regarding the appropriate local interconnection and/or resale arrangements no later than the expiration date of this Agreement. The Parties further agree that in the event the Commission does not issue its order prior to the expiration date of this Agreement, or if the Parties continue beyond the expiration date of this Agreement to negotiate the local interconnection and/or resale arrangements without Commission intervention, the terms, conditions and prices ultimately ordered by the Commission, or negotiated by the Parties, will be effective retroactive to the day following the expiration date of this Agreement.
- 1.4 Notwithstanding the foregoing, in the event that as of the date of expiration of this Agreement and conversion of this Agreement to a month-to-month term, the Parties have not entered into a Subsequent Agreement and the parties have not commenced good faith negotiations in a timely manner, no arbitration proceeding has been filed in accordance with Section 2.3 above, or the Parties have not mutually agreed (where permissible) to extend the arbitration window for petitioning the applicable Commission(s) for resolution of those terms upon which the Parties have not agreed, then either Party may terminate this Agreement upon sixty (60) days notice to the other Party. In the event that BellSouth terminates this Agreement as provided above, BellSouth shall continue to offer interconnection, unbundled network elements and services to Z-Tel pursuant to the terms, conditions and rates set forth in BellSouth's then current standard interconnection agreement. The Parties may continue to negotiate a Subsequent Agreement, and the terms of such Subsequent Agreement shall be effective retroactive to the day following expiration of this Agreement

## **2. Good Faith Performance**

In the performance of their obligations under this Agreement, the Parties shall act in good faith and consistently with the intent of the Act. Where notice, approval, or similar action by a Party is permitted or required by any provision of this Agreement, (including, without limitation, the obligation of the Parties to further negotiate the resolution of new or open issues under this Agreement) such action shall not be unreasonably delayed, withheld, or conditioned.

## **3. Ordering Procedures**

- 3.1 Z-Tel shall provide BellSouth its Carrier Identification Code (CIC), Operating Company Number (OCN), Group Access Code (GAC) and Access Customer Name and Address (ACNA) code as applicable prior to placing its first order.
- 3.2 The Parties agree to adhere to the BellSouth Local Interconnection and Facility Based Ordering Guide and Resale Ordering Guide, as appropriate for the services ordered.
- 3.3 Z-Tel shall pay charges for Operational Support Systems (OSS) as set forth in this Agreement in Attachment 1 and/or in Attachment 2, 3, 5 and 7 as applicable.

#### **4. Parity**

When Z-Tel purchases, pursuant to Attachment 1 of this Agreement, telecommunications services from BellSouth for the purposes of resale to end users, BellSouth shall provide said services so that the services and service provisioning are at least equal in quality, subject to the same conditions, and provided within the same provisioning time intervals that BellSouth provides to its affiliates, subsidiaries and end users. To the extent technically feasible, the quality of a Network Element, as well as the quality of the access to such Network Element provided by BellSouth to Z-Tel shall be at least equal in quality to that which BellSouth provides to itself, its subsidiaries, affiliates, or other carriers. The quality of the interconnection between the networks of BellSouth and the network of Z-Tel shall be at a level that is equal to that which BellSouth provides itself, a subsidiary, an Affiliate, or any other party. The interconnection facilities shall be designed to meet the same technical criteria and service standards that are used within BellSouth's network and shall extend to a consideration of service quality as perceived by end users and service quality as perceived by Z-Tel.

#### **5. Directory Listings**

BellSouth shall provide Z-Tel and their customers on a non-discriminatory basis, access to white pages and yellow pages directory listings in the same manner BellSouth provides such listings to its own end users, and consistent with the following terms:

- 5.1 Listings. Z-Tel shall provide all new, changed and deleted listings, on a timely basis and BellSouth or its agent will include Z-Tel residential and business customer listings in the appropriate White Pages (residential and business) or alphabetical directories. Z-Tel will provide to BellSouth all Z-Tel end users that wish to be omitted from directories. Directory listings will make no distinction between Z-Tel and BellSouth subscribers.
  - 5.1.1 Enhanced Listings. Where BellSouth offers to publish, at no charge, in its white pages directory Enhanced White Pages Listings to its retail customers, BellSouth shall publish such listings, at no charge and under the same terms and conditions,

for Z-Tel for its end users. Where BellSouth charges its retail customers for Enhanced White Pages Listings, BellSouth shall publish such listings under the same terms and conditions to Z-Tel for its Customers at the applicable wholesale discount set forth in Attachment 1.

- 5.1.2 Yellow Pages Directory Listings. Where BellSouth offers to publish in its Yellow Pages Directory free Yellow Pages listings to its retail end users, BellSouth shall publish such listings, at no charge, and under the same terms and conditions to Z-Tel for its end users. Where BellSouth charges business end users for Yellow Pages basic Directory Listings, BellSouth shall provide one Yellow Pages basic Directory Listing for each Customer, who subscribes to business services, at BellSouth tariffed rates at the applicable wholesale discount. BellSouth shall not provide “lead” information on Z-Tel end users to its Yellow Pages directory publishing Affiliate without written permission from Z-Tel.
- 5.2 Rates. Unless otherwise agreed, BellSouth and Z-Tel will provide to each other subscriber primary listing information in the White Pages at no charge except for discounted applicable wholesale service order charges as set forth in the appropriate tariffs.
- 5.3 Procedures for Submitting Z-Tel Subscriber Information are found in BellSouth’s Ordering Guide for manually processed listings and in the Local Exchange Ordering Guide for mechanically submitted listings.
- 5.3.1 Notwithstanding any provision(s) to the contrary, Z-Tel agrees to provide to BellSouth, and BellSouth agrees to accept, Z-Tel’s Subscriber Listing Information (SLI) relating to Z-Tel’s customers in the geographic area(s) covered by this Interconnection Agreement. Z-Tel authorizes BellSouth to release all such Z-Tel SLI provided to BellSouth by Z-Tel to qualifying third parties via either license agreement or BellSouth’s Directory Publishers Database Service (DPDS), General Subscriber Services Tariff, Section A38.2, as the same may be amended from time to time. Such CLEC SLI shall be intermingled with BellSouth’s own customer listings of any other CLEC that has authorized a similar release of SLI. Where necessary, BellSouth will use good faith efforts to obtain state commission approval of any necessary modifications to Section A38.2 of its tariff to provide for release of third party directory listings, including modifications regarding listings to be released pursuant to such tariff and BellSouth’s liability thereunder. BellSouth’s obligation pursuant to this Section shall not arise in any particular state until the commission of such state has approved modifications to such tariff.
- 5.3.2 No compensation shall be paid to Z-Tel for BellSouth’s receipt of Z-Tel SLI, or for the subsequent release to third parties of such SLI. In addition, to the extent BellSouth incurs costs on an ongoing basis to administer the release of Z-Tel SLI, Z-Tel shall pay to BellSouth its proportionate share of the reasonable costs associated therewith. Before BellSouth incurs any cost under this Section, it

shall inform Z-Tel of its good faith estimate of Z-Tel's share of such cost, and Z-Tel shall have the option of agreeing in writing to the cost or of discontinuing the release of Z-Tel's SLI.

- 5.3.3 BellSouth shall not be liable for the content or accuracy of any SLI provided by Z-Tel under this Agreement. Z-Tel shall indemnify, hold harmless and defend BellSouth from and against any damages, losses, liabilities, demands claims, suits, judgments, costs and expenses (including but not limited to reasonable attorneys' fees and expenses) arising from BellSouth's tariff obligations or otherwise and resulting from or arising out of any third party's claim of inaccurate Z-Tel listings or use of the SLI provided pursuant to this Agreement. BellSouth shall forward to Z-Tel any complaints received by BellSouth relating to the accuracy or quality of Z-Tel listings.
- 5.3.4 Listings and subsequent updates will be released consistent with BellSouth system changes and/or update scheduling requirements.
- 5.4 Unlisted/Non-Published Subscribers. Z-Tel will be required to provide to BellSouth the names, addresses and telephone numbers of all Z-Tel customers that wish to be omitted from directories.
- 5.5 Inclusion of Z-Tel Customers in Directory Assistance Database. BellSouth will include and maintain Z-Tel subscriber listings in BellSouth's Directory Assistance databases at no charge and Z-Tel shall provide such Directory Assistance listings at no charge. BellSouth will update the Directory Assistance database with the same timeliness as for its retail end users. BellSouth and Z-Tel will formulate appropriate procedures regarding lead-time, timeliness, format and content of listing information. BellSouth shall advise Z-Tel as soon as possible, but in no event fewer than six (6) months in advance, of any changes in the maintenance of the Directory Listings database or any mechanisms or interfaces, whether industry standard or not, pursuant to which BellSouth will provide Directory Listings to Z-Tel.
- 5.6 Listing Information Confidentiality. BellSouth will accord Z-Tel's directory listing information the same level of confidentiality that BellSouth accords its own directory listing information, and BellSouth shall limit access to Z-Tel's customer proprietary or confidential directory information to those BellSouth employees who are involved in the preparation of listings and such information shall not be used for other purposes. .
- 5.7 Optional Listings. Additional listings and optional listings will be offered by BellSouth at tariffed rates as set forth in the General Subscriber Services Tariff.

- 5.8 Directory Delivery. BellSouth or its agent shall deliver White Pages directories and Yellow Pages directories to Z-Tel subscribers at no charge or as specified in a separate BAPCO agreement.

**6. Bona Fide Request/New Business Request Process for Further Unbundling**

If Z-Tel is a facilities based provider or a facilities based and resale provider, this section shall apply. BellSouth shall, upon request of Z-Tel, provide to Z-Tel access to its network elements at any technically feasible point for the provision of Z-Tel's telecommunications service where such access is necessary and failure to provide access would impair the ability of Z-Tel to provide services that it seeks to offer. Any request by Z-Tel for access to a network element, interconnection option, or for the provisioning of any service or product that is not already available shall be treated as a Bona Fide Request/New Business Request, and shall be submitted to BellSouth pursuant to the Bona Fide Request/New Business Request process set forth following.

- 6.1 A Bona Fide Request/New Business Request shall be submitted in writing to Z-Tel's Account Manager by Z-Tel and shall specifically identify the requested service date, technical requirements, space requirements and/or such specifications that clearly define the request such that BellSouth has sufficient information to analyze and prepare a response.
- 6.2 Upon request, a service or product requested by another carrier through BFR/NBR process shall be available to Z-Tel on the same rates, terms and conditions.

**7. Court Ordered Requests for Call Detail Records and Other Subscriber Information**

- 7.1 To the extent technically feasible, BellSouth maintains call detail records for Z-Tel end users for limited time periods and can respond to subpoenas and court ordered requests for this information. BellSouth shall maintain such information for Z-Tel end users for the same length of time it maintains such information for its own end users.
- 7.2 Z-Tel agrees that BellSouth will respond to subpoenas and court ordered requests delivered directly to BellSouth for the purpose of providing call detail records when the targeted telephone numbers belong to Z-Tel end users. Billing for such requests will be generated by BellSouth and directed to the law enforcement agency initiating the request.
- 7.3 Where BellSouth is providing to Z-Tel telecommunications services for resale or providing to Z-Tel the local switching function, then Z-Tel agrees that in those cases where Z-Tel receives subpoenas or court ordered requests regarding targeted telephone numbers belonging to Z-Tel end users, if Z-Tel does not have the

requested information, Z-Tel will advise the law enforcement agency initiating the request to redirect the subpoena or court ordered request to BellSouth. Where the request has been forwarded to BellSouth, billing for call detail information will be generated by BellSouth and directed to the law enforcement agency initiating the request.

- 7.4 In all other instances, Z-Tel will provide Z-Tel end user and/or other customer information that is available to Z-Tel in response to subpoenas and court orders for their own customer records. When BellSouth receives subpoenas or court ordered requests regarding targeted telephone numbers belonging to Z-Tel end users, BellSouth will advise the law enforcement agency initiating the request to redirect the subpoena or court ordered request to Z-Tel.

## **8. Liability and Indemnification**

- 8.1 BellSouth Liability. BellSouth shall take financial responsibility for its own actions in causing, or its lack of action in preventing, unbillable or uncollectible Z-Tel revenues.

- 8.2 Z-Tel Liability. In the event that, by amendment to this agreement or otherwise, Z-Tel consists of two (2) or more separate entities as set forth in the preamble to this Agreement, all such entities shall be jointly and severally liable for the obligations of Z-Tel under this Agreement.

- 8.3 Liability for Acts or Omissions of Third Parties. Neither BellSouth nor Z-Tel shall be liable for any act or omission of another telecommunications company providing a portion of the services provided under this Agreement.

- 8.4 Limitation of Liability.

- 8.4.1 Each Party's liability to the other for any loss, cost, claim, injury or liability or expense, including reasonable attorney's fees relating to or arising out of any negligent act or omission in its performance of this Agreement whether in contract or in tort, shall be limited to a credit for the actual cost of the services or functions not performed or improperly performed, except to the extent otherwise provided for in this Agreement. Notwithstanding the foregoing, claims for damages by a Party, any customer of that Party, or any other person or entity resulting from the gross negligence or willful misconduct of the other Party shall not be subject to such limitation of liability.

- 8.4.2 Limitations in Tariffs. A Party may, in its sole discretion, provide in its tariffs and contracts with its Customer and third parties that relate to any service, product or function provided or contemplated under this Agreement, that to the maximum extent permitted by Applicable Law, such Party shall not be liable to Customer or third Party for (i) any Loss relating to or arising out of this Agreement, whether in

contract, tort or otherwise, that exceeds the amount such Party would have charged that applicable person for the service, product or function that gave rise to such Loss and (ii) Consequential Damages. To the extent that a Party elects not to place in its tariffs or contracts such limitations of liability, and the other Party incurs a Loss as a result thereof, such Party shall indemnify and reimburse the other Party for that portion of the Loss that would have been limited had the first Party included in its tariffs and contracts the limitations of liability that such other Party included in its own tariffs at the time of such Loss.

- 8.4.3 Neither BellSouth nor Z-Tel shall be liable for damages to the other's terminal location, POI or other company's customers' premises resulting from the furnishing of a service, including, but not limited to, the installation and removal of equipment or associated wiring, except to the extent caused by a company's negligence or willful or intentional misconduct or by a company's failure to properly ground a local loop after disconnection.
- 8.4.4 Under no circumstance shall a Party be responsible or liable for indirect, incidental, or consequential damages, including, but not limited to, economic loss or lost business or profits, damages arising from the use or performance of equipment or software, or the loss of use of software or equipment, or accessories attached thereto, delay, error, or loss of data. In connection with this limitation of liability, each Party recognizes that the other Party may, from time to time, provide advice, make recommendations, or supply other analyses related to the Services, or facilities described in this Agreement, and, while each Party shall use diligent efforts in this regard, the Parties acknowledge and agree that this limitation of liability shall apply to provision of such advice, recommendations, and analyses.
- 8.5 Indemnification for Certain Claims. The Party providing services hereunder, its affiliates and its parent company, shall be indemnified, defended and held harmless by the Party receiving services hereunder against any claim, loss or damage arising from the receiving company's use of the services provided under this Agreement pertaining to (1) claims for libel, slander or invasion of privacy arising from the content of the receiving company's own communications, or (2) any claim, loss or damage claimed by the customer of the Party receiving services arising from such company's use or reliance on the providing company's services, actions, duties, or obligations arising out of this Agreement.
- 8.6 Disclaimer. EXCEPT AS SPECIFICALLY PROVIDED TO THE CONTRARY IN THIS AGREEMENT, NEITHER PARTY MAKES ANY REPRESENTATIONS OR WARRANTIES TO THE OTHER PARTY CONCERNING THE SPECIFIC QUALITY OF ANY SERVICES, OR FACILITIES PROVIDED UNDER THIS AGREEMENT. THE PARTIES DISCLAIM, WITHOUT LIMITATION, ANY WARRANTY OR GUARANTEE OF MERCHANTABILITY OR FITNESS FOR A PARTICULAR PURPOSE,



ARISING FROM COURSE OF PERFORMANCE, COURSE OF DEALING, OR FROM USAGES OF TRADE.

## **9. Intellectual Property Rights and Indemnification**

- 9.1 No License. Except for the limited right to access BellSouth information through various operational support systems as set forth in this Agreement for use as expressly set forth herein, no patent, copyright, trademark or other proprietary right is licensed, granted or otherwise transferred by this Agreement. Z-Tel is strictly prohibited from any use, including but not limited to in sales, in marketing or advertising of telecommunications services, of any BellSouth name, service mark or trademark, except that (1) Z-Tel may make factual references to the BellSouth name in response to a customer or potential customer inquiry regarding the source of the underlying services or the identity of repair technicians, and (2) Z-Tel may use the BellSouth name in comparative advertising so long as the reference is truthful and factual, does not relate to the source of the underlying service and does not imply any agency relationship, partnership, endorsement, sponsorship or affiliation by or with BellSouth. .
- 9.2 Ownership of Intellectual Property. Any intellectual property which originates from or is developed by a Party shall remain in the exclusive ownership of that Party. Except for a limited license to use patents or copyrights to the extent necessary for the Parties to use any facilities or equipment (including software) or to receive any service solely as provided under this Agreement, no license in patent, copyright, trademark or trade secret, or other proprietary or intellectual property right now or hereafter owned, controlled or licensable by a Party, is granted to the other Party or shall be implied or arise by estoppel. It is the responsibility of each Party to ensure at no additional cost to the other Party that it has obtained any necessary licenses in relation to intellectual property of third Parties used in its network that may be required to enable the other Party to use any facilities or equipment (including software), to receive any service, or to perform its respective obligations under this Agreement.
- 9.3 Indemnification. The Party providing a service pursuant to this Agreement will defend the Party receiving such service or data provided as a result of such service against claims of infringement arising solely from the use by the receiving Party of such service and will indemnify the receiving Party for any damages awarded based solely on such claims in accordance with Section 8 of this Agreement.
- 9.4 Claim of Infringement. In the event that use of any facilities or equipment (including software), becomes, or in reasonable judgment of the Party who owns the affected network is likely to become, the subject of a claim, action, suit, or proceeding based on intellectual property infringement, then said Party shall promptly and at its sole expense, but subject to the limitations of liability set forth below:

- 9.4.1 modify or replace the applicable facilities or equipment (including software) while maintaining form and function, or
- 9.4.2 obtain a license sufficient to allow such use to continue.
- 9.4.3 In the event 9.4.1 or 9.4.2 are commercially unreasonable, then said Party may, terminate, upon reasonable notice, this contract with respect to use of, or services provided through use of, the affected facilities or equipment (including software), but solely to the extent required to avoid the infringement claim.
- 9.5 Exception to Obligations. Neither Party's obligations under this Section shall apply to the extent the infringement is caused by: (i) modification of the facilities or equipment (including software) by the indemnitee; (ii) use by the indemnitee of the facilities or equipment (including software) in combination with equipment or facilities (including software) not provided or authorized by the indemnitor provided the facilities or equipment (including software) would not be infringing if used alone; (iii) conformance to specifications of the indemnitee which would necessarily result in infringement; or (iv) continued use by the indemnitee of the affected facilities or equipment (including software) after being placed on notice to discontinue use as set forth herein.
- 9.6 Exclusive Remedy. The foregoing shall constitute the Parties' sole and exclusive remedies and obligations with respect to a third party claim of intellectual property infringement arising out of the conduct of business under this Agreement.

## **10. Proprietary and Confidential Information**

- 10.1 Proprietary and Confidential Information: Defined. It may be necessary for BellSouth and Z-Tel, each as the “Discloser,” to provide to the other party, as “Recipient,” proprietary and confidential information (including trade secret information) including but not limited to technical, financial, marketing, staffing and business plans and information, strategic information, proposals, request for proposals, specifications, drawings, prices, costs, procedures, processes, business systems, software programs, techniques, customer account data, call detail records and like information. This proprietary and confidential information also includes, but is not limited to all orders for Services and Network Elements placed by either Party, and information that would constitute Customer Proprietary Network Information and Recorded Usage Data, whether disclosed by the Discloser or otherwise acquired by the Recipient in the course of the performance of this Agreement. (This proprietary and confidential information is collectively the Discloser’s “Information”). All Information provided to Recipient by Discloser shall be treated as proprietary and confidential.
- 10.2 Use and Protection of Information. Recipient shall use the Information solely for the purpose(s) of performing this Agreement, and Recipient shall protect

Information from any use, distribution or disclosure except as permitted hereunder. Recipient will use the same standard of care to protect Information as Recipient uses to protect its own similar confidential and proprietary information, but not less than a reasonable standard of care. Recipient may disclose Information solely to the Authorized Representatives of the Recipient who (a) have a substantive need to know such Information in connection with performance of the Agreement; (b) have been advised of the confidential and proprietary nature of the Information; and (c) have personally agreed in writing to protect from unauthorized disclosure all confidential and proprietary information, of whatever source, to which they have access in the course of their employment. Unless otherwise agreed, Recipient shall not permit employees or agents of Recipient with end user marketing, product development, or any other non-Discloser purpose, to have access to Information under any circumstances. “Authorized Representatives” are the officers, directors and employees of Recipient and its Affiliates, as well as Recipient’s and its Affiliates’ consultants, contractors, counsel and agents. “Affiliates” means any company that is owned in whole or in part, now or in the future, directly or indirectly through a subsidiary, by a party hereto.

10.3 Ownership, Copying & Return of Information. Information remains at all times the property of Discloser. Recipient may make tangible or electronic copies, notes, summaries or extracts of Information only as necessary for use as authorized herein. All such tangible or electronic copies, notes, summaries or extracts must be marked with the same confidential and proprietary notice as appears on the original. Upon Discloser’s request, all or any requested portion of the Information (including, but not limited to, tangible and electronic copies, notes, summaries or extracts of any information) will be promptly returned to Discloser or destroyed according to Discloser’s request, and Recipient will provide Discloser with written certification stating that such Information has been returned or destroyed.

10.4 Exceptions. Discloser’s Information does not include: (a) any information publicly disclosed by Discloser; (b) any information Discloser in writing authorizes Recipient to disclose without restriction; (c) any information already lawfully known to Recipient at the time it is disclosed by the Discloser, without an obligation to keep confidential; or (d) any information Recipient lawfully obtains from any source other than Discloser, provided that such source lawfully disclosed and/or independently developed such information. If Recipient is required to provide Information to any court or government agency pursuant to written court order, subpoena, regulation or process of law, Recipient must first provided Discloser with prompt written notice of such requirement and cooperate with Discloser to appropriately protect against or limit the scope of such disclosure. To the fullest extent permitted by law, Recipient will continue to protect as confidential and proprietary all Information disclosed in response to a written court order, subpoena, regulation or process of law.

10.5 Equitable Relief. Recipient acknowledges and agrees that any breach or threatened breach of this Agreement is likely to cause Discloser irreparable harm for which money damages may not be an appropriate or sufficient remedy. Recipient therefore agrees that Discloser or its Affiliates, as the case may be, are entitled to receive injunctive or other equitable relief to remedy or prevent any breach or threatened breach of this Agreement. Such remedy is not the exclusive remedy for any breach or threatened breach of this Agreement, but is in addition to all other rights and remedies available at law or in equity.

10.6 Survival of Confidentiality Obligations. The parties' rights and obligations under this Section 10 shall survive and continue in effect until three (3) years after the expiration or termination date of this Agreement with regard to all Information exchanged during the term of this Agreement. Thereafter, the parties' rights and obligations hereunder survive and continue in effect with respect to any Information that is a trade secret under applicable law.

## 11. **Assignments**

Any assignment by either Party to any non-affiliated entity of any right, obligation or duty, or of any other interest hereunder, in whole or in part, without the prior written consent of the other Party shall be void. Such consent will not be unreasonably withheld. A Party may assign this Agreement or any right, obligation, duty or other interest hereunder to an Affiliate company of the Party without the consent of the other Party. All obligations and duties of any Party under this Agreement shall be binding on all successors in interest and assigns of such Party. No assignment or delegation hereof shall relieve the assignor of its obligations under this Agreement in the event that the assignee fails to perform such obligations.

## 12. **Resolution of Disputes**

Except as otherwise stated in this Agreement, the Parties agree that if any dispute arises as to the interpretation of any provision of this Agreement or as to the proper implementation of this Agreement, either Party may petition the Commission for a resolution of the dispute. However, each Party reserves any rights it may have to seek judicial review of any ruling made by the Commission concerning this Agreement.

The Parties agree that this Section does not prevent either Party from seeking temporary equitable remedies, including temporary restraining orders. A request by a Party to a court or a regulatory authority for interim measures or equitable relief shall not be deemed a waiver of the obligation to comply with the Dispute Resolution provisions.

Nonexclusive Remedies except as otherwise expressly provided in this Agreement, each of the remedies provided under this Agreement is cumulative and is in addition to any remedies that may be available at law or in equity.

**13. Taxes**

13.1 Definition. For purposes of this Section, the terms “taxes” and “fees” shall include but not limited to federal, state or local sales, use, excise, gross receipts or other taxes or tax-like fees of whatever nature and however designated (including tariff surcharges and any fees, charges or other payments, contractual or otherwise, for the use of public streets or rights of way, whether designated as franchise fees or otherwise) imposed, or sought to be imposed, on or with respect to the services furnished hereunder or measured by the charges or payments therefore, excluding any taxes levied on income.

13.2 Taxes and Fees Imposed Directly On Either Providing Party or Purchasing Party.

13.2.1 Taxes and fees imposed on the providing Party, which are not permitted or required to be passed on by the providing Party to its customer, shall be borne and paid by the providing Party.

13.2.2 Taxes and fees imposed on the purchasing Party, which are not required to be collected and/or remitted by the providing Party, shall be borne and paid by the purchasing Party.

13.3 Taxes and Fees Imposed on Purchasing Party But Collected And Remitted By Providing Party.

13.3.1 Taxes and fees imposed on the purchasing Party shall be borne by the purchasing Party, even if the obligation to collect and/or remit such taxes or fees is placed on the providing Party.

13.3.2 To the extent permitted by applicable law, any such taxes and/or fees shall be shown as separate items on applicable billing documents between the Parties. Notwithstanding the foregoing, the purchasing Party shall remain liable for any such taxes and fees regardless of whether they are actually billed by the providing Party at the time that the respective service is billed.

13.3.3 If the purchasing Party determines that in its opinion any such taxes or fees are not payable, the providing Party shall not bill such taxes or fees to the purchasing Party if the purchasing Party provides written certification, reasonably satisfactory to the providing Party, stating that it is exempt or otherwise not subject to the tax or fee, setting forth the basis therefor, and satisfying any other requirements under applicable law. If any authority seeks to collect any such tax or fee that the purchasing Party has determined and certified not to be payable, or any such tax or fee that was not billed by the providing Party, the purchasing Party may contest

the same in good faith, at its own expense. In any such contest, the purchasing Party shall promptly furnish the providing Party with copies of all filings in any proceeding, protest, or legal challenge, all rulings issued in connection therewith, and all correspondence between the purchasing Party and the taxing authority.

- 13.3.4 In the event that all or any portion of an amount sought to be collected must be paid in order to contest the imposition of any such tax or fee, or to avoid the existence of a lien on the assets of the providing Party during the pendency of such contest, the purchasing Party shall be responsible for such payment and shall be entitled to the benefit of any refund or recovery.
- 13.3.5 If it is ultimately determined that any additional amount of such a tax or fee is due to the imposing authority, the purchasing Party shall pay such additional amount, including any interest and penalties thereon.
- 13.3.6 Notwithstanding any provision to the contrary, the purchasing Party shall protect, indemnify and hold harmless (and defend at the purchasing Party's expense) the providing Party from and against any such tax or fee, interest or penalties thereon, or other charges or payable expenses (including reasonable attorney fees) with respect thereto, which are incurred by the providing Party in connection with any claim for or contest of any such tax or fee.
- 13.3.7 Each Party shall notify the other Party in writing of any assessment, proposed assessment or other claim for any additional amount of such a tax or fee by a taxing authority; such notice to be provided, if possible, at least ten (10) days prior to the date by which a response, protest or other appeal must be filed, but in no event later than thirty (30) days after receipt of such assessment, proposed assessment or claim.
- 13.4 Taxes and Fees Imposed on Providing Party But Passed On To Purchasing Party.
- 13.4.1 Taxes and fees imposed on the providing Party, which are permitted or required to be passed on by the providing Party to its customer, shall be borne by the purchasing Party. Nothing in this Agreement shall be construed to create an independent right in the providing Party to pass on taxes and or fees to the purchasing Party.
- 13.4.2 To the extent permitted by applicable law, any such taxes and/or fees shall be shown as separate items on applicable billing documents between the Parties. Notwithstanding the foregoing, the purchasing Party shall remain liable for any such taxes and fees regardless of whether they are actually billed by the providing Party at the time that the respective service is billed.
- 13.4.3 If the purchasing Party disagrees with the providing Party's determination as to the application or basis for any such tax or fee, the Parties shall consult with respect to the imposition and billing of such tax or fee. Notwithstanding the

foregoing, the providing Party shall retain ultimate responsibility for determining whether and to what extent any such taxes or fees are applicable, and the purchasing Party shall abide by such determination and pay such taxes or fees to the providing Party. The providing Party shall further retain ultimate responsibility for determining whether and how to contest the imposition of such taxes and fees; provided, however, that any such contest undertaken at the request of the purchasing Party shall be at the purchasing Party's expense.

- 13.4.4 In the event that all or any portion of an amount sought to be collected must be paid in order to contest the imposition of any such tax or fee, or to avoid the existence of a lien on the assets of the providing Party during the pendency of such contest, the purchasing Party shall be responsible for such payment and shall be entitled to the benefit of any refund or recovery.
- 13.4.5 If it is ultimately determined that any additional amount of such a tax or fee is due to the imposing authority, the purchasing Party shall pay such additional amount, including any interest and penalties thereon.
- 13.4.6 Notwithstanding any provision to the contrary, the purchasing Party shall protect indemnify and hold harmless (and defend at the purchasing Party's expense) the providing Party from and against any such tax or fee, interest or penalties thereon, or other reasonable charges or payable expenses (including reasonable attorney fees) with respect thereto, which are incurred by the providing Party in connection with any claim for or contest of any such tax or fee.
- 13.4.7 Each Party shall notify the other Party in writing of any assessment, proposed assessment or other claim for any additional amount of such a tax or fee by a taxing authority; such notice to be provided, if possible, at least ten (10) days prior to the date by which a response, protest or other appeal must be filed, but in no event later than thirty (30) days after receipt of such assessment, proposed assessment or claim.
- 13.5 Mutual Cooperation. In any contest of a tax or fee by one Party, the other Party shall cooperate fully by providing records, testimony and such additional information or assistance as may reasonably be necessary to pursue the contest. Further, the other Party shall be reimbursed for any reasonable and necessary out-of-pocket copying and travel expenses incurred in assisting in such contest.

#### **14. Force Majeure**

In the event performance of this Agreement, or any obligation hereunder, is either directly or indirectly prevented, restricted, or interfered with by reason of fire, flood, earthquake or like acts of God, wars, revolution, civil commotion, explosion, acts of public enemy, embargo, acts of the government in its sovereign capacity, labor difficulties, including without limitation, strikes, slowdowns, picketing, or boycotts, unavailability of equipment from vendor, changes

requested by Customer, or any other circumstances beyond the reasonable control and without the fault or negligence of the Party affected, the Party affected, upon giving prompt notice to the other Party, shall be excused from such performance on a day-to-day basis to the extent of such prevention, restriction, or interference (and the other Party shall likewise be excused from performance of its obligations on a day-to-day basis until the delay, restriction or interference has ceased); provided however, that the Party so affected shall use diligent efforts to avoid or remove such causes of non-performance and both Parties shall proceed whenever such causes are removed or cease.

**15. Year 2000 Compliance**

Each Party warrants that it has implemented a program the goal of which is to ensure that all software, hardware and related materials (collectively called “Systems”) delivered, connected with BellSouth or supplied in the furtherance of the terms and conditions specified in this Agreement: (i) will record, store, process and display calendar dates falling on or after January 1, 2000, in the same manner, and with the same functionality as such software records, stores, processes and calendar dates falling on or before December 31, 1999; and (ii) shall include without limitation date data century recognition, calculations that accommodate same century and multcentury formulas and date values, and date data interface values that reflect the century.

**16. Modification of Agreement**

- 16.1 BellSouth shall make available, pursuant to 47 USC § 252 and the FCC rules and regulations regarding such availability, to Z-Tel any interconnection, service, or network element provided under any other agreement filed and approved pursuant to 47 USC § 252. The Parties shall adopt all rates, terms and conditions concerning such other interconnection, service or network element and any other rates, terms and conditions that are legitimately related. The adopted interconnection, service, or network element, provision and/or agreement shall apply to the same states as such other agreement and for the identical term of such other agreement.
- 16.2 If Z-Tel changes its name or makes changes to its company structure or identity due to a merger, acquisition, transfer or any other reason, it is the responsibility of Z-Tel to notify BellSouth of said change and request that an amendment to this Agreement, if necessary, be executed to reflect said change.
- 16.3 No modification, amendment, supplement to, or waiver of the Agreement or any of its provisions shall be effective and binding upon the Parties unless it is made in writing and duly signed by the Parties.
- 16.4 Execution of this Agreement by either Party does not confirm or infer that the executing Party agrees with any decision(s) issued pursuant to the Telecommunications Act of 1996 and the consequences of those decisions on



specific language in this Agreement. Neither Party waives its rights to appeal or otherwise challenge any such decision(s) and each Party reserves all of its rights to pursue any and all legal and/or equitable remedies, including appeals of any such decision(s).

16.5 In the event that any effective legislative, regulatory (including generic proceedings), judicial or other legal action materially affects any material terms of this Agreement, or the ability of Z-Tel or BellSouth to perform any material terms of this Agreement, Z-Tel or BellSouth may, provide written notice to require that such terms be renegotiated, and the Parties shall renegotiate in good faith such mutually acceptable new terms as may be required. In the event that such new terms are not renegotiated within ninety (90) days after such notice, the Dispute shall be referred to the Dispute Resolution procedure set forth in Section 12.

16.6 If any provision of this Agreement, or the application of such provision to either Party or circumstance, shall be held invalid, the remainder of the Agreement, or the application of any such provision to the Parties or circumstances other than those to which it is held invalid, shall not be effective thereby, provided that the Parties shall attempt to reformulate such invalid provision to give effect to such portions thereof as may be valid without defeating the intent of such provision.

## **17. Waivers**

A failure or delay of either Party to enforce any of the provisions hereof, to exercise any option which is herein provided, or to require performance of any of the provisions hereof shall in no way be construed to be a waiver of such provisions or options, and each Party, notwithstanding such failure, shall have the right thereafter to insist upon the specific performance of any and all of the provisions of this Agreement.

## **18. Governing Law**

To the extent any provisions of this Agreement are subject to the jurisdiction of the FCC, applicable federal rules and regulations shall govern those provisions. To the extent any provisions of this Agreement are subject to the jurisdiction of the state Commission, applicable Commission rules and regulations shall govern those provisions. All other provisions of this Agreement shall be governed by the laws of the state of Georgia.

## **19. Arm's Length Negotiations**

This Agreement was executed after arm's length negotiations between the undersigned Parties and reflects the conclusion of the undersigned that this Agreement is in the best interests of all Parties.

**20. Notices**

20.1 Every notice, consent, approval, or other communications required or contemplated by this Agreement shall be in writing and shall be delivered in person or given by postage prepaid mail, address to:

**BellSouth Telecommunications, Inc.**

CLEC Account Team  
9<sup>th</sup> Floor  
600 North 19<sup>th</sup> Street  
Birmingham, Alabama 35203

and

General Attorney - COU  
Suite 4300  
675 W. Peachtree St.  
Atlanta, GA 30375

**Z-Tel Communications, Inc.**

Attention: Don Davis  
601 South Harbour Island Blvd.  
Suite 220  
Tampa, FL 33602  
Phone: 813-233-4615

or at such other address as the intended recipient previously shall have designated by written notice to the other Party.

20.2 Where specifically required, notices shall be by certified or registered mail. Unless otherwise provided in this Agreement, notice by mail shall be effective on the date it is officially recorded as delivered by return receipt or equivalent, and in the absence of such record of delivery, it shall be presumed to have been delivered the fifth day, or next business day after the fifth day, after it was deposited in the mails.

20.3 BellSouth shall provide Z-Telat least 30 day advance (or such shorter notice as may be required or permitted by Commission order) notice via Internet posting of price changes and of changes to the terms and conditions of services available for resale in accordance with applicable Commission rules or orders. To the extent that revisions occur between the time BellSouth notifies Z-Tel of changes under this Agreement and the time the changes are scheduled to be implemented,

BellSouth will immediately notify Z-Tel of such revisions consistent with its internal notification process.

**21. Rule of Construction**

No rule of construction requiring interpretation against the drafting Party hereof shall apply in the interpretation of this Agreement.

**22. Headings of No Force or Effect**

The headings of Articles and Sections of this Agreement are for convenience of reference only, and shall in no way define, modify or restrict the meaning or interpretation of the terms or provisions of this Agreement.

**23. Multiple Counterparts**

This Agreement may be executed multiple counterparts, each of which shall be deemed an original, but all of which shall together constitute but one and the same document.

**24. Implementation of Agreement**

If Z-Tel is a facilities based provider or a facilities based and resale provider, this section shall apply. Within 60 days of the execution of this Agreement, the Parties will adopt a schedule for the implementation of the Agreement. The schedule shall state with specificity time frames for submission of including but not limited to, network design, interconnection points, collocation arrangement requests, pre-sales testing and full operational time frames for the business and residential markets. An implementation template to be used for the implementation schedule is contained in Attachment 10 of this Agreement.

**25. Guides**

This Agreement contains references to numerous Guides maintained by BellSouth, including, but not limited to, the BellSouth Local Interconnection and Facility Based Ordering Guide, BellSouth Resale Ordering Guide, BellSouth Products and Services Interval Guide, and the BellSouth Facility Based CLEC Activation Requirements Customer Guide (together, "Guides"). Where this Agreement references any BellSouth Guides, the Parties agree to adhere to such Guides, provided that these Guides do not affect the substantive rights and obligations of the Parties under this Agreement. In the event of a conflict between this Agreement and any Guides, this Agreement controls. All intervals set forth in the most current Guides available on the effective date of this contract shall be available to Z-Tel, regardless of future BellSouth updates to the Guides. In the event BellSouth modifies the intervals set forth in the Guides after the effective date of this agreement, Z-Tel, at its sole option and upon written notice to BellSouth, , may choose to continue with the intervals

set forth at the effective date of the agreement. Otherwise, the intervals in BellSouth's guides shall apply.

**26. Filing of Agreement**

Upon execution of this Agreement it shall be filed with the appropriate state regulatory agency pursuant to the requirements of Section 252 of the Act. If the regulatory agency imposes any filing or public interest notice fees regarding the filing or approval of the Agreement, Z-Tel shall be responsible for publishing the required notice and the publication and/or notice costs shall be borne by Z-Tel.

**27. Entire Agreement**

This Agreement and its Attachments, incorporated herein by this reference, sets forth the entire understanding and supersedes prior Agreements between the Parties relating to the subject matter contained herein and merges all prior discussions between them, and neither Party shall be bound by any definition, condition, provision, representation, warranty, covenant or promise other than as expressly stated in this Agreement or as is contemporaneously or subsequently set forth in writing and executed by a duly authorized officer or representative of the Party to be bound thereby.

**This Agreement may include attachments with provisions for the following services:**

Network Elements and Other Services  
Local Interconnection  
Resale  
Collocation

**The following services are included as options for purchase by Z-Tel. Z-Tel shall elect said services by written request to its Account Manager if applicable.**

Optional Daily Usage File (ODUF)  
Enhanced Optional Daily Usage File (EODUF)  
Access Daily Usage File (ADUF)  
Line Information Database (LIDB) Storage  
Centralized Message Distribution Service (CMDS)  
Calling Name (CNAM)

IN WITNESS WHEREOF, the Parties have executed this Agreement the day and year above first written.

**BellSouth Telecommunications, Inc.**

**Z-Tel Communications, Inc.**

\_\_\_\_\_  
Signature

\_\_\_\_\_  
Signature

\_\_\_\_\_  
Name

\_\_\_\_\_  
Name

\_\_\_\_\_  
Title

\_\_\_\_\_  
Title

\_\_\_\_\_  
Date

\_\_\_\_\_  
Date

## Definitions

**Affiliate** is defined as a person that (directly or indirectly) owns or controls, is owned or controlled by, or is under common ownership or control with, another person. For purposes of this paragraph, the term “own” means to own an equity interest (or equivalent thereof) of more than 10 percent.

**Centralized Message Distribution System** is the Telcordia (formerly BellCore) administered national system, based in Kansas City, Missouri, used to exchange Exchange Message Interface (EMI) formatted data among host companies.

**Commission** is defined as the appropriate regulatory agency in each of BellSouth’s nine state region, Alabama, Florida, Georgia, Kentucky, Louisiana, Mississippi, North Carolina, South Carolina, and Tennessee.

**Daily Usage File** is the compilation of messages or copies of messages in standard Exchange Message Interface (EMI) format exchanged from BellSouth to a CLEC.

**Exchange Message Interface** is the nationally administered standard format for the exchange of data among the Exchange Carriers within the telecommunications industry.

**Information Service** means the offering of a capability for generating, acquiring, storing, transforming, processing, retrieving, utilizing, or making available information via telecommunications, and includes electronic publishing, but does not include any use of any such capability for the management, control, or operation of a telecommunications system or the management of a telecommunications service.

**Intercompany Settlements (ICS)** is the revenue associated with charges billed by a company other than the company in whose service area such charges were incurred. ICS on a national level includes third number and credit card calls and is administered by Telcordia (formerly BellCore)’s Calling Card and Third Number Settlement System (CATS). Included is traffic that originates in one Regional Bell Operating Company’s (RBOC) territory and bills in another RBOC’s territory.

**Intermediary function** is defined as the delivery of traffic from Z-Tel; a CLEC other than Z-Tel or another telecommunications carrier through the network of BellSouth or Z-Tel to an end user of Z-Tel; a CLEC other than Z-Tel or another telecommunications carrier.

**Local Interconnection** is defined as 1) the delivery of local traffic to be terminated on each Party’s local network so that end users of either Party have the ability to reach end users of the other Party without the use of any access code or substantial delay in the processing of the call; 2) the LEC network features, functions, and capabilities set forth in this Agreement; and 3) Service Provider Number Portability sometimes referred to as temporary telephone number portability to be implemented pursuant to the terms of this Agreement.

**Local Traffic** is defined as in Attachment 3.

**Message Distribution** is routing determination and subsequent delivery of message data from one company to another. Also included is the interface function with CMDS, where appropriate.

**Multiple Exchange Carrier Access Billing (“MECAB”)** means the document prepared by the Billing Committee of the Ordering and Billing Forum (“OBF”), which functions under the auspices of the Carrier Liaison Committee of the Alliance for Telecommunications Industry Solutions (“ATIS”) and by Telcordia (formerly BellCore) as Special Report SR-BDS-000983, Containing the recommended guidelines for the billing of Exchange Service access provided by two or more LECs and/or CLECs or by one LEC in two or more states within a single LATA.

**Network Element** is defined to mean a facility or equipment used in the provision of a telecommunications service. Such term may include, but is not limited to, features, functions, and capabilities that are provided by means of such facility or equipment, including but not limited to, subscriber numbers, databases, signaling systems, and information sufficient for billing and collection or used in the transmission, routing, or other provision of a telecommunications service. BellSouth offers access to the Network Elements, unbundled loops; network interface device; sub-loop elements; local switching; transport; tandem switching; operator systems; signaling; access to call-related databases; dark fiber as set forth in Attachment 2 of this Agreement.

**Non-Intercompany Settlement System (NICS)** is the Telcordia (formerly BellCore) system that calculates non-intercompany settlements amounts due from one company to another within the same RBOC region. It includes credit card, third number and collect messages.

**Percent of Interstate Usage (PIU)** is defined as a factor to be applied to terminating access services minutes of use to obtain those minutes that should be rated as interstate access services minutes of use. The numerator includes all interstate “non-intermediary” minutes of use, including interstate minutes of use that are forwarded due to service provider number portability less any interstate minutes of use for Terminating Party Pays services, such as 800 Services. The denominator includes all “non-intermediary”, local, interstate, intrastate, toll and access minutes of use adjusted for service provider number portability less all minutes attributable to terminating Party pays services.

**Percent Local Usage (PLU)** is defined as a factor to be applied to intrastate terminating minutes of use. The numerator shall include all “non-intermediary” local minutes of use adjusted for those minutes of use that only apply local due to Service Provider Number Portability. The denominator is the total intrastate minutes of use including local, intrastate toll, and access, adjusted for Service Provider Number Portability less intrastate terminating Party pays minutes of use.

**Revenue Accounting Office (RAO) Status Company** is a local exchange company/alternate local exchange company that has been assigned a unique RAO code. Message data exchanged among RAO status companies is grouped (i.e. packed) according to From/To/Bill RAO combinations.

**Service Control Points** (“SCPs”) are defined as databases that store information and have the ability to manipulate data required to offer particular services.

**Signal Transfer Points** (“STPs”) are signaling message switches that interconnect Signaling Links to route signaling messages between switches and databases. STPs enable the exchange of Signaling System 7 (“SS7”) messages between switching elements, database elements and STPs. STPs provide access to various BellSouth and third party network elements such as local switching and databases.

**Signaling links** are dedicated transmission paths carrying signaling messages between carrier switches and signaling networks. Signal Link Transport is a set of two or four dedicated 56 kbps transmission paths between Z-Tel designated Signaling Points of Interconnection that provide a diverse transmission path and cross connect to a BellSouth Signal Transfer Point.

**Telecommunications** means the transmission, between or among points specified by the user, of information of the user’s choosing, without change in the form or content of the information as sent and received.

**Telecommunications Service** means the offering of telecommunications for a fee directly to the public, or to such classes of users as to be effectively available directly to the public, regardless of the facilities used.

**Telecommunications Act of 1996 (“Act”)** means Public Law 104-104 of the United States Congress effective February 8, 1996. The Act amended the Communications Act of 1934 (47, U.S.C. Section 1 et. seq.).

**Wire Center** denotes a building or space within a building a building which serves as an aggregation point on a given carrier’s network, where transmission facilities and circuits are connected or switched. Wire Center can also denote a building in which one or more Central Offices, used for the provision of basic exchange services and Switched access service, are located.



# **Attachment 1**

## **Resale**

**TABLE OF CONTENTS**

**1. Discount Rates..... 3**

**2. Definition of Terms..... 3**

**3. General Provisions ..... 3**

**4. Bellsouth’s Provision of Services To Z-Tel..... 8**

**5. Maintenance of Services ..... 8**

**6. Establishment of Service ..... 9**

**7. Payment and Billing Arrangements ..... 11**

**8. Discontinuance of Service..... 13**

**9. Line Information Database (LIDB)..... 15**

**10. RAO Hosting..... 15**

**11. Optional Daily Usage File (ODUF)..... 15**

**12. Enhanced Optional Daily Usage File (EODUF)..... 15**

**Exhibit A – Applicable Discounts/OSS Rates..... .16**

**Exhibit B – Resale Restrictions..... 19**

**Exhibit C – Line Information Database (LIDB) Storage Agreement..... .21**

**Exhibit D – CMDS/RAO Hosting..... .27**

**Exhibit E – Optional Daily Usage File ODUF)..... 31**

**Exhibit F – Enhanced Option Daily Usage File (EODUF)..... 34**

**Exhibit G – ODUF/EODUF/CMDS Rates.....Rate Table**

## **RESALE**

### **1. Discount Rates**

The discount rates applied to Z-Tel purchases of BellSouth Telecommunications Services for the purpose of resale shall be as set forth in Exhibit A. Such discount shall reflect the costs avoided by BellSouth when selling a service for wholesale purposes.

### **2. Definition of Terms**

2.1 **COMPETITIVE LOCAL EXCHANGE COMPANY (CLEC)** means a telephone company certificated by the public service commissions of BellSouth's franchised area to provide local exchange service within BellSouth's franchised area.

2.2 **CUSTOMER OF RECORD** means the entity responsible for placing application for service; requesting additions, rearrangements, maintenance or discontinuance of service; payment in full of charges incurred such as non-recurring, monthly recurring, toll, directory assistance, etc.

2.3 **DEPOSIT** means assurance provided by a customer in the form of cash, surety bond or bank letter of credit to be held by BellSouth.

2.4 **END USER** means the ultimate user of the telecommunications services.

2.5 **END USER CUSTOMER LOCATION** means the physical location of the premises where an end user makes use of the telecommunications services.

2.6 **NEW SERVICES** means functions, features or capabilities that are not currently offered by BellSouth. This includes packaging of existing services or combining a new function, feature or capability with an existing service.

2.7 **RESALE** means an activity wherein a certificated CLEC, such as Z-Tel subscribes to the telecommunications services of BellSouth and then offers those telecommunications services to the public

2.8 **RESALE SERVICE AREA** means the area, as defined in a public service commission approved certificate of operation, within which a CLEC, such as Z-Tel, may offer resold local exchange telecommunications service.

### **3. General Provisions**

- 3.1 Z-Tel may resell the tariffed local exchange and toll telecommunications services of BellSouth contained in the General Subscriber Service Tariff and Private Line Service Tariff subject to the terms, and conditions specifically set forth herein. Notwithstanding the foregoing, the exclusions and limitations on services available for resale will be as set forth in Exhibit B, attached hereto and incorporated herein by this reference.
- 3.2 All of the negotiated rates, terms and conditions set forth in this Attachment pertain to the resale of BellSouth's retail telecommunications services and other services specified in this Attachment. BellSouth shall make available telecommunications services for resale at the discount rates set forth in Exhibit A to this Agreement and subject to the exclusions and limitations set forth in Exhibit B to this Agreement. BellSouth does not however waive its rights to appeal or otherwise challenge any decision regarding resale that resulted in the discount rates contained in Exhibit A or the exclusions and limitations contained in Exhibit B. BellSouth reserves the right to pursue any and all legal and/or equitable remedies, including appeals of any decisions. If such appeals or challenges result in changes in the discount rates or exclusions and limitations, the parties agree that appropriate modifications to this Agreement will be made promptly to make its terms consistent with the outcome of the appeal.
- 3.3 Z-Tel may purchase resale services from BellSouth for their own use in operating their business. The resale discount will apply to those services under the following conditions:
  - 3.3.1 Z-Tel must resell services to other end users.
  - 3.3.2 Z-Tel must order services through resale interfaces, i.e., the Local Carrier Service Center (LCSC) and/or appropriate Resale Account Teams pursuant to Section 3 of the General Terms and Conditions.
  - 3.3.3 Z-Tel cannot be a competitive local exchange telecommunications company for the single purpose of selling to themselves.
- 3.4 The provision of services by BellSouth to Z-Tel does not constitute a joint undertaking for the furnishing of any service.
- 3.5 Z-Tel will be the customer of record for all services purchased from BellSouth. Except as specified herein, BellSouth will take orders from, bill and expect payment from Z-Tel for said services.
- 3.6 Z-Tel will be BellSouth's single point of contact for all services purchased pursuant to this Agreement. BellSouth shall have no contact with the end user except to the extent provided for herein.
- 3.7 BellSouth will continue to bill the end user for any services that the end user specifies it wishes to receive directly from BellSouth.

- 3.8 BellSouth maintains the right to serve directly any end user within the service area of Z-Tel. BellSouth will continue to directly market its own telecommunications products and services and in doing so may establish independent relationships with end users of Z-Tel.
- 3.9 Neither Party shall interfere with the right of any person or entity to obtain service directly from the other Party.
- 3.10 Current telephone numbers may normally be retained by the end user and are assigned to the service furnished. However, neither Party nor the end user has a property right to the telephone number or any other call number designation associated with services furnished by BellSouth, and no right to the continuance of service through any particular central office. BellSouth reserves the right to change such numbers, or the central office designation associated with such numbers, or both, whenever BellSouth deems it necessary to do so in the conduct of its business and in accordance with BellSouth practices and procedures on a nondiscriminatory basis.
- 3.11 For the purpose of the resale of BellSouth's telecommunications services by Z-Tel, BellSouth will provide Z-Tel with an on line access to telephone numbers for reservation on a first come first serve basis. Such reservations of telephone numbers, on a pre-ordering basis shall be for a period of nine (9) days. Z-Tel acknowledges that there may be instances where there is a shortage of telephone numbers in a particular Common Language Location Identifier Code (CLLIC) and in such instances BellSouth may request that Z-Tel cancel its reservations of numbers. Z-Tel shall comply with such request.
- 3.12 Further, upon Z-Tel's request, and for the purpose of the resale of BellSouth's telecommunications services by Z-Tel, BellSouth will reserve up to 100 telephone numbers per CLLIC, for Z-Tel's sole use. Such telephone number reservations shall be valid for ninety (90) days from the reservation date. Z-Tel acknowledges that there may be instances where there is a shortage of telephone numbers in a particular CLLIC and in such instances BellSouth shall use its best efforts to reserve for a ninety (90) day period a sufficient quantity of Z-Tel's reasonable need in that particular CLLIC.
- 3.13 Service is furnished subject to the condition that it will not be used for any unlawful purpose.
- 3.14 Service will be discontinued if any law enforcement agency advises that the service being used is in violation of the law.
- 3.15 BellSouth can refuse service when it has grounds to believe that service will be used in violation of the law.

- 3.16 BellSouth accepts no responsibility to any person for any unlawful act committed by Z-Tel or its end users as part of providing service to Z-Tel for purposes of resale or otherwise.
- 3.17 BellSouth will cooperate fully with law enforcement agencies with subpoenas and court orders for assistance with BellSouth's end users, pursuant to Section 7 of the General Terms and Conditions
- 3.18 The characteristics and methods of operation of any circuits, facilities or equipment provided by any person or entity other than BellSouth shall not:
- 3.18.1 Interfere with or impair service over any facilities of BellSouth, its affiliates, or its connecting and concurring carriers involved in its service; or
- 3.18.2 Cause damage to BellSouth's plant;
- 3.18.3 Impair the privacy of any communications; or
- 3.18.4 Create hazards to any BellSouth employees or the public.
- 3.19 If Z-Tel utilizes a BellSouth resold telecommunications service in a manner other than which the service was originally intended as described in BellSouth's retail tariffs, Z-Tel has the responsibility to notify BellSouth. BellSouth will only provision and maintain said service consistent with the terms and conditions of the tariff describing said service.
- 3.20 Facilities and/or equipment utilized by BellSouth to provide service to Z-Tel remain the property of BellSouth.
- 3.21 White page directory listings will be provided in accordance with Section 5 of the General Terms and Conditions.
- 3.22 BellSouth provides electronic access to customer record information. Access is provided through the Local Exchange Navigation System (LENS) and the Telecommunications Access Gateway (TAG). Customer Record Information includes but is not limited to, customer specific information in CRIS and RSAG. In addition, Z-Tel shall provide to BellSouth access to customer record information including electronic access where available. Otherwise, upon request by BellSouth Z-Tel shall provide paper copies of customer record information within a reasonable period of time by BellSouth. Customer Record Information is equivalent to but not limited to the type of customer specific information contained in CRIS and RSAG. The Parties agree not to view, copy, or otherwise obtain access to the customer record information of any customer without that customer's permission, and further agrees that Z-Tel and BellSouth will obtain access to customer record information only in strict compliance with applicable laws, rules, or regulations of the State in which the service is provided.

3.23 All costs incurred by BellSouth to develop and implement operational interfaces shall be recovered from Resellers who utilize the services. Charges for use of Operational Support Systems (OSS) shall be as set forth in Exhibit A of this Attachment.

3.24 Where available to BellSouth's end users, BellSouth shall provide the following telecommunications services at a discount to allow for voice mail services:

- Simplified Message Desk Interface - Enhanced ("SMDI-E")
- Simplified Message Desk Interface ("SMDI")
- Message Waiting Indicator ("MWT") stutter dialtone and message waiting light feature capabilities
- Call Forward on Busy ("CF/B")
- Call Forward Don't Answer ("CF/DA")

Further, BellSouth messaging services set forth in BellSouth's Messaging Service Information Package shall be made available for resale without the wholesale discount.

3.24.1 BellSouth shall provide branding for, or shall unbrand, voice mail services to Z-Tel per the Bona Fide Request/New Business Request process as set forth in Section 6 of the General Terms and Conditions.

3.25 BellSouth's Inside Wire Maintenance Service Plans may be made available for resale at rates, terms and conditions as set forth by BellSouth and without the wholesale discount.

3.26 If Z-Tel requires a special assembly Z-Tel agrees to pay the costs incurred by BellSouth for providing the requested special assembly. The costs will be provided to Z-Tel prior to providing the service. Such costs could include both recurring and non-recurring charges and shall exclude any cost attributable to any marketing ,billing collection or other costs that will be avoided by BellSouth in providing service to Z-Tel .

3.27 Recovery of charges associated with implementing Number Portability through monthly charges assessed to end users has been authorized by the FCC. This end user line charge will be billed to Resellers of BellSouth's telecommunications services and will be as filed in FCC No. 1. This charge is not discounted.

3.28 BellSouth shall provide 911/E911 for Z-Tel customers in the same manner that it is provided to BellSouth customers. BellSouth shall provide and validate Z-Tel customer information to the PSAP. BellSouth shall use its service order process to update and maintain, on the same schedule that it uses for its customers, the Z-Tel

customer service information in the ALI/DMS (Automatic Location Identification/Location Information) databases used to support 911/E911 services.

3.29 Pursuant to 47 CFR Section 51.617, BellSouth will bill Z-Tel end users common line charges identical to the end user common line charges BellSouth bills its end users.

#### **4. BellSouth's Provision of Services to Z-Tel**

4.1 Z-Tel agrees that its resale of BellSouth services shall be as follows:

4.1.1 The resale of telecommunications services shall be limited to users and uses conforming to the class of service restrictions.

4.1.2 Hotel and Hospital PBX services are the only telecommunications services available for resale to Hotel/Motel and Hospital end users, respectively. Similarly, Access Line Service for Customer Provided Coin Telephones is the only local service available for resale to Independent Payphone Provider (IPP) customers. Shared Tenant Service customers can only be sold those local exchange access services available in BellSouth's A23 Shared Tenant Service Tariff in the states of Florida, Georgia, North Carolina and South Carolina, and in A27 in the states of Alabama, Kentucky, Louisiana, Mississippi and Tennessee.

4.1.3 BellSouth reserves the right to periodically audit services purchased by Z-Tel to establish authenticity of use. Such audit shall not occur more than once in a calendar year. Z-Tel shall make any and all records and data available to BellSouth or BellSouth's auditors on a reasonable basis. BellSouth shall bear the cost of said audit.

4.2 Resold services can only be used in the same manner as specified in BellSouth's Tariffs. Resold services are subject to the same terms and conditions as are specified for such services when furnished to an individual end user of BellSouth in the appropriate section of BellSouth's Tariffs. Specific tariff features (e.g. a usage allowance per month), shall not be aggregated across multiple resold services.

4.3 Z-Tel may resell services only within the specific resale service area as defined in its certificate.

4.4 Telephone numbers transmitted via any resold service feature are intended solely for the use of the end user of the feature. Resale of this information is prohibited.

#### **5. Maintenance of Services**

5.1 Z-Tel will adopt and adhere to the standards contained in the applicable CLEC Work Center Operational Understanding Agreement regarding maintenance and installation of service.



- 5.2 Services resold pursuant to this Attachment and BellSouth's General Subscriber Service Tariff and Private Line Service Tariff and facilities and equipment provided by BellSouth shall be maintained by BellSouth.
- 5.3 Z-Tel or its end users may not rearrange, move, disconnect, remove or attempt to repair any facilities owned by BellSouth, other than by connection or disconnection to any interface means used, except with the written consent of BellSouth.
- 5.4 Z-Tel accepts responsibility to notify BellSouth of situations that arise that may result in a service problem.
- 5.5 Z-Tel will be BellSouth's single point of contact for all repair calls on behalf of Z-Tel's end users. The parties agree to provide one another with toll-free contact numbers for such purposes.
- 5.6 Z-Tel will contact the appropriate repair centers in accordance with procedures established by BellSouth.
- 5.7 For all repair requests, Z-Tel accepts responsibility for adhering to BellSouth's prescreening guidelines prior to referring the trouble to BellSouth.
- 5.8 BellSouth will bill Z-Tel for handling troubles that are found not to be in BellSouth's network pursuant to its standard time and material charges. The standard time and material charges will be no more than what BellSouth charges to its retail customers for the same services.
- 5.9 BellSouth reserves the right to contact Z-Tel's end users, if deemed necessary, for maintenance purposes.

## **6. Establishment of Service**

- 6.1 After receiving certification as a local exchange company from the appropriate regulatory agency, Z-Tel will provide the appropriate BellSouth service center the necessary documentation to enable BellSouth to establish a master account for Z-Tel's resold services. Such documentation shall include the Application for Master Account, proof of authority to provide telecommunications services, an Operating Company Number ("OCN") assigned by the National Exchange Carriers Association ("NECA") and a tax exemption certificate, if applicable. When necessary deposit requirements are met, BellSouth will begin taking orders for the resale of service.
- 6.2 Service orders will be in a standard format designated by BellSouth.
- 6.3 When notification is received from Z-Tel that a current end user of BellSouth will subscribe to Z-Tel's service, standard service order intervals for the appropriate class of service will apply.

- 6.4 BellSouth will not require end user confirmation prior to establishing service for Z-Tel's end user customer. Z-Tel must, however, be able to demonstrate end user authorization upon request.
- 6.5 Z-Tel will be the single point of contact with BellSouth for all subsequent ordering activity resulting in additions or changes to resold services except that BellSouth will accept a request directly from the end user for conversion of the end user's service from Z-Tel to BellSouth or will accept a request from another CLEC for conversion of the end user's service from Z-Tel to the other LEC. BellSouth will notify Z-Tel that such a request has been processed.
- 6.6 If BellSouth determines that an unauthorized change in local service to Z-Tel has occurred, BellSouth will reestablish service with the appropriate local service provider and will assess Z-Tel as the CLEC initiating the unauthorized change, the unauthorized change charge described in F.C.C. Tariff No. 1, Section 13 or applicable state tariff. Appropriate nonrecurring charges, as set forth in Section A4 of the General Subscriber Service Tariff, will also be assessed to Z-Tel. These charges can be adjusted if Z-Tel provides satisfactory proof of authorization.
- 6.7 In order to safeguard its interest, BellSouth reserves the right to secure the account with a suitable form of security deposit, unless satisfactory credit has already been established.
- 6.7.1 Such security deposit shall take the form of an irrevocable Letter of Credit or other forms of security acceptable to BellSouth. Any such security deposit may be held during the continuance of the service as security for the payment of any and all amounts accruing for the service.
- 6.7.2 If a security deposit is required, such security deposit shall be made prior to the inauguration of service.
- 6.7.3 Such security deposit may not exceed two months' estimated billing.
- 6.7.4 The fact that a security deposit has been made in no way relieves Z-Tel from complying with BellSouth's regulations as to advance payments and the prompt payment of bills on presentation nor does it constitute a waiver or modification of the regular practices of BellSouth providing for the discontinuance of service for non-payment of any sums due BellSouth.
- 6.7.5 BellSouth reserves the right to increase the security deposit requirements when, in its sole judgment, circumstances so warrant and/or gross monthly billing has increased beyond the level initially used to determine the security deposit.
- 6.7.6 In the event that Z-Tel defaults on its account, service to Z-Tel will be terminated and any security deposits held will be applied to its account.

6.7.7 Interest on a security deposit shall accrue and be paid in accordance with the terms in the appropriate BellSouth tariff.

## **7. Payment And Billing Arrangements**

7.1 Prior to submitting orders to BellSouth for local service, a master account must be established for Z-Tel. Z-Tel is required to provide the following before a master account is established: proof of PSC/PUC certification, the Application for Master Account, an Operating Company Number (“OCN”) assigned by the National Exchange Carriers Association (“NECA”) and a tax exemption certificate, if applicable.

7.2 BellSouth shall bill Z-Tel on a current basis all applicable charges and credits.

7.3 Payment of all charges will be the responsibility of Z-Tel. Z-Tel shall make payment to BellSouth for all services billed. BellSouth is not responsible for payments not received by Z-Tel from Z-Tel's end user. BellSouth will not become involved in billing disputes that may arise between Z-Tel and its end user. Payments made to BellSouth as payment on account will be credited to an accounts receivable master account and not to an end user's account.

7.4 BellSouth will render bills each month on established bill days for each of Z-Tel's accounts.

7.5 BellSouth will bill Z-Tel in advance charges for all services to be provided during the ensuing billing period except charges associated with service usage, which will be billed in arrears. Charges will be calculated on an individual end user account level, including, if applicable, any charge for usage or usage allowances. BellSouth will also bill Z-Tel, and Z-Tel will be responsible for and remit to BellSouth, all charges applicable to resold services including but not limited to 911 and E911 charges, telecommunications relay charges (TRS), and franchise fees.

7.6 The payment will be due by the next bill date (i.e., same date in the following month as the bill date) and is payable in immediately available funds. Payment is considered to have been made when received by BellSouth.

7.6.1 If the payment due date falls on a Sunday or on a Holiday which is observed on a Monday, the payment due date shall be the first non-Holiday day following such Sunday or Holiday. If the payment due date falls on a Saturday or on a Holiday which is observed on Tuesday, Wednesday, Thursday, or Friday, the payment due date shall be the last non-Holiday day preceding such Saturday or Holiday. If payment is not received by the payment due date, a late payment penalty, as set forth in section 7.8 following, shall apply.

7.6.2 If Z-Tel requests multiple billing media or additional copies of bills, BellSouth will provide these at an appropriate charge to Z-Tel.

### 7.6.3 Billing Disputes

- 7.6.3.1 Each Party agrees to notify the other Party upon the discovery of a billing dispute. In the event of a billing dispute, the Parties will endeavor to resolve the dispute within sixty (60) calendar days of the Bill Date on which such disputed charges appear. Resolution of the dispute is expected to occur at the first level of management resulting in a recommendation for settlement of the dispute and closure of a specific billing period. If the issues are not resolved within the allotted time frame, the following resolution procedure will begin:
- 7.6.3.2 If the dispute is not resolved within sixty (60) days of the Bill Date, the dispute will be escalated to the second level of management for each of the respective Parties for resolution. If the dispute is not resolved within ninety (90) days of the Bill Date, the dispute will be escalated to the third level of management for each of the respective Parties for resolution
- 7.6.3.3 If the dispute is not resolved within one hundred and twenty (120) days of the Bill Date, the dispute will be escalated to the fourth level of management for each of the respective Parties for resolution.
- 7.6.3.4 If a Party disputes a charge and does not pay such charge by the payment due date, such charges shall be subject to late payment charges as set forth in the Late Payment Charges provision of this Attachment. If a Party disputes charges and the dispute is resolved in favor of such Party, the other Party shall credit the bill of the disputing Party for the amount of the disputed charges along with any late payment charges assessed no later than the second Bill Date after the resolution of the dispute. Accordingly, if a Party disputes charges and the dispute is resolved in favor of the other Party, the disputing Party shall pay the other Party the amount of the disputed charges and any associated late payment charges assessed no later than the second bill payment due date after the resolution of the dispute. BellSouth shall only assess interest on previously assessed late payment charges in a state where it has authority pursuant to its tariffs.
- 7.7 Upon proof of tax exempt certification from Z-Tel, the total amount billed to Z-Tel will not include any taxes due from the end user to reflect the tax exempt certification and local tax laws. Z-Tel will be solely responsible for the computation, tracking, reporting, and payment of taxes applicable to Z-Tel's end user.
- 7.8 If any portion of the payment is received by BellSouth after the payment due date as set forth preceding, or if any portion of the payment is received by BellSouth in funds that are not immediately available to BellSouth, then a late payment penalty shall be due to BellSouth. The late payment penalty shall be the portion of the payment not received by the payment due date times a late factor and will be applied on a per bill basis. The late factor shall be as set forth in Section A2 of the General Subscriber Services Tariff and Section B2 of the Private Line Service Tariff. Z-Tel will be

charged a fee for all returned checks as set forth in Section to A2 of the General Subscriber Services Tariff or in applicable state law.

- 7.9 Any switched access charges associated with interexchange carrier access to the resold local exchange lines will be billed by, and due to, BellSouth. No additional charges are to be assessed to Z-Tel
- 7.10 BellSouth will not perform billing and collection services for Z-Tel as a result of the execution of this Agreement. All requests for billing services should be referred to the appropriate entity or operational group within BellSouth.
- 7.11 In general, BellSouth will not become involved in disputes between Z-Tel and Z-Tel's end user customers over resold services. If a dispute does arise that cannot be settled without the involvement of BellSouth, Z-Tel shall contact the designated Service Center for resolution. BellSouth will make every effort to assist in the resolution of the dispute and will work with Z-Tel to resolve the matter in as timely a manner as possible. Z-Tel may be required to submit documentation to substantiate the claim.
- 8. Discontinuance of Service**
- 8.1 The procedures for discontinuing service to an end user are as follows:
- 8.1.1 Where possible, BellSouth will deny service to Z-Tel's end user on behalf of, and at the request of, Z-Tel. Upon restoration of the end user's service, restoral charges will apply and will be the responsibility of Z-Tel.
- 8.1.2 At the request of Z-Tel, BellSouth will disconnect a Z-Tel end user customer.
- 8.1.3 All requests by Z-Tel for denial or disconnection of an end user for nonpayment must be in writing.
- 8.1.4 Z-Tel will be made solely responsible for notifying the end user of the proposed disconnection of the service.
- 8.1.5 BellSouth will continue to process calls made to the Annoyance Call Center and will advise Z-Tel when it is determined that annoyance calls are originated from one of their end user's locations. BellSouth shall be indemnified, defended and held harmless by Z-Tel and/or the end user against any claim, loss or damage arising from providing this information to Z-Tel. It is the responsibility of Z-Tel to take the corrective action necessary with its end users who make annoying calls. Failure to do so will result in BellSouth's disconnecting the end user's service.
- 8.1.6 BellSouth may disconnect and reuse facilities when the facility is in a denied state and BellSouth has received an order to establish new service or transfer of service from an end user or an end user's CLEC at the same address served by the denied facility.
- 8.2 The procedures for discontinuing service to Z-Tel are as follows:

- 8.2.1 BellSouth reserves the right to suspend or terminate service for nonpayment or in the event of prohibited, unlawful or improper use of the facilities or service, abuse of the facilities, or any other violation or noncompliance by Z-Tel of the rules and regulations of BellSouth's Tariffs.
- 8.2.2 If payment of account is not received by the bill day in the month after the original bill day, BellSouth may provide written notice to Z-Tel, that additional applications for service will be refused and that any pending orders for service will not be completed if payment is not received by the fifteenth day following the date of the notice. In addition BellSouth may, at the same time, give thirty days notice to the person designated by Z-Tel to receive notices of noncompliance, and discontinue the provision of existing services to Z-Tel at any time thereafter.
- 8.2.3 In the case of such discontinuance, all billed charges, as well as applicable termination charges, shall become due.
- 8.2.4 If BellSouth does not discontinue the provision of the services involved on the date specified in the thirty days notice and Z-Tel's noncompliance continues, nothing contained herein shall preclude BellSouth's right to discontinue the provision of the services to Z-Tel without further notice.
- 8.2.5 If payment is not received or arrangements made for payment by the date given in the written notification, Z-Tel's services will be discontinued. Upon discontinuance of service on a Z-Tel's account, service to Z-Tel's end users will be denied. BellSouth will also reestablish service at the request of the end user or Z-Tel upon payment of the appropriate connection fee and subject to BellSouth's normal application procedures. Z-Tel is solely responsible for notifying the end user of the proposed disconnection of the service.
- 8.2.6 If within fifteen days after an end user's service has been denied no contact has been made in reference to restoring service, the end user's service will be disconnected.

## **9. Line Information Database (LIDB)**

- 9.1 BellSouth will store in its Line Information Database (LIDB) records relating to service only in the BellSouth region. The LIDB Storage Agreement is included in this Attachment as Exhibit C.
- 9.2 BellSouth will provide LIDB Storage upon written request to Z-Tel Account Manager stating requested activation date.

## **10. RAO Hosting**

- 10.1 The RAO Hosting Agreement is included in this Attachment as Exhibit D. Rates for BellSouth's Centralized Message Distribution System (CMDS) are as set forth in Exhibit H of this Attachment.

10.2 BellSouth will provide RAO Hosting upon written request to its Account Manager stating requested activation date.

**11. Optional Daily Usage File (ODUF)**

11.1 The Optional Daily Usage File (ODUF) Agreement with terms and conditions is included in this Attachment as Exhibit E. Rates for ODUF are as set forth in Exhibit H of this Attachment.

11.2 BellSouth will provide Optional Daily Usage File (ODUF) service upon written request to its Account Manager stating requested activation date.

**12. Enhanced Optional Daily Usage File (EODUF)**

12.1 The Enhanced Optional Daily Usage File (EODUF) service Agreement with terms and conditions is included in this Attachment as Exhibit F. Rates for EODUF are as set forth in Exhibit H of this Attachment.

12.2 BellSouth will provide Enhanced Optional Daily Usage File (EODUF) service upon written request to its Account Manager stating requested activation date.

### APPLICABLE DISCOUNTS

The telecommunications services available for purchase by Z-Tel for the purposes of resale to Z-Tel end users shall be available at the following discount off of the retail rate. If Z-Tel cancels an order for telecommunications services for the purpose of resale, any costs incurred by BellSouth in conjunction with the provisioning of that order will be recovered in accordance with the applicable sections of the GSST and the PLST.

#### DISCOUNT\*

<u>STATE</u>	<u>RESIDENCE</u>	<u>BUSINESS</u>	<u>CSAs***</u>
ALABAMA	16.3%	16.3%	
FLORIDA	21.83%	16.81%	
GEORGIA	20.3%	17.3%	
KENTUCKY	16.79%	15.54%	
LOUISIANA	20.72%	20.72%	9.05%
MISSISSIPPI	15.75%	15.75%	
NORTH CAROLINA	21.5%	17.6%	
SOUTH CAROLINA	14.8%	14.8%	8.98%
TENNESSEE**	16%	16%	

- \* When a CLEC provides Resale service in a cross boundary area (areas that are part of the local serving area of another state's exchange) the rates, regulations and discounts for the tariffing state will apply. Billing will be from the serving state.
- \*\* In Tennessee, if a CLEC provides its own operator services and directory services, the discount shall be 21.56%. CLEC must provide written notification to BellSouth within 30 days prior to providing its own operator services and directory services to qualify for the higher discount rate of 21.56%.
- \*\*\* Unless noted in this column, the discount for Business will be the applicable discount rate for CSAs.



### OPERATIONAL SUPPORT SYSTEMS (OSS) RATES

BellSouth has developed and made available the following mechanized systems by which Z-Tel may submit LSRs electronically.

LENS	Local Exchange Navigation System
EDI	Electronic Data Interchange
TAG	Telecommunications Access Gateway

LSRs submitted by means of one of these interactive interfaces will incur an OSS electronic ordering charge as specified in the Table below. An individual LSR will be identified for billing purposes by its Purchase Order Number (PON). LSRs submitted by means other than one of these interactive interfaces (mail, fax, courier, etc.) will incur a manual order charge as specified in the table below:

<b>OPERATIONAL SUPPORT SYSTEMS (OSS) RATES</b>	<b><u>Electronic</u> Per LSR received from the CLEC by one of the OSS interactive interfaces</b>	<b><u>Manual</u> Per LSR received from the CLEC by means other than one of the OSS interactive interfaces</b>
<b>OSS LSR Charge</b>	<b>\$3.50</b>	<b>\$19.99</b>
<b>USOC</b>	<b>SOMEK</b>	<b>SOMAN</b>

Note: In addition to the OSS charges, applicable discounted service order and related discounted charges apply per the tariff.

#### Denial/Restoral OSS Charge

In the event Z-Tel provides a list of customers to be denied and restored, rather than an LSR, each location on the list will require a separate PON and, therefore will be billed as one LSR per location.

#### Cancellation OSS Charge

Z-Tel will incur an OSS charge for an accepted LSR that is later canceled by Z-Tel.

Note: Supplements or clarifications to a previously billed LSR will not incur another OSS charge.

Threshold Billing Plan

The Parties agree that Z-Tel will incur the mechanized rate for all LSRs, both mechanized and manual, if the percentage of mechanized LSRs to total LSRs meets or exceeds the threshold percentages shown below:

Year	Ratio: Mechanized/Total LSRs
2000	80%
2001	90%

The threshold plan will be discontinued in 2002.

BellSouth will track the total LSR volume for each CLEC for each quarter. At the end of that time period, a Percent Electronic LSR calculation will be made for that quarter based on the LSR data tracked in the LCSC. If this percentage exceeds the threshold volume, all of that CLECs' future manual LSRs will be billed at the mechanized LSR rate. To allow time for obtaining and analyzing the data and updating the billing system, this billing change will take place on the first day of the second month following the end of the quarter (e.g. May 1 for 1Q, Aug 1 for 2Q, etc.). There will be no adjustments to the amount billed for previously billed LSRs.

### Exclusions and Limitations On Services Available for Resale

Type of Service	AL		FL		GA		KY		LA		MS		NC		SC		TN	
	Resale	Discount	Resale	Discount	Resale	Discount	Resale	Discount	Resale	Discount	Resale	Discount	Resale	Discount	Resale	Discount	Resale	Discount
1 Grandfathered Services (Note 1)	Yes	Yes	Yes	Yes	Yes	Yes	Yes	Yes	Yes	Yes	Yes	Yes	Yes	Yes	Yes	Yes	Yes	Yes
2 Contract Service Arrangements	Yes	Yes	Yes	Yes	Yes	Yes	Yes	Yes	Yes	Yes	Yes	Yes	Yes	Yes	Yes	Yes	Yes	Yes
3 Promotions - > 90 Days(Note 2)	Yes	Yes	Yes	Yes	Yes	Yes	Yes	Yes	Yes	Yes	Yes	Yes	Yes	Yes	Yes	Yes	Yes	Note 3
4 Promotions - < 90 Days (Note 2)	Yes	No	Yes	No	Yes	No	Yes	No	Yes	No	Yes	No	Yes	No	Yes	No	Yes	No
5 Lifeline/Link Up Services	Yes	Yes	Yes	Yes	Yes	Yes	Note 4	Note 4	Yes	Yes	Yes	Yes	Yes	Yes	Yes	Yes	Yes	Yes
6 911/E911 Services	Yes	Yes	Yes	Yes	Yes	Yes	Yes	Yes	No	No	Yes	Yes	Yes	Yes	Yes	Yes	Yes	Yes
7 N11 Services	Yes	Yes	Yes	Yes	Yes	Yes	No	No	No	No	Yes	Yes	Yes	Yes	No	No	Yes	Yes
8 AdWatch <sup>SM</sup> Svc (See Note 6)	Yes	Yes	Yes	Yes	Yes	Yes	Yes	Yes	Yes	Yes	Yes	Yes	Yes	Yes	Yes	Yes	Yes	Yes
9 MemoryCall <sup>®</sup> Service	Yes	No	Yes	No	Yes	No	Yes	No	Yes	No	Yes	No	Yes	No	Yes	No	Yes	No
10 Mobile Services	Yes	No	Yes	No	Yes	No	Yes	No	Yes	No	Yes	No	Yes	No	Yes	No	Yes	No
11 Federal Subscriber Line Charges	Yes	No	Yes	No	Yes	No	Yes	No	Yes	No	Yes	No	Yes	No	Yes	No	Yes	No
12 Non-Recurring Charges	Yes	Yes	Yes	Yes	Yes	Yes	Yes	Yes	Yes	Yes	Yes	Yes	Yes	Yes	Yes	Yes	Yes	No
13 End User Line Charge – Number Portability	Yes	No	Yes	No	Yes	No	Yes	No	Yes	No	Yes	No	Yes	No	Yes	No	Yes	No
14 Public Telephone Access Service (PTAS)	Yes	Yes	Yes	Yes	Yes	Yes	Yes	Yes	Yes	Yes	Yes	Yes	Yes	Yes	Yes	No	Yes	Yes

## Exclusions and Limitations On Services Available for Resale

### Applicable

#### Notes:

1. **Grandfathered services** can be resold only to existing subscribers of the grandfathered service.
2. Where available for resale, **promotions** will be made available only to end users who would have qualified for the promotion had it been provided by BellSouth directly.
3. In Tennessee, long-term **promotions** (offered for more than ninety (90) days) may be obtained at one of the following rates:
  - (a) the stated tariff rate, less the wholesale discount;
  - (b) the promotional rate (the promotional rate offered by BellSouth will not be discounted further by the wholesale discount rate)
4. **Lifeline/Link Up** services may be offered only to those subscribers who meet the criteria that BellSouth currently applies to subscribers of these services as set forth in Sections A3 and A4 of the BellSouth General Subscriber Services Tariff.
5. Some of BellSouth's local exchange and toll telecommunications services are not available in certain central offices and areas.
6. AdWatch<sup>SM</sup> Service is tariffed as BellSouth<sup>®</sup> AIN Virtual Number Call Detail Service.

**LINE INFORMATION DATA BASE (LIDB)  
STORAGE AGREEMENT**

**I. SCOPE**

- A. This Agreement sets forth the terms and conditions pursuant to which BellSouth agrees to store in its LIDB certain information at the request of Z-Tel and pursuant to which BellSouth, its LIDB customers and Z-Tel shall have access to such information. Z-Tel understands that BellSouth provides access to information in its LIDB to various telecommunications service providers pursuant to applicable tariffs and agrees that information stored at the request of Z-Tel, pursuant to this Agreement, shall be available to those telecommunications service providers. The terms and conditions contained in the attached Addendum(s) are hereby made a part of this Agreement as if fully incorporated herein.
- B. LIDB is accessed for the following purposes:
1. Billed Number Screening
  2. Calling Card Validation
  3. Fraud Control
- C. BellSouth will provide seven days per week, 24-hours per day, fraud monitoring on Calling Cards, bill-to-third and collect calls made to numbers in BellSouth's LIDB, provided that such information is included in the LIDB query. BellSouth will establish fraud alert thresholds and will notify Z-Tel of fraud alerts so that Z-Tel may take action it deems appropriate. Z-Tel understands and agrees BellSouth will administer all data stored in the LIDB, including the data provided by Z-Tel pursuant to this Agreement, in the same manner as BellSouth's data for BellSouth's end user customers. BellSouth shall not be responsible to Z-Tel for any lost revenue which may result from BellSouth's administration of the LIDB pursuant to its established practices and procedures as they exist and as they may be changed by BellSouth in its sole discretion from time to time.

Z-Tel understands that BellSouth currently has in effect numerous billing and collection agreements with various interexchange carriers and billing clearing houses. Z-Tel further understands that these billing and collection customers of BellSouth query BellSouth's LIDB to determine whether to accept various billing options from end users. Additionally, Z-Tel understands that presently BellSouth has no method to differentiate between BellSouth's own billing and line data in the LIDB and such data which it includes in the LIDB on Z-Tel's behalf pursuant to this Agreement. Therefore, until such time as BellSouth can and does implement in its LIDB and its supporting systems the means to differentiate Z-Tel's data from BellSouth's data and the Parties to this Agreement execute appropriate amendments hereto, the following terms and conditions shall apply:

- (a) Z-Tel agrees that it will accept responsibility for telecommunications services billed by BellSouth for its billing and collection customers for Z-Tel's end user accounts which are resident in LIDB pursuant to this Agreement. Z-Tel authorizes BellSouth to place such charges on Z-Tel's bill from BellSouth and agrees that it shall pay all such charges. Charges for which Z-Tel hereby takes responsibility include, but are not limited to, collect and third number calls.
- (b) Charges for such services shall appear on a separate BellSouth bill page identified with the name of the entity for which BellSouth is billing the charge.
- (c) Z-Tel shall have the responsibility to render a billing statement to its end users for these charges, but Z-Tel's obligation to pay BellSouth for the charges billed shall be independent of whether Z-Tel is able or not to collect from Z-Tel's end users.
- (d) BellSouth shall not become involved in any disputes between Z-Tel and the entities for which BellSouth performs billing and collection. BellSouth will not issue adjustments for charges billed on behalf of an entity to Z-Tel. It shall be the responsibility of Z-Tel and the other entity to negotiate and arrange for any appropriate adjustments.

## **II. TERM**

This Agreement will be effective as of \_\_\_\_\_, and will continue in effect for one year, and thereafter may be continued until terminated by either Party upon thirty (30) days written notice to the other Party.

## **III. FEES FOR SERVICE AND TAXES**

- A. Z-Tel will not be charged a fee for storage services provided by BellSouth to Z-Tel, as described in Section I of this Agreement.
- B. Sales, use and all other taxes (excluding taxes on BellSouth's income) determined by BellSouth or any taxing authority to be due to any federal, state or local taxing jurisdiction with respect to the provision of the service set forth herein will be paid by Z-Tel. Z-Tel shall have the right to have BellSouth contest with the imposing jurisdiction, at Z-Tel's expense, any such taxes that Z-Tel deems are improperly levied.

## **IV. INDEMNIFICATION**

To the extent not prohibited by law, each Party will indemnify the other and hold the other harmless against any loss, cost, claim, injury, or liability relating to or arising out of negligence or willful misconduct by the indemnifying Party or its agents or contractors in connection with the indemnifying Party's provision of services, provided, however, that any indemnity for any loss, cost, claim, injury or liability arising out of or relating to errors or omissions in the provision of services under this

Agreement shall be limited as otherwise specified in this Agreement. The indemnifying Party under this Section agrees to defend any suit brought against the other Party for any such loss, cost, claim, injury or liability. The indemnified Party agrees to notify the other Party promptly, in writing, of any written claims, lawsuits, or demands for which the other Party is responsible under this Section and to cooperate in every reasonable way to facilitate defense or settlement of claims. The indemnifying Party shall not be liable under this Section for settlement by the indemnified Party of any claim, lawsuit, or demand unless the defense of the claim, lawsuit, or demand has been tendered to it in writing and the indemnifying Party has unreasonably failed to assume such defense.

## **V. LIMITATION OF LIABILITY**

Neither Party shall be liable to the other Party for any lost profits or revenues or for any indirect, incidental or consequential damages incurred by the other Party arising from this Agreement or the services performed or not performed hereunder, regardless of the cause of such loss or damage.

## **VI. MISCELLANEOUS**

- A. It is understood and agreed to by the Parties that BellSouth may provide similar services to other companies.
- B. All terms, conditions and operations under this Agreement shall be performed in accordance with, and subject to, all applicable local, state or federal legal and regulatory tariffs, rulings, and other requirements of the federal courts, the U. S. Department of Justice and state and federal regulatory agencies. Nothing in this Agreement shall be construed to cause either Party to violate any such legal or regulatory requirement and either Party's obligation to perform shall be subject to all such requirements.
- C. Z-Tel agrees to submit to BellSouth all advertising, sales promotion, press releases, and other publicity matters relating to this Agreement wherein BellSouth's corporate or trade names, logos, trademarks or service marks or those of BellSouth's affiliated companies are mentioned or language from which the connection of said names or trademarks therewith may be inferred or implied; and Z-Tel further agrees not to publish or use advertising, sales promotions, press releases, or publicity matters without BellSouth's prior written approval.
- D. This Agreement constitutes the entire Agreement between Z-Tel and BellSouth which supersedes all prior Agreements or contracts, oral or written representations, statements, negotiations, understandings, proposals and undertakings with respect to the subject matter hereof.
- E. Except as expressly provided in this Agreement, if any part of this Agreement is held or construed to be invalid or unenforceable, the validity of any other Section of this Agreement shall remain in full force and effect to the extent permissible or appropriate in furtherance of the intent of this Agreement.

- F. Neither Party shall be held liable for any delay or failure in performance of any part of this Agreement for any cause beyond its control and without its fault or negligence, such as acts of God, acts of civil or military authority, government regulations, embargoes, epidemics, war, terrorist acts, riots, insurrections, fires, explosions, earthquakes, nuclear accidents, floods, strikes, power blackouts, volcanic action, other major environmental disturbances, unusually severe weather conditions, inability to secure products or services of other persons or transportation facilities, or acts or omissions of transportation common carriers.
  
- G. This Agreement shall be deemed to be a contract made under the laws of the State of Georgia, and the construction, interpretation and performance of this Agreement and all transactions hereunder shall be governed by the domestic law of such State.



**RESALE ADDENDUM  
TO LINE INFORMATION DATA BASE (LIDB)  
STORAGE AGREEMENT**

This is a Resale Addendum to the Line Information Data Base Storage Agreement dated \_\_\_\_\_, 2000, between BellSouth Telecommunications, Inc. (“BellSouth”), and Z-Tel (“Z-Tel”), effective the \_\_\_\_\_ day of \_\_\_\_\_, 2000.

**I. GENERAL**

This Addendum sets forth the terms and conditions for Z-Tel’s provision of billing number information to BellSouth for inclusion in BellSouth’s LIDB. BellSouth will store in its LIDB the billing number information provided by Z-Tel, and BellSouth will provide responses to on-line, call-by-call queries to this information for purposes specified in Section I.B. of the Agreement.

**II. DEFINITIONS**

- A. Billing number - a number used by BellSouth for the purpose of identifying an account liable for charges. This number may be a line or a special billing number.
- B. Line number - a ten-digit number assigned by BellSouth that identifies a telephone line associated with a resold local exchange service, or with a SPNP arrangement.
- C. Special billing number - a ten-digit number that identifies a billing account established by BellSouth in connection with a resold local exchange service or with a SPNP arrangement.
- D. Calling Card number - a billing number plus PIN number assigned by BellSouth.
- E. PIN number - a four digit security code assigned by BellSouth which is added to a billing number to compose a fourteen digit calling card number.
- F. Toll billing exception indicator - associated with a billing number to indicate that it is considered invalid for billing of collect calls or third number calls or both, by the Z-Tel.
- G. Billed Number Screening - refers to the activity of determining whether a toll billing exception indicator is present for a particular billing number.
- H. Calling Card Validation - refers to the activity of determining whether a particular calling card number exists as stated or otherwise provided by a caller.

- I. Billing number information - information about billing number or Calling Card number as assigned by BellSouth and toll billing exception indicator provided to BellSouth by the Z-Tel.

### **III. RESPONSIBILITIES OF PARTIES**

- A. BellSouth will include billing number information associated with resold exchange lines or SPNP arrangements in its LIDB. The Z-Tel will request any toll billing exceptions via the Local Service Request (LSR) form used to order resold exchange lines, or the SPNP service request form used to order SPNP arrangements.
- B. Under normal operating conditions, BellSouth shall include the billing number information in its LIDB upon completion of the service order establishing either the resold local exchange service or the SPNP arrangement, provided that BellSouth shall not be held responsible for any delay or failure in performance to the extent such delay or failure is caused by circumstances or conditions beyond BellSouth's reasonable control. BellSouth will store in its LIDB an unlimited volume of the working telephone numbers associated with either the resold local exchange lines or the SPNP arrangements. For resold local exchange lines or for SPNP arrangements, BellSouth will issue line-based calling cards only in the name of Z-Tel. BellSouth will not issue line-based calling cards in the name of Z-Tel's individual end users. In the event that Z-Tel wants to include calling card numbers assigned by the Z-Tel in the BellSouth LIDB, a separate agreement is required.
- C. BellSouth will provide responses to on-line, call-by-call queries to the stored information for the specific purposes listed in the next paragraph.
- D. BellSouth is authorized to use the billing number information to perform the following functions for authorized users on an on-line basis:
  1. Validate a 14 digit Calling Card number where the first 10 digits are a line number or special billing number assigned by BellSouth, and where the last four digits (PIN) are a security code assigned by BellSouth.
  2. Determine whether the Z-Tel has identified the billing number as one which should not be billed for collect or third number calls, or both.

### **RAO Hosting**

1. RAO Hosting, Calling Card and Third Number Settlement System (CATS) and Non-Intercompany Settlement System (NICS) services provided to Z-Tel by BellSouth will be in accordance with the methods and practices regularly adopted and applied by BellSouth to its own operations during the term of this Agreement, including such revisions as may be made from time to time by BellSouth.
2. Z-Tel shall furnish all relevant information required by BellSouth for the provision of RAO Hosting, CATS and NICS.
3. Applicable compensation amounts will be billed by BellSouth to Z-Tel on a monthly basis in arrears. Amounts due from one Party to the other (excluding adjustments) are payable within thirty (30) days of receipt of the billing statement.
4. Z-Tel must have its own unique RAO code. Requests for establishment of RAO status where BellSouth is the selected Centralized Message Distribution System (CMDS) interfacing host, require written notification from Z-Tel to the BellSouth RAO Hosting coordinator at least eight (8) weeks prior to the proposed effective date. The proposed effective date will be mutually agreed upon between the Parties with consideration given to time necessary for the completion of required Telcordia (formerly BellCore) functions. BellSouth will request the assignment of an RAO code from its connecting contractor, currently Telcordia (formerly BellCore), on behalf of Z-Tel and will coordinate all associated conversion activities.
5. BellSouth will receive messages from Z-Tel that are to be processed by BellSouth, another LEC or CLEC in the BellSouth region or a LEC outside the BellSouth region.
6. BellSouth will perform invoice sequence checking, standard EMI format editing, and balancing of message data with the EMI trailer record counts on all data received from Z-Tel.
7. All data received from Z-Tel that is to be processed or billed by another LEC or CLEC within the BellSouth region will be distributed to that LEC or CLEC in accordance with the agreement(s) which may be in effect between BellSouth and the involved LEC or CLEC.
8. All data received from Z-Tel that is to be placed on the CMDS network for distribution outside the BellSouth region will be handled in accordance with the agreement(s) which may be in effect between BellSouth and its connecting contractor (currently Telcordia (formerly BellCore)).
9. BellSouth will receive messages from the CMDS network that are destined to be processed by Z-Tel and will forward them to Z-Tel on a daily basis.

10. Transmission of message data between BellSouth and Z-Tel will be via CONNECT:Direct.
11. All messages and related data exchanged between BellSouth and Z-Tel will be formatted in accordance with accepted industry standards for EMI formatted records and packed between appropriate EMI header and trailer records, also in accordance with accepted industry standards.
12. Z-Tel will ensure that the recorded message detail necessary to recreate files provided to BellSouth will be maintained for back-up purposes for a period of three (3) calendar months beyond the related message dates.
13. Should it become necessary for Z-Tel to send data to BellSouth more than sixty (60) days past the message date(s), Z-Tel will notify BellSouth in advance of the transmission of the data. If there will be impacts outside the BellSouth region, BellSouth will work with its connecting contractor and Z-Tel to notify all affected Parties.
14. In the event that data to be exchanged between the two Parties should become lost or destroyed, both Parties will work together to determine the source of the problem. Once the cause of the problem has been jointly determined and the responsible Party (BellSouth or Z-Tel) identified and agreed to, the company responsible for creating the data (BellSouth or Z-Tel) will make every effort to have the affected data restored and retransmitted. If the data cannot be retrieved, the responsible Party will be liable to the other Party for any resulting lost revenue. Lost revenue may be a combination of revenues that could not be billed to the end users and associated access revenues. Both Parties will work together to estimate the revenue amount based upon historical data through a method mutually agreed upon. The resulting estimated revenue loss will be paid by the responsible Party to the other Party within three (3) calendar months of the date of problem resolution, or as mutually agreed upon by the Parties.
15. Should an error be detected by the EMI format edits performed by BellSouth on data received from Z-Tel, the entire pack containing the affected data will not be processed by BellSouth. BellSouth will notify Z-Tel of the error condition. Z-Tel will correct the error(s) and will resend the entire pack to BellSouth for processing. In the event that an out-of-sequence condition occurs on subsequent packs, Z-Tel will resend these packs to BellSouth after the pack containing the error has been successfully reprocessed by BellSouth.
16. In association with message distribution service, BellSouth will provide Z-Tel with associated intercompany settlements reports (CATS and NICS) as appropriate.
17. In no case shall either Party be liable to the other for any direct or consequential damages incurred as a result of the obligations set out in this agreement.

18. RAO Compensation

- 18.1 Rates for message distribution service provided by BellSouth for Z-Tel are as set forth in Exhibit A to this Attachment.
- 18.2 Rates for data transmission associated with message distribution service are as set forth in Exhibit A to this Attachment .
- 18.3 Data circuits (private line or dial-up) will be required between BellSouth and Z-Tel for the purpose of data transmission. Where a dedicated line is required, Z-Tel will be responsible for ordering the circuit, overseeing its installation and coordinating the installation with BellSouth. Z-Tel will also be responsible for any charges associated with this line. Equipment required on the BellSouth end to attach the line to the mainframe computer and to transmit successfully ongoing will be negotiated on a case by case basis. Where a dial-up facility is required, dial circuits will be installed in the BellSouth data center by BellSouth and the associated charges assessed to Z-Tel. Additionally, all message toll charges associated with the use of the dial circuit by Z-Tel will be the responsibility of Z-Tel. Associated equipment on the BellSouth end, including a modem, will be negotiated on a case by case basis between the Parties.
- 18.4 All equipment, including modems and software, that is required on the Z-Tel end for the purpose of data transmission will be the responsibility of Z-Tel.

19. Intercompany Settlements Messages

- 19.1 This Section addresses the settlement of revenues associated with traffic originated from or billed by Z-Tel as a facilities based provider of local exchange telecommunications services outside the BellSouth region. Only traffic that originates in one Bell operating territory and bills in another Bell operating territory is included. Traffic that originates and bills within the same Bell operating territory will be settled on a local basis between Z-Tel and the involved company(ies), unless that company is participating in NICS.
- 19.2 Both traffic that originates outside the BellSouth region by Z-Tel and is billed within the BellSouth region, and traffic that originates within the BellSouth region and is billed outside the BellSouth region by Z-Tel, is covered by this Agreement (CATS). Also covered is traffic that either is originated by or billed by Z-Tel, involves a company other than Z-Tel, qualifies for inclusion in the CATS settlement, and is not originated or billed within the BellSouth region (NICS).
- 19.3 Once Z-Tel is operating within the BellSouth territory, revenues associated with calls originated and billed within the BellSouth region will be settled via Telcordia (formerly BellCore)'s, its successor or assign, NICS system.

- 19.4 BellSouth will receive the monthly NICS reports from Telcordia (formerly BellCore), its successor or assign, on behalf of Z-Tel. BellSouth will distribute copies of these reports to Z-Tel on a monthly basis.
- 19.5 BellSouth will receive the monthly Calling Card and Third Number Settlement System (CATS) reports from Telcordia (formerly BellCore), its successor or assign, on behalf of Z-Tel. BellSouth will distribute copies of these reports to Z-Tel on a monthly basis.
- 19.6 BellSouth will collect the revenue earned by Z-Tel from the Bell operating company in whose territory the messages are billed (CATS), less a per message billing and collection fee of five cents (\$0.05), on behalf of Z-Tel. BellSouth will remit the revenue billed by Z-Tel to the Bell operating company in whose territory the messages originated, less a per message billing and collection fee of five cents (\$0.05), on behalf on Z-Tel. These two amounts will be netted together by BellSouth and the resulting charge or credit issued to Z-Tel via a monthly Carrier Access Billing System (CABS) miscellaneous bill.
- 19.7 BellSouth will collect the revenue earned by Z-Tel within the BellSouth territory from another CLEC also within the BellSouth territory (NICS) where the messages are billed, less a per message billing and collection fee of five cents (\$0.05), on behalf of Z-Tel. BellSouth will remit the revenue billed by Z-Tel within the BellSouth region to the CLEC also within the BellSouth region, where the messages originated, less a per message billing and collection fee of five cents (\$0.05). These two amounts will be netted together by BellSouth and the resulting charge or credit issued to Z-Tel via a monthly Carrier Access Billing System (CABS) miscellaneous bill.

BellSouth and Z-Tel agree that monthly netted amounts of less than fifty dollars (\$50.00) will not be settled.

### **Optional Daily Usage File**

1. Upon written request from Z-Tel, BellSouth will provide the Optional Daily Usage File (ODUF) service to Z-Tel pursuant to the terms and conditions set forth in this section.
2. Z-Tel shall furnish all relevant information required by BellSouth for the provision of the Optional Daily Usage File.
3. The Optional Daily Usage Feed will contain billable messages that were carried over the BellSouth Network and processed in the BellSouth Billing System, but billed to a Z-Tel customer.

Charges for delivery of the Optional Daily Usage File will appear on Z-Tels' monthly bills. The charges are as set forth in Exhibit A to this Attachment.

4. The Optional Daily Usage Feed will contain both rated and unrated messages. All messages will be in the standard Alliance for Telecommunications Industry Solutions (ATIS) EMI record format.
5. Messages that error in Z-Tel's billing system will be the responsibility of Z-Tel. If, however, Z-Tel should encounter significant volumes of errored messages that prevent processing by Z-Tel within its systems, BellSouth will work with the to determine the source of the errors and the appropriate resolution.
6. The following specifications shall apply to the Optional Daily Usage Feed.

#### 6.1 Usage To Be Transmitted

##### 6.1.1 The following messages recorded by BellSouth will be transmitted to Z-Tel:

- Message recording for per use/per activation type services (examples: Three Way Calling, Verify, Interrupt, Call Return, ETC.)
- Measured billable Local
- Directory Assistance messages
- IntraLATA Toll
- WATS & 800 Service
- N11

- Information Service Provider Messages
  - Operator Services Messages
  - Operator Services Message Attempted Calls (UNE only)
  - Credit/Cancel Records
  - Usage for Voice Mail Message Service
- 6.1.2 Rated Incollects (originated in BellSouth and from other companies) can also be on Optional Daily Usage File. Rated Incollects will be intermingled with BellSouth recorded rated and unrated usage. Rated Incollects will not be packed separately.
- 6.1.3 BellSouth will perform duplicate record checks on records processed to Optional Daily Usage File. Any duplicate messages detected will be deleted and not sent to Z-Tel.
- 6.1.4 In the event that Z-Tel detects a duplicate on Optional Daily Usage File they receive from BellSouth, Z-Tel will drop the duplicate message (Z-Tel will not return the duplicate to BellSouth).
- 6.2 Physical File Characteristics
- 6.2.1 The Optional Daily Usage File will be distributed to Z-Tel via an agreed medium with CONNECT:Direct being the preferred transport method. The Daily Usage Feed will be a variable block format (2476) with an LRECL of 2472. The data on the Daily Usage Feed will be in a non-compacted EMI format (175 byte format plus modules). It will be created on a daily basis (Monday through Friday except holidays). Details such as dataset name and delivery schedule will be addressed during negotiations of the distribution medium. There will be a maximum of one dataset per workday per OCN.
- 6.2.2 Data circuits (private line or dial-up) may be required between BellSouth and Z-Tel for the purpose of data transmission. Where a dedicated line is required, Z-Tel will be responsible for ordering the circuit, overseeing its installation and coordinating the installation with BellSouth. Z-Tel will also be responsible for any charges associated with this line. Equipment required on the BellSouth end to attach the line to the mainframe computer and to transmit successfully ongoing will be negotiated on a case by case basis. Where a dial-up facility is required, dial circuits will be installed in the BellSouth data center by BellSouth and the associated charges assessed to Z-Tel. Additionally, all message toll charges associated with the use of the dial circuit by Z-Tel will be the responsibility of Z-Tel. Associated equipment on the BellSouth end, including a modem, will be negotiated on a case by case basis between the parties.



All equipment, including modems and software, that is required on Z-Tel end for the purpose of data transmission will be the responsibility of Z-Tel.

### 6.3 Packing Specifications

6.3.1 A pack will contain a minimum of one message record or a maximum of 99,999 message records plus a pack header record and a pack trailer record. One transmission can contain a maximum of 99 packs and a minimum of one pack.

6.3.2 The OCN, From RAO, and Invoice Number will control the invoice sequencing. The From RAO will be used to identify to Z-Tel which BellSouth RAO that is sending the message. BellSouth and Z-Tel will use the invoice sequencing to control data exchange. BellSouth will be notified of sequence failures identified by Z-Tel and resend the data as appropriate.

### **THE DATA WILL BE PACKED USING ATIS EMI RECORDS.**

### 6.4 Pack Rejection

6.4.1 Z-Tel will notify BellSouth within one business day of rejected packs (via the mutually agreed medium). Packs could be rejected because of pack sequencing discrepancies or a critical edit failure on the Pack Header or Pack Trailer records (i.e. out-of-balance condition on grand totals, invalid data populated). Standard ATIS EMI Error Codes will be used. Z-Tel will not be required to return the actual rejected data to BellSouth. Rejected packs will be corrected and retransmitted to Z-Tel by BellSouth.

### 6.5 Control Data

Z-Tel will send one confirmation record per pack that is received from BellSouth. This confirmation record will indicate Z-Tel received the pack and the acceptance or rejection of the pack. Pack Status Code(s) will be populated using standard ATIS EMI error codes for packs that were rejected by Z-Tel for reasons stated in the above section.

### 6.6 Testing

6.6.1 Upon request from Z-Tel, BellSouth shall send test files to Z-Tel for the Optional Daily Usage File. The parties agree to review and discuss the file's content and/or format. For testing of usage results, BellSouth shall request that Z-Tel set up a production (LIVE) file. The live test may consist of Z-Tel's employees making test calls for the types of services Z-Tel requests on the Optional Daily Usage File. These test calls are logged by Z-Tel, and the logs are provided to BellSouth. These logs will be used to verify the files. Testing will be completed within 30 calendar days from the date on which the initial test file was sent.

### **Enhanced Optional Daily Usage File**

1. Upon written request from Z-Tel, BellSouth will provide the Enhanced Optional Daily Usage File (EODUF) service to Z-Tel pursuant to the terms and conditions set forth in this section. EODUF will only be sent to existing ODUF subscribers who request the EODUF option.
2. The Z-Tel shall furnish all relevant information required by BellSouth for the provision of the Enhanced Optional Daily Usage File.
3. The Enhanced Optional Daily Usage File (EODUF) will provide usage data for local calls originating from resold Flat Rate Business and Residential Lines.
4. Charges for delivery of the Enhanced Optional Daily Usage File will appear on Z-Tels' monthly bills. The charges are as set forth in Exhibit A to this Attachment.
5. All messages will be in the standard Alliance for Telecommunications Industry Solutions (ATIS) EMI record format.
6. Messages that error in the billing system of Z-Tel will be the responsibility of Z-Tel. If, however, Z-Tel should encounter significant volumes of errored messages that prevent processing by Z-Tel within its systems, BellSouth will work with Z-Tel to determine the source of the errors and the appropriate resolution.
7. The following specifications shall apply to the Optional Daily Usage Feed.

#### 7.1 Usage To Be Transmitted

- 7.1.1 The following messages recorded by BellSouth will be transmitted to Z-Tel:

Customer usage data for flat rated local call originating from Z-Tel's end user lines (1FB or 1FR). The EODUF record for flat rate messages will include:

Date of Call  
From Number  
To Number  
Connect Time  
Conversation Time  
Method of Recording  
From RAO  
Rate Class  
Message Type  
Billing Indicators  
Bill to Number

7.1.2 BellSouth will perform duplicate record checks on EODUF records processed to Optional Daily Usage File. Any duplicate messages detected will be deleted and not sent to Z-Tel.

7.1.3 In the event that Z-Tel detects a duplicate on Enhanced Optional Daily Usage File they receive from BellSouth, Z-Tel will drop the duplicate message (Z-Tel will not return the duplicate to BellSouth).

## 7.2 Physical File Characteristics

7.2.1 The Enhanced Optional Daily Usage Feed will be distributed to Z-Tel over their existing Optional Daily Usage File (ODUF) feed. The EODUF messages will be intermingled among Z-Tel's Optional Daily Usage File (ODUF) messages. The EODUF will be a variable block format (2476) with an LRECL of 2472. The data on the EODUF will be in a non-compacted EMI format (175 byte format plus modules). It will be created on a daily basis (Monday through Friday except holidays).

7.2.2 Data circuits (private line or dial-up) may be required between BellSouth and Z-Tel for the purpose of data transmission. Where a dedicated line is required, Z-Tel will be responsible for ordering the circuit, overseeing its installation and coordinating the installation with BellSouth. Z-Tel will also be responsible for any charges associated with this line. Equipment required on the BellSouth end to attach the line to the mainframe computer and to transmit successfully ongoing will be negotiated on a case by case basis. Where a dial-up facility is required, dial circuits will be installed in the BellSouth data center by BellSouth and the associated charges assessed to Z-Tel. Additionally, all message toll charges associated with the use of the dial circuit by Z-Tel will be the responsibility of Z-Tel. Associated equipment on the BellSouth end, including a modem, will be negotiated on a case by case basis between the parties. All equipment, including modems and software, that is required on Z-Tel's end for the purpose of data transmission will be the responsibility of Z-Tel.

## 7.3 Packing Specifications

7.3.1 A pack will contain a minimum of one message record or a maximum of 99,999 message records plus a pack header record and a pack trailer record. One transmission can contain a maximum of 99 packs and a minimum of one pack.

7.3.2 The Operating Company Number (OCN), From Revenue Accounting Office (RAO), and Invoice Number will control the invoice sequencing. The From RAO will be used to identify to Z-Tel which BellSouth RAO that is sending the message. BellSouth and Z-Tel will use the invoice sequencing to control data exchange. BellSouth will be notified of sequence failures identified by Z-Tel and resend the data as appropriate.

**THE DATA WILL BE PACKED USING ATIS EMI RECORDS.**

BELLSOUTH/Z-TEL RATES  
ODUF/EODUF/CMDS

RATES BY STATE

DESCRIPTION	USOC	AL	FL	GA	KY	LA	MS	NC	SC	TN
<b>ODUF/EODUF/CMDS</b>										
ODUF: Recording, per message	N/A	\$0.0002	\$0.008	\$0.008	\$0.0008611	\$0.00019	\$0.0001179	\$0.008	\$0.0002862	\$0.008
ODUF: Message Processing, per message	N/A	\$0.0033	\$0.004	\$0.004	\$0.0032357	\$0.0024	\$0.0032089	\$0.004	\$0.0032344	\$0.004
EODUF: Message Processing, per message	N/A	\$0.004	\$0.004	\$0.004	\$0.004	\$0.004	\$0.004	\$0.004	\$0.004	\$0.004
CMDS: Message Processing, per message	N/A	\$0.004	\$0.004	\$0.004	\$0.004	\$0.004	\$0.004	\$0.004	\$0.004	\$0.004
ODUF: Message Processing, per magnetic tape provisioned	N/A	\$55.19	\$54.95	\$54.95	\$55.68	\$47.30	\$54.62	\$54.95	\$54.72	\$54.95
EODUF: Message Processing, per magnetic tape provisioned	N/A	\$47.30	\$47.30	\$47.30	\$47.30	\$47.30	\$47.30	\$47.30	\$47.30	\$47.30
ODUF: Data Transmission (CONNECT:DIRECT), per message	N/A	\$0.00004	\$0.001	\$0.001	\$0.0000365	\$0.00003	\$0.0000354	\$0.001	\$0.0000357	\$0.001
EODUF: Data Transmission (CONNECT:DIRECT), per message	N/A	\$0.0000364	\$0.0000364	\$0.0000364	\$0.0000364	\$0.0000364	\$0.0000364	\$0.0000364	\$0.0000364	\$0.0000364
CMDS: Data Transmission (CONNECT:DIRECT), per message	N/A	\$0.001	\$0.001	\$0.001	\$0.001	\$0.001	\$0.001	\$0.001	\$0.001	\$0.001

\* Volume and term arrangements are also available.

NOTES:

If no rate is identified in the contract, the rate for the specific service or function will be as set forth in applicable BellSouth tariff or as negotiated by the parties upon request by either party.

**Attachment 2**  
**Network Elements and Other Services**

## TABLE OF CONTENTS

<b>1. INTRODUCTION.....</b>	<b>3</b>
<b>2. UNBUNDLED LOOPS, INTEGRATED DIGITAL LOOP CARRIERS, NETWORK INTERFACES DEVICE, UNBUNDLED LOOP CONCENTRATION (ULC) SYSTEM, SUB LOOPS AND DARK FIBER... 5</b>	<b>5</b>
<b>3. SWITCHING.....</b>	<b>30</b>
<b>4. ENHANCED EXTENDED LINK.....</b>	<b>42</b>
<b>5. PORT/LOOP COMBINATIONS .....</b>	<b>46</b>
<b>6. TRANSPORT AND DARK FIBER.....</b>	<b>48</b>
<b>7. BELLSOUTH SWA 8XX TOLL FREE DIALING TEN DIGIT SCREENING SERVICE.....</b>	<b>54</b>
<b>8. LINE INFORMATION DATABASE (LIDB) .....</b>	<b>56</b>
<b>9. SIGNALING.....</b>	<b>59</b>
<b>10. OPERATOR CALL PROCESSING, INWARD OPERATOR SERVICES AND DIRECTORY ASSISTANCE SERVICES .....</b>	<b>68</b>
<b>11. CALLING NAME (CNAM) DATABASE SERVICE.....</b>	<b>75</b>
<b>12. BASIC 911 AND E911 .....</b>	<b>75</b>
<b>13. TRUE-UP.....</b>	<b>78</b>
<b>LIDB Storage Agreement.....</b>	<b>Exhibit A</b>
<b>CNAM Database Services.....</b>	<b>Exhibit B</b>
<b>Rates.....</b>	<b>Exhibit C</b>

## ACCESS TO NETWORK ELEMENTS AND OTHER SERVICES

### 1. Introduction

- 1.1. This Attachment sets forth the unbundled network elements and combinations of unbundled network elements that BellSouth agrees to offer to Z-Tel in accordance with its obligations under Section 251(c)(3) of the Act. The specific terms and conditions that apply to the unbundled network elements are described below in this Attachment 2. The price for each unbundled network element and combination of unbundled Network Elements are set forth in Exhibit A of this Agreement.
- 1.2. For purposes of this Agreement, "Network Element" is defined to mean a facility or equipment provided by BellSouth on an unbundled basis as is used by the CLEC in the provision of a telecommunications service. BellSouth will make available to Z-Tel access to unbundled network elements consistent with the requirements of 47 C.F.R. § 319. For purposes of this Agreement, combinations of Network Elements shall be referred to as "Combinations."
  - 1.2.1. Except as otherwise required by law, BellSouth shall not impose limitation restrictions or requirements or request for the use of the network elements or combinations that would impair the ability of Z-Tel to offer telecommunications service in the manner Z-Tel intends.
  - 1.2.2. Except upon request by Z-Tel, BellSouth shall not separate requested network elements that BellSouth currently combines.
    - 1.2.2.1. Unless otherwise ordered by an appropriate state or federal regulatory agency, currently combined Network Elements are defined as elements that are already combined within BellSouth's network to a given location.
- 1.3. BellSouth shall, upon request of Z-Tel, and to the extent technically feasible, provide to Z-Tel access to its network elements for the provision of Z-Tel's telecommunications service. If no rate is identified in the contract, the rate for the specific service or function will be as set forth in applicable BellSouth tariff or as negotiated by the Parties upon request by either Party.
- 1.4. Z-Tel may purchase network elements and other services from BellSouth for the purpose of combining such network elements in any manner Z-Tel chooses to provide telecommunication services to its intended users, including recreating existing BellSouth services. With the exception of the sub-loop elements which are located outside of the central office, BellSouth shall deliver the network elements purchased



- by Z-Tel for combining to the designated Z-Tel collocation space. The network elements shall be provided as set forth in this Attachment.
- 1.5. Subject to applicable and effective FCC Rules and Orders as well as effective State Commission Orders, BellSouth will offer combinations of network elements pursuant to such orders. In addition to the combinations of Network Elements described in Section 4 & 5 of this Attachment, BellSouth will provide the following combinations for purchase by Z-Tel. The rate of the following combinations is the sum of the individual element prices as set forth in this Attachment. Order Coordination as defined in Section 2 of Attachment 2 of this Agreement is available for each of these combinations:
- SL2 loop and cross connect
  - Port and cross connect
  - Port and cross connect and common (shared) transport
  - Port and vertical features
  - SL2 Loop with loop concentration
  - Port and common (shared) transport
  - SL2 Loop and LNP
- 1.6. In the event that any effective legislative, regulatory, judicial or other legal action modifies or redefines the “Network Elements” in a manner which materially affects the terms of this Attachment or the Network Elements and/or prices set forth herein, either Party may, on thirty (30) days written notice, require renegotiation of such terms, and the Parties shall renegotiate in good faith such new terms in accordance with such legislative, regulatory, judicial or other legal action. In the event such new terms are not renegotiated within ninety (90) days after the notice for renegotiation, either Party may petition the Commission for resolution of the dispute between the Parties. Each Party reserves the right to seek judicial review of any Commission ruling concerning this Attachment.
- 1.8. Z-Tel will adopt and adhere to the standards contained in the applicable CLEC Work Center Operational Understanding Agreement regarding maintenance and installation of service.
- 1.9. Standards for Network Elements
- 1.9.1 BellSouth shall comply with the requirements set forth in the technical references, as well as any performance or other requirements identified in this Agreement, to the extent that they are consistent with the greater of BellSouth’s actual performance or applicable industry standards.
- 1.9.2 If one or more of the requirements set forth in this Agreement are in conflict, the parties shall mutually agree on which requirement shall apply. If the parties cannot

reach agreement, the dispute resolution process set forth in Section 12 of the General Terms and Conditions of this Agreement, incorporated herein by this reference, shall apply.

## **2. Unbundled Loops, Integrated Digital Loop Carriers, Network Interfaces Device, Unbundled Loop Concentration (ULC) System, Sub loops and Dark Fiber**

All of the negotiated rates, terms and conditions set forth in this Section pertain to the provision of unbundled loops.

### **2.1 Unbundled Loops**

#### **2.1.1 Definition**

2.1.2 The local loop network element (“Loop(s)”) is defined as a transmission facility between a distribution frame (or its equivalent) in BellSouth’s central office and the loop demarcation point at an end-user customer premises, including inside wire owned by BellSouth. The local loop network element includes all features, functions, and capabilities of the transmission facilities, including dark fiber and attached electronics (except those used for the provision of advanced services, such as Digital Subscriber Line Access Multiplexers) and line conditioning. The loop shall include the use of all test access functionality, including without limitation, smart jacks (where deployed) , for both voice and data.

2.1.3 For stand alone loops, the provisioning of service to a CLEC’s collocation space will require cross-office cabling and cross-connections within the central office to connect the loop to a local switch or to other transmission equipment. These cross-connects are a separate network component and are not considered a part of the loop.

2.1.4 BellSouth Order Coordination referenced in Attachment 2 includes two types: “Order Coordination” and “Order Coordination - Time Specific.”

2.1.5 “Order Coordination” refers to standard BellSouth service order coordination involving SL2 voice loops and all digital loops. Order coordination for physical conversions will be scheduled at BellSouth’s discretion during normal working hours on the committed due date and Z-Tel advised.

2.1.5.1 “Order Coordination – Time Specific” refers to service order coordination in which Z-Tel requests a specific time for a service order conversion to take place. Loops on a single service order of 14 or more loops will be provisioned on a project basis. This is a chargeable option for any coordinated order and is billed in addition to the OC charge. Z-Tel may specify a time between 9:00 a.m. and 4:00 p.m. (location time) Monday through Friday (excluding holidays). If Z-Tel specifies a time outside this window, or selects a time or quantity of loops that requires BellSouth technicians to

work outside normal work hours, overtime charges will apply in addition to the OC and OC-TS charges. Overtime charges will be applied according to actual costs based on type of force group required to perform the work, overtime hours worked and any special circumstances.

#### 2.1.6 Cut-Over process

For a coordinated conversion i.e. stand alone ILNP, ILNP and LNP with loop or stand alone loop where order coordination is provided for in this agreement, BellSouth shall verbally coordinate the disconnect with Z-Tel and perform any switch translations so as to limit end user service outage. BellSouth and Z-Tel will mutually agree upon a cutover time 24 to 48 hours prior to the actual conversion. Z-Tel may designate the conversion time when the conversion involves a loop with ILNP or LNP by ordering time specific conversion at rates designated in this agreement. For time specific conversions, BellSouth will verify the cut-over time designated by Z-Tel 24 to 48 hours in advance to ensure that the conversion is to be completed as ordered. If BellSouth fails to complete a time specific conversion ordered by Z-Tel, BellSouth will, upon completion of the conversion and if requested by Z-Tel, waive the non-recurring OC-TS charges. Both parties will use best efforts to ensure mutually agreed to conversion times, as identified in this paragraph, will commence within 30 minutes of the agreed time.

BellSouth's normal hours of operation are defined in Attachment 6.0. Provisioning outside of these hours will be billed at overtime rates for the number of employees supporting the after hours conversion.

#### Testing

BellSouth will perform the appropriate preservice tests to ensure Z-Tel dial tone is delivered to the appropriate connecting point. The timing of the test is based on the overall interval of the service being provisioned. Under normal intervals, testing is normally completed 24 hours in advance of the conversion. BellSouth testing activities on the due date will include continuity tests and Z-Tel dial tone and telephone number delivery from the Z-Tel collocation to the BellSouth cable pair. In any event, BellSouth will advise Z-Tel when ever connectivity cannot be verified with Z-Tel and will work cooperatively with Z-Tel to correct the problem. BellSouth will advise Z-Tel at completion of the conversion or turn up of new services in order for Z-Tel to accept or reject the services being provisioned. BellSouth will work cooperatively with Z-Tel to ensure end user service outage is minimal.

Where a field visit is required to provision the loop, BellSouth will test the loop ordered by Z-Tel to the NID. Testing requested by Z-Tel to points beyond the NID

will be billed a time and material charge at the same increments BellSouth charges it's own end users. Requests for field testing where a dispatch is not required may be made by Z-Tel and where mutually agreed to, BellSouth will dispatch to perform additional field testing at rates billed on a time and material basis as mentioned in this paragraph.

Cutover intervals for ILNP, ILNP with loop and LNP with loop will be at parity with the intervals experienced by BellSouth end users, BellSouth itself or any other CLEC as indicated in the results of the Service Quality Measurements published by BellSouth.

BellSouth will use best efforts to complete conversions using the following cutover intervals.

A single loop in 15 minutes

Multiple loop requests up to and including 10 in 60 minutes.

Multiple loop requests up to and including 30 in 120 minutes.

Both parties recognize that certain conversions requiring multiple cut points may exceed the above intervals but in any event both parties will work cooperatively to limit service outage to an end user.

BellSouth and Z-Tel will jointly develop additional processes or procedures as the need arises to improve service delivery during the life of the agreement.

- 2.1.7 For stand-alone loop orders, where facilities are available, BellSouth will install loops within a 5-7 business days interval. For orders of 14 or more loops, the installation will be handled on a project basis and the intervals will be set by the BellSouth project manager for that order. Some loops require a Service Inquiry (SI) to determine if facilities are available prior to issuing the order. The interval for the SI process is separate from the installation interval. For expedite requests by Z-Tel, expedite charges will apply for intervals less than 5 days. The charges outlined in BellSouth's FCC # 1 Tariff, Section 5.1.1, will apply. If Z-Tel cancels an order for network elements and other services, any costs incurred by BellSouth in conjunction with the provisioning of that order will be recovered in accordance with FCC #1 Tariff, Section 5.4. The intervals are set forth in the BellSouth Product and Services Interval Guide, subject to General Terms and Conditions Section 25.
- 2.1.8 If Z-Tel modifies an order after being sent a Firm Order Confirmation (FOC) from BellSouth, except modifications submitted at BellSouth's request, any costs incurred by BellSouth to accommodate a modification will be reimbursed by Z-Tel.
- 2.1.9 BellSouth will offer Unbundled Voice Loops (UVL) in two different service levels - Service Level One (SL1) and Service Level Two (SL2).**

- 2.1.10 SL1 loops will be non-designed, will not have test points, and will not come with any Order Coordination (OC) or engineering information/circuit make-up data. Upon issuance of an order in the service order system, SL1 loops will be activated on the due date in the same manner and time frames that BellSouth normally activates POTS-type loops for its customers. If Z-Tel requests work to be done for SL1s that requires BellSouth technicians to work outside normal work hours, overtime charges will be applied according to actual costs based on type of force group required to perform the work, overtime hours worked and any special circumstances.
- 2.1.11 SL2 loops shall have test points, with or without conditioning, will be designed with a design layout record provided to Z-Tel, and will be provided with OC. The OC feature will allow Z-Tel to coordinate the installation of the loop with the disconnect of an existing customer's service and/or number portability service. In these cases, BellSouth will perform the order conversion with standard order coordination at its discretion during normal work hours.
- 2.1.12 **BellSouth will also offer Unbundled Digital Loops (UDL).** They will be designed, will be provisioned with test points (where appropriate), and will come standard with Order Coordination and a Design Layout Record (DLR). Should Z-Tel choose to order preorder Loop Makeup prior to ordering an xDSL capable loop, the provisions in Section 2.10 shall apply. Additional information regarding xDSL capable loops can be found in section 2.11.
- 2.1.13 As a chargeable option on all loops except UVL-SL1 and UCL, BellSouth will offer Order Coordination - Time Specific (OC-TS). This will allow Z-Tel the ability to specify the time that the coordinated conversion takes place. The OC-TS charge for orders due on the same day at the same location will be applied on a per Local Service Request (LSR) basis. In the event that multiple LSRs are worked on the same day, at the same location, only one OC-TS charge will apply per day.
- 2.1.14 Z-Tel will be responsible for testing and isolating troubles on the loops. Once Z-Tel has isolated a trouble to the BellSouth provided loop, Z-Tel will issue a trouble to BellSouth on the loop. BellSouth will take the actions necessary to repair the loop if a trouble actually exists. BellSouth will repair these loops in the same time frames that BellSouth repairs similarly situated loops to its customers.
- 2.1.15 If Z-Tel reports a trouble on SL1 loops and no trouble actually exists, BellSouth will charge Z-Tel for any dispatching and testing (both inside and outside the CO) required by BellSouth in order to confirm the loop's working status. In the event that, after a trouble has been reported to BellSouth, Z-Tel dispatches to address a trouble claimed by BellSouth not to be on the BellSouth network when the trouble actually exists on BellSouth's network, Z-Tel may charge BellSouth on a time and materials basis, for dispatching, provided that such charges do not exceed BellSouth's tariffed charges for the same services.

- 2.1.16 If Z-Tel reports a trouble on SL2 loops and no trouble actually exists, BellSouth will charge Z-Tel for any dispatching and testing, (outside the CO) required by BellSouth in order to confirm the loop's working status. . In the event that, after a trouble has been reported to BellSouth, Z-Tel dispatches to address a trouble claimed by BellSouth not to be on the BellSouth network when the trouble actually exists on BellSouth's network, Z-Tel may charge BellSouth on a time and materials basis, for dispatching, provided that such charges do not exceed BellSouth's tariffed charges for the same services.
- 2.1.17 In addition to the UVLs and UDLs, BellSouth shall make available an **Unbundled Copper Loop (UCL)**. The UCL will be a copper twisted pair loop that is unencumbered by any intervening equipment (e.g., filters, load coils, range extenders, digital loop carrier, or repeaters). The UCL will be offered in two versions - Short and Long. A short UCL (18 kft or less) will be provisioned according to Resistance Design parameters. The long UCL (beyond 18kft) will be used when a CLEC wants to condition copper loops longer than 18kft by removing load coils and other intervening equipment. BellSouth will only ensure electrical continuity and balance relative to tip and ring on UCLs. Additional information regarding xDSL capable loops can be found in section 2.11.
- 2.1.18 The UCL will be a designed circuit, with or without conditioning, provisioned with a test point and come standard with a DLR. OC will be offered as a chargeable option on all UCL loops. Order Coordination – Time Specific (OC-TS) will not be offered on UCLs.
- 2.1.19 The UCL is a dry copper loop and is not intended to support any particular telecommunications service. Z-Tel may use the UCL loop for a variety of services, including xDSL (e.g., ADSL and HDSL) services, by attaching appropriate terminal equipment of Z-Tel's choosing. Z-Tel will determine the type of service that will be provided over the loop.
- 2.1.20 Because the UCL loop shall be an unbundled loop offering that is separate and distinct from BellSouth's **ADSL and HDSL capable loop offerings**, CLEC agrees that BellSouth's UCL loop will not be held to the service level and performance expectations that apply to its ADSL and HDSL unbundled loop offerings. BellSouth shall only be obligated to maintain copper continuity and provide balance relative to tip and ring. If a loop contains repeaters, load coils, or excessive bridge tap, Z-Tel, at its option, shall decide whether or not to have BellSouth remove said repeaters, load coils, or excessive bridge tap via the Unbundled Loop Modification Process. Additional information regarding xDSL capable loops can be found in section 2.11.
- 2.1.21 The UCL loop shall be provided to CLEC in accordance with BellSouth's Technical Reference 73600.<http://>

2.1.22 Technical Requirements

- 2.1.22.1 To the extent available within BellSouth's Network at a particular location, BellSouth will offer loops including, but not limited to DS1, DS3, fiber and other high capacity loops. If a requested loop type is not available, then the CLEC can use the Special Construction process to request that BellSouth place facilities or otherwise modify facilities in order to meet Z-Tel's request.
- 2.1.22.2 Z-Tel will be responsible for providing BellSouth with a Service Profile Identifier (SPID) associated with a particular ISDN-capable loop and end user. With the SPID, BellSouth will be able to adequately test the circuit and ensure that it properly supports ISDN service.
- 2.1.22.3 The loop will support the transmission, signaling, performance and interface requirements of the services described in 2.1.22.1 above. It is recognized that the requirements of different services are different, and that a number of types or grades of loops are required to support these services. Services provided over the loop by Z-Tel will be consistent with industry standards and BellSouth's TR73600.
- 2.1.22.4 Z-Tel may utilize the unbundled loops to provide any telecommunication service it wishes. However, BellSouth will only provision, maintain and repair the loops to the standards that are consistent with the type of loop ordered. For example, if Z-Tel orders an ISDN-capable loop but wants to use the loop for a service other than ISDN, BellSouth will only support that the loop is capable of providing ISDN service. For non-service specific loops (e.g. UCL, loops modified by Z-Tel using the Special Construction process), BellSouth will only support that the loop has copper continuity and balanced tip-and-ring.
- 2.1.22.5 In some instances, Z-Tel will require access to a copper twisted pair loop unfettered by any intervening equipment (e.g., filters, load coils, range extenders, etc.), so that Z-Tel can use the loop for a variety of services by attaching appropriate terminal equipment at the ends. Z-Tel will determine the type of service that will be provided over the loop. In some cases, Z-Tel may be required to pay additional charges for the removal of certain types of equipment. BellSouth's Special Construction process will be used to determine the costs and feasibility of these activities.
- 2.1.22.6 Z-Tel may order modifications to any loop type so long as the resulting modified loop still fits the technical parameters for that service specific loop type. In those cases where Z-Tel has requested that BellSouth modify a loop so that it no longer meets the technical parameters for a service specific loop (e.g., voice grade, ISDN, ADSL, etc.) the resulting modified loop will be ordered and maintained as a UCL.
- 2.1.22.7 If Z-Tel reports a trouble on a conditioned loop, and the loop has continuity and line balancing, BellSouth will charge Z-Tel for any dispatching and testing, (outside the CO) required by BellSouth in order to confirm the loop's continuity and line balance.

If Z-Tel requests additional testing, BellSouth will cooperate, where resources permit, on a time and material basis. 2.1.22.9 The loop shall be provided to Z-Tel in accordance with BellSouth's TR73600 Unbundled Local Loop Technical Specification and applicable industry standard technical references.

### **2.1.23 Universal Digital Channel (UDC) Loop**

- 2.1.23.1 Due to technical limitations associated with certain DLC systems, some ISDN-capable loops that are provisioned using DLC systems may not support IDSL service. Effective with this agreement, BellSouth will no longer reconfigure its ISDN-capable loop to support IDSL service.
- 2.1.23.2 Instead, BellSouth agrees to offer the Universal Digital Channel (UDC) loop as a part of their Unbundled Digital Loop offerings. The UDC loop is intended to be compatible with IDSL service and has the same physical characteristics and transmission specifications as BellSouth's ISDN-capable loop. These specifications are listed in BellSouth's TR73600.
- 2.1.23.3 Like the ISDN-capable loop, the UDC loop may be provisioned on copper or through a DLC system. However, when UDC loops are provisioned using a DLC system, BellSouth will ensure that they are only provisioned on time slots that are compatible with data-only services such as IDSL.

### **2.2 Loop Conditioning/Unbundled Loop Modification Process:**

- 2.2.1 Subject to applicable and effective FCC rules and orders, BellSouth shall condition loops, as requested by Z-Tel, whether or not BellSouth offers advanced services to the End User on that loop.
- 2.2.2 Loop conditioning is defined as the removal from the loop of any devices that may diminish the capability of the loop to deliver high-speed switched wireline telecommunications capability, including xDSL service. Such devices include, but are not limited to, bridge taps, low pass filters, and range extenders (e.g. load coils and repeaters).
- 2.2.3 BellSouth shall recover the cost of line conditioning requested by Z-Tel through a recurring charge and/or nonrecurring charge(s) in accordance with the FCC's forward-looking pricing principles promulgated pursuant to section 252 (d) (1) of the Act and in compliance with FCC Rule 52.507 (e).



## 2.3. Integrated Digital Loop Carriers

- 2.3.1 Where BellSouth uses Integrated Digital Loop Carrier (IDLC) systems to provide the local loop and BellSouth has a suitable alternate facility available, BellSouth will make arrangements to permit Z-Tel to order a contiguous local loop. To the extent it is technically feasible, these arrangements will provide Z-Tel with the capability to serve end users at a level that is at parity with the level of service BellSouth provides its customers. If no alternate facility is available, BellSouth will utilize its Special Construction (SC) process to determine the additional costs required to provision the loop facilities. Z-Tel will then have the option of paying the one-time SC rates to place the loop facilities or Z-Tel may choose some other method of providing service to the end-user (e.g., Resale, private facilities, etc.).
- 2.3.2 If Z-Tel requests one or more loops served by an Integrated Digital Loop Carrier system ("IDLC"), BellSouth shall unbundle the IDLC-delivered loop, as soon as practicable, using one of the following alternative arrangements: (1) utilize existing Next Generation Digital Loop Carrier ("NGDLC") facilities; (2) utilize existing Universal Digital Loop Carrier ("UDLC"); (3) utilize existing copper facilities that serve the distribution area or allocate new copper feeder pairs to the distribution area if spare capacity is available in the feeder route or carrier serving area; (4) utilize spare capacity of existing Integrated Network Access system or other existing IDLC that is terminated on a digital cross-connect system; (5) utilize side-door/hairpin capability of switch peripheral if the serving IDLC is terminated on a peripheral with those capabilities, or if spare capacity is available on a switch peripheral that is capable of side-door/hairpin, move the serving IDLC to the side-door capable peripheral; (6) activate new IDLC or NGDLC capacity to the distribution area; or (7) convert some existing IDLC capacity to UDLC. These alternative arrangements will be used where available to permit Z-Tel to order a contiguous unbundled local loop and to provide Z-Tel with the capability to serve end users at the same level BellSouth provides its retail customers, to the extent technically feasible. Options 4, 5, and 6 are not applicable for SL-1 loops.
- 2.3.3 BellSouth will make its best efforts to provide Z-Tel with an unbundled IDLC-delivered loop in the order set forth above, when such alternative arrangements are available. The Parties recognize that BellSouth may reasonably deviate from the order set forth in Section 3.01 in order to unbundle an IDLC-delivered loop, such as to meet a due date, and may change the method by which it is providing an unbundled IDLC-delivered loop to Z-Tel after initial installation. Any such change in the method of providing an unbundled IDLC-delivered loop after initial installation will be coordinated between BellSouth and Z-Tel. The Parties also recognize that the alternative arrangements identified in the above Section are based on existing technology and current regulatory requirements; in the event changes in technology or in BellSouth's network affect BellSouth's ability to

continue utilizing such arrangements or BellSouth subsequently agrees or is required to make available other technically feasible alternatives or options for unbundling an IDLC-delivered loop, the Parties agree to amend this Section accordingly.

- 2.3.4 In the event BellSouth must construct facilities in order to provide Z-Tel with an unbundled IDLC-delivered loop as set forth in options 6 and 7 in the Section above, BellSouth will notify Z-Tel of Z-Tel's intent to assess Z-Tel special construction charges associated with the cost of provisioning the loop facilities. At such time BellSouth will also notify Z-Tel of the amount of special construction charges and the basis for them. In the event that Z-Tel does not agree with the charges, Z-Tel may follow the Dispute Resolution processes as set forth in this Agreement.
- 2.3.5 Notwithstanding any dispute concerning the payment of special construction charges, the Parties agree that BellSouth will construct facilities to provide Z-Tel with an unbundled IDLC-delivered loop if there are no other alternative arrangements available and if Z-Tel requests that BellSouth construct such facilities. In such event, Z-Tel agrees to pay BellSouth the special construction charges as originally quoted, with the understanding the Parties will true-up the final amount based on the outcome of the Dispute Resolution process. Because of the time involved in constructing facilities necessary to provide loop facilities to Z-Tel, the Parties agree that any intervals contained in this Agreement applicable to the provisioning of unbundled loops will not apply when alternative facilities do not exist and BellSouth must construct such facilities in order to provide Z-Tel with an unbundled IDLC-delivered loop.
- 2.3.6 Once a year and upon specific written request for a specific geographical area, Z-Tel may request, and BellSouth will provide Z-Tel at no charge, the following information concerning the location of IDLC on a central office by central office basis in BellSouth's serving area; (1) the location of loops available over IDLC or NGDLC, when available; and (2) the location of IDLC-delivered loops for which no alternative facility currently exists. To the extent Z-Tel requests this information on a more frequent basis, Z-Tel agrees to reimburse BellSouth the reasonable costs of providing such information.

## **2.4 Network Interface Device**

### **2.4.1 Definition**

The NID is defined as any means of interconnection of end-user customer premises wiring to BellSouth's distribution plant, such as a cross-connect device used for that purpose. The NID is a single-line termination device or that portion of a multiple-line

- termination device required to terminate a single line or circuit at the premises. The NID features two independent chambers or divisions that separate the service provider's network from the End User's on-premises wiring. Each chamber or division contains the appropriate connection points or posts to which the service provider and the End User each make their connections. The NID provides a protective ground connection and is capable of terminating cables such as twisted pair cable.
- 2.4.1.1 When Z-Tel orders the loop with NIDs, BellSouth will provide both regardless of currently combined or not.
- 2.4.2. BellSouth shall permit Z-Tel to connect Z-Tel's loop facilities to on-premises wiring through the BellSouth NID or at any other technically feasible point.
- 2.4.3 Access to Network Interface Device (NID)
- 2.4.3.1. Due to the wide variety of NIDs utilized by BellSouth (based on subscriber size and environmental considerations), Z-Tel may access the on-premises wiring by any of the following means: BellSouth shall allow Z-Tel to connect its loops directly to BellSouth's multi-line residential NID enclosures that have additional space and are not used by BellSouth or any other telecommunications carriers to provide service to the premise. Z-Tel agrees to install compatible protectors and test jacks and to maintain the protection system and equipment and to indemnify BellSouth pursuant to Section 8 of the General Terms and Conditions of this Agreement.
- 2.4.3.2. Where an adequate length of on-premises wiring is present and environmental conditions permit, either Party may remove the on-premises wiring from the other Party's NID and connect that wire to that Party's own NID; or
- 2.4.3.3. Enter the subscriber access chamber or "side" of "dual chamber" NID enclosures for the purpose of extending a connecterized or spliced jumper wire from the on-premises wiring through a suitable "punch-out" hole of such NID enclosures; or
- 2.4.3.4. Request BellSouth to make other rearrangements (including moves) to the on-premises wiring terminations or terminal enclosure on a time and materials cost basis to be charged to the requesting Party (i.e., Z-Tel, its agent, the building owner or the subscriber), subject to technical feasibility and property owner approval. Such charges will be billed to the requesting Party.
- 2.4.3.5. In no case shall either Party remove or disconnect the other Party's loop facilities from either Party's NIDs, enclosures, or protectors, without state regulatory requirement, without providing prior notice to the other Party, and without appropriately capping off and guarding the other Party's loop. In such cases, it shall be the responsibility of the disconnecting party to properly ground the other party's

- loop, maintain the NID, and assume full liability for its action and any adverse consequences.
- 2.4.3.6. In no case shall either Party remove or disconnect ground wires from BellSouth's NIDs, enclosures, or protectors.
- 2.4.3.7. In no case shall either Party remove or disconnect NID modules, protectors, or terminals from BellSouth's NID enclosures.
- 2.4.3.8. Due to the wide variety of NID enclosures and outside plant environments BellSouth will work with Z-Tel to develop specific procedures to establish the most effective means of implementing this Section, 2.4.3.
- 2.4.4 Technical Requirements
- 2.4.4.1 The NID shall provide an accessible point of interconnection and shall maintain a connection to ground.
- 2.4.4.2 The NID shall be capable of transferring electrical analog or digital signals between the subscriber's inside wiring and the Distribution Media and/or cross connect to Z-Tel's NID, consistent with the NID's function at the Effective Date of this Agreement.
- 2.4.4.3 Where a BellSouth NID exists, it is provided in its "as is" condition. Z-Tel may request BellSouth do additional work to the NID in accordance with Section 2.4.3.8.
- 2.4.4.4 When Z-Tel deploys its own local loops with respect to multiple-line termination devices, Z-Tel shall specify the quantity of NIDs connections that it requires within such device.
- 2.4.5 Interface Requirements
- 2.4.5.1 The NID shall be equal to or better than all of the requirements for NIDs set forth in the applicable industry standard technical references.

## **2.5 Unbundled Loop Concentration (ULC) System**

- 2.5.1 BellSouth will provide to Z-Tel Unbundled Loop Concentration (ULC). Loop concentration systems in the central office concentrate the signals transmitted over local loops onto a digital loop carrier system. The concentration device is placed inside a BellSouth central office. BellSouth will offer ULC with a TR008 interface or a TR303 interface.

2.5.2 ULC will be offered in two sizes. System A will allow up to 96 BellSouth loops to be concentrated onto multiple DS1s. The high-speed connection from the concentrator will be at the electrical DS1 level and may connect to Z-Tel at Z-Tel's collocation site. System B will allow up to 192 BellSouth loops to be concentrated onto multiple DS1s. System A may be upgraded to a System B. A minimum of two DS1s is required for each system (i.e., System A requires two DS1s and System B would require an additional two DS1s or four in total). All DS1 interfaces will terminate to the CLEC's collocation space. ULC service is offered with or without concentration and with or without protection. A Line Interface element will be required for each loop that is terminated onto the ULC system. Rates for ULC are as set forth in this Attachment.

## **2.6 Sub-loop Elements**

2.6.1 Where facilities permit and subject to applicable and effective FCC rules and orders, BellSouth shall offer access to its Unbundled Sub Loop (USL), Unbundled Subloop Concentration (USLC) System and Unbundled Network Terminating Wire (UNTW) elements. BellSouth shall provide non-discriminatory access, in accordance with 51.311, 51.319 and section 251(c) (3) of the Act, to the subloop. On an unbundled basis and pursuant to the following terms and conditions and the rates approved by the Commission and set forth in this Attachment.

2.6.2 Subloop components include but are not limited to the following:

2.6.2.1 Unbundled Sub-Loop Distribution;

2.6.2.2 Unbundled Sub-Loop Concentration/Multiplexing Functionality; and

2.6.2.3 Unbundled Network Terminating Wire; and

2.6.2.4 Unbundled Sub-Loop Feeder.

### **2.6.3 Unbundled Sub-Loop (distribution facilities)**

#### **2.6.3.1 Definition**

2.6.3.2 Subject to applicable and effective FCC rules and orders, the unbundled sub-loop distribution facility is dedicated transmission facility that BellSouth provides from a customer's point of demarcation to a BellSouth cross-connect device. The BellSouth cross-connect device may be located within a remote terminal (RT) or a stand-alone cross-box in the field or in the equipment room of a building. There are two offerings available for Unbundled Sub-Loops (USL):

- 2.6.3.3 Unbundled Sub-Loop Distribution (USL-D) will include the sub-loop facility from the cross-box in the field up to and including the point of demarcation.
- 2.6.3.4 BellSouth will also provide sub-loop interconnection to the intrabuilding network cable (INC) (riser cable). INC is the distribution facility inside a subscriber's building or between buildings on one customer's same premises (continuous property not separated by a public street or road). USL-INC (riser cable) will include the facility from the cross-connect device in the building equipment room up to and including the point of demarcation.
- 2.6.4. Requirements for Unbundled Sub-Loop Distribution Facilities
- 2.6.4.1 Unbundled Sub-Loop distribution facilities were originally built as part of the entire voice grade loop from the BellSouth central office to the customer network interface. Therefore, the Unbundled Sub-Loop may have load coils, which are necessary for transmission of voice grade services. The Unbundled Sub-Loops will be provided in accordance with technical reference TR73600.
- 2.6.4.2 Unbundled Sub-Loop distribution facilities shall support functions associated with provisioning, maintenance and testing of the Unbundled Sub-Loop. In a scenario that involves connection at a BellSouth cross-box located in the field, Z-Tel would be required to deliver a cable to the BellSouth remote terminal or cross-box to provide continuity to Z-Tel's feeder facilities. This cable would be connected, by a BellSouth technician, to a cross-connect panel within the BellSouth RT/cross-box. Z-Tel's cable pairs can then be connected to BellSouth's USL within the BellSouth cross-box by the BellSouth technician. In a scenario that requires connection in a building equipment room, BellSouth will install a cross connect panel on which access to the requested sub-loops will be connected. The CLEC's cable pairs can then be connected to the Unbundled Sub-Loop pairs on this cross-connect panel by the BellSouth technician.
- 2.6.4.3 BellSouth will provide Unbundled Sub-Loops where possible. Through the firm order Service Inquiry (SI) process, BellSouth will determine if it is feasible to place the required facilities where Z-Tel has requested access to Unbundled Sub-Loops. If existing capacity is sufficient to meet the CLEC demand, then BellSouth will perform the set-up work as described in the next section 2.6.4.4 . If any work must be done to modify existing BellSouth facilities or add new facilities (other than adding the cross-connect panel in a building equipment room as noted in 2.6.4.4) to accommodate Z-Tel's request for Unbundled Sub-Loops, BellSouth will use its Special Construction (SC) process to determine the additional costs required to provision the Unbundled Sub-Loops. Z-Tel will then have the option of paying the one-time SC charge to modify the facilities to meet Z-Tel's request.

2.6.4.4 During the initial set-up in a BellSouth cross-connect box in the field, the BellSouth technician will perform the necessary work to splice the CLEC's cable into the cross-connect box. For the set-up inside a building equipment room, BellSouth will perform the necessary work to install the cross-connect panel that will be used to provide access to the requested USLs. Once the set-up is complete, the CLEC requested sub-loop pairs would be provisioned through the service order process based on the submission of a LSR to the LCSC.

## 2.6.5 Interface Requirements

2.6.5.1 Unbundled Sub-Loop shall be equal to or better than each of the applicable requirements set forth in the applicable industry standard technical references.

## 2.6.6 **Unbundled Sub-Loop Concentration System (USLC)**

2.6.6.1 Where facilities permit and where necessary to comply with an effective Commission order, BellSouth will provide to Z-Tel with the ability to concentrate its sub-loops onto multiple DS1s back to the BellSouth Central Office. The DS1s will then be terminated into Z-Tel's collocation space. TR-008 and TR303 interface standards are available.

2.6.6.2 USLC, using the Lucent Series 5 equipment, will be offered in two different systems. System A will allow up to 96 of Z-Tel's sub-loops to be concentrated onto multiple DS1s. System B will allow an additional 96 of Z-Tel's sub-loops to be concentrated onto multiple DS1s. One System A may be supplemented with one System B and they both must be physically located in a single Series 5 dual channel bank. A minimum of two DS1s is required for each system (i.e., System A requires two DS1s and System B would require an additional two DS1s or four in total). The DS1 level facility that connects the RT site with the serving wire center is known as a Feeder Interface. All DS1 Feeder Interfaces will terminate to the CLEC's collocation space within the SWC that serves the RT where the CLEC's sub-loops are connected. USLC service is offered with or without concentration and with or without a protection DS1.

2.6.6.3 In these scenarios Z-Tel would be required to place a cross-box, remote terminal (RT), or other similar device and deliver a cable to the BellSouth remote terminal. This cable would be connected, by a BellSouth technician, to a cross-connect panel within the BellSouth RT/cross-box and would allow Z-Tel's sub-loops to then be placed on the ULSC and transported to their collocation space at a DS1 level.

## 2.6.7 **Unbundled Network Terminating Wire (UNTW)**

2.6.7.1 BellSouth agrees to offer its Unbundled Network Terminating Wire (UNTW) to Z-Tel pursuant to the following terms and conditions at rates as set forth in this Attachment.

2.6.7.2 Definition

2.6.7.2.1 Subject to applicable and effective FCC rules and orders, UNTW is a dedicated transmission facility that BellSouth provides from the Wiring Closet /Garden Terminal (or other type of cross-connect point) at the point of termination of BellSouth's loop distribution facilities to the end user's point of demarcation.

2.6.7.3 Requirements

2.6.7.3.1 BellSouth will offer spare pairs that are available to an end user's premises to Z-Tel. Available spare pairs are defined as pairs that are not being utilized by BellSouth or by a third party to provide an end user with working service at the time of Z-Tel's request for UNTW. If no spare pairs are available and the end user is no longer using BellSouth's local service, BellSouth will relinquish the first pair to Z-Tel. If after BellSouth has relinquished the first pair to Z-Tel and the end user decides to change local service providers to BellSouth, Z-Tel will relinquish the first pair back to BellSouth.

2.6.7.3.2 Notwithstanding the foregoing, should BellSouth subsequently require the use of additional pair(s) to provide for the activation of additional lines in an end users premises in response to a request from such end user, Z-Tel agrees to surrender their spare pair(s) upon request by BellSouth.

2.6.7.3.3 If an end user of Z-Tel desires to receive local exchange service from a service provider who is not a Party to this Agreement, and such third party service provider needs access to the BellSouth UNTW to provide local exchange service to the end user, then Z-Tel agrees to surrender the requisite number of its inactive spare pair(s), purchased from BellSouth and excluding any pairs Z-Tel may have installed itself, if no other spare pair is available and upon request by BellSouth.

2.6.7.3.4 If Z-Tel has placed NTW at a location and an end user desires to receive local exchange service from BellSouth and BellSouth needs access to Z-Tel's NTW to provide local exchange service to the end user, then Z-Tel agrees to surrender the requisite number of its spare pair(s) upon request by BellSouth, at rates to be negotiated by the Parties.

2.6.7.3.5 In new construction, where possible, both Parties may at their option and with the property owner's agreement install their own NTW. In existing construction, BellSouth shall not be required to install new or additional NTW beyond existing NTW to provision the services of the CLEC.



## 2.6.8 Technical Requirements

2.6.8.1 In these scenarios, BellSouth will connect the requested UNTW pairs to a single point of interconnection (SPOI) designed for CLEC access to BellSouth's NTW. The SPOI will be installed either near BellSouth's garden terminal or wiring closet. Z-Tel will be required to place a cross-box, terminal or other similar device and deliver a cable to this SPOI. Z-Tel will then connect their cable to the cross-connect panel to access the requested UNTW pairs.

## 2.6.9 **Unbundled Sub-Loop Feeder**

### 2.6.9.1 Definition

2.6.9.2 Unbundled Sub-Loop Feeder (USLF) provides connectivity between BellSouth's central office and its cross-box (or other access point) that serves an end user location.

2.6.9.3 USLF is intended to be utilized for voice traffic and can be configured as a 2-wire voice (USLF-2 W/V) or 4-wire voice (USLF-4W/V).

2.6.9.4 USLF can also be utilized for digital traffic and can be configured as a 2-wire ISDN (USLF-2W/I); 2-wire Copper (USLF-2W/C); 4-wire Copper (USLF-4W/C) facilities; 4-wire DS0 level loop (USLF-4W/D00; or 4-wire DS1 & ISDN (USLF-2W/DI).

2.6.9.5 USLF will provide the facilities needed to provision a 2W or 4W communications pathway from the BellSouth central office to the BellSouth cross-box. This element will allow for the connection of the Z-Tel's loop distribution elements onto BellSouth's feeder system.

### 2.6.9.6 Requirements

2.6.9.6.1 Z-Tel will extend its compatible cable to BellSouth's cross-box. The cable will then be connected to a panel inside the BellSouth cross-box to the requested level of feeder element. In those cases when there is no room in the BellSouth cross-box to accommodate the additional cross-connect panels mentioned above, BellSouth will utilize its Special Construction process to determine the costs to provide the sub-loop feeder element to Z-Tel. Z-Tel will then have the option of paying the special construction charges or canceling the order.

2.6.9.6.2 USLF will be a designed circuit and BellSouth will provide a Design Layout Record (DLR) for this element.

2.6.9.6.3 BellSouth will provide the USLF elements in accordance with applicable industry standards for these types of facilities. Where industry standards do not exist, BellSouth's TR 73600 will be used to determine performance parameters.

## 2.7 **Dark Fiber**

### 2.7.1 Definition

Dark Fiber is optical transmission facilities without attached multiplexing, aggregation or other electronics that connects two points within BellSouth's network.

Dark Fiber also includes strands of optical fiber existing in aerial or underground cable which may have lightwave repeater (regenerator or optical amplifier) equipment interspliced to it at appropriate distances, but which has no line terminating elements terminated to such strands to operationalize its transmission capabilities.

## 2.7.2 Requirements

- 2.7.2.1 BellSouth shall make available Dark Fiber where it exists in BellSouth's network and where, as a result of future building or deployment, it becomes available. If BellSouth has plans contained within a planning document, at the time of Z-Tel's request, to use the fiber within a two –year planning period (three years in Kentucky), there is no requirement to provide said fiber to Z-Tel.
- 2.7.2.2 If the requested dark fiber has any lightwave repeater equipment interspliced to it, BellSouth will remove such equipment at Z-Tel's request subject to time and materials charges.
- 2.7.2.3 Z-Tel may test the quality of the Dark Fiber to confirm its usability and performance specifications.
- 2.7.2.4 BellSouth shall use its best efforts to provide to Z-Tel information regarding the location, availability and performance of Dark Fiber within ten (10) business days for a records based answer and twenty (20) business days for a field based answer, after receiving a request from Z-Tel ("Request"). Z-Tel will request Dark Fiber on an originating end to terminating end basis, and not be required to specify intermediate points between the two ends. Within such time period, BellSouth shall send written confirmation of availability of the Dark Fiber ("Confirmation"), and shall check all reasonable routes between the originating and terminating ends when checking for availability. From the time of the Request to forty-five (45) days after Confirmation, BellSouth shall hold such requested Dark Fiber for Z-Tel's use and may not allow any other party to use such media, including BellSouth.
- 2.7.2.5 BellSouth shall use its best efforts to make Dark Fiber available to Z-Tel within thirty (30) business days after it receives written confirmation from Z-Tel that the Dark Fiber previously deemed available by BellSouth is wanted for use by Z-Tel. This includes identification of appropriate connection points (e.g., Light Guide Interconnection (LGX) or splice points) to enable Z-Tel to connect or splice Z-Tel provided transmission media (e.g., optical fiber) or equipment to the Dark Fiber.
- 2.7.2.6 Dark Fiber shall meet the manufacturer's design specifications.
- 2.7.2.7 Z-Tel may splice and test Dark Fiber obtained from BellSouth using Z-Tel or Z-Tel designated personnel. BellSouth shall provide appropriate interfaces to allow splicing and testing of Dark Fiber. BellSouth shall provide an excess cable length of 25 feet

minimum (for fiber in underground conduit) to allow the uncoiled fiber to reach from the manhole to a splicing van.

## 2.8 Rates

The prices that Z-Tel shall pay to BellSouth for Network Elements and Other Services are set forth in Exhibit C to this Attachment.

## 2.9 Operational Support Systems (OSS)

BellSouth has developed and made available the following mechanized systems by which Z-Tel may submit LSRs electronically.

LENS	Local Exchange Navigation System
EDI	Electronic Data Interchange
TAG	Telecommunications Access Gateway

2.9.1 LSRs submitted by means of one of these interactive interfaces will incur an OSS electronic ordering charge as specified in the table below. An individual LSR will be identified for billing purposes by its Purchase Order Number (PON). LSRs submitted by means other than one of these interactive interfaces (mail, fax, courier, etc.) will incur a manual order charge as specified in the table below. In lieu of manual OSS charges, electronic charges shall apply to local service requests submitted when BellSouth's existing electronic interfaces regularly utilized by Z-Tel are unavailable for reasons other than scheduled maintenance or other scheduled activities for which advance notification is provided.

<b>OPERATIONAL SUPPORT SYSTEMS</b>	<b>AL, GA, LA, MS, SC</b>	<b>FL, KY, NC, TN</b>
OSS LSR charge, per LSR received from the CLEC by one of the OSS interactive interfaces	\$3.50	\$3.50
	SOMECH	SOMECH
Incremental charge per LSR received from the CLEC by means other than one of the OSS interactive interfaces	See applicable rate element	\$19.99
		SOMAN

### 2.9.2 Denial/Restoral OSS Charge

In the event Z-Tel provides a list of customers to be denied and restored, rather than an LSR, each location on the list will require a separate PON and, therefore will be billed as one LSR per location.

### 2.9.3 Cancellation OSS Charge

Z-Tel will incur an OSS charge for an accepted LSR that is later canceled by Z-Tel.

Note: Supplements or clarifications to a previously billed LSR will not incur another OSS charge.

#### 2.9.4 Network Elements and Other Services Manual Additive

2.9.4.1 The Commissions in some states have ordered per-element manual additive non-recurring charges (NRC) for Network Elements and Other Services ordered by means other than one of the interactive interfaces. These ordered Network Elements and Other Services manual additive NRCs will apply in these states, rather than the charge per LSR. The per-element charges are listed on the Rate Tables in Exhibit A.

### **2.10 Preordering Loop Makeup (LMU)**

#### 2.10.1 Description of Service

BellSouth shall make available to Z-Tel loop makeup (LMU) data for BellSouth's network facilities. This section addresses LMU as a *preordering* transaction, distinct from Z-Tel ordering any other service(s). *Service inquiries (SI) for preordering loop makeup* are likewise unique from other preordering functions with associated service inquiries.

BellSouth will provide Z-Tel with loop makeup information consisting of the composition of the loop material (copper/fiber); the existence, location and type of equipment on the loop, including but not limited to digital loop carrier or other remote concentration devices, feeder/distribution interfaces, bridge taps, load coils, pair-gain devices; the loop length; and the wire gauge. The LMU shall be utilized by Z-Tel for the purpose of determining whether the loop requested is capable of supporting DSL service or other advanced data services. The determination shall be made solely by Z-Tel and BellSouth shall not be liable in any way for the performance of the advanced data services provisioned over said loop.

BellSouth's LMU is provided to Z-Tel as it exists either in BellSouth's databases or in its hard copy facility records. BellSouth does not guarantee accuracy or reliability of the LMU provided.

Targeted deployment of this service commences in the month of July, 2000.

#### 2.10.2 Submitting Service Inquiries

Z-Tel will be able to obtain LMU by submitting a SI mechanically or manually. **Mechanized** LMU Inquiries should be submitted through BellSouth's Operational

Support Systems interfaces. After obtaining the resulting loop data from the mechanized SI process, if Z-Tel determines that it needs further loop data information in order to make a determination of loop service capability, Z-Tel may initiate a separate manual SI for a separate nonrecurring charge as set forth in Attachment 2, Section 1.3.

**Manual** inquiries shall be submitted on the preordering manual SI form by means of fax or electronic-mail to BellSouth's Complex Resale Support Group (CRSG)/Account Team utilizing the Preordering Loop Makeup Service Inquiry form. The standard service interval for the return of a Loop Makeup Manual Service Inquiry is seven business days. This service interval is distinct from the interval applied to the subsequent service order. Manual SIs are not subject to expedite requests.

#### 2.10.3.1 Service Inquiry Types & Associated Charges

Z-Tel may request LMU by submitting SIs in accordance with the rate elements listed below.

<b>LOOP MAKEUP SERVICE INQUIRIES</b>	<b>USOC</b>	<b>All States</b>
<b>MANUAL</b>		
Loop Makeup - Preordering Without Reservation, per working facility queried (Manual)	UMKLW	\$134
Loop Makeup - Preordering Without Reservation, per spare facility queried (Manual) <i>Maximum number of spare facilities per manual SI for LMU is (3).]</i>	UMKLW	\$134
Loop Makeup - Preordering With Reservation, per spare facility queried (Manual) <i>Maximum number of spare facilities per manual SI for LMU is (3).]</i>	UMKLP	\$140
<b>MECHANIZED</b>		
Loop Makeup - Preordering Without Reservation, per working facility queried (Mechanized)	<i>TBD</i>	\$1.08
Loop Makeup - Preordering Without Reservation, per spare facility queried (Mechanized) <i>Maximum number of spare facilities per mechanized SI for LMU is (10).]</i>	<i>TBD</i>	\$1.08
Loop Makeup - Preordering Without Reservation, per spare facility queried (Mechanized) <i>Maximum number of spare facilities per mechanized SI for LMU is (10).]</i>	<i>TBD</i>	\$1.08

Z-Tel will be assessed a nonrecurring charge for each facility queried as specified in the table above. All SIs submitted by means other than electronic interactive interfaces (mail, fax, email, courier, etc.) will incur manual preorder charges. Rates for all states are interim and subject to true-up pending approval of final rates by the

respective State Commissions. True-ups will be retroactive to the first date Loop Makeup services are requested by Z-Tel.

Reserved facilities for which Z-Tel does not plan to place a UNE service order should be cancelled by Z-Tel. Should Z-Tel wish to cancel a reservation on a spare facility, the cancellation will require the RESID/FRN.

The reservation holding timeframe is a maximum of four days from the time that BellSouth's LMU data is returned to Z-Tel for the facility queried. During this holding time that a Service Order is not placed, the reserved facilities are rendered unavailable to other customers, whether for CLEC(s) or for BellSouth.

If Z-Tel does not submit an LSR for a UNE service order on a reserved facility within the four-day reservation timeframe, the reservation of that spare facility will become invalid and the facility will be released.

Charges for preordering LMU are separate from any charges associated with ordering other services from BellSouth.

#### 2.10.4 Ordering of Other UNE Services

Whenever Z-Tel has reserved a facility through BellSouth's preordering LMU service, should Z-Tel seek to place a subsequent UNE service order on that reserved facility, Z-Tel shall provide BellSouth the RESID/FRN of the single spare facility on the appropriate UNE service order. When Z-Tel places a separate order for a UNE after it has requested *preordering LMU with a reservation*, Z-Tel will be billed the appropriate rate element for the specific type UNE loop ordered by Z-Tel so that Z-Tel will not incur double charges for loop makeup. Should Z-Tel choose to place a UNE service order having previously submitted a request for *preordering LMU without a reservation*, additional loop makeup charges will apply as part of BellSouth's provisioning of the UNE service ordered by Z-Tel. Rates are provided in the UNE Rate Exhibits for Attachment 2.

For any reserved facilities used in the placement of UNE service orders, BellSouth will use its best efforts to assign to Z-Tel the facility reserved as indicated on the return of the LMU. Multi-facility reservations per single RESID/FRN as provided with the mechanized process are less likely to result in the specific assignment requested by Z-Tel. For those occasions when BellSouth's assignment system cannot assign the specific facility of preferred loop makeup as reserved by Z-Tel during the LMU pre-ordering transaction, BellSouth will assign Z-Tel a facility that meets the BellSouth technical standards of the BellSouth type loop as ordered by Z-Tel.

BellSouth has provided this LMU service to allow Z-Tel the opportunity and responsibility of determining the qualification for itself of BellSouth's loops for the specific services that Z-Tel wishes to provide over certain loops. BellSouth further recognizes that Z-Tel may choose to use equipment that it deems will enable it to provide a certain type and level of service over a particular BellSouth loop; however, such configurations may not match BellSouth's standards and specifications for the intended type and level of service. Accordingly, Z-Tel shall be responsible for insuring that the specific loop type (ADSL, HDSL, or otherwise) ordered on the LSR matches the specifications of the facility for which pre-order LMU with RESID/FRN has been requested. Z-Tel bears full responsibility for being knowledgeable of BellSouth's technical standards and the specifications of BellSouth's loops. Z-Tel bears full responsibility for making the appropriate ordering decisions of matching BellSouth loops with Z-Tel's equipment for accomplishing Z-Tel's end goal for the intended service it wishes to provide its end-user(s). Z-Tel is fully responsible for any of its service configurations that may differ from BellSouth's technical standard for that service.

## **2.11 General Terms and Conditions Relating to Unbundled xDSL-Capable Loops**

### **2.11.1 DEFINITIONS:**

2.11.1.1. A loop technology that is “presumed acceptable for deployment” is one that either complies with existing industry standards, has been successfully deployed by any carrier in any state without significantly degrading the performance of other services, or has been approved by the FCC, any state Commission, or an industry standards body.

2.11.1.2. A “non-standard xDSL-based technology” is a loop technology that is not presumed acceptable for deployment under Section 2.11.1.1 above.

2.11.1.3. “Continuity” shall be defined as an uninterrupted transmission path from a Main Distribution Frame (“MDF”) or its equivalent to an end user termination which meets the performance characteristics of TR73600 for the loop requested.

2.11.1.4. “Additional Acceptance Testing” shall be defined as testing not considered to be part of the normal testing and turn up activities performed by a BellSouth technician to verify the performance characteristics of the loop as outlined in TR73600. At a minimum, normal testing includes providing a short and open on the line to allow the Z-Tel to perform acceptance testing. In addition, normal testing is testing that can be completed within 15 minutes of notification to the Z-Tel that the service is ready for acceptance testing.

**2.11.1.5.** “Cooperative Acceptance Testing” shall be defined as the joint testing between BellSouth’s Technician, its Local Operations Center (“LOC”) if necessary, and the Z-Tel’s designated test representative for the purpose of verifying Continuity as more specifically described in Section 2.11.3.

### **2.11.2 Deployment Conditions for xDSL-Capable Loops**

2.11.2.1. BellSouth shall not deny Z-Tel’s request to deploy any loop technology that is presumed acceptable for deployment unless BellSouth demonstrates to the state Commission in accordance with FCC orders that Z-Tel’s deployment of the specific loop technology will significantly degrade the performance of other advanced services or traditional voice band services.

2.11.2.2. In the event the Z-Tel wishes to introduce a technology that has been approved by another state commission or the FCC, or successfully deployed elsewhere, the Z-Tel will provide documentation describing that action to BellSouth and the state Commission before or at the time of its request to deploy such technology within BellSouth. The documentation shall include the date of approval or deployment, any limitations included in its deployment, and a sworn attestation that the deployment did not significantly degrade the performance of other services.

2.11.2.3. Z-Tel has the option of collocating a DSLAM in BellSouth’s Remote Terminal (“RT”) at the fiber/copper interface point, pursuant to remote terminal collocation terms and conditions, to be separately negotiated by the Parties. When Z-Tel collocates its DSLAM at BellSouth RTs, BellSouth will provide Z-Tel with unbundled access to subloops to allow Z-Tel to access the copper wire portion of the loop.

2.11.2.4. BellSouth shall provide nondiscriminatory access to unbundled packet switching capability only where each of the following conditions are satisfied:

- (i) BellSouth has deployed digital loop carrier systems, including but not limited to, integrated digital loop carrier or universal digital loop carrier systems; or has deployed any other system in which fiber optic facilities replace copper facilities in the distribution section (e.g., end office to remote terminal, pedestal or environmentally controlled vault);
- (ii) There are no spare copper loops capable of supporting the xDSL services Z-Tel seeks to offer;
- (iii) BellSouth has not permitted a requesting carrier to deploy a Digital Subscriber Line Access Multiplexer at the remote terminal, pedestal or environmentally controlled vault or other interconnection point, nor has Z-Tel obtained a virtual collocation arrangement at these subloop interconnection points as defined by § 51.319(b); and



- (iv) BellSouth has deployed packet switching capability for its own use.

### 2.11.3 ACCEPTANCE TESTING AND COOPERATIVE TESTING

- 2.11.3.1. BellSouth will dispatch a technician to provide a short on the loop to allow Z-Tel to test the loop in any manner they require. Normal acceptance testing is not billable in those instances where a new Loop is being installed and where BellSouth determines a dispatch is required. Z-Tel may request a dispatch to perform testing that BellSouth determines is not required for provisioning the service but will be charged for additional labor and or additional cooperative acceptance testing as outlined in the FCC #1 tariff. BellSouth and Z-Tel will mutually agree on a scheduled date and time for this additional testing to occur. BellSouth will call Z-Tel with the technician on the line to perform the above mentioned tests and Z-Tel will within 15 minutes begin testing with the technician. If the above testing does not require additional charges as provided for in this paragraph, the BellSouth technician will not test with Z-Tel for a period to exceed 15 minutes or unless agreed to by BellSouth without occurring additional charges as outlined in FCC tariff #1. BellSouth shall only be obligated to maintain copper continuity and provide balance relative to tip and ring on the loop or as outlined in TR73600 for the loop being provisioned or as provided for in Attachment 2 of this agreement including but not limited to "Loop Modification."
- 2.11.3.2. BellSouth and Z-Tel agree to implement Acceptance Testing as provided for in this attachment during the provisioning cycle for xDSL loop delivery. When BellSouth provides High Frequency Spectrum, continuity is generally assumed as BellSouth retail POTS service is operating at the time of the order. Therefore, acceptance testing is unnecessary. Generally, BellSouth would not dispatch to provision High Frequency Spectrum, thus would not have a technician at the customer site to perform an acceptance test.
- 2.11.3.3. Upon delivery of the loop BellSouth will contact Z-Tel via a toll free number to provide notification of the completion of the loop and where required, provide acceptance testing as provided for in this agreement.
- 2.11.3.4. Z-Tel may provide BellSouth with a confirmation number signifying the acceptance of the loop by Z-Tel.
- 2.11.3.5. If Z-Tel is not available to perform acceptance testing at the time of loop turn up by BellSouth then Z-Tel may request and BellSouth, if mutually agreed to, will require the BellSouth technician to standby. Z-Tel would then be required to pay standby charges as provided for in FCC#1

- 2.11.3.6. If BellSouth is unable to contact a Z-Tel employee to perform acceptance testing at the time of loop turn up ( placed on hold for more than 5 minutes, reaches voice mail or other recording, no answer or repeated busy conditions) , BellSouth will test the loop to ensure the loop is provisioned according to requirements of TR73600 for the type of loop requested by Z-Tel. BellSouth will complete the local service request without obtaining a confirmation number from Z-Tel and will have no further obligation to perform normal acceptance testing of the provisioned loop.
- 2.11.3.7. If the Acceptance Test fails loop Continuity Test parameters, as defined by this Attachment for DSL loops, the BellSouth technician will take any or all reasonable steps, if possible, to immediately resolve the problem with Z-Tel on the line including, but not limited to, calling the central office to perform work or troubleshooting for physical faults. If the problem cannot be resolved in an expedient manner, the technician will release the Z-Tel representative, and perform the work necessary to correct the situation. Once the loop is correctly provisioned, BellSouth will re-contact the Z-Tel representative to repeat the Acceptance Test.
- 2.11.3.8. Both Parties declare they will work together, in good faith, to implement Acceptance Testing procedures that are efficient and effective. If the Parties mutually agree to additional testing, procedures and/or standards not covered by this Appendix or any Public Utilities Commission or FCC ordered tariff, the Parties will negotiate terms and conditions to implement such additional testing, procedures and/or standards. Additional charges may apply if any accepted changes in Acceptance Testing procedures require additional time and/or expense.
- 2.11.3.9. BellSouth will not bill for loop repairs when the repair resulted from a BellSouth problem.

#### 2.11.4 SPECTRUM MANAGEMENT

- 2.11.4.1. In all cases, BellSouth will manage the spectrum in a competitively neutral manner consistent with all relevant industry standards and FCC orders regardless of whether the service is provided by a Z-Tel or by BellSouth, as well as competitively neutral as between different xDSL services. Where disputes arise, BellSouth and Z-Tel will put forth a good faith effort to resolve such disputes in a timely manner.
- 2.11.4.2. In the event that the FCC or a recognized industry standards body (e.g. ANSI T1E1.4) establishes long-term standards and practices and policies relating to spectrum compatibility and spectrum management that differ from those established in this Appendix, BellSouth and Z-Tel agree to comply with the FCC and/or

industry standards, practices and policies and will establish a mutually agreeable transition plan and timeframe for achieving and implementing such industry standards, practices and policies.

### **3. Switching**

All of the negotiated rates, terms and conditions set forth in this Section pertain to the provision of local and tandem switching.

#### **3.1 Local Switching**

BellSouth shall provide non-discriminatory access to local circuit switching capability, and local tandem switching capability, on an unbundled basis, except as set forth below in Section 3.1.3 to Z-Tel for the provision of a telecommunications service. BellSouth shall provide non-discriminatory access to packet switching capability on an unbundled basis to Z-Tel for the provision of a telecommunications service only in the limited circumstance described below in Section 3.3.4.6.

3.1.1. Except as otherwise provided herein, BellSouth shall not impose any restrictions on Z-Tel regarding the use of Switching Capabilities purchased from BellSouth provided such use does not result in demonstrable harm to either the BellSouth network or personnel or the use of the BellSouth network by BellSouth or any other telecommunication carrier.

3.1.2. Local Circuit Switching Capability, including Tandem Switching Capability

##### **3.1.2.1 Definition**

Local Circuit Switching Capability is defined as: (A) line-side facilities, which include, but are not limited to, the connection between a loop termination at a main distribution frame and a switch line card; (B) trunk-side facilities, which include, but are not limited to, the connection between trunk termination at a trunk-side cross-connect panel and a switch trunk card; and (C) All features, functions, and capabilities of the switch, which include, but are not limited to: (1) the basic switching function of connecting lines to lines, line to trunks, trunks to lines, and trunks to trunks, as well as the same basic capabilities made available to BellSouth's customers, such as a telephone number, white page listings, and dial tone; and (2) all other features that the switch is capable of providing, including but not limited to customer calling, customer local area signaling service features, and Centrex, originating and terminating access, as well as any technically feasible customized routing functions provided by the switch; (D) switching provided by remote switching modules.

- 3.1.2.2 When utilizing BellSouth's local circuit switching capability, local traffic shall be defined as set forth in Part B of the General Terms and Conditions.
- 3.1.3 In accordance with effective and applicable FCC rules, BellSouth shall not be required to provide circuit switching as an unbundled network element in density Zone 1, as defined in 47 CFR 69.123 as of January 1, 1999 of the Atlanta, GA; Miami, FL; Orlando, FL; Ft. Lauderdale, FL; Charlotte-Gastonia-Rock Hill, NC; Greensboro-Winston Salem-High Point, NC; Nashville, TN; and New Orleans, LA, MSAs to Z-Tel if Z-Tel's customer has 4 or more DS0 equivalent lines.
- 3.1.4 In the event that Z-Tel orders local circuit switching for a single end user account name at a single physical end user location with four (4) or more two (2) wire voice-grade loops from a BellSouth central office listed on Exhibit A, BellSouth's sole recourse shall be to charge Z-Tel a rate to be negotiated for use of the local circuit switching functionality for the affected facilities, or in the alternative, to charge Z-Tel the local services resale rate for use of all Combinations used to provide the affected facilities to Z-Tel.
- 3.1.5 A featureless port is one that has a line port, switching facilities, and an interoffice port. A featured port is a port that includes all features then capable or a number of then capable features specifically requested by Z-Tel. Any features that are not currently then capable but are technically feasible through the switch can be requested through the BFR process.
- 3.1.6 BellSouth will provide to Z-Tel customized routing of calls: (i) to a requested directory assistance services platform; (ii) to an operator services platform pursuant to Section 10 of Attachment 2; (iii) for Z-Tel's PIC'ed toll traffic in a two (2) PIC environment to an alternative OS/DA platform designated by Z-Tel. Z-Tel customers may use the same dialing arrangements as BellSouth customers.
- 3.1.7 Remote Switching Module functionality is included in Switching Capability. The switching capabilities used will be based on the line side features they support.
- 3.1.8 Switching Capability will also be capable of routing local, intraLATA, interLATA, and calls to international customer's preferred carrier; call features (e.g. call forwarding) and Centrex capabilities.
- 3.1.10 Where required to do so in order to comply with an effective Commission order, BellSouth will provide to Z-Tel purchasing local BellSouth switching and reselling BellSouth local exchange service under Attachment 1, selective routing of calls to a requested directory assistance services platform or operator services platform. Z-Tel

customers may use the same dialing arrangements as BellSouth customers, but obtain a Z-Tel branded service.

### 3.2 Technical Requirements

- 3.2.1 The requirements set forth in this Section apply to Local Switching (e.g. circuit switched traffic), but not to the Data Switching (e.g. packet switched) function of Local Switching.
  - 3.2.1.1 Local Switching shall be equal to or better than the requirements for Local Switching set forth in the applicable industry standard technical references.
  - 3.2.1.2 When applicable, BellSouth shall route calls to the appropriate trunk or lines for call origination or termination.
  - 3.2.1.3 Subject to this section, BellSouth shall route calls on a per line or per screening class basis to (1) BellSouth platforms providing Network Elements or additional requirements (2) Operator Services platforms, (3) Directory Assistance platforms, and (4) Repair Centers. Any other routing requests by Z-Tel will be made pursuant to the Bona Fide Request/ New Business Request Process as set forth in General Terms and Conditions.
  - 3.2.1.4 BellSouth shall provide unbranded recorded announcements and call progress tones to alert callers of call progress and disposition.
  - 3.2.1.5 BellSouth shall activate service for an Z-Tel customer or network interconnection on any of the Local Switching interfaces. This includes provisioning changes to change a customer from BellSouth's services to Z-Tel's services without loss of switch feature functionality as defined in this Agreement.
  - 3.2.1.6 BellSouth shall perform routine testing (e.g., Mechanized Loop Tests (MLT) and test calls such as 105, 107 and 108 type calls) and fault isolation on a mutually agreed upon schedule. For loop/port combinations that are telephone number formatted, BellSouth will provide Z-Tel with the ability to perform MLT tests directly on switch ports purchased by Z-Tel, via the TAFFI or ECTA as described in Attachment 6.
  - 3.2.1.7 BellSouth shall repair and restore any equipment or any other maintainable component that may adversely impact Local Switching.
  - 3.2.1.8 BellSouth shall control congestion points such as those caused by radio station call-ins, and network routing abnormalities. All traffic shall be restricted in a non-discriminatory manner.
  - 3.2.1.9 BellSouth shall perform manual call trace and permit customer originated call trace.

- 3.2.1.10 Special Services provided by BellSouth will include the following:
  - 3.2.1.10.1 Telephone Service Prioritization;
  - 3.2.1.10.2 Related services for handicapped;
  - 3.2.1.10.3 Soft dial tone where required by law; and
  - 3.2.1.10.4 Any other service required by law.
- 3.2.1.11 BellSouth shall provide Switching Service Point (SSP) capabilities and signaling software to interconnect the signaling links destined to the Signaling Transfer Point Switch (STPS). These capabilities shall adhere to the technical specifications set forth in the applicable industry standard technical references.
- 3.2.1.12 BellSouth shall provide interfaces to adjuncts through Telcordia (formerly BellCore) standard interfaces. These adjuncts can include, but are not limited to, the Service Circuit Node and Automatic Call Distributors.
- 3.2.1.13 BellSouth shall provide performance data regarding a customer line, traffic characteristics or other measurable elements to Z-Tel, upon a reasonable request from Z-Tel. CLEC will pay BellSouth for all costs incurred to provide such performance data through the Business Opportunity Request process.
- 3.2.1.14 BellSouth shall offer Local Switching that provides feature offerings at parity to those provided by BellSouth to itself or any other Party. Such feature offerings shall include but are not limited to:
  - 3.2.1.14.1 Basic and primary rate ISDN;
  - 3.2.1.14.2 Residential features;
  - 3.2.1.14.3 Customer Local Area Signaling Services (CLASS/LASS);
  - 3.2.1.14.4 CENTREX (including equivalent administrative capabilities, such as customer accessible reconfiguration and detailed message recording); and
  - 3.2.1.14.5 Advanced intelligent network triggers supporting Z-Tel and BellSouth service applications.
- 3.2.2
- 3.2.3 BellSouth shall offer to Z-Tel all AIN triggers in connection with its SMS/SCE offering which are supported by BellSouth for offering AIN-based services. Triggers that are currently available are:
  - 3.2.3.1 Off-Hook Immediate

- 3.2.3.2 Off-Hook Delay
- 3.2.3.3 Termination Attempt
- 3.2.3.4 6/10 Public Office Dialing Plan
- 3.2.3.5 Feature Code Dialing
- 3.2.3.6 Customer Dialing Plan
- 3.2.4 When the following triggers are supported by BellSouth, BellSouth will make these triggers available to Z-Tel:
  - 3.2.4.1 Private EAMF Trunk
  - 3.2.4.2 Shared Interoffice Trunk (EAMF, SS7)
  - 3.2.4.3 N11
  - 3.2.4.4 Automatic Route Selection
- 3.2.5 Where capacity exists, BellSouth shall assign each Z-Tel customer line the class of service designated by Z-Tel (e.g., using line class codes or other switch specific provisioning methods), and shall route directory assistance calls from Z-Tel customers to Z-Tel directory assistance operators at Z-Tel's option.
- 3.2.6 Where capacity exists, BellSouth shall assign each Z-Tel customer line the class of services designated by Z-Tel (e.g., using line class codes or other switch specific provisioning methods) and shall route operator calls from Z-Tel customers to Z-Tel operators at Z-Tel's option. For example, BellSouth may translate 0- and 0+ intraLATA traffic, and route the call through appropriate trunks to an Z-Tel Operator Services Position System (OSPS). Calls from Local Switching must pass the ANI-II digits unchanged.
- 3.2.7 Local Switching shall be offered in accordance with the requirements of the following technical references:
  - 3.2.7.1 Telcordia (formerly BellCore) GR-1298-CORE, AIN Switching System Generic Requirements, as implemented in BellSouth's switching equipment;
  - 3.2.7.2 Telcordia (formerly BellCore) GR-1299-CORE, AIN Switch-Service Control Point (SCP)/Adjunct Interface Generic Requirements;
  - 3.2.7.3 Telcordia (formerly BellCore) TR-NWT-001284, AIN 0.1 Switching System Generic Requirements;

3.2.7.4 Telcordia (formerly BellCore) SR-NWT-002247, AIN Release 1 Update.

### 3.2.8 Interface Requirements

3.2.8.1 BellSouth shall provide the following interfaces to loops:

3.2.8.1.1 Standard Tip/Ring interface including loopstart or groundstart, on-hook signaling (e.g., for calling number, calling name and message waiting lamp);

3.2.8.1.2 Coin phone signaling;

3.2.8.1.3 Basic Rate Interface ISDN adhering to appropriate Telcordia (formerly BellCore) Technical Requirements;

3.2.8.1.4 Two-wire analog interface to PBX;

3.2.8.1.5 Four-wire analog interface to PBX;

3.2.8.1.6 Four-wire DS1 interface to PBX or customer provided equipment (e.g. computers and voice response systems);

3.2.8.1.7 Primary Rate ISDN to PBX adhering to ANSI standards Q.931, Q.932 and appropriate Telcordia (formerly BellCore) Technical Requirements;

3.2.8.1.8 Switched Fractional DS1 with capabilities to configure Nx64 channels (where N = 1 to 24); and

3.2.8.1.9 Loops adhering to Telcordia (formerly BellCore) TR-NWT-08 and TR-NWT-303 specifications to interconnect Digital Loop Carriers.

3.2.8.2 BellSouth shall provide access to the following but not limited to:

3.2.8.2.1 SS7 Signaling Network or Multi-Frequency trunking if requested by Z-Tel;

3.2.8.2.2 Interface to Z-Tel operator services systems or Operator Services through appropriate trunk interconnections for the system; and

3.2.8.2.3 Interface to Z-Tel Directory Assistance Services through the Z-Tel switched network or to Directory Assistance Services through the appropriate trunk interconnections for the system; and 950 access or other Z-Tel required access to interexchange carriers as requested through appropriate trunk interfaces.

## 3.3 **Tandem Switching**

### 3.3.1 Definition



Tandem Switching is the function that establishes a communications path between two switching offices through a third switching office (the Tandem switch).

### 3.3.2 Technical Requirements

3.3.2.1 Tandem Switching shall have the same capabilities or equivalent capabilities as those described in Bell Communications Research TR-TSY-000540 Issue 2R2, Tandem Supplement, 6/1/90. The requirements for Tandem Switching include, but are not limited to the following:

3.3.2.1.1 Tandem Switching shall provide signaling to establish a tandem connection;

3.3.2.1.2 Tandem Switching will provide screening as jointly agreed to by Z-Tel and BellSouth;

3.3.2.1.3 Tandem Switching shall provide Advanced Intelligent Network triggers supporting AIN features where such routing is not available from the originating end office switch, to the extent such Tandem switch has such capability;

3.3.2.1.4 Tandem Switching shall provide access to Toll Free number portability database as designated by Z-Tel;

3.3.2.1.5 Tandem Switching shall provide all trunk interconnections discussed under the "Network Interconnection" section (e.g., SS7, MF, DTMF, DialPulse, PRI-ISDN, DID, and CAMA-ANI (if appropriate for 911));

3.3.2.1.5.1 Tandem Switching shall provide connectivity to PSAPs where 911 solutions are deployed and the tandem is used for 911; and

3.3.2.1.5.2 Tandem Switching shall provide connectivity to transit traffic to and from other carriers.

3.3.2.1.6 Tandem Switching shall accept connections (including the necessary signaling and trunking interconnections) between end offices, other tandems, IXCs, ICOs, CAPs and CLEC switches.

3.3.2.1.7 Tandem Switching shall provide local tandeming functionality between two end offices including two offices belonging to different CLEC's (e.g., between a CLEC end office and the end office of another CLEC).

3.3.2.1.8 Tandem Switching shall preserve CLASS/LASS features and Caller ID as traffic is processed.

- 3.3.2.1.9 Tandem Switching shall record billable events and send them to the area billing centers designated by Z-Tel. Tandem Switching will provide recording of all billable events as jointly agreed to by Z-Tel and BellSouth.
- 3.3.2.1.10 Upon a reasonable request from Z-Tel, BellSouth shall perform routine testing and fault isolation on the underlying switch that is providing Tandem Switching and all its interconnections. The results and reports of the testing shall be made immediately available to Z-Tel.
- 3.3.2.1.11 BellSouth shall maintain Z-Tel's trunks and interconnections associated with Tandem Switching at least at parity to its own trunks and interconnections.
- 3.3.2.1.12 BellSouth shall control congestion points and network abnormalities. All traffic will be restricted in a non-discriminatory manner.
- 3.3.2.1.13 Selective Call Routing through the use of line class codes is not available through the use of tandem switching. Selective Call Routing through the use of line class codes is an end office capability only. Detailed primary and overflow routing plans for all interfaces available within BellSouth's switching network shall be mutually agreed to by Z-Tel and BellSouth.
- 3.3.2.1.14 Tandem Switching shall process originating toll-free traffic received from Z-Tel's local switch.
- 3.3.2.1.15 In support of AIN triggers and features, Tandem Switching shall provide SSP capabilities when these capabilities are not available from the Local Switching Network Element, to the extent such Tandem Switch has such capability.
- 3.3.2.2 Interface Requirements
  - 3.3.2.2.1 Tandem Switching shall provide interconnection to the E911 PSAP where the underlying Tandem is acting as the E911 Tandem.
  - 3.3.2.2.2 Tandem Switching shall interconnect, with direct trunks, to all carriers with which BellSouth interconnects.
  - 3.3.2.2.3 BellSouth shall provide all signaling necessary to provide Tandem Switching with no loss of feature functionality.
  - 3.3.2.2.4 Tandem Switching shall interconnect with Z-Tel's switch, using two-way trunks, for traffic that is transiting via BellSouth's network to interLATA or intraLATA carriers. At Z-Tel's request, Tandem Switching shall record and keep records of traffic for billing.

3.3.2.2.5 Tandem Switching shall provide an alternate final routing pattern for Z-Tel's traffic overflowing from direct end office high usage trunk groups.

3.3.2.2.6 Tandem Switching shall be equal or better than the requirements for Tandem Switching set forth in the following technical references:

#### 3.4 **AIN Selective Carrier Routing for Operator Services, Directory Assistance and Repair Centers**

3.4.1 BellSouth will provide AIN Selective Carrier Routing at the request of Z-Tel. AIN Selective Carrier Routing will provide Z-Tel with the capability of routing operator calls, 0+ and 0- and 0+ NPA (LNPA) 555-1212 directory assistance, 1+411 directory assistance and 611 repair center calls to pre-selected destinations.

3.4.2 Z-Tel shall order AIN Selective Carrier Routing through its Account Team. AIN Selective Carrier Routing must first be established regionally and then on a per central office, per state basis.

3.4.3 AIN Selective Carrier Routing is not available in DMS 10 switches.

3.4.4 Where AIN Selective Carrier Routing is utilized by Z-Tel, the routing of Z-Tel's end user calls shall be pursuant to information provided by Z-Tel and stored in BellSouth's AIN Selective Carrier Routing Service Control Point database. AIN Selective Carrier Routing shall utilize a set of Line Class Codes (LCCs) unique to a basic class of service assigned on an 'as needed basis. The same LCCs will be assigned in each central office where AIN Selective Carrier Routing is established.

3.4.5 Upon ordering of AIN Selective Carrier Routing Regional Service, Z-Tel shall remit to BellSouth the Regional Service Order non-recurring charges set forth in Exhibit A of this Attachment. There shall be a non-recurring End Office Establishment Charge per office due at the addition of each central office where AIN Selective Carrier Routing will be utilized. Said non-recurring charge shall be as set forth in Exhibit A of this Attachment. For each Z-Tel end user activated, there shall be a non-recurring End User Establishment charge as set forth in Exhibit A of this Attachment, payable to BellSouth pursuant to the terms of the General Terms and Conditions, incorporated herein by this reference. Z-Tel shall pay the AIN Selective Carrier Routing Per Query Charge set forth in Exhibit A of this Attachment.

3.4.6 This Regional Service Order non-recurring charge will be non-refundable and will be paid with 1/2 coming up-front with the submission of all fully completed required forms, including: Regional Selective Carrier Routing (SCR) Order Request-Form A, Central Office AIN Selective Carrier Routing (SCR) Order Request - Form B,

- AIN\_SCR Central Office Identification Form - Form C, AIN\_SCR Routing Options Selection Form - Form D, and Routing Combinations Table - Form E. BellSouth has 30 days to respond to the client's fully completed firm order as a Regional Service Order. With the delivery of this firm order response to the client, BellSouth considers that the delivery schedule of this service commences. The remaining 1/2 of the Regional Service Order payment must be paid when at least 90% of the Central Offices listed on the original order have been turned up for the service.
- 3.4.7 The non-recurring End Office Establishment Charge will be billed to the client following our normal monthly billing cycle for this type of order.
- 3.4.8 End-User Establishment Orders will not be turned-up until the 2<sup>nd</sup> payment is received for the Regional Service Order. The non-recurring End-User Establishment Charges will be billed to the client following our normal monthly billing cycle for this type of order.
- 3.4.9 Additionally, the AIN Selective Carrier Routing Per Query Charge will be billed to the client following the normal billing cycle for per query charges.
- 3.4.10 All other network components needed, for example, unbundled switching and unbundled local transport, etc, will be billed according per contracted rates.

### **3.5 Packet Switching Capability**

- 3.5.1 Definition  
Packet Switching Capability. The packet switching capability network element is defined as the basic packet switching function of routing or forwarding packets, frames, cells or other data units based on address or other routing information contained in the packets, frames, cells or other data units, and the functions that are performed by Digital Subscriber Line Access Multiplexers, including but not limited to:
- 3.5.2 The ability to terminate copper customer loops (which includes both a low band voice channel and a high-band data channel, or solely a data channel);
- 3.5.3 The ability to forward the voice channels, if present, to a circuit switch or multiple circuit switches;
- 3.5.4 The ability to extract data units from the data channels on the loops, and
- 3.5.5 The ability to combine data units from multiple loops onto one or more trunks connecting to a packet switch or packet switches.
- 3.5.6 BellSouth shall be required to provide non-discriminatory access to unbundled packet switching capability only where each of the following conditions are satisfied:

- 3.5.6.1 BellSouth has deployed digital loop carrier systems, including but not limited to, integrated digital loop carrier or universal digital loop carrier systems; or has deployed any other system in which fiber optic facilities replace copper facilities in the distribution section (e.g., end office to remote terminal, pedestal or environmentally controlled vault);
- 3.5.6.2 There are no spare copper loops capable of supporting the xDSL services Z-Tel seeks to offer;
- 3.5.6.3 BellSouth has not permitted Z-Tel to deploy a Digital Subscriber Line Access Multiplexer at the remote terminal, pedestal or environmentally controlled vault or other interconnection point, nor has the Z-Tel obtained a virtual collocation arrangement at these subloop interconnection points as defined by 47 C.F.R. § 51.319 (b); and
- 3.5.6.4 BellSouth has deployed packet switching capability for its own use.
- 3.5.7 If there is a dispute as to whether BellSouth must provide Packet Switching , such dispute will be resolved according tot the dispute resolution process set forth in Section of the General Terms and Conditions of this Agreement, incorporated herein by this reference.

### 3.6 **Interoffice Transmission Facilities**

BellSouth shall provide nondiscriminatory access, in accordance with FCC Rule 51.311 and Section 251(c)(3) of the Act, to interoffice transmission facilities on an unbundled basis to Z-Tel for the provision of a telecommunications service.

### 3.7 **Rates**

The prices that Z-Tel shall pay to BellSouth for Network Elements and Other Services are set forth in Exhibit C to this Attachment.

### 3.8 **Operational Support Systems (OSS)**

BellSouth has developed and made available the following mechanized systems by which Z-Tel may submit LSRs electronically.

LENS	Local Exchange Navigation System
EDI	Electronic Data Interchange
TAG	Telecommunications Access Gateway

- 3.8.1 LSRs submitted by means of one of these interactive interfaces will incur an OSS electronic ordering charge as specified in the table below. An individual LSR will be identified for billing purposes by its Purchase Order Number (PON). LSRs submitted by means other than one of these interactive interfaces (mail, fax, courier, etc.) will incur a manual order charge as specified in the table below. In lieu of manual OSS charges, electronic charges shall apply to local service requests submitted when BellSouth's existing electronic interfaces regularly utilized by Z-Tel are unavailable for reasons other than scheduled maintenance or other scheduled activities for which advance notification is provided.,

OPERATIONAL SUPPORT SYSTEMS	AL, GA, LA, MS, SC	FL, KY, NC, TN
OSS LSR charge, per LSR received from the CLEC by one of the OSS interactive interfaces	\$3.50 SOMECH	\$3.50 SOMECH
Incremental charge per LSR received from the CLEC by means other than one of the OSS interactive interfaces	See applicable rate element	\$19.99 SOMAN

3.8.2 Denial/Restoral OSS Charge

In the event Z-Tel provides a list of customers to be denied and restored, rather than an LSR, each location on the list will require a separate PON and, therefore will be billed as one LSR per location.

3.8.3 Cancellation OSS Charge

Z-Tel will incur an OSS charge for an accepted LSR that is later canceled by Z-Tel.

Note: Supplements or clarifications to a previously billed LSR will not incur another OSS charge.

3.8.4 Network Elements and Other Services Manual Additive

- 3.8.4.1 The Commissions in some states have ordered per-element manual additive non-recurring charges (NRC) for Network Elements and Other Services ordered by means other than one of the interactive interfaces. These ordered Network Elements and Other Services manual additive NRCs will apply in these states, rather than the charge per LSR. The per-element charges are listed on the Rate Tables in Exhibit A.

#### **4. Enhanced Extended Link (EEL)**

4.1 Where facilities permit and where necessary to comply with an effective FCC and/or State Commission order, BellSouth shall offer access to the Enhanced Extended Link (“EEL”) as defined in Section 4.3 below.

#### 4.2 Definition

4.2.1 For purposes of this Agreement, references to “Currently Combined” network elements shall mean that such network elements are in fact already combined by BellSouth in the BellSouth network to provide service to a particular end user at a particular location, except in Georgia which is discussed in 4.2.3. In the event other state commissions define “Currently Combined” differently than referenced here, the Parties will amend this agreement to reflect such change in accordance with Section 16 of the General Terms and Conditions. The Parties agree to work cooperatively to execute the amendment within a reasonable timeframe.

4.2.2 BellSouth will provide access to the Enhanced Extended Link (“EEL”) in the combinations set forth in 4.3 following. This offering is intended to provide connectivity from an end user’s location through that end user’s SWC and then connected to the Z-Tel’s POP serving wire center. The circuit must be connected to Z-Tel’s switch for the purpose of provisioning telephone exchange service to Z-Tel’s end-user customers. The EEL will be connected to Z-Tel’s facilities in Z-Tel’s collocation space, or at a third party’s collocation cage contracted by Z-Tel, at the POP SWC, or Z-Tel may purchase BellSouth’s access facilities between Z-Tel’s POP and Z-Tel’s collocation space, or at a third party’s collocation cage contracted by Z-Tel, at the POP SWC.

4.2.3 BellSouth shall provide combinations of loops and transport to Z-Tel in Georgia regardless of whether or not such combinations of loops and transport are Currently Combined. Other combinations of network elements that are not Currently Combined but that BellSouth ordinarily combines in its network shall be made available to Z-Tel in Georgia in accordance with Section 4.5.1.3 below. In all other states, BellSouth shall make available to Z-Tel those EEL combinations and transport described in Section 4.3 below only to the extent such combinations of loop and transport network elements are currently combined in accordance with 4.2.1 above. BellSouth will make available new combinations of loops and transport network elements in density Zone 1, as defined in 47 C.F.R. 69.123 as of January 1, 1999, of the Miami, Orlando, Fort Lauderdale, Charlotte, New Orleans, Greensboro and Nashville MSAs to Z-Tel. Except as stated above, other combinations of network elements will be provided to Z-Tel only to the extent such network elements are Currently Combined, in

accordance with 4.2.1 above. Except as stated above, other combinations of network elements will be provided to Z-Tel only to the extent such network elements are Currently Combined.

4.2.4 Additionally, BellSouth shall make available to Z-Tel a combination of an unbundled loop and tariffed special access interoffice facilities. To the extent Z-Tel will require multiplexing functionality in connection with such combination, BellSouth will provide access to multiplexing within the central office pursuant to the terms, conditions, and rates set forth in its Access services Tariffs. The tariffed special access interoffice facilities and any associated tariffed services, including but not limited to multiplexing, shall not be eligible for conversion to UNEs as described in Section 4.5 below, for the term of this agreement.

#### 4.3 EEL Combinations

- 4.3.1 - 2-wire voice grade extended loop with DS1 Dedicated Interoffice Transport;
- 4.3.2 - 4-wire voice grade extended loop with DS1 Dedicated Interoffice Transport;
- 4.3.3 - 4-wire 56 or 64 kbps extended digital loop with Dedicated DS1 Interoffice Transport;
- 4.3.4 - Extended 4-wire DS1 Digital Loop with Dedicated DS1 Interoffice Transport;
- 4.3.5 - Extended 4-wire DS1 Digital Loop with Dedicated DS3 Interoffice Transport; and
- 4.3.6 - DS1 Interoffice Channel and DS1 Channelization with 2-wire ISDN Local Loop
- 4.3.7 – STS-1 Interoffice Channel with STS-1 Local Loop
- 4.3.8 – DS3 Interoffice Channel and DS3 Channelization with DS1 Local Loop
- 4.3.9 – STS-1 Interoffice Channel and DS3 Channelization with DS1 Local Loop
- 4.3.10 – 2-Wire VT Interoffice Channel with 2-Wire VG Local Loop
- 4.3.11 – 4-Wire VG Interoffice Channel with 4-Wire 56 Kbps Local Loop
- 4.3.12 – 4-Wire 56Kbps Interoffice Channel with 4-Wire 56Kbps Local Loop
- 4.3.13 – 4-Wire 64 Kbps Interoffice Channel with 4-Wire 64 Kbps Local Loop

#### 4.4 Special Access Service Conversions

4.4.1 Z-Tel may not convert special access services to combinations of loop and transport network elements, whether or not Z-Tel self-provides its entrance facilities (or obtains entrance facilities from a third party), unless Z-Tel uses the combination to provide a significant amount of local exchange service, in addition to exchange access service, to a particular customer. To the extent Z-Tel converts its special access services to



combinations of loop and transport network elements at UNE prices, Z-Tel hereby certifies that it is providing a significant amount of local exchange service (as described in this Section) over such combinations. Z-Tel shall be deemed to be providing a significant amount of local exchange service over such combinations if any one of the following are met:

- 1) Z-Tel certifies that it is the exclusive provider of an end user's local exchange service. The loop-transport combinations must terminate at Z-Tel's collocation arrangement in at least one BellSouth central office. This option does not allow loop-transport combinations to be connected to BellSouth's tariffed services. Under this option, Z-Tel is the end user's only local service provider, and thus, is providing more than a significant amount of local exchange service. Z-Tel can then use the loop-transport combinations that serve the end user to carry any type of traffic, including using them to carry 100 percent interstate access traffic; or
- 2) Z-Tel certifies that it provides local exchange and exchange access service to the end user customer's premises and handles at least one third of the end user customer's local traffic measured as a percent of total end user customer local dialtone lines; and for DS1 circuits and above, at least 50 percent of the activated channels on the loop portion of the loop-transport combination have at least 5 percent local voice traffic individually, and the entire loop facility has at least 10 percent local voice traffic. When a loop-transport combination includes multiplexing, each of the individual DS1 circuits must meet this criteria. The loop-transport combination must terminate at Z-Tel's collocation arrangement in at least one BellSouth central office. This option does not allow loop-transport combinations to be connected to BellSouth tariffed services; or
- 3) The requesting carrier certifies that at least 50 percent of the activated channels on a circuit are used to provide originating and terminating local dialtone service and at least 50 percent of the traffic on each of these local dialtone channels is local voice traffic, and that the entire loop facility has at least 33 percent local voice traffic. When a loop-transport combination includes multiplexing, each of the individual DS1 circuits must meet this criteria. This option does not allow loop-transport combinations to be connected to BellSouth's tariffed services. Under this option, collocation is not required. Z-Tel does not need to provide a defined portion of the end user's local service, but the active channels on any loop-transport combination, and the entire facility, must carry the amount of local exchange traffic specified in this option.

4.4.2 BellSouth may at its sole discretion audit Z-Tel records in order to verify the type of traffic being transmitted over combinations of loop and transport network elements. The audit shall be conducted by a third party independent auditor, and Z-Tel shall be given thirty days written notice of scheduled audit. Such audit shall occur no more than one time in a calendar year, unless results of an audit find noncompliance with the significant amount of local exchange service requirement. In the event of noncompliance, Z-Tel shall reimburse BellSouth for the cost of the audit. If, based on its audits, BellSouth concludes that Z-Tel is not providing a significant amount of local exchange traffic over the combinations of loop and transport network elements, BellSouth may file a complaint with the appropriate Commission, pursuant to the dispute resolution process as set forth in the Interconnection Agreement. In the event that BellSouth prevails, BellSouth may convert such combinations of loop and transport network elements to special access services and may seek appropriate retroactive reimbursement from Z-Tel.

#### 4.5 Rates

##### 4.5.1 Georgia

4.5.1.1 The non-recurring and recurring rates for the EEL Combinations of network elements set forth in 4.3, whether Currently Combined or new, are as set forth in Exhibit A of this Agreement.

4.5.1.2 On an interim basis, for combinations of loop and transport network facilities not set forth in Section 4.3, where the elements are not Currently Combined but are ordinarily combined in BellSouth's network, the non-recurring and recurring charges for such UNE combinations shall be the sum of the stand-alone non-recurring and recurring charges of the network elements which make up the combination. These interim rates shall be subject to true-up based on the Commission's review of BellSouth's cost studies.

4.5.1.3 To the extent that Z-Tel seeks to obtain other combinations of loop and transport network elements that BellSouth ordinarily combines in its network which have not been specifically priced by the Commission when purchased in combined form, Z-Tel, at its option, can request that such rates be determined pursuant to the Bona Fide Request/New Business Request (NBR) process set forth in the Agreement.

##### 4.5.2 All Other States

4.5.2.1 Subject to Section 4.2.3 preceding, for all other states, the non-recurring and recurring rates for the Currently Combined EEL combinations set forth in Section 1.3 and other Currently Combined loop and transport network elements will be the sum of the non-recurring and recurring rates for the individual network elements unless otherwise negotiated by the parties.

## **5. Port/Loop Combinations**

- 5.1 At Z-Tel's request, BellSouth shall provide access to combinations of port and loop network elements, as set forth in Section 5.3 below, that are Currently Combined in BellSouth's network except as specified in Sections 5.1.1 and 5.1.2 below.
- 5.1.1 BellSouth shall not provide combinations of port and loop network elements on an unbundled basis in locations where, pursuant to FCC rules, BellSouth is not required to provide circuit switching as an unbundled network element.
- 5.1.2. In accordance with effective and applicable FCC rules, BellSouth shall not be required to provide circuit switching as an unbundled network element in density Zone 1, as defined in 47 CFR 69.123 as of January 1, 1999 of the Atlanta, GA; Miami, FL; Orlando, FL; Ft. Lauderdale, FL; Charlotte-Gastonia-Rock Hill, NC; Greensboro-Winston Salem-High Point, NC; Nashville, TN; and New Orleans, LA, MSAs to Z-Tel if Z-Tel's customer has 4 or more DS0 equivalent lines.
- 5.2. Combinations of port and loop network elements provide local exchange service for the origination or termination of calls. BellSouth shall make available the following loop and port combinations at the terms and at the rates set forth below:
- 5.2.1 In Georgia, BellSouth shall provide to Z-Tel combinations of port and loop network elements to Z-Tel on an unbundled basis regardless of whether or not such combinations are Currently Combined except in those locations where BellSouth is not required to provide circuit switching, as set forth in Section 5.1.2 above. The rates for such combinations shall be the cost based rates set forth in Exhibit C of this Attachment.
- 5.2.2 In all other states, BellSouth shall provide to Z-Tel combinations of port and loop network elements on an unbundled basis if such combinations are Currently Combined, except in those locations where BellSouth is not required to provide unbundled circuit switching, as set forth in Sections 5.1.1 and 5.1.2 above. The rates for such combinations shall be the cost based rates set forth in Exhibit C of this Attachment.
- 5.2.3. In all states other than Georgia, except in those locations where BellSouth is not required to provide unbundled circuit switching, as set forth in Sections 5.1.1 and 5.1.2, BellSouth shall provide to Z-Tel combinations of port and loop network

elements that are not Currently Combined. The rates for such combinations shall be negotiated by the Parties.

5.2.4. In those locations where BellSouth is not required to provide unbundled circuit switching, as set forth in Sections 5.1.1 and 5.1.2, BellSouth shall provide to Z-Tel combinations of port and loop network elements whether or not such combinations are Currently Combined. The rates for Currently Combined combinations are the market based rates as set forth in Exhibit C. The rates for not Currently Combined combinations shall be negotiated by the Parties.

**5.3.1. Combination Offerings**

5.3.2. 2-wire voice grade port, voice grade loop, unbundled end office switching, unbundled end office trunk port, common transport per mile per MOU, common transport facilities termination, tandem switching, and tandem trunk port.

5.3.3. 2-wire voice grade DID port, voice grade loop, unbundled end office switching, unbundled end office trunk port, common transport per mile per MOU, common transport facilities termination, tandem switching, and tandem trunk port.

5.3.4. 2-wire CENTREX port, voice grade loop, unbundled end office switching, unbundled end office trunk port, common transport per mile per MOU, common transport facilities termination, tandem switching, and tandem trunk port.

5.3.5. 2-wire ISDN Basic Rate Interface, voice grade loop, unbundled end office switching, unbundled end office trunk port, common transport per mile per MOU, common transport facilities termination, tandem switching, and tandem trunk port.

5.3.6. 2-wire ISDN Primary Rate Interface, DS1 loop, unbundled end office switching, unbundled end office trunk port, common transport per mile per MOU, common transport facilities termination, tandem switching, and tandem trunk port.

5.3.7. 4-wire DS1 Trunk port, DS1 Loop, unbundled end office switching, unbundled end office trunk port, common transport per mile per MOU, common transport facilities termination, tandem switching, and tandem trunk port.

## **6 Transport and Dark Fiber**

All of the negotiated rates, terms and conditions set forth in this Section pertain to the provision of unbundled transport and dark fiber.

### **6.1. Transport**

#### **6.1.1 Definition of Common (Shared) Transport**

Common (Shared) Transport is an interoffice transmission path between two BellSouth end-offices, BellSouth end-office and a local tandem, or between two local tandems. Where BellSouth Network Elements are connected by intra-office wiring, such wiring is provided as a part of the Network Elements and is not Common (Shared) Transport. Common (Shared) Transport consists of BellSouth inter-office transport facilities and is unbundled from local switching.

#### **6.1.2 Technical Requirements of Common (Shared) Transport**

6.1.2.1 Common (Shared) Transport provided on DS1 or VT1.5 circuits, shall, at a minimum, meet the performance, availability, jitter, and delay requirements specified for Central Office to Central Office (“CO to CO”) connections in the appropriate industry standards.

6.1.2.2 Common (Shared) Transport provided on DS3 circuits, STS-1 circuits, and higher transmission bit rate circuits, shall, at a minimum, meet the performance, availability, jitter, and delay requirements specified for CO to CO connections in the appropriate industry standards.

6.1.2.3 BellSouth shall be responsible for the engineering, provisioning, and maintenance of the underlying equipment and facilities that are used to provide Common (Shared) Transport.

6.1.2.4 At a minimum, Common (Shared) Transport shall meet all of the requirements set forth in the applicable industry standard technical references.

### **6.2 Interoffice transmission facility network elements include:**

6.2.1 Dedicated transport, defined as BellSouth’s transmission facilities, including all technically feasible capacity-related services including, but not limited to, DS1, DS3 and OCn levels, dedicated to a particular customer or carrier, that provide telecommunications between wire centers or switches owned by BellSouth, or between wire centers and switches owned by BellSouth and Z-Tel.

- 6.2.2 Dark Fiber transport, defined as BellSouth's optical transmission facilities without attached multiplexing, aggregation or other electronics;
- 6.2.3 Shared transport, defined as transmission facilities shared by more than one carrier, including BellSouth, between end office switches, between end office switches and tandem switches, and between tandem switches, in BellSouth's network.
- 6.2.4 BellSouth shall:
  - 6.2.4.1 Provide Z-Tel exclusive use of interoffice transmission facilities dedicated to a particular customer or carrier, or shared use of the features, functions, and capabilities of interoffice transmission facilities shared by more than one customer or carrier;
  - 6.2.4.2 Provide all technically feasible transmission facilities, features, functions, and capabilities that Z-Tel could use to provide telecommunications services;
  - 6.2.4.3 Permit, to the extent technically feasible, Z-Tel to connect such interoffice facilities to equipment designated by Z-Tel, including but not limited to, Z-Tel's collocated facilities; and
  - 6.2.4.4 Permit, to the extent technically feasible, Z-Tel to obtain the functionality provided by BellSouth's digital cross-connect systems in the same manner that BellSouth provides such functionality to interexchange carriers.
- 6.2.5 Provided that the facility is used to transport a significant amount of local exchange service, pursuant to Section 4.4 of this Attachment, Z-Tel shall be entitled to convert existing interoffice transmission facilities (i.e., special access) to the corresponding interoffice transport network element option.

### **6.3 Dedicated Transport**

#### 6.3.1 Definitions

6.3.2 Dedicated Transport is defined as BellSouth transmission facilities dedicated to a particular customer or carrier that provide telecommunications between wire centers owned by BellSouth or requesting telecommunications carriers, or between switches owned by BellSouth or requesting telecommunications carriers.

#### 6.3.3 Unbundled Local Channel

6.3.4 Unbundled Local Channel is the dedicated transmission path between Z-Tel's Point of Presence and the BellSouth Serving Wire Center. Combinations of an Unbundled Local Channel with other elements shall be governed by Sections 4 and 5 of this Attachment.

#### 6.3.5 Unbundled Interoffice Channel.

- 6.3.6 Unbundled Interoffice Channel is the dedicated transmission path that provides telecommunication between BellSouth's Wire Centers. Combinations of an Unbundled Local Channel with other elements shall be governed by Sections of 4 and 5 of this Attachment.
- 6.3.7 BellSouth shall offer Dedicated Transport in each of the following ways:
- 6.3.7.1 As capacity on a shared UNE facility.
- 6.3.7.2 As a circuit (e.g., DS0, DS1, DS3) dedicated to Z-Tel. This circuit shall consist of an Unbundled Local Channel or an Unbundled Interoffice Channel or both.
- 6.3.8 When Dedicated Transport is provided it shall include:
- 6.3.8.1 Transmission equipment such as, line terminating equipment, amplifiers, and regenerators;
- 6.3.8.2 Inter-office transmission facilities such as optical fiber, copper twisted pair, and coaxial cable.
- 6.3.9 Rates for Dedicated Transport are listed in this Attachment. For those states that do not contain rates in this Attachment the rates in the applicable State Access Tariff will apply as interim rates. When final rates are developed, these interim rates will be subject to true up, and the Parties will amend the Agreement to reflect the new rates.
- 6.3.10 Technical Requirements
- 6.3.10.1 This Section sets forth technical requirements for all Dedicated Transport.
- 6.3.10.2 When BellSouth provides Dedicated Transport, the entire designated transmission service (e.g., DS0, DS1, DS3) shall be dedicated to Z-Tel designated traffic.
- 6.3.10.3 BellSouth shall offer Dedicated Transport in all technologies that become available including, but not limited to, (1) DS0, DS1 and DS3 transport services, and (2) SONET at available transmission bit rates.
- 6.3.10.4 For DS1 or VT1.5 circuits, Dedicated Transport shall, at a minimum, meet the performance, availability, jitter, and delay requirements specified for Customer Interface to Central Office ("CI to CO") connections in the appropriate industry standards.
- 6.3.10.5 Where applicable, for DS3, Dedicated Transport shall, at a minimum, meet the performance, availability, jitter, and delay requirements specified for CI to CO connections in the appropriate industry standards.

- 6.3.10.6 BellSouth shall offer the following interface transmission rates for Dedicated Transport:
- 6.3.10.6.1 DS0 Equivalent;
  - 6.3.10.6.2 DS1 (Extended SuperFrame - ESF);
  - 6.3.10.6.3 DS3 (signal must be framed);
  - 6.3.10.6.4 SDH (Synchronous Digital Hierarchy) Standard interface rates in accordance with International Telecommunications Union (ITU) Recommendation G.707 and Plesiochronous Digital Hierarchy (PDH) rates per ITU Recommendation G.704.
  - 6.3.10.6.5 When dedicated Transport is provided , BellSouth shall design
- 6.3.11 At a minimum, Dedicated Transport shall meet each of the requirements set forth in the applicable industry technical references.
- 6.3.11.1 BellSouth Technical References:
  - 6.3.11.2 TR-TSY-000191 Alarm Indication Signals Requirements and Objectives, Issue 1, May 1986.
  - 6.3.11.3 TR 73501 LightGate<sup>®</sup>Service Interface and Performance Specifications, Issue D, June 1995.
  - 6.3.11.4 TR 73525 MegaLink<sup>®</sup>Service, MegaLink Channel Service & MegaLink Plus Service Interface and Performance Specifications, Issue C, May 1996.
- 6.4 **Dark Fiber**
- 6.4.1 BellSouth shall make available Dark Fiber where it exists in BellSouth's network and where, as a result of future building or deployment, it becomes available. If BellSouth has plans to use the fiber within a two-year period, there is no requirement to provide said fiber to Z-Tel. If BellSouth denies a Z-Tel request for dark fiber due to BellSouth planning to use said dark fiber within the above stated planning period, BellSouth will, upon request from Z-Tel, provide written certification that use is planned for requested dark fiber.agrees to offer access to Dark Fiber pursuant to the terms and conditions following and at the rates set forth in this Attachment. In Georgia, BellSouth is not required to construct the fiber if it is not available. In Kentucky, if BellSouth has plans to use the fiber in a three year planning period, there is no requirement to provide it. In all other states, BellSouth is not required to place the fibers if there are no fibers available. The Parties agree that Dark Fiber will be used in the provisioning of local service.



6.4.2 Dark Fiber is unused strands of optical fiber. It may be strands of optical fiber existing in aerial or underground structure. No line terminating elements terminated to such strands (with the exception of LGX) to operationalize its transmission capabilities will be available. No regeneration or optical amplification will be included with this element.

#### 6.4.3 Requirements

6.4.3.1 BellSouth shall make available Dark Fiber where it exists in BellSouth's network and where, as a result of future building or deployment, it becomes available. BellSouth shall offer all Dark Fiber to Z-Tel pursuant to the prices set forth in this Attachment.

6.4.3.2 Z-Tel may test the quality of the Dark Fiber to confirm its usability and performance specifications.

6.4.3.3 BellSouth shall use its best efforts to provide to Z-Tel information regarding the location, availability and performance of Dark Fiber within ten (10) business days for a records based answer and twenty (20) business days for a field based answer, after receiving a request from Z-Tel ("Request"). Z-Tel will request Dark Fiber on an originating end to terminating end basis, and not be required to specify intermediate points between the two ends. Within such time period, BellSouth shall send written confirmation of availability of the Dark Fiber ("Confirmation"), and shall check all reasonable routes between the originating and terminating ends when checking for availability.

6.4.3.4 BellSouth shall use its best efforts to make Dark Fiber available to Z-Tel within thirty (30) business days after it receives written confirmation from Z-Tel that the Dark Fiber previously deemed available by BellSouth is wanted for use by Z-Tel. This includes identification of appropriate connection points (e.g., Light Guide Interconnection (LGX) or splice points) to enable Z-Tel to connect or splice Z-Tel provided transmission media (e.g., optical fiber) or equipment to the Dark Fiber.

### 6.5 **Rates**

The prices that Z-Tel shall pay to BellSouth for Network Elements and Other Services are set forth in Exhibit C to this Attachment.

### 6.6 **Operational Support Systems (OSS)**

BellSouth has developed and made available the following mechanized systems by which Z-Tel may submit LSRs electronically.

LENS	Local Exchange Navigation System
EDI	Electronic Data Interchange
TAG	Telecommunications Access Gateway

- 6.6.1 LSRs submitted by means of one of these interactive interfaces will incur an OSS electronic ordering charge as specified in the table below. An individual LSR will be identified for billing purposes by its Purchase Order Number (PON). LSRs submitted by means other than one of these interactive interfaces (mail, fax, courier, etc.) will incur a manual order charge as specified in the table below. In lieu of manual OSS charges, electronic charges shall apply to local service requests submitted when BellSouth's existing electronic interfaces regularly utilized by Z-Tel are unavailable for reasons other than scheduled maintenance or other scheduled activities for which advance notification is provided.

OPERATIONAL SUPPORT SYSTEMS	AL, GA, LA, MS, SC	FL, KY, NC, TN
OSS LSR charge, per LSR received from the CLEC by one of the OSS interactive interfaces	\$3.50 SOMEK	\$3.50 SOMEK
Incremental charge per LSR received from the CLEC by means other than one of the OSS interactive interfaces	See applicable rate element	\$19.99 SOMAN

6.6.2 Denial/Restoral OSS Charge

In the event Z-Tel provides a list of customers to be denied and restored, rather than an LSR, each location on the list will require a separate PON and, therefore will be billed as one LSR per location.

6.6.3 Cancellation OSS Charge

Z-Tel will incur an OSS charge for an accepted LSR that is later canceled by Z-Tel.

Note: Supplements or clarifications to a previously billed LSR will not incur another OSS charge.

6.6.4 Network Elements and Other Services Manual Additive

The Commissions in some states have ordered per-element manual additive non-recurring charges (NRC) for Network Elements and Other Services ordered by means other than one of the interactive interfaces. These ordered Network Elements and Other Services manual additive NRCs will apply in these states, rather than the charge per LSR. The per-element charges are listed on the Rate Tables in Exhibit A.

## **7 BellSouth SWA 8XX Toll Free Dialing Ten Digit Screening Service**

All of the negotiated rates, terms and conditions set forth in this Section pertain to the provision of 8XX Access Ten Digit Screening Services.

### **7.1 BellSouth SWA 8XX Toll Free Dialing Ten Digit Screening Service database**

**7.1.1** The BellSouth SWA 8XX Toll Free Dialing Ten Digit Screening Service database (herein known as 8XX SCP) is a SCP that contains customer record information and functionality to provide call-handling instructions for 8XX calls. The 8XX SCP IN software stores data downloaded from the national SMS and provides the routing instructions in response to queries from the SSP or tandem. The BellSouth SWA 8XX Toll Free Dialing Ten Digit Screening Service (herein know as 8XX TFD), utilizes the 8XX SCP to provide identification and routing of the 8XX calls, based on the ten digits dialed. 8XX TFD is provided with or without POTS number delivery, dialing number delivery, and other optional complex features as selected by Z-Tel. BellSouth shall provide 8XX TFD in accordance with the following:

#### **7.1.2 Technical Requirements**

**7.1.2.1** BellSouth shall provide Z-Tel with access to the 8XX record information located in the 8XX SCP. The 8XX SCP contains current records as received from the national SMS and will provide for routing 8XX originating calls based on the dialed ten digit 8XX number.

**7.1.2.2** The 8XX SCP is designated to receive and respond to queries using the American National Standard Specification of Signaling System Seven (SS7) protocol. The 8XX SCP shall determine the carrier identification based on all ten digits of the dialed number and route calls to the carrier, POTS number, dialing number and/or other optional feature selected by Z-Tel.

**7.1.2.3** The SCP shall also provide, at Z-Tel's option, such additional feature as described in SR-TSV-002275 (BOC Notes on BellSouth Networks, SR-TSV-002275, Issue 2, (Telcordia (formerly BellCore), April 1994)) as are available to BellSouth. These may include but are not limited to:

**7.1.2.3.1** Network Management;

**7.1.2.3.2** Customer Sample Collection; and

**7.1.2.3.3** Service Maintenance.

## **7.2 Automatic Location Identification/Data Management System (ALI/DMS)**

7.2.1 The ALI/DMS Database contains end user information (including name, address, telephone information, and sometimes special information from the local service provider or end user) used to determine to which Public Safety Answering Point (PSAP) to route the call. The ALI/DMS database is used to provide more routing flexibility for E911 calls than Basic 911. BellSouth shall provide the Emergency Services Database in accordance with the following:

### **7.3 Rates**

The prices that Z-Tel shall pay to BellSouth for Network Elements and Other Services are set forth in Exhibit C to this Attachment.

## **8 Line Information Database (LIDB)**

8.1 All of the negotiated rates, terms and conditions set forth in this Section pertain to the provision of LIDB.

8.2 BellSouth will store in its LIDB only records relating to service in the BellSouth region. The LIDB Storage Agreement is included in this Attachment.

### 8.2.1 Definition

8.2.2 The Line Information Database (LIDB) is a transaction-oriented database accessible through Common Channel Signaling (CCS) networks. It contains records associated with end user Line Numbers and Special Billing Numbers. LIDB accepts queries from other Network Elements and provides appropriate responses. The query originator need not be the owner of LIDB data. LIDB queries include functions such as screening billed numbers that provides the ability to accept Collect or Third Number Billing calls and validation of Telephone Line Number based non-proprietary calling cards. The interface for the LIDB functionality is the interface between BellSouth's CCS network and other CCS networks. LIDB also interfaces to administrative systems.

### 8.2.3 Technical Requirements

8.2.4 BellSouth will offer to Z-Tel any additional capabilities that are developed for LIDB during the life of this Agreement.

8.2.4.1 BellSouth shall process Z-Tel's Customer records in LIDB at least at parity with BellSouth customer records, with respect to other LIDB functions. BellSouth shall indicate to Z-Tel what additional functions (if any) are performed by LIDB in the BellSouth network.

8.2.4.2 Within two (2) weeks after a request by Z-Tel, BellSouth shall provide Z-Tel with a list of the customer data items, which Z-Tel would have to provide in order to support each required LIDB function. The list shall indicate which data items are essential to LIDB function, and which are required only to support certain services. For each data item, the list shall show the data formats, the acceptable values of the data item and the meaning of those values.

8.2.4.3 BellSouth shall provide LIDB systems for which operating deficiencies that would result in calls being blocked shall not exceed 30 minutes per year.

8.2.4.4 BellSouth shall provide LIDB systems for which operating deficiencies that would not result in calls being blocked shall not exceed 12 hours per year.

- 8.2.4.5 BellSouth shall provide LIDB systems for which the LIDB function shall be in overload no more than 12 hours per year.
- 8.2.4.6 All additions, updates and deletions of Z-Tel data to the LIDB shall be solely at the direction of Z-Tel. Such direction from Z-Tel will not be required where the addition, update or deletion is necessary to perform standard fraud control measures (e.g., calling card auto-deactivation).
- 8.2.4.7 BellSouth shall provide priority updates to LIDB for Z-Tel data upon Z-Tel's request (e.g., to support fraud detection), via password-protected telephone card, facsimile, or electronic mail within one hour of notice from the established BellSouth contact.
- 8.2.4.8 BellSouth shall provide LIDB systems such that no more than 0.01% of Z-Tel customer records will be missing from LIDB, as measured by Z-Tel audits. BellSouth will audit Z-Tel records in LIDB against DBAS to identify record mismatches and provide this data to a designated Z-Tel contact person to resolve the status of the records and BellSouth will update system appropriately. BellSouth will refer record of mis-matches to Z-Tel within one business day of audit. Once reconciled records are received back from Z-Tel, BellSouth will update LIDB the same business day if less than 500 records are received before 1:00PM Central Time. If more than 500 records are received, BellSouth will contact Z-Tel to negotiate a time frame for the updates, not to exceed three business days.
- 8.2.4.9 BellSouth shall perform backup and recovery of all of Z-Tel's data in LIDB including sending to LIDB all changes made since the date of the most recent backup copy, in at least the same time frame BellSouth performs backup and recovery of BellSouth data in LIDB for itself. Currently, BellSouth performs backups of the LIDB for itself on a weekly basis and when a new software release is scheduled, a backup is performed prior to loading the new release.
- 8.2.4.10 BellSouth shall provide Z-Tel with LIDB reports of data, which are missing or contain errors, as well as any misrouted errors, within a reasonable time period as negotiated between Z-Tel and BellSouth.
- 8.2.4.11 BellSouth shall prevent any access to or use of Z-Tel data in LIDB by BellSouth personnel that are outside of established administrative and fraud control personnel, or by any other Party that is not authorized by Z-Tel in writing.
- 8.2.4.12 BellSouth shall provide Z-Tel performance of the LIDB Data Screening function, which allows a LIDB to completely or partially deny specific query originators access to LIDB data owned by specific data owners, for Customer Data that is part of an NPA-NXX or RAO-0/1XX wholly or partially owned by Z-Tel at least at parity with BellSouth Customer Data. BellSouth shall obtain from Z-Tel the screening information associated with LIDB Data Screening of Z-Tel data in accordance with

- this requirement. BellSouth currently does not have LIDB Data Screening capabilities. When such capability is available, BellSouth shall offer it to Z-Tel under the Bona Fide Request/New Business Process as set forth in General Terms and Conditions.
- 8.2.4.13 BellSouth shall accept queries to LIDB associated with Z-Tel customer records, and shall return responses in accordance with industry standards.
  - 8.2.4.14 BellSouth shall provide mean processing time at the LIDB within 0.50 seconds under normal conditions as defined in industry standards.
  - 8.2.4.15 BellSouth shall provide processing time at the LIDB within 1 second for 99% of all messages under normal conditions as defined in industry standards.
- 8.2.5 Interface Requirements
- 8.2.6 BellSouth shall offer LIDB in accordance with the requirements of this subsection.
- 8.2.6.1 The interface to LIDB shall be in accordance with the technical references contained within.
  - 8.2.6.2 The CCS interface to LIDB shall be the standard interface described herein.
  - 8.2.6.3 The LIDB Data Base interpretation of the ANSI-TCAP messages shall comply with the technical reference herein. Global Title Translation shall be maintained in the signaling network in order to support signaling network routing to the LIDB.

### **8.3 Rates**

The prices that Z-Tel shall pay to BellSouth for Network Elements and Other Services are set forth in Exhibit C to this Attachment.

## **9 Signaling**

9.1 All of the negotiated rates, terms and conditions set forth in this Section pertain to the provision of Signaling Transport Services.

9.2 BellSouth agrees to offer access to signaling and access to BellSouth's signaling databases subject to compatibility testing and at the rates set forth in this Attachment. BellSouth may provide mediated access to BellSouth signaling systems and databases. Available signaling elements include signaling links, signal transfer points and service control points. Signaling functionality will be available with both A-link and B-link connectivity.

### **9.3 Signaling Link Transport**

9.3.1 Definition Signaling Link Transport is a set of two or four dedicated 56 Kbps. transmission paths between CLEC-designated Signaling Points of Interconnection (SPOI) that provides appropriate physical diversity.

#### **9.3.2 Technical Requirements**

9.3.2.1 Signaling Link Transport shall consist of full duplex mode 56 kbps transmission paths.

9.3.3 Of the various options available, Signaling Link Transport shall perform in the following two ways:

9.3.3.1 As an "A-link" which is a connection between a switch or SCP and a home Signaling Transfer Point Switch (STP) pair; and

9.3.3.2 As a "B-link" which is a connection between two STP pairs in different company networks (e.g., between two STP pairs for two Competitive Local Exchange Carriers (CLECs)).

9.3.4 Signaling Link Transport shall consist of two or more signaling link layers as follows:

9.3.4.1 An A-link layer shall consist of two links.

9.3.4.2 A B-link layer shall consist of four links.

9.3.5 A signaling link layer shall satisfy a performance objective such that:

9.3.5.1 There shall be no more than two minutes down time per year for an A-link layer; and



- 9.3.5.2 There shall be negligible (less than 2 seconds) down time per year for a B-link layer.
- 9.3.5.3 A signaling link layer shall satisfy interoffice and intraoffice diversity of facilities and equipment, such that:
  - 9.3.5.3.1 No single failure of facilities or equipment causes the failure of both links in an A-link layer (i.e., the links should be provided on a minimum of two separate physical paths end-to-end); and
  - 9.3.5.3.2 No two concurrent failures of facilities or equipment shall cause the failure of all four links in a B-link layer (i.e., the links should be provided on a minimum of three separate physical paths end-to-end).
- 9.3.5.4 Interface Requirements
  - 9.3.5.4.1 There shall be a DS1 (1.544 Mbps) interface at the Z-Tel designated SPOIs. Each 56 kbps transmission path shall appear as a DS0 channel within the DS1 interface.

#### **9.4 Signaling Transfer Points (STPs)**

9.4.1 Definition - Signaling Transfer Points is a signaling network function that includes all of the capabilities provided by the signaling transfer point switches (STPs) and their associated signaling links which enable the exchange of SS7 messages among and between switching elements, database elements and signaling transfer point switches.

#### 9.4.2 Technical Requirements

- 9.4.2.1 STPs shall provide access to Network Elements connected to BellSouth SS7 network. These include:
  - 9.4.2.1.1 BellSouth Local Switching or Tandem Switching;
  - 9.4.2.1.2 BellSouth Service Control Points/DataBases;
  - 9.4.2.1.3 Third-party local or tandem switching;
  - 9.4.2.1.4 Third-party-provided STPs.
- 9.4.2.2 The connectivity provided by STPs shall fully support the functions of all other Network Elements connected to the BellSouth SS7 network. This explicitly includes the use of the BellSouth SS7 network to convey messages which neither originate nor terminate at a signaling end point directly connected to the BellSouth SS7 network (i.e., transient messages). When the BellSouth SS7 network is used to convey transient messages, there shall be no alteration of the Integrated Services Digital

- Network User Part (ISDNUP) or Transaction Capabilities Application Part (TCAP) user data that constitutes the content of the message.
- 9.4.2.3 If a BellSouth tandem switch routes calling traffic, based on dialed or translated digits, on SS7 trunks between an Z-Tel local switch and third party local switch, the BellSouth SS7 network shall convey the TCAP messages that are necessary to provide Call Management features (Automatic Callback, Automatic Recall, and Screening List Editing) between Z-Tel local STPs and the STPs that provide connectivity with the third party local switch, even if the third party local switch is not directly connected to BellSouth STPs.
  - 9.4.2.4 STPs shall provide all functions of the MTP as defined in Telcordia (formerly BellCore) ANSI Interconnection Requirements. This includes:
    - 9.4.2.4.1 Signaling Data Link functions, as defined in Telcordia (formerly BellCore) ANSI Interconnection Requirements;
    - 9.4.2.4.2 Signaling Link functions, as defined in Telcordia (formerly BellCore) ANSI Interconnection Requirements; and
    - 9.4.2.4.3 Signaling Network Management functions, as defined in Telcordia (formerly BellCore) ANSI Interconnection Requirements.
  - 9.4.2.5 STPs shall provide all functions of the SCCP necessary for Class 0 (basic connectionless) service, as defined in Telcordia (formerly BellCore) ANSI Interconnection Requirements. In particular, this includes Global Title Translation (GTT) and SCCP Management procedures, as specified in T1.112.4. In cases where the destination signaling point is a Z-Tel or third party local or tandem switching system directly connected to BellSouth SS7 network, BellSouth shall perform final GTT of messages to the destination and SCCP Subsystem Management of the destination. In all other cases, BellSouth shall perform intermediate GTT of messages to a gateway pair of STPs in an SS7 network connected with BellSouth SS7 network, and shall not perform SCCP Subsystem Management of the destination. If BellSouth performs final GTT to a Z-Tel database, then Z-Tel agrees to provide BellSouth with the Destination Point Code for the Z-Tel database.
  - 9.4.2.6 STPs shall provide on a non-discriminatory basis all functions of the OMAP commonly provided by STPs, as specified in the reference in Section 12.4.5 of this Attachment. All OMAP functions will be on a "where available" basis and can include:
    - 9.4.2.6.1 MTP Routing Verification Test (MRVT); and
    - 9.4.2.6.2 SCCP Routing Verification Test (SRVT).

9.4.2.7 In cases where the destination signaling point is a BellSouth local or tandem switching system or database, or is an Z-Tel or third party local or tandem switching system directly connected to the BellSouth SS7 network, STPs shall perform MRVT and SRVT to the destination signaling point. In all other cases, STPs shall perform MRVT and SRVT to a gateway pair of STPs in an SS7 network connected with the BellSouth SS7 network. This requirement shall be superseded by the specifications for Internetwork MRVT and SRVT if and when these become approved ANSI standards and available capabilities of BellSouth STPs, and if mutually agreed upon by Z-Tel and BellSouth.

9.4.2.8 STPs shall be on parity with BellSouth.

9.4.2.9 SS7 Advanced Intelligent Network (AIN) Access

9.4.2.9.1 When technically feasible and upon request by Z-Tel, SS7 Access shall be made available in association with switching. SS7 AIN Access is the provisioning of AIN 0.1 triggers in an equipped BellSouth local switch and interconnection of the BellSouth SS7 network with the Z-Tel SS7 network to exchange TCAP queries and responses with an Z-Tel SCP.

9.4.2.9.2 SS7 AIN Access shall provide Z-Tel SCP access to BellSouth local switch in association with switching via interconnection of BellSouth SS7 and Z-Tel SS7 Networks. BellSouth shall offer SS7 access through its STPs. If BellSouth requires a mediation device on any part of its network specific to this form of access, BellSouth must route its messages in the same manner. The interconnection arrangement shall result in the BellSouth local switch recognizing the Z-Tel SCP as at least at parity with BellSouth's SCP's in terms of interfaces, performance and capabilities.

9.4.3 Interface Requirements

9.4.3.1 BellSouth shall provide the following STPs options to connect Z-Tel or Z-Tel-designated local switching systems or STPs to the BellSouth SS7 network:

9.4.3.1.1 An A-link interface from Z-Tel local switching systems; and,

9.4.3.1.2 A B-link interface from Z-Tel local STPs.

9.4.3.2 Each type of interface shall be provided by one or more sets (layers) of signaling links.

9.4.3.3 The Signaling Point of Interconnection (SPOI) for each link shall be located at a cross-connect element, such as a DSX-1, in the Central Office (CO) where BellSouth STP is located. There shall be a DS1 or higher rate transport interface at each of the SPOIs. Each signaling link shall appear as a DS0 channel within the DS1 or higher

- rate interface. BellSouth shall offer higher rate DS1 signaling for interconnecting Z-Tel local switching systems or STPs with BellSouth STPs as soon as these become approved ANSI standards and available capabilities of BellSouth STPs. BellSouth and Z-Tel will work jointly to establish mutually acceptable SPOIs.
- 9.4.3.4 BellSouth CO shall provide intraoffice diversity between the SPOIs and BellSouth STPs, so that no single failure of intraoffice facilities or equipment shall cause the failure of both B-links in a layer connecting to a BellSouth STP. BellSouth and Z-Tel will work jointly to establish mutually acceptable SPOIs.
- 9.4.3.5 STPs shall provide all functions of the MTP as defined in the applicable industry standard technical references.
- 9.4.3.6 Message Screening
- 9.4.3.6.1 BellSouth shall set message screening parameters so as to accept valid messages from Z-Tel local or tandem switching systems destined to any signaling point within BellSouth's SS7 network where the Z-Tel switching system has a legitimate signaling relation.
- 9.4.3.6.2 BellSouth shall set message screening parameters so as to pass valid messages from Z-Tel local or tandem switching systems destined to any signaling point or network accessed through BellSouth's SS7 network where the Z-Tel switching system has a legitimate signaling relation.
- 9.4.3.6.3 BellSouth shall set message screening parameters so as to accept and pass/send valid messages destined to and from Z-Tel from any signaling point or network interconnected through BellSouth's SS7 network where the Z-Tel SCP has a legitimate signaling relation.
- 9.4.4 STPs shall be equal to or better than all of the requirements for STPs set forth in the applicable industry standard technical references.

## **9.5 Service Control Points/Databases**

### **9.5.1 Definition**

- 9.5.1.1 Databases are the Network Elements that provide the functionality for storage of, access to, and manipulation of information required to offer a particular service and/or capability. Databases include, but are not limited to: Local Number Portability, LIDB, Toll Free Number Database, Automatic Location Identification/Data Management System, Calling Name Database, access to Service Creation

Environment and Service Management System (SCE/SMS) application databases and Directory Assistance.

9.5.2 A Service Control Point (SCP) is a specific type of Database functionality deployed in a Signaling System 7 (SS7) network that executes service application logic in response to SS7 queries sent to it by a switching system also connected to the SS7 network. Service Management Systems provide operational interfaces to allow for provisioning, administration and maintenance of subscriber data and service application data stored in SCPs.

9.5.3 Technical Requirements for SCPs/Databases

9.5.3.1 Requirements for SCPs/Databases within this section address storage of information, access to information (e.g. signaling protocols, response times), and administration of information (e.g., provisioning, administration, and maintenance). All SCPs/Databases shall be provided to Z-Tel in accordance with the following requirements.

9.5.3.2 BellSouth shall provide physical access to SCPs through the SS7 network and protocols with TCAP as the application layer protocol.

9.5.3.3 BellSouth shall provide physical interconnection to databases via industry standard interfaces and protocols (e.g. SS7, ISDN and X.25).

9.5.3.4 The reliability of interconnection options shall be consistent with requirements for diversity and survivability.

9.5.4 Database Availability

9.5.4.1 Call processing databases shall have a maximum unscheduled availability of 30 minutes per year. Unavailability due to software and hardware upgrades shall be scheduled during minimal usage periods and only be undertaken upon proper notification to providers, which might be impacted. Any downtime associated with the provision of call processing related databases will impact all service providers, including BellSouth, equally.

9.5.4.2 The operational interface provided by BellSouth shall complete Database transactions (i.e., add, modify, delete) for Z-Tel customer records stored in BellSouth databases within 3 days, or sooner where BellSouth provisions its own customer records within a shorter interval.

**9.6 Local Number Portability Database**

9.6.1 Definition

9.6.2 The Permanent Number Portability (PNP) database supplies routing numbers for calls involving numbers that have been ported from one local service provider to another. PNP is currently being worked in industry forums. The results of these forums will dictate the industry direction of PNP. BellSouth agrees to provide access to the PNP database at rates, terms and conditions as set forth by BellSouth and in accordance with an effective FCC or Commission directive.

## **9.7 SS7 Network Interconnection**

### **9.7.1 Definition.**

9.7.2 SS7 Network Interconnection is the interconnection of Z-Tel local Signaling Transfer Point Switches (STP) and Z-Tel local or tandem switching systems with BellSouth STPs. This interconnection provides connectivity that enables the exchange of SS7 messages among BellSouth switching systems and databases (DBs), Z-Tel local or tandem switching systems, and other third-party switching systems directly connected to the BellSouth SS7 network.

### **9.7.3 Technical Requirements**

9.7.3.1 SS7 Network Interconnection shall provide connectivity to all components of the BellSouth SS7 network. These include:

9.7.3.1.1 BellSouth local or tandem switching systems;

9.7.3.1.2 BellSouth DBs; and

9.7.3.1.3 other third-party local or tandem switching systems.

9.7.4 The connectivity provided by SS7 Network Interconnection shall fully support the functions of BellSouth switching systems and DBs and Z-Tel or other third-party switching systems with A-link access to the BellSouth SS7 network.

9.7.5 If traffic is routed based on dialed or translated digits between an Z-Tel local switching system and a BellSouth or other third-party local switching system, either directly or via a BellSouth tandem switching system, then it is a requirement that the BellSouth SS7 network convey via SS7 Network Interconnection the TCAP messages that are necessary to provide Call Management services (Automatic Callback, Automatic Recall, and Screening List Editing) between the Z-Tel local STPs and BellSouth or other third-party local switch.

9.7.6 When the capability to route messages based on Intermediate Signaling Network Identifier (ISNI) is generally available on BellSouth STPs, the BellSouth SS7 Network shall also convey TCAP messages using SS7 Network Interconnection in similar circumstances where the BellSouth switch routes traffic based on a Carrier Identification Code (CIC).

- 9.7.7 SS7 Network Interconnection shall provide all functions of the MTP as specified in ANSI T1.111. This includes:
  - 9.7.7.1 Signaling Data Link functions, as specified in ANSI T1.111.2;
  - 9.7.7.2 Signaling Link functions, as specified in ANSI T1.111.3; and
  - 9.7.7.3 Signaling Network Management functions, as specified in ANSI T1.111.4.
- 9.7.8 SS7 Network Interconnection shall provide all functions of the SCCP necessary for Class 0 (basic connectionless) service, as specified in ANSI T1.112. In particular, this includes Global Title Translation (GTT) and SCCP Management procedures, as specified in T1.112.4. Where the destination signaling point is a BellSouth switching system or DB, or is another third-party local or tandem switching system directly connected to the BellSouth SS7 network, SS7 Network Interconnection shall include final GTT of messages to the destination and SCCP Subsystem Management of the destination. Where the destination signaling point is an Z-Tel local or tandem switching system, SS7 Network Interconnection shall include intermediate GTT of messages to a gateway pair of Z-Tel local STPs, and shall not include SCCP Subsystem Management of the destination.
- 9.7.9 SS7 Network Interconnection shall provide all functions of the Integrated Services Digital Network User Part (ISDNUP), as specified in ANSI T1.113.
- 9.7.10 SS7 Network Interconnection shall provide all functions of the TCAP, as specified in ANSI T1.114.
- 9.7.11 If and when Internetwork MTP Routing Verification Test (MRVT) and SCCP Routing Verification Test (SRVT) become approved ANSI standards and available capabilities of BellSouth STPs, SS7 Network Interconnection shall provide these functions of the OMAP.
- 9.7.12 SS7 Network Interconnection shall be equal to or better than the following performance requirements:
  - 9.7.12.1 MTP Performance, as specified in ANSI T1.111.6;
  - 9.7.12.2 SCCP Performance, as specified in ANSI T1.112.5; and
  - 9.7.12.3 ISDNUP Performance, as specified in ANSI T1.113.5.
- 9.7.13 Interface Requirements

- 9.7.13.1 BellSouth shall offer the following SS7 Network Interconnection options to connect Z-Tel or Z-Tel-designated local or tandem switching systems or STPs to the BellSouth SS7 network:
- 9.7.13.1.1 A-link interface from Z-Tel local or tandem switching systems; and
  - 9.7.13.1.2 B-link interface from Z-Tel STPs.
- 9.7.13.2 The Signaling Point of Interconnection (SPOI) for each link shall be located at a cross-connect element, such as a DSX-1, in the Central Office (CO) where the BellSouth STP is located. There shall be a DS1 or higher rate transport interface at each of the SPOIs. Each signaling link shall appear as a DS0 channel within the DS1 or higher rate interface. BellSouth shall offer higher rate DS1 signaling links for interconnecting Z-Tel local switching systems or STPs with BellSouth STPs as soon as these become approved ANSI standards and available capabilities of BellSouth STPs. BellSouth and Z-Tel will work jointly to establish mutually acceptable SPOI.
- 9.7.13.3 BellSouth CO shall provide intraoffice diversity between the SPOIs and the BellSouth STP, so that no single failure of intraoffice facilities or equipment shall cause the failure of both B-links in a layer connecting to a BellSouth STP. BellSouth and Z-Tel will work jointly to establish mutually acceptable SPOI.
- 9.7.13.4 The protocol interface requirements for SS7 Network Interconnection include the MTP, ISDNUP, SCCP, and TCAP. These protocol interfaces shall conform to the applicable industry standard technical references. :
- 9.7.13.5 BellSouth shall set message screening parameters to accept messages from Z-Tel local or tandem switching systems destined to any signaling point in the BellSouth SS7 network with which the Z-Tel switching system has a legitimate signaling relation.
- 9.7.13.6 SS7 Network Interconnection shall be equal to or better than all of the requirements for SS7 Network Interconnection set forth in the applicable industry standard technical references.

## **9.8 Rates**

The prices that Z-Tel shall pay to BellSouth for Network Elements and Other Services are set forth in Exhibit C to this Attachment.



## **10. Operator Call Processing, Inward Operator Services and Directory Assistance Services**

10.1 All of the negotiated rates, terms and conditions set forth in this Section pertain to the provision of Operator Call Processing, Inward Operator Services and Directory Assistance Services.

### **10.2 Operator Systems**

10.2.1 Definition. Operator Systems is the Network Element that provides operator and automated call handling and billing, special services, end user telephone listings and optional call completion services. The Operator Systems, Network Element provides two types of functions: Operator Service functions and Directory Assistance Service functions, each of which are described in detail below.

### **10.3 Operator Service**

10.3.1 Definition. Operator Service provides: (1) operator handling for call completion (for example, collect, third number billing, and manual credit card calls), (2) operator or automated assistance for billing after the end user has dialed the called number (for example, credit card calls); and (3) special services including but not limited to Busy Line Verification and Emergency Line Interrupt (ELI), Emergency Agency Call, Operator-assisted Directory Assistance, and Rate Quotes.

#### **10.3.2 Requirements**

10.3.2.1 When Z-Tel requests BellSouth to provide Operator Services, the following requirements apply:

10.3.2.1.1 BellSouth shall complete 0+ and 0- dialed local calls.

10.3.2.1.2 BellSouth shall complete 0+ intraLATA toll calls.

10.3.2.1.3 BellSouth shall process calls that are billed to Z-Tel end user's calling card that can be validated by BellSouth.

10.3.2.1.4 BellSouth shall complete person-to-person calls.

10.3.2.1.5 BellSouth shall complete collect calls.

10.3.2.1.6 BellSouth shall provide the capability for callers to bill to a third party and complete such calls.

10.3.2.1.7 BellSouth shall complete station-to-station calls.

- 10.3.2.1.8 BellSouth shall process emergency calls.
- 10.3.2.1.9 BellSouth shall process Busy Line Verify and Emergency Line Interrupt requests.
- 10.3.2.1.10 BellSouth shall process emergency call trace, as they do for their End users prior to the Effective Date. Call must originate from a 911 provider.
- 10.3.2.1.11 BellSouth shall process operator-assisted directory assistance calls.
- 10.3.2.1.12 BellSouth shall adhere to equal access requirements, providing Z-Tel local end users the same IXC access as provided to BellSouth end users.
- 10.3.2.1.13 BellSouth shall exercise at least the same level of fraud control in providing Operator Service to Z-Tel that BellSouth provides for its own operator service.
- 10.3.2.1.14 BellSouth shall perform Billed Number Screening when handling Collect, Person-to-Person, and Billed-to-Third-Party calls.
- 10.3.2.1.15 BellSouth shall direct customer account and other similar inquiries to the customer service center designated by Z-Tel.
- 10.3.2.1.16 BellSouth shall provide a feed of customer call records in “EMI” format to Z-Tel in accordance with CLEC ODUF standards specified in Attachment 7.

### 10.3.3 Interface Requirements

- 10.3.3.1 With respect to Operator Services for calls that originate on local switching capability provided by or on behalf of Z-Tel, the interface requirements shall conform to the then current established system interface specifications for the platform used to provide Operator Service and the interface shall conform to industry standards.

## 10.4 **Directory Assistance Service**

- 10.4.1 Definition. Directory Assistance Service provides local end user telephone number listings with the option to complete the call at the callers direction separate and distinct from local switching.
- 10.4.2 Requirements
- 10.4.3 Directory Assistance Service shall provide up to two listing requests per call. If available and if requested by Z-Tel’s end user, BellSouth shall provide caller-optional directory assistance call completion service at rates contained in this Attachment to one of the provided listings, equal to that which BellSouth provides its end users. If not available, Z-Tel may request such requirement pursuant to the Bona Fide Request/New Business Process as set forth in General Terms and Conditions.
- 10.4.4 Directory Assistance Service Updates

- 10.4.4.1 BellSouth shall update end user listings changes daily. These changes include:
  - 10.4.4.1.1 New end user connections: BellSouth will provide service to Z-Tel that is equal to the service it provides to itself and its end users;
  - 10.4.4.1.2 End user disconnections: BellSouth will provide service to Z-Tel that is equal to the service it provides to itself and its end users; and
  - 10.4.4.1.3 End user address changes: BellSouth will provide service to Z-Tel that is equal to the service it provides to itself and its end users;
  - 10.4.4.1.4 These updates shall also be provided for non-listed and non-published numbers for use in emergencies.
- 10.4.5 Branding for Operator Call Processing and Directory Assistance
  - 10.4.5.1 The BellSouth Operator Systems Branding Feature provides a definable announcement to Z-Tel end users using Directory Assistance (DA)/Operator Call Processing (OCP) prior to placing them in queue or connecting them to an available operator or automated operator system. This feature allows Z-Tel to have its calls custom branded with Z-Tel's name on whose behalf BellSouth is providing Directory Assistance and/or Operator Call Processing. Rates for Custom Branding, Operator Call Process and Directory Assistance are set forth in this Attachment.
  - 10.4.5.2 BellSouth offers four service levels of branding to Z-Tel when ordering Directory Assistance and/or Operator Call Processing.
    - 10.4.5.2.1 Service Level 1 - BellSouth Branding
    - 10.4.5.2.2 Service Level 2 - Unbranded
    - 10.4.5.2.3 Service Level 3 - Custom Branding
    - 10.4.5.2.4 Service Level 4 - Self Branding (applicable only to Z-Tel for Resale or use with an Unbundled Port when routing to an operator service provider other than BellSouth).
- 10.4.6 For Resellers and Use with an Unbundled Port
  - 10.4.6.1 BellSouth Branding is the Default Service Level.
  - 10.4.6.2 Unbranding, Custom Branding, and Self Branding require Z-Tel to order selective routing for each originating BellSouth end office identified by Z-Tel. Rates for Selective Routing are set forth in this Attachment.

- 10.4.6.3 Customer Branding and Self Branding require Z-Tel to order dedicated trunking from each BellSouth end office identified by Z-Tel, to either the BellSouth Traffic Operator Position System (TOPS) or Z-Tel Operator Service Provider. Rates for trunks are set forth in applicable BellSouth tariffs.
- 10.4.6.4 Unbranding - Unbranded Directory Assistance and/or Operator Call Processing calls ride common trunk groups provisioned by BellSouth from those end offices identified by Z-Tel to the BellSouth TOPS. These calls are routed to "No Announcement."
- 10.4.7 For Facilities Based Carriers
  - 10.4.7.1 All Service Levels require Z-Tel to order dedicated trunking from their end office(s) point of interface to the BellSouth TOPS Switches. Rates for trunks are set forth in applicable BellSouth tariffs.
  - 10.4.7.2 Customized Branding includes charges for the recording of the branding announcement and the loading of the audio units in each TOPS Switch, IVS and NAV equipment for which Z-Tel requires service.
- 10.4.8 Directory Assistance customized branding uses:
  - 10.4.8.1 the recording of the name;
  - 10.4.8.2 the front-end loading of the Digital Recorded Announcement Machine (DRAM) in each TOPS switch.
- 10.4.9 Operator Call Processing customized branding uses:
  - 10.4.9.1 the recording of the name;
  - 10.4.9.2 the front-end loading of the DRAM in the TOPS Switch;
  - 10.4.9.3 the back-end loading in the audio units in the Automated Alternate Billing System (AABS) in the Interactive Voice Subsystem (IVS);
  - 10.4.9.4 the 0- automation loading for the audio units in the Enhanced Billing and Access Service (EBAS) in the Network Applications Vehicle (NAV).
  - 10.4.9.5 BellSouth will provide to Z-Tel purchasing local BellSouth switching and reselling BellSouth local exchange service, selective routing of calls to a requested directory assistance services platform or operator services platform. Z-Tel end users may use the same dialing arrangements as BellSouth end users, but obtain a Z-Tel branded service.

## **10.5 Directory Assistance Database Service (DADS)**

- 10.5.1 BellSouth shall make its Directory Assistance Database Service (DADS) available solely for the expressed purpose of providing Directory Assistance type services to Z-Tel end users. The term “end user” denotes any entity which obtains Directory Assistance type services for its own use from a DADS customer. Directory Assistance type service is defined as Voice Directory Assistance (DA Operator assisted and Electronic Directory Assistance (Data System assisted)). Z-Tel agrees that Directory Assistance Database Service (DADS) will not be used for any purpose which violates federal or state laws, statutes, regulatory orders or tariffs. Except for the permitted users, Z-Tel agrees not to disclose DADS to others and shall provide due care in providing for the security and confidentiality of DADS. Further, Z-Tel authorizes the inclusion of Z-Tel Directory Assistance listings in the BellSouth Directory Assistance products.
- 10.5.2 BellSouth shall provide Z-Tel initially with a base file of subscriber listings which reflect all listing change activity occurring since Z-Tel’s most recent update via magnetic tape, and subsequently using electronic connectivity such as Network Data Mover to be developed mutually by Z-Tel and BellSouth. Z-Tel agrees to assume the costs associated with CONNECT: Direct™ connectivity, which will vary depending upon volume and mileage.
- 10.5.3 BellSouth will require approximately one month after receiving an order to prepare the Base File. BellSouth will provide daily updates which will reflect all listing change activity occurring since CLEC’s most recent update. BellSouth shall provide updates to Z-Tel on a Business, Residence, or combined Business and Residence basis. Z-Tel agrees that the updates shall be used solely to keep the information current. Delivery of Daily Updates will commence the day after Z-Tel receives the Base File.
- 10.5.4 BellSouth is authorized to include Z-Tel Directory Assistance Listing Information in its Directory Assistance Database Service (DADS). Any other use by BellSouth of Z-Tel Directory Assistance Listing Information is not authorized and with the exception of a request for DADS, BellSouth shall refer any request for such information to Z-Tel.
- 10.5.5 Rates for DADS are as set forth in this Attachment.

## **10.6 Direct Access to Directory Assistance Service**

- 10.6.1 Direct Access to Directory Assistance Service (DADAS) will provide Z-Tel’s directory assistance operators with the ability to search all available BellSouth’s subscriber listings using the Directory Assistance search format. Subscription to

- DADAS will allow Z-Tel to utilize its own switch, operator workstations and optional audio subsystems.
- 10.6.2 BellSouth will provide DADAS from its DA location. Z-Tel will access the DADAS system via a telephone company provided point of availability. Z-Tel has the responsibility of providing the physical links required to connect to the point of availability. These facilities may be purchased from the telephone company as rates and charges billed separately from the charges associated with this offering.
- 10.6.3 A specified interface to each Z-Tel subsystem will be provided by BellSouth. Interconnection between Z-Tel's system and a specified BellSouth location will be pursuant to the use of Z-Tel owned or Z-Tel leased facilities and shall be appropriate sized based upon the volume of queries being generated by Z-Tel.
- 10.6.4 The specifications for the three interfaces necessary for interconnection are available in the following documents:
- 10.6.4.1 DADAS to Subscriber Operator Position System—Northern Telecom Document CSI-2300-07; Universal Gateway/ Position Message Interface Format Specification;
- 10.6.4.2 DADAS to Subscriber Switch—Northern Telecom Document Q210-1 Version A107; NTDMS/CCIDAS System Application Protocol; and AT&T Document 250-900-535 Operator Services Position System Listing Service and Application Call Processing Data Link Interface Specification;
- 10.6.4.3 DADAS to Audio Subsystem (Optional)—Directory One Call Control to Audio Response Unit system interface specifications are available through Northern Telecom as a licensed access protocol—Northern Telecom Document 355-004424 and Gateway/Interactive Voice subsystem Protocol Specification.
- 10.6.5 Rates for DADAS are as set forth in this Attachment.
- 10.7 **Automatic Location Identification/Data Management System (ALI/DMS)**
- 10.7.1 The ALI/DMS Database contains end user information (including name, address, telephone information, and sometimes special information from the local service provider or end user) used to determine to which Public Safety Answering Point (PSAP) to route the call. The ALI/DMS database is used to provide more routing flexibility for E911 calls than Basic 911. BellSouth shall provide the Emergency Services Database in accordance with the following:
- 10.7.2 Technical Requirements
- 10.7.2.1 BellSouth shall offer Z-Tel a data link to the ALI/DMS database or permit Z-Tel to provide its own data link to the ALI/DMS database. BellSouth shall provide error

reports from the ALI/DMS database to Z-Tel immediately after Z-Tel inputs information into the ALI/DMS database. Alternately, Z-Tel may utilize BellSouth, to enter end user information into the data base on a demand basis, and validate end user information on a demand basis.

10.7.2.2 The ALI/DMS database shall contain the following end user information:

10.7.2.2.1 Name;

10.7.2.2.2 Address;

10.7.2.2.3 Telephone number; and

10.7.2.2.4 Other information as appropriate (e.g., whether a end user is blind or deaf or has another disability).

10.7.2.3 When BellSouth is responsible for administering the ALI/DMS database in its entirety, ported number NXXs entries for the ported numbers should be maintained unless Z-Tel requests otherwise and shall be updated if Z-Tel requests, provided Z-Tel supplies BellSouth with the updates.

10.7.2.4 When Remote Call Forwarding (RCF) is used to provide number portability to the local end user and a remark or other appropriate field information is available in the database, the shadow or “forwarded-to” number and an indication that the number is ported shall be added to the customer record.

10.7.2.5 If BellSouth is responsible for configuring PSAP features (for cases when the PSAP or BellSouth supports an ISDN interface) it shall ensure that CLASS Automatic Recall (Call Return) is not used to call back to the ported number. Although BellSouth currently does not have ISDN interface, BellSouth agrees to comply with this requirement once ISDN interfaces are in place.

10.7.3 Interface Requirements

The interface between the E911 Switch or Tandem and the ALI/DMS database for Z-Tel end users shall meet industry standards.

## **10.8 Rates**

The prices that Z-Tel shall pay to BellSouth for Network Elements and Other Services are set forth in Exhibit C to this Attachment.

**11. Calling Name (CNAM) Database Service**

- 11.1 All of the negotiated rates, terms and conditions set forth in this Section pertain to the provision of CNAM.
- 11.2 The Agreement for Calling Name (CNAM) with standard pricing is included as Exhibit B to this Attachment. Z-Tel must provide to its account manager a written request with a requested activation date to activate this service. If Z-Tel is interested in requesting CNAM with volume and term pricing, Z-Tel must contact its account manager to request a separate CNAM volume and term Agreement.
- 11.3 SCPs/Databases shall be equal to or better than all of the requirements for SCPs/Databases set forth in the applicable industry standard technical references.

**11.4 Service Creation Environment and Service Management System (SCE/SMS) Advanced Intelligent Network (AIN) Access**

- 11.4.1 BellSouth's Service Creation Environment and Service Management System (SCE/SMS) Advanced Intelligent Network (AIN) Access shall provide Z-Tel the capability that will allow Z-Tel and other third parties to create service applications in a BellSouth Service Creation Environment and deploy those applications in a BellSouth SMS to a BellSouth SCP. The third party service applications interact with AIN triggers provisioned on a BellSouth SSP.
- 11.4.2 BellSouth's SCE/SMS AIN Access shall provide access to SCE hardware, software, testing and technical support (e.g., help desk, system administrator) resources available to Z-Tel. Scheduling procedures shall provide Z-Tel equivalent priority to these resources.
- 11.4.2 BellSouth SCP shall partition and protect Z-Tel service logic and data from unauthorized access, execution or other types of compromise.
- 11.4.3 When Z-Tel selects SCE/SMS AIN Access, BellSouth shall provide training, documentation, and technical support to enable Z-Tel to use BellSouth's SCE/SMS AIN Access to create and administer applications. Training, documentation, and technical support will address use of SCE and SMS access and administrative functions, but will not include support for the creation of a specific service application.



- 11.4.4 When Z-Tel selects SCE/SMS AIN Access, BellSouth shall provide for a secure, controlled access environment in association with its internal use of AIN components. Z-Tel access will be provided via remote data connection (e.g., dial-in, ISDN).
- 11.4.5 When Z-Tel selects SCE/SMS AIN Access, BellSouth shall allow Z-Tel to download data forms and/or tables to BellSouth SCP via BellSouth SMS without intervention from BellSouth (e.g., service customization and end user subscription).

## **11.5 Rates**

The prices that Z-Tel shall pay to BellSouth for Network Elements and Other Services are set forth in Exhibit C to this Attachment.

**12. Basic 911 and E911**

12.1 All of the negotiated terms and conditions set forth in this Section pertain to the provision of Basic 911 and E911.

12.2 If Z-Tel orders network elements and other services, then Z-Tel is also responsible for providing E911 to its end users. BellSouth agrees to offer access to the 911/E911 network pursuant to the following terms and conditions set forth in this Attachment.

12.3 Definition

12.4 Basic 911 and E911 is an additional requirement that provides a caller access to the applicable emergency service bureau by dialing a 3-digit universal telephone number (911).

12.5 Requirements

12.5.1 Basic 911 Service Provisioning. For Basic 911 service, BellSouth will provide to Z-Tel a list consisting of each municipality that subscribes to Basic 911 service. The list will also provide, if known, the E911 conversion date for each municipality and, for network routing purposes, a ten-digit directory number representing the appropriate emergency answering position for each municipality subscribing to 911. Z-Tel will be required to arrange to accept 911 calls from its end users in municipalities that subscribe to Basic 911 service and translate the 911 call to the appropriate 10-digit directory number as stated on the list provided by BellSouth. Z-Tel will be required to route that call to BellSouth at the appropriate tandem or end office. When a municipality converts to E911 service, Z-Tel will be required to discontinue the Basic 911 procedures and being using E911 procedures.

12.5.2 E911 Service Provisioning. For E911 service, Z-Tel will be required to install a minimum of two dedicated trunks originating from the Z-Tel serving wire center and terminating to the appropriate E911 tandem. The dedicated trunks shall be, at a minimum, DS-0 level trunks configured either as a 2-wire analog interface or as part of a digital (1.544 Mb/s) interface. Either configuration shall use CAMA-type signaling with multifrequency (“MF”) pulsing that will deliver automatic number identification (“ANI”) with the voice portion of the call. If the user interface is digital, MF pulses, as well as other AC signals, shall be encoded per the u-255 Law convention. Z-Tel will be required to provide BellSouth daily updates to the E911 database. Z-Tel will be required to forward 911 calls to the appropriate E911 tandem, along with ANI, based upon the current E911 end office to tandem homing arrangement as provided by BellSouth. If the E911 tandem trunks are not available, Z-Tel will be required to route the call to a designated 7-digit local number residing in the appropriate Public Service Answering Point (“PSAP”). This call will be

- transported over BellSouth's interoffice network and will not carry the ANI of the calling party. Z-Tel shall be responsible for providing BellSouth with complete and accurate data for submission to the 911/E911 database for the purpose of providing 911/E911 to its end users.
- 12.5.3 Rates. Charges for 911/E911 service are borne by the municipality purchasing the service. BellSouth will impose no charge on Z-Tel beyond applicable charges for BellSouth trunking arrangements.
- 12.5.4 Basic 911 and E911 functions provided to Z-Tel shall be at least at parity with the support and services that BellSouth provides to its end users for such similar functionality.
- 12.5.5 Detailed Practices and Procedures. The detailed practices and procedures contained in the E911 Local Exchange Carrier Guide For Facility-Based Providers as amended from time to time during the term of this Agreement will determine the appropriate practices and procedures for BellSouth and Z-Tel to follow in providing 911/E911 services.

### **13. True-Up**

**This section applies only to Tennessee and other rates that are interim or expressly subject to true-up under this attachment.**

- 13.1 The interim prices for Network Elements and Other Services and Local Interconnection shall be subject to true-up according to the following procedures:
- 13.2 The interim prices shall be trued-up, either up or down, based on final prices determined either by further agreement between the Parties, or by an effective order of the Commission which order meets the criteria of Section 13.4 below. The Parties shall implement the true-up by comparing the actual volumes and demand for each item, together with interim prices for each item, with the final prices determined for each item. Each Party shall keep its own records upon which the true-up can be based, and any final payment from one Party to the other shall be in an amount agreed upon by the Parties based on such records. In the event of any disagreement as between the records or the Parties regarding the amount of such true-up, the Parties agree that the body having jurisdiction over the matter shall be called upon to resolve such differences, or the Parties may mutually agree to submit the matter to the Dispute Resolution process in accordance with the provisions set forth in the General Terms and Conditions of the Agreement.

- 13.3 The Parties may continue to negotiate toward final prices, but in the event that no such Agreement is reached within nine (9) months, either Party may petition the Commission to resolve such disputes and to determine final prices for each item. Alternatively, upon mutual agreement, the Parties may submit the matter to the Dispute Resolution Process set forth in the General Terms and Conditions of the Agreement
- 13.4 An effective order of the Commission that forms the basis of a true up shall be based upon cost studies submitted by the parties to the Commission action and shall be binding upon BellSouth and Z-Tel specifically or upon all carriers generally, such as a generic cost proceeding.

**EXHIBIT A**

**LINE INFORMATION DATA BASE (LIDB)  
STORAGE AGREEMENT**

**I. SCOPE**

- A. This Agreement sets forth the terms and conditions pursuant to which BellSouth agrees to store in its LIDB certain information at the request of Z-Tel and pursuant to which BellSouth, its LIDB customers and Z-Tel shall have access to such information. Z-Tel understands that BellSouth provides access to information in its LIDB to various telecommunications service providers pursuant to applicable tariffs and agrees that information stored at the request of Z-Tel, pursuant to this Agreement, shall be available to those telecommunications service providers. The terms and conditions contained in the attached Addendum(s) are hereby made a part of this Agreement as if fully incorporated herein.
- B. LIDB is accessed for the following purposes:
1. Billed Number Screening
  2. Calling Card Validation
  3. Fraud Control
- C. BellSouth will provide seven days per week, 24-hours per day, fraud monitoring on Calling Cards, bill-to-third and collect calls made to numbers in BellSouth's LIDB, provided that such information is included in the LIDB query. BellSouth will establish fraud alert thresholds and will notify Z-Tel of fraud alerts so that Z-Tel may take action it deems appropriate. Z-Tel understands and agrees BellSouth will administer all data stored in the LIDB, including the data provided by Z-Tel pursuant to this Agreement, in the same manner as BellSouth's data for BellSouth's end user customers. BellSouth shall not be responsible to Z-Tel for any lost revenue which may result from BellSouth's administration of the LIDB pursuant to its established practices and procedures as they exist and as they may be changed by BellSouth in its sole discretion from time to time.

Z-Tel understands that BellSouth currently has in effect numerous billing and collection agreements with various interexchange carriers and billing clearing houses. Z-Tel further understands that these billing and collection customers of BellSouth query BellSouth's LIDB to determine whether to accept various billing options from end users. Additionally, Z-Tel understands that presently BellSouth has no method to differentiate between BellSouth's own billing and line data in the LIDB and such data which it includes in the LIDB on Z-Tel's behalf pursuant to this Agreement. Therefore, until such time as BellSouth can and does implement in its LIDB and its supporting systems the means to differentiate Z-Tel's data from BellSouth's data and

the Parties to this Agreement execute appropriate amendments hereto, the following terms and conditions shall apply:

- (a) Z-Tel agrees that it will accept responsibility for telecommunications services billed by BellSouth for its billing and collection customers for Z-Tel's end user accounts which are resident in LIDB pursuant to this Agreement. Z-Tel authorizes BellSouth to place such charges on Z-Tel's bill from BellSouth and agrees that it shall pay all such charges. Charges for which Z-Tel hereby takes responsibility include, but are not limited to, collect and third number calls.
- (b) Charges for such services shall appear on a separate BellSouth bill page identified with the name of the entity for which BellSouth is billing the charge.
- (c) Z-Tel shall have the responsibility to render a billing statement to its end users for these charges, but Z-Tel's obligation to pay BellSouth for the charges billed shall be independent of whether Z-Tel is able or not to collect from Z-Tel's end users.
- (d) BellSouth shall not become involved in any disputes between Z-Tel and the entities for which BellSouth performs billing and collection. BellSouth will not issue adjustments for charges billed on behalf of an entity to Z-Tel. It shall be the responsibility of Z-Tel and the other entity to negotiate and arrange for any appropriate adjustments.

## **II. TERM**

This Agreement will be effective as of \_\_\_\_\_, and will continue in effect for one year, and thereafter may be continued until terminated by either Party upon thirty (30) days written notice to the other Party.

## **III. FEES FOR SERVICE AND TAXES**

- A. Z-Tel will not be charged a fee for storage services provided by BellSouth to Z-Tel, as described in Section I of this Agreement.
- B. Sales, use and all other taxes (excluding taxes on BellSouth's income) determined by BellSouth or any taxing authority to be due to any federal, state or local taxing jurisdiction with respect to the provision of the service set forth herein will be paid by Z-Tel. Z-Tel shall have the right to have BellSouth contest with the imposing jurisdiction, at Z-Tel's expense, any such taxes that Z-Tel deems are improperly levied.

#### **IV. INDEMNIFICATION**

To the extent not prohibited by law, each Party will indemnify the other and hold the other harmless against any loss, cost, claim, injury, or liability relating to or arising out of negligence or willful misconduct by the indemnifying Party or its agents or contractors in connection with the indemnifying Party's provision of services, provided, however, that any indemnity for any loss, cost, claim, injury or liability arising out of or relating to errors or omissions in the provision of services under this Agreement shall be limited as otherwise specified in this Agreement. The indemnifying Party under this Section agrees to defend any suit brought against the other Party for any such loss, cost, claim, injury or liability. The indemnified Party agrees to notify the other Party promptly, in writing, of any written claims, lawsuits, or demands for which the other Party is responsible under this Section and to cooperate in every reasonable way to facilitate defense or settlement of claims. The indemnifying Party shall not be liable under this Section for settlement by the indemnified Party of any claim, lawsuit, or demand unless the defense of the claim, lawsuit, or demand has been tendered to it in writing and the indemnifying Party has unreasonably failed to assume such defense.

#### **V. LIMITATION OF LIABILITY**

Neither Party shall be liable to the other Party for any lost profits or revenues or for any indirect, incidental or consequential damages incurred by the other Party arising from this Agreement or the services performed or not performed hereunder, regardless of the cause of such loss or damage.

#### **VI. MISCELLANEOUS**

- A. It is understood and agreed to by the Parties that BellSouth may provide similar services to other companies.
- B. All terms, conditions and operations under this Agreement shall be performed in accordance with, and subject to, all applicable local, state or federal legal and regulatory tariffs, rulings, and other requirements of the federal courts, the U. S. Department of Justice and state and federal regulatory agencies. Nothing in this Agreement shall be construed to cause either Party to violate any such legal or regulatory requirement and either Party's obligation to perform shall be subject to all such requirements.
- C. Z-Tel agrees to submit to BellSouth all advertising, sales promotion, press releases, and other publicity matters relating to this Agreement wherein BellSouth's corporate or trade names, logos, trademarks or service marks or those of BellSouth's affiliated companies are mentioned or language from which the connection of said names or

- trademarks therewith may be inferred or implied; and Z-Tel further agrees not to publish or use advertising, sales promotions, press releases, or publicity matters without BellSouth's prior written approval.
- D. This Agreement constitutes the entire Agreement between Z-Tel and BellSouth which supersedes all prior Agreements or contracts, oral or written representations, statements, negotiations, understandings, proposals and undertakings with respect to the subject matter hereof.
- E. Except as expressly provided in this Agreement, if any part of this Agreement is held or construed to be invalid or unenforceable, the validity of any other Section of this Agreement shall remain in full force and effect to the extent permissible or appropriate in furtherance of the intent of this Agreement.
- F. Neither Party shall be held liable for any delay or failure in performance of any part of this Agreement for any cause beyond its control and without its fault or negligence, such as acts of God, acts of civil or military authority, government regulations, embargoes, epidemics, war, terrorist acts, riots, insurrections, fires, explosions, earthquakes, nuclear accidents, floods, strikes, power blackouts, volcanic action, other major environmental disturbances, unusually severe weather conditions, inability to secure products or services of other persons or transportation facilities, or acts or omissions of transportation common carriers.
- G. This Agreement shall be deemed to be a contract made under the laws of the State of Georgia, and the construction, interpretation and performance of this Agreement and all transactions hereunder shall be governed by the domestic law of such State.



**FACILITIES BASED ADDENDUM  
TO LINE INFORMATION DATA BASE (LIDB)  
STORAGE AGREEMENT**

This is a Facilities Based Addendum to the Line Information Data Base Storage Agreement dated \_\_\_\_\_, between BellSouth Telecommunications, Inc. ("BellSouth"), and \_\_\_\_\_ ("Z-Tel"), effective the \_\_\_\_ day of \_\_\_\_\_, \_\_\_\_\_.

**I. GENERAL**

This Addendum sets forth the terms and conditions for Z-Tel's provision of billing number information to BellSouth for inclusion in BellSouth's LIDB. BellSouth will store in its LIDB the billing number information provided by Z-Tel, and BellSouth will provide responses to on-line, call-by-call queries to this information for purposes specified in Section I.B. of the Agreement.

**II. DEFINITIONS**

- A. Billing number - a number that Z-Tel creates for the purpose of identifying an account liable for charges. This number may be a line or a special billing number.
- B. Line number - a ten digit number that identifies a telephone line administered by Z-Tel.
- C. Special billing number - a ten digit number that identifies a billing account established by Z-Tel.
- D. Calling Card number - a billing number plus PIN number.
- E. PIN number - a four digit security code assigned by Z-Tel which is added to a billing number to compose a fourteen digit calling card number.
- F. Toll billing exception indicator - associated with a billing number to indicate that it is considered invalid for billing of collect calls or third number calls or both, by Z-Tel.
- G. Billed Number Screening - refers to the activity of determining whether a toll billing exception indicator is present for a particular billing number.

- H. Calling Card Validation - refers to the activity of determining whether a particular calling card number exists as stated or otherwise provided by a caller.
- I. Billing number information - information about billing number, Calling Card number and toll billing exception indicator provided to BellSouth by Z-Tel.

### **III. RESPONSIBILITIES OF PARTIES**

- A. Z-Tel will provide its billing number information to BellSouth's LIDB each business day by a method that has been mutually agreed upon by both Parties.
- B. BellSouth will store in its LIDB the billing number information provided by Z-Tel. Under normal operating conditions, BellSouth shall include Z-Tel's billing number information in its LIDB no later than two business days following BellSouth's receipt of such billing number information, provided that BellSouth shall not be held responsible for any delay or failure in performance to the extent such delay or failure is caused by circumstances or conditions beyond BellSouth's reasonable control. BellSouth will store in its LIDB an unlimited volume of Z-Tel's working telephone numbers.
- C. BellSouth will provide responses to on-line, call-by-call queries to the stored information for the specific purposes listed in the next paragraph.
- D. BellSouth is authorized to use the billing number information provided by Z-Tel to perform the following functions for authorized users on an on-line basis:
  - 1. Validate a 14 digit Calling Card number where the first 10 digits are a line number or special billing number assigned by Z-Tel, and where the last four digits (PIN) are a security code assigned by Z-Tel.
  - 2. Determine whether Z-Tel or the subscriber has identified the billing number as one which should not be billed for collect or third number calls, or both.
- E. Z-Tel will provide its own billing number information to BellSouth for storage and to be used for Billed Number Screening and Calling Card Validation. Z-Tel will arrange and pay for transport of updates to BellSouth.

### **IV. COMPLIANCE**

Unless expressly authorized in writing by Z-Tel, all billing number information provided pursuant to this Addendum shall be used for no purposes other than those set forth in this Addendum.

## EXHIBIT B

### CALLING NAME DELIVERY (CNAM) DATABASE SERVICES

#### 1. Definitions

For the purpose of this Attachment, the following terms shall be defined as:

**CALLING NAME DELIVERY DATABASE SERVICE (CNAM)** - The ability to associate a name with the calling party number, allowing the end user subscriber (to which a call is being terminated) to view the calling party's name before the call is answered. This service also provides Z-Tel the opportunity to load and store its subscriber names in the BellSouth CNAM SCPs.

**CALLING PARTY NUMBER (CPN)** - The number of the calling party that is delivered to the terminating switch using common channel signaling system 7 (CCS7) technology, and that is contained in the Initial Address Message (IAM) portion of the CCS7 call setup.

**COMMON CHANNEL SIGNALING SYSTEM 7 (CCS7)** - A network signaling technology in which all signaling information between two or more nodes is transmitted over high-speed data links, rather than over voice circuits.

**SERVICE CONTROL POINTs (SCPs)** - The real-time data base systems that contain the names to be provided in response to queries received from CNAM SSPs.

**SERVICE MANAGEMENT SYSTEM (SMS)** - The main operations support system of CNAM DATABASE SERVICE. CNAM records are loaded into the SMS, which in turn downloads into the CNAM SCP.

**SERVICE SWITCHING POINTs (SSPs)** - Features of computerized switches in the telephone network that determine that a terminating line has subscribed to CNAM service, and then communicate with CNAM SCPs in order to provide the name associated with the calling party number.

**SUBSYSTEM NUMBER (SSN)** - The address used in the Signaling Connection Control Part (SCCP) layer of the SS7 protocol to designate an application at an end signaling point. A SSN for CNAM at the end office designates the CNAM application within the end office. BellSouth uses the CNAM SSN of 232.

#### 2. Attachment

- 2.1 This Attachment contains the terms and conditions where BellSouth will provide to the Z-Tel access to the BellSouth CNAM SCP for query or record storage purposes.

2.2 Z-Tel shall submit to BellSouth a notice of its intent to access and utilize BellSouth CNAM Database Services pursuant to the terms and conditions of this Attachment. Said notice shall be in writing, no less than 60 days prior to Z-Tel's access to BellSouth's CNAM Database Services and shall be addressed to Z-Tel's Account Manager.

### **3. Physical Connection and Compensation**

3.1 BellSouth's provision of CNAM Database Services to Z-Tel requires interconnection from Z-Tel to BellSouth CNAM Service Control Points (SCPs). Such interconnections shall be established pursuant to Attachment 3 of this Agreement . The appropriate charge for access to and use of the BellSouth CNAM Database service shall be as set forth in this Attachment.

3.2 In order to formulate a CNAM query to be sent to the BellSouth CNAM SCP, Z-Tel shall provide its own CNAM SSP. Z-Tel's CNAM SSPs must be compliant with TR-NWT-001188, "CLASS Calling Name Delivery Generic Requirements".

3.3 If Z-Tel elects to access the BellSouth CNAM SCP via a third party CCS7 transport provider, the third party CCS7 provider shall interconnect with the BellSouth CCS7 network according to BellSouth's Common Channel Signaling Interconnection Guidelines and Telcordia (formerly BellCore)'s CCS Network Interface Specification document, TR-TSV-000905. In addition, the third party provider shall establish CCS7 interconnection at the BellSouth Local Signal Transfer Points (LSTPs) serving the BellSouth CNAM SCPs that Z-Tel desires to query.

3.4 **Out-Of-Region Customers**  
If the customer queries the BellSouth CNAM SCP via a third party national SS7 transport provider, the third party SS7 provider shall interconnect with the BellSouth CCS7 network according to BellSouth's Common Channel Signaling Interconnection Guidelines and Telcordia's (formerly BellCore's) CCS Network Interface Specification document, TR-TSV-000905. In addition, the third party provider shall establish SS7 interconnection at one or more of the BellSouth Gateway Signal Transfer Points (STPs). The payment of all costs associated with the transport of SS7 signals via a third party will be established by mutual agreement of the Parties in writing and shall, by this reference become an integral part of this Agreement.

### **4. CNAM Record Initial Load and Updates**

4.1 The mechanism to be used by Z-Tel for initial CNAM record load and/or updates shall be determined by mutual agreement. The initial load and all updates shall be provided by Z-Tel in the BellSouth specified format and shall contain records for

- every working telephone number that can originate phone calls. It is the responsibility of Z-Tel to provide accurate information to BellSouth on a current basis.
- 4.2 Updates to the SMS shall occur no less than once a week, reflect service order activity affecting either name or telephone number, and involve only record additions, deletions or changes.
- 4.3 Z-Tel CNAM records provided for storage in the BellSouth CNAM SCP shall be available, on a SCP query basis only, to all Parties querying the BellSouth CNAM SCP. Further, CNAM service shall be provided by each Party consistent with state and/or federal regulation.

BELLSOUTH/Z-TEL RATES  
NETWORK ELEMENTS  
AND OTHER SERVICES

DESCRIPTION	USOC	AL	FL	GA	KY	LA	MS	NC	SC	TN
<b>NIDs</b>										
<b>NID (all types), per month</b>	UNDAX	NA	\$1.08	NA	\$1.80	NA	NA	\$0.52	NA	\$0.56
<b>Installation of 2-Wire/4Wire CLEC NID</b>	UNDAX									
NRC - 1st	UNDAX	NA	\$70.32	NA	NA	NA	NA	NA	NA	NA
NRC - Add'l	UNDAX	NA	\$54.35	NA	NA	NA	NA	NA	NA	NA
<b>NID to NID Cross Connect, 2-Wire or 4-Wire, NRC</b>	UNDC2	NA	\$6.15	NA	NA	NA	NA	NA	NA	NA
<b>NID per 2-Wire Analog VG Loop, Per Month</b>	UNDAX	\$1.18	NA	\$1.10	NA	\$1.09	\$1.22	\$1.01	\$1.13	NA
NRC - 1st	UNDAX	\$1.44	NA	\$2.10	NA	\$2.02	\$2.84	\$1.42	\$1.36	NA
NRC - Add'l	UNDAX	\$1.44	NA	\$2.10	NA	\$2.02	\$2.84	\$1.42	\$1.36	NA
NRC - Disconnect Charge - 1st	UNDAX	\$1.44	NA	NA	NA	\$2.01	\$2.84	NA	NA	NA
NRC - Disconnect Charge - Add'l	UNDAX	\$1.44	NA	NA	NA	\$2.01	\$2.84	NA	NA	NA
NRC - Incremental Charge - Manual Service Order - 1st	SOMAN	\$27.37	NA	\$18.94	NA	\$18.14	\$25.52	\$26.94	\$44.42	NA
NRC - Incremental Charge - Manual Service Order - Add'l	SOMAN	\$12.97	NA	\$8.42	NA	\$8.06	\$11.34	\$12.76	\$13.55	NA
NRC - Incremental Charge - Manual Service Order - Disconnect - 1st	SOMAN	\$17.77	NA	NA	NA	\$11.41	\$16.06	NA	NA	NA
<b>NID per 4-Wire Analog VG Loop, Per Month</b>	UNDAX	\$1.30	NA	\$1.21	NA	\$1.22	\$1.34	\$1.14	\$1.25	NA
NRC - 1st	UNDAX	\$1.44	NA	\$2.10	NA	\$2.02	\$2.84	\$1.42	\$1.35	NA
NRC - Add'l	UNDAX	\$1.44	NA	\$2.10	NA	\$2.02	\$2.84	\$1.42	\$1.35	NA
NRC - Disconnect Charge - 1st	UNDAX	\$1.44	NA	NA	NA	\$2.01	\$2.84	NA	NA	NA
NRC - Disconnect Charge - Add'l	UNDAX	\$1.44	NA	NA	NA	\$2.01	\$2.84	NA	NA	NA
NRC - Incremental Charge - Manual Service Order - 1st	SOMAN	\$27.37	NA	\$18.94	NA	\$18.14	\$25.52	\$26.94	\$44.06	NA
NRC - Incremental Charge - Manual Service Order - Add'l	SOMAN	\$12.97	NA	\$8.42	NA	\$8.06	\$11.34	\$12.76	\$13.55	NA
NRC - Incremental Charge - Manual Service Order - Disconnect - 1st	SOMAN	\$17.77	NA	NA	NA	\$11.41	\$16.06	NA	NA	NA
<b>NID per 2-Wire ISDN Digital VG Loop, Per Month</b>	UNDAX	\$1.18	NA	\$1.10	NA	\$1.08	\$1.22	\$1.01	\$1.13	NA
NRC - 1st	UNDAX	\$1.44	NA	\$2.10	NA	\$2.02	\$2.84	\$1.42	\$1.36	NA
NRC - Add'l	UNDAX	\$1.44	NA	\$2.10	NA	\$2.02	\$2.84	\$1.42	\$1.36	NA
NRC - Disconnect Charge - 1st	UNDAX	\$1.44	NA	NA	NA	\$2.01	\$2.84	NA	NA	NA
NRC - Disconnect Charge - Add'l	UNDAX	\$1.44	NA	NA	NA	\$2.01	\$2.84	NA	NA	NA
NRC - Incremental Charge - Manual Service Order - 1st	SOMAN	\$27.37	NA	\$18.94	NA	\$18.14	\$25.52	\$26.94	\$44.42	NA
NRC - Incremental Charge - Manual Service Order - Add'l	SOMAN	\$12.97	NA	\$8.42	NA	\$8.06	\$11.34	\$12.76	\$13.55	NA
NRC - Incremental Charge - Manual Service Order - Disconnect - 1st	SOMAN	\$17.77	NA	NA	NA	\$11.41	\$16.06	NA	NA	NA
<b>NID per 2-Wire Asymmetrical Dig Subscriber Line (ADSL) Loop, Per Mo.</b>	UNDAX	\$1.18	NA	\$1.10	NA	\$1.09	\$1.22	\$1.01	\$1.13	NA
NRC - 1st	UNDAX	\$1.44	NA	\$2.10	NA	\$2.02	\$2.84	\$1.42	\$1.36	NA
NRC - Add'l	UNDAX	\$1.44	NA	\$2.10	NA	\$2.02	\$2.84	\$1.42	\$1.36	NA
NRC - Disconnect Charge - 1st	UNDAX	\$1.44	NA	NA	NA	\$2.01	\$2.84	NA	NA	NA
NRC - Disconnect Charge - Add'l	UNDAX	\$1.44	NA	NA	NA	\$2.01	\$2.84	NA	NA	NA
NRC - Incremental Charge - Manual Service Order - 1st	SOMAN	\$27.37	NA	\$18.94	NA	\$18.14	\$25.52	\$26.94	\$44.42	NA
NRC - Incremental Charge - Manual Service Order - Add'l	SOMAN	\$12.97	NA	\$8.42	NA	\$8.06	\$11.34	\$12.76	\$13.55	NA
NRC - Incremental Charge - Manual Service Order - Disconnect -1st	SOMAN	\$17.77	NA	NA	NA	\$11.41	\$16.06	NA	NA	NA
<b>NID per 2-Wire High Bit Rate Dig Subscriber Line (HDSL) Loop</b>	UNDAX	\$1.18	NA	\$1.10	NA	\$1.09	\$1.22	\$1.01	\$1.13	NA
NRC - 1st	UNDAX	\$1.44	NA	\$2.10	NA	\$2.02	\$2.84	\$1.42	\$1.36	NA
NRC - Add'l	UNDAX	\$1.44	NA	\$2.10	NA	\$2.02	\$2.84	\$1.42	\$1.36	NA
NRC - Disconnect Charge - 1st	UNDAX	\$1.44	NA	NA	NA	\$2.01	\$2.84	NA	NA	NA
NRC - Disconnect Charge - Add'l	UNDAX	\$1.44	NA	NA	NA	\$2.01	\$2.84	NA	NA	NA
NRC - Incremental Charge - Manual Service Order - 1st	SOMAN	\$27.37	NA	\$18.94	NA	\$18.14	\$25.52	\$26.94	\$44.42	NA
NRC - Incremental Charge - Manual Service Order - Add'l	SOMAN	\$12.97	NA	\$8.42	NA	\$8.06	\$11.34	\$12.76	\$13.55	NA
NRC - Incremental Charge - Manual Service Order - Disconnect -1st	SOMAN	\$17.77	NA	NA	NA	\$11.41	\$16.06	NA	NA	NA
<b>NID per 4-Wire High Bit Rate Dig Subscriber Line (HDSL) Loop</b>	UNDAX	\$1.30	NA	\$1.21	NA	\$1.21	\$1.34	\$1.14	\$1.25	NA
NRC - 1st	UNDAX	\$1.44	NA	\$2.10	NA	\$2.02	\$2.84	\$1.42	\$1.35	NA
NRC - Add'l	UNDAX	\$1.44	NA	\$2.10	NA	\$2.02	\$2.84	\$1.42	\$1.35	NA
NRC - Disconnect Charge - 1st	UNDAX	\$1.44	NA	NA	NA	\$2.01	\$2.84	NA	NA	NA
NRC - Disconnect Charge - Add'l	UNDAX	\$1.44	NA	NA	NA	\$2.01	\$2.84	NA	NA	NA
NRC - Incremental Charge - Manual Service Order - 1st	SOMAN	\$27.37	NA	\$18.94	NA	\$18.14	\$25.52	\$26.94	\$44.06	NA
NRC - Incremental Charge - Manual Service Order - Add'l	SOMAN	\$12.97	NA	\$8.42	NA	\$8.06	\$11.34	\$12.76	\$13.55	NA

BELLSOUTH/Z-TEL RATES  
NETWORK ELEMENTS  
AND OTHER SERVICES

DESCRIPTION	USOC	AL	FL	GA	KY	LA	MS	NC	SC	TN
NRC - Incremental Charge - Manual Service Order - Disconnect - 1st	SOMAN	\$17.77	NA	NA	NA	\$11.41	\$16.06	NA	NA	NA
<b>NID per 4-Wire 56 Kbps Dig Grade Loop</b>	UNDAX	\$1.30	NA	\$1.21	NA	\$1.21	\$1.34	\$1.14	\$1.25	NA
NRC - 1st	UNDAX	\$1.44	NA	\$2.10	NA	\$2.02	\$2.84	\$1.42	\$1.35	NA
NRC - Add'l	UNDAX	\$1.44	NA	\$2.10	NA	\$2.02	\$2.84	\$1.42	\$1.35	NA
NRC - Disconnect Charge - 1st	UNDAX	\$1.44	NA	NA	NA	\$2.01	\$2.84	NA	NA	NA
NRC - Disconnect Charge - Add'l	UNDAX	\$1.44	NA	NA	NA	\$2.01	\$2.84	NA	NA	NA
NRC - Incremental Charge - Manual Service Order - 1st	SOMAN	\$27.37	NA	\$18.94	NA	\$18.14	\$25.52	\$26.94	\$44.06	NA
NRC - Incremental Charge - Manual Service Order - Add'l	SOMAN	\$12.97	NA	\$8.42	NA	\$8.06	\$11.34	\$12.76	\$13.55	NA
NRC - Incremental Charge - Manual Service Order - Disconnect - 1st	SOMAN	\$17.77	NA	NA	NA	\$11.41	\$16.06	NA	NA	NA
<b>NID per 4-Wire 64 Kbps Dig Grade Loop</b>	UNDAX	\$1.30	NA	\$1.21	NA	\$1.21	\$1.34	\$1.14	\$1.25	NA
NRC - 1st	UNDAX	\$1.44	NA	\$2.10	NA	\$2.02	\$2.84	\$1.42	\$1.35	NA
NRC - Add'l	UNDAX	\$1.44	NA	\$2.10	NA	\$2.02	\$2.84	\$1.42	\$1.35	NA
NRC - Disconnect Charge - 1st	UNDAX	\$1.44	NA	NA	NA	\$2.01	\$2.84	NA	NA	NA
NRC - Disconnect Charge - Add'l	UNDAX	\$1.44	NA	NA	NA	\$2.01	\$2.84	NA	NA	NA
NRC - Incremental Charge - Manual Svc Ord - 1st	SOMAN	\$27.37	NA	\$18.94	NA	\$18.14	\$25.52	\$26.94	\$44.06	NA
NRC - Incremental Charge - Manual Svc Ord - Add'l	SOMAN	\$12.97	NA	\$8.42	NA	\$8.06	\$11.34	\$12.76	\$13.55	NA
NRC - Incremental Charge - Manual Svc Ord - Disconnect - 1st	SOMAN	\$17.77	NA	NA	NA	\$11.41	\$16.06	NA	NA	NA
<b>NID per 2-Wire Unbundled Copper Loop, per month</b>	UNDAX	\$1.55	\$1.55	\$1.55	\$1.55	\$1.55	\$1.55	\$1.55	\$1.55	\$1.55
NRC - 1st	UNDAX	\$5.60	\$5.60	\$5.60	\$5.60	\$5.60	\$5.60	\$5.60	\$5.60	\$5.60
NRC - Add'l	UNDAX	\$5.60	\$5.60	\$5.60	\$5.60	\$5.60	\$5.60	\$5.60	\$5.60	\$5.60
NRC - Disconnect Charge - 1st	UNDAX	NA	NA	NA	NA	NA	NA	NA	NA	NA
NRC - Disconnect Charge - Add'l	UNDAX	NA	NA	NA	NA	NA	NA	NA	NA	NA
NRC - Incremental Charge - Manual Svc. Ord - 1st	SOMAN	\$47.00	\$47.00	\$47.00	\$47.00	\$47.00	\$47.00	\$47.00	\$47.00	\$47.00
NRC - Incremental Charge - Manual Svc. Ord - Add'l	SOMAN	\$21.00	\$21.00	\$21.00	\$21.00	\$21.00	\$21.00	\$21.00	\$21.00	\$21.00
NRC - Incremental Charge - Manual Svc. Ord. - Disconnect	SOMAN	NA	NA	NA	NA	NA	NA	NA	NA	NA
<b>Nonrecurring Charge - customer transfer, feature additions, changes (1)</b>		\$5.00	NA	NA	NA	NA	\$5.00	NA	NA	NA
<b>LOOP, EXCLUDING NID</b>										
<b>2-Wire Analog VG Loop (Standard), per month</b>	TBD	NA	NA	NA	\$18.20	NA	NA	NA	NA	NA
NRC - 1st		NA	NA	NA	\$86.08	NA	NA	NA	NA	NA
NRC - Add'l		NA	NA	NA	\$58.57	NA	NA	NA	NA	NA
<b>2-Wire Analog VG Loop (Customized), per month</b>	TBD	NA	NA	NA	\$21.41	NA	NA	NA	NA	NA
NRC - 1st		NA	NA	NA	\$236.75	NA	NA	NA	NA	NA
NRC - Add'l		NA	NA	NA	\$177.10	NA	NA	NA	NA	NA
<b>4-Wire Analog VG Loop (Standard), per month</b>	TBD	NA	NA	NA	\$26.38	NA	NA	NA	NA	NA
NRC - 1st		NA	NA	NA	\$457.14	NA	NA	NA	NA	NA
NRC - Add'l		NA	NA	NA	\$348.83	NA	NA	NA	NA	NA
<b>2-Wire ISDN Digital Grade Loop (Standard), per month</b>	TBD	NA	NA	NA	\$29.65	NA	NA	NA	NA	NA
NRC - 1st		NA	NA	NA	\$541.28	NA	NA	NA	NA	NA
NRC - Add'l		NA	NA	NA	\$431.61	NA	NA	NA	NA	NA
<b>2-Wire ADSL Loop (Standard), per month</b>	TBD	NA	NA	NA	\$10.63	NA	NA	NA	NA	NA
NRC - 1st		NA	NA	NA	\$713.50	NA	NA	NA	NA	NA
NRC - Add'l		NA	NA	NA	\$609.44	NA	NA	NA	NA	NA
<b>2-Wire HDSL Loop (Standard), per month</b>	TBD	NA	NA	NA	\$7.40	NA	NA	NA	NA	NA
NRC - 1st		NA	NA	NA	\$713.50	NA	NA	NA	NA	NA
NRC - Add'l		NA	NA	NA	\$609.44	NA	NA	NA	NA	NA
<b>4-Wire HDSL Loop (Standard), per month</b>	TBD	NA	NA	NA	\$9.70	NA	NA	NA	NA	NA
NRC - 1st		NA	NA	NA	\$748.93	NA	NA	NA	NA	NA
NRC - Add'l		NA	NA	NA	\$646.17	NA	NA	NA	NA	NA
<b>LOOP, INCLUDING NID</b>										

BELLSOUTH/Z-TEL RATES  
NETWORK ELEMENTS  
AND OTHER SERVICES

DESCRIPTION	USOC	AL	FL	GA	KY	LA	MS	NC	SC	TN
<b>2-Wire Analog VG Loop</b>										
RC - Statewide, per month	UEAL2	NA	NA	NA	NA	NA	NA	\$16.71	NA	\$18.00
RC - Zone 1, per month (Note 2)	TBD	NA	\$13.75	NA	NA	NA	NA	TBD	NA	\$15.54
RC - Zone 2, per month (Note 2)	TBD	NA	\$20.13	NA	NA	NA	NA	TBD	NA	\$19.55
RC - Zone 3, per month (Note 2)	TBD	NA	\$44.40	NA	NA	NA	NA	TBD	NA	\$28.02
RC - Zone 4, per month (Note 2)	TBD	NA	NA	NA	NA	NA	NA	NA	NA	NA
NRC - 1st	UEAL2	NA	\$140.00	NA	NA	NA	NA	\$86.50	NA	\$58.50
NRC - Add'l	UEAL2	NA	\$42.00	NA	NA	NA	NA	\$27.80	NA	\$31.00
NRC - Incremental Charge - Order Coordination - Time Specific (per LSR)	OCOSL	NA	\$55.00	NA	NA	NA	NA	\$55.00	NA	\$55.00
<b>2-Wire Analog VG Loop-SL1</b>										
RC - Statewide, per month	UEAL2	NA	NA	NA	NA	NA	NA	\$15.88	NA	NA
RC - Zone 1, per month (Note 2)	TBD	\$15.24	\$13.75	\$14.21	\$14.79	\$14.96	\$15.58	TBD	\$18.48	\$15.92
RC - Zone 2, per month (Note 2)	TBD	\$24.75	\$20.13	\$16.41	\$27.68	\$25.69	\$20.65	TBD	\$27.87	\$20.79
RC - Zone 3, per month (Note 2)	TBD	\$44.85	\$44.40	\$26.08	\$47.78	\$52.47	\$29.51	TBD	\$36.91	\$27.18
RC - Zone 4, per month (Note 2)	TBD	NA	NA	NA	NA	NA	\$38.94	NA	NA	NA
NRC - 1st	UEAL2	\$59.03	\$80.00	\$42.54	NA	\$40.69	\$59.25	\$57.99	\$70.44	\$78.93
NRC - Add'l	UEAL2	\$43.14	\$55.00	\$31.33	NA	\$29.96	\$43.67	\$42.37	\$44.05	\$50.98
NRC - Disconnect Charge - 1st	UEAL2	\$15.21	NA	NA	NA	\$16.48	\$16.35	NA	NA	NA
NRC - Disconnect Charge - Add'l	UEAL2	\$3.22	NA	NA	NA	\$3.36	\$4.06	NA	NA	NA
NRC - Incremental Charge - Manual Service Order - 1st	SOMAN	\$27.37	NA	\$18.94	NA	\$18.14	\$25.52	\$26.94	\$44.22	NA
NRC - Incremental Charge - Manual Service Order - Add'l	SOMAN	\$12.97	NA	\$8.42	NA	\$8.06	\$11.34	\$12.76	\$13.55	NA
NRC - Incremental Charge - Manual Service Order - Disconnect - 1st	SOMAN	\$17.77	NA	NA	NA	\$11.41	\$16.06	NA	NA	NA
NRC - Manual Order Coordination - 1st	TBD	NA	NA	NA	NA	NA	NA	\$61.38	NA	NA
NRC - Manual Order Coordination - add'l	TBD	NA	NA	NA	NA	NA	NA	\$61.38	NA	NA
NRC - Incremental Charge - Order Coordination - Time Specific (per LSR)	TBD	NA	NA	NA	NA	NA	NA	\$45.34	NA	NA
NRC - Loop Make-Up	UEANM	TBD	TBD	TBD	TBD	TBD	TBD	TBD	TBD	TBD
<b>2-Wire Analog VG Loop-SL2 w/loop or ground start signaling</b>										
RC - Statewide, per month	UEAL2	NA	NA	NA	NA	NA	NA	\$19.50	NA	NA
RC - Zone 1, per month (Note 2)	TBD	\$17.95	\$13.75	\$16.84	\$17.27	\$17.65	\$18.35	TBD	\$21.57	\$15.92
RC - Zone 2, per month (Note 2)	TBD	\$29.16	\$20.13	\$19.45	\$32.32	\$30.32	\$24.33	TBD	\$32.53	\$20.79
RC - Zone 3, per month (Note 2)	TBD	\$52.84	\$44.40	\$30.92	\$55.78	\$61.93	\$34.77	TBD	\$43.08	\$27.18
RC - Zone 4, per month (Note 2)	TBD	NA	NA	NA	NA	NA	\$45.88	NA	NA	NA
NRC - 1st	UEAL2	\$145.46	\$140.00	\$104.17	NA	\$99.69	\$144.01	\$142.97	\$178.12	\$192.97
NRC - Add'l	UEAL2	\$108.40	\$42.00	\$78.10	NA	\$74.73	\$107.70	\$106.56	\$128.80	\$140.72
NRC - Disconnect Charge - 1st	UEAL2	\$40.31	NA	NA	NA	\$28.73	\$40.98	NA	NA	NA
NRC - Disconnect Charge - Add'l	UEAL2	\$26.01	NA	NA	NA	\$18.87	\$26.95	NA	NA	NA
NRC - Incremental Charge - Manual Service Order - 1st	SOMAN	\$27.37	NA	\$18.94	NA	\$18.14	\$25.52	\$26.94	\$44.42	NA
NRC - Incremental Charge - Manual Service Order - Add'l	SOMAN	\$12.97	NA	\$8.42	NA	\$8.06	\$11.34	\$12.76	\$13.55	NA
NRC - Incremental Charge - Manual Service Order - Disconnect - 1st	SOMAN	\$17.77	NA	NA	NA	\$11.41	\$26.95	NA	NA	NA
NRC - Incremental Charge - Order Coordination - Time Specific (per LSR)	OCOSL	\$45.99	\$55.00	\$34.22	NA	\$32.77	\$45.27	\$45.34	\$45.43	\$55.00
<b>2-Wire Analog VG Loop-SL2 w/ reverse battery signaling</b>										
RC - Statewide, per month	UEAR2	NA	NA	NA	NA	NA	NA	\$19.50	NA	NA
RC - Zone 1, per month (Note 2)	TBD	\$17.95	\$13.75	\$16.84	\$17.27	\$17.65	\$18.35	TBD	\$21.57	\$15.92
RC - Zone 2, per month (Note 2)	TBD	\$29.16	\$20.13	\$19.45	\$32.32	\$30.32	\$24.33	TBD	\$32.53	\$20.79
RC - Zone 3, per month (Note 2)	TBD	\$52.84	\$44.40	\$30.92	\$55.78	\$61.93	\$34.77	TBD	\$43.08	\$27.18
RC - Zone 4, per month (Note 2)	TBD	NA	NA	NA	NA	NA	\$45.88	NA	NA	NA
NRC - 1st	UEAR2	\$145.46	\$140.00	\$104.17	NA	\$99.69	\$144.01	\$142.97	\$178.12	\$192.97
NRC - Add'l	UEAR2	\$108.40	\$42.00	\$78.10	NA	\$74.73	\$107.70	\$106.56	\$128.80	\$140.72
NRC - Disconnect Charge - 1st	UEAR2	\$40.31	NA	NA	NA	\$28.73	\$40.98	NA	NA	NA
NRC - Disconnect Charge - Add'l	UEAR2	\$26.01	NA	NA	NA	\$18.87	\$26.95	NA	NA	NA
NRC - Incremental Charge - Manual Service Order - 1st	SOMAN	\$27.37	NA	\$18.94	NA	\$18.14	\$25.52	\$29.64	\$44.42	NA
NRC - Incremental Charge - Manual Service Order - Add'l	SOMAN	\$12.97	NA	\$8.42	NA	\$8.06	\$11.34	\$12.76	\$13.55	NA



BELLSOUTH/Z-TEL RATES  
NETWORK ELEMENTS  
AND OTHER SERVICES

DESCRIPTION	USOC	AL	FL	GA	KY	LA	MS	NC	SC	TN
NRC - Incremental Charge - Manual Service Order - Disconnect - 1st	SOMAN	\$17.77	NA	NA	NA	\$11.41	\$26.95	NA	NA	NA
NRC - Incremental Charge - Order Coordination - Time Specific (per LSR)	OCOCL	\$45.99	\$55.00	\$34.22	NA	\$32.77	\$45.27	\$45.34	\$45.43	\$55.00
<b>2-Wire Analog VG Loop (Standard)</b>										
RC - Statewide, per month	UEAL2	NA	NA	NA	NA	NA	NA	NA	NA	NA
RC - Zone 1, per month (Note 2)	TBD	NA	NA	NA	\$14.79	NA	NA	NA	NA	NA
RC - Zone 2, per month (Note 2)	TBD	NA	NA	NA	\$27.68	NA	NA	NA	NA	NA
RC - Zone 3, per month (Note 2)	TBD	NA	NA	NA	\$47.78	NA	NA	NA	NA	NA
RC - Zone 4, per month (Note 2)	TBD	NA	NA	NA	NA	NA	NA	NA	NA	NA
NRC - 1st	UEAL2	NA	NA	NA	\$86.08	NA	NA	NA	NA	NA
NRC - Add'l	UEAL2	NA	NA	NA	\$58.57	NA	NA	NA	NA	NA
NRC - Loop Make-up	UEANM	NA	NA	NA	TBD	NA	NA	NA	NA	NA
NRC - Manual Order Coordination	UEAMC	NA	NA	NA	TBD	NA	NA	NA	NA	NA
NRC - Incremental Charge - Order Coordination - Time Specific (per LSR)	OCOSL	NA	NA	NA	\$55.00	NA	NA	NA	NA	NA
<b>2-Wire Analog VG Loop (Customized), w/ loop or ground start signaling</b>										
RC - Statewide, per month	UEAL2	NA	NA	NA	NA	NA	NA	NA	NA	NA
RC - Zone 1, per month (Note 2)	TBD	NA	NA	NA	\$17.27	NA	NA	NA	NA	NA
RC - Zone 2, per month (Note 2)	TBD	NA	NA	NA	\$32.32	NA	NA	NA	NA	NA
RC - Zone 3, per month (Note 2)	TBD	NA	NA	NA	\$55.78	NA	NA	NA	NA	NA
RC - Zone 4, per month (Note 2)	TBD	NA	NA	NA	NA	NA	NA	NA	NA	NA
NRC - 1st	UEAL2	NA	NA	NA	\$236.75	NA	NA	NA	NA	NA
NRC - Add'l	UEAL2	NA	NA	NA	\$177.10	NA	NA	NA	NA	NA
NRC - Incremental Charge - Order Coordination - Time Specific (per LSR)	OCOSL	NA	NA	NA	\$55.00	NA	NA	NA	NA	NA
<b>2-Wire Analog VG Loop (Customized), w/ reverse battery signaling</b>										
RC - Statewide, per month	UEAR2	NA	NA	NA	NA	NA	NA	NA	NA	NA
RC - Zone 1, per month (Note 2)	TBD	NA	NA	NA	\$17.27	NA	NA	NA	NA	NA
RC - Zone 2, per month (Note 2)	TBD	NA	NA	NA	\$32.32	NA	NA	NA	NA	NA
RC - Zone 3, per month (Note 2)	TBD	NA	NA	NA	\$55.78	NA	NA	NA	NA	NA
RC - Zone 4, per month (Note 2)	TBD	NA	NA	NA	NA	NA	NA	NA	NA	NA
NRC - 1st	UEAR2	NA	NA	NA	\$236.75	NA	NA	NA	NA	NA
NRC - Add'l	UEAR2	NA	NA	NA	\$177.10	NA	NA	NA	NA	NA
NRC - Incremental Charge - Order Coordination - Time Specific (per LSR)	OCOSL	NA	NA	NA	\$55.00	NA	NA	NA	NA	NA
<b>4-Wire Analog VG Loop</b>										
RC - Statewide, per month	UEAL4	NA	NA	NA	NA	NA	NA	\$27.49	NA	NA
RC - Zone 1, per month (Note 2)	TBD	\$24.01	\$24.26	\$22.26	NA	\$24.36	\$22.38	TBD	\$29.47	\$15.92
RC - Zone 2, per month (Note 2)	TBD	\$39.00	\$35.51	\$25.70	NA	\$41.85	\$29.67	TBD	\$44.44	\$20.79
RC - Zone 3, per month (Note 2)	TBD	\$70.67	\$78.35	\$40.85	NA	\$85.47	\$42.40	TBD	\$58.85	\$27.18
RC - Zone 4, per month (Note 2)	TBD	NA	NA	NA	NA	NA	\$55.96	NA	NA	NA
NRC - 1st	UEAL4	\$293.70	\$141.00	\$206.95	NA	\$198.10	\$289.06	\$288.47	\$383.39	\$58.50
NRC - Add'l	UEAL4	\$241.76	\$43.00	\$170.57	NA	\$163.26	\$238.19	\$237.45	\$286.77	\$31.00
NRC - Disconnect Charge - 1st	UEAL4	\$108.96	NA	NA	NA	\$74.27	\$108.14	NA	NA	NA
NRC - Disconnect Charge - Add'l	UEAL4	\$57.01	NA	NA	NA	\$39.44	\$57.28	NA	NA	NA
NRC - Incremental Charge - Manual Service Order - 1st	SOMAN	\$27.37	NA	\$18.94	NA	\$18.14	\$25.52	\$26.94	\$44.06	NA
NRC - Incremental Charge - Manual Service Order - Add'l	SOMAN	\$12.97	NA	\$8.42	NA	\$8.06	\$11.34	\$12.76	\$13.55	NA
NRC - Incremental Charge - Manual Service Order - Disconnect - 1st	SOMAN	\$17.77	NA	NA	NA	\$11.41	\$16.06	NA	NA	NA
NRC - Incremental Charge - Order Coordination - Time Specific (per LSR)	OCOSL	\$45.99	\$55.00	\$34.22	NA	\$32.77	\$45.27	\$45.34	\$45.43	\$55.00
<b>4-Wire Analog VG Loop (Standard)</b>										
RC - Statewide, per month	UEAL4	NA	NA	NA	NA	NA	NA	NA	NA	NA
RC - Zone 1, per month (Note 2)	TBD	NA	NA	NA	\$20.92	NA	NA	NA	NA	NA
RC - Zone 2, per month (Note 2)	TBD	NA	NA	NA	\$39.14	NA	NA	NA	NA	NA
RC - Zone 3, per month (Note 2)	TBD	NA	NA	NA	\$67.56	NA	NA	NA	NA	NA
RC - Zone 4, per month (Note 2)	TBD	NA	NA	NA	NA	NA	NA	NA	NA	NA
NRC - 1st	UEAL4	NA	NA	NA	\$457.14	NA	NA	NA	NA	NA

BELLSOUTH/Z-TEL RATES  
NETWORK ELEMENTS  
AND OTHER SERVICES

DESCRIPTION	USOC	AL	FL	GA	KY	LA	MS	NC	SC	TN
NRC - Add'l	UEAL4	NA	NA	NA	\$348.83	NA	NA	NA	NA	NA
NRC - Incremental Charge - Order Coordination - Time Specific (per LSR)	OCOSL	NA	NA	NA	\$55.00	NA	NA	NA	NA	NA
<b>2-Wire ISDN Digital Grade Loop</b>										
RC - Statewide, per month	U1L2X	NA	NA	NA	NA	NA	NA	\$24.98	NA	NA
RC - Zone 1, per month (Note 2)	TBD	\$23.23	\$32.34	\$21.89	\$23.66	\$21.15	\$21.86	TBD	\$26.68	\$15.92
RC - Zone 2, per month (Note 2)	TBD	\$37.74	\$47.35	\$25.27	\$44.28	\$36.22	\$28.97	TBD	\$40.24	\$20.79
RC - Zone 3, per month (Note 2)	TBD	\$68.38	\$104.47	\$40.17	\$76.42	\$74.19	\$41.40	TBD	\$53.29	\$27.18
RC - Zone 4, per month (Note 2)	TBD	NA	NA	NA	NA	NA	\$54.64	NA	NA	NA
NRC - 1st	U1L2X	\$331.85	\$306.00	\$233.38	NA	\$223.27	\$326.38	\$325.91	\$423.04	\$58.50
NRC - Add'l	U1L2X	\$255.87	\$283.00	\$180.35	NA	\$172.63	\$252.00	\$251.31	\$301.75	\$31.00
NRC - Disconnect Charge - 1st	U1L2X	\$108.95	NA	NA	NA	\$74.27	\$108.14	NA	NA	NA
NRC - Disconnect Charge - Add'l	U1L2X	\$57.01	NA	NA	NA	\$39.44	\$57.27	NA	NA	NA
NRC - Incremental Charge - Manual Service Order - 1st	SOMAN	\$27.37	NA	\$18.94	NA	\$18.14	\$25.52	\$26.94	\$44.42	NA
NRC - Incremental Charge - Manual Service Order - Add'l	SOMAN	\$12.97	NA	\$8.42	NA	\$8.06	\$11.34	\$12.76	\$13.55	NA
NRC - Incremental Charge - Manual Service Order - Disconnect - 1st	SOMAN	\$17.77	NA	NA	NA	\$11.41	\$16.06	NA	NA	NA
NRC - Incremental Charge - Order Coordination - Time Specific (per LSR)	OCOSL	\$45.99	\$55.00	\$34.22	\$55.00	\$32.77	\$45.27	\$45.34	\$45.43	\$55.00
<b>2-Wire ISDN Digital Grade Loop (Standard)</b>										
RC - Statewide, per month	U1L2X	NA	NA	NA	NA	NA	NA	NA	NA	NA
RC - Zone 1, per month (Note 2)	TBD	NA	NA	NA	\$23.66	NA	NA	NA	NA	NA
RC - Zone 2, per month (Note 2)	TBD	NA	NA	NA	\$44.28	NA	NA	NA	NA	NA
RC - Zone 3, per month (Note 2)	TBD	NA	NA	NA	\$76.42	NA	NA	NA	NA	NA
RC - Zone 4, per month (Note 2)	TBD	NA	NA	NA	NA	NA	NA	NA	NA	NA
NRC - 1st	U1L2X	NA	NA	NA	\$541.28	NA	NA	NA	NA	NA
NRC - Add'l	U1L2X	NA	NA	NA	\$431.61	NA	NA	NA	NA	NA
NRC - Incremental Charge - Order Coordination - Time Specific (per LSR)	OCOSL	NA	NA	NA	\$55.00	NA	NA	NA	NA	NA
<b>2-Wire Universal Digital Carrier (UDC), statewide, per month</b>										
Recurring	UDC	\$29.03	\$28.07	\$25.43	\$31.99	\$27.36	\$29.83	\$24.98	\$32.47	\$21.64
NRC - 1st - per circuit	UDC	\$406.85	\$295.42	\$308.38	\$616.28	\$298.27	\$401.38	\$400.91	\$498.04	\$217.76
NRC - Add'l - per circuit	UDC	\$330.87	\$198.02	\$255.35	\$506.61	\$247.63	\$327.00	\$326.31	\$376.75	\$163.88
NRC - Disconnect Charge - 1st	UDC	\$108.95				\$74.27	\$108.14			\$74.54
NRC - Disconnect Charge - Add'l	UDC	\$57.01				\$39.44	\$57.27			\$39.14
NRC - Incremental Charge - Manual Service Order - 1st	SOMAN	\$27.37	NA	\$18.94	NA	\$18.14	\$25.52	\$26.94	\$44.42	NA
NRC - Incremental Charge - Manual Service Order - Add'l	SOMAN	\$12.97	NA	\$8.42	NA	\$8.06	\$11.32	\$12.76	\$13.55	NA
NRC - Incremental Charge - Manual Service Order - Disconnect - 1st	SOMAN	\$17.77				\$11.41	\$16.06			
NRC - Incremental Charge - Manual Service Order - Disconnect - Additional	SOMAN									
<b>2-Wire Asymmetrical Dig Subscriber Line (ADSL) Compatible Loop, includes manual</b>	UAL2X	\$15.11	\$15.81	\$13.05	\$11.89	\$15.39	\$14.83	\$14.60	\$20.81	\$18.46
Zone 1, per month	UAL2X	\$12.09	\$12.78	\$11.23	\$8.79	\$11.90	\$10.87	TBD	\$17.10	TBD
Zone 2, per month	UAL2X	\$19.64	\$18.72	\$12.97	\$16.46	\$20.43	\$14.40	TBD	\$25.79	TBD
Zone 3, per month	UAL2X	\$35.59	\$41.29	\$20.62	\$28.40	\$41.73	\$20.58	TBD	\$34.15	TBD
Zone 4, per month	UAL2X	NA	NA	NA	NA	NA	\$27.16	NA	NA	NA
NRC - 1st	UAL2X	\$514.21	\$113.85	\$359.73	\$713.50	\$343.13	\$504.82	\$504.90	\$600.61	\$640.79
NRC - Add'l	UAL2X	\$464.58	\$99.61	\$325.15	\$609.44	\$310.03	\$456.24	\$456.17	\$507.33	\$541.94
NRC - Disconnect Charge - 1st	UAL2X	\$106.65	NA	NA	NA	\$72.54	\$105.86	NA	NA	NA
NRC - Disconnect Charge - Add'l	SOMAN	\$56.98	NA	NA	NA	\$39.42	\$57.25	\$26.94	NA	NA
NRC - Incremental Charge - Manual Service Order - 1st	SOMAN	\$27.37	NA	\$18.94	NA	\$18.14	\$25.52	\$12.76	\$44.42	NA
NRC - Incremental Charge - Manual Service Order - Add'l	SOMAN	\$12.97	NA	\$8.42	NA	\$8.06	\$11.34	NA	\$13.55	NA
NRC - Incremental Charge - Manual Service Order - Disconnect	SOMAN	\$17.77	NA	NA	NA	\$11.41	\$16.06	NA	NA	NA
NRC - Incremental Charge - Order Coordination - Time Specific (per LSR)	OCOSL	\$45.99	\$55.00	\$34.22	\$55.00	\$32.77	\$45.27	\$45.34	\$45.43	\$55.00
<b>2-Wire Asymmetrical Dig Subscriber Line (ADSL) Compatible Loop, without manual service inquiry and facility reservation, statewide, per month</b>	UAL2W	\$15.11	\$15.81	\$13.05	\$11.89	\$15.39	\$14.83	\$14.60	\$20.81	\$18.46
Zone 1, per month	UAL2W	\$12.09	\$12.78	\$11.23	\$8.79	\$11.90	\$10.87	TBD	\$17.10	TBD
Zone 2, per month	UAL2W	\$19.64	\$18.72	\$12.97	\$16.46	\$20.43	\$14.40	TBD	\$25.79	TBD

BELLSOUTH/Z-TEL RATES  
NETWORK ELEMENTS  
AND OTHER SERVICES

DESCRIPTION	USOC	AL	FL	GA	KY	LA	MS	NC	SC	TN
Zone 3, per month	UAL2W	\$35.59	\$41.29	\$20.62	\$28.40	\$41.73	\$20.58	TBD	\$34.15	TBD
Zone 4, per month	UAL2W	NA	NA	NA	NA	NA	\$27.16	NA	NA	NA
NRC - 1st	UAL2W	\$375.21	\$113.85	\$220.73	\$574.50	\$204.13	\$365.82	\$365.90	\$461.60	\$501.79
NRC - Add'l	UAL2W	\$325.58	\$99.61	\$186.15	\$470.44	\$171.03	\$317.24	\$317.17	\$368.33	\$402.94
NRC - Disconnect Charge - 1st	UAL2W	\$106.65	NA	NA	NA	\$72.54	\$105.86	NA	NA	NA
NRC - Disconnect Charge - Add'l	UAL2W	\$56.98	NA	NA	NA	\$39.42	\$57.25	\$26.94	NA	NA
NRC - Incremental Charge - Manual Service Order - 1st	SOMAN	\$27.37	NA	\$18.94	NA	\$18.14	\$25.52	\$12.76	\$44.42	NA
NRC - Incremental Charge - Manual Service Order - Add'l	SOMAN	\$12.97	NA	\$8.42	NA	\$8.06	\$11.34	NA	\$13.55	NA
NRC - Incremental Charge - Manual Service Order - Disconnect	SOMAN	\$17.77	NA	NA	NA	\$11.41	\$16.06	NA	NA	NA
NRC - Incremental Charge - Order Coordination - Time Specific (per LSR)	OCOSL	\$45.99	\$55.00	\$34.22	\$55.00	\$32.77	\$45.27	\$45.34	\$45.43	\$55.00
<b>2-Wire High Bit Rate Dig Subscriber Line (HDSL) Compatible Loop, <u>includes</u> manual service inquiry and facility reservation, statewide, per month</b>	UHL2X	\$11.76	\$12.12	\$9.15	\$8.51	\$11.61	\$11.60	\$11.98	\$14.86	\$13.46
Zone 1, per month	UHL2X	\$9.41	\$9.80	\$7.88	\$6.29	\$8.97	\$8.50	TBD	\$12.21	TBD
Zone 2, per month	UHL2X	\$15.29	\$14.35	\$9.09	\$11.78	\$15.41	\$11.26	TBD	\$18.41	TBD
Zone 3, per month	UHL2X	\$27.70	\$31.65	\$14.48	\$20.33	\$31.48	\$16.10	TBD	\$24.39	TBD
Zone 4, per month	UHL2X	NA	NA	NA	NA	NA	\$21.25	NA	NA	NA
NRC - 1st	UHL2X	\$514.21	\$113.85	\$359.73	\$713.50	\$343.13	\$504.82	\$504.90	\$600.61	\$640.79
NRC - Add'l	UHL2X	\$464.58	\$99.61	\$325.15	\$609.44	\$310.03	\$456.24	\$456.17	\$507.33	\$541.94
NRC - Disconnect Charge - 1st	UHL2X	\$106.65	NA	NA	NA	\$72.54	\$105.86	NA	NA	NA
NRC - Disconnect Charge - Add'l	UHL2X	\$56.98	NA	NA	NA	\$39.42	\$57.25	NA	NA	NA
NRC - Incremental Charge - Manual Service Order - 1st	SOMAN	\$27.37	NA	\$18.94	NA	\$18.14	\$25.52	\$26.94	\$44.42	NA
NRC - Incremental Charge - Manual Service Order - Add'l	SOMAN	\$12.97	NA	\$8.42	NA	\$8.06	\$11.34	\$12.76	\$13.55	NA
NRC - Incremental Charge - Manual Service Order - Disconnect	SOMAN	\$17.77	NA	NA	NA	\$11.41	\$16.06	NA	NA	NA
NRC - Incremental Charge - Order Coordination - Time Specific (per LSR)	OCOSL	\$45.99	\$55.00	\$34.22	\$55.00	\$32.77	\$45.27	\$45.34	\$45.43	\$55.00
<b>2-Wire High Bit Rate Dig Subscriber Line (HDSL) Compatible Loop, <u>without</u> manual service inquiry and facility reservation, statewide, per month</b>	UHL2W	\$11.76	\$12.12	\$9.15	\$8.51	\$11.61	\$11.60	\$11.98	\$14.86	\$13.46
Zone 1, per month	UHL2W	\$9.41	\$9.80	\$7.88	\$6.29	\$8.97	\$8.50	TBD	\$12.21	TBD
Zone 2, per month	UHL2W	\$15.29	\$14.35	\$9.09	\$11.78	\$15.41	\$11.26	TBD	\$18.41	TBD
Zone 3, per month	UHL2W	\$27.70	\$31.65	\$14.48	\$20.33	\$31.48	\$16.10	TBD	\$24.39	TBD
Zone 4, per month	UHL2W	NA	NA	NA	NA	NA	\$21.25	NA	NA	NA
NRC - 1st	UHL2W	\$375.21	\$113.85	\$220.73	\$574.50	\$204.13	\$365.82	\$365.90	\$461.60	\$501.79
NRC - Add'l	UHL2W	\$325.58	\$99.61	\$186.15	\$470.44	\$171.03	\$317.24	\$317.17	\$368.33	\$402.94
NRC - Disconnect Charge - 1st	UHL2W	\$106.65	NA	NA	NA	\$72.54	\$105.86	NA	NA	NA
NRC - Disconnect Charge - Add'l	UHL2W	\$56.98	NA	NA	NA	\$39.42	\$57.25	NA	NA	NA
NRC - Incremental Charge - Manual Service Order - 1st	SOMAN	\$27.37	NA	\$18.94	NA	\$18.14	\$25.52	\$26.94	\$44.42	NA
NRC - Incremental Charge - Manual Service Order - Add'l	SOMAN	\$12.97	NA	\$8.42	NA	\$8.06	\$11.34	\$12.76	\$13.55	NA
NRC - Incremental Charge - Manual Service Order - Disconnect	SOMAN	\$17.77	NA	NA	NA	\$11.41	\$16.06	NA	NA	NA
NRC - Incremental Charge - Order Coordination - Time Specific (per LSR)	OCOSL	\$45.99	\$55.00	\$34.22	\$55.00	\$32.77	\$45.27	\$45.34	\$45.43	\$55.00
<b>4-Wire High Bit Rate Dig Subscriber Line (HDSL) Compatible Loop, <u>includes</u> manual service inquiry and facility reservation, per month, statewide</b>	UHL4X	\$14.39	\$18.24	\$12.07	\$10.39	\$16.39	\$14.14	\$13.97	\$19.73	\$17.91
Zone 1, per month	UHL4X	\$11.52	\$14.75	\$10.39	\$7.68	\$12.67	\$10.36	TBD	\$16.21	TBD
Zone 2, per month	UHL4X	\$18.71	\$21.59	\$12.00	\$14.38	\$21.76	\$13.73	TBD	\$24.45	TBD
Zone 3, per month	UHL4X	\$33.90	\$47.64	\$19.07	\$24.82	\$44.44	\$19.62	TBD	\$32.38	TBD
Zone 4, per month	UHL4X	NA	NA	NA	NA	NA	\$25.90	NA	NA	NA
NRC - 1st	UHL4X	\$541.13	\$116.91	\$378.86	\$748.93	\$361.45	\$531.21	\$531.35	\$625.11	\$666.70
NRC - Add'l	UHL4X	\$491.50	\$101.71	\$344.28	\$646.17	\$328.35	\$482.63	\$482.62	\$532.78	\$568.86
NRC - Disconnect Charge - 1st	UHL4X	\$106.65	NA	NA	NA	\$72.54	\$105.86	NA	NA	NA
NRC - Disconnect Charge - Add'l	UHL4X	\$56.98	NA	NA	NA	\$39.42	\$57.25	NA	NA	NA

BELLSOUTH/Z-TEL RATES  
NETWORK ELEMENTS  
AND OTHER SERVICES

DESCRIPTION	USOC	AL	FL	GA	KY	LA	MS	NC	SC	TN
NRC - Incremental Charge - Manual Service Order - 1st	SOMAN	\$27.37	NA	\$18.94	NA	\$18.14	\$25.52	\$26.94	\$44.06	NA
NRC - Incremental Charge - Manual Service Order - Add'l	SOMAN	\$12.97	NA	\$8.42	NA	\$8.06	\$11.34	\$12.76	\$13.55	NA
NRC - Incremental Charge - Manual Service Order - Disconnect	SOMAN	\$17.77	NA	NA	NA	\$11.41	\$16.06	NA	NA	NA
NRC - Incremental Charge - Order Coordination - Time Specific (per LSR)	OCOSL	\$45.99	\$55.00	\$34.22	\$55.00	\$32.77	\$45.27	\$45.34	\$45.43	\$55.00
<b>4-Wire High Bit Rate Dig Subscriber Line (HDSL) Compatible Loop, without manual service inquiry and facility reservation, per month, statewide</b>										
UHL4W	UHL4W	\$14.39	\$18.24	\$12.07	\$10.39	\$16.39	\$14.14	\$13.97	\$19.73	\$17.91
Zone 1, per month	UHL4W	\$11.52	\$14.75	\$10.39	\$7.68	\$12.67	\$10.36	TBD	\$16.21	TBD
Zone 2, per month	UHL4W	\$18.71	\$21.59	\$12.00	\$14.38	\$21.76	\$13.73	TBD	\$24.45	TBD
Zone 3, per month	UHL4W	\$33.90	\$47.64	\$19.07	\$24.82	\$44.44	\$19.62	TBD	\$32.38	TBD
Zone 4, per month	UHL4W	NA	NA	NA	NA	NA	\$25.90	NA	NA	NA
NRC - 1st	UHL4W	\$402.13	\$116.91	\$239.86	\$609.93	\$222.45	\$392.21	\$392.35	\$486.11	\$527.70
NRC - Add'l	UHL4W	\$352.50	\$101.71	\$205.28	\$507.17	\$189.35	\$343.63	\$343.62	\$393.78	\$429.86
NRC - Disconnect Charge - 1st	UHL4W	\$106.65	NA	NA	NA	\$72.54	\$105.86	NA	NA	NA
NRC - Disconnect Charge - Add'l	UHL4W	\$56.98	NA	NA	NA	\$39.42	\$57.25	NA	NA	NA
NRC - Incremental Charge - Manual Service Order - 1st	SOMAN	\$27.37	NA	\$18.94	NA	\$18.14	\$25.52	\$26.94	\$44.06	NA
NRC - Incremental Charge - Manual Service Order - Add'l	SOMAN	\$12.97	NA	\$8.42	NA	\$8.06	\$11.34	\$12.76	\$13.55	NA
NRC - Incremental Charge - Manual Service Order - Disconnect	SOMAN	\$17.77	NA	NA	NA	\$11.41	\$16.06	NA	NA	NA
NRC - Incremental Charge - Order Coordination - Time Specific (per LSR)	OCOSL	\$45.99	\$55.00	\$34.22	\$55.00	\$32.77	\$45.27	\$45.34	\$45.43	\$55.00
<b>4-Wire DS1 Digital Loop</b>										
RC - Statewide, per month	USLXX	NA	NA	NA	NA	NA	NA	\$62.78	NA	TBD
RC - Zone 1, per month (Note 2)	TBD	\$51.74	\$64.69	\$55.53	\$50.26	\$56.32	\$50.99	TBD	\$59.61	TBD
RC - Zone 2, per month (Note 2)	TBD	\$84.05	\$94.71	\$64.13	\$94.06	\$96.73	\$67.58	TBD	\$89.90	TBD
RC - Zone 3, per month (Note 2)	TBD	\$152.29	\$208.93	\$101.93	\$162.34	\$197.57	\$96.58	TBD	\$119.06	TBD
RC - Zone 4, per month (Note 2)	TBD	NA	NA	NA	NA	NA	\$127.47	NA	NA	NA
NRC - 1st	USLXX	\$610.13	\$540.00	\$429.98	\$849.80	\$410.38	\$599.09	\$714.84	\$715.77	TBD
NRC - Add'l	USLXX	\$380.26	\$465.00	\$268.18	\$523.27	\$255.48	\$373.90	\$421.47	\$421.50	TBD
NRC - Disconnect Charge - 1st	USLXX	\$134.77	NA	NA	NA	\$92.35	\$133.53	NA	NA	NA
NRC - Disconnect Charge - Add'l	USLXX	\$55.97	NA	NA	NA	\$38.44	\$56.25	NA	NA	NA
NRC - Incremental Charge - Manual Service Order - 1st	SOMAN	\$27.37	NA	\$18.94	NA	\$18.14	\$25.52	\$42.19	\$43.77	NA
NRC - Incremental Charge - Manual Service Order - Add'l	SOMAN	\$12.97	NA	\$8.42	NA	\$8.06	\$11.34	\$12.76	\$13.55	NA
NRC - Incremental Charge - Manual Service Order - Disconnect	SOMAN	\$17.77	NA	NA	NA	\$11.41	\$16.06	NA	NA	NA
NRC - Incremental Charge - Order Coordination - Time Specific (per LSR)	OCOSL	\$49.18	\$55.00	\$34.52	\$55.00	\$33.05	\$48.17	\$48.31	\$48.47	NA
<b>4-Wire 56 Kbps Dig Grade Loop</b>										
RC - Statewide, per month	UDL56	NA	NA	NA	NA	NA	NA	\$32.67	NA	\$42.23
RC - Zone 1, per month (Note 2)	TBD	\$27.33	\$39.08	\$25.75	NA	\$27.50	\$25.61	TBD	\$34.26	\$36.45
RC - Zone 2, per month (Note 2)	TBD	\$44.40	\$57.21	\$29.74	NA	\$47.24	\$33.94	TBD	\$51.67	\$45.87
RC - Zone 3, per month (Note 2)	TBD	\$80.45	\$126.22	\$47.27	NA	\$96.48	\$48.51	TBD	\$68.43	\$65.75
RC - Zone 4, per month (Note 2)	TBD	NA	NA	NA	NA	NA	\$64.02	NA	NA	NA
NRC - 1st	UDL56	\$498.05	\$654.72	\$348.55	NA	\$333.28	\$489.00	\$489.04	\$602.73	\$643.00
NRC - Add'l	UDL56	\$343.70	\$428.45	\$241.20	NA	\$230.50	\$337.93	\$337.51	\$393.50	\$421.26
NRC - Disconnect Charge - 1st	UDL56	\$129.62	NA	NA	NA	\$87.99	\$128.36	NA	\$44.06	NA
NRC - Disconnect Charge - Add'l	UDL56	\$64.25	NA	NA	NA	\$44.24	\$64.35	NA	\$13.55	NA
NRC - Incremental Charge - Manual Service Order - 1st	SOMAN	\$27.37	NA	\$18.94	NA	\$18.14	\$25.52	\$26.94	NA	NA
NRC - Incremental Charge - Manual Service Order - Add'l	SOMAN	\$12.97	NA	\$8.42	NA	\$8.06	\$11.34	\$12.76	NA	NA
NRC - Incremental Charge - Manual Service Order - Disconnect - 1st	SOMAN	\$17.77	NA	NA	NA	\$11.41	\$16.06	NA	NA	NA
NRC - Incremental Charge - Order Coordination - Time Specific (per LSR)	OCOSL	\$45.99	\$55.00	\$34.22	NA	\$32.77	\$45.27	\$45.34	\$45.43	\$55.00
<b>4-Wire 64 Kbps Dig Grade Loop</b>										
RC - Statewide, per month	UDL64	NA	NA	NA	NA	NA	NA	\$32.67	\$41.70	\$42.23
RC - Zone 1, per month (Note 2)	TBD	\$27.33	\$39.08	\$25.75	NA	\$27.50	\$25.61	TBD	\$34.26	\$36.45
RC - Zone 2, per month (Note 2)	TBD	\$44.40	\$57.21	\$29.74	NA	\$47.24	\$33.94	TBD	\$51.67	\$45.87

BELLSOUTH/Z-TEL RATES  
NETWORK ELEMENTS  
AND OTHER SERVICES

DESCRIPTION	USOC	AL	FL	GA	KY	LA	MS	NC	SC	TN
RC - Zone 3, per month (Note 2)	TBD	\$80.45	\$126.22	\$47.27	NA	\$96.48	\$48.51	TBD	\$68.43	\$65.75
RC - Zone 4, per month (Note 2)	TBD	NA	NA	NA	NA	NA	\$64.02	NA	NA	NA
NRC - 1st	UDL64	\$498.05	\$654.72	\$348.55	NA	\$333.28	\$489.00	\$489.04	\$602.73	\$643.00
NRC - Add'l	UDL64	\$343.70	\$428.45	\$241.20	NA	\$230.50	\$337.93	\$337.51	\$393.50	\$421.26
NRC - Disconnect Charge - 1st	UDL64	\$129.62	NA	NA	NA	\$87.99	\$128.36	NA	\$44.06	NA
NRC - Disconnect Charge - Add'l	UDL64	\$64.25	NA	NA	NA	\$44.24	\$64.35	NA	\$13.55	NA
NRC - Incremental Charge - Manual Service Order - 1st	SOMAN	\$27.37	NA	\$18.94	NA	\$18.14	\$25.52	\$26.94	NA	NA
NRC - Incremental Charge - Manual Service Order - Add'l	SOMAN	\$12.97	NA	\$8.42	NA	\$8.06	\$11.34	\$12.76	NA	NA
NRC - Incremental Charge - Manual Service Order - Disconnect - 1st	SOMAN	\$17.77	NA	NA	NA	\$11.41	\$16.06	NA	NA	NA
NRC - Incremental Charge - Order Coordination - Time Specific (per LSR)	OCOSL	\$45.99	\$55.00	\$34.22	NA	\$32.77	\$45.27	\$45.34	\$45.43	\$55.00
<b>2-Wire Unbundled Copper Loop/Short (less than or equal to 18kft), includes manual service inquiry and facility reservation, per month, statewide</b>	UCLPB	\$15.11	\$23.00	\$13.82	\$11.89	\$21.00	\$23.00	\$19.00	\$20.81	\$12.16
Zone 1, per month	UCLPB	TBD	\$18.60	\$11.90	TBD	TBD	\$16.85	TBD	TBD	TBD
Zone 2, per month	UCLPB	TBD	\$27.23	\$13.74	TBD	TBD	\$22.34	TBD	TBD	TBD
Zone 3, per month	UCLPB	TBD	\$60.07	\$21.83	TBD	TBD	\$31.92	TBD	TBD	TBD
Zone 4, per month	UCLPB	NA	NA	NA	NA	NA	\$42.13	NA	NA	NA
NRC - 1st	UCLPB	\$514.21	\$340.00	\$293.13	\$713.50	\$340.00	\$504.82	\$450.00	\$600.61	\$270.01
NRC - Add'l	UCLPB	\$464.58	\$300.00	\$139.75	\$609.44	\$300.00	\$456.24	\$390.00	\$507.33	\$234.63
NRC - Disconnect Charge - 1st	UCLPB	TBD	TBD	\$140.73	NA	\$72.54	\$105.86	NA	NA	\$74.54
NRC - Disconnect Charge - Add'l	UCLPB	TBD	TBD	\$37.45	NA	\$39.42	\$57.25	NA	NA	\$39.14
NRC - Incremental Charge - Manual Service Order - 1st	SOMAN	\$47.00	\$47.00	NA	\$47.00	\$18.14	\$25.52	\$47.00	\$47.00	NA
NRC - Incremental Charge - Manual Service Order - Add'l	SOMAN	\$21.00	\$21.00	NA	\$21.00	\$8.06	\$11.34	\$21.00	\$25.52	NA
NRC - Incremental Charge - Manual Service Order - Disconnect - 1st	SOMAN	\$17.77	NA	NA	\$17.77	\$11.41	\$16.06	NA	\$21.00	NA
NRC - Incremental Charge - Manual Service Order - Disconnect - Add'l	SOMAN	\$17.77	NA	NA	\$17.77	\$11.41	\$16.06	NA	\$21.00	NA
NRC - Incremental Charge - Manual Order Coordination - per loop	UCLMC	\$16.00	\$16.00	\$36.46	NA	\$32.77	\$45.27	\$16.00	\$45.43	\$34.29
<b>2-Wire Unbundled Copper Loop/Short (less than or equal to 18kft), without manual service inquiry and facility reservation, per month, statewide</b>	UCLPW	\$15.11	\$23.00	\$13.82	\$11.89	\$21.00	\$23.00	\$19.00	\$20.81	\$12.16
Zone 1, per month	UCLPW	TBD	\$18.60	\$11.90	TBD	TBD	\$16.85	TBD	TBD	TBD
Zone 2, per month	UCLPW	TBD	\$27.23	\$13.74	TBD	TBD	\$22.34	TBD	TBD	TBD
Zone 3, per month	UCLPW	TBD	\$60.07	\$21.83	TBD	TBD	\$31.92	TBD	TBD	TBD
Zone 4, per month	UCLPW	NA	NA	NA	NA	NA	\$42.13	NA	NA	NA
NRC - 1st	UCLPW	\$375.21	\$201.00	\$154.13	\$574.50	\$201.00	\$365.82	\$311.00	\$461.61	\$131.01
NRC - Add'l	UCLPW	\$325.58	\$161.00	\$139.75	\$470.44	\$161.00	\$317.24	\$251.00	\$368.33	\$95.63
NRC - Disconnect Charge - 1st	UCLPW	TBD	TBD	\$140.73	NA	\$72.54	\$105.86	NA	NA	\$74.54
NRC - Disconnect Charge - Add'l	UCLPW	TBD	TBD	\$37.45	NA	\$39.42	\$57.25	NA	NA	\$39.14
NRC - Incremental Charge - Manual Service Order - 1st	SOMAN	\$47.00	\$47.00	NA	\$47.00	\$18.14	\$25.52	\$47.00	\$47.00	NA
NRC - Incremental Charge - Manual Service Order - Add'l	SOMAN	\$21.00	\$21.00	NA	\$21.00	\$8.06	\$11.34	\$21.00	\$25.52	NA
NRC - Incremental Charge - Manual Service Order - Disconnect - 1st	SOMAN	\$17.77	NA	NA	\$17.77	\$11.41	\$16.06	NA	\$21.00	NA
NRC - Incremental Charge - Manual Service Order - Disconnect - Add'l	SOMAN	\$17.77	NA	NA	\$17.77	\$11.41	\$16.06	NA	\$21.00	NA
NRC - Incremental Charge - Manual Order Coordination - per loop	UCLMC	\$16.00	\$16.00	\$36.46	NA	\$32.77	\$45.27	\$16.00	\$45.43	\$34.29
<b>2-Wire Unbundled Copper Loop/Long (greater than 18kft), includes manual service inquiry and facility reservation, per month, statewide</b>	UCL2L	\$40.00	\$35.00	TBD	\$40.00	\$37.00	\$45.00	\$35.00	\$40.00	\$35.00
Zone 1, per month	UCL2L	TBD	TBD	TBD	TBD	TBD	TBD	TBD	TBD	TBD
Zone 2, per month	UCL2L	TBD	TBD	TBD	TBD	TBD	TBD	TBD	TBD	TBD
Zone 3, per month	UCL2L	TBD	TBD	TBD	TBD	TBD	TBD	TBD	TBD	TBD
Zone 4, per month	UCL2L	NA	NA	NA	NA	NA	NA	NA	NA	NA
NRC - 1st	UCL2L	\$514.21	\$340.00	TBD	\$713.50	\$340.00	\$504.82	\$450.00	\$600.61	\$270.01
NRC - Add'l	UCL2L	\$464.58	\$300.00	TBD	\$609.44	\$300.00	\$456.24	\$390.00	\$507.33	\$234.63
NRC - Disconnect Charge - 1st	UCL2L	NA	NA	TBD	NA	\$72.54	\$105.86	NA	NA	\$74.54
NRC - Disconnect Charge - Add'l	UCL2L	NA	NA	TBD	NA	\$39.42	\$57.25	NA	NA	\$39.14

BELLSOUTH/Z-TEL RATES  
NETWORK ELEMENTS  
AND OTHER SERVICES

DESCRIPTION	USOC	AL	FL	GA	KY	LA	MS	NC	SC	TN
NRC - Incremental Charge - Manual Service Order - 1st	SOMAN	\$47.00	\$47.00	TBD	\$47.00	\$18.14	\$25.52	\$47.00	\$47.00	NA
NRC - Incremental Charge - Manual Service Order - Add'l	SOMAN	\$21.00	\$21.00	TBD	\$21.00	\$8.06	\$11.34	\$21.00	\$25.52	NA
NRC - Incremental Charge - Manual Service Order - Disconnect - 1st	SOMAN	\$17.77	NA	TBD	\$17.77	\$11.41	\$16.06	NA	\$21.00	NA
NRC - Incremental Charge - Manual Service Order - Disconnect - Add'l	SOMAN	\$17.77	NA	TBD	\$17.77	\$11.41	\$16.06	NA	\$21.00	NA
NRC - Incremental Charge - Manual Order Coordination - per loop	UCLMC	\$16.00	\$16.00	36.46	NA	\$32.77	\$45.27	\$16.00	\$45.43	\$34.29
<b>2-Wire Unbundled Copper Loop/Long (greater than 18kft), without manual service inquiry and facility reservation, per month, statewide</b>	UCL2W	\$40.00	\$35.00	\$ 37.00	\$40.00	\$37.00	\$45.00	\$35.00	\$40.00	\$35.00
Zone 1, per month	UCL2W	TBD	TBD	TBD	TBD	TBD	TBD	TBD	TBD	TBD
Zone 2, per month	UCL2W	TBD	TBD	TBD	TBD	TBD	TBD	TBD	TBD	TBD
Zone 3, per month	UCL2W	TBD	TBD	TBD	TBD	TBD	TBD	TBD	TBD	TBD
Zone 4, per month	UCL2W	NA	NA	NA	NA	NA	NA	NA	NA	NA
NRC - 1st	UCL2W	\$375.21	\$201.00	\$154.13	\$574.50	\$201.00	\$365.82	\$311.00	\$461.61	\$131.01
NRC - Add'l	UCL2W	\$325.58	\$161.00	\$139.75	\$470.44	\$161.00	\$317.24	\$251.00	\$368.33	\$95.63
NRC - Disconnect Charge - 1st	UCL2W	NA	NA	TBD	NA	\$72.54	\$105.86	NA	NA	\$74.54
NRC - Disconnect Charge - Add'l	UCL2W	NA	NA	TBD	NA	\$39.42	\$57.25	NA	NA	\$39.14
NRC - Incremental Charge - Manual Service Order - 1st	SOMAN	\$47.00	\$47.00	TBD	\$47.00	\$18.14	\$25.52	\$47.00	\$47.00	NA
NRC - Incremental Charge - Manual Service Order - Add'l	SOMAN	\$21.00	\$21.00	TBD	\$21.00	\$8.06	\$11.34	\$21.00	\$25.52	NA
NRC - Incremental Charge - Manual Service Order - Disconnect - 1st	SOMAN	\$17.77	NA	TBD	\$17.77	\$11.41	\$16.06	NA	\$21.00	NA
NRC - Incremental Charge - Manual Service Order - Disconnect - Add'l	SOMAN	\$17.77	NA	TBD	\$17.77	\$11.41	\$16.06	NA	\$21.00	NA
NRC - Incremental Charge - Manual Order Coordination - per loop	UCLMC	\$16.00	\$16.00	36.46	NA	\$32.77	\$45.27	\$16.00	\$45.43	\$34.29
<b>4-Wire Unbundled Copper Loop/Short (less than or equal to 18kft), includes manual service inquiry and facility reservation, per month, statewide</b>	UCL4S	TBD	TBD	\$19.34	TBD	TBD	TBD	TBD	TBD	TBD
Zone 1, per month	UCL4S	TBD	TBD	\$16.65	TBD	TBD	TBD	TBD	TBD	TBD
Zone 2, per month	UCL4S	TBD	TBD	\$19.22	TBD	TBD	TBD	TBD	TBD	TBD
Zone 3, per month	UCL4S	TBD	TBD	\$30.55	TBD	TBD	TBD	TBD	TBD	TBD
Zone 4, per month	UCL4S	NA	NA	NA	NA	NA	NA	NA	NA	NA
NRC - 1st	UCL4S	TBD	TBD	\$353.80	TBD	TBD	TBD	TBD	TBD	TBD
NRC - Add'l	UCL4S	TBD	TBD	\$162.61	TBD	TBD	TBD	TBD	TBD	TBD
NRC - Disconnect Charge - 1st	UCL4S	TBD	TBD	\$156.25	TBD	TBD	TBD	TBD	TBD	TBD
NRC - Disconnect Charge - Add'l	UCL4S	TBD	TBD	\$41.96	TBD	TBD	TBD	TBD	TBD	TBD
NRC - Incremental Charge - Manual Service Order - 1st	SOMAN	TBD	TBD	NA	TBD	TBD	TBD	TBD	TBD	TBD
NRC - Incremental Charge - Manual Service Order - Add'l	SOMAN	TBD	TBD	NA	TBD	TBD	TBD	TBD	TBD	TBD
NRC - Incremental Charge - Manual Service Order - Disconnect	SOMAN	TBD	TBD	NA	TBD	TBD	TBD	TBD	TBD	TBD
NRC - Incremental Charge - Manual Order Coordination - per loop	UCLMC	TBD	TBD	\$36.46	TBD	TBD	TBD	TBD	TBD	TBD
<b>4-Wire Unbundled Copper Loop/Short (less than or equal to 18kft), without manual service inquiry and facility reservation, per month, statewide</b>	UCL4W	TBD	TBD	\$19.34	TBD	TBD	TBD	TBD	TBD	TBD
Zone 1, per month	UCL4W	TBD	TBD	\$16.65	TBD	TBD	TBD	TBD	TBD	TBD
Zone 2, per month	UCL4W	TBD	TBD	\$19.22	TBD	TBD	TBD	TBD	TBD	TBD
Zone 3, per month	UCL4W	TBD	TBD	\$30.55	TBD	TBD	TBD	TBD	TBD	TBD
Zone 4, per month	UCL4W	NA	NA	NA	NA	NA	NA	NA	NA	NA
NRC - 1st	UCL4W	TBD	TBD	\$214.80	TBD	TBD	TBD	TBD	TBD	TBD
NRC - Add'l	UCL4W	TBD	TBD	\$162.61	TBD	TBD	TBD	TBD	TBD	TBD
NRC - Disconnect Charge - 1st	UCL4W	TBD	TBD	\$156.25	TBD	TBD	TBD	TBD	TBD	TBD
NRC - Disconnect Charge - Add'l	UCL4W	TBD	TBD	\$41.96	TBD	TBD	TBD	TBD	TBD	TBD
NRC - Incremental Charge - Manual Service Order - 1st	SOMAN	TBD	TBD	NA	TBD	TBD	TBD	TBD	TBD	TBD
NRC - Incremental Charge - Manual Service Order - Add'l	SOMAN	TBD	TBD	NA	TBD	TBD	TBD	TBD	TBD	TBD
NRC - Incremental Charge - Manual Service Order - Disconnect	SOMAN	TBD	TBD	NA	TBD	TBD	TBD	TBD	TBD	TBD
NRC - Incremental Charge - Manual Order Coordination - per loop	UCLMC	TBD	TBD	\$36.46	TBD	TBD	TBD	TBD	TBD	TBD

BELLSOUTH/Z-TEL RATES  
NETWORK ELEMENTS  
AND OTHER SERVICES

DESCRIPTION	USOC	AL	FL	GA	KY	LA	MS	NC	SC	TN
<b>4-Wire Unbundled Copper Loop/Long (greater than 18kft), includes manual service inquiry and reservation, per month, statewide</b>	UCL4L	TBD	TBD	\$55.86	TBD	TBD	TBD	TBD	TBD	TBD
Zone 1, per month	UCL4L	TBD	TBD	\$47.56	TBD	TBD		TBD	TBD	TBD
Zone 2, per month	UCL4L	TBD	TBD	\$54.92	TBD	TBD		TBD	TBD	TBD
Zone 3, per month	UCL4L	TBD	TBD	\$87.30	TBD	TBD		TBD	TBD	TBD
Zone 4, per month	UCL4L	NA	NA	NA	NA	NA		NA	NA	NA
NRC - 1st	UCL4L	TBD	TBD	\$397.06	TBD	TBD	TBD	TBD	TBD	TBD
NRC - Add'l	UCL4L	TBD	TBD	\$227.88	TBD	TBD	TBD	TBD	TBD	TBD
NRC - Disconnect Charge - 1st	UCL4L	TBD	TBD	\$156.25	TBD	TBD	TBD	TBD	TBD	TBD
NRC - Disconnect Charge - Add'l	UCL4L	TBD	TBD	\$41.96	TBD	TBD	TBD	TBD	TBD	TBD
NRC - Incremental Charge - Manual Service Order - 1st	SOMAN	TBD	TBD	NA	TBD	TBD	TBD	TBD	TBD	TBD
NRC - Incremental Charge - Manual Service Order - Add'l	SOMAN	TBD	TBD	NA	TBD	TBD	TBD	TBD	TBD	TBD
NRC - Incremental Charge - Manual Service Order - Disconnect	SOMAN	TBD	TBD	NA	TBD	TBD	TBD	TBD	TBD	TBD
NRC - Incremental Charge - Manual Order Coordination - per loop	UCLMC	TBD	TBD	\$36.46	TBD	TBD	TBD	TBD	TBD	TBD
<b>4-Wire Unbundled Copper Loop/Long (greater than 18kft), without manual service inquiry and facility reservation, per month, statewide</b>	UCL4O	TBD	TBD	\$55.86	TBD	TBD	TBD	TBD	TBD	TBD
Zone 1, per month	UCL4O	TBD	TBD	\$47.56	TBD	TBD	TBD	TBD	TBD	TBD
Zone 2, per month	UCL4O	TBD	TBD	\$54.92	TBD	TBD	TBD	TBD	TBD	TBD
Zone 3, per month	UCL4O	TBD	TBD	\$87.30	TBD	TBD	TBD	TBD	TBD	TBD
Zone 4, per month	UCL4O	NA	NA	NA	NA	NA	TBD	NA	NA	NA
NRC - 1st	UCL4O	TBD	TBD	\$258.06	TBD	TBD	TBD	TBD	TBD	TBD
NRC - Add'l	UCL4O	TBD	TBD	\$88.88	TBD	TBD	TBD	TBD	TBD	TBD
NRC - Disconnect Charge - 1st	UCL4O	TBD	TBD	\$156.25	TBD	TBD	TBD	TBD	TBD	TBD
NRC - Disconnect Charge - Add'l	UCL4O	TBD	TBD	\$41.96	TBD	TBD	TBD	TBD	TBD	TBD
NRC - Incremental Charge - Manual Service Order - 1st	SOMAN	TBD	TBD	NA	TBD	TBD	TBD	TBD	TBD	TBD
NRC - Incremental Charge - Manual Service Order - Add'l	SOMAN	TBD	TBD	NA	TBD	TBD	TBD	TBD	TBD	TBD
NRC - Incremental Charge - Manual Service Order - Disconnect	SOMAN	TBD	TBD	NA	TBD	TBD	TBD	TBD	TBD	TBD
NRC - Incremental Charge - Manual Order Coordination - per loop	UCLMC	TBD	TBD	\$36.46	TBD	TBD	TBD	TBD	TBD	TBD
<b>DS3 Unbundled Local Loop</b>										
DS3 Unbundled Local Loop - per mile	1L5ND	\$43.96	\$40.01	\$29.96	\$43.69	\$38.98	\$54.39	\$32.53	\$56.71	\$30.53
DS3 Unbundled Local Loop - per Facility Termination	UE3PX	\$456.18	\$470.83	\$392.61	\$436.95	\$497.08	\$427.81	\$387.01	\$510.30	\$400.21
NRC - Facility Termination - 1st	UE3PX	\$973.58	\$770.47	\$770.96	\$1,091.00	\$709.14	\$975.22	\$964.04	\$1,091.00	\$726.16
NRC - Facility Termination - Add'l	UE3PX	\$547.59	\$436.40	\$437.71	\$661.23	\$402.63	\$549.17	\$542.73	\$654.13	\$411.64
NRC - Facility Termination - Disconnect - 1st	UE3PX	\$132.56	\$108.95	\$111.07	NA	\$102.16	\$134.07	NA	NA	\$103.36
NRC - Facility Termination - Disconnect - Add'l	UE3PX	\$129.07	\$106.01	\$108.14	NA	\$99.46	\$130.59	NA	NA	\$100.59
NRC - Incremental Charge--Manual Svc Order - 1st	SOMAC	\$70.10	NA	\$54.64	\$93.12	\$50.25	\$68.62	\$69.34	\$92.52	\$53.03
NRC - Incremental Charge--Manual Svc Order - Add'l	SOMAC	\$70.10	NA	\$54.64	\$93.12	\$50.25	\$68.62	\$69.34	\$92.52	\$53.03
NRC - Incremental Cost - Manual Svc. Order vs. Elect-Disconnect-1st	SOMAC	\$30.09	NA	\$22.77	NA	\$20.94	\$28.59	\$29.76	NA	\$22.95
NRC - Incremental Cost - Manual Svc. Order vs. Elect-Disconnect-Add'l	SOMAC	\$30.09	NA	\$22.77	NA	\$20.94	\$28.59	\$29.76	NA	\$22.95
<b>STS-1 Unbundled Local Loop</b>										
STS-1 Unbundled Local Loop - per mile	1L5ND	\$43.96	\$40.01	\$29.96	\$43.69	\$38.98	\$54.39	\$32.53	\$56.71	\$30.53
STS-1 Unbundled Local Loop - per Facility Termination	UDLS1	\$456.18	\$470.83	\$392.61	\$436.95	\$497.08	\$427.81	\$387.01	\$510.30	\$400.21
NRC - STS-1 - Facility Termination - 1st	UDLS1	\$973.58	\$770.47	\$770.96	\$1,091.00	\$709.14	\$975.22	\$964.04	\$1,091.00	\$726.16
NRC - STS-1 - Facility Termination - Add'l	UDLS1	\$547.59	\$436.40	\$437.71	\$661.23	\$402.63	\$549.17	\$542.73	\$654.13	\$411.64
NRC - STS-1 - Facility Termination - Disconnect - 1st	UDLS1	\$132.56	\$108.95	\$111.07	NA	\$102.16	\$134.07	NA	NA	\$103.36
NRC - STS-1 - Facility Termination - Disconnect - Add'l	UDLS1	\$129.07	\$106.01	\$108.14	NA	\$99.46	\$130.59	NA	NA	\$100.59
NRC - STS-1 - Incremental Charge--Manual Svc Order - 1st	SOMAC	\$70.10	NA	\$54.64	\$93.12	\$50.25	\$68.62	\$69.34	\$92.52	\$53.03
NRC - STS-1 - Incremental Charge--Manual Svc Order - Add'l	SOMAC	\$70.10	NA	\$54.64	\$93.12	\$50.25	\$68.62	\$69.34	\$92.52	\$53.03
NRC - STS-1 - Incremental Cost - Manual Svc. Order vs. Elect-Disconnect-1st	SOMAC	\$30.09	NA	\$22.77	NA	\$20.94	\$28.59	\$29.76	NA	\$22.95
NRC - STS-1 - Incremental Cost - Manual Svc. Order vs. Elect-Disconnect-Add'l	SOMAC	\$30.09	NA	\$22.77	NA	\$20.94	\$28.59	\$29.76	NA	\$22.95
<b>Unbundled Loop Modification - Note 3</b>										
Load Coil/Equipment Removal per pair - Loops up to 18kft	ULM2L	\$80.55	\$80.55	\$80.55	\$80.55	\$80.55	\$80.55	\$80.55	\$80.55	\$80.55

BELLSOUTH/Z-TEL RATES  
NETWORK ELEMENTS  
AND OTHER SERVICES

DESCRIPTION	USOC	AL	FL	GA	KY	LA	MS	NC	SC	TN	
Load Coil/Equipment Removal per pair - Loops > 18kft - 1st	ULM2G	\$880.08	\$880.08	\$880.08	\$880.08	\$880.08	\$880.08	\$880.08	\$880.08	\$880.08	
Load Coil/Equipment Removal per pair - Loops > 18kft - Add'l	ULM2G	\$27.30	\$27.30	\$27.30	\$27.30	\$27.30	\$27.30	\$27.30	\$27.30	\$27.30	
Bridged Tap Removal per pair unloaded	ULMBT	\$121.14	\$121.14	\$121.14	\$121.14	\$121.14	\$121.14	\$121.14	\$121.14	\$121.14	
<b>Loop Make-Up Service Inquiry - Note 3</b>											
Per Service Inquiry	UMKLP	\$233.75	\$233.75	\$233.75	\$233.75	\$233.75	\$233.75	\$233.75	\$233.75	\$233.75	
<b>Unbundled Sub-Loops</b>											
<b>Sub-Loop Analog</b>											
<b>Loop Distribution per 2-Wire Analog VG Loop (Including NID), per month</b>											
NRC - Set-Up per Cross Box location - CLEC Feeder Facility set-up	USBSA	TBN	TBD	TBD	TBD	TBN	TBN	TBN	TBN	TBD	
NRC - Set-Up per Cross Box location - per 25 pair panel set-up	USBSB	TBN	TBD	TBD	TBD	TBN	TBN	TBN	TBN	TBD	
NRC - 1st	USBN2	TBN	\$78.28	\$207.01	\$459.85	TBN	TBN	TBN	TBN	\$586.00	
NRC - Add'l	USBN2	TBN	\$58.33	\$171.32	\$352.89	TBN	TBN	TBN	TBN	\$255.00	
NRC - Disconnect Charge - 1st	USBN2	TBN	NA	NA	NA	TBN	TBN	TBN	TBN	NA	
NRC - Disconnect Charge - Add'l	USBN2	TBN	NA	NA	NA	TBN	TBN	TBN	TBN	NA	
NRC - Incremental Charge - Manual Service Order - 1st	SOMAN	TBN	NA	\$18.94	NA	TBN	TBN	TBN	TBN	NA	
NRC - Incremental Charge - Manual Service Order - Add'l	SOMAN	TBN	NA	\$8.42	NA	TBN	TBN	TBN	TBN	NA	
NRC - Incremental Charge - Manual Service Order - Disconnect	SOMAN	TBN	NA	NA	NA	TBN	TBN	TBN	TBN	NA	
NRC - Incremental Charge - Manual Order Coordination - per loop	USBMC	TBN	TBD	TBD	TBD	TBN	TBN	TBN	TBN	TBD	
<b>Loop Distribution per 2-Wire Analog VG Loop (Excluding NID), per month</b>											
NRC - Set-Up per Cross Box location - CLEC Feeder Facility set-up	USBSA	NA	NA	NA	\$9.95	NA	NA	NA	NA	TBD	
NRC - Set-Up per Cross Box location - per 25 pair panel set-up	USBSB	NA	NA	NA	\$9.95	NA	NA	NA	NA	TBD	
NRC - 1st	TBD	NA	NA	NA	\$459.85	NA	NA	NA	NA	\$587.00	
NRC - Add'l	TBD	NA	NA	NA	\$352.89	NA	NA	NA	NA	\$255.00	
NRC - Incremental Charge - Manual Order Coordination - per loop	USBMC	TBN	TBD	TBN	TBN	TBN	TBN	TBN	TBN	TBD	
<b>Loop Distribution per 4-Wire Analog VG Loop (Incl NID), per month</b>											
NRC - Set-Up per Cross Box location - CLEC Feeder Facility set-up	USBN4	TBN	\$11.29	TBN	TBN	TBN	TBN	TBN	TBN	TBD	
NRC - Set-Up per Cross Box location - per 25 pair panel set-up	USBSA	TBN	TBD	TBN	TBN	TBN	TBN	TBN	TBN	TBD	
NRC - 1st	USBN4	TBN	\$112.07	TBN	TBN	TBN	TBN	TBN	TBN	TBD	
NRC - Add'l	USBN4	TBN	\$92.11	TBN	TBN	TBN	TBN	TBN	TBN	TBD	
NRC - Incremental Charge - Manual Order Coordination - per loop	USBMC	TBN	TBD	TBN	TBN	TBN	TBN	TBN	TBN	TBD	
<b>Sub-Loop-Intrabuilding Network Cable (INC) (riser cable), 2W analog, per month</b>											
NRC - Set-Up per Building Equipment Room - CLEC Feeder Facility set-up	USBSC	TBN	TBN	TBN	TBN	TBN	TBN	TBN	TBN	TBN	
NRC - Set-Up per Building Equipment Room - per 25 pair panel set-up	USBSD	TBN	TBN	TBN	TBN	TBN	TBN	TBN	TBN	TBN	
NRC - 1st	USBR2	TBN	TBN	TBN	TBN	TBN	TBN	TBN	TBN	TBN	
NRC - Add'l	USBR2	TBN	TBN	TBN	TBN	TBN	TBN	TBN	TBN	TBN	
NRC - Disconnect Charge - 1st	USBR2	TBN	TBN	TBN	TBN	TBN	TBN	TBN	TBN	TBN	
NRC - Disconnect Charge - Add'l	USBR2	TBN	TBN	TBN	TBN	TBN	TBN	TBN	TBN	TBN	
NRC - Incremental Charge - Manual Service Order - 1st	SOMAN	TBN	TBN	TBN	TBN	TBN	TBN	TBN	TBN	TBN	
NRC - Incremental Charge - Manual Service Order - Add'l	SOMAN	TBN	TBN	TBN	TBN	TBN	TBN	TBN	TBN	TBN	
NRC - Incremental Charge - Manual Service Order - Disconnect	SOMAN	TBN	TBN	TBN	TBN	TBN	TBN	TBN	TBN	TBN	
NRC - Incremental Charge - Manual Order Coordination - per loop	USBMC	TBN	TBN	TBN	TBN	TBN	TBN	TBN	TBN	TBN	
<b>Sub-Loop-Intrabuilding Network Cable (INC) (riser cable), 4W analog, per month</b>											
NRC - Set-Up per Building Equipment Room - CLEC Feeder Facility set-up	USBSC	TBN	TBN	TBN	TBN	TBN	TBN	TBN	TBN	TBN	
NRC - Set-Up per Building Equipment Room - per 25 pair panel set-up	USBSD	TBN	TBN	TBN	TBN	TBN	TBN	TBN	TBN	TBN	
NRC - 1st	USBR4	TBN	TBN	TBN	TBN	TBN	TBN	TBN	TBN	TBN	
NRC - Add'l	USBR4	TBN	TBN	TBN	TBN	TBN	TBN	TBN	TBN	TBN	
NRC - Disconnect Charge - 1st	USBR4	TBN	TBN	TBN	TBN	TBN	TBN	TBN	TBN	TBN	
NRC - Disconnect Charge - Add'l	USBR4	TBN	TBN	TBN	TBN	TBN	TBN	TBN	TBN	TBN	
NRC - Incremental Charge - Manual Service Order - 1st	SOMAN	TBN	TBN	TBN	TBN	TBN	TBN	TBN	TBN	TBN	
NRC - Incremental Charge - Manual Service Order - Add'l	SOMAN	TBN	TBN	TBN	TBN	TBN	TBN	TBN	TBN	TBN	
NRC - Incremental Charge - Manual Service Order - Disconnect	SOMAN	TBN	TBN	TBN	TBN	TBN	TBN	TBN	TBN	TBN	



BELLSOUTH/Z-TEL RATES  
NETWORK ELEMENTS  
AND OTHER SERVICES

DESCRIPTION	USOC	AL	FL	GA	KY	LA	MS	NC	SC	TN
NRC - Incremental Charge - Manual Order Coordination - per loop	USBMC	TBN	TBN	TBN	TBN	TBN	TBN	TBN	TBN	TBN
<b>Unbundled Network Terminating Wire</b>										
UNTW Pair, per pair, per month	UENPP	TBN	\$0.67	\$1.56	\$1.24	NA	NA	NA	NA	\$1.31
Site Visit Survey, per MDU/MTU Complex, NRC	UENV5	TBN	\$225.00	\$225.00	\$225.00	NA	NA	NA	NA	\$225.00
Site Visit Set-Up – Terminal Preparation, per terminal										
NRC - 1st terminal	UENSS	TBN	\$98.00	\$98.00	\$98.00	TBN	TBN	TBN	TBN	\$98.00
NRC - Add'l terminal	UENSS	TBN	\$65.00	\$65.00	\$65.00	TBN	TBN	TBN	TBN	\$65.00
Access Terminal Provisioning & 1st 25 pair panel (SPOI), per terminal, NRC	UEN1T	TBN	\$110.00	\$110.00	\$110.00	TBN	TBN	TBN	TBN	\$110.00
Existing Access Terminal Provisioning, 2nd 25 pair panel, per terminal, NRC	UEN2T	TBN	\$35.00	\$35.00	\$35.00	TBN	TBN	TBN	TBN	\$35.00
UNTW Pair Provisioning, per pair, NRC	UENPP	TBN	\$9.00	\$9.00	\$9.00	TBN	TBN	TBN	TBN	\$9.00
Service Visit for Provisioning, per request, per premises, NRC	UENSV	TBN	\$55.00	\$55.00	\$55.00	TBN	TBN	TBN	TBN	\$55.00
Manual Service Order, NRC	MOCLA	TBN	\$45.00	\$45.00	\$45.00	TBN	TBN	TBN	TBN	\$45.00
<b>Sub-Loop Concentration - Channelization Sys (Outside CO)</b>										
NRC - Incremental Charge - Manual Service Order - 1st	SOMAN	\$27.37	TBD	\$18.94	TBD	BFR	BFR	BFR	BFR	TBD
NRC - Incremental Charge - Manual Service Order - Add'l	SOMAN	\$12.97	TBD	\$8.42	TBD	BFR	BFR	BFR	BFR	TBD
<b>TR008 - System A (96 channel capacity - channels 1-96), per month</b>										
NRC - 1st	UCT8A	NA	\$792.49	\$724.79	\$757.00	NA	NA	NA	NA	\$683.78
NRC - Add'l	UCT8A	NA	\$640.93	\$632.36	\$633.94	NA	NA	NA	NA	\$634.31
<b>TR008 - System B (96 channel capacity - channels 97-192), per month</b>										
NRC - 1st	UCT8A	NA	\$315.03	\$310.82	\$311.60	NA	NA	NA	NA	\$311.78
NRC - Add'l	UCT8A	NA	\$155.32	\$92.91	\$95.60	NA	NA	NA	NA	\$102.12
<b>TR303 - System A (96 channel capacity - channels 1-96), per month</b>										
NRC - 1st	UCT8B	NA	\$640.93	\$632.36	\$633.94	NA	NA	NA	NA	\$634.31
NRC - Add'l	UCT8B	NA	\$315.03	\$310.82	\$311.60	NA	NA	NA	NA	\$311.78
<b>TR303 - System B (96 channel capacity - channels 97-192), per month</b>										
NRC - 1st	UCT3A	NA	\$835.72	\$764.42	\$799.95	NA	NA	NA	NA	\$726.87
NRC - Add'l	UCT3A	NA	\$640.93	\$632.36	\$633.94	NA	NA	NA	NA	\$634.31
<b>TR303 - System B (96 channel capacity - channels 97-192), per month</b>										
NRC - 1st	UCT3B	NA	\$315.03	\$310.82	\$311.60	NA	NA	NA	NA	\$311.78
NRC - Add'l	UCT3B	NA	\$198.55	\$132.54	\$138.55	NA	NA	NA	NA	\$145.21
<b>DS1 Feeder Interface, per month</b>										
NRC 1st	UCT3B	NA	\$640.93	\$632.36	\$633.94	NA	NA	NA	NA	\$634.31
NRC - Add'l	UCT3B	NA	\$315.03	\$310.82	\$311.60	NA	NA	NA	NA	\$311.78
<b>DS1 Feeder Interface, per month</b>										
NRC 1st	UCTFS	NA	\$78.43	\$72.12	\$77.02	NA	NA	NA	NA	\$76.73
NRC Add'l	UCTFS	NA	\$422.74	\$425.74	\$418.13	NA	NA	NA	NA	\$418.37
<b>Channel Interface - 2 Wire Voice - Loop Start , per month</b>										
NRC 1st	UCTFS	NA	\$200.74	\$198.06	\$198.56	NA	NA	NA	NA	\$198.67
NRC Add'l	UCTFS	NA	\$2.61	\$2.38	\$2.68	NA	NA	NA	NA	\$2.61
<b>Channel Interface - 2 Wire Voice - Loop Start , per month</b>										
NRC 1st	TBD	NA	\$42.39	\$41.82	\$41.92	NA	NA	NA	NA	\$41.95
NRC Add'l	TBD	NA	\$42.15	\$41.58	\$41.69	NA	NA	NA	NA	\$41.71
<b>Channel Interface - 2 Wire ISDN, per month</b>										
NRC 1st	ULCC1	NA	\$10.49	\$9.53	\$10.72	NA	NA	NA	NA	\$10.43
NRC Add'l	ULCC1	NA	\$42.39	\$41.82	\$41.92	NA	NA	NA	NA	\$41.95
<b>Channel Interface - 2 Wire Voice - Ground Start or Reverse Battery, per month</b>										
NRC 1st	ULCC1	NA	\$42.15	\$41.58	\$41.69	NA	NA	NA	NA	\$41.71
NRC Add'l	ULCC1	NA	\$15.59	\$14.17	\$15.94	NA	NA	NA	NA	\$15.51
<b>Channel Interface - 2 Wire Voice - Ground Start or Reverse Battery, per month</b>										
NRC 1st	TBD	NA	\$42.39	\$41.82	\$41.92	NA	NA	NA	NA	\$41.95
NRC Add'l	TBD	NA	\$42.15	\$41.58	\$41.69	NA	NA	NA	NA	\$41.71
<b>Channel Interface - 4 Wire Voice, per month</b>										
NRC 1st	ULCC4	NA	\$9.30	\$8.45	\$9.50	NA	NA	NA	NA	\$9.26
NRC Add'l	ULCC4	NA	\$42.39	\$41.82	\$41.92	NA	NA	NA	NA	\$41.95
<b>Test Circuit, per month</b>										
NRC 1st	ULCC4	NA	\$42.15	\$41.58	\$41.69	NA	NA	NA	NA	\$41.71
NRC Add'l	ULCC4	NA	\$45.46	\$41.30	\$46.44	NA	NA	NA	NA	\$45.22
<b>Channel Interface - Digital 56Kbps, per month</b>										
NRC 1st	UCTTC	NA	\$42.39	\$41.82	\$41.92	NA	NA	NA	NA	\$41.95
NRC Add'l	UCTTC	NA	\$42.15	\$41.58	\$41.69	NA	NA	NA	NA	\$41.71
<b>Channel Interface - Digital 64Kbps, per month</b>										
NRC 1st	ULCC5	NA	\$13.78	\$12.51	\$14.08	NA	NA	NA	NA	\$13.71
NRC Add'l	ULCC5	NA	\$42.39	\$41.82	\$41.92	NA	NA	NA	NA	\$41.95
<b>Channel Interface - Digital 64Kbps, per month</b>										
NRC 1st	ULCC6	NA	\$42.15	\$41.58	\$41.69	NA	NA	NA	NA	\$41.71
NRC Add'l	ULCC6	NA	\$13.78	\$12.51	\$14.08	NA	NA	NA	NA	\$13.71
<b>Loop Concentration System (Inside C.O.)</b>										
NRC - Incremental Charge - Manual Service Order - 1st	SOMAN	\$27.37	TBD	\$18.94	TBD	\$18.14	\$25.52	TBD	\$44.06	TBD

BELLSOUTH/Z-TEL RATES  
NETWORK ELEMENTS  
AND OTHER SERVICES

DESCRIPTION	USOC	AL	FL	GA	KY	LA	MS	NC	SC	TN
NRC - Incremental Charge - Manual Service Order - Add'l	SOMAN	\$12.97	TBD	\$8.42	TBD	\$8.06	\$11.34	TBD	\$13.55	TBD
<b>Loop Channelization System - Digital Loop Carrier</b>	TBD	NA	NA	NA	NA	NA	NA	NA	NA	NA
RC - Loop Channelization System - Digital Loop Carrier	TBD	NA	NA	NA	NA	NA	NA	\$315.61	NA	NA
NRC- 1st	TBD	NA	NA	NA	NA	NA	NA	\$426.48	NA	NA
NRC- Add'l	TBD	NA	NA	NA	NA	NA	NA	\$103.42	NA	NA
NRC- Incremental Cost - Manual Service Order- 1st	TBD	NA	NA	NA	NA	NA	NA	\$42.19	NA	NA
NRC- Incremental Cost - Manual Service Order- Add'l	TBD	NA	NA	NA	NA	NA	NA	\$12.76	NA	NA
<b>TR008 - System A (96 channel capacity - channels 1-96), per month</b>	UCT8A	\$327.44	\$400.33	\$316.63	\$394.00	\$308.74	\$454.79	\$375.96	\$399.21	\$380.06
NRC - 1st	UCT8A	\$1,115.10	\$1,128.75	\$1,111.95	\$1,116.15	\$1,117.20	\$1,115.10	\$1,113.00	\$1,119.30	\$1,114.05
NRC - Add'l	UCT8A	NA	NA	NA	NA	NA	NA	NA	NA	NA
<b>TR008 - System B (96 channel capacity - channels 97-192), per month</b>	UCT8B	\$67.41	\$70.48	\$65.27	\$72.21	\$76.58	\$73.30	\$65.98	\$71.91	\$68.71
NRC - 1st	UCT8B	\$464.57	\$470.41	\$463.37	\$465.11	\$465.64	\$464.71	\$463.74	\$466.38	\$464.21
NRC - Add'l	UCT8B	NA	NA	NA	NA	NA	NA	NA	NA	NA
<b>TR303 - System A (96 channel capacity - channels 1-96), per month</b>	UCT3A	\$375.18	\$450.24	\$362.87	\$445.14	\$385.97	\$506.70	\$422.68	\$450.13	\$428.73
NRC - 1st	UCT3A	\$1,115.10	\$1,128.75	\$1,111.95	\$1,116.15	\$1,117.20	\$1,115.10	\$1,113.00	\$1,119.30	\$1,114.05
NRC - Add'l	UCT3A	NA	NA	NA	NA	NA	NA	NA	NA	NA
<b>TR303 - System B (96 channel capacity - channels 97-192), per month</b>	UCT3B	\$111.30	\$118.76	\$110.02	\$121.45	\$129.05	\$123.52	\$111.17	\$121.16	\$115.79
NRC - 1st	UCT3B	\$464.57	\$470.41	\$463.37	\$465.11	\$465.64	\$464.71	\$463.74	\$466.38	\$464.21
NRC - Add'l	UCT3B	NA	NA	NA	NA	NA	NA	NA	NA	NA
<b>DS1 Interface, per month</b>	UCTCO	\$6.42	\$6.47	\$6.15	\$403.20	\$7.35	\$6.99	\$6.27	\$6.79	\$6.49
NRC 1st	UCTCO	\$367.70	\$372.32	\$366.72	\$132.18	\$368.54	\$367.80	\$367.04	\$369.13	\$367.41
NRC Add'l	UCTCO	\$132.03	\$133.69	\$130.63	\$132.18	\$132.33	\$132.07	\$131.79	\$132.54	\$131.92
<b>Channel Interface - 2 Wire Voice - Loop Start , per month</b>	TBD	\$2.55	\$2.66	\$2.44	\$2.79	\$2.91	\$2.77	\$0.89	\$2.69	\$2.58
NRC 1st	TBD	\$35.77	\$36.23	\$35.68	\$35.82	\$35.86	\$35.78	\$35.73	\$35.91	\$35.74
NRC Add'l	TBD	\$35.55	\$36.02	\$35.48	\$35.62	\$35.66	\$35.37	\$35.49	\$35.71	\$35.54
<b>Channel Interface - 2 Wire ISDN, per month</b>	ULCC1	\$10.19	\$10.67	\$9.76	\$11.18	\$11.66	\$11.10	\$9.95	\$10.76	\$10.30
NRC 1st	ULCC1	\$35.77	\$36.23	\$35.68	\$35.82	\$35.86	\$35.78	\$35.71	\$35.91	\$35.74
NRC Add'l	ULCC1	\$35.55	\$36.02	\$35.48	\$35.62	\$35.66	\$35.37	\$35.51	\$35.71	\$35.54
<b>Channel Interface - 2 Wire Voice - Ground Start or Reverse Battery, per month</b>	TBD	\$15.15	\$15.85	\$14.51	\$16.62	\$17.33	\$16.46	\$14.80	\$16.01	\$15.32
NRC 1st	TBD	\$35.77	\$36.23	\$35.68	\$35.82	\$35.86	\$35.78	\$35.71	\$35.91	\$35.74
NRC Add'l	TBD	\$35.55	\$36.02	\$35.48	\$35.62	\$35.66	\$35.37	\$35.51	\$35.71	\$35.54
<b>Channel Interface - 4 Wire Voice, per month</b>	ULCC4	\$9.04	\$9.44	\$8.65	\$9.91	\$10.34	\$9.83	\$8.82	\$9.55	\$9.13
NRC 1st	ULCC4	\$35.77	\$36.23	\$35.68	\$35.82	\$35.86	\$35.78	\$35.71	\$35.91	\$35.74
NRC Add'l	ULCC4	\$35.55	\$36.02	\$35.48	\$35.62	\$35.66	\$35.37	\$35.51	\$35.71	\$35.54
<b>Test Circuit, per month</b>	UCTTC	\$44.16	\$46.14	\$42.30	\$48.43	\$50.53	\$47.85	\$43.13	\$46.66	\$44.65
NRC 1st	UCTTC	\$35.77	\$36.23	\$35.68	\$35.82	\$35.86	\$35.78	\$35.71	\$35.91	\$35.74
NRC Add'l	UCTTC	\$35.55	\$36.02	\$35.48	\$35.62	\$35.66	\$35.37	\$35.51	\$35.71	\$35.54
<b>Channel Interface - Digital 56Kbps, per month</b>	ULCC5	TBD	TBD	TBD	TBD	TBD	TBD	TBD	TBD	TBD
NRC 1st	ULCC5	TBD	TBD	TBD	TBD	TBD	TBD	TBD	TBD	TBD
NRC Add'l	ULCC5	TBD	TBD	TBD	TBD	TBD	TBD	TBD	TBD	TBD
<b>Channel Interface - Digital 64Kbps, per month</b>	ULCC6	TBD	TBD	TBD	TBD	TBD	TBD	TBD	TBD	TBD
NRC 1st	ULCC6	TBD	TBD	TBD	TBD	TBD	TBD	TBD	TBD	TBD
NRC Add'l	ULCC6	TBD	TBD	TBD	TBD	TBD	TBD	TBD	TBD	TBD
<b>DARK FIBER</b>										
<b>Per four fiber strands, per route mile or fraction thereof, per month</b>	1L5DF	\$59.84	\$55.35	\$44.22	\$64.64	\$65.29	\$70.35	\$49.88	\$72.45	\$52.67
NRC - Per each four-fiber dark fiber arrangement - 1st	1L5DF	\$2,518.66	\$1,715.61	\$1,355.29	\$2,304.00	\$1,685.19	\$2,389.99	\$2,277.00	\$2,406.00	\$1,672.44
NRC - Per each four-fiber dark fiber arrangement - Add'l	1L5DF	\$835.08	\$622.68	\$273.69	\$740.93	\$580.11	\$804.32	\$733.08	\$765.30	\$509.09
<b>NOTES:</b>										
1	In states where a specific NRC for customer transfer, feature additions and changes is not stated, the applicable NRC from the appropriate tariff applies.									

**BELLSOUTH/Z-TEL RATES  
 NETWORK ELEMENTS  
 AND OTHER SERVICES**

		USOC	AL	FL	GA	KY	LA	MS	NC	SC	TN
2	Effective May 1, 2000 statewide rates will be replaced by Deaveraged Loop Rates by Zone where available. Until approximately December 31, 2000 or until such time that BellSouth billing systems have been developed to handle the new zone rate structure, BellSouth will bill at the Zone 1 Deaveraged Loop rate level only. After December 31, 2000 or such time that the billing systems have been developed to handle the new zone rate structure, BellSouth will begin billing pursuant to Birch's interconnection agreement.										
3	All rates are interim and subject to true-up.										

BELLSOUTH/Z-TEL RATES  
NETWORK ELEMENTS  
AND OTHER SERVICES

DESCRIPTION	USOC	AL	FL	GA	KY	LA	MS	NC	SC	TN
<b>LOCAL EXCHANGE SWITCHING (PORTS)</b>										
<b>2-Wire Analog Line Port (Res., Bus.), per month</b>										
2-wire voice unbundled port - residence	UEPRL	\$2.07	2.00 - Note 1	1.85 - Note 1	2.61 - Note 1	\$2.20	\$2.11	\$2.19	\$2.35	1.90 - Note 1
2-wire voice unbundled port with caller ID - residence	UEPRC	\$2.07	\$2.00	\$1.85	\$2.61	\$2.20	\$2.11	\$2.00	\$2.35	\$1.90
2-wire voice unbundled port outgoing only - residence	UEPRO	\$2.07	\$2.00	\$1.85	\$2.61	\$2.20	\$2.11	\$2.00	\$2.35	\$1.90
2-wire voice unbundled area plus port with caller ID - residence	UEPRM	\$2.07	\$2.00	\$1.85	\$2.61	\$2.20	\$2.11	\$2.00	\$2.35	\$1.90
2-wire voice unbundled Florida area calling with caller ID - residence	UEPAF	NA	\$2.00	NA	NA	NA	NA	NA	NA	NA
2-wire voice unbundled Louisiana Area Plus with caller ID - residence (RUL)	UEPAG	NA	NA	NA	NA	\$2.20	NA	NA	NA	NA
2-wire voice unbundled Louisiana Area Plus with caller ID - residence (AC7)	UEPAH	NA	NA	NA	NA	\$2.20	NA	NA	NA	NA
2-wire voice unbundled South Carolina Area Calling port with Caller ID - residence (LW8)	UEPAJ	NA	NA	NA	NA	NA	NA	NA	\$2.35	NA
2-wire voice unbundled Tennessee Area Calling port with Caller ID - residence (F2R)	UEPAK	NA	NA	NA	NA	NA	NA	NA	NA	\$1.90
2-wire voice unbundled Tennessee Area Calling port with Caller ID - residence (TACER)	UEPAL	NA	NA	NA	NA	NA	NA	NA	NA	\$1.90
2-wire voice unbundled Tennessee Area Calling port with Caller ID - residence (TACSR)	UEPAM	NA	NA	NA	NA	NA	NA	NA	NA	\$1.90
2-wire voice unbundled Tennessee Area Calling port with Caller ID - residence (1MF2X)	UEPAN	NA	NA	NA	NA	NA	NA	NA	NA	\$1.90
2-wire voice unbundled Tennessee Area Calling port with Caller ID - residence (2MR)	UEPAO	NA	NA	NA	NA	NA	NA	NA	NA	\$1.90
2-wire voice unbundled res, low usage line port with Caller ID (LUM)	UEPAP	\$2.07	\$2.00	\$1.85	\$2.61	\$2.20	\$2.11	\$2.00	\$2.35	\$1.90
LOCAL NUMBER PORTABILITY (REQUIRES ONE PER PORT)										
LNPCX										
2-wire voice unbundled port without Caller ID	UEPBL	\$2.07	\$2.00	\$1.85	\$2.61	\$2.20	\$2.11	\$2.00	\$2.35	\$1.90
2-wire voice unbundled port with unbundled port with Caller+E484 ID	UEPBC	\$2.07	\$2.00	\$1.85	\$2.61	\$2.20	\$2.11	\$2.00	\$2.35	\$1.90
2-wire voice unbundled outgoing only port	UEPBO	\$2.07	\$2.00	\$1.85	\$2.61	\$2.20	\$2.11	\$2.00	\$2.35	\$1.90
2-wire voice unbundled area plus port with Caller ID	UEPBM	\$2.07	\$2.00	\$1.85	\$2.61	\$2.20	\$2.11	\$2.00	\$2.35	\$1.90
2-wire voice unbundled incoming only port with Caller ID	UEPB1	\$2.07	\$2.00	\$1.85	\$2.61	\$2.20	\$2.11	\$2.00	\$2.35	\$1.90
2-wire voice unbundled LA Bus Area Calling Port with Caller ID (BUC)	UEPAA	NA	NA	NA	NA	\$2.20	NA	NA	NA	NA
2-wire voice unbundled SC Bus Area Calling Port with Caller ID (LMB)	UEPAB	NA	NA	NA	NA	NA	NA	NA	\$2.35	NA
2-wire voice unbundled TN Bus 2-Way Area Calling Port Economy Option (TACC1)	UEPAC	NA	NA	NA	NA	NA	NA	NA	NA	\$1.90
2-wire voice unbundled TN Bus 2-Way Area Calling Port Standard Option (TACC2)	UEPAD	NA	NA	NA	NA	NA	NA	NA	NA	\$1.90
2-wire voice unbundled TN Bus 2-WAY Collierville and Memphis Local Calling Port (B2F)	UEPAE	NA	NA	NA	NA	NA	NA	NA	NA	\$1.90
LOCAL NUMBER PORTABILITY (REQUIRES ONE PER PORT)										
LNPCX										
<b>Non-Recurring Charges (NRC) - 1st (Residence)</b>										
2-wire voice unbundled port - residence	UEPRL	\$21.93	\$38.00	\$17.16	\$37.78	\$16.43	\$22.98	\$21.60	\$24.98	BST GSST A4.3.1
2-wire voice unbundled port with caller ID - residence	UEPRC	\$21.93	\$38.00	\$17.16	\$37.78	\$16.43	\$22.98	\$24.04	\$24.98	BST GSST A4.3.1
2-wire voice unbundled port outgoing only - residence	UEPRO	\$21.93	\$38.00	\$17.16	\$37.78	\$16.43	\$22.98	\$24.04	\$24.98	BST GSST A4.3.1
2-wire voice unbundled area plus port with caller ID - residence	UEPRM	\$21.93	\$38.00	\$17.16	\$37.78	\$16.43	\$22.98	\$24.04	\$24.98	BST GSST A4.3.1
2-wire voice unbundled Florida area calling with caller ID - residence	UEPAF	NA	\$38.00	NA	NA	NA	NA	NA	NA	NA
2-wire voice unbundled Louisiana Area Plus with caller ID - residence (RUL)	UEPAG	NA	NA	NA	NA	\$16.43	NA	NA	NA	NA
2-wire voice unbundled Louisiana Area Plus with caller ID - residence (AC7)	UEPAH	NA	NA	NA	NA	\$16.43	NA	NA	NA	NA

BELLSOUTH/Z-TEL RATES  
NETWORK ELEMENTS  
AND OTHER SERVICES

DESCRIPTION	USOC	AL	FL	GA	KY	LA	MS	NC	SC	TN
2-wire voice unbundled South Carolina Area Calling port with Caller ID - residence (LW8)	UEPAJ	NA	NA	NA	NA	NA	NA	NA	\$24.98	NA
2-wire voice unbundled Tennessee Area Calling port with Caller ID - residence (F2R)	UEPAK	NA	NA	NA	NA	NA	NA	NA	NA	BST GSST A4.3.1
2-wire voice unbundled Tennessee Area Calling port with Caller ID - residence (TACER)	UEPAL	NA	NA	NA	NA	NA	NA	NA	NA	BST GSST A4.3.1
2-wire voice unbundled Tennessee Area Calling port with Caller ID - residence (TACSR)	UEPAM	NA	NA	NA	NA	NA	NA	NA	NA	BST GSST A4.3.1
2-wire voice unbundled Tennessee Area Calling port with Caller ID - residence (1MF2X)	UEPAN	NA	NA	NA	NA	NA	NA	NA	NA	BST GSST A4.3.1
2-wire voice unbundled Tennessee Area Calling port with Caller ID - residence (2MR)	UEPAO	NA	NA	NA	NA	NA	NA	NA	NA	BST GSST A4.3.1
2-wire voice unbundled Res Low Usage Line Port with Caller+E563 ID (LUM)	UEPAP	\$21.93	\$38.00	\$17.16	\$37.78	\$16.43	\$22.98	\$24.04	\$24.98	BST GSST A4.3.1
<b>NRC - Add'l (Residence)</b>										
2-wire voice unbundled port - residence -	UEPRL	\$21.93	\$15.00	\$17.16	\$37.78	\$16.43	\$22.98	\$21.60	\$24.98	BST GSST A4.3.1
2-wire voice unbundled port with caller ID - residence	UEPRC	\$21.93	\$15.00	\$17.16	\$37.78	\$16.43	\$22.98	\$9.08	\$24.98	BST GSST A4.3.1
2-wire voice unbundled port outgoing only - residence	UEPRO	\$21.93	\$15.00	\$17.16	\$37.78	\$16.43	\$22.98	\$9.08	\$24.98	BST GSST A4.3.1
2-wire voice unbundled area plus port with caller ID - residence	UEPRM	\$21.93	\$15.00	\$17.16	\$37.78	\$16.43	\$22.98	\$9.08	\$24.98	BST GSST A4.3.1
2-wire voice unbundled Florida area calling with caller ID - residence	UEPAF	NA	\$15.00	NA	NA	NA	NA	NA	NA	NA
2-wire voice unbundled Louisiana Area Plus with caller ID - residence (RUL)	UEPAG	NA	NA	NA	NA	\$16.43	NA	NA	NA	NA
2-wire voice unbundled Louisiana Area Plus with caller ID - residence (AC7)	UEPAH	NA	NA	NA	NA	\$16.43	NA	NA	NA	NA
2-wire voice unbundled South Carolina Area Calling port with Caller ID - residence (LW8)	UEPAJ	NA	NA	NA	NA	NA	NA	NA	\$24.98	NA
2-wire voice unbundled Tennessee Area Calling port with Caller ID - residence (F2R)	UEPAK	NA	NA	NA	NA	NA	NA	NA	NA	BST GSST A4.3.1
2-wire voice unbundled Tennessee Area Calling port with Caller ID - residence (TACER)	UEPAL	NA	NA	NA	NA	NA	NA	NA	NA	BST GSST A4.3.1
2-wire voice unbundled Tennessee Area Calling port with Caller ID - residence (TACSR)	UEPAM	NA	NA	NA	NA	NA	NA	NA	NA	BST GSST A4.3.1
2-wire voice unbundled Tennessee Area Calling port with Caller ID - residence (1MF2X)	UEPAN	NA	NA	NA	NA	NA	NA	NA	NA	BST GSST A4.3.1
2-wire voice unbundled Tennessee Area Calling port with Caller ID - residence (2MR)	UEPAO	NA	NA	NA	NA	NA	NA	NA	NA	BST GSST A4.3.1
2-wire voice unbundled Res Low Usage Line Port with Caller ID (LUM)	UEPAP	\$21.93	\$15.00	\$17.16	\$37.78	\$16.43	\$22.98	\$9.08	\$24.98	BST GSST A4.3.1
<b>NRC - 1st (Business)</b>										
2-wire Voice Unbundled Port without Caller ID	UEPBL	\$21.93	\$38.00	\$17.16	\$37.55	\$16.43	\$22.98	\$21.60	\$24.98	BST GSST A4.3.1
2-wire voice unbundled port with Caller ID	UEPBC	\$21.93	\$38.00	\$17.16	\$37.55	\$16.43	\$22.98	\$24.04	\$24.98	BST GSST A4.3.1
2-wire voice unbundled outgoing only port	UEPBO	\$21.93	\$38.00	\$17.16	\$37.55	\$16.43	\$22.98	\$24.04	\$24.98	BST GSST A4.3.1
2-wire voice unbundled Area Plus Port with Caller ID	UEPBM	\$21.93	\$38.00	\$17.16	\$37.55	\$16.43	\$22.98	\$24.04	\$24.98	BST GSST A4.3.1
2-wire voice unbundled Incoming only Port with Caller ID	UEPB1	\$21.93	\$38.00	\$17.16	\$37.55	\$16.43	\$22.98	\$24.04	\$24.98	BST GSST A4.3.1
2-wire voice unbundled LA Bus Area Calling Port with Caller ID (BUC)	UEPAA	NA	NA	NA	NA	\$16.43	NA	NA	NA	NA
2-wire voice unbundled SC Bus Area Calling Port with Caller ID+E587 (LMB)	UEPAB	NA	NA	NA	NA	NA	NA	NA	\$24.98	NA

BELLSOUTH/Z-TEL RATES  
NETWORK ELEMENTS  
AND OTHER SERVICES

DESCRIPTION	USOC	AL	FL	GA	KY	LA	MS	NC	SC	TN
2-wire voice unbundled TN Bus 2-way Area Calling Port Economy Option (TACC1)	UEPAC	NA	NA	NA	NA	NA	NA	NA	NA	BST GSST A4.3.1
2-wire voice unbundled TN Bus 2-way Area Calling Port Standard Option (TACC2)	UEPAD	NA	NA	NA	NA	NA	NA	NA	NA	BST GSST A4.3.1
2-wire voice unbundled TN Bus 2-way Collierville and Memphis Local Calling Port (B2F)	UEPAE	NA	NA	NA	NA	NA	NA	NA	NA	BST GSST A4.3.1
										BST GSST A4.3.1
<b>NRC - Add'l (Business)</b>	UEPBL	\$21.93	\$15.00	\$17.16	\$37.55	\$16.43	\$22.98	\$9.08	\$24.98	BST GSST A4.3.1
2-wire voice unbundled port without Caller ID	UEPBL	\$21.93	\$15.00	\$17.16	\$37.55	\$16.43	\$22.98	\$21.60	\$24.98	BST GSST A4.3.1
2-wire voice unbundled port with Caller ID	UEPBC	\$21.93	\$15.00	\$17.16	\$37.55	\$16.43	\$22.98	\$9.08	\$24.98	BST GSST A4.3.1
2-wire voice unbundled outgoing only port	UEPBO	\$21.93	\$15.00	\$17.16	\$37.55	\$16.43	\$22.98	\$9.08	\$24.98	BST GSST A4.3.1
2-wire voice unbundled Area Plus Port with Caller ID	UEPBM	\$21.93	\$15.00	\$17.16	\$37.55	\$16.43	\$22.98	\$9.08	\$24.98	BST GSST A4.3.1
2-wire voice unbundled incoming only port with Caller ID	UEPB1	\$21.93	\$15.00	\$17.16	\$37.55	\$16.43	\$22.98	\$9.08	\$24.98	BST GSST A4.3.1
2-wire voice unbundled LA Bus Area Calling Port with Caller ID (BUC)	UEPAA	NA	NA	NA	NA	\$16.43	NA	NA	NA	NA
2-wire voice unbundled SC Bus Area Calling Port with Caller ID (LMB)	UEPAB	NA	NA	NA	NA	NA	NA	NA	\$24.98	NA
2-wire voice unbundled TN Bus 2-way Area Calling Port Economy Option (TACC1)	UEPAC	NA	NA	NA	NA	NA	NA	NA	NA	BST GSST A4.3.1
2-wire voice unbundled TN Bus 2-way Area Calling Port Standard Option (TACC2)	UEPAD	NA	NA	NA	NA	NA	NA	NA	NA	BST GSST A4.3.1
2-wire voice unbundled TN Bus 2-way Collierville and Memphis Local Calling Port (B2F)	UEPAE	NA	NA	NA	NA	NA	NA	NA	NA	BST GSST A4.3.1
<b>NRC - Disconnect Charge - 1st</b>										
2-wire voice unbundled port - residence		\$6.21	NA	NA	NA	\$4.38	\$6.56	NA	NA	NA
2-wire voice unbundled port with caller ID - residence		\$6.21	NA	NA	NA	\$4.38	\$6.56	NA	NA	NA
2-wire voice unbundled port outgoing only - residence		\$6.21	NA	NA	NA	\$4.38	\$6.56	NA	NA	NA
2-wire voice unbundled area plus port with caller ID - residence		\$6.21	NA	NA	NA	\$4.38	\$6.56	NA	NA	NA
2-wire voice unbundled Florida area calling with caller ID - residence		NA	NA	NA	NA	NA	NA	NA	NA	NA
2-wire voice unbundled Louisiana Area Plus with caller ID - residence (RUL)		NA	NA	NA	NA	\$4.38	NA	NA	NA	NA
2-wire voice unbundled Louisiana Area Plus with caller ID - residence (AC7)		NA	NA	NA	NA	\$4.38	NA	NA	NA	NA
2-wire voice unbundled South Carolina Area Calling port with Caller ID - residence (LW8)		NA	NA	NA	NA	NA	NA	NA	NA	NA
2-wire voice unbundled Tennessee Area Calling port with Caller ID - residence (F2R)		NA	NA	NA	NA	NA	NA	NA	NA	NA
2-wire voice unbundled Tennessee Area Calling port with Caller ID - residence (TACER)		NA	NA	NA	NA	NA	NA	NA	NA	NA
2-wire voice unbundled Tennessee Area Calling port with Caller ID - residence (TACSR)		NA	NA	NA	NA	NA	NA	NA	NA	NA
2-wire voice unbundled Tennessee Area Calling port with Caller ID - residence (1MF2X)		NA	NA	NA	NA	NA	NA	NA	NA	NA
2-wire voice unbundled Tennessee Area Calling port with Caller ID - residence (2MR)		NA	NA	NA	NA	NA	NA	NA	NA	NA
2-wire voice unbundled Res Low Usage Line Port with Caller ID (LUM)		\$6.21	NA	NA	NA	\$4.38	\$6.56	NA	NA	NA
2-wire voice unbundled port without Caller ID		\$6.21	NA	NA	NA	\$4.38	\$6.56	NA	NA	NA
2-wire voice unbundled port with Caller ID		\$6.21	NA	NA	NA	\$4.38	\$6.56	NA	NA	NA
2-wire voice unbundled outgoing only Port		\$6.21	NA	NA	NA	\$4.38	\$6.56	NA	NA	NA

BELLSOUTH/Z-TEL RATES  
NETWORK ELEMENTS  
AND OTHER SERVICES

DESCRIPTION	USOC	AL	FL	GA	KY	LA	MS	NC	SC	TN
2-wire voice unbundled Area Plus Port with Caller ID		\$6.21	NA	NA	NA	\$4.38	\$6.56	NA	NA	NA
2-wire voice unbundled Incoming only Port with Caller ID		\$6.21	NA	NA	NA	\$4.38	\$6.56	NA	NA	NA
2-wire voice unbundled LA Bus Area Calling Port with Caller ID (BUC)		NA	NA	NA	NA	\$4.38	NA	NA	NA	NA
2-wire voice unbundled SC Bus Area Calling Port with Caller ID (LMB)		NA	NA	NA	NA	NA	NA	NA	NA	NA
2-wire voice unbundled TN Bus 2-way Area Calling Port Economy Option (TACC1)		NA	NA	NA	NA	NA	NA	NA	NA	NA
2-wire voice unbundled TN Bus 2-way Area Calling Port Standard Option (TACC2)		NA	NA	NA	NA	NA	NA	NA	NA	NA
2-wire voice unbundled TN Bus 2-Way Collierville and Memphis Local Calling Port (B2F)		NA	NA	NA	NA	NA	NA	NA	NA	NA
<b>NRC - Disconnect Charge - Add'l</b>										
2-wire voice unbundled port - residence		\$6.21	NA	NA	NA	\$4.38	\$6.56	NA	NA	NA
2-wire voice unbundled port with caller ID - residence		\$6.21	NA	NA	NA	\$4.38	\$6.56	NA	NA	NA
2-wire voice unbundled port outgoing only - residence		\$6.21	NA	NA	NA	\$4.38	\$6.56	NA	NA	NA
2-wire voice unbundled area plus port with caller ID - residence		\$6.21	NA	NA	NA	\$4.38	\$6.56	NA	NA	NA
2-wire voice unbundled Florida area calling with caller ID - residence		NA	NA	NA	NA	NA	NA	NA	NA	NA
2-wire voice unbundled Louisiana Area Plus with caller ID - residence (RUL)		NA	NA	NA	NA	\$4.38	NA	NA	NA	NA
2-wire voice unbundled Louisiana Area Plus with caller ID - residence (AC7)		NA	NA	NA	NA	\$4.38	NA	NA	NA	NA
2-wire voice unbundled South Carolina Area Calling port with Caller ID - residence (LW8)		NA	NA	NA	NA	NA	NA	NA	NA	NA
2-wire voice unbundled Tennessee Area Calling port with Caller ID - residence (F2R)		NA	NA	NA	NA	NA	NA	NA	NA	NA
2-wire voice unbundled Tennessee Area Calling port with Caller ID - residence (TACER)		NA	NA	NA	NA	NA	NA	NA	NA	NA
2-wire voice unbundled Tennessee Area Calling port with Caller ID - residence (TACSR)		NA	NA	NA	NA	NA	NA	NA	NA	NA
2-wire voice unbundled Tennessee Area Calling port with Caller ID - residence (1MF2X)		NA	NA	NA	NA	NA	NA	NA	NA	NA
2-wire voice unbundled Tennessee Area Calling port with Caller ID - residence (2MR)		NA	NA	NA	NA	\$4.38	\$6.56	NA	NA	NA
2-wire voice unbundled Res Low Usage Line Port with Caller ID (LUM)		\$6.21	NA	NA	NA	\$4.38	\$6.56	NA	NA	NA
2-wire voice unbundled port without Caller ID		\$6.21	NA	NA	NA	\$4.38	\$6.56	NA	NA	NA
2-wire voice unbundled port with Caller ID		\$6.21	NA	NA	NA	\$4.38	\$6.56	NA	NA	NA
2-wire voice unbundled outgoing only port		\$6.21	NA	NA	NA	\$4.38	\$6.56	NA	NA	NA
2-wire voice unbundled Area Plus Port with Caller ID		\$6.21	NA	NA	NA	\$4.38	\$6.56	NA	NA	NA
2-wire voice unbundled incoming only port with Caller ID		\$6.21	NA	NA	NA	\$4.38	\$6.56	NA	NA	NA
2-wire voice unbundled LA Bus Area Calling Port with Caller ID (BUC)		NA	NA	NA	NA	\$4.38	NA	NA	NA	NA
2-wire voice unbundled SC Bus Area Calling Port with Caller ID (LMB)		NA	NA	NA	NA	NA	NA	NA	NA	NA
2-wire voice unbundled TN Bus 2-way Area Calling Port Economy Option (TACC1)		NA	NA	NA	NA	NA	NA	NA	NA	NA
2-wire voice unbundled TN Bus 2-way Area Calling Port Standard Option (TACC2)		NA	NA	NA	NA	NA	NA	NA	NA	NA
2-wire voice unbundled TN Bus 2-way Collierville and Memphis Local Calling Port (B2F)		NA	NA	NA	NA	NA	NA	NA	NA	NA
NRC - Incremental Charge - Manual Service Order - 1st	SOMAN	\$27.37	NA	\$18.94	NA	\$18.14	\$25.52	\$26.94	\$44.42	NA
NRC - Incremental Charge - Manual Service Order - Add'l	SOMAN	\$12.97	NA	\$8.42	NA	\$8.06	\$11.34	\$12.76	\$14.63	NA
NRC - Incremental Charge - Manual Service Order - Disconnect - 1st	SOMAN	\$17.77	NA	NA	NA	\$10.39	\$16.06	NA	NA	NA
NRC - Incremental Charge - Manual Service Order - Disconnect - Add'l	SOMAN	\$1.44	NA	NA	NA	NA	NA	NA	NA	NA
<b>All available features, per month</b>	UEPVF	\$5.55	NA	NA	NA	\$8.28	\$6.75	NA	\$6.29	NA
NRC - 1st (all types)		\$24.72	NA	NA	NA	NA	\$21.42	NA	\$36.24	NA

BELLSOUTH/Z-TEL RATES  
NETWORK ELEMENTS  
AND OTHER SERVICES

DESCRIPTION	USOC	AL	FL	GA	KY	LA	MS	NC	SC	TN
NRC - Add'l (all types)		\$24.72	NA	NA	NA	NA	\$21.42	NA	\$36.24	NA
NRC - Disconnect Charge - 1st		\$18.41	NA	NA	NA	NA	\$19.68	NA	NA	NA
NRC - Disconnect Charge - Add'l		\$18.41	NA	NA	NA	NA	\$19.68	NA	NA	NA
NRC - Incremental Charge - Manual Service Order - 1st	SOMAN	\$27.37	NA	NA	NA	NA	\$25.52	NA	\$44.42	NA
NRC - Incremental Charge - Manual Service Order - Add'l	SOMAN	\$12.97	NA	NA	NA	NA	\$11.34	NA	\$14.63	NA
NRC - Incremental Charge - Manual Service Order - Disconnect - 1st	SOMAN	\$17.77	NA	NA	NA	NA	\$16.06	NA	NA	NA
NRC - Incremental Charge - Manual Service Order - Disconnect - Add'l	SOMAN	\$1.44	NA	NA	NA	NA	NA	NA	NA	NA
<b>Three available feature, per month</b>	UEPVF	NA	NA	NA	NA	\$8.28	\$3.31	NA	\$3.03	NA
NRC - 1st (all types)		NA	NA	NA	NA	NA	\$3.06	NA	\$4.53	NA
NRC - Add'l (all types)		NA	NA	NA	NA	NA	\$3.06	NA	\$4.53	NA
NRC - Disconnect Charge - 1st		NA	NA	NA	NA	NA	\$8.20	NA	NA	NA
NRC - Disconnect Charge - Add'l		NA	NA	NA	NA	NA	\$8.20	NA	NA	NA
NRC - Incremental Charge - Manual Service Order - 1st	SOMAN	NA	NA	NA	NA	NA	\$25.52	NA	\$44.42	NA
NRC - Incremental Charge - Manual Service Order - Add'l	SOMAN	NA	NA	NA	NA	NA	\$11.34	NA	\$14.63	NA
NRC - Incremental Charge - Manual Service Order - Disconnect - 1st	SOMAN	NA	NA	NA	NA	NA	\$16.06	NA	NA	NA
NRC - Incremental Charge - Manual Service Order - Disconnect - Add'l	SOMAN	NA	NA	NA	NA	NA	NA	NA	NA	NA
<b>4-Wire Analog VG Port, per month</b>	UEP4A	NA	\$9.14	\$8.47	NA	\$10.13	\$9.60	\$8.69	\$2.28	NA
NRC - 1st	UEP4A	NA	\$5.86	\$17.16	NA	\$16.43	\$22.98	\$21.69	\$3.50	NA
NRC - Add'l	UEP4A	NA	\$5.86	\$17.16	NA	\$16.43	\$22.98	\$21.69	\$3.50	NA
NRC - Disconnect Charge - 1st	BFR	NA	NA	NA	NA	\$3.77	\$6.56	NA	NA	NA
NRC - Disconnect Charge - Add'l	BFR	NA	NA	NA	NA	\$3.77	\$6.56	NA	NA	NA
NRC - Incremental Charge - Manual Service Order - 1st	SOMAN	NA	NA	\$18.94	NA	\$18.14	\$25.52	\$26.85	NA	NA
NRC - Incremental Charge - Manual Service Order - Add'l	SOMAN	NA	NA	\$8.42	NA	\$8.06	\$11.34	\$12.67	NA	NA
NRC - Incremental Charge - Manual Service Order - Disconnect - 1st	SOMAN	NA	NA	NA	NA	\$8.94	\$16.06	NA	NA	NA
<b>2-Wire DID Port, per month</b>	UEPP2	\$12.08	TBD	\$11.35	NA	\$13.12	\$14.63	\$12.36	\$12.08	\$12.68
NRC - 1st	UEPP2	\$50.00	TBD	\$61.91	NA	\$59.28	\$83.09	\$81.84	\$50.00	BST GSST A4.3.1
NRC - Add'l	UEPP2	\$18.00	TBD	\$61.91	NA	\$59.28	\$83.09	\$81.84	\$50.00	BST GSST A4.3.1
NRC - Disconnect Charge - 1st	UEPP2	NA	NA	NA	NA	\$9.20	\$13.48	NA	NA	NA
NRC - Disconnect Charge - Add'l	UEPP2	NA	NA	NA	NA	\$9.20	\$13.48	NA	NA	NA
NRC - Incremental Charge - Manual Service Order - 1st	SOMAN	NA	NA	\$18.94	NA	\$18.14	\$25.52	\$26.94	NA	NA
NRC - Incremental Charge - Manual Service Order - Add'l	SOMAN	NA	NA	\$8.42	NA	\$8.06	\$11.34	\$12.76	NA	NA
NRC - Incremental Charge - Manual Service Order - Disconnect - 1st	SOMAN	NA	NA	NA	NA	\$10.39	\$16.07	NA	NA	NA
<b>4-Wire DS1 Port w/DID capability, per month</b>	UEPDD	\$130.23	\$125.00	\$120.80	NA	\$149.27	\$146.46	\$123.65	\$130.23	\$120.00
NRC - 1st	UEPDD	\$50.00	\$112.00	\$89.44	NA	\$85.63	\$117.81	\$116.59	\$60.00	To be negotiated
NRC - Add'l	UEPDD	\$18.00	\$91.00	\$52.46	NA	\$50.23	\$71.18	\$69.92	\$60.00	To be negotiated
NRC - Disconnect Charge - 1st	UEPDD	NA	NA	NA	NA	\$8.82	\$12.94	NA	NA	NA
NRC - Disconnect Charge - Add'l	UEPDD	NA	NA	NA	NA	\$8.82	\$12.94	NA	NA	NA
NRC - Incremental Charge - Manual Service Order - 1st	SOMAN	NA	NA	\$18.94	NA	\$18.14	\$25.52	\$26.94	NA	NA
NRC - Incremental Charge - Manual Service Order - Add'l	SOMAN	NA	NA	\$8.42	NA	\$8.06	\$11.34	\$12.76	NA	NA
NRC - Incremental Charge - Manual Service Order - Disconnect - 1st	SOMAN	NA	NA	NA	NA	\$10.39	\$16.06	NA	NA	NA
<b>2-Wire ISDN Port(2) (3), per month</b>	U1PMA	\$16.42	\$13.00	\$13.47	\$12.33	\$23.33	\$51.91	\$24.50	\$33.74	\$1.90
NRC - 1st	U1PMA	\$63.24	\$88.00	\$47.37	\$90.48	\$45.35	\$63.59	\$62.29	\$65.79	BST GSST A4.3.1
NRC - Add'l	U1PMA	\$63.24	\$66.00	\$47.37	\$84.53	\$45.35	\$63.59	\$62.29	\$65.79	BST GSST A4.3.1
NRC - Disconnect Charge - 1st	U1PMA	\$5.69	NA	NA	NA	\$4.31	\$7.04	NA	NA	NA
NRC - Disconnect Charge - Add'l	U1PMA	\$5.69	NA	NA	NA	\$4.31	\$7.04	NA	NA	NA
NRC - Incremental Charge - Manual Service Order - 1st	SOMAN	\$56.19	NA	\$39.98	NA	\$38.29	\$53.87	\$55.30	\$67.52	NA
NRC - Incremental Charge - Manual Service Order - Add'l	SOMAN	\$56.19	NA	\$39.98	NA	\$38.29	\$53.87	\$55.30	\$67.52	NA



BELLSOUTH/Z-TEL RATES  
NETWORK ELEMENTS  
AND OTHER SERVICES

DESCRIPTION	USOC	AL	FL	GA	KY	LA	MS	NC	SC	TN
NRC - Incremental Charge - Manual Service Order - Disconnect - 1st	SOMAN	\$12.97	NA	NA	NA	\$6.65	\$11.34	NA	NA	NA
NRC - Incremental Charge - Manual Service Order - Disconnect - Add'l	SOMAN	\$12.97	NA	NA	NA	\$6.65	\$11.34	NA	NA	NA
NRC - User Profile per B Channel (4)	U1UMA	NA	NA	NA	\$5.61	NA	NA	NA	NA	NA
<b>2-Wire ISDN Port(2) (3) including all available features, per month</b>	U1PMA	NA	NA	NA	NA	NA	NA	NA	\$38.68	NA
NRC - 1st	U1PMA	NA	NA	NA	NA	NA	NA	NA	\$106.40	NA
NRC - Add'l	U1PMA	NA	NA	NA	NA	NA	NA	NA	\$106.40	NA
NRC - Incremental Charge - Manual Service Order - 1st	SOMAN	NA	NA	NA	NA	NA	NA	NA	\$67.52	NA
NRC - Incremental Charge - Manual Service Order - Add'l	SOMAN	NA	NA	NA	NA	NA	NA	NA	\$67.52	NA
<b>2-Wire ISDN Port(2) (3) including three available features, per month</b>	U1PMA	NA	NA	NA	NA	NA	NA	NA	\$36.01	NA
NRC - 1st	U1PMA	NA	NA	NA	NA	NA	NA	NA	\$70.32	NA
NRC - Add'l	U1PMA	NA	NA	NA	NA	NA	NA	NA	\$70.32	NA
NRC - Incremental Charge - Manual Service Order - 1st	SOMAN	NA	NA	NA	NA	NA	NA	NA	\$67.52	NA
NRC - Incremental Charge - Manual Service Order - Add'l	SOMAN	NA	NA	NA	NA	NA	NA	NA	\$67.52	NA
<b>4-Wire ISDN DS1 Port, per month</b>	UEPEX	\$186.02	NA	\$163.16	NA	\$194.72	\$213.21	\$179.75	\$214.79	\$308.00
NRC - 1st	UEPEX	\$244.85	NA	\$186.80	NA	\$181.89	\$244.12	\$241.63	\$278.37	To be negotiated
NRC - Add'l	UEPEX	\$244.85	NA	\$186.80	NA	\$181.89	\$244.12	\$241.63	\$278.37	To be negotiated
NRC - Disconnect Charge - 1st	UEPEX	\$51.19	NA	NA	NA	\$27.11	\$53.32	NA	NA	NA
NRC - Disconnect Charge - Add'l	UEPEX	\$51.19	NA	NA	NA	\$27.11	\$53.32	NA	NA	NA
NRC - Incremental Charge - Manual Service Order - 1st	SOMAN	\$54.75	NA	\$37.88	NA	\$33.18	\$51.03	\$53.89	\$65.48	NA
NRC - Incremental Charge - Manual Service Order - Add'l	SOMAN	\$54.75	NA	\$37.88	NA	\$33.18	\$51.03	\$53.89	\$65.48	NA
NRC - Incremental Charge - Manual Service Order - Disconnect - 1st	SOMAN	\$11.53	NA	NA	NA	\$7.73	\$8.51	NA	NA	NA
NRC - Incremental Charge - Manual Service Order - Disconnect - Add'l	SOMAN	\$11.53	NA	NA	NA	\$7.73	\$8.51	NA	NA	NA
<b>4-Wire ISDN DS1 Port including all available features, per month</b>	UEPEX	NA	NA	NA	\$275.48	NA	NA	NA	\$251.00	NA
NRC - 1st	UEPEX	NA	NA	NA	\$181.27	NA	NA	NA	\$311.73	NA
NRC - Add'l	UEPEX	NA	NA	NA	\$116.42	NA	NA	NA	\$311.73	NA
NRC - Incremental Charge - Manual Service Order - 1st	SOMAN	NA	NA	NA	NA	NA	NA	NA	\$65.48	NA
NRC - Incremental Charge - Manual Service Order - Add'l	SOMAN	NA	NA	NA	NA	NA	NA	NA	\$65.48	NA
<b>2-Wire Analog Line Port (PBX), per month</b>										
2 WIRE VOICE UNBUNDLED COMBINATION 2-WAY PBX TRUNK - Residence	UEPRD	\$2.07	\$2.00	\$1.85	\$2.61	\$2.20	\$2.11	\$2.18	\$2.35	\$1.90
LINE SIDE UNBUNDLED COMBINATION 2-WAY PBX TRUNK - BUSINESS	UEPPC	\$2.07	\$2.00	\$1.85	\$2.61	\$2.20	\$2.11	\$2.00	\$2.35	\$1.90
LINE SIDE UNBUNDLED OUTWARD PBX TRUNK - BUSINESS	UEPPO	\$2.07	\$2.00	\$1.85	\$2.61	\$2.20	\$2.11	\$2.00	\$2.35	\$1.90
LINE SIDE UNBUNDLED INCOMING PBX TRUNK - BUSINESS	UEPP1	\$2.07	\$2.00	\$1.85	\$2.61	\$2.20	\$2.11	\$2.00	\$2.35	\$1.90
LONG DISTANCE TERMINAL PBX TRUNK-BUSINESS	UEPLD	\$2.07	\$2.00	\$1.85	\$2.61	\$2.20	\$2.11	\$2.00	\$2.35	\$1.90
TN 2-WAY CALLING PLAN PBX TRUNK - BUSINESS	UEPT2	\$2.07	\$2.00	\$1.85	\$2.61	\$2.20	\$2.11	\$2.00	\$2.35	\$1.90
TN OUTWARD CALLING PLAN PBX TRUNK - BUSINESS	UEPTO	\$2.07	\$2.00	\$1.85	\$2.61	\$2.20	\$2.11	\$2.00	\$2.35	\$1.90
2-WIRE VOICE UNBUNDLED 2-WAY COMBINATION PBX ALABAMA CALLING PORT	UEPA2	\$2.07	NA	NA	NA	NA	NA	NA	NA	NA
2-WIRE VOICE UNBUNDLED 2-WAY COMBINATION PBX LOUISIANA CALLING PORT	UEPL2	NA	NA	NA	NA	\$2.20	NA	NA	NA	NA
2-WIRE VOICE UNBUNDLED PBX LD TERMINAL PORTS	UEPLD	\$2.07	\$2.00	\$1.85	\$2.61	\$2.20	\$2.11	\$2.00	\$2.35	\$1.90
2-WIRE VOICE UNBUNDLED 2-WAY COMBINATION PBX TENNESSEE CALLING PORT	UEPT2	NA	NA	NA	NA	NA	NA	NA	NA	\$1.90
2-WIRE VOICE UNBUNDLED 1-WAY OUTGOING PBX TENNESSEE CALLING PORT	UEPTO	NA	NA	NA	NA	NA	NA	NA	NA	\$1.90
2-WIRE VOICE UNBUNDLED 2-WAY COMBINATION PBX USAGE PORT	UEPXA	\$2.07	\$2.00	\$1.85	\$2.61	\$2.20	\$2.11	\$2.00	\$2.35	\$1.90
2-WIRE VOICE UNBUNDLED PBX TOLL TERMINAL HOTEL PORTS	UEPXB	\$2.07	\$2.00	\$1.85	\$2.61	\$2.20	\$2.11	\$2.00	\$2.35	\$1.90
2-WIRE VOICE UNBUNDLED PBX LD DDD TERMINALS PORT	UEPXC	\$2.07	\$2.00	\$1.85	\$2.61	\$2.20	\$2.11	\$2.00	\$2.35	\$1.90
2-WIRE VOICE UNBUNDLED PBX LD TERMINAL SWITCHBOARD PORT	UEPXD	\$2.07	\$2.00	\$1.85	\$2.61	\$2.20	\$2.11	\$2.00	\$2.35	\$1.90
2-WIRE VOICE UNBUNDLED PBX LD TERMINAL SWITCHBOARD IDD CAPABLE PORT	UEPXE	\$2.07	\$2.00	\$1.85	\$2.61	\$2.20	\$2.11	\$2.00	\$2.35	\$1.90
2-WIRE VOICE UNBUNDLED 2-WAY PBX KENTUCKY ROOM AREA CALLING PORT WITHOUT LUD	UEPXF	NA	NA	NA	\$2.61	NA	NA	NA	NA	NA

BELLSOUTH/Z-TEL RATES  
NETWORK ELEMENTS  
AND OTHER SERVICES

DESCRIPTION	USOC	AL	FL	GA	KY	LA	MS	NC	SC	TN
2-WIRE VOICE UNBUNDLED PBX KENTUCKY LUD AREA CALLING PORT	UEPXG	NA	NA	NA	\$2.61	NA	NA	NA	NA	NA
2-WIRE VOICE UNBUNDLED PBX KENTUCKY PREMIUM CALLING PORT	UEPXH	NA	NA	NA	\$2.61	NA	NA	NA	NA	NA
2-WIRE VOICE UNBUNDLED 2-WAY KENTUCKY AREA CALLING PORT WITHOUT LUD	UEPXJ	NA	NA	NA	\$2.61	NA	NA	NA	NA	NA
2-WIRE VOICE UNBUNDLED 2-WAY PBX LOUISIANA LOCAL OPTIONAL CALLING PORT	UEPXK	NA	NA	NA	NA	\$2.20	NA	NA	NA	NA
2-WIRE VOICE UNBUNDLED 2-WAY PBX HOTEL/HOSPITAL ECONOMY ADMINISTRATIVE CALLING PORT	UEPXL	\$2.07	\$2.00	\$1.85	\$2.61	\$2.20	\$2.11	\$2.00	\$2.35	\$1.90
2-WIRE VOICE UNBUNDLED 2-WAY PBX HOTEL/HOSPITAL ECONOMY ROOM CALLING PORT	URPXM	\$2.07	\$2.00	\$1.85	\$2.61	\$2.20	\$2.11	\$2.00	\$2.35	\$1.90
2-WIRE VOICE UNBUNDLED 1-WAY OUTGOING PBX HOTEL/HOSPITAL ECONOMY ADMINIATRATIVE CALLING PORTTENNESSEE CALLING PORT	UEPXN	NA	NA	NA	NA	NA	NA	NA	NA	\$1.90
2-WIRE VOICE UNBUNDLED 1-WAY OUTGOING PBX HOTEL/HOSPITAL DIACOUNT ROOM CALLING PORT	UEPXO	\$2.07	\$2.00	\$1.85	\$2.61	\$2.20	\$2.11	\$2.00	\$2.35	\$1.90
2-WIRE VOICE UNBUNDLED 1-WAY OUTGOING PBX LOUISIANA LOCAL DISCOUNT CALLING PORT	UEPXP	NA	NA	NA	NA	\$2.20	NA	NA	NA	NA
2-WIRE VOICE UNBUNDLED 2-WAY PBX MISSISSIPPI LOCAL ECONOMY CALLING PORT	UEPXQ	NA	NA	NA	NA	NA	\$2.11	NA	NA	NA
2-WIRE VOICE UNBUNDLED 2-WAY PBX MISSISSIPPI LOCAL OPTIONAL CALLING PORT	UEPXR	NA	NA	NA	NA	NA	\$2.11	NA	NA	NA
2-WIRE VOICE UNBUNDLED 1-WAY OUTGOING PBXMEASURED PORT	UEPXS	\$2.07	\$2.00	\$1.85	\$2.61	\$2.20	\$2.11	\$2.00	\$2.35	\$1.90
2-WIRE VOICE UNBUNDLED 2-WAY PBX SOUTH CAROLINA AREA PLUS CALLING PORT	UEPXT	NA	NA	NA	NA	NA	NA	NA	\$2.35	NA
2-WIRE VOICE UNBUNDLED PBX COLLIERVERVILLE & MEMPHIS CALLING PORT	UEPXU	NA	NA	NA	NA	NA	NA	NA	NA	\$1.90
2-WIRE VOICE UNBUNDLED 2-WAY PBX TENNESSEE REGIONSERV CALLING PORT	UEPXV	NA	NA	NA	NA	NA	NA	NA	NA	\$1.90
UNBUNDLED LOOP BILLING USOC (REQUIRES ONE PER PORT)	UEPLX									
LOCAL NUMBER PORTABILITY (REQUIRES ONE PER PORT)	LNPCP									
<b>NRC - 1st</b>	UEPPC	\$21.93	\$38.00	\$17.16	\$36.47	\$16.43	\$22.98	\$24.04	\$24.36	NA
2 WIRE VOICE UNBUNDLED COMBINATION 2-WAY PBX TRUNK - Residence	UEPRD	\$21.93	\$38.00	\$17.16	\$36.47	\$16.43	\$22.98	\$21.60	\$24.36	NA
LINE SIDE UNBUNDLED COMBINATION 2-WAY PBX TRUNK - BUSINESS	UEPPC	\$21.93	\$38.00	\$17.16	\$36.47	\$16.43	\$22.98	\$24.04	\$24.36	NA
LINE SIDE UNBUNDLED OUTWARD PBX TRUNK - BUSINESS	UEPPO	\$21.93	\$38.00	\$17.16	\$36.47	\$16.43	\$22.98	\$24.04	\$24.36	NA
LINE SIDE UNBUNDLED INCOMING PBX TRUNK - BUSINESS	UEPP1	\$21.93	\$38.00	\$17.16	\$36.47	\$16.43	\$22.98	\$24.04	\$24.36	NA
LONG DISTANCE TERMINAL PBX TRUNK-BUSINESS	UEPLD	\$21.93	\$38.00	\$17.16	\$36.47	\$16.43	\$22.98	\$24.04	\$24.36	NA
TN 2-WAY CALLING PLAN PBX TRUNK - BUSINESS	UEPT2	\$21.93	\$38.00	\$17.16	\$36.47	\$16.43	\$22.98	\$24.04	\$24.36	NA
TN OUTWARD CALLING PLAN PBX TRUNK - BUSINESS	UEPTO	\$21.93	\$38.00	\$17.16	\$36.47	\$16.43	\$22.98	\$24.04	\$24.36	NA
2-WIRE VOICE UNBUNDLED 2-WAY COMBINATION PBX ALABAMA CALLING PORT	UEPA2	\$21.93	NA	NA	NA	NA	NA	NA	NA	NA
2-WIRE VOICE UNBUNDLED 2-WAY COMBINATION PBX LOUISIANA CALLING PORT	UEPL2	NA	NA	NA	NA	\$16.43	NA	NA	NA	NA
2-WIRE VOICE UNBUNDLED PBX LD TERMINAL PORTS	UEPLD	\$21.93	\$38.00	\$17.16	\$36.47	\$16.43	\$22.98	\$24.04	\$24.36	NA
2-WIRE VOICE UNBUNDLED 2-WAY COMBINATION PBX TENNESSEE CALLING PORT	UEPT2	NA	NA	NA	NA	NA	NA	NA	NA	NA
2-WIRE VOICE UNBUNDLED 1-WAY OUTGOING PBX TENNESSEE CALLING PORT	UEPTO	NA	NA	NA	NA	NA	NA	NA	NA	NA
2-WIRE VOICE UNBUNDLED 2-WAY COMBINATION PBX USAGE PORT	UEPXA	\$21.93	\$38.00	\$17.16	\$36.47	\$16.43	\$22.98	\$24.04	\$24.36	NA
2-WIRE VOICE UNBUNDLED PBX TOLL TERMINAL HOTEL PORTS	UEPXB	\$21.93	\$38.00	\$17.16	\$36.47	\$16.43	\$22.98	\$24.04	\$24.36	NA
2-WIRE VOICE UNBUNDLED PBX LD DDD TERMINALS PORT	UEPXC	\$21.93	\$38.00	\$17.16	\$36.47	\$16.43	\$22.98	\$24.04	\$24.36	NA
2-WIRE VOICE UNBUNDLED PBX LD TERMINAL SWITCHBOARD PORT	UEPXD	\$21.93	\$38.00	\$17.16	\$36.47	\$16.43	\$22.98	\$24.04	\$24.36	NA

BELLSOUTH/Z-TEL RATES  
NETWORK ELEMENTS  
AND OTHER SERVICES

DESCRIPTION	USOC	AL	FL	GA	KY	LA	MS	NC	SC	TN
2-WIRE VOICE UNBUNDLED PBX LD TERMINAL SWITCHBOARD IDD CAPABLE PORT	UEPXE	\$21.93	\$38.00	\$17.16	\$36.47	\$16.43	\$22.98	\$24.04	\$24.36	NA
2-WIRE VOICE UNBUNDLED 2-WAY PBX KENTUCKY ROOM AREA CALLING PORT WITHOUT LUD	UEPXF	NA	NA	NA	\$36.47	NA	NA	NA	NA	NA
2-WIRE VOICE UNBUNDLED PBX KENTUCKY LUD AREA CALLING PORT	UEPXG	NA	NA	NA	\$36.47	NA	NA	NA	NA	NA
2-WIRE VOICE UNBUNDLED PBX KENTUCKY PREMIUM CALLING PORT	UEPXH	NA	NA	NA	\$36.47	NA	NA	NA	NA	NA
2-WIRE VOICE UNBUNDLED 2-WAY KENTUCKY AREA CALLING PORT WITHOUT LUD	UEPXJ	NA	NA	NA	\$36.47	NA	NA	NA	NA	NA
2-WIRE VOICE UNBUNDLED 2-WAY PBX LOUISIANA LOCAL OPTIONAL CALLING PORT	UEPXK	NA	NA	NA	NA	\$16.43	NA	NA	NA	NA
2-WIRE VOICE UNBUNDLED 2-WAY PBX HOTEL/HOSPITAL ECONOMY ADMINISTRATIVE CALLING PORT	UEPXL	\$21.93	\$38.00	\$17.16	\$36.47	\$16.43	\$22.98	\$24.04	\$24.36	NA
2-WIRE VOICE UNBUNDLED 2-WAY PBX HOTEL/HOSPITAL ECONOMY ROOM CALLING PORT	URPXM	\$21.93	\$38.00	\$17.16	\$36.47	\$16.43	\$22.98	\$24.04	\$24.36	NA
2-WIRE VOICE UNBUNDLED 1-WAY OUTGOING PBX HOTEL/HOSPITAL ECONOMY ADMINIATRATIVE CALLING PORTTENNESSEE CALLING PORT	UEPXN	NA	NA	NA	NA	NA	NA	NA	NA	NA
2-WIRE VOICE UNBUNDLED 1-WAY OUTGOING PBX HOTEL/HOSPITAL DIACOUNT ROOM CALLING PORT	UEPXO	\$21.93	\$38.00	\$17.16	\$36.47	\$16.43	\$22.98	\$24.04	\$24.36	NA
2-WIRE VOICE UNBUNDLED 1-WAY OUTGOING PBX LOUISIANA LOCAL DISCOUNT CALLING PORT	UEPXP	NA	NA	NA	NA	\$16.43	NA	NA	NA	NA
2-WIRE VOICE UNBUNDLED 2-WAY PBX MISSISSIPPI LOCAL ECONOMY CALLING PORT	UEPXQ	NA	NA	NA	NA	NA	\$22.98	NA	NA	NA
2-WIRE VOICE UNBUNDLED 2-WAY PBX MISSISSIPPI LOCAL OPTIONAL CALLING PORT	UEPXR	NA	NA	NA	NA	NA	\$22.98	NA	NA	NA
2-WIRE VOICE UNBUNDLED 1-WAY OUTGOING PBXMEASURED PORT	UEPXS	\$21.93	\$38.00	\$17.16	\$36.47	\$16.43	\$22.98	\$24.04	\$24.36	NA
2-WIRE VOICE UNBUNDLED 2-WAY PBX SOUTH CAROLINA AREA PLUS CALLING PORT	UEPXT	NA	NA	NA	NA	NA	NA	NA	\$24.36	NA
2-WIRE VOICE UNBUNDLED PBX COLLIERVERVILLE & MEMPHIS CALLING PORT	UEPXU	NA	NA	NA	NA	NA	NA	NA	NA	NA
2-WIRE VOICE UNBUNDLED 2-WAY PBX TENNESSEE REGIONSERV CALLING PORT	UEPXV	NA	NA	NA	NA	NA	NA	NA	NA	NA
<b>NRC - Add'l</b>										
2 WIRE VOICE UNBUNDLED COMBINATION 2-WAY PBX TRUNK - Residence	UEPRD	\$21.93	\$15.00	\$17.16	\$36.47	\$16.43	\$22.98	\$21.60	\$24.36	NA
LINE SIDE UNBUNDLED COMBINATION 2-WAY PBX TRUNK - BUSINESS	UEPPC	\$21.93	\$15.00	\$17.16	\$36.47	\$16.43	\$22.98	\$9.05	\$24.36	NA
LINE SIDE UNBUNDLED OUTWARD PBX TRUNK - BUSINESS	UEPPO	\$21.93	\$15.00	\$17.16	\$36.47	\$16.43	\$22.98	\$9.05	\$24.36	NA
LINE SIDE UNBUNDLED INCOMING PBX TRUNK - BUSINESS	UEPP1	\$21.93	\$15.00	\$17.16	\$36.47	\$16.43	\$22.98	\$9.05	\$24.36	NA
LONG DISTANCE TERMINAL PBX TRUNK-BUSINESS	UEPLD	\$21.93	\$15.00	\$17.16	\$36.47	\$16.43	\$22.98	\$9.05	\$24.36	NA
TN 2-WAY CALLING PLAN PBX TRUNK - BUSINESS	UEPT2	\$21.93	\$15.00	\$17.16	\$36.47	\$16.43	\$22.98	\$9.05	\$24.36	NA
TN OUTWARD CALLING PLAN PBX TRUNK - BUSINESS	UEPTO	\$21.93	\$15.00	\$17.16	\$36.47	\$16.43	\$22.98	\$9.05	\$24.36	NA
2-WIRE VOICE UNBUNDLED 2-WAY COMBINATION PBX ALABAMA CALLING PORT	UEPA2	\$21.93	NA	NA	NA	NA	NA	NA	NA	NA
2-WIRE VOICE UNBUNDLED 2-WAY COMBINATION PBX LOUISIANA CALLING PORT	UEPL2	NA	NA	NA	NA	\$16.43	NA	NA	NA	NA
2-WIRE VOICE UNBUNDLED PBX LD TERMINAL PORTS	UEPLD	\$21.93	\$15.00	\$17.16	\$36.47	\$16.43	\$22.98	\$9.05	\$24.36	NA
2-WIRE VOICE UNBUNDLED 2-WAY COMBINATION PBX TENNESSEE CALLING PORT	UEPT2	NA	NA	NA	NA	NA	NA	NA	NA	NA
2-WIRE VOICE UNBUNDLED 1-WAY OUTGOING PBX TENNESSEE CALLING PORT	UEPTO	NA	NA	NA	NA	NA	NA	NA	NA	NA
2-WIRE VOICE UNBUNDLED 2-WAY COMBINATION PBX USAGE PORT	UEPXA	\$21.93	\$15.00	\$17.16	\$36.47	\$16.43	\$22.98	\$9.05	\$24.36	NA
2-WIRE VOICE UNBUNDLED PBX TOLL TERMINAL HOTEL PORTS	UEPXB	\$21.93	\$15.00	\$17.16	\$36.47	\$16.43	\$22.98	\$9.05	\$24.36	NA
2-WIRE VOICE UNBUNDLED PBX LD DDD TERMINALS PORT	UEPXC	\$21.93	\$15.00	\$17.16	\$36.47	\$16.43	\$22.98	\$9.05	\$24.36	NA
2-WIRE VOICE UNBUNDLED PBX LD TERMINAL SWITCHBOARD PORT	UEPXD	\$21.93	\$15.00	\$17.16	\$36.47	\$16.43	\$22.98	\$9.05	\$24.36	NA

BELLSOUTH/Z-TEL RATES  
NETWORK ELEMENTS  
AND OTHER SERVICES

DESCRIPTION	USOC	AL	FL	GA	KY	LA	MS	NC	SC	TN
2-WIRE VOICE UNBUNDLED PBX LD TERMINAL SWITCHBOARD IDD CAPABLE PORT	UEPXE	\$21.93	\$15.00	\$17.16	\$36.47	\$16.43	\$22.98	\$9.05	\$24.36	NA
2-WIRE VOICE UNBUNDLED 2-WAY PBX KENTUCKY ROOM AREA CALLING PORT WITHOUT LUD	UEPXF	NA	NA	NA	\$36.47	NA	NA	NA	NA	NA
2-WIRE VOICE UNBUNDLED PBX KENTUCKY LUD AREA CALLING PORT	UEPXG	NA	NA	NA	\$37.47	NA	NA	NA	NA	NA
2-WIRE VOICE UNBUNDLED PBX KENTUCKY PREMIUM CALLING PORT	UEPXH	NA	NA	NA	\$38.47	NA	NA	NA	NA	NA
2-WIRE VOICE UNBUNDLED 2-WAY KENTUCKY AREA CALLING PORT WITHOUT LUD	UEPXJ	NA	NA	NA	\$39.47	NA	NA	NA	NA	NA
2-WIRE VOICE UNBUNDLED 2-WAY PBX LOUISIANA LOCAL OPTIONAL CALLING PORT	UEPXK	NA	NA	NA	NA	\$16.43	NA	NA	NA	NA
2-WIRE VOICE UNBUNDLED 2-WAY PBX HOTEL/HOSPITAL ECONOMY ADMINISTRATIVE CALLING PORT	UEPXL	\$21.93	\$15.00	\$17.16	\$36.47	\$16.43	\$22.98	\$9.05	\$24.36	NA
2-WIRE VOICE UNBUNDLED 2-WAY PBX HOTEL/HOSPITAL ECONOMY ROOM CALLING PORT	URPXM	\$21.93	\$15.00	\$17.16	\$36.47	\$16.43	\$22.98	\$9.05	\$24.36	NA
2-WIRE VOICE UNBUNDLED 1-WAY OUTGOING PBX HOTEL/HOSPITAL ECONOMY ADMINIATRATIVE CALLING PORTTENNESSEE CALLING PORT	UEPXN	NA	NA	NA	NA	NA	NA	NA	NA	NA
2-WIRE VOICE UNBUNDLED 1-WAY OUTGOING PBX HOTEL/HOSPITAL DIACOUNT ROOM CALLING PORT	UEPXO	\$21.93	\$15.00	\$17.16	\$36.47	\$16.43	\$22.98	\$9.05	\$24.36	NA
2-WIRE VOICE UNBUNDLED 1-WAY OUTGOING PBX LOUISIANA LOCAL DISCOUNT CALLING PORT	UEPXP	NA	NA	NA	NA	\$16.43	NA	NA	NA	NA
2-WIRE VOICE UNBUNDLED 2-WAY PBX MISSISSIPPI LOCAL ECONOMY CALLING PORT	UEPXQ	NA	NA	NA	NA	NA	\$22.98	NA	NA	NA
2-WIRE VOICE UNBUNDLED 2-WAY PBX MISSISSIPPI LOCAL OPTIONAL CALLING PORT	UEPXR	NA	NA	NA	NA	NA	\$22.98	NA	NA	NA
2-WIRE VOICE UNBUNDLED 1-WAY OUTGOING PBXMEASURED PORT	UEPXS	\$21.93	\$15.00	\$17.16	\$36.47	\$16.43	\$22.98	\$9.05	\$24.36	NA
2-WIRE VOICE UNBUNDLED 2-WAY PBX SOUTH CAROLINA AREA PLUS CALLING PORT	UEPXT	NA	NA	NA	NA	NA	NA	NA	\$24.36	NA
2-WIRE VOICE UNBUNDLED PBX COLLIERVERVILLE & MEMPHIS CALLING PORT	UEPXU	NA	NA	NA	NA	NA	NA	NA	NA	NA
2-WIRE VOICE UNBUNDLED 2-WAY PBX TENNESSEE REGIONSERV CALLING PORT	UEPXV	NA	NA	NA	NA	NA	NA	NA	NA	NA
<b>NRC - Disconnect Charge - 1st</b>										
2 WIRE VOICE UNBUNDLED COMBINATION 2-WAY PBX TRUNK - Residence		\$6.21	NA	NA	NA	\$3.77	\$6.56	NA	NA	NA
LINE SIDE UNBUNDLED COMBINATION 2-WAY PBX TRUNK - BUSINESS		\$6.21	NA	NA	NA	\$3.77	\$6.56	NA	NA	NA
LINE SIDE UNBUNDLED OUTWARD PBX TRUNK - BUSINESS		\$6.21	NA	NA	NA	\$3.77	\$6.56	NA	NA	NA
LINE SIDE UNBUNDLED INCOMING PBX TRUNK - BUSINESS		\$6.21	NA	NA	NA	\$3.77	\$6.56	NA	NA	NA
LONG DISTANCE TERMINAL PBX TRUNK-BUSINESS		\$6.21	NA	NA	NA	\$3.77	\$6.56	NA	NA	NA
TN 2-WAY CALLING PLAN PBX TRUNK - BUSINESS		\$6.21	NA	NA	NA	\$3.77	\$6.56	NA	NA	NA
TN OUTWARD CALLING PLAN PBX TRUNK - BUSINESS		\$6.21	NA	NA	NA	\$3.77	\$6.56	NA	NA	NA
2-WIRE VOICE UNBUNDLED 2-WAY COMBINATION PBX ALABAMA CALLING PORT		\$6.21	NA	NA	NA	NA	NA	NA	NA	NA
2-WIRE VOICE UNBUNDLED 2-WAY COMBINATION PBX LOUISIANA CALLING PORT		NA	NA	NA	NA	\$3.77	NA	NA	NA	NA
2-WIRE VOICE UNBUNDLED PBX LD TERMINAL PORTS		\$6.21	NA	NA	NA	\$3.77	\$6.56	NA	NA	NA
2-WIRE VOICE UNBUNDLED 2-WAY COMBINATION PBX TENNESSEE CALLING PORT		NA	NA	NA	NA	NA	NA	NA	NA	NA
2-WIRE VOICE UNBUNDLED 1-WAY OUTGOING PBX TENNESSEE CALLING PORT		NA	NA	NA	NA	NA	NA	NA	NA	NA
2-WIRE VOICE UNBUNDLED 2-WAY COMBINATION PBX USAGE PORT		\$6.21	NA	NA	NA	\$3.77	\$6.56	NA	NA	NA
2-WIRE VOICE UNBUNDLED PBX TOLL TERMINAL HOTEL PORTS		\$6.21	NA	NA	NA	\$3.77	\$6.56	NA	NA	NA
2-WIRE VOICE UNBUNDLED PBX LD DDD TERMINALS PORT		\$6.21	NA	NA	NA	\$3.77	\$6.56	NA	NA	NA
2-WIRE VOICE UNBUNDLED PBX LD TERMINAL SWITCHBOARD PORT		\$6.21	NA	NA	NA	\$3.77	\$6.56	NA	NA	NA

BELLSOUTH/Z-TEL RATES  
NETWORK ELEMENTS  
AND OTHER SERVICES

DESCRIPTION	USOC	AL	FL	GA	KY	LA	MS	NC	SC	TN
2-WIRE VOICE UNBUNDLED PBX LD TERMINAL SWITCHBOARD IDD CAPABLE PORT		\$6.21	NA	NA	NA	\$3.77	\$6.56	NA	NA	NA
2-WIRE VOICE UNBUNDLED 2-WAY PBX KENTUCKY ROOM AREA CALLING PORT WITHOUT LUD		NA	NA	NA	NA	NA	NA	NA	NA	NA
2-WIRE VOICE UNBUNDLED PBX KENTUCKY LUD AREA CALLING PORT		NA	NA	NA	NA	NA	NA	NA	NA	NA
2-WIRE VOICE UNBUNDLED PBX KENTUCKY PREMIUM CALLING PORT		NA	NA	NA	NA	NA	NA	NA	NA	NA
2-WIRE VOICE UNBUNDLED 2-WAY KENTUCKY AREA CALLING PORT WITHOUT LUD		NA	NA	NA	NA	NA	NA	NA	NA	NA
2-WIRE VOICE UNBUNDLED 2-WAY PBX LOUISIANA LOCAL OPTIONAL CALLING PORT		NA	NA	NA	NA	\$3.77	NA	NA	NA	NA
2-WIRE VOICE UNBUNDLED 2-WAY PBX HOTEL/HOSPITAL ECONOMY ADMINISTRATIVE CALLING PORT		\$6.21	NA	NA	NA	\$3.77	\$6.56	NA	NA	NA
2-WIRE VOICE UNBUNDLED 2-WAY PBX HOTEL/HOSPITAL ECONOMY ROOM CALLING PORT		\$6.21	NA	NA	NA	\$3.77	\$6.56	NA	NA	NA
2-WIRE VOICE UNBUNDLED 1-WAY OUTGOING PBX HOTEL/HOSPITAL ECONOMY ADMINIATRATIVE CALLING PORTTENNESSEE CALLING PORT		NA	NA	NA	NA	NA	NA	NA	NA	NA
2-WIRE VOICE UNBUNDLED 1-WAY OUTGOING PBX HOTEL/HOSPITAL DIACOUNT ROOM CALLING PORT		\$6.21	NA	NA	NA	\$3.77	\$6.56	NA	NA	NA
2-WIRE VOICE UNBUNDLED 1-WAY OUTGOING PBX LOUISIANA LOCAL DISCOUNT CALLING PORT		\$6.21	NA	NA	NA	\$3.77	\$6.56	NA	NA	NA
2-WIRE VOICE UNBUNDLED 2-WAY PBX MISSISSIPPI LOCAL ECONOMY CALLING PORT		NA	NA	NA	NA	NA	\$6.56	NA	NA	NA
2-WIRE VOICE UNBUNDLED 2-WAY PBX MISSISSIPPI LOCAL OPTIONAL CALLING PORT		NA	NA	NA	NA	NA	\$6.56	NA	NA	NA
2-WIRE VOICE UNBUNDLED 1-WAY OUTGOING PBXMEASURED PORT		\$6.21	NA	NA	NA	\$3.77	\$6.56	NA	NA	NA
2-WIRE VOICE UNBUNDLED 2-WAY PBX SOUTH CAROLINA AREA PLUS CALLING PORT		NA	NA	NA	NA	NA	NA	NA	NA	NA
2-WIRE VOICE UNBUNDLED PBX COLLIERVERVILLE & MEMPHIS CALLING PORT		NA	NA	NA	NA	NA	NA	NA	NA	NA
2-WIRE VOICE UNBUNDLED 2-WAY PBX TENNESSEE REGIONSERV CALLING PORT		NA	NA	NA	NA	NA	NA	NA	NA	NA
<b>NRC - Disconnect Charge - Add'l</b>										
2 WIRE VOICE UNBUNDLED COMBINATION 2-WAY PBX TRUNK - Residence		\$6.21	NA	NA	NA	\$3.77	\$6.56	NA	NA	NA
LINE SIDE UNBUNDLED COMBINATION 2-WAY PBX TRUNK - BUSINESS		\$6.21	NA	NA	NA	\$3.77	\$6.56	NA	NA	NA
LINE SIDE UNBUNDLED OUTWARD PBX TRUNK - BUSINESS		\$6.21	NA	NA	NA	\$3.77	\$6.56	NA	NA	NA
LINE SIDE UNBUNDLED INCOMING PBX TRUNK - BUSINESS		\$6.21	NA	NA	NA	\$3.77	\$6.56	NA	NA	NA
LONG DISTANCE TERMINAL PBX TRUNK-BUSINESS		\$6.21	NA	NA	NA	\$3.77	\$6.56	NA	NA	NA
TN 2-WAY CALLING PLAN PBX TRUNK - BUSINESS		\$6.21	NA	NA	NA	\$3.77	\$6.56	NA	NA	NA
TN OUTWARD CALLING PLAN PBX TRUNK - BUSINESS		\$6.21	NA	NA	NA	\$3.77	\$6.56	NA	NA	NA
2-WIRE VOICE UNBUNDLED 2-WAY COMBINATION PBX ALABAMA CALLING PORT		\$6.21	NA	NA	NA	NA	NA	NA	NA	NA
2-WIRE VOICE UNBUNDLED 2-WAY COMBINATION PBX LOUISIANA CALLING PORT		NA	NA	NA	NA	\$3.77	NA	NA	NA	NA
2-WIRE VOICE UNBUNDLED PBX LD TERMINAL PORTS		\$6.21	NA	NA	NA	\$3.77	\$6.56	NA	NA	NA
2-WIRE VOICE UNBUNDLED 2-WAY COMBINATION PBX TENNESSEE CALLING PORT		NA	NA	NA	NA	NA	NA	NA	NA	NA
2-WIRE VOICE UNBUNDLED 1-WAY OUTGOING PBX TENNESSEE CALLING PORT		NA	NA	NA	NA	NA	NA	NA	NA	NA
2-WIRE VOICE UNBUNDLED 2-WAY COMBINATION PBX USAGE PORT		\$6.21	NA	NA	NA	\$3.77	\$6.56	NA	NA	NA
2-WIRE VOICE UNBUNDLED PBX TOLL TERMINAL HOTEL PORTS		\$6.21	NA	NA	NA	\$3.77	\$6.56	NA	NA	NA
2-WIRE VOICE UNBUNDLED PBX LD DDD TERMINALS PORT		\$6.21	NA	NA	NA	\$3.77	\$6.56	NA	NA	NA
2-WIRE VOICE UNBUNDLED PBX LD TERMINAL SWITCHBOARD PORT		\$6.21	NA	NA	NA	\$3.77	\$6.56	NA	NA	NA

BELLSOUTH/Z-TEL RATES  
NETWORK ELEMENTS  
AND OTHER SERVICES

DESCRIPTION	USOC	AL	FL	GA	KY	LA	MS	NC	SC	TN
2-WIRE VOICE UNBUNDLED PBX LD TERMINAL SWITCHBOARD IDD CAPABLE PORT		\$6.21	NA	NA	NA	\$3.77	\$6.56	NA	NA	NA
2-WIRE VOICE UNBUNDLED 2-WAY PBX KENTUCKY ROOM AREA CALLING PORT WITHOUT LUD		NA	NA	NA	NA	NA	NA	NA	NA	NA
2-WIRE VOICE UNBUNDLED PBX KENTUCKY LUD AREA CALLING PORT		NA	NA	NA	NA	NA	NA	NA	NA	NA
2-WIRE VOICE UNBUNDLED PBX KENTUCKY PREMIUM CALLING PORT		NA	NA	NA	NA	NA	NA	NA	NA	NA
2-WIRE VOICE UNBUNDLED 2-WAY KENTUCKY AREA CALLING PORT WITHOUT LUD		NA	NA	NA	NA	NA	NA	NA	NA	NA
2-WIRE VOICE UNBUNDLED 2-WAY PBX LOUISIANA LOCAL OPTIONAL CALLING PORT		NA	NA	NA	NA	\$3.77	NA	NA	NA	NA
2-WIRE VOICE UNBUNDLED 2-WAY PBX HOTEL/HOSPITAL ECONOMY ADMINISTRATIVE CALLING PORT		\$6.21	NA	NA	NA	\$3.77	\$6.56	NA	NA	NA
2-WIRE VOICE UNBUNDLED 2-WAY PBX HOTEL/HOSPITAL ECONOMY ROOM CALLING PORT		\$6.21	NA	NA	NA	\$3.77	\$6.56	NA	NA	NA
2-WIRE VOICE UNBUNDLED 1-WAY OUTGOING PBX HOTEL/HOSPITAL ECONOMY ADMINIATRATIVE CALLING PORTTENNESSEE CALLING PORT		NA	NA	NA	NA	NA	NA	NA	NA	NA
2-WIRE VOICE UNBUNDLED 1-WAY OUTGOING PBX HOTEL/HOSPITAL DIACOUNT ROOM CALLING PORT		\$6.21	NA	NA	NA	\$3.77	\$6.56	NA	NA	NA
2-WIRE VOICE UNBUNDLED 1-WAY OUTGOING PBX LOUISIANA LOCAL DISCOUNT CALLING PORT		\$6.21	NA	NA	NA	\$3.77	\$6.56	NA	NA	NA
2-WIRE VOICE UNBUNDLED 2-WAY PBX MISSISSIPPI LOCAL ECONOMY CALLING PORT		NA	NA	NA	NA	NA	\$6.56	NA	NA	NA
2-WIRE VOICE UNBUNDLED 2-WAY PBX MISSISSIPPI LOCAL OPTIONAL CALLING PORT		NA	NA	NA	NA	NA	\$6.56	NA	NA	NA
2-WIRE VOICE UNBUNDLED 1-WAY OUTGOING PBXMEASURED PORT		\$6.21	NA	NA	NA	\$3.77	\$6.56	NA	NA	NA
2-WIRE VOICE UNBUNDLED 2-WAY PBX SOUTH CAROLINA AREA PLUS CALLING PORT		NA	NA	NA	NA	NA	NA	NA	NA	NA
2-WIRE VOICE UNBUNDLED PBX COLLIERVILLE & MEMPHIS CALLING PORT		NA	NA	NA	NA	NA	NA	NA	NA	NA
2-WIRE VOICE UNBUNDLED 2-WAY PBX TENNESSEE REGIONSERV CALLING PORT		NA	NA	NA	NA	NA	NA	NA	NA	NA
NRC - Incremental Charge - Manual Service Order - 1st	SOMAN	\$27.37	NA	\$18.94	NA	\$18.14	\$25.52	\$26.94	\$41.86	NA
NRC - Incremental Charge - Manual Service Order - Add'l	SOMAN	\$12.97	NA	\$8.42	NA	\$8.06	\$11.34	\$12.76	\$14.46	NA
NRC - Incremental Charge - Manual Service Order - Disconnect - 1st	SOMAN	\$17.77	NA	NA	NA	\$8.94	\$16.06	NA	NA	NA
NRC - Incremental Charge - Manual Service Order - Disconnect - Add'l	SOMAN	\$0.48	NA	NA	NA	NA	NA	NA	NA	NA
<b>2-Wire Analog Line Port (PBX) including all available features, per month</b>	UEPPC	NA	NA	NA	NA	NA	NA	NA	\$8.67	NA
NRC - 1st	UEPPC	NA	NA	NA	NA	NA	NA	NA	\$60.60	NA
NRC - Add'l	UEPPC	NA	NA	NA	NA	NA	NA	NA	\$60.60	NA
NRC - Incremental Charge - Manual Service Order - 1st	SOMAN	NA	NA	NA	NA	NA	NA	NA	\$41.86	NA
NRC - Incremental Charge - Manual Service Order - Add'l	SOMAN	NA	NA	NA	NA	NA	NA	NA	\$14.46	NA
<b>2-Wire Analog Line Port (PBX) including three available features, per month</b>	UEPPC	NA	NA	NA	NA	NA	NA	NA	\$5.38	NA
NRC - 1st	UEPPC	NA	NA	NA	NA	NA	NA	NA	\$28.89	NA
NRC - Add'l	UEPPC	NA	NA	NA	NA	NA	NA	NA	\$28.89	NA
NRC - Incremental Charge - Manual Service Order - 1st	SOMAN	NA	NA	NA	NA	NA	NA	NA	\$41.86	NA
NRC - Incremental Charge - Manual Service Order - Add'l	SOMAN	NA	NA	NA	NA	NA	NA	NA	\$14.46	NA
<b>2-Wire Analog Hunting, per line per month</b>	HTGUX	See features	NA	NA	\$0.29	NA	See features	NA	See features	NA
NRC - 1st	HTGUX	See features	NA	NA	\$2.14	NA	See features	NA	See features	NA
NRC - Add'l	HTGUX	See features	NA	NA	\$2.14	NA	See features	NA	See features	NA
<b>Coin Port, per month</b>		\$2.34	NA	\$2.05	\$3.04	\$2.50	\$2.32	NA	\$2.77	\$1.90

BELLSOUTH/Z-TEL RATES  
NETWORK ELEMENTS  
AND OTHER SERVICES

DESCRIPTION	USOC	AL	FL	GA	KY	LA	MS	NC	SC	TN
NRC - 1st		\$21.93	NA	\$17.16	\$40.71	\$16.43	\$22.98	NA	\$24.75	BST GSST A4.3.1
NRC - Add'l		\$21.93	NA	\$17.16	\$40.71	\$16.43	\$22.98	NA	\$24.75	BST GSST A4.3.1
NRC - Disconnect Charge - 1st		\$5.21	NA	NA	NA	\$4.15	\$6.56	NA	NA	NA
NRC - Disconnect Charge - Add'l		\$5.21	NA	NA	NA	\$4.15	\$6.56	NA	NA	NA
NRC - Incremental Charge - Manual Service Order - 1st	SOMAN	\$25.93	NA	\$18.94	NA	\$18.14	\$25.52	NA	\$43.48	NA
NRC - Incremental Charge - Manual Service Order - Add'l	SOMAN	\$12.97	NA	\$8.42	NA	\$8.06	\$11.34	NA	\$14.57	NA
NRC - Incremental Charge - Manual Service Order - Disconnect - 1st	SOMAN	\$16.33	NA	NA	NA	\$9.86	\$16.06	NA	NA	NA
NRC - Incremental Charge - Manual Service Order - Disconnect - Add'l	SOMAN	\$0.48	NA	NA	NA	NA	NA	NA	NA	NA
<b>4-Wire Coin Port, per month</b>		NA	NA	NA	NA	NA	NA	\$2.59	NA	NA
NRC - 1st		NA	NA	NA	NA	NA	NA	\$21.60	NA	NA
NRC - Add'l		NA	NA	NA	NA	NA	NA	\$21.60	NA	NA
NRC - Disconnect Charge - 1st		NA	NA	NA	NA	NA	NA	NA	NA	NA
NRC - Disconnect Charge - Add'l		NA	NA	NA	NA	NA	NA	NA	NA	NA
NRC - Incremental Charge - Manual Service Order - 1st		NA	NA	NA	NA	NA	NA	\$26.94	NA	NA
NRC - Incremental Charge - Manual Service Order - Add'l		NA	NA	NA	NA	NA	NA	\$12.76	NA	NA
NRC - Incremental Charge - Manual Service Order - Disconnect - 1st		NA	NA	NA	NA	NA	NA	NA	NA	NA
NRC - Incremental Charge - Manual Service Order - Disconnect - Add'l		NA	NA	NA	NA	NA	NA	NA	NA	NA
<b>VERTICAL FEATURES</b>										
Local Switching Features offered with Port, Per month	N/A	NA	No add'l charge	NA	No add'l charge	\$8.28	NA	NA	See above	NA
<b>Three-Way Calling, per month</b>		\$1.12	NA	NA	NA	NA	\$1.32	\$0.89	\$1.10	NA
NRC		\$1.03	NA	NA	NA	NA	\$1.02	\$1.51	\$1.51	NA
NRC - Disconnect		\$0.55	NA	NA	NA	NA	\$0.5466	NA	NA	NA
<b>Customer Changeable Speed Calling, per month</b>		\$0.08	NA	NA	NA	NA	\$0.0755	\$0.17	\$0.1247	NA
NRC		\$1.03	NA	NA	NA	NA	\$1.02	\$1.51	\$1.51	NA
NRC - Disconnect		\$0.55	NA	NA	NA	NA	\$0.5466	NA	NA	NA
<b>Call Waiting</b>		\$0.03	NA	NA	NA	NA	\$0.033	\$0.09	\$0.0665	NA
NRC		\$1.03	NA	NA	NA	NA	\$1.02	\$1.51	\$1.51	NA
NRC - Disconnect		\$0.55	NA	NA	NA	NA	\$0.5466	NA	NA	NA
<b>Remote Activation of Call Forwarding, per month</b>		\$0.18	NA	NA	NA	NA	\$0.4859	\$0.85	\$0.3743	NA
NRC		\$1.03	NA	NA	NA	NA	\$1.02	\$1.51	\$1.51	NA
NRC - Disconnect		\$0.55	NA	NA	NA	NA	\$0.5466	NA	NA	NA
<b>Cancel Call Waiting, per month</b>		\$0.01	NA	NA	NA	NA	\$0.0082	\$0.01	\$0.0099	NA
NRC		\$1.03	NA	NA	NA	NA	\$1.02	\$1.51	\$1.51	NA
NRC - Disconnect		\$0.55	NA	NA	NA	NA	\$0.5466	NA	NA	NA
<b>Automatic Callback, per month</b>		\$0.29	NA	NA	NA	NA	\$0.9977	\$0.66	\$0.8015	NA
NRC		\$1.03	NA	NA	NA	NA	\$1.02	\$1.51	\$1.51	NA
NRC - Disconnect		\$0.55	NA	NA	NA	NA	\$0.5466	NA	NA	NA
<b>Automatic Recall, per month</b>		\$0.28	NA	NA	NA	NA	\$0.3164	\$0.29	\$0.3102	NA
NRC		\$1.03	NA	NA	NA	NA	\$1.02	\$1.51	\$1.51	NA
NRC - Disconnect		\$0.55	NA	NA	NA	NA	\$0.5466	NA	NA	NA
<b>Calling Number Delivery, per month</b>		\$0.22	NA	NA	NA	NA	\$0.1817	\$0.33	\$0.3272	NA
NRC		\$1.03	NA	NA	NA	NA	\$1.02	\$1.51	\$1.51	NA
NRC - Disconnect		\$0.55	NA	NA	NA	NA	\$0.5466	NA	NA	NA
<b>Calling Number Delivery Blocking, per month</b>		\$1.17	NA	NA	NA	NA	\$0.9913	\$0.02	\$0.3684	NA
NRC		\$1.03	NA	NA	NA	NA	\$1.02	\$1.51	\$1.51	NA
NRC - Disconnect		\$0.55	NA	NA	NA	NA	\$0.5466	NA	NA	NA
<b>Customer Originated Trace, per month</b>		\$0.14	NA	NA	NA	NA	\$0.1918	\$0.14	\$0.1402	NA
NRC		\$1.03	NA	NA	NA	NA	\$1.02	\$1.51	\$1.51	NA
NRC - Disconnect		\$0.55	NA	NA	NA	NA	\$0.5466	NA	NA	NA

BELLSOUTH/Z-TEL RATES  
NETWORK ELEMENTS  
AND OTHER SERVICES

DESCRIPTION	USOC	AL	FL	GA	KY	LA	MS	NC	SC	TN
<b>Selective Call Rejection, per month</b>		\$0.13	NA	NA	NA	NA	\$0.1721	\$0.13	\$0.1528	NA
NRC		\$1.03	NA	NA	NA	NA	\$1.02	\$1.51	\$1.51	NA
NRC - Disconnect		\$0.55	NA	NA	NA	NA	\$0.5466	NA	NA	NA
<b>Selective Call Forwarding, per month</b>		\$0.05	NA	NA	NA	NA	\$0.1050	\$0.28	\$0.1287	NA
NRC		\$1.03	NA	NA	NA	NA	\$1.02	\$1.51	\$1.51	NA
NRC - Disconnect		\$0.55	NA	NA	NA	NA	\$0.5466	NA	NA	NA
<b>Selective Call Acceptance, per month</b>		\$0.29	NA	NA	NA	NA	\$0.4010	\$0.33	\$0.3283	NA
NRC		\$1.03	NA	NA	NA	NA	\$1.02	\$1.51	\$1.51	NA
NRC - Disconnect		\$0.55	NA	NA	NA	NA	\$0.5466	NA	NA	NA
<b>Multiline Hunt Service (Rotary)</b>										
<b>Service per line, (in addition to port) , per month</b>		\$0.11	NA	NA	NA	NA	\$0.1271	\$0.14	\$0.1301	NA
NRC		\$1.03	NA	NA	NA	NA	\$1.02	\$1.51	\$1.51	NA
NRC - Disconnect		\$0.55	NA	NA	NA	NA	\$0.5466	NA	NA	NA
<b>Call Forwarding Variable, per month</b>		\$0.05	NA	NA	NA	NA	\$0.0474	\$0.10	\$0.0768	NA
NRC		\$1.03	NA	NA	NA	NA	\$1.02	\$1.51	\$1.51	NA
NRC - Disconnect		\$0.55	NA	NA	NA	NA	\$0.5466	NA	NA	NA
<b>Call Forwarding Busy Line, per month</b>		\$0.03	NA	NA	NA	NA	\$0.0279	\$0.08	\$0.0603	NA
NRC		\$1.03	NA	NA	NA	NA	\$1.02	\$1.51	\$1.51	NA
NRC - Disconnect		\$0.55	NA	NA	NA	NA	\$0.5466	NA	NA	NA
<b>Call Forwarding Don't Answer All Calls, per month</b>		\$0.03	NA	NA	NA	NA	\$0.0308	\$0.09	\$0.0655	NA
NRC		\$1.03	NA	NA	NA	NA	\$1.02	\$1.51	\$1.51	NA
NRC - Disconnect		\$0.55	NA	NA	NA	NA	\$0.5466	NA	NA	NA
<b>Remote Call Forwarding, per month</b>		\$1.36	NA	NA	NA	NA	\$1.47	\$0.95	\$1.41	NA
NRC		\$1.03	NA	NA	NA	NA	\$1.02	\$1.51	\$1.51	NA
NRC - Disconnect		\$0.55	NA	NA	NA	NA	\$0.5466	NA	NA	NA
<b>Call Transfer, per month</b>		\$0.12	NA	NA	NA	NA	\$0.1404	\$0.14	\$0.1392	NA
NRC		\$1.03	NA	NA	NA	NA	\$1.02	\$1.51	\$1.51	NA
NRC - Disconnect		\$0.55	NA	NA	NA	NA	\$0.5466	NA	NA	NA
<b>Call Hold, per month</b>		\$0.03	NA	NA	NA	NA	\$0.0190	\$0.15	\$0.0677	NA
NRC		\$1.03	NA	NA	NA	NA	\$1.02	\$1.51	\$1.51	NA
NRC - Disconnect		\$0.55	NA	NA	NA	NA	\$0.5466	NA	NA	NA
<b>Toll Restricted Service, per month</b>		\$0.04	NA	NA	NA	NA	\$0.0387	\$0.10	\$0.0743	NA
NRC		\$1.03	NA	NA	NA	NA	\$1.02	\$1.51	\$1.51	NA
NRC - Disconnect		\$0.55	NA	NA	NA	NA	\$0.5466	NA	NA	NA
<b>Message Waiting Indicator - Stutter Dial Tone, per month</b>		\$0.03	NA	NA	NA	NA	\$0.0356	\$0.03	\$0.0318	NA
NRC		\$1.03	NA	NA	NA	NA	\$1.02	\$1.51	\$1.51	NA
NRC - Disconnect		\$0.55	NA	NA	NA	NA	\$0.5466	NA	NA	NA
<b>Anonymous Call Rejection, per month</b>		\$0.93	NA	NA	NA	NA	\$0.9519	\$1.29	\$1.13	NA
NRC		\$1.03	NA	NA	NA	NA	\$1.02	\$1.51	\$1.51	NA
NRC - Disconnect		\$0.55	NA	NA	NA	NA	\$0.5466	NA	NA	NA
<b>Shared Call Appearances of a DN, per month</b>		\$0.41	NA	NA	NA	NA	\$0.5015	\$0.29	\$0.3513	NA
NRC		\$1.03	NA	NA	NA	NA	\$1.02	\$1.47	\$1.47	NA
NRC - Disconnect		\$0.55	NA	NA	NA	NA	\$0.5466	NA	NA	NA
<b>Multiple Call Appearances, per month</b>		\$0.09	NA	NA	NA	NA	\$0.0932	\$0.07	\$0.0891	NA
NRC		\$1.03	NA	NA	NA	NA	\$1.02	\$1.47	\$1.47	NA
NRC - Disconnect		\$0.55	NA	NA	NA	NA	\$0.5466	NA	NA	NA
<b>ISDN Bridged Call Exclusion, per month</b>		\$0.00	NA	NA	NA	NA	\$0.0013	\$0.0011	\$0.0013	NA
NRC		\$1.03	NA	NA	NA	NA	\$1.02	\$1.47	\$1.47	NA
NRC - Disconnect		\$0.55	NA	NA	NA	NA	\$0.5466	NA	NA	NA
<b>Call by Call Access, per month</b>		\$28.29	NA	NA	NA	NA	\$50.89	\$19.83	\$0.3621	NA
NRC		\$28.94	NA	NA	NA	NA	\$28.61	\$33.33	\$33.36	NA
NRC - Disconnect		\$5.22	NA	NA	NA	NA	\$5.16	NA	NA	NA
<b>Privacy Release, per month</b>		\$0.01	NA	NA	NA	NA	\$0.0030	\$0.0041	\$0.0116	NA
NRC		\$1.03	NA	NA	NA	NA	\$1.02	\$1.51	\$1.51	NA



BELLSOUTH/Z-TEL RATES  
NETWORK ELEMENTS  
AND OTHER SERVICES

DESCRIPTION	USOC	AL	FL	GA	KY	LA	MS	NC	SC	TN
NRC - Disconnect		\$0.55	NA	NA	NA	NA	\$0.5466	NA	NA	NA
<b>Multi Appearance Directory Number Calls, per month</b>		\$0.10	NA	NA	NA	NA	\$0.1115	\$0.13	\$0.1048	NA
NRC		\$1.03	NA	NA	NA	NA	\$1.02	\$1.51	\$1.51	NA
NRC - Disconnect		\$0.55	NA	NA	NA	NA	\$0.5466	NA	NA	NA
<b>Make Set Busy, per month</b>		\$0.01	NA	NA	NA	NA	\$0.0013	\$0.0020	\$0.0101	NA
NRC		\$1.03	NA	NA	NA	NA	\$1.02	\$1.51	\$1.51	NA
NRC - Disconnect		\$0.55	NA	NA	NA	NA	\$0.5466	NA	NA	NA
<b>Teen Service (Res. Dist. Alerting Service), per month</b>		\$0.15	NA	NA	NA	NA	\$0.1071	\$0.26	\$0.2149	NA
NRC		\$1.03	NA	NA	NA	NA	\$1.02	\$1.51	\$1.51	NA
NRC - Disconnect		\$0.55	NA	NA	NA	NA	\$0.5466	NA	NA	NA
<b>Code Restriction and Diversion, per month</b>		\$0.04	NA	NA	NA	NA	\$0.0464	\$0.09	\$0.0708	NA
NRC		\$1.03	NA	NA	NA	NA	\$1.02	\$1.51	\$1.51	NA
NRC - Disconnect		\$0.55	NA	NA	NA	NA	\$0.5466	NA	NA	NA
<b>Call Park, per month</b>		\$0.04	NA	NA	NA	NA	\$0.0443	\$0.09	\$0.0694	NA
NRC		\$1.03	NA	NA	NA	NA	\$1.02	\$1.51	\$1.51	NA
NRC - Disconnect		\$0.55	NA	NA	NA	NA	\$0.5466	NA	NA	NA
<b>Automatic Line, per month</b>		\$0.09	NA	NA	NA	NA	\$0.1111	\$0.14	\$0.1179	NA
NRC		\$1.03	NA	NA	NA	NA	\$1.02	\$1.51	\$1.51	NA
NRC - Disconnect		\$0.55	NA	NA	NA	NA	\$0.5466	NA	NA	NA
<b>2-WIRE ISDN BRI FEATURES</b>										
Shared Primary Number-First Appr On Each Add'l Terminal	DS1FJ	TBD	TBD	TBD	TBD	TBD	TBD	TBD	TBD	TBD
Secondary Only Dn (Shared/Non-Shared) First Appearance	LLDSF	TBD	TBD	TBD	TBD	TBD	TBD	TBD	TBD	TBD
Shared Secondary Only Dn-First Appr On Each Add'l Term	DS1F1	TBD	TBD	TBD	TBD	TBD	TBD	TBD	TBD	TBD
Shared Non-ISDN DN	DOE	TBD	TBD	TBD	TBD	TBD	TBD	TBD	TBD	TBD
Privacy Release	DS1FU	TBD	TBD	TBD	TBD	TBD	TBD	TBD	TBD	TBD
Manual Exclusion	DS1FM	TBD	TBD	TBD	TBD	TBD	TBD	TBD	TBD	TBD
Call Forwarding Variable-Voice Or Voice/Data	LLNCV	TBD	TBD	TBD	TBD	TBD	TBD	TBD	TBD	TBD
Call Forwarding Variable - Data	LLOCD	TBD	TBD	TBD	TBD	TBD	TBD	TBD	TBD	TBD
Call Forwarding Variable - Feature Button - Voice	GJXCF	TBD	TBD	TBD	TBD	TBD	TBD	TBD	TBD	TBD
Call Forwarding Variable - Feature Button - Data	LLPCD	TBD	TBD	TBD	TBD	TBD	TBD	TBD	TBD	TBD
Call Forwarding Busy Line - Voice Or Voice/Data	LLQCV	TBD	TBD	TBD	TBD	TBD	TBD	TBD	TBD	TBD
Call Forwarding Busy Line - Data	LLRCD	TBD	TBD	TBD	TBD	TBD	TBD	TBD	TBD	TBD
Call Frwdng Busy Line-Prgrmmbl-Voice Or Voice/Data	M6AVA	TBD	TBD	TBD	TBD	TBD	TBD	TBD	TBD	TBD
Call Forwarding Busy Line - Programmable - Data	M6ADF	TBD	TBD	TBD	TBD	TBD	TBD	TBD	TBD	TBD
Call Forwarding Don't Answer - Voice Or Voice/Data	LLSCV	TBD	TBD	TBD	TBD	TBD	TBD	TBD	TBD	TBD
Call Forwarding Don't Answer - Data	LLUCD	TBD	TBD	TBD	TBD	TBD	TBD	TBD	TBD	TBD
Call Frwdng Don't Answer-Prgrmmble Voice Or Voice/Data	M6BVA	TBD	TBD	TBD	TBD	TBD	TBD	TBD	TBD	TBD
Call Forwarding Don't Answer - Programmable - Data	M6BDF	TBD	TBD	TBD	TBD	TBD	TBD	TBD	TBD	TBD
Call Frwdng Multiple Simultaneous - Voice Or Voice/Data	M6CV5	TBD	TBD	TBD	TBD	TBD	TBD	TBD	TBD	TBD
Call Forwarding Multiple Simultaneous - Data	M6CD5	TBD	TBD	TBD	TBD	TBD	TBD	TBD	TBD	TBD
Conference, Drop, Hold And Transfer	DS1FN	TBD	TBD	TBD	TBD	TBD	TBD	TBD	TBD	TBD
Six-Way Conference, Drop, Hold And Transfer	LLY6P	TBD	TBD	TBD	TBD	TBD	TBD	TBD	TBD	TBD
Multi-Line Hunt Group - Voice Or Voice/Data	HTG	TBD	TBD	TBD	TBD	TBD	TBD	TBD	TBD	TBD
Multi-Line Hunt Group - Data	HTGSD	TBD	TBD	TBD	TBD	TBD	TBD	TBD	TBD	TBD
Speed Calling	LLZSU	TBD	TBD	TBD	TBD	TBD	TBD	TBD	TBD	TBD
Visual Message Waiting Indicator	LLAVP	TBD	TBD	TBD	TBD	TBD	TBD	TBD	TBD	TBD
Audible Message Waiting Indicator	MWW	TBD	TBD	TBD	TBD	TBD	TBD	TBD	TBD	TBD
Additional Call Appearance, PDN Or DN	DS1FG	TBD	TBD	TBD	TBD	TBD	TBD	TBD	TBD	TBD
Call Tracing	NST	TBD	TBD	TBD	TBD	TBD	TBD	TBD	TBD	TBD
Call Return	NSS	TBD	TBD	TBD	TBD	TBD	TBD	TBD	TBD	TBD
Preferred Call Forwarding	NCE	TBD	TBD	TBD	TBD	TBD	TBD	TBD	TBD	TBD
Call Block	NSY	TBD	TBD	TBD	TBD	TBD	TBD	TBD	TBD	TBD
Repeat Dialing	NSQ	TBD	TBD	TBD	TBD	TBD	TBD	TBD	TBD	TBD
Per Line Blocking For Agencies/Law Enforcement	NOB	TBD	TBD	TBD	TBD	TBD	TBD	TBD	TBD	TBD

BELLSOUTH/Z-TEL RATES  
NETWORK ELEMENTS  
AND OTHER SERVICES

DESCRIPTION	USOC	AL	FL	GA	KY	LA	MS	NC	SC	TN
Per Line Blocking For Non-Pub Customers	NOBNN	TBD	TBD	TBD	TBD	TBD	TBD	TBD	TBD	TBD
Per Line Blocking For General Public	NOBPC	TBD	TBD	TBD	TBD	TBD	TBD	TBD	TBD	TBD
Per Line Blocking For Non-Pub, And Non-Listed Customer	NOBPP	TBD	TBD	TBD	TBD	TBD	TBD	TBD	TBD	TBD
Per Line Blocking For Non-Pub Customers	NOBNP	TBD	TBD	TBD	TBD	TBD	TBD	TBD	TBD	TBD
Per Line Blocking For Non-Pub Customers	NOBNR	TBD	TBD	TBD	TBD	TBD	TBD	TBD	TBD	TBD
Call Return Denial Of, Per Activation	BCR	TBD	TBD	TBD	TBD	TBD	TBD	TBD	TBD	TBD
Repeat Dialing, Denial Of, Per Activation	BRD	TBD	TBD	TBD	TBD	TBD	TBD	TBD	TBD	TBD
Automatic Line/Direct Connect	M6GN9	TBD	TBD	TBD	TBD	TBD	TBD	TBD	TBD	TBD
Make Set Busy	M6MPD	TBD	TBD	TBD	TBD	TBD	TBD	TBD	TBD	TBD
Selective Call Acceptance	M6K16	TBD	TBD	TBD	TBD	TBD	TBD	TBD	TBD	TBD
Call Park/Call Retrieve	M6HP6	TBD	TBD	TBD	TBD	TBD	TBD	TBD	TBD	TBD
Call Transfer System Exception	M6QTD	TBD	TBD	TBD	TBD	TBD	TBD	TBD	TBD	TBD
Make Set Busy – Intragroup	M6MGD	TBD	TBD	TBD	TBD	TBD	TBD	TBD	TBD	TBD
All Customized Code Restrictions	CREX+	TBD	TBD	TBD	TBD	TBD	TBD	TBD	TBD	TBD
Additional Listings	CLT	TBD	TBD	TBD	TBD	TBD	TBD	TBD	TBD	TBD
Additional Listing No Rate	FLT	TBD	TBD	TBD	TBD	TBD	TBD	TBD	TBD	TBD
Cross Reference Listing	LLT	TBD	TBD	TBD	TBD	TBD	TBD	TBD	TBD	TBD
Non-Pub Listing No Rate	NP3	TBD	TBD	TBD	TBD	TBD	TBD	TBD	TBD	TBD
Non-List Listing	NLT	TBD	TBD	TBD	TBD	TBD	TBD	TBD	TBD	TBD
Non-List Listing No Rate	NLE	TBD	TBD	TBD	TBD	TBD	TBD	TBD	TBD	TBD
Alternate Call Listing	FNA	TBD	TBD	TBD	TBD	TBD	TBD	TBD	TBD	TBD
Manual Service Order Charge	SOMAN	TBD	TBD	TBD	TBD	TBD	TBD	TBD	TBD	TBD
All Selective Class Of Call Screening	SRG++	TBD	TBD	TBD	TBD	TBD	TBD	TBD	TBD	TBD
<b>ISDN Message Waiting Indication-Lamp, per month</b>		\$0.01	NA	NA	NA	NA	\$0.0105	\$0.0107	\$0.0138	NA
NRC		\$1.03	NA	NA	NA	NA	\$1.02	\$1.47	\$1.47	NA
NRC - Disconnect		\$0.55	NA	NA	NA	NA	\$0.5466	NA	NA	NA
<b>ISDN Feature Function Buttons</b>		NA	NA	NA	NA	NA	NA	NA		
NRC		\$1.03	NA	NA	NA	NA	\$1.02	\$1.51	\$1.51	NA
NRC - Disconnect		\$0.55	NA	NA	NA	NA	\$0.5466	NA	NA	NA
<b>Subsequent Ordering Charge – (per order, per line)</b>		NA	NA	NA	NA	NA	NA	NA		
NRC - Electronic - 1st		\$2.88	NA	NA	NA	NA	\$2.84	\$5.42	\$1.36	NA
NRC - Electronic - Add'l		\$0.96	NA	NA	NA	NA	\$0.95	\$0.95	\$0.71	NA
NRC - Manual - 1st		\$4.80	NA	NA	NA	NA	\$4.73	\$1.89	\$7.35	NA
NRC - Manual - Add'l		\$0.96	NA	NA	NA	NA	\$0.95	NA	\$0.95	NA
NRC - Disconnect		\$2.88	NA	NA	NA	NA	\$2.84	NA	NA	NA
<b>End Office Switching (Port Usage)</b>										
End Office Switching Function, per mou	N/A	\$0.0018	\$0.0175	\$0.0016333	\$0.002562	\$0.0021	\$0.0023771	\$0.0017000	\$0.0019295	\$0.0019
End Office Switching Function, add'l mou (5)	N/A	NA	\$0.005	NA	NA	NA	NA	NA	NA	NA
End Office Interoffice Trunk Port—Shared, per mou	N/A	\$0.0002	NA	\$0.0001564	NA	\$0.0002	\$0.0001927	NA	\$0.0002581	NA
<b>Tandem Switching (Port Usage) (Local or Access Tandem)</b>										
Tandem Switching Function per mou	N/A	\$0.00063	\$0.00029	\$0.0006757	\$0.001096	\$0.0008	\$0.0007834	\$0.0009	\$0.0006843	\$0.000676
Tandem Interoffice Trunk Port - Shared per mou			NA	\$0.0002126	NA	\$0.0003	\$0.0002834	NA	\$0.0004034	NA
<b>NOTES:</b>										
1	Port rate includes all available features.									
2	Transmission/usage charges associated with POTS circuit switched usage will also apply to circuit switched voice and/or circuit switched data transmission by B-Channels associated with 2-wire ISDN ports.									
3	Access to B Channel or D Channel Packet capabilities will be available only through BFR/New Business Request Process. Rates for the packet capabilities will be determined via the Bona Fide Request/New Business Request Process.									

**BELLSOUTH/Z-TEL RATES  
 NETWORK ELEMENTS  
 AND OTHER SERVICES**

DESCRIPTION		USOC	AL	FL	GA	KY	LA	MS	NC	SC	TN
4	This rate element is for those states which have a specific rate for User Profile per B Channel.										
5	This rate element is for use in those states with a different rate for additional minutes of use.										

BELLSOUTH/Z-TEL RATES  
NETWORK ELEMENTS  
AND OTHER SERVICES

DESCRIPTION	USOC	AL	FL	GA	KY	LA	MS	NC	SC	TN
<b>INTEROFFICE TRANSPORT</b>										
<b>Common (Shared) Transport</b>										
Common (Shared) Transport per mile per mou	N/A	\$0.00001	\$0.000012	\$0.000008	\$0.0000049	\$0.0000083	\$0.0000091	\$0.00001	\$0.0000121	\$0.00004
Common (Shared) Transport Facilities Termination per mou	N/A	\$0.00045	\$0.0005	\$0.0004152	\$0.000426	\$0.00047	\$0.0004281	\$0.00034	\$0.0004672	\$0.00036
<b>Interoffice Channel - Dedicated Transport - VG</b>										
Interoffice Channel - Dedicated Transport - 2-Wire VG - per mile	1L5XX	\$0.03390	NA	\$0.0222	\$0.03	\$0.0384	\$0.0323	\$0.0282	\$0.0373	\$0.0173
Interoffice Channel - Dedicated Transport - 2-Wire VG - facility termination per month	U1TV2	\$18.49	NA	\$17.07	\$27.66	\$19.10	\$21.33	\$18.00	\$21.42	\$18.33
NRC - 1st	U1TV2	\$144.27	NA	\$79.61	\$142.31	\$104.23	\$144.77	\$137.48	\$136.44	\$83.35
NRC - Add'l	U1TV2	\$54.15	NA	\$36.08	\$56.21	\$39.91	\$56.06	\$52.58	\$51.37	\$20.88
NRC - Incremental Charge - Manual Service Order - 1st	SOMAC	\$40.34	NA	\$18.94	\$37.21	\$26.20	\$36.86	\$38.07	\$39.63	\$30.15
NRC - Incremental Charge - Manual Service Order - Add'l	SOMAC	\$40.34	NA	\$18.94	\$37.21	\$26.20	\$36.86	\$38.07	\$39.63	\$31.63
<b>Interoffice Channel - Dedicated Transport - DS0 - 56/64 KBPS</b>										
Interoffice Channel - Dedicated Transport - DS0 - per mile per month	1L5XX	\$0.0339	\$0.0252	\$0.0222	\$0.03	\$0.0384	\$0.0323	\$0.0282	\$0.0373	\$0.17
Interoffice Channel - Dedicated Transport - DS0 - facility termination per month	U1TD6	\$17.81	\$21.33	\$16.45	\$26.95	\$18.37	\$20.64	\$17.40	\$20.71	\$17.74
NRC - 1st	U1TD6	\$144.27	\$137.15	\$79.61	\$142.31	\$104.23	\$144.77	\$137.48	\$136.44	\$83.35
NRC - Add'l	U1TD6	\$54.15	\$64.45	\$36.08	\$56.21	\$39.91	\$56.06	\$52.58	\$51.37	\$20.88
NRC - Incremental Charge - Manual Service Order - 1st	SOMAC	\$40.34	NA	\$18.94	\$37.21	\$26.20	\$36.86	\$38.07	\$39.63	\$30.15
NRC - Incremental Charge - Manual Service Order - Add'l	SOMAC	\$40.34	NA	\$18.94	\$37.21	\$26.20	\$36.86	\$38.07	\$39.63	\$31.63
<b>Interoffice Channel - Dedicated Transport - DS1</b>										
Interoffice Channel - Dedicated Transport - DS1 - per mile per month	1L5XX	\$0.69	\$0.6013	\$0.4523	\$0.45	\$0.7831	\$0.6598	\$0.5753	\$0.7598	\$0.3525
Interoffice Channel - Dedicated Transport - DS1 facility termination per month	U1TF1	\$79.69	\$99.79	\$78.47	\$55.05	\$93.40	\$74.40	\$71.29	\$94.98	\$75.83
NRC - 1st	U1TF1	\$223.59	\$45.91	\$147.07	\$298.18	\$160.49	\$222.81	\$217.17	\$216.27	\$166.53
NRC - Add'l	U1TF1	\$168.60	\$44.18	\$111.75	\$231.23	\$123.03	\$168.92	\$163.75	\$162.70	\$124.84
NRC - Incremental Charge - Manual Service Order - 1st	SOMAC	\$40.34	NA	\$18.94	NA	\$26.20	\$36.83	\$38.07	\$39.63	\$30.15
NRC - Incremental Charge - Manual Service Order - Add'l	SOMAC	\$40.34	NA	\$18.94	NA	\$26.20	\$36.86	\$38.07	\$39.63	\$31.63
<b>Interoffice Channel - Dedicated Transport - DS3</b>										
Interoffice Channel - Dedicated Transport - DS3 - per mile per month	1L5XX	\$11.93	\$10.25	\$7.07	\$12.06	\$16.15	\$15.02	\$12.98	\$19.14	\$6.88
Interoffice Channel - Dedicated Transport - DS3 - facility termination per month	U1TF3	\$736.60	\$994.83	\$743.41	\$1,112.02	\$1,131.09	\$744.38	\$720.38	\$904.49	\$840.61
NRC - 1st	U1TF3	\$877.36	\$884.71	\$878.95	\$858.75	\$883.62	\$812.30	\$794.94	\$856.96	\$877.70
NRC - Add'l	U1TF3	\$540.46	\$552.81	\$542.61	\$524.95	\$545.50	\$596.55	\$579.55	\$522.20	\$540.32
NRC - Incremental Charge - Manual Service Order - 1st	SOMAC	\$101.69	NA	\$98.49	\$94.57	\$99.02	\$92.05	\$91.26	\$99.09	\$102.75
NRC - Incremental Charge - Manual Service Order - Add'l	SOMAC	\$101.69	NA	\$98.49	\$94.57	\$101.69	\$92.05	\$91.26	\$99.09	\$102.75
<b>Interoffice Channel - Dedicated Transport - STS-1</b>										
Interoffice Channel - Dedicated Transport - STS-1 - per mile per month	1L5XX	\$11.93	\$10.25	\$7.07	\$12.06	\$16.15	\$13.48	\$11.62	\$19.14	\$6.88
Interoffice Channel - Dedicated Transport - STS-1 - facility termination per month	U1TFS	\$733.93	\$966.49	\$733.72	\$1,088.67	\$1,114.68	\$692.52	\$814.72	\$944.40	\$838.65
NRC - 1st	U1TFS	\$858.02	\$868.23	\$856.62	\$858.75	\$861.17	\$858.15	\$857.29	\$861.20	\$858.26
NRC - Add'l	U1TFS	\$524.50	\$530.74	\$523.64	\$524.94	\$526.42	\$524.58	\$524.05	\$526.44	\$525.25
NRC - Incremental Charge - Manual Service Order - 1st	SOMAC	\$94.49	\$95.61	\$94.34	\$94.57	\$94.84	\$94.50	\$94.41	\$94.84	\$94.63
NRC - Incremental Charge - Manual Service Order - Add'l	SOMAC	\$94.49	\$95.61	\$94.34	\$94.57	\$94.84	\$94.50	\$94.41	\$94.84	\$94.63
<b>Local Channel - Dedicated Transport</b>										
<b>Local Channel - Dedicated Transport - 2-Wire VG</b>										
Monthly Recurring	ULDV2	\$14.61	\$18.02	\$13.91	\$22.26	\$14.94	\$17.83	\$14.82	\$16.83	\$19.02
NRC - 1st	ULDV2	\$572.46	\$477.33	\$382.95	\$597.14	\$401.17	\$565.31	\$553.80	\$554.00	\$254.14
NRC - Add'l	ULDV2	\$92.07	\$124.32	\$62.40	\$110.52	\$66.35	\$93.30	\$86.69	\$88.58	\$28.96
NRC - Incremental Charge - Manual Service Order - 1st	SOMAC	\$45.12	NA	\$18.94	\$41.46	\$29.54	\$41.57	\$42.17	\$43.75	\$33.65
NRC - Incremental Charge - Manual Service Order - Add'l	SOMAC	\$18.73	NA	\$8.42	NA	\$19.46	\$27.39	\$12.76	\$13.55	\$23.84
<b>Local Channel - Dedicated Transport - 4-Wire VG</b>										
Monthly Recurring	ULDD6	\$15.77	\$19.01	\$14.99	\$23.38	\$16.21	\$19.03	\$15.87	\$18.05	\$20.14
NRC - 1st	ULDD6	\$581.14	\$77.33	\$368.44	\$585.15	\$407.11	\$573.83	\$562.23	\$562.46	\$257.05
NRC - Add'l	ULDD6	\$95.21	\$124.32	\$64.05	\$98.53	\$68.61	\$96.40	\$92.67	\$91.57	\$30.34
NRC - Incremental Charge - Manual Service Order - 1st	SOMAC	\$45.12	NA	\$18.94	\$98.53	\$29.54	\$41.57	\$42.17	\$43.64	\$33.65
NRC - Incremental Charge - Manual Service Order - Add'l	SOMAC	\$18.73	NA	\$8.42	\$11.99	\$19.46	\$27.39	\$12.76	\$13.55	\$23.84
<b>Local Channel - Dedicated Transport - DS1</b>										
Monthly Recurring	TMECS	\$35.52	\$44.35	\$38.36	\$43.80	\$43.80	\$38.91	\$35.68	\$37.20	\$40.27
NRC - 1st	TMECS	\$549.85	\$246.50	\$356.15	\$538.95	\$396.86	\$588.53	\$534.48	\$534.81	\$343.71

BELLSOUTH/Z-TEL RATES  
NETWORK ELEMENTS  
AND OTHER ELEMENTS

DESCRIPTION	USOC	AL	FL	GA	KY	LA	MS	NC	SC	TN
NRC - Add'l	TMECS	\$475.02	\$230.49	\$312.89	\$464.94	\$342.92	\$501.32	\$462.69	\$462.81	\$277.86
NRC - Incremental Charge - Manual Service Order - 1st	SOMAC	\$91.22	NA	\$44.22	\$87.71	\$61.82	\$81.30	\$42.17	\$87.99	\$23.51
NRC - Incremental Charge - Manual Service Order - Add'l	SOMAC	NA	NA	NA	NA	NA	NA	\$12.76	\$3.11	\$21.75
<b>Local Channel - Dedicated Transport – DS3</b>										
DS3 - per mile per month	1L5NC	\$34.21	\$30.65	\$23.06	\$34.00	\$30.34	NA	NA	\$44.13	\$23.76
DS3 - Facility Termination per month	ULDF3	\$536.23	\$598.84	\$531.90	\$635.09	\$669.01	NA	\$498.87	\$582.93	\$607.28
NRC - 1st	ULDF3	\$877.36	\$884.71	\$878.95	\$858.75	\$883.62	\$858.15	\$562.25	\$856.96	\$877.70
NRC - Add'l	ULDF3	\$540.46	\$552.81	\$542.61	\$524.95	\$545.50	\$524.58	\$527.88	\$522.20	\$540.32
NRC - Incremental Charge - Manual Service Order - 1st	SOMAC	\$101.69	NA	\$98.49	NA	\$99.02	NA	\$56.25	NA	\$102.75
NRC - Incremental Charge - Manual Service Order - Add'l	SOMAC	\$101.69	NA	\$98.49	NA	\$99.02	NA	\$56.25	NA	\$102.75
<b>Local Channel - Dedicated Transport – STS-1</b>										
STS-1 - per mile per month	1L5NC	\$24.82	\$27.61	\$19.93	\$30.04	\$29.89	\$38.98	\$24.39	\$29.97	\$25.11
STS-1 - Facility Termination per month	ULDFS	\$502.62	\$681.61	\$516.91	\$610.64	\$693.02	\$531.39	\$555.92	\$556.66	\$615.65
NRC - 1st	ULDFS	\$1,084.17	\$1,097.06	\$1,082.37	\$1,085.09	\$1,088.15	\$1,084.33	\$1,083.24	\$1,088.19	\$1,085.73
NRC - Add'l	ULDFS	\$682.02	\$690.14	\$680.91	\$682.61	\$684.53	\$682.13	\$681.44	\$684.56	\$683.01
NRC - Incremental Charge - Manual Service Order - 1st	SOMAC	\$96.08	\$97.23	\$95.93	\$96.17	\$96.44	\$96.10	\$96.00	\$96.44	\$96.22
NRC - Incremental Charge - Manual Service Order - Add'l	SOMAC	\$96.08	\$97.23	\$95.93	\$96.17	\$96.44	\$96.10	\$96.00	\$96.44	\$96.22
<b>CHANNELIZATION</b>										
DS3 Channelization (DS3 to DS1)										
per Channelized System per month	MQ3	\$210.87	\$213.22	\$173.51	\$236.32	\$245.84	\$229.30	\$226.81	\$204.07	\$225.59
NRC - 1st	MQ3	\$355.25	\$280.12	\$284.43	\$425.41	\$259.76	\$356.80	\$351.95	\$423.77	\$265.08
NRC - Add'l	MQ3	\$245.86	\$196.07	\$199.98	\$303.33	\$182.64	\$247.40	\$243.76	\$295.21	\$185.94
NRC -1sr - Disconnect	MQ3	\$78.43	\$64.06	\$66.76	NA	\$60.96	\$79.94	\$77.90	NA	\$61.09
NRC -Add'l - Disconnect	MQ3	\$63.70	\$52.60	\$55.25	NA	\$50.46	\$65.20	\$63.32	NA	\$50.31
NRC - Channel System - Incremental Cost - Manual Svc. Order -1st	SOMAC	\$28.44	NA	\$21.61	\$41.47	\$19.74	\$26.95	\$28.13	\$43.41	\$21.71
NRC - Channel System - Incremental Cost - Manual Svc. Order - Add'l	SOMAC	\$13.47	NA	\$9.61	NA	\$8.77	\$11.98	\$13.33	\$15.36	\$10.46
NRC - Channel System - Incremental Cost - Manual Svc. Order - Disconnect - 1st	SOMAC	\$18.46	NA	\$13.61	NA	\$12.43	\$16.97	\$18.26	NA	\$14.21
NRC - Channel System - Incremental Cost - Manual Svc. Order - Disconnect - Add'l	SOMAC	\$1.50	NA	NA	NA	NA	NA	\$1.48	NA	\$1.46
per Interface per month	1PQE1	\$4.53	\$6.31	\$7.13	\$8.52	\$7.55	\$5.58	\$4.61	\$9.69	\$3.91
NRC - 1st	1PQE1	\$15.85	\$13.39	\$13.45	\$15.86	\$12.29	\$15.85	\$15.76	\$15.54	\$12.61
NRC - Add'l	1PQE1	\$11.35	\$9.59	\$9.63	\$11.36	\$8.80	\$11.35	\$11.28	\$11.13	\$9.03
DS1 Channelization (DS1 to DS0)										
per Channelized System per month	MQ1	\$139.58	\$163.88	\$137.97	\$200.01	\$209.87	\$146.87	\$177.72	\$179.81	\$165.21
NRC - 1st	MQ1	\$269.98	\$208.64	\$212.01	\$302.82	\$193.63	\$271.52	\$267.19	\$304.00	\$197.21
NRC - Add'l	MQ1	\$163.04	\$126.61	\$129.60	\$184.20	\$118.37	\$164.56	\$161.43	\$178.92	\$119.99
NRC -1sr - Disconnect	MQ1	\$34.88	\$26.42	\$28.95	NA	\$26.44	\$36.38	\$34.55	NA	\$25.66
NRC -Add'l - Disconnect	MQ1	\$21.32	\$15.95	\$18.43	NA	\$16.83	\$22.82	\$21.14	NA	\$15.81
NRC - Channel System - Incremental Cost - Manual Svc. Order -1st	SOMAC	\$28.44	NA	\$21.61	\$41.47	\$19.74	\$26.95	\$28.13	\$43.41	\$21.71
NRC - Channel System - Incremental Cost - Manual Svc. Order -Add'l	SOMAC	\$13.47	NA	\$9.61	\$11.99	\$8.77	\$11.98	\$13.33	\$15.36	\$10.46
NRC - Channel System - Incremental Cost - Manual Svc. Order - Disconnect -1st	SOMAC	\$18.46	NA	\$13.61	NA	\$12.43	\$16.97	\$18.26	NA	\$14.21
NRC - Channel System - Incremental Cost - Manual Svc. Order - Disconnect -Add'l	SOMAC	\$1.50	NA	NA	NA	NA	NA	\$1.48	NA	\$1.46
DS1 Channization Interfaces										
per OCU-DP(data) card per month(2.4-64kbps)	1D1DD	\$2.61	\$3.13	\$2.65	\$2.94	\$3.12	\$2.86	\$2.88	\$3.36	\$2.46
NRC - 1st	1D1DD	\$15.85	\$13.39	\$13.45	\$15.86	\$12.29	\$15.85	\$15.76	\$15.54	\$12.61
NRC - Add'l	1D1DD	\$11.35	\$9.59	\$9.63	\$11.36	\$8.80	\$11.35	\$11.28	\$11.13	\$9.03
per VG card per month	1D1VG	\$1.26	\$1.78	\$1.48	\$1.40	\$1.62	\$1.45	\$1.64	\$1.93	\$1.25
NRC - 1st	1D1VG	\$15.85	\$13.39	\$13.45	\$15.86	\$12.29	\$15.85	\$15.76	\$15.54	\$12.61
NRC - Add'l	1D1VG	\$11.35	\$9.59	\$9.63	\$11.36	\$8.80	\$11.35	\$11.28	\$11.13	\$9.03
<b>DARK FIBER</b>										
Per four fiber strands, per route mile or fraction thereof, per month										
NRC - Per each four-fiber dark fiber arrangement - 1st	1L5DF	\$2,518.66	\$1,715.61	\$1,355.29	\$2,304.00	\$1,685.19	\$2,389.99	\$2,277.00	\$2,406.00	\$1,672.44
NRC - Per each four-fiber dark fiber arrangement - Add'l	1L5DF	\$835.08	\$622.68	\$273.69	\$740.93	\$580.11	\$804.32	\$733.08	\$765.30	\$509.09

BELLSOUTH/Z-TEL RATES  
NETWORK ELEMENTS  
AND OTHER SERVICES  
LOOP/PORT COMBINATIONS

DESCRIPTION	USOC	AL	FL	GA	KY	LA	MS	NC	SC	TN
<b>UNBUNDLED LOOP COMBINATIONS</b>										
<b>Unbundled Loop/Port Combinations (Note 4)</b>										
<b>MARKET RATES (INCLUDING ALL VERTICAL FEATURES) (Note 1)</b>										
<b>Density Zone 1 / Top 8 MSAs in BellSouth Region</b>			<b>Orlando, Ft. Lauderdale, Miami</b>	<b>Atlanta</b>		<b>New Orleans</b>		<b>Greensboro-Winston Salem-Highpoint/Charlotte-Gastonia-Rock Hill</b>		<b>Nashville</b>
<b>Customers with 4 or more DS0 Equivalent</b>										
<b>Currently Combined (Note2)</b>										
<b>2-Wire Voice Grade Loop with 2-Wire Line Port (Res. and Bus.)</b>										
<b>2-Wire Voice Grade Line Port (Res.), per month</b>										
2-wire voice unbundled port - residence	UEPRL	NA	\$14.00	\$14.00	NA	\$14.00	NA	\$14.00	NA	\$14.00
2-wire voice unbundled port with caller ID - residence	UEPRC	NA	\$14.00	\$14.00	NA	\$14.00	NA	\$14.00	NA	\$14.00
2-wire voice unbundled port outgoing only - residence	UEPRO	NA	\$14.00	\$14.00	NA	\$14.00	NA	\$14.00	NA	\$14.00
2-wire voice grade unbundled Alabama extended local dialing parity port with caller ID	UEPAR	NA	NA	NA	NA	NA	NA	NA	NA	NA
2-wire voice grade unbundled Kentucky extended local dialing parity port with caller ID	UEPRM	NA	NA	NA	NA	NA	NA	NA	NA	NA
2-wire voice grade unbundled Louisiana extended local dialing parity port with caller ID	UEPAS	NA	NA	NA	NA	\$14.00	NA	NA	NA	NA
2-wire voice grade unbundled Mississippi extended local dialing parity port with caller ID	UEPAT	NA	NA	NA	NA	NA	NA	NA	NA	NA
2-wire voice grade unbundled South Carolina extended local dialing parity port with caller ID	UEPAU	NA	NA	NA	NA	NA	NA	NA	NA	NA
2-wire voice grade unbundled Tennessee extended local dialing parity port with caller ID	UEPAQ	NA	NA	NA	NA	NA	NA	NA	NA	\$14.00
2-wire voice unbundled Florida area calling with caller ID - residence	UEPAF	NA	\$14.00	NA	NA	NA	NA	NA	NA	NA
2-wire voice unbundled Louisiana Area Plus with caller ID - residence (RUL)	UEPAG	NA	NA	NA	NA	\$14.00	NA	NA	NA	NA
2-wire voice unbundled Louisiana Area Plus with caller ID - residence (AC7)	UEPAH	NA	NA	NA	NA	\$14.00	NA	NA	NA	NA
2-wire voice unbundled South Carolina Area Calling port with Caller ID - residence (LW8)	UEPAJ	NA	NA	NA	NA	NA	NA	NA	NA	NA
2-wire voice unbundled Tennessee Area Calling port with Caller ID - residence (F2R)	UEPAK	NA	NA	NA	NA	NA	NA	NA	NA	\$14.00
2-wire voice unbundled Tennessee Area Calling port with Caller ID - residence (TACER)	UEPAL	NA	NA	NA	NA	NA	NA	NA	NA	\$14.00
2-wire voice unbundled Tennessee Area Calling port with Caller ID - residence (TACSR)	UEPAM	NA	NA	NA	NA	NA	NA	NA	NA	\$14.00
2-wire voice unbundled Tennessee Area Calling port with Caller ID - residence (1MF2X)	UEPAN	NA	NA	NA	NA	NA	NA	NA	NA	\$14.00
2-wire voice unbundled Tennessee Area Calling port with Caller ID - residence (2MR)	UEPAO	NA	NA	NA	NA	NA	NA	NA	NA	\$14.00
2-wire voice unbundled res. low usage line port with Caller ID (LUM)	UEPAP	NA	\$14.00	\$14.00	NA	\$14.00	NA	\$14.00	NA	\$14.00
<b>2-Wire Voice Grade Line Port (Bus.), per month</b>										
2-wire voice unbundled port without Caller ID	UEPBL	NA	\$14.00	\$14.00	NA	\$14.00	NA	\$14.00	NA	\$14.00
2-wire voice unbundled port with Caller+E484 ID	UEPBC	NA	\$14.00	\$14.00	NA	\$14.00	NA	\$14.00	NA	\$14.00
2-wire voice unbundled outgoing only port	UEPBO	NA	\$14.00	\$14.00	NA	\$14.00	NA	\$14.00	NA	\$14.00
2-wire voice grade unbundled Alabama extended local dialing parity port with caller ID	UEPAW	NA	NA	NA	NA	NA	NA	NA	NA	NA
2-wire voice grade unbundled Kentucky extended local dialing parity port with caller ID	UEPBM	NA	NA	NA	NA	NA	NA	NA	NA	NA
2-wire voice grade unbundled Louisiana extended local dialing parity port with caller ID	UEPAX	NA	NA	NA	NA	\$14.00	NA	NA	NA	NA
2-wire voice grade unbundled Mississippi extended local dialing parity port with caller ID	UEPAY	NA	NA	NA	NA	NA	NA	NA	NA	NA

BELLSOUTH/Z-TEL RATES  
NETWORK ELEMENTS  
AND OTHER SERVICES  
LOOP/PORT COMBINATIONS

Exhibit 3  
Rates - Page 34

DESCRIPTION	USOC	AL	FL	GA	KY	LA	MS	NC	SC	TN
2-wire voice grade unbundled South Carolina extended local dialing parity port with caller ID	UEPAZ	NA	NA	NA	NA	NA	NA	NA	NA	NA
2-wire voice grade unbundled Tennessee extended local dialing parity port with caller ID	UEPAV	NA	NA	NA	NA	NA	NA	NA	NA	\$14.00
2-wire voice unbundled incoming only port with Caller ID	UEPB1	NA	\$14.00	\$14.00	NA	\$14.00	NA	\$14.00	NA	\$14.00
2-wire voice unbundled LA Bus Area Calling Port with Caller ID (BUC)	UEPAA	NA	NA	NA	NA	\$14.00	NA	NA	NA	NA
2-wire voice unbundled SC Bus Area Calling Port with Caller ID (LMB)	UEPAB	NA	NA	NA	NA	NA	NA	NA	NA	NA
2-wire voice unbundled TN Bus 2-Way Area Calling Port Economy Option (TACC1)	UEPAC	NA	NA	NA	NA	NA	NA	NA	NA	\$14.00
2-wire voice unbundled TN Bus 2-Way Area Calling Port Standard Option (TACC2)	UEPAD	NA	NA	NA	NA	NA	NA	NA	NA	\$14.00
2-wire voice unbundled TN Bus 2-WAY Collierville and Memphis Local Calling Port (B2F)	UEPAE	NA	NA	NA	NA	NA	NA	NA	NA	\$14.00
<b>2-Wire Voice Grade Loop (SL1) (Res. and Bus.)</b>										
RC - 2-Wire Voice Grade Loop - Statewide	UEPLX	NA	NA	NA	NA	NA	NA	\$14.18	NA	NA
RC - 2-Wire Voice Grade Loop Zone 1	UEPLX	NA	\$14.90	\$10.80	NA	\$14.05	NA	NA	NA	\$15.92
RC - 2-Wire Voice Grade Loop Zone 2	UEPLX	NA	\$18.51	\$12.47	NA	\$24.14	NA	NA	NA	\$20.79
RC - 2-Wire Voice Grade Loop Zone 3	UEPLX	NA	\$24.25	\$19.83	NA	\$49.30	NA	NA	NA	\$27.18
<b>Combination Rates</b>										
RC - 2-Wire Voice Grade Loop with 2-Wire Line Port, Statewide	Note 8	NA	NA	NA	NA	NA	NA	\$28.18	NA	NA
RC - 2-Wire Voice Grade Loop with 2-Wire Line Port, Zone 1 (Note 6)	Note 8	NA	\$28.90	\$24.80	NA	\$28.05	NA	NA	NA	\$29.92
RC - 2-Wire Voice Grade Loop with 2-Wire Line Port, Zone 2 (Note 6)	Note 8	NA	\$32.51	\$26.47	NA	\$38.14	NA	NA	NA	\$34.79
RC - 2-Wire Voice Grade Loop with 2-Wire Line Port, Zone 3 (Note 6)	Note 8	NA	\$38.25	\$33.83	NA	\$63.30	NA	NA	NA	\$41.18
<b>Nonrecurring Charges</b>										
<b>2-Wire Voice Grade Line Port (Res. And Bus.)</b>										
NRC - 2- wire voice grade unbundled port/loop combination - 1st, with change		NA	\$41.50	\$41.50	NA	\$41.50	NA	\$41.50	NA	\$41.50
NRC - 2- wire voice grade unbundled port/loop combination - Add'l, with change		NA	\$41.50	\$41.50	NA	\$41.50	NA	\$41.50	NA	\$41.50
NRC - 2- wire voice grade unbundled port/loop combination - 1st, no change		NA	\$41.50	\$41.50	NA	\$41.50	NA	\$41.50	NA	\$41.50
NRC - 2- wire voice grade unbundled port/loop combination - Add'l, no change		NA	\$41.50	\$41.50	NA	\$41.50	NA	\$41.50	NA	\$41.50
NRC - 2-Wire Voice Grade Loop/Line Port Combination - Subsequent		NA	\$10.00	\$10.00	NA	\$10.00	NA	\$10.00	NA	\$10.00
NRC - 2-Wire Voice Grade Loop/Line Port Combination - OSS LSR Charge, Electronic, per LSR received from the CLEC by one of the OSS interactive interfaces	SOMEK	NA	\$2.75	\$3.50	NA	\$3.50	NA	\$3.50	NA	\$3.50
NRC - 2-Wire Voice Grade Loop/Line Port Combination - Incremental Cost - Manual Svc.Order vs. Electronic - 1st	SOMAN	NA	\$21.56	\$33.76	NA	\$31.92	NA	\$40.18	NA	\$30.89
NRC - 2-Wire Voice Grade Loop/Line Port Combination - Incremental Cost - Manual Svc.Order vs. Electronic - Add'l	SOMAN	NA	\$21.56	\$7.86	NA	\$7.32	NA	\$9.45	NA	\$7.03
NRC- 2 Wire Voice Grade Loop/Line Port Combination - Subsequent Database Update - Electronic		NA	TBD	TBD	NA	\$2.11	NA	\$1.42	NA	TBD
NRC- 2 Wire Voice Grade Loop/Line Port Combination - Subsequent Database Update - Manual Service Order		NA	TBD	TBD	NA	\$5.12	NA	\$10.27	NA	TBD
NRC - Electronic Service Order Disconnect		NA	\$0.42	NA	NA	NA	NA	NA	NA	NA
NRC - Incremental Manual Service Order Disconnect		NA	\$3.84	\$20.00	NA	\$20.00	NA	\$20.00	NA	\$20.00
<b>2-Wire Voice Grade Loop with 2-Wire Line Port PBX</b>										
<b>2-Wire Analog Line Port (PBX), per month</b>										
2 WIRE VOICE UNBUNDLED COMBINATION 2-WAY PBX TRUNK - Residence	UEPRD	NA	\$14.00	\$14.00	NA	\$14.00	NA	\$14.00	NA	\$14.00
LINE SIDE UNBUNDLED COMBINATION 2-WAY PBX TRUNK - BUSINESS	UEPPC	NA	\$14.00	\$14.00	NA	\$14.00	NA	\$14.00	NA	\$14.00
LINE SIDE UNBUNDLED OUTWARD PBX TRUNK - BUSINESS	UEPPO	NA	\$14.00	\$14.00	NA	\$14.00	NA	\$14.00	NA	\$14.00
LINE SIDE UNBUNDLED INCOMING PBX TRUNK - BUSINESS	UEPP1	NA	\$14.00	\$14.00	NA	\$14.00	NA	\$14.00	NA	\$14.00
2-WIRE VOICE UNBUNDLED 2-WAY COMBINATION PBX ALABAMA CALLING PORT	UEPA2	NA	NA	NA	NA	NA	NA	NA	NA	NA

BELLSOUTH/Z-TEL RATES  
NETWORK ELEMENTS  
AND OTHER SERVICES  
LOOP/PORT COMBINATIONS

Exhibit 3  
Rates - Page 35

DESCRIPTION	USOC	AL	FL	GA	KY	LA	MS	NC	SC	TN
2-WIRE VOICE UNBUNDLED 2-WAY COMBINATION PBX LOUISIANA CALLING PORT	UEPL2	NA	NA	NA	NA	\$14.00	NA	NA	NA	NA
2-WIRE VOICE UNBUNDLED PBX LD TERMINAL PORTS	UEPLD	NA	\$14.00	\$14.00	NA	\$14.00	NA	\$14.00	NA	\$14.00
2-WIRE VOICE UNBUNDLED 2-WAY COMBINATION PBX TENNESSEE CALLING PORT	UEPT2	NA	NA	NA	NA	NA	NA	NA	NA	\$14.00
2-WIRE VOICE UNBUNDLED 1-WAY OUTGOING PBX TENNESSEE CALLING PORT	UEPTO	NA	NA	NA	NA	NA	NA	NA	NA	\$14.00
2-WIRE VOICE UNBUNDLED 2-WAY COMBINATION PBX USAGE PORT	UEPXA	NA	\$14.00	\$14.00	NA	\$14.00	NA	\$14.00	NA	\$14.00
2-WIRE VOICE UNBUNDLED PBX TOLL TERMINAL HOTEL PORTS	UEPXB	NA	\$14.00	\$14.00	NA	\$14.00	NA	\$14.00	NA	\$14.00
2-WIRE VOICE UNBUNDLED PBX LD DDD TERMINALS PORT	UEPXC	NA	\$14.00	\$14.00	NA	\$14.00	NA	\$14.00	NA	\$14.00
2-WIRE VOICE UNBUNDLED PBX LD TERMINAL SWITCHBOARD PORT	UEPXD	NA	\$14.00	\$14.00	NA	\$14.00	NA	\$14.00	NA	\$14.00
2-WIRE VOICE UNBUNDLED PBX LD TERMINAL SWITCHBOARD IDD CAPABLE PORT	UEPXE	NA	\$14.00	\$14.00	NA	\$14.00	NA	\$14.00	NA	\$14.00
2-WIRE VOICE UNBUNDLED 2-WAY PBX KENTUCKY ROOM AREA CALLING PORT WITHOUT LUD	UEPXF	NA	NA	NA	NA	NA	NA	NA	NA	NA
2-WIRE VOICE UNBUNDLED PBX KENTUCKY LUD AREA CALLING PORT	UEPXG	NA	NA	NA	NA	NA	NA	NA	NA	NA
2-WIRE VOICE UNBUNDLED PBX KENTUCKY PREMIUM CALLING PORT	UEPXH	NA	NA	NA	NA	NA	NA	NA	NA	NA
2-WIRE VOICE UNBUNDLED 2-WAY KENTUCKY AREA CALLING PORT WITHOUT LUD	UEPXJ	NA	NA	NA	NA	NA	NA	NA	NA	NA
2-WIRE VOICE UNBUNDLED 2-WAY PBX LOUISIANA LOCAL OPTIONAL CALLING PORT	UEPKK	NA	NA	NA	NA	\$14.00	NA	NA	NA	NA
2-WIRE VOICE UNBUNDLED 2-WAY PBX HOTEL/HOSPITAL ECONOMY ADMINISTRATIVE CALLING PORT	UEPXL	NA	\$14.00	\$14.00	NA	\$14.00	NA	\$14.00	NA	\$14.00
2-WIRE VOICE UNBUNDLED 2-WAY PBX HOTEL/HOSPITAL ECONOMY ROOM CALLING PORT	UEPXM	NA	\$14.00	\$14.00	NA	\$14.00	NA	\$14.00	NA	\$14.00
2-WIRE VOICE UNBUNDLED 1-WAY OUTGOING PBX HOTEL/HOSPITAL ECONOMY ADMINISTRATIVE CALLING PORT	UEPXN	NA	NA	NA	NA	NA	NA	NA	NA	\$14.00
2-WIRE VOICE UNBUNDLED 1-WAY OUTGOING PBX HOTEL/HOSPITAL DISCOUNT ROOM CALLING PORT	UEPXO	NA	\$14.00	\$14.00	NA	\$14.00	NA	\$14.00	NA	\$14.00
2-WIRE VOICE UNBUNDLED 1-WAY OUTGOING PBX LOUISIANA LOCAL DISCOUNT CALLING PORT	UEPXP	NA	NA	NA	NA	\$14.00	NA	NA	NA	NA
2-WIRE VOICE UNBUNDLED 2-WAY PBX MISSISSIPPI LOCAL ECONOMY CALLING PORT	UEPXQ	NA	NA	NA	NA	NA	NA	NA	NA	NA
2-WIRE VOICE UNBUNDLED 2-WAY PBX MISSISSIPPI LOCAL OPTIONAL CALLING PORT	UEPXR	NA	NA	NA	NA	NA	NA	NA	NA	NA
2-WIRE VOICE UNBUNDLED 1-WAY OUTGOING PBX MEASURED PORT	UEPXS	NA	\$14.00	\$14.00	NA	\$14.00	NA	\$14.00	NA	\$14.00
2-WIRE VOICE UNBUNDLED 2-WAY PBX SOUTH CAROLINA AREA PLUS CALLING PORT	UEPXT	NA	NA	NA	NA	NA	NA	NA	NA	NA
2-WIRE VOICE UNBUNDLED PBX COLLIERVILLE & MEMPHIS CALLING PORT	UEPXU	NA	NA	NA	NA	NA	NA	NA	NA	\$14.00
2-WIRE VOICE UNBUNDLED 2-WAY PBX TENNESSEE REGIONSERV CALLING PORT	UEPXV	NA	NA	NA	NA	NA	NA	NA	NA	\$14.00
LOCAL NUMBER PORTABILITY (REQUIRES ONE PER PORT)	LNPCP									
<b>2-Wire Voice Grade Loop (SL1)</b>										
RC - 2- Wire Voice Grade Loop - Statewide	UEPLX	NA	NA	NA	NA	NA	NA	\$14.18	NA	NA
RC - 2- Wire Voice Grade Loop - Zone 1	UEPLX	NA	\$14.90	\$10.80	NA	\$14.05	NA	NA	NA	\$15.92
RC - 2- Wire Voice Grade Loop - Zone 2	UEPLX	NA	\$18.51	\$12.47	NA	\$24.14	NA	NA	NA	\$20.79
RC - 2- Wire Voice Grade Loop - Zone 3	UEPLX	NA	\$24.25	\$19.83	NA	\$49.30	NA	NA	NA	\$27.18
RC - 2- Wire Voice Grade Loop - Zone 4	UEPLX	NA	NA	NA	NA	NA	NA	NA	NA	NA
<b>Combination Rates</b>										
RC - 2-Wire Voice Grade Loop with 2-Wire Line Port, Statewide	Note 8	NA	NA	NA	NA	NA	NA	\$28.18	NA	NA
RC - 2-Wire Voice Grade Loop with 2-Wire Line Port, Zone 1 (Note 6)	Note 8	NA	\$28.90	\$24.80	NA	\$28.05	NA	NA	NA	\$29.92
RC - 2-Wire Voice Grade Loop with 2-Wire Line Port, Zone 2 (Note 6)	Note 8	NA	\$32.51	\$26.47	NA	\$38.14	NA	NA	NA	\$34.79
RC - 2-Wire Voice Grade Loop with 2-Wire Line Port, Zone 3 (Note 6)	Note 8	NA	\$38.25	\$33.83	NA	\$63.30	NA	NA	NA	\$41.18
<b>Nonrecurring Charges</b>										
NRC - 2- wire voice grade unbundled port/loop combination - 1st, with change		NA	\$41.50	\$41.50	NA	\$41.50	NA	\$41.50	NA	\$41.50



BELLSOUTH/Z-TEL RATES  
NETWORK ELEMENTS  
AND OTHER SERVICES  
LOOP/PORT COMBINATIONS

Exhibit 3  
Rates - Page 36

DESCRIPTION	USOC	AL	FL	GA	KY	LA	MS	NC	SC	TN
NRC - 2- wire voice grade unbundled port/loop combination - Add'l, with change		NA	\$41.50	\$41.50	NA	\$41.50	NA	\$41.50	NA	\$41.50
NRC - 2- wire voice grade unbundled port/loop combination - 1st, no change		NA	\$41.50	\$41.50	NA	\$41.50	NA	\$41.50	NA	\$41.50
NRC - 2- wire voice grade unbundled port/loop combination - Add'l, no change		NA	\$41.50	\$41.50	NA	\$41.50	NA	\$41.50	NA	\$41.50
NRC - 2-Wire Voice Grade Loop/Line Port Combination - Subsequent		NA	\$10.00	\$10.00	\$10.00	\$10.00	NA	\$10.00	NA	\$10.00
NRC - 2-Wire Voice Grade Loop/Line Port Combination - OSS LSR Charge, Electronic, per LSR received from the CLEC by one of the OSS interactive interfaces (Note 7)	SOME C	NA	\$2.75	\$3.50	NA	\$3.50	NA	\$3.50	NA	\$3.50
NRC - 2-Wire Voice Grade Loop/Line Port Combination - Incremental Cost - Manual Svc.Order vs. Electronic - 1st	SOMAN	NA	\$21.56	\$33.67	NA	\$31.92	NA	\$40.18	NA	\$30.89
NRC - 2-Wire Voice Grade Loop/Line Port Combination - Incremental Cost - Manual Svc.Order vs. Electronic - Add'l	SOMAN	NA	\$21.56	\$7.88	NA	\$7.32	NA	\$9.45	NA	\$7.03
NRC- 2 Wire Voice Grade Loop/Line Port Combination - Subsequent Database Update - Electronic		NA	TBD	TBD	NA	\$2.11	NA	\$1.42	NA	TBD
NRC- 2 Wire Voice Grade Loop/Line Port Combination - Subsequent Database Update - Manual Service Order		NA	TBD	TBD	NA	\$5.12	NA	\$10.27	NA	TBD
NRC - Electronic Service Order Disconnect		NA	\$0.42	NA	NA	NA	NA	NA	NA	NA
NRC - Incremental Manual Service Order Disconnect		NA	\$3.84	\$20.00	NA	\$20.00	NA	\$20.00	NA	\$20.00
<b>COST BASED RATES (Notes 2 &amp; 3)</b>										
<b>Currently Combined</b>										
<b>2-Wire Voice Grade Loop with 2-Wire Line Port</b>										
<b>2-Wire Voice Grade Line Port (Res.), per month</b>										
2- wire voice unbundled port - residence	UEPRL	\$2.20	\$1.35	\$1.79	\$2.61	\$2.55	\$2.12	\$2.28	\$3.69	\$4.54
2-wire voice unbundled port with caller ID - residence	UEPRC	\$2.20	\$1.35	\$1.79	\$2.61	\$2.55	\$2.12	\$2.28	\$3.69	\$4.54
2-wire voice unbundled port outgoing only - residence	UEPRO	\$2.20	\$1.35	\$1.79	\$2.61	\$2.55	\$2.12	\$2.28	\$3.69	\$4.54
2-wire voice grade unbundled Alabama extended local dialing parity port with caller ID	UEPAR	\$2.20	NA	NA	NA	NA	NA	NA	NA	NA
2-wire voice grade unbundled Kentucky extended local dialing parity port with caller ID	UEPRM	NA	NA	NA	\$2.61	NA	NA	NA	NA	NA
2-wire voice grade unbundled Louisiana extended local dialing parity port with caller ID	UEPAS	NA	NA	NA	NA	\$2.55	NA	NA	NA	NA
2-wire voice grade unbundled Mississippi extended local dialing parity port with caller ID	UEPAT	NA	NA	NA	NA	NA	\$2.12	NA	NA	NA
2-wire voice grade unbundled South Carolina extended local dialing parity port with caller ID	UEPAU	NA	NA	NA	NA	NA	NA	NA	\$3.69	NA
2-wire voice grade unbundled Tennessee extended local dialing parity port with caller ID	UEPAQ	NA	NA	NA	NA	NA	NA	NA	NA	\$4.54
2-wire voice unbundled Florida area calling with caller ID - residence	UEPAF	NA	\$1.35	NA	NA	NA	NA	NA	NA	NA
2-wire voice unbundled Louisiana Area Plus with caller ID - residence (RUL)	UEPAG	NA	NA	NA	NA	\$2.55	NA	NA	NA	NA
2-wire voice unbundled Louisiana Area Plus with caller ID - residence (AC7)	UEPAH	NA	NA	NA	NA	\$2.55	NA	NA	NA	NA
2-wire voice unbundled South Carolina Area Calling port with Caller ID - residence (LW8)	UEPAJ	NA	NA	NA	NA	NA	NA	NA	\$3.69	NA
2-wire voice unbundled Tennessee Area Calling port with Caller ID - residence (F2R)	UEPAK	NA	NA	NA	NA	NA	NA	NA	NA	\$4.54
2-wire voice unbundled Tennessee Area Calling port with Caller ID - residence (TACER)	UEPAL	NA	NA	NA	NA	NA	NA	NA	NA	\$4.54
2-wire voice unbundled Tennessee Area Calling port with Caller ID - residence (TACSR)	UEPAM	NA	NA	NA	NA	NA	NA	NA	NA	\$4.54
2-wire voice unbundled Tennessee Area Calling port with Caller ID - residence (1MF2X)	UEPAN	NA	NA	NA	NA	NA	NA	NA	NA	\$4.54
2-wire voice unbundled Tennessee Area Calling port with Caller ID - residence (2MR)	UEPAO	NA	NA	NA	NA	NA	NA	NA	NA	\$4.54

BELLSOUTH/Z-TEL RATES  
NETWORK ELEMENTS  
AND OTHER SERVICES  
LOOP/PORT COMBINATIONS

Exhibit 3  
Rates - Page 37

DESCRIPTION	USOC	AL	FL	GA	KY	LA	MS	NC	SC	TN
2-wire voice unbundled res, low usage line port with Caller ID (LUM)	UEPAP	\$2.20	\$1.35	\$1.79	\$2.61	\$2.55	\$2.12	\$2.28	\$3.69	\$4.54
<b>2-Wire Voice Grade Line Port (Bus.), per month</b>										
2-wire voice unbundled port without Caller ID	UEPBL	\$2.20	\$1.35	\$1.79	\$2.61	\$2.55	\$2.12	\$2.28	\$3.69	\$4.54
2-wire voice unbundled port with unbundled port with Caller+E484 ID	UEPBC	\$2.20	\$1.35	\$1.79	\$2.61	\$2.55	\$2.12	\$2.28	\$3.69	\$4.54
2-wire voice unbundled outgoing only port	UEPBO	\$2.20	\$1.35	\$1.79	\$2.61	\$2.55	\$2.12	\$2.28	\$3.69	\$4.54
2-wire voice grade unbundled Alabama extended local dialing parity port with caller ID	UEPAW	\$2.20	NA	NA	NA	NA	NA	NA	NA	NA
2-wire voice grade unbundled Kentucky extended local dialing parity port with caller ID	UEPBM	NA	NA	NA	\$2.61	NA	NA	NA	NA	NA
2-wire voice grade unbundled Louisiana extended local dialing parity port with caller ID	UEPAX	NA	NA	NA	NA	\$2.55	NA	NA	NA	NA
2-wire voice grade unbundled Mississippi extended local dialing parity port with caller ID	UEPAY	NA	NA	NA	NA	NA	\$2.12	NA	NA	NA
2-wire voice grade unbundled South Carolina extended local dialing parity port with caller ID	UEPAZ	NA	NA	NA	NA	NA	NA	NA	\$3.69	NA
2-wire voice grade unbundled Tennessee extended local dialing parity port with caller ID	UEPAV	NA	NA	NA	NA	NA	NA	NA	NA	\$4.54
2-wire voice unbundled incoming only port with Caller ID	UEPB1	\$2.20	\$1.35	\$1.79	\$2.61	\$2.55	\$2.12	\$2.28	\$3.69	\$4.54
2-wire voice unbundled LA Bus Area Calling Port with Caller ID (BUC)	UEPAA	NA	NA	NA	NA	\$2.55	NA	NA	NA	NA
2-wire voice unbundled SC Bus Area Calling Port with Caller ID (LMB)	UEPAB	NA	NA	NA	NA	NA	NA	NA	\$3.69	NA
2-wire voice unbundled TN Bus 2-Way Area Calling Port Economy Option (TACC1)	UEPAC	NA	NA	NA	NA	NA	NA	NA	NA	\$4.54
2-wire voice unbundled TN Bus 2-Way Area Calling Port Standard Option (TACC2)	UEPAD	NA	NA	NA	NA	NA	NA	NA	NA	\$4.54
2-wire voice unbundled TN Bus 2-WAY Collierville and Memphis Local Calling Port (B2F)	UEPAE	NA	NA	NA	NA	NA	NA	NA	NA	\$4.54
<b>2-Wire Voice Grade Loop (SL1)</b>										
RC - 2- Wire Voice Grade Loop - Statewide	UEPLX	NA	NA	NA	NA	NA	NA	\$14.18	NA	NA
RC - 2- Wire Voice Grade Loop - Zone 1	UEPLX	\$14.35	\$14.90	\$10.80	\$14.79	\$14.05	\$14.59	NA	\$17.02	\$12.48
RC - 2- Wire Voice Grade Loop - Zone 2	UEPLX	\$23.31	\$18.51	\$12.47	\$27.68	\$24.14	\$19.33	NA	\$25.66	\$14.42
RC - 2- Wire Voice Grade Loop - Zone 3	UEPLX	\$42.24	\$24.25	\$19.83	\$47.78	\$49.30	\$27.63	NA	\$33.99	\$21.77
RC - 2- Wire Voice Grade Loop - Zone 4	UEPLX	NA	NA	NA	NA	NA	\$36.47	NA	NA	NA
<b>Combination Rates</b>										
RC - 2-Wire Voice Grade Loop with 2-Wire Line Port, Statewide	Note 8	NA	NA	NA	NA	NA	NA	\$16.46	NA	NA
RC - 2-Wire Voice Grade Loop with 2-Wire Line Port, Zone 1 (Note 6)	Note 8	\$16.55	\$16.25	\$12.59	\$17.40	\$16.60	\$16.71	NA	\$20.71	\$17.02
RC - 2-Wire Voice Grade Loop with 2-Wire Line Port, Zone 2 (Note 6)	Note 8	\$25.51	\$19.86	\$14.26	\$30.29	\$26.69	\$21.45	NA	\$29.35	\$18.96
RC - 2-Wire Voice Grade Loop with 2-Wire Line Port, Zone 3 (Note 6)	Note 8	\$44.44	\$25.60	\$21.62	\$50.39	\$51.85	\$29.75	NA	\$37.68	\$26.31
RC - 2-Wire Voice Grade Loop with 2-Wire Line Port, Zone 4 (Note 6)	Note 8	NA	NA	NA	NA	NA	\$38.59	NA	NA	NA
<b>Nonrecurring Charges</b>										
NRC - 2-Wire Voice Grade Loop/Line Port Combination - 1st, Switch as is	USAC2	\$2.80	\$0.1964	\$2.01	\$10.00	\$3.80	\$5.20	\$2.77	\$1.59	\$1.03
NRC - 2-Wire Voice Grade Loop/Line Port Combination - Add'l, Switch as is	USAC2	\$0.41	\$0.1964	\$0.3108	\$10.00	\$0.29	\$0.41	\$0.40	\$0.40	\$0.2886
NRC - 2-Wire Voice Grade Loop/Line Port Combination - 1st, Switch with change	USACC	\$2.80	\$0.1964	\$2.01	\$10.00	\$3.80	\$5.20	\$2.77	\$1.59	\$1.03
NRC - 2-Wire Voice Grade Loop/Line Port Combination - Add'l, Switch with change	USACC	\$0.41	\$0.1964	\$0.3108	\$10.00	\$0.29	\$0.41	\$0.40	\$0.40	\$0.2886
NRC - 2-Wire Voice Grade Loop/Line Port Combination - Subsequent	USAS2	\$10.00	\$10.00	\$10.00	\$10.00	\$10.00	\$10.00	\$10.00	\$10.00	\$10.00
NRC - 2-Wire Voice Grade Loop/Line Port Combination - OSS LSR Charge, Electronic, per LSR received from the CLEC by one of the OSS interactive interfaces (Note 7)	SOMEK	\$3.50	\$2.75	\$3.50	\$3.50	\$3.50	\$3.50	\$3.50	\$3.50	\$3.50
NRC - 2-Wire Voice Grade Loop/Line Port Combination - Incremental Cost - Manual Svc.Order vs. Electronic - 1st	SOMAN	\$40.71	\$21.56	\$33.67	\$19.99	\$31.92	\$43.52	\$40.18	\$43.19	\$30.89
NRC - 2-Wire Voice Grade Loop/Line Port Combination - Incremental Cost - Manual Svc.Order vs. Electronic - Add'l	SOMAN	\$9.58	\$21.56	\$7.88	\$19.99	\$7.32	\$9.99	\$9.45	\$9.91	\$7.03
NRC- 2 Wire Voice Grade Loop/Line Port Combination - Subsequent Database Update - Electronic		\$1.44	TBD	TBD	TBD	\$2.11	\$2.87	\$1.42	\$0.71	\$0.76
NRC- 2 Wire Voice Grade Loop/Line Port Combination - Subsequent Database Update - Manual Service Order		\$8.25	TBD	TBD	TBD	\$5.12	\$6.88	\$10.27	\$8.91	\$7.97
NRC - Electronic Service Order Disconnect		NA	\$0.42	NA	NA	NA	NA	NA	NA	NA
NRC - Incremental Manual Service Order Disconnect		\$20.00	\$3.84	\$20.00	\$20.00	\$20.00	\$20.00	\$20.00	\$20.00	\$20.00
<b>NRCs for New (not Currently Combined) as ordered in Georgia:</b>										

BELLSOUTH/Z-TEL RATES  
NETWORK ELEMENTS  
AND OTHER SERVICES  
LOOP/PORT COMBINATIONS

Exhibit 3  
Rates - Page 38

DESCRIPTION	USOC	AL	FL	GA	KY	LA	MS	NC	SC	TN
NRC - 2-Wire Voice Grade Loop with 2-Wire Line Port - New - 1st	UEPRL	NA	NA	\$22.14	NA	NA	NA	NA	NA	NA
NRC - 2-Wire Voice Grade Loop with 2-Wire Line Port - New - Add'l	UEPRL	NA	NA	\$15.25	NA	NA	NA	NA	NA	NA
NRC - 2-Wire Voice Grade Loop with 2-Wire Line Port - New - 1st	UEPRC	NA	NA	\$22.14	NA	NA	NA	NA	NA	NA
NRC - 2-Wire Voice Grade Loop with 2-Wire Line Port - New - Add'l	UEPRC	NA	NA	\$15.25	NA	NA	NA	NA	NA	NA
NRC - 2-Wire Voice Grade Loop with 2-Wire Line Port - New - 1st	UEPRO	NA	NA	\$22.14	NA	NA	NA	NA	NA	NA
NRC - 2-Wire Voice Grade Loop with 2-Wire Line Port - New - Add'l	UEPRO	NA	NA	\$15.25	NA	NA	NA	NA	NA	NA
NRC - 2-Wire Voice Grade Loop with 2-Wire Line Port - New - 1st	UEPAP	NA	NA	\$22.14	NA	NA	NA	NA	NA	NA
NRC - 2-Wire Voice Grade Loop with 2-Wire Line Port - New - Add'l	UEPAP	NA	NA	\$15.25	NA	NA	NA	NA	NA	NA
NRC - 2-Wire Voice Grade Loop with 2-Wire Line Port - New - 1st	UEPBL	NA	NA	\$22.14	NA	NA	NA	NA	NA	NA
NRC - 2-Wire Voice Grade Loop with 2-Wire Line Port - New - Add'l	UEPBL	NA	NA	\$15.25	NA	NA	NA	NA	NA	NA
NRC - 2-Wire Voice Grade Loop with 2-Wire Line Port - New - 1st	UEPBC	NA	NA	\$22.14	NA	NA	NA	NA	NA	NA
NRC - 2-Wire Voice Grade Loop with 2-Wire Line Port - New - Add'l	UEPBC	NA	NA	\$15.25	NA	NA	NA	NA	NA	NA
NRC - 2-Wire Voice Grade Loop with 2-Wire Line Port - New - 1st	UEPBO	NA	NA	\$22.14	NA	NA	NA	NA	NA	NA
NRC - 2-Wire Voice Grade Loop with 2-Wire Line Port - New - Add'l	UEPBO	NA	NA	\$15.25	NA	NA	NA	NA	NA	NA
NRC - 2-Wire Voice Grade Loop with 2-Wire Line Port - New - 1st	UEPB1	NA	NA	\$22.14	NA	NA	NA	NA	NA	NA
NRC - 2-Wire Voice Grade Loop with 2-Wire Line Port - New - Add'l	UEPB1	NA	NA	\$15.25	NA	NA	NA	NA	NA	NA
NRC - 2-Wire Voice Grade Loop/Line Port Combination - Subsequent	USAS2	NA	NA	\$10.00	NA	NA	NA	NA	NA	NA
NRC - 2-Wire Voice Grade Loop with 2-Wire Line Port - New - Disconnect - 1st		NA	NA	\$8.45	NA	NA	NA	NA	NA	NA
NRC - 2-Wire Voice Grade Loop with 2-Wire Line Port - New - Disconnect - Add'l		NA	NA	\$3.91	NA	NA	NA	NA	NA	NA
NRC - 2-Wire Voice Grade Loop/Line Port Combination - OSS LSR Charge, Electronic, per LSR received from the CLEC by one of the OSS interactive interfaces (Note 7)	SOME C	NA	NA	\$3.50	NA	NA	NA	NA	NA	NA
NRC - 2-Wire Voice Grade Loop with 2-Wire Line Port - Incremental Cost Manual vs. Electronic - New - 1st		NA	NA	\$37.06	NA	NA	NA	NA	NA	NA
NRC - 2-Wire Voice Grade Loop with 2-Wire Line Port - Incremental Cost Manual vs. Electronic - New - Add'l		NA	NA	\$8.19	NA	NA	NA	NA	NA	NA
NRC- 2 Wire Voice Grade Loop/Line Port Combination - Subsequent Database Update - Electronic		NA	NA	TBD	NA	NA	NA	NA	NA	NA
NRC- 2 Wire Voice Grade Loop/Line Port Combination - Subsequent Database Update - Manual Service Order		NA	NA	TBD	NA	NA	NA	NA	NA	NA
NRC - 2-Wire Voice Grade Loop with 2-Wire Line Port - Incremental Cost Manual vs. Electronic - New - Disconnect		NA	NA	\$11.17	NA	NA	NA	NA	NA	NA
<b>2- Wire Voice Grade Loop - Bus Only with 2 -Wire DID Trunk Port</b>										
<b>2 - Wire Line Port - DID Trunk Port, per month</b>	UEPD1	TBD	\$9.36	\$11.35	\$10.84	\$13.12	\$14.63	\$12.12	TBD	\$8.78
<b>2-Wire Voice Grade Loop (SL2)</b>										
RC - 2- Wire Voice Grade Loop - Statewide	UECD1	NA	NA	NA	NA	NA	NA	\$11.76	NA	NA
RC - 2- Wire Voice Grade Loop - Zone 1	UECD1	\$17.95	\$18.48	\$16.84	\$17.78	\$17.65	\$18.35	NA	\$21.57	\$9.60
RC - 2- Wire Voice Grade Loop - Zone 2	UECD1	\$29.16	\$22.43	\$19.45	\$23.96	\$30.32	\$24.33	NA	\$32.53	\$11.09
RC - 2- Wire Voice Grade Loop - Zone 3	UECD1	\$52.84	\$27.87	\$30.92	\$34.96	\$61.93	\$34.77	NA	\$43.08	\$16.74
RC - 2- Wire Voice Grade Loop - Zone 4	UECD1	NA	NA	NA	NA	NA	\$45.88	NA	NA	NA
<b>Combination Rates</b>										
RC - 2-Wire Voice Grade Loop with 2-Wire DID Port, Statewide	Note 8	NA	NA	NA	NA	NA	NA	\$23.79	NA	NA
RC - 2-Wire Voice Grade Loop with 2-Wire DID Port, Zone 1 (Note 6)	Note 8	28.72	\$27.84	\$28.19	28.72	\$30.77	28.72	NA	28.72	\$18.38
RC - 2-Wire Voice Grade Loop with 2-Wire DID Port, Zone 2 (Note 6)	Note 8	34.91	\$31.79	\$30.80	34.91	\$43.44	34.91	NA	34.91	\$19.87
RC - 2-Wire Voice Grade Loop with 2-Wire DID Port, Zone 3 (Note 6)	Note 8	45.9	\$37.23	\$42.27	45.9	\$75.05	45.9	NA	45.9	\$25.52
RC - 2-Wire Voice Grade Loop with 2-Wire DID Port, Zone4 (Note 6)	Note 8	NA	NA	NA	NA	NA	TBD	NA	NA	NA
NRC- 2- Wire Voice Grade Loop with 2- Wire DID Port - Conversion - Switch As Is - 1st port	USAC1	\$14.62	\$14.62	\$166.08	TBD	\$14.60	\$14.60	\$13.26	\$14.62	\$8.76
NRC- 2- Wire Voice Grade Loop with 2- Wire DID Port - Conversion - Switch As Is Each Addl Port	USAC1	\$3.73	\$3.73	\$140.01	TBD	\$3.72	\$3.72	\$8.39	\$3.73	\$5.75

BELLSOUTH/Z-TEL RATES  
NETWORK ELEMENTS  
AND OTHER SERVICES  
LOOP/PORT COMBINATIONS

Exhibit 3  
Rates - Page 39

DESCRIPTION	USOC	AL	FL	GA	KY	LA	MS	NC	SC	TN
NRC- 2- Wire Voice Grade Loop with 2- Wire DID Port - Conversion with changes - 1st port	USA1C	\$14.62	\$14.62	\$166.08	TBD	\$14.60	\$14.60	\$13.26	\$14.62	\$8.76
NRC- 2- Wire Voice Grade Loop with 2- Wire DID Port - Conversion with changes - Each Addl port	USA1C	\$3.73	\$3.73	\$140.01	TBD	\$3.72	\$3.72	\$8.39	\$3.73	\$5.75
NRC - 2-Wire DID Subsequent Activity - Per Svc Order - Add Trunks, Per Trunk	USAS1	\$53.57	\$53.57	NA	NA	\$53.50	\$53.50	NA	\$53.57	NA
NRC - 2-Wire Voice Grade Loop/Line Port Combination - OSS LSR Charge, Electronic, per LSR received from the CLEC by one of the OSS interactive interfaces (Note 7)	SOME C	\$3.50	\$2.75	\$3.50	\$3.50	\$3.50	\$3.50	\$3.50	\$3.50	\$3.50
NRC- 2- Wire Voice Grade Loop with 2- Wire DID Port - Incremental Cost- Manual Service Order - 1st	SOMAN	\$19.99	\$21.56	\$37.88	\$19.99	\$19.99	\$19.99	\$53.89	\$19.99	\$41.43
NRC- 2- Wire Voice Grade Loop with 2- Wire DID Port - Incremental Cost- Manual Service Order - Addl	SOMAN	\$19.99	\$21.56	\$16.84	\$19.99	\$19.99	\$19.99	\$11.34	\$19.99	\$9.80
NRC - Electronic Service Order Disconnect		\$0.42	\$0.42	\$0.42	\$0.42	\$0.42	\$0.42	\$0.42	\$0.42	\$0.42
NRC - Incremental Manual Service Order Disconnect		\$20.00	\$3.84	\$20.00	\$20.00	\$20.00	\$20.00	\$20.00	\$20.00	\$20.00
<b>Telephone Number/Trunk Group Establishment</b>										
DID Trunk Termination (one required per port)	NDT	\$0.00	\$0.00	\$0.00	\$0.00	\$0.00	\$0.00	\$0.00	\$0.00	\$0.00
DID Numbers, Establish Trunk Group and Provide First Group of 20 DID Numbers (FL, GA, NC, & SC only)	NDZ	\$0.00	\$0.00	\$0.00	\$0.00	\$0.00	\$0.00	\$0.00	\$0.00	\$0.00
DID Numbers, Establish Trunk Group and Provide First Group of 20 DID Numbers (AL, KY, LA, MS, & TN). In addition, Provides Additional DID Numbers for each Group of 20 DID Numbers (Valid in All States)	ND4	\$0.00	\$0.00	\$0.00	\$0.00	\$0.00	\$0.00	\$0.00	\$0.00	\$0.00
DID Numbers, non-consecutive	ND5	\$0.00	\$0.00	\$0.00	\$0.00	\$0.00	\$0.00	\$0.00	\$0.00	\$0.00
<b>2-Wire ISDN Digital Grade Loop with 2-wire ISDN Digital Port</b>										
<b>2-wire ISDN Digital Port per month</b>	UEPPB	\$16.42	\$8.51	\$13.47	\$12.99	\$11.42	\$51.91	\$24.37	\$33.74	\$18.21
<b>2-Wire ISDN Digital Grade Loop</b>										
RC - 2-Wire ISDN Digital Grade Loop - Statewide	USL2X	NA	NA	NA	NA	NA	NA	\$19.08	NA	NA
RC - 2-Wire ISDN Digital Grade Loop - Zone 1	USL2X	\$23.23	\$22.48	\$21.89	\$22.41	\$28.87	\$21.86	NA	\$26.68	\$16.20
RC - 2-Wire ISDN Digital Grade Loop - Zone 2	USL2X	\$37.74	\$27.90	\$25.27	\$31.10	\$37.63	\$28.97	NA	\$40.24	\$18.71
RC - 2-Wire ISDN Digital Grade Loop - Zone 3	USL2X	\$68.38	\$30.78	\$40.17	\$42.36	\$48.42	\$41.40	NA	\$53.29	\$28.25
RC - 2-Wire ISDN Digital Grade Loop - Zone 4	USL2X	NA	NA	NA	NA	NA	\$54.64	NA	NA	NA
<b>Combination Rates</b>										
RC - 2-Wire ISDN Digital Grade Loop with 2-wire ISDN Digital Port - Statewide	Note 8	NA	NA	NA	NA	NA	NA	\$43.45	NA	NA
RC - 2-Wire ISDN Digital Grade Loop with 2-wire ISDN Digital Port - Zone 1	Note 8	\$39.65	\$30.99	\$35.36	\$34.40	\$34.84	\$73.77	NA	\$60.42	\$34.41
RC - 2-Wire ISDN Digital Grade Loop with 2-wire ISDN Digital Port - Zone 2	Note 8	\$54.16	\$36.41	\$38.74	\$44.10	\$43.20	\$80.78	NA	\$73.98	\$36.92
RC - 2-Wire ISDN Digital Grade Loop with 2-wire ISDN Digital Port - Zone 3	Note 8	\$84.80	\$39.30	\$53.64	\$55.35	\$59.69	\$93.31	NA	\$87.03	\$46.46
RC - 2-Wire ISDN Digital Grade Loop with 2-wire ISDN Digital Port - Zone 4	Note 8	NA	NA	NA	NA	NA	\$106.55	NA	NA	NA
NRC - 2-Wire ISDN Digital Grade Loop/2-wire ISDN Digital Port - 1st conversion	USACB	\$79.12	\$86.79	\$239.95	\$79.12	\$79.01	\$79.12	\$174.35	\$79.12	\$117.23
NRC - 2-Wire ISDN Digital Grade Loop/2-wire ISDN Digital Port - Add'l conversion	USACB	\$54.04	\$54.04	\$156.92	\$54.04	\$53.97	\$54.04	\$174.35	\$54.04	\$117.23
NRC - 2-Wire ISDN Digital Grade Loop/2-wire ISDN Digital Port - Non Feature Subsequent Activity	USASB	\$53.50	\$53.50	\$53.50	\$53.50	\$53.50	\$53.50	\$53.50	\$53.50	\$212.88
NRC - 2-Wire Voice Grade Loop/Line Port Combination - OSS LSR Charge, Electronic, per LSR received from the CLEC by one of the OSS interactive interfaces (Note 7)	SOME C	\$3.50	\$2.75	\$3.50	\$3.50	\$3.50	\$3.50	\$3.50	\$3.50	\$3.50
NRC - 2-Wire ISDN Digital Grade Loop/2-wire ISDN Digital Port - Incremental Cost- Manual Service Order - 1st	SOMAN	\$19.99	\$21.56	\$19.99	\$19.99	\$19.99	\$19.99	\$19.99	\$19.99	\$19.99
NRC - 2-Wire ISDN Digital Grade Loop/2-wire ISDN Digital Port - Incremental Cost- Manual Service Order - Addl	SOMAN	\$19.99	\$21.56	\$19.99	\$19.99	\$19.99	\$19.99	\$19.99	\$19.99	\$19.99
NRC - Electronic Service Order Disconnect		\$0.42	\$0.42	\$0.42	\$0.42	\$0.42	\$0.42	\$0.42	\$0.42	\$0.42
NRC - Incremental Manual Service Order Disconnect		\$20.00	\$3.84	\$20.00	\$20.00	\$20.00	\$20.00	\$20.00	\$20.00	\$20.00
<b>4 - Wire DS1 Digital Loop with 4 - Wire ISDN DS1 Digital Trunk Port</b>										
<b>4 - Wire ISDN DS1 Digital Trunk Port</b>	UEPPP	\$186.02	\$95.39	\$163.16	\$113.21	\$107.55	\$213.21	\$179.01	\$214.79	\$78.40

BELLSOUTH/Z-TEL RATES  
NETWORK ELEMENTS  
AND OTHER SERVICES  
LOOP/PORT COMBINATIONS

Exhibit 3  
Rates - Page 40

DESCRIPTION	USOC	AL	FL	GA	KY	LA	MS	NC	SC	TN
<b>4 - Wire DS1 Digital Loop</b>										
RC - 4- Wire DS1 Digital Loop- Statewide	USL4P	NA	NA	NA	NA	NA	NA	\$62.71	NA	NA
RC - 4- Wire DS1 Digital Loop- Zone 1	USL4P	\$51.74	\$92.48	\$55.53	\$106.04	\$100.70	\$50.99	NA	\$59.61	\$57.73
RC - 4- Wire DS1 Digital Loop- Zone 2	USL4P	\$84.05	\$119.68	\$3.21	\$135.15	\$129.12	\$67.58	NA	\$89.90	\$75.40
RC - 4- Wire DS1 Digital Loop- Zone 3	USL4P	\$152.29	\$194.70	\$101.93	\$186.26	\$344.16	\$96.58	NA	\$119.06	\$98.59
RC - 4-Wire DS1 Digital Loop - Zone 4	USL4P	NA	NA	NA	NA	NA	\$127.47	NA	NA	NA
<b>Combination Rates</b>										
RC - 4-Wire DS1 Digital Loop with 4-wire ISDN DS1 Digital Port - Statewide	Note 8	NA	NA	NA	NA	NA	NA	\$241.72	NA	NA
RC - 4-Wire DS1 Digital Loop with 4-wire ISDN DS1 Digital Port - Zone 1	Note 8	\$237.76	\$187.87	\$218.69	\$219.25	\$208.25	\$264.20	NA	\$274.40	\$136.13
RC - 4-Wire DS1 Digital Loop with 4-wire ISDN DS1 Digital Port - Zone 2	Note 8	\$270.07	\$215.07	\$227.29	\$248.36	\$236.67	\$280.79	NA	\$304.69	\$153.80
RC - 4-Wire DS1 Digital Loop with 4-wire ISDN DS1 Digital Port - Zone 3	Note 8	\$338.31	\$290.08	\$265.09	\$299.47	\$451.57	\$309.79	NA	\$333.85	\$176.99
RC - 4-Wire DS1 Digital Loop with 4-wire ISDN DS1 Digital Port - Zone 4	Note 8	NA	NA	NA	NA	NA	\$340.68	NA	NA	NA
<b>Local Number Portability</b>										
Local Number Portability (1 per port)	LNPCN	\$1.75	\$1.75	\$1.75	\$1.75	\$1.75	\$1.75	\$1.75	\$1.75	\$1.75
<b>Interface (Provsioning Only)</b>										
Voice/Data	PR71V	\$0.00	\$0.00	\$0.00	\$0.00	\$0.00	\$0.00	\$0.00	\$0.00	\$0.00
Digital Data	PR71D	\$0.00	\$0.00	\$0.00	\$0.00	\$0.00	\$0.00	\$0.00	\$0.00	\$0.00
Inward Data	PR71E	\$0.00	\$0.00	\$0.00	\$0.00	\$0.00	\$0.00	\$0.00	\$0.00	\$0.00
<b>Non-Recurring Charges</b>										
NRC - 4-Wire DS1 Digital Loop with 4-wire ISDN DS1 Digital Port Combination - 1st conversion	USACP	\$240.30	\$247.97	\$269.96	\$240.30	\$239.95	\$240.30	\$481.51	\$240.30	\$328.53
NRC - 4-Wire DS1 Digital Loop with 4-wire ISDN DS1 Digital Port Combination - Add'l conversion	USACP	\$157.17	\$157.17	\$269.96	\$157.17	\$156.94	\$157.17	\$481.51	\$157.17	\$328.53
NRC -4 - Wire DS1 Digital Loop with 4 - Wire ISDN DS1 Digital Trunk Port - Subsequent Channel Activation - Per Channel	USASP	\$29.06	\$29.06	\$28.71	\$29.06	\$29.01	\$29.06	\$36.92	\$29.06	\$28.39
NRC - 4-Wire DS1 Digital Loop with 4-wire ISDN DS1 Digital Port Combination - Subsequent Inward/2-way Telephone Numbers	PR7TG	\$0.98	\$0.9804	\$0.9686	\$0.98	\$0.98	\$0.98	\$1.17	\$0.98	\$0.9353
NRC - 4-Wire DS1 Digital Loop with 4-wire ISDN DS1 Digital Port Combination - Subsequent Outward Telephone numbers	PR7TP	\$23.02	\$23.02	\$22.75	\$23.02	\$22.99	\$23.02	\$28.17	\$23.02	\$22.36
NRC - 4-Wire DS1 Digital Loop with 4-wire ISDN DS1 Digital Port Combination - Subsequent Inward Telephone Numbers	PR7ZT	\$46.05	\$46.05	\$45.49	\$46.05	\$45.98	\$46.05	\$56.33	\$46.05	\$44.71
NRC - 4-Wire DS1 Digital Loop with 4-wire ISDN DS1 Digital Port Combination - Subsequent Service Order Per Order	USASP	\$147.47	\$147.47	\$147.47	\$147.47	\$147.47	\$147.47	\$255.25	\$147.47	\$189.76
NRC - 2-Wire Voice Grade Loop/Line Port Combination - OSS LSR Charge, Electronic, per LSR received from the CLEC by one of the OSS interactive interfaces (Note 7)	SOMEK	\$3.50	\$2.75	\$3.50	\$3.50	\$3.50	\$3.50	\$3.50	\$3.50	\$3.50
NRC - 4-Wire DS1 Digital Loop with 4-wire ISDN Digital Port - Incremental Cost-Manual Service Order - 1st	SOMAN	\$19.99	\$21.56	\$19.99	\$19.99	\$19.99	\$19.99	\$19.99	\$19.99	\$19.99
NRC - 4-Wire ISDN Digital Loop with 4-wire ISDN Digital Port - Incremental Cost-Manual Service Order - Add'l	SOMAN	\$19.99	\$21.56	\$19.99	\$19.99	\$19.99	\$19.99	\$19.99	\$19.99	\$19.99
NRC - Electronic Service Order Disconnect		\$0.42	\$0.42	\$0.42	\$0.42	\$0.42	\$0.42	\$0.42	\$0.42	\$0.42
NRC - Incremental Manual Service Order Disconnect		\$20.00	\$3.84	\$20.00	\$20.00	\$20.00	\$20.00	\$20.00	\$20.00	\$20.00
<b>4 - Wire DS1 Digital Loop with 4 - Wire DDITS Trunk Port</b>										
<b>4 - Wire DDITS Digital Trunk Port (Formerly DID Trunk Port)</b>	UDD1T	\$130.23	\$63.31	\$120.80	\$83.28	\$149.27	\$146.46	\$123.65	TBD	\$120.00
<b>4 - Wire DS1 Digital Loop</b>	USLDC									
4 - Wire DS1 Digital Loop - Statewide	USLDC	NA	NA	NA	NA	NA	NA	\$62.71	NA	NA
4 - Wire DS1 Digital Loop - Zone 1	USLDC	\$51.74	\$64.69	\$55.53	\$106.04	\$56.32	\$50.99	NA	\$59.61	\$57.73
4 - Wire DS1 Digital Loop - Zone 2	USLDC	\$84.05	\$94.71	\$64.13	\$135.15	\$96.73	\$67.58	NA	\$89.90	\$75.40
4 - Wire DS1 Digital Loop - Zone 3	USLDC	\$152.29	\$208.93	\$101.93	\$186.26	\$197.57	\$96.58	NA	\$119.06	\$98.59
4 - Wire DS1 Digital Loop - Zone 4	USLDC	NA	NA	NA	NA	NA	\$127.47	NA	NA	NA
<b>Combination Rates</b>										
4 - Wire DS1 Digital Loop with 4 - Wire DDITS Trunk Port - Statewide	Note 8	NA	NA	NA	NA	NA	NA	\$186.36	NA	NA
4 - Wire DS1 Digital Loop with 4 - Wire DDITS Trunk Port - Zone 1	Note 8	\$181.97	\$128.00	\$176.33	\$189.32	\$205.59	\$197.45	NA	TBD	\$93.28
4 - Wire DS1 Digital Loop with 4 - Wire DDITS Trunk Port - Zone 2	Note 8	\$214.28	\$158.02	\$184.93	\$218.43	\$246.00	\$214.04	NA	TBD	\$110.95
4 - Wire DS1 Digital Loop with 4 - Wire DDITS Trunk Port - Zone 3	Note 8	\$282.52	\$272.24	\$222.73	\$269.54	\$346.84	\$243.04	NA	TBD	\$134.14
4 - Wire DS1 Digital Loop with 4 - Wire DDITS Trunk Port - Zone 4	Note 8	NA	NA	NA	NA	NA	\$273.93	NA	NA	NA

BELLSOUTH/Z-TEL RATES  
NETWORK ELEMENTS  
AND OTHER SERVICES  
LOOP/PORT COMBINATIONS

Exhibit 3  
Rates - Page 41

DESCRIPTION	USOC	AL	FL	GA	KY	LA	MS	NC	SC	TN
Local number Portability per DSO Activated	LNPCP	\$3.15	\$3.15	\$3.15	\$3.15	\$3.15	\$3.15	\$3.15	\$3.15	\$3.15
Central Office Terminating Point	CTG	\$0.00	\$0.00	\$0.00	\$0.00	\$0.00	\$0.00	\$0.00	\$0.00	\$0.00
<b>Telephone Number / Trunk Group establishment</b>										
Telephone Number for 2-Way Trunk Group	UDTGX	\$0.00	\$0.00	\$0.00	\$0.00	\$0.00	\$0.00	\$0.00	\$0.00	\$0.00
Telephone Number for 1-Way Outward Trunk Group	UDTGY	\$0.00	\$0.00	\$0.00	\$0.00	\$0.00	\$0.00	\$0.00	\$0.00	\$0.00
Telephone Number for 1-Way Inward Trunk Group Without DID	UDTGZ	\$0.00	\$0.00	\$0.00	\$0.00	\$0.00	\$0.00	\$0.00	\$0.00	\$0.00
DID Numbers, Establish Trunk Group and Provide First Group of 20 DID Numbers (FL, GA, NC, & SC only)	NDZ	\$0.00	\$0.00	\$0.00	\$0.00	\$0.00	\$0.00	\$0.00	\$0.00	\$0.00
DID Numbers, Establish Trunk Group and Provide First Group of 20 DID Numbers (AL, KY, LA, MS, & TN). In addition, Provides Additional DID Numbers for each Group of 20 DID Numbers (Valid in All States)	ND4	\$0.00	\$0.00	\$0.00	\$0.00	\$0.00	\$0.00	\$0.00	\$0.00	\$0.00
DID Numbers, Non- consecutive DID Numbers , Per Number	ND5	\$0.00	\$0.00	\$0.00	\$0.00	\$0.00	\$0.00	\$0.00	\$0.00	\$0.00
<b>Interoffice Channel Mileage - (Dedicated DS1) FX/FCO for 4 - Wire DS1 Digital Loop with 4 - Wire DDITS Trunk Port</b>										
Fixed cost 0-8 miles (Facilities Termination)	1LNO1	\$79.69	\$92.62	\$63.39	\$55.05	\$93.40	\$74.40	\$71.29	\$94.98	\$75.83
Additional costs per mile 0-8 miles	1LNOA	\$0.6920	\$0.2000	\$0.3068	\$0.4500	\$0.7831	\$0.6598	\$0.0783	\$0.7598	\$0.3525
Fixed cost 9-25 miles (Facilities Termination)	1LNO2	\$0.00	\$0.00	\$0.00	\$0.00	\$0.00	\$0.00	\$0.00	\$0.00	\$0.00
additional costs per mile 9-25 miles	1LNOB	\$0.6920	\$0.2000	\$0.3068	\$0.4500	\$0.7831	\$0.6598	\$0.0783	\$0.7598	\$0.3525
Fixed cost 25 + miles (Facilities Termination)	1LNO3	\$0.00	\$0.00	\$0.00	\$0.00	\$0.00	\$0.00	\$0.00	\$0.00	\$0.00
Additional costs 25 + miles	1LNOC	\$0.6920	\$0.2000	\$0.3068	\$0.4500	\$0.7831	\$0.6598	\$0.0783	\$0.7598	\$0.3525
<b>Enhanced Performance Charges</b>										
Enhanced Performance Charges - as negotiated in contract	UDTPC	TBN	TBN	TBN	TBN	TBN	TBN	TBN	TBN	TBN
<b>Non-recurring Charges</b>										
NRC - 4-Wire DS1 Digital Loop with 4-Wire DDITS Trunk Port Combination - OSS LSR Charge, Electronic, per LSR received from the CLEC by one of the OSS interactive interfaces (Note 7)	SOMEK	\$3.50	\$2.75	\$3.50	\$3.50	\$3.50	\$3.50	\$3.50	\$3.50	\$3.50
NRC- 4-Wire DS1 Digital Loop with 4-Wire DDITS Trunk Port - Incremental Cost-Manual Service Order - 1st	SOMAN	\$19.99	\$21.56	\$37.88	\$19.99	\$19.99	\$19.99	\$19.99	\$19.99	\$19.99
NRC- 4-Wire DS1 Digital Loop with 4-Wire DDITS Trunk Port - Incremental Cost-Manual Service Order - Add'l	SOMAN	\$19.99	\$21.56	\$16.84	\$19.99	\$19.99	\$19.99	\$19.99	\$19.99	\$19.99
NRC - Electronic Service Order Disconnect	TBD	\$0.42	TBD	TBD	TBD	TBD	TBD	TBD	TBD	TBD
NRC - Incremental Manual Service Order Disconnect	TBD	\$20.00	\$3.84	\$20.00	\$20.00	\$20.00	\$20.00	\$20.00	\$20.00	\$20.00
NRC -4 - Wire DS1 Digital Loop with 4 - Wire DDITS Trunk Port -Conversion - Switch as is - 1st	USAC4	TBD	\$268.82	\$269.96	\$261.15	\$266.76	TBD	\$490.38	TBD	\$312.91
NRC -4 - Wire DS1 Digital Loop with 4 - Wire DDITS Trunk Port - Conversion - Switch as is - Additional	USAC4	TBD	\$134.07	\$269.96	\$134.08	\$123.16	TBD	\$490.38	TBD	\$312.91
NRC -4 - Wire DS1 Digital Loop with 4 - Wire DDITS Trunk Port - Conversion with DS1 changes - 1st	USAWA	TBD	\$268.82	\$269.96	\$261.15	\$266.76	TBD	\$490.38	TBD	\$312.91
NRC -4 - Wire DS1 Digital Loop with 4 - Wire DDITS Trunk Port - Conversion with DS1 Changes - Additional	USAWA	TBD	\$134.07	\$269.96	\$134.08	\$123.16	TBD	\$490.38	TBD	\$312.91
NRC -4 - Wire DS1 Digital Loop with 4 - Wire DDITS Trunk Port - Conversion with Change - Trunks - 1st	USAWB	TBD	\$268.82	\$269.96	\$261.15	\$266.76	TBD	\$490.38	TBD	\$312.91
NRC -4 - Wire DS1 Digital Loop with 4 - Wire DDITS Trunk Port - Conversion with Change - Trunks - Additional	USAWB	TBD	\$134.07	\$269.96	\$134.08	\$123.16	TBD	\$490.38	TBD	\$312.91
NRC -4 - Wire DS1 Digital Loop with 4 - Wire DDITS Digital Trunk Port - Subsequent Service Activity Per Service Order	USAS4	TBD	\$54.00	\$147.47	TBD	\$68.57	TBD	\$127.63	TBD	\$94.88
NRC -4 - Wire DS1 Digital Loop with 4 - Wire DDITS Trunk Port - New - 1st	UDDIT	NA	NA	\$858.30	NA	NA	NA	NA	NA	NA
NRC -4 - Wire DS1 Digital Loop with 4 - Wire DDITS Trunk Port - New - Additional	UDDIT	NA	NA	\$514.02	NA	NA	NA	NA	NA	NA
NRC -4 - Wire DS1 Digital Loop with 4 - Wire DDITS Trunk Port - New - 1st - Disconnect	UDDIT	NA	NA	TBD	NA	NA	NA	NA	NA	NA
NRC -4 - Wire DS1 Digital Loop with 4 - Wire DDITS Trunk Port - New - Additional Disconnect	UDDIT	TBD	NA	TBD	TBD	NA	TBD	\$11.98	TBD	\$15.29
NRC -4 - Wire DS1 Digital Loop with 4 - Wire DDITS Trunk Port - Subsequent Channel Activation - Per Channel - 2-Way Trunk	UDTTA	TBD	\$28.96	\$28.71	\$28.96	\$26.60	TBD	\$146.91	TBD	\$108.67

BELLSOUTH/Z-TEL RATES  
NETWORK ELEMENTS  
AND OTHER SERVICES  
LOOP/PORT COMBINATIONS

Exhibit 3  
Rates - Page 42

DESCRIPTION	USOC	AL	FL	GA	KY	LA	MS	NC	SC	TN
NRC -4 - Wire DS1 Digital Loop with 4 - Wire DDITS Trunk Port - Subsequent Channel Activation - Per Channel - 1-Way Outward Trunk	UDTTB	TBD	\$28.96	\$28.71	\$28.96	\$26.60	TBD	\$146.91	TBD	\$108.67
NRC -4 - Wire DS1 Digital Loop with 4 - Wire DDITS Trunk Port - Subsequent Channel Activation - Per Channel - 1-Way Inward Trunk Without DID	UDTTC	TBD	\$28.96	\$28.71	\$28.96	\$26.60	TBD	\$146.91	TBD	\$108.67
NRC -4 - Wire DS1 Digital Loop with 4 - Wire DDITS Trunk Port - Subsequent Channel Activation - Per Channel - 1-Way Inward Trunk With DID	UDTTD	TBD	\$28.96	\$28.71	\$28.96	\$26.60	TBD	\$146.91	TBD	\$108.67
NRC -4 - Wire DS1 Digital Loop with 4 - Wire DDITS Trunk Port - Subsequent Channel Activation - Per Channel - 2-Way DID with User Transfer	UDTTE	TBD	\$28.96	\$28.71	\$28.96	\$26.60	TBD	\$146.91	TBD	\$108.67
NRC -4 - Wire DS1 Digital Loop with 4 - Wire DDITS Digital Trunk Port - Subsequent Signaling Changes		TBD	TBD	TBD	TBD	TBD	TBD	\$29.65	TBD	\$22.92
NRC -4 - Wire DS1 Digital Loop with 4 - Wire DDITS Digital Trunk Port - Subsequent Telephone Numbers		TBD	TBD	TBD	TBD	TBD	TBD	\$120.96	TBD	\$88.68
NRC - Interoffice Channel Mileage - (Dedicated DS1) FX/FCO for 4 - Wire DS1 Digital Loop with 4 - Wire DDITS Trunk Port Fixed cost 0-8 miles (Facilities Termination) - 1st - New Only	1LNO1	\$198.15	NA	\$147.07	NA	NA	NA	NA	NA	NA
NRC - Interoffice Channel Mileage - (Dedicated DS1) FX/FCO for 4 - Wire DS1 Digital Loop with 4 - Wire DDITS Trunk Port Fixed cost 0-8 miles (Facilities Termination) - Additional - New Only	1LNO2	\$148.18	NA	\$111.75	NA	NA	NA	NA	NA	NA
NRC - Interoffice Channel Mileage - (Dedicated DS1) FX/FCO for 4 - Wire DS1 Digital Loop with 4 - Wire DDITS Trunk Port Fixed cost 0-8 miles (Facilities Termination) - Disconnect - 1st - New Only	1LNO3	\$25.44	NA	NA	NA	NA	NA	NA	NA	NA
NRC - Interoffice Channel Mileage - (Dedicated DS1) FX/FCO for 4 - Wire DS1 Digital Loop with 4 - Wire DDITS Trunk Port Fixed cost 0-8 miles (Facilities Termination) - Disconnect Additional - New Only	1LNO4	\$20.42	NA	NA	NA	NA	NA	NA	NA	NA
<b>BIPOLAR 8 ZERO SUSTITUTION</b>										
NRC - Superframe Format - Conversion or new install 1st	CCOSF	\$0.00	\$0.00	\$0.00	\$0.00	\$0.00	\$0.00	\$0.00	\$0.00	\$0.00
NRC - Superframe Format - Conversion or new install Additional	CCOSF	\$0.00	\$0.00	\$0.00	\$0.00	\$0.00	\$0.00	\$0.00	\$0.00	\$0.00
NRC - Extended Superframe Format - Change or Subsequent Activity - 1st	CCOSF	\$0.00	\$0.00	\$0.00	\$0.00	\$0.00	\$0.00	\$0.00	\$0.00	\$0.00
NRC - Extended Superframe Format - Change or Subsequent Activity - Additional	CCOSF	\$600.00	\$655.00	\$600.00	\$730.00	\$605.00	\$600.00	\$615.00	\$605.00	\$590.00
NRC - Extended Superframe Format - Conversion or New Install 1st	CCOEF	\$0.00	\$0.00	\$0.00	\$0.00	\$0.00	\$0.00	\$0.00	\$0.00	\$0.00
NRC - Extended Superframe Format - Conversion or New Install - Additional	CCOEF	\$0.00	\$0.00	\$0.00	\$0.00	\$0.00	\$0.00	\$0.00	\$0.00	\$0.00
NRC - Extended Superframe Format - Change or Subsequent Activity - 1st	CCOEF	\$0.00	\$0.00	\$0.00	\$0.00	\$0.00	\$0.00	\$0.00	\$0.00	\$0.00
NRC - Extended Superframe Format - Change or Subsequent Activity - Additional	CCOEF	\$600.00	\$655.00	\$600.00	\$730.00	\$605.00	\$600.00	\$615.00	\$605.00	\$590.00
<b>Alternate Mark Inversion (AMI)</b>										
NRC - Superframe Format - 1st	MCOSF	\$0.00	\$0.00	\$0.00	\$0.00	\$0.00	\$0.00	\$0.00	\$0.00	\$0.00
NRC - Superframe Format - Additional	MCOSF	\$0.00	\$0.00	\$0.00	\$0.00	\$0.00	\$0.00	\$0.00	\$0.00	\$0.00
NRC - Extended Superframe Format - 1st	MCOPO	\$0.00	\$0.00	\$0.00	\$0.00	\$0.00	\$0.00	\$0.00	\$0.00	\$0.00
NRC - Extended Superframe Format - Additional	MCOPO	\$0.00	\$0.00	\$0.00	\$0.00	\$0.00	\$0.00	\$0.00	\$0.00	\$0.00
<b>2-Wire Voice Grade Loop with 2-Wire Line Port PBX</b>										
<b>2-Wire Analog Line Port (PBX), per month</b>										
2 WIRE VOICE UNBUNDLED COMBINATION 2-WAY PBX TRUNK - Residence	UEPRD	\$2.20	\$1.35	\$1.79	\$2.61	\$2.55	\$2.12	\$2.28	\$3.69	\$4.54
LINE SIDE UNBUNDLED COMBINATION 2-WAY PBX TRUNK - BUSINESS	UEPPC	\$2.20	\$1.35	\$1.79	\$2.61	\$2.55	\$2.12	\$2.28	\$3.69	\$4.54
LINE SIDE UNBUNDLED OUTWARD PBX TRUNK - BUSINESS	UEPPO	\$2.20	\$1.35	\$1.79	\$2.61	\$2.55	\$2.12	\$2.28	\$3.69	\$4.54
LINE SIDE UNBUNDLED INCOMING PBX TRUNK - BUSINESS	UEPP1	\$2.20	\$1.35	\$1.79	\$2.61	\$2.55	\$2.12	\$2.28	\$3.69	\$4.54
2-WIRE VOICE UNBUNDLED 2-WAY COMBINATION PBX ALABAMA CALLING PORT	UEPA2	\$2.20	NA	NA	NA	NA	NA	NA	NA	NA
2-WIRE VOICE UNBUNDLED 2-WAY COMBINATION PBX LOUISIANA CALLING PORT	UEPL2	NA	NA	NA	NA	\$2.55	NA	NA	NA	NA
2-WIRE VOICE UNBUNDLED PBX LD TERMINAL PORTS	UEPLD	\$2.20	\$1.35	\$1.79	\$2.61	\$2.55	\$2.12	\$2.28	\$3.69	\$4.54
2-WIRE VOICE UNBUNDLED 2-WAY COMBINATION PBX TENNESSEE CALLING PORT	UEPT2	NA	NA	NA	NA	NA	NA	NA	NA	\$4.54

BELLSOUTH/Z-TEL RATES  
NETWORK ELEMENTS  
AND OTHER SERVICES  
LOOP/PORT COMBINATIONS

Exhibit 3  
Rates - Page 43

DESCRIPTION	USOC	AL	FL	GA	KY	LA	MS	NC	SC	TN
2-WIRE VOICE UNBUNDLED 1-WAY OUTGOING PBX TENNESSEE CALLING PORT	UEPTO	NA	NA	NA	NA	NA	NA	NA	NA	\$4.54
2-WIRE VOICE UNBUNDLED 2-WAY COMBINATION PBX USAGE PORT	UEPXA	\$2.20	\$1.35	\$1.79	\$2.61	\$2.55	\$2.12	\$2.28	\$3.69	\$4.54
2-WIRE VOICE UNBUNDLED PBX TOLL TERMINAL HOTEL PORTS	UEPXB	\$2.20	\$1.35	\$1.79	\$2.61	\$2.55	\$2.12	\$2.28	\$3.69	\$4.54
2-WIRE VOICE UNBUNDLED PBX LD DDD TERMINALS PORT	UEPXC	\$2.20	\$1.35	\$1.79	\$2.61	\$2.55	\$2.12	\$2.28	\$3.69	\$4.54
2-WIRE VOICE UNBUNDLED PBX LD TERMINAL SWITCHBOARD PORT	UEPXD	\$2.20	\$1.35	\$1.79	\$2.61	\$2.55	\$2.12	\$2.28	\$3.69	\$4.54
2-WIRE VOICE UNBUNDLED PBX LD TERMINAL SWITCHBOARD IDD CAPABLE PORT	UEPXE	\$2.20	\$1.35	\$1.79	\$2.61	\$2.55	\$2.12	\$2.28	\$3.69	\$4.54
2-WIRE VOICE UNBUNDLED 2-WAY PBX KENTUCKY ROOM AREA CALLING PORT WITHOUT LUD	UEPXF	NA	NA	NA	\$2.61	NA	NA	NA	NA	NA
2-WIRE VOICE UNBUNDLED PBX KENTUCKY LUD AREA CALLING PORT	UEPXG	NA	NA	NA	\$2.61	NA	NA	NA	NA	NA
2-WIRE VOICE UNBUNDLED PBX KENTUCKY PREMIUM CALLING PORT	UEPXH	NA	NA	NA	\$2.61	NA	NA	NA	NA	NA
2-WIRE VOICE UNBUNDLED 2-WAY KENTUCKY AREA CALLING PORT WITHOUT LUD	UEPXJ	NA	NA	NA	\$2.61	NA	NA	NA	NA	NA
2-WIRE VOICE UNBUNDLED 2-WAY PBX LOUISIANA LOCAL OPTIONAL CALLING PORT	UEPXK	NA	NA	NA	NA	\$2.55	NA	NA	NA	NA
2-WIRE VOICE UNBUNDLED 2-WAY PBX HOTEL/HOSPITAL ECONOMY ADMINISTRATIVE CALLING PORT	UEPXL	\$2.20	\$1.35	\$1.79	\$2.61	\$2.55	\$2.12	\$2.28	\$3.69	\$4.54
2-WIRE VOICE UNBUNDLED 2-WAY PBX HOTEL/HOSPITAL ECONOMY ROOM CALLING PORT	UEPXM	\$2.20	\$1.35	\$1.79	\$2.61	\$2.55	\$2.12	\$2.28	\$3.69	\$4.54
2-WIRE VOICE UNBUNDLED 1-WAY OUTGOING PBX HOTEL/HOSPITAL ECONOMY ADMINIATRATIVE CALLING PORTTENNESSEE CALLING PORT	UEPXN	NA	NA	NA	NA	NA	NA	NA	NA	\$4.54
2-WIRE VOICE UNBUNDLED 1-WAY OUTGOING PBX HOTEL/HOSPITAL DIACOUNT ROOM CALLING PORT	UEPXO	\$2.20	\$1.35	\$1.79	\$2.61	\$2.55	\$2.12	\$2.28	\$3.69	\$4.54
2-WIRE VOICE UNBUNDLED 1-WAY OUTGOING PBX LOUISIANA LOCAL DISCOUNT CALLING PORT	UEPXP	NA	NA	NA	NA	\$2.55	NA	NA	NA	NA
2-WIRE VOICE UNBUNDLED 2-WAY PBX MISSISSIPPI LOCAL ECONOMY CALLING PORT	UEPXQ	NA	NA	NA	NA	NA	\$2.12	NA	NA	NA
2-WIRE VOICE UNBUNDLED 2-WAY PBX MISSISSIPPI LOCAL OPTIONAL CALLING PORT	UEPXR	NA	NA	NA	NA	NA	\$2.12	NA	NA	NA
2-WIRE VOICE UNBUNDLED 1-WAY OUTGOING PBXMEASURED PORT	UEPXS	\$2.20	\$1.35	\$1.79	\$2.61	\$2.55	\$2.12	\$2.28	\$3.69	\$4.54
2-WIRE VOICE UNBUNDLED 2-WAY PBX SOUTH CAROLINA AREA PLUS CALLING PORT	UEPXT	NA	NA	NA	NA	NA	NA	NA	\$3.69	NA
2-WIRE VOICE UNBUNDLED PBX COLLIERVERVILLE & MEMPHIS CALLING PORT	UEPXU	NA	NA	NA	NA	NA	NA	NA	NA	\$4.54
2-WIRE VOICE UNBUNDLED 2-WAY PBX TENNESSEE REGIONSERV CALLING PORT	UEPXV	NA	NA	NA	NA	NA	NA	NA	NA	\$4.54
LOCAL NUMBER PORTABILITY (REQUIRES ONE PER PORT)	LNPCP									
<b>2-Wire Voice Grade Loop (SL1)</b>										
RC - 2- Wire Voice Grade Loop - Statewide	UEPLX	NA	NA	NA	NA	NA	NA	\$14.18	NA	NA
RC - 2- Wire Voice Grade Loop - Zone 1	UEPLX	\$14.35	\$14.90	\$10.80	\$14.79	\$14.05	\$14.59	NA	\$17.02	\$12.48
RC - 2- Wire Voice Grade Loop - Zone 2	UEPLX	\$23.31	\$18.51	\$12.47	\$27.68	\$24.14	\$19.33	NA	\$25.66	\$14.42
RC - 2- Wire Voice Grade Loop - Zone 3	UEPLX	\$42.24	\$24.25	\$19.83	\$47.78	\$49.30	\$27.63	NA	\$33.99	\$21.77
RC - 2- Wire Voice Grade Loop - Zone 4	UEPLX	NA	NA	NA	NA	NA	\$36.47	NA	NA	NA
<b>Combination Rates</b>										
RC - 2-Wire Voice Grade Loop with 2-Wire Line Port, Statewide	Note 8	NA	NA	NA	NA	NA	NA	\$16.46	NA	NA
RC - 2-Wire Voice Grade Loop with 2-Wire Line Port, Zone 1 (Note 6)	Note 8	\$16.55	\$16.25	\$12.59	#VALUE!	\$16.60	\$16.71	NA	\$20.71	\$17.02
RC - 2-Wire Voice Grade Loop with 2-Wire Line Port, Zone 2 (Note 6)	Note 8	\$25.51	\$19.86	\$14.26	#VALUE!	\$26.69	\$21.45	NA	\$29.35	\$18.96
RC - 2-Wire Voice Grade Loop with 2-Wire Line Port, Zone 3 (Note 6)	Note 8	\$44.44	\$25.60	\$21.62	#VALUE!	\$51.85	\$29.75	NA	\$37.68	\$26.31
RC - 2-Wire Voice Grade Loop with 2-Wire Line Port, Zone 4 (Note 6)	Note 8	NA	NA	NA	NA	NA	\$38.59	NA	NA	NA
<b>Nonrecurring Charges</b>										
NRC - 2-Wire Voice Grade Loop/Line Port Combination - 1st, Switch as is	USAC2	\$2.80	\$15.82	\$2.01	\$10.00	\$3.80	\$5.20	\$2.77	\$1.59	\$1.03
NRC - 2-Wire Voice Grade Loop/Line Port Combination - Add'l, Switch as is	USAC2	\$0.41	\$3.80	\$0.3108	\$10.00	\$0.29	\$0.41	\$0.40	\$0.40	\$0.2886
NRC - 2-Wire Voice Grade Loop/Line Port Combination - 1st, Switch with change	USACC	\$2.80	\$15.82	\$2.01	\$10.00	\$3.80	\$5.20	\$2.77	\$1.59	\$1.03



BELLSOUTH/Z-TEL RATES  
NETWORK ELEMENTS  
AND OTHER SERVICES  
LOOP/PORT COMBINATIONS

Exhibit 3  
Rates - Page 44

DESCRIPTION	USOC	AL	FL	GA	KY	LA	MS	NC	SC	TN
NRC - 2-Wire Voice Grade Loop/Line Port Combination - Add'l, Switch with change	USACC	\$0.41	\$3.80	\$0.3108	\$10.00	\$0.29	\$0.41	\$0.40	\$0.40	\$0.2886
NRC - 2-Wire Voice Grade Loop/Line Port Combination - Subsequent	USAS2	\$10.00	\$10.00	\$10.00	\$10.00	\$10.00	\$10.00	\$10.00	\$10.00	\$10.00
NRC - 2-Wire Voice Grade Loop/Line Port Combination - OSS LSR Charge, Electronic, per LSR received from the CLEC by one of the OSS interactive interfaces (Note 7)	SOMEK	\$3.50	\$2.75	\$3.50	\$3.50	\$3.50	\$3.50	\$3.50	\$3.50	\$3.50
NRC - 2-Wire Voice Grade Loop/Line Port Combination - Incremental Cost - Manual Svc.Order vs. Electronic - 1st	SOMAN	\$40.71	\$21.56	\$33.67	\$19.99	\$31.92	\$43.52	\$40.18	\$43.19	\$30.89
NRC - 2-Wire Voice Grade Loop/Line Port Combination - Incremental Cost - Manual Svc.Order vs. Electronic - Add'l	SOMAN	\$9.58	\$21.56	\$7.88	\$19.99	\$7.32	\$0.99	\$9.45	\$9.91	\$7.03
NRC- 2 Wire Voice Grade Loop/Line Port Combination - Subsequent Database Update - Electronic		\$1.44	TBD	TBD	TBD	\$2.11	\$2.87	\$1.42	\$0.71	\$0.76
NRC- 2 Wire Voice Grade Loop/Line Port Combination - Subsequent Database Update - Manual Service Order		\$8.25	TBD	TBD	TBD	\$5.12	\$6.88	\$10.27	\$8.91	\$7.97
NRC - Electronic Service Order Disconnect		TBD	\$0.42	TBD	TBD	TBD	TBD	TBD	TBD	TBD
NRC - Incremental Manual Service Order Disconnect		\$20.00	\$3.84	\$20.00	\$20.00	\$20.00	\$20.00	\$20.00	\$20.00	\$20.00
<b>NRCs for New (not Currently Combined) as ordered in Georgia:</b>										
NRC - 2-Wire Voice Grade Loop with 2-Wire Line Port - New - 1st	UEPRD	NA	NA	\$22.14	NA	NA	NA	NA	NA	NA
NRC - 2-Wire Voice Grade Loop with 2-Wire Line Port - New - Add'l	UEPRD	NA	NA	\$15.25	NA	NA	NA	NA	NA	NA
NRC - 2-Wire Voice Grade Loop with 2-Wire Line Port - New - 1st	UEPPC	NA	NA	\$22.14	NA	NA	NA	NA	NA	NA
NRC - 2-Wire Voice Grade Loop with 2-Wire Line Port - New - Add'l	UEPPC	NA	NA	\$15.25	NA	NA	NA	NA	NA	NA
NRC - 2-Wire Voice Grade Loop with 2-Wire Line Port - New - 1st	UEPPO	NA	NA	\$22.14	NA	NA	NA	NA	NA	NA
NRC - 2-Wire Voice Grade Loop with 2-Wire Line Port - New - Add'l	UEPPO	NA	NA	\$15.25	NA	NA	NA	NA	NA	NA
NRC - 2-Wire Voice Grade Loop with 2-Wire Line Port - New - 1st	UEPP1	NA	NA	\$22.14	NA	NA	NA	NA	NA	NA
NRC - 2-Wire Voice Grade Loop with 2-Wire Line Port - New - Add'l	UEPP1	NA	NA	\$15.25	NA	NA	NA	NA	NA	NA
NRC - 2-Wire Voice Grade Loop with 2-Wire Line Port - New - 1st	UEPLD	NA	NA	\$22.14	NA	NA	NA	NA	NA	NA
NRC - 2-Wire Voice Grade Loop with 2-Wire Line Port - New - Add'l	UEPLD	NA	NA	\$15.25	NA	NA	NA	NA	NA	NA
NRC - 2-Wire Voice Grade Loop with 2-Wire Line Port - New - 1st	UEPXA	NA	NA	\$22.14	NA	NA	NA	NA	NA	NA
NRC - 2-Wire Voice Grade Loop with 2-Wire Line Port - New - Add'l	UEPXA	NA	NA	\$15.25	NA	NA	NA	NA	NA	NA
NRC - 2-Wire Voice Grade Loop with 2-Wire Line Port - New - 1st	UEPXB	NA	NA	\$22.14	NA	NA	NA	NA	NA	NA
NRC - 2-Wire Voice Grade Loop with 2-Wire Line Port - New - Add'l	UEPXB	NA	NA	\$15.25	NA	NA	NA	NA	NA	NA
NRC - 2-Wire Voice Grade Loop with 2-Wire Line Port - New - 1st	UEPXC	NA	NA	\$22.14	NA	NA	NA	NA	NA	NA
NRC - 2-Wire Voice Grade Loop with 2-Wire Line Port - New - Add'l	UEPXC	NA	NA	\$15.25	NA	NA	NA	NA	NA	NA
NRC - 2-Wire Voice Grade Loop with 2-Wire Line Port - New - 1st	UEPXD	NA	NA	\$22.14	NA	NA	NA	NA	NA	NA
NRC - 2-Wire Voice Grade Loop with 2-Wire Line Port - New - Add'l	UEPXD	NA	NA	\$15.25	NA	NA	NA	NA	NA	NA
NRC - 2-Wire Voice Grade Loop with 2-Wire Line Port - New - 1st	UEPXE	NA	NA	\$22.14	NA	NA	NA	NA	NA	NA
NRC - 2-Wire Voice Grade Loop with 2-Wire Line Port - New - Add'l	UEPXE	NA	NA	\$15.25	NA	NA	NA	NA	NA	NA
NRC - 2-Wire Voice Grade Loop with 2-Wire Line Port - New - 1st	UEPXL	NA	NA	\$22.14	NA	NA	NA	NA	NA	NA
NRC - 2-Wire Voice Grade Loop with 2-Wire Line Port - New - Add'l	UEPXL	NA	NA	\$15.25	NA	NA	NA	NA	NA	NA
NRC - 2-Wire Voice Grade Loop with 2-Wire Line Port - New - 1st	UEPXM	NA	NA	\$22.14	NA	NA	NA	NA	NA	NA
NRC - 2-Wire Voice Grade Loop with 2-Wire Line Port - New - Add'l	UEPXM	NA	NA	\$15.25	NA	NA	NA	NA	NA	NA
NRC - 2-Wire Voice Grade Loop with 2-Wire Line Port - New - 1st	UEPXO	NA	NA	\$22.14	NA	NA	NA	NA	NA	NA
NRC - 2-Wire Voice Grade Loop with 2-Wire Line Port - New - Add'l	UEPXO	NA	NA	\$15.25	NA	NA	NA	NA	NA	NA
NRC - 2-Wire Voice Grade Loop with 2-Wire Line Port - New - 1st	UEPXS	NA	NA	\$22.14	NA	NA	NA	NA	NA	NA
NRC - 2-Wire Voice Grade Loop with 2-Wire Line Port - New - Add'l	UEPXS	NA	NA	\$15.25	NA	NA	NA	NA	NA	NA
NRC - 2-Wire Voice Grade Loop/Line Port Combination - Subsequent	USAS2	NA	NA	\$10.00	NA	NA	NA	NA	NA	NA
NRC - 2-Wire Voice Grade Loop with 2-Wire Line Port - New - Disconnect - 1st		NA	NA	\$8.45	NA	NA	NA	NA	NA	NA
NRC - 2-Wire Voice Grade Loop with 2-Wire Line Port - New - Disconnect - Add'l		NA	NA	\$3.91	NA	NA	NA	NA	NA	NA
NRC - 2-Wire Voice Grade Loop/Line Port Combination - OSS LSR Charge, Electronic, per LSR received from the CLEC by one of the OSS interactive interfaces (Note 7)	SOMEK	NA	NA	\$3.50	NA	NA	NA	NA	NA	NA

BELLSOUTH/Z-TEL RATES  
 NETWORK ELEMENTS  
 AND OTHER SERVICES  
 LOOP/PORT COMBINATIONS

DESCRIPTION	USOC	AL	FL	GA	KY	LA	MS	NC	SC	TN
NRC - 2-Wire Voice Grade Loop with 2-Wire Line Port - Incremental Cost Manual vs. Electronic - New - 1st		NA	NA	\$37.06	NA	NA	NA	NA	NA	NA
NRC - 2-Wire Voice Grade Loop with 2-Wire Line Port - Incremental Cost Manual vs. Electronic - New - Add'l		NA	NA	\$8.19	NA	NA	NA	NA	NA	NA
NRC- 2 Wire Voice Grade Loop/Line Port Combination - Subsequent Database Update - Electronic		NA	NA	TBD	NA	NA	NA	NA	NA	NA
NRC- 2 Wire Voice Grade Loop/Line Port Combination - Subsequent Database Update - Manual Service Order		NA	NA	TBD	NA	NA	NA	NA	NA	NA
NRC - 2-Wire Voice Grade Loop with 2-Wire Line Port - Incremental Cost Manual vs. Electronic - New - Disconnect		NA	NA	\$11.17	NA	NA	NA	NA	NA	NA
<b>All Other Loop/Port Combinations</b>		TBD	TBD	Note 2	TBD	TBD	TBD	TBD	TBD	TBD
<b>LOCAL NUMBER PORTABILITY (REQUIRES ONE PER PORT)</b>	LNPCX									
<b>NOTES:</b>										
1	Interim rates subject to true-up.									
1	Market Rates will apply in those areas where BellSouth is not required to provide circuit switching pursuant to FCC rules.									
2	In Georgia, rates will apply for Currently Combined as well as not Currently Combined loop/port combinations unless otherwise identified.									
3	In the absence of ordered rates by a State Commission, the recurring rates for Currently Combined combinations of loop/port network elements will be the sum of the recurring rates for the UNEs which make up the combinations, and the nonrecurring rates sha									
4	End Office and Tandem Switching Usage and Common Transport Usage rates in the Port section of this rate exhibit shall apply to all combinations of loop/port network elements.									
5	Deleted									
6	Geographically Deaveraged UNE Zones and applicable rates have been established for certain services, as shown in this Agreement. Where Geographically Deaveraged UNE Zones and applicable rates are established, Statewide rates are obsolete. Further, BellSouth is in the process of enhancing its billing systems in order to accomodate this Geographically Deaveraged UNE Zone Rate Structure. Until these enhancements are accomplished, estimated to be mid 2001, the UNE Zone 1 rate will be billed for all services residing in Zones 1, 2, 3 or 4, i.e., Rates for services residing in UNE Zones 2, 3 and UNE Zone 4, where applicable, will not be billed. Once billing enhancements are complete, all applicable UNE Zone rates reflected in this Agreement will be billed. Reference Internet Website <a href="http://www.interconnection.bellsouth.com/become_clec/docs/interconnection/deavuzns.pdf">http://www.interconnection.bellsouth.com/become_clec/docs/interconnection/deavuzns.pdf</a> to view Geographically Deaveraged UNE Zone Designations by Central Office.									
7	In the absence of ordered OSS rates by a state commission, BellSouth will offer regionwide rates									
8	There is not a unique combination USOC. CLEC should submit the loop and port USOCs.									
9	Rates in TN and FL are interim and shall be trued-up when final rates are ordered.									

BELLSOUTH/Z-TEL RATES  
NETWORK ELEMENTS  
AND OTHER SERVICES

DESCRIPTION	USOC	AL	FL	GA	KY	LA	MS	NC	SC	TN
<b>Unbundled Loop / Transport Combinations</b>										
<b>Enhanced Extended Link ("EEL")</b>										
<b>DEDICATED TRANSPORT - ALREADY COMBINED</b>										
Local Loop - 2-wire VG - per month										
Statewide	UEAL2	\$22.43	\$17.00	\$17.89	\$23.35	\$22.84	\$25.05	\$15.88	\$26.25	\$26.02
Zone 1 (Note 1)	TBD	NA	NA	\$15.40	NA	NA	NA	NA	NA	NA
Zone 2 (Note 1)	TBD	NA	NA	\$17.78	NA	NA	NA	NA	NA	NA
Zone 3 (Note 1)	TBD	NA	NA	\$28.26	NA	NA	NA	NA	NA	NA
Zone 4 (Note 1)	TBD	NA	NA	NA	NA	NA	NA	NA	NA	NA
Local Loop - 4-wire VG - per month										
Statewide	UEAL4	\$30.00	\$30.00	\$26.58	NA	\$31.52	\$30.55	\$27.49	\$35.86	\$18.00
Zone 1 (Note 1)	TBD	NA	NA	\$22.88	NA	NA	NA	NA	NA	NA
Zone 2 (Note 1)	TBD	NA	NA	\$26.42	NA	NA	NA	NA	NA	NA
Zone 3 (Note 1)	TBD	NA	NA	\$41.99	NA	NA	NA	NA	NA	NA
Zone 4 (Note 1)	TBD	NA	NA	NA	NA	NA	NA	NA	NA	NA
Local Loop - 56kbps - per month										
Statewide	UDL56	\$34.15	\$48.33	\$29.92	NA	\$35.58	\$34.95	\$32.67	\$41.70	\$42.23
Zone 1 (Note 1)	TBD	NA	NA	\$26.44	NA	NA	NA	NA	NA	NA
Zone 2 (Note 1)	TBD	NA	NA	\$30.53	NA	NA	NA	NA	NA	NA
Zone 3 (Note 1)	TBD	NA	NA	\$48.53	NA	NA	NA	NA	NA	NA
Zone 4 (Note 1)	TBD	NA	NA	NA	NA	NA	NA	NA	NA	NA
Local Loop - 64 kbps - per month										
Statewide	UDL64	\$34.15	\$48.33	\$29.22	NA	\$35.58	\$34.95	\$32.67	\$41.70	\$42.23
Zone 1 (Note 1)	TBD	NA	NA	\$26.44	NA	NA	NA	NA	NA	NA
Zone 2 (Note 1)	TBD	NA	NA	\$30.53	NA	NA	NA	NA	NA	NA
Zone 3 (Note 1)	TBD	NA	NA	\$48.53	NA	NA	NA	NA	NA	NA
Zone 4 (Note 1)	TBD	NA	NA	NA	NA	NA	NA	NA	NA	NA
Local Loop - DS1 - per month										
Statewide	USLXX	\$64.65	\$80.00	\$60.88	\$67.96	\$72.86	\$69.59	\$62.78	\$72.55	TBD
Zone 1 (Note 1)	TBD	NA	NA	\$52.40	NA	NA	NA	NA	NA	NA
Zone 2 (Note 1)	TBD	NA	NA	\$60.51	NA	NA	NA	NA	NA	NA
Zone 3 (Note 1)	TBD	NA	NA	\$96.18	NA	NA	NA	NA	NA	NA
Zone 4 (Note 1)	TBD	NA	NA	NA	NA	NA	NA	NA	NA	NA
Local Loop - DS3 - per Mile	1L5ND	\$43.96	\$40.01	\$29.96	\$43.69	\$38.98	\$54.39	\$32.53	\$56.71	\$30.53
Local Loop - DS3 - per Facility Termination	UE3PX	\$456.18	\$470.83	\$392.61	\$436.95	\$497.08	\$427.81	\$387.01	\$510.30	\$400.21
Local Loop - STS-1 - per Mile	1L5ND	\$43.96	\$40.01	\$29.96	\$43.69	\$38.98	\$54.39	\$32.53	\$56.71	\$30.53
Local Loop - STS-1 - per Facility Termination	UDLS1	\$456.18	\$470.83	\$392.61	\$436.95	\$497.08	\$427.81	\$387.01	\$510.30	\$400.21
Local Channel - Dedicated - 2-Wire VG per month	ULDV2	\$14.61	\$18.02	\$16.28	\$22.26	\$14.94	\$17.83	\$14.82	\$16.83	\$19.02
Local Channel - Dedicated - 4-Wire VG per month	ULDV4	\$15.77	\$19.01	\$17.18	\$23.38	\$16.21	\$19.03	\$15.87	\$18.05	\$20.14
Local Channel - Dedicated - DS1 per month	TMECS	\$35.52	\$44.35	\$38.57	\$43.80	\$43.80	\$38.91	\$35.68	\$37.20	\$40.27
Local Channel - Dedicated - DS3 - per mile per month	1L5NC	\$34.21	\$30.65	\$23.06	\$34.00	\$30.34	NA	NA	\$44.13	\$23.76
Local Channel - Dedicated - DS3 - Facility Termination per month	ULDF3	\$536.23	\$598.84	\$531.90	\$635.09	\$669.01	\$526.67	\$498.87	\$582.93	\$607.28
Local Channel - Dedicated - STS-1 - per mile per month	1L5NC	\$24.82	\$27.61	\$19.93	\$30.04	\$29.89	\$38.98	\$24.39	\$29.97	\$25.11

BELLSOUTH/Z-TEL RATES  
NETWORK ELEMENTS  
AND OTHER SERVICES

DESCRIPTION	USOC	AL	FL	GA	KY	LA	MS	NC	SC	TN
Local Channel - Dedicated - STS-1 - Facility Termination per month	ULDS1	\$502.62	\$681.61	\$516.91	\$610.64	\$693.02	\$531.39	\$555.92	\$556.66	\$615.65
Interoffice Channel - Dedicated - 2-Wire VG - per mile per month	1L5XX	\$0.03	NA	\$0.02	\$0.03	\$0.04	\$0.03	\$0.0282	\$0.04	\$0.02
Interoffice Channel - Dedicated - 2-Wire VG - Facility Termination per month	U1TV2	\$18.49	NA	\$17.07	\$27.66	\$19.10	\$21.33	\$18.00	\$21.42	\$18.33
Interoffice Channel - Dedicated - DS0 - 56kbps - per mile per month	1L5XX	\$0.04	\$0.03	\$0.02	\$0.03	\$0.04	\$0.03	\$0.0282	\$0.04	\$0.17
Interoffice Channel - Dedicated - DS0 - 56 kbps - Facility Termination per month	U1TD5	\$17.81	21.33	\$16.45	\$26.95	\$18.37	\$20.64	\$17.40	20.71	\$17.74
Interoffice Channel - Dedicated - DS0 - 64kbps - per mile per month	1L5XX	\$0.04	\$0.03	\$0.02	\$0.03	\$0.04	\$0.03	\$0.03	\$0.04	\$0.17
Interoffice Channel - Dedicated - DS0 - 64 kbps - Facility Termination per month	U1TD6	\$17.81	21.33	\$16.45	\$26.95	\$18.37	\$20.64	\$17.40	20.71	\$17.74
Interoffice Channel - Dedicated - DS1 - per mile per month	1L5XX	\$0.69	\$0.60	\$0.31	\$0.45	\$0.78	\$0.66	\$0.57530	\$0.76	\$0.35
Interoffice Channel - Dedicated - DS1 - Facility Termination per month	U1TF1	\$79.69	\$99.79	\$63.39	\$55.05	\$93.40	\$74.40	\$71.29	\$94.98	\$75.83
Interoffice Channel - Dedicated - DS3 - per mile per month	1L5XX	\$11.93	\$10.25	\$6.46	\$12.06	\$16.15	\$13.48	\$12.98	\$19.14	\$6.88
Interoffice Channel - Dedicated - DS3 - Facility Termination per month	U1TF3	736.6	994.83	\$717.60	\$1,112.02	\$1,131.09	\$686.84	\$720.38	\$904.49	\$840.61
Interoffice Channel - Dedicated - STS-1 - per mile per month	1L5XX	\$11.93	\$10.25	\$7.07	\$12.06	\$16.15	\$13.48	\$11.62	\$19.14	\$6.88
Interoffice Channel - Dedicated - STS-1 - Facility Termination per month	U1TFS	\$733.93	\$966.49	\$733.72	\$1,088.67	\$1,114.68	\$692.52	\$814.72	\$944.40	\$838.65
DS3 Channelized System per month	MQ3	\$210.87	\$213.22	\$202.91	\$236.32	\$245.84	\$229.30	\$226.81	\$204.07	\$225.59
DS3 Interface per month (DS1 COCI)	1PQE1	\$4.53	\$6.31	\$0.67	\$8.52	\$7.55	\$5.58	\$4.61	\$9.69	\$3.91
DS1 Channelized System per month	MQ1	\$139.58	\$163.88	\$137.97	\$200.01	\$209.87	\$146.87	\$177.72	\$179.81	\$165.21
OCU-DP(data) interface card per month (2.4-64kbs)	1D1DD	\$2.61	\$3.13	\$1.06	\$2.94	\$3.12	\$2.86	\$2.88	\$3.36	\$2.46
VG interface card per month (DS0)	1D1VG	\$1.26	\$1.78	\$2.20	\$1.40	\$1.62	\$1.45	\$1.64	\$1.93	\$1.25
<b>NRC - All Existing UNE Combination "Switch As Is" Conversion Charge</b>										
NRC - "Switch As Is" Conversion Charge - 1st	UNCCC	\$54.03	\$63.73	\$71.04	\$54.09	\$54.23	\$54.09	\$114.00	\$54.26	\$54.13
NRC - "Switch As Is" Conversion Charge - Add'l	UNCCC	\$32.11	\$33.10	\$39.60	\$32.16	\$32.24	\$32.16	\$32.10	\$32.25	\$32.17
<b>(NRC rates above, if not ordered, are subject to true-up.)</b>										
<b>Enhanced Extended Link ("EEL")</b>										
<b>2-wire VG Loop/DS1 Interoffice Channel - Dedicated Transport EEL</b>										
2-wire analog voice grade loop SL2 and DS1 ded interoffice transport with channelization										
Zone 1	TBD	\$196.90	TBD	\$99.22	NA	\$208.13	\$229.90	NA	\$264.80	NA
Zone 2	TBD	\$208.11	TBD	\$101.60	NA	\$220.80	\$235.88	NA	\$275.76	NA
Zone 3	TBD	\$231.79	TBD	\$112.08	NA	\$252.41	\$246.32	NA	\$286.31	NA
Zone 4		NA	NA	NA	NA	NA	\$257.43	NA	NA	NA
2-wire VG Loop per month, statewide	MQ3	\$22.43	\$17.00	NA	\$23.35	NA	NA	\$15.88	NA	\$26.02
2-wire VG Loop per month, Zone 1 (Note 1)	TBD	NA	NA	\$15.40	NA	\$17.65	\$18.35	NA	\$21.57	NA
2-wire VG Loop per month, Zone 2 (Note 1)	TBD	NA	NA	\$17.78	NA	\$30.32	\$24.33	NA	\$32.53	NA
2-wire VG Loop per month, Zone 3 (Note 1)	TBD	NA	NA	\$28.26	NA	\$61.93	\$34.77	NA	\$43.08	NA
2-wire VG Loop per month, Zone 4 (Note 1)	TBD	NA	NA	NA	NA	NA	\$45.88	NA	NA	NA
DS1 Interoffice Channel - Dedicated Transport EEL - Per Mile per month	1L5XX	\$0.69	\$0.60	\$0.31	\$0.45	\$0.78	\$0.66	\$0.5753	\$0.76	\$0.35
DS1 Interoffice Channel - Dedicated Transport EEL - Facility Termination per month	U1TF1	\$79.69	\$99.79	\$63.39	\$55.05	\$93.40	\$74.40	\$71.29	\$94.98	\$75.83
DS1 Channelization System per system per month	MQ1	\$139.58	\$163.88	\$137.97	\$200.01	\$209.87	\$146.87	\$177.72	\$179.81	\$165.21
DS1 Channelization Interface -VG per month	1PQE1	\$4.53	\$6.31	\$2.20	\$8.52	\$7.55	\$5.58	\$4.61	\$9.69	\$3.91
Per additional circuit in same DS1, Recurring - Zone 1	TBD	\$19.21	NA	\$17.60	NA	\$19.07	\$18.35	NA	\$23.33	NA
Per additional circuit in same DS1, Recurring - Zone 2	TBD	\$30.42	NA	\$19.98	NA	\$31.74	\$24.33	NA	\$34.29	NA
Per additional circuit in same DS1, Recurring - Zone 3	TBD	\$54.10	NA	\$30.46	NA	\$63.35	\$34.77	NA	\$44.84	NA
Per additional circuit in same DS1, Recurring - Zone 4	TBD	NA	NA	NA	NA	NA	\$45.88	NA	NA	NA
NRC - Switch As Is - EEL - 1st	UNCCC	\$14.37	\$16.86	\$12.97	\$16.86	\$12.70	\$15.41	\$16.86	\$28.87	\$16.86

BELLSOUTH/Z-TEL RATES  
NETWORK ELEMENTS  
AND OTHER SERVICES

DESCRIPTION	USOC	AL	FL	GA	KY	LA	MS	NC	SC	TN
NRC - Switch As Is - EEL - Add'l	UNCCC	\$13.33	\$15.48	\$11.27	\$15.48	\$11.10	\$13.33	\$15.48	\$28.35	\$15.48
NRC - Switch As Is - EEL - Disconnect - 1st	UNCCC	\$15.21	\$13.92	\$12.61	\$13.92	\$12.66	\$15.21	\$13.92	TBA	\$13.92
NRC - Switch As Is - EEL - Disconnect - Add'l	UNCCC	\$15.21	\$13.92	\$12.61	\$13.92	\$12.66	\$15.21	\$13.92	TBA	\$13.92
NRC - Switch As Is - EEL - Manual vs. Elect - 1st	SOMAC	\$56.43	\$51.31	\$45.46	\$51.31	\$42.70	\$55.41	\$51.31	\$56.54	\$51.31
NRC - Switch As Is - EEL - Manual vs. Elect - Add'l	SOMAC	\$19.15	\$17.56	\$15.72	\$17.56	\$14.77	\$19.16	\$17.56	\$19.02	\$17.56
<b>INTERIM NRCs FOR NEW EEL SUBJECT TO TRUE-UP:</b>				<b>Orlando, Miami, Ft Laud FL</b>		<b>New Orleans LA</b>		<b>Greensboro Charlotte NC</b>		<b>NashvilleTN</b>
NRC - 2-wire VG Loop - 1st	SOMAC	NA	\$195.00	\$157.33	NA	\$190.74	NA	\$57.99	NA	\$247.97
NRC - 2-wire VG Loop - Add'l	SOMAC	NA	\$97.00	\$120.74	NA	\$134.43	NA	\$42.37	NA	\$195.72
NRC - Interoffice Channel - DS1- Facility Termination - 1st	SOMAC	NA	\$45.91	\$166.01	NA	\$186.69	NA	\$217.17	NA	\$195.68
NRC - Interoffice Channel - DS1- Facility Termination - Add'l	SOMAC	NA	\$44.18	\$130.69	NA	\$149.23	NA	\$163.75	NA	\$156.47
NRC - DS1 Channelization System - 1st	SOMAC	NA	\$235.06	\$240.96	NA	\$220.07	NA	\$301.74	NA	\$222.87
NRC - DS1 Channelization System - Add'l	SOMAC	NA	\$142.56	\$148.03	NA	\$135.20	NA	\$182.57	NA	\$135.80
NRC - DS1 Channelization System - VG Interface - 1st	SOMAC	NA	\$13.39	\$13.45	NA	\$12.29	NA	\$15.76	NA	\$12.61
NRC - DS1 Channelization System - VG Interface - Add'l	SOMAC	NA	\$9.59	\$9.63	NA	\$8.80	NA	\$11.28	NA	\$9.03
<b>4-wire VG Loop/DS1 Interoffice Channel - Dedicated Transport EEL</b>										
4-wire analog voice grade loop and DS1 ded interoffice transport with channelization										
Zone 1	TBD	\$204.34	NA	\$101.17	NA	\$216.32	\$235.35	NA	\$274.14	NA
Zone 2	TBD	\$129.33	NA	\$110.71	NA	\$233.81	\$242.64	NA	\$289.11	NA
Zone 3	TBD	\$251.00	NA	\$126.28	NA	\$277.43	\$255.37	NA	\$303.52	NA
Zone 4	TBD	NA	NA	NA	NA	NA	\$268.93	NA	NA	NA
4-wire VG Loop, per month, statewide	UEAL4	\$30.00	\$30.00	\$26.58	NA	NA	NA	\$27.49	NA	\$18.00
4-wire VG Loop, per month, Zone 1 (Note 1)	TBD	NA	NA	\$22.88	NA	\$24.36	\$22.38	NA	\$29.47	NA
4-wire VG Loop, per month, Zone 2 (Note 1)	TBD	NA	NA	\$26.42	NA	\$41.85	\$29.67	NA	\$44.44	NA
4-wire VG Loop, per month, Zone 3 (Note 1)	TBD	NA	NA	\$41.99	NA	\$85.47	\$42.40	NA	\$58.85	NA
4-wire VG Loop, per month, Zone 4 (Note 1)	TBD	NA	NA	NA	NA	NA	\$55.96	NA	NA	NA
DS1 Interoffice Channel - Dedicated Transport EEL - Per Mile per month	1L5XX	\$0.69	\$0.60	\$0.31	\$0.45	\$0.78	\$0.66	\$0.5753	\$0.76	\$0.35
DS1 Interoffice Channel - Dedicated Transport EEL - Facility Termination per month	U1TF1	\$79.69	\$99.79	\$63.39	\$55.05	\$93.40	\$74.40	\$71.29	\$94.98	\$75.83
DS1 Channelization System per system per month	MQ1	\$139.58	\$163.88	\$137.97	\$200.01	\$209.87	\$146.87	\$177.72	\$179.81	\$165.21
DS1 Channelization Interface -VG per month	1D1VG	\$1.26	\$1.78	\$2.20	\$1.40	\$1.62	\$1.45	\$1.64	\$1.93	\$1.25
Per additional circuit in same DS1, Recurring - Zone 1	TBD	26.65	NA	\$24.93	NA	\$27.26	\$22.38	NA	\$32.67	NA
Per additional circuit in same DS1, Recurring - Zone 2	TBD	41.64	NA	\$28.37	NA	\$44.75	\$29.67	NA	\$47.64	NA
Per additional circuit in same DS1, Recurring - Zone 3	TBD	54.1	NA	\$43.52	NA	\$88.37	\$42.40	NA	\$62.05	NA
Per additional circuit in same DS1, Recurring - Zone 4	TBD	NA	NA	NA	NA	NA	\$55.96	NA	NA	NA
NRC - Switch As Is - EEL- 1st	UNCCC	\$14.37	\$16.86	\$12.97	\$16.86	\$12.70	\$15.41	\$16.86	\$28.87	\$16.86
NRC - Switch As Is - EEL - Add'l	UNCCC	\$13.33	\$15.48	\$11.27	\$15.48	\$11.10	\$13.33	\$15.48	\$28.35	\$15.48
NRC - Switch As Is - EEL - Disconnect - 1st	UNCCC	\$15.21	\$13.92	\$12.61	\$13.92	\$12.66	\$15.21	\$13.92	TBA	\$13.92
NRC - Switch As Is - EEL - Disconnect - Add'l	UNCCC	\$15.21	\$13.92	\$12.61	\$13.92	\$12.66	\$15.21	\$13.92	TBA	\$13.92
NRC - Switch As Is - EEL - Manual vs. Elect - 1st	SOMAC	\$56.43	\$51.31	\$45.46	\$51.31	\$42.70	\$55.41	\$51.31	\$56.54	\$51.31
NRC - Switch As Is - EEL - Manual vs. Elect - Add'l	SOMAC	\$19.15	\$17.56	\$15.72	\$17.56	\$14.77	\$19.16	\$17.56	\$19.02	\$17.56
<b>INTERIM NRCs FOR NEW EEL SUBJECT TO TRUE-UP:</b>				<b>Orlando, Miami, Ft Laud FL</b>		<b>New Orleans LA</b>		<b>Greensboro Charlotte NC</b>		<b>NashvilleTN</b>
NRC 4-wireVG Loop - 1st	SOMAC	NA	\$141.00	\$260.11	NA	\$334.69	NA	\$288.47	NA	\$113.50
NRC 4-wireVG Loop - Add'l	SOMAC	NA	\$43.00	\$213.21	NA	\$243.53	NA	\$237.45	NA	\$86.00
NRC - DS1 - Interoffice Channel - Facility Termination - 1st	SOMAC	NA	\$45.91	\$166.01	NA	\$186.69	NA	\$217.17	NA	\$195.68
NRC - DS1 - Interoffice Channel - Facility Termination - Add'l	SOMAC	NA	\$44.18	\$130.69	NA	\$149.23	NA	\$163.75	NA	\$156.47
NRC - DS1 Channelization System - 1st	SOMAC	NA	\$235.06	\$240.96	NA	NA	NA	\$301.74	NA	\$222.87
NRC - DS1 Channelization System - Add'l	SOMAC	NA	\$142.56	\$148.03	NA	NA	NA	\$182.57	NA	\$135.80
NRC - DS1 Channelization System - Interface VG - 1st	SOMAC	NA	\$13.39	\$13.45	NA	\$12.29	NA	\$15.76	NA	\$12.61

BELLSOUTH/Z-TEL RATES  
NETWORK ELEMENTS  
AND OTHER SERVICES

DESCRIPTION	USOC	AL	FL	GA	KY	LA	MS	NC	SC	TN
NRC - DS1 Channelization System - Interface VG - Add'l	SOMAC	NA	\$9.59	\$9.63	NA	\$8.80	NA	\$11.28	NA	\$9.03
<b>4-wire 56 kbps Loop/DS1 Interoffice Channel - Dedicated Transport EEL</b>										
DS0 digital 56 or 64 kbps loop and DS1 ded interoffice transport with channelization										
Zone 1	TBD	\$207.66	NA	\$109.12	NA	\$219.46	\$238.58	NA	\$278.93	NA
Zone 2	TBD	\$224.73	NA	\$113.21	NA	\$239.20	\$246.91	NA	\$296.34	NA
Zone 3	TBD	\$280.78	NA	\$131.21	NA	\$288.44	\$261.48	NA	\$313.10	NA
Zone 4	TBD	NA	NA	NA	NA	NA	\$276.99	NA	NA	NA
4-wire 56 kbps Loop, per month, statewide	UNCD5	NA	NA	NA	NA	NA	NA	\$32.67	NA	\$42.23
4-wire 56 kbps Loop, per month, Zone 1 (Note 1)	TBD	NA	NA	\$26.44	NA	\$27.50	\$25.61	NA	\$34.26	NA
4-wire 56 kbps Loop, per month, Zone 2 (Note 1)	TBD	NA	NA	\$30.53	NA	\$47.24	\$33.94	NA	\$51.67	NA
4-wire 56 kbps Loop, per month, Zone 3 (Note 1)	TBD	NA	NA	\$48.53	NA	\$96.48	\$48.51	NA	\$68.43	NA
4-wire 56 kbps Loop, per month, Zone 4 (Note 1)	TBD	NA	NA	NA	NA	NA	\$64.02	NA	NA	NA
DS1 Interoffice Channel - Dedicated Transport EEL - Per Mile per month	1L5XX	\$0.69	\$0.60	\$0.31	\$0.45	\$0.78	\$0.66	\$0.5753	\$0.76	\$0.35
DS1 Interoffice Channel - Dedicated Transport EEL - Facility Termination per month	UNCB1	\$79.69	\$99.79	\$63.39	\$55.05	\$93.40	\$74.40	\$71.29	\$94.98	\$75.83
DS1 Channelization System per system per month	UNCN1	\$139.58	\$163.88	\$137.97	\$200.01	\$209.87	\$146.87	\$177.72	\$179.81	\$165.21
DS1 Channelization Interface - OCU-DP per month	UNC1D	\$4.53	\$6.31	\$2.20	\$8.52	\$7.55	\$5.58	\$4.61	\$9.69	\$3.91
Per additional circuit in same DS1, Recurring - Zone 1	TBD	\$29.97	NA	\$28.42	NA	\$30.40	\$28.48	NA	\$37.46	NA
Per additional circuit in same DS1, Recurring - Zone 2	TBD	\$47.04	NA	\$32.41	NA	\$50.14	\$36.81	NA	\$54.87	NA
Per additional circuit in same DS1, Recurring - Zone 3	TBD	\$73.31	NA	\$49.94	NA	\$99.38	\$51.38	NA	\$71.63	NA
Per additional circuit in same DS1, Recurring - Zone 4	TBD	NA	NA	NA	NA	NA	\$66.89	NA	NA	NA
NRC - Switch As Is - EEL- 1st	UNCCC	\$14.37	\$16.86	\$12.97	\$16.86	\$12.70	\$15.41	\$16.86	\$28.87	\$16.86
NRC - Switch As Is - EEL - Add'l	UNCCC	\$13.33	\$15.48	\$11.27	\$15.48	\$11.10	\$13.33	\$15.48	\$28.35	\$15.48
NRC - Switch As Is - EEL - Disconnect - 1st	UNCCC	\$15.21	\$13.92	\$12.61	\$13.92	\$12.66	\$15.21	\$13.92	TBA	\$13.92
NRC - Switch As Is - EEL - Disconnect - Add'l	UNCCC	\$15.21	\$13.92	\$12.61	\$13.92	\$12.66	\$15.21	\$13.92	TBA	\$13.92
NRC - Switch As Is - EEL - Manual vs. Elect - 1st	SOMAC	\$56.43	\$51.31	\$45.46	\$51.31	\$42.70	\$55.41	\$51.31	\$56.54	\$51.31
NRC - Switch As Is - EEL - Manual vs. Elect - Add'l	SOMAC	\$19.15	\$17.56	\$15.72	\$17.56	\$14.77	\$19.16	\$17.56	\$19.02	\$17.56
<b>INTERIM NRCs FOR NEW EEL SUBJECT TO TRUE-UP:</b>			<b>Orlando, Miami, Ft Laud FL</b>			<b>New Orleans LA</b>		<b>Greensboro Charlotte NC</b>		<b>Nashville TN</b>
NRC - 4-wire 56 kbps Loop - 1st	SOMAC	NA	\$709.72	\$401.71	NA	\$483.59	NA	\$489.04	NA	\$698.42
NRC - 4-wire 56 kbps Loop - Add'l	SOMAC	NA	\$483.45	\$283.84	NA	\$315.57	NA	\$337.51	NA	NA
NRC - DS-1 Interoffice Channel - Facility Termination - 1st	SOMAC	NA	\$45.91	\$166.01	NA	\$186.69	NA	\$217.17	NA	\$195.68
NRC - DS-1 Interoffice Channel - Facility Termination - Add'l	SOMAC	NA	\$44.18	\$130.69	NA	\$149.23	NA	\$163.75	NA	\$156.47
NRC - New - DS1 Channelization System										
NRC - DS1 Channelization System - 1st	SOMAC	NA	\$238.43	\$302.82	NA	\$297.96	NA	\$338.55	NA	\$222.87
NRC - DS1 Channelization System - Add'l	SOMAC	NA	\$145.55	\$184.20	NA	\$181.39	NA	\$200.06	NA	\$135.80
NRC - DS1 Channelization Interface OCU-DP card per month(2.4-64kbps) - 1st	SOMAC	NA	\$13.39	\$13.45	NA	\$12.29	NA	\$15.76	NA	\$12.61
NRC - DS1 Channelization Interface OCU-DP card per month(2.4-64kbps) - Add'l	SOMAC	NA	\$9.59	\$9.63	NA	\$8.80	NA	\$11.28	NA	\$9.03
<b>4-wire 64 kbps Loop/DS1 Interoffice Channel - Dedicated Transport EEL</b>										
4-wire analog voice grade loop and DS1 ded interoffice transport with channelization										
Zone 1	TBD	\$204.34	NA	\$109.12	NA	\$219.46	\$238.58	NA	\$278.93	NA
Zone 2	TBD	\$219.33	NA	\$113.21	NA	\$239.20	\$246.91	NA	\$296.34	NA
Zone 3	TBD	\$251.00	NA	\$131.21	NA	\$288.44	\$261.48	NA	\$313.10	NA
Zone 4	TBD	NA	NA	NA	NA	NA	\$276.99	NA	NA	NA
4-wire 64 kbps Loop, per month, statewide	UDL64	NA	\$48.33	NA	NA	NA	NA	\$32.67	NA	\$42.23
4-wire 64 kbps Loop, per month, Zone 1 (Note 1)	TBD	NA	NA	\$26.44	NA	\$27.50	\$25.61	NA	\$34.26	NA
4-wire 64 kbps Loop, per month, Zone 2 (Note 1)	TBD	NA	NA	\$30.53	NA	\$47.24	\$33.94	NA	\$51.67	NA
4-wire 64 kbps Loop, per month, Zone 3 (Note 1)	TBD	NA	NA	\$48.53	NA	\$96.48	\$48.51	NA	\$68.43	NA
4-wire 64 kbps Loop, per month, Zone 4 (Note 1)	TBD	NA	NA	NA	NA	NA	\$64.02	NA	NA	NA
DS1 Interoffice Channel - Dedicated Transport EEL - Per Mile per month	1L5XX	\$0.69	\$0.60	\$0.31	\$0.45	\$0.78	\$0.66	\$0.5753	\$0.76	\$0.35

BELLSOUTH/Z-TEL RATES  
NETWORK ELEMENTS  
AND OTHER SERVICES

DESCRIPTION	USOC	AL	FL	GA	KY	LA	MS	NC	SC	TN
DS1 Interoffice Channel - Dedicated Transport EEL - Facility Termination per month	U1TF1	\$79.69	\$99.79	\$63.39	\$55.05	\$93.40	\$74.40	\$71.29	\$94.98	\$75.83
DS1 Channelization System per system per month	MQ1	\$139.58	\$163.88	\$137.97	\$200.01	\$209.87	\$146.87	\$177.72	\$179.81	\$165.21
DS1 Channelization Interface - OCU-DP per month	1D1DD	\$2.61	\$3.13	NA	\$2.94	\$3.12	\$2.86	\$2.88	\$3.36	\$2.46
Per additional circuit in same DS1, Recurring - Zone 1	TBD	\$29.97	NA	\$28.42	NA	\$30.40	\$28.48	NA	\$37.46	NA
Per additional circuit in same DS1, Recurring - Zone 2	TBD	\$47.04	NA	\$32.41	NA	\$50.14	\$36.81	NA	\$54.87	NA
Per additional circuit in same DS1, Recurring - Zone 3	TBD	\$73.31	NA	\$49.94	NA	\$99.38	\$51.38	NA	\$71.63	NA
Per additional circuit in same DS1, Recurring - Zone 4		NA	NA	NA	NA	NA	\$66.89	NA	NA	NA
NRC - Switch As Is - EEL- 1st	UNCCC	\$14.37	\$16.86	\$12.97	\$16.86	\$12.70	\$15.41	\$16.86	\$28.87	\$16.86
NRC - Switch As Is - EEL - Add'l	UNCCC	\$13.33	\$15.48	\$11.27	\$15.48	\$11.10	\$13.33	\$15.48	\$28.35	\$15.48
NRC - Switch As Is - EEL - Disconnect - 1st	UNCCC	\$15.21	\$13.92	\$12.61	\$13.92	\$12.66	\$15.21	\$13.92	TBA	\$13.92
NRC - Switch As Is - EEL - Disconnect - Add'l	UNCCC	\$15.21	\$13.92	\$12.61	\$13.92	\$12.66	\$15.21	\$13.92	TBA	\$13.92
NRC - Switch As Is - EEL - Manual vs. Elect - 1st	SOMAC	\$56.43	\$51.31	\$45.46	\$51.31	\$42.70	\$55.41	\$51.31	\$56.54	\$51.31
NRC - Switch As Is - EEL - Manual vs. Elect - Add'l	SOMAC	\$19.15	\$17.56	\$15.72	\$17.56	\$14.77	\$19.16	\$17.56	\$19.02	\$17.56
<b>INTERIM NRCs FOR NEW EEL SUBJECT TO TRUE-UP:</b>			<b>Orlando, Miami, Ft Laud FL</b>			<b>New Orleans LA</b>		<b>Greensboro Charlotte NC</b>		<b>Nashville TN</b>
NRC - 4-wire 64 kbps Loop - 1st	SOMAC	NA	\$709.72	\$401.71	NA	\$483.59	NA	\$489.04	NA	\$698.42
NRC - 4-wire 64 kbps Loop - Add'l	SOMAC	NA	\$483.45	\$283.84	NA	\$315.57	NA	\$337.51	NA	NA
NRC - DS1- Interoffice Channel - Facility Termination - 1st	SOMAC	NA	\$45.91	\$166.01	NA	\$186.69	NA	\$217.17	NA	\$195.68
NRC - DS1- Interoffice Channel - Facility Termination - Add'l	SOMAC	NA	\$44.18	\$130.69	NA	\$149.23	NA	\$163.75	NA	\$156.47
NRC - DS1 Channelization System - 1st	SOMAC	NA	\$238.43	\$331.77	NA	\$297.96	NA	\$338.55	NA	\$222.87
NRC - DS1 Channelization System - Add'l	SOMAC	NA	\$145.55	\$202.63	NA	\$181.39	NA	\$200.06	NA	\$135.80
NRC - DS1 Channelization Sys. Interface OCU-DP card per month(2.4-64kbps) - 1st	SOMAC	NA	\$13.39	\$13.45	NA	\$12.29	NA	\$15.76	NA	\$12.61
NRC - DS1 Channelization Sys. Interface OCU-DP card per month(2.4-64kbps) - Add'l	SOMAC	NA	\$9.59	\$9.63	NA	\$8.80	NA	\$11.28	NA	\$9.03
<b>2-wire VG Local Channel/DS1 Interoffice Channel - Dedicated Transport EEL</b>										
2-wire VG Local Channel per month	ULDV2	\$14.61	\$18.02	\$16.28	\$22.26	\$14.94	\$17.83	\$14.82	\$16.83	\$19.02
DS1 Interoffice Channel - Dedicated Transport EEL - Per Mile per month	1L5XX	\$0.69	\$0.60	\$0.31	\$0.45	\$0.78	\$0.66	\$0.5753	\$0.76	\$0.35
DS1 Interoffice Channel - Dedicated Transport EEL - Facility Termination per month	U1TF1	\$79.69	\$99.79	\$63.39	\$55.05	\$93.40	\$74.40	\$71.29	\$94.98	\$75.83
DS1 Channelization System per system per month	MQ1	\$139.58	\$163.88	\$137.97	\$200.01	\$209.87	\$146.87	\$177.72	\$179.81	\$165.21
DS1 Channelization Interface -VG per month	1D1VG	\$1.26	\$1.78	\$2.20	\$1.40	\$1.62	\$1.45	\$1.64	\$1.93	\$1.25
NRC - Switch As Is - EEL- 1st	UNCCC	\$14.37	\$16.86	\$12.97	\$16.86	\$12.70	\$15.41	\$16.86	\$28.87	\$16.86
NRC - Switch As Is - EEL - Add'l	UNCCC	\$13.33	\$15.48	\$11.27	\$15.48	\$11.10	\$13.33	\$15.48	\$28.35	\$15.48
NRC - Switch As Is - EEL - Disconnect - 1st	UNCCC	\$15.21	\$13.92	\$12.61	\$13.92	\$12.66	\$15.21	\$13.92	TBA	\$13.92
NRC - Switch As Is - EEL - Disconnect - Add'l	UNCCC	\$15.21	\$13.92	\$12.61	\$13.92	\$12.66	\$15.21	\$13.92	TBA	\$13.92
NRC - Switch As Is - EEL - Manual vs. Elect - 1st	SOMAC	\$56.43	\$51.31	\$45.46	\$51.31	\$42.70	\$55.41	\$51.31	\$56.54	\$51.31
NRC - Switch As Is - EEL- Manual vs. Elect - Add'l	SOMAC	\$19.15	\$17.56	\$15.72	\$17.56	\$14.77	\$19.16	\$17.56	\$19.02	\$17.56
<b>INTERIM NRCs FOR NEW EEL SUBJECT TO TRUE-UP:</b>			<b>Orlando, Miami, Ft Laud FL</b>			<b>New Orleans LA</b>		<b>Greensboro Charlotte NC</b>		<b>Nashville TN</b>
NRC - 2-wire VG - Local Channel - 1st	SOMAC	NA	\$477.33	\$401.69	NA	\$430.71	NA	\$553.80	NA	\$287.79
NRC - 2-wire VG - Local Channel - Add'l	SOMAC	NA	\$124.32	\$70.82	NA	\$74.41	NA	\$86.69	NA	\$39.50
NRC - DS1 - Facility Termination - 1st	SOMAC	NA	\$45.91	\$166.01	NA	\$186.69	NA	\$217.17	NA	\$195.68
NRC - DS1 - Facility Termination - Add'l	SOMAC	NA	\$44.18	\$130.69	NA	\$149.23	NA	\$163.75	NA	\$156.47
NRC - DS1 Channelization System - 1st	SOMAC	NA	\$235.06	\$240.96	NA	\$220.07	NA	\$301.74	NA	\$222.87
NRC - DS1 Channelization System - Add'l	SOMAC	NA	\$142.56	\$148.03	NA	\$135.20	NA	\$182.57	NA	\$135.80
NRC - DS1 Channelization VG Interface - 1st	SOMAC	NA	\$13.39	\$13.45	NA	\$12.29	NA	\$15.76	NA	\$12.61
NRC - DS1 Channelization VG Interface - Add'l	SOMAC	NA	\$9.59	\$9.63	NA	\$8.80	NA	\$11.28	NA	\$9.03
<b>4-wire VG Local Channel/DS1 Interoffice Channel - Dedicated Transport EEL</b>										
4-wire VG Local Channel per month	ULDV4	\$15.77	\$19.01	\$17.18	\$23.38	\$16.21	\$19.03	\$15.87	\$18.05	\$20.14
DS1 Interoffice Channel - Dedicated Transport EEL - Per Mile per month	1L5XX	\$0.69	\$0.60	\$0.31	\$0.45	\$0.78	\$0.66	\$0.5753	\$0.76	\$0.35
DS1 Interoffice Channel - Dedicated Transport EEL - Facility Termination per month	U1TF1	\$79.69	\$99.79	\$63.39	\$55.05	\$93.40	\$74.40	\$71.29	\$94.98	\$75.83
DS1 Channelization System per system per month	MQ1	\$139.58	\$163.88	\$137.97	\$200.01	\$209.87	\$146.87	\$177.72	\$179.81	\$165.21

BELLSOUTH/Z-TEL RATES  
NETWORK ELEMENTS  
AND OTHER SERVICES

DESCRIPTION	USOC	AL	FL	GA	KY	LA	MS	NC	SC	TN
DS1 Channelization Interface -VG per month	1D1VG	\$4.53	\$6.31	\$2.20	\$8.52	\$7.55	\$5.58	\$4.61	\$9.69	\$3.91
NRC - Switch As Is - EEL - 1st	UNCCC	\$14.37	\$16.86	\$12.97	\$16.86	\$12.70	\$15.41	\$16.86	\$28.87	\$16.86
NRC - Switch As Is - EEL - Add'l	UNCCC	\$13.33	\$15.48	\$11.27	\$15.48	\$11.10	\$13.33	\$15.48	\$28.35	\$15.48
NRC - Switch As Is - EEL - Disconnect - 1st	UNCCC	\$15.21	\$13.92	\$12.61	\$13.92	\$12.66	\$15.21	\$13.92	TBA	\$13.92
NRC - Switch As Is - EEL - Disconnect - Add'l	UNCCC	\$15.21	\$13.92	\$12.61	\$13.92	\$12.66	\$15.21	\$13.92	TBA	\$13.92
NRC - Switch As Is - EEL - Manual vs. Elect - 1st	SOMAC	\$56.43	\$51.31	\$45.46	\$51.31	\$42.70	\$55.41	\$51.31	\$56.54	\$51.31
NRC - Switch As Is - EEL - Manual vs. Elect - Add'l	SOMAC	\$19.15	\$17.56	\$15.72	\$17.56	\$14.77	\$19.16	\$17.56	\$19.02	\$17.56
<b>INTERIM NRCs FOR NEW EEL SUBJECT TO TRUE-UP:</b>										
NRC - 4-wire Local Channel - VG - 1st	SOMAC	NA	Orlando, Miami, Ft Laud FL	\$77.33	\$387.38	NA	New Orleans LA	\$562.23	Greensboro Charlotte NC	Nashville TN
NRC - 4-wire Local Channel - VG - Add'l	SOMAC	NA	\$124.32	\$72.47	NA	\$88.07	NA	\$92.67	NA	\$54.18
NRC - DS1 - Facility Termination - 1st	SOMAC	NA	\$45.91	\$166.01	NA	\$186.69	NA	\$217.17	NA	\$195.68
NRC - DS1 - Facility Termination - Add'l	SOMAC	NA	\$44.18	\$130.69	NA	\$149.23	NA	\$163.75	NA	\$156.47
NRC - DS1 Channelization System - 1st	SOMAC	NA	\$235.06	\$240.96	NA	\$220.07	NA	\$301.74	NA	\$222.87
NRC - DS1 Channelization System - Add'l	SOMAC	NA	\$142.56	\$148.03	NA	\$135.20	NA	\$182.57	NA	\$135.80
NRC - DS1 Channelization System Interface VG - 1st	SOMAC	NA	\$13.39	\$13.45	NA	\$12.29	NA	\$15.76	NA	\$12.61
NRC - DS1 Channelization System Interface - Add'l	SOMAC	NA	\$9.59	\$9.63	NA	\$8.80	NA	\$11.28	NA	\$9.03
<b>DS1 Loop/DS1 Interoffice Channel - Dedicated Transport EEL</b>										
Zone 1	TBD	NA	NA	\$115.79	NA	\$149.72	\$125.39	NA	\$154.59	NA
Zone 2	TBD	NA	NA	\$123.90	NA	\$190.13	\$141.98	NA	\$184.88	NA
Zone 3	TBD	NA	NA	\$159.57	NA	\$290.97	\$170.98	NA	\$214.04	NA
Zone 4	TBD	NA	NA	NA	NA	NA	\$201.87	NA	NA	NA
DS1 Loop, per month, statewide	USLXX	\$64.65	\$80.00	NA	\$67.96	NA	NA	\$62.78	NA	TBD
DS1 Loop, per month, Zone 1 (Note 1)	TBD	NA	NA	\$52.40	NA	\$56.32	\$50.99	NA	\$59.61	NA
DS1 Loop, per month, Zone 2 (Note 1)	TBD	NA	NA	\$60.51	NA	\$96.73	\$67.58	NA	\$89.90	NA
DS1 Loop, per month, Zone 3 (Note 1)	TBD	NA	NA	\$96.18	NA	\$197.57	\$96.58	NA	\$119.06	NA
DS1 Loop, per month, Zone 4 (Note 1)	TBD	NA	NA	NA	NA	NA	\$127.47	NA	NA	NA
DS1 Interoffice Channel - Dedicated Transport EEL - Per Mile per month	1L5XX	\$0.69	\$0.60	\$0.31	\$0.45	\$0.78	\$0.66	\$0.5753	\$0.76	\$0.35
DS1 Interoffice Channel - Dedicated Transport EEL - Facility Termination per month	U1TF1	\$79.69	\$99.79	\$63.39	\$55.05	\$93.40	\$74.40	\$71.29	\$94.98	\$75.83
Per additional circuit in same DS3 - Zone 1	TBD	NA	NA	\$63.07	NA	NA	NA	NA	NA	NA
Per additional circuit in same DS3 - Zone 2	TBD	NA	NA	\$61.18	NA	NA	NA	NA	NA	NA
Per additional circuit in same DS3 - Zone 3	TBD	NA	NA	\$96.85	NA	NA	NA	NA	NA	NA
Per additional circuit in same DS3 - Zone 4	TBD	NA	NA	NA	NA	NA	NA	NA	NA	NA
NRC - Switch As Is - EEL - 1st	UNCCC	\$14.37	\$16.86	\$12.97	\$16.86	\$12.70	\$15.41	\$16.86	\$28.87	\$16.86
NRC - Switch As Is - EEL - Add'l	UNCCC	\$13.33	\$15.48	\$11.27	\$15.48	\$11.10	\$13.33	\$15.48	\$28.35	\$15.48
NRC - Switch As Is - EEL - Disconnect - 1st	UNCCC	\$15.21	\$13.92	\$12.61	\$13.92	\$12.66	\$15.21	\$13.92	TBA	\$13.92
NRC - Switch As Is - EEL - Disconnect - Add'l	UNCCC	\$15.21	\$13.92	\$12.61	\$13.92	\$12.66	\$15.21	\$13.92	TBA	\$13.92
NRC - Switch As Is - EEL - Manual vs. Elect - 1st	SOMAC	\$56.43	\$51.31	\$45.46	\$51.31	\$42.70	\$55.41	\$51.31	\$56.54	\$51.31
NRC - Switch As Is - EEL - Manual vs. Elect - Add'l	SOMAC	\$19.15	\$17.56	\$15.72	\$17.56	\$14.77	\$19.16	\$17.56	\$19.02	\$17.56
<b>INTERIM NRCs FOR NEW EEL SUBJECT TO TRUE-UP:</b>										
NRC - DS1 Loop - 1st	SOMAC	NA	Orlando, Miami, Ft Laud FL	NA	\$448.92	NA	New Orleans LA	\$714.84	Greensboro Charlotte NC	Nashville TN
NRC - DS1 Loop - Add'l	SOMAC	NA	NA	\$276.60	NA	NA	NA	\$421.47	NA	NA
NRC - DS1 Interoffice Channel - Facility Termination - 1st	SOMAC	NA	\$45.91	\$166.01	NA	\$186.69	NA	\$217.17	NA	\$195.68
NRC - DS1 Interoffice Channel - Facility Termination - Add'l	SOMAC	NA	\$44.18	\$130.69	NA	\$149.23	NA	\$163.75	NA	\$156.47
<b>DS1 Loop/DS3 Interoffice Channel - Dedicated Transport EEL</b>										
Zone 1	TBD	NA	NA	\$973.58	NA	NA	NA	NA	NA	NA
Zone 2	TBD	NA	NA	\$981.69	NA	NA	NA	NA	NA	NA
Zone 3	TBD	NA	NA	\$1,017.36	NA	NA	NA	NA	NA	NA



BELLSOUTH/Z-TEL RATES  
NETWORK ELEMENTS  
AND OTHER SERVICES

DESCRIPTION	USOC	AL	FL	GA	KY	LA	MS	NC	SC	TN
Zone 4	TBD	NA	NA	NA	NA	NA	NA	NA	NA	NA
DS1 Loop, per month, statewide	USLXX	\$64.65	\$80.00	NA	\$67.96	\$72.86	\$69.59	\$62.78	\$72.55	TBD
DS1 Loop, per month, Zone 1 (Note 1)	TBD	NA	NA	\$52.40	NA	NA	NA	NA	NA	NA
DS1 Loop, per month, Zone 2 (Note 1)	TBD	NA	NA	\$60.51	NA	NA	NA	NA	NA	NA
DS1 Loop, per month, Zone 3 (Note 1)	TBD	NA	NA	\$96.18	NA	NA	NA	NA	NA	NA
DS1 Loop, per month, Zone 4 (Note 1)	TBD	NA	NA	NA	NA	NA	NA	NA	NA	NA
DS3 Interoffice Channel - Dedicated Transport EEL - Per Mile per month	1L5XX	\$11.93	\$10.25	\$6.46	\$12.06	\$16.15	\$13.48	\$12.98	\$19.14	\$6.88
DS3 Interoffice Channel - Dedicated Transport EEL - Facility Termination per month	U1TF3	736.6	994.83	\$717.60	\$1,112.02	\$1,131.09	\$686.84	\$720.38	\$904.49	\$840.61
DS3 Channelization System per system per month	MQ3	\$210.87	\$213.22	\$202.91	\$236.32	\$245.84	\$229.30	\$226.81	\$204.07	\$225.59
DS3 Channelization Interface -DS1 per month	1PQE1	\$4.53	\$6.31	\$0.67	\$8.52	\$7.55	\$5.58	\$4.61	\$9.69	\$3.91
NRC - Switch As Is - EEL- 1st	UNCCC	\$14.37	\$16.86	\$12.97	\$16.86	\$12.70	\$15.41	\$16.86	\$28.87	\$16.86
NRC - Switch As Is - EEL - Add'l	UNCCC	\$13.33	\$15.48	\$11.27	\$15.48	\$11.10	\$13.33	\$15.48	\$28.35	\$15.48
NRC - Switch As Is - EEL - Disconnect - 1st	UNCCC	\$15.21	\$13.92	\$12.61	\$13.92	\$12.66	\$15.21	\$13.92	TBA	\$13.92
NRC - Switch As Is - EEL - Disconnect - Add'l	UNCCC	\$15.21	\$13.92	\$12.61	\$13.92	\$12.66	\$15.21	\$13.92	TBA	\$13.92
NRC - Switch As Is - EEL - Manual vs. Elect - 1st	SOMAC	\$56.43	\$51.31	\$45.46	\$51.31	\$42.70	\$55.41	\$51.31	\$56.54	\$51.31
NRC - Switch As Is - EEL - Manual vs. Elect - Add'l	SOMAC	\$19.15	\$17.56	\$15.72	\$17.56	\$14.77	\$19.16	\$17.56	\$19.02	\$17.56
<b>INTERIM NRCs FOR NEW EEL SUBJECT TO TRUE-UP:</b>			<b>Orlando, Miami, Ft Laud FL</b>			<b>New Orleans LA</b>		<b>Greensboro Charlotte NC</b>		<b>NashvilleTN</b>
NRC - DS1 Loop - 1st	SOMAC	NA	NA	\$53.46	NA	NA	NA	\$714.84	NA	NA
NRC - DS1 Loop - Add'l	SOMAC	NA	NA	\$319.54	NA	NA	NA	\$421.47	NA	NA
NRC - DS3 - Interoffice Channel - Facility Termination - 1st	SOMAC	NA	\$879.42	\$959.44	NA	\$882.49	NA	\$794.94	NA	\$905.50
NRC - DS3 - Interoffice Channel - Facility Termination - Add'l	SOMAC	NA	\$542.41	\$623.26	NA	\$573.28	NA	\$579.55	NA	\$565.26
NRC - DS3 Channelization System - 1st	SOMAC	NA	\$408.24	\$453.17	NA	\$413.85	NA	\$428.07	NA	\$423.18
NRC - DS3 Channelization System - Add'l	SOMAC	NA	\$301.27	\$320.09	NA	\$292.33	NA	\$298.37	NA	\$298.48
NRC - DS3 Channelization System DS1 Interface - 1st	SOMAC	NA	\$13.39	\$13.45	NA	\$12.29	NA	\$15.76	NA	\$12.61
NRC - DS3 Channelization System DS1 Interface - Add'l	SOMAC	NA	\$9.59	\$9.63	NA	\$8.80	NA	\$11.28	NA	\$9.03
<b>DS-1 Local Channel/ DS-3 Interoffice Channel - Dedicated Transport EEL</b>										
DS1 Local Channel per month	TMECS	\$35.52	\$44.35	\$38.57	\$43.80	\$43.80	\$38.91	\$35.68	\$37.20	\$40.27
DS3 Interoffice Channel - Dedicated Transport EEL - Per Mile per month	1L5XX	\$11.93	\$10.25	\$6.46	\$12.06	\$16.15	\$13.48	\$12.98	\$19.14	\$6.88
DS3 Interoffice Channel - Dedicated Transport EEL - Facility Termination per month	U1TF3	\$736.60	\$994.83	\$717.60	\$1,112.02	\$1,131.09	\$686.84	\$720.38	\$904.49	\$840.61
DS3 Channelization System per system per month	MQ3	\$210.87	\$213.22	\$202.91	\$2.94	\$3.12	\$2.86	\$2.88	\$3.36	\$2.46
DS3 Channelization Interface -DS1 per month	1PQE1	\$4.53	\$6.31	\$0.67	\$1.40	\$1.62	\$1.45	\$1.64	\$1.93	\$1.25
NRC - Switch As Is - EEL- 1st	UNCCC	\$14.37	\$16.86	\$12.97	\$16.86	\$12.70	\$15.41	\$16.86	\$28.87	\$16.86
NRC - Switch As Is - EEL - Add'l	UNCCC	\$13.33	\$15.48	\$11.27	\$15.48	\$11.10	\$13.33	\$15.48	\$28.35	\$15.48
NRC - Switch As Is - EEL - Disconnect - 1st	UNCCC	\$15.21	\$13.92	\$12.61	\$13.92	\$12.66	\$15.21	\$13.92	TBA	\$13.92
NRC - Switch As Is - EEL - Disconnect - Add'l	UNCCC	\$15.21	\$13.92	\$12.61	\$13.92	\$12.66	\$15.21	\$13.92	TBA	\$13.92
NRC - Switch As Is - EEL - Manual vs. Elect - 1st	SOMAC	\$56.43	\$51.31	\$45.46	\$51.31	\$42.70	\$55.41	\$51.31	\$56.54	\$51.31
NRC - Switch As Is - EEL - Manual vs. Elect - Add'l	SOMAC	\$19.15	\$17.56	\$15.72	\$17.56	\$14.77	\$19.16	\$17.56	\$19.02	\$17.56
<b>INTERIM NRCs FOR NEW EEL SUBJECT TO TRUE-UP:</b>			<b>Orlando, Miami, Ft Laud FL</b>			<b>New Orleans LA</b>		<b>Greensboro Charlotte NC</b>		<b>NashvilleTN</b>
NRC -DS1 Local Channel - 1st	SOMAC	NA	\$246.50	\$400.37	NA	\$434.53	NA	\$534.48	NA	\$377.96
NRC -DS1 Local Channel - Add'l	SOMAC	NA	\$230.49	\$312.89	NA	\$341.09	NA	\$462.69	NA	\$277.31
NRC - DS3 Interoffice Channel - Facility Termination - 1st	SOMAC	NA	\$884.71	977.44	NA	982.64	NA	\$794.94	NA	980.45
NRC - DS3 Interoffice Channel - Facility Termination - Add'l	SOMAC	NA	\$552.81	641.1	NA	644.52	NA	\$579.55	NA	643.07
NRC - DS3 Channelization System - 1st	SOMAC	NA	\$344.18	\$386.41	NA	\$352.89	NA	\$476.24	NA	\$362.09
NRC - DS3 Channelization System - Add'l	SOMAC	NA	\$248.67	\$264.84	NA	\$241.87	NA	\$321.89	NA	\$248.17
NRC - DS3 Channelization System DS1 Interface - 1st	SOMAC	NA	\$13.39	\$13.45	NA	\$12.29	NA	\$15.76	NA	\$12.61
NRC - DS3 Channelization System DS1 Interface - Add'l	SOMAC	NA	\$9.59	\$9.63	NA	\$8.80	NA	\$11.28	NA	\$9.03
Notes:										

**BELLSOUTH/Z-TEL RATES  
 NETWORK ELEMENTS  
 AND OTHER SERVICES**

DESCRIPTION		USOC	AL	FL	GA	KY	LA	MS	NC	SC	TN
1	Effective May 1, 2000 statewide rates will be replaced by Deaveraged Loop Rates by Zone where available. Until approximately December 31, 2000 or until such time that BellSouth billing systems have been developed to handle the new zone rate structure, BellSouth will bill at the Zone 1 Deaveraged Loop rate level only. After December 31, 2000 or such time that the billing systems have been developed to handle the new zone rate structure, BellSouth will begin billing pursuant to Birch's interconnection agreement. The status of the rates shown by state is as follows:										

BELLSOUTH/Z-TEL RATES  
NETWORK ELEMENTS  
AND OTHER SERVICES

DESCRIPTION	USOC	AL	FL	GA	KY	LA	MS	NC	SC	TN
<b>Operational Support Systems</b>										
Recovery of incremental OSS costs, per CLP, per month	TBD	NA	NA	NA	NA	NA	NA	\$305.00	NA	NA
RC - OSS OLEC Daily Usage File: Recording, Per Message	TBD	\$0.0002	\$0.008	\$0.0001275	\$0.0008611	\$0.00019	\$0.0001179	\$0.0003	\$0.0002862	\$0.008
RC - OSS OLEC Daily Usage File: Message Processing, Per Message	TBD	\$0.0033	\$0.004	\$0.0062548	\$0.0032357	\$0.0024	\$0.0032089	\$0.0032	\$0.0032344	\$0.004
RC - OSS OLEC Daily Usage File: Message Distribution, Per Magnetic Tape	TBD	\$55.19	\$54.95	\$28.25	\$55.68	\$47.3000	\$54.62	\$54.61	\$54.72	\$54.95
RC - OSS OLEC Daily Usage File: Data Transmission (CONNECT:DIRECT), Per	TBD	\$0.00004	\$0.001	\$0.0000434	\$0.0000365	\$0.0000300	\$0.0000354	\$0.00004	\$0.0000357	\$0.001
<b>Access Daily Usage File (ADUF)</b>										
RC - ADUF, Message Processing, per message	TBD	\$0.004	\$0.004	\$0.0136327	\$0.004	\$0.004	\$0.004	\$0.004	\$0.004	\$0.004
RC - ADUF, Message Distribution, per Magnetic Tape provisioned	TBD	\$54.95	\$54.95	\$28.85	\$54.95	\$54.95	\$54.95	\$54.95	\$54.95	\$54.95
RC - ADUF, Data Transmission (CONNECT:DIRECT), per message	TBD	\$0.001	\$0.001	\$0.0000434	\$0.001	\$0.001	\$0.001	\$0.001	\$0.001	\$0.001
<b>Enhanced Optional Daily Usage File (EODUF)</b>										
Enhanced Optional Daily Usage File: Message Processing, Per Message	TBD	\$0.004	\$0.004	\$0.0034555	\$0.004	\$0.004	\$0.004	\$0.004	\$0.004	\$0.004
Enhanced Optional Daily Usage File: Message Processing, per magnetic tape	TBD	\$47.30	\$47.30	\$47.30	\$47.30	\$47.30	\$47.30	\$47.30	\$47.30	\$47.30
Enhanced Optional Daily Usage File: Data Transmission (CONNECT:DIRECT), per	TBD	\$0.0000364	\$0.0000364	NA	\$0.0000364	\$0.0000364	\$0.0000364	\$0.0000364	\$0.0000364	\$0.0000364
<b>SWA 8XX Toll Free Dialing Ten Digit Screening Service (Note 1)</b>										
8XX Access Ten Digit Screening (all types), per call (Note 2)	N/A	\$0.0005	NA	\$0.0004868	NA	\$0.0005305	\$0.0005321	\$0.00050	\$0.0005227	NA
<b>8XX Access Ten Digit Screening Svc. W/8XX No. Delivery</b>										
per query	N/A	NA	NA	NA	\$0.0010	NA	NA	\$0.00365	NA	\$0.004
for 8XX Numbers, with Optional Complex Features, per query	N/A	NA	NA	NA	\$0.0011	NA	NA	\$0.00431	NA	\$0.004
<b>8XX Access Ten Digit Screening Svc. W/POTS No. Delivery</b>										
per query	N/A	NA	NA	NA	\$0.0010	NA	NA	\$0.00383	NA	\$0.004
with Optional Complex Features, per query	N/A	NA	NA	NA	\$0.0011	NA	NA	\$0.00431	NA	\$0.004
<b>8XX Access Ten Digit Screening Svc. W/800 No. Delivery</b>										
per message	N/A	NA	NA	NA	NA	NA	NA	NA	NA	NA
for 8XX Numbers, w/Optional Complex Features, per message	N/A	NA	NA	NA	NA	NA	NA	NA	NA	NA
<b>8XX Access Ten Digit Screening Svc. W/POTS No. Delivery</b>										
per message	N/A	NA	NA	NA	NA	NA	NA	NA	NA	NA
with Optional Complex Features, per message	N/A	NA	NA	NA	NA	NA	NA	NA	NA	NA
<b>Reservation Charge per 8XX number reserved</b>										
NRC - 1st	N8R1X	\$7.13	NA	\$6.57	\$10.05	\$6.29	\$8.46	\$7.05	\$6.38	\$30.00
NRC - Add'l	N8R1X	\$0.97	NA	\$0.76	\$1.19	\$0.73	\$0.96	\$0.96	\$0.9583	\$0.50
NRC - Incremental Charge - Manual Service Order - 1st	SOMAN	\$27.37	NA	\$18.94	NA	\$18.14	\$25.52	\$26.94	\$27.84	NA
NRC - Incremental Charge - Manual Service Order - Add'l	SOMAN	NA	NA	NA	NA	NA	NA	NA	NA	NA
<b>Per 8XX # Established w/o POTS (w/8XX No.) Translations</b>										
NRC - 1st	N/A	\$15.88	NA	\$12.81	\$30.59	\$12.27	\$17.04	\$23.82	\$22.63	\$67.50
NRC - Add'l	N/A	\$1.97	NA	\$1.45	\$3.22	\$1.39	\$1.93	\$2.73	\$2.73	\$1.50
NRC - Disconnect Charge - 1st	N/A	\$10.04	NA	NA	NA	\$8.30	\$11.32	NA	\$42.95	NA
NRC - Disconnect Charge - Add'l	N/A	\$0.97	NA	NA	NA	\$0.73	\$0.96	NA	NA	NA
NRC - Incremental Charge - Manual Service Order - 1st	SOMAN	\$27.37	NA	\$18.94	NA	\$18.14	\$25.52	\$41.35	NA	NA
NRC - Incremental Charge - Manual Service Order - Add'l	SOMAN	NA	NA	NA	NA	NA	NA	NA	NA	NA
NRC - Incremental Charge - Manual Service Order - Disconnect	SOMAN	\$17.75	NA	NA	NA	\$11.40	\$16.05	NA	NA	NA
<b>Per 8XX # Established with POTS Translations</b>										
NRC - 1st	N8FTX	\$15.88	NA	\$12.81	\$30.59	\$12.27	\$17.04	\$23.82	\$22.63	\$67.50
NRC - Add'l	N8FTX	\$1.97	NA	\$1.45	\$3.22	\$1.39	\$1.93	\$2.73	\$2.73	\$1.50
NRC - Disconnect Charge - 1st	N8FTX	\$10.04	NA	NA	NA	\$8.30	\$11.32	NA	\$42.95	NA
NRC - Disconnect Charge - Add'l	N8FTX	\$0.97	NA	NA	NA	\$0.73	\$0.96	NA	NA	NA
NRC - Incremental Charge - Manual Service Order - 1st	SOMAN	\$27.37	NA	\$18.94	NA	\$18.14	\$25.52	\$41.35	NA	NA
NRC - Incremental Charge - Manual Service Order - Add'l	SOMAN	NA	NA	NA	NA	NA	NA	NA	NA	NA
NRC - Incremental Charge - Manual Service Order - Disconnect	SOMAN	\$17.75	NA	NA	NA	\$11.40	\$16.05	NA	NA	NA
<b>Customized Area of Service per 8XX Number</b>										
NRC - 1st	N8FCX	\$5.69	NA	\$4.46	\$6.97	\$4.27	\$5.63	\$5.63	\$5.64	\$3.00
NRC - Add'l	N8FCX	\$2.85	NA	\$2.23	\$3.49	\$2.14	\$2.81	\$2.82	\$2.82	\$1.50
NRC - Incremental Charge - Manual Service Order - 1st	SOMAN	NA	NA	NA	NA	NA	NA	NA	NA	NA
NRC - Incremental Charge - Manual Service Order - Add'l	SOMAN	NA	NA	NA	NA	NA	NA	NA	NA	NA

BELLSOUTH/Z-TEL RATES  
NETWORK ELEMENTS  
AND OTHER SERVICES

DESCRIPTION	USOC	AL	FL	GA	KY	LA	MS	NC	SC	TN
<b>Multiple Inter LATA Carrier Routing per Carrier Requested per 8XX #</b>										
NRC - 1st	N8FMX	\$6.66	NA	\$5.22	\$8.16	\$5.00	\$6.59	\$6.59	\$6.60	\$3.50
NRC - Add'l	N8FMX	\$3.81	NA	\$2.99	\$4.67	\$2.86	\$3.77	\$3.77	\$3.78	\$2.00
NRC - Incremental Charge - Manual Service Order - 1st	SOMAN	NA	NA	NA	NA	NA	NA	NA	NA	NA
NRC - Incremental Charge - Manual Service Order - Add'l	SOMAN	NA	NA	NA	NA	NA	NA	NA	NA	NA
<b>Change Charge per request</b>										
NRC - 1st	N8FAX	\$8.10	NA	\$7.33	\$11.24	\$7.01	\$9.42	\$8.01	\$7.34	\$48.50
NRC - Add'l	N8FAX	\$0.97	NA	\$0.76	\$1.19	\$0.73	\$0.96	\$0.96	\$0.9583	\$0.50
NRC - Incremental Charge - Manual Service Order - 1st	SOMAN	\$27.37	NA	\$18.94	NA	\$18.14	\$25.52	\$26.94	\$27.84	NA
NRC - Incremental Charge - Manual Service Order - Add'l	SOMAN	NA	NA	NA	NA	NA	NA	NA	NA	NA
<b>Call Handling and Destination Features</b>										
NRC - 1st	N8FDX	\$5.69	NA	\$4.72	\$6.97	\$4.27	\$5.63	\$5.63	\$5.64	\$3.00
NRC - Add'l	N8FDX	NA	NA	\$4.46	\$6.97	\$4.27	\$5.63	NA	\$5.64	\$3.00
<b>LINE INFORMATION DATABASE ACCESS (LIDB)</b>										
LIDB Common Transport per query	OQT	\$0.00004	\$0.0003	\$0.0000338	\$0.00006	\$0.0000418	\$0.0000446	\$0.0003	\$0.0000442	\$0.0003
LIDB Validation per query	OQU	\$0.041003	\$0.041003	\$0.0105974	\$0.00938	\$0.0103774	\$0.0142132	\$0.013400	\$0.0141003	\$0.041003
LIDB Originating Point Code Establishment or Change - NRC	N/A	\$64.36	NA	\$50.30	\$107.60	\$48.17	\$63.63	\$91.00	\$61.62	NA
NRC - Incremental Charge - Electronic Service Order	TBD	NA	NA	NA	NA	NA	NA	\$62.26	NA	NA
NRC - Incremental Charge - Manual Service Order - 1st	SOMAN	\$25.93	NA	\$18.94	NA	\$18.14	\$25.52	\$26.94	\$27.84	\$91.00
NRC - Incremental Charge - Manual Service Order - Add'l	SOMAN	NA	NA	NA	NA	NA	NA	NA	\$27.84	NA
<b>CCS7 SIGNALING TRANSPORT SERVICE</b>										
<b>CCS7 Signaling Connection, per link (A link) per month</b>										
NRC		\$18.79	\$5.00	\$17.05	\$16.31	\$19.48	\$21.58	\$155.00	\$21.79	\$155.00
NRC - Disconnect		\$171.98	\$400.00	\$131.96	\$354.95	\$126.34	\$169.72	\$510.00	\$277.07	\$510.00
NRC - Incremental Charge - Manual Service Order	SOMAN	\$135.70	NA	NA	NA	\$101.10	\$134.08	NA	\$42.95	NA
NRC - Incremental Charge - Manual Service Order - Disconnect	SOMAN	\$25.93	NA	\$18.94	NA	\$18.14	\$25.52	NA	NA	NA
NRC - Incremental Charge - Manual Service Order - Disconnect	SOMAN	\$16.31	NA	NA	NA	\$11.40	\$16.05	NA	NA	NA
<b>CCS7 Signaling Connection, per link (B link) (also known as D link) per month</b>										
NRC		\$18.79	\$5.00	\$17.05	\$16.31	\$19.48	\$21.58	\$155.00	\$21.79	Not available
NRC - Disconnect		\$171.98	\$400.00	\$131.96	\$354.95	\$126.34	\$169.72	\$510.00	\$277.07	\$510.00
NRC - Incremental Charge - Manual Service Order	SOMAN	\$135.70	NA	NA	NA	\$101.10	\$134.08	NA	\$42.95	NA
NRC - Incremental Charge - Manual Service Order - Disconnect	SOMAN	\$25.93	NA	\$18.94	NA	\$18.14	\$25.52	NA	NA	NA
NRC - Incremental Charge - Manual Service Order - Disconnect	SOMAN	\$16.31	NA	NA	NA	\$11.40	\$16.05	NA	NA	NA
<b>CCS7 Signaling Termination, per STP port per month</b>										
		\$148.72	\$113.00	\$133.99	\$174.08	\$161.99	\$161.12	\$132.88	\$156.33	\$355.00
<b>CCS7 Signaling Usage, per ISUP message</b>										
		\$0.00004	\$0.00001	\$0.0000354	\$0.000037893	\$0.0000430	\$0.0000456	\$0.00004	\$0.0000452	\$0.000023
(applicable when measurement and billing capability exists.)										
<b>CCS7 Signaling Usage, per TCAP message</b>										
		\$0.0001	\$0.00004	\$0.0000870	\$0.000102042	\$0.0001052	\$0.0001115	\$0.00009	\$0.0001108	\$0.00005
(applicable when measurement and billing capability exists.)										
<b>CCS7 Signaling Usage Surrogate, per link per LATA per mo (9)</b>										
		\$376.12	\$64.00	\$340.67	\$329.98	\$406.71	\$406.53	\$338.98	\$396.55	\$395.00
<b>CCS7 Signaling Point Code, Establishment or Change, per STP affected</b>										
NRC		\$62.00	\$62.00	\$62.00	\$62.00	\$62.00	\$62.00	\$62.00	\$62.00	\$62.00
<b>OPERATOR CALL PROCESSING</b>										
<b>Operator Provided Call Handling per min - Using BST LIDB</b>										
Call Completion Access Termination Charge per call attempt	N/A	\$1.21	\$1.00	\$0.9680296	\$1.6016	\$0.91	\$1.19	\$1.20	\$1.21	NA
Operator Provided Call Handling per min - Using Foreign LIDB	N/A	\$0.08	NA	NA	NA	NA	NA	NA	\$0.08	NA
Call Completion Access Termination Charge per call attempt	N/A	\$1.25	\$1.00	\$1.02	\$1.6249	\$0.96	\$1.24	\$1.24	\$1.25	NA
Operator Provided Call Handling, per call	N/A	\$0.08	NA	NA	NA	NA	NA	NA	\$0.08	NA
Fully Automated Call Handling per call - Using BST LIDB	N/A	NA	NA	NA	NA	NA	NA	NA	NA	\$0.30
Fully Automated Call Handling per call - Using Foreign LIDB	N/A	\$0.11	\$0.10	\$0.0776409	\$0.0856	\$0.10	\$0.1072884	\$0.11	\$0.1115808	\$0.15
Professional recording of name (OCP alone)	N/A	\$0.13	\$0.10	\$0.0976984	\$0.1071	\$0.12	\$0.1253666	\$0.12	\$0.1293459	\$0.15
Professional recording of name (DA and OCP alone)	USOD1	\$7,000.00	\$7,000.00	\$7,000.00	\$7,000.00	\$7,000.00	\$7,000.00	\$7,000.00	\$7,000.00	\$7,000.00
DRAM or front-end loading, per TOPS switch	USOD1	\$250.00	\$250.00	\$250.00	\$250.00	\$250.00	\$250.00	\$250.00	\$250.00	\$250.00
AABS or back-end loading, per IVS	USOD2	\$225.00	\$225.00	\$225.00	\$225.00	\$225.00	\$225.00	\$225.00	\$225.00	\$225.00
EBAS or 0- automation loading, per NAV shelf	USOD2	\$270.00	\$270.00	\$270.00	\$270.00	\$270.00	\$270.00	\$270.00	\$270.00	\$270.00
Recording Charge per Branded Announcement - Disconnect - Initial	N/A	\$9.61	NA	NA	NA	NA	NA	NA	NA	NA

BELLSOUTH/Z-TEL RATES  
NETWORK ELEMENTS  
AND OTHER SERVICES

DESCRIPTION	USOC	AL	FL	GA	KY	LA	MS	NC	SC	TN
Recording Charge per Branded Announcement – Disconnect – Subsequent	N/A	\$9.61	NA	NA	NA	NA	NA	NA	NA	NA
<b>INWARD OPERATOR SERVICES</b>										
Verification, per minute	N/A	\$1.16	NA	\$0.921083	NA	\$0.86	\$1.14	\$1.15	\$1.15	NA
Verification and Emergency Interrupt, per minute	N/A	\$1.16	NA	\$0.921083	NA	\$0.86	\$1.14	\$1.15	\$1.15	NA
Verification, per call	VIL	NA	\$0.80	NA	\$1.00	NA	NA	\$0.54	NA	\$0.90
Verification and Emergency Interrupt, per call	N/A	NA	\$1.00	NA	\$1.111	NA	NA	\$0.65	NA	\$1.95
<b>DIRECTORY ASSISTANCE SERVICES</b>										
Directory Assist Call Completion Access Svc (DACC), per call attempt	N/A	\$0.10	\$0.10	\$0.10	\$0.10	\$0.10	\$0.10	\$0.062	\$0.10	\$0.10
Call Completion Access Term charge per completed call	N/A	NA	NA	NA	NA	NA	NA	NA	\$0.08	NA
Number Services Intercept per query	N/A	\$0.0235	\$0.01	\$0.0097497	\$0.0086	\$0.02	\$0.0188268	\$0.0110	\$0.0124036	\$0.15
Number Services Intercept per Intercept Query Update	N/A	NA	NA	NA	\$0.0055	NA	NA	NA	NA	NA
Directory Assistance Access Service Calls, per call		\$0.275	\$0.275	\$0.275	\$0.275	\$0.275	\$0.275	\$0.260000	\$0.275	\$0.275
Professional recording of name (DA alone)		\$3,000.00	\$3,000.00	\$3,000.00	\$3,000.00	\$3,000.00	\$3,000.00	\$3,000.00	\$3,000.00	\$3,000.00
Professional recording of name (DA and OCP alone)		\$7,000.00	\$7,000.00	\$7,000.00	\$7,000.00	\$7,000.00	\$7,000.00	\$7,000.00	\$7,000.00	\$7,000.00
DRAM or front-end loading, per TOPS switch		\$250.00	\$250.00	\$250.00	\$250.00	\$250.00	\$250.00	\$250.00	\$250.00	\$250.00
AABS or back-end loading, per IVS		\$225.00	\$225.00	\$225.00	\$225.00	\$225.00	\$225.00	\$225.00	\$225.00	\$225.00
EBAS or 0- automation loading, per NAV shelf		\$270.00	\$270.00	\$270.00	\$270.00	\$270.00	\$270.00	\$270.00	\$270.00	\$270.00
Recording Charge per Branded Announcement – Disconnect – Initial	N/A	\$9.61	NA	NA	NA	NA	NA	NA	NA	NA
Recording Charge per Branded Announcement – Disconnect – Subsequent	N/A	\$9.61	NA	NA	NA	NA	NA	NA	NA	NA
<b>Directory Transport</b>										
Directory Transport - Local Channel DS1, per month	N/A	\$35.52	\$43.64	\$38.36	\$36.32	\$43.83	\$38.91	\$35.68	\$37.20	\$133.81
NRC - 1st	N/A	\$503.57	\$242.45	\$356.15	\$637.46	\$339.69	\$494.83	\$534.48	\$534.81	\$868.97
NRC - Add'l	N/A	\$442.84	\$226.44	\$312.89	\$546.94	\$298.29	\$435.28	\$462.69	\$462.81	\$486.83
NRC - Disconnect Charge - 1st	N/A	\$46.28	NA	NA	NA	\$33.02	\$46.85	NA	NA	NA
NRC - Disconnect Charge - Add'l	N/A	\$32.18	NA	NA	NA	\$23.32	\$33.02	NA	NA	NA
NRC - Incremental Charge-Manual Svc Order - NRC - 1st	SOMAN	\$61.99	NA	\$44.22	NA	\$42.34	\$59.58	\$86.15	\$87.99	NA
NRC - Incremental Charge-Manual Svc Order - NRC - add'l	TBD	NA	NA	NA	NA	NA	NA	\$1.77	NA	NA
NRC - Incremental Charge-Manual Svc Order - NRC-Disconnect	SOMAN	\$29.27	NA	NA	NA	\$19.48	\$27.41	NA	\$3.11	NA
Directory Transport - Dedicated DS1 Level Interoffice per mile per mo	N/A	\$0.6923	\$0.6013	\$0.4523	\$0.45	\$0.78	\$0.6598	\$0.5753	\$0.7598	\$23.00
Directory Transport - Dedicated DS1 Level Interoffice per facility termination per mo	N/A	\$79.69	\$99.79	\$78.47	\$55.05	\$93.40	\$74.40	\$71.29	\$94.98	\$90.00
NRC - 1st	N/A	\$198.15	\$45.91	\$147.07	\$298.18	\$140.49	\$196.28	\$217.17	\$216.27	\$100.49
NRC - Add'l	N/A	\$148.18	\$44.18	\$111.75	\$231.18	\$106.69	\$147.31	\$163.75	\$162.70	\$100.49
NRC - Disconnect Charge - 1st	N/A	\$25.44	NA	NA	NA	\$20.00	\$26.56	NA	NA	NA
NRC - Disconnect Charge - Add'l	N/A	\$20.42	NA	NA	NA	\$16.34	\$21.61	NA	NA	NA
NRC - Incremental Charge - Manual Service Order - 1st	SOMAN	\$27.37	NA	\$18.94	NA	\$18.14	\$25.52	\$38.07	\$39.63	NA
NRC - Incremental Charge - Manual Service Order - Add'l	SOMAN	\$27.37	NA	NA	NA	\$18.14	\$25.52	\$38.07	\$39.63	NA
NRC - Incremental Charge - Manual Service Order - Disconnect - 1st	SOMAN	\$12.97	NA	NA	NA	\$8.06	\$11.34	NA	NA	NA
NRC - Incremental Charge - Manual Service Order - Disconnect - Add'l	SOMAN	\$12.97	NA	NA	NA	\$8.06	\$11.34	NA	NA	NA
Switched Common Transport per DA Access Service per call	N/A	\$0.0003	\$0.0003	\$0.0002906	\$0.000175	\$0.0003274	\$0.0002997	\$0.00020	\$0.000327	NA
Switched Common Transport per DA Access Service per call per mile	N/A	\$0.00003	\$0.00001	\$0.0000186	\$0.000004	\$0.0000175	\$0.0000202	\$0.00003	\$0.0000303	NA
Access Tandem Switching per DA Access Service per call	N/A	\$0.0023	\$0.00055	\$0.0019152	\$0.000783	\$0.0025257	\$0.0023713	\$0.0021	\$0.0024809	NA
DA Interconnection, per DA Access Service Call	N/A	\$0.00269	NA	\$0.00269	NA	NA	NA	\$0.00	\$0.000269	NA
<b>Directory Transport-Installation NRC, per trunk or signaling connection</b>										
NRC - 1st	N/A	\$260.69	\$206.06	\$204.23	\$501.98	\$195.54	\$257.73	NA	\$407.81	NA
NRC - Add'l	N/A	\$5.95	\$4.71	\$4.42	\$13.32	\$4.23	\$5.85	NA	\$11.00	NA
NRC - Disconnect Charge - 1st	N/A	\$173.46	NA	NA	NA	NA	NA	NA	NA	NA
NRC - Disconnect Charge - Add'l	N/A	\$5.95	NA	NA	NA	NA	NA	NA	NA	NA
NRC - Incremental Charge - Manual Service Order - 1st	SOMAN	NA	NA	\$44.22	NA	\$130.05	\$171.49	NA	NA	NA
NRC - Incremental Charge - Manual Service Order - Add'l	SOMAN	NA	NA	NA	NA	\$4.23	\$5.85	NA	NA	NA
NRC - Manual Service Order - 1st	TBD	NA	NA	NA	NA	NA	NA	\$407.53	NA	NA
NRC - Manual Service Order - Add'l	TBD	NA	NA	NA	NA	NA	NA	\$10.98	NA	NA
<b>Directory Assistance Database Service (DADS)</b>										
Directory Assistance Database Service charge per listing	N/A	\$0.0446	\$0.001	\$0.0445	\$0.0193	\$0.0443	\$0.0447	\$0.04460	\$0.0444	NA

BELLSOUTH/Z-TEL RATES  
NETWORK ELEMENTS  
AND OTHER SERVICES

DESCRIPTION	USOC	AL	FL	GA	KY	LA	MS	NC	SC	TN
Directory Assistance Database Service, per month	DBSOF	\$128.55	\$100.00	\$95.50	\$120.76	\$90.54	\$126.17	\$126.26	\$127.23	NA
<b>Direct Access to Directory Assistance Service (DADAS)</b>										
Direct Access to Directory Assistance Service, per month	DBSDS	\$7,055.00	\$5,000.00	\$5,254.00	\$7,235.01	\$4,982.00	\$6,926.00	\$6,930.00	\$6,983.00	NA
Direct Access to Directory Assistance Service, per query	DBSDA	\$0.0472685	\$0.01	\$0.0469016	\$0.0052	\$0.0460	\$0.0461336	\$0.0456	\$0.0468212	NA
Direct Access to Directory Assistance Service, svc estab charge	DBSDE									
NRC	DBSDE	\$1,118.00	\$820.00	\$788.24	\$1,186.94	\$786.82	\$1,097.00	\$1,164.00	\$1,173.00	NA
NRC - Disconnect	DBSDE	\$81.83	NA	NA	NA	NA	NA	NA	NA	NA
NRC - Incremental Charge Manual Service Order - 1st	SOMAN	NA	NA	NA	NA	\$57.23	\$80.52	NA	NA	NA
<b>AIN (Note 4)</b>										
AIN, per message	CAM	NA	\$0.00004	NA	NA	NA	NA	NA	NA	TBD
<b>AIN - BellSouth AIN SMS Access Service</b>										
Service Establishment Charge, per state, initial set-up	CAM									NA
NRC	CAMSE	\$197.49	NA	\$90.25	NA	\$153.31	\$174.03	\$294.77	\$296.16	NA
NRC - Disconnect	CAMSE	\$114.22	NA	NA	NA	\$78.06	\$135.96	NA	NA	NA
Port Connection - Dial/Shared Access										
NRC	CAMDP	\$64.05	NA	\$29.66	NA	\$50.07	\$53.47	\$86.94	\$87.29	NA
NRC - Disconnect	CAMDP	\$27.04	NA	NA	NA	\$18.61	\$37.70	NA	NA	NA
Port Connection - ISDN Access										
NRC	CAM1P	\$64.05	NA	\$29.66	NA	\$50.07	\$53.47	\$86.94	\$87.29	NA
NRC - Disconnect	CAM1P	\$27.04	NA	NA	NA	\$18.61	\$37.70	NA	NA	NA
User ID Codes - per User ID Code										
NRC	CAMAU	\$141.84	NA	\$84.43	NA	\$104.95	\$129.83	\$200.83	\$202.08	NA
NRC - Disconnect	CAMAU	\$70.05	NA	NA	NA	\$48.95	\$79.91	NA	NA	NA
Security Card per User ID Code, initial or replacement										
NRC	CAMRC	\$142.13	NA	\$35.44	NA	\$125.33	\$131.54	\$172.05	\$172.26	NA
NRC - Disconnect	CAMRC	\$35.26	NA	NA	NA	\$24.40	\$45.77	NA	NA	NA
Storage, per unit (100Kb)	N/A	\$0.0026	NA	\$0.0023	NA	\$0.0029	\$0.0029	\$0.0023	\$0.0028	NA
Session per minute	N/A	\$0.0892	NA	\$0.0795604	NA	\$0.10	\$0.0975650	\$0.0791	\$0.0942966	NA
C0. Performed Session, per minute					NA	\$1.97	\$2.09	\$2.08	\$2.07	NA
<b>AIN - BellSouth AIN Toolkit Service</b>										
<b>AIN, Service Creation Tools</b>										
Service Establishment Charge, per state, initial set-up	CAMBP	NA	TBD	NA	NA	NA	NA	NA	NA	NA
NRC	BAPSC	\$192.69	NA	\$86.74	NA	\$153.25	\$169.31	\$290.05	\$291.41	NA
NRC - Disconnect	BAPSC	\$114.22	NA	NA	NA	\$78.05	\$135.96	NA	NA	NA
Training Session, per customer										
NRC	BAPVX	\$8,363.00	NA	\$8,348.00	NA	\$8,315.00	\$8,379.00	\$8,363.00	\$8,333.00	NA
NRC - Disconnect	BAPVX	NA	NA	NA	NA	NA	NA	NA	NA	NA
Trigger Access Charge, per trigger, per DN, Term. Attempt										
NRC	BAPTT	\$49.64	NA	\$19.13	NA	\$41.08	\$39.30	\$72.76	\$73.02	NA
NRC - Disconnect	BAPTT	\$27.04	NA	NA	NA	\$18.60	\$37.70	NA	NA	NA
Trigger Access Charge, per trigger per DN, Off-Hook Delay										
NRC	BAPTD	\$49.64	NA	\$114.80	NA	\$41.08	\$39.30	\$72.76	\$73.02	NA
NRC - Disconnect	BAPTD	\$27.04	NA	NA	NA	\$18.60	\$37.70	NA	NA	NA
Trigger Access Charge, per trigger, per DN, Off-Hook Immediate										
NRC	BAPTM	\$49.64	NA	\$19.13	NA	\$41.08	\$39.30	\$72.76	\$73.02	NA
NRC - Disconnect	BAPTM	\$27.04	NA	NA	NA	\$18.60	\$37.70	NA	NA	NA
Trigger Access Charge, per trigger, per DN, 10-Digit PODP										
NRC	BAPTO	\$117.98	NA	\$70.06	NA	\$92.99	\$106.90	\$149.95	\$150.25	NA
NRC - Disconnect	BAPTO	\$37.90	NA	NA	NA	\$26.73	\$48.44	NA	NA	NA
Trigger Access Charge, per trigger, per DN, CDP										
NRC	BAPTC	\$117.98	NA	\$70.06	NA	\$92.99	\$106.90	\$149.95	\$150.25	NA
NRC - Disconnect	BAPTC	\$37.90	NA	NA	NA	\$26.73	\$48.44	NA	NA	NA
Trigger Access Charge, per trigger, per DN, Feature Code										

BELLSOUTH/Z-TEL RATES  
NETWORK ELEMENTS  
AND OTHER SERVICES

DESCRIPTION	USOC	AL	FL	GA	KY	LA	MS	NC	SC	TN
NRC	BAPTF	\$117.98	NA	\$70.06	NA	\$92.99	\$106.90	\$149.95	\$150.25	NA
NRC - Disconnect	BAPTF	\$37.90	NA	NA	NA	\$26.73	\$48.44	NA	NA	NA
Query Charge, per query		\$0.024	NA	\$0.0209223	NA	\$0.03	\$0.0256138	\$0.02	\$0.0250662	NA
Type 1 Node Charge, per AIN Toolkit Subscription, per node, per query		\$0.006	NA	\$0.0053137	NA	\$0.0065	\$0.0065161	\$0.005	\$0.0062979	NA
<b>SCP Storage Charge, per SMS Access Acct, per 100 Kb</b>										
	N/A	\$1.63	NA	\$1.46	NA	\$1.79	\$1.79	\$1.45	\$1.73	NA
<b>Monthly Report - per AIN Toolkit Service Subscription</b>										
	BAPMS	\$16.00	NA	\$15.96	NA	\$15.89	\$16.01	\$15.98	\$15.93	NA
NRC	BAPMS	\$44.56	NA	\$22.64	NA	\$34.61	\$44.02	\$71.80	\$72.15	NA
NRC - Disconnect	BAPMS	\$31.84	NA	NA	NA	\$21.97	\$31.28	NA	NA	NA
<b>Special Study - per AIN Toolkit Service Subscription</b>										
	BAPLS	\$0.10	NA	\$0.0861109	NA	\$0.08	\$0.0810536	\$0.08	\$0.0872769	NA
NRC	BAPLS	\$47.74	NA	\$22.64	NA	\$37.77	\$47.21	\$47.20	\$47.35	NA
NRC - Disconnect	BAPLS	\$15.90	NA	NA	NA	NA	NA	NA	NA	NA
<b>Call Event Report - per AIN Toolkit Service Subscription</b>										
	BAPDS	\$15.90	NA	\$15.87	NA	\$15.81	\$15.93	\$15.90	\$15.84	NA
NRC	BAPDS	\$44.56	NA	\$22.64	NA	\$34.61	\$44.02	\$71.80	\$72.15	NA
NRC - Disconnect	BAPDS	\$31.84	NA	NA	NA	\$21.97	\$31.28	NA	NA	NA
<b>Call Event special Study - per AIN Toolkit Service Subscription</b>										
	BAPES	\$0.003	NA	\$0.0028704	NA	\$0.0026	\$0.0027018	\$0.003	\$0.0029092	NA
NRC	BAPES	\$47.74	NA	\$22.64	NA	\$37.77	\$47.21	\$47.20	\$47.35	NA
NRC - Disconnect	BAPES	\$15.90	NA	NA	NA	\$37.77	NA	NA	NA	NA
<b>CALLING NAME (CNAM) QUERY SERVICE</b>										
CNAM (Database Owner), Per Query	N/A	\$0.016	\$0.016	\$0.016	\$0.016	\$0.016	\$0.016	\$0.016	\$0.016	\$0.016
CNAM (Non-Database Owner), Per Query *	N/A	\$0.01	\$0.01	\$0.01	\$0.01	\$0.01	\$0.01	\$0.01	\$0.01	\$0.01
NRC, applicable when Birch uses the Character Based User Interface (CHUI)	N/A	\$595.00	\$595.00	\$595.00	\$595.00	\$595.00	\$595.00	\$595.00	\$595.00	\$595.00
* Volume and term arrangements are also available.										
<b>SELECTIVE ROUTING (Note 5)</b>										
<b>Per Line or PBX Trunk, each</b>										
		NA	NA	NA	\$10.00 (Interim)	NA	NA	NA	NA	TBD
NRC		NA	NA	NA	NA	NA	NA	NA	NA	TBD
<b>Customized routing per unique line class code, per request, per switch</b>										
		NA	NA	NA	NA	NA	NA	NA	NA	NA
NRC	USRCR	\$230.60	\$229.65	\$180.62	\$229.65	\$229.65	\$227.99	\$229.65	\$226.22	\$229.65
NRC - Incremental Charge - Manual Service Order		\$25.93	NA	\$18.94	NA	NA	\$253.51	NA	\$27.84	NA
<b>VIRTUAL COLLOCATION</b>										
NRC - Virtual Collocation - Application Cost - Manual	TBD	NA	NA	NA	NA	NA	NA	\$3,622.00	NA	NA
NRC - Virtual Collocation - Cable Installation Cost per Cable - Manual	TBD	NA	NA	NA	NA	NA	NA	\$2,305.00	NA	NA
RC - Virtual Collocation - Floor space per square feet	TBD	NA	NA	NA	NA	NA	NA	\$3.45	NA	NA
RC - Virtual Collocation - Floor space power, per ampere	TBD	NA	NA	NA	NA	NA	NA	\$6.65	NA	NA
RC - Virtual Collocation - Cable support structure, per entrance cable	TBD	NA	NA	NA	NA	NA	NA	\$18.66	NA	NA
<b>2-wire Cross-Connect</b>										
RC	UEAC2	\$0.28	\$0.524	\$0.30	\$0.31	\$0.26	\$0.3996	\$0.09	\$0.3648	\$0.30
NRC - 1st	UEAC2	\$30.76	\$11.57	\$12.60	\$54.21	\$23.04	\$30.93	\$41.78	\$41.50	\$19.20
NRC - Add'l	UEAC2	\$29.40	\$11.57	\$12.60	\$51.07	\$22.11	\$29.59	\$39.23	\$38.94	\$19.20
NRC - 1st - Manual Service Order	TBD	NA	NA	NA	NA	NA	NA	\$4.75	NA	NA
NRC - Add'l - Manual Service Order	TBD	NA	NA	NA	NA	NA	NA	\$4.75	NA	NA
NRC - Disconnect - 1st	UEAC2	\$12.75	NA	NA	NA	\$9.48	\$12.76	NA	NA	NA
NRC - Disconnect - Add'l	UEAC2	\$11.38	NA	NA	NA	\$8.54	\$11.43	NA	NA	NA
<b>4-wire Cross-Connect</b>										
RC	UEAC4	\$0.56	\$0.524	\$0.50	\$0.62	\$0.52	\$0.7992	\$0.18	\$0.7297	\$0.50
NRC - 1st	UEAC4	\$66.71	\$11.57	\$12.60	\$54.23	\$23.23	\$31.17	\$41.91	\$41.56	\$19.20
NRC - Add'l	UEAC4	\$50.43	\$11.57	\$12.60	\$50.96	\$22.24	\$29.77	\$39.25	\$38.90	\$19.20
NRC - 1st - Manual Service Order	TBD	NA	NA	NA	NA	NA	NA	\$4.73	NA	NA
NRC - Add'l - Manual Service Order	TBD	NA	NA	NA	NA	NA	NA	\$4.73	NA	NA
NRC - Disconnect - 1st	UEAC4	\$12.82	NA	NA	NA	\$9.53	\$12.83	NA	NA	NA
NRC - Disconnect - Add'l	UEAC4	\$11.39	NA	NA	NA	\$8.55	\$11.43	NA	NA	NA
<b>2-fiber Cross-Connect</b>										
RC	CNC2F	\$12.10	NA	\$15.64	\$15.64	\$19.13	\$15.64	\$15.99	\$15.06	\$15.64

BELLSOUTH/Z-TEL RATES  
NETWORK ELEMENTS  
AND OTHER SERVICES

DESCRIPTION	USOC	AL	FL	GA	KY	LA	MS	NC	SC	TN
NRC - 1st	CNC2F	\$55.46	NA	\$41.56	\$41.56	\$41.07	\$41.56	\$67.34	\$69.28	\$41.56
NRC - Add'l	CNC2F	\$39.18	NA	\$29.82	\$29.82	\$29.63	\$29.82	\$48.55	\$48.89	\$29.82
NRC - Disconnect - 1st	CNC2F	\$16.83	NA	NA	NA	\$12.84	\$12.96	NA	NA	NA
NRC - Disconnect - Add'l	CNC2F	\$13.27	NA	NA	NA	\$10.29	\$10.34	NA	NA	NA
<b>4-fiber Cross-Connect</b>										
RC	CNC4F	\$21.75	NA	\$28.11	\$28.11	\$34.38	\$28.11	\$28.74	\$27.08	\$28.11
NRC - 1st	CNC4F	\$66.71	NA	\$50.53	\$50.53	\$49.81	\$50.53	\$82.35	\$84.07	\$50.53
NRC - Add'l	CNC4F	\$50.43	NA	\$38.78	\$38.78	\$38.37	\$38.78	\$63.56	\$63.68	\$38.78
NRC - Disconnect - 1st	CNC4F	\$21.86	NA	NA	NA	\$16.75	\$16.97	NA	NA	NA
NRC - Disconnect - Add'l	CNC4F	\$18.31	NA	NA	NA	\$14.20	\$14.35	NA	NA	NA
<b>DS1 Cross-Connects</b>										
RC	TBD	NA	NA	NA	NA	NA	NA	\$0.97	NA	NA
NRC - 1st	TBD	NA	NA	NA	NA	NA	NA	\$71.02	NA	NA
NRC - Add'l	TBD	NA	NA	NA	NA	NA	NA	\$51.08	NA	NA
NRC - Manual Service Order - 1st	TBD	NA	NA	NA	NA	NA	NA	\$4.70	NA	NA
NRC - Manual Service Order - Add'l	TBD	NA	NA	NA	NA	NA	NA	\$4.70	NA	NA
<b>DS3 Cross-Connects</b>										
RC	TBD	NA	NA	NA	NA	NA	NA	\$12.33	NA	NA
NRC - 1st	TBD	NA	NA	NA	NA	NA	NA	\$69.84	NA	NA
NRC - Add'l	TBD	NA	NA	NA	NA	NA	NA	\$49.43	NA	NA
NRC - Manual Service Order - 1st	TBD	NA	NA	NA	NA	NA	NA	\$4.70	NA	NA
NRC - Manual Service Order - Add'l	TBD	NA	NA	NA	NA	NA	NA	\$4.70	NA	NA
If no rate is identified in the contract, the rate for the specific service or function will be as set forth in applicable BellSouth tariff or as negotiated by the parties upon request by either party.										
1	BellSouth and CLEC shall negotiate rates for this offering. If agreement is not reached within sixty (60) days of the Effective Date, either party may petition the Florida PSC to settle the disputed charge or charges. (FL)									
2	This rate element is for those states w/o separate rates for 800 calls with 800 No. Delivery vs. POTS No. Delivery and calls with Optional Complex Features vs. w/o Optional Complex Features.									
3	This charge is only applicable where signaling usage measurement or billing capability does not exist.									
4	Prices for AIN to be determined upon development of mediation device. (TN)									
5	Price for Line Class Codes for Selective Routing shall be determined by the TRA. (TN)									



**Attachment 3**  
**Network Interconnection**

**TABLE OF CONTENTS**

**1. Network Interconnection and the Corresponding Bill and Keep Compensation Mechanism ..... 3**

**2. Interconnection Trunking Architectures ..... 7**

**3. Network Design and Management ..... 11**

**4. Local Dialing Parity ..... 14**

**5. Interconnection Compensation for Traffic Other Than Local and ESP/ISP Traffic ..... 14**

**6. Rates ..... Exhibit A**

**7. Basic Trunking Interconnection Architecture ..... Exhibit B**

**8. One-Way Trunking Interconnection Architecture ..... Exhibit C**

**9. Two-Way Trunking Interconnection Architecture ..... Exhibit D**

**10. Supergroup Trunking Interconnection Architecture ..... Exhibit E**

The Parties shall provide interconnection with each other's networks for the transmission and routing of telephone exchange service (local) and exchange access (intraLATA toll and switched access) on the following terms:

**1. Network Interconnection and the Corresponding Bill and Keep Compensation Mechanism**

All negotiated rates, terms and conditions set forth in this Attachment pertain only to the provision of network interconnection between Z-Tel as a Facility Based CLEC and BellSouth where Z-Tel owns and provides its own switching.

1.1 Interconnection is available to both Parties through: (1) delivery of a Party's facilities to a collocation arrangement as defined in this Agreement; or (2) interconnection by one Party via dedicated transport facilities purchased from the other Party. Interconnection may be provided by the Parties at any other technically feasible point through the Bona Fide Request/New Business Request process set out in General Terms and Conditions.

1.2 Interconnection Points

1.2.1 An Interconnection Point (IP) is the physical telecommunications equipment interface that performs the interconnection function for BellSouth and Z-Tel. Each Party is responsible for providing the network on its side of the IP

1.2.2 A Geographically Relevant Interconnection Point (GR-IP) is an IP located within the BellSouth basic local calling area where the Parties have assigned NXXs to provide service to their end users.

1.2.2.1 Z-Tel shall locate at least one GR-IP, in order to exchange Local Traffic between Z-Tel's end users and BellSouth's end users within that basic local calling area. Z-Tel shall establish such GR-IP at the BellSouth local tandem and establish interconnection trunking to each BellSouth end office subtending such local tandem when the actual or reasonably forecasted traffic for such end office meets or exceeds a DS1's worth of traffic. If there is not a BellSouth local tandem, Z-Tel shall establish a GR-IP at a mutually acceptable BellSouth end office and the Parties shall establish interconnection trunking between Z-Tel's end office and the BellSouth end offices serving the basic local calling area.

1.2.2.2 Z-Tel shall establish GR-IP(s) prior to the activation of new NXXs . If Z-Tel fails to establish GR-IP(s) as provided herein, then BellSouth shall bill and Z-Tel shall pay nonrecurring and monthly recurring transport charges

based on the cost-based dedicated interoffice transport rates in Exhibit A. The charges shall be calculated from a designated BellSouth local tandem or end office, pursuant to 1.2.2.1 and within the basic local calling area where Z-Tel has assigned NXXs, to Z-Tel's IP for BellSouth originated traffic from such basic local calling area that is delivered to Z-Tel's IP.

- 1.2.3. In addition to establishing GR-IP(s) in the LATA where Z-Tel is serving end users, Z-Tel shall establish IP(s) and interconnection trunking at each BellSouth access tandem in the LATA, as follows. To the extent either Party has the capability to measure the amount of traffic between a Z-Tel switching center and a BellSouth access tandem, either Party shall install and retain direct end office trunking sufficient to handle actual or reasonably forecasted traffic volumes, whichever is greater, between a Z-Tel switching center and a BellSouth access tandem where the traffic exceeds or is forecasted to exceed a single DS1 of local traffic per month. Either Party will install additional capacity between such points when overflow traffic between Z-Tel's switching center and BellSouth's access tandem exceeds or is forecasted to exceed a single DS1 of local traffic per month. In the case of one way trunking, additional trunking shall only be required by the Party whose trunking has achieved the preceding usage threshold. This interconnection shall provide for the exchange of traffic between BellSouth and Z-Tel end users in basic local calling areas other than those where Z-Tel is required to establish a GR-IP. It shall also allow Z-Tel to exchange Transit Traffic with third Parties subtending such tandems including Interexchange Carriers with whom Z-Tel shall exchange Switched Access Traffic.
- 1.2.4 Z-Tel shall fulfill its IP and GR-IP obligations set forth herein by establishing collocation arrangements at the applicable BellSouth tandems or end offices to serve as the IP(s) or GR-IP(s); or if existing BellSouth facilities are in place, by establishing a Virtual IP(s) as defined in Section 1.2.5.
- 1.2.5 A Virtual IP allows Z-Tel to establish an IP or GR-IP at a BellSouth tandem or end office without providing the physical facilities to and establishing a collocation arrangement within such BellSouth office. In lieu of providing an IP in a collocation arrangement and if existing BellSouth facilities are in place, Z-Tel may choose to designate a Virtual IP and BellSouth shall charge and Z-Tel shall pay the nonrecurring and monthly recurring cost-based dedicated interoffice transport rates from the Virtual IP location to the physical Z-Tel IP location. A Virtual IP arrangement shall be used if collocation within a BellSouth tandem or end office is not feasible.

- 1.2.5 At any time that Z-Tel establishes a collocation arrangement at a BellSouth local tandem or end office, then either Party may request that such Z-Tel collocation arrangement be established as a GR-IP for the exchange of Local Traffic between Z-Tel's end users and BellSouth end users for that end office, provided the traffic exchanged between BellSouth and Z-Tel exceeds the equivalent of one DS1. Such request and approval shall not be unreasonably withheld or delayed.
- 1.2.6 To the extent that the Parties have already implemented network interconnection in a LATA, then upon the execution of the terms and conditions of this section, the Parties shall negotiate a mutually acceptable transition process and schedule to implement the IP(s) and GR-IP(s) and any additional trunking in accordance with this section. The transition shall not exceed six (6) months unless otherwise agreed to by the Parties.
- 1.2.7 Furthermore, the Originating Party must establish direct end office trunking to a Terminating Party's end office (which may have a Tandem routed overflow) if the traffic destined for that end office exceeds the equivalent of one DS1. This refers to trunking only, and does not require the Originating Party to physically provision facilities to the end office, but rather provide a segregated end-office trunk group to the existing IP(s) and/or GR-IP(s) in that LATA.
- 1.2.8 Should Z-Tel fail to comply with this end office trunking requirement, then the Bill and Keep compensation arrangement set forth in section 1.2.10 shall no longer apply for Z-Tel traffic terminated by BellSouth. Z-Tel shall pay the call transport and termination rates for the elemental functions performed. Notwithstanding the forgoing, in the event Z-Tel has properly forecasted and ordered the required trunking from BellSouth and BellSouth has been unable to provision the ordered trunking, Z-Tel shall not be obligated to pay such reciprocal compensation until BellSouth is able to provide the requested trunking.
- 1.2.9 Reciprocal compensation for call termination to a port and loop combination provided to Z-Tel by BellSouth as well as the appropriate charges for use of the port and loop combination are described in detail in the call-flow diagrams located on the BellSouth Interconnection website within the product guide for port and loop combinations, incorporated herein by this reference.
- 1.2.10 Bill and Keep Compensation
- 1.2.10.1** Upon the implementation of Sections 1.2.2.1 – 1.2.7, the Parties shall institute a bill and keep compensation plan under which neither Party will

charge the other Party for call transport and termination compensation for Local and Enhanced Service Provider/Information Service Provider Traffic between the Parties.

- 1.2.10.2 For purposes of this Attachment, Local Traffic is defined as any telephone call that is originated by an end user of one Party and terminated to an end user of the other Party on that other Party's network within a given LATA. Additionally, Local Traffic includes any intrastate, interLATA call that has been required by an applicable regulatory body to be provided as a local call. IntraLATA calls originated on a 1+ presubscription basis or a casual dialed (101XXXX) basis are not considered Local Traffic. To qualify as Local Traffic for the purposes of this Attachment, the call must have originated from the originating Party's own switch that it uses to provide its local exchange service to its end users.
- 1.2.10.3 For purposes of this Attachment, Enhanced Service Provider/Information Service Provider Traffic is defined as dial-up switched traffic that is originated by an end user subscriber of one Party, is transmitted to the switched network of the other Party, and is handed off by that other Party to an Enhanced Service Provider Information Service Provider which has been assigned a telephone number or telephone numbers within an NXX or NXXs which are local to the originating end user subscriber. Enhanced Service Provider/Information Service Provider Traffic includes Internet Traffic.
- 1.2.10.4 Nothing in this Agreement shall be construed to limit either Party's ability to designate the areas within which that Party's end users may make calls which that party rates as "local" in its end users tariffs.
- 1.2.10.5 Neither Party shall represent access services traffic as Local Traffic.
- 1.2.10.6 The jurisdiction of a call is determined by its originating and terminating (end-to-end) points. If Z-Tel assigns NPA/NXXs to specific BellSouth rate centers within a LATA and assigns numbers from those NPA/NXXs to Z-Tel end users physically located outside of that LATA, BellSouth traffic originating from within the BellSouth rate center where the NPA/NXX is assigned and terminating to a Z-Tel customer physically located outside of that LATA shall not be deemed Local Traffic.
- 1.2.10.6.1 To the extent Z-Tel utilizes its NPA/NXXs to collect traffic from BellSouth end users that appears local, but then delivers that traffic to Z-Tel's end users located outside the LATA in which the call originated, Z-Tel shall identify such traffic to BellSouth and compensate BellSouth based on the applicable rates for originating intrastate network access service as reflected in BellSouth's Intrastate Access Service Tariff.

- 1.2.10.6.2 If Z-Tel does not identify such traffic to BellSouth, to the best of BellSouth's ability BellSouth will determine which whole Z-Tel NPA/NXXs on which to charge the applicable rates for originating intrastate network access service as reflected in BellSouth's Intrastate Access Service Tariff. BellSouth shall make appropriate billing adjustments if Z-Tel can provide sufficient information for BellSouth to determine whether said traffic is Local.
- 1.2.10.7** BellSouth shall be compensated for Z-Tel's ordering of trunks and facilities transporting Transit Traffic as well as the elemental functions BellSouth performs in the transport and termination of Z-Tel's Transit Traffic in accordance with this Agreement.
- 1.2.11 If Z-Tel should fail to establish IP(s) and GR-IP(s) pursuant to this section or if the Parties have been unable to agree upon a schedule for completing a transition from existing arrangements to the arrangements required within this section within thirty (30) days following BellSouth's request, BellSouth shall bill and Z-Tel shall pay nonrecurring and monthly recurring transport charges based on the cost-based dedicated interoffice transport rates in Exhibit A. The charges shall be calculated from: (1) a designated BellSouth local tandem or end office within the basic local calling area, where Z-Tel has assigned NXXs, to Z-Tel's IP for BellSouth originated traffic from such basic local calling area that is delivered to Z-Tel's IP; and (2) each BellSouth access tandem to Z-Tel's IP for BellSouth originated traffic from such basic local calling areas other than where Z-Tel has assigned NXXs.
- 2.** Interconnection Trunking Architectures
- 2.1 BellSouth and Z-Tel shall establish interconnecting trunk groups and trunking architectures between networks including the establishment of one-way and two-way trunks in accordance with the following provisions set forth in this Agreement.
- 2.2 Any Z-Tel interconnection request that deviates from the trunking architectures as described in this Agreement that affects traffic delivered to Z-Tel from a BellSouth switch that requires special BellSouth switch translations and other network modifications will require Z-Tel to submit a Bona Fide Request/New Business Request via the Bona Fide Request/New Business Request Process set forth in General Terms and Conditions.
- 2.3 Z-Tel shall assign or home NPA/NXXs on the BellSouth tandems that serve the Exchange Rate Center Areas where the subscribers who use such

NPA/NXXs are located. The specified association between BellSouth tandems and Exchange Rate Centers is defined in the national Local Exchange Routing Guide (LERG). Z-Tel shall enter its NPA/NXX access and/or local tandem homing arrangement into the LERG.

- 2.4 Switched Access traffic will be delivered to and by IXC's based on Z-Tel's NXX Access Tandem homing arrangement as specified by Z-Tel in the national Local Exchange Routing Guide (LERG).
- 2.5 All trunk groups will be provisioned as Signaling System 7 (SS7) capable where technically feasible. If SS7 is not technically feasible multi-frequency (MF) protocol signaling shall be used.
- 2.6 In cases where Z-Tel is also an IXC, the IXC's Feature Group D (FG D) trunk groups must remain separate from the local interconnection trunk groups. These segregated trunk groups may ride the same interconnection facilities between Z-Tel and BellSouth.
- 2.7 BellSouth Access Tandem Trunking Interconnection Architectures
- 2.7.1 BellSouth Access Tandem Trunking Interconnection provides intratandem access to subtending end offices.
- 2.7.2 Basic Trunking Architecture
- 2.7.2 In this architecture, Z-Tel's originating Local and IntraLATA Toll and originating and terminating Transit Traffic is transported on a single two-way trunk group between Z-Tel and BellSouth access tandem(s) within a LATA. This group carries intratandem Transit Traffic between Z-Tel and Independent Companies, Interexchange Carriers, other CLECs and other network providers with which Z-Tel desires interconnection and has the proper contractual arrangements. This group also carries Z-Tel originated intertandem traffic transiting a single BellSouth access tandem destined to third party tandems such as an Independent Company tandem or other CLEC tandem. BellSouth originated Local and IntraLATA Toll traffic is transported on a single one-way trunk group terminating to Z-Tel. Other trunk groups for operator services, directory assistance, emergency services and intercept may be established if required. The LERG should be referenced for current routing and tandem serving arrangements. The Basic Architecture is illustrated in Exhibit B.
- 2.7.3 One-Way Trunking Architecture
- 2.7.4 In this architecture, the Parties interconnect using two one-way trunk groups. One one-way trunk group carries Z-Tel-originated local and



intraLATA toll traffic destined for BellSouth end-users. The other one-way trunk group carries BellSouth-originated local and intraLATA toll traffic destined for Z-Tel end-users. A third two-way trunk group is established for Z-Tel's originating and terminating Transit Traffic. This group carries intratandem Transit Traffic between Z-Tel and Independent Companies, Interexchange Carriers, other CLECs and other network providers with which Z-Tel desires interconnection and has the proper contractual arrangements. This group also carries Z-Tel originated intertandem traffic transiting a single BellSouth access tandem destined to third party tandems such as an Independent Company tandem or other CLEC tandem. Other trunk groups for operator services, directory assistance, emergency services and intercept may be established if required. The LERG should be referenced for current routing and tandem serving arrangements. The One-Way Trunking Architecture is illustrated in Exhibit C.

#### 2.7.5 Two-Way Trunking Architecture

2.7.9 The Two-Way Trunking Architecture establishes one two-way trunk group to carry local and intraLATA toll traffic between Z-Tel and BellSouth. Because both Parties' local and intraLATA toll traffic shall utilize the same two-way trunk group, the Parties must mutually agree to use this type of architecture and the trunks shall be jointly provisioned. Z-Tel shall order the two-way trunks using the access service request process after the Parties' joint planning meeting. In addition to the two-way local and intraLATA toll trunk group, a two-way transit trunk group must be established for Z-Tel's originating and terminating Transit Traffic. This group carries intratandem Transit Traffic between Z-Tel and Independent Companies, Interexchange Carriers, other CLECs and other network providers with which Z-Tel desires interconnection and has the proper contractual arrangements. This group also carries Z-Tel originated intertandem traffic transiting a single BellSouth access tandem destined to third party tandems such as an Independent Company tandem or other CLEC tandem. Other trunk groups for operator services, directory assistance, emergency services and intercept may be established if required. The LERG should be referenced for current routing and tandem serving arrangements. Establishment of this architecture does not preclude the Parties from establishing additional one-way trunk groups for its originated local and intraLATA toll within the same Local Calling Area. The Two-Way Trunking Architecture is illustrated in Exhibit D.

#### 2.7.7 Supergroup Trunking Architecture

2.7.8 In the Supergroup Trunking Architecture, the Parties Local and IntraLATA

Toll and Z-Tel's Transit Traffic is exchanged on a single two-way trunk group between Z-Tel and BellSouth. Because both Parties' local and intraLATA toll traffic shall utilize the same two-way trunk group, the Parties must mutually agree to use this type of architecture and the trunks shall be jointly provisioned. Z-Tel shall order the two-way trunks using the access service request process after the Parties' joint planning meeting. In addition, this group carries intratandem Transit Traffic between Z-Tel and Independent Companies, Interexchange Carriers, other CLECs and other network providers with which Z-Tel desires interconnection and has the proper contractual arrangements. This group also carries Z-Tel originated intertandem traffic transiting a single BellSouth access tandem destined to third party tandems such as an Independent Company tandem or other CLEC tandem. Other trunk groups for operator services, directory assistance, emergency services and intercept may be established if required. The LERG should be referenced for current routing and tandem serving arrangements. Establishment of this architecture does not preclude the Parties from establishing additional one-way trunk groups for its originated local and intrLATA toll within the same Local Calling Area. The Supergroup Architecture is illustrated in Exhibit E.

#### 2.7.9 End Office Trunking Interconnection

2.7.9.1 Either Party as an Originating Party may establish interconnection trunking to the other Party's end office(s) for the delivery of the Originating Party's traffic destined for the Terminating Party's end users served by such end-office.

2.7.9.2 When end office trunking is ordered by BellSouth to deliver BellSouth originated traffic to Z-Tel, BellSouth will provide overflow routing through BellSouth access tandems consistent with how BellSouth overflows its own traffic. The overflow will be based on the homing arrangements Z-Tel displays in the LERG. Likewise, if Z-Tel interconnects to a BellSouth end office for delivery of Z-Tel originated traffic, Z-Tel will overflow the traffic through the BellSouth access tandems based on the BellSouth homing arrangements shown in the LERG.

#### 2.7.10 Local Tandem Trunking Interconnection.

2.7.10.1 This interconnection trunking arrangement allows Z-Tel to establish interconnection trunk groups at BellSouth local tandems for: (1) the delivery of Z-Tel-originated local traffic transported and terminated by BellSouth to BellSouth end offices within the local calling area as defined in BellSouth's General Subscriber Services Tariff (GSST), section A3 served by those BellSouth local tandems, and (2) for local transit traffic

transported by BellSouth for third party network providers who have also established interconnection at those BellSouth local tandems.

- 2.7.10.2 When a specified local calling area is served by more than one BellSouth local tandem, Z-Tel must designate a “home” local tandem for each of its assigned NPA/NXXs and establish trunk connections to such local tandems. Additionally, Z-Tel may choose to establish interconnection trunk groups at the BellSouth local tandems where it has no codes homing but is not required to do so. Z-Tel may deliver local traffic to a “home” BellSouth local tandem that is destined for other BellSouth or third party network provider end offices subtending other BellSouth local tandems in the same local calling area where Z-Tel does not choose to establish interconnection. It is Z-Tel’s responsibility to enter its own NPA/NXX local tandem homing arrangements into the Local Exchange Routing Guide (LERG) either directly or via a vendor in order for other third party network providers to determine appropriate traffic routing to Z-Tel’s codes. Likewise, Z-Tel shall obtain its routing information from the LERG.
- 2.7.10.3 Notwithstanding establishing interconnection to BellSouth’s local tandems, Z-Tel must establish interconnection trunk groups to BellSouth access tandems within the LATA on which Z-Tel has NPA/NXXs homed for the delivery of Interexchange Carrier Switched Access (SWA) and toll traffic, and traffic to Type 2A CMRS connections located at the access tandems. BellSouth shall not switch SWA traffic through more than one BellSouth access tandem. SWA, Type 2A CMRS or toll traffic routed to the local tandem in error will not be backhauled to the BellSouth access tandem for completion. (Type 2A CMRS interconnection is defined in BellSouth’s A35 General Subscriber Services Tariff.)
- 2.7.10.4 BellSouth’s provisioning of local tandem interconnection assumes that Z-Tel has executed the necessary local interconnection agreements with the other third party network providers subtending those local tandems as required by the Act.

### **3. Network Design And Management For Interconnection**

- 3.1 Network Management and Changes. Both Parties will work cooperatively with each other to install and maintain the most effective and reliable interconnected telecommunications networks, including but not limited to, the exchange of toll-free maintenance contact numbers and escalation procedures. Both Parties agree to provide public notice of changes in the information necessary for the transmission and routing of services using its

local exchange facilities or networks, as well as of any other changes that would affect the interoperability of those facilities and networks.

- 3.2 Interconnection Technical Standards. The interconnection of all networks will be based upon accepted industry/national guidelines for transmission standards and traffic blocking criteria. Interconnecting facilities shall conform, at a minimum, to the telecommunications industry standard of DS-1 pursuant to Bellcore Standard No. TR-NWT-00499. Signal transfer point, Signaling System 7 (“SS7”) connectivity is required at each interconnection point. BellSouth will provide out-of-band signaling using Common Channel Signaling Access Capability where technically and economically feasible, in accordance with the technical specifications set forth in the BellSouth Guidelines to Technical Publication, TR-TSV-000905. Facilities of each Party shall provide the necessary on-hook, off-hook answer and disconnect supervision and shall hand off calling number ID (Calling Party Number) when technically feasible.
- 3.3 Quality of Interconnection. The local interconnection for the transmission and routing of telephone exchange service and exchange access that each Party provides to each other will be at least equal in quality to what it provides to itself and any subsidiary or affiliate, where technically feasible, or to any other Party to which each Party provides local interconnection.
- 3.4 Network Management Controls. Both Parties will work cooperatively with each other to apply sound network management principles by invoking appropriate network management controls (e.g., call gapping) to alleviate or prevent network congestion.
- 3.5 Common Channel Signaling. Both Parties will provide LEC-to-LEC Common Channel Signaling (“CCS”) to each other, where available, in conjunction with all traffic in order to enable full interoperability of CLASS features and functions except for call return. All CCS signaling parameters will be provided, including automatic number identification (“ANI”), originating line information (“OLI”) calling company category, charge number, etc. All privacy indicators will be honored, and each Party will cooperate with each other on the exchange of Transactional Capabilities Application Part (“TCAP”) messages to facilitate full interoperability of CCS-based features between the respective networks. Neither Party shall alter the CCS parameters, or be a party to altering such parameters, or knowingly pass CCS parameters that have been altered in order to circumvent appropriate interconnection charges.
- 3.6 Signaling Call Information. BellSouth and Z-Tel will send and receive 10 digits for local traffic. Additionally, BellSouth and Z-Tel will exchange

the proper call information, i.e. originated call company number and destination call company number, CIC, and OZZ, including all proper translations for routing between networks and any information necessary for billing.

- 3.7 Forecasting Requirements. The Parties shall exchange technical descriptions and forecasts of their interconnection and traffic requirements in sufficient detail necessary to establish the interconnections required to assure traffic completion to and from all customers in their respective designated service areas. In order for the Parties to provide as accurate reciprocal trunking forecasts as possible to each other, each Party must timely inform the other Party of any known or anticipated events that may affect reciprocal trunking requirements. If either Party is unable to provide such information, The Parties shall provide reciprocal trunking forecasts based only on existing trunk group growth and annual estimated percentage of subscriber line growth.
- 3.7.1 Both Parties shall meet every six months or at otherwise mutually agreeable intervals for the purpose of exchanging non-binding forecasts of its traffic and volume requirements for the interconnection and network elements provided under this Agreement, in the form and in such detail as agreed by the Parties. The Parties agree that each forecast provided under this Section shall be deemed “Confidential Information” in the General Terms and Conditions – Part A of this Agreement.
- 3.7.2 The trunk forecast should include trunk requirements for all of the interconnecting trunk groups for the current year plus the next two future years. The forecast meeting between the two companies may be a face-to-face meeting, video conference or audio conference. It may be held regionally or geographically. Ideally, these forecast meetings should be held at least semi-annually, or more often if the forecast is no longer usable. Updates to a forecast or portions thereof should be made whenever the Party providing the forecast deems that the latest trunk requirements exceed the original quantities by 24 trunks or 10%, whichever is greater. Either Party should notify the other Party if they have measurements indicating that a trunk group is exceeding its designed call carrying capacity and is impacting other trunk groups in the network. Also, either Party should notify the other Party if they know of situations in which the traffic load is expected to increase significantly and thus affect the interconnecting trunk requirements as well as the trunk requirements within the other Party’s network. The Parties agree that the forecast information provided under this Section shall be deemed “Confidential Information” as set forth in the General Terms and Conditions of this Agreement.

3.7.3 For a non-binding trunk forecast, agreement between the two Parties on the trunk quantities and the timeframe of those trunks does not imply any liability for failure to perform if the trunks are not available for use at the required time.

#### **4. Local Dialing Parity**

4.1 BellSouth and Z-Tel shall provide local and toll dialing parity to each other with no unreasonable dialing delays. Dialing parity shall be provided for all originating telecommunications services that require dialing to route a call. BellSouth and Z-Tel shall permit similarly situated telephone exchange service end users to dial the same number of digits to make a local telephone call notwithstanding the identity of the end user's or the called party's telecommunications service provider.

#### **5 Interconnection Compensation for Traffic Other Than Local and ESP/ISP Traffic as Provided in Section 1.2.10**

##### 5.1 Billing Factors

5.1.1 Percent Local Use. Each Party will report to the other a Percentage Local Usage ("PLU"). The application of the PLU will determine the amount of local minutes to be billed to the other Party. For purposes of developing the PLU, each Party shall consider every local call and every long distance call, excluding intermediary traffic. By the first of January, April, July and October of each year, each Party shall provide a positive report updating the PLU. Requirements associated with PLU calculation and reporting shall be as set forth in BellSouth's Percent Local Use Reporting Guidebook, as it is amended from time to time. Notwithstanding the foregoing, where the terminating Party has message recording technology that identifies the jurisdiction of traffic terminated as defined in this Agreement, such information, in lieu of the PLU factor, shall at the terminating Party's option be utilized to determine the appropriate local usage compensation to be paid.

5.1.2 Percentage Interstate Usage. In the case where Z-Tel desires to terminate its local traffic over or co-mingled on its switched access Feature Group D trunks, Z-Tel will be required to provide a projected Percentage Interstate Usage ("PIU") to BellSouth. All jurisdictional report requirements, rules and regulations for Interexchange Carriers specified in BellSouth's Intrastate Access Services Tariff will apply to Z-Tel. After interstate and intrastate traffic percentages have been determined by use of PIU procedures, the PLU factor will be used for application and billing of local

interconnection. Notwithstanding the foregoing, where the terminating Party has message recording technology that identifies the jurisdiction of traffic terminated as defined in this Agreement, such information, in lieu of the PIU and PLU factor, shall at the terminating Party's option be utilized to determine the appropriate local usage compensation to be paid.

**5.1.3 Audits.** On thirty (30) days written notice, each Party must provide the other the ability and opportunity to conduct an annual audit to ensure the proper billing of traffic. BellSouth and Z-Tel shall retain records of call detail for a minimum of nine months from which a PLU and/or PIU can be ascertained. The audit shall be accomplished during normal business hours at an office designated by the Party being audited. Audit requests shall not be submitted more frequently than one (1) time per calendar year. Audits shall be performed by a mutually acceptable independent auditory paid for by the Party requesting the audit. The PLU and/or PIU shall be adjusted based upon the audit results and shall apply to the usage for the quarter the audit was completed, to the usage for the quarter prior to the completion of the audit, and to the usage for the two quarters following the completion of the audit. If, as a result of an audit, either Party is found to have overstated the PLU and/or PIU by twenty percentage points (20%) or more, that Party shall reimburse the auditing Party for the cost of the audit.

## 5.2 8XX Traffic

**5.2.1 Compensation for 8XX Traffic.** Each Party shall compensate the other pursuant to the appropriate switched access charges, including the database query charge as set forth in the BellSouth intrastate or interstate switched access tariffs.

**5.2.2 Records for 8XX Billing.** Each Party will provide to the other the appropriate records necessary for billing intraLATA 8XX customers. The records provided will be in a standard EMI format for a fee of \$0.013 per record.

**5.2.3 8XX Access Screening.** BellSouth's provision of 8XX TFD to Z-Tel requires interconnection from Z-Tel to BellSouth 8XX SCP. Such interconnections shall be established pursuant to BellSouth's Common Channel Signaling Interconnection Guidelines and Bellcore's CCS Network Interface Specification document, TR-TSV-000905. Z-Tel shall establish CCS7 interconnection at the BellSouth Local Signal Transfer Points serving the BellSouth 8XX SCPs that Z-Tel desires to query. The terms and conditions for 8XX TFD are set out in BellSouth's Intrastate Access Services Tariff as amended.

## 5.3 Mutual Provision of Switched Access Service

Switched Access Traffic. Switched Access Traffic is defined in the BellSouth Access Tariff. Therefore, any Public Switched Telephone Network interexchange telecommunications traffic, regardless of transport method or transport protocol used, where the physical location of the calling party and the physical location of the called party are in different LATAs, or are in the same LATA and the Parties' Switched Access services are used for the origination or termination of the call, shall be considered Switched Access Traffic. Z-Tel agrees to properly identify such traffic to BellSouth at the time the call is made using the calling party's ANI and the called party's DNIS.

- 5.3.1 When Z-Tel's end office switch, subtending the BellSouth Access Tandem switch for receipt or delivery of switched access traffic, provides an access service connection to or from an interexchange carrier ("IXC") by either a direct trunk group to the IXC utilizing BellSouth facilities, or via BellSouth's tandem switch, each Party will provide its own access services to the IXC on a multi-bill, multi-tariff meet-point basis. Each Party will bill its own access services rates to the IXC with the exception of the interconnection charge. The interconnection charge will be billed by the Party providing the end office function. Each party will use the Multiple Exchange Carrier Access Billing (MECAB) system to establish meet point billing for all applicable traffic. Thirty (30)-day billing periods will be employed for these arrangements. The recording Party agrees to provide to the initial billing Party, at no charge, the switched access detailed usage data within no more than sixty (60) days after the recording date. The initial billing Party will provide the switched access summary usage data to all subsequent billing Parties within 10 days of rendering the initial bill to the IXC. Each Party will notify the other when it is not feasible to meet these requirements so that the customers may be notified for any necessary revenue accrual associated with the significantly delayed recording or billing. As business requirements change data reporting requirements may be modified as necessary.
- 5.3.2 Where either Party has been notified that the other Party has a Billing Guarantee Practice, each Party so notified (the Initial Billing Party or the recording Party) will be held liable for any access revenues which it has caused to be determined unbillable under the guidelines of such Billing Guarantee Practice of the other Party. Each Party will provide complete documentation to the other to substantiate any claim of unbillable access revenues. A negotiated settlement will be agreed upon between the Parties.
- 5.3.3 Each Party will retain for a minimum period of sixty (60) days, access message detail sufficient to recreate any data which is lost or damaged by



their company or any third party involved in processing or transporting data.

- 5.3.4 Each Party agrees to recreate the lost or damaged data within forty-eight (48) hours of notification by the other or by an authorized third party handling the data.
- 5.3.5 Each Party also agrees to process the recreated data within forty-eight (48) hours of receipt at its data processing center.
- 5.3.6 All claims should be filed with the other Party within 120 days of the receipt of the date of the unbillable usage.
- 5.3.7 The Initial Billing Party shall keep records of its billing activities relating to jointly-provided Intrastate and Interstate access services in sufficient detail to permit the Subsequent Billing Party to, by formal or informal review or audit, to verify the accuracy and reasonableness of the jointly-provided access billing data provided by the Initial billing Party. Each Party agrees to cooperate in such formal or informal reviews or audits and further agrees to jointly review the findings of such reviews or audits in order to resolve any differences concerning the findings thereof.
- 5.3.8 Z-Tel agrees not to deliver switched access traffic to BellSouth for termination except over Z-Tel ordered switched access trunks and facilities.
- 5.4 Transit Traffic Service
- 5.4.1 BellSouth shall provide tandem switching and transport services for Z-Tel's transit traffic. Transit Traffic is traffic originating on Z-Tel's network that is switched and/or transported by BellSouth and delivered to a third party's network, or traffic originating on a third Party's network that is switched and/or transported by BellSouth and delivered to Z-Tel's network. Rates for local transit traffic shall be the applicable call transport and termination charges as set forth in Exhibit A to this Attachment. Rates for intraLATA toll and Switched Access transit traffic shall be the applicable call transport and termination charges as set forth in BellSouth Interstate or Intrastate Switched Access tariffs. Switched Access transit traffic presumes that Z-Tel's end office is subtending the BellSouth Access Tandem for switched access traffic to and from Z-Tel's end users utilizing BellSouth facilities, either by direct trunks with the IXC, or via the BellSouth Access Tandem. Billing associated with all transit traffic shall be pursuant to Multiple Exchange Carrier Access Billing (MECAB) procedures. Wireless Type 1 traffic shall not be treated as transit traffic from a routing or billing perspective. Wireless Type 2A traffic shall not

be treated as transit traffic from a routing or billing perspective until BellSouth and the Wireless carrier have the capability to properly meet-point-bill in accordance with MECAB guidelines.

- 5.4.2 The delivery of traffic which transits the BellSouth network and is transported to another carrier's network is excluded from any BellSouth billing guarantees and will be delivered at the rates stipulated in this Agreement to a terminating carrier. BellSouth agrees to deliver this traffic to the terminating carrier; provided, however, that Z-Tel is solely responsible for negotiating and executing any appropriate contractual agreements with the terminating carrier for the receipt of this traffic through the BellSouth network. BellSouth will not be liable for any compensation to the terminating carrier or to Z-Tel. Z-Tel agrees to compensate BellSouth for any charges or costs for the delivery of transit traffic to a connecting carrier on behalf of Z-Tel. Additionally, the Parties agree that any billing to a third party or other telecommunications carrier under this section shall be pursuant to MECAB procedures.

## Basic Trunking Architecture

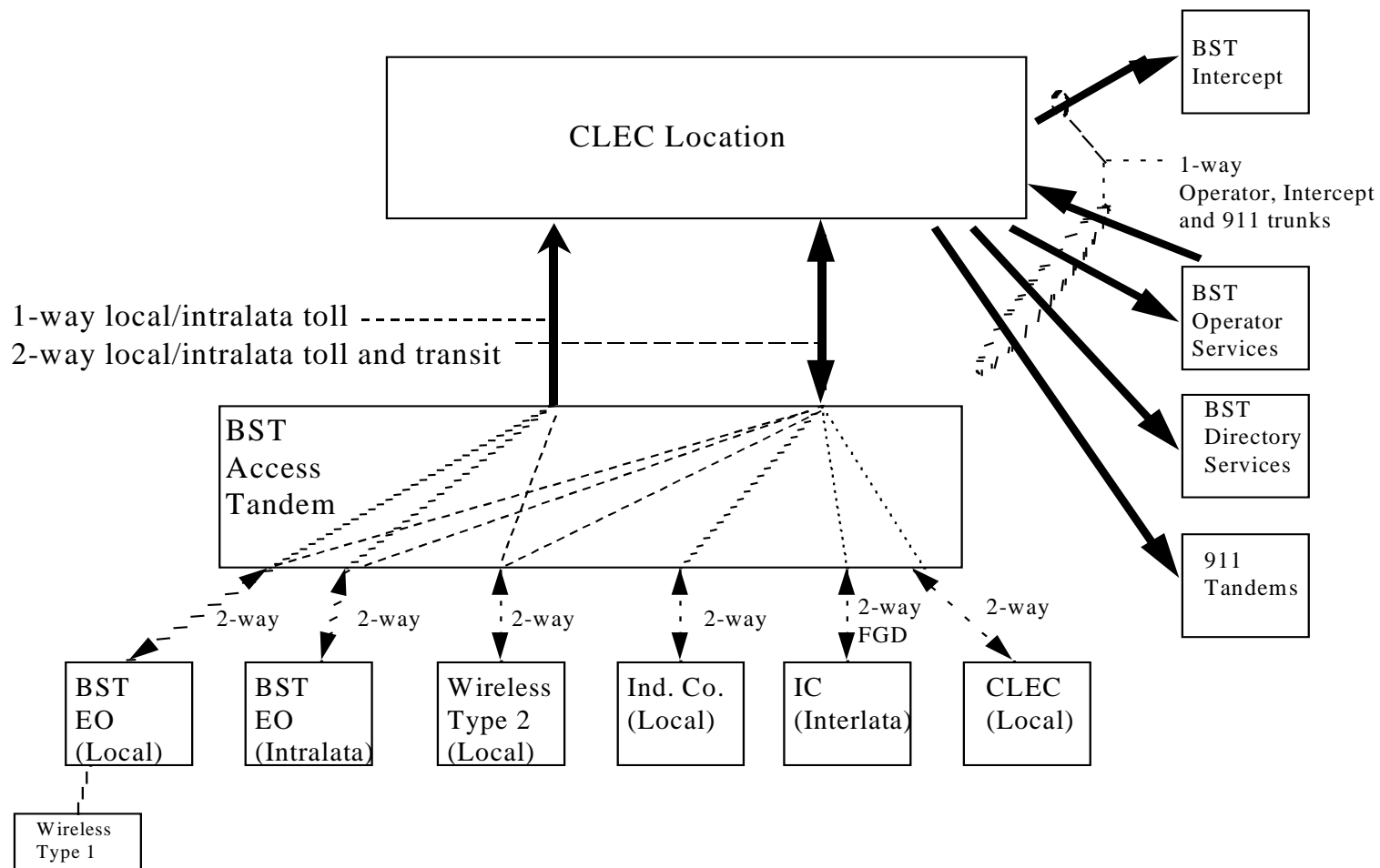


Exhibit B

# One-Way Trunking Architecture

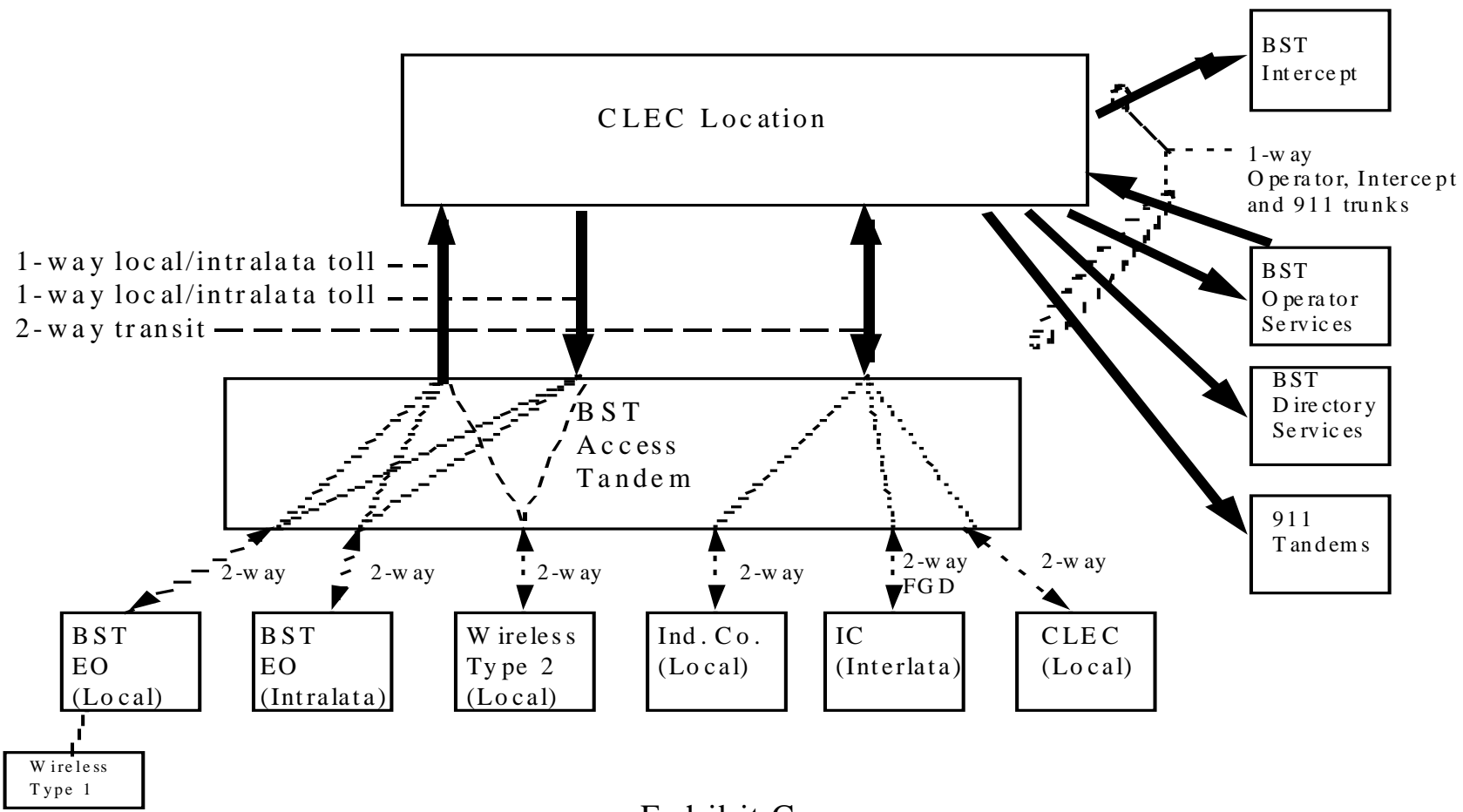


Exhibit C

## Two-Way Trunking Architecture

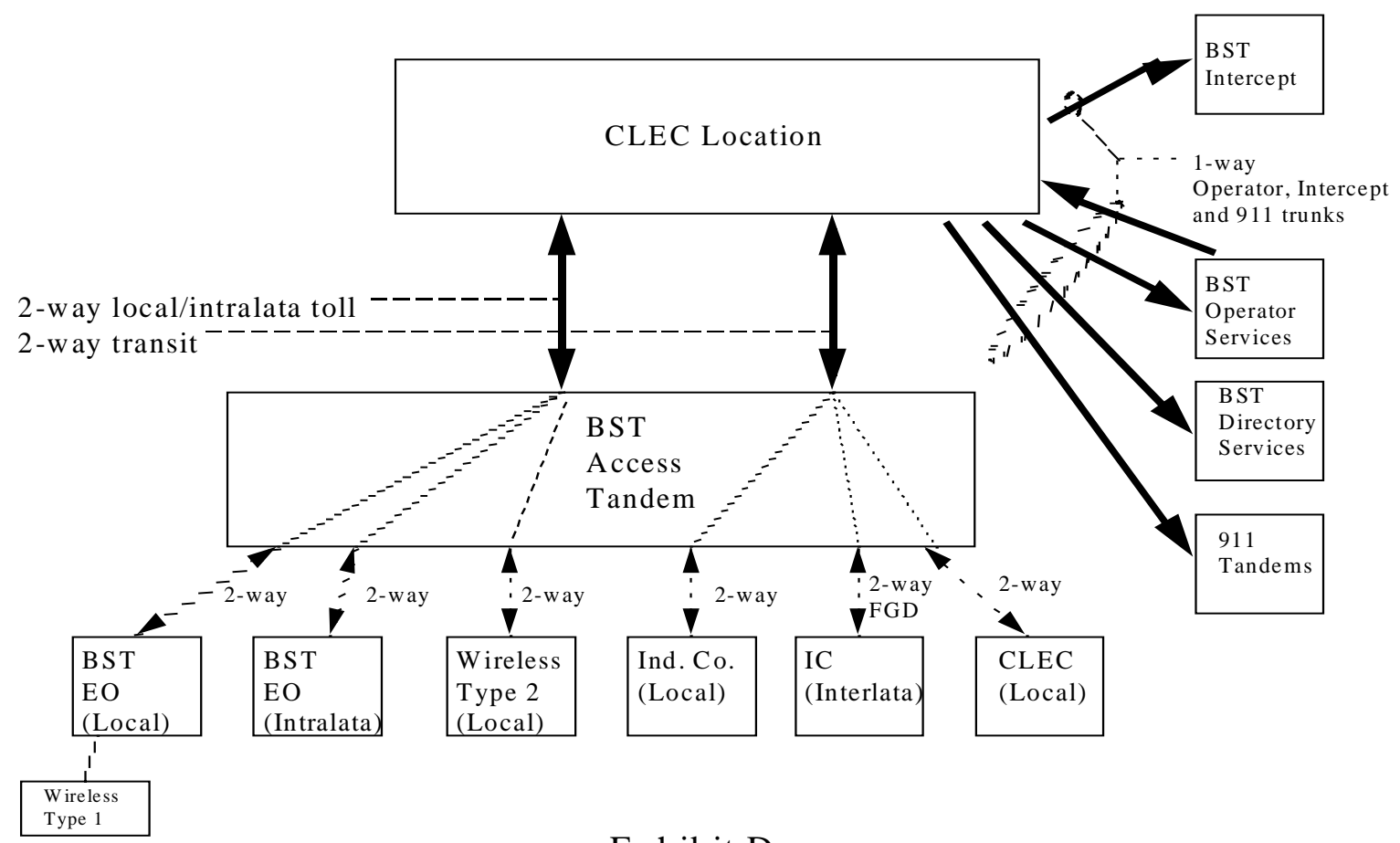


Exhibit D

# SuperGroup Trunking Architecture

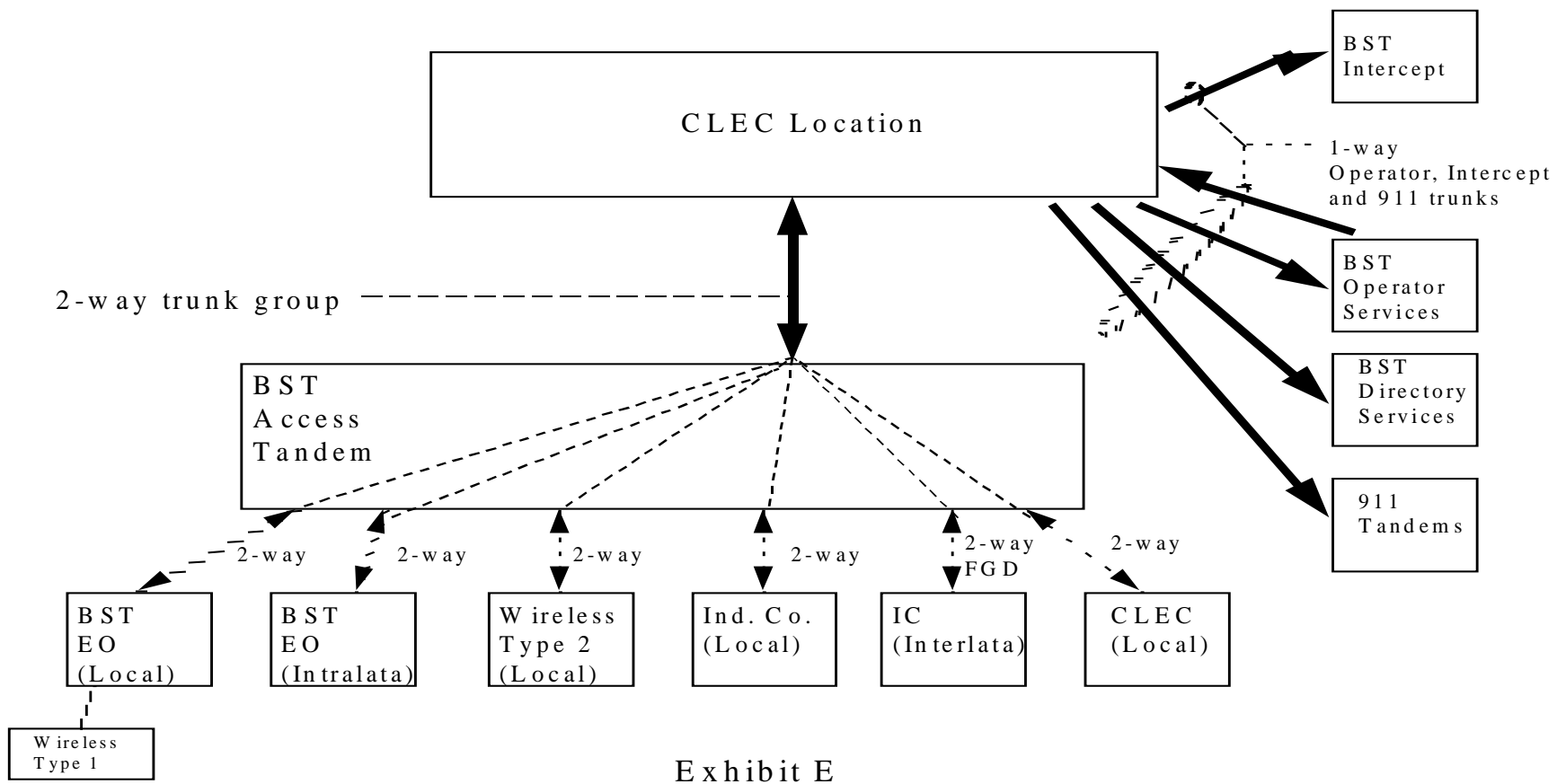


Exhibit E

BELLSOUTH/Z-TEL RATES  
LOCAL INTERCONNECTION

		RATES BY STATE									
DESCRIPTION		USOC	AL	FL	GA	KY	LA	MS	NC	SC	TN
<b>LOCAL INTERCONNECTION (CALL TRANSPORT AND TERMINATION)</b>											
	End Office Switching, per mou	N/A	\$0.0018	NA	\$0.0016333	\$0.002562	NA	\$0.0023771	\$0.0017	\$0.0019295	\$0.0019
	Direct Local Interconnection, per mou (same as End Office Switching in FL & LA)		NA	\$0.002	NA	NA	\$0.00209	NA	NA	NA	NA
	Tandem Switching, per mou	N/A	\$0.00063	\$0.00029	\$0.0006757	\$0.001096	NA	\$0.0007834	\$0.0009	\$0.0006843	\$0.000676
	Tandem Switching (assumes 5 miles of transport per mou)	N/A	NA	NA	NA	NA	\$0.00430	NA	NA	NA	NA
	Tandem Local Interconnection, per mou (includes end office switching element)		NA	\$0.00325	NA	NA	\$0.00639	NA	NA	NA	NA
	Multiple Tandem Switching, per mou (applies to initial tandem only), effective 10/99		NA	\$0.00125	NA	NA	\$0.00430	NA	NA	NA	NA
	Local Intermediary, per mou (applies to transit traffic only)		NA	\$0.00125	NA	NA	\$0.00430	NA	NA	NA	NA
	Tandem Intermediary Charge, per mou*	N/A	\$0.0015	NA	NA	\$0.001096	NA	NA	NA	NA	NA
	*(This charge is applicable only to transit traffic and is applied in addition to applicable switching and/or interconnection charges.)										
<b>TRUNK PORT CHARGE</b>											
	All terms and conditions, as well as charges, both non-recurring and recurring, associated with interconnecting trunk groups between BellSouth and Birch shall be as set forth in Section E.6 of the appropriate BellSouth intrastate access tariff. At such time as BellSouth develops a cost based rate for such interconnecting trunk groups, the Parties shall amend this agreement to include such cost based rates and shall true up such charges in accordance with this Attachment.										
			BST State Access Tariff Rates	BST State Access Tariff Rates	BST State Access Tariff Rates	BST State Access Tariff Rates	BST State Access Tariff Rates	BST State Access Tariff Rates	BST State Access Tariff Rates	BST State Access Tariff Rates	BST State Access Tariff Rates
<b>INTEROFFICE TRANSPORT</b>											
<b>Common (Shared) Transport</b>											
	Common (Shared) Transport per mile per mou	N/A	\$0.00001	\$0.000012	\$0.000008	\$0.0000049	\$0.0000083	\$0.0000091	\$0.00001	\$0.0000121	\$0.00004
	Common (Shared) Transport Facilities Termination per mou	N/A	\$0.00045	\$0.0005	\$0.0004152	\$0.000426	\$0.00047	\$0.0004281	\$0.00034	\$0.0004672	\$0.00036
<b>Interoffice Channel Transport - Dedicated - VG</b>											
	Interoffice Transport - Dedicated - 2-Wire VG - per mile	1L;5XF	\$0.03390	NA	\$0.0222	NA	\$0.0384	NA	\$0.0282	\$0.0373	\$0.0173
	Interoffice Transport - Dedicated - 2-Wire VG - facilities termination per month	1L;5XF	\$18.49	NA	\$17.07	NA	\$19.10	NA	\$18.00	\$21.42	\$18.33
	NRC - 1st	1L;5XF	\$144.27	NA	\$79.61	NA	\$104.23	NA	\$137.48	\$136.44	\$83.35
	NRC - Add'l	1L;5XF	\$54.15	NA	\$36.08	NA	\$39.91	NA	\$52.58	\$51.37	\$20.88
	NRC - Incremental Charge - Manual Service Order - 1st	SOMAC	\$40.34	NA	\$18.94	NA	\$26.20	NA	\$38.07	\$39.63	\$30.15
	NRC - Incremental Charge - Manual Service Order - Add'l	SOMAC	\$40.54	NA	\$18.94	NA	\$26.20	NA	\$38.07	\$39.63	\$31.63
<b>Interoffice Channel Transport - Dedicated - VG - Kentucky &amp; Mississippi</b>											
	Interoffice Transport - Dedicated - 2-Wire VG - per mile	1L5NF	NA	NA	NA	\$0.03	NA	\$0.0323	NA	NA	NA
	Interoffice Transport - Dedicated - 2-Wire VG - facilities termination per month	1L5NF	NA	NA	NA	\$27.66	NA	\$21.33	NA	NA	NA
	NRC - Facility Termination - 1st	1L5NF	NA	NA	NA	\$142.31	NA	\$144.77	NA	NA	NA
	NRC - Facility Termination - Add'l	1L5NF	NA	NA	NA	\$56.21	NA	\$56.06	NA	NA	NA
	NRC - Incremental Charge--Manual Svc Order - 1st	SOMAC	NA	NA	NA	\$37.21	NA	\$36.86	NA	NA	NA
	NRC - Incremental Charge--Manual Svc Order - Add'l	SOMAC	NA	NA	NA	\$37.21	NA	\$36.86	NA	NA	NA
<b>Interoffice Channel Transport - Dedicated - DS0 - 56/64 KBPS</b>											
	Interoffice Transport - Dedicated - DS0 - per mile per month	1L5XK	\$0.0339	\$0.0252	\$0.0222	NA	\$0.0384	NA	\$0.0282	\$0.0373	\$0.17
	Interoffice Transport - Dedicated - DS0 - facility termination per month	1L5XK	\$17.81	\$21.33	\$16.45	NA	\$18.37	NA	\$17.40	\$20.71	\$17.74
	NRC - 1st	1L5XK	\$144.27	\$137.15	\$79.61	NA	\$104.23	NA	\$137.48	\$136.44	\$83.35
	NRC - Add'l	1L5XK	\$54.15	\$64.45	\$36.08	NA	\$39.91	NA	\$52.58	\$51.37	\$20.88
	NRC - Incremental Charge - Manual Service Order - 1st	SOMAC	\$40.34	NA	\$18.94	NA	\$26.20	NA	\$38.07	\$39.63	\$30.15
	NRC - Incremental Charge - Manual Service Order - Add'l	SOMAC	\$40.34	NA	\$18.94	NA	\$26.20	NA	\$38.07	\$39.63	\$31.63

BELLSOUTH/Z-TEL RATES  
LOCAL INTERCONNECTION

		RATES BY STATE									
DESCRIPTION	USOC	AL	FL	GA	KY	LA	MS	NC	SC	TN	
<b>Interoffice Transport - Dedicated - DS0 - 56/64 KBPS - Kentucky &amp; Mississippi</b>											
DS0 - per mile	1L5NK	NA	NA	NA	\$0.03	NA	\$0.0323	NA	NA	NA	
DS0 - Facility Termination	1L5NK	NA	NA	NA	\$26.95	NA	\$20.64	NA	NA	NA	
NRC - Facility Termination - 1st	1L5NK	NA	NA	NA	\$142.31	NA	\$144.77	NA	NA	NA	
NRC - Facility Termination - Add'l	1L5NK	NA	NA	NA	\$56.21	NA	\$56.06	NA	NA	NA	
NRC - Incremental Charge--Manual Svc Order - 1st	SOMAC	NA	NA	NA	\$37.21	NA	\$36.86	NA	NA	NA	
NRC - Incremental Charge--Manual Svc Order - Add'l	SOMAC	NA	NA	NA	\$37.21	NA	\$36.86	NA	NA	NA	
<b>Interoffice Channel Transport - Dedicated - DS1</b>											
Interoffice Transport - Dedicated - DS1 - per mile per month	1L5XL	\$0.69	\$0.6013	\$0.4523	NA	\$0.7831	NA	\$0.5753	\$0.7598	\$0.3525	
Interoffice Transport - Dedicated - DS1 - facility termination per month	1L5XL	\$79.69	\$99.79	\$78.47	NA	\$93.40	NA	\$71.29	\$94.98	\$75.83	
NRC - 1st	1L5XL	\$223.59	\$45.91	\$147.07	NA	\$160.49	NA	\$217.17	\$216.27	\$166.53	
NRC - Add'l	1L5XL	\$168.60	\$44.18	\$111.75	NA	\$123.03	NA	\$163.75	\$162.70	\$124.84	
NRC - Incremental Charge - Manual Service Order - 1st	SOMAC	\$40.34	NA	\$18.94	NA	\$26.20	NA	\$38.07	\$39.63	\$30.15	
NRC - Incremental Charge - Manual Service Order - Add'l	SOMAC	\$40.34	NA	\$18.94	NA	\$26.20	NA	\$38.07	\$39.63	\$31.63	
<b>Interoffice Channel Transport - Dedicated - DS1 - Kentucky &amp; Mississippi</b>											
Interoffice Transport - Dedicated - DS1 - per mile per month	1L5NL	NA	NA	NA	\$0.45	NA	\$0.6598	NA	NA	NA	
Interoffice Transport - Dedicated - DS1 - facilities termination per month	1L5NL	NA	NA	NA	\$55.05	NA	\$74.40	NA	NA	NA	
NRC - Facility Termination - 1st	1L5NL	NA	NA	NA	\$298.18	NA	\$222.81	NA	NA	NA	
NRC - Facility Termination - Add'l	1L5NL	NA	NA	NA	\$231.23	NA	\$168.92	NA	NA	NA	
NRC - Incremental Charge--Manual Svc Order - 1st	SOMAC	NA	NA	NA	NA	NA	\$36.83	NA	NA	NA	
NRC - Incremental Charge--Manual Svc Order - Add'l	SOMAC	NA	NA	NA	NA	NA	\$36.86	NA	NA	NA	
<b>Interoffice Channel Transport - Dedicated - DS3</b>											
Interoffice Transport - Dedicated - DS3 - per mile per month	1L5XM	\$12.56	\$10.22	\$6.53	NA	\$14.04	NA	\$12.98	\$19.08	\$5.89	
Interoffice Transport - Dedicated - DS3 - facility termination per month	1L5XM	\$771.60	\$984.55	\$725.53	NA	\$1,101.00	NA	\$720.38	\$960.82	\$760.20	
NRC - 1st	1L5XM	\$961.93	\$772.93	\$778.80	NA	\$713.57	NA	\$794.94	\$941.07	\$729.27	
NRC - Add'l	1L5XM	\$532.45	\$435.92	\$439.62	NA	\$404.36	NA	\$579.55	\$503.72	\$411.98	
NRC - Incremental Charge - Manual Service Order - 1st	SOMAC	\$100.19	NA	\$77.41	NA	\$71.19	NA	\$91.26	\$92.52	\$75.98	
NRC - Incremental Charge - Manual Service Order - Add'l	SOMAC	\$100.19	NA	\$77.41	NA	\$71.19	NA	\$91.26	\$92.52	\$75.98	
<b>Interoffice Channel Transport - Dedicated - DS3 - Kentucky &amp; Mississippi</b>											
Interoffice Channel Transport - Dedicated - DS3 - per mile											
Interoffice Transport - Dedicated - DS3 - facility termination per month	1L5NM	NA	NA	NA	\$12.62	NA	\$15.02	NA	NA	NA	
NRC - DS3 - Facility Termination - 1st	1L5NM	NA	NA	NA	\$1,204.00	NA	\$744.38	NA	NA	NA	
NRC - DS3 - Facility Termination - Add'l	1L5NM	NA	NA	NA	\$946.23	NA	\$812.30	NA	NA	NA	
NRC - Incremental Charge--Manual Svc Order - 1st	SOMAC	NA	NA	NA	\$516.89	NA	\$596.55	NA	NA	NA	
NRC - Incremental Charge--Manual Svc Order - Add'l	SOMAC	NA	NA	NA	\$93.12	NA	\$64.97	NA	NA	NA	
<b>Local Channel - Dedicated</b>											
<b>Local Channel - Dedicated - 2-Wire VG</b>											
Monthly Recurring	TEFV2	\$14.61	\$18.02	\$13.91	\$22.26	\$14.94	\$17.83	\$14.82	\$16.83	\$19.02	
NRC - 1st	TEFV2	\$572.46	\$477.33	\$382.95	\$597.14	\$401.17	\$565.31	\$553.80	\$554.00	\$254.14	
NRC - Add'l	TEFV2	\$92.07	\$124.32	\$62.40	\$110.52	\$66.35	\$93.30	\$86.69	\$88.58	\$28.96	
NRC - Incremental Charge - Manual Service Order - 1st	SOMAC	\$45.12	NA	\$18.94	\$41.46	\$29.54	\$41.57	\$42.17	\$43.75	\$33.65	
NRC - Incremental Charge - Manual Service Order - Add'l	SOMAC	\$18.73	NA	\$8.42	NA	\$19.46	\$27.39	\$12.76	\$13.55	\$23.84	
<b>Local Channel - Dedicated - 4-Wire VG</b>											
Monthly Recurring	TEFV4	\$15.77	\$19.01	\$14.99	\$23.38	\$16.21	\$19.03	\$15.87	\$18.05	\$20.14	
NRC - 1st	TEFV4	\$581.14	\$477.33	\$368.44	\$585.15	\$407.11	\$573.83	\$562.23	\$562.46	\$257.05	
NRC - Add'l	TEFV4	\$95.21	\$124.32	\$64.05	\$98.53	\$68.61	\$96.40	\$92.67	\$91.57	\$30.34	



BELLSOUTH/Z-TEL RATES  
LOCAL INTERCONNECTION

		RATES BY STATE									
DESCRIPTION	USOC	AL	FL	GA	KY	LA	MS	NC	SC	TN	
NRC - Incremental Charge - Manual Service Order - 1st	SOMAC	\$45.12	NA	\$18.94	\$98.53	\$29.54	\$41.57	\$42.17	\$43.64	\$33.65	
NRC - Incremental Charge - Manual Service Order - Add'l	SOMAC	\$18.73	NA	\$8.42	\$11.99	\$19.46	\$27.39	\$12.76	\$13.55	\$23.84	
<b>Local Channel - Dedicated - DS1</b>											
Monthly Recurring	TEFHG	\$35.52	\$44.35	\$38.36	\$43.80	\$43.80	\$38.91	\$35.68	\$37.20	\$40.27	
NRC - 1st	TEFHG	\$549.85	\$246.50	\$356.15	\$538.95	\$396.86	\$588.53	\$534.48	\$534.81	\$343.71	
NRC - Add'l	TEFHG	\$475.02	\$230.49	\$312.89	\$464.94	\$342.92	\$501.32	\$462.69	\$462.81	\$277.86	
NRC - Incremental Charge - Manual Service Order - 1st	SOMAC	\$91.22	NA	\$44.22	\$87.71	\$61.82	\$81.30	\$86.15	\$87.99	\$23.51	
NRC - Incremental Charge - Manual Service Order - Add'l	SOMAC	NA	NA	NA	NA	NA	NA	\$1.77	\$3.11	\$21.75	
<b>Local Channel - Dedicated - DS3</b>											
Monthly Recurring	TEFHJ	\$559.98	\$630.65	\$558.51	\$697.89	\$696.07	\$533.33	\$498.87	\$602.18	\$633.15	
NRC - 1st	TEFHJ	\$1,106.14	\$879.42	\$882.03	\$1,091.00	\$811.30	\$569.08	\$562.25	\$1,091.00	\$829.52	
NRC - Add'l	TEFHJ	\$676.66	\$542.41	\$545.85	\$661.23	\$502.09	\$534.58	\$527.88	\$654.13	\$512.23	
NRC - Incremental Charge - Manual Service Order - 1st	SOMAC	\$100.19	NA	\$77.41	\$93.12	\$71.19	\$56.84	\$56.25	\$92.52	\$75.98	
NRC - Incremental Charge - Manual Service Order - Add'l	SOMAC	\$100.19	NA	\$77.41	\$93.12	\$71.19	\$56.84	\$56.25	\$92.52	\$53.03	
<b>CHANNELIZATION</b>											
DS3 Channelization (DS3 to DS1)											
per Channelized System per month	SATCS	\$210.87	\$213.22	\$173.51	\$236.32	\$245.84	\$229.30	\$226.81	\$204.07	\$225.59	
NRC - 1st	SATCS	\$355.25	\$280.12	\$284.43	\$425.41	\$259.76	\$356.80	\$351.95	\$423.77	\$265.08	
NRC - Add'l	SATCS	\$245.86	\$196.07	\$199.98	\$303.33	\$182.64	\$247.40	\$243.76	\$295.21	\$185.94	
NRC -1sr - Disconnect	SATCS	\$78.43	\$64.06	\$66.76	NA	\$60.96	\$79.94	\$77.90	NA	\$61.09	
NRC -Add'l - Disconnect	SATCS	\$63.70	\$52.60	\$55.25	NA	\$50.46	\$65.20	\$63.32	NA	\$50.31	
NRC - Channel System - Incremental Cost - Manual Svc. Order -1st	SOMAC	\$28.44	NA	\$21.61	\$41.47	\$19.74	\$26.95	\$28.13	\$43.41	\$21.71	
NRC - Channel System - Incremental Cost - Manual Svc. Order - Add'l	SOMAC	\$13.47	NA	\$9.61	NA	\$8.77	\$11.98	\$13.33	\$15.36	\$10.46	
NRC - Channel System - Incremental Cost - Manual Svc. Order - Disconnect - 1st	SOMAC	\$18.46	NA	\$13.61	NA	\$12.43	\$16.97	\$18.26	NA	\$14.21	
NRC - Channel System - Incremental Cost - Manual Svc. Order - Disconnect - Add'l	SOMAC	\$1.50	NA	NA	NA	NA	NA	\$1.48	NA	\$1.46	
per Interface per month	SATCO	\$4.53	\$6.31	\$7.13	\$8.52	\$7.55	\$5.58	\$4.61	\$9.69	\$3.91	
NRC - 1st	SATCO	\$15.85	\$13.39	\$13.45	\$15.86	\$12.29	\$15.85	\$15.76	\$15.54	\$12.61	
NRC - Add'l	SATCO	\$11.35	\$9.59	\$9.63	\$11.36	\$8.80	\$11.35	\$11.28	\$11.13	\$9.03	
DS1 Channelization (DS1 to DS0)											
per Channelized System per month	SATC1	\$139.58	\$163.88	\$137.97	\$200.01	\$209.87	\$146.87	\$177.72	\$179.81	\$165.21	
NRC - 1st	SATC1	\$269.98	\$208.64	\$212.01	\$302.82	\$193.63	\$271.52	\$267.19	\$304.00	\$197.21	
NRC - Add'l	SATC1	\$163.04	\$126.61	\$129.60	\$184.20	\$118.37	\$164.56	\$161.43	\$178.92	\$119.99	
NRC -1sr - Disconnect	SATC1	\$34.88	\$26.42	\$28.95	NA	\$26.44	\$36.38	\$34.55	NA	\$25.66	
NRC -Add'l - Disconnect	SATC1	\$21.32	\$15.95	\$18.43	NA	\$16.83	\$22.82	\$21.14	NA	\$15.81	
NRC - Channel System - Incremental Cost - Manual Svc. Order -1st	SOMAC	\$28.44	NA	\$21.61	\$41.47	\$19.74	\$26.95	\$28.13	\$43.41	\$21.71	
NRC - Channel System - Incremental Cost - Manual Svc. Order -Add'l	SOMAC	\$13.47	NA	\$9.61	\$11.99	\$8.77	\$11.98	\$13.33	\$15.36	\$10.46	
NRC - Channel System - Incremental Cost - Manual Svc. Order - Disconnect -1st	SOMAC	\$18.46	NA	\$13.61	NA	\$12.43	\$16.97	\$18.26	NA	\$14.21	
NRC - Channel System - Incremental Cost - Manual Svc. Order - Disconnect -Add'l	SOMAC	\$1.50	NA	NA	NA	NA	NA	\$1.48	NA	\$1.46	
DS1 Channization Interfaces											
per OCU-DP(data) card per month(2.4-64kbps)	SATSA	\$2.61	\$3.13	\$2.65	\$2.94	\$3.12	\$2.86	\$2.88	\$3.36	\$2.46	
NRC - 1st	SATSA	\$15.85	\$13.39	\$13.45	\$15.86	\$12.29	\$15.85	\$15.76	\$15.54	\$12.61	
NRC - Add'l	SATSA	\$11.35	\$9.59	\$9.63	\$11.36	\$8.80	\$11.35	\$11.28	\$11.13	\$9.03	
per VG card per month	SATSA	\$1.26	\$1.78	\$1.48	\$1.40	\$1.62	\$1.45	\$1.64	\$1.93	\$1.25	
NRC - 1st	SATSA	\$15.85	\$13.39	\$13.45	\$15.86	\$12.29	\$15.85	\$15.76	\$15.54	\$12.61	
NRC - Add'l	SATSA	\$11.35	\$9.59	\$9.63	\$11.36	\$8.80	\$11.35	\$11.28	\$11.13	\$9.03	
<b>Local Interconnection Mid-Span Meet</b>											
<b>Local Channel - Dedicated - DS1</b>											

BELLSOUTH/Z-TEL RATES  
LOCAL INTERCONNECTION

		RATES BY STATE									
DESCRIPTION	USOC	AL	FL	GA	KY	LA	MS	NC	SC	TN	
DS1 Monthly Recurring per month	TEFHG	\$17.76	\$22.18	\$19.18	\$21.90	\$21.90	\$19.46	\$17.85	\$18.60	\$20.14	
NRC - DS1 - 1st	TEFHG	\$251.79	\$123.25	\$178.08	\$269.48	\$174.28	\$247.42	\$268.83	\$267.41	\$138.68	
NRC - DS1 - Add'l	TEFHG	\$221.42	\$115.25	\$156.45	\$232.47	\$150.15	\$217.64	\$232.73	\$231.41	\$116.63	
NRC - DS1 - Disconnect Chg - 1st	TEFHG	\$23.14	NA	NA	NA	\$12.08	\$23.43	NA	NA	\$16.59	
NRC - DS1 - Disconnect Chg - Add'l	TEFHG	\$16.09	NA	NA	NA	\$10.66	\$16.51	NA	NA	\$11.15	
NRC - DS1 - Incremental Charge--Manual Svc Order - 1st	SOMAC	\$61.95	NA	\$44.22	\$87.71	\$42.34	\$59.58	\$623.92	\$87.99	\$45.68	
NRC - DS1 - Incremental Charge--Manual Svc Order - Add'l	SOMAC	\$0.00	NA	NA	NA	NA	NA	\$467.22	\$3.11	\$1.76	
NRC - DS1 - Incremental Charge--Manual Svc Order-Disconnect	SOMAC	\$29.27	NA	NA	NA	\$19.48	\$27.51	NA	NA	\$21.75	
<b>NOTES:</b>											
If no rate is identified in the contract, the rate for the specific service or function will be as set forth in applicable BellSouth tariff or as negotiated by the parties upon request by either party.											

**Attachment 4**  
**Physical Collocation**

## **BELLSOUTH PHYSICAL COLLOCATION**

### **1. Scope of Attachment**

1.1 Scope of Attachment. The rates, terms, and conditions contained within this Attachment shall only apply when Z-Tel is occupying the Collocation Space as a sole occupant or as a Host within a Premises location pursuant to Section 4.

#### 1.1.1 Definitions:

1.1.1.1 BellSouth Certified Supplier: Any supplier that successfully completes BellSouth's engineering and installation certification process as outlined in BellSouth IP-73167. Once a supplier is designated as a certified engineering and installation supplier and continues to perform at the standards specified in the IP, no further approval is required. Subsequent changes in the qualification requirements may be added by mutual agreement of the Parties and with reasonable notice. Z-Tel, as a qualified Collocator may elect to proceed through BellSouth's certification process for collocation installations at no cost as of the date this agreement is signed and notification to BellSouth's Quality Assurance group.

1.1.1.2 "Eligible Structure" or BellSouth "Premises": Eligible Structure and BellSouth "Premises", as used in this attachment, refers to BellSouth's central offices and serving wire centers. Section 1.2 addresses other BellSouth locations.

1.1.1.3 Legitimately Exhausted: Denotes when all unused space available for physical collocation is exhausted or completely occupied in an Eligible Structure. BellSouth has regularly scheduled intervals for the removal of obsolete unused equipment; however, Z-Tel may request BellSouth to expedite the removal of obsolete unused equipment to increase the amount of space available for collocation. Such removal of the equipment shall be considered an extraordinary condition and shall be subject to provisioning intervals which govern such conditions. In making this determination, BellSouth may reserve space for its equipment for a growth period of two years, or other period if determined by the state commission. BellSouth may not reserve space for future use on terms more favorable than those that apply to other telecommunication carriers seeking to reserve collocation space for their own future use.

All the negotiated rates, terms and conditions set forth in this Attachment pertain to collocation and the provisioning of Collocation Space.

1.2 Right to occupy. BellSouth shall offer to Z-Tel collocation on rates, terms, and conditions that are just, reasonable, non-discriminatory and consistent with the rules of the Federal Communications Commission ("FCC"). Subject to Section 4 of this Attachment, BellSouth hereby grants to Z-Tel a right to occupy that certain area designated by BellSouth within a BellSouth Eligible Structure, of a size which is

- specified by Z-Tel and agreed to by BellSouth (hereinafter “Collocation Space”). Upon request from either Party, rates, terms and conditions applicable to locations other than central offices and serving wire centers shall be negotiated. Prior to denying a collocation Application, due to space exhaust, BellSouth shall consider any unused space within the BellSouth Premises. The size specified by Z-Tel may contemplate a request for space sufficient to accommodate Z-Tel’s growth within a two year period.
- 1.1.1 Space Reclamation. In the event of space exhaust within a Central Office Premises, BellSouth may include in its documentation for the Petition for Waiver filing any unused space in the Central Office Premises. Z-Tel will be responsible for any justification of unused space within its space, only if such justification is required by the appropriate state commission.
- 1.2 Use of Space. Z-Tel shall use the Collocation Space only for the purposes of installing, maintaining and operating Z-Tel’s equipment (to include testing and monitoring equipment) used or useful to interconnect with BellSouth services and facilities, including access to unbundled network elements, for the provision of telecommunications services. Pursuant to Section 5 following, Z-Tel may at its option, place Z-Tel-owned fiber entrance facilities to the Collocation Space. In addition to, and not in lieu of, interconnection to BellSouth services and facilities, Z-Tel may connect to other interconnectors within the designated BellSouth Premises (including to its other virtual or physical collocated arrangements) through co-carrier cross connect facilities designated by Z-Tel pursuant to section 5.6 following.
- 1.3 Rates and charges. Z-Tel agrees to pay the rates and charges identified in Exhibit A attached hereto.

## **2 Space Notification**

- 2.1 Availability of Space. Upon submission of an application pursuant to Section 6, BellSouth will permit Z-Tel to physically collocate, pursuant to the terms of this Attachment, at any BellSouth Premises, as long as there is space available and physical collocation is technically feasible. BellSouth will respond to an application within ten (10) business days as to whether space is available or not available within a BellSouth Premises. If the amount of space requested is not available, BellSouth will notify Z-Tel of the amount of space that is available.
- 2.1 Reporting. Upon request from Z-Tel, BellSouth will provide a written report (“Space Availability Report”) specifying the amount of Collocation Space available at the Premises requested, the number of collocators present at the Premises, any modifications in the use of the space since the last report on the Premises requested and the measures BellSouth is taking to make additional space available for collocation arrangements.

- 2.1.1 The request from Z-Tel for a Space Availability Report must be written and must include the Premises and Common Language Location Identification (“CLLI”) code of the Premises. Such information regarding Premises and CLLI code is located in the National Exchange Carriers Association (NECA) Tariff FCC No. 4.
- 2.1.2 BellSouth will provide a Space Availability Report in response to a request for a particular Premises within ten (10) business days of receipt of such request. BellSouth will make best efforts to respond in ten (10) business days to such a request when the request includes from two (2) to five (5) Premises within the same state. The response time for requests of more than five (5) Premises shall be negotiated between the Parties.
- 2.2 Denial of Application. After notifying Z-Tel that BellSouth has no available space in the requested Premises (“Denial of Application”), BellSouth will allow Z-Tel, upon request, to tour the Premises within ten (10) business days of such Denial of Application. In order to schedule said tour within ten (10) business days, the request for a tour of the Premises must be received by BellSouth within five (5) business days of the Denial of Application.
- 2.3 Filing of Petition for Waiver. Upon Denial of Application BellSouth will timely file a petition with the Commission pursuant to 47 U.S.C. § 251(c)(6).
- 2.4 Waiting List. On a first-come, first-served basis governed by the date of receipt of an application or Letter of Intent, BellSouth will maintain a waiting list of requesting carriers who have either received a Denial of Application or, where it is publicly known that the Premises is out of space, have submitted a Letter of Intent to collocate. BellSouth will notify the telecommunications carriers on the waiting list whose request can be accommodated in whole or in part when space becomes available according to how much space becomes available and the position of telecommunications carrier on said waiting list. Z-Tel must submit an updated, complete, and correct application to BellSouth within 30 business days or notify BellSouth in writing that Z-Tel wants to maintain its place on the waiting list either without accepting such space or accepting an amount of space less than its original request. If Z-Tel does not submit such an application or notify BellSouth in writing as described above, BellSouth will offer such space to the next CLEC on the waiting list and remove Z-Tel from the waiting list. Upon request, BellSouth will advise Z-Tel as to its position on the list within 5 days of the request.
- 2.5 Public Notification. BellSouth will maintain on its Interconnection Services website a notification document that will indicate all Central Offices that are without available space. BellSouth shall update such document within ten (10) business days of the date the premises runs out of physical collocation space. BellSouth will also post a document on its Interconnection Services website that contains a general notice where space has become available in a Central Office previously on the space exhaust list. BellSouth shall allocate said available space pursuant to the waiting list referenced in Section 2.5.

- 2.6 State Agency Procedures. Notwithstanding the foregoing, should any state regulatory agency impose procedures or intervals different than procedures or intervals set forth in this section, whether now in effect or that become effective after execution of this Agreement, those procedures or intervals shall supersede the requirements set forth herein for all application submitted for the first time after the effective date thereof.

### 3 Collocation Options

- 3.1 Cageless. In accordance and compliance with local building code, BellSouth shall allow Z-Tel to collocate Z-Tel's equipment and facilities without requiring the construction of a cage or similar structure. BellSouth shall allow Z-Tel to have direct access to its equipment and facilities but may require Z-Tel to use a central entrance to the BellSouth Premises. BellSouth shall make cageless collocation available in single bay increments pursuant to Section 7. Except where Z-Tel's equipment requires special technical considerations (e.g., special cable racking, isolated ground plane), BellSouth shall assign cageless Collocation Space in conventional equipment rack lineups where technically feasible. For equipment requiring special technical considerations, Z-Tel must provide the equipment layout, including spatial dimensions for such equipment pursuant to generic requirements contained in BellCore (Telcordia) GR-63-Core and shall be responsible for constructing all special technical requirements associated with such equipment pursuant to Section 6.5 following.
- 3.2 Cages and Adjacent Arrangement Enclosures. At Z-Tel's option and upon request, BellSouth shall construct enclosures in compliance with Z-Tel's collocation request and in accordance and compliance with local building code. At Z-Tel's request, BellSouth shall permit Z-Tel to subcontract the construction of physical collocation arrangements with a contractor certified by BellSouth ("BellSouth Certified Contractor"), provided however, that BellSouth shall not unreasonably withhold approval of contractors.
- 3.2.1 When Z-Tel subcontracts the construction, Z-Tel must arrange with a BellSouth Certified Contractor to construct a collocation arrangement enclosure in accordance with BellSouth's guidelines and specifications and at Z-Tel's sole expense. Upon request, BellSouth will provide Z-Tel Telecom guidelines and specifications that are reasonable in nature, and make available a list of currently approved vendors. BellSouth shall provide Z-Tel with reasonable notice prior to changing the guidelines, via the Interconnection Services website. Where local building codes require enclosure specifications more stringent than BellSouth's standard enclosure specification, Z-Tel and Z-Tel's BellSouth Certified Contractor must comply with local building code requirements. Z-Tel's BellSouth Certified Contractor shall be responsible for filing and receiving any and all necessary permits and/or licenses for such construction. BellSouth shall cooperate with Z-Tel and provide, at Z-Tel's expense, the documentation, including architectural drawings, necessary for Z-Tel to obtain the zoning, permits and/or other licenses. BellSouth shall pass on to Z-Tel the

- costs of providing the documentation. The BellSouth Certified Contractor shall bill Z-Tel directly for all work performed for Z-Tel pursuant to this Attachment and BellSouth shall have no liability for nor responsibility to pay such charges imposed by the BellSouth Certified Contractor. Z-Tel must provide the local BellSouth building contact with two Access Keys used to enter the locked enclosure. Except in case of emergency, BellSouth will not access Z-Tel's locked enclosure prior to notifying Z-Tel. If BellSouth enters Z-Tel's locked enclosure in an emergency situation, BellSouth will notify Z-Tel of such entry as soon as reasonably possible after the emergency has been cleared.
- 3.2.2 BellSouth has the right to review Z-Tel's plans and specifications prior to allowing construction to start. Such plans and specifications shall be submitted with or before the submission of the Bona Fide Firm Order by Z-Tel. BellSouth will complete its review of such plans and specifications within 15 calendar days after receipt of the Bona Fide Firm Order if the right to review is exercised. BellSouth has the right to inspect the enclosure after construction to make sure it is designed and constructed according to BellSouth's guidelines and specifications and to require Z-Tel to remove or correct at Z-Tel's cost any structure that does not meet these standards.
- 3.3 Shared (Subleased) Caged Collocation. Z-Tel may allow other telecommunications carriers to share Z-Tel's caged collocation arrangement pursuant to terms and conditions agreed to by Z-Tel ("Host") and other telecommunications carriers ("Guests") and pursuant to this section in accordance and compliance with local building code, except where the BellSouth Premises is located within a leased space and BellSouth is prohibited by said lease from offering such an option. Z-Tel shall notify BellSouth in writing upon execution of any agreement between the Host and its Guest within ten (10) business days of its execution and prior to any Firm Order for the Guest. Further, such notice shall include the name of the Guest(s) and the term of the agreement, and shall contain a certification by Z-Tel that said agreement imposes upon the Guest(s) the same terms and conditions for Collocation Space as set forth in this Attachment between BellSouth and Z-Tel.
- 3.3.1 Z-Tel shall be the sole interface and responsible Party to BellSouth for the purpose of submitting applications for initial and additional equipment placements of Guest; for assessment of rates and charges contained within this Attachment; and for the purposes of ensuring that the safety and security requirements of this Attachment are fully complied with by the Guest, its employees and agents. In the event the Host and Guest jointly submit an initial Application, only one Application Fee will be assessed. A separate initial Guest application shall require the assessment of a Subsequent Application Fee, as set forth in Exhibit A, if this application is not the initial application made for the arrangement. Notwithstanding the foregoing, Guest may arrange directly with BellSouth for the provision of the interconnecting facilities between BellSouth and Guest and for the provision of the services and access to unbundled network elements.



- 3.3.2 Z-Tel shall indemnify and hold harmless BellSouth from any and all claims, actions, causes of action, of whatever kind or nature arising out of the presence of Z-Tel's Guests in the Collocation Space except to the extent caused by BellSouth's negligence, gross negligence, or willful misconduct.
- 3.4 Adjacent Collocation. BellSouth will provide adjacent collocation arrangements ("Adjacent Arrangement") where space within the Premises is legitimately exhausted, subject to technical feasibility, where the Adjacent Arrangement does not interfere with access to existing or documented planned structures or facilities on the Premises property and where permitted by zoning and other applicable state and local regulations. The Adjacent Arrangement shall be constructed or procured by Z-Tel and in conformance with BellSouth's design and construction specifications. Further, Z-Tel shall construct, procure, maintain and operate said Adjacent Arrangement(s) pursuant to all of the terms and conditions set forth in this Attachment. Rates shall be negotiated at the time of the request for the Adjacent Arrangement.
- 3.4.1 Should Z-Tel elect such option, Z-Tel must arrange with a BellSouth Certified Contractor to construct an Adjacent Arrangement structure in accordance with BellSouth's guidelines and specifications. Upon request, BellSouth will provide Z-Tel Telecom guidelines and specifications that are reasonable in nature, and make available a list of currently approved vendors. Where local building codes require enclosure specifications more stringent than BellSouth's standard specification, Z-Tel and Z-Tel's BellSouth Certified Contractor must comply with local building code requirements. Z-Tel's BellSouth Certified Contractor shall be responsible for filing and receiving any and all necessary zoning, permits and/or licenses for such construction. Z-Tel's BellSouth Certified Contractor shall bill Z-Tel directly for all work performed for Z-Tel pursuant to this Attachment and BellSouth shall have no liability for nor responsibility to pay such charges imposed by the BellSouth Certified Contractor. Z-Tel must provide the local BellSouth building contact with two cards, keys or other access device used to enter the locked enclosure. Except in cases of emergency, BellSouth shall not access Z-Tel's locked enclosure prior to notifying Z-Tel. If BellSouth enters Z-Tel's locked enclosure in an emergency situation, BellSouth will notify Z-Tel of such entry as soon as reasonably possible after the emergency has been cleared.
- 3.4.2 BellSouth maintains the right to review Z-Tel's plans and specifications prior to construction of an Adjacent Arrangement(s) which shall be submitted with or before the submission of the Bona Fide Firm Order by Z-Tel. BellSouth will complete its review of such guidelines and specifications within 15 calendar days after receipt of the Bona Fide Firm Order if the right to review is exercised. BellSouth may inspect the Adjacent Arrangement(s) following construction and prior to the Commencement Date, as defined in Section 4.1 following, to ensure the design and construction comply with reasonable safety and maintenance requirements and specifications. BellSouth may require Z-Tel, at Z-Tel's sole cost, to correct any deviations from reasonable safety and maintenance guidelines and specifications found during such inspection(s), up to and including removal of the Adjacent Arrangement, within five

(5) business days of BellSouth's inspection, unless the Parties mutually agree to an alternative time frame.

- 3.4.3 Z-Tel shall provide a concrete pad, the structure housing the arrangement, heating/ventilation/air conditioning ("HVAC"), lighting, and all facilities that connect the structure (i.e. racking, conduits, etc.) to the BellSouth point of interconnection. At Z-Tel's option, and where the local authority having jurisdiction permits, BellSouth shall provide an AC power source and access to physical collocation services and facilities subject to the same nondiscriminatory requirements as applicable to any other physical collocation arrangement. Z-Tel's BellSouth Certified Contractor shall be responsible for filing and receiving any and all necessary zoning, permits and/or licenses for such arrangement.
- 3.4.4 BellSouth shall allow Shared (Subleased) Caged Collocation within an Adjacent Arrangement pursuant to the terms and conditions set forth in Section 3.3 preceding.

#### **4. Occupancy**

- 4.1 Commencement Date. The "Commencement Date" shall be the day Z-Tel's equipment becomes operational as described in Article 4.2, following.
- 4.1 Occupancy. BellSouth will notify Z-Tel in writing that the Collocation Space is ready for occupancy. Z-Tel must notify BellSouth in writing that collocation equipment installation is complete and is operational with BellSouth's network. BellSouth may, at its option, not accept orders for interconnected service until receipt of such notice. For purposes of this paragraph, Z-Tel's telecommunications equipment will be deemed operational when cross-connected to BellSouth's network for the purpose of service provision.
- 4.2 Termination. Except where otherwise agreed to by the Parties, Z-Tel may terminate occupancy in a particular Collocation Space upon thirty (30) business days prior written notice to BellSouth. Upon termination of such occupancy, Z-Tel at its expense shall remove its equipment and other property from the Collocation Space. Unless otherwise agreed, Z-Tel shall have thirty (30) business days from the termination date to complete such removal, including the removal of all equipment and facilities of Z-Tel's Guests; provided, however, that Z-Tel shall continue payment of monthly fees to BellSouth until such date as Z-Tel has fully vacated the Collocation Space. Should Z-Tel or Z-Tel's Guest fail to vacate the Collocation Space within thirty (30) business days from the termination date, BellSouth shall have the right to remove the equipment and other property of Z-Tel or Z-Tel's Guest at Z-Tel's expense and with no liability for damage or injury to Z-Tel or Z-Tel's Guest's property unless caused by the gross negligence or intentional misconduct of BellSouth. Upon expiration of this Attachment with respect to a Collocation Space, Z-Tel shall surrender such Collocation Space to BellSouth in the same condition as when first occupied by the Z-Tel except for ordinary wear and tear unless otherwise

agreed to by the Parties. Z-Tel shall be responsible for the cost of removing any enclosure, together with all support structures (e.g., racking, conduits), of an Adjacent Collocation arrangement at the termination of occupancy and restoring the grounds to their original condition.

## 5 Use of Collocation Space

- 5.1 Equipment Type. BellSouth permits the collocation of any type of equipment necessary for interconnection to BellSouth's network or for access to unbundled network elements in the provision of telecommunications services. Such equipment includes, but is not limited to, transmission equipment including, but not limited to, optical terminating equipment and multiplexers, and digital subscriber line access multiplexers, routers, asynchronous transfer mode multiplexers, and remote switching modules. Nothing in this section requires BellSouth to permit collocation of equipment used solely to provide enhanced services; provided, however, that BellSouth may not place any limitations on the ability of requesting carriers to use all the features, functions, and capabilities of equipment collocated pursuant to this section.
- 5.1.1 Such equipment must at a minimum meet the following BellCore (Telcordia) Network Equipment Building Systems (NEBS) General Equipment Requirements: Criteria Level 1 requirements as outlined in the BellCore (Telcordia) Special Report SR-3580, Issue 1; equipment design spatial requirements per GR-63-CORE, Section 2; thermal heat dissipation per GR-063-CORE, Section 4, Criteria 77-79; acoustic noise per GR-063-CORE, Section 4, Criterion 128, and National Electric Code standards. BellSouth may not object to the collocation of equipment on the grounds that the equipment does not comply with safety or engineering standards that are more stringent than the safety or engineering standards that BellSouth applies to its own equipment. BellSouth may not object to the collocation of equipment on the ground that the equipment fails to comply with National Equipment and Building Specifications performance standards. If BellSouth denies collocation of Z-Tel Telecom's equipment citing safety standards, BellSouth must provide to Z-Tel Telecom within five business days of the denial a list of all equipment that BellSouth locates within the premises in question, together with an affidavit attesting that all of that equipment meets or exceeds the safety standard that BellSouth contends Z-Tel Telecom's equipment fails to meet.
- 5.1.2 Z-Tel shall not use the Collocation Space for marketing purposes nor shall it place any identifying signs or markings in the area surrounding the Collocation Space or on the grounds of the Premises.
- 5.1.3 Z-Tel shall place a plaque or other identification affixed to Z-Tel's equipment necessary to identify Z-Tel's equipment, including a list of emergency contacts with telephone numbers.

- 5.2 Entrance Facilities. Z-Tel may elect to place Z-Tel-owned or Z-Tel-leased fiber entrance facilities into the Collocation Space. BellSouth will designate the point of entrance in close proximity to the Premises building housing the Collocation Space, such as an entrance manhole or a cable vault which are physically accessible by both Parties. Z-Tel will provide and place fiber cable at the point of entrance of sufficient length to be pulled through conduit and into the splice location. Z-Tel will provide and install a sufficient length of fire retardant riser cable, to which the entrance cable will be spliced, which will extend from the splice location to Z-Tel's equipment in the Collocation Space. In the event Z-Tel utilizes a non-metallic, riser-type entrance facility, a splice will not be required. Z-Tel must contact BellSouth for instructions prior to placing the entrance facility cable in the manhole. Z-Tel is responsible for maintenance of the entrance facilities. At Z-Tel's option BellSouth will accommodate where technically feasible a microwave entrance facility pursuant to separately negotiated terms and conditions.
- 5.2.1 Dual Entrance. BellSouth will provide at least two interconnection points at each Premises where there are at least two such interconnection points available and where capacity exists. Upon receipt of a request for physical collocation under this Attachment, BellSouth shall provide Z-Tel with information regarding BellSouth's capacity to accommodate dual entrance facilities. If conduit in the serving manhole(s) is available and is not reserved for another purpose for utilization within 12 months of the receipt of an application for collocation, BellSouth will make the requested conduit space available for installing a second entrance facility to Z-Tel's arrangement. The location of the serving manhole(s) will be determined at the sole discretion of BellSouth. Where dual entrance is not available due to lack of capacity, BellSouth will so state in the Application Response.
- 5.2.2 Shared Use. Z-Tel may utilize spare capacity on an existing interconnector entrance facility for the purpose of providing an entrance facility to another Z-Tel collocation arrangement within the same BellSouth Premises. Z-Tel must arrange with BellSouth for BellSouth to splice the utilized entrance facility capacity to Z-Tel-provided riser cable.
- 5.3 Splicing in the Entrance Manhole. Although not generally permitted, should Z-Tel request a splice to occur in the entrance manhole(s), BellSouth, at its sole discretion, may grant such a request. When the request for a splice is granted to Z-Tel by BellSouth, Z-Tel shall ensure its employees or agents entering and/or performing work in the entrance manhole(s) are trained and comply with BellSouth procedures and OSHA requirements regarding access to manholes and that BellSouth personnel are notified and present for all entrances and work performed in the entrance manhole(s). Manhole covers shall be properly closed and secured at the conclusion of entry and/or work. Advance notification to BellSouth shall occur at a minimum of 48 hours prior to desired entry for normal work activities and at a minimum of 2 hours prior to desired entry in an out of service condition.

- 5.4 Demarcation Point. BellSouth will designate the point(s) of interconnection between Z-Tel's equipment and/or network and BellSouth's network. Each Party will be responsible for maintenance and operation of all equipment/facilities on its side of the demarcation point. For 2-wire and 4-wire connections to BellSouth's network, the demarcation point shall be a common block on the BellSouth designated conventional distributing frame. Z-Tel shall be responsible for providing, and a supplier certified by BellSouth ("Z-Tel's BellSouth Certified Supplier") shall be responsible for installing and properly labeling/stenciling, the common block, and necessary cabling pursuant to Section 6.4. For all other terminations BellSouth shall designate a demarcation point on a per arrangement basis. Z-Tel or its agent must perform all required maintenance to equipment/facilities on its side of the demarcation point, pursuant to Section 5.5, following, and may self-provision cross-connects that may be required within the Collocation Space to activate service requests. At Z-Tel's option and expense, a Point of Termination ("POT") bay or frame may be placed in the Collocation Space, but will not serve as the demarcation point. Z-Tel must make arrangements with a BellSouth Certified Supplier for such placement.
- 5.5 Z-Tel's Equipment and Facilities. Z-Tel, or if required by this Attachment, Z-Tel's BellSouth Certified Supplier, is solely responsible for the design, engineering, installation, testing, provisioning, performance, monitoring, maintenance and repair of the equipment and facilities used by Z-Tel. Such equipment and facilities may include but are not limited to Z-Tel's cable(s); equipment; and point of termination connections.
- 5.6 Co-carrier cross-connect. In addition to, and not in lieu of, obtaining interconnection with, or access to, BellSouth's telecommunications services, unbundled network elements, and facilities, Z-Tel may directly connect to other interconnectors within the designated BellSouth Premises (including to its other virtual or physical collocated arrangements) through facilities owned by Z-Tel or through BellSouth facilities designated by Z-Tel, at Z-Tel's option. Such connections to other cross-connects may be made using either optical or electrical facilities. Z-Tel may deploy such optical or electrical connections directly between its own facilities and the facilities of other interconnector(s) without being routed through BellSouth equipment.
- 5.6.1 If Z-Tel requests a co-carrier cross-connect after the initial installation, Z-Tel must submit an application. The applicable nonrecurring fee in Exhibit A shall apply in lieu of any application fee. Z-Tel must use a BellSouth Certified Supplier to place the co-carrier cross-connect, except in cases where Z-Tel's equipment and the equipment of the other interconnector are located within contiguous Collocation Spaces. In cases where Z-Tel's equipment and the equipment of the other interconnector are located in contiguous Collocation Spaces, Z-Tel will have the option to deploy the co-carrier cross connects between the sets of equipment. Cable support charges shall be assessed per linear foot of support structure used.

- 5.7 BellSouth's Access to Collocation Space. From time to time BellSouth may require access to the Collocation Space. BellSouth retains the right to access such space for the purpose of making BellSouth equipment and building modifications (e.g., running, altering or removing racking, ducts, electrical wiring, HVAC, and cables). BellSouth will give reasonable notice to Z-Tel when access to the Collocation Space is required. Z-Tel may elect to be present whenever BellSouth performs work in the Collocation Space. The Parties agree that Z-Tel will not bear any of the expense associated with this work.
- 5.8 Access. Pursuant to Section 11, Z-Tel shall have access to the Collocation Space twenty-four (24) hours a day, seven (7) days a week. Z-Tel agrees to provide the name and social security number or date of birth or driver's license number of each employee, contractor, or agents of Z-Tel or Z-Tel's Guests provided with access keys or cards ("Access Keys") prior to the issuance of said Access Keys. Access Keys shall not be duplicated under any circumstances. Z-Tel agrees to be responsible for all Access Keys and for the return of all said Access Keys in the possession of Z-Tel employees, contractors, Guests, or agents after termination of the employment relationship, contractual obligation with Z-Tel or upon the termination of this Attachment or the termination of occupancy of an individual collocation arrangement.
- 5.8.1 Lost or Stolen Access Keys. Z-Tel shall notify BellSouth in writing immediately in the case of lost or stolen Access Keys. Should it become necessary for BellSouth to re-key buildings or deactivate a card as a result of a lost Access Key(s) or for failure to return an Access Key(s), Z-Tel shall pay for all reasonable costs associated with the re-keying or deactivating the card.
- 5.9 Interference or Impairment. Notwithstanding any other provisions of this Attachment, Z-Tel shall not use any product or service provided under this Agreement, any other service related thereto or used in combination therewith, or place or use any equipment or facilities in any manner that 1) significantly degrades, interferes with or impairs service provided by BellSouth or by any other entity or any person's use of its telecommunications service; 2) endangers or damages the equipment, facilities or other property of BellSouth or of any other entity or person; 3) compromises the privacy of any communications; or 4) creates an unreasonable risk of injury or death to any individual or to the public. If BellSouth reasonably determines that any equipment or facilities of Z-Tel violates the provisions of this paragraph, BellSouth shall give written notice to Z-Tel, which notice shall direct Z-Tel to cure the violation within forty-eight (48) hours of Z-Tel's actual receipt of written notice or, at a minimum, to commence curative measures within 24 hours and to exercise reasonable diligence to complete such measures as soon as possible thereafter. After receipt of the notice, the Parties agree to consult immediately and, if necessary, to inspect the arrangement.

Except in the case of the deployment of an advanced service which significantly degrades the performance of other advanced services or traditional voice band services, if Z-Tel fails to take curative action within 48 hours or if the violation is of a

character which poses an immediate and substantial threat of damage to property, injury or death to any person, or any other significant degradation, interference or impairment of BellSouth's or another entity's service, then and only in that event BellSouth may take such action as it deems appropriate to correct the violation, including without limitation the interruption of electrical power to Z-Tel's equipment. BellSouth will endeavor, but is not required, to provide notice to Z-Tel prior to taking such action and shall have no liability to Z-Tel for any damages arising from such action, except to the extent that such action by BellSouth constitutes gross negligence and willful misconduct.

For purposes of this section 5.9, the term significantly degrade shall mean an action that noticeably impairs a service from a user's perspective. In the case of the deployment of an advanced service which significantly degrades the performance of other advanced services or traditional voice band services and Z-Tel fails to take curative action within 48 hours then BellSouth will establish before the commission that the technology deployment is causing the significant degradation. Any claims of network harm presented to Z-Tel or, if subsequently necessary, the commission must be supported with specific and verifiable information. Where BellSouth demonstrates that a deployed technology is significantly degrading the performance of other advanced services or traditional voice band services, Z-Tel shall discontinue deployment of that technology and migrate its customers to technologies that will not significantly degrade the performance of other such services. Where the only degraded service itself is a known disturber, and the newly deployed technology satisfies at least one of the criteria for a presumption that is acceptable for deployment under section 47 C.F.R. 51.230, the degraded service shall not prevail against the newly-deployed technology.

- 5.10 Personalty and its Removal. Subject to requirements of this Attachment, Z-Tel may place or install in or on the Collocation Space such facilities and equipment, including storage for spare equipment, as it deems desirable for the conduct of business, provided that such equipment is telecommunications equipment, does not violate floor loading requirements, nor imposes or could impose or contains or could contain environmental conditions or hazards. Personal property, facilities and equipment placed by Z-Tel in the Collocation Space shall not become a part of the Collocation Space, even if nailed, screwed or otherwise fastened to the Collocation Space, but shall retain their status as personalty and may be removed by Z-Tel at any time. Any damage caused to the Collocation Space by Z-Tel's employees, agents or representatives during the removal of such property shall be promptly repaired by Z-Tel at its expense.
- 5.11 Alterations. In no case shall Z-Tel or any person acting on behalf of Z-Tel make any rearrangement, modification, improvement, addition, repair, or other alteration which could affect in any way space, power, HVAC, and/or safety considerations to the Collocation Space or the BellSouth Premises without the written consent of BellSouth, which consent shall not be unreasonably withheld. The cost of any such specialized alterations shall be paid by Z-Tel. Any material rearrangement,

modification, improvement, addition, repair, or other alteration shall require a Subsequent Application and Subsequent Application Fee, pursuant to sub-section 6.2.2.

- 5.12 Janitorial Service. Z-Tel shall be responsible for the general upkeep and cleaning of its Caged Collocation Space and shall arrange directly with a BellSouth Certified Contractor for janitorial services, if needed. BellSouth shall provide a list of such contractors on a site-specific basis upon request.

## **6 Ordering and Preparation of Collocation Space**

- 6.1 Should any state or federal regulatory agency impose procedures or intervals of general application or through arbitration of Z-Tel Telecom's agreement different from procedures or intervals set forth in this section, those procedures or intervals shall automatically supersede, without the requirement of an amendment, the requirements set forth herein for that jurisdiction, unless otherwise agreed to by the Parties. This section applies to any state Order already in effect at the time of execution of this agreement.
- 6.2 Application for Space. Z-Tel shall submit an application document when Z-Tel or Z-Tel's Guest(s), as defined in Section 3.3, desires to request or materially (as defined in 5.11) modify the use of the Collocation Space.
- 6.2.1 Initial Application. For Z-Tel or Z-Tel's Guest(s) initial equipment placement, Z-Tel shall submit to BellSouth a Physical Expanded Interconnection Application Document ("Application"), together with payment of the Application Fee as stated in Exhibit A. The Application is Bona Fide when it is complete and accurate, meaning that all required fields on the application are completed with the appropriate type of information. The Bona Fide Application shall contain a detailed description and schematic drawing of the equipment to be placed in Z-Tel's Collocation Space(s) and an estimate of the amount of square footage required.
- 6.2.2 Subsequent Application Fee. In the event Z-Tel or Z-Tel's Guest(s) desire to materially (as defined in 5.11) modify the use of the Collocation Space, Z-Tel shall complete an Application document detailing all information regarding the modification to the Collocation Space together with payment of the minimum Subsequent Application Fee as stated in Exhibit A. Said minimum Subsequent Application Fee shall be considered a partial payment of the applicable Subsequent Application Fee which shall be calculated as set forth below. BellSouth shall determine what modifications, if any, to the Premises are required to accommodate the change requested by Z-Tel in the Application. Such necessary modifications to the Premises may include but are not limited to, floor loading changes, changes necessary to meet HVAC requirements, changes to power plant requirements, and equipment additions. The fee paid by Z-Tel for its request to modify the use of the Collocation Space shall be dependent upon the level of assessment needed for the



modification requested. Where the subsequent Application does not require assessment for provisioning or construction work by BellSouth, no Subsequent Application Fee will be required and the pre-paid fee shall be refunded to Z-Tel. The fee for an Application where the modification requested has limited effect (e.g., does not require assessment related to capital expenditure by BellSouth) shall be the Subsequent Application Fee as set forth in Exhibit A. If the modification requires capital expenditure assessment, a fee ranging from the minimum Subsequent Application Fee up to the full Application Fee for the appropriate state shall apply. In the event such modifications require the assessment of a full Application Fee as set forth in Exhibit A, the outstanding balance shall be due by Z-Tel within 30 calendar days following Z-Tel's receipt of a bill or invoice from BellSouth.

6.3 Application Response. In addition to the notice of space availability pursuant to Section 2.1, BellSouth will respond within ten (10) business days of receipt of an Application stating whether the Application is Bona Fide, and if it is not Bona Fide, the all the items necessary to cause the Application to become Bona Fide. When space has been determined to be available, BellSouth will provide a comprehensive written response ("Application Response") within thirty (30) business days of receipt of a Bona Fide Application. The Application Response will include, at a minimum, the configuration of the space, the Cable Installation Fee, and the space preparation fees, as described in Section 7. Also included will be an additional engineering fee, which shall be assessed based on the number of cable pairs and tie cable terminations ordered in the application.. When multiple applications are submitted within a fifteen (15) business day window, BellSouth will respond to the Bona Fide Applications as soon as possible, but no later than the following: within thirty (30) business days for Bona Fide Applications 1-5; within thirty-six (36) business days for Bona Fide Applications 6-10; within forty-two (42) business days for Bona Fide Applications 11-15. Response intervals for multiple Bona Fide Applications submitted within the same timeframe for the same state in excess of 15 must be negotiated. All negotiations shall consider the total volume from all requests from telecommunications companies for collocation.

6.4 Application Modifications. If a modification or revision is made to any information in Sections 2 through 12 or 15 of a Bona Fide Application for Physical Collocation, or Sections 2 through 10 or 13 of a Bona Fide Application for Adjacent Collocation, either at the request of Z-Tel or necessitated by technical considerations, BellSouth will respond to the Bona Fide Application within thirty (30) business days after BellSouth receives such application or at such other date as the Parties agree. If, at any time, BellSouth needs to reevaluate Z-Tel's Bona Fide Application as a result of changes requested by Z-Tel to Z-Tel's original application, then BellSouth will charge Z-Tel a fee based upon the additional engineering hours required to do the reassessment. Major changes such as requesting additional space or adding additional equipment that impact the power, floor loading, HVAC, or other CO infrastructure, may require Z-Tel to resubmit the application with an Application Fee. Z-Tel may modify or revise Section 1, 13, 14, or 16 of a Bona Fide Application for Physical Collocation, or Sections 1, 11, or 12 of a Bona Fide Application for Adjacent

- Collocation, without incurring additional expense or a longer Application Response interval.
- 6.5 Bona Fide Firm Order. Z-Tel shall indicate its intent to proceed with equipment installation in a BellSouth Premises by submitting a Bona Fide Firm Order to BellSouth. A Bona Fide Firm Order requires Z-Tel to complete the Application/Inquiry process described in Section 6.2, preceding, and submit the Physical Expanded Interconnection Firm Order document (BSTEI-1P-F) indicating acceptance of the Application Response provided by BellSouth (“Bona Fide Firm Order”) and all appropriate fees, as set forth in Section 7. The Bona Fide Firm Order must be received by BellSouth no later than thirty (30) business days after BellSouth’s Application Response to Z-Tel’s Bona Fide Application.
- 6.5.1 BellSouth will establish a firm order date based upon the date BellSouth is in receipt of a Bona Fide Firm Order. BellSouth will acknowledge the receipt of Z-Tel’s Bona Fide Firm Order within seven (7) calendar days of receipt indicating that the Bona Fide Firm Order has been received. A BellSouth response to a Bona Fide Firm Order will include a Firm Order Confirmation containing the firm order date. No revisions will be made to a Bona Fide Firm Order, unless mutually agreed.
- 6.5.2 BellSouth will permit one accompanied site visit to Z-Tel’s designated collocation arrangement location after receipt of the Bona Fide Firm Order without charge to Z-Tel.
- 6.5.3 Space preparation for the Collocation Space will not begin until BellSouth receives the Bona Fide Firm Order and all applicable fees.
- 6.5.4 Z-Tel must submit to BellSouth the completed Access Control Request Form (RF-2906-C) for all employees or agents requiring access to the BellSouth Premises a minimum of 15 calendar days prior to the date Z-Tel desires access to the Collocation Space.
- 6.6 Construction and Provisioning Interval. BellSouth will negotiate construction and provisioning intervals on an individual case basis. Excluding the time interval required to secure the appropriate government licenses and permits, BellSouth will use best efforts to complete construction for collocation arrangements under ordinary conditions as soon as possible and within a maximum of 120 calendar days from receipt of a Bona Fide Firm Order. Ordinary conditions are defined as space available with only minor changes to support systems required, such as but not limited to, HVAC, cabling and the power plant(s). Excluding the time interval required to secure the appropriate government licenses and permits, BellSouth will use best efforts to complete construction of all other Collocation Space ("extraordinary conditions") within 180 calendar days of the receipt of a Bona Fide Firm Order. Extraordinary conditions are defined to include but are not limited to major BellSouth equipment rearrangement or addition; power plant addition or upgrade; major mechanical addition or upgrade; major upgrade for ADA compliance; environmental

- hazard or hazardous materials abatement; and arrangements for which equipment shipping intervals are extraordinary in length.
- 6.6.1 Joint Planning Meeting. Unless otherwise agreed to by the Parties, a joint planning meeting or other method of joint planning between BellSouth and Z-Tel will commence within a maximum of twenty (20) calendar days from BellSouth's receipt of a Bona Fide Firm Order and the payment of agreed upon fees. At such meeting, the Parties will agree to the preliminary design of the Collocation Space and the equipment configuration requirements as reflected in the Bona Fide Application and affirmed in the Bona Fide Firm Order. The Collocation Space completion time period will be provided to Z-Tel during the joint planning meeting or as soon as possible thereafter. BellSouth will complete all design work following the joint planning meeting. If the Parties are unable to have a joint planning meeting, the construction interval shall not be affected or delayed.
- 6.6.2 Permits. Each Party or its agents will diligently pursue filing for the permits required for the scope of work to be performed by that Party or its agents within ten (10) calendar days of the completion of finalized construction designs and specifications. BellSouth will notify Z-Tel of any required permits necessary, to the extent that BellSouth is required to perform any work in connection with Z-Tel Telecom's collocation arrangement that would require a permit.
- 6.6.3 Acceptance Walk Through. Z-Tel and BellSouth will complete an acceptance walk through of each Collocation Space requested from BellSouth by Z-Tel. BellSouth will correct any deviations to Z-Tel's original or jointly amended requirements within seven (7) calendar days after the walk through, unless the Parties jointly agree upon a different time frame.
- 6.7 Use of BellSouth Certified Supplier. Z-Tel shall select a supplier which has been approved as a BellSouth Certified Supplier to perform all engineering and installation work required in the Collocation Space. In some cases, Z-Tel must select separate BellSouth Certified Suppliers for transmission equipment, switching equipment and power equipment. BellSouth shall provide Z-Tel with a list of BellSouth Certified Suppliers upon request. The BellSouth Certified Supplier(s) shall be responsible for installing Z-Tel's equipment and components, installing co-carrier cross connects, extending power cabling to the BellSouth power distribution frame, performing operational tests after installation is complete, and notifying BellSouth's equipment engineers and Z-Tel upon successful completion of installation. The BellSouth Certified Supplier shall bill Z-Tel directly for all work performed for Z-Tel pursuant to this Attachment and BellSouth shall have no liability for nor responsibility to pay such charges imposed by the BellSouth Certified Supplier. BellSouth shall consider certifying Z-Tel or any supplier proposed by Z-Tel.
- 6.8 Alarm and Monitoring. BellSouth shall place environmental alarms in the Premises for the protection of BellSouth equipment and facilities. Z-Tel shall be responsible for placement, monitoring and removal of environmental and equipment alarms used

- to service Z-Tel's Collocation Space. Upon request, BellSouth will provide Z-Tel with applicable tariffed service(s) to facilitate remote monitoring of collocated equipment by Z-Tel. Both Parties shall use best efforts to notify the other of any verified environmental hazard known to that Party.
- 6.9 Basic Telephone Service. Upon request of Z-Tel, BellSouth will provide basic telephone service to the Collocation Space under the rates, terms and conditions of the current tariff offering for the service requested.
- 6.10 Space Preparation. Space preparation fees include a nonrecurring charge for Firm Order Processing and monthly recurring charges for Central Office Modifications, assessed per arrangement, per square foot, and Common Systems Modifications, assessed per arrangement, per square foot for cageless and per cage for caged collocation. Z-Tel shall remit payment of the nonrecurring Firm Order Processing Fee coincident with submission of a Bona Fide Firm Order. The recurring charges for space preparation apply beginning on the date on which BellSouth releases the Collocation Space for occupancy or on the date Z-Tel first occupies the Collocation Space, whichever is sooner. The charges recover the costs associated with preparing the Collocation Space, which includes survey, engineering of the Collocation Space, design and modification costs for network, building and support systems. Additional engineering charges may apply as described in Section 6.3. In the event Z-Tel opts for cageless space, the Space Preparation Fee will be assessed based on the total floor space dedicated to Z-Tel as prescribed in Section 7.2.
- 6.11 Virtual Collocation Transition. BellSouth offers Virtual Collocation pursuant to the rates, terms and conditions set forth in its F.C.C. Tariff No. 1. For the interconnection to BellSouth's network and access to BellSouth unbundled network elements, Z-Tel may purchase 2-wire and 4-wire cross-connects as set forth in Exhibit A, and Z-Tel may place within its Virtual Collocation arrangements the telecommunications equipment set forth in Section 5.1. In the event physical Collocation Space was previously denied at a location due to technical reasons or space limitations, and that physical Collocation Space has subsequently become available, Z-Tel may transition its virtual collocation arrangements to physical collocation arrangements and pay the appropriate non-recurring fees for physical collocation and for the rearrangement or reconfiguration of services terminated in the virtual collocation arrangement, as outlined in the appropriate BellSouth tariffs. In the event that BellSouth knows when additional space for physical collocation may become available at the location requested by Z-Tel, such information will be provided to Z-Tel in BellSouth's written denial of physical collocation. To the extent that (i) physical Collocation Space becomes available to Z-Tel within 180 calendar days of BellSouth's written denial of Z-Tel's request for physical collocation, and (ii) Z-Tel was not informed in the written denial that physical Collocation Space would become available within such 180 calendar days, then Z-Tel may transition its virtual collocation arrangement to a physical collocation arrangement and will receive a credit for any nonrecurring charges previously paid for such virtual collocation. Z-Tel must arrange with a BellSouth Certified Supplier for the relocation of equipment from

- its virtual Collocation Space to its physical Collocation Space and will bear the cost of such relocation.
- 6.12 Cancellation. If, at anytime, Z-Tel cancels its order for the Collocation Space(s), Z-Tel will reimburse BellSouth for any expenses actually incurred up to the date that written notice of the cancellation is received. In no event will the level of reimbursement under this paragraph exceed the maximum amount Z-Tel would have otherwise paid for work undertaken by BellSouth if no cancellation of the order had occurred.
- 6.13 Licenses. Z-Tel, at its own expense, will be solely responsible for obtaining from governmental authorities, and any other appropriate agency, entity, or person, all rights, privileges, and licenses necessary or required to operate as a provider of telecommunications services to the public or to occupy the Collocation Space.
- 6.14 The Parties agree to utilize and adhere to the Environmental Hazard Guidelines identified as Exhibit B attached hereto.

## 7 Rates and Charges

- 7.1 Cable Installation. Cable Installation Fee(s) are assessed per entrance fiber placed.
- 7.2 Floor Space. The floor space charge includes reasonable charges for lighting, HVAC, and other allocated expenses associated with maintenance of the Premises but does not include amperage necessary to power Z-Tel's equipment. When the Collocation Space is enclosed, Z-Tel shall pay floor space charges based upon the number of square feet so enclosed. When the Collocation Space is not enclosed, Z-Tel shall pay floor space charges based upon the following floor space calculation: [(depth of the equipment lineup in which the rack is placed) + (0.5 x maintenance aisle depth) + (0.5 x wiring aisle depth)] X (width of rack and spacers). For purposes of this calculation, the depth of the equipment lineup shall consider the footprint of equipment racks plus any equipment overhang. BellSouth will assign unenclosed Collocation Space in conventional equipment rack lineups where feasible. In the event Z-Tel's collocated equipment requires special cable racking, isolated grounding or other treatment which prevents placement within conventional equipment rack lineups, Z-Tel shall be required to request an amount of floor space sufficient to accommodate the total equipment arrangement. Floor space charges are due beginning with the date on which BellSouth releases the Collocation Space for occupancy or on the date Z-Tel first occupies the Collocation Space, whichever is sooner.
- 7.3 Power. BellSouth shall make available -48 Volt (-48V) DC power (at the amperage specified by Z-Tel) for Z-Tel's Collocation Space at a BellSouth Power Board or BellSouth Batter Distribution Fuse Bay ("BDFB") at Z-Tel's option within the Premises.

- 7.3.1 Recurring charges for -48V DC power will be assessed per ampere per month based upon the BellSouth Certified Supplier engineered and installed power feed fused ampere capacity. Rates include redundant feeder fuse positions (A&B) and common cable rack to Z-Tel's equipment or space enclosure. When obtaining power from a BDFB, fuses and power cables (A&B) must be engineered (sized), and installed by Z-Tel's BellSouth Certified Supplier. When obtaining power from a BellSouth power board, power cables (A&B) must be engineered (sized), and installed by Z-Tel's BellSouth Certified power Supplier. Z-Tel's BellSouth Certified Supplier must also provide a copy of the engineering power specification prior to the Commencement Date.
- 7.3.2 The non-recurring construction charge for construction of additional DC power plant or upgrade of the existing DC power plant in a Premises as a result of Z-Tel's request to collocate in that Premises ("Power Plant Construction"), will be assessed per the nominal -48V DC ampere requirements specified by Z-Tel on the physical collocation application. BellSouth reserves the right to monitor actual usage to verify accuracy of Z-Tel's power requirements. Z-Tel shall pay its pro-rated share of costs associated with the Power Plant Construction, including but not limited to, standby AC plant elements, DC power plant elements, and the BDFB, where applicable. If Z-Tel does not require power feeders from a BDFB, the BDFB component will not be applied to the Power Plant Construction charge. If Z-Tel requires power feeders from both a BellSouth power board and a BellSouth BDFB, the Power Plant Construction charge will include all three components for the amount of nominal current fed from the BDFB, but will only include the standby AC and DC power plant components for the amount of nominal current fed from the power board. BellSouth shall comply with all BellCore (Telcordia) and ANSI Standards regarding power cabling, including BellCore (Telcordia) Network Equipment Building System (NEBS) Standard GR-63-CORE.
- 7.3.3 If BellSouth has not previously invested in power plant capacity for collocation at a specific site, Z-Tel has the option to add its own dedicated power plant; provided, however, that such work shall be performed by a BellSouth Certified Supplier who shall comply with BellSouth's guidelines and specifications. Where the addition of Z-Tel's dedicated power plant results in construction of a new power plant room, upon termination of this Agreement, Z-Tel shall have the right to remove its equipment from the power plant room, but shall otherwise leave the room intact. Z-Tel is responsible for contracting with a BellSouth Certified Supplier for power distribution feeder cable runs from a BellSouth BDFB or power board to Z-Tel's equipment. When obtaining power from a BellSouth BDFB or miscellaneous fuse positions on a BellSouth power board, power cables must be engineered, furnished and installed by Z-Tel using a BellSouth Certified power Supplier. Determination of the BellSouth BDFB or BellSouth power board as the power source will be made at BellSouth's sole, but reasonable, discretion. The BellSouth Certified Supplier contracted by Z-Tel must provide BellSouth a copy of the engineering power specifications prior to the Commencement Date. BellSouth will provide the power feeder cable support structure between the BellSouth BDFB or power board and Z-

- Tel's arrangement area. Z-Tel shall contract a BellSouth Certified Supplier who will be responsible for the following: power cable support structure within Z-Tel's arrangement; power cable feeds; terminations of cable. Any terminations at a BellSouth power board must be performed by a BellSouth Certified power Supplier. Z-Tel shall comply with all applicable National Electric Code (NEC), BellSouth TR-73503, BellCore (Telcordia) and ANSI Standards regarding power cabling.
- 7.3.4 If Z-Tel elects to install its own DC Power Plant, BellSouth shall provide AC power to feed Z-Tel's DC Power Plant. Charges for AC power will be assessed per breaker ampere per month. Rates include the provision of commercial and standby AC power. When obtaining power from a BellSouth service panel, protection devices and power cables must be engineered (sized), and installed by Z-Tel's BellSouth Certified Supplier except that BellSouth shall engineer and install protection devices and power cables for Adjacent Collocation. Z-Tel's BellSouth Certified Supplier must also provide a copy of the engineering power specification prior to the Commencement Date. Charges for AC power shall be assessed pursuant to the rates specified in Exhibit A. AC power voltage and phase ratings shall be determined on a per location basis. At Z-Tel's option, Z-Tel may arrange for AC power in an Adjacent Collocation arrangement from a retail provider of electrical power.
- 7.4 Security Escort. A security escort will be required whenever Z-Tel or its approved agent desires access to the entrance manhole or must have access to the Premises after the one accompanied site visit allowed pursuant to Section 6.5.2 prior to completing BellSouth's Security Training requirements and/or prior to Space Acceptance. Rates for a security escort are assessed in one-half (1/2) hour increments according to the schedule appended hereto as Exhibit A.
- 7.5 Rate "True-Up". The Parties agree that the prices reflected as interim herein shall be "true-up" (up or down) based on final prices either determined by further agreement or by final order, including any appeals, in a proceeding involving BellSouth before the regulatory authority for the state in which the services are being performed or any other body having jurisdiction over this Agreement (hereinafter "Commission"). Under the "true-up" process, the interim price for each service shall be multiplied by the volume of that service purchased to arrive at the total interim amount paid for that service ("Total Interim Price"). The final price for that service shall be multiplied by the volume purchased to arrive at the total final amount due ("Total Final Price"). The Total Interim Price shall be compared with the Total Final Price. If the Total Final Price is more than the Total Interim Price, Z-Tel shall pay the difference to BellSouth. If the Total Final Price is less than the Total Interim Price, BellSouth shall pay the difference to Z-Tel. Each Party shall keep its own records upon which a "true-up" can be based and any final payment from one Party to the other shall be in an amount agreed upon by the Parties based on such records. In the event of any disagreement as between the records or the Parties regarding the amount of such "true-up," the Parties agree that the Commission shall be called upon to resolve such differences.

- 7.6 Other. If no rate is identified in the contract, the rate for the specific service or function will be negotiated by the Parties upon request by either Party. Payment of all other charges under this Attachment shall be due thirty (30) calendar days after receipt of the bill (payment due date) but no earlier than 30 calendar days after the completion of the collocation space. Z-Tel will pay a late payment charge of the lesser of the state legal rate or one and one-half percent (1-1/2%) assessed monthly on any balance which remains unpaid after 30 days after either the payment due date.

## 8 Insurance

- 8.1 Z-Tel shall, at its sole cost and expense, procure, maintain, and keep in force insurance as specified in this Section 8 and underwritten by insurance companies licensed to do business in the states applicable under this Attachment and having a Best's Insurance Rating of A-.
- 8.2 Z-Tel shall maintain the following specific coverage:
- 8.2.1 Commercial General Liability coverage in the amount of ten million dollars (\$10,000,000.00) or a combination of Commercial General Liability and Excess/Umbrella coverage totaling not less than ten million dollars (\$10,000,000.00). BellSouth shall be named as an Additional Insured on the Commercial General Liability policy as specified herein.
- 8.2.2 Statutory Workers Compensation coverage and Employers Liability coverage in the amount of one hundred thousand dollars (\$100,000.00) each accident, one hundred thousand dollars (\$100,000.00) each employee by disease, and five hundred thousand dollars (\$500,000.00) policy limit by disease.
- 8.2.3 All Risk Property coverage on a full replacement cost basis insuring all of Z-Tel's real and personal property situated on or within BellSouth's Central Office location(s).
- 8.2.4 Z-Tel may elect to purchase business interruption and contingent business interruption insurance, having been advised that BellSouth assumes no liability for loss of profit or revenues should an interruption of service occur.
- 8.3 The limits set forth in Section 8.2 above may be increased by BellSouth from time to time during the term of this Attachment upon thirty (30) days notice to Z-Tel to at least such minimum limits as shall then be customary.
- 8.4 All policies purchased by Z-Tel shall be deemed to be primary and not contributing to or in excess of any similar coverage purchased by BellSouth. All insurance must be in effect on or before the date equipment is delivered to BellSouth's Premises and shall remain in effect for the term of this Attachment or until all Z-Tel's property has been removed from BellSouth's Premises, whichever period is longer. If Z-Tel fails to maintain required coverage, BellSouth may pay the premiums thereon and seek reimbursement of same from Z-Tel.



- 8.5 Z-Tel shall submit certificates of insurance reflecting the coverage required pursuant to this Section a minimum of ten (10) business days prior to the commencement of any work in the Collocation Space. Failure to meet this interval may result in construction and equipment installation delays. Z-Tel shall arrange for BellSouth to receive thirty (30) calendar days' advance notice of cancellation from Z-Tel's insurance company. Z-Tel shall forward a certificate of insurance and notice of cancellation/non-renewal to BellSouth at the following address:

BellSouth Telecommunications, Inc.  
Attn.: Risk Management Coordinator  
675 W. Peachtree Street  
Rm. 17H53  
Atlanta, Georgia 30375

- 8.6 Z-Tel must conform to recommendations made by BellSouth's fire insurance company to the extent BellSouth has agreed to, or shall hereafter agree to, such recommendations.
- 8.7 Self-Insurance. If Z-Tel's net worth exceeds five hundred million dollars (\$500,000,000), Z-Tel may elect to request self-insurance status in lieu of obtaining any of the insurance required in Sections 8.2.1 and 8.2.3. Z-Tel shall provide audited financial statements to BellSouth thirty (30) days prior to the commencement of any work in the Collocation Space. BellSouth shall then review such audited financial statements and respond in writing to Z-Tel in the event that self-insurance status is not granted to Z-Tel. If BellSouth approves Z-Tel for self-insurance, Z-Tel shall annually furnish to BellSouth, and keep current, evidence of such net worth that is attested to by one of Z-Tel's corporate officers. The ability to self-insure shall continue so long as the Z-Tel meets all of the requirements of this Section. If the Z-Tel subsequently no longer satisfies this Section, Z-Tel is required to purchase insurance as indicated by Sections 8.2.1 and 8.2.3.
- 8.8 The net worth requirements set forth in Section 8.7 may be increased by BellSouth from time to time during the term of this Attachment upon thirty (30) business days' notice to Z-Tel to at least such minimum limits as shall then be customary with respect to comparable occupancy of BellSouth structures.
- 8.9 Failure to comply with the provisions of this Section will be deemed a material breach of this Attachment.

## 9 Mechanics Liens

- 9.1 If any mechanics lien or other liens shall be filed against property of either Party (BellSouth or Z-Tel), or any improvement thereon by reason of or arising out of any labor or materials furnished or alleged to have been furnished or to be furnished to or

for the other Party or by reason of any changes, or additions to said property made at the request or under the direction of the other Party, the other Party directing or requesting those changes shall, within thirty (30) business days after receipt of written notice from the Party against whose property said lien has been filed, either pay such lien or cause the same to be bonded off the affected property in the manner provided by law. The Party causing said lien to be placed against the property of the other shall also defend, at its sole cost and expense, on behalf of the other, any action, suit or proceeding which may be brought for the enforcement of such liens and shall pay any damage and discharge any judgment entered thereon.

## **10 Inspections**

- 10.1 BellSouth shall conduct an inspection of Z-Tel's equipment and facilities in the Collocation Space(s) prior to the activation of facilities between Z-Tel's equipment and equipment of BellSouth. BellSouth may conduct an inspection if Z-Tel adds equipment and may otherwise conduct routine inspections at reasonable intervals mutually agreed upon by the Parties. BellSouth shall provide Z-Tel with a minimum of forty-eight (48) hours or two (2) business days, whichever is greater, advance notice of all such inspections. All costs of such inspection shall be borne by BellSouth.

## **11 Security and Safety Requirements**

- 11.1 The security and safety requirements set forth in this section are as stringent as the security requirements BellSouth maintains at its own premises either for their own employees or for authorized contractors. Only BellSouth employees, BellSouth Certified Contractors and authorized employees, authorized Guests, pursuant to Section 3.3, preceding, or authorized agents of Z-Tel will be permitted in the BellSouth Premises. Z-Tel shall provide its employees and agents with picture identification which must be worn and visible at all times while in the Collocation Space or other areas in or around the Premises. The photo Identification card shall bear, at a minimum, the employee's name and photo, and the Z-Tel name. BellSouth reserves the right to remove from its premises any employee of Z-Tel not possessing identification issued by Z-Tel or who have violated any of BellSouth's policies as outlined in the CLEC Security Training documents. Z-Tel shall hold BellSouth harmless for any damages resulting from such removal of its personnel from BellSouth premises, except by gross negligence and willful misconduct on behalf of BellSouth. Z-Tel shall be solely responsible for ensuring that any Guest of Z-Tel is in compliance with all subsections of this Section 11.
- 11.1.1 Z-Tel will be required, at its own expense, to conduct a statewide investigation of criminal history records for each Z-Tel employee being considered for work on the BellSouth Premises, for the states/counties where the Z-Tel employee has worked and lived for the past five years. Where state law does not permit statewide collection or

- reporting, an investigation of the applicable counties is acceptable. This requirement will not apply if the CLEC performed a pre-employment criminal investigation of the employee being considered for work on the ILEC premises and if the pre-employment criminal investigations met the requirements specified above.
- 11.1.2 Parties will be required to administer to their personnel assigned to the BellSouth Premises security training either provided by BellSouth, or meeting criteria defined by BellSouth.
- 11.1.3 Z-Tel shall not assign to the BellSouth Premises any personnel with records of felony criminal convictions. Z-Tel shall not assign to the BellSouth Premises any personnel with records of misdemeanor convictions, except for misdemeanor traffic violations, without advising BellSouth of the nature and gravity of the offense(s). BellSouth reserves the right to refuse building access to any Z-Tel personnel who have been identified to have misdemeanor criminal convictions. Notwithstanding the foregoing, in the event that Z-Tel chooses not to advise BellSouth of the nature and gravity of any misdemeanor conviction, Z-Tel may, in the alternative, certify to BellSouth that it shall not assign to the BellSouth Premises any personnel with records of misdemeanor convictions (other than misdemeanor traffic violations). For each Z-Tel employee requiring access to a BellSouth Premises pursuant to this Attachment, Z-Tel shall furnish BellSouth, prior to an employee gaining such access, a certification that the aforementioned background check and security training were completed. The certification will contain a statement that no felony convictions were found and certifying that the security training was completed by the employee. If the employee's criminal history includes misdemeanor convictions, Z-Tel will disclose the nature of the convictions to BellSouth at that time. In the alternative, Z-Tel may certify to BellSouth that it shall not assign to the BellSouth Premises any personnel with records of misdemeanor convictions other than misdemeanor traffic violations.
- 11.1.4 At BellSouth's request, Z-Tel shall promptly remove from the BellSouth's Premises any employee of Z-Tel BellSouth does not wish to grant access to its premises 1) pursuant to any investigation conducted by BellSouth or 2) prior to the initiation of an investigation in the event that an employee of Z-Tel is found interfering with the property or personnel of BellSouth or another CLEC, provided that an investigation shall promptly be commenced by BellSouth.
- 11.2 Notification. Parties reserve the right to interview the other Party's employees, agents, or contractors in the event of wrongdoing in or around BellSouth's property or involving BellSouth's or another CLEC's property or personnel, provided that each Party shall provide reasonable notice to the other Party's Security contact of such interview. Both Parties shall reasonably cooperate with the other Party's investigation into allegations of wrongdoing or criminal conduct committed by, witnessed by, or involving either Party's employees, agents, or contractors. Additionally, each Party reserves the right to bill the other Party for all reasonable costs associated with investigations involving its employees, agents, or contractors if it is established and mutually agreed in good faith that the other Party's employees, agents, or contractors

- are responsible for the alleged act. Either Party shall bill the other Party for property which is stolen or damaged where an investigation determines the culpability of the other Party's employees, agents, or contractors and where the other Party agrees, in good faith, with the results of such investigation. Both Parties shall notify each other in writing immediately in the event that the either Party discovers one of its employees already working on the BellSouth premises is a possible security risk. Upon request of the other Party, the Party who is the employer shall discipline consistent with its employment practices, up to and including removal from the BellSouth Premises, any employee found to have violated the security and safety requirements of this section. Z-Tel shall hold BellSouth harmless for any damages resulting from such removal of its personnel from BellSouth premises.
- 11.3 Use of Supplies. Unauthorized use of telecommunications equipment or supplies by either Party, whether or not used routinely to provide telephone service (e.g. plug-in cards,) will be strictly prohibited and handled appropriately. Costs associated with such unauthorized use may be charged to the offending Party, as may be all associated investigative costs.
- 11.4 Use of Official Lines. Except for non-toll calls necessary in the performance of their work, neither Party shall use the telephones of the other Party on the BellSouth Premises. Charges for unauthorized telephone calls may be charged to the offending Party, as may be all associated investigative costs.
- 11.5 Accountability. Full compliance with the Security requirements of this section shall in no way limit the accountability of either Party to the other for the improper actions of its employees.

## **12 Destruction of Collocation Space**

- 12.1 In the event a Collocation Space is wholly or partially damaged by fire, windstorm, tornado, flood or by similar causes to such an extent as to be rendered wholly unsuitable for Z-Tel's permitted use hereunder, then either Party may elect within ten (10) business days after such damage, to terminate the arrangement, and if either Party shall so elect, by giving the other written notice of termination, both Parties shall stand released of and from further liability under the terms hereof. If the Collocation Space shall suffer only minor damage and shall not be rendered wholly unsuitable for Z-Tel's permitted use, or is damaged and the option to terminate is not exercised by either Party, BellSouth covenants and agrees to proceed promptly without expense to Z-Tel, except for improvements not the property of BellSouth, to repair the damage. BellSouth shall have a reasonable time within which to rebuild or make any repairs, and such rebuilding and repairing shall be subject to delays caused by storms, shortages of labor and materials, government regulations, strikes, walkouts, and causes beyond the control of BellSouth, which causes shall not be construed as limiting factors, but as exemplary only. Restoration efforts of both BellSouth and Z-Tel floorspace shall be pursued in a non-discriminatory fashion. Z-Tel may, at its

own expense, accelerate the rebuild of its collocated space and equipment provided however that a BellSouth Certified Contractor is used and the necessary space preparation has been completed. Rebuild of equipment must be performed by a BellSouth Certified Vendor. If Z-Tel's acceleration of the project increases the cost of the project, then those additional charges will be incurred by Z-Tel. Where allowed and where practical, Z-Tel may erect a temporary facility while BellSouth rebuilds or makes repairs. In all cases where the Collocation Space shall be rebuilt or repaired, Z-Tel shall be entitled to an equitable abatement of rent and other charges, depending upon the unsuitability of the Collocation Space for Z-Tel's permitted use, until such Collocation Space is fully repaired and restored and Z-Tel's equipment installed therein (but in no event later than thirty (30) business days after the Collocation Space is fully repaired and restored). Where Z-Tel has placed an Adjacent Arrangement pursuant to section 3.4, Z-Tel shall have the sole responsibility to repair or replace said Adjacent Arrangement provided herein. Pursuant to this section, BellSouth will restore the associated services to the Adjacent Arrangement.

### **13 Eminent Domain**

- 13.1 If the whole of a Collocation Space or Adjacent Arrangement shall be taken by any public authority under the power of eminent domain, then this Attachment shall terminate with respect to such Collocation Space or Adjacent Arrangement as of the day possession shall be taken by such public authority and rent and other charges for the Collocation Space or Adjacent Arrangement shall be paid up to that day with proportionate refund by BellSouth of such rent and charges as may have been paid in advance for a period subsequent to the date of the taking. If any part of the Collocation Space or Adjacent Arrangement shall be taken under eminent domain, BellSouth and Z-Tel shall each have the right to terminate this Attachment with respect to such Collocation Space or Adjacent Arrangement and declare the same null and void, by written notice of such intention to the other Party within ten (10) business days after such taking.

### **14 Nonexclusivity**

- 14.1 Z-Tel understands that this Attachment is not exclusive and that BellSouth may enter into similar agreements with other Parties. Assignment of space pursuant to all such agreements shall be determined by space availability and made on a first come, first served basis.

**EXHIBIT A: BELLSOUTH/Z-Tel RATES – ALABAMA**  
**PHYSICAL COLLOCATION**

**Rates marked with an asterisk (\*) are interim and are subject to true-up**

USOC	Rate Element Description	Unit	Recurring Rate (RC)	Non-Recurring Rate (NRC)
PE1BA	Application Fee	Per request	NA	\$7,124.00 Disconnect Charge \$1.73
PE1CA	Subsequent Application Fee	Per request	NA	\$1,600.00 Minimum
	Space Preparation Fee Firm Order Processing*			\$1,211.00
	Central Office Modifications*	Per sq. ft.	\$2.58	
	Common Systems Modifications – Cageless*	Per sq. ft.	\$2.96	
	Common Systems Modifications – Caged*	Per cage	\$100.66	
PE1BW	Space Enclosure (100 sq. ft. minimum) Welded Wire-mesh	Per first 100 sq. ft.	\$136.64	NA
PE1CW	Welded Wire-mesh	Per add'l 50 sq. ft.	\$15.85	NA
PE1PJ	Floor Space	Per sq. ft.	\$3.85	NA
PE1BD	Cable Installation	Per cable	NA	\$2,335.00
PE1PM	Cable Support Structure	Per entrance cable	\$23.23	NA
PE1PL	Power -48V DC Power	Per amp	\$8.86	
PE1FB	120V AC Power single phase*	Per breaker amp	\$5.50	ICB
PE1FD	240V AC Power single phase*	Per breaker amp	\$11.00	ICB
PE1FE	120V AC Power three phase*	Per breaker amp	\$16.50	ICB
PE1FG	277 AC Power three phase*	Per breaker amp	\$38.20	ICB
PE1P2	Cross Connects ( <b>Note 1</b> ) 2-wire	Per cross connect	\$ .28	First/Add'l \$30.76/\$29.40
PE1P4	4-wire		\$ .56	\$31.01/\$29.58
PE1P1	DS-1		\$2.14	\$60.81/\$41.71
PE1P3	DS-3		\$38.63	\$57.80/\$39.81
PE1F2	2-fiber		\$12.10	\$55.46/\$39.18
PE1F4	4-fiber		\$21.75	\$66.71/\$50.43

ALABAMA (continued)				
USOC	Rate Element Description	Unit	Recurring Rate (RC)	Non-Recurring Rate (NRC)
	Cross Connects (continued)	Per cross connect		First/Add'l Disconnect Charges First/Add'l \$12.75/\$11.38 \$12.82/\$11.39 \$12.85/\$11.50 \$14.93/\$11.76 \$16.83/\$13.27 \$21.86/\$18.31
	2-wire			
	4-wire			
	DS-1			
	DS-3			
	2-fiber			
	4-fiber			
PE1ES	Co-Carrier Cross-Connect Fiber Cable Support Structure	Per linear ft.	\$ .003	\$540.00
PE1DS	Copper or Coaxial Cable Support Structure	Per linear ft.	\$ .004	\$540.00
PE1AX	Security Access System Security System*	Per central office	\$52.00	
	New Access Card Activation*	Per card		\$55.00
PE1AA	Administrative change, existing card*	Per card		\$35.00
PE1AR	Replace lost or stolen card*	Per card		\$250.00
PE1SR	Space Availability Report*	Per premises requested		\$550.00
	POT Bay Arrangements <i>Prior to 6/1/99</i>	Per cross connect		
PE1PE	2-Wire Cross-Connect		\$0.08	NA
PE1PF	4-Wire Cross-Connect		\$0.17	NA
PE1PG	DS1 Cross-Connect		\$0.69	NA
PE1PH	DS3 Cross-Connect		\$4.74	NA
PE1B2	2-Fiber Cross-Connect		\$32.02	NA
PE1B4	4-Fiber Cross-Connect		\$40.48	NA
AEH	Additional Engineering Fee	Per request, First half hour/add'l half hour		First/Add'l Basic Time \$31.00/\$22.00 Overtime \$37.00/\$26.00

ALABAMA (continued)				
USOC	Rate Element Description	Unit	Recurring Rate (RC)	Non-Recurring Rate (NRC)
	Security Escort	Per half hr/add'l half hr		
PE1BT	Basic Time		NA	\$43.47/\$25.82
PE1OT	Overtime		NA	\$55.25/\$32.79
PE1PT	Premium Time		NA	\$67.03/\$39.76

**Note(s):**

N/A refers to rate elements which do not have a negotiated rate.

(1) **Cross Connects:** The charges for cross connects are for orders placed electronically. Cross connect elements may also be ordered manually for which there is an additional charge per element.

	First / Additional	Disconnect Charges First / Additional
2-wire	\$34.03 / \$32.67	\$14.48 / \$13.11
4-wire	\$34.28 / \$32.85	\$14.55 / \$13.12
DS-1	\$64.08 / \$44.98	\$14.58 / \$13.23
DS-3	\$61.07 / \$43.08	\$16.66 / \$13.49



**EXHIBIT A: BELLSOUTH/Z-Tel RATES – FLORIDA**  
**PHYSICAL COLLOCATION**

USOC	Rate Element Description	Unit	Recurring Rate (RC)	Non-Recurring Rate (NRC)
PE1BA	Application Fee	Per request		\$3,791.00
PE1CA	Subsequent Application Fee	Per request	NA	\$3,160.00
	Space Preparation Fee			\$1,211.00
	Firm Order Processing			
	Central Office Modifications	Per sq. ft.	\$2.58	
	Common Systems Modifications – Cageless	Per sq. ft.	\$2.96	
	Common Systems Modifications – Caged	Per cage	\$100.66	
PE1BW	Space Enclosure (100 sq. ft. minimum)			
PE1CW	Wire Cage	Per first 100 sq. ft.	\$205.93	NA
	Wire Cage	Per add'l 50 sq. ft.	\$20.20	NA
PE1PJ	Floor Space	Per sq. ft.	\$6.57	NA
PE1BD	Cable Installation	Per cable		\$1,826.00
PE1PM	Cable Support Structure		\$21.66	NA
PE1PL	Power			
PE1FB	-48V DC Power	Per amp	\$8.86	
PE1FD	120V AC Power single phase	Per breaker amp	\$5.62	
PE1FE	240V AC Power single phase	Per breaker amp	\$11.26	
PE1FG	120V AC Power three phase	Per breaker amp	\$16.88	
	277 AC Power three phase	Per breaker amp	\$38.98	
	Cross Connects			First/Add'l
	2-wire	Per cross connect	\$0.74	\$34.53/\$32.51
	4-wire	Per cross connect	\$1.48	\$34.54/\$32.53
	DS1	Per cross connect	\$1.29	\$54.15/\$40.94
	DS3	Per cross connect	\$17.48	\$53.28/\$39.65
	2-fiber	Per cross connect	\$2.96	\$53.28/\$39.66
	4-fiber	Per cross connect	\$5.66	\$66.08/\$52.47

FLORIDA (continued)				
USOC	Rate Element Description	Unit	Recurring Rate (RC)	Non-Recurring Rate (NRC)
PE1ES	Co-Carrier Cross-Connect	Per linear ft.	\$ .003	\$540.00
PE1DS	Fiber Cable Support Structure	Per linear ft.	\$ .004	\$540.00
	Copper or Coaxial Cable Support Structure			
PE1AX	Security Access System Security System	Per premises	\$89.48	
PE1AA	New Access Card Activation	Per card	\$ .06	\$56.03
	Administrative change, existing card	Per card		\$15.71
PE1AR	Replace lost or stolen card	Per card		\$45.93
PE1SR	Space Availability Report	Per premises requested		\$2,168.00
	POT Bay ( <b>Note 1</b> )		NA	NA
AEH	Additional Engineering Fee	Per request, First half hour/add'l half hour		First/Add'l Basic Time \$31.00/\$22.00 Overtime \$37.00/\$26.00
PE1BQ	Security Escort	Per ¼ hour		
PE1OQ	Basic Time		NA	\$10.89
PE1PQ	Overtime		NA	\$13.64
	Premium Time		NA	\$16.40

**Note(s):**

N/A refers to rate elements which do not have a negotiated rate.

- (1) **POT Bays:** BellSouth's Florida specific rates were established in the Florida Public Service Commission Docket No. 960833. The Commission did not set permanent rates for POT Bays, given the assumption by the Parties to the Proceeding that they will always provide their own POT Bays. It will be necessary for Z-Tel to provide its own POT Bays per BellSouth specifications and provide the necessary information from which BellSouth can inventory.

**EXHIBIT A: BELLSOUTH/Z-Tel RATES – GEORGIA**  
**PHYSICAL COLLOCATION**

**Rates marked with an asterisk (\*) are interim and subject to true-up**

USOC	Rate Element Description	Unit	Recurring Rate (RC)	Non-Recurring Rate (NRC)
PE1BA	Application Fee	Per request	NA	\$3,850.00
PE1CA	Subsequent Application Fee	Per request	NA	\$1,600.00 Minimum
PE1BB	Space Preparation Fee (Note 2)	Per sq. ft.	NA	\$100.00
PE1BW	Space Enclosure (100 sq. ft. minimum) Welded Wire-mesh	Per first 100 sq. ft.	\$170.64	NA
PE1CW	Welded Wire-mesh	Per add'l 50 sq. ft.	\$17.33	NA
PE1PJ	Floor Space Zone A	Per sq. ft.	\$7.50	NA
PE1PK	Zone B	Per sq. ft.	\$6.75	NA
PE1BD	Cable Installation	Per cable	NA	\$2,750.00
PE1PM	Cable Support Structure	Per entrance cable	\$13.35	NA
PE1PL	Power -48V DC Power	Per amp	\$5.00	
PE1FB	120V AC Power single phase*	Per breaker amp	\$5.50	ICB
PE1FD	240V AC Power single phase*	Per breaker amp	\$11.00	ICB
PE1FE	120V AC Power three phase*	Per breaker amp	\$16.50	ICB
PE1FG	277 AC Power three phase*	Per breaker amp	\$38.20	ICB
PE1P2	Cross Connects 2-wire	Per cross connect	\$0.30	First/Add'l \$12.60/\$12.60
PE1P4	4-wire		\$0.50	\$12.60/\$12.60
PE1P1	DS-1		\$8.00	\$155.00/\$27.00
PE1P3	DS-3		\$72.00	\$155.00/\$27.00
PE1F2	2-fiber		\$15.64	\$41.56/\$29.82
PE1F4	4-fiber		\$28.11	\$50.53/\$38.78

<b>GEORGIA (continued)</b>				
<b>USOC</b>	<b>Rate Element Description</b>	<b>Unit</b>	<b>Recurring Rate (RC)</b>	<b>Non-Recurring Rate (NRC)</b>
PE1ES	Co-Carrier Cross-Connect	Per linear ft.	\$ .003	\$540.00
PE1DS	Fiber Cable Support Structure	Per linear ft.	\$ .004	\$540.00
	Copper or Coaxial Cable Support Structure			
PE1AX	Security Access System Security System*	Per premises	\$52.00	
PE1AA	New Access Card Activation*	Per card		\$55.00
	Administrative change, existing card*	Per card		\$35.00
PE1AR	Replace lost or stolen card*	Per card		\$250.00
PE1SR	Space Availability Report*	Per premises requested		\$550.00
PE1PE	POT Bay Arrangements <i>Prior to 6/1/99</i> 2-Wire Cross-Connect	Per cross-connect	\$0.40	NA
PE1PF	4-Wire Cross-Connect		\$1.20	NA
PE1PG	DS1 Cross-Connect		\$1.20	NA
PE1PH	DS3 Cross-Connect		\$8.00	NA
PE1B2	2 Fiber Cross-Connect		\$38.79	NA
PE1B4	4 Fiber Cross-Connect		\$52.31	NA
AEH	Additional Engineering Fee	Per request, First half hour/add'l half hour		First/Add'l Basic Time \$31.00/\$22.00 Overtime \$37.00/\$26.00
PE1BT	Security Escort Basic Time	Per half hr./Add'l half hr.	NA	\$41.00/\$25.00
PE1OT	Overtime		NA	\$48.00/\$30.00
PE1PT	Premium Time		NA	\$55.00/\$35.00

N/A refers to rate elements which do not have a negotiated rate.

**EXHIBIT A: BELLSOUTH/Z-Tel RATES – KENTUCKY**  
**PHYSICAL COLLOCATION**

**Rates marked with an asterisk (\*) are interim and are subject to true-up.**

USOC	Rate Element Description	Unit	Recurring Rate (RC)	Non-Recurring Rate (NRC)
PE1BA	Application Fee	Per request	NA	\$9,926.72
PE1CA	Subsequent Application Fee	Per request	NA	\$1,600.00 Minimum
	Space Preparation Fee Firm Order Processing*			\$1,211.00
	Central Office Modifications*	Per sq. ft.	\$2.58	
	Common Systems Modifications – Cageless*	Per sq. ft.	\$2.96	
	Common Systems Modifications – Caged*	Per cage	\$100.66	
PE1BW	Space Enclosure (100 sq. ft. minimum) Welded Wire-mesh	Per first 100 sq. ft.	\$201.02	NA
PE1CW	Welded Wire-mesh	Per add'l 50 sq. ft.	\$20.42	NA
PE1PJ	Floor Space	Per sq. ft.	\$5.00	NA
PE1BD	Cable Installation	Per cable	NA	\$2,327.08
PE1PM	Cable Support Structure	Per entrance cable	\$24.23	NA
PE1PL	Power -48V DC Power	Per amp	\$8.86	
PE1FB	120V AC Power single phase*	Per breaker amp	\$5.50	ICB
PE1FD	240V AC Power single phase*	Per breaker amp	\$11.00	ICB
PE1FE	120V AC Power three phase*	Per breaker amp	\$16.50	ICB
PE1FG	277 AC Power three phase*	Per breaker amp	\$38.20	ICB
PE1P2	Cross Connects 2-wire	Per cross connect	\$0.31	First/Add'l \$54.21/\$51.07
PE1P4	4-wire		\$0.62	\$54.23/\$50.96
PE1P1	DS-1		\$1.92	\$99.23/\$69.15
PE1P3	DS-3		\$39.94	\$97.48/\$66.90
PE1F2	2-fiber		\$15.64	\$41.56/\$29.82
PE1F4	4-fiber		\$28.11	\$50.53/\$38.78

<b>KENTUCKY (continued)</b>				
<b>USOC</b>	<b>Rate Element Description</b>	<b>Unit</b>	<b>Recurring Rate (RC)</b>	<b>Non-Recurring Rate (NRC)</b>
PE1ES	Co-Carrier Cross-Connect	Per linear ft.	\$ .003	\$540.00
PE1DS	Fiber Cable Support Structure	Per linear ft.	\$ .004	\$540.00
	Copper or Coaxial Cable Support Structure			
PE1AX	Security Access System Security System*	Per premises	\$52.00	
PE1AA	New Access Card Activation	Per card		\$55.00
	Administrative change, existing card	Per card		\$35.00
PE1AR	Replace lost or stolen card	Per card		\$250.00
PE1SR	Space Availability Report	Per premises requested		\$550.00
PE1PE	POT Bay Arrangements <i>Prior to 6/1/99</i>	Per cross-connect		
PE1PF	2-Wire Cross-Connect		\$0.06	NA
PE1PG	4-Wire Cross-Connect		\$0.15	NA
PE1PH	DS1 Cross-Connect		\$0.58	NA
PE1B2	DS3 Cross-Connect		\$4.51	NA
PE1B4	2 Fiber Cross-Connect		\$38.79	NA
	4 Fiber Cross-Connect		\$52.31	NA
PE1BT	Security Escort	Per half hr./Add'l half hr.	NA	\$56.09/\$31.99
PE1OT	Basic Time		NA	\$67.75/\$39.00
PE1PT	Overtime		NA	\$79.41/\$46.01
	Premium Time			
AEH	Additional Engineering Fee	Per request, first half hr/add'l half hr.		First/Add'l Basic Time \$31.00/\$22.00 Overtime \$37.00/\$26.00

N/A refers to rate elements which do not have a negotiated rate.

**EXHIBIT A: BELLSOUTH/Z-Tel RATES – LOUISIANA**  
**PHYSICAL COLLOCATION**

**Rates marked with an asterisk (\*) are interim and are subject to true-up.**

USOC	Rate Element Description	Unit	Recurring Rate (RC)	Non-Recurring Rate (NRC)
PE1BA	Application Fee	Per request	NA	\$4,910.00
PE1CA	Subsequent Application Fee	Per request	NA	\$1,600.00 Minimum
	Space Preparation Fee Firm Order Processing*			\$1,211.00
	Central Office Modifications*	Per sq. ft.	\$2.58	
	Common Systems Modifications – Cageless*	Per sq. ft.	\$2.96	
	Common Systems Modifications – Caged*	Per cage	\$100.66	
PE1BW	Space Enclosure (100 sq. ft. minimum) Welded Wire-mesh	Per first 100 sq. ft.	\$197.55	NA
PE1CW	Welded Wire-mesh	Per add'l 50 sq. ft.	\$20.07	NA
PE1PJ	Floor Space	Per sq. ft.	\$4.01	NA
PE1BD	Cable Installation	Per cable	NA	\$1,706.00 Disconnect charge \$36.00
PE1PM	Cable Support Structure	Per entrance cable	\$24.05	NA
PE1PL	Power -48V DC Power	Per amp	\$8.86	
PE1FB	120V AC Power single phase*	Per breaker amp	\$5.50	ICB
PE1FD	240V AC Power single phase*	Per breaker amp	\$11.00	ICB
PE1FE	120V AC Power three phase*	Per breaker amp	\$16.50	ICB
PE1FG	277 AC Power three phase*	Per breaker amp	\$38.20	ICB
PE1P2	Cross Connects ( <b>Note 1</b> ) 2-wire	Per cross connect	\$0.26	First/Add'l \$23.04/\$22.11
PE1P4	4-wire		\$0.52	\$23.23/\$22.24
PE1P1	DS-1		\$2.03	\$43.61/\$30.60
PE1P3	DS-3		\$36.27	\$41.46/\$29.20

LOUISIANA (continued)				
USOC	Rate Element Description	Unit	Recurring Rate (RC)	Non-Recurring Rate (NRC)
PE1F2 PE1F4	Cross Connects (continued) 2-fiber 4-fiber	Per cross connect	\$19.13 \$34.38	First/Add'l \$41.07/\$29.63 \$49.81/\$38.37
	2-wire 4-wire DS-1 DS-3 2-fiber 4-fiber			Disconnect Charges First/Add'l \$9.48/\$8.54 \$9.53/\$8.55 \$9.56/\$8.63 \$11.06/\$8.86 \$12.84/\$10.29 \$16.75/\$14.20
PE1ES PE1DS	Co-Carrier Cross-Connect Fiber Cable Support Structure Copper or Coaxial Cable Support Structure	Per linear ft. Per linear ft.	\$.003 \$.004	\$540.00 \$540.00
PE1AX PE1AA PE1AR	Security Access System Security System* New Access Card Activation* Administrative change, existing card* Replace lost or stolen card	Per premises Per card Per card Per card	\$52.00	\$55.00 \$35.00 \$250.00
PE1SR	Space Availability Report*	Per premises requested		\$550.00
PE1PE PE1PF PE1PG PE1PH PE1B2 PE1B4	POT Bay Arrangements <i>Prior to 6/1/99</i> 2-Wire Cross-Connect 4-Wire Cross-Connect DS1 Cross-Connect DS3 Cross-Connect 2 Fiber Cross-Connect 4 Fiber Cross-Connect	Per cross-connect	\$0.0776 \$0.1552 \$0.6406 \$4.75 \$47.44 \$63.97	NA NA NA NA NA NA
AEH	Additional Engineering Fee	Per request, first half hr/add'l half hr.		First/Add'l Basic Time \$31.00/\$22.00 Overtime \$37.00/\$26.00



LOUISIANA (continued)				
USOC	Rate Element Description	Unit	Recurring Rate (RC)	Non-Recurring Rate (NRC)
	Security Escort	Per half hr./Add'1 half hr.		
PE1BT	Basic Time		NA	\$32.35/\$19.95
PE1OT	Overtime		NA	\$40.50/\$25.00
PE1PT	Premium Time		NA	\$48.66/\$30.05

**Note(s):**

N/A refers to rate elements which do not have a negotiated rate.

- (1) **Cross Connects:** The charges for cross connects are for orders placed electronically. Cross connect elements may also be ordered manually for which there is an additional charge per element.

	First / Additional	Disconnect Charges First / Additional
2-wire	\$24.92/\$23.99	\$10.56/\$9.62
4-wire	\$25.11/\$24.12	\$10.61/\$9.63
DS-1	\$45.49/\$32.48	\$10.64/\$9.71
DS-3	\$43.34/\$31.08	\$12.14/\$9.94

**EXHIBIT A: BELLSOUTH/Z-Tel RATES – MISSISSIPPI**  
**PHYSICAL COLLOCATION**

**Rates marked with an asterisk (\*) are interim and are subject to true-up.**

USOC	Rate Element Description	Unit	Recurring Rate (RC)	Non-Recurring Rate (NRC)
PE1BA	Application Fee	Per request	NA	\$6,993.00 Disconnect Charge \$1.70
PE1CA	Subsequent Application Fee	Per request	NA	\$1,600.00 Minimum
	Space Preparation Fee Firm Order Processing*			\$1,211.00
	Central Office Modifications*	Per sq. ft.	\$2.58	
	Common Systems Modifications – Cageless*	Per sq. ft.	\$2.96	
	Common Systems Modifications – Caged*	Per cage	\$100.66	
PE1BW	Space Enclosure(100 sq. ft. minimum) Welded Wire-mesh	Per first 100 sq. ft.	\$205.08	NA
PE1CW	Welded Wire-mesh	Per add'l 50 sq. ft.	\$20.83	NA
PE1PJ	Floor Space	Per sq. ft.	\$3.45	
PE1BD	Cable Installation	Per cable	NA	\$2,419.00 Disconnection charge \$53.24
PE1PM	Cable Support Structure	Per entrance cable	\$22.90	NA
PE1PL	Power -48V DC Power	Per amp	\$8.86	
PE1FB	120V AC Power single phase*	Per breaker amp	\$5.50	ICB
PE1FD	240V AC Power single phase*	Per breaker amp	\$11.00	ICB
PE1FE	120V AC Power three phase*	Per breaker amp	\$16.50	ICB
PE1FG	277 AC Power three phase*	Per breaker amp	\$38.20	ICB
PE1P2	Cross Connects ( <b>Note 1</b> ) 2-wire	Per cross connect	\$ .3996	First/Add'l \$30.93/\$29.59
PE1P4	4-wire		\$ .7992	\$31.17/\$29.77

MISSISSIPPI (continued)				
USOC	Rate Element Description	Unit	Recurring Rate (RC)	Non-Recurring Rate (NRC)
PE1P1	Cross Connects (continued) DS-1	Per cross connect	\$2.90	First/Add'l \$60.42/\$41.68
PE1P3	DS-3		\$53.31	\$57.45/\$39.81
PE1F2	2-fiber		\$15.64	\$41.56/\$29.82
PE1F4	4-fiber		\$28.11	\$50.53/\$38.78
				Disconnect Charges
				First/Add'l
	2-wire			\$12.76/\$11.43
	4-wire			\$12.83/\$11.43
	DS-1			\$12.87/\$11.54
	DS-3			\$14.92/\$11.80
	2-fiber			\$12.96/\$10.34
	4-fiber			\$16.97/\$14.35
PE1ES	Co-Carrier Cross-Connect Fiber Cable Support Structure	Per linear ft.	\$.003	\$540.00
PE1DS	Copper or Coaxial Cable Support Structure	Per linear ft.	\$.004	\$540.00
PE1AX	Security Access System Security System*	Per premises	\$52.00	
PE1AA	New Access Card Activation* Administrative change, existing card*	Per card Per card		\$55.00 \$35.00
PE1AR	Replace lost or stolen card	Per card		\$250.00
PE1SR	Space Availability Report*	Per premises requested		\$550.00
PE1PE	POT Bay Arrangements <i>Prior to 6/1/99</i> 2-Wire Cross-Connect	Per cross-connect	\$0.1195	NA
PE1PF	4-Wire Cross-Connect		\$0.2389	NA
PE1PG	DS1 Cross-Connect		\$0.9862	NA
PE1PH	DS3 Cross-Connect		\$5.81	NA
PE1B2	2 Fiber Cross-Connect		\$38.79	NA
PE1B4	4 Fiber Cross-Connect		\$52.31	NA
AEH	Additional Engineering Fee	Per request, first half hr/add'l half hr.		First/Add'l Basic Time \$31.00/\$22.00 Overtime \$37.00/\$26.00

MISSISSIPPI (continued)				
USOC	Rate Element Description	Unit	Recurring Rate (RC)	Non-Recurring Rate (NRC)
	Security Escort	Per half hr./Add'1 half hr.		
PE1BT	Basic Time		NA	\$42.87/\$25.54
PE1OT	Overtime		NA	\$54.43/\$32.41
PE1PT	Premium Time		NA	\$65.99/\$39.28

**Note(s):**

N/A refers to rate elements which do not have a negotiated rate.

- (1) **Cross Connects:** The charges for cross connects are for orders placed electronically. Cross connect elements may also be ordered manually for which there is an additional charge per element.

	First / Additional	Disconnect Charges First / Additional
2-wire	\$33.58 / \$32.24	\$14.27 / \$12.94
4-wire	\$33.82 / \$32.42	\$14.34 / \$12.94
DS-1	\$63.07 / \$44.33	\$14.38 / \$13.05
DS-3	\$60.10 / \$42.46	\$16.43 / \$13.31

**EXHIBIT A: BELLSOUTH/Z-Tel RATES – NORTH CAROLINA**  
**PHYSICAL COLLOCATION**

**Rates marked with an asterisk (\*) are interim and are subject to true-up.**

USOC	Rate Element Description	Unit	Recurring Rate (RC)	Non-Recurring Rate (NRC)
PE1BA	Application Fee	Per request	NA	\$3,850.00
PE1CA	Subsequent Application Fee	Per request	NA	\$1,600.00 Minimum
	Space Preparation Fee			
	Central Office Modification	Per sq. ft.	\$1.57	
	Common Systems Modification – Cageless	Per sq. ft.	\$3.26	
	Common Systems Modification – Caged	Per cage	\$110.79	
	Power	Per nominal –48v DC Amp	\$5.76	
PE1BW	Space Enclosure (100 sq. ft. minimum)			
PE1CW	Welded Wire-mesh	Per first 100 sq. ft.	\$102.76	NA
	Welded Wire-mesh	Per add'l 50 sq. ft.	\$10.44	NA
PE1PJ	Floor Space	Per sq. ft.	\$3.45	NA
PE1BD	Cable Installation	Per cable	NA	\$2,305.00
PE1PM	Cable Support Structure	Per entrance cable	\$21.33	NA
PE1PL	Power			
PE1FB	-48V DC Power	Per amp	\$6.65	ICB
PE1FD	120V AC Power single phase*	Per breaker amp	\$5.50	ICB
PE1FE	240V AC Power single phase*	Per breaker amp	\$11.00	ICB
PE1FG	120V AC Power three phase*	Per breaker amp	\$16.50	ICB
	277 AC Power three phase*	Per breaker amp	\$38.20	ICB
PE1P2	Cross Connects ( <b>Note 1</b> )	Per cross connect		First/Add'l
PE1P4	2-wire		\$0.32	\$41.78/\$39.23
PE1P1	4-wire		\$0.64	\$41.91/\$39.25
PE1P3	DS-1		\$2.34	\$71.02/\$51.08
PE1F2	DS-3		\$42.84	\$69.84/\$49.43
PE1F4	2-fiber		\$15.99	\$67.34/\$48.55
	4-fiber		\$28.74	\$82.35/\$63.56

NORTH CAROLINA (continued)				
USOC	Rate Element Description	Unit	Recurring Rate (RC)	Non-Recurring Rate (NRC)
PE1ES	Co-Carrier Cross-Connect Fiber Cable Support Structure	Per linear ft.	\$ .003	\$540.00
PE1DS	Copper or Coaxial Cable Support Structure	Per linear ft.	\$ .004	\$540.00
PE1AX	Security Access System Security System*	Per premises	\$52.00	
PE1AA	New Access Card Activation* Administrative change, existing card*	Per card Per card		\$55.00 \$35.00
PE1AR	Replace lost or stolen card	Per card		\$250.00
PE1SR	Space Availability Report*	Per premises requested		\$550.00
PE1PE	POT Bay Arrangements <i>Prior to 6/1/99</i> 2-Wire Cross-Connect	Per cross-connect	\$0.10	NA
PE1PF	4-Wire Cross-Connect		\$0.19	NA
PE1PG	DS1 Cross-Connect		\$0.79	NA
PE1PH	DS3 Cross-Connect		\$4.85	NA
PE1B2	2 Fiber Cross-Connect		\$39.67	NA
PE1B4	4 Fiber Cross-Connect		\$53.49	NA
PE1BT	Security Escort Basic Time	Per half hr./Add'l half hr.	NA	\$42.92/\$25.56
PE1OT	Overtime		NA	\$54.51/\$32.44
PE1PT	Premium Time		NA	\$66.10/\$39.32
AEH	Additional Engineering Fee	Per request, first half hr/add'l half hr.		First/Add'l Basic Time \$31.00/\$22.00 Overtime \$37.00/\$26.00

**EXHIBIT A: BELLSOUTH/Z-Tel RATES – NORTH CAROLINA**  
**PHYSICAL COLLOCATION (continued)**

**Note(s):**

N/A refers to rate elements which do not have a negotiated rate.

- (1) **Cross Connect:** The charges for cross connects are for orders placed electronically. Cross connect elements may also be ordered manually for which there is an additional charge per element.

	<u>First/Additional</u>
2-wire	\$46.53/\$43.98
4-wire	\$46.64/\$43.98
DS-1	\$75.72/\$55.78
DS-3	\$74.54/\$54.13

**EXHIBIT A: BELLSOUTH/Z-Tel RATES – SOUTH CAROLINA**  
**PHYSICAL COLLOCATION**

**Rates marked with an asterisk (\*) are interim and are subject to true-up.**

USOC	Rate Element Description	Unit	Recurring Rate (RC)	Non-Recurring Rate (NRC)
PE1BA	Application Fee	Per request	NA	\$4,850.00
PE1CA	Subsequent Application Fee	Per request	NA	\$1,600.00 Minimum
	Space Preparation Fee Firm Order Processing*			\$1,211.00
	Central Office Modifications*	Per sq. ft.	\$2.58	
	Common Systems Modifications – Cageless*	Per sq. ft.	\$2.96	
	Common Systems Modifications – Caged*	Per cage	\$100.66	
PE1BW	Space Enclosure (100 sq. ft. minimum) Welded Wire-mesh	Per first 100 sq. ft.	\$224.60	NA
PE1CW	Welded Wire-mesh	Per add'l 50 sq. ft.	\$22.81	NA
PE1PJ	Floor Space	Per sq. ft.	\$3.90	NA
PE1BD	Cable Installation	Per cable	NA	\$2,217.00
PE1PM	Cable Support Structure	Per entrance cable	\$24.55	NA
PE1PL	Power -48V DC Power	Per amp	\$8.86	
PE1FB	120V AC Power single phase*	Per breaker amp	\$5.50	ICB
PE1FD	240V AC Power single phase*	Per breaker amp	\$11.00	ICB
PE1FE	120V AC Power three phase*	Per breaker amp	\$16.50	ICB
PE1FG	277 AC Power three phase*	Per breaker amp	\$38.20	ICB
PE1P2	Cross Connects ( <b>Note 1</b> ) 2-wire	Per cross connect	\$ .3648	First/Add'l \$41.50/\$38.94
PE1P4	4-wire		\$ .7297	\$41.56/\$38.90
PE1P1	DS-1		\$2.70	\$70.79/\$50.78
PE1P3	DS-3		\$49.24	\$69.60/\$49.14
PE1F2	2-fiber		\$15.06	\$69.28/\$48.89
PE1F4	4-fiber		\$27.08	\$84.07/\$63.68



<b>SOUTH CAROLINA (continued)</b>				
<b>USOC</b>	<b>Rate Element Description</b>	<b>Unit</b>	<b>Recurring Rate (RC)</b>	<b>Non-Recurring Rate (NRC)</b>
PE1ES	Co-Carrier Cross-Connect Fiber Cable Support Structure	Per linear ft.	\$ .003	\$540.00
PE1DS	Copper or Coaxial Cable Support Structure	Per linear ft.	\$ .004	\$540.00
PE1AX	Security Access System Security System*	Per premises	\$52.00	
PE1AA	New Access Card Activation* Administrative change, existing card*	Per card Per card		\$55.00 \$35.00
PE1AR	Replace lost or stolen card	Per card		\$250.00
PE1SR	Space Availability Report*	Per premises requested		\$550.00
PE1PE	POT Bay Arrangements <i>Prior to 6/1/99</i> 2-Wire Cross-Connect	Per cross-connect	\$0.1091	NA
PE1PF	4-Wire Cross-Connect		\$0.2181	NA
PE1PG	DS1 Cross-Connect		\$0.9004	NA
PE1PH	DS3 Cross-Connect		\$5.64	NA
PE1B2	2 Fiber Cross-Connect		\$37.36	NA
PE1B4	4 Fiber Cross-Connect		\$50.38	NA
PE1BT	Security Escort Basic Time	Per half hr./Add'l half hr.	NA	\$43.00/\$25.57
PE1OT	Overtime		NA	\$54.62/\$32.46
PE1PT	Premium Time		NA	\$66.24/\$39.35
AEH	Additional Engineering Fee	Per request, first half hr/add'l half hr.		First/Add'l Basic Time \$31.00/\$22.00 Overtime \$37.00/\$26.00

**EXHIBIT A: BELLSOUTH/Z-Tel RATES – SOUTH CAROLINA**  
**PHYSICAL COLLOCATION (continued)**

**Note(s):**

N/A refers to rate elements which do not have a negotiated rate.

- (1) **Cross Connects:** The charges for cross connects are for orders placed electronically. Cross connect elements may also be ordered manually for which there is an additional charge per element.

	<u>First / Additional</u>
2-wire	\$46.66 / \$44.10
4-wire	\$46.68 / \$44.02
DS-1	\$75.88 / \$55.87
DS-3	\$74.69 / \$54.23

**EXHIBIT A: BELLSOUTH/Z-Tel RATES – TENNESSEE**  
**PHYSICAL COLLOCATION**

**\* Rates are interim and are subject to true-up.**

USOC	Rate Element Description	Unit	Recurring Rate (RC)	Non-Recurring Rate (NRC)
PE1BA	Application Fee	Per request	NA	\$3,850.00
PE1CA	Subsequent Application Fee	Per request	NA	\$1,600.00 Minimum
	Space Preparation Fee Firm Order Processing*			\$1,211.00
	Central Office Modifications*	Per sq. ft.	\$2.58	
	Common Systems Modifications – Cageless*	Per sq. ft.	\$2.96	
	Common Systems Modifications – Caged*	Per cage	\$100.66	
PE1BW	Space Enclosure (100 sq. ft. minimum) Welded Wire-mesh	Per first 100 sq. ft.	\$190.79	NA
PE1CW	Welded Wire-mesh	Per add'l 50 sq. ft.	\$19.38	NA
PE1PJ	Floor Space	Per sq. ft.	\$7.50	NA
PE1BD	Cable Installation	Per cable	NA	\$2,750.00
PE1PM	Cable Support Structure	Per entrance cable	\$13.35	NA
PE1PL	Power -48V DC Power	Per amp	\$8.86	
PE1FB	120V AC Power single phase*	Per breaker amp	\$5.50	ICB
PE1FD	240V AC Power single phase*	Per breaker amp	\$11.00	ICB
PE1FE	120V AC Power three phase*	Per breaker amp	\$16.50	ICB
PE1FG	277 AC Power three phase*	Per breaker amp	\$38.20	ICB
PE1P2	Cross Connects 2-wire	Per cross connect	\$0.30	First/Add'l \$19.20/\$19.20
PE1P4	4-wire		\$0.50	\$19.20/\$19.20
PE1P1	DS-1		\$8.00	\$155.00/\$27.00
PE1P3	DS-3		\$72.00	\$155.00/\$27.00
PE1F2	2-fiber		\$15.64	\$41.56/\$29.82
PE1F4	4-fiber		\$28.11	\$50.53/\$38.78

TENNESSEE (continued)				
USOC	Rate Element Description	Unit	Recurring Rate (RC)	Non-Recurring Rate (NRC)
PE1ES	Co-Carrier Cross-Connect	Per linear ft.	\$ .003	\$540.00
PE1DS	Fiber Cable Support Structure	Per linear ft.	\$ .004	\$540.00
	Copper or Coaxial Cable Support Structure			
PE1AX	Security Access System Security System	Per premises	\$52.00	
PE1AA	New Access Card Activation	Per card		\$55.00
	Administrative change, existing card	Per card		\$35.00
PE1AR	Replace lost or stolen card	Per card		\$250.00
PE1SR	Space Availability Report*	Per premises requested		\$550.00
PE1PE	POT Bay Arrangements <i>Prior to 6/1/99</i>	Per cross-connect		
PE1PF	2-Wire Cross-Connect		\$0.40	NA
PE1PG	4-Wire Cross-Connect		\$1.20	NA
PE1PH	DS1 Cross-Connect		\$1.20	NA
PE1B2	DS3 Cross-Connect		\$8.00	NA
PE1B4	2 Fiber Cross-Connect		\$38.79	NA
	4 Fiber Cross-Connect		\$52.31	NA
PE1BT	Security Escort	Per half hr./Add'l half hr.		
PE1OT	Basic Time		NA	\$41.00/\$25.00
PE1PT	Overtime		NA	\$48.00/\$30.00
	Premium Time		NA	\$55.00/\$35.00
AEH	Additional Engineering Fee	Per request, first half hr/add'l half hr.		First/Add'l Basic Time \$31.00/\$22.00 Overtime \$37.00/\$26.00

N/A refers to rate elements which do not have a negotiated rate.

## **ENVIRONMENTAL AND SAFETY PRINCIPLES**

The following principles provide basic guidance on environmental and safety issues when applying for and establishing Physical Collocation arrangements.

### **1. GENERAL PRINCIPLES**

- 1.1 Compliance with Applicable Law. BellSouth and Z-Tel agree to comply with applicable federal, state, and local environmental and safety laws and regulations including U.S. Environmental Protection Agency (USEPA) regulations issued under the Clean Air Act (CAA), Clean Water Act (CWA), Resource Conservation and Recovery Act (RCRA), Comprehensive Environmental Response, Compensation and Liability Act (CERCLA), Superfund Amendments and Reauthorization Act (SARA), the Toxic Substances Control Act (TSCA), and OSHA regulations issued under the Occupational Safety and Health Act of 1970, as amended and NFPA and National Electrical Codes (NEC) and the NESC (“Applicable Laws”). Each Party shall notify the other if compliance inspections are conducted by regulatory agencies and/or citations are issued that relate to any aspect of this Agreement.
- 1.2 Notice. BellSouth and Z-Tel shall provide notice to the other, including Material Safety Data Sheets (MSDSs), of known and recognized physical hazards or Hazardous Chemicals existing on site or brought on site. Each Party is required to provide specific notice for known potential Imminent Danger conditions. Z-Tel should contact 1-800-743-6737 for BellSouth MSDS sheets.
- 1.3 Practices/Procedures. BellSouth may make available additional environmental control procedures for Z-Tel to follow when working at a BellSouth Premises (See Section 2, below). These practices/procedures will represent the regular work practices required to be followed by the employees and contractors of BellSouth for environmental protection. Z-Tel will require its contractors, agents and others accessing the BellSouth Premises to comply with these practices. Section 2 lists the Environmental categories where BST practices should be followed by CLEC when operating in the BellSouth Premises.
- 1.4 Environmental and Safety Inspections. BellSouth reserves the right to inspect the Z-Tel space with proper notification. BellSouth reserves the right to stop any Z-Tel work operation that imposes Imminent Danger to the environment, employees or other persons in the area or Facility.
- 1.5 Hazardous Materials Brought On Site. Any hazardous materials brought into, used, stored or abandoned at the BellSouth Premises by Z-Tel are owned by Z-Tel. Z-Tel will indemnify BellSouth for claims, lawsuits or damages to persons or property

- caused by these materials. Without prior written BellSouth approval, no substantial new safety or environmental hazards can be created by Z-Tel or different hazardous materials used by Z-Tel at BellSouth Facility. Z-Tel must demonstrate adequate emergency response capabilities for its materials used or remaining at the BellSouth Facility.
- 1.6 Spills and Releases. When contamination is discovered at a BellSouth Premises, the Party discovering the condition must notify BellSouth. All Spills or Releases of regulated materials will immediately be reported by Z-Tel to BellSouth.
- 1.7 Coordinated Environmental Plans and Permits. BellSouth and Z-Tel will coordinate plans, permits or information required to be submitted to government agencies, such as emergency response plans, spill prevention control and countermeasures (SPCC) plans and community reporting. If fees are associated with filing, BellSouth and Z-Tel will develop a cost sharing procedure. If BellSouth's permit or EPA identification number must be used, Z-Tel must comply with all of BellSouth's permit conditions and environmental processes, including environmental "best management practices (BMP)" (see Section 2, below) and/or selection of BST disposition vendors and disposal sites.
- 1.8 Environmental and Safety Indemnification. BellSouth and Z-Tel shall indemnify, defend and hold harmless the other Party from and against any claims (including, without limitation, third-party claims for personal injury or death or real or personal property damage), judgments, damages, (including direct and indirect damages, and punitive damages), penalties, fines, forfeitures, costs, liabilities, interest and losses arising in connection with the violation or alleged violation of any Applicable Law or contractual obligation or the presence or alleged presence of contamination arising out of the acts or omissions of the indemnifying Party, its agents, contractors, or employees concerning its operations at the Facility.

## **2. CATEGORIES FOR CONSIDERATION OF ENVIRONMENTAL ISSUES**

When performing functions that fall under the following Environmental categories on BellSouth's Premises, Z-Tel agrees to comply with the applicable sections of the current issue of BellSouth's Environmental and Safety Methods and Procedures (M&Ps), incorporated herein by this reference. Z-Tel further agrees to cooperate with BellSouth to ensure that Z-Tel's employees, agents, and/or subcontractors are knowledgeable of and satisfy those provisions of BellSouth's Environmental M&Ps which apply to the specific Environmental function being performed by Z-Tel, its employees, agents and/or subcontractors.

The most current version of reference documentation must be requested from BellSouth.

ENVIRONMENTAL CATEGORIES	ENVIRONMENTAL ISSUES	ADDRESSED BY THE FOLLOWING DOCUMENTATION
Disposal of hazardous material or other regulated material (e.g., batteries, fluorescent tubes, solvents & cleaning materials)	Compliance with all applicable local, state, & federal laws and regulations  Pollution liability insurance  EVET approval of contractor	<ul style="list-style-type: none"> <li>• Std T&amp;C 450</li> <li>• Fact Sheet Series 17000</li>   <li>• Std T&amp;C 660-3</li>   <li>• Approved Environmental Vendor List (Contact E/S Management)</li> </ul>
Emergency response	Hazmat/waste release/spill firesafety emergency	<ul style="list-style-type: none"> <li>• Fact Sheet Series 1700</li> <li>• Building Emergency Operations Plan (EOP) (specific to and located on Premises)</li> </ul>
Contract labor/outsourcing for services with environmental implications to be performed on BellSouth Premises (e.g., disposition of hazardous material/waste; maintenance of storage tanks)	Compliance with all applicable local, state, & federal laws and regulations  Performance of services in accordance with BST's environmental M&Ps  Insurance	<ul style="list-style-type: none"> <li>• Std T&amp;C 450</li>   <li>• Std T&amp;C 450-B</li> <li>• (Contact E/S for copy of appropriate E/S M&amp;Ps.)</li>   <li>• Std T&amp;C 660</li> </ul>
Transportation of hazardous material	Compliance with all applicable local, state, & federal laws and regulations  Pollution liability insurance  EVET approval of contractor	<ul style="list-style-type: none"> <li>• Std T&amp;C 450</li> <li>• Fact Sheet Series 17000</li>   <li>• Std T&amp;C 660-3</li>   <li>• Approved Environmental Vendor List (Contact E/S Management)</li> </ul>
Maintenance/operations work which may produce a waste  Other maintenance work	Compliance with all application local, state, & federal laws and regulations  Protection of BST employees and equipment	<ul style="list-style-type: none"> <li>• Std T&amp;C 450</li>   <li>• 29CFR 1910.147 (OSHA Standard)</li> <li>• 29CFR 1910 Subpart O (OSHA Standard)</li> </ul>
Janitorial services	All waste removal and disposal	<ul style="list-style-type: none"> <li>• P&amp;SM Manager -</li> </ul>

	<p>must conform to all applicable federal, state and local regulations</p> <p>All Hazardous Material and Waste</p> <p>Asbestos notification and protection of employees and equipment</p>	<p>Procurement</p> <ul style="list-style-type: none"> <li>• Fact Sheet Series 17000</li> <li>• GU-BTEN-001BT, Chapter 3</li> <li>• BSP 010-170-001BS (Hazcom)</li> </ul>
Manhole cleaning	<p>Compliance with all applicable local, state, &amp; federal laws and regulations</p> <p>Pollution liability insurance</p> <p>EVET approval of contractor</p>	<ul style="list-style-type: none"> <li>• Std T&amp;C 450</li> <li>• Fact Sheet 14050</li> <li>• BSP 620-145-011PR Issue A, August 1996</li> <li>• Std T&amp;C 660-3</li> <li>• Approved Environmental Vendor List (Contact E/S Management)</li> </ul>
Removing or disturbing building materials that may contain asbestos	Asbestos work practices	<ul style="list-style-type: none"> <li>• GU-BTEN-001BT, Chapter 3</li> </ul>

### 3. DEFINITIONS

**Generator.** Under RCRA, the person whose act produces a Hazardous Waste, as defined in 40 CFR 261, or whose act first causes a Hazardous Waste to become subject to regulation. The Generator is legally responsible for the proper management and disposal of Hazardous Wastes in accordance with regulations.

**Hazardous Chemical.** As defined in the U.S. Occupational Safety and Health (OSHA) hazard communication standard (29 CFR 1910.1200), any chemical which is a health hazard or physical hazard.

**Hazardous Waste.** As defined in section 1004 of RCRA.

**Imminent Danger.** Any conditions or practices at a facility which are such that a danger exists which could reasonably be expected to cause immediate death or serious harm to people or immediate significant damage to the environment or natural resources.

**Spill or Release.** As defined in Section 101 of CERCLA.

### 4. ACRONYMS

**E/S** – Environmental/Safety



EVET - Environmental Vendor Evaluation Team

DEC/LDEC - Department Environmental Coordinator/Local Department Environmental Coordinator

GU-BTEN-001BT - BellSouth Environmental Methods and Procedures

NESC - National Electrical Safety Codes

P&SM - Property & Services Management

Std. T&C - Standard Terms & Conditions

**Attachment 5**  
**Access to Numbers and Number Portability**

**TABLE OF CONTENTS**

**1. Non-Discriminatory Access To Telephone Numbers .....3**

**2. Number Portability Permanent Solution .....3**

**3. Service Provider Number Portability .....4**

**4. SPNP Implementation.....4**

**5. Transition To Permanent Number Portability .....7**

**6. True-Up .....7**

**7. Operational Support System (OSS) Rates .....8**

**Rates.....Exhibit A**

## ACCESS TO NUMBERS AND NUMBER PORTABILITY

### 1. Non-Discriminatory Access to Telephone Numbers

All the negotiated rates, terms and conditions set forth in this Attachment pertain to the provisioning of local number portability.

- 1.1 During the term of this Agreement, Z-Tel shall contact the North American Numbering Plan Administrator, Neustar, for the assignment of numbering resources. In order to be assigned a Central Office Code, Z-Tel will be required to complete the Central Office Code (NXX) Assignment Request and Confirmation Form (Code Request Form) in accordance with Industry Numbering Committee's Central Office Code (NXX) Assignment Guidelines (INC 95-0407-008).
- 1.2 For the purposes of the resale of BellSouth's telecommunications services by Z-Tel, BellSouth will provide Z-Tel with on line access to telephone numbers for reservation on a first come first served basis. Such reservations of telephone numbers, on a pre-ordering basis shall be for a period of ninety (90) days. Z-Tel acknowledges that there may be instances where there is a shortage of telephone numbers in a particular CLLIC and in such instances BellSouth may request that Z-Tel cancel its reservations of numbers. Z-Tel shall comply with such request.
- 1.3 Further, upon Z-Tel request and for the purposes of the resale of BellSouth's telecommunications services by Z-Tel, BellSouth will reserve up to 100 telephone numbers per Common Language Location Identifier Code (CLLIC), for Z-Tel's sole use. Such telephone number reservations shall be transmitted to Z-Tel via electronic file transfer. Such reservations shall be valid for ninety (90) days from the reservation date. Z-Tel acknowledges that there may be instances where there is a shortage of telephone numbers in a particular CLLIC and in such instances BellSouth shall use its best efforts to reserve for a ninety (90) day period a sufficient quantity for Z-Tel's reasonable need in that particular CLLIC.

### 2. Number Portability Permanent Solution

- 2.1 The FCC, the Commissions, and industry forums have developed and BellSouth is implementing a permanent approach to providing service provider number portability. Both Parties will implement a permanent approach as developed and approved by the Commission, the FCC and industry forums. Consistent with the requirements to move to Permanent Number Portability (PNP) as set forth in Section 5 of this Attachment, Interim Service Provider Number Portability (SPNP) may be available only until such permanent solution is implemented in an end office.
- 2.2 End User Line Charge. Recovery of charges associated with implementing PNP through a monthly charge assessed to end users has been authorized by the FCC. This end user line charge will be as filed in FCC No. 1 and will be billed to Z-Tel where Z-

Tel is a subscriber to local switching or where Z-Tel is a reseller of BellSouth telecommunications services. This charge will not be discounted.

### **3. Service Provider Number Portability**

3.1 Definition. Until the industry-wide permanent solution is implemented in an end office, BellSouth shall provide Service Provider Number Portability (“SPNP”). SPNP is an interim service arrangement whereby an end user who switches subscription of his local exchange service from BellSouth to a CLEC, or vice versa, is permitted to retain the use of his existing assigned telephone number, provided that the end user remains at the same location for his local exchange service or changes locations and service providers but stays within the same serving wire center of his existing number.

3.2 Methods of Providing Number Portability. SPNP is available through either remote call forwarding or direct inward dialing trunks, at the election of Z-Tel. Remote call forwarding (SPNP-RCF) is an existing switch-based BellSouth service that redirects calls within the telephone network. Direct inward dialing trunks (SPNP-DID) allow calls to be routed over a dedicated facility to the Z-Tel switch that serves the subscriber.

3.3 Signaling Requirements. SS7 Signaling is required for the provision of SPNP services. SPNP-DID is available from BellSouth on a per DS0, DS1, or DS3 basis. Where SPNP-DID is technically feasible and is provided on a DS1 or a DS3 basis, the applicable channelization rates are those specified in Section E6 in BellSouth’s Intrastate Access Tariffs, incorporated herein by this reference. SPNP is available only for basic local exchange service.

#### **3.4 Rates**

Rates for SPNP are set out in Exhibit A to this Attachment. If no rate is identified in the Attachment, the rate for the specific service or function will be as set forth in applicable BellSouth tariff or as negotiated by the Parties upon request by either Party.

### **4. SPNP Implementation**

4.1 SPNP is available only where a CLEC or BellSouth is currently providing, or will begin providing concurrent with provision of SPNP, basic local exchange service to the affected end user. SPNP for a particular telephone number is available only from the central office originally providing local exchange service to the end user. SPNP for a particular assigned telephone number will be disconnected when any end user, Commission, BellSouth, or CLEC initiated activity (*e.g.*, a change in exchange boundaries) would normally result in a telephone number change had the end user retained his initial local exchange service.

- 4.2 SPNP-RCF, as contemplated by this Agreement, is a telecommunications service whereby a call dialed to an SPNP-RCF equipped telephone number is automatically forwarded to an assigned seven- or ten- digit telephone number within the local calling area as defined in BellSouth's General Subscriber Services Tariff. The forwarded-to number shall be specified by the CLEC or BellSouth, as appropriate. The forwarding Party will provide identification of the originating telephone number, via SS7 signaling, to the receiving Party. Identification of the originating telephone number to the SPNP-RCF end user cannot be guaranteed, however. SPNP-RCF provides a single call path for the forwarding of no more than one simultaneous call to the receiving Party's specified forwarded-to number.
- 4.3 SPNP-DID service, as contemplated by this Agreement, provides trunk side access to end office switches for direct inward dialing to the other Party's premises equipment from the telecommunications network to lines associated with the other Party's switching equipment and must be provided on all trunks in a group arranged for inward service. A SPNP-DID trunk termination charge, provided with SS7 Signaling only, applies for each trunk voice grade equivalent. In addition, direct facilities are required from the end office where a ported number resides to the end office serving the ported end user customer. The rates for a switched local channel and switched dedicated transport apply as contained in BellSouth's Intrastate Access Services tariff, as said tariff is amended from time to time. Transport mileage will be calculated as the airline distance between the end office where the number is ported and the Point of Interface ("POI") using the V&H coordinate method. SPNP-DID must be established with a minimum configuration of two channels and one unassigned telephone number per switch, per arrangement for control purposes. Transport facilities arranged for SPNP-DID may not be mixed with any other type of trunk group, with no outgoing calls placed over said facilities. SPNP-DID will be provided only where such facilities are available and where the switching equipment of the ordering Party is properly equipped. Where SPNP-DID service is required from more than one wire center or from separate trunk groups within the same wire center, such service provided from each wire center or each trunk group within the same wire center shall be considered a separate service. Only customer-dialed sent-paid calls will be completed to the first number of a SPNP-DID number group; however, there are no restrictions on calls completed to other numbers of a SPNP-DID number group. Sent-paid calls refer to those calls placed by an end user who physically deposits currency in a public telephone. Interface group arrangements provided for terminating the switched transport at the Party's terminal location are as set forth in of BellSouth's Intrastate Access Services Tariff, § E6.1.3.A as amended from time to time.
- 4.3.1 SPNP-DID Service requires ordering consecutive telephone numbers in blocks of twenty. To order non-consecutive telephone numbers or telephone numbers in less than blocks of twenty, the NBR process must be used. SS7 Signaling is required for the provision of either of these services.

- 4.4 The calling Party shall be responsible for payment of the applicable charges for sent-paid calls to the SPNP number. For collect, third-party, or other operator-assisted non-sent paid calls to the ported telephone number, BellSouth or the CLEC shall be responsible for the payment of charges under the same terms and conditions for which the end user would have been liable for those charges. Either Party may request that the other block collect and third party non-sent paid calls to the SPNP-assigned telephone number. If a Party does not request blocking, the other Party will provide itemized local usage detail for the billing of non-sent paid calls on the monthly bill of usage charges provided at the individual end user account level. The detail will include itemization of all billable usage. Each Party shall have the option of receiving this usage data on a daily basis via a data file transfer arrangement. This arrangement will utilize the existing industry uniform standard, known as EMR standards, for exchange of billing data. Files of usage data will be created daily for the optional service. Usage originated and recorded in the sending BellSouth RAO will be provided in unrated or rated format, depending on processing system. CLEC usage originated elsewhere and delivered via CMDS to the sending BellSouth RAO shall be provided in rated format.
- 4.5 Each Party shall be responsible for obtaining authorization from the end user for the handling of the disconnection of the end user's service, the provision of new local service and the provision of SPNP services. Each Party shall be responsible for coordinating the provision of service with the other to assure that its switch is capable of accepting SPNP ported traffic. Each Party shall be responsible for providing equipment and facilities that are compatible with the other's service parameters, interfaces, equipment and facilities and shall be required to provide sufficient terminating facilities and services at the terminating end of an SPNP call to adequately handle all traffic to that location and shall be solely responsible to ensure that its facilities, equipment and services do not interfere with or impair any facility, equipment, or service of the other Party or any of its end users. In the event that either Party determines in its reasonable judgment that the other Party will likely impair or is impairing, or interfering with any equipment, facility or service or any of its end users, that Party may either refuse to provide SPNP service or may terminate SPNP service to the other Party after providing appropriate notice.
- 4.6 Each Party shall be responsible for providing an appropriate intercept announcement service for any telephone numbers subscribed to SPNP services for which it is not presently providing local exchange service or terminating to an end user. Where either Party chooses to disconnect or terminate any SPNP service, that Party shall be responsible for designating the preferred standard type of announcement to be provided.
- 4.7 Each Party shall be the other Party's single point of contact for all repair calls on behalf of each Party's end user. Each Party reserves the right to contact the other Party's customers if deemed necessary for maintenance purposes.

- 4.8 Neither Party shall be responsible for adverse effects on any service, facility or equipment from the use of SPNP services. End-to-end transmission characteristics may vary depending on the distance and routing necessary to complete calls over SPNP facilities and the fact that another carrier is involved in the provisioning of service. Therefore, end-to-end transmission characteristics cannot be specified by either Party for such calls. Neither Party shall be responsible to the other if any necessary change in protection criteria or in any of the facilities, operation, or procedures of either renders any facilities provided by the other Party obsolete or renders necessary modification of the other Party's equipment.
- 4.9 For terminating IXC traffic ported to either Party which requires use of either Party's tandem switching, the tandem provider will bill the IXC tandem switching, the interconnection charge, and a portion of the transport, and the other Party will bill the IXC local switching, the carrier common line and a portion of the transport. If the tandem provider is unable to provide the necessary access records to permit the other Party to bill the IXC directly for terminating access to ported numbers, then the tandem provider will bill the IXC full terminating switched access charges at the tandem provider's rate and will compensate the other Party at the tandem Party's tariff rates via a process used by BellSouth to estimate the amount of ported switched access revenues due the other Party. If an intraLATA toll call is delivered, the delivering Party will pay terminating access rates to the other Party. This subsection does not apply in cases where SPNP-DID is utilized for number portability.

## **5. Transition to Permanent Number Portability**

- 5.1 Once a PNP is implemented in an end office both Parties must withdraw their SPNP offerings. The transition from existing SPNP arrangements to PNP shall occur within one hundred twenty (120) days from the date PNP is implemented in the end office. Neither Party shall charge the other Party for conversion from SPNP to PNP. The Parties shall comply with any SPNP/PNP transition processes established by the FCC and State commissions and appropriate industry number portability work groups.
- 5.2 Notwithstanding the foregoing, the Parties acknowledge that the FCC has determined once LNP has been deployed pursuant to the FCC's orders, rules and regulations, that all local exchange carriers (LECs) have the duty to provide LNP. Therefore, either Party, at any time, may seek appropriate legal or regulatory relief concerning the transition from INP to LNP or other related issues.

## **6. True-up**

**This section applies only to North Carolina and Tennessee and other rates that are interim or expressly subject to true-up under this attachment.**

- 6.1 The interim prices for Network Elements and Other Services and Local Interconnection shall be subject to true-up according to the following procedures:



The interim prices shall be true-up, either up or down, based on final prices determined either by further agreement between the Parties, or by a final order (including any appeals) of the Commission which final order meets the criteria of (3) below. The Parties shall implement the true-up by comparing the actual volumes and demand for each item, together with interim prices for each item, with the final prices determined for each item. Each Party shall keep its own records upon which the true-up can be based, and any final payment from one Party to the other shall be in an amount agreed upon by the Parties based on such records. In the event of any disagreement as between the records or the Parties regarding the amount of such true-up, the Parties agree that the body having jurisdiction over the matter shall be called upon to resolve such differences, or the Parties may mutually agree to submit the matter to the Dispute Resolution process in accordance with the provisions in the General Terms and Conditions and Attachment 1 of this Agreement.

- 6.2 The Parties may continue to negotiate toward final prices, but in the event that no such agreement is reached within nine (9) months, either Party may petition the Commission to resolve such disputes and to determine final prices for each item. Alternatively, upon mutual agreement, the Parties may submit the matter to the Dispute Resolution Process set forth in the General Terms and Conditions and Attachment 1 of the Agreement incorporated herein by reference, so long as they file the resulting Agreement with the Commission as a “negotiated Agreement” under Section 252(e) of the Act.
- 6.3 A final order of this Commission that forms the basis of a true-up shall be the final order as to prices based on appropriate cost studies, or potentially may be a final order in any other Commission proceeding which meets the following criteria:
- (a) BellSouth and CLEC is entitled to be a full Party to the proceeding;
  - (b) It shall apply the provisions of the federal Telecommunications Act of 1996, including but not limited to Section 252(d)(1) (which contains pricing standards) and all then-effective implementing rules and regulations; and,
  - (c) It shall include as an issue the geographic deaveraging of network element prices, which deaveraged prices, if any are required by said final order, shall form the basis of any true-up.

## 7. **Operational Support System (OSS) Rates**

BellSouth has developed and made available the following mechanized systems by which Z-Tel may submit LSRs electronically.

LENS	Local Exchange Navigation System
EDI	Electronic Data Interchange
TAG	Telecommunications Access Gateway

LSRs submitted by means of one of these interactive interfaces will incur an OSS electronic ordering charge as specified in the table below. An individual LSR will be

identified for billing purposes by its Purchase Order Number (PON). LSRs submitted by means other than one of these interactive interfaces (mail, fax, courier, etc.) will incur a manual order charge as specified in the table below:

<b>OPERATIONAL SUPPORT SYSTEMS</b>	<b>AL, GA, LA, MS, SC</b>	<b>FL, KY, NC, TN</b>
OSS LSR charge, per LSR received from the CLEC by one of the OSS interactive interfaces	\$3.50	\$3.50
	SOMECH	SOMECH
Incremental charge per LSR received from the CLEC by means other than one of the OSS interactive interfaces	See applicable rate element	\$19.99
		SOMAN

Note: In addition to the OSS charges, applicable discounted service order and related discounted charges apply per the tariff.

#### Denial/Restoral OSS Charge

In the event Z-Tel provides a list of customers to be denied and restored, rather than an LSR, each location on the list will require a separate PON and, therefore will be billed as one LSR per location.

#### Cancellation OSS Charge

Z-Tel will incur an OSS charge for an accepted LSR that is later canceled by Z-Tel.

Note: Supplements or clarifications to a previously billed LSR will not incur another OSS charge.

#### Network Elements and Other Services Manual Additive

The Commissions in Alabama, Georgia, Louisiana, Mississippi and South Carolina have ordered incremental manual non-recurring charges (NRC) for network elements and other services ordered by means other than one of the interactive interfaces. These ordered network elements and other services manual additive NRCs will apply in these states, rather than the charge per LSR.

#### Threshold Billing Plan

The Parties agree that Z-Tel will incur the mechanized rate for all LSRs, both mechanized and manual, if the percentage of mechanized LSRs to total LSRs meets or exceeds the threshold percentages shown below:

Year	Ratio: Mechanized/Total LSRs
2000	80%
2001	90%

The threshold plan will be discontinued in 2002.

BellSouth will track the total LSR volume for each CLEC for each quarter. At the end of that time period, a Percent Electronic LSR calculation will be made for that quarter based on the LSR data tracked in the LCSC. If this percentage exceeds the threshold volume, all of that CLECs'

future manual LSRs will be billed at the mechanized LSR rate. To allow time for obtaining and analyzing the data and updating the billing system, this billing change will take place on the first day of the second month following the end of the quarter (e.g. May 1 for 1Q, Aug 1 for 2Q, etc.). There will be no adjustments to the amount billed for previously billed LSRs.

BELLSOUTH/Z-TEL RATES  
SERVICE PROVIDER  
NUMBER PORTABILITY

DESCRIPTION	USOC	RATES BY STATE									
		AL	FL	GA	KY	LA	MS	NC	SC	TN	
<b>INTERIM SERVICE PROVIDER NUMBER PORTABILITY - RCF (1) (2)</b>											
RCF, per number ported (Business Line), 10 paths	TNPBL	NA	NA	NA	NA	NA	NA	\$2.25	NA	NA	
RCF, per number ported (Residence Line), 6 paths	TNPRL	NA	NA	NA	NA	NA	NA	\$1.15	NA	NA	
RCF, per number ported (Business Line)	TNPBL	\$2.13	NA	\$2.03	NA	\$2.29	\$2.34	\$1.66	\$2.17	\$1.50	
NRC - Electronic	TNPBL	\$0.65	NA	\$0.51	NA	\$0.49	\$0.6441	\$0.71	\$0.7046	NA	
NRC - Disconnect Charge	TNPBL	\$0.07	NA	NA	NA	\$0.05	\$0.0644	\$0.50	NA	NA	
RCF, per number ported (Residence Line)	TNPRL	\$2.13	NA	\$2.03	NA	\$2.29	\$2.34	\$1.66	\$2.17	\$1.25	
NRC	TNPRL	\$0.65	NA	\$0.51	NA	\$0.49	\$0.6441	\$0.71	\$0.7046	NA	
NRC - Disconnect Charge	TNPRL	\$0.07	NA	NA	NA	\$0.05	\$0.0644	\$0.50	NA	NA	
RCF, add'l capacity for simultaneous call forwarding, per additional path	N/A	\$0.32	NA	\$0.2836	NA	\$0.38	\$0.3838	\$0.32	\$0.3854	\$0.50	
RCF, per service order, per location	(++) Bus = TNPBD Res = TNPRD										
NRC - 1st	TNP++	\$1.44	NA	\$2.10	NA	\$2.02	\$2.84	\$2.73	\$1.37	\$25.00	
NRC - Add'l	TNP++	\$1.44	NA	\$2.10	NA	\$2.02	\$2.84	\$2.73	\$1.37	\$25.00	
NRC - Disconnect - 1st	TNP++	\$1.44	NA	NA	NA	\$2.01	\$2.84	NA	NA	NA	
NRC - Disconnect - Add'l	TNP++	\$1.44	NA	NA	NA	\$2.01	\$2.84	NA	NA	NA	
NRC - Incremental Charge - Manual Service Order - 1st	SOMAN	\$27.37	NA	NA	NA	\$18.14	\$25.52	\$45.80	NA	NA	
NRC - Incremental Charge - Manual Service Order - Add'l	SOMAN	\$27.37	NA	NA	NA	\$18.14	\$25.52	\$45.80	NA	NA	
NRC - Incremental Charge - Manual Service Order - Disconnect - 1st	SOMAN	\$17.77	NA	NA	NA	\$11.41	\$16.06	NA	\$44.70	NA	
NRC - Incremental Charge - Manual Service Order - Disconnect - Add'l	SOMAN	\$17.77	NA	NA	NA	\$11.41	\$16.06	NA	\$44.70	NA	
<b>INTERIM SERVICE PROVIDER NUMBER PORTABILITY - DID</b>											
DID per number ported, Residence - NRC	TNPDR	\$1.18	NA	\$0.93	NA	\$0.89	\$1.17	\$2.25	\$2.25	NA	
DID per number ported, Residence - NRC - Disconnect	TNPDR	\$1.18	NA	NA	NA	\$0.90	\$1.17	NA	NA	NA	
DID per number ported, Business - NRC	TNPDB	\$1.18	NA	\$0.93	NA	\$0.89	\$1.17	\$2.25	\$2.25	NA	
DID per number ported, Business - NRC - Disconnect	TNPDB	\$1.18	NA	NA	NA	\$0.90	\$1.17	NA	NA	NA	
DID per service order, per location											
NRC - 1st	TNPRD	\$1.44	NA	\$2.10	NA	\$2.02	\$2.84	\$2.73	\$1.37	NA	
NRC - Add'l	TNPRD	\$1.44	NA	\$2.10	NA	\$2.02	\$2.84	\$2.73	\$1.37	NA	
NRC - Disconnect - 1st	TNPRD	\$1.44	NA	NA	NA	\$2.01	\$2.84	NA	\$44.70	NA	
NRC - Disconnect - Add'l	TNPRD	\$1.44	NA	NA	NA	\$2.01	\$2.84	NA	\$44.70	NA	
NRC - Incremental Charge - Manual Service Order - 1st	SOMAN	\$27.37	NA	\$18.94	NA	\$18.14	\$25.52	\$45.80	NA	NA	
NRC - Incremental Charge - Manual Service Order - Add'l	SOMAN	\$27.37	NA	NA	NA	\$18.14	\$25.52	\$45.80	NA	NA	
NRC - Incremental Charge - Manual Service Order - Disconnect - 1st	SOMAN	\$17.77	NA	NA	NA	\$11.41	\$16.06	NA	NA	NA	
NRC - Incremental Charge - Manual Service Order - Disconnect - Add'l	SOMAN	\$17.77	NA	NA	NA	\$11.41	\$16.06	NA	NA	NA	
DID, per trunk termination, Initial	TNPT2	\$11.84	NA	\$10.73	NA	\$12.46	\$13.78	\$11.43	\$13.16	NA	
DID, per trunk termination, Initial - NRC	TNPT2	\$173.73	NA	\$135.47	NA	\$129.69	\$171.68	\$217.88	\$218.03	NA	
DID, per trunk termination, Initial - Disconnect	TNPT2	\$50.43	NA	NA	NA	\$37.85	\$49.86	NA	NA	NA	
DID, per trunk termination, Subsequent	TNPT2	\$11.84	NA	\$10.73	NA	\$12.46	\$13.78	\$11.43	\$13.16	NA	
DID, per trunk termination, Subsequent - NRC	TNPT2	\$51.35	NA	\$39.53	NA	\$37.85	\$50.69	\$73.56	\$73.63	NA	
DID, per trunk termination, Subsequent - Disconnect	TNPT2	\$25.00	NA	NA	NA	\$18.75	\$24.71	NA	NA	NA	

NOTES:

If no rate is identified in the contract, the rate for the specific service or function will be as set forth in applicable BellSouth tariff or as negotiated by the Parties upon request by either Party.

1 Until the FCC issues its order implementing a cost recovery mechanism for permanent number portability, the Company will track its costs of providing interim SPNP with sufficient detail to verify the costs. This will facilitate the Florida PSCs consideration of the recovery of these costs in Docket 950737-TP. (FL)

2 BellSouth and CLEC will each bear their own costs of providing remote call forwarding as an interim number portability option. (KY)

**Attachment 6**  
**Ordering and Provisioning**

**TABLE OF CONTENTS**

- 1. Quality of Ordering And Provisioning.....3**
- 2. Access To Operational Support Systems .....4**
- 3. Miscellaneous Ordering And Provisioning Guidelines.....6**

## ORDERING AND PROVISIONING

### 1. Quality of Ordering and Provisioning

All the negotiated terms and conditions set forth in this Attachment pertain to ordering and provisioning.

1.1 BellSouth shall provide ordering and provisioning services to Z-Tel that are equal to the ordering and provisioning services BellSouth provides to itself or any other CLEC. In the event that a state or federal regulatory body determines specific intervals for ordering and provisioning services, BellSouth agrees to incorporate those specific service levels in this agreement as of the effective date of the effective order specifying said intervals, and the Parties agree to amend this Agreement to reflect such change.

1.2 The guidelines for ordering and provisioning are set forth in BellSouth Ordering Guide for CLECs, the BellSouth Guide to Interconnection, BellSouth Pre-Ordering and Ordering Overview Guide, BellSouth Pre-order Business Rules, Customer Guides BellSouth Business Rules for Local Ordering, BellSouth Workaid for Ordering Complex Services, LNP Ordering Guide for CLEC's, and the Electronic Business Rules for Local Ordering and the Local Exchange Ordering Implementation Guide, as appropriate, and as they are amended from time to time during this Agreement. The guides may be referenced at the following site:  
[http://www.interconnection.bellsouth.com/guides/guides\\_p.html](http://www.interconnection.bellsouth.com/guides/guides_p.html).

1.3 BellSouth shall provide all ordering and provisioning services to Z-Tel during the same business hours of operation that BellSouth provisions service to its affiliates or end users. Ordering and provisioning support required by Z-Tel outside of these hours will be considered outside of normal business hours and will be subject to overtime billing. For purposes of this Agreement, BellSouth's regular working hours are defined as follows:

1.3.1 Monday – Friday – 8:00 a.m. – 6:00 p.m. (Excluding Holidays)  
(Resale/UNE non-coordinated, coordinated orders and order coordination-time specific)

1.3.2 Saturday - 8:00 a.m. – 6:00 p.m. (Excluding Holidays)  
(Resale/UNE non-coordinated orders)

Times are either Eastern or Central time based on the location of the work being performed.

1.4 It is understood and agreed that BellSouth technicians involved in provisioning service to Z-Tel may work shifts outside of BellSouth's regular working hours as

defined in Section 1.3 above (e.g., the employee's shift ends at 7:00 p.m. during daylight savings time). To the extent that Z-Tel requests that work necessarily required in the provisioning of service to be performed outside BellSouth's regular working hour and that work is performed by a BellSouth technician during his or her scheduled shift such that BellSouth does not incur any additional costs in performing the work on behalf of Z-Tel, BellSouth will not assess Z-Tel additional charges beyond the rates and charges specified in this Agreement.

All other Z-Tel requests for provisioning and installation services are considered outside of the normal hours of operation and may be performed subject to the application of overtime billing charges

- 1.5 Occasionally, it may be necessary to conduct both scheduled and non-scheduled system maintenance during normal hours of operation. Z-Tel will be formally notified by BellSouth using best efforts, of scheduled maintenance activities, at least 10 business days in advance of such activities. In the unlikely event of a system failure or problem and BellSouth finds it necessary to perform non-scheduled maintenance of the OSS or other CLEC impacting ordering and provisioning systems during normal hours of operation, designated CLEC representative(s) will be notified immediately and informed of the estimated down time and reason for non-scheduled maintenance.

## 2. Access to Operations Support Systems

- 2.1 BellSouth shall provide Z-Tel access to operations support systems ("OSS") functions for pre-ordering, ordering and provisioning, maintenance and repair and billing. Access to the OSS is available through a variety of means, including electronic interfaces. BellSouth also provides a manual option of receiving LSR's via FAX. The OSS functions available to CLECs through electronic interfaces are:
  - 2.2 Pre-Ordering. BellSouth provides electronic access to the following pre-ordering functions: service address validation, telephone number selection, service and feature availability, due date information, and in accordance to Commission confidentiality guidelines, to customer record information. Access is provided through the Local Exchange Navigation System (LENS) interface, and the Telecommunications Access Gateway (TAG) interface. Customer Record Information includes but is not limited to, customer specific information in CRIS and RSAG. In addition, Z-Tel shall provide to BellSouth access to customer record information including electronic access where available. Otherwise, Z-Tel shall provide paper copies of customer record information within the same interval BellSouth provides such records to Z-Tel, upon request by BellSouth. The parties agree not to view, copy, or otherwise obtain access to the customer record information of any customer without that customer's permission and further agrees that Z-Tel and BellSouth will obtain access to customer record information only in strict compliance with applicable laws, rules, or regulations of the State in which the service is provided.



- 2.3 Service Ordering and Provisioning. BellSouth provides electronic options for the exchange of ordering and provisioning information . BellSouth provides an Electronic Data Interchange (EDI) interface, the TAG ordering interface for non-complex and certain complex resale requests and certain network elements. The EDI interface can be integrated with the TAG pre-ordering interface by Z-Tel in a manner which allows Z-Tel to mechanically populate the LSR with Customer Record Information. There may be programming required on Z-Tel's part to accommodate this capability. BellSouth provides integrated pre-ordering, ordering and provisioning capability through the LENS interface for non-complex and certain complex resale service requests. BellSouth provides integrated pre-ordering, ordering and provisioning capability through the LENS interface for 2-wire voice grade residential, business, and PBX loop/port combinations. Z-Tel may further utilize LENS for ordering other loop/port combinations when/if developed by BellSouth in the future.
- 2.4 Service Trouble Reporting and Repair. Service trouble reporting and repair allows Z-Tel to report and monitor service troubles and obtain repair services. BellSouth shall offer Z-Tel service trouble reporting in a non-discriminatory manner that provides Z-Tel the equivalent ability to report and monitor service troubles that BellSouth provides to itself. BellSouth also provides Z-Tel an estimated time to repair, an appointment time or a commitment time, as appropriate, on trouble reports. BellSouth provides several options for electronic trouble reporting. For exchange services, BellSouth offers Z-Tel non-discriminatory access to the Trouble Analysis Facilitation Interface (TAFI). In addition, BellSouth offers an industry standard, machine-to-machine Electronic Communications Trouble Administration (ECTA) Gateway interface. For designed services, BellSouth provides non-discriminatory trouble reporting ECTA Gateway. BellSouth also offers ECTA functionality through the human-to-machine EC-CPM/TA interface. Both Parties will abide by the pre-screening and screening guidelines for trouble reporting, statusing, resolution as outlined in BellSouth's "operation understanding" guides.
- 2.5 If the CLEC requests BellSouth to repair a trouble after normal working hours, and BellSouth incurs overtime charges to be paid to its employees, the CLEC will be billed the appropriate overtime charges associated with this request pursuant to BellSouth's tariffs. Billing will be charged using the same rates BellSouth charges to itself, it's affiliates, its end user or any other CLEC. Rates can be found in the GSST (non-designed loop and port combinations) and FFC#1 (designed services).
- 2.6 Change Management. BellSouth provides a collaborative process for change management of the electronic interfaces through the Electronic Interface Change Control Process ("EICCP). Guidelines for this process are set forth in the EICCP document, and as it is amended from time to time during this agreement.
- 2.7 Migration of Z-Tel to New Software Releases for National Standard Machine-to-Machine Electronic Interfaces. Pursuant to the change management process, BellSouth will issue new software releases for new industry standards for its industry standard, machine-to-machine electronic interfaces. When a new release of new

industry standards is implemented, BellSouth will continue to support both the new release (N) and the prior release (N-1). When BellSouth makes the next release (N+1), BellSouth will eliminate support for the (N-1) release and support the two newest releases (N and N+1). Thus, BellSouth will always support the two most current releases. BellSouth will issue documents to Z-Tel with sufficient notice to allow Z-Tel to make the necessary changes to their systems and operations to migrate to the newest release in a timely fashion.

2.8 Rates. Charges for use of OSS shall be as set forth in Attachments 1 and 2 of this Agreement.

### 3. **Miscellaneous Ordering and Provisioning Guidelines**

3.1 Pending Orders. To ensure the most efficient use of facilities and resources, orders placed in the hold or pending status by Z-Tel will be held for a maximum of thirty (30) days from the date the order is placed on hold. After such time, if Z-Tel wishes to reinstate an order, Z-Tel may be required to submit a new service order.

3.2 Single Point of Contact. Z-Tel will be the single point of contact with BellSouth for ordering activity for network elements and other services used by Z-Tel to provide services to its end users, except that BellSouth may accept an order directly from another CLEC, or BellSouth, acting with authorization of the affected end user. Z-Tel and BellSouth shall each execute a blanket letter of authorization with respect to customer orders. The Parties shall each be entitled to adopt their own internal processes for verification of customer authorization for orders, provided, however, that such processes shall comply with applicable state and federal law including, until superseded, the FCC guidelines and orders applicable to Presubscribed Interexchange Carrier (PIC) changes including Un-PIC. Pursuant to such an order, BellSouth may disconnect any network element associated with the service to be disconnected and being used by Z-Tel to provide service to that end user and reuse such network elements or facilities to enable such other LEC to provide service to the end user. BellSouth will notify Z-Tel that such an order has been processed, but will not be required to notify Z-Tel in advance of such processing.

3.3 Use of Facilities. When a customer of a CLEC elects to discontinue service and transfer service to another local exchange carrier, including BellSouth, BellSouth shall have the right to reuse the facilities provided to CLEC by BellSouth for retail or resale service, loop and/or port for that customer. In addition, BellSouth may disconnect and reuse facilities when the facility is in a denied state and BellSouth has received an order to establish new service or transfer of service from a customer or a customer's CLEC at the same address served by the denied facility.

3.3.1 Upon receipt of a service order, BellSouth will do the following:

- 3.3.1.1 Process disconnect and reconnect orders to provision the service which shall be due dated using current interval guidelines. The processing flow of these orders will be done in a manner which does not intentionally cause any service disruption to Z-Tel's customer's services, unless otherwise applicable according to the ordering activity types.
- 3.3.1.2 Reuse the serving facility for the retail, resale service, or network element(s) including combinations at the same location . The processing flow of these orders will be done in a manner which does not intentionally cause any service disruption to Z-Tel's customer's services, unless otherwise applicable according to the ordering activity types. In the event that numerous unintentional errors occur, the Parties will meet to resolve such errors.
- 3.3.1.3 Notify Z-Tel after the disconnect order has been completed.
- 3.4 Contact Numbers. The Parties agree to provide one another with toll-free nation-wide contact numbers for the purpose of ordering, provisioning and maintenance of services.
- 3.5 Subscription Functions. In cases where BellSouth performs subscription functions for an inter-exchange carrier (i.e. PIC and LPIC changes via Customer Account Record Exchange (CARE)), BellSouth will provide the affected inter-exchange carriers with the Operating Company Number (OCN) of the local provider for the purpose of obtaining end user billing account and other end user information required under subscription requirements.
- 3.6 Cancellation Charges. If Z-Tel cancels an order for network elements or other services, any costs incurred by BellSouth in conjunction with the provisioning of that order will be recovered in accordance with FCC No. 1 Tariff, Section 5.4.

**Attachment 7**  
**Billing and Billing Accuracy Certification**

## TABLE OF CONTENTS

<b>1. Payment and Billing Arrangements .....</b>	<b>3</b>
<b>2. Billing Accuracy Certification.....</b>	<b>5</b>
<b>3. Billing Disputes.....</b>	<b>6</b>
<b>4. RAO Hosting.....</b>	<b>7</b>
<b>5. Optional Daily Usage File .....</b>	<b>10</b>
<b>6. Access Daily Usage File.....</b>	<b>13</b>
<b>7. Enhanced Optional Daily Usage File.....</b>	<b>16</b>
<b>Rates.....</b>	<b>Exhibit A</b>

## BILLING AND BILLING ACCURACY CERTIFICATION

### 1. Payment and Billing Arrangements

All negotiated rates, terms and conditions set forth in this Attachment pertain to billing and billing accuracy certifications.

- 1.1 **Billing.** BellSouth agrees to provide billing through the Carrier Access Billing System (CABS) and through the Customer Records Information System (CRIS) depending on the particular service(s) that Z-Tel requests. BellSouth will bill and record in accordance with this Agreement those charges Z-Tel incurs as a result of Z-Tel purchasing from BellSouth Network Elements and Other Services as set forth in this Agreement. BellSouth will format all bills in CBOS Standard or CLUB/EDI format, depending on the type of service ordered. For those services where standards have not yet been developed, BellSouth's billing format will change as necessary when standards are finalized by the industry forum.
- 1.1.1 For any service(s) BellSouth orders from Z-Tel, Z-Tel shall bill BellSouth in CABS format.
- 1.1.2 If either Party requests multiple billing media or additional copies of bills, the Billing Party will provide these at a reasonable cost.
- 1.2 **Master Account.** After receiving certification as a local exchange company from the appropriate regulatory agency, Z-Tel will provide the appropriate BellSouth account manager the necessary documentation to enable BellSouth to establish a master account for Local Interconnection, Network Elements and Other Services, and/or resold services. Such documentation shall include the Application for Master Account, proof of authority to provide telecommunications services, an Operating Company Number ("OCN") assigned by the National Exchange Carriers Association ("NECA"), Carrier Identification Code (CIC), Group Access Code (GAC), Access Customer Name and Address (ACNA) and a tax exemption certificate, if applicable.
- 1.3 **Payment Responsibility.** Payment of all charges will be the responsibility of Z-Tel. Z-Tel shall make payment to BellSouth for all services billed. BellSouth is not responsible for payments not received by Z-Tel from Z-Tel's customer. BellSouth will not become involved in billing disputes that may arise between Z-Tel and Z-Tel's customer. Payments made to BellSouth as payment on account will be credited to an accounts receivable master account and not to an end user's account.
- 1.4 **Payment Due.** The payment will be due on or before the next bill date (i.e., same date in the following month as the bill date) and is payable in immediately available funds. Payment is considered to have been made when received by BellSouth.

If the payment due date falls on a Sunday or on a Holiday which is observed on a Monday, the payment due date shall be the first non-Holiday day following such

- Sunday or Holiday. If the payment due date falls on a Saturday or on a Holiday which is observed on Tuesday, Wednesday, Thursday, or Friday, the payment due date shall be the last non-Holiday day preceding such Saturday or Holiday. If payment is not received by the payment due date, a late payment penalty, as set forth in Section 1.7, below, shall apply.
- 1.5 Tax Exemption. Upon proof of tax exempt certification from Z-Tel, the total amount billed to Z-Tel will not include those taxes or fees for which the CLEC is exempt. Z-Tel will be solely responsible for the computation, tracking, reporting and payment of all taxes and like fees associated with the services provided to the end user of Z-Tel.
- 1.6 Late Payment. If any portion of the payment is received by BellSouth after the payment due date as set forth preceding, or if any portion of the payment is received by BellSouth in funds that are not immediately available to BellSouth, then a late payment penalty shall be due to BellSouth. The late payment penalty shall be the portion of the payment not received by the payment due date times a late factor and will be applied on a per bill basis. The late factor shall be as set forth in Section A2 of the General Subscriber Services Tariff, Section B2 of the Private Line Service Tariff or Section E2 of the Intrastate Access Tariff, whichever BellSouth determines is appropriate. Z-Tel will be charged a fee for all returned checks as set forth in Section A2 of the General Subscriber Services Tariff or pursuant to the applicable state law.
- 1.7 Discontinuing Service to Z-Tel. The procedures for discontinuing service to Z-Tel are as follows:
- 1.7.1 BellSouth reserves the right to suspend or terminate service for nonpayment of services or in the event of prohibited, unlawful or improper use of BellSouth facilities or service or any other violation or noncompliance by Z-Tel of the rules and regulations contained in BellSouth's tariffs.
- 1.7.2 If payment of account is not received by the bill date in the month after the original bill date, BellSouth may provide written notice to Z-Tel that additional applications for service will be refused and that any pending orders for service will not be completed if payment is not received by the fifteenth day following the date of the notice. In addition, BellSouth may, at the same time, give thirty (30)days notice to Z-Tel at the billing address to discontinue the provision of existing services to Z-Tel at any time thereafter.
- 1.7.3 In the case of such discontinuance, all billed charges, as well as applicable termination charges, shall become due.
- 1.7.4 If BellSouth does not discontinue the provision of the services involved on the date specified in the thirty days notice and Z-Tel's noncompliance continues, nothing

- contained herein shall preclude BellSouth's right to discontinue the provision of the services to Z-Tel without further notice.
- 1.7.5 If payment is not received or satisfactory arrangements made for payment by the date given in the written notification, Z-Tel's services will be discontinued. Upon discontinuance of service on Z-Tel's account, service to the Z-Tel's end users will be denied. BellSouth will reestablish service at the request of the end user or Z-Tel for BellSouth to reestablish service upon payment of the appropriate connection fee and subject to BellSouth's normal application procedures. Z-Tel is solely responsible for notifying the end user of the proposed service disconnection. If within fifteen (15) days after an end user's service has been denied and no arrangements to reestablish service have been made consistent with this subsection, the end user's service will be disconnected.
- 1.8 Deposit Policy. When purchasing services from BellSouth, Z-Tel will be required to complete the BellSouth Credit Profile and provide information regarding credit worthiness. Based on the results of the credit analysis, the Company reserves the right to secure the account with a suitable form of security deposit. Such security deposit shall take the form of cash, an Irrevocable Letter of Credit (BellSouth form), Surety Bond (BellSouth form) or, in its sole discretion, some other form of security. Any such security deposit shall in no way release Z-Tel from his obligation to make complete and timely payments of his bill. Such security shall be required prior to the inauguration of service. If, in the sole opinion of BellSouth, circumstances so warrant and/or gross monthly billing has increased beyond the level initially used to determine the level of security, the BellSouth reserves the right to request additional security and/or file a Uniform Commercial Code (UCC1) security interest in Z-Tel's "accounts receivables and proceeds." Interest on a security deposit, if provided in cash, shall accrue and be paid in accordance with the terms in the appropriate BellSouth tariff.
- 1.9 Rates. Rates for Optional Daily Usage File (ODUF), Enhanced Optional Daily Usage File (EODUF), Access Daily Usage File (ADUF), and Centralized Message Distribution Service (CMDS) are set out in Exhibit A to this Attachment. If no rate is identified in this Attachment, the rate for the specific service or function will be as set forth in applicable BellSouth tariff or as negotiated by the Parties upon request by either Party.

## **2. Billing Accuracy Certification**

- 2.1 Upon request, BellSouth and Z-Tel will agree upon a billing quality assurance program for all billing elements covered in this Agreement that will eliminate the need for post-billing reconciliation. Appropriate terms for access to any BellSouth documents, systems, records, and procedures for the recording and billing of charges will be part of that program.



- 2.2 As part of the billing quality assurance program, BellSouth and Z-Tel will develop standards, measurements, and performance requirements for a local billing measurements process. On a regular basis BellSouth will provide Z-Tel with mutually agreed upon performance measurement data that substantiates the accuracy, reliability, and integrity of the billing process for local billing. In return, Z-Tel will pay all bills received from BellSouth in full by the payment due date.
- 2.3 Local billing discrepancies will be addressed in an orderly manner via a mutually agreed upon billing exemption process.
  - 2.3.1 Each Party agrees to notify the other Party upon identifying a billing discrepancy. The Parties shall endeavor to resolve any billing discrepancy within sixty (60) calendar days of the notification date. A mutually agreed upon escalation process will be established for resolving local billing discrepancies as part of the billing quality assurance program.
  - 2.3.2 Closure of a specific billing period will occur by joint agreement of the Parties whereby the Parties agree that such billing period is closed to any further analysis and financial transactions except those resulting from regulatory mandates. Closure will take place within a mutually agreed upon time interval from the bill date. The month being closed represents those charges that were billed or should have been billed by the designated bill date.

### **3. Billing Disputes**

- 3.1 Where the Parties have not agreed upon a billing quality assurance program, billing disputes shall be handled pursuant to the terms of this section.
  - 3.1.1 Each Party agrees to notify the other Party in writing upon the discovery of a billing dispute. In the event of a billing dispute, the Parties will endeavor to resolve the dispute within sixty (60) calendar days of the notification date.
- 3.2 If a Party disputes a charge and does not pay such charge by the payment due date, or if a payment or any portion of a payment is received by either Party after the payment due date, or if a payment or any portion of a payment is received in funds which are not immediately available to the other Party, then a late payment penalty shall be assessed. For bills rendered by either Party for payment, the late payment charge for both Parties shall be calculated based on the portion of the payment not received by the payment due date times the late factor as set forth in the following BellSouth tariffs: for services purchased from the General Subscribers Services Tariff for purposes of resale and for ports and non-designed loops, Section A2 of the General Subscriber Services Tariff; for services purchased from the Private Line Tariff for purposes of resale, Section B2 of the Private Line Service Tariff; and for network elements and other services and local interconnection charges, Section E2 of the

Access Service Tariff. In no event, however, shall interest be assessed by either Party on any previously assessed late payment charges. The Parties shall assess interest on previously assessed late payment charges only in a state where it has the authority pursuant to its tariffs.

#### **4. RAO Hosting**

- 4.1 RAO Hosting, Calling Card and Third Number Settlement System (CATS) and Non-Intercompany Settlement System (NICS) services provided to Z-Tel by BellSouth will be in accordance with the methods and practices regularly adopted and applied by BellSouth to its own operations during the term of this Agreement, including such revisions as may be made from time to time by BellSouth.
- 4.2 Z-Tel shall furnish all relevant information required by BellSouth for the provision of RAO Hosting, CATS and NICS.
- 4.3 Compensation amounts, if applicable, will be billed by BellSouth to Z-Tel on a monthly basis in arrears. Amounts due from one Party to the other (excluding adjustments) are payable within thirty (30) days of receipt of the billing statement.
- 4.4 Z-Tel must have its own unique hosted RAO code. Requests for establishment of RAO status where BellSouth is the selected Centralized Message Distribution System (CMDS) interfacing host, require written notification from Z-Tel to the BellSouth RAO Hosting coordinator at least eight (8) weeks prior to the proposed effective date. The proposed effective date will be mutually agreed upon between the Parties with consideration given to time necessary for the completion of required Telcordia (formerly BellCore) functions. BellSouth will request the assignment of an RAO code from its connecting contractor, currently Telcordia (formerly BellCore), on behalf of Z-Tel and will coordinate all associated conversion activities.
- 4.5 BellSouth will receive messages from Z-Tel that are to be processed by BellSouth, another LEC or CLEC in the BellSouth region or a LEC outside the BellSouth region.
- 4.6 BellSouth will perform invoice sequence checking, standard EMI format editing, and balancing of message data with the EMI trailer record counts on all data received from Z-Tel.
- 4.7 All data received from Z-Tel that is to be processed or billed by another LEC or CLEC within the BellSouth region will be distributed to that LEC or CLEC in accordance with the Agreement(s) which may be in effect between BellSouth and the involved LEC or CLEC.

- 4.8 All data received from Z-Tel that is to be placed on the CMDS network for distribution outside the BellSouth region will be handled in accordance with the agreement(s) which may be in effect between BellSouth and its connecting contractor (currently Telcordia (formerly BellCore)).
- 4.9 BellSouth will receive messages from the CMDS network that are destined to be processed by Z-Tel and will forward them to Z-Tel on a daily basis.
- 4.10 Transmission of message data between BellSouth and Z-Tel will be via CONNECT:Direct.
- 4.11 All messages and related data exchanged between BellSouth and Z-Tel will be formatted in accordance with accepted industry standards for EMI formatted records and packed between appropriate EMI header and trailer records, also in accordance with accepted industry standards.
- 4.12 Z-Tel will ensure that the recorded message detail necessary to recreate files provided to BellSouth will be maintained for back-up purposes for a period of three (3) calendar months beyond the related message dates.
- 4.13 Should it become necessary for Z-Tel to send data to BellSouth more than sixty (60) days past the message date(s), Z-Tel will notify BellSouth in advance of the transmission of the data. If there will be impacts outside the BellSouth region, BellSouth will work with its connecting contractor and Z-Tel to notify all affected Parties.
- 4.14 In the event that data to be exchanged between the two Parties should become lost or destroyed, both Parties will work together to determine the source of the problem. Once the cause of the problem has been jointly determined and the responsible Party (BellSouth or Z-Tel) identified and agreed to, the company responsible for creating the data (BellSouth or Z-Tel) will make every effort to have the affected data restored and retransmitted. If the data cannot be retrieved, the responsible Party will be liable to the other Party for any resulting lost revenue. Lost revenue may be a combination of revenues that could not be billed to the end users and associated access revenues. Both Parties will work together to estimate the revenue amount based upon historical data through a method mutually agreed upon. The resulting estimated revenue loss will be paid by the responsible Party to the other Party within three (3) calendar months of the date of problem resolution, or as mutually agreed upon by the Parties.
- 4.15 Should an error be detected by the EMI format edits performed by BellSouth on data received from Z-Tel, the entire pack containing the affected data will not be processed by BellSouth. BellSouth will notify Z-Tel of the error condition. Z-Tel will correct the error(s) and will resend the entire pack to BellSouth for processing. In the event that an out-of-sequence condition occurs on subsequent packs, Z-Tel will resend these

- packs to BellSouth after the pack containing the error has been successfully reprocessed by BellSouth.
- 4.16 In association with message distribution service, BellSouth will provide Z-Tel with associated intercompany settlements reports (CATS and NICS) as appropriate.
- 4.17 In no case shall either Party be liable to the other for any direct or consequential damages incurred as a result of the obligations set out in this Agreement.
- 4.18 RAO Compensation
- 4.18.1 Rates for message distribution service provided by BellSouth for Z-Tel are as set forth in Exhibit A to this Attachment.
- 4.18.2 Rates for data transmission associated with message distribution service are as set forth in Exhibit A to this Attachment .
- 4.18.3 Data circuits (private line or dial-up) will be required between BellSouth and Z-Tel for the purpose of data transmission. Where a dedicated line is required, Z-Tel will be responsible for ordering the circuit, overseeing its installation and coordinating the installation with BellSouth. Z-Tel will also be responsible for any charges associated with this line. Equipment required on the BellSouth end to attach the line to the mainframe computer and to transmit successfully ongoing will be negotiated on a case by case basis. Where a dial-up facility is required, dial circuits will be installed in the BellSouth data center by BellSouth and the associated charges assessed to Z-Tel. Additionally, all message toll charges associated with the use of the dial circuit by Z-Tel will be the responsibility of Z-Tel. Associated equipment on the BellSouth end, including a modem, will be negotiated on a case by case basis between the Parties.
- 4.18.4 All equipment, including modems and software, that is required on the Z-Tel end for the purpose of data transmission will be the responsibility of Z-Tel.
- 4.19 Intercompany Settlements Messages
- 4.19.1 This Section addresses the settlement of revenues associated with traffic originated from or billed by Z-Tel as a facilities based provider of local exchange telecommunications services outside the BellSouth region. Only traffic that originates in one Bell operating territory and bills in another Bell operating territory is included. Traffic that originates and bills within the same Bell operating territory will be settled on a local basis between Z-Tel and the involved company(ies), unless that company is participating in NICS.
- 4.19.2 Both traffic that originates outside the BellSouth region by Z-Tel and is billed within the BellSouth region, and traffic that originates within the BellSouth region and is billed outside the BellSouth region by Z-Tel, is covered by this Agreement (CATS).

Also covered is traffic that either is originated by or billed by Z-Tel, involves a company other than Z-Tel, qualifies for inclusion in the CATS settlement, and is not originated or billed within the BellSouth region (NICS).

- 4.19.3 Once Z-Tel is operating within the BellSouth territory, revenues associated with calls originated and billed within the BellSouth region will be settled via Telcordia (formerly BellCore)'s, its successor or assign, NICS system.
- 4.19.4 BellSouth will receive the monthly NICS reports from Telcordia (formerly BellCore), its successor or assign, on behalf of Z-Tel. BellSouth will distribute copies of these reports to Z-Tel on a monthly basis.
- 4.19.5 BellSouth will receive the monthly Calling Card and Third Number Settlement System (CATS) reports from Telcordia (formerly BellCore), its successor or assign, on behalf of Z-Tel. BellSouth will distribute copies of these reports to Z-Tel on a monthly basis.
- 4.19.6 BellSouth will collect the revenue earned by Z-Tel from the Bell operating company in whose territory the messages are billed (CATS), less a per message billing and collection fee of five cents (\$0.05), on behalf of Z-Tel. BellSouth will remit the revenue billed by Z-Tel to the Bell operating company in whose territory the messages originated, less a per message billing and collection fee of five cents (\$0.05), on behalf on Z-Tel. These two amounts will be netted together by BellSouth and the resulting charge or credit issued to Z-Tel via a monthly Carrier Access Billing System (CABS) miscellaneous bill.
- 4.19.7 BellSouth will collect the revenue earned by Z-Tel within the BellSouth territory from another CLEC also within the BellSouth territory (NICS) where the messages are billed, less a per message billing and collection fee of five cents (\$0.05), on behalf of Z-Tel. BellSouth will remit the revenue billed by Z-Tel within the BellSouth region to the CLEC also within the BellSouth region, where the messages originated, less a per message billing and collection fee of five cents (\$0.05). These two amounts will be netted together by BellSouth and the resulting charge or credit issued to Z-Tel via a monthly Carrier Access Billing System (CABS) miscellaneous bill.

BellSouth and Z-Tel agree that monthly netted amounts of less than fifty dollars (\$50.00) will not be settled.

## **5. Optional Daily Usage File**

- 5.1 Upon written request from Z-Tel, BellSouth will provide the Optional Daily Usage File (ODUF) service to Z-Tel pursuant to the terms and conditions set forth in this section.

- 5.2 The Z-Tel shall furnish all relevant information required by BellSouth for the provision of the Optional Daily Usage File.
- 5.3 The Optional Daily Usage Feed will contain billable messages that were carried over the BellSouth Network and processed in the BellSouth Billing System, but billed to a Z-Tel customer.
- Charges for delivery of the Optional Daily Usage File will appear on the Z-Tels' monthly bills. The charges are as set forth in Exhibit A to this Attachment.
- 5.4 The Optional Daily Usage Feed will contain both rated and unrated messages. All messages will be in the standard Alliance for Telecommunications Industry Solutions (ATIS) EMI record format.
- 5.5 Messages that error in the billing system of the Z-Tel will be the responsibility of the Z-Tel. If, however, the Z-Tel should encounter significant volumes (1-2 % of the total daily usage sent to Z-Tel) of errored messages that prevent processing by the Z-Tel within its systems, BellSouth will work with the Z-Tel to determine the source of the errors and the appropriate resolution. All usage issues identified and presented to BellSouth will be resolved as soon as technically feasible.

5.6 The following specifications shall apply to the Optional Daily Usage Feed.

5.6.1 Usage To Be Transmitted

5.6.1.1 The following messages recorded by BellSouth will be transmitted to the Z-Tel:

- Message recording for per use/per activation type services (examples: Three Way Calling, Verify, Interrupt, Call Return, ETC.)
- Measured billable Local
- Directory Assistance messages
- IntraLATA Toll
- WATS & 800 Service
  
- N11
- Information Service Provider Messages
- Operator Services Messages
- Operator Services Message Attempted Calls (Network Element only)
- Credit/Cancel Records
- Usage for Voice Mail Message Service

5.6.1.2 Rated Incollects (originated in BellSouth and from other companies) can also be on Optional Daily Usage File. Rated Incollects will be intermingled with BellSouth recorded rated and unrated usage. Rated Incollects will not be packed separately.

5.6.1.3 BellSouth will perform duplicate record checks on records processed to Optional Daily Usage File. Any duplicate messages detected will be deleted and not sent to Z-Tel.

5.6.1.4 In the event that Z-Tel detects a duplicate on Optional Daily Usage File they receive from BellSouth, Z-Tel will drop the duplicate message (Z-Tel will not return the duplicate to BellSouth).

## 5.6.2 Physical File Characteristics

5.6.2.1 The Optional Daily Usage File will be distributed to Z-Tel via an agreed medium with CONNECT:Direct being the preferred transport method. The Daily Usage Feed will be a variable block format (2476) with an LRECL of 2472. The data on the Daily Usage Feed will be in a non-compacted EMI format (175 byte format plus modules). It will be created on a daily basis (Monday through Friday except holidays). Details such as dataset name and delivery schedule will be addressed during negotiations of the distribution medium. There will be a maximum of one dataset per workday per OCN.

5.6.2.2 Data circuits (private line or dial-up) may be required between BellSouth and Z-Tel for the purpose of data transmission. Where a dedicated line is required, Z-Tel will be responsible for ordering the circuit, overseeing its installation and coordinating the installation with BellSouth. Z-Tel will also be responsible for any charges associated with this line. Equipment required on the BellSouth end to attach the line to the mainframe computer and to transmit successfully ongoing will be negotiated on a case by case basis. Where a dial-up facility is required, dial circuits will be installed in the BellSouth data center by BellSouth and the associated charges assessed to Z-Tel. Additionally, all message toll charges associated with the use of the dial circuit by Z-Tel will be the responsibility of Z-Tel. Associated equipment on the BellSouth end, including a modem, will be negotiated on a case by case basis between the Parties. All equipment, including modems and software, that is required on Z-Tel end for the purpose of data transmission will be the responsibility of Z-Tel.

## 5.6.3 Packing Specifications

5.6.3.1 A pack will contain a minimum of one message record or a maximum of 99,999 message records plus a pack header record and a pack trailer record. One transmission can contain a maximum of 99 packs and a minimum of one pack.

5.6.3.2 The OCN, From RAO, and Invoice Number will control the invoice sequencing. The From RAO will be used to identify to Z-Tel which BellSouth RAO that is sending the message. BellSouth and Z-Tel will use the invoice sequencing to control data exchange. BellSouth will be notified of sequence failures identified by Z-Tel and resend the data as appropriate.

The data will be packed using ATIS EMI records.

5.6.4 Pack Rejection

5.6.4.1 Z-Tel will notify BellSouth within one business day of rejected packs (via the mutually agreed medium). Packs could be rejected because of pack sequencing discrepancies or a critical edit failure on the Pack Header or Pack Trailer records (i.e. out-of-balance condition on grand totals, invalid data populated). Standard ATIS EMI Error Codes will be used. Z-Tel will not be required to return the actual rejected data to BellSouth. Rejected packs will be corrected and retransmitted to Z-Tel by BellSouth.

5.6.5 Control Data

Z-Tel will send one confirmation record per pack that is received from BellSouth. This confirmation record will indicate Z-Tel received the pack and the acceptance or rejection of the pack. Pack Status Code(s) will be populated using standard ATIS EMI error codes for packs that were rejected by Z-Tel for reasons stated in the above section.

5.6.6 Testing

5.6.6.1 Upon request from Z-Tel, BellSouth shall send test files to Z-Tel for the Optional Daily Usage File. The Parties agree to review and discuss the file's content and/or format. For testing of usage results, BellSouth shall request that Z-Tel set up a production (LIVE) file. The live test may consist of Z-Tel's employees making test calls for the types of services Z-Tel requests on the Optional Daily Usage File. These test calls are logged by Z-Tel, and the logs are provided to BellSouth. These logs will be used to verify the files. Testing will be completed within 30 calendar days from the date on which the initial test file was sent.

**6. Access Daily Usage File**

6.1. Upon written request from Z-Tel, BellSouth will provide the Access Daily Usage File (ADUF) service to Z-Tel pursuant to the terms and conditions set forth in this section.

6.2 The Z-Tel shall furnish all relevant information required by BellSouth for the provision of the Access Daily Usage File.

6.3 The Access Daily Usage Feed will contain access messages associated with a port that Z-Tel has purchased from BellSouth



6.4 Charges for delivery of the Access Daily Usage File will appear on the Z-Tels' monthly bills. The charges are as set forth in Exhibit A to this Attachment. All messages will be in the standard Alliance for Telecommunications Industry Solutions (ATIS) EMI record format.

6.5 Messages that error in the billing system of the Z-Tel will be the responsibility of the Z-Tel. If, however, the Z-Tel should encounter significant volumes of errored messages that prevent processing by the Z-Tel within its systems, BellSouth will work with the Z-Tel to determine the source of the errors and the appropriate resolution.

6.6 Usage To Be Transmitted

6.6.1 The following messages recorded by BellSouth will be transmitted to Z-Tel:

Originating and terminating interstate and intrastate access records associated with a port.

Terminating access records for undetermined jurisdiction access records associated with a port.

6.6.2 When Z-Tel purchases Network Element ports from BellSouth and calls are made using these ports, BellSouth will handle the calls as follows:

Originating from Network Element and carried by Interexchange Carrier:

BellSouth will bill network element to CLEC and send access record to the CLEC via ADUF

Originating from network element and carried by BellSouth (Z-Tel is BellSouth's toll customer):

BellSouth will bill resale toll rates to Z-Tel and send toll record for the end user toll billing purposes via ODUF (Optional Daily Usage File). Access record will be sent to Z-Tel via ADUF.

Terminating on network element and carried by Interexchange Carrier:

BellSouth will bill network element to Z-Tel and send access record to Z-Tel.

Terminating on network element and carried by BellSouth:

BellSouth will bill network element to Z-Tel and send access record to Z-Tel.

- 6.6.3 BellSouth will perform duplicate record checks on records processed to the Access Daily Usage File. Any duplicate messages detected will be dropped and not sent to Z-Tel.
- 6.6.4 In the event that Z-Tel detects a duplicate on the Access Daily Usage File they receive from BellSouth, Z-Tel will drop the duplicate message (Z-Tel will not return the duplicate to BellSouth.)
- 6.6.5 Physical File Characteristics
- 6.6.5.1 The Access Daily Usage File will be distributed to Z-Tel via an agreed medium with CONNECT:Direct being the preferred transport method. The Daily Usage Feed will be a fixed block format (2476) with an LRECL of 2472. The data on the Daily Usage Feed will be in a non-compacted EMI format (210 byte format plus modules). It will be created on a daily basis (Monday through Friday except holidays). Details such as dataset name and delivery schedule will be addressed during negotiations of the distribution medium. There will be a maximum of one dataset per workday per OCN.
- 6.6.5.2 Data circuits (private line or dial-up) may be required between BellSouth and Z-Tel for the purpose of data transmission. Where a dedicated line is required, Z-Tel will be responsible for ordering the circuit, overseeing its installation and coordinating the installation with BellSouth. Z-Tel will also be responsible for any charges associated with this line. Equipment required on the BellSouth end to attach the line to the mainframe computer and to transmit successfully ongoing will be negotiated on a case by case basis. Where a dial-up facility is required, dial circuits will be installed in the BellSouth data center by BellSouth and the associated charges assessed to Z-Tel. Additionally, all message toll charges associated with the use of the dial circuit by Z-Tel will be the responsibility of Z-Tel. Associated equipment on the BellSouth end, including a modem, will be negotiated on a case by case basis between the Parties. All equipment, including modems and software, that is required on Z-Tel end for the purpose of data transmission will be the responsibility of Z-Tel.
- 6.6.6 Packing Specifications
- 6.6.6.1 A pack will contain a minimum of one message record or a maximum of 99,999 message records plus a pack header record and a pack trailer record. One transmission can contain a maximum of 99 packs and a minimum of one pack.
- 6.6.6.2 The OCN, From RAO, and Invoice Number will control the invoice sequencing. The From RAO will be used to identify to Z-Tel which BellSouth RAO that is sending the message. BellSouth and Z-Tel will use the invoice sequencing to control data exchange. BellSouth will be notified of sequence failures identified by Z-Tel and resend the data as appropriate.

The data will be packed using ATIS EMI records.

6.6.7 Pack Rejection

6.6.7.1 Z-Tel will notify BellSouth within one business day of rejected packs (via the mutually agreed medium). Packs could be rejected because of pack sequencing discrepancies or a critical edit failure on the Pack Header or Pack Trailer records (i.e. out-of-balance condition on grand totals, invalid data populated). Standard ATIS EMI Error Codes will be used. Z-Tel will not be required to return the actual rejected data to BellSouth. Rejected packs will be corrected and retransmitted to Z-Tel by BellSouth.

6.6.8 Control Data

Z-Tel will send one confirmation record per pack that is received from BellSouth. This confirmation record will indicate Z-Tel received the pack and the acceptance or rejection of the pack. Pack Status Code(s) will be populated using standard ATIS EMI error codes for packs that were rejected by Z-Tel for reasons stated in the above section.

6.6.9 Testing

6.6.9.1 Upon request from Z-Tel, BellSouth shall send test files to Z-Tel for the Access Daily Usage File. Testing shall consist of actual calls made from live accounts. A call log shall be supplied along with test request information. The Parties agree to review and discuss the file's content and/or format.

**7. Enhanced Optional Daily Usage File**

7.1 Upon written request from Z-Tel, BellSouth will provide the Enhanced Optional Daily Usage File (EODUF) service to Z-Tel pursuant to the terms and conditions set forth in this section. EODUF will only be sent to existing ODUF subscribers who request the EODUF option.

7.2 The Z-Tel shall furnish all relevant information required by BellSouth for the provision of the Enhanced Optional Daily Usage File.

7.3 The Enhanced Optional Daily Usage File (EODUF) will provide usage data for local calls originating from resold Flat Rate Business and Residential Lines.

Charges for delivery of the Enhanced Optional Daily Usage File will appear on the Z-Tels' monthly bills. The charges are as set forth in Exhibit A to this Attachment.

- 7.4 All messages will be in the standard Alliance for Telecommunications Industry Solutions (ATIS) EMI record format.
- 7.5 Messages that error in the billing system of the Z-Tel will be the responsibility of the Z-Tel. If, however, the Z-Tel should encounter significant volumes of errored messages that prevent processing by the Z-Tel within its systems, BellSouth will work with the Z-Tel to determine the source of the errors and the appropriate resolution.
- 7.6 The following specifications shall apply to the Optional Daily Usage Feed.

7.6.1 Usage To Be Transmitted

- 7.6.1.1 The following messages recorded by BellSouth will be transmitted to the Z-Tel:

Customer usage data for flat rated local call originating from CLEC end user lines (1FB or 1FR). The EODUF record for flat rate messages will include:

- Date of Call
- From Number
- To Number
- Connect Time
- Conversation Time
- Method of Recording
- From RAO
- Rate Class
- Message Type
- Billing Indicators
- Bill to Number

- 7.6.1.2 BellSouth will perform duplicate record checks on EODUF records processed to Optional Daily Usage File. Any duplicate messages detected will be deleted and not sent to Z-Tel.
- 7.6.1.3 In the event that Z-Tel detects a duplicate on Enhanced Optional Daily Usage File they receive from BellSouth, Z-Tel will drop the duplicate message (Z-Tel will not return the duplicate to BellSouth).

7.6.2 Physical File Characteristics

- 7.6.2.1 The Enhanced Optional Daily Usage Feed will be distributed to Z-Tel over their existing Optional Daily Usage File (ODUF) feed. The EODUF messages will be intermingled among Z-Tel's Optional Daily Usage File (ODUF) messages. The EODUF will be a variable block format (2476) with an LRECL of 2472. The data on

the EODUF will be in a non-compacted EMI format (175 byte format plus modules). It will be created on a daily basis (Monday through Friday except holidays).

7.6.2.2 Data circuits (private line or dial-up) may be required between BellSouth and Z-Tel for the purpose of data transmission. Where a dedicated line is required, Z-Tel will be responsible for ordering the circuit, overseeing its installation and coordinating the installation with BellSouth. Z-Tel will also be responsible for any charges associated with this line. Equipment required on the BellSouth end to attach the line to the mainframe computer and to transmit successfully ongoing will be negotiated on a case by case basis. Where a dial-up facility is required, dial circuits will be installed in the BellSouth data center by BellSouth and the associated charges assessed to Z-Tel. Additionally, all message toll charges associated with the use of the dial circuit by Z-Tel will be the responsibility of Z-Tel. Associated equipment on the BellSouth end, including a modem, will be negotiated on a case by case basis between the Parties. All equipment, including modems and software, that is required on Z-Tel end for the purpose of data transmission will be the responsibility of Z-Tel.

### 7.6.3 Packing Specifications

7.6.3.1 A pack will contain a minimum of one message record or a maximum of 99,999 message records plus a pack header record and a pack trailer record. One transmission can contain a maximum of 99 packs and a minimum of one pack.

7.6.3.2 The Operating Company Number (OCN), From Revenue Accounting Office (RAO), and Invoice Number will control the invoice sequencing. The From RAO will be used to identify to Z-Tel which BellSouth RAO that is sending the message. BellSouth and Z-Tel will use the invoice sequencing to control data exchange. BellSouth will be notified of sequence failures identified by Z-Tel and resend the data as appropriate.

The data will be packed using ATIS EMI records.

BELLSOUTH/Z-TEL RATES  
ODUF/EODUF/ADUF/CMDS

DESCRIPTION	RATES BY STATE									
	USOC	AL	FL	GA	KY	LA	MS	NC	SC	TN
<b>ODUF/EODUF/ADUF/CMDS</b>										
ODUF: Recording, per message	N/A	\$0.0002	\$0.008	\$0.008	\$0.0008611	\$0.00019	\$0.0001179	\$0.008	\$0.0002862	\$0.008
ODUF: Message Processing, per message	N/A	\$0.0033	\$0.004	\$0.004	\$0.0032357	\$0.0024	\$0.0032089	\$0.004	\$0.0032344	\$0.004
EODUF: Message Processing, per message	N/A	\$0.004	\$0.004	\$0.004	\$0.004	\$0.004	\$0.004	\$0.004	\$0.004	\$0.004
ADUF: Message Processing, per message	N/A	\$0.004	\$0.004	\$0.004	\$0.004	\$0.004	\$0.004	\$0.004	\$0.004	\$0.004
CMDS: Message Processing, per message	N/A	\$0.004	\$0.004	\$0.004	\$0.004	\$0.004	\$0.004	\$0.004	\$0.004	\$0.004
ODUF: Message Processing, per magnetic tape provisioned	N/A	\$55.19	\$54.95	\$54.95	\$55.68	\$47.30	\$54.62	\$54.95	\$54.72	\$54.95
EODUF: Message Processing, per magnetic tape provisioned	N/A	\$47.30	\$47.30	\$47.30	\$47.30	\$47.30	\$47.30	\$47.30	\$47.30	\$47.30
ODUF: Data Transmission (CONNECT:DIRECT), per message	N/A	\$0.00004	\$0.001	\$0.001	\$0.0000365	\$0.00003	\$0.0000354	\$0.001	\$0.0000357	\$0.001
EODUF: Data Transmission (CONNECT:DIRECT), per message	N/A	\$0.0000364	\$0.0000364	\$0.0000364	\$0.0000364	\$0.0000364	\$0.0000364	\$0.0000364	\$0.0000364	\$0.0000364
ADUF: Data Transmission (CONNECT:DIRECT), per message	N/A	\$0.001	\$0.001	\$0.001	\$0.001	\$0.001	\$0.001	\$0.001	\$0.001	\$0.001
CMDS: Data Transmission (CONNECT:DIRECT), per message	N/A	\$0.001	\$0.001	\$0.001	\$0.001	\$0.001	\$0.001	\$0.001	\$0.001	\$0.001
<b>NOTES:</b>										
If no rate is identified in the contract, the rate for the specific service or function will be as set forth in applicable BellSouth tariff or as negotiated by the parties upon request by either party.										

## **Attachment 8**

### **Rights-of-Way, Conduits and Pole Attachments**

## **Rights-of-Way, Conduits and Pole Attachments**

BellSouth will provide nondiscriminatory access to any pole, duct, conduit, or right-of-way owned or controlled by BellSouth pursuant to 47 U.S.C. § 224, as amended by the Act, pursuant to terms and conditions of a license agreement subsequently negotiated with BellSouth's Competitive Structure Provisioning Center.



**Attachment 9**  
**Performance Measurements**

**TABLE OF CONTENTS**

**Service Performance Measurements And Enforcement Mechanisms ..... 3**

**1. Scope ..... 3**

**2. Reporting ..... 3**

**3. Modifications to Measurements ..... 3**

**4. Enforcement Mechanisms ..... 4**

**EXHIBIT A ..... 10**

**EXHIBIT B ..... 110**

**EXHIBIT C ..... 116**

**EXHIBIT D ..... 132**

**EXHIBIT E ..... 138**

## **Service Performance Measurements And Enforcement Mechanisms**

### **1. Scope**

This Attachment includes Enforcement Measurements with corresponding Enforcement Mechanisms applicable to this Agreement.

### **2. Reporting**

2.1 In providing services pursuant to this Agreement, BellSouth will report its performance to Z-Tel in accordance with BellSouth's Service Quality Measurements, which are contained in this Attachment as Exhibit A and in accordance with BellSouth's Enforcement Measurements, which are contained in this Attachment as Exhibit B.

2.2 BellSouth will make performance reports available to Z-Tel on a monthly basis. The reports will contain information collected in each performance category and will be available to Z-Tel through some electronic medium to be determined by BellSouth. BellSouth will also provide electronic access to the raw data underlying the performance measurements. Within thirty (30) days of execution of this Agreement, BellSouth will provide a detailed session of instruction to Z-Tel regarding access to the reports and to the raw data as well as the nature of the format of the data provided.

### **3. Modifications to Measurements**

#### **3.1 Service Quality Measurements**

3.1.1 BellSouth will update the Service Quality Measurements contained in Exhibit A of this Attachment each calendar quarter. BellSouth will not delete any Service Quality Measurement without prior written consent of Z-Tel. Z-Tel may provide input to BellSouth regarding any suggested additions, deletions or other modifications to the Service Quality Measurements. BellSouth will provide notice of all changes to the Service Quality Measurements via BellSouth's internet website.

3.1.2 Notwithstanding the foregoing, BellSouth may, from time to time, be ordered by a regulatory or judicial body to modify or amend the Service Quality Measurements. BellSouth will make all such changes to the Service Quality Measurements pursuant to Section \_\_\_ of the General Terms and Conditions of this Agreement, incorporated herein by reference.

3.1.3 Notwithstanding any other provision of this Agreement, in the event a dispute arises regarding the modification or amendment of the

Service Quality Measurements, the parties will refer the dispute to the Commission.

3.2 Enforcement Measurements and Statistical Test

3.2.1 In order for BellSouth to accurately administer the Enforcement Measurements contained in Exhibit B of this Attachment, the Enforcement Measurements shall be modified or amended only if BellSouth determines such modification or amendment is necessary. However, BellSouth will not delete any Enforcement Measurement without prior written consent of Z-Tel. BellSouth will notify Z-Tel of any such modification or amendment to the Enforcement Measurements via BellSouth's internet website.

3.2.2 Notwithstanding the foregoing, BellSouth may, from time to time, be ordered by a regulatory or judicial body to modify or amend the Enforcement Measurements and/or Statistical Test. BellSouth will make all such changes to the Enforcement Measurements and/or Statistical Test pursuant to Section \_\_\_ of the General Terms and Conditions of this Agreement, incorporated herein by reference.

3.2.3 Notwithstanding any other provision of this Agreement, in the event a dispute arises regarding the modification or amendment of the Enforcement Measurements and/or Statistical Test, the parties will refer the dispute to the Commission.

4. Enforcement Mechanisms

4.1 Purpose

This section establishes meaningful and significant enforcement mechanisms voluntarily provided by BellSouth to verify and maintain compliance between BellSouth and Z-Tel's operations as well as to maintain access to Operational Support System (OSS) functions. This section provides the terms and conditions for such self-effectuating enforcement mechanisms.

4.2 Effective Date

The enforcement mechanisms set forth in this section shall only become effective upon an effective FCC order, which has not been stayed, authorizing BellSouth to provide interLATA telecommunications services under section 271 of the Act within a particular state and shall only apply to BellSouth's performance in any state in which the FCC has granted BellSouth interLATA authority.

4.3 Definitions

- 4.3.1 Enforcement Measurement Elements means the performance measurements set forth in Exhibit B, attached hereto and incorporated herein by this reference.
- 4.3.2 Enforcement Measurement Benchmark means a competitive level of performance negotiated by BellSouth used to compare the performance of BellSouth and Z-Tel where no analogous process, product or service is feasible. See Exhibit B.
- 4.3.3 Enforcement Measurement Compliance means comparing performance levels provided to BellSouth retail customers with performance levels provided by BellSouth to the CLEC customer, as set forth in Exhibit C, attached hereto and incorporated herein by this reference.
- 4.3.4 Test Statistic and Balancing Critical Value is the means by which enforcement will be determine using statistically valid equations. See Exhibit C.
- 4.3.5 Cell is the point (below the wire center level) at which like-to-like comparisons are made. For example, all BellSouth retail POTS services, for residential customers, requiring a dispatch in a particular wire center, at a particular point in time will be compared directly to Z-Tel resold services for residential customers, requiring a dispatch, in the same wire center, at a particular point in time. When determining compliance, these cells can have a positive or negative value. See Exhibit C.
- 4.3.6 Affected Volume means that proportion of the total Z-Tel volume or CLEC Aggregate volume for which remedies will be paid.
- 4.3.7 Parity Gap refers to the incremental departure from a compliant-level of service. (See Exhibit D). This is also referred to as “diff” in the Statistical paper (See Exhibit C).
- 4.3.8 Tier-1 Enforcement Mechanisms means self-executing liquidated damages paid directly to Z-Tel when BellSouth delivers non-compliant performance of any one of the Enforcement Measurement Elements for any month as calculated by BellSouth.
- 4.3.9 Tier-2 Enforcement Mechanisms means Assessments paid directly to a state Public Service Commission (“Commission”) or its designee. Tier 2 Enforcement Mechanisms are triggered by three consecutive monthly failures in a quarter in which BellSouth performance is out of compliance or does not meet the benchmarks for the aggregate of all CLEC data as calculated by BellSouth for a particular Enforcement Measurement Element.

- 4.3.10 Tier-3 Enforcement Mechanisms means the voluntary suspension of additional marketing and sales of long distance services triggered by excessive repeat failures of those specific submeasures as defined in Exhibit D attached hereto and incorporated herein by this reference.
- 4.4 Application
- 4.4.1 The application of the Tier-1, Tier-2, and Tier-3 Enforcement Mechanisms does not foreclose other non-contractual legal and regulatory claims and remedies available to Z-Tel.
- 4.4.2 Proof of damages resulting from BellSouth's failure to maintain Enforcement Measurement Compliance would be difficult to ascertain and, therefore, liquidated damages are a reasonable approximation of any contractual damage. Liquidated damages under this provision are not intended to be a penalty.
- 4.5 Methodology
- 4.5.1 Tier-1 Enforcement Mechanisms will be triggered by BellSouth's failure to achieve Enforcement Measurement Compliance or Enforcement Measurement Benchmarks for the State for a given Enforcement Measurement Element in a given month based upon a test statistic and balancing critical value calculated by BellSouth utilizing BellSouth generated data. The method of calculation is attached hereto as Exhibit D and incorporated herein by this reference.
- 4.5.1.1 Tier-1 Enforcement Mechanisms apply on a per transaction basis for each negative cell and will escalate based upon the number of consecutive months that BellSouth has reported non-compliance.
- 4.5.1.2 Fee Schedule for Tier-1 Enforcement Mechanisms is shown in Table-1 attached hereto as Exhibit E and incorporated herein by this reference. Failures beyond Month 6 (as set forth in Table 1) will be subject to Month 6 fees.
- 4.5.2 Tier-2 Enforcement Mechanisms will be triggered by BellSouth's failure to achieve Enforcement Measurement Compliance or Enforcement Measurement Benchmarks for the State in a given calendar quarter based upon a statistically valid equation calculated by BellSouth utilizing BellSouth generated data. The method of calculation is attached hereto as Exhibit D and incorporated herein by reference.

- 4.5.2.1 Tier- 2 Enforcement Mechanisms apply, for an aggregate of all CLEC data generated by BellSouth, on a per transaction basis for each negative cell for a particular Enforcement Measurement Element.
- 4.5.2.2 Fee Schedule for Total Quarterly Tier-2 Enforcement Mechanisms is show in Table-2 attached hereto as Exhibit E and incorporated herein by this reference.
- 4.5.3 Tier-3 Enforcement Mechanisms will be triggered by BellSouth's failure to achieve Enforcement Measurement Compliance or Enforcement Measurement Benchmarks for a State in a given calendar quarter. The method of calculation for specified submeasures is identical to the method of calculation for Tier-2 Enforcement Mechanisms as described above. The specific submeasures which are the mechanism for triggering and removing a Tier-3 Enforcement Mechanisms are described in more detail in Exhibit D attached hereto and incorporated herein by this reference.
- 4.6 Payment of Tier-1 and Tier-2 Amounts
- 4.6.1 If BellSouth performance triggers an obligation to pay Tier-1 Enforcement Mechanisms to Z-Tel or an obligation to remit Tier-2 Enforcement Mechanisms to the Commission, BellSouth shall make payment in the required amount on or before the thirtieth (30<sup>th</sup>) day following the due date of the performance measurement report for the month in which the obligation arose.
- 4.6.2 For each day after the due date that BellSouth fails to pay Z-Tel the required amount, BellSouth will pay interest to Z-Tel at the maximum rate permitted by state law.
- 4.6.3 For each day after the due date that BellSouth fails to pay the Tier-2 Enforcement Mechanisms, BellSouth will pay the Commission an additional \$1,000 per day.
- 4.6.4 If Z-Tel disputes the amount paid to Z-Tel for Tier-1 Enforcement Mechanisms, Z-Tel shall submit a written claim to BellSouth within sixty (60) days after the date of the performance measurement report for which the obligation arose. BellSouth shall investigate all claims and provide Z-Tel written findings within thirty (30) days after receipt of the claim. If BellSouth determines Z-Tel is owed additional amounts, BellSouth shall pay Z-Tel such additional amounts within thirty (30) days after its findings along with interest paid at the maximum rate permitted by law.
- 4.6.5 At the end of each calendar year, BellSouth will have its independent auditing and accounting firm certify that the results of all Tier-1 and Tier-

2 Enforcement Mechanisms were paid and accounted for in accordance with Generally Accepted Account Principles (GAAP).

4.7 Limitations of Liability

- 4.7.1 BellSouth will not be responsible for Z-Tel acts or omissions that cause performance measures to be missed or fail, including but not limited to accumulation and submission of orders at unreasonable quantities or times or failure to submit accurate orders or inquiries. BellSouth shall provide Z-Tel with reasonable notice of such acts or omissions and provide Z-Tel any such supporting documentation.
- 4.7.2 BellSouth shall not be obligated for Tier-1, Tier-2 or Tier 3 Enforcement Mechanisms for non-compliance with a performance measure if such non-compliance was the result of an act or omission by Z-Tel that is in bad faith.
- 4.7.3 BellSouth shall not be obligated to pay Tier-1 Enforcement Mechanisms or Tier-2 Enforcement Mechanism for non-compliance with a performance measurement if such non-compliance was the result of any of the following: a Force Majeure event as set forth in the General Terms and Conditions of this Agreement; an act or omission by Z-Tel that is contrary to any of its obligations under its Interconnection Agreement with BellSouth; an act or omission by Z-Tel that is contrary to any of its obligations under the Act, Commission rule, or state law; an act or omission associated with third-party systems or equipment; or any occurrence that results from an incident reasonably related to the Y2K problem.
- 4.7.4 It is not the intent of the Parties that BellSouth be liable for both Tier-2 Enforcement Mechanisms and any other assessments or sanctions imposed by the Commission. Z-Tel will not oppose any effort by BellSouth to set off Tier-2 Enforcement Mechanisms from any additional assessment imposed by the Commission.
- 4.7.5 Payment of any Tier-1 or Tier-2 Enforcement Mechanisms shall not be considered as an admission against interest or an admission of liability or culpability in any legal, regulatory or other proceeding relating to BellSouth's performance. The payment of any Tier-1 Enforcement Mechanisms to Z-Tel shall release BellSouth for any liability associated with or related to the service performance measurement for the month for which the Enforcement Mechanisms was paid to Z-Tel.
- 4.7.6 Z-Tel acknowledges and argues that the Enforcement Mechanisms contained in this attachment have been provided by BellSouth on a completely voluntary basis in order to maintain compliance between



BellSouth and Z-Tel. Therefore, Z-Tel may not use the existence of this section or any payments of any Tier-1 or Tier-2 Enforcement Mechanisms under this section as evidence that BellSouth has not complied with or has violated any state or federal law or regulation.

4.8 Enforcement Mechanism Caps

4.8.1 BellSouth's liability for the payment of Tier-1 and Tier-2 Enforcement Mechanisms shall be collectively capped at \$625M per year for the entire BellSouth region as set forth below.

AL - \$54M	MS - \$44M
FL - \$122M	NC - \$77M
GA - \$131M	SC - \$47M
KY - \$34M	TN - \$57M
LA - \$59M	
Regional Total - \$625M	

4.8.2 If BellSouth's liability for the payment of Tier-1 and Tier-2 Enforcement Mechanisms exceed the caps referenced in this attachment, Z-Tel may commence a proceeding with the Commission to demonstrate why BellSouth should pay any amount in excess of the cap. Z-Tel shall have the burden of proof to demonstrate why, under the circumstances, BellSouth should have additional liability.

4.9 Dispute Resolution

4.9.1 Notwithstanding any other provision of this Agreement, any dispute regarding BellSouth's performance or obligations pursuant to this Attachment shall be resolved by the Commission.

# EXHIBIT A

# Service Quality Measurement Plan (SQM)

## Measurement Descriptions

Version

**May, 2000**

## INTRODUCTION

The BellSouth Service Quality Measurement Plan (SQM) describes in detail the measurements produced to evaluate the quality of service delivered to BellSouth's customers both wholesale and retail. The SQM was developed to respond to the requirements of the Communications Act of 1996 Section 251 (96 Act) which required ILECs to provide non-discriminatory access to Competitive Local Exchange Carriers (CLEC) and its Retail Customers. The reports produced by the SQM provide regulators, CLECs and BellSouth the information necessary to monitor the delivery of non-discriminatory access.

This plan results from the many divergent forces evolving from the 96 Act. The 96 Act, the Georgia Public Service Commission (GPSC) Order (Docket 7892-U 12/30/97), LCUG 1-7.0, the FCC's NPRM (CC Docket 98-56 RM9101 04/17/98), the Louisiana Public Service Commission (LPSC) Order (Docket U-22252 Subdocket C 04/19/98), numerous arbitration cases, LPSC sponsored collaborative workshops (10/98-02/00), and proceedings in Alabama, Mississippi, and North Carolina have and continue to influence the SQM. **The SQM must reflect the Orders by the GPSC and LPSC.**

However, in addition, the SQM and the reports flowing from it must change to reflect the dynamic requirements of the industry. New measurements are added as new systems and processes are developed and fielded. New products and services are added as the markets for them develop and the processes stabilize. The measurements are also changed to reflect changes in systems, to correct errors to respond to 3<sup>rd</sup> Party audit requirements, and PSC and/or customer requests..

This document is intended for use by someone with a basic knowledge of telecommunications industry, information technologies and a functional knowledge of the subject areas covered by the BellSouth Performance Measurement reports.

**BellSouth**  
**Service Quality Measurements Plan**

**TABLE OF CONTENTS**

<u>CATEGORY</u>	<u>MEASUREMENT DESCRIPTION*</u>	
<b>(OSS) Operations Support Systems</b>	OSS-1. Average Response Time and Response Interval (Pre-Ordering)	Pg. 5
	OSS-2. Interface Availability (Pre-Ordering)	Pg. 6
	OSS-3. Interface Availability (Maintenance & Repair)	Pg. 8
	OSS-4. Response Interval (Maintenance & Repair)	Pg. 9
<b>(O) Ordering</b>	O-1. Percent Flow-through Service Requests (Summary)	Pg. 10
	O-2. Percent Flow-through Service Requests (Detail)	Pg. 12
	O-3. Flow-through Error Analysis	Pg. 14
	O-4. CLEC LSR Information LSR Flow-Through Matrix	Pg. 15 Pg. 16
	O-5. Percent Rejected Service Requests	Pg. 19
	O-6. Reject Interval	Pg. 21
	O-7. Firm Order Confirmation Timeliness	Pg. 23
	O-8. Speed of Answer in Ordering Center	Pg. 25
	O-9. LNP-Percent Rejected Service Request	Pg. 26
	O-10. LNP-Reject Interval Distribution & Average Reject Interval	Pg. 27
	O-11. LNP-Firm Order Confirmation Timeliness Interval Distribution & Firm Order confirmation Average Interval	Pg. 29
<b>(P) Provisioning</b>	Provisioning Level of Disaggregation	Pg. 31
	P-1. Mean Held Order Interval & Distribution Intervals	Pg. 32
	P-2. Average Jeopardy Notice Interval & Percentage of Orders Given Jeopardy Notices	Pg. 34
	P-3. Percent Missed Installation Appointments	Pg. 35
	P-4. Average Completion Interval (OCI) & Order Completion Interval Distribution	Pg. 36
	P-5. Average Completion Notice Interval	Pg. 38
	P-6. Coordinated Customer Conversions	Pg. 39
	P-6A. Coordinated Customer Conversions Hot Cut Timeliness % within Interval and Average Interval	Pg. 40
	P-7. % Provisioning Troubles w/i 30 days of Service Order Activity	Pg. 41
	P-8. Total Service Order Cycle Time (TSOCT)	Pg. 42
	P-9. Service Order Accuracy (GEORGIA ONLY)	Pg. 43
	P-10. LNP -Percent Missed Installation Appointments	Pg. 44
P-11. LNP-Average Disconnect Timeliness Interval & Disconnect Timeliness Interval Distribution	Pg. 45	
P-12. LNP-Total Service Order Cycle Time	Pg. 46	
<b>(M&amp;R) Maintenance &amp; Repair</b>	M&R Level of Disaggregation	Pg. 47
	M&R-1. Missed Repair Appointments	Pg. 48
	M&R-2. Customer Trouble Report Rate	Pg. 49
	M&R-3. Maintenance Average Duration	Pg. 50
	M&R-4. Percent Repeat Troubles w/i 30 days)	Pg. 51
	M&R-5. Out of Service > 24 Hours	Pg. 52
M&R-6. Average Answer Time - Repair Centers	Pg. 53	
<b>(B) Billing</b>	B-1. Invoice Accuracy	Pg. 54
	B-2. Mean Time to Deliver Invoices	Pg. 55
	B-3. Usage Data Delivery Accuracy	Pg. 56
	B-4. Usage Data Delivery Completeness	Pg. 57
	B-5. Usage Data Delivery Timeliness	Pg. 58
	B-6. Mean Time to Deliver Usage	Pg. 59

**BellSouth**  
**Service Quality Measurements Plan**

**TABLE OF CONTENTS – (continued)**

<u>CATEGORY</u>	<u>MEASUREMENT DESCRIPTION *</u>	
<b>(OS) (DA) Operator Services Toll &amp; Directory Assistance</b>	OS-1. Speed to Answer Performance/Average Speed to Answer (Toll)	Pg. 60
	OS-2. Speed to Answer Performance/Percent Answered within "X" Seconds (Toll)	Pg. 61
	DA-1. Speed to Answer Performance/Average Speed to Answer (DA)	Pg. 62
	DA-2. Speed to Answer Performance/Percent Answered within "X" Seconds (DA)	Pg. 63
<b>(E) E911</b>	E-1. Timeliness	Pg. 64
	E-2. Accuracy	Pg. 65
	E-3. Mean Interval	Pg. 66
<b>(TGP) Trunk Group Performance</b>	TGP-1. Trunk Group Performance-Aggregate	Pg. 67
	TGP-2. Trunk Group Performance-CLEC Specific	Pg. 69
	TGP-3. Trunk Group Service Report	Pg. 71
	TGP-4. Trunk Group Service Detail	Pg. 72
<b>(C) Collocation</b>	C-1. Average Response Time	Pg. 73
	C-2. Average Arrangement Time	Pg. 74
	C-3. % of Due Dates Missed	Pg. 75
<b>Appendix A</b>	Reporting Scope	Pg. 76
<b>Appendix B</b>	Glossary of Acronyms and Terms	Pg. 78
<b>Appendix C</b>	Audit Policy	Pg. 83
<b>Appendix D</b>	BST SQM Retail Analog & Benchmarks	Pg. 84

\* These reports are subject to change due to regulatory requirements or to correct errors and etc.

**BellSouth  
Service Quality Measurements Plan**

OSS (Operations Support Systems)

<b>Report/Measurement:</b>	
<b>OSS-1. Average Response Time and Response Interval (Pre-Ordering)</b>	
<b>Definition:</b>	
Average response time and response intervals are the average times and number of requests responded to within certain intervals for accessing legacy data associated with appointment scheduling, service & feature availability, address verification, request for Telephone numbers (TNs), and Customer Service Records (CSRs).	
<b>Exclusions:</b>	
None	
<b>Business Rules:</b>	
The average response time for retrieving pre-order/order information from a given legacy system is determined by summing the response times for all requests submitted to the legacy systems during the reporting period and dividing by the total number of legacy system requests for that month. The response interval starts when the client application (LENS or TAG for CLECs and RNS for BST) submits a request to the legacy system and ends when the appropriate response is returned to the client application. The number of accesses to the legacy systems during the reporting period, which take less than 2.3 seconds and the number, which take more than 6 seconds are also captured.	
<b>Level of Disaggregation:</b>	
<b>RSAG – Address</b> (Regional Street Address Guide-Address) – stores street address information used to validate customer addresses. CLECs and BST query this legacy system.	
<b>RSAG – TN</b> (Regional Street Address Guide-Telephone number) – contains information about facilities available and telephone numbers working at a give address. CLECs and BST query this legacy system.	
<b>ATLAS</b> (Application for Telephone Number Load Administration and Selection) – acts as a warehouse for storing telephone numbers that are available for assignment by the system. It enables CLECs and BST service reps to select and reserve telephone numbers. CLECs and BST query this legacy system.	
<b>COFFI</b> (Central Office Feature File Interface) – stores information about product and service offerings and availability. CLECs query this legacy system.	
<b>DSAP</b> (DOE Support Application) – provides due date information. CLECs and BST query this legacy system.	
<b>HAL/CRIS</b> (Hands-Off Assignment Logic/Customer Record Information System) – a system used to access the Business Office Customer Record Information System (BOCRIS). It allows BST servers, including LENS, access to legacy systems. CLECs query this legacy system.	
<b>P/SIMS</b> (Product/Services Inventory Management system) – provides information on capacity, tariffs, inventory and service availability. CLECs query this legacy system.	
<b>OASIS</b> (Obtain Available Services Information Systems) – Information on feature and rate availability. BST queries this legacy system.	
<b>Calculation:</b>	
$\frac{\Sigma [\text{Date \& Time of Legacy Response}] - (\text{Date \& Time of Request to Legacy})}{(\text{Number of Legacy Requests During the Reporting Period})}$	
<b>Report Structure:</b>	
Not CLEC Specific Not product/service specific Regional Level	
<b>Data Retained Relating to CLEC Experience:</b>	<b>Data Retained Relating to BST Performance:</b>
Report month Legacy Contract (per reporting dimension) Response Interval Regional Scope	Report month Legacy Contract (per reporting dimension) Response Interval Regional Scope
<b>Retail Analog/Benchmark:</b>	
See Appendix D	

Revision Date: 05/05/00 (lg)

**BellSouth  
Service Quality Measurements Plan**

**LEGACY SYSTEM ACCESS TIMES FOR RNS**

<b>System</b>	<b>Contract</b>	<b>Data</b>	<b>&lt; 2.3 sec</b>	<b>&gt; 6 sec</b>	<b>Avg. Sec</b>	<b># of Calls</b>
RSAG	RSAG-TN	Address	x	x	x	x
RSAG	RSAG-ADDR	Address	x	x	x	x
ATLAS	ATLAS-TN	TN	x	x	x	x
DSAP	DSAP-DDI	Schedule	x	x	x	x
CRIS	CRSACCTS	CSR	x	x	x	x
OASIS	OASISBSN	Feature/Service	x	x	x	x
OASIS	OASISCAR	Feature/Service	x	x	x	x
OASIS	OASISLPC	Feature/Service	x	x	x	x
OASIS	OASISMTN	Feature/Service	x	x	x	x
OASIS	OASISBIG	Feature/Service	x	x	x	x

**LEGACY SYSTEM ACCESS TIMES FOR LENS**

<b>System</b>	<b>Contract</b>	<b>Data</b>	<b>&lt; 2.3 sec</b>	<b>&gt; 6 sec</b>	<b>Avg. Sec</b>	<b># of Calls</b>
RSAG	RSAG-TN	Address	x	x	x	x
RSAG	RSAG-ADDR	Address	x	x	x	x
ATLAS	ATLAS-TN	TN	x	x	x	x
DSAP	DSAP-DDI	Schedule	x	x	x	x
HAL	HAL/CRIS	CSR	x	x	x	x
COFFI	COFFI/USOC	Feature/Service	x	x	x	x
P/SIMS	PSIMS/ORB	Feature/Service	x	x	x	x

**LEGACY SYSTEM ACCESS TIMES FOR TAG**

<b>System</b>	<b>Contract</b>	<b>Data</b>	<b>&lt; 2.3 sec</b>	<b>&gt; 6 sec</b>	<b>Avg. Sec</b>	<b># of Calls</b>
RSAG	RSAG-TN	Address	x	x	x	x
RSAG	RSAG-ADDR	Address	x	x	x	x
ATLAS	ATLAS-TN	TN	x	x	x	x
DSAP	DSAP-DDI	Schedule	x	x	x	x
HAL	HAL/CRIS	CSR	x	x	x	x
CRIS	CRSEINIT	CSR	x	x	x	x
CRIS	CRSECSR	CSR	x	x	x	x



**BellSouth**  
**Service Quality Measurements Plan**

OSS (Operations Support Systems)

<b>Report/Measurement:</b>	
<b>OSS-2. Interface Availability (Pre-Ordering)</b>	
<b>Definition:</b>	
Percent of time OSS interface is functionally available compared to scheduled availability. Availability percentages for CLEC interface systems and for all Legacy systems accessed by them are captured.	
<b>Exclusions:</b>	
None	
<b>Business Rules:</b>	
This measurement captures the availability percentages for the BST systems, which are used by CLECs during Pre-Ordering functions. Comparison to BST results allows conclusions as to whether an equal opportunity exists for the CLEC to deliver a comparable customer experience.	
<b>Level of Disaggregation:</b>	
Regional Level	
<b>Calculation:</b>	
$(\text{Functional Availability}) / (\text{Scheduled Availability}) \times 100$	
<b>Report Structure:</b>	
Aggregate CLEC BST & CLEC Regional Level	
<b>Data Retained Relating to CLEC Experience:</b>	<b>Data Retained Relating to BST Performance:</b>
Report month Legacy Contract Type (per reporting dimension) Regional Scope Hours of Downtime	Report month Legacy Contract Type (per reporting dimension) Regional Scope
<b>Retail Analog/Benchmark:</b>	
See Appendix D	

**OSS Interface Availability**

OSS Interface	Applicable to	% Availability
EDI	CLEC	x
HAL	CLEC	x
LENS	CLEC	x
LEO Mainframe	CLEC	x
LEO UNIX	CLEC	x
LESOG	CLEC	x
PSIMS	CLEC	x
TAG	CLEC	x
ATLAS/COFFI	CLEC/BST	x
BOCRIS	CLEC/BST	x
DSAP	CLEC/BST	x
RSAG	CLEC/BST	x
SOCS	CLEC/BST	x
SONGS	CLEC/BST	x

Revision Date: 05/25/00 (lg)

**BellSouth**  
**Service Quality Measurements Plan**

OSS (Operations Support Systems)

<b>Report/Measurement:</b>	
<b>OSS-3. Interface Availability (Maintenance &amp; Repair)</b>	
<b>Definition:</b>	
The percentage of time the OSS Interface is functionally available compared to scheduled availability. Availability percentage for the CLEC and BST interface systems and for the legacy systems accessed by them are captured.	
<b>Exclusions:</b>	
None	
<b>Business Rules:</b>	
This measure is designed to compare the OSS availability versus scheduled availability of BST's legacy systems.	
<b>Calculation:</b>	
OSS Interface Availability = (Actual System Functional Availability) / (Actual planned System Availability) X 100	
<b>Report Structure:</b>	
Aggregate CLEC BST & CLEC Regional Level	
<b>Level of Disaggregation:</b>	
Region	
<b>Data Retained Relating to CLEC Experience:</b>	<b>Data Retained Relating to BST Performance:</b>
Availability of CLEC TAFI Availability of LMOS HOST, MARCH, SOCS, CRIS, PREDICTOR, LNP and OSPCM ECTA	Availability of BST TAFI Availability of LMOS HOST, MARCH, SOCS, CRIS, PREDICTOR, LNP and OSPCM
<b>Retail Analog/Benchmark:</b>	
Parity by design; Retail Analog ECTA Benchmark – 99.5% See Appendix D	

**OSS Interface Availability (M&R)**

<b>OSS INTERFACE</b>	<b>% Availability</b>
BST TAFI	x
CLEC TAFI	x
CLEC ECTA	x
<b>BST AND CLEC</b>	x
CRIS	x
LMOS HOST	x
LNP	x
MARCH	x
OSPCM	x
PREDICTOR	x
SOCS	x

Revision Date: 05/25/00 (see)

**BellSouth  
Service Quality Measurements Plan**

OSS (Operations Support Systems)

<b>Report/Measurement:</b>	
<b>OSS-4. Response Interval (Maintenance &amp; Repair)</b>	
<b>Definition:</b>	
The response intervals are determined by subtracting the time a request is received on the BST side of the interface from the time the response is received from the legacy system. Percentages of requests falling into each interval category are reported, along with the actual number of requests falling into those categories.	
<b>Exclusions:</b>	
None	
<b>Business Rules:</b>	
This measure is designed to monitor the time required for the CLEC and BST interface system to obtain from BST's legacy systems the information required to handle maintenance and repair functions. The clock starts on the date and time when the request is received on the BST side of the interface and the clock stops when the response has been transmitted through that same point to the requester.	
<b>NOTE:</b> The OSS Response Interval BST Total Report is a combination of BST Residence and Business Total.	
<b>Calculation:</b>	
OSS Response Interval = (Query Response Date and Time for Category "X") - (Query Request Date and Time for Category "X") / (Number of Queries Submitted in the Reporting Period) where, "X" is 0-4, ≥ 4 to 10, ≥ 10, ≥ 30 seconds.	
<b>Report Structure:</b>	
CLEC BST Residence BST Business by interface for each legacy system and function as appropriate. BST total (Business + Residence)	
<b>Level of Disaggregation:</b>	
Region	
<b>Data Retained Relating to CLEC Experience:</b>	<b>Data Retained Relating to BST Performance:</b>
CLEC Transaction Intervals	BST Business and Residence transaction Intervals
<b>Retail Analog/Benchmark:</b>	
OSS Response Interval for CLEC's is comparable to OSS Response Interval for BST.	

System	BST & CLEC	Count ≤ 4	Count > 4, ≤ 10	Count ≤ 10	Count > 10	Count > 30
CRIS	X	X	X	X	X	X
DLETH	X	X	X	X	X	X
DLR	X	X	X	X	X	X
LMOS	X	X	X	X	X	X
LMOSupd	X	X	X	X	X	X
LNP	X	X	X	X	X	X
MARCH	X	X	X	X	X	X
OSPCM	X	X	X	X	X	X
Predictor	X	X	X	X	X	X
SOCS	X	X	X	X	X	X
NIW	X	X	X	X	X	X

Revision Date: 05/16/00 (see)

**BellSouth**  
**Service Quality Measurements Plan**

**ORDERING**

<b>Report/Measurement:</b>														
<b>O-1. Percent Flow-Through Service Requests (Summary)</b>														
<b>Definition:</b>														
The percentage of Local Service Requests (LSR) and LNP Local Service Requests (LNP LSRs) submitted electronically via the CLEC mechanized ordering process that flow through and reach a status for a FOC to be issued, without manual intervention.														
<b>Exclusions:</b>														
Fatal Rejects Auto Clarification Manual Fallout CLEC System Fallout														
<b>Business Rules:</b>														
The CLEC mechanized ordering process includes all LSRs, including supplements (subsequent versions) which are submitted through one of the three gateway interfaces (TAG, EDI, and LENS), that flow through and reach a status for a FOC to be issued, without manual intervention. These LSRs can be divided into two classes of service; Business and Residence, and two types of service; Resale, and Unbundled Network Elements (UNE). The CLEC mechanized ordering process does not include LSRs, which are, submitted manually (e.g., fax, and courier), or are not designed to flow through, i.e., Manual Fallout.														
<b>Definitions:</b>														
<b>Fatal Rejects:</b> Errors that prevent an LSR, submitted electronically by the CLEC, from being processed further. When an LSR is submitted by a CLEC, LEO/LNP Gateway will perform edit checks to ensure the data received is correctly formatted and complete. For example, if the PON field contains an invalid character, LEO/LNP Gateway will reject the LSR and the CLEC will receive a Fatal Reject.														
<b>Auto-Clarification:</b> errors that occur due to invalid data within the LSR, LESOG/LAUTO will perform data validity checks to ensure the data within the LSR is correct and valid. For example, if the address on the LSR is not valid according to RSAG, or if the LNP is not available for the NPA NXXX requested, the CLEC will receive an Auto-Clarification.														
<b>Manual Fallout:</b> Planned Fallout that occur by design. Certain LSRs are designed to fallout of the Mechanized Order Process due to their complexity. These LSRs are manually processed by the LCSC. When a CLEC submits an LSR, LESOG/LAUTO will determine if the LSR should be forwarded to LCSC for manual handling. Following are the categories for Manual Fallout:														
<table style="width: 100%; border: none;"> <tr> <td style="width: 50%;">1. Complex*</td> <td style="width: 50%;">8. Low volume such as activity type "T" (move)</td> </tr> <tr> <td>2. Expedites (requested by the CLEC)</td> <td>9. Pending order review required</td> </tr> <tr> <td>3. Special pricing plans</td> <td>10. More than 25 business lines</td> </tr> <tr> <td>4. Denials-restore and conversion, or disconnect and conversion orders</td> <td>11. Restore or suspend for UNE combos</td> </tr> <tr> <td>5. Partial migrations</td> <td>12. Transfer of calls option for the CLEC's end users</td> </tr> <tr> <td>6. Class of service invalid in certain states with some types of service</td> <td>13. CSR inaccuracies such as invalid or missing CSR data in CRIS</td> </tr> <tr> <td>7. New telephone number not yet posted to BOCRIS</td> <td></td> </tr> </table>	1. Complex*	8. Low volume such as activity type "T" (move)	2. Expedites (requested by the CLEC)	9. Pending order review required	3. Special pricing plans	10. More than 25 business lines	4. Denials-restore and conversion, or disconnect and conversion orders	11. Restore or suspend for UNE combos	5. Partial migrations	12. Transfer of calls option for the CLEC's end users	6. Class of service invalid in certain states with some types of service	13. CSR inaccuracies such as invalid or missing CSR data in CRIS	7. New telephone number not yet posted to BOCRIS	
1. Complex*	8. Low volume such as activity type "T" (move)													
2. Expedites (requested by the CLEC)	9. Pending order review required													
3. Special pricing plans	10. More than 25 business lines													
4. Denials-restore and conversion, or disconnect and conversion orders	11. Restore or suspend for UNE combos													
5. Partial migrations	12. Transfer of calls option for the CLEC's end users													
6. Class of service invalid in certain states with some types of service	13. CSR inaccuracies such as invalid or missing CSR data in CRIS													
7. New telephone number not yet posted to BOCRIS														
*Attached is a list of services, including complex services, and whether LSRs issued for the services are eligible to flow through.														
<b>Total System Fallout:</b> Errors that require manual review by the LSCS to determine if the error is caused by the CLEC, or is due to system functionality. If it is determined the error is caused by the CLEC, the LSR will be sent back to the CLEC for clarification. If it is determined the error is BST caused, the LCSC representative will correct the error, and the LSR will continue to be processed.														

**BellSouth**  
**Service Quality Measurements Plan**

**ORDERING (O-1. Percent Flow-Through Service Requests (Summary) – Continued)**

<b>Calculation:</b>	
Percent Flow Through – (The total number of LSRs that flow through LESOG/LAUTO and reach a status for a FOC to be issued) / (the number of LSRs passed from LEO/LNP Gateway to LESOG/LAUTO) - Σ[(the number of LSRs that fall out for manual processing) + (the number of LSRs that are returned to the CLEC for clarification) + ( the number of LSRs that contain errors made by CLECs)] X 100.	
<b>Report Structure:</b>	
CLEC Aggregate Region	
<b>Level of Disaggregation:</b>	
Geography Region Product Residence Business UNE LNP	
<b>Data Retained Relating to CLEC Experience:</b>	<b>Data Retained Relating to BST Performance:</b>
Report month Total number of LSRs received, by interface, by CLEC TAG EDI LENS Total number of errors by type, by CLEC Fatal rejects Auto clarification CLEC caused system fallout Total number of errors by error code Total fallout for manual processing	Report month Total number of errors by type BST system error
<b>Retail Analog/Benchmark:</b>	
Residence 90% Business 80% UNE 80%	

Revision Date: 05/15/00 (tm)

**BellSouth**  
**Service Quality Measurements Plan**

**ORDERING**

<b>Report/Measurement:</b>														
<b>O-2. Percent Flow-Through Service Requests (Detail)</b>														
<b>Definition:</b>														
A detailed list by CLEC of the percentage of Local Service Requests (LSR) and LNP Local Service Requests (LNP LSRs) submitted electronically via the CLEC mechanized ordering process that flow through and reach a status for a FOC to be issued, without manual or human intervention.														
<b>Exclusions:</b>														
Fatal Rejects Auto Clarification Manual Fallout CLEC System Fallout														
<b>Business Rules:</b>														
The CLEC mechanized ordering process includes all LSRs, including supplements (subsequent versions) which are submitted through one of the three gateway interfaces (TAG, EDI, and LENS), that flow through and reach a status for a FOC to be issued, without manual intervention. These LSRs can be divided into two classes of service; Business and Residence, and three types of service; Resale, and Unbundled Network Elements (UNE) and specials. The CLEC mechanized ordering process does not include LSRs, which are, submitted manually (e.g., fax, and courier), or are not designed to flow through, i.e., Manual Fallout.														
<b>Definitions:</b>														
<b>Fatal Rejects:</b> Errors that prevent an LSR, submitted electronically by the CLEC, from being processed further. When an LSR is submitted by a CLEC, LEO/LNP Gateway will perform edit checks to ensure the data received is correctly formatted and complete. For example, if the PON field contains an invalid character, LEO/LNP Gateway will reject the LSR and the CLEC will receive a Fatal Reject.														
<b>Auto-Clarification:</b> errors that occur due to invalid data within the LSR, LESOG/LAUTO will perform data validity checks to ensure the data within the LSR is correct and valid. For example, if the address on the LSR is not valid according to RSAG, or if the LNP is not available for the NPA NXXX requested, the CLEC will receive an Auto-Clarification.														
<b>Manual Fallout:</b> Planned Fallout that occur by design. Certain LSRs are designed to fallout of the Mechanized Order Process due to their complexity. These LSRs are manually processed by the LCSC. When a CLEC submits an LSR, LESOG/LAUTO will determine if the LSR should be forwarded to LCSC for manual handling. Following are the categories for Manual Fallout:														
<table style="width: 100%; border: none;"> <tr> <td style="width: 50%;">1. Complex services*</td> <td style="width: 50%;">8. Low volume such as activity type "T" (move)</td> </tr> <tr> <td>2. Expedites (requested by the CLEC)</td> <td>9. Pending order review required</td> </tr> <tr> <td>3. Special pricing plans</td> <td>10. More than 25 business lines</td> </tr> <tr> <td>4. Denials-restore and conversion, or disconnect and conversion orders</td> <td>11. Restore or suspend for UNE combos</td> </tr> <tr> <td>5. Partial migrations</td> <td>12. Transfer of calls option for the CLEC's end users</td> </tr> <tr> <td>6. Class of service invalid in certain states with some types of service</td> <td>13. CSR inaccuracies such as invalid or missing CSR data in CRIS</td> </tr> <tr> <td>7. New telephone number not yet posted to BOCRIS</td> <td></td> </tr> </table>	1. Complex services*	8. Low volume such as activity type "T" (move)	2. Expedites (requested by the CLEC)	9. Pending order review required	3. Special pricing plans	10. More than 25 business lines	4. Denials-restore and conversion, or disconnect and conversion orders	11. Restore or suspend for UNE combos	5. Partial migrations	12. Transfer of calls option for the CLEC's end users	6. Class of service invalid in certain states with some types of service	13. CSR inaccuracies such as invalid or missing CSR data in CRIS	7. New telephone number not yet posted to BOCRIS	
1. Complex services*	8. Low volume such as activity type "T" (move)													
2. Expedites (requested by the CLEC)	9. Pending order review required													
3. Special pricing plans	10. More than 25 business lines													
4. Denials-restore and conversion, or disconnect and conversion orders	11. Restore or suspend for UNE combos													
5. Partial migrations	12. Transfer of calls option for the CLEC's end users													
6. Class of service invalid in certain states with some types of service	13. CSR inaccuracies such as invalid or missing CSR data in CRIS													
7. New telephone number not yet posted to BOCRIS														
*Attached is a list of services, including complex services, and whether LSRs issued for the services are eligible to flow through.														
<b>Total System Fallout:</b> Errors that require manual review by the LSCS to determine if the error is caused by the CLEC, or is due to system functionality. If it is determined the error is caused by the CLEC, the LSR will be sent back to the CLEC for clarification. If it is determined the error is BST caused, the LCSC representative will correct the error, and the LSR will continue to be processed.														

**BellSouth**  
**Service Quality Measurements Plan**

**ORDERING (O-2. Percent Flow-Through Service Requests (Detail) – Continued)**

<b>Calculation:</b>	
Percent Flow Through – (The total number of LSRs that flow through LESOG/LAUTO and reach a status for a FOC to be issued) / (the number of LSRs passed from LEO/LNP Gateway to LESOG/LAUTO) - Σ[(the number of LSRs that fall out for manual processing + the number of LSRs that are returned to the CLEC for clarification + the number of LSRs that contain errors made by CLECs)] X 100.	
<b>Report Structure:</b>	
Provides the flow through percentage for each CLEC (by alias designation) submitting LSRs through the CLEC mechanized ordering process. The report provides the following: CLEC (by alias designation) Number of fatal rejects Mechanized interface used Total mechanized LSRs Total manual fallout Number of auto clarifications returned to CLEC Number of validated LSRs Number of BST caused fallout Number of CLEC caused fallout Number of Service Orders Issued Base calculation CLEC error excluded calculation	
<b>Level of Disaggregation:</b>	
CLEC Specific (by alias designation to protect CLEC specific proprietary data) Geographic Region Product Residence Business UNE LNP	
<b>Data Retained Relating to CLEC Experience:</b>	<b>Data Retained Relating to BST Performance:</b>
Report month Total number of LSRs received, by interface, by CLEC TAG EDI LENS Total number of errors by type, by CLEC Fatal rejects Auto clarification CLEC errors Total number of errors by error code Total fallout for manual processing	Report month Total number of errors by type BST system error
<b>Retail Analog/Benchmark:</b>	
Residence 90% Business 80% UNE 80%	

Revision Date: 05/15/00 (tm)

**BellSouth**  
**Service Quality Measurements Plan**

**ORDERING**

<b>Report/Measurement:</b>	
<b>O-3. Flow-Through Error Analysis</b>	
<b>Definition:</b>	
An analysis of each error type (by error code) that was experienced by the LSRs that did not flow through and reach a status for a FOC to be issued.	
<b>Exclusions:</b>	
Each Error Analysis is error code specific, therefore exclusions are not applicable.	
<b>Business Rules:</b>	
The CLEC mechanized ordering process includes all LSRs, including supplements (subsequent versions) which are submitted through one of the three gateway interfaces (TAG, EDI, and LENS), that flow through and reach a status for a FOC to be issued. The CLEC mechanized ordering process does not include LSRs, which are, submitted manually (e.g., fax, and courier).	
<b>Calculation:</b>	
Σ Of errors by type	
<b>Report Structure:</b>	
Provides an analysis of each error type (by error code). The report is in descending order by count of each error code and provides the following: Error Type (by error code) Count of each error type Percent of each error type Cumulative percent Error Description CLEC Caused Count of each error code Percent of aggregate by CLEC caused count Percent of CLEC caused count BST Caused Count of each error code Percent of aggregate by BST caused count Percent of BST by BST caused count.	
<b>Level of Disaggregation:</b>	
Region	
<b>Data Retained Relating to CLEC Experience:</b>	<b>Data Retained Relating to BST Performance:</b>
Report month Total number of LSRs received Total number of errors by type (by error code) CLEC caused error	Report month Total number of errors by type (by error code) BST system error
<b>Retail Analog/Benchmark:</b>	
Not Applicable	

Revision Date: 02/22/00 (tm)



**BellSouth**  
**Service Quality Measurements Plan**

**ORDERING**

<b>Report/Measurement:</b>	
O-4. CLEC LSR Information	
<b>Definition:</b>	
A list, with the flow through activity, of LSRs, by cc, pon and ver, issued by each CLEC during the report period.	
<b>Exclusions:</b>	
Fatal Rejects	
<b>Business Rules:</b>	
The CLEC mechanized ordering process includes all LSRs, including supplements (subsequent versions) which are submitted through one of the three gateway interfaces (TAG, EDI, and LENS), that flow through and reach a status for a FOC to be issued. The CLEC mechanized ordering process does not include LSRs, which are, submitted manually (e.g., fax, and courier).	
<b>Calculation:</b>	
NA	
<b>Report Structure:</b>	
Provides a list, with the flow through activity, of LSRs by cc, pon, and ver, issued by each CLEC during the report period with an explanation of the of the columns and content. This report is available on a CLEC specific basis. The report provides the following for each LSR.	
CC	
PON	
Ver	
Timestamp	
Type	
Err #	
Note or error description	
<b>Level of Disaggregation:</b>	
Region	
<b>Data Retained Relating to CLEC Experience:</b>	<b>Data Retained Relating to BST Experience:</b>
Report month Record of LSRs received by cc, pon, and ver Record of timestamp, type, err # and note or error description for each LSR by cc, pon, and ver.	NA
<b>Retail Analog/Benchmark:</b>	
Not Applicable	

Revision Date: 5/2/00(tm)

**BellSouth**  
**Service Quality Measurements Plan**

LSR Flow-Through Matrix

PRODUCT	F/T	COMPLEX SERVICE	COMPLEX ORDER	PLANNED FALLOUT FOR MANUAL HANDLING <sup>1</sup>	EDI	TAG <sup>2</sup>	LENS 99 <sup>4</sup>	LENS <sup>3</sup>	COMMENTS
2 wire analog DID trunk port	No <sup>5</sup>	UNE	Yes	NA	N	N	N	N	
2 wire analog port	Yes	UNE	No	No	Y	Y	N	N	
2 wire ISDN digital line side port	No	UNE	Yes	NA	N	N	N	N	
2 wire ISDN digital loop	No	UNE	Yes	Yes	Y	Y	N	N	
3 Way Calling	Yes	No	No	No	Y	Y	Y	Y	
4 wire analog voice grade loop	Yes	UNE	Yes	No	Y	Y	N	N	
4 wire DS0 & PRI digital loop	No	UNE	Yes	NA	N	N	N	N	
4 wire DS1 & PRI digital loop	No	UNE	Yes	NA	N	N	N	N	
4 wire ISDN DSI digital trunk ports	No	UNE	Yes	Yes	N	N	N	N	
Accupulse	No	Yes	Yes	NA	N	N	N	N	
ADSL	No	UNE	Yes	NA	N	N	N	N	
Area Plus	Yes	No	No	No	Y	Y	Y	Y	
Basic Rate ISDN	No	Yes	Yes	Yes	Y	Y	N	N	
Call Block	Yes	No	No	No	Y	Y	Y	Y	
Call Forwarding-Variable	Yes	No	No	No	Y	Y	Y	Y	
Call Return	Yes	No	No	No	Y	Y	Y	Y	
Call Selector	Yes	No	No	No	Y	Y	Y	Y	
Call Tracing	Yes	No	No	No	Y	Y	Y	Y	
Call Waiting	Yes	No	No	No	Y	Y	Y	Y	
Call Waiting Deluxe	Yes	No	No	No	Y	Y	Y	Y	
Caller ID	Yes	No	No	No	Y	Y	Y	Y	
CENTREX	No	Yes	Yes	NA	N	N	N	N	
DID WITH PBX ACT W	No	Yes	Yes	Yes	Y	N	Y	N	
DID ACT W	No	Yes	Yes	Yes	Y	N	Y	N	
Digital Data Transport	No	UNE	Yes	NA	N	N	N	N	
Directory Listing Indentions	No	No	No	Yes	Y	Y	Y	Y	
Directory Listings Captions	No	No	Yes	Yes	Y	Y	Y	N	
Directory Listings (simple)	Yes	No	No	No	Y	Y	Y	Y	
DS3	No	UNE	Yes	NA	N	N	N	N	
DS1 Loop	Yes	UNE	Yes	No	Y	Y	N	N	

**BellSouth  
Service Quality Measurements Plan**

	Yes	UNE	Yes	No	Y	Y	Y	N	N	N
DSO Loop	Yes	UNE	Yes	No	Y	Y	Y	N	N	N
Enhanced Caller ID	Yes	No	No	No	Y	Y	Y	Y	Y	Y
ESSX	No	Yes	Yes	NA	N	N	N	N	N	N
Flat Rate/Business	Yes	No	No	No	Y	Y	Y	Y	Y	Y
Flat Rate/Residence	Yes	No	No	No	Y	Y	Y	Y	Y	Y
FLEXSERV	No	Yes	Yes	NA	N	N	N	N	N	N
Frame Relay	No	Yes	Yes	NA	N	N	N	N	N	N
FX	No	Yes	Yes	NA	N	N	N	N	N	N
Ga. Community Calling	Yes	No	No	No	Y	Y	Y	Y	Y	Y
HDSL	No	UNE	Yes	NA	N	N	N	N	N	N
Hunting MLH	No	C/S <sup>6</sup>	C/S	Yes	Y	Y	Y	Y	Y	Y
Hunting Series Completion	No	C/S	C/S	No	Y	Y	Y	Y	Y	Y
INP RECTYPE B	Yes	UNE	No	No	Y	Y	Y	N	N	N
INP RECTYPE C	Yes	UNE	No	No	Y	Y	Y	N	N	N
LightGate	No	Yes	Yes	NA	N	N	N	N	N	N
Local Number Portability	Yes	UNE	Yes	No	Y	Y	Y	N	N	N
LNP with Complex Listing	No	UNE	Yes	Yes	Y	Y	Y	N	N	N
LNP with Partial Migration	No	UNE	Yes	Yes	Y	Y	Y	N	N	N
LNP with Complex Services	No	UNE	Yes	Yes	Y	Y	Y	N	N	N
INP to LNP Conversions	No	UNE	Yes	Yes	Y	Y	Y	N	N	N
Measured Rate/Bus.	Yes	No	No	No	Y	Y	Y	Y	Y	Y
Measured Rate/Res.	Yes	No	No	No	Y	Y	Y	Y	Y	Y
Megalink	No	Yes	Yes	NA	N	N	N	N	N	N
Megalink-T1	No	Yes	Yes	NA	N	N	N	N	N	N
Memory Call	Yes	No	No	No	Y	Y	Y	Y	Y	Y
Memory Call Ans. Svc.	Yes	No	No	No	Y	Y	Y	Y	Y	Y
Multiserv	No	Yes	Yes	NA	N	N	N	N	N	N
Native Mode LAN Interconnection (NMLI)	No	Yes	Yes	NA	N	N	N	N	N	N
Off-Prem Stations	No	Yes	Yes	NA	N	N	N	N	N	N
Optional Calling Plan	Yes	No	No	No	Y	Y	Y	Y	Y	Y
Package/Complete Choice and area plus	Yes	No	No	No	Y	Y	Y	Y	Y	Y
Pathlink Primary Rate ISDN	No	Yes	Yes	NA	N	N	N	N	N	N
Pay Phone Provider	No	No	No	NA	N	N	N	N	N	N
PBX Standalone ACT A,C, D	No	Yes	Yes	Yes	Y	Y	Y	Y	Y	Y
PBX Trunks	No	Yes	Yes	Yes	Y	Y	Y	Y	Y	Y
Port/Loop Combo	Yes	UNE	No	No	Y	Y	Y	Y	Y	Y
Port/Loop PBX	No	No	No	Yes	Y	Y	Y	N	N	N
Preferred Call Forward	Yes	No	No	No	Y	Y	Y	Y	Y	Y

**BellSouth**

**Service Quality Measurements Plan**

RCF Basic	Yes	No	No	No	Y	Y	Y	Y	Y	Y	Y	Y	Y	Y
Remote Access to CF	Yes	No	No	No	Y	Y	Y	Y	Y	Y	Y	Y	Y	Y
Repeat Dialing	Yes	No	No	No	Y	Y	Y	Y	Y	Y	Y	Y	Y	Y
Ringmaster	Yes	No	No	No	Y	Y	Y	Y	Y	Y	Y	Y	Y	N
Smartpath	No	Yes	Yes	NA	N	N	N	N	N	N	N	N	N	N
SmartRING	No	Yes	Yes	NA	N	N	N	N	N	N	N	N	N	N
Speed Calling	Yes	No	No	No	Y	Y	Y	Y	Y	Y	Y	Y	Y	Y
Synchronet	No	Yes	Yes	Yes	Y	Y	Y	Y	Y	Y	Y	Y	N	N
Tie Lines	No	Yes	Yes	NA	N	N	N	N	N	N	N	N	N	N
Touchtone	Yes	No	No	No	Y	Y	Y	Y	Y	Y	Y	Y	Y	Y
Unbundled Loop-Analog 2W, SL1, SL2	Yes	UNE	No	No	Y	Y	Y	Y	Y	Y	Y	Y	Y	N
WATS	No	Yes	Yes	NA	N	N	N	N	N	N	N	N	N	N
XDSL Extended LOOP	No	UNE	Yes	NA	N	N	N	N	N	N	N	N	N	N

**Note 1:** Planned Fallout for Manual Handling denotes those services that are electronically submitted and are not intended to flow through due to the complexity of the service.

**Note 2:** The TAG column includes those LSR submitted via RoboTAG.

**Note 3:** The LENS column denotes the ordering status of services prior to OSS 99.

**Note 4:** The LENS 99 column denotes the ordering status of services post OSS 99.

**Note 5:** For all services that indicate 'No' for flow-through, the following reasons, in addition to errors or complex services, also prompt manual handling: Expedites from CLECs, special pricing plans, for denials – restore and conversion or disconnect and conversion both required, partial migrations (although conversions-as-is flow through), class of service invalid in certain states with some TOS – e.g. gov't, or cannot be changed when changing main TN on C activity, low volume – e.g. activity type T=move, pending order review required, more than 25 business lines, restore or suspend for UNE combos, transfer of calls option for CLEC end user— new TN not yet posted to BOCRIS. All but the last one are unique to the CLEC environment.

**Note 6:** Services with C/S in the Complex Service and/or the Complex Order columns can be either complex or simple

**BellSouth**  
**Service Quality Measurements Plan**

**ORDERING**

<b>Report/Measurement:</b>
<b>O-5. Percent Rejected Service Requests</b>
<b>Definition:</b>
Percent Rejected Service Request is the percent of total Local Service Requests (LSRs) received which are rejected due to error or omission. An LSR is considered valid when it is submitted by the CLEC and passes edit checks to insure the data received is correctly formatted and complete.
<b>Exclusions:</b>
Service Requests canceled by the CLEC prior to being rejected/clarified.
<b>Business Rules:</b>
<p><b>Fully Mechanized:</b> An LSR is considered "rejected" when it is submitted electronically but does not pass LEO edit checks in the ordering systems (EDI, LENS, TAG, LEO, LESOG) and is returned to the CLEC without manual intervention. There are two types of "Rejects" in the Mechanized category:</p> <p style="padding-left: 40px;">A Fatal Reject occurs when a CLEC attempts to electronically submit an LSR but required fields are either not populated or incorrectly populated and the request is returned to the CLEC before it is considered a valid LSR. In LEO, Fatal Rejects are included in the "Other" category for Regional reports only.</p> <p style="padding-left: 40px;">An Auto Clarification occurs when a valid LSR is electronically submitted but rejected from LESOG because it does not pass further edit checks for order accuracy.</p> <p><b>Partially Mechanized:</b> A valid LSR, which is electronically submitted (via EDI, LENS, TAG) but cannot be processed electronically and "falls out" for manual handling. It is then put into "clarification" and sent back (rejected) to the CLEC.</p> <p><b>Total Mechanized:</b> Combination of Fully Mechanized and Partially Mechanized LSRs electronically submitted by the CLEC.</p> <p><b>Non-Mechanized:</b> LSRs which are faxed or mailed to the LCSC for processing and is "clarified" (rejected) back to the CLEC by the BST service representative.</p> <p><b>Interconnection Trunks:</b> Interconnection Trunks are ordered on Access Service Requests (ASRs). ASRs are submitted to and processed by the Interconnection Purchasing Center (IPC). Trunk data is reported as a separate category.</p>
<b>Calculation:</b>
Percent Rejected Service Requests = (Total Number of Rejected Service Requests in the reporting period) / (Total Number of Service Requests Received in the reporting period) X 100.
<b>Report Structure:</b>
Fully Mechanized, Partially Mechanized, Total Mechanized, Non-Mechanized CLEC Specific CLEC Aggregate
<b>Level of Disaggregation:</b>
Product Reporting Levels Resale Residence Resale Business Resale – Design (Special) Other UNE UNE Loop with NP Interconnection Trunks Geographic Scope State, Region and further geographic disaggregation as required by State Commission Order Product Specific % Rejected Total % Rejected

**BellSouth**  
**Service Quality Measurements Plan**

**ORDERING (O-5. Percent Rejected Service Requests – Continued)**

<b>Data Retained Relating to CLEC Experience:</b>	<b>Data Retained Relating to BST Performance:</b>
Report month Total number of LSRs Total number of Rejects Total Number of Errors State and Region Total Number of ASRs (Trunks)	
<b>Retail Analog/Benchmark:</b>	
See Appendix D	

Revision Date: 05/15/00 (lg)

**BellSouth**  
**Service Quality Measurements Plan**

**ORDERING**

<b>Report/Measurement:</b>
<b>O-6. Reject Interval</b>
<b>Definition:</b>
Reject Interval is the average reject time from receipt of an LSR to the distribution of a Reject. An LSR is considered valid when it is submitted by the CLEC and passes edit checks to insure the data received is correctly formatted and complete.
<b>Exclusions:</b>
Service Requests canceled by CLEC prior to being rejected/clarified. Designated Holidays. The following hours for Non-mechanized LSRs*: - Residence Resale Group - from 10:00 PM EST Saturday until 7:00 AM EST Monday. Business Resale, Complex, UNE Groups - from 8:00 PM EST Friday until 8:00 AM EST Monday. IPC - 4:30 PM CST Friday until 8:00 AM CST Monday.  * The hours excluded will be altered to reflect changes in the Center operating hours.
<b>Business Rules:</b>
<b>Fully Mechanized:</b> The elapsed time from receipt of a valid electronically submitted LSR (date and time stamp in EDI, LENS or TAG) until the LSR is rejected (date and time stamp or reject in LEO). Auto Clarifications are considered in the Fully Mechanized category.
<b>Partially Mechanized:</b> The elapsed time from receipt of a valid electronically submitted LSR (date and time stamp in EDI, LENS or TAG) until it falls out for manual handling. The stop time on partially mechanized LSRs is when the LCSC Service Representative clarifies the LSR back to the CLEC via LEO.
<b>Total Mechanized:</b> Combination of Fully Mechanized and Partially Mechanized LSRs which are electronically submitted by the CLEC.
<b>Non-Mechanized:</b> The elapsed time from receipt of a valid LSR (date and time stamp of FAX or date and time mailed LSR is received in the LCSC) until notice of the reject (clarification) is returned to the CLEC via LON.
<b>Interconnection Trunks:</b> Interconnection Trunks are ordered on Access Service Requests (ASRs). ASRs are submitted to and processed by the Interconnection Purchasing Center (IPC). Trunk data is reported as a separate category.
<b>Calculation:</b>
Reject Interval = $\Sigma[(\text{Date and Time of Service Request Rejection}) - (\text{Date and Time of Service Request Receipt})] / (\text{Number of Service Requests Rejected in Reporting Period})$
<b>Report Structure:</b>
CLEC Specific CLEC Aggregate Fully Mechanized, Partially Mechanized, Total Mechanized, Non-Mechanized

**BellSouth**  
**Service Quality Measurements Plan**

**ORDERING – (O-6. Reject Interval – Continued)**

<b>Level of Disaggregation:</b> Product Reporting Levels Resale – Residence Resale – Business Resale – Design (Special) Other UNE UNE Loop with NP Interconnection Trunks < 10 Circuits/Lines > 10 Circuits/Lines Geographic Scope State, Region and further geographic disaggregation as required by State Commission Order Mechanized: 0-4 minutes > 4-8 minutes > 8-12 minutes >12-60 minutes 0-1 hour > 1-8 hours > 8-24 hours > 24 hours Non-mechanized: 0-1 hour > 1-4 hours > 4-8 hours > 8-12 hours > 12-16 hours > 16-20 hours > 20-24 hours > 24 hours. Trunks: < 5 days > 5-8 days > 8-12 days >12-14 days >14-17 days >17-20 days > 20 days  Average Interval for mechanized reports in hours, non-mechanized and Trunk reports in days.	
<b>Data Retained Relating to CLEC Experience:</b>	<b>Data Retained Relating to BST Performance:</b>
Report month Reject Interval Total Number of LSRs Total number of Rejects State and Region Total Number of ASRs (Trunks)	
<b>Retail Analog/Benchmark:</b>	
See Appendix D	

Revision Date: 05/15/00 (lg)



**BellSouth**  
**Service Quality Measurements Plan**

**ORDERING**

<b>Report/Measurement:</b>
<b>O-7. Firm Order Confirmation Timeliness</b>
<b>Definition:</b>
Interval for Return of a Firm Order Confirmation (FOC Interval) is the average response time from receipt of valid LSR to distribution of a Firm Order Confirmation.
<b>Exclusions:</b>
<p>Rejected LSRs Designated Holidays. The following hours for Non-mechanized LSRs*:              - Residence Resale Group - from 10:00 PM EST Saturday until 7:00 AM EST Monday.              Business Resale, Complex, UNE Groups - from 8:00 PM EST Friday until 8:00 AM EST Monday.              IPC - 4:30 PM CST Friday until 8:00 AM CST Monday.</p> <p>* The hours excluded will be altered to reflect changes in the Center operating hours.</p>
<b>Business Rules:</b>
<p><b>Fully Mechanized:</b> The elapsed time from receipt of a valid electronically submitted LSR (date and time stamp in EDI, LENS or TAG) until the LSR is processed, appropriate service orders are generated and a Firm Order Confirmation is returned to the CLEC.</p> <p><b>Partially Mechanized:</b> The elapsed time from receipt of a valid electronically submitted LSR which falls out for manual handling until appropriate service orders are issued by a BST service representative via Direct Order Entry (DOE) or Service Order Negotiation Generation System (SONGS) to SOCS and a Firm Order Confirmation is returned to the CLEC.</p> <p><b>Total Mechanized:</b> Combination of Fully Mechanized and Partially Mechanized LSRs which are electronically submitted by the CLEC.</p> <p><b>Non-Mechanized:</b> The elapsed time from receipt of a valid paper LSR (date and time stamp of FAX or date and time paper LSRs received in LCSC) until appropriate service orders are issued by BST service representative via Direct Order Entry (DOE) or Service Order Negotiation Generation System (SONGS) to SOCS and a Firm Order Confirmation is sent to the CLEC via LON.</p> <p><b>Interconnection Trunks:</b> Interconnection Trunks are ordered on Access Service Requests (ASRs). ASRs are submitted to and processed by the Interconnection Purchasing Center (IPC). Trunk data is reported as a separate category.</p>
<b>Calculation:</b>
Firm Order Confirmation Timeliness = $\Sigma[(\text{Date and Time of Firm Order Confirmation}) - (\text{Date and Time of Service Request Receipt})] / (\text{Number of Service Requests Confirmed in Reporting Period})$
<b>Report Structure:</b>
Fully Mechanized, Partially Mechanized, Total Mechanized, Non-Mechanized CLEC Specific CLEC Aggregate
<b>Level of Disaggregation:</b>
<p>Product Reporting Levels Resale - Residence Resale - Business Resale - Design (Special) Other UNE UNE Loop with NP Interconnection Trunks     &lt; 10 Circuits/Lines     &gt; 10 Circuits/Lines</p>

**BellSouth**  
**Service Quality Measurements Plan**

**ORDERING – (O-7. Firm Order Confirmation Timeliness – Continued)**

<b>Level of Disaggregation: (Continued)</b>	
Geographic Scope State, Region and further geographic disaggregation (MSA) as required by State Commission Order Mechanized: <ul style="list-style-type: none"> <li>&gt; 0-15 minutes</li> <li>&gt; 15-30 minutes</li> <li>&gt; 30-45 minutes</li> <li>&gt; 45-60 minutes</li> <li>&gt; 60-90 minutes</li> <li>&gt; 90-120 minutes</li> <li>&gt; 120-240 minutes</li> <li>&gt; 4-8 hours</li> <li>&gt; 8-12 hours</li> <li>&gt; 12-16 hours</li> <li>&gt; 16-20 hours</li> <li>&gt; 20-24 hours</li> <li>&gt; 24-48 hours</li> <li>&gt; 48 hours</li> </ul> Non-mechanized: <ul style="list-style-type: none"> <li>0-4 hours</li> <li>&gt; 4-8 hours</li> <li>&gt; 8-12 hours</li> <li>&gt; 12-16 hours</li> <li>&gt; 16-20 hours</li> <li>&gt; 20-24 hours</li> <li>&gt; 24-48 hours</li> <li>&gt; 48 hours</li> </ul> Trunks: <ul style="list-style-type: none"> <li>0- 5 days</li> <li>6- 8 days</li> <li>9-11 days</li> <li>12-14 days</li> <li>15-17 days</li> <li>18-20 days</li> <li>&gt; 20 days</li> </ul> Average Interval in Days	
<b>Data Retained Relating to CLEC Experience:</b>	<b>Data Retained Relating to BST Performance:</b>
Report month Interval for FOC Total number of LSRs State and Region Total Number of ASRs (Trunks)	
<b>Retail Analog/Benchmark:</b>	
See Appendix D	

Revision Date: 05/15/00 (lg)

**BellSouth**  
**Service Quality Measurements Plan**

**ORDERING**

<b>Report/Measurement:</b>	
<b>O-8. Speed of Answer in Ordering Center</b>	
<b>Definition:</b>	
Measures the average time a customer is in queue.	
<b>Exclusions:</b>	
None	
<b>Business Rules:</b>	
The clock starts when the appropriate option is selected (i.e., 1 for Resale Consumer, 2 for Resale Multiline, and 3 for UNE-LNP, etc.) and the call enters the queue for that particular group in the LCSC. The clock stops when a BST service representative in the LCSC answers the call. The speed of answer is determined by measuring and accumulating the elapsed time from the entry of a CLEC call into the BellSouth automatic call distributor (ACD) until the a service representative in BST's Local Carrier Service Center (LCSC) answers the CLEC call.	
<b>Calculation:</b>	
$(\text{Total time in seconds to reach the LCSC}) / (\text{Total Number of Calls})$ in the Reporting Period.	
<b>Report Structure:</b>	
Aggregate CLEC – Local Carrier Service Center BST Business Service Center Residence Service Center	
Note: Combination of Residence Service Center and Business Service Center data under development	
<b>Level of Disaggregation:</b>	
Aggregate CLEC – Local Carrier Service Center BST Business Service Center Residence Service Center	
Note: Combination of Residence Service Center and Business Service Center data under development	
<b>Data Retained Relating to CLEC Experience:</b>	<b>Data Retained Relating to BST Performance:</b>
Mechanized tracking through LCSC Automatic Call Distributor	Mechanized tracking through BST Retail center support systems
<b>Retail Analog/Benchmark:</b>	
For CLEC, Speed of Answer in Ordering Center (LCSC) is comparable to Speed of Answer in BST Business Offices. See Appendix D	

Revision Date: 05/26/00 (lg)

**BellSouth**  
**Service Quality Measurements Plan**

**ORDERING – (LNP)**

<b>Report/Measurement:</b>
<b>O-9. LNP-Percent Rejected Service Requests</b>
<b>Definition:</b> Percent Rejected Service Request is the percent of total Local Service Requests (LSRs) which are rejected due to error or omission. An LSR is considered valid when it is electronically submitted by the CLEC and passes LNP Gateway edit checks to insure the data received is correctly formatted and complete, i.e., fatal rejects are excluded.
<b>Exclusions:</b> Service Requests canceled by the CLEC Fatal Rejects Order Activities of BST or the CLEC associated with internal or administrative use of local services (Record Orders, Test Orders, etc.) where identifiable. Non Mechanized LSR's
<b>Business Rules:</b> An LSR is considered "rejected" when it is submitted electronically but does not pass edit checks in the ordering systems (EDI, TAG, LNP Gateway, LAUTO) and is returned to the CLEC without manual intervention.  <b>Fully Mechanized:</b> There are two types of "Rejects" in the Fully Mechanized category:  A Fatal Reject occurs when a CLEC attempts to electronically submit an LSR (via EDI or TAG) but required fields are not populated correctly and the request is returned to the CLEC.  Fatal rejects are reported in a separate column, and for informational purposes ONLY. They are not considered in the calculation of the percent of total LSRs rejected or the total number of rejected LSRs.  An Auto Clarification is a valid LSR which is electronically submitted (via EDI or TAG), but is rejected from LAUTO because it does not pass further edit checks for order accuracy. Auto Clarifications are returned without manual intervention.  <b>Partially Mechanized:</b> A valid LSR which electronically submitted (via EDI or TAG), but cannot be processed electronically due to a CLEC error and "falls out" for manual handling. It is then put into "clarification", and sent back (rejected) to the CLEC.  <b>Total Mechanized:</b> Combination of Fully Mechanized and Partially Mechanized rejects.
<b>Calculation:</b> $\left[ \frac{\text{Number of Service Requests Rejected in the Reporting Period}}{\text{Number of Service Requests Received in the Reporting Period}} \right] \times 100$
<b>Report Structures:</b> Fully Mechanized, Partially Mechanized, Total Mechanized CLEC Specific CLEC Aggregate
<b>Level of Disaggregation:</b> Product Reporting Levels LNP UNE Loop with LNP Geographic Scope State, Region
<b>Retail Analog/Benchmark:</b> See Appendix D

Revision Date: 05/15/00 (lg)

**BellSouth**  
**Service Quality Measurements Plan**

**ORDERING – (LNP)**

<b>Report/Measurement:</b>
<b>O-10. LNP-Reject Interval Distribution &amp; Average Reject Interval</b>
<b>Definition:</b> Reject Interval is the average reject time from receipt of an LSR to the distribution of a Reject. An LSR is considered valid when it is electronically submitted by the CLEC and passes LNP Gateway edit checks to insure the data received is correctly formatted and complete, i.e., fatal rejects are excluded.
<b>Exclusions:</b> Service Requests canceled by the CLEC Fatal Rejects Order Activities of BST or the CLEC associated with internal or administrative use of local services (Record Orders, Test Orders, etc.) where identifiable. Non Mechanized LSR's
<b>Business Rules:</b> The Reject interval is determined for each rejected LSR processed during the reporting period. The Reject interval is the elapsed time from when BST receives LSR until that LSR is rejected back to the CLEC. Elapsed time for each LSR is accumulated for each reporting dimension. The accumulated time for each reporting dimension is then divided by the associated total number of rejected LSRs to produce the reject interval distribution.  An LSR is considered "rejected" when it is submitted electronically but does not pass edit checks in the ordering systems (EDI, TAG, LNP Gateway, LAUTO) and is returned to the CLEC without manual intervention.  <b>Fully Mechanized:</b> There are two types of "Rejects" in the Fully Mechanized category:  A Fatal Reject occurs when a CLEC attempts to electronically submit an LSR but required fields are not populated correctly and the request is returned to the CLEC.  Fatal rejects are reported in a separate column, and for informational purposes ONLY. They are not considered in the calculation of the percent of total LSRs rejected or the total number of rejected LSRs.  An Auto Clarification is a valid LSR which is electronically submitted (via EDI or TAG), but is rejected from LAUTO because it does not pass further edit checks for order accuracy. Auto Clarifications are returned without manual intervention.  <b>Partially Mechanized:</b> A valid LSR which electronically submitted (via EDI or TAG), but cannot be processed electronically due to a CLEC error and "falls out" for manual handling. It is then put into "clarification", and sent back to the CLEC.  <b>Total Mechanized:</b> Combination of Fully Mechanized and Partially Mechanized rejects.
<b>Calculation:</b>
<b>Average Reject Interval:</b> $\frac{\Sigma[(\text{Date \& Time of Service Request Rejection}) - (\text{Date \& Time of Service Request Receipt})]}{(\text{Total Number of Service Requests Rejected in Reporting Period})}$
<b>Reject Interval Distribution:</b> $\frac{[\Sigma(\text{Service Requests Rejected in "X" minutes/hours})]}{(\text{Total Number of Service Requests Rejected in Reporting Period})} \times 100$
<b>Report Structure:</b> Fully Mechanized, Partially Mechanized, Total Mechanized CLEC Specific CLEC Aggregate

**BellSouth**  
**Service Quality Measurements Plan**

**ORDERING – (O-10. LNP-Reject Interval Distribution & Average Reject Interval – Continued)**

<b>Level of Disaggregation:</b>
Reported in intervals: 0-4 minutes > 4-8 minutes > 8-12 minutes >12-60 minutes 0-1 hours > 1-8 hours > 8-24 hours > 24 hours
Product Reporting Levels LNP UNE Loop with LNP
Geographic Scope State, Region Average Interval in Days
<b>Retail Analog/Benchmark:</b>
See Appendix D

Revision Date: 05/15/00 (lg)

**BellSouth**  
**Service Quality Measurements Plan**

**ORDERING – (LNP)**

<b>Report/Measurement:</b>
<b>O-11. LNP-Firm Order Confirmation Timeliness Interval Distribution &amp; Firm Order Confirmation Average Interval</b>
<b>Definition:</b>
Interval for Return of a Firm Order Confirmation (FOC Interval) is the average response time from receipt of a valid LSR to distribution of a firm order confirmation.
<b>Exclusions:</b>
Rejected LSRs (Clarifications or Fatal Rejects) Order Activities of BST or the CLEC associated with interval or administrative use of local services (Record Orders, Test Orders, etc.) where identifiable.
<b>Business Rules:</b>
The Firm Order Confirmation interval is determined for each FOC'd LSR processed during the reporting period. The Firm Order Confirmation interval is the elapsed time from when BST receives an LSR until that LSR is confirmed back to the CLEC. Elapsed time for each LSR is accumulated for each reporting dimensions. The accumulated time for each reporting dimension is then divided by the associated total number of orders completed to produce the Firm Order Confirmation timeliness interval distribution.
<b>Mechanized:</b> The elapsed time from receipt of a valid LSR until the LSR is processed and appropriate service orders are generated in SOCS without manual intervention.
<b>Partially Mechanized:</b> The elapsed time from receipt of an electronically submitted LSR which falls for manual handling by the LCSC personnel until appropriate service orders are issued by a BST service representative via Direct Order Entry (DOE) or Service Order Negotiation Generation system (SONGS).
<b>Total Mechanized:</b> Combination of Fully Mechanized and Partially Mechanized FOCs.
<b>Calculation:</b>
<b>Average Reject Interval:</b> $\Sigma[(\text{Date \& Time of Firm Order Confirmation}) - (\text{Date \& Time of Service Request Receipt})] / (\text{Total Number of Service Requests Confirmed in Reporting Period})$
<b>FOC Interval Distribution:</b> $\Sigma[(\text{Service Requests Confirmed in "X" minutes/hours in the Reporting Period}) / (\text{Total Service Requests Confirmed in the Reporting Period})] \times 100$
<b>Report Structure:</b>
Fully Mechanized, Partially Mechanized, Total Mechanized CLEC Specific CLEC Aggregate

**BellSouth**  
**Service Quality Measurements Plan**

**ORDERING – (O-11. LNP-Firm Order Confirmation Timeliness Interval Distribution & Firm Order Confirmation Average Interval – Continued)**

<b>Level of Disaggregation:</b>
Reported in intervals
0-15 minutes
> 15-30 minutes
> 30-45 minutes
> 45-60 minutes
> 60-90 minutes
> 90-120 minutes
>120-240 minutes
> 4-8 hours
> 8-12 hours
> 12-16 hours
> 16-20 hours
> 20-24 hours
> 24-48 hours
> 48 hours
Product Reporting Levels
LNP
UNE Loop with LNP
Geographic Scope
State, Region
<b>Retail Analog/Benchmark:</b>
See Appendix D

Revision Date: 05/15/00 (lg)



**BellSouth**  
**Service Quality Measurements Plan**

**Provisioning Disaggregation**

Product Reporting Levels

Resale and Retail

Pots – Residence

Pots – Business

Design

PBX (Louisiana SQM)

CENTREX (Louisiana SQM)

ISDN (Louisiana SQM) (**Note:** ISDN included in POTS for Georgia Only)

Unbundled Network Elements

UNE Design

UNE Non-Design

UNE 2 Wire Loop (Louisiana SQM)

UNE Loop Other (Louisiana SQM)

Unbundled Ports (Louisiana SQM)

Combos, Switching, Local Transport, DSL (under development)

Trunks

Local Interconnection Trunks

Geographic Scope

State, Region and further geographic disaggregation as required by State Commission Order (e.g.,  
Metropolitan Service Area – MSA)

The following measure is the exception for all states:

Coordinated Customer Conversion

Hot Cut Timeliness (under development)

Which is disaggregated as follows:

UNE LOOPS with INP

UNE LOOPS without INP

**BellSouth**  
**Service Quality Measurements Plan**

**PROVISIONING**

<b>Report/Measurement:</b>
<b>P-1. Mean Held Order Interval &amp; Distribution Intervals</b>
<b>Definition:</b>
When delays occur in completing CLEC orders, the average period that CLEC orders are held for BST reasons, pending a delayed completion, should be no worse for the CLEC when compared to BST delayed orders. Calculation of the interval is the number of orders held and pending but not completed that have passed the currently committed due date. The distribution interval is based on the number of orders held and pending but not completed over 15 and 90 days. (Orders reported in the >90 day interval are also included in the >15 day interval)
<b>Exclusions:</b>
Order Activities of BST associated with internal or administrative use of local services.
<b>Business Rules:</b>
<p><b>Mean Held Order Interval:</b> This metric is computed at the close of each report period. The held order interval is established by first identifying all orders, at the close of the reporting interval, that both have not been reported as completed in SOCS and have passed the currently committed due date for the order. For each such order, the number of calendar days between the committed due date and the close of the reporting period is established and represents the held order interval for that particular order. The held order interval is accumulated by the standard groupings, unless otherwise noted, and the reason for the order being held. The total number of days accumulated in a category is then divided by the number of held orders within the same category to produce the mean held order interval. The interval is by calendar days with no exclusions for Holidays or Sundays.</p> <p>CLEC Specific reporting is by type of held order (facilities, equipment, other), total number of orders held, and the total and average days.</p> <p><b>Held Order Distribution Interval:</b> This measure provides data to report total days held and identifies these in categories of &gt;15 days and &gt; 90 days. (orders counted in &gt;90 days are also included in &gt; 15 days).</p>
<b>Calculation:</b>
<p><b>Mean Held Order Interval:</b>  <math display="block">\frac{\Sigma(\text{Reporting Period Close Date} - \text{Committed Order Due Date})}{(\text{Number of Past Due Orders Held and Pending and Past The Committed Due Date})}</math></p> <p><b>Held Order Distribution Interval:</b>  <math display="block">\frac{(\# \text{ of Orders Held for } \geq 90 \text{ days})}{(\text{Total } \# \text{ of Past Due Orders Held and Pending But Not Completed})} \times 100</math> <math display="block">\frac{(\# \text{ of Orders Held for } \geq 15 \text{ days})}{(\text{Total } \# \text{ of Past Due Orders Held and Pending But Not Completed})} \times 100</math></p>
<b>Report Structure:</b>
CLEC Specific CLEC Aggregate BST Aggregate
<b>Level of Disaggregation:</b>
Circuit breakout < 10, > = 10

**BellSouth**  
**Service Quality Measurements Plan**

**PROVISIONING – (P-1. Mean Held Order Interval & Distribution Intervals – Continued)**

<b>Data Retained Relating to CLEC Experience:</b>	<b>Data Retained Relating to BST Performance:</b>
Report month CLEC Order Number and PON (PON) Order Submission Date (TICKET_ID) Committed Due Date (DD) Service Type (CLASS_SVC_DESC) Hold Reason Total line/circuit count Geographic Scope  NOTE: Code in parentheses is the corresponding header found in the raw data file.	Report month BST Order Number Order Submission Date Committed Due Date Service Type Hold Reason Total line/circuit count Geographic Scope
<b>Retail Analog/Benchmark:</b>	
CLEC Residence Resale/BST Residence Retail CLEC Business Resale/BST Business Retail CLEC Non-UNE Design/BST Design Interconnection Trunks-CLEC/Interconnection Trunks – BST UNEs-(See Appendix D)	

Revision Date: 05/15/00 (taf)

**BellSouth**  
**Service Quality Measurements Plan**

**PROVISIONING**

<b>Report/Measurement:</b>	
<b>P-2. Average Jeopardy Notice Interval &amp; Percentage of Orders Given Jeopardy Notices</b>	
<b>Definition:</b>	
<p>When BST can determine in advance that a committed due date is in jeopardy for facility delay, it will provide advance notice to the CLEC.</p> <p>The interval is from the date/time the notice is released to the CLEC/BST systems until 5pm on the commitment date of the order. The Percent of Orders is the percentage of orders given jeopardy notices for facility delay in the count of orders confirmed in the report period.</p>	
<b>Exclusions:</b>	
<p>Orders held for CLEC end user reasons</p> <p>Orders submitted to BST through non-mechanized methods</p>	
<b>Business Rules:</b>	
<p>When BST can determine in advance that a committed due date is in jeopardy for facility delay, it will provide advance notice to the CLEC. The number of committed orders in a report period is the number of orders that have a due date in the reporting period.</p>	
<b>Calculation:</b>	
<p><b><u>Average Jeopardy Interval:</u></b></p> $\frac{\Sigma[(\text{Date and Time of Scheduled Due Date on Service Order}) - (\text{Date and Time of Jeopardy Notice})]}{[\text{Number of Orders Notified of Jeopardy in Reporting Period}]}$	
<p><b><u>Percent of Orders Given Jeopardy Notice:</u></b></p> $\frac{\Sigma[\text{Number of Orders Given Jeopardy Notices in Reporting Period}]}{(\text{Number of Orders Confirmed (due) in Reporting Period})}$	
<b>Report Structure:</b>	
<p>CLEC Specific</p> <p>CLEC Aggregate</p> <p>BST Aggregate</p>	
<b>Data Retained Relating to CLEC Experience:</b>	<b>Data Retained Relating to BST Performance:</b>
<p>Report month</p> <p>CLEC Order Number and PON</p> <p>Date and Time Jeopardy Notice sent</p> <p>Committed Due Date</p> <p>Service Type</p> <p>NOTE: Code in parentheses is the corresponding header found in the raw data file.</p>	<p>Report month</p> <p>BST Order Number</p> <p>Date and Time Jeopardy Notice sent</p> <p>Committed Due Date</p> <p>Service Type</p>
<b>Retail Analog/Benchmark:</b>	
See Appendix D	

Revision Date: 05/25/00 (taf)

**BellSouth**  
**Service Quality Measurements Plan**

**PROVISIONING**

<b>Report/Measurement:</b>	
<b>P-3. Percent Missed Installation Appointments</b>	
<b>Definition:</b>	
<p>“Percent missed installation appointments” monitors the reliability of BST commitments with respect to committed due dates to assure that CLECs can reliably quote expected due dates to their retail customer as compared to BST. This measure is the percentage of total orders processed for which BST is unable to complete the service orders on the committed due dates and reported for both BST and End User Misses.</p>	
<b>Exclusions:</b>	
<p>Canceled Service Orders  Order Activities of BST or the CLEC associated with internal or administrative use of local services (Record Orders, Test Orders, etc.)  Disconnect (D) &amp; From (F) orders  End User Misses on Interconnection Trunks</p>	
<b>Business Rules:</b>	
<p>Percent Missed Installation Appointments (PMI) is the percentage of total orders processed for which BST is unable to complete the service orders on the confirmed due dates. Missed Appointments caused by end-user reasons will be included and reported separately. The “due date” is any time on the confirmed due date. Which means there cannot be a cutoff time for commitments, as certain types of orders are requested to be worked after standard business hours. Also, during Daylight Savings Time, field technicians are scheduled until 9PM in some areas and the customer is offered a greater range of intervals from which to select.</p>	
<b>Calculation:</b>	
<p>Percent Missed Installation Appointments = <math>\Sigma</math> ( Number of Orders Not Complete by committed Due Date in Reporting Period) / (Number of Orders Confirmed in Reporting) X 100</p>	
<b>Report Structure:</b>	
<p>CLEC Specific  CLEC Aggregate  BST Aggregate</p> <p><b>Report Explanation:</b> The difference between End User MA and Total MA is the result of BST caused misses. Here, Total MA is the total % of orders missed either by BST or CLEC end user. The End User MA represents the percentage of orders missed by the CLEC or their end user.</p>	
<b>Level of Disaggregation:</b>	
<p>Reported in categories of &lt;10 lines/circuits; &gt; = 10 lines/circuits  Dispatch/No Dispatch</p>	
<b>Data Retained Relating to CLEC Experience:</b>	<b>Data Retained Relating to BST Performance:</b>
<p>Report month  CLEC Order Number and PON (PON)  Committed Due Date (DD)  Completion Date (CMPLTN DD)  Status Type  Status Notice Date  Standard Order Activity  Geographic Scope</p> <p>NOTE: Code in parentheses is the corresponding header found in the raw data file.</p>	<p>Report month  BST Order Number  Committed Due Date (DD)  Completion Date (CMPLTN DD)  Status Type  Status Notice Date  Standard Order Activity  Geographic Scope</p>
<b>Retail Analog/Benchmark:</b>	
<p>CLEC Residence Resale/BST Residence Retail  CLEC Business Resale/BST Business Retail  CLEC Non-UNE Design/BST Design  Interconnection Trunks-CLEC/Interconnection Trunks – BST  UNEs-(See Appendix D)</p>	

Revision Date: 05/15/00 (taf)

**BellSouth**  
**Service Quality Measurements Plan**

**PROVISIONING**

<b>Report/Measurement:</b>
<b>P-4. Average Completion Interval (OCI) &amp; Order Completion Interval Distribution</b>
<b>Definition:</b>
The "average completion interval" measure monitors the interval of time it takes BST to provide service for the CLEC or its' own customers. The "Order Completion Interval Distribution" provides the percentages of orders completed within certain time periods. This report measures how well BellSouth meets the interval offered to customers on services orders.
<b>Exclusions:</b>
<ul style="list-style-type: none"> <li>Canceled Service Orders</li> <li>Order Activities of BST or the CLEC associated with internal or administrative use of local services (Record Orders, Test Orders, etc.)</li> <li>Disconnect (D&amp;F) listing orders</li> <li>"L" Appointment coded orders (where the customer has requested a later than offered interval)</li> </ul>
<b>Business Rules:</b>
<p>The actual completion interval is determined for each order processed during the reporting period. The completion interval is the elapsed time from when BST issues a FOC or SOCS date time stamp receipt of an order from the CLEC to BST's actual order completion date. This includes all delays for BST's CLEC/End Users. The clock starts when a valid order number is assigned by SOCS and stops when the technician or system completes the order in SOCS. Elapsed time for each order is accumulated for each reporting dimension. The accumulated time for each reporting dimension is then divided by the associated total number of orders completed.</p> <p>The interval breakout for UNE and Design is: 0-5 = 0-4.99, 5-10 = 5-9.99, 10-15 = 10-14.99, 15-20 = 15-19.99 20-25 = 20-24.99, 25-30 = 25-29.99, &gt; = 30 = 30 and greater.</p>
<b>Calculation:</b>
<p><b>Average Completion Interval:</b>  <math display="block">\frac{\Sigma[(\text{Completion Date \&amp; Time}) - (\text{Order Issue Date \&amp; Time})]}{\Sigma (\text{Count of Orders Completed in Reporting Period})}</math></p> <p><b>Order Completion Interval Distribution:</b>  <math display="block">\frac{\Sigma (\text{Service Orders Completed in "X" days})}{(\text{Total Service Orders Completed in Reporting Period})} \times 100</math></p>
<b>Report Structure:</b>
<ul style="list-style-type: none"> <li>CLEC Specific</li> <li>CLEC Aggregate</li> <li>BST Aggregate</li> </ul>
<b>Level of Disaggregation:</b>
<ul style="list-style-type: none"> <li>ISDN Orders included in Non Design – GA Only</li> <li>Dispatch/No Dispatch categories applicable to all levels except trunks.</li> <li>Residence &amp; Business reported in day intervals = 0,1,2,3,4,5,5+</li> <li>UNE and Design reported in day intervals = 0-5, 5-10, 10-15, 15-20, 20-25, 25-30, &gt; = 30</li> <li>All Levels are reported &lt;10 line/circuits; &gt; = 10 line/circuits</li> </ul>

**BellSouth**  
**Service Quality Measurements Plan**

**PROVISIONING –**

**(P-4. Average Completion Interval (OCI) & Order Completion Interval Distribution – Continued)**

<b>Data Retained Relating to CLEC Experience:</b>	<b>Data Retained Relating to BST Performance:</b>
Report month CLEC Company Name Order Number (PON) Submission Date & Time (TICKET_ID) Completion Date (CMPLTN_DT) Service Type (CLASS_SVC_DESC) Geographic Scope  <b>NOTE:</b> Code in parentheses is the corresponding header found in the raw data file.	Report month BST Order Number Order Submission Date & Time Order Completion Date & Time Service Type Geographic Scope
<b>Retail Analog/Benchmark:</b>	
CLEC Residence Resale / BST Residence Retail CLEC Business Resale / BST Business Retail CLEC Non-UNE Design / BST Design Interconnection Trunks-CLEC / Interconnection Trunks-BST UNEs-(See Appendix D)	

Revision Date: 05/15/00 (taf)

**BellSouth**  
**Service Quality Measurements Plan**

**PROVISIONING**

<b>Report/Measurement:</b>	
<b>P-5. Average Completion Notice Interval</b>	
<b>Definition:</b>	
The Completion Notice Interval is the elapsed time between the BST reported completion of work and the issuance of a valid completion notice to the CLEC.	
<b>Exclusions:</b>	
Non-mechanized Orders Cancelled Service Orders Order Activities of BST associated with internal or administrative use of local services. D&F orders	
<b>Business Rules:</b>	
Measurement on interval of completion date and time entered by a field technician on dispatched orders, and 5PM start time on the due date for non-dispatched orders; to the release of a notice to the CLEC/BST of the completion status. The field technician notifies the CLEC the work was complete and then he/she enters the completion time stamp information in his/her computer. This information switches through to the SOCS systems either completing the order or rejecting the order to the Work Management Center (WMC). If the completion is rejected, it is manually corrected and then completed by the WMC. The notice is returned on each individual order submitted and as the notice is sent electronically, it can only be switched to those orders that were submitted by the CLEC electronically. The start time is the completion stamp either by the field technician or the 5PM due date stamp; the end time is the time stamp the notice was submitted to the CLEC/BST system.	
<b>Calculation:</b>	
$\frac{\Sigma (\text{Date and Time of Notice of Completion}) - (\text{Date and Time of Work Completion})}{(\text{Number of Orders Completed in Reporting Period})}$	
<b>Report Structure:</b>	
CLEC Specific CLEC Aggregate BST Aggregate	
<b>Level of Disaggregation:</b>	
Reporting intervals in Hours; 0-1, 1-2, 2-4, 4-8, 8-12, 12-24, > 24, plus Overall Average Hour Interval Reported in categories of <10 line/circuits; > = 10 line/circuits	
<b>Data Retained Relating to CLEC Experience:</b>	<b>Data Retained Relating to BST Performance:</b>
Report month CLEC Order Number (so_nbr) Work Completion Date (cmpltm_dt) Work Completion Time Completion Notice Availability Date Completion Notice Availability Time Service Type Geographic Scope  NOTE: Code in parentheses is the corresponding header found in the raw data file.	Report month BST Order Number (so_nbr) Work Completion Date (cmpltm-dt) Work Completion Time Completion Notice Availability Date Completion Notice Availability Time Service Type Geographic Scope  NOTE: Code in parentheses is the corresponding header found in the raw data file.
<b>Retail Analog/Benchmark:</b>	
CLEC Residence Resale/BST Residence Retail CLEC Business Resale/BST Business Retail CLEC Non-UNE Design/BST Design Interconnection Trunks-CLEC/Interconnection Trunks – BST UNEs-(See Appendix D)	

Revision Date: 05/15/00 (taf)



**BellSouth**  
**Service Quality Measurements Plan**

**PROVISIONING**

<b>Report/Measurement:</b>	
<b>P-6. Coordinated Customer Conversions</b>	
<b>Definition:</b>	
This report measures the average time it takes BST to disconnect an unbundled loop from the BST switch and cross connect it to a CLEC's equipment. This measurement applies to service orders with and without LNP, and where the CLEC has requested BST to provide a coordinated cutover.	
<b>Exclusions:</b>	
Any order canceled by the CLEC will be excluded from this measurement. Delays due to CLEC following disconnection of the unbundled loop Unbundled Loops where there is no existing subscriber loop and loops where coordination is not requested.	
<b>Business Rules:</b>	
Where the service order includes LNP, the interval includes the total time for the cutover including the translation time to place the line back in service on the ported line. The interval is calculated for the entire cutover time for the service order and then divided by items worked in that time to give the average per item interval for each service order.	
<b>Calculation:</b>	
$\Sigma [(Completion\ Date\ and\ Time\ for\ Cross\ Connection\ of\ an\ Coordinated\ Unbundled\ Loop) - (Disconnection\ Date\ and\ Time\ of\ an\ Coordinated\ Unbundled\ Loop)] / Total\ Number\ of\ Unbundled\ Loop\ with\ Coordinated\ Conversions\ (items)\ for\ the\ reporting\ period.$	
<b>Report Structure:</b>	
CLEC Specific CLEC Aggregate	
<b>Level of Disaggregation:</b>	
Reported in intervals <=5 minutes; >5,<=15 minutes; >15 minutes, plus Overall Average interval	
<b>Data Retained Relating to CLEC Experience</b>	<b>Data Retained Relating to BST Experience</b>
Report Month CLEC Order Number Committed Due Date (DD) Service Type (CLASS_SVC_DESC) Cutover Start Time Cutover Completion time Portability start and completion times (INP orders) Total Conversions (Items)  NOTE: Code in parentheses is the corresponding header found in the raw data file.	No BST Analog Exists
<b>Retail Analog/Benchmark:</b>	
Benchmark – See Appendix D	

Revision Date: 05/15/00 (taf)

**BellSouth**  
**Service Quality Measurements Plan**

**PROVISIONING**

<b>Report/Measurement:</b>	
<b>P-6A. Coordinated Customer Conversions – Hot Cut Timeliness % within Interval and Average Interval</b>	
<b>Definition:</b>	
This category measures whether BST begins the cutover of an unbundled loop on a time specific order at the CLEC requested time. It is measures the percentage of orders worked within 15 minutes of the requested start time of the order and the average interval.	
<b>Exclusions:</b>	
Any order canceled by the CLEC will be excluded from this measurement. Delays caused by the CLEC Unbundled Loops where there is no existing subscriber loop and loops where coordination is not requested. All unbundled loops on multiple loop orders after the first loop.	
<b>Business Rules:</b>	
This report measures whether BST begins the cutover of an unbundled loop on a coordinated and/or a time specific order at the CLEC requested start time. The cut is considered on time if it starts 15 minutes before or after the requested start time. Using the scheduled time and the actual cutover start time, the measurement will calculate the % within interval and the average interval. If a cut involves multiple lines, the cut will be considered "on time" if the first line is cut within the interval.	
<b>Calculation:</b>	
$\% \text{ within Interval} = \frac{[\text{Total Number of Coordinated Unbundled Loop Orders for the interval}]}{\text{Total Number of Coordinated Unbundled Loop Orders for the reporting period}} \times 100.$ $\text{Average Interval} = \frac{[\sum (\text{Scheduled Date and Time for Cross Connection of a Coordinated Unbundled Loop Order}) - (\text{Actual Start Date and Time of a Coordinated Unbundled Loop Order})]}{\text{Total Number of Coordinated Unbundled Loop Orders for the reporting period.}}$	
<b>Report Structure:</b>	
CLEC Specific CLEC Aggregate	
<b>Level of Disaggregation:</b>	
Reported in intervals, plus Overall Average Interval Product Reporting Level SL1 Time Specific SL2 Time Specific Coordinated Cuts	
<b>Data Retained Relating to CLEC Experience</b>	<b>Data Retained Relating to BST Experience</b>
Report Month CLEC Order Number (so_nbr) Committed Due Date (DD) Service Type (CLASS_SVC_DESC) Cutover Scheduled Start Time Cutover Actual Start Time Total Conversions Orders  NOTE: Code in parentheses is the corresponding header found in the raw data file.	No BST Analog Exists
<b>Retail Analog/Benchmark:</b>	
Benchmark – 95% Within + or – 15 minutes of Scheduled Start Time	

Revision Date: 05/16/00 (taf)

**BellSouth**  
**Service Quality Measurements Plan**

**PROVISIONING**

<b>Report/Measurement:</b>	
P-7. % Provisioning Troubles within 30 days of Service Order Activity	
<b>Definition:</b>	
Percent Provisioning Troubles within 30 days of Installation measures the quality and accuracy of installation activities.	
<b>Exclusions:</b>	
Canceled Service Orders Order Activities of BST or the CLEC associated with internal or administrative use of local services (R Orders, Test Orders, etc.) D & F orders	
<b>Business Rules:</b>	
Measures the quality and accuracy of completed orders. The first trouble report from a service order after completion is counted in this measure. Subsequent trouble reports are measured in Repeat Report Rate. Reports are calculated searching in the prior report period for completed service orders and following 30 days after completion of the service order for a trouble report issue date. D & F orders are excluded as there is no subsequent activity following a disconnect.	
<b>Calculation:</b>	
% Provisioning Troubles within 30 days of Service Order Activity = $\Sigma$ (Trouble reports on all completed orders $\leq$ 30 days following service order(s) completion) / (All Service Orders completed in the report calendar month) X 100	
<b>Report Structure:</b>	
CLEC Specific CLEC Aggregate BST Aggregate	
<b>Level of Disaggregation:</b>	
Reported in categories of <10 line/circuits; $\geq$ 10 line/circuits Dispatch / No Dispatch	
<b>Data Retained Relating to CLEC Experience</b>	<b>Data Retained Relating to BST Experience</b>
Report Month CLEC Order Number and PON Order Submission Date(TICKET_ID) Order Submission Time (TICKET_ID) Status Type Status Notice Date Standard Order Activity Geographic Scope	Report Month BST Order Number Order Submission Date Order Submission Time Status Type Status Notice Date Standard Order Activity Geographic Scope
NOTE: Code in parentheses is the corresponding header found in the raw data file.	
<b>Retail Analog/Benchmark:</b>	
CLEC Residence Resale / BST Residence Retail CLEC Business Resale / BST Business Retail CLEC Non-UNE Design / BST Design Interconnection Trunks-CLEC / Interconnection Trunks -BST UNEs-(See Appendix D)	

Revision Date: 05/15/00 (taf)

**BellSouth**  
**Service Quality Measurements Plan**

**PROVISIONING**

<b>Report/Measurement :</b>	
<b>P-8. Total Service Order Cycle Time (TSOCT)</b>	
<b>Definition:</b>	
This report measures the total service order cycle time from receipt of a valid service order request to the completion of the service order.	
<b>Exclusions:</b>	
Canceled Service Orders Order Activities of BST or the CLEC associated with internal or administrative use of local services (Record Orders, Test Orders, etc.) D (Disconnect) and F (From) orders. (From is disconnect side of a move order when the customer moves to a new address). "L" Appointment coded orders (where the customer has requested a later than offered interval) Orders with CLEC/Subscriber caused delays or CLEC/Subscriber requested due date changes.	
<b>Business Rules:</b>	
The interval is determined for each order processed during the reporting period. This measurement combines two reports: FOC (Firm Order Confirmation) with Average Order Completion Interval.  This interval starts with the receipt of a valid service order request and stops when the technician or system completes the order in SOCS. Elapsed time for each order is accumulated for each reporting dimension. The accumulated time for each reporting dimension is then divided by the associated total number of orders completed.	
<b>Calculation :</b>	
<b>Total Service Order Cycle Time</b> $\frac{\Sigma(\text{Completion Date and Time of Service Order}) (\text{SOCS HIST-CD DATE}) - (\text{Date and Time of Service Request Receipt})}{(\text{Count of Orders Completed in Reporting Period})}$	
<b>Report Structure:</b>	
CLEC Specific CLEC Aggregate BST Aggregate	
<b>Level of Disaggregation:</b>	
Reported in categories of < 10 line/circuits; > = 10 line/circuits Dispatch/No Dispatch categories applicable to all levels except trunks. Intervals 0-5, 5-10, 10-15, 15-20, 20-25, 25-30, > = 30 Days	
<b>Data Retained Relating to CLEC Experience</b>	<b>Data Retained Relating to BST Experience</b>
Report Month Interval for FOC CLEC Company Name (OCN) Order Number (PON) Submission Date & Time (TICKET_ID) Completion Date (CMPLTN_DT) Service Type (CLASS_SVC_DESC) Geographic Scope  NOTE: Code in parentheses is the corresponding header found in the raw data file.	Report Month BST Order Number Order Submission Date & Time Order Completion Date & Time Service Type Geographic Scope
<b>Retail Analog/Benchmark</b>	
See Appendix D	

Revision Date: 02/28/00 (taf)

**BellSouth**  
**Service Quality Measurements Plan**

**PROVISIONING**

<b>Report/Measurement:</b>	
<b>P-9. Service Order Accuracy <u>GEORGIA ONLY</u></b>	
<b>Definition:</b>	
The "service order accuracy" measurement measures the accuracy and completeness of BST service orders by comparing what was ordered and what was completed.	
<b>Exclusions:</b>	
Cancelled Service Orders Order Activities of BST associated with internal or administrative use of local services D & F orders	
<b>Business Rules:</b>	
A manual sampling of service orders, completed during a monthly reporting period, is compared to the original account profile and the order that the CLEC sent to BST. An order is "completed without error" if all service attributes and account detail changes (as determined by comparing the original order) completely and accurately reflect the activity specified on the original order and any supplemental CLEC order.	
<b>Calculation:</b>	
Percent Service Order Accuracy = $\Sigma$ (Orders Completed without Error) / $\Sigma$ (Orders Completed in Reporting Period) x 100	
<b>Report Structure:</b>	
CLEC Aggregate	
<b>Level of Disaggregation:</b>	
Reported in categories of <10 line/circuits; > = 10 line/circuits Dispatch / No Dispatch	
<b>Data Retained Relating to CLEC Experience</b>	<b>Data Retained Relating to BST Experience</b>
Report Month CLEC Order Number and PON Local Service Request (LSR) Order Submission Date Committed Due Date Service Type Standard Order Activity	Being investigated at this time
<b>Retail Analog/Benchmark:</b>	
(Under Investigation)	

Revision Date: 05/25/00 (taf)

**BellSouth**  
**Service Quality Measurements Plan**

**PROVISIONING**

<b>Report/Measurement:</b>
<b>P-10. LNP-Percent Missed Installation Appointments</b>
<b>Definition:</b>
“Percent missed installation appointments” monitors the reliability of BST commitments with respect to committed due dates to assure that CLECs can reliably quote expected due dates to their retail customer as compared to BST. This measure is the percentage of total orders processed for which BST is unable to complete the service orders on the committed due dates and reported for both BST and End User Misses.
<b>Exclusions:</b>
Canceled Service Orders Order Activities of BST or the CLEC associated with internal or administrative use of local services (Record Orders, Test Orders, etc.) where identifiable.
<b>Business Rules:</b>
Percent Missed Installation Appointments (PMI) is the percentage of total orders processed for which BST is unable to complete the service orders on the committed due dates. Missed Appointments caused by end-user reasons will be included and reported in a separate category. The “due date” is any time on the confirmed due date, which means there cannot be a cutoff time for commitments as certain types of orders are requested to be worked after standard business hours. Also, during Daylight Savings Time, field technicians are scheduled until 9PM in some areas and the customer is offered a greater range of intervals from which to select.
<b>Calculation:</b>
<b>Percent Missed Installation Appointments:</b> $\left[ \frac{\text{(Number of Orders Not Completed by Committed Due Date in Reporting Period)}}{\text{(Number of Orders Completed in Reporting Period)}} \right] \times 100$
<b>Report Structure:</b>
Mechanized (service orders generated by LSRs submitted via EDI or TAG) CLEC Specific CLEC Aggregate
<b>Report explanation:</b> Total Missed Appointments is the total % of orders missed either by BST or the CLEC end user. End User MA represents the percentage of orders missed by the CLEC end user. The difference between End User Missed Appointments and Total Missed Appointments is the result of BST caused misses.
<b>Level of Disaggregation:</b>
Product Reporting Levels LNP UNE Loop Associated w/LNP Geographic Scope State, Region
<b>Retail Analog/Benchmark:</b>
See Appendix D

Revision Date: 05/15/00 (taf)

**BellSouth**  
**Service Quality Measurements Plan**

**PROVISIONING – (LNP)**

<b>Report/Measurement :</b>
<b>P-11. LNP-Average Disconnect Timeliness Interval &amp; Disconnect Timeliness Interval Distribution</b>
<b>Definition:</b>
Disconnect Timeliness is defined as the interval between the time the LNP Gateway receives the 'Number Ported' message from NPAC (signifying the CLEC 'Activate') until the time that the Disconnect service order for an LSR is completed in SOCS. This interval effectively measures BST responsiveness by isolating it from impacts that are caused by CLEC related activities.
<b>Exclusions:</b>
<ul style="list-style-type: none"> <li>Canceled Service Orders</li> <li>Order Activities of BST or the CLEC associated with internal or administrative use of local services (Record Orders, Test Orders, etc.) where identifiable.</li> </ul>
<b>Business Rules:</b>
The Disconnect Timeliness interval is determined for each Disconnect service order processed on an LSR during the reporting period. The Disconnect Timeliness interval is the elapsed time from when BST receives the 'Number Ported' message for an LSR's disconnect order from NPAC (signifying the CLEC 'Activate') until the Disconnect service order is completed in SOCS. Elapsed time for each order is accumulated for each reporting dimension. The accumulated time for each reporting dimension is then divided by the total number of selected disconnect orders which have been completed.
<b>Calculation :</b>
<p><b>Average Disconnect Timeliness Interval:</b>  <math display="block">\frac{\Sigma [ (\text{Disconnect Service Order Completion Date \&amp; Time}) - (\text{'Number Ported' Message Received Date \&amp; Time}) ]}{\Sigma (\text{Total Number of Disconnect Service Orders Completed in Reporting Period})}</math></p> <p><b>Disconnect Timeliness Interval Distribution:</b>  <math display="block">[\frac{\Sigma (\text{Disconnect Service Orders Completed in "X" days})}{(\text{Total Disconnect Service Orders Completed in Reporting Period})}] \times 100</math></p>
<b>Report Structure:</b>
<ul style="list-style-type: none"> <li>Mechanized (service orders generated by LSRs submitted via EDI or TAG)</li> <li>CLEC Specific</li> <li>CLEC Aggregate</li> </ul>
<b>Level of Disaggregation:</b>
<ul style="list-style-type: none"> <li>Reported in day intervals = 0,1,2,3,4, 5, &gt;5 days</li> <li>Product Reporting Levels</li> <li>LNP</li> <li>Geographic Scope</li> <li>State, Region</li> </ul>
<b>Retail Analog/Benchmark:</b>
See Appendix D

Revision Date: 05/15/00 (taf)

**BellSouth**  
**Service Quality Measurements Plan**

**PROVISIONING**

<b>Report/Measurement :</b>
<b>P-12. LNP-Total Service Order Cycle Time</b>
<b>Definition:</b>
Total Service Order Cycle Time measures the interval from receipt of a valid service order request to the completion of the final service order associated with that service request.
<b>Exclusions:</b>
<p>Canceled Service Orders</p> <p>Order Activities of BST or the CLEC associated with internal or administrative use of local services (Record Orders, Test Orders, etc.) where identifiable</p> <p>"L" appointment coded orders (indicating the customer has requested a later than offered interval)</p> <p>"S" missed appointment coded orders (indicating subscriber missed reasons), except for "SP" codes (indicating subscriber prior due date requested).</p>
<b>Business Rules:</b>
<p>The interval is determined for each service request processed during the reporting period. This measurement combines two reports: FOC (Firm Order Confirmation) with Average Order Completion Interval.</p> <p>This interval starts with the receipt of a valid service request and stops when the technician or system completes all the related service orders for the LSR in SOCS. Elapsed time for each service request is accumulated for each reporting dimension. The accumulated time for each reporting dimension is then divided by the associated total number of service requests completed to produce the total service order cycle time.</p>
<b>Calculation :</b>
<p><b>Average Total Service Order Cycle Time:</b></p> $\Sigma [ (\text{Service Order Completion Date \& Time}) - (\text{Service Request Receipt Date \& Time}) ] / \Sigma (\text{Total Number Service Requests Completed in Reporting Period})$ <p><b>Total Service Order Cycle Time Interval Distribution:</b></p> $\Sigma (\text{Total Number of Service Requests Completed in "X" minutes/hours}) / (\text{Total Number of Service Requests Received in Reporting Period}) \times 100$
<b>Report Structure:</b>
<p>Mechanized (service orders generated by LSRs submitted via EDI or TAG)</p> <p>CLEC Specific</p> <p>CLEC Aggregate</p> <p>"W" Appointment Code Only (Company Offered)</p>
<b>Level of Disaggregation:</b>
<p>Reported in day intervals 0 - 5, 5 - 10, 10 - 15, 15 - 20, 20 - 25, 25 - 30, &gt;30 days</p> <p>Product Reporting Levels</p> <p style="padding-left: 20px;">LNP</p> <p style="padding-left: 20px;">UNE Loop with LNP</p> <p>Geographic Scope</p> <p style="padding-left: 20px;">State, Region</p>
<b>Retail Analog/Benchmark:</b>
See Appendix D

Revision Date: 02/16/00 (taf)



**BellSouth**  
**Service Quality Measurements Plan**

**Maintenance and Repair Level of Disaggregation**

Product Reporting Levels

Resale / Retail

Pots – Residence

Pots – Business

Design

PBX (Louisiana SQM)

CENTREX (Louisiana SQM)

ISDN (Louisiana SQM) (**Note:** ISDN Trouble included in POTS for Georgia Only)

Unbundled Network Elements

UNE Design

UNE Non-Design

UNE 2 Wire Loop (Louisiana SQM)

UNE Loop Other (Louisiana SQM)

Unbundled Ports (Louisiana SQM)

UNE Other Non-Design

Combos, Switching, Local Transport, DSL (under development)

Trunks

Local Interconnection Trunks

Dispatch/No Dispatch categories applicable to all levels

Geographic Scope

State, Region and further geographic disaggregation as required by State Commission Order  
(e.g., Metropolitan Service Area – MSA)

**BellSouth**  
**Service Quality Measurements Plan**

**MAINTENANCE & REPAIR**

<b>Report/Measurement:</b>	
<b>M&amp;R-1. Missed Repair Appointments</b>	
<b>Definition:</b>	
The percent of trouble reports not cleared by the committed date and time.	
<b>Exclusions:</b>	
Trouble tickets canceled at the CLEC request. BST trouble reports associated with internal or administrative service. Customer Provided Equipment (CPE) troubles or CLEC Equipment Trouble.	
<b>Business Rules:</b>	
The negotiated commitment date and time is established when the repair report is received. The cleared time is the date and time that BST personnel clear the trouble and closes the trouble report in his/her Computer Access Terminal (CAT) or workstation. If this is after the Commitment time, the report is flagged as a "Missed Commitment" or a missed repair appointment. When the data for this measure is collected for BST and a CLEC, it can be used to compare the percentage of the time repair appointments are missed due to BST reasons. (No access reports are not part of this measure because they are not a missed appointment.)	
Note: Appointment intervals vary with force availability in the POTS environment. Specials and Trunk intervals are standard interval appointments of no greater than 24 hours.	
<b>Calculation:</b>	
Percentage of missed Repair Appointments = $\Sigma$ (Count of Customer Troubles Not Cleared by the Quoted Commitment Date and Time) / $\Sigma$ (Total Trouble reports closed in Reporting Period) X 100	
<b>Report Structure:</b>	
CLEC Specific CLEC Aggregate BST Aggregate	
<b>Data Retained Relating to CLEC Experience:</b>	<b>Data Retained Relating to BST Performance:</b>
Report month CLEC Company Name Submission Date & Time (TICKET_ID) Completion Date (CMPLTN_DT) Service Type (CLASS_SVC_DESC) Disposition and Cause (CAUSE_CD & CAUSE_DESC) Geographic Scope	Report month BST Company Code Submission Date & Time Completion Date Service Type Disposition and Cause (Non-Design /Non-Special Only) Trouble Code (Design and Trunking Services) Geographic Scope
NOTE: Code in parentheses is the corresponding header found in the raw data file.	
<b>Retail Analog/Benchmark:</b>	
CLEC Residence Resale/BST Residence Retail CLEC Business Resale/BST Business Retail CLEC Design-Resale/BST Design-Retail CLEC PBX, Centrex, and ISDN Resale/BST PBX, Centrex, and ISDN Retail CLEC Trunking-Resale / BST Trunking-Retail UNEs-(See Appendix D)	

Revision Date: 05/15/00 (see)

**BellSouth**  
**Service Quality Measurements Plan**

**MAINTENANCE & REPAIR**

<b>Report/Measurement:</b>	
<b>M&amp;R-2. Customer Trouble Report Rate</b>	
<b>Definition:</b>	
Initial and repeated customer direct or referred troubles reported within a calendar month per 100 lines/circuits in service.	
<b>Exclusions:</b>	
Trouble tickets canceled at the CLEC request. BST trouble reports associated with internal or administrative service. Customer Provided Equipment (CPE) troubles or CLEC Equipment Trouble.	
<b>Business Rules:</b>	
Customer Trouble Report Rate is computed by accumulating the number of maintenance initial and repeated trouble reports during the reporting period. The resulting number of trouble reports are divided by the total "number of service" lines, ports or combination that exist for the CLECs and BST respectively at the end of the report month.	
<b>Calculation:</b>	
Customer Trouble Report Rate = (Count of Initial and Repeated Trouble Reports in the Current Period) / (Number of Service Access Lines in service at End of the Report Period) X 100	
<b>Report Structure:</b>	
CLEC Specific CLEC Aggregate BST Aggregate	
<b>Data Retained Relating to CLEC Experience:</b>	<b>Data Retained Relating to BST Performance:</b>
Report month CLEC Company Name Ticket Submission Date & Time (TICKET_ID) Ticket Completion Date (CMPLTN_DT) Service Type (CLASS_SVC_DESC) Disposition and Cause (CAUSE_CD & CAUSE_DESC) # Service Access Lines in Service at the end of period Geographic Scope  NOTE: Code in parentheses is the corresponding header found in the raw data file.	Report month BST Company Code Ticket Submission Date & Time Ticket Completion Date Service Type Disposition and Cause (Non-Design /Non-Special Only) Trouble Code (Design and Trunking Services) # Service Access Lines in Service at the end of period Geographic Scope
<b>Retail Analog/Benchmark:</b>	
CLEC Residence Resale/BST Residence Retail CLEC Business Resale/BST Business Retail CLEC Design-Resale/BST Design-Retail CLEC PBX, Centrex, and ISDN Resale/BST PBX, Centrex, and ISDN Retail CLEC Trunking-Resale / BST Trunking-Retail UNES-(See Appendix D)	

Revision Date: 02/22/00 (see)

**BellSouth**  
**Service Quality Measurements Plan**

**MAINTENANCE & REPAIR**

<b>Report/Measurement:</b>	
<b>M&amp;R-3. Maintenance Average Duration</b>	
<b>Definition:</b>	
The Average duration of Customer Trouble Reports from the receipt of the Customer Trouble Report to the time the trouble report is cleared.	
<b>Exclusions:</b>	
Trouble tickets canceled at the CLEC request. BST trouble reports associated with internal or administrative service. Customer Provided Equipment (CPE) troubles or CLEC Equipment Trouble. Trouble reports greater than 10 days	
<b>Business Rules:</b>	
For Average Duration the clock starts on the date and time of the receipt of a correct repair request. The clock stops on the date and time the service is restored and the BST or CLEC customer is notified (when the technician completes the trouble ticket on his/her CAT or work systems).	
<b>Calculation:</b>	
Maintenance Average Duration = $\Sigma(\text{Date and Time of Service Restoration}) - (\text{Date and Time Trouble Ticket was Opened}) / \Sigma(\text{Total Closed Troubles in the reporting period})$	
<b>Report Structure:</b>	
CLEC Specific CLEC Aggregate BST Aggregate	
<b>Data Retained Relating to CLEC Experience:</b>	<b>Data Retained Relating to BST Performance:</b>
Report month Total Tickets (LINE_NBR) CLEC Company Name Ticket Submission Date & Time (TICKET_ID) Ticket Completion Date (CMPLTN_DT) Service Type (CLASS_SVC_DESC) Disposition and Cause (CAUSE_CD & CAUSE_DESC) Geographic Scope  NOTE: Code in parentheses is the corresponding header found in the raw data file.	Report month Total Tickets BST Company Code Ticket Submission Date Ticket Submission Time Ticket Completion Date Ticket Completion Time Total Duration Time Service Type Disposition and Cause (Non-Design /Non-Special Only) Trouble Code (Design and Trunking Services) Geographic Scope
<b>Retail Analog/Benchmark:</b>	
CLEC Residence Resale/BST Residence Retail CLEC Business Resale/BST Business Retail CLEC Design-Resale/BST Design-Retail CLEC PBX, Centrex, and ISDN Resale/BST PBX, Centrex, and ISDN Retail CLEC Trunking-Resale / BST Trunking-Retail UNEs-(See Appendix D)	

Revision Date: 05/25/00 (see)

**BellSouth  
Service Quality Measurements Plan**

**MAINTENANCE & REPAIR**

<b>Report/Measurement:</b>	
<b>M&amp;R-4. Percent Repeat Troubles within 30 Days</b>	
<b>Definition:</b>	
Trouble reports on the same line/circuit as a previous trouble report received within 30 calendar days as a percent of total trouble reported	
<b>Exclusions:</b>	
Trouble tickets canceled at the CLEC request. BST trouble reports associated with internal or administrative service. Customer Provided Equipment (CPE) troubles or CLEC Equipment Trouble.	
<b>Business Rules:</b>	
Includes Customer trouble reports received within 30 days of an original Customer trouble report	
<b>Calculation:</b>	
Percent Repeat Troubles within 30 Days = (Count of Customer Troubles where more than one trouble report was logged for the same service line within a continuous 30 days) / (Total Trouble Reports Closed in Reporting Period) X 100	
<b>Report Structure:</b>	
CLEC Specific CLEC Aggregate BST Aggregate	
<b>Data Retained Relating to CLEC Experience:</b>	<b>Data Retained Relating to BST Performance:</b>
Report month Total Tickets (LINE_NBR) CLEC Company Name Ticket Submission Date & Time (TICKET_ID) Ticket Completion Date (CMPLTN_DT) Total and Percent Repeat Trouble Reports within 30 Days (TOT_REPEAT) Service Type Disposition and Cause (CAUSE_CD & CAUSE_DESC) Geographic Scope	Report month Total Tickets BST Company Code Ticket Submission Date Ticket Submission Time Ticket Completion Date Ticket Completion Time Total and Percent Repeat Trouble Reports within 30 Days Service Type Disposition and Cause (Non-Design /Non-Special Only) Trouble Code (Design and Trunking Services) Geographic Scope
NOTE: Code in parentheses is the corresponding header found in the raw data file.	
<b>Retail Analog/Benchmark:</b>	
CLEC Residence Resale/BST Residence Retail CLEC Business Resale/BST Business Retail CLEC Design-Resale/BST Design-Retail CLEC PBX, Centrex, and ISDN Resale/BST PBX, Centrex, and ISDN Retail CLEC Trunking-Resale / BST Trunking-Retail UNEs-(See Appendix D)	

Revision Date: 02/22/00 (see)

**BellSouth**  
**Service Quality Measurements Plan**

**MANTENANCE & REPAIR**

<b>Report/Measurement:</b>	
<b>M&amp;R-5. Out of Service (OOS) &gt; 24 Hours</b>	
<b>Definition:</b>	
For Out of Service Troubles (no dial tone, cannot be called or cannot call out) the percentage of Total OOS Troubles cleared in excess of 24 hours. (All design services are considered to be out of service).	
<b>Exclusions:</b>	
Trouble Reports canceled at the CLEC request BST Trouble Reports associated with administrative service Customer Provided Equipment (CPE) Troubles or CLEC Equipment Troubles.	
<b>Business Rules:</b>	
Customer Trouble reports that are out of service and cleared in excess of 24 hours. The clock begins when the trouble report is created in LMOS and the trouble is counted if the elapsed time exceeds 24 hours.	
<b>Calculation:</b>	
Out of Service (OOS) > 24 hours = (Total Cleared Troubles OOS > 24 Hours) / Total OOS Troubles in Reporting Period) X 100	
<b>Report Structure:</b>	
CLEC Specific BST Aggregate CLEC Aggregate	
<b>Data Retained Relating to CLEC Experience</b>	<b>Data Retained Relating to BST Experience</b>
Report Month Total Tickets CLEC Company Name Ticket Submission Date & Time (TICKET_ID) Ticket Completion Date (CMPLTN_DT) Percentage of Customer Troubles out of Service > 24 Hours (OOS>24_FLAG) Service type (CLASS_SVC_DESC) Disposition and Cause (CAUSE_CD & CAUSE-DESC) Geographic Scope	Report Month Total Tickets BST Company Code Ticket Submission Date Ticket Submission time Ticket Completion Date Ticket Completion Time Percent of Customer Troubles out of Service > 24 Hours Service type Disposition and Cause (Non – Design/Non-Special only) Trouble Code (Design and Trunking Services) Geographic Scope
<b>NOTE:</b> Code in parentheses is the corresponding header found in the raw data file.	
<b>Retail Analog/Benchmark:</b>	
CLEC Residence-Resale / BST Residence- Retail CLEC Business- Resale / BST Business-Retail CLEC Design-Resale / BST Design-Retail CLEC PBX, Centrex and ISDN Resale / BST PBX, Centrex and ISDN Retail CLEC Trunking-Resale /BST Trunking- Retail UNES – (See Appendix D)	

Revision Date: 05/12/00 (see)

**BellSouth**  
**Service Quality Measurements Plan**

**MAINTENANCE & REPAIR**

<b>Report/Measurement:</b>	
<b>M&amp;R-6. Average Answer Time – Repair Centers</b>	
<b>Definition:</b>	
This measures the average time a customer is in Queue when calling a BellSouth Repair Center.	
<b>Exclusions:</b>	
None	
<b>Business Rules:</b>	
The clock starts when a CLEC Representative or BellSouth customer makes a choice on the Repair Center's menu and is put in queue for the next repair attendant. The clock stops when the repair attendant answers the call. (abandoned calls are not included)	
(NOTE: The Total Column is a combined BST Residence and Business number)	
<b>Level of Disaggregation:</b>	
Region. CLEC/BST Service Centers and BST Repair Centers are regional.	
<b>Calculation:</b>	
Average Answer Time for BST's Repair Centers = (Time BST Repair Attendant Answers Call) – (Time of entry into queue until ACD Selection) / (Total number of calls by reporting period)	
<b>Report Structure:</b>	
CLEC Aggregate BST Aggregate	
<b>Data Retained Relating to CLEC Experience</b>	<b>Data Retained Relating to BST Experience</b>
CLEC Average Answer Time	BST Average Answer Time
<b>Retail Analog/Benchmark:</b>	
For CLEC, Average Answer Times in UNE Center and BRMC are comparable to the Average Answer Times in the BST Repair Centers.	

Revision Date: 05/25/00 (see)

**BellSouth  
Service Quality Measurements Plan**

**BILLING**

<b>Report/Measurement:</b>	
<b>B-1. Invoice Accuracy</b>	
<b>Definition:</b>	
This measure provides the percentage of accuracy of the billing invoices rendered to CLECs during the current month.	
<b>Exclusions:</b>	
Adjustments not related to billing errors (e.g., credits for service outage, special promotion credits, adjustments to satisfy the customer)	
<b>Business Rules:</b>	
The accuracy of billing invoices delivered by BST to the CLEC must enable them to provide a degree of billing accuracy comparative to BST bills rendered to retail customers of BST. CLECs request adjustments on bills determined to be incorrect. The BellSouth Billing verification process includes manually analyzing a sample of local bills from each bill period. The bill verification process draws from a mix of different customer billing options and types of service. An end-to-end auditing process is performed for new products and services. Internal measurements and controls are maintained on all billing processes.	
<b>Calculation:</b>	
<b>Invoice Accuracy</b> = (Total Billed Revenues during current month) – (Absolute Value of Billing Related Adjustments during current month) / Total Billed Revenues during current month X 100	
<b>Report Structure:</b>	
CLEC Specific CLEC Aggregate BST Aggregate	
<b>Level of Disaggregation:</b>	
Product / Invoice Type Resale UNE Interconnection Geographic Scope Region	
<b>Data Retained Relating to CLEC Experience:</b>	<b>Data Retained Relating to BST Performance:</b>
Report Month Invoice Type Total Billed Revenue Adjustments	Report month Retail Type CRIS CABS  Total Billed Revenue Billing Related Adjustments
<b>Retail Analog/Benchmark:</b>	
CLEC Invoice Accuracy is comparable to BST Invoice Accuracy See Appendix D	

Revision Date: 05/03/00 (dg)



**BellSouth**  
**Service Quality Measurements Plan**

**BILLING**

<b>Report/Measurement:</b>	
<b>B-2. Mean Time to Deliver Invoices</b>	
<b>Definition:</b>	
<p><i>Bill Distribution is calculated as follows: CRIS BILLS-The number of workdays is reported for CRIS bills. This is calculated by counting the Bill Period date as the first work day. Weekends and holidays are excluded when counting workdays. J/N Bills are counted in the CRIS work day category for the purposes of the measurement since their billing account number (Q account) is provided from the CRIS system.</i></p> <p>CABS BILLS-The number of calendar days is reported for CABS bills. This is calculated by counting the day following the Bill Period date as the first calendar day. Weekends and holidays are included when counting the calendar days.</p>	
<b>Exclusions:</b>	
Any invoices rejected due to formatting or content errors.	
<b>Business Rules:</b>	
This report measures the mean interval for timeliness of billing records delivered to CLECs in an agreed upon format. CRIS-based invoices are measured in business days, and CABS-based invoices in calendar days.	
<b>Calculation:</b>	
$\text{Mean Time To Deliver Invoices} = \Sigma [(\text{Invoice Transmission Date}) - (\text{Close Date of Scheduled Bill Cycle})] / (\text{Count of Invoices Transmitted in Reporting Period})$	
<b>Report Structure:</b>	
<ul style="list-style-type: none"> <li>CLEC Specific</li> <li>CLEC Aggregate</li> <li>BST Aggregate</li> </ul>	
<b>Level of Disaggregation:</b>	
<ul style="list-style-type: none"> <li>Product / Invoice Type <ul style="list-style-type: none"> <li>Resale</li> <li>UNE</li> <li>Interconnection</li> </ul> </li> <li>Geographic Scope</li> <li>Region</li> </ul>	
<b>Data Retained Relating to CLEC Experience:</b>	<b>Data Retained Relating to BST Performance:</b>
<ul style="list-style-type: none"> <li>Report month</li> <li>Invoice Type</li> <li>Invoice Transmission Count</li> <li>Date of Scheduled Bill Close</li> </ul>	<ul style="list-style-type: none"> <li>Report month</li> <li>Retail Type</li> <li>CRIS</li> <li>CABS <ul style="list-style-type: none"> <li>Invoice Transmission Count</li> <li>Date of Scheduled Bill Close</li> </ul> </li> </ul>
<b>Retail Analog/Benchmark:</b>	
<p>CRIS-based invoices will be released for delivery within six (6) business days.</p> <p>CABS-based invoices will be released for delivery within eight (8) calendar days.</p> <p>CLEC Average Delivery Intervals for both CRIS and CABS Invoices are comparable to BST Average delivery for both systems.</p> <p>See Appendix D</p>	

Revision Date: 05/03/00 (dg)

**BellSouth**  
**Service Quality Measurements Plan**

**BILLING**

<b>Report/Measurement:</b>	
<b>B-3. Usage Data Delivery Accuracy</b>	
<b>Definition:</b>	
This measurement captures the percentage of recorded usage that is delivered error free and in an acceptable format to the appropriate Competitive Local Exchange Carrier (CLEC). These percentages will provide the necessary data for use as a comparative measurement for BellSouth performance. This measurement captures Data Delivery Accuracy rather than the accuracy of the individual usage recording.	
<b>Exclusions:</b>	
None	
<b>Business Rules:</b>	
The accuracy of the data delivery of usage records delivered by BST to the CLEC must enable them to provide a degree of accuracy comparative to BST bills rendered to their retail customers. If errors are detected in the delivery process, they are investigated, evaluated and documented. Errors are corrected and the data retransmitted to the CLEC.	
<b>Calculation:</b>	
Usage Data Delivery Accuracy = $\Sigma[(\text{Total number of usage data packs sent during current month}) - (\text{Total number of usage data packs requiring retransmission during current month})] / (\text{Total number of usage data packs send during current month}) \times 100$	
<b>Report Structure:</b>	
CLEC Specific CLEC Aggregate BST Aggregate	
<b>Level of Disaggregation:</b>	
Geographic Scope Region	
<b>Data Retained Relating to CLEC Experience:</b>	<b>Data Retained Relating to BST Performance:</b>
Report Month Record Type BellSouth Recorded Non BellSouth Recorded	Report month Record Type
<b>Retail Analog/Benchmark:</b>	
CLEC Usage Data Delivery Accuracy is comparable to BST Usage Data Delivery Accuracy See Appendix D	

Revision Date: 02/28/00 (dg)

**BellSouth**  
**Service Quality Measurements Plan**

**BILLING**

<b>Report/Measurement:</b>	
<b>B-4. Usage Data Delivery Completeness</b>	
<b>Definition:</b>	
This measurement provides percentage of complete and accurately recorded usage data (usage recorded by BellSouth and usage recorded by other companies and sent to BST for billing) that is processed and transmitted to the CLEC within thirty (30) days of the message recording date. A parity measure is also provided showing completeness of BST messages processed and transmitted via CMDS. BellSouth delivers its own retail usage from recording location to billing location via CMDS as well as delivering billing data to other companies. Timeliness, Completeness and Mean Time to Deliver Usage measures are reported on the same report.	
<b>Exclusions:</b>	
None	
<b>Business Rules:</b>	
The purpose of these measurements is to demonstrate the level of quality of usage data delivered to the appropriate CLEC. Method of delivery is at the option of the CLEC.	
<b>Calculation:</b>	
Usage Data Delivery Completeness = $\Sigma[(\text{Total number of Recorded usage records delivered during current month that are within thirty (30) days of the message recording date}) / \Sigma(\text{Total number of Recorded usage records delivered during the current month}) \times 100$	
<b>Report Structure:</b>	
CLEC Specific CLEC Aggregate BST Aggregate	
<b>Level of Disaggregation:</b>	
Geographic Scope Region	
<b>Data Retained Relating to CLEC Experience:</b>	<b>Data Retained Relating to BST Performance:</b>
Report Month Record Type BellSouth Recorded Non BellSouth Recorded	Report month Record Type
<b>Retail Analog/Benchmark:</b>	
CLEC Usage Data Delivery Completeness is comparable to BST Usage Data Delivery Completeness See Appendix D	

Revision Date: 02/28/00 (dg)

**BellSouth  
Service Quality Measurements Plan**

**BILLING**

<b>Report/Measurement:</b>	
<b>B-5. Usage Data Delivery Timeliness</b>	
<b>Definition:</b>	
This measurement provides a percentage of recorded usage data (usage recorded by BST and usage recorded by other companies and sent to BST for billing) that is delivered to the appropriate CLEC within six (6) calendar days from the receipt of the initial recording. A parity measure is also provided showing timeliness of BST messages processed and transmitted via CMDS. Timeliness, Completeness and Mean Time to Deliver Usage measures are reported on the same report.	
<b>Exclusions:</b>	
None	
<b>Business Rules:</b>	
The purpose of this measurement is to demonstrate the level of timeliness for processing and transmission of usage data delivered to the appropriate CLEC. The usage data will be mechanically transmitted or mailed to the CLEC data processing center once daily. The Timeliness interval of usage recorded by other companies is measured from the date BST receives the records to the date BST distributes to the CLEC. Method of delivery is at the option of the CLEC.	
<b>Calculation:</b>	
Usage Data Delivery Timeliness Current month = $\frac{\Sigma(\text{Total number of usage records sent within six (6) calendar days from initial recording/receipt})}{\Sigma(\text{Total number of usage records sent})} \times 100$	
<b>Report Structure:</b>	
CLEC Aggregate CLEC Specific BST Aggregate	
<b>Level of Disaggregation:</b>	
Geographic Scope Region	
<b>Data Retained Relating to CLEC Experience:</b>	<b>Data Retained Relating to BST Performance:</b>
Report Month Record Type BellSouth Recorded Non-BellSouth Recorded	Report Monthly Record Type
<b>Retail Analog/Benchmark:</b>	
CLEC Usage Data Delivery Timeliness is comparable to BST Usage Data Delivery Timeliness See Appendix D	

Revision date: 02/28/00 (dg)

**BellSouth**  
**Service Quality Measurements Plan**

**BILLING**

<b>Report/Measurement</b>	
<b>B-6. Mean Time to Deliver Usage</b>	
<b>Definition:</b>	
This measurement provides the average time it takes to deliver Usage Records to a CLEC. A parity measure is also provided showing timeliness of BST messages processed and transmitted via CMDS. Timeliness, Completeness and Mean Time to Deliver Usage measures are reported on the same report.	
<b>Exclusions:</b>	
None	
<b>Business Rules:</b>	
The purpose of this measurement is to demonstrate the average number of days it takes BST to deliver Usage data to the appropriate CLEC. Usage data is mechanically transmitted or mailed to the CLEC data processing center once daily. Method of delivery is at the option of the CLEC.	
<b>Calculation:</b>	
Mean Time to Deliver Usage = $\Sigma$ (Volume of Records Delivered X estimated number of days to deliver) / Total Record Volume Delivered.	
<b>Report Structure:</b>	
CLEC Aggregate CLEC Specific BST Aggregate	
<b>Level of Disaggregation:</b>	
Geographic Scope Region	
<b>Data Retained Relating to CLEC Experience:</b>	<b>Data Retained Relating to BST Performance:</b>
Report Month Record Type BellSouth Recorded Non-BellSouth Recorded	Report Monthly Record Type
<b>Retail Analog/Benchmark:</b>	
Mean Time to Deliver Usage to CLEC is comparable to Mean Time to Deliver Usage to BST See Appendix D	

Revision Date: 05/03/00 (dg)

**BellSouth**  
**Service Quality Measurements Plan**

**OPERATOR SERVICES AND DIRECTORY ASSISTANCE**

<b>Report/Measurement:</b>
<b>OS-1. Speed to Answer Performance/Average Speed to Answer - Toll</b>
<b>Definition:</b>
Measurement of the average time in seconds calls wait before answered by a toll operator.
<b>Exclusions:</b>
None
<b>Business Rules:</b>
The clock starts when the customer enters the queue and the clock stops when a BellSouth representative answers the call or the customer abandons the call. The length of each call is determined by measuring, using a scanning technique, and accumulating the elapsed time from the entry of a customer call into the BellSouth call management system queue until the customer call is transferred to BellSouth personnel assigned to handle calls for assistance. The system makes no distinction between CLEC customers and BST customers.
<b>Calculation:</b>
Total queue time ÷ total calls answered
<b>Report Structure:</b>
Reported for the aggregate of BST and CLECs State
<b>Level of Disaggregation:</b>
None
<b>Data Retained (on Aggregate Basis):</b>
For the items below, BST's Performance Measurement Analysis Platform (PMAP) receives a final computation; therefore, no raw data file is available in PMAP
Month
Call Type (Toll)
Average Speed of Answer
<b>Retail Analog/Benchmark:</b>
Parity by Design See Appendix D

Revision Date: 05/12/00 (tg)

**BellSouth  
Service Quality Measurements Plan**

**OPERATOR SERVICES AND DIRECTORY ASSISTANCE**

<b>Report/Measurement:</b>
<b>OS-2. Speed to Answer Performance/Percent Answered with "X" Seconds – Toll</b>
<b>Definition:</b>
Measurement of the percent of toll calls that are answered in less than "X" seconds. The number of seconds represented by "X" is thirty, except where a different regulatory benchmark has been set for the Average Speed to Answer by a State Commission.
<b>Exclusions:</b>
None
<b>Business Rules:</b>
The clock starts when the customer enters the queue and the clock stops when a BellSouth representative answers the call or the customer abandons the call. The length of each call is determined by measuring, using a scanning technique, and accumulating the elapsed time from the entry of a customer call into the BellSouth call management system queue until the customer call is transferred to BellSouth personnel assigned to handle calls for assistance. The system makes no distinction between CLEC customers and BST customers.
<b>Calculation:</b>
The Percent Answered within "X" Seconds measurement for toll is derived by using the BellCore Statistical Answer Conversion Tables, to convert the Average Speed to Answer measure into a percent of calls answered within "X" seconds. The BellCore Conversion Tables are specific to the defined parameters of work time, number of operators, max queue size and call abandonment rates.
<b>Report Structure:</b>
Reported for the aggregate of BST and CLECs State
<b>Level of Disaggregation:</b>
None
<b>Data Retained (on Aggregate Basis):</b>
For the items below, BST's Performance Measurement Analysis Platform (PMAP) receives a final computation; therefore, no raw data file is available in PMAP Month Call Type (Toll) Average Speed of Answer
<b>Retail Analog/Benchmark:</b>
Parity by Design See Appendix D

Revision Date: 05/15/00 (tg)

**BellSouth**  
**Service Quality Measurements Plan**

**OPERATOR SERVICES AND DIRECTORY ASSISTANCE**

<b>Report/Measurement:</b>
DA-1. Speed to Answer Performance/Average Speed to Answer – Directory Assistance (DA)
<b>Definition:</b>
Measurement of the average time in seconds calls wait before answered by a DA operator.
<b>Exclusions:</b>
None
<b>Business Rules:</b>
The clock starts when the customer enters the queue and the clock stops when a BellSouth representative answers the call or the customer abandons the call. The length of each call is determined by measuring, using a scanning technique, and accumulating the elapsed time from the entry of a customer call into the BellSouth call management system queue until the customer call is transferred to BellSouth personnel assigned to handle calls for assistance. The system makes no distinction between CLEC customers and BST customers.
<b>Calculation:</b>
Total queue time ÷ total calls answered
<b>Report Structure:</b>
Reported for the aggregate of BST and CLECs
State
<b>Level of Disaggregation:</b>
None
<b>Data Retained (on Aggregate Basis)</b>
For the items below, BST's Performance Measurement Analysis Platform (PMAP) receives a final computation; therefore, no raw data file is available in PMAP
Month
Call Type (DA)
Average Speed of Answer
<b>Retail Analog/Benchmark</b>
Parity by Design
See Appendix D

Revision Date: 05/12/00 (tg)



**BellSouth**  
**Service Quality Measurements Plan**

**OPERATOR SERVICES AND DIRECTORY ASSISTANCE**

<b>Report/Measurement:</b>
<b>DA-2. Speed to Answer Performance/Percent Answered within "X" Seconds – Directory Assistance (DA)</b>
<b>Definition:</b>
Measurement of the percent of DA calls that are answered in less than "X" seconds. The number of seconds represented by "X" is twenty, except where a different regulatory benchmark has been set for the Average Speed to Answer by a State Commission.
<b>Exclusions:</b>
None
<b>Business Rules:</b>
The clock starts when the customer enters the queue and the clock stops when a BellSouth representative answers the call or the customer abandons the call. The length of each call is determined by measuring, using a scanning technique, and accumulating the elapsed time from the entry of a customer call into the BellSouth call management system queue until the customer call is transferred to BellSouth personnel assigned to handle calls for assistance. The system makes no distinction between CLEC customers and BST customers.
<b>Calculation:</b>
The Percent Answered within "X" Seconds measurement for DA is derived by using the BellCore Statistical Answer Conversion Tables, to convert the Average Speed to Answer measure into a percent of calls answered within "X" seconds. The BellCore Conversion Tables are specific to the defined parameters of work time, number of operators, max queue size and call abandonment rates.
<b>Report Structure:</b>
Reported for the aggregate of BST and CLECs State
<b>Level of Disaggregation:</b>
None
<b>Data Retained (on Aggregate Basis)</b>
For the items below, BST's Performance Measurement Analysis Platform (PMAP) receives a final computation; therefore, no raw data file is available in PMAP. Month Call Type (DA) Average Speed of Answer
<b>Retail Analog/Benchmark</b>
Parity by Design See Appendix D

Revision Date: 05/15/00 (tg)

**BellSouth**  
**Service Quality Measurements Plan**

E911

<b>Report/Measurement:</b>
<b>E-1. Timeliness</b>
<b>Definition:</b>
Measures the percent of batch orders for E911 database updates (to CLEC resale and BST retail records) processed successfully within a 24-hour period.
<b>Exclusions:</b>
Any resale order canceled by a CLEC Facilities-based CLEC orders
<b>Business Rules:</b>
The 24-hour processing period is calculated based on the date and time processing starts on the batch orders and the date and time processing stops on the batch orders. Mechanical processing starts when SCC (BST's E911 vendor) receives E911 files containing batch orders extracted from BST's Service Order Control System (SOCS). Processing stops when SCC loads the individual records to the E911 database. The system makes no distinction between CLEC resale records and BST retail records.
<b>Calculation:</b>
$E911 \text{ Timeliness} = \Sigma (\text{Number of batch orders processed within 24 hours} \div \text{Total number of batch orders submitted}) \times 100$
<b>Report Structure:</b>
Reported for the aggregate of CLEC resale updates and BST retail updates State Region
<b>Level of Disaggregation:</b>
None
<b>Data Retained</b>
Report month Aggregate data
<b>Retail Analog/Benchmark:</b>
Parity by Design See Appendix D

Revision Date: 05/10/00 (tg)

**BellSouth**  
**Service Quality Measurements Plan**

E911

<b>Report/Measurement:</b>
<b>E-1. Accuracy</b>
<b>Definition:</b>
Measures the percent of E911 telephone number (TN) record updates (to CLEC resale and BST retail records) processed successfully for E911.
<b>Exclusions:</b>
Any resale order canceled by a CLEC Facilities-based CLEC orders
<b>Business Rules:</b>
Accuracy is based on the number of records processed without error at the conclusion of the processing cycle. Mechanical processing starts when SCC (BST's E911 vendor) receives E911 files containing telephone number (TN) records extracted from BST's Service Order Control System (SOCS). The system makes no distinction between CLEC resale records and BST retail records.
<b>Calculation:</b>
$\text{E911 Accuracy} = \frac{\Sigma (\text{Number of record individual updates processed with no errors} + \text{Total number of individual record updates})}{\text{Total number of individual record updates}} \times 100$
<b>Report Structure:</b>
Reported for the aggregate of CLEC resale updates and BST retail updates State Region
<b>Level of Disaggregation:</b>
None
<b>Data Retained</b>
Report month Aggregate data
<b>Retail Analog/Benchmark:</b>
Parity by Design See Appendix D

Revision Date: 05/10/00 (tg)

**BellSouth**  
**Service Quality Measurements Plan**

E911

<b>Report/Measurement:</b>
<b>E-3. Mean Interval</b>
<b>Definition:</b>
Measures the mean interval processing of E911 batch orders (to update CLEC resale and BST retail records).
<b>Exclusions:</b>
Any resale order canceled by a CLEC Facilities-based CLEC orders
<b>Business Rules:</b>
The processing period is calculated based on the date and time processing starts on the batch orders and the date and time processing stops on the batch orders. Data is posted in 4-hour increments up to and beyond 24 hours. The system makes no distinction between CLEC resale records and BST retail records.
<b>Calculation:</b>
$\text{E911 Mean Interval} = \frac{\sum (\text{Date and time of batch order completion} - \text{Date and time of batch order submission})}{\text{Number of batch orders completed}}$
<b>Report Structure:</b>
Reported for the aggregate of CLEC resale updates and BST retail updates State Region
<b>Level of Disaggregation:</b>
None
<b>Data Retained</b>
Report month Aggregate data
<b>Retail Analog/Benchmark:</b>
Parity by Design See Appendix D

Revision Date: 05/15/00 (tg)

**BellSouth**  
**Service Quality Measurements Plan**

**TRUNK GROUP PERFORMANCE**

<b>Report/Measurement:</b>		
<b>TGP-1. Trunk Group Performance-Aggregate</b>		
<b>Definition:</b>		
A report of aggregate blocking information for CLEC trunk groups and BellSouth trunk groups.		
<b>Exclusions:</b>		
Trunk Groups for which valid data is not available for an entire study period Duplicate trunk group information		
<b>Business Rules:</b>		
Aggregate blocking results are created using the statistical analysis package and are output into Excel with a separate table for each geographic area.		
For each geographic area, plots are generated for; a) the monthly blocking by hour for each affecting group (BellSouth or CLEC), and b) the difference between BellSouth blocking data and CLEC blocking data is calculated and plotted.		
The TCBH blocking is calculated by determining the monthly averaging blocking for each hour for each trunk. The hour with the highest usage is selected as the TCBH and the blocking for that hour is reported.		
Trunk Categorization: This report display, over a reporting cycle, aggregate, weighted average blocking data for each hour of a day. Therefore, for each reporting cycle, 24 blocking data points are generated for two aggregate groups of selected trunk groups. These groups are CLEC affecting and BellSouth affecting trunk groups. In order to assign trunk groups to each aggregate group, all trunk groups are first assigned to a category. A trunk group's end points and the type of traffic that is transmitted on it define a category. Selected categories of trunk groups are assigned to the aggregate groups so that trunk reports can be generated. The categories to which trunk groups have been assigned for this report are as follows.		
<b>CLEC Affecting Categories:</b>		
	<b>Point A</b>	<b>Point B</b>
Category 1:	BellSouth End Office	BellSouth Access Tandem
Category 3:	BellSouth End Office	CLEC Switch
Category 4:	BellSouth Local Tandem	CLEC Switch
Category 5:	BellSouth Access Tandem	CLEC Switch
Category 10:	BellSouth End Office	BellSouth Local Tandem
Category 16:	BellSouth Tandem	BellSouth Tandem
<b>BellSouth Affecting Categories:</b>		
	<b>Point A</b>	<b>Point B</b>
Category 9:	BellSouth End Office	BellSouth End Office

**BellSouth**  
**Service Quality Measurements Plan**

**TRUNK GROUP PERFORMANCE – (TGP-1. Trunk Group Performance-Aggregate – Continued)**

**Calculation:**

**Monthly Weighted Average Blocking:**

(Blocking data for each hour X number of valid measurement days within each week) / Σ (Total number of valid measurement days within each week)

Example:		Wee k 1	Wee k 2	Wee k 3	Wee k 4	Mont hly
Hour						
1	Blocking	1%	0.5%	2%	1.5%	1.8%
	# Days	7	7	5	6	
2	Blocking	0%	0%	0.2%	0.3%	.1%
	# Days	7	5	5	7	
3	Blocking	1%	1%	0.5%	2%	1.1%
	# Days	7	7	7	7	
24	Blocking	1%	0.5%	2%	1.5%	1.2%
	# Days	7	7	5	6	

The monthly weighted average blocking for hour 1 for a particular trunk group is calculated as follows:

$$\frac{(1 \times 7) + (0.5 \times 7) + (2 \times 5) + (1.5 \times 6)}{(7 + 7 + 5 + 6)} = 1.8\%$$

**Aggregate Monthly Blocking:**

(Monthly weighted average blocking value for each trunk group) X (number of trunks within each trunk group) / Σ (number of trunks in the aggregate group)

Example:

Trunk Group	Trun ks in Servi ce	Block ing Hour 1	Block ing Hour 2	Block ing Hour 3	Block ing Hour 4	Block ing Hour 24
A	24	3%	0%	1%	0%	0%
B	144	2%	0%	1%	0.5%	0.5%
C	528	0%	0.5%	1%	1%	1%
D	316	1%	0%	1%	0.1%	0%
E	940	1%	1%	4%	0%	0%
Aggregate		0.8%	0.6%	2.4%	0.3%	0.3%

The monthly weighted average blocking for hour 1 is calculated as follows:

$$\frac{(3 \times 24) + (2 \times 144) + (0 \times 528) + (1 \times 316) + (1 \times 940)}{(24 + 144 + 528 + 316 + 940)} = 0.8\%$$

The purpose of the Trunk Group Performance Report is to provide trunk blocking measurements on CLEC and BST trunk groups for comparison only. It is not the intent of the report that it be used for network management and/or engineering.

**Report Structure:**

CLEC Aggregate

State

**Level of Disaggregation:**

Trunk Group

**Data Retained Relating to CLEC Experience**

Report Month  
Total Trunk Groups  
Number of Trunk Groups by CLEC  
Hourly average blocking per trunk group

**Data Retained Relating to BST Experience**

Report Month  
Total Trunk Groups  
Aggregate Hourly average blocking

**Retail Analog/Benchmark:**

**BellSouth**  
**Service Quality Measurements Plan**

Any 2 hour period in 24 hours where CLEC blockage exceeds BST blockage by more than 0.5% = a miss using trunk groups 1,3,4,5,10,16 for CLECs and 9 for BST.

Revision Date: 5/3/2000 (tm)





**BellSouth  
Service Quality Measurements Plan**

**TRUNK GROUP PERFORMANCE – (TGP-2. Trunk Group Performance-CLEC Specific – Continued)**

**Calculation:**

**Monthly Weighted Average Blocking:**

(Blocking data for each hour X number of valid measurement days within each week) / Σ (Total number of valid measurement days within each week)

Example:		Wee k 1	Wee k 2	Wee k 3	Wee k 4	Mont hly
Hour						
1	Blocking	1%	0.5%	2%	1.5%	1.8%
	# Days	7	7	5	6	
2	Blocking	0%	0%	0.2%	0.3%	.1%
	# Days	7	5	5	7	
3	Blocking	1%	1%	0.5%	2%	1.1%
	# Days	7	7	7	7	5
24	Blocking	1%	0.5%	2%	1.5%	1.2%
	# Days	7	7	5	6	

The monthly weighted average blocking for hour 1 for a particular trunk group is calculated as follows:

$$\frac{(1 \times 7) + (0.5 \times 7) + (2 \times 5) + (1.5 \times 6)}{(7 + 7 + 5 + 6)} = 1.8\%$$

**Aggregate Monthly Blocking:**

(Monthly weighted average blocking value for each trunk group) X (number of trunks within each trunk group) / Σ (number of trunks in the aggregate group)

Example:

Trunk Group	Trun ks in Servi ce	Block ing Hour 1	Block ing Hour 2	Block ing Hour 3	Block ing Hour 4	Block ing Hour 24
A	24	3%	0%	1%	0%	0%
B	144	2%	0%	1%	0.5%	0.5%
C	528	0%	0.5%	1%	1%	1%
D	316	1%	0%	1%	0.1%	0%
E	940	1%	1%	4%	0%	0%
Aggregate		0.8%	0.6%	2.4%	0.3%	0.3%

The monthly weighted average blocking for hour 1 is calculated as follows:

$$\frac{(3 \times 24) + (2 \times 144) + (0 \times 528) + (1 \times 316) + (1 \times 940)}{(24 + 144 + 528 + 316 + 940)} = 0.8\%$$

The purpose of the Trunk Group Performance Report is to provide trunk blocking measurements on CLEC and BST trunk groups for comparison only. It is not the intent of the report that it be used for network management and/or engineering.

**Report Structures:**

CLEC Aggregate  
Trunk Group

**Level of Disaggregation:**

Trunk Group

**Data Retained Relating to CLEC Experience**

Report Month  
Total Trunk Groups  
Number of Trunk Groups by CLEC  
Hourly average blocking per trunk group

**Data Retained Relating to BST Experience**

Report Month  
Total Trunk Groups  
Aggregate Hourly average blocking

**Retail Analog/Benchmark:**

**BellSouth**  
**Service Quality Measurements Plan**

Any 2 hour period in 24 hours where CLEC blockage exceeds BST blockage by more than 0.5% = a miss using trunk groups 1,3,4,5,10,16 for CLECs and 9 for BST.

Revision Date: 05/3/00 (tm)

**BellSouth**  
**Service Quality Measurements Plan**

**TRUNK GROUP PERFORMANCE**

<b>Report/Measurement:</b>	
TGP-3. Trunk Group Service Report	
<b>Definition:</b>	
A report of the percent blocking above the Measured Blocking Threshold (MBT) on all final trunk groups between CLEC Points of Termination and BST end offices or tandems.	
<b>Exclusions:</b>	
Trunk groups for which valid traffic data is not available High use trunk groups	
<b>Business Rules:</b>	
Traffic trunking data measurements are validated and processed by the Total Network Data System/Trunking (TNDS/TK); a Telcordia (BellCore) supported application, on an hourly basis for Average Business Days (Monday through Friday). The traffic load sets, including offered load and observed blocking ratio (calls blocked divided by calls attempted), are averaged for a 20 day period, and the busy hour is selected. The busy hour average data for each trunk group is captured for reporting purposes. Although all trunk groups are available for reporting, the report highlights those trunk groups with blocking greater than the Measured Blocking Threshold (MBT) and the number of consecutive monthly reports that the trunk group blocking has exceeded the MBT. The MBT for CTTG is 2% and the MBT for all other trunk groups is 3%.	
<b>Calculation:</b>	
Measured blocking = (Total number of blocked calls) / (Total number of attempted calls) X 100	
<b>Report Structure:</b>	
BST Aggregate CTTG Local CLEC Aggregate BST Administered CLEC Trunk CLEC Administered CLEC Trunk CLEC Specific BST Administered CLEC Trunk CLEC Administered CLEC Trunk	
<b>Level of Disaggregation:</b>	
State	
<b>Data Retained Relating to CLEC Experience:</b>	<b>Data Retained Relating to BST Performance:</b>
Report month Total trunk groups Total trunk groups for which data is available Trunk groups with blocking greater than the MBT Percent of trunk groups with blocking greater than the MBT	Report month Total trunk groups Total trunk groups for which data is available Trunk groups with blocking greater than the MBT Percent of trunk groups with blocking greater than the MBT
<b>Retail Analog/Benchmark:</b>	
CLEC Trunk Blockage/BST Trunk Blockage See Appendix D	

Revision Date: 02/28/00 (tm)

**BellSouth**  
**Service Quality Measurements Plan**

**TRUNK GROUP PERFORMANCE**

<b>Report/Measurement:</b>	
<b>TGP-4. Trunk Group Service Detail</b>	
<b>Definition:</b>	
A detailed list of all final trunk groups between CLEC Points of Presence and BST end offices or tandems, and the actual blocking performance when the blocking exceeds the Measured Blocking Threshold (MBT) for the trunk groups.	
<b>Exclusions:</b>	
Trunk groups for which valid traffic data is not available High use trunk groups	
<b>Business Rules:</b>	
Traffic trunking data measurements are validated and processed by the Total Network Data System/Trunking (TNDSTK); a Telcordia (BellCore) supported application, on an hourly basis for Average Business Days (Monday through Friday). The traffic load sets, including offered load and observed blocking ratio (calls blocked divided by calls attempted), are averaged for a 20 day period, and the busy hour is selected. The busy hour average data for each trunk group is captured for reporting purposes. Although all trunk groups are available for reporting, the report highlights those trunk groups with blocking greater than the Measured Blocking Threshold (MBT) and the number of consecutive monthly reports that the trunk group blocking has exceeded the MBT. The MBT for CTTG is 2% and the MBT for all other trunk groups is 3%.	
<b>Calculation:</b>	
Measured blocking = (Total number of blocked calls) / (Total number of attempted calls) X 100	
<b>Report Structure:</b>	
BST Specific/CLEC Specific Traffic Identity TGSN Tandem End Office Description Observed Blocking Busy Hour Number Trunks Valid study days Number reports Remarks	
<b>Level of Disaggregation:</b>	
State	
<b>Data Retained Relating to CLEC Experience:</b>	<b>Data Retained Relating to BST Performance:</b>
Report month Total trunk groups Total trunk groups for which data is available Trunk groups with blocking greater than the MBT Percent of trunk groups with blocking greater than the MBT Traffic identify, TGSN, end points, description, busy hour, valid study days, number reports	Report month Total trunk groups Total trunk groups for which data is available Trunk groups with blocking greater than the MBT Percent of trunk groups with blocking greater than the MBT Traffic identify, TGSN, end points, description, busy hour, valid study days, number reports
<b>Retail Analog/Benchmark:</b>	
CLEC Trunk Blockage/BST Blockage See Appendix D	

Revision Date: 03/15/00 (tm)

**BellSouth**  
**Service Quality Measurements Plan**

**COLLOCATION**

<b>Report/Measurement:</b>
<b>C-1. Average Response Time</b>
<b>Definition:</b>
Measures the average time (counted in business days) from the receipt of a complete and accurate collocation application (including receipt of application fees) to the date BellSouth responds in writing.
<b>Exclusions:</b>
Any application cancelled by the CLEC
<b>Business Rules:</b>
The clock starts on the date that BST receives a complete and accurate collocation application accompanied by the appropriate application fee. The clock stops on the date that BST returns a response. The clock will restart upon receipt of changes to the original application request.
<b>Calculation:</b>
Average Response Time = $\Sigma[(\text{Request Response Date}) - (\text{Request Submission Date})] / \text{Count of Responses Returned within Reporting Period.}$
<b>Report Structure:</b>
Individual CLEC (alias) aggregate Aggregate of all CLECs
<b>Level of Disaggregation:</b>
State, Region and further geographic disaggregation as required by State Commission Order (e.g. Metropolitan Service Area – MSA) Virtual Physical Caged/Cageless (under development)
<b>Data Retained</b>
Report period Aggregate data
<b>Retail Analog/Benchmark:</b>
See Appendix D

Revision Date: 05/10/00 (tg)

**BellSouth  
Service Quality Measurements Plan**

**COLLOCATION**

<b>Report/Measurement:</b>
<b>C-2. Average Arrangement Time</b>
<b>Definition:</b>
Measures the average time from the receipt of a complete and accurate Bone Fide firm order (including receipt of appropriate fee) to the date BST completes the collocation arrangement and notifies the CLEC.
<b>Exclusions:</b>
Any Bona Fide firm order cancelled by the CLEC Time for BST to obtain permits Time during which the collocation contract is being negotiated
<b>Business Rules:</b>
The clock starts on the date that BST receives a complete and accurate Bone Fide firm order accompanied by the appropriate fee. The clock stops upon submission of the permit request and restarts upon receipt of the approved permit. Changes (affecting the provisioning interval or capital expenditures) that are submitted while provisioning is in progress may alter the completion date. The clock stops on the date that BST completes the collocation arrangement and notifies the customer.
<b>Calculation:</b>
Average Arrangement Time = $\Sigma[(\text{Date Collocation Arrangement is Complete}) - (\text{Date Order for Collocation Arrangement Submitted})] / \text{Total Number of Collocation Arrangements Completed during Reporting Period.}$
<b>Report Structure:</b>
Individual CLEC (alias) aggregate Aggregate of all CLECs
<b>Level of Disaggregation:</b>
State, Region and further geographic disaggregation as required by State Commission Order (e.g. Metropolitan Service Area – MSA) Virtual Physical Cage/Cageless (under development)
<b>Data Retained:</b>
Report period Aggregate data
<b>Retail Analog/Benchmark:</b>
See Appendix D

Revision Date: 05/10/00 (tg)

**BellSouth**  
**Service Quality Measurements Plan**

**COLLOCATION**

<b>Report/Measurement:</b>
<b>C-3. Percent of Due Dates Missed</b>
<b>Definition:</b>
Measures the percent of missed due dates for collocation arrangements.
<b>Exclusions:</b>
Any Bona Fide firm order cancelled by the CLEC Time for BST to obtain permits Time during which the collocation contract is being negotiated
<b>Business Rules:</b>
Percent Due Dates Missed is the percent of total collocation arrangements which BST is unable to complete by end of the ILEC committed due date. The clock starts on the date that BST receives a complete and accurate Bona Fide firm order accompanied by the appropriate fee. The arrangement is considered a missed due date if it is not completed on or before the committed due date.
<b>Calculation:</b>
$\% \text{ of Due Dates Missed} = \frac{\Sigma (\text{Number of Orders not completed w/I ILEC Committed Due Date during Reporting Period})}{\text{Number of Orders Completed in Reporting Period}} \times 100$
<b>Report Structure:</b>
Individual CLEC (alias) aggregate Aggregate of all CLECs
<b>Level of Disaggregation:</b>
State, Region and further geographic disaggregation as required by State Commission Order (e.g. Metropolitan Service Area – MSA) Virtual Physical Cage/Cageless (under development)
<b>Data Retained</b>
Report period Aggregate data
<b>Retail Analog/Benchmark:</b>
See Appendix D < 10% Missed Due Dates

Revision Date: 05/10/00 (tg)

**BellSouth  
Service Quality Measurements Plan**

**Appendix A: Reporting Scope\***

<u>Standard Service Groupings</u>	
	<p align="center"><b><u>Pre-Order, Ordering</u></b></p> <p>Residence Resale Business Resale Special Local Interconnection Trunks UNE UNE Design UNE - Loops w/LNP</p> <p align="center"><b><u>Provisioning</u></b></p> <p><b><u>Resale and Retail</u></b> Pots – Residence Pots – Business Design BX (Louisiana SQM) CENTREX (Louisiana SQM) ISDN (Louisiana SQM) (Note: ISDN included in POTS for Georgia Only)</p> <p><b><u>Unbundled Network Elements</u></b> UNE Design UNE Non-Design UNE 2 Wire Loop (Louisiana SQM) UNE Loop Other (Louisiana SQM) Unbundled Ports (Louisiana SQM) Combos, Switching, Local Transport, DSL (under development)</p> <p align="center"><b><u>Maintenance and Repair</u></b></p> <p><b><u>Resale / Retail</u></b> Pots – Residence Pots – Business Design PBX (Louisiana SQM) CENTREX (Louisiana SQM) ISDN (Louisiana SQM) (Note: ISDN Trouble included in Non-Design for Georgia Only)</p> <p><b><u>Unbundled Network Elements</u></b> UNE Design (Georgia and Regional SQM) UNE Non-Design (Georgia and Regional SQM) UNE 2 Wire Loop (Louisiana SQM) UNE Loop Other (Louisiana SQM) Unbundled Ports (Louisiana SQM) UNE Other Non-Design Combos, Switching, Local Transport, DSL (under development)</p>





**BellSouth  
Service Quality Measurements Plan**

**Appendix B: Glossary of Acronyms and Terms**

<b>A</b>	<b>ACD</b>	Automatic Call Distributor - A service that provides status monitoring of agents in a call center and routes high volume incoming telephone calls to available agents while collecting management information on both callers and attendants.
	<b>AGGREGATE</b>	Sum total of all items in like category, e.g. CLEC aggregate equals the sum total of all CLECs' data for a given reporting level.
	<b>ALEC</b>	<u>Alternative Local Exchange Company = FL CLEC</u>
	<b>ASR</b>	Access Service Request - A request for access service terminating delivery of carrier traffic into a Local Exchange Carrier's network.
	<b>ATLAS</b>	Application for Telephone Number Load Administration System - The BellSouth Operations System used to administer the pool of available telephone numbers and to reserve selected numbers from the pool for use on pending service requests/service orders.
	<b>ATLASTN</b>	ATLAS software contract for Telephone Number
	<b>AUTO CLARIFICATION</b>	The number of LSRs that were electronically rejected from LESOG and electronically returned to the CLEC for correction.
<b>B</b>	<b>BILLING</b>	The process and functions by which billing data is collected and by which account information is processed in order to render accurate and timely billing.
	<b>BOCRIS</b>	Business Office Customer Record Information System - A front-end presentation manager used by BellSouth organizations to access the CRIS database.
	<b>BRC</b>	Business Repair Center - The BellSouth Business Systems trouble receipt center which serves large business and CLEC customers.
	<b>BST</b>	BellSouth Telecommunications, Inc.
<b>C</b>	<b>CKTID</b>	A unique identifier for elements combined in a service configuration
	<b>CLEC</b>	Competitive Local Exchange Carrier
	<b>CLP</b>	<u>Competitive Local Provider = NC CLEC</u>
	<b>CMDS</b>	Centralized Message Distribution System - BellCore administered national system used to transfer specially formatted messages among companies.
	<b>COFFI</b>	Central Office Feature File Interface - A BellSouth Operations System database which maintains Universal Service Order Code (USOC) information based on current tariffs.

**BellSouth  
Service Quality Measurements Plan**

**Appendix B: Glossary of Acronyms and Terms – Continued**

<b>C</b>	<b>COFIUSOC</b>	COFFI software contract for feature/service information
	<b>CRIS</b>	Customer Record Information System - The BellSouth proprietary corporate database and billing system for non-access customers and services.
	<b>CRSACCTS</b>	CRIS software contract for CSR information
	<b>CSR</b>	Customer Service Record
	<b>CTTG</b>	Common Transport Trunk Group - Final trunk groups between BST & Independent end offices and the BST access tandems.
<b>D</b>	<b>DESIGN</b>	Design Service is defined as any Special or Plain Old Telephone Service Order which requires BellSouth Design Engineering Activities
	<b>DISPOSITION &amp; CAUSE</b>	Types of trouble conditions, e.g. No Trouble Found, Central Office Equipment, Customer Premises Equipment, etc.
	<b>DLETH</b>	Display Lengthy Trouble History - A history report that gives all activity on a line record for trouble reports in LMOS
	<b>DLR</b>	Detail Line Record - All the basic information maintained on a line record in LMOS, e.g. name, address, facilities, features etc.
	<b>DOE</b>	Direct Order Entry System - An internal BellSouth service order entry system used by BellSouth Service Representatives to input business service orders in BellSouth format.
	<b>DSAP</b>	DOE (Direct Order Entry) Support Application - The BellSouth Operations System which assists a Service Representative or similar carrier agent in negotiating service provisioning commitments for non-designed services and UNEs.
	<b>DSAPDDI</b>	DSAP software contract for schedule information
	<b>DSL</b>	<u>Digital Subscriber Line</u>
<b>E</b>	<b>E911</b>	Provides callers access to the applicable emergency services bureau by dialing a 3-digit universal telephone number.
	<b>EDI</b>	Electronic Data Interchange - The computer-to-computer exchange of inter and/or intra company business documents in a public standard format.
<b>F</b>	<b>FATAL REJECT</b>	The number of LSRs that were electronically rejected from LEO, which checks to see of the LSR has all the required fields correctly populated
	<b>FLOW-THROUGH</b>	In the context of this document, LSRs submitted electronically via the CLEC mechanized ordering process that flow through to the BST OSS without manual or human intervention.
	<b>FOC</b>	Firm Order Confirmation - A notification returned to the CLEC confirming that the LSR has been received and accepted, including the specified commitment date.

**BellSouth  
Service Quality Measurements Plan**

**Appendix B: Glossary of Acronyms and Terms - Continued**

<b>G</b>		
<b>H</b>	<b>HAL</b>	“Hands Off” Assignment Logic - Front end access and error resolution logic used in interfacing BellSouth Operations Systems such as ATLAS, BOCRIS, LMOS, PSIMS, RSAG and SOCS.
	<b>HALCRIS</b>	HAL software contract for CSR information
<b>I</b>	<b>ISDN</b>	Integrated Services Digital Network
	<b>IPC</b>	Interconnection Purchasing Center
<b>K</b>		
<b>L</b>	<b>LCSC</b>	Local Carrier Service Center - The BellSouth center which is dedicated to handling CLEC LSRs, ASRs, and Preordering transactions along with associated expedite requests and escalations.
	<b>LEGACY SYSTEM</b>	Term used to refer to BellSouth Operations Support Systems (see OSS)
	<b>LENS</b>	Local Exchange Negotiation System - The BellSouth LAN/web server/OS application developed to provide both preordering and ordering electronic interface functions for CLECs.
	<b>LEO</b>	Local Exchange Ordering - A BellSouth system which accepts the output of EDI, applies edit and formatting checks, and reformats the Local Service Requests in BellSouth Service Order format.
	<b>LESOG</b>	Local Exchange Service Order Generator - A BellSouth system which accepts the service order output of LEO and enters the Service Order into the Service Order Control System using terminal emulation technology.
	<b>LMOS</b>	Loop Maintenance Operations System - A BellSouth Operations System that stores the assignment and selected account information for use by downstream OSS and BellSouth personnel during provisioning and maintenance activities.
	<b>LMOS HOST</b>	LMOS host computer
	<b>LMOSupd</b>	LMOS updates
	<b>LNP</b>	Local Number Portability - In the context of this document, the capability for a subscriber to retain his current telephone number as he transfers to a different local service provider.
	<b>LOOPS</b>	Transmission paths from the central office to the customer premises.
	<b>LSR</b>	Local Service Request – A request for local resale service or unbundled network elements from a CLEC.
<b>M</b>	<b>MAINTENANCE &amp; REPAIR</b>	The process and function by which trouble reports are passed to BellSouth and by which the related service problems are resolved.
	<b>MARCH</b>	A BellSouth Operations System which accepts service orders, interprets the coding contained in the service order image, and constructs the specific switching system Recent Change command messages for input into end office switches.

**BellSouth**  
**Service Quality Measurements Plan**

**Appendix B: Glossary of Acronyms and Terms – Continued**

<b>N</b>	<b>NC</b>	“No Circuits” - All circuits busy announcement
<b>O</b>	<b>OASIS</b>	Obtain Availability Services Information System - A BellSouth front-end processor, which acts as an interface between COFFI and RNS. This system takes the USOCs in COFFI and translates them to English for display in RNS.
	<b>OASISBSN</b>	OASIS software contract for feature/service
	<b>OASISCAR</b>	OASIS software contract for feature/service
	<b>OASISLPC</b>	OASIS software contract for feature/service
	<b>OASISMTN</b>	OASIS software contract for feature/service
	<b>OASISNET</b>	OASIS software contract for feature/service
	<b>OASISOCP</b>	OASIS software contract for feature/service
	<b>ORDERING</b>	The process and functions by which resale services or unbundled network elements are ordered from BellSouth as well as the process by which an LSR or ASR is placed with BellSouth.
	<b>OSPCM</b>	Outside Plant Contract Management System - Provides Scheduling Information.
	<b>OSS</b>	Operations Support System - A support system or database which is used to mechanize the flow or performance of work. The term is used to refer to the overall system consisting of hardware complex, computer operating system(s), and application which is used to provide the support functions.
	<b>OUT OF SERVICE</b>	Customer has no dial tone and cannot call out.
<b>P</b>	<b>POTS</b>	Plain Old Telephone Service
	<b>PREDICTOR</b>	The BellSouth Operations system which is used to administer proactive maintenance and rehabilitation activities on outside plant facilities, provide access to selected work groups (e.g. RRC & BRC) to Mechanized Loop Testing and switching system I/O ports, and provide certain information regarding the attributes and capabilities of outside plant facilities.
	<b>PREORDERING</b>	The process and functions by which vital information is obtained, verified, or validated prior to placing a service request.
	<b>PROVISIONING</b>	The process and functions by which necessary work is performed to activate a service requested via an LSR or ASR and to initiate the proper billing and accounting functions.
	<b>PSIMS</b>	Product/Service Inventory Management System - A BellSouth database Operations System which contains availability information on switching system features and capabilities and on BellSouth service availability. This database is used to verify the availability of a feature or service in an NXX prior to making a commitment to the customer.
	<b>PSIMSORB</b>	PSIMS software contract for feature/service

**BellSouth**  
**Service Quality Measurements Plan**

**Appendix B: Glossary of Acronyms and Terms – Continued**

<b>Q</b>		
<b>R</b>	<b>RNS</b>	Regional Negotiation System - An internal BellSouth service order entry system used by BellSouth Consumer Services to input service orders in BellSouth format.
	<b>RRC</b>	Residence Repair Center - The BellSouth Consumer Services trouble receipt center which serves residential customers.
	<b>RSAG</b>	Regional Street Address Guide - The BellSouth database, which contains street addresses validated to be accurate with state and local governments.  RSAG software contract for address search
	<b>RSAGADDR</b>	RSAG software contract for telephone number search
	<b>RSAGTN</b>	
<b>S</b>	<b>SOCS</b>	Service Order Control System - The BellSouth Operations System which routes service order images among BellSouth drop points and BellSouth Operations Systems during the service provisioning process.
	<b>SOIR</b>	Service Order Interface Record - any change effecting activity to a customer account by service order that impacts 911/E911.
<b>T</b>	<b>TAFI</b>	Trouble Analysis Facilitation Interface - The BellSouth Operations System that supports trouble receipt center personnel in taking and handling customer trouble reports.
	<b>TAG</b>	Telecommunications Access Gateway – TAG was designed to provide an electronic interface, or machine-to-machine interface for the bi-directional flow of information between BellSouth’s OSSs and participating CLECs.
	<b>TN</b>	Telephone Number
	<b>TOTAL MANUAL FALLOUT</b>	The number of LSRs which are entered electronically but require manual entering into a service order generator.
<b>U</b>	<b>UNE</b>	Unbundled Network Element
<b>V</b>	<b>VSEEM</b>	Voluntary Self Effectuating Enforcement Mechanism
<b>W</b>	<b>WTN</b>	A unique identifier for elements combined in a service configuration
<b>X</b>		
<b>Y</b>		
<b>Z</b>		
<b>Σ</b>		Sum of:

**BellSouth  
Service Quality Measurements Plan**

**Appendix C**

**BELLSOUTH'S AUDIT POLICY:**

BellSouth currently provides many CLECs with certain audit rights as a part of their individual interconnection agreements. However, it is not reasonable for BellSouth to undergo an audit of the SQM for every CLEC with which it has a contract. BellSouth has developed a proposed Audit Plan for use by the parties to an audit. If requested by a Public Service Commission or by a CLEC exercising contractual audit rights, BellSouth will agree to undergo a comprehensive audit of the aggregate level reports for both BellSouth and the CLEC(s) for each of the next five (5) years (2000 – 2005), to be conducted by an independent third party. The results of that audit will be made available to all the parties subject to proper safeguards to protect proprietary information. This aggregate level audit includes the following specifications:

1. The cost shall be borne 50% by BellSouth and 50% by the CLEC or CLECs.
2. The independent third party auditor shall be selected with input from BellSouth, the PSC, if applicable, and the CLEC(s).
3. BellSouth, the PSC and the CLEC(s) shall jointly determine the scope of the audit.

BellSouth reserves the right to make changes to this audit policy as growth and changes in the industry dictate.

**APPENDIX D**  
**Analogs and Benchmarks**

BST SQM Category	Measures and Sub-Metrics	<u>RESALE</u> Retail Analogue	UNEs Retail Analogue	Benchmark*
<b>Pre-Ordering</b>	<u>Percent Response Received within "X" seconds</u>	Parity w/ retail where applicable		99.5%
	<u>OSS Interface Availability</u>			
<b>Ordering</b>	<u>Percent Flow-Through Service Request</u> Residence Business UNE			90% 80% 80%
	<u>Percent Rejected Service Request</u>	Diagnostic		Diagnostic
	<u>Reject Interval (Mechanized)</u>			95% within 1 hrs.
	<u>Reject Interval (Non-Mechanized and Partially Mechanized)</u>			85% < 48 hrs.
	<u>Firm Order Confirmation Timeliness (Mechanized)</u> (Non-Mechanized & Partially Mechanized)			95% within 4 hrs.
	<u>Speed of Answer in Ordering Center</u>	X	X	85% < 48 hrs.
<b>Provisioning</b>	<u>Mean Held Order Interval</u>			
	Resale Residence	X		
	Resale Business	X		
	Resale Design	X		
	Resale PBX	X		
	Resale Centrex	X		
	Resale ISDN	X		
	UNE Design		Retail Design	
	UNE Non Design		Retail Residence and Business	
	UNE Loop and Port Combos		Retail Residence and Business	
	UNE 2w Loop with NP - Non-Design		Retail Residence and Business	
	UNE 2w Loop without NP - Non-Design		Retail Residence and Business	
	UNE Loop Other with NP Non-Design		Retail Residence and Business	
	UNE Loop Other without NP Non-Design		Retail Residence and Business	



**APPENDIX D**  
**Analogs and Benchmarks**

<b>BST SQM Category</b>	<b>Measures and Sub-Metrics</b>	<b>RESALE Retail Analogue</b>	<b>UNEs Retail Analogue</b>	<b>Benchmark*</b>
<b>Provisioning</b>	UNE Other Non-Design		Retail Residence and Business	
	UNE 2w Loop with NP - Design		Retail Residence and Business	
	UNE 2w Loop without NP - Design		Retail Residence and Business	
	UNE Loop Other with NP - Design		Retail Design	
	UNE Loop Other without NP - Design		Retail Design	
	UNE Other Design		Retail Design	
	Local Interconnection Trunks	X		
	<b>Average Jeopardy Notice Interval (Mechanized)</b>			
	Resale Residence			95% > = 24 hrs.
	Resale Business			95% > = 24 hrs.
	Resale Design			95% > = 24 hrs.
	Resale PBX			95% > = 24 hrs.
	Resale Centrex			95% > = 24 hrs.
	Resale ISDN			95% > = 24 hrs.
	UNE Design			95% > = 24 hrs.
	UNE Non-Design			95% > = 24 hrs.
	UNE Loop and Port Combos			95% > = 24 hrs.
	UNE 2w Loop with NP - Non-Design			95% > = 24 hrs.
	UNE 2w Loop without NP - Non-Design			95% > = 24 hrs.
	UNE Loop Other with NP Non-Design			95% > = 24 hrs.
	UNE Loop Other without NP Non-Design			95% > = 24 hrs.
	UNE Other Non-Design			95% > = 24 hrs.
	UNE 2w Loop with NP - Design			95% > = 24 hrs.
	UNE 2w Loop without NP - Design			95% > = 24 hrs.
	UNE Loop Other with NP - Design			95% > = 24 hrs.
	UNE Loop Other without NP - Design			95% > = 24 hrs.
	UNE Other Design			95% > = 24 hrs.

95% > = 24 hrs.

Local Interconnection Trunks

**APPENDIX D**  
**Analogs and Benchmarks**

<b>BST SQM Category</b>	<b>Measures and Sub-Metrics</b>	<b>RESALE Retail Analogue</b>	<b>UNES Retail Analogue</b>	<b>Benchmark*</b>
<b>Provisioning</b>	<b><u>% of Orders given jeopardy notice (Mechanized)</u></b>			
	Resale Residence	X		
	Resale Business	X		
	Resale Design	X		
	Resale PBX	X		
	Resale Centrex	X		
	Resale ISDN	X		
	UNE Loop and Port Combos		Retail Residence and Business	
	UNE Design		Retail Design	
	UNE Non-Design		Retail Residence and Business	
	UNE 2w Loop with NP - Non-Design		Retail Residence and Business	
	UNE 2w Loop without NP - Non-Design		Retail Residence and Business	
	UNE Loop Other with NP Non-Design		Retail Residence and Business	
	UNE Loop Other without NP Non-Design		Retail Residence and Business	
	UNE Other Non-Design		Retail Residence and Business	
	UNE 2w Loop with NP - Design		Retail Residence and Business	
	UNE 2w Loop without NP - Design		Retail Residence and Business	
	UNE Loop Other with NP - Design		Retail Design	
	UNE Loop Other without NP - Design		Retail Design	
	UNE Other Design		Retail Design	
	Interconnection Trunks	X		
	<b><u>Percent Missed Installation Appointments</u></b>			
	Resale Residence	X		
	Resale Business	X		
	Resale Design	X		
	Resale PBX	X		
	Resale Centrex	X		
	Resale ISDN	X		
	UNE Loop and Port Combos		Retail Residence and Business	

**APPENDIX D**  
**Analogs and Benchmarks**

<b>BST SQM Category</b>	<b>Measures and Sub-Metrics</b>	<b>RESALE Retail Analogue</b>	<b>UNEs Retail Analogue</b>	<b>Benchmark*</b>
<b>Provisioning</b>	UNE Design		Retail Design	
	UNE Non-Design		Retail Residence and Business	
	UNE 2w Loop with NP - Non-Design		Retail Residence and Business	
	UNE 2w Loop without NP - Non-Design		Retail Residence and Business	
	UNE Loop Other with NP Non-Design		Retail Residence and Business	
	UNE Loop Other without NP Non-Design		Retail Residence and Business	
	UNE Other Non-Design		Retail Residence and Business	
	UNE 2w Loop with NP - Design		Retail Residence and Business	
	UNE 2w Loop without NP - Design		Retail Residence and Business	
	UNE Loop Other with NP Non-Design		Retail Design	
	UNE Loop Other without NP Non-Design		Retail Design	
	UNE Other Design		Retail Design	
	Local Interconnection Trunks	X		
	<b>Order Completion Interval</b>			
	Resale Residence	X		
	Resale Business	X		
	Resale Design	X		
	Resale PBX	X		
	Resale Centrex	X		
	Resale ISDN	X		
	UNE Loop and Port Combos		Retail Residence and Business	
	UNE Design		Retail Design	
	UNE Non-Design		Retail Residence and Business	
	UNE 2w Loop with NP - Non-Design		Retail Residence and Business	
	UNE 2w Loop without NP - Non-Design		Retail Residence and Business	
	UNE Loop Other with NP Non-Design		Retail Residence and Business	
	UNE Loop Other without NP Non-Design		Retail Residence and Business	
	UNE Other Non-Design		Retail Residence and Business	

**APPENDIX D**  
**Analogs and Benchmarks**

<b>BST SQM Category</b>	<b>Measures and Sub-Metrics</b>	<b>RESALE Retail Analogue</b>	<b>UNEs Retail Analogue</b>	<b>Benchmark*</b>
<b>Provisioning</b>	UNE 2w Loop with NP - Design		Retail Residence and Business	
	UNE 2w Loop without NP - Design		Retail Residence and Business	
	UNE Loop Other with NP - Design		Retail Design	
	UNE Loop Other without NP - Design		Retail Design	
	UNE Other Design		Retail Design	
	Local Interconnection Trunks	X		
	<b>Average Completion Notice Interval – Resale POTS (Mech)</b>			
	Resale Residence	X		
	Resale Business	X		
	Resale Design	X		
Resale PBX	X			
Resale Centrex	X			
Resale ISDN	X			
UNE Loop and Port Combos			Retail Residence and Business	
UNE Design			Retail Design	
UNE Non-Design			Retail Residence and Business	
UNE 2w Loop with NP – Non-Design			Retail Residence and Business	
UNE 2w Loop without NP – Non-Design			Retail Residence and Business	
UNE Loop Other with NP Non-Design			Retail Residence and Business	
UNE Loop Other without NP Non-Design			Retail Residence and Business	
UNE Other Non-Design			Retail Residence and Business	
UNE 2w Loop with NP - Design			Retail Residence and Business	
UNE 2w Loop without NP - Design			Retail Residence and Business	
UNE Loop Other with NP - Design			Retail Design	
UNE Loop Other without NP - Design			Retail Design	
UNE Other Design			Retail Design	
Local Interconnection Trunks		X		

**APPENDIX D**  
**Analogs and Benchmarks**

<b>BST SQM Category</b>	<b>Measures and Sub-Metrics</b>	<b>RESALE Retail Analogue</b>	<b>UNES Retail Analogue</b>	<b>Benchmark*</b>
<b><u>Provisioning</u></b>	<b>Percent Provisioning Troubles within 30 Days</b>			
	Resale Residence	X		
	Resale Business	X		
	Resale Design	X		
	Resale PBX	X		
	Resale Centrex	X		
	Resale ISDN	X		
	UNE Loop and Port Combos		Retail Residence and Business	
	UNE Design		Retail Design	
	UNE Non-Design		Retail Residence and Business	
	UNE 2w Loop with NP - Non-Design		Retail Residence and Business	
	UNE 2w Loop without NP - Non-Design		Retail Residence and Business	
	UNE Loop Other with NP Non-Design		Retail Residence and Business	
	UNE Loop Other without NP Non-Design		Retail Residence and Business	
	UNE Other Non-Design		Retail Residence and Business	
UNE 2w Loop with NP - Design		Retail Residence and Business		
UNE 2w Loop without NP - Design		Retail Residence and Business		
UNE Loop Other with NP - Design		Retail Design		
UNE Loop Other without NP - Design		Retail Design		
UNE Other Design		Retail Design		
Local Interconnection Trunks				
<b><u>Total Service Order Cycle Time</u></b>		Diagnostic	Diagnostic	Diagnostic
<b><u>Maintenance</u></b>	Resale Residence	X		
	Resale Business	X		
	Resale Design	X		
	Resale PBX	X		
	Resale Centrex	X		
	Resale ISDN	X		

**APPENDIX D**  
**Analogs and Benchmarks**

<b>BST SQM Category</b>	<b>Measures and Sub-Metrics</b>	<b>RESALE Retail Analogue</b>	<b>UNEs Retail Analogue</b>	<b>Benchmark*</b>
<b><i>Maintenance</i></b>	UNE Design		Retail Design	
	UNE Non-Design		Retail Residence and Business	
	UNE Loop and Port Combos		Retail Residence and Business	
	UNE 2w Loop with NP - Non-Design		Retail Residence and Business	
	UNE 2w Loop without NP - Non-Design		Retail Residence and Business	
	UNE Loop Other with NP Non-Design		Retail Residence and Business	
	UNE Loop Other without NP Non-Design		Retail Residence and Business	
	UNE Other Non-Design		Retail Residence and Business	
	UNE 2w Loop with NP - Design		Retail Residence and Business	
	UNE 2w Loop without NP - Design		Retail Residence and Business	
	UNE Loop Other with NP - Design		Retail Design	
	UNE Loop Other without NP - Design		Retail Design	
	UNE Other Design		Retail Design	
	Local Interconnection Trunks	X		
	<b>Total Service Order Cycle Time</b>	Diagnostic	Diagnostic	Diagnostic
	Resale Residence	X		
	Resale Business	X		
	Resale Design	X		
	Resale PBX	X		
	Resale Centrex	X		
	Resale ISDN	X		
	UNE Design		Retail Design	
	UNE Non-Design		Retail Residence and Business	
	UNE Loop and Port Combos		Retail Residence and Business	
	UNE 2w Loop - Non-Design		Retail Residence and Business	
	UNE Loop Other - Non-Design		Retail Residence and Business	
	UNE Other Non-Design		Retail Residence and Business	

	UNE 2w Loop - Design		Retail Residence and Business	
--	----------------------	--	-------------------------------	--



**APPENDIX D**  
**Analogs and Benchmarks**

<b>BST SQM Category</b>	<b>Measures and Sub-Metrics</b>	<b>RESALE Retail Analogue</b>	<b>UNEs Retail Analogue</b>	<b>Benchmark*</b>
	UNE Loop Other - Design		Retail Design	
	UNE Other Design		Retail Design	
	Local Interconnection Trunks	X		
<b>Maintenance</b>	<b>Percent Missed Repair Appointments</b>			
	Resale Residence	X		
	Resale Business	X		
	Resale Design	X		
	Resale PBX	X		
	Resale Centrex	X		
	Resale ISDN	X		
	UNE Design		Retail Design	
	UNE Non-Design		Retail Residence and Business	
	UNE Loop and Port Combos		Retail Residence and Business	
	UNE 2w Loop - Non-Design		Retail Residence and Business	
	UNE Loop Other - Non-Design		Retail Residence and Business	
	UNE Other Non-Design		Retail Residence and Business	
	UNE 2w Loop - Design		Retail Residence and Business	
	UNE Loop Other - Design		Retail Residence and Business	
	UNE Other Design		Retail Design	
	Local Interconnection Trunks	X		
	<b>Maintenance Average Duration</b>			
	Resale Residence	X		
	Resale Business	X		
	Resale Design	X		
	Resale PBX	X		
	Resale Centrex	X		
	Resale ISDN	X		
	UNE Design		Retail Design	

**APPENDIX D**  
**Analogs and Benchmarks**

BST SQM Category	Measures and Sub-Metrics	<u>RESALE</u> Retail Analogue	UNEs Retail Analogue	Benchmark*
	UNE Non-Design		Retail Residence and Business	
	UNE Loop and Port Combos		Retail Residence and Business	
	UNE 2w Loop - Non-Design		Retail Residence and Business	
	UNE Loop Other - Non-Design		Retail Residence and Business	
	UNE Other Non-Design		Retail Residence and Business	
	UNE 2w Loop - Design		Retail Residence and Business	
	UNE Loop Other - Design		Retail Design	
	UNE Other Design		Retail Design	
	Local Interconnection Trunks	X		
	<b>Percent Repeat Troubles within 30 Days</b>			
	Resale Residence	X		
	Resale Business	X		
	Resale Design	X		
	Resale PBX	X		
	Resale Centrex	X		
	Resale ISDN	X		
	UNE Design		Retail Design	
	UNE Non-Design		Retail Residence and Business	
	UNE Loop and Port Combos		Retail Residence and Business	
	UNE 2w Loop - Non-Design		Retail Residence and Business	
	UNE Loop Other - Non-Design		Retail Residence and Business	
	UNE Other Non-Design		Retail Residence and Business	
	UNE 2w Loop - Design		Retail Residence and Business	
	UNE Loop Other - Design		Retail Design	
	UNE Other Design		Retail Design	
	Local Interconnection Trunks	X		
	<b>Out of Service &gt; 24 hours</b>			
	Resale Residence	X		

**APPENDIX D**  
**Analogs and Benchmarks**

<b>BST SQM Category</b>	<b>Measures and Sub-Metrics</b>	<b>RESALE Retail Analogue</b>	<b>UNEs Retail Analogue</b>	<b>Benchmark*</b>
	Resale Business	X		
	Resale Design	X		
	Resale PBX	X		
	Resale Centrex	X		
	Resale ISDN	X		
	UNE Design		Retail Design	
	UNE Non-Design		Retail Residence and Business	
	UNE Loop and Port Combos		Retail Residence and Business	
	UNE 2w Loop - Non-Design		Retail Residence and Business	
	UNE Loop Other - Non-Design		Retail Residence and Business	
	UNE Other Non-Design		Retail Residence and Business	
	UNE 2w Loop - Design		Retail Residence and Business	
	UNE Loop Other - Design		Retail Design	
	UNE Other Design		Retail Design	
	Local Interconnection Trunks	X		
	<b>OSS Interface Availability</b>			
	All systems except ECTA	X		
	ECTA			99.5%
	<b>OSS Response Interval and %</b>			
	TAFI (Front End)	X		
	CRIS, DLETH, DLR, OSPCM, LMOS, LMOSUP, MARCH, Predictor, SOCS, LNP (Parity by Design)	PBD		
	<b>Average Answer Time - Repair Center</b>	X		
	<b>Invoice Accuracy</b>			
<b>Billing</b>	<b>Mean Time To Deliver Invoices</b>	X		
	<b>Usage Data Delivery Accuracy</b>	X		
	<b>Usage Data Delivery Timeliness</b>	X		
	<b>Usage Data Delivery Completeness</b>	X		

**APPENDIX D**  
**Analog and Benchmarks**

<b>BST SQM Category</b>	<b>Measures and Sub-Metrics</b>	<b>RESALE Retail Analogue</b>	<b>UNEs Retail Analogue</b>	<b>Benchmark*</b>
<u>Billing</u>	<b>Invoice Accuracy - continued</b>			
	Mean Time to Deliver Usage	X		
<u>Operator Services (Toll)</u>				
	Average Speed to Answer	PBD		
	% Answered in "X" Seconds	PBD		
<u>Directory Assistance</u>				
	Average Speed to Answer	PBD		
<u>E911</u>				
	Timeliness	PBD		
	Accuracy	PBD		
	Mean Interval	PBD		
<u>Trunk Group Performance (Blockage)</u>				
	<b>Trunk Group Service Report (Percent Trunk Blockage)</b> Any 2 hour period in 24 hours where CLEC blockage exceeds BST blockage by more than 0.5% = a miss using trunk groups 1,3,4,5,10,16 for CLECs and 9 for BST.	X		
	<b>Trunk Group Service Report (Percent Trunk Blockage)</b>	X		
<u>LNP</u>				
	<b>Average Disconnect Timeliness Interval</b>			95% ≤ 24 Hrs.
	Percent Missed Installation Appointments		Retail Residence and Business	
	FOC Mechanized			95% ≤ 4 Hrs.
	% Reject Service Request		Diagnostic	
	Average Reject Interval Mechanized			95% ≤ 1 Hrs.
	TSOCT		Diagnostic	
	% Flow Through			80%

**APPENDIX D**  
**Analog and Benchmarks**

<b>BST SQM Category</b>	<b>Measures and Sub-Metrics</b>	<b>RESALE Retail Analogue</b>	<b>UNE's Retail Analogue</b>	<b>Benchmark*</b>
<u>Customer Coordinated Conversions</u>	<u>Coordinated Customer Conversions – UNE Loop</u> Coordinated Customer Conversions – LNP			95% ≤ 15 mins. 95% ≤ 15 mins.
<u>Collocation+</u>	% of Due Dates Missed			< 10% Missed Due Dates
	Average Response Time		FL PSC is addressing this in generic docket	30 Days
+A contract with each CLEC required	<u>Average Arrangement Time</u> Ordinary Extraordinary		FL PSC is addressing this in generic docket	90 Days 130 Days

Note 1: PBD = Parity by Design. UD = Under Development – Benchmarks will be replaced when Analogs are complete.

Note 2: The retail analog for UNE Non-Design and UNE 2w Loops – Design is the average of Retail Residence Dispatch and Retail Business Dispatch transactions for the particular month. The retail analog for other UNE Design is Retail Design Dispatch.

Note 3: Analogs and Benchmarks will be re-evaluated periodically, at least once a year, to validate applicability.

# EXHIBIT B

### VSEEMIII TIER-1 SUBMETRICS

- ❑ FOC Timeliness (Mechanized only)
- ❑ Reject Interval (Mechanized only)
- ❑ Order Completion Interval (Dispatch only) – Resale POTS
- ❑ Order Completion Interval (Dispatch only) – Resale Design
- ❑ Order Completion Interval (No Dispatch only) – UNE Loop and Port Combos
- ❑ Order Completion Interval ('w' code orders, Dispatch only) – UNE Loops
- ❑ Order Completion Interval (Dispatch only) – IC Trunks
- ❑ Percent Missed Installation Appointments – Resale POTS
- ❑ Percent Missed Installation Appointments – Resale Design
- ❑ Percent Missed Installation Appointments – UNE Loop and Port Combos
- ❑ Percent Missed Installation Appointments – UNE Loops
- ❑ Percent Provisioning Troubles within 4 Days - Resale POTS
- ❑ Percent Provisioning Troubles within 4 Days - Resale Design
- ❑ Percent Provisioning Troubles within 4 Days - UNE Loop and Port Combos
- ❑ Percent Provisioning Troubles within 4 Days - UNE Loops
- ❑ Customer Trouble Report Rate – Resale POTS
- ❑ Customer Trouble Report Rate – Resale Design
- ❑ Customer Trouble Report Rate - UNE Loop and Port Combos
- ❑ Customer Trouble Report Rate - UNE Loops
- ❑ Percent Missed Repair Appointments – Resale POTS
- ❑ Percent Missed Repair Appointments - Resale Design
- ❑ Percent Missed Repair Appointments - UNE Loop and Port Combos
- ❑ Percent Missed Repair Appointments - UNE Loops
- ❑ Maintenance Average Duration – Resale POTS
- ❑ Maintenance Average Duration – Resale Design
- ❑ Maintenance Average Duration - UNE Loop and Port Combos
- ❑ Maintenance Average Duration - UNE Loops
- ❑ Maintenance Average Duration – IC Trunks
- ❑ Percent Repeat Troubles within 30 Days – Resale POTS
- ❑ Percent Repeat Troubles within 30 Days – Resale Design
- ❑ Percent Repeat Troubles within 30 Days - UNE Loop and Port Combos
- ❑ Percent Repeat Troubles within 30 Days - UNE Loops
- ❑ Percent Trunk Blockage
- ❑ LNP Disconnect Timeliness
- ❑ LNP Percent Missed Installation Appointment
- ❑ Coordinated Customer Conversions for UNE Loops
- ❑ Coordinated Customer Conversions for LNP
- ❑ Percent Missed Collocation Due Dates

## **VSEEMIII TIER-2 SUBMETRICS**

- Percent Response Received within "X" seconds – Pre-Order OSS
- OSS Interface Availability
- Order Process Percent Flow-Through (Mechanized only)
- Order Completion Interval (Dispatch only) – Resale POTS
- Order Completion Interval (Dispatch only) – Resale Design
- Order Completion Interval (No Dispatch only) – UNE Loop and Port Combos
- Order Completion Interval ('w' code orders, Dispatch only) – UNE Loops
- Order Completion Interval (Dispatch only) – IC Trunks
- Percent Missed Installation Appointments – Resale POTS
- Percent Missed Installation Appointments – Resale Design
- Percent Missed Installation Appointments – UNE Loop and Port Combos
- Percent Missed Installation Appointments – UNE Loops
- Percent Provisioning Troubles within 4 Days - Resale POTS
- Percent Provisioning Troubles within 4 Days - Resale Design
- Percent Provisioning Troubles within 4 Days - UNE Loop and Port Combos
- Percent Provisioning Troubles within 4 Days - UNE Loops
- Customer Trouble Report Rate – Resale POTS
- Customer Trouble Report Rate – Resale Design
- Customer Trouble Report Rate - UNE Loop and Port Combos
- Customer Trouble Report Rate - UNE Loops
- Percent Missed Repair Appointments – Resale POTS
- Percent Missed Repair Appointments - Resale Design
- Percent Missed Repair Appointments - UNE Loop and Port Combos
- Percent Missed Repair Appointments - UNE Loops
- Maintenance Average Duration – Resale POTS
- Maintenance Average Duration – Resale Design
- Maintenance Average Duration - UNE Loop and Port Combos
- Maintenance Average Duration - UNE Loops
- Maintenance Average Duration – IC Trunks
- Percent Repeat Troubles within 30 Days – Resale POTS
- Percent Repeat Troubles within 30 Days – Resale Design
- Percent Repeat Troubles within 30 Days - UNE Loop and Port Combos
- Percent Repeat Troubles within 30 Days - UNE Loops
- Billing Timeliness
- Billing Accuracy
- Usage Data Delivery Timeliness
- Usage Data Delivery Accuracy
- Percent Trunk Blockage
- LNP Disconnect Timeliness
- LNP Percent Missed Installation Appointment
- Coordinated Customer Conversions for UNE Loops
- Coordinated Customer Conversions for LNP
- Percent Missed Collocation Due Dates



### **VSEEMIII TIER-3 SUBMETRICS**

- ❑ Percent Missed Installation Appointments – Resale POTS
- ❑ Percent Missed Installation Appointments – Resale Design
- ❑ Percent Missed Installation Appointments – UNE Loop and Port Combos
- ❑ Percent Missed Installation Appointments – UNE Loops
- ❑ Percent Missed Repair Appointments – Resale POTS
- ❑ Percent Missed Repair Appointments - Resale Design
- ❑ Percent Missed Repair Appointments - UNE Loop and Port Combos
- ❑ Percent Missed Repair Appointments - UNE Loops
- ❑ Billing Timeliness
- ❑ Billing Accuracy
- ❑ Percent Trunk Blockage
- ❑ Percent Missed Collocation Due Dates

VSEEM III	MEASURES AND SUB-METRICS	RETAIL ANALOGUE	BENCH MARK
Pre-Ordering	Percent Response Received within "X" seconds	Resale (X) and UNEs Retail Analogue + 4 sec	
Ordering	OSS Interface Availability	X	
	Percent Flow-Through Service Request (Fully Mechanized only)		90% hrs
	Firm Order Confirmation Timeliness (Mechanized only)		95% ≤ 1 hrs
	Reject Interval (Mechanized only)		
Provisioning	Order Completion Interval (Dispatch only) – Resale POTS	X	
	Order Completion Interval (Dispatch only) – Resale Design	X	
	Order Completion Interval (No Dispatch only) – UNE Loop & Port Combos	Retail Residence and Business	
	Order Completion Interval (Dispatch only) – UNE Loops	Design: Retail Design Dispatch 'w' Orders Non-Design: Retail Res, Bus Dispatch 'w' Orders	
	Order Completion Interval (Dispatch only) – IC Trunks	X	
	Percent Missed Installation Appointments – Resale POTS	X	
	Percent Missed Installation Appointments – Resale Design	X	
	Percent Missed Installation Appointments – UNE Loop and Port Combos	Retail Residence and Business	
	Percent Missed Installation Appointments – UNE Loops	Design: Retail Design Non-Design: Retail Res, Bus <sup>1</sup>	
	Percent Provisioning Troubles within 4 Days - Resale POTS	X	
	Percent Provisioning Troubles within 4 Days - Resale Design	X	
	Percent Provisioning Troubles within 4 Days - UNE Loop and Port Combos	Retail Residence and Business	
	Percent Provisioning Troubles within 4 Days - UNE Loops	Design: Retail Design Non-Design: Retail Res, Bus <sup>1</sup>	
Maintenance	Customer Trouble Report Rate – Resale POTS	X	
	Customer Trouble Report Rate – Resale Design	X	
	Customer Trouble Report Rate - UNE Loop and Port Combos	Retail Residence and Business	
	Customer Trouble Report Rate - UNE Loops	Design: Retail Design Non-Design: Retail Res, Bus <sup>1</sup>	
	Percent Missed Repair Appointments – Resale POTS	X	
	Percent Missed Repair Appointments - Resale Design	X	
	Percent Missed Repair Appointments - UNE Loop and Port Combos	Retail Residence and Business	
	Percent Missed Repair Appointments - UNE Loops	Design: Retail Design Non-Design: Retail Res, Bus <sup>1</sup>	

NOTES: <sup>1</sup> The retail analog for UNE Non-Design is the average of all retail residence and retail business transactions for the particular month. The retail analog for UNE Design is calculated similarly using retail residence, business and design results.  
<sup>2</sup> UD = Under Development

Maintenance Continued	Maintenance Average Duration – Resale POTS	x	
	Maintenance Average Duration – Resale Design	x	
	Maintenance Average Duration - UNE Loop and Port Combos		Retail Residence and Business
	Maintenance Average Duration - UNE Loops		Design: Retail Design Non-Design: Retail Res, Bus <sup>1</sup>
	Maintenance Average Duration – IC Trunks	x	
	Percent Repeat Troubles within 30 Days – Resale POTS	x	
	Percent Repeat Troubles within 30 Days – Resale Design	x	
	Percent Repeat Troubles within 30 Days - UNE Loop and Port Combos		Retail Residence and Business
	Percent Repeat Troubles within 30 Days - UNE Loops		Design: Retail Design Non-Design: Retail Res, Bus <sup>1</sup>
Billing	Invoice Accuracy	x	
	Mean Time To Deliver Invoices	x	
	Usage Data Delivery Accuracy	x	
	Usage Data Delivery Timeliness	x	
Trunk Blockage	Trunk Group Service Report (Percent Trunk Blockage)	x	
LNP	Average Disconnect Timeliness Interval		UD <sup>2</sup>
	Percent Missed Installation Appointments		UD <sup>2</sup>
CC	Coordinated Customer Conversions – UNE Loop		95% ≤ 15 min
Conversions	Coordinated Customer Conversions – LNP		95% ≤ 15 min
Collocation	% of Due Dates Missed		≤ 10%

NOTES: <sup>1</sup> The retail analog for UNE Non-Design is the average of all retail residence and retail business transactions for the particular month. The retail analog for UNE Design is calculated similarly using retail residence, business and design results.  
<sup>2</sup> UD = Under Development

# EXHIBIT C

## Statistical Methods for BellSouth Performance Measure Analysis

### I. Necessary Properties for a Test Methodology

The statistical process for testing if competing local exchange carriers (CLECs) customers are being treated equally with BellSouth (BST) customers involves more than just a mathematical formula. Three key elements need to be considered before an appropriate decision process can be developed. These are

- the type of data,
- the type of comparison, and
- the type of performance measure.

Once these elements are determined a test methodology should be developed that complies with the following properties.

- Like-to-Like Comparisons. When possible, data should be compared at appropriate levels, e.g. wire center, time of month, dispatched, residential, new orders. The testing process should:
  - Identify variables that may affect the performance measure.
  - Record these important confounding covariates.
  - Adjust for the observed covariates in order to remove potential biases and to make the CLEC and the ILEC units as comparable as possible.
- Aggregate Level Test Statistic. Each performance measure of interest should be summarized by one overall test statistic giving the decision maker a rule that determines whether a statistically significant difference exists. The test statistic should have the following properties.
  - The method should provide a single overall index, on a standard scale.
  - If entries in comparison cells are exactly proportional over a covariate, the aggregated index should be very nearly the same as if comparisons on the covariate had not been done.
  - The contribution of each comparison cell should depend on the number of observations in the cell.
  - Cancellation between comparison cells should be limited.
  - The index should be a continuous function of the observations.
- Production Mode Process. The decision system must be developed so that it does not require intermediate manual intervention, i.e. the process must be a “black box.”
  - Calculations are well defined for possible eventualities.
  - The decision process is an algorithm that needs no manual intervention.
  - Results should be arrived at in a timely manner.
  - The system must recognize that resources are needed for other performance measure-related processes that also must be run in a timely manner.
  - The system should be auditable, and adjustable over time.
- Balancing. The testing methodology should balance Type I and Type II Error probabilities.
  - $P(\text{Type I Error}) = P(\text{Type II Error})$  for well defined null and alternative hypotheses.
  - The formula for a test’s balancing critical value should be simple enough to calculate using standard mathematical functions, i.e. one should avoid methods that require computationally intensive techniques.

- Little to no information beyond the null hypothesis, the alternative hypothesis, and the number of observations should be required for calculating the balancing critical value.

In the following sections we describe appropriate testing processes that adhere as much as possible to the testing principles.

### Measurement Types

The performance measures that will undergo testing are of three types:

- 1) means
- 2) proportions, and
- 3) rates

While all three have similar characteristics (a proportion is the average of a measure that takes on only the values of 0 or 1), a proportion or rate is derived from count data while a mean is generally an average of interval measurements.

## **II. Testing Methodology – The Truncated Z**

Many covariates are chosen in order to provide deep comparison levels. In each comparison cell, a Z statistic is calculated. The form of the Z statistic may vary depending on the performance measure, but it should be distributed approximately as a standard normal, with mean zero and variance equal to one. Assuming that the test statistic is derived so that it is negative when the performance for the CLEC is worse than for the ILEC, a positive truncation is done – i.e. if the result is negative it is left alone, if the result is positive it is changed to zero. A weighted average of the truncated statistics is calculated where a cell weight depends on the volume of BST and CLEC orders in the cell. The weighted average is re-centered by the theoretical mean of a truncated distribution, and this is divided by the standard error of the weighted average. The standard error is computed assuming a fixed effects model.

### *Proportion Measures*

For performance measures that are calculated as a proportion, in each adjustment cell, the truncated Z and the moments for the truncated Z can be calculated in a direct manner. In adjustment cells where proportions are not close to zero or one, and where the sample sizes are reasonably large, a normal approximation can be used. In this case, the moments for the truncated Z come directly from properties of the standard normal distribution. If the normal approximation is not appropriate, then the Z statistic is calculated from the hypergeometric distribution. In this case, the moments of the truncated Z are calculated exactly using the hypergeometric probabilities.

### *Rate Measures*

The truncated Z methodology for rate measures has the same general structure for calculating the Z in each cell as proportion measures. For a rate measure, there are a fixed number of circuits or units for the CLEC,  $n_2$ , and a fixed number of units for BST,  $n_1$ . Suppose that the performance measure is a “trouble rate.” The modeling assumption is that the occurrence of a trouble is independent between units and the number of troubles in n circuits follows a Poisson distribution with mean  $\lambda n$  where  $\lambda$  is the probability of a trouble in 1 circuit and n is the number of circuits.

In an adjustment cell, if the number of CLEC troubles is greater than 15 and the number of BST troubles is greater than 15, then the Z test is calculated using the normal approximation to the Poisson. In this case, the moments of the truncated Z come directly from properties of the standard normal distribution. Otherwise, if there are very few troubles, the number of CLEC troubles can be modeled using a binomial distribution with n equal to the total number of troubles (CLEC plus BST troubles.) In this case, the moments for the truncated Z are calculated explicitly using the binomial distribution.

*Mean Measures*

For mean measures, an adjusted t statistic is calculated for each like-to-like cell which has at least 7 BST and 7 CLEC transactions. A permutation test is used when one or both of the BST and CLEC sample sizes is less than 6. Both the adjusted t statistic and the permutation calculation are described in the technical appendix.

# **APPENDIX TECHNICAL DESCRIPTION**



We start by assuming that any necessary trimming of the data is complete, and that the data are disaggregated so that comparisons are made within appropriate classes or adjustment cells that define "like" observations.

### NOTATION AND EXACT TESTING DISTRIBUTIONS

Below, we have detailed the basic notation for the construction of the truncated z statistic. In what follows the word "cell" should be taken to mean a like-to-like comparison cell that has both one (or more) ILEC observation and one (or more) CLEC observation.

- L = the total number of occupied cells
  - j = 1, ..., L; an index for the cells
  - $n_{1j}$  = the number of ILEC transactions in cell j
  - $n_{2j}$  = the number of CLEC transactions in cell j
  - $n_j$  = the total number transactions in cell j;  $n_{1j} + n_{2j}$
  - $X_{1jk}$  = individual ILEC transactions in cell j;  $k = 1, \dots, n_{1j}$
  - $X_{2jk}$  = individual CLEC transactions in cell j;  $k = 1, \dots, n_{2j}$
  - $Y_{jk}$  = individual transaction (both ILEC and CLEC) in cell j
- $$= \begin{cases} X_{1jk} & k = 1, K, n_{1j} \\ X_{2jk} & k = n_{1j} + 1, K, n_j \end{cases}$$

$\Phi^{-1}(\cdot)$  = the inverse of the cumulative standard normal distribution function

For Mean Performance Measures the following additional notation is needed.

- $\bar{X}_{1j}$  = the ILEC sample mean of cell j
  - $\bar{X}_{2j}$  = the CLEC sample mean of cell j
  - $S_{1j}^2$  = the ILEC sample variance in cell j
  - $S_{2j}^2$  = the CLEC sample variance in cell j
  - $Y_{jk}$  = a random sample of size  $n_{2j}$  from the set of  $Y_{j1}, K, Y_{jn_j}$ ;  $k = 1, \dots, n_{2j}$
  - $M_j$  = the total number of distinct pairs of samples of size  $n_{1j}$  and  $n_{2j}$ ;
- $$= \binom{n_j}{n_{1j}}$$

The exact parity test is the permutation test based on the "modified Z" statistic. For large samples, we can avoid permutation calculations since this statistic will be normal (or Student's t) to a good approximation. For small samples, where we cannot avoid permutation calculations, we have found that the difference between "modified Z" and the textbook "pooled Z" is negligible. We therefore propose to use the permutation test based on pooled Z for small samples. This decision speeds up the permutation computations considerably, because for each permutation we need only compute the sum of the CLEC sample values, and not the pooled statistic itself.

A permutation probability mass function distribution for cell j, based on the "pooled Z" can be written as

$$PM(t) = P\left(\sum_k y_{jk} = t\right) = \frac{\text{the number of samples that sum to } t}{M_j},$$

and the corresponding cumulative permutation distribution is

$$CPM(t) = P\left(\sum_k y_{jk} \leq t\right) = \frac{\text{the number of samples with sum } \leq t}{M_j}.$$

For Proportion Performance Measures the following notation is defined

- $a_{1j}$  = the number of ILEC cases possessing an attribute of interest in cell j
- $a_{2j}$  = the number of CLEC cases possessing an attribute of interest in cell j
- $a_j$  = the number of cases possessing an attribute of interest in cell j;  $a_{1j} + a_{2j}$

The exact distribution for a parity test is the hypergeometric distribution. The hypergeometric probability mass function distribution for cell j is

$$HG(h) = P(H = h) = \begin{cases} \frac{\binom{n_{1j}}{h} \binom{n_{2j}}{a_j - h}}{\binom{n_j}{a_j}}, & \max(0, a_j - n_{2j}) \leq h \leq \min(a_j, n_{1j}) \\ 0 & \text{otherwise} \end{cases}$$

and the cumulative hypergeometric distribution is

$$CHG(x) = P(H \leq x) = \begin{cases} 0 & x < \max(0, a_j - n_{1j}) \\ \sum_{h=\max(0, a_j - n_{1j})}^x HG(h), & \max(0, a_j - n_{1j}) \leq x \leq \min(a_j, n_{2j}) \\ 1 & x > \min(a_j, n_{2j}) \end{cases}$$

For Rate Measures, the notation needed is defined as

- $b_{1j}$  = the number of ILEC base elements in cell j
- $b_{2j}$  = the number of CLEC base elements in cell j
- $b_j$  = the total number of base elements in cell j;  $b_{1j} + b_{2j}$
- $\bar{p}_{1j}$  = the ILEC sample rate of cell j;  $n_{1j}/b_{1j}$
- $\bar{p}_{2j}$  = the CLEC sample rate of cell j;  $n_{2j}/b_{2j}$
- $q_j$  = the relative proportion of CLEC elements for cell j;  $b_{2j}/b_j$

The exact distribution for a parity test is the binomial distribution. The binomial probability mass function distribution for cell j is

$$BN(k) = P(B = k) = \begin{cases} \binom{n_j}{k} q_j^k (1 - q_j)^{n_j - k}, & 0 \leq k \leq n_j, \\ 0 & \text{otherwise} \end{cases}$$

and the cumulative binomial distribution is

$$CBN(x) = P(B \leq x) = \begin{cases} 0 & x < 0 \\ \sum_{k=0}^x BN(k), & 0 \leq x \leq n_j. \\ 1 & x > n_j \end{cases}$$

### **CALCULATING THE TRUNCATED Z**

The general methodology for calculating an aggregate level test statistic is outlined below.

1. **Calculate cell weights,  $W_j$ .** A weight based on the number of transactions is used so that a cell which has a larger number of transactions has a larger weight. The actual weight formulae will depend on the type of measure.

*Mean Measure*

$$W_j = \sqrt{\frac{n_{1j} \cdot n_{2j}}{n_j}}$$

*Proportion Measure*

$$W_j = \sqrt{\frac{n_{2j} \cdot n_{1j}}{n_j} \cdot \frac{a_j}{n_j} \cdot \left(1 - \frac{a_j}{n_j}\right)}$$

*Rate Measure*

$$W_j = \sqrt{\frac{b_{1j} \cdot b_{2j}}{b_j} \cdot \frac{n_j}{b_j}}$$

2. **In each cell, calculate a Z value,  $Z_j$ .** A Z statistic with mean 0 and variance 1 is needed for each cell.

- If  $W_j = 0$ , set  $Z_j = 0$ .
- Otherwise, the actual Z statistic calculation depends on the type of performance measure.

*Mean Measure*

$$Z_j = \Phi^{-1}(\alpha)$$

where  $\alpha$  is determine by the following algorithm.

If  $\min(n_{1j}, n_{2j}) > 6$ , then determine  $\alpha$  as

$$\alpha = P(t_{n_{1j}-1} \leq T_j),$$

that is,  $\alpha$  is the probability that a t random variable with  $n_{1j} - 1$  degrees of freedom, is less than

$$T_j = t_j + \frac{g}{6} \left( \frac{n_{1j} + 2n_{2j}}{\sqrt{n_{1j} n_{2j} (n_{1j} + n_{2j})}} \right) \left( t^2 + \frac{n_{2j} - n_{1j}}{2n_{1j} + n_{2j}} \right),$$

where

$$t_j = \frac{\bar{X}_{1j} - \bar{X}_{2j}}{s_{1j} \sqrt{\frac{1}{n_{1j}} + \frac{1}{n_{2j}}}}$$

and the coefficient  $g$  is an estimate of the skewness of the parent population, which we assume is the same in all cells. It can be estimated from the ILEC values in the largest cells. This needs to be done only once for each measure. We have found that attempting to estimate this skewness parameter for each cell separately leads to excessive variability in the "adjusted"  $t$ . We therefore use a single compromise value in all cells.

Note, that  $t_j$  is the "modified Z" statistic. The statistic  $T_j$  is a "modified Z" corrected for the skewness of the ILEC data.

If  $\min(n_{1j}, n_{2j}) \leq 6$ , and

a)  $M_j \leq 1,000$  (the total number of distinct pairs of samples of size  $n_{1j}$  and  $n_{2j}$  is 1,000 or less).

- Calculate the sample sum for all possible samples of size  $n_{2j}$ .
- Rank the sample sums from smallest to largest. Ties are dealt by using average ranks.
- Let  $R_0$  be the rank of the observed sample sum with respect all the sample sums.

$$\alpha = 1 - \frac{R_0 - 0.5}{M_j}$$

b)  $M_j > 1,000$

- Draw a random sample of 1,000 sample sums from the permutation distribution.
- Add the observed sample sum to the list. There is a total of 1001 sample sums. Rank the sample sums from smallest to largest. Ties are dealt by using average ranks.
- Let  $R_0$  be the rank of the observed sample sum with respect all the sample sums.

$$\alpha = 1 - \frac{R_0 - 0.5}{1001}$$

*Proportion Measure*

$$Z_j = \frac{n_j a_{1j} - n_{1j} a_j}{\sqrt{\frac{n_{1j} n_{2j} a_j (n_j - a_j)}{n_j - 1}}}$$

Rate Measure

$$Z_j = \frac{n_{1j} - n_j q_j}{\sqrt{n_j q_j (1 - q_j)}}$$

3. **Obtain a truncated Z value for each cell,  $Z_j^*$ .** To limit the amount of cancellation that takes place between cell results during aggregation, cells whose results suggest possible favoritism are left alone. Otherwise the cell statistic is set to zero. This means that positive equivalent Z values are set to 0, and negative values are left alone. Mathematically, this is written as

$$Z_j^* = \min(0, Z_j).$$

4. **Calculate the theoretical mean and variance of the truncated statistic under the null hypothesis of parity,  $E(Z_j^* | H_0)$  and  $\text{Var}(Z_j^* | H_0)$ .** In order to compensate for the truncation in step 3, an aggregated, weighted sum of the  $Z_j^*$  will need to be centered and scaled properly so that the final aggregate statistic follows a standard normal distribution.

- If  $W_j = 0$ , then no evidence of favoritism is contained in the cell. The formulae for calculating  $E(Z_j^* | H_0)$  and  $\text{Var}(Z_j^* | H_0)$  cannot be used. Set both equal to 0.
- If  $\min(n_{1j}, n_{2j}) > 6$  for a mean measure,  $\min\left\{a_{1j}\left(1 - \frac{a_{1j}}{n_{1j}}\right), a_{2j}\left(1 - \frac{a_{2j}}{n_{2j}}\right)\right\} > 9$  for a proportion measure, or  $\min(n_{1j}, n_{2j}) > 15$  and  $n_j q_j (1 - q_j) > 9$  for a rate measure then

$$E(Z_j^* | H_0) = -\frac{1}{\sqrt{2\pi}}, \text{ and}$$

$$\text{Var}(Z_j^* | H_0) = \frac{1}{2} - \frac{1}{2\pi}.$$

- Otherwise, determine the total number of values for  $Z_j^*$ . Let  $z_{ji}$  and  $\theta_{ji}$ , denote the values of  $Z_j^*$  and the probabilities of observing each value, respectively.

$$E(Z_j^* | H_0) = \sum_i \theta_{ji} z_{ji}, \text{ and}$$

$$\text{Var}(Z_j^* | H_0) = \sum_i \theta_{ji} z_{ji}^2 - [E(Z_j^* | H_0)]^2.$$

The actual values of the z's and  $\theta$ 's depends on the type of measure, and the sums in the equations are over all possible values of the index i.

*Mean Measure*

$$N_j = \min(M_j, 1,000), \quad i = 1, K, N_j$$

$$z_{ji} = \min \left\{ 0, 1 - \Phi^{-1} \left( \frac{R_i - 0.5}{N_j} \right) \right\} \quad \text{where } R_i \text{ is the rank of sample sum } i$$

$$\theta_j = \frac{1}{N_j}$$

*Proportion Measure*

$$z_{ji} = \min \left\{ 0, \frac{n_j i - n_{1j} a_j}{\sqrt{\frac{n_{1j} n_{2j} a_j (n_j - a_j)}{n_j - 1}}} \right\}, \quad i = \min(a_j, n_{2j}), K, \max(0, a_j - n_{1j})$$

$$\theta_{ji} = \text{HG}(i)$$

*Rate Measure*

$$z_{ji} = \min \left\{ 0, \frac{i - n_j q_j}{\sqrt{n_j q_j (1 - q_j)}} \right\}, \quad i = 0, K, n_j$$

$$\theta_{ji} = \text{BN}(i)$$

5. Calculate the aggregate test statistic,  $Z^T$ .

$$Z^T = \frac{\sum_j W_j Z_j^* - \sum_j W_j E(Z_j^* | H_0)}{\sqrt{\sum_j W_j^2 \text{Var}(Z_j^* | H_0)}}$$

**The Balancing Critical Value**

There are four key elements of the statistical testing process:

1. the null hypothesis,  $H_0$ , that parity exists between ILEC and CLEC services
2. the alternative hypothesis,  $H_a$ , that the ILEC is giving better service to its own customers
3. the Truncated Z test statistic,  $Z^T$ , and
4. a critical value,  $c$

The decision rule<sup>1</sup> is

- If  $Z^T < c$  then accept  $H_a$ .
- If  $Z^T \geq c$  then accept  $H_0$ .

There are two types of error possible when using such a decision rule:

<sup>1</sup> This decision rule assumes that a negative test statistic indicates poor service for the CLEC customer. If the opposite is true, then reverse the decision rule.

**Type I Error:** Deciding favoritism exists when there is, in fact, no favoritism.  
**Type II Error:** Deciding parity exists when there is, in fact, favoritism.

The probabilities of each type of each are:

$$\text{Type I Error: } \alpha = P(Z^T < c \mid H_0).$$

$$\text{Type II Error: } \beta = P(Z^T \geq c \mid H_a).$$

We want a balancing critical value,  $c_B$ , so that  $\alpha = \beta$ .

It can be shown that.

$$c_B = \frac{\sum_j W_j M(m_j, se_j) - \sum_j W_j \frac{-1}{\sqrt{2\pi}}}{\sqrt{\sum_j W_j^2 V(m_j, se_j)} + \sqrt{\sum_j W_j^2 \left(\frac{1}{2} - \frac{1}{2\pi}\right)}}.$$

where

$$M(\mu, \sigma) = \mu \Phi\left(\frac{-\mu}{\sigma}\right) - \sigma \phi\left(\frac{-\mu}{\sigma}\right)$$

$$V(\mu, \sigma) = (\mu^2 + \sigma^2) \Phi\left(\frac{-\mu}{\sigma}\right) - \mu \sigma \phi\left(\frac{-\mu}{\sigma}\right) - M(\mu, \sigma)^2$$

$\Phi(\cdot)$  is the cumulative standard normal distribution function, and  $\phi(\cdot)$  is the standard normal density function.

This formula assumes that  $Z_j$  is approximately normally distributed within cell  $j$ . When the cell sample sizes,  $n_{1j}$  and  $n_{2j}$ , are small this may not be true. It is possible to determine the cell mean and variance under the null hypothesis when the cell sample sizes are small. It is much more difficult to determine these values under the alternative hypothesis. Since the cell weight,  $W_j$  will also be small (see calculate weights section above) for a cell with small volume, the cell mean and variance will not contribute much to the weighted sum. Therefore, the above formula provides a reasonable approximation to the balancing critical value.

The values of  $m_j$  and  $se_j$  will depend on the type of performance measure.

#### *Mean Measure*

For mean measures, one is concerned with two parameters in each cell, namely, the mean and variance. A possible lack of parity may be due to a difference in cell means, and/or a difference in cell variances. One possible set of hypotheses that capture this notion, and take into account the assumption that transaction are identically distributed within cells is:

$$H_0: \mu_{1j} = \mu_{2j}, \sigma_{1j}^2 = \sigma_{2j}^2$$

$$H_a: \mu_{2j} = \mu_{1j} + \delta_j \sigma_{1j}, \sigma_{2j}^2 = \lambda_j \sigma_{1j}^2 \quad \delta_j > 0, \lambda_j \geq 1 \text{ and } j = 1, \dots, L.$$

Under this form of alternative hypothesis, the cell test statistic  $Z_j$  has mean and standard error given by

$$m_j = \frac{-\delta_j}{\sqrt{\frac{1}{n_{1j}} + \frac{1}{n_{2j}}}}, \text{ and}$$

$$se_j = \sqrt{\frac{\lambda_j n_{1j} + n_{2j}}{n_{1j} + n_{2j}}}$$

### Proportion Measure

For a proportion measure there is only one parameter of interest in each cell, the proportion of transaction possessing an attribute of interest. A possible lack of parity may be due to a difference in cell proportions. A set of hypotheses that take into account the assumption that transaction are identically distributed within cells while allowing for an analytically tractable solution is:

$$H_0: \frac{p_{2j}(1-p_{1j})}{(1-p_{2j})p_{1j}} = 1$$

$$H_a: \frac{p_{2j}(1-p_{1j})}{(1-p_{2j})p_{1j}} = \psi_j \quad \psi_j > 1 \text{ and } j = 1, \dots, L.$$

These hypotheses are based on the "odds ratio." If the transaction attribute of interest is a missed trouble repair, then an interpretation of the alternative hypothesis is that a CLEC trouble repair appointment is  $\psi_j$  times more likely to be missed than an ILEC trouble.

Under this form of alternative hypothesis, the within cell asymptotic mean and variance of  $a_{ij}$  are given by<sup>2</sup>

$$E(a_{ij}) = n_j \pi_j^{(1)}$$

$$\text{var}(a_{ij}) = \frac{n_j}{\frac{1}{\pi_j^{(1)}} + \frac{1}{\pi_j^{(2)}} + \frac{1}{\pi_j^{(3)}} + \frac{1}{\pi_j^{(4)}}}$$

where

<sup>2</sup> Stevens, W. L. (1951) Mean and Variance of an entry in a Contingency Table. *Biometrika*, 38, 468-470.



$$\begin{aligned}\pi_j^{(1)} &= f_j^{(1)} \left( n_j^2 + f_j^{(2)} + f_j^{(3)} - f_j^{(4)} \right) \\ \pi_j^{(2)} &= f_j^{(1)} \left( -n_j^2 - f_j^{(2)} + f_j^{(3)} + f_j^{(4)} \right) \\ \pi_j^{(3)} &= f_j^{(1)} \left( -n_j^2 + f_j^{(2)} - f_j^{(3)} + f_j^{(4)} \right) \\ \pi_j^{(4)} &= f_j^{(1)} \left( n_j^2 \left( \frac{2}{\psi_j} - 1 \right) - f_j^{(2)} - f_j^{(3)} - f_j^{(4)} \right) \\ f_j^{(1)} &= \frac{1}{2n_j^2 \left( \frac{1}{\psi_j} - 1 \right)} \\ f_j^{(2)} &= n_j n_{1j} \left( \frac{1}{\psi_j} - 1 \right) \\ f_j^{(3)} &= n_j a_j \left( \frac{1}{\psi_j} - 1 \right) \\ f_j^{(4)} &= \sqrt{n_j^2 \left[ 4n_{1j} (n_j - a_j) \left( \frac{1}{\psi_j} - 1 \right) + \left( n_j + (a_j - n_{1j}) \left( \frac{1}{\psi_j} - 1 \right) \right)^2 \right]}\end{aligned}$$

Recall that the cell test statistic is given by

$$Z_j = \frac{n_j a_{1j} - n_{1j} a_j}{\sqrt{\frac{n_{1j} n_{2j} a_j (n_j - a_j)}{n_j - 1}}}$$

Using the equations above, we see that  $Z_j$  has mean and standard error given by

$$\begin{aligned}m_j &= \frac{n_j^2 \pi_j^{(1)} - n_{1j} a_j}{\sqrt{\frac{n_{1j} n_{2j} a_j (n_j - a_j)}{n_j - 1}}}, \text{ and} \\ se_j &= \sqrt{\frac{n_j^3 (n_j - 1)}{n_{1j} n_{2j} a_j (n_j - a_j) \left( \frac{1}{\pi_j^{(1)}} + \frac{1}{\pi_j^{(2)}} + \frac{1}{\pi_j^{(3)}} + \frac{1}{\pi_j^{(4)}} \right)}}\end{aligned}$$

### Rate Measure

A rate measure also has only one parameter of interest in each cell, the rate at which a phenomenon is observed relative to a base unit, e.g. the number of troubles per available line. A possible lack of parity may be due to a difference in cell rates. A set of hypotheses that take into account the assumption that transaction are identically distributed within cells is:

$$H_0: r_{1j} = r_{2j}$$

$$H_a: r_{2j} = \epsilon_j r_{1j} \quad \epsilon_j > 1 \text{ and } j = 1, \dots, L.$$

Given the total number of ILEC and CLEC transactions in a cell,  $n_j$ , and the number of base elements,  $b_{1j}$  and  $b_{2j}$ , the number of ILEC transaction,  $n_{1j}$ , has a binomial distribution from  $n_j$  trials and a probability of

$$q_j^* = \frac{r_{1j} b_{1j}}{r_{1j} b_{1j} + r_{2j} b_{2j}}.$$

Therefore, the mean and variance of  $n_{ij}$ , are given by

$$E(n_{ij}) = n_j q_j^*$$

$$\text{var}(n_{ij}) = n_j q_j^* (1 - q_j^*)$$

Under the null hypothesis

$$q_j^* = q_j = \frac{b_{1j}}{b_j},$$

but under the alternative hypothesis

$$q_j^* = q_j^a = \frac{b_{1j}}{b_{1j} + \varepsilon_j b_{2j}}.$$

Recall that the cell test statistic is given by

$$Z_j = \frac{n_{1j} - n_j q_j}{\sqrt{n_j q_j (1 - q_j)}}.$$

Using the relationships above, we see that  $Z_j$  has mean and standard error given by

$$m_j = \frac{n_j (q_j^a - q_j)}{\sqrt{n_j q_j (1 - q_j)}} = (1 - \varepsilon_j) \sqrt{\frac{n_j b_{1j} b_{2j}}{b_{1j} + \varepsilon_j b_{2j}}}, \text{ and}$$

$$se_j = \sqrt{\frac{q_j^a (1 - q_j^a)}{q_j (1 - q_j)}} = \sqrt{\varepsilon_j} \frac{b_j}{b_{1j} + \varepsilon_j b_{2j}}.$$

### Determining the Parameters of the Alternative Hypothesis

In this appendix we have indexed the alternative hypothesis of mean measures by two sets of parameters,  $\lambda_j$  and  $\delta_j$ . Proportion and rate measures have been indexed by one set of parameters each,  $\psi_j$  and  $\varepsilon_j$  respectively. While statistical science can be used to evaluate the impact of different choices of these parameters, there is not much that an appeal to statistical principles can offer in directing specific choices. Specific choices are best left to telephony experts. Still, it is possible to comment on some aspects of these choices:

- **Parameter Choices for  $\lambda_j$ .** The set of parameters  $\lambda_j$  index alternatives to the null hypothesis that arise because there might be greater unpredictability or variability in the delivery of service to a CLEC customer over that which would be achieved for an otherwise comparable ILEC customer. While concerns about differences in the variability of service are important, it turns out that the truncated Z testing which is being recommended here is relatively insensitive to all but very large values of the  $\lambda_j$ . Put another way, reasonable differences in the values chosen here could make very little difference in the balancing points chosen.

- Parameter Choices for  $\delta_j$ . The set of parameters  $\delta_j$  are much more important in the choice of the balancing point than was true for the  $\lambda_j$ . The reason for this is that they directly index differences in average service. The truncated Z test is very sensitive to any such differences; hence, even small disagreements among experts in the choice of the  $\delta_j$  could be very important. Sample size matters here too. For example, setting all the  $\delta_j$  to a single value –  $\delta_j = \delta$  – might be fine for tests across individual CLECs where currently in Louisiana the CLEC customer bases are not too different. Using the same value of  $\delta$  for the overall state testing does not seem sensible, however, since the state sample would be so much larger.
- Parameter Choices for  $\psi_j$  or  $\epsilon_j$ . The set of parameters  $\psi_j$  or  $\epsilon_j$  are also important in the choice of the balancing point for tests of their respective measures. The reason for this is that they directly index increases in the proportion or rate of service performance. The truncated Z test is sensitive to such increases; but not as sensitive as the case of  $\delta_j$  for mean measures. Sample size matters here as well. As with mean measures, using the same value of  $\psi$  or  $\epsilon$  for the overall state testing does not seem sensible since the state sample would be so much larger.

The bottom line here is that beyond a few general considerations, like those given above, a principled approach to the choice of the alternative hypotheses to guard against, must come from elsewhere.

## **DECISION PROCESS**

Once  $Z^T$  has been calculated, it is compared to the balancing critical value to determine if the ILEC is favoring its own customers over a CLEC's customers.

This critical value changes as the ILEC and CLEC transaction volume change. One way to make this transparent to the decision maker, is to report the difference between the test statistic and the critical value,  $diff = Z^T - c_B$ . If favoritism is concluded when  $Z^T < c_B$ , then the  $diff < 0$  indicates favoritism.

This make it very easy to determine favoritism: a positive  $diff$  suggests no favoritism, and a negative  $diff$  suggests favoritism.

# EXHIBIT D

BST VSEEM REMEDY PROCEDURE

**TIER-1 CALCULATION FOR RETAIL ANALOGUES:**

1. Calculate the overall test statistic for each CLEC;  $z_{CLEC1}^T$  (See Exhibit C)
2. Calculate the balancing critical value ( $C_{B_{CLEC1}}$ ) that is associated with the alternative hypothesis (for fixed parameters  $\delta$ ,  $\psi$  or  $\epsilon$ ). (See Exhibit C)
3. If the overall test statistic is equal to or above the balancing critical value, stop here. Otherwise, go to step 4.
4. Calculate the Parity Gap by subtracting the value of step 2. from that of step 1.;  
 $z_{CLEC1}^T - C_{B_{CLEC1}}$
5. Calculate the Volume Proportion using a linear distribution with slope of  $\frac{1}{4}$ . This can be accomplished by taking the absolute value of the Parity Gap from step 4. divided by 4;  
 $ABS((z_{CLEC1}^T - C_{B_{CLEC1}}) / 4)$ . All parity gaps equal or greater to 4 will result in a volume proportion of 100%.
6. Calculate the Affected Volume by multiplying the Volume Proportion from step 5. by the Total CLEC<sub>1</sub> Volume in the negatively affected cell; where the cell value is negative. (See Exhibit C)
7. Calculate the payment to Z-Tel by multiplying the result of step 6. by the appropriate dollar amount from the fee schedule.

So, Z-Tel payment = Affected Volume<sub>CLEC1</sub> \* \$\$ from Fee Schedule

**Example: Z-Tel Missed Installation Appointments (MIA) for Resale POTS**

	$n_i$	$n_c$	$MIA_i$	$MIA_c$	$z_{CLEC1}^T$	$C_B$	Parity Gap	Volume Proportion	Affected Volume
State	50000	600	9%	16%	-1.92	-0.21	1.71	0.4275	
Cell					<u><math>z_{CLEC1}</math></u>				
1		150	0.091	0.112	-1.994				64
2		75	0.176	0.098	0.734				
3		10	0.128	0.333	-2.619				4
4		50	0.158	0.242	-2.878				21
5		15	0.245	0.075	1.345				
6		200	0.156	0.130	0.021				
7		30	0.166	0.233	-0.600				13
8		20	0.106	0.127	-0.065				9
9		40	0.193	0.218	-0.918				17
10		10	0.160	0.235	-0.660				4
									133

where  $n_i$  = ILEC observations and  $n_c$  = Z-Tel observations

Payout for Z-Tel is (133 units) \* (\$100/unit) = \$13,300

**TIER-2 CALCULATION for RETAIL ANALOGUES:**

1. Tier-2 is triggered by three monthly failures of any VSEEM submetric in the same quarter.
2. Calculate the overall test statistic for the CLEC Aggregate using all transactions from the calendar quarter;  $Z_{CLECA}^T$
3. Calculate the balancing critical value ( $C_{B_{CLECA}}$ ) that is associated with the alternative hypothesis (for fixed parameters  $\delta$ ,  $\psi$  or  $\epsilon$ ). (See Exhibit C)
4. If the overall test statistic is equal to or above the balancing critical value for the calendar quarter, stop here. Otherwise, go to step 5.
5. Calculate the Parity Gap by subtracting the value of step 3. from that of step 2.;  
 $Z_{CLECA}^T - C_{B_{CLECA}}$
6. Calculate the Volume Proportion using a linear distribution with slope of  $\frac{1}{4}$ . This can be accomplished by dividing the Parity Gap from step 5. by 4;  $ABS((Z_{CLECA}^T - C_{B_{CLECA}}) / 4)$ . All parity gaps equal or greater to 4 will result in a volume proportion of 100%.
7. Calculate the Affected Volume by multiplying the Volume Proportion from step 6. by the Total  $CLECA$  Volume (CLEC Aggregate) in the negatively affected cell; where the cell value is negative (See Exhibit C).
8. Calculate the payment to State Designated Agency by multiplying the result of step 7. by the appropriate dollar amount from the fee schedule.

So, State Designated Agency payment = Affected Volume<sub>CLECA</sub> \* \$\$ from Fee Schedule

**Example: CLEC-A Missed Installation Appointments (MIA) for Resale POTS**

State Quarter	$n_i$	$n_c$	$MIA_i$	$MIA_c$	$Z_{CLECA}^T$	$C_B$	Parity Gap	Volume Proportion	Affected Volume
Quarter1	180000	2100	9%	16%	-1.92	-0.21	1.71	0.4275	
Cell					<u><math>Z_{CLECA}</math></u>				
1		500	0.091	0.112	-1.994				214
2		300	0.176	0.098	0.734				
3		80	0.128	0.333	-2.619				34
4		205	0.158	0.242	-2.878				88
5		45	0.245	0.075	1.345				
6		605	0.156	0.130	0.021				
7		80	0.166	0.233	-0.600				34
8		40	0.106	0.127	-0.065				17

9	165	0.193	0.218	-0.918
10	80	0.160	0.235	-0.660

71
34
<hr/> 492

where  $n_i$  = ILEC observations and  $n_c$  = CLEC-A observations

Payout for CLEC-A is (492 units) \* (\$300/unit) = \$147,600

### Tier-3

Tier-3 uses the monthly CLEC Aggregate results in a given State. Tier-3 is triggered when five of the twelve Tier-3 sub-metrics experience consecutive failures in a given calendar quarter. The table below displays a situation that would trigger a Tier-3 failure, and one that would not.

Process	Measures	TIER-3 FAILURE X = Miss			NOT A TIER-3 FAILURE X = Miss		
		Jan	Feb	Mar	Jan	Feb	Mar
Percent Missed Installation Appointments	Resale POTS	X	X	X	X		
	Resale Design	X			X	X	X
	UNE Loop & Port Combo		X				
	UNE Loops	X	X	X			
Percent Missed Repair Appointments	Resale POTS	X	X	X	X		X
	Resale Design		X	X		X	
	UNE Loop & Port Combo					X	X
	UNE Loops				X		
Billing	Billing Accuracy	X	X	X			
	Billing Timeliness				X	X	X
Trunk Blockage	Percent Trunk Blockage	X	X	X			
Collocation	Percent Missed Collocation Due Dates						

Tier-3 is effective immediately after quarter results, and can only be lifted when two of the five failed sub-metrics show compliance for two consecutive months in the following quarter.

All tiers standalone, such that triggering Tier-3 will not cease payout of any Tier-1 or Tier-2 failures.

TIER-1 CALCULATION FOR BENCHMARKS:

1. For each CLEC, with five or more observations, calculate monthly performance results for the State.
2. CLECs having observations (sample sizes) between 5 and 30 will use Table I below:

TABLE I                      SMALL SAMPLE SIZE TABLE  
(95% Confidence)

Sample Size	Equivalent 90% Benchmark	Equivalent 95% Benchmark	Sample Size	Equivalent 90% Benchmark	Equivalent 95% Benchmark
5	60.00%	80.00%	16	75.00%	87.50%
6	66.67%	83.33%	17	76.47%	82.35%
7	71.43%	85.71%	18	77.78%	83.33%
8	75.00%	75.00%	19	78.95%	84.21%
9	66.67%	77.78%	20	80.00%	85.00%
10	70.00%	80.00%	21	76.19%	85.71%
11	72.73%	81.82%	22	77.27%	86.36%
12	75.00%	83.33%	23	78.26%	86.96%
13	76.92%	84.62%	24	79.17%	87.50%
14	78.57%	85.71%	25	80.00%	88.00%
15	73.33%	86.67%	26	80.77%	88.46%
			27	81.48%	88.89%
			28	78.57%	89.29%
			29	79.31%	86.21%
			30	80.00%	86.67%

3. If the percentage (or equivalent percentage for small samples) is equal to or below the benchmark standard, stop here. Otherwise, go to step 4.
4. Determine the Volume Proportion by taking the difference between the benchmark and the actual performance result.
5. Calculate the Affected Volume by multiplying the Volume Proportion from step 4. by the Total CLEC<sub>1</sub> Volume.
6. Calculate the payment to Z-Tel by multiplying the result of step 5. by the appropriate dollar amount from the fee schedule.

So, Z-Tel payment = Affected Volume<sub>CLEC1</sub> \* \$\$ from Fee Schedule



**Example: Z-Tel Missed Installation Appointments (MIA) for UNE Loops**

	$n_c$	Benchmark	$MIA_c$	Volume Proportion	Affected Volume
State	600	9%	12%	.03	18

Payout for Z-Tel is (18 units) \* (\$400/unit) = \$7,200

TIER-1 CALCULATION FOR BENCHMARKS (IN THE FORM OF A TARGET):

1. For each, with five or more observations, CLEC calculate monthly performance results for the State.
2. CLECs having observations (sample sizes) between 5 and 30 will use Table I above.
3. Calculate the interval distribution based on the same data set used in step 1.
4. If the 'percent within' is equal to or exceeds the benchmark standard, stop here. Otherwise, go to step 5.
5. Determine the Volume Proportion by taking the difference between 100% and the actual performance result.
6. Calculate the Affected Volume by multiplying the Volume Proportion from step 5. by the Total CLEC<sub>1</sub> Volume.
7. Calculate the payment to Z-Tel by multiplying the result of step 6. by the appropriate dollar amount from the fee schedule.

So, Z-Tel payment = Affected Volume<sub>CLEC1</sub> \* \$\$ from Fee Schedule

**Example: Z-Tel Reject Timeliness**

	$n_c$	Benchmark	Reject Timeliness <sub>c</sub>	Volume Proportion	Affected Volume
State	600	95% within 1 hour	93% within 1 hour	.07	42

Payout for Z-Tel is (42 units) \* (\$100/unit) = \$4,200

**TIER-2 CALCULATIONS for BENCHMARKS:**

Tier-2 calculations for benchmark measures are the same as the Tier-1 benchmark calculations except the CLEC Aggregate data having failed for three months in a given calendar quarter is being assessed.

# EXHIBIT E

**Table-1**

**LIQUIDATED DAMAGES TABLE FOR TIER-1 MEASURES**

<b>PER AFFECTED ITEM</b>						
	Month 1	Month 2	Month3	Month4	Month 5	Month 6
Ordering	\$40	\$50	\$60	\$70	\$80	\$90
Provisioning	\$100	\$125	\$175	\$250	\$325	\$500
Provisioning UNE (Coordinated Customer Conversions)	\$400	\$450	\$500	\$550	\$650	\$800
Maintenance and Repair	\$100	\$125	\$175	\$250	\$325	\$500
Maintenance and Repair UNE	\$400	\$450	\$500	\$550	\$650	\$800
LNP	\$150	\$250	\$500	\$600	\$700	\$800
IC Trunks	\$100	\$125	\$175	\$250	\$325	\$500
Collocation	\$5,000	\$5,000	\$5,000	\$5,000	\$5,000	\$5,000

**Table-2**

**VOLUNTARY PAYMENTS FOR TIER-2 MEASURES**

	<b>Per Affected Item</b>
OSS Pre-Ordering	\$20
Ordering	\$60
Provisioning	\$300
UNE Provisioning (Coordinated Customer Conversions)	\$875
Maintenance and Repair	\$300
UNE Maintenance and Repair	\$875
Billing	\$1.00
LNP	\$500
IC Trunks	\$500
Collocation	\$15,000

**AGREEMENT IMPLEMENTATION TEMPLATE (Residence)**  
**for**  
**Z-Tel Communications, Inc.**  
**BellSouth Standard Interconnection Agreement**

<b>Agreement Effective Date:</b>	<b>Agreement Expiration Date:</b>
<b>Account Manager:</b>	<b>Account Manager Tel No:</b>

Attachment Name/Number	Section Number	Version Date	Planned Activities
Terms/Conditions PartA	1	2/29/00	
	2	2/29/00	
	3	2/29/00	
	4	2/29/00	
	5	2/29/00	
	6	2/29/00	
	7	2/29/00	
	8	2/29/00	
	9	2/29/00	
	10	2/29/00	
	11	2/29/00	
	12	2/29/00	
	13	2/29/00	
	14	2/29/00	
	15	2/29/00	
	16	2/29/00	
	17	2/29/00	
	18	2/29/00	
	19	2/29/00	
	20	2/29/00	
	21	2/29/00	
	22	2/29/00	
	23	2/29/00	
	24	2/29/00	
	25	2/29/00	
	26	2/29/00	
Terms/Conditions Part B		2/29/00	
1-Resale	1	2/29/00	

**AGREEMENT IMPLEMENTATION TEMPLATE (Residence)**  
**for**  
**Z-Tel Communications, Inc.**  
**BellSouth Standard Interconnection Agreement**

<b>Attachment Name/Number</b>	<b>Section Number</b>	<b>Version Date</b>	<b>Planned Activities</b>
	2	2/29/00	
	3	2/29/00	
	4	2/29/00	
	5	2/29/00	
	6	2/29/00	
	7	2/29/00	
	8	2/29/00	
	9	2/29/00	
	10	2/29/00	
	11	2/29/00	
	12	2/29/00	
	13	2/29/00	
	Exhibit A	2/29/00	
	Exhibit B	2/29/00	
	Exhibit C	2/29/00	
	Exhibit D	2/29/00	
	Exhibit E	2/29/00	
	Exhibit F	2/29/00	
	Exhibit G	2/29/00	
		2/29/00	
2-Network Elements & Other Services	1	2/29/00	
	2	2/29/00	
	3	2/29/00	
	4	2/29/00	
	5	10/19/00	
	6	2/29/00	
	7	2/29/00	
	8	2/29/00	
	9	2/29/00	
	10	2/29/00	

**AGREEMENT IMPLEMENTATION TEMPLATE (Residence)**  
**for**  
**Z-Tel Communications, Inc.**  
**BellSouth Standard Interconnection Agreement**

<b>Attachment Name/Number</b>	<b>Section Number</b>	<b>Version Date</b>	<b>Planned Activities</b>
	11	2/29/00	
	12	2/29/00	
	13	2/29/00	
	14	2/29/00	
	15	2/29/00	
	16	2/29/00	
	17	2/29/00	
	Exhibit A	2/29/00	
	Exhibit B	2/29/00	
	Exhibit C	2/29/00 & 10/25/00	
<b>3-Local Interconnection</b>	1	2/29/00	
	2	2/29/00	
	3	2/29/00	
	4	2/29/00	
	5	2/29/00	
	6	2/29/00	
	7	2/29/00	
	8	2/29/00	
	Exhibit A	2/29/00	
	Exhibit B	2/29/00	
	Exhibit C	2/29/00	
	Exhibit D	2/29/00	
	Exhibit E	2/29/00	
<b>4-Physical Collocation</b>	1	2/29/00	
	2	2/29/00	
	3	2/29/00	
	4	2/29/00	
	5	2/29/00	
	6	2/29/00	
	7	2/29/00	

**AGREEMENT IMPLEMENTATION TEMPLATE (Residence)**  
**for**  
**Z-Tel Communications, Inc.**  
**BellSouth Standard Interconnection Agreement**

<b>Attachment Name/Number</b>	<b>Section Number</b>	<b>Version Date</b>	<b>Planned Activities</b>
	8	2/29/00	
	9	2/29/00	
	10	2/29/00	
	11	2/29/00	
	12	2/29/00	
	13	2/29/00	
	14	2/29/00	
	Exhibit A	2/29/00	
	Exhibit B	2/29/00	
5-Access to Numbers & Number Portability		2/29/00	
	1		
	2	2/29/00	
	3	2/29/00	
	4	2/29/00	
	5	2/29/00	
	6	2/29/00	
	7	2/29/00	
	8	2/29/00	
	Exhibit A	2/29/00	
6-Ordering/Provisioning		2/29/00	
	1	2/29/00	
	2	2/29/00	
	3	2/29/00	
7-Billing & Billing Accuracy Certification		2/29/00	
	1		
	2	2/29/00	
	3	2/29/00	
	4	2/29/00	
	5	2/29/00	
	6	2/29/00	
	7	2/29/00	
	Exhibit A	2/29/00	

**AGREEMENT IMPLEMENTATION TEMPLATE (Residence)  
for  
Z-Tel Communications, Inc.  
BellSouth Standard Interconnection Agreement**

<b>Attachment Name/Number</b>	<b>Section Number</b>	<b>Version Date</b>	<b>Planned Activities</b>
8-ROW/Conduits/PoleAtt	1	2/29/00	
9-Perf Measurement	Pre-Ordering	2/29/00	
	Ordering	2/29/00	
	Provisioning	2/29/00	
	Maint/Repair	2/29/00	
	Billing	2/29/00	
	Opr Svcs/DA	2/29/00	
	E911	2/29/00	
	Trunk Grp Perf	2/29/00	
	Collocation	2/29/00	
	Appendix A	2/29/00	
	Appendix B	2/29/00	
	Appendix C	2/29/00	
10-Executive Summary		2/29/00	
		2/29/00	
11-Disaster Recovery		2/29/00	
		2/29/00	



**AGREEMENT IMPLEMENTATION TEMPLATE (Business)**  
**for**  
**Z-Tel Communications, Inc.**  
**BellSouth Standard Interconnection Agreement**

<b>Agreement Effective Date:</b>	<b>Agreement Expiration Date:</b>
<b>Account Manager:</b>	<b>Account Manager Tel No:</b>

Attachment Name	Section No.	Version Date	Planned Activities
Terms/Conditions PartA	1		
	2		
	3		
	4		
	5		
	6		
	7		
	8		
	9		
	10		
	11		
	12		
	13		
	14		
	15		
	16		
	17		
	18		
	19		
	20		
	21		
	22		
	23		
	24		
	25		
	26		
Terms/Conditions Part B			
1-Resale	1		

**AGREEMENT IMPLEMENTATION TEMPLATE (Business)**  
**for**  
**Z-Tel Communications, Inc.**  
**BellSouth Standard Interconnection Agreement**

Attachment Name	Section No.	Version Date	Planned Activities
	2		
	3		
	4		
	5		
	6		
	7		
	8		
	9		
	10		
	11		
	12		
	13		
	Exhibit A		
	Exhibit B		
	Exhibit C		
	Exhibit D		
	Exhibit E		
	Exhibit F		
	Exhibit G		
	Exhibit H		
2-Network Elements & Other Services	1		
	2		
	3		
	4		
	5		
	6		
	7		
	8		
	9		
	10		

**AGREEMENT IMPLEMENTATION TEMPLATE (Business)**  
**for**  
**Z-Tel Communications, Inc.**  
**BellSouth Standard Interconnection Agreement**

Attachment Name	Section No.	Version Date	Planned Activities
	11		
	12		
	13		
	14		
	15		
	16		
	17		
	Exhibit A		
	Exhibit B		
	Exhibit C		
3-Local Interconnection	1		
	2		
	3		
	4		
	5		
	6		
	7		
	8		
	Exhibit A		
4-Physical Collocation	1		
	2		
	3		
	4		
	5		
	6		
	7		
	8		
	9		
	10		
	11		
	12		

**AGREEMENT IMPLEMENTATION TEMPLATE (Business)**  
**for**  
**Z-Tel Communications, Inc.**  
**BellSouth Standard Interconnection Agreement**

<b>Attachment Name</b>	<b>Section No.</b>	<b>Version Date</b>	<b>Planned Activities</b>
	13		
	14		
	Exhibit A		
	Exhibit B		
5-Access to Numbers & Number Portability	1		
	2		
	3		
	4		
	5		
	6		
	7		
	8		
	Exhibit A		
6-Ordering/Provisioning	1		
	2		
	3		
7-Billing & Billing Accuracy Certification	1		
	2		
	3		
	4		
	5		
	6		
	7		
	Exhibit A		
8-ROW/Conduits/PoleAtt	1		
9-Perf Measurement	Pre-Ordering		
	Ordering		
	Provisioning		
	Maint/Repair		

**AGREEMENT IMPLEMENTATION TEMPLATE (Business)**  
**for**  
**Z-Tel Communications, Inc.**  
**BellSouth Standard Interconnection Agreement**

<b>Attachment Name</b>	<b>Section No.</b>	<b>Version Date</b>	<b>Planned Activities</b>
	Billing		
	Opr Svcs/DA		
	E911		
	Trunk Grp Perf		
	Collocation		
	Appendix A		
	Appendix B		
	Appendix C		

**Attachment 11**  
**BellSouth Disaster Recovery Plan**

***2000  
BELLSOUTH  
DISASTER RECOVERY PLANNING  
For  
CLECS***

**CONTENTS**

	<b><u>PAGE</u></b>
1.0 Purpose	4
2.0 Single Point of Contact	4
3.0 Identifying the Problem	4
3.1 Site Control	5
3.2 Environmental Concerns	6
4.0 The Emergency Control Center (ECC)	6
5.0 Recovery Procedures	7
5.1 CLEC Outage	7
5.2 BellSouth Outage	7
5.2.1 Loss of Central Office	8
5.2.2 Loss of a Central Office with Serving Wire Center Functions	8
5.2.3 Loss of a Central Office with Tandem Functions	8
5.2.4 Loss of a Facility Hub	9
5.3 Combined Outage (CLEC and BellSouth Equipment)	9
6.0 T1 Identification Procedures	9
7.0 Acronyms	10



## **1.0 PURPOSE**

In the unlikely event of a disaster occurring that affects BellSouth's long-term ability to deliver traffic to a Competitive Local Exchange Carrier (CLEC), general procedures have been developed to hasten the recovery process. Since each location is different and could be affected by an assortment of potential problems, a detailed recovery plan is impractical. However, in the process of reviewing recovery activities for specific locations, some basic procedures emerge that appear to be common in most cases.

These general procedures should apply to any disaster that affects the delivery of traffic for an extended time period. Each CLEC will be given the same consideration during an outage and service will be restored as quickly as possible.

This document will cover the basic recovery procedures that would apply to every CLEC.

## **2.0 SINGLE POINT OF CONTACT**

When a problem is experienced, regardless of the severity, the BellSouth Network Management Center (NMC) will observe traffic anomalies and begin monitoring the situation. Controls will be appropriately applied to insure the sanity of BellSouth's network; and, in the event that a switch or facility node is lost, the NMC will attempt to circumvent the failure using available reroutes.

BellSouth's NMC will remain in control of the restoration efforts until the problem has been identified as being a long-term outage. At that time, the NMC will contact BellSouth's Emergency Control Center (ECC) and relinquish control of the recovery efforts. Even though the ECC may take charge of the situation, the NMC will continue to monitor the circumstances and restore traffic as soon as damaged network elements are revitalized.

**The telephone number for the BellSouth Network Management Center in Atlanta, as published in Telcordia's National Network Management Directory, is 404-321-2516.**

## **3.0 IDENTIFYING THE PROBLEM**

During the early stages of problem detection, the NMC will be able to tell which CLECs are affected by the catastrophe. Further analysis and/or first hand observation will determine if the disaster has affected CLEC equipment only; BellSouth equipment only or a combination. The initial restoration activity will be largely determined by the equipment that is affected.

Once the nature of the disaster is determined and after verifying the cause of the problem, the NMC will initiate reroutes and/or transfers that are jointly agreed upon by the affected CLECs' Network Management Center and the BellSouth NMC. The type and percentage of controls used will depend upon available network capacity. Controls necessary to stabilize the situation will be invoked and the NMC will attempt to re-establish as much traffic as possible.

For long term outages, recovery efforts will be coordinated by the Emergency Control Center (ECC). Traffic controls will continue to be applied by the NMC until facilities are re-established. As equipment is made available for service, the ECC will instruct the NMC to begin removing the controls and allow traffic to resume.

### 3.1 SITE CONTROL

In the total loss of building use scenario, what likely exists will be a smoking pile of rubble. This rubble will contain many components that could be dangerous. It could also contain any personnel on the premises at the time of the disaster. For these reasons, the local fire marshal with the assistance of the police will control the site until the building is no longer a threat to surrounding properties and the companies have secured the site from the general public.

During this time, the majority owner of the building should be arranging for a demolition contractor to mobilize to the site with the primary objective of reaching the cable entrance facility for a damage assessment. The results of this assessment would then dictate immediate plans for restoration, both short term and permanent.

In a less catastrophic event, i.e., the building is still standing and the cable entrance facility is usable, the situation is more complex. The site will initially be controlled by local authorities until the threat to adjacent property has diminished. Once the site is returned to the control of the companies, the following events should occur.

An initial assessment of the main building infrastructure systems (mechanical, electrical, fire & life safety, elevators, and others) will establish building needs. Once these needs are determined, the majority owner should lead the building restoration efforts. There may be situations where the site will not be totally restored within the confines of the building. The companies must individually determine their needs and jointly assess the cost of permanent restoration to determine the overall plan of action.

Multiple restoration trailers from each company will result in the need for designated space and installation order. This layout and control is required to maximize the amount of restoration equipment that can be placed at the site, and the priority of placements.

Care must be taken in this planning to insure other restoration efforts have logistical access to the building. Major components of telephone and building equipment will need to be removed and replaced. A priority for this equipment must also be jointly established to facilitate overall site restoration. (Example: If the AC switchgear has sustained damage, this would be of the highest priority in order to regain power, lighting, and HVAC throughout the building.)

If the site will not accommodate the required restoration equipment, the companies would then need to quickly arrange with local authorities for street closures, rights of way or other possible options available.

### **3.2 ENVIRONMENTAL CONCERNS**

In the worse case scenario, many environmental concerns must be addressed. Along with the police and fire marshal, the state environmental protection department will be on site to monitor the situation.

Items to be concerned with in a large central office building could include:

1. Emergency engine fuel supply. Damage to the standby equipment and the fuel handling equipment could have created "spill" conditions that have to be handled within state and federal regulations.
2. Asbestos containing materials that may be spread throughout the wreckage. Asbestos could be in many components of building, electrical, mechanical, outside plant distribution, and telephone systems.
3. Lead and acid. These materials could be present in potentially large quantities depending upon the extent of damage to the power room.
4. Mercury and other regulated compounds resident in telephone equipment.
5. Other compounds produced by the fire or heat.

Once a total loss event occurs at a large site, local authorities will control immediate clean up (water placed on the wreckage by the fire department) and site access.

At some point, the companies will become involved with local authorities in the overall planning associated with site clean up and restoration. Depending on the clean up approach taken, delays in the restoration of several hours to several days may occur.

In a less severe disaster, items listed above are more defined and can be addressed individually depending on the damage.

In each case, the majority owner should coordinate building and environmental restoration as well as maintain proper planning and site control.

### **4.0 THE EMERGENCY CONTROL CENTER (ECC)**

The ECC is located in the Colonnade Building in Birmingham, Alabama. During an emergency, the ECC staff will convene a group of pre-selected experts to inventory the damage and initiate corrective actions. These experts have regional access to BellSouth's personnel and equipment and will assume control of the restoration activity anywhere in the nine-state area.

In the past, the ECC has been involve with restoration activities resulting from hurricanes, ice storms and floods. They have demonstrated their capabilities during these calamities as well as

during outages caused by human error or equipment failures. This group has an excellent record of restoring service as quickly as possible.

During a major disaster, the ECC may move emergency equipment to the affected location, direct recovery efforts of local personnel and coordinate service restoration activities with the CLECs. The ECC will attempt to restore service as quickly as possible using whatever means is available; leaving permanent solutions, such as the replacement of damaged buildings or equipment, for local personnel to administer.

Part of the ECC's responsibility, after temporary equipment is in place, is to support the NMC efforts to return service to the CLECs. Once service has been restored, the ECC will return control of the network to normal operational organizations. Any long-term changes required after service is restored will be made in an orderly fashion and will be conducted as normal activity.

## **5.0 RECOVERY PROCEDURES**

The nature and severity of any disaster will influence the recovery procedures. One crucial factor in determining how BellSouth will proceed with restoration is whether or not BellSouth's equipment is incapacitated. Regardless of who's equipment is out of service, BellSouth will move as quickly as possible to aid with service recovery; however, the approach that will be taken may differ depending upon the location of the problem.

### **5.1 CLEC OUTAGE**

For a problem limited to one CLEC (or a building with multiple CLECs), BellSouth has several options available for restoring service quickly. For those CLECs that have agreements with other CLECs, BellSouth can immediately start directing traffic to a provisional CLEC for completion. This alternative is dependent upon BellSouth having concurrence from the affected CLECs.

Whether or not the affected CLECs have requested a traffic transfer to another CLEC will not impact BellSouth's resolve to re-establish traffic to the original destination as quickly as possible.

### **5.2 BELLSOUTH OUTAGE**

Because BellSouth's equipment has varying degrees of impact on the service provided to the CLECs, restoring service from damaged BellSouth equipment is different. The outage will probably impact a number of Carriers simultaneously. However, the ECC will be able to initiate immediate actions to correct the problem.

A disaster involving any of BellSouth's equipment locations could impact the CLECs, some more than others. A disaster at a Central Office (CO) would only impact the delivery of traffic to and from that one location, but the incident could affect many Carriers. If the Central Office is a Serving Wire Center (SWC), then traffic from the entire area to those Carriers served from that switch would also be impacted. If the switch functions as an Access Tandem, or there is a tandem in the building, traffic from every CO to every CLEC could be interrupted. A disaster that destroys a facility hub could disrupt various traffic flows, even though the switching equipment may be unaffected.

The NMC would be the first group to observe a problem involving BellSouth's equipment. Shortly after a disaster, the NMC will begin applying controls and finding re-routes for the

completion of as much traffic as possible. These reroutes may involve delivering traffic to alternate Carriers upon receiving approval from the CLECs involved. In some cases, changes in translations will be required. If the outage is caused by the destruction of equipment, then the ECC will assume control of the restoration.

### **5.2.1 Loss of a Central Office**

When BellSouth loses a Central Office, the ECC will

- a) Place specialists and emergency equipment on notice;
- b) Inventory the damage to determine what equipment and/or functions are lost;
- c) Move containerized emergency equipment and facility equipment to the stricken area, if necessary;
- d) Begin reconnecting service for Hospitals, Police and other emergency agencies; and
- e) Begin restoring service to CLECs and other customers.

### **5.2.2 Loss of a Central Office with Serving Wire Center Functions**

The loss of a Central Office that also serves as a Serving Wire Center (SWC) will be restored as described in section 5.2.1.

### **5.2.3 Loss of a Central Office with Tandem Functions**

When BellSouth loses a Central Office building that serves as an Access Tandem and as a SWC, the ECC will

- a) Place specialists and emergency equipment on notice;
- b) Inventory the damage to determine what equipment and/or functions are lost;
- c) Move containerized emergency equipment and facility equipment to the stricken area, if necessary;
- d) Begin reconnecting service for Hospitals, Police and other emergency agencies;
- e) Re-direct as much traffic as possible to the alternate access tandem (if available) for delivery to those CLECs utilizing a different location as a SWC;
- f) Begin aggregating traffic to a location near the damaged building. From this location, begin re-establishing trunk groups to the CLECs for the delivery of traffic normally found on the direct trunk groups. (This aggregation point may be the alternate access tandem location or another CO on a primary facility route.)
- g) Begin restoring service to CLECs and other customers.

### **5.2.4 Loss of a Facility Hub**

In the event that BellSouth loses a facility hub, the recovery process is much the same as above. Once the NMC has observed the problem and administered the appropriate controls, the ECC will assume authority for the repairs. The recovery effort will include

- a) Placing specialists and emergency equipment on notice;
- b) Inventorying the damage to determine what equipment and/or functions are lost;
- c) Moving containerized emergency equipment to the stricken area, if necessary;
- d) Reconnecting service for Hospitals, Police and other emergency agencies; and
- e) Restoring service to CLECs and other customers. If necessary, BellSouth will aggregate the traffic at another location and build temporary facilities. This alternative would be viable for a location that is destroyed and building repairs are required.

### **5.3 COMBINED OUTAGE (CLEC AND BELLSOUTH EQUIPMENT)**

In some instances, a disaster may impact BellSouth's equipment as well as the CLECs'. This situation will be handled in much the same way as described in section 5.2.3. Since BellSouth and the CLECs will be utilizing temporary equipment, close coordination will be required.

### **6.0 T1 IDENTIFICATION PROCEDURES**

During the restoration of service after a disaster, BellSouth may be forced to aggregate traffic for delivery to a CLEC. During this process, T1 traffic may be consolidated onto DS3s and may become unidentifiable to the Carrier. Because resources will be limited, BellSouth may be forced to "package" this traffic entirely differently than normally received by the CLECs. Therefore, a method for identifying the T1 traffic on the DS3s and providing the information to the Carriers is required.

## **7.0 ACRONYMS**

- CO - Central Office (BellSouth)
- DS3 - Facility that carries 28 T1s (672 circuits)
- ECC - Emergency Control Center (BellSouth)
- CLEC - Competitive Local Exchange Carrier
- NMC - Network Management Center
- SWC - Serving Wire Center (BellSouth switch)
- T1 - Facility that carries 24 circuits

### **Hurricane Information**

During a hurricane, BellSouth will make every effort to keep CLECs updated on the status of our network. Information centers will be set up throughout BellSouth Telecommunications. These centers are not intended to be used for escalations, but rather to keep the CLEC informed of network related issues, area damages and dispatch conditions, etc.

Hurricane-related information can also be found on line at [http://www.interconnection.bellsouth.com/network/disaster/dis\\_resp.htm](http://www.interconnection.bellsouth.com/network/disaster/dis_resp.htm). Information concerning Mechanized Disaster Reports can also be found at this website by clicking on CURRENT MDR REPORTS or by going directly to <http://www.interconnection.bellsouth.com/network/disaster/mdrs.htm>.

### **BST Disaster Management Plan**

BellSouth maintenance centers have geographical and redundant communication capabilities. In the event of a disaster removing any maintenance center from service another geographical center would assume maintenance responsibilities. The contact numbers will not change and the transfer will be transparent to the CLEC.



**Attachment 12**  
**High Frequency Spectrum**

## GENERAL

- 1.0 BellSouth shall provide Z-Tel access to the high frequency portion of the local loop as an unbundled network element (“High Frequency Spectrum”) the rates set forth in Section 4 herein. BellSouth shall provide Z-Tel with the High Frequency Spectrum irrespective of whether BellSouth chooses to offer xDSL services on the loop.
  - 1.1 The High Frequency Spectrum is defined as the frequency range above the voiceband on a copper loop facility carrying analog circuit-switched voiceband transmissions. Access to the High Frequency Spectrum is intended to allow Z-Tel’s the ability to provide Digital Subscriber Line (“xDSL”) data services. The High Frequency Spectrum shall be available for any version of xDSL presumed acceptable for deployment pursuant to 47 C.F.R. Section 51.230, including, but not limited to, ADSL, RADSL, and any other xDSL technology that is presumed to be acceptable for deployment pursuant to FCC rules. BellSouth will continue to have access to the low frequency portion of the loop spectrum (from 300 Hertz to at least 3000 Hertz, and potentially up to 3400 Hertz, depending on equipment and facilities) for the purposes of providing voice service. Z-Tel shall only use xDSL technology that is within the PSD mask parameters set forth in T1.413, other applicable industry standards, or as otherwise allowed by the FCC line sharing order (FCC 99-355 released December 9, 1999). Z-Tel shall provision xDSL service on the High Frequency Spectrum in accordance with the applicable technical specifications and standards.
  - 1.2 The following loop requirements are necessary for Z-Tel to be able to access the High Frequency Spectrum: an unconditioned, 2-wire copper loop. An unconditioned loop is a copper loop with no load coils, low-pass filters, range extenders, DAMLs, or similar devices and minimal bridged taps consistent with ANSI T1.413 and T1.601. The process of removing such devices is called “conditioning.” BellSouth shall charge and Z-Tel shall pay as interim rates, the same rates that BellSouth charges for conditioning stand-alone loops (e.g., unbundled copper loops, ADSL loops, and HDSL loops) until permanent pricing for loop conditioning is established either by mutual agreement or by a state public utility commission. The interim costs for conditioning are subject to true up as provided in paragraph 4.0. BellSouth will condition loops to enable Z-Tel to provide xDSL-based services on the same loops the incumbent is providing analog voice service,

regardless of loop length. BellSouth is not required to condition a loop for shared-line xDSL if conditioning of that loop significantly degrades BellSouth's voice service, provided BellSouth makes the affirmative showing to the relevant state commission that conditioning the specific loop in question will significantly degrade voice band services. BellSouth shall charge, and Z-Tel shall pay, for such conditioning the same rates BellSouth charges for conditioning stand-alone loops (e.g., unbundled copper loops, ADSL loops, and HDSL loops.) If Z-Tel requests that BellSouth condition a loop longer than 18,000 ft. and such conditioning significantly degrades the voice services on the loop, Z-Tel shall pay for the loop to be restored to its original state.

- 1.3 Z-Tel's meet point is the point of termination for Z-Tel's or the toll main distributing frame in the central office ("Meet Point"). BellSouth will use jumpers to connect the Z-Tel's connecting block to the splitter. The splitter will route the High Frequency Spectrum on the circuit to the Z-Tel's xDSL equipment in the Z-Tel's collocation space. The "Splitter" is a device that divides the data and voice signals concurrently moving across the loop, directing the voice traffic to the BellSouth switch and the data traffic to Z-Tel owned equipment. For Z-Tel owned splitters, BellSouth and Z-Tel will work together to develop a solution for an Integrated DSLAM/Splitter.
- 1.4 Z-Tel shall have access to the Splitter for test purposes, irrespective of where the Splitter is placed in the BellSouth premises.

## **PROVISIONING OF HIGH FREQUENCY SPECTRUM AND SPLITTER SPACE**

2.0 BellSouth will provide Z-Tel with access to the High Frequency Spectrum as follows:

- 2.1 BellSouth Owned Splitters
  - 2.1.1 BellSouth is unable to obtain a sufficient number of splitters for placement in all central offices requested by competitive local exchange carriers ("CLECs") by June 6, 2000. Therefore, BellSouth, Z-Tel and other CLECs have developed a process for allocating the initial orders of splitters. BellSouth will install all splitters ordered on or before April 28, 2000, in accordance with the schedule set forth in Attachment 1 of this Agreement. Once all splitters ordered by all CLECs

on or before April 28, 2000, have been installed, BellSouth will install splitters within forty-two (42) calendar days of Z-Tel's submission of such order to the BellSouth Complex Resale Support Group; provided, however, that in the event BellSouth did not have reasonable notice that a particular central office was to have a splitter installed therein, the forty-two (42) day interval shall not apply. Collocation itself or an application for collocation will serve as reasonable notice. BellSouth and Z-Tel will reevaluate this forty-two (42) day interval on or before August 1, 2000.

- 2.1.2 BellSouth will select, purchase, install, and maintain a central office POTS splitter and provide Z-Tel access to data ports on the splitter. In the event that BellSouth elects to use a brand of splitter other than Siecor, the Parties shall renegotiate the recurring and non-recurring rates associated with the splitter. In the event the Parties cannot agree upon such rates, the then current rates (final or interim) for the Siecor splitter shall be the interim rates for the new splitter. BellSouth will provide Z-Tel with a carrier notification letter at least 30 days before such change and shall work collaboratively with Z-Tel to select a mutually agreeable brand of splitter for use by BellSouth. Z-Tel shall thereafter purchase ports on the splitter as set forth more fully below.
- 2.1.3 BellSouth will install the splitter in (i) a common area close to the Z-Tel collocation area, if possible; or (ii) in a BellSouth relay rack as close to the Z-Tel DS0 termination point as possible. For purposes of this section, a common area is defined as an area in the central office in which both Parties have access to a common test access point. BellSouth will cross-connect the splitter data ports to a specified Z-Tel DS0 at such time that a Z-Tel end user's service is established.

## 2.2 Z-Tel Owned Splitters

- 2.2.1 Upon completion of the conditions set forth in 2.2.2.1, 2.2.2.2, and 2.2.2.3, BellSouth (i) shall

provide Z-Tel with the option of purchasing, installing, and maintaining central office POTS splitters in its collocation arrangements, and (ii) shall enable Z-Tel to obtain access to, and provide digital subscriber line services to Z-Tel' Customers via, High Frequency Spectrum Network Elements that utilize such splitters.

2.2.2 Consistent with this splitter option, the Parties agree to meet collaboratively as often as necessary to resolve the following operational issues if not already resolved and in place by BellSouth prior to Z-Tel's deployment of its own splitter in its collocation arrangement

2.2.2.1 Maintenance & Repair procedures must be established for locating and resolving voice troubles found to be in Z-Tel' equipment or wiring.

2.2.2.2 Procedures will be developed for BellSouth's testing of voice circuits that enter Z-Tel collocation arrangement.

2.2.2.3 COSMOS must be modified to be able to accept two CFA pair assignments from Z-Tel when Z-Tel orders High Frequency Spectrum. In order for this modification of COSMOS to be completed as quickly as possible, the Parties agree as follows:

2.2.2.3.1 Z-Tel shall identify for BellSouth the cable pairs in specific central offices that Z-Tel intends to use for line sharing; and

2.2.2.3.2 Within 60 days of Z-Tel supplying identified cable pairs as described in 2.2.2.3.1, BellSouth agrees to complete modifications to

COSMOS for these cable pairs.

2.2.2.3.2.1 If it is not technically feasible for BellSouth to complete these modifications within 60 days, BellSouth will use its best efforts to develop a work-around solution that will enable Z-Tel to provide its services using High Frequency Spectrum and Z-Tel' splitters by within the 60 days. In the event such a work-around must be developed, BellSouth agrees to work collaboratively with Z-Tel to develop said work-around and the Parties shall use their best efforts to develop a work-around that enables BellSouth to access records for maintenance and repair purposes.

2.2.2.4 In the event Z-Tel desires to place a splitter in its physical collocation space, and such placement does not require additional cabling, cable racking, or space, BellSouth will not require an application to modify existing collocation space pursuant to Attachment 4 of the Agreement.

A splitter, for purposes of this Agreement, is a passive device requiring no power and emitting no heat. Z-Tel shall provide BellSouth ten (10) calendar days advance written notice of its intent to place a splitter in its collocation space. Such notice shall include the following: (1) the date Z-Tel anticipates commencing the work; and (2) the estimated date of completion. Prior to installation of the splitter, Z-Tel or its certified vendor will provide a Methods of Procedure for each affected collocation space. In the event the equipment installed by Z-Tel does not comply with Section 16.2.2.4, below, or with applicable provisions of Attachment 4 of the Agreement, BellSouth, upon delivery of written notice to Z-Tel, may require Z-Tel to remedy such non-compliance. Such remedy may include removal of the equipment installed if such removal is necessary to comply with Section 3.8 of Attachment 4 of the Agreement. BellSouth shall permit Z-Tel a reasonable amount of time to remedy such noncompliance unless such noncompliance is of a character that poses an immediate and substantial threat of damage to property, injury or death to any person.

2.2.2.5 Any splitters installed by Z-Tel in its collocation arrangements shall comply with ANSI T1.413, Annex E, or any future ANSI splitter standards. BellSouth shall also permit Z-Tel to install any splitters in that BellSouth deploys or permits to be deployed for itself or any BellSouth Affiliate.

- 2.5 The High Frequency Spectrum shall only be available on loops on which BellSouth is also providing, and continues to provide, analog voice service. In the event the end-user terminates its BellSouth provided voice service for any reason, and Z-Tel desires to continue providing xDSL service on such loop, Z-Tel shall be required to purchase the full stand-alone loop unbundled network element. In the event BellSouth disconnects the end-user's voice service pursuant to its tariffs or applicable law, and Z-Tel desires to continue providing xDSL service on such loop, Z-Tel shall be required to purchase the full stand-alone loop unbundled network element.
- 2.6 Z-Tel shall utilize procedures for provisioning the High Frequency Spectrum developed by BellSouth and other carriers if such procedures exist. At Z-Tel's request, Z-Tel and BellSouth shall work together collaboratively to develop systems and processes for provisioning the High Frequency Spectrum High Frequency Spectrum in various real life scenarios, provided relevant procedures are not otherwise adequately addressed in existing procedures. Z-Tel shall be entitled to purchase the High Frequency Spectrum High Frequency Spectrum on a loop that is provisioned over fiber fed digital loop carrier. BellSouth will provide Z-Tel with access to feeder subloops at UNE prices. At Z-Tel's request, BellSouth and Z-Tel Z-Tel will work together to establish methods and procedures for providing Z-Tel access to the High Frequency Spectrum High Frequency Spectrum over fiber fed digital loop carriers.
- 2.7 Only one competitive local exchange carrier shall be permitted access to the High Frequency Spectrum High Frequency Spectrum of any particular loop.
- 2.8 To order High Frequency Spectrum High Frequency Spectrum on a particular loop, Z-Tel must have a DSLAM collocated in the central office that serves the end-user of such loop. BellSouth will work collaboratively with Z-Tel to create a concurrent process that allows Z-Tel to order splitters in central offices where Z-Tel is in the process of obtaining collocation space and enables BellSouth to install such splitters before the end of Z-Tel's collocation provisioning interval. While that process is being developed, Z-Tel may order splitters in a central office once it has installed its Digital Subscriber Line Access Multiplexer ("DSLAM") in that central office. BellSouth will install these splitters within the interval provided in paragraph 2.1.



- 2.9 BellSouth will devise a splitter order form that allows Z-Tel to order splitter ports in increments of 24 or 96 ports.
- 2.10 BellSouth will provide Z-Tel the Local Service Request (“LSR”) format to be used when ordering the High Frequency Spectrum.
- 2.11 BellSouth will provide access to the High Frequency Spectrum at intervals to Z-Tel at parity with those intervals provided to itself, its affiliates or other carriers. BellSouth will initially provide access to the High Frequency Spectrum within the following intervals: Beginning on June 6, 2000, BellSouth will return a Firm Order Confirmation (“FOC”) in no more than two (2) business days. BellSouth will provide Z-Tel with access to the High Frequency Spectrum as follows:
- 2.11.1 For 1-5 lines at the same address within three (3) business days from the receipt of the FOC; 6-10 lines at same address within five (5) business days from the receipt of the FOC; and more that 10 lines at the same address is to be negotiated. BellSouth and Z-Tel will re-evaluate these intervals on or before August 1, 2000.
- 2.12 Z-Tel will initially use BellSouth’s existing pre-qualification functionality and order processes to pre-qualify line and order the High Frequency Spectrum. Z-Tel and BellSouth will continue to work together to modify these functionalities and processes to better support provisioning the High Frequency Spectrum. BellSouth will use its best efforts to make available to Z-Tel, by the fourth quarter of 2000, an electronic pre-ordering, ordering, provisioning, repair and maintenance and billing functionalities for the High Frequency Spectrum. Loop prequalification and loop qualification for the High Frequency Spectrum shall be as described in Section X of this Attachment.

## **MAINTENANCE AND REPAIR**

- 3.0 Z-Tel shall have access, for test, repair, and maintenance purposes, to any loop as to which it has access to the High Frequency Spectrum. Z-Tel may access the loop at the point where the combined voice and data signal exits the central office splitter.
- 3.1 BellSouth will be responsible for repairing voice services and the physical line between the network interface device at the customer

premise and the Meet Point of demarcation in the central office. Z-Tel will be responsible for repairing data services. Each Party will be responsible for maintaining its own equipment.

- 3.2 If the problem encountered appears to impact primarily the xDSL service, the end user should call Z-Tel. If the problem impacts primarily the voice service, the end user should call BellSouth. If both services are impaired, the recipient of the call should coordinate with the other service provider(s).
- 3.3 BellSouth and Z-Tel will work together to diagnose and resolve any troubles reported by the end-user and to develop a process for repair of lines as to which Z-Tel has access to the High Frequency Spectrum. The Parties will continue to work together to address customer initiated repair requests and other customer impacting maintenance issues to better support unbundling of High Frequency Spectrum.
  - 3.3.1 The Parties will be responsible for testing and isolating troubles on its respective portion of the loop. Once a Party ("Reporting Party") has isolated a trouble to the other Party's ("Repairing Party") portion of the loop, the Reporting Party will notify the Repairing Party that the trouble is on the Repairing Party's portion of the loop. The Repairing Party will take the actions necessary to repair the loop if it determines a trouble exists in its portion of the loop.
  - 3.3.2 If a trouble is reported on either Party's portion of the loop and no trouble actually exists, the Repairing Party may charge the Reporting Party for any dispatching and testing (both inside and outside the central office) required by the Repairing Party in order to confirm the loop's working status.
- 3.4 In the event Z-Tel's deployment of xDSL on the High Frequency Spectrum significantly degrades the performance of other advanced services or of BellSouth's voice service on the same loop, BellSouth shall notify Z-Tel and allow twenty-four (24) hours to cure the trouble. If Z-Tel fails to resolve the trouble, BellSouth may discontinue Z-Tel's access to the High Frequency Spectrum on such loop.

## **PRICING**

- 4.0 BellSouth and Z-Tel agree to the following negotiated, interim rates for the High Frequency Spectrum. All interim prices will be subject to true up based on either mutually agreed to permanent pricing or permanent pricing

established in a line sharing cost proceeding conducted by state public utility commissions. In the event interim prices are established by state public utility commissions before permanent prices are established, either through arbitration or some other mechanism, the interim prices established in this Agreement will be changed to reflect the interim prices mandated by the state public utility commissions; however, no true up will be performed until mutually agreed to permanent prices are established or permanent prices are established by state public utility commissions. Once a docket in a particular state in BellSouth's region has been opened to determine permanent prices for the High Frequency Spectrum, BellSouth will provide cost studies for that state for the High Frequency Spectrum upon Z-Tel's written request, within 30 days or such other date as may be ordered by a state commission. All cost related information shall be provided pursuant to a proprietary, non-disclosure agreement.

- 4.1 BellSouth and Z-Tel enter into this Agreement without waiving current or future relevant legal rights and without prejudicing any position BellSouth or Z-Tel may take on relevant issues before state or federal regulatory or legislative bodies or courts of competent jurisdiction. This clause specifically contemplates but is not limited to: (a) the positions BellSouth or Z-Tel may take in any cost docket related to the terms and conditions associated with access to the High Frequency Spectrum; and (b) the positions that BellSouth or Z-Tel might take before the FCC or any state public utility commission related to the terms and conditions under which BellSouth must provide Z-Tel with access to the High Frequency Spectrum. The interim rates set forth herein were adopted as a result of a compromise between the parties and do not reflect either party's position as to final rates for access to the High Frequency Spectrum.
- 4.2 In the event of a conflict between the terms of this Attachment and the terms of the remainder of the Interconnection Agreement, the terms of this Amendment shall prevail.

DESCRIPTION	USOC	RATES BY STATE								
		AL	FL	GA	KY	LA	MS	NC	SC	TN
<b>SYSTEM, SPLITTER – 96 LINE CAPACITY</b>	ULSDA									
Monthly recurring		\$100	\$100	\$100	\$100	\$100	\$100	\$100	\$100	\$100
Non Recurring – 1st		\$300	\$150	\$300	\$300	\$300	\$300	\$300	\$300	\$300
Non Recurring – Add'l.		\$0	\$0	\$0	\$0	\$0	\$0	\$0	\$0	\$0
Non Recurring – Disconnect Only		NA	\$150	NA	NA	NA	NA	NA	NA	NA
<b>SYSTEM, SPLITTER – 24 LINE CAPACITY</b>	ULSDB									
Monthly recurring		\$25	\$25	\$25	\$25	\$25	\$25	\$25	\$25	\$25
Non Recurring		\$300	\$150	\$300	\$300	\$300	\$300	\$300	\$300	\$300
Non Recurring – Add'l.		\$0	\$0	\$0	\$0	\$0	\$0	\$0	\$0	\$0
Non Recurring – Disconnect Only		NA	\$150	NA	NA	NA	NA	NA	NA	NA
<b>LOOP CAPACITY, LINE</b>	ULSDC									

7/6/00

<b>ACTIVATION – PER OCCURRENCE</b>										
Monthly recurring		\$6.00	\$6.00	\$6.00	\$6.00	\$6.00	\$6.00	\$6.00	\$6.00	\$6.00
Non Recurring – 1st		\$40	\$40	\$40	\$40	\$40	\$40	\$40	\$40	\$40
Non Recurring – Add'l.		\$22	\$22	\$22	\$22	\$22	\$22	\$22	\$22	\$22
<b>SUBSEQUENT ACTIVITY – PER OCCURRENCE -</b>	ULSDS									
<b>Non Recurring – 1st</b>		\$30	\$30	\$30	\$30	\$30	\$30	\$30	\$30	\$30
<b>Non Recurring – Add'l.</b>		\$15	\$15	\$15	\$15	\$15	\$15	\$15	\$15	\$15

## ATTACHMENT 1

### CLEC/BellSouth Line Sharing Jointly Developed

#### Rules for Splitter Allocation

BellSouth is unable to obtain a sufficient number of splitters for placement in all central offices requested by competitive local exchange carriers (“CLECs”) by June 6, 2000. As a result of the current shortage of splitters, CLECs and BellSouth developed the following rules for splitter allocation. These rules shall apply until such time as those CLECs participating in the creation of the rules agree that the regular splitter installation rules should apply.

1. There shall be a single CLEC priority list of central offices that shall consist of the Georgia CLEC priority list combined with the priority list from the other states in BellSouth’s nine-state region (the “Priority List”). This priority list shall be used for filling orders; it shall determine the order in which splitters will be deployed in those central offices for which splitters have been ordered. Georgia central offices (CO) will have priority over other state’s COs.
  
2. During the allocation period, a CLEC may order 24 ports or 96 ports. In either event, BellSouth shall install a 96 port splitter in accordance with the Priority List. However, during the allocation period, in the event a CLEC orders 96 ports, BellSouth will only allocate 24 ports of the 96 port splitter to the first CLEC that orders a splitter for that central office, thus creating a backlog of 72 ports that have already been ordered by that CLEC (“Backlog”). In the event of a Backlog, BellSouth will charge CLEC a monthly recurring charge appropriate for the number of ports allocated to CLEC. In addition, if CLEC requested a 96 port splitter, it shall pay a non-recurring charge for a 96 port splitter, but shall pay no non-recurring charges when additional ports are added to alleviate the Backlog.
  
3. BellSouth will allocate, on a first-come/first-served basis, the remaining 72 ports of the splitter (in blocks of 24 ports) to the other CLECs that place an order for a splitter at that same central office.

Orders Submitted by April 28, 2000 with Due Date of June 6, 2000 or Sooner

4. A firm order for a splitter issued to the BellSouth Complex Resale Support Group (CRSG) on or by April 28, 2000, with due date of June 6, 2000, or

7/6/00

sooner, will be given priority over orders received after April 28, 2000. Orders for the first 200 splitters received prior to April 28, 2000, will be installed on or before June 5, 2000, and shall be installed in accordance with the priority list. The first 25 splitter orders shall be installed no later than May 22, 2000.

5. In the event CLECs submit to BellSouth more than 200 splitter orders on or before April 28, 2000, BellSouth shall install fifty (50) splitters a week each week after June 5, 2000.
6. In the event there are more than four (4) orders submitted on or before April 28, 2000, for a splitter at a particular central office, a second splitter will be installed at that central office in accordance with the Priority List.
7. Backlogs associated with orders submitted on or before April 28, 2000 will be fulfilled in their entirety before any orders received after April 28, 2000 are worked. In fulfilling a Backlog, the CLEC's additional ports may not be on the same shelf as the initial 24 ports.

#### Orders Received after April 28, 2000

8. Irrespective of the Priority List, no orders received after April 28, 2000, will be worked until after all orders received on or before April 28, 2000 have been completed.
9. Once all orders received on or before April 28, 2000, have been worked in their entirety, orders received after April 28, 2000, will have a minimum interval of forty-two (42) calendar days from date of receipt.

#### Orders Submitted with Due Dates After June 6, 2000

10. Any order submitted on or before April 28, 2000, with a due date of after June 6, 2000, will be completed according to the due date provided there is available inventory and all orders with a due date of June 6, 2000 or earlier have been completed.

## Georgia Rating/Ranking of Central Offices for Linesharing

March 9, 2000

Covad, Rythms, Northpoint, New Edge

### CLLI                      Combined Ranking

MRTTGAMA	1
RSWLGAMA	2
ATLNGABU	3
ATLNGAPP	4
DLTHGAHS	5
ATLNGASS	6
CHMBGAMA	7
AGSTGAU	8
LRVLGAOS	9
MRTTGAEA	10
SMYRGAMA	11
LLBNGAMA	12
WDSTGACR	13
ATHNGAMA	14
AGSTGAFL	15
AGSTGATH	16
JNBOGAMA	17
NRCRGAMA	18
ATLNGATH	19
ALPRGAMA	20
DNWDGAMA	21
CMNGGAMA	22
AGSTGAMT	23
ALBYGAMA	24
GSVLGAMA	25
SNLVGAMA	26
ATLNGAIC	27
ATLNGAEP	28
TUKRGAMA	29
ROMEGATL	30
VLD SGAMA	31
MACNGAMT	32
ASTLGAMA	33
SMYRGAPF	34
DGVLGAMA	35
ATLNGAEL	36
SNMTGALR	37
CNYRGAMA	38
MACNGAVN	39
WRRBGAMA	40
NWNNGAMA	41
ATLNGAWD	42

GRFNGAMA	43
PANLGAMA	44
BUFRGABH	45
ATLNGACD	46
MACNGAGP	47
SVNHGABS	48
ATLNGACS	49
PTCYGAMA	50
RVDLGAMA	51
STBRGANH	52
MCDNGAGS	53
ATLNGAWE	54
SVNHGADE	55
SVNHGAWB	56
ATLNGAGR	57
ATLNGAAD	58
CRVLGAMA	59
ACWOGAMA	60
ATLNGABH	61
FYVLGASG	62
SVNHGAGC	63
SVNHGAWI	64
ATLNGAFP	65
ATLNGAHR	66
PWSPGAAS	67
CRTNGAMA	68
ATLNGALA	69
MRRWGAMA	70
CLMBGAMT	71
CLMBGAMW	72
LTHNGAJS	73
CVTNGAMT	74
DLLSGAES	75
FRBNGAEB	76
CLMBGABV	77
BRWKGAMA	78
ATLNGAQS	79
CNTNGAXB	80
LGVLGACS	81
SSISGAES	81



## BellSouth Central Offices (All states excluding GA)

Ref. #	CLLI	State	Combined CLEC Rank
312	PRRNFLMA	FL	1
1330	MMPHTNBA	TN	2
1362	NSVLTNMT	TN	3
202	GSVLFLNW	FL	4
1	ALBSALMA	AL	5
13	BRHMALCH	AL	6
268	MLBRFLMA	FL	7
1337	MMPHTNMA	TN	8
285	ORLDFLAP	FL	9
1335	MMPHTNGT	TN	10
208	HLWDFLPE	FL	11
289	ORLDFLPH	FL	12
1333	MMPHTNEL	TN	13
324	STRNFLMA	FL	14
14	BRHMALCP	AL	15
15	BRHMALEL	AL	16
1141	CLMASCSN	SC	17
1240	CHTGTNNS	TN	18
1339	MMPHTNOA	TN	19
1073	RLGHNCSI	NC	20
299	PMBHFLCS	FL	21
698	NWORLASW	LA	22
1354	NSVLTNBW	TN	23
1309	KNVLTNMA	TN	24
16	BRHMALEN	AL	25
17	BRHMALEW	AL	26
1345	MRBOTNMA	TN	27
1364	NSVLTNUN	TN	28
623	KNNRLABR	LA	29
984	CARYNCCE	NC	30
333	WPBHFLGA	FL	31
1356	NSVLTNCH	TN	32
1363	NSVLTNST	TN	33
429	LSVLKYAP	KY	34
20	BRHMALHW	AL	35
21	BRHMALMT	AL	36
638	LFYTLAMA	LA	37
1306	KNTNTNMA	TN	38
693	NWORLAMT	LA	39
149	BCRTFLMA	FL	40
150	BCRTFLSA	FL	41
1340	MMPHTNSL	TN	42
1338	MMPHTNMT	TN	43
307	PNSCFLFP	FL	44
22	BRHMALOM	AL	45
23	BRHMALOX	AL	46
176	DYBHFLMA	FL	47

1352	NSVLTNAP	TN	48
1332	MMPHTNCT	TN	49
334	WPBHFLGR	FL	50
249	MIAMFLCA	FL	51
732	SLIDLAMA	LA	52
1307	KNVLTNBE	TN	53
64	MTGMALDA	AL	54
24	BRHMALRC	AL	55
26	BRHMALVA	AL	56
196	FTPRFLMA	FL	57
1272	FKLNTNMA	TN	58
695	NWORLARV	LA	59
1019	GNBONCAS	NC	60
1068	RLGHNCGL	NC	61
692	NWORLAMR	LA	62
1310	KNVLTNWH	TN	63
179	DYBHFLPO	FL	64
34	BSMRALMA	AL	65
148	BCRTFLBT	FL	66
233	JPTRFLMA	FL	67
1357	NSVLTNDO	TN	68
697	NWORLASK	LA	69
189	FTLDFLJA	FL	70
262	MIAMFLRR	FL	71
288	ORLDFLPC	FL	72
1361	NSVLTNMC	TN	73
667	MONRLAMA	LA	74
664	MNFDLAMA	LA	75
157	BYBHFLMA	FL	76
170	DLBHFLKP	FL	77
554	BTRGLAGW	LA	78
1237	CHTGTNDT	TN	79
232	JCVLFLWC	FL	80
253	MIAMFLHL	FL	81
988	CHRLNCCE	NC	82
431	LSVLKYBR	KY	83
1353	NSVLTNBV	TN	84
1158	FLRNSCMA	SC	85
171	DLBHFLMA	FL	86
174	DRBHFLMA	FL	87
1323	MAVLTNMA	TN	88
1358	NSVLTNGH	TN	89
230	JCVLFLSJ	FL	90
301	PMBHFLMA	FL	91
265	MIAMFLWD	FL	92
287	ORLDFLMA	FL	93
1366	NSVLTNWM	TN	94
164	COCOFLMA	FL	95
187	FTLDFLCR	FL	96
188	FTLDFLCY	FL	97
330	VRBHFLMA	FL	98
1280	GDVLTNMA	TN	99

696	NWORLASC	LA	100
264	MIAMFLSO	FL	101
989	CHRLNCCR	NC	102
683	NWORLAAR	LA	103
1311	KNVLTNYH	TN	104
557	BTRGLAMA	LA	105
190	FTLDFLMR	FL	106
191	FTLDFLOA	FL	107
1250	CLVLTNMA	TN	108
987	CHRLNCCA	NC	109
430	LSVLKYBE	KY	110
338	WPBHFLRP	FL	111
271	MNDRFLLO	FL	112
229	JCVLFLRV	FL	113
1020	GNBONCEU	NC	114
306	PNSCFLBL	FL	115
192	FTLDFLPL	FL	116
194	FTLDFLSU	FL	117
1236	CHTGTNBR	TN	118
986	CHRLNCBO	NC	119
687	NWORLACM	LA	120
1004	CPHLNCRO	NC	121
209	HLWDFLWH	FL	122
1341	MMPHTNST	TN	123
996	CHRLNCSH	NC	124
848	JCSNMSCP	MS	125
195	FTLDFLWN	FL	126
206	HLWDFLHA	FL	127
969	AHVLNCOH	NC	128
995	CHRLNCRE	NC	129
227	JCVLFLNO	FL	130
442	LSVLKYWE	KY	131
1069	RLGHNCHO	NC	132
436	LSVLKYOA	KY	133
992	CHRLNCLP	NC	134
356	BWLGKYMA	KY	135
207	HLWDFLMA	FL	136
218	JCBHFLMA	FL	137
305	PNCYFLMA	FL	138
1022	GNBONCLA	NC	139
220	JCVLFLAR	FL	140
335	WPBHFLHH	FL	141
319	SNFRFLMA	FL	142
439	LSVLKYSM	KY	143
222	JCVLFLCL	FL	144
90	TSCALMT	AL	145
221	JCVLFLBW	FL	146
223	JCVLFLFC	FL	147
1247	CLEVTNMA	TN	148
201	GSVFLMA	FL	149
691	NWORLAMC	LA	150
300	PMBHFLFE	FL	151

293	OVIDFLCA	FL	152
594	FKTNLAMA	LA	153
231	JCVLFLSM	FL	154
66	MTGMALMT	AL	155
243	MIAMFLAE	FL	156
245	MIAMFLAP	FL	157
99	DCTRALMT	AL	158
217	JCBHFLAB	FL	159
286	ORLDFLCL	FL	160
1102	WNSLNCVI	NC	161
428	LSVLKYAN	KY	162
981	BURLNCDA	NC	163
59	MOBLALSH	AL	164
314	PTSLFLMA	FL	165
246	MIAMFLBA	FL	166
248	MIAMFLBR	FL	167
123	HNVIALMT	AL	168
19	BRHMALFS	AL	169
690	NWORLAMA	LA	170
1287	HDVLTNMA	TN	171
290	ORLDFLSA	FL	172
1028	GSTANCSO	NC	173
52	MOBLALAZ	AL	174
1211	SUVLSCMA	SC	175
251	MIAMFLFL	FL	176
252	MIAMFLGR	FL	177
1131	CHTNSCWA	SC	178
54	MOBLALOS	AL	179
75	PNSNALMA	AL	180
1058	MTOLNCCE	NC	181
1070	RLGHNCJO	NC	182
1099	WNSLNCFI	NC	183
124	HNVIALPW	AL	184
472	OWBOKYMA	KY	185
254	MIAMFLIC	FL	186
1125	CHTNSCDP	SC	187
255	MIAMFLKE	FL	188
1140	CLMASCSH	SC	189
441	LSVLKYVS	KY	190
311	PNVDFLMA	FL	191
277	NDADFLBR	FL	192
1312	LBNNTNMA	TN	193
1166	GNVLSCDT	SC	194
281	NSBHFLMA	FL	195
256	MIAMFLME	FL	196
257	MIAMFLNM	FL	197
558	BTRGLAOH	LA	198
1126	CHTNSCDT	SC	199
33	BSMRALHT	AL	200
337	WPBHFLRB	FL	201
291	ORPKFLMA	FL	202
997	CHRLNCTH	NC	203

1169	GNVLSCLR	SC	204
327	TTVLFLMA	FL	205
260	MIAMFLPB	FL	206
261	MIAMFLPL	FL	207
849	JCSNMSMB	MS	208
1188	MNPLSCES	SC	209
577	CVTNLAMA	LA	210
279	NDADFLOL	FL	211
998	CHRLNCUN	NC	212
1071	RLGHNCMO	NC	213
1130	CHTNSCNO	SC	214
310	PNSCFLWA	FL	215
276	NDADFLAC	FL	216
266	MIAMFLWM	FL	217
177	DYBHFLOB	FL	218
1138	CLMASCSA	SC	219
686	NWORLACA	LA	220
1067	RLGHNCGA	NC	221
336	WPBHFLLE	FL	222
624	KNNRLAHN	LA	223
1207	SPBGSCMA	SC	224
1080	SLBRNCMA	NC	225
278	NDADFLGG	FL	226
302	PMBHFLTA	FL	227
1143	CLMASCSW	SC	228
440	LSVLKYTS	KY	229
1257	CRTHTNMA	TN	230
28	BRHMALWL	AL	231
435	LSVLKYJT	KY	232
639	LFYTLAVM	LA	233
332	WPBHFLAN	FL	234
1369	OKRGTNMT	TN	235
126	HNVALUN	AL	236
438	LSVLKYSL	KY	237
483	PMBRKYMA	KY	238
292	ORPKFLRW	FL	239
559	BTRGLASB	LA	240
729	SHPTLAMA	LA	241
433	LSVLKYFC	KY	242
432	LSVLKYCW	KY	243
1300	JCSNTNMA	TN	244
561	BTRGLAWN	LA	245
1101	WNSLNCLE	NC	246
1277	GALLTNMA	TN	247
556	BTRGLAIS	LA	248
726	SHPTLABS	LA	249
689	NWORLALK	LA	250
1254	CNVLTNMA	TN	251
642	LKCHLADT	LA	252
727	SHPTLAEL	LA	253
1388	SMYRTNMA	TN	254
1262	DKSNTNMT	TN	255

728	SHPTLAHD	LA	256
1031	HNVLNCCH	NC	257
971	APEXNCCE	NC	258
990	CHRLNCDE	NC	259
1346	MRTWTNMA	TN	260
852	JCSNMSRW	MS	261
1394	SPFDTNMA	TN	262
665	MNVLLAMA	LA	263
1023	GNBONCMC	NC	264
1106	AIKNSCMA	SC	265
991	CHRLNCER	NC	266
1072	RLGHNCSE	NC	267
645	LKCHLAUN	LA	268
1045	LNTNNCMA	NC	269
263	MIAMFLSH	FL	270
1017	GLBONCMA	NC	271
1308	KNVLTNFC	TN	272
1135	CLMASCCCH	SC	273
1100	WNSLNCGL	NC	274
824	GLPTMSTS	MS	275
258	MIAMFLNS	FL	276
67	MTGMALNO	AL	277
259	MIAMFLOL	FL	278
1398	SVVLTNMT	TN	279
993	CHRLNCMI	NC	280
1085	SSVLCMA	NC	281
982	BURLNCEL	NC	282
731	SHPTLASG	LA	283
1024	GNBONCPG	NC	284
74	PHCYALMA	AL	285
244	MIAMFLAL	FL	286
296	PCBHFLNT	FL	287
1037	KNDLNCCE	NC	288
165	COCOFLME	FL	289
434	LSVLKYHA	KY	290
838	HTBGMSMA	MS	291
1078	SELMNCMA	NC	292
60	MOBLALSK	AL	293
1009	DVSNNCPO	NC	294
582	DNSPLAMA	LA	295
1098	WNSLNCCL	NC	296
10	AUBNALMA	AL	297
1083	SRFDNCCE	NC	298
399	FRFTKYMA	KY	299
247	MIAMFLBC	FL	300
1248	CLMATNMA	TN	301
1018	GNBONCAP	NC	302
1136	CLMASCDF	SC	303
1105	ZBLNNCCE	NC	304
321	STAGFLMA	FL	305
1096	WNDLNCPI	NC	306
846	JCSNMSBL	MS	307

11	BLFNALMA	AL	308
427	LSVLKY26	KY	309
193	FTLDFLSG	FL	310
1242	CHTGTNRO	TN	311
212	HMSTFLNA	FL	312
159	CCBHFLMA	FL	313
985	CARYNCWS	NC	314
560	BTRGLASW	LA	315
295	PAHKFLMA	FL	316
1133	CLMASCAR	SC	317
250	MIAMFLDB	FL	318
122	HNVIALLW	AL	319
1066	RLGHNCDU	NC	320
1142	CLMASCSU	SC	321
210	HMSTFLEA	FL	322
154	BLGLFLMA	FL	323
1258	CRVLTNMA	TN	324
851	JCSNMSPC	MS	325
1241	CHTGTNRB	TN	326
1053	MGTNNCGR	NC	327
89	TSCALDH	AL	328
ADD	HNVIALRA	AL	329
730	SHPTLAQB	LA	330
978	BOONNCKI	NC	331
839	HTBGMSWE	MS	332
8	ATHNALMA	AL	333
610	HMNDLAMA	LA	334
874	MDSNMSES	MS	335
71	OPLKALMT	AL	336
769	BILXMSED	MS	337
269	MLTNFLRA	FL	338
1301	JCSNTNNS	TN	339
55	MOBLALPR	AL	340
552	BTRGLABK	LA	341
847	JCSNMSCB	MS	342
437	LSVLKYSH	KY	343
1129	CHTNSCLB	SC	344
492	RCMDKYMA	KY	345
411	HNSNKYMA	KY	346
1040	LENRNCHA	NC	347
1190	NAGSSCMA	SC	348
77	PRVLALMA	AL	349
213	HTISFLMA	FL	350
972	ARDNNCCE	NC	351
200	GLBRFLMC	FL	352
823	GLPTMSLY	MS	353
315	PTSLFLSO	FL	354
51	MOBLALAP	AL	355
1127	CHTNSCJM	SC	356
893	OCSPMSGO	MS	357
91	TSCALNO	AL	358
317	SBSTFLMA	FL	359

527	WNCHKYMA	KY	360
58	MOBLALSF	AL	361
1239	CHTGTNMV	TN	362
1016	GLBONCAD	NC	363
770	BILXMSMA	MS	364
1400	TLLHTNMA	TN	365
109	FRHPALMA	AL	366
1368	NWPTTNMT	TN	367
56	MOBLALSA	AL	368
666	MONRLADS	LA	369
668	MONRLAWM	LA	370
57	MOBLALSE	AL	371
404	GRTWKYMA	KY	372
970	AHVLNCOT	NC	373
1385	SHVLTNMA	TN	374
780	BRNDMSES	MS	375
1414	WNCHTNMA	TN	376
1347	MSCTTNMT	TN	377
1315	LNCYTNMA	TN	378
240	LYHNFLOH	FL	379
1374	PLSKTNMA	TN	380
1317	LRBGTNMA	TN	381
555	BTRGLAHR	LA	382
294	PACEFLPV	FL	383
850	JCSNMSNR	MS	384
1243	CHTGTNSE	TN	385
204	HBSDFLMA	FL	386
1319	LXTNTNMA	TN	387
1343	MNCHTNMA	TN	388
1249	CLTNTNMA	TN	389
322	STAGFLSH	FL	390
1041	LENRNCHU	NC	391
308	PNSCFLHC	FL	392
1285	GTBGTNMT	TN	393
968	AHVLNCBI	NC	394
1238	CHTGTNHT	TN	395
304	PNCYFLCA	FL	396



AMENDMENT TO  
INTERCONNECTION AGREEMENT BETWEEN  
BELLSOUTH TELECOMMUNICATIONS, INC.  
AND Z-TEL COMMUNICATIONS, INC.  
DATED NOVEMBER 30, 2000

This Agreement (the "Amendment") is made and entered into between BellSouth Telecommunications, Inc. ("BellSouth") a Georgia corporation, and ZTel Communications, inc. ("Z-Tel") a Delaware corporation.

WHEREAS, The Parties desire to amend that certain Interconnection Agreement between BellSouth and ZTel dated November 30, 2000 (the "Interconnection Agreement") order to incorporate rates established by the Florida Public Service Commission ("PSC") in Docket Number 990649TP, on May 25, 2001 and to incorporate changes in language;

NOW THEREFORE, in consideration of the mutual provisions contained herein and other good and valuable consideration, the receipt and sufficiency of which are hereby acknowledged, BellSouth and ZTel hereby covenant and agree as follows:

1. Permanent rates established by the Florida PSC in Docket No. 990649TP for certain Unbundled Network Elements and Local Interconnection in Florida are as set forth in Exhibit 2 attached hereto and incorporated herein by this reference.

2. Language in Attachment 2 of the Interconnection Agreement is hereby modified and/or replaced with corresponding language in Exhibit 1 attached hereto and incorporated herein by this reference.

3. All rate elements and rates in Attachments 1, 2, 3, 5 and 7 of the Interconnection Agreement for Florida are hereby deleted and replaced in their entirety with the corresponding rates and rate elements in Exhibit 2.

4. The Parties agree that all of the other provisions of the Interconnection Agreement, dated November 30, 2000, shall remain in full force and effect.

5. The Parties further agree that either or both of the Parties is authorized to submit this Amendment to the Florida Public Service Commission or other regulatory body having jurisdiction over the subject matter of this Amendment, for approval subject to Section 252(e) of the federal Telecommunications Act of 1996.

This Amendment is made effective upon the date that it is signed by both Parties.

IN WITNESS WHEREOF, the parties hereto have caused this Amendment to be executed by their respective duly authorized representatives on the data indicated below.

**BellSouth Telecommunications, Inc.**

**Z-Tel Communications, Inc.**

Signed: Signature on File

Signed: Signature on File

By: C. W. Boltz

By: Robert A. Curtis

Title: Managing Director

Title: Senior Vice President

Date: 11-6-01

Date: 10-30-01

## **EXHIBIT 1**

Z-Tel Communications, Inc. and BellSouth Telecommunications, Inc.  
Modifications to Language in Attachment 2 of Interconnection Agreement  
Applicable to FL

**Modify or add Sections as follow to provide for additional Order Coordination options for loops:**

2.1.5 “Order Coordination” (OC) allows BellSouth and ZTel to coordinate the installation of the SL2 Loops, Unbundled Digital Loops (UDL) and other Loops where OC may be purchased as an option, to ZTel’s facilities to limit end user service outage. OC is available when the Loop is provisioned over an existing circuit that is currently providing service to the end user. OC for physical conversions will be scheduled at BellSouth’s discretion during normal working hours on the committed due date. OC shall be provided in accordance with the chart set forth below.

2.1.5.1 “Order Coordination– Time Specific” (OC-TS) allows Z-Tel to order a specific time for OC to take place. BellSouth will make every effort to accommodate Z-Tel’s specific conversion time request. However, BellSouth reserves the right to negotiate with ZTel a conversion time based on load and appointment control when necessary. This OCTS is a chargeable option for all Loops except Unbundled Copper Loops (UCL) and Universal Digital Channel (UDC), and is billed in addition to the OC charge. ZTel may specify a time between 9:00 a.m. and 4:00 p.m. (location time) Monday through Friday (excluding holiday). If Z-Tel specifies a time outside this window, or selects a time or quantity of Loops that requires BellSouth technicians to work outside normal work hours, overtime charges will apply in addition to the OC and OC TS charges. Overtime charges will be applied based on the amount of overtime worked and in accordance with the rates established in the E Access Tariff, Section E13.2, for each state. The OCTS charges for an order due on the same day at the same location will be applied on a per Local Service Request (LSR) basis.

	<b>Order Coordination (OC)</b>	<b>Order Coordination – Time Specific (OC-TS)</b>	<b>Test Points</b>	<b>DLR</b>	<b>Charge for Dispatch and Testing if No Trouble Found</b>
<b>SL-1</b>	Chargeable Option	Chargeable Option	Not available	Chargeable Option – ordered as Engineering Information Document	Charged for Dispatch inside and outside Central Office

Z-Tel Communications, Inc. and BellSouth Telecommunications, Inc.  
Modifications to Language in Attachment 2 of Interconnection Agreement  
Applicable to FL

<b>UCL-ND</b>	Chargeable Option	Not Available	Not Available	Chargeable Option – ordered as Engineering Information Document	Charged for Dispatch inside and outside Central Office
<b>SL-2</b>	Included	Chargeable Option	Included	Included	Charged for Dispatch outside Central Office
<b>Unbundled Digital Loop</b>	Included	Chargeable Option (except on Universal Digital Channel)	Included (where appropriate)	Included	Charged for Dispatch outside Central Office
<b>Unbundled Copper Loop</b>	Chargeable in accordance with Section 2	Not available	Included	Included	Charged for Dispatch outside Central Office
For UVL-SL1 and UCLs, Z-Tel must order and will be billed for both OC and OETS if requesting OC-TS.					

2.1.10 Unbundled Voice Loop- SL1 (UVL-SL1) loops are 2-wire loop start circuits, will be non-designed, and will not have remote access test points. OC will be offered as a chargeable option on SL1 loops when reuse of existing facilities has been requested by Z-Tel. Z-Tel may also order OETS when a specified conversion time is requested. OETS is a chargeable option for any coordinated order and is billed in addition to the OC charge. An Engineering Information (EI) document can be ordered as chargeable option. The EI document provides loop make up information which is similar to the information normally provided in a Design Layout Record. Upon issuance of a non-coordinated order in the service order system, SL1 loops will be activated on the due date in the same manner and time frames that BellSouth normally activates POTS-type loops for its end users.

2.1.11 Unbundled Voice Loop– SL2 (UVL-SL2) loops may be 2-wire or 4-wire circuits, shall have remote access test points, and will be designed with a Design Layout Record provided to Z-Tel. SL2 circuits can be provisioned with loop start, ground start or reverse battery signaling. OC is provided as a standard feature on SL2 loops. The OC feature will allow ZTel to coordinate the installation of the loop with the disconnect of an existing customer’s service and/or number portability service. In these cases, BellSouth will perform the order conversion with standard order coordination at its discretion during normal work hours.

Z-Tel Communications, Inc. and BellSouth Telecommunications, Inc.  
Modifications to Language in Attachment 2 of Interconnection Agreement  
Applicable to FL

- 2.1.13 As a chargeable option on all loops except UCL and UDC (Universal Digital Channel) (also known as IDSL-compatible Loop), BellSouth will offer Order Coordination– Time Specific (OC-TS). This will allow ZTel the ability to specify the time that the coordinated conversion takes place. The OC-TS charge for orders due on the same day at the same location will be applied on a per Local Service Request (LSR) basis. In the event that multiple LSRs are worked on the same day, at the same location, only one OCTS charge will apply per day.

**Replace Section 2.10 with the following to modify Loop Makeup:**

**2.10 Loop Make-up (LMU)**

**2.10.1 Description of Service**

- 2.10.1.1 BellSouth shall make available to ZTel (LMU) information so that ZTel can make an independent judgment about whether the Loop is capable of supporting the advanced services equipment ZTel intends to install and the services Z-Tel wishes to provide.

- 2.10.1.1 BellSouth will provide ZTel LMU information consisting of the composition of the loop material (copper/fiber); the existence, location and type of equipment on the Loop, including but not limited to digital loop carrier or other remote concentration devices, feeder/distribution interfaces, bridged taps, load coils, pair-gain devices; the loop length; the wire gauge and electrical parameters.

- 2.10.1.2 BellSouth's LMU information is provided to ZTel as it exists either in BellSouth's databases or in its hard copy facility records. BellSouth does not guarantee accuracy or reliability of the LMU information provided.

- 2.10.1.3 Z-Tel may choose to use equipment that it deems will enable it to provide a certain type and level of service over a particular BellSouth Loop. The determination shall be made solely by ZTel and BellSouth shall not be liable in any way for the performance of the advanced data services provisioned over said Loop. The specific Loop type (ADSL, HDSL, or otherwise) ordered on the LSR must match the LMU of the loop requested taking into consideration any requisite line conditioning. The LMU data is provided for informational purposes only and does not guarantee ZTel's ability to provide advanced data services over the ordered loop type. Further, if ZTel orders loops that are not

Z-Tel Communications, Inc. and BellSouth Telecommunications, Inc.  
Modifications to Language in Attachment 2 of Interconnection Agreement  
Applicable to FL

intended to support advanced services (such as UVSL1, UV-SL2, or ISDN compatible loops) and that are not inventoried as advanced services loops, the LMU information for such loops is subject to change at any time due to modifications and/or upgrades to BellSouth's network. ZTel is fully responsible for any of its service configurations that may differ from BellSouth's technical standard for the loop type ordered.

**2.10.2 Submitting Loop Makeup Service Inquiries**

2.10.2.1 Z-Tel may obtain LMU information by submitting a LMU Service Inquiry (LMUSI) mechanically or manually. Mechanized LMUSIs should be submitted through BellSouth's Operational Support Systems interfaces. After obtaining the Loop from the mechanized LMUSI process, if ZTel needs further loop information in order to determine loop service capability, ZTel may initiate a separate Manual Service Inquiry for a separate nonrecurring charge as set forth in the rate exhibit for Attachment 2.

2.10.2.2 Manual LMUSIs shall be submitted by electronic mail to BellSouth's Complex Resale Support Group (CRSG)/Account Team utilizing the Preordering Loop Makeup Service Inquiry form. The service interval for the return of a Loop Makeup Manual Service Inquiry is seven business days. Manual LMUSIs are not subject to expedite requests. This service interval is distinct from the interval applied to the subsequent service order.

**2.10.3 Loop Reservations**

2.10.3.1 For a Mechanized LMUSI, <customer\_name>> may reserve up to ten Loop facilities. For a Manual LMUSI, ZTel may reserve up to three Loop facilities.

2.10.3.2 Z-Tel may reserve facilities for up to four (4) calendar days for each facility requested on a LMUSI from the time the LMU information is returned to Z-Tel. During and prior to Z-Tel placing an LSR, the reserved facilities are rendered unavailable to other customers, including BellSouth. If ZTel does not submit an LSR for a UNE service on a reserved facility within the four day reservation timeframe, the reservation of that spare facility will become invalid and the facility will be released.

2.10.3.3 Charges for preordering LMUSI are separate from any charges associated with ordering other services from BellSouth.

Z-Tel Communications, Inc. and BellSouth Telecommunications, Inc.  
Modifications to Language in Attachment 2 of Interconnection Agreement  
Applicable to FL

**2.10.4 Ordering of Other UNE Services**

2.10.4.1 All LSRs issued for reserved facilities shall reference the facility reservation number as provided by BellSouth. ZTel will not be billed any additional LMU charges for the loop ordered on such LSR. If, however, ZTel does not reserve facilities upon an initial LMUSI, ZTel will be required to submit and pay for an additional LMUSI upon ordering.

2.10.4.2 Where Z-Tel has reserved multiple Loop facilities on a single reservation, Z-Tel may not specify which facility shall be provisioned when submitting the LSR. For those occasions, BellSouth will assign to ZTel, subject to availability, a facility that meets the BellSouth technical standards of the BellSouth type Loop as ordered by Z-Tel. If the ordered Loop type is not available, Z-Tel may utilize the Unbundled Loop Modification process or the Special Construction process, as applicable, to obtain the Loop type ordered.

**Modify Section 2.11.4, High Frequency Spectrum:**

**2.11.4 High Frequency Spectrum Network Element**

**2.11.4.1 General**

2.11.4.1.1 BellSouth shall provide ZTel access to the high frequency portion of the local loop as an unbundled network element only where BellSouth is the voice service provider to the enduser ("High Frequency Spectrum") at the rates set forth in this Attachment.

2.11.4.1.2 High Frequency Spectrum is defined as the frequency range above the voiceband on a copper loop facility carrying analog circuit-switched voiceband transmissions. Access to the High Frequency Spectrum is intended to allow Z Tel the ability to provide Digital Subscriber Line ("xDSL") data services to the end user for which BellSouth provides voice services. The High Frequency Spectrum shall be available for any version of xDSL complying with Spectrum Management Class 5 of ANSI T1.417, *American National Standard for Telecommunications, Spectrum Management for Loop Transmission Systems*. BellSouth will continue to have access to the low frequency portion of the loop spectrum (from 300 Hertz to at least 3000 Hertz, and potentially up to 3400 Hertz, depending on equipment and facilities) for the purposes of providing voice service. Z-Tel shall only use xDSL technology that is within the PSD mask for Spectrum Management Class 5 as found in the abovementioned document.



Z-Tel Communications, Inc. and BellSouth Telecommunications, Inc.  
Modifications to Language in Attachment 2 of Interconnection Agreement  
Applicable to FL

2.11.4.1.2 Access to the High Frequency Spectrum requires an unconditioned, ~~2~~wire copper Loop. An unloaded Loop is a copper Loop with no load coils, low pass filters, range extenders, DAMLs, or similar devices and minimal bridged taps consistent with ANSI T1.413 and T1.601. BellSouth will provide Loop conditioning to ZTel in accordance with the Unbundled Loop Modification process set forth in Section 2.2 of this Attachment. BellSouth is not required to condition a Loop for access to the High Frequency spectrum if conditioning of that Loop significantly degrades BellSouth's voice service. If ZTel requests that BellSouth condition a Loop longer than 18,000 ft. and such conditioning significantly degrades the voice services on the Loop, ZTel shall pay for the Loop to be restored to its original state.

2.11.4.2 **Provisioning of High Frequency Spectrum and Splitter Space**

2.11.4.2.1 BellSouth will provide ZTel with access to the High Frequency Spectrum as follows:

2.11.4.2.2 To order High Frequency Spectrum on a particular Loop, ZTel must have a Digital Subscriber Line Access Multiplexer (DSLAM) collocated in the central office that serves the enduser of such Loop. Z-Tel may order splitters in a central office once it has installed its DSLAM in that central office. BellSouth will install splitters within fortytwo (42) calendar days of Z-Tel's submission of such order to the BellSouth Complex Resale Support Group; provided, however, that in the event BellSouth did not have reasonable notice that a particular central office was to have a splitter installed therein, the forty two (42) day interval shall not apply. Collocation itself or an application for collocation will serve as reasonable notice.

2.11.4.2.3 Once a splitter is installed on behalf of ZTel in a central office in which Z-Tel is located, Z-Tel shall be entitled to order the High Frequency Spectrum on lines served out of that central office. BellSouth will bill and ZTel shall pay the electronic or manual ordering charges as applicable when ZTel orders High Frequency Spectrum for enduser service.

2.11.4.2.4 BellSouth will select, purchase, install, and maintain a central office POTS splitter and provide ZTel access to data ports on the splitter. The splitter will route the High Frequency Spectrum on the circuit to ZTel's xDSL equipment in Z-Tel's collocation space. At least 30 days before making a change in splitter suppliers, BellSouth will provide ZTel with a carrier notification letter, informing Z-Tel of change. Z-Tel shall purchase ports on the splitter in increments of 24 ports.

2.11.4.2.5 BellSouth will install the splitter in (i) a common area close to ZTel's collocation area, if possible; or (ii) in a BellSouth relay rack as close to Z-Tel's DS0 termination point as possible. ZTel shall have access to the splitter

Z-Tel Communications, Inc. and BellSouth Telecommunications, Inc.  
Modifications to Language in Attachment 2 of Interconnection Agreement  
Applicable to FL

for test purposes, regardless of where the splitter is placed in the BellSouth premises. For purposes of this section, a common area is defined as an area in the central office in which both Parties have access to a common test access point. A Termination Point is defined as the point of termination for Z-Tel on the toll main distributing frame in the central office and is not the demarcation point set forth in Attachment 4 of this Agreement. BellSouth will cross connect the splitter data ports to a specified Z-Tel DS0 at such time that a Z-Tel end user's service is established.

2.11.4.2.6 The High Frequency Spectrum shall only be available on Loops on which BellSouth is also providing, and continues to provide, analog voice service directly to the end user. In the event the enduser terminates its BellSouth provided voice service for any reason, or in the event BellSouth disconnects the end user's voice service pursuant to its tariffs or applicable law, and Z-Tel desires to continue providing xDSL service on such Loop, Z-Tel shall be required to purchase a full standalone Loop unbundled network element. To the extent commercially practicable, BellSouth shall give Z-Tel notice in a reasonable time prior to disconnect, which notice shall give Z-Tel an adequate opportunity to notify BellSouth of its intent to purchase such Loop. In those cases in which BellSouth no longer provides voice service to the end user and Z-Tel purchases the full standalone Loop, Z-Tel may elect the type of loop it will purchase. Z-Tel will pay the appropriate recurring and nonrecurring rates for such Loop as set forth in Exhibit B to this Attachment. In the event Z-Tel purchases a voicegrade Loop, Z-Tel acknowledges that such Loop may not remain xDSL compatible.

2.11.4.2.7 Only one competitive local exchange carrier shall be permitted access to the High Frequency Spectrum of any particular loop.

2.11.4.3 **Ordering**

2.11.4.3.1 BellSouth will provide Z-Tel the Local Service Request ("LSR") format to be used when ordering the High Frequency Spectrum.

2.11.4.3.2 BellSouth will return a manual Firm Order Confirmation ("FOC") in no more than two (2) business days after receipt of a valid error free manual LSR. When Z-Tel submits an electronic LSR for High Frequency Spectrum, BellSouth will return a FOC in four (4) hours ninetyfive percent (95%) of the time, or, for orders that do not flowthrough, in two (2) business days. BellSouth will provide Z-Tel with access to the High Frequency Spectrum at the following target intervals:

2.11.4.3.3 For 1-5 lines at the same address within three (3) business days from BellSouth's issuance of a FOC; 610 lines at same address within 5 business

Z-Tel Communications, Inc. and BellSouth Telecommunications, Inc.  
Modifications to Language in Attachment 2 of Interconnection Agreement  
Applicable to FL

days from BellSouth's issuance of a FOC; and more than 10 lines at the same address is to be negotiated.

- 2.11.4.3.4 BellSouth will provide to ZTel BellSouth's Loop Qualification System that BellSouth uses to qualify loops for its own ADSL offering.
- 2.11.4.3.5 BellSouth will provide ZTel access to Preordering Loop Makeup (LMU), in accordance with the terms of this Agreement. BellSouth shall bill and-Z Tel shall pay the rates for such services, as described in Exhibit C.
- 2.11.4.3.6 BellSouth shall test the data portion of the loop to ensure the continuity of the wiring for Z-Tel's data.
- 2.11.4.4 **Maintenance and Repair**
  - 2.11.4.4.1 Z-Tel shall have access for repair and maintenance purposes, to any loop for which it has access to the High Frequency Spectrum. ZTel may access the loop at the point where the combined voice and data signal exits the central office splitter.
  - 2.11.4.4.2 BellSouth will be responsible for repairing voice services and the physical line between the network interface device at the customer's premises and the Termination Point. ZTel will be responsible for repairing data services. Each Party will be responsible for maintaining its own equipment.
  - 2.11.4.4.3 Z-Tel shall inform its end users to direct data problems to Z-Tel, unless both voice and data services are impaired, in which event the end users should call BellSouth.
  - 2.11.4.4.4 Once a Party has isolated a trouble to the other Party's portion of the loop, the Party isolating the trouble shall notify the end user that the trouble is on the other Party's portion of the Loop.
  - 2.11.4.4.5 In the event Z-Tel's deployment of xDSL on the High Frequency Spectrum significantly degrades the performance of other advanced services or of BellSouth's voice service on the same loop, BellSouth shall notify ZTel and allow twenty-four (24) hours to cure the trouble. If ZTel fails to resolve the trouble, BellSouth may discontinue ZTel's access to the High Frequency Spectrum on such loop.
- 2.11.4.5 **Line Splitting**
  - 2.11.4.5.1 BellSouth will work cooperatively with CLECs to develop rates, methods and procedures to operationalize a process whereby two CLECs, one being a provider of voice services (a "Voice CLEC") and the other being a provider of data services (a "Data CLEC") may provide services over the same loop. The

Z-Tel Communications, Inc. and BellSouth Telecommunications, Inc.  
Modifications to Language in Attachment 2 of Interconnection Agreement  
Applicable to FL

loop and port over which the services are provided cannot be a loop and port combination (i.e., UNEP), but must be individual, stand alone network elements. The Voice CLEC or the Data CLEC shall be responsible for connecting the loop and port to a CLECGowned splitter. BellSouth shall not own or maintain the splitter used for this purpose. When such rates, methods and procedures have been developed and operationalized, then at the request of Z-Tel, the Parties shall amend this Agreement to incorporate the same.

**Modify Section 4 as follows to provide additional EEL combination and new Section for Other Non-Switched Combinations:**

**4. Enhanced Extended Link (EELs) and Other Non-Switched Combinations**

4.3.14 DS3 Interoffice Channel and DS3 Local Loop

**4.6 Other Non-Switched Combinations**

4.6.1 In the states of Georgia and Tennessee, BellSouth shall make available to Z-Tel, in accordance with Section 4.6.2 below: (1) combinations of network elements other than EELs that are Currently Combined; and (2) combinations of network elements other than EELs that are not Currently Combined but that BellSouth ordinarily combines in its network. In all other states, BellSouth shall make available to ZTel, in accordance with Section 4.6.2 below, combinations of network elements other than EELs only to the extent such combinations are Currently Combined.

4.6.2 Rates

4.6.2.1 Georgia and Tennessee

4.6.2.1.1 The non-recurring and recurring rates for Other Network Element combinations, whether Currently Combined or new, are as set forth in Exhibit B of this Attachment.

4.6.2.1.2 For Other Network Element combinations where the elements are not Currently Combined but are ordinarily combined in BellSouth's network, the non recurring and recurring charges for such UNE combinations shall be the sum of the stand-alone non-recurring and recurring charges of the network elements that make up the combination.

Z-Tel Communications, Inc. and BellSouth Telecommunications, Inc.  
Modifications to Language in Attachment 2 of Interconnection Agreement  
Applicable to FL

4.6.2.1.3 To the extent that Z-Tel seeks to obtain other combinations of network elements that BellSouth ordinarily combines in its network which have not been specifically priced by the Commission when purchased in combined form, Z-Tel, at its option, can request that such rates be determined pursuant to the BFR/NBR process set forth in this Agreement.

4.6.2.2 All Other States

4.6.2.2.1 For all other states, the non-recurring and recurring rates for the Other Network Element Combinations that are Currently Combined will be the sum of the recurring rates for the individual network elements plus a non-recurring charge set forth in Exhibit C of this Attachment.

## **EXHIBIT 2**

## RESALE DISCOUNTS AND RATES

Attachment 1  
Exhibit E

		<b>FLORIDA</b>							
<b>APPLICABLE DISCOUNTS</b>									
RESIDENCE		21.83%							
BUSINESS		16.81%							
CSAs*									
* Unless noted in this row, the discount for Business will be the applicable discount rate for CSAs.									
<b>OPERATIONAL SUPPORT SYSTEMS (OSS)</b>									
<u>ELEMENT</u>	<u>USOC</u>								
Electronic LSR	SOMEK	\$3.50							
Manual LSR	SOMAN	\$19.99							
<b>ODUF/EODUF/CMDS RATE:</b>									
<b>ENHANCED OPTION DAILY USAGE FILE (EODUF)</b>									
EODUF: Message Processing, per message		\$0.222451							
<b>OPTIONAL DAILY USAGE FILE (ODUF)</b>									
ODUF: Recording, per message		\$0.0000068							
ODUF: Message Processing, per message		\$0.006614							
ODUF: Message Processing, per Magnetic Tape provisioned		\$48.77							
ODUF: Data Transmission (CONNECT:DIRECT), per msg		\$0.00010772							

UNBUNDLED NETWORK ELEMENTS  
Florida

CATEGORY	NOTES	UNBUNDLED NETWORK ELEMENT	Interim	Zone	BCS	USOC	RATES (\$)					OSS RATES (\$)						
							Rec	First	Add'l	First	Add'l	SOMEc	SOMAN	SOMAN	SOMAN	SOMAN	SOMAN	SOMAN
							Nonrecurring					Nonrecurring						
							Disconnect											
							Rec	First	Add'l	First	Add'l	SOMEc	SOMAN	SOMAN	SOMAN	SOMAN	SOMAN	SOMAN
	The "Zone" shown in the sections for stand-alone loops or loops as part of a combination refers to Geographically Deaveraged UNE Zones. To view Geographically Deaveraged UNE Zone Designations by Central Office, refer to Internet Website: <a href="http://www.interconnection.bellsouth.com/become_a_clec/html/interconnection.htm">http://www.interconnection.bellsouth.com/become_a_clec/html/interconnection.htm</a>																	
<b>UNBUNDLED EXCHANGE ACCESS LOOP</b>																		
	<b>2-WIRE ANALOG VOICE GRADE LOOP</b>																	
		2-Wire Analog Voice Grade Loop - Service Level 1- Zone		1	UEANL	UEAL2	11.74	44.68	20.57	23.1	5.92		10.73					1.65
		2-Wire Analog Voice Grade Loop - Service Level 1- Zone		2	UEANL	UEAL2	16.26	44.68	20.57	23.1	5.92		10.73					1.65
		2-Wire Analog Voice Grade Loop - Service Level 1- Zone		3	UEANL	UEAL2	30.75	44.68	20.57	23.1	5.92		10.73					1.65
		2 Wire Analog Voice Grade Loop-Service Level 1-Line Splitting- Zone		1	UEPSR, UEPSB	UEALS	11.74	44.68	20.57	23.1	5.92		10.73					1.65
		2 Wire Analog Voice Grade Loop- Service Level 1-Line Splitting-Zone		2	UEPSR, UEPSB	UEALS	16.26	44.68	20.57	23.1	5.92		10.73					
		2 Wire Analog Voice Grade Loop-Service Level 1-Line Splitting-Zone		3	UEPSR, UEPSB	UEALS	30.75	44.68	20.57	23.1	5.92		10.73					1.65
		Engineering Information Document (E			UEANL			28.77	28.77									
		Manual Order Coordination for UVL-SL1s (per loop)			UEANL	UEAMC		8.12	8.12									
		Order Coordination for Specified Conversion Time for UVL-SL1 (per LSR)			UEANL	OCOSL		20.75	20.75									
		2-Wire Analog Voice Grade Loop - Service Level 2 w/Loop or Ground Start Signaling Zone 1		1	UEA	UEAL2	13.43	122.38	74.35	57.28	10.83		10.73					1.65
		2-Wire Analog Voice Grade Loop - Service Level 2 w/Loop or Ground Start Signaling Zone 2		2	UEA	UEAL2	18.6	122.38	74.35	57.28	10.83		10.73					1.65
		2-Wire Analog Voice Grade Loop - Service Level 2 w/Loop or Ground Start Signaling Zone 3		3	UEA	UEAL2	35.18	122.38	74.35	57.28	10.83		10.73					1.65
		Order Coordination for Specified Conversion Time (per LSF			UEA	OCOSL		20.75										
		2-Wire Analog Voice Grade Loop - Service Level 2 w/Reverse Battery Signaling - Zone 1		1	UEA	UEAR2	13.43	122.38	74.35	57.28	10.83		10.73					1.65
		2-Wire Analog Voice Grade Loop - Service Level 2 w/Reverse Battery Signaling - Zone 2		2	UEA	UEAR2	18.6	122.38	74.35	57.28	10.83		10.73					1.65
		2-Wire Analog Voice Grade Loop - Service Level 2 w/Reverse Battery Signaling - Zone 3		3	UEA	UEAR2	35.18	122.38	74.35	57.28	10.83		10.73					1.65
		Order Coordination for Specified Conversion Time (per LSF			UEA	OCOSL		20.75										
	<b>4-WIRE ANALOG VOICE GRADE LOOP</b>																	
		4-Wire Analog Voice Grade Loop - Zone :		1	UEA	UEAL4	21.23	151.34	103.82	60.47	14.02		10.73					1.65
		4-Wire Analog Voice Grade Loop - Zone :		2	UEA	UEAL4	29.41	151.34	103.82	60.47	14.02		10.73					1.65
		4-Wire Analog Voice Grade Loop - Zone :		3	UEA	UEAL4	55.63	151.34	103.82	60.47	14.02		10.73					1.65
		Order Coordination for Specified Conversion Time (per LSF			UEA	OCOSL		20.75										
	<b>2-WIRE ISDN DIGITAL GRADE LOOP</b>																	
		2-Wire ISDN Digital Grade Loop - Zone :		1	UDN	U1L2X	20.44	133.15	85.12	56.1	9.65		10.73					1.65
		2-Wire ISDN Digital Grade Loop - Zone :		2	UDN	U1L2X	28.31	133.15	85.12	56.1	9.65		10.73					1.65
		2-Wire ISDN Digital Grade Loop - Zone :		3	UDN	U1L2X	53.56	133.15	85.12	56.1	9.65		10.73					1.65
		Order Coordination For Specified Conversion Time (per LSF			UDN	OCOSL		20.75										
	<b>2-WIRE Universal Digital Channel (UDC) COMPATIBLE LOOP</b>																	
		2-Wire Universal Digital Channel (UDC) Compatible Loop - Zone		1	UDC	UDC2X	20.44	133.15	85.12	56.1	9.65		10.73					1.65
		2-Wire Universal Digital Channel (UDC) Compatible Loop - Zone		2	UDC	UDC2X	28.31	133.15	85.12	56.1	9.65		10.73					1.65



UNBUNDLED NETWORK ELEMENTS  
Florida

CATEGORY	NOTES	UNBUNDLED NETWORK ELEMENT	Interim	Zone	BCS	USOC	RATES (\$)					OSS RATES (\$)							
							Rec	First	Add'l	First	Add'l	SOMEc	SOMAN	SOMAN	SOMAN	SOMAN	SOMAN		
							Nonrecurring		Nonrecurring										
									Disconnect										
		2-Wire Universal Digital Channel (UDC) Compatible Loop - Zone		3	UDC	UDC2X	53.56	133.15	85.12	56.1	9.65		10.73					1.65	
		<b>2-WIRE ASYMMETRICAL DIGITAL SUBSCRIBER LINE (ADSL) COMPATIBLE LOOP</b>																	
		2-WIRE ASYMMETRICAL DIGITAL SUBSCRIBER LINE (ADSL) COMPATIBLE LOOP																	
		2 Wire Unbundled ADSL Loop including manual service inquiry & facility reservation - Zone 1		1	UAL	UAL2X	11.52	134.8	93.62	67.66	14.09		10.73					1.65	
		2 Wire Unbundled ADSL Loop including manual service inquiry & facility reservation - Zone 2		2	UAL	UAL2X	15.96	134.8	93.62	67.66	14.09		10.73					1.65	
		2 Wire Unbundled ADSL Loop including manual service inquiry & facility reservation - Zone 3		3	UAL	UAL2X	30.19	134.8	93.62	67.66	14.09		10.73					1.65	
		Order Coordination for Specified Conversion Time (per LSI)			UAL	OCOSL		20.75											
		2 Wire Unbundled ADSL Loop without manual service inquiry & facility reservation - Zone 1		1	UAL	UAL2W	11.52	112.55	64.12	54.67	8.22		10.73					1.65	
		2 Wire Unbundled ADSL Loop without manual service inquiry & facility reservation - Zone 2		2	UAL	UAL2W	15.96	112.55	64.12	54.67	8.22		10.73					1.65	
		2 Wire Unbundled ADSL Loop without manual service inquiry & facility reservation - Zone 3		3	UAL	UAL2W	30.19	112.55	64.12	54.67	8.22		10.73					1.65	
		Order Coordination for Specified Conversion Time (per LSI)			UAL	OCOSL		20.75											
		<b>2-WIRE HIGH BIT RATE DIGITAL SUBSCRIBER LINE (HDSL) COMPATIBLE LOOP</b>																	
		2-WIRE HIGH BIT RATE DIGITAL SUBSCRIBER LINE (HDSL) COMPATIBLE LOOP																	
		2 Wire Unbundled HDSL Loop including manual service inquiry & facility reservation - Zone 1		1	UHL	UHL2X	9.12	143.43	102.25	67.66	14.09		10.73					1.65	
		2 Wire Unbundled HDSL Loop including manual service inquiry & facility reservation - Zone 2		2	UHL	UHL2X	12.63	143.43	102.25	67.66	14.09		10.73					1.65	
		2 Wire Unbundled HDSL Loop including manual service inquiry & facility reservation - Zone 3		3	UHL	UHL2X	23.9	143.43	102.25	67.66	14.09		10.73					1.65	
		Order Coordination for Specified Conversion Time			UHL	OCOSL		20.75											
		2 Wire Unbundled HDSL Loop without manual service inquiry and facility reservation - Zone 1		1	UHL	UHL2W	9.12	121.17	72.75	54.67	8.22		10.73					1.65	
		2 Wire Unbundled HDSL Loop without manual service inquiry and facility reservation - Zone 2		2	UHL	UHL2W	12.63	121.17	72.75	54.67	8.22		10.73					1.65	
		2 Wire Unbundled HDSL Loop without manual service inquiry and facility reservation - Zone 3		3	UHL	UHL2W	23.9	121.17	72.75	54.67	8.22		10.73					1.65	
		Order Coordination for Specified Conversion Time			UHL	OCOSL		20.75											
		<b>4-WIRE HIGH BIT RATE DIGITAL SUBSCRIBER LINE (HDSL) COMPATIBLE LOOP</b>																	
		4 Wire Unbundled HDSL Loop including manual service inquiry and facility reservation - Zone 1		1	UHL	UHL4X	14.24	174.28	125.3	69.56	11.37		10.73					1.65	
		4-Wire Unbundled HDSL Loop including manual service inquiry and facility reservation - Zone 2		2	UHL	UHL4X	19.72	174.28	125.3	69.56	11.37		10.73					1.65	
		4-Wire Unbundled HDSL Loop including manual service inquiry and facility reservation - Zone 3		3	UHL	UHL4X	37.31	174.28	125.3	69.56	11.37		10.73					1.65	
		Order Coordination for Specified Conversion Time			UHL	OCOSL		20.75											
		4-Wire Unbundled HDSL Loop without manual service inquiry and facility reservation - Zone 1		1	UHL	UHL4W	14.24	152.02	104.11	56.57	10.12		10.73					1.65	
		4-Wire Unbundled HDSL Loop without manual service inquiry and facility reservation - Zone 2		2	UHL	UHL4W	19.72	152.02	104.11	56.57	10.12		10.73					1.65	
		4-Wire Unbundled HDSL Loop without manual service inquiry and facility reservation - Zone 3		3	UHL	UHL4W	37.31	152.02	104.11	56.57	10.12		10.73					1.65	
		Order Coordination for Specified Conversion Time			UHL	OCOSL		20.75											

UNBUNDLED NETWORK ELEMENTS  
Florida

CATEGORY	NOTES	UNBUNDLED NETWORK ELEMENT	Interim	Zone	BCS	USOC	RATES (\$)					OSS RATES (\$)									
							Rec	First	Add'l	First	Add'l	SOMEc	SOMAN	SOMAN	SOMAN	SOMAN	SOMAN	SOMAN			
							Nonrecurring		Nonrecurring												
							Disconnect														
							Rec	First	Add'l	First	Add'l	SOMEc	SOMAN	SOMAN	SOMAN	SOMAN	SOMAN	SOMAN			
		<b>4-WIRE DS1 DIGITAL LOOP</b>																			
		4-Wire DS1 Digital Loop - Zone 1		1	USL	USLXX	69.22	282.15	163.51	47.4	10.22		10.73							1.65	
		4-Wire DS1 Digital Loop - Zone 2		2	USL	USLXX	95.89	282.15	163.51	47.4	10.22		10.73							1.65	
		4-Wire DS1 Digital Loop - Zone 3		3	USL	USLXX	181.38	282.15	163.51	47.4	10.22		10.73							1.65	
		Order Coordination for Specified Conversion Tim			USL	OCOSL		20.75													
		<b>4-WIRE 19.2, 56 OR 64 KBPS DIGITAL GRADE LOOP</b>																			
		4 Wire Unbundled Digital 19.2 Kbps		1	UDL	UDL19	24.48	145.66	98.14	60.47	14.02		10.73								1.65
		4 Wire Unbundled Digital 19.2 Kbps		2	UDL	UDL19	33.91	145.66	98.14	60.47	14.02		10.73								1.65
		4 Wire Unbundled Digital 19.2 Kbps		3	UDL	UDL19	64.14	145.66	98.14	60.47	14.02		10.73								1.65
		4 Wire Unbundled Digital Loop 56 Kbps - Zone 1		1	UDL	UDL56	24.48	145.66	98.14	60.47	14.02		10.73								1.65
		4 Wire Unbundled Digital Loop 56 Kbps - Zone 2		2	UDL	UDL56	33.91	145.66	98.14	60.47	14.02		10.73								1.65
		4 Wire Unbundled Digital Loop 56 Kbps - Zone 3		3	UDL	UDL56	64.14	145.66	98.14	60.47	14.02		10.73								1.65
		Order Coordination for Specified Conversion Tim			UDL	OCOSL		20.75													
		4 Wire Unbundled Digital Loop 64 Kbps - Zone 1		1	UDL	UDL64	24.48	145.66	98.14	60.47	14.02		10.73								1.65
		4 Wire Unbundled Digital Loop 64 Kbps - Zone 2		2	UDL	UDL64	33.91	145.66	98.14	60.47	14.02		10.73								1.65
		4 Wire Unbundled Digital Loop 64 Kbps - Zone 3		3	UDL	UDL64	64.14	145.66	98.14	60.47	14.02		10.73								1.65
		Order Coordination for Specified Conversion Tim			UDL	OCOSL		20.75													
		<b>2-WIRE Unbundled COPPER LOOP</b>																			
		2-Wire Unbundled Copper Loop/Short including manual service inquiry & facility reservation - Zone 1		1	UCL	UCLPB	11.52	133.88	92.7	67.66	14.09		10.73								1.65
		2-Wire Unbundled Copper Loop/Short including manual service inquiry & facility reservation - Zone 2		2	UCL	UCLPB	15.96	133.88	92.7	67.66	14.09		10.73								1.65
		2 Wire Unbundled Copper Loop/Short including manual service inquiry & facility reservation - Zone 3		3	UCL	UCLPB	30.19	133.88	92.7	67.66	14.09		10.73								1.65
		Order Coordination for Unbundled Copper Loops (per loop)			UCL	UCLMC		8.12	8.12												
		2-Wire Unbundled Copper Loop/Short without manual service inquiry and facility reservation - Zone 1		1	UCL	UCLPW	11.52	111.62	63.19	54.67	8.22		10.73								1.65
		2-Wire Unbundled Copper Loop/Short without manual service inquiry and facility reservation - Zone 2		2	UCL	UCLPW	15.96	111.62	63.19	54.67	8.22		10.73								1.65
		2-Wire Unbundled Copper Loop/Short without manual service inquiry and facility reservation - Zone 3		3	UCL	UCLPW	30.19	111.62	63.19	54.67	8.22		10.73								1.65
		Order Coordination for Unbundled Copper Loops (per loop)			UCL	UCLMC		8.12	8.12												
		2-Wire Unbundled Copper Loop/Long - includes manual svc. inquiry and facility reservation - Zone 1		1	UCL	UCL2L	33.57	133.88	92.7	67.66	14.09		10.73								1.65
		2-Wire Unbundled Copper Loop/Long - includes manual svc. inquiry and facility reservation - Zone 2		2	UCL	UCL2L	46.5	133.88	92.7	67.66	14.09		10.73								1.65
		2-Wire Unbundled Copper Loop/Long - includes manual svc. inquiry and facility reservation - Zone 3		3	UCL	UCL2L	87.96	133.88	92.7	67.66	14.09		10.73								1.65
		Order Coordination for Unbundled Copper Loops (per loop)			UCL	UCLMC		8.12	8.12												
		2-Wire Unbundled Copper Loop/Long - without manual service inquiry and facility reservation - Zone 1		1	UCL	UCL2W	33.57	111.62	63.19	54.67	8.22		10.73								1.65
		2-Wire Unbundled Copper Loop/Long - without manual service inquiry and facility reservation - Zone 2		2	UCL	UCL2W	46.5	111.62	63.19	54.67	8.22		10.73								1.65
		2-Wire Unbundled Copper Loop/Long - without manual service inquiry and facility reservation - Zone 3		3	UCL	UCL2W	87.96	111.62	63.19	54.67	8.22		10.73								1.65
		Order Coordination for Unbundled Copper Loops (per loop)			UCL	UCLMC		8.12	8.12												
		2-Wire Unbundled Copper Loop - Non-Designed Zone	I	1	UEQ	UEQ2X	11.01	44.69	22.4	25.65	7.06		10.73								1.65
		2 Wire Unbundled Copper Loop - Non-Designed - Zone	I	2	UEQ	UEQ2X	12.67	44.69	22.4	25.65	7.06		10.73								1.65

UNBUNDLED NETWORK ELEMENTS  
Florida

CATEGORY	NOTES	UNBUNDLED NETWORK ELEMENT	Interim	Zone	BCS	USOC	RATES (\$)					OSS RATES (\$)					
							Nonrecurring		Nonrecurring			SOMEK	SOMAN	SOMAN	SOMAN	SOMAN	SOMAN
							Rec	First	Add'l	First	Add'l						
		2 Wire Unbundled Copper Loop - Non-Designed - Zone	I	3	UEFQ	UEQ2X	20.22	44.69	22.4	25.65	7.06		10.73			1.65	
		Order Coordination 2 Wire Unbundled Copper Loop - Non-Designed (per loo			UEFQ	USBMC		8.12	8.12								
		Engineering Information Documer			UEFQ			28.77	28.77								
		Loop Testing - Basic 1st Half Hou			UEQ	URET1		78.92	78.92								
		Loop Testing - Basic Additional Half Hot			UEQ	URETA		23.33	23.33								
		<b>4-WIRE COPPER LOOP</b>															
		4-Wire Copper Loop/Short - including manual service inquiry and facility reservation - Zone 1		1	UCL	UCL4S	16.18	160.36	119.69	69.56	15.99		10.73			1.65	
		4-Wire Copper Loop/Short - including manual service inquiry and facility reservation - Zone 2		2	UCL	UCL4S	22.41	160.36	119.69	69.56	15.99		10.73			1.65	
		4-Wire Copper Loop/Short - including manual service inquiry and facility reservation - Zone 3		3	UCL	UCL4S	42.39	160.36	119.69	69.56	15.99		10.73			1.65	
		Order Coordination for Unbundled Copper Loops (per loop			UCL	UCLMC		8.12	8.12								
		4-Wire Copper Loop/Short - without manual service inquiry and facility reservation - Zone 1		1	UCL	UCL4W	16.18	138.1	90.19	56.57	10.12		10.73			1.65	
		4-Wire Copper Loop/Short - without manual service inquiry and facility reservation - Zone 2		2	UCL	UCL4W	22.41	138.1	90.19	56.57	10.12		10.73			1.65	
		4-Wire Copper Loop/Short - without manual service inquiry and facility reservation - Zone 3		3	UCL	UCL4W	42.39	138.1	90.19	56.57	10.12		10.73			1.65	
		Order Coordination for Unbundled Copper Loops (per loop			UCL	UCLMC		8.12	8.12								
		4-Wire Unbundled Copper Loop/Long - includes manual svc. inquiry and facility reservation - Zone 1		1	UCL	UCL4L	57.88	160.36	119.69	69.56	15.99		10.73			1.65	
		4-Wire Unbundled Copper Loop/Long - includes manual svc. inquiry and facility reservation - Zone 2		2	UCL	UCL4L	80.18	160.36	119.69	69.56	15.99		10.73			1.65	
		4-Wire Unbundled Copper Loop/Long - includes manual svc. inquiry and facility reservation - Zone 3		3	UCL	UCL4L	151.67	160.36	119.69	69.56	15.99		10.73			1.65	
		Order Coordination for Unbundled Copper Loops (per loop			UCL	UCLMC		8.12	8.12								
		4-Wire Unbundled Copper Loop/Long - without manual svc. inquiry and facility reservation - Zone 1		1	UCL	UCL4O	57.88	138.1	90.19	56.57	10.12		10.73			1.65	
		4-Wire Unbundled Copper Loop/Long - without manual svc. inquiry and facility reservation - Zone 2		2	UCL	UCL4O	80.18	138.1	90.19	56.57	10.12		10.73			1.65	
		4-Wire Unbundled Copper Loop/Long - without manual svc. inquiry and facility reservation - Zone 3		3	UCL	UCL4O	151.67	138.1	90.19	56.57	10.12		10.73			1.65	
		Order Coordination for Unbundled Copper Loops (per loop			UCL	UCLMC		8.12	8.12								
		<b>LOOP MODIFICATION</b>															
		Unbundled Loop Modification, Removal of Load Coils - 2 Wire pair less than or equal to 18k ft			UAL, UHL, UCL, UEQ, ULS	ULM2L		0	0								
		Unbundled Loop Modification, Removal of Load Coils - 2 wire greater than 18k			UCL, ULS	ULM2G		309.32	309.32								
		Unbundled Loop Modification Removal of Load Coils - 4 Wire less than or equal to 18K ft			UHL, UCL	ULM4L		0	0								
		Unbundled Loop Modification Removal of Load Coils - 4 Wire pair greater than 18k			UCL	ULM4G		309.32	309.32								
		Unbundled Loop Modification Removal of Bridged Tap Removal, per unbundled lo			UAL, UHL, UCL, UEQ, UEF, ULS	ULMBT		9.48	9.48								
		<b>SUB-LOOPS</b>															
		<b>Sub-Loop Distribution</b>															



UNBUNDLED NETWORK ELEMENTS  
Florida

CATEGORY	NOTES	UNBUNDLED NETWORK ELEMENT	Interim	Zone	BCS	USOC	RATES (\$)					OSS RATES (\$)								
							Rec	First	Add'l	First	Add'l	SOMEc	SOMAN	SOMAN	SOMAN	SOMAN	SOMAN	SOMAN		
							Nonrecurring		Nonrecurring											
									Disconnect											
		Unbundled Sub-Loop Feeder Loop, 4 Wire Loop-Start, Voice Grade - Zone		1	UEA	USBFE	16.05	96.4	58.12	48.55	11.33									
		Unbundled Sub-Loop Feeder Loop, 4 Wire Loop-Start, Voice Grade - Zone		2	UEA	USBFE	22.23	96.4	58.12	48.55	11.33									
		Unbundled Sub-Loop Feeder Loop, 4 Wire Loop-Start, Voice Grade - Zone		3	UEA	USBFE	42.06	96.4	58.12	48.55	11.33									
		Order Coordination For Specified Conversion Time, Per LS			UEA	OCOSL		20.75												
		Unbundled Sub-Loop Feeder Loop, 2 Wire ISDN BRI - Zone		1	UDN	USBFF	16.18	98.91	60.12	46.95	9.74		10.73							1.65
		Unbundled Sub-Loop Feeder Loop, 2-Wire ISDN BRI - Zone		2	UDN	USBFF	22.41	98.91	60.12	46.95	9.74		10.73							1.65
		Unbundled Sub-Loop Feeder Loop, 2-Wire ISDN BRI - Zone		3	UDN	USBFF	42.39	98.91	60.12	46.95	9.74		10.73							1.65
		Order Coordination For Specified Conversion Time, Per LS			UDN	OCOSL		20.75												
		Unbundled Sub-Loop Feeder, 2 Wire UDC (IDSL compatible)		1	UDC	USBFS	16.18	98.91	60.12	46.95	9.74		10.73							1.65
		Unbundled Sub-Loop Feeder, 2 Wire UDC (IDSL compatible)		2	UDC	USBFS	22.41	98.91	60.12	46.95	9.74		10.73							1.65
		Unbundled Sub-Loop Feeder, 2 Wire UDC (IDSL compatible)		3	UDC	USBFS	42.39	98.91	60.12	46.95	9.74		10.73							1.65
		Unbundled Sub-Loop Feeder Loop, 4-Wire DS1 - Zone		1	USL	USBFG	43.64	120.61	70.34	65.07	16.2		10.73							1.65
		Unbundled Sub-Loop Feeder Loop, 4-Wire DS1 - Zone		2	USL	USBFG	60.45	120.61	70.34	65.07	16.2		10.73							1.65
		Unbundled Sub-Loop Feeder Loop, 4-Wire DS1 - Zone		3	USL	USBFG	114.36	120.61	70.34	65.07	16.2		10.73							1.65
		Order Coordination For Specified Conversion Time, Per LS			USL	OCOSL		20.75												
		Unbundled Sub-Loop Feeder, 2-Wire Copper Loop - Zone		1	UCL	USBFH	6.65	76.87	38.08	45.64	8.43		10.73							1.65
		Unbundled Sub-Loop Feeder Loop, 2-Wire Copper Loop - Zone		2	UCL	USBFH	9.22	76.87	38.08	45.64	8.43		10.73							1.65
		Unbundled Sub-Loop Feeder Loop, 2-Wire Copper Loop - Zone		3	UCL	USBFH	17.44	76.87	38.08	45.64	8.43		10.73							1.65
		Order Coordination For Specified Conversion Time, per LS			UCL	OCOSL		20.75												
		Sub-Loop Feeder - Per 4-Wire Copper Loop - Zone		1	UCL	USBFJ	12.76	89.85	51.57	46.59	9.38		10.73							1.65
		Sub-Loop Feeder - Per 4-Wire Copper Loop - Zone		2	UCL	USBFJ	17.67	89.85	51.57	46.59	9.38		10.73							1.65
		Sub-Loop Feeder - Per 4-Wire Copper Loop - Zone		3	UCL	USBFJ	33.43	89.85	51.57	46.59	9.38		10.73							1.65
		Order Coordination For Specified Conversion Time, per LS			UCL	OCOSL		20.75												
		Sub-Loop Feeder - Per 4-Wire 19.2 Kbps Digital Grade Loo		1	UDL	USBFN	17.52	90.72	52.43	48.55	11.33		10.73							1.65
		Sub-Loop Feeder - Per 4-Wire 19.2 Kbps Digital Grade Loo		2	UDL	USBFN	24.28	90.72	52.43	48.55	11.33		10.73							1.65
		Sub-Loop Feeder - Per 4-Wire 19.2 Kbps Digital Grade Loo		3	UDL	USBFN	45.92	90.72	52.43	48.55	11.33		10.73							1.65
		Sub-Loop Feeder - Per 4-Wire 56 Kbps Digital Grade Loop - Zone		1	UDL	USBFO	17.52	90.72	52.43	48.55	11.33		10.73							1.65
		Sub-Loop Feeder - Per 4-Wire 56 Kbps Digital Grade Loop - Zone		2	UDL	USBFO	24.28	90.72	52.43	48.55	11.33		10.73							1.65
		Sub-Loop Feeder - Per 4-Wire 56 Kbps Digital Grade Loop - Zone		3	UDL	USBFO	45.92	90.72	52.43	48.55	11.33		10.73							1.65
		Order Coordination For Specified Time Conversion, per LS			UDL	OCOSL		20.75												
		Unbundled Sub-Loop Feeder - Per 4-Wire 64 Kbps Digital Grade Loop - Zone		1	UDL	USBFP	17.52	90.72	52.43	48.55	11.33		10.73							1.65
		Sub-Loop Feeder - Per 4-Wire 64 Kbps Digital Grade Loop - Zone		2	UDL	USBFP	24.28	90.72	52.43	48.55	11.33		10.73							1.65
		Sub-Loop Feeder - Per 4-Wire 64 Kbps Digital Grade Loop - Zone		3	UDL	USBFP	45.92	90.72	52.43	48.55	11.33		10.73							1.65
		Order Coordination For Specified Conversion Time, per LS			UDL	OCOSL		20.75												
		<b>Unbundled Sub-Loop Modification</b>																		
		Unbundled Sub-Loop Modification - 2-W Copper Dist Load Coil/Equip Removal per 2-W PR			UEF	ULM2X		9.11	9.11				10.73							1.65
		Unbundled Sub-loop Modification - 4-W Copper Dist Load Coil/Equip Removal per 4-W PR			UEF	ULM4X		9.11	9.11				10.73							1.65
		Unbundled Sub-loop Modification - 2-w/4-w Copper Dist Bridged Tap Removal, per PR unloaded			UEF	ULM4T		14.05	14.05				10.73							1.65
		<b>Unbundled Network Terminating Wire (UNTW)</b>																		
		Unbundled Network Terminating Wire (UNTW) per Pa			UENTW	UENPP	0.3682	21.85	21.85				10.73							1.65
		<b>Network Interface Device (NID)</b>																		
		Network Interface Device (NID) - 1-2 line			UENTW	UND12		63.72	40.94				10.73							1.65
		Network Interface Device (NID) - 1-6 line			UENTW	UND16		105.96	83.17				10.73							1.65
		Network Interface Device Cross Connect - 2 V			UENTW	UNDC2		7.12	7.12				10.73							1.65

UNBUNDLED NETWORK ELEMENTS  
Florida

CATEGORY	NOTES	UNBUNDLED NETWORK ELEMENT	Interim	Zone	BCS	USOC	RATES (\$)					OSS RATES (\$)						
							Nonrecurring		Nonrecurring		SOMEc	SOMAN	SOMAN	SOMAN	SOMAN	SOMAN		
							Rec	First	First	Disconnect								
		Network Interface Device Cross Connect - 4W			UENTW	UNDC4		7.12	7.12				10.73				1.65	
<b>UNBUNDLED LOOP CONCENTRATION</b>																		
		Unbundled Loop Concentration - System A (TR000			ULC	UCT8A	461.86	324.01	324.01				10.73				1.65	
		Unbundled Loop Concentration - System B (TR000			ULC	UCT8B	54.91	135	135				10.73				1.65	
		Unbundled Loop Concentration - System A (TR300			ULC	UCT3A	500.74	324.01	324.01				10.73				1.65	
		Unbundled Loop Concentration - System B (TR300			ULC	UCT3B	92.53	135	135				10.73				1.65	
		Unbundled Loop Concentration - DS1 Loop Interface Car			ULC	UCTCO	5.18	64.65	46.45	16.67	4.35		10.73				1.65	
		Unbundled Loop Concentration - ISDN Loop Interface (Brite Car			UDN	ULCC1	8.22	14.96	14.88	6.11	6.07		10.73				1.65	
		Unbundled Loop Concentration - UDC Loop Interface (Brite Car			UDC	ULCCU	8.22	14.96	14.88	6.11	6.07		10.73				1.65	
		Unbundled Loop Concentration - -2 Wire Voice-Loop Start or Ground Start Loop Interface (POTS Card			UEA	ULCC2	2.06	14.96	14.88	6.11	6.07		10.73				1.65	
		Unbundled Loop Concentration - 2 Wire Voice - Reverse Battery Loop Interface (SPOTS Card)			UEA	ULCCR	12.22	14.96	14.88	6.11	6.07		10.73				19.99	
		Unbundled Loop Concentration - 4 Wire Voice Loop Interface (Specials Car			UEA	ULCC4	7.29	14.96	14.88	6.11	6.07		10.73				1.65	
		Unbundled Loop Concentration - TEST CIRCUIT Car			ULC	UCTTC	35.63	14.96	14.88	6.11	6.07		10.73				1.65	
		Unbundled Loop Concentration - Digital 19.2 Kbps Data Loop Interfac			UDL	ULCC7	10.8	14.96	14.88	6.11	6.07		10.73				1.65	
		Unbundled Loop Concentration - Digital 56 Kbps Data Loop Interfac			UDL	ULCC5	10.8	14.96	14.88	6.11	6.07		10.73				1.65	
		Unbundled Loop Concentration - Digital 64 Kbps Data Loop Interfac			UDL	ULCC6	10.8	14.96	14.88	6.11	6.07		10.73				1.65	
<b>UNBUNDLED SUB-LOOP CONCENTRATION (OUTSIDE CO)</b>																		
<b>UNE OTHER, PROVISIONING ONLY - NO RATE</b>																		
		NID - Dispatch and Service Order for NID installation			UENTW	UNDBX												
		UNTW Circuit Id Establishment, Provisioning Only - No Rate			UENTW	UENCE												
		Unbundled Contract Name, Provisioning Only - No Rate			UEANL, UEF, UE Q, UENT W	UNEEN												
		Unbundled Contact Name, Provisioning Only - no rate			JAL, UCL, UDC, UDL, UD N, UEA, UHL, ULC	UNEEN	0	0										
		Unbundled Sub-Loop Feeder-2 Wire Cross Box Jumper - no rat			UEA, UD N, UCL, UDC	USBFQ	0	0										
		Unbundled Sub-Loop Feeder-4 Wire Cross Box Jumper - no rat			UEA, US L, UCL, UDL	USBFR	0	0										
		Unbundled DS1 Loop - Superframe Format Option - no rat			USL	CCOSF	0	0										
		Unbundled DS1 Loop - Expanded Superframe Format option - no rat			USL	CCOEF	0	0										
<b>HIGH CAPACITY UNBUNDLED LOCAL LOOP</b>																		
		NOTE: 4 month minimum billing period																
		High Capacity Unbundled Local Loop - DS3 - Per Mile per mon			UE3	1L5ND	10.06											
		High Capacity Unbundled Local Loop - DS3 - Facility Termination per mor			UE3	UE3PX	387.1	501.59	309.24	125.43	87.3		10.73				1.65	
		High Capacity Unbundled Local Loop - STS-1 - Per Mile per mon			UDLSX	1L5ND	10.06											
		High Capacity Unbundled Local Loop - STS-1 - Facility Termination per mor			UDLSX	UDLS1	426.68	501.59	309.24	125.43	87.3		10.73				1.65	

UNBUNDLED NETWORK ELEMENTS  
Florida

CATEGORY	NOTES	UNBUNDLED NETWORK ELEMENT	Interim	Zone	BCS	USOC	RATES (\$)					OSS RATES (\$)					
							Rec	First	Add'l	First	Add'l	SOME C	SOMAN	SOMAN	SOMAN	SOMAN	SOMAN
							Nonrecurring					Nonrecurring					
							Disconnect										
							Rec	First	Add'l	First	Add'l	SOME C	SOMAN	SOMAN	SOMAN	SOMAN	SOMAN
<b>LOOP MAKE-UP</b>																	
		Loop Makeup - Preordering Without Reservation, per working or spare facility queried (Manual).			UMK	UMKLV		43.1	43.1								
		Loop Makeup - Preordering With Reservation, per spare facility queried (Manual).			UMK	UMKLP		45.72	45.72								
		Loop Makeup--With or Without Reservation, per working or spare facility queried (Mechanized)			UMK	PSUMK	0.6757										
<b>LINE SHARING</b>																	
		Line Sharing Splitter, per System 96 Line Capacit	I		ULS	ULSDA	100	150	0	150	0						
		Line Sharing Splitter, per System 24 Line Capacit	I		ULS	ULSDB	25	150	0	150	0						
		Line Sharing Splitte, Per System, 8 Line Capacit	I		ULS	ULSD8	8.33	150	0	150	0						
		Line Sharing - per Line Activatio	I		ULS	ULSDC	0.61	40	22			10.73				1.65	
		Line Sharing - per Subsequent Activity per Line Rearrangeme	I		ULS	ULSDS		30	15			10.73				1.65	
<b>UNBUNDLED TRANSPORT</b>																	
<b>COMMON TRANSPORT (Shared)</b>																	
		Common Transport - Per Mile, Per MOL										0.0000039					
		Common Transport - Facilities Termination Per MO										0.0004579					
NOTE: INTEROFFICE CHANNEL - DEDICATED TRANSPORT - minimum billing period: below DS3 = one month, DS3 and above four months																	
<b>INTEROFFICE CHANNEL - DEDICATED TRANSPORT - VOICE GRADE</b>																	
		Interoffice Channel - Dedicated Transport - 2-Wire Voice Grade - Per Mile per mor			U1TVX	1L5XX	0.0084										
		Interoffice Channel - Dedicated Transport- 2- Wire Voice Grade - Facility Termination per month			U1TVX	U1TV2	26.02	42.69	28.66	16.51	6.34		10.73				1.65
		Interoffice Channel - Dedicated Transport - 2-Wire Voice Grade Rev Bat. - Per Mile per month			U1TVX	1L5XX	0.0084										
		Interoffice Channel - Dedicated Transport- 2- Wire VG Rev Bat. - Facility Termination per month			U1TVX	U1TR2	26.02	42.69	28.66	16.51	6.34		10.73				1.65
		Interoffice Channel - Dedicated Transport - 4-Wire Voice Grade - Per Mile per month			U1TVX	1L5XX	0.0084										
		Interoffice Channel - Dedicated Transport - 4- Wire Voice Grade - Facility Termination per month			U1TVX	U1TV4	23.2	42.69	28.66	16.51	6.34		10.73				1.65
		Interoffice Channel - Dedicated Transport - 56 kbps - per mile per mon			U1TDX	1L5XX	0.0084										
		Interoffice Channel - Dedicated Transport - 56 kbps - Facility Termination per moi			U1TDX	U1TD5	18.95	42.69	28.66	16.51	6.34		10.73				1.65
		Interoffice Channel - Dedicated Transport - 64 kbps - per mile per mon			U1TDX	1L5XX	0.0084										
		Interoffice Channel - Dedicated Transport - 64 kbps - Facility Termination per moi			U1TDX	U1TD6	18.95	42.69	28.66	16.51	6.34		10.73				1.65
<b>INTEROFFICE CHANNEL - DEDICATED TRANSPORT - DS1</b>																	
		Interoffice Channel - Dedicated Channel - DS1 - Per Mile per mon			U1TD1	1L5XX	0.171										
		Interoffice Channel - Dedicated Transport - DS1 - Facility Termination per mor			U1TD1	U1TF1	90.87	95.16	88.78	16.74	14.85		10.73				1.65
<b>INTEROFFICE CHANNEL - DEDICATED TRANSPORT- DS3</b>																	
		Interoffice Channel - Dedicated Transport - DS3 - Per Mile per mon			U1TD3	1L5XX	3.57										
		Interoffice Channel - Dedicated Transport - DS3 - Facility Termination per mor			U1TD3	U1TF3	1101	302.43	197.7	64.94	63.61		10.73				1.65
<b>INTEROFFICE CHANNEL - DEDICATED TRANSPORT- STS-1</b>																	
		Interoffice Channel - Dedicated Transport - STS-1 - Per Mile per mon			U1TS1	1L5XX	3.57										
		Interoffice Channel - Dedicated Transport - STS-1 - Facility Termination per moi			U1TS1	U1TFS	1085	302.43	197.7	64.94	63.61		10.73				1.65





UNBUNDLED NETWORK ELEMENTS  
Florida

CATEGORY	NOTES	UNBUNDLED NETWORK ELEMENT	Interim	Zone	BCS	USOC	RATES (\$)					OSS RATES (\$)							
							Rec	First	Add'l	First	Add'l	SOMEc	SOMAN	SOMAN	SOMAN	SOMAN	SOMAN		
							Nonrecurring		Nonrecurring										
							Disconnect												
		8XX Access Ten Digit Screening, Multiple InterLATA CXR Routing Per CXR Requested Per 8XX No.			OHD	N8FMX		4.37	2.5										1.65
		8XX Access Ten Digit Screening, Change Charge Per Reque			OHD	N8FAX		4.37	0.64										1.65
		8XX Access Ten Digit Screening, Call Handling and Destination Featur			OHD	N8FDX		3.74											1.65
		8XX Access Ten Digit Screening, w/ 8XX No. Delivery, per que			OHD			0.0006165											
		8XX Access Ten Digit Screening, w/ POTS No. Delivery, per que			OHD			0.0006165											
<b>LINE INFORMATION DATA BASE ACCESS (LIDB)</b>																			
		LIDB Common Transport Per Quen			OQT			0.0000195											
		LIDB Validation Per Quen			OQU			0.0132254											
		LIDB Originating Point Code Establishment or Chang			OQT, OQU	NRPBX		49.71	49.71	49.71	49.71								1.65
<b>SIGNALING (CCS7)</b>																			
		CCS7 Signaling Termination, Per STP Por			1DB	PT8SX		129.77											1.65
		CCS7 Signaling Usage, Per TCAP Messag			1DB			0.0000592											
		NOTE: Applicable when measurement and billing capability exists.																	
		CCS7 Signaling Connection, Per link (A lin)			1DB	TPP++		18.39	39.28	39.28	16.51	16.51							1.65
		CCS7 Signaling Connection, Per link (B link) (also known as D lin			1DB	TPP++		18.39	39.28	39.28	16.51	16.51							1.65
		CCS7 Signaling Usage, Per ISUP Messag			1DB			0.0000148											
		NOTE: Applicable when measurement and billing capability exists.																	
		CCS7 Signaling Usage Surrogate, per link per LAT			1DB	STU56		676.89											1.65
		CCS7 Signaling Point Code, per Originating Point Code Establishment or Change, per STP affected			1DB	CCAPO		41.5	41.5										1.65
		CCS7 Signaling Point Code, per Destination Point Code Establishment or Change, Per Stp Affected			1DB	CCAPD		8	8										1.65
<b>E911 SERVICE</b>																			
		Local Channel - Dedicated - 2-wr Voice Grade - Zone						21.04	239.67	42.34	33.93	3.61							1.65
		Local Channel - Dedicated - 2-wr Voice Grade - Zone						29.15	239.67	42.34	33.93	3.61							1.65
		Local Channel - Dedicated - 2-wr Voice Grade - Zone						55.14	239.67	42.34	33.93	3.61							1.65
		Interoffice Transport - Dedicated - 2-wr Voice Grade Per Mi						0.0084											
		Interoffice Transport - Dedicated - 2-wr Voice Grade Per Facility Terminati						28.02	42.69	28.66	16.51	6.34							1.65
		Local Channel - Dedicated - DS1 - Zone						34.49	195.33	165.48	21.9	15.28							1.65
		Local Channel - Dedicated - DS1 - Zone :						47.78	195.33	165.48	21.9	15.28							1.65
		Local Channel - Dedicated - DS1 - Zone :						90.38	195.33	165.48	21.9	15.28							1.65
		Interoffice Transport - Dedicated - DS1 Per Mil						0.171											
		Interoffice Transport - Dedicated - DS1 Per Facility Terminati						90.87	95.16	88.78	16.74	14.85							1.65
<b>CALLING NAME (CNAM) SERVICE</b>																			
		CNAM for DB Owners, Per Quen			OQV			0.0010161											
		CNAM for Non DB Owners, Per Quen			OQV			0.0010161											
		CNAM For DB Owners - Service Establishmer			OQV			22.85	22.85	17.14	17.14								1.65
		CNAM For Non DB Owners - Service Establishmer			OQV			22.85	22.85	17.14	17.14								1.65
		CNAM For DB Owners - Service Provisioning With Point Code Establishme			OQV			1435	1061	317.7	233.6								1.65
		CNAM For Non Db Owners - Service Provisioning With Point Code Establishme			OQV			492.73	355.07	322.83	233.6								1.65
		CNAM (Non-Databs Owner), NRC, applies when using the Character Based User Interface (CHUI)			OQV	CDDCH		595	595										1.65
<b>LNP QUERY SERVICE</b>																			
		LNP Charge Per query						0.000842											
		LNP Service Establishment Manua						12.46	12.46	9.35	9.35								1.65



UNBUNDLED NETWORK ELEMENTS  
Florida

CATEGORY	NOTES	UNBUNDLED NETWORK ELEMENT	Interim	Zone	BCS	USOC	RATES (\$)					OSS RATES (\$)									
							Rec	First	Add'l	First	Add'l	SOME C	SOMAN	SOMAN	SOMAN	SOMAN	SOMAN	SOMAN			
							Nonrecurring		Nonrecurring												
							Disconnect														
<b>AIN SELECTIVE CARRIER ROUTING</b>																					
		Regional Service Establishment			SRC	SRCEC		191575		6974											1.65
		End Office Establishment			SRC	SRCEO		168.89	168.89	0.63	0.63										1.65
		Query NRC, per query			SRC		0.0030998														
<b>AIN - BELLSOUTH AIN SMS ACCESS SERVICE</b>																					
		AIN SMS Access Service - Service Establishment, Per State, Initial Setup				CAMSE		39.27	39.27	33.04	33.04										1.65
		AIN SMS Access Service - Port Connection - Dial/Shared Access				CAMPDP		7.79	7.79	7.38	7.38										1.65
		AIN SMS Access Service - Port Connection - ISDN Access				CAM1P		7.79	7.79	7.38	7.38										1.65
		AIN SMS Access Service - User Identification Codes - Per User ID Code				CAMAU		34.85	34.85	21.97	21.97										1.65
		AIN SMS Access Service - Security Card, Per User ID Code, Initial or Replacement				CAMRC		73.76	73.76	9.51	9.51										1.65
		AIN SMS Access Service - Storage, Per Unit (100 Kilobytes)					0.0029														
		AIN SMS Access Service - Session, Per Minute					0.7985														
		AIN SMS Access Service - Company Performed Session, Per Minute					0.4155														
<b>AIN - BELLSOUTH AIN TOOLKIT SERVICE</b>																					
		AIN Toolkit Service - Service Establishment Charge, Per State, Initial Setup				BAPSC		39.27	39.27	33.04	33.04										1.65
		AIN Toolkit Service - Training Session, Per Customer				BAPVX		8406	8406												1.65
		AIN Toolkit Service - Trigger Access Charge, Per Trigger, Per DN, Term. Attempt				BAPTT		7.79	7.79	7.38	7.38										1.65
		AIN Toolkit Service - Trigger Access Charge, Per Trigger, Per DN, Off-Hook Delay				BAPTD		7.79	7.79	7.38	7.38										1.65
		AIN Toolkit Service - Trigger Access Charge, Per Trigger, Per DN, Off-Hook Immediate				BAPTM		7.79	7.79	7.38	7.38										1.65
		AIN Toolkit Service - Trigger Access Charge, Per Trigger, Per DN, 10-Digit PODP				BAPTO		34.32	34.32	11.66	11.66										1.65
		AIN Toolkit Service - Trigger Access Charge, Per Trigger, Per DN, CDP				BAPTC		34.32	34.32	11.66	11.66										1.65
		AIN Toolkit Service - Trigger Access Charge, Per Trigger, Per DN, Feature Code				BAPTF		34.32	34.32	11.66	11.66										1.65
		AIN Toolkit Service - Query Charge, Per Query					0.0509436														
		AIN Toolkit Service - Type 1 Node Charge, Per AIN Toolkit Subscription, Per Node, Per Query					0.0062787														
		AIN Toolkit Service - SCP Storage Charge, Per SMS Access Account, Per 100 Kilobytes					0.06														
		AIN Toolkit Service - Monthly report - Per AIN Toolkit Service Subscription				BAPMS	8	7.79	7.79	4.47	4.47										1.65
		AIN Toolkit Service - Special Study - Per AIN Toolkit Service Subscription				BAPLS	3.85	8.62	8.62												1.65
		AIN Toolkit Service - Call Event Report - Per AIN Toolkit Service Subscription				BAPDS	4.28	7.79	7.79	4.47	4.47										1.65
		AIN Toolkit Service - Call Event Special Study - Per AIN Toolkit Service Subscription				BAPES	0.13	8.62	8.62												1.65
<b>ODUF/EDOUF/ADUF/CMDS</b>																					
		<b>ACCESS DAILY USAGE FILE (ADUF)</b>																			
		ADUF: Message Processing, per message						0.013928													
		ADUF: Data Transmission (CONNECT:DIRECT), per message						0.00012927													
		<b>ENHANCED OPTIONAL DAILY USAGE FILE (EODUF)</b>																			
		EODUF: Message Processing, per message						0.222451													

UNBUNDLED NETWORK ELEMENTS  
Florida

CATEGORY	NOTES	UNBUNDLED NETWORK ELEMENT	Interim	Zone	BCS	USOC	RATES (\$)					OSS RATES (\$)								
							Rec	First	Add'l	First	Add'l	SOMEc	SOMAN	SOMAN	SOMAN	SOMAN	SOMAN	SOMAN		
							Nonrecurring		Nonrecurring											
							Nonrecurring		Disconnect											
							Rec	First	Add'l	First	Add'l	SOMEc	SOMAN	SOMAN	SOMAN	SOMAN	SOMAN	SOMAN	SOMAN	SOMAN
		<b>OPTIONAL DAILY USAGE FILE (ODUF)</b>																		
		ODUF: Recording, per message					0.0000068													
		ODUF: Message Processing, per message					0.006614													
		ODUF: Message Processing, per Magnetic Tape provisione					48.77													
		ODUF: Data Transmission (CONNECT:DIRECT), per message					0.00010772													
		<b>ENHANCED EXTENDED LINK (EELs)</b>																		
		<b>NOTE: New EELs available in State of Georgia, density zone 1 of following SMAs: Orlando, FL; Miami, FL; Ft. Lauderdale, FL; Nashville, TN; New Orleans, LA;</b>																		
		<b>NOTE: Charlotte-Gastonia-Rockhill, NC; Greensboro-Winston Salem-High Point, NC. Use all rates below except Switch As Is Charge.</b>																		
		<b>NOTE: In all states, EEL network elements shown below also apply to currently combined facilities which are converted to UNE rates. A Switch As Is Charge applies to currently combined facilities converted to UNEs.(Non-recurring rates do not apply.)</b>																		
		<b>NOTE: In Georgia, the EEL network elements apply to ordinarily combined network elements per the GA PSC order.(No Switch As Is Charge.)</b>																		
		<b>2-WIRE VOICE GRADE EXTENDED LOOP WITH DEDICATED DS1 INTEROFFICE TRANSPORT (EEL)</b>																		
		First 2-Wire VG Loop(SL2) in a DS1 Interofficed Transport Combination - Zone 1		1	UNCVX	UEAL2	13.43	115.02	54.58	43.28	5.68		10.73							1.65
		First 2-Wire VG Grade Loop(SL2) in a DS1 Interofficed Transport Combination - Zone 2		2	UNCVX	UEAL2	18.6	115.02	54.58	43.28	5.68		10.73							1.65
		First 2-Wire VG Grade Loop(SL2) in a DS1 Interofficed Transport Combination - Zone 3		3	UNCVX	UEAL2	35.18	115.02	54.58	43.28	5.68		10.73							1.65
		Interoffice Transport - Dedicated - DS1 combination - Per Mile per mon			UNC1X	1L5XX	0.171													
		Interoffice Transport - Dedicated - DS1 combination - Facility Termination per mon			UNC1X	U1TF1	90.87	157.3	110.42	41.12	16.18		10.73							1.65
		DS1 Channelization System Per Mon			UNC1X	MQ1	151.74	51.63	13.29	1.35	1.21									
		Voice Grade COCI - DS1 To DS0 Interface - Per Month			UNCVX	1D1VG	1.42	6.05	4.36											
		Each Additional 2-Wire VG Loop(SL 2) in the same DS1 Interoffice Transport Combination - Zone 1		1	UNCVX	UEAL2	13.43	115.02	54.58	43.28	5.68		10.73							1.65
		Each Additional 2-Wire VG Loop(SL2) in the same DS1 Interoffice Transport Combination - Zone 2		2	UNCVX	UEAL2	18.6	115.02	54.58	43.28	5.68		10.73							1.65
		Each Additional 2-Wire VG Loop(SL2) in the same DS1 Interoffice Transport Combination - Zone 3		3	UNCVX	UEAL2	35.18	115.02	54.58	43.28	5.68		10.73							1.65
		Voice Grade COCI - DS1 to DS0 Channel System combination - per mon			UNCVX	1D1VG	1.42	6.05	4.36											
		Nonrecurring Currently Combined Network Elements Switch -As-Is Charge			UNC1X	UNCCC		8.1	8.1	8.1	8.1		10.73							1.65
		<b>4-WIRE VOICE GRADE EXTENDED LOOP WITH DEDICATED DS1 INTEROFFICE TRANSPORT (EEL)</b>																		
		First 4-Wire Analog Voice Grade Loop in a DS1 Interoffice Transport Combination - Zone 1		1	UNCVX	UEAL4	21.23	115.02	54.58	43.28	5.68		10.73							1.65
		First 4-Wire Analog Voice Grade Loop in a DS1 Interoffice Transport Combination - Zone 2		2	UNCVX	UEAL4	29.41	115.02	54.58	43.28	5.68		10.73							1.65
		First 4-Wire Analog Voice Grade Loop in a DS1 Interoffice Transport Combination - Zone 3		3	UNCVX	UEAL4	55.63	115.02	54.58	43.28	5.68		10.73							1.65
		Interoffice Transport - Dedicated - DS1 combination - Per Mile Per Mon			UNC1X	1L5XX	0.171													
		Interoffice Transport - Dedicated - DS1 - Facility Termination Per Mon			UNC1X	U1TF1	90.87	157.3	110.42	41.12	16.18		10.73							1.65
		Channelization - Channel System DS1 to DS0 combination Per Mon			UNC1X	MQ1	151.74	51.63	13.29	1.35	1.21									
		Voice Grade COCI - DS1 to DS0 Channel System combination - per mon			UNCVX	1D1VG	1.42	6.05	4.36											
		Additional 4-Wire Analog Voice Grade Loop in same DS1 Interoffice Transport Combination - Zone 1		1	UNCVX	UEAL4	21.23	115.02	54.58	43.28	5.68		10.73							1.65

UNBUNDLED NETWORK ELEMENTS  
Florida

CATEGORY	NOTES	UNBUNDLED NETWORK ELEMENT	Interim	Zone	BCS	USOC	RATES (\$)					OSS RATES (\$)					
							Nonrecurring		Nonrecurring			SOMEc	SOMAN	SOMAN	SOMAN	SOMAN	SOMAN
							Rec	First	Add'l	First	Add'l						
		Additional 4-Wire Analog Voice Grade Loop in same DS1 Interoffice Transport Combination - Zone 2		2	UNCVX	UEAL4	29.41	115.02	54.58	43.28	5.68		10.73			1.65	
		Additional 4-Wire Analog Voice Grade Loop in same DS1 Interoffice Transport Combination - Zone 3		3	UNCVX	UEAL4	55.63	115.02	54.58	43.28	5.68		10.73			1.65	
		Voice Grade COCI - DS1 to DS0 Channel System combination - per month			UNCVX	1D1VG	1.42	6.05	4.36								
		Nonrecurring Currently Combined Network Elements Switch -As-Is Char			UNC1X	UNCCC		8.1	8.1	8.1	8.1		10.73			1.65	
		<b>4-WIRE 56 KBPS EXTENDED DIGITAL LOOP WITH DEDICATED DS1 INTEROFFICE TRANSPORT (EEL)</b>															
		First 4-Wire 56Kbps Digital Grade Loop in a DS1 Interoffice Transport Combination - Zone 1		1	UNC1X	UDL56	24.48	115.02	54.58	43.28	5.68		10.73			1.65	
		First 4-Wire 56Kbps Digital Grade Loop in a DS1 Interoffice Transport Combination - Zone 2		2	UNC1X	UDL56	33.91	115.02	54.58	43.28	5.68		10.73			1.65	
		First 4-Wire 56Kbps Digital Grade Loop in a DS1 Interoffice Transport Combination - Zone 3		3	UNC1X	UDL56	64.14	115.02	54.58	43.28	5.68		10.73			1.65	
		Interoffice Transport - Dedicated - DS1 combination - Per Mile Per Mon			UNC1X	1L5XX	0.171										
		Interoffice Transport - Dedicated - DS1 - combination Facility Termination Per Month			UNC1X	U1TF1	90.87	157.3	110.42	41.12	16.18		10.73			1.65	
		Channelization - Channel System DS1 to DS0 combination Per Month			UNC1X	MQ1	151.74	51.63	13.29	1.35	1.21						
		OCU-DP COCI (data) - DS1 to DS0 Channel System - per month (2.4-64kbs)			UNC1X	1D1DD	2.16	6.05	4.36								
		Additional 4-Wire 56Kbps Digital Grade Loop in same DS1 Interoffice Transport Combination - Zone 1		1	UNC1X	UDL56	24.48	115.02	54.58	43.28	5.68		10.73			1.65	
		Additional 4-Wire 56Kbps Digital Grade Loop in same DS1 Interoffice Transport Combination - Zone 2		2	UNC1X	UDL56	33.91	115.02	54.58	43.28	5.68		10.73			1.65	
		Additional 4-Wire 56Kbps Digital Grade Loop in same DS1 Interoffice Transport Combination - Zone 3		3	UNC1X	UDL56	64.14	115.02	54.58	43.28	5.68		10.73			1.65	
		OCU-DP COCI (data) - DS1 to DS0 Channel System - combination per month (2.4-64kbs)			UNC1X	1D1DD	2.16	9.08	6.38								
		Nonrecurring Currently Combined Network Elements Switch -As-Is Char			UNC1X	UNCCC		8.1	8.1	8.1	8.1		10.73			1.65	
		<b>4-WIRE 64 KBPS EXTENDED DIGITAL LOOP WITH DEDICATED DS1 INTEROFFICE TRANSPORT (EEL)</b>															
		First 4-Wire 64Kbps Digital Grade Loop in a DS1 Interoffice Transport Combination - Zone 1		1	UNC1X	UDL64	24.48	115.02	54.58	43.28	5.68		10.73			1.65	
		First 4-Wire 64Kbps Digital Grade Loop in a DS1 Interoffice Transport Combination - Zone 2		2	UNC1X	UDL64	33.91	115.02	54.58	43.28	5.68		10.73			1.65	
		First 4-Wire 64Kbps Digital Grade Loop in a DS1 Interoffice Transport Combination - Zone 3		3	UNC1X	UDL64	64.14	115.02	54.58	43.28	5.68		10.73			1.65	
		Interoffice Transport - Dedicated - DS1 combination - Per Mile Per Mon			UNC1X	1L5XX	0.171										
		Interoffice Transport - Dedicated - DS1 combination - Facility Termination Per Month			UNC1X	U1TF1	90.87	157.3	110.42	41.12	16.18		10.73			1.65	
		Channelization - Channel System DS1 to DS0 combination Per Month			UNC1X	MQ1	151.74	51.63	13.29	1.35	1.21						
		OCU-DP COCI (data) - DS1 to DS0 Channel System combination - per month (2.4-64kbs)			UNC1X	1D1DD	2.16	6.05	4.36								
		Additional 4-Wire 64Kbps Digital Grade Loop in same DS1 Interoffice Transport Combination - Zone 1		1	UNC1X	UDL64	24.48	115.02	54.58	43.28	5.68		10.73			1.65	
		Additional 4-Wire 64Kbps Digital Grade Loop in same DS1 Interoffice Transport Combination - Zone 2		2	UNC1X	UDL64	33.91	115.02	54.58	43.28	5.68		10.73			1.65	
		Additional 4-Wire 64Kbps Digital Grade Loop in same DS1 Interoffice Transport Combination - Zone 3		3	UNC1X	UDL64	64.14	115.02	54.58	43.28	5.68		10.73			1.65	
		OCU-DP COCI (data) - DS1 to DS0 Channel System combination - per month (2.4-64kbs)			UNC1X	1D1DD	2.16	6.05	4.36								
		Nonrecurring Currently Combined Network Elements Switch -As-Is Char			UNC1X	UNCCC		8.1	8.1	8.1	8.1		10.73			1.65	
		<b>4-WIRE DS1 DIGITAL EXTENDED LOOP WITH DEDICATED DS1 INTEROFFICE TRANSPORT (EEL)</b>															
		4-Wire DS1 Digital Loop in Combination with DS1 Interoffice Transport - Zone 1		1	UNC1X	USLXX	69.22	196.32	110.28	76.38	13.03		10.73			1.65	
		4-Wire DS1 Digital Loop in Combination with DS1 Interoffice Transport - Zone 2		2	UNC1X	USLXX	95.89	196.32	110.28	76.38	13.03		10.73			1.65	
		4-Wire DS1 Digital Loop in Combination with DS1 Interoffice Transport - Zone 3		3	UNC1X	USLXX	181.38	196.32	110.28	76.38	13.03		10.73			1.65	
		Interoffice Transport - Dedicated - DS1 combination - Per Mile Per Mon			UNC1X	1L5XX	0.171										

UNBUNDLED NETWORK ELEMENTS  
Florida

CATEGORY	NOTES	UNBUNDLED NETWORK ELEMENT	Interim	Zone	BCS	USOC	RATES (\$)					OSS RATES (\$)					
							Nonrecurring		Nonrecurring			SOMEc	SOMAN	SOMAN	SOMAN	SOMAN	SOMAN
							Rec	First	Add'l	First	Add'l						
		Interoffice Transport - Dedicated - DS1 combination - Facility Termination Per Month			UNC1X	U1TF1	90.87	157.3	110.42	41.12	16.18		10.73				1.65
		Nonrecurring Currently Combined Network Elements Switch -As-Is Char			UNC1X	UNCCC		8.1	8.1	8.1	8.1		10.73				1.65
		<b>4-WIRE DS1 DIGITAL EXTENDED LOOP WITH DEDICATED DS3 INTEROFFICE TRANSPORT (EEL)</b>															
		First DS1 Loop in DS3 Interoffice Transport Combination - Zone		1	UNC1X	USLXX	69.22	196.32	110.28	76.38	13.03		10.73				1.65
		First DS1 Loop in DS3 Interoffice Transport Combination - Zone		2	UNC1X	USLXX	95.89	196.32	110.28	76.38	13.03		10.73				1.65
		First DS1 Loop in DS3 Interoffice Transport Combination - Zone		3	UNC1X	USLXX	181.38	196.32	110.28	76.38	13.03		10.73				1.65
		Interoffice Transport - Dedicated - DS3 combination - Per Mile Per Month			UNC3X	1L5XX	3.57										
		Interoffice Transport - Dedicated - DS3 - Facility Termination per month			UNC3X	U1TF3	1101	288.5	124.61	34.8	19.96		10.73				1.65
		DS3 to DS1 Channel System combination per month			UNC3X	MQ3	218.7	104.13	50.98	10.96	3.84						
		DS3 Interface Unit (DS1 COC) combination per month			UNC1X	UC1D1	14.24	6.05	4.36								
		Additional DS1 Loop in DS3 Interoffice Transport Combination - Zone		1	UNC1X	USLXX	69.22	196.32	110.28	76.38	13.03		10.73				1.65
		Additional DS1 Loop in DS3 Interoffice Transport Combination - Zone		2	UNC1X	USLXX	95.89	196.32	110.28	76.38	13.03		10.73				1.65
		Additional DS1 Loop in DS3 Interoffice Transport Combination - Zone		3	UNC1X	USLXX	181.38	196.32	110.28	76.38	13.03		10.73				1.65
		DS3 Interface Unit (DS1 COC) combination per month			UNC1X	UC1D1	14.24	6.05	4.36								
		Nonrecurring Currently Combined Network Elements Switch -As-Is Char			UNC3X	UNCCC		8.1	8.1	8.1	8.1		10.73				1.65
		<b>2-WIRE VOICE GRADE EXTENDED LOOP/ 2 WIRE VOICE GRADE INTEROFFICE TRANSPORT (EEL)</b>															
		2-WireVG Loop used with 2-wire VG Interoffice Transport Combination - Zone		1	UNCVX	UEAL2	13.43	115.02	54.58	43.28	5.68		10.73				1.65
		2-WireVG Loop used with 2-wire VG Interoffice Transport Combination - Zone		2	UNCVX	UEAL2	18.6	115.02	54.58	43.28	5.68		10.73				1.65
		2-WireVG Loop used with 2-wire VG Interoffice Transport Combination - Zone		3	UNCVX	UEAL2	35.18	115.02	54.58	43.28	5.68		10.73				1.65
		Interoffice Transport - Dedicated - 2-wire VG combination - Per Mile Per Month			UNCVX	1L5XX	0.0084										
		Interoffice Transport - Dedicated - 2-Wire Voice Grade combination - Facility Termination per month			UNCVX	U1TV2	26.02	85.38	47.42	40.82	16.25		10.73				1.65
		Nonrecurring Currently Combined Network Elements Switch -As-Is Char			UNCVX	UNCCC		8.1	8.1	8.1	8.1		10.73				1.65
		<b>4-WIRE VOICE GRADE EXTENDED LOOP/ 4 WIRE VOICE GRADE INTEROFFICE TRANSPORT (EEL)</b>															
		4-WireVG Loop used with 4-wire VG Interoffice Transport Combination - Zone		1	UNCVX	UEAL4	21.23	115.02	54.58	43.28	5.68		10.73				1.65
		4-WireVG Loop used with 4-wire VG Interoffice Transport Combination - Zone		2	UNCVX	UEAL4	29.41	115.02	54.58	43.28	5.68		10.73				1.65
		4-WireVG Loop used with 4-wire VG Interoffice Transport Combination - Zone		3	UNCVX	UEAL4	55.63	115.02	54.58	43.28	5.68		10.73				1.65
		Interoffice Transport - Dedicated - 4-wire VG combination - Per Mile Per Month			UNCVX	1L5XX	0.0084										
		Interoffice Transport - Dedicated - 4- Wire Voice Grade combination - Facility Termination per month			UNCVX	U1TV4	23.2	85.38	47.42	40.82	16.25		10.73				1.65
		Nonrecurring Currently Combined Network Elements Switch -As-Is Char			UNCVX	UNCCC		8.1	8.1	8.1	8.1		10.73				1.65
		<b>DS3 DIGITAL EXTENDED LOOP WITH DEDICATED DS3 INTEROFFICE TRANSPORT (EEL)</b>															
		High Capacity Unbundled Local Loop - DS3 combination - Per Mile per month			UNC3X	1L5ND	10.06										
		High Capacity Unbundled Local Loop - DS3 combination - Facility Termination per month			UNC3X		387.1	220.36	139.5	60.49	23.69						
		Interoffice Transport - Dedicated - DS3 - Per Mile per month			UNC3X	1L5XX	3.57										
		Interoffice Transport - Dedicated - DS3 combination - Facility Termination per month			UNC3X	U1TF3	1101	288.5	124.61	34.8	19.96		10.73				1.65
		Nonrecurring Currently Combined Network Elements Switch -As-Is Char			UNC3X	UNCCC		8.1	8.1	8.1	8.1		10.73				1.65
		<b>STS1 DIGITAL EXTENDED LOOP WITH DEDICATED STS1 INTEROFFICE TRANSPORT (EEL)</b>															
		High Capacity Unbundled Local Loop - STS1 combination - Per Mile per month			UNC3X	1L5ND	10.06										
		High Capacity Unbundled Local Loop - STS1 combination - Facility Termination per month			UNC3X	UDLS1	426.68	220.36	139.5	60.49	23.69						
		Interoffice Transport - Dedicated - STS1 combination - Per Mile per month			UNC3X	1L5XX	3.57										

UNBUNDLED NETWORK ELEMENTS  
Florida

CATEGORY	NOTES	UNBUNDLED NETWORK ELEMENT	Interim	Zone	BCS	USOC	RATES (\$)					OSS RATES (\$)					
							Nonrecurring		Nonrecurring			SOMEc	SOMAN	SOMAN	SOMAN	SOMAN	SOMAN
							Rec	First	Add'l	First	Add'l						
		Interoffice Transport - Dedicated - STS1 combination - Facility Termination per month			UNC SX	U1TFS	1085	288.5	124.61	34.8	19.96		10.73			1.65	
		Nonrecurring Currently Combined Network Elements Switch -As-Is Char			UNC SX	UNCCC		8.1	8.1	8.1	8.1		10.73			1.65	
		<b>2-WIRE ISDN EXTENDED LOOP WITH DS1 INTEROFFICE TRANSPORT (EEL)</b>															
		First 2-Wire ISDN Loop in a DS1 Interoffice Combination Transport - Zone		1	UNC NX	U1L2X	20.44	115.02	54.58	43.28	5.68		10.73			1.65	
		First 2-Wire ISDN Loop in a DS1 Interoffice Combination Transport - Zone		2	UNC NX	U1L2X	28.31	115.02	54.58	43.28	5.68		10.73			1.65	
		First 2-Wire ISDN Loop in a DS1 Interoffice Combination Transport - Zone		3	UNC NX	U1L2X	53.56	115.02	54.58	43.28	5.68		10.73			1.65	
		Interoffice Transport - Dedicated - DS1 combination - Per Mi			UNC 1X	1L5XX	0.171										
		Interoffice Transport - Dedicated - DS1 combination - Facility Termination per month			UNC 1X	U1TF1	90.87	157.3	110.42	41.12	16.18		10.73			1.65	
		Channelization - Channel System DS1 to DS0 combination - per month			UNC 1X	MQ1	151.74	51.63	13.29	1.35	1.21						
		2-wire ISDN COCI (BRITE) - DS1 to DS0 Channel System combination - per month			UNC NX	UC1CA	3.76	6.05	4.36								
		Additional 2-wire ISDN Loop in same DS1 Interoffice Transport Combination - Zone		1	UNC NX	U1L2X	20.44	115.02	54.58	43.28	5.68		10.73			1.65	
		Additional 2-wire ISDN Loop in same DS1 Interoffice Transport Combination - Zone		2	UNC NX	U1L2X	28.31	115.02	54.58	43.28	5.68		10.73			1.65	
		Additional 2-wire ISDN Loop in same DS1 Interoffice Transport Combination - Zone		3	UNC NX	U1L2X	53.56	115.02	54.58	43.28	5.68		10.73			1.65	
		2-wire ISDN COCI (BRITE) - DS1 to DS0 Channel System combination - per month			UNC NX	UC1CA	3.76	6.05	4.36								
		Nonrecurring Currently Combined Network Elements Switch -As-Is Char			UNC 1X	UNCCC		8.1	8.1	8.1	8.1		10.73			1.65	
		<b>4-WIRE DS1 DIGITAL EXTENDED LOOP WITH DEDICATED STS-1 INTEROFFICE TRANSPORT (EEL)</b>															
		First DS1 Loop in STS1 Interoffice Transport Combination - Zone		1	UNC 1X	USLXX	69.22	196.32	110.28	76.38	13.03		10.73			1.65	
		First DS1 Loop in STS1 Interoffice Transport Combination - Zone		2	UNC 1X	USLXX	95.89	196.32	110.28	76.38	13.03		10.73			1.65	
		First DS1 Loop in STS1 Interoffice Transport Combination - Zone		3	UNC 1X	USLXX	181.38	196.32	110.28	76.38	13.03		10.73			1.65	
		Interoffice Transport - Dedicated - STS1 combination - Per Mile Per Month			UNC SX	1L5XX	3.57										
		Interoffice Transport - Dedicated - STS1 combination - Facility Termination			UNC SX	U1TFS	1085	288.5	124.61	34.8	16.96		10.73			1.65	
		STS1 to DS1 Channel System combination per month			UNC SX	MQ3	218.7	104.13	50.98	10.96	3.84						
		DS3 Interface Unit (DS1 COCI) combination per month			UNC 1X	UC1D1	14.24	6.05	4.36								
		Additional DS1 Loop in STS1 Interoffice Transport Combination - Zone		1	UNC 1X	USLXX	69.22	196.32	110.28	76.38	13.03		10.73			1.65	
		Additional DS1 Loop in STS1 Interoffice Transport Combination - Zone		2	UNC 1X	USLXX	95.89	196.32	110.28	76.38	13.03		10.73			1.65	
		Additional DS1 Loop in STS1 Interoffice Transport Combination - Zone		3	UNC 1X	USLXX	181.38	196.32	110.28	76.38	13.03		10.73			1.65	
		DS3 Interface Unit (DS1 COCI) combination per month			UNC 1X	UC1D1	14.24	6.05	4.36								
		Nonrecurring Currently Combined Network Elements Switch -As-Is Char			UNC SX	UNCCC		8.1	8.1	8.1	8.1		10.73			1.65	
		<b>4-WIRE 56 KBPS DIGITAL EXTENDED LOOP WITH 56 KBPS INTEROFFICE TRANSPORT (EEL)</b>															
		4-wire 56 kbps Loop/4-wire 56 kbps Interoffice Transport Combination - Zone		1	UNC DX	UDL56	24.48	115.02	54.58	43.28	5.68		10.73			1.65	
		4-wire 56 kbps Loop/4-wire 56 kbps Interoffice Transport Combination - Zone		2	UNC DX	UDL56	33.91	115.02	54.58	43.28	5.68		10.73		1.65		
		4-wire 56 kbps Loop/4-wire 56 kbps Interoffice Transport Combination - Zone		3	UNC DX	UDL56	64.14	115.02	54.58	43.28	5.68		10.73			1.65	
		Interoffice Transport - Dedicated - 4-wire 56 kbps combination - Per Mi			UNC DX	1L5XX	0.0098										
		Interoffice Transport - Dedicated - 4-wire 56 kbps combination - Facility Termination			UNC DX	U1TD5	19.31	85.38	47.42	40.82	16.25		10.73			1.65	
		Nonrecurring Currently Combined Network Elements Switch -As-Is Char			UNC DX	UNCCC		8.1	8.1	8.1	8.1		10.73			1.65	
		<b>4-WIRE 64 KBPS DIGITAL EXTENDED LOOP WITH 64 KBPS INTEROFFICE TRANSPORT (EEL)</b>															
		4-wire 64 kbps Loop/4-wire 64 kbps Interoffice Transport Combination - Zone		1	UNC DX	UDL64	24.48	115.02	54.58	43.28	5.68		10.73			1.65	
		4-wire 64 kbps Loop/4-wire 64 kbps Interoffice Transport Combination - Zone		2	UNC DX	UDL64	33.91	115.02	54.58	43.28	5.68		10.73			1.65	
		4-wire 64 kbps Loop/4-wire 64 kbps Interoffice Transport Combination - Zone		3	UNC DX	UDL64	64.14	115.02	54.58	43.28	5.68		10.73			1.65	
		Interoffice Transport - Dedicated - 4-wire 64 kbps combination - Per Mi			UNC DX	1L5XX	0.0098										
		Interoffice Transport - Dedicated - 4-wire 64 kbps combination - Facility Termination			UNC DX	U1TD6	19.31	149.56	86	71.35	31.91		10.73			1.65	
		Nonrecurring Currently Combined Network Elements Switch -As-Is Char			UNC DX	UNCCC		8.1	8.1	8.1	8.1		10.73			1.65	

UNBUNDLED NETWORK ELEMENTS  
Florida

CATEGORY	NOTES	UNBUNDLED NETWORK ELEMENT	Interim	Zone	BCS	USOC	RATES (\$)					OSS RATES (\$)								
							Rec	First	Add'l	First	Add'l	SOMEc	SOMAN	SOMAN	SOMAN	SOMAN	SOMAN			
							Nonrecurring		Nonrecurring											
									Disconnect											
							Rec	First	Add'l	First	Add'l	SOMEc	SOMAN	SOMAN	SOMAN	SOMAN	SOMAN			
<b>ADDITIONAL NETWORK ELEMENTS</b>																				
	When used as a part of a currently combined facility, the non-recurring charges do not apply, but a Switch As Is charge does apply.																			
	When used as ordinarily combined network elements in Georgia, the non-recurring charges apply and the Switch As Is Charge does not.																			
	<b>Node (SynchroNet)</b>																			
	Node per month				UNCDX	UNCNT	16.35													
	<b>Nonrecurring Currently Combined Network Elements "Switch As Is" Charge (One applies to each combination)</b>																			
	2/4-Wire VG Interoffice Channel used in a COMBINATION - "Switch As Is" Conversion Charge				UNCVX	UNCCC	8.1	8.1	8.1	8.1		10.73							1.65	
	56/64 kbps Interoffice Channel used in a COMBINATION - "Switch As Is" Conversion Charge				UNCDX	UNCCC	8.1	8.1	8.1	8.1		10.73							1.65	
	DS1 Interoffice Channel used in a COMBINATION - "Switch As Is" Conversion Charge				UNC1X	UNCCC	8.1	8.1	8.1	8.1		10.73							1.65	
	DS3 Interoffice Channel used in a COMBINATION - "Switch As Is" Conversion Charge				UNC3X	UNCCC	8.1	8.1	8.1	8.1		10.73							1.65	
	STS1 Interoffice or Local Loop used in a COMBINATION - "Switch As Is" Conversion Charge				UNCSX	UNCCC	8.1	8.1	8.1	8.1		10.73							1.65	
	<b>NOTE: Local Channel - Dedicated Transport - minimum billing period - Below DS3=one month, DS3 and above=four months</b>																			
<b>OPERATIONAL SUPPORT SYSTEMS</b>																				
	NOTE: (1) Electronic Service Order: CLEC-1 should contact its contract negotiator if it prefers the state specific electronic service ordering charges as ordered by the State Commissions																			
	NOTE: (1) Continued: The electronic service ordering charge currently contained in this rate exhibit is the BellSouth regional electronic service ordering charge																			
	NOTE: (1) Concluded: CLEC-1 may elect either the state specific Commission ordered rates for the electronic service ordering charges, or CLEC-1 may elect the regional electronic service ordering charge.																			
	NOTE: (2) Manual Service Order charge: disconnect, in the state of Florida, to be billed on a per LSR basis																			
	Electronic OSS Charge, per LSR, submitted via BST's OSS interactive interfaces (Regional)					SOMEc	3.5													
<b>UNBUNDLED LOCAL EXCHANGE SWITCHING (PORTS)</b>																				
	<b>Exchange Ports</b>																			
	<b>NOTE: Although the Port Rate includes all available features in GA &amp; TN, the desired features will need to be ordered using retail USOCs</b>																			
	<b>2-WIRE VOICE GRADE LINE PORT RATES (RES)</b>																			
	Exchange Ports - 2-Wire Analog Line Port- Res				UEPSR	UEPRL	1.34	3.37	3.27	1.69	1.62	10.73							1.65	
	Exchange Ports - 2-Wire Analog Line Port with Caller ID - Re				UEPSR	UEPRC	1.34	3.37	3.27	1.69	1.62	10.73							1.65	
	Exchange Ports - 2-Wire Analog Line Port outgoing only - Re				UEPSR	UEPRO	1.34	3.37	3.27	1.69	1.62	10.73							1.65	
	Exchange Ports - 2-Wire VG unbundled Florida area calling with Caller ID - R				UEPSR	UEPAF	1.34	3.37	3.27	1.69	1.62	10.73							1.65	
	Exchange Ports - 2-Wire VG unbundled res, low usage line port with Caller ID (LU Subsequent Activity)				UEPSR	UEPAP	1.34	3.37	3.27	1.69	1.62	10.73							1.65	
	Exchange Ports - 2-Wire VG unbundled res, low usage line port with Caller ID (LU Subsequent Activity)				UEPSR	USASC	0	0	0											
	<b>FEATURES</b>																			
	All Available Vertical Feature				UEPSR	UEPVF	2.17	0	0			10.73							1.65	









UNBUNDLED NETWORK ELEMENTS  
Florida

CATEGORY	NOTES	UNBUNDLED NETWORK ELEMENT	Interim	Zone	BCS	USOC	RATES (\$)					OSS RATES (\$)					
							Nonrecurring		Nonrecurring			Svc Order Submitted Elec per LSR	Svc Order Submitted Manually per LSR	Incremental Charge - Manual Svc Order vs. Electronic-1st	Incremental Charge - Manual Svc Order vs. Electronic-Add'l	Incremental Charge - Manual Svc Order vs. Electronic-Disc 1st	Incremental Charge - Manual Svc Order vs. Electronic-Disc Add'l
							Rec	First	Add'l	First	Add'l						
		2-Wire VG Unbundled Combination 2-Way PBX Trunk Port - R			UEPRG	UEPRD	1.12						10.73			1.65	
		<b>LOCAL NUMBER PORTABILITY</b>															
		Local Number Portability (1 per port)			UEPRG	LNPCP	3.5										
		<b>FEATURES</b>															
		All Features Offerec			UEPRG	UEPVF	2.17	0	0				10.73			1.65	
		<b>NONRECURRING CHARGES (NRCs) - CURRENTLY COMBINED</b>															
		2-Wire Voice Grade Loop/ Line Port Combination (PBX) - Conversion - Switch-As-			UEPRG	USAC2		7.62	1.72				10.73				
		2-Wire Voice Grade Loop/ Line Port Combination (PBX) - Conversion - Switch with Change			UEPRG	USACC		7.62	1.72				10.73				
		<b>ADDITIONAL NRCs</b>															
		2-Wire Voice Grade Loop/ Line Port Combination (PBX) - Subsequent Activi			UEPRG	USAS2	0	0	0								
		PBX Subsequent Activity - Change/Rearrange Multiline Hunt Groi						7.09	7.09				10.73			1.65	
		<b>2-WIRE VOICE GRADE LOOP WITH 2-WIRE LINE PORT (BUS - PBX)</b>															
		<b>UNE Port/Loop Combination Rates</b>															
		2-Wire VG Loop/Port Combo - Zone 1		1				13.01									
		2-Wire VG Loop/Port Combo - Zone 2		2				17.15									
		2-Wire VG Loop/Port Combo - Zone 3		3				30.45									
		<b>UNE Loop Rates</b>															
		2-Wire Voice Grade Loop (SL 1) - Zone 1		1	UEPPX	UEPLX		11.89									
		2-Wire Voice Grade Loop (SL 1) - Zone 2		2	UEPPX	UEPLX		16.03									
		2-Wire Voice Grade Loop (SL 1) - Zone 3		3	UEPPX	UEPLX		29.33									
		<b>2-Wire Voice Grade Line Port Rates (BUS - PBX)</b>															
		Line Side Unbundled Combination 2-Way PBX Trunk Port - Bu			UEPPX	UEPPC	1.12						10.73			1.65	
		Line Side Unbundled Outward PBX Trunk Port - Bu			UEPPX	UEPPO	1.12						10.73			1.65	
		Line Side Unbundled Incoming PBX Trunk Port - Bu			UEPPX	UEPP1	1.12						10.73			1.65	
		2-Wire Voice Unbundled PBX LD Terminal Port			UEPPX	UEPLD	1.12						10.73			1.65	
		2-Wire Voice Unbundled 2-Way Combination PBX Usage Po			UEPPX	UEPXA	1.12						10.73			1.65	
		2-Wire Voice Unbundled PBX Toll Terminal Hotel Por			UEPPX	UEPXB	1.12						10.73			1.65	
		2-Wire Voice Unbundled PBX LD DDD Terminals Po			UEPPX	UEPXC	1.12						10.73			1.65	
		2-Wire Voice Unbundled PBX LD Terminal Switchboard Po			UEPPX	UEPXD	1.12						10.73			1.65	
		2-Wire Voice Unbundled PBX LD Terminal Switchboard IDD Capable Pc			UEPPX	UEPXE	1.12						10.73			1.65	
		2-Wire Voice Unbundled 2-Way PBX Hotel/Hospital Economy Administrative Calling Port			UEPPX	UEPXL	1.12						10.73			1.65	
		2-Wire Voice Unbundled 2-Way PBX Hotel/Hospital Economy Room Calling Pr			UEPPX	UEPXM	1.12						10.73			1.65	
		2-Wire Voice Unbundled 1-Way Outgoing PBX Hotel/Hospital Discount Room Calling Port			UEPPX	UEPXO	1.12						10.73			1.65	
		2-Wire Voice Unbundled 1-Way Outgoing PBX Measured Po			UEPPX	UEPXS	1.12						10.73			1.65	
		<b>LOCAL NUMBER PORTABILITY</b>															
		Local Number Portability (1 per port)			UEPPX	LNPCP	3.15										

UNBUNDLED NETWORK ELEMENTS  
Florida

CATEGORY	NOTES	UNBUNDLED NETWORK ELEMENT	Interim	Zone	BCS	USOC	RATES (\$)					OSS RATES (\$)								
							Rec	First	Add'l	First	Add'l	SOMEc	SOMAN	SOMAN	SOMAN	SOMAN	SOMAN			
							Nonrecurring		Nonrecurring											
									Disconnect											
							Rec	First	Add'l	First	Add'l	SOMEc	SOMAN	SOMAN	SOMAN	SOMAN	SOMAN			
	<b>FEATURES</b>																			
		All Features Offerec			UEPPX	UEPVF	2.17	0	0			10.73						1.65		
		<b>NONRECURRING CHARGES (NRCs) - CURRENTLY COMBINED</b>																		
		2-Wire Voice Grade Loop/ Line Port Combination (PBX) - Conversion - Switch-As-			UEPPX	USAC2		7.62	1.72			10.73						1.65		
		2-Wire Voice Grade Loop/ Line Port Combination (PBX) - Conversion - Switch with Change			UEPPX	USACC		7.62	1.72			10.73						1.65		
		<b>ADDITIONAL NRCs</b>																		
		2-Wire Voice Grade Loop/ Line Port Combination (PBX) - Subsequent Activi			UEPPX	USAS2	0	0	0											
		PBX Subsequent Activity - Change/Rearrange Multiline Hunt Groi						7.09	7.09			10.73						1.65		
		<b>2-WIRE VOICE GRADE LOOP WITH 2-WIRE ANALOG LINE COIN PORT</b>																		
		<b>UNE Port/Loop Combination Rates</b>																		
		2-Wire VG Coin Port/Loop Combo – Zone 1																		
		2-Wire VG Coin Port/Loop Combo – Zone 2																		
		2-Wire VG Coin Port/Loop Combo – Zone 3																		
		<b>UNE Loop Rates</b>																		
		2-Wire Voice Grade Loop (SL1) - Zone 1			UEPCO	UEPLX	11.89													
		2-Wire Voice Grade Loop (SL1) - Zone 2			UEPCO	UEPLX	16.03													
		2-Wire Voice Grade Loop (SL1) - Zone 3			UEPCO	UEPLX	29.33													
		<b>2-Wire Voice Grade Line Ports (COIN)</b>																		
		2-Wire Coin 2-Way with Operator Screening and Blocking: 011, 900/976, 1+DDD (FL)			UEPCO	UEP2F	1.12					10.73						1.65		
		2-Wire Coin 2-Way with Operator Screening and 011 Blocking (FL)			UEPCO	UEPFA	1.12					10.73						1.65		
		2-Wire Coin 2-Way with Operator Screening and Blocking: 900/976, 1+DDD, 011+, and Local (FL)			UEPCO	UEPCG	1.12					10.73						1.65		
		2-Wire Coin Outward with Operator Screening and 011 Blocking (AL, FL)			UEPCO	UEPRK	1.12					10.73						1.65		
		2-Wire Coin Outward with Operator Screening and Blocking: 900/976, 1+DDD, 011+ (FL)			UEPCO	UEPOF	1.12					10.73						1.65		
		2-Wire Coin Outward with Operator Screening and Blocking: 900/976, 1+DDD, 011+ and Local (FL, GA)			UEPCO	UEPCQ	1.12					10.73						1.65		
		2-Wire 2-Way Smartline with 900/976 (all states except LA)			UEPCO	UEPCK	1.12					10.73						1.65		
		2-Wire Coin Outward Smartline with 900/976 (all states except LA)			UEPCO	UEPCR	1.12					10.73						1.65		
		<b>ADDITIONAL UNE COIN PORT/LOOP (RC)</b>																		
		UNE Coin Port/Loop Combo Usage (Flat Rate)			UEPCO	URECU	1.86	0	0											
		<b>LOCAL NUMBER PORTABILITY</b>																		
		Local Number Portability (1 per port)			UEPCO	LNPCX	0.35													
		<b>NONRECURRING CHARGES - CURRENTLY COMBINED</b>																		
		2-Wire Voice Grade Loop / Line Port Combination - Conversion - Switch-as-			UEPCO	USAC2		0.092	0.092			10.73						1.65		
		2-Wire Voice Grade Loop / Line Port Combination - Conversion - Switch with chan			UEPCO	USACC		0.092	0.092			10.73						1.65		
		<b>ADDITIONAL NRCs</b>																		

UNBUNDLED NETWORK ELEMENTS  
Florida

CATEGORY	NOTES	UNBUNDLED NETWORK ELEMENT	Interim	Zone	BCS	USOC	RATES (\$)					OSS RATES (\$)						
							Nonrecurring		Nonrecurring			SOMEc	SOMAN	SOMAN	SOMAN	SOMAN	SOMAN	
							Rec	First	Add'l	First	Add'l							Disconnect
		2-Wire Voice Grade Loop/Line Port Combination - Subsequent Activi			UEPCO	USAS2		0	0				10.73					
		<b>2-WIRE VOICE GRADE LOOP- BUS ONLY - WITH 2-WIRE DID TRUNK PORT</b>																
		<b>UNE Port/Loop Combination Rates</b>																
		2-Wire VG Loop/2-Wire DID Trunk Port Combo - UNE Zone		1				22.22										
		2-Wire VG Loop/2-Wire DID Trunk Port Combo - UNE Zone		2				27.39										
		2-Wire VG Loop/2-Wire DID Trunk Port Combo - UNE Zone		3				43.79										
		<b>UNE Loop Rates</b>																
		2-Wire Analog Voice Grade Loop - (SL2) - UNE Zone		1	UEPPX	UECD1	13.43	122.38	74.35	57.28	10.83		10.73					1.65
		2-Wire Analog Voice Grade Loop - (SL2) - UNE Zone		2	UEPPX	UECD1	18.6	122.38	74.35	57.28	10.83		10.73					1.65
		2-Wire Analog Voice Grade Loop - (SL2) - UNE Zone		3	UEPPX	UECD1	35.18	122.38	74.35	57.28	10.83		10.73					1.65
		<b>UNE Port Rate</b>																
		Exchange Ports - 2-Wire DID Por			UEPPX	UEPD1	8.79	70.69	14.26	37.81	3.84		10.73					1.65
		<b>NONRECURRING CHARGES - CURRENTLY COMBINED</b>																
		2-Wire Voice Grade Loop / 2-Wire DID Trunk Port Combination - Switch-as-			UEPPX	USAC1		7.08	1.69				10.73					1.65
		2-Wire Voice Grade Loop / 2-Wire DID Trunk Port Conversion with BellSouth Allowable Changes			UEPPX	USA1C		7.08	1.69				10.73					1.65
		<b>ADDITIONAL NRCs</b>																
		2-Wire DID Subsequent Activity - Add Trunks, Per Trur			UEPPX	USAS1		29.08	29.08				10.73					1.65
		<b>Telephone Number/Trunk Group Establishment Charges</b>																
		DID Trunk Termination (One Per Port)			UEPPX	NDT	0	0	0				10.73					1.65
		DID Numbers, Establish Trunk Group and Provide First Group of 20 DID Numbe			UEPPX	NDZ	0	0	0				10.73					1.65
		Additional DID Numbers for each Group of 20 DID Number			UEPPX	ND4	0	0	0				10.73					1.65
		DID Numbers, Non- consecutive DID Numbers , Per Numbe			UEPPX	ND5	0	0	0				10.73					1.65
		Reserve Non-Consecutive DID number			UEPPX	ND6	0	0	0				10.73					1.65
		Reserve DID Numbers			UEPPX	NDV	0	0	0				10.73					1.65
		<b>LOCAL NUMBER PORTABILITY</b>																
		Local Number Portability (1 per port)			UEPPX	LNPCP	3.15											
		<b>2-WIRE ISDN DIGITAL GRADE LOOP WITH 2-WIRE ISDN DIGITAL LINE SIDE PORT</b>																
		<b>UNE Port/Loop Combination Rates</b>																
		2W ISDN Digital Grade Loop/2W ISDN Digital Line Side Port - UNE Zone		1	UEPPB			30.29										
		2W ISDN Digital Grade Loop/2W ISDN Digital Line Side Port - UNE Zone		2	UEPPB			36.51										
		2W ISDN Digital Grade Loop/2W ISDN Digital Line Side Port - UNE Zone		3	UEPPB			56.45										
		<b>UNE Loop Rates</b>																
		2-Wire ISDN Digital Grade Loop - UNE Zone		1	UEPPB	USL2X	23.22	133.15	85.12	56.1	9.65		10.73					1.65
		2-Wire ISDN Digital Grade Loop - UNE Zone		2	UEPPB	USL2X	29.44	133.15	85.12	56.1	9.65		10.73					1.65
		2-Wire ISDN Digital Grade Loop - UNE Zone		3	UEPPB	USL2X	49.38	133.15	85.12	56.1	9.65		10.73					1.65
		<b>UNE Port Rate</b>																

UNBUNDLED NETWORK ELEMENTS  
Florida

CATEGORY	NOTES	UNBUNDLED NETWORK ELEMENT	Interim	Zone	BCS	USOC	RATES (\$)					OSS RATES (\$)							
							Rec	First	Add'l	First	Add'l	SOMEc	SOMAN	SOMAN	SOMAN	SOMAN	SOMAN		
							Nonrecurring		Nonrecurring										
									Disconnect										
		Exchange Port - 2-Wire ISDN Line Side Port			UEPPB UEPPR	UEPPB	7.07	42.22	45.69	24.91	10.75		10.73					1.65	
		<b>NONRECURRING CHARGES - CURRENTLY COMBINED</b>																	
		2-Wire ISDN Digital Grade Loop / 2-Wire ISDN Line Side Port Combination - Conversion			UEPPB UEPPR	USACB	0	27.61	15.33				10.73					1.65	
		<b>ADDITIONAL NRCs</b>																	
		<b>LOCAL NUMBER PORTABILITY</b>																	
		Local Number Portability (1 per port)			UEPPB UEPPR	LNPCX	0.35	0	0										
		<b>B-CHANNEL USER PROFILE ACCESS:</b>																	
		CVS/CSD (DMS/5ESS)			UEPPB UEPPR	U1UCA	0	0	0										
		CVS (EWSO)			UEPPB UEPPR	U1UCB	0	0	0										
		CSD			UEPPB UEPPR	U1UCC	0	0	0										
		<b>B-CHANNEL AREA PLUS USER PROFILE ACCESS: (AL,KY,LA,MS SC,MS, &amp; TN)</b>																	
		<b>USER TERMINAL PROFILE</b>																	
		User Terminal Profile (EWSO only)			UEPPR	U1UMA	0	0	0										
		<b>VERTICAL FEATURES</b>																	
		All Vertical Features - One per Channel B User Profile			UEPPB UEPPR	UEPVF	2.17	0	0										
		<b>INTEROFFICE CHANNEL MILEAGE</b>																	
		Interoffice Channel mileage each, including first mile and facilities termination			UEPPB UEPPR	M1GNC	19.79	42.69	28.66	16.51	6.34		10.73					1.65	
		Interoffice Channel mileage each, additional mile			UEPPB UEPPR	M1GNM	0.0084	0	0				10.73					1.65	
		<b>4-WIRE DS1 DIGITAL LOOP WITH 4-WIRE ISDN DS1 DIGITAL TRUNK PORT</b>																	
		<b>UNE Port/Loop Combination Rates</b>																	
		4W DS1 Digital Loop/4W ISDN DS1 Digital Trunk Port - UNE Zone		1	UEPPP		148.57												
		4W DS1 Digital Loop/4W ISDN DS1 Digital Trunk Port - UNE Zone		2	UEPPP		175.24												
		4W DS1 Digital Loop/4W ISDN DS1 Digital Trunk Port - UNE Zone		3	UEPPP		260.73												
		<b>UNE Loop Rates</b>																	
		4-Wire DS1 Digital Loop - UNE Zone		1	UEPPP	USL4P	69.22	282.15	163.51	47.4	10.22		10.73					1.65	
		4-Wire DS1 Digital Loop - UNE Zone		2	UEPPP	USL4P	95.89	282.15	163.51	47.4	47.4		10.73					1.65	
		4-Wire DS1 Digital Loop - UNE Zone		3	UEPPP	USL4P	181.38	282.15	163.51	47.4	10.22		10.73					1.65	
		<b>UNE Port Rate</b>																	
		Exchange Ports - 4-Wire ISDN DS1 Port			UEPPP	UEPPP	79.35	157.42	85.8	44.89	16.43		10.73					1.65	
		<b>NONRECURRING CHARGES - CURRENTLY COMBINED</b>																	
		4-Wire DS1 Digital Loop / 4-Wire ISDN DS1 Digital Trunk Port Combination - Conversion -Switch-as-i-			UEPPP	USACP	0	61.25	55.34				10.73					1.65	
		<b>ADDITIONAL NRCs</b>																	

UNBUNDLED NETWORK ELEMENTS  
Florida

CATEGORY	NOTES	UNBUNDLED NETWORK ELEMENT	Interim	Zone	BCS	USOC	RATES (\$)					OSS RATES (\$)					
							Rec	First	Add'l	First	Add'l	SOMEc	SOMAN	SOMAN	SOMAN	SOMAN	SOMAN
							Nonrecurring		Nonrecurring								
									Disconnect								
		4-Wire DS1 Loop/4-W ISDN Digtl Trk Port - Subsqt Actvy- Inward/two way tel nos within Std Allowanc			UEPPP	PR7TF		0.4879					10.73				1.65
		4-Wire DS1 Loop / 4-Wire ISDN DS1 Digital Trunk Port - Outward Tel Numbers (All States except NC)			UEPPP	PR7TO		11.46	11.46				10.73				1.65
		4-Wire DS1 Loop / 4-Wire ISDN DS1 Digital Trk Port - Subsequent Inward Tel Nos Above Std Allowanc			UEPPP	PR7ZT		22.92	22.92				10.73				1.65
		<b>LOCAL NUMBER PORTABILITY</b>															
		Local Number Portability (1 per port)			UEPPP	LNPCN		1.75									
		<b>INTERFACE (Provisioning Only)</b>															
		Voice/Data			UEPPP	PR71V		0	0	0							
		Digital Data			UEPPP	PR71D		0	0	0							
		Inward Data			UEPPP	PR71E		0	0	0							
		<b>New or Additional "B" Channel</b>															
		New or Additional - Voice/Data B Channel			UEPPP	PR7BV		0	13.96				10.73				1.65
		New or Additional - Digital Data B Channel			UEPPP	PR7BF		0	13.96				10.73				1.65
		New or Additional Inward Data B Channel			UEPPP	PR7BD		0	13.96				10.73				1.65
		New or Additional Usage Sensitive Voice Data B Channel			UEPPP	PR7BS		0	13.96				10.73				19.99
		New or Additional Usage Sensitive Digital Data B Channel			UEPPP	PR7BU		0	13.96				10.73				1.65
		<b>CALL TYPES</b>															
		Inward			UEPPP	PR7C1		0	0	0							
		Outward			UEPPP	PR7C0		0	0	0							
		Two-way			UEPPP	PR7CC		0	0	0							
		<b>Interoffice Channel Mileage</b>															
		Fixed Each Including First Mil			UEPPP	1LN1A		91.04	95.15	88.78	16.74	14.85	10.73				1.65
		Each Airline-Fractional Additional Mi			UEPPP	1LN1B		0.171									
		<b>4-WIRE DS1 DIGITAL LOOP WITH 4-WIRE DDITS TRUNK PORT</b>															
		<b>UNE Port/Loop Combination Rates</b>															
		4W DS1 Digital Loop/4W DDITS Trunk Port - UNE Zone		1	UEPDC			121.95					10.73				1.65
		4W DS1 Digital Loop/4W DDITS Trunk Port - UNE Zone		2	UEPDC			148.62					10.73				1.65
		4W DS1 Digital Loop/4W DDITS Trunk Port - UNE Zone		3	UEPDC			234.11					10.73				1.65
		<b>UNE Loop Rates</b>															
		4-Wire DS1 Digital Loop - UNE Zone		1	UEPDC	USLDC		69.22	282.15	163.51	47.4	10.22	10.73				1.65
		4-Wire DS1 Digital Loop - UNE Zone		2	UEPDC	USLDC		95.89	282.15	163.51	47.4	10.22	10.73				1.65
		4-Wire DS1 Digital Loop - UNE Zone		3	UEPDC	USLDC		181.38	282.15	163.51	47.4	10.22	10.73				1.65
		<b>UNE Port Rate</b>															
		4-Wire DDITS Digital Trunk Port			UEPDC	UDD1T		52.73	136.24	70.1	44	2.8	10.73				1.65
		<b>NONRECURRING CHARGES - CURRENTLY COMBINED</b>															
		4-Wire DS1 Digital Loop / 4-Wire DDITS Trunk Port Combination - Switch-as			UEPDC	USAC4		71.29	42.11				10.73				1.65
		4-Wire DS1 Digital Loop / 4-Wire DDITS Trunk Port Combination - Conversion with DS1 Changes			UEPDC	USAWA		71.29	42.11				10.73				1.65
		4-Wire DS1 Digital Loop / 4-Wire DDITS Trunk Port Combination - Conversion with Change - Trunk			UEPDC	USAWB		71.29	42.11				10.73				1.65



UNBUNDLED NETWORK ELEMENTS  
Florida

CATEGORY	NOTES	UNBUNDLED NETWORK ELEMENT	Interim	Zone	BCS	USOC	RATES (\$)					OSS RATES (\$)								
							Rec	First	Add'l	First	Add'l	SOMEc	SOMAN	SOMAN	SOMAN	SOMAN	SOMAN	SOMAN		
							Nonrecurring		Nonrecurring											
							Disconnect		Disconnect											
							Rec	First	Add'l	First	Add'l	SOMEc	SOMAN	SOMAN	SOMAN	SOMAN	SOMAN	SOMAN	SOMAN	SOMAN
		<b>ADDITIONAL NRCs</b>																		
		4-Wire DS1 Loop / 4-Wire DDITS Trunk Port - NRC - Subsequent Channel Activation/Chan - 2-Way Trunk			UEPDC	UDTTA		14.14	14.14			10.73						1.65		
		4-Wire DS1 Loop / 4-Wire DDITS Trunk Port - Subsequent Channel Activation/Chan - 1-Way Outward Trunk			UEPDC	UDTTB		14.14	14.14			10.73						1.65		
		4-Wire DS1 Loop / 4-Wire DDITS Trunk Port - Subsqnt Channel Activation/Chan Inward Trunk w/out DIC			UEPDC	UDTTC		14.14	14.14			10.73						1.65		
		4-Wire DS1 Loop / 4-Wire DDITS Trunk Port - Subsqnt Chan Activation Per Chan - Inward Trunk with DIC			UEPDC	UDTTD		14.14	14.14			10.73						1.65		
		4-Wire DS1 Loop / 4-Wire DDITS Trunk Port - Subsqnt Chan Activation / Chan - 2-Way DID w User Trans			UEPDC	UDTTE		14.14	14.14			10.73						1.65		
		<b>BIPOLAR 8 ZERO SUBSTITUTION</b>																		
		B8ZS -Superframe Format			UEPDC	CCOSF		0	655			10.73						1.65		
		B8ZS - Extended Superframe Format			UEPDC	CCOEF		0	655			10.73						1.65		
		<b>Alternate Mark Inversion</b>																		
		AMI -Superframe Format			UEPDC	MCOSF		0	0											
		AMI - Extended SuperFrame Forma			UEPDC	MCOPO		0	0											
		<b>Telephone Number/Trunk Group Establishment Charges</b>																		
		Telephone Number for 2-Way Trunk Grou			UEPDC	UDTGX		0				10.73								
		Telephone Number for 1-Way Outward Trunk Grou			UEPDC	UDTGY		0				10.73								
		Telephone Number for 1-Way Inward Trunk Group Without DI			UEPDC	UDTGZ		0				10.73								
		DID Numbers, Establish Trunk Group and Provide First Group of 20 DID Numbe			UEPDC	NDZ		0	0	0		10.73								
		DID Numbers for each Group of 20 DID Number			UEPDC	ND4		0				10.73								
		DID Numbers, Non- consecutive DID Numbers , Per Numbe			UEPDC	ND5		0				10.73								
		Reserve Non-Consecutive DID Nos			UEPDC	ND6		0	0	0		10.73								
		Reserve DID Numbers			UEPDC	NDV		0	0	0		10.73								
		<b>Dedicated DS1 (Interoffice Channel Mileage) - FX/FCO for 4-Wire DS1 Digital Loop with 4-Wire DDITS Trunk Port</b>																		
		Interoffice Channel Mileage - Fixed rate 0-8 miles (Facilities Terminat			UEPDC	1LNO1		90.87	95.16	88.78	16.74	14.85	10.73					1.65		
		Interoffice Channel Mileage - Additional rate per mile - 0-8 mil			UEPDC	1LNOA		0.171	0	0										
		Interoffice Channel Mileage - Fixed rate 9-25 miles (Facilities Terminat			UEPDC	1LNO2		0	0	0										
		Interoffice Channel Mileage - Additional rate per mile - 9-25 mil			UEPDC	1LNOB		0.171	0	0										
		Interoffice Channel Mileage - Fixed rate 25+ miles (Facilities Terminat			UEPDC	1LNO3		0	0	0	0									
		Interoffice Channel Mileage - Additional rate per mile - 25+ mil			UEPDC	1LNOC		0.171	0	0										
		Local Number Portability, per DS0 Activate			UEPDC	LNPCP		3.15	0	0	0									

UNBUNDLED NETWORK ELEMENTS  
Florida

CATEGORY	NOTES	UNBUNDLED NETWORK ELEMENT	Interim	Zone	BCS	USOC	RATES (\$)					OSS RATES (\$)								
							Rec	First	Add'l	First	Add'l	SOMEc	SOMAN	SOMAN	SOMAN	SOMAN	SOMAN	SOMAN		
							Nonrecurring					Nonrecurring								
							Disconnect													
		Central Office Terminating Pair			UEPDC	CTG	0													
		<b>4-WIRE DS1 LOOP WITH CHANNELIZATION WITH PORT</b>																		
		System is 1 DS1 Loop, 1 D4 Channel Bank, and up to 24 Feature Activations																		
		Each System can have up to 24 combinations of rates depending on type and number of ports used																		
		<b>UNE DS1 Loop</b>																		
		4-Wire DS1 Loop - UNE Zone 1			UEPMG	USLDC	69.22	0	0											
		4-Wire DS1 Loop - UNE Zone 2			UEPMG	USLDC	95.89	0	0											
		4-Wire DS1 Loop - UNE Zone 3			UEPMG	USLDC	181.38	0	0											
		<b>UNE DSO Channelization Capacities (D4 Channel Bank Configurations)</b>																		
		24 DSO Channel Capacity - 1 per DS1			UEPMG	VUM24	121.31	0	0											
		48 DSO Channel Capacity - 1 per 2 DS1s			UEPMG	VUM48	242.62	0	0											
		96 DSO Channel Capacity -1per 4 DS1s			UEPMG	VUM96	485.24	0	0											
		144 DSO Channel Capacity - 1 per 6 DS1s			UEPMG	VUM14	727.86	0	0											
		192 DSO Channel Capacity -1 per 8 DS1s			UEPMG	VUM19	970.48	0	0											
		240 DSO Channel Capacity - 1 per 10 DS1s			UEPMG	VUM20	1213.1	0	0											
		288 DSO Channel Capacity - 1 per 12 DS1s			UEPMG	VUM28	1455.72	0	0											
		384 DSO Channel Capacity - 1 per 16 DS1s			UEPMG	VUM38	1940.96	0	0											
		480 DSO Channel Capacity - 1 per 20 DS1s			UEPMG	VUM40	2426.2	0	0											
		576 DSO Channel Capacity -1 per 24 DS1s			UEPMG	VUM57	2911.44	0	0											
		672 DSO Channel Capacity - 1 per 28 DS1s			UEPMG	VUM67	3396.68	0	0											
		<b>Non-Recurring Charges (NRC) Associated with 4-Wire DS1 Loop with Channelization with Port - Conversion Charge Based on a System</b>																		
		A Minimum System configuration is One (1) DS1, One (1) D4 Channel Bank, and Up To 24 DSO Ports with Feature Activations.																		
		Multiples of this configuration functioning as one are considered Add'l after the minimum system configuration is counted.																		
		NRC - Conversion (Currently Combined) with or without BellSouth Allowed Changes			UEPMG	USAC4	0	72.61	3.82											
		<b>System Additions at End User Locations Where 4-Wire DS1 Loop with Channelization with Port Combination Currently Exists and New (Not Currently Combined) In Georgia Only</b>																		
		NRC - 1 DS1/D4 Channel Bank - Add NRC for each Port and Assoc Feature Activation - New GA Only			UEPMG	VUMD4	0	726.11	468.21	145.32	17.24									
		<b>Bipolar 8 Zero Substitution</b>																		
		Clear Channel Capability Format, superframe - Subsequent Activity Only			UEPMG	CCOSF	0	0	655											
		Clear Channel Capability Format - Extended Superframe - Subsequent Activity Only			UEPMG	CCOEF	0	0	655											
		<b>Alternate Mark Inversion (AMI)</b>																		
		Superframe Format			UEPMG	MCOSF	0	0	0											
		Extended Superframe Format			UEPMG	MCOPO	0	0	0											
		<b>Exchange Ports Associated with 4-Wire DS1 Loop with Channelization with Port</b>																		
		Exchange Ports																		

UNBUNDLED NETWORK ELEMENTS  
Florida

CATEGORY	NOTES	UNBUNDLED NETWORK ELEMENT	Interim	Zone	BCS	USOC	RATES (\$)					OSS RATES (\$)					
							Rec	First	Add'l	First	Add'l	SOMEc	SOMAN	SOMAN	SOMAN	SOMAN	SOMAN
							Nonrecurring					Nonrecurring					
							Disconnect										
							Rec	First	Add'l	First	Add'l	SOMEc	SOMAN	SOMAN	SOMAN	SOMAN	SOMAN
		Line Side Combination Channelized PBX Trunk Port - Business			UEPPX	UEPCX	1.34	0	0	0	0		10.73				1.65
		Line Side Outward Channelized PBX Trunk Port - Business			UEPPX	UEPOX	1.34	0	0	0	0		10.73				1.65
		Line Side Inward Only Channelized PBX Trunk Port without DID			UEPPX	UEP1X	1.34	0	0	0	0		10.73				1.65
		2-Wire Trunk Side Unbundled Channelized DID Trunk Port			UEPPX	UEPDM	8.81	0	0	0	0		10.73				1.65
		<b>Feature Activations - Unbundled Loop Concentration</b>															
		Feature (Service) Activation for each Line Side Port Terminated in D4 Bank			UEPPX	1PQWM	0.66	25.4	13.41	3.96	3.93		10.73				1.65
		Feature (Service) Activation for each Trunk Side Port Terminated in D4 Bank			UEPPX	1PQWU	0.66	78.16	18.42	56.03	10.95		10.73				1.65
		<b>Telephone Number/ Group Establishment Charges for DID Service</b>															
		DID Trunk Termination (1 per Port)			UEPPX	NDT	0						10.73				
		Estab Trk Grp and Provide 1st 20 DID Nos. (FL,GA, NC,& SC)			UEPPX	NDZ	0	0	0				10.73				
		DID Numbers - groups of 20 - Valid all States			UEPPX	ND4	0	0	0				10.73				
		Non-Consecutive DID Numbers - per number			UEPPX	ND5	0	0	0				10.73				
		Reserve Non-Consecutive DID Numbers			UEPPX	ND6	0	0	0				10.73				
		Reserve DID Numbers			UEPPX	NDV	0	0	0				10.73				
		<b>Local Number Portability</b>															
		Local Number Portability - 1 per port			UEPPX	LNPCP	3.15	0	0								
		<b>FEATURES - Vertical and Optional</b>															
		<b>Local Switching Features Offered with Line Side Ports Only</b>															
		All Features Available			UEPPX	UEPVF	2.17	0	0				10.73				1.65
		<b>UNBUNDLED PORT LOOP COMBINATIONS - MARKET RATES</b>															
		Market Rates shall apply where BellSouth is not required to provide unbundled local switching or switch ports per FCC and/or State Commission rules.															
		These scenarios include:															
		1. Unbundled port/loop combinations that are Not Currently Combined in all of the BellSouth states except as noted for Georgia and Tennessee.															
		2. Unbundled port/loop combinations that are Currently Combined or Not Currently Combined in Zone 1 of the Top 8 MSAs in BellSouth's region for end users with 4 or more DS0 equivalent lines.															
		The Top 8 MSAs in BellSouth's region are: FL (Orlando, Ft. Lauderdale, Miami); GA (Atlanta); LA (New Orleans); NC (Greensboro-Winston Salem-Highpoint/Charlotte-Gastonia-Rock Hill); TN (Nashville).															
		BellSouth currently is developing the billing capability to mechanically bill the recurring unbundled port Market Rates in this section as well as the nonrecurring Market Rates in this section for Currently Combined port/loop combinations in Zone 1 of the Top 8 MSAs in BellSouth's region for end users with 4 or more DS0 equivalent lines. In the interim, BellSouth shall bill the rates in the Cost-Based section preceding in lieu of such Market Rates and reserves the right to true-up the billing difference.															
		The Market Rate for unbundled ports includes all available features in all states.															
		End Office and Tandem Switching Usage and Common Transport Usage rates in the Port section of this rate exhibit shall apply to all combinations of loop/port network elements except for UNE Coin Port/Loop Combinations which have a flat rate usage charge (USOC: URECU).															



UNBUNDLED NETWORK ELEMENTS  
Florida

CATEGORY	NOTES	UNBUNDLED NETWORK ELEMENT	Interim	Zone	BCS	USOC	RATES (\$)					OSS RATES (\$)								
							Rec	First	Add'l	First	Add'l	SOME C	SOMAN	SOMAN	SOMAN	SOMAN	SOMAN			
							Nonrecurring		Nonrecurring											
									Disconnect											
							Rec	First	Add'l	First	Add'l	SOME C	SOMAN	SOMAN	SOMAN	SOMAN	SOMAN			
	<b>FEATURES</b>																			
		<b>NONRECURRING CHARGES - CURRENTLY COMBINED</b>																		
		2-Wire Voice Grade Loop / Line Port Combination - Switch-as-			UEPBX	USAC2		41.5	41.5											
		2-Wire Voice Grade Loop / Line Port Combination - Switch with chang			UEPBX	USACC		41.5	41.5											
		<b>ADDITIONAL NRCs</b>																		
		NRC - 2-Wire Voice Grade Loop/Line Port Combination - Subsequ			UEPBX	USAS2		0	0											
		<b>2-WIRE VOICE GRADE LOOP WITH 2-WIRE LINE PORT (RES - PBX)</b>																		
		<b>UNE Port/Loop Combination Rates</b>																		
		2-Wire VG Loop/Port Combo - Zone 1		1				25.89												
		2-Wire VG Loop/Port Combo - Zone 2		2				30.03												
		2-Wire VG Loop/Port Combo - Zone 3		3				43.33												
		<b>UNE Loop Rates</b>																		
		2-Wire Voice Grade Loop (SL1) - Zone 1		1	UEPRG	UEPLX		11.89												
		2-Wire Voice Grade Loop (SL1) - Zone 2		2	UEPRG	UEPLX		16.03												
		2-Wire Voice Grade Loop (SL1) - Zone 3		3	UEPRG	UEPLX		29.33												
		<b>2-Wire Voice Grade Line Port Rates (RES - PBX)</b>																		
		2-Wire VG Unbundled Combination 2-Way PBX Trunk Port - Re			UEPRG	UEPRD		14	90	90			10.73					1.65		
		<b>LOCAL NUMBER PORTABILITY</b>																		
		Local Number Portability (1 per port			UEPRG	LNPCP		3.15												
	<b>FEATURES</b>																			
		<b>NONRECURRING CHARGES - CURRENTLY COMBINED</b>																		
		2-Wire Voice Grade Loop/ Line Port Combination - Switch-As-			UEPRG	USAC2		41.5	41.5											
		2-Wire Voice Grade Loop/ Line Port Combination - Switch with Chang			UEPRG	USACC		41.5	41.5											
		<b>ADDITIONAL NRCs</b>																		
		2 Wire Loop/Line Side Port Combination - Non feature - Subsequent Activity- Nonrecurring						0	0											
		PBX Subsequent Activity - Change/Rearrange Multiline Hunt Gro						7.09	7.09				10.73						1.65	
		<b>2-WIRE VOICE GRADE LOOP WITH 2-WIRE LINE PORT (BUS - PBX)</b>																		
		<b>UNE Port/Loop Combination Rates</b>																		
		2-Wire VG Loop/Port Combo - Zone 1		1				25.89												
		2-Wire VG Loop/Port Combo - Zone 2		2				30.03												
		2-Wire VG Loop/Port Combo - Zone 3		3				43.33												
		<b>UNE Loop Rates</b>																		
		2-Wire Voice Grade Loop (SL1) - Zone 1		1	UEPPX	UEPLX		11.89												
		2-Wire Voice Grade Loop (SL1) - Zone 2		2	UEPPX	UEPLX		16.03												
		2-Wire Voice Grade Loop (SL1) - Zone 3		3	UEPPX	UEPLX		29.33												
		<b>2-Wire Voice Grade Line Port Rates (BUS - PBX)</b>																		



UNBUNDLED NETWORK ELEMENTS  
Florida

CATEGORY	NOTES	UNBUNDLED NETWORK ELEMENT	Interim	Zone	BCS	USOC	RATES (\$)					OSS RATES (\$)					
							Rec	First	Add'l	First	Add'l	SOMEc	SOMAN	SOMAN	SOMAN	SOMAN	SOMAN
							Nonrecurring		Nonrecurring			Svc Order Submitted Elec per LSR	Svc Order Submitted Manually per LSR	Incremental Charge - Manual Svc Order vs. Electronic-1st	Incremental Charge - Manual Svc Order vs. Electronic-Add'l	Incremental Charge - Manual Svc Order vs. Electronic-Disc 1st	Incremental Charge - Manual Svc Order vs. Electronic-Disc Add'l
							Nonrecurring		Disconnect								
							Rec	First	Add'l	First	Add'l	SOMEc	SOMAN	SOMAN	SOMAN	SOMAN	SOMAN
		2-Wire Coin Outward with Operator Screening and Blocking: 900/976, 1+DDD, 011+ (FL)			UEPCO	UEPOF	14	90	90				10.73				1.65
		2-Wire Coin Outward with Operator Screening and Blocking: 900/976, 1+DDD, 011+ and Local (FL, GA)			UEPCO	UEPCQ	14	90	90				10.73				1.65
		<b>LOCAL NUMBER PORTABILITY</b>															
		Local Number Portability (1 per port)			UEPCO	LNPCX	0.35										
		<b>NONRECURRING CHARGES - CURRENTLY COMBINED</b>															
		2-Wire Voice Grade Loop/ Line Port Combination - Switch-As-I			UEPCO	USAC2		41.5	41.5								
		2-Wire Voice Grade Loop/ Line Port Combination - Switch with Chang			UEPCO	USACC		41.5	41.5								
		<b>ADDITIONAL NRCs</b>															
		2-Wire Voice Grade Loop/ Line Port Combination - Subsequel			UEPCO	USAS2		0	0								

LOCAL INTERCONNECTION  
Florida

CATEGORY	NOTES	LOCAL INTERCONNECTION	Interim	Zone	BCS	USOC	RATES				OSS RATES											
							Nonrecurring		Nonrecurring		Svc Order Submitted Elec per LSR	Svc Order Submitted Manually per LSR	Incremental Charge - Manual Svc Order vs. Electronic-1st	Incremental Charge - Manual Svc Order vs. Electronic-Add'l	Incremental Charge - Manual Svc Order vs. Electronic-Disc 1st	Incremental Charge - Manual Svc Order vs. Electronic-Disc Add'l						
							Rec	First	Add'l	First							Add'l					
							Disconnect		Disconnect		SOMECS	SOMAN	SOMAN	SOMAN	SOMAN	SOMAN						
<b>LOCAL INTERCONNECTION (CALL TRANSPORT AND TERMINATION)</b>																						
NOTE: "bk" beside a rate indicates that the Parties have agreed to bill and keep on usage. As such, the element will be assessed for transit and MTA traffic, and not for non-transit and non-MTA traf																						
<b>TANDEM SWITCHING</b>																						
		Tandem Switching Function Per MOI			OHD		0.0005767bk															
		Multiple Tandem Switching, per MOU (applies to initial tandem only)			OHD		0.0005767bk															
<b>TRUNK CHARGE</b>																						
		Installation Trunk Side Service - per DS			OHD	TPP++		\$336.43	\$57.38													
		Dedicated End Office Trunk Port Service-per DS0*			OHD	TDE0P	\$0.00															
		Dedicated End Office Trunk Port Service-per DS1*			OH1	TDE1P	\$0.00															
		Dedicated Tandem Trunk Port Service-per DS0**			OHD	TDW0P	\$0.00															
		Dedicated Tandem Trunk Port Service-per DS1**			OH1MS	TDW1P	\$0.00															
** This rate element is recovered on a per MOU basis and is included in the End Office Switching and Tandem Switching, per MOU rate elen																						
<b>LOCAL INTERCONNECTION (TRANSPORT)</b>																						
<b>COMMON TRANSPORT (Shared)</b>																						
		Common Transport - Per Mile, Per MOI			OHD		0.0000034bk															
		Common Transport - Facilities Termination Pe MOU			OHD		0.0004493bk															
<b>INTEROFFICE CHANNEL - DEDICATED TRANSPORT - VOICE GRADE</b>																						
		Interoffice Channel - Dedicated Transport - 2-Wire Voice Grade - Per Mile per month			OHL, OHM	1L5NF	\$0.0084															
		Interoffice Channel - Dedicated Transport- 2-Wire Voice Grade - Facility Termination per month			OHL, OHM	1L5NF	\$26.02	\$42.69	\$28.66	\$16.51	\$6.34											
<b>INTEROFFICE CHANNEL - DEDICATED TRANSPORT - 56/64 KBPS</b>																						
		Interoffice Channel - Dedicated Transport - 51 kbps - per mile per month			OHL, OHM	1L5NK	\$0.0084															
		Interoffice Channel - Dedicated Transport - 51 kbps - Facility Termination per month			OHL, OHM	1L5NK	\$18.95	\$42.69	\$28.66	\$16.51	\$6.34											
		Interoffice Channel - Dedicated Transport - 6-kbps - per mile per month			OHL, OHM	1L5NK	\$0.0084															
		Interoffice Channel - Dedicated Transport - 6-kbps - Facility Termination per month			OHL, OHM	1L5NK	\$18.95	\$42.69	\$28.66	\$16.51	\$6.34											
<b>INTEROFFICE CHANNEL - DEDICATED TRANSPORT - DS1</b>																						
		Interoffice Channel - Dedicated Channel - DS1 Per Mile per month			OH1 OH1M	1L5NL	\$0.171															
		Interoffice Channel - Dedicated Tranport - DS1 Facility Termination per month			OH1 OH1M	1L5NL	\$90.87	\$95.16	\$88.78	\$16.74	\$14.85											
<b>INTEROFFICE CHANNEL - DEDICATED TRANSPORT- DS3</b>																						
		Interoffice Channel - Dedicated Transport - DS3 Per Mile per month			OH3 OH3M	1L5NM	\$3.57															
		Interoffice Channel - Dedicated Transport - DS3 Facility Termination per month			OH3 OH3M	1L5NM	\$1,101.00	\$302.43	\$197.7	\$64.94	\$63.61											
<b>LOCAL CHANNEL - DEDICATED TRANSPORT</b>																						
		Local Channel - Dedicated - 2-Wire Voice Grade per month			OHL OHM	TEFV2	\$21.42	\$239.67	\$42.34	\$33.93	\$3.61											
		Local Channel - Dedicated - 4-Wire Voice Grade per month			OHL OHM	TEFV4	\$21.91	\$240.30	\$42.97	\$34.47	\$4.15											



LOCAL INTERCONNECTION  
Florida

CATEGORY	NOTES	LOCAL INTERCONNECTION	Interim	Zone	BCS	USOC	RATES				OSS RATES							
							Nonrecurring		Disconnect		Svc Order Submitted Elec per LSR	Svc Order Submitted Manually per LSR	Incremental Charge - Manual Svc Order vs. Electronic-1st	Incremental Charge - Manual Svc Order vs. Electronic-Add'l	Incremental Charge - Manual Svc Order vs. Electronic-Disc 1st	Incremental Charge - Manual Svc Order vs. Electronic-Disc Add'l		
							Rec	First	Add'l	First							Add'l	SOMEK
		Local Channel - Dedicated - DS1 per mont			OH1	TEFHG	\$34.49	\$195.33	\$165.48	\$21.90	\$15.28							
		Local Channel - Dedicated - DS3 Facility Termination per month			OH3	TEFHJ	\$554.83	\$501.59	\$309.24	\$125.43	\$87.3							
		<b>LOCAL INTERCONNECTION MID-SPAN MEET</b>																
		<b>NOTE: If Access service ride Mid-Span Meet, one-half the tariffed service Local Channel rate is applicabl</b>																
		Local Channel - Dedicated - DS1 per mont			OH1MS	TEFHG	\$0.00	\$0.00										
		Local Channel - Dedicated - DS3 per mont			OH3MS	TEFHJ	\$0.00	\$0.00										
		<b>MULTIPLEXERS</b>																
		Channelization - DS1 to DS0 Channel Syster			OH1 OH1M	SATN1	\$151.74	\$91.44	\$64.57	\$10.00	\$9.46							
		DS3 to DS1 Channel System per month			OH3 OH3MS	SATNS	\$218.7	\$179.66	\$106.96	\$36.37	\$35.22							
		DS3 Interface Unit (DS1 COCI) per month			OH1 OH1MS	SATCO	\$14.24	\$9.08	\$6.38									
		<b>Notes: If no rate is identified in the contract, the rate for the specific service or function will be as set forth in applicable BellSouth tariff or as negotiated by the Parties upon request by either Party.</b>																

SERVICE PROVIDER NUMBER PORTABILITY  
Florida

CATEGORY	NOTES	UNBUNDLED NETWORK ELEMENT	Interim Indicator	Zone	BCS	USOC	RATES				OSS RATES						
							Nonrecurring		Disconnect		Svc Order Submitted Elec per LSR	Svc Order Submitted Manually per LSR	Incremental Charge - Manual Svc Order vs. Electronic-1st	Incremental Charge - Manual Svc Order vs. Electronic-Add'l	Incremental Charge - Manual Svc Order vs. Electronic-Disc 1st	Incremental Charge - Manual Svc Order vs. Electronic-Disc Add'l	
							Rec	First	Add'l	First							Add'l
<b>INTERIM SERVICE PROVIDER NUMBER PORTABILITY - RCF</b>																	
		RCF, per number ported (Business Line				TNPBL	\$1.97	\$0.3738	\$0.3738	\$0.0374	\$0.0374	\$3.5	\$10.73				\$1.65
		RCF, per number ported (Residence Line				TNPRL	\$1.97	\$0.3738	\$0.3738	\$0.0374	\$0.0374	\$3.5	\$10.73				\$1.65
		RCF, Per Additional Port					\$0.6878										
<b>INTERIM SERVICE PROVIDER NUMBER PORTABILITY - DID</b>																	
		DID per number ported (Residence)				TNPDR		\$0.6242	\$0.6242	\$0.6242	\$0.6242	\$3.5	\$10.73				\$1.65
		DID per number ported (Business)				TNPDB		\$0.6242	\$0.6242	\$0.6242	\$0.6242	\$3.5	\$10.73				\$1.65
		DID, per trunk termination, Initial				TNPT2	\$52.73	\$145.42	\$145.42	\$29.51	\$29.51	\$3.5	\$10.73				\$1.65
		DID, per trunk termination, Subsequent				TNPT2	\$52.73	\$72.65	\$72.65	\$29.51	\$29.51	\$3.5	\$10.73				\$1.65
<b>SERVICE PROVIDER NUMBER PORTABILITY (RIPH)</b>																	
		RIPH, Functionality, Per Rearrangement						\$18.11	\$18.11				\$10.73				\$1.65
		RIPH, Per Number Ported					\$1.75	\$0.1952	\$0.1952	\$0.0195	\$0.0195		\$10.73				\$1.65
		RIPH, Functionality, Per Central Office						\$81.56	\$81.56	\$2.29	\$2.29		\$10.73				\$1.65
<b>Note:</b> If no rate is identified in the contract, the rate for the specific service or function will be as set forth in applicable BellSouth tariff or as negotiated by the Parties upon request by either Party.																	

CATEGORY	NOTES	UNBUNDLED NETWORK ELEMENT	Interim	Zone	BCS	USOC	RATES				OSS RATES										
							Nonrecurring		Nonrecurring		Svc Order Submitted Elec per LSR	Svc Order Submitted Manually per LSR	Incremental Charge - Manual Svc Order vs. Electronic-1st	Incremental Charge - Manual Svc Order vs. Electronic-Add'l	Incremental Charge - Manual Svc Order vs. Electronic-Disc 1st	Incremental Charge - Manual Svc Order vs. Electronic-Disc Add'l					
							Rec	First	Add'l	First							Add'l	Disconnect			
							First	Add'l	First	Add'l	SOMEc	SOMAN	SOMAN	SOMAN	SOMAN	SOMAN					
<b>ODUF/EDOUF/ADUF/CMD5</b>																					
		<b>ACCESS DAILY USAGE FILE (ADUF)</b>																			
		ADUF: Message Processing, per message				N/A	\$0.0139280														
		ADUF: Data Transmission (CONNECT:DIRECT), per message				N/A	\$0.000129270														
		<b>OPTIONAL DAILY USAGE FILE (ODUF)</b>																			
		ODUF: Recording, per message				N/A	\$0.0000068														
		ODUF: Message Processing, per message				N/A	\$0.006614														
		ODUF: Message Processing, per Magnetic Tape provisioned				N/A	\$48.77														
		ODUF: Data Transmission (CONNECT:DIRECT), per message				N/A	\$0.00010772														
		<b>CENTRALIZED MESSAGE DISTRIBUTION SERVICE (CMD5)</b>																			
		CMD5: Message Processing, per message				N/A	\$0.004														
		CMD5: Data Transmission (CONNECT:DIRECT), per message				N/A	\$0.001														
	<b>Notes:</b> If no rate is identified in the contract, the rate for the specific service or function will be as set forth in applicable BellSouth tariff or as negotiated by the Parties upon request by either Party.																				

AMENDMENT TO  
INTERCONNECTION AGREEMENT BETWEEN  
BELLSOUTH TELECOMMUNICATIONS, INC.  
AND  
Z-TEL COMMUNICATIONS, INC.  
DATED NOVEMBER 30, 2000

This Agreement (the "Amendment") is made and entered into between BellSouth Telecommunications, Inc. ("BellSouth") a Georgia corporation, and Z-Tel Communications, Inc. ("Z-Tel") a Delaware corporation.

WHEREAS, The Parties desire to amend that certain Interconnection Agreement between BellSouth and Z-Tel dated November 30, 2000 (the "Interconnection Agreement") in order to modify provisions and incorporate rates established by the Tennessee Regulatory Authority ("TRA") in Docket Number 97-01262, on December 19, 2000, as amended by BellSouth's corrected submissions of January 31, 2001 and February 12, 2001;

NOW THEREFORE, in consideration of the mutual provisions contained herein and other good and valuable consideration, the receipt and sufficiency of which are hereby acknowledged, BellSouth and Z-Tel hereby covenant and agree as follows:

1. Modify provisions for certain Unbundled Network Elements as shown in Exhibit 1 attached hereto and incorporated herein by this reference.
2. Those permanent rates established by the TRA in Docket No. 97-01262 for certain Unbundled Network Elements and Local Interconnection in Tennessee are as set forth in Exhibit 2 attached hereto and incorporated herein by this reference.
3. To the extent that any product or service set forth in Exhibit 3 corresponds to a product or service set forth in the Interconnection Agreement, all rate elements and rates associated with such product or service in the Interconnection Agreement are hereby deleted and replaced with the corresponding rates and rate elements in Exhibit 2.
4. Any rate element, rate, or provisions for products or services in the Interconnection Agreement that are not expressly replaced by the rates, rate elements, and provisions set forth in Exhibits 1 and 2 shall remain in full force and effect in accordance with the terms of the Interconnection Agreement.
5. The Parties agree that all of the other provisions of the Interconnection Agreement, dated November 30, 2000, shall remain in full force and effect.

5. The Parties further agree that either or both of the Parties is authorized to submit this Amendment to the Tennessee Regulatory Authority or other regulatory body having jurisdiction over the subject matter of this Amendment, for approval subject to Section 252(e) of the federal Telecommunications Act of 1996.

This Amendment is made effective upon the date that it is signed by both Parties.

IN WITNESS WHEREOF, the parties hereto have caused this Amendment to be executed by their respective duly authorized representatives on the date indicated below.

**BellSouth Telecommunications, Inc.**

**Z-Tel Communications, Inc.**

Signed: Signature on File

Signed: Signature on File

By: C. W. Boltz  
Curtis

By: Robert A.

Title: Managing Director  
President

Title: Senior Vice

Date: 11-6-01

Date: 10-30-01

249606

# **EXHIBIT 1**

Z-Tel Communications, Inc. and BellSouth Telecommunications, Inc.  
Modifications to Language in Attachment 2 of Interconnection Agreement  
Applicable to TN

**Modify or add Sections as follow to provide for additional Order Coordination options for loops:**

2.1.5 “Order Coordination” (OC) allows BellSouth and ZTel to coordinate the installation of the SL2 Loops, Unbundled Digital Loops (UDL) and other Loops where OC may be purchased as an option, to ZTel’s facilities to limit end user service outage. OC is available when the Loop is provisioned over an existing circuit that is currently providing service to the end user. OC for physical conversions will be scheduled at BellSouth’s discretion during normal working hours on the committed due date. OC shall be provided in accordance with the chart set forth below.

2.1.5.1 “Order Coordination– Time Specific” (OC-TS) allows Z-Tel to order a specific time for OC to take place. BellSouth will make every effort to accommodate Z-Tel’s specific conversion time request. However, BellSouth reserves the right to negotiate with ZTel a conversion time based on load and appointment control when necessary. This OCTS is a chargeable option for all Loops except Unbundled Copper Loops (UCL) and Universal Digital Channel (UDC), and is billed in addition to the OC charge. ZTel may specify a time between 9:00 a.m. and 4:00 p.m. (location time) Monday through Friday (excluding holiday). If Z-Tel specifies a time outside this window, or selects a time or quantity of Loops that requires BellSouth technicians to work outside normal work hours, overtime charges will apply in addition to the OC and OC TS charges. Overtime charges will be applied based on the amount of overtime worked and in accordance with the rates established in the E Access Tariff, Section E13.2, for each state. The OCTS charges for an order due on the same day at the same location will be applied on a per Local Service Request (LSR) basis.

	<b>Order Coordination (OC)</b>	<b>Order Coordination – Time Specific (OC-TS)</b>	<b>Test Points</b>	<b>DLR</b>	<b>Charge for Dispatch and Testing if No Trouble Found</b>
<b>SL-1</b>	Chargeable Option	Chargeable Option	Not available	Chargeable Option – ordered as Engineering Information Document	Charged for Dispatch inside and outside Central Office



Z-Tel Communications, Inc. and BellSouth Telecommunications, Inc.  
Modifications to Language in Attachment 2 of Interconnection Agreement  
Applicable to TN

<b>UCL-ND</b>	Chargeable Option	Not Available	Not Available	Chargeable Option – ordered as Engineering Information Document	Charged for Dispatch inside and outside Central Office
<b>SL-2</b>	Included	Chargeable Option	Included	Included	Charged for Dispatch outside Central Office
<b>Unbundled Digital Loop</b>	Included	Chargeable Option (except on Universal Digital Channel)	Included (where appropriate)	Included	Charged for Dispatch outside Central Office
<b>Unbundled Copper Loop</b>	Chargeable in accordance with Section 2	Not available	Included	Included	Charged for Dispatch outside Central Office
For UVL-SL1 and UCLs, Z-Tel must order and will be billed for both OC and OETS if requesting OC-TS.					

2.1.10 Unbundled Voice Loop- SL1 (UVL-SL1) loops are 2-wire loop start circuits, will be non-designed, and will not have remote access test points. OC will be offered as a chargeable option on SL1 loops when reuse of existing facilities has been requested by Z-Tel. Z-Tel may also order OETS when a specified conversion time is requested. OETS is a chargeable option for any coordinated order and is billed in addition to the OC charge. An Engineering Information (EI) document can be ordered as chargeable option. The EI document provides loop make up information which is similar to the information normally provided in a Design Layout Record. Upon issuance of a non-coordinated order in the service order system, SL1 loops will be activated on the due date in the same manner and time frames that BellSouth normally activates POTS-type loops for its end users.

2.1.11 Unbundled Voice Loop– SL2 (UVL-SL2) loops may be 2-wire or 4-wire circuits, shall have remote access test points, and will be designed with a Design Layout Record provided to Z-Tel. SL2 circuits can be provisioned with loop start, ground start or reverse battery signaling. OC is provided as a standard feature on SL2 loops. The OC feature will allow ZTel to coordinate the installation of the loop with the disconnect of an existing customer’s service and/or number portability service. In these cases, BellSouth will perform the order conversion with standard order coordination at its discretion during normal work hours.

Z-Tel Communications, Inc. and BellSouth Telecommunications, Inc.  
Modifications to Language in Attachment 2 of Interconnection Agreement  
Applicable to TN

- 2.1.13 As a chargeable option on all loops except UCL and UDC (Universal Digital Channel) (also known as IDSL-compatible Loop), BellSouth will offer Order Coordination– Time Specific (OC-TS). This will allow ZTel the ability to specify the time that the coordinated conversion takes place. The OC-TS charge for orders due on the same day at the same location will be applied on a per Local Service Request (LSR) basis. In the event that multiple LSRs are worked on the same day, at the same location, only one OCTS charge will apply per day.

**Replace Section 2.10 with the following to modify Loop Makeup:**

**2.10 Loop Make-up (LMU)**

**2.10.1 Description of Service**

- 2.10.1.1 BellSouth shall make available to ZTel (LMU) information so that ZTel can make an independent judgment about whether the Loop is capable of supporting the advanced services equipment ZTel intends to install and the services Z-Tel wishes to provide.

- 2.10.1.1 BellSouth will provide ZTel LMU information consisting of the composition of the loop material (copper/fiber); the existence, location and type of equipment on the Loop, including but not limited to digital loop carrier or other remote concentration devices, feeder/distribution interfaces, bridged taps, load coils, pair-gain devices; the loop length; the wire gauge and electrical parameters.

- 2.10.1.2 BellSouth's LMU information is provided to ZTel as it exists either in BellSouth's databases or in its hard copy facility records. BellSouth does not guarantee accuracy or reliability of the LMU information provided.

- 2.10.1.3 Z-Tel may choose to use equipment that it deems will enable it to provide a certain type and level of service over a particular BellSouth Loop. The determination shall be made solely by ZTel and BellSouth shall not be liable in any way for the performance of the advanced data services provisioned over said Loop. The specific Loop type (ADSL, HDSL, or otherwise) ordered on the LSR must match the LMU of the loop requested taking into consideration any requisite line conditioning. The LMU data is provided for informational purposes only and does not guarantee ZTel's ability to provide advanced data services over the ordered loop type. Further, if ZTel orders loops that are not

Z-Tel Communications, Inc. and BellSouth Telecommunications, Inc.  
Modifications to Language in Attachment 2 of Interconnection Agreement  
Applicable to TN

intended to support advanced services (such as UVSL1, UV-SL2, or ISDN compatible loops) and that are not inventoried as advanced services loops, the LMU information for such loops is subject to change at any time due to modifications and/or upgrades to BellSouth's network. ZTel is fully responsible for any of its service configurations that may differ from BellSouth's technical standard for the loop type ordered.

**2.10.2 Submitting Loop Makeup Service Inquiries**

2.10.2.1 Z-Tel may obtain LMU information by submitting a LMU Service Inquiry (LMUSI) mechanically or manually. Mechanized LMUSIs should be submitted through BellSouth's Operational Support Systems interfaces. After obtaining the Loop from the mechanized LMUSI process, if ZTel needs further loop information in order to determine loop service capability, ZTel may initiate a separate Manual Service Inquiry for a separate nonrecurring charge as set forth in the rate exhibit for Attachment 2.

2.10.2.2 Manual LMUSIs shall be submitted by electronic mail to BellSouth's Complex Resale Support Group (CRSG)/Account Team utilizing the Preordering Loop Makeup Service Inquiry form. The service interval for the return of a Loop Makeup Manual Service Inquiry is seven business days. Manual LMUSIs are not subject to expedite requests. This service interval is distinct from the interval applied to the subsequent service order.

**2.10.3 Loop Reservations**

2.10.3.1 For a Mechanized LMUSI, <customer\_name>> may reserve up to ten Loop facilities. For a Manual LMUSI, ZTel may reserve up to three Loop facilities.

2.10.3.2 Z-Tel may reserve facilities for up to four (4) calendar days for each facility requested on a LMUSI from the time the LMU information is returned to Z-Tel. During and prior to Z-Tel placing an LSR, the reserved facilities are rendered unavailable to other customers, including BellSouth. If ZTel does not submit an LSR for a UNE service on a reserved facility within the four day reservation timeframe, the reservation of that spare facility will become invalid and the facility will be released.

2.10.3.3 Charges for preordering LMUSI are separate from any charges associated with ordering other services from BellSouth.

Z-Tel Communications, Inc. and BellSouth Telecommunications, Inc.  
Modifications to Language in Attachment 2 of Interconnection Agreement  
Applicable to TN

2.10.4 **Ordering of Other UNE Services**

2.10.4.1 All LSRs issued for reserved facilities shall reference the facility reservation number as provided by BellSouth. ZTel will not be billed any additional LMU charges for the loop ordered on such LSR. If, however, ZTel does not reserve facilities upon an initial LMUSI, ZTel will be required to submit and pay for an additional LMUSI upon ordering.

2.10.4.2 Where Z-Tel has reserved multiple Loop facilities on a single reservation, Z-Tel may not specify which facility shall be provisioned when submitting the LSR. For those occasions, BellSouth will assign to ZTel, subject to availability, a facility that meets the BellSouth technical standards of the BellSouth type Loop as ordered by Z-Tel. If the ordered Loop type is not available, Z-Tel may utilize the Unbundled Loop Modification process or the Special Construction process, as applicable, to obtain the Loop type ordered.

**Modify Section 4 as follows to provide Currently Combined and Newly Combined EELs in Tennessee and provide new Section for Other NonSwitched Combinations:**

4. **Enhanced Extended Link (EELs) and Other NonSwitched Combinations**

4.2.3 BellSouth shall provide EEL combinations to ZTel in Georgia and Tennessee regardless of whether or not such EELs are Currently Combined. In all other states, BellSouth shall make available to ZTel those EEL combinations described in Section 4.3 below only to the extent such combinations are Currently Combined. Furthermore, BellSouth will make available new EEL combinations to ZTel in density Zone 1, as defined in 47 CFR 69.123 as of January 1, 1999, in the Atlanta, GA; Miami, FL; Orlando, FL; Ft. Lauderdale, FL; CharlotteGastonia-Rock Hill, NC; Greensboro-Winston Salem-High Point, NC; Nashville, TN; and New Orleans, LA, MSAs. Except as stated above, EELs will be provided to ZTel only to the extent such network elements are Currently Combined.

4.5.1 Georgia and Tennessee

Z-Tel Communications, Inc. and BellSouth Telecommunications, Inc.  
Modifications to Language in Attachment 2 of Interconnection Agreement  
Applicable to TN

**4.6 Other Non-Switched Combinations**

4.6.1 In the states of Georgia and Tennessee, BellSouth shall make available to Z-Tel, in accordance with Section 4.6.2 below: (1) combinations of network elements other than EELs that are Currently Combined; and (2) combinations of network elements other than EELs that are not Currently Combined but that BellSouth ordinarily combines in its network. In all other states, BellSouth shall make available to Z-Tel, in accordance with Section 4.6.2 below, combinations of network elements other than EELs only to the extent such combinations are Currently Combined.

**4.6.2 Rates**

**4.6.2.1 Georgia and Tennessee**

4.6.2.1.1 The non-recurring and recurring rates for Other Network Element combinations, whether Currently Combined or new, are as set forth in Exhibit B of this Attachment.

4.6.2.1.2 For Other Network Element combinations where the elements are not Currently Combined but are ordinarily combined in BellSouth's network, the non-recurring and recurring charges for such UNE combinations shall be the sum of the stand-alone non-recurring and recurring charges of the network elements that make up the combination.

4.6.2.1.3 To the extent that Z-Tel seeks to obtain other combinations of network elements that BellSouth ordinarily combines in its network which have not been specifically priced by the Commission when purchased in combined form, Z-Tel, at its option, can request that such rates be determined pursuant to the BFR/NBR process set forth in this Agreement.

**4.6.2.2 All Other States**

4.6.2.2.1 For all other states, the non-recurring and recurring rates for the Other Network Element Combinations that are Currently Combined will be the sum of the recurring rates for the individual network elements plus a non-recurring charge set forth in Exhibit C of this Attachment.

Z-Tel Communications, Inc. and BellSouth Telecommunications, Inc.  
Modifications to Language in Attachment 2 of Interconnection Agreement  
Applicable to TN

**Modify Section 5 as follows to incorporate providing Currently Combined and Newly Combined Port/Loop Combinations in Tennessee:**

**5. UNE Port/Loop Combinations**

- 5.2.1 In Georgia and Tennessee, BellSouth shall provide to ZTel combinations of port and loop network elements to ZTel on an unbundled basis regardless of whether or not such combinations are Currently Combined except in those locations where BellSouth is not required to provide circuit switching, as set forth in Section 5.1.2 above. The rates for such combinations shall be the cost based rates set forth in Exhibit C of this Attachment.
- 5.2.3 In all states other than Georgia and Tennessee, except in those locations where BellSouth is not required to provide unbundled circuit switching, as set forth in Sections 5.1.1 and 5.1.2, BellSouth shall provide to Z-Tel combinations of port and loop network elements that are not Currently Combined. The rates for such combinations shall be the market rates in Exhibit C.

## **EXHIBIT 2**

ODUF/EODUF  
Tennessee

	UNBUNDLED NETWORK ELEMENT	UNBUNDLED NETWORK ELEMENT AS STATED IN DOCKET 97-01262	Not in TRA Docket 97-01262	Zone	BCS	USOC	RATES				OSS RATES									
							Nonrecurring		Disconnect		Svc Order Submitted Elec per LSR	Svc Order Submitted Manually per LSR	Incremental Charge - Manual Svc Order vs. Electronic-1st	Incremental Charge - Manual Svc Order vs. Electronic-Add'l	Incremental Charge - Manual Svc Order vs. Electronic-Disc 1st	Incremental Charge - Manual Svc Order vs. Electronic-Disc Add'l				
							Rec	First	Add'l	First							Add'l			
												SOMEc	SOMAN	SOMAN	SOMAN	SOMAN	SOMAN	SOMAN		
	<b>ODUF/EODUF/CMDS/CNAM-Resale</b>																			
	<b>OPTIONAL DAILY USAGE FILE (ODUF)</b>																			
	ODUF: Recording, per message	OSS OLEC Daily Usage File Recording per message				N/A	\$0.0000044													
	ODUF: Message Processing, per message	OSS OLEC Daily Usage File Message Distribution per message				N/A	\$0.0027366													
	ODUF: Message Processing, per Magnetic Tape provisioned	OSS OLEC Daily Usage File Message Distribution per magnetic tape provisioned				N/A	\$52.75													
	ODUF: Data Transmission (CONNECT:DIRECT), per message	OSS OLEC Daily Usage File Data Transmission (Connect: Direct), per message				N/A	\$0.0000339													



Unbundled Network Elements  
TENNESSEE

UNBUNDLED NETWORK ELEMENT	UNBUNDLED NETWORK ELEMENT AS STATED IN DOCKET 97-01262	Not in TRA Docket 97-01262	Zone	BCS	USOC	RATES					OSS RATES					
						Nonrecurring		Nonrecurring			Svc Order Submitted Elec per LSR	Svc Order Submitted Manually per LSR	Incremental Charge - Manual Svc Order vs. Electronic-1st	Incremental Charge - Manual Svc Order vs. Electronic-Add'l	Incremental Charge - Manual Svc Order vs. Electronic-Disc 1st	Incremental Charge - Manual Svc Order vs. Electronic-Disc Add'l
						Rec	First	Add'l	First	Add'l						
						Nonrecurring		Disconnect								
The "Zone" shown in the section for stand-alone loops or loops as part of a combination ref to Geographically Deaveraged UNE Zones. To view Geographically Deaveraged UNE Zone Designations by Central Office, refer to Internet Website: <a href="http://www.interconnection.bellsouth.com/become_a_clec/html/interconnection/htm">http://www.interconnection.bellsouth.com/become_a_clec/html/interconnection/htm</a> .																
<b>UNBUNDLED EXCHANGE ACCESS LOOP</b>																
<b>2-WIRE ANALOG VOICE GRADE LOOP</b>																
2-Wire Analog Voice Grade Loop - Service Level 1 - Zone 1	2-Wire Analog Voice Grade Loop - Service Level 1 - Zone 1		1	UEANL	UEAL2	\$13.19	\$31.99	\$20.02	\$10.65	\$1.41		\$20.35	\$10.54	\$13.32		
2-Wire Analog Voice Grade Loop - Service Level 1 - Zone 2	2-Wire Analog Voice Grade Loop - Service Level 1 - Zone 2		2	UEANL	UEAL2	\$17.23	\$31.99	\$20.02	\$10.65	\$1.41		\$20.35	\$10.54	\$13.32		
2-Wire Analog Voice Grade Loop - Service Level 1 - Zone 3	2-Wire Analog Voice Grade Loop - Service Level 1 - Zone 3		3	UEANL	UEAL2	\$22.53	\$31.99	\$20.02	\$10.65	\$1.41		\$20.35	\$10.54	\$13.32		
Manual Order Coordination for UVL-SL1 (per loop)*	2-WAVGL - SL1 - Manual Order Coordination			UEANL	UEAMC		\$36.52	\$36.52	\$9.18	\$9.18						
Order Coordination for Specified Conversion Time for UVL-SL1 (per LSR) *	2-WAVGL - SL1 - Order Coordination for Specified Conversion Time			UEANL	OCOSL		\$34.29	\$34.29								
2-Wire Analog Voice Grade Loop - Service Level 2 w/Loop or Ground Start Signaling - Zone 1	2-Wire Analog Voice Grade Loop - Service Level 2 - Zone 1		1	UEA	UEAL2	\$16.56	\$75.06	\$48.20	\$28.70	\$17.64		\$20.35	\$10.54	\$13.32		
2-Wire Analog Voice Grade Loop - Service Level 2 w/Loop or Ground Start Signaling - Zone 2	2-Wire Analog Voice Grade Loop - Service Level 2 - Zone 2		2	UEA	UEAL2	\$21.63	\$75.06	\$48.20	\$28.70	\$17.64		\$20.35	\$10.54	\$13.32		
2-Wire Analog Voice Grade Loop - Service Level 2 w/Loop or Ground Start Signaling - Zone 3	2-Wire Analog Voice Grade Loop - Service Level 2 - Zone 3		3	UEA	UEAL2	\$28.28	\$75.06	\$48.20	\$28.70	\$17.64		\$20.35	\$10.54	\$13.32		
Order Coordination for Specified Conversion Time (per LSR)	2-WAVGL - SL2 - Order Coordination for Specified Conversion Time			UEA	OCOSL		\$34.29	\$34.29								
2-Wire Analog Voice Grade Loop - Service Level 2 w/Reverse Battery Signaling - Zone 1	2-Wire Analog Voice Grade Loop - Service Level 2 - Zone 1		1	UEA	UEAR2	\$16.56	\$75.06	\$48.20	\$28.70	\$17.64		\$20.35	\$10.54	\$13.32		
2-Wire Analog Voice Grade Loop - Service Level 2 w/Reverse Battery Signaling - Zone 2	2-Wire Analog Voice Grade Loop - Service Level 2 - Zone 2		2	UEA	UEAR2	\$21.63	\$75.06	\$48.20	\$28.70	\$17.64		\$20.35	\$10.54	\$13.32		
2-Wire Analog Voice Grade Loop - Service Level 2 w/Reverse Battery Signaling - Zone 3	2-Wire Analog Voice Grade Loop - Service Level 2 - Zone 3		3	UEA	UEAR2	\$28.28	\$75.06	\$48.20	\$28.70	\$17.64		\$20.35	\$10.54	\$13.32		
Order Coordination for Specified Conversion Time (per LSR)	2-WAVGL - SL2 - Order Coordination for Specified Conversion Time			UEA	OCOSL		\$34.29	\$34.29								
<b>4-WIRE ANALOG VOICE GRADE LOOP</b>																
4-Wire Analog Voice Grade Loop - Zone 1	4-Wire Analog Voice Grade Loop - Zone 1		1	UEA	UEAL4	\$24.70	\$122.76	\$85.57	\$76.35	\$39.16		\$20.35	\$10.54	\$13.32		
4-Wire Analog Voice Grade Loop - Zone 2	4-Wire Analog Voice Grade Loop - Zone 2		2	UEA	UEAL4	\$32.25	\$122.76	\$85.57	\$76.35	\$39.16		\$20.35	\$10.54	\$13.32		
4-Wire Analog Voice Grade Loop - Zone 3	4-Wire Analog Voice Grade Loop - Zone 3		3	UEA	UEAL4	\$42.17	\$122.76	\$85.57	\$76.35	\$39.16		\$20.35	\$10.54	\$13.32		
Order Coordination for Specified Conversion Time (per LSR)	4-Wire AVGL - Order Coordination for Specified Conversion Time			UEA	OCOSL		\$34.29	\$34.29								
<b>2-WIRE ISDN DIGITAL GRADE LOOP</b>																
2-Wire ISDN Digital Grade Loop - Zone 1	2-Wire ISDN Digital Grade Loop - Zone 1		1	UDN	U1L2X	\$22.00	\$142.76	\$88.88	\$76.35	\$39.16		\$20.35	\$10.54	\$13.32		

Unbundled Network Elements  
TENNESSEE

UNBUNDLED NETWORK ELEMENT	UNBUNDLED NETWORK ELEMENT AS STATED IN DOCKET 97-01262	Not in TRA Docket 97-01262	Zone	BCS	USOC	RATES					OSS RATES					
						Nonrecurring		Disconnect			Svc Order Submitted Elec per LSR	Svc Order Submitted Manually per LSR	Incremental Charge - Manual Svc Order vs. Electronic-1st	Incremental Charge - Manual Svc Order vs. Electronic-Add'l	Incremental Charge - Manual Svc Order vs. Electronic-Disc 1st	Incremental Charge - Manual Svc Order vs. Electronic-Disc Add'l
						Rec	First	Add'l	First	Add'l						
						SOMECH	SOMAN	SOMAN	SOMAN	SOMAN	SOMAN					
2-Wire ISDN Digital Grade Loop - Zone 2	2-Wire ISDN Digital Grade Loop - Zone 2		2	UDN	U1L2X	\$29.02	\$142.76	\$88.88	\$76.35	\$39.16			\$20.35	\$10.54	\$13.32	
2-Wire ISDN Digital Grade Loop - Zone 3	2-Wire ISDN Digital Grade Loop - Zone 3		3	UDN	U1L2X	\$37.95	\$142.76	\$88.88	\$76.35	\$39.16			\$20.35	\$10.54	\$13.32	
Order Coordination For Specified Conversion Time (per LSR)	Order Coordination for Specified Conversion Time			UDN	OCOSL		\$34.29	\$34.29								
<b>2-WIRE ASYMMETRICAL DIGITAL SUBSCRIBER LINE (ADSL) COMPATIBLE LOOP</b>																
2-Wire ADSL Compatible Loop <u>including</u> Man Svc Inquiry and Facility Reservation - Zone 1	2-Wire ADSL Compatible Loop - Zone 1		1	UAL	UAL2X	\$13.82	\$270.01	\$234.63	\$74.54	\$39.14			\$20.35	\$10.54	\$13.32	
2-Wire ADSL Compatible Loop <u>including</u> Man Svc Inquiry and Facility Reservation - Zone 2	2-Wire ADSL Compatible Loop - Zone 2		2	UAL	UAL2X	\$18.05	\$270.01	\$234.63	\$74.54	\$39.14			\$20.35	\$10.54	\$13.32	
2-Wire ADSL Compatible Loop <u>including</u> Man Svc Inquiry and Facility Reservation - Zone 3	2-Wire ADSL Compatible Loop - Zone 3		3	UAL	UAL2X	\$23.60	\$270.01	\$234.63	\$74.54	\$39.14			\$20.35	\$10.54	\$13.32	
Order Coordination for Specified Conversion Time	Order Coordination for Specified Conversion Time			UAL	OCOSL		\$34.29	\$34.29								
<b>2-WIRE HIGH BIT RATE DIGITAL SUBSCRIBER LINE (HDSL) COMPATIBLE LOOP</b>																
2-Wire HDSL Compatible Loop <u>including</u> manual service inquiry and facility reservation - Zone 1	2-Wire High Bit Rate DSL Compatible Loop - Zone 1		1	UHL	UHL2X	\$10.83	\$270.01	\$234.63	\$74.54	\$39.14			\$20.35	\$10.54	\$13.32	
2-Wire HDSL Compatible Loop <u>including</u> manual service inquiry and facility reservation - Zone 2	2-Wire High Bit Rate DSL Compatible Loop - Zone 2		2	UHL	UHL2X	\$14.15	\$270.01	\$234.63	\$74.54	\$39.14			\$20.35	\$10.54	\$13.32	
2-Wire HDSL Compatible Loop <u>including</u> manual service inquiry and facility reservation - Zone 3	2-Wire High Bit Rate DSL Compatible Loop - Zone 3		3	UHL	UHL2X	\$18.50	\$270.01	\$234.63	\$74.54	\$39.14			\$20.35	\$10.54	\$13.32	
Order Coordination for Specified Conversion Time	Coordination for Specified Conversion Time			UHL	OCOSL		\$34.29	\$34.29								
<b>4-WIRE HIGH BIT RATE DIGITAL SUBSCRIBER LINE (HDSL) COMPATIBLE LOOP</b>																
4-Wire HDSL Compatible Loop <u>including</u> manual service inquiry and facility reservation - Zone 1	4-Wire HDSL Compatible Loop - Zone 1		1	UHL	UHL4X	\$13.93	\$279.60	\$244.22	\$74.54	\$39.14			\$20.35	\$10.54	\$13.32	
4-Wire HDSL Compatible Loop <u>including</u> manual service inquiry and facility reservation - Zone 2	4-Wire HDSL Compatible Loop - Zone 2		2	UHL	UHL4X	\$18.20	\$279.60	\$244.22	\$74.54	\$39.14			\$20.35	\$10.54	\$13.32	
4-Wire HDSL Compatible Loop <u>including</u> manual service inquiry and facility reservation - Zone 3	4-Wire HDSL Compatible Loop - Zone 3		3	UHL	UHL4X	\$23.80	\$279.60	\$244.22	\$74.54	\$39.14			\$20.35	\$10.54	\$13.32	
Order Coordination for Specified Conversion Time	Coordination for Specified Conversion Time			UHL	OCOSL		\$34.29	\$34.29								
<b>4-WIRE DS1 DIGITAL LOOP</b>																
4-Wire DS1 Digital Loop - Zone 1	4-Wire DS1 Digital Loop - Zone 1		1	USL	USLXX	\$57.73	\$313.08	\$219.72	\$96.86	\$40.45			\$18.98	\$8.43	\$11.95	
4-Wire DS1 Digital Loop - Zone 2	4-Wire DS1 Digital Loop - Zone 2		2	USL	USLXX	\$75.40	\$313.08	\$219.72	\$96.86	\$40.45			\$18.98	\$8.43	\$11.95	
4-Wire DS1 Digital Loop - Zone 3	4-Wire DS1 Digital Loop - Zone 3		3	USL	USLXX	\$98.59	\$313.08	\$219.72	\$96.86	\$40.45			\$18.98	\$8.43	\$11.95	

Unbundled Network Elements  
TENNESSEE

UNBUNDLED NETWORK ELEMENT	UNBUNDLED NETWORK ELEMENT AS STATED IN DOCKET 97-01262	Not in TRA Docket 97-01262	Zone	BCS	USOC	RATES					OSS RATES						
						Nonrecurring		Nonrecurring			Svc Order Submitted Elec per LSR	Svc Order Submitted Manually per LSR	Incremental Charge - Manual Svc Order vs. Electronic-1st	Incremental Charge - Manual Svc Order vs. Electronic-Add'l	Incremental Charge - Manual Svc Order vs. Electronic-Disc 1st	Incremental Charge - Manual Svc Order vs. Electronic-Disc Add'l	
						Rec	First	Add'l	First	Add'l							SOMECE
						Nonrecurring		Nonrecurring			Svc Order Submitted Elec per LSR	Svc Order Submitted Manually per LSR	Incremental Charge - Manual Svc Order vs. Electronic-1st	Incremental Charge - Manual Svc Order vs. Electronic-Add'l	Incremental Charge - Manual Svc Order vs. Electronic-Disc 1st	Incremental Charge - Manual Svc Order vs. Electronic-Disc Add'l	
Order Coordination for Specified Conversion Time	4-Wire DS1 Loop - Order Coordination for Specified Conversion Time				USL	OCOSL		\$34.59	\$34.59								
<b>4-WIRE 56 OR 64 Kbps DIGITAL GRADE LOOP</b>																	
4-Wire 56 Kbps Digital Grade Loop - Zone 1	4-Wire 56 or 64 Kbps Digital Grade Loop - Zone 1		1	UDL	UDL56		\$31.10	\$207.01	\$141.38	\$90.70	\$44.18		\$20.35	\$10.54	\$13.32		
4-Wire 56 Kbps Digital Grade Loop - Zone 2	4-Wire 56 or 64 Kbps Digital Grade Loop - Zone 2		2	UDL	UDL56		\$40.61	\$207.01	\$141.38	\$90.70	\$44.18		\$20.35	\$10.54	\$13.32		
4-Wire 56 Kbps Digital Grade Loop - Zone 3	4-Wire 56 or 64 Kbps Digital Grade Loop - Zone 3		3	UDL	UDL56		\$53.11	\$207.01	\$141.38	\$90.70	\$44.18		\$20.35	\$10.54	\$13.32		
Order Coordination for Specified Conversion Time	4-Wire 56/64 kbps Dig. GL - Order Coordination for Specified Conversion Time				UDL	OCOSL		\$34.29	\$34.29								
4-Wire 64 Kbps Digital Grade Loop - Zone 1	4-Wire 56 or 64 Kbps Digital Grade Loop - Zone 1		1	UDL	UDL64		\$31.10	\$207.01	\$141.38	\$90.70	\$44.18		\$20.35	\$10.54	\$13.32		
4-Wire 64 Kbps Digital Grade Loop - Zone 2	4-Wire 56 or 64 Kbps Digital Grade Loop - Zone 2		2	UDL	UDL64		\$40.61	\$207.01	\$141.38	\$90.70	\$44.18		\$20.35	\$10.54	\$13.32		
4-Wire 64 Kbps Digital Grade Loop - Zone 3	4-Wire 56 or 64 Kbps Digital Grade Loop - Zone 3		3	UDL	UDL64		\$53.11	\$207.01	\$141.38	\$90.70	\$44.18		\$20.35	\$10.54	\$13.32		
Order Coordination for Specified Conversion Time	4-Wire 56/64 kbps Dig. GL - Order Coordination for Specified Conversion Time				UDL	OCOSL		\$34.29	\$34.29								
<b>SUB-LOOPS</b>																	
<b>Sub-Loop Distribution</b>																	
Sub-Loop - Per Cross Box Location - CLEC Feeder Facility Set-Up		*		UEANL	USBSA		\$517.25	\$517.25					\$20.35	\$10.54	\$13.32		
Sub-Loop - Per Cross Box Location - Per 25 Pair Panel Set-Up		*		UEANL	USBSB		\$42.68	\$42.68					\$20.35	\$10.54	\$13.32		
Sub-Loop Distribution Per 2-Wire Analog Voice Grade Loop - Statewide	Loop Distribution - per 2-WAVGL		sw	UEANL	USBN2		\$10.02	\$148.84	\$112.34	\$73.14	\$36.65		\$20.35	\$10.54	\$13.32		
Sub-Loop Distribution - Order Coordination per sub-loop pair		*		UEANL	USBMC		\$36.52										
Sub-Loop Distribution - Order Coordination for Specified Time Conversion, per LSR	Sub-Loop Distribution - Order Coordination for Specified Conversion Time			UEANL	OCOSL		\$34.29										
<b>Sub-Loop Feeder</b>																	
DS0 Set-up per Cross Box location - CLEC Distribution Facility set-up (for access to Feeder)		*		UEA, UDN, UCL, UDL	USBFW		\$517.25	\$517.25					\$20.35	\$10.54	\$13.32		
DS0 Set-up per Cross Box location - per 25 pair panel set-up (for access to Feeder)		*		UEA, UDN, UCL, UDL	USBFX		\$42.68	\$42.68					\$20.35	\$10.54	\$13.32		
Sub-Loop Feeder- Per 2-Wire Analog Voice Grade Ground-Start Loop - Statewide	Loop Feeder per 2-WAVGL		sw	UEA	USBFA		\$12.05	\$122.24	\$85.05	\$76.35	\$39.16		\$20.35	\$10.54	\$13.32		
Sub-Loop Feeder- Per 2-Wire Analog Voice Grade Loop-Start Loop - Statewide	Loop Feeder per 2-WAVGL		sw	UEA	USBFB		\$12.05	\$122.24	\$85.05	\$76.35	\$39.16		\$20.35	\$10.54	\$13.32		
Sub-Loop Feeder - Per 2-Wire Analog Voice Grade Reverse Battery Loop - Statewide	Loop Feeder per 2-WAVGL		sw	UEA	USBFC		\$12.05	\$122.24	\$85.05	\$76.35	\$39.16		\$20.35	\$10.54	\$13.32		
Sub-Loop Feeder - Order Coordination for Specified Conversion Time, per LSR	Sub-Loop Feeder - Order Coordination for Specified Conversion Time			UEA	OCOSL		\$34.29										

Unbundled Network Elements  
TENNESSEE

UNBUNDLED NETWORK ELEMENT	UNBUNDLED NETWORK ELEMENT AS STATED IN DOCKET 97-01262	Not in TRA Docket 97-01262	Zone	BCS	USOC	RATES					OSS RATES					
						Nonrecurring		Nonrecurring			Svc Order Submitted Elec per LSR	Svc Order Submitted Manually per LSR	Incremental Charge - Manual Svc Order vs. Electronic-1st	Incremental Charge - Manual Svc Order vs. Electronic-Add'l	Incremental Charge - Manual Svc Order vs. Electronic-Disc 1st	Incremental Charge - Manual Svc Order vs. Electronic-Disc Add'l
						Rec	First	Add'l	First	Add'l						
						Disconnect					SOMECS	SOMAN	SOMAN	SOMAN	SOMAN	SOMAN
<b>Network Interface Device (NID)</b>																
Network Interface Device Cross Connect	NID per 2-Wire Loop			UENTW	UNDC2	\$1.15	\$0.74				\$3.50		\$19.99	\$19.99	\$19.99	\$19.99
Network Interface Device Cross Connect	NID per 4-Wire Loop			UENTW	UNDC4	\$1.27	\$0.74				\$3.50		\$19.99	\$19.99	\$19.99	\$19.99
<b>UNBUNDLED LOOP CONCENTRATION</b>																
Loop Channelization System	Loop Channelization system - DLC (Inside CO)			ULC	ULCCS	\$307.07	\$307.34	\$74.37	\$4.18		\$3.50		\$20.35	\$10.54	\$13.32	
CO Channel Interface - 2-Wire Voice Grade	CO Channel Interface - 2-Wire Voice Grade			ULC	ULCC2	\$1.20	\$9.57	\$9.52	\$8.66	\$8.60	\$3.50		\$20.35	\$10.54	\$13.32	
Unbundled Loop Concentration - Channel Interface-2 Wire Voice-Loop Start or Ground Start	CO Channel Interface - 2-Wire Voice Grade			UEA	ULCC2	\$1.20	\$9.57	\$9.52	\$8.66	\$8.60	\$3.50		\$20.35	\$10.54	\$13.32	
<b>UNBUNDLED SUB-LOOP CONCENTRATION (OUTSIDE CO)</b>																
Loop Concentration - Channelization System (Outside CO)	Loop Concentration - Channelization System (Outside CO)			TBD	UCT8A	\$328.28	\$651.09	\$283.42	\$207.92	\$50.94	\$3.50		\$20.35	\$10.54	\$13.32	
Remote Channel Interface - 2-Wire Voice Grade Loop	Loop Concentration - Remote Channel Interface - 2-WAVGL (Outside CO)			TBD	ULCC2	\$0.88	\$9.43	\$9.40	\$4.71	\$4.70	\$3.50		\$20.35	\$10.54	\$13.32	
Loop Concentration - Remote terminal Cabinet (Outside CO)	Loop Concentration - Remote Terminal Cabinet (Outside CO)				ICB						\$3.50					
Channel Interface - 2 Wire Voice-Loop Start or Ground Start	Loop Concentration - Remote Channel Interface - 2-WAVGL (Outside CO)			TBD	ULCC2	\$0.88	\$9.43	\$9.40	\$4.71	\$4.70	\$3.50		\$20.35	\$10.54	\$13.32	
<b>UNBUNDLED LOCAL EXCHANGE SWITCHING(PORTS)</b>																
<b>Exchange Ports</b>																
Exchange Ports - 2-Wire Analog Line Port- Res.	Exchange Ports - 2-Wire Analog Line Port (Res./Bus.)			UEPSR	UEPRL	\$1.89	\$9.93	\$9.19	\$3.66	\$2.92			\$20.35	\$10.54	\$13.32	\$1.40
Note: Although the Port rate includes all available vertical features in TN, the desired feature(s) will need to be ordered.)																
Exchange Ports - 2-Wire Analog Line Port with Caller ID - Res.	Exchange Ports - 2-Wire Analog Line Port (Res./Bus.)			UEPSR	UEPRC	\$1.89	\$9.93	\$9.19	\$3.66	\$2.92			\$20.35	\$10.54	\$13.32	\$1.40
Exchange Ports - 2-Wire Analog Line Port outgoing only - Res.	Exchange Ports - 2-Wire Analog Line Port (Res./Bus.)			UEPSR	UEPRO	\$1.89	\$9.93	\$9.19	\$3.66	\$2.92			\$20.35	\$10.54	\$13.32	\$1.40
Exchange Ports - 2-Wire VG unbundled TN extended local dialing parity Port with Caller ID - Res.	Exchange Ports - 2-Wire Analog Line Port (Res./Bus.)			UEPSR	UEPAQ	\$1.89	\$9.93	\$9.19	\$3.66	\$2.92			\$20.35	\$10.54	\$13.32	\$1.40
Exchange Ports - 2-Wire VG unbundled Tennessee Area Calling port with Caller ID - Res (F2R)	Exchange Ports - 2-Wire Analog Line Port (Res./Bus.)			UEPSR	UEPAK	\$1.89	\$9.93	\$9.19	\$3.66	\$2.92			\$20.35	\$10.54	\$13.32	\$1.40
Exchange Ports - 2-Wire VG unbundled Tennessee Area Calling port with Caller ID - Res (TACER)	Exchange Ports - 2-Wire Analog Line Port (Res./Bus.)			UEPSR	UEPAL	\$1.89	\$9.93	\$9.19	\$3.66	\$2.92			\$20.35	\$10.54	\$13.32	\$1.40
Exchange Ports - 2-Wire VG unbundled Tennessee Area Calling port with Caller ID - Res (TACSR)	Exchange Ports - 2-Wire Analog Line Port (Res./Bus.)			UEPSR	UEPAM	\$1.89	\$9.93	\$9.19	\$3.66	\$2.92			\$20.35	\$10.54	\$13.32	\$1.40
Exchange Ports - 2-Wire VG unbundled Tennessee Area Calling port with Caller ID - Res (1MF2X)	Exchange Ports - 2-Wire Analog Line Port (Res./Bus.)			UEPSR	UEPAN	\$1.89	\$9.93	\$9.19	\$3.66	\$2.92			\$20.35	\$10.54	\$13.32	\$1.40

Unbundled Network Elements  
TENNESSEE

UNBUNDLED NETWORK ELEMENT	UNBUNDLED NETWORK ELEMENT AS STATED IN DOCKET 97-01262	Not in TRA Docket 97-01262	Zone	BCS	USOC	RATES					OSS RATES					
						Nonrecurring		Nonrecurring			Svc Order Submitted Elec per LSR	Svc Order Submitted Manually per LSR	Incremental Charge - Manual Svc Order vs. Electronic-1st	Incremental Charge - Manual Svc Order vs. Electronic-Add'l	Incremental Charge - Manual Svc Order vs. Electronic-Disc 1st	Incremental Charge - Manual Svc Order vs. Electronic-Disc Add'l
						Rec	First	Add'l	First	Add'l						
						Rec	First	Add'l	First	Add'l	SOMECH	SOMAN	SOMAN	SOMAN	SOMAN	SOMAN
Exchange Ports - 2-Wire VG unbundled Tennessee Area Calling port with Caller ID - Res (2MR)	Exchange Ports - 2-Wire Analog Line Port (Res./Bus.)			UEPSR	UEPAO	\$1.89	\$9.93	\$9.19	\$3.66	\$2.92			\$20.35	\$10.54	\$13.32	\$1.40
Exchange Ports - 2-Wire VG unbundled res. low usage line port with Caller ID (LUM)	Exchange Ports - 2-Wire Analog Line Port (Res./Bus.)			UEPSR	UEPAP	\$1.89	\$9.93	\$9.19	\$3.66	\$2.92			\$20.35	\$10.54	\$13.32	\$1.40
Subsequent Activity		*		UEPSR	USASC		\$10.00	\$10.00								
All Available Vertical Features	[Exchange Ports includes all Applicable Features.]			UEPSR	UEPVF	\$0.00	\$0.00	\$0.00								
Exchange Ports - 2-Wire Analog Line Port without Caller ID - Bus	Exchange Ports - 2-Wire Analog Line Port (Res./Bus.)			UEPSB	UEPBL	\$1.89	\$9.93	\$9.19	\$3.66	\$2.92			\$20.35	\$10.54	\$13.32	\$1.40
Exchange Ports - 2-Wire VG unbundled Line Port with unbundled port with Caller+E484 ID - Bus.	Exchange Ports - 2-Wire Analog Line Port (Res./Bus.)			UEPSB	UEPBC	\$1.89	\$9.93	\$9.19	\$3.66	\$2.92			\$20.35	\$10.54	\$13.32	\$1.40
Exchange Ports - 2-Wire Analog Line Port outgoing only - Bus.	Exchange Ports - 2-Wire Analog Line Port (Res./Bus.)			UEPSB	UEPBO	\$1.89	\$9.93	\$9.19	\$3.66	\$2.92			\$20.35	\$10.54	\$13.32	\$1.40
Exchange Ports - 2-Wire VG unbundled TN extended local dialing parity Port with Caller ID - Bus.	Exchange Ports - 2-Wire Analog Line Port (Res./Bus.)			UEPSB	UEPAV	\$1.89	\$9.93	\$9.19	\$3.66	\$2.92			\$20.35	\$10.54	\$13.32	\$1.40
Exchange Ports - 2-Wire VG unbundled TN incoming only port with Caller ID - Bus	Exchange Ports - 2-Wire Analog Line Port (Res./Bus.)			UEPSB	UEPB1	\$1.89	\$9.93	\$9.19	\$3.66	\$2.92			\$20.35	\$10.54	\$13.32	\$1.40
Exchange Ports - 2-Wire VG unbundled TN Bus 2-Way Area Calling Port Economy Option - Bus (TACC1)	Exchange Ports - 2-Wire Analog Line Port (Res./Bus.)			UEPSB	UEPAC	\$1.89	\$9.93	\$9.19	\$3.66	\$2.92			\$20.35	\$10.54	\$13.32	\$1.40
Exchange Ports - 2-Wire VG unbundled TN Bus 2-Way Area Calling Port Standard Option - Bus (TACC2)	Exchange Ports - 2-Wire Analog Line Port (Res./Bus.)			UEPSB	UEPAD	\$1.89	\$9.93	\$9.19	\$3.66	\$2.92			\$20.35	\$10.54	\$13.32	\$1.40
Exchange Ports-2-Wire VG unbundled TN Bus 2-Way Collierville & Memphis Local Calling Port-Bus (B2F)	Exchange Ports - 2-Wire Analog Line Port (Res./Bus.)			UEPSB	UEPAE	\$1.89	\$9.93	\$9.19	\$3.66	\$2.92			\$20.35	\$10.54	\$13.32	\$1.40
Subsequent Activity		*		UEPSB	USASC		\$10.00	\$10.00								
All Available Vertical Features	[Exchange Ports includes all Applicable Features.]			UEPSB	UEPVF	\$0.00	\$0.00	\$0.00								
Exchange Ports - 4-Wire Analog Voice Grade Port	Exchange Ports - 4-Wire Analog Voice Grade Port				UEP4A	\$8.27	\$9.93	\$9.19	\$3.66	\$2.92			\$20.35	\$10.54	\$13.32	\$1.40
Subsequent Activity		*			USASC		\$10.00	\$10.00								
All Available Vertical Features	[Exchange Ports includes all Applicable Features.]				UEPVF	\$0.00	\$0.00	\$0.00								
Exchange Ports - 2-Wire DID Port	Exchange Ports - 2-Wire DID Port			UEPEX	UEPP2	\$8.97	\$47.75	\$47.01	\$9.21	\$8.47			\$20.35	\$10.54	\$13.32	\$1.40
Subsequent Activity		*		UEPEX	USASC		\$10.00	\$10.00								
All Available Vertical Features	[Exchange Ports includes all Applicable Features.]			UEPEX	UEPVF	\$0.00	\$0.00	\$0.00								
Exchange Ports - DDITS Port - 4-Wire DS1 Port with DID capability	Exchange Ports - 4-Wire DID Port			UEPDD	UEPDD	\$35.74	\$75.93	\$38.15	\$8.77	\$8.04			\$20.35	\$10.54	\$13.32	\$1.40
Subsequent Activity		*		UEPDD	USACP		\$10.00	\$10.00								
Exchange Ports - 2-Wire ISDN Port (See Notes below.)	Exchange Ports - 2-Wire ISDN Port			U1PMA	U1PMA	\$16.26	\$30.23	\$29.49	\$4.10	\$4.10			\$41.43	\$42.17	\$9.80	\$9.80
Subsequent Activity		*		UEPDD	USASC		\$10.00	\$10.00								
All Available Vertical Features	[Exchange Ports includes all Applicable Features.]			UEPDD	UEPVF	\$0.00	\$0.00	\$0.00								
NOTE: Transmission/usage charges associated with POTS circuit switched usage will also apply to circuit switched voice and/or circuit switched data transmission by B-Channels associated with 2-wire ISDN ports.																

Unbundled Network Elements  
TENNESSEE

UNBUNDLED NETWORK ELEMENT	UNBUNDLED NETWORK ELEMENT AS STATED IN DOCKET 97-01262	Not in TRA Docket 97-01262	Zone	BCS	USOC	RATES					OSS RATES						
						Nonrecurring		Nonrecurring			Svc Order Submitted Elec per LSR	Svc Order Submitted Manually per LSR	Incremental Charge - Manual Svc Order vs. Electronic-1st	Incremental Charge - Manual Svc Order vs. Electronic-Add'l	Incremental Charge - Manual Svc Order vs. Electronic-Disc 1st	Incremental Charge - Manual Svc Order vs. Electronic-Disc Add'l	
						Rec	First	Add'l	First	Add'l							SOME C
									Disconnect								
NOTE: Access to B Channel or D Channel Packet capabilities will be available only through BFR/New Business Request Process. Rates for the packet capabilities will be determined via the Bona Fide Request/New Business Request																	
Exchange Ports - 2-Wire ISDN Port -- Channel Profiles		*			U1UMA	\$0.00	\$0.00	\$0.00									
Exchange Ports - 4-Wire ISDN DS1 Port	Exchange Ports - 4-Wire ISDN DS1 Port			UEPEX	UEPEX	\$75.04	\$148.66	\$147.18	\$38.46	\$36.98		\$40.69	\$42.17	\$9.07	\$10.54		
2-Wire VG Unbundled 2-Way PBX Trunk Res	Exchange Ports - 2-Wire Analog Line Port (PBX)			UEPSE	UEPRD	\$1.79	\$9.93	\$9.19	\$3.66	\$2.92		\$20.35	\$10.54	\$13.32	\$1.40		
2-Wire VG Line Side Unbundled 2-Way PBX Trunk - Bus	Exchange Ports - 2-Wire Analog Line Port (PBX)			UEPSP	UEPPC	\$1.79	\$9.93	\$9.19	\$3.66	\$2.92		\$20.35	\$10.54	\$13.32	\$1.40		
2-Wire VG Line Side Unbundled Outward PBX Trunk - Bus	Exchange Ports - 2-Wire Analog Line Port (PBX)			UEPSP	UEPPO	\$1.79	\$9.93	\$9.19	\$3.66	\$2.92		\$20.35	\$10.54	\$13.32	\$1.40		
2-Wire VG Line Side Unbundled Incoming PBX Trunk - Bus	Exchange Ports - 2-Wire Analog Line Port (PBX)			UEPSP	UEPP1	\$1.79	\$9.93	\$9.19	\$3.66	\$2.92		\$20.35	\$10.54	\$13.32	\$1.40		
2-Wire Analog Long Distance Terminal PBX Trunk - Bus	Exchange Ports - 2-Wire Analog Line Port (PBX)			UEPSP	UEPLD	\$1.79	\$9.93	\$9.19	\$3.66	\$2.92		\$20.35	\$10.54	\$13.32	\$1.40		
2-Wire Analog TN 2-Way Calling Plan PBX Trunk - Bus	Exchange Ports - 2-Wire Analog Line Port (PBX)			UEPSP	UEPT2	\$1.79	\$9.93	\$9.19	\$3.66	\$2.92		\$20.35	\$10.54	\$13.32	\$1.40		
2-Wire TN Outward Calling Plan PBX Trunk Bus	Exchange Ports - 2-Wire Analog Line Port (PBX)			UEPSP	UEPTO	\$1.79	\$9.93	\$9.19	\$3.66	\$2.92		\$20.35	\$10.54	\$13.32	\$1.40		
2-Wire Voice Unbundled PBX LD Terminal Ports	Exchange Ports - 2-Wire Analog Line Port (PBX)			UEPSP	UEPLD	\$1.79	\$9.93	\$9.19	\$3.66	\$2.92		\$20.35	\$10.54	\$13.32	\$1.40		
2-Wire Voice Unbundled 2-Way PBX Tennessee Calling Port	Exchange Ports - 2-Wire Analog Line Port (PBX)			UEPSP	UEPT2	\$1.79	\$9.93	\$9.19	\$3.66	\$2.92		\$20.35	\$10.54	\$13.32	\$1.40		
2-Wire Voice Unbundled 1-Way Outgoing PBX Tennessee Calling Port	Exchange Ports - 2-Wire Analog Line Port (PBX)			UEPSP	UEPTO	\$1.79	\$9.93	\$9.19	\$3.66	\$2.92		\$20.35	\$10.54	\$13.32	\$1.40		
2-Wire Voice Unbundled 2-Way PBX Usage Port	Exchange Ports - 2-Wire Analog Line Port (PBX)			UEPSP	UEPXA	\$1.79	\$9.93	\$9.19	\$3.66	\$2.92		\$20.35	\$10.54	\$13.32	\$1.40		
2-Wire Voice Unbundled PBX Toll Terminal Hotel Ports	Exchange Ports - 2-Wire Analog Line Port (PBX)			UEPSP	UEPXB	\$1.79	\$9.93	\$9.19	\$3.66	\$2.92		\$20.35	\$10.54	\$13.32	\$1.40		
2-Wire Voice Unbundled PBX LD DDD Terminals Port	Exchange Ports - 2-Wire Analog Line Port (PBX)			UEPSP	UEPXC	\$1.79	\$9.93	\$9.19	\$3.66	\$2.92		\$20.35	\$10.54	\$13.32	\$1.40		
2-Wire Voice Unbundled PBX LD Terminal Switchboard Port	Exchange Ports - 2-Wire Analog Line Port (PBX)			UEPSP	UEPXD	\$1.79	\$9.93	\$9.19	\$3.66	\$2.92		\$20.35	\$10.54	\$13.32	\$1.40		
2-Wire Voice Unbundled PBX LD Terminal Switchboard IDD Capable Port	Exchange Ports - 2-Wire Analog Line Port (PBX)			UEPSP	UEPXE	\$1.79	\$9.93	\$9.19	\$3.66	\$2.92		\$20.35	\$10.54	\$13.32	\$1.40		
2-Wire Voice Unbundled 2-Way PBX Hotel/Hospital Economy Administrative Calling Port	Exchange Ports - 2-Wire Analog Line Port (PBX)			UEPSP	UEPXL	\$1.79	\$9.93	\$9.19	\$3.66	\$2.92		\$20.35	\$10.54	\$13.32	\$1.40		
2-Wire Voice Unbundled 2-Way PBX Hotel/Hospital Economy Room Calling Port	Exchange Ports - 2-Wire Analog Line Port (PBX)			UEPSP	UEPXM	\$1.79	\$9.93	\$9.19	\$3.66	\$2.92		\$20.35	\$10.54	\$13.32	\$1.40		
2-Wire Voice Unbundled 1-Way Outgoing PBX Hotel/Hospital Economy Admin Calling Port TN Calling Port	Exchange Ports - 2-Wire Analog Line Port (PBX)			UEPSP	UEPXM	\$1.79	\$9.93	\$9.19	\$3.66	\$2.92		\$20.35	\$10.54	\$13.32	\$1.40		
2-Wire Voice Unbundled 1-Way Outgoing PBX Hotel/Hospital Discount Room Calling Port	Exchange Ports - 2-Wire Analog Line Port (PBX)			UEPSP	UEPXM	\$1.79	\$9.93	\$9.19	\$3.66	\$2.92		\$20.35	\$10.54	\$13.32	\$1.40		
2-Wire Voice Unbundled 1-Way Outgoing PBX Measured Port	Exchange Ports - 2-Wire Analog Line Port (PBX)			UEPSP	UEPXS	\$1.79	\$9.93	\$9.19	\$3.66	\$2.92		\$20.35	\$10.54	\$13.32	\$1.40		
2-Wire Voice Unbundled PBX Collierville and Memphis Calling Port	Exchange Ports - 2-Wire Analog Line Port (PBX)			UEPSP	UEPXU	\$1.79	\$9.93	\$9.19	\$3.66	\$2.92		\$20.35	\$10.54	\$13.32	\$1.40		
2-Wire Voice Unbundled 2-Way PBX Tennessee Region Serv Calling Port	Exchange Ports - 2-Wire Analog Line Port (PBX)			UEPSP	UEPXV	\$1.79	\$9.93	\$9.19	\$3.66	\$2.92		\$20.35	\$10.54	\$13.32	\$1.40		
Subsequent Activity		*		UEPSP	USASC		\$10.00	\$10.00									

Unbundled Network Elements  
TENNESSEE

UNBUNDLED NETWORK ELEMENT	UNBUNDLED NETWORK ELEMENT AS STATED IN DOCKET 97-01262	Not in TRA Docket 97-01262	Zone	BCS	USOC	RATES					OSS RATES					
						Nonrecurring		Nonrecurring			Svc Order Submitted Elec per LSR	Svc Order Submitted Manually per LSR	Incremental Charge - Manual Svc Order vs. Electronic-1st	Incremental Charge - Manual Svc Order vs. Electronic-Add'l	Incremental Charge - Manual Svc Order vs. Electronic-Disc 1st	Incremental Charge - Manual Svc Order vs. Electronic-Disc Add'l
						Rec	First	Add'l	First	Add'l						
						Rec	First	Add'l	First	Add'l	Disconnect	SOMECH	SOMAN	SOMAN	SOMAN	SOMAN
All Available Vertical Features	[Exchange Ports includes all Applicable Features.]			UEPSP	UEPVF	\$0.00	\$0.00	\$0.00								
Exchange Ports - Coin Port	Exchange Ports - Coin Port					\$2.11	\$9.93	\$9.19	\$3.66	\$2.92			\$20.35	\$10.54	\$13.32	\$1.40
<b>UNBUNDLED LOCAL SWITCHING, PORT USAGE</b>																
<b>End Office Switching (Port Usage)</b>																
End Office Switching Function, Per MOU	End Office Switching Function					\$0.0008041										
End Office Trunk Port - Shared, Per MOU	End Office Interoffice Trunk Port - Shared, per MOU															
<b>Tandem Switching (Port Usage) (Local or Access Tandem)</b>																
Tandem Switching Function Per MOU	Tandem Switching Function					\$0.0009778										
Tandem Trunk Port - Shared, Per MOU	Tandem Interoffice Trunk Port - Shared, per MOU															
<b>UNBUNDLED TRANSPORT</b>																
<b>COMMON TRANSPORT (Shared)</b>																
Common Transport - Per Mile, Per MOU	Common Transport - per mile, per MOU					\$0.0000064										
Common Transport - Facilities Termination Per MOU	Common Transport - Facilities Termination per MOU					\$0.0003871										
<b>INTEROFFICE CHANNEL - DEDICATED TRANSPORT - VOICE GRADE</b>																
Interoffice Channel - Dedicated Transport - 2-Wire Voice Grade - Per Mile per month	Interoffice Transport - Dedicated - 2-Wire Voice Grade - per mile per MOU			U1TVX	1L5XX	\$0.0174										
Interoffice Channel - Dedicated Transport - 2-Wire Voice Grade - Facility Termination per month	Interoffice Transport - Dedicated - 2-Wire Voice Grade - Facility Termination			U1TVX	U1TV2	\$18.58	\$55.39	\$17.37	\$27.96	\$3.51			\$20.35	\$21.09	\$9.80	\$10.54
Interoffice Channel - Dedicated Transport - 2-Wire Voice Grade Rev Bat. - Per Mile per month	Interoffice Transport - Dedicated - 2-Wire Voice Grade - per mile per MOU			U1TVX	1L5XX	\$0.0174										
Interoffice Channel - Dedicated Transport - 2-Wire Voice Grade Rev Bat. - Facility Termination per month	Interoffice Transport - Dedicated - 2-Wire Voice Grade - Facility Termination			U1TVX	U1TR2	\$18.58	\$55.39	\$17.37	\$27.96	\$3.51			\$20.35	\$21.09	\$9.80	\$10.54
<b>INTEROFFICE CHANNEL - DEDICATED TRANSPORT - 56/64 KBPS</b>																
Interoffice Channel - Dedicated Transport - 56 kbps - per mile per month	Interoffice Transport - Dedicated - DSO - 56/64 kbps - per mile			U1TDX	1L5XX	\$0.0174										
Interoffice Channel - Dedicated Transport - 56 kbps - Facility Termination per month	Interoffice Transport - Dedicated - DSO - 56/64 kbps - Facility Termination			U1TDX	U1TD5	\$17.98	\$55.39	\$17.37	\$27.96	\$3.51			\$20.35	\$21.09	\$9.80	\$10.54
Interoffice Channel - Dedicated Transport - 64 kbps - per mile per month	Interoffice Transport - Dedicated - DSO - 56/64 kbps - per mile			U1TDX	1L5XX	\$0.0174										
Interoffice Channel - Dedicated Transport - 64 kbps - Facility Termination per month	Interoffice Transport - Dedicated - DSO - 56/64 kbps - Facility Termination			U1TDX	U1TD6	\$17.98	\$55.39	\$17.37	\$27.96	\$3.51			\$20.35	\$21.09	\$9.80	\$10.54
<b>INTEROFFICE CHANNEL - DEDICATED TRANSPORT - DS1</b>																
Interoffice Channel - Dedicated Channel DS1 - Per Mile per month	Interoffice Transport - Dedicated - DS1 - per mile			U1TD1	1L5XX	\$0.3562										
Interoffice Channel - Dedicated Transport DS1 - Facility Termination per month	Interoffice Transport - Dedicated - DS1 - Facility Termination			U1TD1	U1TF1	\$77.86	\$112.40	\$76.27	\$19.55	\$14.99			\$20.35	\$21.09	\$9.80	\$10.54

Unbundled Network Elements  
TENNESSEE

UNBUNDLED NETWORK ELEMENT	UNBUNDLED NETWORK ELEMENT AS STATED IN DOCKET 97-01262	Not in TRA Docket 97-01262	Zone	BCS	USOC	RATES					OSS RATES					
						Nonrecurring		Nonrecurring			Svc Order Submitted Elec per LSR	Svc Order Submitted Manually per LSR	Incremental Charge - Manual Svc Order vs. Electronic-1st	Incremental Charge - Manual Svc Order vs. Electronic-Add'l	Incremental Charge - Manual Svc Order vs. Electronic-Disc 1st	Incremental Charge - Manual Svc Order vs. Electronic-Disc Add'l
						Rec	First	Add'l	First	Add'l						
						SOME C	SOMAN	SOMAN	SOMAN	SOMAN	SOMAN					
<b>LOCAL CHANNEL - DEDICATED TRANSPORT</b>																
Local Channel - Dedicated - 2-Wire Voice Grade per month	Local Channel - Dedicated - 2 Wire Voice Grade [shown here deaveraged]			ULDVX	ULDV2	\$17.18	\$199.33	\$24.16	\$54.81	\$4.80			\$20.35	\$10.54	\$13.30	\$0.00
Local Channel - Dedicated - 2-Wire Voice Grade Rev. Bat. Per month	Local Channel - Dedicated - 2 Wire Voice Grade [shown here deaveraged]			ULDVX	ULDR2	\$17.18	\$199.33	\$24.16	\$54.81	\$4.80			\$20.35	\$10.54	\$13.30	\$0.00
Local Channel - Dedicated - 4-Wire Voice Grade per month	Local Channel - Dedicated - 4 Wire Voice Grade [shown here deaveraged]			ULDVX	ULDV4	\$18.18	\$201.53	\$24.83	\$55.52	\$5.51			\$20.35	\$10.54	\$13.30	\$0.00
Local Channel - Dedicated - DS1 per month	Local Channel - Dedicated DS1 [shown here deaveraged]			ULDD1	ULDF1	\$36.24	\$277.35	\$233.26	\$33.18	\$22.30			\$45.68	\$1.76	\$21.75	\$1.76
<b>MULTIPLEXERS</b>																
Channelization - DS1 to DS0 Channel System	Channelization - Channel System DS1 to DS0			UXTD1	MQ1	\$80.77	\$141.87	\$77.11	\$14.51	\$13.46			\$20.35	\$9.80	\$11.49	\$1.18
OCU-DP COCI (data) - DS1 to DS0 Channel System - per month (2.4-64kbs)	Interface Unit - Interface DS1 to DSO - OCU - DP Card			UDL	1D1DD	\$1.82	\$6.07	\$4.66					\$20.35	\$9.80	\$11.49	\$1.18
2-wire ISDN COCI (BRITE) - DS1 to DS0 Channel System - per month	Interface Unit - Interface DS1 to DSO - Brite Card			UDN	UC1CA	\$3.10	\$6.07	\$4.66					\$20.35	\$9.80	\$11.49	\$1.18
Voice Grade COCI - DS1 to DS0 Channel System - per month	Interface Unit - Interface DS1 to DSO - Voice Grade Card			UEA	1D1VG	\$0.91	\$6.07	\$4.66					\$20.35	\$9.80	\$11.49	\$1.18
DS3 to DS1 Channel System per month	Channelization - Channel System DS3 to DS1			UXTD3	MQ3	\$222.98	\$308.03	\$108.47	\$44.47	\$42.62			\$20.35	\$9.80	\$11.49	\$1.18
STS1 to DS1 Channel System per month	Channelization - Channel System DS3 to DS1			UXTS1	MQ3	\$222.98	\$308.03	\$108.47	\$44.47	\$42.62			\$20.35	\$9.80	\$11.49	\$1.18
DS3 Interface Unit (DS1 COCI) used with Loop per month	Interface Unit - Interface DS3 to DS1			USL	UC1D1	\$17.58	\$6.07	\$4.66					\$20.35	\$9.80	\$11.49	\$1.18
DS3 Interface Unit (DS1 COCI) used with Local Channel per month	Interface Unit - Interface DS3 to DS1			ULDD1	UC1D1	\$17.58	\$6.07	\$4.66					\$20.35	\$9.80	\$11.49	\$1.18
DS3 Interface Unit (DS1 COCI) used with Interoffice Channel per month	Interface Unit - Interface DS3 to DS1			U1TD1	UC1D1	\$17.58	\$6.07	\$4.66					\$20.35	\$9.80	\$11.49	\$1.18
<b>DARK FIBER</b>																
Dark Fiber, Four Fiber Strands, Per Route Mile or Fraction Thereof per month - Local Channel	Dark Fiber, per 4 fiber strands, per route mile or fraction thereof			UDF	1L5DC	\$53.23										
NRC Dark Fiber - Local Channel	Dark Fiber, per 4 fiber strands, per route mile or fraction thereof			UDF	UDFC4		\$1,219.22	\$169.75	\$453.22	\$339.34						
Dark Fiber, Four Fiber Strands, Per Route Mile or Fraction Thereof per month - Interoffice Channel	Dark Fiber, per 4 fiber strands, per route mile or fraction thereof			UDF	1L5DF	\$53.23										
NRC Dark Fiber - Interoffice Channel	Dark Fiber, per 4 fiber strands, per route mile or fraction thereof			UDF	UDF14		\$1,219.22	\$169.75	\$453.22	\$339.34						
Dark Fiber, Four Fiber Strands, Per Route Mile or Fraction Thereof per month - Local Loop	Dark Fiber, per 4 fiber strands, per route mile or fraction thereof			UDF	1L5DL	\$53.23										
NRC Dark Fiber - Local Loop	Dark Fiber, per 4 fiber strands, per route mile or fraction thereof			UDF	UDFL4		\$1,219.22	\$169.75	\$453.22	\$339.34						
<b>8XX ACCESS TEN DIGIT SCREENING</b>																
8XX Access Ten Digit Screening, Per Call	800 Access Ten digit screening (800 ATDS) per call					\$0.0005192										



Unbundled Network Elements  
TENNESSEE

UNBUNDLED NETWORK ELEMENT	UNBUNDLED NETWORK ELEMENT AS STATED IN DOCKET 97-01262	Not in TRA Docket 97-01262	Zone	BCS	USOC	RATES				OSS RATES					
						Nonrecurring		Nonrecurring		Svc Order Submitted Elec per LSR	Svc Order Submitted Manually per LSR	Incremental Charge - Manual Svc Order vs. Electronic-1st	Incremental Charge - Manual Svc Order vs. Electronic-Add'l	Incremental Charge - Manual Svc Order vs. Electronic-Disc 1st	Incremental Charge - Manual Svc Order vs. Electronic-Disc Add'l
						Rec	First	Add'l	First						
						Disconnect		Disconnect		SOMEC	SOMAN	SOMAN	SOMAN	SOMAN	SOMAN
8XX Access Ten Digit Screening, Reservation Charge Per 8XX Number Reserved	800 Access Ten digit screening Reservation Charge per 800 Number Reserved				N8R1X		\$5.21	\$0.76					\$20.35		
8XX Access Ten Digit Screening, Per 8XX No. Established W/O POTS Translations	800 Access Ten digit screening per 800 # established w/o POTS Translations						\$11.47	\$1.46	\$7.34	\$0.7602			\$20.35	\$13.28	
8XX Access Ten Digit Screening, Per 8XX No. Established With POTS Translations	800 Access Ten digit screening per 800 # established with POTS Translations				N8FTX		\$11.47	\$1.46	\$7.34	\$0.7602			\$20.35	\$13.28	
8XX Access Ten Digit Screening, Customized Area of Service Per 8XX Number	800 Access Ten digit screening Customized Area of Service per 800 Number				N8FCX		\$4.47	\$2.24							
8XX Access Ten Digit Screening, Multiple InterLATA CXR Routing Per CXR Requested Per 8XX No.	800 ATDS, Multiple InterLATA CXR Routing per CXR Requested per 800 #				N8FMX		\$5.23	\$3.00							
8XX Access Ten Digit Screening, Change Charge Per Request	800 Access Ten digit screening Change Charge per Request				N8FAX		\$5.97	\$0.76					\$20.35		
8XX Access Ten Digit Screening, Call Handling and Destination Features	800 Access Ten digit screening Call Handling and Destination Features				N8FDX		\$4.47								
<b>LINE INFORMATION DATA BASE ACCESS (LIDB)</b>															
LIDB Common Transport Per Query	LIDB Common Transport per Query				OQT	\$0.0000354									
LIDB Validation Per Query	LIDB Validation per Query				OQU	\$0.0117403									
LIDB Originating Point Code Establishment or Change	LIDB Originating Point Code Establishment or Change						\$49.03						\$20.35		
<b>SIGNALING (CCS7)</b>															
CCS7 Signaling Termination, Per STP Port	CCS7 Signaling Termination per STP Port					\$138.41									
CCS7 Signaling Usage, Per TCAP Message	CCS7 Signaling Usage per TCAP Message					\$0.0000916									
CCS7 Signaling Connection, Per link (A link)	CCS7 Signaling Connection per 56 kbps facility					\$17.84	\$130.84						\$20.35		
CCS7 Signaling Connection, Per link (B link) (also known as D link)	CCS7 Signaling Connection per 56 kbps facility					\$17.84	\$130.84						\$20.35		
CCS7 Signaling Usage, Per ISUP Message	CCS7 Signaling Usage, per call setup message					\$0.0000373									
CCS7 Signaling Usage Surrogate, per link per LATA	CCS7 Signaling Usage Surrogate, per 56 kbps facility per LATA per month					\$352.30							\$20.35		
<b>SELECTIVE ROUTING</b>															
Selective Routing Per Unique Line Class Code Per Request Per Switch	Selective Routing (Interim Solution Line Class Codes) per Unique Line Class Code per Request per Switch				USRCR	\$179.60							\$20.35		
<b>AIN - BELLSOUTH AIN SMS ACCESS SERVICE</b>															
AIN SMS Access Service - Service Establishment, Per State, Initial Setup	AIN SMS Access Service - Service Establishment, per State, Initial Setup				CAMSE	\$135.56									
AIN SMS Access Service - Port Connection Dial/Shared Access	AIN SMS Access Service - Port Connection - Dial/Shared Access				CAMDP	\$41.75									
AIN SMS Access Service - Port Connection ISDN Access	AIN SMS Access Service - Port Connection - ISDN Access				CAM1P	\$41.75									

Unbundled Network Elements  
TENNESSEE

UNBUNDLED NETWORK ELEMENT	UNBUNDLED NETWORK ELEMENT AS STATED IN DOCKET 97-01262	Not in TRA Docket 97-01262	Zone	BCS	USOC	RATES				OSS RATES							
						Nonrecurring		Disconnect		Svc Order Submitted Elec per LSR	Svc Order Submitted Manually per LSR	Incremental Charge - Manual Svc Order vs. Electronic-1st	Incremental Charge - Manual Svc Order vs. Electronic-Add'l	Incremental Charge - Manual Svc Order vs. Electronic-Disc 1st	Incremental Charge - Manual Svc Order vs. Electronic-Disc Add'l		
						Rec	First	Add'l	First							Add'l	
						Rec	First	Add'l	First	Add'l	SOMECE	SOMAN	SOMAN	SOMAN	SOMAN	SOMAN	
AIN SMS Access Service - User Identification Codes - Per User ID Code	AIN SMS Access Service - User Identification Codes - Per User ID Code				CAMAU		\$96.63										
AIN SMS Access Service - Security Card, Per User ID Code, Initial or Replacement	AIN SMS Access Service - Security Card, per User ID Code, Initial or Replacement				CAMRC		\$113.67										
AIN SMS Access Service - Storage, Per Unit (100 Kilobytes)	AIN SMS Access Service - Storage, per unit (100 kilobytes)						\$0.0024										
AIN SMS Access Service - Session, Per Minute	AIN SMS Access Service - Session, per minute						\$0.0820123										
AIN SMS Access Service - Company Performed Session, Per Minute	AIN SMS Access Service - company performed session, per minute						\$2.27										
<b>AIN - BELL SOUTH AIN TOOLKIT SERVICE</b>																	
AIN Toolkit Service - Service Establishment Charge, Per State, Initial Setup	AIN TS - Service Establishment Charge per State, Initial Setup				BAPSC		\$132.04										
AIN Toolkit Service - Training Session, Per Customer	AIN TS - Training Session, per Customer				BAPVX		\$7,915										
AIN Toolkit Service - Trigger Access Charge, Per Trigger, Per DN, Term. Attempt	AIN TS - Trigger Access Charge, per Trigger per DN, Term Attempt				BAPTT		\$31.21										
AIN Toolkit Service - Trigger Access Charge, Per Trigger, Per DN, Off-Hook Delay	AIN TS - Trigger Access Charge, per Trigger per DN, Off Hook Delay				BAPTD		\$31.21										
AIN Toolkit Service - Trigger Access Charge, Per Trigger, Per DN, Off-Hook Immediate	AIN TS - Trigger Access Charge, per Trigger per DN, Off Hook Immediate				BAPTM		\$31.21										
AIN Toolkit Service - Trigger Access Charge, Per Trigger, Per DN, 10-Digit PODP	AIN TS - Trigger Access Charge, per Trigger per DN, 10-Digit PODP				BAPTO		\$85.24										
AIN Toolkit Service - Trigger Access Charge, Per Trigger, Per DN, CDP	AIN TS - Trigger Access Charge, per Trigger per DN, CDP				BAPTC		\$85.24										
AIN Toolkit Service - Trigger Access Charge, Per Trigger, Per DN, Feature Code	AIN TS - Trigger Access Charge, per Trigger per DN, Feature Code				BAPTF		\$85.24										
AIN Toolkit Service - Query Charge, Per Query	AIN TS - Query Charge, Per Query						\$0.0211882										
AIN Toolkit Service - Type 1 Node Charge, Per AIN Toolkit Subscription, Per Node, Per Query	AIN TS - Type 1 Node Charge, per AIN Toolkit subscription, per Node, per query						\$0.0054774										
AIN Toolkit Service - SCP Storage Charge, Per SMS Access Account, Per 100 Kilobytes	AIN TS - SCP Storage charge, per SMS access account, per 100 kilobytes						\$1.50										
AIN Toolkit Service - Monthly report - Per AIN Toolkit Service Subscription	AIN TS - Monthly Report - per AIN TS Subscription				BAPMS	\$17.43	\$33.52										
AIN Toolkit Service - Special Study - Per AIN Toolkit Service Subscription	AIN TS - Special Study - per AIN TS Subscription				BAPLS	\$0.1321116	\$36.23										
AIN Toolkit Service - Call Event Report - Per AIN Toolkit Service Subscription	AIN TS - Call Event Report - per AIN TS Subscription				BAPDS	\$17.35	\$33.52										
AIN Toolkit Service - Call Event Special Study - Per AIN Toolkit Service Subscription	AIN TS - Call Event Special Study per AIN TS Subscription				BAPES	\$0.0511435	\$36.23										
<b>ODUF/EDOUF/ADUF/CMDS</b>																	
<b>OPTIONAL DAILY USAGE FILE (ODUF)</b>																	

Unbundled Network Elements  
TENNESSEE

UNBUNDLED NETWORK ELEMENT	UNBUNDLED NETWORK ELEMENT AS STATED IN DOCKET 97-01262	Not in TRA Docket 97-01262	Zone	BCS	USOC	RATES				OSS RATES					
						Nonrecurring		Disconnect		Svc Order Submitted Elec per LSR	Svc Order Submitted Manually per LSR	Incremental Charge - Manual Svc Order vs. Electronic-1st	Incremental Charge - Manual Svc Order vs. Electronic-Add'l	Incremental Charge - Manual Svc Order vs. Electronic-Disc 1st	Incremental Charge - Manual Svc Order vs. Electronic-Disc Add'l
						Rec	First	Add'l	First						
						SOMECE	SOMAN	SOMAN	SOMAN	SOMAN	SOMAN				
ODUF: Recording, per message	OSS OLEC Daily Usage File Recording per message					\$0.0000044									
ODUF: Message Processing, per message	OSS OLEC Daily Usage File Message Distribution per message					\$0.0027366									
ODUF: Message Processing, per Magnetic Tape provisioned	OSS OLEC Daily Usage File Message Distribution per magnetic tape provisioned					\$52.75									
ODUF: Data Transmission (CONNECT:DIRECT), per message	OSS OLEC Daily Usage File Data Transmission (Connect: Direct), per message					\$0.0000339									
<b>UNBUNDLED PORT/LOOP COMBINATIONS - COST BASED RATES</b>															
Cost Based Rates are applied where BellSouth is required by FCC and/or State Commission rule to provide Unbundled Local Switching or Switch Ports. BellSouth is required to offer unbundled port/loop combinations that are Currently Combined in Tennessee unless the end user has four or more DS0 equivalent lines and is in Zone 1 of one of the Top 8 MSAs in BellSouth's region.															
In the absence of ordered rates by a State Commission, the recurring rates for combination of port/loop network elements will be the sum of the recurring rates for the UNEs which make up the combinations, and the nonrecurring rates shall be as set forth in this section.															
Vertical features shall apply to the Unbundled Port/Loop Combination - Cost Based Rate section in the same manner as they are applied to the Stand-Alone Unbundled Port section of this Rate Exhibit.															
End Office and Tandem Switching Usage and Common Transport Usage rates in the Port section of this rate exhibit shall apply to all combinations of loop/port network elements except for UNE Coin Port/Loop Combinations which have a flat rate usage charge (USOC: URECU).															
For Currently Combined Combs in TN, the nonrecurring charges shall be those identified in the Nonrecurring Charges - Currently Combined sections.															
<b>2-WIRE VOICE GRADE LOOP WITH 2-WIRE LINE PORT (RES)</b>															
<b>UNE Port/Loop Combination Rates</b>															
2-Wire VG Loop/Port Combo - Zone 1	2-Wire Voice Grade Loop with 2-Wire Line Port - Zone 1		1			\$14.18									
2-Wire VG Loop/Port Combo - Zone 2	2-Wire Voice Grade Loop with 2-Wire Line Port - Zone 2		2			\$18.01									
2-Wire VG Loop/Port Combo - Zone 3	2-Wire Voice Grade Loop with 2-Wire Line Port - Zone 3		3			\$23.02									
<b>UNE Loop Rates</b>															
2-Wire Voice Grade Loop (SL1) - Zone		**	1	UEPRX	UEPLX	\$12.29									
2-Wire Voice Grade Loop (SL1) - Zone		**	2	UEPRX	UEPLX	\$16.12									
2-Wire Voice Grade Loop (SL1) - Zone		**	3	UEPRX	UEPLX	\$21.13									

Unbundled Network Elements  
TENNESSEE

UNBUNDLED NETWORK ELEMENT	UNBUNDLED NETWORK ELEMENT AS STATED IN DOCKET 97-01262	Not in TRA Docket 97-01262	Zone	BCS	USOC	RATES				OSS RATES										
						Nonrecurring		Disconnect		Svc Order Submitted Elec per LSR	Svc Order Submitted Manually per LSR	Incremental Charge - Manual Svc Order vs. Electronic-1st	Incremental Charge - Manual Svc Order vs. Electronic-Add'l	Incremental Charge - Manual Svc Order vs. Electronic-Disc 1st	Incremental Charge - Manual Svc Order vs. Electronic-Disc Add'l					
						Rec	First	Add'l	First							Add'l				
						SOMECC	SOMAN	SOMAN	SOMAN	SOMAN	SOMAN									
<b>2-Wire Voice Grade Line Port Rates (Res)</b>																				
2-Wire voice unbundled port - residence		**		UEPRX	UEPRL	\$1.89														
2-Wire voice unbundled port with Caller ID res		**		UEPRX	UEPRC	\$1.89														
2-Wire voice unbundled port outgoing only res		**		UEPRX	UEPRO	\$1.89														
2-Wire voice Grade unbundled Tennessee extended local dialing parity port with Caller ID - res		**		UEPRX	UEPAQ	\$1.89														
2-Wire voice unbundled Tennessee Are: Calling port with Caller ID - res (F2R)		**		UEPRX	UEPAK	\$1.89														
2-Wire voice unbundled Tennessee Are: Calling port with Caller ID - res (TACER)		**		UEPRX	UEPAL	\$1.89														
2-Wire voice unbundled Tennessee Are: Calling port with Caller ID - res (TACSR)		**		UEPRX	UEPAM	\$1.89														
2-Wire voice unbundled Tennessee Are: Calling port with Caller ID - res (1MF2X)		**		UEPRX	UEPAN	\$1.89														
2-Wire voice unbundled Tennessee Are: Calling port with Caller ID - res (2MR)		**		UEPRX	UEPAO	\$1.89														
2-Wire voice unbundles res, low usage lin port with Caller ID (LUM)		**		UEPRX	UEPAP	\$1.89														
<b>FEATURES</b>																				
All Available Vertical Features	[Exchange Ports includes all Applicable Features.]	**		UEPRX	UEPVF	\$0.00	\$0.00	\$0.00												
<b>LOCAL NUMBER PORTABILITY</b>																				
Local Number Portability (1 per port)		**		UEPRX	LNPCX	\$0.35														
<b>NONRECURRING CHARGES (NRCs) - CURRENTLY COMBINED</b>																				
2-Wire Voice Grade Loop / Line Port Combination - Conversion - Switch-as-is	2-Wire Voice Grade Loop/Line Port Combo - Switch-as-is			UEPRX	USAC2		\$1.03	\$0.29				\$30.89	\$7.03							
2-Wire Voice Grade Loop / Line Port Combination - Conversion - Switch with change		*		UEPRX	USACC		\$1.03	\$0.29				\$30.89	\$7.03							
2-Wire Voice Grade Loop / Line Port Combination - Conversion - Subsequent Database Update	2-Wire Voice Grade Loop/Line Port Combo - Subsequent Database Update						\$0.76					\$7.97								
<b>ADDITIONAL NRCs</b>																				
2-Wire Voice Grade Loop/Line Port Combination - Subsequent Activity		**		UEPRX	USAS2		\$10.00	\$10.00												
<b>2-WIRE VOICE GRADE LOOP WITH 2-WIRE LINE PORT (BUS)</b>																				
<b>UNE Port/Loop Combination Rates</b>																				
2-Wire VG Loop/Port Combo - Zone 1	2-Wire Voice Grade Loop with 2 Wire Line Port - Zone 1		1			\$14.18														
2-Wire VG Loop/Port Combo - Zone 2	2-Wire Voice Grade Loop with 2 Wire Line Port - Zone 2		2			\$18.01														
2-Wire VG Loop/Port Combo - Zone 3	2-Wire Voice Grade Loop with 2 Wire Line Port - Zone 3		3			\$23.02														
<b>UNE Loop Rates</b>																				
2-Wire Voice Grade Loop (SL1) - Zone 1		**	1	UEPBX	UEPLX	\$12.29														
2-Wire Voice Grade Loop (SL1) - Zone 2		**	2	UEPBX	UEPLX	\$16.12														

Unbundled Network Elements  
TENNESSEE

UNBUNDLED NETWORK ELEMENT	UNBUNDLED NETWORK ELEMENT AS STATED IN DOCKET 97-01262	Not in TRA Docket 97-01262	Zone	BCS	USOC	RATES				OSS RATES							
						Rec	Nonrecurring		Disconnect		Svc Order Submitted Elec per LSR	Svc Order Submitted Manually per LSR	Incremental Charge - Manual Svc Order vs. Electronic-1st	Incremental Charge - Manual Svc Order vs. Electronic-Add'l	Incremental Charge - Manual Svc Order vs. Electronic-Disc 1st	Incremental Charge - Manual Svc Order vs. Electronic-Disc Add'l	
							First	Add'l	First	Add'l							
							SOMAN										
2-Wire Voice Grade Loop (SL1) - Zone 3		**	3	UEPBX	UEPLX	\$21.13											
<b>2-Wire Voice Grade Line Port (Bus)</b>																	
2-Wire voice unbundled port without Caller ID - bus		**		UEPBX	UEPBL	\$1.89											
2-Wire voice unbundled port with Caller ID - bus		**		UEPBX	UEPBC	\$1.89											
2-Wire voice unbundled port outgoing only bus		**		UEPBX	UEPBO	\$1.89											
2-Wire voice Grade unbundled Tennessee extended local dialing parity port with Caller ID - bus		**		UEPBX	UEPAV	\$1.89											
2-Wire voice unbundled incoming only port with Caller ID - Bus		**		UEPBX	UEPB1	\$1.89											
2-Wire voice unbundled Tennessee Bus : Way Area Calling Port Economy Option (TACC1)		**		UEPBX	UEPAC	\$1.89											
2-Wire voice unbundled Tennessee Bus : Way Area Calling Port Standard Option (TACC2)		**		UEPBX	UEPAD	\$1.89											
2-Wire voice unbundled Tennessee Bus : Way Collierville and Memphis Local Calling Port (B2F)		**		UEPBX	UEPAE	\$1.89											
<b>LOCAL NUMBER PORTABILITY</b>																	
Local Number Portability (1 per port)		**		UEPBX	LNPCX	\$0.35											
<b>FEATURES</b>																	
All Available Vertical Features	[Exchange Ports includes all Applicable Features.]	**		UEPBX	UEPVF	\$0.00	\$0.00	\$0.00									
<b>NONRECURRING CHARGES (NRCs) - CURRENTLY COMBINED</b>																	
2-Wire Voice Grade Loop / Line Port Combination - Conversion - Switch-as-is	2-Wire Voice Grade Loop/Line Port Combo - Switch-as-is			UEPBX	USAC2		\$1.03	\$0.29				\$30.89	\$7.03				
2-Wire Voice Grade Loop / Line Port Combination - Conversion - Switch with change		*		UEPBX	USACC		\$1.03	\$0.29				\$30.89	\$7.03				
2-Wire Voice Grade Loop / Line Port Combination - Conversion - Subsequent Database Update	2-Wire Voice Grade Loop/Line Port Combo - Subsequent Database Update						\$0.76					\$7.97					
<b>ADDITIONAL NRCs</b>																	
2-Wire Voice Grade Loop/Line Port Combination - Subsequent Activity		**		UEPBX	USAS2		\$10.00	\$10.00									
<b>2-WIRE VOICE GRADE LOOP WITH 2-WIRE LINE PORT (RES - PBX)</b>																	
<b>UNE Port/Loop Combination Rates</b>																	
2-Wire VG Loop/Port Combo - Zone 1	2-Wire Voice Grade Loop with 2 Wire Line Port - Zone 1		1			\$14.18											
2-Wire VG Loop/Port Combo - Zone 2	2-Wire Voice Grade Loop with 2 Wire Line Port - Zone 2		2			\$18.01											
2-Wire VG Loop/Port Combo - Zone 3	2-Wire Voice Grade Loop with 2 Wire Line Port - Zone 3		3			\$23.02											
<b>UNE Loop Rates</b>																	
2-Wire Voice Grade Loop (SL 1) - Zone 1		**	1	UEPRG	UEPLX	\$12.39											

Unbundled Network Elements  
TENNESSEE

UNBUNDLED NETWORK ELEMENT	UNBUNDLED NETWORK ELEMENT AS STATED IN DOCKET 97-01262	Not in TRA Docket 97-01262	Zone	BCS	USOC	RATES				OSS RATES						
						Rec	Nonrecurring		Disconnect		Svc Order Submitted Elec per LSR	Svc Order Submitted Manually per LSR	Incremental Charge - Manual Svc Order vs. Electronic-1st	Incremental Charge - Manual Svc Order vs. Electronic-Add'l	Incremental Charge - Manual Svc Order vs. Electronic-Disc 1st	Incremental Charge - Manual Svc Order vs. Electronic-Disc Add'l
							First	Add'l	First	Add'l						
							SOMECH	SOMAN	SOMAN	SOMAN						
2-Wire Voice Grade Loop (SL 1) - Zone 2		**	2	UEPRG	UEPLX	\$16.22										
2-Wire Voice Grade Loop (SL 1) - Zone 3		**	3	UEPRG	UEPLX	\$21.23										
<b>2-Wire Voice Grade Line Port Rates (RES - PBX)</b>																
2-Wire VG Unbundled Combination 2-Way PBX Trunk Port - Res		**		UEPRG	UEPRD	\$1.79										
<b>LOCAL NUMBER PORTABILITY</b>																
Local Number Portability (1 per port)		**		UEPRG	LNPCP	\$3.15										
<b>FEATURES</b>																
All Available Vertical Features	[Exchange Ports includes all Applicable Features.]	**		UEPRG	UEPVF	\$0.00	\$0.00	\$0.00								
<b>NONRECURRING CHARGES (NRCs) - CURRENTLY COMBINED</b>																
2-Wire Voice Grade Loop/ Line Port Combination (PBX) - Conversion - Switch-As-Is	2-Wire Voice Grade Loop/Line Port Combo - Switch-as-is			UEPRG	USAC2		\$1.03	\$0.29				\$30.89	\$7.03			
2-Wire Voice Grade Loop/ Line Port Combination (PBX) - Conversion - Switch with Change		*		UEPRG	USACC		\$1.03	\$0.29				\$30.89	\$7.03			
2-Wire Voice Grade Loop / Line Port Combination - Conversion - Subsequent Database Update	2-Wire Voice Grade Loop/Line Port Combo - Subsequent Database Update						\$0.76					\$7.97				
<b>ADDITIONAL NRCs</b>																
2-Wire Voice Grade Loop/ Line Port Combination (PBX) - Subsequent Activity		**		UEPRG	USAS2		\$10.00	\$10.00				\$30.89	\$7.03			
<b>2-WIRE VOICE GRADE LOOP WITH 2-WIRE LINE PORT (BUS - PBX)</b>																
<b>UNE Port/Loop Combination Rates</b>																
2-Wire VG Loop/Port Combo - Zone 1	2-Wire Voice Grade Loop with 2 Wire Line Port - Zone 1		1			\$14.18										
2-Wire VG Loop/Port Combo - Zone 2	2-Wire Voice Grade Loop with 2 Wire Line Port - Zone 2		2			\$18.01										
2-Wire VG Loop/Port Combo - Zone 3	2-Wire Voice Grade Loop with 2 Wire Line Port - Zone 3		3			\$23.02										
<b>UNE Loop Rates</b>																
2-Wire Voice Grade Loop (SL 1) - Zone 1		**	1	UEPPX	UEPLX	\$12.39										
2-Wire Voice Grade Loop (SL 1) - Zone 2		**	2	UEPPX	UEPLX	\$16.22										
2-Wire Voice Grade Loop (SL 1) - Zone 3		**	3	UEPPX	UEPLX	\$21.23										
<b>2-Wire Voice Grade Line Port Rates (BUS - PBX)</b>																
Line Side Unbundled Combination 2-Way PBX Trunk Port - Bus		**		UEPPX	UEPPC	\$1.79										
Line Side Unbundled Outward PBX Trunk Port - Bus		**		UEPPX	UEPPO	\$1.79										
Line Side Unbundled Incoming PBX Trunk Port - Bus		**		UEPPX	UEPP1	\$1.79										
2-Wire Voice Unbundled PBX LD Terminal Ports		**		UEPPX	UEPLD	\$1.79										
2-Wire Voice Unbundled 2-Way Combination PBX Tennessee Calling Port		**		UEPPX	UEPT2	\$1.79										
2-Wire Voice Unbundled 1-Way Outgoing PBX Tennessee Calling Port		**		UEPPX	UEPTO	\$1.79										

Unbundled Network Elements  
TENNESSEE

UNBUNDLED NETWORK ELEMENT	UNBUNDLED NETWORK ELEMENT AS STATED IN DOCKET 97-01262	Not in TRA Docket 97-01262	Zone	BCS	USOC	RATES				OSS RATES									
						Rec	Nonrecurring		Disconnect		Svc Order Submitted Elec per LSR	Svc Order Submitted Manually per LSR	Incremental Charge - Manual Svc Order vs. Electronic-1st	Incremental Charge - Manual Svc Order vs. Electronic-Add'l	Incremental Charge - Manual Svc Order vs. Electronic-Disc 1st	Incremental Charge - Manual Svc Order vs. Electronic-Disc Add'l			
							First	Add'l	First	Add'l									
																	SOMECH	SOMAN	SOMAN
2-Wire Voice Unbundled 2-Way Combination PBX Usage Port		**		UEPPX	UEPXA	\$1.79													
2-Wire Voice Unbundled PBX Toll Terminal Hotel Ports		**		UEPPX	UEPXB	\$1.79													
2-Wire Voice Unbundled PBX LD DDD Terminals Port		**		UEPPX	UEPXC	\$1.79													
2-Wire Voice Unbundled PBX LD Terminal Switchboard Port		**		UEPPX	UEPXD	\$1.79													
2-Wire Voice Unbundled PBX LD Terminal Switchboard IDD Capable Port		**		UEPPX	UEPXE	\$1.79													
2-Wire Voice Unbundled 2-Way PBX Hotel/Hospital Economy Administrative Calling Port		**		UEPPX	UEPXL	\$1.79													
2-Wire Voice Unbundled 2-Way PBX Hotel/Hospital Economy Room Calling Port		**		UEPPX	UEPXM	\$1.79													
2-Wire Voice Unbundled 1-Way Outgoing PBX Hotel/Hospital Economy Admin Calling Port TN Calling Port		**		UEPPX	UEPXM	\$1.79													
2-Wire Voice Unbundled 1-Way Outgoing PBX Hotel/Hospital Discount Room Calling Port		**		UEPPX	UEPXM	\$1.79													
2-Wire Voice Unbundled 1-Way Outgoing PBX Measured Port		**		UEPPX	UEPXS	\$1.79													
2-Wire Voice Unbundled PBX Collierville and Memphis Calling Port		**		UEPPX	UEPXU	\$1.79													
2-Wire Voice Unbundled 2-Way PBX Tennessee RegionServ Calling Port		**		UEPPX	UEPXV	\$1.79													
<b>LOCAL NUMBER PORTABILITY</b>																			
Local Number Portability (1 per port)		**		UEPPX	LNPCP	\$3.15													
<b>FEATURES</b>																			
All Available Vertical Features	[Exchange Ports includes all Applicable Features.]	**		UEPPX	UEPVF	\$0.00	\$0.00	\$0.00											
<b>NONRECURRING CHARGES (NRCs) - CURRENTLY COMBINED</b>																			
2-Wire Voice Grade Loop/ Line Port Combination (PBX) - Conversion - Switch-As-Is	2-Wire Voice Grade Loop/Line Port Combo - Switch-as-is			UEPPX	USAC2		\$1.03	\$0.29				\$30.89	\$7.03						
2-Wire Voice Grade Loop/ Line Port Combination (PBX) - Conversion - Switch with Change		*		UEPPX	USACC		\$1.03	\$0.29				\$30.89	\$7.03						
2-Wire Voice Grade Loop / Line Port Combination - Conversion - Subsequent Database Update	2-Wire Voice Grade Loop/Line Port Combo - Subsequent Database Update						\$0.76					\$7.97							
<b>ADDITIONAL NRCs</b>																			
2-Wire Voice Grade Loop/ Line Port Combination (PBX) - Subsequent Activity		**		UEPPX	USAS2		\$10.00	\$10.00				\$30.89	\$7.03						
<b>2-WIRE VOICE GRADE LOOP- BUS ONLY - WITH 2-WIRE DID TRUNK PORT</b>																			
<b>UNE Port/Loop Combination Rates</b>																			
2-Wire VG Loop/2-Wire DID Trunk Port Combo - Zone 1	2-Wire Voice Grade Loop with 2 Wire DID Trunk Port - Zone 1		1			\$18.38													
2-Wire VG Loop/2-Wire DID Trunk Port Combo - Zone 2	2-Wire Voice Grade Loop with 2 Wire DID Trunk Port - Zone 2		2			\$19.87													

Unbundled Network Elements  
TENNESSEE

UNBUNDLED NETWORK ELEMENT	UNBUNDLED NETWORK ELEMENT AS STATED IN DOCKET 97-01262	Not in TRA Docket 97-01262	Zone	BCS	USOC	RATES				OSS RATES						
						Nonrecurring		Nonrecurring		Svc Order Submitted Elec per LSR	Svc Order Submitted Manually per LSR	Incremental Charge - Manual Svc Order vs. Electronic-1st	Incremental Charge - Manual Svc Order vs. Electronic-Add'l	Incremental Charge - Manual Svc Order vs. Electronic-Disc 1st	Incremental Charge - Manual Svc Order vs. Electronic-Disc Add'l	
						Rec	First	Add'l	Disconnect							First
						Rec	First	Add'l	Disconnect	First	Add'l	SOME C	SOMAN	SOMAN	SOMAN	SOMAN
2-Wire VG Loop/2-Wire DID Trunk Port Combo - Zone 3	2-Wire Voice Grade Loop with 2 Wire DID Trunk Port - Zone 3		3			\$25.52										
<b>NONRECURRING CHARGES - CURRENTLY COMBINED</b>																
2-Wire Voice Grade Loop / 2-Wire DID Trunk Port Combination - Switch-as-is	2-Wire Voice Grade Loop / 2-Wire DID Trunk Port Combo - Switch-as-is			UEPPX	USAC1		\$8.76	\$5.75				\$41.43	\$9.80			
2-Wire Voice Grade Loop / 2-Wire DID Trunk Port Combination Conversion with Changes		*		UEPPX	USA1C		\$8.76	\$5.75		\$3.50		\$41.43	\$9.80	\$20.00	\$20.00	
<b>Telephone Number/Trunk Group Establishment Charges</b>																
DID Trunk Termination (One Per Port)		**		UEPPX	NDT	\$0.00	\$0.00	\$0.00		\$3.50		\$41.43	\$9.80	\$20.00	\$20.00	
DID Numbers, Establish Trunk Group and Provide First Group of 20 DID Numbers		**		UEPPX	NDZ	\$0.00	\$0.00	\$0.00		\$3.50		\$41.43	\$9.80	\$20.00	\$20.00	
Additional DID Numbers for each Group of 20 DID Numbers		**		UEPPX	ND4	\$0.00	\$0.00	\$0.00		\$3.50		\$41.43	\$9.80	\$20.00	\$20.00	
DID Numbers, Non- consecutive DID Numbers , Per Number		**		UEPPX	ND5	\$0.00	\$0.00	\$0.00		\$3.50		\$41.43	\$9.80	\$20.00	\$20.00	
<b>LOCAL NUMBER PORTABILITY</b>																
Local Number Portability (1 per port)		**		UEPPX	LNPCP	\$3.15	\$0.00	\$0.00								
<b>2-WIRE ISDN DIGITAL GRADE LOOP WITH 2-WIRE ISDN DIGITAL LINE SIDE PORT</b>																
<b>UNE Port/Loop Combination Rates</b>																
2W ISDN Digital Grade Loop/2W ISDN Digital Line Side Port - Zone 1	2-Wire ISDN Digital Grade Loop with 2-Wire ISDN Digital Line Side Port - Zone 1		1			\$32.27						\$19.99	\$19.99	\$20.00	\$20.00	
2W ISDN Digital Grade Loop/2W ISDN Digital Line Side Port - Zone 2	2-Wire ISDN Digital Grade Loop with 2-Wire ISDN Digital Line Side Port - Zone 2		2			\$34.78						\$19.99	\$19.99	\$20.00	\$20.00	
2W ISDN Digital Grade Loop/2W ISDN Digital Line Side Port - Zone 3	2-Wire ISDN Digital Grade Loop with 2-Wire ISDN Digital Line Side Port - Zone 3		3			\$44.32						\$19.99	\$19.99	\$20.00	\$20.00	
<b>NONRECURRING CHARGES - CURRENTLY COMBINED</b>																
2-Wire ISDN Digital Grade Loop / 2-Wire ISDN Line Side Port Combination - Conversion	2-Wire ISDN Digital Grade Loop 2 Wire ISDN Line Side Port Combo - Switch-as-is			UEPPB	USACB		\$117.23	\$117.23		\$3.50		\$19.99	\$19.99	\$20.00	\$20.00	
<b>ADDITIONAL NRCs</b>																
2-Wire ISDN Digital Grade Loop / 2-Wire ISDN Line Side Port Combination-Non Feature Subs Activity	2-Wire ISDN Digital Grade Loop 2-Wire ISDN Line Side Port Combo - Non Feature Subsequent Activity			UEPPB	USASB		\$212.88			\$3.50		\$19.99	\$19.99	\$20.00	\$20.00	
<b>LOCAL NUMBER PORTABILITY</b>																
Local Number Portability (1 per port)		**		UEPPR	LNPCX	\$0.35	\$0.00	\$0.00								
<b>B-CHANNEL USER PROFILE ACCESS:</b>																
CVS/CSD (DMS/5ESS)		**		UEPPB	U1UCA	\$0.00	\$0.00	\$0.00								
CVS (EWSD)		**		UEPPB	U1UCB	\$0.00	\$0.00	\$0.00								
CSD		**		UEPPB	U1UCC	\$0.00	\$0.00	\$0.00								



Unbundled Network Elements  
TENNESSEE

UNBUNDLED NETWORK ELEMENT	UNBUNDLED NETEORK ELEMENT AS STATED IN DOCKET 97-01262	Not in TRA Docket 97-01262	Zone	BCS	USOC	RATES				OSS RATES										
						Nonrecurring		Disconnect		Svc Order Submitted Elec per LSR	Svc Order Submitted Manually per LSR	Incremental Charge - Manual Svc Order vs. Electronic-1st	Incremental Charge - Manual Svc Order vs. Electronic-Add'l	Incremental Charge - Manual Svc Order vs. Electronic-Disc 1st	Incremental Charge - Manual Svc Order vs. Electronic-Disc Add'l					
						Rec	First	Add'l	First							Add'l				
						SOMECC	SOMAN	SOMAN	SOMAN	SOMAN	SOMAN									
<b>B-CHANNEL AREA PLUS USER PROFILE ACCESS: (AL,KY,LA,MS SC,MS, &amp; TN)</b>																				
CVS/CSD (DMS/5ESS)		**		UEPPB	U1UCD	\$0.00	\$0.00	\$0.00												
CVS (EWSD)		**		UEPPB	U1UCE	\$0.00	\$0.00	\$0.00												
CSD		**		UEPPB	U1UCF	\$0.00	\$0.00	\$0.00												
<b>USER TERMINAL SERVICE PROFILE(EWSD)</b>		**		UEPPB	U1UMA	\$0.00	\$0.00	\$0.00												
<b>VERTICAL FEATURES</b>																				
One per Channel B User Profile		**		UEPPB	UEPVF	\$0.00	\$0.00	\$0.00												
<b>4-WIRE DS1 DIGITAL LOOP WITH 4-WIRE ISDN DS1 DIGITAL TRUNK PORT</b>																				
<b>UNE Port/Loop Combination Rates</b>																				
4W DS1 Digital Loop/4W ISDN DS1 Digital Trunk Port - Zone 1	4-Wire DS1 Digital Loop with 4 Wire ISDN DS1 Digital Trunk Port Zone 1		1			\$132.58						\$19.99	\$19.99	\$20.00	\$20.00					
4W DS1 Digital Loop/4W ISDN DS1 Digital Trunk Port - Zone 2	4-Wire DS1 Digital Loop with 4 Wire ISDN DS1 Digital Trunk Port Zone 2		2			\$150.25						\$19.99	\$19.99	\$20.00	\$20.00					
4W DS1 Digital Loop/4W ISDN DS1 Digital Trunk Port - Zone 3	4-Wire DS1 Digital Loop with 4 Wire ISDN DS1 Digital Trunk Port Zone 3		3			\$173.44						\$19.99	\$19.99	\$20.00	\$20.00					
<b>NONRECURRING CHARGES - CURRENTLY COMBINED</b>																				
4-Wire DS1 Digital Loop / 4-Wire ISDN DS1 Digital Trunk Port Combination - Conversion Switch-as-is	4-Wire DS1 Digital Loop with 4 Wire ISDN DS1 Digital Trunk Port Combo - Switch-as-is			UEPPP	USACP		\$328.53	\$328.53				\$19.99	\$19.99	\$20.00	\$20.00					
<b>ADDITIONAL NRCs</b>																				
4-Wire DS1 Dig Loop / 4-Wire ISDN DS1 Dig Trunk Port Combination-Sub Channel Activation-Per Channel	4-Wire DS1 Digital Loop with 4-Wire ISDN DS1 Digital Trunk Port Combo - Subsequent Channel Activation - Per Channel			UEPPP	USASP		\$28.39					\$19.99	\$19.99	\$20.00	\$20.00					
4-Wire DS1 Dig Loop / 4-Wire ISDN DS1 Dig Trunk Port Combination-Sub Inward/2-Way Telephone Numbers	4-Wire DS1 Digital Loop with 4-Wire ISDN DS1 Digital Trunk Port Combo - Subsequent Inward/2-way Telephone Numbers			UEPPP	PR7TG		\$0.94					\$19.99	\$19.99	\$20.00	\$20.00					
4-Wire DS1 Dig Loop / 4-Wire ISDN DS1 Dig Trunk Port Combination-Sub Outward Telephone Numbers	4-Wire DS1 Digital Loop with 4-Wire ISDN DS1 Digital Trunk Port Combo - Subsequent Outward Telephone Numbers			UEPPP	PR7TP		\$22.36					\$19.99	\$19.99	\$20.00	\$20.00					
4-Wire DS1 Dig Loop / 4-Wire ISDN DS1 Dig Trunk Port Combination-Subsequent Inward Telephone Numbers	4-Wire DS1 Digital Loop with 4-Wire ISDN DS1 Digital Trunk Port Combo - Subsequent Inward Telephone Numbers			UEPPP	PR7ZT		\$44.71					\$19.99	\$19.99	\$20.00	\$20.00					
4-Wire DS1 Dig Loop / 4-Wire ISDN DS1 Dig Trunk Port Combination-Subsequent Service Order Per Order	4-Wire DS1 Digital Loop with 4-Wire ISDN DS1 Digital Trunk Port Combo - Subsequent Service Order Per Order			UEPPP	USASP		\$189.76					\$19.99	\$19.99	\$20.00	\$20.00					
<b>LOCAL NUMBER PORTABILITY</b>																				
Local Number Portability (1 per port)		**		UEPPP	LNPCN	\$1.75														
<b>INTERFACE (Provsioning Only)</b>																				

Unbundled Network Elements  
TENNESSEE

UNBUNDLED NETWORK ELEMENT	UNBUNDLED NETWORK ELEMENT AS STATED IN DOCKET 97-01262	Not in TRA Docket 97-01262	Zone	BCS	USOC	RATES				OSS RATES						
						Rec	Nonrecurring		Disconnect		Svc Order Submitted Elec per LSR	Svc Order Submitted Manually per LSR	Incremental Charge - Manual Svc Order vs. Electronic-1st	Incremental Charge - Manual Svc Order vs. Electronic-Add'l	Incremental Charge - Manual Svc Order vs. Electronic-Disc 1st	Incremental Charge - Manual Svc Order vs. Electronic-Disc Add'l
							First	Add'l	First	Add'l						
							SOMECC	SOMAN	SOMAN	SOMAN						
Voice/Data		**		UEPPP	PR71V	\$0.00										
Digital Data		**		UEPPP	PR71D	\$0.00										
Inward Data		**		UEPPP	PR71E	\$0.00										
<b>CALL TYPES</b>																
Inward		**		UEPPP	PR7C1	\$0.00										
Outward		**		UEPPP	PR7C0	\$0.00										
Two-way		**		UEPPP	PR7CC	\$0.00										
<b>4-WIRE DS1 DIGITAL LOOP WITH 4-WIRE DDITS TRUNK PORT</b>																
<b>UNE Port/Loop Combination Rates</b>																
4W DS1 Digital Loop/4W DDITS Trunk Port Zone 1	4-Wire DS1 Digital Loop With 4 Wire DID Trunk Port - Zone 1		1			\$93.28										
4W DS1 Digital Loop/4W DDITS Trunk Port Zone 2	4-Wire DS1 Digital Loop With 4 Wire DID Trunk Port - Zone 2		2			\$110.95										
4W DS1 Digital Loop/4W DDITS Trunk Port Zone 3	4-Wire DS1 Digital Loop With 4 Wire DID Trunk Port - Zone 3		3			\$134.14										
<b>NONRECURRING CHARGES - CURRENTLY COMBINED</b>																
4-Wire DS1 Digital Loop / 4-Wire DDITS Trunk Port Combination - Switch-as-is	4-Wire DS1 Digital Loop / 4-Wire DDITS Trunk Port Combination - Conversion with DS1 Changes		*	UEPDC	USAC4	\$312.91	\$312.91			\$3.50	\$19.99	\$19.99	\$20.00	\$20.00		
4-Wire DS1 Digital Loop / 4-Wire DDITS Trunk Port Combination - Conversion with Change - Trunk	4-Wire DS1 Digital Loop/4-Wire DID Trunk Port Combo - Switch-as-is			UEPDC	USAWA	\$312.91	\$312.91			\$3.50	\$19.99	\$19.99	\$20.00	\$20.00		
	4-Wire DS1 Digital Loop/4-Wire DID Trunk Port Combo - Switch-as-is			UEPDC	USAWB	\$312.91	\$312.91			\$3.50	\$19.99	\$19.99	\$20.00	\$20.00		
<b>ADDITIONAL NRCs</b>																
4-Wire DS1 Dig Loop / 4-Wire DDITS Trunk Port Combination-Subsequent Service Activity Per Svc Order	4-Wire DS1 Digital Loop/4-Wire DID Trunk Port Combo - Subsequent Service Order Per Order			UEPDC	USAS4	\$94.88	\$94.88			\$3.50	\$19.99	\$19.99	\$20.00	\$20.00		
4-Wire DS1 Dig Loop/4-Wire DDITS Trk Port Combination-NRC-Sub Channel Activation-Per Chanl-2-Way Trk	4-Wire DS1 Digital Loop/4-Wire DID Trunk Port Combo - Subsequent Channel Activation Per Channel			UEPDC	UDTTA	\$108.67				\$3.50	\$19.99	\$19.99	\$20.00	\$20.00		
4-Wire DS1 Dig Loop/4-Wire DDITS Trk Port Combo-Sub Channel Activation-Per Chanl-1-Way Outward Trk	4-Wire DS1 Digital Loop/4-Wire DID Trunk Port Combo - Subsequent Channel Activation Per Channel			UEPDC	UDTTB	\$108.67				\$3.50	\$19.99	\$19.99	\$20.00	\$20.00		
4-Wire DS1 Dig Loop/4-Wire DDITS Trk Port Combo-Sub Chan Activation-Per Chan-1-Way Inwrd Trk w/o DID	4-Wire DS1 Digital Loop/4-Wire DID Trunk Port Combo - Subsequent Channel Activation Per Channel			UEPDC	UDTTC	\$108.67				\$3.50	\$19.99	\$19.99	\$20.00	\$20.00		
4-Wire DS1 Dig Loop/4-Wire DDITS Trk Port Combo-Sub Chan Activation-Per Chan-1-Way Inwrd Trk with DID	4-Wire DS1 Digital Loop/4-Wire DID Trunk Port Combo - Subsequent Channel Activation Per Channel			UEPDC	UDTTD	\$108.67				\$3.50	\$19.99	\$19.99	\$20.00	\$20.00		
4-Wire DS1 Dig Loop/4-Wire DDITS Trk Port Combo-Sub Chan Activ'n-Per Chan-2-Way DID with User Trans	4-Wire DS1 Digital Loop/4-Wire DID Trunk Port Combo - Subsequent Channel Activation Per Channel			UEPDC	UDTTE	\$108.67				\$3.50	\$19.99	\$19.99	\$20.00	\$20.00		
4-Wire DS1 Digital Loop / 4-Wire DDITS Trunk Port Combination - Subsequent Signaling Changes	4-Wire DS1 Digital Loop 4-Wire DID Trunk Port Combo - Subsequent Signaling Changes			UEPDC		\$22.92				\$3.50	\$19.99	\$19.99	\$20.00	\$20.00		

Unbundled Network Elements  
TENNESSEE

UNBUNDLED NETWORK ELEMENT	UNBUNDLED NETWORK ELEMENT AS STATED IN DOCKET 97-01262	Not in TRA Docket 97-01262	Zone	BCS	USOC	RATES				OSS RATES						
						Rec	Nonrecurring		Disconnect		Svc Order Submitted Elec per LSR	Svc Order Submitted Manually per LSR	Incremental Charge - Manual Svc Order vs. Electronic-1st	Incremental Charge - Manual Svc Order vs. Electronic-Add'l	Incremental Charge - Manual Svc Order vs. Electronic-Disc 1st	Incremental Charge - Manual Svc Order vs. Electronic-Disc Add'l
							First	Add'l	First	Add'l						
							SOMAN									
4-Wire DS1 Digital Loop / 4-Wire DDITS Trunk Port Combination - Subsequent Service Order Per Order	4-Wire DS1 Digital Loop 4-Wire DID Trunk Port Combo - Subsequent Service Order Per Order			UEPDC	USAS4		\$94.88	\$94.88			\$3.50		\$19.99	\$19.99	\$20.00	\$20.00
4-Wire DS1 Dig Loop/4-Wire ISDN DS1 Digital Trunk Port Combination - Subsequent Telephone Numbers	4-Wire DS1 Digital Loop 4-Wire DID Trunk Port Combo - Subsequent Telephone Numbers			UEPDC			\$88.68				\$3.50		\$19.99	\$19.99	\$20.00	\$20.00
<b>BIPOLAR 8 ZERO SUBSTITUTION</b>																
Superframe Format - Conversion or New Install		**		UEPDC	CC0SF	\$0.00	\$0.00	\$0.00								
Extended Superframe Format - Conversion or New Install		**		UEPDC	CC0EF	\$0.00	\$0.00	\$0.00								
Superframe Format - Subsequent Activity		**		UEPDC	CC0SF	\$0.00	\$590.00	\$590.00			\$3.50		\$19.99	\$19.99	\$20.00	\$20.00
Extended Superframe Format - Subsequent Activity		**		UEPDC	CC0EF	\$0.00	\$590.00	\$590.00			\$3.50		\$19.99	\$19.99	\$20.00	\$20.00
<b>Alternate Mark Inversion</b>																
Superframe Format		**		UEPDC	MC0SF		\$0.00	\$0.00								
Extended SuperFrame Format		**		UEPDC	MCOPO		\$0.00	\$0.00								
<b>Telephone Number/Trunk Group Establishment Charges</b>																
Telephone Number for 2-Way Trunk Group		**		UEPDC	UDTGX	\$0.00					\$3.50		\$19.99	\$19.99	\$20.00	\$20.00
Telephone Number for 1-Way Outward Trunk Group		**		UEPDC	UDTGY	\$0.00					\$3.50		\$19.99	\$19.99	\$20.00	\$20.00
Telephone Number for 1-Way Inward Trunk Group Without DID		**		UEPDC	UDTGZ	\$0.00					\$3.50		\$19.99	\$19.99	\$20.00	\$20.00
DID Numbers, Establish Trunk Group and Provide First Group of 20 DID Numbers		**		UEPDC	NDZ	\$0.00					\$3.50		\$19.99	\$19.99	\$20.00	\$20.00
Additional DID Numbers for each Group of 20 DID Numbers		**		UEPDC	ND4	\$0.00					\$3.50		\$19.99	\$19.99	\$20.00	\$20.00
DID Numbers, Non- consecutive DID Numbers , Per Number		**		UEPDC	ND5	\$0.00					\$3.50		\$19.99	\$19.99	\$20.00	\$20.00
<b>Dedicated DS1 (Interoffice Channel Mileage) - FX/FCO for 4-Wire DS1 Digital Loop with 4-Wire DDITS Trunk Port</b>																
Interoffice Channel Mileage - Fixed rate 0-1 miles (Facilities Termination)		**		UEPDC	1LNO1	\$75.83					\$3.50		\$19.99	\$19.99	\$20.00	\$20.00
Interoffice Channel Mileage - Additional rate per mile - 0-8 miles		**		UEPDC	1LNOA	\$0.3525					\$3.50		\$19.99	\$19.99	\$20.00	\$20.00
Interoffice Channel Mileage - Fixed rate 9-21 miles (Facilities Termination)		**		UEPDC	1LNO2	\$0.0000										
Interoffice Channel Mileage - Additional rate per mile - 9-25 miles		**		UEPDC	1LNOB	\$0.3525					\$3.50		\$19.99	\$19.99	\$20.00	\$20.00
Interoffice Channel Mileage - Fixed rate 25-miles (Facilities Termination)		**		UEPDC	1LNO3	\$0.0000										
Interoffice Channel Mileage - Additional rate per mile - 25+ miles		**		UEPDC	1LNOC	\$0.3525					\$3.50		\$19.99	\$19.99	\$20.00	\$20.00
Local Number Portability, per DS0 Activated		**		UEPDC	LNPCP	\$3.15										
Central Office Terminating Point		**		UEPDC	CTG	\$0.00										
<b>ENHANCED EXTENDED LINK (EELs)</b>																

Unbundled Network Elements  
TENNESSEE

UNBUNDLED NETWORK ELEMENT	UNBUNDLED NETWORK ELEMENT AS STATED IN DOCKET 97-01262	Not in TRA Docket 97-01262	Zone	BCS	USOC	RATES					OSS RATES					
						Nonrecurring		Disconnect			Svc Order Submitted Elec per LSR	Svc Order Submitted Manually per LSR	Incremental Charge - Manual Svc Order vs. Electronic-1st	Incremental Charge - Manual Svc Order vs. Electronic-Add'l	Incremental Charge - Manual Svc Order vs. Electronic-Disc 1st	Incremental Charge - Manual Svc Order vs. Electronic-Disc Add'l
						Rec	First	Add'l	First	Add'l						
						SOMECC	SOMAN	SOMAN	SOMAN	SOMAN	SOMAN					
<p><b>NOTE:</b> New (not currently combined) loop/transport (EEL) combinations are only available in density Zone 1 of the Nashville MSA in TN</p> <p>For Currently Combined EELs, network element recurring and Switch As Is Charges apply. For new EELs, network element recurring and nonrecurring apply (no Switch As Is Charge).</p>																
<b>2-WIRE VOICE GRADE EXTENDED LOOP WITH DEDICATED DS1 INTEROFFICE TRANSPORT (EEL)</b>																
First 2-Wire Analog Voice Grade Loop - SL2/DS1 Interofficed Transport Combination - Zone 1	Loop With DS1 Dedicated Interoffice Transport (First 2-Wire Voice Grade with DS1 excluding		1	UNCVX	UEAL2	\$16.56	\$108.76	\$35.47	\$72.94	\$10.88			\$20.35	\$21.09	\$9.80	\$10.54
First 2-Wire Analog Voice Grade Loop - SL2/DS1 Interofficed Transport Combination - Zone 2	Loop With DS1 Dedicated Interoffice Transport (First 2-Wire Voice Grade with DS1 excluding		2	UNCVX	UEAL2	\$21.63	\$108.76	\$35.47	\$72.94	\$10.88			\$20.35	\$21.09	\$9.80	\$10.54
First 2-Wire Analog Voice Grade Loop - SL2/DS1 Interofficed Transport Combination - Zone 3	Loop With DS1 Dedicated Interoffice Transport (First 2-Wire Voice Grade with DS1 excluding		3	UNCVX	UEAL2	\$28.28	\$108.76	\$35.47	\$72.94	\$10.88			\$20.35	\$21.09	\$9.80	\$10.54
Interoffice Transport - Dedicated - DS1 combination - Per Mile per month	Interoffice Transport Dedicated DS1 - Per Mile			UNC1X	1L5XX	\$0.3562										
Interoffice Transport - Dedicated - DS1 Facility Termination in combination- Per Month				UNC1X	U1TF1	\$77.8600	\$171.24	\$113.12	\$70.70	\$30.90			\$20.35	\$21.09	\$9.80	\$10.54
DS1 Channelization System in combination Per Month				UNC1X	MQ1	\$80.7700	\$214.52	\$49.95	\$75.98	\$13.60						
Voice Grade COCI - DS1 to DS0 Interface in combination - per month				UNCVX	1D1VG	\$0.9100										
Each Additional 2-Wire Analog VG Loop-SL2 in the same DS1 Interoffice Transport Combination-Zone 1	Loop With DS1 Dedicated Interoffice Transport (Additional 2-Wire Voice Grade Loop in same		1	UNCVX	UEAL2	\$16.56	\$108.76	\$35.47	\$72.94	\$10.88			\$20.35	\$0.00	\$0.00	\$0.00
Each Additional 2-Wire Analog VG Loop-SL2 in the same DS1 Interoffice Transport Combination-Zone 2	Loop With DS1 Dedicated Interoffice Transport (Additional 2-Wire Voice Grade Loop in same		2	UNCVX	UEAL2	\$21.63	\$108.76	\$35.47	\$72.94	\$10.88			\$20.35	\$21.09	\$9.80	\$10.54
Each Additional 2-Wire Analog VG Loop-SL2 in the same DS1 Interoffice Transport Combination-Zone 3	Loop With DS1 Dedicated Interoffice Transport (Additional 2-Wire Voice Grade Loop in same		3	UNCVX	UEAL2	\$28.28	\$108.76	\$35.47	\$72.94	\$10.88			\$20.35	\$0.00	\$0.00	\$0.00
Each Additional VG Loop COCI - DS1 to DS0 Interface in combination - per month				UNCVX	1D1VG	\$0.9100										
Nonrecurring Currently Combined Network Elements Switch -As-Is Charge	Loop or Local Channel and Interoffice Combination - Switch-as-is			UNC1X	UNCCC		\$52.73	\$24.62	\$9.12	\$9.12						
<b>4-WIRE VOICE GRADE EXTENDED LOOP WITH DEDICATED DS1 INTEROFFICE TRANSPORT (EEL)</b>																
First 4-Wire Analog Voice Grade Loop/DS1 Interoffice Transport Combination - Zone 1	4-Wire Voice Grade Extended Loop With DS1 Dedicated Interoffice Transport (First 4-Wire 56 or 64 kbps Digital Grade Loop with DS1 excluding mileage) - Zone 1		1	UNCVX	UEAL4	\$24.70	\$108.76	\$35.47	\$72.04	\$10.86			\$20.35	\$21.09	\$9.80	\$10.54

Unbundled Network Elements  
TENNESSEE

UNBUNDLED NETWORK ELEMENT	UNBUNDLED NETWORK ELEMENT AS STATED IN DOCKET 97-01262	Not in TRA Docket 97-01262	Zone	BCS	USOC	RATES					OSS RATES					
						Nonrecurring		Nonrecurring			Svc Order Submitted Elec per LSR	Svc Order Submitted Manually per LSR	Incremental Charge - Manual Svc Order vs. Electronic-1st	Incremental Charge - Manual Svc Order vs. Electronic-Add'l	Incremental Charge - Manual Svc Order vs. Electronic-Disc 1st	Incremental Charge - Manual Svc Order vs. Electronic-Disc Add'l
						Rec	First	Add'l	First	Add'l						
						SOMECC	SOMAN	SOMAN	SOMAN	SOMAN	SOMAN					
First 4-Wire Analog Voice Grade Loop/DS1 Interoffice Transport Combination - Zone 2	4-Wire Voice Grade Extended Loop With DS1 Dedicated Interoffice Transport (First 4-Wire 56 or 64 kbps Digital Grade Loop with DS1 excluding mileage) - Zone 2		2	UNCVX	UEAL4	\$32.25	\$108.76	\$35.47	\$72.04	\$10.86			\$20.35	\$21.09	\$9.80	\$10.54
First 4-Wire Analog Voice Grade Loop/DS1 Interoffice Transport Combination - Zone 3	4-Wire Voice Grade Extended Loop With DS1 Dedicated Interoffice Transport (First 4-Wire 56 or 64 kbps Digital Grade Loop with DS1 excluding mileage) - Zone 3		3	UNCVX	UEAL4	\$42.17	\$108.76	\$35.47	\$72.04	\$10.86			\$20.35	\$21.09	\$9.80	\$10.54
Interoffice Transport - Dedicated - DS1 combination - Per Mile Per Month	Interoffice Transport - Dedicated - DS1 - Per Mile			UNC1X	1L5XX	\$0.3562										
Interoffice Transport - Dedicated - DS1 Facility Termination in combination- Per Month				UNC1X	U1TF1	\$77.8600	\$171.24	\$113.12	\$70.70	\$30.90			\$20.35	\$21.09	\$9.80	\$10.54
DS1 Channelization System in combination- Per Month				UNC1X	MQ1	\$80.7700	\$214.52	\$49.95	\$75.98	\$13.60						
Voice Grade COCI - DS1 to DS0 Interface in combination - per month				UNCVX	1D1VG	\$0.9100										
Additional 4-Wire Analog Voice Grade Loop in same DS1 Interoffice Transport Combination - Zone 1	4-Wire Voice Grade Extended Loop With DS1 Dedicated Interoffice Transport (Additional 4-Wire 56 or 64 kbps in same DS1 excluding mileage) -Zone 1		1	UNCVX	UEAL4	\$24.70	\$108.76	\$35.47	\$72.04	\$10.86			\$20.35	\$21.09	\$9.80	\$10.54
Additional 4-Wire Analog Voice Grade Loop in same DS1 Interoffice Transport Combination - Zone 2	4-Wire Voice Grade Extended Loop With DS1 Dedicated Interoffice Transport (Additional 4-Wire 56 or 64 kbps in same DS1 excluding mileage) -Zone 2		2	UNCVX	UEAL4	\$32.25	\$108.76	\$35.47	\$72.04	\$10.86			\$20.35	\$21.09	\$9.80	\$10.54
Additional 4-Wire Analog Voice Grade Loop in same DS1 Interoffice Transport Combination - Zone 3	4-Wire Voice Grade Extended Loop With DS1 Dedicated Interoffice Transport (Additional 4-Wire 56 or 64 kbps in same DS1 excluding mileage) -Zone 3		3	UNCVX	UEAL4	\$42.17	\$108.76	\$35.47	\$72.04	\$10.86			\$20.35	\$21.09	\$9.80	\$10.54
Voice Grade COCI - DS1 to DS0 Interface in combination - per month				UNCVX	1D1VG	\$0.9100										
Nonrecurring Currently Combined Network Elements Switch -As-Is Charge	Non-Recurring Cost for Extended Loop or Local Channel and Interoffice combination Switch-as-is			UNC1X	UNCCC		\$52.73	\$24.62	\$9.12	\$9.12						
<b>4-WIRE 56 KBPS EXTENDED DIGITAL LOOP WITH DEDICATED DS1 INTEROFFICE TRANSPORT (EEL)</b>																
First 4-Wire 56Kbps Digital Grade Loop/DS1 Interoffice Transport Combination - Zone 1	4-Wire 56 or 64 kbps Extended Digital Loop With Dedicated DS1 Interoffice Transport (First 4-Wire 56 or 64 kbps Digital Grade Loop with DS1 excluding mileage) - Zone 1		1	UNCDX	UDL56	\$31.10	\$108.76	\$35.47	\$72.94	\$10.86			\$20.35	\$21.09	\$9.80	\$10.54
First 4-Wire 56Kbps Digital Grade Loop/DS1 Interoffice Transport Combination - Zone 2	4-Wire 56 or 64 kbps Extended Digital Loop With Dedicated DS1 Interoffice Transport (First 4-Wire 56 or 64 kbps Digital Grade Loop with DS1 excluding mileage) - Zone 2		2	UNCDX	UDL56	\$40.76	\$108.76	\$35.47	\$72.94	\$10.86			\$20.35	\$21.09	\$9.80	\$10.54

Unbundled Network Elements  
TENNESSEE

UNBUNDLED NETWORK ELEMENT	UNBUNDLED NETEORK ELEMENT AS STATED IN DOCKET 97-01262	Not in TRA Docket 97-01262	Zone	BCS	USOC	RATES					OSS RATES					
						Nonrecurring		Nonrecurring			Svc Order Submitted Elec per LSR	Svc Order Submitted Manually per LSR	Incremental Charge - Manual Svc Order vs. Electronic-1st	Incremental Charge - Manual Svc Order vs. Electronic-Add'l	Incremental Charge - Manual Svc Order vs. Electronic-Disc 1st	Incremental Charge - Manual Svc Order vs. Electronic-Disc Add'l
						Rec	First	Add'l	First	Add'l						
						SOMECC	SOMAN	SOMAN	SOMAN	SOMAN	SOMAN					
First 4-Wire 56Kbps Digital Grade Loop/DS1 Interoffice Transport Combination - Zone 3	4-Wire 56 or 64 kbps Extended Digital Loop With Dedicated DS1 Interoffice Transport (First 4-Wire 56 or 64 kbps Digital Grade Loop with DS1 excluding mileage) - Zone 3		3	UNCDX	UDL56	\$53.11	\$108.76	\$35.47	\$72.94	\$10.86			\$20.35	\$21.09	\$9.80	\$10.54
Interoffice Transport - Dedicated - DS1 combination - Per Mile Per Month	Interoffice Transport - Dedicated - DS1 - Per Mile			UNC1X	1L5XX	\$0.3562										
Interoffice Transport - Dedicated - DS1 Facility Termination in combination- Per Month				UNC1X	U1TF1	\$77.8600	\$171.24	\$113.12	\$70.70	\$30.90			\$20.35	\$21.09	\$9.80	\$10.54
DS1 Channelization System in combination- Per Month				UNC1X	MQ1	\$80.7700	\$214.52	\$49.95	\$75.98	\$13.60						
OCU-DP COCI (data) - DS1 to DS0 Channel System - per month (2.4-64kbs)				UNCDX	1D1DD	\$1.82	\$6.07	\$4.66								
Additional 4-Wire 56Kbps Digital Grade Loopin same DS1 Interoffice Transport Combination - Zone 1	4-Wire 56 or 64 kbps Extended Digital Loop With Dedicated DS1 Interoffice Transport (Additional 4-Wire 56 or 64 kbps Digital Grade Loop in same DS1 excluding mileage) -Zone 1		1	UNCDX	UDL56	\$31.10	\$108.76	\$35.47	\$72.94	\$10.86			\$20.35	\$21.09	\$9.80	\$10.54
Additional 4-Wire 56Kbps Digital Grade Loopin same DS1 Interoffice Transport Combination - Zone 2	4-Wire 56 or 64 kbps Extended Digital Loop With Dedicated DS1 Interoffice Transport (Additional 4-Wire 56 or 64 kbps Digital Grade Loop in same DS1 excluding mileage) -Zone 2		2	UNCDX	UDL56	\$40.76	\$108.76	\$35.47	\$72.94	\$10.86			\$20.35	\$21.09	\$9.80	\$10.54
Additional 4-Wire 56Kbps Digital Grade Loopin same DS1 Interoffice Transport Combination - Zone 3	4-Wire 56 or 64 kbps Extended Digital Loop With Dedicated DS1 Interoffice Transport (Additional 4-Wire 56 or 64 kbps Digital Grade Loop in same DS1 excluding mileage) -Zone 3		3	UNCDX	UDL56	\$53.11	\$108.76	\$35.47	\$72.94	\$10.86			\$20.35	\$21.09	\$9.80	\$10.54
OCU-DP COCI (data) - DS1 to DS0 Channel System - per month (2.4-64kbs)				UNCDX	1D1DD	\$1.82	\$6.07	\$4.66								
Nonrecurring Currently Combined Network Elements Switch -As-Is Charge	Nonrecurring Cost for Extended Loop or Local Channel and Interoffice Combination Switch-as-is			UNC1X	UNCCC		\$52.73	\$24.62	\$9.12	\$9.12						
<b>4-WIRE 64 KBPS EXTENDED DIGITAL LOOP WITH DEDICATED DS1 INTEROFFICE TRANSPORT (EEL)</b>																
First 4-Wire 64Kbps Digital Grade Loop/DS1 Interoffice Transport Combination - Zone 1	4-Wire 56 or 64 kbps Extended Digital Loop With Dedicated DS1 Interoffice Transport (First 4-Wire 56 or 64 kbps Digital Grade Loop with DS1 excluding mileage) - Zone 1		1	UNCDX	UDL64	\$31.10	\$108.76	\$35.47	\$72.94	\$10.86			\$20.35	\$21.09	\$9.80	\$10.54
First 4-Wire 64Kbps Digital Grade Loop/DS1 Interoffice Transport Combination - Zone 2	4-Wire 56 or 64 kbps Extended Digital Loop With Dedicated DS1 Interoffice Transport (First 4-Wire 56 or 64 kbps Digital Grade Loop with DS1 excluding mileage) - Zone 2		2	UNCDX	UDL64	\$40.76	\$108.76	\$35.47	\$72.94	\$10.86			\$20.35	\$21.09	\$9.80	\$10.54
First 4-Wire 64Kbps Digital Grade Loop/DS1 Interoffice Transport Combination - Zone 3	4-Wire 56 or 64 kbps Extended Digital Loop With Dedicated DS1 Interoffice Transport (First 4-Wire 56 or 64 kbps Digital Grade Loop with DS1 excluding mileage) - Zone 3		3	UNCDX	UDL64	\$53.11	\$108.76	\$35.47	\$72.94	\$10.86			\$20.35	\$21.09	\$9.80	\$10.54

Unbundled Network Elements  
TENNESSEE

UNBUNDLED NETWORK ELEMENT	UNBUNDLED NETWORK ELEMENT AS STATED IN DOCKET 97-01262	Not in TRA Docket 97-01262	Zone	BCS	USOC	RATES				OSS RATES					
						Nonrecurring		Disconnect		Svc Order Submitted Elec per LSR	Svc Order Submitted Manually per LSR	Incremental Charge - Manual Svc Order vs. Electronic-1st	Incremental Charge - Manual Svc Order vs. Electronic-Add'l	Incremental Charge - Manual Svc Order vs. Electronic-Disc 1st	Incremental Charge - Manual Svc Order vs. Electronic-Disc Add'l
						Rec	First	Add'l	First						
						SOME C	SOMAN	SOMAN	SOMAN	SOMAN	SOMAN				
Interoffice Transport - Dedicated - DS1 combination - Per Mile Per Month	Interoffice Transport - Dedicated DS1 - Per Mile			UNC1X	1L5XX	\$0.3562									
Interoffice Transport - Dedicated - DS1 Facility Termination in combination- Per Month				UNC1X	U1TF1	\$77.8600	\$171.24	\$113.12	\$70.70	\$30.90		\$20.35	\$21.09	\$9.80	\$10.54
DS1 Channelization System in combination- Per Month				UNC1X	MQ1	\$80.7700	\$214.52	\$49.95	\$75.98	\$13.60					
OCU-DP COCI (data) - DS1 to DS0 Channel System - per month (2.4-64kbs)				UNCDX	1D1DD	\$1.82	\$6.07	\$4.66							
Additional 4-Wire546Kbps Digital Grade Loopin same DS1 Interoffice Transport Combination - Zone 1	4-Wire 56 or 64 kbps Extended Digital Loop With Dedicated DS1 Interoffice Transport (Additional 4-Wire 56 or 64 kbps Digital Grade Loop in same DS1 excluding mileage) -Zone 1		1	UNCDX	UDL64	\$31.10	\$108.76	\$35.47	\$72.94	\$10.86		\$20.35	\$21.09	\$9.80	\$10.54
Additional 4-Wire546Kbps Digital Grade Loopin same DS1 Interoffice Transport Combination - Zone 2	4-Wire 56 or 64 kbps Extended Digital Loop With Dedicated DS1 Interoffice Transport (Additional 4-Wire 56 or 64 kbps Digital Grade Loop in same DS1 excluding mileage) -Zone 2		2	UNCDX	UDL64	\$40.76	\$108.76	\$35.47	\$72.94	\$10.86		\$20.35	\$21.09	\$9.80	\$10.54
Additional 4-Wire546Kbps Digital Grade Loopin same DS1 Interoffice Transport Combination - Zone 3	4-Wire 56 or 64 kbps Extended Digital Loop With Dedicated DS1 Interoffice Transport (Additional 4-Wire 56 or 64 kbps Digital Grade Loop in same DS1 excluding mileage) -Zone 3		3	UNCDX	UDL64	\$53.11	\$108.76	\$35.47	\$72.94	\$10.86		\$20.35	\$21.09	\$9.80	\$10.54
Nonrecurring Currently Combined Network Elements Switch -As-Is Charge	Nonrecurring Cost for Extended Loop or Local Channel and Interoffice Combination Switch-as-is			UNC1X	UNCCC		\$52.73	\$24.62	\$9.12	\$9.12					
<b>2-WIRE VOICE GRADE DEDICATED EXTENDED LOCAL CHANNEL WITH DEDICATED DS1 INTEROFFICE TRANSPORT (EEL)</b>															
First 2-Wire Local Channel with/DS1 Interoffice Transport Combination - Zone 1	Extended 2-Wire Voice Grade Dedicated Local Channel with Dedicated DS1 Interoffice Transport (First 2-Wire Local Channel with DS1 excluding mileage) - Zone 1		1	UNCVX	ULDV2	\$17.18	\$108.76	\$35.47	\$72.94	\$10.88		\$20.35	\$21.09	\$9.80	\$10.54
First 2-Wire Local Channel with/DS1 Interoffice Transport Combination - Zone 2	Extended 2-Wire Voice Grade Dedicated Local Channel with Dedicated DS1 Interoffice Transport (First 2-Wire Local Channel with DS1 excluding mileage) - Zone 2		2	UNCVX	ULDV2	\$22.44	\$108.76	\$35.47	\$72.94	\$10.88		\$20.35	\$21.09	\$9.80	\$10.54
First 2-Wire Local Channel with/DS1 Interoffice Transport Combination - Zone 3	Extended 2-Wire Voice Grade Dedicated Local Channel with Dedicated DS1 Interoffice Transport (First 2-Wire Local Channel with DS1 excluding mileage) - Zone 3		3	UNCVX	ULDV2	\$29.34	\$108.76	\$35.47	\$72.94	\$10.88		\$20.35	\$21.09	\$9.80	\$10.54
Interoffice Transport - Dedicated - DS1 combination - Per Mile Per Month	Interoffice Transport - Dedicated DS1 - Per Mile			UNC1X	1L5XX	\$0.3562									
Interoffice Transport - Dedicated - DS1 Facility Termination in combination- Per Month				UNC1X	U1TF1	\$77.8600	\$171.24	\$113.12	\$70.70	\$30.90		\$20.35	\$21.09	\$9.80	\$10.54
DS1 Channelization System in combination- Per Month				UNC1X	MQ1	\$80.7700	\$214.52	\$49.95	\$75.98	\$13.60					
Voice Grade COCI - DS1 to DS0 Interface in combination - per month				UNCVX	1D1VG	\$0.9100									

Unbundled Network Elements  
TENNESSEE

UNBUNDLED NETWORK ELEMENT	UNBUNDLED NETWORK ELEMENT AS STATED IN DOCKET 97-01262	Not in TRA Docket 97-01262	Zone	BCS	USOC	RATES					OSS RATES					
						Nonrecurring		Nonrecurring			Svc Order Submitted Elec per LSR	Svc Order Submitted Manually per LSR	Incremental Charge - Manual Svc Order vs. Electronic-1st	Incremental Charge - Manual Svc Order vs. Electronic-Add'l	Incremental Charge - Manual Svc Order vs. Electronic-Disc 1st	Incremental Charge - Manual Svc Order vs. Electronic-Disc Add'l
						Rec	First	Add'l	First	Add'l						
						SOMECE	SOMAN	SOMAN	SOMAN	SOMAN	SOMAN					
Additional 2-Wire Voice Grade Channel in Same DS1 Interoffice Transport Combination - Zone 1	Extended 2-Wire Voice Grade Dedicated Local Channel with Dedicated DS1 Interoffice Transport (Additional 2-Wire Voice Grade Channel in same DS1 excluding mileage) - Zone 1		1	UNCVX	ULDV2	\$17.18	\$108.76	\$35.47	\$72.94	\$10.88			\$20.35	\$21.09	\$9.80	\$10.54
Additional 2-Wire Voice Grade Channel in Same DS1 Interoffice Transport Combination - Zone 2	Extended 2-Wire Voice Grade Dedicated Local Channel with Dedicated DS1 Interoffice Transport (Additional 2-Wire Voice Grade Channel in same DS1 excluding mileage) - Zone 2		2	UNCVX	ULDV2	\$22.44	\$108.76	\$35.47	\$72.94	\$10.88			\$20.35	\$21.09	\$9.80	\$10.54
Additional 2-Wire Voice Grade Channel in Same DS1 Interoffice Transport Combination - Zone 3	Extended 2-Wire Voice Grade Dedicated Local Channel with Dedicated DS1 Interoffice Transport (Additional 2-Wire Voice Grade Channel in same DS1 excluding mileage) - Zone 3		3	UNCVX	ULDV2	\$29.34	\$108.76	\$35.47	\$72.94	\$10.88			\$20.35	\$21.09	\$9.80	\$10.54
Voice Grade COCI - DS1 to DS0 Interface in combination - per month				UNCVX	1D1VG	\$0.9100										
Nonrecurring Currently Combined Network Elements Switch -As-Is Charge	Nonrecurring Cost for Extended Loop or Local Channel and Interoffice combination Switch-as-is			UNC1X	UNCCC		\$52.73	\$24.62	\$9.12	\$9.12						
<b>4-WIRE VOICE GRADE DEDICATED EXTENDED LOCAL CHANNEL WITH DEDICATED DS1 INTEROFFICE TRANSPORT (EEL)</b>																
First 4-Wire Local Channel with/DS1 Interoffice Transport Combination - Zone 1	Extended 4-Wire Voice Grade Dedicated Local Channel with Dedicated DS1 Interoffice Transport (First 4-Wire Local Channel with DS1 excluding mileage) - Zone 1		1			\$18.18	\$108.76	\$35.47	\$72.94	\$10.88			\$20.35	\$21.09	\$9.80	\$10.54
First 4-Wire Local Channel with/DS1 Interoffice Transport Combination - Zone 2	Extended 4-Wire Voice Grade Dedicated Local Channel with Dedicated DS1 Interoffice Transport (First 4-Wire Local Channel with DS1 excluding mileage) - Zone 2		2			\$23.75	\$108.76	\$35.47	\$72.94	\$10.88			\$20.35	\$21.09	\$9.80	\$10.54
First 4-Wire Local Channel with/DS1 Interoffice Transport Combination - Zone 3	Extended 4-Wire Voice Grade Dedicated Local Channel with Dedicated DS1 Interoffice Transport (First 4-Wire Local Channel with DS1 excluding mileage) - Zone 3		3			\$31.05	\$108.76	\$35.47	\$72.94	\$10.88			\$20.35	\$21.09	\$9.80	\$10.54
Interoffice Transport - Dedicated - DS1 combination - Per Mile Per Month	Interoffice Transport - Dedicated - DS1 - Per Mile			UNC1X	U1TF1	\$0.3562										
Interoffice Transport - Dedicated - DS1 Facility Termination in combination- Per Month				UNC1X	U1TF1	\$77.8600	\$171.24	\$113.12	\$70.70	\$30.90			\$20.35	\$21.09	\$9.80	\$10.54
DS1 Channelization System in combination- Per Month				UNC1X	MQ1	\$80.7700	\$214.52	\$49.95	\$75.98	\$13.60						
Voice Grade COCI - DS1 to DS0 Interface in combination - per month				UNCVX	1D1VG	\$0.9100										



Unbundled Network Elements  
TENNESSEE

UNBUNDLED NETWORK ELEMENT	UNBUNDLED NETWORK ELEMENT AS STATED IN DOCKET 97-01262	Not in TRA Docket 97-01262	Zone	BCS	USOC	RATES					OSS RATES					
						Nonrecurring		Nonrecurring			Svc Order Submitted Elec per LSR	Svc Order Submitted Manually per LSR	Incremental Charge - Manual Svc Order vs. Electronic-1st	Incremental Charge - Manual Svc Order vs. Electronic-Add'l	Incremental Charge - Manual Svc Order vs. Electronic-Disc 1st	Incremental Charge - Manual Svc Order vs. Electronic-Disc Add'l
						Rec	First	Add'l	First	Add'l						
						SOMECC	SOMAN	SOMAN	SOMAN	SOMAN	SOMAN					
Additional 4-Wire Voice Grade Channel in Same DS1 Interoffice Transport Combination - Zone 1	Extended 4-Wire Voice Grade Dedicated Local Channel with Dedicated DS1 Interoffice Transport (Additional 4-Wire Voice Grade Channel in same DS1 excluding mileage) - Zone 1		1			\$18.18	\$108.76	\$35.47	\$72.94	\$10.88			\$20.35	\$21.09	\$9.80	\$10.54
Additional 4-Wire Voice Grade Channel in Same DS1 Interoffice Transport Combination - Zone 2	Extended 4-Wire Voice Grade Dedicated Local Channel with Dedicated DS1 Interoffice Transport (Additional 4-Wire Voice Grade Channel in same DS1 excluding mileage) - Zone 2		2			\$23.75	\$108.76	\$35.47	\$72.94	\$10.88			\$20.35	\$21.09	\$9.80	\$10.54
Additional 4-Wire Voice Grade Channel in Same DS1 Interoffice Transport Combination - Zone 3	Extended 4-Wire Voice Grade Dedicated Local Channel with Dedicated DS1 Interoffice Transport (Additional 4-Wire Voice Grade Channel in same DS1 excluding mileage) - Zone 3		3			\$31.05	\$108.76	\$35.47	\$72.94	\$10.88			\$20.35	\$21.09	\$9.80	\$10.54
Voice Grade COCI - DS1 to DS0 Interface in combination - per month				UNCVX	1D1VG	\$0.9100										
Nonrecurring Currently Combined Network Elements Switch -As-Is Charge	Nonrecurring Cost for Extended Loop or Local Channel and Interoffice Combination Switch-as-is			UNC1X	UNCCC		\$52.73	\$24.62	\$9.12	\$9.12						
<b>4-WIRE DS1 DIGITAL EXTENDED LOOP WITH DEDICATED DS1 INTEROFFICE TRANSPORT (EEL)</b>																
4-Wire DS1 Digital Loop in Combination with DS1 Interoffice Transport - Zone 1	Extended 4-Wire DS1 Digital Loop With Dedicated DS1 Interoffice Transport (First 4-Wire DS1 Digital Loop with DS1 excluding mileage) - Zone 1		1	UNC1X	USLXX	\$57.73	\$228.40	\$161.74	\$79.87	\$24.88			\$20.35	\$21.09	\$9.60	\$10.54
4-Wire DS1 Digital Loop in Combination with DS1 Interoffice Transport - Zone 2	Extended 4-Wire DS1 Digital Loop With Dedicated DS1 Interoffice Transport (First 4-Wire DS1 Digital Loop with DS1 excluding mileage) - Zone 2		2	UNC1X	USLXX	\$75.40	\$228.40	\$161.74	\$79.87	\$24.88			\$20.35	\$21.09	\$9.60	\$10.54
4-Wire DS1 Digital Loop in Combination with DS1 Interoffice Transport - Zone 3	Extended 4-Wire DS1 Digital Loop With Dedicated DS1 Interoffice Transport (First 4-Wire DS1 Digital Loop with DS1 excluding mileage) - Zone 3		3	UNC1X	USLXX	\$98.56	\$228.40	\$161.74	\$79.87	\$24.88			\$20.35	\$21.09	\$9.60	\$10.54
Interoffice Transport - Dedicated - DS1 combination - Per Mile Per Month	Interoffice Transport - Dedicated - DS1 - Per Mile			UNC1X	1L5XX	\$0.3562										
Interoffice Transport - Dedicated - DS1 combination - Facility Termination Per Month				UNC1X	U1TF1	\$77.8300	\$171.24	\$113.12	\$70.07	\$30.90			\$20.35	\$21.05	\$9.60	\$10.54
Nonrecurring Currently Combined Network Elements Switch -As-Is Charge	Nonrecurring Cost for Extended Loop or Local Channel and Interoffice Combination Switch-as-is			UNC1X	UNCCC		\$52.73	\$24.62	\$9.12	\$9.12						
<b>Currently Combined Network Transport Elements (Non-Switched Combinations Resulting from a Conversion)</b>																
<b>Local Channel - Dedicated - 2-Wire VG</b>																
Per Month - Zone 1		**	1	UNCVX	ULDV2	\$17.18										
Per Month - Zone 2			2	UNCVX	ULDV2	\$22.44										
Per Month - Zone 3			3	UNCVX	ULDV2	\$29.34										
<b>Local Channel - Dedicated - 2-Wire VG - Rev</b>																

Unbundled Network Elements  
TENNESSEE

UNBUNDLED NETWORK ELEMENT	UNBUNDLED NETWORK ELEMENT AS STATED IN DOCKET 97-01262	Not in TRA Docket 97-01262	Zone	BCS	USOC	RATES				OSS RATES							
						Rec	Nonrecurring		Disconnect		Svc Order Submitted Elec per LSR	Svc Order Submitted Manually per LSR	Incremental Charge - Manual Svc Order vs. Electronic-1st	Incremental Charge - Manual Svc Order vs. Electronic-Add'l	Incremental Charge - Manual Svc Order vs. Electronic-Disc 1st	Incremental Charge - Manual Svc Order vs. Electronic-Disc Add'l	
							First	Add'l	First	Add'l							
							SOMECS	SOMAN	SOMAN	SOMAN							
Per Month - Zone 1			1	UNCVX	ULDR2	\$17.18											
Per Month - Zone 2			2	UNCVX	ULDV2	\$22.44											
Per Month - Zone 3		**	3	UNCVX	ULDV2	\$29.34											
<b>Local Channel - Dedicated - 4-Wire VG</b>																	
Monthly Recurring per month		**		UNCVX	ULDV4	\$20.56											
<b>Local Channel - Dedicated - DS1</b>																	
DS1 Monthly Recurring per month		**		UNC1X	ULDF1	\$20.56	\$201.53	\$24.83	\$55.52	\$5.51		\$20.35	\$10.54	\$13.30			
<b>Interoffice Channel - Dedicated - 2-wire VG</b>																	
Interoffice Channel - Dedicated 2-wire VG per mile per month		**		UNCVX	1L5XX	\$0.0174											
Interoffice Channel - Dedicated 2-wire VG Facility Termination per month		**		UNCVX	U1TV2	\$18.58											
<b>Interoffice Channel - Dedicated - 2-wire VG Rev Battery</b>																	
Interoffice Channel - Dedicated 2-wire VG per mile per month		**		UNCVX	1L5XX	\$0.0174											
Interoffice Channel - Dedicated 2-wire VG Facility Termination per month		**		UNCVX	U1TR2	\$18.58											
<b>Interoffice Channel - Dedicated - 56kbps</b>																	
Interoffice Channel - Dedicated- 56 kbps per mile per month		**		UNCDX	1L5XX	\$0.0174											
Interoffice Channel - Dedicated - 56 kbps Facility Termination per month		**		UNCDX	U1TD5	\$17.98											
<b>Interoffice Channel - Dedicated - 64kbps</b>																	
Interoffice Channel - Dedicated - 64 kbps per mile per month		**		UNCDX	1L5XX	\$0.0174											
Interoffice Channel - Dedicated - 64 kbps Facility Termination per month		**		UNCDX	U1TD6	\$17.98											
<b>Interoffice Channel - Dedicated - DS1</b>																	
Interoffice Channel - Dedicated - DS1 - pe mile per month		**		UNC1X	1L5XX	\$0.3562											
Interoffice Channel - Dedicated - DS1 Facility Termination per month		**		UNC1X	U1TF1	\$77.86											
<b>Local Loop - Dedicated - 2-Wire VG</b>																	
Local Loop - Dedicated - 2-Wire VG - Monthly Recurring per month - Zone 1		**	1	UNCVX	UEAL2	\$16.56											
Local Loop - Dedicated - 2-Wire VG - Monthly Recurring per month - Zone 2		**	2	UNCVX	UEAL2	\$21.63											
Local Loop - Dedicated - 2-Wire VG - Monthly Recurring per month - Zone 3		**	3	UNCVX	UEAL2	\$28.28											
Local Loop - Dedicated - 2-Wire VG - Monthly Recurring per mile per month		**		UNCVX	1L5ND	\$0.00											
<b>Local Loop - Dedicated - 2-Wire VG - Rev Bat.</b>																	
Local Loop - Dedicated - 2-Wire VG - Rev Bat - Monthly Recurring per month - Zone 1		**	1	UNCVX	UEAR2	\$16.56											
Local Loop - Dedicated - 2-Wire VG - Rev Bat - Monthly Recurring per month - Zone 2		**	2	UNCVX	UEAR2	\$21.63											
Local Loop - Dedicated - 2-Wire VG - Rev Bat - Monthly Recurring per month - Zone 3		**	3	UNCVX	UEAR2	\$28.28											

Unbundled Network Elements  
TENNESSEE

UNBUNDLED NETWORK ELEMENT	UNBUNDLED NETWORK ELEMENT AS STATED IN DOCKET 97-01262	Not in TRA Docket 97-01262	Zone	BCS	USOC	RATES				OSS RATES					
						Nonrecurring		Nonrecurring		Svc Order Submitted Elec per LSR	Svc Order Submitted Manually per LSR	Incremental Charge - Manual Svc Order vs. Electronic-1st	Incremental Charge - Manual Svc Order vs. Electronic-Add'l	Incremental Charge - Manual Svc Order vs. Electronic-Disc 1st	Incremental Charge - Manual Svc Order vs. Electronic-Disc Add'l
						Rec	First	Add'l	First						
						SOMECE	SOMAN	SOMAN	SOMAN	SOMAN	SOMAN				
<b>Local Loop - Dedicated - 4-Wire VG</b>															
Local Loop - Dedicated - 4-Wire VG - Monthly Recurring per month - Zone 1		**	1	UNCVX	UEAL4	\$24.70									
Local Loop - Dedicated - 4-Wire VG - Monthly Recurring per month - Zone 2		**	2	UNCVX	UEAL4	\$32.25									
Local Loop - Dedicated - 4-Wire VG - Monthly Recurring per month - Zone 3		**	3	UNCVX	UEAL4	\$42.17									
<b>Local Loop - Dedicated - 2-Wire ISDN Digital</b>															
Local Loop - Dedicated - 2-Wire ISDN - Monthly Recurring per month - Zone 1		**	1	UNCVX	U1L2X	\$22.00									
Local Loop - Dedicated - 2-Wire ISDN - Monthly Recurring per month - Zone 2		**	2	UNCVX	U1L2X	\$29.02									
Local Loop - Dedicated - 2-Wire ISDN - Monthly Recurring per month - Zone 3		**	3	UNCVX	U1L2X	\$37.95									
<b>Local Loop - Dedicated - 4-Wire 56 kbps</b>															
Local Loop - Dedicated - 4-Wire 56 kbps Digital - Monthly Recurring per month - Zone 1		**	1	UNCVX	UDL56	\$31.10									
Local Loop - Dedicated - 4-Wire 56 kbps Digital - Monthly Recurring per month - Zone 2		**	2	UNCVX	UDL56	\$40.61									
Local Loop - Dedicated - 4-Wire 56 kbps Digital - Monthly Recurring per month - Zone 3		**	3	UNCVX	UDL56	\$53.11									
<b>Local Loop - Dedicated - 4-Wire 64 kbps</b>															
Local Loop - Dedicated - 4-Wire 64 kbps Digital - Monthly Recurring per month - Zone 1		**	1	UNCVX	UDL64	\$31.10									
Local Loop - Dedicated - 4-Wire 64 kbps Digital - Monthly Recurring per month - Zone 2		**	2	UNCVX	UDL64	\$40.61									
Local Loop - Dedicated - 4-Wire 64 kbps Digital - Monthly Recurring per month - Zone 3		**	3	UNCVX	UDL64	\$53.11									
<b>Local Loop - Dedicated - DS1</b>															
Local Loop - Dedicated - DS1 - Monthly Recurring per month - Zone 1		**	1	UNC1X	USLXX	\$57.73									
Local Loop - Dedicated - DS1 - Monthly Recurring per month - Zone 2		**	2	UNC1X	USLXX	\$75.40									
Local Loop - Dedicated - DS1 - Monthly Recurring per month - Zone 3		**	3	UNC1X	USLXX	\$98.59									
<b>DS1 Channelization</b>															
DS1 to DS0 Channel System per month		**		UNC1X	MQ1	\$80.77									
OCU-DP COCI (data) - DS1 to DS0 Channel System - per month (2.4-64kbs)		**		UNCDX	1D1DD	\$1.82									
2-wire ISDN COCI (BRITE) - DS1 to DS0 Channel System - per month		**		UNCNX	UC1CA	\$3.10									
Voice Grade COCI - DS1 to DS0 Channel System - per month		**		UNCVX	1D1VG	\$0.91									
<b>MULTIPLEXERS</b>															
DS3 to DS1 Channel System per month		**		UNC3X	MQ3	\$222.98									

Unbundled Network Elements  
TENNESSEE

	UNBUNDLED NETWORK ELEMENT	UNBUNDLED NETEORK ELEMENT AS STATED IN DOCKET 97-01262	Not in TRA Docket 97-01262	Zone	BCS	USOC	RATES				OSS RATES						
							Nonrecurring		Disconnect		Svc Order Submitted Elec per LSR	Svc Order Submitted Manually per LSR	Incremental Charge - Manual Svc Order vs. Electronic-1st	Incremental Charge - Manual Svc Order vs. Electronic-Add'l	Incremental Charge - Manual Svc Order vs. Electronic-Disc 1st	Incremental Charge - Manual Svc Order vs. Electronic-Disc Add'l	
							Rec	First	Add'l	First							Add'l
												SOMECH	SOMAN	SOMAN	SOMAN	SOMAN	SOMAN
	STS1 to DS1 Channel System per month		**		UNCSX	MQ3	\$222.98										
	DS3 Interface Unit (DS1 COCI) used with Loop per month		**		UNC1X	UC1D1	\$17.58										
* Rates for these elements, products or services were not ordered by the TRA in Docket No. 97-01262. However, such elements, products or services are necessary for the provision of other elements, products or services for which permanent rates were ordered.																	
** Rates for these elements, products or services are related to a combination(s) ordered by the TRA in Docket No. 97-01262.																	

LOCAL INTERCONNECTION  
Tennessee

UNBUNDLED NETWORK ELEMENT	UNBUNDLED NETWORK ELEMENT AS STATED IN DOCKET 97-01262	Not in TRA Docket 97-01262	Zone	BCS	USOC	RATES				OSS RATES								
						Rec	Nonrecurring		Nonrecurring		Svc Order Sub-mitted Elec per LSR	Svc Order Submitted Manually per LSR	Incremental Charge - Manual Svc Order vs. Electronic-1st	Incremental Charge - Manual Svc Order vs. Electronic-Add'l	Incremental Charge - Manual Svc Order vs. Electronic-Disc 1st	Incremental Charge - Manual Svc Order vs. Electronic-Disc Add'l		
							First	Add'l	Disconnect	Disconnect								
							First	Add'l	First	Add'l								
SOME	SOME	SOME	SOME	SOME	SOME													
<b>LOCAL INTERCONNECTION (CALL TRANSPORT AND TERMINATION)</b>																		
<b>END OFFICE SWITCHING</b>																		
End Office Switching Function, Per MOI	End office switching functio					0.0008041bk												
<b>TANDEM SWITCHING</b>																		
Tandem Switching Function Per MOI	Tandem switching functio					0.0009778bk												
<b>LOCAL INTERCONNECTION (TRANSPORT)</b>																		
<b>COMMON TRANSPORT (Shared)</b>																		
Common Transport - Per Mile, Per MOI	Common transport - per mile, per MOI					0.0000064bk												
Common Transport - Facilities Termination MOU	Common Transport - Facilities Termination per MOU					0.0003871bk												
<b>INTEROFFICE CHANNEL - DEDICATED TRANSPORT - VOICE GRADE</b>																		
Interoffice Channel - Dedicated Transport - 1-Wire Voice Grade - Per Mile per month	Interoffice Transport - Dedicated - Voice Grade		OHL, OH1MS		1L5NF	\$0.0174												
Interoffice Channel - Dedicated Transport - 2-Wire Voice Grade - Facility Termination per month	Interoffice Transport - Dedicated - 2-Wire Voice Grade - Facility Termination		OHL, OH1MS		1L5NF	\$18.58	\$83.35											
<b>INTEROFFICE CHANNEL - DEDICATED TRANSPORT - 56/64 KBPS</b>																		
Interoffice Channel - Dedicated Transport - 5656/64 kbps - Interoffice Transport - kbps - per mile per month	Interoffice Transport - Dedicated DSO - Dedicated - DSO - per mile		OHL, OH1MS		1L5NK	\$0.0174												
Interoffice Channel - Dedicated Transport - 5656/64 kbps - Interoffice Transport - kbps - Facility Termination per month	Interoffice Transport - Dedicated DSO - Dedicated - DSO - Facility Termination		OHL, OH1MS		1L5NK	\$17.98	\$83.35											
Interoffice Channel - Dedicated Transport - 6456/64 kbps - Interoffice Transport - kbps - per mile per month	Interoffice Transport - Dedicated DSO - Dedicated - DSO - per mile		OHL, OH1MS		1L5NK	\$0.0174												
Interoffice Channel - Dedicated Transport - 6456/64 kbps - Interoffice Transport - kbps - Facility Termination per month	Interoffice Transport - Dedicated DSO - Dedicated - DSO - Facility Termination		OHL, OH1MS		1L5NK	\$17.98	\$83.35											
<b>INTEROFFICE CHANNEL - DEDICATED TRANSPORT - DS1</b>																		
Interoffice Channel - Dedicated Channel - DS1 - Per Mile per month	Interoffice Transport - Dedicated - DS1 - per mile		OH1, OH1MS		1L5NL	\$0.3562												
Interoffice Channel - Dedicated Tranport - DS1 - Facility Termination per month	Interoffice Transport - Dedicated - DS1 - Facility Termination		OH1, OH1MS		1L5NL	\$77.86	\$131.95											
<b>LOCAL CHANNEL - DEDICATED TRANSPORT</b>																		
Local Channel - Dedicaded - 2-Wire Voice Grade per month	Local Channel - Dedicated - 2-Wire Voice Grade [shown here deaveraged]		OHL		TEFV2	\$17.18	\$254.14											
Local Channel - Dedicated - 4-Wire Voice Grade per month	Local Channel - Dedicated - 4-Wire Voice Grade [shown here deaveraged]		OHL		TEFV4	\$18.18	\$257.05											
Local Channel - Dedicated - DS1 per month	DS1 [shown here deaveraged]		OH1		TEFHG	\$36.24	\$310.53											
<b>MULTIPLEXERS</b>																		
Channelization - DS1 to DS0 Channel System	Channelization - Channel System DS1 to DS0		OH1, OH1MS		SATN1	\$80.77	\$186.34											
DS3 to DS1 Channel System per month	Channelization - Channel System DS3 to DS1		OH3, OH3MS		SATNS	\$222.98	\$314.48											
DS3 Interface Unit (DS1 COC1) per month	Interface Unit - Interface DS3 to DS1		OH1, OH1MS		SATCO	\$17.58	\$6.07			\$20.35	\$9.80	\$11.49	\$1.18					

ODUF/ADUF/CMDS  
Tennessee

	UNBUNDLED NETWORK ELEMENT	UNBUNDLED NETWORK ELEMENT AS STATED IN DOCKET 97-01262	Not In TRA Docket 97- 01262	Zone	BCS	USOC	RATES				OSS RATES										
							Rec	Nonrecurring		Disconnect		Svc Order Submitted Elec per LSR	Svc Order Submitted Manually per LSR	Incremental Charge - Manual Svc Order vs. Electronic-1st	Incremental Charge - Manual Svc Order vs. Electronic-Add'l	Incremental Charge - Manual Svc Order vs. Electronic-Disc 1st	Incremental Charge - Manual Svc Order vs. Electronic-Disc Add'l				
								First	Add'l	First	Add'l										
								SOMECH	SOMAN	SOMAN	SOMAN							SOMAN	SOMAN		
<b>ODUF/EDOUF/ADUF/CMDS</b>																					
<b>OPTIONAL DAILY USAGE FILE (ODUF)</b>																					
	ODUF: Recording, per message	OSS OLEC Daily Usage File Recording per message				N/A	\$0.0000044														
	ODUF: Message Processing, per message	OSS OLEC Daily Usage File Message Distribution per message				N/A	\$0.0027366														
	ODUF: Message Processing, per Magnetic Tape provisioned	OSS OLEC Daily Usage File Message Distribution per magnetic tape provisioned				N/A	\$52.75														
	ODUF: Data Transmission (CONNECT:DIRECT), per message	OSS OLEC Daily Usage File Data Transmission (Connect: Direct), per message				N/A	\$0.0000339														

## **EXHIBIT 3**

2-WIRE ANALOG VOICE GRADE LOOP  
4-WIRE ANALOG VOICE GRADE LOOP  
2-WIRE ISDN DIGITAL GRADE LOOP  
2-WIRE ASYMMETRICAL DIGITAL SUBSCRIBER LINE (ADSL) COMPATIBLE LOOP  
2-WIRE HIGH BIT RATE DIGITAL SUBSCRIBER LINE (HDSL) COMPATIBLE LOOP  
4-WIRE HIGH BIT RATE DIGITAL SUBSCRIBER LINE (HDSL) COMPATIBLE LOOP  
4-WIRE DS1 DIGITAL LOOP  
4-WIRE 56 OR 64 KBPS DIGITAL GRADE LOOP  
SUB-LOOP DISTRIBUTION  
SUB-LOOP FEEDER  
NETWORK INTERFACE DEVICE (NID)  
UNBUNDLED LOOP CONCENTRATION  
UNBUNDLED SUB-LOOP CONCENTRATION (OUTSIDE CO)  
UNBUNDLED LOCAL EXCHANGE SWITCHING(PORTS)  
UNBUNDLED LOCAL SWITCHING, PORT USAGE  
COMMON TRANSPORT (SHARED)  
INTEROFFICE CHANNEL - DEDICATED TRANSPORT - VOICE GRADE  
INTEROFFICE CHANNEL - DEDICATED TRANSPORT- 56/64 KBPS  
INTEROFFICE CHANNEL - DEDICATED TRANSPORT - DS1  
LOCAL CHANNEL - DEDICATED TRANSPORT  
MULTIPLEXERS  
DARK FIBER  
8XX ACCESS TEN DIGIT SCREENING  
LINE INFORMATION DATA BASE ACCESS (LIDB)  
SIGNALING (CCS7)  
SELECTIVE ROUTING  
AIN - BELLSOUTH AIN SMS ACCESS SERVICE  
AIN - BELLSOUTH AIN TOOLKIT SERVICE  
OPTIONAL DAILY USAGE FILE (ODUF)  
UNBUNDLED PORT/LOOP COMBINATIONS - COST BASED RATES  
2-WIRE VOICE GRADE LOOP WITH 2-WIRE LINE PORT (RES)  
2-WIRE VOICE GRADE LOOP WITH 2-WIRE LINE PORT (BUS)  
2-WIRE VOICE GRADE LOOP WITH 2-WIRE LINE PORT (RES - PBX)  
2-WIRE VOICE GRADE LOOP WITH 2-WIRE LINE PORT (BUS - PBX)  
2-WIRE VOICE GRADE LOOP- BUS ONLY - WITH 2-WIRE DID TRUNK PORT  
2-WIRE ISDN DIGITAL GRADE LOOP WITH 2-WIRE ISDN DIGITAL LINE SIDE PORT  
4-WIRE DS1 DIGITAL LOOP WITH 4-WIRE ISDN DS1 DIGITAL TRUNK PORT  
4-WIRE DS1 DIGITAL LOOP WITH 4-WIRE DDITS TRUNK PORT  
2-WIRE VOICE GRADE EXTENDED LOOP WITH DEDICATED DS1 INTEROFFICE TRANSPORT (EEL)  
4-WIRE VOICE GRADE EXTENDED LOOP WITH DEDICATED DS1 INTEROFFICE TRANSPORT (EEL)  
4-WIRE 56 KBPS EXTENDED DIGITAL LOOP WITH DEDICATED DS1 INTEROFFICE TRANSPORT (EEL)  
4-WIRE 64 KBPS EXTENDED DIGITAL LOOP WITH DEDICATED DS1 INTEROFFICE TRANSPORT (EEL)  
2-WIRE VOICE GRADE DEDICATED EXTENDED LOCAL CHANNEL WITH DEDICATED DS1 INTEROFFICE TRANSPORT (EEL)  
4-WIRE VOICE GRADE DEDICATED EXTENDED LOCAL CHANNEL WITH DEDICATED DS1 INTEROFFICE TRANSPORT (EEL)  
4-WIRE DS1 DIGITAL EXTENDED LOOP WITH DEDICATED DS1 INTEROFFICE TRANSPORT (EEL)



**AMENDMENT  
TO THE  
AGREEMENT BETWEEN  
Z-TEL COMMUNICATIONS, INC.  
AND  
BELLSOUTH TELECOMMUNICATIONS, INC.  
DATED NOVEMBER 30, 2000**

Pursuant to this Amendment, (the "Amendment"), Z-Tel Communications, Inc. ("Z-Tel"), and BellSouth Telecommunications, Inc. ("BellSouth"), hereinafter referred to collectively as the "Parties," hereby agree to amend that certain Interconnection Agreement between the Parties dated November 30, 2000 ("Agreement").

WHEREAS, BellSouth and Z-Tel entered into the Agreement on November 30, 2000;

WHEREAS, Z-Tel has requested the provision to unbrand Operator Call Processing and Directory Assistance via Originating Line Number Screening (OLNS) software;

NOW THEREFORE, in consideration of the mutual provisions contained herein and other good and valuable consideration, the receipt and sufficiency of which are hereby acknowledged, the Parties hereby covenant and agree as follows:

1. Replace Sections 10.4.5, 10.4.6, 10.4.7, 10.4.8, and 10.4.9 in Attachment 2 of the Agreement to reflect language shown in Exhibit 1 attached hereto and incorporated herein by this reference.
2. Incorporate additional rate elements in Attachment 2, Exhibit C, Rates, as identified in Exhibit 2 attached hereto and incorporated herein by this reference.
3. All of the other provisions of the Agreement, dated November 30, 2000 shall remain in full force and effect.
3. Either or both of the Parties is authorized to submit this Amendment to the respective state regulatory authorities for approval subject to Section 252(e) of the Federal Telecommunications Act of 1996.

IN WITNESS WHEREOF, the Parties hereto have caused this Amendment to be executed by their respective duly authorized representatives on the date indicated below. Terms and conditions associated with this Amendment will be effective on the date of the last signature. Rates will be effective thirty (30) calendar days from the last signature.

**Z-Tel Communications, Inc.**

**BellSouth Telecommunications, Inc.**

Signature: Original on File

Signature: Original on File

Printed Name: Robert A. Curtis

Printed Name: Gregory R. Follensbee

Title: Senior Vice President, Strategic Planning

Title: Senior Director

Date: 3/1/02

Date: 3/13/02

# **EXHIBIT 1**

**(To be incorporated into Attachment 2 Language of Interconnection Agreement)**

Exhibit 1  
Amendment to Interconnection Agreement

Replace Sections 10.4.5, 10.4.6, 10.4.7, and 10.4.8 with the following language:

- 10.4.5            **Branding for Operator Call Processing and Directory Assistance**
- 10.4.5.1        BellSouth's branding feature provides a definable announcement to Z-Tel end users using Directory Assistance (DA)/Operator Call Processing (OCP) prior to placing such end users in queue or connecting them to an available operator or automated operator system. This feature allows Z-Tel to have its calls custom branded with Z-Tel's name on whose behalf BellSouth is providing Directory Assistance and/or Operator Call Processing. Rates for the branding features are set forth in this Attachment.
- 10.4.5.1        BellSouth offers three (3) service levels of branding to Z-Tel when ordering BellSouth's Directory Assistance and Operator Call Processing.
- 10.4.5.2.1      Service Level 1 - BellSouth Branding
- 10.4.5.2.2      Service Level 2 - Unbranding
- 10.4.5.2.3      Service Level 3 - Custom Branding
- 10.4.5.3        Where Z-Tel resells BellSouth's services or purchases unbundled local switching from BellSouth, and utilizes a directory assistance provider and operator services provider other than BellSouth, BellSouth will route Z-Tel's end user calls to that provider through Selective Carrier Routing.
- 10.4.6            **For Use with an Unbundled Port**
- 10.4.6.1        Selective Call Routing using Line Class Codes (SCR-LCC) provides the capability for Z-Tel to have its OS/DA calls routed to BellSouth's OS/DA platform for BellSouth provided Custom Branded or Unbranded OS/DA or to its own or an alternate OS/DA platform for Self-Branded OS/DA. SCR-LCC is only available if line class code capacity is available in the requested BellSouth end office switches.
- 10.4.6.2        Custom Branding for Directory Assistance is not available for certain classes of service, including but not limited to Hotel/Motel services, WATS service, and certain PBX services.
- 10.4.6.3        Where available, Z-Tel specific and unique line class codes are programmed in each BellSouth end office switch where Z-Tel intends to serve end users with customized OS/DA branding. The line class codes specifically identify Z-Tel's end users so OS/DA calls can be routed over the appropriate trunk group to the requested OS/DA platform. Additional line class codes are required in each end office if the end office serves

multiple NPAs (i.e., a unique LCC is required per NPA), and/or if the end office switch serves multiple rate areas and Z-Tel intends to provide Z-Tel -branded OS/DA to its end users in these multiple rate areas.

- 10.4.6.4 BellSouth Branding is the Default Service Level.
- 10.4.6.5 SCR-LCC supporting Custom Branding and Self Branding require Z-Tel to order dedicated trunking from each BellSouth end office identified by Z-Tel, either to the BellSouth Traffic Operator Position System (TOPS) for Custom Branding or to the Z-Tel Operator Service Provider for Self Branding. Separate trunk groups are required for Operator Services and for Directory Assistance. Rates for trunks are set forth in applicable BellSouth tariffs.
- 10.4.6.6 Unbranding - Unbranded Directory Assistance and/or Operator Call Processing calls ride common trunk groups provisioned by BellSouth from those end offices identified by Z-Tel to the BellSouth TOPS. These calls are routed to “No Announcement.”
- 10.4.6.7 The Rates for SCR-LCC are as set forth in this Attachment. There is a nonrecurring charge for the establishment of each Line Class Code in each BellSouth central office. Furthermore, for Unbranded and Custom Branded OS/DA provided by BellSouth Operator Services with unbundled ports and unbundled port/loop switch combinations, monthly recurring usage charges shall apply for the UNEs necessary to provide the service, such as end office and tandem switching and common transport. A flat rated end office switching charge shall apply to Self-Branded OS/DA when used in conjunction with unbundled ports and unbundled port/loop switch combinations.
- 10.4.6.8 In addition to the branding methods described in this Section, Unbranding and Custom Branding are also available for Directory Assistance, Operator Call Processing or both via Originating Line Number Screening (OLNS) software. When utilizing this method of Unbranding or Custom Branding, Z-Tel shall not be required to purchase dedicated trunking.
- 10.4.6.9 For BellSouth to provide Unbranding or Custom Branding via OLNS software for Operator Call Processing or for Directory Assistance, Z-Tel must have its Operating Company Number (“OCN(s)”) and telephone numbers reside in BellSouth’s LIDB; however, a BellSouth LIDB Storage Agreement is not required. To implement Unbranding and Custom Branding via OLNS software, Z-Tel must submit a manual order form which requires, among other things, Z-Tel’s OCN and a forecast for the traffic volume anticipated for each BellSouth TOPS during the peak busy hour. Z-Tel shall provide updates to such forecast on a quarterly basis and at any time such forecasted traffic volumes are expected to change significantly. Upon Z-Tel’s purchase of Unbranding or Custom Branding using OLNS software for any particular TOPS, all Z-Tel end users served by that TOPS will receive the Unbranded “no announcement” or the Custom Branded announcement.

10.4.6.10 Rates for Unbranding and Custom Branding via OLNS software for Directory Assistance and for Operator Call Processing are as set forth in this Attachment. Notwithstanding anything to the contrary in this Agreement, to the extent BellSouth is unable to bill Z-Tel applicable charges currently, BellSouth shall track such charges and will bill the same retroactively at such time as a billing process is implemented. In addition to the charges for Unbranding and Custom Branding via OLNS software, Z-Tel shall continue to pay BellSouth applicable labor and other charges for the use of BellSouth's Directory Assistance and Operator Call Processing platforms as set forth in this Attachment. Further, where Z-Tel is purchasing unbundled local switching from BellSouth, UNE usage charges for end office switching, tandem switching and transport, as applicable, shall continue to apply.

10.4.7 **For Facilities Based Carriers**

10.4.7.1 All Service Levels require Z-Tel to order dedicated trunking from their end office(s) point of interface to the BellSouth TOPS Switches. Rates for trunks are set forth in applicable BellSouth tariffs.

10.4.7.2 Customized Branding includes charges for the recording of the branding announcement and the loading of the audio units in each TOPS Switch and Network Applications Vehicle (NAV) equipment for which Z-Tel requires service.

10.4.7.3 Directory Assistance customized branding uses:

10.4.7.3.1 the recording of Z-Tel;

10.4.7.3.2 the front-end loading of the Digital Recorded Announcement Machine (DRAM) in each TOPS switch.

10.4.7.4 Operator Call Processing customized branding uses:

10.4.7.4.1 the recording of Z-Tel;

10.4.7.4.2 the front-end loading of the DRAM in the TOPS Switch;

10.4.7.4.3 the 0- automation loading for the audio units in the Enhanced Billing and Access Service (EBAS) in the Network Applications Vehicle (NAV).

# **EXHIBIT 2**

**(To be incorporated into Attachment 2, Exhibit C (Rates) of  
Interconnection Agreement)**

UNBUNDLED NETWORK ELEMENTS - Alabama							Attachment: 2				Exhibit: B					
CATEGORY	NOTES	RATE ELEMENTS	Interim	Zone	BCS	USOC	RATES(\$)				Svc Order Submitted Elec per LSR	Svc Order Submitted Manually per LSR	Incremental Charge - Manual Svc Order vs. Electronic-1st	Incremental Charge - Manual Svc Order vs. Electronic-Add'l	Incremental Charge - Manual Svc Order vs. Electronic-Disc 1st	Incremental Charge - Manual Svc Order vs. Electronic-Disc Add'l
							Rec	Nonrecurring		Nonrecurring Disconnect						
							First	Add'l	First	Add'l	SOME C	SOMAN	SOMAN	SOMAN	SOMAN	SOMAN
<b>UNBRANDING - OPERATOR CALL PROCESSING</b>																
		Unbranding via OLNS for UNEP CLEC														
		Loading of OA per OCN (Regional)					1,200.00	1,200.00								
<b>UNBRANDING - DIRECTORY ASSISTANCE</b>																
		Unbranding via OLNS for UNEP CLEC														
		Loading of DA per OCN (1 OCN per Order)					420.00	420.00								
		Loading of DA per Switch per OCN					16.00	16.00								

UNBUNDLED NETWORK ELEMENTS - Florida							Attachment: 2				Exhibit: B					
CATEGORY	NOTES	RATE ELEMENTS	Interim	Zone	BCS	USOC	RATES(\$)				Svc Order Submitted Elec per LSR	Svc Order Submitted Manually per LSR	Incremental Charge - Manual Svc Order vs. Electronic-1st	Incremental Charge - Manual Svc Order vs. Electronic-Add'l	Incremental Charge - Manual Svc Order vs. Electronic-Disc 1st	Incremental Charge - Manual Svc Order vs. Electronic-Disc Add'l
							Rec	Nonrecurring		Nonrecurring Disconnect						
							First	Add'l	First	Add'l	SOME C	SOMAN	SOMAN	SOMAN	SOMAN	SOMAN
<b>UNBRANDING - OPERATOR CALL PROCESSING</b>																
		Unbranding via OLS for UNEP CLEC														
		Loading of OA per OCN (Regional)					1,200.00	1,200.00				11.90				
<b>UNBRANDING - DIRECTORY ASSISTANCE</b>																
		Unbranding via OLS for UNEP CLEC														
		Loading of DA per OCN (1 OCN per Order)					420.00	420.00								
		Loading of DA per Switch per OCN					16.00	16.00								



UNBUNDLED NETWORK ELEMENTS - Georgia							Attachment: 2				Exhibit: B					
CATEGORY	NOTES	RATE ELEMENTS	Interim	Zone	BCS	USOC	RATES(\$)				Svc Order Submitted Elec per LSR	Svc Order Submitted Manually per LSR	Incremental Charge - Manual Svc Order vs. Electronic-1st	Incremental Charge - Manual Svc Order vs. Electronic-Add'l	Incremental Charge - Manual Svc Order vs. Electronic-Disc 1st	Incremental Charge - Manual Svc Order vs. Electronic-Disc Add'l
							Rec	Nonrecurring		Nonrecurring Disconnect						
							First	Add'l	First	Add'l	SOME C	SOMAN	SOMAN	SOMAN	SOMAN	SOMAN
<b>UNBRANDING - OPERATOR CALL PROCESSING</b>																
		Unbranding via OLNS for UNEP CLEC														
		Loading of OA per OCN (Regional)					1,200.00	1,200.00								
<b>UNBRANDING - DIRECTORY ASSISTANCE</b>																
		Unbranding via OLNS for UNEP CLEC														
		Loading of DA per OCN (1 OCN per Order)					420.00	420.00								
		Loading of DA per Switch per OCN					16.00	16.00								

UNBUNDLED NETWORK ELEMENTS - Kentucky							Attachment: 2				Exhibit: B					
CATEGORY	NOTES	RATE ELEMENTS	Interim	Zone	BCS	USOC	RATES(\$)				Svc Order Submitted Elec per LSR	Svc Order Submitted Manually per LSR	Incremental Charge - Manual Svc Order vs. Electronic-1st	Incremental Charge - Manual Svc Order vs. Electronic-Add'l	Incremental Charge - Manual Svc Order vs. Electronic-Disc 1st	Incremental Charge - Manual Svc Order vs. Electronic-Disc Add'l
							Rec	Nonrecurring		Nonrecurring Disconnect						
							First	Add'l	First	Add'l	SOME C	SOMAN	SOMAN	SOMAN	SOMAN	SOMAN
<b>UNBRANDING - OPERATOR CALL PROCESSING</b>																
		Unbranding via OLNS for UNEP CLEC														
		Loading of OA per OCN (Regional)					1,200.00	1,200.00				7.86				
<b>UNBRANDING - DIRECTORY ASSISTANCE</b>																
		Unbranding via OLNS for UNEP CLEC														
		Loading of DA per OCN (1 OCN per Order)					420.00	420.00								
		Loading of DA per Switch per OCN					16.00	16.00								

UNBUNDLED NETWORK ELEMENTS - Louisiana							Attachment: 2				Exhibit: B					
CATEGORY	NOTES	RATE ELEMENTS	Interim	Zone	BCS	USOC	RATES(\$)				Svc Order Submitted Elec per LSR	Svc Order Submitted Manually per LSR	Incremental Charge - Manual Svc Order vs. Electronic-1st	Incremental Charge - Manual Svc Order vs. Electronic-Add'l	Incremental Charge - Manual Svc Order vs. Electronic-Disc 1st	Incremental Charge - Manual Svc Order vs. Electronic-Disc Add'l
							Rec	Nonrecurring		Nonrecurring Disconnect						
							First	Add'l	First	Add'l	SOME C	SOMAN	SOMAN	SOMAN	SOMAN	SOMAN
<b>UNBRANDING - OPERATOR CALL PROCESSING</b>																
		Unbranding via OLNS for UNEP CLEC														
		Loading of OA per OCN (Regional)					1,200.00	1,200.00				15.20				
<b>UNBRANDING - DIRECTORY ASSISTANCE</b>																
		Unbranding via OLNS for UNEP CLEC														
		Loading of DA per OCN (1 OCN per Order)					420.00	420.00								
		Loading of DA per Switch per OCN					16.00	16.00								

UNBUNDLED NETWORK ELEMENTS - Mississippi							Attachment: 2				Exhibit: B					
CATEGORY	NOTES	RATE ELEMENTS	Interim	Zone	BCS	USOC	RATES(\$)				Svc Order Submitted Elec per LSR	Svc Order Submitted Manually per LSR	Incremental Charge - Manual Svc Order vs. Electronic-1st	Incremental Charge - Manual Svc Order vs. Electronic-Add'l	Incremental Charge - Manual Svc Order vs. Electronic-Disc 1st	Incremental Charge - Manual Svc Order vs. Electronic-Disc Add'l
							Rec	Nonrecurring		Nonrecurring Disconnect						
							First	Add'l	First	Add'l	SOME C	SOMAN	SOMAN	SOMAN	SOMAN	SOMAN
<b>UNBRANDING - OPERATOR CALL PROCESSING</b>																
		Unbranding via OLNS for UNEP CLEC														
		Loading of OA per OCN (Regional)					1,200.00	1,200.00				15.75				
<b>UNBRANDING - DIRECTORY ASSISTANCE</b>																
		Unbranding via OLNS for UNEP CLEC														
		Loading of DA per OCN (1 OCN per Order)					420.00	420.00								
		Loading of DA per Switch per OCN					16.00	16.00								

UNBUNDLED NETWORK ELEMENTS - North Carolina											Attachment: 2		Exhibit: B			
CATEGORY	NOTES	RATE ELEMENTS	Interim	Zone	BCS	USOC	RATES(\$)				Svc Order Submitted Elec per LSR	Svc Order Submitted Manually per LSR	Incremental Charge - Manual Svc Order vs. Electronic-1st	Incremental Charge - Manual Svc Order vs. Electronic-Add'l	Incremental Charge - Manual Svc Order vs. Electronic-Disc 1st	Incremental Charge - Manual Svc Order vs. Electronic-Disc Add'l
							Rec	Nonrecurring		Nonrecurring Disconnect						
							First	Add'l	First	Add'l	SOME C	SOMAN	SOMAN	SOMAN	SOMAN	SOMAN
<b>UNBRANDING - OPERATOR CALL PROCESSING</b>																
		Unbranding via OLSN for UNEP CLEC														
		Loading of OA per OCN (Regional)					1,200.00	1,200.00								
<b>UNBRANDING - DIRECTORY ASSISTANCE</b>																
		Unbranding via OLSN for UNEP CLEC														
		Loading of DA per OCN (1 OCN per Order)					420.00	420.00								
		Loading of DA per Switch per OCN					16.00	16.00								

UNBUNDLED NETWORK ELEMENTS - South Carolina							Attachment: 2				Exhibit: B					
CATEGORY	NOTES	RATE ELEMENTS	Interim	Zone	BCS	USOC	RATES(\$)				Svc Order Submitted Elec per LSR	Svc Order Submitted Manually per LSR	Incremental Charge - Manual Svc Order vs. Electronic-1st	Incremental Charge - Manual Svc Order vs. Electronic-Add'l	Incremental Charge - Manual Svc Order vs. Electronic-Disc 1st	Incremental Charge - Manual Svc Order vs. Electronic-Disc Add'l
							Rec	Nonrecurring		Nonrecurring Disconnect						
							First	Add'l	First	Add'l	SOME C	SOMAN	SOMAN	SOMAN	SOMAN	SOMAN
<b>UNBRANDING - OPERATOR CALL PROCESSING</b>																
		Unbranding via OLNS for UNEP CLEC														
		Loading of OA per OCN (Regional)					1,200.00	1,200.00				15.69				
<b>UNBRANDING - DIRECTORY ASSISTANCE</b>																
		Unbranding via OLNS for UNEP CLEC														
		Loading of DA per OCN (1 OCN per Order)					420.00	420.00								
		Loading of DA per Switch per OCN					16.00	16.00								

UNBUNDLED NETWORK ELEMENTS - Tennessee							Attachment: 2				Exhibit: B					
CATEGORY	NOTES	RATE ELEMENTS	Interim	Zone	BCS	USOC	RATES(\$)				Svc Order Submitted Elec per LSR	Svc Order Submitted Manually per LSR	Incremental Charge - Manual Svc Order vs. Electronic-1st	Incremental Charge - Manual Svc Order vs. Electronic-Add'l	Incremental Charge - Manual Svc Order vs. Electronic-Disc 1st	Incremental Charge - Manual Svc Order vs. Electronic-Disc Add'l
							Rec	Nonrecurring		Nonrecurring Disconnect						
							First	Add'l	First	Add'l	SOME C	SOMAN	SOMAN	SOMAN	SOMAN	SOMAN
<b>UNBRANDING - OPERATOR CALL PROCESSING</b>																
		Unbranding via OLNS for UNEP CLEC														
		Loading of OA per OCN (Regional)					1,200.00	1,200.00								
<b>UNBRANDING - DIRECTORY ASSISTANCE</b>																
		Unbranding via OLNS for UNEP CLEC														
		Loading of DA per OCN (1 OCN per Order)					420.00	420.00								
		Loading of DA per Switch per OCN					16.00	16.00								