

BELLSOUTH® / CLEC Agreement

Customer Name: Comm South

| | |
|--|-----|
| Comm South Companies, Inc. & E-Z Tel, Inc. Agreement | 2 |
| Table of Contents | 3 |
| General Terms and Conditions | 5 |
| Resale | 26 |
| Resale Rates | 53 |
| Network Elements | 55 |
| Network Element Rates | 132 |
| Local Interconnection | 484 |
| Local Interconnection Rates | 512 |
| Collocation - Central Office | 521 |
| Collocation - Remote Site | 561 |
| Collocation Rates | 598 |
| Numbers and Number Portability | 633 |
| Interim Number Portability Rates | 640 |
| Ordering and Provisioning | 649 |
| Billing | 656 |
| Billing Rates | 671 |
| Rights of Way | 680 |
| Performance Measurements | 682 |
| Disaster Recovery | 835 |
| BFR and NBR Process | 844 |
| Comm South Companies - NC Rate Amendment | 848 |
| Comm South Add'l Ports and Name Chg Amdmt | 892 |

By and Between
BellSouth Telecommunications, Inc.
And
Comm South Companies, Inc.

TABLE OF CONTENTS

General Terms and Conditions

- Definitions
- 1. CLEC Certification
- 2. Term of the Agreement
- 3. Operational Support Systems
- 4. Parity
- 5. White Pages Listings
- 6. Court Ordered Requests for Call Detail Records and Other Subscriber Information
- 7. Liability and Indemnification
- 8. Intellectual Property Rights and Indemnification
- 9. Proprietary and Confidential Information
- 10. Resolution of Disputes
- 11. Taxes
- 12. Force Majeure
- 13. Adoption of Agreements
- 14. Modification of Agreement
- 15. Non-waiver of Legal Rights
- 16. Indivisibility
- 17. Waivers
- 18. Governing Law
- 19. Arm's Length Negotiations
- 20. Notices
- 21. Rule of Construction
- 22. Headings of No Force or Effect
- 23. Multiple Counterparts
- 24. Implementation of Agreement
- 25. Filing of Agreement
- 26. Compliance with Applicable Law
- 27. Necessary Approvals
- 28. Good Faith Performance
- 29. Nonexclusive Dealings
- 30. Rate True-Up
- 31. Survival
- 32. Establishment of Service
- 33. Entire Agreement

TABLE OF CONTENTS (cont'd)

Attachment 1 - Resale

Attachment 2 - Network Elements and Other Services

Attachment 3 - Network Interconnection

Attachment 4 - Physical Collocation

Attachment 5 - Access to Numbers and Number Portability

Attachment 6 – Pre-Ordering, Ordering, Provisioning, Maintenance and Repair

Attachment 7 - Billing

Attachment 8 - Rights-of-Way, Conduits and Pole Attachments

Attachment 9 - Performance Measurements

Attachment 10- BellSouth Disaster Recovery Plan

Attachment 11–Bona Fide Request/New Business Request Process

AGREEMENT GENERAL TERMS AND CONDITIONS

THIS AGREEMENT is made by and between BellSouth Telecommunications, Inc., (“BellSouth”), a Georgia corporation, and Comm South Companies, Inc., a Texas corporation, on behalf of itself and its certificated operating affiliates as follows: Georgia Comm South, Inc., E-Z Tel, Inc. and Comm South Companies, Inc., doing business in its own name and doing business as Alabama Comm South Corp., Florida Comm South, Kentucky Comm South, Inc., Comm South in Tennessee (collectively referred to as “Comm South”), and shall be effective as stated in the Definitions. This Agreement may refer to either BellSouth or Comm South or both as a “Party” or “Parties.”

W I T N E S S E T H

WHEREAS, BellSouth is a local exchange telecommunications company authorized to provide telecommunications services in the states of Alabama, Florida, Georgia, Kentucky, Louisiana, Mississippi, North Carolina, South Carolina and Tennessee; and

WHEREAS, Comm South is or seeks to become a CLEC authorized to provide telecommunications services in the states of Alabama, Florida, Georgia, Kentucky, Louisiana, Mississippi, North Carolina, South Carolina, and Tennessee; and

WHEREAS, Comm South wishes to resell BellSouth’s telecommunications services and purchase network elements and other services, and, solely in connection therewith, may wish to utilize Collocation Space or space available pursuant to Adjacent Arrangement (all as defined in Attachment 4 of this Agreement); and

WHEREAS, the Parties wish to interconnect their facilities and exchange traffic pursuant to Sections 251 and 252 of the Act.

NOW THEREFORE, in consideration of the mutual agreements contained herein, BellSouth and Comm South agree as follows:

Definitions

Affiliate is defined as a person that (directly or indirectly) owns or controls, is owned or controlled by, or is under common ownership or control with, another person. For purposes of this paragraph, the term “own” means to own an equity interest (or equivalent thereof) of more than 10 percent.

Commission is defined as the appropriate regulatory agency in each of BellSouth’s nine-state region, Alabama, Florida, Georgia, Kentucky, Louisiana, Mississippi, North Carolina, South Carolina, and Tennessee.

Competitive Local Exchange Carrier (CLEC) means a telephone company certificated by the Commission to provide local exchange service within BellSouth's franchised area.

Effective Date is defined as the date that the Agreement is effective for purposes of rates, terms and conditions and shall be thirty (30) days after the date of the last signature executing the Agreement. Future amendments for rate changes will also be effective thirty (30) days after the Effective Date of the Amendment, which shall be the date of the last signature executing the Amendment. Other Charges and Credits will be mechanically created to adjust recurring rates previously billed in advance at the previous rates.

End User means the ultimate user of the Telecommunications Service.

FCC means the Federal Communication Commission.

General Terms and Conditions means this document including all of the terms, provisions and conditions set forth herein.

Telecommunications means the transmission, between or among points specified by the user, of information of the user's choosing, without change in the form or content of the information as sent and received.

Telecommunications Service means the offering of telecommunications for a fee directly to the public, or to such classes of users as to be effectively available directly to the public, regardless of the facilities used.

Telecommunications Act of 1996 ("Act") means Public Law 104-104 of the United States Congress effective February 8, 1996. The Act amended the Communications Act of 1934 (47 U.S.C. Section 1 et. seq.).

1. CLEC Certification

- 1.1 Comm South agrees to provide BellSouth in writing the certificate number, company number or docket number, for the docket pending certification, for all states covered by this Agreement except Kentucky prior to BellSouth filing this Agreement with the appropriate commission for approval.
- 1.2 Additionally, Comm South will notify BellSouth in writing when it becomes certified or has a docket pending certification to operate in any other state in the BellSouth region. Upon notification, BellSouth will file this Agreement with the appropriate commission for approval.

2. Term of the Agreement

- 2.1 The term of this Agreement shall be three years, beginning on the Effective Date and shall apply to the BellSouth territory in the state(s) of Alabama, Florida, Georgia, Kentucky, Louisiana, Mississippi, North Carolina, South Carolina and Tennessee. Notwithstanding any prior agreement of the Parties, the rates, terms and conditions of this Agreement shall not be applied retroactively prior to the Effective Date.
- 2.2 The Parties agree that by no earlier than two hundred seventy (270) days and no later than one hundred and eighty (180) days prior to the expiration of this Agreement, they shall commence negotiations for a new agreement to be effective beginning on the expiration date of this Agreement (“Subsequent Agreement”).
- 2.3 If, within one hundred and thirty-five (135) days of commencing the negotiation referred to in Section 2.2 above, the Parties are unable to negotiate new terms, conditions and prices for a Subsequent Agreement, either Party may petition the Commission to establish appropriate terms, conditions and prices for the Subsequent Agreement pursuant to 47 U.S.C. 252.
- 2.4 If as of the expiration of this Agreement a Subsequent Agreement has not been executed by the Parties, this Agreement shall terminate. Upon termination of this Agreement, BellSouth shall continue to offer services to Comm South pursuant to the terms, conditions and rates set forth in BellSouth's then current standard interconnection agreement. In the event that BellSouth's standard interconnection agreement becomes effective as between the Parties, the Parties may continue to negotiate a Subsequent Agreement or arbitrate disputed issues to reach a Subsequent Agreement as set forth in Section 2.3 above, and the terms of such Subsequent Agreement shall be effective as of the effective date as stated in Subsequent Agreement.

3. Operational Support Systems

Comm South shall pay charges for Operational Support Systems (OSS) as set forth in this Agreement in Attachment 1 and/or in Attachments 2, 3 and 5, as applicable.

4. Parity

When Comm South purchases, pursuant to Attachment 1 of this Agreement, telecommunications services from BellSouth for the purposes of resale to end users, BellSouth shall provide said services so that the services are equal in quality, subject to the same conditions, and provided within the same provisioning time intervals that BellSouth provides to its affiliates, subsidiaries and end users. To the extent technically feasible, the quality of a Network Element, as well as the quality of the access to such Network Element provided by BellSouth to Comm South shall be at least equal in quality to that which BellSouth provides to itself, its affiliates or any other telecommunications carrier. The quality of the

interconnection between the networks of BellSouth and the network of Comm South shall be at a level that is equal to that which BellSouth provides itself, a subsidiary, an Affiliate, or any other party. The interconnection facilities shall be designed to meet the same technical criteria and service standards that are used within BellSouth's network and shall extend to a consideration of service quality as perceived by BellSouth's end users and service quality as perceived by Comm South.

5. White Pages Listings

5.1 BellSouth shall provide Comm South and their customers access to white pages directory listings under the following terms:

5.2 Listings. Comm South shall provide all new, changed and deleted listings on a timely basis and BellSouth or its agent will include Comm South residential and business customer listings in the appropriate White Pages (residential and business) or alphabetical directories. Directory listings will make no distinction between Comm South and BellSouth subscribers.

5.2.1 Rates. So long as Comm South provides subscriber listing information to BellSouth in accordance with Section 5.3 below, BellSouth shall provide to Comm South one (1) primary White Pages listing per Comm South subscriber at no charge other than applicable service order charges as set forth in BellSouth's tariffs.

5.3 Procedures for Submitting Comm South Subscriber Information are found in The BellSouth Business Rules for Local Ordering.

5.4 Notwithstanding any provision(s) to the contrary, Comm South shall provide to BellSouth, and BellSouth shall accept, Comm South's Subscriber Listing Information (SLI) relating to Comm South's customers in the geographic area(s) covered by this Interconnection Agreement. Comm South authorizes BellSouth to release all such Comm South SLI provided to BellSouth by Comm South to qualifying third parties via either license agreement or BellSouth's Directory Publishers Database Service (DPDS), General Subscriber Services Tariff (GSST), Section A38.2, as the same may be amended from time to time. Such Comm South SLI shall be intermingled with BellSouth's own customer listings and listings of any other CLEC that has authorized a similar release of SLI. Where necessary, BellSouth will use good faith efforts to obtain Commission approval of any necessary modifications to Section A38.2 of its tariff to provide for release of third party directory listings, including modifications regarding listings to be released pursuant to such tariff and BellSouth's liability thereunder. BellSouth's obligation pursuant to this Section shall not arise in any particular state until the Commission of such state has approved modifications to such tariff.

5.4.1 No compensation shall be paid to Comm South for BellSouth's receipt of Comm South SLI, or for the subsequent release to third parties of such SLI. In addition,

to the extent BellSouth incurs costs to modify its systems to enable the release of Comm South's SLI, or costs on an ongoing basis to administer the release of Comm South SLI, Comm South shall pay to BellSouth its proportionate share of the reasonable costs associated therewith. At any time that costs may be incurred to administer the release of Comm South's SLI, Comm South will be notified. If Comm South does not wish to pay its proportionate share of these reasonable costs, Comm South may instruct BellSouth that it does not wish to release its SLI to independent publishers, and Comm South may amend its interconnection agreement accordingly. Such amendment would become effective at such time that both Parties have signed, and Comm South will be liable for all costs incurred up to that time.

- 5.4.2 Neither BellSouth nor any agent shall be liable for the content or accuracy of any SLI provided by Comm South under this Agreement. Comm South shall indemnify, hold harmless and defend BellSouth and its agents from and against any damages, losses, liabilities, demands, claims, suits, judgments, costs and expenses (including but not limited to reasonable attorneys' fees and expenses) arising from BellSouth's tariff obligations or otherwise and resulting from or arising out of any third party's claim of inaccurate Comm South listings or use of the SLI provided pursuant to this Agreement. BellSouth may forward to Comm South any complaints received by BellSouth relating to the accuracy or quality of Comm South listings.
- 5.4.3 Listings and subsequent updates will be released consistent with BellSouth system changes and/or update scheduling requirements.
- 5.5 Unlisted/Non-Published Subscribers. Comm South will be required to provide to BellSouth the names, addresses and telephone numbers of all Comm South customers who wish to be omitted from directories. Unlisted/Non-Published Subscriber listings will be offered at tariff rates as set forth in the GSST.
- 5.6 Inclusion of Comm South Customers in Directory Assistance Database. BellSouth will include and maintain Comm South subscriber listings in BellSouth's Directory Assistance databases at no recurring charge and Comm South shall provide such Directory Assistance listings at no recurring charge. BellSouth and Comm South will formulate appropriate procedures regarding lead-time, timeliness, format and content of listing information.
- 5.7 Listing Information Confidentiality. BellSouth will accord Comm South's directory listing information the same level of confidentiality that BellSouth accords its own directory listing information, and BellSouth shall limit access to Comm South's customer proprietary confidential directory information to those BellSouth employees or agents who are involved in the preparation of listings or directories.

5.8 Additional and Designer Listings. Additional and designer listings will be offered by BellSouth at tariffed rates as set forth in the General Subscriber Services Tariff.

5.9 Directories. BellSouth or its agent shall make available White Pages directories to Comm South subscribers at no charge or as specified in a separate BAPCO agreement.

6. Court Ordered Requests for Call Detail Records and Other Subscriber Information

6.1 Subpoenas Directed to BellSouth. Where BellSouth provides resold services or local switching for Comm South, BellSouth shall respond to subpoenas and court ordered requests delivered directly to BellSouth for the purpose of providing call detail records when the targeted telephone numbers belong to Comm South end users. Billing for such requests will be generated by BellSouth and directed to the law enforcement agency initiating the request. BellSouth shall maintain such information for Comm South end users for the same length of time it maintains such information for its own end users.

6.2 Subpoenas Directed to Comm South. Where BellSouth is providing to Comm South telecommunications services for resale or providing to Comm South the local switching function, then Comm South agrees that in those cases where Comm South receives subpoenas or court ordered requests regarding targeted telephone numbers belonging to Comm South end users, and where Comm South does not have the requested information, Comm South will advise the law enforcement agency initiating the request to redirect the subpoena or court ordered request to BellSouth for handling in accordance with 6.1 above.

6.3 In all other instances, where either Party receives a request for information involving the other Party's end user, the Party receiving the request will advise the law enforcement agency initiating the request to redirect such request to the other Party.

7. Liability and Indemnification

7.1 Comm South Liability. In the event that Comm South consists of two (2) or more separate entities as set forth in this Agreement and/or any Amendments hereto, all such entities shall be jointly and severally liable for the obligations of Comm South under this Agreement.

7.2 Liability for Acts or Omissions of Third Parties. BellSouth shall not be liable to Comm South for any act or omission of another telecommunications company providing services to Comm South.

7.3 Limitation of Liability

- 7.3.1 Except for any indemnification obligations of the Parties hereunder, each Party's liability to the other for any loss, cost, claim, injury or liability or expense, including reasonable attorneys' fees relating to or arising out of any negligent act or omission in its performance of this Agreement whether in contract or in tort, shall be limited to a credit for the actual cost of the services or functions not performed or improperly performed.
- 7.3.2 Limitations in Tariffs. A Party may, in its sole discretion, provide in its tariffs and contracts with its End Users and third parties that relate to any service, product or function provided or contemplated under this Agreement, that to the maximum extent permitted by Applicable Law, such Party shall not be liable to the End User or third party for (i) any loss relating to or arising out of this Agreement, whether in contract, tort or otherwise, that exceeds the amount such Party would have charged that applicable person for the service, product or function that gave rise to such loss and (ii) Consequential Damages. To the extent that a Party elects not to place in its tariffs or contracts such limitations of liability, and the other Party incurs a loss as a result thereof, such Party shall indemnify and reimburse the other Party for that portion of the loss that would have been limited had the first Party included in its tariffs and contracts the limitations of liability that such other Party included in its own tariffs at the time of such loss.
- 7.3.3 Neither BellSouth nor Comm South shall be liable for damages to the other Party's terminal location, equipment or End User premises resulting from the furnishing of a service, including, but not limited to, the installation and removal of equipment or associated wiring, except to the extent caused by a Party's negligence or willful misconduct or by a Party's failure to ground properly a local loop after disconnection.
- 7.3.4 Under no circumstance shall a Party be responsible or liable for indirect, incidental, or consequential damages, including, but not limited to, economic loss or lost business or profits, damages arising from the use or performance of equipment or software, or the loss of use of software or equipment, or accessories attached thereto, delay, error, or loss of data. In connection with this limitation of liability, each Party recognizes that the other Party may, from time to time, provide advice, make recommendations, or supply other analyses related to the Services, or facilities described in this Agreement, and, while each Party shall use diligent efforts in this regard, the Parties acknowledge and agree that this limitation of liability shall apply to provision of such advice, recommendations, and analyses.
- 7.3.5 To the extent any specific provision of this Agreement purports to impose liability, or limitation of liability, on either Party different from or in conflict with the liability or limitation of liability set forth in this Section, then with respect to any facts or circumstances covered by such specific provisions, the liability or limitation of liability contained in such specific provision shall apply.

- 7.4 Indemnification for Certain Claims. The Party providing services hereunder, its affiliates and its parent company, shall be indemnified, defended and held harmless by the Party receiving services hereunder against any claim, loss or damage arising from the receiving company's use of the services provided under this Agreement pertaining to (1) claims for libel, slander or invasion of privacy arising from the content of the receiving company's own communications, or (2) any claim, loss or damage claimed by the End User of the Party receiving services arising from such company's use or reliance on the providing company's services, actions, duties, or obligations arising out of this Agreement.
- 7.5 Disclaimer. EXCEPT AS SPECIFICALLY PROVIDED TO THE CONTRARY IN THIS AGREEMENT, NEITHER PARTY MAKES ANY REPRESENTATIONS OR WARRANTIES TO THE OTHER PARTY CONCERNING THE SPECIFIC QUALITY OF ANY SERVICES, OR FACILITIES PROVIDED UNDER THIS AGREEMENT. THE PARTIES DISCLAIM, WITHOUT LIMITATION, ANY WARRANTY OR GUARANTEE OF MERCHANTABILITY OR FITNESS FOR A PARTICULAR PURPOSE, ARISING FROM COURSE OF PERFORMANCE, COURSE OF DEALING, OR FROM USAGES OF TRADE.
- 8. Intellectual Property Rights and Indemnification**
- 8.1 No License. No patent, copyright, trademark or other proprietary right is licensed, granted or otherwise transferred by this Agreement. Comm South is strictly prohibited from any use, including but not limited to in sales, in marketing or advertising of telecommunications services, of any BellSouth name, service mark or trademark (collectively, the "Marks"). The Marks of BellSouth include those Marks owned directly by BellSouth and those Marks that BellSouth has a legal and valid license to use.
- 8.2 Ownership of Intellectual Property. Any intellectual property that originates from or is developed by a Party shall remain the exclusive property of that Party. Except for a limited license to use patents or copyrights to the extent necessary for the Parties to use any facilities or equipment (including software) or to receive any service solely as provided under this Agreement, no license in patent, copyright, trademark or trade secret, or other proprietary or intellectual property right now or hereafter owned, controlled or licensable by a Party, is granted to the other Party or shall be implied or arise by estoppel. It is the responsibility of each Party to ensure at no additional cost to the other Party that it has obtained any necessary licenses in relation to intellectual property of third Parties used in its network that may be required to enable the other Party to use any facilities or equipment (including software), to receive any service, or to perform its respective obligations under this Agreement.
- 8.3 Indemnification. The Party providing a service pursuant to this Agreement will defend the Party receiving such service or data provided as a result of such service

against claims of infringement arising solely from the use by the receiving Party of such service in the manner contemplated under this Agreement and will indemnify the receiving Party for any damages awarded based solely on such claims in accordance with Section 7 preceding.

- 8.4 Claim of Infringement. In the event that use of any facilities or equipment (including software), becomes, or in the reasonable judgment of the Party who owns the affected network is likely to become, the subject of a claim, action, suit, or proceeding based on intellectual property infringement, then said Party shall promptly and at its sole expense and sole option, but subject to the limitations of liability set forth below:
- 8.4.1 modify or replace the applicable facilities or equipment (including software) while maintaining form and function, or
- 8.4.2 obtain a license sufficient to allow such use to continue.
- 8.4.3 In the event Section 8.4.1 or 8.4.2 are commercially unreasonable, then said Party may, terminate, upon reasonable notice, this contract with respect to use of, or services provided through use of, the affected facilities or equipment (including software), but solely to the extent required to avoid the infringement claim.
- 8.5 Exception to Obligations. Neither Party's obligations under this Section shall apply to the extent the infringement is caused by: (i) modification of the facilities or equipment (including software) by the indemnitee; (ii) use by the indemnitee of the facilities or equipment (including software) in combination with equipment or facilities (including software) not provided or authorized by the indemnitor, provided the facilities or equipment (including software) would not be infringing if used alone; (iii) conformance to specifications of the indemnitee which would necessarily result in infringement; or (iv) continued use by the indemnitee of the affected facilities or equipment (including software) after being placed on notice to discontinue use as set forth herein.
- 8.6 Exclusive Remedy. The foregoing shall constitute the Parties' sole and exclusive remedies and obligations with respect to a third party claim of intellectual property infringement arising out of the conduct of business under this Agreement.
- 8.7 Dispute Resolution. Any claim arising under this Section 8 shall be excluded from the dispute resolution procedures set forth in Section 10 and shall be brought in a court of competent jurisdiction.
- 9. Proprietary and Confidential Information**
- 9.1 Proprietary and Confidential Information. It may be necessary for BellSouth and Comm South, each as the "Discloser," to provide to the other Party, as "Recipient," certain proprietary and confidential information (including trade secret

information) including but not limited to technical, financial, marketing, staffing and business plans and information, strategic information, proposals, request for proposals, specifications, drawings, maps, prices, costs, costing methodologies, procedures, processes, business systems, software programs, techniques, customer account data, call detail records and like information (collectively the “Information”). All such Information conveyed in writing or other tangible form shall be clearly marked with a confidential or proprietary legend. Information conveyed orally by the Discloser to Recipient shall be designated as proprietary and confidential at the time of such oral conveyance, shall be reduced to writing by the Discloser within forty-five (45) days thereafter, and shall be clearly marked with a confidential or proprietary legend.

- 9.2 Use and Protection of Information. Recipient agrees to protect such Information of the Discloser provided to Recipient from whatever source from distribution, disclosure or dissemination to anyone except employees of Recipient with a need to know such Information solely in conjunction with Recipient’s analysis of the Information and for no other purpose except as authorized herein or as otherwise authorized in writing by the Discloser. Recipient will not make any copies of the Information inspected by it.
- 9.3 Exceptions. Recipient will not have an obligation to protect any portion of the Information which:
- 9.3.1 (a) is made publicly available by the Discloser or lawfully by a nonparty to this Agreement; (b) is lawfully obtained by Recipient from any source other than Discloser; (c) is previously known to Recipient without an obligation to keep it confidential; or (d) is released from the terms of this Agreement by Discloser upon written notice to Recipient.
- 9.4 Recipient agrees to use the Information solely for the purposes of negotiations pursuant to 47 U.S.C. 251 or in performing its obligations under this Agreement and for no other entity or purpose, except as may be otherwise agreed to in writing by the Parties. Nothing herein shall prohibit Recipient from providing information requested by the FCC or a state regulatory agency with jurisdiction over this matter, or to support a request for arbitration or an allegation of failure to negotiate in good faith.
- 9.5 Recipient agrees not to publish or use the Information for any advertising, sales promotions, press releases, or publicity matters that refer either directly or indirectly to the Information or to the Discloser or any of its affiliated companies.
- 9.6 The disclosure of Information neither grants nor implies any license to the Recipient under any trademark, patent, copyright, or application that is now or may hereafter be owned by the Discloser.

- 9.7 Survival of Confidentiality Obligations. The Parties' rights and obligations under this Section 9 shall survive and continue in effect until two (2) years after the expiration or termination date of this Agreement with regard to all Information exchanged during the term of this Agreement. Thereafter, the Parties' rights and obligations hereunder survive and continue in effect with respect to any Information that is a trade secret under applicable law.
- 9.8 Assignments. Any assignment by either Party to any non-affiliated entity of any right, obligation or duty, or of any other interest hereunder, in whole or in part, without the prior written consent of the other Party shall be void. A Party may assign this Agreement or any right, obligation, duty or other interest hereunder to an Affiliate of the Party without the consent of the other Party; provided, however, that the assigning Party shall notify the other Party in writing of such assignment thirty (30) days prior to the Effective Date thereof and, provided further, if the assignee is an assignee of Comm South, the assignee must provide evidence of Commission CLEC certification. The Parties shall amend this Agreement to reflect such assignments and shall work cooperatively to implement any changes required due to such assignment. All obligations and duties of any Party under this Agreement shall be binding on all successors in interest and assigns of such Party. No assignment or delegation hereof shall relieve the assignor of its obligations under this Agreement in the event that the assignee fails to perform such obligations.
- 10. Resolution of Disputes**
- Except as otherwise stated in this Agreement, if any dispute arises as to the interpretation of any provision of this Agreement or as to the proper implementation of this Agreement, the aggrieved Party shall petition the Commission for a resolution of the dispute. However, each Party reserves any rights it may have to seek judicial review of any ruling made by the Commission concerning this Agreement.
- 11. Taxes**
- 11.1 Definition. For purposes of this Section, the terms "taxes" and "fees" shall include but not be limited to federal, state or local sales, use, excise, gross receipts or other taxes or tax-like fees of whatever nature and however designated (including tariff surcharges and any fees, charges or other payments, contractual or otherwise, for the use of public streets or rights of way, whether designated as franchise fees or otherwise) imposed, or sought to be imposed, on or with respect to the services furnished hereunder or measured by the charges or payments therefore, excluding any taxes levied on income.
- 11.2 Taxes and Fees Imposed Directly On Either Providing Party or Purchasing Party.

- 11.2.1 Taxes and fees imposed on the providing Party, which are not permitted or required to be passed on by the providing Party to its customer, shall be borne and paid by the providing Party.
- 11.2.2 Taxes and fees imposed on the purchasing Party, which are not required to be collected and/or remitted by the providing Party, shall be borne and paid by the purchasing Party.
- 11.3 Taxes and Fees Imposed on Purchasing Party But Collected And Remitted By Providing Party.
- 11.3.1 Taxes and fees imposed on the purchasing Party shall be borne by the purchasing Party, even if the obligation to collect and/or remit such taxes or fees is placed on the providing Party.
- 11.3.2 To the extent permitted by applicable law, any such taxes and/or fees shall be shown as separate items on applicable billing documents between the Parties. Notwithstanding the foregoing, the purchasing Party shall remain liable for any such taxes and fees regardless of whether they are actually billed by the providing Party at the time that the respective service is billed.
- 11.3.3 If the purchasing Party determines that in its opinion any such taxes or fees are not payable, the providing Party shall not bill such taxes or fees to the purchasing Party if the purchasing Party provides written certification, reasonably satisfactory to the providing Party, stating that it is exempt or otherwise not subject to the tax or fee, setting forth the basis therefor, and satisfying any other requirements under applicable law. If any authority seeks to collect any such tax or fee that the purchasing Party has determined and certified not to be payable, or any such tax or fee that was not billed by the providing Party, the purchasing Party may contest the same in good faith, at its own expense. In any such contest, the purchasing Party shall promptly furnish the providing Party with copies of all filings in any proceeding, protest, or legal challenge, all rulings issued in connection therewith, and all correspondence between the purchasing Party and the taxing authority.
- 11.3.4 In the event that all or any portion of an amount sought to be collected must be paid in order to contest the imposition of any such tax or fee, or to avoid the existence of a lien on the assets of the providing Party during the pendency of such contest, the purchasing Party shall be responsible for such payment and shall be entitled to the benefit of any refund or recovery.
- 11.3.5 If it is ultimately determined that any additional amount of such a tax or fee is due to the imposing authority, the purchasing Party shall pay such additional amount, including any interest and penalties thereon.
- 11.3.6 Notwithstanding any provision to the contrary, the purchasing Party shall protect, indemnify and hold harmless (and defend at the purchasing Party's expense) the

providing Party from and against any such tax or fee, interest or penalties thereon, or other charges or payable expenses (including reasonable attorney fees) with respect thereto, which are incurred by the providing Party in connection with any claim for or contest of any such tax or fee.

- 11.3.7 Each Party shall notify the other Party in writing of any assessment, proposed assessment or other claim for any additional amount of such a tax or fee by a taxing authority; such notice to be provided, if possible, at least ten (10) days prior to the date by which a response, protest or other appeal must be filed, but in no event later than thirty (30) days after receipt of such assessment, proposed assessment or claim.
- 11.4 Taxes and Fees Imposed on Providing Party But Passed On To Purchasing Party.
- 11.4.1 Taxes and fees imposed on the providing Party, which are permitted or required to be passed on by the providing Party to its customer, shall be borne by the purchasing Party.
- 11.4.2 To the extent permitted by applicable law, any such taxes and/or fees shall be shown as separate items on applicable billing documents between the Parties. Notwithstanding the foregoing, the purchasing Party shall remain liable for any such taxes and fees regardless of whether they are actually billed by the providing Party at the time that the respective service is billed.
- 11.4.3 If the purchasing Party disagrees with the providing Party's determination as to the application or basis for any such tax or fee, the Parties shall consult with respect to the imposition and billing of such tax or fee. Notwithstanding the foregoing, the providing Party shall retain ultimate responsibility for determining whether and to what extent any such taxes or fees are applicable, and the purchasing Party shall abide by such determination and pay such taxes or fees to the providing Party. The providing Party shall further retain ultimate responsibility for determining whether and how to contest the imposition of such taxes and fees; provided, however, that any such contest undertaken at the request of the purchasing Party shall be at the purchasing Party's expense.
- 11.4.4 In the event that all or any portion of an amount sought to be collected must be paid in order to contest the imposition of any such tax or fee, or to avoid the existence of a lien on the assets of the providing Party during the pendency of such contest, the purchasing Party shall be responsible for such payment and shall be entitled to the benefit of any refund or recovery.
- 11.4.5 If it is ultimately determined that any additional amount of such a tax or fee is due to the imposing authority, the purchasing Party shall pay such additional amount, including any interest and penalties thereon.

- 11.4.6 Notwithstanding any provision to the contrary, the purchasing Party shall protect, indemnify and hold harmless (and defend at the purchasing Party's expense) the providing Party from and against any such tax or fee, interest or penalties thereon, or other reasonable charges or payable expenses (including reasonable attorneys' fees) with respect thereto, which are incurred by the providing Party in connection with any claim for or contest of any such tax or fee.
- 11.4.7 Each Party shall notify the other Party in writing of any assessment, proposed assessment or other claim for any additional amount of such a tax or fee by a taxing authority; such notice to be provided, if possible, at least ten (10) days prior to the date by which a response, protest or other appeal must be filed, but in no event later than thirty (30) days after receipt of such assessment, proposed assessment or claim.
- 11.5 Mutual Cooperation. In any contest of a tax or fee by one Party, the other Party shall cooperate fully by providing records, testimony and such additional information or assistance as may reasonably be necessary to pursue the contest. Further, the other Party shall be reimbursed for any reasonable and necessary out-of-pocket copying and travel expenses incurred in assisting in such contest.

12. Force Majeure

In the event performance of this Agreement, or any obligation hereunder, is either directly or indirectly prevented, restricted, or interfered with by reason of fire, flood, earthquake or like acts of God, wars, revolution, civil commotion, explosion, acts of public enemy, embargo, acts of the government in its sovereign capacity, labor difficulties, including without limitation, strikes, slowdowns, picketing, or boycotts, unavailability of equipment from vendor, changes requested by Customer, or any other circumstances beyond the reasonable control and without the fault or negligence of the Party affected, the Party affected, upon giving prompt notice to the other Party, shall be excused from such performance on a day-to-day basis to the extent of such prevention, restriction, or interference (and the other Party shall likewise be excused from performance of its obligations on a day-to-day basis until the delay, restriction or interference has ceased); provided however, that the Party so affected shall use diligent efforts to avoid or remove such causes of non-performance and both Parties shall proceed whenever such causes are removed or cease.

13. Adoption of Agreements

BellSouth shall make available, pursuant to 47 USC § 252 and the FCC rules and regulations regarding such availability, to Comm South any interconnection, service, or network element provided under any other agreement filed and approved pursuant to 47 USC § 252, provided a minimum of six months remains on the term of such agreement. The Parties shall adopt all rates, terms and conditions concerning such other interconnection, service or network element and any other rates, terms and conditions that are legitimately related to or were

negotiated in exchange for or in conjunction with the interconnection, service or network element being adopted. The adopted interconnection, service, or network element and agreement shall apply to the same states as such other agreement. The term of the adopted agreement or provisions shall expire on the same date as set forth in the agreement that was adopted.

14. Modification of Agreement

14.1 If Comm South changes its name or makes changes to its company structure or identity due to a merger, acquisition, transfer or any other reason, it is the responsibility of Comm South to notify BellSouth of said change and request that an amendment to this Agreement, if necessary, be executed to reflect said change.

14.2 No modification, amendment, supplement to, or waiver of the Agreement or any of its provisions shall be effective and binding upon the Parties unless it is made in writing and duly signed by the Parties.

14.3 In the event that any effective legislative, regulatory, judicial or other legal action materially affects any material terms of this Agreement, or the ability of Comm South or BellSouth to perform any material terms of this Agreement, Comm South or BellSouth may, on thirty (30) days' written notice require that such terms be renegotiated, and the Parties shall renegotiate in good faith such mutually acceptable new terms as may be required. In the event that such new terms are not renegotiated within ninety (90) days after such notice, the Dispute shall be referred to the Dispute Resolution procedure set forth in this Agreement.

15. Non-waiver of Legal Rights

Execution of this Agreement by either Party does not confirm or imply that the executing Party agrees with any decision(s) issued pursuant to the Telecommunications Act of 1996 and the consequences of those decisions on specific language in this Agreement. Neither Party waives its rights to appeal or otherwise challenge any such decision(s) and each Party reserves all of its rights to pursue any and all legal and/or equitable remedies, including appeals of any such decision(s).

16. Indivisibility

The Parties intend that this Agreement be indivisible and nonseverable, and each of the Parties acknowledges that it has assented to all of the covenants and promises in this Agreement as a single whole and that all of such covenants and promises, taken as a whole, constitute the essence of the contract. Without limiting the generality of the foregoing, each of the Parties acknowledges that any provision by BellSouth of Collocation Space (or space pursuant to Adjacent Arrangement) under this Agreement is solely for the purpose of facilitating the provision of other services under this Agreement and that neither Party would have contracted with respect to the provisioning of Collocation Space (or space pursuant to Adjacent

Arrangement) if the covenants and promises of the other Party with respect to the other services provided for under this Agreement had not been made. The Parties further acknowledge that this Agreement is intended to constitute a single transaction, that the obligations of the Parties under this Agreement are interdependent, and that payment obligations under this Agreement are intended to be recoupable against other payment obligations under this Agreement.

17. Waivers

A failure or delay of either Party to enforce any of the provisions hereof, to exercise any option which is herein provided, or to require performance of any of the provisions hereof shall in no way be construed to be a waiver of such provisions or options, and each Party, notwithstanding such failure, shall have the right thereafter to insist upon the performance of any and all of the provisions of this Agreement.

18. Governing Law

This Agreement shall be governed by, and construed and enforced in accordance with, the laws of the State of Georgia, without regard to its conflict of laws principles.

19. Arm's Length Negotiations

This Agreement was executed after arm's length negotiations between the undersigned Parties and reflects the conclusion of the undersigned that this Agreement is in the best interests of all Parties.

20. Notices

20.1 Every notice, consent, approval, or other communications required or contemplated by this Agreement shall be in writing and shall be delivered by hand, by overnight courier or by US mail postage prepaid, address to:

BellSouth Telecommunications, Inc.

BellSouth Local Contract Manager
600 North 19th Street
Birmingham, Alabama 35203

and

General Attorney - COU
Suite 4300
675 W. Peachtree St.
Atlanta, GA 30375

Comm South Companies, Inc.,

Roy Harsila
6830 Walling Lane
Dallas, TX 75231

or at such other address as the intended recipient previously shall have designated by written notice to the other Party.

20.2 Unless otherwise provided in this Agreement, notice by mail shall be effective on the date it is officially recorded as delivered by return receipt or equivalent, and in the absence of such record of delivery, it shall be presumed to have been delivered the fifth day, or next business day after the fifth day, after it was deposited in the mails.

20.3 Notwithstanding the foregoing, BellSouth may provide Comm South notice via Internet posting of price changes, changes to the terms and conditions of services available for resale per Commission Orders. BellSouth will also post changes to business processes and policies, notices of new service offerings, and changes to service offerings not requiring an amendment to this Agreement, notices required to be posted to BellSouth's website, and any other information of general applicability to CLECs.

21. Rule of Construction

No rule of construction requiring interpretation against the drafting Party hereof shall apply in the interpretation of this Agreement.

22. Headings of No Force or Effect

The headings of Articles and Sections of this Agreement are for convenience of reference only, and shall in no way define, modify or restrict the meaning or interpretation of the terms or provisions of this Agreement.

23. Multiple Counterparts

This Agreement may be executed in multiple counterparts, each of which shall be deemed an original, but all of which shall together constitute but one and the same document.

24. Implementation of Agreement

If Comm South is a facilities based provider or a facilities based and resale provider, this section shall apply. Within 60 days of the execution of this Agreement, the Parties may adopt a schedule for the implementation of the Agreement. The schedule shall state with specificity time frames for submission of including but not limited to, network design, interconnection points, collocation arrangement requests, pre-sales testing and full operational time frames for the business and residential markets.

25. Filing of Agreement

Upon execution of this Agreement it shall be filed with the appropriate state regulatory agency pursuant to the requirements of Section 252 of the Act, and the Parties shall share equally any filing fees therefor. If the regulatory agency imposes any filing or public interest notice fees regarding the filing or approval of the Agreement, Comm South shall be responsible for publishing the required notice and the publication and/or notice costs shall be borne by Comm South. Notwithstanding the foregoing, this Agreement shall not be submitted for approval by the appropriate state regulatory agency unless and until such time as Comm South is duly certified as a local exchange carrier in such state, except as otherwise required by a Commission.

26. Compliance with Applicable Law

Each Party shall comply at its own expense with Applicable Law.

27. Necessary Approvals

Each Party shall be responsible for obtaining and keeping in effect all approvals from, and rights granted by, governmental authorities, building and property owners, other carriers, and any other persons that may be required in connection with the performance of its obligations under this Agreement. Each Party shall reasonably cooperate with the other Party in obtaining and maintaining any required approvals and rights for which such Party is responsible.

28. Good Faith Performance

Each Party shall act in good faith in its performance under this Agreement and, in each case in which a Party's consent or agreement is required or requested hereunder, such Party shall not unreasonably withhold or delay such consent or agreement.

29. Nonexclusive Dealings

This Agreement does not prevent either Party from providing or purchasing services to or from any other person nor, except as provided in Section 252(i) of the Act, does it obligate either Party to provide or purchase any services (except

insofar as the Parties are obligated to provide access to Interconnection, services and Network Elements to Comm South as a requesting carrier under the Act).

30. Rate True-Up

- 30.1 This section applies to Network Interconnection and/or Unbundled Network Elements and Other Services rates that are expressly subject to true-up under this Agreement.
- 30.2 The designated true-up rates for Network Elements and Other Services and Network Interconnection shall be subject to true-up according to the following procedures:
- 30.3 The designated true-up rates shall be trued-up, either up or down, based on final prices determined either by further agreement between the Parties, or by a final order (including any appeals) of the Commission. The Parties shall implement the true-up by comparing the actual volumes and demand for each item, together with the designated true-up rates for each item, with the final prices determined for each item. Each Party shall keep its own records upon which the true-up can be based, and any final payment from one Party to the other shall be in an amount agreed upon by the Parties based on such records. In the event of any disagreement as between the records or the Parties regarding the amount of such true-up, the Parties agree that the body having jurisdiction over the matter shall be called upon to resolve such differences, or the Parties may mutually agree to submit the matter to the Dispute Resolution process in accordance with the provisions of Section 10 of the General Terms and Conditions of this Agreement.
- 30.4 The Parties may continue to negotiate toward final prices, but in the event that no such Agreement is reached within nine (9) months, either Party may petition the Commission to resolve such disputes and to determine final prices for each item. Alternatively, upon mutual agreement, the Parties may submit the matter to the Dispute Resolution Process set forth in Section 10 of the General Terms and Conditions of this Agreement, so long as they file the resulting Agreement with the Commission as a “negotiated Agreement” under Section 252(e) of the Act.
- 30.5 An effective order of the Commission that forms the basis of a true-up shall be based upon cost studies submitted by either or both Parties to the Commission and shall be binding upon BellSouth and Comm South specifically or upon all carriers generally, such as a generic cost proceeding.

31. Survival

The Parties’ obligations under this Agreement which by their nature are intended to continue beyond the termination or expiration of this Agreement shall survive the termination or expiration of this Agreement.

32. Establishment of Service

If BellSouth is informed that an unauthorized change in local service to Comm South has occurred, BellSouth will reestablish service with the appropriate local service provider and will assess Comm South as the CLEC initiating the alleged unauthorized change, the appropriate nonrecurring charges, as set forth in Section A4 of the General Subscriber Service Tariff. In accordance with FCC Slamming Liability Rules, the relevant governmental agency will determine if an unauthorized change has occurred. Resolution of all relevant issues shall be handled directly with the authorized CLEC and Comm South.

33. Entire Agreement

33.1 This Agreement means the General Terms and Conditions and the Attachments identified in Section 33.2 below, all of which, when taken together, are intended to constitute one indivisible agreement. This Agreement sets forth the entire understanding and supersedes prior agreements between the Parties relating to the subject matter contained in this Agreement and merges all prior discussions between them. Any orders placed under prior agreements between the Parties shall be governed by the terms of this Agreement and Comm South acknowledges and agrees that any and all amounts and obligations owed for services provisioned or orders placed under prior agreements between the Parties, related to the subject matter hereof, shall be due and owing under this Agreement and be governed by the terms and conditions of this Agreement as if such services or orders were provisioned or placed under this Agreement. Neither Party shall be bound by any definition, condition, provision, representation, warranty, covenant or promise other than as expressly stated in this Agreement or as is contemporaneously or subsequently set forth in writing and executed by a duly authorized officer or representative of the Party to be bound thereby.

33.2 This Agreement includes Attachments with provisions for the following:

- Resale
- Network Elements and Other Services
- Network Interconnection
- Collocation
- Access to Numbers and Number Portability
- Pre-Ordering, Ordering, Provisioning, Maintenance and Repair
- Billing
- Rights-of-Way, Conduits and Pole Attachments
- Performance Measurements
- BellSouth Disaster Recovery Plan
- Bona Fide Request/New Business Request Process

33.3 The following services are included as options for purchase by Comm South pursuant to the terms and conditions set forth in this Agreement. Comm South may elect to purchase said services by written request to its Account Manager if applicable:

- Optional Daily Usage File (ODUF)
- Enhanced Optional Daily Usage File (EODUF)
- Access Daily Usage File (ADUF)
- Line Information Database (LIDB) Storage
- Centralized Message Distribution Service (CMDS)
- Calling Name (CNAM)
- LNP Data Base Query Service

IN WITNESS WHEREOF, the Parties have executed this Agreement the day and year written below.

Comm South Companies, Inc.,

BellSouth Telecommunications, Inc.

Signature on File
Signature

Signature on File
Signature

Sheri Pringle
Name

Chris Boltz
Name

Director – Regulatory Affairs
Title

Managing Director
Title

June 3, 2002
Date

June 4, 2002
Date

Attachment 1

Resale

Table of Contents

| | |
|---|------------------|
| 1. Discount Rates | 3 |
| 2. Definition of Terms..... | 3 |
| 3. General Provisions..... | 4 |
| 4. BellSouth’s Provision of Services to Comm South | 8 |
| 5. Maintenance of Services | 9 |
| 6. Establishment of Service | 9 |
| 7. Discontinuance of Service..... | 9 |
| 8. Operator Services (Operator Call Processing and Directory Assistance) | 10 |
| 9. Line Information Database (LIDB) | 14 |
| 10. RAO Hosting | 14 |
| 11. Optional Daily Usage File (ODUF)..... | 14 |
| 12. Enhanced Optional Daily Usage File (EODUF)..... | 15 |
| Resale Restrictions | Exhibit A |
| Line Information Database (LIDB) Storage Agreement | Exhibit B |
| Optional Daily Usage File (ODUF) | Exhibit C |
| Enhanced Option Daily Usage File (EODUF) | Exhibit D |
| Resale Discounts and Rates | Exhibit E |

RESALE

1. Discount Rates

- 1.1 The discount rates applied to Comm South purchases of BellSouth Telecommunications Services for the purpose of resale shall be as set forth in Exhibit E. Such discounts have been determined by the applicable Commission to reflect the costs avoided by BellSouth when selling a service for wholesale purposes.
- 1.2 The telecommunications services available for purchase by Comm South for the purposes of resale to Comm South's End Users shall be available at BellSouth's tariffed rates less the discount set forth in Exhibit E to this Agreement and subject to the exclusions and limitations set forth in Exhibit A to this Agreement.

2. Definition of Terms

- 2.1 **COMPETITIVE LOCAL EXCHANGE COMPANY (CLEC)** means a telephone company certificated by the Commission to provide local exchange service within BellSouth's franchised area.
- 2.2 **CUSTOMER OF RECORD** means the entity responsible for placing application for service; requesting additions, rearrangements, maintenance or discontinuance of service; payment in full of charges incurred such as non-recurring, monthly recurring, toll, directory assistance, etc.
- 2.3 **DEPOSIT** means assurance provided by a customer in the form of cash, surety bond or bank letter of credit to be held by BellSouth.
- 2.4 **END USER** means the ultimate user of the Telecommunications Service.
- 2.5 **END USER CUSTOMER LOCATION** means the physical location of the premises where an End User makes use of the telecommunications services.
- 2.6 **NEW SERVICES** means functions, features or capabilities that are not currently offered by BellSouth. This includes packaging of existing services or combining a new function, feature or capability with an existing service.
- 2.7 **RESALE** means an activity wherein a certificated CLEC, such as Comm South, subscribes to the telecommunications services of BellSouth and then offers those telecommunications services to the public.

3. General Provisions

- 3.1 All of the negotiated rates, terms and conditions set forth in this Attachment pertain to the resale of BellSouth's retail telecommunications services and other services specified in this Attachment. Subject to effective and applicable FCC and Commission rules and orders, BellSouth shall make available to Comm South for resale those telecommunications services BellSouth makes available, pursuant to its General Subscriber Services Tariff and Private Line Services Tariff, to customers who are not telecommunications carriers.
- 3.1.1 When Comm South provides Resale service in a cross boundary area (areas that are part of the local serving area of another state's exchange) the rates, regulations and discounts for the tariffing state will apply. Billing will be from the serving state.
- 3.1.2 In Tennessee, if Comm South does not resell Lifeline services to any end users, and if Comm South agrees to order an appropriate Operator Services/Directory Services block as set forth in BellSouth's General Subscriber Services Tariff, the discount shall be 21.56%.
- 3.1.2.1 In the event Comm South resells Lifeline service to any end user in Tennessee, BellSouth will begin applying the 16% discount rate to all services. Upon Comm South and BellSouth's implementation of a billing arrangement whereby a separate Master Account (Q-account) associated with a separate Operating Customer Number (OCN) is established for billing of Lifeline service end users, the discount shall be applied as set forth in 3.1.2 preceding for the non-Lifeline affected Master Account (Q-account).
- 3.1.2.2 <customer_name>> must provide written notification to BellSouth within 30 days prior to providing its own operator services/directory services or orders the appropriate operator services/directory assistance blocking, to qualify for the higher discount rate of 21.56%.
- 3.2 Comm South may purchase resale services from BellSouth for their own use in operating their business. The resale discount will apply to those services under the following conditions:
- 3.2.1 Comm South must resell services to other End Users.
- 3.2.2 Comm South cannot be a competitive local exchange telecommunications company for the single purpose of selling to themselves.
- 3.3 Comm South will be the customer of record for all services purchased from BellSouth. Except as specified herein, BellSouth will take orders from, bill and receive payment from Comm South for said services.

- 3.4 Comm South will be BellSouth's single point of contact for all services purchased pursuant to this Agreement. BellSouth shall have no contact with the End User except to the extent provided for herein. Each Party shall provide to the other a nation wide (50 states) toll-free contact number for purposes of repair and maintenance.
- 3.5 BellSouth will continue to bill the End User for any services that the End User specifies it wishes to receive directly from BellSouth. BellSouth maintains the right to serve directly any End User within the service area of Comm South. BellSouth will continue to market directly its own telecommunications products and services and in doing so may establish independent relationships with End Users of Comm South. Neither Party shall interfere with the right of any person or entity to obtain service directly from the other Party.
- 3.5.1 When a subscriber of Comm South or BellSouth elects to change his/her carrier to the other Party, both Parties agree to release the subscriber's service to the other Party concurrent with the due date of the service order, which shall be established based on the standard interval for the subscriber's requested service as set forth in the BellSouth Product and Services Interval Guide.
- 3.5.2 BellSouth and Comm South will refrain from contacting subscribers who have placed or whose selected carrier has placed on their behalf an order to change his/her service provider from BellSouth or Comm South to the other Party until such time that the order for service has been completed.
- 3.6 Current telephone numbers may normally be retained by the End User and are assigned to the service furnished. However, neither Party nor the End User has a property right to the telephone number or any other call number designation associated with services furnished by BellSouth, and no right to the continuance of service through any particular central office. BellSouth reserves the right to change such numbers, or the central office designation associated with such numbers, or both, whenever BellSouth deems it necessary to do so in the conduct of its business and in accordance with BellSouth practices and procedures on a nondiscriminatory basis.
- 3.7 Where BellSouth provides local switching or resold services to Comm South, BellSouth will provide Comm South with on line access to intermediate telephone numbers as defined by applicable FCC rules and regulations on a first come first served basis. Comm South acknowledges that such access to numbers shall be in accordance with the appropriate FCC rules and regulations. Comm South acknowledges that there may be instances where there is a shortage of telephone numbers in a particular Common Language Location Identifier Code (CLLIC); and in such instances, Comm South shall return unused intermediate telephone numbers to BellSouth upon BellSouth's request. BellSouth shall make all such requests on a nondiscriminatory basis.

- 3.8 BellSouth will allow Comm South to designate up to 100 intermediate telephone numbers per CLLIC, for Comm South's sole use. Assignment, reservation and use of telephone numbers shall be governed by applicable FCC rules and regulations. Comm South acknowledges that there may be instances where there is a shortage of telephone numbers in a particular CLLIC and BellSouth has the right to limit access to blocks of intermediate telephone numbers. These instances include: 1) where jeopardy status has been declared by the North American Numbering Plan (NANP) for a particular Numbering Plan Area (NPA); or 2) where a rate center has less than six months supply of numbering resources.
- 3.9 Service is furnished subject to the condition that it will not be used for any unlawful purpose.
- 3.10 Service will be discontinued if any law enforcement agency advises that the service being used is in violation of the law.
- 3.11 BellSouth can refuse service when it has grounds to believe that service will be used in violation of the law.
- 3.12 BellSouth will cooperate with law enforcement agencies with subpoenas and court orders relating to Comm South's End Users, pursuant to Section 6 of the General Terms and Conditions.
- 3.13 If Comm South or its End Users utilize a BellSouth resold telecommunications service in a manner other than that for which the service was originally intended as described in BellSouth's retail tariffs, Comm South has the responsibility to notify BellSouth. BellSouth will only provision and maintain said service consistent with the terms and conditions of the tariff describing said service.
- 3.14 Facilities and/or equipment utilized by BellSouth to provide service to Comm South remain the property of BellSouth.
- 3.15 White page directory listings for Comm South End Users will be provided in accordance with Section 5 of the General Terms and Conditions.
- 3.16 Service Ordering and Operational Support Systems (OSS)
- 3.16.1 Comm South must order services through resale interfaces, i.e., the Local Carrier Service Center (LCSC) and/or appropriate Complex Resale Support Group (CRSG) pursuant to this Agreement. BellSouth has developed and made available interactive interfaces by which Comm South may submit LSRs electronically as set forth in Attachment 6 of this Agreement. Service orders will be in a standard format designated by BellSouth.
- 3.16.2 LSRs submitted by means of one of these interactive interfaces will incur an OSS electronic charge as set forth in Exhibit E to this Agreement. An individual LSR will be identified for billing purposes by its Purchase Order Number (PON). LSRs

submitted by means other than one of these interactive interfaces (Mail, fax, courier, etc.) will incur a manual order charge as set forth in Exhibit E to this Agreement. Supplements or clarifications to a previously billed LSR will not incur another OSS charge.

- 3.16.3 Denial/Restoral OSS Charge. In the event Comm South provides a list of customers to be denied and restored, rather than an LSR, each location on the list will require a separate PON and therefore will be billed as one LSR per location.
- 3.16.4 Cancellation OSS Charge. Comm South will incur an OSS charge for an accepted LSR that is later canceled.
- 3.17 Where available to BellSouth's End Users, BellSouth shall provide the following telecommunications services at a discount to allow for voice mail services:
- Message Waiting Indicator ("MWI"), stutter dialtone and message waiting light feature capabilities
 - Call Forward Busy Line ("CF/B")
 - Call Forward Don't Answer ("CF/DA")
- Further, BellSouth messaging services set forth in BellSouth's Messaging Service Information Package shall be made available for resale without the wholesale discount.
- 3.19 BellSouth shall provide branding for, or shall unbrand, voice mail services for Comm South per the Bona Fide Request/New Business Request process as set forth in Section 11 of the General Terms and Conditions.
- 3.20 BellSouth's Inside Wire Maintenance Service Plan is available for resale at rates, terms and conditions as set forth by BellSouth and without the wholesale discount.
- 3.21 In the event Comm South acquires an end user whose service is provided pursuant to a BellSouth Special Assembly, BellSouth shall make available to Comm South that Special Assembly at the wholesale discount at Comm South's option. Comm South shall be responsible for all terms and conditions of such Special Assembly including but not limited to termination liability if applicable.
- 3.22 BellSouth shall provide 911/E911 for Comm South customers in the same manner that it is provided to BellSouth customers. BellSouth shall provide and validate Comm South customer information to the PSAP. BellSouth shall use its service order process to update and maintain, on the same schedule that it uses for its customers, the Comm South customer service information in the ALI/DMS (Automatic Location Identification/Location Information) databases used to support 911/E911 services.

- 3.23 BellSouth shall bill, and Comm South shall pay, the End User line charge associated with implementing Number Portability as set forth in BellSouth's FCC No. 1 tariff. This charge is not subject to the wholesale discount.
- 3.24 Pursuant to 47 CFR Section 51.617, BellSouth will bill to Comm South, and Comm South shall pay, End User common line charges identical to the End User common line charges BellSouth bills its End Users.
- 4. BellSouth's Provision of Services to Comm South**
- 4.1 Resale of BellSouth services shall be as follows:
- 4.1.1 The resale of telecommunications services shall be limited to users and uses conforming to the class of service restrictions.
- 4.1.2 Hotel and Hospital PBX services are the only telecommunications services available for resale to Hotel/Motel and Hospital End Users, respectively. Similarly, Access Line Service for Customer Provided Coin Telephones is the only local service available for resale to Payphone Service Provider (PSP) customers. Shared Tenant Service customers can only be sold those local exchange access services available in BellSouth's A23 Shared Tenant Service Tariff in the states of Florida, Georgia, North Carolina and South Carolina, and in A27 in the states of Alabama, Kentucky, Louisiana, Mississippi and Tennessee.
- 4.1.3 BellSouth reserves the right to periodically audit services purchased by Comm South to establish authenticity of use. Such audit shall not occur more than once in a calendar year. Comm South shall make any and all records and data available to BellSouth or BellSouth's auditors on a reasonable basis. BellSouth shall bear the cost of said audit. Any information provided by Comm South for purposes of such audit shall be deemed Confidential Information pursuant to the General Terms and Conditions of this Agreement.
- 4.2 Subject to Exhibit A hereto, resold services can only be used in the same manner as specified in BellSouth's Tariffs. Resold services are subject to the same terms and conditions as are specified for such services when furnished to an individual End User of BellSouth in the appropriate section of BellSouth's Tariffs. Specific tariff features (e.g. a usage allowance per month) shall not be aggregated across multiple resold services.
- 4.3 Comm South may resell services only within the specific service area as defined in its certificate of operation approved by the Commission.
- 4.4 If Comm South cancels an order for resold services, any costs incurred by BellSouth in conjunction with provisioning of such order will be recovered in accordance with BellSouth's General Subscriber Services Tariffs and Private Line Services Tariffs.

5. Maintenance of Services

- 5.1 Services resold pursuant to this Attachment and BellSouth's General Subscriber Service Tariff and Private Line Service Tariff and facilities and equipment provided by BellSouth shall be maintained by BellSouth.
- 5.2 Comm South or its End Users may not rearrange, move, disconnect, remove or attempt to repair any facilities owned by BellSouth except with the written consent of BellSouth.
- 5.3 Comm South accepts responsibility to notify BellSouth of situations that arise that may result in a service problem.
- 5.4 Comm South will contact the appropriate repair centers in accordance with procedures established by BellSouth.
- 5.5 For all repair requests, Comm South shall adhere to BellSouth's prescreening guidelines prior to referring the trouble to BellSouth.
- 5.6 BellSouth will bill Comm South for handling troubles that are found not to be in BellSouth's network pursuant to its standard time and material charges. The standard time and material charges will be no more than what BellSouth charges to its retail customers for the same services.
- 5.7 BellSouth reserves the right to contact Comm South's End Users, if deemed necessary, for maintenance purposes.

6. Establishment of Service

- 6.1 After receiving certification as a local exchange company from the appropriate regulatory agency, Comm South will provide the appropriate BellSouth service center the necessary documentation to enable BellSouth to establish a master account for Comm South's resold services. Such documentation shall include the Application for Master Account, proof of authority to provide telecommunications services, an Operating Company Number ("OCN") assigned by the National Exchange Carriers Association ("NECA") and a tax exemption certificate, if applicable.
- 6.2 BellSouth will accept a request directly from the End User for conversion of the End User's service from Comm South to BellSouth or will accept a request from another CLEC for conversion of the End User's service from Comm South to such other CLEC. Upon completion of the conversion BellSouth will notify Comm South that such conversion has been completed.

7. Discontinuance of Service

- 7.1 The procedures for discontinuing service to an End User are as follows:

- 7.1.1 BellSouth will deny service to Comm South's End User on behalf of, and at the request of, Comm South. Upon restoration of the End User's service, restoral charges will apply and will be the responsibility of Comm South.
- 7.1.2 At the request of Comm South, BellSouth will disconnect a Comm South End User customer.
- 7.1.3 All requests by Comm South for denial or disconnection of an End User for nonpayment must be in writing.
- 7.1.4 Comm South will be made solely responsible for notifying the End User of the proposed disconnection of the service.
- 7.1.5 BellSouth will continue to process calls made to the Annoyance Call Center and will advise Comm South when it is determined that annoyance calls are originated from one of its End User's locations. BellSouth shall be indemnified, defended and held harmless by Comm South and/or the End User against any claim, loss or damage arising from providing this information to Comm South. It is the responsibility of Comm South to take the corrective action necessary with its End Users who make annoying calls. (Failure to do so will result in BellSouth's disconnecting the End User's service.)

8.0 Operator Services (Operator Call Processing and Directory Assistance)

- 8.1 Operator Services provides: (1) operator handling for call completion (for example, collect, third number billing, and manual calling-card calls). (2) operator or automated assistance for billing after the end user has dialed the called number (for example, calling card calls); and (3) special services including but not limited to Busy Line Verification and Emergency Line Interrupt (ELI), Emergency Agency Call and Operator-assisted Directory Assistance.
- 8.2 Upon request for BellSouth Operator Call Processing, BellSouth shall:
 - 8.2.1 Process 0+ and 0- dialed local calls
 - 8.2.2 Process 0+ and 0- intraLATA toll calls.
 - 8.2.3 Process calls that are billed to Comm South end user's calling card that can be validated by BellSouth.
 - 8.2.4 Process person-to-person calls.
 - 8.2.5 Process collect calls.
 - 8.2.6 Provide the capability for callers to bill a third party and shall also process such calls.

- 8.2.7 Process station-to-station calls.
- 8.2.8 Process Busy Line Verify and Emergency Line Interrupt requests.
- 8.2.9 Process emergency call trace originated by Public Safety Answering Points.
- 8.2.10 Process operator-assisted directory assistance calls.
- 8.2.11 Adhere to equal access requirements, providing Comm South local end users the same IXC access that BellSouth provides its own operator service.
- 8.2.12 Exercise at least the same level of fraud control in providing Operator Service to Comm South that BellSouth provides for its own operator service.
- 8.2.13 Perform Billed Number Screening when handling Collect, Person-to-Person, and Billed-To-Third-Party calls.
- 8.2.14 Direct customer account and other similar inquiries to the customer service center designated by Comm South.
- 8.2.15 Provide call records to Comm South in accordance with ODUF standards.
- 8.2.16 The interface requirements shall conform to the interface specifications for the platform used to provide Operator Services as long as the interface conforms to industry standards.
- 8.3 Directory Assistance Service
 - 8.3.1 Directory Assistance Service provides local end user telephone number listings with the option to complete the call at the caller's direction separate and distinct from local switching.
 - 8.3.2 Directory Assistance Service shall provide up to two listing requests per call, if available and if requested by Comm South's end user. BellSouth shall provide caller-optional directory assistance call completion service at rates contained in Exhibit E to one of the provided listings.
 - 8.3.3 Directory Assistance Service Updates
 - 8.3.3.1 BellSouth shall update end user listings changes daily. These changes include:
 - 8.3.3.1.1 New end user connections
 - 8.3.3.1.2 End user disconnections
 - 8.3.3.1.3 End user address changes

- 8.3.3.2 These updates shall also be provided for non-listed and non-published numbers for use in emergencies.
- 8.4 Branding for Operator Call Processing and Directory Assistance
- 8.4.1 BellSouth's branding feature provides a definable announcement to Comm South end users using Directory Assistance (DA)/ Operator Call Processing (OCP) prior to placing such end users in queue or connecting them to an available operator or automated operator system. This feature allows Comm South's name on whose behalf BellSouth is providing Directory Assistance and/or Operator Call Processing. Rates for the branding features are set forth in Exhibit E.
- 8.4.2 BellSouth offers three branding offering option to Comm South when ordering BellSouth's Directory Assistance and Operator Call Processing: BellSouth Branding, Unbranding and Custom Branding.
- 8.4.3 Upon receipt of the branding order from Comm South, the order is considered firm after ten (10) business days. Should Comm South decide to cancel the order, written notification to Comm South's BellSouth Account Executive is required. If Comm South decides to cancel after ten (10) business days from receipt of the branding order, Comm South shall pay all charges per the order.
- 8.4.4 Selective Call Routing using Line Class Codes (SCR-LCC)
- 8.4.4.1 Where Comm South resells BellSouth's services and utilizes an operator services provider other than BellSouth, BellSouth will route Comm South's end user calls to that provider through Selective Call Routing.
- 8.4.4.2 Selective Call Routing using Line Class Codes (SCR-LCC) provides the capability for Comm South to have its OCP/DA calls routed to BellSouth's OCP/DA platform for BellSouth provided Custom Branded or Unbranded OCP/DA or to its own or an alternate OCP/DA platform for Self-Branded OCP/DA. SCR-LCC is only available if line class code capacity is available in the requested BellSouth end office switches.
- 8.4.4.3 Custom Branding for Directory Assistance is not available for certain classes of service, including but not limited to Hotel/Motel services, WATS service and certain PBX services.
- 8.4.4.4 Where available, Comm South specific and unique line class codes are programmed in each BellSouth end office switch were Comm South intends to service end users with customized OCP/DA branding. The line class codes specifically identify Comm South's end users so OCP/DA calls can be routed over the appropriate trunk group to the request OCP/DA platform. Additional line class codes are required in each end office if the end office serves multiple NPAs

(i.e., a unique LCC is required per NPA), and/or if the end office switch serves multiple rate areas and Comm South intends to provide Comm South-branded OCP/DA to its end users in these multiple rate areas.

- 8.4.4.5 SCR-LCC supporting Custom Branding and Self Branding require Comm South to order dedicated transport and trunking from each BellSouth end office identified by Comm South, either to the BellSouth Traffic Operator Position System (TOPS) for Custom Branding or to the Comm South Operator Service Provider for Self Branding. Separate trunk groups are required for Operator Services and for Directory Assistance. Rates for transport and trunks are as set forth in applicable BellSouth Tariffs.
- 8.4.4.6 The rates for SCR-LCC are as set forth in Exhibit E of this Attachment. There is a nonrecurring charge for the establishment of each Line Class Code in each BellSouth central office.
- 8.4.4.7 Unbranded Directory Assistance and/or Operator Call Processing calls ride common trunk groups provisioned by BellSouth from those end offices identified by Comm South to the BellSouth Tops. The calls are routed to "No Announcement."
- 8.4.5 Branding via Originating Line Number Screening (OLNS)
- 8.4.5.1 BellSouth Branding, Unbranding and Custom Branding are also available for Directory Assistance, Operator Call Processing or both via OLNS software. When utilizing this method of Unbranding or Custom Branding, Comm South shall not be required to purchase direct trunking.
- 8.4.5.2 For Bellsouth to provide Unbranding or Custom Branding via OLNS software for Operator Call Processing or for Directory Assistance, Comm South must have its Operating Company Number ("OCN(s)") and telephone numbers reside in BellSouth's LIDB; however, a BellSouth LIDB Storage Agreement is not required. To implement Unbranding and Custom Branding via OLNS software, Comm South must submit a manual order form which requires, among other things, Comm South's OCN and a forecast for the traffic volume anticipated for each BellSouth TOPS during the peak busy hour. Comm South shall provide updates to such forecast on a quarterly basis and at any time such forecasted traffic volumes are expected to change significantly. Upon Comm South's purchase of Unbranding or Custom Branding using OLNS software for any particular TOPS, all Comm South end users served by that TOPS will receive the Unbranded "no announcement" or the Custom Branded announcement.
- 8.4.5.3 Rates for Unbranding and Custom Branding via OLNS software for Directory Assistance and for Operator Call Processing are as set forth in Exhibit E of this

Attachment. Notwithstanding anything to the contrary in this Agreement, to the extent BellSouth is unable to bill Comm South applicable charges currently, BellSouth shall track such charges and will bill the same retroactively at such time as a billing process is implemented. In addition to the charges for Unbranding and Custom Branding via OLNS software, Comm South shall continue to pay BellSouth applicable labor and other charges for the use of BellSouth's Directory Assistance and Operator Call Processing platforms as set forth in Exhibit E of this Attachment.

- 8.4.5.4 Customized Branding includes charges for the recording of the branding announcement and the loading of the audio units in each TOPS Switch and Network Applications Vehicles (NAV) equipment for which Comm South requires service.
- 8.4.5.5 Directory Assistance customized branding uses:
 - 8.4.5.5.1 the recording of Comm South
 - 8.4.5.5.2 the loading on the Digital Recorded Announcement Machine (DRAM) in each TOPS switch.
- 8.4.5.6 Operator Call Processing customized branding uses:
 - 8.4.5.6.1 the recording of Comm South
 - 8.4.5.6.2 the loading on the DRAM in the TOPS Switch (North Carolina)
 - 8.4.5.6.3 the loading on the Network Applications Vehicle (NAV). All NAV shelves within the region where the customer is offering service must be loaded.

9. Line Information Database (LIDB)

- 9.1 BellSouth will store in its Line Information Database (LIDB) records relating to service only in the BellSouth region. The LIDB Storage Agreement is included in this Attachment as Exhibit B.
- 9.2 BellSouth will provide LIDB Storage upon written request to Comm South's Account Manager stating a requested activation date.

10. RAO Hosting

- 10.1 RAO Hosting is not required for resale in the BellSouth region.

11. Optional Daily Usage File (ODUF)

- 11.1 The Optional Daily Usage File (ODUF) Agreement with terms and conditions is included in this Attachment as Exhibit C. Rates for ODUF are as set forth in Attachment 7 of this Agreement.

11.2 BellSouth will provide ODUF service upon written request to its Account Manager stating a requested activation date.

12. Enhanced Optional Daily Usage File (EODUF)

12.1 The Enhanced Optional Daily Usage File (EODUF) service Agreement with terms and conditions is included in this Attachment as Exhibit E. Rates for EODUF are as set forth in Exhibit E of this Attachment.

12.2 BellSouth will provide EODUF service upon written request to its Account Manager stating a requested activation date.

EXCLUSIONS AND LIMITATIONS ON SERVICES AVAILABLE FOR RESALE (Note 5)

| Type of Service | AL | | FL | | GA | | KY | | LA | | MS | | NC | | SC | | TN | |
|---|---|----------|--------|----------|--------|----------|--------|----------|--------|----------|--------|----------|--------|----------|--------|----------|--------|----------|
| | Resale | Discount | Resale | Discount | Resale | Discount | Resale | Discount | Resale | Discount | Resale | Discount | Resale | Discount | Resale | Discount | Resale | Discount |
| 1 Grandfathered Services (Note 1) | Yes | Yes | Yes | Yes | Yes | Yes | Yes | Yes | Yes | Yes | Yes | Yes | Yes | Yes | Yes | Yes | Yes | Yes |
| 2 Promotions - > 90 Days(Note 2) | Yes | Yes | Yes | Yes | Yes | Yes | Yes | Yes | Yes | Yes | Yes | Yes | Yes | Yes | Yes | Yes | Yes | Note 3 |
| 3 Promotions - ≤ 90 Days (Note 2) | Yes | No | Yes | No | Yes | No | Yes | No | Yes | No | Yes | No | Yes | No | Yes | No | Yes | No |
| 4 Lifeline/Link Up Services | Yes | Yes | Yes | Yes | Yes | Yes | Yes | Note 4 | Yes | Yes | Yes | Yes | Yes | Yes | Yes | Yes | Yes | Yes |
| 5 911/E911 Services | Yes | Yes | Yes | Yes | Yes | Yes | Yes | Yes | No | No | Yes | Yes | Yes | Yes | Yes | Yes | Yes | Yes |
| 6 N11 Services | Yes | Yes | Yes | Yes | Yes | Yes | No | No | No | No | Yes | Yes | Yes | Yes | No | No | Yes | Yes |
| 7 MemoryCall® Service | Yes | No | Yes | No | Yes | No | Yes | No | Yes | No | Yes | No | Yes | No | Yes | No | Yes | No |
| 8 Mobile Services | Yes | No | Yes | No | Yes | No | Yes | No | Yes | No | Yes | No | Yes | No | Yes | No | Yes | No |
| 9 Federal Subscriber Line Charges | Yes | No | Yes | No | Yes | No | Yes | No | Yes | No | Yes | No | Yes | No | Yes | No | Yes | No |
| 10 Non-RecurCharges | Yes | Yes | Yes | Yes | Yes | Yes | Yes | Yes | Yes | Yes | Yes | Yes | Yes | Yes | Yes | Yes | Yes | No |
| 11 End User Line Chg-Number Portability | Yes | No | Yes | No | Yes | No | Yes | No | Yes | No | Yes | No | Yes | No | Yes | No | Yes | No |
| 12 Public Telephone Access Svc(PTAS) | Yes | Yes | Yes | Yes | Yes | Yes | Yes | Yes | Yes | Yes | Yes | Yes | Yes | Yes | Yes | No | Yes | Yes |
| 13 Inside Wire Maint Service Plan | Yes | No | Yes | No | Yes | No | Yes | No | Yes | No | Yes | No | Yes | No | Yes | No | Yes | No |
| Applicable Notes: | | | | | | | | | | | | | | | | | | |
| 1. | Grandfathered services can be resold only to existing subscribers of the grandfathered service. | | | | | | | | | | | | | | | | | |
| 2. | Where available for resale, promotions will be made available only to End Users who would have qualified for the promotion had it been provided by BellSouth directly. | | | | | | | | | | | | | | | | | |
| 3. | In Tennessee, long-term promotions (offered for more than ninety (90) days) may be obtained at one of the following rates: | | | | | | | | | | | | | | | | | |
| | (a) the stated tariff rate, less the wholesale discount; | | | | | | | | | | | | | | | | | |
| | (b) the promotional rate (the promotional rate offered by BellSouth will not be discounted further by the wholesale discount rate) | | | | | | | | | | | | | | | | | |
| 4. | Lifeline/Link Up services may be offered only to those subscribers who meet the criteria that BellSouth currently applies to subscribers of these services as set forth in Sections A3 and A4 of the BellSouth General Subscriber Services Tariff. | | | | | | | | | | | | | | | | | |
| 5. | Some of BellSouth's local exchange and toll telecommunications services are not available in certain central offices and areas. | | | | | | | | | | | | | | | | | |

LINE INFORMATION DATA BASE (LIDB)

RESALE STORAGE AGREEMENT

I. Definitions (from Addendum)

- A. Billing number - a number used by BellSouth for the purpose of identifying an account liable for charges. This number may be a line or a special billing number.
- B. Line number - a ten-digit number assigned by BellSouth that identifies a telephone line associated with a resold local exchange service, or with a SPNP arrangement.
- C. Special billing number - a ten-digit number that identifies a billing account established by BellSouth in connection with a resold local exchange service or with a SPNP arrangement.
- D. Calling Card number - a billing number plus PIN number assigned by BellSouth.
- E. PIN number - a four-digit security code assigned by BellSouth that is added to a billing number to compose a fourteen-digit calling card number.
- F. Toll billing exception indicator - associated with a billing number to indicate that it is considered invalid for billing of collect calls or third number calls or both, by Comm South.
- G. Billed Number Screening - refers to the activity of determining whether a toll billing exception indicator is present for a particular billing number.
- H. Calling Card Validation - refers to the activity of determining whether a particular calling card number exists as stated or otherwise provided by a caller.
- I. Billing number information - information about billing number or Calling Card number as assigned by BellSouth and toll billing exception indicator provided to BellSouth by Comm South.

II. General

- A. This Agreement sets forth the terms and conditions pursuant to which BellSouth agrees to store in its LIDB certain information at the request of Comm South and pursuant to which BellSouth, its LIDB customers and Comm South shall have access to such information. In addition, this Agreement sets forth the terms and conditions for Comm South's provision of billing number information to BellSouth for inclusion

in BellSouth's LIDB. Comm South understands that BellSouth provides access to information in its LIDB to various telecommunications service providers pursuant to applicable tariffs and agrees that information stored at the request of Comm South, pursuant to this Agreement, shall be available to those telecommunications service providers. The terms and conditions contained herein shall hereby be made a part of this Interconnection/Resale Agreement upon notice to Comm South's account team and/or Local Contract Manager to activate this LIDB Storage Agreement. The General Terms and Conditions of the Interconnection/Resale Agreement shall govern this LIDB Storage Agreement. The terms and conditions contained in the attached Addendum are hereby made a part of this LIDB Storage Agreement as if fully incorporated herein.

B. BellSouth will provide responses to on-line, call-by-call queries to billing number information for the following purposes:

1. Billed Number Screening

BellSouth is authorized to use the billing number information to determine whether Comm South has identified the billing number as one that should not be billed for collect or third number calls.

2. Calling Card Validation

BellSouth is authorized to validate a 14-digit Calling Card number where the first 10 digits are a line number or special billing number assigned by BellSouth, and where the last four digits (PIN) are a security code assigned by BellSouth.

3. Fraud Control

BellSouth will provide seven days per week, 24-hours per day, fraud monitoring on Calling Cards, bill-to-third and collect calls made to numbers in BellSouth's LIDB, provided that such information is included in the LIDB query. BellSouth will establish fraud alert thresholds and will notify Comm South of fraud alerts so that Comm South may take action it deems appropriate.

III. Responsibilities of the Parties

A. BellSouth will administer all data stored in the LIDB, including the data provided by Comm South pursuant to this Agreement, in the same manner as BellSouth's data for BellSouth's End User customers. BellSouth shall not be responsible to Comm South for any lost revenue which may result from BellSouth's administration of the LIDB pursuant to its established practices and procedures as they exist and as they may be changed by BellSouth in its sole discretion from time to time.

B. Billing and Collection Customers

BellSouth currently has in effect numerous billing and collection agreements with various interexchange carriers and billing clearing houses and as such these billing and collection customers (“B&C Customers”) query BellSouth’s LIDB to determine whether to accept various billing options from End Users. Until such time as BellSouth implements in its LIDB and its supporting systems the means to differentiate Comm South’s data from BellSouth’s data, the following shall apply:

- (1) Comm South will accept responsibility for telecommunications services billed by BellSouth for its B&C Customers for Comm South’s End User accounts which are resident in LIDB pursuant to this Agreement. Comm South authorizes BellSouth to place such charges on Comm South’s bill from BellSouth and shall pay all such charges, including, but are not limited to, collect and third number calls.
- (2) Charges for such services shall appear on a separate BellSouth bill page identified with the name of the B&C Customers for which BellSouth is billing the charge.
- (3) Comm South shall have the responsibility to render a billing statement to its End Users for these charges, but Comm South shall pay BellSouth for the charges billed regardless of whether Comm South collects from Comm South’s End Users.
- (4) BellSouth shall have no obligation to become involved in any disputes between Comm South and B&C Customers. BellSouth will not issue adjustments for charges billed on behalf of any B&C Customer to Comm South. It shall be the responsibility of Comm South and the B&C Customers to negotiate and arrange for any appropriate adjustments.

C. SPNP ARRANGEMENTS

1. BellSouth will include billing number information associated with resold exchange lines or SPNP arrangements in its LIDB. Comm South will request any toll billing exceptions via the Local Service Request (LSR) form used to order resold exchange lines, or the SPNP service request form used to order SPNP arrangements.
2. Under normal operating conditions, BellSouth shall include the billing number information in its LIDB upon completion of the service order establishing either the resold local exchange service or the SPNP arrangement, provided that BellSouth shall not be held responsible for any delay or failure in performance to the extent such delay or failure is caused by circumstances or conditions beyond BellSouth’s reasonable control. BellSouth will store in its LIDB an unlimited volume of the working telephone numbers associated with either the resold local exchange lines or the SPNP arrangements. For resold local exchange lines or for SPNP arrangements, BellSouth will issue line-based calling cards only in the name of Comm South. BellSouth will not issue line-based calling cards in the name of Comm South’s individual End Users. In the event that Comm South wants to

include calling card numbers assigned by Comm South in the BellSouth LIDB, a separate agreement is required.

IV. Fees for Service and Taxes

- A. Comm South will not be charged a fee for storage services provided by BellSouth to Comm South, as described in this LIDB Resale Storage Agreement.
- B. Sales, use and all other taxes (excluding taxes on BellSouth's income) determined by BellSouth or any taxing authority to be due to any federal, state or local taxing jurisdiction with respect to the provision of the service set forth herein will be paid by Comm South in accordance with the tax provisions set forth in the General Terms and Conditions of this Agreement.

Optional Daily Usage File

1. Upon written request from Comm South, BellSouth will provide the Optional Daily Usage File (ODUF) service to Comm South pursuant to the terms and conditions set forth in this section.
2. Comm South shall furnish all relevant information required by BellSouth for the provision of the Optional Daily Usage File.
3. The ODUF feed will contain billable messages that were carried over the BellSouth Network and processed in the BellSouth Billing System, but billed to a Comm South customer.

Charges for delivery of the Optional Daily Usage File will appear on Comm South's monthly bills. The charges are as set forth in Attachment 7 of this Agreement.

4. The ODUF feed will contain both rated and unrated messages. All messages will be in the standard Alliance for Telecommunications Industry Solutions (ATIS) EMI record format.
5. Messages that error in Comm South's billing system will be the responsibility of Comm South. If, however, Comm South should encounter significant volumes of errored messages that prevent processing by Comm South within its systems, BellSouth will work with Comm South to determine the source of the errors and the appropriate resolution.
6. The following specifications shall apply to the ODUF feed.

6.1 Usage To Be Transmitted

6.1.1 The following messages recorded by BellSouth will be transmitted to Comm South:

- Message recording for per use/per activation type services (examples: Three Way Calling, Verify, Interrupt, Call Return, etc.)
- Measured billable Local
- Directory Assistance messages
- IntraLATA Toll

- WATS and 800 Service

- N11
 - Information Service Provider Messages
 - Operator Services Messages
 - Operator Services Message Attempted Calls (UNE only)
 - Credit/Cancel Records
 - Usage for Voice Mail Message Service
- 6.1.2 Rated Incollects (originated in BellSouth and from other companies) can also be on Optional Daily Usage File. Rated Incollects will be intermingled with BellSouth recorded rated and unrated usage. Rated Incollects will not be packed separately.
- 6.1.3 BellSouth will perform duplicate record checks on records processed to Optional Daily Usage File. Any duplicate messages detected will be deleted and not sent to Comm South.
- 6.1.4 In the event that Comm South detects a duplicate on Optional Daily Usage File they receive from BellSouth, Comm South will drop the duplicate message (Comm South will not return the duplicate to BellSouth).
- 6.2 Physical File Characteristics
- 6.2.1 The Optional Daily Usage File will be distributed to Comm South via an agreed medium with CONNECT:Direct being the preferred transport method. The ODUF feed will be a variable block format (2476) with an LRECL of 2472. The data on the ODUF feed will be in a non-compacted EMI format (175 byte format plus modules). It will be created on a daily basis (Monday through Friday except holidays). Details such as dataset name and delivery schedule will be addressed during negotiations of the distribution medium. There will be a maximum of one dataset per workday per OCN.
- 6.2.2 Data circuits (private line or dial-up) will be required between BellSouth and Comm South for the purpose of data transmission. Where a dedicated line is required, Comm South will be responsible for ordering the circuit, overseeing its installation and coordinating the installation with BellSouth. Comm South will also be responsible for any charges associated with this line. Equipment required on the BellSouth end to attach the line to the mainframe computer and to transmit successfully ongoing will be negotiated on an individual case basis. Where a dial-up facility is required, dial circuits will be installed in the BellSouth data center by BellSouth and the associated charges assessed to Comm South. Additionally, all message toll charges associated with the use of the dial circuit by Comm South will be the responsibility of Comm South. Associated equipment on the BellSouth end, including a modem, will be negotiated on

an individual case basis between the Parties. All equipment, including modems and software, that is required on Comm South end for the purpose of data transmission will be the responsibility of Comm South.

6.3 Packing Specifications

6.3.1 A pack will contain a minimum of one message record or a maximum of 99,999 message records plus a pack header record and a pack trailer record. One transmission can contain a maximum of 99 packs and a minimum of one pack.

6.3.2 The OCN, From RAO, and Invoice Number will control the invoice sequencing. The From RAO will be used to identify to Comm South which BellSouth RAO is sending the message. BellSouth and Comm South will use the invoice sequencing to control data exchange. BellSouth will be notified of sequence failures identified by Comm South and resend the data as appropriate.

THE DATA WILL BE PACKED USING ATIS EMI RECORDS.

6.4 Pack Rejection

6.4.1 Comm South will notify BellSouth within one business day of rejected packs (via the mutually agreed medium). Packs could be rejected because of pack sequencing discrepancies or a critical edit failure on the Pack Header or Pack Trailer records (i.e. out-of-balance condition on grand totals, invalid data populated). Standard ATIS EMI Error Codes will be used. Comm South will not be required to return the actual rejected data to BellSouth. Rejected packs will be corrected and retransmitted to Comm South by BellSouth.

6.5 Control Data

Comm South will send one confirmation record per pack that is received from BellSouth. This confirmation record will indicate Comm South received the pack and the acceptance or rejection of the pack. Pack Status Code(s) will be populated using standard ATIS EMI error codes for packs that were rejected by Comm South for reasons stated in the above section.

6.6 Testing

6.6.1 Upon request from Comm South, BellSouth shall send test files to Comm South for the Optional Daily Usage File. The Parties agree to review and discuss the file's content and/or format. For testing of usage results, BellSouth shall request that Comm South set up a production (LIVE) file. The live test may consist of Comm South's employees making test calls for the types of services Comm South requests on the Optional Daily Usage File. These test calls are logged by Comm South, and the logs are provided to BellSouth. These logs will be used to verify the files. Testing

will be completed within 30 calendar days from the date on which the initial test file was sent.

Enhanced Optional Daily Usage File

1. Upon written request from Comm South, BellSouth will provide the Enhanced Optional Daily Usage File (EODUF) service to Comm South pursuant to the terms and conditions set forth in this section. EODUF will only be sent to existing ODUF subscribers who request the EODUF option.
2. Comm South shall furnish all relevant information required by BellSouth for the provision of the Enhanced Optional Daily Usage File.
3. The Enhanced Optional Daily Usage File (EODUF) will provide usage data for local calls originating from resold Flat Rate Business and Residential Lines.
4. Charges for delivery of the Enhanced Optional Daily Usage File will appear on Comm South's monthly bills. The charges are as set forth in Exhibit E to this Attachment.
5. All messages will be in the standard Alliance for Telecommunications Industry Solutions (ATIS) EMI record format.
6. Messages that error in the billing system of Comm South will be the responsibility of Comm South. If, however, Comm South should encounter significant volumes of errored messages that prevent processing by Comm South within its systems, BellSouth will work with Comm South to determine the source of the errors and the appropriate resolution.
7. The following specifications shall apply to the ODUF feed.
 - 7.1 **Usage To Be Transmitted**
 - 7.1.1 The following messages recorded by BellSouth will be transmitted to Comm South:

Customer usage data for flat rated local call originating from Comm South's End User lines (1FB or 1FR). The EODUF record for flat rate messages will include:

Date of Call

From Number

To Number

Connect Time

Conversation Time

Method of Recording

From RAO

Rate Class

Message Type

Billing Indicators

Bill to Number

7.1.2 BellSouth will perform duplicate record checks on EODUF records processed to Optional Daily Usage File. Any duplicate messages detected will be deleted and not sent to Comm South.

7.1.3 In the event that Comm South detects a duplicate on Enhanced Optional Daily Usage File they receive from BellSouth, Comm South will drop the duplicate message (Comm South will not return the duplicate to BellSouth).

7.2 Physical File Characteristics

7.2.1 The EODUF feed will be distributed to Comm South over their existing Optional Daily Usage File (ODUF) feed. The EODUF messages will be intermingled among Comm South's Optional Daily Usage File (ODUF) messages. The EODUF will be a variable block format (2476) with an LRECL of 2472. The data on the EODUF will be in a non-compacted EMI format (175 byte format plus modules). It will be created on a daily basis (Monday through Friday except holidays).

7.2.2 Data circuits (private line or dial-up) may be required between BellSouth and Comm South for the purpose of data transmission. Where a dedicated line is required, Comm South will be responsible for ordering the circuit, overseeing its installation and coordinating the installation with BellSouth. Comm South will also be responsible for any charges associated with this line. Equipment required on the BellSouth end to attach the line to the mainframe computer and to transmit successfully ongoing will be negotiated on an individual case basis. Where a dial-up facility is required, dial circuits will be installed in the BellSouth data center by BellSouth and the associated charges assessed to Comm South. Additionally, all message toll charges associated with the use of the dial circuit by Comm South will be the responsibility of Comm South. Associated equipment on the BellSouth end, including a modem, will be negotiated on an individual case basis between the Parties. All equipment, including modems and software, that is required on Comm South's end for the purpose of data transmission will be the responsibility of Comm South.

7.3 Packing Specifications

- 7.3.1 A pack will contain a minimum of one message record or a maximum of 99,999 message records plus a pack header record and a pack trailer record. One transmission can contain a maximum of 99 packs and a minimum of one pack.
- 7.3.2 The Operating Company Number (OCN), From Revenue Accounting Office (RAO), and Invoice Number will control the invoice sequencing. The From RAO will be used to identify to Comm South which BellSouth RAO is sending the message. BellSouth and Comm South will use the invoice sequencing to control data exchange. BellSouth will be notified of sequence failures identified by Comm South and resend the data as appropriate.

THE DATA WILL BE PACKED USING ATIS EMI RECORDS.

RESALE DISCOUNTS AND RATES

| | ALABAMA | FLORIDA | GEORGIA | KENTUCKY | LOUISIANA | MISSISSIPPI | NORTH CAROLINA | SOUTH CAROLINA | TENNESSEE | |
|--|-------------|-------------|-------------|-------------|-------------|-------------|----------------|----------------|-------------|-------------|
| APPLICABLE DISCOUNTS | | | | | | | | | | |
| RESIDENCE | 16.3% | 21.83% | 20.3% | 16.79% | 20.72% | 15.75% | 21.5% | 14.8% | 16% | |
| BUSINESS | 16.3% | 16.81% | 17.3% | 15.54% | 20.72% | 15.75% | 17.6% | 14.8% | 16% | |
| CSAs* | | | | | 9.05% | | | 8.98% | | |
| * Unless noted in this row, the discount for Business will be the applicable discount rate for CSAs. | | | | | | | | | | |
| OPERATIONAL SUPPORT SYSTEMS (OSS) RATES | | | | | | | | | | |
| <u>ELEMENT</u> | <u>USOC</u> | | | | | | | | | |
| Electronic LSR | SOME C | \$3.50 | \$3.50 | \$3.50 | \$3.50 | \$3.50 | \$3.50 | \$3.50 | \$3.50 | |
| Manual LSR | SOMAN | \$19.99 | \$19.99 | \$19.99 | \$19.99 | \$19.99 | \$19.99 | \$19.99 | \$19.99 | |
| ENHANCED OPTIONAL DAILY USAGE FILE (EODUF) RATES | | | | | | | | | | |
| EODUF: Message Processing, per message | | \$0.004 | \$0.229109 | \$0.0034555 | \$0.235889 | \$0.250015 | \$0.250424 | \$0.004 | \$0.258301 | \$0.004 |
| OPERATOR SERVICES (OPERATOR CALL PROCESSING AND DIRECTORY ASSISTANCE) | | | | | | | | | | |
| SELECTIVE CALL ROUTING USING LINE CLASS CODES (SCR-LCC) | | | | | | | | | | |
| <u>ELEMENT</u> | <u>USOC</u> | | | | | | | | | |
| <u>Nonrecurring Charge:</u> | | | | | | | | | | |
| Per Unique LCC, per Request, per Switch | | \$230.60 | \$84.33 | \$180.62 | \$229.65 | \$82.25 | \$227.99 | \$229.65 | \$226.22 | \$179.80 |
| <u>Nonrecurring Disconnect Charge:</u> Per Unique LCC, per Request, per Switch | | NA | \$11.46 | NA | NA | NA | NA | NA | NA | NA |
| CUSTOM BRANDING ANNOUNCEMENT (CBA) | | | | | | | | | | |
| DIRECTORY ASSISTANCE (DA) CBA via OLNS SOFTWARE | | | | | | | | | | |
| Recording of DA CBA | | \$3,000.00 | \$3,000.00 | \$3,000.00 | \$3,000.00 | \$3,000.00 | \$3,000.00 | \$3,000.00 | \$3,000.00 | \$3,000.00 |
| Loading of DA CBA per DRAM Card/Switch per OCN | | \$1, 700.00 | \$1, 700.00 | \$1, 700.00 | \$1, 700.00 | \$1, 700.00 | \$1, 700.00 | \$1, 700.00 | \$1, 700.00 | \$1, 700.00 |

RESALE DISCOUNTS AND RATES

| | ALABAMA | FLORIDA | GEORGIA | KENTUCKY | LOUISIANA | MISSISSIPPI | NORTH CAROLINA | SOUTH CAROLINA | TENNESSEE |
|---|------------|------------|------------|------------|------------|-------------|----------------|----------------|------------|
| CUSTOM BRANDING ANNOUNCEMENT (CBA) CONT'd | | | | | | | | | |
| DIRECTORY ASSISTANCE (DA) UNBRANDING via OLNS SOFTWARE | | | | | | | | | |
| Loading of DA per OCN (1 OCN per Order) | \$420.00 | \$420.00 | \$420.00 | \$420.00 | \$420.00 | \$420.00 | \$420.00 | \$420.00 | \$420.00 |
| Loading of DA per Switch, per OCN | \$16.00 | \$16.00 | \$16.00 | \$16.00 | \$16.00 | \$16.00 | \$16.00 | \$16.00 | \$16.00 |
| OPERATOR ASSISTANCE (OA) CBA via OLNS SOFTWARE | | | | | | | | | |
| <u>ELEMENT</u> | | | | | | | | | |
| Recording of OA CBA | \$7,000.00 | \$7,000.00 | \$7,000.00 | \$7,000.00 | \$7,000.00 | \$7,000.00 | \$7,000.00 | \$7,000.00 | \$7,000.00 |
| Loading of OA CBA per shelf/ NAV per OCN | \$500.00 | \$500.00 | \$500.00 | \$500.00 | \$500.00 | \$500.00 | \$500.00 | \$500.00 | \$500.00 |
| Loading of DA CBA per DRAM Card/Switch per OCN | \$1,170.00 | \$1,170.00 | \$1,170.00 | \$1,170.00 | \$1,170.00 | \$1,170.00 | \$1,170.00 | \$1,170.00 | \$1,170.00 |
| OPERATOR ASSISTANCE (OA) UNBRANDING via OLNS SOFTWARE | | | | | | | | | |
| Loading of OA per OCN - Regional | \$1,200.00 | \$1,200.00 | \$1,200.00 | \$1,200.00 | \$1,200.00 | \$1,200.00 | \$1,200.00 | \$1,200.00 | \$1,200.00 |

Attachment 2

Network Elements and Other Services

TABLE OF CONTENTS

1 INTRODUCTION..... 3

2 UNBUNDLED LOOPS..... 4

3 HIGH FREQUENCY SPECTRUM NETWORK ELEMENT..... 25

4 LOCAL SWITCHING..... 35

5 UNBUNDLED NETWORK ELEMENT COMBINATIONS..... 42

6 TRANSPORT, CHANNELIZATION AND DARK FIBER..... 48

**7 BELLSOUTH SWITCHED ACCESS (“SWA”) 8XX TOLL FREE DIALING TEN DIGIT
SCREENING SERVICE..... 53**

8 LINE INFORMATION DATABASE (LIDB)..... 54

9 SIGNALING 56

10 OPERATOR SERVICES (OPERATOR CALL PROCESSING AND DIRECTORY ASSISTANCE) . 63

11 AUTOMATIC LOCATION IDENTIFICATION/DATA MANAGEMENT SYSTEM (ALI/DMS)..... 68

12 CALLING NAME (CNAM) DATABASE SERVICE..... 69

**13 SERVICE CREATION ENVIRONMENT AND SERVICE MANAGEMENT SYSTEM (SCE/SMS)
ADVANCED INTELLIGENT NETWORK (AIN) ACCESS 70**

14 BASIC 911 AND E911 71

15 OPERATIONAL SUPPORT SYSTEMS (OSS)..... 72

LIDB Storage Agreement Exhibit A

Rates Exhibit B

ACCESS TO NETWORK ELEMENTS AND OTHER SERVICES

1 Introduction

- 1.1 This Attachment sets forth rates, terms and conditions for Network Elements and combinations of Network Elements that BellSouth agrees to offer to Comm South in accordance with its obligations under Section 251(c)(3) of the Act. Additionally, this Attachment sets forth the rates, terms and conditions for other services BellSouth makes available to Comm South. The price for each Network Element and combination of Network Elements and other services are set forth in Exhibit B of this Agreement. Additionally, the provision of a particular Network Element or service may require Comm South to purchase other Network Elements or services.
- 1.2 For purposes of this Agreement, “Network Element” is defined to mean a facility or equipment Comm South used in the provision of a telecommunications service. For purposes of this Agreement, combinations of Network Elements shall be referred to as “Combinations.”
- 1.3 BellSouth shall, upon request of Comm South, and to the extent technically feasible, provide to Comm South access to its Network Elements for the provision of Comm South’s telecommunications services. If no rate is identified in this Agreement, the rate for the specific service or function will be as set forth in the applicable BellSouth tariff or as negotiated by the Parties upon request by either Party.
- 1.4 Comm South may purchase Network Elements and other services from BellSouth for the purpose of combining such network elements in any manner Comm South chooses to provide telecommunication services to its intended users, including recreating existing BellSouth services. With the exception of the sub-loop Network Elements which are located outside of the central office, BellSouth shall deliver the Network Elements purchased by Comm South to the demarcation point associated with Comm South’s collocation arrangement.
- 1.5 BellSouth shall comply with the requirements as set forth in the technical references within this Attachment 2.
- 1.6 Rates
- 1.6.1 The prices that Comm South shall pay to BellSouth for Network Elements and Other Services are set forth in Exhibit B to this Attachment. If Comm South purchases a service(s) from a tariff, all terms and conditions and rates as set forth in such tariff shall apply.

- 1.6.2 Rates, terms and conditions for order cancellation charges and Service Date Advancement Charges will apply in accordance with Attachment 6 and are incorporated herein by this reference.
- 1.6.3 If Comm South modifies an order (Order Modification Charge (OMC)) after being sent a Firm Order Confirmation (FOC) from BellSouth, any costs incurred by BellSouth to accommodate the modification will be paid by Comm South in accordance with FCC No. 1 Tariff, Section 5.
- 1.6.4 A one-month minimum billing period shall apply to all UNE conversions or new installations.

2 Unbundled Loops

2.1 General

- 2.1.1 The local loop Network Element (“Loop”) is defined as a transmission facility between a distribution frame (or its equivalent) in BellSouth’s central office and the loop demarcation point at an end-user customer premises, including inside wire owned by BellSouth. The local loop Network Element includes all features, functions, and capabilities of the transmission facilities, including dark fiber and attached electronics (except those used for the provision of advanced services, such as Digital Subscriber Line Access Multiplexers) and line conditioning.
- 2.1.2 The provisioning of a Loop to Comm South’s collocation space will require cross-office cabling and cross-connections within the central office to connect the Loop to a local switch or to other transmission equipment. These cross-connects are separate components, that are not considered a part of the Loop, and thus, have a separate charge.
- 2.1.3 To the extent available within BellSouth’s network at a particular location, BellSouth will offer Loops capable of supporting telecommunications services. If a requested loop type is not available, and cannot be made available through BellSouth’s Unbundled Loop Modification process, then Comm South can use the Special Construction process to request that BellSouth place facilities in order to meet Comm South’s loop requirements. Standard Loop intervals shall not apply to the Special Construction process.
- 2.1.4 Where facilities are available, BellSouth will install Loops in compliance with BellSouth’s Products and Services Interval Guide available at the website at <http://www.interconnection.bellsouth.com>. For orders of 15 or more Loops, the installation and any applicable Order Coordination as described below will be handled on a project basis, and the intervals will be set by the BellSouth project manager for that order. When Loops require a Service Inquiry (SI) prior to issuing the order to determine if facilities are available, the interval for the SI process is separate from the installation interval.

- 2.1.5 The Loop shall be provided to Comm South in accordance with BellSouth's TR73600 Unbundled Local Loop Technical Specification and applicable industry standard technical references.
- 2.1.6 Comm South may utilize the unbundled Loops to provide any telecommunications service it wishes, so long as such services are consistent with industry standards and BellSouth's TR73600.
- 2.1.7 BellSouth will only provision, maintain and repair the Loops to the standards that are consistent with the type of Loop ordered. In those cases where Comm South has requested that BellSouth modify a Loop so that it no longer meets the technical parameters of the original Loop type (e.g., voice grade, ISDN, ADSL, etc.) the resulting Loop will be maintained as an unbundled copper Loop (UCL), and Comm South shall pay the recurring and non-recurring charges for a UCL. For non-service specific loops (e.g. UCL, Loops modified by Comm South using the Unbundled Loop Modification (ULM) process), BellSouth will only support that the Loop has copper continuity and balanced tip-and-ring.
- 2.1.8 **Loop Testing/Trouble Reporting**
- 2.1.8.1 Comm South will be responsible for testing and isolating troubles on the Loops. Comm South must test and isolate trouble to the BellSouth portion of a designed/non-designed unbundled loop (e.g., UVL-SL2, UCL-D, UVL-SL1, UCL-ND, etc.) before reporting repair to the UNE Center. At the time of the trouble report, Comm South will be required to provide the results of the Comm South test which indicate a problem on the BellSouth provided loop.
- 2.1.8.2 Once Comm South has isolated a trouble to the BellSouth provided Loop, and had issued a trouble report to BellSouth on the Loop, BellSouth will take the actions necessary to repair the Loop if a trouble actually exists. BellSouth will repair these Loops in the same time frames that BellSouth repairs similarly situated Loops to its end users.
- 2.1.8.3 If Comm South reports a trouble on a non-designed loop (e.g., UVL-SL1, UCL-ND, etc.) and no trouble actually exists, BellSouth will charge Comm South for any dispatching and testing (both inside and outside the CO) required by BellSouth in order to confirm the loop's working status. If Comm South reports trouble on a designed loop and no trouble is found, BellSouth will charge Comm South for any dispatch and testing outside the central office.
- 2.1.9 **Order Coordination and Order Coordination-Time Specific**
- 2.1.9.1 "Order Coordination" (OC) allows BellSouth and Comm South to coordinate the installation of the SL2 Loops, Unbundled Digital Loops (UDL) and other Loops where OC may be purchased as an option, to Comm South's facilities to limit end user service outage. OC is available when the Loop is provisioned over an existing

circuit that is currently providing service to the end user. OC for physical conversions will be scheduled at BellSouth's discretion during normal working hours on the committed due date. OC shall be provided in accordance with the chart set forth below.

- 2.1.9.2 “Order Coordination – Time Specific” (OC-TS) allows Comm South to order a specific time for OC to take place. BellSouth will make every effort to accommodate Comm South's specific conversion time request. However, BellSouth reserves the right to negotiate with Comm South a conversion time based on load and appointment control when necessary. This OC-TS is a chargeable option for all Loops except Unbundled Copper Loops (UCL) and Universal Digital Channel (UDC), and is billed in addition to the OC charge. Comm South may specify a time between 9:00 a.m. and 4:00 p.m. (location time) Monday through Friday (excluding holidays). If Comm South specifies a time outside this window, or selects a time or quantity of Loops that requires BellSouth technicians to work outside normal work hours, overtime charges will apply in addition to the OC and OC-TS charges. Overtime charges will be applied based on the amount of overtime worked and in accordance with the rates established in the Access Services Tariff, Section E13.2, for each state. The OC-TS charges for an order due on the same day at the same location will be applied on a per Local Service Request (LSR) basis.
- 2.1.10 **CLEC to CLEC Conversions for Unbundled Loops**
- 2.1.10.1 The CLEC to CLEC conversion process for unbundled Loops may be used by Comm South when converting an existing unbundled Loop from another CLEC for the same end user. The Loop type being converted must be included in Comm South's Interconnection Agreement before requesting a conversion.
- 2.1.10.2 To utilize the CLEC to CLEC conversion process, the Loop being converted must be the same Loop type with no requested changes to the Loop, must serve the same end user location from the same serving wire center, and must not require an outside dispatch to provision.
- 2.1.10.3 The Loops converted to Comm South pursuant to the CLEC to CLEC conversion process shall be provisioned in the same manner and with the same functionality and options as described in this Attachment for the specific Loop type.

| | Order Coordination (OC) | Order Coordination – Time Specific (OC-TS) | Test Points | DLR | Charge for Dispatch and Testing if No Trouble Found |
|---|---|---|------------------------------|---|--|
| SL-1 (Non-Designed) | Chargeable Option | Chargeable Option | Not available | Chargeable Option – ordered as Engineering Information Document | Charged for Dispatch inside and outside Central Office |
| UCL-ND (Non-Designed) | Chargeable Option | Not Available | Not Available | Chargeable Option – ordered as Engineering Information Document | Charged for Dispatch inside and outside Central Office |
| Unbundled Voice Loops - SL-2 (including 2- and 4-wire UVL) (Designed) | Included | Chargeable Option | Included | Included | Charged for Dispatch outside Central Office |
| Unbundled Digital Loop (Designed) | Included | Chargeable Option (except on Universal Digital Channel) | Included (where appropriate) | Included | Charged for Dispatch outside Central Office |
| Unbundled Copper Loop (Designed) | Chargeable in accordance with Section 2 | Not available | Included | Included | Charged for Dispatch outside Central Office |
| For UVL-SL1 and UCLs, Comm South must order and will be billed for both OC and OC-TS if requesting OC-TS. | | | | | |

2.2 **Unbundled Voice Loops (UVLs)**

2.2.1 BellSouth shall make available the following UVLs:

2.2.1.1 2-wire Analog Voice Grade Loop – SL1 (Non-Designed)

2.2.1.2 2-wire Analog Voice Grade Loop – SL2 (Designed)

2.2.1.3 4-wire Analog Voice Grade Loop (Designed)

- 2.2.2 Unbundled Voice Loops (UVL) may be provisioned using any type of facility that will support voice grade services. This may include loaded copper, non-loaded copper, digital loop carrier systems, fiber or a combination of any of these facilities. BellSouth, in the normal course of maintaining, repairing, and configuring its network, may also change the facilities that are used to provide any given voice grade circuit. This change may occur at any time. In these situations, BellSouth will only ensure that the newly provided facility will support voice grade services. BellSouth will not guarantee that Comm South will be able to continue to provide any advanced services over the new facility. BellSouth will offer UVL in two different service levels - Service Level One (SL1) and Service Level Two (SL2).
- 2.2.3 Unbundled Voice Loop - SL1 (UVL-SL1) loops are 2-wire loop start circuits, will be non-designed, and will not have remote access test points. OC will be offered as a chargeable option on SLI loops when reuse of existing facilities has been requested by Comm South. Comm South may also order OC-TS when a specified conversion time is requested. OC-TS is a chargeable option for any coordinated order and is billed in addition to the OC charge. An Engineering Information (EI) document can be ordered as chargeable option. The EI document provides loop make up information which is similar to the information normally provided in a Design Layout Record. Upon issuance of a non-coordinated order in the service order system, SL1 loops will be activated on the due date in the same manner and time frames that BellSouth normally activates POTS-type loops for its end users.
- 2.2.4 For an additional charge BellSouth will make available Loop Testing so that Comm South may request further testing on UVL-SL1 loops. Loop Testing is available for new and reuse of BellSouth facilities. Rates for Loop Testing are as set forth in Exhibit B of this Attachment.
- 2.2.5 Unbundled Voice Loop – SL2 (UVL-SL2) loops may be 2-wire or 4-wire circuits, shall have remote access test points, and will be designed with a Design Layout Record provided to Comm South. SL2 circuits can be provisioned with loop start, ground start or reverse battery signaling. OC is provided as a standard feature on SL2 loops. The OC feature will allow Comm South to coordinate the installation of the loop with the disconnect of an existing customer's service and/or number portability service. In these cases, BellSouth will perform the order conversion with standard order coordination at its discretion during normal work hours.

2.3 **Unbundled Digital Loops**

- 2.3.1 BellSouth will offer Unbundled Digital Loops (UDL). UDLs are service specific, will be designed, will be provisioned with test points (where appropriate), and will come standard with OC and a Design Layout Record (DLR). The various UDLs are intended to support a specific digital transmission scheme or service.
- 2.3.2 BellSouth shall make available the following UDLs:

- 2.3.2.1 2-wire Unbundled ISDN Digital Loop
- 2.3.2.2 2-wire Universal Digital Channel (IDSL Compatible)
- 2.3.2.3 2-wire Unbundled ADSL Compatible Loop
- 2.3.2.4 2-wire Unbundled HDSL Compatible Loop
- 2.3.2.5 4-wire Unbundled HDSL Compatible Loop
- 2.3.2.6 4-wire Unbundled DS1 Digital Loop
- 2.3.2.7 4-wire Unbundled Digital Loop/DS0 – 64 kbps, 56 kbps and below
- 2.3.2.8 DS3 Loop
- 2.3.2.9 STS-1 Loop
- 2.3.2.10 OC3 Loop
- 2.3.2.11 OC12 Loop
- 2.3.2.12 OC48 Loop
- 2.3.3 2-Wire Unbundled ISDN Digital Loops will be provisioned according to industry standards for 2-Wire Basic Rate ISDN services and will come standard with a test point, Order Coordination, and a DLR. Comm South will be responsible for providing BellSouth with a Service Profile Identifier (SPID) associated with a particular ISDN-capable loop and end user. With the SPID, BellSouth will be able to adequately test the circuit and ensure that it properly supports ISDN service. BellSouth will not reconfigure its ISDN-capable loop to support IDSL service.
- 2.3.3.1 The Universal Digital Channel (UDC) (also known as IDSL-compatible Loop) is intended to be compatible with IDSL service and has the same physical characteristics and transmission specifications as BellSouth's ISDN-capable loop. These specifications are listed in BellSouth's TR73600.
- 2.3.3.2 The UDC may be provisioned on copper or through a Digital Loop Carrier (DLC) system. When UDC Loops are provisioned using a DLC system, the Loops will be provisioned on time slots that are compatible with data-only services such as IDSL.
- 2.3.4 2-Wire ADSL-Compatible Loop. This is a designed loop that is provisioned according to Revised Resistance Design (RRD) criteria and may be up to 18kft long and may have up to 6kft of bridged tap (inclusive of loop length). The loop is a 2-wire circuit and will come standard with a test point, Order Coordination, and a DLR.

- 2.3.5 2-Wire or 4-Wire HDSL-Compatible Loop. This is a designed loop that is provisioned according to Carrier Serving Area (CSA) criteria and may be up to 12,000 feet long and may have up to 2,500 feet of bridged tap (inclusive of loop length). It may be a 2-wire or 4-wire circuit and will come standard with a test point, Order Coordination, and a DLR.
- 2.3.6 4-Wire Unbundled DS1 Digital Loop. This is a designed 4-wire loop that is provisioned according to industry standards for DS1 or Primary Rate ISDN services and will come standard with a test point, Order Coordination, and a DLR. A DS1 Loop may be provisioned over a variety of loop transmission technologies including copper, HDSL-based technology or fiber optic transport systems. It will include a 4-Wire DS1 Network Interface at the end-user's location.
- 2.3.7 4-Wire Unbundled Digital/DS0 Loop. These are designed 4-wire loops that may be configured as 64kbps, 56kbps, 19kbps, and other sub-rate speeds associated with digital data services and will come standard with a test point, Order Coordination, and a DLR.
- 2.3.8 DS3 Loop. DS3 Loop is a two-point digital transmission path, which provides for simultaneous two-way transmission of serial, bipolar, return-to-zero isochronous digital electrical signals at a transmission rate of 44.736 megabits per second (Mbps) that is dedicated to the use of the ordering CLEC in its provisioning of local exchange and associated exchange access services. It may provide transport for twenty-eight (28) DS1 channels, each of which provides the digital equivalent of twenty-four analog voice grade channels. The interface to unbundled dedicated DS3 transport is a metallic-based electrical interface.
- 2.3.9 STS-1 Loop. STS-1 Loop is a high-capacity digital transmission path with SONET VT1.5 mapping that is dedicated for the use of the ordering customer for the purpose of provisioning local exchange and associated exchange access services. It is a two-point digital transmission path, which provides for simultaneous two-way transmission of serial bipolar return-to-zero synchronous digital electrical signals at a transmission rate of 51.84 megabits per second (Mbps). It may provide transport for twenty-eight (28) DS1 channels, each of which provides the digital equivalent of twenty-four analog voice grade channels. The interface to unbundled dedicated STS-1 transport is a metallic-based electrical interface.
- 2.3.10 OC3 Loop/OC12 Loop/OC48 Loop. OC3/OC-12/OC-48 Loops are optical two-point transmission paths that are dedicated to the use of the ordering CLEC in its provisioning of local exchange and associated exchange access services. The physical interface for all optical transport is optical fiber. This interface standard allows for transport of many different digital signals using a basic building block or base transmission rate of 51.84 megabits per second (Mbps). Higher rates are direct multiples of the base rate. The following rates are applicable: OC-3 - 155.52 Mbps; OC12 - 622.08 Mbps; and OC-48 - 2488 Mbps.

2.3.11 DS3 and above services come with a test point and a DLR. Mileage is airline miles, rounded up and a minimum of one mile applies. BellSouth TR 73501 LightGate[®]Service Interface and Performance Specifications, Issue D, June 1995 applies to DS3 and above services.

2.4 **Unbundled Copper Loops (UCL)**

2.4.1 BellSouth shall make available Unbundled Copper Loops (UCLs). The UCL is a copper twisted pair Loop that is unencumbered by any intervening equipment (e.g., filters, load coils, range extenders, digital loop carrier, or repeaters) and is not intended to support any particular telecommunications service. The UCL will be offered in two types – Designed and Non-Designed.

2.4.2 **Unbundled Copper Loop – Designed (UCL-D)**

2.4.2.1 The UCL-D will be provisioned as a dry copper twisted pair loop that is unencumbered by any intervening equipment (e.g., filters, load coils, range extenders, digital loop carrier, or repeaters). The UCL-D will be offered in two versions - Short and Long.

2.4.2.2 A short UCL-D (18,000 feet or less) is provisioned according to Resistance Design parameters, may have up to 6,000 feet of bridged tap and will have up to 1300 ohms of resistance.

2.4.2.3 The long UCL-D (beyond 18,000 feet) is provisioned as a dry copper twisted pair longer than 18,000 feet and may have up to 12,000 feet of bridged tap and up to 2800 ohms of resistance.

2.4.2.4 The UCL-D is a designed circuit, is provisioned with a test point, and comes standard with a DLR. OC is a chargeable option for a UCL-D; however, OC is always required on UCLs where a reuse of existing facilities has been requested by Comm South.

2.4.2.5 These loops are not intended to support any particular services and may be utilized by Comm South to provide a wide-range of telecommunications services so long as those services do not adversely affect BellSouth's network. This facility will include a Network Interface Device (NID) at the customer's location for the purpose of connecting the loop to the customer's inside wire.

2.4.2.6 BellSouth will make available the following UCL-Ds:

2.4.2.6.1 2-Wire UCL-D/short

2.4.2.6.2 2-Wire UCL-D/long

2.4.2.6.3 4-Wire UCL-D/short

2.4.2.6.4 4-Wire UCL-D/long

2.4.3 **Unbundled Copper Loop – Non-Designed (UCL-ND)**

2.4.3.1 The UCL-ND is provisioned as a dedicated 2-wire metallic transmission facility from BellSouth's Main Distribution Frame to a customer's premises (including the NID). The UCL-ND will be a "dry copper" facility in that it will not have any intervening equipment such as load coils, repeaters, or digital access main lines ("DAMLs"), and may have up to 6,000 feet of bridged tap between the end user's premises and the serving wire center. The UCL-ND typically will be 1300 Ohms resistance and in most cases will not exceed 18,000 feet in length, although the UCL-ND will not have a specific length limitation. For loops less than 18,000 feet and with less than 1300 Ohms resistance, the loop will provide a voice grade transmission channel suitable for loop start signaling and the transport of analog voice grade signals. The UCL-ND will not be designed and will not be provisioned with either a DLR or a test point.

2.4.3.2 The UCL-ND facilities may be mechanically assigned using BellSouth's assignment systems. Therefore, the Loop Make Up process is not required to order and provision the UCL-ND. However, Comm South can request Loop Make Up for which additional charges would apply.

2.4.3.3 At an additional charge, BellSouth also will make available Loop Testing so that Comm South may request further testing on the UCL-ND. Rates for Loop Testing are as set forth in Exhibit B of this Attachment.

2.4.3.4 UCL-ND loops are not intended to support any particular service and may be utilized by Comm South to provide a wide-range of telecommunications services so long as those services do not adversely affect BellSouth's network. The UCL-ND will include a Network Interface Device (NID) at the customer's location for the purpose of connecting the loop to the customer's inside wire.

2.4.3.5 Order Coordination (OC) will be provided as a chargeable option and may be utilized when the UCL-ND provisioning is associated with the reuse of BellSouth facilities. Order Coordination -Time Specific (OC-TS) does not apply to this product.

2.4.3.6 Comm South may use BellSouth's Unbundled Loop Modification (ULM) offering to remove bridge tap and/or load coils from any loop within the BellSouth network. Therefore, some loops that would not qualify as UCL-ND could be transformed into loops that do qualify, using the ULM process.

2.5 **Unbundled Loop Modifications (Line Conditioning)**

2.5.1 Line Conditioning is defined as the removal from the Loop of any devices that may diminish the capability of the Loop to deliver high-speed switched wireline

telecommunications capability, including xDSL service. Such devices include, but are not limited to, load coils, bridged taps, low pass filters, and range extenders.

- 2.5.2 BellSouth shall condition Loops, as requested by Comm South, whether or not BellSouth offers advanced services to the End User on that Loop.
- 2.5.3 In some instances, Comm South will require access to a copper twisted pair loop unfettered by any intervening equipment (e.g., filters, load coils, range extenders, etc.), so that Comm South can use the loop for a variety of services by attaching appropriate terminal equipment at the ends. Comm South will determine the type of service that will be provided over the loop. BellSouth's Unbundled Loop Modifications (ULM) process will be used to determine the costs and feasibility of conditioning the loops as requested. Rates for ULM are as set forth in Exhibit B of this Attachment.
- 2.5.4 In those cases where Comm South has requested that BellSouth modify a Loop so that it no longer meets the technical parameters of the original Loop type (e.g., voice grade, ISDN, ADSL, etc.) the resulting modified Loop will be ordered and maintained as a UCL.
- 2.5.5 The Unbundled Loop Modifications (ULM) offering provides the following elements: 1) removal of devices on 2-wire or 4-wire Loops equal to or less than 18,000 feet; 2) removal of devices on 2-wire or 4-wire Loops longer than 18,000 feet; and 3) removal of bridged-taps on loops of any length.
- 2.5.6 Comm South shall request Loop make up information pursuant to this Attachment prior to submitting a service inquiry and/or a LSR for the Loop type that Comm South desires BellSouth to condition.
- 2.5.7 When requesting ULM for a loop that BellSouth has previously provisioned for <customer name>, <customer name> will submit a service inquiry to BellSouth. If a spare loop facility that meets the loop modification specifications requested by <customer name> is available at the location for which the ULM was requested, <customer name> will have the option to change the loop facility to the qualifying spare facility rather than to provide ULM. In the event that BellSouth changes the loop facility in lieu of providing ULM, <customer name> will not be charged for ULM but will only be charged the service order charges for submitting an order.

2.6 **Loop Provisioning Involving Integrated Digital Loop Carriers**

- 2.6.1 Where Comm South has requested an Unbundled Loop and BellSouth uses Integrated Digital Loop Carrier (IDLC) systems to provide the local service to the end user and BellSouth has a suitable alternate facility available, BellSouth will make such alternative facilities available to Comm South. If a suitable alternative facility is not available, then to the extent it is technically feasible, BellSouth will make alternative arrangements available to Comm South (e.g. hairpinning).

- 2.6.2 BellSouth will select one of the following arrangements:
1. Roll the circuit(s) from the IDLC to any spare copper that exists to the customer premises.
 2. Roll the circuit(s) from the IDLC to an existing DLC that is not integrated.
 3. If capacity exists, provide "side-door" porting through the switch.
 4. If capacity exists, provide "DACS-door" porting (if the IDLC routes through a DACS prior to integration into the switch).
- 2.6.3 Arrangements 3 and 4 above require the use of a designed circuit. Therefore, non-designed loops such as the SL1 voice grade and UCL-ND may not be ordered in these cases.
- 2.6.4 If no alternate facility is available, BellSouth will utilize its Special Construction (SC) process to determine the additional costs required to provision the loop facilities. Comm South will then have the option of paying the one-time SC rates to place the loop.
- 2.7 **Network Interface Device (NID)**
- 2.7.1 The NID is defined as any means of interconnection of end-user customer premises wiring to BellSouth's distribution plant, such as a cross-connect device used for that purpose. The NID is a single-line termination device or that portion of a multiple-line termination device required to terminate a single line or circuit at the premises. The NID features two independent chambers or divisions that separate the service provider's network from the end user's customer-premises wiring. Each chamber or division contains the appropriate connection points or posts to which the service provider and the end user each make their connections. The NID provides a protective ground connection and is capable of terminating cables such as twisted pair cable.
- 2.7.2 BellSouth shall permit Comm South to connect Comm South's Loop facilities the end-user's customer-premises wiring through the BellSouth NID or at any other technically feasible point.
- 2.7.3 **Access to NID**
- 2.7.3.1 Comm South may access the end user's customer-premises wiring by any of the following means and Comm South shall not disturb the existing form of electrical protection and shall maintain the physical integrity of the NID:
- 2.7.3.1.1 1) BellSouth shall allow Comm South to connect its loops directly to BellSouth's multi-line residential NID enclosures that have additional space and are not used by BellSouth or any other telecommunications carriers to provide service to the premises.
 - 2.7.3.1.2 2) Where an adequate length of the end user's customer premises wiring is present and environmental conditions permit, either Party may remove the customer

premises wiring from the other Party's NID and connect such wiring to that Party's own NID;

- 2.7.3.1.3 3) Enter the subscriber access chamber or dual chamber NID enclosures for the purpose of extending a connect divisioned or spliced jumper wire from the customer premises wiring through a suitable "punch-out" hole of such NID enclosures; or
- 2.7.3.1.4 4) Request BellSouth to make other rearrangements to the end user customer premises wiring terminations or terminal enclosure on a time and materials cost basis.
- 2.7.3.2 In no case shall either Party remove or disconnect the other Party's loop facilities from either Party's NIDs, enclosures, or protectors unless the applicable Commission has expressly permitted the same and the disconnecting Party provides prior notice to the other Party. In such cases, it shall be the responsibility of the Party disconnecting loop facilities to leave undisturbed the existing form of electrical protection and to maintain the physical integrity of the NID. It will be Comm South's responsibility to ensure there is no safety hazard and will hold BellSouth harmless for any liability associated with the removal of the BellSouth loop from the BellSouth NID. Furthermore, it shall be the responsibility of the disconnecting Party, once the other Party's loop has been disconnected from the NID, to reconnect the disconnected loop to a nationally recognized testing laboratory listed station protector, which has been grounded as per Article 800 of the National Electrical Code. If no spare station protector exists in the NID, the disconnected loop must be appropriately cleared, capped and stored.
- 2.7.3.3 In no case shall either Party remove or disconnect ground wires from BellSouth's NIDs, enclosures, or protectors.
- 2.7.3.4 In no case shall either Party remove or disconnect NID modules, protectors, or terminals from BellSouth's NID enclosures.
- 2.7.3.5 Due to the wide variety of NID enclosures and outside plant environments, BellSouth will work with Comm South to develop specific procedures to establish the most effective means of implementing this section if the procedures set forth herein do not apply to the NID in question.
- 2.7.4 Technical Requirements
 - 2.7.4.1 The NID shall provide an accessible point of interconnection and shall maintain a connection to ground.
 - 2.7.4.2 If an existing NID is accessed, it shall be capable of transferring electrical analog or digital signals between the end user's customer premises and the Distribution Media and/or cross connect to Comm South's NID.

2.7.4.3 Existing BellSouth NIDS will be provided in “as is” condition. Comm South may request BellSouth do additional work to the NID on a time and material basis. When Comm South deploys its own local loops with respect to multiple-line termination devices, Comm South shall specify the quantity of NIDs connections that it requires within such device.

2.8 **Sub-loop Elements**

2.8.1 Where facilities permit, BellSouth shall offer access to its Unbundled Sub-Loop (USL) and Unbundled Sub-loop Concentration (USLC) System.

2.8.2 **Unbundled Sub-Loop Distribution**

2.8.2.1 The unbundled sub-loop distribution facility is a dedicated transmission facility that BellSouth provides from an end user’s point of demarcation to a BellSouth cross-connect device. The BellSouth cross-connect device may be located within a remote terminal (RT) or a stand-alone cross-box in the field or in the equipment room of a building. The unbundled sub-loop distribution media is a copper twisted pair that can be provisioned as a 2 Wire or 4 Wire facility. BellSouth will make the following available sub-loop distribution offerings where facilities permit:

Unbundled Sub-Loop Distribution – Voice Grade

Unbundled Copper Sub-Loop

Unbundled Sub-Loop Distribution – Intrabuilding Network Cable (aka riser cable)

2.8.2.2 Unbundled Sub-Loop Distribution – Voice Grade (USLD-VG) is a sub-loop facility from the cross-box in the field up to and including the point of demarcation, at the end user’s premises and may have load coils.

2.8.2.3 Unbundled Copper Sub-Loop (UCSL) is a copper facility of any length provided from the cross-box in the field up to and including the end-user’s point of demarcation. If available, this facility will not have any intervening equipment such as load coils between the end-user and the cross-box.

2.8.2.4 If Comm South requests a UCSL and it is not available, Comm South may request the Sub-Loop facility be modified pursuant to the ULM process request to remove load coils and/or bridged taps. If load coils and/or bridged taps are removed, the facility will be classified as a UCSL.

2.8.2.5 Unbundled Sub-Loop Distribution – Intrabuilding Network Cable (USLD-INC) is the distribution facility inside a building or between buildings on the same continuous property which is not separated by a public street or road. USLD-INC includes the facility from the cross-connect device in the building equipment room up to and including the point of demarcation, at the end user’s premises.

2.8.2.6 BellSouth will install a cross connect panel in the building equipment room for the purpose of accessing USLD-INC pairs from a building equipment room. The

cross-connect panel will function as a single point of interconnection (SPOI) for USLD-INC and will be accessible by multiple carriers as space permits. BellSouth will place cross-connect blocks in 25-pair increments for Comm South's use on this cross-connect panel. Comm South will be responsible for connecting its facilities to the 25-pair cross-connect block(s).

- 2.8.2.7 Unbundled Sub-Loop distribution facilities shall support functions associated with provisioning, maintenance and testing of the Unbundled Sub-Loop. For access to Voice Grade USLD and UCSL, Comm South shall install a cable to the BellSouth cross-box pursuant to the terms and conditions for physical collocation for remote sites set forth in this Agreement. This cable would be connected by a BellSouth technician within the BellSouth cross-box during the set-up process. Comm South's cable pairs can then be connected to BellSouth's USL within the BellSouth cross-box by the BellSouth technician.
- 2.8.2.8 Through the Service Inquiry (SI) process, BellSouth will determine whether access to Unbundled Sub-Loops at the location requested by Comm South is technically feasible and whether sufficient capacity exists in the cross-box. If existing capacity is sufficient to meet Comm South's request, then BellSouth will perform the site set-up as described in Section 2.8.2.9. If any work must be done to modify existing BellSouth facilities or add new facilities (other than adding the cross-connect panel in a building equipment room as noted in Section 2.8.2.9) to accommodate Comm South's request for Unbundled Sub-Loops, Comm South may request BellSouth's Special Construction (SC) process to determine additional costs required to provision the Unbundled Sub-Loops. Comm South will have the option to proceed under the SC process to modify the BellSouth facilities.
- 2.8.2.9 The site set-up must be completed before Comm South can order sub-loop pairs. For the site set-up in a BellSouth cross-connect box in the field, BellSouth will perform the necessary work to splice Comm South's cable into the cross-connect box. For the site set-up inside a building equipment room, BellSouth will perform the necessary work to install the cross-connect panel and the connecting block(s) that will be used to provide access to the requested USLs.
- 2.8.2.10 Once the site set-up is complete, Comm South will request sub-loop pairs through submission of a Local Service Request (LSR) form to the Local Carrier Service Center (LCSC). Order Coordination is required with USL pair provisioning when Comm South requests reuse of an existing facility and is in addition to the USL pair rate. For expedite requests by Comm South for sub-loop pairs, expedite charges will apply for intervals less than 5 days.
- 2.8.2.11 Unbundled Sub-Loops will be provided in accordance with technical reference TR73600.

2.8.3 **Unbundled Network Terminating Wire (UNTW)**

- 2.8.3.1 Unbundled Network Terminating Wire (UNTW) is unshielded twisted copper wiring that is used to extend circuits from an intra-building network cable terminal or from a building entrance terminal to an individual customer's point of demarcation. It is the final portion of the Loop which in multi-subscriber configurations represents the point at which the network branches out to serve individual subscribers.
- 2.8.3.2 This element will be provided in Multi-Dwelling Units (MDUs) and/or Multi-Tenants Units (MTUs) where either Party owns wiring all the way to the end-users premises. Neither Party will provide this element in those locations where the property owner provides its own wiring to the end-user's premises, where a third party owns the wiring to the end-user's premises or where the property owner will not allow the other Party to place its facilities to the end user.
- 2.8.3.3 Requirements
- 2.8.3.3.1 On a multi-unit premises, upon request of the other Party ("Requesting Party"), the Party owning the network terminating wire ("Provisioning Party") will provide access to UNTW pairs on an Access Terminal that is suitable for use by multiple carriers at each Garden Terminal or Wiring Closet.
- 2.8.3.3.2 The Provisioning Party shall not be required to install new or additional NTW beyond existing NTW to provision the services of the Requesting Party.
- 2.8.3.3.3 In existing Multi-Dwelling Units (MDUs) and/or Multi-Tenant Units (MTUs) in which BellSouth does not own or control wiring (INC/NTW) to the end users premises, Comm South will install UNTW Access Terminals for BellSouth at no additional charge.
- 2.8.3.3.4 In situations in which BellSouth activates a UNTW pair, BellSouth will compensate Comm South for each pair activated commensurate to the price specified in Comm South's Agreement.
- 2.8.3.3.5 Upon receipt of the UNTW Service Inquiry (SI) requesting access to the Provisioning Party's UNTW pairs at a multi-unit premises, representatives of both Parties will participate in a meeting at the site of the requested access. The purpose of the site visit will include discussion of the procedures for installation and location of the Access Terminals. By request of the Requesting Party, an Access Terminal will be installed either adjacent to each Provisioning Party's Garden Terminal or inside each Wiring Closet. Requesting Party will deliver and connect its central office facilities to the UNTW pairs within the Access Terminal. Requesting Party may access any available pair on an Access Terminal. A pair is available when a pair is not being utilized to provide service or where the end user has requested a change in its local service provider to the Requesting Party. Prior to connecting Requesting Party's service on a pair previously used by Provisioning Party, Requesting Party is responsible for ensuring the end-user is no longer using

Provisioning Party's service or another CLEC's service before accessing UNTW pairs.

- 2.8.3.3.6 Access Terminal installation intervals will be established on an individual case basis.
- 2.8.3.3.7 Requesting Party is responsible for obtaining the property owner's permission for Provisioning Party to install an Access Terminal(s) on behalf of the Requesting Party. The submission of the SI by the Requesting Party will serve as certification by the Requesting Party that such permission has been obtained. If the property owner objects to Access Terminal installations that are in progress or subsequent to completion and demands removal of Access Terminals, Requesting Party will be responsible for costs associated with removing Access Terminals and restoring property to its original state prior to Access Terminals being installed.
- 2.8.3.3.8 The Requesting Party shall indemnify and hold harmless the Provisioning Party against any claims of any kind that may arise out of the Requesting Party's failure to obtain the property owner's permission. Requesting Party will be billed for non-recurring and recurring charges for accessing UNTW pairs at the time the Requesting Party activates the pair(s). The Requesting Party will notify the Provisioning Party each time it activates UNTW pairs using the LSR form.
- 2.8.3.3.9 Requesting Party will isolate and report troubles in the manner specified by the Provisioning Party. Requesting Party must tag the UNTW pair that requires repair. If Provisioning Party dispatches a technician on a reported trouble call and no UNTW trouble is found, Provisioning Party will charge Requesting Party for time spent on the dispatch and testing the UNTW pair(s).
- 2.8.3.3.10 If Requesting Party initiates the Access Terminal installation and the Requesting Party has not activated at least one pair on the Access Terminal installed pursuant to Requesting Party's request for an Access Terminal within 6 months of installation of the Access Terminal, Provisioning Party will bill Requesting Party a non-recurring charge equal to the actual cost of provisioning the Access Terminal.
- 2.8.3.3.11 If Provisioning Party determines that Requesting Party is using the UNTW pairs without reporting the activation of the pairs, the following charges shall apply:
 - 2.8.3.3.11.1 If Requesting Party issued a LSR to disconnect an end-user from Provisioning Party in order to use a UNTW pair, Requesting Party will be billed for the use of the pair back to the disconnect order date.
 - 2.8.3.3.11.2 If Requesting Party activated a UNTW pair on which Provisioning Party was not previously providing service, Requesting Party will be billed for the use of that pair back to the date the end-user began receiving service using that pair. Upon request, Requesting Party will provide copies of its billing record to substantiate such date. If Requesting Party fails to provide such records, then Provisioning

Party will bill the Requesting Party back to the date of the Access Terminal installation.

2.8.4 **Unbundled Sub-Loop Feeder**

- 2.8.4.1 Unbundled Sub-Loop Feeder (USLF) provides connectivity between BellSouth's central office and cross-box (or other access point) that serves an end user location.
- 2.8.4.2 USLF utilized for voice traffic can be configured as 2-wire voice (USLF-2W/V) or 4-wire voice (USLF-4W/V).
- 2.8.4.3 USLF utilized for digital traffic can be configured as 2-wire ISDN (USLF-2W/I); 2-wire Copper (USLF-2W/C); 4-wire Copper (USLF-4W/C); 4-wire DS0 level loop (USLF-4W/D0); or 4-wire DS1 and ISDN (USLF-4W/DI).
- 2.8.4.4 USLF will provide access to both the equipment and the features in the BellSouth central office and BellSouth cross box necessary to provide a 2W or 4W communications pathway from the BellSouth central office to the BellSouth cross-box. This element will allow for the connection of Comm South's loop distribution elements onto BellSouth's feeder system.
- 2.8.4.5 Requirements
 - 2.8.4.5.1 Comm South will extend a compatible cable to BellSouth's cross-box. BellSouth will connect the cable to a cross-connect panel inside the BellSouth cross-box to the requested level of feeder element. In those cases when there is no room in the BellSouth cross-box to accommodate the additional cross-connect panels mentioned above, Comm South may request, through the BellSouth Special Construction process, a determination of costs to provide the sub-loop feeder element to Comm South. Comm South will then have the option of paying the special construction charges or canceling the order.
 - 2.8.4.5.2 USLF will be a designed circuit and BellSouth will provide a Design Layout Record (DLR) for this element.
 - 2.8.4.5.3 BellSouth will provide USLF elements in accordance with applicable industry standards for these types of facilities. Where industry standards do not exist, BellSouth's TR73600 will be used to determine performance parameters.
- 2.8.4.6 Unbundled Sub-Loop Feeder – (USLF DS3 and above)
 - 2.8.4.6.1 USLF DS3 and above provides connectivity between a BellSouth Serving Wire Center (SWC) and the Remote Terminal (RT) associated with that SWC that serves an end user location.

- 2.8.4.6.2 The sub-loop feeder is intended to be utilized for voice traffic and digital traffic. It can be configured at DS3, STS-1, OC-3, OC-12, or OC-48 transmission capacities.
- 2.8.4.6.3 The OC-48 Sub-Loop Feeder will consist of four (4) OC12 interfaces.
- 2.8.4.6.4 Both 2-fiber and 4-fiber-protect applications will be supported for OC-3 level and higher.
- 2.8.4.7 Requirements
- 2.8.4.7.1 Access in the SWC and RT will be via a Collocation cross-connect.
- 2.8.4.7.2 USLF DS3 and above will be a designed circuit. BellSouth will provide a Design Layout Record (DLR) for this network element.
- 2.8.4.7.3 Rates. Rates for these services are as set forth in Exhibit B of this Attachment. Mileage is based on airline miles.
- 2.8.4.7.4 BellSouth will provide USLF DS3 and above elements in accordance with applicable industry standards.
- 2.8.5 **Unbundled Loop Concentration (ULC)**
- 2.8.5.1 BellSouth will provide to Comm South Unbundled Loop Concentration (ULC). Loop concentration systems in the central office concentrate the signals transmitted over local loops onto a digital loop carrier system. The concentration device is placed inside a BellSouth central office. BellSouth will offer ULC with a TR008 interface or a TR303 interface.
- 2.8.5.2 ULC will be offered in two system options. System A will allow up to 96 BellSouth loops to be concentrated onto two or more DS1s. The high-speed connection from the concentrator will be at the electrical DS1 level and will connect to Comm South at Comm South's collocation site. System B will allow up to 192 BellSouth loops to be concentrated onto 4 or more DS1s. System A may be upgraded to a System B. A minimum of two DS1s is required for each system (i.e., System A requires two DS1s and System B would require an additional two DS1s or four in total). All DS1 interfaces will terminate to Comm South's collocation space. ULC service is offered with concentration (2 DS1s for 96 channels) or without concentration (4 DS1s for 96 channels) and with or without protection. A Loop Interface element will be required for each loop that is terminated onto the ULC system.
- 2.8.6 **Unbundled Sub-Loop Concentration (USLC)**
- 2.8.6.1 Where facilities permit, Comm South may concentrate its sub-loops onto multiple DS1s back to the BellSouth Central Office.

- 2.8.6.2 USLC, using the Lucent Series 5 equipment, will be offered in two system options. System A will allow up to 96 of Comm South's sub-loops to be concentrated onto two or more DS1s. System B will allow an additional 96 of Comm South's sub-loops to be concentrated onto two or more additional DS1s. One System A may be supplemented with one System B and they both must be physically located in a single Series 5 dual channel bank. A minimum of two DS1s is required for each system (i.e., System A requires two DS1s and System B would require an additional two DS1s or four in total). The DS1 level facility that connects the Remote Terminal site with the serving wire center is known as a Feeder Interface. All DS1 Feeder Interfaces will terminate to Comm South's demarcation point associated with Comm South's collocation space within the SWC that serves the remote terminal (RT). USLC service is offered with or without concentration and with or without a protection DS1.
- 2.8.6.3 Comm South is required to deliver its sub-loops to its own cross-box, RT, or other similar device and deliver a single cable to the BellSouth RT. This cable shall be connected, by a BellSouth technician, to a cross-connect panel within the BellSouth RT/cross-box and shall allow Comm South's sub-loops to be placed on the USLC and transported to Comm South's collocation space at a DS1 level.
- 2.8.7 **Dark Fiber Loop**
- 2.8.7.1 Dark Fiber Loop is an unused optical transmission facility without attached signal regeneration, multiplexing, aggregation or other electronics that connects two points within BellSouth's network. Dark Fiber Loops may be strands of optical fiber existing in aerial or underground structure. BellSouth will not provide line terminating elements, regeneration or other electronics necessary for Comm South to utilize Dark Fiber Loops.
- 2.8.7.2 A Dark Fiber Loop is a point to point arrangement from an end user's premises connected via a cross connect to the demarcation point associated with Comm South's collocation space in the end user's serving wire center.
- 2.8.7.3 Dark Fiber Loop rates are differentiated between Local Channel, Interoffice Channel and Local Loop.
- 2.8.7.4 Requirements
- 2.8.7.4.1 BellSouth shall make available Dark Fiber Loop where it exists in BellSouth's network and where, as a result of future building or deployment, it becomes available. Dark Fiber Loop will not be deemed available if: (1) it is used by BellSouth for maintenance and repair purposes; (2) it is designated for use pursuant to a firm order placed by another customer; (3) it is restricted for use by all carriers, including BellSouth, because of transmission problems or because it is scheduled for removal due to documented changes to roads and infrastructure; or (4) BellSouth has plans to use the fiber within a two-year planning period.

BellSouth is not required to place the fiber for Dark Fiber Loop if none is available.

- 2.8.7.4.2 If the requested Dark Fiber Loop has any lightwave repeater equipment interspliced to it, BellSouth will remove such equipment at Comm South's request subject to time and materials charges.
- 2.8.7.4.3 Comm South is solely responsible for testing the quality of the Dark Fiber to determine its usability and performance specifications.
- 2.8.7.4.4 BellSouth shall use its commercially reasonable efforts to provide to Comm South information regarding the location, availability and performance of Dark Fiber Loop within ten (10) business days after receiving a Service Inquiry ("SI") from Comm South.
- 2.8.7.4.5 If the requested Dark Fiber Loop is available, BellSouth shall use commercially reasonable efforts to provision the Dark Fiber Loop to Comm South within twenty (20) business days after Comm South submits a valid, error free LSR. Provisioning includes identification of appropriate connection points (e.g., Light Guide Interconnection (LGX)) to enable Comm South to connect or splice Comm South provided transmission media (e.g., optical fiber) or equipment to the Dark Fiber Loop.

2.9 **Loop Makeup (LMU)**

2.9.1 Description of Service

- 2.9.1.1 BellSouth shall make available to Comm South (LMU) information so that Comm South can make an independent judgment about whether the Loop is capable of supporting the advanced services equipment Comm South intends to install and the services Comm South wishes to provide. This section addresses LMU as a preordering transaction, distinct from Comm South ordering any other service(s). Loop Makeup Service Inquiries (LMUSI) for preordering loop makeup are likewise unique from other preordering functions with associated service inquiries (SI) as described in this Agreement.
- 2.9.1.2 BellSouth will provide Comm South LMU information consisting of the composition of the loop material (copper/fiber); the existence, location and type of equipment on the Loop, including but not limited to digital loop carrier or other remote concentration devices, feeder/distribution interfaces, bridged taps, load coils, pair-gain devices; the loop length; the wire gauge and electrical parameters.
- 2.9.1.3 BellSouth's LMU information is provided to Comm South as it exists either in BellSouth's databases or in its hard copy facility records. BellSouth does not guarantee accuracy or reliability of the LMU information provided.

2.9.1.4 BellSouth's provisioning of LMU information to the requesting CLEC on facilities is contingent upon either BellSouth or the requesting CLEC owning the loop(s) that serve the service location for which LMU information has been requested by the CLEC. The requesting CLEC is not authorized to receive LMU information on a facility owned by another CLEC unless BellSouth receives a Letter of Authorization (LOA) from the voice CLEC (owner) or its authorized agent on the LMUSI (Loop Makeup Service Inquiry) submitted by the requesting CLEC.

2.9.1.5 Comm South may choose to use equipment that it deems will enable it to provide a certain type and level of service over a particular BellSouth Loop. The determination shall be made solely by Comm South and BellSouth shall not be liable in any way for the performance of the advanced data services provisioned over said Loop. The specific Loop type (ADSL, HDSL, or otherwise) ordered on the LSR must match the LMU of the loop reserved taking into consideration any requisite line conditioning. The LMU data is provided for informational purposes only and does not guarantee Comm South's ability to provide advanced data services over the ordered loop type. Further, if Comm South orders loops that are not intended to support advanced services (such as UV-SL1, UV-SL2, or ISDN compatible loops) and that are not inventoried as advanced services loops, the LMU information for such loops is subject to change at any time due to modifications and/or upgrades to BellSouth's network. Comm South is fully responsible for any of its service configurations that may differ from BellSouth's technical standard for the loop type ordered.

2.9.2 **Submitting Loop Makeup Service Inquiries**

2.9.2.1 Comm South may obtain LMU information by submitting a LMU Service Inquiry (LMUSI) mechanically or manually. Mechanized LMUSIs should be submitted through BellSouth's Operational Support Systems interfaces. After obtaining the Loop information from the mechanized LMUSI process, if Comm South needs further loop information in order to determine loop service capability, Comm South may initiate a separate Manual Service Inquiry for a separate nonrecurring charge as set forth in Exhibit B of this Attachment.

2.9.2.2 Manual LMUSIs shall be submitted by electronic mail to BellSouth's Complex Resale Support Group (CRSG) utilizing the Preordering Loop Makeup Service Inquiry form. The service interval for the return of a Loop Makeup Manual Service Inquiry is three business days. Manual LMUSIs are not subject to expedite requests. This service interval is distinct from the interval applied to the subsequent service order.

2.9.3 **Loop Reservations**

2.9.3.1 For a Mechanized LMUSI, Comm South may reserve up to ten Loop facilities. For a Manual LMUSI, Comm South may reserve up to three Loop facilities.

2.9.3.2 Comm South may reserve facilities for up to four (4) business days for each facility requested on a LMUSI from the time the LMU information is returned to Comm South. During and prior to Comm South placing an LSR, the reserved facilities are rendered unavailable to other customers, including BellSouth. If Comm South does not submit an LSR for a UNE service on a reserved facility within the four-day reservation timeframe, the reservation of that spare facility will become invalid and the facility will be released.

2.9.3.3 Charges for preordering LMUSI are separate from any charges associated with ordering other services from BellSouth.

2.9.4 **Ordering of Other UNE Services**

2.9.4.1 All LSRs issued for reserved facilities shall reference the facility reservation number as provided by BellSouth. Comm South will not be billed any additional LMU charges for the loop ordered on such LSR. If, however, Comm South does not reserve facilities upon an initial LMUSI, Comm South's placement of an order for an advanced data service type facility will incur the appropriate billing charges to include service inquiry and reservation per Exhibit B of this Attachment.

2.9.4.2 Where Comm South has reserved multiple Loop facilities on a single reservation, Comm South may not specify which facility shall be provisioned when submitting the LSR. For those occasions, BellSouth will assign to Comm South, subject to availability, a facility that meets the BellSouth technical standards of the BellSouth type Loop as ordered by Comm South. If the ordered Loop type is not available, Comm South may utilize the Unbundled Loop Modification process or the Special Construction process, as applicable, to obtain the Loop type ordered.

3 High Frequency Spectrum Network Element

3.1 General

3.1.1 BellSouth shall provide Comm South access to the high frequency spectrum of the local loop as an unbundled network element only where BellSouth is the voice service provider to the end user at the rates set forth in this Attachment.

3.1.2 The High Frequency Spectrum is defined as the frequency range above the voiceband on a copper loop facility carrying analog circuit-switched voiceband transmissions. Access to the High Frequency Spectrum is intended to allow Comm South the ability to provide Digital Subscriber Line ("xDSL") data services to the end user for which BellSouth provides voice services. The High Frequency Spectrum shall be available for any version of xDSL complying with Spectrum Management Class 5 of ANSI T1.417, American National Standard for Telecommunications, Spectrum Management for Loop Transmission Systems. BellSouth will continue to have access to the low frequency portion of the loop spectrum (from 300 Hertz to at least 3000 Hertz, and potentially up to 3400

Hertz, depending on equipment and facilities) for the purposes of providing voice service. Comm South shall only use xDSL technology that is within the PSD mask for Spectrum Management Class 5 as found in the above-mentioned document.

- 3.1.3 Access to the High Frequency Spectrum requires an unloaded, 2-wire copper Loop. An unloaded Loop is a copper Loop with no load coils, low-pass filters, range extenders, DAMLs, or similar devices and minimal bridged taps consistent with ANSI T1.413 and T1.601.
- 3.1.4 BellSouth will provide Loop Modification to Comm South on an existing Loop in accordance with procedures developed in the Line Sharing Collaborative. High Frequency Spectrum (Central Office Based) Unbundled Loop Modification is a separate distinct service from Unbundled Loop Modification set forth in Section 2.5 of this Attachment. Procedures for High Frequency Spectrum (Central Office Based) Unbundled Loop Modification were developed in the Line Sharing Collaborative and may be found posted to the web at <http://www.interconnection.bellsouth.com/html/unes.html>. Nonrecurring rates for this UNE offering may be found in Exhibit B of this Attachment. BellSouth is not required to modify a Loop for access to the High Frequency spectrum if modification of that Loop significantly degrades BellSouth's voice service. If Comm South requests that BellSouth modify a Loop longer than 18,000 ft. and such modification significantly degrades the voice services on the Loop, Comm South shall pay for the Loop to be restored to its original state.

3.2 **Provisioning of High Frequency Spectrum and Splitter Space**

- 3.2.1 BellSouth will provide Comm South with access to the High Frequency Spectrum as follows:
- 3.2.1.1 To order High Frequency Spectrum on a particular Loop, Comm South must have a Digital Subscriber Line Access Multiplexer (DSLAM) collocated in the central office that serves the end-user of such Loop.
- 3.2.1.2 Comm South may provide its own splitters or may order splitters in a central office once it has installed its DSLAM in that central office. BellSouth will install splitters within thirty-six (36) calendar days of Comm South's submission of an error free Line Splitter Ordering Document ("LSOD") to the BellSouth Complex Resale Support Group.
- 3.2.1.3 Once a splitter is installed on behalf of Comm South in a central office in which Comm South is located, Comm South shall be entitled to order the High Frequency Spectrum on lines served out of that central office. BellSouth will bill and Comm South shall pay the electronic or manual ordering charges as applicable when Comm South orders High Frequency Spectrum for end-user service.

- 3.2.1.4 BellSouth will select, purchase, install, and maintain a central office POTS splitter and provide Comm South access to data ports on the splitter. The splitter will route the High Frequency Spectrum on the circuit to Comm South's xDSL equipment in Comm South's collocation space. At least 30 days before making a change in splitter suppliers, BellSouth will provide Comm South with a carrier notification letter, informing Comm South of change. Comm South shall purchase ports on the splitter in increments of 8 or 24 ports.
- 3.2.1.5 BellSouth will install the splitter in (i) a common area close to Comm South's collocation area, if possible; or (ii) in a BellSouth relay rack as close to Comm South's DS0 termination point as possible. Comm South shall have access to the splitter for test purposes, regardless of where the splitter is placed in the BellSouth premises. For purposes of this section, a common area is defined as an area in the central office in which both Parties have access to a common test access point. A Termination Point is defined as the point of termination for Comm South on the toll main distributing frame in the central office and is not the demarcation point set forth in Attachment 4 of this Agreement. BellSouth will cross-connect the splitter data ports to a specified Comm South DS0 at such time that a Comm South end user's service is established.
- 3.2.1.6 Comm South may at its option purchase, install and maintain central office POTS splitters in its collocation arrangements. Comm South may use such splitters for access to its customers and to provide digital line subscriber services to its customers using the High Frequency Spectrum. Existing Collocation rules and procedures shall apply.
- 3.2.1.7 Any splitters installed by Comm South in its collocation arrangement shall comply with ANSI T1.413, Annex E, or any future ANSI splitter Standards. Comm South may install any splitters that BellSouth deploys or permits to be deployed for itself or any BellSouth affiliate.
- 3.2.1.8 The High Frequency Spectrum shall only be available on Loops on which BellSouth is also providing, and continues to provide, analog voice service directly to the end user. In the event the end-user terminates its BellSouth provided voice service for any reason, or in the event BellSouth disconnects the end user's voice service pursuant to its tariffs or applicable law, and Comm South desires to continue providing xDSL service on such Loop, Comm South shall be required to purchase a full stand-alone Loop unbundled network element. To the extent commercially practicable, BellSouth shall give Comm South notice in a reasonable time prior to disconnect, which notice shall give Comm South an adequate opportunity to notify BellSouth of its intent to purchase such Loop. In those cases in which BellSouth no longer provides voice service to the end user and Comm South purchases the full stand-alone Loop, Comm South may elect the type of loop it will purchase. Comm South will pay the appropriate recurring and non-recurring rates for such Loop as set forth in Exhibit B to this Attachment. In the

event Comm South purchases a voice grade Loop, Comm South acknowledges that such Loop may not remain xDSL compatible.

3.2.1.9 Only one competitive local exchange carrier shall be permitted access to the High Frequency Spectrum of any particular loop.

3.2.2 **Ordering**

3.2.2.1 Comm South shall use BellSouth's Line Splitter Ordering Document ("LSOD") to order splitters from BellSouth and to activate and deactivate DS0 Collocation Connecting Facility Assignments (CFA) for use with High Frequency Spectrum.

3.2.2.2 BellSouth will provide Comm South the Local Service Request ("LSR") format to be used when ordering the High Frequency Spectrum.

3.2.2.2.1 BellSouth will provision High Frequency Spectrum in compliance with BellSouth's Products and Services Interval Guide available at the website at <http://www.interconnection.bellsouth.com>.

3.2.2.2.2 BellSouth will provide Comm South access to Preordering Loop Makeup (LMU), in accordance with the terms of this Agreement. BellSouth shall bill and Comm South shall pay the rates for such services, as described in Exhibit B.

3.2.2.2.3 BellSouth shall test the data portion of the loop to ensure the continuity of the wiring for Comm South's data.

3.2.3 **Maintenance and Repair**

3.2.3.1 Comm South shall have access for repair and maintenance purposes, to any loop for which it has access to the High Frequency Spectrum. If Comm South is using a BellSouth owned splitter, Comm South may access the loop at the point where the combined voice and data signal exits the central office splitter via a bantam test jack. If Comm South provides its own splitter, it may test from the collocation space or the Termination Point.

3.2.3.2 BellSouth will be responsible for repairing voice services and the physical line between the network interface device at the customer's premises and the Termination Point. Comm South will be responsible for repairing data services. Each Party will be responsible for maintaining its own equipment.

3.2.3.3 Comm South shall inform its end users to direct data problems to Comm South, unless both voice and data services are impaired, in which event the end users should call BellSouth.

3.2.3.4 Once a Party has isolated a trouble to the other Party's portion of the loop, the Party isolating the trouble shall notify the end user that the trouble is on the other Party's portion of the Loop.

- 3.2.3.5 Notwithstanding anything else to the contrary in this Agreement, when BellSouth receives a voice trouble and isolates the trouble to the physical collocation arrangement belonging to Comm South, BellSouth will notify Comm South. Comm South will provide no more than two (2) verbal connecting facility assignments (CFA) pair changes to BellSouth in an attempt to resolve the voice trouble. In the event a CFA pair change resolves the voice trouble, Comm South will provide BellSouth an LSR with the new CFA pair information within 24 hours. If the owner of the collocation space fails to resolve the trouble by providing BellSouth with the verbal CFA pair changes, BellSouth may discontinue Comm South's access to the High Frequency Spectrum on such loop. BellSouth will not be responsible for any loss of data as a result of this action.
- 3.2.4 **Line Splitting.**
- 3.2.4.1 General
- 3.2.4.2 Line Splitting allows a provider of data services (a "Data LEC") and a provider of voice services (a "Voice CLEC") to deliver voice and data service to end users over the same loop. The Voice CLEC and Data LEC may be the same or different carriers. Comm South shall provide BellSouth with a signed Letter of Authorization ("LOA") between it and the Data LEC or Voice CLEC with which it desires to provision Line Splitting services.
- 3.2.4.3 The splitter may be provided by the Data LEC, Voice CLEC or BellSouth. When Comm South or its authorized agent owns the splitter, Line Splitting requires the following: a non-designed analog loop from the serving wire center to the network interface device (NID) at the end user's location; a collocation cross connection connecting the loop to the collocation space; a second collocation cross connection from the collocation space connected to a voice port; and a splitter. The loop and port cannot be a loop and port combination (i.e. UNE-P), but must be individual stand-alone network elements. When BellSouth owns the splitter, Line Splitting requires the following: a non designed analog loop from the serving wire center to the network interface device (NID) at the end user's location with CFA and splitter port assignments, and a collocation cross connection from the collocation space connected to a voice port.
- 3.2.4.4 An unloaded 2-wire copper loop must serve the end user. The meet point for the Voice CLEC and the Data LEC is the point of termination on the MDF for the Data LEC's cable and pairs.
- 3.2.4.5 End Users currently receiving voice service from a Voice CLEC through a UNE platform (UNE-P) may be converted to Line Splitting arrangements by Comm South or its authorized agent ordering Line Splitting Service. If the CLEC wishes to provide the splitter, the UNE-P arrangement will be converted to a stand-alone UNE loop, a UNE port and two collocation cross connects. If BellSouth owns the

splitter, the UNE-P arrangement will be converted to a stand-alone UNE loop, port, and one collocation cross connection.

- 3.2.4.6 When end users using High Frequency Spectrum CO Based line sharing service convert to Line Splitting, BellSouth will discontinue billing for the upper spectrum. BellSouth will continue to bill the Data LEC for all associated splitter charges if the Data LEC continues to use a BellSouth splitter. It is the responsibility of Comm South or its authorized agent to determine if the loop is compatible for Line Splitting Service. Comm South or its authorized agent may use the existing loop unless it is not compatible with the Data LEC's data service and < customer_name> or its authorized agent submits an LSR to BellSouth to change the loop.
- 3.2.4.7 The foregoing procedures are applicable to migration to Line Splitting Service from a UNE-P arrangement. Where a UNE-P arrangement does not already exist, BellSouth will work cooperatively with CLECs to develop methods and procedures to develop a process whereby a Voice CLEC and a Data LEC may provide services over the same loop.
- 3.2.4.8 **Ordering**
- 3.2.4.9 Comm South shall use BellSouth's Line Splitter Ordering Document ("LSOD") to order splitters from BellSouth and to activate and deactivate DS0 Collocation Connecting Facility Assignments (CFA) for use with Line Splitting.
- 3.2.4.10 BellSouth shall provide Comm South the Local Service Request ("LSR") format to be used when ordering Line Splitting service.
- 3.2.4.11 BellSouth will provision Line Splitting service in compliance with BellSouth's Products and Services Interval Guide available at the website at <http://www.interconnection.bellsouth.com>.
- 3.2.4.12 BellSouth will provide Comm South access to Preordering Loop Makeup (LMU) in accordance with the terms of this Agreement. BellSouth shall bill and Comm South shall pay the rates for such services as described in Exhibit B.
- 3.2.4.13 BellSouth will provide loop modification to Comm South on an existing loop in accordance with procedures developed in the Line Sharing Collaborative. High Frequency Spectrum (CO Based) Unbundled Loop Modification is a separate distinct service from Unbundled Loop Modification set forth in Section 2.5 of this Attachment. Procedures for High Frequency Spectrum (CO Based) Unbundled Loop Modification may be found on the web at: <HTTP://www.interconnection.bellsouth.com/html/unes.html>. Nonrecurring rates for this UNE offering may be found in Exhibit B of this Attachment.

3.2.4.14 **Maintenance**

3.2.4.15 BellSouth will be responsible for repairing voice services and the physical line between the network interface device at the customer's premises and the Termination Point. Comm South will be responsible for repairing data services. Each Party will be responsible for maintaining its own equipment.

3.2.4.16 Comm South shall inform its end users to direct data problems to Comm South, unless both voice and data services are impaired, in which event the end users should call BellSouth.

3.2.4.17 Once a Party has isolated a trouble to the other Party's portion of the loop, the Party isolating the trouble shall notify the end user that the trouble is on the other Party's portion of the Loop.

3.2.4.18 When BellSouth receives a voice trouble and isolates the trouble to the physical collocation arrangement belonging to owner of the collocation space, BellSouth will notify the owner of the collocation space. The owner of the collocation space will provide no more than two (2) verbal CFA pair changes to BellSouth in an attempt to resolve the voice trouble. In the event the CFA pair is changed, the owner of the collocation space will provide BellSouth an LSR with the new CFA pair information within 24 hours. If the owner of the collocation space fails to resolve the trouble by providing BellSouth with the verbal CFA pair changes, BellSouth may discontinue the owner of the collocation space access to the High Frequency Spectrum on such loop.

3.2.4.19 If Comm South is not the data provider, Comm South shall indemnify, defend and hold harmless BellSouth from and against any claims, losses, actions, causes of action, suits, demands, damages, injury, and costs including reasonable attorney fees which arise out of actions related to the data provider.

3.2.5 **Remote Site High Frequency Spectrum**

3.2.5.1 General

3.2.5.1.1 BellSouth shall provide Comm South access to the high frequency spectrum of the local sub-loop as an unbundled network element (UNE) only where BellSouth is the voice service provider to the end user at the rates set forth in this Attachment.

3.2.6 The High Frequency Spectrum is defined as the frequency range above the voiceband on a copper loop facility carrying analog circuit-switched voiceband transmissions. Access to the High Frequency Spectrum is intended to allow Comm South the ability to provide Digital Subscriber Line ("xDSL") data services to the end user for which BellSouth provides voice services. The High Frequency Spectrum shall be available for any version of xDSL complying with Spectrum Management Class 5 of ANSI T1.417, American National Standard for Telecommunications, Spectrum Management for Loop Transmission Systems.

BellSouth will continue to have access to the low frequency portion of the loop spectrum (from 300 Hertz to at least 3000 Hertz, and potentially up to 3400 Hertz, depending on equipment and facilities) for the purposes of providing voice service. Comm South shall only use xDSL technology that is within the PSD mask for Spectrum Management Class 5 as found in the above-mentioned document.

- 3.2.7 Access to the High Frequency Spectrum requires an unloaded, 2-wire (Non-Designed) copper sub loop. A unloaded Cooper sub loop has no load coils, low-pass filters, range extenders, DAMLs, or similar devices and minimal bridged taps consistent with ANSI T1.413 and T1.601.
- 3.2.8 BellSouth will provide Loop Modification to Comm South on an existing Loop in accordance with procedures developed in the Line Sharing Collaborative. Procedures for High Frequency Spectrum (Remote Site) Unbundled Loop Modification were developed in the Line Sharing Collaborative and may be found posted to the web at <http://www.interconnection.bellsouth.com/html/unes.html>. Nonrecurring rates for this UNE offering may be found in Exhibit B of this Attachment. BellSouth is not required to modify a Loop for access to the High Frequency spectrum if modification of that Loop significantly degrades BellSouth's voice service. If Comm South requests modifications on a sub loop longer than 18,000 ft. and requested modifications significantly degrades the voice services on the loop, Comm South shall pay for the loop to be restored to its original state.
- 3.2.9 Provisioning of High Frequency Spectrum and Splitter Space
- 3.2.10 BellSouth will provide Comm South with access to the High Frequency Spectrum as follows:
- 3.2.10.1 To order High Frequency Spectrum on a particular Loop, Comm South must have a Digital Subscriber Line Access Multiplexer (DSLAM) collocated at the remote site that serves the end-user of such Loop.
- 3.2.10.2 Comm South may provide its own splitters or may order splitters in a remote site once the Comm South has installed its DSLAM at that remote site. BellSouth will install splitters within thirty-six (36) calendar days of Comm South's submission of an error free Line Splitter Ordering Document ("LSOD") to the BellSouth Complex Resale Support Group.
- 3.2.10.3 Once a splitter is installed on behalf of Comm South in a remote site in which Comm South is located, Comm South shall be entitled to order the High Frequency Spectrum on lines served out of that remote site. BellSouth will bill and Comm South shall pay applicable for High Frequency Spectrum end-user activation.
- 3.2.11 **BellSouth Owned Splitter**

- 3.2.11.1 BellSouth will select, purchase, install and maintain a splitter at the remote site. The Comm South's meet point is at the BellSouth "cross connect" point located at the Feeder Distribution Interface (FDI). The Comm South will provide a cable facility to the BellSouth FDI. BellSouth will splice the Comm South's cable to BellSouth's spare binding post in the FDI and use "cross connects" to connect the Comm South's cable facility to the BellSouth splitter. The splitter will route the high frequency portion of the circuit to the Comm South's xDSL equipment in their collocation space. Access to the high frequency spectrum is not compatible with foreign exchange (FX) lines, ISDN, and other services listed in the technical section of this document.
- 3.2.11.2 The BellSouth splitter bifurcates the digital and voice band signals. The low frequency voice band portion of the circuit is routed back to the BellSouth switch. The high frequency digital traffic portion of the circuit is routed to the xDSL equipment in the Comm South's Remote Terminal (RT) collocation space and routed back to the Comm South's network. At least 30 business days before making a change in splitter suppliers, BellSouth will provide Comm South with a carrier notification letter, informing Comm South of change. Comm South shall purchase ports on the splitter in increments of 24 ports.
- 3.2.11.3 BellSouth will install the splitter in (i) a common area close to Comm South's collocation area, if possible; or (ii) in a BellSouth relay rack as close to Comm South's DS0 termination point as possible. Comm South shall have access to the splitter for test purposes, regardless of where the splitter is placed in the BellSouth premises. For purposes of this section, a common area is defined as an area in the remote site in which both Parties have access to a common test access point. BellSouth will cross-connect the splitter data ports to a specified Comm South DS0 at such time that a Comm South end user's service is established.
- 3.2.12 **CLEC Owned Splitter**
- 3.2.12.1 Comm South may at its option purchase, install and maintain splitters in its collocation arrangements. Comm South may use such splitters for access to its customers and to provide digital line subscriber services to its customers using the High Frequency Spectrum. Existing Collocation rules and procedures shall apply. The CLEC will be required to activate cable pairs in no less than 8 (eight) pair increments.
- 3.2.12.2 Any splitters installed by Comm South in its collocation arrangement shall comply with ANSI T1.413, Annex E, or any future ANSI splitter Standards. Comm South may install any splitters that BellSouth deploys or permits to be deployed for itself or any BellSouth affiliate.
- 3.2.12.3 The High Frequency Spectrum shall only be available on sub-loops provided by BellSouth that continues to provide, analog voice service directly to the end user.

In the event the end-user terminates its BellSouth provided voice service for any reason, or in the event BellSouth disconnects the end user's voice service pursuant to its tariffs or applicable law, and Comm South desires to continue providing xDSL service on such sub-loop, Comm South shall be required to purchase a full stand-alone sub-loop. To the extent commercially practicable, BellSouth shall give Comm South notice in a reasonable time prior to disconnect, which notice shall give Comm South an adequate opportunity to notify BellSouth of its intent to purchase such sub-loop. In those cases where BellSouth no longer provides voice service to the end user and Comm South purchases the full stand-alone sub-loop, Comm South may elect the type of sub-loop it will purchase. Comm South will pay the appropriate recurring and non-recurring rates for such sub-loop as set forth in Exhibit B to this Attachment. In the event Comm South purchases a voice grade Loop, Comm South acknowledges that such sub-loop may not remain xDSL compatible.

3.2.12.4 Only one competitive local exchange carrier shall be permitted access to the High Frequency Spectrum of any particular loop.

3.2.13 **Ordering**

3.2.13.1 Comm South shall use BellSouth's Remote Splitter Ordering Document ("RSOD") to order and activate splitters from BellSouth or to activate CLEC owned splitters at an RT for use with High Frequency Spectrum.

3.2.13.2 BellSouth will provide Comm South the Local Service Request ("LSR") format to be used when ordering the High Frequency Spectrum.

3.2.13.2.1 BellSouth will provision High Frequency Spectrum in compliance with BellSouth's Products and Services Interval Guide available at the website at <http://www.interconnection.bellsouth.com>.

3.2.13.2.2 BellSouth will provide Comm South access to Preordering Loop Makeup (LMU), in accordance with the terms of this Agreement. BellSouth shall bill and Comm South shall pay the rates for such services as described in Exhibit B.

3.2.13.2.3 BellSouth shall test the data portion of the loop to ensure the continuity of the wiring for Comm South's data.

3.2.14 **Maintenance and Repair**

3.2.14.1 Comm South shall have access for repair and maintenance purposes, to any loop for which it has access to the High Frequency Spectrum. If Comm South is using a BellSouth owned splitter, Comm South may access the loop at the point where the data signal exits. If Comm South provides its own splitter, it may test from the collocation space or the Termination Point.

- 3.2.14.2 BellSouth will be responsible for repairing voice services and the physical line between the network interface device at the customer's premises and the Termination Point. Comm South will be responsible for repairing data services. Each Party will be responsible for maintaining its own equipment.
- 3.2.14.3 Comm South shall inform its end users to direct data problems to Comm South, unless both voice and data services are impaired, in which event the end users should call BellSouth.
- 3.2.14.4 Once a Party has isolated a trouble to the other Party's portion of the loop, the Party isolating the trouble shall notify the end user that the trouble is on the other Party's portion of the Loop.
- 3.2.14.5 Notwithstanding anything else to the contrary in this Agreement, when BellSouth receives a voice trouble and isolates the trouble to the physical collocation arrangement belonging to Comm South, BellSouth will notify Comm South. Comm South will provide no more than two (2) verbal connecting facility assignments (CFA) pair changes to BellSouth in an attempt to resolve the voice trouble. In the event a CFA pair change resolves the voice trouble, Comm South will provide BellSouth an LSR with the new CFA pair information within 24 hours. If the owner of the collocation space fails to resolve the trouble by providing BellSouth with the verbal CFA pair changes, BellSouth may discontinue Comm South's access to the High Frequency Spectrum on such loop. BellSouth will not be responsible for any loss of data as a result of this action.

4 Local Switching

- 4.1 BellSouth shall provide non-discriminatory access to local circuit switching capability and local tandem switching capability on an unbundled basis, except as set forth in the Sections below to Comm South for the provision of a telecommunications service. BellSouth shall provide non-discriminatory access to packet switching capability on an unbundled basis to Comm South for the provision of a telecommunications service only in the limited circumstance described below in Section 4.5.

4.2 Local Circuit Switching Capability, including Tandem Switching Capability

- 4.2.1 Local circuit switching capability is defined as: (A) line-side facilities, which include, but are not limited to, the connection between a loop termination at a main distribution frame and a switch line card; (B) trunk-side facilities, which include, but are not limited to, the connection between trunk termination at a trunk-side cross-connect panel and a switch trunk card; (C) switching provided by remote switching modules; and (D) all features, functions, and capabilities of the switch, which include, but are not limited to: (1) the basic switching function of connecting lines to lines, line to trunks, trunks to lines, and trunks to trunks, as well as the same basic capabilities made available to BellSouth's customers, such

as a telephone number, white page listings, and dial tone; and (2) all other features that the switch is capable of providing, including but not limited to customer calling, customer local area signaling service features, and Centrex, as well as any technically feasible customized routing functions provided by the switch. Any features that are not currently available but are technically feasible through the switch can be requested through the BFR/NBR process.

- 4.2.2 Notwithstanding BellSouth's general duty to unbundle local circuit switching, BellSouth shall not be required to unbundle local circuit switching for Comm South when Comm South serves an end-user with four (4) or more voice-grade (DS-0) equivalents or lines served by BellSouth in one of the following MSAs: Atlanta, GA; Miami, FL; Orlando, FL; Ft. Lauderdale, FL; Charlotte-Gastonia-Rock Hill, NC; Greensboro-Winston Salem-High Point, NC; Nashville, TN; and New Orleans, LA, and BellSouth has provided non-discriminatory cost based access to the Enhanced Extended Link (EEL) throughout Density Zone 1 as determined by NECA Tariff No. 4 as in effect on January 1, 1999.
- 4.2.3 In the event that Comm South orders local circuit switching for an end user with four (4) or more DS0 equivalent lines within Density Zone 1 in an MSA listed above, BellSouth shall charge Comm South the market based rates in Exhibit B for use of the local circuit switching functionality for the affected facilities. If a market rate is not set forth in Exhibit B, such rate shall be negotiated by the Parties.
- 4.2.4 Unbundled Local Switching consists of three separate unbundled elements: Unbundled Ports, End Office Switching Functionality, and End Office Interoffice Trunk Ports.
- 4.2.5 Unbundled Local Switching combined with Common Transport and, if necessary, Tandem Switching provides to Comm South's end user local calling and the ability to presubscribe to a primary carrier for intraLATA and/or to presubscribe to a primary carrier for interLATA toll service.
- 4.2.6 Provided that Comm South purchases unbundled local switching from BellSouth and uses the BellSouth CIC for its end users' LPIC or if a BellSouth local end user selects BellSouth as its LPIC, then the Parties will consider as local any calls originated by an Comm South local end user, or originated by a BellSouth local end user and terminated to an Comm South local end user, where such calls originate and terminate in the same LATA, except for those calls originated and terminated through switched access arrangements (i.e., calls that are transported by a party other than BellSouth). For such calls, BellSouth will charge Comm South the UNE elements for the BellSouth facilities utilized. Neither Party shall bill the other originating or terminating switched access charges for such calls. Intercarrier compensation for local calls between BellSouth and Comm South shall be as described in BellSouth's UNE Local Call Flows set forth on BellSouth's web site.

- 4.2.7 Where Comm South purchases unbundled local switching from BellSouth but does not use the BellSouth CIC for its end users' LPIC, BellSouth will consider as local those direct dialed telephone calls that originate from an Comm South end user and terminate within the basic local calling area or within the extended local calling areas and that are dialed using 7 or 10 digits as defined and specified in Section A3 of BellSouth's General Subscriber Services Tariffs. For such local calls, BellSouth will charge Comm South the UNE elements for the BellSouth facilities utilized. Intercarrier compensation for local calls between BellSouth and Comm South shall be as described in BellSouth's UNE Local Call Flows set forth on BellSouth's web site.
- 4.2.8 For any calls that originate and terminate through switched access arrangements (i.e., calls that are transported by a party other than BellSouth), BellSouth shall bill Comm South the UNE elements for the BellSouth facilities utilized. Each Party may bill the toll provider originating or terminating switched access charges, as appropriate.
- 4.2.9 **Unbundled Port Features**
- 4.2.9.1 Charges for Unbundled Port are as set forth in Exhibit B, and as specified in such exhibit, may or may not include individual features.
- 4.2.9.2 Where applicable and available, non-switch-based services may be ordered with the Unbundled Port at BellSouth's retail rates.
- 4.2.9.3 Any features that are not currently available but are technically feasible through the switch can be requested through the BFR/NBR process.
- 4.2.9.4 BellSouth will provide to Comm South selective routing of calls to a requested Operator System platform pursuant to Section 10 of Attachment 2. Any other routing requests by Comm South will be made pursuant to the BFR/NBR Process as set forth in Attachment 12.
- 4.2.10 **Provision for Local Switching**
- 4.2.10.1 BellSouth shall perform routine testing (e.g., Mechanized Loop Tests (MLT) and test calls such as 105, 107 and 108 type calls) and fault isolation on a mutually agreed upon schedule.
- 4.2.10.2 BellSouth shall control congestion points such as those caused by radio station call-ins, and network routing abnormalities. All traffic shall be restricted in a non-discriminatory manner.
- 4.2.10.3 BellSouth shall perform manual call trace and permit customer originated call trace. BellSouth shall provide Switching Service Point (SSP) capabilities and signaling software to interconnect the signaling links destined to the Signaling

Transfer Point Switch (STPS). These capabilities shall adhere to the technical specifications set forth in the applicable industry standard technical references.

4.2.10.4 BellSouth shall provide interfaces to adjuncts through Telcordia standard interfaces. These adjuncts can include, but are not limited to, the Service Circuit Node and Automatic Call Distributors. BellSouth shall offer to Comm South all AIN triggers in connection with its SMS/SCE offering.

4.2.10.5 BellSouth shall provide access to SS7 Signaling Network or Multi-Frequency trunking if requested by Comm South.

4.2.11 **Local Switching Interfaces.**

4.2.11.1 Comm South shall order ports and associated interfaces compatible with the services it wishes to provide, as listed in Exhibit B. BellSouth shall provide the following local switching interfaces:

4.2.11.1.1 Standard Tip/Ring interface including loopstart or groundstart, on-hook signaling (e.g., for calling number, calling name and message waiting lamp);

4.2.11.1.2 Coin phone signaling;

4.2.11.1.3 Basic Rate Interface ISDN adhering to appropriate Telcordia Technical Requirements;

4.2.11.1.4 Two-wire analog interface to PBX;

4.2.11.1.5 Four-wire analog interface to PBX;

4.2.11.1.6 Four-wire DS1 interface to PBX or customer provided equipment (e.g. computers and voice response systems);

4.2.11.1.7 Primary Rate ISDN to PBX adhering to ANSI standards Q.931, Q.932 and appropriate Telcordia Technical Requirements;

4.2.11.1.8 Switched Fractional DS1 with capabilities to configure Nx64 channels (where N = 1 to 24); and

4.2.11.1.9 Loops adhering to Telcordia TR-NWT-08 and TR-NWT-303 specifications to interconnect Digital Loop Carriers.

4.3 **Tandem Switching**

4.3.1 The Tandem Switching capability Network Element is defined as: (i) trunk-connect facilities, which include, but are not limited to, the connection between trunk termination at a cross connect panel and switch trunk card; (ii) the basic switch trunk function of connecting trunks to trunks; and (iii) the functions that are centralized in the Tandem Switches (as distinguished from separate end office

switches), including but not limited to call recording, the routing of calls to operator services and signaling conversion features.

4.3.2 Technical Requirements

- 4.3.2.1 Tandem Switching shall have the same capabilities or equivalent capabilities as those described in Telcordia TR-TSY-000540 Issue 2R2, Tandem Supplement, 6/1/90. The requirements for Tandem Switching include, but are not limited to the following:
 - 4.3.2.1.1 Tandem Switching shall provide signaling to establish a tandem connection;
 - 4.3.2.1.2 Tandem Switching will provide screening as jointly agreed to by Comm South and BellSouth;
 - 4.3.2.1.3 Tandem Switching shall provide Advanced Intelligent Network triggers supporting AIN features where such routing is not available from the originating end office switch, to the extent such Tandem switch has such capability;
 - 4.3.2.1.4 Tandem Switching shall provide access to Toll Free number database;
 - 4.3.2.1.5 Tandem Switching shall provide connectivity to PSAPs where 911 solutions are deployed and the tandem is used for 911; and
 - 4.3.2.1.6 Where appropriate, Tandem Switching shall provide connectivity for the purpose of routing transit traffic to and from other carriers.
- 4.3.2.2 BellSouth may perform testing and fault isolation on the underlying switch that is providing Tandem Switching. Such testing shall be testing routinely performed by BellSouth. The results and reports of the testing shall be made available to Comm South.
- 4.3.2.3 BellSouth shall control congestion points and network abnormalities. All traffic will be restricted in a non-discriminatory manner.
- 4.3.2.4 Tandem Switching shall process originating toll-free traffic received from Comm South's local switch.
- 4.3.2.5 In support of AIN triggers and features, Tandem Switching shall provide SSP capabilities when these capabilities are not available from the Local Switching Network Element, to the extent such Tandem Switch has such capability.
- 4.3.3 Upon Comm South's purchase of overflow trunk groups, Tandem Switching shall provide an alternate routing pattern for Comm South's traffic overflowing from direct end office high usage trunk groups.

- 4.4 **AIN Selective Carrier Routing for Operator Services, Directory Assistance and Repair Centers**
- 4.4.1 BellSouth will provide AIN Selective Carrier Routing at the request of Comm South. AIN Selective Carrier Routing will provide Comm South with the capability of routing operator calls, 0+ and 0- and 0+ NPA (LNPA) 555-1212 directory assistance, 1+411 directory assistance and 611 repair center calls to pre-selected destinations.
- 4.4.2 Comm South shall order AIN Selective Carrier Routing through its Account Team and/or Local Contract Manager. AIN Selective Carrier Routing must first be established regionally and then on a per central office, per state basis.
- 4.4.3 AIN Selective Carrier Routing is not available in DMS 10 switches.
- 4.4.4 Where AIN Selective Carrier Routing is utilized by Comm South, the routing of Comm South's end user calls shall be pursuant to information provided by Comm South and stored in BellSouth's AIN Selective Carrier Routing Service Control Point database. AIN Selective Carrier Routing shall utilize a set of Line Class Codes (LCCs) unique to a basic class of service assigned on an 'as needed' basis. The same LCCs will be assigned in each central office where AIN Selective Carrier Routing is established.
- 4.4.5 Upon ordering of AIN Selective Carrier Routing Regional Service, Comm South shall remit to BellSouth the Regional Service Order non-recurring charges set forth in Exhibit B of this Attachment. There shall be a non-recurring End Office Establishment Charge per office due at the addition of each central office where AIN Selective Carrier Routing will be utilized. Said non-recurring charge shall be as set forth in Exhibit B of this Attachment. For each Comm South end user activated, there shall be a non-recurring End User Establishment charge as set forth in Exhibit B of this Attachment. Comm South shall pay the AIN Selective Carrier Routing Per Query Charge set forth in Exhibit B of this Attachment.
- 4.4.6 This Regional Service Order non-recurring charge will be non-refundable and will be paid with 1/2 due up-front with the submission of all fully completed required forms, including: Regional Selective Carrier Routing (SCR) Order Request-Form A, Central Office AIN Selective Carrier Routing (SCR) Order Request - Form B, AIN_SCR Central Office Identification Form - Form C, AIN_SCR Routing Options Selection Form - Form D, and Routing Combinations Table - Form E. BellSouth has 30 days to respond to Comm South's fully completed firm order as a Regional Service Order. With the delivery of this firm order response to Comm South, BellSouth considers that the delivery schedule of this service commences. The remaining 1/2 of the Regional Service Order payment must be paid when at least 90% of the Central Offices listed on the original order have been turned up for the service.

- 4.4.7 The non-recurring End Office Establishment Charge will be billed to Comm South following BellSouth's normal monthly billing cycle for this type of order.
- 4.4.8 End-User Establishment Orders will not be turned-up until the second payment is received for the Regional Service Order. The non-recurring End-User Establishment Charges will be billed to Comm South following BellSouth's normal monthly billing cycle for this type of order.
- 4.4.9 Additionally, the AIN Selective Carrier Routing Per Query Charge will be billed to Comm South following the normal billing cycle for per query charges.
- 4.4.10 All other network components needed, for example, unbundled switching and unbundled local transport, etc, will be billed per contracted rates.
- 4.5 **Packet Switching Capability**
- 4.5.1 The packet switching capability network element is defined as the function of routing or forwarding packets, frames, cells or other data units based on address or other routing information contained in the packets, frames, cells or other data units.
- 4.5.2 BellSouth shall be required to provide non-discriminatory access to unbundled packet switching capability only where each of the following conditions are satisfied:
- 4.5.2.1 BellSouth has deployed digital loop carrier systems, including but not limited to, integrated digital loop carrier or universal digital loop carrier systems; or has deployed any other system in which fiber optic facilities replace copper facilities in the feeder section (e.g., end office to remote terminal, pedestal or environmentally controlled vault);
- 4.5.2.2 There are no spare copper loops capable of supporting the xDSL services Comm South seeks to offer;
- 4.5.2.3 BellSouth has not permitted Comm South to deploy a DSLAM at the remote terminal, pedestal or environmentally controlled vault or other interconnection point, nor has Comm South obtained a virtual collocation arrangement at these sub-loop interconnection points as defined by 47 CFR § 51.319 (b); and
- 4.5.2.4 BellSouth has deployed packet switching capability for its own use.
- 4.5.3 If there is a dispute as to whether BellSouth must provide Packet Switching, such dispute will be resolved according to the dispute resolution process set forth in Section 12 of the General Terms and Conditions of this Agreement, incorporated herein by this reference.

4.6 **Interoffice Transmission Facilities**

- 4.6.1 BellSouth shall provide nondiscriminatory access, in accordance with FCC Rule 51.311 and Section 251(c)(3) of the Act, to interoffice transmission facilities on an unbundled basis to Comm South for the provision of a telecommunications service.

5 Unbundled Network Element Combinations

- 5.1 Unbundled Network Element Combinations shall include: 1) Enhanced Extended Links (EELs); 2) Other Network Element Combinations; and 3) UNE Loop/Port Combinations.

- 5.2 For purposes of this Section, references to “Currently Combined” network elements shall mean that the particular network elements requested by Comm South are in fact already combined by BellSouth in the BellSouth network.

5.3 Enhanced Extended Links (EELs)

- 5.3.1 Where facilities permit and where necessary to comply with an effective FCC and/or State Commission order, or as otherwise mutually agreed by the Parties, BellSouth shall offer access to loop and transport combinations, also known as the Enhanced Extended Link (“EEL”) as defined in Section 5.3.2 below.
- 5.3.2 Subject to Section 5.3.4 below, BellSouth will provide access to the EEL in the combinations set forth in Section 5.3.5 following. This offering is intended to provide connectivity from an end user’s location through that end user’s SWC to Comm South’s POP serving wire center. The circuit must be connected to Comm South’s switch for the purpose of provisioning telephone exchange service to Comm South’s end-user customers. The EEL will be connected to Comm South’s facilities in Comm South’s collocation space at the POP SWC, or Comm South may purchase BellSouth’s access facilities between Comm South’s POP and Comm South’s collocation space at the POP SWC.
- 5.3.3 When ordering EEL combinations, Comm South shall provide to BellSouth certification that Comm South will provide a significant amount of local exchange service over the requested combination and shall indicate under what local usage option Comm South seeks to qualify. Comm South shall be deemed to be providing a significant amount of local exchange service if one of the two (2) options set forth in Sections 5.3.6.2 through 5.3.6.3 is met. BellSouth shall have the right to audit Comm South’s records to verify that Comm South is meeting the applicable local usage requirements. Such audit shall comply with the terms of Section 5.3.6.6 in this Attachment.
- 5.3.4 BellSouth shall provide EEL combinations to Comm South in Georgia, Kentucky, Louisiana, Mississippi, South Carolina and Tennessee regardless of whether or not such EELs are Currently Combined. In all other states, BellSouth shall make available to Comm South those EEL combinations described in Section 5.3.5 below only to the extent such combinations are Currently Combined.

Furthermore, BellSouth will make available new EEL combinations to Comm South in density Zone 1, as defined in 47 CFR 69.123 as of January 1, 1999, in the Atlanta, GA; Miami, FL; Orlando, FL; Ft. Lauderdale, FL; Charlotte-Gastonia-Rock Hill, NC; Greensboro-Winston Salem-High Point, NC; Nashville, TN; and New Orleans, LA, MSAs. Except as stated above, EELs will be provided to Comm South only to the extent such network elements are Currently Combined.

5.3.5 **EEL Combinations**

- 5.3.5.1 DS1 Interoffice Channel + DS1 Channelization + 2-wire VG Local Loop
- 5.3.5.2 DS1 Interoffice Channel + DS1 Channelization + 4-wire VG Local Loop
- 5.3.5.3 DS1 Interoffice Channel + DS1 Channelization + 2-wire ISDN Local Loop
- 5.3.5.4 DS1 Interoffice Channel + DS1 Channelization + 4-wire 56 kbps Local Loop
- 5.3.5.5 DS1 Interoffice Channel + DS1 Channelization + 4-wire 64 kbps Local Loop
- 5.3.5.6 DS1 Interoffice Channel + DS1 Local Loop
- 5.3.5.7 DS3 Interoffice Channel + DS3 Local Loop
- 5.3.5.8 STS-1 Interoffice Channel + STS-1 Local Loop
- 5.3.5.9 DS3 Interoffice Channel + DS3 Channelization + DS1 Local Loop
- 5.3.5.10 STS-1 Interoffice Channel + DS3 Channelization + DS1 Local Loop
- 5.3.5.11 2-wire VG Interoffice Channel + 2-wire VG Local Loop
- 5.3.5.12 4wire VG Interoffice Channel + 4-wire VG Local Loop
- 5.3.5.13 4-wire 56 kbps Interoffice Channel + 4-wire 56 kbps Local Loop
- 5.3.5.14 4-wire 64 kbps Interoffice Channel + 4-wire 64 kbps Local Loop

5.3.6 **Special Access Service Conversions**

- 5.3.6.1 Comm South may not convert special access services to combinations of loop and transport network elements, whether or not Comm South self-provides its entrance facilities (or obtains entrance facilities from a third party), unless Comm South uses the combination to provide a significant amount of local exchange service, in addition to exchange access service, to a particular customer. To the extent Comm South requests to convert any special access services to combinations of loop and transport network elements at UNE prices, Comm South shall provide to BellSouth certification that Comm South is providing a significant amount of local exchange service (as described in this Section) over such combinations. The

certification shall also indicate under what local usage option Comm South seeks to qualify for conversion of special access circuits. Comm South shall be deemed to be providing a significant amount of local exchange service over such combinations if one of the following options is met:

- 5.3.6.2 Comm South certifies that it is the exclusive provider of an end user's local exchange service. The loop-transport combinations must terminate at Comm South's collocation arrangement in at least one BellSouth central office. This option does not allow loop-transport combinations to be connected to BellSouth's tariffed services. Under this option, Comm South is the end user's only local service provider, and thus, is providing more than a significant amount of local exchange service. Comm South can then use the loop-transport combinations that serve the end user to carry any type of traffic, including using them to carry 100 percent interstate access traffic; or
- 5.3.6.3 Comm South certifies that it provides local exchange and exchange access service to the end user customer's premises and handles at least one third of the end user customer's local traffic measured as a percent of total end user customer local dialtone lines; and for DS1 circuits and above, at least 50 percent of the activated channels on the loop portion of the loop-transport combination have at least 5 percent local voice traffic individually, and the entire loop facility has at least 10 percent local voice traffic. When a loop-transport combination includes multiplexing, each of the individual DS1 circuits must meet these criteria. The loop-transport combination must terminate at Comm South's collocation arrangement in at least one BellSouth central office. This option does not allow loop-transport combinations to be connected to BellSouth tariffed services; or
- 5.3.6.4 Comm South certifies that at least 50 percent of the activated channels on a circuit are used to provide originating and terminating local dialtone service and at least 50 percent of the traffic on each of these local dialtone channels is local voice traffic, and that the entire loop facility has at least 33 percent local voice traffic. When a loop-transport combination includes multiplexing, each of the individual DS1 circuits must meet these criteria. This option does not allow loop-transport combinations to be connected to BellSouth's tariffed services. Under this option, collocation is not required. Comm South does not need to provide a defined portion of the end user's local service, but the active channels on any loop-transport combination, and the entire facility, must carry the amount of local exchange traffic specified in this option.
- 5.3.6.5 In addition, there may be extraordinary circumstances where Comm South is providing a significant amount of local exchange service, but does not qualify under any of the three options set forth in Section 5.3.6. In such case, Comm South may petition the FCC for a waiver of the local usage options set forth in the June 2, 2000 Order. If a waiver is granted, then upon Comm South's request the Parties shall amend this Agreement to the extent necessary to incorporate the terms of such waiver for such extraordinary circumstance.

5.3.6.6 BellSouth may at its sole discretion audit Comm South records in order to verify the type of traffic being transmitted over combinations of loop and transport network elements. The audit shall be conducted by a third party independent auditor, and Comm South shall be given thirty days written notice of scheduled audit. Such audit shall occur no more than one time in a calendar year, unless results of an audit find noncompliance with the significant amount of local exchange service requirement. In the event of noncompliance, Comm South shall reimburse BellSouth for the cost of the audit. If, based on its audits, BellSouth concludes that Comm South is not providing a significant amount of local exchange traffic over the combinations of loop and transport network elements, BellSouth may file a complaint with the appropriate Commission, pursuant to the dispute resolution process as set forth in the Interconnection Agreement. In the event that BellSouth prevails, BellSouth may convert such combinations of loop and transport network elements to special access services and may seek appropriate retroactive reimbursement from Comm South.

5.3.6.7 Comm South may convert special access circuits to combinations of loop and transport UNEs pursuant to the terms of this Section and subject to the termination provisions in the applicable special access tariffs, if any.

5.3.7 **Rates**

5.3.7.1 Subject to the limitations set forth in Section 5.3.4 above, the rates for EEL combinations are as follows:

5.3.7.1.1 The non-recurring and recurring rates for the EEL Combinations of network elements set forth in 5.3.5, whether or not Currently Combined, are as set forth in Exhibit B of this Attachment.

5.3.7.1.2 For combinations of loop and transport network elements that are not set forth in Section 5.3.5 but are Currently Combined, the recurring charge shall be the sum of the recurring charges for the individual UNEs that comprise the combination and the nonrecurring charge shall be the conversion charge set forth in Exhibit B of this Attachment.

5.3.7.1.3 For combinations of loop and transport network elements that are not set forth in Section 5.3.5, where the elements are not Currently Combined but are ordinarily combined in BellSouth's network, the non-recurring and recurring charges for such UNE combinations shall be the sum of the stand-alone non-recurring and recurring charges of the network elements which make up the combination as set forth in Exhibit B of this Attachment.

5.3.8 **Multiplexing**

5.3.8.1 Where multiplexing functionality is required in connection with loop and transport combinations, such multiplexing will be provided at the rates and on the terms set forth in this Agreement.

5.4 **Other Network Element Combinations**

5.4.1 In the states of Georgia, Kentucky, Louisiana, Mississippi, South Carolina and Tennessee, BellSouth shall make available to Comm South, in accordance with Section 5.4.25.4.2.1 below: (1) combinations of network elements other than those described in this Section that are Currently Combined; and (2) combinations of network elements other than those described in this Section that are not Currently Combined but that BellSouth ordinarily combines in its network. In all other states, BellSouth shall make available to Comm South, in accordance with Section 5.4.2 below, combinations of network elements other than those described in this Section 5 only to the extent such combinations are Currently Combined.

5.4.2 Rates

5.4.2.1 Subject to the limitations set forth in Section 5.4.1 above, the rates for network element combinations other than those described in this Section 5 are as follows:

5.4.2.1.1 The recurring charge for Currently Combined combinations of network elements other than those described in this Section 5 shall be the sum of the recurring charges for the individual UNEs that comprise the combination and the nonrecurring charge shall be the conversion charge set forth in Exhibit B of this Attachment.

5.4.2.1.2 For network element combinations other than those described in this Section 5 where the elements are not Currently Combined but are ordinarily combined in BellSouth's network, the non-recurring and recurring charges for such UNE combinations shall be the sum of the stand-alone non-recurring and recurring charges of the network elements that make up the combination as set forth in Exhibit B of this Attachment.

5.4.2.1.3 To the extent that Comm South seeks to obtain other combinations of network elements that BellSouth ordinarily combines in its network which have not been specifically priced by the Commission when purchased in combined form, Comm South, at its option, can request that such rates be determined pursuant to the BFR/NBR process set forth in this Agreement. In addition, to the extent BellSouth has not developed methods and procedures to provide any specific combination of network elements requested by Comm South, whether or not Currently Combined, such methods and procedures shall be established pursuant to the BFR/NBR process.

5.5 UNE Port/Loop Combinations

- 5.5.1 Combinations of port and loop unbundled network elements along with switching and transport unbundled network elements provide local exchange service for the origination or termination of calls. Port/ loop combinations support the same local calling and feature requirements as described in the Unbundled Local Switching or Port section of this Attachment 2 and the ability to presubscribe to a primary carrier for intraLATA and/or to presubscribe to a primary carrier for interLATA toll service.
- 5.5.2 BellSouth shall make available UNE port/loop combinations, regardless of whether such combinations are Currently Combined, so long as such combinations are ordinarily combined in BellSouth's network.
- 5.5.3 Except as set forth in section 5.5.6 below, in Georgia, Kentucky, Louisiana, Mississippi, South Carolina and Tennessee, BellSouth shall provide UNE port/loop combinations that are ordinarily combined in BellSouth's network, regardless of whether such combinations are Currently Combined at the cost-based rates in Exhibit B.
- 5.5.4 In Alabama, Florida, and North Carolina, BellSouth shall provide UNE port/loop combinations that are not Currently Combined but that are ordinarily combined in BellSouth's network at the market rates in Exhibit B. If a market rate is not set forth in Exhibit B for a UNE port/loop combination, such rate shall be negotiated by the Parties.
- 5.5.5 In Alabama, Florida, and North Carolina, BellSouth shall provide UNE port/loop combinations that are Currently Combined at the cost-based rates in Exhibit B.
- 5.5.6 BellSouth is not required to provide combinations of port and loop network elements on an unbundled basis in locations where, pursuant to FCC rules, BellSouth is not required to provide circuit switching as an unbundled network element.
- 5.5.6.1 BellSouth shall not be required to provide local circuit switching as an unbundled network element in density Zone 1, as defined in 47 CFR 69.123 as of January 1, 1999 of the Atlanta, GA; Miami, FL; Orlando, FL; Ft. Lauderdale, FL; Charlotte-Gastonia-Rock Hill, NC; Greensboro-Winston Salem-High Point, NC; Nashville, TN; and New Orleans, LA, MSAs to Comm South if Comm South's customer has 4 or more DS0 equivalent lines.
- 5.5.6.2 Notwithstanding the foregoing, BellSouth shall provide combinations of port and loop network elements on an unbundled basis where, pursuant to FCC rules, BellSouth is not required to provide local circuit switching as an unbundled network element and shall do so at the market rates in Exhibit B. If a market rate is not set forth in Exhibit B for a UNE port/loop combination, such rate shall be negotiated by the Parties.

- 5.5.7 BellSouth shall make 911 updates in the BellSouth 911 database for Comm South's UNE port/loop combinations. BellSouth will not bill Comm South for 911 surcharges. Comm South is responsible for paying all 911 surcharges to the applicable governmental agency.
- 5.5.8 Combination Offerings
- 5.5.8.1 2-wire voice grade port, voice grade loop, unbundled end office switching, unbundled end office trunk port, common transport per mile per MOU, common transport facilities termination, tandem switching, and tandem trunk port.
- 5.5.8.2 2-wire voice grade Coin port, voice grade loop, unbundled end office switching, unbundled end office trunk port, common transport per mile per MOU, common transport facilities termination, tandem switching, and tandem trunk port.
- 5.5.8.3 2-wire voice grade DID port, voice grade loop, unbundled end office switching, unbundled end office trunk port, common transport per mile per MOU, common transport facilities termination, tandem switching, and tandem trunk port.
- 5.5.8.4 2-wire CENTREX port, voice grade loop, CENTREX intercom functionality, unbundled end office switching, unbundled end office trunk port, common transport per mile per MOU, common transport facilities termination, tandem switching, and tandem trunk port.
- 5.5.8.5 2-wire ISDN Basic Rate Interface, voice grade loop, unbundled end office switching, unbundled end office trunk port, common transport per mile per MOU, common transport facilities termination, tandem switching, and tandem trunk port.
- 5.5.8.6 4-wire ISDN Primary Rate Interface, DS1 loop, unbundled end office switching, unbundled end office trunk port, common transport per mile per MOU, common transport facilities termination, tandem switching, and tandem trunk port.
- 5.5.8.7 4-wire DS1 Trunk port, DS1 Loop, unbundled end office switching, unbundled end office trunk port, common transport per mile per MOU, common transport facilities termination, tandem switching, and tandem trunk port.
- 5.5.8.8 4-wire DS1 Loop with normal serving wire center channelization interface, 2-wire voice grade ports (PBX), 2-wire DID ports, unbundled end office switching, unbundled end office trunk port, common transport per mile per MOU, common transport facilities termination, tandem switching, and tandem trunk port.

6 Transport, Channelization and Dark Fiber

6.1 Transport

- 6.1.1 Interoffice transmission facility network elements include:

- 6.1.1.1 Dedicated transport, defined as BellSouth's transmission facilities, is dedicated to a particular customer or carrier that provides telecommunications between wire centers or switches owned by BellSouth, or between wire centers and switches owned by BellSouth and Comm South.
- 6.1.1.2 Dark Fiber transport, defined as BellSouth's optical transmission facilities without attached signal regeneration, multiplexing, aggregation or other electronics;
- 6.1.1.3 Common (Shared) transport, defined as transmission facilities shared by more than one carrier, including BellSouth, between end office switches, between end office switches and tandem switches, and between tandem switches, in BellSouth's network. Where BellSouth Network Elements are connected by intraoffice wiring, such wiring is provided as part of the Network Element and is not Common (Shared) Transport.
- 6.1.2 BellSouth shall:
 - 6.1.2.1 Provide Comm South exclusive use of interoffice transmission facilities dedicated to a particular customer or carrier, or shared use of the features, functions, and capabilities of interoffice transmission facilities shared by more than one customer or carrier;
 - 6.1.2.2 Provide all technically feasible transmission facilities, features, functions, and capabilities of the transport facility for the provision of telecommunications services;
 - 6.1.2.3 Permit, to the extent technically feasible, Comm South to connect such interoffice facilities to equipment designated by Comm South, including but not limited to, Comm South's collocated facilities; and
 - 6.1.2.4 Permit, to the extent technically feasible, Comm South to obtain the functionality provided by BellSouth's digital cross-connect systems.
- 6.1.3 Technical Requirements of Common (Shared) Transport
 - 6.1.3.1 Common (Shared) Transport provided on DS1 or VT1.5 circuits, shall, at a minimum, meet the performance, availability, jitter, and delay requirements specified for Central Office to Central Office ("CO to CO") connections in the applicable industry standards.
 - 6.1.3.2 Common (Shared) Transport provided on DS3 circuits, STS-1 circuits, and higher transmission bit rate circuits, shall, at a minimum, meet the performance, availability, jitter, and delay requirements specified for CO to CO connections in the applicable industry standards.

6.1.3.3 BellSouth shall be responsible for the engineering, provisioning, and maintenance of the underlying equipment and facilities that are used to provide Common (Shared) Transport.

6.1.3.4 At a minimum, Common (Shared) Transport shall meet all of the requirements set forth in the applicable industry standards.

6.2 **Dedicated Transport**

6.2.1 Dedicated Transport is composed of the following Unbundled Network Elements:

6.2.1.1 Unbundled Local Channel, defined as the dedicated transmission path between Comm South's Point of Presence ("POP") and Comm South's collocation space in the BellSouth Serving Wire Center for Comm South's POP, and

6.2.1.2 Unbundled Interoffice Channel, defined as the dedicated transmission path that provides telecommunication between BellSouth's Serving Wire Centers' collocations.

6.2.1.3 BellSouth shall offer Dedicated Transport in each of the following ways:

6.2.1.3.1 As capacity on a shared UNE facility.

6.2.1.3.2 As a circuit (e.g., DS0, DS1, DS3) dedicated to Comm South.

6.2.1.4 Dedicated Transport may be provided over facilities such as optical fiber, copper twisted pair, and coaxial cable, and shall include transmission equipment such as, line terminating equipment, amplifiers, and regenerators.

6.2.2 Technical Requirements

6.2.2.1 The entire designated transmission service (e.g., DS0, DS1, DS3) shall be dedicated to Comm South designated traffic.

6.2.2.2 For DS1 or VT1.5 circuits, Dedicated Transport shall, at a minimum, meet the performance, availability, jitter, and delay requirements specified for Customer Interface to Central Office ("CI to CO") connections in the applicable industry standards.

6.2.2.3 For DS3 circuits, Dedicated Transport shall, at a minimum, meet the performance, availability, jitter, and delay requirements specified for CI to CO connections in the applicable industry standards.

6.2.2.4 BellSouth shall offer the following interface transmission rates for Dedicated Transport:

6.2.2.4.1 DS0 Equivalent;

- 6.2.2.4.2 DS1;
- 6.2.2.4.3 DS3; and
- 6.2.2.4.4 SDH (Synchronous Digital Hierarchy) Standard interface rates in accordance with International Telecommunications Union (ITU) Recommendation G.707 and Plesiochronous Digital Hierarchy (PDH) rates per ITU Recommendation G.704.
- 6.2.2.5 BellSouth shall design Dedicated Transport according to its network infrastructure. Comm South shall specify the termination points for Dedicated Transport.
- 6.2.2.6 At a minimum, Dedicated Transport shall meet each of the requirements set forth in the applicable industry technical references.
- 6.2.2.7 BellSouth Technical References:
 - 6.2.2.7.1 TR-TSY-000191 Alarm Indication Signals Requirements and Objectives, Issue 1, May 1986.
 - 6.2.2.7.2 TR 73501 LightGate[®] Service Interface and Performance Specifications, Issue D, June 1995.
 - 6.2.2.7.3 TR 73525 MegaLink[®] Service, MegaLink Channel Service and MegaLink Plus Service Interface and Performance Specifications, Issue C, May 1996.
- 6.3 **Unbundled Channelization (Multiplexing)**
 - 6.3.1 Unbundled Channelization (UC) provides the multiplexing capability that will allow a DS1 (1.544 Mbps) or DS3 (44.736 Mbps) or STS-1 (51.84 Mbps) Unbundled Network Element (UNE) or collocation cross-connect to be multiplexed or channelized at a BellSouth central office. Channelization will be offered with both the high and low speed sides to be connected to collocation. Channelization can be accomplished through the use of a stand-alone multiplexer or a digital cross-connect system at the discretion of BellSouth. Once UC has been installed, Comm South may request channel activation on an as-needed basis and BellSouth shall connect the requested facilities via Central Office Channel Interfaces (COCIs). The COCI must be compatible with the lower capacity facility and ordered with the lower capacity facility.
 - 6.3.2 BellSouth shall make available the following channelization systems:
 - 6.3.2.1 DS3/STS-1 Channelization System: channelizes a DS3 signal into 28 DS1s.
 - 6.3.2.2 DS1 Channelization System: channelizes a DS1 signal into 24 DS0s.
 - 6.3.3 BellSouth shall make available the following

- 6.3.3.1 Central Office Channel Interfaces (COCI):
- 6.3.3.2 DS1 COCI, which can be activated on a DS3 Channelization System.
- 6.3.3.3 Voice Grade and Digital Data COCI, which can be activated on a DS1 Channelization System.
- 6.3.3.4 Data COCI, which can be activated on a DS1 Channelization System.
- 6.3.3.5 AMI and B8ZS line coding with either Super Frame (SF) and Extended Super Frame (ESF) framing formats will be supported as options.
- 6.3.4 Technical Requirements
 - 6.3.4.1 In order to assure proper operation with BellSouth provided central office multiplexing functionality, Comm South's channelization equipment must adhere strictly to form and protocol standards. Comm South must also adhere to such applicable industry standards for the multiplex channel bank, for voice frequency encoding, for various signaling schemes, and for sub rate digital access.
 - 6.3.4.2 DS0 to DS1 Channelization
 - 6.3.4.2.1 The DS1 signal must be framed utilizing the framing structure defined in ANSI T1.107, Digital Hierarchy Formats Specifications and ANSI T1.403.02, DS1 Robbed-bit Signaling State Definitions.
 - 6.3.4.3 DS1 to DS3 Channelization
 - 6.3.4.3.1 The DS3 signal must be framed utilizing the framing structure define in ANSI T1.107, Digital Hierarchy Formats Specifications. The asynchronous M13 multiplex format (combination of M12 and M23 formats) is specified for terminal equipment that multiplexes 28 DS1s into a DS3.
 - 6.3.4.4 DS1 to STS Channelization
 - 6.3.4.4.1 The STS-1 signal must be framed utilizing the framing structure define in ANSI T1.105, Synchronous Optical Network (SONET) – Basic Description Including Multiplex Structure, Rates and Formats and T1.105.02, Synchronous Optical Network (SONET) – Payload Mappings.
- 6.4 **Dark Fiber Transport**
 - 6.4.1 Dark Fiber Transport is an unused optical transmission facility without attached signal regeneration, multiplexing, aggregation or other electronics that connects two points within BellSouth's network. It may be strands of optical fiber existing in aerial or underground structure. BellSouth will not provide line terminating

elements, regeneration or other electronics necessary for Comm South to utilize Dark Fiber Transport.

6.4.2 Dark Fiber Transport rates are differentiated between Local Channel, Interoffice Channel and Local Loop.

6.4.3 Requirements

6.4.3.1 BellSouth shall make available Dark Fiber Transport where it exists in BellSouth's network and where, as a result of future building or deployment, it becomes available. Dark Fiber Transport will not be deemed available if (1) it is used by BellSouth for maintenance and repair purposes, (2) it is designated for use pursuant to a firm order placed by another customer, (3) it is restricted for use by all carriers, including BellSouth, because of transmission problems or because it is scheduled for removal due to documented changes to roads and infrastructure, or (4) BellSouth has plans to use the fiber within a two-year planning period. BellSouth is not required to place fibers for Dark Fiber Transport if there are none available.

6.4.3.2 If the requested Dark Fiber Transport has any lightwave repeater equipment interspliced to it, BellSouth will remove such equipment at Comm South's request subject to time and materials charges.

6.4.3.3 Comm South is solely responsible for testing the quality of the Dark Fiber Transport to determine its usability and performance specifications.

6.4.3.4 BellSouth shall use its best efforts to provide to Comm South information regarding the location, availability and performance of Dark Fiber Transport within ten (10) business days after receiving a request from Comm South. Within such time period, BellSouth shall send written confirmation of availability of the Dark Fiber Transport.

6.4.3.5 If the requested Dark Fiber Transport is available, BellSouth shall use its commercially reasonable efforts to provision the Dark Fiber Transport to Comm South within twenty (20) business days after Comm South submits a valid, error free LSR. Provisioning includes identification of appropriate connection points (e.g., Light Guide Interconnection (LGX)) to enable Comm South to connect or splice Comm South provided transmission media (e.g., optical fiber) or equipment to the Dark Fiber Transport.

7 BellSouth Switched Access ("SWA") 8XX Toll Free Dialing Ten Digit Screening Service

7.1 The BellSouth SWA 8XX Toll Free Dialing Ten Digit Screening Service database ("8XX SCP Database") is a Signaling control Point ("SCP") that contains customer record information and the functionality to provide call-handling instructions for 8XX calls. The 8XX SCP IN software stores data downloaded

from the national SMS/8XX database and provides the routing instructions in response to queries from the Switching Service Point (“SSP”) or tandem. The BellSouth SWA 8XX Toll Free Dialing Ten Digit Screening Service (“8XX TFD Service”) utilizes the 8XX SCP Database to provide identification and routing of the 8XX calls, based on the ten digits dialed. At Comm South’s option, 8XX TFD Service is provided with or without POTS number delivery, dialing number delivery, and other optional complex features as selected by Comm South.

- 7.2 The 8XX SCP Database is designated to receive and respond to queries using the ANSI Specification of Signaling System Seven (SS7) protocol.

8 Line Information Database (LIDB)

- 8.1 The Line Information Database (LIDB) is a transaction-oriented database accessible through Common Channel Signaling (CCS) networks. For access to LIDB, Comm South must purchase appropriate signaling links pursuant to Section 9 of this Attachment. LIDB contains records associated with end user Line Numbers and Special Billing Numbers. LIDB accepts queries from other Network Elements and provides appropriate responses. The query originator need not be the owner of LIDB data. LIDB queries include functions such as screening billed numbers that provides the ability to accept Collect or Third Number Billing calls and validation of Telephone Line Number based non-proprietary calling cards. The interface for the LIDB functionality is the interface between BellSouth’s CCS network and other CCS networks. LIDB also interfaces to administrative systems.

8.2 Technical Requirements

- 8.2.1 BellSouth will offer to Comm South any additional capabilities that are developed for LIDB during the life of this Agreement.

- 8.2.2 BellSouth shall process Comm South’s Customer records in LIDB at least at parity with BellSouth customer records, with respect to other LIDB functions. BellSouth shall indicate to Comm South what additional functions (if any) are performed by LIDB in the BellSouth network.

- 8.2.3 Within two (2) weeks after a request by Comm South, BellSouth shall provide Comm South with a list of the customer data items, which Comm South would have to provide in order to support each required LIDB function. The list shall indicate which data items are essential to LIDB function, and which are required only to support certain services. For each data item, the list shall show the data formats, the acceptable values of the data item and the meaning of those values.

- 8.2.4 BellSouth shall provide LIDB systems for which operating deficiencies that would result in calls being blocked shall not exceed 30 minutes per year.

- 8.2.5 BellSouth shall provide LIDB systems for which operating deficiencies that would not result in calls being blocked shall not exceed 12 hours per year.

- 8.2.6 BellSouth shall provide LIDB systems for which the LIDB function shall be in overload no more than 12 hours per year.
- 8.2.7 All additions, updates and deletions of Comm South data to the LIDB shall be solely at the direction of Comm South. Such direction from Comm South will not be required where the addition, update or deletion is necessary to perform standard fraud control measures (e.g., calling card auto-deactivation).
- 8.2.8 BellSouth shall provide priority updates to LIDB for Comm South data upon Comm South's request (e.g., to support fraud detection), via password-protected telephone card, facsimile, or electronic mail within one hour of notice from the established BellSouth contact.
- 8.2.9 BellSouth shall provide LIDB systems such that no more than 0.01% of Comm South customer records will be missing from LIDB, as measured by Comm South audits. BellSouth will audit Comm South records in LIDB against DBAS to identify record mismatches and provide this data to a designated Comm South contact person to resolve the status of the records and BellSouth will update system appropriately. BellSouth will refer record of mis-matches to Comm South within one business day of audit. Once reconciled records are received back from Comm South, BellSouth will update LIDB the same business day if less than 500 records are received before 1:00PM Central Time. If more than 500 records are received, BellSouth will contact Comm South to negotiate a time frame for the updates, not to exceed three business days.
- 8.2.10 BellSouth shall perform backup and recovery of all of Comm South's data in LIDB including sending to LIDB all changes made since the date of the most recent backup copy, in at least the same time frame BellSouth performs backup and recovery of BellSouth data in LIDB for itself. Currently, BellSouth performs backups of the LIDB for itself on a weekly basis and when a new software release is scheduled, a backup is performed prior to loading the new release.
- 8.2.11 BellSouth shall provide Comm South with LIDB reports of data, which are missing or contain errors, as well as any misrouted errors, within a reasonable time period as negotiated between Comm South and BellSouth.
- 8.2.12 BellSouth shall prevent any access to or use of Comm South data in LIDB by BellSouth personnel that are outside of established administrative and fraud control personnel, or by any other Party that is not authorized by Comm South in writing.
- 8.2.13 BellSouth shall provide Comm South performance of the LIDB Data Screening function, which allows a LIDB to completely or partially deny specific query originators access to LIDB data owned by specific data owners, for Customer Data that is part of an NPA-NXX or RAO-0/1XX wholly or partially owned by Comm South at least at parity with BellSouth Customer Data. BellSouth shall

obtain from Comm South the screening information associated with LIDB Data Screening of Comm South data in accordance with this requirement. BellSouth currently does not have LIDB Data Screening capabilities. When such capability is available, BellSouth shall offer it to Comm South under the BFR/NBR process as set forth in Attachment 12.

8.2.14 BellSouth shall accept queries to LIDB associated with Comm South customer records, and shall return responses in accordance with industry standards.

8.2.15 BellSouth shall provide mean processing time at the LIDB within 0.50 seconds under normal conditions as defined in industry standards.

8.2.16 BellSouth shall provide processing time at the LIDB within 1 second for 99% of all messages under normal conditions as defined in industry standards.

8.3 Interface Requirements

8.3.1 BellSouth shall offer LIDB in accordance with the requirements of this subsection.

8.3.2 The interface to LIDB shall be in accordance with the technical references contained within.

8.3.3 The CCS interface to LIDB shall be the standard interface described herein.

8.3.4 The LIDB Data Base interpretation of the ANSI-TCAP messages shall comply with the technical reference herein. Global Title Translation shall be maintained in the signaling network in order to support signaling network routing to the LIDB.

8.3.5 The application of the LIDB rates contained in Exhibit B to this Attachment will be based on a Percent CLEC LIDB Usage ("PCLU") factor. Comm South shall provide BellSouth a PCLU. The PCLU will be applied to determine the percentage of total LIDB usage to be billed to the other Party at local rates. Comm South shall update its PCLU on the first of January, April, July and October and shall send it to BellSouth to be received no later than thirty (30) calendar days after the first of each such month based on local usage for the past three months ending the last day of December, March, June and September, respectively. Requirements associated with PCLU calculation and reporting shall be as set forth in BellSouth's Jurisdictional Factors Reporting Guide, as it is amended from time to time.

9 Signaling

9.1 BellSouth shall offer access to signaling and access to BellSouth's signaling databases subject to compatibility testing and at the rates set forth in this Attachment. BellSouth may provide mediated access to BellSouth signaling systems and databases. Available signaling elements include signaling links, signal

transfer points and service control points. Signaling functionality will be available with both A-link and B-link connectivity.

9.2 **Signaling Link Transport**

9.2.1 Signaling Link Transport is a set of two or four dedicated 56 kbps transmission paths between Comm South-designated Signaling Points of Interconnection that provide appropriate physical diversity.

9.2.2 Technical Requirements

9.2.3 Signaling Link Transport shall consist of full duplex mode 56 kbps transmission paths and shall perform in the following two ways:

9.2.3.1 As an “A-link” Signaling Link Transport is a connection between a switch or SCP and a home Signaling Transfer Point switch pair; and

9.2.3.2 As a “B-link” Signaling Link Transport is a connection between two Signaling Transfer Point switch pairs in different company networks (e.g., between two Signaling Transfer Point switch pairs for two CLECs).

9.2.4 Signaling Link Transport shall consist of two or more signaling link layers as follows:

9.2.4.1 An A-link layer shall consist of two links.

9.2.4.2 A B-link layer shall consist of four links.

9.2.4.3 A signaling link layer shall satisfy interoffice and intraoffice diversity of facilities and equipment, such that:

9.2.4.4 No single failure of facilities or equipment causes the failure of both links in an A-link layer (i.e., the links should be provided on a minimum of two separate physical paths end-to-end); and

9.2.4.5 No two concurrent failures of facilities or equipment shall cause the failure of all four links in a B-link layer (i.e., the links should be provided on a minimum of three separate physical paths end-to-end).

9.2.5 Interface Requirements

9.2.5.1 There shall be a DS1 (1.544 Mbps) interface at Comm South’s designated SPOIs. Each 56 kbps transmission path shall appear as a DS0 channel within the DS1 interface.

9.3 **Signaling Transfer Points (STPs)**

- 9.3.1 A Signaling Transfer Point is a signaling network function that includes all of the capabilities provided by the signaling transfer point switches (STPs) and their associated signaling links that enables the exchange of SS7 messages among and between switching elements, database elements and signaling transfer point switches.
- 9.3.2 Technical Requirements
- 9.3.2.1 Signaling Transfer Point s shall provide access to BellSouth Local Switching or Tandem Switching and to BellSouth Service Control Points/Databases connected to BellSouth SS7 network. Signaling Transfer Point also provide access to third-party local or tandem switching and Third-party-provided Signaling Transfer Points.
- 9.3.2.2 The connectivity provided by Signaling Transfer Points shall fully support the functions of all other Network Elements connected to the BellSouth SS7 network. This includes the use of the BellSouth SS7 network to convey messages that neither originate nor terminate at a signaling end point directly connected to the BellSouth SS7 network (i.e., transit messages). When the BellSouth SS7 network is used to convey transit messages, there shall be no alteration of the Integrated Services Digital Network User Part or Transaction Capabilities Application Part (TCAP) user data that constitutes the content of the message.
- 9.3.2.3 If a BellSouth tandem switch routes traffic, based on dialed or translated digits, on SS7 trunks between a Comm South local switch and third party local switch, the BellSouth SS7 network shall convey the TCAP messages that are necessary to provide Call Management features (Automatic Callback, Automatic Recall, and Screening List Editing) between Comm South local STPs and the STPs that provide connectivity with the third party local switch, even if the third party local switch is not directly connected to BellSouth STPs.
- 9.3.2.4 STPs shall provide all functions of the SCCP necessary for Class 0 (basic connectionless) service, as defined in Telcordia ANSI Interconnection Requirements. This includes Global Title Translation (GTT) and SCCP Management procedures, as specified in ANSI T1.112.4. Where the destination signaling point is a Comm South or third party local or tandem switching system directly connected to BellSouth SS7 network, BellSouth shall perform final GTT of messages to the destination and SCCP Subsystem Management of the destination. In all other cases, BellSouth shall perform intermediate GTT of messages to a gateway pair of STPs in an SS7 network connected with BellSouth SS7 network, and shall not perform SCCP Subsystem Management of the destination. If BellSouth performs final GTT to a Comm South database, then Comm South agrees to provide BellSouth with the Destination Point Code for Comm South database.

- 9.3.2.5 STPs shall provide all functions of the OMAP as specified in applicable industry standard technical references, which may include, where available in BellSouth's network, MTP Routing Verification Test (MRVT); and SCCP Routing Verification Test (SRVT).
- 9.3.2.6 Where the destination signaling point is a BellSouth local or tandem switching system or database, or is a Comm South or third party local or tandem switching system directly connected to the BellSouth SS7 network, STPs shall perform MRVT and SRVT to the destination signaling point. In all other cases, STPs shall perform MRVT and SRVT to a gateway pair of STPs in an SS7 network connected with the BellSouth SS7 network. This requirement may be superseded by the specifications for Internetwork MRVT and SRVT when these become approved ANSI standards and available capabilities of BellSouth STPs.

9.4 **SS7 Advanced Intelligent Network (AIN) Access**

- 9.4.1 When technically feasible and upon request by Comm South, SS7 AIN Access shall be made available in association with switching. SS7 AIN Access is the provisioning of AIN 0.1 triggers in an equipped BellSouth local switch and interconnection of the BellSouth SS7 network with Comm South's SS7 network to exchange TCAP queries and responses with a Comm South SCP.
- 9.4.2 SS7 AIN Access shall provide Comm South SCP access to an equipped BellSouth local switch via interconnection of BellSouth's SS7 and Comm South SS7 Networks. BellSouth shall offer SS7 AIN Access through its STPs. If BellSouth requires a mediation device on any part of its network specific to this form of access, BellSouth must route its messages in the same manner. The interconnection arrangement shall result in the BellSouth local switch recognizing the Comm South SCP as at least at parity with BellSouth's SCPs in terms of interfaces, performance and capabilities.
- 9.4.3 Interface Requirements
- 9.4.3.1 BellSouth shall provide the following STP options to connect Comm South or Comm South-designated local switching systems to the BellSouth SS7 network:
- 9.4.3.1.1 An A-link interface from Comm South local switching systems; and,
- 9.4.3.1.2 A B-link interface from Comm South local STPs.
- 9.4.3.2 Each type of interface shall be provided by one or more layers of signaling links.
- 9.4.3.3 The Signaling Point of Interconnection for each link shall be located at a cross-connect element in the Central Office (CO) where the BellSouth STP is located. There shall be a DS1 or higher rate transport interface at each of the SPOIs. Each signaling link shall appear as a DS0 channel within the DS1 or higher rate interface.

- 9.4.3.4 BellSouth shall provide intraoffice diversity between the Signaling Point of Interconnection and BellSouth STPs, so that no single failure of intraoffice facilities or equipment shall cause the failure of both B-links in a layer connecting to a BellSouth STP.
- 9.4.3.5 STPs shall provide all functions of the MTP as defined in the applicable industry standard technical references.
- 9.4.4 Message Screening
- 9.4.4.1 BellSouth shall set message screening parameters so as to accept valid messages from Comm South local or tandem switching systems destined to any signaling point within BellSouth's SS7 network where the Comm South switching system has a valid signaling relationship.
- 9.4.4.2 BellSouth shall set message screening parameters so as to pass valid messages from Comm South local or tandem switching systems destined to any signaling point or network accessed through BellSouth's SS7 network where the Comm South switching system has a valid signaling relationship.
- 9.4.4.3 BellSouth shall set message screening parameters so as to accept and pass/send valid messages destined to and from Comm South from any signaling point or network interconnected through BellSouth's SS7 network where the Comm South SCP has a valid signaling relationship.
- 9.5 **Service Control Points/Databases**
- 9.5.1 Call Related Databases provide the storage of, access to, and manipulation of information required to offer a particular service and/or capability. BellSouth shall provide access to the following Databases: Local Number Portability, LIDB, Toll Free Number Database, Automatic Location Identification/Data Management System, and Calling Name Database. BellSouth also provides access to Service Creation Environment and Service Management System (SCE/SMS) application databases and Directory Assistance.
- 9.5.2 A Service Control Point (SCP) is deployed in a SS7 network that executes service application logic in response to SS7 queries sent to it by a switching system also connected to the SS7 network. Service Management Systems provide operational interfaces to allow for provisioning, administration and maintenance of subscriber data and service application data stored in SCPs.
- 9.5.3 Technical Requirements for SCPs/Databases
- 9.5.3.1 BellSouth shall provide physical access to SCPs through the SS7 network and protocols with TCAP as the application layer protocol.

9.5.3.2 BellSouth shall provide physical interconnection to databases via industry standard interfaces and protocols (e.g. SS7, ISDN and X.25).

9.5.3.3 The reliability of interconnection options shall be consistent with requirements for diversity and survivability.

9.6 **Local Number Portability Database**

9.6.1 The Permanent Number Portability (PNP) database supplies routing numbers for calls involving numbers that have been ported from one local service provider to another. BellSouth agrees to provide access to the PNP database at rates, terms and conditions as set forth by BellSouth and in accordance with an effective FCC or Commission directive.

9.7 **SS7 Network Interconnection**

9.7.1 SS7 Network Interconnection is the interconnection of Comm South local signaling transfer point switches or Comm South local or tandem switching systems with BellSouth signaling transfer point switches. This interconnection provides connectivity that enables the exchange of SS7 messages among BellSouth switching systems and databases, Comm South local or tandem switching systems, and other third-party switching systems directly connected to the BellSouth SS7 network.

9.7.2 The connectivity provided by SS7 Network Interconnection shall fully support the functions of BellSouth switching systems and databases and Comm South or other third-party switching systems with A-link access to the BellSouth SS7 network.

9.7.3 If traffic is routed based on dialed or translated digits between a Comm South local switching system and a BellSouth or other third-party local switching system, either directly or via a BellSouth tandem switching system, then it is a requirement that the BellSouth SS7 network convey via SS7 Network Interconnection the TCAP messages that are necessary to provide Call Management services (Automatic Callback, Automatic Recall, and Screening List Editing) between the Comm South local signaling transfer point switches and BellSouth or other third-party local switch.

9.7.4 SS7 Network Interconnection shall provide:

9.7.4.1 Signaling Data Link functions, as specified in ANSI T1.111.2;

9.7.4.2 Signaling Link functions, as specified in ANSI T1.111.3; and

9.7.4.3 Signaling Network Management functions, as specified in ANSI T1.111.4.

9.7.5 SS7 Network Interconnection shall provide all functions of the SCCP necessary for Class 0 (basic connectionless) service, as specified in ANSI T1.112. This

includes Global Title Translation (GTT) and SCCP Management procedures, as specified in ANSI T1.112.4. Where the destination signaling point is a BellSouth switching system or DB, or is another third-party local or tandem switching system directly connected to the BellSouth SS7 network, SS7 Network Interconnection shall include final GTT of messages to the destination and SCCP Subsystem Management of the destination. Where the destination signaling point is a Comm South local or tandem switching system, SS7 Network Interconnection shall include intermediate GTT of messages to a gateway pair of Comm South local STPs, and shall not include SCCP Subsystem Management of the destination.

9.7.6 SS7 Network Interconnection shall provide all functions of the Integrated Services Digital Network User Part, as specified in ANSI T1.113.

9.7.7 SS7 Network Interconnection shall provide all functions of the TCAP, as specified in ANSI T1.114.

9.7.8 If Internetwork MRVT and SRVT become approved ANSI standards and available capabilities of BellSouth STPs, SS7 Network Interconnection may provide these functions of the OMAP.

9.7.9 Interface Requirements

9.7.9.1 The following SS7 Network Interconnection interface options are available to connect Comm South or Comm South-designated local or tandem switching systems or signaling transfer point switches to the BellSouth SS7 network:

9.7.9.1.1 A-link interface from Comm South local or tandem switching systems; and

9.7.9.1.2 B-link interface from Comm South STPs.

9.7.9.2 The Signaling Point of Interconnection for each link shall be located at a cross-connect element in the central office where the BellSouth STP is located. There shall be a DS1 or higher rate transport interface at each of the Signaling Points of interconnection. Each signaling link shall appear as a DS0 channel within the DS1 or higher rate interface.

9.7.9.3 BellSouth shall provide intraoffice diversity between the Signaling Points of Interconnection and the BellSouth STP, so that no single failure of intraoffice facilities or equipment shall cause the failure of both B-links in a layer connecting to a BellSouth STP.

9.7.9.4 The protocol interface requirements for SS7 Network Interconnection include the MTP, ISDNUP, SCCP, and TCAP. These protocol interfaces shall conform to the applicable industry standard technical references.

9.7.9.5 BellSouth shall set message screening parameters to accept messages from Comm South local or tandem switching systems destined to any signaling point in the

BellSouth SS7 network with which the Comm South switching system has a valid signaling relationship.

10 Operator Services (Operator Call Processing and Directory Assistance)

- 10.1 Operator Call Processing provides: (1) operator handling for call completion (for example, collect, third number billing, and manual calling-card calls), (2) operator or automated assistance for billing after the end user has dialed the called number (for example, calling card calls); and (3) special services including but not limited to Busy Line Verification and Emergency Line Interrupt (ELI), Emergency Agency Call, and Operator-assisted Directory Assistance.
- 10.2 Upon request for BellSouth Operator Call Processing, BellSouth shall:
 - 10.2.1 Process 0+ and 0- dialed local calls.
 - 10.2.2 Process 0+ and 0- intraLATA toll calls.
 - 10.2.3 Process calls that are billed to Comm South end user's calling card that can be validated by BellSouth.
 - 10.2.4 Process person-to-person calls.
 - 10.2.5 Process collect calls.
 - 10.2.6 Provide the capability for callers to bill to a third party and shall also process such calls.
 - 10.2.7 Process station-to-station calls.
 - 10.2.8 Process Busy Line Verify and Emergency Line Interrupt requests.
 - 10.2.9 Process emergency call trace originated by Public Safety Answering Points.
 - 10.2.10 Process operator-assisted directory assistance calls.
 - 10.2.11 Adhere to equal access requirements, providing Comm South local end users the same IXC access as provided to BellSouth end users.
 - 10.2.12 Exercise at least the same level of fraud control in providing Operator Service to Comm South that BellSouth provides for its own operator service.
 - 10.2.13 Perform Billed Number Screening when handling Collect, Person-to-Person, and Billed-to-Third-Party calls.
 - 10.2.14 Direct customer account and other similar inquiries to the customer service center designated by Comm South.

- 10.2.15 Provide call records to Comm South in accordance with ODUF standards specified in Attachment 7.
- 10.2.16 The interface requirements shall conform to the interface specifications for the platform used to provide Operator Services as long as the interface conforms to industry standards.
- 10.3 **Directory Assistance Service**
- 10.3.1 Directory Assistance Service provides local and non-local end user telephone number listings with the option to complete the call at the caller's direction separate and distinct from local switching.
- 10.3.2 Directory Assistance Service shall provide up to two listing requests per call. If available and if requested by Comm South's end user, BellSouth shall provide caller-optional directory assistance call completion service at rates contained in this Attachment to one of the provided listings.
- 10.3.3 **Directory Assistance Service Updates**
- 10.3.3.1 BellSouth shall update end user listings changes daily. These changes include:
- 10.3.3.1.1 New end user connections
- 10.3.3.1.2 End user disconnections
- 10.3.3.1.3 End user address changes
- 10.3.3.2 These updates shall also be provided for non-listed and non-published numbers for use in emergencies.
- 10.4 **Branding for Operator Call Processing and Directory Assistance**
- 10.4.1 BellSouth's branding feature provides a definable announcement to Comm South end users using Directory Assistance (DA)/Operator Call Processing (OCP) prior to placing such end users in queue or connecting them to an available operator or automated operator system. This feature allows Comm South to have its calls custom branded with Comm South's name on whose behalf BellSouth is providing Directory Assistance and/or Operator Call Processing. Rates for the branding features are set forth in this Attachment.
- 10.4.2 BellSouth offers three branding offering options to Comm South when ordering BellSouth's Directory Assistance and Operator Call Processing: BellSouth Branding, Unbranding and Custom Branding.
- 10.4.3 Upon receipt of the custom branding order from Comm South, the order is considered firm after ten business days. Should Comm South decide to cancel the

order, written notification to <customer_name's> BellSouth Account Executive is required. If Comm South decides to cancel after ten business days from receipt of the custom branding order, Comm South shall pay all charges per the order.

10.4.4 Selective Call Routing Using Line Class Codes (SCR-LCC)

- 10.4.4.1 Where Comm South purchases unbundled local switching from BellSouth and utilizes an Operator Services Provider other than BellSouth, BellSouth will route Comm South's end user calls to that provider through Selective Call Routing.
- 10.4.4.2 Selective Call Routing using Line Class Codes (SCR-LCC) provides the capability for Comm South to have its OCP/DA calls routed to BellSouth's OCP/DA platform for BellSouth provided Custom Branded or Unbranded OCP/DA or to its own or an alternate OCP/DA platform for Self-Branded OCP/DA. SCR-LCC is only available if line class code capacity is available in the requested BellSouth end office switches.
- 10.4.4.3 Custom Branding for Directory Assistance is not available for certain classes of service, including but not limited to Hotel/Motel services, WATS service, and certain PBX services.
- 10.4.4.4 Where available, Comm South specific and unique line class codes are programmed in each BellSouth end office switch where Comm South intends to serve end users with customized OCP/DA branding. The line class codes specifically identify Comm South's end users so OCP/DA calls can be routed over the appropriate trunk group to the requested OCP/DA platform. Additional line class codes are required in each end office if the end office serves multiple NPAs (i.e., a unique LCC is required per NPA), and/or if the end office switch serves multiple rate areas and Comm South intends to provide Comm South -branded OCP/DA to its end users in these multiple rate areas.
- 10.4.4.5 BellSouth Branding is the default branding offering.
- 10.4.4.6 SCR-LCC supporting Custom Branding and Self Branding require Comm South to order dedicated trunking from each BellSouth end office identified by Comm South, either to the BellSouth Traffic Operator Position System (TOPS) for Custom Branding or to the Comm South Operator Service Provider for Self Branding. Separate trunk groups are required for Operator Services and for Directory Assistance. Rates for trunks are set forth in applicable BellSouth tariffs.
- 10.4.4.7 Unbranding - Unbranded Directory Assistance and/or Operator Call Processing calls ride common trunk groups provisioned by BellSouth from those end offices identified by Comm South to the BellSouth TOPS. These calls are routed to "No Announcement."
- 10.4.4.8 The Rates for SCR-LCC are as set forth in this Attachment. There is a nonrecurring charge for the establishment of each Line Class Code in each

BellSouth central office. Furthermore, for Unbranded and Custom Branded OCP/DA provided by BellSouth Operator Services with unbundled ports and unbundled port/loop switch combinations, monthly recurring usage charges shall apply for the UNEs necessary to provide the service, such as end office and tandem switching and common transport. A flat rated end office switching charge shall apply to Self-Branded OCP/DA when used in conjunction with unbundled ports and unbundled port/loop switch combinations.

- 10.4.4.9 UNE Provider Branding via Originating Line Number Screening (OLNS)
- 10.4.5.1 BellSouth Branding, Unbranding and Custom Branding are also available for Directory Assistance, Operator Call Processing or both via Originating Line Number Screening (OLNS) software. When utilizing this method of Unbranding or Custom Branding, Comm South shall not be required to purchase dedicated trunking.
- 10.4.5.2 For BellSouth to provide Unbranding or Custom Branding via OLNS software for Operator Call Processing or for Directory Assistance, Comm South must have its Operating Company Number (“OCN(s)”) and telephone numbers reside in BellSouth’s LIDB; however, a BellSouth LIDB Storage Agreement is not required. To implement Unbranding and Custom Branding via OLNS software, Comm South must submit a manual order form which requires, among other things, Comm South’s OCN and a forecast for the traffic volume anticipated for each BellSouth TOPS during the peak busy hour. Comm South shall provide updates to such forecast on a quarterly basis and at any time such forecasted traffic volumes are expected to change significantly. Upon Comm South’s purchase of Unbranding or Custom Branding using OLNS software for any particular TOPS, all Comm South end users served by that TOPS will receive the Unbranded “no announcement” or the Custom Branded announcement.
- 10.4.5.3 BellSouth Branding is the default branding offering.
- 10.4.5.4 Rates for Unbranding and Custom Branding via OLNS software for Directory Assistance and for Operator Call Processing are as set forth in this Attachment. Notwithstanding anything to the contrary in this Agreement, to the extent BellSouth is unable to bill Comm South applicable charges currently, BellSouth shall track such charges and will bill the same retroactively at such time as a billing process is implemented. In addition to the charges for Unbranding and Custom Branding via OLNS software, Comm South shall continue to pay BellSouth applicable labor and other charges for the use of BellSouth’s Directory Assistance and Operator Call Processing platforms as set forth in this Attachment. Further, where Comm South is purchasing unbundled local switching from BellSouth, UNE usage charges for end office switching, tandem switching and transport, as applicable, shall continue to apply.
- 10.4.6 **Facilities Based Carrier Branding**

- 10.4.6.1 All Service Levels require Comm South to order dedicated trunking from their end office(s) point of interface to the BellSouth TOPS Switches. Rates for trunks are set forth in applicable BellSouth tariffs.
- 10.4.6.2 Unbranding is the default branding offering.
- 10.4.6.3 Rates for Custom Branded OCP/DA are set forth in this Attachment.
- 10.4.6.4 Customized Branding includes charges for the recording of the branding announcement and the loading of the audio units in each TOPS Switch and Network Applications Vehicle (NAV) equipment for which Comm South requires service.
- 10.4.6.5 Directory Assistance customized branding uses:
- 10.4.6.5.1 the recording of Comm South;
- 10.4.6.5.2 the loading on the Digital Recorded Announcement Machine (DRAM) in each TOPS switch.
- 10.4.6.6 Operator Call Processing customized branding uses:
- 10.4.6.6.1 the recording of Comm South;
- 10.4.6.6.2 the loading on the DRAM in the TOPS Switch (North Carolina);
- 10.4.6.6.3 the loading on the Network Applications Vehicle (NAV). All NAV shelves within the region where the customer is offering service must be loaded.
- 10.5 **Directory Assistance Database Service (DADS)**
- 10.5.1 BellSouth shall make its Directory Assistance Database Service (DADS) available at the rates set forth in this Attachment solely for the expressed purpose of providing Directory Assistance type services to Comm South end users. The term "end user" denotes any entity that obtains Directory Assistance type services for its own use from a DADS customer. Directory Assistance type service is defined as Voice Directory Assistance (DA Operator assisted) and Electronic Directory Assistance (Data System assisted). Comm South agrees that DADS will not be used for any purpose that violates federal or state laws, statutes, regulatory orders or tariffs. For the purposes of provisioning a Directory Assistance type service, all terms and conditions of GSST A38 apply and are incorporated by reference herein. Except for the permitted uses, Comm South agrees not to disclose DADS to others and shall provide due care in providing for the security and confidentiality of DADS.
- 10.5.2 BellSouth shall initially provide Comm South with a Base File of subscriber listings via magnetic tape. DADS is available and may be ordered on a Business,

Residence or combined Business and Residence listings basis for each central office requested. BellSouth will require approximately 30- 45 days after receiving an order from Comm South to prepare the Base File.

10.5.3 BellSouth will provide updates on either a daily or weekly basis reflecting all listing change activity occurring since Comm South's previous update. Delivery of updates will commence immediately after Comm South receives the Base File. Updates will be provided via magnetic tape unless BellSouth and Comm South mutually develop CONNECT: Direct™ electronic connectivity. Comm South will pay all costs associated with CONNECT: Direct™ connectivity, which will vary depending upon volume and mileage.

10.5.4 Comm South authorizes the inclusion of Comm South Directory Assistance listings in the BellSouth Directory Assistance products, including but not limited to DADS. Any other use is not authorized.

10.6 **Direct Access to Directory Assistance Service**

10.6.1 Direct Access to Directory Assistance Service (DADAS) will provide Comm South's directory assistance operators with the ability to search, using a standard directory assistance search format, the same listing information that is available to BellSouth operators including all available BellSouth subscriber listings, all available listings associated with lines resold by competitive local exchange carriers, and all available listings associated with lines provisioned by local exchange carriers that provide their listings to BellSouth. DADAS will also provide Comm South with the ability to search all listings BellSouth obtains from sources other than the provider of the local exchange lines associated with the listings. The search format will be provided to Comm South by BellSouth upon subscription to the service. Subscription to DADAS requires that Comm South utilize its own switch, operator workstations, directory assistance operators, transport facilities, and optional audio subsystems.

10.6.2 Rates, terms and conditions for provisioning DADAS are as set forth in the FCC tariff No. 1.

11 **Automatic Location Identification/Data Management System (ALI/DMS)**

11.1 The ALI/DMS Database contains end user information (including name, address, telephone information, and sometimes special information from the local service provider or end user) used to determine to which Public Safety Answering Point ("PSAP") to route the call. The ALI/DMS database is used to provide enhanced routing flexibility for E911.

11.2 Technical Requirements

- 11.2.1 BellSouth shall provide Comm South access to the ALI/DMS database. BellSouth shall provide error reports from the ALI/DMS database to Comm South after Comm South provides end user information for input into the ALI/DMS database.
- 11.2.2 When BellSouth is responsible for administering the ALI/DMS database in its entirety, ported number NXXs entries for the ported numbers should be maintained unless Comm South requests otherwise and shall be updated if Comm South requests, provided Comm South supplies BellSouth with the updates.
- 11.2.3 When Remote Call Forwarding (RCF) is used to provide number portability to the local end user and a remark or other appropriate field information is available in the database, the shadow or "forwarded-to" number and an indication that the number is ported shall be added to the customer record.
- 11.2.4 If BellSouth is responsible for configuring PSAP features (for cases when the PSAP or BellSouth supports an ISDN interface) it shall ensure that CLASS Automatic Recall (Call Return) is not used to call back to the ported number. Although BellSouth currently does not have ISDN interface, BellSouth agrees to comply with this requirement once ISDN interfaces are in place.
- 11.3 Interface Requirements
- 11.3.1 The interface between the E911 Switch or Tandem and the ALI/DMS database for Comm South end users shall meet industry standards.

12 Calling Name (CNAM) Database Service

- 12.1 CNAM is the ability to associate a name with the calling party number, allowing the end user (to which a call is being terminated) to view the calling party's name before the call is answered. This service also provides Comm South the opportunity to load and store its subscriber names in the BellSouth CNAM SCPs.
- 12.2 Comm South shall submit to BellSouth a notice of its intent to access and utilize BellSouth CNAM Database Services. Said notice shall be in writing, no less than 60 days prior to Comm South's access to BellSouth's CNAM Database Services and shall be addressed to Comm South's Account Manager.
- 12.3 BellSouth's provision of CNAM Database Services to Comm South requires interconnection from Comm South to BellSouth CNAM Service Control Points (SCPs). Such interconnections shall be established pursuant to Attachment 3 of this Agreement, incorporated herein by this reference.
- 12.4 In order to formulate a CNAM query to be sent to the BellSouth CNAM SCP, Comm South shall provide its own CNAM SSP. Comm South's CNAM SSPs must be compliant with TR-NWT-001188, "CLASS Calling Name Delivery Generic Requirements".

- 12.5 If Comm South elects to access the BellSouth CNAM SCP via a third party CCS7 transport provider, the third party CCS7 provider shall interconnect with the BellSouth CCS7 network according to BellSouth's Common Channel Signaling Interconnection Guidelines and Telcordia's CCS Network Interface Specification document, TR-TSV-000905. In addition, the third party provider shall establish CCS7 interconnection at the BellSouth Local Signal Transfer Points (LSTPs) serving the BellSouth CNAM SCPs that Comm South desires to query.
- 12.6 If Comm South queries the BellSouth CNAM SCP via a third party national SS7 transport provider, the third party SS7 provider shall interconnect with the BellSouth CCS7 network according to BellSouth's Common Channel Signaling Interconnection Guidelines and Telcordia's CCS Network Interface Specification document, TR-TSV-000905. In addition, the third party provider shall establish SS7 interconnection at one or more of the BellSouth Gateway Signal Transfer Points (STPs). The payment of all costs associated with the transport of SS7 signals via a third party will be established by mutual agreement of the Parties and this Agreement shall be amended in accordance with modification of the General Terms and Conditions incorporated herein by this reference.
- 12.7 The mechanism to be used by Comm South for initial CNAM record load and/or updates shall be determined by mutual agreement. The initial load and all updates shall be provided by Comm South in the BellSouth specified format and shall contain records for every working telephone number that can originate phone calls. It is the responsibility of Comm South to provide accurate information to BellSouth on a current basis.
- 12.8 Updates to the SMS shall occur no less than once a week, reflect service order activity affecting either name or telephone number, and involve only record additions, deletions or changes.
- 12.9 Comm South CNAM records provided for storage in the BellSouth CNAM SCP shall be available, on a SCP query basis only, to all Parties querying the BellSouth CNAM SCP. Further, CNAM service shall be provided by each Party consistent with state and/or federal regulation.
- 13 Service Creation Environment and Service Management System (SCE/SMS) Advanced Intelligent Network (AIN) Access**
- 13.1 BellSouth's Service Creation Environment and Service Management System (SCE/SMS) Advanced Intelligent Network (AIN) Access shall provide Comm South the capability to create service applications in a BellSouth SCE and deploy those applications in a BellSouth SMS to a BellSouth SCP.
- 13.2 BellSouth's SCE/SMS AIN Access shall provide access to SCE hardware, software, testing and technical support (e.g., help desk, system administrator) resources available to Comm South. Training, documentation, and technical

support will address use of SCE and SMS access and administrative functions, but will not include support for the creation of a specific service application.

- 13.3 BellSouth SCP shall partition and protect Comm South service logic and data from unauthorized access.
- 13.4 When Comm South selects SCE/SMS AIN Access, BellSouth shall provide training, documentation, and technical support to enable Comm South to use BellSouth's SCE/SMS AIN Access to create and administer applications.
- 13.5 Comm South access will be provided via remote data connection (e.g., dial-in, ISDN).
- 13.6 BellSouth shall allow Comm South to download data forms and/or tables to BellSouth SCP via BellSouth SMS without intervention from BellSouth.

14 Basic 911 and E911

- 14.1 Basic 911 and E911 provides a caller access to the applicable emergency service bureau by dialing 911.
- 14.2 Basic 911 Service Provisioning. BellSouth will provide to Comm South a list consisting of each municipality that subscribes to Basic 911 service. The list will also provide, if known, the E911 conversion date for each municipality and, for network routing purposes, a ten-digit directory number representing the appropriate emergency answering position for each municipality subscribing to 911. Comm South will be required to arrange to accept 911 calls from its end users in municipalities that subscribe to Basic 911 service and translate the 911 call to the appropriate 10-digit directory number as stated on the list provided by BellSouth. Comm South will be required to route that call to BellSouth at the appropriate tandem or end office. When a municipality converts to E911 service, Comm South will be required to begin using E911 procedures.
- 14.3 E911 Service Provisioning. Comm South shall install a minimum of two dedicated trunks originating from the Comm South serving wire center and terminating to the appropriate E911 tandem. The dedicated trunks shall be, at a minimum, DS-0 level trunks configured either as a 2-wire analog interface or as part of a digital (1.544 Mb/s) interface. Either configuration shall use CAMA-type signaling with multifrequency ("MF") pulsing that will deliver automatic number identification ("ANI") with the voice portion of the call. If the user interface is digital, MF pulses, as well as other AC signals, shall be encoded per the u-255 Law convention. Comm South will be required to provide BellSouth daily updates to the E911 database. Comm South will be required to forward 911 calls to the appropriate E911 tandem, along with ANI, based upon the current E911 end office to tandem homing arrangement as provided by BellSouth. If the E911 tandem trunks are not available, Comm South will be required to route the call to a

designated 7-digit local number residing in the appropriate Public Service Answering Point (“PSAP”). This call will be transported over BellSouth’s interoffice network and will not carry the ANI of the calling party. Comm South shall be responsible for providing BellSouth with complete and accurate data for submission to the 911/E911 database for the purpose of providing 911/E911 to its end users.

- 14.4 Rates. Charges for 911/E911 service are borne by the municipality purchasing the service. BellSouth will impose no charge on Comm South beyond applicable charges for BellSouth trunking arrangements.
- 14.5 Basic 911 and E911 functions provided to Comm South shall be at least at parity with the support and services that BellSouth provides to its end users for such similar functionality.
- 14.6 The detailed practices and procedures for 911/E911 services are contained in the E911 Local Exchange Carrier Guide For Facility-Based Providers as amended from time to time during the term of this Agreement.

15 Operational Support Systems (OSS)

- 15.1 BellSouth has developed and made available the following electronic interfaces by which Comm South may submit LSRs electronically.
- | | |
|------|-----------------------------------|
| LENS | Local Exchange Navigation System |
| EDI | Electronic Data Interchange |
| TAG | Telecommunications Access Gateway |
- 15.2 LSRs submitted by means of one of these electronic interfaces will incur an OSS electronic ordering charge. An individual LSR will be identified for billing purposes by its Purchase Order Number (PON). LSRs submitted by means other than one of these interactive interfaces (mail, fax, courier, etc.) will incur a manual order charge. All OSS charges are specified in Rate Exhibit B of this Attachment 2.
- 15.3 Denial/Restoral OSS Charge
- 15.3.1 In the event Comm South provides a list of customers to be denied and restored, rather than an LSR, each location on the list will require a separate PON and, therefore will be billed as one LSR per location.
- 15.4 Cancellation OSS Charge
- 15.4.1 Comm South will incur an OSS charge for an accepted LSR that is later canceled.
- 15.4.2 Supplements or clarifications to a previously billed LSR will not incur another OSS charge.

15.4.3 Network Elements and Other Services Manual Additive

15.4.4 The Commissions in some states have ordered per-element manual additive non-recurring charges (NRC) for Network Elements and Other Services ordered by means other than one of the interactive interfaces. These ordered Network Elements and Other Services manual additive NRCs will apply in these states, rather than the charge per LSR. The per-element charges are listed on the Rate Tables in Exhibit B.

EXHIBIT A**LINE INFORMATION DATA BASE (LIDB)****FACILITIES BASED STORAGE AGREEMENT****I. Definitions**

- A. Billing number - a number that Comm South creates for the purpose of identifying an account liable for charges. This number may be a line or a special billing number.
- B. Line number - a ten-digit number that identifies a telephone line administered by Comm South.
- C. Special billing number - a ten-digit number that identifies a billing account established by Comm South.
- D. Calling Card number - a billing number plus PIN number.
- E. PIN number - a four-digit security code assigned by Comm South that is added to a billing number to compose a fourteen-digit calling card number.
- F. Toll billing exception indicator - associated with a billing number to indicate that it is considered invalid for billing of collect calls or third number calls or both, by Comm South.
- G. Billed Number Screening - refers to the activity of determining whether a toll billing exception indicator is present for a particular billing number.
- H. Calling Card Validation - refers to the activity of determining whether a particular calling card number exists as stated or otherwise provided by a caller.
- I. Billing number information - information about billing number, Calling Card number and toll billing exception indicator provided to BellSouth by Comm South.

II. General

- A. This Agreement sets forth the terms and conditions pursuant to which BellSouth agrees to store in its LIDB certain information at the request of Comm South and pursuant to which BellSouth, its LIDB customers and Comm South shall have access to such information. In addition, this Agreement sets forth the terms and conditions for Comm South's provision of billing number information to BellSouth for inclusion in BellSouth's LIDB. Comm South understands that BellSouth provides access to information in its LIDB to various telecommunications service providers pursuant to applicable tariffs and agrees that information stored at the request of Comm South, pursuant to this Agreement, shall be available to those telecommunications service providers. The terms and conditions contained herein shall hereby be made a part of this Interconnection Agreement upon notice to Comm South's account team and/or

Local Contract Manager to activate this LIDB Storage Agreement. The General Terms and Conditions of the Interconnection/Resale Agreement shall govern this LIDB Storage Agreement.

B. BellSouth will provide responses to on-line, call-by-call queries to billing number information for the following purposes:

1. Billed Number Screening

BellSouth is authorized to use the billing number information to determine whether Comm South has identified the billing number as one that should not be billed for collect or third number calls.

2. Calling Card Validation

BellSouth is authorized to validate a 14-digit Calling Card number where the first 10 digits are a line number or special billing number assigned by BellSouth and where the last four digits (PIN) are a security code assigned by BellSouth.

3. Fraud Control

BellSouth will provide seven days per week, 24-hours per day, fraud monitoring on Calling Cards, bill-to-third and collect calls made to numbers in BellSouth's LIDB, provided that such information is included in the LIDB query. BellSouth will establish fraud alert thresholds and will notify Comm South of fraud alerts so that Comm South may take action it deems appropriate.

III. Responsibilities of the Parties

A. BellSouth will administer all data stored in the LIDB, including the data provided by Comm South pursuant to this Agreement, in the same manner as BellSouth's data for BellSouth's end user customers. BellSouth shall not be responsible to Comm South for any lost revenue which may result from BellSouth's administration of the LIDB pursuant to its established practices and procedures as they exist and as they may be changed by BellSouth in its sole discretion from time to time.

B. Billing and Collection Customers

BellSouth currently has in effect numerous billing and collection agreements with various interexchange carriers and billing clearinghouses and as such these billing and collection customers ("B&C Customers") query BellSouth's LIDB to determine whether to accept various billing options from end users. Until such time as BellSouth implements in its LIDB and its supporting systems the means to differentiate Comm South's data from BellSouth's data, the following terms and conditions shall apply:

1. Comm South will accept responsibility for telecommunications services billed by BellSouth for its B&C Customers for Comm South's End User accounts which are

resident in LIDB pursuant to this Agreement. Comm South authorizes BellSouth to place such charges on Comm South's bill from BellSouth and shall pay all such charges including, but not limited to, collect and third number calls.

2. Charges for such services shall appear on a separate BellSouth bill page identified with the name of the B&C Customers for which BellSouth is billing the charge.
3. Comm South shall have the responsibility to render a billing statement to its End Users for these charges, but Comm South shall pay BellSouth for the charges billed regardless of whether Comm South collects from Comm South's End Users.
4. BellSouth shall have no obligation to become involved in any disputes between Comm South and B&C Customers. BellSouth will not issue adjustments for charges billed on behalf of any B&C Customer to Comm South. It shall be the responsibility of Comm South and the B&C Customers to negotiate and arrange for any appropriate adjustments.

C. SPNP Arrangements

1. BellSouth will include billing number information associated with exchange lines or SPNP arrangements in its LIDB. Comm South will request any toll billing exceptions via the Local Service Request (LSR) form used to order exchange lines, or the SPNP service request form used to order SPNP arrangements.
2. Under normal operating conditions, BellSouth shall include the billing number information in its LIDB upon completion of the service order establishing either the local exchange service or the SPNP arrangement, provided that BellSouth shall not be held responsible for any delay or failure in performance to the extent such delay or failure is caused by circumstances or conditions beyond BellSouth's reasonable control. BellSouth will store in its LIDB an unlimited volume of the working telephone numbers associated with either the local exchange lines or the SPNP arrangements. For local exchange lines or for SPNP arrangements, BellSouth will issue line-based calling cards only in the name of Comm South. BellSouth will not issue line-based calling cards in the name of Comm South's individual End Users. In the event that Comm South wants to include calling card numbers assigned by Comm South in the BellSouth LIDB, a separate agreement is required.

V. Fees for Service and Taxes

- A. Comm South will not be charged a fee for storage services provided by BellSouth to Comm South, as described in this LIDB Facilities Based Storage Agreement.
- B. Sales, use and all other taxes (excluding taxes on BellSouth's income) determined by BellSouth or any taxing authority to be due to any federal, state or local taxing jurisdiction with respect to the provision of the service set forth herein will be paid by

Comm South in accordance with the tax provisions set forth in the General Terms and Conditions of this Agreement.

| UNBUNDLED NETWORK ELEMENTS - Alabama | | | | | | | | | | | Attachment: 2 | | Exhibit: B | | | |
|--|--|---------|------|-------------|-------|-----------|--------------|--------|-------------------------|----------------------------------|--------------------------------------|--|--|---|---|---------------|
| CATEGORY | RATE ELEMENTS | Interim | Zone | BCS | USOC | RATES(\$) | | | | Svc Order Submitted Elec per LSR | Svc Order Submitted Manually per LSR | Incremental Charge - Manual Svc Order vs. Electronic-1st | Incremental Charge - Manual Svc Order vs. Electronic-Add'l | Incremental Charge - Manual Svc Order vs. Electronic-Disc 1st | Incremental Charge - Manual Svc Order vs. Electronic-Disc Add'l | |
| | | | | | | Rec | Nonrecurring | | Nonrecurring Disconnect | | | | | | | OSS Rates(\$) |
| | | | | | | | First | Add'l | First | Add'l | SOMEc | SOMAN | SOMAN | SOMAN | SOMAN | |
| OPERATIONAL SUPPORT SYSTEMS | | | | | | | | | | | | | | | | |
| NOTE: (1) Electronic Service Order: CLEC should contact its contract negotiator if it prefers the state specific electronic service ordering charges as ordered by the State Commissions. The electronic service ordering charge currently contained in this rate exhibit is the BellSouth regional electronic service ordering charge. CLEC may elect either the state specific Commission ordered rates for the electronic service ordering charges, or CLEC may elect the regional electronic service ordering charge. | | | | | | | | | | | | | | | | |
| NOTE: (2) Any element that can be ordered electronically will be billed according to the SOMEc rate listed in this category. Please refer to BellSouth's Business Rules for Local Ordering (BBR-LO) to determine if a product can be ordered electronically. For those elements that cannot be ordered electronically at present per the BBR-LO, the listed SOMEc rate in this category reflects the charge that would be billed to a CLEC once electronic ordering capabilities come on-line for that element. Otherwise, the manual ordering charge, SOMAN, will be applied to a CLECs bill when it submits an LSR to BellSouth. | | | | | | | | | | | | | | | | |
| | Electronic OSS Charge, per LSR, submitted via BST's OSS interactive interfaces (Regional) | | | | | | | | | | | | | | | |
| UNBUNDLED EXCHANGE ACCESS LOOP | | | | | | | | | | | | | | | | |
| 2-WIRE ANALOG VOICE GRADE LOOP | | | | | | | | | | | | | | | | |
| | 2-Wire Analog Voice Grade Loop - Service Level 1- Zone 1 | | 1 | UEANL | UEAL2 | 15.24 | 59.03 | 43.14 | 15.21 | 3.22 | | | 27.37 | 12.97 | 17.77 | 17.77 |
| | 2-Wire Analog Voice Grade Loop - Service Level 1- Zone 2 | | 2 | UEANL | UEAL2 | 24.75 | 59.03 | 43.14 | 15.21 | 3.22 | | | 27.37 | 12.97 | 17.77 | 17.77 |
| | 2-Wire Analog Voice Grade Loop - Service Level 1- Zone 3 | | 3 | UEANL | UEAL2 | 44.85 | 59.03 | 43.14 | 15.21 | 3.22 | | | 23.97 | 12.97 | 17.77 | 17.77 |
| | Loop Testing - Basic 1st Half Hour | | | UEANL | URET1 | | 78.92 | 78.92 | | | | | 27.37 | 12.97 | 17.77 | 17.77 |
| | Loop Testing - Basic Additional Half Hour | | | UEANL | URETA | | 23.33 | 23.33 | | | | | 27.37 | 12.97 | 17.77 | 17.77 |
| | CLEC to CLEC Conversion Charge Without Outside Dispatch (UVL-SL1) | | | UEANL | UREWO | | 15.78 | 8.94 | | | | | 27.37 | 12.97 | 17.77 | 17.77 |
| | Engineering Information Document (EI) | | | UEANL | | | 28.75 | 28.75 | | | | | | | | |
| | Manual Order Coordination for UVL-SL1s (per loop) | | | UEANL | UEAMC | | 51.29 | 51.29 | | | | | | | | |
| | Order Coordination for Specified Conversion Time for UVL-SL1 (per LSR) | | | UEANL | OCOSL | | 45.99 | 45.99 | | | | | | | | |
| 2-WIRE Unbundled COPPER LOOP | | | | | | | | | | | | | | | | |
| | 2-Wire Unbundled Copper Loop - Non-Designed Zone 1 | I | 1 | UEQ | UEQ2X | 11.01 | 44.69 | 22.40 | 25.65 | 7.06 | | | 27.37 | 12.97 | 17.77 | 17.77 |
| | 2 Wire Unbundled Copper Loop - Non-Designed - Zone 2 | I | 2 | UEQ | UEQ2X | 12.67 | 44.69 | 22.40 | 25.65 | 7.06 | | | 27.37 | 12.97 | 17.77 | 17.77 |
| | 2 Wire Unbundled Copper Loop - Non-Designed - Zone 3 | I | 3 | UEQ | UEQ2X | 20.22 | 44.69 | 22.40 | 25.65 | 7.06 | | | 27.37 | 12.97 | 17.77 | 17.77 |
| | Order Coordination 2 Wire Unbundled Copper Loop - Non-Designed (per loop) | | | UEQ | USBMC | | 51.29 | 51.29 | | | | | 27.37 | 12.97 | 17.77 | 17.77 |
| | Engineering Information Document | | | UEQ | | | 28.75 | 28.75 | | | | | 27.37 | 12.97 | 17.77 | 17.77 |
| | Loop Testing - Basic 1st Half Hour | | | UEQ | URET1 | | 78.92 | 78.92 | | | | | 27.37 | 12.97 | 17.77 | 17.77 |
| | Loop Testing - Basic Additional Half Hour | | | UEQ | URETA | | 23.33 | 23.33 | | | | | 27.37 | 12.97 | 17.77 | 17.77 |
| | CLEC to CLEC Conversion Charge Without Outside Dispatch (UCL-ND) | | | UEQ | UREWO | | 14.27 | 7.43 | | | | | 18.84 | 8.42 | | |
| UNBUNDLED EXCHANGE ACCESS LOOP | | | | | | | | | | | | | | | | |
| 2-WIRE ANALOG VOICE GRADE LOOP | | | | | | | | | | | | | | | | |
| | 2 Wire Analog Voice Grade Loop-Service Level 1-Line Splitting-Zone 1 | | 1 | UEPSR UEPSB | UEALS | 18.24 | 75.62 | 35.11 | 46.98 | 10.59 | | | 27.37 | 12.97 | 17.77 | 17.77 |
| | 2 Wire Analog Voice Grade Loop-Service Level 1-Line Splitting-Zone 1 | | 1 | UEPSR UEPSB | UEABS | 18.24 | 75.62 | 35.11 | 46.98 | 10.59 | | | 27.37 | 12.97 | 17.77 | 17.77 |
| | 2 Wire Analog Voice Grade Loop- Service Level 1-Line Splitting-Zone 2 | | 2 | UEPSR UEPSB | UEALS | 25.22 | 75.62 | 35.11 | 46.98 | 10.59 | | | 27.37 | 12.97 | 17.77 | 17.77 |
| | 2 Wire Analog Voice Grade Loop- Service Level 1-Line Splitting-Zone 2 | | 2 | UEPSR UEPSB | UEABS | 25.22 | 75.62 | 35.11 | 46.98 | 10.59 | | | 27.37 | 12.97 | 17.77 | 17.77 |
| | 2 Wire Analog Voice Grade Loop-Service Level 1-Line Splitting-Zone 3 | | 3 | UEPSR UEPSB | UEALS | 33.70 | 75.62 | 35.11 | 46.98 | 10.59 | | | 23.97 | 12.97 | 17.77 | 17.77 |
| | 2 Wire Analog Voice Grade Loop-Service Level 1-Line Splitting-Zone 3 | | 3 | UEPSR UEPSB | UEABS | 33.70 | 75.62 | 35.11 | 46.98 | 10.59 | | | 23.97 | 12.97 | 17.77 | 17.77 |
| UNBUNDLED EXCHANGE ACCESS LOOP | | | | | | | | | | | | | | | | |
| 2-WIRE ANALOG VOICE GRADE LOOP | | | | | | | | | | | | | | | | |
| | 2-Wire Analog Voice Grade Loop - Service Level 2 w/Loop or Ground Start Signaling - Zone 1 | | 1 | UEA | UEAL2 | 17.95 | 145.46 | 108.40 | 40.31 | 26.01 | | | 27.37 | 12.97 | 17.77 | 17.77 |
| | 2-Wire Analog Voice Grade Loop - Service Level 2 w/Loop or Ground Start Signaling - Zone 2 | | 2 | UEA | UEAL2 | 29.16 | 145.46 | 108.40 | 40.31 | 26.01 | | | 27.37 | 12.97 | 17.77 | 17.77 |
| | 2-Wire Analog Voice Grade Loop - Service Level 2 w/Loop or Ground Start Signaling - Zone 3 | | 3 | UEA | UEAL2 | 52.84 | 145.46 | 108.40 | 40.31 | 26.01 | | | 27.37 | 12.97 | 17.77 | 17.77 |
| | Order Coordination for Specified Conversion Time (per LSR) | | | UEA | OCOSL | | 45.99 | | | | | | | | | |
| | 2-Wire Analog Voice Grade Loop - Service Level 2 w/Reverse Battery Signaling - Zone 1 | | 1 | UEA | UEAR2 | 17.95 | 145.46 | 108.40 | 40.31 | 26.01 | | | 27.37 | 12.97 | 17.77 | 17.77 |

| UNBUNDLED NETWORK ELEMENTS - Alabama | | | | | | | | | | | Attachment: 2 | | Exhibit: B | | | | | | | | | | | | | |
|--------------------------------------|---|---------|------|-----|-------|-----------|----------------------------------|--------------------------------------|--|--|---|---|---------------|--------------|--------|-------------------------|--|-------|-------|-------|-------|-------|-------|-------|-------|-------|
| CATEGORY | RATE ELEMENTS | Interim | Zone | BCS | USOC | RATES(\$) | Svc Order Submitted Elec per LSR | Svc Order Submitted Manually per LSR | Incremental Charge - Manual Svc Order vs. Electronic-1st | Incremental Charge - Manual Svc Order vs. Electronic-Add'l | Incremental Charge - Manual Svc Order vs. Electronic-Disc 1st | Incremental Charge - Manual Svc Order vs. Electronic-Disc Add'l | OSS Rates(\$) | | | | | | | | | | | | | |
| | | | | | | | | | | | | | Rec | Nonrecurring | | Nonrecurring Disconnect | | SOMEc | SOMAN | SOMAN | SOMAN | SOMAN | SOMAN | | | |
| | | | | | | | | | | | | | First | Add'l | First | Add'l | | | | | | | | | | |
| | 2-Wire Analog Voice Grade Loop - Service Level 2 w/Reverse Battery Signaling - Zone 2 | | 2 | UEA | UEAR2 | 29.16 | | | | | | | 145.46 | 108.40 | 40.31 | 26.01 | | | | | | | 27.37 | 12.97 | 17.77 | 17.77 |
| | 2-Wire Analog Voice Grade Loop - Service Level 2 w/Reverse Battery Signaling - Zone 3 | | 3 | UEA | UEAR2 | 52.84 | | | | | | | 145.46 | 108.40 | 40.31 | 26.01 | | | | | | | 27.37 | 12.97 | 17.77 | 17.77 |
| | Order Coordination for Specified Conversion Time (per LSR) | | | UEA | OCOSL | | | | | | | | 45.99 | | | | | | | | | | | | | |
| | CLEC to CLEC Conversion Charge without outside dispatch | | | UEA | UREWO | | | | | | | | 87.72 | 36.36 | | | | | | | | | 27.37 | 12.97 | 17.77 | 17.77 |
| | 4-WIRE ANALOG VOICE GRADE LOOP | | | | | | | | | | | | | | | | | | | | | | | | | |
| | 4-Wire Analog Voice Grade Loop - Zone 1 | | 1 | UEA | UEAL4 | 24.01 | | | | | | | 293.70 | 241.76 | 108.96 | 57.01 | | | | | | | 27.37 | 12.97 | 17.77 | 17.77 |
| | 4-Wire Analog Voice Grade Loop - Zone 2 | | 2 | UEA | UEAL4 | 39.00 | | | | | | | 293.70 | 241.76 | 108.96 | 57.01 | | | | | | | 27.37 | 12.97 | 17.77 | 17.77 |
| | 4-Wire Analog Voice Grade Loop - Zone 3 | | 3 | UEA | UEAL4 | 70.67 | | | | | | | 293.70 | 241.76 | 108.96 | 57.01 | | | | | | | 27.37 | 12.97 | 17.77 | 17.77 |
| | Order Coordination for Specified Conversion Time (per LSR) | | | UEA | OCOSL | | | | | | | | 45.99 | | | | | | | | | | | | | |
| | CLEC to CLEC Conversion Charge without outside dispatch | | | UEA | UREWO | | | | | | | | 87.72 | 36.36 | | | | | | | | | 27.37 | 12.97 | 17.77 | 17.77 |
| | 2-WIRE ISDN DIGITAL GRADE LOOP | | | | | | | | | | | | | | | | | | | | | | | | | |
| | 2-Wire ISDN Digital Grade Loop - Zone 1 | | 1 | UDN | U1L2X | 23.23 | | | | | | | 331.85 | 255.87 | 108.95 | 57.01 | | | | | | | 27.37 | 12.97 | 17.77 | 17.77 |
| | 2-Wire ISDN Digital Grade Loop - Zone 2 | | 2 | UDN | U1L2X | 37.74 | | | | | | | 331.85 | 255.87 | 108.95 | 57.01 | | | | | | | 27.37 | 12.97 | 17.77 | 17.77 |
| | 2-Wire ISDN Digital Grade Loop - Zone 3 | | 3 | UDN | U1L2X | 68.38 | | | | | | | 331.85 | 255.87 | 108.95 | 57.01 | | | | | | | 27.37 | 12.97 | 17.77 | 17.77 |
| | Order Coordination For Specified Conversion Time (per LSR) | | | UDN | OCOSL | | | | | | | | 45.99 | | | | | | | | | | | | | |
| | CLEC to CLEC Conversion Charge without outside dispatch | | | UDN | UREWO | | | | | | | | 91.63 | 44.16 | | | | | | | | | 27.37 | 12.97 | 17.77 | 17.77 |
| | 2-WIRE Universal Digital Channel (UDC) COMPATIBLE LOOP | | | | | | | | | | | | | | | | | | | | | | | | | |
| | 2-Wire Universal Digital Channel (UDC) Compatible Loop - Zone 1 | | I 1 | UDC | UDC2X | 16.84 | | | | | | | 104.17 | 78.10 | 108.95 | 57.01 | | | | | | | 18.94 | 8.42 | 17.77 | 17.77 |
| | 2-Wire Universal Digital Channel (UDC) Compatible Loop - Zone 2 | | I 2 | UDC | UDC2X | 19.45 | | | | | | | 104.17 | 78.10 | 108.95 | 57.01 | | | | | | | 18.94 | 8.42 | 17.77 | 17.77 |
| | 2-Wire Universal Digital Channel (UDC) Compatible Loop - Zone 3 | | I 3 | UDC | UDC2X | 30.92 | | | | | | | 104.17 | 78.10 | 108.95 | 57.01 | | | | | | | 18.94 | 8.42 | 17.77 | 17.77 |
| | CLEC to CLEC Conversion Charge without outside dispatch | | | UDC | UREWO | | | | | | | | 91.63 | 44.16 | | | | | | | | | 27.37 | 12.97 | 17.77 | 17.77 |
| | 2-WIRE ASYMMETRICAL DIGITAL SUBSCRIBER LINE (ADSL) COMPATIBLE LOOP | | | | | | | | | | | | | | | | | | | | | | | | | |
| | 2 Wire Unbundled ADSL Loop including manual service inquiry & facility reservation - Zone 1 | | 1 | UAL | UAL2X | 12.09 | | | | | | | 514.21 | 464.58 | 106.65 | 56.98 | | | | | | | 27.37 | 12.97 | 17.77 | 17.77 |
| | 2 Wire Unbundled ADSL Loop including manual service inquiry & facility reservation - Zone 2 | | 2 | UAL | UAL2X | 19.64 | | | | | | | 514.21 | 464.58 | 106.65 | 56.98 | | | | | | | 27.37 | 12.97 | 17.77 | 17.77 |
| | 2 Wire Unbundled ADSL Loop including manual service inquiry & facility reservation - Zone 3 | | 3 | UAL | UAL2X | 35.59 | | | | | | | 514.21 | 464.58 | 106.65 | 56.98 | | | | | | | 27.37 | 12.97 | 17.77 | 17.77 |
| | Order Coordination for Specified Conversion Time (per LSR) | | | UAL | OCOSL | | | | | | | | 45.99 | | | | | | | | | | | | | |
| | 2 Wire Unbundled ADSL Loop without manual service inquiry & facility reservaton - Zone 1 | | 1 | UAL | UAL2W | 12.09 | | | | | | | 204.88 | 129.08 | 100.52 | 15.82 | | | | | | | 27.37 | 12.97 | 17.77 | 17.77 |
| | 2 Wire Unbundled ADSL Loop without manual service inquiry & facility reservaton - Zone 2 | | 2 | UAL | UAL2W | 19.64 | | | | | | | 204.88 | 129.08 | 100.52 | 15.82 | | | | | | | 27.37 | 12.97 | 17.77 | 17.77 |
| | 2 Wire Unbundled ADSL Loop without manual service inquiry & facility reservaton - Zone 3 | | 3 | UAL | UAL2W | 35.59 | | | | | | | 204.88 | 129.08 | 100.52 | 15.82 | | | | | | | 27.37 | 12.97 | 17.77 | 17.77 |
| | Order Coordination for Specified Conversion Time (per LSR) | | | UAL | OCOSL | | | | | | | | 45.99 | | | | | | | | | | | | | |
| | CLEC to CLEC Conversion Charge without outside dispatch | | | UAL | UREWO | | | | | | | | 86.20 | 40.40 | | | | | | | | | 27.37 | 12.97 | 17.77 | 17.77 |
| | 2-WIRE HIGH BIT RATE DIGITAL SUBSCRIBER LINE (HDSL) COMPATIBLE LOOP | | | | | | | | | | | | | | | | | | | | | | | | | |
| | 2 Wire Unbundled HDSL Loop including manual service inquiry & facility reservation - Zone 1 | | 1 | UHL | UHL2X | 9.41 | | | | | | | 514.21 | 464.58 | 106.65 | 56.98 | | | | | | | 27.37 | 12.97 | 17.77 | 17.77 |
| | 2 Wire Unbundled HDSL Loop including manual service inquiry & facility reservation - Zone 2 | | 2 | UHL | UHL2X | 15.29 | | | | | | | 514.21 | 464.58 | 106.65 | 56.98 | | | | | | | 27.37 | 12.97 | 17.77 | 17.77 |
| | 2 Wire Unbundled HDSL Loop including manual service inquiry & facility reservation - Zone 3 | | 3 | UHL | UHL2X | 27.70 | | | | | | | 514.21 | 464.58 | 106.65 | 56.98 | | | | | | | 27.37 | 12.97 | 17.77 | 17.77 |
| | Order Coordination for Specified Conversion Time (per LSR) | | | UHL | OCOSL | | | | | | | | 45.99 | | | | | | | | | | | | | |
| | 2 Wire Unbundled HDSL Loop without manual service inquiry and facility reservation - Zone 1 | | 1 | UHL | UHL2W | 9.41 | | | | | | | 222.20 | 146.40 | 100.52 | 15.82 | | | | | | | 27.37 | 12.97 | 17.77 | 17.77 |
| | 2 Wire Unbundled HDSL Loop without manual service inquiry and facility reservation - Zone 2 | | 2 | UHL | UHL2W | 15.29 | | | | | | | 222.20 | 146.40 | 100.52 | 15.82 | | | | | | | 27.37 | 12.97 | 17.77 | 17.77 |
| | 2 Wire Unbundled HDSL Loop without manual service inquiry and facility reservation - Zone 3 | | 3 | UHL | UHL2W | 27.70 | | | | | | | 222.20 | 146.40 | 100.52 | 15.82 | | | | | | | 27.37 | 12.97 | 17.77 | 17.77 |
| | Order Coordination for Specified Conversion Time (per LSR) | | | UHL | OCOSL | | | | | | | | 45.99 | | | | | | | | | | | | | |
| | CLEC to CLEC Conversion Charge without outside dispatch | | | UHL | UREWO | | | | | | | | 86.14 | 40.40 | | | | | | | | | 27.37 | 12.97 | 17.77 | 17.77 |
| | 4-WIRE HIGH BIT RATE DIGITAL SUBSCRIBER LINE (HDSL) COMPATIBLE LOOP | | | | | | | | | | | | | | | | | | | | | | | | | |

| UNBUNDLED NETWORK ELEMENTS - Alabama | | | | | | | | | | Attachment: 2 | | Exhibit: B | | | | |
|--------------------------------------|--|---------|------|-----|-------|-----------|----------------------------------|--------------------------------------|--|--|---|---|-------|--------------|-------|--------------|
| CATEGORY | RATE ELEMENTS | Interim | Zone | BCS | USOC | RATES(\$) | Svc Order Submitted Elec per LSR | Svc Order Submitted Manually per LSR | Incremental Charge - Manual Svc Order vs. Electronic-1st | Incremental Charge - Manual Svc Order vs. Electronic-Add'l | Incremental Charge - Manual Svc Order vs. Electronic-Disc 1st | Incremental Charge - Manual Svc Order vs. Electronic-Disc Add'l | | | | |
| | | | | | | | | | | | | | Rec | Nonrecurring | | Nonrecurring |
| | | | | | | First | Add'l | First | Add'l | SOMEK | SOMAN | SOMAN | SOMAN | SOMAN | SOMAN | |
| | 4 Wire Unbundled HDSL Loop including manual service inquiry and facility reservation - Zone 1 | | 1 | UHL | UHL4X | 11.52 | 541.13 | 491.50 | 106.65 | 56.98 | | | 27.37 | 12.97 | 17.77 | 17.77 |
| | 4-Wire Unbundled HDSL Loop including manual service inquiry and facility reservation - Zone 2 | | 2 | UHL | UHL4X | 18.71 | 541.13 | 491.50 | 106.65 | 56.98 | | | 27.37 | 12.97 | 17.77 | 17.77 |
| | 4-Wire Unbundled HDSL Loop including manual service inquiry and facility reservation - Zone 3 | | 3 | UHL | UHL4X | 33.90 | 541.13 | 491.50 | 106.65 | 56.98 | | | 27.37 | 12.97 | 17.77 | 17.77 |
| | Order Coordination for Specified Conversion Time (per LSR) | | | UHL | OCOSL | | 45.99 | | | | | | | | | |
| | 4-Wire Unbundled HDSL Loop without manual service inquiry and facility reservation - Zone 1 | | 1 | UHL | UHL4W | 11.52 | 279.39 | 203.59 | 109.99 | 20.70 | | | 27.37 | 12.97 | 17.77 | 17.77 |
| | 4-Wire Unbundled HDSL Loop without manual service inquiry and facility reservation - Zone 2 | | 2 | UHL | UHL4W | 18.71 | 279.39 | 203.59 | 109.99 | 20.70 | | | 27.37 | 12.97 | 17.77 | 17.77 |
| | 4-Wire Unbundled HDSL Loop without manual service inquiry and facility reservation - Zone 3 | | 3 | UHL | UHL4W | 33.90 | 279.39 | 203.59 | 109.99 | 20.70 | | | 27.37 | 12.97 | 17.77 | 17.77 |
| | Order Coordination for Specified Conversion Time (per LSR) | | | UHL | OCOSL | | 45.99 | | | | | | | | | |
| | CLEC to CLEC Conversion Charge without outside dispatch | | | UHL | UREWO | | 86.14 | 40.40 | | | | | 27.37 | 12.97 | 17.77 | 17.77 |
| | 4-WIRE DS1 DIGITAL LOOP | | | | | | | | | | | | | | | |
| | 4-Wire DS1 Digital Loop - Zone 1 | | 1 | USL | USLXX | 51.74 | 610.13 | 380.26 | 134.77 | 55.97 | | | 27.37 | 12.97 | 17.77 | 17.77 |
| | 4-Wire DS1 Digital Loop - Zone 2 | | 2 | USL | USLXX | 84.05 | 610.13 | 380.26 | 134.77 | 55.97 | | | 27.37 | 12.97 | 17.77 | 17.77 |
| | 4-Wire DS1 Digital Loop - Zone 3 | | 3 | USL | USLXX | 152.29 | 610.13 | 380.26 | 134.77 | 55.97 | | | 27.37 | 12.97 | 17.77 | 17.77 |
| | Order Coordination for Specified Conversion Time (per LSR) | | | USL | OCOSL | | 45.99 | | | | | | | | | |
| | CLEC to CLEC Conversion Charge without outside dispatch | | | USL | UREWO | | 101.09 | 43.05 | | | | | 27.37 | 12.97 | 17.77 | 17.77 |
| | 4-WIRE 19.2, 56 OR 64 KBPS DIGITAL GRADE LOOP | | | | | | | | | | | | | | | |
| | 4 Wire Unbundled Digital 19.2 Kbps | | 1 | UDL | UDL19 | 27.33 | 498.05 | 343.70 | 129.62 | 64.25 | | | 27.37 | 12.97 | 17.77 | 17.77 |
| | 4 Wire Unbundled Digital 19.2 Kbps | | 2 | UDL | UDL19 | 44.40 | 498.05 | 343.70 | 129.62 | 64.25 | | | 27.37 | 12.97 | 17.77 | 17.77 |
| | 4 Wire Unbundled Digital 19.2 Kbps | | 3 | UDL | UDL19 | 80.45 | 498.05 | 343.70 | 129.62 | 64.25 | | | 27.37 | 12.97 | 17.77 | 17.77 |
| | 4 Wire Unbundled Digital Loop 56 Kbps - Zone 1 | | 1 | UDL | UDL56 | 27.33 | 498.05 | 343.70 | 129.62 | 64.25 | | | 27.37 | 12.97 | 17.77 | 17.77 |
| | 4 Wire Unbundled Digital Loop 56 Kbps - Zone 2 | | 2 | UDL | UDL56 | 44.40 | 498.05 | 343.70 | 129.62 | 64.25 | | | 27.37 | 12.97 | 17.77 | 17.77 |
| | 4 Wire Unbundled Digital Loop 56 Kbps - Zone 3 | | 3 | UDL | UDL56 | 80.45 | 498.05 | 343.70 | 129.62 | 64.25 | | | 27.37 | 12.97 | 17.77 | 17.77 |
| | Order Coordination for Specified Conversion Time (per LSR) | | | UDL | OCOSL | | 45.99 | | | | | | | | | |
| | 4 Wire Unbundled Digital Loop 64 Kbps - Zone 1 | | 1 | UDL | UDL64 | 27.33 | 498.05 | 343.70 | 129.62 | 64.25 | | | 27.37 | 12.97 | 17.77 | 17.77 |
| | 4 Wire Unbundled Digital Loop 64 Kbps - Zone 2 | | 2 | UDL | UDL64 | 44.40 | 498.05 | 343.70 | 129.62 | 64.25 | | | 27.37 | 12.97 | 17.77 | 17.77 |
| | 4 Wire Unbundled Digital Loop 64 Kbps - Zone 3 | | 3 | UDL | UDL64 | 80.45 | 498.05 | 343.70 | 129.62 | 64.25 | | | 27.37 | 12.97 | 17.77 | 17.77 |
| | Order Coordination for Specified Conversion Time (per LSR) | | | UDL | OCOSL | | 45.99 | | | | | | | | | |
| | CLEC to CLEC Conversion Charge without outside dispatch | | | UDL | UREWO | | 102.13 | 49.75 | | | | | 27.37 | 12.97 | 17.77 | 17.77 |
| | 2-WIRE Unbundled COPPER LOOP | | | | | | | | | | | | | | | |
| | 2-Wire Unbundled Copper Loop/Short including manual service inquiry & facility reservation - Zone 1 | | 1 | UCL | UCLPB | 11.90 | 283.37 | 163.68 | 120.15 | 22.37 | | | 18.94 | 8.42 | | |
| | 2-Wire Unbundled Copper Loop/Short including manual service inquiry & facility reservation - Zone 2 | | 2 | UCL | UCLPB | 13.74 | 283.37 | 163.68 | 120.15 | 22.37 | | | 18.94 | 8.42 | | |
| | 2 Wire Unbundled Copper Loop/Short including manual service inquiry & facility reservation - Zone 3 | | 3 | UCL | UCLPB | 21.83 | 283.37 | 163.68 | 120.15 | 22.37 | | | 18.94 | 8.42 | | |
| | Order Coordination for Unbundled Copper Loops (per loop) | | | UCL | UCLMC | | 36.46 | 36.46 | | | | | | | | |
| | 2-Wire Unbundled Copper Loop/Short without manual service inquiry and facility reservation - Zone 1 | I | 1 | UCL | UCLPW | 11.90 | 104.17 | 78.10 | | | | | 18.94 | 8.42 | | |
| | 2-Wire Unbundled Copper Loop/Short without manual service inquiry and facility reservation - Zone 2 | I | 2 | UCL | UCLPW | 13.74 | 104.17 | 78.10 | | | | | 18.94 | 8.42 | | |
| | 2-Wire Unbundled Copper Loop/Short without manual service inquiry and facility reservation - Zone 3 | I | 3 | UCL | UCLPW | 21.83 | 104.17 | 78.10 | | | | | 18.94 | 8.42 | | |
| | Order Coordination for Unbundled Copper Loops (per loop) | | | UCL | UCLMC | | 36.46 | 36.46 | | | | | | | | |
| | 2-Wire Unbundled Copper Loop/Long - includes manual svc. inquiry and facility reservation - Zone 1 | | 1 | UCL | UCL2L | 35.43 | 270.28 | 150.59 | 120.15 | 22.37 | | | 18.94 | 8.42 | | |
| | 2-Wire Unbundled Copper Loop/Long - includes manual svc. inquiry and facility reservation - Zone 2 | | 2 | UCL | UCL2L | 40.91 | 270.28 | 150.59 | 120.15 | 22.37 | | | 18.94 | 8.42 | | |
| | 2-Wire Unbundled Copper Loop/Long - includes manual svc. inquiry and facility reservation - Zone 3 | | 3 | UCL | UCL2L | 65.02 | 270.28 | 150.59 | 120.15 | 22.37 | | | 18.94 | 8.42 | | |
| | Order Coordination for Unbundled Copper Loops (per loop) | | | UCL | UCLMC | | 36.46 | 36.46 | | | | | | | | |
| | 2-Wire Unbundled Copper Loop/Long - without manual service inquiry and facility reservation - Zone 1 | I | 1 | UCL | UCL2W | 35.43 | 104.17 | 78.10 | | | | | 18.94 | 8.42 | | |

| UNBUNDLED NETWORK ELEMENTS - Alabama | | | | | | | | | | Attachment: 2 | | Exhibit: B | | | |
|--------------------------------------|--|---------|------|---|-------|-----------|--------------|--------|-------------------------|----------------------------------|--------------------------------------|--|--|---|---|
| CATEGORY | RATE ELEMENTS | Interim | Zone | BCS | USOC | RATES(\$) | | | | Svc Order Submitted Elec per LSR | Svc Order Submitted Manually per LSR | Incremental Charge - Manual Svc Order vs. Electronic-1st | Incremental Charge - Manual Svc Order vs. Electronic-Add'l | Incremental Charge - Manual Svc Order vs. Electronic-Disc 1st | Incremental Charge - Manual Svc Order vs. Electronic-Disc Add'l |
| | | | | | | Rec | Nonrecurring | | Nonrecurring Disconnect | | | | | | |
| | | | | | | | First | Add'l | First | Add'l | SOMEc | SOMAN | SOMAN | SOMAN | SOMAN |
| | 2-Wire Unbundled Copper Loop/Long - without manual service inquiry and facility reservation - Zone 2 | I | 2 | UCL | UCL2W | 40.91 | 104.17 | 78.10 | | | | | 18.94 | 8.42 | |
| | 2-Wire Unbundled Copper Loop/Long - without manual service inquiry and facility reservation - Zone 3 | I | 3 | UCL | UCL2W | 65.02 | 104.17 | 78.10 | | | | | 18.94 | 8.42 | |
| | Order Coordination for Unbundled Copper Loops (per loop) | | | UCL | UCLMC | | 36.46 | 36.46 | | | | | | | |
| | CLEC to CLEC Conversion Charge without outside dispatch (UCL-Des) | | | UCL | UREWO | | 97.23 | 42.48 | | | | | 18.94 | 8.42 | |
| 4-WIRE COPPER LOOP | | | | | | | | | | | | | | | |
| | 4-Wire Copper Loop/Short - including manual service inquiry and facility reservation - Zone 1 | | 1 | UCL | UCL4S | 16.65 | 331.78 | 212.09 | 130.69 | 27.60 | | | 27.37 | 8.42 | |
| | 4-Wire Copper Loop/Short - including manual service inquiry and facility reservation - Zone 2 | | 2 | UCL | UCL4S | 19.22 | 331.78 | 212.09 | 130.69 | 27.60 | | | 18.94 | 8.42 | |
| | 4-Wire Copper Loop/Short - including manual service inquiry and facility reservation - Zone 3 | | 3 | UCL | UCL4S | 30.55 | 331.78 | 212.09 | 130.69 | 27.60 | | | 18.94 | 8.42 | |
| | Order Coordination for Unbundled Copper Loops (per loop) | | | UCL | UCLMC | | 36.46 | 36.46 | | | | | | | |
| | 4-Wire Copper Loop/Short - without manual service inquiry and facility reservation - Zone 1 | I | 1 | UCL | UCL4W | 16.65 | 104.17 | 78.10 | | | | | 18.94 | 8.42 | |
| | 4-Wire Copper Loop/Short - without manual service inquiry and facility reservation - Zone 2 | I | 2 | UCL | UCL4W | 19.22 | 104.17 | 78.10 | | | | | 18.94 | 8.42 | |
| | 4-Wire Copper Loop/Short - without manual service inquiry and facility reservation - Zone 3 | I | 3 | UCL | UCL4W | 30.55 | 104.17 | 78.10 | | | | | 18.94 | 8.42 | |
| | Order Coordination for Unbundled Copper Loops (per loop) | | | UCL | UCLMC | | 36.46 | 36.46 | | | | | | | |
| | 4-Wire Unbundled Copper Loop/Long - includes manual svc. inquiry and facility reservation - Zone 1 | | 1 | UCL | UCL4L | 47.56 | 318.70 | 199.00 | 130.69 | 27.60 | | | 18.94 | 8.42 | |
| | 4-Wire Unbundled Copper Loop/Long - includes manual svc. inquiry and facility reservation - Zone 2 | | 2 | UCL | UCL4L | 54.92 | 318.70 | 199.00 | 130.69 | 27.60 | | | 18.94 | 8.42 | |
| | 4-Wire Unbundled Copper Loop/Long - includes manual svc. inquiry and facility reservation - Zone 3 | | 3 | UCL | UCL4L | 87.30 | 318.70 | 199.00 | 130.69 | 27.60 | | | 18.94 | 8.42 | |
| | Order Coordination for Unbundled Copper Loops (per loop) | | | UCL | UCLMC | | 36.46 | 36.46 | | | | | | | |
| | 4-Wire Unbundled Copper Loop/Long - without manual svc. inquiry and facility reservation - Zone 1 | I | 1 | UCL | UCL4O | 47.56 | 104.17 | 78.10 | | | | | 18.94 | 8.42 | |
| | 4-Wire Unbundled Copper Loop/Long - without manual svc. inquiry and facility reservation - Zone 2 | I | 2 | UCL | UCL4O | 54.92 | 104.17 | 78.10 | | | | | 18.94 | 8.42 | |
| | 4-Wire Unbundled Copper Loop/Long - without manual svc. inquiry and facility reservation - Zone 3 | I | 3 | UCL | UCL4O | 87.30 | 104.17 | 78.10 | | | | | 18.94 | 8.42 | |
| | Order Coordination for Unbundled Copper Loops (per loop) | | | UCL | UCLMC | | 36.46 | 36.46 | | | | | | | |
| | CLEC to CLEC conversion Charge without outside dispatch | | | UCL | UREWO | | 97.23 | 42.48 | | | | | 18.94 | 8.42 | |
| LOOP MODIFICATION | | | | | | | | | | | | | | | |
| | Unbundled Loop Modification, Removal of Load Coils - 2 Wire pair less than or equal to 18k ft | I | | UAL, UHL, UCL, UEQ, ULS, UEA, UEANL, UDL, UDC, UDN, UDL, USL | ULM2L | | 67.39 | 67.39 | | | | | 27.37 | 12.97 | 17.77 |
| | Unbundled Loop Modification, Removal of Load Coils - 2 wire greater than 18k ft | I | | UCL, ULS | ULM2G | | 337.50 | 337.50 | | | | | 27.37 | 12.97 | 17.77 |
| | Unbundled Loop Modification Removal of Load Coils - 4 Wire less than or equal to 18K ft | I | | UHL, UCL | ULM4L | | 67.39 | 67.39 | | | | | 27.37 | 12.97 | 17.77 |
| | Unbundled Loop Modification Removal of Load Coils - 4 Wire pair greater than 18k ft | I | | UCL | ULM4G | | 337.50 | 337.50 | | | | | 27.37 | 12.97 | 17.77 |
| | Unbundled Loop Modification Removal of Bridged Tap Removal, per unbundled loop | I | | UAL, UHL, UCL, UEQ, UEF, ULS, UEA, UEANL, UDL, UDC, UDN, UDL, USL | ULMBT | | 78.10 | 78.10 | | | | | 27.37 | 12.97 | 17.77 |
| SUB-LOOPS | | | | | | | | | | | | | | | |
| Sub-Loop Distribution | | | | | | | | | | | | | | | |
| | Sub-Loop - Per Cross Box Location - CLEC Feeder Facility Set-Up | I | | UEANL | USBSA | | 421.08 | 421.08 | | | | | 18.94 | 8.42 | |
| | Sub-Loop - Per Cross Box Location - Per 25 Pair Panel Set-Up | I | | UEANL | USBSB | | 67.10 | 67.10 | | | | | 18.94 | 8.42 | |

| UNBUNDLED NETWORK ELEMENTS - Alabama | | | | | | | | | | | Attachment: 2 | | Exhibit: B | | | | | | | | | | | |
|--------------------------------------|--|---------|------|----------------------|-------|-----------|----------------------------------|--------------------------------------|--|--|---|---|---------------|--------------|--------|-------------------------|--|-------|-------|-------|-------|-------|-------|------|
| CATEGORY | RATE ELEMENTS | Interim | Zone | BCS | USOC | RATES(\$) | Svc Order Submitted Elec per LSR | Svc Order Submitted Manually per LSR | Incremental Charge - Manual Svc Order vs. Electronic-1st | Incremental Charge - Manual Svc Order vs. Electronic-Add'l | Incremental Charge - Manual Svc Order vs. Electronic-Disc 1st | Incremental Charge - Manual Svc Order vs. Electronic-Disc Add'l | OSS Rates(\$) | | | | | | | | | | | |
| | | | | | | | | | | | | | Rec | Nonrecurring | | Nonrecurring Disconnect | | SOMEc | SOMAN | SOMAN | SOMAN | SOMAN | SOMAN | |
| | | | | | | | | | | | | | First | Add'l | First | Add'l | | | | | | | | |
| | Sub-Loop - Per Building Equipment Room - CLEC Feeder Facility Set-Up | I | | UEANL | USBSC | | | | | | | | 394.74 | 394.74 | | | | | | | | | 18.94 | 8.42 |
| | Sub-Loop - Per Building Equipment Room - Per 25 Pair Panel Set-Up | I | | UEANL | USBSD | | | | | | | | 154.57 | 154.57 | | | | | | | | | 18.94 | 8.42 |
| | Sub-Loop Distribution Per 2-Wire Analog Voice Grade Loop - Statewide | | sw | UEANL | USBN2 | 9.12 | | | | | | | 207.01 | 171.32 | | | | | | | | | 18.94 | 8.42 |
| | Order Coordination for Unbundled Sub-Loops, per sub-loop pair | | | UEANL | USBMC | | | | | | | | 45.99 | 45.99 | | | | | | | | | | |
| | Sub-Loop Distribution Per 4-Wire Analog Voice Grade Loop - Statewide | | sw | UEANL | USBN4 | 8.32 | | | | | | | 219.35 | 72.99 | 123.72 | 28.77 | | | | | | | 18.94 | 8.42 |
| | Order Coordination for Unbundled Sub-Loops, per sub-loop pair | | | UEANL | USBMC | | | | | | | | 45.99 | 45.99 | | | | | | | | | | |
| | Sub-Loop 2-Wire Intrabuilding Network Cable (INC) | I | | UEANL | USBR2 | 1.61 | | | | | | | 137.03 | 41.59 | 115.85 | 19.17 | | | | | | | 18.94 | 8.42 |
| | Order Coordination for Unbundled Sub-Loops, per sub-loop pair | | | UEANL | USBMC | | | | | | | | 45.99 | 45.99 | | | | | | | | | | |
| | Sub-Loop 4-Wire Intrabuilding Network Cable (INC) | I | | UEANL | USBR4 | 2.96 | | | | | | | 176.46 | 55.11 | 122.17 | 19.57 | | | | | | | 18.94 | 8.42 |
| | Order Coordination for Unbundled Sub-Loops, per sub-loop pair | | | UEANL | USBMC | | | | | | | | 45.99 | 45.99 | | | | | | | | | | |
| | 2 Wire Copper Unbundled Sub-Loop Distribution - Statewide | | sw | UEF | UCS2X | 5.54 | | | | | | | 175.16 | 55.50 | 108.86 | 24.53 | | | | | | | 18.94 | 8.42 |
| | Order Coordination for Unbundled Sub-Loops, per sub-loop pair | | | UEF | USBMC | | | | | | | | 45.99 | 45.99 | | | | | | | | | | |
| | 4 Wire Copper Unbundled Sub-Loop Distribution - Statewide | | sw | UEF | UCS4X | 6.89 | | | | | | | 219.35 | 72.99 | 123.72 | 28.77 | | | | | | | 18.94 | 8.42 |
| | Order Coordination for Unbundled Sub-Loops, per sub-loop pair | | | UEF | USBMC | | | | | | | | 45.99 | 45.99 | | | | | | | | | | |
| | Unbundled Sub-Loop Modification | | | | | | | | | | | | | | | | | | | | | | | |
| | Unbundled Sub-Loop Modification - 2-W Copper Dist Load Coil/Equip Removal per 2-W PR | | | UEF | ULM2X | | | | | | | | 355.71 | 12.26 | | | | | | | | | 18.94 | 8.42 |
| | Unbundled Sub-loop Modification - 4-W Copper Dist Load Coil/Equip Removal per 4-W PR | | | UEF | ULM4X | | | | | | | | 355.71 | 12.26 | | | | | | | | | 18.94 | 8.42 |
| | Unbundled Sub-loop Modification - 2-w/4-w Copper Dist Bridged Tap Removal, per PR unloaded | | | UEF | ULM4T | | | | | | | | 560.55 | 14.30 | | | | | | | | | 18.94 | 8.42 |
| | Unbundled Network Terminating Wire (UNTW) | | | | | | | | | | | | | | | | | | | | | | | |
| | Unbundled Network Terminating Wire (UNTW) per Pair | | | UENTW | UENPP | 1.37 | | | | | | | 2.48 | 2.48 | 1.74 | 1.74 | | | | | | | 18.94 | 8.42 |
| | Network Interface Device (NID) | | | | | | | | | | | | | | | | | | | | | | | |
| | Network Interface Device (NID) - 1-2 lines | | | UENTW | UND12 | | | | | | | | 86.46 | 56.75 | | | | | | | | | 18.94 | 8.42 |
| | Network Interface Device (NID) - 1-6 lines | | | UENTW | UND16 | | | | | | | | 127.93 | 98.21 | | | | | | | | | 18.94 | 8.42 |
| | Network Interface Device Cross Connect - 2 W | | | UENTW | UNDC2 | | | | | | | | 11.73 | 11.73 | | | | | | | | | 18.94 | 8.42 |
| | Network Interface Device Cross Connect - 4W | | | UENTW | UNDC4 | | | | | | | | 11.73 | 11.73 | | | | | | | | | 18.94 | 8.42 |
| | SUB-LOOPS | | | | | | | | | | | | | | | | | | | | | | | |
| | Sub-Loop Feeder | | | | | | | | | | | | | | | | | | | | | | | |
| | USL-Feeder, DS0 Set-up per Cross Box location - CLEC Distribution Facility set-up | | | UEA, UDN,UCL,UDL,UDC | USBFW | | | | | | | | 421.08 | | | | | | | | | | 18.94 | 8.42 |
| | USL Feeder - DS0 Set-up per Cross Box location - per 25 pair set-up | | | UEA, UDN,UCL,UDL,UDC | USBFX | | | | | | | | 67.10 | 67.10 | | | | | | | | | 18.94 | 8.42 |
| | USL Feeder DS1 Set-up at DSX location, per DS1 termination | | | USL | USBFZ | | | | | | | | 519.95 | 11.32 | | | | | | | | | 18.94 | 8.42 |
| | Unbundled Sub-Loop Feeder Loop, 2 Wire Ground-Start, Voice Grade- Statewide | | sw | UEA | USBFA | 8.58 | | | | | | | 206.44 | 170.05 | 119.95 | 27.04 | | | | | | | 18.94 | 8.42 |
| | Order Coordination for Specified Conversion Time, per LSR | | | UEA | OCOSL | | | | | | | | 45.99 | | | | | | | | | | | |
| | Unbundled Sub-Loop Feeder Loop, 2 Wire Loop-Start, Voice Grade - Statewide | | sw | UEA | USBFB | 8.58 | | | | | | | 206.44 | 170.05 | 119.95 | 27.04 | | | | | | | 18.94 | 8.42 |
| | Order Coordination for Specified Time Conversion, per LSR | | | UEA | OCOSL | | | | | | | | 45.99 | | | | | | | | | | | |
| | Unbundled Sub-Loop Feeder Loop, 2 Wire Reverse Battery, Voice Grade Loop - Statewide | | sw | UEA | USBFC | 8.58 | | | | | | | 206.44 | 170.05 | 119.95 | 27.04 | | | | | | | 18.94 | 8.42 |
| | Order Coordination For Specified Conversion Time, per LSR | | | UEA | OCOSL | | | | | | | | 45.99 | | | | | | | | | | | |
| | Unbundled Sub-Loop Feeder Loop, 4 Wire Ground-Start, Voice Grade - Statewide | | sw | UEA | USBFD | 19.91 | | | | | | | 243.41 | 81.32 | 134.77 | 33.93 | | | | | | | 18.94 | 8.42 |
| | Order Coordination For Specified Conversion Time, Per LSR | | | UEA | OCOSL | | | | | | | | 45.99 | | | | | | | | | | | |
| | Unbundled Sub-Loop Feeder Loop, 4 Wire Loop-Start, Voice Grade - Statewide | | sw | UEA | USBFE | 19.91 | | | | | | | 243.41 | 81.32 | 134.77 | 33.93 | | | | | | | 18.94 | 8.42 |

| UNBUNDLED NETWORK ELEMENTS - Alabama | | | | | | | | | | | | Attachment: 2 | | Exhibit: B | | | | | | | | | |
|--------------------------------------|---|---------|------|-------|-------|-----------|----------------------------------|--------------------------------------|--|--|---|---|---------------|--------------|-------|-------------------------|-------|-------|-------|-------|-------|-------|-------|
| CATEGORY | RATE ELEMENTS | Interim | Zone | BCS | USOC | RATES(\$) | Svc Order Submitted Elec per LSR | Svc Order Submitted Manually per LSR | Incremental Charge - Manual Svc Order vs. Electronic-1st | Incremental Charge - Manual Svc Order vs. Electronic-Add'l | Incremental Charge - Manual Svc Order vs. Electronic-Disc 1st | Incremental Charge - Manual Svc Order vs. Electronic-Disc Add'l | OSS Rates(\$) | | | | | | | | | | |
| | | | | | | | | | | | | | Rec | Nonrecurring | | Nonrecurring Disconnect | | SOMEK | SOMAN | SOMAN | SOMAN | SOMAN | SOMAN |
| | | | | | | | | | | | | | | First | Add'l | First | Add'l | | | | | | |
| | Order Coordination For Specified Conversion Time, Per LSR | | | UEA | OCOSL | | | | | | | | | | | | | | | | | | |
| | Unbundled Sub-Loop Feeder Loop, 2-Wire ISDN BRI - Statewide | | sw | UDN | USBFF | 17.73 | | | | | | 19.99 | 19.99 | 19.99 | 19.99 | | | | | | | | |
| | Order Coordination For Specified Conversion Time, Per LSR | | | UDN | OCOSL | | | | | | | | | | | | | | | | | | |
| | Unbundled Sub-Loop Feeder, 2 Wire UDC (IDSL compatible) | | sw | UDC | USBFS | 17.73 | | | | | | 19.99 | 19.99 | 19.99 | 19.99 | | | | | | | | |
| | Unbundled Sub-Loop Feeder Loop, 4-Wire DS1 - Statewide | | sw | USL | USBFG | 79.30 | | | | | | 19.99 | 19.99 | 19.99 | 19.99 | | | | | | | | |
| | Order Coordination For Specified Conversion Time, Per LSR | | | USL | OCOSL | | | | | | | | | | | | | | | | | | |
| | Unbundled Sub-Loop Feeder Loop, 2-Wire Copper Loop - Statewide | | sw | UCL | USBFH | 7.22 | | | | | | 18.94 | 8.42 | | | | | | | | | | |
| | Order Coordination For Specified Conversion Time, per LSR | | | UCL | OCOSL | | | | | | | | | | | | | | | | | | |
| | Sub-Loop Feeder - Per 4-Wire Copper Loop - Statewide | | sw | UCL | USBFJ | 13.72 | | | | | | 18.94 | 8.42 | | | | | | | | | | |
| | Order Coordination For Specified Conversion Time, per LSR | | | UCL | OCOSL | | | | | | | | | | | | | | | | | | |
| | Sub-Loop Feeder - Per 4-Wire 19.2 Kbps Digital Grade Loop | | sw | UDL | USBFN | 24.50 | | | | | | 19.99 | 19.99 | 19.99 | 19.99 | | | | | | | | |
| | Sub-Loop Feeder - Per 4-Wire 56 Kbps Digital Grade Loop - Statewide | | sw | UDL | USBFO | 24.50 | | | | | | 19.99 | 19.99 | 19.99 | 19.99 | | | | | | | | |
| | Order Coordination For Specified Time Conversion, per LSR | | | UDL | OCOSL | | | | | | | | | | | | | | | | | | |
| | Sub-Loop Feeder - Per 4-Wire 64 Kbps Digital Grade Loop - Statewide | | sw | UDL | USBFP | 24.50 | | | | | | 19.99 | 19.99 | 19.99 | 19.99 | | | | | | | | |
| | Order Coordination For Specified Conversion Time, per LSR | | | UDL | OCOSL | | | | | | | | | | | | | | | | | | |
| SUB-LOOPS | | | | | | | | | | | | | | | | | | | | | | | |
| Sub-Loop Feeder | | | | | | | | | | | | | | | | | | | | | | | |
| | Sub Loop Feeder - DS3 - Per Mile Per Month | | I | UE3 | 1L5SL | 13.55 | | | | | | | | | | | | | | | | | |
| | Sub Loop Feeder - DS3 - Facility Termination Per Month | | I | UE3 | USBF1 | 332.40 | | 3,384.00 | 407.00 | 160.47 | 90.97 | | 31.31 | 31.31 | 3.93 | 3.93 | | | | | | | |
| | Sub Loop Feeder - STS-1 - Per Mile Per Month | | I | UDLSX | 1L5SL | 13.55 | | | | | | | | | | | | | | | | | |
| | Sub Loop Feeder - STS-1 - Facility Termination Per Month | | I | UDLSX | USBF7 | 357.36 | | 3,384.00 | 407.00 | 160.47 | 90.97 | | 31.31 | 31.31 | 3.93 | 3.93 | | | | | | | |
| | Sub Loop Feeder - OC-3 - Per Mile Per Month | | I | UDLO3 | 1L5SL | 10.28 | | | | | | | | | | | | | | | | | |
| | Sub Loop Feeder - OC-3 - Facility Termination Protection Per Month | | I | UDLO3 | USBF5 | 54.89 | | | | | | | | | | | | | | | | | |
| | Sub Loop Feeder - OC-3 - Facility Termination Per Month | | I | UDLO3 | USBF2 | 538.69 | | 3,384.00 | 407.00 | 160.47 | 90.97 | | 31.31 | 31.31 | 3.93 | 3.93 | | | | | | | |
| | Sub Loop Feeder - OC-12 - Per Mile Per Month | | I | UDL12 | 1L5SL | 12.66 | | | | | | | | | | | | | | | | | |
| | Sub Loop Feeder - OC-12 - Facility Termination Protection Per Month | | I | UDL12 | USBF6 | 620.18 | | | | | | | | | | | | | | | | | |
| | Sub Loop Feeder - OC-12 - Facility Termination Per Month | | I | UDL12 | USBF3 | 1,729.00 | | 3,384.00 | 407.00 | 160.47 | 90.97 | | 31.31 | 31.31 | 3.93 | 3.93 | | | | | | | |
| | Sub Loop Feeder - OC-48 - Per Mile Per Month | | I | UDL48 | 1L5SL | 41.51 | | | | | | | | | | | | | | | | | |
| | Sub Loop Feeder - OC-48 - Facility Termination Protection Per Month | | I | UDL48 | USBF9 | 310.30 | | | | | | | | | | | | | | | | | |
| | Sub Loop Feeder - OC-48 - Facility Termination Per Month | | I | UDL48 | USBF4 | 1,495.00 | | 3,570.00 | 407.00 | 160.47 | 90.97 | | 31.31 | 31.31 | 3.93 | 3.93 | | | | | | | |
| | Sub Loop Feeder - OC-12 Interface On OC-48 | | I | UDL48 | USBF8 | 350.09 | | 788.09 | 407.00 | 160.47 | 90.97 | | 31.31 | 31.31 | 3.93 | 3.93 | | | | | | | |
| UNBUNDLED LOOP CONCENTRATION | | | | | | | | | | | | | | | | | | | | | | | |
| | Unbundled Loop Concentration - System A (TR008) | | | ULC | UCT8A | 441.42 | | 650.81 | 650.81 | | | | 19.99 | 19.99 | 19.99 | 19.99 | | | | | | | |
| | Unbundled Loop Concentration - System B (TR008) | | | ULC | UCT8B | 52.97 | | 271.17 | 271.17 | | | | 19.99 | 19.99 | 19.99 | 19.99 | | | | | | | |
| | Unbundled Loop Concentration - System A (TR303) | | | ULC | UCT3A | 478.93 | | 650.81 | 650.81 | | | | | | | | | | | | | | |
| | Unbundled Loop Concentration - System B (TR303) | | | ULC | UCT3B | 89.26 | | 271.17 | 271.17 | | | | 19.99 | 19.99 | 19.99 | 19.99 | | | | | | | |
| | Unbundled Loop Concentration - DS1 Loop Interface Card | | | ULC | UCTCO | 5.04 | | 126.57 | 92.14 | 33.57 | 9.40 | | 19.99 | 19.99 | 19.99 | 19.99 | | | | | | | |
| | Unbundled Loop Concentration - ISDN Loop Interface (Brite Card) | | | UDN | ULCC1 | 8.00 | | 21.07 | 20.96 | 10.78 | 10.71 | | 19.99 | 19.99 | 19.99 | 19.99 | | | | | | | |
| | Unbundled Loop Concentration - UDC Loop Interface (Brite Card) | | | UDC | ULCCU | 8.00 | | 21.07 | 20.96 | 10.78 | 10.71 | | 19.99 | 19.99 | 19.99 | 19.99 | | | | | | | |
| | Unbundled Loop Concentration - 2 Wire Voice-Loop Start or Ground Start Loop Interface (POTS Card) | | | UEA | ULCC2 | 2.00 | | 21.07 | 20.96 | 10.78 | 10.71 | | 18.94 | 8.42 | | | | | | | | | |
| | Unbundled Loop Concentration - 2 Wire Voice - Reverse Battery Loop Interface (SPOTS Card) | | | UEA | ULCCR | 11.89 | | 21.07 | 20.96 | 10.78 | 10.71 | | 18.94 | 8.42 | | | | | | | | | |
| | Unbundled Loop Concentration - 4 Wire Voice Loop Interface (Specials Card) | | | UEA | ULCC4 | 7.09 | | 21.07 | 20.96 | 10.78 | 10.71 | | 18.94 | 8.42 | | | | | | | | | |
| | Unbundled Loop Concentration - TEST CIRCUIT Card | | | ULC | UCTTC | 34.67 | | 21.07 | 20.96 | 10.78 | 10.71 | | 19.99 | 19.99 | 19.99 | 19.99 | | | | | | | |
| | Unbundled Loop Concentration - Digital 19.2 Kbps Data Loop Interface | | | UDL | ULCC7 | 10.51 | | 21.07 | 20.96 | 10.78 | 10.71 | | 19.99 | 19.99 | 19.99 | 19.99 | | | | | | | |
| | Unbundled Loop Concentration - Digital 56 Kbps Data Loop Interface | | | UDL | ULCC5 | 10.51 | | 21.07 | 20.96 | 10.78 | 10.71 | | 19.99 | 19.99 | 19.99 | 19.99 | | | | | | | |

| UNBUNDLED NETWORK ELEMENTS - Alabama | | | | | | | | | | Attachment: 2 | | Exhibit: B | | | |
|--|---|---------|------|---------------------------------|-------|-----------|----------------------------------|--------------------------------------|--|--|---|---|-------|--------------|-------|
| CATEGORY | RATE ELEMENTS | Interim | Zone | BCS | USOC | RATES(\$) | Svc Order Submitted Elec per LSR | Svc Order Submitted Manually per LSR | Incremental Charge - Manual Svc Order vs. Electronic-1st | Incremental Charge - Manual Svc Order vs. Electronic-Add'l | Incremental Charge - Manual Svc Order vs. Electronic-Disc 1st | Incremental Charge - Manual Svc Order vs. Electronic-Disc Add'l | | | |
| | | | | | | | | | | | | | Rec | Nonrecurring | |
| | | | | | | | | | | | | | | | |
| | | | | | | | | | | | | | | | |
| | Unbundled Loop Concentration - Digital 64 Kbps Data Loop Interface | | | UDL | ULCC6 | 10.51 | 21.07 | 20.96 | 10.78 | 10.71 | | 19.99 | 19.99 | 19.99 | 19.99 |
| UNE OTHER, PROVISIONING ONLY - NO RATE | | | | | | | | | | | | | | | |
| | NID - Dispatch and Service Order for NID installation | | | UENTW | UNDBX | | | | | | | | | | |
| | UNTW Circuit Id Establishment, Provisioning Only - No Rate | | | UENTW | UENCE | | | | | | | | | | |
| | Unbundled Contract Name, Provisioning Only - No Rate | | | UEANL,UEF,UEQ,UENTW | UNECN | | | | | | | | | | |
| UNE OTHER, PROVISIONING ONLY - NO RATE | | | | | | | | | | | | | | | |
| | Unbundled Contact Name, Provisioning Only - no rate | | | UAL,UCL,UDC,UDL,UDN,UEA,UHL,ULC | UNECN | 0.00 | 0.00 | | | | | | | | |
| | Unbundled Sub-Loop Feeder-2 Wire Cross Box Jumper - no rate | | | UEA,UDN,UCL,UDC | USBFQ | 0.00 | 0.00 | | | | | | | | |
| | Unbundled Sub-Loop Feeder-4 Wire Cross Box Jumper - no rate | | | UEA,USL,UCL,UDL | USBFR | 0.00 | 0.00 | | | | | | | | |
| | Unbundled DS1 Loop - Superframe Format Option - no rate | | | USL | CCOSF | 0.00 | 0.00 | | | | | | | | |
| | Unbundled DS1 Loop - Expanded Superframe Format option - no rate | | | USL | CCOEF | 0.00 | 0.00 | | | | | | | | |
| HIGH CAPACITY UNBUNDLED LOCAL LOOP | | | | | | | | | | | | | | | |
| | High Capacity Unbundled Local Loop - DS3 - Per Mile per month | | | UE3 | 1L5ND | 10.16 | | | | | | | | | |
| | High Capacity Unbundled Local Loop - DS3 - Facility Termination per month | | | UE3 | UE3PX | 374.52 | 903.03 | 527.87 | 238.97 | 167.16 | | 31.31 | 31.31 | 3.93 | 3.93 |
| | High Capacity Unbundled Local Loop - STS-1 - Per Mile per month | | | UDLSX | 1L5ND | 10.16 | | | | | | | | | |
| | High Capacity Unbundled Local Loop - STS-1 - Facility Termination per month | | | UDLSX | UDLS1 | 387.67 | 903.03 | 527.87 | 238.97 | 167.16 | | 31.31 | 31.31 | 3.93 | 3.93 |
| LOOP MAKE-UP | | | | | | | | | | | | | | | |
| | Loop Makeup - Preordering Without Reservation, per working or spare facility queried (Manual). | I | | UMK | UMKLW | | 131.22 | 131.22 | | | | | | | |
| | Loop Makeup - Preordering With Reservation, per spare facility queried (Manual). | I | | UMK | UMKLP | | 136.93 | 136.93 | | | | | | | |
| | Loop Makeup--With or Without Reservation, per working or spare facility queried (Mechanized) | I | | UMK | PSUMK | | 0.9809855 | 0.9809855 | | | | | | | |
| HIGH FREQUENCY SPECTRUM | | | | | | | | | | | | | | | |
| SPLITTERS-CENTRAL OFFICE BASED | | | | | | | | | | | | | | | |
| | Line Sharing Splitter, per System 96 Line Capacity | | | ULS | ULSDA | 178.25 | 377.58 | 0.00 | 355.96 | 0.00 | | 27.37 | 12.97 | 17.77 | 17.77 |
| | Line Sharing Splitter, per System 24 Line Capacity | | | ULS | ULSDB | 44.56 | 377.58 | 0.00 | 355.96 | 0.00 | | 27.37 | 12.97 | 17.77 | 17.77 |
| | Line Sharing Splitter, Per System, 8 Line Capacity | I | | ULS | ULSD8 | 12.73 | 377.58 | 0.00 | 355.96 | 0.00 | | 27.37 | 12.97 | 17.77 | 17.77 |
| | Line Sharing-DLEC Owned Splitter in CO-CFA activation-deactivation (per LSOD) | | | ULS | ULSDG | | 172.94 | | 99.67 | | | 27.37 | 12.97 | 17.77 | 17.77 |
| END USER ORDERING-CENTRAL OFFICE BASED-HIGH FREQUENCY SPECTRUM AKA LINE SHARING | | | | | | | | | | | | | | | |
| | Line Sharing - per Line Activation (BST Owned splitter) | | | ULS | ULSDC | 0.61 | 37.01 | 21.19 | 20.02 | 9.83 | | 27.37 | 12.97 | 17.77 | 17.77 |
| | Line Sharing - per Subsequent Activity per Line Rearrangement(BST Owned Splitter) | | | ULS | ULSDS | | 32.77 | 16.37 | | | | 27.37 | 12.97 | 17.77 | 17.77 |
| | Line Sharing - per Subsequent Activity per Line Rearrangement(DLEC Owned Splitter) | | | ULS | ULSCS | | 32.77 | 16.37 | | | | 27.37 | 12.97 | 17.77 | 17.77 |
| | Line Sharing - per Line Activation (DLEC owned Splitter) | I | | ULS | ULSCC | 0.61 | 47.44 | 19.31 | 20.02 | 9.83 | | 27.37 | 12.97 | 17.77 | 17.77 |
| | Line Splitting - per line activation DLEC owned splitter | I | | UEPSR UEPSB | UREOS | 0.61 | | | | | | | | | |
| | Line Splitting - per line activation BST owned - physical | I | | UEPSR UEPSB | UREBP | 0.641 | 37.01 | 21.19 | 20.02 | 9.83 | | 27.37 | 12.97 | 17.77 | 17.77 |
| | Line Splitting - per line activation BST owned - virtual | I | | UEPSR UEPSB | UREBV | 0.639 | 37.01 | 21.19 | 20.02 | 9.83 | | 27.37 | 12.97 | 17.77 | 17.77 |
| UNBUNDLED DEDICATED TRANSPORT | | | | | | | | | | | | | | | |
| NOTE: INTEROFFICE CHANNEL DEDICATED TRANSPORT - minimum billing period - below DS3=one month, DS3/STS-1=four months | | | | | | | | | | | | | | | |
| INTEROFFICE CHANNEL - DEDICATED TRANSPORT | | | | | | | | | | | | | | | |
| | Interoffice Channel - Dedicated Transport - 2-Wire Voice Grade - Per Mile per month | | | U1TVX | 1L5XX | 0.0101 | | | | | | | | | |
| | Interoffice Channel - Dedicated Transport- 2- Wire Voice Grade - Facility Termination per month | | | U1TVX | U1TV2 | 24.15 | 81.07 | 54.82 | 33.47 | 13.79 | | 31.31 | 31.31 | 3.93 | 3.93 |

UNBUNDLED NETWORK ELEMENTS - Alabama

| CATEGORY | RATE ELEMENTS | Interim | Zone | BCS | USOC | RATES(\$) | | | | Svc Order Submitted Elec per LSR | | Svc Order Submitted Manually per LSR | | Incremental Charge - Manual Svc Order vs. Electronic-1st | | Incremental Charge - Manual Svc Order vs. Electronic-Add'l | | Incremental Charge - Manual Svc Order vs. Electronic-Disc 1st | | Incremental Charge - Manual Svc Order vs. Electronic-Disc Add'l | | |
|----------|--|---------|------|-------|-------|-----------|--------------|--------|--------------|----------------------------------|--------|--------------------------------------|---------------|--|-------|--|-------|---|-------|---|--|--|
| | | | | | | Rec | Nonrecurring | | Nonrecurring | Disconnect | SOME C | SOMAN | OSS Rates(\$) | | | | | | | | | |
| | | | | | | | First | Add'l | | | | | First | Add'l | SOMAN | SOMAN | SOMAN | SOMAN | SOMAN | SOMAN | | |
| | Interoffice Channel - Dedicated Transport - 2-Wire Voice Grade Rev Bat. - Per Mile per month | | | U1TVX | 1L5XX | 0.0101 | | | | | | | | | | | | | | | | |
| | Interoffice Channel - Dedicated Transport - 2-Wire VG Rev Bat. - Facility Termination per month | | | U1TVX | U1TR2 | 24.15 | 81.07 | 54.82 | 33.47 | 13.79 | | | | 31.31 | 31.31 | | | 3.93 | 3.93 | | | |
| | Interoffice Channel - Dedicated Transport - 4-Wire Voice Grade - Per Mile per month | | | U1TVX | 1L5XX | 0.0101 | | | | | | | | | | | | | | | | |
| | Interoffice Channel - Dedicated Transport - 4-Wire Voice Grade - Facility Termination per month | | | U1TVX | U1TV4 | 21.41 | 81.07 | 54.82 | 33.47 | 13.79 | | | | 31.31 | 31.31 | | | 3.93 | 3.93 | | | |
| | Interoffice Channel - Dedicated Transport - 56 kbps - per mile per month | | | U1TDX | 1L5XX | 0.0101 | | | | | | | | | | | | | | | | |
| | Interoffice Channel - Dedicated Transport - 56 kbps - Facility Termination per month | | | U1TDX | U1TD5 | 17.28 | 81.07 | 54.82 | 33.47 | 13.79 | | | | 31.31 | 31.31 | | | 3.93 | 3.93 | | | |
| | Interoffice Channel - Dedicated Transport - 64 kbps - per mile per month | | | U1TDX | 1L5XX | 0.0101 | | | | | | | | | | | | | | | | |
| | Interoffice Channel - Dedicated Transport - 64 kbps - Facility Termination per month | | | U1TDX | U1TD6 | 17.28 | 81.07 | 54.82 | 33.47 | 13.79 | | | | 31.31 | 31.31 | | | 3.93 | 3.93 | | | |
| | Interoffice Channel - Dedicated Channel - DS1 - Per Mile per month | | | U1TD1 | 1L5XX | 0.2067 | | | | | | | | | | | | | | | | |
| | Interoffice Channel - Dedicated Transport - DS1 - Facility Termination per month | | | U1TD1 | U1TF1 | 68.75 | 178.53 | 163.61 | 32.70 | 28.88 | | | | 31.31 | 31.31 | | | 3.93 | 3.93 | | | |
| | Interoffice Channel - Dedicated Transport - DS3 - Per Mile per month | | | U1TD3 | 1L5XX | 4.67 | | | | | | | | | | | | | | | | |
| | Interoffice Channel - Dedicated Transport - DS3 - Facility Termination per month | | | U1TD3 | U1TF3 | 804.02 | 557.49 | 325.51 | 120.39 | 116.91 | | | | 31.31 | 31.31 | | | 3.93 | 3.93 | | | |
| | Interoffice Channel - Dedicated Transport - STS-1 - Per Mile per month | | | U1TS1 | 1L5XX | 4.67 | | | | | | | | | | | | | | | | |
| | Interoffice Channel - Dedicated Transport - STS-1 - Facility Termination per month | | | U1TS1 | U1TFS | 801.57 | 557.49 | 325.51 | 120.39 | 116.91 | | | | 31.31 | 31.31 | | | 3.93 | 3.93 | | | |
| | LOCAL CHANNEL - DEDICATED TRANSPORT | | | | | | | | | | | | | | | | | | | | | |
| | NOTE: LOCAL CHANNEL DEDICATED TRANSPORT - minimum billing period - below DS3=one month, DS3/STS-1=four months | | | | | | | | | | | | | | | | | | | | | |
| | Local Channel - Dedicated - 2-Wire Voice Grade Per Month | | | ULDVX | ULDV2 | 15.96 | 386.19 | 66.33 | 73.28 | 6.39 | | | | 31.31 | 31.31 | | | 3.93 | 3.93 | | | |
| | Local Channel - Dedicated - 2-Wire Voice Grade Rev Bat per month | | | ULDVX | ULDR2 | 15.96 | 386.19 | 66.33 | 73.28 | 6.39 | | | | 31.31 | 31.31 | | | 3.93 | 3.93 | | | |
| | Local Channel - Dedicated - 4-Wire Voice Grade per month | | | UNLVX | ULDV4 | 17.06 | 387.19 | 67.20 | 74.22 | 7.33 | | | | 31.31 | 31.31 | | | 3.93 | 3.93 | | | |
| | Local Channel - Dedicated - DS1 per month - Zone 1 | | 1 | ULDD1 | ULDF1 | 41.52 | 354.94 | 307.43 | 44.38 | 30.52 | | | | 31.31 | 31.31 | | | 3.93 | 3.93 | | | |
| | Local Channel - Dedicated - DS1 per month - Zone 2 | | 2 | ULDD1 | ULDF1 | 61.05 | 354.94 | 307.43 | 44.38 | 30.52 | | | | 31.31 | 31.31 | | | 3.93 | 3.93 | | | |
| | Local Channel - Dedicated - DS1 per month - Zone 3 | | 3 | ULDD1 | ULDF1 | 47.29 | 354.94 | 307.43 | 44.38 | 30.52 | | | | 31.31 | 31.31 | | | 3.93 | 3.93 | | | |
| | Local Channel - Dedicated - DS3 - Per Mile per month | | | ULDD3 | 1L5NC | 7.91 | | | | | | | | | | | | | | | | |
| | Local Channel - Dedicated - DS3 - Facility Termination per month | | | ULDD3 | ULDF3 | 476.04 | 903.03 | 527.87 | 238.87 | 167.16 | | | | 31.31 | 31.31 | | | 3.93 | 3.93 | | | |
| | Local Channel - Dedicated - STS-1- Per Mile per month | | | ULDS1 | 1L5NC | 7.91 | | | | | | | | | | | | | | | | |
| | Local Channel - Dedicated - STS-1 - Facility Termination per month | | | ULDS1 | ULDFS | 466.84 | 903.03 | 527.87 | 238.87 | 167.16 | | | | 31.31 | 31.31 | | | 3.93 | 3.93 | | | |
| | MULTIPLEXERS | | | | | | | | | | | | | | | | | | | | | |
| | Channelization - DS1 to DS0 Channel System | | | UXTD1 | MQ1 | 122.50 | 182.08 | 125.14 | 21.07 | 19.58 | | | | 31.31 | 31.31 | | | 3.93 | 3.93 | | | |
| | OCU-DP COCI (data) - DS1 to DS0 Channel System - per month (2.4-64kbs) | | | UDL | 1D1DD | 1.36 | 13.15 | 9.43 | | | | | | 31.31 | 31.31 | | | 3.93 | 3.93 | | | |
| | 2-wire ISDN COCI (BRITE) - DS1 to DS0 Channel System - per month | | | UDN | UC1CA | 2.92 | 13.15 | 9.43 | | | | | | 31.31 | 31.31 | | | 3.93 | 3.93 | | | |
| | Voice Grade COCI - DS1 to DS0 Channel System - per month | | | UEA | 1D1VG | 0.64 | 13.15 | 9.43 | | | | | | 31.31 | 31.31 | | | 3.93 | 3.93 | | | |
| | DS3 to DS1 Channel System per month | | | UXTD3 | MQ3 | 201.37 | 356.28 | 187.94 | 66.51 | 63.65 | | | | 31.31 | 31.31 | | | 3.93 | 3.93 | | | |
| | STS1 to DS1 Channel System per month | | | UXTS1 | MQ3 | 201.37 | 356.28 | 187.94 | 66.51 | 63.65 | | | | 31.31 | 31.31 | | | 3.93 | 3.93 | | | |
| | DS3 Interface Unit (DS1 COCI) used with Loop per month | | | UXL | UC1D1 | 15.39 | 13.15 | 9.43 | | | | | | 31.31 | 31.31 | | | 3.93 | 3.93 | | | |
| | DS3 Interface Unit (DS1 COCI) used with Local Channel per month | | | ULDD1 | UC1D1 | 15.39 | 13.15 | 9.43 | | | | | | 31.31 | 31.31 | | | 3.93 | 3.93 | | | |
| | DS3 Interface Unit (DS1 COCI) used with Interoffice Channel per month | | | U1TD1 | UC1D1 | 15.39 | 13.15 | 9.43 | | | | | | 31.31 | 31.31 | | | 3.93 | 3.93 | | | |
| | DARK FIBER | | | | | | | | | | | | | | | | | | | | | |

| UNBUNDLED NETWORK ELEMENTS - Alabama | | | | | | | | | | Attachment: 2 | | Exhibit: B | | | |
|---|--|---------|------|----------|-------|-----------|--------------|--------|-------------------------|----------------------------------|--------------------------------------|--|--|---|---|
| CATEGORY | RATE ELEMENTS | Interim | Zone | BCS | USOC | RATES(\$) | | | | Svc Order Submitted Elec per LSR | Svc Order Submitted Manually per LSR | Incremental Charge - Manual Svc Order vs. Electronic-1st | Incremental Charge - Manual Svc Order vs. Electronic-Add'l | Incremental Charge - Manual Svc Order vs. Electronic-Disc 1st | Incremental Charge - Manual Svc Order vs. Electronic-Disc Add'l |
| | | | | | | Rec | Nonrecurring | | Nonrecurring Disconnect | | | | | | |
| | | | | | | First | Add'l | First | Add'l | SOMEc | SOMAN | SOMAN | SOMAN | SOMAN | SOMAN |
| | Dark Fiber, Four Fiber Strands, Per Route Mile or Fraction Thereof per month - Local Channel | | | UDF | 1L5DC | 68.84 | | | | | | | | | |
| | NRC Dark Fiber - Local Channel | | | UDF | UDFC4 | | 1,278.17 | 275.73 | 634.11 | 395.32 | | 31.31 | 31.31 | 3.93 | 3.93 |
| | Dark Fiber, Four Fiber Strands, Per Route Mile or Fraction Thereof per month - Interoffice Channel | | | UDF | 1L5DF | 25.53 | | | | | | | | | |
| | NRC Dark Fiber - Interoffice Channel | | | UDF | UDF14 | | 1,278.17 | 275.73 | 634.11 | 395.32 | | 31.31 | 31.31 | 3.93 | 3.93 |
| | Dark Fiber, Four Fiber Strands, Per Route Mile or Fraction Thereof per month - Local Loop | | | UDF | 1L5DL | 68.84 | | | | | | | | | |
| | NRC Dark Fiber - Local Loop | | | UDF | UDFL4 | | 1,278.17 | 275.73 | 634.11 | 395.32 | | 31.31 | 31.31 | 3.93 | 3.93 |
| TRANSPORT OTHER | | | | | | | | | | | | | | | |
| Optional Features & Functions: | | | | | | | | | | | | | | | |
| 8XX ACCESS TEN DIGIT SCREENING | | | | | | | | | | | | | | | |
| | 8XX Access Ten Digit Screening, Per Call | | | OHD | | 0.0005 | | | | | | | | | |
| | 8XX Access Ten Digit Screening, Reservation Charge Per 8XX Number Reserved | | | OHD | N8R1X | | 7.13 | 0.97 | | | | 27.37 | 27.37 | 17.75 | 17.75 |
| | 8XX Access Ten Digit Screening, Per 8XX No. Established W/O POTS Translations | | | OHD | | | 15.88 | 1.97 | 10.04 | 0.97 | | 27.37 | 27.37 | 17.75 | 17.75 |
| | 8XX Access Ten Digit Screening, Per 8XX No. Established With POTS Translations | | | OHD | N8FTX | | 15.88 | 1.97 | 10.04 | 0.97 | | 27.37 | 27.37 | 17.75 | 17.75 |
| | 8XX Access Ten Digit Screening, Customized Area of Service Per 8XX Number | | | OHD | N8FCX | | 5.69 | 2.85 | | | | 27.37 | 27.37 | 17.75 | 17.75 |
| | 8XX Access Ten Digit Screening, Multiple InterLATA CXR Routing Per CXR Requested Per 8XX No. | | | OHD | N8FMX | | 6.66 | 3.81 | | | | 27.37 | 27.37 | 17.75 | 17.75 |
| | 8XX Access Ten Digit Screening, Change Charge Per Request | | | OHD | N8FAX | | 8.10 | 0.97 | | | | 27.37 | 27.37 | 17.75 | 17.75 |
| | 8XX Access Ten Digit Screening, Call Handling and Destination Features | | | OHD | N8FDX | | 5.69 | | | | | 27.37 | 27.37 | 17.75 | 17.75 |
| LINE INFORMATION DATA BASE ACCESS (LIDB) | | | | | | | | | | | | | | | |
| | LIDB Common Transport Per Query | | | OQT | | 0.00004 | | | | | | | | | |
| | LIDB Validation Per Query | | | OQU | | 0.0142 | | | | | | | | | |
| | LIDB Originating Point Code Establishment or Change | | | OQT, OQU | NRPBX | | 64.36 | | | | | 27.37 | 27.37 | 17.75 | 17.75 |
| SIGNALING (CCS7) | | | | | | | | | | | | | | | |
| | CCS7 Signaling Termination, Per STP Port | | | UDB | PT8SX | 148.72 | | | | | | | | | |
| | CCS7 Signaling Usage, Per TCAP Message | | | UDB | | 0.0001 | | | | | | | | | |
| | CCS7 Signaling Connection, Per link (A link) | | | UDB | TPP++ | 18.79 | 171.98 | 171.98 | 135.70 | 135.70 | | 25.93 | 25.93 | 16.31 | 16.31 |
| | CCS7 Signaling Connection, Per link (B link) (also known as D link) | | | UDB | TPP++ | 18.79 | 171.98 | 171.98 | 135.70 | 135.70 | | 25.93 | 25.93 | 16.31 | 16.31 |
| | CCS7 Signaling Usage, Per ISUP Message | | | UDB | | 0.00004 | | | | | | | | | |
| | CCS7 Signaling Usage Surrogate, per link per LATA | | | UDB | STU56 | 376.12 | | | | | | | | | |
| | CCS7 Signaling Point Code, per Originating Point Code Establishment or Change, per STP affected | | | UDB | CCAPO | | 40.00 | 40.00 | | | | 25.93 | 25.93 | 16.31 | 16.31 |
| | CCS7 Signaling Point Code, per Destination Point Code Establishment or Change, Per Stp Affected | | | UDB | CCAPD | | 8.00 | 8.00 | | | | 25.93 | 25.93 | 16.31 | 16.31 |
| E911 SERVICE | | | | | | | | | | | | | | | |
| | Local Channel - Dedicated - 2-wr Voice Grade | | | | | 13.91 | | 382.95 | 62.40 | | | 18.94 | 8.42 | | |
| | Interoffice Transport - Dedicated - 2-wr Voice Grade Per Mile | | | | | 0.0222 | | | | | | | | | |
| | Interoffice Transport - Dedicated - 2-wr Voice Grade Per Facility Termination | | | | | 17.07 | | 79.61 | 36.08 | | | 18.94 | 18.94 | | |
| | Local Channel - Dedicated - DS1 | | | | | 38.36 | | 356.15 | 312.89 | | | 44.22 | | | |
| | Interoffice Transport - Dedicated - DS1 Per Mile | | | | | 0.4523 | | | | | | | | | |
| | Interoffice Transport - Dedicated - DS1 Per Facility Termination | | | | | 78.47 | | 147.07 | 111.75 | | | 18.94 | 18.94 | | |
| CALLING NAME (CNAM) SERVICE | | | | | | | | | | | | | | | |
| | CNAM for DB Owners, Per Query | | | OQV | | 0.01 | | | | | | | | | |
| | CNAM for Non DB Owners, Per Query | | | OQV | | 0.01 | | | | | | | | | |
| | CNAM (Non-Databs Owner), NRC, applies when using the Character Based User Interface (CHUI) | | | OQV | CDDCH | | 595.00 | 595.00 | | | | 27.37 | 27.37 | 17.75 | 17.75 |
| OPERATOR CALL PROCESSING | | | | | | | | | | | | | | | |
| | Oper. Call Processing - Oper. Provided, Per Min. - Using BST LIDB | | | | | 1.20 | | | | | | | | | |

| UNBUNDLED NETWORK ELEMENTS - Alabama | | | | | | | | | | Attachment: 2 | | Exhibit: B | | | | | | | | | | | |
|---|--|---------|------|---|-------|-----------|----------------------------------|--------------------------------------|--|--|---|---|---------------|--------------|-------|-------------------------|--|-------|-------|-------|-------|-------|-------|
| CATEGORY | RATE ELEMENTS | Interim | Zone | BCS | USOC | RATES(\$) | Svc Order Submitted Elec per LSR | Svc Order Submitted Manually per LSR | Incremental Charge - Manual Svc Order vs. Electronic-1st | Incremental Charge - Manual Svc Order vs. Electronic-Add'l | Incremental Charge - Manual Svc Order vs. Electronic-Disc 1st | Incremental Charge - Manual Svc Order vs. Electronic-Disc Add'l | OSS Rates(\$) | | | | | | | | | | |
| | | | | | | | | | | | | | Rec | Nonrecurring | | Nonrecurring Disconnect | | SOMEc | SOMAN | SOMAN | SOMAN | SOMAN | SOMAN |
| | | | | | | | | | | | | | First | Add'l | First | Add'l | | | | | | | |
| | Oper. Call Processing - Oper. Provided, Per Min. - Using Foreign LIDB | | | | | 1.24 | | | | | | | | | | | | | | | | | |
| | Oper. Call Processing - Fully Automated, per Call - Using BST LIDB | | | | | 0.20 | | | | | | | | | | | | | | | | | |
| | Oper. Call Processing - Fully Automated, per Call - Using Foreign LIDB | | | | | 0.20 | | | | | | | | | | | | | | | | | |
| INWARD OPERATOR SERVICES | | | | | | | | | | | | | | | | | | | | | | | |
| | Inward Operator Services - Verification, Per Minute | | | | | 1.15 | | | | | | | | | | | | | | | | | |
| | Inward Operator Services - Verification and Emergency Interrupt - Per Minute | | | | | 1.15 | | | | | | | | | | | | | | | | | |
| BRANDING - OPERATOR CALL PROCESSING | | | | | | | | | | | | | | | | | | | | | | | |
| | Recording of Custom Branded OA Announcement | | | | CBAOS | | | | | | | | | | | | | | | | | | |
| | Loading of Custom Branded OA Announcement per shelf/NAV | | | | CBAOL | | | | | | | | | | | | | | | | | | |
| | Unbranding via OLNS for UNEP CLEC | | | | | | | | | | | | | | | | | | | | | | |
| | Loading of OA per OCN (Regional) | | | | | 1,200.00 | | | | | | | | | | | | | | | | | |
| DIRECTORY ASSISTANCE SERVICES | | | | | | | | | | | | | | | | | | | | | | | |
| DIRECTORY ASSISTANCE ACCESS SERVICE | | | | | | | | | | | | | | | | | | | | | | | |
| | Directory Assistance Access Service Calls, Charge Per Call | | | | | 0.275 | | | | | | | | | | | | | | | | | |
| DIRECTORY ASSISTANCE CALL COMPLETION ACCESS SERVICE (DACC) | | | | | | | | | | | | | | | | | | | | | | | |
| | Directory Assistance Call Completion Access Service (DACC), Per Call Attempt | | | | | 0.10 | | | | | | | | | | | | | | | | | |
| NUMBER SERVICES INTERCEPT ACCESS SERVICE | | | | | | | | | | | | | | | | | | | | | | | |
| DIRECTORY ASSISTANCE SERVICES | | | | | | | | | | | | | | | | | | | | | | | |
| DIRECTORY ASSISTANCE DATA BASE SERVICE (DADS) | | | | | | | | | | | | | | | | | | | | | | | |
| | Directory Assistance Data Base Service Charge Per Listing | | | | | 0.04 | | | | | | | | | | | | | | | | | |
| | Directory Assistance Data Base Service, per month | | | | DBSOF | 150.00 | | | | | | | | | | | | | | | | | |
| BRANDING - DIRECTORY ASSISTANCE | | | | | | | | | | | | | | | | | | | | | | | |
| Facility Based CLEC | | | | | | | | | | | | | | | | | | | | | | | |
| | Recording and Provisioning of DA Custom Branded Announcement | | | AMT | CBADA | 6,000.00 | | | | | | | | | | | | | | | | | |
| | Loading of Custom Branded Announcement per DRAM Card/Switch | | | AMT | CBADC | 1,170.00 | | | | | | | | | | | | | | | | | |
| UNEP CLEC | | | | | | | | | | | | | | | | | | | | | | | |
| | Recording of DA Custom Branded Announcement | | | | | 3,000.00 | | | | | | | | | | | | | | | | | |
| | Loading of DA Custom Branded Announcement per DRAM Card/Switch per OCN | | | | | 1,170.00 | | | | | | | | | | | | | | | | | |
| Unbranding via OLNS for UNEP CLEC | | | | | | | | | | | | | | | | | | | | | | | |
| | Loading of DA per OCN (1 OCN per Order) | | | | | 420.00 | | | | | | | | | | | | | | | | | |
| | Loading of DA per Switch per OCN | | | | | 16.00 | | | | | | | | | | | | | | | | | |
| SELECTIVE ROUTING | | | | | | | | | | | | | | | | | | | | | | | |
| | Selective Routing Per Unique Line Class Code Per Request Per Switch | | | | USRCR | 230.60 | | | | | | | | | | | | | | | | | |
| VIRTUAL COLLOCATION | | | | | | | | | | | | | | | | | | | | | | | |
| | Virtual Collocation - Application Cost | | | AMTFS | EAF | 2,848.30 | | | | | | | | | | | | | | | | | |
| | Virtual Collocation - Cable Installation Cost, per cable | | | AMTFS | ESPCX | 2,750.00 | | | | | | | | | | | | | | | | | |
| | Virtual Collocation - Floor Space, per sq. ft. | | | AMTFS | ESPX | 3.20 | | | | | | | | | | | | | | | | | |
| | Virtual Collocation - Power, per breaker amp | | | AMTFS | ESPAX | 3.48 | | | | | | | | | | | | | | | | | |
| | Virtual Collocation - Cable Support Structure, per entrance cable | | | AMTFS | ESPSX | 13.35 | | | | | | | | | | | | | | | | | |
| | Virtual Collocation - 2-wire Cross Connects (loop) | | | UEANL,UEA,UDN,UDC,UAL,UHL,UCL,U | UEAC2 | 0.28 | | | | | | | | | | | | | | | | | |
| | Virtual Collocation - 4-wire Cross Connects (loop) | | | UEA,UHL,UCL,UDL,AMTFS,UAL,UDN,UNCVX,UNCDX | UEAC4 | 0.56 | | | | | | | | | | | | | | | | | |

| UNBUNDLED NETWORK ELEMENTS - Alabama | | | | | | | | | | | Attachment: 2 | | Exhibit: B | | | | | | | | | | | | |
|--------------------------------------|--|---------|------|--|-------|-----------|----------------------------------|--------------------------------------|--|--|---|---|---------------|--------------|-----------|-------------------------|--|-------|-------|-------|-------|-------|-------|-------|--|
| CATEGORY | RATE ELEMENTS | Interim | Zone | BCS | USOC | RATES(\$) | Svc Order Submitted Elec per LSR | Svc Order Submitted Manually per LSR | Incremental Charge - Manual Svc Order vs. Electronic-1st | Incremental Charge - Manual Svc Order vs. Electronic-Add'l | Incremental Charge - Manual Svc Order vs. Electronic-Disc 1st | Incremental Charge - Manual Svc Order vs. Electronic-Disc Add'l | OSS Rates(\$) | | | | | | | | | | | | |
| | | | | | | | | | | | | | Rec | Nonrecurring | | Nonrecurring Disconnect | | SOMEc | SOMAN | SOMAN | SOMAN | SOMAN | SOMAN | | |
| | | | | | | | | | | | | | First | Add'l | First | Add'l | | | | | | | | | |
| | Virtual Collocation - 2-Fiber Cross Connects | | | AMTFS,UDL12,UDLO3,U1T48,U1T12,U1T03,ULDO3,ULD12,ULD48,UDF | CNC2F | 12.10 | | | | | | | 55.46 | 39.18 | 16.83 | 13.27 | | | | | 19.99 | 19.99 | 19.99 | 19.99 | |
| | Virtual Collocation - 4-Fiber Cross Connects | | | AMTFS,UDL12,UDLO3,U1T48,U1T12,U1T03,ULDO3,ULD12,ULD48,UDF | CNC4F | 21.75 | | | | | | | 66.71 | 50.43 | 21.86 | 18.31 | | | | | 19.99 | 19.99 | 19.99 | 19.99 | |
| | Virtual collocation - DS1 Cross Connects | | | USL,ULC,AMTFS,ULR,UXTD1,UNC1X,ULDD1,U1TD1,USLEL,UNLD1 | CNC1X | 7.50 | | | | | | | 155.00 | 14.00 | | | | | | | | | | | |
| | Virtual collocation - DS3 Cross Connects | | | USL,ULC,AMTFS,U E3,U1TD3,UXTS1,UXTD3,UNC3X,UNCSX,ULDD3,U1TS1,ULDS1,UDLSX,UNLD3 | CND3X | 56.25 | | | | | | | 151.90 | 11.83 | | | | | | | | | | | |
| | Virtual Collocation - Co-Carrier Cross Connects - Fiber Cable Support Structure, per linear foot | | | AMTFS | VE1CB | 0.0026 | | | | | | | | | | | | | | | | | | | |
| | Virtual Collocation - Co-Carrier Cross Connects - Copper/Coax Cable Support Structure, per linear ft | | | AMTFS | VE1CD | 0.0038 | | | | | | | | | | | | | | | | | | | |
| | Virtual Collocation - Co-Carrier Cross Connects - Fiber Cable Support Structure,per cable | | | AMTFS | VE1CC | | | | | | | | 535.37 | | | | | | | | | | | | |
| | Virtual Collocation - Co-Carrier Cross Connects - Copper/Coax Cable Support Structure, per cable | | | AMTFS | VE1CE | | | | | | | | 535.37 | | | | | | | | | | | | |
| | Virtual collocation - Security Escort - Basic, per half hour | | | AMTFS | SPTBX | | | | | | | | 41.00 | 25.00 | | | | | | | | | | | |
| | Virtual collocation - Security Escort - Overtime, per half hour | | | AMTFS | SPTOX | | | | | | | | 48.00 | 30.00 | | | | | | | | | | | |
| | Virtual collocation - Security Escort - Premium, per half hour | | | AMTFS | SPTPX | | | | | | | | 55.00 | 35.00 | | | | | | | | | | | |
| | Virtual collocation - Maintenance in CO - Basic, per half hour | | | AMTFS | CTRLX | | | | | | | | 30.64 | 30.64 | | | | | | | | | | | |
| | Virtual collocation - Maintenance in CO - Overtime, per half hour | | | AMTFS | SPTOM | | | | | | | | 35.77 | 35.77 | | | | | | | | | | | |
| | Virtual collocation - Maintenance in CO - Premium per half hour | | | AMTFS | SPTPM | | | | | | | | 40.90 | 40.90 | | | | | | | | | | | |
| VIRTUAL COLLOCATION | | | | | | | | | | | | | | | | | | | | | | | | | |
| | Virtual Collocation - 2-wire Cross Connect, Exchange Port 2-Wire Analog - Res | | | UEPSR | VE1R2 | 0.28 | | | | | | | 30.76 | 29.40 | 12.75 | 11.38 | | | | | 27.37 | 12.97 | 17.77 | 1.44 | |
| | Virtual Collocation 2-Wire Cross Connect, Exchange Port 2-Wire Line Side PBX Trunk - Bus | | | UEPSP | VE1R2 | 0.28 | | | | | | | 30.76 | 29.40 | 12.75 | 11.38 | | | | | 27.37 | 12.97 | 17.77 | 1.44 | |
| | Virtual Collocation 2-Wire Cross Connect, Exchange Port 2-Wire Voice Grade PBX Trunk - Res | | | UEPSE | VE1R2 | 0.28 | | | | | | | 30.76 | 29.40 | 12.75 | 11.38 | | | | | 27.37 | 12.97 | 17.77 | 1.44 | |
| | Virtual Collocation 2-Wire Cross Connect, Exchange Port 2-Wire Analog Bus | | | UEPSB | VE1R2 | 0.28 | | | | | | | 30.76 | 29.40 | 12.75 | 11.38 | | | | | 27.37 | 12.97 | 17.77 | 1.44 | |
| | Virtual Collocation 2-Wire Cross Connect, Exchange Port 2-Wire ISDN | | | UEPSX | VE1R2 | 0.28 | | | | | | | 30.76 | 29.40 | 12.75 | 11.38 | | | | | 27.37 | 12.97 | 17.77 | 1.44 | |
| | Virtual Collocation 2-Wire Cross Connect, Exchange Port 2-Wire ISDN | | | UEPTX | VE1R2 | 0.28 | | | | | | | 30.76 | 29.40 | 12.75 | 11.38 | | | | | 27.37 | 12.97 | 17.77 | 1.44 | |
| | Virtual Collocation 4-Wire Cross Connect, Exchange Port 4-Wire ISDN DS1 | | | UEPEX | VE1R4 | 0.56 | | | | | | | 66.71 | 50.43 | | | | | | | 27.37 | 12.97 | 17.77 | 1.44 | |
| VIRTUAL COLLOCATION | | | | | | | | | | | | | | | | | | | | | | | | | |
| | Virtual Collocation-2 Wire Cross Connects (Loop) for Line Splitting | | | UEPSR,UEPSB | VE1LS | 0.0287 | | | | | | | 24.59 | 23.59 | 12.05 | 10.87 | | | | | 19.99 | 19.99 | 19.99 | 19.99 | |
| AIN SELECTIVE CARRIER ROUTING | | | | | | | | | | | | | | | | | | | | | | | | | |
| | Regional Service Establishment | I | | SRC | SRCEC | | | | | | | | 202,197.82 | | 17,181.39 | | | | | | 27.37 | 27.37 | 27.37 | 27.37 | |
| | End Office Establishment | I | | SRC | SRCEO | | | | | | | | 339.75 | 339.75 | 3.39 | 3.39 | | | | | 27.37 | 27.37 | 27.37 | 27.37 | |
| | Query NRC, per query | I | | SRC | | 0.0031412 | | | | | | | | | | | | | | | | | | | |

| UNBUNDLED NETWORK ELEMENTS - Alabama | | | | | | | | | | Attachment: 2 | | Exhibit: B | | | |
|--|---|---------|------|-------|-------|-----------|--------------|--------|-------------------------|----------------------------------|--------------------------------------|--|--|---|---|
| CATEGORY | RATE ELEMENTS | Interim | Zone | BCS | USOC | RATES(\$) | | | | Svc Order Submitted Elec per LSR | Svc Order Submitted Manually per LSR | Incremental Charge - Manual Svc Order vs. Electronic-1st | Incremental Charge - Manual Svc Order vs. Electronic-Add'l | Incremental Charge - Manual Svc Order vs. Electronic-Disc 1st | Incremental Charge - Manual Svc Order vs. Electronic-Disc Add'l |
| | | | | | | Rec | Nonrecurring | | Nonrecurring Disconnect | | | | | | |
| | | | | | | First | Add'l | First | Add'l | SOMEc | SOMAN | SOMAN | SOMAN | SOMAN | SOMAN |
| AIN - BELLSOUTH AIN SMS ACCESS SERVICE | | | | | | | | | | | | | | | |
| | AIN SMS Access Service - Service Establishment, Per State, Initial Setup | | | A1N | CAMSE | 197.49 | 197.49 | 114.22 | 114.22 | | | 27.37 | 27.37 | 17.75 | 17.75 |
| | AIN SMS Access Service - Port Connection - Dial/Shared Access | | | A1N | CAMDP | 64.05 | 64.05 | 27.04 | 27.04 | | | 27.37 | 27.37 | 17.75 | 17.75 |
| | AIN SMS Access Service - Port Connection - ISDN Access | | | A1N | CAM1P | 64.05 | 64.05 | 27.04 | 27.04 | | | 27.37 | 27.37 | 17.75 | 17.75 |
| | AIN SMS Access Service - User Identification Codes - Per User ID Code | | | A1N | CAMAU | 141.84 | 141.84 | 70.05 | 70.05 | | | 27.37 | 27.37 | 17.75 | 17.75 |
| | AIN SMS Access Service - Security Card, Per User ID Code, Initial or Replacement | | | A1N | CAMRC | 142.13 | 142.13 | 35.26 | 35.26 | | | 27.37 | 27.37 | 17.75 | 17.75 |
| | AIN SMS Access Service - Storage, Per Unit (100 Kilobytes) | | | | | 0.0026 | | | | | | | | | |
| | AIN SMS Access Service - Session, Per Minute | | | | | 0.0892 | | | | | | | | | |
| | AIN SMS Access Service - Company Performed Session, Per Minute | | | | | 2.08 | | | | | | | | | |
| AIN - BELLSOUTH AIN TOOLKIT SERVICE | | | | | | | | | | | | | | | |
| | AIN Toolkit Service - Service Establishment Charge, Per State, Initial Setup | | | CAM | BAPSC | 192.69 | 192.69 | 114.22 | 114.22 | | | 27.37 | 27.37 | 17.75 | 17.75 |
| | AIN Toolkit Service - Training Session, Per Customer | | | | BAPVX | 8,363.00 | 8,363.00 | | | | | 27.37 | 27.37 | 17.75 | 17.75 |
| | AIN Toolkit Service - Trigger Access Charge, Per Trigger, Per DN, Term. Attempt | | | | BAPTT | 49.64 | 49.64 | 27.04 | 27.04 | | | 27.37 | 27.37 | 17.75 | 17.75 |
| | AIN Toolkit Service - Trigger Access Charge, Per Trigger, Per DN, Off-Hook Delay | | | | BAPTD | 49.64 | 49.64 | 27.04 | 27.04 | | | 27.37 | 27.37 | 17.75 | 17.75 |
| | AIN Toolkit Service - Trigger Access Charge, Per Trigger, Per DN, Off-Hook Immediate | | | | BAPTM | 49.64 | 49.64 | 27.04 | 27.04 | | | 27.37 | 27.37 | 17.75 | 17.75 |
| | AIN Toolkit Service - Trigger Access Charge, Per Trigger, Per DN, 10-Digit PODP | | | | BAPTO | 117.98 | 117.98 | 37.90 | 37.90 | | | 27.37 | 27.37 | 17.75 | 17.75 |
| | AIN Toolkit Service - Trigger Access Charge, Per Trigger, Per DN, CDP | | | | BAPTC | 117.98 | 117.98 | 37.90 | 37.90 | | | 27.37 | 27.37 | 17.75 | 17.75 |
| | AIN Toolkit Service - Trigger Access Charge, Per Trigger, Per DN, Feature Code | | | | BAPTF | 117.98 | 117.98 | 37.90 | 37.90 | | | 27.37 | 27.37 | 17.75 | 17.75 |
| | AIN Toolkit Service - Query Charge, Per Query | | | | | 0.024 | | | | | | | | | |
| | AIN Toolkit Service - Type 1 Node Charge, Per AIN Toolkit Subscription, Per Node, Per Query | | | | | 0.006 | | | | | | | | | |
| | AIN Toolkit Service - SCP Storage Charge, Per SMS Access Account, Per 100 Kilobytes | | | | | 1.63 | | | | | | | | | |
| | AIN Toolkit Service - Monthly report - Per AIN Toolkit Service Subscription | | | CAM | BAPMS | 16.00 | 44.56 | 31.84 | 31.84 | | | 27.37 | 27.37 | 17.75 | 17.75 |
| | AIN Toolkit Service - Special Study - Per AIN Toolkit Service Subscription | | | CAM | BAPLS | 0.10 | 47.74 | 15.90 | 15.90 | | | 27.37 | 27.37 | 17.75 | 17.75 |
| | AIN Toolkit Service - Call Event Report - Per AIN Toolkit Service Subscription | | | CAM | BAPDS | 15.90 | 44.56 | 31.84 | 31.84 | | | 27.37 | 27.37 | 17.75 | 17.75 |
| | AIN Toolkit Service - Call Event Special Study - Per AIN Toolkit Service Subscription | | | CAM | BAPES | 0.003 | 47.74 | | | | | 27.37 | 27.37 | 17.75 | 17.75 |
| ENHANCED EXTENDED LINK (EELs) | | | | | | | | | | | | | | | |
| NOTE: New EELs available in GA, TN, KY, LA, MS, & SC and density zone 1 of following MSAs: Orlando, FL; Miami, FL; Ft. Lauderdale, FL; | | | | | | | | | | | | | | | |
| NOTE: Charlotte-Gastonia-Rockhill, NC; Greensboro-Winston Salem-High Point, NC. Use all rates below except Switch As Is Charge. | | | | | | | | | | | | | | | |
| NOTE: in all states, EEL network elements shown below also apply to currently combined facilities which are converted to UNE rates. A Switch As Is Charge applies to currently combined facilities converted to UNEs.(Non-recurring rates do not apply.) | | | | | | | | | | | | | | | |
| NOTE: in GA, TN, KY, LA, MS & SC the EEL network elements apply to ordinarily combined network elements.(No Switch As Is Charge.) | | | | | | | | | | | | | | | |
| 2-WIRE VOICE GRADE EXTENDED LOOP WITH DEDICATED DS1 INTEROFFICE TRANSPORT (EEL) | | | | | | | | | | | | | | | |
| | First 2-Wire VG Loop(SL2) in a DS1 Interofficed Transport Combination - Zone 1 | | 1 | UNCVX | UEAL2 | 17.95 | | | | | | | | | |
| | First 2-Wire VG Grade Loop(SL2) in a DS1 Interofficed Transport Combination - Zone 2 | | 2 | UNCVX | UEAL2 | 29.16 | | | | | | | | | |
| | First 2-Wire VG Grade Loop(SL2) in a DS1 Interofficed Transport Combination - Zone 3 | | 3 | UNCVX | UEAL2 | 52.84 | | | | | | | | | |
| | Interoffice Transport - Dedicated - DS1 combination - Per Mile per month | | | UNC1X | 1L5XX | 0.2067 | | | | | | | | | |
| | Interoffice Transport - Dedicated - DS1 combination - Facility Termination per month | | | UNC1X | U1TF1 | 68.75 | | | | | | | | | |

| UNBUNDLED NETWORK ELEMENTS - Alabama | | | | | | | | | | Attachment: 2 | | Exhibit: B | | | | | | | | | | |
|--|--|---------|------|-------|-------|-----------|----------------------------------|--------------------------------------|--|--|---|---|---------------|--------------|-------|-------------------------|--|-------|-------|-------|-------|-------|
| CATEGORY | RATE ELEMENTS | Interim | Zone | BCS | USOC | RATES(\$) | Svc Order Submitted Elec per LSR | Svc Order Submitted Manually per LSR | Incremental Charge - Manual Svc Order vs. Electronic-1st | Incremental Charge - Manual Svc Order vs. Electronic-Add'l | Incremental Charge - Manual Svc Order vs. Electronic-Disc 1st | Incremental Charge - Manual Svc Order vs. Electronic-Disc Add'l | OSS Rates(\$) | | | | | | | | | |
| | | | | | | | | | | | | | Rec | Nonrecurring | | Nonrecurring Disconnect | | SOMEc | SOMAN | SOMAN | SOMAN | SOMAN |
| | | | | | | | | | | | | | First | Add'l | First | Add'l | | | | | | |
| | DS1 Channelization System Per Month | | | UNC1X | MQ1 | 122.50 | | | | | | | | | | | | | | | | |
| | Voice Grade COCI - DS1 To Ds0 Interface - Per Month | | | UNCVX | 1D1VG | 0.64 | | | | | | | | | | | | | | | | |
| | Each Additional 2-Wire VG Loop(SL 2) in the same DS1 Interoffice Transport Combination - Zone 1 | | 1 | UNCVX | UEAL2 | 17.95 | | | | | | | | | | | | | | | | |
| | Each Additional 2-Wire VG Loop(SL2) in the same DS1 Interoffice Transport Combination - Zone 2 | | 2 | UNCVX | UEAL2 | 29.16 | | | | | | | | | | | | | | | | |
| | Each Additional 2-Wire VG Loop(SL2) in the same DS1 Interoffice Transport Combination - Zone 3 | | 3 | UNCVX | UEAL2 | 52.84 | | | | | | | | | | | | | | | | |
| | Voice Grade COCI - DS1 to DS0 Channel System combination - per month | | | UNCVX | 1D1VG | 0.64 | | | | | | | | | | | | | | | | |
| | Nonrecurring Currently Combined Network Elements Switch -As-Is Charge | | | UNC1X | UNCCC | | 11.18 | 11.18 | 13.96 | 13.96 | | | 31.31 | 31.31 | 3.93 | 3.93 | | | | | | |
| 4-WIRE VOICE GRADE EXTENDED LOOP WITH DEDICATED DS1 INTEROFFICE TRANSPORT (EEL) | | | | | | | | | | | | | | | | | | | | | | |
| | First 4-Wire Analog Voice Grade Loop in a DS1 Interoffice Transport Combination - Zone 1 | | 1 | UNCVX | UEAL4 | 24.01 | | | | | | | | | | | | | | | | |
| | First 4-Wire Analog Voice Grade Loop in a DS1 Interoffice Transport Combination - Zone 2 | | 2 | UNCVX | UEAL4 | 39.00 | | | | | | | | | | | | | | | | |
| | First 4-Wire Analog Voice Grade Loop in a DS1 Interoffice Transport Combination - Zone 3 | | 3 | UNCVX | UEAL4 | 70.67 | | | | | | | | | | | | | | | | |
| | Interoffice Transport - Dedicated - DS1 combination - Per Mile Per Month | | | UNC1X | 1L5XX | 0.2067 | | | | | | | | | | | | | | | | |
| | Interoffice Transport - Dedicated - DS1 - Facility Termination Per Month | | | UNC1X | U1TF1 | 68.75 | | | | | | | | | | | | | | | | |
| | Channelization - Channel System DS1 to DS0 combination Per Month | | | UNC1X | MQ1 | 122.50 | | | | | | | | | | | | | | | | |
| | Voice Grade COCI - DS1 to DS0 Channel System combination - per month | | | UNCVX | 1D1VG | 0.64 | | | | | | | | | | | | | | | | |
| | Additional 4-Wire Analog Voice Grade Loop in same DS1 Interoffice Transport Combination - Zone 1 | | 1 | UNCVX | UEAL4 | 24.01 | | | | | | | | | | | | | | | | |
| | Additional 4-Wire Analog Voice Grade Loop in same DS1 Interoffice Transport Combination - Zone 2 | | 2 | UNCVX | UEAL4 | 39.00 | | | | | | | | | | | | | | | | |
| | Additional 4-Wire Analog Voice Grade Loop in same DS1 Interoffice Transport Combination - Zone 3 | | 3 | UNCVX | UEAL4 | 70.67 | | | | | | | | | | | | | | | | |
| | Voice Grade COCI - DS1 to DS0 Channel System combination - per month | | | UNCVX | 1D1VG | 0.64 | | | | | | | | | | | | | | | | |
| | Nonrecurring Currently Combined Network Elements Switch -As-Is Charge | | | UNC1X | UNCCC | | 11.18 | 11.18 | 13.96 | 13.96 | | | 31.31 | 31.31 | 3.93 | 3.93 | | | | | | |
| 4-WIRE 56 KBPS EXTENDED DIGITAL LOOP WITH DEDICATED DS1 INTEROFFICE TRANSPORT (EEL) | | | | | | | | | | | | | | | | | | | | | | |
| | First 4-Wire 56Kbps Digital Grade Loop in a DS1 Interoffice Transport Combination - Zone 1 | | 1 | UNCDX | UDL56 | 27.33 | | | | | | | | | | | | | | | | |
| | First 4-wire 56Kbps Digital Grade Loop in a DS1 Interoffice Transport Combination - Zone 2 | | 2 | UNCDX | UDL56 | 44.40 | | | | | | | | | | | | | | | | |
| | First 4-Wire 56Kbps Digital Grade Loop in a DS1 Interoffice Transport Combination - Zone 3 | | 3 | UNCDX | UDL56 | 80.45 | | | | | | | | | | | | | | | | |
| | Interoffice Transport - Dedicated - DS1 combination - Per Mile Per Month | | | UNC1X | 1L5XX | 0.2067 | | | | | | | | | | | | | | | | |
| | Interoffice Transport - Dedicated - DS1 - combination Facility Termination Per Month | | | UNC1X | U1TF1 | 68.75 | | | | | | | | | | | | | | | | |
| | Channelization - Channel System DS1 to DS0 combination Per Month | | | UNC1X | MQ1 | 122.50 | | | | | | | | | | | | | | | | |
| | OCU-DP COCI (data) - DS1 to DS0 Channel System - per month (2.4-64kbs) | | | UNCDX | 1D1DD | 1.36 | | | | | | | | | | | | | | | | |
| | Additional 4-Wire 56Kbps Digital Grade Loop in same DS1 Interoffice Transport Combination - Zone 1 | | 1 | UNCDX | UDL56 | 27.33 | | | | | | | | | | | | | | | | |
| | Additional 4-Wire 56Kbps Digital Grade Loop in same DS1 Interoffice Transport Combination - Zone 2 | | 2 | UNCDX | UDL56 | 44.40 | | | | | | | | | | | | | | | | |
| | Additional 4-Wire 56Kbps Digital Grade Loop in same DS1 Interoffice Transport Combination - Zone 3 | | 3 | UNCDX | UDL56 | 80.45 | | | | | | | | | | | | | | | | |

| UNBUNDLED NETWORK ELEMENTS - Alabama | | | | | | | | | | Attachment: 2 | | Exhibit: B | | | | | | | | | | |
|---|---|---------|------|-------|-------|-----------|----------------------------------|--------------------------------------|--|--|---|---|---------------|--------------|-------|-------------------------|--|-------|-------|-------|-------|-------|
| CATEGORY | RATE ELEMENTS | Interim | Zone | BCS | USOC | RATES(\$) | Svc Order Submitted Elec per LSR | Svc Order Submitted Manually per LSR | Incremental Charge - Manual Svc Order vs. Electronic-1st | Incremental Charge - Manual Svc Order vs. Electronic-Add'l | Incremental Charge - Manual Svc Order vs. Electronic-Disc 1st | Incremental Charge - Manual Svc Order vs. Electronic-Disc Add'l | OSS Rates(\$) | | | | | | | | | |
| | | | | | | | | | | | | | Rec | Nonrecurring | | Nonrecurring Disconnect | | SOMEc | SOMAN | SOMAN | SOMAN | SOMAN |
| | | | | | | | | | | | | | First | Add'l | First | Add'l | | | | | | |
| | Additional DS1Loop in DS3 Interoffice Transport Combination - Zone 3 | | 3 | UNC1X | USLXX | 152.29 | | | | | | | | | | | | | | | | |
| | DS3 Interface Unit (DS1 COCI) combination per month | | | UNC1X | UC1D1 | 15.39 | | | | | | | | | | | | | | | | |
| | Nonrecurring Currently Combined Network Elements Switch -As-Is Charge | | | UNC3X | UNCCC | | 11.18 | 11.18 | 13.96 | 13.96 | | | | | | | | 31.31 | 31.31 | 3.93 | 3.93 | |
| 2-WIRE VOICE GRADE EXTENDED LOOP/ 2 WIRE VOICE GRADE INTEROFFICE TRANSPORT (EEL) | | | | | | | | | | | | | | | | | | | | | | |
| | 2-WireVG Loop used with 2-wire VG Interoffice Transport Combination - Zone 1 | | 1 | UNCVX | UEAL2 | 17.95 | | | | | | | | | | | | | | | | |
| | 2-WireVG Loop used with 2-wire VG Interoffice Transport Combination - Zone 2 | | 2 | UNCVX | UEAL2 | 29.16 | | | | | | | | | | | | | | | | |
| | 2-WireVG Loop used with 2-wire VG Interoffice Transport Combination - Zone 3 | | 3 | UNCVX | UEAL2 | 52.84 | | | | | | | | | | | | | | | | |
| | Interoffice Transport - Dedicated - 2-wire VG combination - Per Mile Per Month | | | UNCVX | 1L5XX | 0.0101 | | | | | | | | | | | | | | | | |
| | Interoffice Transport - Dedicated - 2-Wire Voice Grade combination - Facility Termination per month | | | UNCVX | U1TV2 | 24.15 | | | | | | | | | | | | | | | | |
| | Nonrecurring Currently Combined Network Elements Switch -As-Is Charge | | | UNCVX | UNCCC | | 11.18 | 11.18 | 13.96 | 13.96 | | | | | | | | 31.31 | 31.31 | 3.93 | 3.93 | |
| 4-WIRE VOICE GRADE EXTENDED LOOP/ 4 WIRE VOICE GRADE INTEROFFICE TRANSPORT (EEL) | | | | | | | | | | | | | | | | | | | | | | |
| | 4-WireVG Loop used with 4-wire VG Interoffice Transport Combination - Zone 1 | | 1 | UNCVX | UEAL4 | 24.01 | | | | | | | | | | | | | | | | |
| | 4-WireVG Loop used with 4-wire VG Interoffice Transport Combination - Zone 2 | | 2 | UNCVX | UEAL4 | 39.00 | | | | | | | | | | | | | | | | |
| | 4-WireVG Loop used with 4-wire VG Interoffice Transport Combination - Zone 3 | | 3 | UNCVX | UEAL4 | 70.67 | | | | | | | | | | | | | | | | |
| | Interoffice Transport - Dedicated - 4-wire VG combination - Per Mile Per Month | | | UNCVX | 1L5XX | 0.0101 | | | | | | | | | | | | | | | | |
| | Interoffice Transport - Dedicated - 4-Wire Voice Grade combination - Facility Termination per month | | | UNCVX | U1TV4 | 21.41 | | | | | | | | | | | | | | | | |
| | Nonrecurring Currently Combined Network Elements Switch -As-Is Charge | | | UNCVX | UNCCC | | 11.18 | 11.18 | 13.96 | 13.96 | | | | | | | | 31.31 | 31.31 | 3.93 | 3.93 | |
| DS3 DIGITAL EXTENDED LOOP WITH DEDICATED DS3 INTEROFFICE TRANSPORT (EEL) | | | | | | | | | | | | | | | | | | | | | | |
| | High Capacity Unbundled Local Loop - DS3 combination - Per Mile per month | | | UNC3X | 1L5ND | 10.16 | | | | | | | | | | | | | | | | |
| | High Capacity Unbundled Local Loop - DS3 combination - Facility Termination per month | | | UNC3X | UE3PX | 374.52 | | | | | | | | | | | | | | | | |
| | Interoffice Transport - Dedicated - DS3 - Per Mile per month | | | UNC3X | 1L5XX | 4.67 | | | | | | | | | | | | | | | | |
| | Interoffice Transport - Dedicated - DS3 combination - Facility Termination per month | | | UNC3X | U1TF3 | 804.02 | | | | | | | | | | | | | | | | |
| | Nonrecurring Currently Combined Network Elements Switch -As-Is Charge | | | UNC3X | UNCCC | | 11.18 | 11.18 | 13.96 | 13.96 | | | | | | | | 31.31 | 31.31 | 3.93 | 3.93 | |
| STS1 DIGITAL EXTENDED LOOP WITH DEDICATED STS1 INTEROFFICE TRANSPORT (EEL) | | | | | | | | | | | | | | | | | | | | | | |
| | High Capacity Unbundled Local Loop - STS1 combination - Per Mile per month | | | UNCSX | 1L5ND | 10.16 | | | | | | | | | | | | | | | | |
| | High Capacity Unbundled Local Loop - STS1 combination - Facility Termination per month | | | UNCSX | UDLS1 | 387.67 | | | | | | | | | | | | | | | | |
| | Interoffice Transport - Dedicated - STS1 combination - Per Mile per month | | | UNCSX | 1L5XX | 4.67 | | | | | | | | | | | | | | | | |
| | Interoffice Transport - Dedicated - STS1 combination - Facility Termination per month | | | UNCSX | U1TFS | 801.57 | | | | | | | | | | | | | | | | |
| | Nonrecurring Currently Combined Network Elements Switch -As-Is Charge | | | UNCSX | UNCCC | | 11.18 | 11.18 | 13.96 | 13.96 | | | | | | | | 31.31 | 31.31 | 3.93 | 3.93 | |
| 2-WIRE ISDN EXTENDED LOOP WITH DS1 INTEROFFICE TRANSPORT (EEL) | | | | | | | | | | | | | | | | | | | | | | |
| | First 2-Wire ISDN Loop in a DS1 Interoffice Combination Transport - Zone 1 | | 1 | UNCNX | U1L2X | 23.23 | | | | | | | | | | | | | | | | |
| | First 2-Wire ISDN Loop in a DS1 Interoffice Combination Transport - Zone 2 | | 2 | UNCNX | U1L2X | 37.74 | | | | | | | | | | | | | | | | |
| | First 2-Wire ISDN Loop in a DS1 Interoffice Combination Transport - Zone 3 | | 3 | UNCNX | U1L2X | 68.38 | | | | | | | | | | | | | | | | |

| UNBUNDLED NETWORK ELEMENTS - Alabama | | | | | | | | | | Attachment: 2 | | Exhibit: B | | | | | | | | | | | |
|--|---|---------|------|-------|-------|-----------|----------------------------------|--------------------------------------|--|--|---|---|---------------|--------------|-------|-------------------------|--|-------|-------|-------|-------|-------|-------|
| CATEGORY | RATE ELEMENTS | Interim | Zone | BCS | USOC | RATES(\$) | Svc Order Submitted Elec per LSR | Svc Order Submitted Manually per LSR | Incremental Charge - Manual Svc Order vs. Electronic-1st | Incremental Charge - Manual Svc Order vs. Electronic-Add'l | Incremental Charge - Manual Svc Order vs. Electronic-Disc 1st | Incremental Charge - Manual Svc Order vs. Electronic-Disc Add'l | OSS Rates(\$) | | | | | | | | | | |
| | | | | | | | | | | | | | Rec | Nonrecurring | | Nonrecurring Disconnect | | SOMEc | SOMAN | SOMAN | SOMAN | SOMAN | SOMAN |
| | | | | | | | | | | | | | First | Add'l | First | Add'l | | | | | | | |
| | Interoffice Transport - Dedicated - DS1 combination - Per Mile | | | UNC1X | 1L5XX | 0.2067 | | | | | | | | | | | | | | | | | |
| | Interoffice Transport - Dedicated - DS1 combination - Facility Termination per month | | | UNC1X | U1TF1 | 68.75 | | | | | | | | | | | | | | | | | |
| | Channelization - Channel System DS1 to DS0 combination - per month | | | UNC1X | MQ1 | 122.50 | | | | | | | | | | | | | | | | | |
| | 2-wire ISDN COCI (BRITE) - DS1 to DS0 Channel System combination - per month | | | UNCNX | UC1CA | 2.92 | | | | | | | | | | | | | | | | | |
| | Additional 2-wire ISDN Loop in same DS1 Interoffice Transport Combination - Zone 1 | | 1 | UNCNX | U1L2X | 23.23 | | | | | | | | | | | | | | | | | |
| | Additional 2-wire ISDN Loop in same DS1 Interoffice Transport Combination - Zone 2 | | 2 | UNCNX | U1L2X | 37.74 | | | | | | | | | | | | | | | | | |
| | Additional 2-wire ISDN Loop in same DS1 Interoffice Transport Combination - Zone 3 | | 3 | UNCNX | U1L2X | 68.38 | | | | | | | | | | | | | | | | | |
| | 2-wire ISDN COCI (BRITE) - DS1 to DS0 Channel System combination - per month | | | UNCNX | UC1CA | 2.92 | | | | | | | | | | | | | | | | | |
| | Nonrecurring Currently Combined Network Elements Switch -As-Is Charge | | | UNC1X | UNCCC | | 11.18 | 11.18 | 13.96 | 13.96 | | | 31.31 | 31.31 | 3.93 | 3.93 | | | | | | | |
| 4-WIRE DS1 DIGITAL EXTENDED LOOP WITH DEDICATED STS-1 INTEROFFICE TRANSPORT (EEL) | | | | | | | | | | | | | | | | | | | | | | | |
| | First DS1 Loop in STS1 Interoffice Transport Combination - Zone 1 | | 1 | UNC1X | USLXX | 51.74 | | | | | | | | | | | | | | | | | |
| | First DS1 Loop in STS1 Interoffice Transport Combination - Zone 2 | | 2 | UNC1X | USLXX | 84.05 | | | | | | | | | | | | | | | | | |
| | First DS1 Loop in STS1 Interoffice Transport Combination - Zone 3 | | 3 | UNC1X | USLXX | 152.29 | | | | | | | | | | | | | | | | | |
| | Interoffice Transport - Dedicated - STS1 combination - Per Mile Per Month | | | UNCSX | 1L5XX | 4.67 | | | | | | | | | | | | | | | | | |
| | Interoffice Transport - Dedicated - STS1 combination - Facility Termination | | | UNCSX | U1TFS | 801.57 | | | | | | | | | | | | | | | | | |
| | STS1 to DS1 Channel System combination per month | | | UNCSX | MQ3 | 201.37 | | | | | | | | | | | | | | | | | |
| | DS3 Interface Unit (DS1 COCI) combination per month | | | UNC1X | UC1D1 | 15.39 | | | | | | | | | | | | | | | | | |
| | Additional DS1 Loop in STS1 Interoffice Transport Combination - Zone 1 | | 1 | UNC1X | USLXX | 51.74 | | | | | | | | | | | | | | | | | |
| | Additional DS1 Loop in STS1 Interoffice Transport Combination - Zone 2 | | 2 | UNC1X | USLXX | 84.05 | | | | | | | | | | | | | | | | | |
| | Additional DS1 Loop in STS1 Interoffice Transport Combination - Zone 3 | | 3 | UNC1X | USLXX | 152.29 | | | | | | | | | | | | | | | | | |
| | DS3 Interface Unit (DS1 COCI) combination per month | | | UNC1X | UC1D1 | 15.39 | | | | | | | | | | | | | | | | | |
| | Nonrecurring Currently Combined Network Elements Switch -As-Is Charge | | | UNCSX | UNCCC | | 11.18 | 11.18 | 13.96 | 13.96 | | | 31.31 | 31.31 | 3.93 | 3.93 | | | | | | | |
| 4-WIRE 56 KBPS DIGITAL EXTENDED LOOP WITH 56 KBPS INTEROFFICE TRANSPORT (EEL) | | | | | | | | | | | | | | | | | | | | | | | |
| | 4-wire 56 kbps Loop/4-wire 56 kbps Interoffice Transport Combination - Zone 1 | | 1 | UNCDX | UDL56 | 27.33 | | | | | | | | | | | | | | | | | |
| | 4-wire 56 kbps Loop/4-wire 56 kbps Interoffice Transport Combination - Zone 2 | | 2 | UNCDX | UDL56 | 44.40 | | | | | | | | | | | | | | | | | |
| | 4-wire 56 kbps Loop/4-wire 56 kbps Interoffice Transport Combination - Zone 3 | | 3 | UNCDX | UDL56 | 80.45 | | | | | | | | | | | | | | | | | |
| | Interoffice Transport - Dedicated - 4-wire 56 kbps combination - Per Mile | | | UNCDX | 1L5XX | 0.0101 | | | | | | | | | | | | | | | | | |
| | Interoffice Transport - Dedicated - 4-wire 56 kbps combination - Facility Termination | | | UNCDX | U1TD5 | 17.28 | | | | | | | | | | | | | | | | | |
| | Nonrecurring Currently Combined Network Elements Switch -As-Is Charge | | | UNCDX | UNCCC | | 11.18 | 11.18 | 13.96 | 13.96 | | | 31.31 | 31.31 | 3.93 | 3.93 | | | | | | | |
| 4-WIRE 64 KBPS DIGITAL EXTENDED LOOP WITH 64 KBPS INTEROFFICE TRANSPORT (EEL) | | | | | | | | | | | | | | | | | | | | | | | |
| | 4-wire 64 kbps Loop/4-wire 64 kbps Interoffice Transport Combination - Zone 1 | | 1 | UNCDX | UDL64 | 27.33 | | | | | | | | | | | | | | | | | |
| | 4-wire 64 kbps Loop/4-wire 64 kbps Interoffice Transport Combination - Zone 2 | | 2 | UNCDX | UDL64 | 44.40 | | | | | | | | | | | | | | | | | |
| | 4-wire 64 kbps Loop/4-wire 64 kbps Interoffice Transport Combination - Zone 3 | | 3 | UNCDX | UDL64 | 80.45 | | | | | | | | | | | | | | | | | |

| UNBUNDLED NETWORK ELEMENTS - Alabama | | | | | | | | | | Attachment: 2 | | Exhibit: B | | | | |
|---|--|---------|------|-------|-------|-----------|----------------------------------|--------------------------------------|--|--|---|---|-------|--------------|-------|-------------------------|
| CATEGORY | RATE ELEMENTS | Interim | Zone | BCS | USOC | RATES(\$) | Svc Order Submitted Elec per LSR | Svc Order Submitted Manually per LSR | Incremental Charge - Manual Svc Order vs. Electronic-1st | Incremental Charge - Manual Svc Order vs. Electronic-Add'l | Incremental Charge - Manual Svc Order vs. Electronic-Disc 1st | Incremental Charge - Manual Svc Order vs. Electronic-Disc Add'l | | | | |
| | | | | | | | | | | | | | Rec | Nonrecurring | | Nonrecurring Disconnect |
| | | | | | | | | | | | | | | | | |
| | | | | | | | | | | SOMEc | SOMAN | SOMAN | SOMAN | SOMAN | SOMAN | |
| | Interoffice Transport - Dedicated - 4-wire 64 kbps combination - Per Mile | | | UNCDX | 1L5XX | 0.0101 | | | | | | | | | | |
| | Interoffice Transport - Dedicated - 4-wire 64 kbps combination - Facility Termination | | | UNCDX | U1TD6 | 17.28 | | | | | | | | | | |
| | Nonrecurring Currently Combined Network Elements Switch -As-Is Charge | | | UNCDX | UNCCC | | 11.18 | 11.18 | 13.96 | 13.96 | | 31.31 | 31.31 | 3.93 | 3.93 | |
| ADDITIONAL NETWORK ELEMENTS | | | | | | | | | | | | | | | | |
| When used as a part of a currently combined facility, the non-recurring charges do not apply, but a Switch As Is charge does apply. | | | | | | | | | | | | | | | | |
| Node (SynchroNet) | | | | | | | | | | | | | | | | |
| Nonrecurring Currently Combined Network Elements "Switch As Is" Charge (One applies to each combination) | | | | | | | | | | | | | | | | |
| | Nonrecurring Currently Combined Network Elements Switch -As-Is Charge - 2 wire/4-Wire VG | | | UNCVX | UNCCC | | 11.18 | 11.18 | 13.96 | 13.96 | | 31.31 | 31.31 | 3.93 | 3.93 | |
| | Nonrecurring Currently Combined Network Elements Switch -As-Is Charge - 56/64 kbps | | | UNCDX | UNCCC | | 11.18 | 11.18 | 13.96 | 13.96 | | 31.31 | 31.31 | 3.93 | 3.93 | |
| | Nonrecurring Currently Combined Network Elements Switch -As-Is Charge - DS1 | | | UNC1X | UNCCC | | 11.18 | 11.18 | 13.96 | 13.96 | | 31.31 | 31.31 | 3.93 | 3.93 | |
| | Nonrecurring Currently Combined Network Elements Switch -As-Is Charge - DS3 | | | UNC3X | UNCCC | | 11.18 | 11.18 | 13.96 | 13.96 | | 31.31 | 31.31 | 3.93 | 3.93 | |
| | Nonrecurring Currently Combined Network Elements Switch -As-Is Charge - STS1 | | | UNCSX | UNCCC | | 11.18 | 11.18 | 13.96 | 13.96 | | 31.31 | 31.31 | 3.93 | 3.93 | |
| NOTE: Local Channel - Dedicated Transport - minimum billing period - Below DS3=one month, DS3 and above=four months | | | | | | | | | | | | | | | | |
| UNBUNDLED LOCAL EXCHANGE SWITCHING(PORTS) | | | | | | | | | | | | | | | | |
| Exchange Ports | | | | | | | | | | | | | | | | |
| NOTE: Although the Port Rate includes all available features in GA, KY, LA & TN, the desired features will need to be ordered using retail USOCs | | | | | | | | | | | | | | | | |
| 2-WIRE VOICE GRADE LINE PORT RATES (RES) | | | | | | | | | | | | | | | | |
| | Exchange Ports - 2-Wire Analog Line Port- Res. | | | UEPSR | UEPRL | 2.07 | 21.93 | 21.93 | 6.21 | 6.21 | | 27.37 | 12.97 | 17.77 | 1.44 | |
| | Exchange Ports - 2-Wire Analog Line Port with Caller ID - Res. | | | UEPSR | UEPRC | 2.07 | 21.93 | 21.93 | 6.21 | 6.21 | | 27.37 | 12.97 | 17.77 | 1.44 | |
| | Exchange Ports - 2-Wire Analog Line Port outgoing only - Res. | | | UEPSR | UEPRO | 2.07 | 21.93 | 21.93 | 6.21 | 6.21 | | 27.37 | 12.97 | 17.77 | 1.44 | |
| | Exchange Ports - 2-Wire VG unbundled AL extended local dialing parity Port with Caller ID - Res. | | | UEPSR | UEPAR | 2.07 | 21.93 | 21.93 | 6.21 | 6.21 | | 27.37 | 12.97 | 17.77 | 1.44 | |
| | Exchange Ports - 2-Wire VG unbundled res, low usage line port with Caller ID (LUM) | | | UEPSR | UEPAP | 2.07 | 21.93 | 21.93 | 6.21 | 6.21 | | 27.37 | 12.97 | 17.77 | 1.44 | |
| | Subsequent Activity | | | UEPSR | USASC | 0.00 | 0.00 | 0.00 | | | | 27.37 | 12.97 | 17.77 | 1.44 | |
| FEATURES | | | | | | | | | | | | | | | | |
| | All Available Vertical Features | | | UEPSR | UEPVF | 5.55 | 0.00 | 0.00 | | | | 27.37 | 12.97 | 17.77 | 1.44 | |
| 2-WIRE VOICE GRADE LINE PORT RATES (BUS) | | | | | | | | | | | | | | | | |
| | Exchange Ports - 2-Wire Analog Line Port without Caller ID - Bus | | | UEPSB | UEPBL | 2.07 | 21.93 | 21.93 | 6.21 | 6.21 | | 27.37 | 12.97 | 17.77 | 1.44 | |
| | Exchange Ports - 2-Wire VG unbundled Line Port with unbundled port with Caller+E484 ID - Bus. | | | UEPSB | UEPBC | 2.07 | 21.93 | 21.93 | 6.21 | 6.21 | | 27.37 | 12.97 | 17.77 | 1.44 | |
| | Exchange Ports - 2-Wire Analog Line Port outgoing only - Bus. | | | UEPSB | UEPBO | 2.07 | 21.93 | 21.93 | 6.21 | 6.21 | | 27.37 | 12.97 | 17.77 | 1.44 | |
| | Exchange Ports - 2-Wire VG unbundled AL extended local dialing parity Port with Caller ID - Bus. | | | UEPSB | UEPAW | 2.07 | 21.93 | 21.93 | 6.21 | 6.21 | | 27.37 | 12.97 | 17.77 | 1.44 | |
| | Exchange Ports - 2-Wire VG unbundled incoming only port with Caller ID - Bus | | | UEPSB | UEPB1 | 2.07 | 21.93 | 21.93 | 6.21 | 6.21 | | 27.37 | 12.97 | 17.77 | 1.44 | |
| | Subsequent Activity | | | UEPSB | USASC | 0.00 | 0.00 | 0.00 | | | | 27.37 | 12.97 | 17.77 | 1.44 | |
| FEATURES | | | | | | | | | | | | | | | | |
| | All Available Vertical Features | | | UEPSB | UEPVF | 5.55 | 0.00 | 0.00 | | | | 27.37 | 12.97 | 17.77 | 1.44 | |
| EXCHANGE PORT RATES (DID & PBX) | | | | | | | | | | | | | | | | |
| | 2-Wire VG Unbundled 2-Way PBX Trunk - Res | | | UEPSE | UEPRD | 2.07 | 21.93 | 21.93 | 6.21 | 6.21 | | 27.37 | 12.97 | 17.77 | 1.44 | |
| | 2-Wire VG Line Side Unbundled 2-Way PBX Trunk - Bus | | | UEPSP | UEPPC | 2.07 | 21.93 | 21.93 | 6.21 | 6.21 | | 27.37 | 12.97 | 17.77 | 1.44 | |
| | 2-Wire VG Line Side Unbundled Outward PBX Trunk - Bus | | | UEPSP | UEPPO | 2.07 | 21.93 | 21.93 | 6.21 | 6.21 | | 27.37 | 12.97 | 17.77 | 1.44 | |
| | 2-Wire VG Line Side Unbundled Incoming PBX Trunk - Bus | | | UEPSP | UEPP1 | 2.07 | 21.93 | 21.93 | 6.21 | 6.21 | | 27.37 | 12.97 | 17.77 | 1.44 | |
| | 2-Wire Analog Long Distance Terminal PBX Trunk - Bus | | | UEPSP | UEPLD | 2.07 | 21.93 | 21.93 | 6.21 | 6.21 | | 27.37 | 12.97 | 17.77 | 1.44 | |
| | 2-Wire Voice Unbundled 2-Way PBX Alabama Calling Port | | | UEPSP | UEPA2 | 2.07 | 21.93 | 21.93 | 6.21 | 6.21 | | 27.37 | 12.97 | 17.77 | 1.44 | |
| | 2-Wire Voice Unbundled PBX LD Terminal Ports | | | UEPSP | UEPLD | 2.07 | 21.93 | 21.93 | 6.21 | 6.21 | | 27.37 | 12.97 | 17.77 | 1.44 | |

| UNBUNDLED NETWORK ELEMENTS - Alabama | | | | | | | | | | Attachment: 2 | | Exhibit: B | | | |
|--------------------------------------|--|---------|------|-------|-------|-----------|----------------------------------|--------------------------------------|--|--|---|---|-------|--------------|-------|
| CATEGORY | RATE ELEMENTS | Interim | Zone | BCS | USOC | RATES(\$) | Svc Order Submitted Elec per LSR | Svc Order Submitted Manually per LSR | Incremental Charge - Manual Svc Order vs. Electronic-1st | Incremental Charge - Manual Svc Order vs. Electronic-Add'l | Incremental Charge - Manual Svc Order vs. Electronic-Disc 1st | Incremental Charge - Manual Svc Order vs. Electronic-Disc Add'l | | | |
| | | | | | | | | | | | | | Rec | Nonrecurring | |
| | | | | | | | | | | | | | | | |
| | | | | | | | | | | | | | | | |
| | | | | | | | | | | | | | | | |
| | 2-Wire Vice Unbundled 2-Way PBX Usage Port | | | UEPSP | UEPXA | 2.07 | 21.93 | 21.93 | 6.21 | 6.21 | | 27.37 | 12.97 | 17.77 | 1.44 |
| | 2-Wire Voice Unbundled PBX Toll Terminal Hotel Ports | | | UEPSP | UEPXB | 2.07 | 21.93 | 21.93 | 6.21 | 6.21 | | 27.37 | 12.97 | 17.77 | 1.44 |
| | 2-Wire Voice Unbundled PBX LD DDD Terminals Port | | | UEPSP | UEPXC | 2.07 | 21.93 | 21.93 | 6.21 | 6.21 | | 27.37 | 12.97 | 17.77 | 1.44 |
| | 2-Wire Voice Unbundled PBX LD Terminal Switchboard Port | | | UEPSP | UEPXD | 2.07 | 21.93 | 21.93 | 6.21 | 6.21 | | 27.37 | 12.97 | 17.77 | 1.44 |
| | 2-Wire Voice Unbundled PBX LD Terminal Switchboard IDD Capable Port | | | UEPSP | UEPXE | 2.07 | 21.93 | 21.93 | 6.21 | 6.21 | | 27.37 | 12.97 | 17.77 | 1.44 |
| | 2-Wire Voice Unbundled 2-Way PBX Hotel/Hospital Economy Administrative Calling Port | | | UEPSP | UEPXL | 2.07 | 21.93 | 21.93 | 6.21 | 6.21 | | 27.37 | 12.97 | 17.77 | 1.44 |
| | 2-Wire Voice Unbundled 2-Way PBX Hotel/Hospital Economy Room Calling Port | | | UEPSP | UEPXM | 2.07 | 21.93 | 21.93 | 6.21 | 6.21 | | 27.37 | 12.97 | 17.77 | 1.44 |
| | 2-Wire Voice Unbundled 1-Way Outgoing PBX Hotel/Hospital Discount Room Calling Port | | | UEPSP | UEPXO | 2.07 | 21.93 | 21.93 | 6.21 | 6.21 | | 27.37 | 12.97 | 17.77 | 1.44 |
| | 2-Wire Voice Unbundled 1-Way Outgoing PBX Measured Port Subsequent Activity | | | UEPSP | UEPXS | 2.07 | 21.93 | 21.93 | 6.21 | 6.21 | | 27.37 | 12.97 | 17.77 | 1.44 |
| | UEPSP | | | USASC | | 0.00 | 0.00 | 0.00 | | | | 27.37 | 12.97 | 17.77 | 1.44 |
| | FEATURES | | | | | | | | | | | | | | |
| | All Available Vertical Features | | | UEPSP | UEPSE | 5.55 | 0.00 | 0.00 | | | | 27.37 | 12.97 | 17.77 | 1.44 |
| | EXCHANGE PORT RATES (COIN) | | | | | | | | | | | | | | |
| | Exchange Ports - Coin Port | | | | | 2.34 | 21.93 | 21.93 | 5.21 | 5.21 | | 25.93 | 12.97 | 16.33 | 0.48 |
| | NOTE: Transmission/usage charges associated with POTS circuit switched usage will also apply to circuit switched voice and/or circuit switched data transmission by B-Channels associated with 2-wire ISDN ports. | | | | | | | | | | | | | | |
| | NOTE: Access to B Channel or D Channel Packet capabilities will be available only through BFR/New Business Request Process. Rates for the packet capabilities will be determined via the Bona Fide Request/New Business Request Process. | | | | | | | | | | | | | | |
| | UNBUNDLED LOCAL EXCHANGE SWITCHING(PORTS) | | | | | | | | | | | | | | |
| | EXCHANGE PORT RATES (DID & PBX) | | | | | | | | | | | | | | |
| | Exchange Ports - 2-Wire DID Port | | | UEPEX | UEPP2 | 9.20 | 238.61 | 37.48 | 119.79 | | | 19.99 | 19.99 | 19.99 | 19.99 |
| | Exchange Ports - DDITS Port - 4-Wire DS1 Port with DID capability | | | UEPDD | UEPDD | 68.67 | 404.04 | 191.38 | 145.18 | 4.92 | | 19.99 | 19.99 | 19.99 | 19.99 |
| | Exchange Ports - 2-Wire ISDN Port (See Notes below.) | | | UEPTX | UEPSX | 11.19 | 145.54 | 105.97 | 95.57 | 21.47 | | 19.99 | 19.99 | 19.99 | 19.99 |
| | All Features Offered | | | UEPTX | UEPSX | 5.55 | 0.00 | 0.00 | | | | | | | |
| | NOTE: Transmission/usage charges associated with POTS circuit switched usage will also apply to circuit switched voice and/or circuit switched data transmission by B-Channels associated with 2-wire ISDN ports. | | | | | | | | | | | | | | |
| | NOTE: Access to B Channel or D Channel Packet capabilities will be available only through BFR/New Business Request Process. Rates for the packet capabilities will be determined via the Bona Fide Request/New Business Request Process. | | | | | | | | | | | | | | |
| | Exchange Ports - 2-Wire ISDN Port -- Channel Profiles | | | UEPTX | UEPSX | 0.00 | 0.00 | 0.00 | | | | | | | |
| | Exchange Ports - 4-Wire ISDN DS1 Port | | | UEPEX | UEPEX | 96.37 | 407.62 | 203.11 | 158.35 | 40.11 | | 54.75 | 54.75 | 11.53 | 11.53 |
| | UNBUNDLED LOCAL SWITCHING, PORT USAGE | | | | | | | | | | | | | | |
| | End Office Switching (Port Usage) | | | | | | | | | | | | | | |
| | End Office Switching Function, Per MOU | | | | | 0.0018 | | | | | | | | | |
| | End Office Trunk Port - Shared, Per MOU | | | | | 0.0002 | | | | | | | | | |
| | Tandem Switching (Port Usage) (Local or Access Tandem) | | | | | | | | | | | | | | |
| | Tandem Switching Function Per MOU | | | | | 0.00063 | | | | | | | | | |
| | Tandem Trunk Port - Shared, Per MOU | | | | | 0.00033 | | | | | | | | | |
| | Common Transport | | | | | | | | | | | | | | |
| | Common Transport - Per Mile, Per MOU | | | | | 0.00001 | | | | | | | | | |
| | Common Transport - Facilities Termination Per MOU | | | | | 0.00045 | | | | | | | | | |
| | UNBUNDLED PORT/LOOP COMBINATIONS - COST BASED RATES | | | | | | | | | | | | | | |
| | Cost Based Rates are applied where BellSouth is required by FCC and/or State Commission rule to provide Unbundled Local Switching or Switch Ports. | | | | | | | | | | | | | | |
| | Features shall apply to the Unbundled Port/Loop Combination - Cost Based Rate section in the same manner as they are applied to the Stand-Alone Unbundled Port section of this Rate Exhibit. | | | | | | | | | | | | | | |
| | End Office and Tandem Switching Usage and Common Transport Usage rates in the Port section of this rate exhibit shall apply to all combinations of loop/port network elements except for UNE Coin Port/Loop Combinations. | | | | | | | | | | | | | | |
| | For Georgia, Kentucky, Louisiana, Mississippi, South Carolina and Tennessee, the recurring UNE Port and Loop charges listed apply to Currently Combined and Not Currently Combined Combs. The first and additional Port nonrecurring charges apply to Not Currently Combined Combs for all states. In GA, KY, LA, MS, SC and TN these nonrecurring charges are commission ordered cost based rates and in AL, FL and NC these nonrecurring charges are Market Rates and are also listed in the Market Rate section. | | | | | | | | | | | | | | |
| | For Currently Combined Combs in all other states, the nonrecurring charges shall be those identified in the Nonrecurring - Currently Combined sections. | | | | | | | | | | | | | | |
| | 2-WIRE VOICE GRADE LOOP WITH 2-WIRE LINE PORT (RES) | | | | | | | | | | | | | | |
| | UNE Port/Loop Combination Rates | | | | | | | | | | | | | | |
| | 2-Wire VG Loop/Port Combo - Zone 1 | | 1 | | | 16.55 | | | | | | | | | |
| | 2-Wire VG Loop/Port Combo - Zone 2 | | 2 | | | 25.51 | | | | | | | | | |
| | 2-Wire VG Loop/Port Combo - Zone 3 | | 3 | | | 44.44 | | | | | | | | | |
| | UNE Loop Rates | | | | | | | | | | | | | | |
| | 2-Wire Voice Grade Loop (SL1) - Zone 1 | | 1 | UEPRX | UEPLX | 14.35 | | | | | | | | | |
| | 2-Wire Voice Grade Loop (SL1) - Zone 2 | | 2 | UEPRX | UEPLX | 23.31 | | | | | | | | | |
| | 2-Wire Voice Grade Loop (SL1) - Zone 3 | | 3 | UEPRX | UEPLX | 42.24 | | | | | | | | | |
| | 2-Wire Voice Grade Line Port Rates (Res) | | | | | | | | | | | | | | |
| | 2-Wire voice unbundled port - residence | | | UEPRX | UEPRL | 2.20 | 90.00 | 90.00 | | | | 40.71 | 9.58 | | |

| UNBUNDLED NETWORK ELEMENTS - Alabama | | | | | | | | | | | Attachment: 2 | | Exhibit: B | | | | | | | | |
|--------------------------------------|--|---------|------|-------|-------|-----------|----------------------------------|--------------------------------------|--|--|---|---|---------------|--------------|-------|-------------------------|-------|-------|-------|-------|-------|
| CATEGORY | RATE ELEMENTS | Interim | Zone | BCS | USOC | RATES(\$) | Svc Order Submitted Elec per LSR | Svc Order Submitted Manually per LSR | Incremental Charge - Manual Svc Order vs. Electronic-1st | Incremental Charge - Manual Svc Order vs. Electronic-Add'l | Incremental Charge - Manual Svc Order vs. Electronic-Disc 1st | Incremental Charge - Manual Svc Order vs. Electronic-Disc Add'l | OSS Rates(\$) | | | | | | | | |
| | | | | | | | | | | | | | Rec | Nonrecurring | | Nonrecurring Disconnect | | SOMEc | SOMAN | SOMAN | SOMAN |
| | | | | | | | | | | | | | First | Add'l | First | Add'l | SOMEc | SOMAN | SOMAN | SOMAN | |
| | 2-Wire voice unbundled port with Caller ID - res | | | UEPRX | UEPRC | 2.20 | | | | | | | 90.00 | 90.00 | | | | | | 40.71 | 9.58 |
| | 2-Wire voice unbundled port outgoing only - res | | | UEPRX | UEPRO | 2.20 | | | | | | | 90.00 | 90.00 | | | | | | 40.71 | 9.58 |
| | 2-Wire voice Grade unbundled Alabama extended local dialing parity port with Caller ID - res | | | UEPRX | UEPAR | 2.20 | | | | | | | 90.00 | 90.00 | | | | | | 40.71 | 9.58 |
| | 2-Wire voice unbundles res, low usage line port with Caller ID (LUM) | | | UEPRX | UEPAP | 2.20 | | | | | | | 90.00 | 90.00 | | | | | | 40.71 | 9.58 |
| | FEATURES | | | | | | | | | | | | | | | | | | | | |
| | All Features Offered | | | UEPRX | UEPVF | 5.55 | | | | | | | 0.00 | 0.00 | | | | | | 40.71 | 9.58 |
| | LOCAL NUMBER PORTABILITY | | | | | | | | | | | | | | | | | | | | |
| | Local Number Portability (1 per port) | | | UEPRX | LNPCX | 0.35 | | | | | | | | | | | | | | | |
| | NONRECURRING CHARGES (NRCs) - CURRENTLY COMBINED | | | | | | | | | | | | | | | | | | | | |
| | 2-Wire Voice Grade Loop / Line Port Combination - Conversion - Switch-as-is | | | UEPRX | USAC2 | | | | | | | | 2.80 | 0.41 | | | | | | 40.71 | 9.58 |
| | 2-Wire Voice Grade Loop / Line Port Combination - Conversion - Switch with change | | | UEPRX | USACC | | | | | | | | 2.80 | 0.41 | | | | | | 40.71 | 9.58 |
| | 2-Wire Voice Grade Loop / Line Port Combination - Conversion - Subsequent Database Update | | | | | | | | | | | | 1.44 | | | | | | | 8.25 | |
| | ADDITIONAL NRCs | | | | | | | | | | | | | | | | | | | | |
| | 2-Wire Voice Grade Loop/Line Port Combination - Subsequent Activity | | | UEPRX | USAS2 | 0.00 | | | | | | | 0.00 | 0.00 | | | | | | 40.71 | 9.58 |
| | 2-WIRE VOICE GRADE LOOP WITH 2-WIRE LINE PORT (BUS) | | | | | | | | | | | | | | | | | | | | |
| | UNE Port/Loop Combination Rates | | | | | | | | | | | | | | | | | | | | |
| | 2-Wire VG Loop/Port Combo - Zone 1 | | 1 | | | 16.55 | | | | | | | | | | | | | | | |
| | 2-Wire VG Loop/Port Combo - Zone 2 | | 2 | | | 25.51 | | | | | | | | | | | | | | | |
| | 2-Wire VG Loop/Port Combo - Zone 3 | | 3 | | | 44.44 | | | | | | | | | | | | | | | |
| | UNE Loop Rates | | | | | | | | | | | | | | | | | | | | |
| | 2-Wire Voice Grade Loop (SL1) - Zone 1 | | 1 | UEPBX | UEPLX | 14.35 | | | | | | | | | | | | | | | |
| | 2-Wire Voice Grade Loop (SL1) - Zone 2 | | 2 | UEPBX | UEPLX | 23.31 | | | | | | | | | | | | | | | |
| | 2-Wire Voice Grade Loop (SL1) - Zone 3 | | 3 | UEPBX | UEPLX | 42.24 | | | | | | | | | | | | | | | |
| | 2-Wire Voice Grade Line Port (Bus) | | | | | | | | | | | | | | | | | | | | |
| | 2-Wire voice unbundled port without Caller ID - bus | | | UEPBX | UEPBL | 2.20 | | | | | | | 90.00 | 90.00 | | | | | | 40.71 | 9.58 |
| | 2-Wire voice unbundled port with Caller + E484 ID - bus | | | UEPBX | UEPBC | 2.20 | | | | | | | 90.00 | 90.00 | | | | | | 40.71 | 9.58 |
| | 2-Wire voice unbundled port outgoing only - bus | | | UEPBX | UEPBO | 2.20 | | | | | | | 90.00 | 90.00 | | | | | | 40.71 | 9.58 |
| | 2-Wire voice Grade unbundled Alabama extended local dialing parity port with Caller ID - bus | | | UEPBX | UEPAW | 2.20 | | | | | | | 90.00 | 90.00 | | | | | | 40.71 | 9.58 |
| | 2-Wire voice unbundled incoming only port with Caller ID - Bus | | | UEPBX | UEPB1 | 2.20 | | | | | | | 90.00 | 90.00 | | | | | | 40.71 | 9.58 |
| | LOCAL NUMBER PORTABILITY | | | | | | | | | | | | | | | | | | | | |
| | Local Number Portability (1 per port) | | | UEPBX | LNPCX | 0.35 | | | | | | | | | | | | | | | |
| | FEATURES | | | | | | | | | | | | | | | | | | | | |
| | All Features Offered | | | UEPBX | UEPVF | 5.55 | | | | | | | 0.00 | 0.00 | | | | | | 40.71 | 9.58 |
| | NONRECURRING CHARGES (NRCs) - CURRENTLY COMBINED | | | | | | | | | | | | | | | | | | | | |
| | 2-Wire Voice Grade Loop / Line Port Combination - Conversion - Switch-as-is | | | UEPBX | USAC2 | | | | | | | | 2.80 | 0.41 | | | | | | 40.71 | 9.58 |
| | 2-Wire Voice Grade Loop / Line Port Combination - Conversion - Switch with change | | | UEPBX | USACC | | | | | | | | 2.80 | 0.41 | | | | | | 40.71 | 9.58 |
| | 2-Wire Voice Grade Loop / Line Port Combination - Conversion - Subsequent Database Update | | | | | | | | | | | | 1.44 | | | | | | | 8.25 | |
| | ADDITIONAL NRCs | | | | | | | | | | | | | | | | | | | | |
| | 2-Wire Voice Grade Loop/Line Port Combination - Subsequent Activity | | | UEPBX | USAS2 | | | | | | | | 0.00 | 0.00 | | | | | | 40.71 | 9.58 |
| | 2-WIRE VOICE GRADE LOOP WITH 2-WIRE LINE PORT (RES - PBX) | | | | | | | | | | | | | | | | | | | | |
| | UNE Port/Loop Combination Rates | | | | | | | | | | | | | | | | | | | | |
| | 2-Wire VG Loop/Port Combo - Zone 1 | | 1 | | | 16.55 | | | | | | | | | | | | | | | |
| | 2-Wire VG Loop/Port Combo - Zone 2 | | 2 | | | 25.51 | | | | | | | | | | | | | | | |
| | 2-Wire VG Loop/Port Combo - Zone 3 | | 3 | | | 44.44 | | | | | | | | | | | | | | | |
| | UNE Loop Rates | | | | | | | | | | | | | | | | | | | | |
| | 2-Wire Voice Grade Loop (SL 1) - Zone 1 | | 1 | UEPRG | UEPLX | 14.35 | | | | | | | | | | | | | | | |
| | 2-Wire Voice Grade Loop (SL 1) - Zone 2 | | 2 | UEPRG | UEPLX | 23.31 | | | | | | | | | | | | | | | |
| | 2-Wire Voice Grade Loop (SL 1) - Zone 3 | | 3 | UEPRG | UEPLX | 42.24 | | | | | | | | | | | | | | | |

| UNBUNDLED NETWORK ELEMENTS - Alabama | | | | | | | | | | Attachment: 2 | | Exhibit: B | | | |
|--|---|---------|------|-------|-------|-----------|--------------|----------------------------------|--------------------------------------|--|--|---|---|-------------------------|-------|
| CATEGORY | RATE ELEMENTS | Interim | Zone | BCS | USOC | RATES(\$) | | Svc Order Submitted Elec per LSR | Svc Order Submitted Manually per LSR | Incremental Charge - Manual Svc Order vs. Electronic-1st | Incremental Charge - Manual Svc Order vs. Electronic-Add'l | Incremental Charge - Manual Svc Order vs. Electronic-Disc 1st | Incremental Charge - Manual Svc Order vs. Electronic-Disc Add'l | | |
| | | | | | | Rec | Nonrecurring | | | | | | | Nonrecurring Disconnect | |
| | | | | | | First | Add'l | First | Add'l | SOMEC | SOMAN | SOMAN | SOMAN | SOMAN | SOMAN |
| 2-Wire Voice Grade Line Port Rates (RES - PBX) | | | | | | | | | | | | | | | |
| | 2-Wire VG Unbundled Combination 2-Way PBX Trunk Port - Res | | | UEPRG | UEPRD | 2.20 | 90.00 | 90.00 | | | | 40.71 | 9.58 | | |
| LOCAL NUMBER PORTABILITY | | | | | | | | | | | | | | | |
| | Local Number Portability (1 per port) | | | UEPRG | LNPCP | 3.15 | 0.00 | 0.00 | | | | 40.71 | 9.58 | | |
| FEATURES | | | | | | | | | | | | | | | |
| | All Features Offered | | | UEPRG | UEPVF | 5.55 | 0.00 | 0.00 | | | | 40.71 | 9.58 | | |
| NONRECURRING CHARGES (NRCs) - CURRENTLY COMBINED | | | | | | | | | | | | | | | |
| | 2-Wire Voice Grade Loop/ Line Port Combination (PBX) - Conversion - Switch-As-Is | | | UEPRG | USAC2 | | 2.80 | 0.41 | | | | 40.71 | 9.58 | | |
| | 2-Wire Voice Grade Loop/ Line Port Combination (PBX) - Conversion - Switch with Change | | | UEPRG | USACC | | 2.80 | 0.41 | | | | 40.71 | 9.58 | | |
| | 2-Wire Voice Grade Loop / Line Port Combination - Conversion - Subsequent Database Update | | | | | | 1.44 | | | | | 8.25 | | | |
| ADDITIONAL NRCs | | | | | | | | | | | | | | | |
| | 2-Wire Voice Grade Loop/ Line Port Combination (PBX) - Subsequent Activity | | | UEPRG | USAS2 | 0.00 | 0.00 | 0.00 | | | | 40.71 | 9.58 | | |
| | PBX Subsequent Activity - Change/Rearrange Multiline Hunt Group | | | | | | 14.64 | 14.64 | | | | 40.71 | 9.58 | | |
| 2-WIRE VOICE GRADE LOOP WITH 2-WIRE LINE PORT (BUS - PBX) | | | | | | | | | | | | | | | |
| UNE Port/Loop Combination Rates | | | | | | | | | | | | | | | |
| | 2-Wire VG Loop/Port Combo - Zone 1 | | 1 | | | 16.55 | | | | | | | | | |
| | 2-Wire VG Loop/Port Combo - Zone 2 | | 2 | | | 25.51 | | | | | | | | | |
| | 2-Wire VG Loop/Port Combo - Zone 3 | | 3 | | | 44.44 | | | | | | | | | |
| UNE Loop Rates | | | | | | | | | | | | | | | |
| | 2-Wire Voice Grade Loop (SL 1) - Zone 1 | | 1 | UEPPX | UEPLX | 14.35 | | | | | | | | | |
| | 2-Wire Voice Grade Loop (SL 1) - Zone 2 | | 2 | UEPPX | UEPLX | 23.31 | | | | | | | | | |
| | 2-Wire Voice Grade Loop (SL 1) - Zone 3 | | 3 | UEPPX | UEPLX | 42.24 | | | | | | | | | |
| 2-Wire Voice Grade Line Port Rates (BUS - PBX) | | | | | | | | | | | | | | | |
| | Line Side Unbundled Combination 2-Way PBX Trunk Port - Bus | | | UEPPX | UEPPC | 2.20 | 90.00 | 90.00 | | | | 40.71 | 9.58 | | |
| | Line Side Unbundled Outward PBX Trunk Port - Bus | | | UEPPX | UEPPO | 2.20 | 90.00 | 90.00 | | | | 40.71 | 9.58 | | |
| | Line Side Unbundled Incoming PBX Trunk Port - Bus | | | UEPPX | UEPP1 | 2.20 | 90.00 | 90.00 | | | | 40.71 | 9.58 | | |
| | 2-Wire Voice Unbundled 2-Way Combination PBX Alabama Calling Port | | | UEPPX | UEPA2 | 2.20 | 90.00 | 90.00 | | | | 40.71 | 9.58 | | |
| | 2-Wire Voice Unbundled PBX LD Terminal Ports | | | UEPPX | UEPLD | 2.20 | 90.00 | 90.00 | | | | 27.37 | 9.58 | | |
| | 2-Wire Voice Unbundled 2-Way Combination PBX Usage Port | | | UEPPX | UEPXA | 2.20 | 90.00 | 90.00 | | | | 40.71 | 9.58 | | |
| | 2-Wire Voice Unbundled PBX Toll Terminal Hotel Ports | | | UEPPX | UEPXB | 2.20 | 90.00 | 90.00 | | | | 40.71 | 9.58 | | |
| | 2-Wire Voice Unbundled PBX LD DDD Terminals Port | | | UEPPX | UEPXC | 2.20 | 90.00 | 90.00 | | | | 40.71 | 9.58 | | |
| | 2-Wire Voice Unbundled PBX LD Terminal Switchboard Port | | | UEPPX | UEPXD | 2.20 | 90.00 | 90.00 | | | | 40.71 | 9.58 | | |
| | 2-Wire Voice Unbundled PBX LD Terminal Switchboard IDD Capable Port | | | UEPPX | UEPXE | 2.20 | 90.00 | 90.00 | | | | 40.71 | 9.58 | | |
| | 2-Wire Voice Unbundled 2-Way PBX Hotel/Hospital Economy Administrative Calling Port | | | UEPPX | UEPXL | 2.20 | 90.00 | 90.00 | | | | 40.71 | 9.58 | | |
| | 2-Wire Voice Unbundled 2-Way PBX Hotel/Hospital Economy Room Calling Port | | | UEPPX | UEPXM | 2.20 | 90.00 | 90.00 | | | | 40.71 | 9.58 | | |
| | 2-Wire Voice Unbundled 1-Way Outgoing PBX Hotel/Hospital Discount Room Calling Port | | | UEPPX | UEPXO | 2.20 | 90.00 | 90.00 | | | | 40.71 | 9.58 | | |
| | 2-Wire Voice Unbundled 1-Way Outgoing PBX Measured Port | | | UEPPX | UEPXS | 2.20 | 90.00 | 90.00 | | | | 40.71 | 9.58 | | |
| LOCAL NUMBER PORTABILITY | | | | | | | | | | | | | | | |
| | Local Number Portability (1 per port) | | | UEPPX | LNPCP | 3.15 | 0.00 | 0.00 | | | | 40.71 | 9.58 | | |
| FEATURES | | | | | | | | | | | | | | | |
| | All Features Offered | | | UEPPX | UEPVF | 5.55 | 0.00 | 0.00 | | | | 40.71 | 9.58 | | |
| NONRECURRING CHARGES (NRCs) - CURRENTLY COMBINED | | | | | | | | | | | | | | | |
| | 2-Wire Voice Grade Loop/ Line Port Combination (PBX) - Conversion - Switch-As-Is | | | UEPPX | USAC2 | | 2.80 | 0.41 | | | | 40.71 | 9.58 | | |
| | 2-Wire Voice Grade Loop/ Line Port Combination (PBX) - Conversion - Switch with Change | | | UEPPX | USACC | | 2.80 | 0.41 | | | | 40.71 | 9.58 | | |

| UNBUNDLED NETWORK ELEMENTS - Alabama | | | | | | | | | | | Attachment: 2 | | Exhibit: B | | | | | | | | | |
|--|--|---------|------|-------|-------|-----------|----------------------------------|--------------------------------------|--|--|---|---|---------------|--------------|-------|-------------------------|--|-------|-------|-------|-------|-------|
| CATEGORY | RATE ELEMENTS | Interim | Zone | BCS | USOC | RATES(\$) | Svc Order Submitted Elec per LSR | Svc Order Submitted Manually per LSR | Incremental Charge - Manual Svc Order vs. Electronic-1st | Incremental Charge - Manual Svc Order vs. Electronic-Add'l | Incremental Charge - Manual Svc Order vs. Electronic-Disc 1st | Incremental Charge - Manual Svc Order vs. Electronic-Disc Add'l | OSS Rates(\$) | | | | | | | | | |
| | | | | | | | | | | | | | Rec | Nonrecurring | | Nonrecurring Disconnect | | SOMEc | SOMAN | SOMAN | SOMAN | SOMAN |
| | | | | | | | | | | | | | First | Add'l | First | Add'l | | | | | | |
| | 2-Wire Voice Grade Loop / Line Port Combination - Conversion - Subsequent Database Update | | | | | | | | | | | | 1.44 | | | | | | | 8.25 | | |
| ADDITIONAL NRCS | | | | | | | | | | | | | | | | | | | | | | |
| | 2-Wire Voice Grade Loop/ Line Port Combination (PBX) - Subsequent Activity | | | UEPPX | USAS2 | 0.00 | | | | | | | 0.00 | 0.00 | | | | | | 40.71 | 9.58 | |
| | PBX Subsequent Activity - Change/Rearrange Multiline Hunt Group | | | | | | | | | | | | 14.64 | 14.64 | | | | | | 40.71 | 9.58 | |
| 2-WIRE VOICE GRADE LOOP WITH 2-WIRE ANALOG LINE COIN PORT | | | | | | | | | | | | | | | | | | | | | | |
| UNE Port/Loop Combination Rates | | | | | | | | | | | | | | | | | | | | | | |
| | 2-Wire VG Coin Port/Loop Combo - Zone 1 | | 1 | | | 16.88 | | | | | | | | | | | | | | | | |
| | 2-Wire VG Coin Port/Loop Combo - Zone 2 | | 2 | | | 25.84 | | | | | | | | | | | | | | | | |
| | 2-Wire VG Coin Port/Loop Combo - Zone 3 | | 3 | | | 44.77 | | | | | | | | | | | | | | | | |
| UNE Loop Rates | | | | | | | | | | | | | | | | | | | | | | |
| | 2-Wire Voice Grade Loop (SL1) - Zone 1 | | 1 | UEPCO | UEPLX | 14.35 | | | | | | | | | | | | | | | | |
| | 2-Wire Voice Grade Loop (SL1) - Zone 2 | | 2 | UEPCO | UEPLX | 23.31 | | | | | | | | | | | | | | | | |
| | 2-Wire Voice Grade Loop (SL1) - Zone 3 | | 3 | UEPCO | UEPLX | 42.24 | | | | | | | | | | | | | | | | |
| 2-Wire Voice Grade Line Ports (COIN) | | | | | | | | | | | | | | | | | | | | | | |
| | 2-Wire Coin 2-Way without Operator Screening and without Blocking (AL, KY, LA, MS) | | | UEPCO | UEPRF | 2.53 | 90.00 | 90.00 | | | | | 40.71 | 9.58 | | | | | | 40.71 | 9.58 | |
| | 2-Wire Coin 2-Way with Operator Screening (AL, KY) | | | UEPCO | UEPRE | 2.53 | 90.00 | 90.00 | | | | | 40.71 | 9.58 | | | | | | 40.71 | 9.58 | |
| | 2-Wire Coin 2-Way with Operator Screening and Blocking: 011, 900/976, 1+DDD (AL, KY, LA, MS) | | | UEPCO | UEPRA | 2.53 | 90.00 | 90.00 | | | | | 40.71 | 9.58 | | | | | | 40.71 | 9.58 | |
| | 2-Wire Coin 2-Way with Operator Screening and 011 Blocking (AL, LA, MS) | | | UEPCO | UEPRB | 2.53 | 90.00 | 90.00 | | | | | 40.71 | 9.58 | | | | | | 40.71 | 9.58 | |
| | 2-Wire Coin 2-Way with Operator Screening & Blocking: 900/976, 1+DDD, 011+, & Local (AL, KY, LA, MS) | | | UEPCO | UEPCD | 2.53 | 90.00 | 90.00 | | | | | 40.71 | 9.58 | | | | | | 40.71 | 9.58 | |
| | 2-Wire Coin Outward with Operator Screening and 011 Blocking (AL, FL) | | | UEPCO | UEPRK | 2.53 | 90.00 | 90.00 | | | | | 40.71 | 9.58 | | | | | | 40.71 | 9.58 | |
| | 2-Wire Coin Outward with Operator Screening and Blocking: 011, 900/976, 1+DDD (AL, KY, LA, MS) | | | UEPCO | UEPRH | 2.53 | 90.00 | 90.00 | | | | | 40.71 | 9.58 | | | | | | 40.71 | 9.58 | |
| | 2-Wire Coin Outward Operator Screening & Blocking: 900/976, 1+DDD, 011+, and Local (AL, KY, LA, MS) | | | UEPCO | UEPCN | 2.53 | 90.00 | 90.00 | | | | | 40.71 | 9.58 | | | | | | 40.71 | 9.58 | |
| | 2-Wire 2-Way Smartline with 900/976 (all states except LA) | | | UEPCO | UEPCK | 2.53 | 90.00 | 90.00 | | | | | 40.71 | 9.58 | | | | | | 40.71 | 9.58 | |
| | 2-Wire Coin Outward Smartline with 900/976 (all states except LA) | | | UEPCO | UEPCR | 2.53 | 90.00 | 90.00 | | | | | 40.71 | 9.58 | | | | | | 40.71 | 9.58 | |
| ADDITIONAL UNE COIN PORT/LOOP (RC) | | | | | | | | | | | | | | | | | | | | | | |
| | UNE Coin Port/Loop Combo Usage (Flat Rate) | | | UEPCO | URECU | 1.56 | 90.00 | 90.00 | | | | | 40.71 | 9.58 | | | | | | 40.71 | 9.58 | |
| LOCAL NUMBER PORTABILITY | | | | | | | | | | | | | | | | | | | | | | |
| | Local Number Portability (1 per port) | | | UEPCO | LNPCX | 0.35 | | | | | | | | | | | | | | | | |
| NONRECURRING CHARGES - CURRENTLY COMBINED | | | | | | | | | | | | | | | | | | | | | | |
| | 2-Wire Voice Grade Loop / Line Port Combination - Conversion - Switch-as-is | | | UEPCO | USAC2 | | 2.80 | 0.41 | | | | | 40.71 | 9.58 | | | | | | 40.71 | 9.58 | |
| | 2-Wire Voice Grade Loop / Line Port Combination - Conversion - Switch with change | | | UEPCO | USACC | | 2.80 | 0.41 | | | | | 40.71 | 9.58 | | | | | | 40.71 | 9.58 | |
| ADDITIONAL NRCS | | | | | | | | | | | | | | | | | | | | | | |
| | 2-Wire Voice Grade Loop/Line Port Combination - Subsequent Activity | | | UEPCO | USAS2 | | 0.00 | 0.00 | | | | | 40.71 | 9.58 | | | | | | 40.71 | 9.58 | |
| UNBUNDLED REMOTE CALL FORWARDING - RES | | | | | | | | | | | | | | | | | | | | | | |
| Non-Recurring | | | | | | | | | | | | | | | | | | | | | | |
| UNBUNDLED REMOTE CALL FORWARDING - Bus | | | | | | | | | | | | | | | | | | | | | | |
| | Unbundled Remote Call Forwarding, InterState/Intra LATA-Bus | | | UEPVB | UERTR | 2.07 | 21.93 | 21.93 | | | | | 27.37 | 12.97 | 17.77 | 1.44 | | | | | | |
| Non-Recurring | | | | | | | | | | | | | | | | | | | | | | |
| 2-WIRE VOICE LOOP/ 2WIRE VOICE GRADE IO TRANSPORT/ 2-WIRE LINE PORT (RES) | | | | | | | | | | | | | | | | | | | | | | |
| | 2-Wire voice unbundles res, low usage line port with Caller ID (LUM) | | | UEPFR | UEPAP | 2.07 | 225.00 | 175.00 | | | | | 40.71 | 9.58 | | | | | | | | |
| 2-WIRE VOICE LOOP/ 2WIRE VOICE GRADE IO TRANSPORT/ 2-WIRE LINE PORT (BUS) | | | | | | | | | | | | | | | | | | | | | | |
| UNBUNDLED PORT/LOOP COMBINATIONS - COST BASED RATES | | | | | | | | | | | | | | | | | | | | | | |
| 2-WIRE VOICE GRADE LOOP- BUS ONLY - WITH 2-WIRE DID TRUNK PORT | | | | | | | | | | | | | | | | | | | | | | |
| UNE Port/Loop Combination Rates | | | | | | | | | | | | | | | | | | | | | | |

| UNBUNDLED NETWORK ELEMENTS - Alabama | | | | | | | | | | Attachment: 2 | | Exhibit: B | | | | | | | | | | | | | |
|---|---|---------|------|-------|-------|-----------|----------------------------------|--------------------------------------|--|--|---|---|---------------|--------------|-------|-------------------------|--|-------|-------|-------|-------|-------|-------|--|--|
| CATEGORY | RATE ELEMENTS | Interim | Zone | BCS | USOC | RATES(\$) | Svc Order Submitted Elec per LSR | Svc Order Submitted Manually per LSR | Incremental Charge - Manual Svc Order vs. Electronic-1st | Incremental Charge - Manual Svc Order vs. Electronic-Add'l | Incremental Charge - Manual Svc Order vs. Electronic-Disc 1st | Incremental Charge - Manual Svc Order vs. Electronic-Disc Add'l | OSS Rates(\$) | | | | | | | | | | | | |
| | | | | | | | | | | | | | Rec | Nonrecurring | | Nonrecurring Disconnect | | SOMEC | SOMAN | SOMAN | SOMAN | SOMAN | SOMAN | | |
| | | | | | | | | | | | | | First | Add'l | First | Add'l | | | | | | | | | |
| | 2-Wire VG Loop/2-Wire DID Trunk Port Combo - UNE Zone 1 | | 1 | | | 29.59 | | | | | | | | | | | | | | | | | | | |
| | 2-Wire VG Loop/2-Wire DID Trunk Port Combo - UNE Zone 2 | | 2 | | | 36.58 | | | | | | | | | | | | | | | | | | | |
| | 2-Wire VG Loop/2-Wire DID Trunk Port Combo - UNE Zone 3 | | 3 | | | 45.06 | | | | | | | | | | | | | | | | | | | |
| UNE Loop Rates | | | | | | | | | | | | | | | | | | | | | | | | | |
| | 2-Wire Analog Voice Grade Loop - (SL2) - UNE Zone 1 | | 1 | UEPPX | UECD1 | 20.42 | | | | | | | | | | | | | | | | | | | |
| | 2-Wire Analog Voice Grade Loop - (SL2) - UNE Zone 2 | | 2 | UEPPX | UECD1 | 27.41 | | | | | | | | | | | | | | | | | | | |
| | 2-Wire Analog Voice Grade Loop - (SL2) - UNE Zone 3 | | 3 | UEPPX | UECD1 | 35.89 | | | | | | | | | | | | | | | | | | | |
| UNE Port Rate | | | | | | | | | | | | | | | | | | | | | | | | | |
| | Exchange Ports - 2-Wire DID Port | | | UEPPX | UEPD1 | 9.17 | | | | | | | 600.00 | 45.00 | | | | | | | 40.71 | 9.58 | | | |
| NONRECURRING CHARGES - CURRENTLY COMBINED | | | | | | | | | | | | | | | | | | | | | | | | | |
| | 2-Wire Voice Grade Loop / 2-Wire DID Trunk Port Combination - Switch-as-is | | | UEPPX | USAC1 | | | | | | | | 14.61 | 3.73 | | | | | | | 40.71 | 9.58 | | | |
| | 2-Wire Voice Grade Loop / 2-Wire DID Trunk Port Conversion with BellSouth Allowable Changes | | | UEPPX | USA1C | | | | | | | | 14.61 | 3.73 | | | | | | | 40.71 | 9.58 | | | |
| ADDITIONAL NRCs | | | | | | | | | | | | | | | | | | | | | | | | | |
| | 2-Wire DID Subsequent Activity - Add Trunks, Per Trunk | | | UEPPX | USAS1 | | | | | | | | 53.56 | 53.56 | | | | | | | 40.71 | 9.58 | | | |
| Telephone Number/Trunk Group Establishment Charges | | | | | | | | | | | | | | | | | | | | | | | | | |
| | DID Trunk Termination (One Per Port) | | | UEPPX | NDT | 0.00 | | | | | | | 0.00 | 0.00 | | | | | | | | | | | |
| | Additional DID Numbers for each Group of 20 DID Numbers | | | UEPPX | ND4 | 0.00 | | | | | | | 0.00 | 0.00 | | | | | | | | | | | |
| | DID Numbers, Non- consecutive DID Numbers , Per Number | | | UEPPX | ND5 | 0.00 | | | | | | | 0.00 | 0.00 | | | | | | | | | | | |
| | Reserve Non-Consecutive DID numbers | | | UEPPX | ND6 | 0.00 | | | | | | | 0.00 | 0.00 | | | | | | | | | | | |
| | Reserve DID Numbers | | | UEPPX | NDV | 0.00 | | | | | | | 0.00 | 0.00 | | | | | | | | | | | |
| LOCAL NUMBER PORTABILITY | | | | | | | | | | | | | | | | | | | | | | | | | |
| | Local Number Portability (1 per port) | | | UEPPX | LNPCP | 3.15 | | | | | | | 0.00 | 0.00 | | | | | | | | | | | |
| 2-WIRE ISDN DIGITAL GRADE LOOP WITH 2-WIRE ISDN DIGITAL LINE SIDE PORT | | | | | | | | | | | | | | | | | | | | | | | | | |
| UNE Port/Loop Combination Rates | | | | | | | | | | | | | | | | | | | | | | | | | |
| | 2W ISDN Digital Grade Loop/2W ISDN Digital Line Side Port - UNE Zone 1 | | 1 | UEPPB | UEPPR | 36.62 | | | | | | | | | | | | | | | | | | | |
| | 2W ISDN Digital Grade Loop/2W ISDN Digital Line Side Port - UNE Zone 2 | | 2 | UEPPB | UEPPR | 44.49 | | | | | | | | | | | | | | | | | | | |
| | 2W ISDN Digital Grade Loop/2W ISDN Digital Line Side Port - UNE Zone 3 | | 3 | UEPPB | UEPPR | 55.39 | | | | | | | | | | | | | | | | | | | |
| UNE Loop Rates | | | | | | | | | | | | | | | | | | | | | | | | | |
| | 2-Wire ISDN Digital Grade Loop - UNE Zone 1 | | 1 | UEPPB | UEPPR | USL2X | 27.20 | | | | | | | | | | | | | | 40.71 | 9.58 | | | |
| | 2-Wire ISDN Digital Grade Loop - UNE Zone 2 | | 2 | UEPPB | UEPPR | USL2X | 35.07 | | | | | | | | | | | | | | 40.71 | 9.58 | | | |
| | 2-Wire ISDN Digital Grade Loop - UNE Zone 3 | | 3 | UEPPB | UEPPR | USL2X | 45.97 | | | | | | | | | | | | | | 40.71 | 9.58 | | | |
| UNE Port Rate | | | | | | | | | | | | | | | | | | | | | | | | | |
| | Exchange Port - 2-Wire ISDN Line Side Port | | | UEPPB | UEPPR | UEPPB | 9.42 | | | | | | 525.00 | 400.00 | | | | | | | 40.71 | 9.58 | | | |
| NONRECURRING CHARGES - CURRENTLY COMBINED | | | | | | | | | | | | | | | | | | | | | | | | | |
| | 2-Wire ISDN Digital Grade Loop / 2-Wire ISDN Line Side Port Combination - Conversion | | | UEPPB | UEPPR | USACB | 0.00 | | | | | | 77.01 | 54.04 | | | | | | | 40.71 | 9.58 | | | |
| ADDITIONAL NRCs | | | | | | | | | | | | | | | | | | | | | | | | | |
| LOCAL NUMBER PORTABILITY | | | | | | | | | | | | | | | | | | | | | | | | | |
| | Local Number Portability (1 per port) | | | UEPPB | UEPPR | LNPCX | 0.35 | | | | | | 0.00 | 0.00 | | | | | | | | | | | |
| B-CHANNEL USER PROFILE ACCESS: | | | | | | | | | | | | | | | | | | | | | | | | | |
| | CVS/CSD (DMS/5ESS) | | | UEPPB | UEPPR | U1UCA | 0.00 | | | | | | 0.00 | 0.00 | | | | | | | | | | | |
| | CVS (EWSD) | | | UEPPB | UEPPR | U1UCB | 0.00 | | | | | | 0.00 | 0.00 | | | | | | | | | | | |
| | CSD | | | UEPPB | UEPPR | U1UCC | 0.00 | | | | | | 0.00 | 0.00 | | | | | | | | | | | |
| B-CHANNEL AREA PLUS USER PROFILE ACCESS: (AL,KY,LA,MS SC,MS, & TN) | | | | | | | | | | | | | | | | | | | | | | | | | |
| | CVS/CSD (DMS/5ESS) | | | UEPPB | UEPPR | U1UCD | 0.00 | | | | | | 0.00 | 0.00 | | | | | | | | | | | |
| | CVS (EWSD) | | | UEPPB | UEPPR | U1UCE | 0.00 | | | | | | 0.00 | 0.00 | | | | | | | | | | | |
| | CSD | | | UEPPB | UEPPR | U1UCF | 0.00 | | | | | | 0.00 | 0.00 | | | | | | | | | | | |
| USER TERMINAL PROFILE | | | | | | | | | | | | | | | | | | | | | | | | | |
| | User Terminal Profile (EWSD only) | | | UEPPB | UEPPR | U1UMA | 0.00 | | | | | | 0.00 | 0.00 | | | | | | | | | | | |
| VERTICAL FEATURES | | | | | | | | | | | | | | | | | | | | | | | | | |
| | All Vertical Features - One per Channel B User Profile | | | UEPPB | UEPPR | UEPVF | 5.55 | | | | | | 0.00 | 0.00 | | | | | | | 40.71 | 9.58 | | | |
| INTEROFFICE CHANNEL MILEAGE | | | | | | | | | | | | | | | | | | | | | | | | | |

| UNBUNDLED NETWORK ELEMENTS - Alabama | | | | | | | | | | Attachment: 2 | | Exhibit: B | | | | | | | | | | |
|--------------------------------------|--|---------|------|-------------|-------|-----------|----------------------------------|--------------------------------------|--|--|---|---|---------------|--------------|-------|-------------------------|--|-------|-------|-------|-------|-------|
| CATEGORY | RATE ELEMENTS | Interim | Zone | BCS | USOC | RATES(\$) | Svc Order Submitted Elec per LSR | Svc Order Submitted Manually per LSR | Incremental Charge - Manual Svc Order vs. Electronic-1st | Incremental Charge - Manual Svc Order vs. Electronic-Add'l | Incremental Charge - Manual Svc Order vs. Electronic-Disc 1st | Incremental Charge - Manual Svc Order vs. Electronic-Disc Add'l | OSS Rates(\$) | | | | | | | | | |
| | | | | | | | | | | | | | Rec | Nonrecurring | | Nonrecurring Disconnect | | SOMEc | SOMAN | SOMAN | SOMAN | SOMAN |
| | | | | | | | | | | | | | First | Add'l | First | Add'l | | | | | | |
| | Interoffice Channel mileage each, including first mile and facilities termination | | | UEPPB UEPPR | M1GNC | 17.81 | | | | | | | 107.11 | 48.27 | | | | | 40.71 | 9.58 | | |
| | Interoffice Channel mileage each, additional mile | | | UEPPB UEPPR | M1GNM | 0.0339 | | | | | | | 0.00 | 0.00 | | | | | 0.00 | | | |
| | 4-WIRE DS1 DIGITAL LOOP WITH 4-WIRE ISDN DS1 DIGITAL TRUNK PORT | | | | | | | | | | | | | | | | | | | | | |
| | UNE Port/Loop Combination Rates | | | | | | | | | | | | | | | | | | | | | |
| | 4W DS1 Digital Loop/4W ISDN DS1 Digital Trunk Port - UNE Zone 1 | | 1 | UEPPP | | 198.29 | | | | | | | | | | | | | | | | |
| | 4W DS1 Digital Loop/4W ISDN DS1 Digital Trunk Port - UNE Zone 2 | | 2 | UEPPP | | 274.00 | | | | | | | | | | | | | | | | |
| | 4W DS1 Digital Loop/4W ISDN DS1 Digital Trunk Port - UNE Zone 3 | | 3 | UEPPP | | 425.41 | | | | | | | | | | | | | | | | |
| | UNE Loop Rates | | | | | | | | | | | | | | | | | | | | | |
| | 4-Wire DS1 Digital Loop - UNE Zone 1 | | 1 | UEPPP | USL4P | 101.92 | | | | | | | | | | | | | 40.71 | 9.58 | | |
| | 4-Wire DS1 Digital Loop - UNE Zone 2 | | 2 | UEPPP | USL4P | 177.63 | | | | | | | | | | | | | 40.71 | 9.58 | | |
| | 4-Wire DS1 Digital Loop - UNE Zone 3 | | 3 | UEPPP | USL4P | 329.04 | | | | | | | | | | | | | 40.71 | 9.58 | | |
| | UNE Port Rate | | | | | | | | | | | | | | | | | | | | | |
| | Exchange Ports - 4-Wire ISDN DS1 Port | | | UEPPP | UEPPP | 96.37 | | | | | | | 1,150.00 | 1,150.00 | | | | | 40.71 | 9.58 | | |
| | NONRECURRING CHARGES - CURRENTLY COMBINED | | | | | | | | | | | | | | | | | | | | | |
| | 4-Wire DS1 Digital Loop / 4-Wire ISDN DS1 Digital Trunk Port Combination - Conversion -Switch-as-is | | | UEPPP | USACP | 0.00 | | | | | | | 238.13 | 157.11 | | | | | 40.71 | 9.58 | | |
| | ADDITIONAL NRCs | | | | | | | | | | | | | | | | | | | | | |
| | 4-Wire DS1 Loop/4-W ISDN Digtl Trk Port - Subsqt Actvy-Inward/two way tel nos within Std Allowance (except NC) | | | UEPPP | PR7TF | | | | | | | | 0.9801 | | | | | | | | | |
| | 4-Wire DS1 Loop / 4-Wire ISDN DS1 Digital Trunk Port - Outward Tel Numbers (All States except NC) | | | UEPPP | PR7TO | | | | | | | | 23.02 | 23.02 | | | | | | | | |
| | 4-Wire DS1 Loop / 4-Wire ISDN DS1 Digital Trk Port - Subsequent Inward Tel Nos Above Std Allowance | | | UEPPP | PR7ZT | | | | | | | | 46.05 | 46.05 | | | | | | | | |
| | LOCAL NUMBER PORTABILITY | | | | | | | | | | | | | | | | | | | | | |
| | Local Number Portability (1 per port) | | | UEPPP | LNPCN | 1.75 | | | | | | | | | | | | | | | | |
| | INTERFACE (Provisioning Only) | | | | | | | | | | | | | | | | | | | | | |
| | Voice/Data | | | UEPPP | PR71V | 0.00 | | | | | | | 0.00 | 0.00 | | | | | | | | |
| | Digital Data | | | UEPPP | PR71D | 0.00 | | | | | | | 0.00 | 0.00 | | | | | | | | |
| | Inward Data | | | UEPPP | PR71E | 0.00 | | | | | | | 0.00 | 0.00 | | | | | | | | |
| | New or Additional "B" Channel | | | | | | | | | | | | | | | | | | | | | |
| | New or Additional - Voice/Data B Channel | | | UEPPP | PR7BV | 0.00 | | | | | | | 29.05 | 29.05 | | | | | | | | |
| | New or Additional - Digital Data B Channel | | | UEPPP | PR7BF | 0.00 | | | | | | | 29.05 | 29.05 | | | | | | | | |
| | New or Additional Inward Data B Channel | | | UEPPP | PR7BD | 0.00 | | | | | | | 29.05 | 29.05 | | | | | | | | |
| | CALL TYPES | | | | | | | | | | | | | | | | | | | | | |
| | Inward | | | UEPPP | PR7C1 | 0.00 | | | | | | | 0.00 | 0.00 | | | | | | | | |
| | Outward | | | UEPPP | PR7C0 | 0.00 | | | | | | | 0.00 | 0.00 | | | | | | | | |
| | Two-way | | | UEPPP | PR7CC | 0.00 | | | | | | | 0.00 | 0.00 | | | | | | | | |
| | Interoffice Channel Mileage | | | | | | | | | | | | | | | | | | | | | |
| | Fixed Each Including First Mile | | | UEPPP | 1LN1A | 80.382 | | | | | | | 198.15 | 148.18 | 25.44 | | | | 40.71 | 9.58 | | |
| | Each Airline-Fractional Additional Mile | | | UEPPP | 1LN1B | 0.692 | | | | | | | | | | | | | | | | |
| | 4-WIRE DS1 DIGITAL LOOP WITH 4-WIRE DDITS TRUNK PORT | | | | | | | | | | | | | | | | | | | | | |
| | UNE Port/Loop Combination Rates | | | | | | | | | | | | | | | | | | | | | |
| | 4W DS1 Digital Loop/4W DDITS Trunk Port - UNE Zone 1 | | 1 | UEPDC | | 170.59 | | | | | | | | | | | | | | | | |
| | 4W DS1 Digital Loop/4W DDITS Trunk Port - UNE Zone 2 | | 2 | UEPDC | | 246.30 | | | | | | | | | | | | | | | | |
| | 4W DS1 Digital Loop/4W DDITS Trunk Port - UNE Zone 3 | | 3 | UEPDC | | 397.71 | | | | | | | | | | | | | | | | |
| | UNE Loop Rates | | | | | | | | | | | | | | | | | | | | | |
| | 4-Wire DS1 Digital Loop - UNE Zone 1 | | 1 | UEPDC | USLDC | 101.92 | | | | | | | | | | | | | | | | |
| | 4-Wire DS1 Digital Loop - UNE Zone 2 | | 2 | UEPDC | USLDC | 177.63 | | | | | | | | | | | | | | | | |
| | 4-Wire DS1 Digital Loop - UNE Zone 3 | | 3 | UEPDC | USLDC | 329.04 | | | | | | | | | | | | | | | | |
| | UNE Port Rate | | | | | | | | | | | | | | | | | | | | | |
| | 4-Wire DDITS Digital Trunk Port | | | UEPDC | UDD1T | 68.67 | | | | | | | | | | | | | | | | |
| | NONRECURRING CHARGES - CURRENTLY COMBINED | | | | | | | | | | | | | | | | | | | | | |
| | 4-Wire DS1 Digital Loop / 4-Wire DDITS Trunk Port Combination - Switch-as-is | | | UEPDC | USAC4 | | | | | | | | 258.98 | 134.03 | | | | | 40.71 | 9.58 | | |

| UNBUNDLED NETWORK ELEMENTS - Alabama | | | | | | | | | | | Attachment: 2 | | Exhibit: B | | | | | |
|--|--|---------|------|-------|-------|-----------|----------------------------------|--------------------------------------|--|--|---|---|------------|--------------|-------|-------------------------|--|---------------|
| CATEGORY | RATE ELEMENTS | Interim | Zone | BCS | USOC | RATES(\$) | Svc Order Submitted Elec per LSR | Svc Order Submitted Manually per LSR | Incremental Charge - Manual Svc Order vs. Electronic-1st | Incremental Charge - Manual Svc Order vs. Electronic-Add'l | Incremental Charge - Manual Svc Order vs. Electronic-Disc 1st | Incremental Charge - Manual Svc Order vs. Electronic-Disc Add'l | | | | | | |
| | | | | | | | | | | | | | Rec | Nonrecurring | | Nonrecurring Disconnect | | OSS Rates(\$) |
| | | | | | | | First | Add'l | First | Add'l | SOMEc | SOMAN | SOMAN | SOMAN | SOMAN | SOMAN | | |
| | 4-Wire DS1 Digital Loop / 4-Wire DDITS Trunk Port Combination - Conversion with DS1 Changes | | | UEPDC | USAWA | 258.98 | 134.04 | | | | | 40.71 | 9.58 | | | | | |
| | 4-Wire DS1 Digital Loop / 4-Wire DDITS Trunk Port Combination - Conversion with Change - Trunk | | | UEPDC | USAWB | 258.98 | 134.03 | | | | | 40.71 | 9.58 | | | | | |
| ADDITIONAL NRCs | | | | | | | | | | | | | | | | | | |
| | 4-Wire DS1 Loop / 4-Wire DDITS Trunk Port - NRC - Subsequent Channel Activation/Chan - 2-Way Trunk | | | UEPDC | UDTTA | 28.85 | 28.95 | | | | | 40.71 | 9.58 | | | | | |
| | 4-Wire DS1 Loop / 4-Wire DDITS Trunk Port - Subsequent Channel Activation/Chan - 1-Way Outward Trunk | | | UEPDC | UDTTB | 28.85 | 28.85 | | | | | 40.71 | 9.58 | | | | | |
| | 4-Wire DS1 Loop / 4-Wire DDITS Trunk Port - Subsqt Channel Activation/Chan - Inward Trunk w/out DID | | | UEPDC | UDTTC | 28.85 | 28.85 | | | | | 40.71 | 9.58 | | | | | |
| | 4-Wire DS1 Loop / 4-Wire DDITS Trunk Port - Subsqt Chan Activation Per Chan - Inward Trunk with DID | | | UEPDC | UDTTD | 28.85 | 28.85 | | | | | 40.71 | 9.58 | | | | | |
| | 4-Wire DS1 Loop / 4-Wire DDITS Trunk Port - Subsqt Chan Activation / Chan - 2-Way DID w User Trans | | | UEPDC | UDTTE | 28.85 | 28.85 | | | | | 40.71 | 9.58 | | | | | |
| BIPOlar 8 ZERO SUBSTITUTION | | | | | | | | | | | | | | | | | | |
| | B8ZS -Superframe Format | | | UEPDC | CCOSF | 0.00 | 600.00 | | | | | | | | | | | |
| | B8ZS - Extended Superframe Format | | | UEPDC | CCOEF | 0.00 | 600.00 | | | | | | | | | | | |
| Alternate Mark Inversion | | | | | | | | | | | | | | | | | | |
| | AMI -Superframe Format | | | UEPDC | MCOSF | 0.00 | 0.00 | | | | | | | | | | | |
| | AMI - Extended SuperFrame Format | | | UEPDC | MCOPO | 0.00 | 0.00 | | | | | | | | | | | |
| Telephone Number/Trunk Group Establishment Charges | | | | | | | | | | | | | | | | | | |
| | Telephone Number for 2-Way Trunk Group | | | UEPDC | UDTGX | 0.00 | | | | | | | | | | | | |
| | Telephone Number for 1-Way Outward Trunk Group | | | UEPDC | UDTGY | 0.00 | | | | | | | | | | | | |
| | Telephone Number for 1-Way Inward Trunk Group Without DID | | | UEPDC | UDTGZ | 0.00 | | | | | | | | | | | | |
| | DID Numbers for each Group of 20 DID Numbers | | | UEPDC | ND4 | 0.00 | 0.00 | | | | | | | | | | | |
| | DID Numbers, Non- consecutive DID Numbers , Per Number | | | UEPDC | ND5 | 0.00 | | | | | | | | | | | | |
| | Reserve Non-Consecutive DID Nos. | | | UEPDC | ND6 | 0.00 | 0.00 | 0.00 | | | | | | | | | | |
| | Reserve DID Numbers | | | UEPDC | NDV | 0.00 | 0.00 | 0.00 | | | | | | | | | | |
| Dedicated DS1 (Interoffice Channel Mileage) - FX/FCO for 4-Wire DS1 Digital Loop with 4-Wire DDITS Trunk Port | | | | | | | | | | | | | | | | | | |
| | Interoffice Channel Mileage - Fixed rate 0-8 miles (Facilities Termination) | | | UEPDC | 1LNO1 | 79.69 | 198.15 | 148.18 | 25.44 | 20.42 | | 40.71 | 9.58 | | | | | |
| | Interoffice Channel Mileage - Additional rate per mile - 0-8 miles | | | UEPDC | 1LNOA | 0.692 | 0.00 | 0.00 | | | | | | | | | | |
| | Interoffice Channel Mileage - Fixed rate 9-25 miles (Facilities Termination) | | | UEPDC | 1LNO2 | 0.00 | 0.00 | 0.00 | | | | | | | | | | |
| | Interoffice Channel Mileage - Additional rate per mile - 9-25 miles | | | UEPDC | 1LNOB | 0.692 | 0.00 | 0.00 | | | | | | | | | | |
| | Interoffice Channel Mileage - Fixed rate 25+ miles (Facilities Termination) | | | UEPDC | 1LNO3 | 0.00 | 0.00 | 0.00 | 0.00 | | | | | | | | | |
| | Interoffice Channel Mileage - Additional rate per mile - 25+ miles | | | UEPDC | 1LNOC | 0.692 | 0.00 | 0.00 | | | | | | | | | | |
| | Local Number Portability, per DS0 Activated | | | UEPDC | LNPCP | 3.15 | 0.00 | 0.00 | 0.00 | | | | | | | | | |
| | Central Office Terminating Point | | | UEPDC | CTG | 0.00 | | | | | | | | | | | | |
| 4-WIRE DS1 LOOP WITH CHANNELIZATION WITH PORT | | | | | | | | | | | | | | | | | | |
| System is 1 DS1 Loop, 1 D4 Channel Bank, and up to 24 Feature Activations | | | | | | | | | | | | | | | | | | |
| Each System can have up to 24 combinations of rates depending on type and number of ports used | | | | | | | | | | | | | | | | | | |
| UNE DS1 Loop | | | | | | | | | | | | | | | | | | |
| | 4-Wire DS1 Loop - UNE Zone 1 | | 1 | UEPMG | USLDC | 101.92 | 0.00 | 0.00 | | | | | | | | | | |
| | 4-Wire DS1 Loop - UNE Zone 2 | | 2 | UEPMG | USLDC | 177.63 | 0.00 | 0.00 | | | | | | | | | | |
| | 4-Wire DS1 Loop - UNE Zone 3 | | 3 | UEPMG | USLDC | 329.04 | 0.00 | 0.00 | | | | | | | | | | |
| UNE DSO Channelization Capacities (D4 Channel Bank Configurations) | | | | | | | | | | | | | | | | | | |
| | 24 DSO Channel Capacity - 1 per DS1 | | | UEPMG | VUM24 | 115.89 | 0.00 | 0.00 | | | | 40.71 | 9.58 | | | | | |
| | 48 DSO Channel Capacity - 1 per 2 DS1s | | | UEPMG | VUM48 | 231.78 | 0.00 | 0.00 | | | | 40.71 | 9.58 | | | | | |
| | 96 DSO Channel Capacity -1per 4 DS1s | | | UEPMG | VUM96 | 463.56 | 0.00 | 0.00 | | | | 40.71 | 9.58 | | | | | |
| | 144 DSO Channel Capacity - 1 per 6 DS1s | | | UEPMG | VUM14 | 695.34 | 0.00 | 0.00 | | | | 40.71 | 9.58 | | | | | |
| | 192 DSO Channel Capacity -1 per 8 DS1s | | | UEPMG | VUM19 | 980.00 | 0.00 | 0.00 | | | | 40.71 | 9.58 | | | | | |
| | 240 DSO Channel Capacity - 1 per 10 DS1s | | | UEPMG | VUM20 | 1,158.90 | 0.00 | 0.00 | | | | 40.71 | 9.58 | | | | | |
| | 288 DSO Channel Capacity - 1 per 12 DS1s | | | UEPMG | VUM28 | 1,390.68 | 0.00 | 0.00 | | | | 40.71 | 9.58 | | | | | |

| UNBUNDLED NETWORK ELEMENTS - Alabama | | | | | | | | | | | Attachment: 2 | | Exhibit: B | | | | | |
|--|--|---------|------|-------|-------|-----------|----------------------------------|--------------------------------------|--|--|---|---|---------------|--------------|--|-------------------------|--|-------|
| CATEGORY | RATE ELEMENTS | Interim | Zone | BCS | USOC | RATES(\$) | Svc Order Submitted Elec per LSR | Svc Order Submitted Manually per LSR | Incremental Charge - Manual Svc Order vs. Electronic-1st | Incremental Charge - Manual Svc Order vs. Electronic-Add'l | Incremental Charge - Manual Svc Order vs. Electronic-Disc 1st | Incremental Charge - Manual Svc Order vs. Electronic-Disc Add'l | OSS Rates(\$) | | | | | |
| | | | | | | | | | | | | | Rec | Nonrecurring | | Nonrecurring Disconnect | | SOMEc |
| | | | | | | | First | Add'l | First | Add'l | | | | | | | | |
| | 384 DS0 Channel Capacity - 1 per 16 DS1s | | | UEPMG | VUM38 | 1,854.24 | 0.00 | 0.00 | | | | | 40.71 | 9.58 | | | | |
| | 480 DS0 Channel Capacity - 1 per 20 DS1s | | | UEPMG | VUM40 | 2,317.80 | 0.00 | 0.00 | | | | | 40.71 | 9.58 | | | | |
| | 576 DS0 Channel Capacity - 1 per 24 DS1s | | | UEPMG | VUM57 | 2,781.36 | 0.00 | 0.00 | | | | | 40.71 | 9.58 | | | | |
| | 672 DS0 Channel Capacity - 1 per 28 DS1s | | | UEPMG | VUM67 | 3,244.92 | 0.00 | 0.00 | | | | | 40.71 | 9.58 | | | | |
| Non-Recurring Charges (NRC) Associated with 4-Wire DS1 Loop with Channelization with Port - Conversion Charge Based on a System | | | | | | | | | | | | | | | | | | |
| A Minimum System configuration is One (1) DS1, One (1) D4 Channel Bank, and Up To 24 DSO Ports with Feature Activations. | | | | | | | | | | | | | | | | | | |
| Multiples of this configuration functioning as one are considered Add'l after the minimum system configuration is counted. | | | | | | | | | | | | | | | | | | |
| | NRC - Conversion (Currently Combined) with or without BellSouth Allowed Changes | | | UEPMG | USAC4 | 0.00 | 300.95 | 16.72 | | | | | 40.71 | 9.58 | | | | |
| System Additions at End User Locations Where 4-Wire DS1 Loop with Channelization with Port Combination Currently Exists and New (Not Currently Combined) in GA, KY, LA, MS & TN Only | | | | | | | | | | | | | | | | | | |
| | 1 DS1/D4 Channel Bank - Add NRC for each Port and Assoc Fea Activation - New GA, LA, KY, MS, & TN Only | | | UEPMG | VUMD4 | 0.00 | 716.11 | 468.04 | 148.75 | 17.65 | | | 40.71 | 9.58 | | | | |
| Bipolar 8 Zero Substitution | | | | | | | | | | | | | | | | | | |
| | Clear Channel Capability Format, superframe - Subsequent Activity Only | | | UEPMG | CCOSF | 0.00 | 0.00 | 600.00 | | | | | | | | | | |
| | Clear Channel Capability Format - Extended Superframe - Subsequent Activity Only | | | UEPMG | CCOEF | 0.00 | 0.00 | 600.00 | | | | | | | | | | |
| Alternate Mark Inversion (AMI) | | | | | | | | | | | | | | | | | | |
| | Superframe Format | | | UEPMG | MCOSE | 0.00 | 0.00 | 0.00 | | | | | | | | | | |
| | Extended Superframe Format | | | UEPMG | MCOPO | 0.00 | 0.00 | 0.00 | | | | | | | | | | |
| Exchange Ports Associated with 4-Wire DS1 Loop with Channelization with Port Exchange Ports | | | | | | | | | | | | | | | | | | |
| | Line Side Combination Channelized PBX Trunk Port - Business | | | UEPPX | UEPCX | 1.58 | 0.00 | 0.00 | 0.00 | 0.00 | | | 40.71 | 9.58 | | | | |
| | Line Side Outward Channelized PBX Trunk Port - Business | | | UEPPX | UEPOX | 1.58 | 0.00 | 0.00 | 0.00 | 0.00 | | | 40.17 | 9.58 | | | | |
| | Line Side Inward Only Channelized PBX Trunk Port without DID | | | UEPPX | UEP1X | 1.58 | 0.00 | 0.00 | 0.00 | 0.00 | | | 40.71 | 9.58 | | | | |
| | 2-Wire Trunk Side Unbundled Channelized DID Trunk Port | | | UEPPX | UEPDM | 9.20 | 0.00 | 0.00 | 0.00 | 0.00 | | | 40.71 | 9.58 | | | | |
| | 2-Wire Channelized PBX Area Calling Service Combination Port (AL Only) | | | UEPPX | UEPA4 | 1.58 | 0.00 | 0.00 | | | | | 40.71 | 9.58 | | | | |
| | 2 Wire Channelized PBX Area Calling Service Outgoing Only Port (AL Only) | | | UEPPX | UEPA3 | 1.58 | 0.00 | 0.00 | | | | | 40.71 | 9.58 | | | | |
| Feature Activations - Unbundled Loop Concentration | | | | | | | | | | | | | | | | | | |
| | Feature (Service) Activation for each Line Side Port Terminated in D4 Bank | | | UEPPX | 1PQWM | 0.64 | 25.39 | 13.41 | 4.19 | 4.16 | | | 40.71 | 9.58 | | | | |
| | Feature (Service) Activation for each Trunk Side Port Terminated in D4 Bank | | | UEPPX | 1PQWU | 0.64 | 78.13 | 18.42 | 59.24 | 11.58 | | | 40.17 | 9.58 | | | | |
| Telephone Number/ Group Establishment Charges for DID Service | | | | | | | | | | | | | | | | | | |
| | DID Trunk Termination (1 per Port) | | | UEPPX | NDT | 0.00 | 0.00 | 0.00 | | | | | | | | | | |
| | DID Numbers - groups of 20 - Valid all States | | | UEPPX | ND4 | 0.00 | 0.00 | 0.00 | | | | | | | | | | |
| | Non-Consecutive DID Numbers - per number | | | UEPPX | ND5 | 0.00 | 0.00 | 0.00 | | | | | | | | | | |
| | Reserve Non-Consecutive DID Numbers | | | UEPPX | ND6 | 0.00 | 0.00 | 0.00 | | | | | | | | | | |
| | Reserve DID Numbers | | | UEPPX | NDV | 0.00 | 0.00 | 0.00 | | | | | | | | | | |
| Local Number Portability | | | | | | | | | | | | | | | | | | |
| | Local Number Portability - 1 per port | | | UEPPX | LNPCP | 3.15 | 0.00 | 0.00 | | | | | | | | | | |
| FEATURES - Vertical and Optional | | | | | | | | | | | | | | | | | | |
| Local Switching Features Offered with Line Side Ports Only | | | | | | | | | | | | | | | | | | |
| | All Features Available | | | UEPPX | UEPVF | 5.55 | 0.00 | 0.00 | | | | | 40.71 | 9.58 | | | | |
| UNBUNDLED PORT LOOP COMBINATIONS - MARKET RATES | | | | | | | | | | | | | | | | | | |
| Market Rates shall apply where BellSouth is not required to provide unbundled local switching or switch ports per FCC and/or State Commission rules. | | | | | | | | | | | | | | | | | | |
| These scenarios include: | | | | | | | | | | | | | | | | | | |
| 1. Unbundled port/loop combinations that are Not Currently Combined in Alabama, Florida and North Carolina. | | | | | | | | | | | | | | | | | | |
| 2. Unbundled port/loop combinations that are Currently Combined or Not Currently Combined in Zone 1 of the Top 8 MSAs in BellSouth's region for end users with 4 or more DS0 equivalent lines. | | | | | | | | | | | | | | | | | | |
| The Top 8 MSAs in BellSouth's region are: FL (Orlando, Ft. Lauderdale, Miami); GA (Atlanta); LA (New Orleans); NC (Greensboro-Winston Salem-Highpoint/Charlotte-Gastonia-Rock Hill); TN (Nashville). | | | | | | | | | | | | | | | | | | |
| BellSouth currently is developing the billing capability to mechanically bill the recurring and non-recurring Market Rates in this section except for nonrecurring charges for not currently combined in AL, FL and NC. In the interim where BellSouth cannot bill Market Rates, BellSouth shall bill the rates in the Cost-Based section preceding in lieu of the Market Rates and reserves the right to true-up the billing difference. | | | | | | | | | | | | | | | | | | |
| The Market Rate for unbundled ports includes all available features in all states. | | | | | | | | | | | | | | | | | | |

| UNBUNDLED NETWORK ELEMENTS - Alabama | | | | | | | | | | Attachment: 2 | | Exhibit: B | | | |
|---|--|---------|------|-------|-------|-----------|----------------------------------|--------------------------------------|--|--|---|---|-------|--------------|-------|
| CATEGORY | RATE ELEMENTS | Interim | Zone | BCS | USOC | RATES(\$) | Svc Order Submitted Elec per LSR | Svc Order Submitted Manually per LSR | Incremental Charge - Manual Svc Order vs. Electronic-1st | Incremental Charge - Manual Svc Order vs. Electronic-Add'l | Incremental Charge - Manual Svc Order vs. Electronic-Disc 1st | Incremental Charge - Manual Svc Order vs. Electronic-Disc Add'l | | | |
| | | | | | | | | | | | | | Rec | Nonrecurring | |
| | | | | | | | | | | | | | | | |
| | | | | | | | First | Add'l | First | Add'l | SOMEC | SOMAN | SOMAN | SOMAN | SOMAN |
| End Office and Tandem Switching Usage and Common Transport Usage rates in the Port section of this rate exhibit shall apply to all combinations of loop/port network elements except for UNE Coin Port/Loop Combinations which have a flat rate usage charge (USOC: URECU). | | | | | | | | | | | | | | | |
| For Not Currently Combined scenarios where Market Rates apply, the Nonrecurring charges are listed in the First and Additional NRC columns for each Port USOC. For Currently Combined scenarios, the Nonrecurring charges are listed in the NRC - Currently Combined section. Additional NRCs may apply also and are categorized accordingly. | | | | | | | | | | | | | | | |
| 2-WIRE VOICE GRADE LOOP WITH 2-WIRE LINE PORT (RES) | | | | | | | | | | | | | | | |
| UNE Port/Loop Combination Rates | | | | | | | | | | | | | | | |
| | 2-Wire VG Loop/Port Combo - Zone 1 | | 1 | | | 28.35 | | | | | | | | | |
| | 2-Wire VG Loop/Port Combo - Zone 2 | | 2 | | | 37.31 | | | | | | | | | |
| | 2-Wire VG Loop/Port Combo - Zone 3 | | 3 | | | 56.24 | | | | | | | | | |
| UNE Loop Rates | | | | | | | | | | | | | | | |
| | 2-Wire Voice Grade Loop (SL1) - Zone 1 | | 1 | UEPRX | UEPLX | 14.35 | | | | | | | | | |
| | 2-Wire Voice Grade Loop (SL1) - Zone 2 | | 2 | UEPRX | UEPLX | 23.31 | | | | | | | | | |
| | 2-Wire Voice Grade Loop (SL1) - Zone 3 | | 3 | UEPRX | UEPLX | 42.24 | | | | | | | | | |
| 2-Wire Voice Grade Line Port (Res) | | | | | | | | | | | | | | | |
| | 2-Wire voice unbundled port - residence | | | UEPRX | UEPRL | 14.00 | 90.00 | 90.00 | | | 40.71 | 9.58 | | | |
| | 2-Wire voice unbundled port with Caller ID - res | | | UEPRX | UEPRC | 14.00 | 90.00 | 90.00 | | | 40.71 | 9.58 | | | |
| | 2-Wire voice unbundled port outgoing only - res | | | UEPRX | UEPRO | 14.00 | 90.00 | 90.00 | | | 40.71 | 9.58 | | | |
| | 2-Wire voice unbundles res, low usage line port with Caller ID (LUM) | | | UEPRX | UEPAP | 14.00 | 90.00 | 90.00 | | | 40.71 | 9.58 | | | |
| LOCAL NUMBER PORTABILITY | | | | | | | | | | | | | | | |
| | Local Number Portability (1 per port) | | | UEPRX | LNPCX | 0.35 | | | | | | | | | |
| FEATURES | | | | | | | | | | | | | | | |
| | All Features Offered | | | UEPRX | UEPVF | 0.00 | 0.00 | 0.00 | | | | | | | |
| NONRECURRING CHARGES - CURRENTLY COMBINED | | | | | | | | | | | | | | | |
| ADDITIONAL NRCs | | | | | | | | | | | | | | | |
| | NRC - 2-Wire Voice Grade Loop/Line Port Combination - Subsequent | | | UEPRX | USAS2 | | 0.00 | 0.00 | | | 40.71 | 9.58 | | | |
| 2-WIRE VOICE GRADE LOOP WITH 2-WIRE LINE PORT (BUS) | | | | | | | | | | | | | | | |
| UNE Port/Loop Combination Rates | | | | | | | | | | | | | | | |
| | 2-Wire VG Loop/Port Combo - Zone 1 | | 1 | | | 28.35 | | | | | | | | | |
| | 2-Wire VG Loop/Port Combo - Zone 2 | | 2 | | | 37.31 | | | | | | | | | |
| | 2-Wire VG Loop/Port Combo - Zone 3 | | 3 | | | 56.24 | | | | | | | | | |
| UNE Loop Rates | | | | | | | | | | | | | | | |
| | 2-Wire Voice Grade Loop (SL1) - Zone 1 | | 1 | UEPBX | UEPLX | 14.35 | | | | | | | | | |
| | 2-Wire Voice Grade Loop (SL1) - Zone 2 | | 2 | UEPBX | UEPLX | 23.31 | | | | | | | | | |
| | 2-Wire Voice Grade Loop (SL1) - Zone 3 | | 3 | UEPBX | UEPLX | 42.24 | | | | | | | | | |
| 2-Wire Voice Grade Line Port (Bus) | | | | | | | | | | | | | | | |
| | 2-Wire voice unbundled port without Caller ID - bus | | | UEPBX | UEPBL | 14.00 | 90.00 | 90.00 | | | 40.71 | 9.58 | | | |
| | 2-Wire voice unbundled port with Caller + E484 ID - bus | | | UEPBX | UEPBC | 14.00 | 90.00 | 90.00 | | | 40.71 | 9.58 | | | |
| | 2-Wire voice unbundled port outgoing only - bus | | | UEPBX | UEPBO | 14.00 | 90.00 | 90.00 | | | 40.71 | 9.58 | | | |
| LOCAL NUMBER PORTABILITY | | | | | | | | | | | | | | | |
| | Local Number Portability (1 per port) | | | UEPBX | LNPCX | 0.35 | | | | | | | | | |
| FEATURES | | | | | | | | | | | | | | | |
| | All Features Offered | | | UEPBX | UEPVF | 0.00 | 0.00 | 0.00 | | | 40.71 | 9.58 | | | |
| NONRECURRING CHARGES - CURRENTLY COMBINED | | | | | | | | | | | | | | | |
| ADDITIONAL NRCs | | | | | | | | | | | | | | | |
| | NRC - 2-Wire Voice Grade Loop/Line Port Combination - Subsequent | | | UEPBX | USAS2 | | 0.00 | 0.00 | | | 40.71 | 9.58 | | | |
| 2-WIRE VOICE GRADE LOOP WITH 2-WIRE LINE PORT (RES - PBX) | | | | | | | | | | | | | | | |
| UNE Port/Loop Combination Rates | | | | | | | | | | | | | | | |
| | 2-Wire VG Loop/Port Combo - Zone 1 | | 1 | | | 28.35 | | | | | | | | | |
| | 2-Wire VG Loop/Port Combo - Zone 2 | | 2 | | | 37.31 | | | | | | | | | |
| | 2-Wire VG Loop/Port Combo - Zone 3 | | 3 | | | 56.24 | | | | | | | | | |
| UNE Loop Rates | | | | | | | | | | | | | | | |
| | 2-Wire Voice Grade Loop (SL1) - Zone 1 | | 1 | UEPRG | UEPLX | 14.35 | | | | | | | | | |
| | 2-Wire Voice Grade Loop (SL1) - Zone 2 | | 2 | UEPRG | UEPLX | 23.31 | | | | | | | | | |
| | 2-Wire Voice Grade Loop (SL1) - Zone 3 | | 3 | UEPRG | UEPLX | 42.24 | | | | | | | | | |
| 2-Wire Voice Grade Line Port Rates (RES - PBX) | | | | | | | | | | | | | | | |

| UNBUNDLED NETWORK ELEMENTS - Alabama | | | | | | | | | | Attachment: 2 | | Exhibit: B | |
|--|---|---------|------|-------|-------|-----------|----------------------------------|--------------------------------------|--|--|---|---|------|
| CATEGORY | RATE ELEMENTS | Interim | Zone | BCS | USOC | RATES(\$) | Svc Order Submitted Elec per LSR | Svc Order Submitted Manually per LSR | Incremental Charge - Manual Svc Order vs. Electronic-1st | Incremental Charge - Manual Svc Order vs. Electronic-Add'l | Incremental Charge - Manual Svc Order vs. Electronic-Disc 1st | Incremental Charge - Manual Svc Order vs. Electronic-Disc Add'l | |
| | | | | | | | | | | | | | Rec |
| | | | | | | | | | | | | | |
| | | | | | | | | | | | | | |
| | 2-Wire VG Unbundled Combination 2-Way PBX Trunk Port - Res | | | UEPRG | UEPRD | 14.00 | | | | | | 40.71 | 9.58 |
| LOCAL NUMBER PORTABILITY | | | | | | | | | | | | | |
| | Local Number Portability (1 per port) | | | UEPRG | LNPCP | 3.15 | 0.00 | 0.00 | | | | | |
| FEATURES | | | | | | | | | | | | | |
| | All Features Offered | | | UEPRG | UEPVF | 0.00 | 0.00 | 0.00 | | | | 40.71 | 9.58 |
| ADDITIONAL NRCS | | | | | | | | | | | | | |
| | 2 Wire Loop/Line Side Port Combination - Non feature - Subsequent Activity - Nonrecurring | | | | | | 0.00 | 0.00 | | | | 40.71 | 9.58 |
| | PBX Subsequent Activity - Change/Rearrange Multiline Hunt Group | | | | | | 14.64 | 14.64 | | | | 40.71 | 9.58 |
| 2-WIRE VOICE GRADE LOOP WITH 2-WIRE LINE PORT (BUS - PBX) | | | | | | | | | | | | | |
| UNE Port/Loop Combination Rates | | | | | | | | | | | | | |
| | 2-Wire VG Loop/Port Combo - Zone 1 | | 1 | | | 28.35 | | | | | | | |
| | 2-Wire VG Loop/Port Combo - Zone 2 | | 2 | | | 37.31 | | | | | | | |
| | 2-Wire VG Loop/Port Combo - Zone 3 | | 3 | | | 56.24 | | | | | | | |
| UNE Loop Rates | | | | | | | | | | | | | |
| | 2-Wire Voice Grade Loop (SL1) - Zone 1 | | 1 | UEPPX | UEPLX | 14.35 | | | | | | | |
| | 2-Wire Voice Grade Loop (SL1) - Zone 2 | | 2 | UEPPX | UEPLX | 23.31 | | | | | | | |
| | 2-Wire Voice Grade Loop (SL1) - Zone 3 | | 3 | UEPPX | UEPLX | 42.24 | | | | | | | |
| 2-Wire Voice Grade Line Port Rates (BUS - PBX) | | | | | | | | | | | | | |
| | Line Side Unbundled Combination 2-Way PBX Trunk Port - Bus | | | UEPPX | UEPPC | 14.00 | 90.00 | 90.00 | | | | 40.71 | 9.58 |
| | Line Side Unbundled Outward PBX Trunk Port - Bus | | | UEPPX | UEPPO | 14.00 | 90.00 | 90.00 | | | | 40.71 | 9.58 |
| | Line Side Unbundled Incoming PBX Trunk Port - Bus | | | UEPPX | UEPP1 | 14.00 | 90.00 | 90.00 | | | | 40.71 | 9.58 |
| | 2-Wire Voice Unbundled 2-Way Combination PBX Alabama Calling Port | | | UEPPX | UEPA2 | 14.00 | 90.00 | 90.00 | | | | 40.71 | 9.58 |
| | 2-Wire Voice Unbundled PBX LD Terminal Ports | | | UEPPX | UEPLD | 14.00 | 90.00 | 90.00 | | | | 40.71 | 9.58 |
| | 2-Wire Voice Unbundled 2-Way Combination PBX Usage Port | | | UEPPX | UEPXA | 14.00 | 90.00 | 90.00 | | | | 40.71 | 9.58 |
| | 2-Wire Voice Unbundled PBX Toll Terminal Hotel Ports | | | UEPPX | UEPXB | 14.00 | 90.00 | 90.00 | | | | 40.71 | 9.58 |
| | 2-Wire Voice Unbundled PBX LD DDD Terminals Port | | | UEPPX | UEPXC | 14.00 | 90.00 | 90.00 | | | | 40.71 | 9.58 |
| | 2-Wire Voice Unbundled PBX LD Terminal Switchboard Port | | | UEPPX | UEPXD | 14.00 | 90.00 | 90.00 | | | | 40.71 | 9.58 |
| | 2-Wire Voice Unbundled PBX LD Terminal Switchboard IDD Capable Port | | | UEPPX | UEPXE | 14.00 | 90.00 | 90.00 | | | | 40.71 | 9.58 |
| | 2-Wire Voice Unbundled 2-Way PBX Hotel/Hospital Economy Administrative Calling Port | | | UEPPX | UEPXL | 14.00 | 90.00 | 90.00 | | | | 40.71 | 9.58 |
| | 2-Wire Voice Unbundled 2-Way PBX Hotel/Hospital Economy Room Calling Port | | | UEPPX | UEPXM | 14.00 | 90.00 | 90.00 | | | | 40.71 | 9.58 |
| | 2-Wire Voice Unbundled 1-Way Outgoing PBX Hotel/Hospital Discount Room Calling Port | | | UEPPX | UEPXO | 14.00 | 90.00 | 90.00 | | | | 40.71 | 9.58 |
| | 2-Wire Voice Unbundled 1-Way Outgoing PBX Measured Port | | | UEPPX | UEPXS | 14.00 | 90.00 | 90.00 | | | | 40.71 | 9.58 |
| LOCAL NUMBER PORTABILITY | | | | | | | | | | | | | |
| | Local Number Portability (1 per port) | | | UEPPX | LNPCP | 3.15 | 0.00 | 0.00 | | | | | |
| FEATURES | | | | | | | | | | | | | |
| | All Features Offered | | | UEPPX | UEPVF | 0.00 | 0.00 | 0.00 | | | | 40.71 | 9.58 |
| NONRECURRING CHARGES - CURRENTLY COMBINED | | | | | | | | | | | | | |
| ADDITIONAL NRCS | | | | | | | | | | | | | |
| | 2-Wire Voice Grade Loop/ Line Port Combination - Subsequent | | | UEPPX | USAS2 | 0.00 | 0.00 | 0.00 | | | | 40.71 | 9.58 |
| | 2 Wire Loop/Line Side Port Combination - Non feature - Subsequent Activity - Nonrecurring | | | | | | 0.00 | 0.00 | | | | 40.71 | 9.58 |
| | PBX Subsequent Activity - Change/Rearrange Multiline Hunt Group | | | | | | 14.64 | 14.64 | | | | 40.71 | 9.58 |
| 2-WIRE VOICE GRADE LOOP WITH 2-WIRE ANALOG LINE COIN PORT | | | | | | | | | | | | | |
| UNE Port/Loop Combination Rates | | | | | | | | | | | | | |
| | 2-Wire VG Coin Port/Loop Combo - Zone 1 | | 1 | | | 28.35 | | | | | | | |
| | 2-Wire VG Coin Port/Loop Combo - Zone 2 | | 2 | | | 37.31 | | | | | | | |
| | 2-Wire VG Coin Port/Loop Combo - Zone 3 | | 3 | | | 56.24 | | | | | | | |
| UNE Loop Rates | | | | | | | | | | | | | |

| UNBUNDLED NETWORK ELEMENTS - Alabama | | | | | | | | | | Attachment: 2 | | Exhibit: B | | | | | | |
|--------------------------------------|--|---------|------|-------|-------|-----------|----------------------------------|--------------------------------------|--|--|---|---|--------|--------------|-------|-------------------------|-------|---------------|
| CATEGORY | RATE ELEMENTS | Interim | Zone | BCS | USOC | RATES(\$) | Svc Order Submitted Elec per LSR | Svc Order Submitted Manually per LSR | Incremental Charge - Manual Svc Order vs. Electronic-1st | Incremental Charge - Manual Svc Order vs. Electronic-Add'l | Incremental Charge - Manual Svc Order vs. Electronic-Disc 1st | Incremental Charge - Manual Svc Order vs. Electronic-Disc Add'l | | | | | | |
| | | | | | | | | | | | | | Rec | Nonrecurring | | Nonrecurring Disconnect | | OSS Rates(\$) |
| | | | | | | | | | | | | | SOME C | SOMAN | SOMAN | SOMAN | SOMAN | SOMAN |
| | 2-Wire Voice Grade Loop (SL1) - Zone 1 | | 1 | UEPCO | UEPLX | 14.35 | | | | | | | | | | | | |
| | 2-Wire Voice Grade Loop (SL1) - Zone 2 | | 2 | UEPCO | UEPLX | 23.31 | | | | | | | | | | | | |
| | 2-Wire Voice Grade Loop (SL1) - Zone 3 | | 3 | UEPCO | UEPLX | 42.24 | | | | | | | | | | | | |
| | 2-Wire Voice Grade Line Port Rates (Coin) | | | | | | | | | | | | | | | | | |
| | 2-Wire Coin 2-Way without Operator Screening and without Blocking (AL, KY, LA, MS) | | | UEPCO | UEPRF | 14.00 | | | 90.00 | 90.00 | | | | | 40.71 | 9.58 | | |
| | 2-Wire Coin 2-Way with Operator Screening (AL, KY) | | | UEPCO | UEPRE | 14.00 | | | 90.00 | 90.00 | | | | | 40.71 | 9.58 | | |
| | 2-Wire Coin 2-Way with Operator Screening and Blocking: 011, 900/976, 1+DDD (AL, KY, LA, MS, SC) | | | UEPCO | UEPRA | 14.00 | | | 90.00 | 90.00 | | | | | 40.71 | 9.58 | | |
| | 2-Wire Coin 2-Way with Operator Screening and 011 Blocking (AL, LA, MS) | | | UEPCO | UEPRB | 14.00 | | | 90.00 | 90.00 | | | | | 40.71 | 9.58 | | |
| | 2-Wire Coin 2-Way with Operator Screening & Blocking: 900/976, 1+DDD, 011+, & Local (AL, KY, LA, MS) | | | UEPCO | UEPCD | 14.00 | | | 90.00 | 90.00 | | | | | 40.71 | 9.58 | | |
| | 2-Wire Coin Outward with Operator Screening and 011 Blocking (AL, FL) | | | UEPCO | UEPRK | 14.00 | | | 90.00 | 90.00 | | | | | 40.71 | 9.58 | | |
| | 2-Wire Coin Outward with Operator Screening and Blocking: 011, 900/976, 1+DDD (AL, KY, LA, MS) | | | UEPCO | UEPRH | 14.00 | | | 90.00 | 90.00 | | | | | 40.71 | 9.58 | | |
| | 2-Wire Coin Outward Operator Screening & Blocking: 900/976, 1+DDD, 011+, & Local (AL, KY, LA, MS) | | | UEPCO | UEPCN | 14.00 | | | 90.00 | 90.00 | | | | | 40.71 | 9.58 | | |
| | LOCAL NUMBER PORTABILITY | | | | | | | | | | | | | | | | | |
| | Local Number Portability (1 per port) | | | UEPCO | LNPCX | 0.35 | | | | | | | | | | | | |
| | ADDITIONAL NRCS | | | | | | | | | | | | | | | | | |
| | 2-Wire Voice Grade Loop/ Line Port Combination - Subsequent | | | UEPCO | USAS2 | | | | 0.00 | 0.00 | | | | | 40.71 | 9.58 | | |
| | UNBUNDLED PORT/LOOP COMBINATIONS - MARKET BASED RATES | | | | | | | | | | | | | | | | | |
| | 2-WIRE VOICE GRADE LOOP- BUS ONLY - WITH 2-WIRE DID TRUNK PORT | | | | | | | | | | | | | | | | | |
| | UNE Port/Loop Combination Rates | | | | | | | | | | | | | | | | | |
| | 2-Wire VG Loop/2-Wire DID Trunk Port Combo - UNE Zone 1 | | 1 | | | 69.59 | | | | | | | | | | | | |
| | 2-Wire VG Loop/2-Wire DID Trunk Port Combo - UNE Zone 2 | | 2 | | | 76.58 | | | | | | | | | | | | |
| | 2-Wire VG Loop/2-Wire DID Trunk Port Combo - UNE Zone 3 | | 3 | | | 85.06 | | | | | | | | | | | | |
| | UNE Loop Rates | | | | | | | | | | | | | | | | | |
| | 2-Wire Analog Voice Grade Loop - (SL2) - UNE Zone 1 | | 1 | UEPPX | UECD1 | 20.42 | | | | | | | | | | | | |
| | 2-Wire Analog Voice Grade Loop - (SL2) - UNE Zone 2 | | 2 | UEPPX | UECD1 | 27.41 | | | | | | | | | | | | |
| | 2-Wire Analog Voice Grade Loop - (SL2) - UNE Zone 3 | | 3 | UEPPX | UECD1 | 35.89 | | | | | | | | | | | | |
| | UNE Port Rate | | | | | | | | | | | | | | | | | |
| | Exchange Ports - 2-Wire DID Port | | | UEPPX | UEPD1 | 40.00 | | | 600.00 | 45.00 | | | | | 40.71 | 9.58 | | |
| | NONRECURRING CHARGES - CURRENTLY COMBINED | | | | | | | | | | | | | | | | | |
| | ADDITIONAL NRCS | | | | | | | | | | | | | | | | | |
| | 2-Wire DID Subsequent Activity - Add Trunks, Per Trunk | | | UEPPX | USAS1 | | | | 53.56 | 53.56 | | | | | 40.71 | 9.58 | | |
| | Telephone Number/Trunk Group Establishment Charges | | | | | | | | | | | | | | | | | |
| | DID Trunk Termination (One Per Port) | | | UEPPX | NDT | 0.00 | | | 0.00 | 0.00 | | | | | | | | |
| | Additional DID Numbers for each Group of 20 DID Numbers | | | UEPPX | ND4 | 0.00 | | | 0.00 | 0.00 | | | | | | | | |
| | DID Numbers, Non- consecutive DID Numbers , Per Number | | | UEPPX | ND5 | 0.00 | | | 0.00 | 0.00 | | | | | | | | |
| | Reserve Non-Consecutive DID numbers | | | UEPPX | ND6 | 0.00 | | | 0.00 | 0.00 | | | | | | | | |
| | Reserve DID Numbers | | | UEPPX | NDV | 0.00 | | | 0.00 | 0.00 | | | | | | | | |
| | LOCAL NUMBER PORTABILITY | | | | | | | | | | | | | | | | | |
| | Local Number Portability (1 per port) | | | UEPPX | LNPCP | 3.15 | | | 0.00 | 0.00 | | | | | | | | |
| | 2-WIRE ISDN DIGITAL GRADE LOOP WITH 2-WIRE ISDN DIGITAL LINE SIDE PORT | | | | | | | | | | | | | | | | | |
| | UNE Port/Loop Combination Rates | | | | | | | | | | | | | | | | | |
| | 2W ISDN Digital Grade Loop/2W ISDN Digital Line Side Port - UNE Zone 1 | | 1 | UEPPB | UEPPR | 87.20 | | | | | | | | | | | | |
| | 2W ISDN Digital Grade Loop/2W ISDN Digital Line Side Port - UNE Zone 2 | | 2 | UEPPB | UEPPR | 104.49 | | | | | | | | | | | | |
| | 2W ISDN Digital Grade Loop/2W ISDN Digital Line Side Port - UNE Zone 3 | | 3 | UEPPB | UEPPR | 115.97 | | | | | | | | | | | | |
| | UNE Loop Rates | | | | | | | | | | | | | | | | | |
| | 2-Wire ISDN Digital Grade Loop - UNE Zone 1 | | 1 | UEPPB | UEPPR | USL2X | | | 27.20 | | | | | | 40.71 | 9.58 | | |
| | 2-Wire ISDN Digital Grade Loop - UNE Zone 2 | | 2 | UEPPB | UEPPR | USL2X | | | 35.07 | | | | | | 40.71 | 9.58 | | |

| UNBUNDLED NETWORK ELEMENTS - Alabama | | | | | | | | | | Attachment: 2 | | Exhibit: B | | | | | | | | |
|--------------------------------------|---|---------|------|-------------|-------|-----------|----------------------------------|--------------------------------------|--|--|---|---|---------------|--------------|-------|-------------------------|-------|-------|-------|-------|
| CATEGORY | RATE ELEMENTS | Interim | Zone | BCS | USOC | RATES(\$) | Svc Order Submitted Elec per LSR | Svc Order Submitted Manually per LSR | Incremental Charge - Manual Svc Order vs. Electronic-1st | Incremental Charge - Manual Svc Order vs. Electronic-Add'l | Incremental Charge - Manual Svc Order vs. Electronic-Disc 1st | Incremental Charge - Manual Svc Order vs. Electronic-Disc Add'l | OSS Rates(\$) | | | | | | | |
| | | | | | | | | | | | | | Rec | Nonrecurring | | Nonrecurring Disconnect | | SOMEc | SOMAN | SOMAN |
| | | | | | | | | | | | | | First | Add'l | First | Add'l | SOMEc | SOMAN | SOMAN | SOMAN |
| | 2-Wire ISDN Digital Grade Loop - UNE Zone 3 | | 3 | UEPPB UEPPR | USL2X | 45.97 | | | | | | | | | | | | | 40.71 | 9.58 |
| | UNE Port Rate | | | | | | | | | | | | | | | | | | | |
| | Exchange Port - 2-Wire ISDN Line Side Port | | | UEPPB UEPPR | UEPPB | 60.00 | | 525.00 | 400.00 | | | | | | | | | | 40.71 | 9.58 |
| | NONRECURRING CHARGES - CURRENTLY COMBINED | | | | | | | | | | | | | | | | | | | |
| | ADDITIONAL NRCs | | | | | | | | | | | | | | | | | | | |
| | LOCAL NUMBER PORTABILITY | | | | | | | | | | | | | | | | | | | |
| | Local Number Portability (1 per port) | | | UEPPB UEPPR | LNPCX | 0.35 | 0.00 | 0.00 | | | | | | | | | | | | |
| | B-CHANNEL USER PROFILE ACCESS: | | | | | | | | | | | | | | | | | | | |
| | CVS/CSD (DMS/5ESS) | | | UEPPB UEPPR | U1UCA | 0.00 | 0.00 | 0.00 | | | | | | | | | | | | |
| | CVS (EWSD) | | | UEPPB UEPPR | U1UCB | 0.00 | 0.00 | 0.00 | | | | | | | | | | | | |
| | CSD | | | UEPPB UEPPR | U1UCC | 0.00 | 0.00 | 0.00 | | | | | | | | | | | | |
| | B-CHANNEL AREA PLUS USER PROFILE ACCESS: (AL,KY,LA,MS SC,MS, & TN) | | | | | | | | | | | | | | | | | | | |
| | CVS/CSD (DMS/5ESS) | | | UEPPB UEPPR | U1UCD | 0.00 | 0.00 | 0.00 | | | | | | | | | | | | |
| | CVS (EWSD) | | | UEPPB UEPPR | U1UCE | 0.00 | 0.00 | 0.00 | | | | | | | | | | | | |
| | CSD | | | UEPPB UEPPR | U1UCF | 0.00 | 0.00 | 0.00 | | | | | | | | | | | | |
| | USER TERMINAL PROFILE | | | | | | | | | | | | | | | | | | | |
| | User Terminal Profile (EWSD only) | | | UEPPB UEPPR | U1UMA | 0.00 | 0.00 | 0.00 | | | | | | | | | | | | |
| | VERTICAL FEATURES | | | | | | | | | | | | | | | | | | | |
| | All Vertical Features - One per Channel B User Profile | | | UEPPB UEPPR | UEPVF | 5.55 | 0.00 | 0.00 | | | | | | | | | | | 40.71 | 9.58 |
| | INTEROFFICE CHANNEL MILEAGE | | | | | | | | | | | | | | | | | | | |
| | Interoffice Channel mileage each, including first mile and facilities termination | | | UEPPB UEPPR | M1GNC | 17.81 | 107.11 | 48.27 | | | | | | | | | | | 40.71 | 9.58 |
| | Interoffice Channel mileage each, additional mile | | | UEPPB UEPPR | M1GNM | 0.0339 | 0.00 | 0.00 | | | | | | | | | | | | |
| | 4-WIRE DS1 DIGITAL LOOP WITH 4-WIRE ISDN DS1 DIGITAL TRUNK PORT | | | | | | | | | | | | | | | | | | | |
| | UNE Port/Loop Combination Rates | | | | | | | | | | | | | | | | | | | |
| | 4W DS1 Digital Loop/4W ISDN DS1 Digital Trunk Port - UNE Zone 1 | | 1 | UEPPP | | 951.92 | | | | | | | | | | | | | | |
| | 4W DS1 Digital Loop/4W ISDN DS1 Digital Trunk Port - UNE Zone 2 | | 2 | UEPPP | | 1,027.63 | | | | | | | | | | | | | | |
| | 4W DS1 Digital Loop/4W ISDN DS1 Digital Trunk Port - UNE Zone 3 | | 3 | UEPPP | | 1,179.04 | | | | | | | | | | | | | | |
| | UNE Loop Rates | | | | | | | | | | | | | | | | | | | |
| | 4-Wire DS1 Digital Loop - UNE Zone 1 | | 1 | UEPPP | USL4P | 101.92 | | | | | | | | | | | | | 40.71 | 9.58 |
| | 4-Wire DS1 Digital Loop - UNE Zone 2 | | 2 | UEPPP | USL4P | 177.63 | | | | | | | | | | | | | 40.71 | 9.58 |
| | 4-Wire DS1 Digital Loop - UNE Zone 3 | | 3 | UEPPP | USL4P | 329.04 | | | | | | | | | | | | | 40.71 | 9.58 |
| | UNE Port Rate | | | | | | | | | | | | | | | | | | | |
| | Exchange Ports - 4-Wire ISDN DS1 Port | | | UEPPP | UEPPP | 850.00 | 1,150.00 | 1,150.00 | | | | | | | | | | | 40.71 | 9.58 |
| | NONRECURRING CHARGES - CURRENTLY COMBINED | | | | | | | | | | | | | | | | | | | |
| | ADDITIONAL NRCs | | | | | | | | | | | | | | | | | | | |
| | 4-Wire DS1 Loop/4-W ISDN Digtl Trk Port - Subsqst Actvy-Inward/two way tel nos within Std Allowance (except NC) | | | UEPPP | PR7TF | | 0.9801 | | | | | | | | | | | | | |
| | 4-Wire DS1 Loop / 4-Wire ISDN DS1 Digital Trunk Port - Outward Tel Numbers (All States except NC) | | | UEPPP | PR7TO | | 23.02 | 23.02 | | | | | | | | | | | | |
| | 4-Wire DS1 Loop / 4-Wire ISDN DS1 Digital Trk Port - Subsequent Inward Tel Nos Above Std Allowance | | | UEPPP | PR7ZT | | 46.05 | 46.05 | | | | | | | | | | | | |
| | LOCAL NUMBER PORTABILITY | | | | | | | | | | | | | | | | | | | |
| | Local Number Portability (1 per port) | | | UEPPP | LNPCN | 1.75 | | | | | | | | | | | | | | |
| | INTERFACE (Provisioning Only) | | | | | | | | | | | | | | | | | | | |
| | Voice/Data | | | UEPPP | PR71V | 0.00 | 0.00 | 0.00 | | | | | | | | | | | | |
| | Digital Data | | | UEPPP | PR71D | 0.00 | 0.00 | 0.00 | | | | | | | | | | | | |
| | Inward Data | | | UEPPP | PR71E | 0.00 | 0.00 | 0.00 | | | | | | | | | | | | |
| | New or Additional "B" Channel | | | | | | | | | | | | | | | | | | | |
| | New or Additional - Voice/Data B Channel | | | UEPPP | PR7BV | 0.00 | 40.00 | | | | | | | | | | | | | |
| | New or Additional - Digital Data B Channel | | | UEPPP | PR7BF | 0.00 | 40.00 | | | | | | | | | | | | | |
| | New or Additional Inward Data B Channel | | | UEPPP | PR7BD | 0.00 | 40.00 | | | | | | | | | | | | | |
| | CALL TYPES | | | | | | | | | | | | | | | | | | | |
| | Inward | | | UEPPP | PR7C1 | 0.00 | 0.00 | 0.00 | | | | | | | | | | | | |
| | Outward | | | UEPPP | PR7C0 | 0.00 | 0.00 | 0.00 | | | | | | | | | | | | |
| | Two-way | | | UEPPP | PR7CC | 0.00 | 0.00 | 0.00 | | | | | | | | | | | | |

| UNBUNDLED NETWORK ELEMENTS - Alabama | | | | | | | | | | Attachment: 2 | | Exhibit: B | |
|--|--|---------|------|-------|-------|-----------|----------------------------------|--------------------------------------|--|--|---|---|-----|
| CATEGORY | RATE ELEMENTS | Interim | Zone | BCS | USOC | RATES(\$) | Svc Order Submitted Elec per LSR | Svc Order Submitted Manually per LSR | Incremental Charge - Manual Svc Order vs. Electronic-1st | Incremental Charge - Manual Svc Order vs. Electronic-Add'l | Incremental Charge - Manual Svc Order vs. Electronic-Disc 1st | Incremental Charge - Manual Svc Order vs. Electronic-Disc Add'l | |
| | | | | | | | | | | | | | Rec |
| | | | | | | | | | | | | | |
| | | | | | | | | | | | | | |
| Interoffice Channel Mileage | | | | | | | | | | | | | |
| | Fixed Each Including First Mile | | | UEPPP | 1LN1A | 80.382 | | | | | 40.71 | 9.58 | |
| | Each Airline-Fractional Additional Mile | | | UEPPP | 1LN1B | 0.692 | | | | | | | |
| 4-WIRE DS1 DIGITAL LOOP WITH 4-WIRE DDITS TRUNK PORT | | | | | | | | | | | | | |
| UNE Port/Loop Combination Rates | | | | | | | | | | | | | |
| | 4W DS1 Digital Loop/4W DDITS Trunk Port - Statewide | | sw | UEPDC | | | | | | | | | |
| | 4W DS1 Digital Loop/4W DDITS Trunk Port - UNE Zone 1 | | 1 | UEPDC | | 170.59 | | | | | | | |
| | 4W DS1 Digital Loop/4W DDITS Trunk Port - UNE Zone 2 | | 2 | UEPDC | | 246.30 | | | | | | | |
| | 4W DS1 Digital Loop/4W DDITS Trunk Port - UNE Zone 3 | | 3 | UEPDC | | 397.71 | | | | | | | |
| | 4W DS1 Digital Loop/4W DDITS Trunk Port - UNE Zone 4 | | 4 | UEPDC | | | | | | | | | |
| UNE Loop Rates | | | | | | | | | | | | | |
| | 4-Wire DS1 Digital Loop - Statewide | | sw | UEPDC | USLDC | | | | | | | | |
| | 4-Wire DS1 Digital Loop - UNE Zone 1 | | 1 | UEPDC | USLDC | 101.92 | | | | 40.71 | 9.58 | | |
| | 4-Wire DS1 Digital Loop - UNE Zone 2 | | 2 | UEPDC | USLDC | 177.63 | | | | 40.71 | 9.58 | | |
| | 4-Wire DS1 Digital Loop - UNE Zone 3 | | 3 | UEPDC | USLDC | 329.04 | | | | 40.71 | 9.58 | | |
| | 4-Wire DS1 Digital Loop - UNE Zone 4 | | 4 | UEPDC | USLDC | | | | | | | | |
| UNE Port Rate | | | | | | | | | | | | | |
| | 4-Wire DDITS Digital Trunk Port | | | UEPDC | UDD1T | 750.00 | 1,003.02 | 478.01 | 211.87 | 20.77 | 40.71 | 9.58 | |
| NONRECURRING CHARGES - CURRENTLY COMBINED | | | | | | | | | | | | | |
| | 4-Wire DS1 Digital Loop / 4-Wire DDITS Trunk Port Combination - Switch-As-Is Top 8 MSAs only | | | UEPDC | USAC4 | | 258.98 | 134.03 | | | 40.71 | 9.58 | |
| | 4-Wire DS1 Digital Loop / 4-Wire DDITS Trunk Port Combination - Conversion with DS1 Changes Top 8 MSAs only | | | UEPDC | USAWA | | 258.98 | 134.04 | | | 40.71 | 9.58 | |
| | 4-Wire DS1 Digital Loop / 4-Wire DDITS Trunk Port Combination - Conversion with Change - Trunk Top 8 MSAs only | | | UEPDC | USAWB | | 258.98 | 134.03 | | | 40.71 | 9.58 | |
| ADDITIONAL NRCS | | | | | | | | | | | | | |
| | 4-Wire DS1 Loop / 4-Wire DDITS Trunk Port - Subsequent Service Activity Per Service Order | | | UEPDC | USAS4 | | | | | | 40.71 | 9.58 | |
| | 4-Wire DS1 Loop / 4-Wire DDITS Trunk Port - NRC - Subsequent Channel Activation/Chan - 2-Way Trunk | | | UEPDC | UDTTA | | 28.85 | 28.95 | | | 40.71 | 9.58 | |
| | 4-Wire DS1 Loop / 4-Wire DDITS Trunk Port - Subsequent Channel Activation/Chan - 1-Way Outward Trunk | | | UEPDC | UDTTB | | 28.85 | 28.85 | | | 40.71 | 9.58 | |
| | 4-Wire DS1 Loop / 4-Wire DDITS Trunk Port - Subsqnt Channel Activation/Chan - Inward Trunk w/out DID | | | UEPDC | UDTTC | | 28.85 | 28.85 | | | 40.71 | 9.58 | |
| | 4-Wire DS1 Loop / 4-Wire DDITS Trunk Port - Subsqnt Chan Activation Per Chan - Inward Trunk with DID | | | UEPDC | UDTTD | | 28.85 | 28.85 | | | 40.71 | 9.58 | |
| | 4-Wire DS1 Loop / 4-Wire DDITS Trunk Port - Subsqnt Chan Activation / Chan - 2-Way DID w User Trans | | | UEPDC | UDTTE | | 28.85 | 28.85 | | | 40.71 | 9.58 | |
| BIPOLAR 8 ZERO SUBSTITUTION | | | | | | | | | | | | | |
| | B8ZS -Superframe Format | | | UEPDC | CCOSF | | 0.00 | 600.00 | | | | | |
| | B8ZS - Extended Superframe Format | | | UEPDC | CCOEF | | 0.00 | 600.00 | | | | | |
| Alternate Mark Inversion | | | | | | | | | | | | | |
| | AMI -Superframe Format | | | UEPDC | MCOSF | | 0.00 | 0.00 | | | | | |
| | AMI - Extended SuperFrame Format | | | UEPDC | MCOPO | | 0.00 | 0.00 | | | | | |
| Telephone Number/Trunk Group Establishment Charges | | | | | | | | | | | | | |
| | Telephone Number for 2-Way Trunk Group | | | UEPDC | UDTGX | 0.00 | | | | | | | |
| | Telephone Number for 1-Way Outward Trunk Group | | | UEPDC | UDTGY | 0.00 | | | | | | | |
| | Telephone Number for 1-Way Inward Trunk Group Without DID | | | UEPDC | UDTGZ | 0.00 | | | | | | | |
| | DID Numbers, Establish Trunk Group and Provide First Group of 20 DID Numbers | | | UEPDC | NDZ | 0.00 | 0.00 | 0.00 | | | | | |
| | DID Numbers for each Group of 20 DID Numbers | | | UEPDC | ND4 | 0.00 | 0.00 | 0.00 | | | | | |
| | DID Numbers, Non- consecutive DID Numbers , Per Number | | | UEPDC | ND5 | 0.00 | | | | | | | |
| | Reserve Non-Consecutive DID Nos. | | | UEPDC | ND6 | 0.00 | 0.00 | 0.00 | | | | | |
| | Reserve DID Numbers | | | UEPDC | NDV | 0.00 | 0.00 | 0.00 | | | | | |
| Dedicated DS1 (Interoffice Channel Mileage) - | | | | | | | | | | | | | |
| FX/FCO for 4-Wire DS1 Digital Loop with 4-Wire DDITS Trunk Port | | | | | | | | | | | | | |

| UNBUNDLED NETWORK ELEMENTS - Alabama | | | | | | | | | | Attachment: 2 | | Exhibit: B | | | |
|--|--|---------|------|-------|-------|-----------|----------------------------------|--------------------------------------|--|--|---|---|-------|--------------|-------|
| CATEGORY | RATE ELEMENTS | Interim | Zone | BCS | USOC | RATES(\$) | Svc Order Submitted Elec per LSR | Svc Order Submitted Manually per LSR | Incremental Charge - Manual Svc Order vs. Electronic-1st | Incremental Charge - Manual Svc Order vs. Electronic-Add'l | Incremental Charge - Manual Svc Order vs. Electronic-Disc 1st | Incremental Charge - Manual Svc Order vs. Electronic-Disc Add'l | | | |
| | | | | | | | | | | | | | Rec | Nonrecurring | |
| | | | | | | First | Add'l | First | Add'l | SOMEc | SOMAN | SOMAN | SOMAN | SOMAN | SOMAN |
| | Interoffice Channel Mileage - Fixed rate 0-8 miles (Facilities Termination) | | | UEPDC | 1LNO1 | 79.69 | 198.15 | 148.18 | 25.44 | 20.42 | | | 40.71 | 9.58 | |
| | Interoffice Channel Mileage - Additional rate per mile - 0-8 miles | | | UEPDC | 1LNOA | 0.692 | 0.00 | 0.00 | | | | | | | |
| | Interoffice Channel Mileage - Fixed rate 9-25 miles (Facilities Termination) | | | UEPDC | 1LNO2 | 0.00 | 0.00 | 0.00 | | | | | | | |
| | Interoffice Channel Mileage - Additional rate per mile - 9-25 miles | | | UEPDC | 1LNOB | 0.692 | 0.00 | 0.00 | | | | | | | |
| | Interoffice Channel Mileage - Fixed rate 25+ miles (Facilities Termination) | | | UEPDC | 1LNO3 | 0.00 | 0.00 | 0.00 | 0.00 | | | | | | |
| | Interoffice Channel Mileage - Additional rate per mile - 25+ miles | | | UEPDC | 1LNOc | 0.692 | 0.00 | 0.00 | | | | | | | |
| | Local Number Portability, per DSO Activated | | | UEPDC | LNPCP | 3.15 | 0.00 | 0.00 | 0.00 | | | | | | |
| | Central Office Terminating Point | | | UEPDC | CTG | 0.00 | | | | | | | | | |
| 4-WIRE DS1 LOOP WITH CHANNELIZATION WITH PORT | | | | | | | | | | | | | | | |
| System is 1 DS1 Loop, 1 D4 Channel Bank, and up to 24 Feature Activations | | | | | | | | | | | | | | | |
| A system can have various rate combinations based on type and number of ports used | | | | | | | | | | | | | | | |
| UNE DS1 Loop | | | | | | | | | | | | | | | |
| | 4-Wire DS1 Loop - UNE Zone 1 | | 1 | UEPMG | USLDC | 101.92 | 0.00 | 0.00 | | | | | | | |
| | 4-Wire DS1 Loop - UNE Zone 2 | | 2 | UEPMG | USLDC | 177.63 | 0.00 | 0.00 | | | | | | | |
| | 4-Wire DS1 Loop - UNE Zone 3 | | 3 | UEPMG | USLDC | 329.04 | 0.00 | 0.00 | | | | | | | |
| UNE DSO Channelization Capacities (D4 Channel Bank Configurations) | | | | | | | | | | | | | | | |
| | 24 DSO Channel Capacity - 1 per DS1 | | | UEPMG | VUM24 | 115.89 | 0.00 | 0.00 | | | | 40.71 | 9.58 | | |
| | 48 DSO Channel Capacity - 1 per 2 DS1s | | | UEPMG | VUM48 | 231.78 | 0.00 | 0.00 | | | | 40.71 | 9.58 | | |
| | 96 DSO Channel Capacity -1per 4 DS1s | | | UEPMG | VUM96 | 463.56 | 0.00 | 0.00 | | | | 40.71 | 9.58 | | |
| | 144 DSO Channel Capacity - 1 per 6 DS1s | | | UEPMG | VUM14 | 695.34 | 0.00 | 0.00 | | | | 40.71 | 9.58 | | |
| | 192 DSO Channel Capacity -1 per 8 DS1s | | | UEPMG | VUM19 | 980.00 | 0.00 | 0.00 | | | | 40.71 | 9.58 | | |
| | 240 DSO Channel Capacity - 1 per 10 DS1s | | | UEPMG | VUM20 | 1,158.90 | 0.00 | 0.00 | | | | 40.71 | 9.58 | | |
| | 288 DSO Channel Capacity - 1 per 12 DS1s | | | UEPMG | VUM28 | 1,390.68 | 0.00 | 0.00 | | | | 40.71 | 9.58 | | |
| | 384 DSO Channel Capacity - 1 per 16 DS1s | | | UEPMG | VUM38 | 1,854.24 | 0.00 | 0.00 | | | | 40.71 | 9.58 | | |
| | 480 DSO Channel Capacity - 1 per 20 DS1s | | | UEPMG | VUM40 | 2,317.80 | 0.00 | 0.00 | | | | 40.71 | 9.58 | | |
| | 576 DSO Channel Capacity -1 per 24 DS1s | | | UEPMG | VUM57 | 2,781.36 | 0.00 | 0.00 | | | | 40.71 | 9.58 | | |
| | 672 DSO Channel Capacity - 1 per 28 DS1s | | | UEPMG | VUM67 | 3,244.92 | 0.00 | 0.00 | | | | 40.71 | 9.58 | | |
| Non-Recurring Charges (NRC) Associated with 4-Wire DS1 Loop with Channelization with Port - Conversion Charge Based on a System | | | | | | | | | | | | | | | |
| A Minimum System configuration is One (1) DS1, One (1) D4 Channel Bank, and Up To 24 DSO Ports with Feature Activations. | | | | | | | | | | | | | | | |
| Multiples of this configuration functioning as one are considered Add'l after the minimum system configuration is counted. | | | | | | | | | | | | | | | |
| System Additions Where Currently Combined and New (Not Currently Combined) | | | | | | | | | | | | | | | |
| In Top 8 MSAs and AL, FL, and NC Only | | | | | | | | | | | | | | | |
| | 1 DS1/D4 Channel Bank - Add NRC for each Port and Assoc Fea Activation - | | | UEPMG | VUMD4 | 0.00 | 716.11 | 468.04 | 148.75 | 17.65 | | | 40.71 | 9.58 | |
| Bipolar 8 Zero Substitution | | | | | | | | | | | | | | | |
| | Clear Channel Capability Format, superframe - Subsequent Activity Only | | | UEPMG | CCOSF | 0.00 | 0.00 | 600.00 | | | | | | | |
| | Clear Channel Capability Format - Extended Superframe - Subsequent Activity Only | | | UEPMG | CCOEF | 0.00 | 0.00 | 600.00 | | | | | | | |
| Alternate Mark Inversion (AMI) | | | | | | | | | | | | | | | |
| | Superframe Format | | | UEPMG | MCOSF | 0.00 | 0.00 | 0.00 | | | | | | | |
| | Extended Superframe Format | | | UEPMG | MCOPO | 0.00 | 0.00 | 0.00 | | | | | | | |
| Exchange Ports Associated with 4-Wire DS1 Loop with Channelization with Port | | | | | | | | | | | | | | | |
| Exchange Ports | | | | | | | | | | | | | | | |
| | Line Side Combination Channelized PBX Trunk Port - Business | | | UEPPX | UEPCX | 14.00 | 0.00 | 0.00 | 0.00 | 0.00 | | 40.71 | 9.58 | | |
| | Line Side Outward Channelized PBX Trunk Port - Business | | | UEPPX | UEPOX | 14.00 | 0.00 | 0.00 | 0.00 | 0.00 | | 40.17 | 9.58 | | |
| | Line Side Inward Only Channelized PBX Trunk Port without DID | | | UEPPX | UEP1X | 14.00 | 0.00 | 0.00 | 0.00 | 0.00 | | 40.71 | 9.58 | | |
| | 2-Wire Trunk Side Unbundled Channelized DID Trunk Port | | | UEPPX | UEPDM | 40.00 | 0.00 | 0.00 | 0.00 | 0.00 | | 40.71 | 9.58 | | |
| | 2-Wire Channelized PBX Area Calling Service Combination Port (AL Only) | | | UEPPX | UEPA4 | 14.00 | 0.00 | 0.00 | | | | 40.71 | 9.58 | | |

| UNBUNDLED NETWORK ELEMENTS - Alabama | | | | | | | | | | Attachment: 2 | | Exhibit: B | | | |
|---|---|---------|------|-------|-------|-----------|--------------|-------|-------------------------|----------------------------------|--------------------------------------|--|--|---|---|
| CATEGORY | RATE ELEMENTS | Interim | Zone | BCS | USOC | RATES(\$) | | | | Svc Order Submitted Elec per LSR | Svc Order Submitted Manually per LSR | Incremental Charge - Manual Svc Order vs. Electronic-1st | Incremental Charge - Manual Svc Order vs. Electronic-Add'l | Incremental Charge - Manual Svc Order vs. Electronic-Disc 1st | Incremental Charge - Manual Svc Order vs. Electronic-Disc Add'l |
| | | | | | | Rec | Nonrecurring | | Nonrecurring Disconnect | | | | | | |
| | | | | | | | First | Add'l | First | Add'l | SOME C | SOMAN | SOMAN | SOMAN | SOMAN |
| | 2 Wire Channelized PBX Area Calling Service Outgoing Only Port (AL Only) | | | UEPPX | UEPA3 | 14.00 | 0.00 | 0.00 | | | | | 40.71 | 9.58 | |
| | Feature Activations - Unbundled Loop Concentration | | | | | | | | | | | | | | |
| | Feature (Service) Activation for each Line Side Port Terminated in D4 Bank | | | UEPPX | 1PQWM | 0.62 | 40.00 | 20.00 | 6.00 | 5.00 | | | 40.71 | 9.58 | |
| | Feature (Service) Activation for each Trunk Side Port Terminated in D4 Bank | | | UEPPX | 1PQWU | 0.62 | 110.00 | 30.00 | 65.00 | 20.00 | | | 40.17 | 9.58 | |
| | Telephone Number/ Group Establishment Charges for DID Service | | | | | | | | | | | | | | |
| | DID Trunk Termination (1 per Port) | | | UEPPX | NDT | 0.00 | 0.00 | 0.00 | | | | | | | |
| | DID Numbers - groups of 20 - Valid all States | | | UEPPX | ND4 | 0.00 | 0.00 | 0.00 | | | | | | | |
| | Non-Consecutive DID Numbers - per number | | | UEPPX | ND5 | 0.00 | 0.00 | 0.00 | | | | | | | |
| | Reserve Non-Consecutive DID Numbers | | | UEPPX | ND6 | 0.00 | 0.00 | 0.00 | | | | | | | |
| | Reserve DID Numbers | | | UEPPX | NDV | 0.00 | 0.00 | 0.00 | | | | | | | |
| | Local Number Portability | | | | | | | | | | | | | | |
| | Local Number Portability - 1 per port | | | UEPPX | LNPCP | 3.15 | 0.00 | 0.00 | | | | | | | |
| | FEATURES - Vertical and Optional | | | | | | | | | | | | | | |
| | Local Switching Features Offered with Line Side Ports Only | | | | | | | | | | | | | | |
| | All Features Available | | | UEPPX | UEPVF | 5.55 | 0.00 | 0.00 | | | | | 40.71 | 9.58 | |
| UNBUNDLED CENTREX PORT/LOOP COMBINATIONS - COST BASED RATES | | | | | | | | | | | | | | | |
| 1. Cost Based Rates are applied where BellSouth is required by FCC and/or State Commission rule to provide Unbundled Local Switching or Switch Ports. | | | | | | | | | | | | | | | |
| 2. Features shall apply to the Unbundled Port/Loop Combination - Cost Based Rate section in the same manner as they are applied to the Stand-Alone Unbundled Port section of this Rate Exhibit. | | | | | | | | | | | | | | | |
| 3. End Office and Tandem Switching Usage and Common Transport Usage rates in the Port section of this rate exhibit shall apply to all combinations of loop/port network elements except for UNE Coin Port/Loop Combinations. | | | | | | | | | | | | | | | |
| 4. For Georgia, Kentucky, Louisiana, Mississippi, South Carolina, and Tennessee, the recurring UNE Port and Loop charges listed apply to Currently Combined and Not Currently Combined Combos. The first and additional Port nonrecurring charges apply to Not Currently Combined Combos for all states. In GA, KY, LA, MS, SC, and TN these nonrecurring charges are commission ordered cost based rates and in AL, FL, and NC these nonrecurring charges are Market Rates and are listed in the Market Rate section. For Currently Combined Combos in all other states, the nonrecurring charges shall be those identified in the Nonrecurring - Currently Combined sections. | | | | | | | | | | | | | | | |
| 5. Market Rates for Unbundled Centrex Port/Loop Combination will be negotiated on an Individual Case Basis, until further notice. | | | | | | | | | | | | | | | |
| UNE-P CENTREX - 1AESS - (Valid in AL,FL,GA,KY,LA,MS,&TN only) | | | | | | | | | | | | | | | |
| 2-Wire VG Loop/2-Wire Voice Grade Port (Centrex) Combo | | | | | | | | | | | | | | | |
| UNE Port/Loop Combination Rates (Non-Design) | | | | | | | | | | | | | | | |
| | 2-Wire VG Loop/2-Wire Voice Grade Port (Centrex) Port Combo - Non-Design | | 1 | UEP91 | | 16.55 | | | | | | | | | |
| | 2-Wire VG Loop/2-Wire Voice Grade Port (Centrex)Port Combo - Non-Design | | 2 | UEP91 | | 25.51 | | | | | | | | | |
| | 2-Wire VG Loop/2-Wire Voice Grade Port (Centrex)Port Combo - Non-Design | | 3 | UEP91 | | 44.44 | | | | | | | | | |
| UNE Port/Loop Combination Rates (Design) | | | | | | | | | | | | | | | |
| | 2-Wire VG Loop/2-Wire Voice Grade Port (Centrex) Port Combo - Design | | 1 | UEP91 | | 22.62 | | | | | | | | | |
| | 2-Wire VG Loop/2-Wire Voice Grade Port (Centrex)Port Combo - Design | | 2 | UEP91 | | 29.61 | | | | | | | | | |
| | 2-Wire VG Loop/2-Wire Voice Grade Port (Centrex)Port Combo - Design | | 3 | UEP91 | | 38.09 | | | | | | | | | |
| UNE Loop Rate | | | | | | | | | | | | | | | |
| | 2-Wire Voice Grade Loop (SL 1) - Zone 1 | | 1 | UEP91 | UECS1 | 14.35 | | | | | | | | | |
| | 2-Wire Voice Grade Loop (SL 1) - Zone 2 | | 2 | UEP91 | UECS1 | 23.31 | | | | | | | | | |
| | 2-Wire Voice Grade Loop (SL 1) - Zone 3 | | 3 | UEP91 | UECS1 | 42.24 | | | | | | | | | |
| | 2-Wire Voice Grade Loop (SL 2) - Zone 1 | | 1 | UEP91 | UECS2 | 20.42 | | | | | | | | | |
| | 2-Wire Voice Grade Loop (SL 2) - Zone 2 | | 2 | UEP91 | UECS2 | 27.41 | | | | | | | | | |
| | 2-Wire Voice Grade Loop (SL 2) - Zone 3 | | 3 | UEP91 | UECS2 | 35.89 | | | | | | | | | |
| UNE Ports | | | | | | | | | | | | | | | |
| All States (Except North Carolina and Sout Carolina) | | | | | | | | | | | | | | | |
| | 2-Wire Voice Grade Port (Centrex) Basic Local Area | | | UEP91 | UEPYA | 2.20 | | | | | | | 40.71 | 9.58 | |
| | 2-Wire Voice Grade Port (Centrex 800 termination)Basic Local Area | | | UEP91 | UEPYB | 2.20 | | | | | | | 40.71 | 9.58 | |
| | 2-Wire Voice Grade Port (Centrex with Caller ID)1Basic Local Area | | | UEP91 | UEPYH | 2.20 | | | | | | | 40.71 | 9.58 | |
| | 2-Wire Voice Grade Port (Centrex from diff Serving Wire Center)2 Basic Local Area | | | UEP91 | UEPYM | 2.20 | | | | | | | 40.71 | 9.58 | |

| UNBUNDLED NETWORK ELEMENTS - Alabama | | | | | | | | | | | Attachment: 2 | | Exhibit: B | | | | | |
|--------------------------------------|---|---------|------|-------|-------|-----------|----------------------------------|--------------------------------------|--|--|---|---|------------|--------------|-------|-------------------------|--|---------------|
| CATEGORY | RATE ELEMENTS | Interim | Zone | BCS | USOC | RATES(\$) | Svc Order Submitted Elec per LSR | Svc Order Submitted Manually per LSR | Incremental Charge - Manual Svc Order vs. Electronic-1st | Incremental Charge - Manual Svc Order vs. Electronic-Add'l | Incremental Charge - Manual Svc Order vs. Electronic-Disc 1st | Incremental Charge - Manual Svc Order vs. Electronic-Disc Add'l | | | | | | |
| | | | | | | | | | | | | | Rec | Nonrecurring | | Nonrecurring Disconnect | | OSS Rates(\$) |
| | | | | | | | First | Add'l | First | Add'l | SOMEC | SOMAN | SOMAN | SOMAN | SOMAN | SOMAN | | |
| | 2-Wire Voice Grade Port, Diff Serving Wire Center - 800 Service Term - Basic Local Area | | | UEP91 | UEPYZ | 2.20 | | | | | | | | 40.71 | 9.58 | | | |
| | 2-Wire Voice Grade Port terminated in on Megalink or equivalent - Basic Local Area | | | UEP91 | UEPY9 | 2.20 | | | | | | | | 40.71 | 9.58 | | | |
| | 2-Wire Voice Grade Port Terminated on 800 Service Term - Basic Local Area | | | UEP91 | UEPY2 | 2.20 | | | | | | | | 40.71 | 9.58 | | | |
| | AL, KY, LA, MS, & TN Only | | | | | | | | | | | | | | | | | |
| | 2-Wire Voice Grade Port (Centrex) | | | UEP91 | UEPQA | 2.20 | | | | | | | | 40.71 | 9.58 | | | |
| | 2-Wire Voice Grade Port (Centrex 800 termination) | | | UEP91 | UEPQB | 2.20 | | | | | | | | 40.71 | 9.58 | | | |
| | 2-Wire Voice Grade Port (Centrex with Caller ID)1 | | | UEP91 | UEPQH | 2.20 | | | | | | | | 40.71 | 9.58 | | | |
| | 2-Wire Voice Grade Port (Centrex from diff Serving Wire Center)2 | | | UEP91 | UEPQM | 2.20 | | | | | | | | 40.71 | 9.58 | | | |
| | 2-Wire Voice Grade Port, Diff Serving Wire Center - 800 Service Term | | | UEP91 | UEPQZ | 2.20 | | | | | | | | 40.71 | 9.58 | | | |
| | 2-Wire Voice Grade Port terminated in on Megalink or equivalent | | | UEP91 | UEPQ9 | 2.20 | | | | | | | | 40.71 | 9.58 | | | |
| | 2-Wire Voice Grade Port Terminated on 800 Service Term | | | UEP91 | UEPQ2 | 2.20 | | | | | | | | 40.71 | 9.58 | | | |
| | Local Switching | | | | | | | | | | | | | | | | | |
| | Centrex Intercom Funtionalty, per port | | | UEP91 | URECS | 0.5488 | | | | | | | | | | | | |
| | Local Number Portability | | | | | | | | | | | | | | | | | |
| | Local Number Portability (1 per port) | | | UEP91 | LNPC | 0.35 | | | | | | | | | | | | |
| | Features | | | | | | | | | | | | | | | | | |
| | All Standard Features Offered, per port | | | UEP91 | UEPVF | 2.64 | | | | | | | | | | | | |
| | All Select Features Offered, per port | | | UEP91 | UEPVS | 0.00 | 405.52 | | | | | | | 40.71 | 9.58 | | | |
| | All Centrex Control Features Offered, per port | | | UEP91 | UEPVC | 2.64 | | | | | | | | | | | | |
| | NARS | | | | | | | | | | | | | | | | | |
| | Unbundled Network Access Register - Combination | | | UEP91 | UARCX | 0.00 | 0.00 | 0.00 | | | | | | 40.71 | 9.58 | | | |
| | Unbundled Network Access Register - Indial | | | UEP91 | UAR1X | 0.00 | 0.00 | 0.00 | | | | | | 40.71 | 9.58 | | | |
| | Unbundled Network Access Register - Outdial | | | UEP91 | UARO | 0.00 | 0.00 | 0.00 | | | | | | 40.71 | 9.58 | | | |
| | Miscellaneous Terminations | | | | | | | | | | | | | | | | | |
| | 2-Wire Trunk Side | | | | | | | | | | | | | | | | | |
| | Trunk Side Terminations, each | | | UEP91 | CENA6 | 9.17 | | | | | | | | | | | | |
| | Interoffice Channel Mileage - 2-Wire | | | | | | | | | | | | | | | | | |
| | Interoffice Channel Facilities Termination - Voice Grade | | | UEP91 | MIGBC | 24.15 | | | | | | | | 40.71 | 9.58 | | | |
| | Interoffice Channel mileage, per mile or fraction of mile | | | UEP91 | MIGBM | 0.0101 | | | | | | | | 40.71 | 9.58 | | | |
| | Feature Activations (DS0) Centrex Loops on Channelized DS1 Service | | | | | | | | | | | | | | | | | |
| | D4 Channel Bank Feature Activations | | | | | | | | | | | | | | | | | |
| | Feature Activation on D-4 Channel Bank Centrex Loop Slot | | | UEP91 | 1PQWS | 0.64 | | | | | | | | | | | | |
| | Feature Activation on D-4 Channel Bank FX line Side Loop Slot | | | UEP91 | 1PQW6 | 0.64 | | | | | | | | | | | | |
| | Feature Activation on D-4 Channel Bank FX Trunk Side Loop Slot | | | UEP91 | 1PQW7 | 0.64 | | | | | | | | | | | | |
| | Feature Activation on D-4 Channel Bank Centrex Loop Slot - Different Wire Center | | | UEP91 | 1PQWP | 0.64 | | | | | | | | | | | | |
| | Feature Activation on D-4 Channel Bank Private Line Loop Slot | | | UEP91 | 1PQWV | 0.64 | | | | | | | | | | | | |
| | Feature Activation on D-4 Channel Bank Tjje Line/Trunk Loop Slot | | | UEP91 | 1PQWQ | 0.64 | | | | | | | | | | | | |
| | Feature Activation on D-4 Channel Bank WATS Loop Slot | | | UEP91 | 1PQWA | 0.64 | | | | | | | | | | | | |
| | Non-Recurring Charges (NRC) Associated with UNE-P Centrex | | | | | | | | | | | | | | | | | |
| | Conversion - Currently Combined Switch-As-Is with allowed changes, per port | | | UEP91 | USAC2 | | 2.80 | 0.41 | | | | | | 40.71 | 9.58 | | | |
| | New Centrex Standard Common Block | | | UEP91 | M1ACS | 0.00 | 667.21 | | | | | | | 40.71 | 9.58 | | | |
| | New Centrex Customized Common Block | | | UEP91 | M1ACC | 0.00 | 667.21 | | | | | | | 40.71 | 9.58 | | | |
| | Secondary Block, per Block | | | UEP91 | M2CC1 | 0.00 | 78.02 | | | | | | | 40.71 | 9.58 | | | |
| | NAR Establishment Charge, Per Occasion | | | UEP91 | URECA | 0.00 | 72.73 | | | | | | | 40.71 | 9.58 | | | |
| | UNE-P CENTREX - 5ESS (Valid in All States) | | | | | | | | | | | | | | | | | |
| | 2-Wire VG Loop/2-Wire Voice Grade Port (Centrex) Combo | | | | | | | | | | | | | | | | | |
| | UNE Port/Loop Combination Rates (Non-Design) | | | | | | | | | | | | | | | | | |

| UNBUNDLED NETWORK ELEMENTS - Alabama | | | | | | | | | | | | | Attachment: 2 | | Exhibit: B | | | | | | | |
|---|---|---------|------|-------|-------|-----------|----------------------------------|--------------------------------------|--|--|---|---|---------------|--------------|------------|-------------------------|--|-------|-------|-------|-------|-------|
| CATEGORY | RATE ELEMENTS | Interim | Zone | BCS | USOC | RATES(\$) | Svc Order Submitted Elec per LSR | Svc Order Submitted Manually per LSR | Incremental Charge - Manual Svc Order vs. Electronic-1st | Incremental Charge - Manual Svc Order vs. Electronic-Add'l | Incremental Charge - Manual Svc Order vs. Electronic-Disc 1st | Incremental Charge - Manual Svc Order vs. Electronic-Disc Add'l | OSS Rates(\$) | | | | | | | | | |
| | | | | | | | | | | | | | Rec | Nonrecurring | | Nonrecurring Disconnect | | SOMEc | SOMAN | SOMAN | SOMAN | SOMAN |
| | | | | | | | | | | | | | First | Add'l | First | Add'l | | | | | | |
| | 2-Wire VG Loop/2-Wire Voice Grade Port (Centrex) Port Combo - Non-Design | | 1 | UEP95 | | 16.55 | | | | | | | | | | | | | | | | |
| | 2-Wire VG Loop/2-Wire Voice Grade Port (Centrex)Port Combo - Non-Design | | 2 | UEP95 | | 25.51 | | | | | | | | | | | | | | | | |
| | 2-Wire VG Loop/2-Wire Voice Grade Port (Centrex)Port Combo - Non-Design | | 3 | UEP95 | | 44.44 | | | | | | | | | | | | | | | | |
| UNE Port/Loop Combination Rates (Design) | | | | | | | | | | | | | | | | | | | | | | |
| | 2-Wire VG Loop/2-Wire Voice Grade Port (Centrex) Port Combo - Design | | 1 | UEP95 | | 22.62 | | | | | | | | | | | | | | | | |
| | 2-Wire VG Loop/2-Wire Voice Grade Port (Centrex)Port Combo - Design | | 2 | UEP95 | | 29.61 | | | | | | | | | | | | | | | | |
| | 2-Wire VG Loop/2-Wire Voice Grade Port (Centrex)Port Combo - Design | | 3 | UEP95 | | 38.09 | | | | | | | | | | | | | | | | |
| UNE Loop Rate | | | | | | | | | | | | | | | | | | | | | | |
| | 2-Wire Voice Grade Loop (SL 1) - Zone 1 | | 1 | UEP95 | UECS1 | 14.35 | | | | | | | | | | | | | | | | |
| | 2-Wire Voice Grade Loop (SL 1) - Zone 2 | | 2 | UEP95 | UECS1 | 23.31 | | | | | | | | | | | | | | | | |
| | 2-Wire Voice Grade Loop (SL 1) - Zone 3 | | 3 | UEP95 | UECS1 | 42.24 | | | | | | | | | | | | | | | | |
| | 2-Wire Voice Grade Loop (SL 2) - Zone 1 | | 1 | UEP95 | UECS2 | 20.42 | | | | | | | | | | | | | | | | |
| | 2-Wire Voice Grade Loop (SL 2) - Zone 2 | | 2 | UEP95 | UECS2 | 27.41 | | | | | | | | | | | | | | | | |
| | 2-Wire Voice Grade Loop (SL 2) - Zone 3 | | 3 | UEP95 | UECS2 | 35.89 | | | | | | | | | | | | | | | | |
| UNE Port Rate | | | | | | | | | | | | | | | | | | | | | | |
| All States | | | | | | | | | | | | | | | | | | | | | | |
| | 2-Wire Voice Grade Port (Centrex) Basic Local Area | | | UEP95 | UEPYA | 2.20 | | | | | | | | | | | | 40.71 | 9.58 | | | |
| | 2-Wire Voice Grade Port (Centrex 800 termination) | | | UEP95 | UEPYB | 2.20 | | | | | | | | | | | | 40.71 | 9.58 | | | |
| | 2-Wire Voice Grade Port (Centrex with Caller ID)1Basic Local Area | | | UEP95 | UEPYH | 2.20 | | | | | | | | | | | | 40.71 | 9.58 | | | |
| | 2-Wire Voice Grade Port (Centrex from diff Serving Wire Center)2 Basic Local Area | | | UEP95 | UEPYM | 2.20 | | | | | | | | | | | | 40.71 | 9.58 | | | |
| | 2-Wire Voice Grade Port, Diff Serving Wire Center - 800 Service Term - Basic Local Area | | | UEP95 | UEPYZ | 2.20 | | | | | | | | | | | | 40.71 | 9.58 | | | |
| | 2-Wire Voice Grade Port terminated in on Megalink or equivalent - Basic Local Area | | | UEP95 | UEPY9 | 2.20 | | | | | | | | | | | | 40.71 | 9.58 | | | |
| | 2-Wire Voice Grade Port Terminated on 800 Service Term - Basic Local Area | | | UEP95 | UEPY2 | 2.20 | | | | | | | | | | | | 40.71 | 9.58 | | | |
| AL, KY, LA, MS, SC, & TN Only | | | | | | | | | | | | | | | | | | | | | | |
| | 2-Wire Voice Grade Port (Centrex) | | | UEP95 | UEPQA | 2.20 | | | | | | | | | | | | 40.71 | 9.58 | | | |
| | 2-Wire Voice Grade Port (Centrex 800 termination) | | | UEP95 | UEPQB | 2.20 | | | | | | | | | | | | 40.71 | 9.58 | | | |
| | 2-Wire Voice Grade Port (Centrex with Caller ID)1 | | | UEP95 | UEPQH | 2.20 | | | | | | | | | | | | 40.71 | 9.58 | | | |
| | 2-Wire Voice Grade Port (Centrex from diff Serving Wire Center)2 | | | UEP95 | UEPQM | 2.20 | | | | | | | | | | | | 40.71 | 9.58 | | | |
| | 2-Wire Voice Grade Port, Diff Serving Wire Center - 800 Service Term | | | UEP95 | UEPQZ | 2.20 | | | | | | | | | | | | 40.71 | 9.58 | | | |
| | 2-Wire Voice Grade Port terminated in on Megalink or equivalent | | | UEP95 | UEPQ9 | 2.20 | | | | | | | | | | | | 40.71 | 9.58 | | | |
| | 2-Wire Voice Grade Port Terminated on 800 Service Term | | | UEP95 | UEPQ2 | 2.20 | | | | | | | | | | | | 40.71 | 9.58 | | | |
| Local Switching | | | | | | | | | | | | | | | | | | | | | | |
| | Centrex Intercom Funtionalty, per port | | | UEP95 | URECS | 0.5488 | | | | | | | | | | | | | | | | |
| Local Number Portability | | | | | | | | | | | | | | | | | | | | | | |
| | Local Number Portability (1 per port) | | | UEP95 | LNPCc | 0.35 | | | | | | | | | | | | | | | | |
| Features | | | | | | | | | | | | | | | | | | | | | | |
| | All Standard Features Offered, per port | | | UEP95 | UEPVF | 2.64 | | | | | | | | | | | | | | | | |
| | All Select Features Offered, per port | | | UEP95 | UEPVS | 0.00 | 405.52 | | | | | | | | | | | 40.71 | 9.58 | | | |
| | All Centrex Control Features Offered, per port | | | UEP95 | UEPVC | 2.64 | | | | | | | | | | | | | | | | |
| NARS | | | | | | | | | | | | | | | | | | | | | | |
| | Unbundled Network Access Register - Combination | | | UEP95 | UARCX | 0.00 | 0.00 | 0.00 | | | | | | | | | | 40.71 | 9.58 | | | |
| | Unbundled Network Access Register - Indial | | | UEP95 | UAR1X | 0.00 | 0.00 | 0.00 | | | | | | | | | | 40.71 | 9.58 | | | |
| | Unbundled Network Access Register - Outdial | | | UEP95 | UAROX | 0.00 | 0.00 | 0.00 | | | | | | | | | | 40.71 | 9.58 | | | |
| Miscellaneous Terminations | | | | | | | | | | | | | | | | | | | | | | |
| 2-Wire Trunk Side | | | | | | | | | | | | | | | | | | | | | | |

| UNBUNDLED NETWORK ELEMENTS - Alabama | | | | | | | | | | Attachment: 2 | | Exhibit: B | | | | | | | | | | | |
|--------------------------------------|--|---------|------|-------|-------|-----------|----------------------------------|--------------------------------------|--|--|---|---|---------------|--------------|-------|-------------------------|--|-------|-------|-------|-------|-------|-------|
| CATEGORY | RATE ELEMENTS | Interim | Zone | BCS | USOC | RATES(\$) | Svc Order Submitted Elec per LSR | Svc Order Submitted Manually per LSR | Incremental Charge - Manual Svc Order vs. Electronic-1st | Incremental Charge - Manual Svc Order vs. Electronic-Add'l | Incremental Charge - Manual Svc Order vs. Electronic-Disc 1st | Incremental Charge - Manual Svc Order vs. Electronic-Disc Add'l | OSS Rates(\$) | | | | | | | | | | |
| | | | | | | | | | | | | | Rec | Nonrecurring | | Nonrecurring Disconnect | | SOMEc | SOMAN | SOMAN | SOMAN | SOMAN | SOMAN |
| | | | | | | | | | | | | | First | Add'l | First | Add'l | | | | | | | |
| | Trunk Side Terminations, each | | | UEP95 | CEND6 | 9.17 | | | | | | | | | | | | | | | | | |
| | 4-Wire Digital (1.544 Megabits) | | | | | | | | | | | | | | | | | | | | | | |
| | DS1 Circuit Terminations, each | | | UEP95 | M1HD1 | 68.67 | | | | | | | | | | | | | | | | | |
| | DS0 Channels Activated, each | | | UEP95 | M1HDO | 0.00 | 28.25 | | | | | | | | | | | | | | 40.71 | 9.58 | |
| | Interoffice Channel Mileage - 2-Wire | | | | | | | | | | | | | | | | | | | | | | |
| | Interoffice Channel Facilities Termination | | | UEP95 | MIGBC | 24.15 | | | | | | | | | | | | | | | | | |
| | Interoffice Channel mileage, per mile or fraction of mile | | | UEP95 | MIGBM | 0.0101 | | | | | | | | | | | | | | | | | |
| | Feature Activations (DS0) Centrex Loops on Channelized DS1 Service | | | | | | | | | | | | | | | | | | | | | | |
| | D4 Channel Bank Feature Activations | | | | | | | | | | | | | | | | | | | | | | |
| | Feature Activation on D-4 Channel Bank Centrex Loop Slot | | | UEP95 | 1PQWS | 0.64 | | | | | | | | | | | | | | | | | |
| | Feature Activation on D-4 Channel Bank FX line Side Loop Slot | | | UEP95 | 1PQW6 | 0.64 | | | | | | | | | | | | | | | | | |
| | Feature Activation on D-4 Channel Bank FX Trunk Side Loop Slot | | | UEP95 | 1PQW7 | 0.64 | | | | | | | | | | | | | | | | | |
| | Feature Activation on D-4 Channel Bank Centrex Loop Slot - Different Wire Center | | | UEP95 | 1PQWP | 0.64 | | | | | | | | | | | | | | | | | |
| | Feature Activation on D-4 Channel Bank Private Line Loop Slot | | | UEP95 | 1PQWV | 0.64 | | | | | | | | | | | | | | | | | |
| | Feature Activation on D-4 Channel Bank Tjie Line/Trunk Loop Slot | | | UEP95 | 1PQWQ | 0.64 | | | | | | | | | | | | | | | | | |
| | Feature Activation on D-4 Channel Bank WATS Loop Slot | | | UEP95 | 1PQWA | 0.64 | | | | | | | | | | | | | | | | | |
| | Non-Recurring Charges (NRC) Associated with UNE-P Centrex | | | | | | | | | | | | | | | | | | | | | | |
| | NRC Conversion Currently Combined Switch-As-Is with allowed changes, per port | | | UEP95 | USAC2 | | | 2.80 | 0.41 | | | | | | | | | | | | 40.71 | 9.58 | |
| | New Centrex Standard Common Block | | | UEP95 | M1ACS | 0.00 | 667.21 | | | | | | | | | | | | | | 40.71 | 9.58 | |
| | New Centrex Customized Common Block | | | UEP95 | M1ACC | 0.00 | 667.21 | | | | | | | | | | | | | | 40.71 | 9.58 | |
| | NAR Establishment Charge, Per Occasion | | | UEP95 | URECA | 0.00 | 72.73 | | | | | | | | | | | | | | 40.71 | 9.58 | |
| | UNE-P CENTREX - DMS100 (Valid in All States) | | | | | | | | | | | | | | | | | | | | | | |
| | 2-Wire VG Loop/2-Wire Voice Grade Port (Centrex) Combo | | | | | | | | | | | | | | | | | | | | | | |
| | UNE Port/Loop Combination Rates (Non-Design) | | | | | | | | | | | | | | | | | | | | | | |
| | 2-Wire VG Loop/2-Wire Voice Grade Port (Centrex) Port Combo - Non-Design | | 1 | UEP9D | | 16.55 | | | | | | | | | | | | | | | | | |
| | 2-Wire VG Loop/2-Wire Voice Grade Port (Centrex)Port Combo - Non-Design | | 2 | UEP9D | | 25.51 | | | | | | | | | | | | | | | | | |
| | 2-Wire VG Loop/2-Wire Voice Grade Port (Centrex)Port Combo - Non-Design | | 3 | UEP9D | | 44.44 | | | | | | | | | | | | | | | | | |
| | UNE Port/Loop Combination Rates (Design) | | | | | | | | | | | | | | | | | | | | | | |
| | 2-Wire VG Loop/2-Wire Voice Grade Port (Centrex) Port Combo - Design | | 1 | UEP9D | | 22.62 | | | | | | | | | | | | | | | | | |
| | 2-Wire VG Loop/2-Wire Voice Grade Port (Centrex)Port Combo - Design | | 2 | UEP9D | | 29.61 | | | | | | | | | | | | | | | | | |
| | 2-Wire VG Loop/2-Wire Voice Grade Port (Centrex)Port Combo - Design | | 3 | UEP9D | | 38.09 | | | | | | | | | | | | | | | | | |
| | UNE Loop Rate | | | | | | | | | | | | | | | | | | | | | | |
| | 2-Wire Voice Grade Loop (SL 1) - Zone 1 | | 1 | UEP9D | UECS1 | 14.35 | | | | | | | | | | | | | | | | | |
| | 2-Wire Voice Grade Loop (SL 1) - Zone 2 | | 2 | UEP9D | UECS1 | 23.31 | | | | | | | | | | | | | | | | | |
| | 2-Wire Voice Grade Loop (SL 1) - Zone 3 | | 3 | UEP9D | UECS1 | 42.24 | | | | | | | | | | | | | | | | | |
| | 2-Wire Voice Grade Loop (SL 2) - Zone 1 | | 1 | UEP9D | UECS2 | 20.42 | | | | | | | | | | | | | | | | | |
| | 2-Wire Voice Grade Loop (SL 2) - Zone 2 | | 2 | UEP9D | UECS2 | 27.41 | | | | | | | | | | | | | | | | | |
| | 2-Wire Voice Grade Loop (SL 2) - Zone 3 | | 3 | UEP9D | UECS2 | 35.89 | | | | | | | | | | | | | | | | | |
| | UNE Port Rate | | | | | | | | | | | | | | | | | | | | | | |
| | ALL STATES | | | | | | | | | | | | | | | | | | | | | | |
| | 2-Wire Voice Grade Port (Centrex) Basic Local Area | | | UEP9D | UEPYA | 2.20 | | | | | | | | | | | | | | | 40.71 | 9.58 | |
| | 2-Wire Voice Grade Port (Centrex 800 termination)Basic Local Area | | | UEP9D | UEPYB | 2.20 | | | | | | | | | | | | | | | 40.71 | 9.58 | |
| | 2-Wire Voice Grade Port (Centrex / EBS-PSET)3Basic Local Area | | | UEP9D | UEPYC | 2.20 | | | | | | | | | | | | | | | 40.71 | 9.58 | |
| | 2-Wire Voice Grade Port (Centrex / EBS-M5009)3Basic Local Area | | | UEP9D | UEPYD | 2.20 | | | | | | | | | | | | | | | 40.71 | 9.58 | |

| UNBUNDLED NETWORK ELEMENTS - Alabama | | | | | | | | | | | Attachment: 2 | | Exhibit: B | | | | | | | | | |
|--------------------------------------|--|---------|------|-------|-------|-----------|----------------------------------|--------------------------------------|--|--|---|---|---------------|--------------|-------|-------------------------|--|-------|-------|-------|-------|-------|
| CATEGORY | RATE ELEMENTS | Interim | Zone | BCS | USOC | RATES(\$) | Svc Order Submitted Elec per LSR | Svc Order Submitted Manually per LSR | Incremental Charge - Manual Svc Order vs. Electronic-1st | Incremental Charge - Manual Svc Order vs. Electronic-Add'l | Incremental Charge - Manual Svc Order vs. Electronic-Disc 1st | Incremental Charge - Manual Svc Order vs. Electronic-Disc Add'l | OSS Rates(\$) | | | | | | | | | |
| | | | | | | | | | | | | | Rec | Nonrecurring | | Nonrecurring Disconnect | | SOMEc | SOMAN | SOMAN | SOMAN | SOMAN |
| | | | | | | | | | | | | | First | Add'l | First | Add'l | | | | | | |
| | 2-Wire Voice Grade Port (Centrex / EBS-M5209))3 Basic Local Area | | | UEP9D | UEPYE | 2.20 | | | | | | | | | | | | | 40.71 | 9.58 | | |
| | 2-Wire Voice Grade Port (Centrex / EBS-M5112))3 Basic Local Area | | | UEP9D | UEPYF | 2.20 | | | | | | | | | | | | | 40.71 | 9.58 | | |
| | 2-Wire Voice Grade Port (Centrex / EBS-M5312))3Basic Local Area | | | UEP9D | UEPYG | 2.20 | | | | | | | | | | | | | 40.71 | 9.58 | | |
| | 2-Wire Voice Grade Port (Centrex / EBS-M5008))3 Basic Local Area | | | UEP9D | UEPYT | 2.20 | | | | | | | | | | | | | 40.71 | 9.58 | | |
| | 2-Wire Voice Grade Port (Centrex / EBS-M5208))3 Basic Local Area | | | UEP9D | UEPYU | 2.20 | | | | | | | | | | | | | 40.71 | 9.58 | | |
| | 2-Wire Voice Grade Port (Centrex / EBS-M5216))3 Basic Local Area | | | UEP9D | UEPYV | 2.20 | | | | | | | | | | | | | 40.71 | 9.58 | | |
| | 2-Wire Voice Grade Port (Centrex / EBS-M5316))3 Basic Local Area | | | UEP9D | UEPY3 | 2.20 | | | | | | | | | | | | | 40.71 | 9.58 | | |
| | 2-Wire Voice Grade Port (Centrex with Caller ID) Basic Local Area | | | UEP9D | UEPYH | 2.20 | | | | | | | | | | | | | 40.71 | 9.58 | | |
| | 2-Wire Voice Grade Port (Centrex/Caller ID/Msg Wtg Lamp Indication))3 Basic Local Area | | | UEP9D | UEPYW | 2.20 | | | | | | | | | | | | | 40.71 | 9.58 | | |
| | 2-Wire Voice Grade Port (Centrex/Msg Wtg Lamp Indication))3 Basic Local Area | | | UEP9D | UEPYJ | 2.20 | | | | | | | | | | | | | 40.71 | 9.58 | | |
| | 2-Wire Voice Grade Port (Centrex from diff Serving Wire Center) 2 Basic Local Area | | | UEP9D | UEPYM | 2.20 | | | | | | | | | | | | | 40.71 | 9.58 | | |
| | 2-Wire Voice Grade Port (Centrex/differ SWC /EBS-PSET)2, 3 Basic Local Area | | | UEP9D | UEPYO | 2.20 | | | | | | | | | | | | | 40.71 | 9.58 | | |
| | 2-Wire Voice Grade Port (Centrex/differ SWC /EBS-M5009)2, 3 Basic Local Area | | | UEP9D | UEPYP | 2.20 | | | | | | | | | | | | | 40.71 | 9.58 | | |
| | 2-Wire Voice Grade Port (Centrex/differ SWC /EBS-5209)2, 3 Basic Local Area | | | UEP9D | UEPYQ | 2.20 | | | | | | | | | | | | | 40.71 | 9.58 | | |
| | 2-Wire Voice Grade Port (Centrex/differ SWC /EBS-M5112)2, 3 Basic Local Area | | | UEP9D | UEPYR | 2.20 | | | | | | | | | | | | | 40.71 | 9.58 | | |
| | 2-Wire Voice Grade Port (Centrex/differ SWC /EBS-M5312)2, 3 Basic Local Area | | | UEP9D | UEPYS | 2.20 | | | | | | | | | | | | | 40.71 | 9.58 | | |
| | 2-Wire Voice Grade Port (Centrex/differ SWC /EBS-M5008)2, 3 Basic Local Area | | | UEP9D | UEPY4 | 2.20 | | | | | | | | | | | | | 40.71 | 9.58 | | |
| | 2-Wire Voice Grade Port (Centrex/differ SWC /EBS-M5208)2, 3 Basic Local Area | | | UEP9D | UEPY5 | 2.20 | | | | | | | | | | | | | 40.71 | 9.58 | | |
| | 2-Wire Voice Grade Port (Centrex/differ SWC /EBS-M5216)2, 3 Basic Local Area | | | UEP9D | UEPY6 | 2.20 | | | | | | | | | | | | | 40.71 | 9.58 | | |
| | 2-Wire Voice Grade Port (Centrex/differ SWC /EBS-M5316)2, 3 Basic Local Area | | | UEP9D | UEPY7 | 2.20 | | | | | | | | | | | | | 40.71 | 9.58 | | |
| | 2-Wire Voice Grade Port, Diff Serving Wire Center - 800 Service Term | | | UEP9D | UEPYZ | 2.20 | | | | | | | | | | | | | 40.71 | 9.58 | | |
| | 2-Wire Voice Grade Port terminated in on Megalink or equivalent Basic Local Area | | | UEP9D | UEPY9 | 2.20 | | | | | | | | | | | | | 40.71 | 9.58 | | |
| | 2-Wire Voice Grade Port Terminated on 800 Service Term Basic Local Area | | | UEP9D | UEPY2 | 2.20 | | | | | | | | | | | | | 40.71 | 9.58 | | |
| | AL, KY, LA, MS, SC, & TN Only | | | | | | | | | | | | | | | | | | | | | |
| | 2-Wire Voice Grade Port (Centrex) | | | UEP9D | UEPQA | 2.20 | | | | | | | | | | | | | 40.71 | 9.58 | | |
| | 2-Wire Voice Grade Port (Centrex 800 termination) | | | UEP9D | UEPQB | 2.20 | | | | | | | | | | | | | 40.71 | 9.58 | | |
| | 2-Wire Voice Grade Port (Centrex / EBS-PSET)3 | | | UEP9D | UEPQC | 2.20 | | | | | | | | | | | | | 40.71 | 9.58 | | |
| | 2-Wire Voice Grade Port (Centrex / EBS-M5009)3 | | | UEP9D | UEPQD | 2.20 | | | | | | | | | | | | | 40.71 | 9.58 | | |
| | 2-Wire Voice Grade Port (Centrex / EBS-M5209)3 | | | UEP9D | UEPQE | 2.20 | | | | | | | | | | | | | 40.71 | 9.58 | | |
| | 2-Wire Voice Grade Port (Centrex / EBS-M5112)3 | | | UEP9D | UEPQF | 2.20 | | | | | | | | | | | | | 40.71 | 9.58 | | |
| | 2-Wire Voice Grade Port (Centrex / EBS-M5312)3 | | | UEP9D | UEPQG | 2.20 | | | | | | | | | | | | | 40.71 | 9.58 | | |
| | 2-Wire Voice Grade Port (Centrex / EBS-M5008)3 | | | UEP9D | UEPQT | 2.20 | | | | | | | | | | | | | 40.71 | 9.58 | | |
| | 2-Wire Voice Grade Port (Centrex / EBS-M5208)3 | | | UEP9D | UEPQU | 2.20 | | | | | | | | | | | | | 40.71 | 9.58 | | |
| | 2-Wire Voice Grade Port (Centrex / EBS-M5216)3 | | | UEP9D | UEPQV | 2.20 | | | | | | | | | | | | | 40.71 | 9.58 | | |
| | 2-Wire Voice Grade Port (Centrex / EBS-M5316)3 | | | UEP9D | UEPQ3 | 2.20 | | | | | | | | | | | | | 40.71 | 9.58 | | |
| | 2-Wire Voice Grade Port (Centrex with Caller ID) | | | UEP9D | UEPQH | 2.20 | | | | | | | | | | | | | 40.71 | 9.58 | | |

| UNBUNDLED NETWORK ELEMENTS - Alabama | | | | | | | | | | Attachment: 2 | | Exhibit: B | | | | | | | | | | |
|--------------------------------------|--|---------|------|-------|-------|-----------|----------------------------------|--------------------------------------|--|--|---|---|---------------|--------------|-------|-------------------------|--|-------|-------|-------|-------|--|
| CATEGORY | RATE ELEMENTS | Interim | Zone | BCS | USOC | RATES(\$) | Svc Order Submitted Elec per LSR | Svc Order Submitted Manually per LSR | Incremental Charge - Manual Svc Order vs. Electronic-1st | Incremental Charge - Manual Svc Order vs. Electronic-Add'l | Incremental Charge - Manual Svc Order vs. Electronic-Disc 1st | Incremental Charge - Manual Svc Order vs. Electronic-Disc Add'l | OSS Rates(\$) | | | | | | | | | |
| | | | | | | | | | | | | | Rec | Nonrecurring | | Nonrecurring Disconnect | | SOMEc | SOMAN | SOMAN | SOMAN | |
| | | | | | | | | | | | | | First | Add'l | First | Add'l | | | | | | |
| | 2-Wire Voice Grade Port (Centrex/Caller ID/Msg Wtg Lamp Indication)3 | | | UEP9D | UEPQW | 2.20 | | | | | | | | | | | | | 40.71 | 9.58 | | |
| | 2-Wire Voice Grade Port (Centrex/Msg Wtg Lamp Indication)3 | | | UEP9D | UEPQJ | 2.20 | | | | | | | | | | | | | 40.71 | 9.58 | | |
| | 2-Wire Voice Grade Port (Centrex from diff Serving Wire Center) 2 | | | UEP9D | UEPQM | 2.20 | | | | | | | | | | | | | 40.71 | 9.58 | | |
| | 2-Wire Voice Grade Port (Centrex/differ SWC /EBS-PSET)2, 3 | | | UEP9D | UEPQO | 2.20 | | | | | | | | | | | | | 40.71 | 9.58 | | |
| | 2-Wire Voice Grade Port (Centrex/differ SWC /EBS-M5009)2, 3 | | | UEP9D | UEPQP | 2.20 | | | | | | | | | | | | | 40.71 | 9.58 | | |
| | 2-Wire Voice Grade Port (Centrex/differ SWC /EBS-5209)2, 3 | | | UEP9D | UEPQQ | 2.20 | | | | | | | | | | | | | 40.71 | 9.58 | | |
| | 2-Wire Voice Grade Port (Centrex/differ SWC /EBS-M5112)2, 3 | | | UEP9D | UEPQR | 2.20 | | | | | | | | | | | | | 40.71 | 9.58 | | |
| | 2-Wire Voice Grade Port (Centrex/differ SWC /EBS-M5312)2, 3 | | | UEP9D | UEPQS | 2.20 | | | | | | | | | | | | | 40.71 | 9.58 | | |
| | 2-Wire Voice Grade Port (Centrex/differ SWC /EBS-M5008)2, 3 | | | UEP9D | UEPQ4 | 2.20 | | | | | | | | | | | | | 40.71 | 9.58 | | |
| | 2-Wire Voice Grade Port (Centrex/differ SWC /EBS-M5208)2, 3 | | | UEP9D | UEPQ5 | 2.20 | | | | | | | | | | | | | 40.71 | 9.58 | | |
| | 2-Wire Voice Grade Port (Centrex/differ SWC /EBS-M5216)2, 3 | | | UEP9D | UEPQ6 | 2.20 | | | | | | | | | | | | | 40.71 | 9.58 | | |
| | 2-Wire Voice Grade Port (Centrex/differ SWC /EBS-M5316)2, 3 | | | UEP9D | UEPQ7 | 2.20 | | | | | | | | | | | | | 40.71 | 9.58 | | |
| | 2-Wire Voice Grade Port, Diff Serving Wire Center - 800 Service Term | | | UEP9D | UEPQZ | 2.20 | | | | | | | | | | | | | 40.71 | 9.58 | | |
| | 2-Wire Voice Grade Port terminated in on Megalink or equivalent | | | UEP9D | UEPQ9 | 2.20 | | | | | | | | | | | | | 40.71 | 9.58 | | |
| | 2-Wire Voice Grade Port Terminated on 800 Service Term | | | UEP9D | UEPQ2 | 2.20 | | | | | | | | | | | | | 40.71 | 9.58 | | |
| | Local Switching | | | | | | | | | | | | | | | | | | | | | |
| | Centrex Intercom Funtionality, per port | | | UEP9D | URECS | 0.5488 | | | | | | | | | | | | | | | | |
| | Local Number Portability | | | | | | | | | | | | | | | | | | | | | |
| | Local Number Portability (1 per port) | | | UEP9D | LNPC | 0.35 | | | | | | | | | | | | | | | | |
| | Features | | | | | | | | | | | | | | | | | | | | | |
| | All Standard Features Offered, per port | | | UEP9D | UEPVF | 2.64 | | | | | | | | | | | | | | | | |
| | All Select Features Offered, per port | | | UEP9D | UEPVS | 0.00 | 405.52 | | | | | | | | | | | | | | | |
| | All Centrex Control Features Offered, per port | | | UEP9D | UEPVC | 2.64 | | | | | | | | | | | | | | | | |
| | NARS | | | | | | | | | | | | | | | | | | | | | |
| | Unbundled Network Access Register - Combination | | | UEP9D | UARCX | 0.00 | 0.00 | 0.00 | | | | | | | | | | | 40.71 | 9.58 | | |
| | Unbundled Network Access Register - Inward | | | UEP9D | UAR1X | 0.00 | 0.00 | 0.00 | | | | | | | | | | | 40.71 | 9.58 | | |
| | Unbundled Network Access Register - Outdial | | | UEP9D | UARO | 0.00 | 0.00 | 0.00 | | | | | | | | | | | 40.71 | 9.58 | | |
| | Miscellaneous Terminations | | | | | | | | | | | | | | | | | | | | | |
| | 2-Wire Trunk Side | | | | | | | | | | | | | | | | | | | | | |
| | Trunk Side Terminations, each | | | UEP9D | CEND6 | 9.17 | | | | | | | | | | | | | | | | |
| | 4-Wire Digital (1.544 Megabits) | | | | | | | | | | | | | | | | | | | | | |
| | DS1 Circuit Terminations, each | | | UEP9D | M1HD1 | 68.67 | | | | | | | | | | | | | | | | |
| | DS0 Channels Activated per Channel | | | UEP9D | M1HDO | 0.00 | 28.25 | | | | | | | | | | | | 40.71 | 9.58 | | |
| | Interoffice Channel Mileage - 2-Wire | | | | | | | | | | | | | | | | | | | | | |
| | Interoffice Channel Facilities Termination | | | UEP9D | MIGBC | 24.15 | | | | | | | | | | | | | | | | |
| | Interoffice Channel mileage, per mile or fraction of mile | | | UEP9D | MIGBM | 0.0101 | | | | | | | | | | | | | | | | |
| | Feature Activations (DS0) Centrex Loops on Channelized DS1 Service | | | | | | | | | | | | | | | | | | | | | |
| | D4 Channel Bank Feature Activations | | | | | | | | | | | | | | | | | | | | | |
| | Feature Activation on D-4 Channel Bank Centrex Loop Slot | | | UEP9D | 1PQWS | 0.64 | | | | | | | | | | | | | | | | |
| | Feature Activation on D-4 Channel Bank FX line Side Loop Slot | | | UEP9D | 1PQW6 | 0.64 | | | | | | | | | | | | | | | | |
| | Feature Activation on D-4 Channel Bank FX Trunk Side Loop Slot | | | UEP9D | 1PQW7 | 0.64 | | | | | | | | | | | | | | | | |
| | Feature Activation on D-4 Channel Bank Centrex Loop Slot - Different Wire Center | | | UEP9D | 1PQWP | 0.64 | | | | | | | | | | | | | | | | |
| | Feature Activation on D-4 Channel Bank Private Line Loop Slot | | | UEP9D | 1PQWV | 0.64 | | | | | | | | | | | | | | | | |

| UNBUNDLED NETWORK ELEMENTS - Alabama | | | | | | | | | | Attachment: 2 | | Exhibit: B | | | | | | | | | | | | | |
|--------------------------------------|---|---------|------|-------|-------|-----------|--------|--------------|-------------------------|----------------------------------|--------------------------------------|--|--|---|---|-------|-------|-------|-------|---------------|-------|--|--|--|--|
| CATEGORY | RATE ELEMENTS | Interim | Zone | BCS | USOC | RATES(\$) | Rec | Nonrecurring | Nonrecurring Disconnect | Svc Order Submitted Elec per LSR | Svc Order Submitted Manually per LSR | Incremental Charge - Manual Svc Order vs. Electronic-1st | Incremental Charge - Manual Svc Order vs. Electronic-Add'l | Incremental Charge - Manual Svc Order vs. Electronic-Disc 1st | Incremental Charge - Manual Svc Order vs. Electronic-Disc Add'l | | | | | | | | | | |
| | | | | | | | | | | | | | | | | First | Add'l | First | Add'l | OSS Rates(\$) | | | | | |
| | | | | | | | | | | | | | | | | SOMEc | SOMAN | SOMAN | SOMAN | SOMAN | SOMAN | | | | |
| | Feature Activation on D-4 Channel Bank Tjje Line/Trunk Loop Slot | | | UEP9D | 1PQWQ | 0.64 | | | | | | | | | | | | | | | | | | | |
| | Feature Activation on D-4 Channel Bank WATS Loop Slot | | | UEP9D | 1PQWA | 0.64 | | | | | | | | | | | | | | | | | | | |
| | Non-Recurring Charges (NRC) Associated with UNE-P Centrex | | | | | | | | | | | | | | | | | | | | | | | | |
| | NRC Conversion Currently Combined Switch-As-Is with allowed changes, per port | | | UEP9D | USAC2 | 2.80 | 0.41 | | | | | 40.71 | 9.58 | | | | | | | | | | | | |
| | New Centrex Standard Common Block | | | UEP9D | M1ACS | 0.00 | 667.21 | | | | | 40.71 | 9.58 | | | | | | | | | | | | |
| | New Centrex Customized Common Block | | | UEP9D | M1ACC | 0.00 | 667.21 | | | | | 40.71 | 9.58 | | | | | | | | | | | | |
| | NAR Establishment Charge, Per Occasion | | | UEP9D | URECA | 0.00 | 72.73 | | | | | 40.71 | 9.58 | | | | | | | | | | | | |
| | UNE-P CENTREX - EWSD (Valid in AL, FL, KY, LA, MS & TN) | | | | | | | | | | | | | | | | | | | | | | | | |
| | 2-Wire VG Loop/2-Wire Voice Grade Port (Centrex) Combo | | | | | | | | | | | | | | | | | | | | | | | | |
| | UNE Port/Loop Combination Rates (Non-Design) | | | | | | | | | | | | | | | | | | | | | | | | |
| | 2-Wire VG Loop/2-Wire Voice Grade Port (Centrex) Port Combo - Non-Design | | 1 | UEP9E | | 16.55 | | | | | | | | | | | | | | | | | | | |
| | 2-Wire VG Loop/2-Wire Voice Grade Port (Centrex)Port Combo - Non-Design | | 2 | UEP9E | | 25.51 | | | | | | | | | | | | | | | | | | | |
| | 2-Wire VG Loop/2-Wire Voice Grade Port (Centrex)Port Combo - Non-Design | | 3 | UEP9E | | 44.44 | | | | | | | | | | | | | | | | | | | |
| | UNE Port/Loop Combination Rates (Design) | | | | | | | | | | | | | | | | | | | | | | | | |
| | 2-Wire VG Loop/2-Wire Voice Grade Port (Centrex) Port Combo - Design | | 1 | UEP9E | | 22.62 | | | | | | | | | | | | | | | | | | | |
| | 2-Wire VG Loop/2-Wire Voice Grade Port (Centrex)Port Combo - Design | | 2 | UEP9E | | 29.61 | | | | | | | | | | | | | | | | | | | |
| | 2-Wire VG Loop/2-Wire Voice Grade Port (Centrex)Port Combo - Design | | 3 | UEP9E | | 38.09 | | | | | | | | | | | | | | | | | | | |
| | UNE Loop Rate | | | | | | | | | | | | | | | | | | | | | | | | |
| | 2-Wire Voice Grade Loop (SL 1) - Zone 1 | | 1 | UEP9E | UECS1 | 14.35 | | | | | | | | | | | | | | | | | | | |
| | 2-Wire Voice Grade Loop (SL 1) - Zone 2 | | 2 | UEP9E | UECS1 | 23.31 | | | | | | | | | | | | | | | | | | | |
| | 2-Wire Voice Grade Loop (SL 1) - Zone 3 | | 3 | UEP9E | UECS1 | 42.24 | | | | | | | | | | | | | | | | | | | |
| | 2-Wire Voice Grade Loop (SL 2) - Zone 1 | | 1 | UEP9E | UECS2 | 20.42 | | | | | | | | | | | | | | | | | | | |
| | 2-Wire Voice Grade Loop (SL 2) - Zone 2 | | 2 | UEP9E | UECS2 | 27.41 | | | | | | | | | | | | | | | | | | | |
| | 2-Wire Voice Grade Loop (SL 2) - Zone 3 | | 3 | UEP9E | UECS2 | 35.89 | | | | | | | | | | | | | | | | | | | |
| | UNE Port Rate | | | | | | | | | | | | | | | | | | | | | | | | |
| | AL, FL, KY, LA, MS, & TN only | | | | | | | | | | | | | | | | | | | | | | | | |
| | 2-Wire Voice Grade Port (Centrex) Basic Local Area | | | UEP9E | UEPYA | 2.20 | | | | | | 40.71 | 9.58 | | | | | | | | | | | | |
| | 2-Wire Voice Grade Port (Centrex 800 termination)Basic Local Area | | | UEP9E | UEPYB | 2.20 | | | | | | 40.71 | 9.58 | | | | | | | | | | | | |
| | 2-Wire Voice Grade Port (Centrex with Caller ID)1Basic Local Area | | | UEP9E | UEPYH | 2.20 | | | | | | 40.71 | 9.58 | | | | | | | | | | | | |
| | 2-Wire Voice Grade Port (Centrex from diff Serving Wire Center)2 Basic Local Area | | | UEP9E | UEPYM | 2.20 | | | | | | 40.71 | 9.58 | | | | | | | | | | | | |
| | 2-Wire Voice Grade Port, Diff Serving Wire Center - 800 Service Term - Basic Local Area | | | UEP9E | UEPYZ | 2.20 | | | | | | 40.71 | 9.58 | | | | | | | | | | | | |
| | 2-Wire Voice Grade Port terminated in on Megalink or equivalent - Basic Local Area | | | UEP9E | UEPY9 | 2.20 | | | | | | 40.71 | 9.58 | | | | | | | | | | | | |
| | 2-Wire Voice Grade Port Terminated on 800 Service Term - Basic Local Area | | | UEP9E | UEPY2 | 2.20 | | | | | | 40.71 | 9.58 | | | | | | | | | | | | |
| | AL, KY, LA, MS, & TN Only | | | | | | | | | | | | | | | | | | | | | | | | |
| | 2-Wire Voice Grade Port (Centrex) | | | UEP9E | UEPQA | 2.20 | | | | | | 40.71 | 9.58 | | | | | | | | | | | | |
| | 2-Wire Voice Grade Port (Centrex 800 termination) | | | UEP9E | UEPQB | 2.20 | | | | | | 40.71 | 9.58 | | | | | | | | | | | | |
| | 2-Wire Voice Grade Port (Centrex with Caller ID)1 | | | UEP9E | UEPQH | 2.20 | | | | | | 40.71 | 9.58 | | | | | | | | | | | | |
| | 2-Wire Voice Grade Port (Centrex from diff Serving Wire Center)2 | | | UEP9E | UEPQM | 2.20 | | | | | | 40.71 | 9.58 | | | | | | | | | | | | |
| | 2-Wire Voice Grade Port, Diff Serving Wire Center - 800 Service Term | | | UEP9E | UEPQZ | 2.20 | | | | | | 40.71 | 9.58 | | | | | | | | | | | | |
| | 2-Wire Voice Grade Port terminated in on Megalink or equivalent | | | UEP9E | UEPQ9 | 2.20 | | | | | | 40.71 | 9.58 | | | | | | | | | | | | |
| | 2-Wire Voice Grade Port Terminated on 800 Service Term | | | UEP9E | UEPQ2 | 2.20 | | | | | | 40.71 | 9.58 | | | | | | | | | | | | |
| | Local Switching | | | | | | | | | | | | | | | | | | | | | | | | |

| UNBUNDLED NETWORK ELEMENTS - Alabama | | | | | | | | | | Attachment: 2 | | Exhibit: B | | | | | |
|--------------------------------------|--|---------|------|-------|-------|-----------|----------------------------------|--------------------------------------|--|--|---|---|-------|--------------|-------|-------------------------|--|
| CATEGORY | RATE ELEMENTS | Interim | Zone | BCS | USOC | RATES(\$) | Svc Order Submitted Elec per LSR | Svc Order Submitted Manually per LSR | Incremental Charge - Manual Svc Order vs. Electronic-1st | Incremental Charge - Manual Svc Order vs. Electronic-Add'l | Incremental Charge - Manual Svc Order vs. Electronic-Disc 1st | Incremental Charge - Manual Svc Order vs. Electronic-Disc Add'l | | | | | |
| | | | | | | | | | | | | | Rec | Nonrecurring | | Nonrecurring Disconnect | |
| | | | | | | | First | Add'l | First | Add'l | SOMEC | SOMAN | SOMAN | SOMAN | SOMAN | SOMAN | |
| | Centrex Intercom Functionality, per port | | | UEP9E | URECS | 0.5488 | | | | | | | | | | | |
| | Local Number Portability | | | | | | | | | | | | | | | | |
| | Local Number Portability (1 per port) | | | UEP9E | LNPCC | 0.35 | | | | | | | | | | | |
| | Features | | | | | | | | | | | | | | | | |
| | All Standard Features Offered, per port | | | UEP9E | UEPVF | 2.64 | | | | | | | | | | | |
| | All Select Features Offered, per port | | | UEP9E | UEPVS | 0.00 | 405.52 | | | | 40.71 | 9.58 | | | | | |
| | All Centrex Control Features Offered, per port | | | UEP9E | UEPVC | 2.64 | | | | | | | | | | | |
| | NARS | | | | | | | | | | | | | | | | |
| | Unbundled Network Access Register - Combination | | | UEP9E | UARCX | 0.00 | 0.00 | 0.00 | | | 40.71 | 9.58 | | | | | |
| | Unbundled Network Access Register - Indial | | | UEP9E | UAR1X | 0.00 | 0.00 | 0.00 | | | 40.71 | 9.58 | | | | | |
| | Unbundled Network Access Register - Outdial | | | UEP9E | UAROY | 0.00 | 0.00 | 0.00 | | | 40.71 | 9.58 | | | | | |
| | Miscellaneous Terminations | | | | | | | | | | | | | | | | |
| | 2-Wire Trunk Side | | | | | | | | | | | | | | | | |
| | Trunk Side Terminations, each | | | UEP9E | CEND6 | 9.17 | | | | | | | | | | | |
| | 4-Wire Digital (1.544 Megabits) | | | | | | | | | | | | | | | | |
| | DS1 Circuit Terminations, each | | | UEP9E | M1HD1 | 68.67 | | | | | | | | | | | |
| | DS0 Channel Activated Per Channel | | | UEP9E | M1HDO | 0.00 | 28.25 | | | | 40.71 | 9.58 | | | | | |
| | Interoffice Channel Mileage - 2-Wire | | | | | | | | | | | | | | | | |
| | Interoffice Channel Facilities Termination | | | UEP9E | MIGBC | 24.15 | | | | | | | | | | | |
| | Interoffice Channel mileage, per mile or fraction of mile | | | UEP9E | MIGBM | 0.0101 | | | | | | | | | | | |
| | Feature Activations (DS0) Centrex Loops on Channelized DS1 Service | | | | | | | | | | | | | | | | |
| | D4 Channel Bank Feature Activations | | | | | | | | | | | | | | | | |
| | Feature Activation on D-4 Channel Bank Centrex Loop Slot | | | UEP9E | 1PQWS | 0.64 | | | | | | | | | | | |
| | Feature Activation on D-4 Channel Bank FX line Side Loop Slot | | | UEP9E | 1PQW6 | 0.64 | | | | | | | | | | | |
| | Feature Activation on D-4 Channel Bank FX Trunk Side Loop Slot | | | UEP9E | 1PQW7 | 0.64 | | | | | | | | | | | |
| | Feature Activation on D-4 Channel Bank Centrex Loop Slot - Different Wire Center | | | UEP9E | 1PQWP | 0.64 | | | | | | | | | | | |
| | Feature Activation on D-4 Channel Bank Private Line Loop Slot | | | UEP9E | 1PQWV | 0.64 | | | | | | | | | | | |
| | Feature Activation on D-4 Channel Bank Tjje Line/Trunk Loop Slot | | | UEP9E | 1PQWQ | 0.64 | | | | | | | | | | | |
| | Feature Activation on D-4 Channel Bank WATS Loop Slot | | | UEP9E | 1PQWA | 0.64 | | | | | | | | | | | |
| | Non-Recurring Charges (NRC) Associated with UNE-P Centrex | | | | | | | | | | | | | | | | |
| | NRC Conversion Currently Combined Switch-As-Is with allowed changes, per port | | | UEP9E | USAC2 | | 2.80 | 0.41 | | | 40.71 | 9.58 | | | | | |
| | New Centrex Standard Common Block | | | UEP9E | M1ACS | 0.00 | 667.21 | | | | 40.71 | 9.58 | | | | | |
| | New Centrex Customized Common Block | | | UEP9E | M1ACC | 0.00 | 667.21 | | | | 40.71 | 9.58 | | | | | |
| | NAR Establishment Charge, Per Occasion | | | UEP9E | URECA | 0.00 | 72.73 | | | | 40.71 | 9.58 | | | | | |
| | UNE-P CENTREX - DCO - Valid in AL, KY, LA, MS, & TN) | | | | | | | | | | | | | | | | |
| | 2-Wire VG Loop/2-Wire Voice Grade Port (Centrex) Combo | | | | | | | | | | | | | | | | |
| | UNE Port/Loop Combination Rates (Non-Design) | | | | | | | | | | | | | | | | |
| | 2-Wire VG Loop/2-Wire Voice Grade Port (Centrex) Port Combo - Non-Design | 1 | | UEP93 | | 16.55 | | | | | | | | | | | |
| | 2-Wire VG Loop/2-Wire Voice Grade Port (Centrex)Port Combo - Non-Design | 2 | | UEP93 | | 25.51 | | | | | | | | | | | |
| | 2-Wire VG Loop/2-Wire Voice Grade Port (Centrex)Port Combo - Non-Design | 3 | | UEP93 | | 44.44 | | | | | | | | | | | |
| | UNE Port/Loop Combination Rates (Design) | | | | | | | | | | | | | | | | |
| | 2-Wire VG Loop/2-Wire Voice Grade Port (Centrex) Port Combo - Design | 1 | | UEP93 | | 22.62 | | | | | | | | | | | |
| | 2-Wire VG Loop/2-Wire Voice Grade Port (Centrex)Port Combo - Design | 2 | | UEP93 | | 29.61 | | | | | | | | | | | |
| | 2-Wire VG Loop/2-Wire Voice Grade Port (Centrex)Port Combo - Design | 3 | | UEP93 | | 38.09 | | | | | | | | | | | |
| | UNE Loop Rate | | | | | | | | | | | | | | | | |
| | 2-Wire Voice Grade Loop (SL 1) - Zone 1 | 1 | | UEP93 | UECS1 | 14.35 | | | | | | | | | | | |
| | 2-Wire Voice Grade Loop (SL 1) - Zone 2 | 2 | | UEP93 | UECS1 | 23.31 | | | | | | | | | | | |

| UNBUNDLED NETWORK ELEMENTS - Alabama | | | | | | | | | | | Attachment: 2 | | Exhibit: B | | | | | |
|---|---|---------|------|-------|-------|-----------|----------------------------------|--------------------------------------|--|--|---|---|------------|--------------|-------|-------------------------|-------|---------------|
| CATEGORY | RATE ELEMENTS | Interim | Zone | BCS | USOC | RATES(\$) | Svc Order Submitted Elec per LSR | Svc Order Submitted Manually per LSR | Incremental Charge - Manual Svc Order vs. Electronic-1st | Incremental Charge - Manual Svc Order vs. Electronic-Add'l | Incremental Charge - Manual Svc Order vs. Electronic-Disc 1st | Incremental Charge - Manual Svc Order vs. Electronic-Disc Add'l | | | | | | |
| | | | | | | | | | | | | | Rec | Nonrecurring | | Nonrecurring Disconnect | | OSS Rates(\$) |
| | | | | | | | | | | | | | SOME C | SOMAN | SOMAN | SOMAN | SOMAN | SOMAN |
| | 2-Wire Voice Grade Loop (SL 1) - Zone 3 | | 3 | UEP93 | UECS1 | 42.24 | | | | | | | | | | | | |
| | 2-Wire Voice Grade Loop (SL 2) - Zone 1 | | 1 | UEP93 | UECS2 | 20.42 | | | | | | | | | | | | |
| | 2-Wire Voice Grade Loop (SL 2) - Zone 2 | | 2 | UEP93 | UECS2 | 27.41 | | | | | | | | | | | | |
| | 2-Wire Voice Grade Loop (SL 2) - Zone 3 | | 3 | UEP93 | UECS2 | 35.89 | | | | | | | | | | | | |
| UNE Port Rate | | | | | | | | | | | | | | | | | | |
| AL, KY, LA, MS, & TN only | | | | | | | | | | | | | | | | | | |
| | 2-Wire Voice Grade Port (Centrex) Basic Local Area | | | UEP93 | UEPYA | 2.20 | | | | | | | | | 40.71 | | 9.58 | |
| | 2-Wire Voice Grade Port (Centrex 800 termination)Basic Local Area | | | UEP93 | UEPYB | 2.20 | | | | | | | | | 40.71 | | 9.58 | |
| | 2-Wire Voice Grade Port (Centrex with Caller ID)1Basic Local Area | | | UEP93 | UEPYH | 2.20 | | | | | | | | | 40.71 | | 9.58 | |
| | 2-Wire Voice Grade Port (Centrex from diff Serving Wire Center)2 Basic Local Area | | | UEP93 | UEPYM | 2.20 | | | | | | | | | 40.71 | | 9.58 | |
| | 2-Wire Voice Grade Port, Diff Serving Wire Center - 800 Service Term - Basic Local Area | | | UEP93 | UEPYZ | 2.20 | | | | | | | | | 40.71 | | 9.58 | |
| | 2-Wire Voice Grade Port terminated in on Megalink or equivalent - Basic Local Area | | | UEP93 | UEPY9 | 2.20 | | | | | | | | | 40.71 | | 9.58 | |
| | 2-Wire Voice Grade Port Terminated on 800 Service Term - Basic Local Area | | | UEP93 | UEPY2 | 2.20 | | | | | | | | | 40.71 | | 9.58 | |
| | 2-Wire Voice Grade Port (Centrex) | | | UEP93 | UEPQA | 2.20 | | | | | | | | | 40.71 | | 9.58 | |
| | 2-Wire Voice Grade Port (Centrex 800 termination) | | | UEP93 | UEPQB | 2.20 | | | | | | | | | 40.71 | | 9.58 | |
| | 2-Wire Voice Grade Port (Centrex with Caller ID)1 | | | UEP93 | UEPQH | 2.20 | | | | | | | | | 40.71 | | 9.58 | |
| | 2-Wire Voice Grade Port (Centrex from diff Serving Wire Center)2 | | | UEP93 | UEPQM | 2.20 | | | | | | | | | 40.71 | | 9.58 | |
| | 2-Wire Voice Grade Port, Diff Serving Wire Center - 800 Service Term | | | UEP93 | UEPQZ | 2.20 | | | | | | | | | 40.71 | | 9.58 | |
| | 2-Wire Voice Grade Port terminated in on Megalink or equivalent | | | UEP93 | UEPQ9 | 2.20 | | | | | | | | | 40.71 | | 9.58 | |
| | 2-Wire Voice Grade Port Terminated on 800 Service Term | | | UEP93 | UEPQ2 | 2.20 | | | | | | | | | 40.71 | | 9.58 | |
| Local Switching | | | | | | | | | | | | | | | | | | |
| | Centrex Intercom Funtionality, per port | | | UEP93 | URECS | 0.5488 | | | | | | | | | | | | |
| Local Number Portability | | | | | | | | | | | | | | | | | | |
| | Local Number Portability (1 per port) | | | UEP93 | LNPC | 0.35 | | | | | | | | | | | | |
| Features | | | | | | | | | | | | | | | | | | |
| | All Standard Features Offered, per port | | | UEP93 | UEPVF | 2.64 | | | | | | | | | | | | |
| | All Centrex Control Features Offered, per port | | | UEP93 | UEPVC | 2.64 | | | | | | | | | | | | |
| NARS | | | | | | | | | | | | | | | | | | |
| | Unbundled Network Access Register - Combination | | | UEP93 | UARCX | 0.00 | 0.00 | 0.00 | | | | | | | 40.71 | | 9.58 | |
| | Unbundled Network Access Register - Indial | | | UEP93 | UAR1X | 0.00 | 0.00 | 0.00 | | | | | | | 40.71 | | 9.58 | |
| | Unbundled Network Access Register - Outdial | | | UEP93 | UAROX | 0.00 | 0.00 | 0.00 | | | | | | | 40.71 | | 9.58 | |
| Miscellaneous Terminations | | | | | | | | | | | | | | | | | | |
| 2-Wire Trunk Side | | | | | | | | | | | | | | | | | | |
| | Trunk Side Terminations, each | | | UEP93 | CEND6 | 9.17 | | | | | | | | | | | | |
| 4-Wire Digital (1,544 Megabits) | | | | | | | | | | | | | | | | | | |
| | DS1 Circuit Terminations, each | | | UEP93 | M1HD1 | 68.67 | | | | | | | | | | | | |
| | DS0 Channels Activated, Per Channel | | | UEP93 | M1HDO | 0.00 | 28.25 | | | | | | | | 40.71 | | 9.58 | |
| Interoffice Channel Mileage - 2-Wire | | | | | | | | | | | | | | | | | | |
| | Interoffice Channel Facilities Termination | | | UEP93 | MIGBC | 24.15 | | | | | | | | | | | | |
| | Interoffice Channel mileage, per mile or fraction of mile | | | UEP93 | MIGBM | 0.0101 | | | | | | | | | | | | |
| Feature Activations (DS0) Centrex Loops on Channelized DS1 Service | | | | | | | | | | | | | | | | | | |
| D4 Channel Bank Feature Activations | | | | | | | | | | | | | | | | | | |
| | Feature Activation on D-4 Channel Bank Centrex Loop Slot | | | UEP93 | 1PQWS | 0.64 | | | | | | | | | | | | |
| | Feature Activation on D-4 Channel Bank FX Line Side Loop Slot | | | UEP93 | 1PQW6 | 0.64 | | | | | | | | | | | | |
| | Feature Activation on D-4 Channel Bank FX Trunk Side Loop Slot | | | UEP93 | 1PQW7 | 0.64 | | | | | | | | | | | | |
| | Feature Activation on D-4 Channel Bank Centrex Loop Slot - Different Wire Center | | | UEP93 | 1PQWP | 0.64 | | | | | | | | | | | | |

| UNBUNDLED NETWORK ELEMENTS - Alabama | | | | | | | | | | Attachment: 2 | | Exhibit: B | | | | |
|--------------------------------------|--|---------|------|-------|-------|-----------|--------------|-------|-------------------------|----------------------------------|--------------------------------------|--|--|---|---|---------------|
| CATEGORY | RATE ELEMENTS | Interim | Zone | BCS | USOC | RATES(\$) | | | | Svc Order Submitted Elec per LSR | Svc Order Submitted Manually per LSR | Incremental Charge - Manual Svc Order vs. Electronic-1st | Incremental Charge - Manual Svc Order vs. Electronic-Add'l | Incremental Charge - Manual Svc Order vs. Electronic-Disc 1st | Incremental Charge - Manual Svc Order vs. Electronic-Disc Add'l | |
| | | | | | | Rec | Nonrecurring | | Nonrecurring Disconnect | | | | | | | OSS Rates(\$) |
| | | | | | | | First | Add'l | First | Add'l | SOME C | SOMAN | SOMAN | SOMAN | SOMAN | SOMAN |
| | Feature Activation on D-4 Channel Bank Private Line Loop Slot | | | UEP93 | 1PQWV | 0.64 | | | | | | | | | | |
| | Feature Activation on D-4 Channel Bank Tie Line/Trunk Loop Slot | | | UEP93 | 1PQWQ | 0.64 | | | | | | | | | | |
| | Feature Activation on D-4 Channel Bank WATS Loop Slot | | | UEP93 | 1PQWA | 0.64 | | | | | | | | | | |
| | Non-Recurring Charges (NRC) Associated with UNE-P Centrex | | | | | | | | | | | | | | | |
| | NRC Conversion Currently Combined Switch-As-Is with allowed changes, per port | | | UEP93 | USAC2 | | 2.80 | 0.41 | | | | | 40.71 | 9.58 | | |
| | New Centrex Standard Common Block | | | UEP93 | M1ACS | 0.00 | 667.21 | | | | | | 40.71 | 9.58 | | |
| | New Centrex Customized Common Block | | | UEP93 | M1ACC | 0.00 | 667.21 | | | | | | 40.71 | 9.58 | | |
| | NAR Establishment Charge, Per Occasion | | | UEP93 | URECA | 0.00 | 72.73 | | | | | | 40.71 | 9.58 | | |
| | Note 1 - Required Port for Centrex Control in 1AESS, 5ESS & EWSD | | | | | | | | | | | | | | | |
| | Note 2 - Requires Interoffice Channel Mileage | | | | | | | | | | | | | | | |
| | Note 3 - Requires Specific Customer Premises Equipment | | | | | | | | | | | | | | | |
| | NOTE: Rates displaying an "R" in Interim column are interim and subject to rate true-up as set forth in General Terms and Conditions. | | | | | | | | | | | | | | | |

| UNBUNDLED NETWORK ELEMENTS - Florida | | | | | | | | | | Attachment: 2 | | Exhibit: B | | | |
|--|--|---------|------|-------------|-------|-----------|--------------|--------|-------------------------|----------------------------------|--------------------------------------|--|--|---|---|
| CATEGORY | RATE ELEMENTS | Interim | Zone | BCS | USOC | RATES(\$) | | | | Svc Order Submitted Elec per LSR | Svc Order Submitted Manually per LSR | Incremental Charge - Manual Svc Order vs. Electronic-1st | Incremental Charge - Manual Svc Order vs. Electronic-Add'l | Incremental Charge - Manual Svc Order vs. Electronic-Disc 1st | Incremental Charge - Manual Svc Order vs. Electronic-Disc Add'l |
| | | | | | | Rec | Nonrecurring | | Nonrecurring Disconnect | | | | | | |
| | | | | | | | First | Add'l | First | Add'l | SOMEc | SOMAN | SOMAN | SOMAN | SOMAN |
| OPERATIONAL SUPPORT SYSTEMS | | | | | | | | | | | | | | | |
| NOTE: (1) Electronic Service Order: CLEC should contact its contract negotiator if it prefers the state specific electronic service ordering charges as ordered by the State Commissions. The electronic service ordering charge currently contained in this rate exhibit is the BellSouth regional electronic service ordering charge. CLEC may elect either the state specific Commission ordered rates for the electronic service ordering charges, or CLEC may elect the regional electronic service ordering charge. | | | | | | | | | | | | | | | |
| NOTE: (2) Any element that can be ordered electronically will be billed according to the SOMEc rate listed in this category. Please refer to BellSouth's Business Rules for Local Ordering (BBR-LO) to determine if a product can be ordered electronically. For those elements that cannot be ordered electronically at present per the BBR-LO, the listed SOMEc rate in this category reflects the charge that would be billed to a CLEC once electronic ordering capabilities come on-line for that element. Otherwise, the manual ordering charge, SOMAN, will be applied to a CLECs bill when it submits an LSR to BellSouth. | | | | | | | | | | | | | | | |
| | Manual Service Order Charge, per LSR, Disconnect Only (FL) | | | | | | | | | | | | | | 1.83 |
| | Electronic OSS Charge, per LSR, submitted via BST's OSS interactive interfaces (Regional) | | | | | | | | | | | | | | SOMEc |
| | | | | | | | 3.50 | | | | | | | | |
| UNBUNDLED EXCHANGE ACCESS LOOP | | | | | | | | | | | | | | | |
| 2-WIRE ANALOG VOICE GRADE LOOP | | | | | | | | | | | | | | | |
| | 2-Wire Analog Voice Grade Loop - Service Level 1- Zone 1 | | 1 | UEANL | UEAL2 | | 12.79 | 49.57 | 22.83 | 25.62 | 6.57 | | | | 11.90 |
| | 2-Wire Analog Voice Grade Loop - Service Level 1- Zone 2 | | 2 | UEANL | UEAL2 | | 17.27 | 49.57 | 22.83 | 25.62 | 6.57 | | | | 11.90 |
| | 2-Wire Analog Voice Grade Loop - Service Level 1- Zone 3 | | 3 | UEANL | UEAL2 | | 33.36 | 49.57 | 22.83 | 25.62 | 6.57 | | | | 11.90 |
| | Loop Testing - Basic 1st Half Hour | | | UEANL | URET1 | | | 77.09 | | | | | | | 11.90 |
| | Loop Testing - Basic Additional Half Hour | | | UEANL | URETA | | | 33.12 | | | | | | | 11.90 |
| | CLEC to CLEC Conversion Charge Without Outside Dispatch (UVL-SL1) | | | UEANL | UREWO | | 15.78 | 8.94 | | | | | | | 11.90 |
| | Engineering Information Document (EI) | | | UEANL | | | 12.28 | 12.28 | | | | | | | |
| | Manual Order Coordination for UVL-SL1s (per loop) | | | UEANL | UEAMC | | 9.00 | 9.00 | | | | | | | |
| | Order Coordination for Specified Conversion Time for UVL-SL1 (per LSR) | | | UEANL | OCOSL | | 23.02 | 23.02 | | | | | | | |
| 2-WIRE Unbundled COPPER LOOP | | | | | | | | | | | | | | | |
| | 2-Wire Unbundled Copper Loop - Non-Designed Zone 1 | I | 1 | UEQ | UEQ2X | | 13.83 | 41.64 | 19.02 | 19.65 | 5.09 | | | | 11.90 |
| | 2 Wire Unbundled Copper Loop - Non-Designed - Zone 2 | I | 2 | UEQ | UEQ2X | | 15.29 | 41.64 | 19.02 | 19.65 | 5.09 | | | | 11.90 |
| | 2 Wire Unbundled Copper Loop - Non-Designed - Zone 3 | I | 3 | UEQ | UEQ2X | | 20.29 | 41.64 | 19.02 | 19.65 | 5.09 | | | | 11.90 |
| | Order Coordination 2 Wire Unbundled Copper Loop - Non-Designed (per loop) | | | UEQ | USBMC | | | 9.00 | 9.00 | | | | | | |
| | Engineering Information Document | | | UEQ | | | 12.28 | 12.28 | | | | | | | 11.90 |
| | Loop Testing - Basic 1st Half Hour | | | UEQ | URET1 | | | 77.09 | | | | | | | 11.90 |
| | Loop Testing - Basic Additional Half Hour | | | UEQ | URETA | | | 33.12 | | | | | | | 11.90 |
| | CLEC to CLEC Conversion Charge Without Outside Dispatch (UCL-ND) | | | UEQ | UREWO | | 14.27 | 7.43 | | | | | | | 11.90 |
| UNBUNDLED EXCHANGE ACCESS LOOP | | | | | | | | | | | | | | | |
| 2-WIRE ANALOG VOICE GRADE LOOP | | | | | | | | | | | | | | | |
| | 2 Wire Analog Voice Grade Loop-Service Level 1-Line Splitting-Zone 1 | | 1 | UEPSR UEPSB | UEALS | | 12.79 | 49.57 | 22.83 | 25.62 | 6.57 | | | | 11.90 |
| | 2 Wire Analog Voice Grade Loop-Service Level 1-Line Splitting-Zone 1 | | 1 | UEPSR UEPSB | UEABS | | 12.79 | 49.57 | 22.83 | 25.62 | 6.57 | | | | 11.90 |
| | 2 Wire Analog Voice Grade Loop- Service Level 1-Line Splitting-Zone 2 | | 2 | UEPSR UEPSB | UEALS | | 17.27 | 49.57 | 22.83 | 25.62 | 6.57 | | | | 11.90 |
| | 2 Wire Analog Voice Grade Loop- Service Level 1-Line Splitting-Zone 2 | | 2 | UEPSR UEPSB | UEABS | | 17.27 | 49.57 | 22.83 | 25.62 | 6.57 | | | | 11.90 |
| | 2 Wire Analog Voice Grade Loop-Service Level 1-Line Splitting-Zone 3 | | 3 | UEPSR UEPSB | UEALS | | 33.36 | 49.57 | 22.83 | 25.62 | 6.57 | | | | 11.90 |
| | 2 Wire Analog Voice Grade Loop-Service Level 1-Line Splitting-Zone 3 | | 3 | UEPSR UEPSB | UEABS | | 33.36 | 49.57 | 22.83 | 25.62 | 6.57 | | | | 11.90 |
| UNBUNDLED EXCHANGE ACCESS LOOP | | | | | | | | | | | | | | | |
| 2-WIRE ANALOG VOICE GRADE LOOP | | | | | | | | | | | | | | | |
| | 2-Wire Analog Voice Grade Loop - Service Level 2 w/Loop or Ground Start Signaling - Zone 1 | | 1 | UEA | UEAL2 | | 14.50 | 135.75 | 82.47 | 63.53 | 12.01 | | | | 11.90 |
| | 2-Wire Analog Voice Grade Loop - Service Level 2 w/Loop or Ground Start Signaling - Zone 2 | | 2 | UEA | UEAL2 | | 19.57 | 135.75 | 82.47 | 63.53 | 12.01 | | | | 11.90 |
| | 2-Wire Analog Voice Grade Loop - Service Level 2 w/Loop or Ground Start Signaling - Zone 3 | | 3 | UEA | UEAL2 | | 37.82 | 135.75 | 82.47 | 63.53 | 12.01 | | | | 11.90 |
| | Order Coordination for Specified Conversion Time (per LSR) | | | UEA | OCOSL | | | 23.02 | | | | | | | |
| | 2-Wire Analog Voice Grade Loop - Service Level 2 w/Reverse Battery Signaling - Zone 1 | | 1 | UEA | UEAR2 | | 14.50 | 135.75 | 82.47 | 63.53 | 12.01 | | | | 11.90 |

| UNBUNDLED NETWORK ELEMENTS - Florida | | | | | | | | | | Attachment: 2 | | Exhibit: B | | | |
|--------------------------------------|---|---------|------|-----|-------|-----------|--------------|--------|-------------------------|----------------------------------|--------------------------------------|--|--|---|---|
| CATEGORY | RATE ELEMENTS | Interim | Zone | BCS | USOC | RATES(\$) | | | | Svc Order Submitted Elec per LSR | Svc Order Submitted Manually per LSR | Incremental Charge - Manual Svc Order vs. Electronic-1st | Incremental Charge - Manual Svc Order vs. Electronic-Add'l | Incremental Charge - Manual Svc Order vs. Electronic-Disc 1st | Incremental Charge - Manual Svc Order vs. Electronic-Disc Add'l |
| | | | | | | Rec | Nonrecurring | | Nonrecurring Disconnect | | | | | | |
| | | | | | | | First | Add'l | First | Add'l | SOMEc | SOMAN | SOMAN | SOMAN | SOMAN |
| | 2-Wire Analog Voice Grade Loop - Service Level 2 w/Reverse Battery Signaling - Zone 2 | | 2 | UEA | UEAR2 | 19.57 | 135.75 | 82.47 | 63.53 | 12.01 | | 11.90 | | | |
| | 2-Wire Analog Voice Grade Loop - Service Level 2 w/Reverse Battery Signaling - Zone 3 | | 3 | UEA | UEAR2 | 37.82 | 135.75 | 82.47 | 63.53 | 12.01 | | 11.90 | | | |
| | Order Coordination for Specified Conversion Time (per LSR) | | | UEA | OCOSL | | 23.02 | | | | | | | | |
| | CLEC to CLEC Conversion Charge without outside dispatch | | | UEA | UREWO | | 87.71 | 36.35 | | | | 11.90 | | | |
| | 4-WIRE ANALOG VOICE GRADE LOOP | | | | | | | | | | | | | | |
| | 4-Wire Analog Voice Grade Loop - Zone 1 | | 1 | UEA | UEAL4 | 23.02 | 167.86 | 115.15 | 67.08 | 15.56 | | 11.90 | | | |
| | 4-Wire Analog Voice Grade Loop - Zone 2 | | 2 | UEA | UEAL4 | 31.07 | 167.86 | 115.15 | 67.08 | 15.56 | | 11.90 | | | |
| | 4-Wire Analog Voice Grade Loop - Zone 3 | | 3 | UEA | UEAL4 | 60.02 | 167.86 | 115.15 | 67.08 | 15.56 | | 11.90 | | | |
| | Order Coordination for Specified Conversion Time (per LSR) | | | UEA | OCOSL | | 23.02 | | | | | | | | |
| | CLEC to CLEC Conversion Charge without outside dispatch | | | UEA | UREWO | | 87.71 | 36.35 | | | | 11.90 | | | |
| | 2-WIRE ISDN DIGITAL GRADE LOOP | | | | | | | | | | | | | | |
| | 2-Wire ISDN Digital Grade Loop - Zone 1 | | 1 | UDN | U1L2X | 21.76 | 147.69 | 94.41 | 62.23 | 10.71 | | 11.90 | | | |
| | 2-Wire ISDN Digital Grade Loop - Zone 2 | | 2 | UDN | U1L2X | 29.38 | 147.69 | 94.41 | 62.23 | 10.71 | | 11.90 | | | |
| | 2-Wire ISDN Digital Grade Loop - Zone 3 | | 3 | UDN | U1L2X | 56.76 | 147.69 | 94.41 | 62.23 | 10.71 | | 11.90 | | | |
| | Order Coordination For Specified Conversion Time (per LSR) | | | UDN | OCOSL | | 23.02 | | | | | | | | |
| | CLEC to CLEC Conversion Charge without outside dispatch | | | UDN | UREWO | | 91.61 | 44.15 | | | | 11.90 | | | |
| | 2-WIRE Universal Digital Channel (UDC) COMPATIBLE LOOP | | | | | | | | | | | | | | |
| | 2-Wire Universal Digital Channel (UDC) Compatible Loop - Zone 1 | | 1 | UDC | UDC2X | 21.76 | 147.69 | 94.41 | 62.23 | 10.71 | | 11.90 | | | |
| | 2-Wire Universal Digital Channel (UDC) Compatible Loop - Zone 2 | | 2 | UDC | UDC2X | 29.38 | 147.69 | 94.41 | 62.23 | 10.71 | | 11.90 | | | |
| | 2-Wire Universal Digital Channel (UDC) Compatible Loop - Zone 3 | | 3 | UDC | UDC2X | 56.76 | 147.69 | 94.41 | 62.23 | 10.71 | | 11.90 | | | |
| | CLEC to CLEC Conversion Charge without outside dispatch | | | UDC | UREWO | | 91.61 | 44.15 | | | | 11.90 | | | |
| | 2-WIRE ASYMMETRICAL DIGITAL SUBSCRIBER LINE (ADSL) COMPATIBLE LOOP | | | | | | | | | | | | | | |
| | 2 Wire Unbundled ADSL Loop including manual service inquiry & facility reservation - Zone 1 | | 1 | UAL | UAL2X | 12.65 | 149.53 | 103.85 | 75.05 | 15.63 | | 11.90 | | | |
| | 2 Wire Unbundled ADSL Loop including manual service inquiry & facility reservation - Zone 2 | | 2 | UAL | UAL2X | 17.08 | 149.53 | 103.85 | 75.05 | 15.63 | | 11.90 | | | |
| | 2 Wire Unbundled ADSL Loop including manual service inquiry & facility reservation - Zone 3 | | 3 | UAL | UAL2X | 33.00 | 149.53 | 103.85 | 75.05 | 15.63 | | 11.90 | | | |
| | Order Coordination for Specified Conversion Time (per LSR) | | | UAL | OCOSL | | 23.02 | | | | | | | | |
| | 2 Wire Unbundled ADSL Loop without manual service inquiry & facility reservaton - Zone 1 | | 1 | UAL | UAL2W | 12.65 | 124.83 | 71.12 | 60.64 | 9.12 | | 11.90 | | | |
| | 2 Wire Unbundled ADSL Loop without manual service inquiry & facility reservaton - Zone 2 | | 2 | UAL | UAL2W | 17.08 | 124.83 | 71.12 | 60.64 | 9.12 | | 11.90 | | | |
| | 2 Wire Unbundled ADSL Loop without manual service inquiry & facility reservaton - Zone 3 | | 3 | UAL | UAL2W | 33.00 | 124.83 | 71.12 | 60.64 | 9.12 | | 11.90 | | | |
| | Order Coordination for Specified Conversion Time (per LSR) | | | UAL | OCOSL | | 23.02 | | | | | | | | |
| | CLEC to CLEC Conversion Charge without outside dispatch | | | UAL | UREWO | | 86.19 | 40.39 | | | | 11.90 | | | |
| | 2-WIRE HIGH BIT RATE DIGITAL SUBSCRIBER LINE (HDSL) COMPATIBLE LOOP | | | | | | | | | | | | | | |
| | 2 Wire Unbundled HDSL Loop including manual service inquiry & facility reservation - Zone 1 | | 1 | UHL | UHL2X | 9.97 | 159.09 | 113.41 | 75.05 | 15.63 | | 11.90 | | | |
| | 2 Wire Unbundled HDSL Loop including manual service inquiry & facility reservation - Zone 2 | | 2 | UHL | UHL2X | 13.46 | 159.09 | 113.41 | 75.05 | 15.63 | | 11.90 | | | |
| | 2 Wire Unbundled HDSL Loop including manual service inquiry & facility reservation - Zone 3 | | 3 | UHL | UHL2X | 26.00 | 159.09 | 113.41 | 75.05 | 15.63 | | 11.90 | | | |
| | Order Coordination for Specified Conversion Time (per LSR) | | | UHL | OCOSL | | 23.02 | | | | | | | | |
| | 2 Wire Unbundled HDSL Loop without manual service inquiry and facility reservation - Zone 1 | | 1 | UHL | UHL2W | 9.97 | 134.40 | 80.69 | 60.64 | 9.12 | | 11.90 | | | |
| | 2 Wire Unbundled HDSL Loop without manual service inquiry and facility reservation - Zone 2 | | 2 | UHL | UHL2W | 13.46 | 134.40 | 80.69 | 60.64 | 9.12 | | 11.90 | | | |
| | 2 Wire Unbundled HDSL Loop without manual service inquiry and facility reservation - Zone 3 | | 3 | UHL | UHL2W | 26.00 | 134.40 | 80.69 | 60.64 | 9.12 | | 11.90 | | | |
| | Order Coordination for Specified Conversion Time (per LSR) | | | UHL | OCOSL | | 23.02 | | | | | | | | |
| | CLEC to CLEC Conversion Charge without outside dispatch | | | UHL | UREWO | | 86.12 | 40.39 | | | | 11.90 | | | |
| | 4-WIRE HIGH BIT RATE DIGITAL SUBSCRIBER LINE (HDSL) COMPATIBLE LOOP | | | | | | | | | | | | | | |

UNBUNDLED NETWORK ELEMENTS - Florida

| CATEGORY | RATE ELEMENTS | Interim | Zone | BCS | USOC | RATES(\$) | Svc Order Submitted Elec per LSR | Svc Order Submitted Manually per LSR | Attachment: 2 | | Exhibit: B | | | | |
|----------|--|---------|------|-----|-------|-----------|----------------------------------|--------------------------------------|--|--|---|---|------------|---------------|--|
| | | | | | | | | | Incremental Charge - Manual Svc Order vs. Electronic-1st | Incremental Charge - Manual Svc Order vs. Electronic-Add'l | Incremental Charge - Manual Svc Order vs. Electronic-Disc 1st | Incremental Charge - Manual Svc Order vs. Electronic-Disc Add'l | | | |
| | | | | | | | | | Rec | Nonrecurring | | Nonrecurring | Disconnect | OSS Rates(\$) | |
| | | | | | First | Add'l | First | Add'l | SOMEC | SOMAN | SOMAN | SOMAN | SOMAN | SOMAN | |
| | 4 Wire Unbundled HDSL Loop including manual service inquiry and facility reservation - Zone 1 | | 1 | UHL | UHL4X | 15.69 | 193.31 | 138.98 | 77.15 | 12.61 | | 11.90 | | | |
| | 4-Wire Unbundled HDSL Loop including manual service inquiry and facility reservation - Zone 2 | | 2 | UHL | UHL4X | 21.17 | 193.31 | 138.98 | 77.15 | 12.61 | | 11.90 | | | |
| | 4-Wire Unbundled HDSL Loop including manual service inquiry and facility reservation - Zone 3 | | 3 | UHL | UHL4X | 40.90 | 193.31 | 138.98 | 77.15 | 12.61 | | 11.90 | | | |
| | Order Coordination for Specified Conversion Time (per LSR) | | | UHL | OCOSL | | 23.02 | | | | | | | | |
| | 4-Wire Unbundled HDSL Loop without manual service inquiry and facility reservation - Zone 1 | | 1 | UHL | UHL4W | 15.69 | 168.62 | 115.47 | 62.74 | 11.22 | | 11.90 | | | |
| | 4-Wire Unbundled HDSL Loop without manual service inquiry and facility reservation - Zone 2 | | 2 | UHL | UHL4W | 21.17 | 168.62 | 115.47 | 62.74 | 11.22 | | 11.90 | | | |
| | 4-Wire Unbundled HDSL Loop without manual service inquiry and facility reservation - Zone 3 | | 3 | UHL | UHL4W | 40.90 | 168.62 | 115.47 | 62.74 | 11.22 | | 11.90 | | | |
| | Order Coordination for Specified Conversion Time (per LSR) | | | UHL | OCOSL | | 23.02 | | | | | | | | |
| | CLEC to CLEC Conversion Charge without outside dispatch | | | UHL | UREWO | | 86.12 | 40.39 | | | | 11.90 | | | |
| | 4-WIRE DS1 DIGITAL LOOP | | | | | | | | | | | | | | |
| | 4-Wire DS1 Digital Loop - Zone 1 | | 1 | USL | USLXX | 73.44 | 313.75 | 181.48 | 61.22 | 13.53 | | 11.90 | | | |
| | 4-Wire DS1 Digital Loop - Zone 2 | | 2 | USL | USLXX | 99.13 | 313.75 | 181.48 | 61.22 | 13.53 | | 11.90 | | | |
| | 4-Wire DS1 Digital Loop - Zone 3 | | 3 | USL | USLXX | 191.51 | 313.75 | 181.48 | 61.22 | 13.53 | | 11.90 | | | |
| | Order Coordination for Specified Conversion Time (per LSR) | | | USL | OCOSL | | 23.02 | | | | | | | | |
| | CLEC to CLEC Conversion Charge without outside dispatch | | | USL | UREWO | | 101.07 | 43.04 | | | | 11.90 | | | |
| | 4-WIRE 19.2, 56 OR 64 KBPS DIGITAL GRADE LOOP | | | | | | | | | | | | | | |
| | 4 Wire Unbundled Digital 19.2 Kbps | | 1 | UDL | UDL19 | 26.39 | 161.56 | 108.85 | 67.08 | 15.56 | | 11.90 | | | |
| | 4 Wire Unbundled Digital 19.2 Kbps | | 2 | UDL | UDL19 | 35.62 | 161.56 | 108.85 | 67.08 | 15.56 | | 11.90 | | | |
| | 4 Wire Unbundled Digital 19.2 Kbps | | 3 | UDL | UDL19 | 68.82 | 161.56 | 108.85 | 67.08 | 15.56 | | 11.90 | | | |
| | 4 Wire Unbundled Digital Loop 56 Kbps - Zone 1 | | 1 | UDL | UDL56 | 26.39 | 161.56 | 108.85 | 67.08 | 15.56 | | 11.90 | | | |
| | 4 Wire Unbundled Digital Loop 56 Kbps - Zone 2 | | 2 | UDL | UDL56 | 35.62 | 161.56 | 108.85 | 67.08 | 15.56 | | 11.90 | | | |
| | 4 Wire Unbundled Digital Loop 56 Kbps - Zone 3 | | 3 | UDL | UDL56 | 68.82 | 161.56 | 108.85 | 67.08 | 15.56 | | 11.90 | | | |
| | Order Coordination for Specified Conversion Time (per LSR) | | | UDL | OCOSL | | 23.02 | | | | | | | | |
| | 4 Wire Unbundled Digital Loop 64 Kbps - Zone 1 | | 1 | UDL | UDL64 | 26.39 | 161.56 | 108.85 | 67.08 | 15.56 | | 11.90 | | | |
| | 4 Wire Unbundled Digital Loop 64 Kbps - Zone 2 | | 2 | UDL | UDL64 | 35.62 | 161.56 | 108.85 | 67.08 | 15.56 | | 11.90 | | | |
| | 4 Wire Unbundled Digital Loop 64 Kbps - Zone 3 | | 3 | UDL | UDL64 | 68.82 | 161.56 | 108.85 | 67.08 | 15.56 | | 11.90 | | | |
| | Order Coordination for Specified Conversion Time (per LSR) | | | UDL | OCOSL | | 23.02 | | | | | | | | |
| | CLEC to CLEC Conversion Charge without outside dispatch | | | UDL | UREWO | | 102.11 | 49.74 | | | | 11.90 | | | |
| | 2-WIRE Unbundled COPPER LOOP | | | | | | | | | | | | | | |
| | 2-Wire Unbundled Copper Loop/Short including manual service inquiry & facility reservation - Zone 1 | | 1 | UCL | UCLPB | 12.65 | 148.50 | 102.82 | 75.05 | 15.63 | | 11.90 | | | |
| | 2-Wire Unbundled Copper Loop/Short including manual service inquiry & facility reservation - Zone 2 | | 2 | UCL | UCLPB | 17.08 | 148.50 | 102.82 | 75.05 | 15.63 | | 11.90 | | | |
| | 2 Wire Unbundled Copper Loop/Short including manual service inquiry & facility reservation - Zone 3 | | 3 | UCL | UCLPB | 33.00 | 148.50 | 102.82 | 75.05 | 15.63 | | 11.90 | | | |
| | Order Coordination for Unbundled Copper Loops (per loop) | | | UCL | UCLMC | | 9.00 | 9.00 | | | | | | | |
| | 2-Wire Unbundled Copper Loop/Short without manual service inquiry and facility reservation - Zone 1 | | 1 | UCL | UCLPW | 12.65 | 123.81 | 70.09 | 60.64 | 9.12 | | 11.90 | | | |
| | 2-Wire Unbundled Copper Loop/Short without manual service inquiry and facility reservation - Zone 2 | | 2 | UCL | UCLPW | 17.08 | 123.81 | 70.09 | 60.64 | 9.12 | | 11.90 | | | |
| | 2-Wire Unbundled Copper Loop/Short without manual service inquiry and facility reservation - Zone 3 | | 3 | UCL | UCLPW | 33.00 | 123.81 | 70.09 | 60.64 | 9.12 | | 11.90 | | | |
| | Order Coordination for Unbundled Copper Loops (per loop) | | | UCL | UCLMC | | 9.00 | 9.00 | | | | | | | |
| | 2-Wire Unbundled Copper Loop/Long - includes manual svc. inquiry and facility reservation - Zone 1 | | 1 | UCL | UCL2L | 37.07 | 148.50 | 102.82 | 75.05 | 15.63 | | 11.90 | | | |
| | 2-Wire Unbundled Copper Loop/Long - includes manual svc. inquiry and facility reservation - Zone 2 | | 2 | UCL | UCL2L | 50.04 | 148.50 | 102.82 | 75.05 | 15.63 | | 11.90 | | | |
| | 2-Wire Unbundled Copper Loop/Long - includes manual svc. inquiry and facility reservation - Zone 3 | | 3 | UCL | UCL2L | 96.67 | 148.50 | 102.82 | 75.05 | 15.63 | | 11.90 | | | |
| | Order Coordination for Unbundled Copper Loops (per loop) | | | UCL | UCLMC | | 9.00 | 9.00 | | | | | | | |
| | 2-Wire Unbundled Copper Loop/Long - without manual service inquiry and facility reservation - Zone 1 | | 1 | UCL | UCL2W | 37.07 | 123.81 | 70.09 | 60.64 | 9.12 | | 11.90 | | | |

| UNBUNDLED NETWORK ELEMENTS - Florida | | | | | | | | | | Attachment: 2 | | Exhibit: B | | | |
|--------------------------------------|--|---------|------|---|-------|-----------|--------------|--------|-------------------------|----------------------------------|--------------------------------------|--|--|---|---|
| CATEGORY | RATE ELEMENTS | Interim | Zone | BCS | USOC | RATES(\$) | | | | Svc Order Submitted Elec per LSR | Svc Order Submitted Manually per LSR | Incremental Charge - Manual Svc Order vs. Electronic-1st | Incremental Charge - Manual Svc Order vs. Electronic-Add'l | Incremental Charge - Manual Svc Order vs. Electronic-Disc 1st | Incremental Charge - Manual Svc Order vs. Electronic-Disc Add'l |
| | | | | | | Rec | Nonrecurring | | Nonrecurring Disconnect | | | | | | |
| | | | | | | | First | Add'l | First | Add'l | SOMEc | SOMAN | SOMAN | SOMAN | SOMAN |
| | 2-Wire Unbundled Copper Loop/Long - without manual service inquiry and facility reservation - Zone 2 | | 2 | UCL | UCL2W | 50.04 | 123.81 | 70.09 | 60.64 | 9.12 | | 11.90 | | | |
| | 2-Wire Unbundled Copper Loop/Long - without manual service inquiry and facility reservation - Zone 3 | | 3 | UCL | UCL2W | 96.67 | 123.81 | 70.09 | 60.64 | 9.12 | | 11.90 | | | |
| | Order Coordination for Unbundled Copper Loops (per loop) | | | UCL | UCLMC | | 9.00 | 9.00 | | | | | | | |
| | CLEC to CLEC Conversion Charge without outside dispatch (UCL -Des) | | | UCL | UREWO | | 97.21 | 42.47 | | | | 11.90 | | | |
| 4-WIRE COPPER LOOP | | | | | | | | | | | | | | | |
| | 4-Wire Copper Loop/Short - including manual service inquiry and facility reservation - Zone 1 | | 1 | UCL | UCL4S | 18.03 | 177.87 | 132.76 | 77.15 | 17.73 | | 11.90 | | | |
| | 4-Wire Copper Loop/Short - including manual service inquiry and facility reservation - Zone 2 | | 2 | UCL | UCL4S | 24.34 | 177.87 | 132.76 | 77.15 | 17.73 | | 11.90 | | | |
| | 4-Wire Copper Loop/Short - including manual service inquiry and facility reservation - Zone 3 | | 3 | UCL | UCL4S | 47.02 | 177.87 | 132.76 | 77.15 | 17.73 | | 11.90 | | | |
| | Order Coordination for Unbundled Copper Loops (per loop) | | | UCL | UCLMC | | 9.00 | 9.00 | | | | | | | |
| | 4-Wire Copper Loop/Short - without manual service inquiry and facility reservation - Zone 1 | | 1 | UCL | UCL4W | 18.03 | 153.18 | 100.03 | 62.74 | 11.22 | | 11.90 | | | |
| | 4-Wire Copper Loop/Short - without manual service inquiry and facility reservation - Zone 2 | | 2 | UCL | UCL4W | 24.34 | 153.18 | 100.03 | 62.74 | 11.22 | | 11.90 | | | |
| | 4-Wire Copper Loop/Short - without manual service inquiry and facility reservation - Zone 3 | | 3 | UCL | UCL4W | 47.02 | 153.18 | 100.03 | 62.74 | 11.22 | | 11.90 | | | |
| | Order Coordination for Unbundled Copper Loops (per loop) | | | UCL | UCLMC | | 9.00 | 9.00 | | | | | | | |
| | 4-Wire Unbundled Copper Loop/Long - includes manual svc. inquiry and facility reservation - Zone 1 | | 1 | UCL | UCL4L | 64.52 | 177.87 | 132.76 | 77.15 | 17.73 | | 11.90 | | | |
| | 4-Wire Unbundled Copper Loop/Long - includes manual svc. inquiry and facility reservation - Zone 2 | | 2 | UCL | UCL4L | 87.09 | 177.87 | 132.76 | 77.15 | 17.73 | | 11.90 | | | |
| | 4-Wire Unbundled Copper Loop/Long - includes manual svc. inquiry and facility reservation - Zone 3 | | 3 | UCL | UCL4L | 168.25 | 177.87 | 132.76 | 77.15 | 17.73 | | 11.90 | | | |
| | Order Coordination for Unbundled Copper Loops (per loop) | | | UCL | UCLMC | | 9.00 | 9.00 | | | | | | | |
| | 4-Wire Unbundled Copper Loop/Long - without manual svc. inquiry and facility reservation - Zone 1 | | 1 | UCL | UCL4O | 64.52 | 153.18 | 100.03 | 62.74 | 11.22 | | 11.90 | | | |
| | 4-Wire Unbundled Copper Loop/Long - without manual svc. inquiry and facility reservation - Zone 2 | | 2 | UCL | UCL4O | 87.09 | 153.18 | 100.03 | 62.74 | 11.22 | | 11.90 | | | |
| | 4-Wire Unbundled Copper Loop/Long - without manual svc. inquiry and facility reservation - Zone 3 | | 3 | UCL | UCL4O | 168.25 | 153.18 | 100.03 | 62.74 | 11.22 | | 11.90 | | | |
| | Order Coordination for Unbundled Copper Loops (per loop) | | | UCL | UCLMC | | 9.00 | 9.00 | | | | | | | |
| | CLEC to CLEC Conversion Charge without outside dispatch | | | UCL | UREWO | | 97.21 | 42.47 | | | | 11.90 | | | |
| LOOP MODIFICATION | | | | | | | | | | | | | | | |
| | Unbundled Loop Modification, Removal of Load Coils - 2 Wire pair less than or equal to 18k ft | | | UAL, UHL, UCL, UEQ, ULS, UEA, UEANL, UDL, UDC, UDN, UDL, USL | ULM2L | | 0.00 | 0.00 | | | | | | | |
| | Unbundled Loop Modification, Removal of Load Coils - 2 wire greater than 18k ft | | | UCL, ULS | ULM2G | | 343.12 | 343.12 | | | | 11.90 | | | |
| | Unbundled Loop Modification Removal of Load Coils - 4 Wire less than or equal to 18K ft | | | UHL, UCL | ULM4L | | 0.00 | 0.00 | | | | | | | |
| | Unbundled Loop Modification Removal of Load Coils - 4 Wire pair greater than 18k ft | | | UCL | ULM4G | | 343.12 | 343.12 | | | | 11.90 | | | |
| | Unbundled Loop Modification Removal of Bridged Tap Removal, per unbundled loop | | | UAL, UHL, UCL, UEQ, UEF, ULS, UEA, UEANL, UDL, UDC, UDN, UDL, USL | ULMBT | | 10.52 | 10.52 | | | | 11.90 | | | |
| SUB-LOOPS | | | | | | | | | | | | | | | |
| Sub-Loop Distribution | | | | | | | | | | | | | | | |
| | Sub-Loop - Per Cross Box Location - CLEC Feeder Facility Set-Up | | I | UEANL | USBSA | | 487.23 | 487.23 | | | | 11.90 | | | |
| | Sub-Loop - Per Cross Box Location - Per 25 Pair Panel Set-Up | | I | UEANL | USBSB | | 6.25 | 6.25 | | | | 11.90 | | | |

| UNBUNDLED NETWORK ELEMENTS - Florida | | | | | | | | | | Attachment: 2 | | Exhibit: B | | | |
|--------------------------------------|--|---------|------|----------------------|-------|-----------|----------------------------------|--------------------------------------|--|--|---|---|-------|--------------|-------|
| CATEGORY | RATE ELEMENTS | Interim | Zone | BCS | USOC | RATES(\$) | Svc Order Submitted Elec per LSR | Svc Order Submitted Manually per LSR | Incremental Charge - Manual Svc Order vs. Electronic-1st | Incremental Charge - Manual Svc Order vs. Electronic-Add'l | Incremental Charge - Manual Svc Order vs. Electronic-Disc 1st | Incremental Charge - Manual Svc Order vs. Electronic-Disc Add'l | | | |
| | | | | | | | | | | | | | Rec | Nonrecurring | |
| | | | | | | | | | | | | | | | |
| | | | | | | | | | | SOMEc | SOMAN | SOMAN | SOMAN | SOMAN | SOMAN |
| | Sub-Loop - Per Building Equipment Room - CLEC Feeder Facility Set-Up | I | | UEANL | USBSC | 169.25 | 169.25 | | | | 11.90 | | | | |
| | Sub-Loop - Per Building Equipment Room - Per 25 Pair Panel Set-Up | I | | UEANL | USBSD | 38.65 | 38.65 | | | | 11.90 | | | | |
| | Sub-Loop Distribution Per 2-Wire Analog Voice Grade Loop - Zone 1 | | 1 | UEANL | USBN2 | 7.61 | 60.19 | 21.78 | 47.50 | 5.26 | 11.90 | | | | |
| | Sub-Loop Distribution Per 2-Wire Analog Voice Grade Loop - Zone 2 | | 2 | UEANL | USBN2 | 10.27 | 60.19 | 21.78 | 47.50 | 5.26 | 11.90 | | | | |
| | Sub-Loop Distribution Per 2-Wire Analog Voice Grade Loop - Zone 3 | | 3 | UEANL | USBN2 | 19.85 | 60.19 | 21.78 | 47.50 | 5.26 | 11.90 | | | | |
| | Order Coordination for Unbundled Sub-Loops, per sub-loop pair | | | UEANL | USBMC | | 9.00 | 9.00 | | | | | | | |
| | Sub-Loop Distribution Per 4-Wire Analog Voice Grade Loop - Zone 1 | | 1 | UEANL | USBN4 | 8.12 | 68.83 | 30.42 | 49.71 | 6.60 | 11.90 | | | | |
| | Sub-Loop Distribution Per 4-Wire Analog Voice Grade Loop - Zone 2 | | 2 | UEANL | USBN4 | 10.96 | 68.83 | 30.42 | 49.71 | 6.60 | 11.90 | | | | |
| | Sub-Loop Distribution Per 4-Wire Analog Voice Grade Loop - Zone 3 | | 3 | UEANL | USBN4 | 21.18 | 68.83 | 30.42 | 49.71 | 6.60 | 11.90 | | | | |
| | Order Coordination for Unbundled Sub-Loops, per sub-loop pair | | | UEANL | USBMC | | 9.00 | 9.00 | | | | | | | |
| | Sub-Loop 2-Wire Intrabuilding Network Cable (INC) | I | | UEANL | USBR2 | 3.50 | 51.84 | 13.44 | 47.50 | 5.26 | 11.90 | | | | |
| | Order Coordination for Unbundled Sub-Loops, per sub-loop pair | | | UEANL | USBMC | | 9.00 | 9.00 | | | | | | | |
| | Sub-Loop 4-Wire Intrabuilding Network Cable (INC) | I | | UEANL | USBR4 | 6.68 | 55.91 | 17.51 | 49.71 | 6.60 | 11.90 | | | | |
| | Order Coordination for Unbundled Sub-Loops, per sub-loop pair | | | UEANL | USBMC | | 9.00 | 9.00 | | | | | | | |
| | 2 Wire Copper Unbundled Sub-Loop Distribution - Zone 1 | I | 1 | UEF | UCS2X | 6.25 | 60.19 | 21.78 | 47.50 | 5.26 | 11.90 | | | | |
| | 2 Wire Copper Unbundled Sub-Loop Distribution - Zone 2 | I | 2 | UEF | UCS2X | 8.44 | 60.19 | 21.78 | 47.50 | 5.26 | 11.90 | | | | |
| | 2 Wire Copper Unbundled Sub-Loop Distribution - Zone 3 | I | 3 | UEF | UCS2X | 16.30 | 60.19 | 21.78 | 47.50 | 5.26 | 11.90 | | | | |
| | Order Coordination for Unbundled Sub-Loops, per sub-loop pair | | | UEF | USBMC | | 9.00 | 9.00 | | | | | | | |
| | 4 Wire Copper Unbundled Sub-Loop Distribution - Zone 1 | I | 1 | UEF | UCS4X | 5.20 | 68.83 | 30.42 | 49.71 | 6.60 | 11.90 | | | | |
| | 4 Wire Copper Unbundled Sub-Loop Distribution - Zone 2 | I | 2 | UEF | UCS4X | 7.02 | 68.83 | 30.42 | 49.71 | 6.60 | 11.90 | | | | |
| | 4 Wire Copper Unbundled Sub-Loop Distribution - Zone 3 | I | 3 | UEF | UCS4X | 13.55 | 68.83 | 30.42 | 49.71 | 6.60 | 11.90 | | | | |
| | Order Coordination for Unbundled Sub-Loops, per sub-loop pair | | | UEF | USBMC | | 9.00 | 9.00 | | | | | | | |
| | Unbundled Sub-Loop Modification | | | | | | | | | | | | | | |
| | Unbundled Sub-Loop Modification - 2-W Copper Dist Load Coil/Equip Removal per 2-W PR | | | UEF | ULM2X | | 10.11 | 10.11 | | | 11.90 | | | | |
| | Unbundled Sub-loop Modification - 4-W Copper Dist Load Coil/Equip Removal per 4-W PR | | | UEF | ULM4X | | 10.11 | 10.11 | | | 11.90 | | | | |
| | Unbundled Sub-loop Modification - 2-w/4-w Copper Dist Bridged Tap Removal, per PR unloaded | | | UEF | ULM4T | | 15.58 | 15.58 | | | 11.90 | | | | |
| | Unbundled Network Terminating Wire (UNTW) | | | | | | | | | | | | | | |
| | Unbundled Network Terminating Wire (UNTW) per Pair | | | UENTW | UENPP | 0.2286 | 18.02 | 18.02 | | | 11.90 | | | | |
| | Network Interface Device (NID) | | | | | | | | | | | | | | |
| | Network Interface Device (NID) - 1-2 lines | | | UENTW | UND12 | | 68.08 | 42.80 | | | 11.90 | | | | |
| | Network Interface Device (NID) - 1-6 lines | | | UENTW | UND16 | | 110.48 | 85.20 | | | 11.90 | | | | |
| | Network Interface Device Cross Connect - 2 W | | | UENTW | UNDC2 | | 7.63 | 7.63 | | | 11.90 | | | | |
| | Network Interface Device Cross Connect - 4W | | | UENTW | UNDC4 | | 7.63 | 7.63 | | | 11.90 | | | | |
| | SUB-LOOPS | | | | | | | | | | | | | | |
| | Sub-Loop Feeder | | | | | | | | | | | | | | |
| | USL-Feeder, DS0 Set-up per Cross Box location - CLEC Distribution Facility set-up | | | UEA, UDN,UCL,UDL,UDC | USBFW | | 487.23 | | | | 11.90 | | | | |
| | USL Feeder - DS0 Set-up per Cross Box location - per 25 pair set-up | | | UEA, UDN,UCL,UDL,UDC | USBFX | | 6.25 | 6.25 | | | 11.90 | | | | |
| | USL Feeder DS1 Set-up at DSX location, per DS1 termination | | | USL | USBFZ | | 522.41 | 11.32 | | | 11.90 | | | | |
| | Unbundled Sub-Loop Feeder Loop, 2 Wire Ground Start, Voice Grade - Zone 1 | | 1 | UEA | USBFA | 8.05 | 92.75 | 51.24 | 58.45 | 13.07 | 11.90 | | | | |

| UNBUNDLED NETWORK ELEMENTS - Florida | | | | | | | | | | | Attachment: 2 | | Exhibit: B | | | | | | | | | | | |
|--------------------------------------|---|---------|------|-----|-------|-----------|----------------------------------|--------------------------------------|--|--|---|---|---------------|--------------|-------|-------------------------|--|-------|-------|-------|-------|-------|-------|--|
| CATEGORY | RATE ELEMENTS | Interim | Zone | BCS | USOC | RATES(\$) | Svc Order Submitted Elec per LSR | Svc Order Submitted Manually per LSR | Incremental Charge - Manual Svc Order vs. Electronic-1st | Incremental Charge - Manual Svc Order vs. Electronic-Add'l | Incremental Charge - Manual Svc Order vs. Electronic-Disc 1st | Incremental Charge - Manual Svc Order vs. Electronic-Disc Add'l | OSS Rates(\$) | | | | | | | | | | | |
| | | | | | | | | | | | | | Rec | Nonrecurring | | Nonrecurring Disconnect | | SOMEc | SOMAN | SOMAN | SOMAN | SOMAN | SOMAN | |
| | | | | | | | | | | | | | First | Add'l | First | Add'l | | | | | | | | |
| | Unbundled Sub-Loop Feeder Loop, 2 Wire Ground-Start, Voice Grade - Zone 2 | | 2 | UEA | USBFA | 10.87 | | | | | | | 92.75 | 51.24 | 58.45 | 13.07 | | | | | | | | |
| | Unbundled Sub-Loop Feeder Loop, Per 2 Wire Ground-Start, Voice Grade - Zone 3 | | 3 | UEA | USBFA | 21.00 | | | | | | | 92.75 | 51.24 | 58.45 | 13.07 | | | | | | | | |
| | Order Coordination for Specified Conversion Time, per LSR | | | UEA | OCOSL | | | | | | | | 23.02 | | | | | | | | | | | |
| | Unbundled Sub-Loop Feeder Loop, 2 Wire Loop-Start, Voice Grade - Zone 1 | | 1 | UEA | USBFB | 8.05 | | | | | | | 92.75 | 51.24 | 58.45 | 13.07 | | | | | | | | |
| | Unbundled Sub-Loop Feeder Loop, 2 Wire Loop-Start, Voice Grade - Zone 2 | | 2 | UEA | USBFB | 10.87 | | | | | | | 92.75 | 51.24 | 58.45 | 13.07 | | | | | | | | |
| | Unbundled Sub-Loop Feeder Loop, 2 Wire Start Loop, Voice Grade - Zone 3 | | 3 | UEA | USBFB | 21.00 | | | | | | | 92.75 | 51.24 | 58.45 | 13.07 | | | | | | | | |
| | Order Coordination for Specified Time Conversion, per LSR | | | UEA | OCOSL | | | | | | | | 23.02 | | | | | | | | | | | |
| | Unbundled Sub-Loop Feeder Loop, 2 Wire Reverse Battery, Voice Grade - Zone 1 | | 1 | UEA | USBFC | 8.05 | | | | | | | 92.75 | 51.24 | 58.45 | 13.07 | | | | | | | | |
| | Unbundled Sub-Loop Feeder Loop, 2 Wire Reverse Battery, Voice Grade - Zone 2 | | 2 | UEA | USBFC | 10.87 | | | | | | | 92.75 | 51.24 | 58.45 | 13.07 | | | | | | | | |
| | Unbundled Sub-Loop Feeder Loop, 2 Wire Analog Reverse Battery, Voice Grade - Zone 3 | | 3 | UEA | USBFC | 21.00 | | | | | | | 92.75 | 51.24 | 58.45 | 13.07 | | | | | | | | |
| | Order Coordination For Specified Conversion Time, per LSR | | | UEA | OCOSL | | | | | | | | 23.02 | | | | | | | | | | | |
| | Unbundled Sub-Loop Feeder Loop, 4 Wire Ground-Start, Voice Grade - Zone 1 | | 1 | UEA | USBFD | 17.26 | | | | | | | 106.92 | 64.46 | 63.54 | 14.83 | | | | | | | | |
| | Unbundled Sub-Loop Feeder Loop, 4 Wire Ground-Start, Voice Grade - Zone 2 | | 2 | UEA | USBFD | 23.29 | | | | | | | 106.92 | 64.46 | 63.54 | 14.83 | | | | | | | | |
| | Unbundled Sub-Loop Feeder Loop, 4 Wire Ground Start, Voice Grade - Zone 3 | | 3 | UEA | USBFD | 45.00 | | | | | | | 106.92 | 64.46 | 63.54 | 14.83 | | | | | | | | |
| | Order Coordination For Specified Conversion Time, Per LSR | | | UEA | OCOSL | | | | | | | | 23.02 | | | | | | | | | | | |
| | Unbundled Sub-Loop Feeder Loop, 4 Wire Loop-Start, Voice Grade - Zone 1 | | 1 | UEA | USBFE | 17.26 | | | | | | | 106.92 | 64.46 | 63.54 | 14.83 | | | | | | | | |
| | Unbundled Sub-Loop Feeder Loop, 4 Wire Loop-Start, Voice Grade - Zone 2 | | 2 | UEA | USBFE | 23.29 | | | | | | | 106.92 | 64.46 | 63.54 | 14.83 | | | | | | | | |
| | Unbundled Sub-Loop Feeder Loop, 4 Wire Loop-Start, Voice Grade - Zone 3 | | 3 | UEA | USBFE | 45.00 | | | | | | | 106.92 | 64.46 | 63.54 | 14.83 | | | | | | | | |
| | Order Coordination For Specified Conversion Time, Per LSR | | | UEA | OCOSL | | | | | | | | 23.02 | | | | | | | | | | | |
| | Unbundled Sub-Loop Feeder Loop, 2 Wire ISDN BRI - Zone 1 | | 1 | UDN | USBFF | 17.04 | | | | | | | 109.71 | 66.68 | 60.21 | 12.49 | | | | | | | | |
| | Unbundled Sub-Loop Feeder Loop, 2-Wire ISDN BRI - Zone 2 | | 2 | UDN | USBFF | 23.00 | | | | | | | 109.71 | 66.68 | 60.21 | 12.49 | | | | | | | | |
| | Unbundled Sub-Loop Feeder Loop, 2-Wire ISDN BRI - Zone 3 | | 3 | UDN | USBFF | 44.43 | | | | | | | 109.71 | 66.68 | 60.21 | 12.49 | | | | | | | | |
| | Order Coordination For Specified Conversion Time, Per LSR | | | UDN | OCOSL | | | | | | | | 23.02 | | | | | | | | | | | |
| | Unbundled Sub-Loop Feeder, 2 Wire UDC (IDSL compatible) | | 1 | UDC | USBFS | 17.04 | | | | | | | 109.71 | 66.68 | 60.21 | 12.49 | | | | | | | | |
| | Unbundled Sub-Loop Feeder, 2 Wire UDC (IDSL compatible) | | 2 | UDC | USBFS | 23.00 | | | | | | | 109.71 | 66.68 | 60.21 | 12.49 | | | | | | | | |
| | Unbundled Sub-Loop Feeder, 2 Wire UDC (IDSL compatible) | | 3 | UDC | USBFS | 44.43 | | | | | | | 109.71 | 66.68 | 60.21 | 12.49 | | | | | | | | |
| | Unbundled Sub-Loop Feeder Loop, 4-Wire DS1 - Zone 1 | | 1 | USL | USBFG | 46.27 | | | | | | | 133.77 | 78.02 | 85.16 | 21.21 | | | | | | | | |
| | Unbundled Sub-Loop Feeder Loop, 4-Wire DS1 - Zone 2 | | 2 | USL | USBFG | 62.45 | | | | | | | 133.77 | 78.02 | 85.16 | 21.21 | | | | | | | | |
| | Unbundled Sub-Loop Feeder Loop, 4-Wire DS1 - Zone 3 | | 3 | USL | USBFG | 120.65 | | | | | | | 133.77 | 78.02 | 85.16 | 21.21 | | | | | | | | |
| | Order Coordination For Specified Conversion Time, Per LSR | | | USL | OCOSL | | | | | | | | 23.02 | | | | | | | | | | | |
| | Unbundled Sub-Loop Feeder, 2-Wire Copper Loop - Zone 1 | | 1 | UCL | USBFH | 7.25 | | | | | | | 85.27 | 42.24 | 58.54 | 10.82 | | | | | | | | |
| | Unbundled Sub-Loop Feeder Loop, 2-Wire Copper Loop - Zone 2 | | 2 | UCL | USBFH | 9.79 | | | | | | | 85.27 | 42.24 | 58.54 | 10.82 | | | | | | | | |
| | Unbundled Sub-Loop Feeder Loop, 2-Wire Copper Loop - Zone 3 | | 3 | UCL | USBFH | 18.92 | | | | | | | 85.27 | 42.24 | 58.54 | 10.82 | | | | | | | | |
| | Order Coordination For Specified Conversion Time, per LSR | | | UCL | OCOSL | | | | | | | | 23.02 | | | | | | | | | | | |
| | Sub-Loop Feeder - Per 4-Wire Copper Loop - Zone 1 | | 1 | UCL | USBFJ | 14.22 | | | | | | | 99.66 | 57.20 | 60.98 | 12.28 | | | | | | | | |
| | Sub-Loop Feeder - Per 4-Wire Copper Loop - Zone 2 | | 2 | UCL | USBFJ | 19.20 | | | | | | | 99.66 | 57.20 | 60.98 | 12.28 | | | | | | | | |
| | Sub-Loop Feeder - Per 4-Wire Copper Loop - Zone 3 | | 3 | UCL | USBFJ | 37.09 | | | | | | | 99.66 | 57.20 | 60.98 | 12.28 | | | | | | | | |
| | Order Coordination For Specified Conversion Time, per LSR | | | UCL | OCOSL | | | | | | | | 23.02 | | | | | | | | | | | |
| | Sub-Loop Feeder - Per 4-Wire 19.2 Kbps Digital Grade Loop | | 1 | UDL | USBFN | 18.68 | | | | | | | 100.62 | 58.16 | 63.54 | 14.83 | | | | | | | | |
| | Sub-Loop Feeder - Per 4-Wire 19.2 Kbps Digital Grade Loop | | 2 | UDL | USBFN | 25.21 | | | | | | | 100.62 | 58.16 | 63.54 | 14.83 | | | | | | | | |
| | Sub-Loop Feeder - Per 4-Wire 19.2 Kbps Digital Grade Loop | | 3 | UDL | USBFN | 48.71 | | | | | | | 100.62 | 58.16 | 63.54 | 14.83 | | | | | | | | |
| | Sub-Loop Feeder - Per 4-Wire 56 Kbps Digital Grade Loop - Zone 1 | | 1 | UDL | USBFO | 18.68 | | | | | | | 100.62 | 58.16 | 63.54 | 14.83 | | | | | | | | |

| UNBUNDLED NETWORK ELEMENTS - Florida | | | | | | | | | | | Attachment: 2 | | Exhibit: B | | | | | | | | |
|---|---|---------|------|---------------------|--------|-----------|----------------------------------|--------------------------------------|--|--|---|---|---------------|--------------|-------|-------------------------|--|-------|-------|-------|-------|
| CATEGORY | RATE ELEMENTS | Interim | Zone | BCS | USOC | RATES(\$) | Svc Order Submitted Elec per LSR | Svc Order Submitted Manually per LSR | Incremental Charge - Manual Svc Order vs. Electronic-1st | Incremental Charge - Manual Svc Order vs. Electronic-Add'l | Incremental Charge - Manual Svc Order vs. Electronic-Disc 1st | Incremental Charge - Manual Svc Order vs. Electronic-Disc Add'l | OSS Rates(\$) | | | | | | | | |
| | | | | | | | | | | | | | Rec | Nonrecurring | | Nonrecurring Disconnect | | SOMEc | SOMAN | SOMAN | SOMAN |
| | | | | | | | | | | | | | First | Add'l | First | Add'l | | | | | |
| | Sub-Loop Feeder - Per 4-Wire 56 Kbps Digital Grade Loop - Zone 2 | | 2 | UDL | USBFO | 25.21 | | | | | | | 100.62 | 58.16 | 63.54 | 14.83 | | | | 11.90 | |
| | Sub-Loop Feeder - Per 4-Wire 56 Kbps Digital Grade Loop - Zone 3 | | 3 | UDL | USBFO | 48.71 | | | | | | | 100.62 | 58.16 | 63.54 | 14.83 | | | | 11.90 | |
| | Order Coordination For Specified Time Conversion, per LSR | | | UDL | OCOSL | | | | | | | | 23.02 | | | | | | | | |
| | Sub-Loop Feeder - Per 4-Wire 64 Kbps Digital Grade Loop - Zone 1 | | 1 | UDL | USBFP | 18.68 | | | | | | | 100.62 | 58.16 | 63.54 | 14.83 | | | | 11.90 | |
| | Sub-Loop Feeder - Per 4-Wire 64 Kbps Digital Grade Loop - Zone 2 | | 2 | UDL | USBFP | 25.21 | | | | | | | 100.62 | 58.16 | 63.54 | 14.83 | | | | 11.90 | |
| | Sub-Loop Feeder - Per 4-Wire 64 Kbps Digital Grade Loop - Zone 3 | | 3 | UDL | USBFP | 48.71 | | | | | | | 100.62 | 58.16 | 63.54 | 14.83 | | | | 11.90 | |
| | Order Coordination For Specified Conversion Time, per LSR | | | UDL | OCOSL | | | | | | | | 23.02 | | | | | | | | |
| SUB-LOOPS | | | | | | | | | | | | | | | | | | | | | |
| Sub-Loop Feeder | | | | | | | | | | | | | | | | | | | | | |
| | Sub Loop Feeder - DS3 - Per Mile Per Month | I | | UE3 | 1L5SL | 15.69 | | | | | | | | | | | | | | | |
| | Sub Loop Feeder - DS3 - Facility Termination Per Month | I | | UE3 | USBF1 | 347.59 | | 3,386.00 | 407.15 | 166.83 | 94.58 | | | | | | | | | 11.90 | |
| | Sub Loop Feeder - STS-1 - Per Mile Per Month | I | | UDLSX | 1L5SL | 15.69 | | | | | | | | | | | | | | | |
| | Sub Loop Feeder - STS-1 - Facility Termination Per Month | I | | UDLSX | USBF7 | 402.09 | | 3,386.00 | 407.15 | 166.83 | 94.58 | | | | | | | | | 11.90 | |
| | Sub Loop Feeder - OC-3 - Per Mile Per Month | I | | UDLO3 | 1L5SL | 11.90 | | | | | | | | | | | | | | | |
| | Sub Loop Feeder - OC-3 - Facility Termination Protection Per Month | I | | UDLO3 | USBF5 | 62.98 | | | | | | | | | | | | | | | |
| | Sub Loop Feeder - OC-3 - Facility Termination Per Month | I | | UDLO3 | USBF2 | 547.22 | | 3,386.00 | 407.15 | 166.83 | 94.58 | | | | | | | | | 11.90 | |
| | Sub Loop Feeder - OC-12 - Per Mile Per Month | I | | UDL12 | 1L5SL | 14.65 | | | | | | | | | | | | | | | |
| | Sub Loop Feeder - OC-12 - Facility Termination Protection Per Month | I | | UDL12 | USBF6 | 502.47 | | | | | | | | | | | | | | | |
| | Sub Loop Feeder - OC-12 - Facility Termination Per Month | I | | UDL12 | USBF3 | 1,577.00 | | 3,386.00 | 407.15 | 166.83 | 94.58 | | | | | | | | | 11.90 | |
| | Sub Loop Feeder - OC-48 - Per Mile Per Month | I | | UDL48 | 1L5SL | 48.06 | | | | | | | | | | | | | | | |
| | Sub Loop Feeder - OC-48 - Facility Termination Protection Per Month | I | | UDL48 | USBF9 | 251.80 | | | | | | | | | | | | | | | |
| | Sub Loop Feeder - OC-48 - Facility Termination Per Month | I | | UDL48 | USBF4 | 1,589.00 | | 3,572.00 | 407.15 | 168.35 | 95.43 | | | | | | | | | 11.90 | |
| | Sub Loop Feeder - OC-12 Interface On OC-48 | I | | UDL48 | USBF8 | 331.15 | | 788.39 | 407.15 | 168.35 | 95.43 | | | | | | | | | 11.90 | |
| UNBUNDLED LOOP CONCENTRATION | | | | | | | | | | | | | | | | | | | | | |
| | Unbundled Loop Concentration - System A (TR008) | | | ULC | UCT8A | 449.49 | | 359.42 | 359.42 | | | | | | | | | | | 11.90 | |
| | Unbundled Loop Concentration - System B (TR008) | | | ULC | UCT8B | 53.44 | | 149.76 | 149.76 | | | | | | | | | | | 11.90 | |
| | Unbundled Loop Concentration - System A (TR303) | | | ULC | UCT3A | 487.33 | | 359.42 | 359.42 | | | | | | | | | | | 11.90 | |
| | Unbundled Loop Concentration - System B (TR303) | | | ULC | UCT3B | 90.05 | | 149.76 | 149.76 | | | | | | | | | | | 11.90 | |
| | Unbundled Loop Concentration - DS1 Loop Interface Card | | | ULC | UCTCO | 5.04 | | 71.70 | 51.52 | 18.49 | 4.82 | | | | | | | | | 11.90 | |
| | Unbundled Loop Concentration - ISDN Loop Interface (Brite Card) | | | UDN | ULCC1 | 8.00 | | 16.59 | 16.50 | 6.77 | 6.73 | | | | | | | | | 11.90 | |
| | Unbundled Loop Concentration - UDC Loop Interface (Brite Card) | | | UDC | ULCCU | 8.00 | | 16.59 | 16.50 | 6.77 | 6.73 | | | | | | | | | 11.90 | |
| | Unbundled Loop Concentration - 2 Wire Voice-Loop Start or Ground Start Loop Interface (POTS Card) | | | UEA | ULCC2 | 2.00 | | 16.59 | 16.50 | 6.77 | 6.73 | | | | | | | | | 11.90 | |
| | Unbundled Loop Concentration - 2 Wire Voice - Reverse Battery Loop Interface (SPOTS Card) | | | UEA | ULCCR | 11.90 | | 16.59 | 16.50 | 6.77 | 6.73 | | | | | | | | | 11.90 | |
| | Unbundled Loop Concentration - 4 Wire Voice Loop Interface (Specials Card) | | | UEA | ULCC4 | 7.10 | | 16.59 | 16.50 | 6.77 | 6.73 | | | | | | | | | 11.90 | |
| | Unbundled Loop Concentration - TEST CIRCUIT Card | | | ULC | UCTTC | 34.68 | | 16.59 | 16.50 | 6.77 | 6.73 | | | | | | | | | 11.90 | |
| | Unbundled Loop Concentration - Digital 19.2 Kbps Data Loop Interface | | | UDL | ULCC7 | 10.51 | | 16.59 | 16.50 | 6.77 | 6.73 | | | | | | | | | 11.90 | |
| | Unbundled Loop Concentration - Digital 56 Kbps Data Loop Interface | | | UDL | ULCC5 | 10.51 | | 16.59 | 16.50 | 6.77 | 6.73 | | | | | | | | | 11.90 | |
| | Unbundled Loop Concentration - Digital 64 Kbps Data Loop Interface | | | UDL | ULCC6 | 10.51 | | 16.59 | 16.50 | 6.77 | 6.73 | | | | | | | | | 11.90 | |
| UNE OTHER, PROVISIONING ONLY - NO RATE | | | | | | | | | | | | | | | | | | | | | |
| | NID - Dispatch and Service Order for NID installation | | | UENTW | UNDBX | | | | | | | | | | | | | | | | |
| | UNTW Circuit Id Establishment, Provisioning Only - No Rate | | | UENTW | UENCE | | | | | | | | | | | | | | | | |
| | Unbundled Contract Name, Provisioning Only - No Rate | | | UEANL,UEF,UEQ,UENTW | UNECCN | | | | | | | | | | | | | | | | |

| UNBUNDLED NETWORK ELEMENTS - Florida | | | | | | | | | | Attachment: 2 | | Exhibit: B | | | | | | | | | | |
|--|--|---------|------|---------------------------------|-------|-----------|----------------------------------|--------------------------------------|--|--|---|---|---------------|--------------|-------|-------------------------|--|--------|-------|-------|-------|-------|
| CATEGORY | RATE ELEMENTS | Interim | Zone | BCS | USOC | RATES(\$) | Svc Order Submitted Elec per LSR | Svc Order Submitted Manually per LSR | Incremental Charge - Manual Svc Order vs. Electronic-1st | Incremental Charge - Manual Svc Order vs. Electronic-Add'l | Incremental Charge - Manual Svc Order vs. Electronic-Disc 1st | Incremental Charge - Manual Svc Order vs. Electronic-Disc Add'l | OSS Rates(\$) | | | | | | | | | |
| | | | | | | | | | | | | | Rec | Nonrecurring | | Nonrecurring Disconnect | | SOME C | SOMAN | SOMAN | SOMAN | SOMAN |
| | | | | | | | | | | | | | First | Add'l | First | Add'l | | | | | | |
| UNE OTHER, PROVISIONING ONLY - NO RATE | | | | | | | | | | | | | | | | | | | | | | |
| | Unbundled Contact Name, Provisioning Only - no rate | | | UAL,UCL,UDC,UDL,UDN,UEA,UHL,ULC | UNECN | 0.00 | | | | | | | | | | | | | | | | |
| | Unbundled Sub-Loop Feeder-2 Wire Cross Box Jumper - no rate | | | UEA,UDN,UCL,UDC | USBFQ | 0.00 | | | | | | | | | | | | | | | | |
| | Unbundled Sub-Loop Feeder-4 Wire Cross Box Jumper - no rate | | | UEA,USL,UCL,UDL | USBFR | 0.00 | | | | | | | | | | | | | | | | |
| | Unbundled DS1 Loop - Superframe Format Option - no rate | | | USL | CCOSF | 0.00 | | | | | | | | | | | | | | | | |
| | Unbundled DS1 Loop - Expanded Superframe Format option - no rate | | | USL | CCOEF | 0.00 | | | | | | | | | | | | | | | | |
| HIGH CAPACITY UNBUNDLED LOCAL LOOP | | | | | | | | | | | | | | | | | | | | | | |
| | High Capacity Unbundled Local Loop - DS3 - Per Mile per month | | | UE3 | 1L5ND | 10.92 | | | | | | | | | | | | | | | | |
| | High Capacity Unbundled Local Loop - DS3 - Facility Termination per month | | | UE3 | UE3PX | 386.88 | 556.37 | 343.01 | 139.13 | 96.84 | | | 11.90 | | | | | | | | | |
| | High Capacity Unbundled Local Loop - STS-1 - Per Mile per month | | | UDLSX | 1L5ND | 10.92 | | | | | | | | | | | | | | | | |
| | High Capacity Unbundled Local Loop - STS-1 - Facility Termination per month | | | UDLSX | UDLS1 | 426.60 | 556.37 | 343.01 | 139.13 | 96.84 | | | 11.90 | | | | | | | | | 1.83 |
| LOOP MAKE-UP | | | | | | | | | | | | | | | | | | | | | | |
| | Loop Makeup - Preordering Without Reservation, per working or spare facility queried (Manual). | | | UMK | UMKLW | | | | 52.17 | 52.17 | | | | | | | | | | | | |
| | Loop Makeup - Preordering With Reservation, per spare facility queried (Manual). | | | UMK | UMKLP | | | | 55.07 | 55.07 | | | | | | | | | | | | |
| | Loop Makeup--With or Without Reservation, per working or spare facility queried (Mechanized) | | | UMK | PSUMK | | | | 0.6784 | 0.6784 | | | | | | | | | | | | |
| HIGH FREQUENCY SPECTRUM | | | | | | | | | | | | | | | | | | | | | | |
| SPLITTERS-CENTRAL OFFICE BASED | | | | | | | | | | | | | | | | | | | | | | |
| | Line Sharing Splitter, per System 96 Line Capacity - True up pending approval by PSC | R | | ULS | ULSDA | 119.72 | 379.13 | 0.00 | 347.90 | 0.00 | | | 11.90 | | | | | | | | | |
| | Line Sharing Splitter, per System 24 Line Capacity - True up pending approval by PSC | R | | ULS | ULSDB | 29.93 | 379.13 | 0.00 | 347.90 | 0.00 | | | 11.90 | | | | | | | | | |
| | Line Sharing Splitter, Per System, 8 Line Capacity | I | | ULS | ULSD8 | 8.33 | 379.13 | 0.00 | 347.90 | 0.00 | | | 11.90 | | | | | | | | | |
| | Line Sharing-DLEC Owned Splitter in CO-CFA activation-deactivation (per LSOD) - True up pending approval by PSC | | | ULS | ULSDG | | | | 173.66 | | 97.42 | | 11.90 | | | | | | | | | |
| END USER ORDERING-CENTRAL OFFICE BASED-HIGH FREQUENCY SPECTRUM AKA LINE SHARING | | | | | | | | | | | | | | | | | | | | | | |
| | Line Sharing - per Line Activation - True up pending approval by PSC(BST Owned Splitter) | | | ULS | ULSDC | 0.61 | 29.68 | 21.28 | 19.57 | 9.61 | | | 11.90 | | | | | | | | | |
| | Line Sharing - per Subsequent Activity per Line Rearrangement - True up pending approval by PSC(BST Owned Splitter) | R | | ULS | ULSDS | | 21.68 | 16.44 | | | | | 11.90 | | | | | | | | | |
| | Line Sharing - per Subsequent Activity per Line Rearrangement - True up pending approval by PSC(DLEC Owned Splitter) | R | | ULS | ULSCS | | 21.68 | 16.44 | | | | | 11.90 | | | | | | | | | |
| | Line Sharing - per Line Activation (DLEC owned Splitter) | I | | ULS | ULSCC | 0.61 | 47.44 | 19.31 | 20.67 | 12.74 | | | 11.90 | | | | | | | | | |
| | Line Splitting - per line activation DLEC owned splitter | I | | UEPSR UEPSB | UREOS | 0.61 | | | | | | | | | | | | | | | | |
| | Line Splitting - per line activation BST owned - physical | I | | UEPSR UEPSB | UREBP | 0.638 | 29.68 | 21.28 | 19.57 | 9.61 | | | 11.90 | | | | | | | | | |
| | Line Splitting - per line activation BST owned - virtual | I | | UEPSR UEPSB | UREBV | 1.134 | 29.68 | 21.28 | 19.57 | 9.61 | | | 11.90 | | | | | | | | | |
| UNBUNDLED DEDICATED TRANSPORT | | | | | | | | | | | | | | | | | | | | | | |
| NOTE: INTEROFFICE CHANNEL DEDICATED TRANSPORT - minimum billing period - below DS3=one month, DS3/STS-1=four months | | | | | | | | | | | | | | | | | | | | | | |
| INTEROFFICE CHANNEL - DEDICATED TRANSPORT | | | | | | | | | | | | | | | | | | | | | | |
| | Interoffice Channel - Dedicated Transport - 2-Wire Voice Grade - Per Mile per month | | | U1TVX | 1L5XX | 0.0091 | | | | | | | | | | | | | | | | |
| | Interoffice Channel - Dedicated Transport- 2- Wire Voice Grade - Facility Termination per month | | | U1TVX | U1TV2 | 25.32 | 47.35 | 31.78 | 18.31 | 7.03 | | | 11.90 | | | | | | | | | |
| | Interoffice Channel - Dedicated Transport - 2-Wire Voice Grade Rev Bat. - Per Mile per month | | | U1TVX | 1L5XX | 0.0091 | | | | | | | | | | | | | | | | |

| UNBUNDLED NETWORK ELEMENTS - Florida | | | | | | | | | | | Attachment: 2 | | Exhibit: B | | | | | | | | | | |
|--|--|---------|------|-------|-------|-----------|----------------------------------|--------------------------------------|--|--|---|---|---------------|--------------|--------|-------------------------|--|-------|-------|-------|-------|-------|-------|
| CATEGORY | RATE ELEMENTS | Interim | Zone | BCS | USOC | RATES(\$) | Svc Order Submitted Elec per LSR | Svc Order Submitted Manually per LSR | Incremental Charge - Manual Svc Order vs. Electronic-1st | Incremental Charge - Manual Svc Order vs. Electronic-Add'l | Incremental Charge - Manual Svc Order vs. Electronic-Disc 1st | Incremental Charge - Manual Svc Order vs. Electronic-Disc Add'l | OSS Rates(\$) | | | | | | | | | | |
| | | | | | | | | | | | | | Rec | Nonrecurring | | Nonrecurring Disconnect | | SOMEc | SOMAN | SOMAN | SOMAN | SOMAN | SOMAN |
| | | | | | | | | | | | | | First | Add'l | First | Add'l | | | | | | | |
| | Interoffice Channel - Dedicated Transport- 2- Wire VG Rev Bat. Facility Termination per month | | | U1TVX | U1TR2 | 25.32 | | | | | | | 47.35 | 31.78 | 18.31 | 7.03 | | | | | | | 11.90 |
| | Interoffice Channel - Dedicated Transport - 4-Wire Voice Grade - Per Mile per month | | | U1TVX | 1L5XX | 0.0091 | | | | | | | | | | | | | | | | | |
| | Interoffice Channel - Dedicated Transport - 4- Wire Voice Grade - Facility Termination per month | | | U1TVX | U1TV4 | 22.58 | | | | | | | 47.35 | 31.78 | 18.31 | 7.03 | | | | | | | 11.90 |
| | Interoffice Channel - Dedicated Transport - 56 kbps - per mile per month | | | U1TDX | 1L5XX | 0.0091 | | | | | | | | | | | | | | | | | |
| | Interoffice Channel - Dedicated Transport - 56 kbps - Facility Termination per month | | | U1TDX | U1TD5 | 18.44 | | | | | | | 47.35 | 31.78 | 18.31 | 7.03 | | | | | | | 11.90 |
| | Interoffice Channel - Dedicated Transport - 64 kbps - per mile per month | | | U1TDX | 1L5XX | 0.0091 | | | | | | | | | | | | | | | | | |
| | Interoffice Channel - Dedicated Transport - 64 kbps - Facility Termination per month | | | U1TDX | U1TD6 | 18.44 | | | | | | | 47.35 | 31.78 | 18.31 | 7.03 | | | | | | | 11.90 |
| | Interoffice Channel - Dedicated Channel - DS1 - Per Mile per month | | | U1TD1 | 1L5XX | 0.1856 | | | | | | | | | | | | | | | | | |
| | Interoffice Channel - Dedicated Transport - DS1 - Facility Termination per month | | | U1TD1 | U1TF1 | 88.44 | | | | | | | 105.54 | 98.47 | 21.47 | 19.05 | | | | | | | 11.90 |
| | Interoffice Channel - Dedicated Transport - DS3 - Per Mile per month | | | U1TD3 | 1L5XX | 3.87 | | | | | | | | | | | | | | | | | |
| | Interoffice Channel - Dedicated Transport - DS3 - Facility Termination per month | | | U1TD3 | U1TF3 | 1,071.00 | | | | | | | 335.46 | 219.28 | 72.03 | 70.56 | | | | | | | 11.90 |
| | Interoffice Channel - Dedicated Transport - STS-1 - Per Mile per month | | | U1TS1 | 1L5XX | 3.87 | | | | | | | | | | | | | | | | | |
| | Interoffice Channel - Dedicated Transport - STS-1 - Facility Termination per month | | | U1TS1 | U1TFS | 1,056.00 | | | | | | | 335.46 | 219.28 | 72.03 | 70.56 | | | | | | | 11.90 |
| LOCAL CHANNEL - DEDICATED TRANSPORT | | | | | | | | | | | | | | | | | | | | | | | |
| NOTE: LOCAL CHANNEL DEDICATED TRANSPORT - minimum billing period - below DS3=one month, DS3/STS-1=four months | | | | | | | | | | | | | | | | | | | | | | | |
| | Local Channel - Dedicated - 2-Wire Voice Grade per month - Zone 1 | | 1 | ULDVX | ULDV2 | 21.94 | | | | | | | 265.84 | 46.97 | 37.63 | 4.00 | | | | | | | 11.90 |
| | Local Channel - Dedicated - 2-Wire Voice Grade per month - Zone 2 | | 2 | ULDVX | ULDV2 | 29.62 | | | | | | | 265.84 | 46.97 | 37.63 | 4.00 | | | | | | | 11.90 |
| | Local Channel - Dedicated - 2-Wire Voice Grade per month - Zone 3 | | 3 | UNDVX | ULDV2 | 57.22 | | | | | | | 265.84 | 46.97 | 37.63 | 4.00 | | | | | | | 11.90 |
| | Local Channel - Dedicated - 2-Wire Voice Grade Rev. Bat. Per Month - Zone 1 | | 1 | ULDVX | ULDR2 | 21.94 | | | | | | | 265.84 | 46.97 | 37.63 | 4.00 | | | | | | | 11.90 |
| | Local Channel - Dedicated - 2-Wire Voice Grade Rev. Bat. Per Month - Zone 2 | | 2 | ULDVX | ULDR2 | 29.62 | | | | | | | 265.84 | 46.97 | 37.63 | 4.00 | | | | | | | 11.90 |
| | Local Channel - Dedicated - 2-Wire Voice Grade Rev. Bat. Per Month - Zone 3 | | 3 | ULDVX | ULDR2 | 57.22 | | | | | | | 265.84 | 46.97 | 37.63 | 4.00 | | | | | | | 11.90 |
| | Local Channel - Dedicated - 4-Wire Voice Grade per month - Zone 1 | | 1 | UNDVX | ULDV4 | 22.81 | | | | | | | 266.54 | 47.67 | 44.22 | 5.33 | | | | | | | 11.90 |
| | Local Channel - Dedicated - 4-Wire Voice Grade per month - Zone 2 | | 2 | UNDVX | ULDV4 | 30.79 | | | | | | | 266.54 | 47.67 | 44.22 | 5.33 | | | | | | | 11.90 |
| | Local Channel - Dedicated - 4-Wire Voice Grade per month - Zone 3 | | 3 | UNDVX | ULDV4 | 59.48 | | | | | | | 266.54 | 47.67 | 44.22 | 5.33 | | | | | | | 11.90 |
| | Local Channel - Dedicated - DS1 per month - Zone 1 | | 1 | ULDD1 | ULDF1 | 35.28 | | | | | | | 216.65 | 183.54 | 24.30 | 16.95 | | | | | | | 11.90 |
| | Local Channel - Dedicated - DS1 per month - Zone 2 | | 2 | ULDD1 | ULDF1 | 47.63 | | | | | | | 216.65 | 183.54 | 24.30 | 16.95 | | | | | | | 11.90 |
| | Local Channel - Dedicated - DS1 per month - Zone 3 | | 3 | ULDD1 | ULDF1 | 92.01 | | | | | | | 216.65 | 183.54 | 24.30 | 16.95 | | | | | | | 11.90 |
| | Local Channel - Dedicated - DS3 - Per Mile per month | | | ULDD3 | 1L5NC | 8.50 | | | | | | | | | | | | | | | | | |
| | Local Channel - Dedicated - DS3 - Facility Termination per month | | | ULDD3 | ULDF3 | 531.91 | | | | | | | 556.37 | 343.01 | 139.13 | 96.84 | | | | | | | 11.90 |
| | Local Channel - Dedicated - STS-1 - Per Mile per month | | | ULDS1 | 1L5NC | 8.50 | | | | | | | | | | | | | | | | | |
| | Local Channel - Dedicated - STS-1 - Facility Termination per month | | | ULDS1 | ULDFS | 540.69 | | | | | | | 556.37 | 343.01 | 139.13 | 96.84 | | | | | | | 11.90 |
| MULTIPLEXERS | | | | | | | | | | | | | | | | | | | | | | | |
| | Channelization - DS1 to DS0 Channel System | | | UXTD1 | MQ1 | 146.77 | | | | | | | 101.42 | 71.62 | 11.09 | 10.49 | | | | | | | 11.90 |
| | OCU-DP COCI (data) - DS1 to DS0 Channel System - per month (2.4-64kbs) | | | UDL | 1D1DD | 2.10 | | | | | | | 10.07 | 7.08 | | | | | | | | | 11.90 |

| UNBUNDLED NETWORK ELEMENTS - Florida | | | | | | | | | | Attachment: 2 | | Exhibit: B | | | |
|---|--|---------|------|----------|-------|-----------|--------------|--------|-------------------------|----------------------------------|--------------------------------------|--|--|---|---|
| CATEGORY | RATE ELEMENTS | Interim | Zone | BCS | USOC | RATES(\$) | | | | Svc Order Submitted Elec per LSR | Svc Order Submitted Manually per LSR | Incremental Charge - Manual Svc Order vs. Electronic-1st | Incremental Charge - Manual Svc Order vs. Electronic-Add'l | Incremental Charge - Manual Svc Order vs. Electronic-Disc 1st | Incremental Charge - Manual Svc Order vs. Electronic-Disc Add'l |
| | | | | | | Rec | Nonrecurring | | Nonrecurring Disconnect | | | | | | |
| | | | | | | First | Add'l | First | Add'l | SOMEc | SOMAN | SOMAN | SOMAN | SOMAN | SOMAN |
| | 2-wire ISDN COCI (BRITE) - DS1 to DS0 Channel System - per month | | | UDN | UC1CA | 3.66 | 10.07 | 7.08 | | | | | | | |
| | Voice Grade COCI - DS1 to DS0 Channel System - per month | | | UEA | 1D1VG | 1.38 | 10.07 | 7.08 | | | | 11.90 | | | |
| | DS3 to DS1 Channel System per month | | | UXTD3 | MQ3 | 211.19 | 199.28 | 118.64 | 40.34 | 39.07 | | 11.90 | | | |
| | STS1 to DS1 Channel System per month | | | UXTS1 | MQ3 | 211.19 | 199.28 | 118.64 | 40.34 | 39.07 | | 11.90 | | | |
| | DS3 Interface Unit (DS1 COCI) used with Loop per month | | | USL | UC1D1 | 13.76 | 10.07 | 7.08 | | | | 11.90 | | | |
| | DS3 Interface Unit (DS1 COCI) used with Local Channel per month | | | ULDD1 | UC1D1 | 13.76 | 10.07 | 7.08 | | | | 11.90 | | | |
| | DS3 Interface Unit (DS1 COCI) used with Interoffice Channel per month | | | U1TD1 | UC1D1 | 13.76 | 10.07 | 7.08 | | | | 11.90 | | | |
| DARK FIBER | | | | | | | | | | | | | | | |
| | Dark Fiber, Four Fiber Strands, Per Route Mile or Fraction Thereof per month - Local Channel | | | UDF | 1L5DC | 55.04 | | | | | | | | | |
| | NRC Dark Fiber - Local Channel | | | UDF | UDFC4 | | 751.34 | 193.88 | 356.21 | 230.11 | | 11.90 | | | |
| | Dark Fiber, Four Fiber Strands, Per Route Mile or Fraction Thereof per month - Interoffice Channel | | | UDF | 1L5DF | 26.85 | | | | | | | | | |
| | NRC Dark Fiber - Interoffice Channel | | | UDF | UDF14 | | 751.34 | 193.88 | 356.21 | 230.11 | | 11.90 | | | |
| | Dark Fiber, Four Fiber Strands, Per Route Mile or Fraction Thereof per month - Local Loop | | | UDF | 1L5DL | 55.04 | | | | | | | | | |
| | NRC Dark Fiber - Local Loop | | | UDF | UDFL4 | | 751.34 | 193.88 | 356.21 | 230.11 | | 11.90 | | | |
| TRANSPORT OTHER | | | | | | | | | | | | | | | |
| Optional Features & Functions: | | | | | | | | | | | | | | | |
| 8XX ACCESS TEN DIGIT SCREENING | | | | | | | | | | | | | | | |
| | 8XX Access Ten Digit Screening, Per Call | | | OHD | | 0.0006252 | | | | | | | | | |
| | 8XX Access Ten Digit Screening, Reservation Charge Per 8XX Number Reserved | | | OHD | N8R1X | | 4.15 | 0.70 | | | | 11.90 | | | |
| | 8XX Access Ten Digit Screening, Per 8XX No. Established W/O POTS Translations | | | OHD | | | 8.78 | 1.18 | 5.77 | 0.70 | | 11.90 | | | |
| | 8XX Access Ten Digit Screening, Per 8XX No. Established With POTS Translations | | | OHD | N8FTX | | 8.78 | 1.18 | 5.77 | 0.70 | | 11.90 | | | |
| | 8XX Access Ten Digit Screening, Customized Area of Service Per 8XX Number | | | OHD | N8FCX | | 4.15 | 2.07 | | | | 11.90 | | | |
| | 8XX Access Ten Digit Screening, Multiple InterLATA CXR Routing Per CXR Requested Per 8XX No. | | | OHD | N8FMX | | 4.85 | 2.78 | | | | 11.90 | | | |
| | 8XX Access Ten Digit Screening, Change Charge Per Request | | | OHD | N8FAX | | 4.85 | 0.70 | | | | 11.90 | | | |
| | 8XX Access Ten Digit Screening, Call Handling and Destination Features | | | OHD | N8FDX | | 4.15 | 4.15 | | | | 11.90 | | | |
| | 8XX Access Ten Digit Screening, w/ 8FL No. Delivery, per query | | | OHD | | 0.0006252 | | | | | | | | | |
| | 8XX Access Ten Digit Screening, w/ POTS No. Delivery, per query | | | OHD | | 0.0006252 | | | | | | | | | |
| LINE INFORMATION DATA BASE ACCESS (LIDB) | | | | | | | | | | | | | | | |
| | LIDB Common Transport Per Query | | | OQT | | 0.0000203 | | | | | | | | | |
| | LIDB Validation Per Query | | | OQU | | 0.0136959 | | | | | | | | | |
| | LIDB Originating Point Code Establishment or Change | | | OQT, OQU | NRPBX | | 55.13 | 55.13 | 55.13 | 55.13 | | 11.90 | | | |
| SIGNALING (CCS7) | | | | | | | | | | | | | | | |
| | CCS7 Signaling Termination, Per STP Port | | | UDB | PT8SX | 135.05 | | | | | | | | | |
| | CCS7 Signaling Usage, Per TCAP Message | | | UDB | | 0.0000607 | | | | | | | | | |
| | CCS7 Signaling Connection, Per link (A link) | | | UDB | TPP++ | 17.93 | 43.57 | 43.57 | 18.31 | 18.31 | | 11.90 | | | |
| | CCS7 Signaling Connection, Per link (B link) (also known as D link) | | | UDB | TPP++ | 17.93 | 43.57 | 43.57 | 18.31 | 18.31 | | 11.90 | | | |
| | CCS7 Signaling Usage, Per ISUP Message | | | UDB | | 0.0000152 | | | | | | | | | |
| | CCS7 Signaling Usage Surrogate, per link per LATA | | | UDB | STU56 | 694.32 | | | | | | | | | |
| | CCS7 Signaling Point Code, per Originating Point Code Establishment or Change, per STP affected | | | UDB | CCAPO | | 46.03 | 46.03 | 46.03 | 46.03 | | 11.90 | | | |
| E911 SERVICE | | | | | | | | | | | | | | | |
| | Local Channel - Dedicated - 2-wr Voice Grade - Zone 1 | | | | | 21.94 | 265.84 | 46.97 | 37.63 | 4.00 | | 11.90 | | | |
| | Local Channel - Dedicated - 2-wr Voice Grade - Zone 2 | | | | | 29.62 | 265.84 | 46.97 | 37.63 | 4.00 | | 11.90 | | | |
| | Local Channel - Dedicated - 2-wr Voice Grade - Zone 3 | | | | | 57.22 | 265.84 | 46.97 | 37.63 | 4.00 | | 11.90 | | | |

| UNBUNDLED NETWORK ELEMENTS - Florida | | | | | | | | | | Attachment: 2 | | Exhibit: B | |
|---|---|---------|------|-----|-------|-----------|----------------------------------|--------------------------------------|--|--|---|---|-----|
| CATEGORY | RATE ELEMENTS | Interim | Zone | BCS | USOC | RATES(\$) | Svc Order Submitted Elec per LSR | Svc Order Submitted Manually per LSR | Incremental Charge - Manual Svc Order vs. Electronic-1st | Incremental Charge - Manual Svc Order vs. Electronic-Add'l | Incremental Charge - Manual Svc Order vs. Electronic-Disc 1st | Incremental Charge - Manual Svc Order vs. Electronic-Disc Add'l | |
| | | | | | | | | | | | | | Rec |
| | | | | | | | | | | | | | |
| | | | | | | | | | | | | | |
| | Interoffice Transport - Dedicated - 2-wr Voice Grade Per Mile | | | | | 0.0091 | | | | | | | |
| | Interoffice Transport - Dedicated - 2-wr Voice Grade Per Facility Termination | | | | | 25.32 | 47.35 | 31.78 | 18.31 | 7.03 | | 11.90 | |
| | Local Channel - Dedicated - DS1 - Zone 1 | | | | | 35.28 | 216.65 | 183.54 | 21.47 | 19.05 | | 11.90 | |
| | Local Channel - Dedicated - DS1 - Zone 2 | | | | | 47.63 | 216.65 | 183.54 | 21.47 | 19.05 | | 11.90 | |
| | Local Channel - Dedicated - DS1 - Zone 3 | | | | | 92.01 | 216.65 | 183.54 | 21.47 | 19.05 | | 11.90 | |
| | Interoffice Transport - Dedicated - DS1 Per Mile | | | | | 0.1856 | | | | | | | |
| | Interoffice Transport - Dedicated - DS1 Per Facility Termination | | | | | 88.44 | 105.54 | 98.47 | 21.47 | 19.05 | | 11.90 | |
| CALLING NAME (CNAM) SERVICE | | | | | | | | | | | | | |
| | CNAM for DB Owners, Per Query | | | QQV | | 0.001024 | | | | | | | |
| | CNAM for Non DB Owners, Per Query | | | QQV | | 0.001024 | | | | | | | |
| | CNAM For DB Owners - Service Establishment | | | QQV | | | 25.35 | 25.35 | 19.01 | 19.01 | | 11.90 | |
| | CNAM For Non DB Owners - Service Establishment | | | QQV | | | 25.35 | 25.35 | 19.01 | 19.01 | | 11.90 | |
| | CNAM For DB Owners - Service Provisioning With Point Code Establishment | | | QQV | | | 1,592.00 | 1,177.00 | 352.36 | 259.09 | | 11.90 | |
| | CNAM For Non DB Owners - Service Provisioning With Point Code Establishment | | | QQV | | | 546.51 | 393.82 | 358.06 | 259.09 | | 11.90 | |
| LNP Query Service | | | | | | | | | | | | | |
| | LNP Charge Per query | | | QQV | | 0.000852 | | | | | | | |
| | LNP Service Establishment Manual | | | | | | 13.83 | 13.83 | 12.71 | 12.71 | | 11.90 | |
| | LNP Service Provisioning with Point Code Establishment | | | | | | 655.50 | 334.88 | 297.03 | 218.40 | | 11.90 | |
| OPERATOR CALL PROCESSING | | | | | | | | | | | | | |
| | Oper. Call Processing - Oper. Provided, Per Min. - Using BST LIDB | | | | | 1.20 | | | | | | | |
| | Oper. Call Processing - Oper. Provided, Per Min. - Using Foreign LIDB | | | | | 1.24 | | | | | | | |
| | Oper. Call Processing - Fully Automated, per Call - Using BST LIDB | | | | | 0.20 | | | | | | | |
| | Oper. Call Processing - Fully Automated, per Call - Using Foreign LIDB | | | | | 0.20 | | | | | | | |
| INWARD OPERATOR SERVICES | | | | | | | | | | | | | |
| | Inward Operator Services - Verification, Per Call | | | | | 1.00 | | | | | | | |
| | Inward Operator Services - Verification and Emergency Interrupt - Per Call | | | | | 1.95 | | | | | | | |
| BRANDING - OPERATOR CALL PROCESSING | | | | | | | | | | | | | |
| | Recording of Custom Branded OA Announcement | | | | CBAOS | | 7,000.00 | 7,000.00 | | | | 11.90 | |
| | Loading of Custom Branded OA Announcement per shelf/NAV | | | | CBAOL | | 500.00 | 500.00 | | | | 11.90 | |
| | Unbranding via OLNS for UNEP CLEC | | | | | | | | | | | | |
| | Loading of OA per OCN (Regional) | | | | | | 1,200.00 | 1,200.00 | | | | 11.90 | |
| DIRECTORY ASSISTANCE SERVICES | | | | | | | | | | | | | |
| DIRECTORY ASSISTANCE ACCESS SERVICE | | | | | | | | | | | | | |
| | Directory Assistance Access Service Calls, Charge Per Call | | | | | 0.275 | | | | | | | |
| DIRECTORY ASSISTANCE CALL COMPLETION ACCESS SERVICE (DACC) | | | | | | | | | | | | | |
| | Directory Assistance Call Completion Access Service (DACC), Per Call Attempt | | | | | 0.10 | | | | | | | |
| DIRECTORY TRANSPORT | | | | | | | | | | | | | |
| DIRECTORY ASSISTANCE SERVICES | | | | | | | | | | | | | |
| DIRECTORY ASSISTANCE DATA BASE SERVICE (DADS) | | | | | | | | | | | | | |
| | Directory Assistance Data Base Service Charge Per Listing | | | | | 0.04 | | | | | | | |
| | Directory Assistance Data Base Service, per month | | | | DBSOF | 150.00 | | | | | | | |
| BRANDING - DIRECTORY ASSISTANCE | | | | | | | | | | | | | |
| Facility Based CLEC | | | | | | | | | | | | | |
| | Recording and Provisioning of DA Custom Branded Announcement | | | AMT | CBADA | | 6,000.00 | 6,000.00 | | | | | |
| | Loading of Custom Branded Announcement per DRAM Card/Switch | | | AMT | CBADC | | 1,170.00 | 1,170.00 | | | | | |
| UNEP CLEC | | | | | | | | | | | | | |
| | Recording of DA Custom Branded Announcement | | | | | | 3,000.00 | 3,000.00 | | | | | |

| UNBUNDLED NETWORK ELEMENTS - Florida | | | | | | | | | | Attachment: 2 | | Exhibit: B | | | | | | | |
|--------------------------------------|--|---------|------|--|-------|-----------|----------------------------------|--------------------------------------|--|--|---|---|---------------|--------------|--|-------------------------|--|-------|-------|
| CATEGORY | RATE ELEMENTS | Interim | Zone | BCS | USOC | RATES(\$) | Svc Order Submitted Elec per LSR | Svc Order Submitted Manually per LSR | Incremental Charge - Manual Svc Order vs. Electronic-1st | Incremental Charge - Manual Svc Order vs. Electronic-Add'l | Incremental Charge - Manual Svc Order vs. Electronic-Disc 1st | Incremental Charge - Manual Svc Order vs. Electronic-Disc Add'l | OSS Rates(\$) | | | | | | |
| | | | | | | | | | | | | | Rec | Nonrecurring | | Nonrecurring Disconnect | | SOMEC | SOMAN |
| | | | | | | | | | | | | | | | | | | | |
| | Loading of DA Custom Branded Announcement per DRAM Card/Switch per OCN | | | | | | | | | | | | | | | | | | |
| | Unbranding via OLNS for UNEP CLEC | | | | | | | | | | | | | | | | | | |
| | Loading of DA per OCN (1 OCN per Order) | | | | | | | | | | | | | | | | | | |
| | Loading of DA per Switch per OCN | | | | | | | | | | | | | | | | | | |
| | SELECTIVE ROUTING | | | | | | | | | | | | | | | | | | |
| | Selective Routing Per Unique Line Class Code Per Request Per Switch | | | | USRCR | | | | | | | | | | | | | | |
| | VIRTUAL COLLOCATION | | | | | | | | | | | | | | | | | | |
| | Virtual Collocation - Application Cost | | | AMTFS | EAF | | | | | | | | | | | | | | |
| | Virtual Collocation - Cable Installation Cost, per cable | | | AMTFS | ESPCX | 12.45 | | | | | | | | | | | | | |
| | Virtual Collocation - Floor Space, per sq. ft. | | | AMTFS | ESPVX | 4.25 | | | | | | | | | | | | | |
| | Virtual Collocation - Power, per breaker amp | | | AMTFS | ESPAX | 6.95 | | | | | | | | | | | | | |
| | Virtual Collocation - Cable Support Structure, per entrance cable | | | AMTFS | ESPSX | 13.35 | | | | | | | | | | | | | |
| | Virtual Collocation - 2-wire Cross Connects (loop) | | | UEANL,UEA,UDN,U DC,UAL,UHL,UCL,U EQ, AMTFS, UDL, UNCVX, UNCDX, UNCNX | UEAC2 | 0.0502 | | | | | | | | | | | | | |
| | Virtual Collocation - 4-wire Cross Connects (loop) | | | UEA,UHL,UCL,UDL, AMTFS, UAL, UDN, UNCVX, UNCDX | UEAC4 | 0.0502 | | | | | | | | | | | | | |
| | Virtual Collocation - 2-Fiber Cross Connects | | | AMTFS,UDL12, UDLO3, U1T48, U1T12, U1T03, ULDO3, ULD12, ULD48, UDF | CNC2F | 6.71 | | | | | | | | | | | | | |
| | Virtual Collocation - 4-Fiber Cross Connects | | | AMTFS,UDL12, UDLO3, U1T48, U1T12, U1T03, ULDO3, ULD12, ULD48, UDF | CNC4F | 6.71 | | | | | | | | | | | | | |
| | Virtual collocation - DS1 Cross Connects | | | USL,ULC,AMTFS, ULR, UXTD1, UNC1X, ULDD1, U1TD1, USLEL, UNLD1 | CNC1X | 7.50 | | | | | | | | | | | | | |
| | Virtual collocation - DS3 Cross Connects | | | USL,ULC,AMTFS,U E3, U1TD3, UXTS1, UXTD3, UNC3X, UNCSX, ULDD3, U1TS1, ULDS1, UDLSX, UNLD3 | CND3X | 56.25 | | | | | | | | | | | | | |
| | Virtual Collocation - Co-Carrier Cross Connects - Fiber Cable Support Structure, per linear foot | | | AMTFS,CLO | VE1CB | 0.0028 | | | | | | | | | | | | | |
| | Virtual Collocation - Co-Carrier Cross Connects - Copper/Coax Cable Support Structure, per linear ft | | | AMTFS, CLO | VE1CD | 0.0041 | | | | | | | | | | | | | |
| | Virtual Collocation - Co-Carrier Cross Connects - Fiber Cable Support Structure, per cable | | | AMTFS | VE1CC | | | | | | | | | | | | | | |
| | Virtual Collocation - Co-Carrier Cross Connects - Copper/Coax Cable Support Structure, per cable | | | AMTFS | VE1CE | | | | | | | | | | | | | | |
| | Virtual collocation - Security Escort - Basic, per quarter hour | | | AMTFS | SPTBQ | | | | | | | | | | | | | | |
| | Virtual collocation - Security Escort - Overtime, per quarter hour | | | AMTFS | SPTOQ | | | | | | | | | | | | | | |
| | Virtual collocation - Security Escort - Premium, per quarter hour | | | AMTFS | SPTPQ | | | | | | | | | | | | | | |

| UNBUNDLED NETWORK ELEMENTS - Florida | | | | | | | | | | | Attachment: 2 | | Exhibit: B | | | | | | | |
|---|--|---------|------|--------------|-------|-----------|----------------------------------|--------------------------------------|--|--|---|---|---------------|--------------|----------|-------------------------|--|--------|-------|-------|
| CATEGORY | RATE ELEMENTS | Interim | Zone | BCS | USOC | RATES(\$) | Svc Order Submitted Elec per LSR | Svc Order Submitted Manually per LSR | Incremental Charge - Manual Svc Order vs. Electronic-1st | Incremental Charge - Manual Svc Order vs. Electronic-Add'l | Incremental Charge - Manual Svc Order vs. Electronic-Disc 1st | Incremental Charge - Manual Svc Order vs. Electronic-Disc Add'l | OSS Rates(\$) | | | | | | | |
| | | | | | | | | | | | | | Rec | Nonrecurring | | Nonrecurring Disconnect | | SOME C | SOMAN | SOMAN |
| | | | | | | | | | | | | | First | Add'l | First | Add'l | | | | |
| | Virtual Collocation - DS-1/DCS Cross Connects, PER 28 CKTS | | | AMTFS | VE11S | 226.39 | | | | | | | 1,950.00 | | | | | | | |
| | Virtual Collocation - DS-1.DSX Cross Connects, PER 28 CKTS | | | AMTFS | VE11X | 11.51 | | | | | | | 1,950.00 | | | | | | | |
| | Virtual Collocation - DS-3/DCS Cross Connects, PER CKT | | | AMTFS | VE13S | 56.97 | | | | | | | 528.00 | | | | | | | |
| | Virtual Collocation - DS-3/DSC Cross Connects, PER CKT | | | AMTFS | VE13X | 10.06 | | | | | | | 528.00 | | | | | | | |
| | Virtual collocation - Maintenance in CO - Basic, per quarter hour | | | AMTFS | SPTRE | | | | | | | | 10.89 | | | | | | | |
| | Virtual collocation - Maintenance in CO - Overtime, per quarter hour | | | AMTFS | SPTOE | | | | | | | | 13.64 | | | | | | | |
| | Virtual collocation - Maintenance in CO - Premium per quarter hour | | | AMTFS | SPTPE | | | | | | | | 16.40 | | | | | | | |
| VIRTUAL COLLOCATION | | | | | | | | | | | | | | | | | | | | |
| | Virtual Collocation - 2-wire Cross Connect, Exchange Port 2-Wire Analog - Res | | | UEPSR | VE1R2 | 0.524 | | | | | | | 11.57 | 11.57 | | | | | | 11.90 |
| | Virtual Collocation 2-Wire Cross Connect, Exchange Port 2-Wire Line Side PBX Trunk - Bus | | | UEPSP | VE1R2 | 0.524 | | | | | | | 11.57 | 11.57 | | | | | | 11.90 |
| | Virtual Collocation 2-Wire Cross Connect, Exchange Port 2-Wire Voice Grade PBX Trunk - Res | | | UEPSE | VE1R2 | 0.524 | | | | | | | 11.57 | 11.57 | | | | | | 11.90 |
| | Virtual Collocation 2-Wire Cross Connect, Exchange Port 2-Wire Analog Bus | | | UEPSB | VE1R2 | 0.524 | | | | | | | 11.57 | 11.57 | | | | | | 11.90 |
| | Virtual Collocation 2-Wire Cross Connect, Exchange Port 2-Wire ISDN | | | UEPSX | VE1R2 | 0.524 | | | | | | | 11.57 | 11.57 | | | | | | 11.90 |
| | Virtual Collocation 2-Wire Cross Connect, Exchange Port 2-Wire ISDN | | | UEPTX | VE1R2 | 0.524 | | | | | | | 11.57 | 11.57 | | | | | | 11.90 |
| | Virtual Collocation 4-Wire Cross Connect, Exchange Port 4-Wire ISDN DS1 | | | UEPEX | VE1R4 | 0.524 | | | | | | | 11.57 | 11.57 | | | | | | 11.90 |
| VIRTUAL COLLOCATION | | | | | | | | | | | | | | | | | | | | |
| | Virtual Collocation-2 Wire Cross Connects (Loop) for Line Splitting | | | UEPSR, UEPSB | VE1LS | 0.0297 | | | | | | | 33.86 | 31.95 | | | | | | 11.90 |
| AIN SELECTIVE CARRIER ROUTING | | | | | | | | | | | | | | | | | | | | |
| | Regional Service Establishment | | | SRC | SRCEC | | | | | | | | 193,444.00 | | 7,737.00 | | | | | 11.90 |
| | End Office Establishment | | | SRC | SRCEO | | | | | | | | 187.36 | 187.36 | 0.69 | 0.69 | | | | 11.90 |
| | Query NRC, per query | | | SRC | | 0.0031868 | | | | | | | | | | | | | | |
| AIN - BELLSOUTH AIN SMS ACCESS SERVICE | | | | | | | | | | | | | | | | | | | | |
| | AIN SMS Access Service - Service Establishment, Per State, Initial Setup | | | A1N | CAMSE | | | | | | | | 43.56 | 43.56 | 44.93 | 44.93 | | | | 11.90 |
| | AIN SMS Access Service - Port Connection - Dial/Shared Access | | | A1N | CAMDP | | | | | | | | 8.64 | 8.64 | 10.03 | 10.03 | | | | 11.90 |
| | AIN SMS Access Service - Port Connection - ISDN Access | | | A1N | CAMP1 | | | | | | | | 8.64 | 8.64 | 10.03 | 10.03 | | | | 11.90 |
| | AIN SMS Access Service - User Identification Codes - Per User ID Code | | | A1N | CAMAU | | | | | | | | 38.66 | 38.66 | 29.88 | 29.88 | | | | 11.90 |
| | AIN SMS Access Service - Security Card, Per User ID Code, Initial or Replacement | | | A1N | CAMRC | | | | | | | | 75.10 | 75.10 | 12.93 | 12.93 | | | | 11.90 |
| | AIN SMS Access Service - Storage, Per Unit (100 Kilobytes) | | | | | 0.0028 | | | | | | | | | | | | | | |
| | AIN SMS Access Service - Session, Per Minute | | | | | 0.7809 | | | | | | | | | | | | | | |
| | AIN SMS Access Service - Company Performed Session, Per Minute | | | | | 0.4609 | | | | | | | | | | | | | | |
| AIN - BELLSOUTH AIN TOOLKIT SERVICE | | | | | | | | | | | | | | | | | | | | |
| | AIN Toolkit Service - Service Establishment Charge, Per State, Initial Setup | | | CAM | BAPSC | | | | | | | | 43.56 | 43.56 | 44.93 | 44.93 | | | | 11.90 |
| | AIN Toolkit Service - Training Session, Per Customer | | | | BAPVX | | | | | | | | 8,439.00 | 8,439.00 | | | | | | 11.90 |
| | AIN Toolkit Service - Trigger Access Charge, Per Trigger, Per DN, Term. Attempt | | | | BAPTT | | | | | | | | 8.64 | 8.64 | 10.03 | 10.03 | | | | 11.90 |
| | AIN Toolkit Service - Trigger Access Charge, Per Trigger, Per DN, Off-Hook Delay | | | | BAPTD | | | | | | | | 8.64 | 8.64 | 10.03 | 10.03 | | | | 11.90 |
| | AIN Toolkit Service - Trigger Access Charge, Per Trigger, Per DN, Off-Hook Immediate | | | | BAPTM | | | | | | | | 8.64 | 8.64 | 10.03 | 10.03 | | | | 11.90 |

| UNBUNDLED NETWORK ELEMENTS - Florida | | | | | | | | | | Attachment: 2 | | Exhibit: B | | | | |
|--|---|---------|------|-------|-------|-----------|----------------------------------|--------------------------------------|--|--|---|---|-------|--------------|-------|-------------------------|
| CATEGORY | RATE ELEMENTS | Interim | Zone | BCS | USOC | RATES(\$) | Svc Order Submitted Elec per LSR | Svc Order Submitted Manually per LSR | Incremental Charge - Manual Svc Order vs. Electronic-1st | Incremental Charge - Manual Svc Order vs. Electronic-Add'l | Incremental Charge - Manual Svc Order vs. Electronic-Disc 1st | Incremental Charge - Manual Svc Order vs. Electronic-Disc Add'l | | | | |
| | | | | | | | | | | | | | Rec | Nonrecurring | | Nonrecurring Disconnect |
| | | | | | | | | | | | | | | | | |
| | | | | | | | | | | SOMEc | SOMAN | SOMAN | SOMAN | SOMAN | SOMAN | |
| | AIN Toolkit Service - Trigger Access Charge, Per Trigger, Per DN, 10-Digit PODP | | | | BAPTO | | | | | | 11.90 | | | | | |
| | AIN Toolkit Service - Trigger Access Charge, Per Trigger, Per DN, CDP | | | | BAPTC | | | | | | 11.90 | | | | | |
| | AIN Toolkit Service - Trigger Access Charge, Per Trigger, Per DN, Feature Code | | | | BAPTF | | | | | | 11.90 | | | | | |
| | AIN Toolkit Service - Query Charge, Per Query | | | | | 0.0535927 | | | | | | | | | | |
| | AIN Toolkit Service - Type 1 Node Charge, Per AIN Toolkit Subscription, Per Node, Per Query | | | | | 0.0063698 | | | | | | | | | | |
| | AIN Toolkit Service - SCP Storage Charge, Per SMS Access Account, Per 100 Kilobytes | | | | | 0.06 | | | | | | | | | | |
| | AIN Toolkit Service - Monthly report - Per AIN Toolkit Service Subscription | | | CAM | BAPMS | 8.34 | 8.64 | 8.64 | 6.08 | 6.08 | 11.90 | | | | | |
| | AIN Toolkit Service - Special Study - Per AIN Toolkit Service Subscription | | | CAM | BAPLS | 3.73 | 9.56 | 9.56 | | | 11.90 | | | | | |
| | AIN Toolkit Service - Call Event Report - Per AIN Toolkit Service Subscription | | | CAM | BAPDS | 4.73 | 8.64 | 8.64 | 6.08 | 6.08 | 11.90 | | | | | |
| | AIN Toolkit Service - Call Event Special Study - Per AIN Toolkit Service Subscription | | | CAM | BAPES | 0.12 | 9.56 | 9.56 | | | 11.90 | | | | | |
| ENHANCED EXTENDED LINK (EELs) | | | | | | | | | | | | | | | | |
| NOTE: New EELs available in GA, TN, KY, LA, MS, & SC and density zone 1 of following MSAs: Orlando, FL; Miami, FL; Ft. Lauderdale, FL; | | | | | | | | | | | | | | | | |
| NOTE: Charlotte-Gastonia-Rockhill, NC; Greensboro-Winston Salem-High Point, NC. Use all rates below except Switch As Is Charge. | | | | | | | | | | | | | | | | |
| NOTE: In all states, EEL network elements shown below also apply to currently combined facilities which are converted to UNE rates. A Switch As Is Charge applies to currently combined facilities converted to UNEs.(Non-recurring rates do not apply.) | | | | | | | | | | | | | | | | |
| NOTE: In GA, TN, KY, LA, MS & SC the EEL network elements apply to ordinarily combined network elements.(No Switch As Is Charge.) | | | | | | | | | | | | | | | | |
| 2-WIRE VOICE GRADE EXTENDED LOOP WITH DEDICATED DS1 INTEROFFICE TRANSPORT (EEL) | | | | | | | | | | | | | | | | |
| | First 2-Wire VG Loop(SL2) in a DS1 Interofficed Transport Combination - Zone 1 | | 1 | UNCVX | UEAL2 | 14.50 | 127.59 | 60.54 | 48.00 | 6.31 | 11.90 | | | | | |
| | First 2-Wire VG Grade Loop(SL2) in a DS1 Interofficed Transport Combination - Zone 2 | | 2 | UNCVX | UEAL2 | 19.57 | 127.59 | 60.54 | 48.00 | 6.31 | 11.90 | | | | | |
| | First 2-Wire VG Grade Loop(SL2) in a DS1 Interofficed Transport Combination - Zone 3 | | 3 | UNCVX | UEAL2 | 37.82 | 127.59 | 60.54 | 48.00 | 6.31 | 11.90 | | | | | |
| | Interoffice Transport - Dedicated - DS1 combination - Per Mile per month | | | UNC1X | 1L5XX | 0.1856 | | | | | | | | | | |
| | Interoffice Transport - Dedicated - DS1 combination - Facility Termination per month | | | UNC1X | U1TF1 | 88.44 | 174.46 | 122.46 | 45.61 | 17.95 | 11.90 | | | | | |
| | DS1 Channelization System Per Month | | | UNC1X | MQ1 | 146.77 | 57.28 | 14.74 | 1.50 | 1.34 | 11.90 | | | | | |
| | Voice Grade COCI - DS1 To Ds0 Interface - Per Month | | | UNCVX | 1D1VG | 1.38 | 6.71 | 4.84 | | | 11.90 | | | | | |
| | Each Additional 2-Wire VG Loop(SL 2) in the same DS1 Interoffice Transport Combination - Zone 1 | | 1 | UNCVX | UEAL2 | 14.50 | 127.59 | 60.54 | 48.00 | 6.31 | 11.90 | | | | | |
| | Each Additional 2-Wire VG Loop(SL2) in the same DS1 Interoffice Transport Combination - Zone 2 | | 2 | UNCVX | UEAL2 | 19.57 | 127.59 | 60.54 | 48.00 | 6.31 | 11.90 | | | | | |
| | Each Additional 2-Wire VG Loop(SL2) in the same DS1 Interoffice Transport Combination - Zone 3 | | 3 | UNCVX | UEAL2 | 37.82 | 127.59 | 60.54 | 48.00 | 6.31 | 11.90 | | | | | |
| | Voice Grade COCI - DS1 to DS0 Channel System combination - per month | | | UNCVX | 1D1VG | 1.38 | 6.71 | 4.84 | | | 11.90 | | | | | |
| | Nonrecurring Currently Combined Network Elements Switch -As-Is Charge | | | UNC1X | UNCCC | | 8.98 | 8.98 | 8.98 | 8.98 | 11.90 | | | | | |
| 4-WIRE VOICE GRADE EXTENDED LOOP WITH DEDICATED DS1 INTEROFFICE TRANSPORT (EEL) | | | | | | | | | | | | | | | | |
| | First 4-Wire Analog Voice Grade Loop in a DS1 Interoffice Transport Combination - Zone 1 | | 1 | UNCVX | UEAL4 | 23.02 | 127.59 | 60.54 | 48.00 | 6.31 | 11.90 | | | | | |
| | First 4-Wire Analog Voice Grade Loop in a DS1 Interoffice Transport Combination - Zone 2 | | 2 | UNCVX | UEAL4 | 31.07 | 127.59 | 60.54 | 48.00 | 6.31 | 11.90 | | | | | |
| | First 4-Wire Analog Voice Grade Loop in a DS1 Interoffice Transport Combination - Zone 3 | | 3 | UNCVX | UEAL4 | 60.02 | 127.59 | 60.54 | 48.00 | 6.31 | 11.90 | | | | | |
| | Interoffice Transport - Dedicated - DS1 combination - Per Mile Per Month | | | UNC1X | 1L5XX | 0.1856 | | | | | | | | | | |
| | Interoffice Transport - Dedicated - DS1 - Facility Termination Per Month | | | UNC1X | U1TF1 | 88.44 | 174.46 | 122.46 | 45.61 | 17.95 | 11.90 | | | | | |

| UNBUNDLED NETWORK ELEMENTS - Florida | | | | | | | | | | Attachment: 2 | | Exhibit: B | | | | | | | | | | | |
|--|--|---------|------|-------|-------|-----------|----------------------------------|--------------------------------------|--|--|---|---|---------------|--------------|-------|-------------------------|--|-------|-------|-------|-------|-------|-------|
| CATEGORY | RATE ELEMENTS | Interim | Zone | BCS | USOC | RATES(\$) | Svc Order Submitted Elec per LSR | Svc Order Submitted Manually per LSR | Incremental Charge - Manual Svc Order vs. Electronic-1st | Incremental Charge - Manual Svc Order vs. Electronic-Add'l | Incremental Charge - Manual Svc Order vs. Electronic-Disc 1st | Incremental Charge - Manual Svc Order vs. Electronic-Disc Add'l | OSS Rates(\$) | | | | | | | | | | |
| | | | | | | | | | | | | | Rec | Nonrecurring | | Nonrecurring Disconnect | | SOMEc | SOMAN | SOMAN | SOMAN | SOMAN | SOMAN |
| | | | | | | | | | | | | | First | Add'l | First | Add'l | | | | | | | |
| | Channelization - Channel System DS1 to DS0 combination Per Month | | | UNC1X | MQ1 | 146.77 | | | | | | | 57.28 | 14.74 | 1.50 | 1.34 | | | | | | | 11.90 |
| | Voice Grade COCI - DS1 to DS0 Channel System combination - per month | | | UNCVX | 1D1VG | 1.38 | | | | | | | 6.71 | 4.84 | | | | | | | | | 11.90 |
| | Additional 4-Wire Analog Voice Grade Loop in same DS1 Interoffice Transport Combination - Zone 1 | | 1 | UNCVX | UEAL4 | 23.02 | | | | | | | 127.59 | 60.54 | 48.00 | 6.31 | | | | | | | 11.90 |
| | Additional 4-Wire Analog Voice Grade Loop in same DS1 Interoffice Transport Combination - Zone 2 | | 2 | UNCVX | UEAL4 | 31.07 | | | | | | | 127.59 | 60.54 | 48.00 | 6.31 | | | | | | | 11.90 |
| | Additional 4-Wire Analog Voice Grade Loop in same DS1 Interoffice Transport Combination - Zone 3 | | 3 | UNCVX | UEAL4 | 60.02 | | | | | | | 127.59 | 60.54 | 48.00 | 6.31 | | | | | | | 11.90 |
| | Voice Grade COCI - DS1 to DS0 Channel System combination - per month | | | UNCVX | 1D1VG | 1.38 | | | | | | | 6.71 | 4.84 | | | | | | | | | 11.90 |
| | Nonrecurring Currently Combined Network Elements Switch -As-Is Charge | | | UNC1X | UNCCC | | | | | | | | 8.98 | 8.98 | 8.98 | 8.98 | | | | | | | 11.90 |
| 4-WIRE 56 KBPS EXTENDED DIGITAL LOOP WITH DEDICATED DS1 INTEROFFICE TRANSPORT (EEL) | | | | | | | | | | | | | | | | | | | | | | | |
| | First 4-Wire 56Kbps Digital Grade Loop in a DS1 Interoffice Transport Combination - Zone 1 | | 1 | UNCDX | UDL56 | 26.39 | | | | | | | 127.59 | 60.54 | 48.00 | 6.31 | | | | | | | 11.90 |
| | First 4-wire 56Kbps Digital Grade Loop in a DS1 Interoffice Transport Combination - Zone 2 | | 2 | UNCDX | UDL56 | 35.62 | | | | | | | 127.59 | 60.54 | 48.00 | 6.31 | | | | | | | 11.90 |
| | First 4-Wire 56Kbps Digital Grade Loop in a DS1 Interoffice Transport Combination - Zone 3 | | 3 | UNCDX | UDL56 | 68.82 | | | | | | | 127.59 | 60.54 | 48.00 | 6.31 | | | | | | | 11.90 |
| | Interoffice Transport - Dedicated - DS1 combination - Per Mile Per Month | | | UNC1X | 1L5XX | 0.1856 | | | | | | | | | | | | | | | | | |
| | Interoffice Transport - Dedicated - DS1 - combination Facility Termination Per Month | | | UNC1X | U1TF1 | 88.44 | | | | | | | 174.46 | 122.46 | 45.61 | 17.95 | | | | | | | 11.90 |
| | Channelization - Channel System DS1 to DS0 combination Per Month | | | UNC1X | MQ1 | 146.77 | | | | | | | 57.28 | 14.74 | 1.50 | 1.34 | | | | | | | 11.90 |
| | OCU-DP COCI (data) - DS1 to DS0 Channel System - per month (2.4-64kbs) | | | UNCDX | 1D1DD | 2.10 | | | | | | | 6.71 | 4.84 | | | | | | | | | 11.90 |
| | Additional 4-Wire 56Kbps Digital Grade Loop in same DS1 Interoffice Transport Combination - Zone 1 | | 1 | UNCDX | UDL56 | 26.39 | | | | | | | 127.59 | 60.54 | 48.00 | 6.31 | | | | | | | 11.90 |
| | Additional 4-Wire 56Kbps Digital Grade Loop in same DS1 Interoffice Transport Combination - Zone 2 | | 2 | UNCDX | UDL56 | 35.62 | | | | | | | 127.59 | 60.54 | 48.00 | 6.31 | | | | | | | 11.90 |
| | Additional 4-Wire 56Kbps Digital Grade Loop in same DS1 Interoffice Transport Combination - Zone 3 | | 3 | UNCDX | UDL56 | 68.82 | | | | | | | 127.59 | 60.54 | 48.00 | 6.31 | | | | | | | 11.90 |
| | OCU-DP COCI (data) - DS1 to DS0 Channel System - combination per month (2.4-64kbs) | | | UNCDX | 1D1DD | 2.10 | | | | | | | 6.71 | 4.84 | | | | | | | | | 11.90 |
| | Nonrecurring Currently Combined Network Elements Switch -As-Is Charge | | | UNC1X | UNCCC | | | | | | | | 8.98 | 8.98 | 8.98 | 8.98 | | | | | | | 11.90 |
| 4-WIRE 64 KBPS EXTENDED DIGITAL LOOP WITH DEDICATED DS1 INTEROFFICE TRANSPORT (EEL) | | | | | | | | | | | | | | | | | | | | | | | |
| | First 4-Wire 64Kbps Digital Grade Loop in a DS1 Interoffice Transport Combination - Zone 1 | | 1 | UNCDX | UDL64 | 26.39 | | | | | | | 127.59 | 60.54 | 48.00 | 6.31 | | | | | | | 11.90 |
| | First 4-Wire 64Kbps Digital Grade Loop in a DS1 Interoffice Transport Combination - Zone 2 | | 2 | UNCDX | UDL64 | 35.62 | | | | | | | 127.59 | 60.54 | 48.00 | 6.31 | | | | | | | 11.90 |
| | First 4-Wire 64Kbps Digital Grade Loop in a DS1 Interoffice Transport Combination - Zone 3 | | 3 | UNCDX | UDL64 | 68.82 | | | | | | | 127.59 | 60.54 | 48.00 | 6.31 | | | | | | | 11.90 |
| | Interoffice Transport - Dedicated - DS1 combination - Per Mile Per Month | | | UNC1X | 1L5XX | 0.1856 | | | | | | | | | | | | | | | | | |
| | Interoffice Transport - Dedicated - DS1 combination - Facility Termination Per Month | | | UNC1X | U1TF1 | 88.44 | | | | | | | 174.46 | 122.46 | 45.61 | 17.95 | | | | | | | 11.90 |
| | Channelization - Channel System DS1 to DS0 combination Per Month | | | UNC1X | MQ1 | 146.77 | | | | | | | 57.28 | 14.74 | 1.50 | 1.34 | | | | | | | 11.90 |
| | OCU-DP COCI (data) - DS1 to DS0 Channel System combination - per month (2.4-64kbs) | | | UNCDX | 1D1DD | 2.10 | | | | | | | 6.71 | 4.84 | | | | | | | | | 11.90 |
| | Additional 4-Wire 64Kbps Digital Grade Loop in same DS1 Interoffice Transport Combination - Zone 1 | | 1 | UNCDX | UDL64 | 26.39 | | | | | | | 127.59 | 60.54 | 48.00 | 6.31 | | | | | | | 11.90 |
| | Additional 4-Wire 64Kbps Digital Grade Loop in same DS1 Interoffice Transport Combination - Zone 2 | | 2 | UNCDX | UDL64 | 35.62 | | | | | | | 127.59 | 60.54 | 48.00 | 6.31 | | | | | | | 11.90 |

| UNBUNDLED NETWORK ELEMENTS - Florida | | | | | | | | | | | Attachment: 2 | | Exhibit: B | | | | | | | |
|---|---|---------|------|-------|-------|-----------|----------------------------------|--------------------------------------|--|--|---|---|---------------|--------------|-------|-------------------------|--|-------|-------|-------|
| CATEGORY | RATE ELEMENTS | Interim | Zone | BCS | USOC | RATES(\$) | Svc Order Submitted Elec per LSR | Svc Order Submitted Manually per LSR | Incremental Charge - Manual Svc Order vs. Electronic-1st | Incremental Charge - Manual Svc Order vs. Electronic-Add'l | Incremental Charge - Manual Svc Order vs. Electronic-Disc 1st | Incremental Charge - Manual Svc Order vs. Electronic-Disc Add'l | OSS Rates(\$) | | | | | | | |
| | | | | | | | | | | | | | Rec | Nonrecurring | | Nonrecurring Disconnect | | SOMEc | SOMAN | SOMAN |
| | | | | | | | | | | | | | First | Add'l | First | Add'l | | | | |
| | Additional 4-Wire 64Kbps Digital Grade Loop in same DS1 Interoffice Transport Combination - Zone 3 | | 3 | UNCDX | UDL64 | 68.82 | | | | | | | 127.59 | 60.54 | 48.00 | 6.31 | | | | 11.90 |
| | OCU-DP COCI (data) - DS1 to DS0 Channel System combination - per month (2.4-64kbs) | | | UNCDX | 1D1DD | 2.10 | | | | | | | 6.71 | 4.84 | | | | | | 11.90 |
| | Nonrecurring Currently Combined Network Elements Switch -As-Is Charge | | | UNC1X | UNCCC | | | | | | | | 8.98 | 8.98 | 8.98 | 8.98 | | | | 11.90 |
| 4-WIRE DS1 DIGITAL EXTENDED LOOP WITH DEDICATED DS1 INTEROFFICE TRANSPORT (EEL) | | | | | | | | | | | | | | | | | | | | |
| | 4-Wire DS1 Digital Loop in Combination with DS1 Interoffice Transport - Zone 1 | | 1 | UNC1X | USLXX | 73.44 | | | | | | | 217.75 | 121.62 | 51.44 | 14.45 | | | | 11.90 |
| | 4-Wire DS1 Digital Loop in Combination with DS1 Interoffice Transport - Zone 2 | | 2 | UNC1X | USLXX | 99.13 | | | | | | | 217.75 | 121.62 | 51.44 | 14.45 | | | | 11.90 |
| | 4-Wire DS1 Digital Loop in Combination with DS1 Interoffice Transport - Zone 3 | | 3 | UNC1X | USLXX | 191.51 | | | | | | | 217.75 | 121.62 | 51.44 | 14.45 | | | | 11.90 |
| | Interoffice Transport - Dedicated - DS1 combination - Per Mile Per Month | | | UNC1X | 1L5XX | 0.1856 | | | | | | | | | | | | | | |
| | Interoffice Transport - Dedicated - DS1 combination - Facility Termination Per Month | | | UNC1X | U1TF1 | 88.44 | | | | | | | 174.46 | 122.46 | 45.61 | 17.95 | | | | 11.90 |
| | Nonrecurring Currently Combined Network Elements Switch -As-Is Charge | | | UNC1X | UNCCC | | | | | | | | 8.98 | 8.98 | 8.98 | 8.98 | | | | 11.90 |
| 4-WIRE DS1 DIGITAL EXTENDED LOOP WITH DEDICATED DS3 INTEROFFICE TRANSPORT (EEL) | | | | | | | | | | | | | | | | | | | | |
| | First DS1 Loop in DS3 Interoffice Transport Combination - Zone 1 | | 1 | UNC1X | USLXX | 73.44 | | | | | | | 217.75 | 121.62 | 51.44 | 14.45 | | | | 11.90 |
| | First DS1 Loop in DS3 Interoffice Transport Combination - Zone 2 | | 2 | UNC1X | USLXX | 99.13 | | | | | | | 217.75 | 121.62 | 51.44 | 14.45 | | | | 11.90 |
| | First DS1 Loop in DS3 Interoffice Transport Combination - Zone 3 | | 3 | UNC1X | USLXX | 191.51 | | | | | | | 217.75 | 121.62 | 51.44 | 14.45 | | | | 11.90 |
| | Interoffice Transport - Dedicated - DS3 combination - Per Mile Per Month | | | UNC3X | 1L5XX | 3.87 | | | | | | | | | | | | | | |
| | Interoffice Transport - Dedicated - DS3 - Facility Termination per month | | | UNC3X | U1TF3 | 1,071.00 | | | | | | | 320.00 | 138.20 | 38.60 | 18.81 | | | | 11.90 |
| | DS3 to DS1 Channel System combination per month | | | UNC3X | MQ3 | 211.19 | | | | | | | 115.50 | 56.54 | 12.16 | 4.26 | | | | 11.90 |
| | DS3 Interface Unit (DS1 COCI) combination per month | | | UNC1X | UC1D1 | 13.76 | | | | | | | 6.71 | 4.84 | | | | | | 11.90 |
| | Additional DS1 Loop in DS3 Interoffice Transport Combination - Zone 1 | | 1 | UNC1X | USLXX | 73.44 | | | | | | | 217.75 | 121.62 | 51.44 | 14.45 | | | | 11.90 |
| | Additional DS1 Loop in DS3 Interoffice Transport Combination - Zone 2 | | 2 | UNC1X | USLXX | 99.13 | | | | | | | 217.75 | 121.62 | 51.44 | 14.45 | | | | 11.90 |
| | Additional DS1 Loop in DS3 Interoffice Transport Combination - Zone 3 | | 3 | UNC1X | USLXX | 191.51 | | | | | | | 217.75 | 121.62 | 51.44 | 14.45 | | | | 11.90 |
| | DS3 Interface Unit (DS1 COCI) combination per month | | | UNC1X | UC1D1 | 13.76 | | | | | | | 6.71 | 4.84 | | | | | | 11.90 |
| | Nonrecurring Currently Combined Network Elements Switch -As-Is Charge | | | UNC3X | UNCCC | | | | | | | | 8.98 | 8.98 | 8.98 | 8.98 | | | | 11.90 |
| 2-WIRE VOICE GRADE EXTENDED LOOP/ 2 WIRE VOICE GRADE INTEROFFICE TRANSPORT (EEL) | | | | | | | | | | | | | | | | | | | | |
| | 2-Wire VG Loop used with 2-wire VG Interoffice Transport Combination - Zone 1 | | 1 | UNCVX | UEAL2 | 14.50 | | | | | | | 127.59 | 60.54 | 48.00 | 6.31 | | | | 11.90 |
| | 2-Wire VG Loop used with 2-wire VG Interoffice Transport Combination - Zone 2 | | 2 | UNCVX | UEAL2 | 19.57 | | | | | | | 127.59 | 60.54 | 48.00 | 6.31 | | | | 11.90 |
| | 2-Wire VG Loop used with 2-wire VG Interoffice Transport Combination - Zone 3 | | 3 | UNCVX | UEAL2 | 37.82 | | | | | | | 127.59 | 60.54 | 48.00 | 6.31 | | | | 11.90 |
| | Interoffice Transport - Dedicated - 2-wire VG combination - Per Mile Per Month | | | UNCVX | 1L5XX | 0.0091 | | | | | | | | | | | | | | |
| | Interoffice Transport - Dedicated - 2-Wire Voice Grade combination - Facility Termination per month | | | UNCVX | U1TV2 | 25.32 | | | | | | | 94.70 | 52.59 | 45.28 | 18.03 | | | | 11.90 |
| | Nonrecurring Currently Combined Network Elements Switch -As-Is Charge | | | UNCVX | UNCCC | | | | | | | | 8.98 | 8.98 | 8.98 | 8.98 | | | | 11.90 |
| 4-WIRE VOICE GRADE EXTENDED LOOP/ 4 WIRE VOICE GRADE INTEROFFICE TRANSPORT (EEL) | | | | | | | | | | | | | | | | | | | | |
| | 4-Wire VG Loop used with 4-wire VG Interoffice Transport Combination - Zone 1 | | 1 | UNCVX | UEAL4 | 23.02 | | | | | | | 127.59 | 60.54 | 48.00 | 6.31 | | | | 11.90 |
| | 4-Wire VG Loop used with 4-wire VG Interoffice Transport Combination - Zone 2 | | 2 | UNCVX | UEAL4 | 31.07 | | | | | | | 127.59 | 60.54 | 48.00 | 6.31 | | | | 11.90 |

| UNBUNDLED NETWORK ELEMENTS - Florida | | | | | | | | | | | Attachment: 2 | | Exhibit: B | | | | | | | |
|--|---|---------|------|-------|-------|-----------|----------------------------------|--------------------------------------|--|--|---|---|---------------|--------------|-------|-------------------------|--|-------|-------|-------|
| CATEGORY | RATE ELEMENTS | Interim | Zone | BCS | USOC | RATES(\$) | Svc Order Submitted Elec per LSR | Svc Order Submitted Manually per LSR | Incremental Charge - Manual Svc Order vs. Electronic-1st | Incremental Charge - Manual Svc Order vs. Electronic-Add'l | Incremental Charge - Manual Svc Order vs. Electronic-Disc 1st | Incremental Charge - Manual Svc Order vs. Electronic-Disc Add'l | OSS Rates(\$) | | | | | | | |
| | | | | | | | | | | | | | Rec | Nonrecurring | | Nonrecurring Disconnect | | SOMEc | SOMAN | SOMAN |
| | | | | | | | | | | | | | First | Add'l | First | Add'l | | | | |
| | 4-Wire/VG Loop used with 4-wire VG Interoffice Transport Combination - Zone 3 | | 3 | UNCVX | UEAL4 | 60.02 | | | | | | | 127.59 | 60.54 | 48.00 | 6.31 | | | | 11.90 |
| | Interoffice Transport - Dedicated - 4-wire VG combination - Per Mile Per Month | | | UNCVX | 1L5XX | 0.0091 | | | | | | | | | | | | | | |
| | Interoffice Transport - Dedicated - 4-Wire Voice Grade combination - Facility Termination per month | | | UNCVX | U1TV4 | 22.58 | | | | | | | 94.70 | 52.59 | 45.28 | 18.03 | | | | 11.90 |
| | Nonrecurring Currently Combined Network Elements Switch -As-Is Charge | | | UNCVX | UNCCC | | | | | | | | 8.98 | 8.98 | 8.98 | 8.98 | | | | 11.90 |
| DS3 DIGITAL EXTENDED LOOP WITH DEDICATED DS3 INTEROFFICE TRANSPORT (EEL) | | | | | | | | | | | | | | | | | | | | |
| | High Capacity Unbundled Local Loop - DS3 combination - Per Mile per month | | | UNC3X | 1L5ND | 10.92 | | | | | | | | | | | | | | |
| | High Capacity Unbundled Local Loop - DS3 combination - Facility Termination per month | | | UNC3X | UE3PX | 386.88 | | | | | | | 226.42 | 154.73 | 67.10 | 26.27 | | | | 11.90 |
| | Interoffice Transport - Dedicated - DS3 - Per Mile per month | | | UNC3X | 1L5XX | 3.87 | | | | | | | | | | | | | | |
| | Interoffice Transport - Dedicated - DS3 combination - Facility Termination per per month | | | UNC3X | U1TF3 | 1,071.00 | | | | | | | 320.00 | 138.20 | 38.60 | 18.81 | | | | 11.90 |
| | Nonrecurring Currently Combined Network Elements Switch -As-Is Charge | | | UNC3X | UNCCC | | | | | | | | 8.98 | 8.98 | 8.98 | 8.98 | | | | 11.90 |
| STS1 DIGITAL EXTENDED LOOP WITH DEDICATED STS1 INTEROFFICE TRANSPORT (EEL) | | | | | | | | | | | | | | | | | | | | |
| | High Capacity Unbundled Local Loop - STS1 combination - Per Mile per month | | | UNCSX | 1L5ND | 10.92 | | | | | | | | | | | | | | |
| | High Capacity Unbundled Local Loop - STS1 combination - Facility Termination per month | | | UNCSX | UDLS1 | 426.60 | | | | | | | 226.42 | 154.73 | 67.10 | 26.27 | | | | 11.90 |
| | Interoffice Transport - Dedicated - STS1 combination - Per Mile per month | | | UNCSX | 1L5XX | 3.87 | | | | | | | | | | | | | | |
| | Interoffice Transport - Dedicated - STS1 combination - Facility Termination per month | | | UNCSX | U1TFS | 1,056.00 | | | | | | | 320.00 | 138.20 | 38.60 | 18.81 | | | | 11.90 |
| | Nonrecurring Currently Combined Network Elements Switch -As-Is Charge | | | UNCSX | UNCCC | | | | | | | | 8.98 | 8.98 | 8.98 | 8.98 | | | | 11.90 |
| 2-WIRE ISDN EXTENDED LOOP WITH DS1 INTEROFFICE TRANSPORT (EEL) | | | | | | | | | | | | | | | | | | | | |
| | First 2-Wire ISDN Loop in a DS1 Interoffice Combination Transport - Zone 1 | | 1 | UNCNX | U1L2X | 21.76 | | | | | | | 127.59 | 60.54 | 48.00 | 6.31 | | | | 11.90 |
| | First 2-Wire ISDN Loop in a DS1 Interoffice Combination Transport - Zone 2 | | 2 | UNCNX | U1L2X | 29.38 | | | | | | | 127.59 | 60.54 | 48.00 | 6.31 | | | | 11.90 |
| | First 2-Wire ISDN Loop in a DS1 Interoffice Combination Transport - Zone 3 | | 3 | UNCNX | U1L2X | 56.76 | | | | | | | 127.59 | 60.54 | 48.00 | 6.31 | | | | 11.90 |
| | Interoffice Transport - Dedicated - DS1 combination - Per Mile | | | UNC1X | 1L5XX | 0.1856 | | | | | | | | | | | | | | |
| | Interoffice Transport - Dedicated - DS1 combination - Facility Termination per month | | | UNC1X | U1TF1 | 88.44 | | | | | | | 174.46 | 122.46 | 45.61 | 17.95 | | | | 11.90 |
| | Channelization - Channel System DS1 to DS0 combination - per month | | | UNC1X | MQ1 | 146.77 | | | | | | | 57.28 | 14.74 | 1.50 | 1.34 | | | | 11.90 |
| | 2-wire ISDN COCI (BRITE) - DS1 to DS0 Channel System combination - per month | | | UNCNX | UC1CA | 3.66 | | | | | | | 6.71 | 4.84 | | | | | | 11.90 |
| | Additional 2-wire ISDN Loop in same DS1 Interoffice Transport Combination - Zone 1 | | 1 | UNCNX | U1L2X | 21.76 | | | | | | | 127.59 | 60.54 | 48.00 | 6.31 | | | | 11.90 |
| | Additional 2-wire ISDN Loop in same DS1 Interoffice Transport Combination - Zone 2 | | 2 | UNCNX | U1L2X | 29.38 | | | | | | | 127.59 | 60.54 | 48.00 | 6.31 | | | | 11.90 |
| | Additional 2-wire ISDN Loop in same DS1 Interoffice Transport Combination - Zone 3 | | 3 | UNCNX | U1L2X | 56.76 | | | | | | | 127.59 | 60.54 | 48.00 | 6.31 | | | | 11.90 |
| | 2-wire ISDN COCI (BRITE) - DS1 to DS0 Channel System combination - per month | | | UNCNX | UC1CA | 3.66 | | | | | | | 6.71 | 4.84 | | | | | | 11.90 |
| | Nonrecurring Currently Combined Network Elements Switch -As-Is Charge | | | UNC1X | UNCCC | | | | | | | | 8.98 | 8.98 | 8.98 | 8.98 | | | | 11.90 |
| 4-WIRE DS1 DIGITAL EXTENDED LOOP WITH DEDICATED STS-1 INTEROFFICE TRANSPORT (EEL) | | | | | | | | | | | | | | | | | | | | |
| | First DS1 Loop in STS1 Interoffice Transport Combination - Zone 1 | | 1 | UNC1X | USLXX | 73.44 | | | | | | | 217.75 | 121.62 | 51.44 | 14.45 | | | | 11.90 |
| | First DS1 Loop in STS1 Interoffice Transport Combination - Zone 2 | | 2 | UNC1X | USLXX | 99.13 | | | | | | | 217.75 | 121.62 | 51.44 | 14.45 | | | | 11.90 |

| UNBUNDLED NETWORK ELEMENTS - Florida | | | | | | | | | | Attachment: 2 | | Exhibit: B | | | | | | | | | | |
|---|--|---------|------|-------|-------|-----------|----------------------------------|--------------------------------------|--|--|---|---|---------------|--------------|--------|-------------------------|-------|-------|-------|-------|-------|-------|
| CATEGORY | RATE ELEMENTS | Interim | Zone | BCS | USOC | RATES(\$) | Svc Order Submitted Elec per LSR | Svc Order Submitted Manually per LSR | Incremental Charge - Manual Svc Order vs. Electronic-1st | Incremental Charge - Manual Svc Order vs. Electronic-Add'l | Incremental Charge - Manual Svc Order vs. Electronic-Disc 1st | Incremental Charge - Manual Svc Order vs. Electronic-Disc Add'l | OSS Rates(\$) | | | | | | | | | |
| | | | | | | | | | | | | | Rec | Nonrecurring | | Nonrecurring Disconnect | | SOMEc | SOMAN | SOMAN | SOMAN | SOMAN |
| | | | | | | | | | | | | | First | Add'l | First | Add'l | | | | | | |
| | First DS1 Loop in STS1 Interoffice Transport Combination - Zone 3 | | 3 | UNC1X | USLXX | 191.51 | | | | | | | 217.75 | 121.62 | 51.44 | 14.45 | | | | | | 11.90 |
| | Interoffice Transport - Dedicated - STS1 combination - Per Mile Per Month | | | UNCSX | 1L5XX | 3.87 | | | | | | | | | | | | | | | | |
| | Interoffice Transport - Dedicated - STS1 combination - Facility Termination | | | UNCSX | U1TFS | 1,056.00 | | | | | | | 320.00 | 138.20 | 38.60 | 18.81 | | | | | | 11.90 |
| | STS1 to DS1 Channel System combination per month | | | UNCSX | MQ3 | 211.19 | | | | | | | | | | | | | | | | |
| | DS3 Interface Unit (DS1 COCI) combination per month | | | UNC1X | UC1D1 | 13.76 | | | | | | | | 6.71 | 4.84 | | | | | | | 11.90 |
| | Additional DS1Loop in STS1 Interoffice Transport Combination - Zone 1 | | 1 | UNC1X | USLXX | 73.44 | | | | | | | | 217.75 | 121.62 | 51.44 | 14.45 | | | | | 11.90 |
| | Additional DS1Loop in STS1 Interoffice Transport Combination - Zone 2 | | 2 | UNC1X | USLXX | 99.13 | | | | | | | | 217.75 | 121.62 | 51.44 | 14.45 | | | | | 11.90 |
| | Additional DS1Loop in STS1 Interoffice Transport Combination - Zone 3 | | 3 | UNC1X | USLXX | 191.51 | | | | | | | | 217.75 | 121.62 | 51.44 | 14.45 | | | | | 11.90 |
| | DS3 Interface Unit (DS1 COCI) combination per month | | | UNC1X | UC1D1 | 13.76 | | | | | | | | 6.71 | 4.84 | | | | | | | 11.90 |
| | Nonrecurring Currently Combined Network Elements Switch -As-Is Charge | | | UNCSX | UNCCC | | | | | | | | | 8.98 | 8.98 | 8.98 | 8.98 | | | | | 11.90 |
| 4-WIRE 56 KBPS DIGITAL EXTENDED LOOP WITH 56 KBPS INTEROFFICE TRANSPORT (EEL) | | | | | | | | | | | | | | | | | | | | | | |
| | 4-wire 56 kbps Loop/4-wire 56 kbps Interoffice Transport Combination - Zone 1 | | 1 | UNCDX | UDL56 | 26.39 | | | | | | | | 127.59 | 60.54 | 48.00 | 6.31 | | | | | 11.90 |
| | 4-wire 56 kbps Loop/4-wire 56 kbps Interoffice Transport Combination - Zone 2 | | 2 | UNCDX | UDL56 | 35.62 | | | | | | | | 127.59 | 60.54 | 48.00 | 6.31 | | | | | 11.90 |
| | 4-wire 56 kbps Loop/4-wire 56 kbps Interoffice Transport Combination - Zone 3 | | 3 | UNCDX | UDL56 | 68.82 | | | | | | | | 127.59 | 60.54 | 48.00 | 6.31 | | | | | 11.90 |
| | Interoffice Transport - Dedicated - 4-wire 56 kbps combination - Per Mile | | | UNCDX | 1L5XX | 0.0091 | | | | | | | | | | | | | | | | |
| | Interoffice Transport - Dedicated - 4-wire 56 kbps combination - Facility Termination | | | UNCDX | U1TD5 | 18.44 | | | | | | | | 94.70 | 52.59 | 45.28 | 18.03 | | | | | 11.90 |
| | Nonrecurring Currently Combined Network Elements Switch -As-Is Charge | | | UNCDX | UNCCC | | | | | | | | | 8.98 | 8.98 | 8.98 | 8.98 | | | | | 11.90 |
| 4-WIRE 64 KBPS DIGITAL EXTENDED LOOP WITH 64 KBPS INTEROFFICE TRANSPORT (EEL) | | | | | | | | | | | | | | | | | | | | | | |
| | 4-wire 64 kbps Loop/4-wire 64 kbps Interoffice Transport Combination - Zone 1 | | 1 | UNCDX | UDL64 | 26.39 | | | | | | | | 127.59 | 60.54 | 48.00 | 6.31 | | | | | 11.90 |
| | 4-wire 64 kbps Loop/4-wire 64 kbps Interoffice Transport Combination - Zone 2 | | 2 | UNCDX | UDL64 | 35.62 | | | | | | | | 127.59 | 60.54 | 48.00 | 6.31 | | | | | 11.90 |
| | 4-wire 64 kbps Loop/4-wire 64 kbps Interoffice Transport Combination - Zone 3 | | 3 | UNCDX | UDL64 | 68.82 | | | | | | | | 127.59 | 60.54 | 48.00 | 6.31 | | | | | 11.90 |
| | Interoffice Transport - Dedicated - 4-wire 64 kbps combination - Per Mile | | | UNCDX | 1L5XX | 0.0091 | | | | | | | | | | | | | | | | |
| | Interoffice Transport - Dedicated - 4-wire 64 kbps combination - Facility Termination | | | UNCDX | U1TD6 | 18.44 | | | | | | | | 94.70 | 52.59 | 45.28 | 18.03 | | | | | 11.90 |
| | Nonrecurring Currently Combined Network Elements Switch -As-Is Charge | | | UNCDX | UNCCC | | | | | | | | | 8.98 | 8.98 | 8.98 | 8.98 | | | | | 11.90 |
| ADDITIONAL NETWORK ELEMENTS | | | | | | | | | | | | | | | | | | | | | | |
| When used as a part of a currently combined facility, the non-recurring charges do not apply, but a Switch As Is charge does apply. | | | | | | | | | | | | | | | | | | | | | | |
| Node (SynchroNet) | | | | | | | | | | | | | | | | | | | | | | |
| Nonrecurring Currently Combined Network Elements "Switch As Is" Charge (One applies to each combination) | | | | | | | | | | | | | | | | | | | | | | |
| | Nonrecurring Currently Combined Network Elements Switch -As-Is Charge - 2 wire/4-Wire VG | | | UNCVX | UNCCC | | | | | | | | | 8.98 | 8.98 | 8.98 | 8.98 | | | | | 11.90 |
| | Nonrecurring Currently Combined Network Elements Switch -As-Is Charge - 56/64 kbps | | | UNCDX | UNCCC | | | | | | | | | 8.98 | 8.98 | 8.98 | 8.98 | | | | | 11.90 |
| | Nonrecurring Currently Combined Network Elements Switch -As-Is Charge - DS1 | | | UNC1X | UNCCC | | | | | | | | | 8.98 | 8.98 | 8.98 | 8.98 | | | | | 11.90 |
| | Nonrecurring Currently Combined Network Elements Switch -As-Is Charge - DS3 | | | UNC3X | UNCCC | | | | | | | | | 8.98 | 8.98 | 8.98 | 8.98 | | | | | 11.90 |
| | Nonrecurring Currently Combined Network Elements Switch -As-Is Charge - STS1 | | | UNCSX | UNCCC | | | | | | | | | 8.98 | 8.98 | 8.98 | 8.98 | | | | | 11.90 |
| NOTE: Local Channel - Dedicated Transport - minimum billing period - Below DS3=one month, DS3 and above=four months | | | | | | | | | | | | | | | | | | | | | | |
| UNBUNDLED LOCAL EXCHANGE SWITCHING(PORTS) | | | | | | | | | | | | | | | | | | | | | | |

| UNBUNDLED NETWORK ELEMENTS - Florida | | | | | | | | | | Attachment: 2 | | Exhibit: B | | | | | | | | |
|---|---|---------|------|-------|-------|-----------|----------------------------------|--------------------------------------|--|--|---|---|---------------|--------------|--|-------------------------|--|-------|-------|-------|
| CATEGORY | RATE ELEMENTS | Interim | Zone | BCS | USOC | RATES(\$) | Svc Order Submitted Elec per LSR | Svc Order Submitted Manually per LSR | Incremental Charge - Manual Svc Order vs. Electronic-1st | Incremental Charge - Manual Svc Order vs. Electronic-Add'l | Incremental Charge - Manual Svc Order vs. Electronic-Disc 1st | Incremental Charge - Manual Svc Order vs. Electronic-Disc Add'l | OSS Rates(\$) | | | | | | | |
| | | | | | | | | | | | | | Rec | Nonrecurring | | Nonrecurring Disconnect | | SOMEc | SOMAN | SOMAN |
| | | | | | | | | | | | | | | | | | | | | |
| Exchange Ports | | | | | | | | | | | | | | | | | | | | |
| NOTE: Although the Port Rate includes all available features in GA, KY, LA & TN, the desired features will need to be ordered using retail USOCs | | | | | | | | | | | | | | | | | | | | |
| 2-WIRE VOICE GRADE LINE PORT RATES (RES) | | | | | | | | | | | | | | | | | | | | |
| | Exchange Ports - 2-Wire Analog Line Port- Res. | | | UEPSR | UEPRL | 1.40 | 3.74 | 3.63 | 1.88 | 1.80 | | 11.90 | | | | | | | | |
| | Exchange Ports - 2-Wire Analog Line Port with Caller ID - Res. | | | UEPSR | UEPRC | 1.40 | 3.74 | 3.63 | 1.88 | 1.80 | | 11.90 | | | | | | | | |
| | Exchange Ports - 2-Wire Analog Line Port outgoing only - Res. | | | UEPSR | UEPRO | 1.40 | 3.74 | 3.63 | 1.88 | 1.80 | | 11.90 | | | | | | | | |
| | Exchange Ports - 2-Wire VG unbundled Florida area calling with Caller ID - Res. | | | UEPSR | UEPAF | 1.40 | 3.74 | 3.63 | 1.88 | 1.80 | | 11.90 | | | | | | | | |
| | Exchange Ports - 2-Wire VG unbundled res, low usage line port with Caller ID (LUM) | | | UEPSR | UEPAP | 1.40 | 3.74 | 3.63 | 1.88 | 1.80 | | 11.90 | | | | | | | | |
| | Subsequent Activity | | | UEPSR | USASC | 0.00 | 0.00 | 0.00 | | | | 11.90 | | | | | | | | |
| FEATURES | | | | | | | | | | | | | | | | | | | | |
| | All Available Vertical Features | | | UEPSR | UEPVF | 2.26 | 0.00 | 0.00 | | | | 11.90 | | | | | | | | |
| 2-WIRE VOICE GRADE LINE PORT RATES (BUS) | | | | | | | | | | | | | | | | | | | | |
| | Exchange Ports - 2-Wire Analog Line Port without Caller ID - Bus | | | UEPSB | UEPBL | 1.40 | 3.74 | 3.63 | 1.88 | 1.80 | | 11.90 | | | | | | | | |
| | Exchange Ports - 2-Wire VG unbundled Line Port with unbundled port with Caller+E484 ID - Bus. | | | UEPSB | UEPBC | 1.40 | 3.74 | 3.63 | 1.88 | 1.80 | | 11.90 | | | | | | | | |
| | Exchange Ports - 2-Wire Analog Line Port outgoing only - Bus. | | | UEPSB | UEPBO | 1.40 | 3.74 | 3.63 | 1.88 | 1.80 | | 11.90 | | | | | | | | |
| | Exchange Ports - 2-Wire VG unbundled incoming only port with Caller ID - Bus | | | UEPSB | UEPB1 | 1.40 | 3.74 | 3.63 | 1.88 | 1.80 | | 11.90 | | | | | | | | |
| | Subsequent Activity | | | UEPSB | USASC | 0.00 | 0.00 | 0.00 | | | | 11.90 | | | | | | | | |
| FEATURES | | | | | | | | | | | | | | | | | | | | |
| | All Available Vertical Features | | | UEPSB | UEPVF | 2.26 | 0.00 | 0.00 | | | | 11.90 | | | | | | | | |
| EXCHANGE PORT RATES (DID & PBX) | | | | | | | | | | | | | | | | | | | | |
| | 2-Wire VG Unbundled 2-Way PBX Trunk - Res | | | UEPSE | UEPRD | 1.40 | 39.06 | 18.18 | 12.35 | 0.7187 | | 11.90 | | | | | | | | |
| | 2-Wire VG Line Side Unbundled 2-Way PBX Trunk - Bus | | | UEPSP | UEPPC | 1.40 | 39.06 | 18.18 | 12.35 | 0.7187 | | 11.90 | | | | | | | | |
| | 2-Wire VG Line Side Unbundled Outward PBX Trunk - Bus | | | UEPSP | UEPPO | 1.40 | 39.06 | 18.18 | 12.35 | 0.7187 | | 11.90 | | | | | | | | |
| | 2-Wire VG Line Side Unbundled Incoming PBX Trunk - Bus | | | UEPSP | UEPP1 | 1.40 | 39.06 | 18.18 | 12.35 | 0.7187 | | 11.90 | | | | | | | | |
| | 2-Wire Analog Long Distance Terminal PBX Trunk - Bus | | | UEPSP | UEPLD | 1.40 | 39.06 | 18.18 | 12.35 | 0.7187 | | 11.90 | | | | | | | | |
| | 2-Wire Voice Unbundled PBX LD Terminal Ports | | | UEPSP | UEPLD | 1.40 | 39.06 | 18.18 | 12.35 | 0.7187 | | 11.90 | | | | | | | | |
| | 2-Wire Vice Unbundled 2-Way PBX Usage Port | | | UEPSP | UEPXA | 1.40 | 39.06 | 18.18 | 12.35 | 0.7187 | | 11.90 | | | | | | | | |
| | 2-Wire Voice Unbundled PBX Toll Terminal Hotel Ports | | | UEPSP | UEPXB | 1.40 | 39.06 | 18.18 | 12.35 | 0.7187 | | 11.90 | | | | | | | | |
| | 2-Wire Voice Unbundled PBX LD DDD Terminals Port | | | UEPSP | UEPXC | 1.40 | 39.06 | 18.18 | 12.35 | 0.7187 | | 11.90 | | | | | | | | |
| | 2-Wire Voice Unbundled PBX LD Terminal Switchboard Port | | | UEPSP | UEPXD | 1.40 | 39.06 | 18.18 | 12.35 | 0.7187 | | 11.90 | | | | | | | | |
| | 2-Wire Voice Unbundled PBX LD Terminal Switchboard IDD Capable Port | | | UEPSP | UEPXE | 1.40 | 39.06 | 18.18 | 12.35 | 0.7187 | | 11.90 | | | | | | | | |
| | 2-Wire Voice Unbundled 2-Way PBX Hotel/Hospital Economy Administrative Calling Port | | | UEPSP | UEPXL | 1.40 | 39.06 | 18.18 | 12.35 | 0.7187 | | 11.90 | | | | | | | | |
| | 2-Wire Voice Unbundled 2-Way PBX Hotel/Hospital Economy Room Calling Port | | | UEPSP | UEPXM | 1.40 | 39.06 | 18.18 | 12.35 | 0.7187 | | 11.90 | | | | | | | | |
| | 2-Wire Voice Unbundled 1-Way Outgoing PBX Hotel/Hospital Discount Room Calling Port | | | UEPSP | UEPXD | 1.40 | 39.06 | 18.18 | 12.35 | 0.7187 | | 11.90 | | | | | | | | |
| | 2-Wire Voice Unbundled 1-Way Outgoing PBX Measured Port | | | UEPSP | UEPXS | 1.40 | 39.06 | 18.18 | 12.35 | 0.7187 | | 11.90 | | | | | | | | |
| | Subsequent Activity | | | UEPSP | USASC | 0.00 | 0.00 | 0.00 | | | | 11.90 | | | | | | | | |
| FEATURES | | | | | | | | | | | | | | | | | | | | |
| | All Available Vertical Features | | | UEPSP | UEPSE | 2.26 | 0.00 | 0.00 | | | | 11.90 | | | | | | | | |
| EXCHANGE PORT RATES (COIN) | | | | | | | | | | | | | | | | | | | | |
| | Exchange Ports - Coin Port | | | | | 1.40 | 3.74 | 3.63 | 1.88 | 1.80 | | 11.90 | | | | | | | | |
| NOTE: Transmission/usage charges associated with POTS circuit switched usage will also apply to circuit switched voice and/or circuit switched data transmission by B-Channels associated with 2-wire ISDN ports. | | | | | | | | | | | | | | | | | | | | |
| NOTE: Access to B Channel or D Channel Packet capabilities will be available only through BFR/New Business Request Process. Rates for the packet capabilities will be determined via the Bona Fide Request/New Business Request Process. | | | | | | | | | | | | | | | | | | | | |
| UNBUNDLED LOCAL EXCHANGE SWITCHING(PORTS) | | | | | | | | | | | | | | | | | | | | |
| EXCHANGE PORT RATES (DID & PBX) | | | | | | | | | | | | | | | | | | | | |
| | Exchange Ports - 2-Wire DID Port | | | UEPEX | UEPP2 | 8.73 | 78.41 | 15.82 | 41.94 | 4.26 | | 11.90 | | | | | | | | 1.83 |
| | Exchange Ports - DDITS Port - 4-Wire DS1 Port with DID capability | | | UEPDD | UEPDD | 54.95 | 151.11 | 77.75 | 48.81 | 3.10 | | 11.90 | | | | | | | | 1.83 |

| UNBUNDLED NETWORK ELEMENTS - Florida | | | | | | | | | | | Attachment: 2 | | Exhibit: B | | | | |
|---|---|---------|------|-------------|-------|-----------|----------------------------------|--------------------------------------|--|--|---|---|---------------|--------------|--|-------------------------|------|
| CATEGORY | RATE ELEMENTS | Interim | Zone | BCS | USOC | RATES(\$) | Svc Order Submitted Elec per LSR | Svc Order Submitted Manually per LSR | Incremental Charge - Manual Svc Order vs. Electronic-1st | Incremental Charge - Manual Svc Order vs. Electronic-Add'l | Incremental Charge - Manual Svc Order vs. Electronic-Disc 1st | Incremental Charge - Manual Svc Order vs. Electronic-Disc Add'l | OSS Rates(\$) | | | | |
| | | | | | | | | | | | | | Rec | Nonrecurring | | Nonrecurring Disconnect | |
| | | | | | | First | Add'l | First | Add'l | | | | | | | | |
| | Exchange Ports - 2-Wire ISDN Port (See Notes below.) | | | UEPTX UEPSX | U1PMA | 8.83 | 46.83 | 50.68 | 27.64 | 11.93 | | 11.90 | | | | | 1.83 |
| | All Features Offered | | | UEPTX UEPSX | UEPVF | 2.26 | 0.00 | 0.00 | | | | 11.90 | | | | | 1.83 |
| NOTE: Transmission/usage charges associated with POTS circuit switched usage will also apply to circuit switched voice and/or circuit switched data transmission by B-Channels associated with 2-wire ISDN ports. | | | | | | | | | | | | | | | | | |
| NOTE: Access to B Channel or D Channel Packet capabilities will be available only through BFR/New Business Request Process. Rates for the packet capabilities will be determined via the Bona Fide Request/New Business Request Process. | | | | | | | | | | | | | | | | | |
| | Exchange Ports - 2-Wire ISDN Port -- Channel Profiles | | | UEPTX UEPSX | U1UMA | 0.00 | 0.00 | 0.00 | | | | | | | | | |
| | Exchange Ports - 4-Wire ISDN DS1 Port | | | UEPEX | UEPEX | 82.74 | 174.61 | 95.17 | 49.80 | 18.23 | | 11.90 | | | | | 1.83 |
| UNBUNDLED LOCAL SWITCHING, PORT USAGE | | | | | | | | | | | | | | | | | |
| End Office Switching (Port Usage) | | | | | | | | | | | | | | | | | |
| | End Office Switching Function, Per MOU | | | | | 0.0007662 | | | | | | | | | | | |
| | End Office Trunk Port - Shared, Per MOU | | | | | 0.000164 | | | | | | | | | | | |
| Tandem Switching (Port Usage) (Local or Access Tandem) | | | | | | | | | | | | | | | | | |
| | Tandem Switching Function Per MOU | | | | | 0.0001319 | | | | | | | | | | | |
| | Tandem Trunk Port - Shared, Per MOU | | | | | 0.000235 | | | | | | | | | | | |
| Common Transport | | | | | | | | | | | | | | | | | |
| | Common Transport - Per Mile, Per MOU | | | | | 0.0000035 | | | | | | | | | | | |
| | Common Transport - Facilities Termination Per MOU | | | | | 0.0004372 | | | | | | | | | | | |
| UNBUNDLED PORT/LOOP COMBINATIONS - COST BASED RATES | | | | | | | | | | | | | | | | | |
| Cost Based Rates are applied where BellSouth is required by FCC and/or State Commission rule to provide Unbundled Local Switching or Switch Ports. | | | | | | | | | | | | | | | | | |
| Features shall apply to the Unbundled Port/Loop Combination - Cost Based Rate section in the same manner as they are applied to the Stand-Alone Unbundled Port section of this Rate Exhibit. | | | | | | | | | | | | | | | | | |
| End Office and Tandem Switching Usage and Common Transport Usage rates in the Port section of this rate exhibit shall apply to all combinations of loop/port network elements except for UNE Coin Port/Loop Combinations. | | | | | | | | | | | | | | | | | |
| For Georgia, Kentucky, Louisiana, Mississippi, South Carolina and Tennessee, the recurring UNE Port and Loop charges listed apply to Currently Combined and Not Currently Combined Combs. The first and additional Port nonrecurring charges apply to Not Currently Combined Combs for all states. In GA, KY, LA, MS, SC and TN these nonrecurring charges are commission ordered cost based rates and in AL, FL and NC these nonrecurring charges are Market Rates and are also listed in the Market Rate section. | | | | | | | | | | | | | | | | | |
| For Currently Combined Combs in all other states, the nonrecurring charges shall be those identified in the Nonrecurring - Currently Combined sections. | | | | | | | | | | | | | | | | | |
| 2-WIRE VOICE GRADE LOOP WITH 2-WIRE LINE PORT (RES) | | | | | | | | | | | | | | | | | |
| UNE Port/Loop Combination Rates | | | | | | | | | | | | | | | | | |
| | 2-Wire VG Loop/Port Combo - Zone 1 | | 1 | | | 14.11 | | | | | | | | | | | |
| | 2-Wire VG Loop/Port Combo - Zone 2 | | 2 | | | 18.23 | | | | | | | | | | | |
| | 2-Wire VG Loop/Port Combo - Zone 3 | | 3 | | | 33.04 | | | | | | | | | | | |
| UNE Loop Rates | | | | | | | | | | | | | | | | | |
| | 2-Wire Voice Grade Loop (SL1) - Zone 1 | | 1 | UEPRX | UEPLX | 12.94 | | | | | | | | | | | |
| | 2-Wire Voice Grade Loop (SL1) - Zone 2 | | 2 | UEPRX | UEPLX | 17.06 | | | | | | | | | | | |
| | 2-Wire Voice Grade Loop (SL1) - Zone 3 | | 3 | UEPRX | UEPLX | 31.87 | | | | | | | | | | | |
| 2-Wire Voice Grade Line Port Rates (Res) | | | | | | | | | | | | | | | | | |
| | 2-Wire voice unbundled port - residence | | | UEPRX | UEPRL | 1.17 | 90.00 | 90.00 | | | | 11.90 | | | | | |
| | 2-Wire voice unbundled port with Caller ID - res | | | UEPRX | UEPRC | 1.17 | 90.00 | 90.00 | | | | 11.90 | | | | | |
| | 2-Wire voice unbundled port outgoing only - res | | | UEPRX | UEPRO | 1.17 | 90.00 | 90.00 | | | | 11.90 | | | | | |
| | 2-Wire voice unbundled Florida Area Calling with Caller ID - res | | | UEPRX | UEPAF | 1.17 | 90.00 | 90.00 | | | | 11.90 | | | | | |
| | 2-Wire voice unbundles res, low usage line port with Caller ID (LUM) | | | UEPRX | UEPAP | 1.17 | 90.00 | 90.00 | | | | 11.90 | | | | | |
| FEATURES | | | | | | | | | | | | | | | | | |
| | All Features Offered | | | UEPRX | UEPVF | 2.26 | 0.00 | 0.00 | | | | 11.90 | | | | | |
| LOCAL NUMBER PORTABILITY | | | | | | | | | | | | | | | | | |
| | Local Number Portability (1 per port) | | | UEPRX | LNPCX | 0.35 | | | | | | | | | | | |
| NONRECURRING CHARGES (NRCs) - CURRENTLY COMBINED | | | | | | | | | | | | | | | | | |
| | 2-Wire Voice Grade Loop / Line Port Combination - Conversion - Switch-as-is | | | UEPRX | USAC2 | | 0.102 | 0.102 | | | | 11.90 | | | | | |
| | 2-Wire Voice Grade Loop / Line Port Combination - Conversion - Switch with change | | | UEPRX | USACC | | 0.102 | 0.102 | | | | 11.90 | | | | | |
| ADDITIONAL NRCs | | | | | | | | | | | | | | | | | |
| | 2-Wire Voice Grade Loop/Line Port Combination - Subsequent Activity | | | UEPRX | USAS2 | 0.00 | 0.00 | 0.00 | | | | 11.90 | | | | | |
| 2-WIRE VOICE GRADE LOOP WITH 2-WIRE LINE PORT (BUS) | | | | | | | | | | | | | | | | | |
| UNE Port/Loop Combination Rates | | | | | | | | | | | | | | | | | |
| | 2-Wire VG Loop/Port Combo - Zone 1 | | 1 | | | 14.11 | | | | | | | | | | | |
| | 2-Wire VG Loop/Port Combo - Zone 2 | | 2 | | | 18.23 | | | | | | | | | | | |
| | 2-Wire VG Loop/Port Combo - Zone 3 | | 3 | | | 33.04 | | | | | | | | | | | |
| UNE Loop Rates | | | | | | | | | | | | | | | | | |
| | 2-Wire Voice Grade Loop (SL1) - Zone 1 | | 1 | UEPBX | UEPLX | 12.94 | | | | | | | | | | | |

| UNBUNDLED NETWORK ELEMENTS - Florida | | | | | | | | | | | Attachment: 2 | | Exhibit: B | | | | | | | |
|--------------------------------------|--|---------|------|-------|-------|-----------|----------------------------------|--------------------------------------|--|--|---|---|---------------|--------------|-------|-------------------------|--|--------|-------|-------|
| CATEGORY | RATE ELEMENTS | Interim | Zone | BCS | USOC | RATES(\$) | Svc Order Submitted Elec per LSR | Svc Order Submitted Manually per LSR | Incremental Charge - Manual Svc Order vs. Electronic-1st | Incremental Charge - Manual Svc Order vs. Electronic-Add'l | Incremental Charge - Manual Svc Order vs. Electronic-Disc 1st | Incremental Charge - Manual Svc Order vs. Electronic-Disc Add'l | OSS Rates(\$) | | | | | | | |
| | | | | | | | | | | | | | Rec | Nonrecurring | | Nonrecurring Disconnect | | SOME C | SOMAN | SOMAN |
| | | | | | | | | | | | | | First | Add'l | First | Add'l | | | | |
| | 2-Wire Voice Grade Loop (SL1) - Zone 2 | | 2 | UEPBX | UEPLX | 17.06 | | | | | | | | | | | | | | |
| | 2-Wire Voice Grade Loop (SL1) - Zone 3 | | 3 | UEPBX | UEPLX | 31.87 | | | | | | | | | | | | | | |
| | 2-Wire Voice Grade Line Port (Bus) | | | | | | | | | | | | | | | | | | | |
| | 2-Wire voice unbundled port without Caller ID - bus | | | UEPBX | UEPBL | 1.17 | | | | | | | | | | | | | | |
| | 2-Wire voice unbundled port with Caller + E484 ID - bus | | | UEPBX | UEPBC | 1.17 | | | | | | | | | | | | | | |
| | 2-Wire voice unbundled port outgoing only - bus | | | UEPBX | UEPBO | 1.17 | | | | | | | | | | | | | | |
| | 2-Wire voice unbundled incoming only port with Caller ID - Bus | | | UEPBX | UEPB1 | 1.17 | | | | | | | | | | | | | | |
| | LOCAL NUMBER PORTABILITY | | | | | | | | | | | | | | | | | | | |
| | Local Number Portability (1 per port) | | | UEPBX | LNPCX | 0.35 | | | | | | | | | | | | | | |
| | FEATURES | | | | | | | | | | | | | | | | | | | |
| | All Features Offered | | | UEPBX | UEPVF | 2.26 | | | | | | | | | | | | | | |
| | NONRECURRING CHARGES (NRCs) - CURRENTLY COMBINED | | | | | | | | | | | | | | | | | | | |
| | 2-Wire Voice Grade Loop / Line Port Combination - Conversion - Switch-as-is | | | UEPBX | USAC2 | | | | | | | | | | | | | | | |
| | 2-Wire Voice Grade Loop / Line Port Combination - Conversion - Switch with change | | | UEPBX | USACC | | | | | | | | | | | | | | | |
| | ADDITIONAL NRCs | | | | | | | | | | | | | | | | | | | |
| | 2-Wire Voice Grade Loop/Line Port Combination - Subsequent Activity | | | UEPBX | USAS2 | | | | | | | | | | | | | | | |
| | 2-WIRE VOICE GRADE LOOP WITH 2-WIRE LINE PORT (RES - PBX) | | | | | | | | | | | | | | | | | | | |
| | UNE Port/Loop Combination Rates | | | | | | | | | | | | | | | | | | | |
| | 2-Wire VG Loop/Port Combo - Zone 1 | | 1 | | | 14.11 | | | | | | | | | | | | | | |
| | 2-Wire VG Loop/Port Combo - Zone 2 | | 2 | | | 18.23 | | | | | | | | | | | | | | |
| | 2-Wire VG Loop/Port Combo - Zone 3 | | 3 | | | 33.04 | | | | | | | | | | | | | | |
| | UNE Loop Rates | | | | | | | | | | | | | | | | | | | |
| | 2-Wire Voice Grade Loop (SL 1) - Zone 1 | | 1 | UEPRG | UEPLX | 12.94 | | | | | | | | | | | | | | |
| | 2-Wire Voice Grade Loop (SL 1) - Zone 2 | | 2 | UEPRG | UEPLX | 17.06 | | | | | | | | | | | | | | |
| | 2-Wire Voice Grade Loop (SL 1) - Zone 3 | | 3 | UEPRG | UEPLX | 31.87 | | | | | | | | | | | | | | |
| | 2-Wire Voice Grade Line Port Rates (RES - PBX) | | | | | | | | | | | | | | | | | | | |
| | 2-Wire VG Unbundled Combination 2-Way PBX Trunk Port - Res | | | UEPRG | UEPRD | 1.17 | | | | | | | | | | | | | | |
| | LOCAL NUMBER PORTABILITY | | | | | | | | | | | | | | | | | | | |
| | Local Number Portability (1 per port) | | | UEPRG | LNPCP | 3.15 | | | | | | | | | | | | | | |
| | FEATURES | | | | | | | | | | | | | | | | | | | |
| | All Features Offered | | | UEPRG | UEPVF | 2.26 | | | | | | | | | | | | | | |
| | NONRECURRING CHARGES (NRCs) - CURRENTLY COMBINED | | | | | | | | | | | | | | | | | | | |
| | 2-Wire Voice Grade Loop/ Line Port Combination (PBX) - Conversion - Switch-As-Is | | | UEPRG | USAC2 | | | | | | | | | | | | | | | |
| | 2-Wire Voice Grade Loop/ Line Port Combination (PBX) - Conversion - Switch with Change | | | UEPRG | USACC | | | | | | | | | | | | | | | |
| | ADDITIONAL NRCs | | | | | | | | | | | | | | | | | | | |
| | 2-Wire Voice Grade Loop/ Line Port Combination (PBX) - Subsequent Activity | | | UEPRG | USAS2 | 0.00 | | | | | | | | | | | | | | |
| | PBX Subsequent Activity - Change/Rearrange Multiline Hunt Group | | | | | | | | | | | | | | | | | | | |
| | 2-WIRE VOICE GRADE LOOP WITH 2-WIRE LINE PORT (BUS - PBX) | | | | | | | | | | | | | | | | | | | |
| | UNE Port/Loop Combination Rates | | | | | | | | | | | | | | | | | | | |
| | 2-Wire VG Loop/Port Combo - Zone 1 | | 1 | | | 14.11 | | | | | | | | | | | | | | |
| | 2-Wire VG Loop/Port Combo - Zone 2 | | 2 | | | 18.23 | | | | | | | | | | | | | | |
| | 2-Wire VG Loop/Port Combo - Zone 3 | | 3 | | | 33.04 | | | | | | | | | | | | | | |
| | UNE Loop Rates | | | | | | | | | | | | | | | | | | | |
| | 2-Wire Voice Grade Loop (SL 1) - Zone 1 | | 1 | UEPPX | UEPLX | 12.94 | | | | | | | | | | | | | | |
| | 2-Wire Voice Grade Loop (SL 1) - Zone 2 | | 2 | UEPPX | UEPLX | 17.06 | | | | | | | | | | | | | | |
| | 2-Wire Voice Grade Loop (SL 1) - Zone 3 | | 3 | UEPPX | UEPLX | 31.87 | | | | | | | | | | | | | | |
| | 2-Wire Voice Grade Line Port Rates (BUS - PBX) | | | | | | | | | | | | | | | | | | | |
| | Line Side Unbundled Combination 2-Way PBX Trunk Port - Bus | | | UEPPX | UEPPC | 1.17 | | | | | | | | | | | | | | |
| | Line Side Unbundled Outward PBX Trunk Port - Bus | | | UEPPX | UEPPO | 1.17 | | | | | | | | | | | | | | |
| | Line Side Unbundled Incoming PBX Trunk Port - Bus | | | UEPPX | UEPP1 | 1.17 | | | | | | | | | | | | | | |

| UNBUNDLED NETWORK ELEMENTS - Florida | | | | | | | | | | | | | Attachment: 2 | | Exhibit: B | | |
|--------------------------------------|--|---------|------|-------|-------|-----------|----------------------------------|--------------------------------------|--|--|---|---|---------------|--------------|------------|-------------------------|--|
| CATEGORY | RATE ELEMENTS | Interim | Zone | BCS | USOC | RATES(\$) | Svc Order Submitted Elec per LSR | Svc Order Submitted Manually per LSR | Incremental Charge - Manual Svc Order vs. Electronic-1st | Incremental Charge - Manual Svc Order vs. Electronic-Add'l | Incremental Charge - Manual Svc Order vs. Electronic-Disc 1st | Incremental Charge - Manual Svc Order vs. Electronic-Disc Add'l | OSS Rates(\$) | | | | |
| | | | | | | | | | | | | | Rec | Nonrecurring | | Nonrecurring Disconnect | |
| | | | | | | First | Add'l | First | Add'l | | | | | | | | |
| | 2-Wire Voice Unbundled PBX LD Terminal Ports | | | UEPPX | UEPLD | 1.17 | 90.00 | 90.00 | | | | | | | | | |
| | 2-Wire Voice Unbundled 2-Way Combination PBX Usage Port | | | UEPPX | UEPXA | 1.17 | 90.00 | 90.00 | | | | | | | | | |
| | 2-Wire Voice Unbundled PBX Toll Terminal Hotel Ports | | | UEPPX | UEPXB | 1.17 | 90.00 | 90.00 | | | | | | | | | |
| | 2-Wire Voice Unbundled PBX LD DDD Terminals Port | | | UEPPX | UEPXC | 1.17 | 90.00 | 90.00 | | | | | | | | | |
| | 2-Wire Voice Unbundled PBX LD Terminal Switchboard Port | | | UEPPX | UEPXD | 1.17 | 90.00 | 90.00 | | | | | | | | | |
| | 2-Wire Voice Unbundled PBX LD Terminal Switchboard IDD Capable Port | | | UEPPX | UEPXE | 1.17 | 90.00 | 90.00 | | | | | | | | | |
| | 2-Wire Voice Unbundled 2-Way PBX Hotel/Hospital Economy Administrative Calling Port | | | UEPPX | UEPXL | 1.17 | 90.00 | 90.00 | | | | | | | | | |
| | 2-Wire Voice Unbundled 2-Way PBX Hotel/Hospital Economy Room Calling Port | | | UEPPX | UEPXM | 1.17 | 90.00 | 90.00 | | | | | | | | | |
| | 2-Wire Voice Unbundled 1-Way Outgoing PBX Hotel/Hospital Discount Room Calling Port | | | UEPPX | UEPXO | 1.17 | 90.00 | 90.00 | | | | | | | | | |
| | 2-Wire Voice Unbundled 1-Way Outgoing PBX Measured Port | | | UEPPX | UEPXS | 1.17 | 90.00 | 90.00 | | | | | | | | | |
| | LOCAL NUMBER PORTABILITY | | | | | | | | | | | | | | | | |
| | Local Number Portability (1 per port) | | | UEPPX | LNPCP | 3.15 | 0.00 | 0.00 | | | | | | | | | |
| | FEATURES | | | | | | | | | | | | | | | | |
| | All Features Offered | | | UEPPX | UEPVF | 2.26 | 0.00 | 0.00 | | | | | | | | | |
| | NONRECURRING CHARGES (NRCs) - CURRENTLY COMBINED | | | | | | | | | | | | | | | | |
| | 2-Wire Voice Grade Loop/ Line Port Combination (PBX) - Conversion - Switch-As-Is | | | UEPPX | USAC2 | | 8.45 | 1.91 | | | | | | | | | |
| | 2-Wire Voice Grade Loop/ Line Port Combination (PBX) - Conversion - Switch with Change | | | UEPPX | USACC | | 8.45 | 1.91 | | | | | | | | | |
| | ADDITIONAL NRCs | | | | | | | | | | | | | | | | |
| | 2-Wire Voice Grade Loop/ Line Port Combination (PBX) - Subsequent Activity | | | UEPPX | USAS2 | 0.00 | 0.00 | 0.00 | | | | | | | | | |
| | PBX Subsequent Activity - Change/Rearrange Multiline Hunt Group | | | | | | 7.86 | 7.86 | | | | | | | | | |
| | 2-WIRE VOICE GRADE LOOP WITH 2-WIRE ANALOG LINE COIN PORT | | | | | | | | | | | | | | | | |
| | UNE Port/Loop Combination Rates | | | | | | | | | | | | | | | | |
| | 2-Wire VG Coin Port/Loop Combo - Zone 1 | | 1 | | | | 14.11 | | | | | | | | | | |
| | 2-Wire VG Coin Port/Loop Combo - Zone 2 | | 2 | | | | 18.23 | | | | | | | | | | |
| | 2-Wire VG Coin Port/Loop Combo - Zone 3 | | 3 | | | | 33.04 | | | | | | | | | | |
| | UNE Loop Rates | | | | | | | | | | | | | | | | |
| | 2-Wire Voice Grade Loop (SL1) - Zone 1 | | 1 | UEPCO | UEPLX | | 12.94 | | | | | | | | | | |
| | 2-Wire Voice Grade Loop (SL1) - Zone 2 | | 2 | UEPCO | UEPLX | | 17.06 | | | | | | | | | | |
| | 2-Wire Voice Grade Loop (SL1) - Zone 3 | | 3 | UEPCO | UEPLX | | 31.87 | | | | | | | | | | |
| | 2-Wire Voice Grade Line Ports (COIN) | | | | | | | | | | | | | | | | |
| | 2-Wire Coin 2-Way with Operator Screening and Blocking: 011, 900/976, 1+DDD (FL) | | | UEPCO | UEP2F | 1.17 | 90.00 | 90.00 | | | | | | | | | |
| | 2-Wire Coin 2-Way with Operator Screening and 011 Blocking (FL) | | | UEPCO | UEPFA | 1.17 | 90.00 | 90.00 | | | | | | | | | |
| | 2-Wire Coin 2-Way with Operator Screening and Blocking: 900/976, 1+DDD, 011+, and Local (FL) | | | UEPCO | UEPCG | 1.17 | 90.00 | 90.00 | | | | | | | | | |
| | 2-Wire Coin Outward with Operator Screening and 011 Blocking (AL, FL) | | | UEPCO | UEPRK | 1.17 | 90.00 | 90.00 | | | | | | | | | |
| | 2-Wire Coin Outward with Operator Screening and Blocking: 900/976, 1+DDD, 011+ (FL) | | | UEPCO | UEPOF | 1.17 | 90.00 | 90.00 | | | | | | | | | |
| | 2-Wire Coin Outward with Operator Screening and Blocking: 900/976, 1+DDD, 011+, and Local (FL, GA) | | | UEPCO | UEPCQ | 1.17 | 90.00 | 90.00 | | | | | | | | | |
| | 2-Wire 2-Way Smartline with 900/976 (all states except LA) | | | UEPCO | UEPCK | 1.17 | 90.00 | 90.00 | | | | | | | | | |
| | 2-Wire Coin Outward Smartline with 900/976 (all states except LA) | | | UEPCO | UEPCR | 1.17 | 90.00 | 90.00 | | | | | | | | | |
| | ADDITIONAL UNE COIN PORT/LOOP (RC) | | | | | | | | | | | | | | | | |
| | UNE Coin Port/Loop Combo Usage (Flat Rate) | | | UEPCO | URECU | 1.86 | 90.00 | 90.00 | | | | | | | | | |
| | LOCAL NUMBER PORTABILITY | | | | | | | | | | | | | | | | |
| | Local Number Portability (1 per port) | | | UEPCO | LNPCX | 0.35 | | | | | | | | | | | |
| | NONRECURRING CHARGES - CURRENTLY COMBINED | | | | | | | | | | | | | | | | |

| UNBUNDLED NETWORK ELEMENTS - Florida | | | | | | | | | | | Attachment: 2 | | Exhibit: B | | | | | | | | | |
|--|---|---------|------|-------|-------|-----------|--------|--------------|-------|-------------------------|---------------|----------------------------------|--------------------------------------|--|--|---|---|---------------|-------|-------|-------|-------|
| CATEGORY | RATE ELEMENTS | Interim | Zone | BCS | USOC | RATES(\$) | Rec | Nonrecurring | | Nonrecurring Disconnect | | Svc Order Submitted Elec per LSR | Svc Order Submitted Manually per LSR | Incremental Charge - Manual Svc Order vs. Electronic-1st | Incremental Charge - Manual Svc Order vs. Electronic-Add'l | Incremental Charge - Manual Svc Order vs. Electronic-Disc 1st | Incremental Charge - Manual Svc Order vs. Electronic-Disc Add'l | | | | | |
| | | | | | | | | First | Add'l | First | Add'l | | | | | | | OSS Rates(\$) | | | | |
| | | | | | | | | | | | | | | | | | SOME C | SOMAN | SOMAN | SOMAN | SOMAN | SOMAN |
| | 2-Wire Voice Grade Loop / Line Port Combination - Conversion - Switch-as-is | | | UEPCO | USAC2 | 0.102 | 0.102 | | | | | | 11.90 | | | | | | | | | |
| | 2-Wire Voice Grade Loop / Line Port Combination - Conversion - Switch with change | | | UEPCO | USACC | 0.102 | 0.102 | | | | | | 11.90 | | | | | | | | | |
| ADDITIONAL NRCs | | | | | | | | | | | | | | | | | | | | | | |
| | 2-Wire Voice Grade Loop/Line Port Combination - Subsequent Activity | | | UEPCO | USAS2 | 0.00 | 0.00 | | | | | | 11.90 | | | | | | | | | |
| UNBUNDLED REMOTE CALL FORWARDING - RES | | | | | | | | | | | | | | | | | | | | | | |
| Non-Recurring | | | | | | | | | | | | | | | | | | | | | | |
| UNBUNDLED REMOTE CALL FORWARDING - Bus | | | | | | | | | | | | | | | | | | | | | | |
| | Unbundled Remote Call Forwarding, InterState/Intra LATA-Bus | | | UEPVB | UEPVJ | 1.40 | 3.74 | 3.63 | 1.88 | 1.80 | | | 11.90 | | | | | | | | | |
| Non-Recurring | | | | | | | | | | | | | | | | | | | | | | |
| 2-WIRE VOICE LOOP/ 2WIRE VOICE GRADE IO TRANSPORT/ 2-WIRE LINE PORT (RES) | | | | | | | | | | | | | | | | | | | | | | |
| | 2-Wire voice unbundles res, low usage line port with Caller ID (LUM) | | | UEPFR | UEPAP | 1.62 | 250.00 | 250.00 | | | | | 11.90 | | | | | | | | | |
| 2-WIRE VOICE LOOP/ 2WIRE VOICE GRADE IO TRANSPORT/ 2-WIRE LINE PORT (BUS) | | | | | | | | | | | | | | | | | | | | | | |
| UNBUNDLED PORT/LOOP COMBINATIONS - COST BASED RATES | | | | | | | | | | | | | | | | | | | | | | |
| 2-WIRE VOICE GRADE LOOP- BUS ONLY - WITH 2-WIRE DID TRUNK PORT | | | | | | | | | | | | | | | | | | | | | | |
| UNE Port/Loop Combination Rates | | | | | | | | | | | | | | | | | | | | | | |
| | 2-Wire VG Loop/2-Wire DID Trunk Port Combo - UNE Zone 1 | | 1 | | | 23.21 | | | | | | | | | | | | | | | | |
| | 2-Wire VG Loop/2-Wire DID Trunk Port Combo - UNE Zone 2 | | 2 | | | 28.28 | | | | | | | | | | | | | | | | |
| | 2-Wire VG Loop/2-Wire DID Trunk Port Combo - UNE Zone 3 | | 3 | | | 46.53 | | | | | | | | | | | | | | | | |
| UNE Loop Rates | | | | | | | | | | | | | | | | | | | | | | |
| | 2-Wire Analog Voice Grade Loop - (SL2) - UNE Zone 1 | | 1 | UEPPX | UECD1 | 14.50 | | | | | | | 11.90 | | | 1.83 | | | | | | |
| | 2-Wire Analog Voice Grade Loop - (SL2) - UNE Zone 2 | | 2 | UEPPX | UECD1 | 19.57 | | | | | | | 11.90 | | | 1.83 | | | | | | |
| | 2-Wire Analog Voice Grade Loop - (SL2) - UNE Zone 3 | | 3 | UEPPX | UECD1 | 37.82 | | | | | | | 11.90 | | | 1.83 | | | | | | |
| UNE Port Rate | | | | | | | | | | | | | | | | | | | | | | |
| | Exchange Ports - 2-Wire DID Port | | | UEPPX | UEPD1 | 8.71 | 850.00 | 75.00 | | | | | 11.90 | | | 1.83 | | | | | | |
| NONRECURRING CHARGES - CURRENTLY COMBINED | | | | | | | | | | | | | | | | | | | | | | |
| | 2-Wire Voice Grade Loop / 2-Wire DID Trunk Port Combination - Switch-as-is | | | UEPPX | USAC1 | 7.85 | 1.87 | | | | | | 11.90 | | | | | | | | | |
| | 2-Wire Voice Grade Loop / 2-Wire DID Trunk Port Conversion with BellSouth Allowable Changes | | | UEPPX | USA1C | 7.85 | 1.87 | | | | | | 11.90 | | | | | | | | | |
| ADDITIONAL NRCs | | | | | | | | | | | | | | | | | | | | | | |
| | 2-Wire DID Subsequent Activity - Add Trunks, Per Trunk | | | UEPPX | USAS1 | 32.26 | 32.26 | | | | | | 11.90 | | | | | | | | | |
| Telephone Number/Trunk Group Establishment Charges | | | | | | | | | | | | | | | | | | | | | | |
| | DID Trunk Termination (One Per Port) | | | UEPPX | NDT | 0.00 | 0.00 | 0.00 | | | | | 11.90 | | | 1.83 | | | | | | |
| | DID Numbers, Establish Trunk Group and Provide First Group of 20 DID Numbers | | | UEPPX | NDZ | 0.00 | 0.00 | 0.00 | | | | | 11.90 | | | 1.83 | | | | | | |
| | Additional DID Numbers for each Group of 20 DID Numbers | | | UEPPX | ND4 | 0.00 | 0.00 | 0.00 | | | | | 11.90 | | | 1.83 | | | | | | |
| | DID Numbers, Non- consecutive DID Numbers , Per Number | | | UEPPX | ND5 | 0.00 | 0.00 | 0.00 | | | | | 11.90 | | | 1.83 | | | | | | |
| | Reserve Non-Consecutive DID numbers | | | UEPPX | ND6 | 0.00 | 0.00 | 0.00 | | | | | 11.90 | | | 1.83 | | | | | | |
| | Reserve DID Numbers | | | UEPPX | NDV | 0.00 | 0.00 | 0.00 | | | | | 11.90 | | | 1.83 | | | | | | |
| LOCAL NUMBER PORTABILITY | | | | | | | | | | | | | | | | | | | | | | |
| | Local Number Portability (1 per port) | | | UEPPX | LNPCP | 3.15 | 0.00 | 0.00 | | | | | | | | | | | | | | |
| 2-WIRE ISDN DIGITAL GRADE LOOP WITH 2-WIRE ISDN DIGITAL LINE SIDE PORT | | | | | | | | | | | | | | | | | | | | | | |
| UNE Port/Loop Combination Rates | | | | | | | | | | | | | | | | | | | | | | |
| | 2W ISDN Digital Grade Loop/2W ISDN Digital Line Side Port - UNE Zone 1 | | 1 | UEPPB | UEPPR | 32.09 | | | | | | | | | | | | | | | | |
| | 2W ISDN Digital Grade Loop/2W ISDN Digital Line Side Port - UNE Zone 2 | | 2 | UEPPB | UEPPR | 38.15 | | | | | | | | | | | | | | | | |
| | 2W ISDN Digital Grade Loop/2W ISDN Digital Line Side Port - UNE Zone 3 | | 3 | UEPPB | UEPPR | 59.94 | | | | | | | | | | | | | | | | |
| UNE Loop Rates | | | | | | | | | | | | | | | | | | | | | | |
| | 2-Wire ISDN Digital Grade Loop - UNE Zone 1 | | 1 | UEPPB | UEPPR | USL2X | 24.71 | | | | | | 11.90 | | | 1.83 | | | | | | |
| | 2-Wire ISDN Digital Grade Loop - UNE Zone 2 | | 2 | UEPPB | UEPPR | USL2X | 30.77 | | | | | | 11.90 | | | 1.83 | | | | | | |
| | 2-Wire ISDN Digital Grade Loop - UNE Zone 3 | | 3 | UEPPB | UEPPR | USL2X | 52.56 | | | | | | 11.90 | | | 1.83 | | | | | | |
| UNE Port Rate | | | | | | | | | | | | | | | | | | | | | | |

| UNBUNDLED NETWORK ELEMENTS - Florida | | | | | | | | | | | Attachment: 2 | | Exhibit: B | | | | | |
|--------------------------------------|--|---------|------|-------|-------|-----------|----------------------------------|--------------------------------------|--|--|---|---|---------------|--------------------|--------------------|-------------------------------|-------------------------------|-------|
| CATEGORY | RATE ELEMENTS | Interim | Zone | BCS | USOC | RATES(\$) | Svc Order Submitted Elec per LSR | Svc Order Submitted Manually per LSR | Incremental Charge - Manual Svc Order vs. Electronic-1st | Incremental Charge - Manual Svc Order vs. Electronic-Add'l | Incremental Charge - Manual Svc Order vs. Electronic-Disc 1st | Incremental Charge - Manual Svc Order vs. Electronic-Disc Add'l | OSS Rates(\$) | | | | | |
| | | | | | | | | | | | | | Rec | Nonrecurring First | Nonrecurring Add'l | Nonrecurring Disconnect First | Nonrecurring Disconnect Add'l | SOMEc |
| | Exchange Port - 2-Wire ISDN Line Side Port | | | UEPPB | UEPPR | UEPPB | 7.38 | 525.00 | 400.00 | | | | 11.09 | | | | 1.83 | |
| | NONRECURRING CHARGES - CURRENTLY COMBINED | | | | | | | | | | | | | | | | | |
| | 2-Wire ISDN Digital Grade Loop / 2-Wire ISDN Line Side Port Combination - Conversion | | | UEPPB | UEPPR | USACB | 0.00 | 25.22 | 17.00 | | | | 11.90 | | | | 1.83 | |
| | ADDITIONAL NRCs | | | | | | | | | | | | | | | | | |
| | LOCAL NUMBER PORTABILITY | | | | | | | | | | | | | | | | | |
| | Local Number Portability (1 per port) | | | UEPPB | UEPPR | LNPCX | 0.35 | 0.00 | 0.00 | | | | | | | | | |
| | B-CHANNEL USER PROFILE ACCESS: | | | | | | | | | | | | | | | | | |
| | CVS/CSD (DMS/5ESS) | | | UEPPB | UEPPR | U1UCA | 0.00 | 0.00 | 0.00 | | | | | | | | | |
| | CVS (EWSD) | | | UEPPB | UEPPR | U1UCB | 0.00 | 0.00 | 0.00 | | | | | | | | | |
| | CSD | | | UEPPB | UEPPR | U1UCC | 0.00 | 0.00 | 0.00 | | | | | | | | | |
| | B-CHANNEL AREA PLUS USER PROFILE ACCESS: (AL,KY,LA,MS SC,MS, & TN) | | | | | | | | | | | | | | | | | |
| | USER TERMINAL PROFILE | | | | | | | | | | | | | | | | | |
| | User Terminal Profile (EWSD only) | | | UEPPB | UEPPR | U1UMA | 0.00 | 0.00 | 0.00 | | | | | | | | | |
| | VERTICAL FEATURES | | | | | | | | | | | | | | | | | |
| | All Vertical Features - One per Channel B User Profile | | | UEPPB | UEPPR | UEPVF | 2.26 | 0.00 | 0.00 | | | | 11.90 | | | | | |
| | INTEROFFICE CHANNEL MILEAGE | | | | | | | | | | | | | | | | | |
| | Interoffice Channel mileage each, including first mile and facilities termination | | | UEPPB | UEPPR | M1GNC | 18.4491 | 47.35 | 31.78 | 18.31 | 7.03 | | 11.90 | | | | 1.83 | |
| | Interoffice Channel mileage each, additional mile | | | UEPPB | UEPPR | M1GNM | 0.0091 | 0.00 | 0.00 | | | | 11.90 | | | | 1.83 | |
| | 4-WIRE DS1 DIGITAL LOOP WITH 4-WIRE ISDN DS1 DIGITAL TRUNK PORT | | | | | | | | | | | | | | | | | |
| | UNE Port/Loop Combination Rates | | | | | | | | | | | | | | | | | |
| | 4W DS1 Digital Loop/4W ISDN DS1 Digital Trunk Port - UNE Zone 1 | | 1 | UEPPP | | | 156.18 | | | | | | | | | | | |
| | 4W DS1 Digital Loop/4W ISDN DS1 Digital Trunk Port - UNE Zone 2 | | 2 | UEPPP | | | 181.87 | | | | | | | | | | | |
| | 4W DS1 Digital Loop/4W ISDN DS1 Digital Trunk Port - UNE Zone 3 | | 3 | UEPPP | | | 274.25 | | | | | | | | | | | |
| | UNE Loop Rates | | | | | | | | | | | | | | | | | |
| | 4-Wire DS1 Digital Loop - UNE Zone 1 | | 1 | UEPPP | | USL4P | 73.44 | | | | | | 11.90 | | | | 1.83 | |
| | 4-Wire DS1 Digital Loop - UNE Zone 2 | | 2 | UEPPP | | USL4P | 99.13 | | | | | | 11.90 | | | | 1.83 | |
| | 4-Wire DS1 Digital Loop - UNE Zone 3 | | 3 | UEPPP | | USL4P | 191.51 | | | | | | 11.90 | | | | 1.83 | |
| | UNE Port Rate | | | | | | | | | | | | | | | | | |
| | Exchange Ports - 4-Wire ISDN DS1 Port | | | UEPPP | | UEPPP | 82.74 | 1,150.00 | 1,150.00 | | | | 11.90 | | | | 1.83 | |
| | NONRECURRING CHARGES - CURRENTLY COMBINED | | | | | | | | | | | | | | | | | |
| | 4-Wire DS1 Digital Loop / 4-Wire ISDN DS1 Digital Trunk Port Combination - Conversion -Switch-as-is | | | UEPPP | | USACP | 0.00 | 84.17 | 61.38 | | | | 11.90 | | | | 1.83 | |
| | ADDITIONAL NRCs | | | | | | | | | | | | | | | | | |
| | 4-Wire DS1 Loop/4-W ISDN Digt Trk Port - Subsqst Actvy-Inward/two way tel nos within Std Allowance (except NC) | | | UEPPP | | PR7TF | | 0.5412 | | | | | 11.90 | | | | 1.83 | |
| | 4-Wire DS1 Loop / 4-Wire ISDN DS1 Digital Trunk Port - Outward Tel Numbers (All States except NC) | | | UEPPP | | PR7TO | | 12.71 | 12.71 | | | | 11.90 | | | | 1.83 | |
| | 4-Wire DS1 Loop / 4-Wire ISDN DS1 Digital Trk Port - Subsequent Inward Tel Nos Above Std Allowance | | | UEPPP | | PR7ZT | | 25.42 | 25.42 | | | | 11.90 | | | | 1.83 | |
| | LOCAL NUMBER PORTABILITY | | | | | | | | | | | | | | | | | |
| | Local Number Portability (1 per port) | | | UEPPP | | LNPCN | 1.75 | | | | | | | | | | | |
| | INTERFACE (Provisioning Only) | | | | | | | | | | | | | | | | | |
| | Voice/Data | | | UEPPP | | PR71V | 0.00 | 0.00 | 0.00 | | | | | | | | | |
| | Digital Data | | | UEPPP | | PR71D | 0.00 | 0.00 | 0.00 | | | | | | | | | |
| | Inward Data | | | UEPPP | | PR71E | 0.00 | 0.00 | 0.00 | | | | | | | | | |
| | New or Additional "B" Channel | | | | | | | | | | | | | | | | | |
| | New or Additional - Voice/Data B Channel | | | UEPPP | | PR7BV | 0.00 | 15.48 | | | | | 11.90 | | | | 1.83 | |
| | New or Additional - Digital Data B Channel | | | UEPPP | | PR7BF | 0.00 | 15.48 | | | | | 11.90 | | | | 1.83 | |
| | New or Additional Inward Data B Channel | | | UEPPP | | PR7BD | 0.00 | 15.48 | | | | | 11.90 | | | | 1.83 | |
| | CALL TYPES | | | | | | | | | | | | | | | | | |
| | Inward | | | UEPPP | | PR7C1 | 0.00 | 0.00 | 0.00 | | | | | | | | | |
| | Outward | | | UEPPP | | PR7C0 | 0.00 | 0.00 | 0.00 | | | | | | | | | |
| | Two-way | | | UEPPP | | PR7CC | 0.00 | 0.00 | 0.00 | | | | | | | | | |
| | Interoffice Channel Mileage | | | | | | | | | | | | | | | | | |

| UNBUNDLED NETWORK ELEMENTS - Florida | | | | | | | | | | Attachment: 2 | | Exhibit: B | | | |
|--------------------------------------|--|---------|------|-------|-------|-----------|----------------------------------|--------------------------------------|--|--|---|---|-------|--------------|-------|
| CATEGORY | RATE ELEMENTS | Interim | Zone | BCS | USOC | RATES(\$) | Svc Order Submitted Elec per LSR | Svc Order Submitted Manually per LSR | Incremental Charge - Manual Svc Order vs. Electronic-1st | Incremental Charge - Manual Svc Order vs. Electronic-Add'l | Incremental Charge - Manual Svc Order vs. Electronic-Disc 1st | Incremental Charge - Manual Svc Order vs. Electronic-Disc Add'l | | | |
| | | | | | | | | | | | | | Rec | Nonrecurring | |
| | | | | | | | First | Add'l | First | Add'l | SOMEc | SOMAN | SOMAN | SOMAN | SOMAN |
| | Fixed Each Including First Mile | | | UEPPP | 1LN1A | 88.6256 | 105.54 | 98.47 | 21.47 | 19.05 | | 11.90 | | | 1.93 |
| | Each Airline-Fractional Additional Mile | | | UEPPP | 1LN1B | 0.1856 | | | | | | | | | |
| | 4-WIRE DS1 DIGITAL LOOP WITH 4-WIRE DDITS TRUNK PORT | | | | | | | | | | | | | | |
| | UNE Port/Loop Combination Rates | | | | | | | | | | | | | | |
| | 4W DS1 Digital Loop/4W DDITS Trunk Port - UNE Zone 1 | | 1 | UEPDC | | 128.39 | | | | | | 11.90 | | | 1.83 |
| | 4W DS1 Digital Loop/4W DDITS Trunk Port - UNE Zone 2 | | 2 | UEPDC | | 154.08 | | | | | | 11.90 | | | 1.83 |
| | 4W DS1 Digital Loop/4W DDITS Trunk Port - UNE Zone 3 | | 3 | UEPDC | | 246.46 | | | | | | 11.90 | | | 1.83 |
| | UNE Loop Rates | | | | | | | | | | | | | | |
| | 4-Wire DS1 Digital Loop - UNE Zone 1 | | 1 | UEPDC | USLDC | 73.44 | | | | | | 11.90 | | | 1.83 |
| | 4-Wire DS1 Digital Loop - UNE Zone 2 | | 2 | UEPDC | USLDC | 99.13 | | | | | | 11.90 | | | 1.83 |
| | 4-Wire DS1 Digital Loop - UNE Zone 3 | | 3 | UEPDC | USLDC | 191.51 | | | | | | 11.90 | | | 1.83 |
| | UNE Port Rate | | | | | | | | | | | | | | |
| | 4-Wire DDITS Digital Trunk Port | | | UEPDC | UDD1T | 54.95 | | | | | | 11.90 | | | 1.83 |
| | NONRECURRING CHARGES - CURRENTLY COMBINED | | | | | | | | | | | | | | |
| | 4-Wire DS1 Digital Loop / 4-Wire DDITS Trunk Port Combination - Switch-as-is | | | UEPDC | USAC4 | | 95.31 | 46.71 | | | | 11.90 | | | 1.83 |
| | 4-Wire DS1 Digital Loop / 4-Wire DDITS Trunk Port Combination - Conversion with DS1 Changes | | | UEPDC | USAWA | | 95.31 | 46.71 | | | | 11.90 | | | 1.83 |
| | 4-Wire DS1 Digital Loop / 4-Wire DDITS Trunk Port Combination - Conversion with Change - Trunk | | | UEPDC | USAWB | | 95.31 | 46.71 | | | | 11.90 | | | 1.83 |
| | ADDITIONAL NRCs | | | | | | | | | | | | | | |
| | 4-Wire DS1 Loop / 4-Wire DDITS Trunk Port - NRC - Subsequent Channel Activation/Chan - 2-Way Trunk | | | UEPDC | UDTTA | | 15.69 | 15.69 | | | | 11.90 | | | 1.83 |
| | 4-Wire DS1 Loop / 4-Wire DDITS Trunk Port - Subsequent Channel Activation/Chan - 1-Way Outward Trunk | | | UEPDC | UDTTB | | 15.69 | 15.69 | | | | 11.90 | | | 1.83 |
| | 4-Wire DS1 Loop / 4-Wire DDITS Trunk Port - Subsqt Channel Activation/Chan - Inward Trunk w/out DID | | | UEPDC | UDTTC | | 15.69 | 15.69 | | | | 11.90 | | | 1.83 |
| | 4-Wire DS1 Loop / 4-Wire DDITS Trunk Port - Subsqt Chan Activation Per Chan - Inward Trunk with DID | | | UEPDC | UDTTD | | 15.69 | 15.69 | | | | 11.90 | | | 1.83 |
| | 4-Wire DS1 Loop / 4-Wire DDITS Trunk Port - Subsqt Chan Activation / Chan - 2-Way DID w User Trans | | | UEPDC | UDTTE | | 15.69 | 15.69 | | | | 11.90 | | | 1.83 |
| | BIPOLAR & ZERO SUBSTITUTION | | | | | | | | | | | | | | |
| | B8ZS - Superframe Format | | | UEPDC | CCOSF | | 0.00 | 655.00 | | | | 11.90 | | | 1.83 |
| | B8ZS - Extended Superframe Format | | | UEPDC | CCOEF | | 0.00 | 655.00 | | | | 11.90 | | | 1.83 |
| | Alternate Mark Inversion | | | | | | | | | | | | | | |
| | AMI - Superframe Format | | | UEPDC | MCOSF | | 0.00 | 0.00 | | | | | | | |
| | AMI - Extended SuperFrame Format | | | UEPDC | MCOPO | | 0.00 | 0.00 | | | | | | | |
| | Telephone Number/Trunk Group Establishment Charges | | | | | | | | | | | | | | |
| | Telephone Number for 2-Way Trunk Group | | | UEPDC | UDTGX | 0.00 | | | | | | 11.90 | | | 1.83 |
| | Telephone Number for 1-Way Outward Trunk Group | | | UEPDC | UDTGY | 0.00 | | | | | | 11.90 | | | 1.83 |
| | Telephone Number for 1-Way Inward Trunk Group Without DID | | | UEPDC | UDTGZ | 0.00 | | | | | | 11.90 | | | 1.83 |
| | DID Numbers, Establish Trunk Group and Provide First Group of 20 DID Numbers | | | UEPDC | NDZ | 0.00 | 0.00 | 0.00 | | | | 11.90 | | | 1.83 |
| | DID Numbers for each Group of 20 DID Numbers | | | UEPDC | ND4 | 0.00 | | | | | | 11.90 | | | 1.83 |
| | DID Numbers, Non- consecutive DID Numbers , Per Number | | | UEPDC | ND5 | 0.00 | | | | | | 11.90 | | | 1.83 |
| | Reserve Non-Consecutive DID Nos. | | | UEPDC | ND6 | 0.00 | 0.00 | 0.00 | | | | 11.90 | | | 1.83 |
| | Reserve DID Numbers | | | UEPDC | NDV | 0.00 | 0.00 | 0.00 | | | | 11.90 | | | 1.83 |
| | Dedicated DS1 (Interoffice Channel Mileage) - FX/FCO for 4-Wire DS1 Digital Loop with 4-Wire DDITS Trunk Port | | | | | | | | | | | | | | |
| | Interoffice Channel Mileage - Fixed rate 0-8 miles (Facilities Termination) | | | UEPDC | 1LNO1 | 88.44 | 105.54 | 98.47 | 21.47 | 19.05 | | 11.90 | | | 1.83 |
| | Interoffice Channel Mileage - Additional rate per mile - 0-8 miles | | | UEPDC | 1LNOA | 0.1856 | 0.00 | 0.00 | | | | | | | |
| | Interoffice Channel Mileage - Fixed rate 9-25 miles (Facilities Termination) | | | UEPDC | 1LNO2 | 0.00 | 0.00 | 0.00 | | | | | | | |
| | Interoffice Channel Mileage - Additional rate per mile - 9-25 miles | | | UEPDC | 1LNOB | 0.1856 | 0.00 | 0.00 | | | | | | | |
| | Interoffice Channel Mileage - Fixed rate 25+ miles (Facilities Termination) | | | UEPDC | 1LNO3 | 0.00 | 0.00 | 0.00 | 0.00 | | | | | | |

| UNBUNDLED NETWORK ELEMENTS - Florida | | | | | | | | | | | Attachment: 2 | | Exhibit: B | | | | | | | | |
|--------------------------------------|---|---------|------|-------|--------|-----------|----------------------------------|--------------------------------------|--|--|---|---|---------------|--------------|-------|-------------------------|--|-------|-------|-------|-------|
| CATEGORY | RATE ELEMENTS | Interim | Zone | BCS | USOC | RATES(\$) | Svc Order Submitted Elec per LSR | Svc Order Submitted Manually per LSR | Incremental Charge - Manual Svc Order vs. Electronic-1st | Incremental Charge - Manual Svc Order vs. Electronic-Add'l | Incremental Charge - Manual Svc Order vs. Electronic-Disc 1st | Incremental Charge - Manual Svc Order vs. Electronic-Disc Add'l | OSS Rates(\$) | | | | | | | | |
| | | | | | | | | | | | | | Rec | Nonrecurring | | Nonrecurring Disconnect | | SOMEc | SOMAN | SOMAN | SOMAN |
| | | | | | | | | | | | | | First | Add'l | First | Add'l | | | | | |
| | Interoffice Channel Mileage - Additional rate per mile - 25+ miles | | | UEPDC | 1LNOc | 0.1856 | | | | | | | | | | | | | | | |
| | Local Number Portability, per DS0 Activated | | | UEPDC | LNPCP | 3.15 | | | | | | | | | | | | | | | |
| | Central Office Terminating Point | | | UEPDC | CTG | 0.00 | | | | | | | | | | | | | | | |
| | 4-WIRE DS1 LOOP WITH CHANNELIZATION WITH PORT | | | | | | | | | | | | | | | | | | | | |
| | System is 1 DS1 Loop, 1 D4 Channel Bank, and up to 24 Feature Activations | | | | | | | | | | | | | | | | | | | | |
| | Each System can have up to 24 combinations of rates depending on type and number of ports used | | | | | | | | | | | | | | | | | | | | |
| | UNE DS1 Loop | | | | | | | | | | | | | | | | | | | | |
| | 4-Wire DS1 Loop - UNE Zone 1 | | 1 | UEPMG | USLDC | 73.44 | | | | | | | | | | | | | | | |
| | 4-Wire DS1 Loop - UNE Zone 2 | | 2 | UEPMG | USLDC | 99.13 | | | | | | | | | | | | | | | |
| | 4-Wire DS1 Loop - UNE Zone 3 | | 3 | UEPMG | USLDC | 191.51 | | | | | | | | | | | | | | | |
| | UNE DSO Channelization Capacities (D4 Channel Bank Configurations) | | | | | | | | | | | | | | | | | | | | |
| | 24 DSO Channel Capacity - 1 per DS1 | | | UEPMG | VUM24 | 118.06 | | | | | | | | | | | | | | 1.83 | |
| | 48 DSO Channel Capacity - 1 per 2 DS1s | | | UEPMG | VUM48 | 236.12 | | | | | | | | | | | | | | | 1.83 |
| | 96 DSO Channel Capacity -1per 4 DS1s | | | UEPMG | VUM96 | 472.24 | | | | | | | | | | | | | | | 1.83 |
| | 144 DSO Channel Capacity - 1 per 6 DS1s | | | UEPMG | VUM144 | 708.36 | | | | | | | | | | | | | | | 1.83 |
| | 192 DSO Channel Capacity -1 per 8 DS1s | | | UEPMG | VUM192 | 944.48 | | | | | | | | | | | | | | | 1.83 |
| | 240 DSO Channel Capacity - 1 per 10 DS1s | | | UEPMG | VUM240 | 1,180.60 | | | | | | | | | | | | | | | 1.83 |
| | 288 DSO Channel Capacity - 1 per 12 DS1s | | | UEPMG | VUM288 | 1,416.72 | | | | | | | | | | | | | | | 1.83 |
| | 384 DSO Channel Capacity - 1 per 16 DS1s | | | UEPMG | VUM384 | 1,888.96 | | | | | | | | | | | | | | | 1.83 |
| | 480 DSO Channel Capacity - 1 per 20 DS1s | | | UEPMG | VUM480 | 2,361.20 | | | | | | | | | | | | | | | 1.83 |
| | 576 DSO Channel Capacity -1 per 24 DS1s | | | UEPMG | VUM576 | 2,833.44 | | | | | | | | | | | | | | | 1.83 |
| | 672 DSO Channel Capacity - 1 per 28 DS1s | | | UEPMG | VUM672 | 3,305.68 | | | | | | | | | | | | | | | 1.83 |
| | Non-Recurring Charges (NRC) Associated with 4-Wire DS1 Loop with Channelization with Port - Conversion Charge Based on a System | | | | | | | | | | | | | | | | | | | | |
| | A Minimum System configuration is One (1) DS1, One (1) D4 Channel Bank, and Up To 24 DSO Ports with Feature Activations. | | | | | | | | | | | | | | | | | | | | |
| | Multiples of this configuration functioning as one are considered Add'l after the minimum system configuration is counted. | | | | | | | | | | | | | | | | | | | | |
| | NRC - Conversion (Currently Combined) with or without BellSouth Allowed Changes | | | UEPMG | USAC4 | 0.00 | | | | | | | | | | | | | | | 11.90 |
| | System Additions at End User Locations Where 4-Wire DS1 Loop with Channelization with Port Combination Currently Exists and New (Not Currently Combined) in GA, KY, LA, MS & TN Only | | | | | | | | | | | | | | | | | | | | |
| | 1 DS1/D4 Channel Bank - Add NRC for each Port and Assoc Fea Activation - New GA, LA, KY, MS, & TN Only | | | UEPMG | VUMD4 | 0.00 | | | | | | | | | | | | | | | 11.90 |
| | Bipolar 8 Zero Substitution | | | | | | | | | | | | | | | | | | | | |
| | Clear Channel Capability Format, superframe - Subsequent Activity Only | | | UEPMG | CCOSF | 0.00 | | | | | | | | | | | | | | | 11.90 |
| | Clear Channel Capability Format - Extended Superframe - Subsequent Activity Only | | | UEPMG | CCOEF | 0.00 | | | | | | | | | | | | | | | 11.90 |
| | Alternate Mark Inversion (AMI) | | | | | | | | | | | | | | | | | | | | |
| | Superframe Format | | | UEPMG | MCOSF | 0.00 | | | | | | | | | | | | | | | 0.00 |
| | Extended Superframe Format | | | UEPMG | MCOPO | 0.00 | | | | | | | | | | | | | | | 0.00 |
| | Exchange Ports Associated with 4-Wire DS1 Loop with Channelization with Port Exchange Ports | | | | | | | | | | | | | | | | | | | | |
| | Line Side Combination Channelized PBX Trunk Port - Business | | | UEPPX | UEPCX | 1.38 | | | | | | | | | | | | | | | 11.90 |
| | Line Side Outward Channelized PBX Trunk Port - Business | | | UEPPX | UEPOX | 1.38 | | | | | | | | | | | | | | | 11.90 |
| | Line Side Inward Only Channelized PBX Trunk Port without DID | | | UEPPX | UEP1X | 1.38 | | | | | | | | | | | | | | | 11.90 |
| | 2-Wire Trunk Side Unbundled Channelized DID Trunk Port | | | UEPPX | UEPDM | 8.71 | | | | | | | | | | | | | | | 11.90 |
| | Feature Activations - Unbundled Loop Concentration | | | | | | | | | | | | | | | | | | | | |
| | Feature (Service) Activation for each Line Side Port Terminated in D4 Bank | | | UEPPX | 1PQWM | 0.66 | | | | | | | | | | | | | | | 11.90 |
| | Feature (Service) Activation for each Trunk Side Port Terminated in D4 Bank | | | UEPPX | 1PQWU | 0.66 | | | | | | | | | | | | | | | 11.90 |
| | Telephone Number/ Group Establishment Charges for DID Service | | | | | | | | | | | | | | | | | | | | |
| | DID Trunk Termination (1 per Port) | | | UEPPX | NDT | 0.00 | | | | | | | | | | | | | | | 11.90 |
| | Estab Trk Grp and Provide 1st 20 DID Nos. (FL, GA, NC, & SC) | | | UEPPX | NDZ | 0.00 | | | | | | | | | | | | | | | 11.90 |
| | DID Numbers - groups of 20 - Valid all States | | | UEPPX | ND4 | 0.00 | | | | | | | | | | | | | | | 11.90 |
| | Non-Consecutive DID Numbers - per number | | | UEPPX | ND5 | 0.00 | | | | | | | | | | | | | | | 11.90 |
| | Reserve Non-Consecutive DID Numbers | | | UEPPX | ND6 | 0.00 | | | | | | | | | | | | | | | 11.90 |

| UNBUNDLED NETWORK ELEMENTS - Florida | | | | | | | | | | | Attachment: 2 | | Exhibit: B | | | | | | | | | | |
|--------------------------------------|---|---------|------|-------|-------|-----------|----------------------------------|--------------------------------------|--|--|---|---|---------------|--------------|-------|-------------------------|-------|-------|-------|-------|-------|-------|--|
| CATEGORY | RATE ELEMENTS | Interim | Zone | BCS | USOC | RATES(\$) | Svc Order Submitted Elec per LSR | Svc Order Submitted Manually per LSR | Incremental Charge - Manual Svc Order vs. Electronic-1st | Incremental Charge - Manual Svc Order vs. Electronic-Add'l | Incremental Charge - Manual Svc Order vs. Electronic-Disc 1st | Incremental Charge - Manual Svc Order vs. Electronic-Disc Add'l | OSS Rates(\$) | | | | | | | | | | |
| | | | | | | | | | | | | | Rec | Nonrecurring | | Nonrecurring Disconnect | | SOMEc | SOMAN | SOMAN | SOMAN | SOMAN | |
| | | | | | | | | | | | | | First | Add'l | First | Add'l | SOMEc | SOMAN | SOMAN | SOMAN | SOMAN | | |
| | Reserve DID Numbers | | | UEPPX | NDV | 0.00 | | | | | | | 0.00 | 0.00 | | | | 11.90 | | | | | |
| | Local Number Portability | | | | | | | | | | | | | | | | | | | | | | |
| | Local Number Portability - 1 per port | | | UEPPX | LNPCP | 3.15 | | | | | | | 0.00 | 0.00 | | | | | | | | | |
| | FEATURES - Vertical and Optional | | | | | | | | | | | | | | | | | | | | | | |
| | Local Switching Features Offered with Line Side Ports Only | | | | | | | | | | | | | | | | | | | | | | |
| | All Features Available | | | UEPPX | UEPVF | 2.26 | | | | | | | 0.00 | 0.00 | | | | 11.90 | | | | 1.83 | |
| | UNBUNDLED PORT LOOP COMBINATIONS - MARKET RATES | | | | | | | | | | | | | | | | | | | | | | |
| | Market Rates shall apply where BellSouth is not required to provide unbundled local switching or switch ports per FCC and/or State Commission rules. | | | | | | | | | | | | | | | | | | | | | | |
| | These scenarios include: | | | | | | | | | | | | | | | | | | | | | | |
| | 1. Unbundled port/loop combinations that are Not Currently Combined in Alabama, Florida and North Carolina. | | | | | | | | | | | | | | | | | | | | | | |
| | 2. Unbundled port/loop combinations that are Currently Combined or Not Currently Combined in Zone 1 of the Top 8 MSAs in BellSouth's region for end users with 4 or more DS0 equivalent lines. | | | | | | | | | | | | | | | | | | | | | | |
| | The Top 8 MSAs in BellSouth's region are: FL (Orlando, Ft. Lauderdale, Miami); GA (Atlanta); LA (New Orleans); NC (Greensboro-Winston Salem-Highpoint/Charlotte-Gastonia-Rock Hill); TN (Nashville). | | | | | | | | | | | | | | | | | | | | | | |
| | BellSouth currently is developing the billing capability to mechanically bill the recurring and non-recurring Market Rates in this section except for nonrecurring charges for not currently combined in AL, FL and NC. In the interim where BellSouth cannot bill Market Rates, BellSouth shall bill the rates in the Cost-Based section preceding in lieu of the Market Rates and reserves the right to true-up the billing difference. | | | | | | | | | | | | | | | | | | | | | | |
| | The Market Rate for unbundled ports includes all available features in all states. | | | | | | | | | | | | | | | | | | | | | | |
| | End Office and Tandem Switching Usage and Common Transport Usage rates in the Port section of this rate exhibit shall apply to all combinations of loop/port network elements except for UNE Coin Port/Loop Combinations which have a flat rate usage charge (USOC: URECU). | | | | | | | | | | | | | | | | | | | | | | |
| | For Not Currently Combined scenarios where Market Rates apply, the Nonrecurring charges are listed in the First and Additional NRC columns for each Port USOC. For Currently Combined scenarios, the Nonrecurring charges are listed in the NRC - Currently Combined section. Additional NRCs may apply also and are categorized accordingly. | | | | | | | | | | | | | | | | | | | | | | |
| | 2-WIRE VOICE GRADE LOOP WITH 2-WIRE LINE PORT (RES) | | | | | | | | | | | | | | | | | | | | | | |
| | UNE Port/Loop Combination Rates | | | | | | | | | | | | | | | | | | | | | | |
| | 2-Wire VG Loop/Port Combo - Zone 1 | | 1 | | | 26.94 | | | | | | | | | | | | | | | | | |
| | 2-Wire VG Loop/Port Combo - Zone 2 | | 2 | | | 31.06 | | | | | | | | | | | | | | | | | |
| | 2-Wire VG Loop/Port Combo - Zone 3 | | 3 | | | 45.87 | | | | | | | | | | | | | | | | | |
| | UNE Loop Rates | | | | | | | | | | | | | | | | | | | | | | |
| | 2-Wire Voice Grade Loop (SL1) - Zone 1 | | 1 | UEPRX | UEPLX | 12.94 | | | | | | | | | | | | | | | | | |
| | 2-Wire Voice Grade Loop (SL1) - Zone 2 | | 2 | UEPRX | UEPLX | 17.06 | | | | | | | | | | | | | | | | | |
| | 2-Wire Voice Grade Loop (SL1) - Zone 3 | | 3 | UEPRX | UEPLX | 31.87 | | | | | | | | | | | | | | | | | |
| | 2-Wire Voice Grade Line Port (Res) | | | | | | | | | | | | | | | | | | | | | | |
| | 2-Wire voice unbundled port - residence | | | UEPRX | UEPRL | 14.00 | 90.00 | 90.00 | | | | | | | | | | 11.90 | | | | | |
| | 2-Wire voice unbundled port with Caller ID - res | | | UEPRX | UEPRC | 14.00 | 90.00 | 90.00 | | | | | | | | | | 11.90 | | | | | |
| | 2-Wire voice unbundled port outgoing only - res | | | UEPRX | UEPRO | 14.00 | 90.00 | 90.00 | | | | | | | | | | 11.90 | | | | | |
| | 2-Wire voice unbundled Florida Area Calling with Caller ID - res | | | UEPRX | UEPAF | 14.00 | 90.00 | 90.00 | | | | | | | | | | 11.90 | | | | | |
| | 2-Wire voice unbundles res, low usage line port with Caller ID (LUM) | | | UEPRX | UEPAP | 14.00 | 90.00 | 90.00 | | | | | | | | | | 11.90 | | | | | |
| | LOCAL NUMBER PORTABILITY | | | | | | | | | | | | | | | | | | | | | | |
| | Local Number Portability (1 per port) | | | UEPRX | LNPCX | 0.35 | | | | | | | | | | | | | | | | | |
| | FEATURES | | | | | | | | | | | | | | | | | | | | | | |
| | All Features Offered | | | UEPRX | UEPVF | 0.00 | 0.00 | 0.00 | | | | | | | | | | 11.90 | | | | | |
| | 2-Wire Voice Grade Loop / Line Port Combination - Switch-as-is | | | UEPRX | USAC2 | | 41.50 | 41.50 | | | | | | | | | | 11.90 | | | | | |
| | 2-Wire Voice Grade Loop / Line Port Combination - Switch with change | | | UEPRX | USACC | | 41.50 | 41.50 | | | | | | | | | | 11.90 | | | | | |
| | ADDITIONAL NRCs | | | | | | | | | | | | | | | | | | | | | | |
| | NRC - 2-Wire Voice Grade Loop/Line Port Combination - Subsequent | | | UEPRX | USAS2 | | | 0.00 | 0.00 | | | | | | | | | 11.90 | | | | | |
| | 2-WIRE VOICE GRADE LOOP WITH 2-WIRE LINE PORT (BUS) | | | | | | | | | | | | | | | | | | | | | | |
| | UNE Port/Loop Combination Rates | | | | | | | | | | | | | | | | | | | | | | |
| | 2-Wire VG Loop/Port Combo - Zone 1 | | 1 | | | 26.94 | | | | | | | | | | | | | | | | | |
| | 2-Wire VG Loop/Port Combo - Zone 2 | | 2 | | | 31.06 | | | | | | | | | | | | | | | | | |
| | 2-Wire VG Loop/Port Combo - Zone 3 | | 3 | | | 45.87 | | | | | | | | | | | | | | | | | |
| | UNE Loop Rates | | | | | | | | | | | | | | | | | | | | | | |
| | 2-Wire Voice Grade Loop (SL1) - Zone 1 | | 1 | UEPBX | UEPLX | 12.94 | | | | | | | | | | | | | | | | | |
| | 2-Wire Voice Grade Loop (SL1) - Zone 2 | | 2 | UEPBX | UEPLX | 17.06 | | | | | | | | | | | | | | | | | |
| | 2-Wire Voice Grade Loop (SL1) - Zone 3 | | 3 | UEPBX | UEPLX | 31.87 | | | | | | | | | | | | | | | | | |
| | 2-Wire Voice Grade Line Port (Bus) | | | | | | | | | | | | | | | | | | | | | | |
| | 2-Wire voice unbundled port without Caller ID - bus | | | UEPBX | UEPBL | 14.00 | 90.00 | 90.00 | | | | | | | | | | 11.90 | | | | | |
| | 2-Wire voice unbundled port with Caller + E484 ID - bus | | | UEPBX | UEPBC | 14.00 | 90.00 | 90.00 | | | | | | | | | | 11.90 | | | | | |

| UNBUNDLED NETWORK ELEMENTS - Florida | | | | | | | | | | | Attachment: 2 | | Exhibit: B | | | | | | | |
|--------------------------------------|--|---------|------|-------|-------|-----------|----------------------------------|--------------------------------------|--|--|---|---|---------------|--------------------|--------------------|-------------------------------|-------------------------------|-------|-------|-------|
| CATEGORY | RATE ELEMENTS | Interim | Zone | BCS | USOC | RATES(\$) | Svc Order Submitted Elec per LSR | Svc Order Submitted Manually per LSR | Incremental Charge - Manual Svc Order vs. Electronic-1st | Incremental Charge - Manual Svc Order vs. Electronic-Add'l | Incremental Charge - Manual Svc Order vs. Electronic-Disc 1st | Incremental Charge - Manual Svc Order vs. Electronic-Disc Add'l | OSS Rates(\$) | | | | | | | |
| | | | | | | | | | | | | | Rec | Nonrecurring First | Nonrecurring Add'l | Nonrecurring Disconnect First | Nonrecurring Disconnect Add'l | SOMEc | SOMAN | SOMAN |
| | 2-Wire voice unbundled port outgoing only - bus | | | UEPBX | UEPBO | 14.00 | | | | | | | | | | | | | | |
| | LOCAL NUMBER PORTABILITY | | | | | | | | | | | | | | | | | | | |
| | Local Number Portability (1 per port) | | | UEPBX | LNPCX | 0.35 | | | | | | | | | | | | | | |
| | NONRECURRING CHARGES - CURRENTLY COMBINED | | | | | | | | | | | | | | | | | | | |
| | 2-Wire Voice Grade Loop / Line Port Combination - Switch-as-is | | | UEPBX | USAC2 | 41.50 | | | | | | | | | | | | | | |
| | 2-Wire Voice Grade Loop / Line Port Combination - Switch with change | | | UEPBX | USACC | 41.50 | | | | | | | | | | | | | | |
| | ADDITIONAL NRCs | | | | | | | | | | | | | | | | | | | |
| | NRC - 2-Wire Voice Grade Loop/Line Port Combination - Subsequent | | | UEPBX | USAS2 | 0.00 | | | | | | | | | | | | | | |
| | 2-WIRE VOICE GRADE LOOP WITH 2-WIRE LINE PORT (RES - PBX) | | | | | | | | | | | | | | | | | | | |
| | UNE Port/Loop Combination Rates | | | | | | | | | | | | | | | | | | | |
| | 2-Wire VG Loop/Port Combo - Zone 1 | | 1 | | | 26.94 | | | | | | | | | | | | | | |
| | 2-Wire VG Loop/Port Combo - Zone 2 | | 2 | | | 31.06 | | | | | | | | | | | | | | |
| | 2-Wire VG Loop/Port Combo - Zone 3 | | 3 | | | 45.87 | | | | | | | | | | | | | | |
| | UNE Loop Rates | | | | | | | | | | | | | | | | | | | |
| | 2-Wire Voice Grade Loop (SL1) - Zone 1 | | 1 | UEPRG | UEPLX | 12.94 | | | | | | | | | | | | | | |
| | 2-Wire Voice Grade Loop (SL1) - Zone 2 | | 2 | UEPRG | UEPLX | 17.06 | | | | | | | | | | | | | | |
| | 2-Wire Voice Grade Loop (SL1) - Zone 3 | | 3 | UEPRG | UEPLX | 31.87 | | | | | | | | | | | | | | |
| | 2-Wire Voice Grade Line Port Rates (RES - PBX) | | | | | | | | | | | | | | | | | | | |
| | 2-Wire VG Unbundled Combination 2-Way PBX Trunk Port - Res | | | UEPRG | UEPRD | 14.00 | | | | | | | | | | | | | | |
| | LOCAL NUMBER PORTABILITY | | | | | | | | | | | | | | | | | | | |
| | Local Number Portability (1 per port) | | | UEPRG | LNPCP | 3.15 | | | | | | | | | | | | | | |
| | FEATURES | | | | | | | | | | | | | | | | | | | |
| | All Features Offered | | | UEPRG | UEPVF | 0.00 | | | | | | | | | | | | | | |
| | NONRECURRING CHARGES - CURRENTLY COMBINED | | | | | | | | | | | | | | | | | | | |
| | 2-Wire Voice Grade Loop/ Line Port Combination - Switch-As-Is | | | UEPRG | USAC2 | 41.50 | | | | | | | | | | | | | | |
| | 2-Wire Voice Grade Loop/ Line Port Combination - Switch with Change | | | UEPRG | USACC | 41.50 | | | | | | | | | | | | | | |
| | ADDITIONAL NRCs | | | | | | | | | | | | | | | | | | | |
| | 2 Wire Loop/Line Side Port Combination - Non feature - Subsequent Activity- Nonrecurring | | | | | | | | | | | | | | | | | | | |
| | PBX Subsequent Activity - Change/Rearrange Multiline Hunt Group | | | | | | | | | | | | | | | | | | | |
| | 2-WIRE VOICE GRADE LOOP WITH 2-WIRE LINE PORT (BUS - PBX) | | | | | | | | | | | | | | | | | | | |
| | UNE Port/Loop Combination Rates | | | | | | | | | | | | | | | | | | | |
| | 2-Wire VG Loop/Port Combo - Zone 1 | | 1 | | | 26.94 | | | | | | | | | | | | | | |
| | 2-Wire VG Loop/Port Combo - Zone 2 | | 2 | | | 31.06 | | | | | | | | | | | | | | |
| | 2-Wire VG Loop/Port Combo - Zone 3 | | 3 | | | 45.87 | | | | | | | | | | | | | | |
| | UNE Loop Rates | | | | | | | | | | | | | | | | | | | |
| | 2-Wire Voice Grade Loop (SL1) - Zone 1 | | 1 | UEPPX | UEPLX | 12.94 | | | | | | | | | | | | | | |
| | 2-Wire Voice Grade Loop (SL1) - Zone 2 | | 2 | UEPPX | UEPLX | 17.06 | | | | | | | | | | | | | | |
| | 2-Wire Voice Grade Loop (SL1) - Zone 3 | | 3 | UEPPX | UEPLX | 31.87 | | | | | | | | | | | | | | |
| | 2-Wire Voice Grade Line Port Rates (BUS - PBX) | | | | | | | | | | | | | | | | | | | |
| | Line Side Unbundled Combination 2-Way PBX Trunk Port - Bus | | | UEPPX | UEPPC | 14.00 | | | | | | | | | | | | | | |
| | Line Side Unbundled Outward PBX Trunk Port - Bus | | | UEPPX | UEPPO | 14.00 | | | | | | | | | | | | | | |
| | Line Side Unbundled Incoming PBX Trunk Port - Bus | | | UEPPX | UEPP1 | 14.00 | | | | | | | | | | | | | | |
| | 2-Wire Voice Unbundled PBX LD Terminal Ports | | | UEPPX | UEPLD | 14.00 | | | | | | | | | | | | | | |
| | 2-Wire Voice Unbundled 2-Way Combination PBX Usage Port | | | UEPPX | UEPXA | 14.00 | | | | | | | | | | | | | | |
| | 2-Wire Voice Unbundled PBX Toll Terminal Hotel Ports | | | UEPPX | UEPXB | 14.00 | | | | | | | | | | | | | | |
| | 2-Wire Voice Unbundled PBX LD DDD Terminals Port | | | UEPPX | UEPXC | 14.00 | | | | | | | | | | | | | | |
| | 2-Wire Voice Unbundled PBX LD Terminal Switchboard Port | | | UEPPX | UEPXD | 14.00 | | | | | | | | | | | | | | |
| | 2-Wire Voice Unbundled PBX LD Terminal Switchboard IDD Capable Port | | | UEPPX | UEPXE | 14.00 | | | | | | | | | | | | | | |

| UNBUNDLED NETWORK ELEMENTS - Florida | | | | | | | | | | Attachment: 2 | | Exhibit: B | | | | |
|---|--|---------|------|-------|-------|-----------|----------------------------------|--------------------------------------|--|--|---|---|-------|--------------|-------|-------------------------|
| CATEGORY | RATE ELEMENTS | Interim | Zone | BCS | USOC | RATES(\$) | Svc Order Submitted Elec per LSR | Svc Order Submitted Manually per LSR | Incremental Charge - Manual Svc Order vs. Electronic-1st | Incremental Charge - Manual Svc Order vs. Electronic-Add'l | Incremental Charge - Manual Svc Order vs. Electronic-Disc 1st | Incremental Charge - Manual Svc Order vs. Electronic-Disc Add'l | | | | |
| | | | | | | | | | | | | | Rec | Nonrecurring | | Nonrecurring Disconnect |
| | | | | | | | First | Add'l | First | Add'l | SOMEc | SOMAN | SOMAN | SOMAN | SOMAN | SOMAN |
| | 2-Wire Voice Unbundled 2-Way PBX Hotel/Hospital Economy Administrative Calling Port | | | UEPPX | UEPXL | 14.00 | 90.00 | 90.00 | | | | 11.90 | | | | |
| | 2-Wire Voice Unbundled 2-Way PBX Hotel/Hospital Economy Room Calling Port | | | UEPPX | UEPXM | 14.00 | 90.00 | 90.00 | | | | 11.90 | | | | |
| | 2-Wire Voice Unbundled 1-Way Outgoing PBX Hotel/Hospital Discount Room Calling Port | | | UEPPX | UEPXO | 14.00 | 90.00 | 90.00 | | | | 11.90 | | | | |
| | 2-Wire Voice Unbundled 1-Way Outgoing PBX Measured Port | | | UEPPX | UEPXS | 14.00 | 90.00 | 90.00 | | | | 11.90 | | | | |
| LOCAL NUMBER PORTABILITY | | | | | | | | | | | | | | | | |
| | Local Number Portability (1 per port) | | | UEPPX | LNPCP | 3.15 | 0.00 | 0.00 | | | | | | | | |
| FEATURES | | | | | | | | | | | | | | | | |
| | All Features Offered | | | UEPPX | UEPVF | 0.00 | 0.00 | 0.00 | | | | 11.90 | | | | |
| NONRECURRING CHARGES - CURRENTLY COMBINED | | | | | | | | | | | | | | | | |
| | 2-Wire Voice Grade Loop/ Line Port Combination - Switch-As-Is | | | UEPPX | USAC2 | | 41.50 | 41.50 | | | | 11.90 | | | | |
| | 2-Wire Voice Grade Loop/ Line Port Combination - Switch with Change | | | UEPPX | USACC | | 41.50 | 41.50 | | | | 11.90 | | | | |
| ADDITIONAL NRCs | | | | | | | | | | | | | | | | |
| | 2-Wire Voice Grade Loop/ Line Port Combination - Subsequent | | | UEPPX | USAS2 | 0.00 | 0.00 | 0.00 | | | | 11.90 | | | | |
| | 2 Wire Loop/Line Side Port Combination - Non feature - Subsequent Activity - Nonrecurring | | | | | | 0.00 | 0.00 | | | | 11.90 | | | | |
| | PBX Subsequent Activity - Change/Rearrange Multiline Hunt Group | | | | | | 7.09 | 7.09 | | | | 11.90 | | | | |
| 2-WIRE VOICE GRADE LOOP WITH 2-WIRE ANALOG LINE COIN PORT | | | | | | | | | | | | | | | | |
| UNE Port/Loop Combination Rates | | | | | | | | | | | | | | | | |
| | 2-Wire VG Coin Port/Loop Combo - Zone 1 | | 1 | | | 26.94 | | | | | | | | | | |
| | 2-Wire VG Coin Port/Loop Combo - Zone 2 | | 2 | | | 31.06 | | | | | | | | | | |
| | 2-Wire VG Coin Port/Loop Combo - Zone 3 | | 3 | | | 45.87 | | | | | | | | | | |
| UNE Loop Rates | | | | | | | | | | | | | | | | |
| | 2-Wire Voice Grade Loop (SL1) - Zone 1 | | 1 | UEPCO | UEPLX | 12.94 | | | | | | | | | | |
| | 2-Wire Voice Grade Loop (SL1) - Zone 2 | | 2 | UEPCO | UEPLX | 17.06 | | | | | | | | | | |
| | 2-Wire Voice Grade Loop (SL1) - Zone 3 | | 3 | UEPCO | UEPLX | 31.87 | | | | | | | | | | |
| 2-Wire Voice Grade Line Port Rates (Coin) | | | | | | | | | | | | | | | | |
| | 2-Wire Coin 2-Way with Operator Screening and Blocking: 011, 900/976, 1+DDD (FL) | | | UEPCO | UEP2F | 14.00 | 90.00 | 90.00 | | | | 11.90 | | | | |
| | 2-Wire Coin 2-Way with Operator Screening and 011 Blocking (FL) | | | UEPCO | UEPFA | 14.00 | 90.00 | 90.00 | | | | 11.90 | | | | |
| | 2-Wire Coin 2-Way with Operator Screening and Blocking: 900/976, 1+DDD, 011+, and Local (FL) | | | UEPCO | UEPCG | 14.00 | 90.00 | 90.00 | | | | 11.90 | | | | |
| | 2-Wire Coin Outward with Operator Screening and 011 Blocking (AL, FL) | | | UEPCO | UEPRK | 14.00 | 90.00 | 90.00 | | | | 11.90 | | | | |
| | 2-Wire Coin Outward with Operator Screening and Blocking: 900/976, 1+DDD, 011+ (FL) | | | UEPCO | UEPOF | 14.00 | 90.00 | 90.00 | | | | 11.90 | | | | |
| | 2-Wire Coin Outward with Operator Screening and Blocking: 900/976, 1+DDD, 011+, and Local (FL, GA) | | | UEPCO | UEPCQ | 14.00 | 90.00 | 90.00 | | | | 11.90 | | | | |
| LOCAL NUMBER PORTABILITY | | | | | | | | | | | | | | | | |
| | Local Number Portability (1 per port) | | | UEPCO | LNPCX | 0.35 | | | | | | | | | | |
| NONRECURRING CHARGES - CURRENTLY COMBINED | | | | | | | | | | | | | | | | |
| | 2-Wire Voice Grade Loop/ Line Port Combination - Switch-As-Is | | | UEPCO | USAC2 | | 41.50 | 41.50 | | | | 11.90 | | | | |
| | 2-Wire Voice Grade Loop/ Line Port Combination - Switch with Change | | | UEPCO | USACC | | 41.50 | 41.50 | | | | | | | | |
| ADDITIONAL NRCs | | | | | | | | | | | | | | | | |
| | 2-Wire Voice Grade Loop/ Line Port Combination - Subsequent | | | UEPCO | USAS2 | | 0.00 | 0.00 | | | | 11.90 | | | | |
| UNBUNDLED PORT/LOOP COMBINATIONS - MARKET BASED RATES | | | | | | | | | | | | | | | | |
| 2-WIRE VOICE GRADE LOOP- BUS ONLY - WITH 2-WIRE DID TRUNK PORT | | | | | | | | | | | | | | | | |
| UNE Port/Loop Combination Rates | | | | | | | | | | | | | | | | |
| | 2-Wire VG Loop/2-Wire DID Trunk Port Combo - UNE Zone 1 | | 1 | | | 69.50 | | | | | | | | | | |

| UNBUNDLED NETWORK ELEMENTS - Florida | | | | | | | | | | Attachment: 2 | | Exhibit: B | | | | |
|---|---|---------|------|-------|-------|-----------|----------------------------------|--------------------------------------|--|--|---|---|-------|--------------|-------|-------------------------|
| CATEGORY | RATE ELEMENTS | Interim | Zone | BCS | USOC | RATES(\$) | Svc Order Submitted Elec per LSR | Svc Order Submitted Manually per LSR | Incremental Charge - Manual Svc Order vs. Electronic-1st | Incremental Charge - Manual Svc Order vs. Electronic-Add'l | Incremental Charge - Manual Svc Order vs. Electronic-Disc 1st | Incremental Charge - Manual Svc Order vs. Electronic-Disc Add'l | | | | |
| | | | | | | | | | | | | | Rec | Nonrecurring | | Nonrecurring Disconnect |
| | | | | | | | | | | | | | | | | |
| | | | | | | | | | | SOMEc | SOMAN | SOMAN | SOMAN | SOMAN | SOMAN | |
| | 2-Wire VG Loop/2-Wire DID Trunk Port Combo - UNE Zone 2 | | 2 | | | 74.57 | | | | | | | | | | |
| | 2-Wire VG Loop/2-Wire DID Trunk Port Combo - UNE Zone 3 | | 3 | | | 92.82 | | | | | | | | | | |
| UNE Loop Rates | | | | | | | | | | | | | | | | |
| | 2-Wire Analog Voice Grade Loop - (SL2) - UNE Zone 1 | | 1 | UEPPX | UECD1 | 14.50 | | | | | 11.90 | | | | 1.83 | |
| | 2-Wire Analog Voice Grade Loop - (SL2) - UNE Zone 2 | | 2 | UEPPX | UECD1 | 19.57 | | | | | 11.90 | | | | 1.83 | |
| | 2-Wire Analog Voice Grade Loop - (SL2) - UNE Zone 3 | | 3 | UEPPX | UECD1 | 37.82 | | | | | 11.90 | | | | 1.83 | |
| UNE Port Rate | | | | | | | | | | | | | | | | |
| | Exchange Ports - 2-Wire DID Port | | | UEPPX | UEPD1 | 55.00 | 850.00 | 75.00 | | | 11.90 | | | | 1.83 | |
| NONRECURRING CHARGES - CURRENTLY COMBINED | | | | | | | | | | | | | | | | |
| | 2-Wire Voice Grade Loop / 2-Wire DID Trunk Port Combination - Switch-As-Is Top 8 MSAs only | | | UEPPX | USAC1 | | 850.00 | 75.00 | | | 11.90 | | | | | |
| | 2-Wire Voice Grade Loop / 2-Wire DID Trunk Port Conversion with BellSouth Allowable Changes Top 8 MSAs only | | | UEPPX | USA1C | | 850.00 | 75.00 | | | 11.90 | | | | | |
| ADDITIONAL NRCs | | | | | | | | | | | | | | | | |
| | 2-Wire DID Subsequent Activity - Add Trunks, Per Trunk | | | UEPPX | USAS1 | | 32.26 | 32.26 | | | 11.90 | | | | | |
| Telephone Number/Trunk Group Establishment Charges | | | | | | | | | | | | | | | | |
| | DID Trunk Termination (One Per Port) | | | UEPPX | NDT | 0.00 | 0.00 | 0.00 | | | 11.90 | | | | 1.83 | |
| | DID Numbers, Establish Trunk Group and Provide First Group of 20 DID Numbers | | | UEPPX | NDZ | 0.00 | 0.00 | 0.00 | | | 11.90 | | | | 1.83 | |
| | Additional DID Numbers for each Group of 20 DID Numbers | | | UEPPX | ND4 | 0.00 | 0.00 | 0.00 | | | 11.90 | | | | 1.83 | |
| | DID Numbers, Non- consecutive DID Numbers , Per Number | | | UEPPX | ND5 | 0.00 | 0.00 | 0.00 | | | 11.90 | | | | 1.83 | |
| | Reserve Non-Consecutive DID numbers | | | UEPPX | ND6 | 0.00 | 0.00 | 0.00 | | | 11.90 | | | | 1.83 | |
| | Reserve DID Numbers | | | UEPPX | NDV | 0.00 | 0.00 | 0.00 | | | 11.90 | | | | 1.83 | |
| LOCAL NUMBER PORTABILITY | | | | | | | | | | | | | | | | |
| | Local Number Portability (1 per port) | | | UEPPX | LNPCP | 3.15 | 0.00 | 0.00 | | | | | | | | |
| 2-WIRE ISDN DIGITAL GRADE LOOP WITH 2-WIRE ISDN DIGITAL LINE SIDE PORT | | | | | | | | | | | | | | | | |
| UNE Port/Loop Combination Rates | | | | | | | | | | | | | | | | |
| | 2W ISDN Digital Grade Loop/2W ISDN Digital Line Side Port - UNE Zone 1 | | 1 | UEPPB | UEPPR | 94.71 | | | | | | | | | | |
| | 2W ISDN Digital Grade Loop/2W ISDN Digital Line Side Port - UNE Zone 2 | | 2 | UEPPB | UEPPR | 100.77 | | | | | | | | | | |
| | 2W ISDN Digital Grade Loop/2W ISDN Digital Line Side Port - UNE Zone 3 | | 3 | UEPPB | UEPPR | 122.56 | | | | | | | | | | |
| UNE Loop Rates | | | | | | | | | | | | | | | | |
| | 2-Wire ISDN Digital Grade Loop - UNE Zone 1 | | 1 | UEPPB | UEPPR | USL2X | 24.71 | | | | 11.90 | | | | 1.83 | |
| | 2-Wire ISDN Digital Grade Loop - UNE Zone 2 | | 2 | UEPPB | UEPPR | USL2X | 30.77 | | | | 11.90 | | | | 1.83 | |
| | 2-Wire ISDN Digital Grade Loop - UNE Zone 3 | | 3 | UEPPB | UEPPR | USL2X | 52.56 | | | | 11.90 | | | | 1.83 | |
| UNE Port Rate | | | | | | | | | | | | | | | | |
| | Exchange Port - 2-Wire ISDN Line Side Port | | | UEPPB | UEPPR | UEPPB | 70.00 | 525.00 | 400.00 | | 11.09 | | | | 1.83 | |
| NONRECURRING CHARGES - CURRENTLY COMBINED | | | | | | | | | | | | | | | | |
| | 2-Wire ISDN Digital Grade Loop / 2-Wire ISDN Line Side Port Combination - Conversion - Top 8 MSAs only | | | UEPPB | UEPPR | USACB | 0.00 | 215.00 | 215.00 | | 11.90 | | | | 1.83 | |
| ADDITIONAL NRCs | | | | | | | | | | | | | | | | |
| LOCAL NUMBER PORTABILITY | | | | | | | | | | | | | | | | |
| | Local Number Portability (1 per port) | | | UEPPB | UEPPR | LNPCX | 0.35 | 0.00 | 0.00 | | | | | | | |
| B-CHANNEL USER PROFILE ACCESS: | | | | | | | | | | | | | | | | |
| | CVS/CSD (DMS/5ESS) | | | UEPPB | UEPPR | U1UCA | 0.00 | 0.00 | 0.00 | | | | | | | |
| | CVS (EWSD) | | | UEPPB | UEPPR | U1UCB | 0.00 | 0.00 | 0.00 | | | | | | | |
| | CSD | | | UEPPB | UEPPR | U1UCC | 0.00 | 0.00 | 0.00 | | | | | | | |
| B-CHANNEL AREA PLUS USER PROFILE ACCESS: (AL,KY,LA,MS SC,MS, & TN) | | | | | | | | | | | | | | | | |
| USER TERMINAL PROFILE | | | | | | | | | | | | | | | | |
| | User Terminal Profile (EWSD only) | | | UEPPB | UEPPR | U1UMA | 0.00 | 0.00 | 0.00 | | | | | | | |
| VERTICAL FEATURES | | | | | | | | | | | | | | | | |
| | All Vertical Features - One per Channel B User Profile | | | UEPPB | UEPPR | UEPVF | 2.26 | 0.00 | 0.00 | | 11.90 | | | | | |
| INTEROFFICE CHANNEL MILEAGE | | | | | | | | | | | | | | | | |
| | Interoffice Channel mileage each, including first mile and facilities termination | | | UEPPB | UEPPR | M1GNC | 18.4491 | 47.35 | 31.78 | 18.31 | 7.03 | 11.90 | | | 1.83 | |
| | Interoffice Channel mileage each, additional mile | | | UEPPB | UEPPR | M1GNM | 0.0091 | 0.00 | 0.00 | | | 11.90 | | | 1.83 | |

| UNBUNDLED NETWORK ELEMENTS - Florida | | | | | | | | | | | Attachment: 2 | | Exhibit: B | | | | | |
|--|---|---------|------|-------|-------|-----------|----------------------------------|--------------------------------------|--|--|---|---|---------------|--------------|-------|-------------------------|--|-------|
| CATEGORY | RATE ELEMENTS | Interim | Zone | BCS | USOC | RATES(\$) | Svc Order Submitted Elec per LSR | Svc Order Submitted Manually per LSR | Incremental Charge - Manual Svc Order vs. Electronic-1st | Incremental Charge - Manual Svc Order vs. Electronic-Add'l | Incremental Charge - Manual Svc Order vs. Electronic-Disc 1st | Incremental Charge - Manual Svc Order vs. Electronic-Disc Add'l | OSS Rates(\$) | | | | | |
| | | | | | | | | | | | | | Rec | Nonrecurring | | Nonrecurring Disconnect | | SOMEc |
| | | | | | | | First | Add'l | First | Add'l | SOMEc | SOMAN | SOMAN | SOMAN | SOMAN | SOMAN | | |
| 4-WIRE DS1 DIGITAL LOOP WITH 4-WIRE ISDN DS1 DIGITAL TRUNK PORT | | | | | | | | | | | | | | | | | | |
| UNE Port/Loop Combination Rates | | | | | | | | | | | | | | | | | | |
| | 4W DS1 Digital Loop/4W ISDN DS1 Digital Trunk Port - UNE Zone 1 | | 1 | UEPPP | | 973.44 | | | | | | | | | | | | |
| | 4W DS1 Digital Loop/4W ISDN DS1 Digital Trunk Port - UNE Zone 2 | | 2 | UEPPP | | 999.13 | | | | | | | | | | | | |
| | 4W DS1 Digital Loop/4W ISDN DS1 Digital Trunk Port - UNE Zone 3 | | 3 | UEPPP | | 1,091.51 | | | | | | | | | | | | |
| UNE Loop Rates | | | | | | | | | | | | | | | | | | |
| | 4-Wire DS1 Digital Loop - UNE Zone 1 | | 1 | UEPPP | USL4P | 73.44 | | | | | 11.90 | | | | | 1.83 | | |
| | 4-Wire DS1 Digital Loop - UNE Zone 2 | | 2 | UEPPP | USL4P | 99.13 | | | | | 11.90 | | | | | 1.83 | | |
| | 4-Wire DS1 Digital Loop - UNE Zone 3 | | 3 | UEPPP | USL4P | 191.51 | | | | | 11.90 | | | | | 1.83 | | |
| UNE Port Rate | | | | | | | | | | | | | | | | | | |
| | Exchange Ports - 4-Wire ISDN DS1 Port | | | UEPPP | UEPPP | 900.00 | 1,150.00 | 1,150.00 | | | | 11.90 | | | | 1.83 | | |
| NONRECURRING CHARGES - CURRENTLY COMBINED | | | | | | | | | | | | | | | | | | |
| | 4-Wire DS1 Digital Loop / 4-Wire ISDN DS1 Digital Trunk Port Combination - Conversion -Switch-As-Is Top 8 MSAs only | | | UEPPP | USACP | 0.00 | 925.00 | 925.00 | | | | 11.90 | | | | 1.83 | | |
| ADDITIONAL NRCS | | | | | | | | | | | | | | | | | | |
| | 4-Wire DS1 Loop/4-W ISDN Digtl Trk Port - Subsqt Actvy-Inward/two way tel nos within Std Allowance (except NC) | | | UEPPP | PR7TF | | 0.5412 | | | | | 11.90 | | | | 1.83 | | |
| | 4-Wire DS1 Loop / 4-Wire ISDN DS1 Digital Trunk Port - Outward Tel Numbers (All States except NC) | | | UEPPP | PR7TO | | 12.71 | 12.71 | | | | 11.90 | | | | 1.83 | | |
| | 4-Wire DS1 Loop / 4-Wire ISDN DS1 Digital Trk Port - Subsequent Inward Tel Nos Above Std Allowance | | | UEPPP | PR7ZT | | 25.42 | 25.42 | | | | 11.90 | | | | 1.83 | | |
| LOCAL NUMBER PORTABILITY | | | | | | | | | | | | | | | | | | |
| | Local Number Portability (1 per port) | | | UEPPP | LNPCN | 1.75 | | | | | | | | | | | | |
| INTERFACE (Provisioning Only) | | | | | | | | | | | | | | | | | | |
| | Voice/Data | | | UEPPP | PR71V | 0.00 | 0.00 | 0.00 | | | | | | | | | | |
| | Digital Data | | | UEPPP | PR71D | 0.00 | 0.00 | 0.00 | | | | | | | | | | |
| | Inward Data | | | UEPPP | PR71E | 0.00 | 0.00 | 0.00 | | | | | | | | | | |
| New or Additional "B" Channel | | | | | | | | | | | | | | | | | | |
| | New or Additional - Voice/Data B Channel | | | UEPPP | PR7BV | 0.00 | 20.00 | | | | | 11.90 | | | | 1.83 | | |
| | New or Additional - Digital Data B Channel | | | UEPPP | PR7BF | 0.00 | 20.00 | | | | | 11.90 | | | | 1.83 | | |
| | New or Additional Inward Data B Channel | | | UEPPP | PR7BD | 0.00 | 20.00 | | | | | 11.90 | | | | 1.83 | | |
| CALL TYPES | | | | | | | | | | | | | | | | | | |
| | Inward | | | UEPPP | PR7C1 | 0.00 | 0.00 | 0.00 | | | | | | | | | | |
| | Outward | | | UEPPP | PR7C0 | 0.00 | 0.00 | 0.00 | | | | | | | | | | |
| | Two-way | | | UEPPP | PR7CC | 0.00 | 0.00 | 0.00 | | | | | | | | | | |
| Interoffice Channel Mileage | | | | | | | | | | | | | | | | | | |
| | Fixed Each Including First Mile | | | UEPPP | 1LN1A | 88.6256 | 105.54 | 98.47 | 21.47 | 19.05 | | 11.90 | | | | 1.93 | | |
| | Each Airline-Fractional Additional Mile | | | UEPPP | 1LN1B | 0.1856 | | | | | | | | | | | | |
| 4-WIRE DS1 DIGITAL LOOP WITH 4-WIRE DDITS TRUNK PORT | | | | | | | | | | | | | | | | | | |
| UNE Port/Loop Combination Rates | | | | | | | | | | | | | | | | | | |
| | 4W DS1 Digital Loop/4W DDITS Trunk Port - Statewide | sw | | UEPDC | | | | | | | | | | | | | | |
| | 4W DS1 Digital Loop/4W DDITS Trunk Port - UNE Zone 1 | | 1 | UEPDC | | 128.39 | | | | | | 11.90 | | | | 1.83 | | |
| | 4W DS1 Digital Loop/4W DDITS Trunk Port - UNE Zone 2 | | 2 | UEPDC | | 154.08 | | | | | | 11.90 | | | | 1.83 | | |
| | 4W DS1 Digital Loop/4W DDITS Trunk Port - UNE Zone 3 | | 3 | UEPDC | | 246.46 | | | | | | 11.90 | | | | 1.83 | | |
| | 4W DS1 Digital Loop/4W DDITS Trunk Port - UNE Zone 4 | | 4 | UEPDC | | | | | | | | | | | | | | |
| UNE Loop Rates | | | | | | | | | | | | | | | | | | |
| | 4-Wire DS1 Digital Loop - Statewide | sw | | UEPDC | USLDC | | | | | | | | | | | | | |
| | 4-Wire DS1 Digital Loop - UNE Zone 1 | | 1 | UEPDC | USLDC | 73.44 | | | | | | 11.90 | | | | 1.83 | | |
| | 4-Wire DS1 Digital Loop - UNE Zone 2 | | 2 | UEPDC | USLDC | 99.13 | | | | | | 11.90 | | | | 1.83 | | |
| | 4-Wire DS1 Digital Loop - UNE Zone 3 | | 3 | UEPDC | USLDC | 191.51 | | | | | | 11.90 | | | | 1.83 | | |
| | 4-Wire DS1 Digital Loop - UNE Zone 4 | | 4 | UEPDC | USLDC | | | | | | | | | | | | | |
| UNE Port Rate | | | | | | | | | | | | | | | | | | |
| | 4-Wire DDITS Digital Trunk Port | | | UEPDC | UDD1T | 750.00 | 1,019.56 | 479.87 | 204.92 | 20.10 | | 11.90 | | | | 1.83 | | |
| NONRECURRING CHARGES - CURRENTLY COMBINED | | | | | | | | | | | | | | | | | | |
| | 4-Wire DS1 Digital Loop / 4-Wire DDITS Trunk Port Combination - Switch-As-Is Top 8 MSAs only | | | UEPDC | USAC4 | | 95.31 | 46.71 | | | | 11.90 | | | | 1.83 | | |

| UNBUNDLED NETWORK ELEMENTS - Florida | | | | | | | | | | Attachment: 2 | | Exhibit: B | | | |
|---|--|---------|------|-------|-------|-----------|----------------------------------|--------------------------------------|--|--|---|---|-------|--------------|-------|
| CATEGORY | RATE ELEMENTS | Interim | Zone | BCS | USOC | RATES(\$) | Svc Order Submitted Elec per LSR | Svc Order Submitted Manually per LSR | Incremental Charge - Manual Svc Order vs. Electronic-1st | Incremental Charge - Manual Svc Order vs. Electronic-Add'l | Incremental Charge - Manual Svc Order vs. Electronic-Disc 1st | Incremental Charge - Manual Svc Order vs. Electronic-Disc Add'l | | | |
| | | | | | | | | | | | | | Rec | Nonrecurring | |
| | | | | | | | | | | | | | | | |
| | | | | | | First | Add'l | First | Add'l | SOMEc | SOMAN | SOMAN | SOMAN | SOMAN | SOMAN |
| | 4-Wire DS1 Digital Loop / 4-Wire DDITS Trunk Port Combination - Conversion with DS1 Changes Top 8 MSAs only | | | UEPDC | USAWA | 95.31 | 46.71 | | | | 11.90 | | | | 1.83 |
| | 4-Wire DS1 Digital Loop / 4-Wire DDITS Trunk Port Combination - Conversion with Change - Trunk Top 8 MSAs only | | | UEPDC | USAWB | 95.31 | 46.71 | | | | 11.90 | | | | 1.83 |
| ADDITIONAL NRCS | | | | | | | | | | | | | | | |
| | 4-Wire DS1 Loop / 4-Wire DDITS Trunk Port - Subsequent Service Activity Per Service Order | | | UEPDC | USAS4 | | | | | | | | | | |
| | 4-Wire DS1 Loop / 4-Wire DDITS Trunk Port - NRC - Subsequent Channel Activation/Chan - 2-Way Trunk | | | UEPDC | UDTTA | 15.69 | 15.69 | | | | 11.90 | | | | 1.83 |
| | 4-Wire DS1 Loop / 4-Wire DDITS Trunk Port - Subsequent Channel Activation/Chan - 1-Way Outward Trunk | | | UEPDC | UDTTB | 15.69 | 15.69 | | | | 11.90 | | | | 1.83 |
| | 4-Wire DS1 Loop / 4-Wire DDITS Trunk Port - Subsequent Channel Activation/Chan - Inward Trunk w/out DID | | | UEPDC | UDTTC | 15.69 | 15.69 | | | | 11.90 | | | | 1.83 |
| | 4-Wire DS1 Loop / 4-Wire DDITS Trunk Port - Subsequent Channel Activation Per Chan - Inward Trunk with DID | | | UEPDC | UDTTD | 15.69 | 15.69 | | | | 11.90 | | | | 1.83 |
| | 4-Wire DS1 Loop / 4-Wire DDITS Trunk Port - Subsequent Channel Activation / Chan - 2-Way DID w User Trans | | | UEPDC | UDTTE | 15.69 | 15.69 | | | | 11.90 | | | | 1.83 |
| BIPOLAR 8 ZERO SUBSTITUTION | | | | | | | | | | | | | | | |
| | B8ZS - Superframe Format | | | UEPDC | CCOSF | 0.00 | 655.00 | | | | 11.90 | | | | 1.83 |
| | B8ZS - Extended Superframe Format | | | UEPDC | CCOEF | 0.00 | 655.00 | | | | 11.90 | | | | 1.83 |
| Alternate Mark Inversion | | | | | | | | | | | | | | | |
| | AMI - Superframe Format | | | UEPDC | MCOSF | 0.00 | 0.00 | | | | | | | | |
| | AMI - Extended SuperFrame Format | | | UEPDC | MCOPO | 0.00 | 0.00 | | | | | | | | |
| Telephone Number/Trunk Group Establishment Charges | | | | | | | | | | | | | | | |
| | Telephone Number for 2-Way Trunk Group | | | UEPDC | UDTGX | 0.00 | | | | | 11.90 | | | | 1.83 |
| | Telephone Number for 1-Way Outward Trunk Group | | | UEPDC | UDTGY | 0.00 | | | | | 11.90 | | | | 1.83 |
| | Telephone Number for 1-Way Inward Trunk Group Without DID | | | UEPDC | UDTGZ | 0.00 | | | | | 11.90 | | | | 1.83 |
| | DID Numbers, Establish Trunk Group and Provide First Group of 20 DID Numbers | | | UEPDC | NDZ | 0.00 | 0.00 | 0.00 | | | 11.90 | | | | 1.83 |
| | DID Numbers for each Group of 20 DID Numbers | | | UEPDC | ND4 | 0.00 | | | | | 11.90 | | | | 1.83 |
| | DID Numbers, Non- consecutive DID Numbers , Per Number | | | UEPDC | ND5 | 0.00 | | | | | 11.90 | | | | 1.83 |
| | Reserve Non-Consecutive DID Nos. | | | UEPDC | ND6 | 0.00 | 0.00 | 0.00 | | | 11.90 | | | | 1.83 |
| | Reserve DID Numbers | | | UEPDC | NDV | 0.00 | 0.00 | 0.00 | | | 11.90 | | | | 1.83 |
| Dedicated DS1 (Interoffice Channel Mileage) - | | | | | | | | | | | | | | | |
| FX/FCO for 4-Wire DS1 Digital Loop with 4-Wire DDITS Trunk Port | | | | | | | | | | | | | | | |
| | Interoffice Channel Mileage - Fixed rate 0-8 miles (Facilities Termination) | | | UEPDC | 1LNO1 | 88.44 | 105.54 | 98.47 | 21.47 | 19.05 | 11.90 | | | | 1.83 |
| | Interoffice Channel Mileage - Additional rate per mile - 0-8 miles | | | UEPDC | 1LNOA | 0.1856 | 0.00 | 0.00 | | | | | | | |
| | Interoffice Channel Mileage - Fixed rate 9-25 miles (Facilities Termination) | | | UEPDC | 1LNO2 | 0.00 | 0.00 | 0.00 | | | | | | | |
| | Interoffice Channel Mileage - Additional rate per mile - 9-25 miles | | | UEPDC | 1LNOB | 0.1856 | 0.00 | 0.00 | | | | | | | |
| | Interoffice Channel Mileage - Fixed rate 25+ miles (Facilities Termination) | | | UEPDC | 1LNO3 | 0.00 | 0.00 | 0.00 | 0.00 | | | | | | |
| | Interoffice Channel Mileage - Additional rate per mile - 25+ miles | | | UEPDC | 1LNOC | 0.1856 | 0.00 | 0.00 | | | | | | | |
| | Local Number Portability, per DSO Activated | | | UEPDC | LNPCP | 3.15 | 0.00 | 0.00 | 0.00 | | | | | | |
| | Central Office Terminating Point | | | UEPDC | CTG | 0.00 | | | | | | | | | |
| 4-WIRE DS1 LOOP WITH CHANNELIZATION WITH PORT | | | | | | | | | | | | | | | |
| System is 1 DS1 Loop, 1 D4 Channel Bank, and up to 24 Feature Activations | | | | | | | | | | | | | | | |
| A system can have various rate combinations based on type and number of ports used | | | | | | | | | | | | | | | |
| UNE DS1 Loop | | | | | | | | | | | | | | | |
| | 4-Wire DS1 Loop - UNE Zone 1 | | 1 | UEPMG | USLDC | 73.44 | 0.00 | 0.00 | | | | | | | |
| | 4-Wire DS1 Loop - UNE Zone 2 | | 2 | UEPMG | USLDC | 99.13 | 0.00 | 0.00 | | | | | | | |
| | 4-Wire DS1 Loop - UNE Zone 3 | | 3 | UEPMG | USLDC | 191.51 | 0.00 | 0.00 | | | | | | | |
| UNE DSO Channelization Capacities (D4 Channel Bank Configurations) | | | | | | | | | | | | | | | |

| UNBUNDLED NETWORK ELEMENTS - Florida | | | | | | | | | | Attachment: 2 | | Exhibit: B | | | |
|---|---|---------|------|-------|-------|-----------|--------------|--------|-------------------------|----------------------------------|--------------------------------------|--|--|---|---|
| CATEGORY | RATE ELEMENTS | Interim | Zone | BCS | USOC | RATES(\$) | | | | Svc Order Submitted Elec per LSR | Svc Order Submitted Manually per LSR | Incremental Charge - Manual Svc Order vs. Electronic-1st | Incremental Charge - Manual Svc Order vs. Electronic-Add'l | Incremental Charge - Manual Svc Order vs. Electronic-Disc 1st | Incremental Charge - Manual Svc Order vs. Electronic-Disc Add'l |
| | | | | | | Rec | Nonrecurring | | Nonrecurring Disconnect | | | | | | |
| | | | | | | First | Add'l | First | Add'l | SOMEc | SOMAN | SOMAN | SOMAN | SOMAN | |
| | 24 DSO Channel Capacity - 1 per DS1 | | | UEPMG | VUM24 | 118.06 | 0.00 | 0.00 | | | 11.90 | | | 1.83 | |
| | 48 DSO Channel Capacity - 1 per 2 DS1s | | | UEPMG | VUM48 | 236.12 | 0.00 | 0.00 | | | 11.90 | | | 1.83 | |
| | 96 DSO Channel Capacity - 1 per 4 DS1s | | | UEPMG | VUM96 | 472.24 | 0.00 | 0.00 | | | 11.90 | | | 1.83 | |
| | 144 DSO Channel Capacity - 1 per 6 DS1s | | | UEPMG | VUM14 | 708.36 | 0.00 | 0.00 | | | 11.90 | | | 1.83 | |
| | 192 DSO Channel Capacity - 1 per 8 DS1s | | | UEPMG | VUM19 | 944.48 | 0.00 | 0.00 | | | 11.90 | | | 1.83 | |
| | 240 DSO Channel Capacity - 1 per 10 DS1s | | | UEPMG | VUM20 | 1,180.60 | 0.00 | 0.00 | | | 11.90 | | | 1.83 | |
| | 288 DSO Channel Capacity - 1 per 12 DS1s | | | UEPMG | VUM28 | 1,416.72 | 0.00 | 0.00 | | | 11.90 | | | 1.83 | |
| | 384 DSO Channel Capacity - 1 per 16 DS1s | | | UEPMG | VUM38 | 1,888.96 | 0.00 | 0.00 | | | 11.90 | | | 1.83 | |
| | 480 DSO Channel Capacity - 1 per 20 DS1s | | | UEPMG | VUM40 | 2,361.20 | 0.00 | 0.00 | | | 11.90 | | | 1.83 | |
| | 576 DSO Channel Capacity - 1 per 24 DS1s | | | UEPMG | VUM57 | 2,833.44 | 0.00 | 0.00 | | | 11.90 | | | 1.83 | |
| | 672 DSO Channel Capacity - 1 per 28 DS1s | | | UEPMG | VUM67 | 3,305.68 | 0.00 | 0.00 | | | 11.90 | | | 1.83 | |
| Non-Recurring Charges (NRC) Associated with 4-Wire DS1 Loop with Channelization with Port - Conversion Charge Based on a System | | | | | | | | | | | | | | | |
| A Minimum System configuration is One (1) DS1, One (1) D4 Channel Bank, and Up To 24 DSO Ports with Feature Activations. | | | | | | | | | | | | | | | |
| Multiples of this configuration functioning as one are considered Add'l after the minimum system configuration is counted. | | | | | | | | | | | | | | | |
| | NRC - Conversion (Currently Combined) with or without BellSouth Allowed Changes - Top 8 MSAs Only | | | UEPMG | USAC4 | 0.00 | 450.00 | 50.00 | | | 11.90 | | | | |
| System Additions Where Currently Combined and New (Not Currently Combined) In Top 8 MSAs and AL, FL, and NC Only | | | | | | | | | | | | | | | |
| | 1 DS1/D4 Channel Bank - Add NRC for each Port and Assoc Fea Activation - | | | UEPMG | VUMD4 | 0.00 | 950.00 | 600.00 | 200.00 | 30.00 | 11.90 | | | | |
| Bipolar 8 Zero Substitution | | | | | | | | | | | | | | | |
| | Clear Channel Capability Format, superframe - Subsequent Activity Only | | | UEPMG | CCOSF | 0.00 | 0.00 | 655.00 | | | 11.90 | | | | |
| | Clear Channel Capability Format - Extended Superframe - Subsequent Activity Only | | | UEPMG | CCOEF | 0.00 | 0.00 | 655.00 | | | 11.90 | | | | |
| Alternate Mark Inversion (AMI) | | | | | | | | | | | | | | | |
| | Superframe Format | | | UEPMG | MCOSF | 0.00 | 0.00 | 0.00 | | | | | | | |
| | Extended Superframe Format | | | UEPMG | MCOPO | 0.00 | 0.00 | 0.00 | | | | | | | |
| Exchange Ports Associated with 4-Wire DS1 Loop with Channelization with Port Exchange Ports | | | | | | | | | | | | | | | |
| | Line Side Combination Channelized PBX Trunk Port - Business | | | UEPPX | UEPCX | 14.00 | 0.00 | 0.00 | 0.00 | 0.00 | 11.90 | | | 1.83 | |
| | Line Side Outward Channelized PBX Trunk Port - Business | | | UEPPX | UEPOX | 14.00 | 0.00 | 0.00 | 0.00 | 0.00 | 11.90 | | | 1.83 | |
| | Line Side Inward Only Channelized PBX Trunk Port without DID | | | UEPPX | UEP1X | 14.00 | 0.00 | 0.00 | 0.00 | 0.00 | 11.90 | | | 1.83 | |
| | 2-Wire Trunk Side Unbundled Channelized DID Trunk Port | | | UEPPX | UEPDM | 55.00 | 0.00 | 0.00 | 0.00 | 0.00 | 11.90 | | | 1.83 | |
| Feature Activations - Unbundled Loop Concentration | | | | | | | | | | | | | | | |
| | Feature (Service) Activation for each Line Side Port Terminated in D4 Bank | | | UEPPX | 1PQWM | 0.66 | 40.00 | 20.00 | 6.00 | 5.00 | 11.90 | | | 1.83 | |
| | Feature (Service) Activation for each Trunk Side Port Terminated in D4 Bank | | | UEPPX | 1PQWU | 0.66 | 110.00 | 30.00 | 65.00 | 20.00 | 11.90 | | | 1.83 | |
| Telephone Number/ Group Establishment Charges for DID Service | | | | | | | | | | | | | | | |
| | DID Trunk Termination (1 per Port) | | | UEPPX | NDT | 0.00 | 0.00 | 0.00 | | | 11.90 | | | | |
| | Estab Trk Grp and Provide 1st 20 DID Nos. (FL,GA, NC,& SC) | | | UEPPX | NDZ | 0.00 | 0.00 | 0.00 | | | 11.90 | | | | |
| | DID Numbers - groups of 20 - Valid all States | | | UEPPX | ND4 | 0.00 | 0.00 | 0.00 | | | 11.90 | | | | |
| | Non-Consecutive DID Numbers - per number | | | UEPPX | ND5 | 0.00 | 0.00 | 0.00 | | | 11.90 | | | | |
| | Reserve Non-Consecutive DID Numbers | | | UEPPX | ND6 | 0.00 | 0.00 | 0.00 | | | 11.90 | | | | |
| | Reserve DID Numbers | | | UEPPX | NDV | 0.00 | 0.00 | 0.00 | | | 11.90 | | | | |
| Local Number Portability | | | | | | | | | | | | | | | |
| | Local Number Portability - 1 per port | | | UEPPX | LNPCP | 3.15 | 0.00 | 0.00 | | | | | | | |
| FEATURES - Vertical and Optional | | | | | | | | | | | | | | | |
| Local Switching Features Offered with Line Side Ports Only | | | | | | | | | | | | | | | |
| | All Features Available | | | UEPPX | UEPVF | 2.26 | 0.00 | 0.00 | | | 11.90 | | | 1.83 | |
| UNBUNDLED CENTREX PORT/LOOP COMBINATIONS - COST BASED RATES | | | | | | | | | | | | | | | |
| 1. Cost Based Rates are applied where BellSouth is required by FCC and/or State Commission rule to provide Unbundled Local Switching or Switch Ports. | | | | | | | | | | | | | | | |
| 2. Features shall apply to the Unbundled Port/Loop Combination - Cost Based Rate section in the same manner as they are applied to the Stand-Alone Unbundled Port section of this Rate Exhibit. | | | | | | | | | | | | | | | |
| 3. End Office and Tandem Switching Usage and Common Transport Usage rates in the Port section of this rate exhibit shall apply to all combinations of loop/port network elements except for UNE Coin Port/Loop Combinations. | | | | | | | | | | | | | | | |

| UNBUNDLED NETWORK ELEMENTS - Florida | | | | | | | | | | Attachment: 2 | | Exhibit: B | |
|---|---|---------|------|-------|-------|-----------|----------------------------------|--------------------------------------|--|--|---|---|-----|
| CATEGORY | RATE ELEMENTS | Interim | Zone | BCS | USOC | RATES(\$) | Svc Order Submitted Elec per LSR | Svc Order Submitted Manually per LSR | Incremental Charge - Manual Svc Order vs. Electronic-1st | Incremental Charge - Manual Svc Order vs. Electronic-Add'l | Incremental Charge - Manual Svc Order vs. Electronic-Disc 1st | Incremental Charge - Manual Svc Order vs. Electronic-Disc Add'l | |
| | | | | | | | | | | | | | Rec |
| For Georgia, Kentucky, Louisiana, Mississippi and Tennessee, the recurring UNE Port and Loop charges listed apply to Currently Combined and Not Currently Combined Combos. The the first and additional Port nonrecurring charges apply to Not Currently Combined Combos in all other states, the nonrecurring charges shall be those identified in the Nonrecurring - Currently Combined sections. | | | | | | | | | | | | | |
| 5. Market Rates for Unbundled Centrex Port/Loop Combination will be negotiated on an Individual Case Basis, until further notice. | | | | | | | | | | | | | |
| UNE-P CENTREX - 1AESS - (Valid in AL,FL,GA,KY,LA,MS,&TN only) | | | | | | | | | | | | | |
| 2-Wire VG Loop/2-Wire Voice Grade Port (Centrex) Combo | | | | | | | | | | | | | |
| UNE Port/Loop Combination Rates (Non-Design) | | | | | | | | | | | | | |
| | 2-Wire VG Loop/2-Wire Voice Grade Port (Centrex) Port Combo - Non-Design | | 1 | UEP91 | | 14.11 | | | | | | | |
| | 2-Wire VG Loop/2-Wire Voice Grade Port (Centrex)Port Combo - Non-Design | | 2 | UEP91 | | 18.23 | | | | | | | |
| | 2-Wire VG Loop/2-Wire Voice Grade Port (Centrex)Port Combo - Non-Design | | 3 | UEP91 | | 33.04 | | | | | | | |
| UNE Port/Loop Combination Rates (Design) | | | | | | | | | | | | | |
| | 2-Wire VG Loop/2-Wire Voice Grade Port (Centrex) Port Combo - Design | | 1 | UEP91 | | 16.53 | | | | | | | |
| | 2-Wire VG Loop/2-Wire Voice Grade Port (Centrex)Port Combo - Design | | 2 | UEP91 | | 21.60 | | | | | | | |
| | 2-Wire VG Loop/2-Wire Voice Grade Port (Centrex)Port Combo - Design | | 3 | UEP91 | | 37.85 | | | | | | | |
| UNE Loop Rate | | | | | | | | | | | | | |
| | 2-Wire Voice Grade Loop (SL 1) - Zone 1 | | 1 | UEP91 | UECS1 | 12.94 | | | | | | | |
| | 2-Wire Voice Grade Loop (SL 1) - Zone 2 | | 2 | UEP91 | UECS1 | 17.06 | | | | | | | |
| | 2-Wire Voice Grade Loop (SL 1) - Zone 3 | | 3 | UEP91 | UECS1 | 31.87 | | | | | | | |
| | 2-Wire Voice Grade Loop (SL 2) - Zone 1 | | 1 | UEP91 | UECS2 | 15.36 | | | | | | | |
| | 2-Wire Voice Grade Loop (SL 2) - Zone 2 | | 2 | UEP91 | UECS2 | 20.43 | | | | | | | |
| | 2-Wire Voice Grade Loop (SL 2) - Zone 3 | | 3 | UEP91 | UECS2 | 36.68 | | | | | | | |
| UNE Ports | | | | | | | | | | | | | |
| All States (Except North Carolina and Sout Carolina) | | | | | | | | | | | | | |
| | 2-Wire Voice Grade Port (Centrex) Basic Local Area | | | UEP91 | UEPYA | 1.17 | | | | | 11.90 | | |
| | 2-Wire Voice Grade Port (Centrex 800 termination)Basic Local Area | | | UEP91 | UEPYB | 1.17 | | | | | 11.90 | | |
| | 2-Wire Voice Grade Port (Centrex with Caller ID)1Basic Local Area | | | UEP91 | UEPYH | 1.17 | | | | | 11.90 | | |
| | 2-Wire Voice Grade Port (Centrex from diff Serving Wire Center)2 Basic Local Area | | | UEP91 | UEPYM | 1.17 | | | | | 11.90 | | |
| | 2-Wire Voice Grade Port, Diff Serving Wire Center - 800 Service Term - Basic Local Area | | | UEP91 | UEPYZ | 1.17 | | | | | 11.90 | | |
| | 2-Wire Voice Grade Port terminated in on Megalink or equivalent - Basic Local Area | | | UEP91 | UEPY9 | 1.17 | | | | | 11.90 | | |
| | 2-Wire Voice Grade Port Terminated on 800 Service Term - Basic Local Area | | | UEP91 | UEPY2 | 1.17 | | | | | 11.90 | | |
| Georgia and Florida Only | | | | | | | | | | | | | |
| | 2-Wire Voice Grade Port (Centrex) | | | UEP91 | UEPHA | 1.17 | | | | | 11.90 | | |
| | 2-Wire Voice Grade Port (Centrex 800 termination) | | | UEP91 | UEPHB | 1.17 | | | | | 11.90 | | |
| | 2-Wire Voice Grade Port (Centrex with Caller ID)1 | | | UEP91 | UEPHH | 1.17 | | | | | 11.90 | | |
| | 2-Wire Voice Grade Port (Centrex from diff Serving Wire Center)2 | | | UEP91 | UEPHM | 1.17 | | | | | 11.90 | | |
| | 2-Wire Voice Grade Port, Diff Serving Wire Center - 800 Service Term | | | UEP91 | UEPHZ | 1.17 | | | | | 11.90 | | |
| | 2-Wire Voice Grade Port terminated in on Megalink or equivalent | | | UEP91 | UEPH9 | 1.17 | | | | | 11.90 | | |
| | 2-Wire Voice Grade Port Terminated on 800 Service Term | | | UEP91 | UEPH2 | 1.17 | | | | | 11.90 | | |
| Local Switching | | | | | | | | | | | | | |
| | Centrex Intercom Funtionality, per port | | | UEP91 | URECS | 0.7384 | | | | | | | |
| Local Number Portability | | | | | | | | | | | | | |
| | Local Number Portability (1 per port) | | | UEP91 | LNPC | 0.35 | | | | | | | |
| Features | | | | | | | | | | | | | |
| | All Standard Features Offered, per port | | | UEP91 | UEPVF | 2.26 | | | | | 11.90 | | |

| UNBUNDLED NETWORK ELEMENTS - Florida | | | | | | | | | | | Attachment: 2 | | Exhibit: B | | | | | | | |
|--------------------------------------|--|---------|------|-------|-------|-----------|----------------------------------|--------------------------------------|--|--|---|---|---------------|--------------------|--------------------|-------------------------------|-------------------------------|-------|-------|-------|
| CATEGORY | RATE ELEMENTS | Interim | Zone | BCS | USOC | RATES(\$) | Svc Order Submitted Elec per LSR | Svc Order Submitted Manually per LSR | Incremental Charge - Manual Svc Order vs. Electronic-1st | Incremental Charge - Manual Svc Order vs. Electronic-Add'l | Incremental Charge - Manual Svc Order vs. Electronic-Disc 1st | Incremental Charge - Manual Svc Order vs. Electronic-Disc Add'l | OSS Rates(\$) | | | | | | | |
| | | | | | | | | | | | | | Rec | Nonrecurring First | Nonrecurring Add'l | Nonrecurring Disconnect First | Nonrecurring Disconnect Add'l | SOMEc | SOMAN | SOMAN |
| | All Select Features Offered, per port | | | UEP91 | UEPVS | 0.00 | | | | | | | | | | | | | | |
| | All Centrex Control Features Offered, per port | | | UEP91 | UEPVC | 2.26 | | | | | | | | | | | | | | |
| | NARS | | | | | | | | | | | | | | | | | | | |
| | Unbundled Network Access Register - Combination | | | UEP91 | UARCX | 0.00 | 0.00 | 0.00 | | | | | | | | | | | | |
| | Unbundled Network Access Register - Indial | | | UEP91 | UAR1X | 0.00 | 0.00 | 0.00 | | | | | | | | | | | | |
| | Unbundled Network Access Register - Outdial | | | UEP91 | UAROx | 0.00 | 0.00 | 0.00 | | | | | | | | | | | | |
| | Miscellaneous Terminations | | | | | | | | | | | | | | | | | | | |
| | 2-Wire Trunk Side | | | | | | | | | | | | | | | | | | | |
| | Trunk Side Terminations, each | | | UEP91 | CENA6 | 8.81 | | | | | | | | | | | | | | |
| | Interoffice Channel Mileage - 2-Wire | | | | | | | | | | | | | | | | | | | |
| | Interoffice Channel Facilities Termination - Voice Grade | | | UEP91 | MIGBC | 25.32 | | | | | | | | | | | | | | |
| | Interoffice Channel mileage, per mile or fraction of mile | | | UEP91 | MIGBM | 0.0091 | | | | | | | | | | | | | | |
| | Feature Activations (DS0) Centrex Loops on Channelized DS1 Service | | | | | | | | | | | | | | | | | | | |
| | D4 Channel Bank Feature Activations | | | | | | | | | | | | | | | | | | | |
| | Feature Activation on D-4 Channel Bank Centrex Loop Slot | | | UEP91 | 1PQWS | 0.66 | | | | | | | | | | | | | | |
| | Feature Activation on D-4 Channel Bank FX line Side Loop Slot | | | UEP91 | 1PQW6 | 0.66 | | | | | | | | | | | | | | |
| | Feature Activation on D-4 Channel Bank FX Trunk Side Loop Slot | | | UEP91 | 1PQW7 | 0.66 | | | | | | | | | | | | | | |
| | Feature Activation on D-4 Channel Bank Centrex Loop Slot - Different Wire Center | | | UEP91 | 1PQWP | 0.66 | | | | | | | | | | | | | | |
| | Feature Activation on D-4 Channel Bank Private Line Loop Slot | | | UEP91 | 1PQWV | 0.66 | | | | | | | | | | | | | | |
| | Feature Activation on D-4 Channel Bank Tjie Line/Trunk Loop Slot | | | UEP91 | 1PQWQ | 0.66 | | | | | | | | | | | | | | |
| | Feature Activation on D-4 Channel Bank WATS Loop Slot | | | UEP91 | 1PQWA | 0.66 | | | | | | | | | | | | | | |
| | Non-Recurring Charges (NRC) Associated with UNE-P Centrex | | | | | | | | | | | | | | | | | | | |
| | Conversion - Currently Combined Switch-As-Is with allowed changes, per port | | | UEP91 | USAC2 | | 21.50 | 8.42 | | | | | | | | | | | | |
| | Conversion of Existing Centrex Common Block | | | UEP91 | USACN | | 5.17 | 8.32 | | | | | | | | | | | | |
| | New Centrex Standard Common Block | | | UEP91 | M1ACS | 0.00 | 618.82 | | | | | | | | | | | | | |
| | New Centrex Customized Common Block | | | UEP91 | M1ACC | 0.00 | 618.82 | | | | | | | | | | | | | |
| | Secondary Block, per Block | | | UEP91 | M2CC1 | 0.00 | 71.31 | | | | | | | | | | | | | |
| | NAR Establishment Charge, Per Occasion | | | UEP91 | URECA | 0.00 | 66.48 | | | | | | | | | | | | | |
| | UNE-P CENTREX - 5ESS (Valid in All States) | | | | | | | | | | | | | | | | | | | |
| | 2-Wire VG Loop/2-Wire Voice Grade Port (Centrex) Combo | | | | | | | | | | | | | | | | | | | |
| | UNE Port/Loop Combination Rates (Non-Design) | | | | | | | | | | | | | | | | | | | |
| | 2-Wire VG Loop/2-Wire Voice Grade Port (Centrex) Port Combo - Non-Design | | 1 | UEP95 | | | 14.11 | | | | | | | | | | | | | |
| | 2-Wire VG Loop/2-Wire Voice Grade Port (Centrex)Port Combo - Non-Design | | 2 | UEP95 | | | 18.23 | | | | | | | | | | | | | |
| | 2-Wire VG Loop/2-Wire Voice Grade Port (Centrex)Port Combo - Non-Design | | 3 | UEP95 | | | 33.04 | | | | | | | | | | | | | |
| | UNE Port/Loop Combination Rates (Design) | | | | | | | | | | | | | | | | | | | |
| | 2-Wire VG Loop/2-Wire Voice Grade Port (Centrex) Port Combo - Design | | 1 | UEP95 | | | 16.53 | | | | | | | | | | | | | |
| | 2-Wire VG Loop/2-Wire Voice Grade Port (Centrex)Port Combo - Design | | 2 | UEP95 | | | 21.60 | | | | | | | | | | | | | |
| | 2-Wire VG Loop/2-Wire Voice Grade Port (Centrex)Port Combo - Design | | 3 | UEP95 | | | 37.85 | | | | | | | | | | | | | |
| | UNE Loop Rate | | | | | | | | | | | | | | | | | | | |
| | 2-Wire Voice Grade Loop (SL 1) - Zone 1 | | 1 | UEP95 | UECS1 | | 12.94 | | | | | | | | | | | | | |
| | 2-Wire Voice Grade Loop (SL 1) - Zone 2 | | 2 | UEP95 | UECS1 | | 17.06 | | | | | | | | | | | | | |
| | 2-Wire Voice Grade Loop (SL 1) - Zone 3 | | 3 | UEP95 | UECS1 | | 31.87 | | | | | | | | | | | | | |
| | 2-Wire Voice Grade Loop (SL 2) - Zone 1 | | 1 | UEP95 | UECS2 | | 15.36 | | | | | | | | | | | | | |
| | 2-Wire Voice Grade Loop (SL 2) - Zone 2 | | 2 | UEP95 | UECS2 | | 20.43 | | | | | | | | | | | | | |
| | 2-Wire Voice Grade Loop (SL 2) - Zone 3 | | 3 | UEP95 | UECS2 | | 36.68 | | | | | | | | | | | | | |
| | UNE Port Rate | | | | | | | | | | | | | | | | | | | |
| | All States | | | | | | | | | | | | | | | | | | | |

UNBUNDLED NETWORK ELEMENTS - Florida

| UNBUNDLED NETWORK ELEMENTS - Florida | | | | | | | | | | | Attachment: 2 | | Exhibit: B | | |
|--------------------------------------|---|---------|------|-------|-------|-----------|--------------|-------|-------------------------|----------------------------------|--------------------------------------|--|--|---|---|
| CATEGORY | RATE ELEMENTS | Interim | Zone | BCS | USOC | RATES(\$) | | | | Svc Order Submitted Elec per LSR | Svc Order Submitted Manually per LSR | Incremental Charge - Manual Svc Order vs. Electronic-1st | Incremental Charge - Manual Svc Order vs. Electronic-Add'l | Incremental Charge - Manual Svc Order vs. Electronic-Disc 1st | Incremental Charge - Manual Svc Order vs. Electronic-Disc Add'l |
| | | | | | | Rec | Nonrecurring | | Nonrecurring Disconnect | | | | | | |
| | | | | | | | First | Add'l | First | Add'l | SOMEc | SOMAN | SOMAN | SOMAN | SOMAN |
| | 2-Wire Voice Grade Port (Centrex) Basic Local Area | | | UEP95 | UEPYA | 1.17 | | | | | | 11.90 | | | |
| | 2-Wire Voice Grade Port (Centrex 800 termination) | | | UEP95 | UEPYB | 1.17 | | | | | | 11.90 | | | |
| | 2-Wire Voice Grade Port (Centrex with Caller ID)1 Basic Local Area | | | UEP95 | UEPYH | 1.17 | | | | | | 11.90 | | | |
| | 2-Wire Voice Grade Port (Centrex from diff Serving Wire Center)2 Basic Local Area | | | UEP95 | UEPYM | 1.17 | | | | | | 11.90 | | | |
| | 2-Wire Voice Grade Port, Diff Serving Wire Center - 800 Service Term - Basic Local Area | | | UEP95 | UEPYZ | 1.17 | | | | | | 11.90 | | | |
| | 2-Wire Voice Grade Port terminated in on Megalink or equivalent - Basic Local Area | | | UEP95 | UEPY9 | 1.17 | | | | | | 11.90 | | | |
| | 2-Wire Voice Grade Port Terminated on 800 Service Term - Basic Local Area | | | UEP95 | UEPY2 | 1.17 | | | | | | 11.90 | | | |
| | AL, KY, LA, MS, SC, & TN Only | | | | | | | | | | | | | | |
| | FL & GA Only | | | | | | | | | | | | | | |
| | 2-Wire Voice Grade Port (Centrex) | | | UEP95 | UEPHA | 1.17 | | | | | | 11.90 | | | |
| | 2-Wire Voice Grade Port (Centrex 800 termination) | | | UEP95 | UEPHB | 1.17 | | | | | | 11.90 | | | |
| | 2-Wire Voice Grade Port (Centrex with Caller ID)1 | | | UEP95 | UEPHH | 1.17 | | | | | | 11.90 | | | |
| | 2-Wire Voice Grade Port (Centrex from diff Serving Wire Center)2 | | | UEP95 | UEPHM | 1.17 | | | | | | 11.90 | | | |
| | 2-Wire Voice Grade Port, Diff Serving Wire Center - 800 Service Term | | | UEP95 | UEPHZ | 1.17 | | | | | | 11.90 | | | |
| | 2-Wire Voice Grade Port terminated in on Megalink or equivalent | | | UEP95 | UEPH9 | 1.17 | | | | | | 11.90 | | | |
| | 2-Wire Voice Grade Port Terminated on 800 Service Term | | | UEP95 | UEPH2 | 1.17 | | | | | | 11.90 | | | |
| | Local Switching | | | | | | | | | | | | | | |
| | Centrex Intercom Funtionality, per port | | | UEP95 | URECS | 0.7384 | | | | | | | | | |
| | Local Number Portability | | | | | | | | | | | | | | |
| | Local Number Portability (1 per port) | | | UEP95 | LNPCc | 0.35 | | | | | | | | | |
| | Features | | | | | | | | | | | | | | |
| | All Standard Features Offered, per port | | | UEP95 | UEPVF | 2.26 | | | | | | | | | |
| | All Select Features Offered, per port | | | UEP95 | UEPVS | 0.00 | 370.70 | | | | | 11.90 | | | |
| | All Centrex Control Features Offered, per port | | | UEP95 | UEPVC | 2.26 | | | | | | | | | |
| | NARS | | | | | | | | | | | | | | |
| | Unbundled Network Access Register - Combination | | | UEP95 | UARCX | 0.00 | 0.00 | 0.00 | | | | 11.90 | | | |
| | Unbundled Network Access Register - Indial | | | UEP95 | UAR1X | 0.00 | 0.00 | 0.00 | | | | 11.90 | | | |
| | Unbundled Network Access Register - Outdial | | | UEP95 | UAROX | 0.00 | 0.00 | 0.00 | | | | 11.90 | | | |
| | Miscellaneous Terminations | | | | | | | | | | | | | | |
| | 2-Wire Trunk Side | | | | | | | | | | | | | | |
| | Trunk Side Terminations, each | | | UEP95 | CEND6 | 8.81 | | | | | | | | | |
| | 4-Wire Digital (1.544 Megabits) | | | | | | | | | | | | | | |
| | DS1 Circuit Terminations, each | | | UEP95 | M1HD1 | 54.95 | | | | | | | | | |
| | DS0 Channels Activated, each | | | UEP95 | M1HDO | 0.00 | 15.69 | | | | | 11.90 | | | |
| | Interoffice Channel Mileage - 2-Wire | | | | | | | | | | | | | | |
| | Interoffice Channel Facilities Termination | | | UEP95 | MIGBC | 25.32 | | | | | | | | | |
| | Interoffice Channel mileage, per mile or fraction of mile | | | UEP95 | MIGBM | 0.0091 | | | | | | | | | |
| | Feature Activations (DS0) Centrex Loops on Channelized DS1 Service | | | | | | | | | | | | | | |
| | D4 Channel Bank Feature Activations | | | | | | | | | | | | | | |
| | Feature Activation on D-4 Channel Bank Centrex Loop Slot | | | UEP95 | 1PQWS | 0.66 | | | | | | | | | |
| | Feature Activation on D-4 Channel Bank FX line Side Loop Slot | | | UEP95 | 1PQW6 | 0.66 | | | | | | | | | |
| | Feature Activation on D-4 Channel Bank FX Trunk Side Loop Slot | | | UEP95 | 1PQW7 | 0.66 | | | | | | | | | |
| | Feature Activation on D-4 Channel Bank Centrex Loop Slot - Different Wire Center | | | UEP95 | 1PQWP | 0.66 | | | | | | | | | |
| | Feature Activation on D-4 Channel Bank Private Line Loop Slot | | | UEP95 | 1PQWV | 0.66 | | | | | | | | | |
| | Feature Activation on D-4 Channel Bank Tjje Line/Trunk Loop Slot | | | UEP95 | 1PQWQ | 0.66 | | | | | | | | | |
| | Feature Activation on D-4 Channel Bank WATS Loop Slot | | | UEP95 | 1PQWA | 0.66 | | | | | | | | | |

| UNBUNDLED NETWORK ELEMENTS - Florida | | | | | | | | | | Attachment: 2 | | Exhibit: B | | | | | | | | | | | | | | | | | | | | | | | | | | | | | | | |
|--|--|---------|------|-------|-------|-----------|----------------------------------|--------------------------------------|--|--|---|---|---------------|--------------------|--------------------|-------------------------------|-------------------------------|--------|-------|-------|-------|-------|-------|--|--|--|--|--|--|--|--|--|--|--|--|--|--|--|--|--|--|--|--|
| CATEGORY | RATE ELEMENTS | Interim | Zone | BCS | USOC | RATES(\$) | Svc Order Submitted Elec per LSR | Svc Order Submitted Manually per LSR | Incremental Charge - Manual Svc Order vs. Electronic-1st | Incremental Charge - Manual Svc Order vs. Electronic-Add'l | Incremental Charge - Manual Svc Order vs. Electronic-Disc 1st | Incremental Charge - Manual Svc Order vs. Electronic-Disc Add'l | OSS Rates(\$) | | | | | | | | | | | | | | | | | | | | | | | | | | | | | | |
| | | | | | | | | | | | | | Rec | Nonrecurring First | Nonrecurring Add'l | Nonrecurring Disconnect First | Nonrecurring Disconnect Add'l | SOME C | SOMAN | SOMAN | SOMAN | SOMAN | SOMAN | | | | | | | | | | | | | | | | | | | | |
| Non-Recurring Charges (NRC) Associated with UNE-P Centrex | | | | | | | | | | | | | | | | | | | | | | | | | | | | | | | | | | | | | | | | | | | |
| | NRC Conversion Currently Combined Switch-As-Is with allowed changes, per port | | | UEP95 | USAC2 | 0.00 | | 21.50 | 8.42 | | | | | | | | | | | | | | | | | | | | | | | | | | | | | | | | | | |
| | Conversion of Existing Centrex Common Block, each | | | UEP95 | USACN | | | 5.17 | 8.32 | | | | | | | | | | | | | | | | | | | | | | | | | | | | | | | | | | |
| | New Centrex Standard Common Block | | | UEP95 | M1ACS | 0.00 | | 618.82 | | | | | | | | | | | | | | | | | | | | | | | | | | | | | | | | | | | |
| | New Centrex Customized Common Block | | | UEP95 | M1ACC | 0.00 | | 618.82 | | | | | | | | | | | | | | | | | | | | | | | | | | | | | | | | | | | |
| | NAR Establishment Charge, Per Occasion | | | UEP95 | URECA | 0.00 | | 66.48 | | | | | | | | | | | | | | | | | | | | | | | | | | | | | | | | | | | |
| UNE-P CENTREX - DMS100 (Valid in All States) | | | | | | | | | | | | | | | | | | | | | | | | | | | | | | | | | | | | | | | | | | | |
| 2-Wire VG Loop/2-Wire Voice Grade Port (Centrex) Combo | | | | | | | | | | | | | | | | | | | | | | | | | | | | | | | | | | | | | | | | | | | |
| UNE Port/Loop Combination Rates (Non-Design) | | | | | | | | | | | | | | | | | | | | | | | | | | | | | | | | | | | | | | | | | | | |
| | 2-Wire VG Loop/2-Wire Voice Grade Port (Centrex) Port Combo - Non-Design | | 1 | UEP9D | | 14.11 | | | | | | | | | | | | | | | | | | | | | | | | | | | | | | | | | | | | | |
| | 2-Wire VG Loop/2-Wire Voice Grade Port (Centrex)Port Combo - Non-Design | | 2 | UEP9D | | 18.23 | | | | | | | | | | | | | | | | | | | | | | | | | | | | | | | | | | | | | |
| | 2-Wire VG Loop/2-Wire Voice Grade Port (Centrex)Port Combo - Non-Design | | 3 | UEP9D | | 33.04 | | | | | | | | | | | | | | | | | | | | | | | | | | | | | | | | | | | | | |
| UNE Port/Loop Combination Rates (Design) | | | | | | | | | | | | | | | | | | | | | | | | | | | | | | | | | | | | | | | | | | | |
| | 2-Wire VG Loop/2-Wire Voice Grade Port (Centrex) Port Combo - Design | | 1 | UEP9D | | 16.53 | | | | | | | | | | | | | | | | | | | | | | | | | | | | | | | | | | | | | |
| | 2-Wire VG Loop/2-Wire Voice Grade Port (Centrex)Port Combo - Design | | 2 | UEP9D | | 21.60 | | | | | | | | | | | | | | | | | | | | | | | | | | | | | | | | | | | | | |
| | 2-Wire VG Loop/2-Wire Voice Grade Port (Centrex)Port Combo - Design | | 3 | UEP9D | | 37.85 | | | | | | | | | | | | | | | | | | | | | | | | | | | | | | | | | | | | | |
| UNE Loop Rate | | | | | | | | | | | | | | | | | | | | | | | | | | | | | | | | | | | | | | | | | | | |
| | 2-Wire Voice Grade Loop (SL 1) - Zone 1 | | 1 | UEP9D | UECS1 | 12.94 | | | | | | | | | | | | | | | | | | | | | | | | | | | | | | | | | | | | | |
| | 2-Wire Voice Grade Loop (SL 1) - Zone 2 | | 2 | UEP9D | UECS1 | 17.06 | | | | | | | | | | | | | | | | | | | | | | | | | | | | | | | | | | | | | |
| | 2-Wire Voice Grade Loop (SL 1) - Zone 3 | | 3 | UEP9D | UECS1 | 31.87 | | | | | | | | | | | | | | | | | | | | | | | | | | | | | | | | | | | | | |
| | 2-Wire Voice Grade Loop (SL 2) - Zone 1 | | 1 | UEP9D | UECS2 | 15.36 | | | | | | | | | | | | | | | | | | | | | | | | | | | | | | | | | | | | | |
| | 2-Wire Voice Grade Loop (SL 2) - Zone 2 | | 2 | UEP9D | UECS2 | 20.43 | | | | | | | | | | | | | | | | | | | | | | | | | | | | | | | | | | | | | |
| | 2-Wire Voice Grade Loop (SL 2) - Zone 3 | | 3 | UEP9D | UECS2 | 36.68 | | | | | | | | | | | | | | | | | | | | | | | | | | | | | | | | | | | | | |
| UNE Port Rate | | | | | | | | | | | | | | | | | | | | | | | | | | | | | | | | | | | | | | | | | | | |
| ALL STATES | | | | | | | | | | | | | | | | | | | | | | | | | | | | | | | | | | | | | | | | | | | |
| | 2-Wire Voice Grade Port (Centrex) Basic Local Area | | | UEP9D | UEPYA | 1.17 | | | | | | | | | | | | | | | | | | | | | | | | | | | | | | | | | | | | | |
| | 2-Wire Voice Grade Port (Centrex 800 termination)Basic Local Area | | | UEP9D | UEPYB | 1.17 | | | | | | | | | | | | | | | | | | | | | | | | | | | | | | | | | | | | | |
| | 2-Wire Voice Grade Port (Centrex / EBS-PSET)3Basic Local Area | | | UEP9D | UEPYC | 1.17 | | | | | | | | | | | | | | | | | | | | | | | | | | | | | | | | | | | | | |
| | 2-Wire Voice Grade Port (Centrex / EBS-M5009)3Basic Local Area | | | UEP9D | UEPYD | 1.17 | | | | | | | | | | | | | | | | | | | | | | | | | | | | | | | | | | | | | |
| | 2-Wire Voice Grade Port (Centrex / EBS-M5209)3 Basic Local Area | | | UEP9D | UEPYE | 1.17 | | | | | | | | | | | | | | | | | | | | | | | | | | | | | | | | | | | | | |
| | 2-Wire Voice Grade Port (Centrex / EBS-M5112)3 Basic Local Area | | | UEP9D | UEPYF | 1.17 | | | | | | | | | | | | | | | | | | | | | | | | | | | | | | | | | | | | | |
| | 2-Wire Voice Grade Port (Centrex / EBS-M5312)3Basic Local Area | | | UEP9D | UEPYG | 1.17 | | | | | | | | | | | | | | | | | | | | | | | | | | | | | | | | | | | | | |
| | 2-Wire Voice Grade Port (Centrex / EBS-M5008)3 Basic Local Area | | | UEP9D | UEPYT | 1.17 | | | | | | | | | | | | | | | | | | | | | | | | | | | | | | | | | | | | | |
| | 2-Wire Voice Grade Port (Centrex / EBS-M5208)3 Basic Local Area | | | UEP9D | UEPYU | 1.17 | | | | | | | | | | | | | | | | | | | | | | | | | | | | | | | | | | | | | |
| | 2-Wire Voice Grade Port (Centrex / EBS-M5216)3 Basic Local Area | | | UEP9D | UEPYV | 1.17 | | | | | | | | | | | | | | | | | | | | | | | | | | | | | | | | | | | | | |
| | 2-Wire Voice Grade Port (Centrex / EBS-M5316)3 Basic Local Area | | | UEP9D | UEPY3 | 1.17 | | | | | | | | | | | | | | | | | | | | | | | | | | | | | | | | | | | | | |
| | 2-Wire Voice Grade Port (Centrex with Caller ID) Basic Local Area | | | UEP9D | UEPYH | 1.17 | | | | | | | | | | | | | | | | | | | | | | | | | | | | | | | | | | | | | |
| | 2-Wire Voice Grade Port (Centrex/Caller ID/Msg Wtg Lamp Indication))3 Basic Local Area | | | UEP9D | UEPYW | 1.17 | | | | | | | | | | | | | | | | | | | | | | | | | | | | | | | | | | | | | |
| | 2-Wire Voice Grade Port (Centrex/Msg Wtg Lamp Indication))3 Basic Local Area | | | UEP9D | UEPYJ | 1.17 | | | | | | | | | | | | | | | | | | | | | | | | | | | | | | | | | | | | | |

| UNBUNDLED NETWORK ELEMENTS - Florida | | | | | | | | | | | Attachment: 2 | | Exhibit: B | | | | | | | | |
|--------------------------------------|--|---------|------|-------|-------|-----------|----------------------------------|--------------------------------------|--|--|---|---|---------------|--------------|-------|-------------------------|--|-------|-------|-------|-------|
| CATEGORY | RATE ELEMENTS | Interim | Zone | BCS | USOC | RATES(\$) | Svc Order Submitted Elec per LSR | Svc Order Submitted Manually per LSR | Incremental Charge - Manual Svc Order vs. Electronic-1st | Incremental Charge - Manual Svc Order vs. Electronic-Add'l | Incremental Charge - Manual Svc Order vs. Electronic-Disc 1st | Incremental Charge - Manual Svc Order vs. Electronic-Disc Add'l | OSS Rates(\$) | | | | | | | | |
| | | | | | | | | | | | | | Rec | Nonrecurring | | Nonrecurring Disconnect | | SOMEc | SOMAN | SOMAN | SOMAN |
| | | | | | | | | | | | | | First | Add'l | First | Add'l | | | | | |
| | 2-Wire Voice Grade Port (Centrex from diff Serving Wire Center) 2 Basic Local Area | | | UEP9D | UEPYM | 1.17 | | | | | | | | | | | | | | | |
| | 2-Wire Voice Grade Port (Centrex/differ SWC /EBS-PSET)2, 3 Basic Local Area | | | UEP9D | UEPYO | 1.17 | | | | | | | | | | | | | | | |
| | 2-Wire Voice Grade Port (Centrex/differ SWC /EBS-M5009)2, 3 Basic Local Area | | | UEP9D | UEPYP | 1.17 | | | | | | | | | | | | | | | |
| | 2-Wire Voice Grade Port (Centrex/differ SWC /EBS-5209)2, 3 Basic Local Area | | | UEP9D | UEPYQ | 1.17 | | | | | | | | | | | | | | | |
| | 2-Wire Voice Grade Port (Centrex/differ SWC /EBS-M5112)2, 3 Basic Local Area | | | UEP9D | UEPYR | 1.17 | | | | | | | | | | | | | | | |
| | 2-Wire Voice Grade Port (Centrex/differ SWC /EBS-M5312)2, 3 Basic Local Area | | | UEP9D | UEPYS | 1.17 | | | | | | | | | | | | | | | |
| | 2-Wire Voice Grade Port (Centrex/differ SWC /EBS-M5008)2, 3 Basic Local Area | | | UEP9D | UEPY4 | 1.17 | | | | | | | | | | | | | | | |
| | 2-Wire Voice Grade Port (Centrex/differ SWC /EBS-M5208)2, 3 Basic Local Area | | | UEP9D | UEPY5 | 1.17 | | | | | | | | | | | | | | | |
| | 2-Wire Voice Grade Port (Centrex/differ SWC /EBS-M5216)2, 3 Basic Local Area | | | UEP9D | UEPY6 | 1.17 | | | | | | | | | | | | | | | |
| | 2-Wire Voice Grade Port (Centrex/differ SWC /EBS-M5316)2, 3 Basic Local Area | | | UEP9D | UEPY7 | 1.17 | | | | | | | | | | | | | | | |
| | 2-Wire Voice Grade Port, Diff Serving Wire Center - 800 Service Term | | | UEP9D | UEPYZ | 1.17 | | | | | | | | | | | | | | | |
| | 2-Wire Voice Grade Port terminated in on Megalink or equivalent Basic Local Area | | | UEP9D | UEPY9 | 1.17 | | | | | | | | | | | | | | | |
| | 2-Wire Voice Grade Port Terminated on 800 Service Term Basic Local Area | | | UEP9D | UEPY2 | 1.17 | | | | | | | | | | | | | | | |
| | FL & GA Only | | | | | | | | | | | | | | | | | | | | |
| | 2-Wire Voice Grade Port (Centrex) | | | UEP9D | UEPHA | 1.17 | | | | | | | | | | | | | | | |
| | 2-Wire Voice Grade Port (Centrex 800 termination) | | | UEP9D | UEPHB | 1.17 | | | | | | | | | | | | | | | |
| | 2-Wire Voice Grade Port (Centrex / EBS-PSET)3 | | | UEP9D | UEPHC | 1.17 | | | | | | | | | | | | | | | |
| | 2-Wire Voice Grade Port (Centrex / EBS-M5009)3 | | | UEP9D | UEPHD | 1.17 | | | | | | | | | | | | | | | |
| | 2-Wire Voice Grade Port (Centrex / EBS-M5209)3 | | | UEP9D | UEPHE | 1.17 | | | | | | | | | | | | | | | |
| | 2-Wire Voice Grade Port (Centrex / EBS-M5112)3 | | | UEP9D | UEPHF | 1.17 | | | | | | | | | | | | | | | |
| | 2-Wire Voice Grade Port (Centrex / EBS-M5312)3 | | | UEP9D | UEPHG | 1.17 | | | | | | | | | | | | | | | |
| | 2-Wire Voice Grade Port (Centrex / EBS-M5008)3 | | | UEP9D | UEPHI | 1.17 | | | | | | | | | | | | | | | |
| | 2-Wire Voice Grade Port (Centrex / EBS-M5208)3 | | | UEP9D | UEPHJ | 1.17 | | | | | | | | | | | | | | | |
| | 2-Wire Voice Grade Port (Centrex / EBS-M5216)3 | | | UEP9D | UEPHK | 1.17 | | | | | | | | | | | | | | | |
| | 2-Wire Voice Grade Port (Centrex / EBS-M5316)3 | | | UEP9D | UEPHL | 1.17 | | | | | | | | | | | | | | | |
| | 2-Wire Voice Grade Port (Centrex with Caller ID) | | | UEP9D | UEPHM | 1.17 | | | | | | | | | | | | | | | |
| | 2-Wire Voice Grade Port (Centrex/Caller ID/Msg Wtg Lamp Indication)3 | | | UEP9D | UEPHN | 1.17 | | | | | | | | | | | | | | | |
| | 2-Wire Voice Grade Port (Centrex/Msg Wtg Lamp Indication)3 | | | UEP9D | UEPHO | 1.17 | | | | | | | | | | | | | | | |
| | 2-Wire Voice Grade Port (Centrex from diff Serving Wire Center) 2 | | | UEP9D | UEPHI | 1.17 | | | | | | | | | | | | | | | |
| | 2-Wire Voice Grade Port (Centrex/differ SWC /EBS-PSET)2, 3 | | | UEP9D | UEPHJ | 1.17 | | | | | | | | | | | | | | | |
| | 2-Wire Voice Grade Port (Centrex/differ SWC /EBS-M5009)2, 3 | | | UEP9D | UEPHK | 1.17 | | | | | | | | | | | | | | | |
| | 2-Wire Voice Grade Port (Centrex/differ SWC /EBS-5209)2, 3 | | | UEP9D | UEPHL | 1.17 | | | | | | | | | | | | | | | |
| | 2-Wire Voice Grade Port (Centrex/differ SWC /EBS-M5112)2, 3 | | | UEP9D | UEPHM | 1.17 | | | | | | | | | | | | | | | |
| | 2-Wire Voice Grade Port (Centrex/differ SWC /EBS-M5312)2, 3 | | | UEP9D | UEPHN | 1.17 | | | | | | | | | | | | | | | |
| | 2-Wire Voice Grade Port (Centrex/differ SWC /EBS-M5008)2, 3 | | | UEP9D | UEPHO | 1.17 | | | | | | | | | | | | | | | |
| | 2-Wire Voice Grade Port (Centrex/differ SWC /EBS-M5208)2, 3 | | | UEP9D | UEPHI | 1.17 | | | | | | | | | | | | | | | |
| | 2-Wire Voice Grade Port (Centrex/differ SWC /EBS-M5216)2, 3 | | | UEP9D | UEPHJ | 1.17 | | | | | | | | | | | | | | | |

| UNBUNDLED NETWORK ELEMENTS - Florida | | | | | | | | | | Attachment: 2 | | Exhibit: B | | | |
|---|--|---------|------|-------|-------|-----------|----------------------------------|--------------------------------------|--|--|---|---|-------|--------------|-------|
| CATEGORY | RATE ELEMENTS | Interim | Zone | BCS | USOC | RATES(\$) | Svc Order Submitted Elec per LSR | Svc Order Submitted Manually per LSR | Incremental Charge - Manual Svc Order vs. Electronic-1st | Incremental Charge - Manual Svc Order vs. Electronic-Add'l | Incremental Charge - Manual Svc Order vs. Electronic-Disc 1st | Incremental Charge - Manual Svc Order vs. Electronic-Disc Add'l | | | |
| | | | | | | | | | | | | | Rec | Nonrecurring | |
| | | | | | | | | | | | | | | | |
| | | | | | | | | | | SOMEc | SOMAN | SOMAN | SOMAN | SOMAN | SOMAN |
| | 2-Wire Voice Grade Port (Centrex/differ SWC /EBS-M5316)2, 3 | | | UEP9D | UEPH7 | 1.17 | | | | | 11.90 | | | | |
| | 2-Wire Voice Grade Port, Diff Serving Wire Center - 800 Service Term | | | UEP9D | UEPHZ | 1.17 | | | | | 11.90 | | | | |
| | 2-Wire Voice Grade Port terminated in on Megalink or equivalent | | | UEP9D | UEPH9 | 1.17 | | | | | 11.90 | | | | |
| | 2-Wire Voice Grade Port Terminated on 800 Service Term | | | UEP9D | UEPH2 | 1.17 | | | | | 11.90 | | | | |
| Local Switching | | | | | | | | | | | | | | | |
| | Centrex Intercom Funtionalty, per port | | | UEP9D | URECS | 0.7384 | | | | | | | | | |
| Local Number Portability | | | | | | | | | | | | | | | |
| | Local Number Portability (1 per port) | | | UEP9D | LNPC | 0.35 | | | | | | | | | |
| Features | | | | | | | | | | | | | | | |
| | All Standard Features Offered, per port | | | UEP9D | UEPVF | 2.26 | | | | | | | | | |
| | All Select Features Offered, per port | | | UEP9D | UEPVS | 0.00 | 370.70 | | | | 11.90 | | | | |
| | All Centrex Control Features Offered, per port | | | UEP9D | UEPVC | 2.26 | | | | | | | | | |
| NARS | | | | | | | | | | | | | | | |
| | Unbundled Network Access Register - Combination | | | UEP9D | UARCX | 0.00 | 0.00 | 0.00 | | | 11.90 | | | | |
| | Unbundled Network Access Register - Inward | | | UEP9D | UAR1X | 0.00 | 0.00 | 0.00 | | | 11.90 | | | | |
| | Unbundled Network Access Register - Outdial | | | UEP9D | UAROx | 0.00 | 0.00 | 0.00 | | | 11.90 | | | | |
| Miscellaneous Terminations | | | | | | | | | | | | | | | |
| 2-Wire Trunk Side | | | | | | | | | | | | | | | |
| | Trunk Side Terminations, each | | | UEP9D | CEND6 | 8.81 | | | | | | | | | |
| 4-Wire Digital (1.544 Megabits) | | | | | | | | | | | | | | | |
| | DS1 Circuit Terminations, each | | | UEP9D | M1HD1 | 54.95 | | | | | | | | | |
| | DS0 Channels Activiated per Channel | | | UEP9D | M1HDO | 0.00 | 15.69 | | | | 11.90 | | | | |
| Interoffice Channel Mileage - 2-Wire | | | | | | | | | | | | | | | |
| | Interoffice Channel Facilities Termination | | | UEP9D | MIGBC | 25.32 | | | | | | | | | |
| | Interoffice Channel mileage, per mile or fraction of mile | | | UEP9D | MIGBM | 0.0091 | | | | | | | | | |
| Feature Activations (DS0) Centrex Loops on Channelized DS1 Service | | | | | | | | | | | | | | | |
| D4 Channel Bank Feature Activations | | | | | | | | | | | | | | | |
| | Feature Activation on D-4 Channel Bank Centrex Loop Slot | | | UEP9D | 1PQWS | 0.66 | | | | | | | | | |
| | Feature Activation on D-4 Channel Bank FX line Side Loop Slot | | | UEP9D | 1PQW6 | 0.66 | | | | | | | | | |
| | Feature Activation on D-4 Channel Bank FX Trunk Side Loop Slot | | | UEP9D | 1PQW7 | 0.66 | | | | | | | | | |
| | Feature Activation on D-4 Channel Bank Centrex Loop Slot - Different Wire Center | | | UEP9D | 1PQWP | 0.66 | | | | | | | | | |
| | Feature Activation on D-4 Channel Bank Private Line Loop Slot | | | UEP9D | 1PQWV | 0.66 | | | | | | | | | |
| | Feature Activation on D-4 Channel Bank Tjje Line/Trunk Loop Slot | | | UEP9D | 1PQWQ | 0.66 | | | | | | | | | |
| | Feature Activation on D-4 Channel Bank WATS Loop Slot | | | UEP9D | 1PQWA | 0.66 | | | | | | | | | |
| Non-Recurring Charges (NRC) Associated with UNE-P Centrex | | | | | | | | | | | | | | | |
| | NRC Conversion Currently Combined Switch-As-Is with allowed changes, per port | | | UEP9D | USAC2 | | 21.50 | 8.42 | | | 11.90 | | | | |
| | Conversion of existing Centrex Common Block, each | | | UEP9D | USACN | | 5.17 | 8.32 | | | 11.90 | | | | |
| | New Centrex Standard Common Block | | | UEP9D | M1ACS | 0.00 | 618.82 | | | | 11.90 | | | | |
| | New Centrex Customized Common Block | | | UEP9D | M1ACC | 0.00 | 618.82 | | | | 11.90 | | | | |
| | NAR Establishment Charge, Per Occasion | | | UEP9D | URECA | 0.00 | 66.48 | | | | 11.90 | | | | |
| UNE-P CENTREX - EWSD (Valid in AL, FL, KY, LA, MS & TN) | | | | | | | | | | | | | | | |
| 2-Wire VG Loop/2-Wire Voice Grade Port (Centrex) Combo | | | | | | | | | | | | | | | |
| UNE Port/Loop Combination Rates (Non-Design) | | | | | | | | | | | | | | | |
| | 2-Wire VG Loop/2-Wire Voice Grade Port (Centrex) Port Combo - Non-Design | | 1 | UEP9E | | 14.11 | | | | | | | | | |
| | 2-Wire VG Loop/2-Wire Voice Grade Port (Centrex)Port Combo - Non-Design | | 2 | UEP9E | | 18.23 | | | | | | | | | |
| | 2-Wire VG Loop/2-Wire Voice Grade Port (Centrex)Port Combo - Non-Design | | 3 | UEP9E | | 33.04 | | | | | | | | | |
| UNE Port/Loop Combination Rates (Design) | | | | | | | | | | | | | | | |

| UNBUNDLED NETWORK ELEMENTS - Florida | | | | | | | | | | Attachment: 2 | | Exhibit: B | | | | | | |
|---|---|---------|------|-------|-------|-----------|----------------------------------|--------------------------------------|--|--|---|---|-------|--------------|-------|-------------------------|--|---------------|
| CATEGORY | RATE ELEMENTS | Interim | Zone | BCS | USOC | RATES(\$) | Svc Order Submitted Elec per LSR | Svc Order Submitted Manually per LSR | Incremental Charge - Manual Svc Order vs. Electronic-1st | Incremental Charge - Manual Svc Order vs. Electronic-Add'l | Incremental Charge - Manual Svc Order vs. Electronic-Disc 1st | Incremental Charge - Manual Svc Order vs. Electronic-Disc Add'l | | | | | | |
| | | | | | | | | | | | | | Rec | Nonrecurring | | Nonrecurring Disconnect | | OSS Rates(\$) |
| | | | | | | | First | Add'l | First | Add'l | SOMEc | SOMAN | SOMAN | SOMAN | SOMAN | SOMAN | | |
| | 2-Wire VG Loop/2-Wire Voice Grade Port (Centrex) Port Combo - Design | | 1 | UEP9E | | 16.53 | | | | | | | | | | | | |
| | 2-Wire VG Loop/2-Wire Voice Grade Port (Centrex)Port Combo - Design | | 2 | UEP9E | | 21.60 | | | | | | | | | | | | |
| | 2-Wire VG Loop/2-Wire Voice Grade Port (Centrex)Port Combo - Design | | 3 | UEP9E | | 37.85 | | | | | | | | | | | | |
| UNE Loop Rate | | | | | | | | | | | | | | | | | | |
| | 2-Wire Voice Grade Loop (SL 1) - Zone 1 | | 1 | UEP9E | UECS1 | 12.94 | | | | | | | | | | | | |
| | 2-Wire Voice Grade Loop (SL 1) - Zone 2 | | 2 | UEP9E | UECS1 | 17.06 | | | | | | | | | | | | |
| | 2-Wire Voice Grade Loop (SL 1) - Zone 3 | | 3 | UEP9E | UECS1 | 31.87 | | | | | | | | | | | | |
| | 2-Wire Voice Grade Loop (SL 2) - Zone 1 | | 1 | UEP9E | UECS2 | 15.36 | | | | | | | | | | | | |
| | 2-Wire Voice Grade Loop (SL 2) - Zone 2 | | 2 | UEP9E | UECS2 | 20.43 | | | | | | | | | | | | |
| | 2-Wire Voice Grade Loop (SL 2) - Zone 3 | | 3 | UEP9E | UECS2 | 36.68 | | | | | | | | | | | | |
| UNE Port Rate | | | | | | | | | | | | | | | | | | |
| AL, FL, KY, LA, MS, & TN only | | | | | | | | | | | | | | | | | | |
| | 2-Wire Voice Grade Port (Centrex) Basic Local Area | | | UEP9E | UEPYA | 1.17 | | | | | | | | | | | | |
| | 2-Wire Voice Grade Port (Centrex 800 termination)Basic Local Area | | | UEP9E | UEPYB | 1.17 | | | | | | | | | | | | |
| | 2-Wire Voice Grade Port (Centrex with Caller ID)1Basic Local Area | | | UEP9E | UEPYH | 1.17 | | | | | | | | | | | | |
| | 2-Wire Voice Grade Port (Centrex from diff Serving Wire Center)2 Basic Local Area | | | UEP9E | UEPYM | 1.17 | | | | | | | | | | | | |
| | 2-Wire Voice Grade Port, Diff Serving Wire Center - 800 Service Term - Basic Local Area | | | UEP9E | UEPYZ | 1.17 | | | | | | | | | | | | |
| | 2-Wire Voice Grade Port terminated in on Megalink or equivalent - Basic Local Area | | | UEP9E | UEPY9 | 1.17 | | | | | | | | | | | | |
| | 2-Wire Voice Grade Port Terminated on 800 Service Term - Basic Local Area | | | UEP9E | UEPY2 | 1.17 | | | | | | | | | | | | |
| Florida Only | | | | | | | | | | | | | | | | | | |
| | 2-Wire Voice Grade Port (Centrex) | | | UEP9E | UEPHA | 1.17 | | | | | | | | | | | | |
| | 2-Wire Voice Grade Port (Centrex 800 termination) | | | UEP9E | UEPHB | 1.17 | | | | | | | | | | | | |
| | 2-Wire Voice Grade Port (Centrex with Caller ID)1 | | | UEP9E | UEPHH | 1.17 | | | | | | | | | | | | |
| | 2-Wire Voice Grade Port (Centrex from diff Serving Wire Center)2 | | | UEP9E | UEPHM | 1.17 | | | | | | | | | | | | |
| | 2-Wire Voice Grade Port, Diff Serving Wire Center - 800 Service Term | | | UEP9E | UEPHZ | 1.17 | | | | | | | | | | | | |
| | 2-Wire Voice Grade Port terminated in on Megalink or equivalent | | | UEP9E | UEPH9 | 1.17 | | | | | | | | | | | | |
| | 2-Wire Voice Grade Port Terminated on 800 Service Term | | | UEP9E | UEPH2 | 1.17 | | | | | | | | | | | | |
| Local Switching | | | | | | | | | | | | | | | | | | |
| | Centrex Intercom Functionality, per port | | | UEP9E | URECS | 0.7384 | | | | | | | | | | | | |
| Local Number Portability | | | | | | | | | | | | | | | | | | |
| | Local Number Portability (1 per port) | | | UEP9E | LNPCc | 0.35 | | | | | | | | | | | | |
| Features | | | | | | | | | | | | | | | | | | |
| | All Standard Features Offered, per port | | | UEP9E | UEPVF | 2.26 | | | | | | | | | | | | |
| | All Select Features Offered, per port | | | UEP9E | UEPVS | 0.00 | 370.70 | | | | | | | | | | | |
| | All Centrex Control Features Offered, per port | | | UEP9E | UEPVC | 2.26 | | | | | | | | | | | | |
| NARS | | | | | | | | | | | | | | | | | | |
| | Unbundled Network Access Register - Combination | | | UEP9E | UARCX | 0.00 | 0.00 | 0.00 | | | | | | | | | | |
| | Unbundled Network Access Register - Indial | | | UEP9E | UAR1X | 0.00 | 0.00 | 0.00 | | | | | | | | | | |
| | Unbundled Network Access Register - Outdial | | | UEP9E | UAROx | 0.00 | 0.00 | 0.00 | | | | | | | | | | |
| Miscellaneous Terminations | | | | | | | | | | | | | | | | | | |
| 2-Wire Trunk Side | | | | | | | | | | | | | | | | | | |
| | Trunk Side Terminations, each | | | UEP9E | CEND6 | 8.81 | | | | | | | | | | | | |
| 4-Wire Digital (1.544 Megabits) | | | | | | | | | | | | | | | | | | |
| | DS1 Circuit Terminations, each | | | UEP9E | M1HD1 | 54.95 | | | | | | | | | | | | |
| | DS0 Channel Activated Per Channel | | | UEP9E | M1HDO | 0.00 | 15.69 | | | | | | | | | | | |
| Interoffice Channel Mileage - 2-Wire | | | | | | | | | | | | | | | | | | |
| | Interoffice Channel Facilities Termination | | | UEP9E | MIGBC | 25.32 | | | | | | | | | | | | |

| UNBUNDLED NETWORK ELEMENTS - Florida | | | | | | | | | | | Attachment: 2 | | Exhibit: B | | | | | | | |
|--|--|---------|------|-------|-------|-----------|----------------------------------|--------------------------------------|--|--|---|---|---------------|--------------|-------|-------------------------|--|-------|-------|-------|
| CATEGORY | RATE ELEMENTS | Interim | Zone | BCS | USOC | RATES(\$) | Svc Order Submitted Elec per LSR | Svc Order Submitted Manually per LSR | Incremental Charge - Manual Svc Order vs. Electronic-1st | Incremental Charge - Manual Svc Order vs. Electronic-Add'l | Incremental Charge - Manual Svc Order vs. Electronic-Disc 1st | Incremental Charge - Manual Svc Order vs. Electronic-Disc Add'l | OSS Rates(\$) | | | | | | | |
| | | | | | | | | | | | | | Rec | Nonrecurring | | Nonrecurring Disconnect | | SOMEC | SOMAN | SOMAN |
| | | | | | | | | | | | | | First | Add'l | First | Add'l | | | | |
| | Interoffice Channel mileage, per mile or fraction of mile | | | UEP9E | MIGBM | 0.0091 | | | | | | | | | | | | | | |
| Feature Activations (DS0) Centrex Loops on Channelized DS1 Service | | | | | | | | | | | | | | | | | | | | |
| D4 Channel Bank Feature Activations | | | | | | | | | | | | | | | | | | | | |
| | Feature Activation on D-4 Channel Bank Centrex Loop Slot | | | UEP9E | 1PQWS | 0.66 | | | | | | | | | | | | | | |
| | Feature Activation on D-4 Channel Bank FX line Side Loop Slot | | | UEP9E | 1PQW6 | 0.66 | | | | | | | | | | | | | | |
| | Feature Activation on D-4 Channel Bank FX Trunk Side Loop Slot | | | UEP9E | 1PQW7 | 0.66 | | | | | | | | | | | | | | |
| | Feature Activation on D-4 Channel Bank Centrex Loop Slot - Different Wire Center | | | UEP9E | 1PQWP | 0.66 | | | | | | | | | | | | | | |
| | Feature Activation on D-4 Channel Bank Private Line Loop Slot | | | UEP9E | 1PQWV | 0.66 | | | | | | | | | | | | | | |
| | Feature Activation on D-4 Channel Bank Tjje Line/Trunk Loop Slot | | | UEP9E | 1PQWQ | 0.66 | | | | | | | | | | | | | | |
| | Feature Activation on D-4 Channel Bank WATS Loop Slot | | | UEP9E | 1PQWA | 0.66 | | | | | | | | | | | | | | |
| Non-Recurring Charges (NRC) Associated with UNE-P Centrex | | | | | | | | | | | | | | | | | | | | |
| | NRC Conversion Currently Combined Switch-As-Is with allowed changes, per port | | | UEP9E | USAC2 | | | | | | | | 21.50 | 8.42 | | | | | 11.90 | |
| | Conversion of Existing Centrex Common Block, each | | | UEP9E | USACN | | | | | | | | 5.17 | 8.32 | | | | | 11.90 | |
| | New Centrex Standard Common Block | | | UEP9E | M1ACS | 0.00 | | | | | | | 618.82 | | | | | | 11.90 | |
| | New Centrex Customized Common Block | | | UEP9E | M1ACC | 0.00 | | | | | | | 618.82 | | | | | | 11.90 | |
| | NAR Establishment Charge, Per Occasion | | | UEP9E | URECA | 0.00 | | | | | | | 66.48 | | | | | | 11.90 | |
| Note 1 - Required Port for Centrex Control in 1AESS, 5ESS & EWSD | | | | | | | | | | | | | | | | | | | | |
| Note 2 - Requires Interoffice Channel Mileage | | | | | | | | | | | | | | | | | | | | |
| Note 3 - Requires Specific Customer Premises Equipment | | | | | | | | | | | | | | | | | | | | |
| NOTE: Rates displaying an "R" in Interim column are interim and subject to rate true-up as set forth in General Terms and Conditions. | | | | | | | | | | | | | | | | | | | | |

| UNBUNDLED NETWORK ELEMENTS - Georgia | | | | | | | | | | Attachment: 2 | | Exhibit: B | | |
|--|--|---------|------|--------------|--------|-----------|----------------------------------|--------------------------------------|--|--|---|---|-------|--------------|
| CATEGORY | RATE ELEMENTS | Interim | Zone | BCS | USOC | RATES(\$) | Svc Order Submitted Elec per LSR | Svc Order Submitted Manually per LSR | Incremental Charge - Manual Svc Order vs. Electronic-1st | Incremental Charge - Manual Svc Order vs. Electronic-Add'l | Incremental Charge - Manual Svc Order vs. Electronic-Disc 1st | Incremental Charge - Manual Svc Order vs. Electronic-Disc Add'l | | |
| | | | | | | | | | | | | | Rec | Nonrecurring |
| | | | | | | | | | | | | | | |
| | | | | | | | | | | | | | | |
| OPERATIONAL SUPPORT SYSTEMS | | | | | | | | | | | | | | |
| NOTE: (1) Electronic Service Order: CLEC should contact its contract negotiator if it prefers the state specific electronic service ordering charges as ordered by the State Commissions. The electronic service ordering charge currently contained in this rate exhibit is the BellSouth regional electronic service ordering charge. CLEC may elect either the state specific Commission ordered rates for the electronic service ordering charges, or CLEC may elect the regional electronic service ordering charge. | | | | | | | | | | | | | | |
| NOTE: (2) Any element that can be ordered electronically will be billed according to the SOMECE rate listed in this category. Please refer to BellSouth's Business Rules for Local Ordering (BBR-LO) to determine if a product can be ordered electronically. For those elements that cannot be ordered electronically at present per the BBR-LO, the listed SOMECE rate in this category reflects the charge that would be billed to a CLEC once electronic ordering capabilities come on-line for that element. Otherwise, the manual ordering charge, SOMAN, will be applied to a CLECs bill when it submits an LSR to BellSouth. | | | | | | | | | | | | | | |
| | Electronic OSS Charge, per LSR, submitted via BST's OSS interactive interfaces (Regional) | | | | | SOMECE | | 3.50 | | | | | | |
| UNBUNDLED EXCHANGE ACCESS LOOP | | | | | | | | | | | | | | |
| 2-WIRE ANALOG VOICE GRADE LOOP | | | | | | | | | | | | | | |
| | 2-Wire Analog Voice Grade Loop - Service Level 1- Zone 1 | | 1 | UEANL | UEAL2 | | | 14.21 | 42.54 | 31.33 | | 18.94 | 8.42 | |
| | 2-Wire Analog Voice Grade Loop - Service Level 1- Zone 2 | | 2 | UEANL | UEAL2 | | | 16.41 | 42.54 | 31.33 | | 18.94 | 8.42 | |
| | 2-Wire Analog Voice Grade Loop - Service Level 1- Zone 3 | | 3 | UEANL | UEAL2 | | | 26.08 | 42.54 | 31.33 | | 18.94 | 8.42 | |
| | 2-Wire Analog Voice Grade Loop - Service Level 1- Zone 4 | | 4 | UEANL | UEAL2 | | | | | | | | | |
| | Loop Testing - Basic 1st Half Hour | | | UEANL | URET1 | | | | 78.92 | 78.92 | | 18.94 | 8.42 | |
| | Loop Testing - Basic Additional Half Hour | | | UEANL | URETA | | | | 23.33 | 23.33 | | 18.94 | 8.42 | |
| | CLEC to CLEC Conversion Charge Without Outside Dispatch (UVL-SL1) | | | UEANL | UREWO | | | | 15.75 | 8.92 | | 18.94 | 8.42 | |
| | Engineering Information Document (EI) | | | UEANL | | | | | 28.72 | 28.72 | | | | |
| | Manual Order Coordination for UVL-SL1s (per loop) | | | UEANL | UEAMC | | | | 16.11 | 16.11 | | | | |
| | Order Coordination for Specified Conversion Time for UVL-SL1 (per LSR) | | | UEANL | OCOSL | | | | 35.74 | 35.74 | | | | |
| 2-WIRE Unbundled COPPER LOOP | | | | | | | | | | | | | | |
| | 2-Wire Unbundled Copper Loop - Non-Designed Zone 1 | I | 1 | UEQ | UEQ2X | | | 11.02 | 44.69 | 22.40 | 25.65 | 7.06 | 18.94 | 8.42 |
| | 2 Wire Unbundled Copper Loop - Non-Designed - Zone 2 | I | 2 | UEQ | UEQ2X | | | 12.72 | 44.69 | 22.40 | 25.65 | 7.06 | 18.94 | 8.42 |
| | 2 Wire Unbundled Copper Loop - Non-Designed - Zone 3 | I | 3 | UEQ | UEQ2X | | | 20.22 | 44.69 | 22.40 | 25.65 | 7.06 | 18.94 | 8.42 |
| | Order Coordination 2 Wire Unbundled Copper Loop - Non-Designed (per loop) | | | UEQ | USBMC | | | | 16.11 | 16.11 | | | 18.94 | 8.42 |
| | Engineering Information Document | | | UEQ | | | | | 28.72 | 28.72 | | | 18.94 | 8.42 |
| | Loop Testing - Basic 1st Half Hour | | | UEQ | URET1 | | | | 78.92 | 78.92 | | | 18.94 | 8.42 |
| | Loop Testing - Basic Additional Half Hour | | | UEQ | URETA | | | | 23.33 | 23.33 | | | 18.94 | 8.42 |
| | CLEC to CLEC Conversion Charge Without Outside Dispatch (UCL-ND) | | | UEQ | UREWO | | | | 14.25 | 7.42 | | | 18.94 | 8.42 |
| UNBUNDLED EXCHANGE ACCESS LOOP | | | | | | | | | | | | | | |
| 2-WIRE ANALOG VOICE GRADE LOOP | | | | | | | | | | | | | | |
| UNE Loop Rates for Line Splitting (In Ga. PSC ordered the line splitting loop USOCs match the lower port-loop combo rates UEPLX) | | | | | | | | | | | | | | |
| | 2-Wire Voice Grade Loop (SL1) for Line Splitting - Zone 1 | I | 1 | UEPSR, UEPSB | UEALS, | | | | | | | | 10.80 | |
| | 2-Wire Voice Grade Loop (SL1) for Line Splitting - Zone 1 | I | 1 | UEPSR, UEPSB | UEABS | | | | | | | | 10.83 | |
| | 2-Wire Voice Grade Loop (SL1) for Line Splitting - Zone 2 | I | 2 | UEPSR, UEPSB | UEALS, | | | | | | | | 12.47 | |
| | 2-Wire Voice Grade Loop (SL1) for Line Splitting - Zone 2 | I | 2 | UEPSR, UEPSB | UEABS | | | | | | | | 12.47 | |
| | 2-Wire Voice Grade Loop (SL1) for Line Splitting - Zone 3 | I | 3 | UEPSR, UEPSB | UEALS | | | | | | | | 19.83 | |
| | 2-Wire Voice Grade Loop (SL1) for Line Splitting - Zone 3 | I | 3 | UEPSR, UEPSB | UEABS | | | | | | | | 19.83 | |
| UNBUNDLED EXCHANGE ACCESS LOOP | | | | | | | | | | | | | | |
| 2-WIRE ANALOG VOICE GRADE LOOP | | | | | | | | | | | | | | |
| | 2-Wire Analog Voice Grade Loop - Service Level 2 w/Loop or Ground Start Signaling - Zone 1 | | 1 | UEA | UEAL2 | | | 16.84 | 104.17 | 78.10 | | | 18.94 | 8.42 |
| | 2-Wire Analog Voice Grade Loop - Service Level 2 w/Loop or Ground Start Signaling - Zone 2 | | 2 | UEA | UEAL2 | | | 19.45 | 104.17 | 78.10 | | | 18.94 | 8.42 |
| | 2-Wire Analog Voice Grade Loop - Service Level 2 w/Loop or Ground Start Signaling - Zone 3 | | 3 | UEA | UEAL2 | | | 30.92 | 104.17 | 78.10 | | | 18.94 | 8.42 |
| | Order Coordination for Specified Conversion Time (per LSR) | | | UEA | OCOSL | | | | 35.74 | | | | | |
| | 2-Wire Analog Voice Grade Loop - Service Level 2 w/Reverse Battery Signaling - Zone 1 | | 1 | UEA | UEAR2 | | | 16.84 | 104.17 | 78.10 | | | 18.94 | 8.42 |
| | 2-Wire Analog Voice Grade Loop - Service Level 2 w/Reverse Battery Signaling - Zone 2 | | 2 | UEA | UEAR2 | | | 19.45 | 104.17 | 78.10 | | | 18.94 | 8.42 |
| | 2-Wire Analog Voice Grade Loop - Service Level 2 w/Reverse Battery Signaling - Zone 3 | | 3 | UEA | UEAR2 | | | 30.92 | 104.17 | 78.10 | | | 18.94 | 8.42 |
| | Order Coordination for Specified Conversion Time (per LSR) | | | UEA | OCOSL | | | | 35.74 | | | | | |

| UNBUNDLED NETWORK ELEMENTS - Georgia | | | | | | | | | | | Attachment: 2 | | Exhibit: B | | | | | | | |
|--------------------------------------|---|---------|------|-----|-------|-----------|----------------------------------|--------------------------------------|--|--|---|---|---------------|--------------------|--------------------|-------------------------------|-------------------------------|-------|-------|-------|
| CATEGORY | RATE ELEMENTS | Interim | Zone | BCS | USOC | RATES(\$) | Svc Order Submitted Elec per LSR | Svc Order Submitted Manually per LSR | Incremental Charge - Manual Svc Order vs. Electronic-1st | Incremental Charge - Manual Svc Order vs. Electronic-Add'l | Incremental Charge - Manual Svc Order vs. Electronic-Disc 1st | Incremental Charge - Manual Svc Order vs. Electronic-Disc Add'l | OSS Rates(\$) | | | | | | | |
| | | | | | | | | | | | | | Rec | Nonrecurring First | Nonrecurring Add'l | Nonrecurring Disconnect First | Nonrecurring Disconnect Add'l | SOMEK | SOMAN | SOMAN |
| | CLEC to CLEC Conversion Charge without outside dispatch | | | UEA | UREWO | | | | | | | | | | | | | | | |
| | 4-WIRE ANALOG VOICE GRADE LOOP | | | | | | | | | | | | | | | | | | | |
| | 4-Wire Analog Voice Grade Loop - Zone 1 | | 1 | UEA | UEAL4 | 22.26 | | | | | | | | | | | | | | |
| | 4-Wire Analog Voice Grade Loop - Zone 2 | | 2 | UEA | UEAL4 | 25.70 | | | | | | | | | | | | | | |
| | 4-Wire Analog Voice Grade Loop - Zone 3 | | 3 | UEA | UEAL4 | 40.86 | | | | | | | | | | | | | | |
| | Order Coordination for Specified Conversion Time (per LSR) | | | UEA | OCOSL | | | | | | | | | | | | | | | |
| | CLEC to CLEC Conversion Charge without outside dispatch | | | UEA | UREWO | | | | | | | | | | | | | | | |
| | 2-WIRE ISDN DIGITAL GRADE LOOP | | | | | | | | | | | | | | | | | | | |
| | 2-Wire ISDN Digital Grade Loop - Zone 1 | | 1 | UDN | U1L2X | 21.89 | | | | | | | | | | | | | | |
| | 2-Wire ISDN Digital Grade Loop - Zone 2 | | 2 | UDN | U1L2X | 25.27 | | | | | | | | | | | | | | |
| | 2-Wire ISDN Digital Grade Loop - Zone 3 | | 3 | UDN | U1L2X | 40.17 | | | | | | | | | | | | | | |
| | Order Coordination For Specified Conversion Time (per LSR) | | | UDN | OCOSL | | | | | | | | | | | | | | | |
| | CLEC to CLEC Conversion Charge without outside dispatch | | | UDN | UREWO | | | | | | | | | | | | | | | |
| | 2-WIRE Universal Digital Channel (UDC) COMPATIBLE LOOP | | | | | | | | | | | | | | | | | | | |
| | 2-Wire Universal Digital Channel (UDC) Compatible Loop - Zone 1 | I | 1 | UDC | UDC2X | 21.89 | | | | | | | | | | | | | | |
| | 2-Wire Universal Digital Channel (UDC) Compatible Loop - Zone 2 | I | 2 | UDC | UDC2X | 25.27 | | | | | | | | | | | | | | |
| | 2-Wire Universal Digital Channel (UDC) Compatible Loop - Zone 3 | I | 3 | UDC | UDC2X | 40.17 | | | | | | | | | | | | | | |
| | CLEC to CLEC Conversion Charge without outside dispatch | I | | UDC | UREWO | | | | | | | | | | | | | | | |
| | 2-WIRE ASYMMETRICAL DIGITAL SUBSCRIBER LINE (ADSL) COMPATIBLE LOOP | | | | | | | | | | | | | | | | | | | |
| | 2 Wire Unbundled ADSL Loop including manual service inquiry & facility reservation - Zone 1 | I | 1 | UAL | UAL2X | 11.23 | | | | | | | | | | | | | | |
| | 2 Wire Unbundled ADSL Loop including manual service inquiry & facility reservation - Zone 2 | I | 2 | UAL | UAL2X | 12.97 | | | | | | | | | | | | | | |
| | 2 Wire Unbundled ADSL Loop including manual service inquiry & facility reservation - Zone 3 | I | 3 | UAL | UAL2X | 20.62 | | | | | | | | | | | | | | |
| | Order Coordination for Specified Conversion Time (per LSR) | | | UAL | OCOSL | | | | | | | | | | | | | | | |
| | 2 Wire Unbundled ADSL Loop without manual service inquiry & facility reservaton - Zone 1 | I | 1 | UAL | UAL2W | 11.23 | | | | | | | | | | | | | | |
| | 2 Wire Unbundled ADSL Loop without manual service inquiry & facility reservaton - Zone 2 | I | 2 | UAL | UAL2W | 12.97 | | | | | | | | | | | | | | |
| | 2 Wire Unbundled ADSL Loop without manual service inquiry & facility reservaton - Zone 3 | I | 3 | UAL | UAL2W | 20.62 | | | | | | | | | | | | | | |
| | Order Coordination for Specified Conversion Time (per LSR) | | | UAL | OCOSL | | | | | | | | | | | | | | | |
| | CLEC to CLEC Conversion Charge without outside dispatch | I | | UAL | UREWO | | | | | | | | | | | | | | | |
| | 2-WIRE HIGH BIT RATE DIGITAL SUBSCRIBER LINE (HDSL) COMPATIBLE LOOP | | | | | | | | | | | | | | | | | | | |
| | 2 Wire Unbundled HDSL Loop including manual service inquiry & facility reservation - Zone 1 | I | 1 | UHL | UHL2X | 7.88 | | | | | | | | | | | | | | |
| | 2 Wire Unbundled HDSL Loop including manual service inquiry & facility reservation - Zone 2 | I | 2 | UHL | UHL2X | 9.09 | | | | | | | | | | | | | | |
| | 2 Wire Unbundled HDSL Loop including manual service inquiry & facility reservation - Zone 3 | I | 3 | UHL | UHL2X | 14.46 | | | | | | | | | | | | | | |
| | Order Coordination for Specified Conversion Time (per LSR) | | | UHL | OCOSL | | | | | | | | | | | | | | | |
| | 2 Wire Unbundled HDSL Loop without manual service inquiry and facility reservation - Zone 1 | I | 1 | UHL | UHL2W | 7.88 | | | | | | | | | | | | | | |
| | 2 Wire Unbundled HDSL Loop without manual service inquiry and facility reservation - Zone 2 | I | 2 | UHL | UHL2W | 9.09 | | | | | | | | | | | | | | |
| | 2 Wire Unbundled HDSL Loop without manual service inquiry and facility reservation - Zone 3 | I | 3 | UHL | UHL2W | 14.46 | | | | | | | | | | | | | | |
| | Order Coordination for Specified Conversion Time (per LSR) | | | UHL | OCOSL | | | | | | | | | | | | | | | |
| | CLEC to CLEC Conversion Charge without outside dispatch | I | | UHL | UREWO | | | | | | | | | | | | | | | |
| | 4-WIRE HIGH BIT RATE DIGITAL SUBSCRIBER LINE (HDSL) COMPATIBLE LOOP | | | | | | | | | | | | | | | | | | | |
| | 4 Wire Unbundled HDSL Loop including manual service inquiry and facility reservation - Zone 1 | I | 1 | UHL | UHL4X | 10.39 | | | | | | | | | | | | | | |
| | 4-Wire Unbundled HDSL Loop including manual service inquiry and facility reservation - Zone 2 | I | 2 | UHL | UHL4X | 12.00 | | | | | | | | | | | | | | |

UNBUNDLED NETWORK ELEMENTS - Georgia

| UNBUNDLED NETWORK ELEMENTS - Georgia | | | | | | | | | | Attachment: 2 | | Exhibit: B | | | |
|--------------------------------------|--|---------|------|-----|-------|-----------|----------------------------------|--------------------------------------|--|--|---|---|-------|--------------|-------|
| CATEGORY | RATE ELEMENTS | Interim | Zone | BCS | USOC | RATES(\$) | Svc Order Submitted Elec per LSR | Svc Order Submitted Manually per LSR | Incremental Charge - Manual Svc Order vs. Electronic-1st | Incremental Charge - Manual Svc Order vs. Electronic-Add'l | Incremental Charge - Manual Svc Order vs. Electronic-Disc 1st | Incremental Charge - Manual Svc Order vs. Electronic-Disc Add'l | | | |
| | | | | | | | | | | | | | Rec | Nonrecurring | |
| | | | | | | First | Add'l | First | Add'l | SOMEK | SOMAN | SOMAN | SOMAN | SOMAN | SOMAN |
| | 4-Wire Unbundled HDSL Loop including manual service inquiry and facility reservation - Zone 3 | I | 3 | UHL | UHL4X | 19.07 | 44.69 | 31.55 | 25.65 | 7.06 | | | 18.94 | 8.42 | |
| | Order Coordination for Specified Conversion Time (per LSR) | | | UHL | OCOSL | | 35.74 | | | | | | | | |
| | 4-Wire Unbundled HDSL Loop without manual service inquiry and facility reservation - Zone 1 | I | 1 | UHL | UHL4W | 10.39 | 44.69 | 31.55 | 25.65 | 7.06 | | | 18.94 | 8.42 | |
| | 4-Wire Unbundled HDSL Loop without manual service inquiry and facility reservation - Zone 2 | I | 2 | UHL | UHL4W | 12.00 | 44.69 | 31.55 | 25.65 | 7.06 | | | 18.94 | 8.42 | |
| | 4-Wire Unbundled HDSL Loop without manual service inquiry and facility reservation - Zone 3 | I | 3 | UHL | UHL4W | 19.07 | 44.69 | 31.55 | 25.65 | 7.06 | | | 18.94 | 8.42 | |
| | Order Coordination for Specified Conversion Time (per LSR) | | | UHL | OCOSL | | 35.74 | | | | | | | | |
| | CLEC to CLEC Conversion Charge without outside dispatch | I | | UHL | UREWO | | 44.69 | 31.55 | | | | | 18.94 | 8.42 | |
| | 4-WIRE DS1 DIGITAL LOOP | | | | | | | | | | | | | | |
| | 4-Wire DS1 Digital Loop - Zone 1 | | 1 | USL | USLXX | 55.53 | 429.98 | 268.18 | | | | | 18.94 | 8.42 | |
| | 4-Wire DS1 Digital Loop - Zone 2 | | 2 | USL | USLXX | 64.13 | 429.98 | 268.18 | | | | | 18.94 | 8.42 | |
| | 4-Wire DS1 Digital Loop - Zone 3 | | 3 | USL | USLXX | 101.93 | 429.98 | 268.18 | | | | | 18.94 | 8.42 | |
| | Order Coordination for Specified Conversion Time (per LSR) | | | USL | OCOSL | | 35.74 | | | | | | | | |
| | CLEC to CLEC Conversion Charge without outside dispatch | | | USL | UREWO | | 100.91 | 42.97 | | | | | 18.94 | 8.42 | |
| | 4-WIRE 19.2, 56 OR 64 KBPS DIGITAL GRADE LOOP | | | | | | | | | | | | | | |
| | 4 Wire Unbundled Digital 19.2 Kbps | | 1 | UDL | UDL19 | 25.75 | 348.55 | 241.20 | | | | | 18.94 | 8.42 | |
| | 4 Wire Unbundled Digital 19.2 Kbps | | 2 | UDL | UDL19 | 29.74 | 348.55 | 241.20 | | | | | 18.94 | 8.42 | |
| | 4 Wire Unbundled Digital 19.2 Kbps | | 3 | UDL | UDL19 | 47.27 | 348.55 | 241.20 | | | | | 18.94 | 8.42 | |
| | 4 Wire Unbundled Digital Loop 56 Kbps - Zone 1 | | 1 | UDL | UDL56 | 25.75 | 348.55 | 241.20 | | | | | 18.94 | 8.42 | |
| | 4 Wire Unbundled Digital Loop 56 Kbps - Zone 2 | | 2 | UDL | UDL56 | 29.74 | 348.55 | 241.20 | | | | | 18.94 | 8.42 | |
| | 4 Wire Unbundled Digital Loop 56 Kbps - Zone 3 | | 3 | UDL | UDL56 | 47.27 | 348.55 | 241.20 | | | | | 18.94 | 8.42 | |
| | Order Coordination for Specified Conversion Time (per LSR) | | | UDL | OCOSL | | 35.74 | | | | | | | | |
| | 4 Wire Unbundled Digital Loop 64 Kbps - Zone 1 | | 1 | UDL | UDL64 | 25.75 | 348.55 | 241.20 | | | | | 18.94 | 8.42 | |
| | 4 Wire Unbundled Digital Loop 64 Kbps - Zone 2 | | 2 | UDL | UDL64 | 29.74 | 348.55 | 241.20 | | | | | 18.94 | 8.42 | |
| | 4 Wire Unbundled Digital Loop 64 Kbps - Zone 3 | | 3 | UDL | UDL64 | 47.27 | 348.55 | 241.20 | | | | | 18.94 | 8.42 | |
| | Order Coordination for Specified Conversion Time (per LSR) | | | UDL | OCOSL | | 35.74 | | | | | | | | |
| | CLEC to CLEC Conversion Charge without outside dispatch | | | UDL | UREWO | | 101.95 | 49.66 | | | | | 18.94 | 8.42 | |
| | 2-WIRE Unbundled COPPER LOOP | | | | | | | | | | | | | | |
| | 2-Wire Unbundled Copper Loop/Short including manual service inquiry & facility reservation - Zone 1 | I | 1 | UCL | UCLPB | 12.02 | 44.69 | 31.55 | 25.65 | 7.06 | | | 18.94 | 8.42 | |
| | 2-Wire Unbundled Copper Loop/Short including manual service inquiry & facility reservation - Zone 2 | I | 2 | UCL | UCLPB | 13.88 | 44.69 | 31.55 | 25.65 | 7.06 | | | 18.94 | 8.42 | |
| | 2 Wire Unbundled Copper Loop/Short including manual service inquiry & facility reservation - Zone 3 | I | 3 | UCL | UCLPB | 22.07 | 44.69 | 31.55 | 25.65 | 7.06 | | | 18.94 | 8.42 | |
| | Order Coordination for Unbundled Copper Loops (per loop) | | | UCL | UCLMC | | 16.11 | 16.11 | | | | | | | |
| | 2-Wire Unbundled Copper Loop/Short without manual service inquiry and facility reservation - Zone 1 | I | 1 | UCL | UCLPW | 12.02 | 44.69 | 31.55 | 25.65 | 7.06 | | | 18.94 | 8.42 | |
| | 2-Wire Unbundled Copper Loop/Short without manual service inquiry and facility reservation - Zone 2 | I | 2 | UCL | UCLPW | 13.88 | 44.69 | 31.55 | 25.65 | 7.06 | | | 18.94 | 8.42 | |
| | 2-Wire Unbundled Copper Loop/Short without manual service inquiry and facility reservation - Zone 3 | I | 3 | UCL | UCLPW | 22.07 | 44.69 | 31.55 | 25.65 | 7.06 | | | 18.94 | 8.42 | |
| | Order Coordination for Unbundled Copper Loops (per loop) | | | UCL | UCLMC | | 16.11 | 16.11 | | | | | | | |
| | 2-Wire Unbundled Copper Loop/Long - includes manual svc. inquiry and facility reservation - Zone 1 | I | 1 | UCL | UCL2L | 35.56 | 44.69 | 31.55 | 25.65 | 7.06 | | | 18.94 | 8.42 | |
| | 2-Wire Unbundled Copper Loop/Long - includes manual svc. inquiry and facility reservation - Zone 2 | I | 2 | UCL | UCL2L | 41.07 | 44.69 | 31.55 | 25.65 | 7.06 | | | 18.94 | 8.42 | |
| | 2-Wire Unbundled Copper Loop/Long - includes manual svc. inquiry and facility reservation - Zone 3 | I | 3 | UCL | UCL2L | 65.28 | 44.69 | 31.55 | 25.65 | 7.06 | | | 18.94 | 8.42 | |
| | Order Coordination for Unbundled Copper Loops (per loop) | | | UCL | UCLMC | | 16.11 | 16.11 | | | | | | | |
| | 2-Wire Unbundled Copper Loop/Long - without manual service inquiry and facility reservation - Zone 1 | I | 1 | UCL | UCL2W | 35.56 | 44.69 | 31.55 | 25.65 | 7.06 | | | 18.94 | 8.42 | |
| | 2-Wire Unbundled Copper Loop/Long - without manual service inquiry and facility reservation - Zone 2 | I | 2 | UCL | UCL2W | 41.07 | 44.69 | 31.55 | 25.65 | 7.06 | | | 18.94 | 8.42 | |
| | 2-Wire Unbundled Copper Loop/Long - without manual service inquiry and facility reservation - Zone 3 | I | 3 | UCL | UCL2W | 65.28 | 44.69 | 31.55 | 25.65 | 7.06 | | | 18.94 | 8.42 | |
| | Order Coordination for Unbundled Copper Loops (per loop) | | | UCL | UCLMC | | 16.11 | 16.11 | | | | | | | |

| UNBUNDLED NETWORK ELEMENTS - Georgia | | | | | | | | | | | Attachment: 2 | | Exhibit: B | | | | | | | | | |
|--------------------------------------|--|---------|------|---|-------|-----------|----------------------------------|--------------------------------------|--|--|---|---|---------------|--------------|-------|-------------------------|--|-------|-------|-------|-------|-------|
| CATEGORY | RATE ELEMENTS | Interim | Zone | BCS | USOC | RATES(\$) | Svc Order Submitted Elec per LSR | Svc Order Submitted Manually per LSR | Incremental Charge - Manual Svc Order vs. Electronic-1st | Incremental Charge - Manual Svc Order vs. Electronic-Add'l | Incremental Charge - Manual Svc Order vs. Electronic-Disc 1st | Incremental Charge - Manual Svc Order vs. Electronic-Disc Add'l | OSS Rates(\$) | | | | | | | | | |
| | | | | | | | | | | | | | Rec | Nonrecurring | | Nonrecurring Disconnect | | SOMEK | SOMAN | SOMAN | SOMAN | SOMAN |
| | | | | | | | | | | | | | First | Add'l | First | Add'l | | | | | | |
| | CLEC to CLEC Conversion Charge without outside dispatch (UCL-Des) | I | | UCL | UREWO | | | | | | | | 44.69 | 31.55 | | | | | | | 18.94 | 8.42 |
| 4-WIRE COPPER LOOP | | | | | | | | | | | | | | | | | | | | | | |
| | 4-Wire Copper Loop/Short - including manual service inquiry and facility reservation - Zone 1 | I | 1 | UCL | UCL4S | 12.02 | | | | | | | 44.69 | 31.55 | 25.65 | 7.06 | | | | | 18.94 | 8.42 |
| | 4-Wire Copper Loop/Short - including manual service inquiry and facility reservation - Zone 2 | I | 2 | UCL | UCL4S | 13.88 | | | | | | | 44.69 | 31.55 | 25.65 | 7.06 | | | | | 18.94 | 8.42 |
| | 4-Wire Copper Loop/Short - including manual service inquiry and facility reservation - Zone 3 | I | 3 | UCL | UCL4S | 22.07 | | | | | | | 44.69 | 31.55 | 25.65 | 7.06 | | | | | 18.94 | 8.42 |
| | Order Coordination for Unbundled Copper Loops (per loop) | | | UCL | UCLMC | | | | | | | | 16.11 | 16.11 | | | | | | | | |
| | 4-Wire Copper Loop/Short - without manual service inquiry and facility reservation - Zone 1 | I | 1 | UCL | UCL4W | 12.02 | | | | | | | 44.69 | 31.55 | 25.65 | 7.06 | | | | | 18.94 | 8.42 |
| | 4-Wire Copper Loop/Short - without manual service inquiry and facility reservation - Zone 2 | I | 2 | UCL | UCL4W | 13.88 | | | | | | | 44.69 | 31.55 | 25.65 | 7.06 | | | | | 18.94 | 8.42 |
| | 4-Wire Copper Loop/Short - without manual service inquiry and facility reservation - Zone 3 | I | 3 | UCL | UCL4W | 22.07 | | | | | | | 44.69 | 31.55 | 25.65 | 7.06 | | | | | 18.94 | 8.42 |
| | Order Coordination for Unbundled Copper Loops (per loop) | | | UCL | UCLMC | | | | | | | | 16.11 | 16.11 | | | | | | | | |
| | 4-Wire Unbundled Copper Loop/Long - includes manual svc. inquiry and facility reservation - Zone 1 | I | 1 | UCL | UCL4L | 35.56 | | | | | | | 44.69 | 31.55 | 25.65 | 7.06 | | | | | 18.94 | 8.42 |
| | 4-Wire Unbundled Copper Loop/Long - includes manual svc. inquiry and facility reservation - Zone 2 | I | 2 | UCL | UCL4L | 41.07 | | | | | | | 44.69 | 31.55 | 25.65 | 7.06 | | | | | 18.94 | 8.42 |
| | 4-Wire Unbundled Copper Loop/Long - includes manual svc. inquiry and facility reservation - Zone 3 | I | 3 | UCL | UCL4L | 65.28 | | | | | | | 44.69 | 31.55 | 25.65 | 7.06 | | | | | 18.94 | 8.42 |
| | Order Coordination for Unbundled Copper Loops (per loop) | | | UCL | UCLMC | | | | | | | | 16.11 | 16.11 | | | | | | | | |
| | 4-Wire Unbundled Copper Loop/Long - without manual svc. inquiry and facility reservation - Zone 1 | I | 1 | UCL | UCL4O | 35.56 | | | | | | | 44.69 | 31.55 | 25.65 | 7.06 | | | | | 18.94 | 8.42 |
| | 4-Wire Unbundled Copper Loop/Long - without manual svc. inquiry and facility reservation - Zone 2 | I | 2 | UCL | UCL4O | 41.07 | | | | | | | 44.69 | 31.55 | 25.65 | 7.06 | | | | | 18.94 | 8.42 |
| | 4-Wire Unbundled Copper Loop/Long - without manual svc. inquiry and facility reservation - Zone 3 | I | 3 | UCL | UCL4O | 65.28 | | | | | | | 44.69 | 31.55 | 25.65 | 7.06 | | | | | 18.94 | 8.42 |
| | Order Coordination for Unbundled Copper Loops (per loop) | | | UCL | UCLMC | | | | | | | | 16.11 | 16.11 | | | | | | | | |
| | CLEC to CLEC conversion Charge without outside dispatch | I | | UCL | UREWO | | | | | | | | 44.69 | 31.55 | | | | | | | 18.94 | 8.42 |
| LOOP MODIFICATION | | | | | | | | | | | | | | | | | | | | | | |
| | Unbundled Loop Modification, Removal of Load Coils - 2 Wire pair less than or equal to 18k ft | I | | UAL, UHL, UCL, UEQ, ULS, UEA, UEANL, UDL, UDC, UDN, UDL, USL | ULM2L | | | | | | | | 0.00 | 0.00 | | | | | | | 18.94 | 8.42 |
| | Unbundled Loop Modification, Removal of Load Coils - 2 wire greater than 18k ft | I | | UCL, ULS | ULM2G | | | | | | | | 0.00 | 0.00 | | | | | | | 18.94 | 8.42 |
| | Unbundled Loop Modification Removal of Load Coils - 4 Wire less than or equal to 18K ft | I | | UHL, UCL | ULM4L | | | | | | | | 0.00 | 0.00 | | | | | | | 18.94 | 8.42 |
| | Unbundled Loop Modification Removal of Load Coils - 4 Wire pair greater than 18k ft | I | | UCL | ULM4G | | | | | | | | 0.00 | 0.00 | | | | | | | 18.94 | 8.42 |
| | Unbundled Loop Modification Removal of Bridged Tap Removal, per unbundled loop | I | | UAL, UHL, UCL, UEQ, UEF, ULS, UEA, UEANL, UDL, UDC, UDN, UDL, USL | ULMBT | | | | | | | | 0.00 | 0.00 | | | | | | | 18.94 | 8.42 |
| SUB-LOOPS | | | | | | | | | | | | | | | | | | | | | | |
| Sub-Loop Distribution | | | | | | | | | | | | | | | | | | | | | | |
| | Sub-Loop - Per Cross Box Location - CLEC Feeder Facility Set-Up | I | | UEANL | USBSA | | | | | | | | 421.08 | 421.08 | | | | | | | 18.94 | 8.42 |
| | Sub-Loop - Per Cross Box Location - Per 25 Pair Panel Set-Up | I | | UEANL | USBSB | | | | | | | | 67.10 | 67.10 | | | | | | | 18.94 | 8.42 |
| | Sub-Loop - Per Building Equipment Room - CLEC Feeder Facility Set-Up | I | | UEANL | USBSC | | | | | | | | 394.74 | 394.74 | | | | | | | 18.94 | 8.42 |
| | Sub-Loop - Per Building Equipment Room - Per 25 Pair Panel Set-Up | I | | UEANL | USBSD | | | | | | | | 154.57 | 154.57 | | | | | | | 18.94 | 8.42 |

| UNBUNDLED NETWORK ELEMENTS - Georgia | | | | | | | | | | | Attachment: 2 | | Exhibit: B | | | | | | | | |
|--|--|---------|------|---------------------|-------|-----------|----------------------------------|--------------------------------------|--|--|---|---|---------------|--------------|--------|-------------------------|--|-------|-------|-------|-------|
| CATEGORY | RATE ELEMENTS | Interim | Zone | BCS | USOC | RATES(\$) | Svc Order Submitted Elec per LSR | Svc Order Submitted Manually per LSR | Incremental Charge - Manual Svc Order vs. Electronic-1st | Incremental Charge - Manual Svc Order vs. Electronic-Add'l | Incremental Charge - Manual Svc Order vs. Electronic-Disc 1st | Incremental Charge - Manual Svc Order vs. Electronic-Disc Add'l | OSS Rates(\$) | | | | | | | | |
| | | | | | | | | | | | | | Rec | Nonrecurring | | Nonrecurring Disconnect | | SOMEc | SOMAN | SOMAN | SOMAN |
| | | | | | | | | | | | | | First | Add'l | First | Add'l | | | | | |
| | Unbundled Sub-Loops, Riser Cable, 2-Wire per Loop, Working and Spare Loop Activation | | | UEANL | USBRC | 1.37 | | | | | | | 2.48 | 2.48 | 1.74 | 1.74 | | | | 18.94 | 8.42 |
| | Unbundled Sub-Loops, Riser Cable, 4-Wire per Loop, Working and Spare Loop Activation | | | UEANL | USBRD | 2.74 | | | | | | | 4.96 | 4.96 | 1.74 | 1.74 | | | | 18.94 | 8.42 |
| | Sub-Loop Distribution Per 2-Wire Analog Voice Grade Loop - Statewide | | sw | UEANL | USBN2 | 9.12 | | | | | | | 207.01 | 171.32 | | | | | | 18.94 | 8.42 |
| | Order Coordination for Unbundled Sub-Loops, per sub-loop pair | | | UEANL | USBMC | | | | | | | | 34.22 | 34.22 | | | | | | | |
| | Sub-Loop Distribution Per 4-Wire Analog Voice Grade Loop - Statewide | | sw | UEANL | USBN4 | 8.32 | | | | | | | 219.35 | 72.99 | 123.72 | 28.77 | | | | 18.94 | 8.42 |
| | Order Coordination for Unbundled Sub-Loops, per sub-loop pair | | | UEANL | USBMC | | | | | | | | 34.22 | 34.22 | | | | | | | |
| | Sub-Loop 2-Wire Intrabuilding Network Cable (INC) | I | | UEANL | USB2 | 1.37 | | | | | | | 2.48 | 41.59 | 115.85 | 19.17 | | | | 18.94 | 8.42 |
| | Sub-Loop 2-Wire Intrabuilding Network Cable (INC) - Intermediary Access Terminal (IAT) | | | UEANL | USBRC | 1.37 | | | | | | | 2.48 | 2.48 | 1.74 | 1.74 | | | | 18.94 | 8.42 |
| | Order Coordination for Unbundled Sub-Loops, per sub-loop pair | | | UEANL | USBMC | | | | | | | | 34.22 | 34.22 | | | | | | | |
| | Sub-Loop 4-Wire Intrabuilding Network Cable (INC) - Intermediary Access Terminal (IAT) | | | UEANL | USBRD | 2.74 | | | | | | | 4.96 | 4.96 | 1.74 | 1.74 | | | | 18.94 | 8.42 |
| | Sub-Loop 4-Wire Intrabuilding Network Cable (INC) | I | | UEANL | USB4 | 2.96 | | | | | | | 176.46 | 55.11 | 122.17 | 19.57 | | | | 18.94 | 8.42 |
| | Order Coordination for Unbundled Sub-Loops, per sub-loop pair | | | UEANL | USBMC | | | | | | | | 34.22 | 34.22 | | | | | | | |
| | 2 Wire Copper Unbundled Sub-Loop Distribution - Zone 1 | I | 1 | UEF | UCS2X | 5.54 | | | | | | | 175.16 | 55.50 | 108.86 | 24.53 | | | | 18.84 | 8.42 |
| | 2 Wire Copper Unbundled Sub-Loop Distribution - Zone 2 | I | 2 | UEF | UCS2X | 5.54 | | | | | | | 175.16 | 55.50 | 108.86 | 24.53 | | | | 18.94 | 8.42 |
| | 2 Wire Copper Unbundled Sub-Loop Distribution - Zone 3 | I | 3 | UEF | UCS2X | 5.54 | | | | | | | 175.16 | 55.50 | 108.86 | 24.53 | | | | 18.94 | 8.42 |
| | Order Coordination for Unbundled Sub-Loops, per sub-loop pair | | | UEF | USBMC | | | | | | | | 34.22 | 34.22 | | | | | | | |
| | 4 Wire Copper Unbundled Sub-Loop Distribution - Zone 1 | I | 1 | UEF | UCS4X | 6.89 | | | | | | | 219.35 | 72.99 | 123.72 | 28.77 | | | | 18.94 | 8.42 |
| | 4 Wire Copper Unbundled Sub-Loop Distribution - Zone 2 | I | 2 | UEF | UCS4X | 6.89 | | | | | | | 219.35 | 72.99 | 123.72 | 28.77 | | | | 18.94 | 8.42 |
| | 4 Wire Copper Unbundled Sub-Loop Distribution - Zone 3 | I | 3 | UEF | UCS4X | 6.89 | | | | | | | 219.35 | 72.99 | 123.72 | 28.77 | | | | 18.94 | 8.42 |
| | Order Coordination for Unbundled Sub-Loops, per sub-loop pair | | | UEF | USBMC | | | | | | | | 34.22 | 34.22 | | | | | | | |
| Unbundled Network Terminating Wire (UNTW) | | | | | | | | | | | | | | | | | | | | | |
| | Unbundled Network Terminating Wire (UNTW) per Pair | | | UENTW | UENPP | 1.37 | | | | | | | 2.48 | 2.48 | 1.74 | 1.74 | | | | 18.94 | 8.42 |
| Network Interface Device (NID) | | | | | | | | | | | | | | | | | | | | | |
| | Network Interface Device (NID) - 1-2 lines | I | | UENTW | UND12 | | | | | | | | 86.37 | 56.69 | | | | | | 18.94 | 8.42 |
| | Network Interface Device (NID) - 1-6 lines | I | | UENTW | UND16 | | | | | | | | 127.93 | 98.21 | | | | | | 18.94 | 8.42 |
| | Network Interface Device Cross Connect - 2 W | I | | UENTW | UNDC2 | | | | | | | | 6.15 | 6.15 | | | | | | 18.94 | 8.42 |
| | Network Interface Device Cross Connect - 4W | | | UENTW | UNDC4 | | | | | | | | 6.15 | 6.15 | | | | | | | |
| SUB-LOOPS | | | | | | | | | | | | | | | | | | | | | |
| Sub-Loop Feeder | | | | | | | | | | | | | | | | | | | | | |
| | USL-Feeder, DS0 Set-up per Cross Box location - CLEC Distribution Facility set-up | | | UEA,UDN,UCL,UDL,UDC | USBFW | | | | | | | | 421.08 | | | | | | | 18.94 | 8.42 |
| | USL Feeder - DS0 Set-up per Cross Box location - per 25 pair set-up | | | UEA,UDN,UCL,UDL,UDC | USBFX | | | | | | | | 67.10 | 67.10 | | | | | | 18.94 | 8.42 |
| | USL Feeder DS1 Set-up at DSX location, per DS1 termination | | | USL | USBFZ | | | | | | | | 521.57 | 11.30 | | | | | | 18.94 | 8.42 |
| | Unbundled Sub-Loop Feeder Loop, 2 Wire Ground-Start, Voice Grade- Statewide | | sw | UEA | USBFA | 8.58 | | | | | | | 206.44 | 170.05 | | | | | | 18.94 | 8.42 |
| | Order Coordination for Specified Conversion Time, per LSR | | | UEA | OCOSL | | | | | | | | 35.74 | | | | | | | | |
| | Unbundled Sub-Loop Feeder Loop, 2 Wire Loop-Start, Voice Grade - Statewide | | sw | UEA | USBFB | 8.58 | | | | | | | 206.44 | 170.05 | | | | | | 18.94 | 8.42 |
| | Order Coordination for Specified Time Conversion, per LSR | | | UEA | OCOSL | | | | | | | | 35.74 | | | | | | | | |
| | Unbundled Sub-Loop Feeder Loop, 2 Wire Reverse Battery, Voice Grade Loop - Statewide | | sw | UEA | USBFC | 8.58 | | | | | | | 206.44 | 170.05 | | | | | | 18.94 | 8.42 |
| | Order Coordination For Specified Conversion Time, per LSR | | | UEA | OCOSL | | | | | | | | 35.74 | | | | | | | | |
| | Unbundled Sub-Loop Feeder Loop, 4 Wire Ground-Start, Voice Grade - Statewide | | sw | UEA | USBFD | 19.91 | | | | | | | 243.41 | 81.32 | 134.77 | 33.93 | | | | 18.94 | 8.42 |
| | Order Coordination For Specified Conversion Time, Per LSR | | | UEA | OCOSL | | | | | | | | 35.74 | | | | | | | | |

| UNBUNDLED NETWORK ELEMENTS - Georgia | | | | | | | | | | Attachment: 2 | | Exhibit: B | | | | |
|--------------------------------------|--|---------|------|-------|-------|-----------|----------------------------------|--------------------------------------|--|--|---|---|-------|--------------|-------|-------------------------|
| CATEGORY | RATE ELEMENTS | Interim | Zone | BCS | USOC | RATES(\$) | Svc Order Submitted Elec per LSR | Svc Order Submitted Manually per LSR | Incremental Charge - Manual Svc Order vs. Electronic-1st | Incremental Charge - Manual Svc Order vs. Electronic-Add'l | Incremental Charge - Manual Svc Order vs. Electronic-Disc 1st | Incremental Charge - Manual Svc Order vs. Electronic-Disc Add'l | | | | |
| | | | | | | | | | | | | | Rec | Nonrecurring | | Nonrecurring Disconnect |
| | | | | | | | | | | | | | | | | |
| | | | | | | First | Add'l | First | Add'l | SOMEK | SOMAN | SOMAN | SOMAN | SOMAN | SOMAN | |
| | Unbundled Sub-Loop Feeder Loop, 4 Wire Loop-Start, Voice Grade - Statewide | | sw | UEA | USBFE | 19.91 | 243.41 | 81.32 | 134.77 | 33.93 | | | 18.94 | 8.42 | | |
| | Order Coordination For Specified Conversion Time, Per LSR | | | UEA | OCOSL | | 35.74 | | | | | | | | | |
| | Unbundled Sub-Loop Feeder Loop, 2-Wire ISDN BRI - Statewide | | sw | UDN | USBFF | 17.73 | 208.50 | 62.31 | 119.68 | 29.58 | | | 18.94 | 8.42 | | |
| | Order Coordination For Specified Conversion Time, Per LSR | | | UDN | OCOSL | | 35.74 | | | | | | | | | |
| | Unbundled Sub-Loop Feeder, 2 Wire UDC (IDSL compatible) | | sw | UDC | USBFS | 17.73 | 208.50 | 62.31 | 119.68 | 29.58 | | | 19.99 | 19.99 | 19.99 | 19.99 |
| | Unbundled Sub-Loop Feeder Loop, 4-Wire DS1 - Statewide | | sw | USL | USBFG | 79.30 | 203.69 | 128.76 | 124.09 | 34.80 | | | 19.99 | 19.99 | 19.99 | 19.99 |
| | Order Coordination For Specified Conversion Time, Per LSR | | | USL | OCOSL | | 35.74 | | | | | | | | | |
| | Unbundled Sub-Loop Feeder Loop, 2-Wire Copper Loop - Statewide | | sw | UCL | USBFH | 7.22 | 195.38 | 63.15 | 119.68 | 29.58 | | | 18.94 | 8.42 | | |
| | Order Coordination For Specified Conversion Time, per LSR | | | UCL | OCOSL | | 35.74 | | | | | | | | | |
| | Sub-Loop Feeder - Per 4-Wire Copper Loop - Statewide | | sw | UCL | USBFJ | 13.72 | 243.41 | 81.32 | 134.77 | 33.93 | | | 18.94 | 8.42 | | |
| | Order Coordination For Specified Conversion Time, per LSR | | | UCL | OCOSL | | 35.74 | | | | | | | | | |
| | Sub-Loop Feeder - Per 4-Wire 19.2 Kbps Digital Grade Loop | | sw | UDL | USBFN | 24.50 | 243.41 | 81.32 | 134.77 | 33.93 | | | 19.99 | 19.99 | 19.99 | 19.99 |
| | Sub-Loop Feeder - Per 4-Wire 56 Kbps Digital Grade Loop - Statewide | | sw | UDL | USBFO | 24.50 | 243.41 | 81.32 | 134.77 | 33.93 | | | 19.99 | 19.99 | 19.99 | 19.99 |
| | Order Coordination For Specified Time Conversion, per LSR | | | UDL | OCOSL | | 35.74 | | | | | | | | | |
| | Sub-Loop Feeder - Per 4-Wire 64 Kbps Digital Grade Loop - Statewide | | sw | UDL | USBFP | 24.50 | 243.41 | 81.32 | 134.77 | 33.93 | | | 19.99 | 19.99 | 19.99 | 19.99 |
| | Order Coordination For Specified Conversion Time, per LSR | | | UDL | OCOSL | | 35.74 | | | | | | | | | |
| SUB-LOOPS | | | | | | | | | | | | | | | | |
| Sub-Loop Feeder | | | | | | | | | | | | | | | | |
| | Sub Loop Feeder - DS3 - Per Mile Per Month | | I | UE3 | 1L5SL | 12.80 | | | | | | | | | | |
| | Sub Loop Feeder - DS3 - Facility Termination Per Month | | I | UE3 | USBF1 | 329.94 | 3,380.00 | 406.50 | 163.61 | 92.75 | | | 18.94 | 8.42 | | |
| | Sub Loop Feeder - STS-1 - Per Mile Per Month | | I | UDLSX | 1L5SL | 12.80 | | | | | | | | | | |
| | Sub Loop Feeder - STS-1 - Facility Termination Per Month | | I | UDLSX | USBF7 | 372.78 | 3,380.00 | 406.50 | 163.61 | 92.75 | | | 18.94 | 8.42 | | |
| | Sub Loop Feeder - OC-3 - Per Mile Per Month | | I | UDLO3 | 1L5SL | 9.71 | | | | | | | | | | |
| | Sub Loop Feeder - OC-3 - Facility Termination Protection Per Month | | I | UDLO3 | USBF5 | 57.79 | | | | | | | | | | |
| | Sub Loop Feeder - OC-3 - Facility Termination Per Month | | I | UDLO3 | USBF2 | 524.13 | 3,380.00 | 406.50 | 163.61 | 92.75 | | | 18.94 | 8.42 | | |
| | Sub Loop Feeder - OC-12 - Per Mile Per Month | | I | UDL12 | 1L5SL | 11.95 | | | | | | | | | | |
| | Sub Loop Feeder - OC-12 - Facility Termination Protection Per Month | | I | UDL12 | USBF6 | 519.09 | | | | | | | | | | |
| | Sub Loop Feeder - OC-12 - Facility Termination Per Month | | I | UDL12 | USBF3 | 1,570.00 | 3,380.00 | 406.50 | 163.61 | 92.75 | | | 18.94 | 8.42 | | |
| | Sub Loop Feeder - OC-48 - Per Mile Per Month | | I | UDL48 | 1L5SL | 39.20 | | | | | | | | | | |
| | Sub Loop Feeder - OC-48 - Facility Termination Protection Per Month | | I | UDL48 | USBF9 | 259.99 | | | | | | | | | | |
| | Sub Loop Feeder - OC-48 - Facility Termination Per Month | | I | UDL48 | USBF4 | 1,505.00 | 3,566.00 | 406.50 | 163.61 | 92.75 | | | 18.94 | 8.42 | | |
| | Sub Loop Feeder - OC-12 Interface On OC-48 | | I | UDL48 | USBF8 | 323.43 | 787.13 | 406.50 | 163.61 | 92.75 | | | 18.94 | 8.42 | | |
| UNBUNDLED LOOP CONCENTRATION | | | | | | | | | | | | | | | | |
| | Unbundled Loop Concentration - System A (TR008) | | | ULC | UCT8A | 441.42 | 650.81 | 650.81 | | | | | 19.99 | 19.99 | 19.99 | 19.99 |
| | Unbundled Loop Concentration - System B (TR008) | | | ULC | UCT8B | 52.97 | 271.17 | 271.17 | | | | | 19.99 | 19.99 | 19.99 | 19.99 |
| | Unbundled Loop Concentration - System A (TR303) | | | ULC | UCT3A | 478.93 | 650.81 | 650.81 | | | | | 19.99 | 19.99 | 19.99 | 19.99 |
| | Unbundled Loop Concentration - System B (TR303) | | | ULC | UCT3B | 89.26 | 271.17 | 271.17 | | | | | 19.99 | 19.99 | 19.99 | 19.99 |
| | Unbundled Loop Concentration - DS1 Loop Interface Card | | | ULC | UCTCO | 5.04 | 126.57 | 92.14 | 33.57 | 9.40 | | | 19.99 | 19.99 | 19.99 | 19.99 |
| | Unbundled Loop Concentration - ISDN Loop Interface (Brite Card) | | | UDN | ULCC1 | 8.00 | 21.07 | 20.96 | 10.78 | 10.71 | | | 19.99 | 19.99 | 19.99 | 19.99 |
| | Unbundled Loop Concentration - UDC Loop Interface (Brite Card) | | | UDC | ULCCU | 8.00 | 21.07 | 20.96 | 10.78 | 10.71 | | | 19.99 | 19.99 | 19.99 | 19.99 |
| | Unbundled Loop Concentration - -2 Wire Voice-Loop Start or Ground Start Loop Interface (POTS Card) | | | UEA | ULCC2 | 2.00 | 21.07 | 20.96 | 10.78 | 10.71 | | | 19.99 | 19.99 | 19.99 | 19.99 |
| | Unbundled Loop Concentration - 2 Wire Voice - Reverse Battery Loop Interface (SPOTS Card) | | | UEA | ULCCR | 11.89 | 21.07 | 20.96 | 10.78 | 10.71 | | | 19.99 | 19.99 | 19.99 | 19.99 |
| | Unbundled Loop Concentration - 4 Wire Voice Loop Interface (Specials Card) | | | UEA | ULCC4 | 7.09 | 21.07 | 20.96 | 10.78 | 10.71 | | | 19.99 | 19.99 | 19.99 | 19.99 |
| | Unbundled Loop Concentration - TEST CIRCUIT Card | | | ULC | UCTTC | 34.67 | 21.07 | 20.96 | 10.78 | 10.71 | | | 19.99 | 19.99 | 19.99 | 19.99 |
| | Unbundled Loop Concentration - Digital 19.2 Kbps Data Loop Interface | | | UDL | ULCC7 | 10.51 | 21.07 | 20.96 | 10.78 | 10.71 | | | 19.99 | 19.99 | 19.99 | 19.99 |

| UNBUNDLED NETWORK ELEMENTS - Georgia | | | | | | | | | | Attachment: 2 | | Exhibit: B | | | | | |
|--|--|---------|------|---------------------------------|-------|-----------|----------------------------------|--------------------------------------|--|--|---|---|-------|--------------|-------|-------------------------|-------|
| CATEGORY | RATE ELEMENTS | Interim | Zone | BCS | USOC | RATES(\$) | Svc Order Submitted Elec per LSR | Svc Order Submitted Manually per LSR | Incremental Charge - Manual Svc Order vs. Electronic-1st | Incremental Charge - Manual Svc Order vs. Electronic-Add'l | Incremental Charge - Manual Svc Order vs. Electronic-Disc 1st | Incremental Charge - Manual Svc Order vs. Electronic-Disc Add'l | | | | | |
| | | | | | | | | | | | | | Rec | Nonrecurring | | Nonrecurring Disconnect | |
| | | | | | | | | | | | | | | | | | |
| | | | | | | | | | | SOMEc | SOMAN | SOMAN | SOMAN | SOMAN | SOMAN | | |
| | Unbundled Loop Concentration - Digital 56 Kbps Data Loop Interface | | | UDL | ULCC5 | 10.51 | | 21.07 | 20.96 | 10.78 | 10.71 | | | 19.99 | 19.99 | 19.99 | 19.99 |
| | Unbundled Loop Concentration - Digital 64 Kbps Data Loop Interface | | | UDL | ULCC6 | 10.51 | | 21.07 | 20.96 | 10.78 | 10.71 | | | 19.99 | 19.99 | 19.99 | 19.99 |
| UNE OTHER, PROVISIONING ONLY - NO RATE | | | | | | | | | | | | | | | | | |
| | NID - Dispatch and Service Order for NID installation | | | UENTW | UNDBX | | | | | | | | | | | | |
| | UNTW Circuit Id Establishment, Provisioning Only - No Rate | | | UENTW | UENCE | | | | | | | | | | | | |
| | Unbundled Contract Name, Provisioning Only - No Rate | | | UEANL,UEF,UEQ,UENTW | UNECN | | | | | | | | | | | | |
| UNE OTHER, PROVISIONING ONLY - NO RATE | | | | | | | | | | | | | | | | | |
| | Unbundled Contact Name, Provisioning Only - no rate | | | UAL,UCL,UDC,UDL,UDN,UEA,UHL,ULC | UNECN | 0.00 | | 0.00 | | | | | | | | | |
| | Unbundled Sub-Loop Feeder-2 Wire Cross Box Jumper - no rate | | | UEA,UDN,UCL,UDC | USBFQ | 0.00 | | 0.00 | | | | | | | | | |
| | Unbundled Sub-Loop Feeder-4 Wire Cross Box Jumper - no rate | | | UEA,USL,UCL,UDL | USBFR | 0.00 | | 0.00 | | | | | | | | | |
| | Unbundled DS1 Loop - Superframe Format Option - no rate | | | USL | CCOSF | 0.00 | | 0.00 | | | | | | | | | |
| | Unbundled DS1 Loop - Expanded Superframe Format option - no rate | | | USL | CCOEF | 0.00 | | 0.00 | | | | | | | | | |
| HIGH CAPACITY UNBUNDLED LOCAL LOOP | | | | | | | | | | | | | | | | | |
| | High Capacity Unbundled Local Loop - DS3 - Per Mile per month | | | UE3 | 1L5ND | 8.90 | | | | | | | | | | | |
| | High Capacity Unbundled Local Loop - DS3 - Facility Termination per month | | | UE3 | UE3PX | 390.34 | | 639.50 | 426.40 | | | | | 37.55 | 37.55 | 18.03 | 18.03 |
| | High Capacity Unbundled Local Loop - STS-1 - Per Mile per month | | | UDLSX | 1L5ND | 8.90 | | | | | | | | | | | |
| | High Capacity Unbundled Local Loop - STS-1 - Facility Termination per month | | | UDLSX | UDLS1 | 421.59 | | 639.50 | 426.40 | | | | | 37.55 | 37.55 | 18.03 | 18.03 |
| LOOP MAKE-UP | | | | | | | | | | | | | | | | | |
| | Loop Makeup - Preordering Without Reservation, per working or spare facility queried (Manual). | | | UMK | UMKLW | | | 35.00 | 35.00 | | | | | | | | |
| | Loop Makeup - Preordering With Reservation, per spare facility queried (Manual). | | | UMK | UMKLP | | | 45.00 | 45.00 | | | | | | | | |
| | Loop Makeup--With or Without Reservation, per working or spare facility queried (Mechanized) | | | UMK | PSUMK | | | 0.075 | 0.075 | | | | | | | | |
| HIGH FREQUENCY SPECTRUM | | | | | | | | | | | | | | | | | |
| SPLITTERS-CENTRAL OFFICE BASED | | | | | | | | | | | | | | | | | |
| | Line Sharing Splitter, per System 96 Line Capacity | | | ULS | ULSDA | 131.00 | | 0.00 | 0.00 | 0.00 | 0.00 | | | 18.94 | 8.42 | | |
| | Line Sharing Splitter, per System 24 Line Capacity | | | ULS | ULSDB | 32.00 | | 0.00 | 0.00 | 0.00 | 0.00 | | | 18.94 | 8.42 | | |
| | Line Sharing Splitter, Per System, 8 Line Capacity | I | | ULS | ULSD8 | 11.00 | | 0.00 | 0.00 | 0.00 | 0.00 | | | 18.94 | 8.42 | | |
| | Line Sharing-DLEC Owned Splitter in CO-CFA activation-deactivation (per LSOD) | | | ULS | ULSDG | | | 0.00 | 0.00 | 0.00 | 0.00 | | | 18.94 | 8.42 | | |
| END USER ORDERING-CENTRAL OFFICE BASED-HIGH FREQUENCY SPECTRUM AKA LINE SHARING | | | | | | | | | | | | | | | | | |
| | Line Sharing - per Line Activation (BST Owned Splitter) | | | ULS | ULSDC | 0.61 | | 10.51 | 7.70 | 0.00 | 0.00 | | | 18.94 | 8.42 | | |
| | Line Sharing - per Subsequent Activity per Line Rearrangement(BST Owned Splitter) | | | ULS | ULSDS | | | 36.23 | 13.23 | 0.00 | 0.00 | | | 18.94 | 8.42 | | |
| | Line Sharing - per Subsequent Activity per Line Rearrangement(DLEC Owned Splitter) | | | ULS | ULSCS | | | 36.23 | 13.23 | 0.00 | 0.00 | | | 18.94 | 8.42 | | |
| | Line Sharing - per Line Activation (DLEC owned Splitter) | I | | ULS | ULSCC | 0.61 | | 47.44 | 19.31 | 0.00 | 0.00 | | | 18.94 | 8.42 | | |
| | Line Splitting - per line activation DLEC owned splitter | I | | UEPSR UEPSB | UREOS | 0.61 | | | | | | | | | | | |
| | Line Splitting - per line activation BST owned - physical | I | | UEPSR UEPSB | UREBP | 0.639 | | 53.48 | 34.48 | 16.45 | 12.75 | | | 18.94 | 8.42 | | |
| | Line Splitting - per line activation BST owned - virtual | I | | UEPSR UEPSB | UREBV | 0.636 | | 53.48 | 34.48 | 16.45 | 12.75 | | | 18.94 | 8.42 | | |
| UNBUNDLED DEDICATED TRANSPORT | | | | | | | | | | | | | | | | | |
| NOTE: INTEROFFICE CHANNEL DEDICATED TRANSPORT - minimum billing period - below DS3=one month, DS3/STS-1=four months | | | | | | | | | | | | | | | | | |
| INTEROFFICE CHANNEL - DEDICATED TRANSPORT | | | | | | | | | | | | | | | | | |
| | Interoffice Channel - Dedicated Transport - 2-Wire Voice Grade - Per Mile per month | | | U1TVX | 1L5XX | 0.0222 | | | | | | | | | | | |

| UNBUNDLED NETWORK ELEMENTS - Georgia | | | | | | | | | | | Attachment: 2 | | Exhibit: B | | | | | | | | | | | |
|--|--|---------|------|-------|-------|-----------|----------------------------------|--------------------------------------|--|--|---|---|---------------|--------------|-------|-------------------------|--|--------|-------|-------|-------|-------|-------|-------|
| CATEGORY | RATE ELEMENTS | Interim | Zone | BCS | USOC | RATES(\$) | Svc Order Submitted Elec per LSR | Svc Order Submitted Manually per LSR | Incremental Charge - Manual Svc Order vs. Electronic-1st | Incremental Charge - Manual Svc Order vs. Electronic-Add'l | Incremental Charge - Manual Svc Order vs. Electronic-Disc 1st | Incremental Charge - Manual Svc Order vs. Electronic-Disc Add'l | OSS Rates(\$) | | | | | | | | | | | |
| | | | | | | | | | | | | | Rec | Nonrecurring | | Nonrecurring Disconnect | | SOME C | SOMAN | SOMAN | SOMAN | SOMAN | SOMAN | |
| | | | | | | | | | | | | | First | Add'l | First | Add'l | | | | | | | | |
| | Interoffice Channel - Dedicated Transport- 2- Wire Voice Grade - Facility Termination per month | | | U1TVX | U1TV2 | 17.07 | | | | | | | 79.61 | 36.08 | | | | | | | 18.94 | 18.94 | | |
| | Interoffice Channel - Dedicated Transport- 2-Wire Voice Grade Rev Bat. - Per Mile per month | | | U1TVX | 1L5XX | 0.0222 | | | | | | | | | | | | | | | | | | |
| | Interoffice Channel - Dedicated Transport- 2- Wire VG Rev Bat. - Facility Termination per month | | | U1TVX | U1TR2 | 17.07 | | | | | | | 79.61 | 36.08 | | | | | | | 18.94 | 18.94 | | |
| | Interoffice Channel - Dedicated Transport - 56 kbps - per mile per month | | | U1TDX | 1L5XX | 0.0222 | | | | | | | | | | | | | | | | | | |
| | Interoffice Channel - Dedicated Transport - 56 kbps - Facility Termination per month | | | U1TDX | U1TD5 | 16.45 | | | | | | | 79.61 | 36.08 | | | | | | | 18.94 | 18.94 | | |
| | Interoffice Channel - Dedicated Transport - 64 kbps - per mile per month | | | U1TDX | 1L5XX | 0.0222 | | | | | | | | | | | | | | | | | | |
| | Interoffice Channel - Dedicated Transport - 64 kbps - Facility Termination per month | | | U1TDX | U1TD6 | 16.45 | | | | | | | 79.61 | 36.08 | | | | | | | 18.94 | 18.94 | | |
| | Interoffice Channel - Dedicated Channel - DS1 - Per Mile per month | | | U1TD1 | 1L5XX | 0.4523 | | | | | | | | | | | | | | | | | | |
| | Interoffice Channel - Dedicated Transport - DS1 - Facility Termination per month | | | U1TD1 | U1TF1 | 78.47 | | | | | | | 147.07 | 111.75 | | | | | | | 18.94 | 18.94 | | |
| | Interoffice Channel - Dedicated Transport - DS3 - Per Mile per month | | | U1TD3 | 1L5XX | 2.72 | | | | | | | | | | | | | | | | | | |
| | Interoffice Channel - Dedicated Transport - DS3 - Facility Termination per month | | | U1TD3 | U1TF3 | 788.00 | | | | | | | 511.10 | 330.77 | | | | | | | 37.55 | 37.55 | 18.03 | 18.03 |
| | Interoffice Channel - Dedicated Transport - STS-1 - Per Mile per month | | | U1TS1 | 1L5XX | 2.72 | | | | | | | | | | | | | | | | | | |
| | Interoffice Channel - Dedicated Transport - STS-1 - Facility Termination per month | | | U1TS1 | U1TFS | 783.63 | | | | | | | 511.10 | 449.91 | | | | | | | 61.19 | 61.19 | 3.17 | 3.17 |
| LOCAL CHANNEL - DEDICATED TRANSPORT | | | | | | | | | | | | | | | | | | | | | | | | |
| NOTE: LOCAL CHANNEL DEDICATED TRANSPORT - minimum billing period - below DS3=one month, DS3/STS-1=four months | | | | | | | | | | | | | | | | | | | | | | | | |
| | Local Channel - Dedicated - 2-Wire Voice Grade Per Month | | | ULDVX | ULDV2 | 13.91 | | | | | | | 382.95 | 62.40 | | | | | | | 18.94 | 8.42 | | |
| | Local Channel - Dedicated - 2-Wire Voice Grade Rev Bat per month | | | ULDVX | ULDR2 | 13.91 | | | | | | | 382.95 | 62.40 | | | | | | | 18.94 | 18.94 | | |
| | Local Channel - Dedicated - 4-Wire Voice Grade per month | | | UNDVX | ULDV4 | 14.99 | | | | | | | 368.44 | 64.05 | | | | | | | 18.94 | 8.42 | | |
| | Local Channel - Dedicated - DS1 per month | | | ULDD1 | ULDF1 | 38.36 | | | | | | | 356.15 | 312.89 | | | | | | | 44.22 | 44.22 | 18.03 | 18.03 |
| | Local Channel - Dedicated - DS3 - Per Mile per month | | | ULDD3 | 1L5NC | 6.92 | | | | | | | | | | | | | | | | | | |
| | Local Channel - Dedicated - DS3 - Facility Termination per month | | | ULDD3 | ULDF3 | 515.91 | | | | | | | 639.50 | 426.31 | | | | | | | 37.55 | 37.55 | 18.03 | 18.03 |
| | Local Channel - Dedicated - STS-1 - Per Mile per month | | | ULDS1 | 1L5NC | 6.92 | | | | | | | | | | | | | | | | | | |
| | Local Channel - Dedicated - STS-1 - Facility Termination per month | | | ULDS1 | ULDFS | 517.56 | | | | | | | 639.50 | 426.31 | | | | | | | 18.94 | 18.94 | | |
| MULTIPLXERS | | | | | | | | | | | | | | | | | | | | | | | | |
| | Channelization - DS1 to DS0 Channel System | | | UXTD1 | MQ1 | 126.22 | | | | | | | 198.22 | 123.59 | | | | | | | 14.75 | 6.55 | 10.70 | |
| | OCU-DP COCI (data) - DS1 to DS0 Channel System - per month (2.4-64kbs) | | | UDL | 1D1DD | 1.86 | | | | | | | 12.02 | 8.66 | | | | | | | 14.75 | 6.55 | 10.60 | |
| | 2-wire ISDN COCI (BRITE) - DS1 to DS0 Channel System - per month | | | UDN | UC1CA | 3.37 | | | | | | | 12.02 | 8.66 | | | | | | | 14.75 | 6.55 | 10.60 | |
| | Voice Grade COCI - DS1 to DS0 Channel System - per month | | | UEA | 1D1VG | 1.17 | | | | | | | 12.02 | 8.66 | | | | | | | 14.75 | 6.55 | 10.60 | |
| | DS3 to DS1 Channel System per month | | | UXTD3 | MQ3 | 182.04 | | | | | | | 265.91 | 188.78 | | | | | | | 14.75 | 6.55 | 10.60 | |
| | STS1 to DS1 Channel System per month | | | UXTS1 | MQ3 | 182.04 | | | | | | | 265.91 | 188.78 | | | | | | | 18.94 | 18.94 | | |
| | DS3 Interface Unit (DS1 COCI) used with Loop per month | | | USL | UC1D1 | 11.02 | | | | | | | 12.02 | 8.66 | | | | | | | 14.75 | 6.55 | 10.60 | |
| | DS3 Interface Unit (DS1 COCI) used with Local Channel per month | | | ULDD1 | UC1D1 | 11.02 | | | | | | | 12.02 | 8.66 | | | | | | | 14.75 | 6.55 | | |
| | DS3 Interface Unit (DS1 COCI) used with Interoffice Channel per month | | | U1TD1 | UC1D1 | 11.02 | | | | | | | 12.02 | 8.66 | | | | | | | 14.75 | 6.55 | | |
| DARK FIBER | | | | | | | | | | | | | | | | | | | | | | | | |
| | Dark Fiber, Four Fiber Strands, Per Route Mile or Fraction Thereof per month - Local Channel | | | UDF | 1L5DC | 44.22 | | | | | | | | | | | | | | | | | | |
| | NRC Dark Fiber - Local Channel | | | UDF | UDFC4 | | | | | | | | 1,355.29 | 273.69 | | | | | | | 18.94 | 18.94 | | |
| | Dark Fiber, Four Fiber Strands, Per Route Mile or Fraction Thereof per month - Interoffice Channel | | | UDF | 1L5DF | 44.22 | | | | | | | | | | | | | | | | | | |

| UNBUNDLED NETWORK ELEMENTS - Georgia | | | | | | | | | | | Attachment: 2 | | Exhibit: B | | | |
|---|---|---------|------|----------|-------|-----------|----------------------------------|--------------------------------------|--|--|---|---|---------------|--------------------|--------------------|-------------------------------|
| CATEGORY | RATE ELEMENTS | Interim | Zone | BCS | USOC | RATES(\$) | Svc Order Submitted Elec per LSR | Svc Order Submitted Manually per LSR | Incremental Charge - Manual Svc Order vs. Electronic-1st | Incremental Charge - Manual Svc Order vs. Electronic-Add'l | Incremental Charge - Manual Svc Order vs. Electronic-Disc 1st | Incremental Charge - Manual Svc Order vs. Electronic-Disc Add'l | OSS Rates(\$) | | | |
| | | | | | | | | | | | | | Rec | Nonrecurring First | Nonrecurring Add'l | Nonrecurring Disconnect First |
| | NRC Dark Fiber - Interoffice Channel | | | UDF | UDF14 | 1,355.29 | 273.69 | | | | 18.94 | 18.94 | | | | |
| | Dark Fiber, Four Fiber Strands, Per Route Mile or Fraction Thereof per month - Local Loop | | | UDF | 1L5DL | 44.22 | | | | | | | | | | |
| | NRC Dark Fiber - Local Loop | | | UDF | UDFL4 | 1,355.29 | 273.69 | | | | 18.94 | 18.94 | | | | |
| TRANSPORT OTHER | | | | | | | | | | | | | | | | |
| Optional Features & Functions: | | | | | | | | | | | | | | | | |
| 8XX ACCESS TEN DIGIT SCREENING | | | | | | | | | | | | | | | | |
| | 8XX Access Ten Digit Screening, Per Call | | | OHD | | 0.0004868 | | | | | | | | | | |
| | 8XX Access Ten Digit Screening, Reservation Charge Per 8XX Number Reserved | | | OHD | N8R1X | 6.57 | 0.76 | | | | 18.94 | 18.94 | | | | |
| | 8XX Access Ten Digit Screening, Per 8XX No. Established W/O POTS Translations | | | OHD | | 12.81 | 1.45 | | | | 18.94 | 18.94 | | | | |
| | 8XX Access Ten Digit Screening, Per 8XX No. Established With POTS Translations | | | OHD | N8FTX | 12.81 | 1.45 | | | | 18.94 | 18.94 | | | | |
| | 8XX Access Ten Digit Screening, Customized Area of Service Per 8XX Number | | | OHD | N8FCX | 4.46 | 2.23 | | | | 18.94 | 18.94 | | | | |
| | 8XX Access Ten Digit Screening, Multiple InterLATA CXR Routing Per CXR Requested Per 8XX No. | | | OHD | N8FMX | 5.22 | 2.99 | | | | 18.94 | 18.94 | | | | |
| | 8XX Access Ten Digit Screening, Change Charge Per Request | | | OHD | N8FAX | 7.33 | 0.76 | | | | 18.94 | 18.94 | | | | |
| | 8XX Access Ten Digit Screening, Call Handling and Destination Features | | | OHD | N8FDX | 4.72 | 4.46 | | | | 18.94 | 18.94 | | | | |
| LINE INFORMATION DATA BASE ACCESS (LIDB) | | | | | | | | | | | | | | | | |
| | LIDB Common Transport Per Query | | | OQT | | 0.0000338 | | | | | | | | | | |
| | LIDB Validation Per Query | | | OQU | | 0.0105974 | | | | | | | | | | |
| | LIDB Originating Point Code Establishment or Change | | | OQT, OQU | NRPBX | 50.30 | | | | | 18.94 | 18.94 | | | | |
| SIGNALING (CCS7) | | | | | | | | | | | | | | | | |
| | CCS7 Signaling Termination, Per STP Port | | | UDB | PT8SX | 133.99 | | | | | | | | | | |
| | CCS7 Signaling Usage, Per TCAP Message | | | UDB | | 0.000087 | | | | | | | | | | |
| | CCS7 Signaling Connection, Per link (A link) | | | UDB | TPP++ | 17.05 | 131.96 | 131.96 | | | 18.94 | 18.94 | | | | |
| | CCS7 Signaling Connection, Per link (B link) (also known as D link) | | | UDB | TPP++ | 17.05 | 131.96 | 131.96 | | | 18.94 | 18.94 | | | | |
| | CCS7 Signaling Usage, Per ISUP Message | | | UDB | | 0.0000354 | | | | | | | | | | |
| | CCS7 Signaling Usage Surrogate, per link per LATA | | | UDB | STU56 | 340.67 | | | | | | | | | | |
| | CCS7 Signaling Point Code, per Originating Point Code Establishment or Change, per STP affected | | | UDB | CCAPO | 40.00 | 40.00 | | | | 18.94 | 18.94 | | | | |
| | CCS7 Signaling Point Code, per Destination Point Code Establishment or Change, Per Stp Affected | | | UDB | CCAPD | 8.00 | 8.00 | | | | 18.94 | 18.94 | | | | |
| CALLING NAME (CNAM) SERVICE | | | | | | | | | | | | | | | | |
| | CNAM for DB Owners, Per Query | | | OQV | | 0.01 | | | | | | | | | | |
| | CNAM for Non DB Owners, Per Query | | | OQV | | 0.01 | | | | | | | | | | |
| | CNAM (Non-Databs Owner), NRC, applies when using the Character Based User Interface (CHUI) | | | OQV | CDDCH | 595.00 | 595.00 | | | | 18.94 | 18.94 | | | | |
| OPERATOR CALL PROCESSING | | | | | | | | | | | | | | | | |
| | Oper. Call Processing - Oper. Provided, Per Min. - Using BST LIDB | | | | | 1.20 | | | | | | | | | | |
| | Oper. Call Processing - Oper. Provided, Per Min. - Using Foreign LIDB | | | | | 1.24 | | | | | | | | | | |
| | Oper. Call Processing - Fully Automated, per Call - Using BST LIDB | | | | | 0.20 | | | | | | | | | | |
| | Oper. Call Processing - Fully Automated, per Call - Using Foreign LIDB | | | | | 0.20 | | | | | | | | | | |
| INWARD OPERATOR SERVICES | | | | | | | | | | | | | | | | |
| | Inward Operator Svcs - Verification, Per Minute | | | | | 1.15 | | | | | | | | | | |
| | Inward Operator Services - Verification and Emergency Interrupt - Per Minute | | | | | 1.15 | | | | | | | | | | |
| BRANDING - OPERATOR CALL PROCESSING | | | | | | | | | | | | | | | | |
| | Recording of Custom Branded OA Announcement | | | | CBAOS | 7,000.00 | 7,000.00 | | | | 19.99 | 19.99 | 19.99 | 19.99 | | |
| | Loading of Custom Branded OA Announcement per shelf/NAV | | | | CBAOL | 500.00 | 500.00 | | | | 19.99 | 19.99 | | | | |
| | Unbranding via OLNS for UNEP CLEC | | | | | | | | | | | | | | | |

| UNBUNDLED NETWORK ELEMENTS - Georgia | | | | | | | | | | Attachment: 2 | | Exhibit: B | | | |
|--|--|---------|------|--|-------|-----------|----------------------------------|--------------------------------------|--|--|---|---|---------------|--------------------|--------------------|
| CATEGORY | RATE ELEMENTS | Interim | Zone | BCS | USOC | RATES(\$) | Svc Order Submitted Elec per LSR | Svc Order Submitted Manually per LSR | Incremental Charge - Manual Svc Order vs. Electronic-1st | Incremental Charge - Manual Svc Order vs. Electronic-Add'l | Incremental Charge - Manual Svc Order vs. Electronic-Disc 1st | Incremental Charge - Manual Svc Order vs. Electronic-Disc Add'l | OSS Rates(\$) | | |
| | | | | | | | | | | | | | Rec | Nonrecurring First | Nonrecurring Add'l |
| | Loading of OA per OCN (Regional) | | | | | | | | | | | | | | |
| DIRECTORY ASSISTANCE SERVICES | | | | | | | | | | | | | | | |
| | DIRECTORY ASSISTANCE ACCESS SERVICE | | | | | | | | | | | | | | |
| | Directory Assistance Access Service Calls, Charge Per Call | | | | | 0.275 | | | | | | | | | |
| | DIRECTORY ASSISTANCE CALL COMPLETION ACCESS SERVICE (DACC) | | | | | | | | | | | | | | |
| | Directory Assistance Call Completion Access Service (DACC), Per Call Attempt | | | | | 0.10 | | | | | | | | | |
| DIRECTORY TRANSPORT | | | | | | | | | | | | | | | |
| DIRECTORY ASSISTANCE SERVICES | | | | | | | | | | | | | | | |
| | DIRECTORY ASSISTANCE DATA BASE SERVICE (DADS) | | | | | | | | | | | | | | |
| | Directory Assistance Data Base Service Charge Per Listing | | | | | 0.04 | | | | | | | | | |
| | Directory Assistance Data Base Service, per month | | | | DBSOF | 150.00 | | | | | | | | | |
| BRANDING - DIRECTORY ASSISTANCE | | | | | | | | | | | | | | | |
| | Facility Based CLEC | | | | | | | | | | | | | | |
| | Recording and Provisioning of DA Custom Branded Announcement | | | AMT | CBADA | 6,000.00 | 6,000.00 | | | | | | | | |
| | Loading of Custom Branded Announcement per DRAM Card/Switch | | | AMT | CBADC | 1,170.00 | 1,170.00 | | | | | | | | |
| | UNEP CLEC | | | | | | | | | | | | | | |
| | Recording of DA Custom Branded Announcement | | | | | 3,000.00 | 3,000.00 | | | | | | | | |
| | Loading of DA Custom Branded Announcement per DRAM Card/Switch per OCN | | | | | 1,170.00 | 1,170.00 | | | | | | | | |
| | Unbranding via OLSN for UNEP CLEC | | | | | | | | | | | | | | |
| | Loading of DA per OCN (1 OCN per Order) | | | | | 420.00 | 420.00 | | | | | | | | |
| | Loading of DA per Switch per OCN | | | | | 16.00 | 16.00 | | | | | | | | |
| SELECTIVE ROUTING | | | | | | | | | | | | | | | |
| | Selective Routing Per Unique Line Class Code Per Request Per Switch | | | | USRCR | 180.62 | 180.62 | | | | 33.67 | 7.88 | | | |
| VIRTUAL COLLOCATION | | | | | | | | | | | | | | | |
| | Virtual Collocation - Application Cost | | | AMTFS | EAF | 2,848.30 | 2,848.30 | | | | | | | | |
| | Virtual Collocation - Cable Installation Cost, per cable | | | AMTFS | ESPCX | 2,750.00 | 2,750.00 | | | | | | | | |
| | Virtual Collocation - Floor Space, per sq. ft. | | | AMTFS | ESPVX | 3.20 | | | | | | | | | |
| | Virtual Collocation - Power, per breaker amp | | | AMTFS | ESPAX | 3.48 | | | | | | | | | |
| | Virtual Collocation - Cable Support Structure, per entrance cable | | | AMTFS | ESPSX | 13.35 | | | | | | | | | |
| | Virtual Collocation - 2-wire Cross Connects (loop) | | | UEANL,UEA,UDN,U DC,UAL,UHL,UCL,U EQ, AMTFS, UDL, UNCVX, UNCDX, UNCNX | UEAC2 | 0.0283 | 24.56 | 23.56 | 9.20 | 8.30 | | 19.99 | 19.99 | 19.99 | 19.99 |
| | Virtual Collocation - 4-wire Cross Connects (loop) | | | UEA,UHL,UCL,UDL, AMTFS, UAL, UDN, UNCVX, UNCDX | UEAC4 | 0.0566 | 24.75 | 23.70 | 9.03 | 8.10 | | 19.99 | 19.99 | 19.99 | 19.99 |
| | Virtual Collocation - 2-Fiber Cross Connects | | | AMTFS,UDL12, UDLO3, U1T48, U1T12, U1T03, ULDO3, ULD12, ULD48, UDF | CNC2F | 2.88 | 41.72 | 30.36 | 10.43 | 8.36 | | 2.20 | 2.20 | | |
| | Virtual Collocation - 4-Fiber Cross Connects | | | AMTFS,UDL12, UDLO3, U1T48, U1T12, U1T03, ULDO3, ULD12, ULD48, UDF | CNC4F | 5.76 | 51.03 | 39.67 | 13.71 | 11.65 | | 2.20 | 2.20 | | |
| | Virtual collocation - DS1 Cross Connects | | | USL,ULC,AMTFS, ULR, UXTD1, UNC1X, ULDD1, U1TD1, USLEL, UNLD1 | CNC1X | 7.50 | 155.00 | 14.00 | | | | | | | |

| UNBUNDLED NETWORK ELEMENTS - Georgia | | | | | | | | | | | Attachment: 2 | | Exhibit: B | | | | | | | | | | |
|---|--|---------|------|---|-------|-----------|----------------------------------|--------------------------------------|--|--|---|---|---------------|--------------|-------|-------------------------|--|-------|-------|-------|-------|-------|-------|
| CATEGORY | RATE ELEMENTS | Interim | Zone | BCS | USOC | RATES(\$) | Svc Order Submitted Elec per LSR | Svc Order Submitted Manually per LSR | Incremental Charge - Manual Svc Order vs. Electronic-1st | Incremental Charge - Manual Svc Order vs. Electronic-Add'l | Incremental Charge - Manual Svc Order vs. Electronic-Disc 1st | Incremental Charge - Manual Svc Order vs. Electronic-Disc Add'l | OSS Rates(\$) | | | | | | | | | | |
| | | | | | | | | | | | | | Rec | Nonrecurring | | Nonrecurring Disconnect | | SOMEc | SOMAN | SOMAN | SOMAN | SOMAN | SOMAN |
| | | | | | | | | | | | | | First | Add'l | First | Add'l | | | | | | | |
| | Virtual collocation - DS3 Cross Connects | | | USL, ULC, AMTFS, U E3, U1TD3, UXTS1, UXTD3, UNC3X, UNCSX, ULDD3, U1TS1, ULDS1, UDLSX, UNLD3 | CND3X | 56.25 | | | | | | | 151.90 | 11.83 | | | | | | | | | |
| | Virtual Collocation - Co-Carrier Cross Connects - Fiber Cable Support Structure, per linear foot | | | AMTFS | VE1CB | 0.0023 | | | | | | | | | | | | | | | | | |
| | Virtual Collocation - Co-Carrier Cross Connects - Copper/Coax Cable Support Structure, per linear ft | | | AMTFS | VE1CD | 0.0034 | | | | | | | | | | | | | | | | | |
| | Virtual Collocation - Co-Carrier Cross Connects - Fiber Cable Support Structure, per cable | | | AMTFS | VE1CC | | | | | | | | 553.43 | | | | | | | | | | |
| | Virtual Collocation - Co-Carrier Cross Connects - Copper/Coax Cable Support Structure, per cable | | | AMTFS | VE1CE | | | | | | | | 553.43 | | | | | | | | | | |
| | Virtual collocation - Security Escort - Basic, per half hour | | | AMTFS | SPTBX | | | | | | | | 41.00 | 25.00 | | | | | | | | | |
| | Virtual collocation - Security Escort - Overtime, per half hour | | | AMTFS | SPTOX | | | | | | | | 48.00 | 30.00 | | | | | | | | | |
| | Virtual collocation - Security Escort - Premium, per half hour | | | AMTFS | SPTPX | | | | | | | | 55.00 | 35.00 | | | | | | | | | |
| | Virtual collocation - Maintenance in CO - Basic, per half hour | | | AMTFS | CTRLX | | | | | | | | 30.64 | 30.64 | | | | | | | | | |
| | Virtual collocation - Maintenance in CO - Overtime, per half hour | | | AMTFS | SPTOM | | | | | | | | 35.77 | 35.77 | | | | | | | | | |
| | Virtual collocation - Maintenance in CO - Premium per half hour | | | AMTFS | SPTPM | | | | | | | | 40.90 | 40.90 | | | | | | | | | |
| VIRTUAL COLLOCATION | | | | | | | | | | | | | | | | | | | | | | | |
| | Virtual Collocation - 2-wire Cross Connect, Exchange Port 2-Wire Analog - Res | | | UEPSR | VE1R2 | 0.30 | | | | | | | 12.60 | 12.60 | | | | | | | | | |
| | Virtual Collocation 2-Wire Cross Connect, Exchange Port 2-Wire Line Side PBX Trunk - Bus | | | UEPSP | VE1R2 | 0.30 | | | | | | | 12.60 | 12.60 | | | | | | | | | |
| | Virtual Collocation 2-Wire Cross Connect, Exchange Port 2-Wire Voice Grade PBX Trunk - Res | | | UEPSE | VE1R2 | 0.30 | | | | | | | 12.60 | 12.60 | | | | | | | | | |
| | Virtual Collocation 2-Wire Cross Connect, Exchange Port 2-Wire Analog Bus | | | UEPSB | VE1R2 | 0.30 | | | | | | | 12.60 | 12.60 | | | | | | | | | |
| | Virtual Collocation 2-Wire Cross Connect, Exchange Port 2-Wire ISDN | | | UEPSX | VE1R2 | 0.30 | | | | | | | 12.60 | 12.60 | | | | | | | | | |
| | Virtual Collocation 2-Wire Cross Connect, Exchange Port 2-Wire ISDN | | | UEPTX | VE1R2 | 0.30 | | | | | | | 12.60 | 12.60 | | | | | | | | | |
| | Virtual Collocation 4-Wire Cross Connect, Exchange Port 4-Wire ISDN DS1 | | | UEPEX | VE1R4 | 0.50 | | | | | | | 12.60 | 12.60 | | | | | | | | | |
| VIRTUAL COLLOCATION | | | | | | | | | | | | | | | | | | | | | | | |
| | Virtual Collocation-2 Wire Cross Connects (Loop) for Line Splitting | | | UEPSR, UEPSB | VE1LS | 0.03 | | | | | | | 24.56 | 23.56 | 9.20 | 8.30 | | | | | | | |
| AIN SELECTIVE CARRIER ROUTING | | | | | | | | | | | | | | | | | | | | | | | |
| | Regional Service Establishment | | | SRC | SRCEC | | | | | | | | 391,788.00 | | | | | | | | | | |
| | End Office Establishment | | | SRC | SRCEO | | | | | | | | 320.53 | 320.53 | | | | | | | | | |
| | Line/Port NRC, per end user | | | SRC | SRCLP | | | | | | | | 2.06 | 2.06 | | | | | | | | | |
| | Query NRC, per query | | | SRC | | 0.000448 | | | | | | | | | | | | | | | | | |
| AIN - BELLSOUTH AIN SMS ACCESS SERVICE | | | | | | | | | | | | | | | | | | | | | | | |
| | AIN SMS Access Service - Service Establishment, Per State, Initial Setup | | | A1N | CAMSE | | | | | | | | 90.25 | 90.25 | | | | | | | | | |
| | AIN SMS Access Service - Port Connection - Dial/Shared Access | | | A1N | CAMDP | | | | | | | | 29.66 | 29.66 | | | | | | | | | |
| | AIN SMS Access Service - Port Connection - ISDN Access | | | A1N | CAM1P | | | | | | | | 29.66 | 29.66 | | | | | | | | | |
| | AIN SMS Access Service - User Identification Codes - Per User ID Code | | | A1N | CAMAU | | | | | | | | 84.43 | 84.43 | | | | | | | | | |
| | AIN SMS Access Service - Security Card, Per User ID Code, Initial or Replacement | | | A1N | CAMRC | | | | | | | | 35.44 | 35.44 | | | | | | | | | |
| | AIN SMS Access Service - Storage, Per Unit (100 Kilobytes) | | | | | | | | | | | | 0.0023 | | | | | | | | | | |
| | AIN SMS Access Service - Session, Per Minute | | | | | | | | | | | | 0.0795604 | | | | | | | | | | |
| | AIN SMS Access Service - Company Performed Session, Per Minute | | | | | | | | | | | | 2.08 | | | | | | | | | | |

| UNBUNDLED NETWORK ELEMENTS - Georgia | | | | | | | | | | | Attachment: 2 | | Exhibit: B | | |
|--|---|---------|------|-------|-------|-----------|--------------|----------------------------------|--------------------------------------|--|--|---|---|-------------------------|---------------|
| CATEGORY | RATE ELEMENTS | Interim | Zone | BCS | USOC | RATES(\$) | | Svc Order Submitted Elec per LSR | Svc Order Submitted Manually per LSR | Incremental Charge - Manual Svc Order vs. Electronic-1st | Incremental Charge - Manual Svc Order vs. Electronic-Add'l | Incremental Charge - Manual Svc Order vs. Electronic-Disc 1st | Incremental Charge - Manual Svc Order vs. Electronic-Disc Add'l | | |
| | | | | | | Rec | Nonrecurring | | | | | | | Nonrecurring Disconnect | OSS Rates(\$) |
| | | | | | | First | Add'l | First | Add'l | SOMEc | SOMAN | SOMAN | SOMAN | SOMAN | SOMAN |
| AIN - BELL SOUTH AIN TOOLKIT SERVICE | | | | | | | | | | | | | | | |
| | AIN Toolkit Service - Service Establishment Charge, Per State, Initial Setup | | | CAM | BAPSC | 86.74 | 86.74 | | | | | 18.94 | 18.94 | | |
| | AIN Toolkit Service - Training Session, Per Customer | | | | BAPVX | 8,348.00 | 8,348.00 | | | | | 18.94 | 18.94 | | |
| | AIN Toolkit Service - Trigger Access Charge, Per Trigger, Per DN, Term. Attempt | | | | BAPTT | 19.13 | 19.13 | | | | | 18.94 | 18.94 | | |
| | AIN Toolkit Service - Trigger Access Charge, Per Trigger, Per DN, Off-Hook Delay | | | | BAPTD | 114.80 | 114.80 | | | | | 18.94 | 18.94 | | |
| | AIN Toolkit Service - Trigger Access Charge, Per Trigger, Per DN, Off-Hook Immediate | | | | BAPTM | 19.13 | 19.13 | | | | | 18.94 | 18.94 | | |
| | AIN Toolkit Service - Trigger Access Charge, Per Trigger, Per DN, 10-Digit PODP | | | | BAPTO | 70.06 | 70.06 | | | | | 18.94 | 18.94 | | |
| | AIN Toolkit Service - Trigger Access Charge, Per Trigger, Per DN, CDP | | | | BAPTC | 70.06 | 70.06 | | | | | 18.94 | 18.94 | | |
| | AIN Toolkit Service - Trigger Access Charge, Per Trigger, Per DN, Feature Code | | | | BAPTF | 70.06 | 70.06 | | | | | 18.94 | 18.94 | | |
| | AIN Toolkit Service - Query Charge, Per Query | | | | | 0.0209223 | | | | | | | | | |
| | AIN Toolkit Service - Type 1 Node Charge, Per AIN Toolkit Subscription, Per Node, Per Query | | | | | 0.0053137 | | | | | | | | | |
| | AIN Toolkit Service - SCP Storage Charge, Per SMS Access Account, Per 100 Kilobytes | | | | | 1.46 | | | | | | | | | |
| | AIN Toolkit Service - Monthly report - Per AIN Toolkit Service Subscription | | | CAM | BAPMS | 15.96 | 22.64 | | | | | 18.94 | 18.94 | | |
| | AIN Toolkit Service - Special Study - Per AIN Toolkit Service Subscription | | | CAM | BAPLS | 0.0861109 | 22.64 | | | | | 18.94 | 18.94 | | |
| | AIN Toolkit Service - Call Event Report - Per AIN Toolkit Service Subscription | | | CAM | BAPDS | 15.87 | 22.64 | | | | | 18.94 | 18.94 | | |
| | AIN Toolkit Service - Call Event Special Study - Per AIN Toolkit Service Subscription | | | CAM | BAPES | 0.0028704 | 22.64 | | | | | 18.94 | 18.94 | | |
| ENHANCED EXTENDED LINK (EELs) | | | | | | | | | | | | | | | |
| NOTE: New EELs available in GA, TN, KY, LA, MS, & SC and density zone 1 of following MSAs: Orlando, FL; Miami, FL; Ft. Lauderdale, FL; | | | | | | | | | | | | | | | |
| NOTE: Charlotte-Gastonia-Rockhill, NC; Greensboro-Winston Salem-High Point, NC. Use all rates below except Switch As Is Charge. | | | | | | | | | | | | | | | |
| NOTE: In all states, EEL network elements shown below also apply to currently combined facilities which are converted to UNE rates. A Switch As Is Charge applies to currently combined facilities converted to UNEs.(Non-recurring rates do not apply.) | | | | | | | | | | | | | | | |
| NOTE: In GA, TN, KY, LA, MS & SC the EEL network elements apply to ordinarily combined network elements.(No Switch As Is Charge.) | | | | | | | | | | | | | | | |
| 2-WIRE VOICE GRADE EXTENDED LOOP WITH DEDICATED DS1 INTEROFFICE TRANSPORT (EEL) | | | | | | | | | | | | | | | |
| | First 2-Wire VG Loop(SL2) in a DS1 Interofficed Transport Combination - Zone 1 | | 1 | UNCVX | UEAL2 | 16.84 | 104.14 | 78.10 | | | | 18.94 | 8.42 | | |
| | First 2-Wire VG Grade Loop(SL2) in a DS1 Interofficed Transport Combination - Zone 2 | | 2 | UNCVX | UEAL2 | 19.45 | 104.14 | 78.10 | | | | 18.94 | 8.42 | | |
| | First 2-Wire VG Grade Loop(SL2) in a DS1 Interofficed Transport Combination - Zone 3 | | 3 | UNCVX | UEAL2 | 30.92 | 104.14 | 78.10 | | | | 18.94 | 8.42 | | |
| | Interoffice Transport - Dedicated - DS1 combination - Per Mile per month | | | UNC1X | 1L5XX | 0.4523 | | | | | | | | | |
| | Interoffice Transport - Dedicated - DS1 combination - Facility Termination per month | | | UNC1X | U1TF1 | 78.47 | 194.63 | 141.51 | | | | 33.63 | 27.49 | 19.88 | 11.85 |
| | DS1 Channelization System Per Month | | | UNC1X | MQ1 | 126.22 | | | | | | | | | |
| | Voice Grade COCI - DS1 To Ds0 Interface - Per Month | | | UNCVX | 1D1VG | 1.17 | 12.02 | 8.66 | | | | 18.94 | 8.42 | | |
| | Each Additional 2-Wire VG Loop(SL 2) in the same DS1 Interoffice Transport Combination - Zone 1 | | 1 | UNCVX | UEAL2 | 16.84 | 104.14 | 78.10 | | | | 18.94 | 8.42 | | |
| | Each Additional 2-Wire VG Loop(SL2) in the same DS1 Interoffice Transport Combination - Zone 2 | | 2 | UNCVX | UEAL2 | 19.45 | 104.14 | 78.10 | | | | 18.94 | 8.42 | | |
| | Each Additional 2-Wire VG Loop(SL2) in the same DS1 Interoffice Transport Combination - Zone 3 | | 3 | UNCVX | UEAL2 | 30.92 | 104.14 | 78.10 | | | | 18.94 | 8.42 | | |
| | Voice Grade COCI - DS1 to DS0 Channel System combination - per month | | | UNCVX | 1D1VG | 1.17 | 12.02 | 8.66 | | | | 18.94 | 8.42 | | |
| | Nonrecurring Currently Combined Network Elements Switch -As-Is Charge | | | UNC1X | UNCCC | | 12.97 | 11.27 | | | | 45.46 | 15.72 | | |
| 4-WIRE VOICE GRADE EXTENDED LOOP WITH DEDICATED DS1 INTEROFFICE TRANSPORT (EEL) | | | | | | | | | | | | | | | |

| UNBUNDLED NETWORK ELEMENTS - Georgia | | | | | | | | | | Attachment: 2 | | Exhibit: B | | | | | | | | |
|--|--|---------|------|-------|-------|-----------|----------------------------------|--------------------------------------|--|--|---|---|---------------|--------------|-------|-------------------------|--|-------|-------|-------|
| CATEGORY | RATE ELEMENTS | Interim | Zone | BCS | USOC | RATES(\$) | Svc Order Submitted Elec per LSR | Svc Order Submitted Manually per LSR | Incremental Charge - Manual Svc Order vs. Electronic-1st | Incremental Charge - Manual Svc Order vs. Electronic-Add'l | Incremental Charge - Manual Svc Order vs. Electronic-Disc 1st | Incremental Charge - Manual Svc Order vs. Electronic-Disc Add'l | OSS Rates(\$) | | | | | | | |
| | | | | | | | | | | | | | Rec | Nonrecurring | | Nonrecurring Disconnect | | SOMEc | SOMAN | SOMAN |
| | | | | | | | | | | | | | | | | | | | | |
| | First 4-Wire Analog Voice Grade Loop in a DS1 Interoffice Transport Combination - Zone 1 | | 1 | UNCVX | UEAL4 | 22.26 | 206.95 | 170.57 | | | | | 18.94 | 8.42 | | | | | | |
| | First 4-Wire Analog Voice Grade Loop in a DS1 Interoffice Transport Combination - Zone 2 | | 2 | UNCVX | UEAL4 | 25.70 | 206.95 | 170.57 | | | | | 18.94 | 8.42 | | | | | | |
| | First 4-Wire Analog Voice Grade Loop in a DS1 Interoffice Transport Combination - Zone 3 | | 3 | UNCVX | UEAL4 | 40.86 | 206.95 | 170.57 | | | | | 18.94 | 8.42 | | | | | | |
| | Interoffice Transport - Dedicated - DS1 combination - Per Mile Per Month | | | UNC1X | 1L5XX | 0.4523 | | | | | | | | | | | | | | |
| | Interoffice Transport - Dedicated - DS1 - Facility Termination Per Month | | | UNC1X | U1TF1 | 78.47 | 194.63 | 141.51 | | | | | 33.63 | 27.49 | 19.88 | | | | | 11.85 |
| | Channelization - Channel System DS1 to DS0 combination Per Month | | | UNC1X | MQ1 | 126.22 | | | | | | | | | | | | | | |
| | Voice Grade COCI - DS1 to DS0 Channel System combination - per month | | | UNCVX | 1D1VG | 1.17 | 12.02 | 8.66 | | | | | | | | | | | | |
| | Additional 4-Wire Analog Voice Grade Loop in same DS1 Interoffice Transport Combination - Zone 1 | | 1 | UNCVX | UEAL4 | 22.26 | 206.95 | 170.57 | | | | | 18.94 | 8.42 | | | | | | |
| | Additional 4-Wire Analog Voice Grade Loop in same DS1 Interoffice Transport Combination - Zone 2 | | 2 | UNCVX | UEAL4 | 25.70 | 206.95 | 170.57 | | | | | 18.94 | 8.42 | | | | | | |
| | Additional 4-Wire Analog Voice Grade Loop in same DS1 Interoffice Transport Combination - Zone 3 | | 3 | UNCVX | UEAL4 | 40.86 | 206.95 | 170.57 | | | | | 18.94 | 8.42 | | | | | | |
| | Voice Grade COCI - DS1 to DS0 Channel System combination - per month | | | UNCVX | 1D1VG | 1.17 | 12.02 | 8.66 | | | | | 18.94 | 8.42 | | | | | | |
| | Nonrecurring Currently Combined Network Elements Switch -As-Is Charge | | | UNC1X | UNCCC | | 12.97 | 11.27 | | | | | 45.46 | 15.72 | | | | | | |
| 4-WIRE 56 KBPS EXTENDED DIGITAL LOOP WITH DEDICATED DS1 INTEROFFICE TRANSPORT (EEL) | | | | | | | | | | | | | | | | | | | | |
| | First 4-Wire 56Kbps Digital Grade Loop in a DS1 Interoffice Transport Combination - Zone 1 | | 1 | UNCDX | UDL56 | 25.75 | 384.56 | 241.20 | | | | | 18.94 | 8.42 | | | | | | |
| | First 4-wire 56Kbps Digital Grade Loop in a DS1 Interoffice Transport Combination - Zone 2 | | 2 | UNCDX | UDL56 | 29.74 | 384.56 | 241.20 | | | | | 18.94 | 8.42 | | | | | | |
| | First 4-Wire 56Kbps Digital Grade Loop in a DS1 Interoffice Transport Combination - Zone 3 | | 3 | UNCDX | UDL56 | 47.27 | 384.56 | 241.20 | | | | | 18.94 | 8.42 | | | | | | |
| | Interoffice Transport - Dedicated - DS1 combination - Per Mile Per Month | | | UNC1X | 1L5XX | 0.4523 | | | | | | | | | | | | | | |
| | Interoffice Transport - Dedicated - DS1 - combination Facility Termination Per Month | | | UNC1X | U1TF1 | 78.47 | 194.63 | 141.51 | | | | | 33.63 | 27.49 | 19.88 | | | | | 11.85 |
| | Channelization - Channel System DS1 to DS0 combination Per Month | | | UNC1X | MQ1 | 126.22 | | | | | | | | | | | | | | |
| | OCU-DP COCI (data) - DS1 to DS0 Channel System - per month (2.4-64kbs) | | | UNCDX | 1D1DD | 1.86 | 12.02 | 8.66 | | | | | 18.94 | 8.42 | | | | | | |
| | Additional 4-Wire 56Kbps Digital Grade Loop in same DS1 Interoffice Transport Combination - Zone 1 | | 1 | UNCDX | UDL56 | 25.75 | 384.56 | 241.20 | | | | | 18.94 | 8.42 | | | | | | |
| | Additional 4-Wire 56Kbps Digital Grade Loop in same DS1 Interoffice Transport Combination - Zone 2 | | 2 | UNCDX | UDL56 | 29.74 | 384.56 | 241.20 | | | | | 18.94 | 8.42 | | | | | | |
| | Additional 4-Wire 56Kbps Digital Grade Loop in same DS1 Interoffice Transport Combination - Zone 3 | | 3 | UNCDX | UDL56 | 47.27 | 384.56 | 241.20 | | | | | 18.94 | 8.42 | | | | | | |
| | OCU-DP COCI (data) - DS1 to DS0 Channel System - combination per month (2.4-64kbs) | | | UNCDX | 1D1DD | 1.86 | 12.02 | 8.66 | | | | | 18.94 | 8.42 | | | | | | |
| | Nonrecurring Currently Combined Network Elements Switch -As-Is Charge | | | UNC1X | UNCCC | | 12.97 | 11.27 | | | | | 18.94 | 8.42 | | | | | | |
| 4-WIRE 64 KBPS EXTENDED DIGITAL LOOP WITH DEDICATED DS1 INTEROFFICE TRANSPORT (EEL) | | | | | | | | | | | | | | | | | | | | |
| | First 4-Wire 64Kbps Digital Grade Loop in a DS1 Interoffice Transport Combination - Zone 1 | | 1 | UNCDX | UDL64 | 25.75 | 348.55 | 241.20 | | | | | 18.94 | 8.42 | | | | | | |
| | First 4-Wire 64Kbps Digital Grade Loop in a DS1 Interoffice Transport Combination - Zone 2 | | 2 | UNCDX | UDL64 | 29.74 | 348.55 | 241.20 | | | | | 18.94 | 8.42 | | | | | | |
| | First 4-Wire 64Kbps Digital Grade Loop in a DS1 Interoffice Transport Combination - Zone 3 | | 3 | UNCDX | UDL64 | 47.27 | 348.55 | 241.20 | | | | | 18.94 | 8.42 | | | | | | |
| | Interoffice Transport - Dedicated - DS1 combination - Per Mile Per Month | | | UNC1X | 1L5XX | 0.4523 | | | | | | | | | | | | | | |

| UNBUNDLED NETWORK ELEMENTS - Georgia | | | | | | | | | | Attachment: 2 | | Exhibit: B | | | |
|---|---|---------|------|-------|-------|-----------|----------------------------------|--------------------------------------|--|--|---|---|-------|--------------|-------|
| CATEGORY | RATE ELEMENTS | Interim | Zone | BCS | USOC | RATES(\$) | Svc Order Submitted Elec per LSR | Svc Order Submitted Manually per LSR | Incremental Charge - Manual Svc Order vs. Electronic-1st | Incremental Charge - Manual Svc Order vs. Electronic-Add'l | Incremental Charge - Manual Svc Order vs. Electronic-Disc 1st | Incremental Charge - Manual Svc Order vs. Electronic-Disc Add'l | | | |
| | | | | | | | | | | | | | Rec | Nonrecurring | |
| | | | | | | | | | | | | | | | |
| | | | | | | | | | | | | | | | |
| | Interoffice Transport - Dedicated - DS1 combination - Facility Termination Per Month | | | UNC1X | U1TF1 | 78.47 | | | | | | 33.63 | 27.49 | 19.88 | 11.85 |
| | Channelization - Channel System DS1 to DS0 combination Per Month | | | UNC1X | MQ1 | 126.22 | | | | | | | | | |
| | OCU-DP COCI (data) - DS1 to DS0 Channel System combination - per month (2.4-64kbs) | | | UNCDX | 1D1DD | 1.86 | | | | | | 18.94 | 8.42 | | |
| | Additional 4-Wire 64Kbps Digital Grade Loopin same DS1 Interoffice Transport Combination - Zone 1 | | 1 | UNCDX | UDL64 | 25.75 | | | | | | 18.94 | 8.42 | | |
| | Additional 4-Wire 64Kbps Digital Grade Loopin same DS1 Interoffice Transport Combination - Zone 2 | | 2 | UNCDX | UDL64 | 29.74 | | | | | | 18.94 | 8.42 | | |
| | Additional 4-Wire 64Kbps Digital Grade Loopin same DS1 Interoffice Transport Combination - Zone 3 | | 3 | UNCDX | UDL64 | 47.27 | | | | | | 18.94 | 8.42 | | |
| | OCU-DP COCI (data) - DS1 to DS0 Channel System combination - per month (2.4-64kbs) | | | UNCDX | 1D1DD | 1.86 | | | | | | 18.94 | 8.42 | | |
| | Nonrecurring Currently Combined Network Elements Switch -As-Is Charge | | | UNC1X | UNCCC | | | | | | | 45.46 | 15.72 | | |
| 4-WIRE DS1 DIGITAL EXTENDED LOOP WITH DEDICATED DS1 INTEROFFICE TRANSPORT (EEL) | | | | | | | | | | | | | | | |
| | 4-Wire DS1 Digital Loop in Combination with DS1 Interoffice Transport - Zone 1 | | 1 | UNC1X | USLXX | 55.53 | | | | | | 18.94 | 8.42 | | |
| | 4-Wire DS1 Digital Loop in Combination with DS1 Interoffice Transport - Zone 2 | | 2 | UNC1X | USLXX | 64.13 | | | | | | 18.94 | 8.42 | | |
| | 4-Wire DS1 Digital Loop in Combination with DS1 Interoffice Transport - Zone 3 | | 3 | UNC1X | USLXX | 101.93 | | | | | | 18.94 | 8.42 | | |
| | Interoffice Transport - Dedicated - DS1 combination - Per Mile Per Month | | | UNC1X | 1L5XX | 0.4523 | | | | | | | | | |
| | Interoffice Transport - Dedicated - DS1 combination - Facility Termination Per Month | | | UNC1X | U1TF1 | 78.47 | | | | | | 33.63 | 27.49 | 19.88 | 11.85 |
| | Nonrecurring Currently Combined Network Elements Switch -As-Is Charge | | | UNC1X | UNCCC | | | | | | | 45.46 | 15.72 | | |
| 4-WIRE DS1 DIGITAL EXTENDED LOOP WITH DEDICATED DS3 INTEROFFICE TRANSPORT (EEL) | | | | | | | | | | | | | | | |
| | First DS1Loop in DS3 Interoffice Transport Combination - Zone 1 | | 1 | UNC1X | USLXX | 55.53 | | | | | | 18.94 | 8.42 | | |
| | First DS1Loop in DS3 Interoffice Transport Combination - Zone 2 | | 2 | UNC1X | USLXX | 64.13 | | | | | | 18.94 | 8.42 | | |
| | First DS1Loop in DS3 Interoffice Transport Combination - Zone 3 | | 3 | UNC1X | USLXX | 101.93 | | | | | | 18.94 | 8.42 | | |
| | Interoffice Transport - Dedicated - DS3 combination - Per Mile Per Month | | | UNC3X | 1L5XX | 2.72 | | | | | | | | | |
| | Interoffice Transport - Dedicated - DS3 - Facility Termination per month | | | UNC3X | U1TF3 | 788.00 | | | | | | 37.55 | 37.55 | 18.03 | 18.03 |
| | DS3 to DS1 Channel System combination per month | | | UNC3X | MQ3 | 137.73 | | | | | | 18.94 | 8.42 | | |
| | DS3 Interface Unit (DS1 COCI) combination per month | | | UNC1X | UC1D1 | 11.02 | | | | | | 18.94 | 8.42 | | |
| | Additional DS1Loop in DS3 Interoffice Transport Combination - Zone 1 | | 1 | UNC1X | USLXX | 55.53 | | | | | | 18.94 | 8.42 | | |
| | Additional DS1Loop in DS3 Interoffice Transport Combination - Zone 2 | | 2 | UNC1X | USLXX | 64.13 | | | | | | 18.94 | 8.42 | | |
| | Additional DS1Loop in DS3 Interoffice Transport Combination - Zone 3 | | 3 | UNC1X | USLXX | 101.93 | | | | | | 18.94 | 8.42 | | |
| | DS3 Interface Unit (DS1 COCI) combination per month | | | UNC1X | UC1D1 | 11.02 | | | | | | 18.94 | 8.42 | | |
| | Nonrecurring Currently Combined Network Elements Switch -As-Is Charge | | | UNC3X | UNCCC | | | | | | | 45.46 | 15.72 | | |
| 2-WIRE VOICE GRADE EXTENDED LOOP/ 2 WIRE VOICE GRADE INTEROFFICE TRANSPORT (EEL) | | | | | | | | | | | | | | | |
| | 2-WireVG Loop used with 2-wire VG Interoffice Transport Combination - Zone 1 | | 1 | UNCVX | UEAL2 | 16.84 | | | | | | 18.94 | 8.42 | | |
| | 2-WireVG Loop used with 2-wire VG Interoffice Transport Combination - Zone 2 | | 2 | UNCVX | UEAL2 | 19.45 | | | | | | 18.94 | 8.42 | | |
| | 2-WireVG Loop used with 2-wire VG Interoffice Transport Combination - Zone 3 | | 3 | UNCVX | UEAL2 | 30.92 | | | | | | 18.94 | 8.42 | | |

| UNBUNDLED NETWORK ELEMENTS - Georgia | | | | | | | | | | Attachment: 2 | | Exhibit: B | | | | | | |
|---|--|---------|------|-------|-------|-----------|----------------------------------|--------------------------------------|--|--|---|---|-------|--------------|-------|-------------------------|--|---------------|
| CATEGORY | RATE ELEMENTS | Interim | Zone | BCS | USOC | RATES(\$) | Svc Order Submitted Elec per LSR | Svc Order Submitted Manually per LSR | Incremental Charge - Manual Svc Order vs. Electronic-1st | Incremental Charge - Manual Svc Order vs. Electronic-Add'l | Incremental Charge - Manual Svc Order vs. Electronic-Disc 1st | Incremental Charge - Manual Svc Order vs. Electronic-Disc Add'l | | | | | | |
| | | | | | | | | | | | | | Rec | Nonrecurring | | Nonrecurring Disconnect | | OSS Rates(\$) |
| | | | | | | | First | Add'l | First | Add'l | SOMEc | SOMAN | SOMAN | SOMAN | SOMAN | SOMAN | | |
| | Interoffice Transport - Dedicated - 2-wire VG combination - Per Mile Per Month | | | UNCVX | 1L5XX | 0.0222 | | | | | | | | | | | | |
| | Interoffice Transport - Dedicated - 2- Wire Voice Grade combination - Facility Termination per month | | | UNCVX | U1TV2 | 17.07 | 79.61 | 36.08 | | | | 18.94 | 18.94 | | | | | |
| | Nonrecurring Currently Combined Network Elements Switch -As-Is Charge | | | UNCVX | UNCCC | | 12.97 | 11.27 | | | | 45.46 | 15.72 | | | | | |
| 4-WIRE VOICE GRADE EXTENDED LOOP/ 4 WIRE VOICE GRADE INTEROFFICE TRANSPORT (EEL) | | | | | | | | | | | | | | | | | | |
| | 4-WireVG Loop used with 4-wire VG Interoffice Transport Combination - Zone 1 | | 1 | UNCVX | UEAL4 | 22.26 | 206.95 | 170.57 | | | | 18.94 | 8.42 | | | | | |
| | 4-WireVG Loop used with 4-wire VG Interoffice Transport Combination - Zone 2 | | 2 | UNCVX | UEAL4 | 25.70 | 206.95 | 170.57 | | | | 18.94 | 8.42 | | | | | |
| | 4-WireVG Loop used with 4-wire VG Interoffice Transport Combination - Zone 3 | | 3 | UNCVX | UEAL4 | 40.86 | 206.95 | 170.57 | | | | 18.94 | 8.42 | | | | | |
| | Interoffice Transport - Dedicated - 4-wire VG combination - Per Mile Per Month | | | UNCVX | 1L5XX | 0.0222 | | | | | | | | | | | | |
| | Interoffice Transport - Dedicated - 4- Wire Voice Grade combination - Facility Termination per month | | | UNCVX | U1TV4 | 17.07 | 79.61 | 36.08 | | | | 18.94 | 18.94 | | | | | |
| | Nonrecurring Currently Combined Network Elements Switch -As-Is Charge | | | UNCVX | UNCCC | | 12.97 | 11.27 | | | | 45.46 | 15.72 | | | | | |
| DS3 DIGITAL EXTENDED LOOP WITH DEDICATED DS3 INTEROFFICE TRANSPORT (EEL) | | | | | | | | | | | | | | | | | | |
| | High Capacity Unbundled Local Loop - DS3 combination - Per Mile per month | | | UNC3X | 1L5ND | 8.90 | | | | | | | | | | | | |
| | High Capacity Unbundled Local Loop - DS3 combination - Facility Termination per month | | | UNC3X | UE3PX | 390.34 | 639.50 | 426.40 | | | | 37.55 | 37.55 | 18.03 | 18.03 | | | |
| | Interoffice Transport - Dedicated - DS3 - Per Mile per month | | | UNC3X | 1L5XX | 2.72 | | | | | | | | | | | | |
| | Interoffice Transport - Dedicated - DS3 combination - Facility Termination per per month | | | UNC3X | U1TF3 | 788.00 | 198.45 | 153.15 | | | | 37.55 | 37.55 | 18.03 | 18.03 | | | |
| | Nonrecurring Currently Combined Network Elements Switch -As-Is Charge | | | UNC3X | UNCCC | | 12.97 | 11.27 | | | | 45.46 | 15.72 | | | | | |
| STS1 DIGITAL EXTENDED LOOP WITH DEDICATED STS1 INTEROFFICE TRANSPORT (EEL) | | | | | | | | | | | | | | | | | | |
| | High Capacity Unbundled Local Loop - STS1 combination - Per Mile per month | | | UNCSX | 1L5ND | 8.90 | | | | | | | | | | | | |
| | High Capacity Unbundled Local Loop - STS1 combination - Facility Termination per month | | | UNCSX | UDLS1 | 421.59 | 639.50 | 426.40 | | | | 37.55 | 37.55 | 18.03 | 18.03 | | | |
| | Interoffice Transport - Dedicated - STS1 combination - Per Mile per month | | | UNCSX | 1L5XX | 2.72 | | | | | | | | | | | | |
| | Interoffice Transport - Dedicated - STS1 combination - Facility Termination per month | | | UNCSX | U1TFS | 783.63 | 198.45 | 449.91 | | | | 37.55 | 37.55 | 18.03 | 18.03 | | | |
| | Nonrecurring Currently Combined Network Elements Switch -As-Is Charge | | | UNCSX | UNCCC | | 12.97 | 11.27 | | | | 45.46 | 15.72 | | | | | |
| 2-WIRE ISDN EXTENDED LOOP WITH DS1 INTEROFFICE TRANSPORT (EEL) | | | | | | | | | | | | | | | | | | |
| | First 2-Wire ISDN Loop in a DS1 Interoffice Combination Transport - Zone 1 | | 1 | UNCNX | U1L2X | 21.89 | 233.38 | 180.38 | | | | 18.94 | 8.42 | | | | | |
| | First 2-Wire ISDN Loop in a DS1 Interoffice Combination Transport - Zone 2 | | 2 | UNCNX | U1L2X | 25.27 | 233.38 | 180.38 | | | | 18.94 | 8.42 | | | | | |
| | First 2-Wire ISDN Loop in a DS1 Interoffice Combination Transport - Zone 3 | | 3 | UNCNX | U1L2X | 40.17 | 233.38 | 180.38 | | | | 18.94 | 8.42 | | | | | |
| | Interoffice Transport - Dedicated - DS1 combination - Per Mile | | | UNC1X | 1L5XX | 0.4523 | | | | | | | | | | | | |
| | Interoffice Transport - Dedicated - DS1 combination - Facility Termination per month | | | UNC1X | U1TF1 | 78.47 | 194.63 | 141.51 | | | | 33.63 | 27.49 | 19.88 | 11.85 | | | |
| | Channelization - Channel System DS1 to DS0 combination - per month | | | UNC1X | MQ1 | 126.22 | | | | | | | | | | | | |
| | 2-wire ISDN COCI (BRITE) - DS1 to DS0 Channel System combination - per month | | | UNCNX | UC1CA | 3.37 | 12.02 | 8.66 | | | | 33.63 | 27.49 | 19.88 | 11.85 | | | |
| | Additional 2-wire ISDN Loop in same DS1Interoffice Transport Combination - Zone 1 | | 1 | UNCNX | U1L2X | 21.89 | 233.38 | 180.38 | | | | 18.94 | 8.42 | | | | | |
| | Additional 2-wire ISDN Loop in same DS1Interoffice Transport Combination - Zone 2 | | 2 | UNCNX | U1L2X | 25.27 | 233.38 | 180.38 | | | | 18.94 | 8.42 | | | | | |

| UNBUNDLED NETWORK ELEMENTS - Georgia | | | | | | | | | | Attachment: 2 | | Exhibit: B | | | | | | | | | | |
|---|---|---------|------|-------|-------|-----------|----------------------------------|--------------------------------------|--|--|---|---|---------------|--------------|--|-------------------------|--|-------|-------|-------|-------|-------|
| CATEGORY | RATE ELEMENTS | Interim | Zone | BCS | USOC | RATES(\$) | Svc Order Submitted Elec per LSR | Svc Order Submitted Manually per LSR | Incremental Charge - Manual Svc Order vs. Electronic-1st | Incremental Charge - Manual Svc Order vs. Electronic-Add'l | Incremental Charge - Manual Svc Order vs. Electronic-Disc 1st | Incremental Charge - Manual Svc Order vs. Electronic-Disc Add'l | OSS Rates(\$) | | | | | | | | | |
| | | | | | | | | | | | | | Rec | Nonrecurring | | Nonrecurring Disconnect | | SOMEc | SOMAN | SOMAN | SOMAN | SOMAN |
| | | | | | | | | | | | | | | | | | | | | | | |
| | Additional 2-wire ISDN Loop in same DS1 Interoffice Transport Combination - Zone 3 | | 3 | UNCNX | U1L2X | 40.17 | | | | | | | 233.38 | 180.38 | | | | | 18.94 | 8.42 | | |
| | 2-wire ISDN COCI (BRITE) - DS1 to DS0 Channel System combination - per month | | | UNCNX | UC1CA | 3.37 | | | | | | | 12.02 | 8.66 | | | | | 33.63 | 27.49 | 19.88 | 11.85 |
| | Nonrecurring Currently Combined Network Elements Switch -As-Is Charge | | | UNC1X | UNCCC | | | | | | | | 12.97 | 11.27 | | | | | 45.46 | 15.72 | | |
| 4-WIRE DS1 DIGITAL EXTENDED LOOP WITH DEDICATED STS-1 INTEROFFICE TRANSPORT (EEL) | | | | | | | | | | | | | | | | | | | | | | |
| | First DS1 Loop in STS1 Interoffice Transport Combination - Zone 1 | | 1 | UNC1X | USLXX | 55.53 | | | | | | | 443.20 | 138.69 | | | | | 18.94 | 8.42 | | |
| | First DS1 Loop in STS1 Interoffice Transport Combination - Zone 2 | | 2 | UNC1X | USLXX | 64.13 | | | | | | | 443.20 | 138.69 | | | | | 18.94 | 8.42 | | |
| | First DS1 Loop in STS1 Interoffice Transport Combination - Zone 3 | | 3 | UNC1X | USLXX | 101.93 | | | | | | | 443.20 | 138.69 | | | | | 18.94 | 8.42 | | |
| | Interoffice Transport - Dedicated - STS1 combination - Per Mile Per Month | | | UNCSX | 1L5XX | 2.72 | | | | | | | | | | | | | | | | |
| | Interoffice Transport - Dedicated - STS1 combination - Facility Termination | | | UNCSX | U1TFS | 783.63 | | | | | | | 198.45 | 449.91 | | | | | 37.55 | 37.55 | 18.08 | 18.03 |
| | STS1 to DS1 Channel System combination per month | | | UNCSX | MQ3 | 182.04 | | | | | | | 196.66 | 204.61 | | | | | 37.55 | 37.55 | 18.08 | 18.03 |
| | DS3 Interface Unit (DS1 COCI) combination per month | | | UNC1X | UC1D1 | 11.02 | | | | | | | 12.02 | 8.66 | | | | | 37.55 | 37.55 | 18.08 | 18.03 |
| | Additional DS1 Loop in STS1 Interoffice Transport Combination - Zone 1 | | 1 | UNC1X | USLXX | 55.53 | | | | | | | 443.20 | 138.69 | | | | | 18.94 | 8.42 | | |
| | Additional DS1 Loop in STS1 Interoffice Transport Combination - Zone 2 | | 2 | UNC1X | USLXX | 64.13 | | | | | | | 443.20 | 138.69 | | | | | 18.94 | 8.42 | | |
| | Additional DS1 Loop in STS1 Interoffice Transport Combination - Zone 3 | | 3 | UNC1X | USLXX | 101.93 | | | | | | | 443.20 | 138.69 | | | | | 18.94 | 8.42 | | |
| | DS3 Interface Unit (DS1 COCI) combination per month | | | UNC1X | UC1D1 | 11.02 | | | | | | | 12.02 | 8.66 | | | | | 18.94 | 8.42 | | |
| | Nonrecurring Currently Combined Network Elements Switch -As-Is Charge | | | UNCSX | UNCCC | | | | | | | | 12.97 | 11.27 | | | | | 45.46 | 15.72 | | |
| 4-WIRE 56 KBPS DIGITAL EXTENDED LOOP WITH 56 KBPS INTEROFFICE TRANSPORT (EEL) | | | | | | | | | | | | | | | | | | | | | | |
| | 4-wire 56 kbps Loop/4-wire 56 kbps Interoffice Transport Combination - Zone 1 | | 1 | UNCDX | UDL56 | 25.75 | | | | | | | 384.56 | 241.20 | | | | | 18.94 | 8.42 | | |
| | 4-wire 56 kbps Loop/4-wire 56 kbps Interoffice Transport Combination - Zone 2 | | 2 | UNCDX | UDL56 | 29.74 | | | | | | | 384.56 | 241.20 | | | | | 18.94 | 8.42 | | |
| | 4-wire 56 kbps Loop/4-wire 56 kbps Interoffice Transport Combination - Zone 3 | | 3 | UNCDX | UDL56 | 47.27 | | | | | | | 384.56 | 241.20 | | | | | 18.94 | 8.42 | | |
| | Interoffice Transport - Dedicated - 4-wire 56 kbps combination - Per Mile | | | UNCDX | 1L5XX | 0.0222 | | | | | | | | | | | | | | | | |
| | Interoffice Transport - Dedicated - 4-wire 56 kbps combination - Facility Termination | | | UNCDX | U1TD5 | 16.45 | | | | | | | 147.07 | 111.75 | | | | | 33.63 | 27.49 | 19.88 | 11.85 |
| | Nonrecurring Currently Combined Network Elements Switch -As-Is Charge | | | UNCDX | UNCCC | | | | | | | | 12.97 | 11.27 | | | | | 45.46 | 15.72 | | |
| 4-WIRE 64 KBPS DIGITAL EXTENDED LOOP WITH 64 KBPS INTEROFFICE TRANSPORT (EEL) | | | | | | | | | | | | | | | | | | | | | | |
| | 4-wire 64 kbps Loop/4-wire 64 kbps Interoffice Transport Combination - Zone 1 | | 1 | UNCDX | UDL64 | 25.75 | | | | | | | 348.55 | 241.20 | | | | | 18.94 | 8.42 | | |
| | 4-wire 64 kbps Loop/4-wire 64 kbps Interoffice Transport Combination - Zone 2 | | 2 | UNCDX | UDL64 | 29.74 | | | | | | | 348.55 | 241.20 | | | | | 18.94 | 8.42 | | |
| | 4-wire 64 kbps Loop/4-wire 64 kbps Interoffice Transport Combination - Zone 3 | | 3 | UNCDX | UDL64 | 47.27 | | | | | | | 348.55 | 241.20 | | | | | 18.94 | 8.42 | | |
| | Interoffice Transport - Dedicated - 4-wire 64 kbps combination - Per Mile | | | UNCDX | 1L5XX | 0.0222 | | | | | | | | | | | | | | | | |
| | Interoffice Transport - Dedicated - 4-wire 64 kbps combination - Facility Termination | | | UNCDX | U1TD6 | 16.45 | | | | | | | 147.07 | 111.75 | | | | | 33.63 | 27.49 | 19.88 | 11.85 |
| | Nonrecurring Currently Combined Network Elements Switch -As-Is Charge | | | UNCDX | UNCCC | | | | | | | | 12.97 | 11.27 | | | | | 45.46 | 15.72 | | |
| ADDITIONAL NETWORK ELEMENTS | | | | | | | | | | | | | | | | | | | | | | |
| When used as a part of a currently combined facility, the non-recurring charges do not apply, but a Switch As Is charge does apply. | | | | | | | | | | | | | | | | | | | | | | |
| When used as ordinarily combined network elements in Georgia, the non-recurring charges apply and the Switch As Is Charge does not. | | | | | | | | | | | | | | | | | | | | | | |
| Node (SynchroNet) | | | | | | | | | | | | | | | | | | | | | | |
| Nonrecurring Currently Combined Network Elements "Switch As Is" Charge (One applies to each combination) | | | | | | | | | | | | | | | | | | | | | | |

| UNBUNDLED NETWORK ELEMENTS - Georgia | | | | | | | | | | | | | Attachment: 2 | | Exhibit: B | |
|---|---|---------|------|-------|-------|-----------|--------------|--------|-------------------------|----------------------------------|--------------------------------------|--|--|---|---|---------------|
| CATEGORY | RATE ELEMENTS | Interim | Zone | BCS | USOC | RATES(\$) | | | | Svc Order Submitted Elec per LSR | Svc Order Submitted Manually per LSR | Incremental Charge - Manual Svc Order vs. Electronic-1st | Incremental Charge - Manual Svc Order vs. Electronic-Add'l | Incremental Charge - Manual Svc Order vs. Electronic-Disc 1st | Incremental Charge - Manual Svc Order vs. Electronic-Disc Add'l | |
| | | | | | | Rec | Nonrecurring | | Nonrecurring Disconnect | | | | | | | OSS Rates(\$) |
| | | | | | | | First | Add'l | First | Add'l | SOMEc | SOMAN | SOMAN | SOMAN | SOMAN | SOMAN |
| | Nonrecurring Currently Combined Network Elements Switch -As-Is Charge - 2 wire/4-Wire VG | | | UNCVX | UNCCC | | 12.97 | 11.27 | | | | | 18.94 | 18.94 | | |
| | Nonrecurring Currently Combined Network Elements Switch -As-Is Charge - 56/64 kbps | | | UNCDX | UNCCC | | 12.97 | 11.27 | | | | | 18.94 | 18.94 | | |
| | Nonrecurring Currently Combined Network Elements Switch -As-Is Charge - DS1 | | | UNC1X | UNCCC | | 12.97 | 11.27 | | | | | 18.94 | 18.94 | | |
| | Nonrecurring Currently Combined Network Elements Switch -As-Is Charge - DS3 | | | UNC3X | UNCCC | | 12.97 | 11.27 | | | | | 18.94 | 18.94 | | |
| | Nonrecurring Currently Combined Network Elements Switch -As-Is Charge - STS1 | | | UNCSX | UNCCC | | 12.97 | 11.27 | | | | | 18.94 | 18.94 | | |
| NOTE: Local Channel - Dedicated Transport - minimum billing period - Below DS3=one month, DS3 and above=four months | | | | | | | | | | | | | | | | |
| | Local Channel - Dedicated - 2-Wire Voice Grade per month | | | UNCXV | ULDV2 | 13.91 | 272.07 | 60.43 | | | | | 18.94 | 18.94 | | |
| | Local Channel - Dedicated - 4-Wire Voice Grade per month | | | UNCXV | ULDV4 | 14.99 | 272.07 | 60.43 | | | | | 18.94 | 18.94 | | |
| | Local Channel - Dedicated - DS1 Per Month | | | UNC1X | ULDF1 | 38.36 | 356.15 | 312.89 | | | | | | | | |
| | Local Channel - Dedicated - DS3 - Per Mile per month | | | UNC3X | 1L5NC | 6.92 | | | | | | | | | | |
| | Local Channel - Dedicated - DS3 - Facility Termination per month | | | UNC3X | ULDF3 | 515.91 | 639.50 | 426.31 | | | | | 18.94 | 18.94 | | |
| | Local Channel - Dedicated - STS-1 - Per Mile per month | | | UNCSX | 1L5NC | 6.92 | | | | | | | | | | |
| | Local Channel - Dedicated - STS-1 - Facility Termination per month | | | UNCSX | ULDFS | 517.56 | 639.50 | 426.31 | | | | | 18.94 | 18.94 | | |
| UNBUNDLED LOCAL EXCHANGE SWITCHING(PORTS) | | | | | | | | | | | | | | | | |
| Exchange Ports | | | | | | | | | | | | | | | | |
| NOTE: Although the Port Rate includes all available features in GA, KY, LA & TN, the desired features will need to be ordered using retail USOCs | | | | | | | | | | | | | | | | |
| 2-WIRE VOICE GRADE LINE PORT RATES (RES) | | | | | | | | | | | | | | | | |
| | Exchange Ports - 2-Wire Analog Line Port- Res. | | | UEPSR | UEPRL | 1.85 | 17.16 | 17.16 | | | | | 18.94 | 8.42 | | |
| | Exchange Ports - 2-Wire Analog Line Port with Caller ID - Res. | | | UEPSR | UEPRC | 1.85 | 17.16 | 17.16 | | | | | 18.94 | 8.42 | | |
| | Exchange Ports - 2-Wire Analog Line Port outgoing only - Res. | | | UEPSR | UEPRO | 1.85 | 17.16 | 17.16 | | | | | 18.94 | 8.42 | | |
| | Exchange Ports - 2-Wire VG unbundled res, low usage line port with Caller ID (LUM) | | | UEPSR | UEPAP | 1.85 | | 17.16 | | | | | 18.94 | 8.42 | | |
| | Subsequent Activity | | | UEPSR | USASC | 0.00 | 0.00 | 0.00 | | | | | 18.94 | 8.42 | | |
| FEATURES | | | | | | | | | | | | | | | | |
| | All Available Vertical Features | | | UEPSR | UEPVF | 0.00 | 0.00 | 0.00 | | | | | 18.94 | 8.42 | | |
| 2-WIRE VOICE GRADE LINE PORT RATES (BUS) | | | | | | | | | | | | | | | | |
| | Exchange Ports - 2-Wire Analog Line Port without Caller ID - Bus | | | UEPSB | UEPBL | 1.85 | 17.16 | 17.16 | | | | | 18.94 | 8.42 | | |
| | Exchange Ports - 2-Wire VG unbundled Line Port with unbundled port with Caller-E484 ID - Bus. | | | UEPSB | UEPBC | 1.85 | 17.16 | 17.16 | | | | | 18.94 | 8.42 | | |
| | Exchange Ports - 2-Wire Analog Line Port outgoing only - Bus. | | | UEPSB | UEPBO | 1.85 | 17.16 | 17.16 | | | | | 18.94 | 8.42 | | |
| | Exchange Ports - 2-Wire VG unbundled incoming only port with Caller ID - Bus | | | UEPSB | UEPB1 | 1.85 | 17.16 | 17.16 | | | | | 18.94 | 8.42 | | |
| | Subsequent Activity | | | UEPSB | USASC | 0.00 | 0.00 | 0.00 | | | | | 18.94 | 8.42 | | |
| FEATURES | | | | | | | | | | | | | | | | |
| | All Available Vertical Features | | | UEPSB | UEPVF | 0.00 | 0.00 | 0.00 | | | | | 18.94 | 8.42 | | |
| EXCHANGE PORT RATES (DID & PBX) | | | | | | | | | | | | | | | | |
| | 2-Wire VG Unbundled 2-Way PBX Trunk - Res | | | UEPSE | UEPRD | 1.85 | 17.16 | 17.16 | | | | | 18.94 | 8.42 | | |
| | 2-Wire VG Line Side Unbundled 2-Way PBX Trunk - Bus | | | UEPSP | UEPPC | 1.85 | 17.16 | 17.16 | | | | | 18.94 | 8.42 | | |
| | 2-Wire VG Line Side Unbundled Outward PBX Trunk - Bus | | | UEPSP | UEPPO | 1.85 | 17.16 | 17.16 | | | | | 18.94 | 8.42 | | |
| | 2-Wire VG Line Side Unbundled Incoming PBX Trunk - Bus | | | UEPSP | UEPP1 | 1.85 | 17.16 | 17.16 | | | | | 18.94 | 8.42 | | |
| | 2-Wire Analog Long Distance Terminal PBX Trunk - Bus | | | UEPSP | UEPLD | 1.85 | 17.16 | 17.16 | | | | | 18.94 | 8.42 | | |
| | 2-Wire Voice Unbundled PBX LD Terminal Ports | | | UEPSP | UEPLD | 1.85 | 17.16 | 17.16 | | | | | 18.94 | 8.42 | | |
| | 2-Wire Voice Unbundled 2-Way PBX Usage Port | | | UEPSP | UEPXA | 1.85 | 17.16 | 17.16 | | | | | 18.94 | 8.42 | | |
| | 2-Wire Voice Unbundled PBX Toll Terminal Hotel Ports | | | UEPSP | UEPXB | 1.85 | 17.16 | 17.16 | | | | | 18.94 | 8.42 | | |
| | 2-Wire Voice Unbundled PBX LD DDD Terminals Port | | | UEPSP | UEPXC | 1.85 | 17.16 | 17.16 | | | | | 18.94 | 8.42 | | |
| | 2-Wire Voice Unbundled PBX LD Terminal Switchboard Port | | | UEPSP | UEPXD | 1.85 | 17.16 | 17.16 | | | | | 18.94 | 8.42 | | |
| | 2-Wire Voice Unbundled PBX LD Terminal Switchboard IDD Capable Port | | | UEPSP | UEPXE | 1.85 | 17.16 | 17.16 | | | | | 18.94 | 8.42 | | |

| UNBUNDLED NETWORK ELEMENTS - Georgia | | | | | | | Attachment: 2 | | Exhibit: B | | | | | | | | | | | | | | |
|--------------------------------------|--|---------|------|-------|-------|-----------|----------------------------------|--------------------------------------|--|--|---|---|-------|--------------|-------|-------------------------|-------|---------------|-------|-------|-------|-------|-------|
| CATEGORY | RATE ELEMENTS | Interim | Zone | BCS | USOC | RATES(\$) | Svc Order Submitted Elec per LSR | Svc Order Submitted Manually per LSR | Incremental Charge - Manual Svc Order vs. Electronic-1st | Incremental Charge - Manual Svc Order vs. Electronic-Add'l | Incremental Charge - Manual Svc Order vs. Electronic-Disc 1st | Incremental Charge - Manual Svc Order vs. Electronic-Disc Add'l | | | | | | | | | | | |
| | | | | | | | | | | | | | Rec | Nonrecurring | | Nonrecurring Disconnect | | OSS Rates(\$) | | | | | |
| | | | | | | | | | | | | | | First | Add'l | First | Add'l | SOMEc | SOMAN | SOMAN | SOMAN | SOMAN | SOMAN |
| | 2-Wire Voice Unbundled 2-Way PBX Hotel/Hospital Economy Administrative Calling Port | | | UEPSP | UEPXL | 1.85 | 17.16 | 17.16 | | | 18.94 | 8.42 | | | | | | | | | | | |
| | 2-Wire Voice Unbundled 2-Way PBX Hotel/Hospital Economy Room Calling Port | | | UEPSP | UEPXM | 1.85 | 17.16 | 17.16 | | | 18.94 | 8.42 | | | | | | | | | | | |
| | 2-Wire Voice Unbundled 1-Way Outgoing PBX Hotel/Hospital Discount Room Calling Port | | | UEPSP | UEPXO | 1.85 | 17.16 | 17.16 | | | 18.94 | 8.42 | | | | | | | | | | | |
| | 2-Wire Voice Unbundled 1-Way Outgoing PBX Measured Port Subsequent Activity | | | UEPSP | USASC | 0.00 | 0.00 | 0.00 | | | 18.94 | 8.42 | | | | | | | | | | | |
| | FEATURES | | | | | | | | | | | | | | | | | | | | | | |
| | All Available Vertical Features | | | UEPSP | UEPSE | UEPVF | 0.00 | 0.00 | 0.00 | | 18.94 | 8.42 | | | | | | | | | | | |
| | EXCHANGE PORT RATES (COIN) | | | | | | | | | | | | | | | | | | | | | | |
| | Exchange Ports - Coin Port | | | | | 2.05 | 17.16 | 17.16 | | | 18.94 | 8.42 | | | | | | | | | | | |
| | NOTE: Transmission/usage charges associated with POTS circuit switched usage will also apply to circuit switched voice and/or circuit switched data transmission by B-Channels associated with 2-wire ISDN ports. | | | | | | | | | | | | | | | | | | | | | | |
| | NOTE: Access to B Channel or D Channel Packet capabilities will be available only through BFR/New Business Request Process. Rates for the packet capabilities will be determined via the Bona Fide Request/New Business Request Process. | | | | | | | | | | | | | | | | | | | | | | |
| | UNBUNDLED LOCAL EXCHANGE SWITCHING(PORTS) | | | | | | | | | | | | | | | | | | | | | | |
| | EXCHANGE PORT RATES (DID & PBX) | | | | | | | | | | | | | | | | | | | | | | |
| | Exchange Ports - 2-Wire DID Port | | | UEPEX | UEPP2 | 11.35 | 61.91 | 61.91 | | | 19.99 | 19.99 | 19.99 | | | | | | | | | | |
| | Exchange Ports - DDITS Port - 4-Wire DS1 Port with DID capability | | | UEPDD | UEPDD | 120.80 | 108.38 | 60.88 | | | 19.99 | 19.99 | 19.99 | | | | | | | | | | |
| | Exchange Ports - 2-Wire ISDN Port (See Notes below.) | | | UEPTX | UEPSX | 13.47 | 47.37 | 47.37 | | | 39.98 | 39.98 | | | | | | | | | | | |
| | All Features Offered | | | UEPTX | UEPSX | UEPVF | 0.00 | 0.00 | 0.00 | | | | | | | | | | | | | | |
| | NOTE: Transmission/usage charges associated with POTS circuit switched usage will also apply to circuit switched voice and/or circuit switched data transmission by B-Channels associated with 2-wire ISDN ports. | | | | | | | | | | | | | | | | | | | | | | |
| | NOTE: Access to B Channel or D Channel Packet capabilities will be available only through BFR/New Business Request Process. Rates for the packet capabilities will be determined via the Bona Fide Request/New Business Request Process. | | | | | | | | | | | | | | | | | | | | | | |
| | Exchange Ports - 2-Wire ISDN Port -- Channel Profiles | | | UEPTX | UEPSX | U1UMA | 0.00 | 0.00 | 0.00 | | | | | | | | | | | | | | |
| | Exchange Ports - 4-Wire ISDN DS1 Port | | | UEPEX | UEPEX | 163.16 | 186.80 | 186.80 | | | 37.88 | 37.88 | | | | | | | | | | | |
| | UNBUNDLED LOCAL SWITCHING, PORT USAGE | | | | | | | | | | | | | | | | | | | | | | |
| | End Office Switching (Port Usage) | | | | | | | | | | | | | | | | | | | | | | |
| | End Office Switching Function, Per MOU | | | | | 0.0016333 | | | | | | | | | | | | | | | | | |
| | End Office Trunk Port - Shared, Per MOU | | | | | 0.0001564 | | | | | | | | | | | | | | | | | |
| | Tandem Switching (Port Usage) (Local or Access Tandem) | | | | | | | | | | | | | | | | | | | | | | |
| | Tandem Switching Function Per MOU | | | | | 0.0006757 | | | | | | | | | | | | | | | | | |
| | Tandem Trunk Port - Shared, Per MOU | | | | | 0.0002126 | | | | | | | | | | | | | | | | | |
| | Common Transport | | | | | | | | | | | | | | | | | | | | | | |
| | Common Transport - Per Mile, Per MOU | | | | | 0.0000008 | | | | | | | | | | | | | | | | | |
| | Common Transport - Facilities Termination Per MOU | | | | | 0.0004152 | | | | | | | | | | | | | | | | | |
| | UNBUNDLED PORT/LOOP COMBINATIONS - COST BASED RATES | | | | | | | | | | | | | | | | | | | | | | |
| | Cost Based Rates are applied where BellSouth is required by FCC and/or State Commission rule to provide Unbundled Local Switching or Switch Ports. | | | | | | | | | | | | | | | | | | | | | | |
| | Features shall apply to the Unbundled Port/Loop Combination - Cost Based Rate section in the same manner as they are applied to the Stand-Alone Unbundled Port section of this Rate Exhibit. | | | | | | | | | | | | | | | | | | | | | | |
| | End Office and Tandem Switching Usage and Common Transport Usage rates in the Port section of this rate exhibit shall apply to all combinations of loop/port network elements except for UNE Coin Port/Loop Combinations. | | | | | | | | | | | | | | | | | | | | | | |
| | For Georgia, Kentucky, Louisiana, Mississippi, South Carolina and Tennessee, the recurring UNE Port and Loop charges listed apply to Currently Combined and Not Currently Combined Combos. The first and additional Port nonrecurring charges apply to Not Currently Combined Combos for all states. In GA, KY, LA, MS, SC and TN these nonrecurring charges are commission ordered cost based rates and in AL, FL and NC these nonrecurring charges are Market Rates and are also listed in the Market Rate section. | | | | | | | | | | | | | | | | | | | | | | |
| | For Currently Combined Combos in all other states, the nonrecurring charges shall be those identified in the Nonrecurring - Currently Combined sections. | | | | | | | | | | | | | | | | | | | | | | |
| | 2-WIRE VOICE GRADE LOOP WITH 2-WIRE LINE PORT (RES) | | | | | | | | | | | | | | | | | | | | | | |
| | UNE Port/Loop Combination Rates | | | | | | | | | | | | | | | | | | | | | | |
| | 2-Wire VG Loop/Port Combo - Zone 1 | | 1 | | | 12.59 | | | | | | | | | | | | | | | | | |
| | 2-Wire VG Loop/Port Combo - Zone 2 | | 2 | | | 14.26 | | | | | | | | | | | | | | | | | |
| | 2-Wire VG Loop/Port Combo - Zone 3 | | 3 | | | 21.62 | | | | | | | | | | | | | | | | | |
| | UNE Loop Rates | | | | | | | | | | | | | | | | | | | | | | |
| | 2-Wire Voice Grade Loop (SL1) - Zone 1 | | 1 | UEPRX | UEPLX | 10.80 | | | | | | | | | | | | | | | | | |
| | 2-Wire Voice Grade Loop (SL1) - Zone 2 | | 2 | UEPRX | UEPLX | 12.47 | | | | | | | | | | | | | | | | | |
| | 2-Wire Voice Grade Loop (SL1) - Zone 3 | | 3 | UEPRX | UEPLX | 19.83 | | | | | | | | | | | | | | | | | |
| | 2-Wire Voice Grade Line Port Rates (Res) | | | | | | | | | | | | | | | | | | | | | | |
| | 2-Wire voice unbundled port - residence | | | UEPRX | UEPRL | 1.79 | 22.14 | 15.25 | 8.45 | 3.91 | 33.67 | 7.88 | 11.17 | | | | | | | | | | |
| | 2-Wire voice unbundled port with Caller ID - res | | | UEPRX | UEPRC | 1.79 | 22.14 | 15.25 | 8.45 | 3.91 | 37.06 | 7.88 | 11.17 | | | | | | | | | | |
| | 2-Wire voice unbundled port outgoing only - res | | | UEPRX | UEPRO | 1.79 | 22.14 | 15.25 | 8.45 | 3.91 | 33.67 | 7.88 | 11.17 | | | | | | | | | | |
| | 2-Wire voice unbundled res, low usage line port with Caller ID (LUM) | | | UEPRX | UEPAP | 1.79 | 22.14 | 15.25 | 8.45 | 3.91 | 33.67 | 7.88 | 11.17 | | | | | | | | | | |
| | FEATURES | | | | | | | | | | | | | | | | | | | | | | |
| | All Features Offered | | | UEPRX | UEPVF | 0.00 | 0.00 | 0.00 | | | 33.67 | 7.88 | 11.17 | | | | | | | | | | |

| UNBUNDLED NETWORK ELEMENTS - Georgia | | | | | | | | | | | Attachment: 2 | | Exhibit: B | | | | | | |
|--------------------------------------|--|---------|------|-------|-------|-----------|----------------------------------|--------------------------------------|--|--|---|---|------------|--------------|-------|-------------------------|-------|---------------|--|
| CATEGORY | RATE ELEMENTS | Interim | Zone | BCS | USOC | RATES(\$) | Svc Order Submitted Elec per LSR | Svc Order Submitted Manually per LSR | Incremental Charge - Manual Svc Order vs. Electronic-1st | Incremental Charge - Manual Svc Order vs. Electronic-Add'l | Incremental Charge - Manual Svc Order vs. Electronic-Disc 1st | Incremental Charge - Manual Svc Order vs. Electronic-Disc Add'l | | | | | | | |
| | | | | | | | | | | | | | Rec | Nonrecurring | | Nonrecurring Disconnect | | OSS Rates(\$) | |
| | | | | | | | | | | | | | SOME C | SOMAN | SOMAN | SOMAN | SOMAN | SOMAN | |
| | LOCAL NUMBER PORTABILITY | | | | | | | | | | | | | | | | | | |
| | Local Number Portability (1 per port) | | | UEPRX | LNPCX | 0.35 | | | | | | | | | | | | | |
| | NONRECURRING CHARGES (NRCs) - CURRENTLY COMBINED | | | | | | | | | | | | | | | | | | |
| | 2-Wire Voice Grade Loop / Line Port Combination - Conversion - Switch-as-is | | | UEPRX | USAC2 | | 2.01 | 0.3108 | | | | | | | 33.67 | 7.88 | 11.17 | 3.91 | |
| | 2-Wire Voice Grade Loop / Line Port Combination - Conversion - Switch with change | | | UEPRX | USACC | | 2.01 | 0.3108 | | | | | | | 33.67 | 7.88 | | | |
| | ADDITIONAL NRCs | | | | | | | | | | | | | | | | | | |
| | 2-Wire Voice Grade Loop/Line Port Combination - Subsequent Activity | | | UEPRX | USAS2 | 0.00 | 0.00 | 0.00 | | | | | | | 33.67 | 7.88 | 11.17 | 3.91 | |
| | 2-WIRE VOICE GRADE LOOP WITH 2-WIRE LINE PORT (BUS) | | | | | | | | | | | | | | | | | | |
| | UNE Port/Loop Combination Rates | | | | | | | | | | | | | | | | | | |
| | 2-Wire VG Loop/Port Combo - Zone 1 | | 1 | | | 12.59 | | | | | | | | | | | | | |
| | 2-Wire VG Loop/Port Combo - Zone 2 | | 2 | | | 14.26 | | | | | | | | | | | | | |
| | 2-Wire VG Loop/Port Combo - Zone 3 | | 3 | | | 21.62 | | | | | | | | | | | | | |
| | UNE Loop Rates | | | | | | | | | | | | | | | | | | |
| | 2-Wire Voice Grade Loop (SL1) - Zone 1 | | 1 | UEPBX | UEPLX | 10.80 | | | | | | | | | | | | | |
| | 2-Wire Voice Grade Loop (SL1) - Zone 2 | | 2 | UEPBX | UEPLX | 12.47 | | | | | | | | | | | | | |
| | 2-Wire Voice Grade Loop (SL1) - Zone 3 | | 3 | UEPBX | UEPLX | 19.83 | | | | | | | | | | | | | |
| | 2-Wire Voice Grade Line Port (Bus) | | | | | | | | | | | | | | | | | | |
| | 2-Wire voice unbundled port without Caller ID - bus | | | UEPBX | UEPBL | 1.79 | 22.14 | 15.25 | 8.45 | 3.91 | | | | | 33.67 | 7.88 | 11.17 | 3.91 | |
| | 2-Wire voice unbundled port with Caller + E484 ID - bus | | | UEPBX | UEPBC | 1.79 | 22.14 | 15.25 | 8.45 | 3.91 | | | | | 33.67 | 7.88 | 11.17 | 3.91 | |
| | 2-Wire voice unbundled port outgoing only - bus | | | UEPBX | UEPBO | 1.79 | 22.14 | 15.25 | 8.45 | 3.91 | | | | | 33.67 | 7.88 | 11.17 | 3.91 | |
| | 2-Wire voice unbundled incoming only port with Caller ID - Bus | | | UEPBX | UEPB1 | 1.79 | 22.14 | 15.25 | 8.45 | 3.91 | | | | | 33.67 | 7.88 | 11.17 | 3.91 | |
| | LOCAL NUMBER PORTABILITY | | | | | | | | | | | | | | | | | | |
| | Local Number Portability (1 per port) | | | UEPBX | LNPCX | 0.35 | | | | | | | | | | | | | |
| | FEATURES | | | | | | | | | | | | | | | | | | |
| | All Features Offered | | | UEPBX | UEPVF | 0.00 | 0.00 | 0.00 | | | | | | | 33.67 | 7.88 | 11.17 | 3.91 | |
| | NONRECURRING CHARGES (NRCs) - CURRENTLY COMBINED | | | | | | | | | | | | | | | | | | |
| | 2-Wire Voice Grade Loop / Line Port Combination - Conversion - Switch-as-is | | | UEPBX | USAC2 | | 2.01 | 0.3108 | | | | | | | 33.67 | 7.88 | 11.17 | 3.91 | |
| | 2-Wire Voice Grade Loop / Line Port Combination - Conversion - Switch with change | | | UEPBX | USACC | | 2.01 | 0.3108 | | | | | | | | | | | |
| | ADDITIONAL NRCs | | | | | | | | | | | | | | | | | | |
| | 2-Wire Voice Grade Loop/Line Port Combination - Subsequent Activity | | | UEPBX | USAS2 | | 0.00 | 0.00 | | | | | | | 33.67 | 7.88 | 11.17 | 3.91 | |
| | 2-WIRE VOICE GRADE LOOP WITH 2-WIRE LINE PORT (RES - PBX) | | | | | | | | | | | | | | | | | | |
| | UNE Port/Loop Combination Rates | | | | | | | | | | | | | | | | | | |
| | 2-Wire VG Loop/Port Combo - Zone 1 | | 1 | | | 12.59 | | | | | | | | | | | | | |
| | 2-Wire VG Loop/Port Combo - Zone 2 | | 2 | | | 14.26 | | | | | | | | | | | | | |
| | 2-Wire VG Loop/Port Combo - Zone 3 | | 3 | | | 21.62 | | | | | | | | | | | | | |
| | UNE Loop Rates | | | | | | | | | | | | | | | | | | |
| | 2-Wire Voice Grade Loop (SL 1) - Zone 1 | | 1 | UEPRG | UEPLX | 10.80 | | | | | | | | | | | | | |
| | 2-Wire Voice Grade Loop (SL 1) - Zone 2 | | 2 | UEPRG | UEPLX | 12.47 | | | | | | | | | | | | | |
| | 2-Wire Voice Grade Loop (SL 1) - Zone 3 | | 3 | UEPRG | UEPLX | 19.83 | | | | | | | | | | | | | |
| | 2-Wire Voice Grade Line Port Rates (RES - PBX) | | | | | | | | | | | | | | | | | | |
| | 2-Wire VG Unbundled Combination 2-Way PBX Trunk Port - Res | | | UEPRG | UEPRD | 1.79 | 22.14 | 15.25 | 8.45 | 3.91 | | | | | 33.67 | 7.88 | 11.17 | 3.91 | |
| | LOCAL NUMBER PORTABILITY | | | | | | | | | | | | | | | | | | |
| | Local Number Portability (1 per port) | | | UEPRG | LNPCP | 3.15 | 0.00 | 0.00 | | | | | | | 33.67 | 7.88 | 11.17 | 3.91 | |
| | FEATURES | | | | | | | | | | | | | | | | | | |
| | All Features Offered | | | UEPRG | UEPVF | 0.00 | 0.00 | 0.00 | | | | | | | 33.67 | 7.88 | 11.17 | 3.91 | |
| | NONRECURRING CHARGES (NRCs) - CURRENTLY COMBINED | | | | | | | | | | | | | | | | | | |
| | 2-Wire Voice Grade Loop/ Line Port Combination (PBX) - Conversion - Switch-As-Is | | | UEPRG | USAC2 | | 2.01 | 0.3108 | | | | | | | 33.67 | 7.88 | 11.17 | 3.91 | |
| | 2-Wire Voice Grade Loop/ Line Port Combination (PBX) - Conversion - Switch with Change | | | UEPRG | USACC | | 2.01 | 0.3108 | | | | | | | 33.67 | 7.88 | 11.17 | 3.91 | |
| | ADDITIONAL NRCs | | | | | | | | | | | | | | | | | | |

| UNBUNDLED NETWORK ELEMENTS - Georgia | | | | | | | | | | | Attachment: 2 | | Exhibit: B | |
|--------------------------------------|--|---------|------|-------|-------|-----------|----------------------------------|--------------------------------------|--|--|---|---|---------------|--------------------|
| CATEGORY | RATE ELEMENTS | Interim | Zone | BCS | USOC | RATES(\$) | Svc Order Submitted Elec per LSR | Svc Order Submitted Manually per LSR | Incremental Charge - Manual Svc Order vs. Electronic-1st | Incremental Charge - Manual Svc Order vs. Electronic-Add'l | Incremental Charge - Manual Svc Order vs. Electronic-Disc 1st | Incremental Charge - Manual Svc Order vs. Electronic-Disc Add'l | OSS Rates(\$) | |
| | | | | | | | | | | | | | Rec | Nonrecurring First |
| | 2-Wire Voice Grade Loop/ Line Port Combination (PBX) - Subsequent Activity | | | UEPRG | USAS2 | 0.00 | 0.00 | 0.00 | | | 33.67 | 7.88 | 11.17 | 3.91 |
| | PBX Subsequent Activity - Change/Rearrange Multiline Hunt Group | | | | | | 14.64 | 14.64 | | | 19.99 | 19.99 | 19.99 | 19.99 |
| | 2-WIRE VOICE GRADE LOOP WITH 2-WIRE LINE PORT (BUS - PBX) UNE Port/Loop Combination Rates | | | | | | | | | | | | | |
| | 2-Wire VG Loop/Port Combo - Zone 1 | | 1 | | | 12.59 | | | | | | | | |
| | 2-Wire VG Loop/Port Combo - Zone 2 | | 2 | | | 14.26 | | | | | | | | |
| | 2-Wire VG Loop/Port Combo - Zone 3 | | 3 | | | 21.62 | | | | | | | | |
| | UNE Loop Rates | | | | | | | | | | | | | |
| | 2-Wire Voice Grade Loop (SL 1) - Zone 1 | | 1 | UEPPX | UEPLX | 10.80 | | | | | | | | |
| | 2-Wire Voice Grade Loop (SL 1) - Zone 2 | | 2 | UEPPX | UEPLX | 12.47 | | | | | | | | |
| | 2-Wire Voice Grade Loop (SL 1) - Zone 3 | | 3 | UEPPX | UEPLX | 19.83 | | | | | | | | |
| | 2-Wire Voice Grade Line Port Rates (BUS - PBX) | | | | | | | | | | | | | |
| | Line Side Unbundled Combination 2-Way PBX Trunk Port - Bus | | | UEPPX | UEPPC | 1.79 | 22.14 | 15.25 | 8.45 | 3.91 | 33.67 | 7.88 | 11.17 | 3.91 |
| | Line Side Unbundled Outward PBX Trunk Port - Bus | | | UEPPX | UEPPO | 1.79 | 22.14 | 15.25 | 8.45 | 3.91 | 33.67 | 7.88 | 11.17 | 3.91 |
| | Line Side Unbundled Incoming PBX Trunk Port - Bus | | | UEPPX | UEPP1 | 1.79 | 22.14 | 15.25 | 8.45 | 3.91 | 33.67 | 7.88 | 11.17 | 3.91 |
| | 2-Wire Voice Unbundled PBX LD Terminal Ports | | | UEPPX | UEPLD | 1.79 | 22.14 | 15.25 | 8.45 | 3.91 | 33.67 | 7.88 | 11.17 | 3.91 |
| | 2-Wire Voice Unbundled 2-Way Combination PBX Usage Port | | | UEPPX | UEPXA | 1.79 | 22.14 | 15.25 | 8.45 | 3.91 | 37.06 | 7.88 | 11.17 | 3.91 |
| | 2-Wire Voice Unbundled PBX Toll Terminal Hotel Ports | | | UEPPX | UEPXB | 1.79 | 22.14 | 15.25 | 8.45 | 3.91 | 33.67 | 7.88 | 11.17 | 3.91 |
| | 2-Wire Voice Unbundled PBX LD DDD Terminals Port | | | UEPPX | UEPXC | 1.79 | 22.14 | 15.25 | 8.45 | 3.91 | 33.67 | 7.88 | 11.17 | 3.91 |
| | 2-Wire Voice Unbundled PBX LD Terminal Switchboard Port | | | UEPPX | UEPXD | 1.79 | 22.14 | 15.25 | 8.45 | 3.91 | 33.67 | 7.88 | 11.17 | 3.91 |
| | 2-Wire Voice Unbundled PBX LD Terminal Switchboard IDD Capable Port | | | UEPPX | UEPXE | 1.79 | 22.14 | 15.25 | 8.45 | 3.91 | 33.67 | 7.88 | 11.17 | 3.91 |
| | 2-Wire Voice Unbundled 2-Way PBX Hotel/Hospital Economy Administrative Calling Port | | | UEPPX | UEPXL | 1.79 | 22.14 | 15.25 | 8.45 | 3.91 | 33.67 | 7.88 | 11.17 | 3.91 |
| | 2-Wire Voice Unbundled 2-Way PBX Hotel/Hospital Economy Room Calling Port | | | UEPPX | UEPXM | 1.79 | 22.14 | 15.25 | 8.45 | 3.91 | 33.67 | 7.88 | 11.17 | 3.91 |
| | 2-Wire Voice Unbundled 1-Way Outgoing PBX Hotel/Hospital Discount Room Calling Port | | | UEPPX | UEPXD | 1.79 | 22.14 | 15.25 | 8.45 | 3.91 | 33.67 | 7.88 | 11.17 | 3.91 |
| | 2-Wire Voice Unbundled 1-Way Outgoing PBX Measured Port | | | UEPPX | UEPXS | 1.79 | 22.14 | 15.25 | 8.45 | 3.91 | 33.67 | 7.88 | 11.17 | 3.91 |
| | LOCAL NUMBER PORTABILITY | | | | | | | | | | | | | |
| | Local Number Portability (1 per port) | | | UEPPX | LNPCP | 3.15 | 0.00 | 0.00 | | | 33.67 | 7.88 | 11.17 | 3.91 |
| | FEATURES | | | | | | | | | | | | | |
| | All Features Offered | | | UEPPX | UEPVF | 0.00 | 0.00 | 0.00 | | | 33.67 | 7.88 | 11.17 | 3.91 |
| | NONRECURRING CHARGES (NRCs) - CURRENTLY COMBINED | | | | | | | | | | | | | |
| | 2-Wire Voice Grade Loop/ Line Port Combination (PBX) - Conversion - Switch-As-Is | | | UEPPX | USAC2 | | 2.01 | 0.3108 | | | 33.67 | 7.88 | 11.17 | 3.91 |
| | 2-Wire Voice Grade Loop/ Line Port Combination (PBX) - Conversion - Switch with Change | | | UEPPX | USACC | | 2.01 | 0.3108 | | | 33.67 | 7.88 | 11.17 | 3.91 |
| | ADDITIONAL NRCs | | | | | | | | | | | | | |
| | 2-Wire Voice Grade Loop/ Line Port Combination (PBX) - Subsequent Activity | | | UEPPX | USAS2 | 0.00 | 0.00 | 0.00 | | | 33.67 | 7.88 | 11.17 | 3.91 |
| | PBX Subsequent Activity - Change/Rearrange Multiline Hunt Group | | | | | | 14.64 | 14.64 | | | 19.99 | 19.99 | 19.99 | 19.99 |
| | 2-WIRE VOICE GRADE LOOP WITH 2-WIRE ANALOG LINE COIN PORT UNE Port/Loop Combination Rates | | | | | | | | | | | | | |
| | 2-Wire VG Coin Port/Loop Combo - Zone 1 | | 1 | | | 12.69 | | | | | | | | |
| | 2-Wire VG Coin Port/Loop Combo - Zone 2 | | 2 | | | 14.36 | | | | | | | | |
| | 2-Wire VG Coin Port/Loop Combo - Zone 3 | | 3 | | | 21.72 | | | | | | | | |
| | UNE Loop Rates | | | | | | | | | | | | | |
| | 2-Wire Voice Grade Loop (SL1) - Zone 1 | | 1 | UEPCO | UEPLX | 10.80 | | | | | | | | |
| | 2-Wire Voice Grade Loop (SL1) - Zone 2 | | 2 | UEPCO | UEPLX | 12.47 | | | | | | | | |
| | 2-Wire Voice Grade Loop (SL1) - Zone 3 | | 3 | UEPCO | UEPLX | 19.83 | | | | | | | | |
| | 2-Wire Voice Grade Line Ports (COIN) | | | | | | | | | | | | | |
| | 2-Wire Coin 2-Way with Operator Screening (GA) | | | UEPCO | UEPGC | 1.89 | 22.14 | 15.25 | 8.45 | 3.91 | 33.67 | 7.88 | 11.17 | 3.91 |
| | 2-Wire Coin 2-Way with Operator Screening and Blocking: 011, 900/976, 1+DDD (GA) | | | UEPCO | UEP2G | 1.89 | 22.14 | 15.25 | 8.45 | 3.91 | 33.67 | 7.88 | 11.17 | 3.91 |

| UNBUNDLED NETWORK ELEMENTS - Georgia | | | | | | | | | | Attachment: 2 | | Exhibit: B | | | | |
|--------------------------------------|--|---------|------|-------|-------|-----------|----------------------------------|--------------------------------------|--|--|---|---|-------|--------------|-------|-------------------------|
| CATEGORY | RATE ELEMENTS | Interim | Zone | BCS | USOC | RATES(\$) | Svc Order Submitted Elec per LSR | Svc Order Submitted Manually per LSR | Incremental Charge - Manual Svc Order vs. Electronic-1st | Incremental Charge - Manual Svc Order vs. Electronic-Add'l | Incremental Charge - Manual Svc Order vs. Electronic-Disc 1st | Incremental Charge - Manual Svc Order vs. Electronic-Disc Add'l | | | | |
| | | | | | | | | | | | | | Rec | Nonrecurring | | Nonrecurring Disconnect |
| | | | | | | | | | | | | | | | | |
| | | | | | | | | | | SOMEc | SOMAN | SOMAN | SOMAN | SOMAN | SOMAN | |
| | 2-Wire Coin 2-Way with Operator Screening and 011 Blocking (GA) | | | UEPCO | UEPGA | 1.89 | 22.14 | 15.25 | 8.45 | 3.91 | | | 33.67 | 7.88 | 11.17 | 3.91 |
| | 2-Wire Coin 2-Way with Operator Screening and 900/976 Blocking (GA) | | | UEPCO | UEPGB | 1.89 | 22.14 | 15.25 | 8.45 | 3.91 | | | 33.67 | 7.88 | 11.17 | 3.91 |
| | 2-Wire Coin 2-Way with Operator Screening and Blocking: 900/976, 1+DDD, 011+, and Local (GA) | | | UEPCO | UEPCH | 1.89 | 22.14 | 15.25 | 8.45 | 3.91 | | | 33.67 | 7.88 | 11.17 | 3.91 |
| | 2-Wire Coin Outward with Operator Screening and 011 Blocking (GA, KY, MS) | | | UEPCO | UEPRJ | 1.89 | 22.14 | 15.25 | 8.45 | 3.91 | | | 33.67 | 7.88 | 11.17 | 3.91 |
| | 2-Wire Coin Outward with Operator Screening and Blocking: 900/976, 1+DDD, 011+, and Local (FL, GA) | | | UEPCO | UEPCQ | 1.89 | 22.14 | 15.25 | 8.45 | 3.91 | | | 33.67 | 7.88 | 11.17 | 3.91 |
| | 2-Wire 2-Way Smartline with 900/976 (all states except LA) | | | UEPCO | UEPCK | 1.89 | 22.14 | 15.25 | 8.45 | 3.91 | | | 33.67 | 7.88 | 11.17 | 3.91 |
| | 2-Wire Coin Outward Smartline with 900/976 (all states except LA) | | | UEPCO | UEPCR | 1.89 | 22.14 | 15.25 | 8.45 | 3.91 | | | 33.67 | 7.88 | 11.17 | 3.91 |
| | ADDITIONAL UNE COIN PORT/LOOP (RC) | | | | | | | | | | | | | | | |
| | UNE Coin Port/Loop Combo Usage (Flat Rate) | | | UEPCO | URECU | 3.59 | 0.00 | 0.00 | | | | | 33.67 | 7.88 | 11.17 | 3.91 |
| | LOCAL NUMBER PORTABILITY | | | | | | | | | | | | | | | |
| | Local Number Portability (1 per port) | | | UEPCO | LNPCX | 0.35 | | | | | | | | | | |
| | NONRECURRING CHARGES - CURRENTLY COMBINED | | | | | | | | | | | | | | | |
| | 2-Wire Voice Grade Loop / Line Port Combination - Conversion - Switch-as-is | | | UEPCO | USAC2 | | 2.01 | 0.3108 | | | | | 33.67 | 7.88 | 11.17 | 3.91 |
| | 2-Wire Voice Grade Loop / Line Port Combination - Conversion - Switch with charge | | | UEPCO | USACC | | 2.01 | 0.31 | | | | | 33.67 | 7.88 | 11.17 | 3.91 |
| | ADDITIONAL NRCs | | | | | | | | | | | | | | | |
| | 2-Wire Voice Grade Loop/Line Port Combination - Subsequent Activity | | | UEPCO | USAS2 | | 0.00 | 0.00 | | | | | 33.67 | 7.88 | 11.17 | 3.91 |
| | UNBUNDLED REMOTE CALL FORWARDING - RES | | | | | | | | | | | | | | | |
| | Non-Recurring | | | | | | | | | | | | | | | |
| | UNBUNDLED REMOTE CALL FORWARDING - Bus | | | | | | | | | | | | | | | |
| | Unbundled Remote Call Forwarding, InterState/Intra LATA-Bus | | | UEPVB | UEPVJ | 1.85 | 17.16 | 17.16 | | | | | 18.94 | 8.42 | | |
| | Non-Recurring | | | | | | | | | | | | | | | |
| | 2-WIRE VOICE LOOP/ 2WIRE VOICE GRADE IO TRANSPORT/ 2-WIRE LINE PORT (RES) | | | | | | | | | | | | | | | |
| | 2-WIRE VOICE LOOP/ 2WIRE VOICE GRADE IO TRANSPORT/ 2-WIRE LINE PORT (BUS) | | | | | | | | | | | | | | | |
| | UNBUNDLED PORT/LOOP COMBINATIONS - COST BASED RATES | | | | | | | | | | | | | | | |
| | 2-WIRE VOICE GRADE LOOP- BUS ONLY - WITH 2-WIRE DID TRUNK PORT | | | | | | | | | | | | | | | |
| | UNE Port/Loop Combination Rates | | | | | | | | | | | | | | | |
| | 2-Wire VG Loop/2-Wire DID Trunk Port Combo - UNE Zone 1 | | 1 | | | 28.19 | | | | | | | | | | |
| | 2-Wire VG Loop/2-Wire DID Trunk Port Combo - UNE Zone 2 | | 2 | | | 30.80 | | | | | | | | | | |
| | 2-Wire VG Loop/2-Wire DID Trunk Port Combo - UNE Zone 3 | | 3 | | | 42.27 | | | | | | | | | | |
| | UNE Loop Rates | | | | | | | | | | | | | | | |
| | 2-Wire Analog Voice Grade Loop - (SL2) - UNE Zone 1 | | 1 | UEPPX | UECD1 | 16.84 | 104.78 | 78.10 | | | | | | | | |
| | 2-Wire Analog Voice Grade Loop - (SL2) - UNE Zone 2 | | 2 | UEPPX | UECD1 | 19.45 | 104.78 | 78.10 | | | | | | | | |
| | 2-Wire Analog Voice Grade Loop - (SL2) - UNE Zone 3 | | 3 | UEPPX | UECD1 | 30.92 | 104.78 | 104.10 | | | | | | | | |
| | UNE Port Rate | | | | | | | | | | | | | | | |
| | Exchange Ports - 2-Wire DID Port | | | UEPPX | UEPD1 | 11.35 | 61.91 | 61.91 | | | | | 33.67 | 7.88 | | |
| | NONRECURRING CHARGES - CURRENTLY COMBINED | | | | | | | | | | | | | | | |
| | 2-Wire Voice Grade Loop / 2-Wire DID Trunk Port Combination - Switch-as-is | | | UEPPX | USAC1 | | 93.38 | 93.38 | | | | | 33.67 | 7.88 | | |
| | 2-Wire Voice Grade Loop / 2-Wire DID Trunk Port Conversion with BellSouth Allowable Changes | | | UEPPX | USA1C | | 93.38 | 93.38 | | | | | 33.67 | 7.88 | | |
| | ADDITIONAL NRCs | | | | | | | | | | | | | | | |
| | Telephone Number/Trunk Group Establishment Charges | | | | | | | | | | | | | | | |
| | DID Trunk Termination (One Per Port) | | | UEPPX | NDT | 0.00 | 0.00 | 0.00 | | | | | | | | |
| | DID Numbers, Establish Trunk Group and Provide First Group of 20 DID Numbers | | | UEPPX | NDZ | 0.00 | 0.00 | 0.00 | | | | | | | | |
| | Additional DID Numbers for each Group of 20 DID Numbers | | | UEPPX | ND4 | 0.00 | 0.00 | 0.00 | | | | | | | | |
| | DID Numbers, Non- consecutive DID Numbers , Per Number | | | UEPPX | ND5 | 0.00 | 0.00 | 0.00 | | | | | | | | |
| | Reserve Non-Consecutive DID numbers | | | UEPPX | ND6 | 0.00 | 0.00 | 0.00 | | | | | | | | |
| | Reserve DID Numbers | | | UEPPX | NDV | 0.00 | 0.00 | 0.00 | | | | | | | | |
| | LOCAL NUMBER PORTABILITY | | | | | | | | | | | | | | | |

| UNBUNDLED NETWORK ELEMENTS - Georgia | | | | | | | | | | Attachment: 2 | | Exhibit: B | | | | | | | |
|---|---|---------|------|-------|-------|-----------|----------------------------------|--------------------------------------|--|--|---|---|-------|--------------|--|-------------------------|--|---------------|--|
| CATEGORY | RATE ELEMENTS | Interim | Zone | BCS | USOC | RATES(\$) | Svc Order Submitted Elec per LSR | Svc Order Submitted Manually per LSR | Incremental Charge - Manual Svc Order vs. Electronic-1st | Incremental Charge - Manual Svc Order vs. Electronic-Add'l | Incremental Charge - Manual Svc Order vs. Electronic-Disc 1st | Incremental Charge - Manual Svc Order vs. Electronic-Disc Add'l | | | | | | | |
| | | | | | | | | | | | | | Rec | Nonrecurring | | Nonrecurring Disconnect | | OSS Rates(\$) | |
| | | | | | | | | | | | | | | | | | | | |
| | Local Number Portability (1 per port) | | | UEPPX | LNPCP | 3.15 | 0.00 | 0.00 | | | | | | | | | | | |
| 2-WIRE ISDN DIGITAL GRADE LOOP WITH 2-WIRE ISDN DIGITAL LINE SIDE PORT | | | | | | | | | | | | | | | | | | | |
| UNE Port/Loop Combination Rates | | | | | | | | | | | | | | | | | | | |
| | 2W ISDN Digital Grade Loop/2W ISDN Digital Line Side Port - UNE Zone 1 | | 1 | UEPPB | UEPPR | 35.36 | | | | | | | | | | | | | |
| | 2W ISDN Digital Grade Loop/2W ISDN Digital Line Side Port - UNE Zone 2 | | 2 | UEPPB | UEPPR | 38.74 | | | | | | | | | | | | | |
| | 2W ISDN Digital Grade Loop/2W ISDN Digital Line Side Port - UNE Zone 3 | | 3 | UEPPB | UEPPR | 53.64 | | | | | | | | | | | | | |
| UNE Loop Rates | | | | | | | | | | | | | | | | | | | |
| | 2-Wire ISDN Digital Grade Loop - UNE Zone 1 | | 1 | UEPPB | UEPPR | USL2X | 21.89 | 252.32 | 188.77 | | | | 19.99 | 19.99 | | | | | |
| | 2-Wire ISDN Digital Grade Loop - UNE Zone 2 | | 2 | UEPPB | UEPPR | USL2X | 25.27 | 252.32 | 188.77 | | | | 19.99 | 19.99 | | | | | |
| | 2-Wire ISDN Digital Grade Loop - UNE Zone 3 | | 3 | UEPPB | UEPPR | USL2X | 40.17 | 252.32 | 188.77 | | | | 19.99 | 19.99 | | | | | |
| UNE Port Rate | | | | | | | | | | | | | | | | | | | |
| | Exchange Port - 2-Wire ISDN Line Side Port | | | UEPPB | UEPPR | UEPPB | 13.47 | 47.37 | 47.37 | | | | 19.99 | 19.99 | | | | | |
| NONRECURRING CHARGES - CURRENTLY COMBINED | | | | | | | | | | | | | | | | | | | |
| | 2-Wire ISDN Digital Grade Loop / 2-Wire ISDN Line Side Port Combination - Conversion | | | UEPPB | UEPPR | USACB | 0.00 | 93.38 | 93.38 | | | | 19.99 | 19.99 | | | | | |
| ADDITIONAL NRCs | | | | | | | | | | | | | | | | | | | |
| | 2-Wire ISDN Loop / 2-Wire ISDN Port Combination - Sub Actvy Non Feature/Add Trunk | | | UEPPB | UEPPR | USASB | | 165.95 | | | | | 19.99 | 19.99 | | | | | |
| LOCAL NUMBER PORTABILITY | | | | | | | | | | | | | | | | | | | |
| | Local Number Portability (1 per port) | | | UEPPB | UEPPR | LNPCX | 0.35 | 0.00 | 0.00 | | | | | | | | | | |
| B-CHANNEL USER PROFILE ACCESS: | | | | | | | | | | | | | | | | | | | |
| | CVS/CSD (DMS/5ESS) | | | UEPPB | UEPPR | U1UCA | 0.00 | 0.00 | 0.00 | | | | | | | | | | |
| | CVS (EWSD) | | | UEPPB | UEPPR | U1UCB | 0.00 | 0.00 | 0.00 | | | | | | | | | | |
| | CSD | | | UEPPB | UEPPR | U1UCC | 0.00 | 0.00 | 0.00 | | | | | | | | | | |
| B-CHANNEL AREA PLUS USER PROFILE ACCESS: (AL,KY,LA,MS SC,MS, & TN) | | | | | | | | | | | | | | | | | | | |
| USER TERMINAL PROFILE | | | | | | | | | | | | | | | | | | | |
| | User Terminal Profile (EWSD only) | | | UEPPB | UEPPR | U1UMA | 0.00 | 0.00 | 0.00 | | | | | | | | | | |
| VERTICAL FEATURES | | | | | | | | | | | | | | | | | | | |
| | All Vertical Features - One per Channel B User Profile | | | UEPPB | UEPPR | UEPVF | 0.00 | 0.00 | 0.00 | | | | 19.99 | 19.99 | | | | | |
| INTEROFFICE CHANNEL MILEAGE | | | | | | | | | | | | | | | | | | | |
| | Interoffice Channel mileage each, including first mile and facilities termination | | | UEPPB | UEPPR | M1GNC | 16.47 | 79.61 | 36.08 | | | | 19.99 | 19.99 | | | | | |
| | Interoffice Channel mileage each, additional mile | | | UEPPB | UEPPR | M1GNM | 0.0222 | 0.00 | 0.00 | | | | 0.00 | | | | | | |
| 4-WIRE DS1 DIGITAL LOOP WITH 4-WIRE ISDN DS1 DIGITAL TRUNK PORT | | | | | | | | | | | | | | | | | | | |
| UNE Port/Loop Combination Rates | | | | | | | | | | | | | | | | | | | |
| | 4W DS1 Digital Loop/4W ISDN DS1 Digital Trunk Port - UNE Zone 1 | | 1 | UEPPP | | 218.69 | | | | | | | | | | | | | |
| | 4W DS1 Digital Loop/4W ISDN DS1 Digital Trunk Port - UNE Zone 2 | | 2 | UEPPP | | 227.29 | | | | | | | | | | | | | |
| | 4W DS1 Digital Loop/4W ISDN DS1 Digital Trunk Port - UNE Zone 3 | | 3 | UEPPP | | 265.09 | | | | | | | | | | | | | |
| UNE Loop Rates | | | | | | | | | | | | | | | | | | | |
| | 4-Wire DS1 Digital Loop - UNE Zone 1 | | 1 | UEPPP | | USL4P | 55.53 | 448.92 | 276.60 | | | | 19.99 | 19.99 | | | | | |
| | 4-Wire DS1 Digital Loop - UNE Zone 2 | | 2 | UEPPP | | USL4P | 64.13 | 448.92 | 276.60 | | | | 19.99 | 19.99 | | | | | |
| | 4-Wire DS1 Digital Loop - UNE Zone 3 | | 3 | UEPPP | | USL4P | 101.93 | 448.92 | 276.60 | | | | 19.99 | 19.99 | | | | | |
| UNE Port Rate | | | | | | | | | | | | | | | | | | | |
| | Exchange Ports - 4-Wire ISDN DS1 Port | | | UEPPP | | UEPPP | 163.16 | 186.80 | 186.80 | | | | 19.99 | 19.99 | | | | | |
| NONRECURRING CHARGES - CURRENTLY COMBINED | | | | | | | | | | | | | | | | | | | |
| | 4-Wire DS1 Digital Loop / 4-Wire ISDN DS1 Digital Trunk Port Combination - Conversion -Switch-as-is | | | UEPPP | | USACP | 0.00 | 269.96 | 269.96 | | | | 19.99 | 19.99 | | | | | |
| ADDITIONAL NRCs | | | | | | | | | | | | | | | | | | | |
| | 4-Wire DS1 Loop/4-W ISDN Digt Trk Port - Subsqt Actvy-Inward/two way tel nos within Std Allowance (except NC) | | | UEPPP | | PR7TF | | 0.9686 | | | | | | | | | | | |
| | 4-Wire DS1 Loop / 4-Wire ISDN DS1 Digital Trunk Port - Outward Tel Numbers (All States except NC) | | | UEPPP | | PR7TO | | 22.75 | 22.75 | | | | | | | | | | |

| UNBUNDLED NETWORK ELEMENTS - Georgia | | | | | | | | | | | Attachment: 2 | | Exhibit: B | | | | | | |
|---|--|---------|------|-------|-------|-----------|----------------------------------|--------------------------------------|--|--|---|---|------------|--------------|-------|-------------------------|-------|---------------|--|
| CATEGORY | RATE ELEMENTS | Interim | Zone | BCS | USOC | RATES(\$) | Svc Order Submitted Elec per LSR | Svc Order Submitted Manually per LSR | Incremental Charge - Manual Svc Order vs. Electronic-1st | Incremental Charge - Manual Svc Order vs. Electronic-Add'l | Incremental Charge - Manual Svc Order vs. Electronic-Disc 1st | Incremental Charge - Manual Svc Order vs. Electronic-Disc Add'l | | | | | | | |
| | | | | | | | | | | | | | Rec | Nonrecurring | | Nonrecurring Disconnect | | OSS Rates(\$) | |
| | | | | | | | | | | | | | SOMEc | SOMAN | SOMAN | SOMAN | SOMAN | SOMAN | |
| | 4-Wire DS1 Loop / 4-Wire ISDN DS1 Digital Trk Port - Subsequent Inward Tel Nos Above Std Allowance | | | UEPPP | PR7ZT | 45.49 | | 45.49 | | | | | | | | | | | |
| LOCAL NUMBER PORTABILITY | | | | | | | | | | | | | | | | | | | |
| | Local Number Portability (1 per port) | | | UEPPP | LNPCN | 1.75 | | | | | | | | | | | | | |
| INTERFACE (Provisioning Only) | | | | | | | | | | | | | | | | | | | |
| | Voice/Data | | | UEPPP | PR71V | 0.00 | | 0.00 | | | | | | | | | | | |
| | Digital Data | | | UEPPP | PR71D | 0.00 | | 0.00 | | | | | | | | | | | |
| | Inward Data | | | UEPPP | PR71E | 0.00 | | 0.00 | | | | | | | | | | | |
| New or Additional "B" Channel | | | | | | | | | | | | | | | | | | | |
| | New or Additional - Voice/Data B Channel | | | UEPPP | PR7BV | 0.00 | | 28.71 | | | | | | | | 19.99 | | 19.99 | |
| | New or Additional - Digital Data B Channel | | | UEPPP | PR7BF | 0.00 | | 28.71 | | | | | | | | 19.99 | | 19.99 | |
| | New or Additional Inward Data B Channel | | | UEPPP | PR7BD | 0.00 | | 28.71 | | | | | | | | 19.99 | | 19.99 | |
| CALL TYPES | | | | | | | | | | | | | | | | | | | |
| | Inward | | | UEPPP | PR7C1 | 0.00 | | 0.00 | | | | | | | | | | | |
| | Outward | | | UEPPP | PR7C0 | 0.00 | | 0.00 | | | | | | | | | | | |
| | Two-way | | | UEPPP | PR7CC | 0.00 | | 0.00 | | | | | | | | | | | |
| Interoffice Channel Mileage | | | | | | | | | | | | | | | | | | | |
| | Fixed Each Including First Mile | | | UEPPP | 1LN1A | 78.9223 | | 147.07 | | | 0.00 | | | | | 19.99 | | 19.99 | |
| | Each Airline-Fractional Additional Mile | | | UEPPP | 1LN1B | 0.4523 | | | | | | | | | | | | | |
| 4-WIRE DS1 DIGITAL LOOP WITH 4-WIRE DDITS TRUNK PORT | | | | | | | | | | | | | | | | | | | |
| UNE Port/Loop Combination Rates | | | | | | | | | | | | | | | | | | | |
| | 4W DS1 Digital Loop/4W DDITS Trunk Port - UNE Zone 1 | | 1 | UEPDC | | 176.33 | | | | | | | | | | | | | |
| | 4W DS1 Digital Loop/4W DDITS Trunk Port - UNE Zone 2 | | 2 | UEPDC | | 184.93 | | | | | | | | | | | | | |
| | 4W DS1 Digital Loop/4W DDITS Trunk Port - UNE Zone 3 | | 3 | UEPDC | | 222.73 | | | | | | | | | | | | | |
| UNE Loop Rates | | | | | | | | | | | | | | | | | | | |
| | 4-Wire DS1 Digital Loop - UNE Zone 1 | | 1 | UEPDC | USLDC | 55.53 | | 448.92 | | | | | | | | 19.99 | | 19.99 | |
| | 4-Wire DS1 Digital Loop - UNE Zone 2 | | 2 | UEPDC | USLDC | 64.13 | | 448.92 | | | | | | | | 19.99 | | 19.99 | |
| | 4-Wire DS1 Digital Loop - UNE Zone 3 | | 3 | UEPDC | USLDC | 101.93 | | 448.92 | | | | | | | | 19.99 | | 19.99 | |
| UNE Port Rate | | | | | | | | | | | | | | | | | | | |
| | 4-Wire DDITS Digital Trunk Port | | | UEPDC | UDD1T | 120.80 | | 89.44 | | | | | | | | 19.99 | | 19.99 | |
| NONRECURRING CHARGES - CURRENTLY COMBINED | | | | | | | | | | | | | | | | | | | |
| | 4-Wire DS1 Digital Loop / 4-Wire DDITS Trunk Port Combination - Switch-as-is | | | UEPDC | USAC4 | | | 269.96 | | | | | | | | 19.99 | | 19.99 | |
| | 4-Wire DS1 Digital Loop / 4-Wire DDITS Trunk Port Combination - Conversion with DS1 Changes | | | UEPDC | USAWA | | | 269.96 | | | | | | | | 19.99 | | 19.99 | |
| | 4-Wire DS1 Digital Loop / 4-Wire DDITS Trunk Port Combination - Conversion with Change - Trunk | | | UEPDC | USAWB | | | 269.96 | | | | | | | | 19.99 | | 19.99 | |
| ADDITIONAL NRCS | | | | | | | | | | | | | | | | | | | |
| | 4-Wire DS1 Loop / 4-Wire DDITS Trunk Port - Subsequent Service Activity Per Service Order | | | UEPDC | USAS4 | | | 147.47 | | | | | | | | | | | |
| | 4-Wire DS1 Loop / 4-Wire DDITS Trunk Port - NRC - Subsequent Channel Activation/Chan - 2-Way Trunk | | | UEPDC | UDTTA | | | 28.71 | | | | | | | | 19.99 | | 19.99 | |
| | 4-Wire DS1 Loop / 4-Wire DDITS Trunk Port - Subsequent Channel Activation/Chan - 1-Way Outward Trunk | | | UEPDC | UDTTB | | | 28.71 | | | | | | | | 19.99 | | 19.99 | |
| | 4-Wire DS1 Loop / 4-Wire DDITS Trunk Port - Subsqnt Channel Activation/Chan - Inward Trunk w/out DID | | | UEPDC | UDTTC | | | 28.71 | | | | | | | | 19.99 | | 19.99 | |
| | 4-Wire DS1 Loop / 4-Wire DDITS Trunk Port - Subsqnt Chan Activation Per Chan - Inward Trunk with DID | | | UEPDC | UDTTD | | | 28.71 | | | | | | | | 19.99 | | 19.99 | |
| | 4-Wire DS1 Loop / 4-Wire DDITS Trunk Port - Subsqnt Chan Activation / Chan - 2-Way DID w User Trans | | | UEPDC | UDTTE | | | 28.71 | | | | | | | | 19.99 | | 19.99 | |
| BIPOLAR 8 ZERO SUBSTITUTION | | | | | | | | | | | | | | | | | | | |
| | B8ZS -Superframe Format | | | UEPDC | CCOSF | | | 0.00 | | | | | | | | | | | |
| | B8ZS - Extended Superframe Format | | | UEPDC | CCOEF | | | 0.00 | | | | | | | | | | | |
| Alternate Mark Inversion | | | | | | | | | | | | | | | | | | | |
| | AMI -Superframe Format | | | UEPDC | MCOF | | | 0.00 | | | | | | | | | | | |
| | AMI - Extended SuperFrame Format | | | UEPDC | MCOPO | | | 0.00 | | | | | | | | | | | |
| Telephone Number/Trunk Group Establishment Charges | | | | | | | | | | | | | | | | | | | |
| | Telephone Number for 2-Way Trunk Group | | | UEPDC | UDTGX | 0.00 | | | | | | | | | | | | | |
| | Telephone Number for 1-Way Outward Trunk Group | | | UEPDC | UDTGY | 0.00 | | | | | | | | | | | | | |

| UNBUNDLED NETWORK ELEMENTS - Georgia | | | | | | | | | | | Attachment: 2 | | Exhibit: B | | | | | | | |
|---|--|---------|------|-------|-------|-----------|----------------------------------|--------------------------------------|--|--|---|---|---------------|--------------|-------|-------------------------|--|-------|-------|-------|
| CATEGORY | RATE ELEMENTS | Interim | Zone | BCS | USOC | RATES(\$) | Svc Order Submitted Elec per LSR | Svc Order Submitted Manually per LSR | Incremental Charge - Manual Svc Order vs. Electronic-1st | Incremental Charge - Manual Svc Order vs. Electronic-Add'l | Incremental Charge - Manual Svc Order vs. Electronic-Disc 1st | Incremental Charge - Manual Svc Order vs. Electronic-Disc Add'l | OSS Rates(\$) | | | | | | | |
| | | | | | | | | | | | | | Rec | Nonrecurring | | Nonrecurring Disconnect | | SOMEc | SOMAN | SOMAN |
| | | | | | | | | | | | | | First | Add'l | First | Add'l | | | | |
| | Telephone Number for 1-Way Inward Trunk Group Without DID | | | UEPDC | UDTGZ | 0.00 | | | | | | | | | | | | | | |
| | DID Numbers, Establish Trunk Group and Provide First Group of 20 DID Numbers | | | UEPDC | NDZ | 0.00 | 0.00 | 0.00 | | | | | | | | | | | | |
| | DID Numbers for each Group of 20 DID Numbers | | | UEPDC | ND4 | 0.00 | | | | | | | | | | | | | | |
| | DID Numbers, Non- consecutive DID Numbers , Per Number | | | UEPDC | ND5 | 0.00 | | | | | | | | | | | | | | |
| | Reserve Non-Consecutive DID Nos. | | | UEPDC | ND6 | 0.00 | 0.00 | 0.00 | | | | | | | | | | | | |
| | Reserve DID Numbers | | | UEPDC | NDV | 0.00 | 0.00 | 0.00 | | | | | | | | | | | | |
| Dedicated DS1 (Interoffice Channel Mileage) - FX/FCO for 4-Wire DS1 Digital Loop with 4-Wire DDITS Trunk Port | | | | | | | | | | | | | | | | | | | | |
| | Interoffice Channel Mileage - Fixed rate 0-8 miles (Facilities Termination) | | | UEPDC | 1LNO1 | 78.47 | 147.07 | 111.75 | | | | | 19.99 | 19.99 | | | | | | |
| | Interoffice Channel Mileage - Additional rate per mile - 0-8 miles | | | UEPDC | 1LNOA | 0.4523 | 0.00 | 0.00 | | | | | | | | | | | | |
| | Interoffice Channel Mileage - Fixed rate 9-25 miles (Facilities Termination) | | | UEPDC | 1LNO2 | 0.00 | 0.00 | 0.00 | | | | | | | | | | | | |
| | Interoffice Channel Mileage - Additional rate per mile - 9-25 miles | | | UEPDC | 1LNOB | 0.4523 | 0.00 | 0.00 | | | | | | | | | | | | |
| | Interoffice Channel Mileage - Fixed rate 25+ miles (Facilities Termination) | | | UEPDC | 1LNO3 | 0.00 | 0.00 | 0.00 | | | | | | | | | | | | |
| | Interoffice Channel Mileage - Additional rate per mile - 25+ miles | | | UEPDC | 1LNOC | 0.4523 | 0.00 | 0.00 | | | | | | | | | | | | |
| | Local Number Portability, per DSO Activated | | | UEPDC | LNPCP | 3.15 | | | | | | | | | | | | | | |
| | Central Office Terminating Point | | | UEPDC | CTG | 0.00 | | | | | | | | | | | | | | |
| 4-WIRE DS1 LOOP WITH CHANNELIZATION WITH PORT | | | | | | | | | | | | | | | | | | | | |
| System is 1 DS1 Loop, 1 D4 Channel Bank, and up to 24 Feature Activations | | | | | | | | | | | | | | | | | | | | |
| Each System can have up to 24 combinations of rates depending on type and number of ports used | | | | | | | | | | | | | | | | | | | | |
| UNE DS1 Loop | | | | | | | | | | | | | | | | | | | | |
| | 4-Wire DS1 Loop - UNE Zone 1 | | 1 | UEPMG | USLDC | 55.53 | 0.00 | 0.00 | | | | | | | | | | | | |
| | 4-Wire DS1 Loop - UNE Zone 2 | | 2 | UEPMG | USLDC | 64.13 | 0.00 | 0.00 | | | | | | | | | | | | |
| | 4-Wire DS1 Loop - UNE Zone 3 | | 3 | UEPMG | USLDC | 101.93 | 0.00 | 0.00 | | | | | | | | | | | | |
| UNE DSO Channelization Capacities (D4 Channel Bank Configurations) | | | | | | | | | | | | | | | | | | | | |
| | 24 DSO Channel Capacity - 1 per DS1 | | | UEPMG | VUM24 | 102.64 | 0.00 | 0.00 | | | | | 19.99 | 19.99 | | | | | | |
| | 48 DSO Channel Capacity - 1 per 2 DS1s | | | UEPMG | VUM48 | 205.28 | 0.00 | 0.00 | | | | | 19.99 | 19.99 | | | | | | |
| | 96 DSO Channel Capacity -1per 4 DS1s | | | UEPMG | VUM96 | 410.56 | 0.00 | 0.00 | | | | | 19.99 | 19.99 | | | | | | |
| | 144 DSO Channel Capacity - 1 per 6 DS1s | | | UEPMG | VUM14 | 615.84 | 0.00 | 0.00 | | | | | 19.99 | 19.99 | | | | | | |
| | 192 DSO Channel Capacity -1 per 8 DS1s | | | UEPMG | VUM19 | 821.12 | 0.00 | 0.00 | | | | | 19.99 | 19.99 | | | | | | |
| | 240 DSO Channel Capacity - 1 per 10 DS1s | | | UEPMG | VUM20 | 1,026.40 | 0.00 | 0.00 | | | | | 19.99 | 19.99 | | | | | | |
| | 288 DSO Channel Capacity - 1 per 12 DS1s | | | UEPMG | VUM28 | 1,231.68 | 0.00 | 0.00 | | | | | 19.99 | 19.99 | | | | | | |
| | 384 DSO Channel Capacity - 1 per 16 DS1s | | | UEPMG | VUM38 | 1,642.24 | 0.00 | 0.00 | | | | | 19.99 | 19.99 | | | | | | |
| | 480 DSO Channel Capacity - 1 per 20 DS1s | | | UEPMG | VUM40 | 2,052.80 | 0.00 | 0.00 | | | | | 19.99 | 19.99 | | | | | | |
| | 576 DSO Channel Capacity -1 per 24 DS1s | | | UEPMG | VUM57 | 2,463.36 | 0.00 | 0.00 | | | | | 19.99 | 19.99 | | | | | | |
| | 672 DSO Channel Capacity - 1 per 28 DS1s | | | UEPMG | VUM67 | 2,873.92 | 0.00 | 0.00 | | | | | 19.99 | 19.99 | | | | | | |
| Non-Recurring Charges (NRC) Associated with 4-Wire DS1 Loop with Channelization with Port - Conversion Charge Based on a System | | | | | | | | | | | | | | | | | | | | |
| A Minimum System configuration is One (1) DS1, One (1) D4 Channel Bank, and Up To 24 DSO Ports with Feature Activations. | | | | | | | | | | | | | | | | | | | | |
| Multiples of this configuration functioning as one are considered Add'l after the minimum system configuration is counted. | | | | | | | | | | | | | | | | | | | | |
| | NRC - Conversion (Currently Combined) with or without BellSouth Allowed Changes | | | UEPMG | USAC4 | 0.00 | 328.35 | 16.52 | | | | | 19.99 | 19.99 | | | | | | |
| System Additions at End User Locations Where 4-Wire DS1 Loop with Channelization with Port Combination Currently Exists and New (Not Currently Combined) In GA, KY, LA, MS & TN Only | | | | | | | | | | | | | | | | | | | | |
| | 1 DS1/D4 Channel Bank - Add NRC for each Port and Assoc Fea Activation - New GA, LA, KY, MS, & TN Only | | | UEPMG | VUMD4 | 0.00 | 738.61 | 462.53 | 144.05 | 17.09 | | | 19.99 | 19.99 | | | | | | |
| Bipolar 8 Zero Substitution | | | | | | | | | | | | | | | | | | | | |
| | Clear Channel Capability Format, superframe - Subsequent Activity Only | | | UEPMG | CCOSF | 0.00 | 0.00 | 600.00 | | | | | | | | | | | | |
| | Clear Channel Capability Format - Extended Superframe - Subsequent Activity Only | | | UEPMG | CCOEF | 0.00 | 0.00 | 600.00 | | | | | | | | | | | | |
| Alternate Mark Inversion (AMI) | | | | | | | | | | | | | | | | | | | | |
| | Superframe Format | | | UEPMG | MCOSF | 0.00 | 0.00 | 0.00 | | | | | | | | | | | | |
| | Extended Superframe Format | | | UEPMG | MCOPO | 0.00 | 0.00 | 0.00 | | | | | | | | | | | | |
| Exchange Ports Associated with 4-Wire DS1 Loop with Channelization with Port | | | | | | | | | | | | | | | | | | | | |

| UNBUNDLED NETWORK ELEMENTS - Georgia | | | | | | | | | | Attachment: 2 | | Exhibit: B | | | | | |
|---|---|---------|------|-------|-------|-----------|----------------------------------|--------------------------------------|--|--|---|---|---------------|--------------|-------|-------------------------|--|
| CATEGORY | RATE ELEMENTS | Interim | Zone | BCS | USOC | RATES(\$) | Svc Order Submitted Elec per LSR | Svc Order Submitted Manually per LSR | Incremental Charge - Manual Svc Order vs. Electronic-1st | Incremental Charge - Manual Svc Order vs. Electronic-Add'l | Incremental Charge - Manual Svc Order vs. Electronic-Disc 1st | Incremental Charge - Manual Svc Order vs. Electronic-Disc Add'l | OSS Rates(\$) | | | | |
| | | | | | | | | | | | | | Rec | Nonrecurring | | Nonrecurring Disconnect | |
| | | | | | | | First | Add'l | First | Add'l | | | | | | | |
| Exchange Ports | | | | | | | | | | | | | | | | | |
| | Line Side Combination Channelized PBX Trunk Port - Business | | | UEPPX | UEPCX | 1.79 | 0.00 | 0.00 | 0.00 | 0.00 | | | 33.67 | 7.88 | | | |
| | Line Side Outward Channelized PBX Trunk Port - Business | | | UEPPX | UEPOX | 1.79 | 0.00 | 0.00 | 0.00 | 0.00 | | | 33.67 | 7.88 | | | |
| | Line Side Inward Only Channelized PBX Trunk Port without DID | | | UEPPX | UEP1X | 1.79 | 0.00 | 0.00 | 0.00 | 0.00 | | | 33.67 | 7.88 | | | |
| | 2-Wire Trunk Side Unbundled Channelized DID Trunk Port | | | UEPPX | UEPDM | 11.35 | 0.00 | 0.00 | 0.00 | 0.00 | | | 33.67 | 7.88 | | | |
| Feature Activations - Unbundled Loop Concentration | | | | | | | | | | | | | | | | | |
| | Feature (Service) Activation for each Line Side Port Terminated in D4 Bank | | | UEPPX | 1PQWM | 0.62 | 25.09 | 13.25 | 3.99 | 3.97 | | | 33.67 | 7.88 | | | |
| | Feature (Service) Activation for each Trunk Side Port Terminated in D4 Bank | | | UEPPX | 1PQWU | 0.62 | 77.21 | 18.20 | 56.49 | 11.04 | | | 33.67 | 7.88 | | | |
| Telephone Number/ Group Establishment Charges for DID Service | | | | | | | | | | | | | | | | | |
| | DID Trunk Termination (1 per Port) | | | UEPPX | NDT | 0.00 | 0.00 | 0.00 | | | | | | | | | |
| | Estab Trk Grp and Provide 1st 20 DID Nos. (FL,GA, NC,& SC) | | | UEPPX | NDZ | 0.00 | 0.00 | 0.00 | | | | | | | | | |
| | DID Numbers - groups of 20 - Valid all States | | | UEPPX | ND4 | 0.00 | 0.00 | 0.00 | | | | | | | | | |
| | Non-Consecutive DID Numbers - per number | | | UEPPX | ND5 | 0.00 | 0.00 | 0.00 | | | | | | | | | |
| | Reserve Non-Consecutive DID Numbers | | | UEPPX | ND6 | 0.00 | 0.00 | 0.00 | | | | | | | | | |
| | Reserve DID Numbers | | | UEPPX | NDV | 0.00 | 0.00 | 0.00 | | | | | | | | | |
| Local Number Portability | | | | | | | | | | | | | | | | | |
| | Local Number Portability - 1 per port | | | UEPPX | LNPCP | 3.15 | 0.00 | 0.00 | | | | | | | | | |
| FEATURES - Vertical and Optional | | | | | | | | | | | | | | | | | |
| Local Switching Features Offered with Line Side Ports Only | | | | | | | | | | | | | | | | | |
| | All Features Available | | | UEPPX | UEPVF | 0.00 | 0.00 | 0.00 | | | | | | | | | |
| UNBUNDLED PORT LOOP COMBINATIONS - MARKET RATES | | | | | | | | | | | | | | | | | |
| Market Rates shall apply where BellSouth is not required to provide unbundled local switching or switch ports per FCC and/or State Commission rules. | | | | | | | | | | | | | | | | | |
| These scenarios include: | | | | | | | | | | | | | | | | | |
| 1. Unbundled port/loop combinations that are Not Currently Combined in Alabama, Florida and North Carolina. | | | | | | | | | | | | | | | | | |
| 2. Unbundled port/loop combinations that are Currently Combined or Not Currently Combined in Zone 1 of the Top 8 MSAs in BellSouth's region for end users with 4 or more DS0 equivalent lines. | | | | | | | | | | | | | | | | | |
| The Top 8 MSAs in BellSouth's region are: FL (Orlando, Ft. Lauderdale, Miami); GA (Atlanta); LA (New Orleans); NC (Greensboro-Winston Salem-Highpoint/Charlotte-Gastonia-Rock Hill); TN (Nashville). | | | | | | | | | | | | | | | | | |
| BellSouth currently is developing the billing capability to mechanically bill the recurring and non-recurring Market Rates in this section except for nonrecurring charges for not currently combined in AL, FL and NC. In the interim where BellSouth cannot bill Market Rates, BellSouth shall bill the rates in the Cost-Based section preceding in lieu of the Market Rates and reserves the right to true-up the billing difference. | | | | | | | | | | | | | | | | | |
| The Market Rate for unbundled ports includes all available features in all states. | | | | | | | | | | | | | | | | | |
| End Office and Tandem Switching Usage and Common Transport Usage rates in the Port section of this rate exhibit shall apply to all combinations of loop/port network elements except for UNE Coin Port/Loop Combinations which have a flat rate usage charge (USOC: URECU). | | | | | | | | | | | | | | | | | |
| For Not Currently Combined scenarios where Market Rates apply, the Nonrecurring charges are listed in the First and Additional NRC columns for each Port USOC. For Currently Combined scenarios, the Nonrecurring charges are listed in the NRC - Currently Combined section. Additional NRCs may apply also and are categorized accordingly. | | | | | | | | | | | | | | | | | |
| 2-WIRE VOICE GRADE LOOP WITH 2-WIRE LINE PORT (RES) | | | | | | | | | | | | | | | | | |
| UNE Port/Loop Combination Rates | | | | | | | | | | | | | | | | | |
| | 2-Wire VG Loop/Port Combo - Zone 1 | | 1 | | | 24.80 | | | | | | | | | | | |
| | 2-Wire VG Loop/Port Combo - Zone 2 | | 2 | | | 26.47 | | | | | | | | | | | |
| | 2-Wire VG Loop/Port Combo - Zone 3 | | 3 | | | 33.83 | | | | | | | | | | | |
| UNE Loop Rates | | | | | | | | | | | | | | | | | |
| | 2-Wire Voice Grade Loop (SL1) - Zone 1 | | 1 | UEPRX | UEPLX | 10.80 | | | | | | | | | | | |
| | 2-Wire Voice Grade Loop (SL1) - Zone 2 | | 2 | UEPRX | UEPLX | 12.47 | | | | | | | | | | | |
| | 2-Wire Voice Grade Loop (SL1) - Zone 3 | | 3 | UEPRX | UEPLX | 19.83 | | | | | | | | | | | |
| 2-Wire Voice Grade Line Port (Res) | | | | | | | | | | | | | | | | | |
| | 2-Wire voice unbundled port - residence | | | UEPRX | UEPRL | 14.00 | 90.00 | 90.00 | | | | | 33.67 | 7.88 | 11.17 | 3.91 | |
| | 2-Wire voice unbundled port with Caller ID - res | | | UEPRX | UEPRC | 14.00 | 90.00 | 90.00 | | | | | 33.67 | 7.88 | 11.17 | 3.91 | |
| | 2-Wire voice unbundled port outgoing only - res | | | UEPRX | UEPRO | 14.00 | 90.00 | 90.00 | | | | | 33.67 | 7.88 | 11.17 | 3.91 | |
| | 2-Wire voice unbundles res, low usage line port with Caller ID (LUM) | | | UEPRX | UEPAP | 14.00 | 90.00 | 90.00 | | | | | 33.67 | 7.88 | 11.17 | 3.91 | |
| LOCAL NUMBER PORTABILITY | | | | | | | | | | | | | | | | | |
| | Local Number Portability (1 per port) | | | UEPRX | LNPCX | 0.35 | | | | | | | | | | | |
| FEATURES | | | | | | | | | | | | | | | | | |
| | All Features Offered | | | UEPRX | UEPVF | 0.00 | 0.00 | 0.00 | | | | | 33.67 | 7.88 | 11.17 | 3.91 | |
| | 2-Wire Voice Grade Loop / Line Port Combination - Switch-as-is | | | UEPRX | USAC2 | | 41.50 | 41.50 | | | | | 33.67 | 7.88 | 11.17 | 3.91 | |

| UNBUNDLED NETWORK ELEMENTS - Georgia | | | | | | | | | | Attachment: 2 | | Exhibit: B | | | | | |
|--|--|---------|------|-------|-------|-----------|-----|----------------------------------|--------------------------------------|--|--|---|---|--------------------|--------------------|-------------------------------|-------------------------------|
| CATEGORY | RATE ELEMENTS | Interim | Zone | BCS | USOC | RATES(\$) | Rec | Svc Order Submitted Elec per LSR | Svc Order Submitted Manually per LSR | Incremental Charge - Manual Svc Order vs. Electronic-1st | Incremental Charge - Manual Svc Order vs. Electronic-Add'l | Incremental Charge - Manual Svc Order vs. Electronic-Disc 1st | Incremental Charge - Manual Svc Order vs. Electronic-Disc Add'l | | | | |
| | | | | | | | | | | | | | | Nonrecurring First | Nonrecurring Add'l | Nonrecurring Disconnect First | Nonrecurring Disconnect Add'l |
| | | | | | | | | | | SOME C | SOMAN | SOMAN | SOMAN | SOMAN | SOMAN | | |
| | 2-Wire Voice Grade Loop / Line Port Combination - Switch with change | | | UEPRX | USACC | | | | | | | | | | | | |
| ADDITIONAL NRCS | | | | | | | | | | | | | | | | | |
| | NRC - 2-Wire Voice Grade Loop/Line Port Combination - Subsequent | | | UEPRX | USAS2 | 0.00 | | 0.00 | | | | 33.67 | 7.88 | 11.17 | 3.91 | | |
| 2-WIRE VOICE GRADE LOOP WITH 2-WIRE LINE PORT (BUS) UNE Port/Loop Combination Rates | | | | | | | | | | | | | | | | | |
| | 2-Wire VG Loop/Port Combo - Zone 1 | | 1 | | | 24.80 | | | | | | | | | | | |
| | 2-Wire VG Loop/Port Combo - Zone 2 | | 2 | | | 26.47 | | | | | | | | | | | |
| | 2-Wire VG Loop/Port Combo - Zone 3 | | 3 | | | 33.83 | | | | | | | | | | | |
| UNE Loop Rates | | | | | | | | | | | | | | | | | |
| | 2-Wire Voice Grade Loop (SL1) - Zone 1 | | 1 | UEPBX | UEPLX | 10.80 | | | | | | | | | | | |
| | 2-Wire Voice Grade Loop (SL1) - Zone 2 | | 2 | UEPBX | UEPLX | 12.47 | | | | | | | | | | | |
| | 2-Wire Voice Grade Loop (SL1) - Zone 3 | | 3 | UEPBX | UEPLX | 19.83 | | | | | | | | | | | |
| 2-Wire Voice Grade Line Port (Bus) | | | | | | | | | | | | | | | | | |
| | 2-Wire voice unbundled port without Caller ID - bus | | | UEPBX | UEPBL | 14.00 | | 90.00 | 90.00 | | | 33.67 | 7.88 | 11.17 | 3.91 | | |
| | 2-Wire voice unbundled port with Caller + E484 ID - bus | | | UEPBX | UEPBC | 14.00 | | 90.00 | 90.00 | | | 33.67 | 7.88 | 11.17 | 3.91 | | |
| | 2-Wire voice unbundled port outgoing only - bus | | | UEPBX | UEPBO | 14.00 | | 90.00 | 90.00 | | | 33.67 | 7.88 | 11.17 | 3.91 | | |
| LOCAL NUMBER PORTABILITY | | | | | | | | | | | | | | | | | |
| | Local Number Portability (1 per port) | | | UEPBX | LNPCX | 0.35 | | | | | | | | | | | |
| FEATURES | | | | | | | | | | | | | | | | | |
| | All Features Offered | | | UEPBX | UEPVF | 0.00 | | 0.00 | 0.00 | | | 33.67 | 7.88 | 11.17 | 3.91 | | |
| NONRECURRING CHARGES - CURRENTLY COMBINED | | | | | | | | | | | | | | | | | |
| | 2-Wire Voice Grade Loop / Line Port Combination - Switch-as-is | | | UEPBX | USAC2 | | | 41.50 | 41.50 | | | 33.67 | 7.88 | 11.17 | 3.91 | | |
| | 2-Wire Voice Grade Loop / Line Port Combination - Switch with change | | | UEPBX | USACC | | | 41.50 | 41.50 | | | 33.67 | 7.88 | 11.17 | 3.91 | | |
| ADDITIONAL NRCS | | | | | | | | | | | | | | | | | |
| | NRC - 2-Wire Voice Grade Loop/Line Port Combination - Subsequent | | | UEPBX | USAS2 | | | 0.00 | 0.00 | | | 33.67 | 7.88 | 11.17 | 3.91 | | |
| 2-WIRE VOICE GRADE LOOP WITH 2-WIRE LINE PORT (RES - PBX) UNE Port/Loop Combination Rates | | | | | | | | | | | | | | | | | |
| | 2-Wire VG Loop/Port Combo - Zone 1 | | 1 | | | 24.80 | | | | | | | | | | | |
| | 2-Wire VG Loop/Port Combo - Zone 2 | | 2 | | | 26.47 | | | | | | | | | | | |
| | 2-Wire VG Loop/Port Combo - Zone 3 | | 3 | | | 33.83 | | | | | | | | | | | |
| UNE Loop Rates | | | | | | | | | | | | | | | | | |
| | 2-Wire Voice Grade Loop (SL1) - Zone 1 | | 1 | UEPRG | UEPLX | 10.80 | | | | | | | | | | | |
| | 2-Wire Voice Grade Loop (SL1) - Zone 2 | | 2 | UEPRG | UEPLX | 12.47 | | | | | | | | | | | |
| | 2-Wire Voice Grade Loop (SL1) - Zone 3 | | 3 | UEPRG | UEPLX | 19.83 | | | | | | | | | | | |
| 2-Wire Voice Grade Line Port Rates (RES - PBX) | | | | | | | | | | | | | | | | | |
| | 2-Wire VG Unbundled Combination 2-Way PBX Trunk Port - Res | | | UEPRG | UEPRD | 14.00 | | 90.00 | 90.00 | | | 33.67 | 7.88 | 11.17 | 3.91 | | |
| LOCAL NUMBER PORTABILITY | | | | | | | | | | | | | | | | | |
| | Local Number Portability (1 per port) | | | UEPRG | LNPCP | 3.15 | | 0.00 | 0.00 | | | | | | | | |
| FEATURES | | | | | | | | | | | | | | | | | |
| | All Features Offered | | | UEPRG | UEPVF | 0.00 | | 0.00 | 0.00 | | | 33.67 | 7.88 | 11.17 | 3.91 | | |
| NONRECURRING CHARGES - CURRENTLY COMBINED | | | | | | | | | | | | | | | | | |
| | 2-Wire Voice Grade Loop/ Line Port Combination - Switch-As-Is | | | UEPRG | USAC2 | | | 41.50 | 41.50 | | | 33.67 | 7.88 | 11.17 | 3.91 | | |
| | 2-Wire Voice Grade Loop/ Line Port Combination - Switch with Change | | | UEPRG | USACC | | | 41.50 | 41.50 | | | 33.67 | 7.88 | 11.17 | 3.91 | | |
| ADDITIONAL NRCS | | | | | | | | | | | | | | | | | |
| | 2 Wire Loop/Line Side Port Combination - Non feature - Subsequent Activity- Nonrecurring | | | | | | | 0.00 | 0.00 | | | 33.67 | 7.88 | 11.17 | 3.91 | | |
| | PBX Subsequent Activity - Change/Rearrange Multiline Hunt Group | | | | | | | 14.64 | 14.64 | | | 19.99 | 19.99 | 19.99 | 19.99 | | |
| 2-WIRE VOICE GRADE LOOP WITH 2-WIRE LINE PORT (BUS - PBX) UNE Port/Loop Combination Rates | | | | | | | | | | | | | | | | | |
| | 2-Wire VG Loop/Port Combo - Zone 1 | | 1 | | | 24.80 | | | | | | | | | | | |

| UNBUNDLED NETWORK ELEMENTS - Georgia | | | | | | | | | | Attachment: 2 | | Exhibit: B | | | |
|--|--|---------|------|-------|-------|-----------|----------------------------------|--------------------------------------|--|--|---|---|-------|--------------|-------|
| CATEGORY | RATE ELEMENTS | Interim | Zone | BCS | USOC | RATES(\$) | Svc Order Submitted Elec per LSR | Svc Order Submitted Manually per LSR | Incremental Charge - Manual Svc Order vs. Electronic-1st | Incremental Charge - Manual Svc Order vs. Electronic-Add'l | Incremental Charge - Manual Svc Order vs. Electronic-Disc 1st | Incremental Charge - Manual Svc Order vs. Electronic-Disc Add'l | | | |
| | | | | | | | | | | | | | Rec | Nonrecurring | |
| | | | | | | | | | | | | | | | |
| | | | | | | | | | | SOMEc | SOMAN | SOMAN | SOMAN | SOMAN | SOMAN |
| | 2-Wire VG Loop/Port Combo - Zone 2 | | 2 | | | 26.47 | | | | | | | | | |
| | 2-Wire VG Loop/Port Combo - Zone 3 | | 3 | | | 33.83 | | | | | | | | | |
| UNE Loop Rates | | | | | | | | | | | | | | | |
| | 2-Wire Voice Grade Loop (SL1) - Zone 1 | | 1 | UEPPX | UEPLX | 10.80 | | | | | | | | | |
| | 2-Wire Voice Grade Loop (SL1) - Zone 2 | | 2 | UEPPX | UEPLX | 12.47 | | | | | | | | | |
| | 2-Wire Voice Grade Loop (SL1) - Zone 3 | | 3 | UEPPX | UEPLX | 19.83 | | | | | | | | | |
| 2-Wire Voice Grade Line Port Rates (BUS - PBX) | | | | | | | | | | | | | | | |
| | Line Side Unbundled Combination 2-Way PBX Trunk Port - Bus | | | UEPPX | UEPPC | 14.00 | 90.00 | 90.00 | | | 33.67 | 7.88 | 11.17 | 3.91 | |
| | Line Side Unbundled Outward PBX Trunk Port - Bus | | | UEPPX | UEPPO | 14.00 | 90.00 | 90.00 | | | 33.67 | 7.88 | 11.17 | 3.91 | |
| | Line Side Unbundled Incoming PBX Trunk Port - Bus | | | UEPPX | UEPP1 | 14.00 | 90.00 | 90.00 | | | 33.67 | 7.88 | 11.17 | 3.91 | |
| | 2-Wire Voice Unbundled PBX LD Terminal Ports | | | UEPPX | UEPLD | 14.00 | 90.00 | 90.00 | | | 33.67 | 7.88 | 11.17 | 3.91 | |
| | 2-Wire Voice Unbundled 2-Way Combination PBX Usage Port | | | UEPPX | UEPXA | 14.00 | 90.00 | 90.00 | | | 33.67 | 7.88 | 11.17 | 3.91 | |
| | 2-Wire Voice Unbundled PBX Toll Terminal Hotel Ports | | | UEPPX | UEPXB | 14.00 | 90.00 | 90.00 | | | 33.67 | 7.88 | 11.17 | 3.91 | |
| | 2-Wire Voice Unbundled PBX LD DDD Terminals Port | | | UEPPX | UEPXC | 14.00 | 90.00 | 90.00 | | | 33.67 | 7.88 | 11.17 | 3.91 | |
| | 2-Wire Voice Unbundled PBX LD Terminal Switchboard Port | | | UEPPX | UEPXD | 14.00 | 90.00 | 90.00 | | | 33.67 | 7.88 | 11.17 | 3.91 | |
| | 2-Wire Voice Unbundled PBX LD Terminal Switchboard IDD Capable Port | | | UEPPX | UEPXE | 14.00 | 90.00 | 90.00 | | | 33.67 | 7.88 | 11.17 | 3.91 | |
| | 2-Wire Voice Unbundled 2-Way PBX Hotel/Hospital Economy Administrative Calling Port | | | UEPPX | UEPXL | 14.00 | 90.00 | 90.00 | | | 33.67 | 7.88 | 11.17 | 3.91 | |
| | 2-Wire Voice Unbundled 2-Way PBX Hotel/Hospital Economy Room Calling Port | | | UEPPX | UEPXM | 14.00 | 90.00 | 90.00 | | | 33.67 | 7.88 | 11.17 | 3.91 | |
| | 2-Wire Voice Unbundled 1-Way Outgoing PBX Hotel/Hospital Discount Room Calling Port | | | UEPPX | UEPXO | 14.00 | 90.00 | 90.00 | | | 33.67 | 7.88 | 11.17 | 3.91 | |
| | 2-Wire Voice Unbundled 1-Way Outgoing PBX Measured Port | | | UEPPX | UEPXS | 14.00 | 90.00 | 90.00 | | | 33.67 | 7.88 | 11.17 | 3.91 | |
| LOCAL NUMBER PORTABILITY | | | | | | | | | | | | | | | |
| | Local Number Portability (1 per port) | | | UEPPX | LNPCP | 3.15 | 0.00 | 0.00 | | | | | | | |
| FEATURES | | | | | | | | | | | | | | | |
| | All Features Offered | | | UEPPX | UEPVF | 0.00 | 0.00 | 0.00 | | | 33.67 | 7.88 | 11.17 | 3.91 | |
| NONRECURRING CHARGES - CURRENTLY COMBINED | | | | | | | | | | | | | | | |
| | 2-Wire Voice Grade Loop/ Line Port Combination - Switch-As-Is | | | UEPPX | USAC2 | | 41.50 | 41.50 | | | 33.67 | 7.88 | 11.17 | 3.91 | |
| | 2-Wire Voice Grade Loop/ Line Port Combination - Switch with Change | | | UEPPX | USACC | | 41.50 | 41.50 | | | 33.67 | 7.88 | 11.17 | 3.91 | |
| ADDITIONAL NRCs | | | | | | | | | | | | | | | |
| | 2-Wire Voice Grade Loop/ Line Port Combination - Subsequent | | | UEPPX | USAS2 | 0.00 | 0.00 | 0.00 | | | 33.67 | 7.88 | 11.17 | 3.91 | |
| | 2 Wire Loop/Line Side Port Combination - Non feature - Subsequent Activity- Nonrecurring | | | | | | 0.00 | 0.00 | | | 33.67 | 7.88 | 11.17 | 3.91 | |
| | PBX Subsequent Activity - Change/Rearrange Multiline Hunt Group | | | | | | 14.64 | 14.64 | | | 19.99 | 19.99 | 19.99 | 19.99 | |
| 2-WIRE VOICE GRADE LOOP WITH 2-WIRE ANALOG LINE COIN PORT | | | | | | | | | | | | | | | |
| UNE Port/Loop Combination Rates | | | | | | | | | | | | | | | |
| | 2-Wire VG Coin Port/Loop Combo - Zone 1 | | 1 | | | 24.80 | | | | | | | | | |
| | 2-Wire VG Coin Port/Loop Combo - Zone 2 | | 2 | | | 26.47 | | | | | | | | | |
| | 2-Wire VG Coin Port/Loop Combo - Zone 3 | | 3 | | | 33.83 | | | | | | | | | |
| UNE Loop Rates | | | | | | | | | | | | | | | |
| | 2-Wire Voice Grade Loop (SL1) - Zone 1 | | 1 | UEPCO | UEPLX | 10.80 | | | | | | | | | |
| | 2-Wire Voice Grade Loop (SL1) - Zone 2 | | 2 | UEPCO | UEPLX | 12.47 | | | | | | | | | |
| | 2-Wire Voice Grade Loop (SL1) - Zone 3 | | 3 | UEPCO | UEPLX | 19.83 | | | | | | | | | |
| 2-Wire Voice Grade Line Port Rates (Coin) | | | | | | | | | | | | | | | |
| | 2-Wire Coin 2-Way with Operator Screening (GA) | | | UEPCO | UEPGC | 14.00 | 90.00 | 90.00 | | | 33.67 | 7.88 | 11.17 | 3.91 | |
| | 2-Wire Coin 2-Way with Operator Screening and Blocking: 011, 900/976, 1+DDD (GA) | | | UEPCO | UEP2G | 14.00 | 90.00 | 90.00 | | | 33.67 | 7.88 | 11.17 | 3.91 | |
| | 2-Wire Coin 2-Way with Operator Screening and 011 Blocking (GA) | | | UEPCO | UEPGA | 14.00 | 90.00 | 90.00 | | | 33.67 | 7.88 | 11.17 | 3.91 | |
| | 2-Wire Coin 2-Way with Operator Screening and 900/976 Blocking (GA) | | | UEPCO | UEPGB | 14.00 | 90.00 | 90.00 | | | 33.67 | 7.88 | 11.17 | 3.91 | |

| UNBUNDLED NETWORK ELEMENTS - Georgia | | | | | | | | | | Attachment: 2 | | Exhibit: B | | | | |
|---|---|---------|------|-------|-------|-----------|----------------------------------|--------------------------------------|--|--|---|---|-------|--------------|-------|-------------------------|
| CATEGORY | RATE ELEMENTS | Interim | Zone | BCS | USOC | RATES(\$) | Svc Order Submitted Elec per LSR | Svc Order Submitted Manually per LSR | Incremental Charge - Manual Svc Order vs. Electronic-1st | Incremental Charge - Manual Svc Order vs. Electronic-Add'l | Incremental Charge - Manual Svc Order vs. Electronic-Disc 1st | Incremental Charge - Manual Svc Order vs. Electronic-Disc Add'l | | | | |
| | | | | | | | | | | | | | Rec | Nonrecurring | | Nonrecurring Disconnect |
| | | | | | | | First | Add'l | First | Add'l | SOMEC | SOMAN | SOMAN | SOMAN | SOMAN | SOMAN |
| | 2-Wire Coin 2-Way with Operator Screening and Blocking: 900/976, 1+DDD, 011+, and Local (GA) | | | UEPCO | UEPCH | 14.00 | 90.00 | 90.00 | | | | | 33.67 | 7.88 | 11.17 | 3.91 |
| | 2-Wire Coin Outward with Operator Screening and 011Blocking (GA, KY, MS) | | | UEPCO | UEPRJ | 14.00 | 90.00 | 90.00 | | | | | 33.67 | 7.88 | 11.17 | 3.91 |
| | 2-Wire Coin Outward with Operator Screening and Blocking: 900/976, 1+DDD, 011+, and Local (FL, GA) | | | UEPCO | UEPCQ | 14.00 | 90.00 | 90.00 | | | | | 33.67 | 7.88 | 11.17 | 3.91 |
| LOCAL NUMBER PORTABILITY | | | | | | | | | | | | | | | | |
| | Local Number Portability (1 per port) | | | UEPCO | LNPCX | 0.35 | | | | | | | | | | |
| NONRECURRING CHARGES - CURRENTLY COMBINED | | | | | | | | | | | | | | | | |
| | 2-Wire Voice Grade Loop/ Line Port Combination - Switch-As-Is | | | UEPCO | USAC2 | 41.50 | 41.50 | | | | | | 33.67 | 7.88 | 11.17 | 3.91 |
| | 2-Wire Voice Grade Loop/ Line Port Combination - Switch with Change | | | UEPCO | USACC | 41.50 | 41.50 | | | | | | 33.67 | 7.88 | 11.17 | 3.91 |
| ADDITIONAL NRCs | | | | | | | | | | | | | | | | |
| | 2-Wire Voice Grade Loop/ Line Port Combination - Subsequent | | | UEPCO | USAS2 | 0.00 | 0.00 | | | | | | 33.67 | 7.88 | 11.17 | 3.91 |
| UNBUNDLED PORT/LOOP COMBINATIONS - MARKET BASED RATES | | | | | | | | | | | | | | | | |
| 2-WIRE VOICE GRADE LOOP- BUS ONLY - WITH 2-WIRE DID TRUNK PORT | | | | | | | | | | | | | | | | |
| UNE Port/Loop Combination Rates | | | | | | | | | | | | | | | | |
| | 2-Wire VG Loop/2-Wire DID Trunk Port Combo - UNE Zone 1 | | 1 | | | 99.84 | | | | | | | | | | |
| | 2-Wire VG Loop/2-Wire DID Trunk Port Combo - UNE Zone 2 | | 2 | | | 102.45 | | | | | | | | | | |
| | 2-Wire VG Loop/2-Wire DID Trunk Port Combo - UNE Zone 3 | | 3 | | | 113.92 | | | | | | | | | | |
| UNE Loop Rates | | | | | | | | | | | | | | | | |
| | 2-Wire Analog Voice Grade Loop - (SL2) - UNE Zone 1 | | 1 | UEPPX | UECD1 | 16.84 | 104.78 | 78.10 | | | | | | | | |
| | 2-Wire Analog Voice Grade Loop - (SL2) - UNE Zone 2 | | 2 | UEPPX | UECD1 | 19.45 | 104.78 | 78.10 | | | | | | | | |
| | 2-Wire Analog Voice Grade Loop - (SL2) - UNE Zone 3 | | 3 | UEPPX | UECD1 | 30.92 | 104.78 | 104.10 | | | | | | | | |
| UNE Port Rate | | | | | | | | | | | | | | | | |
| | Exchange Ports - 2-Wire DID Port | | | UEPPX | UEPD1 | 83.00 | 850.00 | 75.00 | | | | | 33.67 | 7.88 | | |
| NONRECURRING CHARGES - CURRENTLY COMBINED | | | | | | | | | | | | | | | | |
| | 2-Wire Voice Grade Loop / 2-Wire DID Trunk Port Combination - Switch-As-Is Top 8 MSAs only | | | UEPPX | USAC1 | 850.00 | 75.00 | | | | | | 33.67 | 7.88 | | |
| | 2-Wire Voice Grade Loop / 2-Wire DID Trunk Port Conversion with BellSouth Allowable Changes Top 8 MSAs only | | | UEPPX | USA1C | 850.00 | 75.00 | | | | | | 33.67 | 7.88 | | |
| ADDITIONAL NRCs | | | | | | | | | | | | | | | | |
| Telephone Number/Trunk Group Establishment Charges | | | | | | | | | | | | | | | | |
| | DID Trunk Termination (One Per Port) | | | UEPPX | NDT | 0.00 | 0.00 | 0.00 | | | | | | | | |
| | DID Numbers, Establish Trunk Group and Provide First Group of 20 DID Numbers | | | UEPPX | NDZ | 0.00 | 0.00 | 0.00 | | | | | | | | |
| | Additional DID Numbers for each Group of 20 DID Numbers | | | UEPPX | ND4 | 0.00 | 0.00 | 0.00 | | | | | | | | |
| | DID Numbers, Non- consecutive DID Numbers , Per Number | | | UEPPX | ND5 | 0.00 | 0.00 | 0.00 | | | | | | | | |
| | Reserve Non-Consecutive DID numbers | | | UEPPX | ND6 | 0.00 | 0.00 | 0.00 | | | | | | | | |
| | Reserve DID Numbers | | | UEPPX | NDV | 0.00 | 0.00 | 0.00 | | | | | | | | |
| LOCAL NUMBER PORTABILITY | | | | | | | | | | | | | | | | |
| | Local Number Portability (1 per port) | | | UEPPX | LNPCP | 3.15 | 0.00 | 0.00 | | | | | | | | |
| 2-WIRE ISDN DIGITAL GRADE LOOP WITH 2-WIRE ISDN DIGITAL LINE SIDE PORT | | | | | | | | | | | | | | | | |
| UNE Port/Loop Combination Rates | | | | | | | | | | | | | | | | |
| | 2W ISDN Digital Grade Loop/2W ISDN Digital Line Side Port - UNE Zone 1 | | 1 | UEPPB | UEPPR | 81.89 | | | | | | | | | | |
| | 2W ISDN Digital Grade Loop/2W ISDN Digital Line Side Port - UNE Zone 2 | | 2 | UEPPB | UEPPR | 85.27 | | | | | | | | | | |
| | 2W ISDN Digital Grade Loop/2W ISDN Digital Line Side Port - UNE Zone 3 | | 3 | UEPPB | UEPPR | 100.17 | | | | | | | | | | |
| UNE Loop Rates | | | | | | | | | | | | | | | | |
| | 2-Wire ISDN Digital Grade Loop - UNE Zone 1 | | 1 | UEPPB | UEPPR | USL2X | 21.89 | 252.32 | 188.77 | | | | 19.99 | 19.99 | | |
| | 2-Wire ISDN Digital Grade Loop - UNE Zone 2 | | 2 | UEPPB | UEPPR | USL2X | 25.27 | 252.32 | 188.77 | | | | 19.99 | 19.99 | | |
| | 2-Wire ISDN Digital Grade Loop - UNE Zone 3 | | 3 | UEPPB | UEPPR | USL2X | 40.17 | 252.32 | 188.77 | | | | 19.99 | 19.99 | | |
| UNE Port Rate | | | | | | | | | | | | | | | | |
| | Exchange Port - 2-Wire ISDN Line Side Port | | | UEPPB | UEPPR | UEPPB | 60.00 | 525.00 | 400.00 | | | | 19.99 | 19.99 | | |

| UNBUNDLED NETWORK ELEMENTS - Georgia | | | | | | | | | | Attachment: 2 | | Exhibit: B | | | | | | | | | | | | |
|---|---|---------|------|-------------|-------|-----------|----------------------------------|--------------------------------------|--|--|---|---|---------------|--------------|-------|-------------------------|--|-------|-------|-------|-------|-------|-------|-------|
| CATEGORY | RATE ELEMENTS | Interim | Zone | BCS | USOC | RATES(\$) | Svc Order Submitted Elec per LSR | Svc Order Submitted Manually per LSR | Incremental Charge - Manual Svc Order vs. Electronic-1st | Incremental Charge - Manual Svc Order vs. Electronic-Add'l | Incremental Charge - Manual Svc Order vs. Electronic-Disc 1st | Incremental Charge - Manual Svc Order vs. Electronic-Disc Add'l | OSS Rates(\$) | | | | | | | | | | | |
| | | | | | | | | | | | | | Rec | Nonrecurring | | Nonrecurring Disconnect | | SOMEc | SOMAN | SOMAN | SOMAN | SOMAN | SOMAN | |
| | | | | | | | | | | | | | First | Add'l | First | Add'l | | | | | | | | |
| NONRECURRING CHARGES - CURRENTLY COMBINED | | | | | | | | | | | | | | | | | | | | | | | | |
| | 2-Wire ISDN Digital Grade Loop / 2-Wire ISDN Line Side Port Combination - Conversion - Top 8 MSAs only | | | UEPPB UEPPR | USACB | 0.00 | | | | | | | 215.00 | 215.00 | | | | | | | | | 19.99 | 19.99 |
| ADDITIONAL NRCs | | | | | | | | | | | | | | | | | | | | | | | | |
| | 2-Wire ISDN Loop / 2-Wire ISDN Port Combination - Sub Actvy Non Feature/Add Trunk | | | UEPPB UEPPR | USASB | | | | | | | | 165.95 | | | | | | | | | | 19.99 | 19.99 |
| LOCAL NUMBER PORTABILITY | | | | | | | | | | | | | | | | | | | | | | | | |
| | Local Number Portability (1 per port) | | | UEPPB UEPPR | LNPCX | 0.35 | | | | | | | 0.00 | 0.00 | | | | | | | | | | |
| B-CHANNEL USER PROFILE ACCESS: | | | | | | | | | | | | | | | | | | | | | | | | |
| | CVS/CSD (DMS/5ESS) | | | UEPPB UEPPR | U1UCA | 0.00 | | | | | | | 0.00 | 0.00 | | | | | | | | | | |
| | CVS (EWSD) | | | UEPPB UEPPR | U1UCB | 0.00 | | | | | | | 0.00 | 0.00 | | | | | | | | | | |
| | CSD | | | UEPPB UEPPR | U1UCC | 0.00 | | | | | | | 0.00 | 0.00 | | | | | | | | | | |
| B-CHANNEL AREA PLUS USER PROFILE ACCESS: (AL,KY,LA,MS SC,MS, & TN) | | | | | | | | | | | | | | | | | | | | | | | | |
| USER TERMINAL PROFILE | | | | | | | | | | | | | | | | | | | | | | | | |
| | User Terminal Profile (EWSD only) | | | UEPPB UEPPR | U1UMA | 0.00 | | | | | | | 0.00 | 0.00 | | | | | | | | | | |
| VERTICAL FEATURES | | | | | | | | | | | | | | | | | | | | | | | | |
| | All Vertical Features - One per Channel B User Profile | | | UEPPB UEPPR | UEPVF | 0.00 | | | | | | | 0.00 | 0.00 | | | | | | | | | 19.99 | 19.99 |
| INTEROFFICE CHANNEL MILEAGE | | | | | | | | | | | | | | | | | | | | | | | | |
| | Interoffice Channel mileage each, including first mile and facilities termination | | | UEPPB UEPPR | M1GNC | 16.47 | | | | | | | 79.61 | 36.08 | | | | | | | | | 19.99 | 19.99 |
| | Interoffice Channel mileage each, additional mile | | | UEPPB UEPPR | M1GNM | 0.0222 | | | | | | | 0.00 | 0.00 | | | | | | | | | | |
| 4-WIRE DS1 DIGITAL LOOP WITH 4-WIRE ISDN DS1 DIGITAL TRUNK PORT | | | | | | | | | | | | | | | | | | | | | | | | |
| UNE Port/Loop Combination Rates | | | | | | | | | | | | | | | | | | | | | | | | |
| | 4W DS1 Digital Loop/4W ISDN DS1 Digital Trunk Port - UNE Zone 1 | | 1 | UEPPP | | 955.53 | | | | | | | | | | | | | | | | | | |
| | 4W DS1 Digital Loop/4W ISDN DS1 Digital Trunk Port - UNE Zone 2 | | 2 | UEPPP | | 964.13 | | | | | | | | | | | | | | | | | | |
| | 4W DS1 Digital Loop/4W ISDN DS1 Digital Trunk Port - UNE Zone 3 | | 3 | UEPPP | | 1,001.93 | | | | | | | | | | | | | | | | | | |
| UNE Loop Rates | | | | | | | | | | | | | | | | | | | | | | | | |
| | 4-Wire DS1 Digital Loop - UNE Zone 1 | | 1 | UEPPP | USL4P | 55.53 | | | | | | | 448.92 | 276.60 | | | | | | | | | 19.99 | 19.99 |
| | 4-Wire DS1 Digital Loop - UNE Zone 2 | | 2 | UEPPP | USL4P | 64.13 | | | | | | | 448.92 | 276.60 | | | | | | | | | 19.99 | 19.99 |
| | 4-Wire DS1 Digital Loop - UNE Zone 3 | | 3 | UEPPP | USL4P | 101.93 | | | | | | | 448.92 | 276.60 | | | | | | | | | 19.99 | 19.99 |
| UNE Port Rate | | | | | | | | | | | | | | | | | | | | | | | | |
| | Exchange Ports - 4-Wire ISDN DS1 Port | | | UEPPP | UEPPP | 900.00 | | | | | | | 1,200.00 | 1,200.00 | | | | | | | | | 19.99 | 19.99 |
| NONRECURRING CHARGES - CURRENTLY COMBINED | | | | | | | | | | | | | | | | | | | | | | | | |
| | 4-Wire DS1 Digital Loop / 4-Wire ISDN DS1 Digital Trunk Port Combination - Conversion -Switch-As-Is Top 8 MSAs only | | | UEPPP | USACP | 0.00 | | | | | | | 925.00 | 925.00 | | | | | | | | | 19.99 | 19.99 |
| ADDITIONAL NRCs | | | | | | | | | | | | | | | | | | | | | | | | |
| | 4-Wire DS1 Loop/4-W ISDN Digtl Trk Port - Subsqst Actvy-Inward/two way tel nos within Std Allowance (except NC) | | | UEPPP | PR7TF | | | | | | | | 0.9686 | | | | | | | | | | | |
| | 4-Wire DS1 Loop / 4-Wire ISDN DS1 Digital Trunk Port - Outward Tel Numbers (All States except NC) | | | UEPPP | PR7TO | | | | | | | | 22.75 | 22.75 | | | | | | | | | | |
| | 4-Wire DS1 Loop / 4-Wire ISDN DS1 Digital Trk Port - Subsequent Inward Tel Nos Above Std Allowance | | | UEPPP | PR7ZT | | | | | | | | 45.49 | 45.49 | | | | | | | | | | |
| LOCAL NUMBER PORTABILITY | | | | | | | | | | | | | | | | | | | | | | | | |
| | Local Number Portability (1 per port) | | | UEPPP | LNPCN | 1.75 | | | | | | | | | | | | | | | | | | |
| INTERFACE (Provsioning Only) | | | | | | | | | | | | | | | | | | | | | | | | |
| | Voice/Data | | | UEPPP | PR71V | 0.00 | | | | | | | 0.00 | 0.00 | | | | | | | | | | |
| | Digital Data | | | UEPPP | PR71D | 0.00 | | | | | | | 0.00 | 0.00 | | | | | | | | | | |
| | Inward Data | | | UEPPP | PR71E | 0.00 | | | | | | | 0.00 | 0.00 | | | | | | | | | | |
| New or Additional "B" Channel | | | | | | | | | | | | | | | | | | | | | | | | |
| | New or Additional - Voice/Data B Channel | | | UEPPP | PR7BV | 0.00 | | | | | | | 28.71 | | | | | | | | | | 19.99 | 19.99 |
| | New or Additional - Digital Data B Channel | | | UEPPP | PR7BF | 0.00 | | | | | | | 28.71 | | | | | | | | | | 19.99 | 19.99 |
| | New or Additional Inward Data B Channel | | | UEPPP | PR7BD | 0.00 | | | | | | | 28.71 | | | | | | | | | | 19.99 | 19.99 |
| CALL TYPES | | | | | | | | | | | | | | | | | | | | | | | | |
| | Inward | | | UEPPP | PR7C1 | 0.00 | | | | | | | 0.00 | 0.00 | | | | | | | | | | |
| | Outward | | | UEPPP | PR7C0 | 0.00 | | | | | | | 0.00 | 0.00 | | | | | | | | | | |
| | Two-way | | | UEPPP | PR7CC | 0.00 | | | | | | | 0.00 | 0.00 | | | | | | | | | | |

| UNBUNDLED NETWORK ELEMENTS - Georgia | | | | | | | | | | Attachment: 2 | | Exhibit: B | | | |
|--|--|---------|------|-------|-------|-----------|----------------------------------|--------------------------------------|--|--|---|---|-------|--------------|-------|
| CATEGORY | RATE ELEMENTS | Interim | Zone | BCS | USOC | RATES(\$) | Svc Order Submitted Elec per LSR | Svc Order Submitted Manually per LSR | Incremental Charge - Manual Svc Order vs. Electronic-1st | Incremental Charge - Manual Svc Order vs. Electronic-Add'l | Incremental Charge - Manual Svc Order vs. Electronic-Disc 1st | Incremental Charge - Manual Svc Order vs. Electronic-Disc Add'l | | | |
| | | | | | | | | | | | | | Rec | Nonrecurring | |
| | | | | | | First | Add'l | First | Add'l | SOMEc | SOMAN | SOMAN | SOMAN | SOMAN | SOMAN |
| Interoffice Channel Mileage | | | | | | | | | | | | | | | |
| | Fixed Each Including First Mile | | | UEPPP | 1LN1A | 78.9223 | | 147.07 | 111.75 | | | | 19.99 | 19.99 | |
| | Each Airline-Fractional Additional Mile | | | UEPPP | 1LN1B | 0.4523 | | | | | | | | | |
| 4-WIRE DS1 DIGITAL LOOP WITH 4-WIRE DDITS TRUNK PORT | | | | | | | | | | | | | | | |
| UNE Port/Loop Combination Rates | | | | | | | | | | | | | | | |
| | 4W DS1 Digital Loop/4W DDITS Trunk Port - Statewide | | sw | UEPDC | | | | | | | | | | | |
| | 4W DS1 Digital Loop/4W DDITS Trunk Port - UNE Zone 1 | | 1 | UEPDC | | 176.33 | | | | | | | | | |
| | 4W DS1 Digital Loop/4W DDITS Trunk Port - UNE Zone 2 | | 2 | UEPDC | | 184.93 | | | | | | | | | |
| | 4W DS1 Digital Loop/4W DDITS Trunk Port - UNE Zone 3 | | 3 | UEPDC | | 222.73 | | | | | | | | | |
| | 4W DS1 Digital Loop/4W DDITS Trunk Port - UNE Zone 4 | | 4 | UEPDC | | | | | | | | | | | |
| UNE Loop Rates | | | | | | | | | | | | | | | |
| | 4-Wire DS1 Digital Loop - Statewide | | sw | UEPDC | USLDC | | | | | | | | | | |
| | 4-Wire DS1 Digital Loop - UNE Zone 1 | | 1 | UEPDC | USLDC | 55.53 | 448.92 | 276.00 | | | | | 19.99 | 19.99 | |
| | 4-Wire DS1 Digital Loop - UNE Zone 2 | | 2 | UEPDC | USLDC | 64.13 | 448.92 | 276.60 | | | | | 19.99 | 19.99 | |
| | 4-Wire DS1 Digital Loop - UNE Zone 3 | | 3 | UEPDC | USLDC | 101.93 | 448.92 | 276.60 | | | | | 19.99 | 19.99 | |
| | 4-Wire DS1 Digital Loop - UNE Zone 4 | | 4 | UEPDC | USLDC | | | | | | | | | | |
| UNE Port Rate | | | | | | | | | | | | | | | |
| | 4-Wire DDITS Digital Trunk Port | | | UEPDC | UDD1T | 750.00 | 1,011.43 | 477.87 | 206.70 | 20.70 | | | 19.99 | 19.99 | |
| NONRECURRING CHARGES - CURRENTLY COMBINED | | | | | | | | | | | | | | | |
| | 4-Wire DS1 Digital Loop / 4-Wire DDITS Trunk Port Combination - Switch-As-Is Top 8 MSAs only | | | UEPDC | USAC4 | | 269.96 | 269.96 | | | | | 19.99 | 19.99 | |
| | 4-Wire DS1 Digital Loop / 4-Wire DDITS Trunk Port Combination - Conversion with DS1 Changes Top 8 MSAs only | | | UEPDC | USAWA | | 269.96 | 269.96 | | | | | 19.99 | 19.99 | |
| | 4-Wire DS1 Digital Loop / 4-Wire DDITS Trunk Port Combination - Conversion with Change - Trunk Top 8 MSAs only | | | UEPDC | USAWB | | 269.96 | 269.96 | | | | | 19.99 | 19.99 | |
| ADDITIONAL NRCS | | | | | | | | | | | | | | | |
| | 4-Wire DS1 Loop / 4-Wire DDITS Trunk Port - Subsequent Service Activity Per Service Order | | | UEPDC | USAS4 | | 147.47 | 147.47 | | | | | | | |
| | 4-Wire DS1 Loop / 4-Wire DDITS Trunk Port - NRC - Subsequent Channel Activation/Chan - 2-Way Trunk | | | UEPDC | UDTTA | | 28.71 | 28.71 | | | | | 19.99 | 19.99 | |
| | 4-Wire DS1 Loop / 4-Wire DDITS Trunk Port - Subsequent Channel Activation/Chan - 1-Way Outward Trunk | | | UEPDC | UDTTB | | 28.71 | 28.71 | | | | | 19.99 | 19.99 | |
| | 4-Wire DS1 Loop / 4-Wire DDITS Trunk Port - Subsqnt Channel Activation/Chan - Inward Trunk w/out DID | | | UEPDC | UDTTC | | 28.71 | 28.71 | | | | | 19.99 | 19.99 | |
| | 4-Wire DS1 Loop / 4-Wire DDITS Trunk Port - Subsqnt Chan Activation Per Chan - Inward Trunk with DID | | | UEPDC | UDTTD | | 28.71 | 28.71 | | | | | 19.99 | 19.99 | |
| | 4-Wire DS1 Loop / 4-Wire DDITS Trunk Port - Subsqnt Chan Activation / Chan - 2-Way DID w User Trans | | | UEPDC | UDTTE | | 28.71 | 28.71 | | | | | 19.99 | 19.99 | |
| BIPOLAR 8 ZERO SUBSTITUTION | | | | | | | | | | | | | | | |
| | B8ZS -Superframe Format | | | UEPDC | CCOSF | | 0.00 | 600.00 | | | | | | | |
| | B8ZS - Extended Superframe Format | | | UEPDC | CCOEF | | 0.00 | 600.00 | | | | | | | |
| Alternate Mark Inversion | | | | | | | | | | | | | | | |
| | AMI -Superframe Format | | | UEPDC | MCOF | | 0.00 | 0.00 | | | | | | | |
| | AMI - Extended SuperFrame Format | | | UEPDC | MCOPO | | 0.00 | 0.00 | | | | | | | |
| Telephone Number/Trunk Group Establishment Charges | | | | | | | | | | | | | | | |
| | Telephone Number for 2-Way Trunk Group | | | UEPDC | UDTGX | 0.00 | | | | | | | | | |
| | Telephone Number for 1-Way Outward Trunk Group | | | UEPDC | UDTGY | 0.00 | | | | | | | | | |
| | Telephone Number for 1-Way Inward Trunk Group Without DID | | | UEPDC | UDTGZ | 0.00 | | | | | | | | | |
| | DID Numbers, Establish Trunk Group and Provide First Group of 20 DID Numbers | | | UEPDC | NDZ | 0.00 | 0.00 | 0.00 | | | | | | | |
| | DID Numbers for each Group of 20 DID Numbers | | | UEPDC | ND4 | 0.00 | | | | | | | | | |
| | DID Numbers, Non- consecutive DID Numbers , Per Number | | | UEPDC | ND5 | 0.00 | | | | | | | | | |
| | Reserve Non-Consecutive DID Nos. | | | UEPDC | ND6 | 0.00 | 0.00 | 0.00 | | | | | | | |
| | Reserve DID Numbers | | | UEPDC | NDV | 0.00 | 0.00 | 0.00 | | | | | | | |
| Dedicated DS1 (Interoffice Channel Mileage) - | | | | | | | | | | | | | | | |
| FX/FCO for 4-Wire DS1 Digital Loop with 4-Wire DDITS Trunk Port | | | | | | | | | | | | | | | |

| UNBUNDLED NETWORK ELEMENTS - Georgia | | | | | | | | | | Attachment: 2 | | Exhibit: B | | | | |
|--|---|---------|------|-------|--------|-----------|--------------|--------|-------------------------|----------------------------------|--------------------------------------|--|--|---|---|---------------|
| CATEGORY | RATE ELEMENTS | Interim | Zone | BCS | USOC | RATES(\$) | | | | Svc Order Submitted Elec per LSR | Svc Order Submitted Manually per LSR | Incremental Charge - Manual Svc Order vs. Electronic-1st | Incremental Charge - Manual Svc Order vs. Electronic-Add'l | Incremental Charge - Manual Svc Order vs. Electronic-Disc 1st | Incremental Charge - Manual Svc Order vs. Electronic-Disc Add'l | |
| | | | | | | Rec | Nonrecurring | | Nonrecurring Disconnect | | | | | | | OSS Rates(\$) |
| | | | | | | | First | Add'l | First | Add'l | SOMEc | SOMAN | SOMAN | SOMAN | SOMAN | SOMAN |
| | Interoffice Channel Mileage - Fixed rate 0-8 miles (Facilities Termination) | | | UEPDC | 1LNO1 | 78.47 | 147.07 | 111.75 | | | | | 19.99 | 19.99 | | |
| | Interoffice Channel Mileage - Additional rate per mile - 0-8 miles | | | UEPDC | 1LNOA | 0.4523 | 0.00 | 0.00 | | | | | | | | |
| | Interoffice Channel Mileage - Fixed rate 9-25 miles (Facilities Termination) | | | UEPDC | 1LNO2 | 0.00 | 0.00 | 0.00 | | | | | | | | |
| | Interoffice Channel Mileage - Additional rate per mile - 9-25 miles | | | UEPDC | 1LNOB | 0.4523 | 0.00 | 0.00 | | | | | | | | |
| | Interoffice Channel Mileage - Fixed rate 25+ miles (Facilities Termination) | | | UEPDC | 1LNO3 | 0.00 | 0.00 | 0.00 | | | | | | | | |
| | Interoffice Channel Mileage - Additional rate per mile - 25+ miles | | | UEPDC | 1LNOC | 0.4523 | 0.00 | 0.00 | | | | | | | | |
| | Local Number Portability, per DSO Activated | | | UEPDC | 1LNCP | 3.15 | | | | | | | | | | |
| | Central Office Terminating Point | | | UEPDC | CTG | 0.00 | | | | | | | | | | |
| 4-WIRE DS1 LOOP WITH CHANNELIZATION WITH PORT | | | | | | | | | | | | | | | | |
| System is 1 DS1 Loop, 1 D4 Channel Bank, and up to 24 Feature Activations | | | | | | | | | | | | | | | | |
| A system can have various rate combinations based on type and number of ports used | | | | | | | | | | | | | | | | |
| UNE DS1 Loop | | | | | | | | | | | | | | | | |
| | 4-Wire DS1 Loop - UNE Zone 1 | | 1 | UEPMG | USLDC | 55.53 | 0.00 | 0.00 | | | | | | | | |
| | 4-Wire DS1 Loop - UNE Zone 2 | | 2 | UEPMG | USLDC | 64.13 | 0.00 | 0.00 | | | | | | | | |
| | 4-Wire DS1 Loop - UNE Zone 3 | | 3 | UEPMG | USLDC | 101.93 | 0.00 | 0.00 | | | | | | | | |
| UNE DSO Channelization Capacities (D4 Channel Bank Configurations) | | | | | | | | | | | | | | | | |
| | 24 DSO Channel Capacity - 1 per DS1 | | | UEPMG | VUM24 | 102.64 | 0.00 | 0.00 | | | | | 19.99 | 19.99 | | |
| | 48 DSO Channel Capacity - 1 per 2 DS1s | | | UEPMG | VUM48 | 205.28 | 0.00 | 0.00 | | | | | 19.99 | 19.99 | | |
| | 96 DSO Channel Capacity -1per 4 DS1s | | | UEPMG | VUM96 | 410.56 | 0.00 | 0.00 | | | | | 19.99 | 19.99 | | |
| | 144 DSO Channel Capacity - 1 per 6 DS1s | | | UEPMG | VUM144 | 615.84 | 0.00 | 0.00 | | | | | 19.99 | 19.99 | | |
| | 192 DSO Channel Capacity -1 per 8 DS1s | | | UEPMG | VUM192 | 821.12 | 0.00 | 0.00 | | | | | 19.99 | 19.99 | | |
| | 240 DSO Channel Capacity - 1 per 10 DS1s | | | UEPMG | VUM240 | 1,026.40 | 0.00 | 0.00 | | | | | 19.99 | 19.99 | | |
| | 288 DSO Channel Capacity - 1 per 12 DS1s | | | UEPMG | VUM288 | 1,231.68 | 0.00 | 0.00 | | | | | 19.99 | 19.99 | | |
| | 384 DSO Channel Capacity - 1 per 16 DS1s | | | UEPMG | VUM384 | 1,642.24 | 0.00 | 0.00 | | | | | 19.99 | 19.99 | | |
| | 480 DSO Channel Capacity - 1 per 20 DS1s | | | UEPMG | VUM480 | 2,052.80 | 0.00 | 0.00 | | | | | 19.99 | 19.99 | | |
| | 576 DSO Channel Capacity -1 per 24 DS1s | | | UEPMG | VUM576 | 2,463.36 | 0.00 | 0.00 | | | | | 19.99 | 19.99 | | |
| | 672 DSO Channel Capacity - 1 per 28 DS1s | | | UEPMG | VUM672 | 2,873.92 | 0.00 | 0.00 | | | | | 19.99 | 19.99 | | |
| Non-Recurring Charges (NRC) Associated with 4-Wire DS1 Loop with Channelization with Port - Conversion Charge Based on a System | | | | | | | | | | | | | | | | |
| A Minimum System configuration is One (1) DS1, One (1) D4 Channel Bank, and Up To 24 DSO Ports with Feature Activations. | | | | | | | | | | | | | | | | |
| Multiples of this configuration functioning as one are considered Add'l after the minimum system configuration is counted. | | | | | | | | | | | | | | | | |
| | NRC - Conversion (Currently Combined) with or without BellSouth Allowed Changes - Top 8 MSAs Only | | | UEPMG | USAC4 | 0.00 | 450.00 | 50.00 | | | | | 19.99 | 19.99 | | |
| System Additions Where Currently Combined and New (Not Currently Combined) | | | | | | | | | | | | | | | | |
| In Top 8 MSAs and AL, FL, and NC Only | | | | | | | | | | | | | | | | |
| | 1 DS1/D4 Channel Bank - Add NRC for each Port and Assoc Fea Activation - | | | UEPMG | VUMD4 | 0.00 | 950.00 | 600.00 | 200.00 | 30.00 | | | 19.99 | 19.99 | | |
| Bipolar 8 Zero Substitution | | | | | | | | | | | | | | | | |
| | Clear Channel Capability Format, superframe - Subsequent Activity Only | | | UEPMG | CCOSF | 0.00 | 0.00 | 600.00 | | | | | | | | |
| | Clear Channel Capability Format - Extended Superframe - Subsequent Activity Only | | | UEPMG | CCOEF | 0.00 | 0.00 | 600.00 | | | | | | | | |
| Alternate Mark Inversion (AMI) | | | | | | | | | | | | | | | | |
| | Superframe Format | | | UEPMG | MCOSF | 0.00 | 0.00 | 0.00 | | | | | | | | |
| | Extended Superframe Format | | | UEPMG | MCOPO | 0.00 | 0.00 | 0.00 | | | | | | | | |
| Exchange Ports Associated with 4-Wire DS1 Loop with Channelization with Port | | | | | | | | | | | | | | | | |
| Exchange Ports | | | | | | | | | | | | | | | | |
| | Line Side Combination Channelized PBX Trunk Port - Business | | | UEPPX | UEPCX | 14.00 | 0.00 | 0.00 | 0.00 | 0.00 | | | 33.67 | 7.88 | | |
| | Line Side Outward Channelized PBX Trunk Port - Business | | | UEPPX | UEPOX | 14.00 | 0.00 | 0.00 | 0.00 | 0.00 | | | 33.67 | 7.88 | | |
| | Line Side Inward Only Channelized PBX Trunk Port without DID | | | UEPPX | UEP1X | 14.00 | 0.00 | 0.00 | 0.00 | 0.00 | | | 33.67 | 7.88 | | |
| | 2-Wire Trunk Side Unbundled Channelized DID Trunk Port | | | UEPPX | UEPDM | 83.00 | 0.00 | 0.00 | 0.00 | 0.00 | | | 33.67 | 7.88 | | |
| Feature Activations - Unbundled Loop Concentration | | | | | | | | | | | | | | | | |

| UNBUNDLED NETWORK ELEMENTS - Georgia | | | | | | | | | | | Attachment: 2 | | Exhibit: B | | | | |
|---|---|---------|------|-------|-------|-----------|----------------------------------|--------------------------------------|--|--|---|---|---------------|--------------|--|-------------------------|--|
| CATEGORY | RATE ELEMENTS | Interim | Zone | BCS | USOC | RATES(\$) | Svc Order Submitted Elec per LSR | Svc Order Submitted Manually per LSR | Incremental Charge - Manual Svc Order vs. Electronic-1st | Incremental Charge - Manual Svc Order vs. Electronic-Add'l | Incremental Charge - Manual Svc Order vs. Electronic-Disc 1st | Incremental Charge - Manual Svc Order vs. Electronic-Disc Add'l | OSS Rates(\$) | | | | |
| | | | | | | | | | | | | | Rec | Nonrecurring | | Nonrecurring Disconnect | |
| | | | | | | First | Add'l | First | Add'l | | | | | | | | |
| | Feature (Service) Activation for each Line Side Port Terminated in D4 Bank | | | UEPPX | 1PQWM | 0.62 | 40.00 | 20.00 | 6.00 | 5.00 | | 33.67 | 7.88 | | | | |
| | Feature (Service) Activation for each Trunk Side Port Terminated in D4 Bank | | | UEPPX | 1PQWU | 0.62 | 110.00 | 30.00 | 65.00 | 20.00 | | 33.67 | 7.88 | | | | |
| Telephone Number/ Group Establishment Charges for DID Service | | | | | | | | | | | | | | | | | |
| | DID Trunk Termination (1 per Port) | | | UEPPX | NDT | 0.00 | 0.00 | 0.00 | | | | | | | | | |
| | Estab Trk Grp and Provide 1st 20 DID Nos. (FL,GA, NC,& SC) | | | UEPPX | NDZ | 0.00 | 0.00 | 0.00 | | | | | | | | | |
| | DID Numbers - groups of 20 - Valid all States | | | UEPPX | ND4 | 0.00 | 0.00 | 0.00 | | | | | | | | | |
| | Non-Consecutive DID Numbers - per number | | | UEPPX | ND5 | 0.00 | 0.00 | 0.00 | | | | | | | | | |
| | Reserve Non-Consecutive DID Numbers | | | UEPPX | ND6 | 0.00 | 0.00 | 0.00 | | | | | | | | | |
| | Reserve DID Numbers | | | UEPPX | NDV | 0.00 | 0.00 | 0.00 | | | | | | | | | |
| Local Number Portability | | | | | | | | | | | | | | | | | |
| | Local Number Portability - 1 per port | | | UEPPX | LNPCP | 3.15 | 0.00 | 0.00 | | | | | | | | | |
| FEATURES - Vertical and Optional | | | | | | | | | | | | | | | | | |
| Local Switching Features Offered with Line Side Ports Only | | | | | | | | | | | | | | | | | |
| | All Features Available | | | UEPPX | UEPVF | 0.00 | 0.00 | 0.00 | | | | | | | | | |
| UNBUNDLED CENTREX PORT/LOOP COMBINATIONS - COST BASED RATES | | | | | | | | | | | | | | | | | |
| 1. Cost Based Rates are applied where BellSouth is required by FCC and/or State Commission rule to provide Unbundled Local Switching or Switch Ports. | | | | | | | | | | | | | | | | | |
| 2. Features shall apply to the Unbundled Port/Loop Combination - Cost Based Rate section in the same manner as they are applied to the Stand-Alone Unbundled Port section of this Rate Exhibit. | | | | | | | | | | | | | | | | | |
| 3. End Office and Tandem Switching Usage and Common Transport Usage rates in the Port section of this rate exhibit shall apply to all combinations of loop/port network elements except for UNE Coin Port/Loop Combinations. | | | | | | | | | | | | | | | | | |
| For Georgia, Kentucky, Louisiana, Mississippi and Tennessee, the recurring UNE Port and Loop charges listed apply to Currently Combined and Not Currently Combined Combos. The first and additional Port nonrecurring charges apply to Not Currently Combined Combos for all states. In GA, KY, LA, MS and TN these nonrecurring charges are commission ordered cost based rates and in AL, FL, NC and SC these nonrecurring charges are Market Rates and are listed in the Market Rate section. For Currently Combined Combos in all other states, the nonrecurring charges shall be those identified in the Nonrecurring - Currently Combined sections. | | | | | | | | | | | | | | | | | |
| 5. Market Rates for Unbundled Centrex Port/Loop Combination will be negotiated on an Individual Case Basis, until further notice. | | | | | | | | | | | | | | | | | |
| UNE-P CENTREX - 1AESS - (Valid in AL,FL,GA,KY,LA,MS,&TN only) | | | | | | | | | | | | | | | | | |
| 2-Wire VG Loop/2-Wire Voice Grade Port (Centrex) Combo | | | | | | | | | | | | | | | | | |
| UNE Port/Loop Combination Rates (Non-Design) | | | | | | | | | | | | | | | | | |
| | 2-Wire VG Loop/2-Wire Voice Grade Port (Centrex) Port Combo - Non-Design | | 1 | UEP91 | | 12.59 | | | | | | | | | | | |
| | 2-Wire VG Loop/2-Wire Voice Grade Port (Centrex)Port Combo - Non-Design | | 2 | UEP91 | | 14.26 | | | | | | | | | | | |
| | 2-Wire VG Loop/2-Wire Voice Grade Port (Centrex)Port Combo - Non-Design | | 3 | UEP91 | | 21.62 | | | | | | | | | | | |
| UNE Port/Loop Combination Rates (Design) | | | | | | | | | | | | | | | | | |
| | 2-Wire VG Loop/2-Wire Voice Grade Port (Centrex) Port Combo - Design | | 1 | UEP91 | | 18.63 | | | | | | | | | | | |
| | 2-Wire VG Loop/2-Wire Voice Grade Port (Centrex)Port Combo - Design | | 2 | UEP91 | | 21.24 | | | | | | | | | | | |
| | 2-Wire VG Loop/2-Wire Voice Grade Port (Centrex)Port Combo - Design | | 3 | UEP91 | | 32.71 | | | | | | | | | | | |
| UNE Loop Rate | | | | | | | | | | | | | | | | | |
| | 2-Wire Voice Grade Loop (SL 1) - Zone 1 | | 1 | UEP91 | UECS1 | 10.80 | | | | | | | | | | | |
| | 2-Wire Voice Grade Loop (SL 1) - Zone 2 | | 2 | UEP91 | UECS1 | 12.47 | | | | | | | | | | | |
| | 2-Wire Voice Grade Loop (SL 1) - Zone 3 | | 3 | UEP91 | UECS1 | 19.83 | | | | | | | | | | | |
| | 2-Wire Voice Grade Loop (SL 2) - Zone 1 | | 1 | UEP91 | UECS2 | 16.84 | | | | | | | | | | | |
| | 2-Wire Voice Grade Loop (SL 2) - Zone 2 | | 2 | UEP91 | UECS2 | 19.45 | | | | | | | | | | | |
| | 2-Wire Voice Grade Loop (SL 2) - Zone 3 | | 3 | UEP91 | UECS2 | 30.92 | | | | | | | | | | | |
| UNE Ports | | | | | | | | | | | | | | | | | |
| All States (Except North Carolina and Sout Carolina) | | | | | | | | | | | | | | | | | |
| | 2-Wire Voice Grade Port (Centrex) Basic Local Area | | | UEP91 | UEPYA | 1.79 | 22.14 | 15.25 | 8.45 | 3.91 | | 33.67 | 7.88 | | | | |
| | 2-Wire Voice Grade Port (Centrex 800 termination)Basic Local Area | | | UEP91 | UEPYB | 1.79 | 22.14 | 15.25 | 8.45 | 3.91 | | 33.67 | 7.88 | | | | |
| | 2-Wire Voice Grade Port (Centrex with Caller ID)1Basic Local Area | | | UEP91 | UEPYH | 1.79 | 22.14 | 15.25 | 8.45 | 3.91 | | 33.67 | 7.88 | | | | |
| | 2-Wire Voice Grade Port (Centrex from diff Serving Wire Center)2 Basic Local Area | | | UEP91 | UEPYM | 1.79 | 22.14 | 15.25 | 8.45 | 3.91 | | 33.67 | 7.88 | | | | |
| | 2-Wire Voice Grade Port, Diff Serving Wire Center - 800 Service Term - Basic Local Area | | | UEP91 | UEPYZ | 1.79 | 22.14 | 15.25 | 8.45 | 3.91 | | 33.67 | 7.88 | | | | |

| UNBUNDLED NETWORK ELEMENTS - Georgia | | | | | | | | | | Attachment: 2 | | Exhibit: B | | | |
|---|--|---------|------|-------|-------|-----------|--------------|--------|-------------------------|----------------------------------|--------------------------------------|--|--|---|---|
| CATEGORY | RATE ELEMENTS | Interim | Zone | BCS | USOC | RATES(\$) | | | | Svc Order Submitted Elec per LSR | Svc Order Submitted Manually per LSR | Incremental Charge - Manual Svc Order vs. Electronic-1st | Incremental Charge - Manual Svc Order vs. Electronic-Add'l | Incremental Charge - Manual Svc Order vs. Electronic-Disc 1st | Incremental Charge - Manual Svc Order vs. Electronic-Disc Add'l |
| | | | | | | Rec | Nonrecurring | | Nonrecurring Disconnect | | | | | | |
| | | | | | | | First | Add'l | First | Add'l | SOMEC | SOMAN | SOMAN | SOMAN | SOMAN |
| | 2-Wire Voice Grade Port terminated in on Megalink or equivalent - Basic Local Area | | | UEP91 | UEPY9 | 1.79 | 22.14 | 15.25 | 8.45 | 3.91 | | | 33.67 | 7.88 | |
| | 2-Wire Voice Grade Port Terminated on 800 Service Term - Basic Local Area | | | UEP91 | UEPY2 | 1.79 | 22.14 | 15.25 | 8.45 | 3.91 | | | 33.67 | 7.88 | |
| Georgia and Florida Only | | | | | | | | | | | | | | | |
| | 2-Wire Voice Grade Port (Centrex) | | | UEP91 | UEPHA | 1.79 | 22.14 | 15.25 | 8.45 | 3.91 | | | 33.67 | 7.88 | |
| | 2-Wire Voice Grade Port (Centrex 800 termination) | | | UEP91 | UEPHB | 1.79 | 22.14 | 15.25 | 8.45 | 3.91 | | | 33.67 | 7.88 | |
| | 2-Wire Voice Grade Port (Centrex with Caller ID)1 | | | UEP91 | UEPHH | 1.79 | 22.14 | 15.25 | 8.45 | 3.91 | | | 33.67 | 7.88 | |
| | 2-Wire Voice Grade Port (Centrex from diff Serving Wire Center)2 | | | UEP91 | UEPHM | 1.79 | 22.14 | 15.25 | 8.45 | 3.91 | | | 33.67 | 7.88 | |
| | 2-Wire Voice Grade Port, Diff Serving Wire Center - 800 Service Term | | | UEP91 | UEPHZ | 1.79 | 22.14 | 15.25 | 8.45 | 3.91 | | | 33.67 | 7.88 | |
| | 2-Wire Voice Grade Port terminated in on Megalink or equivalent | | | UEP91 | UEPH9 | 1.79 | 22.14 | 15.25 | 8.45 | 3.91 | | | 33.67 | 7.88 | |
| | 2-Wire Voice Grade Port Terminated on 800 Service Term | | | UEP91 | UEPH2 | 1.79 | 22.14 | 15.25 | 8.45 | 3.91 | | | 33.67 | 7.88 | |
| Local Switching | | | | | | | | | | | | | | | |
| | Centrex Intercom Funtionality, per port | | | UEP91 | URECS | 0.5554 | | | | | | | | | |
| Local Number Portability | | | | | | | | | | | | | | | |
| | Local Number Portability (1 per port) | | | UEP91 | LNPC | 0.35 | | | | | | | | | |
| Features | | | | | | | | | | | | | | | |
| | All Standard Features Offered, per port | | | UEP91 | UEPVF | 0.00 | | | | | | | | | |
| | All Select Features Offered, per port | | | UEP91 | UEPVS | 0.00 | 454.69 | | | | | | | | |
| | All Centrex Control Features Offered, per port | | | UEP91 | UEPVC | 0.00 | | | | | | | | | |
| NARS | | | | | | | | | | | | | | | |
| | Unbundled Network Access Register - Combination | | | UEP91 | UARCX | 0.00 | 0.00 | 0.00 | | | | | 33.67 | 7.88 | |
| | Unbundled Network Access Register - Indial | | | UEP91 | UAR1X | 0.00 | 0.00 | 0.00 | | | | | 33.67 | 7.88 | |
| | Unbundled Network Access Register - Outdial | | | UEP91 | UARO | 0.00 | 0.00 | 0.00 | | | | | 33.67 | 7.88 | |
| Miscellaneous Terminations | | | | | | | | | | | | | | | |
| 2-Wire Trunk Side | | | | | | | | | | | | | | | |
| | Trunk Side Terminations, each | | | UEP91 | CENA6 | 11.35 | 61.91 | 61.91 | | | | | 33.67 | 7.88 | |
| Interoffice Channel Mileage - 2-Wire | | | | | | | | | | | | | | | |
| | Interoffice Channel Facilities Termination - Voice Grade | | | UEP91 | MIGBC | 17.07 | | | | | | | | | |
| | Interoffice Channel mileage, per mile or fraction of mile | | | UEP91 | MIGBM | 0.0222 | | | | | | | | | |
| Feature Activations (DS0) Centrex Loops on Channelized DS1 Service | | | | | | | | | | | | | | | |
| D4 Channel Bank Feature Activations | | | | | | | | | | | | | | | |
| | Feature Activation on D-4 Channel Bank Centrex Loop Slot | | | UEP91 | 1PQWS | 0.62 | | | | | | | | | |
| | Feature Activation on D-4 Channel Bank FX line Side Loop Slot | | | UEP91 | 1PQW6 | 0.62 | | | | | | | | | |
| | Feature Activation on D-4 Channel Bank FX Trunk Side Loop Slot | | | UEP91 | 1PQW7 | 0.62 | | | | | | | | | |
| | Feature Activation on D-4 Channel Bank Centrex Loop Slot - Different Wire Center | | | UEP91 | 1PQWP | 0.62 | | | | | | | | | |
| | Feature Activation on D-4 Channel Bank Private Line Loop Slot | | | UEP91 | 1PQWV | 0.62 | | | | | | | | | |
| | Feature Activation on D-4 Channel Bank Tjje Line/Trunk Loop Slot | | | UEP91 | 1PQWQ | 0.62 | | | | | | | | | |
| | Feature Activation on D-4 Channel Bank WATS Loop Slot | | | UEP91 | 1PQWA | 0.62 | | | | | | | | | |
| Non-Recurring Charges (NRC) Associated with UNE-P Centrex | | | | | | | | | | | | | | | |
| | Conversion - Currently Combined Switch-As-Is with allowed changes, per port | | | UEP91 | USAC2 | | 2.01 | 0.3108 | | | | | 33.67 | 7.88 | |
| | New Centrex Standard Common Block | | | UEP91 | M1ACS | 0.00 | 659.41 | | | | | | 33.67 | 7.88 | |
| | New Centrex Customized Common Block | | | UEP91 | M1ACC | 0.00 | 659.41 | | | | | | 33.67 | 7.88 | |
| | Secondary Block, per Block | | | UEP91 | M2CC1 | 0.00 | 77.10 | | | | | | 33.67 | 7.88 | |
| | NAR Establishment Charge, Per Occasion | | | UEP91 | URECA | 0.00 | 71.88 | | | | | | 33.67 | 7.88 | |
| UNE-P CENTREX - 5ESS (Valid in All States) | | | | | | | | | | | | | | | |
| 2-Wire VG Loop/2-Wire Voice Grade Port (Centrex) Combo | | | | | | | | | | | | | | | |
| UNE Port/Loop Combination Rates (Non-Design) | | | | | | | | | | | | | | | |
| | 2-Wire VG Loop/2-Wire Voice Grade Port (Centrex) Port Combo - Non-Design | | 1 | UEP95 | | 12.59 | | | | | | | | | |

| UNBUNDLED NETWORK ELEMENTS - Georgia | | | | | | | | | | | Attachment: 2 | | Exhibit: B | | | | | | | |
|---|---|---------|------|-------|-------|-----------|----------------------------------|--------------------------------------|--|--|---|---|---------------|--------------|-------|-------------------------|--|-------|-------|-------|
| CATEGORY | RATE ELEMENTS | Interim | Zone | BCS | USOC | RATES(\$) | Svc Order Submitted Elec per LSR | Svc Order Submitted Manually per LSR | Incremental Charge - Manual Svc Order vs. Electronic-1st | Incremental Charge - Manual Svc Order vs. Electronic-Add'l | Incremental Charge - Manual Svc Order vs. Electronic-Disc 1st | Incremental Charge - Manual Svc Order vs. Electronic-Disc Add'l | OSS Rates(\$) | | | | | | | |
| | | | | | | | | | | | | | Rec | Nonrecurring | | Nonrecurring Disconnect | | SOMEc | SOMAN | SOMAN |
| | | | | | | | | | | | | | First | Add'l | First | Add'l | | | | |
| | 2-Wire VG Loop/2-Wire Voice Grade Port (Centrex)Port Combo - Non-Design | | 2 | UEP95 | | 14.26 | | | | | | | | | | | | | | |
| | 2-Wire VG Loop/2-Wire Voice Grade Port (Centrex)Port Combo - Non-Design | | 3 | UEP95 | | 21.62 | | | | | | | | | | | | | | |
| UNE Port/Loop Combination Rates (Design) | | | | | | | | | | | | | | | | | | | | |
| | 2-Wire VG Loop/2-Wire Voice Grade Port (Centrex) Port Combo - Design | | 1 | UEP95 | | 18.63 | | | | | | | | | | | | | | |
| | 2-Wire VG Loop/2-Wire Voice Grade Port (Centrex)Port Combo - Design | | 2 | UEP95 | | 21.24 | | | | | | | | | | | | | | |
| | 2-Wire VG Loop/2-Wire Voice Grade Port (Centrex)Port Combo - Design | | 3 | UEP95 | | 32.71 | | | | | | | | | | | | | | |
| UNE Loop Rate | | | | | | | | | | | | | | | | | | | | |
| | 2-Wire Voice Grade Loop (SL 1) - Zone 1 | | 1 | UEP95 | UECS1 | 10.80 | | | | | | | | | | | | | | |
| | 2-Wire Voice Grade Loop (SL 1) - Zone 2 | | 2 | UEP95 | UECS1 | 12.47 | | | | | | | | | | | | | | |
| | 2-Wire Voice Grade Loop (SL 1) - Zone 3 | | 3 | UEP95 | UECS1 | 19.83 | | | | | | | | | | | | | | |
| | 2-Wire Voice Grade Loop (SL 2) - Zone 1 | | 1 | UEP95 | UECS2 | 16.84 | | | | | | | | | | | | | | |
| | 2-Wire Voice Grade Loop (SL 2) - Zone 2 | | 2 | UEP95 | UECS2 | 19.45 | | | | | | | | | | | | | | |
| | 2-Wire Voice Grade Loop (SL 2) - Zone 3 | | 3 | UEP95 | UECS2 | 30.92 | | | | | | | | | | | | | | |
| UNE Port Rate | | | | | | | | | | | | | | | | | | | | |
| All States | | | | | | | | | | | | | | | | | | | | |
| | 2-Wire Voice Grade Port (Centrex) Basic Local Area | | | UEP95 | UEPYA | 1.79 | 22.14 | 15.25 | 8.45 | 3.91 | | | 33.67 | 7.88 | | | | | | |
| | 2-Wire Voice Grade Port (Centrex 800 termination) | | | UEP95 | UEPYB | 1.79 | 22.14 | 15.25 | 8.45 | 3.91 | | | 33.67 | 7.88 | | | | | | |
| | 2-Wire Voice Grade Port (Centrex with Caller ID)1Basic Local Area | | | UEP95 | UEPYH | 1.79 | 22.14 | 15.25 | 8.45 | 3.91 | | | 33.67 | 7.88 | | | | | | |
| | 2-Wire Voice Grade Port (Centrex from diff Serving Wire Center)2 Basic Local Area | | | UEP95 | UEPYM | 1.79 | 22.14 | 15.25 | 8.45 | 3.91 | | | 33.67 | 7.88 | | | | | | |
| | 2-Wire Voice Grade Port, Diff Serving Wire Center - 800 Service Term - Basic Local Area | | | UEP95 | UEPYZ | 1.79 | 22.14 | 15.25 | 8.45 | 3.91 | | | 33.67 | 7.88 | | | | | | |
| | 2-Wire Voice Grade Port terminated in on Megalink or equivalent - Basic Local Area | | | UEP95 | UEPY9 | 1.79 | 22.14 | 15.25 | 8.45 | 3.91 | | | 33.67 | 7.88 | | | | | | |
| | 2-Wire Voice Grade Port Terminated on 800 Service Term - Basic Local Area | | | UEP95 | UEPY2 | 1.79 | 22.14 | 15.25 | 8.45 | 3.91 | | | 33.67 | 7.88 | | | | | | |
| FL & GA Only | | | | | | | | | | | | | | | | | | | | |
| | 2-Wire Voice Grade Port (Centrex) | | | UEP95 | UEPHA | 1.79 | 22.14 | 15.25 | 8.45 | 3.91 | | | 33.67 | 7.88 | | | | | | |
| | 2-Wire Voice Grade Port (Centrex 800 termination) | | | UEP95 | UEPHB | 1.79 | 22.14 | 15.25 | 8.45 | 3.91 | | | 33.67 | 7.88 | | | | | | |
| | 2-Wire Voice Grade Port (Centrex with Caller ID)1 | | | UEP95 | UEPHH | 1.79 | 22.14 | 15.25 | 8.45 | 3.91 | | | 33.67 | 7.88 | | | | | | |
| | 2-Wire Voice Grade Port (Centrex from diff Serving Wire Center)2 | | | UEP95 | UEPHM | 1.79 | 22.14 | 15.25 | 8.45 | 3.91 | | | 33.67 | 7.88 | | | | | | |
| | 2-Wire Voice Grade Port, Diff Serving Wire Center - 800 Service Term | | | UEP95 | UEPHZ | 1.79 | 22.14 | 15.25 | 8.45 | 3.91 | | | 33.67 | 7.88 | | | | | | |
| | 2-Wire Voice Grade Port terminated in on Megalink or equivalent | | | UEP95 | UEPH9 | 1.79 | 22.14 | 15.25 | 8.45 | 3.91 | | | 33.67 | 7.88 | | | | | | |
| | 2-Wire Voice Grade Port Terminated on 800 Service Term | | | UEP95 | UEPH2 | 1.79 | 22.14 | 15.25 | 8.45 | 3.91 | | | 33.67 | 7.88 | | | | | | |
| Local Switching | | | | | | | | | | | | | | | | | | | | |
| | Centrex Intercom Funtionality, per port | | | UEP95 | URECS | 0.5554 | | | | | | | | | | | | | | |
| Local Number Portability | | | | | | | | | | | | | | | | | | | | |
| | Local Number Portability (1 per port) | | | UEP95 | LNPC | 0.35 | | | | | | | | | | | | | | |
| Features | | | | | | | | | | | | | | | | | | | | |
| | All Standard Features Offered, per port | | | UEP95 | UEPVF | 0.00 | | | | | | | 33.67 | 7.88 | | | | | | |
| | All Select Features Offered, per port | | | UEP95 | UEPVS | 0.00 | 454.69 | | | | | | 33.67 | 7.88 | | | | | | |
| | All Centrex Control Features Offered, per port | | | UEP95 | UEPVC | 0.00 | | | | | | | 33.67 | 7.88 | | | | | | |
| NARS | | | | | | | | | | | | | | | | | | | | |
| | Unbundled Network Access Register - Combination | | | UEP95 | UARCX | 0.00 | 0.00 | 0.00 | | | | | 33.67 | 7.88 | | | | | | |
| | Unbundled Network Access Register - Indial | | | UEP95 | UAR1X | 0.00 | 0.00 | 0.00 | | | | | 33.67 | 7.88 | | | | | | |
| | Unbundled Network Access Register - Outdial | | | UEP95 | UARO | 0.00 | 0.00 | 0.00 | | | | | 33.67 | 7.88 | | | | | | |
| Miscellaneous Terminations | | | | | | | | | | | | | | | | | | | | |
| 2-Wire Trunk Side | | | | | | | | | | | | | | | | | | | | |
| | Trunk Side Terminations, each | | | UEP95 | CEND6 | 11.35 | 61.91 | 61.91 | | | | | 33.67 | 7.88 | | | | | | |
| 4-Wire Digital (1.544 Megabits) | | | | | | | | | | | | | | | | | | | | |

| UNBUNDLED NETWORK ELEMENTS - Georgia | | | | | | | | | | | Attachment: 2 | | Exhibit: B | | | | | | | |
|--------------------------------------|--|---------|------|-------|-------|-----------|----------------------------------|--------------------------------------|--|--|---|---|---------------|--------------------|--------------------|-------------------------------|-------------------------------|-------|-------|-------|
| CATEGORY | RATE ELEMENTS | Interim | Zone | BCS | USOC | RATES(\$) | Svc Order Submitted Elec per LSR | Svc Order Submitted Manually per LSR | Incremental Charge - Manual Svc Order vs. Electronic-1st | Incremental Charge - Manual Svc Order vs. Electronic-Add'l | Incremental Charge - Manual Svc Order vs. Electronic-Disc 1st | Incremental Charge - Manual Svc Order vs. Electronic-Disc Add'l | OSS Rates(\$) | | | | | | | |
| | | | | | | | | | | | | | Rec | Nonrecurring First | Nonrecurring Add'l | Nonrecurring Disconnect First | Nonrecurring Disconnect Add'l | SOMEc | SOMAN | SOMAN |
| | DS1 Circuit Terminations, each | | | UEP95 | M1HD1 | 120.80 | | | | | | | | | | | | | | |
| | DS0 Channels Activated, each | | | UEP95 | M1HDO | 0.00 | | | | | | | | | | | | | | |
| | Interoffice Channel Mileage - 2-Wire | | | | | | | | | | | | | | | | | | | |
| | Interoffice Channel Facilities Termination | | | UEP95 | MIGBC | 17.07 | | | | | | | | | | | | | | |
| | Interoffice Channel mileage, per mile or fraction of mile | | | UEP95 | MIGBM | 0.0222 | | | | | | | | | | | | | | |
| | Feature Activations (DS0) Centrex Loops on Channelized DS1 Service | | | | | | | | | | | | | | | | | | | |
| | D4 Channel Bank Feature Activations | | | | | | | | | | | | | | | | | | | |
| | Feature Activation on D-4 Channel Bank Centrex Loop Slot | | | UEP95 | 1PQWS | 0.62 | | | | | | | | | | | | | | |
| | Feature Activation on D-4 Channel Bank FX Line Side Loop Slot | | | UEP95 | 1PQW6 | 0.62 | | | | | | | | | | | | | | |
| | Feature Activation on D-4 Channel Bank FX Trunk Side Loop Slot | | | UEP95 | 1PQW7 | 0.62 | | | | | | | | | | | | | | |
| | Feature Activation on D-4 Channel Bank Centrex Loop Slot - Different Wire Center | | | UEP95 | 1PQWP | 0.62 | | | | | | | | | | | | | | |
| | Feature Activation on D-4 Channel Bank Private Line Loop Slot | | | UEP95 | 1PQWV | 0.62 | | | | | | | | | | | | | | |
| | Feature Activation on D-4 Channel Bank Tjie Line/Trunk Loop Slot | | | UEP95 | 1PQWQ | 0.62 | | | | | | | | | | | | | | |
| | Feature Activation on D-4 Channel Bank WATS Loop Slot | | | UEP95 | 1PQWA | 0.62 | | | | | | | | | | | | | | |
| | Non-Recurring Charges (NRC) Associated with UNE-P Centrex | | | | | | | | | | | | | | | | | | | |
| | NRC Conversion Currently Combined Switch-As-Is with allowed changes, per port | | | UEP95 | USAC2 | | | | | | | | | | | | | | | |
| | New Centrex Standard Common Block | | | UEP95 | M1ACS | 0.00 | | | | | | | | | | | | | | |
| | New Centrex Customized Common Block | | | UEP95 | M1ACC | 0.00 | | | | | | | | | | | | | | |
| | NAR Establishment Charge, Per Occasion | | | UEP95 | URECA | 0.00 | | | | | | | | | | | | | | |
| | UNE-P CENTREX - DMS100 (Valid in All States) | | | | | | | | | | | | | | | | | | | |
| | 2-Wire VG Loop/2-Wire Voice Grade Port (Centrex) Combo | | | | | | | | | | | | | | | | | | | |
| | UNE Port/Loop Combination Rates (Non-Design) | | | | | | | | | | | | | | | | | | | |
| | 2-Wire VG Loop/2-Wire Voice Grade Port (Centrex) Port Combo - Non-Design | | 1 | UEP9D | | 12.59 | | | | | | | | | | | | | | |
| | 2-Wire VG Loop/2-Wire Voice Grade Port (Centrex)Port Combo - Non-Design | | 2 | UEP9D | | 14.26 | | | | | | | | | | | | | | |
| | 2-Wire VG Loop/2-Wire Voice Grade Port (Centrex)Port Combo - Non-Design | | 3 | UEP9D | | 21.62 | | | | | | | | | | | | | | |
| | UNE Port/Loop Combination Rates (Design) | | | | | | | | | | | | | | | | | | | |
| | 2-Wire VG Loop/2-Wire Voice Grade Port (Centrex) Port Combo - Design | | 1 | UEP9D | | 18.63 | | | | | | | | | | | | | | |
| | 2-Wire VG Loop/2-Wire Voice Grade Port (Centrex)Port Combo - Design | | 2 | UEP9D | | 21.24 | | | | | | | | | | | | | | |
| | 2-Wire VG Loop/2-Wire Voice Grade Port (Centrex)Port Combo - Design | | 3 | UEP9D | | 32.71 | | | | | | | | | | | | | | |
| | UNE Loop Rate | | | | | | | | | | | | | | | | | | | |
| | 2-Wire Voice Grade Loop (SL 1) - Zone 1 | | 1 | UEP9D | UECS1 | 10.80 | | | | | | | | | | | | | | |
| | 2-Wire Voice Grade Loop (SL 1) - Zone 2 | | 2 | UEP9D | UECS1 | 12.47 | | | | | | | | | | | | | | |
| | 2-Wire Voice Grade Loop (SL 1) - Zone 3 | | 3 | UEP9D | UECS1 | 19.83 | | | | | | | | | | | | | | |
| | 2-Wire Voice Grade Loop (SL 2) - Zone 1 | | 1 | UEP9D | UECS2 | 16.84 | | | | | | | | | | | | | | |
| | 2-Wire Voice Grade Loop (SL 2) - Zone 2 | | 2 | UEP9D | UECS2 | 19.45 | | | | | | | | | | | | | | |
| | 2-Wire Voice Grade Loop (SL 2) - Zone 3 | | 3 | UEP9D | UECS2 | 30.92 | | | | | | | | | | | | | | |
| | UNE Port Rate | | | | | | | | | | | | | | | | | | | |
| | ALL STATES | | | | | | | | | | | | | | | | | | | |
| | 2-Wire Voice Grade Port (Centrex) Basic Local Area | | | UEP9D | UEPYA | 1.79 | | | | | | | | | | | | | | |
| | 2-Wire Voice Grade Port (Centrex 800 termination)Basic Local Area | | | UEP9D | UEPYB | 1.79 | | | | | | | | | | | | | | |
| | 2-Wire Voice Grade Port (Centrex / EBS-PSET)3Basic Local Area | | | UEP9D | UEPYC | 1.79 | | | | | | | | | | | | | | |
| | 2-Wire Voice Grade Port (Centrex / EBS-M5009)3Basic Local Area | | | UEP9D | UEPYD | 1.79 | | | | | | | | | | | | | | |
| | 2-Wire Voice Grade Port (Centrex / EBS-M5209)3 Basic Local Area | | | UEP9D | UEPYE | 1.79 | | | | | | | | | | | | | | |

| UNBUNDLED NETWORK ELEMENTS - Georgia | | | | | | | | | | Attachment: 2 | | Exhibit: B | | | |
|--------------------------------------|---|---------|------|-------|-------|-----------|--------------|-------|-------------------------|----------------------------------|--------------------------------------|--|--|---|---|
| CATEGORY | RATE ELEMENTS | Interim | Zone | BCS | USOC | RATES(\$) | | | | Svc Order Submitted Elec per LSR | Svc Order Submitted Manually per LSR | Incremental Charge - Manual Svc Order vs. Electronic-1st | Incremental Charge - Manual Svc Order vs. Electronic-Add'l | Incremental Charge - Manual Svc Order vs. Electronic-Disc 1st | Incremental Charge - Manual Svc Order vs. Electronic-Disc Add'l |
| | | | | | | Rec | Nonrecurring | | Nonrecurring Disconnect | | | | | | |
| | | | | | | | First | Add'l | First | Add'l | SOMEc | SOMAN | SOMAN | SOMAN | SOMAN |
| | 2-Wire Voice Grade Port (Centrex / EBS-M5112)3 Basic Local Area | | | UEP9D | UEPYF | 1.79 | 22.14 | 15.25 | 8.45 | 3.91 | | | 33.67 | 7.88 | |
| | 2-Wire Voice Grade Port (Centrex / EBS-M5312)3Basic Local Area | | | UEP9D | UEPYG | 1.79 | 22.14 | 15.25 | 8.45 | 3.91 | | | 33.67 | 7.88 | |
| | 2-Wire Voice Grade Port (Centrex / EBS-M5008)3 Basic Local Area | | | UEP9D | UEPYT | 1.79 | 22.14 | 15.25 | 8.45 | 3.91 | | | 33.67 | 7.88 | |
| | 2-Wire Voice Grade Port (Centrex / EBS-M5208)3 Basic Local Area | | | UEP9D | UEPYU | 1.79 | 22.14 | 15.25 | 8.45 | 3.91 | | | 33.67 | 7.88 | |
| | 2-Wire Voice Grade Port (Centrex / EBS-M5216)3 Basic Local Area | | | UEP9D | UEPYV | 1.79 | 22.14 | 15.25 | 8.45 | 3.91 | | | 33.67 | 7.88 | |
| | 2-Wire Voice Grade Port (Centrex / EBS-M5316)3 Basic Local Area | | | UEP9D | UEPY3 | 1.79 | 22.14 | 15.25 | 8.45 | 3.91 | | | 33.67 | 7.88 | |
| | 2-Wire Voice Grade Port (Centrex with Caller ID) Basic Local Area | | | UEP9D | UEPYH | 1.79 | 22.14 | 15.25 | 8.45 | 3.91 | | | 33.67 | 7.88 | |
| | 2-Wire Voice Grade Port (Centrex/Caller ID/Msg Wtg Lamp Indication)3 Basic Local Area | | | UEP9D | UEPYW | 1.79 | 22.14 | 15.25 | 8.45 | 3.91 | | | 33.67 | 7.88 | |
| | 2-Wire Voice Grade Port (Centrex/Msg Wtg Lamp Indication)3 Basic Local Area | | | UEP9D | UEPYJ | 1.79 | 22.14 | 15.25 | 8.45 | 3.91 | | | 33.67 | 7.88 | |
| | 2-Wire Voice Grade Port (Centrex from diff Serving Wire Center) 2 Basic Local Area | | | UEP9D | UEPYM | 1.79 | 22.14 | 15.25 | 8.45 | 3.91 | | | 33.67 | 7.88 | |
| | 2-Wire Voice Grade Port (Centrex/differ SWC /EBS-PSET)2, 3 Basic Local Area | | | UEP9D | UEPYO | 1.79 | 22.14 | 15.25 | 8.45 | 3.91 | | | 33.67 | 7.88 | |
| | 2-Wire Voice Grade Port (Centrex/differ SWC /EBS-M5009)2, 3 Basic Local Area | | | UEP9D | UEPYP | 1.79 | 22.14 | 15.25 | 8.45 | 3.91 | | | 33.67 | 7.88 | |
| | 2-Wire Voice Grade Port (Centrex/differ SWC /EBS-5209)2, 3 Basic Local Area | | | UEP9D | UEPYQ | 1.79 | 22.14 | 15.25 | 8.45 | 3.91 | | | 33.67 | 7.88 | |
| | 2-Wire Voice Grade Port (Centrex/differ SWC /EBS-M5112)2, 3 Basic Local Area | | | UEP9D | UEPYR | 1.79 | 22.14 | 15.25 | 8.45 | 3.91 | | | 33.67 | 7.88 | |
| | 2-Wire Voice Grade Port (Centrex/differ SWC /EBS-M5312)2, 3 Basic Local Area | | | UEP9D | UEPYS | 1.79 | 22.14 | 15.25 | 8.45 | 3.91 | | | 33.67 | 7.88 | |
| | 2-Wire Voice Grade Port (Centrex/differ SWC /EBS-M5008)2, 3 Basic Local Area | | | UEP9D | UEPY4 | 1.79 | 22.14 | 15.25 | 8.45 | 3.91 | | | 33.67 | 7.88 | |
| | 2-Wire Voice Grade Port (Centrex/differ SWC /EBS-M5208)2, 3 Basic Local Area | | | UEP9D | UEPY5 | 1.79 | 22.14 | 15.25 | 8.45 | 3.91 | | | 33.67 | 7.88 | |
| | 2-Wire Voice Grade Port (Centrex/differ SWC /EBS-M5216)2, 3 Basic Local Area | | | UEP9D | UEPY6 | 1.79 | 22.14 | 15.25 | 8.45 | 3.91 | | | 33.67 | 7.88 | |
| | 2-Wire Voice Grade Port (Centrex/differ SWC /EBS-M5316)2, 3 Basic Local Area | | | UEP9D | UEPY7 | 1.79 | 22.14 | 15.25 | 8.45 | 3.91 | | | 33.67 | 7.88 | |
| | 2-Wire Voice Grade Port, Diff Serving Wire Center - 800 Service Term | | | UEP9D | UEPYZ | 1.79 | 22.14 | 15.25 | 8.45 | 3.91 | | | 33.67 | 7.88 | |
| | 2-Wire Voice Grade Port terminated in on Megalink or equivalent Basic Local Area | | | UEP9D | UEPY9 | 1.79 | 22.14 | 15.25 | 8.45 | 3.91 | | | 33.67 | 7.88 | |
| | 2-Wire Voice Grade Port Terminated on 800 Service Term Basic Local Area | | | UEP9D | UEPY2 | 1.79 | 22.14 | 15.25 | 8.45 | 3.91 | | | 33.67 | 7.88 | |
| | FL & GA Only | | | | | | | | | | | | | | |
| | 2-Wire Voice Grade Port (Centrex) | | | UEP9D | UEPHA | 1.79 | 22.14 | 15.25 | 8.45 | 3.91 | | | 33.67 | 7.88 | |
| | 2-Wire Voice Grade Port (Centrex 800 termination) | | | UEP9D | UEPHB | 1.79 | 22.14 | 15.25 | 8.45 | 3.91 | | | 33.67 | 7.88 | |
| | 2-Wire Voice Grade Port (Centrex / EBS-PSET)3 | | | UEP9D | UEPHC | 1.79 | 22.14 | 15.25 | 8.45 | 3.91 | | | 33.67 | 7.88 | |
| | 2-Wire Voice Grade Port (Centrex / EBS-M5009)3 | | | UEP9D | UEPHD | 1.79 | 22.14 | 15.25 | 8.45 | 3.91 | | | 33.67 | 7.88 | |
| | 2-Wire Voice Grade Port (Centrex / EBS-M5209)3 | | | UEP9D | UEPHE | 1.79 | 22.14 | 15.25 | 8.45 | 3.91 | | | 33.67 | 7.88 | |
| | 2-Wire Voice Grade Port (Centrex / EBS-M5112)3 | | | UEP9D | UEPHF | 1.79 | 22.14 | 15.25 | 8.45 | 3.91 | | | 33.67 | 7.88 | |
| | 2-Wire Voice Grade Port (Centrex / EBS-M5312)3 | | | UEP9D | UEPHG | 1.79 | 22.14 | 15.25 | 8.45 | 3.91 | | | 33.67 | 7.88 | |
| | 2-Wire Voice Grade Port (Centrex / EBS-M5008)3 | | | UEP9D | UEPHI | 1.79 | 22.14 | 15.25 | 8.45 | 3.91 | | | 33.67 | 7.88 | |
| | 2-Wire Voice Grade Port (Centrex / EBS-M5208)3 | | | UEP9D | UEPHU | 1.79 | 22.14 | 15.25 | 8.45 | 3.91 | | | 33.67 | 7.88 | |
| | 2-Wire Voice Grade Port (Centrex / EBS-M5216)3 | | | UEP9D | UEPHV | 1.79 | 22.14 | 15.25 | 8.45 | 3.91 | | | 33.67 | 7.88 | |
| | 2-Wire Voice Grade Port (Centrex / EBS-M5316)3 | | | UEP9D | UEPH3 | 1.79 | 22.14 | 15.25 | 8.45 | 3.91 | | | 33.67 | 7.88 | |
| | 2-Wire Voice Grade Port (Centrex with Caller ID) | | | UEP9D | UEPHH | 1.79 | 22.14 | 15.25 | 8.45 | 3.91 | | | 33.67 | 7.88 | |
| | 2-Wire Voice Grade Port (Centrex/Caller ID/Msg Wtg Lamp Indication)3 | | | UEP9D | UEPHW | 1.79 | 22.14 | 15.25 | 8.45 | 3.91 | | | 33.67 | 7.88 | |

| UNBUNDLED NETWORK ELEMENTS - Georgia | | | | | | | | | | | Attachment: 2 | | Exhibit: B | | | | | | | |
|--------------------------------------|--|---------|------|-------|-------|-----------|----------------------------------|--------------------------------------|--|--|---|---|---------------|--------------------|--------------------|--------------------|--------------------|-------|-------|-------|
| CATEGORY | RATE ELEMENTS | Interim | Zone | BCS | USOC | RATES(\$) | Svc Order Submitted Elec per LSR | Svc Order Submitted Manually per LSR | Incremental Charge - Manual Svc Order vs. Electronic-1st | Incremental Charge - Manual Svc Order vs. Electronic-Add'l | Incremental Charge - Manual Svc Order vs. Electronic-Disc 1st | Incremental Charge - Manual Svc Order vs. Electronic-Disc Add'l | OSS Rates(\$) | | | | | | | |
| | | | | | | | | | | | | | Rec | Nonrecurring First | Nonrecurring Add'l | Nonrecurring First | Nonrecurring Add'l | SOMEK | SOMAN | SOMAN |
| | 2-Wire Voice Grade Port (Centrex/Msg Wtg Lamp Indication)3 | | | UEP9D | UEPHJ | 1.79 | | | | | | | | | | | | | | |
| | 2-Wire Voice Grade Port (Centrex from diff Serving Wire Center)2 | | | UEP9D | UEPHM | 1.79 | | | | | | | | | | | | | | |
| | 2-Wire Voice Grade Port (Centrex/differ SWC /EBS-PSET)2, 3 | | | UEP9D | UEPHO | 1.79 | | | | | | | | | | | | | | |
| | 2-Wire Voice Grade Port (Centrex/differ SWC /EBS-M5009)2, 3 | | | UEP9D | UEPHP | 1.79 | | | | | | | | | | | | | | |
| | 2-Wire Voice Grade Port (Centrex/differ SWC /EBS-5209)2, 3 | | | UEP9D | UEPHQ | 1.79 | | | | | | | | | | | | | | |
| | 2-Wire Voice Grade Port (Centrex/differ SWC /EBS-M5112)2, 3 | | | UEP9D | UEPHR | 1.79 | | | | | | | | | | | | | | |
| | 2-Wire Voice Grade Port (Centrex/differ SWC /EBS-M5312)2, 3 | | | UEP9D | UEPHS | 1.79 | | | | | | | | | | | | | | |
| | 2-Wire Voice Grade Port (Centrex/differ SWC /EBS-M5008)2, 3 | | | UEP9D | UEPH4 | 1.79 | | | | | | | | | | | | | | |
| | 2-Wire Voice Grade Port (Centrex/differ SWC /EBS-M5208)2, 3 | | | UEP9D | UEPH5 | 1.79 | | | | | | | | | | | | | | |
| | 2-Wire Voice Grade Port (Centrex/differ SWC /EBS-M5216)2, 3 | | | UEP9D | UEPH6 | 1.79 | | | | | | | | | | | | | | |
| | 2-Wire Voice Grade Port (Centrex/differ SWC /EBS-M5316)2, 3 | | | UEP9D | UEPH7 | 1.79 | | | | | | | | | | | | | | |
| | 2-Wire Voice Grade Port, Diff Serving Wire Center - 800 Service Term | | | UEP9D | UEPHZ | 1.79 | | | | | | | | | | | | | | |
| | 2-Wire Voice Grade Port terminated in on Megalink or equivalent | | | UEP9D | UEPH9 | 1.79 | | | | | | | | | | | | | | |
| | 2-Wire Voice Grade Port Terminated on 800 Service Term | | | UEP9D | UEPH2 | 1.79 | | | | | | | | | | | | | | |
| | Local Switching | | | | | | | | | | | | | | | | | | | |
| | Centrex Intercom Functionality, per port | | | UEP9D | URECS | 0.5554 | | | | | | | | | | | | | | |
| | Local Number Portability | | | | | | | | | | | | | | | | | | | |
| | Local Number Portability (1 per port) | | | UEP9D | LNPC | 0.35 | | | | | | | | | | | | | | |
| | Features | | | | | | | | | | | | | | | | | | | |
| | All Standard Features Offered, per port | | | UEP9D | UEPVF | 0.00 | | | | | | | | | | | | | | |
| | All Select Features Offered, per port | | | UEP9D | UEPVS | 0.00 | | | | | | | | | | | | | | |
| | All Centrex Control Features Offered, per port | | | UEP9D | UEPVC | 0.00 | | | | | | | | | | | | | | |
| | NARS | | | | | | | | | | | | | | | | | | | |
| | Unbundled Network Access Register - Combination | | | UEP9D | UARCX | 0.00 | | | | | | | | | | | | | | |
| | Unbundled Network Access Register - Inward | | | UEP9D | UAR1X | 0.00 | | | | | | | | | | | | | | |
| | Unbundled Network Access Register - Outdial | | | UEP9D | UARO | 0.00 | | | | | | | | | | | | | | |
| | Miscellaneous Terminations | | | | | | | | | | | | | | | | | | | |
| | 2-Wire Trunk Side | | | | | | | | | | | | | | | | | | | |
| | Trunk Side Terminations, each | | | UEP9D | CEND6 | 11.35 | | | | | | | | | | | | | | |
| | 4-Wire Digital (1,544 Megabits) | | | | | | | | | | | | | | | | | | | |
| | DS1 Circuit Terminations, each | | | UEP9D | M1HD1 | 120.80 | | | | | | | | | | | | | | |
| | DS0 Channels Activated per Channel | | | UEP9D | M1HDO | 0.00 | | | | | | | | | | | | | | |
| | Interoffice Channel Mileage - 2-Wire | | | | | | | | | | | | | | | | | | | |
| | Interoffice Channel Facilities Termination | | | UEP9D | MIGBC | 17.07 | | | | | | | | | | | | | | |
| | Interoffice Channel mileage, per mile or fraction of mile | | | UEP9D | MIGBM | 0.0222 | | | | | | | | | | | | | | |
| | Feature Activations (DS0) Centrex Loops on Channelized DS1 Service | | | | | | | | | | | | | | | | | | | |
| | D4 Channel Bank Feature Activations | | | | | | | | | | | | | | | | | | | |
| | Feature Activation on D-4 Channel Bank Centrex Loop Slot | | | UEP9D | 1PQWS | 0.62 | | | | | | | | | | | | | | |
| | Feature Activation on D-4 Channel Bank FX line Side Loop Slot | | | UEP9D | 1PQW6 | 0.62 | | | | | | | | | | | | | | |
| | Feature Activation on D-4 Channel Bank FX Trunk Side Loop Slot | | | UEP9D | 1PQW7 | 0.62 | | | | | | | | | | | | | | |
| | Feature Activation on D-4 Channel Bank Centrex Loop Slot - Different Wire Center | | | UEP9D | 1PQWP | 0.62 | | | | | | | | | | | | | | |
| | Feature Activation on D-4 Channel Bank Private Line Loop Slot | | | UEP9D | 1PQWV | 0.62 | | | | | | | | | | | | | | |
| | Feature Activation on D-4 Channel Bank Tjie Line/Trunk Loop Slot | | | UEP9D | 1PQWQ | 0.62 | | | | | | | | | | | | | | |
| | Feature Activation on D-4 Channel Bank WATS Loop Slot | | | UEP9D | 1PQWA | 0.62 | | | | | | | | | | | | | | |

| UNBUNDLED NETWORK ELEMENTS - Georgia | | | | | | | | | | Attachment: 2 | | Exhibit: B | | | |
|--|---|---------|------|-------|-------|-----------|--------------|----------------------------------|--------------------------------------|--|--|---|---|-------------------------|---------------|
| CATEGORY | RATE ELEMENTS | Interim | Zone | BCS | USOC | RATES(\$) | | Svc Order Submitted Elec per LSR | Svc Order Submitted Manually per LSR | Incremental Charge - Manual Svc Order vs. Electronic-1st | Incremental Charge - Manual Svc Order vs. Electronic-Add'l | Incremental Charge - Manual Svc Order vs. Electronic-Disc 1st | Incremental Charge - Manual Svc Order vs. Electronic-Disc Add'l | | |
| | | | | | | Rec | Nonrecurring | | | | | | | Nonrecurring Disconnect | OSS Rates(\$) |
| | | | | | | First | Add'l | First | Add'l | SOMEc | SOMAN | SOMAN | SOMAN | SOMAN | SOMAN |
| Non-Recurring Charges (NRC) Associated with UNE-P Centrex | | | | | | | | | | | | | | | |
| | NRC Conversion Currently Combined Switch-As-Is with allowed changes, per port | | | UEP9D | USAC2 | 2.01 | 0.3108 | | | | | 33.67 | 7.88 | | |
| | New Centrex Standard Common Block | | | UEP9D | M1ACS | 0.00 | 659.41 | | | | | 33.67 | 7.88 | | |
| | New Centrex Customized Common Block | | | UEP9D | M1ACC | 0.00 | 659.41 | | | | | 33.67 | 7.88 | | |
| | NAR Establishment Charge, Per Occasion | | | UEP9D | URECA | 0.00 | 71.88 | | | | | 33.67 | 7.88 | | |
| | Centrex Intercom Functionality, per port | | | UEP9E | URECS | | | | | | | | | | |
| 4-Wire Digital (1.544 Megabits) | | | | | | | | | | | | | | | |
| Note 1 - Required Port for Centrex Control in 1AESS, 5ESS & EWSD | | | | | | | | | | | | | | | |
| Note 2 - Requires Interoffice Channel Mileage | | | | | | | | | | | | | | | |
| Note 3 - Requires Specific Customer Premises Equipment | | | | | | | | | | | | | | | |
| NOTE: Rates displaying an "R" in Interim column are interim and subject to rate true-up as set forth in General Terms and Conditions. | | | | | | | | | | | | | | | |

| UNBUNDLED NETWORK ELEMENTS - Kentucky | | | | | | | | | | Attachment: 2 | | Exhibit: B | | | |
|--|--|---------|------|-------------|-------|-----------|--------------|-------|-------------------------|----------------------------------|--------------------------------------|--|--|---|---|
| CATEGORY | RATE ELEMENTS | Interim | Zone | BCS | USOC | RATES(\$) | | | | Svc Order Submitted Elec per LSR | Svc Order Submitted Manually per LSR | Incremental Charge - Manual Svc Order vs. Electronic-1st | Incremental Charge - Manual Svc Order vs. Electronic-Add'l | Incremental Charge - Manual Svc Order vs. Electronic-Disc 1st | Incremental Charge - Manual Svc Order vs. Electronic-Disc Add'l |
| | | | | | | Rec | Nonrecurring | | Nonrecurring Disconnect | | | | | | |
| | | | | | | | First | Add'l | First | Add'l | SOMEK | SOMAN | SOMAN | SOMAN | SOMAN |
| OPERATIONAL SUPPORT SYSTEMS | | | | | | | | | | | | | | | |
| NOTE: (1) Electronic Service Order: CLEC should contact its contract negotiator if it prefers the state specific electronic service ordering charges as ordered by the State Commissions. The electronic service ordering charge currently contained in this rate exhibit is the BellSouth regional electronic service ordering charge. CLEC may elect either the state specific Commission ordered rates for the electronic service ordering charges, or CLEC may elect the regional electronic service ordering charge. | | | | | | | | | | | | | | | |
| NOTE: (2) Any element that can be ordered electronically will be billed according to the SOMEK rate listed in this category. Please refer to BellSouth's Business Rules for Local Ordering (BBR-LO) to determine if a product can be ordered electronically. For those elements that cannot be ordered electronically at present per the BBR-LO, the listed SOMEK rate in this category reflects the charge that would be billed to a CLEC once electronic ordering capabilities come on-line for that element. Otherwise, the manual ordering charge, SOMAN, will be applied to a CLECs bill when it submits an LSR to BellSouth. | | | | | | | | | | | | | | | |
| | Manual Service Order Charge, per LSR, Disconnect Only (KY) | | | | SOMAN | | | | 0.99 | | | | | | |
| | Electronic OSS Charge, per LSR, submitted via BST's OSS interactive interfaces (Regional) | | | | SOMEK | | 3.50 | | | | | | | | |
| UNBUNDLED EXCHANGE ACCESS LOOP | | | | | | | | | | | | | | | |
| 2-WIRE ANALOG VOICE GRADE LOOP | | | | | | | | | | | | | | | |
| | 2-Wire Analog Voice Grade Loop - Service Level 1- Zone 1 | | 1 | UEANL | UEAL2 | 10.56 | 46.66 | 22.57 | 26.65 | 7.65 | | 7.86 | | | |
| | 2-Wire Analog Voice Grade Loop - Service Level 1- Zone 2 | | 2 | UEANL | UEAL2 | 15.34 | 46.66 | 22.57 | 26.65 | 7.65 | | 7.86 | | | |
| | 2-Wire Analog Voice Grade Loop - Service Level 1- Zone 3 | | 3 | UEANL | UEAL2 | 31.11 | 46.66 | 22.57 | 26.65 | 7.65 | | 7.86 | | | |
| | Loop Testing - Basic 1st Half Hour | | | UEANL | URET1 | | 46.88 | 46.88 | | | | 7.86 | | | |
| | Loop Testing - Basic Additional Half Hour | | | UEANL | URETA | | 24.16 | 24.16 | | | | 7.86 | | | |
| | CLEC to CLEC Conversion Charge Without Outside Dispatch (UVL-SL1) | | | UEANL | UREWO | | 15.78 | 8.94 | | | | 7.86 | | | |
| | Engineering Information Document (EI) | | | UEANL | | | 13.49 | 13.49 | | | | | | | |
| | Manual Order Coordination for UVL-SL1s (per loop) | | | UEANL | UEAMC | | 9.00 | 9.00 | | | | | | | |
| | Order Coordination for Specified Conversion Time for UVL-SL1 (per LSR) | | | UEANL | OCOSL | | 23.01 | 23.01 | | | | | | | |
| 2-WIRE Unbundled COPPER LOOP | | | | | | | | | | | | | | | |
| | 2-Wire Unbundled Copper Loop - Non-Designed Zone 1 | I | 1 | UEQ | UEQ2X | 10.58 | 44.97 | 20.89 | 25.64 | 6.65 | | 7.86 | | | |
| | 2 Wire Unbundled Copper Loop - Non-Designed - Zone 2 | I | 2 | UEQ | UEQ2X | 11.51 | 44.97 | 20.89 | 25.64 | 6.65 | | 7.86 | | | |
| | 2 Wire Unbundled Copper Loop - Non-Designed - Zone 3 | I | 3 | UEQ | UEQ2X | 13.19 | 44.97 | 20.89 | 25.64 | 6.65 | | 7.86 | | | |
| | Order Coordination 2 Wire Unbundled Copper Loop - Non-Designed (per loop) | | | UEQ | USBMC | | 9.00 | 9.00 | | | | | | | |
| | Engineering Information Document | | | UEQ | | | 13.49 | 13.49 | | | | | | | |
| | Loop Testing - Basic 1st Half Hour | | | UEQ | URET1 | | 46.88 | 46.88 | | | | 7.86 | | | |
| | Loop Testing - Basic Additional Half Hour | | | UEQ | URETA | | 24.16 | 24.16 | | | | 7.86 | | | |
| | CLEC to CLEC Conversion Charge Without Outside Dispatch (UCL-ND) | | | UEQ | UREWO | | 14.27 | 7.43 | | | | 7.86 | | | |
| UNBUNDLED EXCHANGE ACCESS LOOP | | | | | | | | | | | | | | | |
| 2-WIRE ANALOG VOICE GRADE LOOP | | | | | | | | | | | | | | | |
| | 2 Wire Analog Voice Grade Loop-Service Level 1-Line Splitting-Zone 1 | | 1 | UEPSR UEPSB | UEALS | 10.56 | 46.66 | 22.57 | 26.65 | 7.65 | | 7.86 | | | |
| | 2 Wire Analog Voice Grade Loop-Service Level 1-Line Splitting-Zone 1 | | 1 | UEPSR UEPSB | UEABS | 10.56 | 46.66 | 22.57 | 26.65 | 7.65 | | 7.86 | | | |
| | 2 Wire Analog Voice Grade Loop- Service Level 1-Line Splitting-Zone 2 | | 2 | UEPSR UEPSB | UEALS | 15.34 | 46.66 | 22.57 | 26.65 | 7.65 | | 7.86 | | | |
| | 2 Wire Analog Voice Grade Loop- Service Level 1-Line Splitting-Zone 2 | | 2 | UEPSR UEPSB | UEABS | 15.34 | 46.66 | 22.57 | 26.65 | 7.65 | | 7.86 | | | |
| | 2 Wire Analog Voice Grade Loop-Service Level 1-Line Splitting-Zone 3 | | 3 | UEPSR UEPSB | UEALS | 31.11 | 46.66 | 22.57 | 26.65 | 7.65 | | 7.86 | | | |
| | 2 Wire Analog Voice Grade Loop-Service Level 1-Line Splitting-Zone 3 | | 3 | UEPSR UEPSB | UEABS | 31.11 | 46.66 | 22.57 | 26.65 | 7.65 | | 7.86 | | | |
| UNBUNDLED EXCHANGE ACCESS LOOP | | | | | | | | | | | | | | | |
| 2-WIRE ANALOG VOICE GRADE LOOP | | | | | | | | | | | | | | | |
| | 2-Wire Analog Voice Grade Loop - Service Level 2 w/Loop or Ground Start Signaling - Zone 1 | | 1 | UEA | UEAL2 | 12.67 | 134.89 | 81.87 | 73.65 | 14.88 | | 7.86 | | | |
| | 2-Wire Analog Voice Grade Loop - Service Level 2 w/Loop or Ground Start Signaling - Zone 2 | | 2 | UEA | UEAL2 | 17.45 | 134.89 | 81.87 | 73.65 | 14.88 | | 7.86 | | | |
| | 2-Wire Analog Voice Grade Loop - Service Level 2 w/Loop or Ground Start Signaling - Zone 3 | | 3 | UEA | UEAL2 | 33.22 | 134.89 | 81.87 | 73.65 | 14.88 | | 7.86 | | | |
| | Order Coordination for Specified Conversion Time (per LSR) | | | UEA | OCOSL | | 23.01 | | | | | | | | |
| | 2-Wire Analog Voice Grade Loop - Service Level 2 w/Reverse Battery Signaling - Zone 1 | | 1 | UEA | UEAR2 | 12.67 | 134.89 | 81.87 | 73.65 | 14.88 | | 7.86 | | | |

| UNBUNDLED NETWORK ELEMENTS - Kentucky | | | | | | | | | | | Attachment: 2 | | Exhibit: B | | | | | | | |
|---------------------------------------|---|---------|------|-----|-------|-----------|----------------------------------|--------------------------------------|--|--|---|---|---------------|--------------|--|-------------------------|--|-------|-------|-------|
| CATEGORY | RATE ELEMENTS | Interim | Zone | BCS | USOC | RATES(\$) | Svc Order Submitted Elec per LSR | Svc Order Submitted Manually per LSR | Incremental Charge - Manual Svc Order vs. Electronic-1st | Incremental Charge - Manual Svc Order vs. Electronic-Add'l | Incremental Charge - Manual Svc Order vs. Electronic-Disc 1st | Incremental Charge - Manual Svc Order vs. Electronic-Disc Add'l | OSS Rates(\$) | | | | | | | |
| | | | | | | | | | | | | | Rec | Nonrecurring | | Nonrecurring Disconnect | | SOMEc | SOMAN | SOMAN |
| | | | | | | | | | | | | | | | | | | | | |
| | 2-Wire Analog Voice Grade Loop - Service Level 2 w/Reverse Battery Signaling - Zone 2 | | 2 | UEA | UEAR2 | 17.45 | 134.89 | 81.87 | 73.65 | 14.88 | | 7.86 | | | | | | | | |
| | 2-Wire Analog Voice Grade Loop - Service Level 2 w/Reverse Battery Signaling - Zone 3 | | 3 | UEA | UEAR2 | 33.22 | 134.89 | 81.87 | 73.65 | 14.88 | | 7.86 | | | | | | | | |
| | Order Coordination for Specified Conversion Time (per LSR) | | | UEA | OCOSL | | 23.01 | | | | | | | | | | | | | |
| | CLEC to CLEC Conversion Charge without outside dispatch | | | UEA | UREWO | | 87.72 | 36.36 | | | | 7.86 | | | | | | | | |
| | 4-WIRE ANALOG VOICE GRADE LOOP | | | | | | | | | | | | | | | | | | | |
| | 4-Wire Analog Voice Grade Loop - Zone 1 | | 1 | UEA | UEAL4 | 29.26 | 164.11 | 112.36 | 78.91 | 18.66 | | 7.86 | | | | | | | | |
| | 4-Wire Analog Voice Grade Loop - Zone 2 | | 2 | UEA | UEAL4 | 34.25 | 164.11 | 112.36 | 78.91 | 18.66 | | 7.86 | | | | | | | | |
| | 4-Wire Analog Voice Grade Loop - Zone 3 | | 3 | UEA | UEAL4 | 85.06 | 164.11 | 112.36 | 78.91 | 18.66 | | 7.86 | | | | | | | | |
| | Order Coordination for Specified Conversion Time (per LSR) | | | UEA | OCOSL | | 23.01 | | | | | | | | | | | | | |
| | CLEC to CLEC Conversion Charge without outside dispatch | | | UEA | UREWO | | 87.72 | 36.36 | | | | 7.86 | | | | | | | | |
| | 2-WIRE ISDN DIGITAL GRADE LOOP | | | | | | | | | | | | | | | | | | | |
| | 2-Wire ISDN Digital Grade Loop - Zone 1 | | 1 | UDN | U1L2X | 18.44 | 146.77 | 95.02 | 71.38 | 13.83 | | 7.86 | | | | | | | | |
| | 2-Wire ISDN Digital Grade Loop - Zone 2 | | 2 | UDN | U1L2X | 25.08 | 146.77 | 95.02 | 71.38 | 13.83 | | 7.86 | | | | | | | | |
| | 2-Wire ISDN Digital Grade Loop - Zone 3 | | 3 | UDN | U1L2X | 42.87 | 146.77 | 95.02 | 71.38 | 13.83 | | 7.86 | | | | | | | | |
| | Order Coordination For Specified Conversion Time (per LSR) | | | UDN | OCOSL | | 23.01 | | | | | | | | | | | | | |
| | CLEC to CLEC Conversion Charge without outside dispatch | | | UDN | UREWO | | 91.63 | 44.16 | | | | 7.86 | | | | | | | | |
| | 2-WIRE Universal Digital Channel (UDC) COMPATIBLE LOOP | | | | | | | | | | | | | | | | | | | |
| | 2-Wire Universal Digital Channel (UDC) Compatible Loop - Zone 1 | | 1 | UDC | UDC2X | 18.44 | 146.77 | 95.02 | 71.38 | 13.83 | | 7.86 | | | | | | | | |
| | 2-Wire Universal Digital Channel (UDC) Compatible Loop - Zone 2 | | 2 | UDC | UDC2X | 25.08 | 146.77 | 95.02 | 71.38 | 13.83 | | 7.86 | | | | | | | | |
| | 2-Wire Universal Digital Channel (UDC) Compatible Loop - Zone 3 | | 3 | UDC | UDC2X | 42.87 | 146.77 | 95.02 | 71.38 | 13.83 | | 7.86 | | | | | | | | |
| | CLEC to CLEC Conversion Charge without outside dispatch | | | UDC | UREWO | | 91.63 | 44.16 | | | | 7.86 | | | | | | | | |
| | 2-WIRE ASYMMETRICAL DIGITAL SUBSCRIBER LINE (ADSL) COMPATIBLE LOOP | | | | | | | | | | | | | | | | | | | |
| | 2 Wire Unbundled ADSL Loop including manual service inquiry & facility reservation - Zone 1 | | 1 | UAL | UAL2X | 10.82 | 141.98 | 79.73 | 69.02 | 11.47 | | 7.86 | | | | | | | | |
| | 2 Wire Unbundled ADSL Loop including manual service inquiry & facility reservation - Zone 2 | | 2 | UAL | UAL2X | 11.79 | 141.98 | 79.73 | 69.02 | 11.47 | | 7.86 | | | | | | | | |
| | 2 Wire Unbundled ADSL Loop including manual service inquiry & facility reservation - Zone 3 | | 3 | UAL | UAL2X | 12.87 | 141.98 | 79.73 | 69.02 | 11.47 | | 7.86 | | | | | | | | |
| | Order Coordination for Specified Conversion Time (per LSR) | | | UAL | OCOSL | | 23.01 | | | | | | | | | | | | | |
| | 2 Wire Unbundled ADSL Loop without manual service inquiry & facility reservaton - Zone 1 | | 1 | UAL | UAL2W | 10.82 | 121.18 | 69.00 | 69.09 | 11.54 | | 7.86 | | | | | | | | |
| | 2 Wire Unbundled ADSL Loop without manual service inquiry & facility reservaton - Zone 2 | | 2 | UAL | UAL2W | 11.79 | 121.18 | 69.00 | 69.09 | 11.54 | | 7.86 | | | | | | | | |
| | 2 Wire Unbundled ADSL Loop without manual service inquiry & facility reservaton - Zone 3 | | 3 | UAL | UAL2W | 12.87 | 121.18 | 69.00 | 69.09 | 11.54 | | 7.86 | | | | | | | | |
| | Order Coordination for Specified Conversion Time (per LSR) | | | UAL | OCOSL | | 23.01 | | | | | | | | | | | | | |
| | CLEC to CLEC Conversion Charge without outside dispatch | | | UAL | UREWO | | 86.20 | 40.40 | | | | 7.86 | | | | | | | | |
| | 2-WIRE HIGH BIT RATE DIGITAL SUBSCRIBER LINE (HDSL) COMPATIBLE LOOP | | | | | | | | | | | | | | | | | | | |
| | 2 Wire Unbundled HDSL Loop including manual service inquiry & facility reservation - Zone 1 | | 1 | UHL | UHL2X | 8.75 | 151.54 | 89.29 | 69.09 | 11.54 | | 7.86 | | | | | | | | |
| | 2 Wire Unbundled HDSL Loop including manual service inquiry & facility reservation - Zone 2 | | 2 | UHL | UHL2X | 9.56 | 151.54 | 89.29 | 69.09 | 11.54 | | 7.86 | | | | | | | | |
| | 2 Wire Unbundled HDSL Loop including manual service inquiry & facility reservation - Zone 3 | | 3 | UHL | UHL2X | 10.61 | 151.54 | 89.29 | 69.09 | 11.54 | | 7.86 | | | | | | | | |
| | Order Coordination for Specified Conversion Time (per LSR) | | | UHL | OCOSL | | 23.01 | | | | | | | | | | | | | |
| | 2 Wire Unbundled HDSL Loop without manual service inquiry and facility reservation - Zone 1 | | 1 | UHL | UHL2W | 8.75 | 130.74 | 78.56 | 69.09 | 11.54 | | 7.86 | | | | | | | | |
| | 2 Wire Unbundled HDSL Loop without manual service inquiry and facility reservation - Zone 2 | | 2 | UHL | UHL2W | 9.56 | 130.74 | 78.56 | 69.09 | 11.54 | | 7.86 | | | | | | | | |
| | 2 Wire Unbundled HDSL Loop without manual service inquiry and facility reservation - Zone 3 | | 3 | UHL | UHL2W | 10.61 | 130.74 | 78.56 | 69.09 | 11.54 | | 7.86 | | | | | | | | |
| | Order Coordination for Specified Conversion Time (per LSR) | | | UHL | OCOSL | | 23.01 | | | | | | | | | | | | | |
| | CLEC to CLEC Conversion Charge without outside dispatch | | | UHL | UREWO | | 86.14 | 40.40 | | | | 7.86 | | | | | | | | |
| | 4-WIRE HIGH BIT RATE DIGITAL SUBSCRIBER LINE (HDSL) COMPATIBLE LOOP | | | | | | | | | | | | | | | | | | | |

| UNBUNDLED NETWORK ELEMENTS - Kentucky | | | | | | | | | | Attachment: 2 | | Exhibit: B | | | | |
|---------------------------------------|--|---------|------|-----|-------|-----------|----------------------------------|--------------------------------------|--|--|---|---|-------|--------------|-------|-------------------------|
| CATEGORY | RATE ELEMENTS | Interim | Zone | BCS | USOC | RATES(\$) | Svc Order Submitted Elec per LSR | Svc Order Submitted Manually per LSR | Incremental Charge - Manual Svc Order vs. Electronic-1st | Incremental Charge - Manual Svc Order vs. Electronic-Add'l | Incremental Charge - Manual Svc Order vs. Electronic-Disc 1st | Incremental Charge - Manual Svc Order vs. Electronic-Disc Add'l | | | | |
| | | | | | | | | | | | | | Rec | Nonrecurring | | Nonrecurring Disconnect |
| | | | | | | | | | | | | | | | | |
| | | | | | | | First | Add'l | First | Add'l | SOMEC | SOMAN | SOMAN | SOMAN | SOMAN | SOMAN |
| | 4 Wire Unbundled HDSL Loop including manual service inquiry and facility reservation - Zone 1 | | 1 | UHL | UHL4X | 13.95 | 185.75 | 123.50 | 74.95 | 14.69 | | 7.86 | | | | |
| | 4-Wire Unbundled HDSL Loop including manual service inquiry and facility reservation - Zone 2 | I | 2 | UHL | UHL4X | 15.68 | 185.75 | 123.50 | 74.95 | 14.69 | | 7.86 | | | | |
| | 4-Wire Unbundled HDSL Loop including manual service inquiry and facility reservation - Zone 3 | | 3 | UHL | UHL4X | 16.98 | 185.75 | 123.50 | 74.95 | 14.69 | | 7.86 | | | | |
| | Order Coordination for Specified Conversion Time (per LSR) | | | UHL | OCOSL | | 23.01 | | | | | | | | | |
| | 4-Wire Unbundled HDSL Loop without manual service inquiry and facility reservation - Zone 1 | | 1 | UHL | UHL4W | 13.95 | 164.95 | 114.04 | 77.32 | 15.80 | | 7.86 | | | | |
| | 4-Wire Unbundled HDSL Loop without manual service inquiry and facility reservation - Zone 2 | | 2 | UHL | UHL4W | 15.68 | 164.95 | 114.04 | 77.32 | 15.80 | | 7.86 | | | | |
| | 4-Wire Unbundled HDSL Loop without manual service inquiry and facility reservation - Zone 3 | | 3 | UHL | UHL4W | 16.98 | 164.95 | 114.04 | 77.32 | 15.80 | | 7.86 | | | | |
| | Order Coordination for Specified Conversion Time (per LSR) | | | UHL | OCOSL | | 23.01 | | | | | | | | | |
| | CLEC to CLEC Conversion Charge without outside dispatch | | | UHL | UREWO | | 86.14 | 40.40 | | | | 7.86 | | | | |
| | 4-WIRE DS1 DIGITAL LOOP | | | | | | | | | | | | | | | |
| | 4-Wire DS1 Digital Loop - Zone 1 | | 1 | USL | USLXX | 86.47 | 306.69 | 174.44 | 65.83 | 14.55 | | 7.86 | | | | |
| | 4-Wire DS1 Digital Loop - Zone 2 | | 2 | USL | USLXX | 114.10 | 306.69 | 174.44 | 65.83 | 14.55 | | 7.86 | | | | |
| | 4-Wire DS1 Digital Loop - Zone 3 | | 3 | USL | USLXX | 297.76 | 306.69 | 174.44 | 65.83 | 14.55 | | 7.86 | | | | |
| | Order Coordination for Specified Conversion Time (per LSR) | | | USL | OCOSL | | 23.01 | | | | | | | | | |
| | CLEC to CLEC Conversion Charge without outside dispatch | | | USL | UREWO | | 101.09 | 43.04 | | | | | | | | |
| | 4-WIRE 19.2, 56 OR 64 KBPS DIGITAL GRADE LOOP | | | | | | | | | | | | | | | |
| | 4 Wire Unbundled Digital 19.2 Kbps | | 1 | UDL | UDL19 | 27.59 | 157.81 | 106.06 | 78.91 | 18.66 | | 7.86 | | | | |
| | 4 Wire Unbundled Digital 19.2 Kbps | | 2 | UDL | UDL19 | 32.48 | 157.81 | 106.06 | 78.91 | 18.66 | | 7.86 | | | | |
| | 4 Wire Unbundled Digital 19.2 Kbps | | 3 | UDL | UDL19 | 36.37 | 157.81 | 106.06 | 78.91 | 18.66 | | 7.86 | | | | |
| | 4 Wire Unbundled Digital Loop 56 Kbps - Zone 1 | | 1 | UDL | UDL56 | 27.59 | 157.81 | 106.06 | 78.91 | 18.66 | | 7.86 | | | | |
| | 4 Wire Unbundled Digital Loop 56 Kbps - Zone 2 | | 2 | UDL | UDL56 | 32.48 | 157.81 | 106.06 | 78.91 | 18.66 | | 7.86 | | | | |
| | 4 Wire Unbundled Digital Loop 56 Kbps - Zone 3 | | 3 | UDL | UDL56 | 36.37 | 157.81 | 106.06 | 78.91 | 18.66 | | 7.86 | | | | |
| | Order Coordination for Specified Conversion Time (per LSR) | | | UDL | OCOSL | | 23.01 | | | | | | | | | |
| | 4 Wire Unbundled Digital Loop 64 Kbps - Zone 1 | | 1 | UDL | UDL64 | 27.59 | 157.81 | 106.06 | 78.91 | 18.66 | | 7.86 | | | | |
| | 4 Wire Unbundled Digital Loop 64 Kbps - Zone 2 | | 2 | UDL | UDL64 | 32.48 | 157.81 | 106.06 | 78.91 | 18.66 | | 7.86 | | | | |
| | 4 Wire Unbundled Digital Loop 64 Kbps - Zone 3 | | 3 | UDL | UDL64 | 36.37 | 157.81 | 106.06 | 78.91 | 18.66 | | 7.86 | | | | |
| | Order Coordination for Specified Conversion Time (per LSR) | | | UDL | OCOSL | | 23.01 | | | | | | | | | |
| | CLEC to CLEC Conversion Charge without outside dispatch | | | UDL | UREWO | | 102.13 | 49.75 | | | | 7.86 | | | | |
| | 2-WIRE Unbundled COPPER LOOP | | | | | | | | | | | | | | | |
| | 2-Wire Unbundled Copper Loop/Short including manual service inquiry & facility reservation - Zone 1 | | 1 | UCL | UCLPB | 10.82 | 140.95 | 78.70 | 69.09 | 11.54 | | 7.86 | | | | |
| | 2-Wire Unbundled Copper Loop/Short including manual service inquiry & facility reservation - Zone 2 | | 2 | UCL | UCLPB | 11.79 | 140.95 | 78.70 | 69.09 | 11.54 | | 7.86 | | | | |
| | 2 Wire Unbundled Copper Loop/Short including manual service inquiry & facility reservation - Zone 3 | | 3 | UCL | UCLPB | 12.87 | 140.95 | 78.70 | 69.09 | 11.54 | | 7.86 | | | | |
| | Order Coordination for Unbundled Copper Loops (per loop) | | | UCL | UCLMC | | 9.00 | 9.00 | | | | | | | | |
| | 2-Wire Unbundled Copper Loop/Short without manual service inquiry and facility reservation - Zone 1 | | 1 | UCL | UCLPW | 10.82 | 120.15 | 67.97 | 69.09 | 11.54 | | 7.86 | | | | |
| | 2-Wire Unbundled Copper Loop/Short without manual service inquiry and facility reservation - Zone 2 | | 2 | UCL | UCLPW | 11.79 | 120.15 | 67.97 | 69.09 | 11.54 | | 7.86 | | | | |
| | 2-Wire Unbundled Copper Loop/Short without manual service inquiry and facility reservation - Zone 3 | | 3 | UCL | UCLPW | 12.87 | 120.15 | 67.97 | 69.09 | 11.54 | | 7.86 | | | | |
| | Order Coordination for Unbundled Copper Loops (per loop) | | | UCL | UCLMC | | 9.00 | 9.00 | | | | | | | | |
| | 2-Wire Unbundled Copper Loop/Long - includes manual svc. inquiry and facility reservation - Zone 1 | | 1 | UCL | UCL2L | 24.91 | 140.95 | 78.70 | 69.09 | 11.54 | | 7.86 | | | | |
| | 2-Wire Unbundled Copper Loop/Long - includes manual svc. inquiry and facility reservation - Zone 2 | | 2 | UCL | UCL2L | 36.94 | 140.95 | 78.70 | 69.09 | 11.54 | | 7.86 | | | | |
| | 2-Wire Unbundled Copper Loop/Long - includes manual svc. inquiry and facility reservation - Zone 3 | | 3 | UCL | UCL2L | 69.95 | 140.95 | 78.70 | 69.09 | 11.54 | | 7.86 | | | | |
| | Order Coordination for Unbundled Copper Loops (per loop) | | | UCL | UCLMC | | 9.00 | 9.00 | | | | | | | | |
| | 2-Wire Unbundled Copper Loop/Long - without manual service inquiry and facility reservation - Zone 1 | | 1 | UCL | UCL2W | 24.91 | 120.15 | 67.97 | 69.09 | 11.54 | | 7.86 | | | | |

| UNBUNDLED NETWORK ELEMENTS - Kentucky | | | | | | | | | | Attachment: 2 | | Exhibit: B | | | |
|---------------------------------------|--|---------|------|---|-------|-----------|--------------|--------|-------------------------|----------------------------------|--------------------------------------|--|--|---|---|
| CATEGORY | RATE ELEMENTS | Interim | Zone | BCS | USOC | RATES(\$) | | | | Svc Order Submitted Elec per LSR | Svc Order Submitted Manually per LSR | Incremental Charge - Manual Svc Order vs. Electronic-1st | Incremental Charge - Manual Svc Order vs. Electronic-Add'l | Incremental Charge - Manual Svc Order vs. Electronic-Disc 1st | Incremental Charge - Manual Svc Order vs. Electronic-Disc Add'l |
| | | | | | | Rec | Nonrecurring | | Nonrecurring Disconnect | | | | | | |
| | | | | | | | First | Add'l | First | Add'l | SOMEc | SOMAN | SOMAN | SOMAN | SOMAN |
| | 2-Wire Unbundled Copper Loop/Long - without manual service inquiry and facility reservation - Zone 2 | | 2 | UCL | UCL2W | 36.94 | 120.15 | 67.97 | 69.09 | 11.54 | | 7.86 | | | |
| | 2-Wire Unbundled Copper Loop/Long - without manual service inquiry and facility reservation - Zone 3 | | 3 | UCL | UCL2W | 69.95 | 120.15 | 67.97 | 69.09 | 11.54 | | 7.86 | | | |
| | Order Coordination for Unbundled Copper Loops (per loop) | | | UCL | UCLMC | | 9.00 | 9.00 | | | | | | | |
| | CLEC to CLEC Conversion Charge without outside dispatch (UCL-Des) | | | UCL | UREWO | | 97.23 | 42.48 | | | | 7.86 | | | |
| 4-WIRE COPPER LOOP | | | | | | | | | | | | | | | |
| | 4-Wire Copper Loop/Short - including manual service inquiry and facility reservation - Zone 1 | | 1 | UCL | UCL4S | 16.92 | 170.31 | 108.06 | 74.95 | 14.69 | | 7.86 | | | |
| | 4-Wire Copper Loop/Short - including manual service inquiry and facility reservation - Zone 2 | | 2 | UCL | UCL4S | 17.36 | 170.31 | 108.06 | 74.95 | 14.69 | | 7.86 | | | |
| | 4-Wire Copper Loop/Short - including manual service inquiry and facility reservation - Zone 3 | | 3 | UCL | UCL4S | 28.10 | 170.31 | 108.06 | 74.95 | 14.69 | | 7.86 | | | |
| | Order Coordination for Unbundled Copper Loops (per loop) | | | UCL | UCLMC | | 9.00 | 9.00 | | | | | | | |
| | 4-Wire Copper Loop/Short - without manual service inquiry and facility reservation - Zone 1 | | 1 | UCL | UCL4W | 16.92 | 149.52 | 97.33 | 74.95 | 14.69 | | 7.86 | | | |
| | 4-Wire Copper Loop/Short - without manual service inquiry and facility reservation - Zone 2 | | 2 | UCL | UCL4W | 17.36 | 149.52 | 97.33 | 74.95 | 14.69 | | 7.86 | | | |
| | 4-Wire Copper Loop/Short - without manual service inquiry and facility reservation - Zone 3 | | 3 | UCL | UCL4W | 28.10 | 149.52 | 97.33 | 74.95 | 14.69 | | 7.86 | | | |
| | Order Coordination for Unbundled Copper Loops (per loop) | | | UCL | UCLMC | | 9.00 | 9.00 | | | | | | | |
| | 4-Wire Unbundled Copper Loop/Long - includes manual svc. inquiry and facility reservation - Zone 1 | | 1 | UCL | UCL4L | 46.91 | 170.31 | 108.06 | 74.95 | 14.69 | | 7.86 | | | |
| | 4-Wire Unbundled Copper Loop/Long - includes manual svc. inquiry and facility reservation - Zone 2 | | 2 | UCL | UCL4L | 45.78 | 170.31 | 108.06 | 74.95 | 14.69 | | 7.86 | | | |
| | 4-Wire Unbundled Copper Loop/Long - includes manual svc. inquiry and facility reservation - Zone 3 | | 3 | UCL | UCL4L | 171.34 | 170.31 | 108.06 | 74.95 | 14.69 | | 7.86 | | | |
| | Order Coordination for Unbundled Copper Loops (per loop) | | | UCL | UCLMC | | 9.00 | 9.00 | | | | | | | |
| | 4-Wire Unbundled Copper Loop/Long - without manual svc. inquiry and facility reservation - Zone 1 | | 1 | UCL | UCL4O | 46.91 | 149.52 | 97.33 | 74.95 | 14.69 | | 7.86 | | | |
| | 4-Wire Unbundled Copper Loop/Long - without manual svc. inquiry and facility reservation - Zone 2 | | 2 | UCL | UCL4O | 45.78 | 149.52 | 97.33 | 74.95 | 14.69 | | 7.86 | | | |
| | 4-Wire Unbundled Copper Loop/Long - without manual svc. inquiry and facility reservation - Zone 3 | | 3 | UCL | UCL4O | 171.34 | 149.52 | 97.33 | 74.95 | 14.69 | | 7.86 | | | |
| | Order Coordination for Unbundled Copper Loops (per loop) | | | UCL | UCLMC | | 9.00 | 9.00 | | | | | | | |
| | CLEC to CLEC Conversion Charge without outside dispatch (UCL-Des) | | | UCL | UREWO | | 97.23 | 42.48 | | | | 7.86 | | | |
| LOOP MODIFICATION | | | | | | | | | | | | | | | |
| | Unbundled Loop Modification, Removal of Load Coils - 2 Wire pair less than or equal to 18k ft | | | UAL, UHL, UCL, UEQ, ULS, UEA, UEANL, UDL, UDC, UDN, UDL, USL | ULM2L | | 9.24 | 9.24 | | | | 7.86 | | | |
| | Unbundled Loop Modification, Removal of Load Coils - 2 wire greater than 18k ft | | | UCL, ULS | ULM2G | | 342.24 | 342.24 | | | | 7.86 | | | |
| | Unbundled Loop Modification Removal of Load Coils - 4 Wire less than or equal to 18K ft | | | UHL, UCL | ULM4L | | 9.24 | 9.24 | | | | 7.86 | | | |
| | Unbundled Loop Modification Removal of Load Coils - 4 Wire pair greater than 18k ft | | | UCL | ULM4G | | 342.24 | 342.24 | | | | 7.86 | | | |
| | Unbundled Loop Modification Removal of Bridged Tap Removal, per unbundled loop | | | UAL, UHL, UCL, UEQ, UEF, ULS, UEA, UEANL, UDL, UDC, UDN, UDL, USL | ULMBT | | 10.47 | 10.47 | | | | 7.86 | | | |
| SUB-LOOPS | | | | | | | | | | | | | | | |
| Sub-Loop Distribution | | | | | | | | | | | | | | | |
| | Sub-Loop - Per Cross Box Location - CLEC Feeder Facility Set-Up | I | | UEANL | USBSA | | 207.91 | 207.91 | | | | 7.86 | | | |

| UNBUNDLED NETWORK ELEMENTS - Kentucky | | | | | | | | | | | Attachment: 2 | | Exhibit: B | | |
|---------------------------------------|--|---------|------|----------------------|-------|-----------|--------------|-------|-------------------------|----------------------------------|--------------------------------------|--|--|---|---|
| CATEGORY | RATE ELEMENTS | Interim | Zone | BCS | USOC | RATES(\$) | | | | Svc Order Submitted Elec per LSR | Svc Order Submitted Manually per LSR | Incremental Charge - Manual Svc Order vs. Electronic-1st | Incremental Charge - Manual Svc Order vs. Electronic-Add'l | Incremental Charge - Manual Svc Order vs. Electronic-Disc 1st | Incremental Charge - Manual Svc Order vs. Electronic-Disc Add'l |
| | | | | | | Rec | Nonrecurring | | Nonrecurring Disconnect | | | | | | |
| | | | | | | | First | Add'l | First | Add'l | SOMEc | SOMAN | SOMAN | SOMAN | SOMAN |
| | Sub-Loop - Per Cross Box Location - Per 25 Pair Panel Set-Up | I | | UEANL | USBSB | | 12.50 | 12.50 | | | | 7.86 | | | |
| | Sub-Loop - Per Building Equipment Room - CLEC Feeder Facility Set-Up | I | | UEANL | USBSC | | 80.87 | 80.87 | | | | 7.86 | | | |
| | Sub-Loop - Per Building Equipment Room - Per 25 Pair Panel Set-Up | I | | UEANL | USBSD | | 45.04 | 45.04 | | | | 7.86 | | | |
| | Sub-Loop Distribution Per 2-Wire Analog Voice Grade Loop - Zone 1 | I | 1 | UEANL | USBN2 | 6.34 | 85.03 | 39.05 | 59.81 | 7.90 | | 7.86 | | | |
| | Sub-Loop Distribution Per 2-Wire Analog Voice Grade Loop - Zone 2 | I | 2 | UEANL | USBN2 | 9.06 | 85.03 | 39.05 | 59.81 | 7.90 | | 7.86 | | | |
| | Sub-Loop Distribution Per 2-Wire Analog Voice Grade Loop - Zone 3 | I | 3 | UEANL | USBN2 | 14.82 | 85.03 | 39.05 | 59.81 | 7.90 | | 7.86 | | | |
| | Order Coordination for Unbundled Sub-Loops, per sub-loop pair | | | UEANL | USBMC | | 9.00 | 9.00 | | | | | | | |
| | Sub-Loop Distribution Per 4-Wire Analog Voice Grade Loop - Zone 1 | | 1 | UEANL | USBN4 | 8.14 | 102.31 | 56.32 | 65.24 | 10.88 | | 7.86 | | | |
| | Sub-Loop Distribution Per 4-Wire Analog Voice Grade Loop - Zone 2 | | 2 | UEANL | USBN4 | 8.63 | 102.31 | 56.32 | 65.24 | 10.88 | | 7.86 | | | |
| | Sub-Loop Distribution Per 4-Wire Analog Voice Grade Loop - Zone 3 | | 3 | UEANL | USBN4 | 25.60 | 102.31 | 56.32 | 65.24 | 10.88 | | 7.86 | | | |
| | Order Coordination for Unbundled Sub-Loops, per sub-loop pair | | | UEANL | USBMC | | 9.00 | 9.00 | | | | | | | |
| | Sub-Loop 2-Wire Intrabuilding Network Cable (INC) | I | | UEANL | USBR2 | 2.57 | 68.35 | 22.36 | 59.81 | 7.90 | | 7.86 | | | |
| | Order Coordination for Unbundled Sub-Loops, per sub-loop pair | | | UEANL | USBMC | | 9.00 | 9.00 | | | | | | | |
| | Sub-Loop 4-Wire Intrabuilding Network Cable (INC) | I | | UEANL | USBR4 | 4.98 | 76.49 | 30.51 | 65.24 | 10.88 | | 7.86 | | | |
| | Order Coordination for Unbundled Sub-Loops, per sub-loop pair | | | UEANL | USBMC | | 9.00 | 9.00 | | | | | | | |
| | 2 Wire Copper Unbundled Sub-Loop Distribution - Zone 1 | I | 1 | UEF | UCS2X | 5.45 | 85.03 | 39.05 | 59.81 | 7.90 | | 7.86 | | | |
| | 2 Wire Copper Unbundled Sub-Loop Distribution - Zone 2 | I | 2 | UEF | UCS2X | 7.06 | 85.03 | 39.05 | 59.81 | 7.90 | | 7.86 | | | |
| | 2 Wire Copper Unbundled Sub-Loop Distribution - Zone 3 | I | 3 | UEF | UCS2X | 9.67 | 85.03 | 39.05 | 59.81 | 7.90 | | 7.86 | | | |
| | Order Coordination for Unbundled Sub-Loops, per sub-loop pair | | | UEF | USBMC | | 9.00 | 9.00 | | | | | | | |
| | 4 Wire Copper Unbundled Sub-Loop Distribution - Zone 1 | I | 1 | UEF | UCS4X | 7.09 | 102.31 | 56.32 | 65.24 | 10.88 | | 7.86 | | | |
| | 4 Wire Copper Unbundled Sub-Loop Distribution - Zone 2 | I | 2 | UEF | UCS4X | 8.66 | 102.31 | 56.32 | 65.24 | 10.88 | | 7.86 | | | |
| | 4 Wire Copper Unbundled Sub-Loop Distribution - Zone 3 | I | 3 | UEF | UCS4X | 19.40 | 102.31 | 56.32 | 65.24 | 10.88 | | 7.86 | | | |
| | Order Coordination for Unbundled Sub-Loops, per sub-loop pair | | | UEF | USBMC | | 9.00 | 9.00 | | | | | | | |
| | Unbundled Sub-Loop Modification | | | | | | | | | | | | | | |
| | Unbundled Sub-Loop Modification - 2-W Copper Dist Load Coil/Equip Removal per 2-W PR | | | UEF | ULM2X | | 5.23 | 5.23 | | | | 7.86 | | | |
| | Unbundled Sub-loop Modification - 4-W Copper Dist Load Coil/Equip Removal per 4-W PR | | | UEF | ULM4X | | 5.23 | 5.23 | | | | 7.86 | | | |
| | Unbundled Sub-loop Modification - 2-w/4-w Copper Dist Bridged Tap Removal, per PR unloaded | | | UEF | ULM4T | | 7.97 | 7.97 | | | | 7.86 | | | |
| | Unbundled Network Terminating Wire (UNTW) | | | | | | | | | | | | | | |
| | Unbundled Network Terminating Wire (UNTW) per Pair | | | UENTW | UENPP | 0.53 | 23.51 | 23.51 | | | | 7.86 | | | |
| | Network Interface Device (NID) | | | | | | | | | | | | | | |
| | Network Interface Device (NID) - 1-2 lines | | | UENTW | UND12 | | 73.53 | 49.47 | | | | 7.86 | | | |
| | Network Interface Device (NID) - 1-6 lines | | | UENTW | UND16 | | 115.96 | 91.91 | | | | 7.86 | | | |
| | Network Interface Device Cross Connect - 2 W | | | UENTW | UNDC2 | | 8.56 | 8.56 | | | | 7.86 | | | |
| | Network Interface Device Cross Connect - 4W | | | UENTW | UNDC4 | | 8.56 | 8.56 | | | | 7.86 | | | |
| SUB-LOOPS | | | | | | | | | | | | | | | |
| | Sub-Loop Feeder | | | | | | | | | | | | | | |
| | USL-Feeder, DS0 Set-up per Cross Box location - CLEC Distribution Facility set-up | | | UEA, UDN,UCL,UDL,UDC | USBFW | | 207.91 | | | | | 7.86 | | | |
| | USL Feeder - DS0 Set-up per Cross Box location - per 25 pair set-up | | | UEA, UDN,UCL,UDL,UDC | USBFX | | 12.50 | 12.50 | | | | 7.86 | | | |
| | USL Feeder DS1 Set-up at DSX location, per DS1 termination | | | USL | USBFZ | | 527.98 | 11.32 | | | | 7.86 | | | |

UNBUNDLED NETWORK ELEMENTS - Kentucky

| UNBUNDLED NETWORK ELEMENTS - Kentucky | | | | | | | | | | Attachment: 2 | | Exhibit: B | | | | |
|---------------------------------------|---|---------|------|-----|-------|-----------|--------------|-------|-------------------------|----------------------------------|--------------------------------------|--|--|---|---|---------------|
| CATEGORY | RATE ELEMENTS | Interim | Zone | BCS | USOC | RATES(\$) | | | | Svc Order Submitted Elec per LSR | Svc Order Submitted Manually per LSR | Incremental Charge - Manual Svc Order vs. Electronic-1st | Incremental Charge - Manual Svc Order vs. Electronic-Add'l | Incremental Charge - Manual Svc Order vs. Electronic-Disc 1st | Incremental Charge - Manual Svc Order vs. Electronic-Disc Add'l | |
| | | | | | | Rec | Nonrecurring | | Nonrecurring Disconnect | | | | | | | OSS Rates(\$) |
| | | | | | | | First | Add'l | First | Add'l | SOMEc | SOMAN | SOMAN | SOMAN | SOMAN | SOMAN |
| | Unbundled Sub-Loop Feeder Loop, 2 Wire Ground Start, Voice Grade - Zone 1 | | 1 | UEA | USBFA | 7.67 | 114.83 | 64.61 | 72.34 | 17.21 | | 7.86 | | | | |
| | Unbundled Sub-Loop Feeder Loop, 2 Wire Ground-Start, Voice Grade - Zone 2 | | 2 | UEA | USBFA | 9.70 | 114.83 | 64.61 | 72.34 | 17.21 | | 7.86 | | | | |
| | Unbundled Sub-Loop Feeder Loop, Per 2 Wire Ground-Start, Voice Grade - Zone 3 | | 3 | UEA | USBFA | 19.53 | 114.83 | 64.61 | 72.34 | 17.21 | | 7.86 | | | | |
| | Order Coordination for Specified Conversion Time, per LSR | | | UEA | OCOSL | | 23.01 | | | | | | | | | |
| | Unbundled Sub-Loop Feeder Loop, 2 Wire Loop-Start, Voice Grade - Zone 1 | | 1 | UEA | USBFB | 7.67 | 114.83 | 64.61 | 72.34 | 17.21 | | 7.86 | | | | |
| | Unbundled Sub-Loop Feeder Loop, 2 Wire Loop-Start, Voice Grade - Zone 2 | | 2 | UEA | USBFB | 9.70 | 114.83 | 64.61 | 72.34 | 17.21 | | 7.86 | | | | |
| | Unbundled Sub-Loop Feeder Loop, 2 Wire Start Loop, Voice Grade - Zone 3 | | 3 | UEA | USBFB | 19.53 | 114.83 | 64.61 | 72.34 | 17.21 | | 7.86 | | | | |
| | Order Coordination for Specified Time Conversion, per LSR | | | UEA | OCOSL | | 23.01 | | | | | | | | | |
| | Unbundled Sub-Loop Feeder Loop, 2 Wire Reverse Battery, Voice Grade - Zone 1 | | 1 | UEA | USBFC | 7.67 | 114.83 | 64.61 | 72.34 | 17.21 | | 7.86 | | | | |
| | Unbundled Sub-Loop Feeder Loop, 2 Wire Reverse Battery, Voice Grade - Zone 2 | | 2 | UEA | USBFC | 9.70 | 114.83 | 64.61 | 72.34 | 17.21 | | 7.86 | | | | |
| | Unbundled Sub-Loop Feeder Loop, 2 Wire Analog Reverse Battery, Voice Grade - Zone 3 | | 3 | UEA | USBFC | 19.53 | 114.83 | 64.61 | 72.34 | 17.21 | | 7.86 | | | | |
| | Order Coordination For Specified Conversion Time, per LSR | | | UEA | OCOSL | | 23.01 | | | | | | | | | |
| | Unbundled Sub-Loop Feeder Loop, 4 Wire Ground-Start, Voice Grade - Zone 1 | | 1 | UEA | USBFD | 22.82 | 131.73 | 79.98 | 81.82 | 51.56 | | 7.86 | | | | |
| | Unbundled Sub-Loop Feeder Loop, 4 Wire Ground-Start, Voice Grade - Zone 2 | | 2 | UEA | USBFD | 27.24 | 131.73 | 79.98 | 81.82 | 51.56 | | 7.86 | | | | |
| | Unbundled Sub-Loop Feeder Loop, 4 Wire Ground Start, Voice Grade - Zone 3 | | 3 | UEA | USBFD | 61.41 | 131.73 | 79.98 | 81.82 | 51.56 | | 7.86 | | | | |
| | Order Coordination For Specified Conversion Time, Per LSR | | | UEA | OCOSL | | 23.01 | | | | | | | | | |
| | Unbundled Sub-Loop Feeder Loop, 4 Wire Loop-Start, Voice Grade - Zone 1 | | 1 | UEA | USBFE | 22.82 | 131.73 | 79.98 | 81.82 | 51.56 | | 7.86 | | | | |
| | Unbundled Sub-Loop Feeder Loop, 4 Wire Loop-Start, Voice Grade - Zone 2 | | 2 | UEA | USBFE | 27.24 | 131.73 | 79.98 | 81.82 | 51.56 | | 7.86 | | | | |
| | Unbundled Sub-Loop Feeder Loop, 4 Wire Loop-Start, Voice Grade - Zone 3 | | 3 | UEA | USBFE | 61.41 | 131.73 | 79.98 | 81.82 | 51.56 | | 7.86 | | | | |
| | Order Coordination For Specified Conversion Time, Per LSR | | | UEA | OCOSL | | 23.01 | | | | | | | | | |
| | Unbundled Sub-Loop Feeder Loop, 2 Wire ISDN BRI - Zone 1 | | 1 | UDN | USBFF | 13.00 | 131.79 | 80.04 | 74.16 | 16.60 | | 7.86 | | | | |
| | Unbundled Sub-Loop Feeder Loop, 2-Wire ISDN BRI - Zone 2 | | 2 | UDN | USBFF | 16.95 | 131.79 | 80.04 | 74.16 | 16.60 | | 7.86 | | | | |
| | Unbundled Sub-Loop Feeder Loop, 2-Wire ISDN BRI - Zone 3 | | 3 | UDN | USBFF | 28.95 | 131.79 | 80.04 | 74.16 | 16.60 | | 7.86 | | | | |
| | Order Coordination For Specified Conversion Time, Per LSR | | | UDN | OCOSL | | 23.01 | | | | | | | | | |
| | Unbundled Sub-Loop Feeder, 2 Wire UDC (IDSL compatible) | | 1 | UDC | USBFS | 13.00 | 131.79 | 80.04 | 74.16 | 16.60 | | 7.86 | | | | |
| | Unbundled Sub-Loop Feeder, 2 Wire UDC (IDSL compatible) | | 2 | UDC | USBFS | 16.95 | 131.79 | 80.04 | 74.16 | 16.60 | | 7.86 | | | | |
| | Unbundled Sub-Loop Feeder, 2 Wire UDC (IDSL compatible) | | 3 | UDC | USBFS | 28.95 | 131.79 | 80.04 | 74.16 | 16.60 | | 7.86 | | | | |
| | Unbundled Sub-Loop Feeder Loop, 4-Wire DS1 - Zone 1 | | 1 | USL | USBFG | 62.57 | 125.43 | 73.68 | 81.82 | 21.56 | | 7.86 | | | | |
| | Unbundled Sub-Loop Feeder Loop, 4-Wire DS1 - Zone 2 | | 2 | USL | USBFG | 87.71 | 125.43 | 73.68 | 81.82 | 21.56 | | 7.86 | | | | |
| | Unbundled Sub-Loop Feeder Loop, 4-Wire DS1 - Zone 3 | | 3 | USL | USBFG | 273.33 | 125.43 | 73.68 | 81.82 | 21.56 | | 7.86 | | | | |
| | Order Coordination For Specified Conversion Time, Per LSR | | | USL | OCOSL | | 23.01 | | | | | | | | | |
| | Unbundled Sub-Loop Feeder, 2-Wire Copper Loop - Zone 1 | | 1 | UCL | USBFH | 6.44 | 105.31 | 53.57 | 71.16 | 13.61 | | 7.86 | | | | |
| | Unbundled Sub-Loop Feeder Loop, 2-Wire Copper Loop - Zone 2 | | 2 | UCL | USBFH | 5.78 | 105.31 | 53.57 | 71.16 | 13.61 | | 7.86 | | | | |
| | Unbundled Sub-Loop Feeder Loop, 2-Wire Copper Loop - Zone 3 | | 3 | UCL | USBFH | 4.25 | 105.31 | 53.57 | 71.16 | 13.61 | | 7.86 | | | | |
| | Order Coordination For Specified Conversion Time, per LSR | | | UCL | OCOSL | | 23.01 | | | | | | | | | |
| | Sub-Loop Feeder - Per 4-Wire Copper Loop - Zone 1 | | 1 | UCL | USBFJ | 11.33 | 125.55 | 73.80 | 77.12 | 16.86 | | 7.86 | | | | |
| | Sub-Loop Feeder - Per 4-Wire Copper Loop - Zone 2 | | 2 | UCL | USBFJ | 10.18 | 125.55 | 73.80 | 77.12 | 16.86 | | 7.86 | | | | |
| | Sub-Loop Feeder - Per 4-Wire Copper Loop - Zone 3 | | 3 | UCL | USBFJ | 10.32 | 125.55 | 73.80 | 77.12 | 16.86 | | 7.86 | | | | |
| | Order Coordination For Specified Conversion Time, per LSR | | | UCL | OCOSL | | 23.01 | | | | | | | | | |
| | Sub-Loop Feeder - Per 4-Wire 19.2 Kbps Digital Grade Loop | | 1 | UDL | USBFN | 20.78 | 125.43 | 73.68 | 81.82 | 21.56 | | 7.86 | | | | |
| | Sub-Loop Feeder - Per 4-Wire 19.2 Kbps Digital Grade Loop | | 2 | UDL | USBFN | 26.41 | 125.43 | 73.68 | 81.82 | 21.56 | | 7.86 | | | | |
| | Sub-Loop Feeder - Per 4-Wire 19.2 Kbps Digital Grade Loop | | 3 | UDL | USBFN | 23.10 | 125.43 | 73.68 | 81.82 | 21.56 | | 7.86 | | | | |

| UNBUNDLED NETWORK ELEMENTS - Kentucky | | | | | | | | | | Attachment: 2 | | Exhibit: B | | | |
|---|---|---------|------|-------|-------|-----------|--------------|--------|-------------------------|----------------------------------|--------------------------------------|--|--|---|---|
| CATEGORY | RATE ELEMENTS | Interim | Zone | BCS | USOC | RATES(\$) | | | | Svc Order Submitted Elec per LSR | Svc Order Submitted Manually per LSR | Incremental Charge - Manual Svc Order vs. Electronic-1st | Incremental Charge - Manual Svc Order vs. Electronic-Add'l | Incremental Charge - Manual Svc Order vs. Electronic-Disc 1st | Incremental Charge - Manual Svc Order vs. Electronic-Disc Add'l |
| | | | | | | Rec | Nonrecurring | | Nonrecurring Disconnect | | | | | | |
| | | | | | | First | Add'l | First | Add'l | SOMEc | SOMAN | SOMAN | SOMAN | SOMAN | SOMAN |
| | Sub-Loop Feeder - Per 4-Wire 56 Kbps Digital Grade Loop - Zone 1 | | 1 | UDL | USBFO | 20.78 | 125.43 | 73.68 | 81.82 | 21.56 | | 7.86 | | | |
| | Sub-Loop Feeder - Per 4-Wire 56 Kbps Digital Grade Loop - Zone 2 | | 2 | UDL | USBFO | 26.41 | 125.43 | 73.68 | 81.82 | 21.56 | | 7.86 | | | |
| | Sub-Loop Feeder - Per 4-Wire 56 Kbps Digital Grade Loop - Zone 3 | | 3 | UDL | USBFO | 23.10 | 125.43 | 73.68 | 81.82 | 21.56 | | 7.86 | | | |
| | Order Coordination For Specified Time Conversion, per LSR | | | UDL | OCOSL | | 23.01 | | | | | | | | |
| | Sub-Loop Feeder - Per 4-Wire 64 Kbps Digital Grade Loop - Zone 1 | | 1 | UDL | USBFP | 20.78 | 125.43 | 73.68 | 81.82 | 21.56 | | 7.86 | | | |
| | Sub-Loop Feeder - Per 4-Wire 64 Kbps Digital Grade Loop - Zone 2 | | 2 | UDL | USBFP | 26.41 | 125.43 | 73.68 | 81.82 | 21.56 | | 7.86 | | | |
| | Sub-Loop Feeder - Per 4-Wire 64 Kbps Digital Grade Loop - Zone 3 | | 3 | UDL | USBFP | 23.10 | 125.43 | 73.68 | 81.82 | 21.56 | | 7.86 | | | |
| | Order Coordination For Specified Conversion Time, per LSR | | | UDL | OCOSL | | 23.01 | | | | | | | | |
| SUB-LOOPS | | | | | | | | | | | | | | | |
| Sub-Loop Feeder | | | | | | | | | | | | | | | |
| | Sub Loop Feeder - DS3 - Per Mile Per Month | | I | UE3 | 1L5SL | 15.38 | | | | | | | | | |
| | Sub Loop Feeder - DS3 - Facility Termination Per Month | | I | UE3 | USBF1 | 346.30 | 3,386.00 | 407.14 | 160.86 | 91.19 | | 7.86 | | | |
| | Sub Loop Feeder - STS-1 - Per Mile Per Month | | I | UDLSX | 1L5SL | 15.38 | | | | | | | | | |
| | Sub Loop Feeder - STS-1 - Facility Termination Per Month | | I | UDLSX | USBF7 | 372.80 | 3,386.00 | 407.14 | 160.86 | 91.19 | | 7.86 | | | |
| | Sub Loop Feeder - OC-3 - Per Mile Per Month | | I | UDLO3 | 1L5SL | 11.67 | | | | | | | | | |
| | Sub Loop Feeder - OC-3 - Facility Termination Protection Per Month | | I | UDLO3 | USBF5 | 58.27 | | | | | | | | | |
| | Sub Loop Feeder - OC-3 - Facility Termination Per Month | | I | UDLO3 | USBF2 | 564.68 | 3,386.00 | 407.14 | 160.86 | 91.19 | | 7.86 | | | |
| | Sub Loop Feeder - OC-12 - Per Mile Per Month | | I | UDL12 | 1L5SL | 14.36 | | | | | | | | | |
| | Sub Loop Feeder - OC-12 - Facility Termination Protection Per Month | | I | UDL12 | USBF6 | 658.35 | | | | | | | | | |
| | Sub Loop Feeder - OC-12 - Facility Termination Per Month | | I | UDL12 | USBF3 | 1,778.00 | 3,386.00 | 407.14 | 160.86 | 91.19 | | 7.86 | | | |
| | Sub Loop Feeder - OC-48 - Per Mile Per Month | | I | UDL48 | 1L5SL | 47.11 | | | | | | | | | |
| | Sub Loop Feeder - OC-48 - Facility Termination Protection Per Month | | I | UDL48 | USBF9 | 330.39 | | | | | | | | | |
| | Sub Loop Feeder - OC-48 - Facility Termination Per Month | | I | UDL48 | USBF4 | 1,533.00 | 3,571.00 | 407.14 | 160.86 | 91.19 | | 7.86 | | | |
| | Sub Loop Feeder - OC-12 Interface On OC-48 | | I | UDL48 | USBF8 | 372.76 | 788.37 | 407.14 | 160.86 | 91.19 | | 7.86 | | | |
| UNBUNDLED LOOP CONCENTRATION | | | | | | | | | | | | | | | |
| | Unbundled Loop Concentration - System A (TR008) | | | ULC | UCT8A | 423.72 | 359.34 | 359.34 | | | | 7.86 | | | |
| | Unbundled Loop Concentration - System B (TR008) | | | ULC | UCT8B | 51.60 | 149.72 | 149.72 | | | | 7.86 | | | |
| | Unbundled Loop Concentration - System A (TR303) | | | ULC | UCT3A | 460.27 | 359.34 | 359.34 | | | | 7.86 | | | |
| | Unbundled Loop Concentration - System B (TR303) | | | ULC | UCT3B | 86.95 | 149.72 | 149.72 | | | | 7.86 | | | |
| | Unbundled Loop Concentration - DS1 Loop Interface Card | | | ULC | UCTCO | 4.90 | 71.69 | 51.51 | 22.99 | 6.00 | | 7.86 | | | |
| | Unbundled Loop Concentration - ISDN Loop Interface (Brite Card) | | | UDN | ULCC1 | 7.78 | 16.59 | 16.50 | 8.42 | 8.37 | | 7.86 | | | |
| | Unbundled Loop Concentration - UDC Loop Interface (Brite Card) | | | UDC | ULCCU | 7.78 | 16.59 | 16.50 | 8.42 | 8.37 | | 7.86 | | | |
| | Unbundled Loop Concentration - 2 Wire Voice-Loop Start or Ground Start Loop Interface (POTS Card) | | | UEA | ULCC2 | 1.95 | 16.59 | 16.50 | 8.42 | 8.37 | | 7.86 | | | |
| | Unbundled Loop Concentration - 2 Wire Voice - Reverse Battery Loop Interface (SPOTS Card) | | | UEA | ULCCR | 11.58 | 16.59 | 16.50 | 8.42 | 8.37 | | 7.86 | | | |
| | Unbundled Loop Concentration - 4 Wire Voice Loop Interface (Specials Card) | | | UEA | ULCC4 | 6.90 | 16.59 | 16.50 | 8.42 | 8.37 | | 7.86 | | | |
| | Unbundled Loop Concentration - TEST CIRCUIT Card | | | ULC | UCTTC | 33.74 | 16.59 | 16.50 | 8.42 | 8.37 | | 7.86 | | | |
| | Unbundled Loop Concentration - Digital 19.2 Kbps Data Loop Interface | | | UDL | ULCC7 | 10.23 | 16.59 | 16.50 | 8.42 | 8.37 | | 7.86 | | | |
| | Unbundled Loop Concentration - Digital 56 Kbps Data Loop Interface | | | UDL | ULCC5 | 10.23 | 16.59 | 16.50 | 8.42 | 8.37 | | 7.86 | | | |
| | Unbundled Loop Concentration - Digital 64 Kbps Data Loop Interface | | | UDL | ULCC6 | 10.23 | 16.59 | 16.50 | 8.42 | 8.37 | | 7.86 | | | |
| UNE OTHER, PROVISIONING ONLY - NO RATE | | | | | | | | | | | | | | | |
| | NID - Dispatch and Service Order for NID installation | | | UENTW | UNDBX | | | | | | | | | | |
| | UNTW Circuit Id Establishment, Provisioning Only - No Rate | | | UENTW | UENCE | | | | | | | | | | |

| UNBUNDLED NETWORK ELEMENTS - Kentucky | | | | | | | | | | Attachment: 2 | | Exhibit: B | | | | | | | | | | | |
|--|---|---------|------|---------------------------------|-------|-----------|----------------------------------|--------------------------------------|--|--|---|---|-------|--------------|-------|-------------------------|-------|---------------|-------|-------|-------|-------|--|
| CATEGORY | RATE ELEMENTS | Interim | Zone | BCS | USOC | RATES(\$) | Svc Order Submitted Elec per LSR | Svc Order Submitted Manually per LSR | Incremental Charge - Manual Svc Order vs. Electronic-1st | Incremental Charge - Manual Svc Order vs. Electronic-Add'l | Incremental Charge - Manual Svc Order vs. Electronic-Disc 1st | Incremental Charge - Manual Svc Order vs. Electronic-Disc Add'l | | | | | | | | | | | |
| | | | | | | | | | | | | | Rec | Nonrecurring | | Nonrecurring Disconnect | | OSS Rates(\$) | | | | | |
| | | | | | | | | | | | | | First | Add'l | First | Add'l | SOMEC | SOMAN | SOMAN | SOMAN | SOMAN | SOMAN | |
| | Unbundled Contract Name, Provisioning Only - No Rate | | | UEANL,UEF,UEQ,UENTW | UNECN | | | | | | | | | | | | | | | | | | |
| UNE OTHER, PROVISIONING ONLY - NO RATE | | | | | | | | | | | | | | | | | | | | | | | |
| | Unbundled Contact Name, Provisioning Only - no rate | | | UAL,UCL,UDC,UDL,UDN,UEA,UHL,ULC | UNECN | 0.00 | | | | | | | | | | | | | | | | | |
| | Unbundled Sub-Loop Feeder-2 Wire Cross Box Jumper - no rate | | | UEA,UDN,UCL,UDC | USBFQ | 0.00 | | | | | | | | | | | | | | | | | |
| | Unbundled Sub-Loop Feeder-4 Wire Cross Box Jumper - no rate | | | UEA,USL,UCL,UDL | USBFR | 0.00 | | | | | | | | | | | | | | | | | |
| | Unbundled DS1 Loop - Superframe Format Option - no rate | | | USL | CCOSF | 0.00 | | | | | | | | | | | | | | | | | |
| | Unbundled DS1 Loop - Expanded Superframe Format option - no rate | | | USL | CCOEF | 0.00 | | | | | | | | | | | | | | | | | |
| HIGH CAPACITY UNBUNDLED LOCAL LOOP | | | | | | | | | | | | | | | | | | | | | | | |
| | High Capacity Unbundled Local Loop - DS3 - Per Mile per month | | | UE3 | 1L5ND | 9.25 | | | | | | | | | | | | | | | | | |
| | High Capacity Unbundled Local Loop - DS3 - Facility Termination per month | | | UE3 | UE3PX | 308.31 | 551.38 | 338.08 | 173.00 | 120.42 | | | | | | | | | | | | | |
| | High Capacity Unbundled Local Loop - STS-1 - Per Mile per month | | | UDLSX | 1L5ND | 9.25 | | | | | | | | | | | | | | | | | |
| | High Capacity Unbundled Local Loop - STS-1 - Facility Termination per month | | | UDLSX | UDLS1 | 320.51 | 551.38 | 338.08 | 173.00 | 120.42 | | | | | | | | | | | | | |
| LOOP MAKE-UP | | | | | | | | | | | | | | | | | | | | | | | |
| | Loop Makeup - Preordering Without Reservation, per working or spare facility queried (Manual). | | | UMK | UMKLW | | 23.40 | 23.40 | | | | | | | | | | | | | | | |
| | Loop Makeup - Preordering With Reservation, per spare facility queried (Manual). | | | UMK | UMKLP | | 24.85 | 24.85 | | | | | | | | | | | | | | | |
| | Loop Makeup--With or Without Reservation, per working or spare facility queried (Mechanized) | | | UMK | PSUMK | | 0.67 | 0.67 | | | | | | | | | | | | | | | |
| HIGH FREQUENCY SPECTRUM | | | | | | | | | | | | | | | | | | | | | | | |
| SPLITTERS-CENTRAL OFFICE BASED | | | | | | | | | | | | | | | | | | | | | | | |
| | Line Sharing Splitter, per System 96 Line Capacity | | | ULS | ULSDA | 198.83 | 379.05 | 0.00 | 358.55 | 0.00 | | | | | | | | | | | | | |
| | Line Sharing Splitter, per System 24 Line Capacity | | | ULS | ULSDB | 49.71 | 379.05 | 0.00 | 358.55 | 0.00 | | | | | | | | | | | | | |
| | Line Sharing Splitter, Per System, 8 Line Capacity | I | | ULS | ULSD8 | 16.94 | 377.71 | 0.00 | 357.29 | 0.00 | | | | | | | | | | | | | |
| | Line Sharing-DLEC Owned Splitter in CO-CFA activation-deactivation (per LSOD) | | | ULS | ULSDG | | 173.62 | | 100.40 | | | | | | | | | | | | | | |
| END USER ORDERING-CENTRAL OFFICE BASED-HIGH FREQUENCY SPECTRUM AKA LINE SHARING | | | | | | | | | | | | | | | | | | | | | | | |
| | Line Sharing - per Line Activation (BST Owned Splitter) | | | ULS | ULSDC | 0.61 | 37.16 | 21.28 | 20.17 | 9.90 | | | | | | | | | | | | | |
| | Line Sharing - per Subsequent Activity per Line Rearrangement(BST Owned Splitter) | | | ULS | ULSDS | | 32.90 | 16.43 | | | | | | | | | | | | | | | |
| | Line Sharing - per Subsequent Activity per Line Rearrangement(DLEC Owned Splitter) | | | ULS | ULSCS | | 32.90 | 16.43 | | | | | | | | | | | | | | | |
| | Line Sharing - per Line Activation (DLEC owned Splitter) | I | | ULS | ULSCC | 0.61 | 47.44 | 19.31 | 20.67 | 12.74 | | | | | | | | | | | | | |
| | Line Splitting - per line activation DLEC owned splitter | I | | UEPSR UEPSB | UREOS | 0.61 | | | | | | | | | | | | | | | | | |
| | Line Splitting - per line activation BST owned - physical | I | | UEPSR UEPSB | UREBP | 0.647 | 37.02 | 21.20 | 21.10 | 9.87 | | | | | | | | | | | | | |
| | Line Splitting - per line activation BST owned - virtual | I | | UEPSR UEPSB | UREBV | 0.645 | 37.02 | 21.20 | 21.10 | 9.87 | | | | | | | | | | | | | |
| UNBUNDLED DEDICATED TRANSPORT | | | | | | | | | | | | | | | | | | | | | | | |
| NOTE: INTEROFFICE CHANNEL DEDICATED TRANSPORT - minimum billing period - below DS3=one month, DS3/STS-1=four months | | | | | | | | | | | | | | | | | | | | | | | |
| INTEROFFICE CHANNEL - DEDICATED TRANSPORT | | | | | | | | | | | | | | | | | | | | | | | |
| | Interoffice Channel - Dedicated Transport - 2-Wire Voice Grade - Per Mile per month | | | U1TVX | 1L5XX | 0.01 | | | | | | | | | | | | | | | | | |
| | Interoffice Channel - Dedicated Transport- 2- Wire Voice Grade - Facility Termination per month | | | U1TVX | U1TV2 | 29.11 | 47.34 | 31.78 | 22.77 | 8.75 | | | | | | | | | | | | | |
| | Interoffice Channel - Dedicated Transport- 2-Wire Voice Grade Rev Bat. - Per Mile per month | | | U1TVX | 1L5XX | 0.01 | | | | | | | | | | | | | | | | | |
| | Interoffice Channel - Dedicated Transport- 2- Wire VG Rev Bat. Facility Termination per month | | | U1TVX | U1TR2 | 29.11 | 47.34 | 31.78 | 22.77 | 8.75 | | | | | | | | | | | | | |
| | Interoffice Channel - Dedicated Transport - 4-Wire Voice Grade - Per Mile per month | | | U1TVX | 1L5XX | 0.01 | | | | | | | | | | | | | | | | | |

| UNBUNDLED NETWORK ELEMENTS - Kentucky | | | | | | | | | | | Attachment: 2 | | Exhibit: B | | | | | | | |
|--|--|---------|------|-------|-------|-----------|----------------------------------|--------------------------------------|--|--|---|---|---------------|--------------|--------|-------------------------|--|-------|-------|-------|
| CATEGORY | RATE ELEMENTS | Interim | Zone | BCS | USOC | RATES(\$) | Svc Order Submitted Elec per LSR | Svc Order Submitted Manually per LSR | Incremental Charge - Manual Svc Order vs. Electronic-1st | Incremental Charge - Manual Svc Order vs. Electronic-Add'l | Incremental Charge - Manual Svc Order vs. Electronic-Disc 1st | Incremental Charge - Manual Svc Order vs. Electronic-Disc Add'l | OSS Rates(\$) | | | | | | | |
| | | | | | | | | | | | | | Rec | Nonrecurring | | Nonrecurring Disconnect | | SOMEC | SOMAN | SOMAN |
| | | | | | | | | | | | | | First | Add'l | First | Add'l | | | | |
| | Interoffice Channel - Dedicated Transport - 4-Wire Voice Grade - Facility Termination per month | | | U1TVX | U1TV4 | 25.86 | | | | | | | 47.34 | 31.78 | 22.77 | 8.75 | | | | 7.86 |
| | Interoffice Channel - Dedicated Transport - 56 kbps - per mile per month | | | U1TDX | 1L5XX | 0.0115 | | | | | | | | | | | | | | |
| | Interoffice Channel - Dedicated Transport - 56 kbps - Facility Termination per month | | | U1TDX | U1TD5 | 20.97 | | | | | | | 47.35 | 31.78 | 22.77 | 8.75 | | | | 7.86 |
| | Interoffice Channel - Dedicated Transport - 64 kbps - per mile per month | | | U1TDX | 1L5XX | 0.0115 | | | | | | | | | | | | | | |
| | Interoffice Channel - Dedicated Transport - 64 kbps - Facility Termination per month | | | U1TDX | U1TD6 | 20.97 | | | | | | | 47.35 | 31.78 | 22.77 | 8.75 | | | | 7.86 |
| | Interoffice Channel - Dedicated Channel - DS1 - Per Mile per month | | | U1TD1 | 1L5XX | 0.23 | | | | | | | | | | | | | | |
| | Interoffice Channel - Dedicated Transport - DS1 - Facility Termination per month | | | U1TD1 | U1TF1 | 96.04 | | | | | | | 105.52 | 98.46 | 23.09 | 20.49 | | | | 7.86 |
| | Interoffice Channel - Dedicated Transport - DS3 - Per Mile per month | | | U1TD3 | 1L5XX | 4.97 | | | | | | | | | | | | | | |
| | Interoffice Channel - Dedicated Transport - DS3 - Facility Termination per month | | | U1TD3 | U1TF3 | 1,175.15 | | | | | | | 335.40 | 219.24 | 89.57 | 87.75 | | | | 7.86 |
| | Interoffice Channel - Dedicated Transport - STS-1 - Per Mile per month | | | U1TS1 | 1L5XX | 4.97 | | | | | | | | | | | | | | |
| | Interoffice Channel - Dedicated Transport - STS-1 - Facility Termination per month | | | U1TS1 | U1TFS | 1,149.51 | | | | | | | 335.40 | 219.24 | 89.57 | 87.75 | | | | 7.86 |
| LOCAL CHANNEL - DEDICATED TRANSPORT | | | | | | | | | | | | | | | | | | | | |
| NOTE: LOCAL CHANNEL DEDICATED TRANSPORT - minimum billing period - below DS3=one month, DS3/STS-1=four months | | | | | | | | | | | | | | | | | | | | |
| | Local Channel - Dedicated - 2-Wire Voice Grade Per Month | | | ULDVX | ULDV2 | 18.57 | | | | | | | 265.78 | 46.96 | 46.79 | 4.98 | | | | 7.86 |
| | Local Channel - Dedicated - 2-Wire Voice Grade Rev Bat per month | | | ULDVX | ULDR2 | 18.57 | | | | | | | 265.78 | 46.96 | 46.79 | 4.98 | | | | 7.86 |
| | Local Channel - Dedicated - 4-Wire Voice Grade per month | | | UNDVX | ULDV4 | 19.86 | | | | | | | 266.48 | 47.65 | 47.54 | 5.73 | | | | 7.86 |
| | Local Channel - Dedicated - DS1 per month - Zone 1 | | 1 | ULDD1 | ULDF1 | 40.46 | | | | | | | 209.60 | 176.51 | 30.21 | 21.07 | | | | 7.86 |
| | Local Channel - Dedicated - DS1 per month - Zone 2 | | 2 | ULDD1 | ULDF1 | 43.39 | | | | | | | 209.60 | 176.51 | 30.21 | 21.07 | | | | 7.86 |
| | Local Channel - Dedicated - DS1 per month - Zone 3 | | 3 | ULDD1 | ULDF1 | 164.50 | | | | | | | 209.60 | 176.51 | 30.21 | 21.07 | | | | 7.86 |
| | Local Channel - Dedicated - DS3 - Per Mile per month | | | ULDD3 | 1L5NC | 8.74 | | | | | | | | | | | | | | |
| | Local Channel - Dedicated - DS3 - Facility Termination per month | | | ULDD3 | ULDF3 | 576.05 | | | | | | | 551.38 | 338.08 | 173.00 | 120.42 | | | | 7.86 |
| | Local Channel - Dedicated - STS-1 - Per Mile per month | | | ULDS1 | 1L5NC | 8.74 | | | | | | | | | | | | | | |
| | Local Channel - Dedicated - STS-1 - Facility Termination per month | | | ULDS1 | ULDFS | 543.24 | | | | | | | 551.38 | 338.08 | 173.00 | 120.42 | | | | 7.86 |
| MULTIPLEXERS | | | | | | | | | | | | | | | | | | | | |
| | Channelization - DS1 to DS0 Channel System | | | UXTD1 | MQ1 | 113.33 | | | | | | | 101.40 | 71.60 | 13.79 | 13.04 | | | | 7.86 |
| | OCU-DP COCI (data) - DS1 to DS0 Channel System - per month (2.4-64kbs) | | | UDL | 1D1DD | 1.32 | | | | | | | 10.07 | 7.08 | | | | | | 7.86 |
| | 2-wire ISDN COCI (BRITE) - DS1 to DS0 Channel System - per month | | | UDN | UC1CA | 2.84 | | | | | | | 10.07 | 7.08 | | | | | | 7.86 |
| | Voice Grade COCI - DS1 to DS0 Channel System - per month | | | UEA | 1D1VG | 0.6228 | | | | | | | 10.07 | 7.08 | | | | | | 7.86 |
| | DS3 to DS1 Channel System per month | | | UXTD3 | MQ3 | 158.20 | | | | | | | 199.23 | 118.62 | 50.16 | 48.59 | | | | 7.86 |
| | STS1 to DS1 Channel System per month | | | UXTS1 | MQ3 | 158.20 | | | | | | | 199.23 | 118.62 | 50.16 | 48.59 | | | | 7.86 |
| | DS3 Interface Unit (DS1 COCI) used with Loop per month | | | USL | UC1D1 | 11.80 | | | | | | | 10.07 | 7.08 | | | | | | 7.86 |
| | DS3 Interface Unit (DS1 COCI) used with Local Channel per month | | | ULDD1 | UC1D1 | 11.80 | | | | | | | 10.07 | 7.08 | | | | | | 7.86 |
| | DS3 Interface Unit (DS1 COCI) used with Interoffice Channel per month | | | U1TD1 | UC1D1 | 11.80 | | | | | | | 10.07 | 7.08 | | | | | | 7.86 |
| DARK FIBER | | | | | | | | | | | | | | | | | | | | |
| | Dark Fiber, Four Fiber Strands, Per Route Mile or Fraction Thereof per month - Local Channel | | | UDF | 1L5DC | 47.01 | | | | | | | | | | | | | | |
| | NRC Dark Fiber - Local Channel | | | UDF | UDFC4 | | | | | | | | 732.53 | 192.67 | 377.27 | 241.67 | | | | 7.86 |
| | Dark Fiber, Four Fiber Strands, Per Route Mile or Fraction Thereof per month - Interoffice Channel | | | UDF | 1L5DF | 30.74 | | | | | | | | | | | | | | |
| | NRC Dark Fiber - Interoffice Channel | | | UDF | UDF14 | | | | | | | | 732.53 | 192.67 | 377.27 | 241.67 | | | | 7.86 |

| UNBUNDLED NETWORK ELEMENTS - Kentucky | | | | | | | | | | Attachment: 2 | | Exhibit: B | | | |
|---|---|---------|------|----------|-------|-----------|----------------------------------|--------------------------------------|--|--|---|---|-------|--------------|-------|
| CATEGORY | RATE ELEMENTS | Interim | Zone | BCS | USOC | RATES(\$) | Svc Order Submitted Elec per LSR | Svc Order Submitted Manually per LSR | Incremental Charge - Manual Svc Order vs. Electronic-1st | Incremental Charge - Manual Svc Order vs. Electronic-Add'l | Incremental Charge - Manual Svc Order vs. Electronic-Disc 1st | Incremental Charge - Manual Svc Order vs. Electronic-Disc Add'l | | | |
| | | | | | | | | | | | | | Rec | Nonrecurring | |
| | | | | | | | | | | | | | | | |
| | | | | | | | | | | SOMEc | SOMAN | SOMAN | SOMAN | SOMAN | SOMAN |
| | Dark Fiber, Four Fiber Strands, Per Route Mile or Fraction Thereof per month - Local Loop | | | UDF | 1L5DL | 47.01 | | | | | | | | | |
| | NRC Dark Fiber - Local Loop | | | UDF | UDFL4 | | 732.53 | 192.67 | 377.27 | 241.67 | | 7.86 | | | |
| TRANSPORT OTHER | | | | | | | | | | | | | | | |
| 8XX ACCESS TEN DIGIT SCREENING | | | | | | | | | | | | | | | |
| | 8XX Access Ten Digit Screening, Per Call | | | OHD | | 0.0006478 | | | | | | | | | |
| | 8XX Access Ten Digit Screening, Reservation Charge Per 8XX Number Reserved | | | OHD | N8R1X | | 4.14 | 0.70 | | | | 7.86 | | | |
| | 8XX Access Ten Digit Screening, Per 8XX No. Established W/O POTS Translations | | | OHD | | | 8.78 | 1.18 | 7.08 | 0.86 | | 7.86 | | | |
| | 8XX Access Ten Digit Screening, Per 8XX No. Established With POTS Translations | | | OHD | N8FTX | | 8.78 | 1.18 | 7.08 | 0.86 | | 7.86 | | | |
| | 8XX Access Ten Digit Screening, Customized Area of Service Per 8XX Number | | | OHD | N8FCX | | 4.14 | 2.07 | | | | 7.86 | | | |
| | 8XX Access Ten Digit Screening, Multiple InterLATA CXR Routing Per CXR Requested Per 8XX No. | | | OHD | N8FMX | | 4.85 | 2.78 | | | | 7.86 | | | |
| | 8XX Access Ten Digit Screening, Change Charge Per Request | | | OHD | N8FAX | | 4.85 | 0.70 | | | | 7.86 | | | |
| | 8XX Access Ten Digit Screening, Call Handling and Destination Features | | | OHD | N8FDX | | 4.14 | 4.14 | | | | 7.86 | | | |
| | 8XX Access Ten Digit Screening w/ 8FL No. Delivery, | | | OHD | | 0.0006478 | | | | | | | | | |
| | 8XX Access Ten Digit Screening, w/ POTS No. Delivery, | | | OHD | | 0.0006478 | | | | | | | | | |
| LINE INFORMATION DATA BASE ACCESS (LIDB) | | | | | | | | | | | | | | | |
| | LIDB Common Transport Per Query | | | OQT | | 0.000023 | | | | | | | | | |
| | LIDB Validation Per Query | | | OQU | | 0.0137322 | | | | | | | | | |
| | LIDB Originating Point Code Establishment or Change | | | OQT, OQU | NRPBX | | 55.12 | | 67.59 | | | 7.86 | | | |
| SIGNALING (CCS7) | | | | | | | | | | | | | | | |
| | CCS7 Signaling Connection, Per 56 Kbps Facility | | | UDB | TPP++ | 20.71 | 43.56 | 43.56 | 22.45 | 22.45 | | | | | |
| | CCS7 Signaling Termination, Per STP Port | | | UDB | PT8SX | 151.39 | | | | | | | | | |
| | CCS7 Signaling Usage, Per TCAP Message | | | UDB | | 0.0000656 | | | | | | | | | |
| | CCS7 Signaling Connection, Per link (A link) | | | UDB | TPP++ | 20.71 | 43.56 | 43.56 | 22.45 | 22.45 | | 7.86 | | | |
| | CCS7 Signaling Connection, Per link (B link) (also known as D link) | | | UDB | TPP++ | 20.71 | 43.56 | 43.56 | 22.45 | 22.45 | | 7.86 | | | |
| | CCS7 Signaling Usage, Per ISUP Message | | | UDB | | 0.0000164 | | | | | | | | | |
| | CCS7 Signaling Usage Surrogate, per link per LATA | | | UDB | STU56 | 751.08 | | | | | | | | | |
| | CCS7 Signaling Point Code, per Originating Point Code Establishment or Change, per STP affected | | | UDB | CCAPO | | 46.02 | 46.02 | 56.43 | 56.43 | | 7.86 | | | |
| | CCS7 Signaling Point Code, per Destination Point Code Establishment or Change, Per Stp Affected | | | UDB | CCAPD | | 46.02 | 46.02 | 56.43 | 56.43 | | 7.86 | | | |
| E911 SERVICE | | | | | | | | | | | | | | | |
| | Local Channel - Dedicated - 2-wr Voice Grade | | | | | 18.57 | 265.78 | 46.96 | 46.79 | 4.98 | | 18.94 | 18.94 | | |
| | Interoffice Transport - Dedicated - 2-wr Voice Grade Per Mile | | | | | 0.0115 | | | | | | | | | |
| | Interoffice Transport - Dedicated - 2-wr Voice Grade Per Facility Termination | | | | | 29.11 | 47.34 | 31.78 | 22.77 | 8.75 | | 18.94 | 18.94 | | |
| | Local Channel - Dedicated - DS1 - Zone 1 | | | | | 40.46 | 209.60 | 176.51 | 30.21 | 21.07 | | 18.94 | 18.94 | | |
| | Local Channel - Dedicated - DS1 - Zone 2 | | | | | 43.39 | 209.60 | 176.51 | 30.21 | 21.07 | | 18.94 | 18.94 | | |
| | Local Channel - Dedicated - DS1 - Zone 3 | | | | | 164.50 | 209.60 | 176.51 | 30.21 | 21.07 | | 18.94 | 18.94 | | |
| | Interoffice Transport - Dedicated - DS1 Per Mile | | | | | 0.23 | | | | | | | | | |
| | Interoffice Transport - Dedicated - DS1 Per Facility Termination | | | | | 96.04 | 105.52 | 98.46 | 23.09 | 20.49 | | 18.94 | 18.94 | | |
| CALLING NAME (CNAM) SERVICE | | | | | | | | | | | | | | | |
| | CNAM For DB Owners - Service Establishment | | | OQV | | 25.34 | 25.34 | 23.30 | 23.30 | | | 7.86 | | | |
| | CNAM For Non DB Owners - Service Establishment | | | OQV | | 25.34 | 25.34 | 23.30 | 23.30 | | | 7.86 | | | |
| | CNAM For DB Owners - Service Provisioning With Point Code Establishment | | | OQV | | 1,591.54 | 1,177.08 | 431.95 | 317.61 | | | 7.86 | | | |
| | CNAM For Non DB Owners - Service Provisioning With Point Code Establishment | | | OQV | | 546.40 | 393.74 | 438.93 | 317.61 | | | 7.86 | | | |
| | CNAM for DB Owners, Per Query | | | OQV | | 0.0010348 | | | | | | | | | |
| | CNAM for Non DB Owners, Per Query | | | OQV | | 0.0010348 | | | | | | | | | |

| UNBUNDLED NETWORK ELEMENTS - Kentucky | | | | | | | | | | | Attachment: 2 | | Exhibit: B | | | | | | |
|---|--|---------|------|-------|-------|-----------|----------------------------------|--------------------------------------|--|--|---|---|------------|--------------|-------|-------------------------|-------|---------------|--|
| CATEGORY | RATE ELEMENTS | Interim | Zone | BCS | USOC | RATES(\$) | Svc Order Submitted Elec per LSR | Svc Order Submitted Manually per LSR | Incremental Charge - Manual Svc Order vs. Electronic-1st | Incremental Charge - Manual Svc Order vs. Electronic-Add'l | Incremental Charge - Manual Svc Order vs. Electronic-Disc 1st | Incremental Charge - Manual Svc Order vs. Electronic-Disc Add'l | | | | | | | |
| | | | | | | | | | | | | | Rec | Nonrecurring | | Nonrecurring Disconnect | | OSS Rates(\$) | |
| | | | | | | | | | | | | | SOMEc | SOMAN | SOMAN | SOMAN | SOMAN | SOMAN | |
| | CNAM (Non-Databs Owner), NRC, applies when using the Character Based User Interface (CHUI) | | | OQV | CDDCH | | | | | | | | | 7.86 | | | | | |
| LNP Query Service | | | | | | | | | | | | | | | | | | | |
| | LNP Charge Per query | | | | | 0.0008695 | | | | | | | | | | | | | |
| | LNP Service Establishment Manual | | | | | | 13.82 | 13.82 | 12.71 | 12.71 | | | | 7.86 | | | | | |
| | LNP Service Provisioning with Point Code Establishment | | | | | | 953.27 | 487.00 | 431.95 | 317.61 | | | | 7.86 | | | | | |
| OPERATOR CALL PROCESSING | | | | | | | | | | | | | | | | | | | |
| | Oper. Call Processing - Oper. Provided, Per Min. - Using BST LIDB | | | | | 1.20 | | | | | | | | | | | | | |
| | Oper. Call Processing - Oper. Provided, Per Min. - Using Foreign LIDB | | | | | 1.24 | | | | | | | | | | | | | |
| | Oper. Call Processing - Fully Automated, per Call - Using BST LIDB | | | | | 0.20 | | | | | | | | | | | | | |
| | Oper. Call Processing - Fully Automated, per Call - Using Foreign LIDB | | | | | 0.20 | | | | | | | | | | | | | |
| INWARD OPERATOR SERVICES | | | | | | | | | | | | | | | | | | | |
| | Inward Operator Services - Verification, Per Call | | | | | 1.00 | | | | | | | | | | | | | |
| | Inward Operator Services - Verification and Emergency Interrupt - Per Call | | | | | 1.95 | | | | | | | | | | | | | |
| BRANDING - OPERATOR CALL PROCESSING | | | | | | | | | | | | | | | | | | | |
| | Recording of Custom Branded OA Announcement | | | | CBAOS | | 7,000.00 | 7,000.00 | | | | | | 7.86 | | | | | |
| | Loading of Custom Branded OA Announcement per shelf/NAV | | | | CBAOL | | 500.00 | 500.00 | | | | | | 7.86 | | | | | |
| Unbranding via OLSN for UNEP CLEC | | | | | | | | | | | | | | | | | | | |
| | Loading of OA per OCN (Regional) | | | | | | 1,200.00 | 1,200.00 | | | | | | 7.86 | | | | | |
| DIRECTORY ASSISTANCE SERVICES | | | | | | | | | | | | | | | | | | | |
| DIRECTORY ASSISTANCE ACCESS SERVICE | | | | | | | | | | | | | | | | | | | |
| | Directory Assistance Access Service Calls, Charge Per Call | | | | | 0.275 | | | | | | | | | | | | | |
| DIRECTORY ASSISTANCE CALL COMPLETION ACCESS SERVICE (DACC) | | | | | | | | | | | | | | | | | | | |
| | Directory Assistance Call Completion Access Service (DACC), Per Call Attempt | | | | | 0.10 | | | | | | | | | | | | | |
| DIRECTORY TRANSPORT | | | | | | | | | | | | | | | | | | | |
| DIRECTORY ASSISTANCE SERVICES | | | | | | | | | | | | | | | | | | | |
| DIRECTORY ASSISTANCE DATA BASE SERVICE (DADS) | | | | | | | | | | | | | | | | | | | |
| | Directory Assistance Data Base Service Charge Per Listing | | | | | 0.04 | | | | | | | | | | | | | |
| | Directory Assistance Data Base Service, per month | | | | DBSOF | 150.00 | | | | | | | | | | | | | |
| BRANDING - DIRECTORY ASSISTANCE | | | | | | | | | | | | | | | | | | | |
| Facility Based CLEC | | | | | | | | | | | | | | | | | | | |
| | Recording and Provisioning of DA Custom Branded Announcement | | | AMT | CBADA | | 6,000.00 | 6,000.00 | | | | | | | | | | | |
| | Loading of Custom Branded Announcement per DRAM Card/Switch | | | AMT | CBADC | | 1,170.00 | 1,170.00 | | | | | | | | | | | |
| UNEP CLEC | | | | | | | | | | | | | | | | | | | |
| | Recording of DA Custom Branded Announcement | | | | | | 3,000.00 | 3,000.00 | | | | | | | | | | | |
| | Loading of DA Custom Branded Announcement per DRAM Card/Switch per OCN | | | | | | 1,170.00 | 1,170.00 | | | | | | | | | | | |
| Unbranding via OLSN for UNEP CLEC | | | | | | | | | | | | | | | | | | | |
| | Loading of DA per OCN (1 OCN per Order) | | | | | | 420.00 | 420.00 | | | | | | | | | | | |
| | Loading of DA per Switch per OCN | | | | | | 16.00 | 16.00 | | | | | | | | | | | |
| SELECTIVE ROUTING | | | | | | | | | | | | | | | | | | | |
| | Selective Routing Per Unique Line Class Code Per Request Per Switch | | | | USRCR | | 93.53 | 93.53 | 15.58 | 15.58 | | | | 7.86 | | | | | |
| VIRTUAL COLLOCATION | | | | | | | | | | | | | | | | | | | |
| | Virtual Collocation - Application Cost | | | AMTFS | EAF | | 2,419.86 | 2,419.86 | 1.01 | 1.01 | | | | | | | | | |
| | Virtual Collocation - Cable Installation Cost, per cable | | | AMTFS | ESPCX | | 1,729.11 | 1,729.11 | 45.16 | 45.16 | | | | | | | | | |
| | Virtual Collocation - Floor Space, per sq. ft. | | | AMTFS | ESPVX | 7.99 | | | | | | | | | | | | | |
| | Virtual Collocation - Power, per breaker amp | | | AMTFS | ESPAX | 8.06 | | | | | | | | | | | | | |
| | Virtual Collocation - Cable Support Structure, per entrance cable | | | AMTFS | ESPSX | 17.38 | | | | | | | | | | | | | |

| UNBUNDLED NETWORK ELEMENTS - Kentucky | | | | | | | | | | Attachment: 2 | | Exhibit: B | | | | | | | | | | |
|---------------------------------------|--|---------|------|--|-------|-----------|----------------------------------|--------------------------------------|--|--|---|---|-------|--------------|-------|-------------------------|-------|---------------|-------|--|--|--|
| CATEGORY | RATE ELEMENTS | Interim | Zone | BCS | USOC | RATES(\$) | Svc Order Submitted Elec per LSR | Svc Order Submitted Manually per LSR | Incremental Charge - Manual Svc Order vs. Electronic-1st | Incremental Charge - Manual Svc Order vs. Electronic-Add'l | Incremental Charge - Manual Svc Order vs. Electronic-Disc 1st | Incremental Charge - Manual Svc Order vs. Electronic-Disc Add'l | | | | | | | | | | |
| | | | | | | | | | | | | | Rec | Nonrecurring | | Nonrecurring Disconnect | | OSS Rates(\$) | | | | |
| | | | | | | | | | | | | | SOMEc | SOMAN | SOMAN | SOMAN | SOMAN | SOMAN | | | | |
| | Virtual Collocation - 2-wire Cross Connects (loop) | | | UEANL,UEA,UDN,U DC,UAL,UHL,UCL,U EQ, AMTFS, UDL, UNCVX, UNCDX, UNCNX | UEAC2 | 0.0309 | | | | | | | | | | | | | | | | |
| | Virtual Collocation - 4-wire Cross Connects (loop) | | | UEA,UHL,UCL,UDL, AMTFS, UAL, UDN, UNCVX, UNCDX | UEAC4 | 0.0619 | | | | | | | | | | | | | | | | |
| | Virtual Collocation - 2-Fiber Cross Connects | | | AMTFS,UDL12, UDLO3, U1T48, U1T12, U1T03, ULDO3, ULD12, ULD48, UDF | CNC2F | 3.80 | | | | | | | | | | 19.99 | 19.99 | 19.99 | 19.99 | | | |
| | Virtual Collocation - 4-Fiber Cross Connects | | | AMTFS,UDL12, UDLO3, U1T48, U1T12, U1T03, ULDO3, ULD12, ULD48, UDF | CNC4F | 7.59 | | | | | | | | | | 19.99 | 19.99 | 19.99 | 19.99 | | | |
| | Virtual collocation - DS1 Cross Connects | | | USL,ULC,AMTFS, ULR, UXTD1, UNC1X, ULDD1, U1TD1, USLEL, UNLD1 | CNC1X | 1.48 | | | | | | | | | | | | | | | | |
| | Virtual collocation - DS3 Cross Connects | | | USL,ULC,AMTFS,U E3, U1TD3, UXTS1, UXTD3, UNC3X, UNCSX, ULDD3, U1TS1, ULDS1, UDLSX, UNLD3 | CND3X | 18.89 | | | | | | | | | | | | | | | | |
| | Virtual Collocation - Co-Carrier Cross Connects - Fiber Cable Support Structure, per linear foot | | | AMTFS | VE1CB | 0.003 | | | | | | | | | | | | | | | | |
| | Virtual Collocation - Co-Carrier Cross Connects - Copper/Coax Cable Support Structure, per linear ft | | | AMTFS | VE1CD | 0.0045 | | | | | | | | | | | | | | | | |
| | Virtual Collocation - Co-Carrier Cross Connects - Fiber Cable Support Structure, per cable | | | AMTFS | VE1CC | | | | | | | | | | | 535.55 | | | | | | |
| | Virtual Collocation - Co-Carrier Cross Connects - Copper/Coax Cable Support Structure, per cable | | | AMTFS | VE1CE | | | | | | | | | | | 535.55 | | | | | | |
| | Virtual collocation - Security Escort - Basic, per half hour | | | AMTFS | SPTBX | | | | | | | | | | | 33.98 | 21.53 | | | | | |
| | Virtual collocation - Security Escort - Overtime, per half hour | | | AMTFS | SPTOX | | | | | | | | | | | 44.26 | 27.81 | | | | | |
| | Virtual collocation - Security Escort - Premium, per half hour | | | AMTFS | SPTPX | | | | | | | | | | | 54.54 | 34.09 | | | | | |
| | Virtual collocation - Maintenance in CO - Basic, per half hour | | | AMTFS | CTRLX | | | | | | | | | | | 56.07 | 21.53 | | | | | |
| | Virtual collocation - Maintenance in CO - Overtime, per half hour | | | AMTFS | SPTOM | | | | | | | | | | | 73.23 | 27.81 | | | | | |
| | Virtual collocation - Maintenance in CO - Premium per half hour | | | AMTFS | SPTPM | | | | | | | | | | | 90.39 | 34.09 | | | | | |
| VIRTUAL COLLOCATION | | | | | | | | | | | | | | | | | | | | | | |
| | Virtual Collocation - 2-wire Cross Connect, Exchange Port 2-Wire Analog - Res | | | UEPSR | VE1R2 | 0.0309 | | | | | | | | | | | | | 7.86 | | | |
| | Virtual Collocation 2-Wire Cross Connect, Exchange Port 2-Wire Line Side PBX Trunk - Bus | | | UEPSP | VE1R2 | 0.0309 | | | | | | | | | | | | | 7.86 | | | |
| | Virtual Collocation 2-Wire Cross Connect, Exchange Port 2-Wire Voice Grade PBX Trunk - Res | | | UEPSE | VE1R2 | 0.0309 | | | | | | | | | | | | | 7.86 | | | |
| | Virtual Collocation 2-Wire Cross Connect, Exchange Port 2-Wire Analog Bus | | | UEPSB | VE1R2 | 0.0309 | | | | | | | | | | | | | 7.86 | | | |
| | Virtual Collocation 2-Wire Cross Connect, Exchange Port 2-Wire ISDN | | | UEPSX | VE1R2 | 0.0309 | | | | | | | | | | | | | 7.86 | | | |
| | Virtual Collocation 2-Wire Cross Connect, Exchange Port 2-Wire ISDN | | | UEPTX | VE1R2 | 0.0309 | | | | | | | | | | | | | 7.86 | | | |

| UNBUNDLED NETWORK ELEMENTS - Kentucky | | | | | | | | | | | Attachment: 2 | | Exhibit: B | | | | | | | | |
|--|---|---------|------|--------------|-------|-----------|----------------------------------|--------------------------------------|--|--|---|---|---------------|--------------|----------|-------------------------|--|-------|-------|-------|-------|
| CATEGORY | RATE ELEMENTS | Interim | Zone | BCS | USOC | RATES(\$) | Svc Order Submitted Elec per LSR | Svc Order Submitted Manually per LSR | Incremental Charge - Manual Svc Order vs. Electronic-1st | Incremental Charge - Manual Svc Order vs. Electronic-Add'l | Incremental Charge - Manual Svc Order vs. Electronic-Disc 1st | Incremental Charge - Manual Svc Order vs. Electronic-Disc Add'l | OSS Rates(\$) | | | | | | | | |
| | | | | | | | | | | | | | Rec | Nonrecurring | | Nonrecurring Disconnect | | SOMEK | SOMAN | SOMAN | SOMAN |
| | | | | | | | | | | | | | First | Add'l | First | Add'l | | | | | |
| | Virtual Collocation 4-Wire Cross Connect, Exchange Port 4-Wire ISDN DS1 | | | UEPEX | VE1R4 | 1.48 | | | | | | | 44.23 | 31.98 | 12.81 | 11.57 | | | | 7.86 | |
| VIRTUAL COLLOCATION | | | | | | | | | | | | | | | | | | | | | |
| | Virtual Collocation-2 Wire Cross Connects (Loop) for Line Splitting | | | UEPSR, UEPSB | VE1LS | 0.309 | | | | | | | 24.68 | 23.68 | 12.14 | 10.95 | | | | 7.86 | |
| AIN SELECTIVE CARRIER ROUTING | | | | | | | | | | | | | | | | | | | | | |
| | Regional Service Establishment | | | SRC | SRCEC | | | | | | | | 193,401.00 | 193,401.00 | 9,483.34 | 9,483.34 | | | | 7.86 | |
| | End Office Establishment | | | SRC | SRCEO | | | | | | | | 194.09 | 194.09 | 0.85 | 0.85 | | | | 7.86 | |
| | Line/Port NRC, per end user | | | SRC | SRCLP | | | | | | | | 2.06 | 2.06 | | | | | | 7.86 | |
| | Query NRC, per query | | | SRC | | 0.0037502 | | | | | | | | | | | | | | | |
| AIN - BELLSOUTH AIN SMS ACCESS SERVICE | | | | | | | | | | | | | | | | | | | | | |
| | AIN SMS Access Service - Service Establishment, Per State, Initial Setup | | | A1N | CAMSE | | | | | | | | 43.55 | 43.55 | 44.93 | 44.93 | | | | 7.86 | |
| | AIN SMS Access Service - Port Connection - Dial/Shared Access | | | A1N | CAMDP | | | | | | | | 8.64 | 8.64 | 10.03 | 10.03 | | | | 7.86 | |
| | AIN SMS Access Service - Port Connection - ISDN Access | | | A1N | CAM1P | | | | | | | | 8.64 | 8.64 | 10.03 | 10.03 | | | | 7.86 | |
| | AIN SMS Access Service - User Identification Codes - Per User ID Code | | | A1N | CAMAU | | | | | | | | 38.65 | 38.65 | 29.88 | 29.88 | | | | 7.86 | |
| | AIN SMS Access Service - Security Card, Per User ID Code, Initial or Replacement | | | A1N | CAMRC | | | | | | | | 75.08 | 75.08 | 12.93 | 12.93 | | | | 7.86 | |
| | AIN SMS Access Service - Storage, Per Unit (100 Kilobytes) | | | | | 0.0025 | | | | | | | | | | | | | | | |
| | AIN SMS Access Service - Session, Per Minute | | | | | 0.666 | | | | | | | | | | | | | | | |
| | AIN SMS Access Service - Company Performed Session, Per Minute | | | | | 0.4608 | | | | | | | | | | | | | | | |
| AIN - BELLSOUTH AIN TOOLKIT SERVICE | | | | | | | | | | | | | | | | | | | | | |
| | AIN Toolkit Service - Service Establishment Charge, Per State, Initial Setup | | | CAM | BAPSC | | | | | | | | 43.55 | 43.55 | 44.93 | 44.93 | | | | 7.86 | |
| | AIN Toolkit Service - Training Session, Per Customer | | | | BAPVX | | | | | | | | 8,436.93 | 8,436.93 | | | | | | 7.86 | |
| | AIN Toolkit Service - Trigger Access Charge, Per Trigger, Per DN, Term, Attempt | | | | BAPTT | | | | | | | | 8.64 | 8.64 | 10.03 | 10.03 | | | | 7.86 | |
| | AIN Toolkit Service - Trigger Access Charge, Per Trigger, Per DN, Off-Hook Delay | | | | BAPTD | | | | | | | | 8.64 | 8.64 | 10.03 | 10.03 | | | | 7.86 | |
| | AIN Toolkit Service - Trigger Access Charge, Per Trigger, Per DN, Off-Hook Immediate | | | | BAPTM | | | | | | | | 8.64 | 8.64 | 10.03 | 10.03 | | | | 7.86 | |
| | AIN Toolkit Service - Trigger Access Charge, Per Trigger, Per DN, 10-Digit PODP | | | | BAPTO | | | | | | | | 51.01 | 51.01 | 18.50 | 18.50 | | | | 7.86 | |
| | AIN Toolkit Service - Trigger Access Charge, Per Trigger, Per DN, CDP | | | | BAPTC | | | | | | | | 51.01 | 51.01 | 18.50 | 18.50 | | | | 7.86 | |
| | AIN Toolkit Service - Trigger Access Charge, Per Trigger, Per DN, Feature Code | | | | BAPTF | | | | | | | | 51.01 | 51.01 | 18.50 | 18.50 | | | | 7.86 | |
| | AIN Toolkit Service - Query Charge, Per Query | | | | | 0.0549207 | | | | | | | | | | | | | | | |
| | AIN Toolkit Service - Type 1 Node Charge, Per AIN Toolkit Subscription, Per Node, Per Query | | | | | 0.0066492 | | | | | | | | | | | | | | | |
| | AIN Toolkit Service - SCP Storage Charge, Per SMS Access Account, Per 100 Kilobytes | | | | | 0.07 | | | | | | | | | | | | | | | |
| | AIN Toolkit Service - Monthly report - Per AIN Toolkit Service Subscription | | | CAM | BAPMS | 7.87 | | | | | | | 8.64 | 8.64 | 6.08 | 6.08 | | | | 7.86 | |
| | AIN Toolkit Service - Special Study - Per AIN Toolkit Service Subscription | | | CAM | BAPLS | 3.26 | | | | | | | 9.56 | 9.56 | | | | | | 7.86 | |
| | AIN Toolkit Service - Call Event Report - Per AIN Toolkit Service Subscription | | | CAM | BAPDS | 4.72 | | | | | | | 8.64 | 8.64 | 6.08 | 6.08 | | | | 7.86 | |
| | AIN Toolkit Service - Call Event Special Study - Per AIN Toolkit Service Subscription | | | CAM | BAPES | 0.11 | | | | | | | 9.56 | 9.56 | | | | | | 7.86 | |
| ENHANCED EXTENDED LINK (EELs) | | | | | | | | | | | | | | | | | | | | | |
| NOTE: New EELs available in GA, TN, KY, LA, MS, & SC and density zone 1 of following MSAs: Orlando, FL; Miami, FL; Ft. Lauderdale, FL; | | | | | | | | | | | | | | | | | | | | | |
| NOTE: Charlotte-Gastonia-Rockhill, NC; Greensboro-Winston Salem-High Point, NC. Use all rates below except Switch As Is Charge. | | | | | | | | | | | | | | | | | | | | | |
| NOTE: in all states, EEL network elements shown below also apply to currently combined facilities which are converted to UNE rates. A Switch As Is Charge applies to currently combined facilities converted to UNEs.(Non-recurring rates do not apply.) | | | | | | | | | | | | | | | | | | | | | |
| NOTE: in GA, TN, KY, LA, MS & SC the EEL network elements apply to ordinarily combined network elements.(No Switch As Is Charge.) | | | | | | | | | | | | | | | | | | | | | |
| 2-WIRE VOICE GRADE EXTENDED LOOP WITH DEDICATED DS1 INTEROFFICE TRANSPORT (EEL) | | | | | | | | | | | | | | | | | | | | | |

| UNBUNDLED NETWORK ELEMENTS - Kentucky | | | | | | | | | | Attachment: 2 | | Exhibit: B | | | |
|--|--|---------|------|-------|-------|-----------|----------------------------------|--------------------------------------|--|--|---|---|-------|--------------|-------|
| CATEGORY | RATE ELEMENTS | Interim | Zone | BCS | USOC | RATES(\$) | Svc Order Submitted Elec per LSR | Svc Order Submitted Manually per LSR | Incremental Charge - Manual Svc Order vs. Electronic-1st | Incremental Charge - Manual Svc Order vs. Electronic-Add'l | Incremental Charge - Manual Svc Order vs. Electronic-Disc 1st | Incremental Charge - Manual Svc Order vs. Electronic-Disc Add'l | | | |
| | | | | | | | | | | | | | Rec | Nonrecurring | |
| | | | | | | | | | | | | | | | |
| | | | | | | | | | | SOMEc | SOMAN | SOMAN | SOMAN | SOMAN | SOMAN |
| | First 2-Wire VG Loop(SL2) in a DS1 Interofficed Transport Combination - Zone 1 | | 1 | UNCVX | UEAL2 | 12.67 | 125.22 | 60.48 | 59.69 | 7.84 | 7.86 | | | | |
| | First 2-Wire VG Grade Loop(SL2) in a DS1 Interofficed Transport Combination - Zone 2 | | 2 | UNCVX | UEAL2 | 17.45 | 125.22 | 60.48 | 59.69 | 7.84 | 7.86 | | | | |
| | First 2-Wire VG Grade Loop(SL2) in a DS1 Interofficed Transport Combination - Zone 3 | | 3 | UNCVX | UEAL2 | 33.22 | 125.22 | 60.48 | 59.69 | 7.84 | 7.86 | | | | |
| | Interoffice Transport - Dedicated - DS1 combination - Per Mile per month | | | UNC1X | 1L5XX | 0.19 | | | | | | | | | |
| | Interoffice Transport - Dedicated - DS1 combination - Facility Termination per month | | | UNC1X | U1TF1 | 79.02 | 181.24 | 123.53 | 56.72 | 22.32 | 7.86 | | | | |
| | DS1 Channelization System Per Month | | | UNC1X | MQ1 | 113.33 | 57.26 | 14.74 | 1.86 | 1.67 | 7.86 | | | | |
| | Voice Grade COCI - DS1 To Ds0 Interface - Per Month | | | UNCVX | 1D1VG | 0.62 | 6.71 | 4.84 | | | 7.86 | | | | |
| | Each Additional 2-Wire VG Loop(SL 2) in the same DS1 Interoffice Transport Combination - Zone 1 | | 1 | UNCVX | UEAL2 | 12.67 | 125.22 | 60.48 | 59.69 | 7.84 | 7.86 | | | | |
| | Each Additional 2-Wire VG Loop(SL2) in the same DS1 Interoffice Transport Combination - Zone 2 | | 2 | UNCVX | UEAL2 | 17.45 | 125.22 | 60.48 | 59.69 | 7.84 | 7.86 | | | | |
| | Each Additional 2-Wire VG Loop(SL2) in the same DS1 Interoffice Transport Combination - Zone 3 | | 3 | UNCVX | UEAL2 | 33.22 | 125.22 | 60.48 | 59.69 | 7.84 | 7.86 | | | | |
| | Voice Grade COCI - DS1 to DS0 Channel System combination - per month | | | UNCVX | 1D1VG | 0.62 | 6.71 | 4.84 | | | 7.86 | | | | |
| | Nonrecurring Currently Combined Network Elements Switch -As-Is Charge | | | UNC1X | UNCCC | | 8.98 | 8.98 | 11.17 | 11.17 | 7.86 | | | | |
| 4-WIRE VOICE GRADE EXTENDED LOOP WITH DEDICATED DS1 INTEROFFICE TRANSPORT (EEL) | | | | | | | | | | | | | | | |
| | First 4-Wire Analog Voice Grade Loop in a DS1 Interoffice Transport Combination - Zone 1 | | 1 | UNCVX | UEAL4 | 29.26 | 125.22 | 60.48 | 59.69 | 7.84 | 7.86 | | | | |
| | First 4-Wire Analog Voice Grade Loop in a DS1 Interoffice Transport Combination - Zone 2 | | 2 | UNCVX | UEAL4 | 34.25 | 125.22 | 60.48 | 59.69 | 7.84 | 7.86 | | | | |
| | First 4-Wire Analog Voice Grade Loop in a DS1 Interoffice Transport Combination - Zone 3 | | 3 | UNCVX | UEAL4 | 85.06 | 125.22 | 60.48 | 59.69 | 7.84 | 7.86 | | | | |
| | Interoffice Transport - Dedicated - DS1 combination - Per Mile Per Month | | | UNC1X | 1L5XX | 0.19 | | | | | | | | | |
| | Interoffice Transport - Dedicated - DS1 - Facility Termination Per Month | | | UNC1X | U1TF1 | 79.02 | 181.24 | 123.53 | 56.72 | 22.32 | 7.86 | | | | |
| | Channelization - Channel System DS1 to DS0 combination Per Month | | | UNC1X | MQ1 | 113.33 | 57.26 | 14.74 | 1.86 | 1.67 | 7.86 | | | | |
| | Voice Grade COCI - DS1 to DS0 Channel System combination - per month | | | UNCVX | 1D1VG | 0.62 | 6.71 | 4.84 | | | 7.86 | | | | |
| | Additional 4-Wire Analog Voice Grade Loop in same DS1 Interoffice Transport Combination - Zone 1 | | 1 | UNCVX | UEAL4 | 29.26 | 125.22 | 60.48 | 59.69 | 7.84 | 7.86 | | | | |
| | Additional 4-Wire Analog Voice Grade Loop in same DS1 Interoffice Transport Combination - Zone 2 | | 2 | UNCVX | UEAL4 | 34.25 | 125.22 | 60.48 | 59.69 | 7.84 | 7.86 | | | | |
| | Additional 4-Wire Analog Voice Grade Loop in same DS1 Interoffice Transport Combination - Zone 3 | | 3 | UNCVX | UEAL4 | 85.06 | 125.22 | 60.48 | 59.69 | 7.84 | 7.86 | | | | |
| | Voice Grade COCI - DS1 to DS0 Channel System combination - per month | | | UNCVX | 1D1VG | 0.62 | 6.71 | 4.84 | | | 7.86 | | | | |
| | Nonrecurring Currently Combined Network Elements Switch -As-Is Charge | | | UNC1X | UNCCC | | 8.98 | 8.98 | 11.17 | 11.17 | 7.86 | | | | |
| 4-WIRE 56 KBPS EXTENDED DIGITAL LOOP WITH DEDICATED DS1 INTEROFFICE TRANSPORT (EEL) | | | | | | | | | | | | | | | |
| | First 4-Wire 56Kbps Digital Grade Loop in a DS1 Interoffice Transport Combination - Zone 1 | | 1 | UNCDX | UDL56 | 27.59 | 125.22 | 60.48 | 59.69 | 7.84 | 7.86 | | | | |
| | First 4-wire 56Kbps Digital Grade Loop in a DS1 Interoffice Transport Combination - Zone 2 | | 2 | UNCDX | UDL56 | 32.48 | 125.22 | 60.48 | 59.69 | 7.84 | 7.86 | | | | |
| | First 4-Wire 56Kbps Digital Grade Loop in a DS1 Interoffice Transport Combination - Zone 3 | | 3 | UNCDX | UDL56 | 36.37 | 125.22 | 60.48 | 59.69 | 7.84 | 7.86 | | | | |
| | Interoffice Transport - Dedicated - DS1 combination - Per Mile Per Month | | | UNC1X | 1L5XX | 0.19 | | | | | | | | | |
| | Interoffice Transport - Dedicated - DS1 - combination Facility Termination Per Month | | | UNC1X | U1TF1 | 79.02 | 181.24 | 123.53 | 56.72 | 22.32 | 7.86 | | | | |

| UNBUNDLED NETWORK ELEMENTS - Kentucky | | | | | | | | | | Attachment: 2 | | Exhibit: B | | | | | | | | | | | |
|--|---|---------|------|-------|-------|-----------|----------------------------------|--------------------------------------|--|--|---|---|---------------|--------------|-------|-------------------------|--|-------|-------|-------|-------|-------|-------|
| CATEGORY | RATE ELEMENTS | Interim | Zone | BCS | USOC | RATES(\$) | Svc Order Submitted Elec per LSR | Svc Order Submitted Manually per LSR | Incremental Charge - Manual Svc Order vs. Electronic-1st | Incremental Charge - Manual Svc Order vs. Electronic-Add'l | Incremental Charge - Manual Svc Order vs. Electronic-Disc 1st | Incremental Charge - Manual Svc Order vs. Electronic-Disc Add'l | OSS Rates(\$) | | | | | | | | | | |
| | | | | | | | | | | | | | Rec | Nonrecurring | | Nonrecurring Disconnect | | SOMEc | SOMAN | SOMAN | SOMAN | SOMAN | SOMAN |
| | | | | | | | | | | | | | First | Add'l | First | Add'l | | | | | | | |
| | Channelization - Channel System DS1 to DS0 combination Per Month | | | UNC1X | MQ1 | 113.33 | | | | | | | 57.26 | 14.74 | 1.86 | 1.67 | | | | | | | 7.86 |
| | OCU-DP COCI (data) - DS1 to DS0 Channel System - per month (2.4-64kbs) | | | UNC1X | MQ1 | 113.33 | | | | | | | 57.26 | 14.74 | 1.86 | 1.67 | | | | | | | 7.86 |
| | Additional 4-Wire 56Kbps Digital Grade Loopin same DS1 Interoffice Transport Combination - Zone 1 | | 1 | UNC1X | UDL56 | 27.59 | | | | | | | 125.22 | 60.48 | 59.69 | 7.84 | | | | | | | 7.86 |
| | Additional 4-Wire 56Kbps Digital Grade Loopin same DS1 Interoffice Transport Combination - Zone 2 | | 2 | UNC1X | UDL56 | 32.48 | | | | | | | 125.22 | 60.48 | 59.69 | 7.84 | | | | | | | 7.86 |
| | Additional 4-Wire 56Kbps Digital Grade Loopin same DS1 Interoffice Transport Combination - Zone 3 | | 3 | UNC1X | UDL56 | 36.37 | | | | | | | 125.22 | 60.48 | 59.69 | 7.84 | | | | | | | 7.86 |
| | OCU-DP COCI (data) - DS1 to DS0 Channel System - combination per month (2.4-64kbs) | | | UNC1X | UDL56 | 36.37 | | | | | | | 125.22 | 60.48 | 59.69 | 7.84 | | | | | | | 7.86 |
| | Nonrecurring Currently Combined Network Elements Switch -As-Is Charge | | | UNC1X | UNCCC | | | | | | | | 8.98 | 8.98 | 11.17 | 11.17 | | | | | | | 7.86 |
| 4-WIRE 64 KBPS EXTENDED DIGITAL LOOP WITH DEDICATED DS1 INTEROFFICE TRANSPORT (EEL) | | | | | | | | | | | | | | | | | | | | | | | |
| | First 4-Wire 64Kbps Digital Grade Loop in a DS1 Interoffice Transport Combination - Zone 1 | | 1 | UNC1X | UDL64 | 27.59 | | | | | | | 125.22 | 60.48 | 59.69 | 7.84 | | | | | | | 7.86 |
| | First 4-Wire 64Kbps Digital Grade Loop in a DS1 Interoffice Transport Combination - Zone 2 | | 2 | UNC1X | UDL64 | 32.48 | | | | | | | 125.22 | 60.48 | 59.69 | 7.84 | | | | | | | 7.86 |
| | First 4-Wire 64Kbps Digital Grade Loop in a DS1 Interoffice Transport Combination - Zone 3 | | 3 | UNC1X | UDL64 | 36.37 | | | | | | | 125.22 | 60.48 | 59.69 | 7.84 | | | | | | | 7.86 |
| | Interoffice Transport - Dedicated - DS1 combination - Per Mile Per Month | | | UNC1X | 1L5XX | 0.19 | | | | | | | | | | | | | | | | | |
| | Interoffice Transport - Dedicated - DS1 combination - Facility Termination Per Month | | | UNC1X | U1TF1 | 79.02 | | | | | | | 181.24 | 123.53 | 56.72 | 22.32 | | | | | | | 7.86 |
| | Channelization - Channel System DS1 to DS0 combination Per Month | | | UNC1X | MQ1 | 113.33 | | | | | | | 57.26 | 14.74 | 1.86 | 1.67 | | | | | | | 7.86 |
| | OCU-DP COCI (data) - DS1 to DS0 Channel System combination - per month (2.4-64kbs) | | | UNC1X | MQ1 | 113.33 | | | | | | | 57.26 | 14.74 | 1.86 | 1.67 | | | | | | | 7.86 |
| | Additional 4-Wire 64Kbps Digital Grade Loopin same DS1 Interoffice Transport Combination - Zone 1 | | 1 | UNC1X | UDL64 | 27.59 | | | | | | | 125.22 | 60.48 | 59.69 | 7.84 | | | | | | | 7.86 |
| | Additional 4-Wire 64Kbps Digital Grade Loopin same DS1 Interoffice Transport Combination - Zone 2 | | 2 | UNC1X | UDL64 | 32.48 | | | | | | | 125.22 | 60.48 | 59.69 | 7.84 | | | | | | | 7.86 |
| | Additional 4-Wire 64Kbps Digital Grade Loopin same DS1 Interoffice Transport Combination - Zone 3 | | 3 | UNC1X | UDL64 | 36.37 | | | | | | | 125.22 | 60.48 | 59.69 | 7.84 | | | | | | | 7.86 |
| | OCU-DP COCI (data) - DS1 to DS0 Channel System combination - per month (2.4-64kbs) | | | UNC1X | UDL64 | 36.37 | | | | | | | 125.22 | 60.48 | 59.69 | 7.84 | | | | | | | 7.86 |
| | Nonrecurring Currently Combined Network Elements Switch -As-Is Charge | | | UNC1X | UNCCC | | | | | | | | 8.98 | 8.98 | 11.17 | 11.17 | | | | | | | 7.86 |
| 4-WIRE DS1 DIGITAL EXTENDED LOOP WITH DEDICATED DS1 INTEROFFICE TRANSPORT (EEL) | | | | | | | | | | | | | | | | | | | | | | | |
| | 4-Wire DS1 Digital Loop in Combination with DS1 Interoffice Transport - Zone 1 | | 1 | UNC1X | USLXX | 86.47 | | | | | | | 210.70 | 114.60 | 63.96 | 17.97 | | | | | | | 7.86 |
| | 4-Wire DS1 Digital Loop in Combination with DS1 Interoffice Transport - Zone 2 | | 2 | UNC1X | USLXX | 114.10 | | | | | | | 210.70 | 114.60 | 63.96 | 17.97 | | | | | | | 7.86 |
| | 4-Wire DS1 Digital Loop in Combination with DS1 Interoffice Transport - Zone 3 | | 3 | UNC1X | USLXX | 297.76 | | | | | | | 210.70 | 114.60 | 63.96 | 17.97 | | | | | | | 7.86 |
| | Interoffice Transport - Dedicated - DS1 combination - Per Mile Per Month | | | UNC1X | 1L5XX | 0.19 | | | | | | | | | | | | | | | | | |
| | Interoffice Transport - Dedicated - DS1 combination - Facility Termination Per Month | | | UNC1X | U1TF1 | 79.02 | | | | | | | 181.24 | 123.53 | 56.72 | 22.32 | | | | | | | 7.86 |
| | Nonrecurring Currently Combined Network Elements Switch -As-Is Charge | | | UNC1X | UNCCC | | | | | | | | 8.98 | 8.98 | 11.17 | 11.17 | | | | | | | 7.86 |
| 4-WIRE DS1 DIGITAL EXTENDED LOOP WITH DEDICATED DS3 INTEROFFICE TRANSPORT (EEL) | | | | | | | | | | | | | | | | | | | | | | | |
| | First DS1Loop in DS3 Interoffice Transport Combination - Zone 1 | | 1 | UNC1X | USLXX | 86.47 | | | | | | | 210.70 | 114.60 | 63.96 | 17.97 | | | | | | | 7.86 |
| | First DS1Loop in DS3 Interoffice Transport Combination - Zone 2 | | 2 | UNC1X | USLXX | 114.10 | | | | | | | 210.70 | 114.60 | 63.96 | 17.97 | | | | | | | 7.86 |
| | First DS1Loop in DS3 Interoffice Transport Combination - Zone 3 | | 3 | UNC1X | USLXX | 297.76 | | | | | | | 210.70 | 114.60 | 63.96 | 17.97 | | | | | | | 7.86 |

| UNBUNDLED NETWORK ELEMENTS - Kentucky | | | | | | | | | | | Attachment: 2 | | Exhibit: B | | | | | | | | | | |
|---|---|---------|------|-------|-------|-----------|----------------------------------|--------------------------------------|--|--|---|---|---------------|--------------|-------|-------------------------|--|-------|-------|-------|-------|-------|-------|
| CATEGORY | RATE ELEMENTS | Interim | Zone | BCS | USOC | RATES(\$) | Svc Order Submitted Elec per LSR | Svc Order Submitted Manually per LSR | Incremental Charge - Manual Svc Order vs. Electronic-1st | Incremental Charge - Manual Svc Order vs. Electronic-Add'l | Incremental Charge - Manual Svc Order vs. Electronic-Disc 1st | Incremental Charge - Manual Svc Order vs. Electronic-Disc Add'l | OSS Rates(\$) | | | | | | | | | | |
| | | | | | | | | | | | | | Rec | Nonrecurring | | Nonrecurring Disconnect | | SOMEc | SOMAN | SOMAN | SOMAN | SOMAN | SOMAN |
| | | | | | | | | | | | | | First | Add'l | First | Add'l | | | | | | | |
| | Interoffice Transport - Dedicated - DS3 combination - Per Mile Per Month | | | UNC3X | 1L5XX | 4.09 | | | | | | | | | | | | | | | | | |
| | Interoffice Transport - Dedicated - DS3 - Facility Termination per month | | | UNC3X | U1TF3 | 966.89 | 350.56 | 141.58 | 48.00 | 23.39 | | 7.86 | | | | | | | | | | | |
| | DS3 to DS1 Channel System combination per month | | | UNC3X | MQ3 | 158.20 | 115.48 | 56.53 | 15.12 | 5.30 | | 7.86 | | | | | | | | | | | |
| | DS3 Interface Unit (DS1 COC) combination per month | | | UNC1X | UC1D1 | 11.80 | 6.71 | 4.84 | | | | 7.86 | | | | | | | | | | | |
| | Additional DS1Loop in DS3 Interoffice Transport Combination - Zone 1 | | 1 | UNC1X | USLXX | 86.47 | 210.70 | 114.60 | 63.96 | 17.97 | | 7.86 | | | | | | | | | | | |
| | Additional DS1Loop in DS3 Interoffice Transport Combination - Zone 2 | | 2 | UNC1X | USLXX | 114.10 | 210.70 | 114.60 | 63.96 | 17.97 | | 7.86 | | | | | | | | | | | |
| | Additional DS1Loop in DS3 Interoffice Transport Combination - Zone 3 | | 3 | UNC1X | USLXX | 297.76 | 210.70 | 114.60 | 63.96 | 17.97 | | 7.86 | | | | | | | | | | | |
| | DS3 Interface Unit (DS1 COC) combination per month | | | UNC1X | UC1D1 | 11.80 | 6.71 | 4.84 | | | | 7.86 | | | | | | | | | | | |
| | Nonrecurring Currently Combined Network Elements Switch -As-Is Charge | | | UNC3X | UNCCC | | 8.98 | 8.98 | 11.17 | 11.17 | | 7.86 | | | | | | | | | | | |
| 2-WIRE VOICE GRADE EXTENDED LOOP/ 2 WIRE VOICE GRADE INTEROFFICE TRANSPORT (EEL) | | | | | | | | | | | | | | | | | | | | | | | |
| | 2-WireVG Loop used with 2-wire VG Interoffice Transport Combination - Zone 1 | | 1 | UNCVX | UEAL2 | 12.67 | 125.22 | 60.48 | 59.69 | 7.84 | | 7.86 | | | | | | | | | | | |
| | 2-WireVG Loop used with 2-wire VG Interoffice Transport Combination - Zone 2 | | 2 | UNCVX | UEAL2 | 17.45 | 125.22 | 60.48 | 59.69 | 7.84 | | 7.86 | | | | | | | | | | | |
| | 2-WireVG Loop used with 2-wire VG Interoffice Transport Combination - Zone 3 | | 3 | UNCVX | UEAL2 | 33.22 | 125.22 | 60.48 | 59.69 | 7.84 | | 7.86 | | | | | | | | | | | |
| | Interoffice Transport - Dedicated - 2-wire VG combination - Per Mile Per Month | | | UNCVX | 1L5XX | 0.01 | | | | | | | | | | | | | | | | | |
| | Interoffice Transport - Dedicated - 2-Wire Voice Grade combination - Facility Termination per month | | | UNCVX | U1TV2 | 23.95 | 98.09 | 53.67 | 56.31 | 22.42 | | 7.86 | | | | | | | | | | | |
| | Nonrecurring Currently Combined Network Elements Switch -As-Is Charge | | | UNCVX | UNCCC | | 8.98 | 8.98 | 11.17 | 11.17 | | 7.86 | | | | | | | | | | | |
| 4-WIRE VOICE GRADE EXTENDED LOOP/ 4 WIRE VOICE GRADE INTEROFFICE TRANSPORT (EEL) | | | | | | | | | | | | | | | | | | | | | | | |
| | 4-WireVG Loop used with 4-wire VG Interoffice Transport Combination - Zone 1 | | 1 | UNCVX | UEAL4 | 29.26 | 125.22 | 60.48 | 59.69 | 7.84 | | 7.86 | | | | | | | | | | | |
| | 4-WireVG Loop used with 4-wire VG Interoffice Transport Combination - Zone 2 | | 2 | UNCVX | UEAL4 | 34.25 | 125.22 | 60.48 | 59.69 | 7.84 | | 7.86 | | | | | | | | | | | |
| | 4-WireVG Loop used with 4-wire VG Interoffice Transport Combination - Zone 3 | | 3 | UNCVX | UEAL4 | 85.06 | 125.22 | 60.48 | 59.69 | 7.84 | | 7.86 | | | | | | | | | | | |
| | Interoffice Transport - Dedicated - 4-wire VG combination - Per Mile Per Month | | | UNCVX | 1L5XX | 0.01 | | | | | | | | | | | | | | | | | |
| | Interoffice Transport - Dedicated - 4-Wire Voice Grade combination - Facility Termination per month | | | UNCVX | U1TV4 | 21.28 | 98.09 | 53.67 | 56.31 | 22.42 | | 7.86 | | | | | | | | | | | |
| | Nonrecurring Currently Combined Network Elements Switch -As-Is Charge | | | UNCVX | UNCCC | | 8.98 | 8.98 | 11.17 | 11.17 | | 7.86 | | | | | | | | | | | |
| DS3 DIGITAL EXTENDED LOOP WITH DEDICATED DS3 INTEROFFICE TRANSPORT (EEL) | | | | | | | | | | | | | | | | | | | | | | | |
| | High Capacity Unbundled Local Loop - DS3 combination - Per Mile per month | | | UNC3X | 1L5ND | 9.25 | | | | | | | | | | | | | | | | | |
| | High Capacity Unbundled Local Loop - DS3 combination - Facility Termination per month | | | UNC3X | UE3PX | 308.31 | 237.36 | 147.69 | 83.43 | 32.67 | | 7.86 | | | | | | | | | | | |
| | Interoffice Transport - Dedicated - DS3 - Per Mile per month | | | UNC3X | 1L5XX | 4.09 | | | | | | | | | | | | | | | | | |
| | Interoffice Transport - Dedicated - DS3 combination - Facility Termination per month | | | UNC3X | U1TF3 | 966.89 | 350.56 | 141.58 | 48.00 | 23.39 | | 7.86 | | | | | | | | | | | |
| | Nonrecurring Currently Combined Network Elements Switch -As-Is Charge | | | UNC3X | UNCCC | | 8.98 | 8.98 | 11.17 | 11.17 | | 7.86 | | | | | | | | | | | |
| STS1 DIGITAL EXTENDED LOOP WITH DEDICATED STS1 INTEROFFICE TRANSPORT (EEL) | | | | | | | | | | | | | | | | | | | | | | | |
| | High Capacity Unbundled Local Loop - STS1 combination - Per Mile per month | | | UNCSX | 1L5ND | 9.25 | | | | | | | | | | | | | | | | | |
| | High Capacity Unbundled Local Loop - STS1 combination - Facility Termination per month | | | UNCSX | UDLS1 | 320.51 | 237.36 | 147.69 | 83.43 | 32.67 | | 7.86 | | | | | | | | | | | |
| | Interoffice Transport - Dedicated - STS1 combination - Per Mile per month | | | UNCSX | 1L5XX | 4.09 | | | | | | | | | | | | | | | | | |

| UNBUNDLED NETWORK ELEMENTS - Kentucky | | | | | | | | | | | Attachment: 2 | | Exhibit: B | | | | | | | | |
|--|---|---------|------|-------|-------|-----------|----------------------------------|--------------------------------------|--|--|---|---|---------------|--------------|-------|-------------------------|--|-------|-------|-------|-------|
| CATEGORY | RATE ELEMENTS | Interim | Zone | BCS | USOC | RATES(\$) | Svc Order Submitted Elec per LSR | Svc Order Submitted Manually per LSR | Incremental Charge - Manual Svc Order vs. Electronic-1st | Incremental Charge - Manual Svc Order vs. Electronic-Add'l | Incremental Charge - Manual Svc Order vs. Electronic-Disc 1st | Incremental Charge - Manual Svc Order vs. Electronic-Disc Add'l | OSS Rates(\$) | | | | | | | | |
| | | | | | | | | | | | | | Rec | Nonrecurring | | Nonrecurring Disconnect | | SOMEc | SOMAN | SOMAN | SOMAN |
| | | | | | | | | | | | | | First | Add'l | First | Add'l | | | | | |
| | Interoffice Transport - Dedicated - STS1 combination - Facility Termination per month | | | UNCSX | U1TFS | 945.79 | | | | | | | 350.56 | 141.58 | 48.00 | 23.39 | | | | | 7.86 |
| | Nonrecurring Currently Combined Network Elements Switch -As-Is Charge | | | UNCSX | UNCCC | | | | | | | | 8.98 | 8.98 | 11.17 | 11.17 | | | | | 7.86 |
| 2-WIRE ISDN EXTENDED LOOP WITH DS1 INTEROFFICE TRANSPORT (EEL) | | | | | | | | | | | | | | | | | | | | | |
| | First 2-Wire ISDN Loop in a DS1 Interoffice Combination Transport - Zone 1 | | 1 | UNCNX | U1L2X | 18.44 | | | | | | | 125.22 | 60.48 | 59.69 | 7.84 | | | | | 7.86 |
| | First 2-Wire ISDN Loop in a DS1 Interoffice Combination Transport - Zone 2 | | 2 | UNCNX | U1L2X | 25.08 | | | | | | | 125.22 | 60.48 | 59.69 | 7.84 | | | | | 7.86 |
| | First 2-Wire ISDN Loop in a DS1 Interoffice Combination Transport - Zone 3 | | 3 | UNCNX | U1L2X | 42.87 | | | | | | | 125.22 | 60.48 | 59.69 | 7.84 | | | | | 7.86 |
| | Interoffice Transport - Dedicated - DS1 combination - Per Mile | | | UNC1X | 1L5XX | 0.19 | | | | | | | | | | | | | | | |
| | Interoffice Transport - Dedicated - DS1 combination - Facility Termination per month | | | UNC1X | U1TF1 | 79.02 | | | | | | | 181.24 | 123.53 | 56.72 | 22.32 | | | | | 7.86 |
| | Channelization - Channel System DS1 to DS0 combination - per month | | | UNC1X | MQ1 | 113.33 | | | | | | | 57.26 | 14.74 | 1.86 | 1.67 | | | | | 7.86 |
| | 2-wire ISDN COCI (BRITE) - DS1 to DS0 Channel System combination - per month | | | UNCNX | UC1CA | 2.84 | | | | | | | 6.71 | 4.84 | | | | | | | 7.86 |
| | Additional 2-wire ISDN Loop in same DS1Interoffice Transport Combination - Zone 1 | | 1 | UNCNX | U1L2X | 18.44 | | | | | | | 125.22 | 60.48 | 59.69 | 7.84 | | | | | 7.86 |
| | Additional 2-wire ISDN Loop in same DS1Interoffice Transport Combination - Zone 2 | | 2 | UNCNX | U1L2X | 25.08 | | | | | | | 125.22 | 60.48 | 59.69 | 7.84 | | | | | 7.86 |
| | Additional 2-wire ISDN Loop in same DS1Interoffice Transport Combination - Zone 3 | | 3 | UNCNX | U1L2X | 42.87 | | | | | | | 125.22 | 60.48 | 59.69 | 7.84 | | | | | 7.86 |
| | 2-wire ISDN COCI (BRITE) - DS1 to DS0 Channel System combaintaion- per month | | | UNCNX | UC1CA | 2.84 | | | | | | | 6.71 | 4.84 | | | | | | | 7.86 |
| | Nonrecurring Currently Combined Network Elements Switch -As-Is Charge | | | UNC1X | UNCCC | | | | | | | | 8.98 | 8.98 | 11.17 | 11.17 | | | | | 7.86 |
| 4-WIRE DS1 DIGITAL EXTENDED LOOP WITH DEDICATED STS-1 INTEROFFICE TRANSPORT (EEL) | | | | | | | | | | | | | | | | | | | | | |
| | First DS1 Loop in STS1 Interoffice Transport Combination - Zone 1 | | 1 | UNC1X | USLXX | 86.47 | | | | | | | 210.70 | 114.60 | 63.96 | 17.97 | | | | | 7.86 |
| | First DS1 Loop in STS1 Interoffice Transport Combination - Zone 2 | | 2 | UNC1X | USLXX | 114.10 | | | | | | | 210.70 | 114.60 | 63.96 | 17.97 | | | | | 7.86 |
| | First DS1 Loop in STS1 Interoffice Transport Combination - Zone 3 | | 3 | UNC1X | USLXX | 297.76 | | | | | | | 210.70 | 114.60 | 63.96 | 17.97 | | | | | 7.86 |
| | Interoffice Transport - Dedicated - STS1 combination - Per Mile Per Month | | | UNCSX | 1L5XX | 4.09 | | | | | | | | | | | | | | | |
| | Interoffice Transport - Dedicated - STS1 combination - Facility Termination | | | UNCSX | U1TFS | 945.79 | | | | | | | 350.56 | 141.58 | 48.00 | 23.39 | | | | | 7.86 |
| | STS1 to DS1 Channel System combination per month | | | UNCSX | MQ3 | 158.20 | | | | | | | 115.48 | 56.53 | 15.12 | 5.30 | | | | | 7.86 |
| | DS3 Interface Unit (DS1 COCI) combination per month | | | UNC1X | UC1D1 | 11.80 | | | | | | | 6.71 | 4.84 | | | | | | | 7.86 |
| | Additional DS1Loop in STS1 Interoffice Transport Combination - Zone 1 | | 1 | UNC1X | USLXX | 86.47 | | | | | | | 210.70 | 114.60 | 63.96 | 17.97 | | | | | 7.86 |
| | Additional DS1Loop in STS1 Interoffice Transport Combination - Zone 2 | | 2 | UNC1X | USLXX | 114.10 | | | | | | | 210.70 | 114.60 | 63.96 | 17.97 | | | | | 7.86 |
| | Additional DS1Loop in STS1 Interoffice Transport Combination - Zone 3 | | 3 | UNC1X | USLXX | 297.76 | | | | | | | 210.70 | 114.60 | 63.96 | 17.97 | | | | | 7.86 |
| | DS3 Interface Unit (DS1 COCI) combination per month | | | UNC1X | UC1D1 | 11.80 | | | | | | | 6.71 | 4.84 | | | | | | | 7.86 |
| | Nonrecurring Currently Combined Network Elements Switch -As-Is Charge | | | UNCSX | UNCCC | | | | | | | | 8.98 | 8.98 | 11.17 | 11.17 | | | | | 7.86 |
| 4-WIRE 56 KBPS DIGITAL EXTENDED LOOP WITH 56 KBPS INTEROFFICE TRANSPORT (EEL) | | | | | | | | | | | | | | | | | | | | | |
| | 4-wire 56 kbps Loop/4-wire 56 kbps Interoffice Transport Combination - Zone 1 | | 1 | UNCDX | UDL56 | 27.59 | | | | | | | 125.22 | 60.48 | 59.69 | 7.84 | | | | | 7.86 |
| | 4-wire 56 kbps Loop/4-wire 56 kbps Interoffice Transport Combination - Zone 2 | | 2 | UNCDX | UDL56 | 32.48 | | | | | | | 125.22 | 60.48 | 59.69 | 7.84 | | | | | 7.86 |
| | 4-wire 56 kbps Loop/4-wire 56 kbps Interoffice Transport Combination - Zone 3 | | 3 | UNCDX | UDL56 | 36.37 | | | | | | | 125.22 | 60.48 | 59.69 | 7.84 | | | | | 7.86 |
| | Interoffice Transport - Dedicated - 4-wire 56 kbps combination - Per Mile | | | UNCDX | 1L5XX | 0.01 | | | | | | | | | | | | | | | |

| UNBUNDLED NETWORK ELEMENTS - Kentucky | | | | | | | | | | Attachment: 2 | | Exhibit: B | | | | | | | | | | | |
|---|--|---------|------|-------|-------|-----------|----------------------------------|--------------------------------------|--|--|---|---|---------------|--------------|--------|-------------------------|--|-------|-------|-------|-------|-------|-------|
| CATEGORY | RATE ELEMENTS | Interim | Zone | BCS | USOC | RATES(\$) | Svc Order Submitted Elec per LSR | Svc Order Submitted Manually per LSR | Incremental Charge - Manual Svc Order vs. Electronic-1st | Incremental Charge - Manual Svc Order vs. Electronic-Add'l | Incremental Charge - Manual Svc Order vs. Electronic-Disc 1st | Incremental Charge - Manual Svc Order vs. Electronic-Disc Add'l | OSS Rates(\$) | | | | | | | | | | |
| | | | | | | | | | | | | | Rec | Nonrecurring | | Nonrecurring Disconnect | | SOMEc | SOMAN | SOMAN | SOMAN | SOMAN | SOMAN |
| | | | | | | | | | | | | | First | Add'l | First | Add'l | | | | | | | |
| | Interoffice Transport - Dedicated - 4-wire 56 kbps combination - Facility Termination | | | UNCDX | U1TD5 | 17.25 | | | | | | | 98.09 | 53.67 | 56.31 | 22.42 | | | | | | 7.86 | |
| | Nonrecurring Currently Combined Network Elements Switch -As-Is Charge | | | UNCDX | UNCCC | | | | | | | | 8.98 | 8.98 | 11.17 | 11.17 | | | | | | 7.86 | |
| 4-WIRE 64 KBPS DIGITAL EXTENDED LOOP WITH 64 KBPS INTEROFFICE TRANSPORT (EEL) | | | | | | | | | | | | | | | | | | | | | | | |
| | 4-wire 64 kbps Loop/4-wire 64 kbps Interoffice Transport Combination - Zone 1 | | 1 | UNCDX | UDL64 | 27.59 | | | | | | | 125.22 | 60.48 | 59.69 | 7.84 | | | | | | 7.86 | |
| | 4-wire 64 kbps Loop/4-wire 64 kbps Interoffice Transport Combination - Zone 2 | | 2 | UNCDX | UDL64 | 32.48 | | | | | | | 125.22 | 60.48 | 59.69 | 7.84 | | | | | | 7.86 | |
| | 4-wire 64 kbps Loop/4-wire 64 kbps Interoffice Transport Combination - Zone 3 | | 3 | UNCDX | UDL64 | 36.37 | | | | | | | 125.22 | 60.48 | 59.69 | 7.84 | | | | | | 7.86 | |
| | Interoffice Transport - Dedicated - 4-wire 64 kbps combination - Per Mile | | | UNCDX | 1L5XX | 0.01 | | | | | | | | | | | | | | | | | |
| | Interoffice Transport - Dedicated - 4-wire 64 kbps combination - Facility Termination | | | UNCDX | U1TD6 | 17.25 | | | | | | | 98.09 | 53.67 | 56.31 | 22.42 | | | | | | 7.86 | |
| | Nonrecurring Currently Combined Network Elements Switch -As-Is Charge | | | UNCDX | UNCCC | | | | | | | | 8.98 | 8.98 | 11.17 | 11.17 | | | | | | 7.86 | |
| ADDITIONAL NETWORK ELEMENTS | | | | | | | | | | | | | | | | | | | | | | | |
| When used as a part of a currently combined facility, the non-recurring charges do not apply, but a Switch As Is charge does apply. | | | | | | | | | | | | | | | | | | | | | | | |
| When used as ordinarily combined network elements in Kentucky, the non-recurring charges apply and the Switch As Is Charge does not. | | | | | | | | | | | | | | | | | | | | | | | |
| Nonrecurring Currently Combined Network Elements "Switch As Is" Charge (One applies to each combination) | | | | | | | | | | | | | | | | | | | | | | | |
| | Nonrecurring Currently Combined Network Elements Switch -As-Is Charge - 2 wire/4-Wire VG | | | UNCVX | UNCCC | | | | | | | | 8.98 | 8.98 | 11.17 | 11.17 | | | | | | 7.86 | |
| | Nonrecurring Currently Combined Network Elements Switch -As-Is Charge - 56/64 kbps | | | UNCDX | UNCCC | | | | | | | | 8.98 | 8.98 | 11.17 | 11.17 | | | | | | 7.86 | |
| | Nonrecurring Currently Combined Network Elements Switch -As-Is Charge - DS1 | | | UNC1X | UNCCC | | | | | | | | 8.98 | 8.98 | 11.17 | 11.17 | | | | | | 7.86 | |
| | Nonrecurring Currently Combined Network Elements Switch -As-Is Charge - DS3 | | | UNC3X | UNCCC | | | | | | | | 8.98 | 8.98 | 11.17 | 11.17 | | | | | | 7.86 | |
| | Nonrecurring Currently Combined Network Elements Switch -As-Is Charge - STS1 | | | UNCSX | UNCCC | | | | | | | | 8.98 | 8.98 | 11.17 | 11.17 | | | | | | 7.86 | |
| NOTE: Local Channel - Dedicated Transport - minimum billing period - Below DS3=one month, DS3 and above=four months | | | | | | | | | | | | | | | | | | | | | | | |
| | Local Channel - Dedicated - 2-Wire Voice Grade per month | | | UNCXV | ULDV2 | 18.57 | | | | | | | 265.78 | 46.96 | 46.79 | 4.98 | | | | | | 7.86 | |
| | Local Channel - Dedicated - 4-Wire Voice Grade per month | | | UNCXV | ULDV4 | 19.86 | | | | | | | 266.48 | 47.65 | 47.54 | 5.73 | | | | | | 7.86 | |
| | Local Channel - Dedicated - DS1 per month Zone 1 | | 1 | UNC1X | ULDF1 | 40.46 | | | | | | | 209.60 | 176.51 | 30.21 | 21.07 | | | | | | 7.86 | |
| | Local Channel - Dedicated - DS1 Per Month Zone 2 | | 2 | UNC1X | ULDF1 | 43.39 | | | | | | | 209.60 | 176.51 | 30.21 | 21.07 | | | | | | 7.86 | |
| | Local Channel - Dedicated - DS1 - Per Month Zone 3 | | 3 | UNC1X | ULDF1 | 164.50 | | | | | | | 209.60 | 176.51 | 30.21 | 21.07 | | | | | | 7.86 | |
| | Local Channel - Dedicated - DS3 - Per Mile per month | | | UNC3X | 1L5NC | 8.74 | | | | | | | | | | | | | | | | | |
| | Local Channel - Dedicated - DS3 - Facility Termination per month | | | UNC3X | ULDF3 | 576.05 | | | | | | | 551.38 | 338.08 | 173.00 | 120.42 | | | | | | 7.86 | |
| | Local Channel - Dedicated - STS-1 - Per Mile per month | | | UNCSX | 1L5NC | 8.74 | | | | | | | | | | | | | | | | | |
| | Local Channel - Dedicated - STS-1 - Facility Termination per month | | | UNCSX | ULDFS | 543.24 | | | | | | | 551.38 | 338.08 | 173.00 | 120.42 | | | | | | 7.86 | |
| UNBUNDLED LOCAL EXCHANGE SWITCHING(PORTS) | | | | | | | | | | | | | | | | | | | | | | | |
| Exchange Ports | | | | | | | | | | | | | | | | | | | | | | | |
| NOTE: Although the Port Rate includes all available features in GA, KY, LA & TN, the desired features will need to be ordered using retail USOCs | | | | | | | | | | | | | | | | | | | | | | | |
| 2-WIRE VOICE GRADE LINE PORT RATES (RES) | | | | | | | | | | | | | | | | | | | | | | | |
| | Exchange Ports - 2-Wire Analog Line Port- Res. | | | UEPSR | UEPRL | 1.49 | | | | | | | 3.74 | 3.63 | 2.23 | 2.13 | | | | | | 7.86 | |
| | Exchange Ports - 2-Wire Analog Line Port with Caller ID - Res. | | | UEPSR | UEPRC | 1.49 | | | | | | | 3.74 | 3.63 | 2.23 | 2.13 | | | | | | 7.86 | |
| | Exchange Ports - 2-Wire Analog Line Port outgoing only - Res. | | | UEPSR | UEPRO | 1.49 | | | | | | | 3.74 | 3.63 | 2.23 | 2.13 | | | | | | 7.86 | |
| | Exchange Ports - 2-Wire VG unbundled KY extended local dialing parity Port with Caller ID - Res. | | | UEPSR | UEPRM | 1.49 | | | | | | | 3.74 | 3.63 | 2.23 | 2.13 | | | | | | 7.86 | |
| | Exchange Ports - 2-Wire VG unbundled res, low usage line port with Caller ID (LUM) | | | UEPSR | UEPAP | 1.49 | | | | | | | 3.74 | 3.63 | 2.23 | 2.13 | | | | | | 7.86 | |
| | Subsequent Activity | | | UEPSR | USASC | 0.00 | | | | | | | 0.00 | 0.00 | 0.00 | | | | | | | 7.86 | |
| FEATURES | | | | | | | | | | | | | | | | | | | | | | | |
| | All Available Vertical Features | | | UEPSR | UEPVF | 0.00 | | | | | | | 0.00 | 0.00 | 0.00 | | | | | | | 7.86 | |

| UNBUNDLED NETWORK ELEMENTS - Kentucky | | | | | | | | | | Attachment: 2 | | Exhibit: B | |
|---|--|---------|------|-------|-------|-----------|----------------------------------|--------------------------------------|--|--|---|---|-----|
| CATEGORY | RATE ELEMENTS | Interim | Zone | BCS | USOC | RATES(\$) | Svc Order Submitted Elec per LSR | Svc Order Submitted Manually per LSR | Incremental Charge - Manual Svc Order vs. Electronic-1st | Incremental Charge - Manual Svc Order vs. Electronic-Add'l | Incremental Charge - Manual Svc Order vs. Electronic-Disc 1st | Incremental Charge - Manual Svc Order vs. Electronic-Disc Add'l | |
| | | | | | | | | | | | | | Rec |
| | | | | | | | | | | | | | |
| | | | | | | | | | | | | | |
| 2-WIRE VOICE GRADE LINE PORT RATES (BUS) | | | | | | | | | | | | | |
| | Exchange Ports - 2-Wire Analog Line Port without Caller ID - Bus | | | UEPSB | UEPBL | 1.49 | | 3.74 | 3.63 | 2.23 | 2.13 | 7.86 | |
| | Exchange Ports - 2-Wire VG unbundled Line Port with unbundled port with Caller+E484 ID - Bus. | | | UEPSB | UEPBC | 1.49 | | 3.74 | 3.63 | 2.23 | 2.13 | 7.86 | |
| | Exchange Ports - 2-Wire Analog Line Port outgoing only - Bus. | | | UEPSB | UEPBO | 1.49 | | 3.74 | 3.63 | 2.23 | 2.13 | 7.86 | |
| | Exchange Ports - 2-Wire VG unbundled KY extended local dialing parity Port with Caller ID - Bus. | | | UEPSB | UEPBM | 1.49 | | 3.74 | 3.63 | 2.23 | 2.13 | 7.86 | |
| | Exchange Ports - 2-Wire VG unbundled incoming only port with Caller ID - Bus | | | UEPSB | UEPB1 | 1.49 | | 3.74 | 3.63 | 2.23 | 2.13 | 7.86 | |
| | Subsequent Activity | | | UEPSB | USASC | 0.00 | | 0.00 | 0.00 | | | 7.86 | |
| FEATURES | | | | | | | | | | | | | |
| | All Available Vertical Features | | | UEPSB | UEPVF | 0.00 | | 0.00 | 0.00 | | | 7.86 | |
| EXCHANGE PORT RATES (DID & PBX) | | | | | | | | | | | | | |
| | 2-Wire VG Unbundled 2-Way PBX Trunk - Res | | | UEPSE | UEPRD | 1.49 | 39.05 | 18.17 | 15.38 | 0.89 | | 7.86 | |
| | 2-Wire VG Line Side Unbundled 2-Way PBX Trunk - Bus | | | UEPSP | UEPPC | 1.49 | 39.05 | 18.17 | 15.38 | 0.89 | | 7.86 | |
| | 2-Wire VG Line Side Unbundled Outward PBX Trunk - Bus | | | UEPSP | UEPPO | 1.49 | 39.05 | 18.17 | 15.38 | 0.89 | | 7.86 | |
| | 2-Wire VG Line Side Unbundled Incoming PBX Trunk - Bus | | | UEPSP | UEPP1 | 1.49 | 39.05 | 18.17 | 15.38 | 0.89 | | 7.86 | |
| | 2-Wire Analog Long Distance Terminal PBX Trunk - Bus | | | UEPSP | UEPLD | 1.49 | 39.05 | 18.17 | 15.38 | 0.89 | | 7.86 | |
| | 2-Wire Voice Unbundled PBX LD Terminal Ports | | | UEPSP | UEPLD | 1.49 | 39.05 | 18.17 | 15.38 | 0.89 | | 7.86 | |
| | 2-Wire Vice Unbundled 2-Way PBX Usage Port | | | UEPSP | UEPXA | 1.49 | 39.05 | 18.17 | 15.38 | 0.89 | | 7.86 | |
| | 2-Wire Voice Unbundled PBX Toll Terminal Hotel Ports | | | UEPSP | UEPXB | 1.49 | 39.05 | 18.17 | 15.38 | 0.89 | | 7.86 | |
| | 2-Wire Voice Unbundled PBX LD DDD Terminals Port | | | UEPSP | UEPXC | 1.49 | 39.05 | 18.17 | 15.38 | 0.89 | | 7.86 | |
| | 2-Wire Voice Unbundled PBX LD Terminal Switchboard Port | | | UEPSP | UEPXD | 1.49 | 39.05 | 18.17 | 15.38 | 0.89 | | 7.86 | |
| | 2-Wire Voice Unbundled PBX LD Terminal Switchboard IDD Capable Port | | | UEPSP | UEPXE | 1.49 | 39.05 | 18.17 | 15.38 | 0.89 | | 7.86 | |
| | 2-Wire Voice Unbundled 2-Way PBX Kentucky Room Area Calling Port Without LUD | | | UEPSP | UEPXF | 1.49 | 39.05 | 18.17 | 15.38 | 0.89 | | 7.86 | |
| | 2-Wire Voice Unbundled PBX Kentucky LUD Area Calling Port | | | UEPSP | UEPXG | 1.49 | 39.05 | 18.17 | 15.38 | 0.89 | | 7.86 | |
| | 2-Wire Voice Unbundled PBX Kentucky Premium Calling Port | | | UEPSP | UEPXH | 1.49 | 39.05 | 18.17 | 15.38 | 0.89 | | 7.86 | |
| | 2-Wire Voice Unbundled 2-Way PBX Kentucky Area Calling Port Without LUD | | | UEPSP | UEPXJ | 1.49 | 39.05 | 18.17 | 15.38 | 0.89 | | 7.86 | |
| | 2-Wire Voice Unbundled 2-Way PBX Hotel/Hospital Economy Administrative Calling Port | | | UEPSP | UEPXL | 1.49 | 39.05 | 18.17 | 15.38 | 0.89 | | 7.86 | |
| | 2-Wire Voice Unbundled 2-Way PBX Hotel/Hospital Economy Room Calling Port | | | UEPSP | UEPXM | 1.49 | 39.05 | 18.17 | 15.38 | 0.89 | | 7.86 | |
| | 2-Wire Voice Unbundled 1-Way Outgoing PBX Hotel/Hospital Discount Room Calling Port | | | UEPSP | UEPXO | 1.49 | 39.05 | 18.17 | 15.38 | 0.89 | | 7.86 | |
| | 2-Wire Voice Unbundled 1-Way Outgoing PBX Measured Port | | | UEPSP | UEPXS | 1.49 | 39.05 | 18.17 | 15.38 | 0.89 | | 7.86 | |
| | Subsequent Activity | | | UEPSP | USASC | 0.00 | | 0.00 | 0.00 | | | 7.86 | |
| FEATURES | | | | | | | | | | | | | |
| | All Available Vertical Features | | | UEPSP | UEPSE | 0.00 | | 0.00 | 0.00 | | | 7.86 | |
| EXCHANGE PORT RATES (COIN) | | | | | | | | | | | | | |
| | Exchange Ports - Coin Port | | | | | 1.49 | 3.74 | 3.63 | 2.23 | 2.13 | | 7.86 | |
| Local Switching Features offered with Port | | | | | | | | | | | | | |
| NOTE: Transmission/usage charges associated with POTS circuit switched usage will also apply to circuit switched voice and/or circuit switched data transmission by B-Channels associated with 2-wire ISDN ports. | | | | | | | | | | | | | |
| NOTE: Access to B Channel or D Channel Packet capabilities will be available only through BFR/New Business Request Process. Rates for the packet capabilities will be determined via the Bona Fide Request/New Business Request Process. | | | | | | | | | | | | | |
| | Exchange port - 4-wire ISDN trunk port -all available features included | | | UEPEX | | 101.60 | 188.36 | 95.15 | 61.92 | 22.67 | | 7.86 | |
| UNBUNDLED LOCAL EXCHANGE SWITCHING(PORTS) | | | | | | | | | | | | | |
| EXCHANGE PORT RATES (DID & PBX) | | | | | | | | | | | | | |
| | Exchange Ports - 2-Wire DID Port | | | UEPEX | UEPP2 | 10.51 | 92.18 | 15.82 | 52.16 | 5.30 | | 7.86 | |
| | Exchange Ports - DDITS Port - 4-Wire DS1 Port with DID capability | | | UEPDD | UEPDD | 74.77 | 164.86 | 77.74 | 60.69 | 3.86 | | 7.86 | |
| | Exchange Ports - 2-Wire ISDN Port (See Notes below.) | | | UEPTX | UEPSX | 13.46 | 60.60 | 50.67 | 32.83 | 14.17 | | 7.86 | |
| | All Features Offered | | | UEPTX | UEPVF | 0.00 | | 0.00 | 0.00 | | | 7.86 | |
| NOTE: Transmission/usage charges associated with POTS circuit switched usage will also apply to circuit switched voice and/or circuit switched data transmission by B-Channels associated with 2-wire ISDN ports. | | | | | | | | | | | | | |
| NOTE: Access to B Channel or D Channel Packet capabilities will be available only through BFR/New Business Request Process. Rates for the packet capabilities will be determined via the Bona Fide Request/New Business Request Process. | | | | | | | | | | | | | |

| UNBUNDLED NETWORK ELEMENTS - Kentucky | | | | | | | | | | Attachment: 2 | | Exhibit: B | | | | | | | |
|---|---|---------|------|-------------|-------|-----------|----------------------------------|--------------------------------------|--|--|---|---|---------------|--------------------|--------------------|-------------------------------|-------------------------------|-------|-------|
| CATEGORY | RATE ELEMENTS | Interim | Zone | BCS | USOC | RATES(\$) | Svc Order Submitted Elec per LSR | Svc Order Submitted Manually per LSR | Incremental Charge - Manual Svc Order vs. Electronic-1st | Incremental Charge - Manual Svc Order vs. Electronic-Add'l | Incremental Charge - Manual Svc Order vs. Electronic-Disc 1st | Incremental Charge - Manual Svc Order vs. Electronic-Disc Add'l | OSS Rates(\$) | | | | | | |
| | | | | | | | | | | | | | Rec | Nonrecurring First | Nonrecurring Add'l | Nonrecurring Disconnect First | Nonrecurring Disconnect Add'l | SOMEK | SOMAN |
| | Exchange Ports - 2-Wire ISDN Port -- Channel Profiles | | | UEPTX UEPSX | U1UMA | 0.00 | | | | | | | | | | | | | |
| | Exchange Ports - 4-Wire ISDN DS1 Port | | | UEPEX | UEPEX | 101.60 | | | | | | | | | | | | | |
| UNBUNDLED LOCAL SWITCHING, PORT USAGE | | | | | | | | | | | | | | | | | | | |
| | End Office Switching (Port Usage) | | | | | | | | | | | | | | | | | | |
| | End Office Switching Function, Per MOU | | | | | 0.0011971 | | | | | | | | | | | | | |
| | End Office Trunk Port - Shared, Per MOU | | | | | 0.0002112 | | | | | | | | | | | | | |
| | Tandem Switching (Port Usage) (Local or Access Tandem) | | | | | | | | | | | | | | | | | | |
| | Tandem Switching Function Per MOU | | | | | 0.000194 | | | | | | | | | | | | | |
| | Tandem Trunk Port - Shared, Per MOU | | | | | 0.0002416 | | | | | | | | | | | | | |
| | Common Transport | | | | | | | | | | | | | | | | | | |
| | Common Transport - Per Mile, Per MOU | | | | | 0.000003 | | | | | | | | | | | | | |
| | Common Transport - Facilities Termination Per MOU | | | | | 0.0007466 | | | | | | | | | | | | | |
| UNBUNDLED PORT/LOOP COMBINATIONS - COST BASED RATES | | | | | | | | | | | | | | | | | | | |
| Cost Based Rates are applied where BellSouth is required by FCC and/or State Commission rule to provide Unbundled Local Switching or Switch Ports. | | | | | | | | | | | | | | | | | | | |
| Features shall apply to the Unbundled Port/Loop Combination - Cost Based Rate section in the same manner as they are applied to the Stand-Alone Unbundled Port section of this Rate Exhibit. | | | | | | | | | | | | | | | | | | | |
| End Office and Tandem Switching Usage and Common Transport Usage rates in the Port section of this rate exhibit shall apply to all combinations of loop/port network elements except for UNE Coin Port/Loop Combinations. | | | | | | | | | | | | | | | | | | | |
| For Georgia, Kentucky, Louisiana, Mississippi, South Carolina and Tennessee, the recurring UNE Port and Loop charges listed apply to Currently Combined and Not Currently Combined Combos. The first and additional Port nonrecurring charges apply to Not Currently Combined Combos for all states. In GA, KY, LA, MS, SC and TN these nonrecurring charges are commission ordered cost based rates and in AL, FL and NC these nonrecurring charges are Market Rates and are also listed in the Market Rate section. | | | | | | | | | | | | | | | | | | | |
| For Currently Combined Combos in all other states, the nonrecurring charges shall be those identified in the Nonrecurring - Currently Combined sections. | | | | | | | | | | | | | | | | | | | |
| 2-WIRE VOICE GRADE LOOP WITH 2-WIRE LINE PORT (RES) | | | | | | | | | | | | | | | | | | | |
| UNE Port/Loop Combination Rates | | | | | | | | | | | | | | | | | | | |
| | 2-Wire VG Loop/Port Combo - Zone 1 | | 1 | | | 10.79 | | | | | | | | | | | | | |
| | 2-Wire VG Loop/Port Combo - Zone 2 | | 2 | | | 15.52 | | | | | | | | | | | | | |
| | 2-Wire VG Loop/Port Combo - Zone 3 | | 3 | | | 31.74 | | | | | | | | | | | | | |
| UNE Loop Rates | | | | | | | | | | | | | | | | | | | |
| | 2-Wire Voice Grade Loop (SL1) - Zone 1 | | 1 | UEPRX | UEPLX | 9.64 | | | | | | | | | | | | | |
| | 2-Wire Voice Grade Loop (SL1) - Zone 2 | | 2 | UEPRX | UEPLX | 14.37 | | | | | | | | | | | | | |
| | 2-Wire Voice Grade Loop (SL1) - Zone 3 | | 3 | UEPRX | UEPLX | 30.59 | | | | | | | | | | | | | |
| 2-Wire Voice Grade Line Port Rates (Res) | | | | | | | | | | | | | | | | | | | |
| | 2-Wire voice unbundled port - residence | | | UEPRX | UEPRL | 1.15 | 21.29 | 15.49 | 2.85 | 2.67 | | 7.86 | | | | | | | |
| | 2-Wire voice unbundled port with Caller ID - res | | | UEPRX | UEPRC | 1.15 | 21.29 | 15.49 | 2.85 | 2.67 | | 7.86 | | | | | | | |
| | 2-Wire voice unbundled port outgoing only - res | | | UEPRX | UEPRO | 1.15 | 21.29 | 15.49 | 2.85 | 2.67 | | 7.86 | | | | | | | |
| | 2-Wire voice Grade unbundled Kentucky extended local dialing parity port with Caller ID - res | | | UEPRX | UEPRM | 1.15 | 21.29 | 15.49 | 2.85 | 2.67 | | 7.86 | | | | | | | |
| | 2-Wire voice unbundles res, low usage line port with Caller ID (LUM) | | | UEPRX | UEPAP | 1.15 | 21.29 | 15.49 | 2.85 | 2.67 | | 7.86 | | | | | | | |
| FEATURES | | | | | | | | | | | | | | | | | | | |
| | All Features Offered | | | UEPRX | UEPVF | 0.00 | 0.00 | 0.00 | | | | 7.86 | | | | | | | |
| LOCAL NUMBER PORTABILITY | | | | | | | | | | | | | | | | | | | |
| | Local Number Portability (1 per port) | | | UEPRX | LNPCX | 0.35 | | | | | | | | | | | | | |
| NONRECURRING CHARGES (NRCs) - CURRENTLY COMBINED | | | | | | | | | | | | | | | | | | | |
| | 2-Wire Voice Grade Loop / Line Port Combination - Conversion - Switch-as-is | | | UEPRX | USAC2 | | 0.10 | 0.10 | | | | 7.86 | | | | | | | |
| | 2-Wire Voice Grade Loop / Line Port Combination - Conversion - Switch with change | | | UEPRX | USACC | | 0.10 | 0.10 | | | | 7.86 | | | | | | | |
| ADDITIONAL NRCs | | | | | | | | | | | | | | | | | | | |
| | 2-Wire Voice Grade Loop/Line Port Combination - Subsequent Activity | | | UEPRX | USAS2 | 0.00 | 0.00 | 0.00 | | | | 7.86 | | | | | | | |
| 2-WIRE VOICE GRADE LOOP WITH 2-WIRE LINE PORT (BUS) | | | | | | | | | | | | | | | | | | | |
| UNE Port/Loop Combination Rates | | | | | | | | | | | | | | | | | | | |
| | 2-Wire VG Loop/Port Combo - Zone 1 | | 1 | | | 10.79 | | | | | | | | | | | | | |
| | 2-Wire VG Loop/Port Combo - Zone 2 | | 2 | | | 15.52 | | | | | | | | | | | | | |
| | 2-Wire VG Loop/Port Combo - Zone 3 | | 3 | | | 31.74 | | | | | | | | | | | | | |
| UNE Loop Rates | | | | | | | | | | | | | | | | | | | |
| | 2-Wire Voice Grade Loop (SL1) - Zone 1 | | 1 | UEPBX | UEPLX | 9.64 | | | | | | | | | | | | | |
| | 2-Wire Voice Grade Loop (SL1) - Zone 2 | | 2 | UEPBX | UEPLX | 14.37 | | | | | | | | | | | | | |
| | 2-Wire Voice Grade Loop (SL1) - Zone 3 | | 3 | UEPBX | UEPLX | 30.59 | | | | | | | | | | | | | |
| 2-Wire Voice Grade Line Port (Bus) | | | | | | | | | | | | | | | | | | | |
| | 2-Wire voice unbundled port without Caller ID - bus | | | UEPBX | UEPBL | 1.15 | 21.29 | 15.49 | 2.85 | 2.67 | | 7.86 | | | | | | | |

| UNBUNDLED NETWORK ELEMENTS - Kentucky | | | | | | | | | | Attachment: 2 | | Exhibit: B | | | |
|---------------------------------------|---|---------|------|-------|-------|-----------|----------------------------------|--------------------------------------|--|--|---|---|-------|--------------|-------|
| CATEGORY | RATE ELEMENTS | Interim | Zone | BCS | USOC | RATES(\$) | Svc Order Submitted Elec per LSR | Svc Order Submitted Manually per LSR | Incremental Charge - Manual Svc Order vs. Electronic-1st | Incremental Charge - Manual Svc Order vs. Electronic-Add'l | Incremental Charge - Manual Svc Order vs. Electronic-Disc 1st | Incremental Charge - Manual Svc Order vs. Electronic-Disc Add'l | | | |
| | | | | | | | | | | | | | Rec | Nonrecurring | |
| | | | | | | | | | | | | | | | |
| | | | | | | | First | Add'l | First | Add'l | SOMEK | SOMAN | SOMAN | SOMAN | SOMAN |
| | 2-Wire voice unbundled port with Caller + E484 ID - bus | | | UEPBX | UEPBC | 1.15 | 21.29 | 15.49 | 2.85 | 2.67 | | 7.86 | | | |
| | 2-Wire voice unbundled port outgoing only - bus | | | UEPBX | UEPBO | 1.15 | 21.29 | 15.49 | 2.85 | 2.67 | | 7.86 | | | |
| | 2-Wire voice Grade unbundled Kentucky extended local dialing parity port with Caller ID - bus | | | UEPBX | UEPBM | 1.15 | 21.29 | 15.49 | 2.85 | 2.67 | | 7.86 | | | |
| | 2-Wire voice unbundled incoming only port with Caller ID - Bus | | | UEPBX | UEPB1 | 1.15 | 21.29 | 15.49 | 2.85 | 2.67 | | 7.86 | | | |
| | LOCAL NUMBER PORTABILITY | | | | | | | | | | | | | | |
| | Local Number Portability (1 per port) | | | UEPBX | LNPCX | 0.35 | | | | | | | | | |
| | FEATURES | | | | | | | | | | | | | | |
| | All Features Offered | | | UEPBX | UEPVF | 0.00 | 0.00 | 0.00 | | | | 7.86 | | | |
| | NONRECURRING CHARGES (NRCs) - CURRENTLY COMBINED | | | | | | | | | | | | | | |
| | 2-Wire Voice Grade Loop / Line Port Combination - Conversion - Switch-as-is | | | UEPBX | USAC2 | | 0.10 | 0.10 | | | | 7.86 | | | |
| | 2-Wire Voice Grade Loop / Line Port Combination - Conversion - Switch with change | | | UEPBX | USACC | | 0.10 | 0.10 | | | | 7.86 | | | |
| | ADDITIONAL NRCs | | | | | | | | | | | | | | |
| | 2-Wire Voice Grade Loop/Line Port Combination - Subsequent Activity | | | UEPBX | USAS2 | | 0.00 | 0.00 | | | | 7.86 | | | |
| | 2-WIRE VOICE GRADE LOOP WITH 2-WIRE LINE PORT (RES - PBX) | | | | | | | | | | | | | | |
| | UNE Port/Loop Combination Rates | | | | | | | | | | | | | | |
| | 2-Wire VG Loop/Port Combo - Zone 1 | | 1 | | | | 10.79 | | | | | | | | |
| | 2-Wire VG Loop/Port Combo - Zone 2 | | 2 | | | | 15.52 | | | | | | | | |
| | 2-Wire VG Loop/Port Combo - Zone 3 | | 3 | | | | 31.74 | | | | | | | | |
| | UNE Loop Rates | | | | | | | | | | | | | | |
| | 2-Wire Voice Grade Loop (SL 1) - Zone 1 | | 1 | UEPRG | UEPLX | | 9.64 | | | | | | | | |
| | 2-Wire Voice Grade Loop (SL 1) - Zone 2 | | 2 | UEPRG | UEPLX | | 14.37 | | | | | | | | |
| | 2-Wire Voice Grade Loop (SL 1) - Zone 3 | | 3 | UEPRG | UEPLX | | 30.59 | | | | | | | | |
| | 2-Wire Voice Grade Line Port Rates (RES - PBX) | | | | | | | | | | | | | | |
| | 2-Wire VG Unbundled Combination 2-Way PBX Trunk Port - Res | | | UEPRG | UEPRD | 1.15 | 21.29 | 15.49 | 2.85 | 2.67 | | 7.86 | | | |
| | LOCAL NUMBER PORTABILITY | | | | | | | | | | | | | | |
| | Local Number Portability (1 per port) | | | UEPRG | LNPCP | 3.15 | 0.00 | 0.00 | | | | 7.86 | | | |
| | FEATURES | | | | | | | | | | | | | | |
| | All Features Offered | | | UEPRG | UEPVF | 0.00 | 0.00 | 0.00 | | | | 7.86 | | | |
| | NONRECURRING CHARGES (NRCs) - CURRENTLY COMBINED | | | | | | | | | | | | | | |
| | 2-Wire Voice Grade Loop/ Line Port Combination (PBX) - Conversion - Switch-As-Is | | | UEPRG | USAC2 | | 8.45 | 1.91 | | | | 7.86 | | | |
| | 2-Wire Voice Grade Loop/ Line Port Combination (PBX) - Conversion - Switch with Change | | | UEPRG | USACC | | 8.45 | 1.91 | | | | 7.86 | | | |
| | ADDITIONAL NRCs | | | | | | | | | | | | | | |
| | 2-Wire Voice Grade Loop/ Line Port Combination (PBX) - Subsequent Activity | | | UEPRG | USAS2 | 0.00 | 0.00 | 0.00 | | | | 7.86 | | | |
| | PBX Subsequent Activity - Change/Rearrange Multiline Hunt Group | | | | | | 7.86 | 7.86 | | | | 7.86 | | | |
| | 2-WIRE VOICE GRADE LOOP WITH 2-WIRE LINE PORT (BUS - PBX) | | | | | | | | | | | | | | |
| | UNE Port/Loop Combination Rates | | | | | | | | | | | | | | |
| | 2-Wire VG Loop/Port Combo - Zone 1 | | 1 | | | | 10.79 | | | | | | | | |
| | 2-Wire VG Loop/Port Combo - Zone 2 | | 2 | | | | 15.52 | | | | | | | | |
| | 2-Wire VG Loop/Port Combo - Zone 3 | | 3 | | | | 31.74 | | | | | | | | |
| | UNE Loop Rates | | | | | | | | | | | | | | |
| | 2-Wire Voice Grade Loop (SL 1) - Zone 1 | | 1 | UEPPX | UEPLX | | 9.64 | | | | | | | | |
| | 2-Wire Voice Grade Loop (SL 1) - Zone 2 | | 2 | UEPPX | UEPLX | | 14.37 | | | | | | | | |
| | 2-Wire Voice Grade Loop (SL 1) - Zone 3 | | 3 | UEPPX | UEPLX | | 30.59 | | | | | | | | |
| | 2-Wire Voice Grade Line Port Rates (BUS - PBX) | | | | | | | | | | | | | | |
| | Line Side Unbundled Combination 2-Way PBX Trunk Port - Bus | | | UEPPX | UEPPC | 1.15 | 21.29 | 15.49 | 2.85 | 2.67 | | 7.86 | | | |
| | Line Side Unbundled Outward PBX Trunk Port - Bus | | | UEPPX | UEPPO | 1.15 | 21.29 | 15.49 | 2.85 | 2.67 | | 7.86 | | | |
| | Line Side Unbundled Incoming PBX Trunk Port - Bus | | | UEPPX | UEPP1 | 1.15 | 21.29 | 15.49 | 2.85 | 2.67 | | 7.86 | | | |
| | 2-Wire Voice Unbundled PBX LD Terminal Ports | | | UEPPX | UEPLD | 1.15 | 21.29 | 15.49 | 2.85 | 2.67 | | 7.86 | | | |
| | 2-Wire Voice Unbundled 2-Way Combination PBX Usage Port | | | UEPPX | UEPXA | 1.15 | 21.29 | 15.49 | 2.85 | 2.67 | | 7.86 | | | |

| UNBUNDLED NETWORK ELEMENTS - Kentucky | | | | | | | | | | | Attachment: 2 | | Exhibit: B | | | |
|--|--|---------|------|-------|-------|-----------|--------------|-------|-------------------------|-------|----------------------------------|--------------------------------------|--|--|---|---|
| CATEGORY | RATE ELEMENTS | Interim | Zone | BCS | USOC | RATES(\$) | | | | | Svc Order Submitted Elec per LSR | Svc Order Submitted Manually per LSR | Incremental Charge - Manual Svc Order vs. Electronic-1st | Incremental Charge - Manual Svc Order vs. Electronic-Add'l | Incremental Charge - Manual Svc Order vs. Electronic-Disc 1st | Incremental Charge - Manual Svc Order vs. Electronic-Disc Add'l |
| | | | | | | Rec | Nonrecurring | | Nonrecurring Disconnect | | | | | | | |
| | | | | | | | First | Add'l | First | Add'l | SOMEc | SOMAN | SOMAN | SOMAN | SOMAN | |
| | 2-Wire Voice Unbundled PBX Toll Terminal Hotel Ports | | | UEPPX | UEPXB | 1.15 | 21.29 | 15.49 | 2.85 | 2.67 | | 7.86 | | | | |
| | 2-Wire Voice Unbundled PBX LD DDD Terminals Port | | | UEPPX | UEPXC | 1.15 | 21.29 | 15.49 | 2.85 | 2.67 | | 7.86 | | | | |
| | 2-Wire Voice Unbundled PBX LD Terminal Switchboard Port | | | UEPPX | UEPXD | 1.15 | 21.29 | 15.49 | 2.85 | 2.67 | | 7.86 | | | | |
| | 2-Wire Voice Unbundled PBX LD Terminal Switchboard IDD Capable Port | | | UEPPX | UEPXE | 1.15 | 21.29 | 15.49 | 2.85 | 2.67 | | 7.86 | | | | |
| | 2-Wire Voice Unbundled 2-Way PBX Kentucky Room Area Calling Port without LUD | | | UEPPX | UEPXF | 1.15 | 21.29 | 15.49 | 2.85 | 2.67 | | 7.86 | | | | |
| | 2-Wire Voice Unbundled PBX Kentucky LUD Area Calling Port | | | UEPPX | UEPXC | 1.15 | 21.29 | 15.49 | 2.85 | 2.67 | | 7.86 | | | | |
| | 2-Wire Voice Unbundled PBX Kentucky Premium Calling Port | | | UEPPX | UEPXC | 1.15 | 21.29 | 15.49 | 2.85 | 2.67 | | 7.86 | | | | |
| | 2-Wire Voice Unbundled 2-Way Kentucky Area Calling Port without LUD | | | UEPPX | UEPXC | 1.15 | 21.29 | 15.49 | 2.85 | 2.67 | | 7.86 | | | | |
| | 2-Wire Voice Unbundled 2-Way PBX Hotel/Hospital Economy Administrative Calling Port | | | UEPPX | UEPXL | 1.15 | 21.29 | 15.49 | 2.85 | 2.67 | | 7.86 | | | | |
| | 2-Wire Voice Unbundled 2-Way PBX Hotel/Hospital Economy Room Calling Port | | | UEPPX | UEPXM | 1.15 | 21.29 | 15.49 | 2.85 | 2.67 | | 7.86 | | | | |
| | 2-Wire Voice Unbundled 1-Way Outgoing PBX Hotel/Hospital Discount Room Calling Port | | | UEPPX | UEPXC | 1.15 | 21.29 | 15.49 | 2.85 | 2.67 | | 7.86 | | | | |
| | 2-Wire Voice Unbundled 1-Way Outgoing PBX Measured Port | | | UEPPX | UEPXS | 1.15 | 21.29 | 15.49 | 2.85 | 2.67 | | 7.86 | | | | |
| LOCAL NUMBER PORTABILITY | | | | | | | | | | | | | | | | |
| | Local Number Portability (1 per port) | | | UEPPX | LNPCP | 3.15 | 0.00 | 0.00 | | | | | | | | |
| FEATURES | | | | | | | | | | | | | | | | |
| | All Features Offered | | | UEPPX | UEPVF | 0.00 | 0.00 | 0.00 | | | | 7.86 | | | | |
| NONRECURRING CHARGES (NRCs) - CURRENTLY COMBINED | | | | | | | | | | | | | | | | |
| | 2-Wire Voice Grade Loop/ Line Port Combination (PBX) - Conversion - Switch-As-Is | | | UEPPX | USAC2 | | 8.45 | 1.91 | | | | 7.86 | | | | |
| | 2-Wire Voice Grade Loop/ Line Port Combination (PBX) - Conversion - Switch with Change | | | UEPPX | USACC | | 8.45 | 1.91 | | | | 7.86 | | | | |
| ADDITIONAL NRCs | | | | | | | | | | | | | | | | |
| | 2-Wire Voice Grade Loop/ Line Port Combination (PBX) - Subsequent Activity | | | UEPPX | USAS2 | 0.00 | 0.00 | 0.00 | | | | 7.86 | | | | |
| | PBX Subsequent Activity - Change/Rearrange Multiline Hunt Group | | | | | | 7.86 | 7.86 | | | | 7.86 | | | | |
| 2-WIRE VOICE GRADE LOOP WITH 2-WIRE ANALOG LINE COIN PORT | | | | | | | | | | | | | | | | |
| UNE Port/Loop Combination Rates | | | | | | | | | | | | | | | | |
| | 2-Wire VG Coin Port/Loop Combo - Zone 1 | | 1 | | | 10.79 | | | | | | | | | | |
| | 2-Wire VG Coin Port/Loop Combo - Zone 2 | | 2 | | | 15.52 | | | | | | | | | | |
| | 2-Wire VG Coin Port/Loop Combo - Zone 3 | | 3 | | | 31.74 | | | | | | | | | | |
| UNE Loop Rates | | | | | | | | | | | | | | | | |
| | 2-Wire Voice Grade Loop (SL1) - Zone 1 | | 1 | UEPCO | UEPLX | 9.64 | | | | | | | | | | |
| | 2-Wire Voice Grade Loop (SL1) - Zone 2 | | 2 | UEPCO | UEPLX | 14.37 | | | | | | | | | | |
| | 2-Wire Voice Grade Loop (SL1) - Zone 3 | | 3 | UEPCO | UEPLX | 30.59 | | | | | | | | | | |
| 2-Wire Voice Grade Line Ports (COIN) | | | | | | | | | | | | | | | | |
| | 2-Wire Coin 2-Way without Operator Screening and without Blocking (AL, KY, LA, MS) | | | UEPCO | UEPRF | 1.15 | 21.29 | 15.49 | 2.85 | 2.67 | | 7.86 | | | | |
| | 2-Wire Coin 2-Way with Operator Screening (AL, KY) | | | UEPCO | UEPRE | 1.15 | 21.29 | 15.49 | 2.85 | 2.67 | | 7.86 | | | | |
| | 2-Wire Coin 2-Way with Operator Screening and Blocking: 011, 900/976, 1+DDD (AL, KY, LA, MS) | | | UEPCO | UEPRA | 1.15 | 21.29 | 15.49 | 2.85 | 2.67 | | 7.86 | | | | |
| | 2-Wire Coin 2-Way with Operator Screening and 011 Blocking (KY) | | | UEPCO | UEPKA | 1.15 | 21.29 | 15.49 | 2.85 | 2.67 | | 7.86 | | | | |
| | 2-Wire Coin 2-Way with Operator Screening & Blocking: 900/976, 1+DDD, 011+, & Local (AL, KY, LA, MS) | | | UEPCO | UEPCD | 1.15 | 21.29 | 15.49 | 2.85 | 2.67 | | 7.86 | | | | |
| | 2-Wire Coin Outward without Blocking and without Operator Screening (KY, LA, MS) | | | UEPCO | UEPRN | 1.15 | 21.29 | 15.49 | 2.85 | 2.67 | | 7.86 | | | | |
| | 2-Wire Coin Outward with Operator Screening and 011 Blocking (GA, KY, MS) | | | UEPCO | UEPRJ | 1.15 | 21.29 | 15.49 | 2.85 | 2.67 | | 7.86 | | | | |
| | 2-Wire Coin Outward with Operator Screening and Blocking: 011, 900/976, 1+DDD (AL, KY, LA, MS) | | | UEPCO | UEPRH | 1.15 | 21.29 | 15.49 | 2.85 | 2.67 | | 7.86 | | | | |
| | 2-Wire Coin Outward Operator Screening & Blocking: 900/976, 1+DDD, 011+, and Local (AL, KY, LA, MS) | | | UEPCO | UEPCN | 1.15 | 21.29 | 15.49 | 2.85 | 2.67 | | 7.86 | | | | |

| UNBUNDLED NETWORK ELEMENTS - Kentucky | | | | | | | | | | | Attachment: 2 | | Exhibit: B | | | | | | | |
|---------------------------------------|---|---------|------|-------|-------|-----------|----------------------------------|--------------------------------------|--|--|---|---|---------------|--------------|-------|-------------------------|------|-------|-------|-------|
| CATEGORY | RATE ELEMENTS | Interim | Zone | BCS | USOC | RATES(\$) | Svc Order Submitted Elec per LSR | Svc Order Submitted Manually per LSR | Incremental Charge - Manual Svc Order vs. Electronic-1st | Incremental Charge - Manual Svc Order vs. Electronic-Add'l | Incremental Charge - Manual Svc Order vs. Electronic-Disc 1st | Incremental Charge - Manual Svc Order vs. Electronic-Disc Add'l | OSS Rates(\$) | | | | | | | |
| | | | | | | | | | | | | | Rec | Nonrecurring | | Nonrecurring Disconnect | | SOMEc | SOMAN | SOMAN |
| | | | | | | | | | | | | | First | Add'l | First | Add'l | | | | |
| | 2-Wire 2-Way Smartline with 900/976 (all states except LA) | | | UEPCO | UEPCK | 2.91 | | | | | | | | | | | | | | |
| | 2-Wire Coin Outward Smartline with 900/976 (all states except LA) | | | UEPCO | UEPCR | 2.91 | | | | | | | | | | | | | | |
| | ADDITIONAL UNE COIN PORT/LOOP (RC) | | | | | | | | | | | | | | | | | | | |
| | UNE Coin Port/Loop Combo Usage (Flat Rate) | | | UEPCO | URECU | 2.57 | | | | | | | | | | | | | | |
| | LOCAL NUMBER PORTABILITY | | | | | | | | | | | | | | | | | | | |
| | Local Number Portability (1 per port) | | | UEPCO | LNPCX | 0.35 | | | | | | | | | | | | | | |
| | NONRECURRING CHARGES - CURRENTLY COMBINED | | | | | | | | | | | | | | | | | | | |
| | 2-Wire Voice Grade Loop / Line Port Combination - Conversion - Switch-as-is | | | UEPCO | USAC2 | | | | | | | | | 0.10 | 0.10 | | | | | 7.86 |
| | 2-Wire Voice Grade Loop / Line Port Combination - Conversion - Switch with charge | | | UEPCO | USACC | | | | | | | | | 0.10 | 0.10 | | | | | 7.86 |
| | ADDITIONAL NRCS | | | | | | | | | | | | | | | | | | | |
| | 2-Wire Voice Grade Loop/Line Port Combination - Subsequent Activity | | | UEPCO | USAS2 | | | | | | | | | 0.00 | 0.00 | | | | | 7.86 |
| | UNBUNDLED REMOTE CALL FORWARDING - RES | | | | | | | | | | | | | | | | | | | |
| | Non-Recurring | | | | | | | | | | | | | | | | | | | |
| | UNBUNDLED REMOTE CALL FORWARDING - Bus | | | | | | | | | | | | | | | | | | | |
| | Unbundled Remote Call Forwarding, InterState/Intra LATA-Bus | | | UEPVB | UEPVJ | 1.49 | | | | | | | | 3.74 | 3.63 | | | | | 7.86 |
| | Non-Recurring | | | | | | | | | | | | | | | | | | | |
| | 2-WIRE VOICE LOOP/ 2WIRE VOICE GRADE IO TRANSPORT/ 2-WIRE LINE PORT (RES) | | | | | | | | | | | | | | | | | | | |
| | 2-WIRE VOICE LOOP/ 2WIRE VOICE GRADE IO TRANSPORT/ 2-WIRE LINE PORT (BUS) | | | | | | | | | | | | | | | | | | | |
| | UNBUNDLED PORT/LOOP COMBINATIONS - COST BASED RATES | | | | | | | | | | | | | | | | | | | |
| | 2-WIRE VOICE GRADE LOOP- BUS ONLY - WITH 2-WIRE DID TRUNK PORT | | | | | | | | | | | | | | | | | | | |
| | UNE Port/Loop Combination Rates | | | | | | | | | | | | | | | | | | | |
| | 2-Wire VG Loop/2-Wire DID Trunk Port Combo - UNE Zone 1 | | 1 | | | 21.30 | | | | | | | | | | | | | | |
| | 2-Wire VG Loop/2-Wire DID Trunk Port Combo - UNE Zone 2 | | 2 | | | 26.08 | | | | | | | | | | | | | | |
| | 2-Wire VG Loop/2-Wire DID Trunk Port Combo - UNE Zone 3 | | 3 | | | 41.85 | | | | | | | | | | | | | | |
| | UNE Loop Rates | | | | | | | | | | | | | | | | | | | |
| | 2-Wire Analog Voice Grade Loop - (SL2) - UNE Zone 1 | | 1 | UEPPX | UECD1 | 12.67 | | | | | | | | | | | | | | 7.86 |
| | 2-Wire Analog Voice Grade Loop - (SL2) - UNE Zone 2 | | 2 | UEPPX | UECD1 | 17.45 | | | | | | | | | | | | | | 7.86 |
| | 2-Wire Analog Voice Grade Loop - (SL2) - UNE Zone 3 | | 3 | UEPPX | UECD1 | 33.22 | | | | | | | | | | | | | | 7.86 |
| | UNE Port Rate | | | | | | | | | | | | | | | | | | | |
| | Exchange Ports - 2-Wire DID Port | | | UEPPX | UEPD1 | 8.63 | | | | | | | | 336.11 | 27.75 | 132.37 | 9.31 | | | 7.86 |
| | NONRECURRING CHARGES - CURRENTLY COMBINED | | | | | | | | | | | | | | | | | | | |
| | 2-Wire Voice Grade Loop / 2-Wire DID Trunk Port Conversion with BellSouth Allowable Changes | | | UEPPX | USA1C | | | | | | | | | 7.85 | 1.87 | | | | | 7.86 |
| | ADDITIONAL NRCS | | | | | | | | | | | | | | | | | | | |
| | 2-Wire DID Subsequent Activity - Add Trunks, Per Trunk | | | UEPPX | USAS1 | | | | | | | | | 32.25 | 32.25 | | | | | 7.86 |
| | Telephone Number/Trunk Group Establishment Charges | | | | | | | | | | | | | | | | | | | |
| | DID Trunk Termination (One Per Port) | | | UEPPX | NDT | 0.00 | | | | | | | | 0.00 | 0.00 | 0.00 | | | | 7.86 |
| | Additional DID Numbers for each Group of 20 DID Numbers | | | UEPPX | ND4 | 0.00 | | | | | | | | 0.00 | 0.00 | 0.00 | | | | 7.86 |
| | DID Numbers, Non- consecutive DID Numbers , Per Number | | | UEPPX | ND5 | 0.00 | | | | | | | | 0.00 | 0.00 | 0.00 | | | | 7.86 |
| | Reserve Non-Consecutive DID numbers | | | UEPPX | ND6 | 0.00 | | | | | | | | 0.00 | 0.00 | 0.00 | | | | 7.86 |
| | Reserve DID Numbers | | | UEPPX | NDV | 0.00 | | | | | | | | 0.00 | 0.00 | 0.00 | | | | 7.86 |
| | LOCAL NUMBER PORTABILITY | | | | | | | | | | | | | | | | | | | |
| | Local Number Portability (1 per port) | | | UEPPX | LNPCP | 3.15 | | | | | | | | 0.00 | 0.00 | | | | | |
| | 2-WIRE ISDN DIGITAL GRADE LOOP WITH 2-WIRE ISDN DIGITAL LINE SIDE PORT | | | | | | | | | | | | | | | | | | | |
| | UNE Port/Loop Combination Rates | | | | | | | | | | | | | | | | | | | |
| | 2W ISDN Digital Grade Loop/2W ISDN Digital Line Side Port - UNE Zone 1 | | 1 | UEPPB | UEPPR | 25.69 | | | | | | | | | | | | | | |
| | 2W ISDN Digital Grade Loop/2W ISDN Digital Line Side Port - UNE Zone 2 | | 2 | UEPPB | UEPPR | 31.92 | | | | | | | | | | | | | | |
| | 2W ISDN Digital Grade Loop/2W ISDN Digital Line Side Port - UNE Zone 3 | | 3 | UEPPB | UEPPR | 50.21 | | | | | | | | | | | | | | |
| | UNE Loop Rates | | | | | | | | | | | | | | | | | | | |
| | 2-Wire ISDN Digital Grade Loop - UNE Zone 1 | | 1 | UEPPB | UEPPR | USL2X | | | | | | | | 16.10 | | | | | | 7.86 |
| | 2-Wire ISDN Digital Grade Loop - UNE Zone 2 | | 2 | UEPPB | UEPPR | USL2X | | | | | | | | 22.33 | | | | | | 7.86 |

| UNBUNDLED NETWORK ELEMENTS - Kentucky | | | | | | | | | | | Attachment: 2 | | Exhibit: B | | | | | | | |
|---------------------------------------|--|---------|------|-------------|-------|-----------|----------------------------------|--------------------------------------|--|--|---|---|---------------|--------------|--------|-------------------------|--|-------|-------|-------|
| CATEGORY | RATE ELEMENTS | Interim | Zone | BCS | USOC | RATES(\$) | Svc Order Submitted Elec per LSR | Svc Order Submitted Manually per LSR | Incremental Charge - Manual Svc Order vs. Electronic-1st | Incremental Charge - Manual Svc Order vs. Electronic-Add'l | Incremental Charge - Manual Svc Order vs. Electronic-Disc 1st | Incremental Charge - Manual Svc Order vs. Electronic-Disc Add'l | OSS Rates(\$) | | | | | | | |
| | | | | | | | | | | | | | Rec | Nonrecurring | | Nonrecurring Disconnect | | SOMEc | SOMAN | SOMAN |
| | | | | | | | | | | | | | First | Add'l | First | Add'l | | | | |
| | 2-Wire ISDN Digital Grade Loop - UNE Zone 3 | | 3 | UEPPB UEPPR | USL2X | 40.63 | | | | | | | | | | | | | | |
| | UNE Port Rate | | | | | | | | | | | | | | | | | | | |
| | Exchange Port - 2-Wire ISDN Line Side Port | | | UEPPB UEPPR | UEPPB | 9.59 | | | | | | | 320.53 | 289.13 | 92.19 | 17.56 | | | | 7.86 |
| | NONRECURRING CHARGES - CURRENTLY COMBINED | | | | | | | | | | | | | | | | | | | |
| | 2-Wire ISDN Digital Grade Loop / 2-Wire ISDN Line Side Port Combination - Conversion | | | UEPPB UEPPR | USACB | 0.00 | | | | | | | | | | | | | | 7.86 |
| | ADDITIONAL NRCS | | | | | | | | | | | | | | | | | | | |
| | LOCAL NUMBER PORTABILITY | | | | | | | | | | | | | | | | | | | |
| | Local Number Portability (1 per port) | | | UEPPB UEPPR | LNPCX | 0.35 | | | | | | | 0.00 | 0.00 | | | | | | |
| | B-CHANNEL USER PROFILE ACCESS: | | | | | | | | | | | | | | | | | | | |
| | CVS/CSD (DMS/5ESS) | | | UEPPB UEPPR | U1UCA | 0.00 | | | | | | | 0.00 | 0.00 | 0.00 | | | | | |
| | CVS (EWSD) | | | UEPPB UEPPR | U1UCB | 0.00 | | | | | | | 0.00 | 0.00 | 0.00 | | | | | |
| | CSD | | | UEPPB UEPPR | U1UCC | 0.00 | | | | | | | 0.00 | 0.00 | 0.00 | | | | | |
| | B-CHANNEL AREA PLUS USER PROFILE ACCESS: (AL,KY,LA,MS SC,MS, & TN) | | | | | | | | | | | | | | | | | | | |
| | CVS/CSD (DMS/5ESS) | | | UEPPB UEPPR | U1UCD | 0.00 | | | | | | | 0.00 | 0.00 | 0.00 | | | | | |
| | CVS (EWSD) | | | UEPPB UEPPR | U1UCE | 0.00 | | | | | | | 0.00 | 0.00 | 0.00 | | | | | |
| | CSD | | | UEPPB UEPPR | U1UCF | 0.00 | | | | | | | 0.00 | 0.00 | 0.00 | | | | | |
| | USER TERMINAL PROFILE | | | | | | | | | | | | | | | | | | | |
| | User Terminal Profile (EWSD only) | | | UEPPB UEPPR | U1UMA | 0.00 | | | | | | | 0.00 | 0.00 | 0.00 | | | | | |
| | VERTICAL FEATURES | | | | | | | | | | | | | | | | | | | |
| | All Vertical Features - One per Channel B User Profile | | | UEPPB UEPPR | UEPVF | 0.00 | | | | | | | 0.00 | 0.00 | 0.00 | | | | | |
| | INTEROFFICE CHANNEL MILEAGE | | | | | | | | | | | | | | | | | | | |
| | Interoffice Channel mileage each, including first mile and facilities termination | | | UEPPB UEPPR | M1GNC | 29.12 | | | | | | | 47.34 | 31.78 | 22.77 | 8.75 | | | | 7.86 |
| | Interoffice Channel mileage each, additional mile | | | UEPPB UEPPR | M1GNM | 0.01 | | | | | | | 0.00 | 0.00 | | | | | | 7.86 |
| | 4-WIRE DS1 DIGITAL LOOP WITH 4-WIRE ISDN DS1 DIGITAL TRUNK PORT | | | | | | | | | | | | | | | | | | | |
| | UNE Port/Loop Combination Rates | | | | | | | | | | | | | | | | | | | |
| | 4W DS1 Digital Loop/4W ISDN DS1 Digital Trunk Port - UNE Zone 1 | | 1 | UEPPP | | 170.06 | | | | | | | | | | | | | | |
| | 4W DS1 Digital Loop/4W ISDN DS1 Digital Trunk Port - UNE Zone 2 | | 2 | UEPPP | | 197.70 | | | | | | | | | | | | | | |
| | 4W DS1 Digital Loop/4W ISDN DS1 Digital Trunk Port - UNE Zone 3 | | 3 | UEPPP | | 381.35 | | | | | | | | | | | | | | |
| | UNE Loop Rates | | | | | | | | | | | | | | | | | | | |
| | 4-Wire DS1 Digital Loop - UNE Zone 1 | | 1 | UEPPP | USL4P | 86.47 | | | | | | | | | | | | | | 7.86 |
| | 4-Wire DS1 Digital Loop - UNE Zone 2 | | 2 | UEPPP | USL4P | 114.10 | | | | | | | | | | | | | | 7.86 |
| | 4-Wire DS1 Digital Loop - UNE Zone 3 | | 3 | UEPPP | USL4P | 297.76 | | | | | | | | | | | | | | 7.86 |
| | UNE Port Rate | | | | | | | | | | | | | | | | | | | |
| | Exchange Ports - 4-Wire ISDN DS1 Port | | | UEPPP | UEPPP | 83.59 | | | | | | | 736.16 | 382.74 | 159.48 | 48.82 | | | | 7.86 |
| | NONRECURRING CHARGES - CURRENTLY COMBINED | | | | | | | | | | | | | | | | | | | |
| | 4-Wire DS1 Digital Loop / 4-Wire ISDN DS1 Digital Trunk Port Combination - Conversion -Switch-as-is | | | UEPPP | USACP | 0.00 | | | | | | | | | | | | | | 7.86 |
| | ADDITIONAL NRCS | | | | | | | | | | | | | | | | | | | |
| | 4-Wire DS1 Loop/4-W ISDN Digt Trk Port - Subsqst Actvy-Inward/two way tel nos within Std Allowance (except NC) | | | UEPPP | PR7TF | | | | | | | | | 0.54 | | | | | | 7.86 |
| | 4-Wire DS1 Loop / 4-Wire ISDN DS1 Digital Trunk Port - Outward Tel Numbers (All States except NC) | | | UEPPP | PR7TO | | | | | | | | | 12.71 | 12.71 | | | | | 7.86 |
| | 4-Wire DS1 Loop / 4-Wire ISDN DS1 Digital Trk Port - Subsequent Inward Tel Nos Above Std Allowance | | | UEPPP | PR7ZT | | | | | | | | | 25.41 | 25.41 | | | | | 7.86 |
| | LOCAL NUMBER PORTABILITY | | | | | | | | | | | | | | | | | | | |
| | Local Number Portability (1 per port) | | | UEPPP | LNPCN | 1.75 | | | | | | | | | | | | | | |
| | INTERFACE (Provisioning Only) | | | | | | | | | | | | | | | | | | | |
| | Voice/Data | | | UEPPP | PR71V | 0.00 | | | | | | | 0.00 | 0.00 | 0.00 | | | | | |
| | Digital Data | | | UEPPP | PR71D | 0.00 | | | | | | | 0.00 | 0.00 | 0.00 | | | | | |
| | Inward Data | | | UEPPP | PR71E | 0.00 | | | | | | | 0.00 | 0.00 | 0.00 | | | | | |
| | New or Additional "B" Channel | | | | | | | | | | | | | | | | | | | |
| | New or Additional - Voice/Data B Channel | | | UEPPP | PR7BV | 0.00 | | | | | | | | | | | | | | 7.86 |
| | New or Additional - Digital Data B Channel | | | UEPPP | PR7BF | 0.00 | | | | | | | | | | | | | | 7.86 |
| | New or Additional Inward Data B Channel | | | UEPPP | PR7BD | 0.00 | | | | | | | | | | | | | | 7.86 |

| UNBUNDLED NETWORK ELEMENTS - Kentucky | | | | | | | | | | Attachment: 2 | | Exhibit: B | | | | | | | | | | | |
|--|--|---------|------|-------|-------|-----------|----------------------------------|--------------------------------------|--|--|---|---|-------|--------------|-------|-------------------------|-------|---------------|-------|-------|-------|-------|--|
| CATEGORY | RATE ELEMENTS | Interim | Zone | BCS | USOC | RATES(\$) | Svc Order Submitted Elec per LSR | Svc Order Submitted Manually per LSR | Incremental Charge - Manual Svc Order vs. Electronic-1st | Incremental Charge - Manual Svc Order vs. Electronic-Add'l | Incremental Charge - Manual Svc Order vs. Electronic-Disc 1st | Incremental Charge - Manual Svc Order vs. Electronic-Disc Add'l | | | | | | | | | | | |
| | | | | | | | | | | | | | Rec | Nonrecurring | | Nonrecurring Disconnect | | OSS Rates(\$) | | | | | |
| | | | | | | | | | | | | | First | Add'l | First | Add'l | SOMEC | SOMAN | SOMAN | SOMAN | SOMAN | SOMAN | |
| CALL TYPES | | | | | | | | | | | | | | | | | | | | | | | |
| | Inward | | | UEPPP | PR7C1 | 0.00 | 0.00 | 0.00 | | | | | | | | | | | | | | | |
| | Outward | | | UEPPP | PR7C0 | 0.00 | 0.00 | 0.00 | | | | | | | | | | | | | | | |
| | Two-way | | | UEPPP | PR7CC | 0.00 | 0.00 | 0.00 | | | | | | | | | | | | | | | |
| Interoffice Channel Mileage | | | | | | | | | | | | | | | | | | | | | | | |
| | Fixed Each Including First Mile | | | UEPPP | 1LN1A | 96.27 | 105.52 | 98.46 | 23.09 | 20.49 | 7.86 | | | | | | | | | | | | |
| | Each Airline-Fractional Additional Mile | | | UEPPP | 1LN1B | 0.23 | | | | | | | | | | | | | | | | | |
| 4-WIRE DS1 DIGITAL LOOP WITH 4-WIRE DDITS TRUNK PORT | | | | | | | | | | | | | | | | | | | | | | | |
| UNE Port/Loop Combination Rates | | | | | | | | | | | | | | | | | | | | | | | |
| | 4W DS1 Digital Loop/4W DDITS Trunk Port - UNE Zone 1 | | 1 | UEPDC | | 147.99 | | | | | | | | | | | | | | | | | |
| | 4W DS1 Digital Loop/4W DDITS Trunk Port - UNE Zone 2 | | 2 | UEPDC | | 175.62 | | | | | | | | | | | | | | | | | |
| | 4W DS1 Digital Loop/4W DDITS Trunk Port - UNE Zone 3 | | 3 | UEPDC | | 359.28 | | | | | | | | | | | | | | | | | |
| UNE Loop Rates | | | | | | | | | | | | | | | | | | | | | | | |
| | 4-Wire DS1 Digital Loop - UNE Zone 1 | | 1 | UEPDC | USLDC | 86.47 | | | | | 7.86 | | | | | | | | | | | | |
| | 4-Wire DS1 Digital Loop - UNE Zone 2 | | 2 | UEPDC | USLDC | 114.10 | | | | | 7.86 | | | | | | | | | | | | |
| | 4-Wire DS1 Digital Loop - UNE Zone 3 | | 3 | UEPDC | USLDC | 297.76 | | | | | 7.86 | | | | | | | | | | | | |
| UNE Port Rate | | | | | | | | | | | | | | | | | | | | | | | |
| | 4-Wire DDITS Digital Trunk Port | | | UEPDC | UDD1T | 61.52 | 780.61 | 375.52 | 176.19 | 16.98 | 7.86 | | | | | | | | | | | | |
| NONRECURRING CHARGES - CURRENTLY COMBINED | | | | | | | | | | | | | | | | | | | | | | | |
| | 4-Wire DS1 Digital Loop / 4-Wire DDITS Trunk Port Combination - Switch-as-is | | | UEPDC | USAC4 | | 92.84 | 46.70 | | | 7.86 | | | | | | | | | | | | |
| | 4-Wire DS1 Digital Loop / 4-Wire DDITS Trunk Port Combination - Conversion with DS1 Changes | | | UEPDC | USAWA | | 92.84 | 46.70 | | | 7.86 | | | | | | | | | | | | |
| | 4-Wire DS1 Digital Loop / 4-Wire DDITS Trunk Port Combination - Conversion with Change - Trunk | | | UEPDC | USAWB | | 92.84 | 46.70 | | | 7.86 | | | | | | | | | | | | |
| ADDITIONAL NRCs | | | | | | | | | | | | | | | | | | | | | | | |
| | 4-Wire DS1 Loop / 4-Wire DDITS Trunk Port - NRC - Subsequent Channel Activation/Chan - 2-Way Trunk | | | UEPDC | UDTTA | | 15.09 | 15.09 | | | 7.86 | | | | | | | | | | | | |
| | 4-Wire DS1 Loop / 4-Wire DDITS Trunk Port - Subsequent Channel Activation/Chan - 1-Way Outward Trunk | | | UEPDC | UDTTB | | 15.09 | 15.09 | | | 7.86 | | | | | | | | | | | | |
| | 4-Wire DS1 Loop / 4-Wire DDITS Trunk Port - Subsqt Channel Activation/Chan Inward Trunk w/out DID | | | UEPDC | UDTTC | | 15.09 | 15.09 | | | 7.86 | | | | | | | | | | | | |
| | 4-Wire DS1 Loop / 4-Wire DDITS Trunk Port - Subsqt Chan Activation Per Chan - Inward Trunk with DID | | | UEPDC | UDTTD | | 15.09 | 15.09 | | | 7.86 | | | | | | | | | | | | |
| | 4-Wire DS1 Loop / 4-Wire DDITS Trunk Port - Subsqt Chan Activation / Chan - 2-Way DID w User Trans | | | UEPDC | UDTTE | | 15.09 | 15.09 | | | 7.86 | | | | | | | | | | | | |
| BIPOLAR & ZERO SUBSTITUTION | | | | | | | | | | | | | | | | | | | | | | | |
| | B8ZS - Superframe Format | | | UEPDC | CCOSF | | 0.00 | 730.00 | | | 7.86 | | | | | | | | | | | | |
| | B8ZS - Extended Superframe Format | | | UEPDC | CCOEF | | 0.00 | 730.00 | | | 7.86 | | | | | | | | | | | | |
| Alternate Mark Inversion | | | | | | | | | | | | | | | | | | | | | | | |
| | AMI - Superframe Format | | | UEPDC | MCOSF | | 0.00 | 0.00 | | | | | | | | | | | | | | | |
| | AMI - Extended SuperFrame Format | | | UEPDC | MCOPO | | 0.00 | 0.00 | | | | | | | | | | | | | | | |
| Telephone Number/Trunk Group Establishment Charges | | | | | | | | | | | | | | | | | | | | | | | |
| | Telephone Number for 2-Way Trunk Group | | | UEPDC | UDTGX | 0.00 | 0.00 | 0.00 | | | 7.86 | | | | | | | | | | | | |
| | Telephone Number for 1-Way Outward Trunk Group | | | UEPDC | UDTGY | 0.00 | 0.00 | 0.00 | | | 7.86 | | | | | | | | | | | | |
| | Telephone Number for 1-Way Inward Trunk Group Without DID | | | UEPDC | UDTGZ | 0.00 | 0.00 | 0.00 | | | 7.86 | | | | | | | | | | | | |
| | DID Numbers for each Group of 20 DID Numbers | | | UEPDC | ND4 | 0.00 | 0.00 | 0.00 | | | 7.86 | | | | | | | | | | | | |
| | DID Numbers, Non- consecutive DID Numbers , Per Number | | | UEPDC | ND5 | 0.00 | 0.00 | 0.00 | | | 7.86 | | | | | | | | | | | | |
| | Reserve Non-Consecutive DID Nos. | | | UEPDC | ND6 | 0.00 | 0.00 | 0.00 | | | 7.86 | | | | | | | | | | | | |
| | Reserve DID Numbers | | | UEPDC | NDV | 0.00 | 0.00 | 0.00 | | | 7.86 | | | | | | | | | | | | |
| Dedicated DS1 (Interoffice Channel Mileage) - FX/FCO for 4-Wire DS1 Digital Loop with 4-Wire DDITS Trunk Port | | | | | | | | | | | | | | | | | | | | | | | |
| | Interoffice Channel Mileage - Fixed rate 0-8 miles (Facilities Termination) | | | UEPDC | 1LNO1 | 96.04 | 105.52 | 98.46 | 23.09 | 20.49 | 7.86 | | | | | | | | | | | | |
| | Interoffice Channel Mileage - Additional rate per mile - 0-8 miles | | | UEPDC | 1LNOA | 0.23 | 0.00 | 0.00 | | | | | | | | | | | | | | | |
| | Interoffice Channel Mileage - Fixed rate 9-25 miles (Facilities Termination) | | | UEPDC | 1LNO2 | 0.00 | 0.00 | 0.00 | | | | | | | | | | | | | | | |
| | Interoffice Channel Mileage - Additional rate per mile - 9-25 miles | | | UEPDC | 1LNOB | 0.45 | 0.00 | 0.00 | | | | | | | | | | | | | | | |

| UNBUNDLED NETWORK ELEMENTS - Kentucky | | | | | | | | | | Attachment: 2 | | Exhibit: B | | | | | | | | | | | | | |
|---------------------------------------|---|---------|------|-------|--------|-----------|----------------------------------|--------------------------------------|--|--|---|---|---------------|--------------|--------|-------------------------|--|-------|-------|-------|-------|-------|-------|--|--|
| CATEGORY | RATE ELEMENTS | Interim | Zone | BCS | USOC | RATES(\$) | Svc Order Submitted Elec per LSR | Svc Order Submitted Manually per LSR | Incremental Charge - Manual Svc Order vs. Electronic-1st | Incremental Charge - Manual Svc Order vs. Electronic-Add'l | Incremental Charge - Manual Svc Order vs. Electronic-Disc 1st | Incremental Charge - Manual Svc Order vs. Electronic-Disc Add'l | OSS Rates(\$) | | | | | | | | | | | | |
| | | | | | | | | | | | | | Rec | Nonrecurring | | Nonrecurring Disconnect | | SOMEc | SOMAN | SOMAN | SOMAN | SOMAN | SOMAN | | |
| | | | | | | | | | | | | | First | Add'l | First | Add'l | | | | | | | | | |
| | Interoffice Channel Mileage - Fixed rate 25+ miles (Facilities Termination) | | | UEPDC | 1LNQ3 | 0.00 | | | | | | | 0.00 | 0.00 | | | | | | | | | | | |
| | Interoffice Channel Mileage - Additional rate per mile - 25+ miles | | | UEPDC | 1LNOC | 0.45 | | | | | | | 0.00 | 0.00 | | | | | | | | | | | |
| | Local Number Portability, per DS0 Activated | | | UEPDC | LNPCP | 3.15 | | | | | | | 0.00 | 0.00 | | | | | | | | | | | |
| | Central Office Terminating Point | | | UEPDC | CTG | 0.00 | | | | | | | | | | | | | | | | | | | |
| | 4-WIRE DS1 LOOP WITH CHANNELIZATION WITH PORT | | | | | | | | | | | | | | | | | | | | | | | | |
| | System is 1 DS1 Loop, 1 D4 Channel Bank, and up to 24 Feature Activations | | | | | | | | | | | | | | | | | | | | | | | | |
| | Each System can have up to 24 combinations of rates depending on type and number of ports used | | | | | | | | | | | | | | | | | | | | | | | | |
| | UNE DS1 Loop | | | | | | | | | | | | | | | | | | | | | | | | |
| | 4-Wire DS1 Loop - UNE Zone 1 | | 1 | UEPMG | USLDC | 86.47 | | | | | | | 0.00 | 0.00 | | | | | | | | | | | |
| | 4-Wire DS1 Loop - UNE Zone 2 | | 2 | UEPMG | USLDC | 114.10 | | | | | | | 0.00 | 0.00 | | | | | | | | | | | |
| | 4-Wire DS1 Loop - UNE Zone 3 | | 3 | UEPMG | USLDC | 297.76 | | | | | | | 0.00 | 0.00 | | | | | | | | | | | |
| | UNE DSO Channelization Capacities (D4 Channel Bank Configurations) | | | | | | | | | | | | | | | | | | | | | | | | |
| | 24 DSO Channel Capacity - 1 per DS1 | | | UEPMG | VUM24 | 111.16 | | | | | | | 0.00 | 0.00 | | | | | | | | | | | |
| | 48 DSO Channel Capacity - 1 per 2 DS1s | | | UEPMG | VUM48 | 222.32 | | | | | | | 0.00 | 0.00 | | | | | | | | | | | |
| | 96 DSO Channel Capacity -1per 4 DS1s | | | UEPMG | VUM96 | 444.64 | | | | | | | 0.00 | 0.00 | | | | | | | | | | | |
| | 144 DSO Channel Capacity - 1 per 6 DS1s | | | UEPMG | VUM144 | 666.96 | | | | | | | 0.00 | 0.00 | | | | | | | | | | | |
| | 192 DSO Channel Capacity -1 per 8 DS1s | | | UEPMG | VUM192 | 889.28 | | | | | | | 0.00 | 0.00 | | | | | | | | | | | |
| | 240 DSO Channel Capacity - 1 per 10 DS1s | | | UEPMG | VUM240 | 1,111.60 | | | | | | | 0.00 | 0.00 | | | | | | | | | | | |
| | 288 DSO Channel Capacity - 1 per 12 DS1s | | | UEPMG | VUM288 | 1,333.92 | | | | | | | 0.00 | 0.00 | | | | | | | | | | | |
| | 384 DSO Channel Capacity - 1 per 16 DS1s | | | UEPMG | VUM384 | 1,778.56 | | | | | | | 0.00 | 0.00 | | | | | | | | | | | |
| | 480 DSO Channel Capacity - 1 per 20 DS1s | | | UEPMG | VUM480 | 2,223.20 | | | | | | | 0.00 | 0.00 | | | | | | | | | | | |
| | 576 DSO Channel Capacity -1 per 24 DS1s | | | UEPMG | VUM576 | 2,667.84 | | | | | | | 0.00 | 0.00 | | | | | | | | | | | |
| | 672 DSO Channel Capacity - 1 per 28 DS1s | | | UEPMG | VUM672 | 3,112.48 | | | | | | | 0.00 | 0.00 | | | | | | | | | | | |
| | Non-Recurring Charges (NRC) Associated with 4-Wire DS1 Loop with Channelization with Port - Conversion Charge Based on a System | | | | | | | | | | | | | | | | | | | | | | | | |
| | A Minimum System configuration is One (1) DS1, One (1) D4 Channel Bank, and Up To 24 DSO Ports with Feature Activations. | | | | | | | | | | | | | | | | | | | | | | | | |
| | Multiples of this configuration functioning as one are considered Add'l after the minimum system configuration is counted. | | | | | | | | | | | | | | | | | | | | | | | | |
| | NRC - Conversion (Currently Combined) with or without Bell/South Allowed Changes | | | UEPMG | USAC4 | 0.00 | | | | | | | 94.30 | 4.24 | | | | | | | | | | | |
| | System Additions at End User Locations Where 4-Wire DS1 Loop with Channelization with Port Combination Currently Exists and New (Not Currently Combined) in GA, KY, LA, MS & TN Only | | | | | | | | | | | | | | | | | | | | | | | | |
| | 1 DS1/D4 Channel Bank - Add NRC for each Port and Assoc Fea Activation - New GA, LA, KY, MS, & TN Only | | | UEPMG | VUMD4 | 0.00 | | | | | | | 718.89 | 469.86 | 149.83 | 17.77 | | | | | | | | | |
| | Bipolar 8 Zero Substitution | | | | | | | | | | | | | | | | | | | | | | | | |
| | Clear Channel Capability Format, superframe - Subsequent Activity Only | | | UEPMG | CCOSF | 0.00 | | | | | | | 0.00 | 0.00 | 730.00 | | | | | | | | | | |
| | Clear Channel Capability Format - Extended Superframe - Subsequent Activity Only | | | UEPMG | CCOEF | 0.00 | | | | | | | 0.00 | 0.00 | 730.00 | | | | | | | | | | |
| | Alternate Mark Inversion (AMI) | | | | | | | | | | | | | | | | | | | | | | | | |
| | Superframe Format | | | UEPMG | MCOSF | 0.00 | | | | | | | 0.00 | 0.00 | 0.00 | | | | | | | | | | |
| | Extended Superframe Format | | | UEPMG | MCOPO | 0.00 | | | | | | | 0.00 | 0.00 | 0.00 | | | | | | | | | | |
| | Exchange Ports Associated with 4-Wire DS1 Loop with Channelization with Port | | | | | | | | | | | | | | | | | | | | | | | | |
| | Exchange Ports | | | | | | | | | | | | | | | | | | | | | | | | |
| | Line Side Combination Channelized PBX Trunk Port - Business | | | UEPPX | UEPCX | 1.15 | | | | | | | 0.00 | 0.00 | 0.00 | 0.00 | | | | | | | | | |
| | Line Side Outward Channelized PBX Trunk Port - Business | | | UEPPX | UEPOX | 1.15 | | | | | | | 0.00 | 0.00 | 0.00 | 0.00 | | | | | | | | | |
| | Line Side Inward Only Channelized PBX Trunk Port without DID | | | UEPPX | UEP1X | 1.15 | | | | | | | 0.00 | 0.00 | 0.00 | 0.00 | | | | | | | | | |
| | 2-Wire Trunk Side Unbundled Channelized DID Trunk Port | | | UEPPX | UEPDM | 8.65 | | | | | | | 0.00 | 0.00 | 0.00 | 0.00 | | | | | | | | | |
| | Feature Activations - Unbundled Loop Concentration | | | | | | | | | | | | | | | | | | | | | | | | |
| | Feature (Service) Activation for each Line Side Port Terminated in D4 Bank | | | UEPPX | 1PQWM | 0.62 | | | | | | | 25.40 | 13.41 | 4.17 | 4.15 | | | | | | | | | |
| | Feature (Service) Activation for each Trunk Side Port Terminated in D4 Bank | | | UEPPX | 1PQWU | 0.62 | | | | | | | 78.15 | 19.68 | 59.05 | 11.54 | | | | | | | | | |
| | Telephone Number/ Group Establishment Charges for DID Service | | | | | | | | | | | | | | | | | | | | | | | | |
| | DID Trunk Termination (1 per Port) | | | UEPPX | NDT | 0.00 | | | | | | | 0.00 | 0.00 | 0.00 | | | | | | | | | | |
| | DID Numbers - groups of 20 - Valid All States | | | UEPPX | ND4 | 0.00 | | | | | | | 0.00 | 0.00 | 0.00 | | | | | | | | | | |
| | Non-Consecutive DID Numbers - per number | | | UEPPX | ND5 | 0.00 | | | | | | | 0.00 | 0.00 | 0.00 | | | | | | | | | | |

| UNBUNDLED NETWORK ELEMENTS - Kentucky | | | | | | | | | | Attachment: 2 | | Exhibit: B | | | |
|---------------------------------------|---|---------|------|-------|-------|-----------|----------------------------------|--------------------------------------|--|--|---|---|-------|--------------|-------|
| CATEGORY | RATE ELEMENTS | Interim | Zone | BCS | USOC | RATES(\$) | Svc Order Submitted Elec per LSR | Svc Order Submitted Manually per LSR | Incremental Charge - Manual Svc Order vs. Electronic-1st | Incremental Charge - Manual Svc Order vs. Electronic-Add'l | Incremental Charge - Manual Svc Order vs. Electronic-Disc 1st | Incremental Charge - Manual Svc Order vs. Electronic-Disc Add'l | | | |
| | | | | | | | | | | | | | Rec | Nonrecurring | |
| | | | | | | | First | Add'l | First | Add'l | SOME | SOMAN | SOMAN | SOMAN | SOMAN |
| | Reserve Non-Consecutive DID Numbers | | | UEPPX | ND6 | 0.00 | 0.00 | 0.00 | | | | 7.86 | | | |
| | Reserve DID Numbers | | | UEPPX | NDV | 0.00 | 0.00 | 0.00 | | | | 7.86 | | | |
| | Local Number Portability | | | | | | | | | | | | | | |
| | Local Number Portability - 1 per port | | | UEPPX | LNPCP | 3.15 | 0.00 | 0.00 | | | | | | | |
| | FEATURES - Vertical and Optional | | | | | | | | | | | | | | |
| | Local Switching Features Offered with Line Side Ports Only | | | | | | | | | | | | | | |
| | All Features Available | | | UEPPX | UEPVF | 0.00 | 0.00 | 0.00 | | | | | | | |
| | Market Rates shall apply where BellSouth is not required to provide unbundled local switching or switch ports per FCC and/or State Commission rules. | | | | | | | | | | | | | | |
| | These scenarios include: | | | | | | | | | | | | | | |
| | 1. Unbundled port/loop combinations that are Not Currently Combined in Alabama, Florida and North Carolina. | | | | | | | | | | | | | | |
| | 2. Unbundled port/loop combinations that are Currently Combined or Not Currently Combined in Zone 1 of the Top 8 MSAs in BellSouth's region for end users with 4 or more DS0 equivalent lines. | | | | | | | | | | | | | | |
| | The Top 8 MSAs in BellSouth's region are: FL (Orlando, Ft. Lauderdale, Miami); GA (Atlanta); LA (New Orleans); NC (Greensboro-Winston Salem-Highpoint/Charlotte-Gastonia-Rock Hill); TN (Nashville). | | | | | | | | | | | | | | |
| | BellSouth currently is developing the billing capability to mechanically bill the recurring and non-recurring Market Rates in this section except for non-recurring charges for not currently combined in AL, FL and NC. In the interim where BellSouth cannot bill Market Rates, BellSouth shall bill the rates in the Cost-Based section preceding in lieu of the Market Rates and reserves the right to true-up the billing difference. | | | | | | | | | | | | | | |
| | The Market Rate for unbundled ports includes all available features in all states. | | | | | | | | | | | | | | |
| | End Office and Tandem Switching Usage and Common Transport Usage rates in the Port section of this rate exhibit shall apply to all combinations of loop/port network elements except for UNE Coin Port/Loop Combinations which have a flat rate usage charge (USOC: URECU). | | | | | | | | | | | | | | |
| | For Not Currently Combined scenarios where Market Rates apply, the Nonrecurring charges are listed in the First and Additional NRC columns for each Port USOC. For Currently Combined scenarios, the Nonrecurring charges are listed in the NRC - Currently Combined section. Additional NRCs may apply also and are categorized accordingly. | | | | | | | | | | | | | | |
| | Non-Recurring Charges (NRC) Associated with 4-Wire DS1 Loop with Channelization with Port - Conversion Charge Based on a System | | | | | | | | | | | | | | |
| | A Minimum System configuration is One (1) DS1, One (1) D4 Channel Bank, and Up To 24 DSO Ports with Feature Activations. | | | | | | | | | | | | | | |
| | Multiples of this configuration functioning as one are considered Add'l after the minimum system configuration is counted. | | | | | | | | | | | | | | |
| | UNBUNDLED CENTREX PORT/LOOP COMBINATIONS - COST BASED RATES | | | | | | | | | | | | | | |
| | 1. Cost Based Rates are applied where BellSouth is required by FCC and/or State Commission rule to provide Unbundled Local Switching or Switch Ports. | | | | | | | | | | | | | | |
| | 2. Features shall apply to the Unbundled Port/Loop Combination - Cost Based Rate section in the same manner as they are applied to the Stand-Alone Unbundled Port section of this Rate Exhibit. | | | | | | | | | | | | | | |
| | 3. End Office and Tandem Switching Usage and Common Transport Usage rates in the Port section of this rate exhibit shall apply to all combinations of loop/port network elements except for UNE Coin Port/Loop Combinations. | | | | | | | | | | | | | | |
| | For Georgia, Kentucky, Louisiana, Mississippi and Tennessee, the recurring UNE Port and Loop charges listed apply to Currently Combined and Not Currently Combined Combos. The first and additional Port nonrecurring charges apply to Not Currently Combined Combos for all states. In GA, KY, LA, MS and TN these nonrecurring charges are commission ordered cost based rates and in AL, FL, NC and SC these nonrecurring charges are Market Rates and are listed in the Market Rate section. For Currently Combined Combos in all other states, the nonrecurring charges shall be those identified in the Nonrecurring - Currently Combined sections. | | | | | | | | | | | | | | |
| | 5. Market Rates for Unbundled Centrex Port/Loop Combination will be negotiated on an Individual Case Basis, until further notice. | | | | | | | | | | | | | | |
| | UNE-P CENTREX - 1AESS - (Valid in AL,FL,GA,KY,LA,MS,&TN only) | | | | | | | | | | | | | | |
| | 2-Wire VG Loop/2-Wire Voice Grade Port (Centrex) Combo | | | | | | | | | | | | | | |
| | UNE Port/Loop Combination Rates (Non-Design) | | | | | | | | | | | | | | |
| | 2-Wire VG Loop/2-Wire Voice Grade Port (Centrex) Port Combo - Non-Design | | 1 | UEP91 | | 10.79 | | | | | | | | | |
| | 2-Wire VG Loop/2-Wire Voice Grade Port (Centrex)Port Combo - Non-Design | | 2 | UEP91 | | 15.52 | | | | | | | | | |
| | 2-Wire VG Loop/2-Wire Voice Grade Port (Centrex)Port Combo - Non-Design | | 3 | UEP91 | | 31.74 | | | | | | | | | |
| | UNE Port/Loop Combination Rates (Design) | | | | | | | | | | | | | | |
| | 2-Wire VG Loop/2-Wire Voice Grade Port (Centrex) Port Combo - Design | | 1 | UEP91 | | 13.82 | | | | | | | | | |
| | 2-Wire VG Loop/2-Wire Voice Grade Port (Centrex)Port Combo - Design | | 2 | UEP91 | | 18.60 | | | | | | | | | |
| | 2-Wire VG Loop/2-Wire Voice Grade Port (Centrex)Port Combo - Design | | 3 | UEP91 | | 34.37 | | | | | | | | | |
| | UNE Loop Rate | | | | | | | | | | | | | | |
| | 2-Wire Voice Grade Loop (SL 1) - Zone 1 | | 1 | UEP91 | UECS1 | 9.64 | | | | | | 7.86 | | | |
| | 2-Wire Voice Grade Loop (SL 1) - Zone 2 | | 2 | UEP91 | UECS1 | 14.37 | | | | | | 7.86 | | | |
| | 2-Wire Voice Grade Loop (SL 1) - Zone 3 | | 3 | UEP91 | UECS1 | 30.59 | | | | | | 7.86 | | | |
| | 2-Wire Voice Grade Loop (SL 2) - Zone 1 | | 1 | UEP91 | UECS2 | 12.67 | | | | | | 7.86 | | | |
| | 2-Wire Voice Grade Loop (SL 2) - Zone 2 | | 2 | UEP91 | UECS2 | 17.45 | | | | | | 7.86 | | | |
| | 2-Wire Voice Grade Loop (SL 2) - Zone 3 | | 3 | UEP91 | UECS2 | 33.22 | | | | | | 7.86 | | | |
| | UNE Ports | | | | | | | | | | | | | | |
| | All States (Except North Carolina and Sout Carolina) | | | | | | | | | | | | | | |
| | 2-Wire Voice Grade Port (Centrex) Basic Local Area | | | UEP91 | UEPYA | 1.15 | 21.29 | 15.49 | 2.85 | 2.67 | | 7.86 | | | |
| | 2-Wire Voice Grade Port (Centrex 800 termination)Basic Local Area | | | UEP91 | UEPYB | 1.15 | 21.29 | 15.49 | 2.85 | 2.67 | | 7.86 | | | |

| UNBUNDLED NETWORK ELEMENTS - Kentucky | | | | | | | | | | Attachment: 2 | | Exhibit: B | | | |
|---|---|---------|------|-------|-------|-----------|----------------------------------|--------------------------------------|--|--|---|---|-------|--------------|-------|
| CATEGORY | RATE ELEMENTS | Interim | Zone | BCS | USOC | RATES(\$) | Svc Order Submitted Elec per LSR | Svc Order Submitted Manually per LSR | Incremental Charge - Manual Svc Order vs. Electronic-1st | Incremental Charge - Manual Svc Order vs. Electronic-Add'l | Incremental Charge - Manual Svc Order vs. Electronic-Disc 1st | Incremental Charge - Manual Svc Order vs. Electronic-Disc Add'l | | | |
| | | | | | | | | | | | | | Rec | Nonrecurring | |
| | | | | | | | | | | | | | | | |
| | | | | | | | | | | SOMEc | SOMAN | SOMAN | SOMAN | SOMAN | SOMAN |
| | 2-Wire Voice Grade Port (Centrex with Caller ID)1Basic Local Area | | | UEP91 | UEPYH | 1.15 | 21.29 | 15.49 | 2.85 | 2.67 | | 7.86 | | | |
| | 2-Wire Voice Grade Port (Centrex from diff Serving Wire Center)2 Basic Local Area | | | UEP91 | UEPYM | 1.15 | 21.29 | 15.49 | 2.85 | 2.67 | | 7.86 | | | |
| | 2-Wire Voice Grade Port, Diff Serving Wire Center - 800 Service Term - Basic Local Area | | | UEP91 | UEPYZ | 1.15 | 21.29 | 15.49 | 2.85 | 2.67 | | 7.86 | | | |
| | 2-Wire Voice Grade Port terminated in on Megalink or equivalent - Basic Local Area | | | UEP91 | UEPY9 | 1.15 | 21.29 | 15.49 | 2.85 | 2.67 | | 7.86 | | | |
| | 2-Wire Voice Grade Port Terminated on 800 Service Term - Basic Local Area | | | UEP91 | UEPY2 | 1.15 | 21.29 | 15.49 | 2.85 | 2.67 | | 7.86 | | | |
| AL, KY, LA, MS, & TN Only | | | | | | | | | | | | 7.86 | | | |
| | 2-Wire Voice Grade Port (Centrex) | | | UEP91 | UEPQA | 1.15 | 21.29 | 15.49 | 2.85 | 2.67 | | 7.86 | | | |
| | 2-Wire Voice Grade Port (Centrex 800 termination) | | | UEP91 | UEPQB | 1.15 | 21.29 | 15.49 | 2.85 | 2.67 | | 7.86 | | | |
| | 2-Wire Voice Grade Port (Centrex with Caller ID)1 | | | UEP91 | UEPQH | 1.15 | 21.29 | 15.49 | 2.85 | 2.67 | | 7.86 | | | |
| | 2-Wire Voice Grade Port (Centrex from diff Serving Wire Center)2 | | | UEP91 | UEPQM | 1.15 | 21.29 | 15.49 | 2.85 | 2.67 | | 7.86 | | | |
| | 2-Wire Voice Grade Port, Diff Serving Wire Center - 800 Service Term | | | UEP91 | UEPQZ | 1.15 | 21.29 | 15.49 | 2.85 | 2.67 | | 7.86 | | | |
| | 2-Wire Voice Grade Port terminated in on Megalink or equivalent | | | UEP91 | UEPQ9 | 1.15 | 21.29 | 15.49 | 2.85 | 2.67 | | 7.86 | | | |
| | 2-Wire Voice Grade Port Terminated on 800 Service Term | | | UEP91 | UEPQ2 | 1.15 | 21.29 | 15.49 | 2.85 | 2.67 | | 7.86 | | | |
| Local Switching | | | | | | | | | | | | | | | |
| | Centrex Intercom Funtionalty, per port | | | UEP91 | URECS | 0.8873 | | | | | | 7.86 | | | |
| Local Number Portability | | | | | | | | | | | | | | | |
| | Local Number Portability (1 per port) | | | UEP91 | LNPC | 0.35 | | | | | | | | | |
| Features | | | | | | | | | | | | | | | |
| | All Standard Features Offered, per port | | | UEP91 | UEPVF | 0.00 | | | | | | 7.86 | | | |
| | All Select Features Offered, per port | | | UEP91 | UEPVS | 0.00 | 405.66 | | | | | 7.86 | | | |
| | All Centrex Control Features Offered, per port | | | UEP91 | UEPVC | 0.00 | | | | | | 7.86 | | | |
| NARS | | | | | | | | | | | | | | | |
| | Unbundled Network Access Register - Combination | | | UEP91 | UARCX | 0.00 | 0.00 | 0.00 | | | | 7.86 | | | |
| | Unbundled Network Access Register - Indial | | | UEP91 | UARIX | 0.00 | 0.00 | 0.00 | | | | 7.86 | | | |
| | Unbundled Network Access Register - Outdial | | | UEP91 | UARO | 0.00 | 0.00 | 0.00 | | | | 7.86 | | | |
| Miscellaneous Terminations | | | | | | | | | | | | | | | |
| 2-Wire Trunk Side | | | | | | | | | | | | | | | |
| | Trunk Side Terminations, each | | | UEP91 | CENA6 | 10.51 | 92.18 | 15.82 | 52.16 | 5.30 | | 7.86 | | | |
| Interoffice Channel Mileage - 2-Wire | | | | | | | | | | | | | | | |
| | Interoffice Channel Facilities Termination - Voice Grade | | | UEP91 | MIGBC | 29.11 | | | | | | 7.86 | | | |
| | Interoffice Channel mileage, per mile or fraction of mile | | | UEP91 | MIGBM | 0.01 | | | | | | 7.86 | | | |
| Feature Activations (DS0) Centrex Loops on Channelized DS1 Service | | | | | | | | | | | | | | | |
| D4 Channel Bank Feature Activations | | | | | | | | | | | | | | | |
| | Feature Activation on D-4 Channel Bank Centrex Loop Slot | | | UEP91 | 1PQWS | 0.62 | | | | | | 7.86 | | | |
| | Feature Activation on D-4 Channel Bank FX line Side Loop Slot | | | UEP91 | 1PQW6 | 0.62 | | | | | | 7.86 | | | |
| | Feature Activation on D-4 Channel Bank FX Trunk Side Loop Slot | | | UEP91 | 1PQW7 | 0.62 | | | | | | 7.86 | | | |
| | Feature Activation on D-4 Channel Bank Centrex Loop Slot - Different Wire Center | | | UEP91 | 1PQWP | 0.62 | | | | | | 7.86 | | | |
| | Feature Activation on D-4 Channel Bank Private Line Loop Slot | | | UEP91 | 1PQWV | 0.62 | | | | | | 7.86 | | | |
| | Feature Activation on D-4 Channel Bank Tjie Line/Trunk Loop Slot | | | UEP91 | 1PQWQ | 0.62 | | | | | | 7.86 | | | |
| | Feature Activation on D-4 Channel Bank WATS Loop Slot | | | UEP91 | 1PQWA | 0.62 | | | | | | 7.86 | | | |
| Non-Recurring Charges (NRC) Associated with UNE-P Centrex | | | | | | | | | | | | | | | |
| | Conversion - Currently Combined Switch-As-Is with allowed changes, per port | | | UEP91 | USAC2 | | 0.102 | 0.102 | | | | 7.86 | | | |
| | Conversion of Existing Centrex Common Block | | | UEP91 | USACN | | 18.95 | 8.32 | | | | | | | |
| | New Centrex Standard Common Block | | | UEP91 | M1ACS | 0.00 | 669.80 | 78.32 | 111.05 | 13.27 | | 7.86 | | | |
| | New Centrex Customized Common Block | | | UEP91 | M1ACC | 0.00 | 669.80 | 78.32 | 111.05 | 13.27 | | 7.86 | | | |

| UNBUNDLED NETWORK ELEMENTS - Kentucky | | | | | | | | | | | Attachment: 2 | | Exhibit: B | | | | | | | | | |
|---------------------------------------|---|---------|------|-------|-------|-----------|----------------------------------|--------------------------------------|--|--|---|---|---------------|--------------------|--------------------|--------------------|--------------------|-------|-------|-------|-------|-------|
| CATEGORY | RATE ELEMENTS | Interim | Zone | BCS | USOC | RATES(\$) | Svc Order Submitted Elec per LSR | Svc Order Submitted Manually per LSR | Incremental Charge - Manual Svc Order vs. Electronic-1st | Incremental Charge - Manual Svc Order vs. Electronic-Add'l | Incremental Charge - Manual Svc Order vs. Electronic-Disc 1st | Incremental Charge - Manual Svc Order vs. Electronic-Disc Add'l | OSS Rates(\$) | | | | | | | | | |
| | | | | | | | | | | | | | Rec | Nonrecurring First | Nonrecurring Add'l | Nonrecurring First | Nonrecurring Add'l | SOMEK | SOMAN | SOMAN | SOMAN | SOMAN |
| | Secondary Block, per Block | | | UEP91 | M2CC1 | 0.00 | | | | | | | | | | | | | | | | |
| | NAR Establishment Charge, Per Occasion | | | UEP91 | URECA | 0.00 | | | | | | | | | | | | | | | | |
| | UNE-P CENTREX - 5ESS (Valid in All States) | | | | | | | | | | | | | | | | | | | | | |
| | 2-Wire VG Loop/2-Wire Voice Grade Port (Centrex) Combo | | | | | | | | | | | | | | | | | | | | | |
| | UNE Port/Loop Combination Rates (Non-Design) | | | | | | | | | | | | | | | | | | | | | |
| | 2-Wire VG Loop/2-Wire Voice Grade Port (Centrex) Port Combo - Non-Design | | 1 | UEP95 | | 10.79 | | | | | | | | | | | | | | | | |
| | 2-Wire VG Loop/2-Wire Voice Grade Port (Centrex)Port Combo - Non-Design | | 2 | UEP95 | | 15.52 | | | | | | | | | | | | | | | | |
| | 2-Wire VG Loop/2-Wire Voice Grade Port (Centrex)Port Combo - Non-Design | | 3 | UEP95 | | 31.74 | | | | | | | | | | | | | | | | |
| | UNE Port/Loop Combination Rates (Design) | | | | | | | | | | | | | | | | | | | | | |
| | 2-Wire VG Loop/2-Wire Voice Grade Port (Centrex) Port Combo - Design | | 1 | UEP95 | | 13.82 | | | | | | | | | | | | | | | | |
| | 2-Wire VG Loop/2-Wire Voice Grade Port (Centrex)Port Combo - Design | | 2 | UEP95 | | 18.60 | | | | | | | | | | | | | | | | |
| | 2-Wire VG Loop/2-Wire Voice Grade Port (Centrex)Port Combo - Design | | 3 | UEP95 | | 34.37 | | | | | | | | | | | | | | | | |
| | UNE Loop Rate | | | | | | | | | | | | | | | | | | | | | |
| | 2-Wire Voice Grade Loop (SL 1) - Zone 1 | | 1 | UEP95 | UECS1 | 9.64 | | | | | | | | | | | | | | | | |
| | 2-Wire Voice Grade Loop (SL 1) - Zone 2 | | 2 | UEP95 | UECS1 | 14.37 | | | | | | | | | | | | | | | | |
| | 2-Wire Voice Grade Loop (SL 1) - Zone 3 | | 3 | UEP95 | UECS1 | 30.59 | | | | | | | | | | | | | | | | |
| | 2-Wire Voice Grade Loop (SL 2) - Zone 1 | | 1 | UEP95 | UECS2 | 12.67 | | | | | | | | | | | | | | | | |
| | 2-Wire Voice Grade Loop (SL 2) - Zone 2 | | 2 | UEP95 | UECS2 | 17.45 | | | | | | | | | | | | | | | | |
| | 2-Wire Voice Grade Loop (SL 2) - Zone 3 | | 3 | UEP95 | UECS2 | 33.22 | | | | | | | | | | | | | | | | |
| | UNE Port Rate | | | | | | | | | | | | | | | | | | | | | |
| | All States | | | | | | | | | | | | | | | | | | | | | |
| | 2-Wire Voice Grade Port (Centrex) Basic Local Area | | | UEP95 | UEPYA | 1.15 | 21.29 | 15.49 | 2.85 | 2.67 | | | | | | | | | | | | |
| | 2-Wire Voice Grade Port (Centrex 800 termination) | | | UEP95 | UEPYB | 1.15 | 21.29 | 15.49 | 2.85 | 2.67 | | | | | | | | | | | | |
| | 2-Wire Voice Grade Port (Centrex with Caller ID)1Basic Local Area | | | UEP95 | UEPYH | 1.15 | 21.29 | 15.49 | 2.85 | 2.67 | | | | | | | | | | | | |
| | 2-Wire Voice Grade Port (Centrex from diff Serving Wire Center)2 Basic Local Area | | | UEP95 | UEPYM | 1.15 | 21.29 | 15.49 | 2.85 | 2.67 | | | | | | | | | | | | |
| | 2-Wire Voice Grade Port, Diff Serving Wire Center - 800 Service Term - Basic Local Area | | | UEP95 | UEPYZ | 1.15 | 21.29 | 15.49 | 2.85 | 2.67 | | | | | | | | | | | | |
| | 2-Wire Voice Grade Port terminated in on Megalink or equivalent - Basic Local Area | | | UEP95 | UEPY9 | 1.15 | 21.29 | 15.49 | 2.85 | 2.67 | | | | | | | | | | | | |
| | 2-Wire Voice Grade Port Terminated on 800 Service Term - Basic Local Area | | | UEP95 | UEPY2 | 1.15 | 21.29 | 15.49 | 2.85 | 2.67 | | | | | | | | | | | | |
| | AL, KY, LA, MS, SC, & TN Only | | | | | | | | | | | | | | | | | | | | | |
| | 2-Wire Voice Grade Port (Centrex) | | | UEP95 | UEPQA | 1.15 | 21.29 | 15.49 | 2.85 | 2.67 | | | | | | | | | | | | |
| | 2-Wire Voice Grade Port (Centrex 800 termination) | | | UEP95 | UEPQB | 1.15 | 21.29 | 15.49 | 2.85 | 2.67 | | | | | | | | | | | | |
| | 2-Wire Voice Grade Port (Centrex with Caller ID)1 | | | UEP95 | UEPQH | 1.15 | 21.29 | 15.49 | 2.85 | 2.67 | | | | | | | | | | | | |
| | 2-Wire Voice Grade Port (Centrex from diff Serving Wire Center)2 | | | UEP95 | UEPQM | 1.15 | 21.29 | 15.49 | 2.85 | 2.67 | | | | | | | | | | | | |
| | 2-Wire Voice Grade Port, Diff Serving Wire Center - 800 Service Term | | | UEP95 | UEPQZ | 1.15 | 21.29 | 15.49 | 2.85 | 2.67 | | | | | | | | | | | | |
| | 2-Wire Voice Grade Port terminated in on Megalink or equivalent | | | UEP95 | UEPQ9 | 1.15 | 21.29 | 15.49 | 2.85 | 2.67 | | | | | | | | | | | | |
| | 2-Wire Voice Grade Port Terminated on 800 Service Term | | | UEP95 | UEPQ2 | 1.15 | 21.29 | 15.49 | 2.85 | 2.67 | | | | | | | | | | | | |
| | Local Switching | | | | | | | | | | | | | | | | | | | | | |
| | Centrex Intercom Functionality, per port | | | UEP95 | URECS | 0.8873 | | | | | | | | | | | | | | | | |
| | Local Number Portability | | | | | | | | | | | | | | | | | | | | | |
| | Local Number Portability (1 per port) | | | UEP95 | LNPC | 0.35 | | | | | | | | | | | | | | | | |
| | Features | | | | | | | | | | | | | | | | | | | | | |
| | All Standard Features Offered, per port | | | UEP95 | UEPVF | 0.00 | | | | | | | | | | | | | | | | |
| | All Select Features Offered, per port | | | UEP95 | UEPVC | 0.00 | 405.66 | | | | | | | | | | | | | | | |
| | All Centrex Control Features Offered, per port | | | UEP95 | UEPVC | 0.00 | | | | | | | | | | | | | | | | |
| | NARS | | | | | | | | | | | | | | | | | | | | | |

| UNBUNDLED NETWORK ELEMENTS - Kentucky | | | | | | | | | | | Attachment: 2 | | Exhibit: B | | | | | | | |
|---------------------------------------|--|---------|------|-------|-------|-----------|----------------------------------|--------------------------------------|--|--|---|---|---------------|--------------|--------|-------------------------|--|-------|-------|-------|
| CATEGORY | RATE ELEMENTS | Interim | Zone | BCS | USOC | RATES(\$) | Svc Order Submitted Elec per LSR | Svc Order Submitted Manually per LSR | Incremental Charge - Manual Svc Order vs. Electronic-1st | Incremental Charge - Manual Svc Order vs. Electronic-Add'l | Incremental Charge - Manual Svc Order vs. Electronic-Disc 1st | Incremental Charge - Manual Svc Order vs. Electronic-Disc Add'l | OSS Rates(\$) | | | | | | | |
| | | | | | | | | | | | | | Rec | Nonrecurring | | Nonrecurring Disconnect | | SOMEc | SOMAN | SOMAN |
| | | | | | | | | | | | | | First | Add'l | First | Add'l | | | | |
| | Unbundled Network Access Register - Combination | | | UEP95 | UARCX | 0.00 | | | | | | | 0.00 | 0.00 | | | | | | 7.86 |
| | Unbundled Network Access Register - Initial | | | UEP95 | UARIX | 0.00 | | | | | | | 0.00 | 0.00 | | | | | | 7.86 |
| | Unbundled Network Access Register - Outdial | | | UEP95 | UAROx | 0.00 | | | | | | | 0.00 | 0.00 | | | | | | 7.86 |
| | Miscellaneous Terminations | | | | | | | | | | | | | | | | | | | |
| | 2-Wire Trunk Side | | | | | | | | | | | | | | | | | | | |
| | Trunk Side Terminations, each | | | UEP95 | CEND6 | 10.51 | | | | | | | 92.18 | 15.82 | 52.16 | 5.30 | | | | 7.86 |
| | 4-Wire Digital (1.544 Megabits) | | | | | | | | | | | | | | | | | | | |
| | DS1 Circuit Terminations, each | | | UEP95 | M1HD1 | 74.77 | | | | | | | 164.86 | 77.74 | 60.69 | 3.86 | | | | 7.86 |
| | DS0 Channels Activated, each | | | UEP95 | M1HDO | 0.00 | | | | | | | 15.09 | | | | | | | 7.86 |
| | Interoffice Channel Mileage - 2-Wire | | | | | | | | | | | | | | | | | | | |
| | Interoffice Channel Facilities Termination | | | UEP95 | MIGBC | 29.11 | | | | | | | | | | | | | | 7.86 |
| | Interoffice Channel mileage, per mile or fraction of mile | | | UEP95 | MIGBM | 0.01 | | | | | | | | | | | | | | 7.86 |
| | Feature Activations (DS0) Centrex Loops on Channelized DS1 Service | | | | | | | | | | | | | | | | | | | |
| | D4 Channel Bank Feature Activations | | | | | | | | | | | | | | | | | | | 7.86 |
| | Feature Activation on D-4 Channel Bank Centrex Loop Slot | | | UEP95 | 1PQWS | 0.62 | | | | | | | | | | | | | | 7.86 |
| | Feature Activation on D-4 Channel Bank FX line Side Loop Slot | | | UEP95 | 1PQW6 | 0.62 | | | | | | | | | | | | | | 7.86 |
| | Feature Activation on D-4 Channel Bank FX Trunk Side Loop Slot | | | UEP95 | 1PQW7 | 0.62 | | | | | | | | | | | | | | 7.86 |
| | Feature Activation on D-4 Channel Bank Centrex Loop Slot - Different Wire Center | | | UEP95 | 1PQWP | 0.62 | | | | | | | | | | | | | | 7.86 |
| | Feature Activation on D-4 Channel Bank Private Line Loop Slot | | | UEP95 | 1PQWV | 0.62 | | | | | | | | | | | | | | 7.86 |
| | Feature Activation on D-4 Channel Bank Tjie Line/Trunk Loop Slot | | | UEP95 | 1PQWQ | 0.62 | | | | | | | | | | | | | | 7.86 |
| | Feature Activation on D-4 Channel Bank WATS Loop Slot | | | UEP95 | 1PQWA | 0.62 | | | | | | | | | | | | | | 7.86 |
| | Non-Recurring Charges (NRC) Associated with UNE-P Centrex | | | | | | | | | | | | | | | | | | | |
| | NRC Conversion Currently Combined Switch-As-Is with allowed changes, per port | | | UEP95 | USAC2 | | | | | | | | 0.102 | 0.102 | | | | | | 7.86 |
| | Conversion of Existing Centrex Common Block, each | | | UEP95 | USACN | | | | | | | | 18.95 | 8.32 | | | | | | 7.86 |
| | New Centrex Standard Common Block | | | UEP95 | M1ACS | 0.00 | | | | | | | 669.80 | 78.32 | 111.05 | 13.27 | | | | 7.86 |
| | New Centrex Customized Common Block | | | UEP95 | M1ACC | 0.00 | | | | | | | 669.80 | 78.32 | 111.05 | 13.27 | | | | 7.86 |
| | NAR Establishment Charge, Per Occasion | | | UEP95 | URECA | 0.00 | | | | | | | 72.75 | | | | | | | 7.86 |
| | UNE-P CENTREX - DMS100 (Valid in All States) | | | | | | | | | | | | | | | | | | | |
| | 2-Wire VG Loop/2-Wire Voice Grade Port (Centrex) Combo | | | | | | | | | | | | | | | | | | | |
| | UNE Port/Loop Combination Rates (Non-Design) | | | | | | | | | | | | | | | | | | | |
| | 2-Wire VG Loop/2-Wire Voice Grade Port (Centrex) Port Combo - Non-Design | | 1 | UEP9D | | 10.79 | | | | | | | | | | | | | | |
| | 2-Wire VG Loop/2-Wire Voice Grade Port (Centrex)Port Combo - Non-Design | | 2 | UEP9D | | 15.52 | | | | | | | | | | | | | | |
| | 2-Wire VG Loop/2-Wire Voice Grade Port (Centrex)Port Combo - Non-Design | | 3 | UEP9D | | 31.74 | | | | | | | | | | | | | | |
| | UNE Port/Loop Combination Rates (Design) | | | | | | | | | | | | | | | | | | | |
| | 2-Wire VG Loop/2-Wire Voice Grade Port (Centrex) Port Combo - Design | | 1 | UEP9D | | 13.82 | | | | | | | | | | | | | | |
| | 2-Wire VG Loop/2-Wire Voice Grade Port (Centrex)Port Combo - Design | | 2 | UEP9D | | 18.60 | | | | | | | | | | | | | | |
| | 2-Wire VG Loop/2-Wire Voice Grade Port (Centrex)Port Combo - Design | | 3 | UEP9D | | 34.37 | | | | | | | | | | | | | | |
| | UNE Loop Rate | | | | | | | | | | | | | | | | | | | |
| | 2-Wire Voice Grade Loop (SL 1) - Zone 1 | | 1 | UEP9D | UECS1 | 9.64 | | | | | | | | | | | | | | 7.86 |
| | 2-Wire Voice Grade Loop (SL 1) - Zone 2 | | 2 | UEP9D | UECS1 | 14.37 | | | | | | | | | | | | | | 7.86 |
| | 2-Wire Voice Grade Loop (SL 1) - Zone 3 | | 3 | UEP9D | UECS1 | 30.59 | | | | | | | | | | | | | | 7.86 |
| | 2-Wire Voice Grade Loop (SL 2) - Zone 1 | | 1 | UEP9D | UECS2 | 12.67 | | | | | | | | | | | | | | 7.86 |
| | 2-Wire Voice Grade Loop (SL 2) - Zone 2 | | 2 | UEP9D | UECS2 | 17.45 | | | | | | | | | | | | | | 7.86 |
| | 2-Wire Voice Grade Loop (SL 2) - Zone 3 | | 3 | UEP9D | UECS2 | 33.22 | | | | | | | | | | | | | | 7.86 |
| | UNE Port Rate | | | | | | | | | | | | | | | | | | | |
| | ALL STATES | | | | | | | | | | | | | | | | | | | |
| | 2-Wire Voice Grade Port (Centrex) Basic Local Area | | | UEP9D | UEPYA | 1.15 | | | | | | | 21.29 | 15.49 | 2.85 | 2.67 | | | | 7.86 |

| UNBUNDLED NETWORK ELEMENTS - Kentucky | | | | | | | | | | | Attachment: 2 | | Exhibit: B | | | | | | | | | | |
|---------------------------------------|--|---------|------|-------|-------|-----------|----------------------------------|--------------------------------------|--|--|---|---|---------------|--------------|-------|-------------------------|--|-------|-------|-------|-------|-------|-------|
| CATEGORY | RATE ELEMENTS | Interim | Zone | BCS | USOC | RATES(\$) | Svc Order Submitted Elec per LSR | Svc Order Submitted Manually per LSR | Incremental Charge - Manual Svc Order vs. Electronic-1st | Incremental Charge - Manual Svc Order vs. Electronic-Add'l | Incremental Charge - Manual Svc Order vs. Electronic-Disc 1st | Incremental Charge - Manual Svc Order vs. Electronic-Disc Add'l | OSS Rates(\$) | | | | | | | | | | |
| | | | | | | | | | | | | | Rec | Nonrecurring | | Nonrecurring Disconnect | | SOMEK | SOMAN | SOMAN | SOMAN | SOMAN | SOMAN |
| | | | | | | | | | | | | | First | Add'l | First | Add'l | | | | | | | |
| | 2-Wire Voice Grade Port (Centrex 800 termination)Basic Local Area | | | UEP9D | UEPYB | 1.15 | | | | | | | 21.29 | 15.49 | 2.85 | 2.67 | | | | | | | 7.86 |
| | 2-Wire Voice Grade Port (Centrex / EBS-PSET)3Basic Local Area | | | UEP9D | UEPYC | 1.15 | | | | | | | 21.29 | 15.49 | 2.85 | 2.67 | | | | | | | 7.86 |
| | 2-Wire Voice Grade Port (Centrex / EBS-M5009)3Basic Local Area | | | UEP9D | UEPYD | 1.15 | | | | | | | 21.29 | 15.49 | 2.85 | 2.67 | | | | | | | 7.86 |
| | 2-Wire Voice Grade Port (Centrex / EBS-M5209)3 Basic Local Area | | | UEP9D | UEPYE | 1.15 | | | | | | | 21.29 | 15.49 | 2.85 | 2.67 | | | | | | | 7.86 |
| | 2-Wire Voice Grade Port (Centrex / EBS-M5112)3 Basic Local Area | | | UEP9D | UEPYF | 1.15 | | | | | | | 21.29 | 15.49 | 2.85 | 2.67 | | | | | | | 7.86 |
| | 2-Wire Voice Grade Port (Centrex / EBS-M5312)3Basic Local Area | | | UEP9D | UEPYG | 1.15 | | | | | | | 21.29 | 15.49 | 2.85 | 2.67 | | | | | | | 7.86 |
| | 2-Wire Voice Grade Port (Centrex / EBS-M5008)3 Basic Local Area | | | UEP9D | UEPYT | 1.15 | | | | | | | 21.29 | 15.49 | 2.85 | 2.67 | | | | | | | 7.86 |
| | 2-Wire Voice Grade Port (Centrex / EBS-M5208)3 Basic Local Area | | | UEP9D | UEPYU | 1.15 | | | | | | | 21.29 | 15.49 | 2.85 | 2.67 | | | | | | | 7.86 |
| | 2-Wire Voice Grade Port (Centrex / EBS-M5216)3 Basic Local Area | | | UEP9D | UEPYV | 1.15 | | | | | | | 21.29 | 15.49 | 2.85 | 2.67 | | | | | | | 7.86 |
| | 2-Wire Voice Grade Port (Centrex / EBS-M5316)3 Basic Local Area | | | UEP9D | UEPY3 | 1.15 | | | | | | | 21.29 | 15.49 | 2.85 | 2.67 | | | | | | | 7.86 |
| | 2-Wire Voice Grade Port (Centrex with Caller ID) Basic Local Area | | | UEP9D | UEPYH | 1.15 | | | | | | | 21.29 | 15.49 | 2.85 | 2.67 | | | | | | | 7.86 |
| | 2-Wire Voice Grade Port (Centrex/Caller ID/Msg Wtg Lamp Indication))3 Basic Local Area | | | UEP9D | UEPYW | 1.15 | | | | | | | 21.29 | 15.49 | 2.85 | 2.67 | | | | | | | 7.86 |
| | 2-Wire Voice Grade Port (Centrex/Msg Wtg Lamp Indication))3 Basic Local Area | | | UEP9D | UEPYJ | 1.15 | | | | | | | 21.29 | 15.49 | 2.85 | 2.67 | | | | | | | 7.86 |
| | 2-Wire Voice Grade Port (Centrex from diff Serving Wire Center) 2 Basic Local Area | | | UEP9D | UEPYM | 1.15 | | | | | | | 21.29 | 15.49 | 2.85 | 2.67 | | | | | | | 7.86 |
| | 2-Wire Voice Grade Port (Centrex/differ SWC /EBS-PSET)2, 3 Basic Local Area | | | UEP9D | UEPYO | 1.15 | | | | | | | 21.29 | 15.49 | 2.85 | 2.67 | | | | | | | 7.86 |
| | 2-Wire Voice Grade Port (Centrex/differ SWC /EBS-M5009)2, 3 Basic Local Area | | | UEP9D | UEPYP | 1.15 | | | | | | | 21.29 | 15.49 | 2.85 | 2.67 | | | | | | | 7.86 |
| | 2-Wire Voice Grade Port (Centrex/differ SWC /EBS-5209)2, 3 Basic Local Area | | | UEP9D | UEPYQ | 1.15 | | | | | | | 21.29 | 15.49 | 2.85 | 2.67 | | | | | | | 7.86 |
| | 2-Wire Voice Grade Port (Centrex/differ SWC /EBS-M5112)2, 3 Basic Local Area | | | UEP9D | UEPYR | 1.15 | | | | | | | 21.29 | 15.49 | 2.85 | 2.67 | | | | | | | 7.86 |
| | 2-Wire Voice Grade Port (Centrex/differ SWC /EBS-M5312)2, 3 Basic Local Area | | | UEP9D | UEPYS | 1.15 | | | | | | | 21.29 | 15.49 | 2.85 | 2.67 | | | | | | | 7.86 |
| | 2-Wire Voice Grade Port (Centrex/differ SWC /EBS-M5008)2, 3 Basic Local Area | | | UEP9D | UEPY4 | 1.15 | | | | | | | 21.29 | 15.49 | 2.85 | 2.67 | | | | | | | 7.86 |
| | 2-Wire Voice Grade Port (Centrex/differ SWC /EBS-M5208)2, 3 Basic Local Area | | | UEP9D | UEPY5 | 1.15 | | | | | | | 21.29 | 15.49 | 2.85 | 2.67 | | | | | | | 7.86 |
| | 2-Wire Voice Grade Port (Centrex/differ SWC /EBS-M5216)2, 3 Basic Local Area | | | UEP9D | UEPY6 | 1.15 | | | | | | | 21.29 | 15.49 | 2.85 | 2.67 | | | | | | | 7.86 |
| | 2-Wire Voice Grade Port (Centrex/differ SWC /EBS-M5316)2, 3 Basic Local Area | | | UEP9D | UEPY7 | 1.15 | | | | | | | 21.29 | 15.49 | 2.85 | 2.67 | | | | | | | 7.86 |
| | 2-Wire Voice Grade Port, Diff Serving Wire Center - 800 Service Term | | | UEP9D | UEPYZ | 1.15 | | | | | | | 21.29 | 15.49 | 2.85 | 2.67 | | | | | | | 7.86 |
| | 2-Wire Voice Grade Port terminated in on Megalink or equivalent Basic Local Area | | | UEP9D | UEPY9 | 1.15 | | | | | | | 21.29 | 15.49 | 2.85 | 2.67 | | | | | | | 7.86 |
| | 2-Wire Voice Grade Port Terminated on 800 Service Term Basic Local Area | | | UEP9D | UEPY2 | 1.15 | | | | | | | 21.29 | 15.49 | 2.85 | 2.67 | | | | | | | 7.86 |
| | AL, KY, LA, MS, SC, & TN Only | | | | | | | | | | | | | | | | | | | | | | 7.86 |
| | 2-Wire Voice Grade Port (Centrex) | | | UEP9D | UEPQA | 1.15 | | | | | | | 21.29 | 15.49 | 2.85 | 2.67 | | | | | | | 7.86 |
| | 2-Wire Voice Grade Port (Centrex 800 termination) | | | UEP9D | UEPQB | 1.15 | | | | | | | 21.29 | 15.49 | 2.85 | 2.67 | | | | | | | 7.86 |
| | 2-Wire Voice Grade Port (Centrex / EBS-PSET)3 | | | UEP9D | UEPQC | 1.15 | | | | | | | 21.29 | 15.49 | 2.85 | 2.67 | | | | | | | 7.86 |
| | 2-Wire Voice Grade Port (Centrex / EBS-M5009)3 | | | UEP9D | UEPQD | 1.15 | | | | | | | 21.29 | 15.49 | 2.85 | 2.67 | | | | | | | 7.86 |
| | 2-Wire Voice Grade Port (Centrex / EBS-M5209)3 | | | UEP9D | UEPQE | 1.15 | | | | | | | 21.29 | 15.49 | 2.85 | 2.67 | | | | | | | 7.86 |
| | 2-Wire Voice Grade Port (Centrex / EBS-M5112)3 | | | UEP9D | UEPQF | 1.15 | | | | | | | 21.29 | 15.49 | 2.85 | 2.67 | | | | | | | 7.86 |

| UNBUNDLED NETWORK ELEMENTS - Kentucky | | | | | | | | | | | Attachment: 2 | | Exhibit: B | | | | | | | |
|---------------------------------------|---|---------|------|-------|-------|-----------|----------------------------------|--------------------------------------|--|--|---|---|---------------|--------------------|--------------------|--------------------|--------------------|-------|-------|-------|
| CATEGORY | RATE ELEMENTS | Interim | Zone | BCS | USOC | RATES(\$) | Svc Order Submitted Elec per LSR | Svc Order Submitted Manually per LSR | Incremental Charge - Manual Svc Order vs. Electronic-1st | Incremental Charge - Manual Svc Order vs. Electronic-Add'l | Incremental Charge - Manual Svc Order vs. Electronic-Disc 1st | Incremental Charge - Manual Svc Order vs. Electronic-Disc Add'l | OSS Rates(\$) | | | | | | | |
| | | | | | | | | | | | | | Rec | Nonrecurring First | Nonrecurring Add'l | Nonrecurring First | Nonrecurring Add'l | SOMEc | SOMAN | SOMAN |
| | 2-Wire Voice Grade Port (Centrex / EBS-M5312)3 | | | UEP9D | UEPQG | 1.15 | | | | | | | | | | | | | | |
| | 2-Wire Voice Grade Port (Centrex / EBS-M5008)3 | | | UEP9D | UEPQT | 1.15 | | | | | | | | | | | | | | |
| | 2-Wire Voice Grade Port (Centrex / EBS-M5208)3 | | | UEP9D | UEPQU | 1.15 | | | | | | | | | | | | | | |
| | 2-Wire Voice Grade Port (Centrex / EBS-M5216)3 | | | UEP9D | UEPQV | 1.15 | | | | | | | | | | | | | | |
| | 2-Wire Voice Grade Port (Centrex / EBS-M5316)3 | | | UEP9D | UEPQ3 | 1.15 | | | | | | | | | | | | | | |
| | 2-Wire Voice Grade Port (Centrex with Caller ID) | | | UEP9D | UEPQH | 1.15 | | | | | | | | | | | | | | |
| | 2-Wire Voice Grade Port (Centrex/Caller ID/Msg Wtg Lamp Indication)3 | | | UEP9D | UEPQW | 1.15 | | | | | | | | | | | | | | |
| | 2-Wire Voice Grade Port (Centrex/Msg Wtg Lamp Indication)3 | | | UEP9D | UEPQJ | 1.15 | | | | | | | | | | | | | | |
| | 2-Wire Voice Grade Port (Centrex from diff Serving Wire Center) 2 | | | UEP9D | UEPQM | 1.15 | | | | | | | | | | | | | | |
| | 2-Wire Voice Grade Port (Centrex/differ SWC /EBS-PSET)2, 3 | | | UEP9D | UEPQO | 1.15 | | | | | | | | | | | | | | |
| | 2-Wire Voice Grade Port (Centrex/differ SWC /EBS-M5009)2, 3 | | | UEP9D | UEPQP | 1.15 | | | | | | | | | | | | | | |
| | 2-Wire Voice Grade Port (Centrex/differ SWC /EBS-5209)2, 3 | | | UEP9D | UEPQQ | 1.15 | | | | | | | | | | | | | | |
| | 2-Wire Voice Grade Port (Centrex/differ SWC /EBS-M5112)2, 3 | | | UEP9D | UEPQR | 1.15 | | | | | | | | | | | | | | |
| | 2-Wire Voice Grade Port (Centrex/differ SWC /EBS-M5312)2, 3 | | | UEP9D | UEPQS | 1.15 | | | | | | | | | | | | | | |
| | 2-Wire Voice Grade Port (Centrex/differ SWC /EBS-M5008)2, 3 | | | UEP9D | UEPQ4 | 1.15 | | | | | | | | | | | | | | |
| | 2-Wire Voice Grade Port (Centrex/differ SWC /EBS-M5208)2, 3 | | | UEP9D | UEPQ5 | 1.15 | | | | | | | | | | | | | | |
| | 2-Wire Voice Grade Port (Centrex/differ SWC /EBS-M5216)2, 3 | | | UEP9D | UEPQ6 | 1.15 | | | | | | | | | | | | | | |
| | 2-Wire Voice Grade Port (Centrex/differ SWC /EBS-M5316)2, 3 | | | UEP9D | UEPQ7 | 1.15 | | | | | | | | | | | | | | |
| | 2-Wire Voice Grade Port, Diff Serving Wire Center - 800 Service Term | | | UEP9D | UEPQZ | 1.15 | | | | | | | | | | | | | | |
| | 2-Wire Voice Grade Port terminated in on Megalink or equivalent | | | UEP9D | UEPQ9 | 1.15 | | | | | | | | | | | | | | |
| | 2-Wire Voice Grade Port Terminated on 800 Service Term | | | UEP9D | UEPQ2 | 1.15 | | | | | | | | | | | | | | |
| | Local Switching | | | | | | | | | | | | | | | | | | | |
| | Centrex Intercom Functionality, per port | | | UEP9D | URECS | 0.8873 | | | | | | | | | | | | | | |
| | Local Number Portability | | | | | | | | | | | | | | | | | | | |
| | Local Number Portability (1 per port) | | | UEP9D | LNPC | 0.35 | | | | | | | | | | | | | | |
| | Features | | | | | | | | | | | | | | | | | | | |
| | All Standard Features Offered, per port | | | UEP9D | UEPVF | 0.00 | | | | | | | | | | | | | | |
| | All Select Features Offered, per port | | | UEP9D | UEPVS | 0.00 | | | | | | | | | | | | | | |
| | All Centrex Control Features Offered, per port | | | UEP9D | UEPVC | 0.00 | | | | | | | | | | | | | | |
| | NARS | | | | | | | | | | | | | | | | | | | |
| | Unbundled Network Access Register - Combination | | | UEP9D | UARCX | 0.00 | | | | | | | | | | | | | | |
| | Unbundled Network Access Register - Inward | | | UEP9D | UAR1X | 0.00 | | | | | | | | | | | | | | |
| | Unbundled Network Access Register - Outdial | | | UEP9D | UAROx | 0.00 | | | | | | | | | | | | | | |
| | Miscellaneous Terminations | | | | | | | | | | | | | | | | | | | |
| | 2-Wire Trunk Side | | | | | | | | | | | | | | | | | | | |
| | Trunk Side Terminations, each | | | UEP9D | CEND6 | 10.51 | | | | | | | | | | | | | | |
| | 4-Wire Digital (1.544 Megabits) | | | | | | | | | | | | | | | | | | | |
| | DS1 Circuit Terminations, each | | | UEP9D | M1HD1 | 74.77 | | | | | | | | | | | | | | |
| | DS0 Channels Activated per Channel | | | UEP9D | M1HDO | 0.00 | | | | | | | | | | | | | | |
| | Interoffice Channel Mileage - 2-Wire | | | | | | | | | | | | | | | | | | | |
| | Interoffice Channel Facilities Termination | | | UEP9D | MIGBC | 29.11 | | | | | | | | | | | | | | |
| | Interoffice Channel mileage, per mile or fraction of mile | | | UEP9D | MIGBM | 0.01 | | | | | | | | | | | | | | |
| | Feature Activations (DS0) Centrex Loops on Channelized DS1 Service | | | | | | | | | | | | | | | | | | | |
| | D4 Channel Bank Feature Activations | | | | | | | | | | | | | | | | | | | |
| | Feature Activation on D-4 Channel Bank Centrex Loop Slot | | | UEP9D | 1PQWS | 0.62 | | | | | | | | | | | | | | |
| | Feature Activation on D-4 Channel Bank FX line Side Loop Slot | | | UEP9D | 1PQW6 | 0.62 | | | | | | | | | | | | | | |

| UNBUNDLED NETWORK ELEMENTS - Kentucky | | | | | | | | | | Attachment: 2 | | Exhibit: B | | | |
|---------------------------------------|---|---------|------|-------|-------|-----------|----------------------------------|--------------------------------------|--|--|---|---|-------|--------------|-------|
| CATEGORY | RATE ELEMENTS | Interim | Zone | BCS | USOC | RATES(\$) | Svc Order Submitted Elec per LSR | Svc Order Submitted Manually per LSR | Incremental Charge - Manual Svc Order vs. Electronic-1st | Incremental Charge - Manual Svc Order vs. Electronic-Add'l | Incremental Charge - Manual Svc Order vs. Electronic-Disc 1st | Incremental Charge - Manual Svc Order vs. Electronic-Disc Add'l | | | |
| | | | | | | | | | | | | | Rec | Nonrecurring | |
| | | | | | | | | | | | | | | | |
| | | | | | | | | | | SOME C | SOMAN | SOMAN | SOMAN | SOMAN | SOMAN |
| | Feature Activation on D-4 Channel Bank FX Trunk Side Loop Slot | | | UEP9D | 1PQW7 | 0.62 | | | | | 7.86 | | | | |
| | Feature Activation on D-4 Channel Bank Centrex Loop Slot - Different Wire Center | | | UEP9D | 1PQWP | 0.62 | | | | | 7.86 | | | | |
| | Feature Activation on D-4 Channel Bank Private Line Loop Slot | | | UEP9D | 1PQWV | 0.62 | | | | | 7.86 | | | | |
| | Feature Activation on D-4 Channel Bank Tjje Line/Trunk Loop Slot | | | UEP9D | 1PQWQ | 0.62 | | | | | 7.86 | | | | |
| | Feature Activation on D-4 Channel Bank WATS Loop Slot | | | UEP9D | 1PQWA | 0.62 | | | | | 7.86 | | | | |
| | Non-Recurring Charges (NRC) Associated with UNE-P Centrex | | | | | | | | | | | | | | |
| | NRC Conversion Currently Combined Switch-As-Is with allowed changes, per port | | | UEP9D | USAC2 | | 0.102 | 0.102 | | | 7.86 | | | | |
| | Conversion of existing Centrex Common Block, each | | | UEP9D | USACN | | 18.95 | 8.32 | | | 7.86 | | | | |
| | New Centrex Standard Common Block | | | UEP9D | M1ACS | 0.00 | 669.80 | 78.32 | 111.05 | 13.27 | 7.86 | | | | |
| | New Centrex Customized Common Block | | | UEP9D | M1ACC | 0.00 | 669.80 | 78.32 | 111.05 | 13.27 | 7.86 | | | | |
| | NAR Establishment Charge, Per Occasion | | | UEP9D | URECA | 0.00 | 72.75 | | | | 7.86 | | | | |
| | UNE-P CENTREX - EWSD (Valid in AL, FL, KY, LA, MS & TN) | | | | | | | | | | | | | | |
| | 2-Wire VG Loop/2-Wire Voice Grade Port (Centrex) Combo | | | | | | | | | | | | | | |
| | UNE Port/Loop Combination Rates (Non-Design) | | | | | | | | | | | | | | |
| | 2-Wire VG Loop/2-Wire Voice Grade Port (Centrex) Port Combo - Non-Design | | 1 | UEP9E | | 10.79 | | | | | | | | | |
| | 2-Wire VG Loop/2-Wire Voice Grade Port (Centrex)Port Combo - Non-Design | | 2 | UEP9E | | 15.52 | | | | | | | | | |
| | 2-Wire VG Loop/2-Wire Voice Grade Port (Centrex)Port Combo - Non-Design | | 3 | UEP9E | | 31.74 | | | | | | | | | |
| | UNE Port/Loop Combination Rates (Design) | | | | | | | | | | | | | | |
| | 2-Wire VG Loop/2-Wire Voice Grade Port (Centrex) Port Combo - Design | | 1 | UEP9E | | 13.82 | | | | | | | | | |
| | 2-Wire VG Loop/2-Wire Voice Grade Port (Centrex)Port Combo - Design | | 2 | UEP9E | | 18.60 | | | | | | | | | |
| | 2-Wire VG Loop/2-Wire Voice Grade Port (Centrex)Port Combo - Design | | 3 | UEP9E | | 34.37 | | | | | | | | | |
| | UNE Loop Rate | | | | | | | | | | | | | | |
| | 2-Wire Voice Grade Loop (SL 1) - Zone 1 | | 1 | UEP9E | UECS1 | 9.64 | | | | | 7.86 | | | | |
| | 2-Wire Voice Grade Loop (SL 1) - Zone 2 | | 2 | UEP9E | UECS1 | 14.37 | | | | | 7.86 | | | | |
| | 2-Wire Voice Grade Loop (SL 1) - Zone 3 | | 3 | UEP9E | UECS1 | 30.59 | | | | | 7.86 | | | | |
| | 2-Wire Voice Grade Loop (SL 2) - Zone 1 | | 1 | UEP9E | UECS2 | 12.67 | | | | | 7.86 | | | | |
| | 2-Wire Voice Grade Loop (SL 2) - Zone 2 | | 2 | UEP9E | UECS2 | 17.45 | | | | | 7.86 | | | | |
| | 2-Wire Voice Grade Loop (SL 2) - Zone 3 | | 3 | UEP9E | UECS2 | 33.22 | | | | | 7.86 | | | | |
| | UNE Port Rate | | | | | | | | | | | | | | |
| | AL, FL, KY, LA, MS, & TN only | | | | | | | | | | | | | | |
| | 2-Wire Voice Grade Port (Centrex) Basic Local Area | | | UEP9E | UEPYA | 1.15 | 21.29 | 15.49 | 2.85 | 2.67 | 7.86 | | | | |
| | 2-Wire Voice Grade Port (Centrex 800 termination)Basic Local Area | | | UEP9E | UEPYB | 1.15 | 21.29 | 15.49 | 2.85 | 2.67 | 7.86 | | | | |
| | 2-Wire Voice Grade Port (Centrex with Caller ID)1Basic Local Area | | | UEP9E | UEPYH | 1.15 | 21.29 | 15.49 | 2.85 | 2.67 | 7.86 | | | | |
| | 2-Wire Voice Grade Port (Centrex from diff Serving Wire Center)2 Basic Local Area | | | UEP9E | UEPYM | 1.15 | 21.29 | 15.49 | 2.85 | 2.67 | 7.86 | | | | |
| | 2-Wire Voice Grade Port, Diff Serving Wire Center - 800 Service Term - Basic Local Area | | | UEP9E | UEPYZ | 1.15 | 21.29 | 15.49 | 2.85 | 2.67 | 7.86 | | | | |
| | 2-Wire Voice Grade Port terminated in on Megalink or equivalent - Basic Local Area | | | UEP9E | UEPY9 | 1.15 | 21.29 | 15.49 | 2.85 | 2.67 | 7.86 | | | | |
| | 2-Wire Voice Grade Port Terminated on 800 Service Term - Basic Local Area | | | UEP9E | UEPY2 | 1.15 | 21.29 | 15.49 | 2.85 | 2.67 | 7.86 | | | | |
| | AL, KY, LA, MS, & TN Only | | | | | | | | | | | | | | |
| | 2-Wire Voice Grade Port (Centrex) | | | UEP9E | UEPQA | 1.15 | 21.29 | 15.49 | 2.85 | 2.67 | 7.86 | | | | |
| | 2-Wire Voice Grade Port (Centrex 800 termination) | | | UEP9E | UEPQB | 1.15 | 21.29 | 15.49 | 2.85 | 2.67 | 7.86 | | | | |
| | 2-Wire Voice Grade Port (Centrex with Caller ID)1 | | | UEP9E | UEPQH | 1.15 | 21.29 | 15.49 | 2.85 | 2.67 | 7.86 | | | | |

| UNBUNDLED NETWORK ELEMENTS - Kentucky | | | | | | | | | | Attachment: 2 | | Exhibit: B | | | |
|---|--|---------|------|-------|-------|-----------|--------------|-------|-------------------------|----------------------------------|--------------------------------------|--|--|---|---|
| CATEGORY | RATE ELEMENTS | Interim | Zone | BCS | USOC | RATES(\$) | | | | Svc Order Submitted Elec per LSR | Svc Order Submitted Manually per LSR | Incremental Charge - Manual Svc Order vs. Electronic-1st | Incremental Charge - Manual Svc Order vs. Electronic-Add'l | Incremental Charge - Manual Svc Order vs. Electronic-Disc 1st | Incremental Charge - Manual Svc Order vs. Electronic-Disc Add'l |
| | | | | | | Rec | Nonrecurring | | Nonrecurring Disconnect | | | | | | |
| | | | | | | | First | Add'l | First | Add'l | SOMEc | SOMAN | SOMAN | SOMAN | SOMAN |
| | 2-Wire Voice Grade Port (Centrex from diff Serving Wire Center)2 | | | UEP9E | UEPQM | 1.15 | 21.29 | 15.49 | 2.85 | 2.67 | | 7.86 | | | |
| | 2-Wire Voice Grade Port, Diff Serving Wire Center - 800 Service Term | | | UEP9E | UEPQZ | 1.15 | 21.29 | 15.49 | 2.85 | 2.67 | | 7.86 | | | |
| | 2-Wire Voice Grade Port terminated in on Megalink or equivalent | | | UEP9E | UEPQ9 | 1.15 | 21.29 | 15.49 | 2.85 | 2.67 | | 7.86 | | | |
| | 2-Wire Voice Grade Port Terminated on 800 Service Term | | | UEP9E | UEPQ2 | 1.15 | 21.29 | 15.49 | 2.85 | 2.67 | | 7.86 | | | |
| Local Switching | | | | | | | | | | | | | | | |
| | Centrex Intercom Functionality, per port | | | UEP9E | URECS | 0.8873 | | | | | | 7.86 | | | |
| Local Number Portability | | | | | | | | | | | | | | | |
| | Local Number Portability (1 per port) | | | UEP9E | LNPC | 0.35 | | | | | | 7.86 | | | |
| Features | | | | | | | | | | | | | | | |
| | All Standard Features Offered, per port | | | UEP9E | UEPVF | 0.00 | | | | | | 7.86 | | | |
| | All Select Features Offered, per port | | | UEP9E | UEPVS | 0.00 | 405.66 | | | | | 7.86 | | | |
| | All Centrex Control Features Offered, per port | | | UEP9E | UEPVC | 0.00 | | | | | | 7.86 | | | |
| NARS | | | | | | | | | | | | | | | |
| | Unbundled Network Access Register - Combination | | | UEP9E | UARCX | 0.00 | 0.00 | 0.00 | | | | | | | |
| | Unbundled Network Access Register - Indial | | | UEP9E | UAR1X | 0.00 | 0.00 | 0.00 | | | | | | | |
| | Unbundled Network Access Register - Outdial | | | UEP9E | UAROx | 0.00 | 0.00 | 0.00 | | | | | | | |
| Miscellaneous Terminations | | | | | | | | | | | | | | | |
| 2-Wire Trunk Side | | | | | | | | | | | | | | | |
| | Trunk Side Terminations, each | | | UEP9E | CEND6 | 10.51 | 92.18 | 15.82 | 52.16 | 5.30 | | 7.86 | | | |
| 4-Wire Digital (1.544 Megabits) | | | | | | | | | | | | | | | |
| | DS1 Circuit Terminations, each | | | UEP9E | M1HD1 | 74.77 | 164.86 | 77.74 | 60.69 | 3.86 | | 7.86 | | | |
| | DS0 Channel Activated Per Channel | | | UEP9E | M1HDO | 0.00 | 15.09 | | | | | 7.86 | | | |
| Interoffice Channel Mileage - 2-Wire | | | | | | | | | | | | | | | |
| | Interoffice Channel Facilities Termination | | | UEP9E | MIGBC | 29.11 | | | | | | 7.86 | | | |
| | Interoffice Channel mileage, per mile or fraction of mile | | | UEP9E | MIGBM | 0.01 | | | | | | 7.86 | | | |
| Feature Activations (DS0) Centrex Loops on Channelized DS1 Service | | | | | | | | | | | | | | | |
| D4 Channel Bank Feature Activations | | | | | | | | | | | | | | | |
| | Feature Activation on D-4 Channel Bank Centrex Loop Slot | | | UEP9E | 1PQWS | 0.62 | | | | | | 7.86 | | | |
| | Feature Activation on D-4 Channel Bank FX line Side Loop Slot | | | UEP9E | 1PQW6 | 0.62 | | | | | | 7.86 | | | |
| | Feature Activation on D-4 Channel Bank FX Trunk Side Loop Slot | | | UEP9E | 1PQW7 | 0.62 | | | | | | 7.86 | | | |
| | Feature Activation on D-4 Channel Bank Centrex Loop Slot - Different Wire Center | | | UEP9E | 1PQWP | 0.62 | | | | | | 7.86 | | | |
| | Feature Activation on D-4 Channel Bank Private Line Loop Slot | | | UEP9E | 1PQWV | 0.62 | | | | | | 7.86 | | | |
| | Feature Activation on D-4 Channel Bank Tjje Line/Trunk Loop Slot | | | UEP9E | 1PQWQ | 0.62 | | | | | | 7.86 | | | |
| | Feature Activation on D-4 Channel Bank WATS Loop Slot | | | UEP9E | 1PQWA | 0.62 | | | | | | 7.86 | | | |
| Non-Recurring Charges (NRC) Associated with UNE-P Centrex | | | | | | | | | | | | | | | |
| | NRC Conversion Currently Combined Switch-As-Is with allowed changes, per port | | | UEP9E | USAC2 | | 0.102 | 0.102 | | | | 7.86 | | | |
| | Conversion of Existing Centrex Common Block, each | | | UEP9E | USACN | | 18.95 | 8.32 | | | | | | | |
| | New Centrex Standard Common Block | | | UEP9E | M1ACS | 0.00 | 669.80 | 78.32 | 111.05 | 13.27 | | 7.86 | | | |
| | New Centrex Customized Common Block | | | UEP9E | M1ACC | 0.00 | 669.80 | 78.32 | 111.05 | 13.27 | | 7.86 | | | |
| | NAR Establishment Charge, Per Occasion | | | UEP9E | URECA | 0.00 | 72.75 | | | | | 7.86 | | | |
| UNE-P CENTREX - DCO - Valid in AL, KY, LA, MS, & TN | | | | | | | | | | | | | | | |
| 2-Wire VG Loop/2-Wire Voice Grade Port (Centrex) Combo | | | | | | | | | | | | | | | |
| UNE Port/Loop Combination Rates (Non-Design) | | | | | | | | | | | | | | | |
| | 2-Wire VG Loop/2-Wire Voice Grade Port (Centrex) Port Combo - Non-Design | | 1 | UEP93 | | 10.79 | | | | | | | | | |
| | 2-Wire VG Loop/2-Wire Voice Grade Port (Centrex)Port Combo - Non-Design | | 2 | UEP93 | | 15.52 | | | | | | | | | |
| | 2-Wire VG Loop/2-Wire Voice Grade Port (Centrex)Port Combo - Non-Design | | 3 | UEP93 | | 31.74 | | | | | | | | | |
| UNE Port/Loop Combination Rates (Design) | | | | | | | | | | | | | | | |

| UNBUNDLED NETWORK ELEMENTS - Kentucky | | | | | | | | | | | Attachment: 2 | | Exhibit: B | | | | | | | |
|---|---|---------|------|-------|-------|-----------|----------------------------------|--------------------------------------|--|--|---|---|---------------|--------------|-------|-------------------------|--|-------|-------|-------|
| CATEGORY | RATE ELEMENTS | Interim | Zone | BCS | USOC | RATES(\$) | Svc Order Submitted Elec per LSR | Svc Order Submitted Manually per LSR | Incremental Charge - Manual Svc Order vs. Electronic-1st | Incremental Charge - Manual Svc Order vs. Electronic-Add'l | Incremental Charge - Manual Svc Order vs. Electronic-Disc 1st | Incremental Charge - Manual Svc Order vs. Electronic-Disc Add'l | OSS Rates(\$) | | | | | | | |
| | | | | | | | | | | | | | Rec | Nonrecurring | | Nonrecurring Disconnect | | SOMEK | SOMAN | SOMAN |
| | | | | | | | | | | | | | First | Add'l | First | Add'l | | | | |
| | 2-Wire VG Loop/2-Wire Voice Grade Port (Centrex) Port Combo - Design | | 1 | UEP93 | | 13.82 | | | | | | | | | | | | | | |
| | 2-Wire VG Loop/2-Wire Voice Grade Port (Centrex)Port Combo - Design | | 2 | UEP93 | | 18.60 | | | | | | | | | | | | | | |
| | 2-Wire VG Loop/2-Wire Voice Grade Port (Centrex)Port Combo - Design | | 3 | UEP93 | | 34.37 | | | | | | | | | | | | | | |
| UNE Loop Rate | | | | | | | | | | | | | | | | | | | | |
| | 2-Wire Voice Grade Loop (SL 1) - Zone 1 | | 1 | UEP93 | UECS1 | 9.64 | | | | | | | | | | | | | | |
| | 2-Wire Voice Grade Loop (SL 1) - Zone 2 | | 2 | UEP93 | UECS1 | 14.37 | | | | | | | | | | | | | | |
| | 2-Wire Voice Grade Loop (SL 1) - Zone 3 | | 3 | UEP93 | UECS1 | 30.59 | | | | | | | | | | | | | | |
| | 2-Wire Voice Grade Loop (SL 2) - Zone 1 | | 1 | UEP93 | UECS2 | 12.67 | | | | | | | | | | | | | | |
| | 2-Wire Voice Grade Loop (SL 2) - Zone 2 | | 2 | UEP93 | UECS2 | 17.45 | | | | | | | | | | | | | | |
| | 2-Wire Voice Grade Loop (SL 2) - Zone 3 | | 3 | UEP93 | UECS2 | 33.22 | | | | | | | | | | | | | | |
| UNE Port Rate | | | | | | | | | | | | | | | | | | | | |
| AL, KY, LA, MS, & TN only | | | | | | | | | | | | | | | | | | | | |
| | 2-Wire Voice Grade Port (Centrex) Basic Local Area | | | UEP93 | UEPYA | 1.15 | 21.29 | 15.49 | 2.85 | 2.67 | | | | | | | | | | 7.86 |
| | 2-Wire Voice Grade Port (Centrex 800 termination)Basic Local Area | | | UEP93 | UEPYB | 1.15 | 21.29 | 15.49 | 2.85 | 2.67 | | | | | | | | | | 7.86 |
| | 2-Wire Voice Grade Port (Centrex with Caller ID)1Basic Local Area | | | UEP93 | UEPYH | 1.15 | 21.29 | 15.49 | 2.85 | 2.67 | | | | | | | | | | 7.86 |
| | 2-Wire Voice Grade Port (Centrex from diff Serving Wire Center)2 Basic Local Area | | | UEP93 | UEPYM | 1.15 | 21.29 | 15.49 | 2.85 | 2.67 | | | | | | | | | | 7.86 |
| | 2-Wire Voice Grade Port, Diff Serving Wire Center - 800 Service Term - Basic Local Area | | | UEP93 | UEPYZ | 1.15 | 21.29 | 15.49 | 2.85 | 2.67 | | | | | | | | | | 7.86 |
| | 2-Wire Voice Grade Port terminated in on Megalink or equivalent - Basic Local Area | | | UEP93 | UEPY9 | 1.15 | 21.29 | 15.49 | 2.85 | 2.67 | | | | | | | | | | 7.86 |
| | 2-Wire Voice Grade Port Terminated on 800 Service Term - Basic Local Area | | | UEP93 | UEPY2 | 1.15 | 21.29 | 15.49 | 2.85 | 2.67 | | | | | | | | | | 7.86 |
| | 2-Wire Voice Grade Port (Centrex) | | | UEP93 | UEPQA | 1.15 | 21.29 | 15.49 | 2.85 | 2.67 | | | | | | | | | | 7.86 |
| | 2-Wire Voice Grade Port (Centrex 800 termination) | | | UEP93 | UEPQB | 1.15 | 21.29 | 15.49 | 2.85 | 2.67 | | | | | | | | | | 7.86 |
| | 2-Wire Voice Grade Port (Centrex with Caller ID)1 | | | UEP93 | UEPQH | 1.15 | 21.29 | 15.49 | 2.85 | 2.67 | | | | | | | | | | 7.86 |
| | 2-Wire Voice Grade Port (Centrex from diff Serving Wire Center)2 | | | UEP93 | UEPQM | 1.15 | 21.29 | 15.49 | 2.85 | 2.67 | | | | | | | | | | 7.86 |
| | 2-Wire Voice Grade Port, Diff Serving Wire Center - 800 Service Term | | | UEP93 | UEPQZ | 1.15 | 21.29 | 15.49 | 2.85 | 2.67 | | | | | | | | | | 7.86 |
| | 2-Wire Voice Grade Port terminated in on Megalink or equivalent | | | UEP93 | UEPQ9 | 1.15 | 21.29 | 15.49 | 2.85 | 2.67 | | | | | | | | | | 7.86 |
| | 2-Wire Voice Grade Port Terminated on 800 Service Term | | | UEP93 | UEPQ2 | 1.15 | 21.29 | 15.49 | 2.85 | 2.67 | | | | | | | | | | 7.86 |
| Local Switching | | | | | | | | | | | | | | | | | | | | |
| | Centrex Intercom Funtionality, per port | | | UEP93 | URECS | 0.8873 | | | | | | | | | | | | | | 7.86 |
| Local Number Portability | | | | | | | | | | | | | | | | | | | | |
| | Local Number Portability (1 per port) | | | UEP93 | LNCCC | 0.35 | | | | | | | | | | | | | | |
| Features | | | | | | | | | | | | | | | | | | | | |
| | All Standard Features Offered, per port | | | UEP93 | UEPVF | 0.00 | | | | | | | | | | | | | | 7.86 |
| | All Centrex Control Features Offered, per port | | | UEP93 | UEPVC | 0.00 | | | | | | | | | | | | | | 7.86 |
| NARS | | | | | | | | | | | | | | | | | | | | |
| | Unbundled Network Access Register - Combination | | | UEP93 | UARCX | 0.00 | 0.00 | 0.00 | 0.00 | | | | | | | | | | | |
| | Unbundled Network Access Register - Indial | | | UEP93 | UAR1X | 0.00 | 0.00 | 0.00 | 0.00 | | | | | | | | | | | |
| | Unbundled Network Access Register - Outdial | | | UEP93 | UAROY | 0.00 | 0.00 | 0.00 | 0.00 | | | | | | | | | | | |
| Miscellaneous Terminations | | | | | | | | | | | | | | | | | | | | |
| 2-Wire Trunk Side | | | | | | | | | | | | | | | | | | | | |
| | Trunk Side Terminations, each | | | UEP93 | CEND6 | 10.51 | 92.18 | 15.82 | 52.16 | 5.30 | | | | | | | | | | 7.86 |
| 4-Wire Digital (1.544 Megabits) | | | | | | | | | | | | | | | | | | | | |
| | DS1 Circuit Terminations, each | | | UEP93 | M1HD1 | 74.77 | 164.86 | 77.74 | 60.69 | 3.86 | | | | | | | | | | 7.86 |
| | DS0 Channels Activated, Per Channel | | | UEP93 | M1HDO | 0.00 | 15.09 | | | | | | | | | | | | | 7.86 |
| Interoffice Channel Mileage - 2-Wire | | | | | | | | | | | | | | | | | | | | |
| | Interoffice Channel Facilities Termination | | | UEP93 | MIGBC | 29.11 | | | | | | | | | | | | | | 7.86 |
| | Interoffice Channel mileage, per mile or fraction of mile | | | UEP93 | MIGBM | 0.01 | | | | | | | | | | | | | | 7.86 |
| Feature Activations (DS0) Centrex Loops on Channelized DS1 Service | | | | | | | | | | | | | | | | | | | | |

| UNBUNDLED NETWORK ELEMENTS - Kentucky | | | | | | | | | | Attachment: 2 | | Exhibit: B | |
|--|--|---------|------|-------|-------|-----------|----------------------------------|--------------------------------------|--|--|---|---|-----|
| CATEGORY | RATE ELEMENTS | Interim | Zone | BCS | USOC | RATES(\$) | Svc Order Submitted Elec per LSR | Svc Order Submitted Manually per LSR | Incremental Charge - Manual Svc Order vs. Electronic-1st | Incremental Charge - Manual Svc Order vs. Electronic-Add'l | Incremental Charge - Manual Svc Order vs. Electronic-Disc 1st | Incremental Charge - Manual Svc Order vs. Electronic-Disc Add'l | |
| | | | | | | | | | | | | | Rec |
| | | | | | | | | | | | | | |
| | | | | | | | | | | | | | |
| D4 Channel Bank Feature Activations | | | | | | | | | | | | | |
| | Feature Activation on D-4 Channel Bank Centrex Loop Slot | | | UEP93 | 1PQWS | 0.62 | | | | | | 7.86 | |
| | Feature Activation on D-4 Channel Bank FX Line Side Loop Slot | | | UEP93 | 1PQW6 | 0.62 | | | | | | 7.86 | |
| | Feature Activation on D-4 Channel Bank FX Trunk Side Loop Slot | | | UEP93 | 1PQW7 | 0.62 | | | | | | 7.86 | |
| | Feature Activation on D-4 Channel Bank Centrex Loop Slot - Different Wire Center | | | UEP93 | 1PQWP | 0.62 | | | | | | 7.86 | |
| | Feature Activation on D-4 Channel Bank Private Line Loop Slot | | | UEP93 | 1PQWV | 0.62 | | | | | | 7.86 | |
| | Feature Activation on D-4 Channel Bank Tie Line/Trunk Loop Slot | | | UEP93 | 1PQWQ | 0.62 | | | | | | 7.86 | |
| | Feature Activation on D-4 Channel Bank WATS Loop Slot | | | UEP93 | 1PQWA | 0.62 | | | | | | 7.86 | |
| Non-Recurring Charges (NRC) Associated with UNE-P Centrex | | | | | | | | | | | | | |
| | NRC Conversion Currently Combined Switch-As-Is with allowed changes, per port | | | UEP93 | USAC2 | | 0.102 | 0.102 | | | | 7.86 | |
| | Conversion of Existing Centrex Common Block, each | | | UEP93 | USACN | | 18.95 | 8.32 | | | | 7.86 | |
| | New Centrex Standard Common Block | | | UEP93 | M1ACS | 0.00 | 669.80 | 78.32 | 111.05 | 13.27 | | 7.86 | |
| | New Centrex Customized Common Block | | | UEP93 | M1ACC | 0.00 | 669.80 | 78.32 | 111.05 | 13.27 | | 7.86 | |
| | NAR Establishment Charge, Per Occasion | | | UEP93 | URECA | 0.00 | 72.75 | | | | | 7.86 | |
| Note 1 - Required Port for Centrex Control in 1AESS, 5ESS & EWSD | | | | | | | | | | | | | |
| Note 2 - Requires Interoffice Channel Mileage | | | | | | | | | | | | | |
| Note 3 - Requires Specific Customer Premises Equipment | | | | | | | | | | | | | |
| NOTE: Rates displaying an "R" in Interim column are interim and subject to rate true-up as set forth in General Terms and Conditions. | | | | | | | | | | | | | |

| UNBUNDLED NETWORK ELEMENTS - Louisiana | | | | | | | | | | | Attachment: 2 | | Exhibit: B | | | |
|--|--|---------|------|-------------|-------|-----------|--------------|-------|-------------------------|----------------------------------|--------------------------------------|--|--|---|---|---------------|
| CATEGORY | RATE ELEMENTS | Interim | Zone | BCS | USOC | RATES(\$) | | | | Svc Order Submitted Elec per LSR | Svc Order Submitted Manually per LSR | Incremental Charge - Manual Svc Order vs. Electronic-1st | Incremental Charge - Manual Svc Order vs. Electronic-Add'l | Incremental Charge - Manual Svc Order vs. Electronic-Disc 1st | Incremental Charge - Manual Svc Order vs. Electronic-Disc Add'l | |
| | | | | | | Rec | Nonrecurring | | Nonrecurring Disconnect | | | | | | | OSS Rates(\$) |
| | | | | | | | First | Add'l | First | Add'l | SOME C | SOMAN | SOMAN | SOMAN | SOMAN | |
| OPERATIONAL SUPPORT SYSTEMS | | | | | | | | | | | | | | | | |
| NOTE: (1) Electronic Service Order: CLEC should contact its contract negotiator if it prefers the state specific electronic service ordering charges as ordered by the State Commissions. The electronic service ordering charge currently contained in this rate exhibit is the BellSouth regional electronic service ordering charge. CLEC may elect either the state specific Commission ordered rates for the electronic service ordering charges, or CLEC may elect the regional electronic service ordering charge. | | | | | | | | | | | | | | | | |
| NOTE: (2) Any element that can be ordered electronically will be billed according to the SOME C rate listed in this category. Please refer to BellSouth's Business Rules for Local Ordering (BBR-LO) to determine if a product can be ordered electronically. For those elements that cannot be ordered electronically at present per the BBR-LO, the listed SOME C rate in this category reflects the charge that would be billed to a CLEC once electronic ordering capabilities come on-line for that element. Otherwise, the manual ordering charge, SOMAN, will be applied to a CLECs bill when it submits an LSR to BellSouth. | | | | | | | | | | | | | | | | |
| | Electronic OSS Charge, per LSR, submitted via BST's OSS interactive interfaces (Regional) | | | | | | | | | | | | | | | |
| UNBUNDLED EXCHANGE ACCESS LOOP | | | | | | | | | | | | | | | | |
| 2-WIRE ANALOG VOICE GRADE LOOP | | | | | | | | | | | | | | | | |
| | 2-Wire Analog Voice Grade Loop - Service Level 1- Zone 1 | | 1 | UEANL | UEAL2 | 12.90 | 36.54 | 16.87 | | | | 15.20 | | | | |
| | 2-Wire Analog Voice Grade Loop - Service Level 1- Zone 2 | | 2 | UEANL | UEAL2 | 23.33 | 36.54 | 16.87 | | | | 15.20 | | | | |
| | 2-Wire Analog Voice Grade Loop - Service Level 1- Zone 3 | | 3 | UEANL | UEAL2 | 48.43 | 36.54 | 16.87 | | | | 15.20 | | | | |
| | Loop Testing - Basic 1st Half Hour | | | UEANL | URET1 | | 33.17 | 33.17 | | | | 15.20 | | | | |
| | Loop Testing - Basic Additional Half Hour | | | UEANL | URETA | | 19.28 | 19.28 | | | | 15.20 | | | | |
| | CLEC to CLEC Conversion Charge Without Outside Dispatch (UVL-SL1) | | | UEANL | UREWO | | 15.75 | 8.93 | | | | 15.20 | | | | |
| | Engineering Information Document (EI) | | | UEANL | | | 13.04 | 13.04 | | | | | | | | |
| | Manual Order Coordination for UVL-SL1s (per loop) | | | UEANL | UEAMC | | 7.92 | 7.92 | | | | | | | | |
| | Order Coordination for Specified Conversion Time for UVL-SL1 (per LSR) | | | UEANL | OCOSL | | 17.56 | 17.56 | | | | | | | | |
| 2-WIRE Unbundled COPPER LOOP | | | | | | | | | | | | | | | | |
| | 2-Wire Unbundled Copper Loop - Non-Designed Zone 1 | I | 1 | UEQ | UEQ2X | 12.40 | 35.27 | 15.60 | | | | 15.20 | | | | |
| | 2 Wire Unbundled Copper Loop - Non-Designed - Zone 2 | I | 2 | UEQ | UEQ2X | 14.32 | 35.27 | 15.60 | | | | 15.20 | | | | |
| | 2 Wire Unbundled Copper Loop - Non-Designed - Zone 3 | I | 3 | UEQ | UEQ2X | 16.87 | 35.27 | 15.60 | | | | 15.20 | | | | |
| | Order Coordination 2 Wire Unbundled Copper Loop - Non-Designed (per loop) | | | UEQ | USBMC | | 7.92 | 7.92 | | | | | | | | |
| | Engineering Information Document | | | UEQ | | | 13.04 | 13.04 | | | | | | | | |
| | Loop Testing - Basic 1st Half Hour | | | UEQ | URET1 | | 33.17 | 33.17 | | | | 15.20 | | | | |
| | Loop Testing - Basic Additional Half Hour | | | UEQ | URETA | | 19.28 | 19.28 | | | | 15.20 | | | | |
| | CLEC to CLEC Conversion Charge Without Outside Dispatch (UCL-ND) | | | UEQ | UREWO | | 14.25 | 7.42 | | | | 15.20 | | | | |
| UNBUNDLED EXCHANGE ACCESS LOOP | | | | | | | | | | | | | | | | |
| 2-WIRE ANALOG VOICE GRADE LOOP | | | | | | | | | | | | | | | | |
| | 2 Wire Analog Voice Grade Loop-Service Level 1-Line Splitting-Zone 1 | | 1 | UEPSR UEPSB | UEALS | 12.90 | 36.54 | 16.87 | 0.00 | 0.00 | | 15.20 | | | | |
| | 2 Wire Analog Voice Grade Loop-Service Level 1-Line Splitting-Zone 1 | | 1 | UEPSR UEPSB | UEABS | 12.90 | 36.54 | 16.87 | 0.00 | 0.00 | | 15.20 | | | | |
| | 2 Wire Analog Voice Grade Loop- Service Level 1-Line Splitting-Zone 2 | | 2 | UEPSR UEPSB | UEALS | 23.33 | 36.54 | 16.87 | 0.00 | 0.00 | | 15.20 | | | | |
| | 2 Wire Analog Voice Grade Loop- Service Level 1-Line Splitting-Zone 2 | | 2 | UEPSR UEPSB | UEABS | 23.33 | 36.54 | 16.87 | 0.00 | 0.00 | | 15.20 | | | | |
| | 2 Wire Analog Voice Grade Loop-Service Level 1-Line Splitting-Zone 3 | | 3 | UEPSR UEPSB | UEALS | 48.43 | 36.54 | 16.87 | 0.00 | 0.00 | | 15.20 | | | | |
| | 2 Wire Analog Voice Grade Loop-Service Level 1-Line Splitting-Zone 3 | | 3 | UEPSR UEPSB | UEABS | 48.43 | 36.54 | 16.87 | 0.00 | 0.00 | | 15.20 | | | | |
| UNBUNDLED EXCHANGE ACCESS LOOP | | | | | | | | | | | | | | | | |
| 2-WIRE ANALOG VOICE GRADE LOOP | | | | | | | | | | | | | | | | |
| | 2-Wire Analog Voice Grade Loop - Service Level 2 w/Loop or Ground Start Signaling - Zone 1 | | 1 | UEA | UEAL2 | 14.93 | 102.10 | 65.72 | | | | | | | | |
| | 2-Wire Analog Voice Grade Loop - Service Level 2 w/Loop or Ground Start Signaling - Zone 2 | | 2 | UEA | UEAL2 | 25.35 | 102.10 | 65.72 | | | | 15.20 | | | | |
| | 2-Wire Analog Voice Grade Loop - Service Level 2 w/Loop or Ground Start Signaling - Zone 3 | | 3 | UEA | UEAL2 | 50.46 | 102.10 | 65.72 | | | | 15.20 | | | | |
| | Order Coordination for Specified Conversion Time (per LSR) | | | UEA | OCOSL | | 17.56 | | | | | | | | | |
| | 2-Wire Analog Voice Grade Loop - Service Level 2 w/Reverse Battery Signaling - Zone 1 | | 1 | UEA | UEAR2 | 14.93 | 102.10 | 65.72 | | | | 15.20 | | | | |

| UNBUNDLED NETWORK ELEMENTS - Louisiana | | | | | | | | | | Attachment: 2 | | Exhibit: B | | | |
|--|---|---------|------|-----|-------|-----------|--------------|----------------------------------|--------------------------------------|--|--|---|---|-------------------------|---------------|
| CATEGORY | RATE ELEMENTS | Interim | Zone | BCS | USOC | RATES(\$) | | Svc Order Submitted Elec per LSR | Svc Order Submitted Manually per LSR | Incremental Charge - Manual Svc Order vs. Electronic-1st | Incremental Charge - Manual Svc Order vs. Electronic-Add'l | Incremental Charge - Manual Svc Order vs. Electronic-Disc 1st | Incremental Charge - Manual Svc Order vs. Electronic-Disc Add'l | | |
| | | | | | | Rec | Nonrecurring | | | | | | | Nonrecurring Disconnect | OSS Rates(\$) |
| | | | | | | First | Add'l | First | Add'l | SOMEc | SOMAN | SOMAN | SOMAN | SOMAN | SOMAN |
| | 2-Wire Analog Voice Grade Loop - Service Level 2 w/Reverse Battery Signaling - Zone 2 | | 2 | UEA | UEAR2 | 25.35 | 102.10 | 65.72 | | | 15.20 | | | | |
| | 2-Wire Analog Voice Grade Loop - Service Level 2 w/Reverse Battery Signaling - Zone 3 | | 3 | UEA | UEAR2 | 50.46 | 102.10 | 65.72 | | | 15.20 | | | | |
| | Order Coordination for Specified Conversion Time (per LSR) | | | UEA | OCOSL | | 17.56 | | | | | | | | |
| | CLEC to CLEC Conversion Charge without outside dispatch | | | UEA | UREWO | | 87.59 | 36.30 | | | 15.20 | | | | |
| | 4-WIRE ANALOG VOICE GRADE LOOP | | | | | | | | | | | | | | |
| | 4-Wire Analog Voice Grade Loop - Zone 1 | | 1 | UEA | UEAL4 | 30.81 | 127.40 | 91.02 | | | 15.20 | | | | |
| | 4-Wire Analog Voice Grade Loop - Zone 2 | | 2 | UEA | UEAL4 | 38.32 | 127.40 | 91.02 | | | 15.20 | | | | |
| | 4-Wire Analog Voice Grade Loop - Zone 3 | | 3 | UEA | UEAL4 | 60.39 | 127.40 | 91.02 | | | 15.20 | | | | |
| | Order Coordination for Specified Conversion Time (per LSR) | | | UEA | OCOSL | | 17.56 | | | | | | | | |
| | CLEC to CLEC Conversion Charge without outside dispatch | | | UEA | UREWO | | 87.59 | 36.30 | | | 15.20 | | | | |
| | 2-WIRE ISDN DIGITAL GRADE LOOP | | | | | | | | | | | | | | |
| | 2-Wire ISDN Digital Grade Loop - Zone 1 | | 1 | UDN | U1L2X | 22.09 | 113.34 | 76.96 | | | 15.20 | | | | |
| | 2-Wire ISDN Digital Grade Loop - Zone 2 | | 2 | UDN | U1L2X | 35.28 | 113.34 | 76.96 | | | 15.20 | | | | |
| | 2-Wire ISDN Digital Grade Loop - Zone 3 | | 3 | UDN | U1L2X | 65.18 | 113.34 | 76.96 | | | 15.20 | | | | |
| | Order Coordination For Specified Conversion Time (per LSR) | | | UDN | OCOSL | | 17.56 | | | | | | | | |
| | CLEC to CLEC Conversion Charge without outside dispatch | | | UDN | UREWO | | 91.49 | 44.09 | | | 15.20 | | | | |
| | 2-WIRE Universal Digital Channel (UDC) COMPATIBLE LOOP | | | | | | | | | | | | | | |
| | 2-Wire Universal Digital Channel (UDC) Compatible Loop - Zone 1 | | 1 | UDC | UDC2X | 22.09 | 113.34 | 76.96 | | | 15.20 | | | | |
| | 2-Wire Universal Digital Channel (UDC) Compatible Loop - Zone 2 | | 2 | UDC | UDC2X | 35.28 | 113.34 | 76.96 | | | 15.20 | | | | |
| | 2-Wire Universal Digital Channel (UDC) Compatible Loop - Zone 3 | | 3 | UDC | UDC2X | 65.18 | 113.34 | 76.96 | | | 15.20 | | | | |
| | CLEC to CLEC Conversion Charge without outside dispatch | | | UDC | UREWO | | 91.49 | 44.09 | | | 15.20 | | | | |
| | 2-WIRE ASYMMETRICAL DIGITAL SUBSCRIBER LINE (ADSL) COMPATIBLE LOOP | | | | | | | | | | | | | | |
| | 2 Wire Unbundled ADSL Loop including manual service inquiry & facility reservation - Zone 1 | | 1 | UAL | UAL2X | 12.29 | 117.08 | 68.36 | | | 15.20 | | | | |
| | 2 Wire Unbundled ADSL Loop including manual service inquiry & facility reservation - Zone 2 | | 2 | UAL | UAL2X | 14.09 | 117.08 | 68.36 | | | 15.20 | | | | |
| | 2 Wire Unbundled ADSL Loop including manual service inquiry & facility reservation - Zone 3 | | 3 | UAL | UAL2X | 15.75 | 117.08 | 68.36 | | | 15.20 | | | | |
| | Order Coordination for Specified Conversion Time (per LSR) | | | UAL | OCOSL | | 17.56 | | | | | | | | |
| | 2 Wire Unbundled ADSL Loop without manual service inquiry & facility reservaton - Zone 1 | | 1 | UAL | UAL2W | 12.29 | 92.83 | 56.02 | | | 15.20 | | | | |
| | 2 Wire Unbundled ADSL Loop without manual service inquiry & facility reservaton - Zone 2 | | 2 | UAL | UAL2W | 14.09 | 92.83 | 56.02 | | | 15.20 | | | | |
| | 2 Wire Unbundled ADSL Loop without manual service inquiry & facility reservaton - Zone 3 | | 3 | UAL | UAL2W | 15.75 | 92.83 | 56.02 | | | 15.20 | | | | |
| | Order Coordination for Specified Conversion Time (per LSR) | | | UAL | OCOSL | | 17.56 | | | | | | | | |
| | CLEC to CLEC Conversion Charge without outside dispatch | | | UAL | UREWO | | 86.07 | 40.34 | | | 15.20 | | | | |
| | 2-WIRE HIGH BIT RATE DIGITAL SUBSCRIBER LINE (HDSL) COMPATIBLE LOOP | | | | | | | | | | | | | | |
| | 2 Wire Unbundled HDSL Loop including manual service inquiry & facility reservation - Zone 1 | | 1 | UHL | UHL2X | 9.79 | 125.50 | 76.77 | | | 15.20 | | | | |
| | 2 Wire Unbundled HDSL Loop including manual service inquiry & facility reservation - Zone 2 | | 2 | UHL | UHL2X | 11.52 | 125.50 | 76.77 | | | 15.20 | | | | |
| | 2 Wire Unbundled HDSL Loop including manual service inquiry & facility reservation - Zone 3 | | 3 | UHL | UHL2X | 12.74 | 125.50 | 76.77 | | | 15.20 | | | | |
| | Order Coordination for Specified Conversion Time (per LSR) | | | UHL | OCOSL | | 17.56 | | | | | | | | |
| | 2 Wire Unbundled HDSL Loop without manual service inquiry and facility reservation - Zone 1 | | 1 | UHL | UHL2W | 9.79 | 101.24 | 64.43 | | | 15.20 | | | | |
| | 2 Wire Unbundled HDSL Loop without manual service inquiry and facility reservation - Zone 2 | | 2 | UHL | UHL2W | 11.52 | 101.24 | 64.43 | | | 15.20 | | | | |
| | 2 Wire Unbundled HDSL Loop without manual service inquiry and facility reservation - Zone 3 | | 3 | UHL | UHL2W | 12.74 | 101.24 | 64.43 | | | 15.20 | | | | |
| | Order Coordination for Specified Conversion Time (per LSR) | | | UHL | OCOSL | | 17.56 | | | | | | | | |
| | CLEC to CLEC Conversion Charge without outside dispatch | | | UHL | UREWO | | 86.00 | 40.34 | | | 15.20 | | | | |
| | 4-WIRE HIGH BIT RATE DIGITAL SUBSCRIBER LINE (HDSL) COMPATIBLE LOOP | | | | | | | | | | | | | | |

| UNBUNDLED NETWORK ELEMENTS - Louisiana | | | | | | | | | | Attachment: 2 | | Exhibit: B | | | |
|--|--|---------|------|-----|-------|-----------|--------------|--------|-------------------------|----------------------------------|--------------------------------------|--|--|---|---|
| CATEGORY | RATE ELEMENTS | Interim | Zone | BCS | USOC | RATES(\$) | | | | Svc Order Submitted Elec per LSR | Svc Order Submitted Manually per LSR | Incremental Charge - Manual Svc Order vs. Electronic-1st | Incremental Charge - Manual Svc Order vs. Electronic-Add'l | Incremental Charge - Manual Svc Order vs. Electronic-Disc 1st | Incremental Charge - Manual Svc Order vs. Electronic-Disc Add'l |
| | | | | | | Rec | Nonrecurring | | Nonrecurring Disconnect | | | | | | |
| | | | | | | | First | Add'l | First | Add'l | SOMEc | SOMAN | SOMAN | SOMAN | SOMAN |
| | 4 Wire Unbundled HDSL Loop including manual service inquiry and facility reservation - Zone 1 | | 1 | UHL | UHL4X | 16.24 | 153.26 | 104.54 | | | | 15.20 | | | |
| | 4-Wire Unbundled HDSL Loop including manual service inquiry and facility reservation - Zone 2 | | 2 | UHL | UHL4X | 16.65 | 153.26 | 104.54 | | | | 15.20 | | | |
| | 4-Wire Unbundled HDSL Loop including manual service inquiry and facility reservation - Zone 3 | | 3 | UHL | UHL4X | 17.34 | 153.26 | 104.54 | | | | 15.20 | | | |
| | Order Coordination for Specified Conversion Time (per LSR) | | | UHL | OCOSL | | 17.56 | | | | | | | | |
| | 4-Wire Unbundled HDSL Loop without manual service inquiry and facility reservation - Zone 1 | | 1 | UHL | UHL4W | 16.24 | 129.00 | 92.20 | | | | 15.20 | | | |
| | 4-Wire Unbundled HDSL Loop without manual service inquiry and facility reservation - Zone 2 | | 2 | UHL | UHL4W | 16.65 | 129.00 | 92.20 | | | | 15.20 | | | |
| | 4-Wire Unbundled HDSL Loop without manual service inquiry and facility reservation - Zone 3 | | 3 | UHL | UHL4W | 17.34 | 129.00 | 92.20 | | | | 15.20 | | | |
| | Order Coordination for Specified Conversion Time (per LSR) | | | UHL | OCOSL | | 17.56 | | | | | | | | |
| | CLEC to CLEC Conversion Charge without outside dispatch | | | UHL | UREWO | | 86.00 | 40.34 | | | | 15.20 | | | |
| | 4-WIRE DS1 DIGITAL LOOP | | | | | | | | | | | | | | |
| | 4-Wire DS1 Digital Loop - Zone 1 | | 1 | USL | USLXX | 85.70 | 245.16 | 152.98 | | | | 15.20 | | | |
| | 4-Wire DS1 Digital Loop - Zone 2 | | 2 | USL | USLXX | 194.96 | 245.16 | 152.98 | | | | 15.20 | | | |
| | 4-Wire DS1 Digital Loop - Zone 3 | | 3 | USL | USLXX | 491.94 | 245.16 | 152.98 | | | | 15.20 | | | |
| | Order Coordination for Specified Conversion Time (per LSR) | | | USL | OCOSL | | 17.56 | | | | | | | | |
| | CLEC to CLEC Conversion Charge without outside dispatch | | | USL | UREWO | | 100.93 | 42.98 | | | | 15.20 | | | |
| | 4-WIRE 19.2, 56 OR 64 KBPS DIGITAL GRADE LOOP | | | | | | | | | | | | | | |
| | 4 Wire Unbundled Digital 19.2 Kbps | | 1 | UDL | UDL19 | 30.99 | 121.86 | 85.48 | | | | 15.20 | | | |
| | 4 Wire Unbundled Digital 19.2 Kbps | | 2 | UDL | UDL19 | 36.78 | 121.86 | 85.48 | | | | 15.20 | | | |
| | 4 Wire Unbundled Digital 19.2 Kbps | | 3 | UDL | UDL19 | 38.92 | 121.86 | 85.48 | | | | 15.20 | | | |
| | 4 Wire Unbundled Digital Loop 56 Kbps - Zone 1 | | 1 | UDL | UDL56 | 30.99 | 121.86 | 85.48 | | | | 15.20 | | | |
| | 4 Wire Unbundled Digital Loop 56 Kbps - Zone 2 | | 2 | UDL | UDL56 | 36.78 | 121.86 | 85.48 | | | | 15.20 | | | |
| | 4 Wire Unbundled Digital Loop 56 Kbps - Zone 3 | | 3 | UDL | UDL56 | 38.92 | 121.86 | 85.48 | | | | 15.20 | | | |
| | Order Coordination for Specified Conversion Time (per LSR) | | | UDL | OCOSL | | 17.56 | | | | | | | | |
| | 4 Wire Unbundled Digital Loop 64 Kbps - Zone 1 | | 1 | UDL | UDL64 | 30.99 | 121.86 | 85.48 | | | | 15.20 | | | |
| | 4 Wire Unbundled Digital Loop 64 Kbps - Zone 2 | | 2 | UDL | UDL64 | 36.78 | 121.86 | 85.48 | | | | 15.20 | | | |
| | 4 Wire Unbundled Digital Loop 64 Kbps - Zone 3 | | 3 | UDL | UDL64 | 38.92 | 121.86 | 85.48 | | | | 15.20 | | | |
| | Order Coordination for Specified Conversion Time (per LSR) | | | UDL | OCOSL | | 17.56 | | | | | | | | |
| | CLEC to CLEC Conversion Charge without outside dispatch | | | UDL | UREWO | | 101.97 | 49.67 | | | | 15.20 | | | |
| | 2-WIRE Unbundled COPPER LOOP | | | | | | | | | | | | | | |
| | 2-Wire Unbundled Copper Loop/Short including manual service inquiry & facility reservation - Zone 1 | | 1 | UCL | UCLPB | 12.29 | 116.18 | 67.46 | | | | 15.20 | | | |
| | 2-Wire Unbundled Copper Loop/Short including manual service inquiry & facility reservation - Zone 2 | | 2 | UCL | UCLPB | 14.09 | 116.18 | 67.46 | | | | 15.20 | | | |
| | 2 Wire Unbundled Copper Loop/Short including manual service inquiry & facility reservation - Zone 3 | | 3 | UCL | UCLPB | 15.75 | 116.18 | 67.46 | | | | 15.20 | | | |
| | Order Coordination for Unbundled Copper Loops (per loop) | | | UCL | UCLMC | | 7.92 | 7.92 | | | | | | | |
| | 2-Wire Unbundled Copper Loop/Short without manual service inquiry and facility reservation - Zone 1 | | 1 | UCL | UCLPW | 12.29 | 91.92 | 55.12 | | | | 15.20 | | | |
| | 2-Wire Unbundled Copper Loop/Short without manual service inquiry and facility reservation - Zone 2 | | 2 | UCL | UCLPW | 14.09 | 91.92 | 55.12 | | | | 15.20 | | | |
| | 2-Wire Unbundled Copper Loop/Short without manual service inquiry and facility reservation - Zone 3 | | 3 | UCL | UCLPW | 15.75 | 91.92 | 55.12 | | | | 15.20 | | | |
| | Order Coordination for Unbundled Copper Loops (per loop) | | | UCL | UCLMC | | 7.92 | 7.92 | | | | | | | |
| | 2-Wire Unbundled Copper Loop/Long - includes manual svc. inquiry and facility reservation - Zone 1 | | 1 | UCL | UCL2L | 17.21 | 116.18 | 67.46 | | | | 15.20 | | | |
| | 2-Wire Unbundled Copper Loop/Long - includes manual svc. inquiry and facility reservation - Zone 2 | | 2 | UCL | UCL2L | 24.98 | 116.18 | 67.46 | | | | 15.20 | | | |
| | 2-Wire Unbundled Copper Loop/Long - includes manual svc. inquiry and facility reservation - Zone 3 | | 3 | UCL | UCL2L | 39.57 | 116.18 | 67.46 | | | | 15.20 | | | |
| | Order Coordination for Unbundled Copper Loops (per loop) | | | UCL | UCLMC | | 7.92 | 7.92 | | | | | | | |
| | 2-Wire Unbundled Copper Loop/Long - without manual service inquiry and facility reservation - Zone 1 | | 1 | UCL | UCL2W | 17.21 | 91.92 | 55.12 | | | | 15.20 | | | |

| UNBUNDLED NETWORK ELEMENTS - Louisiana | | | | | | | | | | | Attachment: 2 | | Exhibit: B | | |
|--|--|---------|------|---|-------|-----------|--------------|----------------------------------|--------------------------------------|--|--|---|---|-------------------------|-------|
| CATEGORY | RATE ELEMENTS | Interim | Zone | BCS | USOC | RATES(\$) | | Svc Order Submitted Elec per LSR | Svc Order Submitted Manually per LSR | Incremental Charge - Manual Svc Order vs. Electronic-1st | Incremental Charge - Manual Svc Order vs. Electronic-Add'l | Incremental Charge - Manual Svc Order vs. Electronic-Disc 1st | Incremental Charge - Manual Svc Order vs. Electronic-Disc Add'l | | |
| | | | | | | Rec | Nonrecurring | | | | | | | Nonrecurring Disconnect | |
| | | | | | | First | Add'l | First | Add'l | SOMEc | SOMAN | SOMAN | SOMAN | SOMAN | SOMAN |
| | 2-Wire Unbundled Copper Loop/Long - without manual service inquiry and facility reservation - Zone 2 | | 2 | UCL | UCL2W | 24.98 | 91.92 | 55.12 | | | 15.20 | | | | |
| | 2-Wire Unbundled Copper Loop/Long - without manual service inquiry and facility reservation - Zone 3 | | 3 | UCL | UCL2W | 39.57 | 91.92 | 55.12 | | | 15.20 | | | | |
| | Order Coordination for Unbundled Copper Loops (per loop) | | | UCL | UCLMC | | 7.92 | 7.92 | | | | | | | |
| | CLEC to CLEC Conversion Charge without outside dispatch (UCL-Des) | | | UCL | UREWO | | 91.92 | 42.47 | | | 15.20 | | | | |
| 4-WIRE COPPER LOOP | | | | | | | | | | | | | | | |
| | 4-Wire Copper Loop/Short - including manual service inquiry and facility reservation - Zone 1 | | 1 | UCL | UCL4S | 22.27 | 139.69 | 90.96 | | | 15.20 | | | | |
| | 4-Wire Copper Loop/Short - including manual service inquiry and facility reservation - Zone 2 | | 2 | UCL | UCL4S | 18.95 | 139.69 | 90.96 | | | 15.20 | | | | |
| | 4-Wire Copper Loop/Short - including manual service inquiry and facility reservation - Zone 3 | | 3 | UCL | UCL4S | 10.99 | 139.69 | 90.96 | | | 15.20 | | | | |
| | Order Coordination for Unbundled Copper Loops (per loop) | | | UCL | UCLMC | | 7.92 | 7.92 | | | | | | | |
| | 4-Wire Copper Loop/Short - without manual service inquiry and facility reservation - Zone 1 | | 1 | UCL | UCL4W | 22.27 | 115.43 | 78.63 | | | 15.20 | | | | |
| | 4-Wire Copper Loop/Short - without manual service inquiry and facility reservation - Zone 2 | | 2 | UCL | UCL4W | 18.95 | 115.43 | 78.63 | | | 15.20 | | | | |
| | 4-Wire Copper Loop/Short - without manual service inquiry and facility reservation - Zone 3 | | 3 | UCL | UCL4W | 10.99 | 115.43 | 78.63 | | | 15.20 | | | | |
| | Order Coordination for Unbundled Copper Loops (per loop) | | | UCL | UCLMC | | 7.92 | 7.92 | | | | | | | |
| | 4-Wire Unbundled Copper Loop/Long - includes manual svc. inquiry and facility reservation - Zone 1 | | 1 | UCL | UCL4L | 26.17 | 139.69 | 90.96 | | | 15.20 | | | | |
| | 4-Wire Unbundled Copper Loop/Long - includes manual svc. inquiry and facility reservation - Zone 2 | | 2 | UCL | UCL4L | 28.47 | 139.69 | 90.96 | | | 15.20 | | | | |
| | 4-Wire Unbundled Copper Loop/Long - includes manual svc. inquiry and facility reservation - Zone 3 | | 3 | UCL | UCL4L | 62.93 | 139.69 | 90.96 | | | 15.20 | | | | |
| | Order Coordination for Unbundled Copper Loops (per loop) | | | UCL | UCLMC | | 7.92 | 7.92 | | | | | | | |
| | 4-Wire Unbundled Copper Loop/Long - without manual svc. inquiry and facility reservation - Zone 1 | | 1 | UCL | UCL4O | 26.17 | 115.43 | 78.63 | | | 15.20 | | | | |
| | 4-Wire Unbundled Copper Loop/Long - without manual svc. inquiry and facility reservation - Zone 2 | | 2 | UCL | UCL4O | 28.47 | 115.43 | 78.63 | | | 15.20 | | | | |
| | 4-Wire Unbundled Copper Loop/Long - without manual svc. inquiry and facility reservation - Zone 3 | | 3 | UCL | UCL4O | 62.93 | 115.43 | 78.63 | | | 15.20 | | | | |
| | Order Coordination for Unbundled Copper Loops (per loop) | | | UCL | UCLMC | | 7.92 | 7.92 | | | | | | | |
| | CLEC to CLEC Conversion Charge without outside dispatch (UCL-Des) | | | UCL | UREWO | | 91.92 | 42.47 | | | 15.20 | | | | |
| LOOP MODIFICATION | | | | | | | | | | | | | | | |
| | Unbundled Loop Modification, Removal of Load Coils - 2 Wire pair less than or equal to 18k ft | | | UAL, UHL, UCL, UEQ, ULS, UEA, UEANL, UDL, UDC, UDN, UDL, USL | ULM2L | | 0.00 | 0.00 | | | 15.20 | | | | |
| | Unbundled Loop Modification, Removal of Load Coils - 2 wire greater than 18k ft | | | UCL, ULS | ULM2G | | 0.00 | 0.00 | | | 15.20 | | | | |
| | Unbundled Loop Modification Removal of Load Coils - 4 Wire less than or equal to 18K ft | | | UHL, UCL | ULM4L | | 0.00 | 0.00 | | | 15.20 | | | | |
| | Unbundled Loop Modification Removal of Load Coils - 4 Wire pair greater than 18k ft | | | UCL | ULM4G | | 0.00 | 0.00 | | | 15.20 | | | | |
| | Unbundled Loop Modification Removal of Bridged Tap Removal, per unbundled loop | | | UAL, UHL, UCL, UEQ, UEF, ULS, UEA, UEANL, UDL, UDC, UDN, UDL, USL | ULMBT | | 12.15 | 12.15 | | | 15.20 | | | | |
| SUB-LOOPS | | | | | | | | | | | | | | | |
| Sub-Loop Distribution | | | | | | | | | | | | | | | |
| | Sub-Loop - Per Cross Box Location - CLEC Feeder Facility Set-Up | I | | UEANL | USBSA | | 144.09 | 144.09 | | | 15.20 | | | | |

| UNBUNDLED NETWORK ELEMENTS - Louisiana | | | | | | | | | | | Attachment: 2 | | Exhibit: B | | | |
|--|--|---------|------|----------------------|-------|-----------|--------------|-------|-------------------------|----------------------------------|--------------------------------------|--|--|---|---|---------------|
| CATEGORY | RATE ELEMENTS | Interim | Zone | BCS | USOC | RATES(\$) | | | | Svc Order Submitted Elec per LSR | Svc Order Submitted Manually per LSR | Incremental Charge - Manual Svc Order vs. Electronic-1st | Incremental Charge - Manual Svc Order vs. Electronic-Add'l | Incremental Charge - Manual Svc Order vs. Electronic-Disc 1st | Incremental Charge - Manual Svc Order vs. Electronic-Disc Add'l | |
| | | | | | | Rec | Nonrecurring | | Nonrecurring Disconnect | | | | | | | OSS Rates(\$) |
| | | | | | | | First | Add'l | First | Add'l | SOMEc | SOMAN | SOMAN | SOMAN | SOMAN | SOMAN |
| | Sub-Loop - Per Cross Box Location - Per 25 Pair Panel Set-Up | I | | UEANL | USBSB | | 10.99 | 10.99 | | | | 15.20 | | | | |
| | Sub-Loop - Per Building Equipment Room - CLEC Feeder Facility Set-Up | I | | UEANL | USBSC | | 86.16 | 86.16 | | | | 15.20 | | | | |
| | Sub-Loop - Per Building Equipment Room - Per 25 Pair Panel Set-Up | I | | UEANL | USBSD | | 27.13 | 27.13 | | | | 15.20 | | | | |
| | Sub-Loop Distribution Per 2-Wire Analog Voice Grade Loop - Zone 1 | I | 1 | UEANL | USBN2 | 7.57 | 63.89 | 30.06 | | | | 15.20 | | | | |
| | Sub-Loop Distribution Per 2-Wire Analog Voice Grade Loop - Zone 2 | I | 2 | UEANL | USBN2 | 12.75 | 63.89 | 30.06 | | | | 15.20 | | | | |
| | Sub-Loop Distribution Per 2-Wire Analog Voice Grade Loop - Zone 3 | I | 3 | UEANL | USBN2 | 21.45 | 63.89 | 30.06 | | | | 15.20 | | | | |
| | Order Coordination for Unbundled Sub-Loops, per sub-loop pair | | | UEANL | USBMC | | 7.92 | 7.92 | | | | | | | | |
| | Sub-Loop Distribution Per 4-Wire Analog Voice Grade Loop - Zone 1 | | 1 | UEANL | USBN4 | 11.76 | 76.75 | 42.92 | | | | 15.20 | | | | |
| | Sub-Loop Distribution Per 4-Wire Analog Voice Grade Loop - Zone 2 | | 2 | UEANL | USBN4 | 16.84 | 76.75 | 42.92 | | | | 15.20 | | | | |
| | Sub-Loop Distribution Per 4-Wire Analog Voice Grade Loop - Zone 3 | | 3 | UEANL | USBN4 | 19.27 | 76.75 | 42.92 | | | | 15.20 | | | | |
| | Order Coordination for Unbundled Sub-Loops, per sub-loop pair | | | UEANL | USBMC | | 7.92 | 7.92 | | | | | | | | |
| | Sub-Loop 2-Wire Intrabuilding Network Cable (INC) | I | | UEANL | USBR2 | 2.91 | 51.48 | 17.65 | | | | 15.20 | | | | |
| | Order Coordination for Unbundled Sub-Loops, per sub-loop pair | | | UEANL | USBMC | | 7.92 | 7.92 | | | | | | | | |
| | Sub-Loop 4-Wire Intrabuilding Network Cable (INC) | I | | UEANL | USBR4 | 6.58 | 57.54 | 23.71 | | | | 15.20 | | | | |
| | Order Coordination for Unbundled Sub-Loops, per sub-loop pair | | | UEANL | USBMC | | 7.92 | 7.92 | | | | | | | | |
| | 2 Wire Copper Unbundled Sub-Loop Distribution - Zone 1 | I | 1 | UEF | UCS2X | 6.26 | 63.89 | 30.06 | | | | 15.20 | | | | |
| | 2 Wire Copper Unbundled Sub-Loop Distribution - Zone 2 | I | 2 | UEF | UCS2X | 10.07 | 63.89 | 30.06 | | | | 15.20 | | | | |
| | 2 Wire Copper Unbundled Sub-Loop Distribution - Zone 3 | I | 3 | UEF | UCS2X | 12.70 | 63.89 | 30.06 | | | | 15.20 | | | | |
| | Order Coordination for Unbundled Sub-Loops, per sub-loop pair | | | UEF | USBMC | | 7.92 | 7.92 | | | | | | | | |
| | 4 Wire Copper Unbundled Sub-Loop Distribution - Zone 1 | I | 1 | UEF | UCS4X | 8.03 | 76.75 | 42.92 | | | | 15.20 | | | | |
| | 4 Wire Copper Unbundled Sub-Loop Distribution - Zone 2 | I | 2 | UEF | UCS4X | 10.71 | 76.75 | 42.92 | | | | 15.20 | | | | |
| | 4 Wire Copper Unbundled Sub-Loop Distribution - Zone 3 | I | 3 | UEF | UCS4X | 6.08 | 76.75 | 42.92 | | | | 15.20 | | | | |
| | Order Coordination for Unbundled Sub-Loops, per sub-loop pair | | | UEF | USBMC | | 7.92 | 7.92 | | | | | | | | |
| | Unbundled Sub-Loop Modification | | | | | | | | | | | | | | | |
| | Unbundled Sub-Loop Modification - 2-W Copper Dist Load Coil/Equip Removal per 2-W PR | | | UEF | ULM2X | | 0.00 | 0.00 | | | | 15.20 | | | | |
| | Unbundled Sub-loop Modification - 4-W Copper Dist Load Coil/Equip Removal per 4-W PR | | | UEF | ULM4X | | 0.00 | 0.00 | | | | 15.20 | | | | |
| | Unbundled Sub-loop Modification - 2-w/4-w Copper Dist Bridged Tap Removal, per PR unloaded | | | UEF | ULM4T | | 224.55 | 4.29 | | | | 15.20 | | | | |
| | Unbundled Network Terminating Wire (UNTW) | | | | | | | | | | | | | | | |
| | Unbundled Network Terminating Wire (UNTW) per Pair | | | UENTW | UENPP | 0.3454 | 14.72 | 14.72 | | | | 15.20 | | | | |
| | Network Interface Device (NID) | | | | | | | | | | | | | | | |
| | Network Interface Device (NID) - 1-2 lines | | | UENTW | UND12 | | 42.26 | 27.83 | | | | 15.20 | | | | |
| | Network Interface Device (NID) - 1-6 lines | | | UENTW | UND16 | | 62.86 | 48.43 | | | | 15.20 | | | | |
| | Network Interface Device Cross Connect - 2 W | | | UENTW | UNDC2 | | 5.73 | 5.73 | | | | 15.20 | | | | |
| | Network Interface Device Cross Connect - 4W | | | UENTW | UNDC4 | | 5.73 | 5.73 | | | | 15.20 | | | | |
| SUB-LOOPS | | | | | | | | | | | | | | | | |
| | Sub-Loop Feeder | | | | | | | | | | | | | | | |
| | USL-Feeder, DS0 Set-up per Cross Box location - CLEC Distribution Facility set-up | | | UEA, UDN,UCL,UDL,UDC | USBFW | | 144.09 | | | | | 15.20 | | | | |
| | USL Feeder - DS0 Set-up per Cross Box location - per 25 pair set-up | | | UEA, UDN,UCL,UDL,UDC | USBFX | | 10.99 | 10.99 | | | | 15.20 | | | | |
| | USL Feeder DS1 Set-up at DSX location, per DS1 termination | | | USL | USBFZ | | 568.98 | 11.30 | | | | 15.20 | | | | |

| UNBUNDLED NETWORK ELEMENTS - Louisiana | | | | | | | | | | Attachment: 2 | | Exhibit: B | | | | |
|--|---|---------|------|-----|-------|-----------|--------------|-------|-------------------------|----------------------------------|--------------------------------------|--|--|---|---|---------------|
| CATEGORY | RATE ELEMENTS | Interim | Zone | BCS | USOC | RATES(\$) | | | | Svc Order Submitted Elec per LSR | Svc Order Submitted Manually per LSR | Incremental Charge - Manual Svc Order vs. Electronic-1st | Incremental Charge - Manual Svc Order vs. Electronic-Add'l | Incremental Charge - Manual Svc Order vs. Electronic-Disc 1st | Incremental Charge - Manual Svc Order vs. Electronic-Disc Add'l | |
| | | | | | | Rec | Nonrecurring | | Nonrecurring Disconnect | | | | | | | OSS Rates(\$) |
| | | | | | | | First | Add'l | First | Add'l | SOMEc | SOMAN | SOMAN | SOMAN | SOMAN | SOMAN |
| | Unbundled Sub-Loop Feeder Loop, 2 Wire Ground Start, Voice Grade - Zone 1 | | 1 | UEA | USBFA | 8.71 | 89.81 | 54.35 | | | | 15.20 | | | | |
| | Unbundled Sub-Loop Feeder Loop, 2 Wire Ground-Start, Voice Grade - Zone 2 | | 2 | UEA | USBFA | 13.64 | 89.81 | 54.35 | | | | 15.20 | | | | |
| | Unbundled Sub-Loop Feeder Loop, Per 2 Wire Ground-Start, Voice Grade - Zone 3 | | 3 | UEA | USBFA | 30.21 | 89.81 | 54.35 | | | | 15.20 | | | | |
| | Order Coordination for Specified Conversion Time, per LSR | | | UEA | OCOSL | | 17.56 | | | | | | | | | |
| | Unbundled Sub-Loop Feeder Loop, 2 Wire Loop-Start, Voice Grade - Zone 1 | | 1 | UEA | USBFB | 8.71 | 89.81 | 54.35 | | | | 15.20 | | | | |
| | Unbundled Sub-Loop Feeder Loop, 2 Wire Loop-Start, Voice Grade - Zone 2 | | 2 | UEA | USBFB | 13.64 | 89.81 | 54.35 | | | | 15.20 | | | | |
| | Unbundled Sub-Loop Feeder Loop, 2 Wire Start Loop, Voice Grade - Zone 3 | | 3 | UEA | USBFB | 30.21 | 89.81 | 54.35 | | | | 15.20 | | | | |
| | Order Coordination for Specified Time Conversion, per LSR | | | UEA | OCOSL | | 17.56 | | | | | | | | | |
| | Unbundled Sub-Loop Feeder Loop, 2 Wire Reverse Battery, Voice Grade - Zone 1 | | 1 | UEA | USBFC | 8.71 | 89.81 | 54.35 | | | | 15.20 | | | | |
| | Unbundled Sub-Loop Feeder Loop, 2 Wire Reverse Battery, Voice Grade - Zone 2 | | 2 | UEA | USBFC | 13.64 | 89.81 | 54.35 | | | | 15.20 | | | | |
| | Unbundled Sub-Loop Feeder Loop, 2 Wire Analog Reverse Battery, Voice Grade - Zone 3 | | 3 | UEA | USBFC | 30.21 | 89.81 | 54.35 | | | | 15.20 | | | | |
| | Order Coordination For Specified Conversion Time, per LSR | | | UEA | OCOSL | | 17.56 | | | | | | | | | |
| | Unbundled Sub-Loop Feeder Loop, 4 Wire Ground-Start, Voice Grade - Zone 1 | | 1 | UEA | USBFD | 21.44 | 103.69 | 67.31 | | | | 15.20 | | | | |
| | Unbundled Sub-Loop Feeder Loop, 4 Wire Ground-Start, Voice Grade - Zone 2 | | 2 | UEA | USBFD | 24.66 | 103.69 | 67.31 | | | | 15.20 | | | | |
| | Unbundled Sub-Loop Feeder Loop, 4 Wire Ground Start, Voice Grade - Zone 3 | | 3 | UEA | USBFD | 42.84 | 103.69 | 67.31 | | | | 15.20 | | | | |
| | Order Coordination For Specified Conversion Time, Per LSR | | | UEA | OCOSL | | 17.56 | | | | | | | | | |
| | Unbundled Sub-Loop Feeder Loop, 4 Wire Loop-Start, Voice Grade - Zone 1 | | 1 | UEA | USBFE | 21.44 | 103.69 | 67.31 | | | | 15.20 | | | | |
| | Unbundled Sub-Loop Feeder Loop, 4 Wire Loop-Start, Voice Grade - Zone 2 | | 2 | UEA | USBFE | 24.66 | 103.69 | 67.31 | | | | 15.20 | | | | |
| | Unbundled Sub-Loop Feeder Loop, 4 Wire Loop-Start, Voice Grade - Zone 3 | | 3 | UEA | USBFE | 42.84 | 103.69 | 67.31 | | | | 15.20 | | | | |
| | Order Coordination For Specified Conversion Time, Per LSR | | | UEA | OCOSL | | 17.56 | | | | | | | | | |
| | Unbundled Sub-Loop Feeder Loop, 2 Wire ISDN BRI - Zone 1 | | 1 | UDN | USBFF | 15.44 | 102.58 | 66.20 | | | | 15.20 | | | | |
| | Unbundled Sub-Loop Feeder Loop, 2-Wire ISDN BRI - Zone 2 | | 2 | UDN | USBFF | 23.32 | 102.58 | 66.20 | | | | 15.20 | | | | |
| | Unbundled Sub-Loop Feeder Loop, 2-Wire ISDN BRI - Zone 3 | | 3 | UDN | USBFF | 44.57 | 102.58 | 66.20 | | | | 15.20 | | | | |
| | Order Coordination For Specified Conversion Time, Per LSR | | | UDN | OCOSL | | 17.56 | | | | | | | | | |
| | Unbundled Sub-Loop Feeder, 2 Wire UDC (IDSL compatible) | | 1 | UDC | USBFS | 15.44 | 102.58 | 66.20 | | | | 15.20 | | | | |
| | Unbundled Sub-Loop Feeder, 2 Wire UDC (IDSL compatible) | | 2 | UDC | USBFS | 23.32 | 102.58 | 66.20 | | | | 15.20 | | | | |
| | Unbundled Sub-Loop Feeder, 2 Wire UDC (IDSL compatible) | | 3 | UDC | USBFS | 44.57 | 102.58 | 66.20 | | | | 15.20 | | | | |
| | Unbundled Sub-Loop Feeder Loop, 4-Wire DS1 - Zone 1 | | 1 | USL | USBFG | 55.38 | 98.15 | 61.77 | | | | 15.20 | | | | |
| | Unbundled Sub-Loop Feeder Loop, 4-Wire DS1 - Zone 2 | | 2 | USL | USBFG | 167.83 | 98.15 | 61.77 | | | | 15.20 | | | | |
| | Unbundled Sub-Loop Feeder Loop, 4-Wire DS1 - Zone 3 | | 3 | USL | USBFG | 469.87 | 98.15 | 61.77 | | | | 15.20 | | | | |
| | Order Coordination For Specified Conversion Time, Per LSR | | | USL | OCOSL | | 17.56 | | | | | | | | | |
| | Unbundled Sub-Loop Feeder, 2-Wire Copper Loop - Zone 1 | | 1 | UCL | USBFH | 6.96 | 81.36 | 44.98 | | | | 15.20 | | | | |
| | Unbundled Sub-Loop Feeder Loop, 2-Wire Copper Loop - Zone 2 | | 2 | UCL | USBFH | 4.97 | 81.36 | 44.98 | | | | 15.20 | | | | |
| | Unbundled Sub-Loop Feeder Loop, 2-Wire Copper Loop - Zone 3 | | 3 | UCL | USBFH | 3.99 | 81.36 | 44.98 | | | | 15.20 | | | | |
| | Order Coordination For Specified Conversion Time, per LSR | | | UCL | OCOSL | | 17.56 | | | | | | | | | |
| | Sub-Loop Feeder - Per 4-Wire Copper Loop - Zone 1 | | 1 | UCL | USBFJ | 15.68 | 98.07 | 61.69 | | | | 15.20 | | | | |
| | Sub-Loop Feeder - Per 4-Wire Copper Loop - Zone 2 | | 2 | UCL | USBFJ | 9.68 | 98.07 | 61.69 | | | | 15.20 | | | | |
| | Sub-Loop Feeder - Per 4-Wire Copper Loop - Zone 3 | | 3 | UCL | USBFJ | 6.39 | 98.07 | 61.69 | | | | 15.20 | | | | |
| | Order Coordination For Specified Conversion Time, per LSR | | | UCL | OCOSL | | 17.56 | | | | | | | | | |
| | Sub-Loop Feeder - Per 4-Wire 19.2 Kbps Digital Grade Loop | | 1 | UDL | USBFN | 22.61 | 98.15 | 61.77 | | | | 15.20 | | | | |
| | Sub-Loop Feeder - Per 4-Wire 19.2 Kbps Digital Grade Loop | | 2 | UDL | USBFN | 22.87 | 98.15 | 61.77 | | | | 15.20 | | | | |
| | Sub-Loop Feeder - Per 4-Wire 19.2 Kbps Digital Grade Loop | | 3 | UDL | USBFN | 24.25 | 98.15 | 61.77 | | | | 15.20 | | | | |

| UNBUNDLED NETWORK ELEMENTS - Louisiana | | | | | | | | | | Attachment: 2 | | Exhibit: B | | | | | |
|---|---|---------|------|-------|-------|-----------|----------------------------------|--------------------------------------|--|--|---|---|-----|--------------|--|-------------------------|--|
| CATEGORY | RATE ELEMENTS | Interim | Zone | BCS | USOC | RATES(\$) | Svc Order Submitted Elec per LSR | Svc Order Submitted Manually per LSR | Incremental Charge - Manual Svc Order vs. Electronic-1st | Incremental Charge - Manual Svc Order vs. Electronic-Add'l | Incremental Charge - Manual Svc Order vs. Electronic-Disc 1st | Incremental Charge - Manual Svc Order vs. Electronic-Disc Add'l | | | | | |
| | | | | | | | | | | | | | Rec | Nonrecurring | | Nonrecurring Disconnect | |
| | | | | | | | | | | | | | | | | | |
| | | | | | | | | | | | | | | | | | |
| | | | | | | | | | | | | | | | | | |
| | Sub-Loop Feeder - Per 4-Wire 56 Kbps Digital Grade Loop - Zone 1 | | 1 | UDL | USBFO | 22.61 | | 98.15 | 61.77 | | | 15.20 | | | | | |
| | Sub-Loop Feeder - Per 4-Wire 56 Kbps Digital Grade Loop - Zone 2 | | 2 | UDL | USBFO | 22.87 | | 98.15 | 61.77 | | | 15.20 | | | | | |
| | Sub-Loop Feeder - Per 4-Wire 56 Kbps Digital Grade Loop - Zone 3 | | 3 | UDL | USBFO | 24.25 | | 98.15 | 61.77 | | | 15.20 | | | | | |
| | Order Coordination For Specified Time Conversion, per LSR | | | UDL | OCOSL | | | 17.56 | | | | | | | | | |
| | Sub-Loop Feeder - Per 4-Wire 64 Kbps Digital Grade Loop - Zone 1 | | 1 | UDL | USBFP | 22.61 | | 98.15 | 61.77 | | | 15.20 | | | | | |
| | Sub-Loop Feeder - Per 4-Wire 64 Kbps Digital Grade Loop - Zone 2 | | 2 | UDL | USBFP | 22.87 | | 98.15 | 61.77 | | | 15.20 | | | | | |
| | Sub-Loop Feeder - Per 4-Wire 64 Kbps Digital Grade Loop - Zone 3 | | 3 | UDL | USBFP | 24.25 | | 98.15 | 61.77 | | | 15.20 | | | | | |
| | Order Coordination For Specified Conversion Time, per LSR | | | UDL | OCOSL | | | 17.56 | | | | | | | | | |
| SUB-LOOPS | | | | | | | | | | | | | | | | | |
| Sub-Loop Feeder | | | | | | | | | | | | | | | | | |
| | Sub Loop Feeder - DS3 - Per Mile Per Month | | I | UE3 | 1L5SL | 17.00 | | | | | | | | | | | |
| | Sub Loop Feeder - DS3 - Facility Termination Per Month | | I | UE3 | USBF1 | 368.44 | 3,381.00 | 406.56 | | | | 15.20 | | | | | |
| | Sub Loop Feeder - STS-1 - Per Mile Per Month | | I | UDLSX | 1L5SL | 17.00 | | | | | | | | | | | |
| | Sub Loop Feeder - STS-1 - Facility Termination Per Month | | I | UDLSX | USBF7 | 395.92 | 3,381.00 | 406.56 | | | | 15.20 | | | | | |
| | Sub Loop Feeder - OC-3 - Per Mile Per Month | | I | UDLO3 | 1L5SL | 12.90 | | | | | | | | | | | |
| | Sub Loop Feeder - OC-3 - Facility Termination Protection Per Month | | I | UDLO3 | USBF5 | 60.45 | | | | | | | | | | | |
| | Sub Loop Feeder - OC-3 - Facility Termination Per Month | | I | UDLO3 | USBF2 | 594.77 | 3,381.00 | 406.56 | | | | 15.20 | | | | | |
| | Sub Loop Feeder - OC-12 - Per Mile Per Month | | I | UDL12 | 1L5SL | 15.87 | | | | | | | | | | | |
| | Sub Loop Feeder - OC-12 - Facility Termination Protection Per Month | | I | UDL12 | USBF6 | 683.03 | | | | | | | | | | | |
| | Sub Loop Feeder - OC-12 - Facility Termination Per Month | | I | UDL12 | USBF3 | 1,922.00 | 3,381.00 | 406.56 | | | | 15.20 | | | | | |
| | Sub Loop Feeder - OC-48 - Per Mile Per Month | | I | UDL48 | 1L5SL | 52.07 | | | | | | | | | | | |
| | Sub Loop Feeder - OC-48 - Facility Termination Protection Per Month | | I | UDL48 | USBF9 | 341.64 | | | | | | | | | | | |
| | Sub Loop Feeder - OC-48 - Facility Termination Per Month | | I | UDL48 | USBF4 | 1,663.00 | 3,566.00 | 406.56 | | | | 15.20 | | | | | |
| | Sub Loop Feeder - OC-12 Interface On OC-48 | | I | UDL48 | USBF8 | 385.45 | 787.24 | 406.56 | | | | 15.20 | | | | | |
| UNBUNDLED LOOP CONCENTRATION | | | | | | | | | | | | | | | | | |
| | Unbundled Loop Concentration - System A (TR008) | | | ULC | UCT8A | 374.26 | | 316.00 | 316.00 | | | 15.20 | | | | | |
| | Unbundled Loop Concentration - System B (TR008) | | | ULC | UCT8B | 53.40 | | 131.67 | 131.67 | | | 15.20 | | | | | |
| | Unbundled Loop Concentration - System A (TR303) | | | ULC | UCT3A | 412.08 | | 316.00 | 316.00 | | | 15.20 | | | | | |
| | Unbundled Loop Concentration - System B (TR303) | | | ULC | UCT3B | 89.98 | | 131.67 | 131.67 | | | 15.20 | | | | | |
| | Unbundled Loop Concentration - DS1 Loop Interface Card | | | ULC | UCTCO | 5.12 | | 61.46 | 44.74 | | | 15.20 | | | | | |
| | Unbundled Loop Concentration - ISDN Loop Interface (Brite Card) | | | UDN | ULCC1 | 8.12 | | 10.23 | 10.18 | | | 15.20 | | | | | |
| | Unbundled Loop Concentration - UDC Loop Interface (Brite Card) | | | UDC | ULCCU | 8.12 | | 10.23 | 10.18 | | | 15.20 | | | | | |
| | Unbundled Loop Concentration - 2 Wire Voice-Loop Start or Ground Start Loop Interface (POTS Card) | | | UEA | ULCC2 | 2.03 | | 10.23 | 10.18 | | | 15.20 | | | | | |
| | Unbundled Loop Concentration - 2 Wire Voice - Reverse Battery Loop Interface (SPOTS Card) | | | UEA | ULCCR | 12.07 | | 10.23 | 10.18 | | | 15.20 | | | | | |
| | Unbundled Loop Concentration - 4 Wire Voice Loop Interface (Specials Card) | | | UEA | ULCC4 | 7.20 | | 10.23 | 10.18 | | | 15.20 | | | | | |
| | Unbundled Loop Concentration - TEST CIRCUIT Card | | | ULC | UCTTC | 35.19 | | 10.23 | 10.18 | | | 15.20 | | | | | |
| | Unbundled Loop Concentration - Digital 19.2 Kbps Data Loop Interface | | | UDL | ULCC7 | 10.67 | | 10.23 | 10.18 | | | 15.20 | | | | | |
| | Unbundled Loop Concentration - Digital 56 Kbps Data Loop Interface | | | UDL | ULCC5 | 10.67 | | 10.23 | 10.18 | | | 15.20 | | | | | |
| | Unbundled Loop Concentration - Digital 64 Kbps Data Loop Interface | | | UDL | ULCC6 | 10.67 | | 10.23 | 10.18 | | | 15.20 | | | | | |
| UNE OTHER, PROVISIONING ONLY - NO RATE | | | | | | | | | | | | | | | | | |
| | NID - Dispatch and Service Order for NID installation | | | UENTW | UNDBX | | | | | | | | | | | | |
| | UNTW Circuit Id Establishment, Provisioning Only - No Rate | | | UENTW | UENCE | | | | | | | | | | | | |

| UNBUNDLED NETWORK ELEMENTS - Louisiana | | | | | | | | | | Attachment: 2 | | Exhibit: B | | | | | | |
|--|---|---------|------|---------------------------------|-------|-----------|----------------------------------|--------------------------------------|--|--|---|---|-------|--------------|-------|-------------------------|-------|---------------|
| CATEGORY | RATE ELEMENTS | Interim | Zone | BCS | USOC | RATES(\$) | Svc Order Submitted Elec per LSR | Svc Order Submitted Manually per LSR | Incremental Charge - Manual Svc Order vs. Electronic-1st | Incremental Charge - Manual Svc Order vs. Electronic-Add'l | Incremental Charge - Manual Svc Order vs. Electronic-Disc 1st | Incremental Charge - Manual Svc Order vs. Electronic-Disc Add'l | | | | | | |
| | | | | | | | | | | | | | Rec | Nonrecurring | | Nonrecurring Disconnect | | OSS Rates(\$) |
| | | | | | | | | | | | | | SOMEc | SOMAN | SOMAN | SOMAN | SOMAN | SOMAN |
| | Unbundled Contract Name, Provisioning Only - No Rate | | | UEANL,UEF,UEQ,UENTW | UNECN | | | | | | | | | | | | | |
| UNE OTHER, PROVISIONING ONLY - NO RATE | | | | | | | | | | | | | | | | | | |
| | Unbundled Contact Name, Provisioning Only - no rate | | | UAL,UCL,UDC,UDL,UDN,UEA,UHL,ULC | UNECN | 0.00 | 0.00 | | | | | | | | | | | |
| | Unbundled Sub-Loop Feeder-2 Wire Cross Box Jumper - no rate | | | UEA,UDN,UCL,UDC | USBFQ | 0.00 | 0.00 | | | | | | | | | | | |
| | Unbundled Sub-Loop Feeder-4 Wire Cross Box Jumper - no rate | | | UEA,USL,UCL,UDL | USBFR | 0.00 | 0.00 | | | | | | | | | | | |
| | Unbundled DS1 Loop - Superframe Format Option - no rate | | | USL | CCOSF | 0.00 | 0.00 | | | | | | | | | | | |
| | Unbundled DS1 Loop - Expanded Superframe Format option - no rate | | | USL | CCOEF | 0.00 | 0.00 | | | | | | | | | | | |
| HIGH CAPACITY UNBUNDLED LOCAL LOOP | | | | | | | | | | | | | | | | | | |
| | High Capacity Unbundled Local Loop - DS3 - Per Mile per month | | | UE3 | 1L5ND | 10.04 | | | | | | | | | | | | |
| | High Capacity Unbundled Local Loop - DS3 - Facility Termination per month | | | UE3 | UE3PX | 362.34 | 438.46 | 256.30 | | | | | | 15.20 | | | | |
| | High Capacity Unbundled Local Loop - STS-1 - Per Mile per month | | | UDLSX | 1L5ND | 10.04 | | | | | | | | | | | | |
| | High Capacity Unbundled Local Loop - STS-1 - Facility Termination per month | | | UDLSX | UDLS1 | 374.56 | 438.46 | 256.30 | | | | | | 15.20 | | | | |
| LOOP MAKE-UP | | | | | | | | | | | | | | | | | | |
| | Loop Makeup - Preordering Without Reservation, per working or spare facility queried (Manual). | | | UMK | UMKLW | | 23.29 | 23.29 | | | | | | | | | | |
| | Loop Makeup - Preordering With Reservation, per spare facility queried (Manual). | | | UMK | UMKLP | | 24.70 | 24.70 | | | | | | | | | | |
| | Loop Makeup--With or Without Reservation, per working or spare facility queried (Mechanized) | | | UMK | PSUMK | | 0.19 | 0.19 | | | | | | | | | | |
| HIGH FREQUENCY SPECTRUM | | | | | | | | | | | | | | | | | | |
| SPLITTERS-CENTRAL OFFICE BASED | | | | | | | | | | | | | | | | | | |
| | Line Sharing Splitter, per System 96 Line Capacity | | | ULS | ULSDA | 187.17 | 183.33 | 0.00 | 0.00 | 0.00 | | | | 15.20 | | | | |
| | Line Sharing Splitter, per System 24 Line Capacity | | | ULS | ULSDB | 46.79 | 183.33 | 0.00 | 0.00 | 0.00 | | | | 15.20 | | | | |
| | Line Sharing Splitter, Per System, 8 Line Capacity | I | | ULS | ULSD8 | 15.59 | 183.33 | 0.00 | 0.00 | 0.00 | | | | 15.20 | | | | |
| | Line Sharing-DLEC Owned Splitter in CO-CFA activation-deactivation (per LSOD) | | | ULS | ULSDG | | 83.98 | | 0.00 | | | | | 15.20 | | | | |
| END USER ORDERING-CENTRAL OFFICE BASED-HIGH FREQUENCY SPECTRUM AKA LINE SHARING | | | | | | | | | | | | | | | | | | |
| | Line Sharing - per Line Activation (BST Owned Splitter) | | | ULS | ULSDC | 0.61 | 17.97 | 10.29 | 0.00 | 0.00 | | | | 15.20 | | | | |
| | Line Sharing - per Subsequent Activity per Line Rearrangement(BST Owned Splitter) | | | ULS | ULSDS | | 15.91 | 7.95 | | | | | | 15.20 | | | | |
| | Line Sharing - per Subsequent Activity per Line Rearrangement(DLEC Owned Splitter) | | | ULS | ULSCS | | 15.91 | 7.95 | | | | | | 15.20 | | | | |
| | Line Sharing - per Line Activation (DLEC owned Splitter) | I | | ULS | ULSCC | 0.61 | 47.44 | 19.31 | 0.00 | 0.00 | | | | 15.20 | | | | |
| | Line Splitting - per line activation DLEC owned splitter | I | | UEPSR UEPSB | UREOS | 0.61 | | | | | | | | | | | | |
| | Line Splitting - per line activation BST owned - physical | I | | UEPSR UEPSB | UREBP | 0.642 | 17.97 | 10.29 | | | | | | | | | | |
| | Line Splitting - per line activation BST owned - virtual | I | | UEPSR UEPSB | UREBV | 0.64 | 17.97 | 10.29 | | | | | | | | | | |
| UNBUNDLED DEDICATED TRANSPORT | | | | | | | | | | | | | | | | | | |
| NOTE: INTEROFFICE CHANNEL DEDICATED TRANSPORT - minimum billing period - below DS3=one month, DS3/STS-1=four months | | | | | | | | | | | | | | | | | | |
| INTEROFFICE CHANNEL - DEDICATED TRANSPORT | | | | | | | | | | | | | | | | | | |
| | Interoffice Channel - Dedicated Transport - 2-Wire Voice Grade - Per Mile per month | | | U1TVX | 1L5XX | 0.013 | | | | | | | | | | | | |
| | Interoffice Channel - Dedicated Transport- 2- Wire Voice Grade - Facility Termination per month | | | U1TVX | U1TV2 | 22.60 | 39.36 | 26.62 | | | | | | 15.20 | | | | |
| | Interoffice Channel - Dedicated Transport- 2-Wire Voice Grade Rev Bat. - Per Mile per month | | | U1TVX | 1L5XX | 0.013 | | | | | | | | | | | | |
| | Interoffice Channel - Dedicated Transport- 2- Wire VG Rev Bat. Facility Termination per month | | | U1TVX | U1TR2 | 22.60 | 39.36 | 26.62 | | | | | | 15.20 | | | | |
| | Interoffice Channel - Dedicated Transport - 4-Wire Voice Grade - Per Mile per month | | | U1TVX | 1L5XX | 0.013 | | | | | | | | | | | | |

| UNBUNDLED NETWORK ELEMENTS - Louisiana | | | | | | | | | | Attachment: 2 | | Exhibit: B | | | |
|--|--|---------|------|-------|-------|-----------|--------------|----------------------------------|--------------------------------------|--|--|---|---|-------------------------|---------------|
| CATEGORY | RATE ELEMENTS | Interim | Zone | BCS | USOC | RATES(\$) | | Svc Order Submitted Elec per LSR | Svc Order Submitted Manually per LSR | Incremental Charge - Manual Svc Order vs. Electronic-1st | Incremental Charge - Manual Svc Order vs. Electronic-Add'l | Incremental Charge - Manual Svc Order vs. Electronic-Disc 1st | Incremental Charge - Manual Svc Order vs. Electronic-Disc Add'l | | |
| | | | | | | Rec | Nonrecurring | | | | | | | Nonrecurring Disconnect | OSS Rates(\$) |
| | | | | | | First | Add'l | First | Add'l | SOMEc | SOMAN | SOMAN | SOMAN | SOMAN | SOMAN |
| | Interoffice Channel - Dedicated Transport - 4- Wire Voice Grade - Facility Termination per month | | | U1TVX | U1TV4 | 19.81 | 39.36 | 26.62 | | | 15.20 | | | | |
| | Interoffice Channel - Dedicated Transport - 56 kbps - per mile per month | | | U1TDX | 1L5XX | 0.013 | | | | | | | | | |
| | Interoffice Channel - Dedicated Transport - 56 kbps - Facility Termination per month | | | U1TDX | U1TD5 | 15.61 | 39.37 | 26.62 | | | 15.20 | | | | |
| | Interoffice Channel - Dedicated Transport - 64 kbps - per mile per month | | | U1TDX | 1L5XX | 0.013 | | | | | | | | | |
| | Interoffice Channel - Dedicated Transport - 64 kbps - Facility Termination per month | | | U1TDX | U1TD6 | 15.61 | 39.37 | 26.62 | | | 15.20 | | | | |
| | Interoffice Channel - Dedicated Channel - DS1 - Per Mile per month | | | U1TD1 | 1L5XX | 0.2652 | | | | | | | | | |
| | Interoffice Channel - Dedicated Transport - DS1 - Facility Termination per month | | | U1TD1 | U1TF1 | 70.47 | 86.69 | 79.44 | | | 15.20 | | | | |
| | Interoffice Channel - Dedicated Transport - DS3 - Per Mile per month | | | U1TD3 | 1L5XX | 6.04 | | | | | | | | | |
| | Interoffice Channel - Dedicated Transport - DS3 - Facility Termination per month | | | U1TD3 | U1TF3 | 850.45 | 270.69 | 158.05 | | | 15.20 | | | | |
| | Interoffice Channel - Dedicated Transport - STS-1 - Per Mile per month | | | U1TS1 | 1L5XX | 6.04 | | | | | | | | | |
| | Interoffice Channel - Dedicated Transport - STS-1 - Facility Termination per month | | | U1TS1 | U1TFS | 830.19 | 270.69 | 158.05 | | | 15.20 | | | | |
| LOCAL CHANNEL - DEDICATED TRANSPORT | | | | | | | | | | | | | | | |
| NOTE: LOCAL CHANNEL DEDICATED TRANSPORT - minimum billing period - below DS3=one month, DS3/STS-1=four months | | | | | | | | | | | | | | | |
| | Local Channel - Dedicated - 2-Wire Voice Grade Per Month | | | ULDVX | ULDV2 | 18.32 | 187.51 | 32.21 | | | 15.20 | | | | |
| | Local Channel - Dedicated - 2-Wire Voice Grade Rev Bat per month | | | ULDVX | ULDR2 | 18.32 | 187.51 | 32.21 | | | 15.20 | | | | |
| | Local Channel - Dedicated - 4-Wire Voice Grade per month | | | ULDVX | ULDV4 | 19.41 | 187.94 | 32.63 | | | 15.20 | | | | |
| | Local Channel - Dedicated - DS1 per month - Zone 1 | | 1 | ULDD1 | ULDF1 | 39.18 | 172.34 | 149.27 | | | 15.20 | | | | |
| | Local Channel - Dedicated - DS1 per month - Zone 2 | | 2 | ULDD1 | ULDF1 | 121.58 | 172.34 | 149.27 | | | 15.20 | | | | |
| | Local Channel - Dedicated - DS1 per month - Zone 3 | | 3 | ULDD1 | ULDF1 | 70.02 | 172.34 | 149.27 | | | 15.20 | | | | |
| | Local Channel - Dedicated - DS3 - Per Mile per month | | | ULDD3 | 1L5NC | 7.82 | | | | | | | | | |
| | Local Channel - Dedicated - DS3 - Facility Termination per month | | | ULDD3 | ULDF3 | 469.44 | 438.46 | 256.30 | | | 15.20 | | | | |
| | Local Channel - Dedicated - STS-1 - Per Mile per month | | | ULDS1 | 1L5NC | 7.82 | | | | | | | | | |
| | Local Channel - Dedicated - STS-1 - Facility Termination per month | | | ULDS1 | ULDFS | 457.22 | 438.46 | 256.30 | | | 15.20 | | | | |
| MULTIPLEXERS | | | | | | | | | | | | | | | |
| | Channelization - DS1 to DS0 Channel System | | | UXTD1 | MQ1 | 105.09 | 88.41 | 60.76 | | | 15.20 | | | | |
| | OCU-DP COCI (data) - DS1 to DS0 Channel System - per month (2.4-64kbs) | | | UDL | 1D1DD | 1.38 | 6.39 | 4.58 | | | 15.20 | | | | |
| | 2-wire ISDN COCI (BRITE) - DS1 to DS0 Channel System - per month | | | UDN | UC1CA | 2.96 | 6.39 | 4.58 | | | 15.20 | | | | |
| | Voice Grade COCI - DS1 to DS0 Channel System - per month | | | UEA | 1D1VG | 0.6497 | 6.39 | 4.58 | | | 15.20 | | | | |
| | DS3 to DS1 Channel System per month | | | UXTD3 | MQ3 | 201.48 | 172.99 | 91.25 | | | 15.20 | | | | |
| | STS1 to DS1 Channel System per month | | | UXTS1 | MQ3 | 201.48 | 172.99 | 91.25 | | | 15.20 | | | | |
| | DS3 Interface Unit (DS1 COCI) used with Loop per month | | | USL | UC1D1 | 11.78 | 6.39 | 4.58 | | | 15.20 | | | | |
| | DS3 Interface Unit (DS1 COCI) used with Local Channel per month | | | ULDD1 | UC1D1 | 11.78 | 6.39 | 4.58 | | | | | | | |
| | DS3 Interface Unit (DS1 COCI) used with Interoffice Channel per month | | | U1TD1 | UC1D1 | 11.78 | 6.39 | 4.58 | | | | | | | |
| DARK FIBER | | | | | | | | | | | | | | | |
| | Dark Fiber, Four Fiber Strands, Per Route Mile or Fraction Thereof per month - Local Channel | | | UDF | 1L5DC | 52.23 | | | | | | | | | |
| | NRC Dark Fiber - Local Channel | | | UDF | UDFC4 | | 620.60 | 133.88 | | | 15.20 | | | | |
| | Dark Fiber, Four Fiber Strands, Per Route Mile or Fraction Thereof per month - Interoffice Channel | | | UDF | 1L5DF | 25.28 | | | | | | | | | |
| | NRC Dark Fiber - Interoffice Channel | | | UDF | UDF14 | | 620.60 | 133.88 | | | 15.20 | | | | |

| UNBUNDLED NETWORK ELEMENTS - Louisiana | | | | | | | | | | | Attachment: 2 | | Exhibit: B | | | | | | | | |
|---|---|---------|------|----------|-------|-----------|----------------------------------|--------------------------------------|--|--|---|---|---------------|--------------|-------|-------------------------|--|-------|-------|-------|-------|
| CATEGORY | RATE ELEMENTS | Interim | Zone | BCS | USOC | RATES(\$) | Svc Order Submitted Elec per LSR | Svc Order Submitted Manually per LSR | Incremental Charge - Manual Svc Order vs. Electronic-1st | Incremental Charge - Manual Svc Order vs. Electronic-Add'l | Incremental Charge - Manual Svc Order vs. Electronic-Disc 1st | Incremental Charge - Manual Svc Order vs. Electronic-Disc Add'l | OSS Rates(\$) | | | | | | | | |
| | | | | | | | | | | | | | Rec | Nonrecurring | | Nonrecurring Disconnect | | SOMEc | SOMAN | SOMAN | SOMAN |
| | | | | | | | | | | | | | First | Add'l | First | Add'l | | | | | |
| | Dark Fiber, Four Fiber Strands, Per Route Mile or Fraction Thereof per month - Local Loop | | | UDF | 1L5DL | 52.23 | | | | | | | | | | | | | | | |
| | NRC Dark Fiber - Local Loop | | | UDF | UDFL4 | | | | | | | | 620.60 | 133.88 | | | | | | | 15.20 |
| TRANSPORT OTHER | | | | | | | | | | | | | | | | | | | | | |
| Optional Features & Functions: | | | | | | | | | | | | | | | | | | | | | |
| 8XX ACCESS TEN DIGIT SCREENING | | | | | | | | | | | | | | | | | | | | | |
| | 8XX Access Ten Digit Screening, Per Call | | | OHD | | 0.0006387 | | | | | | | | | | | | | | | |
| | 8XX Access Ten Digit Screening, Reservation Charge Per 8XX Number Reserved | | | OHD | N8R1X | | | | | | | | 2.51 | 0.43 | | | | | | | 15.20 |
| | 8XX Access Ten Digit Screening, Per 8XX No. Established W/O POTS Translations | | | OHD | | | | | | | | | 5.77 | 0.78 | | | | | | | 15.20 |
| | 8XX Access Ten Digit Screening, Per 8XX No. Established With POTS Translations | | | OHD | N8FTX | | | | | | | | 5.77 | 0.78 | | | | | | | 15.20 |
| | 8XX Access Ten Digit Screening, Customized Area of Service Per 8XX Number | | | OHD | N8FCX | | | | | | | | 2.51 | 1.26 | | | | | | | 15.20 |
| | 8XX Access Ten Digit Screening, Multiple InterLATA CXR Routing Per CXR Requested Per 8XX No. | | | OHD | N8FMX | | | | | | | | 2.93 | 1.68 | | | | | | | 15.20 |
| | 8XX Access Ten Digit Screening, Change Charge Per Request | | | OHD | N8FAX | | | | | | | | 2.93 | 0.43 | | | | | | | 15.20 |
| | 8XX Access Ten Digit Screening, Call Handling and Destination Features | | | OHD | N8FDX | | | | | | | | 2.51 | | | | | | | | 15.20 |
| | 8XX Access Ten Digit Screening, w/ 8XX No. Delivery, per query | | | OHD | | 0.0006387 | | | | | | | | | | | | | | | |
| | 8XX Access Ten Digit Screening, w/ POTS No. Delivery, per query | | | OHD | | 0.0006387 | | | | | | | | | | | | | | | |
| LINE INFORMATION DATA BASE ACCESS (LIDB) | | | | | | | | | | | | | | | | | | | | | |
| | LIDB Common Transport Per Query | | | OQT | | 0.0000221 | | | | | | | | | | | | | | | |
| | LIDB Validation Per Query | | | OQU | | 0.0135077 | | | | | | | | | | | | | | | |
| | LIDB Originating Point Code Establishment or Change | | | OQT, OQU | NRPBX | | | | | | | | 33.33 | | | | | | | | 15.20 |
| SIGNALING (CCS7) | | | | | | | | | | | | | | | | | | | | | |
| | CCS7 Signaling Termination, Per STP Port | | | UDB | PT8SX | 147.60 | | | | | | | | | | | | | | | |
| | CCS7 Signaling Usage, Per TCAP Message | | | UDB | | 0.000064 | | | | | | | | | | | | | | | |
| | CCS7 Signaling Connection, Per link (A link) | | | UDB | TPP++ | 15.77 | | | | | | | 34.50 | | | | | | | | 15.20 |
| | CCS7 Signaling Connection, Per link (B link) (also known as D link) | | | UDB | TPP++ | 15.77 | | | | | | | 34.50 | 34.50 | | | | | | | 15.20 |
| | CCS7 Signaling Usage, Per ISUP Message | | | UDB | | 0.000016 | | | | | | | | | | | | | | | |
| | CCS7 Signaling Usage Surrogate, per link per LATA | | | UDB | STU56 | 732.10 | | | | | | | | | | | | | | | |
| | CCS7 Signaling Point Code, per Originating Point Code Establishment or Change, per STP affected | | | UDB | CCAPO | | | | | | | | 28.17 | 28.17 | | | | | | | 15.20 |
| | CCS7 Signaling Point Code, per Destination Point Code Establishment or Change, Per Stp Affected | | | UDB | CCAPD | | | | | | | | 28.17 | 28.17 | | | | | | | 15.20 |
| E911 SERVICE | | | | | | | | | | | | | | | | | | | | | |
| | Local Channel - Dedicated - 2-wr Voice Grade - Zone 1 | | | | | 18.32 | | | | | | | 187.51 | 32.21 | | | | | | | 15.20 |
| | Local Channel - Dedicated - 2-wr Voice Grade - Zone 2 | | | | | 18.32 | | | | | | | 187.51 | 32.21 | | | | | | | 15.20 |
| | Local Channel - Dedicated - 2-wr Voice Grade - Zone 3 | | | | | 18.32 | | | | | | | 187.51 | 32.21 | | | | | | | 15.20 |
| | Interoffice Transport - Dedicated - 2-wr Voice Grade Per Mile | | | | | 0.013 | | | | | | | | | | | | | | | |
| | Interoffice Transport - Dedicated - 2-wr Voice Grade Per Facility Termination | | | | | 22.60 | | | | | | | 39.36 | 26.62 | | | | | | | 15.20 |
| | Local Channel - Dedicated - DS1 - Zone 1 | | | | | 39.18 | | | | | | | 172.34 | 149.27 | | | | | | | 15.20 |
| | Local Channel - Dedicated - DS1 - Zone 2 | | | | | 121.58 | | | | | | | 172.34 | 149.27 | | | | | | | 15.20 |
| | Local Channel - Dedicated - DS1 - Zone 3 | | | | | 70.02 | | | | | | | 172.34 | 149.27 | | | | | | | 15.20 |
| | Interoffice Transport - Dedicated - DS1 Per Mile | | | | | 0.2652 | | | | | | | | | | | | | | | |
| | Interoffice Transport - Dedicated - DS1 Per Facility Termination | | | | | 70.47 | | | | | | | 86.69 | 79.44 | | | | | | | 15.20 |
| CALLING NAME (CNAM) SERVICE | | | | | | | | | | | | | | | | | | | | | |
| | CNAM for DB Owners, Per Query | | | OQV | | 0.0010217 | | | | | | | | | | | | | | | |
| | CNAM for Non DB Owners, Per Query | | | OQV | | 0.0010217 | | | | | | | | | | | | | | | |
| | CNAM For DB Owners - Service Establishment | | | OQV | | | | | | | | | 22.29 | | | | | | | | 15.20 |
| | CNAM For Non DB Owners - Service Establishment | | | OQV | | | | | | | | | 22.29 | | | | | | | | 15.20 |

| UNBUNDLED NETWORK ELEMENTS - Louisiana | | | | | | | | | | Attachment: 2 | | Exhibit: B | |
|---|--|---------|------|-------|-------|-----------|----------------------------------|--------------------------------------|--|--|---|---|-----|
| CATEGORY | RATE ELEMENTS | Interim | Zone | BCS | USOC | RATES(\$) | Svc Order Submitted Elec per LSR | Svc Order Submitted Manually per LSR | Incremental Charge - Manual Svc Order vs. Electronic-1st | Incremental Charge - Manual Svc Order vs. Electronic-Add'l | Incremental Charge - Manual Svc Order vs. Electronic-Disc 1st | Incremental Charge - Manual Svc Order vs. Electronic-Disc Add'l | |
| | | | | | | | | | | | | | Rec |
| | | | | | | | | | | | | | |
| | | | | | | | | | | | | | |
| | CNAM For DB Owners - Service Provisioning With Point Code Establishment | | | OQV | | 962.22 | 711.64 | | | 15.20 | | | |
| | CNAM For Non DB Owners - Service Provisioning With Point Code Establishment | | | OQV | | 332.43 | 238.05 | | | 15.20 | | | |
| LNP Query Service | | | | | | | | | | | | | |
| | LNP Charge Per query | | | OQV | | 0.0008559 | | | | | | | |
| | LNP Service Establishment Manual | | | | | | | | | 15.20 | | | |
| | LNP Service Provisioning with Point Code Establishment | | | | | 576.33 | 294.43 | | | 15.20 | | | |
| OPERATOR CALL PROCESSING | | | | | | | | | | | | | |
| | Oper. Call Processing - Oper. Provided, Per Min. - Using BST LIDB | | | | | 1.20 | | | | | | | |
| | Oper. Call Processing - Oper. Provided, Per Min. - Using Foreign LIDB | | | | | 1.24 | | | | | | | |
| | Oper. Call Processing - Fully Automated, per Call - Using BST LIDB | | | | | 0.20 | | | | | | | |
| | Oper. Call Processing - Fully Automated, per Call - Using Foreign LIDB | | | | | 0.20 | | | | | | | |
| INWARD OPERATOR SERVICES | | | | | | | | | | | | | |
| | Inward Operator Services - Verification, Per Minute | | | | | 1.15 | | | | | | | |
| | Inward Operator Services - Verification and Emergency Interrupt - Per Minute | | | | | 1.15 | | | | | | | |
| BRANDING - OPERATOR CALL PROCESSING | | | | | | | | | | | | | |
| | Recording of Custom Branded OA Announcement | | | | CBAOS | 7,000.00 | 7,000.00 | | | 15.20 | | | |
| | Loading of Custom Branded OA Announcement per shelf/NAV | | | | CBAOL | 500.00 | 500.00 | | | 15.20 | | | |
| Unbranding via OLNS for UNEP CLEC | | | | | | | | | | | | | |
| | Loading of OA per OCN (Regional) | | | | | 1,200.00 | 1,200.00 | | | 15.20 | | | |
| DIRECTORY ASSISTANCE SERVICES | | | | | | | | | | | | | |
| DIRECTORY ASSISTANCE ACCESS SERVICE | | | | | | | | | | | | | |
| | Directory Assistance Access Service Calls, Charge Per Call | | | | | 0.275 | | | | | | | |
| DIRECTORY ASSISTANCE CALL COMPLETION ACCESS SERVICE (DACC) | | | | | | | | | | | | | |
| | Directory Assistance Call Completion Access Service (DACC), Per Call Attempt | | | | | 0.10 | | | | | | | |
| DIRECTORY TRANSPORT | | | | | | | | | | | | | |
| DIRECTORY ASSISTANCE SERVICES | | | | | | | | | | | | | |
| DIRECTORY ASSISTANCE DATA BASE SERVICE (DADS) | | | | | | | | | | | | | |
| | Directory Assistance Data Base Service Charge Per Listing | | | | | 0.04 | | | | | | | |
| | Directory Assistance Data Base Service, per month | | | | DBSOF | 150.00 | | | | | | | |
| BRANDING - DIRECTORY ASSISTANCE | | | | | | | | | | | | | |
| Facility Based CLEC | | | | | | | | | | | | | |
| | Recording and Provisioning of DA Custom Branded Announcement | | | AMT | CBADA | 6,000.00 | 6,000.00 | | | | | | |
| | Loading of Custom Branded Announcement per DRAM Card/Switch | | | AMT | CBADC | 1,170.00 | 1,170.00 | | | | | | |
| UNEP CLEC | | | | | | | | | | | | | |
| | Recording of DA Custom Branded Announcement | | | | | 3,000.00 | 3,000.00 | | | | | | |
| | Loading of DA Custom Branded Announcement per DRAM Card/Switch per OCN | | | | | 1,170.00 | 1,170.00 | | | | | | |
| Unbranding via OLNS for UNEP CLEC | | | | | | | | | | | | | |
| | Loading of DA per OCN (1 OCN per Order) | | | | | 420.00 | 420.00 | | | | | | |
| | Loading of DA per Switch per OCN | | | | | 16.00 | 16.00 | | | | | | |
| SELECTIVE ROUTING | | | | | | | | | | | | | |
| | Selective Routing Per Unique Line Class Code Per Request Per Switch | | | | USRCR | 82.25 | 82.25 | | | 15.20 | | | |
| VIRTUAL COLLOCATION | | | | | | | | | | | | | |
| | Virtual Collocation - Application Cost | | | AMTFS | EAF | 1,770.40 | | | | | | | |
| | Virtual Collocation - Cable Installation Cost, per cable | | | AMTFS | ESPCX | 841.54 | | | | | | | |
| | Virtual Collocation - Floor Space, per sq. ft. | | | AMTFS | ESPVX | 3.20 | | | | | | | |
| | Virtual Collocation - Power, per breaker amp | | | AMTFS | ESPAX | 8.32 | | | | | | | |

| UNBUNDLED NETWORK ELEMENTS - Louisiana | | | | | | | | | | Attachment: 2 | | Exhibit: B | | | |
|--|--|---------|------|--|-------|-----------|----------------------------------|--------------------------------------|--|--|---|---|-------|--------------|-------|
| CATEGORY | RATE ELEMENTS | Interim | Zone | BCS | USOC | RATES(\$) | Svc Order Submitted Elec per LSR | Svc Order Submitted Manually per LSR | Incremental Charge - Manual Svc Order vs. Electronic-1st | Incremental Charge - Manual Svc Order vs. Electronic-Add'l | Incremental Charge - Manual Svc Order vs. Electronic-Disc 1st | Incremental Charge - Manual Svc Order vs. Electronic-Disc Add'l | | | |
| | | | | | | | | | | | | | Rec | Nonrecurring | |
| | | | | | | | | | | | | | | | |
| | | | | | | | | | | SOMEc | SOMAN | SOMAN | SOMAN | SOMAN | SOMAN |
| | Virtual Collocation - Cable Support Structure, per entrance cable | | | AMTFS | ESPSX | 16.02 | | | | | | | | | |
| | Virtual Collocation - 2-wire Cross Connects (loop) | | | UEANL,UEA,UDN,U DC,UAL,UHL,UCL,U EQ, AMTFS, UDL, UNCVX, UNCDX, UNCNX | UEAC2 | 0.0296 | 11.94 | 11.46 | | | 15.20 | | | | |
| | Virtual Collocation - 4-wire Cross Connects (loop) | | | UEA,UHL,UCL,UDL, AMTFS, UAL, UDN, UNCVX, UNCDX | UEAC4 | 0.0591 | 12.04 | 11.53 | | | 15.20 | | | | |
| | Virtual Collocation - 2-Fiber Cross Connects | | | AMTFS,UDL12, UDLO3, U1T48, U1T12, U1T03, ULDO3, ULD12, ULD48, UDF | CNC2F | 2.65 | 20.29 | 14.76 | | | 15.20 | | | | |
| | Virtual Collocation - 4-Fiber Cross Connects | | | AMTFS,UDL12, UDLO3, U1T48, U1T12, U1T03, ULDO3, ULD12, ULD48, UDF | CNC4F | 5.31 | 24.81 | 19.29 | | | 15.20 | | | | |
| | Virtual collocation - DS1 Cross Connects | | | USL,ULC,AMTFS, ULR, UXTD1, UNC1X, ULDD1, U1TD1, USLEL, UNLD1 | CNC1X | 1.04 | 21.39 | 15.47 | | | 15.20 | | | | |
| | Virtual collocation - DS3 Cross Connects | | | USL,ULC,AMTFS,U E3, U1TD3, UXTS1, UXTD3, UNC3X, UNCSX, ULDD3, U1TS1, ULDS1, UDLsx, UNLD3 | CND3X | 13.21 | 20.28 | 14.76 | | | 15.20 | | | | |
| | Virtual Collocation - Co-Carrier Cross Connects - Fiber Cable Support Structure, per linear foot | | | AMTFS | VE1CB | 0.0024 | | | | | | | | | |
| | Virtual Collocation - Co-Carrier Cross Connects - Copper/Coax Cable Support Structure, per linear ft | | | AMTFS | VE1CD | 0.0036 | | | | | | | | | |
| | Virtual Collocation - Co-Carrier Cross Connects - Fiber Cable Support Structure,per cable | | | AMTFS | VE1CC | | 534.79 | | | | | | | | |
| | Virtual Collocation - Co-Carrier Cross Connects - Copper/Coax Cable Support Structure, per cable | | | AMTFS | VE1CE | | 534.79 | | | | | | | | |
| | Virtual collocation - Security Escort - Basic, per half hour | | | AMTFS | SPTBX | | 16.44 | 10.42 | | | | | | | |
| | Virtual collocation - Security Escort - Overtime, per half hour | | | AMTFS | SPTOX | | 21.41 | 13.45 | | | | | | | |
| | Virtual collocation - Security Escort - Premium, per half hour | | | AMTFS | SPTPX | | 26.38 | 16.49 | | | | | | | |
| | Virtual collocation - Maintenance in CO - Basic, per half hour | | | AMTFS | CTRLX | | 27.12 | 10.42 | | | | | | | |
| | Virtual collocation - Maintenance in CO - Overtime, per half hour | | | AMTFS | SPTOM | | 35.42 | 13.45 | | | | | | | |
| | Virtual collocation - Maintenance in CO - Premium per half hour | | | AMTFS | SPTPM | | 43.72 | 16.49 | | | | | | | |
| VIRTUAL COLLOCATION | | | | | | | | | | | | | | | |
| | Virtual Collocation - 2-wire Cross Connect, Exchange Port 2-Wire Analog - Res | | | UEPSR | VE1R2 | 0.0296 | 11.94 | 11.46 | | | 15.20 | | | | |
| | Virtual Collocation 2-Wire Cross Connect, Exchange Port 2-Wire Line Side PBX Trunk - Bus | | | UEPSP | VE1R2 | 0.0296 | 11.94 | 11.46 | | | 15.20 | | | | |
| | Virtual Collocation 2-Wire Cross Connect, Exchange Port 2-Wire Voice Grade PBX Trunk - Res | | | UEPSE | VE1R2 | 0.0296 | 11.94 | 11.46 | | | 15.20 | | | | |
| | Virtual Collocation 2-Wire Cross Connect, Exchange Port 2-Wire Analog Bus | | | UEPSB | VE1R2 | 0.0296 | 11.94 | 11.46 | | | 15.20 | | | | |
| | Virtual Collocation 2-Wire Cross Connect, Exchnage Port 2-Wire ISDN | | | UEPSX | VE1R2 | 0.0296 | 11.94 | 11.46 | | | 15.20 | | | | |

| UNBUNDLED NETWORK ELEMENTS - Louisiana | | | | | | | | | | | Attachment: 2 | | Exhibit: B | | | | | | | | | | | |
|--|---|---------|------|--------------|-------|-----------|----------------------------------|--------------------------------------|--|--|---|---|---------------|--------------|-------|-------------------------|--|-------|-------|-------|-------|-------|-------|--|
| CATEGORY | RATE ELEMENTS | Interim | Zone | BCS | USOC | RATES(\$) | Svc Order Submitted Elec per LSR | Svc Order Submitted Manually per LSR | Incremental Charge - Manual Svc Order vs. Electronic-1st | Incremental Charge - Manual Svc Order vs. Electronic-Add'l | Incremental Charge - Manual Svc Order vs. Electronic-Disc 1st | Incremental Charge - Manual Svc Order vs. Electronic-Disc Add'l | OSS Rates(\$) | | | | | | | | | | | |
| | | | | | | | | | | | | | Rec | Nonrecurring | | Nonrecurring Disconnect | | SOMEc | SOMAN | SOMAN | SOMAN | SOMAN | SOMAN | |
| | | | | | | | | | | | | | First | Add'l | First | Add'l | | | | | | | | |
| | Virtual Collocation 2-Wire Cross Connect, Exchange Port 2-Wire ISDN | | | UEPTX | VE1R2 | 0.0296 | | | | | | | 11.94 | 11.46 | | | | | | 15.20 | | | | |
| | Virtual Collocation 4-Wire Cross Connect, Exchange Port 4-Wire ISDN DS1 | | | UEPEX | VE1R4 | 0.0591 | | | | | | | 12.04 | 11.53 | | | | | | 15.20 | | | | |
| VIRTUAL COLLOCATION | | | | | | | | | | | | | | | | | | | | | | | | |
| | Virtual Collocation-2 Wire Cross Connects (Loop) for Line Splitting | | | UEPSR, UEPSB | VE1LS | 0.0296 | | | | | | | 11.94 | 11.46 | 0.00 | 0.00 | | | | 15.20 | | | | |
| AIN SELECTIVE CARRIER ROUTING | | | | | | | | | | | | | | | | | | | | | | | | |
| | Regional Service Establishment | | | UEBIB | SRCEC | | | | | | | | | | | | | | | 15.20 | | | | |
| | End Office Establishment | | | UEBIB | SRCEO | | | | | | | | | | | | | | | 15.20 | | | | |
| | Query NRC, per query | | | UEBIB | | 0.0030293 | | | | | | | | | | | | | | | | | | |
| AIN - BELLSOUTH AIN SMS ACCESS SERVICE | | | | | | | | | | | | | | | | | | | | | | | | |
| | AIN SMS Access Service - Service Establishment, Per State, Initial Setup | | | A1N | CAMSE | | | | | | | | 38.30 | 38.30 | | | | | | 15.20 | | | | |
| | AIN SMS Access Service - Port Connection - Dial/Shared Access | | | A1N | CAMDP | | | | | | | | 7.60 | 7.60 | | | | | | 15.20 | | | | |
| | AIN SMS Access Service - Port Connection - ISDN Access | | | A1N | CAM1P | | | | | | | | 7.60 | 7.60 | | | | | | 15.20 | | | | |
| | AIN SMS Access Service - User Identification Codes - Per User ID Code | | | A1N | CAMAU | | | | | | | | 33.99 | 33.99 | | | | | | 15.20 | | | | |
| | AIN SMS Access Service - Security Card, Per User ID Code, Initial or Replacement | | | A1N | CAMRC | | | | | | | | 41.39 | 41.39 | | | | | | 15.20 | | | | |
| | AIN SMS Access Service - Storage, Per Unit (100 Kilobytes) | | | | | 0.0022 | | | | | | | | | | | | | | | | | | |
| | AIN SMS Access Service - Session, Per Minute | | | | | 0.5795 | | | | | | | | | | | | | | | | | | |
| | AIN SMS Access Service - Company Performed Session, Per Minute | | | | | 0.8104 | | | | | | | | | | | | | | | | | | |
| AIN - BELLSOUTH AIN TOOLKIT SERVICE | | | | | | | | | | | | | | | | | | | | | | | | |
| | AIN Toolkit Service - Service Establishment Charge, Per State, Initial Setup | | | CAM | BAPSC | | | | | | | | 38.30 | 38.30 | | | | | | 15.20 | | | | |
| | AIN Toolkit Service - Training Session, Per Customer | | | | BAPVX | | | | | | | | 4,175.10 | 4,175.10 | | | | | | 15.20 | | | | |
| | AIN Toolkit Service - Trigger Access Charge, Per Trigger, Per DN, Term. Attempt | | | | BAPTT | | | | | | | | 7.60 | 7.60 | | | | | | 15.20 | | | | |
| | AIN Toolkit Service - Trigger Access Charge, Per Trigger, Per DN, Off-Hook Delay | | | | BAPTD | | | | | | | | 7.60 | 7.60 | | | | | | 15.20 | | | | |
| | AIN Toolkit Service - Trigger Access Charge, Per Trigger, Per DN, Off-Hook Immediate | | | | BAPTM | | | | | | | | 7.60 | 7.60 | | | | | | 15.20 | | | | |
| | AIN Toolkit Service - Trigger Access Charge, Per Trigger, Per DN, 10-Digit PODP | | | | BAPTO | | | | | | | | 33.47 | 33.47 | | | | | | 15.20 | | | | |
| | AIN Toolkit Service - Trigger Access Charge, Per Trigger, Per DN, CDP | | | | BAPTC | | | | | | | | 33.47 | 33.47 | | | | | | 15.20 | | | | |
| | AIN Toolkit Service - Trigger Access Charge, Per Trigger, Per DN, Feature Code | | | | BAPTF | | | | | | | | 33.47 | 33.47 | | | | | | 15.20 | | | | |
| | AIN Toolkit Service - Query Charge, Per Query | | | | | 0.0536446 | | | | | | | | | | | | | | | | | | |
| | AIN Toolkit Service - Type 1 Node Charge, Per AIN Toolkit Subscription, Per Node, Per Query | | | | | 0.006569 | | | | | | | | | | | | | | | | | | |
| | AIN Toolkit Service - SCP Storage Charge, Per SMS Access Account, Per 100 Kilobytes | | | | | 0.06 | | | | | | | | | | | | | | | | | | |
| | AIN Toolkit Service - Monthly report - Per AIN Toolkit Service Subscription | | | CAM | BAPMS | 10.90 | | | | | | | 7.60 | 7.60 | | | | | | 15.20 | | | | |
| | AIN Toolkit Service - Special Study - Per AIN Toolkit Service Subscription | | | CAM | BAPLS | 2.80 | | | | | | | 8.41 | 8.41 | | | | | | 15.20 | | | | |
| | AIN Toolkit Service - Call Event Report - Per AIN Toolkit Service Subscription | | | CAM | BAPDS | 8.20 | | | | | | | 7.60 | 7.60 | | | | | | 15.20 | | | | |
| | AIN Toolkit Service - Call Event Special Study - Per AIN Toolkit Service Subscription | | | CAM | BAPES | 0.09 | | | | | | | 8.41 | 8.41 | | | | | | 15.20 | | | | |
| ENHANCED EXTENDED LINK (EELs) | | | | | | | | | | | | | | | | | | | | | | | | |
| NOTE: New EELs available in GA, TN, KY, LA, MS, & SC and density zone 1 of following MSAs: Orlando, FL; Miami, FL; Ft. Lauderdale, FL; | | | | | | | | | | | | | | | | | | | | | | | | |
| NOTE: Charlotte-Gastonia-Rockhill, NC; Greensboro-Winston Salem-High Point, NC. Use all rates below except Switch As Is Charge. | | | | | | | | | | | | | | | | | | | | | | | | |
| NOTE: In all states, EEL network elements shown below also apply to currently combined facilities which are converted to UNE rates. A Switch As Is Charge applies to currently combined facilities converted to UNEs.(Non-recurring rates do not apply.) | | | | | | | | | | | | | | | | | | | | | | | | |
| NOTE: In GA, TN, KY, LA, MS & SC the EEL network elements apply to ordinarily combined network elements.(No Switch As Is Charge.) | | | | | | | | | | | | | | | | | | | | | | | | |

| UNBUNDLED NETWORK ELEMENTS - Louisiana | | | | | | | | | | Attachment: 2 | | Exhibit: B | | | | | | | |
|--|--|---------|------|-------|-------|-----------|----------------------------------|--------------------------------------|--|--|---|---|---------------|--------------|--|-------------------------|--|-------|-------|
| CATEGORY | RATE ELEMENTS | Interim | Zone | BCS | USOC | RATES(\$) | Svc Order Submitted Elec per LSR | Svc Order Submitted Manually per LSR | Incremental Charge - Manual Svc Order vs. Electronic-1st | Incremental Charge - Manual Svc Order vs. Electronic-Add'l | Incremental Charge - Manual Svc Order vs. Electronic-Disc 1st | Incremental Charge - Manual Svc Order vs. Electronic-Disc Add'l | OSS Rates(\$) | | | | | | |
| | | | | | | | | | | | | | Rec | Nonrecurring | | Nonrecurring Disconnect | | SOMEc | SOMAN |
| | | | | | | | | | | | | | | | | | | | |
| 2-WIRE VOICE GRADE EXTENDED LOOP WITH DEDICATED DS1 INTEROFFICE TRANSPORT (EEL) | | | | | | | | | | | | | | | | | | | |
| | First 2-Wire VG Loop(SL2) in a DS1 Interofficed Transport Combination - Zone 1 | | 1 | UNCVX | UEAL2 | 14.93 | | | 94.21 | 45.09 | | | | | | 15.20 | | | |
| | First 2-Wire VG Grade Loop(SL2) in a DS1 Interofficed Transport Combination - Zone 2 | | 2 | UNCVX | UEAL2 | 25.35 | | | 94.21 | 45.09 | | | | | | 15.20 | | | |
| | First 2-Wire VG Grade Loop(SL2) in a DS1 Interofficed Transport Combination - Zone 3 | | 3 | UNCVX | UEAL2 | 50.46 | | | 94.21 | 45.09 | | | | | | 15.20 | | | |
| | Interoffice Transport - Dedicated - DS1 combination - Per Mile per month | | | UNC1X | 1L5XX | 0.2652 | | | | | | | | | | | | | |
| | Interoffice Transport - Dedicated - DS1 combination - Facility Termination per month | | | UNC1X | U1TF1 | 70.47 | | | 143.58 | 103.88 | | | | | | 15.20 | | | |
| | DS1 Channelization System Per Month | | | UNC1X | MQ1 | 105.09 | | | 59.97 | 12.96 | | | | | | 15.20 | | | |
| | Voice Grade COCI - DS1 To Ds0 Interface - Per Month | | | UNCVX | 1D1VG | 0.6497 | | | 5.91 | 4.26 | | | | | | | | | |
| | Each Additional 2-Wire VG Loop(SL 2) in the same DS1 Interoffice Transport Combination - Zone 1 | | 1 | UNCVX | UEAL2 | 14.93 | | | 94.21 | 45.09 | | | | | | 15.20 | | | |
| | Each Additional 2-Wire VG Loop(SL2) in the same DS1 Interoffice Transport Combination - Zone 2 | | 2 | UNCVX | UEAL2 | 25.35 | | | 94.21 | 45.09 | | | | | | 15.20 | | | |
| | Each Additional 2-Wire VG Loop(SL2) in the same DS1 Interoffice Transport Combination - Zone 3 | | 3 | UNCVX | UEAL2 | 50.46 | | | 94.21 | 45.09 | | | | | | 15.20 | | | |
| | Voice Grade COCI - DS1 to DS0 Channel System combination - per month | | | UNCVX | 1D1VG | 0.6497 | | | 5.91 | 4.26 | | | | | | | | | |
| | Nonrecurring Currently Combined Network Elements Switch -As-Is Charge | | | UNC1X | UNCCC | | | | 5.43 | 5.43 | | | | | | 15.20 | | | |
| 4-WIRE VOICE GRADE EXTENDED LOOP WITH DEDICATED DS1 INTEROFFICE TRANSPORT (EEL) | | | | | | | | | | | | | | | | | | | |
| | First 4-Wire Analog Voice Grade Loop in a DS1 Interoffice Transport Combination - Zone 1 | | 1 | UNCVX | UEAL4 | 30.81 | | | 94.21 | 45.09 | | | | | | 15.20 | | | |
| | First 4-Wire Analog Voice Grade Loop in a DS1 Interoffice Transport Combination - Zone 2 | | 2 | UNCVX | UEAL4 | 38.32 | | | 94.21 | 45.09 | | | | | | 15.20 | | | |
| | First 4-Wire Analog Voice Grade Loop in a DS1 Interoffice Transport Combination - Zone 3 | | 3 | UNCVX | UEAL4 | 60.39 | | | 94.21 | 45.09 | | | | | | 15.20 | | | |
| | Interoffice Transport - Dedicated - DS1 combination - Per Mile Per Month | | | UNC1X | 1L5XX | 0.2652 | | | | | | | | | | | | | |
| | Interoffice Transport - Dedicated - DS1 - Facility Termination Per Month | | | UNC1X | U1TF1 | 70.47 | | | 143.58 | 103.88 | | | | | | 15.20 | | | |
| | Channelization - Channel System DS1 to DS0 combination Per Month | | | UNC1X | MQ1 | 105.09 | | | 59.97 | 12.96 | | | | | | | | | |
| | Voice Grade COCI - DS1 to DS0 Channel System combination - per month | | | UNCVX | 1D1VG | 0.6497 | | | 5.91 | 4.26 | | | | | | | | | |
| | Additional 4-Wire Analog Voice Grade Loop in same DS1 Interoffice Transport Combination - Zone 1 | | 1 | UNCVX | UEAL4 | 30.81 | | | 94.21 | 45.09 | | | | | | 15.20 | | | |
| | Additional 4-Wire Analog Voice Grade Loop in same DS1 Interoffice Transport Combination - Zone 2 | | 2 | UNCVX | UEAL4 | 38.32 | | | 94.21 | 45.09 | | | | | | 15.20 | | | |
| | Additional 4-Wire Analog Voice Grade Loop in same DS1 Interoffice Transport Combination - Zone 3 | | 3 | UNCVX | UEAL4 | 60.39 | | | 94.21 | 45.09 | | | | | | 15.20 | | | |
| | Voice Grade COCI - DS1 to DS0 Channel System combination - per month | | | UNCVX | 1D1VG | 0.6497 | | | 5.91 | 4.26 | | | | | | | | | |
| | Nonrecurring Currently Combined Network Elements Switch -As-Is Charge | | | UNC1X | UNCCC | | | | 5.43 | 5.43 | | | | | | 15.20 | | | |
| 4-WIRE 56 KBPS EXTENDED DIGITAL LOOP WITH DEDICATED DS1 INTEROFFICE TRANSPORT (EEL) | | | | | | | | | | | | | | | | | | | |
| | First 4-Wire 56Kbps Digital Grade Loop in a DS1 Interoffice Transport Combination - Zone 1 | | 1 | UNCDX | UDL56 | 30.99 | | | 94.21 | 45.09 | | | | | | 15.20 | | | |
| | First 4-wire 56Kbps Digital Grade Loop in a DS1 Interoffice Transport Combination - Zone 2 | | 2 | UNCDX | UDL56 | 36.78 | | | 94.21 | 45.09 | | | | | | 15.20 | | | |
| | First 4-Wire 56Kbps Digital Grade Loop in a DS1 Interoffice Transport Combination - Zone 3 | | 3 | UNCDX | UDL56 | 38.92 | | | 94.21 | 45.09 | | | | | | 15.20 | | | |
| | Interoffice Transport - Dedicated - DS1 combination - Per Mile Per Month | | | UNC1X | 1L5XX | 0.2652 | | | | | | | | | | | | | |
| | Interoffice Transport - Dedicated - DS1 - combination Facility Termination Per Month | | | UNC1X | U1TF1 | 70.47 | | | 143.58 | 103.88 | | | | | | 15.20 | | | |

| UNBUNDLED NETWORK ELEMENTS - Louisiana | | | | | | | | | | Attachment: 2 | | Exhibit: B | | | | | | | | | | | |
|--|---|---------|------|-------|-------|-----------|----------------------------------|--------------------------------------|--|--|---|---|---------------|--------------|-------|-------------------------|--|-------|-------|-------|-------|-------|-------|
| CATEGORY | RATE ELEMENTS | Interim | Zone | BCS | USOC | RATES(\$) | Svc Order Submitted Elec per LSR | Svc Order Submitted Manually per LSR | Incremental Charge - Manual Svc Order vs. Electronic-1st | Incremental Charge - Manual Svc Order vs. Electronic-Add'l | Incremental Charge - Manual Svc Order vs. Electronic-Disc 1st | Incremental Charge - Manual Svc Order vs. Electronic-Disc Add'l | OSS Rates(\$) | | | | | | | | | | |
| | | | | | | | | | | | | | Rec | Nonrecurring | | Nonrecurring Disconnect | | SOMEc | SOMAN | SOMAN | SOMAN | SOMAN | SOMAN |
| | | | | | | | | | | | | | First | Add'l | First | Add'l | | | | | | | |
| | Channelization - Channel System DS1 to DS0 combination Per Month | | | UNC1X | MQ1 | 105.09 | | | | | | | | | | | | | | | | | |
| | OCU-DP COCI (data) - DS1 to DS0 Channel System - per month (2.4-64kbs) | | | UNC1X | MQ1 | 105.09 | | | | | | | | | | | | | | | | | |
| | Additional 4-Wire 56Kbps Digital Grade Loopin same DS1 Interoffice Transport Combination - Zone 1 | | 1 | UNC1X | UDL56 | 30.99 | | | | | | | | | | | | | | | | | |
| | Additional 4-Wire 56Kbps Digital Grade Loopin same DS1 Interoffice Transport Combination - Zone 2 | | 2 | UNC1X | UDL56 | 36.78 | | | | | | | | | | | | | | | | | |
| | Additional 4-Wire 56Kbps Digital Grade Loopin same DS1 Interoffice Transport Combination - Zone 3 | | 3 | UNC1X | UDL56 | 38.92 | | | | | | | | | | | | | | | | | |
| | OCU-DP COCI (data) - DS1 to DS0 Channel System - combination per month (2.4-64kbs) | | | UNC1X | UDL56 | 38.92 | | | | | | | | | | | | | | | | | |
| | Nonrecurring Currently Combined Network Elements Switch -As-Is Charge | | | UNC1X | UNCCC | | | | | | | | | | | | | | | | | | |
| | 4-WIRE 64 KBPS EXTENDED DIGITAL LOOP WITH DEDICATED DS1 INTEROFFICE TRANSPORT (EEL) | | | | | | | | | | | | | | | | | | | | | | |
| | First 4-Wire 64Kbps Digital Grade Loop in a DS1 Interoffice Transport Combination - Zone 1 | | 1 | UNC1X | UDL64 | 30.99 | | | | | | | | | | | | | | | | | |
| | First 4-Wire 64Kbps Digital Grade Loop in a DS1 Interoffice Transport Combination - Zone 2 | | 2 | UNC1X | UDL64 | 36.78 | | | | | | | | | | | | | | | | | |
| | First 4-Wire 64Kbps Digital Grade Loop in a DS1 Interoffice Transport Combination - Zone 3 | | 3 | UNC1X | UDL64 | 38.92 | | | | | | | | | | | | | | | | | |
| | Interoffice Transport - Dedicated - DS1 combination - Per Mile Per Month | | | UNC1X | 1L5XX | 0.2652 | | | | | | | | | | | | | | | | | |
| | Interoffice Transport - Dedicated - DS1 combination - Facility Termination Per Month | | | UNC1X | U1TF1 | 70.47 | | | | | | | | | | | | | | | | | |
| | Channelization - Channel System DS1 to DS0 combination Per Month | | | UNC1X | MQ1 | 105.09 | | | | | | | | | | | | | | | | | |
| | OCU-DP COCI (data) - DS1 to DS0 Channel System combination - per month (2.4-64kbs) | | | UNC1X | MQ1 | 105.09 | | | | | | | | | | | | | | | | | |
| | Additional 4-Wire 64Kbps Digital Grade Loopin same DS1 Interoffice Transport Combination - Zone 1 | | 1 | UNC1X | UDL64 | 30.99 | | | | | | | | | | | | | | | | | |
| | Additional 4-Wire 64Kbps Digital Grade Loopin same DS1 Interoffice Transport Combination - Zone 2 | | 2 | UNC1X | UDL64 | 36.78 | | | | | | | | | | | | | | | | | |
| | Additional 4-Wire 64Kbps Digital Grade Loopin same DS1 Interoffice Transport Combination - Zone 3 | | 3 | UNC1X | UDL64 | 38.92 | | | | | | | | | | | | | | | | | |
| | OCU-DP COCI (data) - DS1 to DS0 Channel System combination - per month (2.4-64kbs) | | | UNC1X | UDL64 | 38.92 | | | | | | | | | | | | | | | | | |
| | Nonrecurring Currently Combined Network Elements Switch -As-Is Charge | | | UNC1X | UNCCC | | | | | | | | | | | | | | | | | | |
| | 4-WIRE DS1 DIGITAL EXTENDED LOOP WITH DEDICATED DS1 INTEROFFICE TRANSPORT (EEL) | | | | | | | | | | | | | | | | | | | | | | |
| | 4-Wire DS1 Digital Loop in Combination with DS1 Interoffice Transport - Zone 1 | | 1 | UNC1X | USLXX | 85.70 | | | | | | | | | | | | | | | | | |
| | 4-Wire DS1 Digital Loop in Combination with DS1 Interoffice Transport - Zone 2 | | 2 | UNC1X | USLXX | 194.96 | | | | | | | | | | | | | | | | | |
| | 4-Wire DS1 Digital Loop in Combination with DS1 Interoffice Transport - Zone 3 | | 3 | UNC1X | USLXX | 491.94 | | | | | | | | | | | | | | | | | |
| | Interoffice Transport - Dedicated - DS1 combination - Per Mile Per Month | | | UNC1X | 1L5XX | 0.2652 | | | | | | | | | | | | | | | | | |
| | Interoffice Transport - Dedicated - DS1 combination - Facility Termination Per Month | | | UNC1X | U1TF1 | 70.47 | | | | | | | | | | | | | | | | | |
| | Nonrecurring Currently Combined Network Elements Switch -As-Is Charge | | | UNC1X | UNCCC | | | | | | | | | | | | | | | | | | |
| | 4-WIRE DS1 DIGITAL EXTENDED LOOP WITH DEDICATED DS3 INTEROFFICE TRANSPORT (EEL) | | | | | | | | | | | | | | | | | | | | | | |
| | First DS1Loop in DS3 Interoffice Transport Combination - Zone 1 | | 1 | UNC1X | USLXX | 85.70 | | | | | | | | | | | | | | | | | |
| | First DS1Loop in DS3 Interoffice Transport Combination - Zone 2 | | 2 | UNC1X | USLXX | 194.96 | | | | | | | | | | | | | | | | | |
| | First DS1Loop in DS3 Interoffice Transport Combination - Zone 3 | | 3 | UNC1X | USLXX | 491.94 | | | | | | | | | | | | | | | | | |

| UNBUNDLED NETWORK ELEMENTS - Louisiana | | | | | | | | | | | Attachment: 2 | | Exhibit: B | | | | | | | |
|---|---|---------|------|-------|-------|-----------|----------------------------------|--------------------------------------|--|--|---|---|---------------|--------------|-------|-------------------------|--|-------|-------|-------|
| CATEGORY | RATE ELEMENTS | Interim | Zone | BCS | USOC | RATES(\$) | Svc Order Submitted Elec per LSR | Svc Order Submitted Manually per LSR | Incremental Charge - Manual Svc Order vs. Electronic-1st | Incremental Charge - Manual Svc Order vs. Electronic-Add'l | Incremental Charge - Manual Svc Order vs. Electronic-Disc 1st | Incremental Charge - Manual Svc Order vs. Electronic-Disc Add'l | OSS Rates(\$) | | | | | | | |
| | | | | | | | | | | | | | Rec | Nonrecurring | | Nonrecurring Disconnect | | SOMEc | SOMAN | SOMAN |
| | | | | | | | | | | | | | First | Add'l | First | Add'l | | | | |
| | Interoffice Transport - Dedicated - DS3 combination - Per Mile Per Month | | | UNC3X | 1L5XX | 6.04 | | | | | | | | | | | | | | |
| | Interoffice Transport - Dedicated - DS3 - Facility Termination per month | | | UNC3X | U1TF3 | 850.45 | 296.68 | 121.16 | | | | | 15.20 | | | | | | | |
| | DS3 to DS1 Channel System combination per month | | | UNC3X | MQ3 | 201.48 | 107.05 | 48.07 | | | | | | | | | | | | |
| | DS3 Interface Unit (DS1 COC) combination per month | | | UNC1X | UC1D1 | 11.78 | 5.91 | 4.26 | | | | | | | | | | | | |
| | Additional DS1Loop in DS3 Interoffice Transport Combination - Zone 1 | | 1 | UNC1X | USLXX | 85.70 | 169.22 | 100.89 | | | | | 15.20 | | | | | | | |
| | Additional DS1Loop in DS3 Interoffice Transport Combination - Zone 2 | | 2 | UNC1X | USLXX | 194.96 | 169.22 | 100.89 | | | | | 15.20 | | | | | | | |
| | Additional DS1Loop in DS3 Interoffice Transport Combination - Zone 3 | | 3 | UNC1X | USLXX | 491.94 | 169.22 | 100.89 | | | | | 15.20 | | | | | | | |
| | DS3 Interface Unit (DS1 COC) combination per month | | | UNC1X | UC1D1 | 11.78 | 5.91 | 4.26 | | | | | | | | | | | | |
| | Nonrecurring Currently Combined Network Elements Switch -As-Is Charge | | | UNC3X | UNCCC | | 5.43 | 5.43 | | | | | 15.20 | | | | | | | |
| 2-WIRE VOICE GRADE EXTENDED LOOP/ 2 WIRE VOICE GRADE INTEROFFICE TRANSPORT (EEL) | | | | | | | | | | | | | | | | | | | | |
| | 2-WireVG Loop used with 2-wire VG Interoffice Transport Combination - Zone 1 | | 1 | UNCVX | UEAL2 | 14.93 | 94.21 | 45.09 | | | | | 15.20 | | | | | | | |
| | 2-WireVG Loop used with 2-wire VG Interoffice Transport Combination - Zone 2 | | 2 | UNCVX | UEAL2 | 25.35 | 94.21 | 45.09 | | | | | 15.20 | | | | | | | |
| | 2-WireVG Loop used with 2-wire VG Interoffice Transport Combination - Zone 3 | | 3 | UNCVX | UEAL2 | 50.46 | 94.21 | 45.09 | | | | | 15.20 | | | | | | | |
| | Interoffice Transport - Dedicated - 2-wire VG combination - Per Mile Per Month | | | UNCVX | 1L5XX | 0.013 | | | | | | | | | | | | | | |
| | Interoffice Transport - Dedicated - 2-Wire Voice Grade combination - Facility Termination per month | | | UNCVX | U1TV2 | 22.60 | 72.60 | 41.75 | | | | | 15.20 | | | | | | | |
| | Nonrecurring Currently Combined Network Elements Switch -As-Is Charge | | | UNCVX | UNCCC | | 5.43 | 5.43 | | | | | 15.20 | | | | | | | |
| 4-WIRE VOICE GRADE EXTENDED LOOP/ 4 WIRE VOICE GRADE INTEROFFICE TRANSPORT (EEL) | | | | | | | | | | | | | | | | | | | | |
| | 4-WireVG Loop used with 4-wire VG Interoffice Transport Combination - Zone 1 | | 1 | UNCVX | UEAL4 | 30.81 | 94.21 | 45.09 | | | | | 15.20 | | | | | | | |
| | 4-WireVG Loop used with 4-wire VG Interoffice Transport Combination - Zone 2 | | 2 | UNCVX | UEAL4 | 38.32 | 94.21 | 45.09 | | | | | 15.20 | | | | | | | |
| | 4-WireVG Loop used with 4-wire VG Interoffice Transport Combination - Zone 3 | | 3 | UNCVX | UEAL4 | 60.39 | 94.21 | 45.09 | | | | | 15.20 | | | | | | | |
| | Interoffice Transport - Dedicated - 4-wire VG combination - Per Mile Per Month | | | UNCVX | 1L5XX | 0.013 | | | | | | | | | | | | | | |
| | Interoffice Transport - Dedicated - 4-Wire Voice Grade combination - Facility Termination per month | | | UNCVX | U1TV4 | 19.81 | 72.60 | 41.75 | | | | | 15.20 | | | | | | | |
| | Nonrecurring Currently Combined Network Elements Switch -As-Is Charge | | | UNCVX | UNCCC | | 5.43 | 5.43 | | | | | 15.20 | | | | | | | |
| DS3 DIGITAL EXTENDED LOOP WITH DEDICATED DS3 INTEROFFICE TRANSPORT (EEL) | | | | | | | | | | | | | | | | | | | | |
| | High Capacity Unbundled Local Loop - DS3 combination - Per Mile per month | | | UNC3X | 1L5ND | 10.04 | | | | | | | | | | | | | | |
| | High Capacity Unbundled Local Loop - DS3 combination - Facility Termination per month | | | UNC3X | UE3PX | 362.34 | 188.45 | 125.51 | | | | | | | | | | | | |
| | Interoffice Transport - Dedicated - DS3 - Per Mile per month | | | UNC3X | 1L5XX | 6.04 | | | | | | | | | | | | | | |
| | Interoffice Transport - Dedicated - DS3 combination - Facility Termination per month | | | UNC3X | U1TF3 | 850.45 | 296.68 | 121.16 | | | | | 15.20 | | | | | | | |
| | Nonrecurring Currently Combined Network Elements Switch -As-Is Charge | | | UNC3X | UNCCC | | 5.43 | 5.43 | | | | | 15.20 | | | | | | | |
| STS1 DIGITAL EXTENDED LOOP WITH DEDICATED STS1 INTEROFFICE TRANSPORT (EEL) | | | | | | | | | | | | | | | | | | | | |
| | High Capacity Unbundled Local Loop - STS1 combination - Per Mile per month | | | UNCSX | 1L5ND | 10.04 | | | | | | | | | | | | | | |
| | High Capacity Unbundled Local Loop - STS1 combination - Facility Termination per month | | | UNCSX | UDLS1 | 374.56 | 188.45 | 125.51 | | | | | | | | | | | | |
| | Interoffice Transport - Dedicated - STS1 combination - Per Mile per month | | | UNCSX | 1L5XX | 6.04 | | | | | | | | | | | | | | |

| UNBUNDLED NETWORK ELEMENTS - Louisiana | | | | | | | | | | | Attachment: 2 | | Exhibit: B | | | | | | | | |
|--|---|---------|------|-------|-------|-----------|----------------------------------|--------------------------------------|--|--|---|---|---------------|--------------|-------|-------------------------|--|-------|-------|-------|-------|
| CATEGORY | RATE ELEMENTS | Interim | Zone | BCS | USOC | RATES(\$) | Svc Order Submitted Elec per LSR | Svc Order Submitted Manually per LSR | Incremental Charge - Manual Svc Order vs. Electronic-1st | Incremental Charge - Manual Svc Order vs. Electronic-Add'l | Incremental Charge - Manual Svc Order vs. Electronic-Disc 1st | Incremental Charge - Manual Svc Order vs. Electronic-Disc Add'l | OSS Rates(\$) | | | | | | | | |
| | | | | | | | | | | | | | Rec | Nonrecurring | | Nonrecurring Disconnect | | SOMEc | SOMAN | SOMAN | SOMAN |
| | | | | | | | | | | | | | First | Add'l | First | Add'l | | | | | |
| | Interoffice Transport - Dedicated - STS1 combination - Facility Termination per month | | | UNCSX | U1TFS | 830.19 | | | | | | | 296.68 | 121.16 | | | | | | 15.20 | |
| | Nonrecurring Currently Combined Network Elements Switch -As-Is Charge | | | UNCSX | UNCCC | | | | | | | | 5.43 | 5.43 | | | | | | 15.20 | |
| 2-WIRE ISDN EXTENDED LOOP WITH DS1 INTEROFFICE TRANSPORT (EEL) | | | | | | | | | | | | | | | | | | | | | |
| | First 2-Wire ISDN Loop in a DS1 Interoffice Combination Transport - Zone 1 | | 1 | UNCNX | U1L2X | 22.09 | | | | | | | 94.21 | 45.09 | | | | | | 15.20 | |
| | First 2-Wire ISDN Loop in a DS1 Interoffice Combination Transport - Zone 2 | | 2 | UNCNX | U1L2X | 35.28 | | | | | | | 94.21 | 45.09 | | | | | | 15.20 | |
| | First 2-Wire ISDN Loop in a DS1 Interoffice Combination Transport - Zone 3 | | 3 | UNCNX | U1L2X | 65.18 | | | | | | | 94.21 | 45.09 | | | | | | 15.20 | |
| | Interoffice Transport - Dedicated - DS1 combination - Per Mile | | | UNC1X | 1L5XX | 0.2652 | | | | | | | | | | | | | | | |
| | Interoffice Transport - Dedicated - DS1 combination - Facility Termination per month | | | UNC1X | U1TF1 | 70.47 | | | | | | | 143.58 | 103.88 | | | | | | 15.20 | |
| | Channelization - Channel System DS1 to DS0 combination - per month | | | UNC1X | MQ1 | 105.09 | | | | | | | | | | | | | | | |
| | 2-wire ISDN COCI (BRITE) - DS1 to DS0 Channel System combination - per month | | | UNCNX | UC1CA | 2.96 | | | | | | | | | | | | | | | |
| | Additional 2-wire ISDN Loop in same DS1Interoffice Transport Combination - Zone 1 | | 1 | UNCNX | U1L2X | 22.09 | | | | | | | 94.21 | 45.09 | | | | | | 15.20 | |
| | Additional 2-wire ISDN Loop in same DS1Interoffice Transport Combination - Zone 2 | | 2 | UNCNX | U1L2X | 35.28 | | | | | | | 94.21 | 45.09 | | | | | | 15.20 | |
| | Additional 2-wire ISDN Loop in same DS1Interoffice Transport Combination - Zone 3 | | 3 | UNCNX | U1L2X | 65.18 | | | | | | | 94.21 | 45.09 | | | | | | 15.20 | |
| | 2-wire ISDN COCI (BRITE) - DS1 to DS0 Channel System combaintaion- per month | | | UNCNX | UC1CA | 2.96 | | | | | | | | | | | | | | | |
| | Nonrecurring Currently Combined Network Elements Switch -As-Is Charge | | | UNC1X | UNCCC | | | | | | | | 5.43 | 5.43 | | | | | | 15.20 | |
| 4-WIRE DS1 DIGITAL EXTENDED LOOP WITH DEDICATED STS-1 INTEROFFICE TRANSPORT (EEL) | | | | | | | | | | | | | | | | | | | | | |
| | First DS1 Loop in STS1 Interoffice Transport Combination - Zone 1 | | 1 | UNC1X | USLXX | 85.70 | | | | | | | 169.22 | 100.89 | | | | | | 15.20 | |
| | First DS1 Loop in STS1 Interoffice Transport Combination - Zone 2 | | 2 | UNC1X | USLXX | 194.96 | | | | | | | 169.22 | 100.89 | | | | | | 15.20 | |
| | First DS1 Loop in STS1 Interoffice Transport Combination - Zone 3 | | 3 | UNC1X | USLXX | 491.94 | | | | | | | 169.22 | 100.89 | | | | | | 15.20 | |
| | Interoffice Transport - Dedicated - STS1 combination - Per Mile Per Month | | | UNCSX | 1L5XX | 6.04 | | | | | | | | | | | | | | | |
| | Interoffice Transport - Dedicated - STS1 combination - Facility Termination | | | UNCSX | U1TFS | 830.19 | | | | | | | 296.68 | 121.16 | | | | | | 15.20 | |
| | STS1 to DS1 Channel System combination per month | | | UNCSX | MQ3 | 201.48 | | | | | | | | | | | | | | | 48.07 |
| | DS3 Interface Unit (DS1 COCI) combination per month | | | UNC1X | UC1D1 | 11.78 | | | | | | | | | | | | | | | 4.26 |
| | Additional DS1Loop in STS1 Interoffice Transport Combination - Zone 1 | | 1 | UNC1X | USLXX | 85.70 | | | | | | | 169.22 | 100.89 | | | | | | 15.20 | |
| | Additional DS1Loop in STS1 Interoffice Transport Combination - Zone 2 | | 2 | UNC1X | USLXX | 194.96 | | | | | | | 169.22 | 100.89 | | | | | | 15.20 | |
| | Additional DS1Loop in STS1 Interoffice Transport Combination - Zone 3 | | 3 | UNC1X | USLXX | 491.94 | | | | | | | 169.22 | 100.89 | | | | | | 15.20 | |
| | DS3 Interface Unit (DS1 COCI) combination per month | | | UNC1X | UC1D1 | 11.78 | | | | | | | | | | | | | | | 4.26 |
| | Nonrecurring Currently Combined Network Elements Switch -As-Is Charge | | | UNCSX | UNCCC | | | | | | | | 5.43 | 5.43 | | | | | | 15.20 | |
| 4-WIRE 56 KBPS DIGITAL EXTENDED LOOP WITH 56 KBPS INTEROFFICE TRANSPORT (EEL) | | | | | | | | | | | | | | | | | | | | | |
| | 4-wire 56 kbps Loop/4-wire 56 kbps Interoffice Transport Combination - Zone 1 | | 1 | UNCDX | UDL56 | 30.99 | | | | | | | 94.21 | 45.09 | | | | | | 15.20 | |
| | 4-wire 56 kbps Loop/4-wire 56 kbps Interoffice Transport Combination - Zone 2 | | 2 | UNCDX | UDL56 | 36.78 | | | | | | | 94.21 | 45.09 | | | | | | 15.20 | |
| | 4-wire 56 kbps Loop/4-wire 56 kbps Interoffice Transport Combination - Zone 3 | | 3 | UNCDX | UDL56 | 38.92 | | | | | | | 94.21 | 45.09 | | | | | | 15.20 | |
| | Interoffice Transport - Dedicated - 4-wire 56 kbps combination - Per Mile | | | UNCDX | 1L5XX | 0.013 | | | | | | | | | | | | | | | |

| UNBUNDLED NETWORK ELEMENTS - Louisiana | | | | | | | | | | Attachment: 2 | | Exhibit: B | | | | | | |
|---|--|---------|------|-------|-------|-----------|----------------------------------|--------------------------------------|--|--|---|---|-------|--------------|-------|-------------------------|--|---------------|
| CATEGORY | RATE ELEMENTS | Interim | Zone | BCS | USOC | RATES(\$) | Svc Order Submitted Elec per LSR | Svc Order Submitted Manually per LSR | Incremental Charge - Manual Svc Order vs. Electronic-1st | Incremental Charge - Manual Svc Order vs. Electronic-Add'l | Incremental Charge - Manual Svc Order vs. Electronic-Disc 1st | Incremental Charge - Manual Svc Order vs. Electronic-Disc Add'l | | | | | | |
| | | | | | | | | | | | | | Rec | Nonrecurring | | Nonrecurring Disconnect | | OSS Rates(\$) |
| | | | | | | | First | Add'l | First | Add'l | SOMEC | SOMAN | SOMAN | SOMAN | SOMAN | SOMAN | | |
| | Interoffice Transport - Dedicated - 4-wire 56 kbps combination - Facility Termination | | | UNCDX | U1TD5 | 15.61 | | | | | | | | | | | | 15.20 |
| | Nonrecurring Currently Combined Network Elements Switch -As-Is Charge | | | UNCDX | UNCCC | | | | | | | | | | | | | 15.20 |
| 4-WIRE 64 KBPS DIGITAL EXTENDED LOOP WITH 64 KBPS INTEROFFICE TRANSPORT (EEL) | | | | | | | | | | | | | | | | | | |
| | 4-wire 64 kbps Loop/4-wire 64 kbps Interoffice Transport Combination - Zone 1 | | 1 | UNCDX | UDL64 | 30.99 | | | | | | | | | | | | 15.20 |
| | 4-wire 64 kbps Loop/4-wire 64 kbps Interoffice Transport Combination - Zone 2 | | 2 | UNCDX | UDL64 | 36.78 | | | | | | | | | | | | 15.20 |
| | 4-wire 64 kbps Loop/4-wire 64 kbps Interoffice Transport Combination - Zone 3 | | 3 | UNCDX | UDL64 | 38.92 | | | | | | | | | | | | 15.20 |
| | Interoffice Transport - Dedicated - 4-wire 64 kbps combination - Per Mile | | | UNCDX | 1L5XX | 0.013 | | | | | | | | | | | | |
| | Interoffice Transport - Dedicated - 4-wire 64 kbps combination - Facility Termination | | | UNCDX | U1TD6 | 15.61 | | | | | | | | | | | | 15.20 |
| | Nonrecurring Currently Combined Network Elements Switch -As-Is Charge | | | UNCDX | UNCCC | | | | | | | | | | | | | 15.20 |
| ADDITIONAL NETWORK ELEMENTS | | | | | | | | | | | | | | | | | | |
| When used as a part of a currently combined facility, the non-recurring charges do not apply, but a Switch As Is charge does apply. | | | | | | | | | | | | | | | | | | |
| When used as ordinality combined network elements in Louisiana, the non-recurring charges apply and the Switch As Is Charge does not. | | | | | | | | | | | | | | | | | | |
| Access to DCS - Customer Reconfiguration (FlexServ) | | | | | | | | | | | | | | | | | | |
| Node (SynchroNet) | | | | | | | | | | | | | | | | | | |
| Nonrecurring Currently Combined Network Elements "Switch As Is" Charge (One applies to each combination) | | | | | | | | | | | | | | | | | | |
| | Nonrecurring Currently Combined Network Elements Switch -As-Is Charge - 2 wire/4-Wire VG | | | UNCVX | UNCCC | | | | | | | | | | | | | 15.20 |
| | Nonrecurring Currently Combined Network Elements Switch -As-Is Charge - 56/64 kbps | | | UNCDX | UNCCC | | | | | | | | | | | | | 15.20 |
| | Nonrecurring Currently Combined Network Elements Switch -As-Is Charge - DS1 | | | UNC1X | UNCCC | | | | | | | | | | | | | 15.20 |
| | Nonrecurring Currently Combined Network Elements Switch -As-Is Charge - DS3 | | | UNC3X | UNCCC | | | | | | | | | | | | | 15.20 |
| | Nonrecurring Currently Combined Network Elements Switch -As-Is Charge - STS1 | | | UNCSX | UNCCC | | | | | | | | | | | | | 15.20 |
| NOTE: Local Channel - Dedicated Transport - minimum billing period - Below DS3=one month, DS3 and above=four months | | | | | | | | | | | | | | | | | | |
| | Local Channel - Dedicated - 2-Wire Voice Grade Zone 1 | | 1 | UNCVX | ULDV2 | 18.32 | | | | | | | | | | | | 15.20 |
| | Local Channel - Dedicated - 4-Wire Voice Grade Zone 1 | | 1 | UNCVX | ULDV4 | 19.41 | | | | | | | | | | | | 15.20 |
| | Local Channel - Dedicated - DS1 per month Zone 1 | | 1 | UNC1X | ULDF1 | 39.18 | | | | | | | | | | | | 15.20 |
| | Local Channel - Dedicated -DS1 Per Month Zone 2 | | 2 | UNC1X | ULDF1 | 121.58 | | | | | | | | | | | | 15.20 |
| | Local Channel - Dedicated - DS1- Per Month Zone 3 | | 3 | UNC1X | ULDF1 | 70.02 | | | | | | | | | | | | 15.20 |
| | Local Channel - Dedicated - DS3 - Per Mile per month | | | UNC3X | 1L5NC | 7.82 | | | | | | | | | | | | |
| | Local Channel - Dedicated - DS3 - Facility Termination per month | | | UNC3X | ULDF3 | 469.44 | | | | | | | | | | | | 15.20 |
| | Local Channel - Dedicated - STS-1- Per Mile per month | | | UNCSX | 1L5NC | 7.82 | | | | | | | | | | | | 15.20 |
| | Local Channel - Dedicated - STS-1 - Facility Termination per month | | | UNCSX | ULDFS | 457.22 | | | | | | | | | | | | 256.30 |
| UNBUNDLED LOCAL EXCHANGE SWITCHING(PORTS) | | | | | | | | | | | | | | | | | | |
| Exchange Ports | | | | | | | | | | | | | | | | | | |
| NOTE: Although the Port Rate includes all available features in GA, KY, LA & TN, the desired features will need to be ordered using retail USOCs | | | | | | | | | | | | | | | | | | |
| 2-WIRE VOICE GRADE LINE PORT RATES (RES) | | | | | | | | | | | | | | | | | | |
| | Exchange Ports - 2-Wire Analog Line Port- Res. | | | UEPSR | UEPRL | 1.52 | | | | | | | | | | | | 2.21 |
| | Exchange Ports - 2-Wire Analog Line Port with Caller ID - Res. | | | UEPSR | UEPRC | 1.52 | | | | | | | | | | | | 2.21 |
| | Exchange Ports - 2-Wire Analog Line Port outgoing only - Res. | | | UEPSR | UEPRO | 1.52 | | | | | | | | | | | | 2.21 |
| | Exchange Ports - 2-Wire VG unbundled LA extended local dialing parity Port with Caller ID - Res. | | | UEPSR | UEPAS | 1.52 | | | | | | | | | | | | 2.21 |
| | Exchange Ports - 2-Wire VG unbundled Louisiana Area Plus with Caller ID - Res (RUL) | | | UEPSR | UEPAG | 1.52 | | | | | | | | | | | | 2.21 |

| UNBUNDLED NETWORK ELEMENTS - Louisiana | | | | | | | | | | | Attachment: 2 | | Exhibit: B | | | |
|--|---|---------|------|-------|-------|-----------|--------------|-------|----------------------------------|--------------------------------------|--|--|---|---|-------------------------|-------|
| CATEGORY | RATE ELEMENTS | Interim | Zone | BCS | USOC | RATES(\$) | | | Svc Order Submitted Elec per LSR | Svc Order Submitted Manually per LSR | Incremental Charge - Manual Svc Order vs. Electronic-1st | Incremental Charge - Manual Svc Order vs. Electronic-Add'l | Incremental Charge - Manual Svc Order vs. Electronic-Disc 1st | Incremental Charge - Manual Svc Order vs. Electronic-Disc Add'l | | |
| | | | | | | Rec | Nonrecurring | | | | | | | | Nonrecurring Disconnect | |
| | | | | | | | First | Add'l | First | Add'l | SOMEc | SOMAN | SOMAN | SOMAN | SOMAN | SOMAN |
| | Exchange Ports - 2-Wire VG unbundled res, low usage line port with Caller ID (LUM) | | | UEPSR | UEPAP | 1.52 | 2.31 | 2.21 | | | | 15.20 | | | | |
| | Subsequent Activity | | | UEPSR | USASC | 0.00 | 0.00 | 0.00 | | | | 15.20 | | | | |
| | FEATURES | | | | | | | | | | | | | | | |
| | All Available Vertical Features | | | UEPSR | UEPVF | 0.00 | 0.00 | 0.00 | | | | 15.20 | | | | |
| | 2-WIRE VOICE GRADE LINE PORT RATES (BUS) | | | | | | | | | | | | | | | |
| | Exchange Ports - 2-Wire Analog Line Port without Caller ID - Bus | | | UEPSB | UEPBL | 1.52 | 2.31 | 2.21 | | | | 15.20 | | | | |
| | Exchange Ports - 2-Wire VG unbundled Line Port with unbundled port with Caller+E484 ID - Bus. | | | UEPSB | UEPBC | 1.52 | 2.31 | 2.21 | | | | 15.20 | | | | |
| | Exchange Ports - 2-Wire Analog Line Port outgoing only - Bus. | | | UEPSB | UEPBO | 1.52 | 2.31 | 2.21 | | | | 15.20 | | | | |
| | Exchange Ports - 2-Wire VG unbundled LA extended local dialing parity Port with Caller ID - Bus. | | | UEPSB | UEPAX | 1.52 | 2.31 | 2.21 | | | | 15.20 | | | | |
| | Exchange Ports - 2-Wire VG unbundled incoming only port with Caller ID - Bus | | | UEPSB | UEPB1 | 1.52 | 2.31 | 2.21 | | | | 15.20 | | | | |
| | Exchange Ports - 2-Wire VG unbundled Louisiana Bus Area Calling Port with Caller ID - Bus (BUC) | | | UEPSB | UEPAA | 1.52 | 2.31 | 2.21 | | | | 15.20 | | | | |
| | Subsequent Activity | | | UEPSB | USASC | 0.00 | 0.00 | 0.00 | | | | 15.20 | | | | |
| | FEATURES | | | | | | | | | | | | | | | |
| | All Available Vertical Features | | | UEPSB | UEPVF | 0.00 | 0.00 | 0.00 | | | | 15.20 | | | | |
| | EXCHANGE PORT RATES (DID & PBX) | | | | | | | | | | | | | | | |
| | 2-Wire VG Unbundled 2-Way PBX Trunk - Res | | | UEPSE | UEPRD | 1.52 | 30.37 | 14.42 | | | | 15.20 | | | | |
| | 2-Wire VG Line Side Unbundled 2-Way PBX Trunk - Bus | | | UEPSP | UEPPC | 1.52 | 30.37 | 14.42 | | | | 15.20 | | | | |
| | 2-Wire VG Line Side Unbundled Outward PBX Trunk - Bus | | | UEPSP | UEPPO | 1.52 | 30.37 | 14.42 | | | | 15.20 | | | | |
| | 2-Wire VG Line Side Unbundled Incoming PBX Trunk - Bus | | | UEPSP | UEPP1 | 1.52 | 30.37 | 14.42 | | | | 15.20 | | | | |
| | 2-Wire Analog Long Distance Terminal PBX Trunk - Bus | | | UEPSP | UEPLD | 1.52 | 30.37 | 14.42 | | | | 15.20 | | | | |
| | 2-Wire Voice Unbundled 2-Way PBX Louisiana Calling Port | | | UEPSP | UEPL2 | 1.52 | 30.37 | 14.42 | | | | 15.20 | | | | |
| | 2-Wire Voice Unbundled PBX LD Terminal Ports | | | UEPSP | UEPLD | 1.52 | 30.37 | 14.42 | | | | 15.20 | | | | |
| | 2-Wire Vice Unbundled 2-Way PBX Usage Port | | | UEPSP | UEPXA | 1.52 | 30.37 | 14.42 | | | | 15.20 | | | | |
| | 2-Wire Voice Unbundled PBX Toll Terminal Hotel Ports | | | UEPSP | UEPXB | 1.52 | 30.37 | 14.42 | | | | 15.20 | | | | |
| | 2-Wire Voice Unbundled PBX LD DDD Terminals Port | | | UEPSP | UEPXC | 1.52 | 30.37 | 14.42 | | | | 15.20 | | | | |
| | 2-Wire Voice Unbundled PBX LD Terminal Switchboard Port | | | UEPSP | UEPXD | 1.52 | 30.37 | 14.42 | | | | 15.20 | | | | |
| | 2-Wire Voice Unbundled PBX LD Terminal Switchboard IDD Capable Port | | | UEPSP | UEPXE | 1.52 | 30.37 | 14.42 | | | | 15.20 | | | | |
| | 2-Wire Voice Unbundled 2-Way PBX Louisiana Local Optional Calling Port | | | UEPSP | UEPKX | 1.52 | 30.37 | 14.42 | | | | 15.20 | | | | |
| | 2-Wire Voice Unbundled 2-Way PBX Hotel/Hospital Economy Administrative Calling Port | | | UEPSP | UEPXL | 1.52 | 30.37 | 14.42 | | | | 15.20 | | | | |
| | 2-Wire Voice Unbundled 2-Way PBX Hotel/Hospital Economy Room Calling Port | | | UEPSP | UEPXM | 1.52 | 30.37 | 14.42 | | | | 15.20 | | | | |
| | 2-Wire Voice Unbundled 1-Way Outgoing PBX Hotel/Hospital Discount Room Calling Port | | | UEPSP | UEPXO | 1.52 | 30.37 | 14.42 | | | | 15.20 | | | | |
| | 2-Wire Voice Unbundled 1-Way Outgoing PBX Louisiana Local Discount Calling Port | | | UEPSP | UEPXP | 1.52 | 30.37 | 14.42 | | | | 15.20 | | | | |
| | 2-Wire Voice Unbundled 1-Way Outgoing PBX Measured Port | | | UEPSP | UEPXS | 1.52 | 30.37 | 14.42 | | | | 15.20 | | | | |
| | Subsequent Activity | | | UEPSP | USASC | 0.00 | 0.00 | 0.00 | | | | 15.20 | | | | |
| | FEATURES | | | | | | | | | | | | | | | |
| | All Available Vertical Features | | | UEPSP | UEPSE | 0.00 | 0.00 | 0.00 | | | | 15.20 | | | | |
| | EXCHANGE PORT RATES (COIN) | | | | | | | | | | | | | | | |
| | Exchange Ports - Coin Port | | | | | 1.52 | 2.31 | 2.21 | | | | 15.20 | | | | |
| | NOTE: Transmission/usage charges associated with POTS circuit switched usage will also apply to circuit switched voice and/or circuit switched data transmission by B-Channels associated with 2-wire ISDN ports. | | | | | | | | | | | | | | | |
| | NOTE: Access to B Channel or D Channel Packet capabilities will be available only through BFR/New Business Request Process. Rates for the packet capabilities will be determined via the Bona Fide Request/New Business Request Process. | | | | | | | | | | | | | | | |
| | UNBUNDLED LOCAL EXCHANGE SWITCHING(PORTS) | | | | | | | | | | | | | | | |
| | EXCHANGE PORT RATES (DID & PBX) | | | | | | | | | | | | | | | |
| | Exchange Ports - 2-Wire DID Port | | | UEPEX | UEPP2 | 8.29 | 115.85 | 18.20 | | | | 15.20 | | | | |
| | Exchange Ports - DDITS Port - 4-Wire DS1 Port with DID capability | | | UEPDD | UEPDD | 68.47 | 196.18 | 92.92 | | | | 15.20 | | | | |
| | Exchange Ports - 2-Wire ISDN Port (See Notes below.) | | | UEPTX | UEPSX | 10.07 | 70.76 | 51.46 | | | | 15.20 | | | | |

| UNBUNDLED NETWORK ELEMENTS - Louisiana | | | | | | | | | | Attachment: 2 | | Exhibit: B | |
|---|--|---------|------|-------------|-------|-----------|----------------------------------|--------------------------------------|--|--|---|---|-----|
| CATEGORY | RATE ELEMENTS | Interim | Zone | BCS | USOC | RATES(\$) | Svc Order Submitted Elec per LSR | Svc Order Submitted Manually per LSR | Incremental Charge - Manual Svc Order vs. Electronic-1st | Incremental Charge - Manual Svc Order vs. Electronic-Add'l | Incremental Charge - Manual Svc Order vs. Electronic-Disc 1st | Incremental Charge - Manual Svc Order vs. Electronic-Disc Add'l | |
| | | | | | | | | | | | | | Rec |
| | | | | | | | | | | | | | |
| | All Features Offered | | | UEPTX UEPSX | UEPVF | 0.00 | | | 0.00 | 0.00 | | | |
| NOTE: Transmission/usage charges associated with POTS circuit switched usage will also apply to circuit switched voice and/or circuit switched data transmission by B-Channels associated with 2-wire ISDN ports. | | | | | | | | | | | | | |
| NOTE: Access to B Channel or D Channel Packet capabilities will be available only through BFR/New Business Request Process. Rates for the packet capabilities will be determined via the Bona Fide Request/New Business Request Process. | | | | | | | | | | | | | |
| | Exchange Ports - 2-Wire ISDN Port -- Channel Profiles | | | UEPTX UEPSX | U1UMA | 0.00 | | | 0.00 | 0.00 | | | |
| | Exchange Ports - 4-Wire ISDN DS1 Port | | | UEPEX | UEPEX | 94.82 | | | 197.92 | 98.62 | | 15.20 | |
| UNBUNDLED LOCAL SWITCHING, PORT USAGE | | | | | | | | | | | | | |
| End Office Switching (Port Usage) | | | | | | | | | | | | | |
| | End Office Switching Function, Per MOU | | | | | 0.001868 | | | | | | | |
| | End Office Trunk Port - Shared, Per MOU | | | | | 0.00018 | | | | | | | |
| Tandem Switching (Port Usage) (Local or Access Tandem) | | | | | | | | | | | | | |
| | Tandem Switching Function Per MOU | | | | | 0.0001067 | | | | | | | |
| | Tandem Trunk Port - Shared, Per MOU | | | | | 0.000222 | | | | | | | |
| Common Transport | | | | | | | | | | | | | |
| | Common Transport - Per Mile, Per MOU | | | | | 0.0000032 | | | | | | | |
| | Common Transport - Facilities Termination Per MOU | | | | | 0.0003748 | | | | | | | |
| UNBUNDLED PORT/LOOP COMBINATIONS - COST BASED RATES | | | | | | | | | | | | | |
| Cost Based Rates are applied where BellSouth is required by FCC and/or State Commission rule to provide Unbundled Local Switching or Switch Ports. | | | | | | | | | | | | | |
| Features shall apply to the Unbundled Port/Loop Combination - Cost Based Rate section in the same manner as they are applied to the Stand-Alone Unbundled Port section of this Rate Exhibit. | | | | | | | | | | | | | |
| End Office and Tandem Switching Usage and Common Transport Usage rates in the Port section of this rate exhibit shall apply to all combinations of loop/port network elements except for UNE Coin Port/Loop Combinations. | | | | | | | | | | | | | |
| For Georgia, Kentucky, Louisiana, Mississippi, South Carolina and Tennessee, the recurring UNE Port and Loop charges listed apply to Currently Combined and Not Currently Combined Combos. The first and additional Port nonrecurring charges apply to Not Currently Combined Combos for all states. In GA, KY, LA, MS, SC and TN these nonrecurring charges are commission ordered cost based rates and in AL, FL and NC these nonrecurring charges are Market Rates and are also listed in the Market Rate section. | | | | | | | | | | | | | |
| For Currently Combined Combos in all other states, the nonrecurring charges shall be those identified in the Nonrecurring - Currently Combined sections. | | | | | | | | | | | | | |
| 2-WIRE VOICE GRADE LOOP WITH 2-WIRE LINE PORT (RES) | | | | | | | | | | | | | |
| UNE Port/Loop Combination Rates | | | | | | | | | | | | | |
| | 2-Wire VG Loop/Port Combo - Zone 1 | | 1 | | | 13.13 | | | | | | | |
| | 2-Wire VG Loop/Port Combo - Zone 2 | | 2 | | | 23.75 | | | | | | | |
| | 2-Wire VG Loop/Port Combo - Zone 3 | | 3 | | | 49.62 | | | | | | | |
| UNE Loop Rates | | | | | | | | | | | | | |
| | 2-Wire Voice Grade Loop (SL1) - Zone 1 | | 1 | UEPRX | UEPLX | 11.77 | | | | | | | |
| | 2-Wire Voice Grade Loop (SL1) - Zone 2 | | 2 | UEPRX | UEPLX | 22.39 | | | | | | | |
| | 2-Wire Voice Grade Loop (SL1) - Zone 3 | | 3 | UEPRX | UEPLX | 48.26 | | | | | | | |
| 2-Wire Voice Grade Line Port Rates (Res) | | | | | | | | | | | | | |
| | 2-Wire voice unbundled port - residence | | | UEPRX | UEPRL | 1.36 | | | 38.85 | 19.08 | | 15.20 | |
| | 2-Wire voice unbundled port with Caller ID - res | | | UEPRX | UEPRC | 1.36 | | | 38.85 | 19.08 | | 15.20 | |
| | 2-Wire voice unbundled port outgoing only - res | | | UEPRX | UEPRO | 1.36 | | | 38.85 | 19.08 | | 15.20 | |
| | 2-Wire voice Grade unbundled Louisiana extended local dialing parity port with Caller ID - res | | | UEPRX | UEPAS | 1.36 | | | 38.85 | 19.08 | | 15.20 | |
| | 2-Wire voice unbundled Louisiana Area Plus with Caller ID - res (RUL) | | | UEPRX | UEPAG | 1.36 | | | 38.85 | 19.08 | | 15.20 | |
| | 2-Wire voice unbundles res, low usage line port with Caller ID (LUM) | | | UEPRX | UEPAP | 1.36 | | | 38.85 | 19.08 | | 15.20 | |
| FEATURES | | | | | | | | | | | | | |
| | All Features Offered | | | UEPRX | UEPVF | 0.00 | | | 0.00 | 0.00 | | 15.20 | |
| LOCAL NUMBER PORTABILITY | | | | | | | | | | | | | |
| | Local Number Portability (1 per port) | | | UEPRX | LNPCX | 0.35 | | | | | | | |
| NONRECURRING CHARGES (NRCs) - CURRENTLY COMBINED | | | | | | | | | | | | | |
| | 2-Wire Voice Grade Loop / Line Port Combination - Conversion - Switch-as-is | | | UEPRX | USAC2 | | | | 0.10 | 0.10 | | 15.20 | |
| | 2-Wire Voice Grade Loop / Line Port Combination - Conversion - Switch with change | | | UEPRX | USACC | | | | 0.10 | 0.10 | | 15.20 | |
| ADDITIONAL NRCs | | | | | | | | | | | | | |
| | 2-Wire Voice Grade Loop/Line Port Combination - Subsequent Activity | | | UEPRX | USAS2 | 0.00 | | | 0.00 | 0.00 | | 15.20 | |
| 2-WIRE VOICE GRADE LOOP WITH 2-WIRE LINE PORT (BUS) | | | | | | | | | | | | | |
| UNE Port/Loop Combination Rates | | | | | | | | | | | | | |
| | 2-Wire VG Loop/Port Combo - Zone 1 | | 1 | | | 13.13 | | | | | | | |
| | 2-Wire VG Loop/Port Combo - Zone 2 | | 2 | | | 23.75 | | | | | | 20.00 | |
| | 2-Wire VG Loop/Port Combo - Zone 3 | | 3 | | | 49.62 | | | | | | | |
| UNE Loop Rates | | | | | | | | | | | | | |

| UNBUNDLED NETWORK ELEMENTS - Louisiana | | | | | | | | | | Attachment: 2 | | Exhibit: B | | | |
|--|--|---------|------|-------|-------|-----------|--------------|-------|-------------------------|----------------------------------|--------------------------------------|--|--|---|---|
| CATEGORY | RATE ELEMENTS | Interim | Zone | BCS | USOC | RATES(\$) | | | | Svc Order Submitted Elec per LSR | Svc Order Submitted Manually per LSR | Incremental Charge - Manual Svc Order vs. Electronic-1st | Incremental Charge - Manual Svc Order vs. Electronic-Add'l | Incremental Charge - Manual Svc Order vs. Electronic-Disc 1st | Incremental Charge - Manual Svc Order vs. Electronic-Disc Add'l |
| | | | | | | Rec | Nonrecurring | | Nonrecurring Disconnect | | | | | | |
| | | | | | | | First | Add'l | First | Add'l | SOMEC | SOMAN | SOMAN | SOMAN | SOMAN |
| | 2-Wire Voice Grade Loop (SL1) - Zone 1 | | 1 | UEPBX | UEPLX | 11.77 | | | | | | | | | |
| | 2-Wire Voice Grade Loop (SL1) - Zone 2 | | 2 | UEPBX | UEPLX | 22.39 | | | | | | | | | |
| | 2-Wire Voice Grade Loop (SL1) - Zone 3 | | 3 | UEPBX | UEPLX | 48.26 | | | | | | | | | |
| 2-Wire Voice Grade Line Port (Bus) | | | | | | | | | | | | | | | |
| | 2-Wire voice unbundled port without Caller ID - bus | | | UEPBX | UEPBL | 1.36 | 38.85 | 19.08 | | | | 15.20 | | | |
| | 2-Wire voice unbundled port with Caller + E484 ID - bus | | | UEPBX | UEPBC | 1.36 | 38.85 | 19.08 | | | | 15.20 | | | |
| | 2-Wire voice unbundled port outgoing only - bus | | | UEPBX | UEPBO | 1.36 | 38.85 | 19.08 | | | | 15.20 | | | |
| | 2-Wire voice Grade unbundled Louisiana extended local dialing parity port with Caller ID - bus | | | UEPBX | UEPAX | 1.36 | 38.85 | 19.08 | | | | 15.20 | | | |
| | 2-Wire voice unbundled incoming only port with Caller ID - Bus | | | UEPBX | UEPB1 | 1.36 | 38.85 | 19.08 | | | | 15.20 | | | |
| | 2-Wire voice unbundled Louisiana Bus Area Calling Port with Caller ID (BUC) | | | UEPBX | UEPAA | 1.36 | 38.85 | 19.08 | | | | 15.20 | | | |
| LOCAL NUMBER PORTABILITY | | | | | | | | | | | | | | | |
| | Local Number Portability (1 per port) | | | UEPBX | LNPCX | 0.35 | | | | | | | | | |
| FEATURES | | | | | | | | | | | | | | | |
| | All Features Offered | | | UEPBX | UEPVF | 0.00 | 0.00 | 0.00 | | | | 15.20 | | | |
| NONRECURRING CHARGES (NRCs) - CURRENTLY COMBINED | | | | | | | | | | | | | | | |
| | 2-Wire Voice Grade Loop / Line Port Combination - Conversion - Switch-as-is | | | UEPBX | USAC2 | | 0.10 | 0.10 | | | | 15.20 | | | |
| | 2-Wire Voice Grade Loop / Line Port Combination - Conversion - Switch with change | | | UEPBX | USACC | | 0.10 | 0.10 | | | | 15.20 | | | |
| ADDITIONAL NRCs | | | | | | | | | | | | | | | |
| | 2-Wire Voice Grade Loop/Line Port Combination - Subsequent Activity | | | UEPBX | USAS2 | | 0.00 | 0.00 | | | | 15.20 | | | |
| 2-WIRE VOICE GRADE LOOP WITH 2-WIRE LINE PORT (RES - PBX) | | | | | | | | | | | | | | | |
| UNE Port/Loop Combination Rates | | | | | | | | | | | | | | | |
| | 2-Wire VG Loop/Port Combo - Zone 1 | | 1 | | | 13.13 | | | | | | | | | |
| | 2-Wire VG Loop/Port Combo - Zone 2 | | 2 | | | 23.75 | | | | | | | | | |
| | 2-Wire VG Loop/Port Combo - Zone 3 | | 3 | | | 49.62 | | | | | | | | | |
| UNE Loop Rates | | | | | | | | | | | | | | | |
| | 2-Wire Voice Grade Loop (SL 1) - Zone 1 | | 1 | UEPRG | UEPLX | 11.77 | | | | | | | | | |
| | 2-Wire Voice Grade Loop (SL 1) - Zone 2 | | 2 | UEPRG | UEPLX | 22.39 | | | | | | | | | |
| | 2-Wire Voice Grade Loop (SL 1) - Zone 3 | | 3 | UEPRG | UEPLX | 48.26 | | | | | | | | | |
| 2-Wire Voice Grade Line Port Rates (RES - PBX) | | | | | | | | | | | | | | | |
| | 2-Wire VG Unbundled Combination 2-Way PBX Trunk Port - Res | | | UEPRG | UEPRD | 1.36 | 66.91 | 31.29 | | | | 15.20 | | | |
| LOCAL NUMBER PORTABILITY | | | | | | | | | | | | | | | |
| | Local Number Portability (1 per port) | | | UEPRG | LNPCP | 3.15 | 0.00 | 0.00 | | | | 15.20 | | | |
| FEATURES | | | | | | | | | | | | | | | |
| | All Features Offered | | | UEPRG | UEPVF | 0.00 | 0.00 | 0.00 | | | | 15.20 | | | |
| NONRECURRING CHARGES (NRCs) - CURRENTLY COMBINED | | | | | | | | | | | | | | | |
| | 2-Wire Voice Grade Loop/ Line Port Combination (PBX) - Conversion - Switch-As-Is | | | UEPRG | USAC2 | | 7.68 | 1.85 | | | | 15.20 | | | |
| | 2-Wire Voice Grade Loop/ Line Port Combination (PBX) - Conversion - Switch with Change | | | UEPRG | USACC | | 7.68 | 1.85 | | | | 15.20 | | | |
| ADDITIONAL NRCs | | | | | | | | | | | | | | | |
| | 2-Wire Voice Grade Loop/ Line Port Combination (PBX) - Subsequent Activity | | | UEPRG | USAS2 | 0.00 | 0.00 | 0.00 | | | | 15.20 | | | |
| | PBX Subsequent Activity - Change/Rearrange Multiline Hunt Group | | | | | | 7.11 | 7.11 | | | | 15.20 | | | |
| 2-WIRE VOICE GRADE LOOP WITH 2-WIRE LINE PORT (BUS - PBX) | | | | | | | | | | | | | | | |
| UNE Port/Loop Combination Rates | | | | | | | | | | | | | | | |
| | 2-Wire VG Loop/Port Combo - Zone 1 | | 1 | | | 13.13 | | | | | | | | | |
| | 2-Wire VG Loop/Port Combo - Zone 2 | | 2 | | | 23.75 | | | | | | | | | |
| | 2-Wire VG Loop/Port Combo - Zone 3 | | 3 | | | 49.62 | | | | | | | | | |
| UNE Loop Rates | | | | | | | | | | | | | | | |
| | 2-Wire Voice Grade Loop (SL 1) - Zone 1 | | 1 | UEPPX | UEPLX | 11.77 | | | | | | | | | |
| | 2-Wire Voice Grade Loop (SL 1) - Zone 2 | | 2 | UEPPX | UEPLX | 22.39 | | | | | | | | | |
| | 2-Wire Voice Grade Loop (SL 1) - Zone 3 | | 3 | UEPPX | UEPLX | 48.26 | | | | | | | | | |

| UNBUNDLED NETWORK ELEMENTS - Louisiana | | | | | | | | | | Attachment: 2 | | Exhibit: B | | |
|--|--|---------|------|-------|-------|-----------|--------------|----------------------------------|--------------------------------------|--|--|---|---|-------------------------|
| CATEGORY | RATE ELEMENTS | Interim | Zone | BCS | USOC | RATES(\$) | | Svc Order Submitted Elec per LSR | Svc Order Submitted Manually per LSR | Incremental Charge - Manual Svc Order vs. Electronic-1st | Incremental Charge - Manual Svc Order vs. Electronic-Add'l | Incremental Charge - Manual Svc Order vs. Electronic-Disc 1st | Incremental Charge - Manual Svc Order vs. Electronic-Disc Add'l | |
| | | | | | | Rec | Nonrecurring | | | | | | | Nonrecurring Disconnect |
| | | | | | | First | Add'l | First | Add'l | SOMEc | SOMAN | SOMAN | SOMAN | SOMAN |
| 2-Wire Voice Grade Line Port Rates (BUS - PBX) | | | | | | | | | | | | | | |
| | Line Side Unbundled Combination 2-Way PBX Trunk Port - Bus | | | UEPPX | UEPPC | 1.36 | 66.91 | 31.29 | | | 15.20 | | | |
| | Line Side Unbundled Outward PBX Trunk Port - Bus | | | UEPPX | UEPPO | 1.36 | 66.91 | 31.29 | | | 15.20 | | | |
| | Line Side Unbundled Incoming PBX Trunk Port - Bus | | | UEPPX | UEPP1 | 1.36 | 66.91 | 31.29 | | | 15.20 | | | |
| | 2-Wire Voice Unbundled 2-Way Combination PBX Louisiana Calling Port | | | UEPPX | UEPL2 | 1.36 | 66.91 | 31.29 | | | 15.20 | | | |
| | 2-Wire Voice Unbundled PBX LD Terminal Ports | | | UEPPX | UEPLD | 1.36 | 66.91 | 31.29 | | | 15.20 | | | |
| | 2-Wire Voice Unbundled 2-Way Combination PBX Usage Port | | | UEPPX | UEPXA | 1.36 | 66.91 | 31.29 | | | 15.20 | | | |
| | 2-Wire Voice Unbundled PBX Toll Terminal Hotel Ports | | | UEPPX | UEPXB | 1.36 | 66.91 | 31.29 | | | 15.20 | | | |
| | 2-Wire Voice Unbundled PBX LD DDD Terminals Port | | | UEPPX | UEPXC | 1.36 | 66.91 | 31.29 | | | 15.20 | | | |
| | 2-Wire Voice Unbundled PBX LD Terminal Switchboard Port | | | UEPPX | UEPXD | 1.36 | 66.91 | 31.29 | | | 15.20 | | | |
| | 2-Wire Voice Unbundled PBX LD Terminal Switchboard IDD Capable Port | | | UEPPX | UEPXE | 1.36 | 66.91 | 31.29 | | | 15.20 | | | |
| | 2-Wire Voice Unbundled 2-Way PBX Louisiana Local Optional Calling Port | | | UEPPX | UEPKK | 1.36 | 66.91 | 31.29 | | | 15.20 | | | |
| | 2-Wire Voice Unbundled 2-Way PBX Hotel/Hospital Economy Administrative Calling Port | | | UEPPX | UEPXL | 1.36 | 66.91 | 31.29 | | | 15.20 | | | |
| | 2-Wire Voice Unbundled 2-Way PBX Hotel/Hospital Economy Room Calling Port | | | UEPPX | UEPXM | 1.36 | 66.91 | 31.29 | | | 15.20 | | | |
| | 2-Wire Voice Unbundled 1-Way Outgoing PBX Hotel/Hospital Discount Room Calling Port | | | UEPPX | UEPXO | 1.36 | 66.91 | 31.29 | | | 15.20 | | | |
| | 2-Wire Voice Unbundled 1-Way Outgoing PBX Louisiana Local Discount Calling Port | | | UEPPX | UEPXP | 1.36 | 66.91 | 31.29 | | | 15.20 | | | |
| | 2-Wire Voice Unbundled 1-Way Outgoing PBX Measured Port | | | UEPPX | UEPXS | 1.36 | 66.91 | 31.29 | | | 15.20 | | | |
| LOCAL NUMBER PORTABILITY | | | | | | | | | | | | | | |
| | Local Number Portability (1 per port) | | | UEPPX | LNPCP | 3.15 | 0.00 | 0.00 | | | 15.20 | | | |
| FEATURES | | | | | | | | | | | | | | |
| | All Features Offered | | | UEPPX | UEPVF | 0.00 | 0.00 | 0.00 | | | 15.20 | | | |
| NONRECURRING CHARGES (NRCs) - CURRENTLY COMBINED | | | | | | | | | | | | | | |
| | 2-Wire Voice Grade Loop/ Line Port Combination (PBX) - Conversion - Switch-As-Is | | | UEPPX | USAC2 | | 7.68 | 1.85 | | | 15.20 | | | |
| | 2-Wire Voice Grade Loop/ Line Port Combination (PBX) - Conversion - Switch with Change | | | UEPPX | USACC | | 7.68 | 1.85 | | | 15.20 | | | |
| ADDITIONAL NRCs | | | | | | | | | | | | | | |
| | 2-Wire Voice Grade Loop/ Line Port Combination (PBX) - Subsequent Activity | | | UEPPX | USAS2 | 0.00 | 0.00 | 0.00 | | | 15.20 | | | |
| | PBX Subsequent Activity - Change/Rearrange Multiline Hunt Group | | | | | | 7.11 | 7.11 | | | 15.20 | | | |
| 2-WIRE VOICE GRADE LOOP WITH 2-WIRE ANALOG LINE COIN PORT | | | | | | | | | | | | | | |
| UNE Port/Loop Combination Rates | | | | | | | | | | | | | | |
| | 2-Wire VG Coin Port/Loop Combo - Zone 1 | | 1 | | | 13.13 | | | | | | | | |
| | 2-Wire VG Coin Port/Loop Combo - Zone 2 | | 2 | | | 23.75 | | | | | | | | |
| | 2-Wire VG Coin Port/Loop Combo - Zone 3 | | 3 | | | 49.62 | | | | | | | | |
| UNE Loop Rates | | | | | | | | | | | | | | |
| | 2-Wire Voice Grade Loop (SL1) - Zone 1 | | 1 | UEPCO | UEPLX | 11.77 | | | | | | | | |
| | 2-Wire Voice Grade Loop (SL1) - Zone 2 | | 2 | UEPCO | UEPLX | 22.39 | | | | | | | | |
| | 2-Wire Voice Grade Loop (SL1) - Zone 3 | | 3 | UEPCO | UEPLX | 48.26 | | | | | | | | |
| 2-Wire Voice Grade Line Ports (COIN) | | | | | | | | | | | | | | |
| | 2-Wire Coin 2-Way without Operator Screening and without Blocking (AL, KY, LA, MS) | | | UEPCO | UEPRF | 1.36 | 38.85 | 19.08 | | | 15.20 | | | |
| | 2-Wire Coin 2-Way with Operator Screening and Blocking: 011, 900/976, 1+DDD (AL, KY, LA, MS) | | | UEPCO | UEPRA | 1.36 | 38.85 | 19.08 | | | 15.20 | | | |
| | 2-Wire Coin 2-Way with Operator Screening and 011 Blocking (AL, LA, MS) | | | UEPCO | UEPRB | 1.36 | 38.85 | 19.08 | | | 15.20 | | | |
| | 2-Wire Coin 2-Way with Operator Screening & Blocking: 900/976, 1+DDD, 011+, & Local (AL, KY, LA, MS) | | | UEPCO | UEPCD | 1.36 | 38.85 | 19.08 | | | 15.20 | | | |
| | 2-Wire Coin Outward without Blocking and without Operator Screening (KY, LA, MS) | | | UEPCO | UEPRN | 1.36 | 38.85 | 19.08 | | | 15.20 | | | |

| UNBUNDLED NETWORK ELEMENTS - Louisiana | | | | | | | | | | Attachment: 2 | | Exhibit: B | | | |
|--|---|---------|------|-------|-------|-----------|--------------|----------------------------------|--------------------------------------|--|--|---|---|-------------------------|-------|
| CATEGORY | RATE ELEMENTS | Interim | Zone | BCS | USOC | RATES(\$) | | Svc Order Submitted Elec per LSR | Svc Order Submitted Manually per LSR | Incremental Charge - Manual Svc Order vs. Electronic-1st | Incremental Charge - Manual Svc Order vs. Electronic-Add'l | Incremental Charge - Manual Svc Order vs. Electronic-Disc 1st | Incremental Charge - Manual Svc Order vs. Electronic-Disc Add'l | | |
| | | | | | | Rec | Nonrecurring | | | | | | | Nonrecurring Disconnect | |
| | | | | | | First | Add'l | First | Add'l | SOMEc | SOMAN | SOMAN | SOMAN | SOMAN | SOMAN |
| | 2-Wire Coin Outward with Operator Screening and 011 Blocking (LA) | | | UEPCO | UEPLA | 1.36 | 38.85 | 19.08 | | | 15.20 | | | | |
| | 2-Wire Coin Outward with Operator Screening and Blocking: 011, 900/976, 1+DDD (AL, KY, LA, MS) | | | UEPCO | UEPRH | 1.36 | 38.85 | 19.08 | | | 15.20 | | | | |
| | 2-Wire Coin Outward Operator Screening & Blocking: 900/976, 1+DDD, 011+, and Local (AL, KY, LA, MS) | | | UEPCO | UEPCN | 1.36 | 38.85 | 19.08 | | | 15.20 | | | | |
| | 2-Wire Coin 2-Way Smartline with 900/976 (Louisiana only) | | | UEPCO | UEPNA | 1.36 | 38.85 | 19.08 | | | 15.20 | | | | |
| | 2-Wire Coin Outward Smartline with 900/976 (Louisiana only) | | | UEPCO | UEPCB | 1.36 | 38.85 | 19.08 | | | 15.20 | | | | |
| | ADDITIONAL UNE COIN PORT/LOOP (RC) | | | | | | | | | | | | | | |
| | UNE Coin Port/Loop Combo Usage (Flat Rate) | | | UEPCO | URECU | 1.81 | 0.00 | 0.00 | | | 15.20 | | | | |
| | LOCAL NUMBER PORTABILITY | | | | | | | | | | | | | | |
| | Local Number Portability (1 per port) | | | UEPCO | LNPCX | 0.35 | | | | | | | | | |
| | NONRECURRING CHARGES - CURRENTLY COMBINED | | | | | | | | | | | | | | |
| | 2-Wire Voice Grade Loop / Line Port Combination - Conversion - Switch-as-is | | | UEPCO | USAC2 | | 0.10 | 0.10 | | | 15.20 | | | | |
| | 2-Wire Voice Grade Loop / Line Port Combination - Conversion - Switch with change | | | UEPCO | USACC | | 0.10 | 0.10 | | | 15.20 | | | | |
| | ADDITIONAL NRCS | | | | | | | | | | | | | | |
| | 2-Wire Voice Grade Loop/Line Port Combination - Subsequent Activity | | | UEPCO | USAS2 | | 0.00 | 0.00 | | | 15.20 | | | | |
| | UNBUNDLED REMOTE CALL FORWARDING - RES | | | | | | | | | | | | | | |
| | Non-Recurring | | | | | | | | | | | | | | |
| | UNBUNDLED REMOTE CALL FORWARDING - Bus | | | | | | | | | | | | | | |
| | Unbundled Remote Call Forwarding, InterState/Intra LATA-Bus | | | UEPVB | UEPVJ | 1.52 | 2.31 | 2.21 | | | 15.20 | | | | |
| | Non-Recurring | | | | | | | | | | | | | | |
| | 2-WIRE VOICE LOOP/ 2WIRE VOICE GRADE IO TRANSPORT/ 2-WIRE LINE PORT (RES) | | | | | | | | | | | | | | |
| | 2-WIRE VOICE LOOP/ 2WIRE VOICE GRADE IO TRANSPORT/ 2-WIRE LINE PORT (BUS) | | | | | | | | | | | | | | |
| | UNBUNDLED PORT/LOOP COMBINATIONS - COST BASED RATES | | | | | | | | | | | | | | |
| | 2-WIRE VOICE GRADE LOOP- BUS ONLY - WITH 2-WIRE DID TRUNK PORT | | | | | | | | | | | | | | |
| | UNE Port/Loop Combination Rates | | | | | | | | | | | | | | |
| | 2-Wire VG Loop/2-Wire DID Trunk Port Combo - UNE Zone 1 | | 1 | | | | 23.20 | | | | | | | | |
| | 2-Wire VG Loop/2-Wire DID Trunk Port Combo - UNE Zone 2 | | 2 | | | | 33.62 | | | | | | | | |
| | 2-Wire VG Loop/2-Wire DID Trunk Port Combo - UNE Zone 3 | | 3 | | | | 58.73 | | | | | | | | |
| | UNE Loop Rates | | | | | | | | | | | | | | |
| | 2-Wire Analog Voice Grade Loop - (SL2) - UNE Zone 1 | | 1 | UEPPX | UECD1 | | 14.93 | | | | 15.20 | | | | |
| | 2-Wire Analog Voice Grade Loop - (SL2) - UNE Zone 2 | | 2 | UEPPX | UECD1 | | 25.35 | | | | 15.20 | | | | |
| | 2-Wire Analog Voice Grade Loop - (SL2) - UNE Zone 3 | | 3 | UEPPX | UECD1 | | 50.46 | | | | 15.20 | | | | |
| | UNE Port Rate | | | | | | | | | | | | | | |
| | Exchange Ports - 2-Wire DID Port | | | UEPPX | UEPD1 | 8.27 | 217.95 | 83.92 | | | 15.20 | | | | |
| | NONRECURRING CHARGES - CURRENTLY COMBINED | | | | | | | | | | | | | | |
| | 2-Wire Voice Grade Loop / 2-Wire DID Trunk Port Combination - Switch-as-is | | | UEPPX | USAC1 | | 7.10 | 1.81 | | | 15.20 | | | | |
| | 2-Wire Voice Grade Loop / 2-Wire DID Trunk Port Conversion with BellSouth Allowable Changes | | | UEPPX | USA1C | | 7.10 | 1.81 | | | 15.20 | | | | |
| | ADDITIONAL NRCS | | | | | | | | | | | | | | |
| | 2-Wire DID Subsequent Activity - Add Trunks, Per Trunk | | | UEPPX | USAS1 | | 26.01 | 26.01 | | | 15.20 | | | | |
| | Telephone Number/Trunk Group Establishment Charges | | | | | | | | | | | | | | |
| | DID Trunk Termination (One Per Port) | | | UEPPX | NDT | 0.00 | 0.00 | 0.00 | | | 15.20 | | | | |
| | Additional DID Numbers for each Group of 20 DID Numbers | | | UEPPX | ND4 | 0.00 | 0.00 | 0.00 | | | 15.20 | | | | |
| | DID Numbers, Non- consecutive DID Numbers , Per Number | | | UEPPX | ND5 | 0.00 | 0.00 | 0.00 | | | 15.20 | | | | |
| | Reserve Non-Consecutive DID numbers | | | UEPPX | ND6 | 0.00 | 0.00 | 0.00 | | | 15.20 | | | | |
| | Reserve DID Numbers | | | UEPPX | NDV | 0.00 | 0.00 | 0.00 | | | 15.20 | | | | |
| | LOCAL NUMBER PORTABILITY | | | | | | | | | | | | | | |
| | Local Number Portability (1 per port) | | | UEPPX | LNPCP | 3.15 | 0.00 | 0.00 | | | | | | | |
| | 2-WIRE ISDN DIGITAL GRADE LOOP WITH 2-WIRE ISDN DIGITAL LINE SIDE PORT | | | | | | | | | | | | | | |
| | UNE Port/Loop Combination Rates | | | | | | | | | | | | | | |
| | 2W ISDN Digital Grade Loop/2W ISDN Digital Line Side Port - UNE Zone 1 | | 1 | UEPPB | UEPPR | | 27.48 | | | | | | | | |

| UNBUNDLED NETWORK ELEMENTS - Louisiana | | | | | | | | | | | Attachment: 2 | | Exhibit: B | | | | | | | |
|--|--|---------|------|-------------------|------|-----------|----------------------------------|--------------------------------------|--|--|---|---|---------------|--------------|-------|-------------------------|--|-------|-------|-------|
| CATEGORY | RATE ELEMENTS | Interim | Zone | BCS | USOC | RATES(\$) | Svc Order Submitted Elec per LSR | Svc Order Submitted Manually per LSR | Incremental Charge - Manual Svc Order vs. Electronic-1st | Incremental Charge - Manual Svc Order vs. Electronic-Add'l | Incremental Charge - Manual Svc Order vs. Electronic-Disc 1st | Incremental Charge - Manual Svc Order vs. Electronic-Disc Add'l | OSS Rates(\$) | | | | | | | |
| | | | | | | | | | | | | | Rec | Nonrecurring | | Nonrecurring Disconnect | | SOMEc | SOMAN | SOMAN |
| | | | | | | | | | | | | | First | Add'l | First | Add'l | | | | |
| | 2W ISDN Digital Grade Loop/2W ISDN Digital Line Side Port - UNE Zone 2 | | 2 | UEPPB UEPPR | | 40.34 | | | | | | | | | | | | | | |
| | 2W ISDN Digital Grade Loop/2W ISDN Digital Line Side Port - UNE Zone 3 | | 3 | UEPPB UEPPR | | 70.99 | | | | | | | | | | | | | | |
| | UNE Loop Rates | | | | | | | | | | | | | | | | | | | |
| | 2-Wire ISDN Digital Grade Loop - UNE Zone 1 | | 1 | UEPPB UEPPR USL2X | | 19.09 | | | | | | | | | | | | | | 15.20 |
| | 2-Wire ISDN Digital Grade Loop - UNE Zone 2 | | 2 | UEPPB UEPPR USL2X | | 31.95 | | | | | | | | | | | | | | 15.20 |
| | 2-Wire ISDN Digital Grade Loop - UNE Zone 3 | | 3 | UEPPB UEPPR USL2X | | 62.60 | | | | | | | | | | | | | | 15.20 |
| | UNE Port Rate | | | | | | | | | | | | | | | | | | | |
| | Exchange Port - 2-Wire ISDN Line Side Port | | | UEPPB UEPPR UEPPB | | 8.39 | 184.10 | 128.42 | | | | | | | | | | | | 15.20 |
| | NONRECURRING CHARGES - CURRENTLY COMBINED | | | | | | | | | | | | | | | | | | | |
| | 2-Wire ISDN Digital Grade Loop / 2-Wire ISDN Line Side Port Combination - Conversion | | | UEPPB UEPPR USACB | | 0.00 | 37.40 | 26.23 | | | | | | | | | | | | 15.20 |
| | ADDITIONAL NRCs | | | | | | | | | | | | | | | | | | | |
| | LOCAL NUMBER PORTABILITY | | | | | | | | | | | | | | | | | | | |
| | Local Number Portability (1 per port) | | | UEPPB UEPPR LNPCX | | 0.35 | 0.00 | 0.00 | | | | | | | | | | | | |
| | B-CHANNEL USER PROFILE ACCESS: | | | | | | | | | | | | | | | | | | | |
| | CVS/CSD (DMS/5ESS) | | | UEPPB UEPPR U1UCA | | 0.00 | 0.00 | 0.00 | | | | | | | | | | | | |
| | CVS (EWSD) | | | UEPPB UEPPR U1UCB | | 0.00 | 0.00 | 0.00 | | | | | | | | | | | | |
| | CSD | | | UEPPB UEPPR U1UCC | | 0.00 | 0.00 | 0.00 | | | | | | | | | | | | |
| | B-CHANNEL AREA PLUS USER PROFILE ACCESS: (AL,KY,LA,MS SC,MS, & TN) | | | | | | | | | | | | | | | | | | | |
| | CVS/CSD (DMS/5ESS) | | | UEPPB UEPPR U1UCD | | 0.00 | 0.00 | 0.00 | | | | | | | | | | | | |
| | CVS (EWSD) | | | UEPPB UEPPR U1UCE | | 0.00 | 0.00 | 0.00 | | | | | | | | | | | | |
| | CSD | | | UEPPB UEPPR U1UCF | | 0.00 | 0.00 | 0.00 | | | | | | | | | | | | |
| | USER TERMINAL PROFILE | | | | | | | | | | | | | | | | | | | |
| | User Terminal Profile (EWSD only) | | | UEPPB UEPPR U1UMA | | 0.00 | 0.00 | 0.00 | | | | | | | | | | | | |
| | VERTICAL FEATURES | | | | | | | | | | | | | | | | | | | |
| | All Vertical Features - One per Channel B User Profile | | | UEPPB UEPPR UEPVF | | 0.00 | 0.00 | 0.00 | | | | | | | | | | | | 15.20 |
| | INTEROFFICE CHANNEL MILEAGE | | | | | | | | | | | | | | | | | | | |
| | Interoffice Channel mileage each, including first mile and facilities termination | | | UEPPB UEPPR M1GNC | | 22.613 | 39.36 | 26.62 | | | | | | | | | | | | 15.20 |
| | Interoffice Channel mileage each, additional mile | | | UEPPB UEPPR M1GNM | | 0.013 | 0.00 | 0.00 | | | | | | | | | | | | 15.20 |
| | 4-WIRE DS1 DIGITAL LOOP WITH 4-WIRE ISDN DS1 DIGITAL TRUNK PORT | | | | | | | | | | | | | | | | | | | |
| | UNE Port/Loop Combination Rates | | | | | | | | | | | | | | | | | | | |
| | 4W DS1 Digital Loop/4W ISDN DS1 Digital Trunk Port - UNE Zone 1 | | 1 | UEPPP | | 180.52 | | | | | | | | | | | | | | |
| | 4W DS1 Digital Loop/4W ISDN DS1 Digital Trunk Port - UNE Zone 2 | | 2 | UEPPP | | 289.78 | | | | | | | | | | | | | | |
| | 4W DS1 Digital Loop/4W ISDN DS1 Digital Trunk Port - UNE Zone 3 | | 3 | UEPPP | | 586.76 | | | | | | | | | | | | | | |
| | UNE Loop Rates | | | | | | | | | | | | | | | | | | | |
| | 4-Wire DS1 Digital Loop - UNE Zone 1 | | 1 | UEPPP USL4P | | 85.70 | | | | | | | | | | | | | | 15.20 |
| | 4-Wire DS1 Digital Loop - UNE Zone 2 | | 2 | UEPPP USL4P | | 194.96 | | | | | | | | | | | | | | 15.20 |
| | 4-Wire DS1 Digital Loop - UNE Zone 3 | | 3 | UEPPP USL4P | | 491.94 | | | | | | | | | | | | | | 15.20 |
| | UNE Port Rate | | | | | | | | | | | | | | | | | | | |
| | Exchange Ports - 4-Wire ISDN DS1 Port | | | UEPPP UEPPP | | 94.82 | 443.08 | 251.60 | | | | | | | | | | | | 15.20 |
| | NONRECURRING CHARGES - CURRENTLY COMBINED | | | | | | | | | | | | | | | | | | | |
| | 4-Wire DS1 Digital Loop / 4-Wire ISDN DS1 Digital Trunk Port Combination - Conversion -Switch-as-is | | | UEPPP USACP | | 0.00 | 115.63 | 76.29 | | | | | | | | | | | | 15.20 |
| | ADDITIONAL NRCs | | | | | | | | | | | | | | | | | | | |
| | 4-Wire DS1 Loop/4-W ISDN Digtl Trk Port - Subsqt Actvy-Inward/two way tel nos within Std Allowance (except NC) | | | UEPPP PR7TF | | | 0.48 | | | | | | | | | | | | | 15.20 |
| | 4-Wire DS1 Loop / 4-Wire ISDN DS1 Digital Trunk Port - Outward Tel Numbers (All States except NC) | | | UEPPP PR7TO | | | 11.18 | 11.18 | | | | | | | | | | | | 15.20 |
| | 4-Wire DS1 Loop / 4-Wire ISDN DS1 Digital Trk Port - Subsequent Inward Tel Nos Above Std Allowance | | | UEPPP PR7ZT | | | 22.35 | 22.35 | | | | | | | | | | | | 15.20 |
| | LOCAL NUMBER PORTABILITY | | | | | | | | | | | | | | | | | | | |
| | Local Number Portability (1 per port) | | | UEPPP LNPCN | | 1.75 | | | | | | | | | | | | | | |

| UNBUNDLED NETWORK ELEMENTS - Louisiana | | | | | | | | | | Attachment: 2 | | Exhibit: B | | | | | | | | | | | |
|--|--|---------|------|-------|-------|-----------|----------------------------------|--------------------------------------|--|--|---|---|---------------|--------------|-------|-------------------------|--|-------|-------|-------|-------|-------|-------|
| CATEGORY | RATE ELEMENTS | Interim | Zone | BCS | USOC | RATES(\$) | Svc Order Submitted Elec per LSR | Svc Order Submitted Manually per LSR | Incremental Charge - Manual Svc Order vs. Electronic-1st | Incremental Charge - Manual Svc Order vs. Electronic-Add'l | Incremental Charge - Manual Svc Order vs. Electronic-Disc 1st | Incremental Charge - Manual Svc Order vs. Electronic-Disc Add'l | OSS Rates(\$) | | | | | | | | | | |
| | | | | | | | | | | | | | Rec | Nonrecurring | | Nonrecurring Disconnect | | SOMEc | SOMAN | SOMAN | SOMAN | SOMAN | SOMAN |
| | | | | | | | | | | | | | First | Add'l | First | Add'l | | | | | | | |
| INTERFACE (Provisioning Only) | | | | | | | | | | | | | | | | | | | | | | | |
| | Voice/Data | | | UEPPP | PR71V | 0.00 | | | | | | | | | | | | | | | | | |
| | Digital Data | | | UEPPP | PR71D | 0.00 | | | | | | | | | | | | | | | | | |
| | Inward Data | | | UEPPP | PR71E | 0.00 | | | | | | | | | | | | | | | | | |
| New or Additional "B" Channel | | | | | | | | | | | | | | | | | | | | | | | |
| | New or Additional - Voice/Data B Channel | | | UEPPP | PR7BV | 0.00 | | | | | | | | | | | | | | | | | |
| | New or Additional - Digital Data B Channel | | | UEPPP | PR7BF | 0.00 | | | | | | | | | | | | | | | | | |
| | New or Additional Inward Data B Channel | | | UEPPP | PR7BD | 0.00 | | | | | | | | | | | | | | | | | |
| CALL TYPES | | | | | | | | | | | | | | | | | | | | | | | |
| | Inward | | | UEPPP | PR7C1 | 0.00 | | | | | | | | | | | | | | | | | |
| | Outward | | | UEPPP | PR7C0 | 0.00 | | | | | | | | | | | | | | | | | |
| | Two-way | | | UEPPP | PR7CC | 0.00 | | | | | | | | | | | | | | | | | |
| Interoffice Channel Mileage | | | | | | | | | | | | | | | | | | | | | | | |
| | Fixed Each Including First Mile | | | UEPPP | 1LN1A | 70.7352 | | | | | | | | | | | | | | | | | |
| | Each Airline-Fractional Additional Mile | | | UEPPP | 1LN1B | 0.2652 | | | | | | | | | | | | | | | | | |
| 4-WIRE DS1 DIGITAL LOOP WITH 4-WIRE DDITS TRUNK PORT | | | | | | | | | | | | | | | | | | | | | | | |
| UNE Port/Loop Combination Rates | | | | | | | | | | | | | | | | | | | | | | | |
| | 4W DS1 Digital Loop/4W DDITS Trunk Port - UNE Zone 1 | | 1 | UEPDC | | 154.17 | | | | | | | | | | | | | | | | | |
| | 4W DS1 Digital Loop/4W DDITS Trunk Port - UNE Zone 2 | | 2 | UEPDC | | 263.43 | | | | | | | | | | | | | | | | | |
| | 4W DS1 Digital Loop/4W DDITS Trunk Port - UNE Zone 3 | | 3 | UEPDC | | 560.41 | | | | | | | | | | | | | | | | | |
| UNE Loop Rates | | | | | | | | | | | | | | | | | | | | | | | |
| | 4-Wire DS1 Digital Loop - UNE Zone 1 | | 1 | UEPDC | USLDC | 85.70 | | | | | | | | | | | | | | | | | |
| | 4-Wire DS1 Digital Loop - UNE Zone 2 | | 2 | UEPDC | USLDC | 194.96 | | | | | | | | | | | | | | | | | |
| | 4-Wire DS1 Digital Loop - UNE Zone 3 | | 3 | UEPDC | USLDC | 491.94 | | | | | | | | | | | | | | | | | |
| UNE Port Rate | | | | | | | | | | | | | | | | | | | | | | | |
| | 4-Wire DDITS Digital Trunk Port | | | UEPDC | UDD1T | 68.47 | | | | | | | | | | | | | | | | | |
| NONRECURRING CHARGES - CURRENTLY COMBINED | | | | | | | | | | | | | | | | | | | | | | | |
| | 4-Wire DS1 Digital Loop / 4-Wire DDITS Trunk Port Combination - Switch-as-is | | | UEPDC | USAC4 | | | | | | | | | | | | | | | | | | |
| | 4-Wire DS1 Digital Loop / 4-Wire DDITS Trunk Port Combination - Conversion with DS1 Changes | | | UEPDC | USAWA | | | | | | | | | | | | | | | | | | |
| | 4-Wire DS1 Digital Loop / 4-Wire DDITS Trunk Port Combination - Conversion with Change - Trunk | | | UEPDC | USAWB | | | | | | | | | | | | | | | | | | |
| ADDITIONAL NRCs | | | | | | | | | | | | | | | | | | | | | | | |
| | 4-Wire DS1 Loop / 4-Wire DDITS Trunk Port - NRC - Subsequent Channel Activation/Chan - 2-Way Trunk | | | UEPDC | UDTTA | | | | | | | | | | | | | | | | | | |
| | 4-Wire DS1 Loop / 4-Wire DDITS Trunk Port - Subsequent Channel Activation/Chan - 1-Way Outward Trunk | | | UEPDC | UDTTB | | | | | | | | | | | | | | | | | | |
| | 4-Wire DS1 Loop / 4-Wire DDITS Trunk Port - Subsqt Channel Activation/Chan - Inward Trunk w/out DID | | | UEPDC | UDTTC | | | | | | | | | | | | | | | | | | |
| | 4-Wire DS1 Loop / 4-Wire DDITS Trunk Port - Subsqt Chan Activation Per Chan - Inward Trunk with DID | | | UEPDC | UDTTD | | | | | | | | | | | | | | | | | | |
| | 4-Wire DS1 Loop / 4-Wire DDITS Trunk Port - Subsqt Chan Activation / Chan - 2-Way DID w User Trans | | | UEPDC | UDTTE | | | | | | | | | | | | | | | | | | |
| BIPOLAR 8 ZERO SUBSTITUTION | | | | | | | | | | | | | | | | | | | | | | | |
| | B8ZS - Superframe Format | | | UEPDC | CCOSF | | | | | | | | | | | | | | | | | | |
| | B8ZS - Extended Superframe Format | | | UEPDC | CCOEF | | | | | | | | | | | | | | | | | | |
| Alternate Mark Inversion | | | | | | | | | | | | | | | | | | | | | | | |
| | AMI - Superframe Format | | | UEPDC | MCOSF | | | | | | | | | | | | | | | | | | |
| | AMI - Extended SuperFrame Format | | | UEPDC | MCOPO | | | | | | | | | | | | | | | | | | |
| Telephone Number/Trunk Group Establishment Charges | | | | | | | | | | | | | | | | | | | | | | | |
| | Telephone Number for 2-Way Trunk Group | | | UEPDC | UDTGX | 0.00 | | | | | | | | | | | | | | | | | |
| | Telephone Number for 1-Way Outward Trunk Group | | | UEPDC | UDTGY | 0.00 | | | | | | | | | | | | | | | | | |
| | Telephone Number for 1-Way Inward Trunk Group Without DID | | | UEPDC | UDTGZ | 0.00 | | | | | | | | | | | | | | | | | |
| | DID Numbers for each Group of 20 DID Numbers | | | UEPDC | ND4 | 0.00 | | | | | | | | | | | | | | | | | |
| | DID Numbers, Non- consecutive DID Numbers , Per Number | | | UEPDC | ND5 | 0.00 | | | | | | | | | | | | | | | | | |
| | Reserve Non-Consecutive DID Nos. | | | UEPDC | ND6 | 0.00 | | | | | | | | | | | | | | | | | |
| | Reserve DID Numbers | | | UEPDC | NDV | 0.00 | | | | | | | | | | | | | | | | | |
| Dedicated DS1 (Interoffice Channel Mileage) - FX/FCO for 4-Wire DS1 Digital Loop with 4-Wire DDITS Trunk Port | | | | | | | | | | | | | | | | | | | | | | | |

| UNBUNDLED NETWORK ELEMENTS - Louisiana | | | | | | | | | | | Attachment: 2 | | Exhibit: B | | | | | | | | |
|--|---|---------|------|-------|--------|-----------|----------------------------------|--------------------------------------|--|--|---|---|---------------|--------------|-------|-------------------------|--|-------|-------|-------|-------|
| CATEGORY | RATE ELEMENTS | Interim | Zone | BCS | USOC | RATES(\$) | Svc Order Submitted Elec per LSR | Svc Order Submitted Manually per LSR | Incremental Charge - Manual Svc Order vs. Electronic-1st | Incremental Charge - Manual Svc Order vs. Electronic-Add'l | Incremental Charge - Manual Svc Order vs. Electronic-Disc 1st | Incremental Charge - Manual Svc Order vs. Electronic-Disc Add'l | OSS Rates(\$) | | | | | | | | |
| | | | | | | | | | | | | | Rec | Nonrecurring | | Nonrecurring Disconnect | | SOMEc | SOMAN | SOMAN | SOMAN |
| | | | | | | | | | | | | | First | Add'l | First | Add'l | | | | | |
| | Interoffice Channel Mileage - Fixed rate 0-8 miles (Facilities Termination) | | | UEPDC | 1LNO1 | 70.47 | | | | | | | 86.69 | 79.44 | | | | | 15.20 | | |
| | Interoffice Channel Mileage - Additional rate per mile - 0-8 miles | | | UEPDC | 1LNOA | 0.2652 | | | | | | | 0.00 | 0.00 | | | | | | | |
| | Interoffice Channel Mileage - Fixed rate 9-25 miles (Facilities Termination) | | | UEPDC | 1LNO2 | 0.00 | | | | | | | 0.00 | 0.00 | | | | | | | |
| | Interoffice Channel Mileage - Additional rate per mile - 9-25 miles | | | UEPDC | 1LNOB | 0.2652 | | | | | | | 0.00 | 0.00 | | | | | | | |
| | Interoffice Channel Mileage - Fixed rate 25+ miles (Facilities Termination) | | | UEPDC | 1LNO3 | 0.00 | | | | | | | 0.00 | 0.00 | | | | | | | |
| | Interoffice Channel Mileage - Additional rate per mile - 25+ miles | | | UEPDC | 1LNOc | 0.2652 | | | | | | | 0.00 | 0.00 | | | | | | | |
| | Local Number Portability, per DSO Activated | | | UEPDC | LNPCP | 3.15 | | | | | | | 0.00 | 0.00 | | | | | | | |
| | Central Office Terminating Point | | | UEPDC | CTG | 0.00 | | | | | | | | | | | | | | | |
| | 4-WIRE DS1 LOOP WITH CHANNELIZATION WITH PORT | | | | | | | | | | | | | | | | | | | | |
| | System is 1 DS1 Loop, 1 D4 Channel Bank, and up to 24 Feature Activations | | | | | | | | | | | | | | | | | | | | |
| | Each System can have up to 24 combinations of rates depending on type and number of ports used | | | | | | | | | | | | | | | | | | | | |
| | UNE DS1 Loop | | | | | | | | | | | | | | | | | | | | |
| | 4-Wire DS1 Loop - UNE Zone 1 | | 1 | UEPMG | USLDC | 85.70 | | | | | | | 0.00 | 0.00 | | | | | 15.20 | | |
| | 4-Wire DS1 Loop - UNE Zone 2 | | 2 | UEPMG | USLDC | 194.96 | | | | | | | 0.00 | 0.00 | | | | | 15.20 | | |
| | 4-Wire DS1 Loop - UNE Zone 3 | | 3 | UEPMG | USLDC | 491.94 | | | | | | | 0.00 | 0.00 | | | | | 15.20 | | |
| | UNE DSO Channelization Capacities (D4 Channel Bank Configurations) | | | | | | | | | | | | | | | | | | | | |
| | 24 DSO Channel Capacity - 1 per DS1 | | | UEPMG | VUM24 | 97.35 | | | | | | | 0.00 | 0.00 | | | | | 15.20 | | |
| | 48 DSO Channel Capacity - 1 per 2 DS1s | | | UEPMG | VUM48 | 194.70 | | | | | | | 0.00 | 0.00 | | | | | 15.20 | | |
| | 96 DSO Channel Capacity -1per 4 DS1s | | | UEPMG | VUM96 | 389.40 | | | | | | | 0.00 | 0.00 | | | | | 15.20 | | |
| | 144 DSO Channel Capacity - 1 per 6 DS1s | | | UEPMG | VUM144 | 584.10 | | | | | | | 0.00 | 0.00 | | | | | 15.20 | | |
| | 192 DSO Channel Capacity -1 per 8 DS1s | | | UEPMG | VUM192 | 778.80 | | | | | | | 0.00 | 0.00 | | | | | 15.20 | | |
| | 240 DSO Channel Capacity - 1 per 10 DS1s | | | UEPMG | VUM240 | 973.50 | | | | | | | 0.00 | 0.00 | | | | | 15.20 | | |
| | 288 DSO Channel Capacity - 1 per 12 DS1s | | | UEPMG | VUM288 | 1,168.20 | | | | | | | 0.00 | 0.00 | | | | | 15.20 | | |
| | 384 DSO Channel Capacity - 1 per 16 DS1s | | | UEPMG | VUM384 | 1,557.60 | | | | | | | 0.00 | 0.00 | | | | | 15.20 | | |
| | 480 DSO Channel Capacity - 1 per 20 DS1s | | | UEPMG | VUM480 | 1,947.00 | | | | | | | 0.00 | 0.00 | | | | | 15.20 | | |
| | 576 DSO Channel Capacity -1 per 24 DS1s | | | UEPMG | VUM576 | 2,336.40 | | | | | | | 0.00 | 0.00 | | | | | 15.20 | | |
| | 672 DSO Channel Capacity - 1 per 28 DS1s | | | UEPMG | VUM672 | 2,725.80 | | | | | | | 0.00 | 0.00 | | | | | 15.20 | | |
| | Non-Recurring Charges (NRC) Associated with 4-Wire DS1 Loop with Channelization with Port - Conversion Charge Based on a System | | | | | | | | | | | | | | | | | | | | |
| | A Minimum System configuration is One (1) DS1, One (1) D4 Channel Bank, and Up To 24 DSO Ports with Feature Activations. | | | | | | | | | | | | | | | | | | | | |
| | Multiples of this configuration functioning as one are considered Add'l after the minimum system configuration is counted. | | | | | | | | | | | | | | | | | | | | |
| | NRC - Conversion (Currently Combined) with or without BellSouth Allowed Changes | | | UEPMG | USAC4 | 0.00 | | | | | | | 146.13 | 8.12 | | | | | 15.20 | | |
| | System Additions at End User Locations Where 4-Wire DS1 Loop with Channelization with Port Combination Currently Exists and New (Not Currently Combined) In GA, KY, LA, MS & TN Only | | | | | | | | | | | | | | | | | | | | |
| | 1 DS1/D4 Channel Bank - Add NRC for each Port and Assoc Fea Activation - New GA, LA, KY, MS, & TN Only | | | UEPMG | VUMD4 | 0.00 | | | | | | | 715.54 | 467.54 | | | | | 15.20 | | |
| | Bipolar 8 Zero Substitution | | | | | | | | | | | | | | | | | | | | |
| | Clear Channel Capability Format, superframe - Subsequent Activity Only | | | UEPMG | CCOSF | 0.00 | | | | | | | 0.00 | 0.00 | | | | | 15.20 | | |
| | Clear Channel Capability Format - Extended Superframe - Subsequent Activity Only | | | UEPMG | CCOEF | 0.00 | | | | | | | 0.00 | 0.00 | | | | | 15.20 | | |
| | Alternate Mark Inversion (AMI) | | | | | | | | | | | | | | | | | | | | |
| | Superframe Format | | | UEPMG | MCOSF | 0.00 | | | | | | | 0.00 | 0.00 | | | | | | | |
| | Extended Superframe Format | | | UEPMG | MCOPO | 0.00 | | | | | | | 0.00 | 0.00 | | | | | | | |
| | Exchange Ports Associated with 4-Wire DS1 Loop with Channelization with Port Exchange Ports | | | | | | | | | | | | | | | | | | | | |
| | Line Side Combination Channelized PBX Trunk Port - Business | | | UEPPX | UEPCX | 1.52 | | | | | | | 0.00 | 0.00 | | | | | 15.20 | | |
| | Line Side Outward Channelized PBX Trunk Port - Business | | | UEPPX | UEPOX | 1.52 | | | | | | | 0.00 | 0.00 | | | | | 15.20 | | |
| | Line Side Inward Only Channelized PBX Trunk Port without DID | | | UEPPX | UEP1X | 1.52 | | | | | | | 0.00 | 0.00 | | | | | 15.20 | | |
| | 2-Wire Trunk Side Unbundled Channelized DID Trunk Port | | | UEPPX | UEPDM | 8.29 | | | | | | | 0.00 | 0.00 | | | | | 15.20 | | |
| | Feature Activations - Unbundled Loop Concentration | | | | | | | | | | | | | | | | | | | | |

| UNBUNDLED NETWORK ELEMENTS - Louisiana | | | | | | | | | | Attachment: 2 | | Exhibit: B | | | |
|---|--|---------|------|-------|-------|-----------|--------------|----------------------------------|--------------------------------------|--|--|---|---|-------------------------|---------------|
| CATEGORY | RATE ELEMENTS | Interim | Zone | BCS | USOC | RATES(\$) | | Svc Order Submitted Elec per LSR | Svc Order Submitted Manually per LSR | Incremental Charge - Manual Svc Order vs. Electronic-1st | Incremental Charge - Manual Svc Order vs. Electronic-Add'l | Incremental Charge - Manual Svc Order vs. Electronic-Disc 1st | Incremental Charge - Manual Svc Order vs. Electronic-Disc Add'l | | |
| | | | | | | Rec | Nonrecurring | | | | | | | Nonrecurring Disconnect | OSS Rates(\$) |
| | | | | | | First | Add'l | First | Add'l | SOMEc | SOMAN | SOMAN | SOMAN | SOMAN | SOMAN |
| | Feature (Service) Activation for each Line Side Port Terminated in D4 Bank | | | UEPPX | 1PQWM | 0.6497 | 25.36 | 13.40 | | | 15.20 | | | | |
| | Feature (Service) Activation for each Trunk Side Port Terminated in D4 Bank | | | UEPPX | 1PQWU | 0.6497 | 78.05 | 18.40 | | | 15.20 | | | | |
| Telephone Number/ Group Establishment Charges for DID Service | | | | | | | | | | | | | | | |
| | DID Trunk Termination (1 per Port) | | | UEPPX | NDT | 0.00 | 0.00 | 0.00 | | | 15.20 | | | | |
| | DID Numbers - groups of 20 - Valid all States | | | UEPPX | ND4 | 0.00 | 0.00 | 0.00 | | | 15.20 | | | | |
| | Non-Consecutive DID Numbers - per number | | | UEPPX | ND5 | 0.00 | 0.00 | 0.00 | | | 15.20 | | | | |
| | Reserve Non-Consecutive DID Numbers | | | UEPPX | ND6 | 0.00 | 0.00 | 0.00 | | | 15.20 | | | | |
| | Reserve DID Numbers | | | UEPPX | NDV | 0.00 | 0.00 | 0.00 | | | 15.20 | | | | |
| Local Number Portability | | | | | | | | | | | | | | | |
| | Local Number Portability - 1 per port | | | UEPPX | LNPCP | 3.15 | 0.00 | 0.00 | | | | | | | |
| FEATURES - Vertical and Optional | | | | | | | | | | | | | | | |
| Local Switching Features Offered with Line Side Ports Only | | | | | | | | | | | | | | | |
| | All Features Available | | | UEPPX | UEPVF | 0.00 | 0.00 | 0.00 | | | 15.20 | | | | |
| UNBUNDLED PORT LOOP COMBINATIONS - MARKET RATES | | | | | | | | | | | | | | | |
| Market Rates shall apply where BellSouth is not required to provide unbundled local switching or switch ports per FCC and/or State Commission rules. | | | | | | | | | | | | | | | |
| These scenarios include: | | | | | | | | | | | | | | | |
| 1. Unbundled port/loop combinations that are Not Currently Combined in Alabama, Florida and North Carolina. | | | | | | | | | | | | | | | |
| 2. Unbundled port/loop combinations that are Currently Combined or Not Currently Combined in Zone 1 of the Top 8 MSAs in BellSouth's region for end users with 4 or more DS0 equivalent lines. | | | | | | | | | | | | | | | |
| The Top 8 MSAs in BellSouth's region are: FL (Orlando, Ft. Lauderdale, Miami); GA (Atlanta); LA (New Orleans); NC (Greensboro-Winston Salem-Highpoint/Charlotte-Gastonia-Rock Hill); TN (Nashville). | | | | | | | | | | | | | | | |
| BellSouth currently is developing the billing capability to mechanically bill the recurring and non-recurring Market Rates in this section except for nonrecurring charges for not currently combined in AL, FL and NC. In the interim where BellSouth cannot bill Market Rates, BellSouth shall bill the rates in the Cost-Based section preceding in lieu of the Market Rates and reserves the right to true-up the billing difference. | | | | | | | | | | | | | | | |
| The Market Rate for unbundled ports includes all available features in all states. | | | | | | | | | | | | | | | |
| End Office and Tandem Switching Usage and Common Transport Usage rates in the Port section of this rate exhibit shall apply to all combinations of loop/port network elements except for UNE Coin Port/Loop Combinations which have a flat rate usage charge (USOC: URECU). | | | | | | | | | | | | | | | |
| For Not Currently Combined scenarios where Market Rates apply, the Nonrecurring charges are listed in the First and Additional NRC columns for each Port USOC. For Currently Combined scenarios, the Nonrecurring charges are listed in the NRC - Currently Combined section. Additional NRCs may apply also and are categorized accordingly. | | | | | | | | | | | | | | | |
| 2-WIRE VOICE GRADE LOOP WITH 2-WIRE LINE PORT (RES) | | | | | | | | | | | | | | | |
| UNE Port/Loop Combination Rates | | | | | | | | | | | | | | | |
| | 2-Wire VG Loop/Port Combo - Zone 1 | | 1 | | | 25.77 | | | | | | | | | |
| | 2-Wire VG Loop/Port Combo - Zone 2 | | 2 | | | 36.39 | | | | | | | | | |
| | 2-Wire VG Loop/Port Combo - Zone 3 | | 3 | | | 62.26 | | | | | | | | | |
| UNE Loop Rates | | | | | | | | | | | | | | | |
| | 2-Wire Voice Grade Loop (SL1) - Zone 1 | | 1 | UEPRX | UEPLX | 11.77 | | | | | | | | | |
| | 2-Wire Voice Grade Loop (SL1) - Zone 2 | | 2 | UEPRX | UEPLX | 22.39 | | | | | | | | | |
| | 2-Wire Voice Grade Loop (SL1) - Zone 3 | | 3 | UEPRX | UEPLX | 48.26 | | | | | | | | | |
| 2-Wire Voice Grade Line Port (Res) | | | | | | | | | | | | | | | |
| | 2-Wire voice unbundled port - residence | | | UEPRX | UEPRL | 14.00 | 90.00 | 90.00 | | | 31.92 | 7.32 | | | |
| | 2-Wire voice unbundled port with Caller ID - res | | | UEPRX | UEPRC | 14.00 | 90.00 | 90.00 | | | 31.92 | 7.32 | | | |
| | 2-Wire voice unbundled port outgoing only - res | | | UEPRX | UEPRO | 14.00 | 90.00 | 90.00 | | | 31.92 | 7.32 | | | |
| | 2-Wire voice Grade unbundled Louisiana extended local dialing parity port with Caller ID - res | | | UEPRX | UEPAS | 14.00 | 90.00 | 90.00 | | | 31.92 | 7.32 | | | |
| | 2-Wire voice unbundled Louisiana Area Plus with Caller ID - res (RUL) | | | UEPRX | UEPAG | 14.00 | 90.00 | 90.00 | | | 31.92 | 7.32 | | | |
| | 2-Wire voice unbundled Louisiana Area Plus with Caller ID - res (AC7) | | | UEPRX | UEPAH | 14.00 | 90.00 | 90.00 | | | 31.92 | 7.32 | | | |
| | 2-Wire voice unbundles res, low usage line port with Caller ID (LUM) | | | UEPRX | UEPAP | 14.00 | 90.00 | 90.00 | | | 31.92 | 7.32 | | | |
| LOCAL NUMBER PORTABILITY | | | | | | | | | | | | | | | |
| | Local Number Portability (1 per port) | | | UEPRX | LNPCX | 0.35 | | | | | | | | | |
| FEATURES | | | | | | | | | | | | | | | |
| | All Features Offered | | | UEPRX | UEPVF | 0.00 | 0.00 | 0.00 | | | 31.92 | 7.32 | | | |
| NONRECURRING CHARGES - CURRENTLY COMBINED | | | | | | | | | | | | | | | |
| | 2-Wire Voice Grade Loop / Line Port Combination - Switch-as-is | | | UEPRX | USAC2 | | 41.50 | 41.50 | | | 31.92 | 7.32 | | | |
| | 2-Wire Voice Grade Loop / Line Port Combination - Switch with change | | | UEPRX | USACC | | 41.50 | 41.50 | | | 31.92 | 7.32 | | | |
| ADDITIONAL NRCs | | | | | | | | | | | | | | | |

| UNBUNDLED NETWORK ELEMENTS - Louisiana | | | | | | | | | | | Attachment: 2 | | Exhibit: B | | | | | | | | |
|--|--|---------|------|-------|-------|-----------|----------------------------------|--------------------------------------|--|--|---|---|---------------|--------------|-------|-------------------------|-------|-------|-------|-------|-------|
| CATEGORY | RATE ELEMENTS | Interim | Zone | BCS | USOC | RATES(\$) | Svc Order Submitted Elec per LSR | Svc Order Submitted Manually per LSR | Incremental Charge - Manual Svc Order vs. Electronic-1st | Incremental Charge - Manual Svc Order vs. Electronic-Add'l | Incremental Charge - Manual Svc Order vs. Electronic-Disc 1st | Incremental Charge - Manual Svc Order vs. Electronic-Disc Add'l | OSS Rates(\$) | | | | | | | | |
| | | | | | | | | | | | | | Rec | Nonrecurring | | Nonrecurring Disconnect | | SOMEc | SOMAN | SOMAN | SOMAN |
| | | | | | | | | | | | | | First | Add'l | First | Add'l | SOMEc | SOMAN | SOMAN | SOMAN | |
| | NRC - 2-Wire Voice Grade Loop/Line Port Combination - Subsequent | | | UEPRX | USAS2 | | | | | | | | 0.00 | 0.00 | | | | | | 31.92 | 7.32 |
| | 2-WIRE VOICE GRADE LOOP WITH 2-WIRE LINE PORT (BUS) | | | | | | | | | | | | | | | | | | | | |
| | UNE Port/Loop Combination Rates | | | | | | | | | | | | | | | | | | | | |
| | 2-Wire VG Loop/Port Combo - Zone 1 | | 1 | | | 25.77 | | | | | | | | | | | | | | | |
| | 2-Wire VG Loop/Port Combo - Zone 2 | | 2 | | | 36.39 | | | | | | | | | | | | | | | |
| | 2-Wire VG Loop/Port Combo - Zone 3 | | 3 | | | 62.26 | | | | | | | | | | | | | | | |
| | UNE Loop Rates | | | | | | | | | | | | | | | | | | | | |
| | 2-Wire Voice Grade Loop (SL1) - Zone 1 | | 1 | UEPBX | UEPLX | 11.77 | | | | | | | | | | | | | | | |
| | 2-Wire Voice Grade Loop (SL1) - Zone 2 | | 2 | UEPBX | UEPLX | 22.39 | | | | | | | | | | | | | | | |
| | 2-Wire Voice Grade Loop (SL1) - Zone 3 | | 3 | UEPBX | UEPLX | 48.26 | | | | | | | | | | | | | | | |
| | 2-Wire Voice Grade Line Port (Bus) | | | | | | | | | | | | | | | | | | | | |
| | 2-Wire voice unbundled port without Caller ID - bus | | | UEPBX | UEPBL | 14.00 | | | | | | | 90.00 | 90.00 | | | | | | 31.92 | 7.32 |
| | 2-Wire voice unbundled port with Caller + E484 ID - bus | | | UEPBX | UEPBC | 14.00 | | | | | | | 90.00 | 90.00 | | | | | | 31.92 | 7.32 |
| | 2-Wire voice unbundled port outgoing only - bus | | | UEPBX | UEPBO | 14.00 | | | | | | | 90.00 | 90.00 | | | | | | 31.92 | 7.32 |
| | 2-Wire voice Grade unbundled Louisiana extended local dialing parity port with Caller ID - bus | | | UEPBX | UEPAX | 14.00 | | | | | | | 90.00 | 90.00 | | | | | | 31.92 | 7.32 |
| | 2-Wire voice unbundled Louisiana Bus Area Calling Port with Caller ID (BUC) | | | UEPBX | UEPAA | 14.00 | | | | | | | 90.00 | 90.00 | | | | | | 31.92 | 7.32 |
| | LOCAL NUMBER PORTABILITY | | | | | | | | | | | | | | | | | | | | |
| | Local Number Portability (1 per port) | | | UEPBX | LNPCX | 0.35 | | | | | | | | | | | | | | | |
| | NONRECURRING CHARGES - CURRENTLY COMBINED | | | | | | | | | | | | | | | | | | | | |
| | 2-Wire Voice Grade Loop / Line Port Combination - Switch-as-is | | | UEPBX | USAC2 | | | | | | | | 41.50 | 41.50 | | | | | | 31.92 | 7.32 |
| | 2-Wire Voice Grade Loop / Line Port Combination - Switch with change | | | UEPBX | USACC | | | | | | | | 41.50 | 41.50 | | | | | | 31.92 | 7.32 |
| | ADDITIONAL NRCs | | | | | | | | | | | | | | | | | | | | |
| | NRC - 2-Wire Voice Grade Loop/Line Port Combination - Subsequent | | | UEPBX | USAS2 | | | | | | | | 0.00 | 0.00 | | | | | | 31.92 | 7.32 |
| | 2-WIRE VOICE GRADE LOOP WITH 2-WIRE LINE PORT (RES - PBX) | | | | | | | | | | | | | | | | | | | | |
| | UNE Port/Loop Combination Rates | | | | | | | | | | | | | | | | | | | | |
| | 2-Wire VG Loop/Port Combo - Zone 1 | | 1 | | | 25.77 | | | | | | | | | | | | | | | |
| | 2-Wire VG Loop/Port Combo - Zone 2 | | 2 | | | 36.39 | | | | | | | | | | | | | | | |
| | 2-Wire VG Loop/Port Combo - Zone 3 | | 3 | | | 62.26 | | | | | | | | | | | | | | | |
| | UNE Loop Rates | | | | | | | | | | | | | | | | | | | | |
| | 2-Wire Voice Grade Loop (SL1) - Zone 1 | | 1 | UEPRG | UEPLX | 11.77 | | | | | | | | | | | | | | | |
| | 2-Wire Voice Grade Loop (SL1) - Zone 2 | | 2 | UEPRG | UEPLX | 22.39 | | | | | | | | | | | | | | | |
| | 2-Wire Voice Grade Loop (SL1) - Zone 3 | | 3 | UEPRG | UEPLX | 48.26 | | | | | | | | | | | | | | | |
| | 2-Wire Voice Grade Line Port Rates (RES - PBX) | | | | | | | | | | | | | | | | | | | | |
| | 2-Wire VG Unbundled Combination 2-Way PBX Trunk Port - Res | | | UEPRG | UEPRD | 14.00 | | | | | | | 90.00 | 90.00 | | | | | | 31.92 | 7.32 |
| | LOCAL NUMBER PORTABILITY | | | | | | | | | | | | | | | | | | | | |
| | Local Number Portability (1 per port) | | | UEPRG | LNPCP | 3.15 | | | | | | | | | | | | | | | |
| | NONRECURRING CHARGES - CURRENTLY COMBINED | | | | | | | | | | | | | | | | | | | | |
| | 2-Wire Voice Grade Loop/ Line Port Combination - Switch-As-Is | | | UEPRG | USAC2 | | | | | | | | 41.50 | 41.50 | | | | | | 31.92 | 7.32 |
| | 2-Wire Voice Grade Loop/ Line Port Combination - Switch with Change | | | UEPRG | USACC | | | | | | | | 41.50 | 41.50 | | | | | | 31.92 | 7.32 |
| | ADDITIONAL NRCs | | | | | | | | | | | | | | | | | | | | |
| | 2 Wire Loop/Line Side Port Combination - Non feature - Subsequent Activity - Nonrecurring | | | | | | | | | | | | 0.00 | 0.00 | | | | | | 31.92 | 7.32 |
| | PBX Subsequent Activity - Change/Rearrange Multiline Hunt Group | | | | | | | | | | | | 14.64 | 14.64 | | | | | | 31.92 | 7.32 |
| | 2-WIRE VOICE GRADE LOOP WITH 2-WIRE LINE PORT (BUS - PBX) | | | | | | | | | | | | | | | | | | | | |
| | UNE Port/Loop Combination Rates | | | | | | | | | | | | | | | | | | | | |
| | 2-Wire VG Loop/Port Combo - Zone 1 | | 1 | | | 25.77 | | | | | | | | | | | | | | | |
| | 2-Wire VG Loop/Port Combo - Zone 2 | | 2 | | | 36.39 | | | | | | | | | | | | | | | |
| | 2-Wire VG Loop/Port Combo - Zone 3 | | 3 | | | 62.26 | | | | | | | | | | | | | | | |
| | UNE Loop Rates | | | | | | | | | | | | | | | | | | | | |

| UNBUNDLED NETWORK ELEMENTS - Louisiana | | | | | | | | | | Attachment: 2 | | Exhibit: B | | | | | | | | |
|--|--|---------|------|-------|-------|-----------|----------------------------------|--------------------------------------|--|--|---|---|---------------|--------------|-------|-------------------------|--|-------|-------|-------|
| CATEGORY | RATE ELEMENTS | Interim | Zone | BCS | USOC | RATES(\$) | Svc Order Submitted Elec per LSR | Svc Order Submitted Manually per LSR | Incremental Charge - Manual Svc Order vs. Electronic-1st | Incremental Charge - Manual Svc Order vs. Electronic-Add'l | Incremental Charge - Manual Svc Order vs. Electronic-Disc 1st | Incremental Charge - Manual Svc Order vs. Electronic-Disc Add'l | OSS Rates(\$) | | | | | | | |
| | | | | | | | | | | | | | Rec | Nonrecurring | | Nonrecurring Disconnect | | SOMEc | SOMAN | SOMAN |
| | | | | | | | | | | | | | First | Add'l | First | Add'l | | | | |
| | 2-Wire Voice Grade Loop (SL1) - Zone 1 | | 1 | UEPPX | UEPLX | 11.77 | | | | | | | | | | | | | | |
| | 2-Wire Voice Grade Loop (SL1) - Zone 2 | | 2 | UEPPX | UEPLX | 22.39 | | | | | | | | | | | | | | |
| | 2-Wire Voice Grade Loop (SL1) - Zone 3 | | 3 | UEPPX | UEPLX | 48.26 | | | | | | | | | | | | | | |
| | 2-Wire Voice Grade Line Port Rates (BUS - PBX) | | | | | | | | | | | | | | | | | | | |
| | Line Side Unbundled Combination 2-Way PBX Trunk Port - Bus | | | UEPPX | UEPPC | 14.00 | | | | | | | | | | | | | 31.92 | 7.32 |
| | Line Side Unbundled Outward PBX Trunk Port - Bus | | | UEPPX | UEPPO | 14.00 | | | | | | | | | | | | | 31.92 | 7.32 |
| | Line Side Unbundled Incoming PBX Trunk Port - Bus | | | UEPPX | UEPP1 | 14.00 | | | | | | | | | | | | | 31.92 | 7.32 |
| | 2-Wire Voice Unbundled 2-Way Combination PBX Louisiana Calling Port | | | UEPPX | UEPL2 | 14.00 | | | | | | | | | | | | | 31.92 | 7.32 |
| | 2-Wire Voice Unbundled PBX LD Terminal Ports | | | UEPPX | UEPLD | 14.00 | | | | | | | | | | | | | 31.92 | 7.32 |
| | 2-Wire Voice Unbundled 2-Way Combination PBX Usage Port | | | UEPPX | UEPXA | 14.00 | | | | | | | | | | | | | 31.92 | 7.32 |
| | 2-Wire Voice Unbundled PBX Toll Terminal Hotel Ports | | | UEPPX | UEPXB | 14.00 | | | | | | | | | | | | | 31.92 | 7.32 |
| | 2-Wire Voice Unbundled PBX LD DDD Terminals Port | | | UEPPX | UEPXC | 14.00 | | | | | | | | | | | | | 31.92 | 7.32 |
| | 2-Wire Voice Unbundled PBX LD Terminal Switchboard Port | | | UEPPX | UEPXD | 14.00 | | | | | | | | | | | | | 31.92 | 7.32 |
| | 2-Wire Voice Unbundled PBX LD Terminal Switchboard IDD Capable Port | | | UEPPX | UEPXE | 14.00 | | | | | | | | | | | | | 31.92 | 7.32 |
| | 2-Wire Voice Unbundled 2-Way PBX Louisiana Local Optional Calling Port | | | UEPPX | UEPXE | 14.00 | | | | | | | | | | | | | 31.92 | 7.32 |
| | 2-Wire Voice Unbundled 2-Way PBX Hotel/Hospital Economy Administrative Calling Port | | | UEPPX | UEPXL | 14.00 | | | | | | | | | | | | | 31.92 | 7.32 |
| | 2-Wire Voice Unbundled 2-Way PBX Hotel/Hospital Economy Room Calling Port | | | UEPPX | UEPXM | 14.00 | | | | | | | | | | | | | 31.92 | 7.32 |
| | 2-Wire Voice Unbundled 1-Way Outgoing PBX Hotel/Hospital Discount Room Calling Port | | | UEPPX | UEPXD | 14.00 | | | | | | | | | | | | | 31.92 | 7.32 |
| | 2-Wire Voice Unbundled 1-Way Outgoing PBX Louisiana Local Discount Calling Port | | | UEPPX | UEPXP | 14.00 | | | | | | | | | | | | | 31.92 | 7.32 |
| | 2-Wire Voice Unbundled 1-Way Outgoing PBX Measured Port | | | UEPPX | UEPXS | 14.00 | | | | | | | | | | | | | 31.92 | 7.32 |
| | LOCAL NUMBER PORTABILITY | | | | | | | | | | | | | | | | | | | |
| | Local Number Portability (1 per port) | | | UEPPX | LNPCP | 3.15 | | | | | | | | | | | | | | |
| | FEATURES | | | | | | | | | | | | | | | | | | | |
| | All Features Offered | | | UEPPX | UEPVF | 0.00 | | | | | | | | | | | | | 31.92 | 7.32 |
| | NONRECURRING CHARGES - CURRENTLY COMBINED | | | | | | | | | | | | | | | | | | | |
| | 2-Wire Voice Grade Loop/ Line Port Combination - Switch-As-Is | | | UEPPX | USAC2 | | | | | | | | | | | | | | 31.92 | 7.32 |
| | 2-Wire Voice Grade Loop/ Line Port Combination - Switch with Change | | | UEPPX | USACC | | | | | | | | | | | | | | 31.92 | 7.32 |
| | ADDITIONAL NRCS | | | | | | | | | | | | | | | | | | | |
| | 2-Wire Voice Grade Loop/ Line Port Combination - Subsequent | | | UEPPX | USAS2 | | | | | | | | | | | | | | 31.92 | 7.32 |
| | 2 Wire Loop/Line Side Port Combination - Non feature - Subsequent Activity- Nonrecurring | | | | | | | | | | | | | | | | | | 31.92 | 7.32 |
| | PBX Subsequent Activity - Change/Rearrange Multiline Hunt Group | | | | | | | | | | | | | | | | | | 14.64 | 14.64 |
| | 2-WIRE VOICE GRADE LOOP WITH 2-WIRE ANALOG LINE COIN PORT | | | | | | | | | | | | | | | | | | | |
| | UNE Port/Loop Combination Rates | | | | | | | | | | | | | | | | | | | |
| | 2-Wire VG Coin Port/Loop Combo - Zone 1 | | 1 | | | 25.77 | | | | | | | | | | | | | | |
| | 2-Wire VG Coin Port/Loop Combo - Zone 2 | | 2 | | | 36.39 | | | | | | | | | | | | | | |
| | 2-Wire VG Coin Port/Loop Combo - Zone 3 | | 3 | | | 62.26 | | | | | | | | | | | | | | |
| | UNE Loop Rates | | | | | | | | | | | | | | | | | | | |
| | 2-Wire Voice Grade Loop (SL1) - Zone 1 | | 1 | UEPCO | UEPLX | 11.77 | | | | | | | | | | | | | | |
| | 2-Wire Voice Grade Loop (SL1) - Zone 2 | | 2 | UEPCO | UEPLX | 22.39 | | | | | | | | | | | | | | |
| | 2-Wire Voice Grade Loop (SL1) - Zone 3 | | 3 | UEPCO | UEPLX | 48.26 | | | | | | | | | | | | | | |
| | 2-Wire Voice Grade Line Port Rates (Coin) | | | | | | | | | | | | | | | | | | | |
| | 2-Wire Coin 2-Way without Operator Screening and without Blocking (AL, KY, LA, MS) | | | UEPCO | UEPRF | 14.00 | | | | | | | | | | | | | 31.92 | 7.32 |
| | 2-Wire Coin 2-Way with Operator Screening and Blocking: 011, 900/976, 1+DDD (AL, KY, LA, MS, SC) | | | UEPCO | UEPRA | 14.00 | | | | | | | | | | | | | 31.92 | 7.32 |

| UNBUNDLED NETWORK ELEMENTS - Louisiana | | | | | | | | | | Attachment: 2 | | Exhibit: B | | | | |
|---|---|---------|------|-------|-------|-----------|----------------------------------|--------------------------------------|--|--|---|---|-------|--------------|-------|-------------------------|
| CATEGORY | RATE ELEMENTS | Interim | Zone | BCS | USOC | RATES(\$) | Svc Order Submitted Elec per LSR | Svc Order Submitted Manually per LSR | Incremental Charge - Manual Svc Order vs. Electronic-1st | Incremental Charge - Manual Svc Order vs. Electronic-Add'l | Incremental Charge - Manual Svc Order vs. Electronic-Disc 1st | Incremental Charge - Manual Svc Order vs. Electronic-Disc Add'l | | | | |
| | | | | | | | | | | | | | Rec | Nonrecurring | | Nonrecurring Disconnect |
| | | | | | | | First | Add'l | First | Add'l | SOME C | SOMAN | SOMAN | SOMAN | SOMAN | SOMAN |
| | 2-Wire Coin 2-Way with Operator Screening and 011 Blocking (AL, LA, MS) | | | UEPCO | UEPRB | 14.00 | 90.00 | 90.00 | | | | | 31.92 | 7.32 | | |
| | 2-Wire Coin 2-Way with Operator Screening & Blocking: 900/976, 1+DDD, 011+, & Local (AL, KY, LA, MS) | | | UEPCO | UEPCD | 14.00 | 90.00 | 90.00 | | | | | 31.92 | 7.32 | | |
| | 2-Wire Coin Outward without Blocking and without Operator Screening (KY, LA, MS) | | | UEPCO | UEPRN | 14.00 | 90.00 | 90.00 | | | | | 31.92 | 7.32 | | |
| | 2-Wire Coin Outward with Operator Screening and 011 Blocking (LA) | | | UEPCO | UEPLA | 14.00 | 90.00 | 90.00 | | | | | 31.92 | 7.32 | | |
| | 2-Wire Coin Outward with Operator Screening and Blocking: 011, 900/976, 1+DDD (AL, KY, LA, MS) | | | UEPCO | UEPRH | 14.00 | 90.00 | 90.00 | | | | | 31.92 | 7.32 | | |
| | 2-Wire Coin Outward Operator Screening & Blocking: 900/976, 1+DDD, 011+, & Local (AL, KY, LA, MS) | | | UEPCO | UEPCN | 14.00 | 90.00 | 90.00 | | | | | 31.92 | 7.32 | | |
| LOCAL NUMBER PORTABILITY | | | | | | | | | | | | | | | | |
| | Local Number Portability (1 per port) | | | UEPCO | LNPCX | 0.35 | | | | | | | | | | |
| NONRECURRING CHARGES - CURRENTLY COMBINED | | | | | | | | | | | | | | | | |
| | 2-Wire Voice Grade Loop/ Line Port Combination - Switch-As-Is | | | UEPCO | USAC2 | | 41.50 | 41.50 | | | | | 31.92 | 7.32 | | |
| | 2-Wire Voice Grade Loop/ Line Port Combination - Switch with Change | | | UEPCO | USACC | | 41.50 | 41.50 | | | | | 31.92 | 7.32 | | |
| ADDITIONAL NRCs | | | | | | | | | | | | | | | | |
| | 2-Wire Voice Grade Loop/ Line Port Combination - Subsequent | | | UEPCO | USAS2 | | 0.00 | 0.00 | | | | | 31.92 | 7.32 | | |
| UNBUNDLED PORT/LOOP COMBINATIONS - MARKET BASED RATES | | | | | | | | | | | | | | | | |
| 2-WIRE VOICE GRADE LOOP- BUS ONLY - WITH 2-WIRE DID TRUNK PORT | | | | | | | | | | | | | | | | |
| UNE Port/Loop Combination Rates | | | | | | | | | | | | | | | | |
| | 2-Wire VG Loop/2-Wire DID Trunk Port Combo - UNE Zone 1 | | 1 | | | 50.93 | | | | | | | | | | |
| | 2-Wire VG Loop/2-Wire DID Trunk Port Combo - UNE Zone 2 | | 2 | | | 61.35 | | | | | | | | | | |
| | 2-Wire VG Loop/2-Wire DID Trunk Port Combo - UNE Zone 3 | | 3 | | | 86.46 | | | | | | | | | | |
| UNE Loop Rates | | | | | | | | | | | | | | | | |
| | 2-Wire Analog Voice Grade Loop - (SL2) - UNE Zone 1 | | 1 | UEPPX | UECD1 | 14.93 | | | | | | | 15.20 | | | |
| | 2-Wire Analog Voice Grade Loop - (SL2) - UNE Zone 2 | | 2 | UEPPX | UECD1 | 25.35 | | | | | | | 15.20 | | | |
| | 2-Wire Analog Voice Grade Loop - (SL2) - UNE Zone 3 | | 3 | UEPPX | UECD1 | 50.46 | | | | | | | 15.20 | | | |
| UNE Port Rate | | | | | | | | | | | | | | | | |
| | Exchange Ports - 2-Wire DID Port | | | UEPPX | UEPD1 | 36.00 | 600.00 | 45.00 | | | | | 15.20 | | | |
| NONRECURRING CHARGES - CURRENTLY COMBINED | | | | | | | | | | | | | | | | |
| | 2-Wire Voice Grade Loop / 2-Wire DID Trunk Port Combination - Switch-As-Is Top 8 MSAs only | | | UEPPX | USAC1 | | 100.00 | 42.50 | | | | | 15.20 | | | |
| | 2-Wire Voice Grade Loop / 2-Wire DID Trunk Port Conversion with BellSouth Allowable Changes Top 8 MSAs only | | | UEPPX | USA1C | | 100.00 | 42.50 | | | | | 15.20 | | | |
| ADDITIONAL NRCs | | | | | | | | | | | | | | | | |
| | 2-Wire DID Subsequent Activity - Add Trunks, Per Trunk | | | UEPPX | USAS1 | | 45.00 | 45.00 | | | | | 15.20 | | | |
| Telephone Number/Trunk Group Establishment Charges | | | | | | | | | | | | | | | | |
| | DID Trunk Termination (One Per Port) | | | UEPPX | NDT | 0.00 | 0.00 | 0.00 | | | | | 15.20 | | | |
| | Additional DID Numbers for each Group of 20 DID Numbers | | | UEPPX | ND4 | 0.00 | 0.00 | 0.00 | | | | | 15.20 | | | |
| | DID Numbers, Non- consecutive DID Numbers , Per Number | | | UEPPX | ND5 | 0.00 | 0.00 | 0.00 | | | | | 15.20 | | | |
| | Reserve Non-Consecutive DID numbers | | | UEPPX | ND6 | 0.00 | 0.00 | 0.00 | | | | | 15.20 | | | |
| | Reserve DID Numbers | | | UEPPX | NDV | 0.00 | 0.00 | 0.00 | | | | | 15.20 | | | |
| LOCAL NUMBER PORTABILITY | | | | | | | | | | | | | | | | |
| | Local Number Portability (1 per port) | | | UEPPX | LNPCP | 3.15 | 0.00 | 0.00 | | | | | | | | |
| 2-WIRE ISDN DIGITAL GRADE LOOP WITH 2-WIRE ISDN DIGITAL LINE SIDE PORT | | | | | | | | | | | | | | | | |
| UNE Port/Loop Combination Rates | | | | | | | | | | | | | | | | |
| | 2W ISDN Digital Grade Loop/2W ISDN Digital Line Side Port - UNE Zone 1 | | 1 | UEPPB | UEPPR | 84.09 | | | | | | | | | | |
| | 2W ISDN Digital Grade Loop/2W ISDN Digital Line Side Port - UNE Zone 2 | | 2 | UEPPB | UEPPR | 96.95 | | | | | | | | | | |
| | 2W ISDN Digital Grade Loop/2W ISDN Digital Line Side Port - UNE Zone 3 | | 3 | UEPPB | UEPPR | 127.60 | | | | | | | | | | |
| UNE Loop Rates | | | | | | | | | | | | | | | | |
| | 2-Wire ISDN Digital Grade Loop - UNE Zone 1 | | 1 | UEPPB | UEPPR | 19.09 | | | | | | | 15.20 | | | |

| UNBUNDLED NETWORK ELEMENTS - Louisiana | | | | | | | | | | | Attachment: 2 | | Exhibit: B | | | | | | | | |
|--|---|---------|------|-------------------|------|-----------|----------------------------------|--------------------------------------|--|--|---|---|---------------|--------------|-------|-------------------------|--|-------|-------|-------|-------|
| CATEGORY | RATE ELEMENTS | Interim | Zone | BCS | USOC | RATES(\$) | Svc Order Submitted Elec per LSR | Svc Order Submitted Manually per LSR | Incremental Charge - Manual Svc Order vs. Electronic-1st | Incremental Charge - Manual Svc Order vs. Electronic-Add'l | Incremental Charge - Manual Svc Order vs. Electronic-Disc 1st | Incremental Charge - Manual Svc Order vs. Electronic-Disc Add'l | OSS Rates(\$) | | | | | | | | |
| | | | | | | | | | | | | | Rec | Nonrecurring | | Nonrecurring Disconnect | | SOMEc | SOMAN | SOMAN | SOMAN |
| | | | | | | | | | | | | | First | Add'l | First | Add'l | | | | | |
| | 2-Wire ISDN Digital Grade Loop - UNE Zone 2 | | 2 | UEPPB UEPPR USL2X | | 31.95 | | | | | | | | | | | | | | | 15.20 |
| | 2-Wire ISDN Digital Grade Loop - UNE Zone 3 | | 3 | UEPPB UEPPR USL2X | | 62.60 | | | | | | | | | | | | | | | 15.20 |
| | UNE Port Rate | | | | | | | | | | | | | | | | | | | | |
| | Exchange Port - 2-Wire ISDN Line Side Port | | | UEPPB UEPPR UEPPB | | 65.00 | | 525.00 | 400.00 | | | | | | | | | | | | 15.20 |
| | NONRECURRING CHARGES - CURRENTLY COMBINED | | | | | | | | | | | | | | | | | | | | |
| | 2-Wire ISDN Digital Grade Loop / 2-Wire ISDN Line Side Port Combination - Conversion - Top 8 MSAs only | | | UEPPB UEPPR USACB | | 0.00 | | 230.00 | 230.00 | | | | | | | | | | | | 15.20 |
| | ADDITIONAL NRCs | | | | | | | | | | | | | | | | | | | | |
| | LOCAL NUMBER PORTABILITY | | | | | | | | | | | | | | | | | | | | |
| | Local Number Portability (1 per port) | | | UEPPB UEPPR LNPCX | | 0.35 | | 0.00 | 0.00 | | | | | | | | | | | | |
| | B-CHANNEL USER PROFILE ACCESS: | | | | | | | | | | | | | | | | | | | | |
| | CVS/CSD (DMS/5ESS) | | | UEPPB UEPPR U1UCA | | 0.00 | | 0.00 | 0.00 | | | | | | | | | | | | |
| | CVS (EWSD) | | | UEPPB UEPPR U1UCB | | 0.00 | | 0.00 | 0.00 | | | | | | | | | | | | |
| | CSD | | | UEPPB UEPPR U1UCC | | 0.00 | | 0.00 | 0.00 | | | | | | | | | | | | |
| | B-CHANNEL AREA PLUS USER PROFILE ACCESS: (AL,KY,LA,MS SC,MS, & TN) | | | | | | | | | | | | | | | | | | | | |
| | CVS/CSD (DMS/5ESS) | | | UEPPB UEPPR U1UCD | | 0.00 | | 0.00 | 0.00 | | | | | | | | | | | | |
| | CVS (EWSD) | | | UEPPB UEPPR U1UCE | | 0.00 | | 0.00 | 0.00 | | | | | | | | | | | | |
| | CSD | | | UEPPB UEPPR U1UCF | | 0.00 | | 0.00 | 0.00 | | | | | | | | | | | | |
| | USER TERMINAL PROFILE | | | | | | | | | | | | | | | | | | | | |
| | User Terminal Profile (EWSD only) | | | UEPPB UEPPR U1UMA | | 0.00 | | 0.00 | 0.00 | | | | | | | | | | | | |
| | VERTICAL FEATURES | | | | | | | | | | | | | | | | | | | | |
| | All Vertical Features - One per Channel B User Profile | | | UEPPB UEPPR UEPVF | | 0.00 | | 0.00 | 0.00 | | | | | | | | | | | | 15.20 |
| | INTEROFFICE CHANNEL MILEAGE | | | | | | | | | | | | | | | | | | | | |
| | Interoffice Channel mileage each, including first mile and facilities termination | | | UEPPB UEPPR M1GNC | | 22.613 | | 39.36 | 26.62 | | | | | | | | | | | | 15.20 |
| | Interoffice Channel mileage each, additional mile | | | UEPPB UEPPR M1GNM | | 0.013 | | 0.00 | 0.00 | | | | | | | | | | | | 15.20 |
| | 4-WIRE DS1 DIGITAL LOOP WITH 4-WIRE ISDN DS1 DIGITAL TRUNK PORT | | | | | | | | | | | | | | | | | | | | |
| | UNE Port/Loop Combination Rates | | | | | | | | | | | | | | | | | | | | |
| | 4W DS1 Digital Loop/4W ISDN DS1 Digital Trunk Port - UNE Zone 1 | | 1 | UEPPP | | 935.70 | | | | | | | | | | | | | | | |
| | 4W DS1 Digital Loop/4W ISDN DS1 Digital Trunk Port - UNE Zone 2 | | 2 | UEPPP | | 1,044.96 | | | | | | | | | | | | | | | |
| | 4W DS1 Digital Loop/4W ISDN DS1 Digital Trunk Port - UNE Zone 3 | | 3 | UEPPP | | 1,341.94 | | | | | | | | | | | | | | | |
| | UNE Loop Rates | | | | | | | | | | | | | | | | | | | | |
| | 4-Wire DS1 Digital Loop - UNE Zone 1 | | 1 | UEPPP USL4P | | 85.70 | | | | | | | | | | | | | | | 15.20 |
| | 4-Wire DS1 Digital Loop - UNE Zone 2 | | 2 | UEPPP USL4P | | 194.96 | | | | | | | | | | | | | | | 15.20 |
| | 4-Wire DS1 Digital Loop - UNE Zone 3 | | 3 | UEPPP USL4P | | 491.94 | | | | | | | | | | | | | | | 15.20 |
| | UNE Port Rate | | | | | | | | | | | | | | | | | | | | |
| | Exchange Ports - 4-Wire ISDN DS1 Port | | | UEPPP UEPPP | | 850.00 | | 1,150.00 | 1,150.00 | | | | | | | | | | | | 15.20 |
| | NONRECURRING CHARGES - CURRENTLY COMBINED | | | | | | | | | | | | | | | | | | | | |
| | 4-Wire DS1 Digital Loop / 4-Wire ISDN DS1 Digital Trunk Port Combination - Conversion -Switch-As-Is Top 8 MSAs only | | | UEPPP USACP | | 0.00 | | 950.00 | 950.00 | | | | | | | | | | | | 15.20 |
| | ADDITIONAL NRCs | | | | | | | | | | | | | | | | | | | | |
| | 4-Wire DS1 Loop/4-W ISDN Digt Trk Port - Subsqct Actvy-Inward/two way tel nos within Std Allowance (except NC) | | | UEPPP PR7TF | | | | 0.48 | | | | | | | | | | | | | 15.20 |
| | 4-Wire DS1 Loop / 4-Wire ISDN DS1 Digital Trunk Port - Outward Tel Numbers (All States except NC) | | | UEPPP PR7TO | | | | 11.18 | 11.18 | | | | | | | | | | | | 15.20 |
| | 4-Wire DS1 Loop / 4-Wire ISDN DS1 Digital Trk Port - Subsequent Inward Tel Nos Above Std Allowance | | | UEPPP PR7ZT | | | | 22.35 | 22.35 | | | | | | | | | | | | 15.20 |
| | LOCAL NUMBER PORTABILITY | | | | | | | | | | | | | | | | | | | | |
| | Local Number Portability (1 per port) | | | UEPPP LNPCN | | 1.75 | | | | | | | | | | | | | | | |
| | INTERFACE (Provisioning Only) | | | | | | | | | | | | | | | | | | | | |
| | Voice/Data | | | UEPPP PR71V | | 0.00 | | 0.00 | 0.00 | | | | | | | | | | | | |
| | Digital Data | | | UEPPP PR71D | | 0.00 | | 0.00 | 0.00 | | | | | | | | | | | | |
| | Inward Data | | | UEPPP PR71E | | 0.00 | | 0.00 | 0.00 | | | | | | | | | | | | |
| | New or Additional "B" Channel | | | | | | | | | | | | | | | | | | | | |
| | New or Additional - Voice/Data B Channel | | | UEPPP PR7BV | | 0.00 | | 14.11 | | | | | | | | | | | | | 15.20 |

| UNBUNDLED NETWORK ELEMENTS - Louisiana | | | | | | | | | | | Attachment: 2 | | Exhibit: B | | | | | | | | | |
|--|--|---------|------|-------|-------|-----------|----------------------------------|--------------------------------------|--|--|---|---|---------------|--------------|-------|-------------------------|-------|-------|-------|-------|-------|-------|
| CATEGORY | RATE ELEMENTS | Interim | Zone | BCS | USOC | RATES(\$) | Svc Order Submitted Elec per LSR | Svc Order Submitted Manually per LSR | Incremental Charge - Manual Svc Order vs. Electronic-1st | Incremental Charge - Manual Svc Order vs. Electronic-Add'l | Incremental Charge - Manual Svc Order vs. Electronic-Disc 1st | Incremental Charge - Manual Svc Order vs. Electronic-Disc Add'l | OSS Rates(\$) | | | | | | | | | |
| | | | | | | | | | | | | | Rec | Nonrecurring | | Nonrecurring Disconnect | | SOMEc | SOMAN | SOMAN | SOMAN | SOMAN |
| | | | | | | | | | | | | | First | Add'l | First | Add'l | SOMEc | SOMAN | SOMAN | SOMAN | SOMAN | |
| | New or Additional - Digital Data B Channel | | | UEPPP | PR7BF | 0.00 | | | | | | | 14.11 | | | | | 15.20 | | | | |
| | New or Additional Inward Data B Channel | | | UEPPP | PR7BD | 0.00 | | | | | | | 14.11 | | | | | 15.20 | | | | |
| | CALL TYPES | | | | | | | | | | | | | | | | | | | | | |
| | Inward | | | UEPPP | PR7C1 | 0.00 | | | | | | | 0.00 | 0.00 | | | | | | | | |
| | Outward | | | UEPPP | PR7C0 | 0.00 | | | | | | | 0.00 | 0.00 | | | | | | | | |
| | Two-way | | | UEPPP | PR7CC | 0.00 | | | | | | | 0.00 | 0.00 | | | | | | | | |
| | Interoffice Channel Mileage | | | | | | | | | | | | | | | | | | | | | |
| | Fixed Each Including First Mile | | | UEPPP | 1LN1A | 70.7532 | | | | | | | 86.69 | 79.44 | | | | 15.20 | | | | |
| | Each Airline-Fractional Additional Mile | | | UEPPP | 1LN1B | 0.2652 | | | | | | | | | | | | | | | | |
| | 4-WIRE DS1 DIGITAL LOOP WITH 4-WIRE DDITS TRUNK PORT | | | | | | | | | | | | | | | | | | | | | |
| | UNE Port/Loop Combination Rates | | | | | | | | | | | | | | | | | | | | | |
| | 4W DS1 Digital Loop/4W DDITS Trunk Port - Statewide | | sw | UEPDC | | | | | | | | | | | | | | | | | | |
| | 4W DS1 Digital Loop/4W DDITS Trunk Port - UNE Zone 1 | | 1 | UEPDC | | 154.17 | | | | | | | | | | | | 15.20 | | | | |
| | 4W DS1 Digital Loop/4W DDITS Trunk Port - UNE Zone 2 | | 2 | UEPDC | | 263.43 | | | | | | | | | | | | 15.20 | | | | |
| | 4W DS1 Digital Loop/4W DDITS Trunk Port - UNE Zone 3 | | 3 | UEPDC | | 560.41 | | | | | | | | | | | | 15.20 | | | | |
| | 4W DS1 Digital Loop/4W DDITS Trunk Port - UNE Zone 4 | | 4 | UEPDC | | | | | | | | | | | | | | | | | | |
| | UNE Loop Rates | | | | | | | | | | | | | | | | | | | | | |
| | 4-Wire DS1 Digital Loop - Statewide | | sw | UEPDC | USLDC | | | | | | | | | | | | | | | | | |
| | 4-Wire DS1 Digital Loop - UNE Zone 1 | | 1 | UEPDC | USLDC | 85.70 | | | | | | | | | | | | 15.20 | | | | |
| | 4-Wire DS1 Digital Loop - UNE Zone 2 | | 2 | UEPDC | USLDC | 194.96 | | | | | | | | | | | | 15.20 | | | | |
| | 4-Wire DS1 Digital Loop - UNE Zone 3 | | 3 | UEPDC | USLDC | 491.94 | | | | | | | | | | | | 15.20 | | | | |
| | 4-Wire DS1 Digital Loop - UNE Zone 4 | | 4 | UEPDC | USLDC | | | | | | | | | | | | | | | | | |
| | UNE Port Rate | | | | | | | | | | | | | | | | | | | | | |
| | 4-Wire DDITS Digital Trunk Port | | | UEPDC | UDD1T | 750.00 | | | | | | | 1,006.28 | 479.28 | 0.00 | 0.00 | | 15.20 | | | | |
| | NONRECURRING CHARGES - CURRENTLY COMBINED | | | | | | | | | | | | | | | | | | | | | |
| | 4-Wire DS1 Digital Loop / 4-Wire DDITS Trunk Port Combination - Switch-As-Is Top 8 MSAs only | | | UEPDC | USAC4 | | | | | | | | 125.75 | 65.08 | | | | 15.20 | | | | |
| | 4-Wire DS1 Digital Loop / 4-Wire DDITS Trunk Port Combination - Conversion with DS1 Changes Top 8 MSAs only | | | UEPDC | USAWA | | | | | | | | 125.75 | 65.08 | | | | 15.20 | | | | |
| | 4-Wire DS1 Digital Loop / 4-Wire DDITS Trunk Port Combination - Conversion with Change - Trunk Top 8 MSAs only | | | UEPDC | USAWB | | | | | | | | 125.75 | 65.08 | | | | 15.20 | | | | |
| | ADDITIONAL NRCs | | | | | | | | | | | | | | | | | | | | | |
| | 4-Wire DS1 Loop / 4-Wire DDITS Trunk Port - Subsequent Service Activity Per Service Order | | | UEPDC | USAS4 | | | | | | | | | | | | | | | | | |
| | 4-Wire DS1 Loop / 4-Wire DDITS Trunk Port - NRC - Subsequent Channel Activation/Chan - 2-Way Trunk | | | UEPDC | UDTTA | | | | | | | | 14.06 | 14.06 | | | | 15.20 | | | | |
| | 4-Wire DS1 Loop / 4-Wire DDITS Trunk Port - Subsequent Channel Activation/Chan - 1-Way Outward Trunk | | | UEPDC | UDTTB | | | | | | | | 14.06 | 14.06 | | | | 15.20 | | | | |
| | 4-Wire DS1 Loop / 4-Wire DDITS Trunk Port - Subsqt Channel Activation/Chan Inward Trunk w/out DID | | | UEPDC | UDTTC | | | | | | | | 14.06 | 14.06 | | | | 15.20 | | | | |
| | 4-Wire DS1 Loop / 4-Wire DDITS Trunk Port - Subsqt Chan Activation Per Chan - Inward Trunk with DID | | | UEPDC | UDTTD | | | | | | | | 14.06 | 14.06 | | | | 15.20 | | | | |
| | 4-Wire DS1 Loop / 4-Wire DDITS Trunk Port - Subsqt Chan Activation / Chan - 2-Way DID w User Trans | | | UEPDC | UDTTE | | | | | | | | 14.06 | 14.06 | | | | 15.20 | | | | |
| | BIPOLAR & ZERO SUBSTITUTION | | | | | | | | | | | | | | | | | | | | | |
| | B8ZS -Superframe Format | | | UEPDC | CCOSF | | | | | | | | 0.00 | 605.00 | | | | 15.20 | | | | |
| | B8ZS - Extended Superframe Format | | | UEPDC | CCOEF | | | | | | | | 0.00 | 605.00 | | | | 15.20 | | | | |
| | Alternate Mark Inversion | | | | | | | | | | | | | | | | | | | | | |
| | AMI -Superframe Format | | | UEPDC | MCOSF | | | | | | | | 0.00 | 0.00 | | | | | | | | |
| | AMI - Extended SuperFrame Format | | | UEPDC | MCOPO | | | | | | | | 0.00 | 0.00 | | | | | | | | |
| | Telephone Number/Trunk Group Establishment Charges | | | | | | | | | | | | | | | | | | | | | |
| | Telephone Number for 2-Way Trunk Group | | | UEPDC | UDTGX | 0.00 | | | | | | | | | | | | 15.20 | | | | |
| | Telephone Number for 1-Way Outward Trunk Group | | | UEPDC | UDTGY | 0.00 | | | | | | | | | | | | 15.20 | | | | |
| | Telephone Number for 1-Way Inward Trunk Group Without DID | | | UEPDC | UDTGZ | 0.00 | | | | | | | | | | | | 15.20 | | | | |
| | DID Numbers, Establish Trunk Group and Provide First Group of 20 DID Numbers | | | UEPDC | NDZ | 0.00 | | | | | | | 0.00 | 0.00 | | | | 15.20 | | | | |
| | DID Numbers for each Group of 20 DID Numbers | | | UEPDC | ND4 | 0.00 | | | | | | | | | | | | 15.20 | | | | |

| UNBUNDLED NETWORK ELEMENTS - Louisiana | | | | | | | | | | | Attachment: 2 | | Exhibit: B | | | | | | | | |
|--|---|---------|------|-------|--------|-----------|----------------------------------|--------------------------------------|--|--|---|---|---------------|--------------|-------|-------------------------|--|-------|-------|-------|-------|
| CATEGORY | RATE ELEMENTS | Interim | Zone | BCS | USOC | RATES(\$) | Svc Order Submitted Elec per LSR | Svc Order Submitted Manually per LSR | Incremental Charge - Manual Svc Order vs. Electronic-1st | Incremental Charge - Manual Svc Order vs. Electronic-Add'l | Incremental Charge - Manual Svc Order vs. Electronic-Disc 1st | Incremental Charge - Manual Svc Order vs. Electronic-Disc Add'l | OSS Rates(\$) | | | | | | | | |
| | | | | | | | | | | | | | Rec | Nonrecurring | | Nonrecurring Disconnect | | SOMEc | SOMAN | SOMAN | SOMAN |
| | | | | | | | | | | | | | First | Add'l | First | Add'l | | | | | |
| | DID Numbers, Non- consecutive DID Numbers , Per Number | | | UEPDC | ND5 | 0.00 | | | | | | | | | | | | | | | |
| | Reserve Non-Consecutive DID Nos. | | | UEPDC | ND6 | 0.00 | 0.00 | 0.00 | | | | | | | | | | | | | |
| | Reserve DID Numbers | | | UEPDC | NDV | 0.00 | 0.00 | 0.00 | | | | | | | | | | | | | |
| Dedicated DS1 (Interoffice Channel Mileage) - FX/FCO for 4-Wire DS1 Digital Loop with 4-Wire DDITS Trunk Port | | | | | | | | | | | | | | | | | | | | | |
| | Interoffice Channel Mileage - Fixed rate 0-8 miles (Facilities Termination) | | | UEPDC | 1LNO1 | 70.47 | 86.69 | 79.44 | | | | | | | | | | | | | |
| | Interoffice Channel Mileage - Additional rate per mile - 0-8 miles | | | UEPDC | 1LNOA | 0.2652 | 0.00 | 0.00 | | | | | | | | | | | | | |
| | Interoffice Channel Mileage - Fixed rate 9-25 miles (Facilities Termination) | | | UEPDC | 1LNO2 | 0.00 | 0.00 | 0.00 | | | | | | | | | | | | | |
| | Interoffice Channel Mileage - Additional rate per mile - 9-25 miles | | | UEPDC | 1LNOB | 0.2652 | 0.00 | 0.00 | | | | | | | | | | | | | |
| | Interoffice Channel Mileage - Fixed rate 25+ miles (Facilities Termination) | | | UEPDC | 1LNO3 | 0.00 | 0.00 | 0.00 | | | | | | | | | | | | | |
| | Interoffice Channel Mileage - Additional rate per mile - 25+ miles | | | UEPDC | 1LNOC | 0.2652 | 0.00 | 0.00 | | | | | | | | | | | | | |
| | Local Number Portability, per DS0 Activated | | | UEPDC | LNPCP | 3.15 | 0.00 | 0.00 | | | | | | | | | | | | | |
| | Central Office Terminating Point | | | UEPDC | CTG | 0.00 | | | | | | | | | | | | | | | |
| 4-WIRE DS1 LOOP WITH CHANNELIZATION WITH PORT | | | | | | | | | | | | | | | | | | | | | |
| System is 1 DS1 Loop, 1 D4 Channel Bank, and up to 24 Feature Activations | | | | | | | | | | | | | | | | | | | | | |
| A system can have various rate combinations based on type and number of ports used | | | | | | | | | | | | | | | | | | | | | |
| UNE DS1 Loop | | | | | | | | | | | | | | | | | | | | | |
| | 4-Wire DS1 Loop - UNE Zone 1 | | 1 | UEPMG | USLDC | 85.70 | 0.00 | 0.00 | | | | | | | | | | | | | |
| | 4-Wire DS1 Loop - UNE Zone 2 | | 2 | UEPMG | USLDC | 194.96 | 0.00 | 0.00 | | | | | | | | | | | | | |
| | 4-Wire DS1 Loop - UNE Zone 3 | | 3 | UEPMG | USLDC | 491.94 | 0.00 | 0.00 | | | | | | | | | | | | | |
| UNE DSO Channelization Capacities (D4 Channel Bank Configurations) | | | | | | | | | | | | | | | | | | | | | |
| | 24 DSO Channel Capacity - 1 per DS1 | | | UEPMG | VUM24 | 97.35 | 0.00 | 0.00 | | | | | | | | | | | | | |
| | 48 DSO Channel Capacity - 1 per 2 DS1s | | | UEPMG | VUM48 | 194.70 | 0.00 | 0.00 | | | | | | | | | | | | | |
| | 96 DSO Channel Capacity -1per 4 DS1s | | | UEPMG | VUM96 | 389.40 | 0.00 | 0.00 | | | | | | | | | | | | | |
| | 144 DSO Channel Capacity - 1 per 6 DS1s | | | UEPMG | VUM144 | 584.10 | 0.00 | 0.00 | | | | | | | | | | | | | |
| | 192 DSO Channel Capacity -1 per 8 DS1s | | | UEPMG | VUM192 | 778.80 | 0.00 | 0.00 | | | | | | | | | | | | | |
| | 240 DSO Channel Capacity - 1 per 10 DS1s | | | UEPMG | VUM240 | 973.50 | 0.00 | 0.00 | | | | | | | | | | | | | |
| | 288 DSO Channel Capacity - 1 per 12 DS1s | | | UEPMG | VUM288 | 1,168.20 | 0.00 | 0.00 | | | | | | | | | | | | | |
| | 384 DSO Channel Capacity - 1 per 16 DS1s | | | UEPMG | VUM384 | 1,557.60 | 0.00 | 0.00 | | | | | | | | | | | | | |
| | 480 DSO Channel Capacity - 1 per 20 DS1s | | | UEPMG | VUM480 | 1,947.00 | 0.00 | 0.00 | | | | | | | | | | | | | |
| | 576 DSO Channel Capacity -1 per 24 DS1s | | | UEPMG | VUM576 | 2,336.40 | 0.00 | 0.00 | | | | | | | | | | | | | |
| | 672 DSO Channel Capacity - 1 per 28 DS1s | | | UEPMG | VUM672 | 2,725.80 | 0.00 | 0.00 | | | | | | | | | | | | | |
| Non-Recurring Charges (NRC) Associated with 4-Wire DS1 Loop with Channelization with Port - Conversion Charge Based on a System | | | | | | | | | | | | | | | | | | | | | |
| A Minimum System configuration is One (1) DS1, One (1) D4 Channel Bank, and Up To 24 DSO Ports with Feature Activations. | | | | | | | | | | | | | | | | | | | | | |
| Multiples of this configuration functioning as one are considered Add'l after the minimum system configuration is counted. | | | | | | | | | | | | | | | | | | | | | |
| | NRC - Conversion (Currently Combined) with or without BellSouth Allowed Changes - Top 8 MSAs Only | | | UEPMG | USAC4 | 0.00 | 450.00 | 50.00 | | | | | | | | | | | | | |
| System Additions Where Currently Combined and New (Not Currently Combined) | | | | | | | | | | | | | | | | | | | | | |
| In Top 8 MSAs and AL, FL, and NC Only | | | | | | | | | | | | | | | | | | | | | |
| | 1 DS1/D4 Channel Bank - Add NRC for each Port and Assoc Fea Activation - | | | UEPMG | VUMD4 | 0.00 | 900.00 | 600.00 | | | | | | | | | | | | | |
| Bipolar 8 Zero Substitution | | | | | | | | | | | | | | | | | | | | | |
| | Clear Channel Capability Format, superframe - Subsequent Activity Only | | | UEPMG | CCOSF | 0.00 | 0.00 | 605.00 | | | | | | | | | | | | | |
| | Clear Channel Capability Format - Extended Superframe - Subsequent Activity Only | | | UEPMG | CCOEF | 0.00 | 0.00 | 605.00 | | | | | | | | | | | | | |
| Alternate Mark Inversion (AMI) | | | | | | | | | | | | | | | | | | | | | |
| | Superframe Format | | | UEPMG | MCOSF | 0.00 | 0.00 | 0.00 | | | | | | | | | | | | | |
| | Extended Superframe Format | | | UEPMG | MCOPO | 0.00 | 0.00 | 0.00 | | | | | | | | | | | | | |
| Exchange Ports Associated with 4-Wire DS1 Loop with Channelization with Port | | | | | | | | | | | | | | | | | | | | | |
| Exchange Ports | | | | | | | | | | | | | | | | | | | | | |
| | Line Side Combination Channelized PBX Trunk Port - Business | | | UEPPX | UEPCX | 14.00 | 0.00 | 0.00 | | | | | | | | | | | | | |

| UNBUNDLED NETWORK ELEMENTS - Louisiana | | | | | | | | | | | Attachment: 2 | | Exhibit: B | | | | | | | |
|--|---|---------|------|-------|-------|-----------|----------------------------------|--------------------------------------|--|--|---|---|---------------|--------------------|--------------------|-------------------------------|-------------------------------|-------|-------|-------|
| CATEGORY | RATE ELEMENTS | Interim | Zone | BCS | USOC | RATES(\$) | Svc Order Submitted Elec per LSR | Svc Order Submitted Manually per LSR | Incremental Charge - Manual Svc Order vs. Electronic-1st | Incremental Charge - Manual Svc Order vs. Electronic-Add'l | Incremental Charge - Manual Svc Order vs. Electronic-Disc 1st | Incremental Charge - Manual Svc Order vs. Electronic-Disc Add'l | OSS Rates(\$) | | | | | | | |
| | | | | | | | | | | | | | Rec | Nonrecurring First | Nonrecurring Add'l | Nonrecurring Disconnect First | Nonrecurring Disconnect Add'l | SOMEc | SOMAN | SOMAN |
| | Line Side Outward Channelized PBX Trunk Port - Business | | | UEPPX | UEPOX | 14.00 | | | | | | | | | | | | | | |
| | Line Side Inward Only Channelized PBX Trunk Port without DID | | | UEPPX | UEP1X | 14.00 | | | | | | | | | | | | | | |
| | 2-Wire Trunk Side Unbundled Channelized DID Trunk Port | | | UEPPX | UEPDM | 36.00 | | | | | | | | | | | | | | |
| Feature Activations - Unbundled Loop Concentration | | | | | | | | | | | | | | | | | | | | |
| | Feature (Service) Activation for each Line Side Port Terminated in D4 Bank | | | UEPPX | 1PQWM | 0.6497 | | | | | | | | | | | | | | |
| | Feature (Service) Activation for each Trunk Side Port Terminated in D4 Bank | | | UEPPX | 1PQWU | 0.6497 | | | | | | | | | | | | | | |
| Telephone Number/ Group Establishment Charges for DID Service | | | | | | | | | | | | | | | | | | | | |
| | DID Trunk Termination (1 per Port) | | | UEPPX | NDT | 0.00 | | | | | | | | | | | | | | |
| | DID Numbers - groups of 20 - Valid all States | | | UEPPX | ND4 | 0.00 | | | | | | | | | | | | | | |
| | Non-Consecutive DID Numbers - per number | | | UEPPX | ND5 | 0.00 | | | | | | | | | | | | | | |
| | Reserve Non-Consecutive DID Numbers | | | UEPPX | ND6 | 0.00 | | | | | | | | | | | | | | |
| | Reserve DID Numbers | | | UEPPX | NDV | 0.00 | | | | | | | | | | | | | | |
| Local Number Portability | | | | | | | | | | | | | | | | | | | | |
| | Local Number Portability - 1 per port | | | UEPPX | LNPCP | 3.15 | | | | | | | | | | | | | | |
| FEATURES - Vertical and Optional | | | | | | | | | | | | | | | | | | | | |
| Local Switching Features Offered with Line Side Ports Only | | | | | | | | | | | | | | | | | | | | |
| | All Features Available | | | UEPPX | UEPVF | 0.00 | | | | | | | | | | | | | | |
| UNBUNDLED CENTREX PORT/LOOP COMBINATIONS - COST BASED RATES | | | | | | | | | | | | | | | | | | | | |
| 1. Cost Based Rates are applied where BellSouth is required by FCC and/or State Commission rule to provide Unbundled Local Switching or Switch Ports. | | | | | | | | | | | | | | | | | | | | |
| 2. Features shall apply to the Unbundled Port/Loop Combination - Cost Based Rate section in the same manner as they are applied to the Stand-Alone Unbundled Port section of this Rate Exhibit. | | | | | | | | | | | | | | | | | | | | |
| 3. End Office and Tandem Switching Usage and Common Transport Usage rates in the Port section of this rate exhibit shall apply to all combinations of loop/port network elements except for UNE Coin Port/Loop Combinations. For Georgia, Kentucky, Louisiana, Mississippi and Tennessee, the recurring UNE Port and Loop charges listed apply to Currently Combined and Not Currently Combined Combos. The the first and additional Port nonrecurring charges apply to Not Currently Combined Combos for all states. In GA, KY, LA, MS and TN these nonrecurring charges are commission ordered cost based rates and in AL, FL, NC and SC these nonrecurring charges are Market Rates and are listed in the Market Rate section. For Currently Combined Combos in all other states, the nonrecurring charges shall be those identified in the Nonrecurring - Currently Combined sections. | | | | | | | | | | | | | | | | | | | | |
| 5. Market Rates for Unbundled Centrex Port/Loop Combination will be negotiated on an Individual Case Basis, until further notice. | | | | | | | | | | | | | | | | | | | | |
| UNE-P CENTREX - 1AESS - (Valid in AL,FL,GA,KY,LA,MS,&TN only) | | | | | | | | | | | | | | | | | | | | |
| 2-Wire VG Loop/2-Wire Voice Grade Port (Centrex) Combo | | | | | | | | | | | | | | | | | | | | |
| UNE Port/Loop Combination Rates (Non-Design) | | | | | | | | | | | | | | | | | | | | |
| | 2-Wire VG Loop/2-Wire Voice Grade Port (Centrex) Port Combo - Non-Design | | 1 | UEP91 | | 13.13 | | | | | | | | | | | | | | |
| | 2-Wire VG Loop/2-Wire Voice Grade Port (Centrex)Port Combo - Non-Design | | 2 | UEP91 | | 23.75 | | | | | | | | | | | | | | |
| | 2-Wire VG Loop/2-Wire Voice Grade Port (Centrex)Port Combo - Non-Design | | 3 | UEP91 | | 49.62 | | | | | | | | | | | | | | |
| UNE Port/Loop Combination Rates (Design) | | | | | | | | | | | | | | | | | | | | |
| | 2-Wire VG Loop/2-Wire Voice Grade Port (Centrex) Port Combo - Design | | 1 | UEP91 | | 16.29 | | | | | | | | | | | | | | |
| | 2-Wire VG Loop/2-Wire Voice Grade Port (Centrex)Port Combo - Design | | 2 | UEP91 | | 26.71 | | | | | | | | | | | | | | |
| | 2-Wire VG Loop/2-Wire Voice Grade Port (Centrex)Port Combo - Design | | 3 | UEP91 | | 48.26 | | | | | | | | | | | | | | |
| UNE Loop Rate | | | | | | | | | | | | | | | | | | | | |
| | 2-Wire Voice Grade Loop (SL 1) - Zone 1 | | 1 | UEP91 | UECS1 | 11.77 | | | | | | | | | | | | | | |
| | 2-Wire Voice Grade Loop (SL 1) - Zone 2 | | 2 | UEP91 | UECS1 | 22.39 | | | | | | | | | | | | | | |
| | 2-Wire Voice Grade Loop (SL 1) - Zone 3 | | 3 | UEP91 | UECS1 | 48.26 | | | | | | | | | | | | | | |
| | 2-Wire Voice Grade Loop (SL 2) - Zone 1 | | 1 | UEP91 | UECS2 | 14.93 | | | | | | | | | | | | | | |
| | 2-Wire Voice Grade Loop (SL 2) - Zone 2 | | 2 | UEP91 | UECS2 | 25.35 | | | | | | | | | | | | | | |
| | 2-Wire Voice Grade Loop (SL 2) - Zone 3 | | 3 | UEP91 | UECS2 | 50.46 | | | | | | | | | | | | | | |
| UNE Ports | | | | | | | | | | | | | | | | | | | | |
| All States (Except North Carolina and Sout Carolina) | | | | | | | | | | | | | | | | | | | | |
| | 2-Wire Voice Grade Port (Centrex) Basic Local Area | | | UEP91 | UEPYA | 1.36 | | | | | | | | | | | | | | |
| | 2-Wire Voice Grade Port (Centrex 800 termination)Basic Local Area | | | UEP91 | UEPYB | 1.36 | | | | | | | | | | | | | | |
| | 2-Wire Voice Grade Port (Centrex with Caller ID)1Basic Local Area | | | UEP91 | UEPYH | 1.36 | | | | | | | | | | | | | | |

| UNBUNDLED NETWORK ELEMENTS - Louisiana | | | | | | | | | | | Attachment: 2 | | Exhibit: B | | |
|--|---|---------|------|-------|-------|-----------|--------------|-------|-------------------------|----------------------------------|--------------------------------------|--|--|---|---|
| CATEGORY | RATE ELEMENTS | Interim | Zone | BCS | USOC | RATES(\$) | | | | Svc Order Submitted Elec per LSR | Svc Order Submitted Manually per LSR | Incremental Charge - Manual Svc Order vs. Electronic-1st | Incremental Charge - Manual Svc Order vs. Electronic-Add'l | Incremental Charge - Manual Svc Order vs. Electronic-Disc 1st | Incremental Charge - Manual Svc Order vs. Electronic-Disc Add'l |
| | | | | | | Rec | Nonrecurring | | Nonrecurring Disconnect | | | | | | |
| | | | | | | | First | Add'l | First | Add'l | SOMEc | SOMAN | SOMAN | SOMAN | SOMAN |
| | 2-Wire Voice Grade Port (Centrex from diff Serving Wire Center)2 Basic Local Area | | | UEP91 | UEPYM | 1.36 | 104.41 | 67.93 | | | | 15.20 | | | |
| | 2-Wire Voice Grade Port, Diff Serving Wire Center - 800 Service Term - Basic Local Area | | | UEP91 | UEPYZ | 1.36 | 104.41 | 67.93 | | | | 15.20 | | | |
| | 2-Wire Voice Grade Port terminated in on Megalink or equivalent - Basic Local Area | | | UEP91 | UEPY9 | 1.36 | 38.85 | 19.08 | | | | 15.20 | | | |
| | 2-Wire Voice Grade Port Terminated on 800 Service Term - Basic Local Area | | | UEP91 | UEPY2 | 1.36 | 38.85 | 19.08 | | | | 15.20 | | | |
| | AL, KY, LA, MS, & TN Only | | | | | | | | | | | | | | |
| | 2-Wire Voice Grade Port (Centrex) | | | UEP91 | UEPQA | 1.36 | 38.85 | 19.08 | | | | 15.20 | | | |
| | 2-Wire Voice Grade Port (Centrex 800 termination) | | | UEP91 | UEPQB | 1.36 | 38.85 | 19.08 | | | | 15.20 | | | |
| | 2-Wire Voice Grade Port (Centrex with Caller ID)1 | | | UEP91 | UEPQH | 1.36 | 38.85 | 19.08 | | | | 15.20 | | | |
| | 2-Wire Voice Grade Port (Centrex from diff Serving Wire Center)2 | | | UEP91 | UEPQM | 1.36 | 104.41 | 67.93 | | | | 15.20 | | | |
| | 2-Wire Voice Grade Port, Diff Serving Wire Center - 800 Service Term | | | UEP91 | UEPQZ | 1.36 | 104.41 | 67.93 | | | | 15.20 | | | |
| | 2-Wire Voice Grade Port terminated in on Megalink or equivalent | | | UEP91 | UEPQ9 | 1.36 | 38.85 | 19.08 | | | | 15.20 | | | |
| | 2-Wire Voice Grade Port Terminated on 800 Service Term | | | UEP91 | UEPQ2 | 1.36 | 38.85 | 19.08 | | | | 15.20 | | | |
| | Local Switching | | | | | | | | | | | | | | |
| | Centrex Intercom Functionality, per port | | | UEP91 | URECS | 0.8577 | | | | | | | | | |
| | Local Number Portability | | | | | | | | | | | | | | |
| | Local Number Portability (1 per port) | | | UEP91 | LNPCc | 0.35 | | | | | | | | | |
| | Features | | | | | | | | | | | | | | |
| | All Standard Features Offered, per port | | | UEP91 | UEPVF | 0.00 | | | | | | | | | |
| | All Select Features Offered, per port | | | UEP91 | UEPVS | 0.00 | 412.25 | | | | | 15.20 | | | |
| | All Centrex Control Features Offered, per port | | | UEP91 | UEPVC | 0.00 | | | | | | | | | |
| | NARS | | | | | | | | | | | | | | |
| | Unbundled Network Access Register - Combination | | | UEP91 | UARCX | 0.00 | 0.00 | 0.00 | | | | 15.20 | | | |
| | Unbundled Network Access Register - Indial | | | UEP91 | UAR1X | 0.00 | 0.00 | 0.00 | | | | 15.20 | | | |
| | Unbundled Network Access Register - Outdial | | | UEP91 | UAROx | 0.00 | 0.00 | 0.00 | | | | 15.20 | | | |
| | Miscellaneous Terminations | | | | | | | | | | | | | | |
| | 2-Wire Trunk Side | | | | | | | | | | | | | | |
| | Trunk Side Terminations, each | | | UEP91 | CENA6 | 8.29 | 115.85 | 18.20 | | | | 15.20 | | | |
| | Interoffice Channel Mileage - 2-Wire | | | | | | | | | | | | | | |
| | Interoffice Channel Facilities Termination - Voice Grade | | | UEP91 | MIGBC | 22.60 | 39.36 | 26.62 | | | | 15.20 | | | |
| | Interoffice Channel mileage, per mile or fraction of mile | | | UEP91 | MIGBM | 0.13 | | | | | | | | | |
| | Feature Activations (DS0) Centrex Loops on Channelized DS1 Service | | | | | | | | | | | | | | |
| | D4 Channel Bank Feature Activations | | | | | | | | | | | | | | |
| | Feature Activation on D-4 Channel Bank Centrex Loop Slot | | | UEP91 | 1PQWS | 0.6497 | | | | | | 15.20 | | | |
| | Feature Activation on D-4 Channel Bank FX line Side Loop Slot | | | UEP91 | 1PQW6 | 0.6497 | | | | | | 15.20 | | | |
| | Feature Activation on D-4 Channel Bank FX Trunk Side Loop Slot | | | UEP91 | 1PQW7 | 0.6497 | | | | | | 15.20 | | | |
| | Feature Activation on D-4 Channel Bank Centrex Loop Slot - Different Wire Center | | | UEP91 | 1PQWP | 0.6497 | | | | | | 15.20 | | | |
| | Feature Activation on D-4 Channel Bank Private Line Loop Slot | | | UEP91 | 1PQWV | 0.6497 | | | | | | 15.20 | | | |
| | Feature Activation on D-4 Channel Bank Tjie Line/Trunk Loop Slot | | | UEP91 | 1PQWQ | 0.6497 | | | | | | 15.20 | | | |
| | Feature Activation on D-4 Channel Bank WATS Loop Slot | | | UEP91 | 1PQWA | 0.6497 | | | | | | 15.20 | | | |
| | Non-Recurring Charges (NRC) Associated with UNE-P Centrex | | | | | | | | | | | | | | |
| | Conversion - Currently Combined Switch-As-Is with allowed changes, per port | | | UEP91 | USAC2 | | 0.10 | 0.10 | | | | 15.20 | | | |
| | Conversion of Existing Centrex Common Block | | | UEP91 | USACN | 0.00 | 36.66 | 16.10 | | | | | | | |
| | New Centrex Standard Common Block | | | UEP91 | M1ACC | 0.00 | 680.40 | | | | | 15.20 | | | |
| | New Centrex Customized Common Block | | | UEP91 | M1ACC | 0.00 | 680.40 | | | | | 15.20 | | | |
| | Secondary Block, per Block | | | UEP91 | M2CC1 | 0.00 | 79.31 | | | | | 15.20 | | | |
| | NAR Establishment Charge, Per Occasion | | | UEP91 | URECA | 0.00 | 73.93 | | | | | 15.20 | | | |

| UNBUNDLED NETWORK ELEMENTS - Louisiana | | | | | | | | | | | Attachment: 2 | | Exhibit: B | | | | | | |
|--|---|---------|------|-------|-------|-----------|----------------------------------|--------------------------------------|--|--|---|---|------------|--------------|-------|-------------------------|-------|---------------|--|
| CATEGORY | RATE ELEMENTS | Interim | Zone | BCS | USOC | RATES(\$) | Svc Order Submitted Elec per LSR | Svc Order Submitted Manually per LSR | Incremental Charge - Manual Svc Order vs. Electronic-1st | Incremental Charge - Manual Svc Order vs. Electronic-Add'l | Incremental Charge - Manual Svc Order vs. Electronic-Disc 1st | Incremental Charge - Manual Svc Order vs. Electronic-Disc Add'l | | | | | | | |
| | | | | | | | | | | | | | Rec | Nonrecurring | | Nonrecurring Disconnect | | OSS Rates(\$) | |
| | | | | | | | | | | | | | SOMEc | SOMAN | SOMAN | SOMAN | SOMAN | SOMAN | |
| | UNE-P CENTREX - 5ESS (Valid in All States) | | | | | | | | | | | | | | | | | | |
| | 2-Wire VG Loop/2-Wire Voice Grade Port (Centrex) Combo | | | | | | | | | | | | | | | | | | |
| | UNE Port/Loop Combination Rates (Non-Design) | | | | | | | | | | | | | | | | | | |
| | 2-Wire VG Loop/2-Wire Voice Grade Port (Centrex) Port Combo - Non-Design | | 1 | UEP95 | | 13.13 | | | | | | | | | | | | | |
| | 2-Wire VG Loop/2-Wire Voice Grade Port (Centrex)Port Combo - Non-Design | | 2 | UEP95 | | 23.75 | | | | | | | | | | | | | |
| | 2-Wire VG Loop/2-Wire Voice Grade Port (Centrex)Port Combo - Non-Design | | 3 | UEP95 | | 49.62 | | | | | | | | | | | | | |
| | UNE Port/Loop Combination Rates (Design) | | | | | | | | | | | | | | | | | | |
| | 2-Wire VG Loop/2-Wire Voice Grade Port (Centrex) Port Combo - Design | | 1 | UEP95 | | 16.29 | | | | | | | | | | | | | |
| | 2-Wire VG Loop/2-Wire Voice Grade Port (Centrex)Port Combo - Design | | 2 | UEP95 | | 26.71 | | | | | | | | | | | | | |
| | 2-Wire VG Loop/2-Wire Voice Grade Port (Centrex)Port Combo - Design | | 3 | UEP95 | | 51.82 | | | | | | | | | | | | | |
| | UNE Loop Rate | | | | | | | | | | | | | | | | | | |
| | 2-Wire Voice Grade Loop (SL 1) - Zone 1 | | 1 | UEP95 | UECS1 | 11.77 | | | | | | | | | | | | | |
| | 2-Wire Voice Grade Loop (SL 1) - Zone 2 | | 2 | UEP95 | UECS1 | 22.39 | | | | | | | | | | | | | |
| | 2-Wire Voice Grade Loop (SL 1) - Zone 3 | | 3 | UEP95 | UECS1 | 48.26 | | | | | | | | | | | | | |
| | 2-Wire Voice Grade Loop (SL 2) - Zone 1 | | 1 | UEP95 | UECS2 | 14.93 | | | | | | | | | | | | | |
| | 2-Wire Voice Grade Loop (SL 2) - Zone 2 | | 2 | UEP95 | UECS2 | 25.35 | | | | | | | | | | | | | |
| | 2-Wire Voice Grade Loop (SL 2) - Zone 3 | | 3 | UEP95 | UECS2 | 50.46 | | | | | | | | | | | | | |
| | UNE Port Rate | | | | | | | | | | | | | | | | | | |
| | All States | | | | | | | | | | | | | | | | | | |
| | 2-Wire Voice Grade Port (Centrex) Basic Local Area | | | UEP95 | UEPYA | 1.36 | 38.85 | 19.08 | | | | | | 15.20 | | | | | |
| | 2-Wire Voice Grade Port (Centrex 800 termination) | | | UEP95 | UEPYB | 1.36 | 38.85 | 19.08 | | | | | | 15.20 | | | | | |
| | 2-Wire Voice Grade Port (Centrex with Caller ID)1Basic Local Area | | | UEP95 | UEPYH | 1.36 | 38.85 | 19.08 | | | | | | 15.20 | | | | | |
| | 2-Wire Voice Grade Port (Centrex from diff Serving Wire Center)2 Basic Local Area | | | UEP95 | UEPYM | 1.36 | 104.41 | 67.93 | | | | | | 15.20 | | | | | |
| | 2-Wire Voice Grade Port, Diff Serving Wire Center - 800 Service Term - Basic Local Area | | | UEP95 | UEPYZ | 1.36 | 104.41 | 67.93 | | | | | | 15.20 | | | | | |
| | 2-Wire Voice Grade Port terminated in on Megalink or equivalent - Basic Local Area | | | UEP95 | UEPY9 | 1.36 | 38.85 | 19.08 | | | | | | 15.20 | | | | | |
| | 2-Wire Voice Grade Port Terminated on 800 Service Term - Basic Local Area | | | UEP95 | UEPY2 | 1.36 | 38.85 | 19.08 | | | | | | 15.20 | | | | | |
| | AL, KY, LA, MS, SC, & TN Only | | | | | | | | | | | | | | | | | | |
| | 2-Wire Voice Grade Port (Centrex) | | | UEP95 | UEPQA | 1.36 | 38.85 | 19.08 | | | | | | 15.20 | | | | | |
| | 2-Wire Voice Grade Port (Centrex 800 termination) | | | UEP95 | UEPQB | 1.36 | 38.85 | 19.08 | | | | | | 15.20 | | | | | |
| | 2-Wire Voice Grade Port (Centrex with Caller ID)1 | | | UEP95 | UEPQH | 1.36 | 38.85 | 19.08 | | | | | | 15.20 | | | | | |
| | 2-Wire Voice Grade Port (Centrex from diff Serving Wire Center)2 | | | UEP95 | UEPQM | 1.36 | 104.41 | 67.93 | | | | | | 15.20 | | | | | |
| | 2-Wire Voice Grade Port, Diff Serving Wire Center - 800 Service Term | | | UEP95 | UEPQZ | 1.36 | 104.41 | 67.93 | | | | | | 15.20 | | | | | |
| | 2-Wire Voice Grade Port terminated in on Megalink or equivalent | | | UEP95 | UEPQ9 | 1.36 | 38.85 | 19.08 | | | | | | 15.20 | | | | | |
| | 2-Wire Voice Grade Port Terminated on 800 Service Term | | | UEP95 | UEPQ2 | 1.36 | 38.85 | 19.08 | | | | | | 15.20 | | | | | |
| | Local Switching | | | | | | | | | | | | | | | | | | |
| | Centrex Intercom Funtionality, per port | | | UEP95 | URECS | 0.8577 | | | | | | | | 15.20 | | | | | |
| | Local Number Portability | | | | | | | | | | | | | | | | | | |
| | Local Number Portability (1 per port) | | | UEP95 | LNPC | 0.35 | | | | | | | | | | | | | |
| | Features | | | | | | | | | | | | | | | | | | |
| | All Standard Features Offered, per port | | | UEP95 | UEPVF | 0.00 | | | | | | | | 15.20 | | | | | |
| | All Select Features Offered, per port | | | UEP95 | UEPVS | 0.00 | 412.25 | | | | | | | 15.20 | | | | | |
| | All Centrex Control Features Offered, per port | | | UEP95 | UEPVC | 0.00 | | | | | | | | 15.20 | | | | | |
| | NARS | | | | | | | | | | | | | | | | | | |
| | Unbundled Network Access Register - Combination | | | UEP95 | UARCX | 0.00 | 0.00 | 0.00 | | | | | | 15.20 | | | | | |
| | Unbundled Network Access Register - Indial | | | UEP95 | UAR1X | 0.00 | 0.00 | 0.00 | | | | | | 15.20 | | | | | |

| UNBUNDLED NETWORK ELEMENTS - Louisiana | | | | | | | | | | | Attachment: 2 | | Exhibit: B | | | | | | | |
|--|--|---------|------|-------|-------|-----------|----------------------------------|--------------------------------------|--|--|---|---|---------------|--------------------|--------------------|-------------------------------|-------------------------------|-------|-------|-------|
| CATEGORY | RATE ELEMENTS | Interim | Zone | BCS | USOC | RATES(\$) | Svc Order Submitted Elec per LSR | Svc Order Submitted Manually per LSR | Incremental Charge - Manual Svc Order vs. Electronic-1st | Incremental Charge - Manual Svc Order vs. Electronic-Add'l | Incremental Charge - Manual Svc Order vs. Electronic-Disc 1st | Incremental Charge - Manual Svc Order vs. Electronic-Disc Add'l | OSS Rates(\$) | | | | | | | |
| | | | | | | | | | | | | | Rec | Nonrecurring First | Nonrecurring Add'l | Nonrecurring Disconnect First | Nonrecurring Disconnect Add'l | SOMEc | SOMAN | SOMAN |
| | Unbundled Network Access Register - Outdial | | | UEP95 | UAROx | 0.00 | | | | | | | | | | | | | | |
| | Miscellaneous Terminations | | | | | | | | | | | | | | | | | | | |
| | 2-Wire Trunk Side | | | | | | | | | | | | | | | | | | | |
| | Trunk Side Terminations, each | | | UEP95 | CEND6 | 8.29 | | 115.85 | 18.20 | | | | | | | | | | | |
| | 4-Wire Digital (1,544 Megabits) | | | | | | | | | | | | | | | | | | | |
| | DS1 Circuit Terminations, each | | | UEP95 | M1HD1 | 68.47 | | 196.18 | 92.92 | 4.90 | | | | | | | | | | |
| | DS0 Channels Activated, each | | | UEP95 | M1HDO | 0.00 | | 14.06 | | | | | | | | | | | | |
| | Interoffice Channel Mileage - 2-Wire | | | | | | | | | | | | | | | | | | | |
| | Interoffice Channel Facilities Termination | | | UEP95 | MIGBC | 22.60 | | 39.36 | 26.62 | | | | | | | | | | | |
| | Interoffice Channel mileage, per mile or fraction of mile | | | UEP95 | MIGBM | 0.013 | | | | | | | | | | | | | | |
| | Feature Activations (DS0) Centrex Loops on Channelized DS1 Service | | | | | | | | | | | | | | | | | | | |
| | D4 Channel Bank Feature Activations | | | | | | | | | | | | | | | | | | | |
| | Feature Activation on D-4 Channel Bank Centrex Loop Slot | | | UEP95 | 1PQWS | 0.6497 | | | | | | | | | | | | | | |
| | Feature Activation on D-4 Channel Bank FX line Side Loop Slot | | | UEP95 | 1PQW6 | 0.6497 | | | | | | | | | | | | | | |
| | Feature Activation on D-4 Channel Bank FX Trunk Side Loop Slot | | | UEP95 | 1PQW7 | 0.6497 | | | | | | | | | | | | | | |
| | Feature Activation on D-4 Channel Bank Centrex Loop Slot - Different Wire Center | | | UEP95 | 1PQWP | 0.6497 | | | | | | | | | | | | | | |
| | Feature Activation on D-4 Channel Bank Private Line Loop Slot | | | UEP95 | 1PQWV | 0.6497 | | | | | | | | | | | | | | |
| | Feature Activation on D-4 Channel Bank Tjje Line/Trunk Loop Slot | | | UEP95 | 1PQWQ | 0.6497 | | | | | | | | | | | | | | |
| | Feature Activation on D-4 Channel Bank WATS Loop Slot | | | UEP95 | 1PQWA | 0.6497 | | | | | | | | | | | | | | |
| | Non-Recurring Charges (NRC) Associated with UNE-P Centrex | | | | | | | | | | | | | | | | | | | |
| | NRC Conversion Currently Combined Switch-As-Is with allowed changes, per port | | | UEP95 | USAC2 | | | 0.10 | 0.10 | | | | | | | | | | | |
| | Conversion of Existing Centrex Common Block, each | | | UEP95 | USACN | | | 36.66 | 16.10 | | | | | | | | | | | |
| | New Centrex Standard Common Block | | | UEP95 | M1ACS | 0.00 | | 680.40 | | | | | | | | | | | | |
| | New Centrex Customized Common Block | | | UEP95 | M1ACC | 0.00 | | 680.40 | | | | | | | | | | | | |
| | NAR Establishment Charge, Per Occasion | | | UEP95 | URECA | 0.00 | | 73.93 | | | | | | | | | | | | |
| | UNE-P CENTREX - DMS100 (Valid in All States) | | | | | | | | | | | | | | | | | | | |
| | 2-Wire VG Loop/2-Wire Voice Grade Port (Centrex) Combo | | | | | | | | | | | | | | | | | | | |
| | UNE Port/Loop Combination Rates (Non-Design) | | | | | | | | | | | | | | | | | | | |
| | 2-Wire VG Loop/2-Wire Voice Grade Port (Centrex) Port Combo - Non-Design | | 1 | UEP9D | | 13.13 | | | | | | | | | | | | | | |
| | 2-Wire VG Loop/2-Wire Voice Grade Port (Centrex)Port Combo - Non-Design | | 2 | UEP9D | | 23.75 | | | | | | | | | | | | | | |
| | 2-Wire VG Loop/2-Wire Voice Grade Port (Centrex)Port Combo - Non-Design | | 3 | UEP9D | | 49.62 | | | | | | | | | | | | | | |
| | UNE Port/Loop Combination Rates (Design) | | | | | | | | | | | | | | | | | | | |
| | 2-Wire VG Loop/2-Wire Voice Grade Port (Centrex) Port Combo - Design | | 1 | UEP9D | | 16.29 | | | | | | | | | | | | | | |
| | 2-Wire VG Loop/2-Wire Voice Grade Port (Centrex)Port Combo - Design | | 2 | UEP9D | | 26.71 | | | | | | | | | | | | | | |
| | 2-Wire VG Loop/2-Wire Voice Grade Port (Centrex)Port Combo - Design | | 3 | UEP9D | | 51.82 | | | | | | | | | | | | | | |
| | UNE Loop Rate | | | | | | | | | | | | | | | | | | | |
| | 2-Wire Voice Grade Loop (SL 1) - Zone 1 | | 1 | UEP9D | UECS1 | 11.77 | | | | | | | | | | | | | | |
| | 2-Wire Voice Grade Loop (SL 1) - Zone 2 | | 2 | UEP9D | UECS1 | 22.39 | | | | | | | | | | | | | | |
| | 2-Wire Voice Grade Loop (SL 1) - Zone 3 | | 3 | UEP9D | UECS1 | 48.26 | | | | | | | | | | | | | | |
| | 2-Wire Voice Grade Loop (SL 2) - Zone 1 | | 1 | UEP9D | UECS2 | 14.93 | | | | | | | | | | | | | | |
| | 2-Wire Voice Grade Loop (SL 2) - Zone 2 | | 2 | UEP9D | UECS2 | 25.35 | | | | | | | | | | | | | | |
| | 2-Wire Voice Grade Loop (SL 2) - Zone 3 | | 3 | UEP9D | UECS2 | 50.46 | | | | | | | | | | | | | | |
| | UNE Port Rate | | | | | | | | | | | | | | | | | | | |
| | ALL STATES | | | | | | | | | | | | | | | | | | | |
| | 2-Wire Voice Grade Port (Centrex) Basic Local Area | | | UEP9D | UEPYA | 1.36 | | 38.85 | 19.08 | | | | | | | | | | | |
| | 2-Wire Voice Grade Port (Centrex 800 termination)Basic Local Area | | | UEP9D | UEPYB | 1.36 | | 38.85 | 19.08 | | | | | | | | | | | |

| UNBUNDLED NETWORK ELEMENTS - Louisiana | | | | | | | | | | Attachment: 2 | | Exhibit: B | | | | | | | |
|--|--|---------|------|-------|-------|-----------|----------------------------------|--------------------------------------|--|--|---|---|-------|--------------|--|-------------------------|--|---------------|--|
| CATEGORY | RATE ELEMENTS | Interim | Zone | BCS | USOC | RATES(\$) | Svc Order Submitted Elec per LSR | Svc Order Submitted Manually per LSR | Incremental Charge - Manual Svc Order vs. Electronic-1st | Incremental Charge - Manual Svc Order vs. Electronic-Add'l | Incremental Charge - Manual Svc Order vs. Electronic-Disc 1st | Incremental Charge - Manual Svc Order vs. Electronic-Disc Add'l | | | | | | | |
| | | | | | | | | | | | | | Rec | Nonrecurring | | Nonrecurring Disconnect | | OSS Rates(\$) | |
| | | | | | | | | | | | | | | | | | | | |
| | | | | | | | | | | | | | | | | | | | |
| | 2-Wire Voice Grade Port (Centrex / EBS-PSET)3Basic Local Area | | | UEP9D | UEPYC | 1.36 | 38.85 | 19.08 | | | | | 15.20 | | | | | | |
| | 2-Wire Voice Grade Port (Centrex / EBS-M5009)3Basic Local Area | | | UEP9D | UEPYD | 1.36 | 38.85 | 19.08 | | | | | 15.20 | | | | | | |
| | 2-Wire Voice Grade Port (Centrex / EBS-M5209)3 Basic Local Area | | | UEP9D | UEPYE | 1.36 | 38.85 | 19.08 | | | | | 15.20 | | | | | | |
| | 2-Wire Voice Grade Port (Centrex / EBS-M5112)3 Basic Local Area | | | UEP9D | UEPYF | 1.36 | 38.85 | 19.08 | | | | | 15.20 | | | | | | |
| | 2-Wire Voice Grade Port (Centrex / EBS-M5312)3Basic Local Area | | | UEP9D | UEPYG | 1.36 | 38.85 | 19.08 | | | | | 15.20 | | | | | | |
| | 2-Wire Voice Grade Port (Centrex / EBS-M5008)3 Basic Local Area | | | UEP9D | UEPYT | 1.36 | 38.85 | 19.08 | | | | | 15.20 | | | | | | |
| | 2-Wire Voice Grade Port (Centrex / EBS-M5208)3 Basic Local Area | | | UEP9D | UEPYU | 1.36 | 38.85 | 19.08 | | | | | 15.20 | | | | | | |
| | 2-Wire Voice Grade Port (Centrex / EBS-M5216)3 Basic Local Area | | | UEP9D | UEPYV | 1.36 | 38.85 | 19.08 | | | | | 15.20 | | | | | | |
| | 2-Wire Voice Grade Port (Centrex / EBS-M5316)3 Basic Local Area | | | UEP9D | UEPY3 | 1.36 | 38.85 | 19.08 | | | | | 15.20 | | | | | | |
| | 2-Wire Voice Grade Port (Centrex with Caller ID) Basic Local Area | | | UEP9D | UEPYH | 1.36 | 38.85 | 19.08 | | | | | 15.20 | | | | | | |
| | 2-Wire Voice Grade Port (Centrex/Caller ID/Msg Wtg Lamp Indication))3 Basic Local Area | | | UEP9D | UEPYW | 1.36 | 38.85 | 19.08 | | | | | 15.20 | | | | | | |
| | 2-Wire Voice Grade Port (Centrex/Msg Wtg Lamp Indication))3 Basic Local Area | | | UEP9D | UEPYJ | 1.36 | 38.85 | 19.08 | | | | | 15.20 | | | | | | |
| | 2-Wire Voice Grade Port (Centrex from diff Serving Wire Center) 2 Basic Local Area | | | UEP9D | UEPYM | 1.36 | 104.41 | 67.93 | | | | | 15.20 | | | | | | |
| | 2-Wire Voice Grade Port (Centrex/differ SWC /EBS-PSET)2, 3 Basic Local Area | | | UEP9D | UEPYO | 1.36 | 104.41 | 67.93 | | | | | 15.20 | | | | | | |
| | 2-Wire Voice Grade Port (Centrex/differ SWC /EBS-M5009)2, 3 Basic Local Area | | | UEP9D | UEPYP | 1.36 | 104.41 | 67.93 | | | | | 15.20 | | | | | | |
| | 2-Wire Voice Grade Port (Centrex/differ SWC /EBS-5209)2, 3 Basic Local Area | | | UEP9D | UEPYQ | 1.36 | 104.41 | 67.93 | | | | | 15.20 | | | | | | |
| | 2-Wire Voice Grade Port (Centrex/differ SWC /EBS-M5112)2, 3 Basic Local Area | | | UEP9D | UEPYR | 1.36 | 104.41 | 67.93 | | | | | 15.20 | | | | | | |
| | 2-Wire Voice Grade Port (Centrex/differ SWC /EBS-M5312)2, 3 Basic Local Area | | | UEP9D | UEPYS | 1.36 | 104.41 | 67.93 | | | | | 15.20 | | | | | | |
| | 2-Wire Voice Grade Port (Centrex/differ SWC /EBS-M5008)2, 3 Basic Local Area | | | UEP9D | UEPY4 | 1.36 | 104.41 | 67.93 | | | | | 15.20 | | | | | | |
| | 2-Wire Voice Grade Port (Centrex/differ SWC /EBS-M5208)2, 3 Basic Local Area | | | UEP9D | UEPY5 | 1.36 | 104.41 | 67.93 | | | | | 15.20 | | | | | | |
| | 2-Wire Voice Grade Port (Centrex/differ SWC /EBS-M5216)2, 3 Basic Local Area | | | UEP9D | UEPY6 | 1.36 | 104.41 | 67.93 | | | | | 15.20 | | | | | | |
| | 2-Wire Voice Grade Port (Centrex/differ SWC /EBS-M5316)2, 3 Basic Local Area | | | UEP9D | UEPY7 | 1.36 | 104.41 | 67.93 | | | | | 15.20 | | | | | | |
| | 2-Wire Voice Grade Port, Diff Serving Wire Center - 800 Service Term | | | UEP9D | UEPYZ | 1.36 | 104.41 | 67.93 | | | | | 15.20 | | | | | | |
| | 2-Wire Voice Grade Port terminated in on Megalink or equivalent Basic Local Area | | | UEP9D | UEPY9 | 1.36 | 38.85 | 19.08 | | | | | 15.20 | | | | | | |
| | 2-Wire Voice Grade Port Terminated on 800 Service Term Basic Local Area | | | UEP9D | UEPY2 | 1.36 | 38.85 | 19.08 | | | | | 15.20 | | | | | | |
| | AL, KY, LA, MS, SC, & TN Only | | | | | | | | | | | | | | | | | | |
| | 2-Wire Voice Grade Port (Centrex) | | | UEP9D | UEPQA | 1.36 | 38.85 | 19.08 | | | | | 15.20 | | | | | | |
| | 2-Wire Voice Grade Port (Centrex 800 termination) | | | UEP9D | UEPQB | 1.36 | 38.85 | 19.08 | | | | | 15.20 | | | | | | |
| | 2-Wire Voice Grade Port (Centrex / EBS-PSET)3 | | | UEP9D | UEPQC | 1.36 | 38.85 | 19.08 | | | | | 15.20 | | | | | | |
| | 2-Wire Voice Grade Port (Centrex / EBS-M5009)3 | | | UEP9D | UEPQD | 1.36 | 38.85 | 19.08 | | | | | 15.20 | | | | | | |
| | 2-Wire Voice Grade Port (Centrex / EBS-M5209)3 | | | UEP9D | UEPQE | 1.36 | 38.85 | 19.08 | | | | | 15.20 | | | | | | |
| | 2-Wire Voice Grade Port (Centrex / EBS-M5112)3 | | | UEP9D | UEPQF | 1.36 | 38.85 | 19.08 | | | | | 15.20 | | | | | | |
| | 2-Wire Voice Grade Port (Centrex / EBS-M5312)3 | | | UEP9D | UEPQG | 1.36 | 38.85 | 19.08 | | | | | 15.20 | | | | | | |
| | 2-Wire Voice Grade Port (Centrex / EBS-M5008)3 | | | UEP9D | UEPQT | 1.36 | 38.85 | 19.08 | | | | | 15.20 | | | | | | |

| UNBUNDLED NETWORK ELEMENTS - Louisiana | | | | | | | | | | | Attachment: 2 | | Exhibit: B | | | | | | | |
|--|---|---------|------|-------|-------|-----------|----------------------------------|--------------------------------------|--|--|---|---|---------------|--------------|-------|-------------------------|--|-------|-------|-------|
| CATEGORY | RATE ELEMENTS | Interim | Zone | BCS | USOC | RATES(\$) | Svc Order Submitted Elec per LSR | Svc Order Submitted Manually per LSR | Incremental Charge - Manual Svc Order vs. Electronic-1st | Incremental Charge - Manual Svc Order vs. Electronic-Add'l | Incremental Charge - Manual Svc Order vs. Electronic-Disc 1st | Incremental Charge - Manual Svc Order vs. Electronic-Disc Add'l | OSS Rates(\$) | | | | | | | |
| | | | | | | | | | | | | | Rec | Nonrecurring | | Nonrecurring Disconnect | | SOMEc | SOMAN | SOMAN |
| | | | | | | | | | | | | | First | Add'l | First | Add'l | | | | |
| | 2-Wire Voice Grade Port (Centrex / EBS-M5208)3 | | | UEP9D | UEPQU | 1.36 | | | | | | | 38.85 | 19.08 | | | | | | |
| | 2-Wire Voice Grade Port (Centrex / EBS-M5216)3 | | | UEP9D | UEPQV | 1.36 | | | | | | | 38.85 | 19.08 | | | | | | |
| | 2-Wire Voice Grade Port (Centrex / EBS-M5316)3 | | | UEP9D | UEPQ3 | 1.36 | | | | | | | 38.85 | 19.08 | | | | | | |
| | 2-Wire Voice Grade Port (Centrex with Caller ID) | | | UEP9D | UEPQH | 1.36 | | | | | | | 38.85 | 19.08 | | | | | | |
| | 2-Wire Voice Grade Port (Centrex/Caller ID/Msg Wtg Lamp Indication)3 | | | UEP9D | UEPQW | 1.36 | | | | | | | 38.85 | 19.08 | | | | | | |
| | 2-Wire Voice Grade Port (Centrex/Msg Wtg Lamp Indication)3 | | | UEP9D | UEPQJ | 1.36 | | | | | | | 38.85 | 19.08 | | | | | | |
| | 2-Wire Voice Grade Port (Centrex from diff Serving Wire Center) 2 | | | UEP9D | UEPQM | 1.36 | | | | | | | 104.41 | 67.93 | | | | | | |
| | 2-Wire Voice Grade Port (Centrex/differ SWC /EBS-PSET)2, 3 | | | UEP9D | UEPQO | 1.36 | | | | | | | 104.41 | 67.93 | | | | | | |
| | 2-Wire Voice Grade Port (Centrex/differ SWC /EBS-M5009)2, 3 | | | UEP9D | UEPQP | 1.36 | | | | | | | 104.41 | 67.93 | | | | | | |
| | 2-Wire Voice Grade Port (Centrex/differ SWC /EBS-5209)2, 3 | | | UEP9D | UEPQQ | 1.36 | | | | | | | 104.41 | 67.93 | | | | | | |
| | 2-Wire Voice Grade Port (Centrex/differ SWC /EBS-M5112)2, 3 | | | UEP9D | UEPQR | 1.36 | | | | | | | 104.41 | 67.93 | | | | | | |
| | 2-Wire Voice Grade Port (Centrex/differ SWC /EBS-M5312)2, 3 | | | UEP9D | UEPQS | 1.36 | | | | | | | 104.41 | 67.93 | | | | | | |
| | 2-Wire Voice Grade Port (Centrex/differ SWC /EBS-M5008)2, 3 | | | UEP9D | UEPQ4 | 1.36 | | | | | | | 104.41 | 67.93 | | | | | | |
| | 2-Wire Voice Grade Port (Centrex/differ SWC /EBS-M5208)2, 3 | | | UEP9D | UEPQ5 | 1.36 | | | | | | | 104.41 | 67.93 | | | | | | |
| | 2-Wire Voice Grade Port (Centrex/differ SWC /EBS-M5216)2, 3 | | | UEP9D | UEPQ6 | 1.36 | | | | | | | 104.41 | 67.93 | | | | | | |
| | 2-Wire Voice Grade Port (Centrex/differ SWC /EBS-M5316)2, 3 | | | UEP9D | UEPQ7 | 1.36 | | | | | | | 104.41 | 67.93 | | | | | | |
| | 2-Wire Voice Grade Port, Diff Serving Wire Center - 800 Service Term | | | UEP9D | UEPQZ | 1.36 | | | | | | | 104.41 | 67.93 | | | | | | |
| | 2-Wire Voice Grade Port terminated in on Megalink or equivalent | | | UEP9D | UEPQ9 | 1.36 | | | | | | | 38.85 | 19.08 | | | | | | |
| | 2-Wire Voice Grade Port Terminated on 800 Service Term | | | UEP9D | UEPQ2 | 1.36 | | | | | | | 38.85 | 19.08 | | | | | | |
| | Local Switching | | | | | | | | | | | | | | | | | | | |
| | Centrex Intercom Functionality, per port | | | UEP9D | URECS | 0.8577 | | | | | | | | | | | | | | |
| | Local Number Portability | | | | | | | | | | | | | | | | | | | |
| | Local Number Portability (1 per port) | | | UEP9D | LNPCc | 0.35 | | | | | | | | | | | | | | |
| | Features | | | | | | | | | | | | | | | | | | | |
| | All Standard Features Offered, per port | | | UEP9D | UEPVF | 0.00 | | | | | | | | | | | | | | 15.20 |
| | All Select Features Offered, per port | | | UEP9D | UEPVS | 0.00 | | | | | | | | | | | | | | 15.20 |
| | All Centrex Control Features Offered, per port | | | UEP9D | UEPVC | 0.00 | | | | | | | | | | | | | | 15.20 |
| | NARS | | | | | | | | | | | | | | | | | | | |
| | Unbundled Network Access Register - Combination | | | UEP9D | UARCX | 0.00 | | | | | | | 0.00 | 0.00 | | | | | | 15.20 |
| | Unbundled Network Access Register - Inward | | | UEP9D | UAR1X | 0.00 | | | | | | | 0.00 | 0.00 | | | | | | 15.20 |
| | Unbundled Network Access Register - Outdial | | | UEP9D | UAROx | 0.00 | | | | | | | 0.00 | 0.00 | | | | | | 15.20 |
| | Miscellaneous Terminations | | | | | | | | | | | | | | | | | | | |
| | 2-Wire Trunk Side | | | | | | | | | | | | | | | | | | | |
| | Trunk Side Terminations, each | | | UEP9D | CEND6 | 8.29 | | | | | | | 115.85 | 18.20 | | | | | | 15.20 |
| | 4-Wire Digital (1.544 Megabits) | | | | | | | | | | | | | | | | | | | |
| | DS1 Circuit Terminations, each | | | UEP9D | M1HD1 | 68.47 | | | | | | | | | | | | | | 15.20 |
| | DS0 Channels Activated per Channel | | | UEP9D | M1HDO | 0.00 | | | | | | | | | | | | | | 15.20 |
| | Interoffice Channel Mileage - 2-Wire | | | | | | | | | | | | | | | | | | | |
| | Interoffice Channel Facilities Termination | | | UEP9D | MIGBC | 22.60 | | | | | | | | | | | | | | 15.20 |
| | Interoffice Channel mileage, per mile or fraction of mile | | | UEP9D | MIGBM | 0.013 | | | | | | | | | | | | | | |
| | Feature Activations (DS0) Centrex Loops on Channelized DS1 Service | | | | | | | | | | | | | | | | | | | |
| | D4 Channel Bank Feature Activations | | | | | | | | | | | | | | | | | | | |
| | Feature Activation on D-4 Channel Bank Centrex Loop Slot | | | UEP9D | 1PQWS | 0.6497 | | | | | | | | | | | | | | 15.20 |
| | Feature Activation on D-4 Channel Bank FX line Side Loop Slot | | | UEP9D | 1PQW6 | 0.6497 | | | | | | | | | | | | | | 15.20 |
| | Feature Activation on D-4 Channel Bank FX Trunk Side Loop Slot | | | UEP9D | 1PQW7 | 0.6497 | | | | | | | | | | | | | | 15.20 |

| UNBUNDLED NETWORK ELEMENTS - Louisiana | | | | | | | | | | Attachment: 2 | | Exhibit: B | | | | |
|--|---|---------|------|-------|-------|-----------|----------------------------------|--------------------------------------|--|--|---|---|-------|--------------|-------|-------------------------|
| CATEGORY | RATE ELEMENTS | Interim | Zone | BCS | USOC | RATES(\$) | Svc Order Submitted Elec per LSR | Svc Order Submitted Manually per LSR | Incremental Charge - Manual Svc Order vs. Electronic-1st | Incremental Charge - Manual Svc Order vs. Electronic-Add'l | Incremental Charge - Manual Svc Order vs. Electronic-Disc 1st | Incremental Charge - Manual Svc Order vs. Electronic-Disc Add'l | | | | |
| | | | | | | | | | | | | | Rec | Nonrecurring | | Nonrecurring Disconnect |
| | | | | | | | First | Add'l | First | Add'l | SOMEc | SOMAN | SOMAN | SOMAN | SOMAN | SOMAN |
| | Feature Activation on D-4 Channel Bank Centrex Loop Slot - Different Wire Center | | | UEP9D | 1PQWP | 0.6497 | | | | | | 15.20 | | | | |
| | Feature Activation on D-4 Channel Bank Private Line Loop Slot | | | UEP9D | 1PQWV | 0.6497 | | | | | | 15.20 | | | | |
| | Feature Activation on D-4 Channel Bank Tjje Line/Trunk Loop Slot | | | UEP9D | 1PQWQ | 0.6497 | | | | | | 15.20 | | | | |
| | Feature Activation on D-4 Channel Bank WATS Loop Slot | | | UEP9D | 1PQWA | 0.6497 | | | | | | 15.20 | | | | |
| Non-Recurring Charges (NRC) Associated with UNE-P Centrex | | | | | | | | | | | | | | | | |
| | NRC Conversion Currently Combined Switch-As-Is with allowed changes, per port | | | UEP9D | USAC2 | | 0.10 | 0.10 | | | | 15.20 | | | | |
| | Conversion of existing Centrex Common Block, each | | | UEP9D | USACN | | 36.66 | 16.10 | | | | 15.20 | | | | |
| | New Centrex Standard Common Block | | | UEP9D | M1ACS | 0.00 | 680.40 | | | | | 15.20 | | | | |
| | New Centrex Customized Common Block | | | UEP9D | M1ACC | 0.00 | 680.40 | | | | | 15.20 | | | | |
| | NAR Establishment Charge, Per Occasion | | | UEP9D | URECA | 0.00 | 73.93 | | | | | 15.20 | | | | |
| UNE-P CENTREX - EWSD (Valid in AL, FL, KY, LA, MS & TN) | | | | | | | | | | | | | | | | |
| 2-Wire VG Loop/2-Wire Voice Grade Port (Centrex) Combo | | | | | | | | | | | | | | | | |
| UNE Port/Loop Combination Rates (Non-Design) | | | | | | | | | | | | | | | | |
| | 2-Wire VG Loop/2-Wire Voice Grade Port (Centrex) Port Combo - Non-Design | | 1 | UEP9E | | 13.13 | | | | | | | | | | |
| | 2-Wire VG Loop/2-Wire Voice Grade Port (Centrex)Port Combo - Non-Design | | 2 | UEP9E | | 23.75 | | | | | | | | | | |
| | 2-Wire VG Loop/2-Wire Voice Grade Port (Centrex)Port Combo - Non-Design | | 3 | UEP9E | | 49.62 | | | | | | | | | | |
| UNE Port/Loop Combination Rates (Design) | | | | | | | | | | | | | | | | |
| | 2-Wire VG Loop/2-Wire Voice Grade Port (Centrex) Port Combo - Design | | 1 | UEP9E | | 16.29 | | | | | | | | | | |
| | 2-Wire VG Loop/2-Wire Voice Grade Port (Centrex)Port Combo - Design | | 2 | UEP9E | | 26.71 | | | | | | | | | | |
| | 2-Wire VG Loop/2-Wire Voice Grade Port (Centrex)Port Combo - Design | | 3 | UEP9E | | 51.82 | | | | | | | | | | |
| UNE Loop Rate | | | | | | | | | | | | | | | | |
| | 2-Wire Voice Grade Loop (SL 1) - Zone 1 | | 1 | UEP9E | UECS1 | 11.77 | | | | | | | | | | |
| | 2-Wire Voice Grade Loop (SL 1) - Zone 2 | | 2 | UEP9E | UECS1 | 22.39 | | | | | | | | | | |
| | 2-Wire Voice Grade Loop (SL 1) - Zone 3 | | 3 | UEP9E | UECS1 | 48.26 | | | | | | | | | | |
| | 2-Wire Voice Grade Loop (SL 2) - Zone 1 | | 1 | UEP9E | UECS2 | 14.93 | | | | | | | | | | |
| | 2-Wire Voice Grade Loop (SL 2) - Zone 2 | | 2 | UEP9E | UECS2 | 25.35 | | | | | | | | | | |
| | 2-Wire Voice Grade Loop (SL 2) - Zone 3 | | 3 | UEP9E | UECS2 | 50.46 | | | | | | | | | | |
| UNE Port Rate | | | | | | | | | | | | | | | | |
| AL, FL, KY, LA, MS, & TN only | | | | | | | | | | | | | | | | |
| | 2-Wire Voice Grade Port (Centrex) Basic Local Area | | | UEP9E | UEPYA | 1.36 | 38.85 | 19.08 | | | | 15.20 | | | | |
| | 2-Wire Voice Grade Port (Centrex 800 termination)Basic Local Area | | | UEP9E | UEPYB | 1.36 | 38.85 | 19.08 | | | | 15.20 | | | | |
| | 2-Wire Voice Grade Port (Centrex with Caller ID)1Basic Local Area | | | UEP9E | UEPYH | 1.36 | 38.85 | 19.08 | | | | 15.20 | | | | |
| | 2-Wire Voice Grade Port (Centrex from diff Serving Wire Center)2 Basic Local Area | | | UEP9E | UEPYM | 1.36 | 104.41 | 67.93 | | | | 15.20 | | | | |
| | 2-Wire Voice Grade Port, Diff Serving Wire Center - 800 Service Term - Basic Local Area | | | UEP9E | UEPYZ | 1.36 | 104.41 | 67.93 | | | | 15.20 | | | | |
| | 2-Wire Voice Grade Port terminated in on Megalink or equivalent - Basic Local Area | | | UEP9E | UEPY9 | 1.36 | 38.85 | 19.08 | | | | 15.20 | | | | |
| | 2-Wire Voice Grade Port Terminated on 800 Service Term - Basic Local Area | | | UEP9E | UEPY2 | 1.36 | 38.85 | 19.08 | | | | 15.20 | | | | |
| AL, KY, LA, MS, & TN Only | | | | | | | | | | | | | | | | |
| | 2-Wire Voice Grade Port (Centrex) | | | UEP9E | UEPQA | 1.36 | 38.85 | 19.08 | | | | 15.20 | | | | |
| | 2-Wire Voice Grade Port (Centrex 800 termination) | | | UEP9E | UEPQB | 1.36 | 38.85 | 19.08 | | | | 15.20 | | | | |
| | 2-Wire Voice Grade Port (Centrex with Caller ID)1 | | | UEP9E | UEPQH | 1.36 | 38.85 | 19.08 | | | | 15.20 | | | | |
| | 2-Wire Voice Grade Port (Centrex from diff Serving Wire Center)2 | | | UEP9E | UEPQM | 1.36 | 104.41 | 67.93 | | | | 15.20 | | | | |

| UNBUNDLED NETWORK ELEMENTS - Louisiana | | | | | | | | | | | Attachment: 2 | | Exhibit: B | | | | |
|---|--|---------|------|-------|-------|-----------|----------------------------------|--------------------------------------|--|--|---|---|---------------|--------------|--|-------------------------|--|
| CATEGORY | RATE ELEMENTS | Interim | Zone | BCS | USOC | RATES(\$) | Svc Order Submitted Elec per LSR | Svc Order Submitted Manually per LSR | Incremental Charge - Manual Svc Order vs. Electronic-1st | Incremental Charge - Manual Svc Order vs. Electronic-Add'l | Incremental Charge - Manual Svc Order vs. Electronic-Disc 1st | Incremental Charge - Manual Svc Order vs. Electronic-Disc Add'l | OSS Rates(\$) | | | | |
| | | | | | | | | | | | | | Rec | Nonrecurring | | Nonrecurring Disconnect | |
| | | | | | | First | Add'l | First | Add'l | | | | | | | | |
| | 2-Wire Voice Grade Port, Diff Serving Wire Center - 800 Service Term | | | UEP9E | UEPQZ | 1.36 | 104.41 | 67.93 | | | 15.20 | | | | | | |
| | 2-Wire Voice Grade Port terminated in on Megalink or equivalent | | | UEP9E | UEPQ9 | 1.36 | 38.85 | 19.08 | | | 15.20 | | | | | | |
| | 2-Wire Voice Grade Port Terminated on 800 Service Term | | | UEP9E | UEPQ2 | 1.36 | 38.85 | 19.08 | | | 15.20 | | | | | | |
| Local Switching | | | | | | | | | | | | | | | | | |
| | Centrex Intercom Functionality, per port | | | UEP9E | URECS | 0.8577 | | | | | | | | | | | |
| Local Number Portability | | | | | | | | | | | | | | | | | |
| | Local Number Portability (1 per port) | | | UEP9E | LNPCc | 0.35 | | | | | | | | | | | |
| Features | | | | | | | | | | | | | | | | | |
| | All Standard Features Offered, per port | | | UEP9E | UEPVF | 0.00 | | | | | 15.20 | | | | | | |
| | All Select Features Offered, per port | | | UEP9E | UEPVS | 0.00 | 412.25 | | | | 15.20 | | | | | | |
| | All Centrex Control Features Offered, per port | | | UEP9E | UEPVC | 0.00 | | | | | 15.20 | | | | | | |
| NARS | | | | | | | | | | | | | | | | | |
| | Unbundled Network Access Register - Combination | | | UEP9E | UARCX | 0.00 | 0.00 | 0.00 | | | | | | | | | |
| | Unbundled Network Access Register - Indial | | | UEP9E | UAR1X | 0.00 | 0.00 | 0.00 | | | | | | | | | |
| | Unbundled Network Access Register - Outdial | | | UEP9E | UAROX | 0.00 | 0.00 | 0.00 | | | | | | | | | |
| Miscellaneous Terminations | | | | | | | | | | | | | | | | | |
| 2-Wire Trunk Side | | | | | | | | | | | | | | | | | |
| | Trunk Side Terminations, each | | | UEP9E | CEND6 | 8.29 | 115.85 | 18.20 | | | 15.20 | | | | | | |
| 4-Wire Digital (1.544 Megabits) | | | | | | | | | | | | | | | | | |
| | DS1 Circuit Terminations, each | | | UEP9E | M1HD1 | 68.47 | 196.18 | 92.92 | | | 15.20 | | | | | | |
| | DS0 Channel Activated Per Channel | | | UEP9E | M1HDO | 0.00 | 14.06 | | | | 15.20 | | | | | | |
| Interoffice Channel Mileage - 2-Wire | | | | | | | | | | | | | | | | | |
| | Interoffice Channel Facilities Termination | | | UEP9E | MIGBC | 22.60 | 39.36 | 26.62 | | | 15.20 | | | | | | |
| | Interoffice Channel mileage, per mile or fraction of mile | | | UEP9E | MIGBM | 0.013 | | | | | | | | | | | |
| Feature Activations (DS0) Centrex Loops on Channelized DS1 Service | | | | | | | | | | | | | | | | | |
| D4 Channel Bank Feature Activations | | | | | | | | | | | | | | | | | |
| | Feature Activation on D-4 Channel Bank Centrex Loop Slot | | | UEP9E | 1PQWS | 0.6497 | | | | | 15.20 | | | | | | |
| | Feature Activation on D-4 Channel Bank FX line Side Loop Slot | | | UEP9E | 1PQW6 | 0.6497 | | | | | 15.20 | | | | | | |
| | Feature Activation on D-4 Channel Bank FX Trunk Side Loop Slot | | | UEP9E | 1PQW7 | 0.6497 | | | | | 15.20 | | | | | | |
| | Feature Activation on D-4 Channel Bank Centrex Loop Slot - Different Wire Center | | | UEP9E | 1PQWP | 0.6497 | | | | | 15.20 | | | | | | |
| | Feature Activation on D-4 Channel Bank Private Line Loop Slot | | | UEP9E | 1PQWV | 0.6497 | | | | | 15.20 | | | | | | |
| | Feature Activation on D-4 Channel Bank Tjie Line/Trunk Loop Slot | | | UEP9E | 1PQWQ | 0.6497 | | | | | 15.20 | | | | | | |
| | Feature Activation on D-4 Channel Bank WATS Loop Slot | | | UEP9E | 1PQWA | 0.6497 | | | | | 15.20 | | | | | | |
| Non-Recurring Charges (NRC) Associated with UNE-P Centrex | | | | | | | | | | | | | | | | | |
| | NRC Conversion Currently Combined Switch-As-Is with allowed changes, per port | | | UEP9E | USAC2 | | 0.10 | 0.10 | | | 15.20 | | | | | | |
| | Conversion of Existing Centrex Common Block, each | | | UEP9E | USACN | | 36.66 | 16.10 | | | 15.20 | | | | | | |
| | New Centrex Standard Common Block | | | UEP9E | M1ACS | 0.00 | 680.40 | | | | 15.20 | | | | | | |
| | New Centrex Customized Common Block | | | UEP9E | M1ACC | 0.00 | 680.40 | | | | 15.20 | | | | | | |
| | NAR Establishment Charge, Per Occasion | | | UEP9E | URECA | 0.00 | 73.93 | | | | 15.20 | | | | | | |
| UNE-P CENTREX - DCO - Valid in AL, KY, LA, MS, & TN | | | | | | | | | | | | | | | | | |
| 2-Wire VG Loop/2-Wire Voice Grade Port (Centrex) Combo | | | | | | | | | | | | | | | | | |
| UNE Port/Loop Combination Rates (Non-Design) | | | | | | | | | | | | | | | | | |
| | 2-Wire VG Loop/2-Wire Voice Grade Port (Centrex) Port Combo - Non-Design | 1 | | UEP93 | | 13.13 | | | | | | | | | | | |
| | 2-Wire VG Loop/2-Wire Voice Grade Port (Centrex)Port Combo - Non-Design | 2 | | UEP93 | | 23.75 | | | | | | | | | | | |
| | 2-Wire VG Loop/2-Wire Voice Grade Port (Centrex)Port Combo - Non-Design | 3 | | UEP93 | | 49.62 | | | | | | | | | | | |
| UNE Port/Loop Combination Rates (Design) | | | | | | | | | | | | | | | | | |
| | 2-Wire VG Loop/2-Wire Voice Grade Port (Centrex) Port Combo - Design | 1 | | UEP93 | | 16.29 | | | | | | | | | | | |

| UNBUNDLED NETWORK ELEMENTS - Louisiana | | | | | | | | | | | Attachment: 2 | | Exhibit: B | | |
|---|---|---------|------|-------|-------|-----------|--------------|----------------------------------|--------------------------------------|--|--|---|---|-------------------------|-------|
| CATEGORY | RATE ELEMENTS | Interim | Zone | BCS | USOC | RATES(\$) | | Svc Order Submitted Elec per LSR | Svc Order Submitted Manually per LSR | Incremental Charge - Manual Svc Order vs. Electronic-1st | Incremental Charge - Manual Svc Order vs. Electronic-Add'l | Incremental Charge - Manual Svc Order vs. Electronic-Disc 1st | Incremental Charge - Manual Svc Order vs. Electronic-Disc Add'l | | |
| | | | | | | Rec | Nonrecurring | | | | | | | Nonrecurring Disconnect | |
| | | | | | | First | Add'l | First | Add'l | SOMEC | SOMAN | SOMAN | SOMAN | SOMAN | SOMAN |
| | 2-Wire VG Loop/2-Wire Voice Grade Port (Centrex)Port Combo - Design | | 2 | UEP93 | | 26.71 | | | | | | | | | |
| | 2-Wire VG Loop/2-Wire Voice Grade Port (Centrex)Port Combo - Design | | 3 | UEP93 | | 51.82 | | | | | | | | | |
| UNE Loop Rate | | | | | | | | | | | | | | | |
| | 2-Wire Voice Grade Loop (SL 1) - Zone 1 | | 1 | UEP93 | UECS1 | 11.77 | | | | | | | | | |
| | 2-Wire Voice Grade Loop (SL 1) - Zone 2 | | 2 | UEP93 | UECS1 | 22.36 | | | | | | | | | |
| | 2-Wire Voice Grade Loop (SL 1) - Zone 3 | | 3 | UEP93 | UECS1 | 48.26 | | | | | | | | | |
| | 2-Wire Voice Grade Loop (SL 2) - Zone 1 | | 1 | UEP93 | UECS2 | 14.93 | | | | | | | | | |
| | 2-Wire Voice Grade Loop (SL 2) - Zone 2 | | 2 | UEP93 | UECS2 | 25.35 | | | | | | | | | |
| | 2-Wire Voice Grade Loop (SL 2) - Zone 3 | | 3 | UEP93 | UECS2 | 50.46 | | | | | | | | | |
| UNE Port Rate | | | | | | | | | | | | | | | |
| AL, KY, LA, MS, & TN only | | | | | | | | | | | | | | | |
| | 2-Wire Voice Grade Port (Centrex) Basic Local Area | | | UEP93 | UEPYA | 1.36 | 38.85 | 19.08 | | | 15.20 | | | | |
| | 2-Wire Voice Grade Port (Centrex 800 termination)Basic Local Area | | | UEP93 | UEPYB | 1.36 | 38.85 | 19.08 | | | 15.20 | | | | |
| | 2-Wire Voice Grade Port (Centrex with Caller ID)1Basic Local Area | | | UEP93 | UEPYH | 1.36 | 38.85 | 19.08 | | | 15.20 | | | | |
| | 2-Wire Voice Grade Port (Centrex from diff Serving Wire Center)2 Basic Local Area | | | UEP93 | UEPYM | 1.36 | 104.41 | 67.93 | | | 15.20 | | | | |
| | 2-Wire Voice Grade Port, Diff Serving Wire Center - 800 Service Term - Basic Local Area | | | UEP93 | UEPYZ | 1.36 | 104.41 | 67.93 | | | 15.20 | | | | |
| | 2-Wire Voice Grade Port terminated in on Megalink or equivalent - Basic Local Area | | | UEP93 | UEPY9 | 1.36 | 38.85 | 19.08 | | | 15.20 | | | | |
| | 2-Wire Voice Grade Port Terminated on 800 Service Term - Basic Local Area | | | UEP93 | UEPY2 | 1.36 | 38.85 | 19.08 | | | 15.20 | | | | |
| | 2-Wire Voice Grade Port (Centrex) | | | UEP93 | UEPQA | 1.36 | 38.85 | 19.08 | | | 15.20 | | | | |
| | 2-Wire Voice Grade Port (Centrex 800 termination) | | | UEP93 | UEPQB | 1.36 | 38.85 | 19.08 | | | 15.20 | | | | |
| | 2-Wire Voice Grade Port (Centrex with Caller ID)1 | | | UEP93 | UEPQH | 1.36 | 38.85 | 19.08 | | | 15.20 | | | | |
| | 2-Wire Voice Grade Port (Centrex from diff Serving Wire Center)2 | | | UEP93 | UEPQM | 1.36 | 104.41 | 67.93 | | | 15.20 | | | | |
| | 2-Wire Voice Grade Port, Diff Serving Wire Center - 800 Service Term | | | UEP93 | UEPQZ | 1.36 | 104.41 | 67.93 | | | 15.20 | | | | |
| | 2-Wire Voice Grade Port terminated in on Megalink or equivalent | | | UEP93 | UEPQ9 | 1.36 | 38.85 | 19.08 | | | 15.20 | | | | |
| | 2-Wire Voice Grade Port Terminated on 800 Service Term | | | UEP93 | UEPQ2 | 1.36 | 38.85 | 19.08 | | | 15.20 | | | | |
| Local Switching | | | | | | | | | | | | | | | |
| | Centrex Intercom Funtionalty, per port | | | UEP93 | URECS | 0.8577 | | | | | | | | | |
| Local Number Portability | | | | | | | | | | | | | | | |
| | Local Number Portability (1 per port) | | | UEP93 | LNCCC | 0.35 | | | | | | | | | |
| Features | | | | | | | | | | | | | | | |
| | All Standard Features Offered, per port | | | UEP93 | UEPVF | 0.00 | | | | | 15.20 | | | | |
| | All Centrex Control Features Offered, per port | | | UEP93 | UEPVC | 0.00 | | | | | 15.20 | | | | |
| NARS | | | | | | | | | | | | | | | |
| | Unbundled Network Access Register - Combination | | | UEP93 | UARCX | 0.00 | 0.00 | 0.00 | | | 15.20 | | | | |
| | Unbundled Network Access Register - Indial | | | UEP93 | UAR1X | 0.00 | 0.00 | 0.00 | | | 15.20 | | | | |
| | Unbundled Network Access Register - Outdial | | | UEP93 | UAROX | 0.00 | 0.00 | 0.00 | | | 15.20 | | | | |
| Miscellaneous Terminations | | | | | | | | | | | | | | | |
| 2-Wire Trunk Side | | | | | | | | | | | | | | | |
| | Trunk Side Terminations, each | | | UEP93 | CEND6 | 8.27 | 115.85 | 18.20 | | | 15.20 | | | | |
| 4-Wire Digital (1.544 Megabits) | | | | | | | | | | | | | | | |
| | DS1 Circuit Terminations, each | | | UEP93 | M1HD1 | 68.47 | 196.18 | 92.92 | | | 15.20 | | | | |
| | DS0 Channels Activated, Per Channel | | | UEP93 | M1HDO | 0.00 | 14.01 | | | | 15.20 | | | | |
| Interoffice Channel Mileage - 2-Wire | | | | | | | | | | | | | | | |
| | Interoffice Channel Facilities Termination | | | UEP93 | MIGBC | 22.60 | 39.36 | 26.62 | | | 15.20 | | | | |
| | Interoffice Channel mileage, per mile or fraction of mile | | | UEP93 | MIGBM | 0.013 | | | | | | | | | |
| Feature Activations (DS0) Centrex Loops on Channelized DS1 Service | | | | | | | | | | | | | | | |
| D4 Channel Bank Feature Activations | | | | | | | | | | | | | | | |
| | Feature Activation on D-4 Channel Bank Centrex Loop Slot | | | UEP93 | 1PQWS | 0.6497 | | | | | 15.20 | | | | |

| UNBUNDLED NETWORK ELEMENTS - Louisiana | | | | | | | | | | Attachment: 2 | | Exhibit: B | | | |
|--|--|---------|------|-------|-------|-----------|--------------|-------|-------------------------|----------------------------------|--------------------------------------|--|--|---|---|
| CATEGORY | RATE ELEMENTS | Interim | Zone | BCS | USOC | RATES(\$) | | | | Svc Order Submitted Elec per LSR | Svc Order Submitted Manually per LSR | Incremental Charge - Manual Svc Order vs. Electronic-1st | Incremental Charge - Manual Svc Order vs. Electronic-Add'l | Incremental Charge - Manual Svc Order vs. Electronic-Disc 1st | Incremental Charge - Manual Svc Order vs. Electronic-Disc Add'l |
| | | | | | | Rec | Nonrecurring | | Nonrecurring Disconnect | | | | | | |
| | | | | | | | First | Add'l | First | Add'l | SOME C | SOMAN | SOMAN | SOMAN | SOMAN |
| | Feature Activation on D-4 Channel Bank FX Line Side Loop Slot | | | UEP93 | 1PQW6 | 0.6497 | | | | | | 15.20 | | | |
| | Feature Activation on D-4 Channel Bank FX Trunk Side Loop Slot | | | UEP93 | 1PQW7 | 0.6497 | | | | | | 15.20 | | | |
| | Feature Activation on D-4 Channel Bank Centrex Loop Slot - Different Wire Center | | | UEP93 | 1PQWP | 0.6497 | | | | | | 15.20 | | | |
| | Feature Activation on D-4 Channel Bank Private Line Loop Slot | | | UEP93 | 1PQWV | 0.6497 | | | | | | 15.20 | | | |
| | Feature Activation on D-4 Channel Bank Tie Line/Trunk Loop Slot | | | UEP93 | 1PQWQ | 0.6497 | | | | | | 15.20 | | | |
| | Feature Activation on D-4 Channel Bank WATS Loop Slot | | | UEP93 | 1PQWA | 0.6497 | | | | | | 15.20 | | | |
| | Non-Recurring Charges (NRC) Associated with UNE-P Centrex | | | | | | | | | | | | | | |
| | NRC Conversion Currently Combined Switch-As-Is with allowed changes, per port | | | UEP93 | USAC2 | | 0.10 | 0.10 | | | | 15.20 | | | |
| | Conversion of Existing Centrex Common Block, each | | | UEP93 | USACN | | 36.66 | 16.10 | | | | 15.20 | | | |
| | New Centrex Standard Common Block | | | UEP93 | M1ACS | 0.00 | 680.40 | | | | | 15.20 | | | |
| | New Centrex Customized Common Block | | | UEP93 | M1ACC | 0.00 | 680.40 | | | | | 15.20 | | | |
| | NAR Establishment Charge, Per Occasion | | | UEP93 | URECA | 0.00 | 73.93 | | | | | 15.20 | | | |
| | Note 1 - Required Port for Centrex Control in 1AESS, 5ESS & EWSD | | | | | | | | | | | | | | |
| | Note 2 - Requires Interoffice Channel Mileage | | | | | | | | | | | | | | |
| | Note 3 - Requires Specific Customer Premises Equipment | | | | | | | | | | | | | | |
| | NOTE: Rates displaying an "R" in Interim column are interim and subject to rate true-up as set forth in General Terms and Conditions. | | | | | | | | | | | | | | |

| UNBUNDLED NETWORK ELEMENTS - Mississippi | | | | | | | | | | Attachment: 2 | | Exhibit: B | | | |
|--|--|---------|------|-------------|--------|-----------|----------------------------------|--------------------------------------|--|--|---|---|---------------|--------------------|--------------------|
| CATEGORY | RATE ELEMENTS | Interim | Zone | BCS | USOC | RATES(\$) | Svc Order Submitted Elec per LSR | Svc Order Submitted Manually per LSR | Incremental Charge - Manual Svc Order vs. Electronic-1st | Incremental Charge - Manual Svc Order vs. Electronic-Add'l | Incremental Charge - Manual Svc Order vs. Electronic-Disc 1st | Incremental Charge - Manual Svc Order vs. Electronic-Disc Add'l | OSS Rates(\$) | | |
| | | | | | | | | | | | | | Rec | Nonrecurring First | Nonrecurring Add'l |
| OPERATIONAL SUPPORT SYSTEMS | | | | | | | | | | | | | | | |
| | NOTE: (1) Electronic Service Order: CLEC should contact its contract negotiator if it prefers the state specific electronic service ordering charges as ordered by the State Commissions. The electronic service ordering charge currently contained in this rate exhibit is the BellSouth regional electronic service ordering charge. CLEC may elect either the state specific Commission ordered rates for the electronic service ordering charges, or CLEC may elect the regional electronic service ordering charge. | | | | | | | | | | | | | | |
| | NOTE: (2) Any element that can be ordered electronically will be billed according to the SOME C rate listed in this category. Please refer to BellSouth's Business Rules for Local Ordering (BBR-LO) to determine if a product can be ordered electronically. For those elements that cannot be ordered electronically at present per the BBR-LO, the listed SOME C rate in this category reflects the charge that would be billed to a CLEC once electronic ordering capabilities come on-line for that element. Otherwise, the manual ordering charge, SOMAN, will be applied to a CLECs bill when it submits an LSR to BellSouth. | | | | | | | | | | | | | | |
| | Manual Service Order Charge, per LSR, Disconnect Only (MS) | | | | | | | | | | | | | | |
| | Electronic OSS Charge, per LSR, submitted via BST's OSS interactive interfaces (Regional) | | | | | | | 3.50 | | | | | | | |
| UNBUNDLED EXCHANGE ACCESS LOOP | | | | | | | | | | | | | | | |
| 2-WIRE ANALOG VOICE GRADE LOOP | | | | | | | | | | | | | | | |
| | 2-Wire Analog Voice Grade Loop - Service Level 1- Zone 1 | | 1 | UEANL | UEAL2 | 12.03 | 37.92 | 17.55 | 23.48 | 5.25 | | 15.75 | | | |
| | 2-Wire Analog Voice Grade Loop - Service Level 1- Zone 2 | | 2 | UEANL | UEAL2 | 16.87 | 37.92 | 17.55 | 23.48 | 5.25 | | 15.75 | | | |
| | 2-Wire Analog Voice Grade Loop - Service Level 1- Zone 3 | | 3 | UEANL | UEAL2 | 25.68 | 37.92 | 17.55 | 23.48 | 5.25 | | 15.75 | | | |
| | 2-Wire Analog Voice Grade Loop - Service Level 1- Zone 4 | | 4 | UEANL | UEAL2 | 43.85 | 37.92 | 17.55 | 23.48 | 5.25 | | 15.75 | | | |
| | Loop Testing - Basic 1st Half Hour | | | UEANL | URET1 | | 34.36 | | | | | 15.75 | | | |
| | Loop Testing - Basic Additional Half Hour | | | UEANL | URETA | | 19.97 | | | | | 15.75 | | | |
| | CLEC to CLEC Conversion Charge Without Outside Dispatch | | | UEANL | UREWO | | 15.75 | 8.92 | | | | 15.75 | | | |
| | Engineering Information Document (EI) | | | UEANL | | | 13.51 | 13.51 | | | | | | | |
| | Manual Order Coordination for UVL-SL1s (per loop) | | | UEANL | UEAMC | | 8.20 | 8.20 | | | | | | | |
| | Order Coordination for Specified Conversion Time for UVL-SL1 (per LSR) | | | UEANL | OCOSL | | 18.19 | 18.19 | | | | | | | |
| 2-WIRE Unbundled COPPER LOOP | | | | | | | | | | | | | | | |
| | 2-Wire Unbundled Copper Loop - Non-Designed Zone 1 | I | 1 | UEQ | UEQ2X | 11.01 | 36.53 | 16.16 | 22.66 | 4.42 | | 15.75 | | | |
| | 2 Wire Unbundled Copper Loop - Non-Designed - Zone 2 | I | 2 | UEQ | UEQ2X | 11.51 | 36.53 | 16.16 | 22.66 | 4.42 | | 15.75 | | | |
| | 2 Wire Unbundled Copper Loop - Non-Designed - Zone 3 | I | 3 | UEQ | UEQ2X | 11.57 | 36.53 | 16.16 | 22.66 | 4.42 | | 15.75 | | | |
| | 2 Wire Unbundled Copper Loop - Non-Designed - Zone 4 | I | 4 | UEQ | UEQ2X | 13.10 | 36.53 | 16.16 | 22.66 | 4.42 | | 15.75 | | | |
| | Order Coordination 2 Wire Unbundled Copper Loop - Non-Designed (per loop) | | | UEQ | USBMC | | 8.20 | 8.20 | | | | | | | |
| | Engineering Information Document | | | UEQ | | | 13.51 | 13.51 | | | | | | | |
| | Loop Testing - Basic 1st Half Hour | | | UEQ | URET1 | | 34.36 | | | | | 15.75 | | | |
| | Loop Testing - Basic Additional Half Hour | | | UEQ | URETA | | 19.97 | | | | | 15.75 | | | |
| | CLEC to CLEC Conversion Charge Without Outside Dispatch | | | UEQ | UREWO | | 14.24 | 7.42 | | | | 15.75 | | | |
| UNBUNDLED EXCHANGE ACCESS LOOP | | | | | | | | | | | | | | | |
| 2-WIRE ANALOG VOICE GRADE LOOP | | | | | | | | | | | | | | | |
| | 2 Wire Analog Voice Grade Loop-Service Level 1-Line Splitting-Zone 1 | | 1 | UEPSR UEPSB | UEALS | 12.03 | 37.92 | 17.55 | 23.48 | 5.25 | | 15.75 | | | |
| | 2 Wire Analog Voice Grade Loop-Service Level 1-Line Splitting-Zone 1 | | 1 | UEPSR UEPSB | UEABS | 12.03 | 37.92 | 17.55 | 23.48 | 5.25 | | 15.75 | | | |
| | 2 Wire Analog Voice Grade Loop- Service Level 1-Line Splitting-Zone 2 | | 2 | UEPSR UEPSB | UEALS, | 16.87 | 37.92 | 17.55 | 23.48 | 5.25 | | 15.75 | | | |
| | 2 Wire Analog Voice Grade Loop- Service Level 1-Line Splitting-Zone 2 | | 2 | UEPSR UEPSB | UEABS | 16.87 | 37.92 | 17.55 | 23.48 | 5.25 | | 15.75 | | | |
| | 2 Wire Analog Voice Grade Loop-Service Level 1-Line Splitting-Zone 3 | | 3 | UEPSR UEPSB | UEALS, | 25.68 | 37.92 | 17.55 | 23.48 | 5.25 | | 15.75 | | | |
| | 2 Wire Analog Voice Grade Loop-Service Level 1-Line Splitting-Zone 3 | | 3 | UEPSR UEPSB | UEABS | 25.68 | 37.92 | 17.55 | 23.48 | 5.25 | | 15.75 | | | |
| | 2 Wire Analog Voice Grade Loop-Service Level 1-Line Splitting-Zone 4 | | 4 | UEPSR UEPSB | UEALS, | 43.85 | 37.92 | 17.55 | 23.48 | 5.25 | | 15.75 | | | |
| | 2 Wire Analog Voice Grade Loop-Service Level 1-Line Splitting-Zone 4 | | 4 | UEPSR UEPSB | UEABS | 43.85 | 37.92 | 17.55 | 23.48 | 5.25 | | 15.75 | | | |
| UNBUNDLED EXCHANGE ACCESS LOOP | | | | | | | | | | | | | | | |
| 2-WIRE ANALOG VOICE GRADE LOOP | | | | | | | | | | | | | | | |
| | 2-Wire Analog Voice Grade Loop - Service Level 2 w/Loop or Ground Start Signaling - Zone 1 | | 1 | UEA | UEAL2 | 13.89 | 105.96 | 68.28 | 52.82 | 10.37 | | 15.75 | | | |
| | 2-Wire Analog Voice Grade Loop - Service Level 2 w/Loop or Ground Start Signaling - Zone 2 | | 2 | UEA | UEAL2 | 18.75 | 105.96 | 68.28 | 52.82 | 10.37 | | 15.75 | | | |

| UNBUNDLED NETWORK ELEMENTS - Mississippi | | | | | | | | | | | Attachment: 2 | | Exhibit: B | | | | | | | | | | |
|--|---|---------|------|-----|-------|-----------|----------------------------------|--------------------------------------|--|--|---|---|---------------|--------------|-------|-------------------------|--|-------|-------|-------|-------|-------|-------|
| CATEGORY | RATE ELEMENTS | Interim | Zone | BCS | USOC | RATES(\$) | Svc Order Submitted Elec per LSR | Svc Order Submitted Manually per LSR | Incremental Charge - Manual Svc Order vs. Electronic-1st | Incremental Charge - Manual Svc Order vs. Electronic-Add'l | Incremental Charge - Manual Svc Order vs. Electronic-Disc 1st | Incremental Charge - Manual Svc Order vs. Electronic-Disc Add'l | OSS Rates(\$) | | | | | | | | | | |
| | | | | | | | | | | | | | Rec | Nonrecurring | | Nonrecurring Disconnect | | SOMEc | SOMAN | SOMAN | SOMAN | SOMAN | SOMAN |
| | | | | | | | | | | | | | First | Add'l | First | Add'l | | | | | | | |
| | 2-Wire Analog Voice Grade Loop - Service Level 2 w/Loop or Ground Start Signaling - Zone 3 | | 3 | UEA | UEAL2 | 27.55 | | | | | | | 105.96 | 68.28 | 52.82 | 10.37 | | | | | | | 15.75 |
| | 2-Wire Analog Voice Grade Loop - Service Level 2 w/Loop or Ground Start Signaling - Zone 4 | | 4 | UEA | UEAL2 | 45.72 | | | | | | | 105.96 | 68.28 | 52.82 | 10.37 | | | | | | | 15.75 |
| | Order Coordination for Specified Conversion Time (per LSR) | | | UEA | OCOSL | | | | | | | | 18.19 | | | | | | | | | | |
| | 2-Wire Analog Voice Grade Loop - Service Level 2 w/Reverse Battery Signaling - Zone 1 | | 1 | UEA | UEAR2 | 13.89 | | | | | | | 105.96 | 68.28 | 52.82 | 10.37 | | | | | | | 15.75 |
| | 2-Wire Analog Voice Grade Loop - Service Level 2 w/Reverse Battery Signaling - Zone 2 | | 2 | UEA | UEAR2 | 18.75 | | | | | | | 105.96 | 68.28 | 52.82 | 10.37 | | | | | | | 15.75 |
| | 2-Wire Analog Voice Grade Loop - Service Level 2 w/Reverse Battery Signaling - Zone 3 | | 3 | UEA | UEAR2 | 27.55 | | | | | | | 105.96 | 68.28 | 52.82 | 10.37 | | | | | | | 15.75 |
| | 2-Wire Analog Voice Grade Loop - Service Level 2 w/Reverse Battery Signaling - Zone 4 | | 4 | UEA | UEAR2 | 45.72 | | | | | | | 105.96 | 68.28 | 52.82 | 10.37 | | | | | | | 15.75 |
| | Order Coordination for Specified Conversion Time (per LSR) | | | UEA | OCOSL | | | | | | | | 18.19 | | | | | | | | | | |
| | CLEC to CLEC Conversion Charge without outside dispatch | | | UEA | UREWO | | | | | | | | 87.56 | 36.29 | | | | | | | | | 15.75 |
| | 4-WIRE ANALOG VOICE GRADE LOOP | | | | | | | | | | | | | | | | | | | | | | |
| | 4-Wire Analog Voice Grade Loop - Zone 1 | | 1 | UEA | UEAL4 | 27.47 | | | | | | | 132.27 | 94.59 | 60.68 | 14.64 | | | | | | | 15.75 |
| | 4-Wire Analog Voice Grade Loop - Zone 2 | | 2 | UEA | UEAL4 | 38.26 | | | | | | | 132.27 | 94.59 | 60.68 | 14.64 | | | | | | | 15.75 |
| | 4-Wire Analog Voice Grade Loop - Zone 3 | | 3 | UEA | UEAL4 | 50.03 | | | | | | | 132.27 | 94.59 | 60.68 | 14.64 | | | | | | | 15.75 |
| | 4-Wire Analog Voice Grade Loop - Zone 4 | | 4 | UEA | UEAL4 | 50.03 | | | | | | | 132.27 | 94.59 | 60.68 | 14.64 | | | | | | | 15.75 |
| | Order Coordination for Specified Conversion Time (per LSR) | | | UEA | OCOSL | | | | | | | | 18.19 | | | | | | | | | | |
| | CLEC to CLEC Conversion Charge without outside dispatch | | | UEA | UREWO | | | | | | | | 87.56 | 36.29 | | | | | | | | | 15.75 |
| | 2-WIRE ISDN DIGITAL GRADE LOOP | | | | | | | | | | | | | | | | | | | | | | |
| | 2-Wire ISDN Digital Grade Loop - Zone 1 | | 1 | UDN | U1L2X | 21.01 | | | | | | | 117.61 | 79.92 | 52.82 | 10.37 | | | | | | | 15.75 |
| | 2-Wire ISDN Digital Grade Loop - Zone 2 | | 2 | UDN | U1L2X | 27.59 | | | | | | | 117.61 | 79.92 | 52.82 | 10.37 | | | | | | | 15.75 |
| | 2-Wire ISDN Digital Grade Loop - Zone 3 | | 3 | UDN | U1L2X | 37.34 | | | | | | | 117.61 | 79.92 | 52.82 | 10.37 | | | | | | | 15.75 |
| | 2-Wire ISDN Digital Grade Loop - Zone 4 | | 4 | UDN | U1L2X | 59.18 | | | | | | | 117.61 | 79.92 | 52.82 | 10.37 | | | | | | | 15.75 |
| | Order Coordination For Specified Conversion Time (per LSR) | | | UDN | OCOSL | | | | | | | | 18.19 | | | | | | | | | | |
| | CLEC to CLEC Conversion Charge without outside dispatch | | | UDN | UREWO | | | | | | | | 91.46 | 44.07 | | | | | | | | | 15.75 |
| | 2-WIRE Universal Digital Channel (UDC) COMPATIBLE LOOP | | | | | | | | | | | | | | | | | | | | | | |
| | 2-Wire Universal Digital Channel (UDC) Compatible Loop - Zone 1 | | 1 | UDC | UDC2X | 21.01 | | | | | | | 117.61 | 79.92 | 52.82 | 10.37 | | | | | | | 15.75 |
| | 2-Wire Universal Digital Channel (UDC) Compatible Loop - Zone 2 | | 2 | UDC | UDC2X | 27.59 | | | | | | | 117.61 | 79.92 | 52.82 | 10.37 | | | | | | | 15.75 |
| | 2-Wire Universal Digital Channel (UDC) Compatible Loop - Zone 3 | | 3 | UDC | UDC2X | 37.34 | | | | | | | 117.61 | 79.92 | 52.82 | 10.37 | | | | | | | 15.75 |
| | 2-Wire Universal Digital Channel (UDC) Compatible Loop - Zone 4 | | 4 | UDC | UDC2X | 59.18 | | | | | | | 117.61 | 79.92 | 52.82 | 10.37 | | | | | | | 15.75 |
| | CLEC to CLEC Conversion Charge without outside dispatch * | | | UDC | UREWO | | | | | | | | 91.46 | 44.07 | | | | | | | | | 15.75 |
| | 2-WIRE ASYMMETRICAL DIGITAL SUBSCRIBER LINE (ADSL) COMPATIBLE LOOP | | | | | | | | | | | | | | | | | | | | | | |
| | 2 Wire Unbundled ADSL Loop including manual service inquiry & facility reservation - Zone 1 | | 1 | UAL | UAL2X | 11.11 | | | | | | | 121.27 | 70.81 | 50.38 | 7.93 | | | | | | | 15.75 |
| | 2 Wire Unbundled ADSL Loop including manual service inquiry & facility reservation - Zone 2 | | 2 | UAL | UAL2X | 11.47 | | | | | | | 121.27 | 70.81 | 50.38 | 7.93 | | | | | | | 15.75 |
| | 2 Wire Unbundled ADSL Loop including manual service inquiry & facility reservation - Zone 3 | | 3 | UAL | UAL2X | 11.74 | | | | | | | 121.27 | 70.81 | 50.38 | 7.93 | | | | | | | 15.75 |
| | 2 Wire Unbundled ADSL Loop including manual service inquiry & facility reservation - Zone 4 | | 4 | UAL | UAL2X | 12.69 | | | | | | | 121.27 | 70.81 | 50.38 | 7.93 | | | | | | | 15.75 |
| | Order Coordination for Specified Conversion Time (per LSR) | | | UAL | OCOSL | | | | | | | | 18.19 | | | | | | | | | | |
| | 2 Wire Unbundled ADSL Loop without manual service inquiry & facility reservaton - Zone 1 | | 1 | UAL | UAL2W | 11.11 | | | | | | | 96.15 | 58.03 | 50.38 | 7.93 | | | | | | | 15.75 |
| | 2 Wire Unbundled ADSL Loop without manual service inquiry & facility reservaton - Zone 2 | | 2 | UAL | UAL2W | 11.47 | | | | | | | 96.15 | 58.03 | 50.38 | 7.93 | | | | | | | 15.75 |
| | 2 Wire Unbundled ADSL Loop without manual service inquiry & facility reservaton - Zone 3 | | 3 | UAL | UAL2W | 11.74 | | | | | | | 96.15 | 58.03 | 50.38 | 7.93 | | | | | | | 15.75 |
| | 2 Wire Unbundled ADSL Loop without manual service inquiry & facility reservaton - Zone 4 | | 4 | UAL | UAL2W | 12.69 | | | | | | | 96.15 | 58.03 | 50.38 | 7.93 | | | | | | | 15.75 |
| | Order Coordination for Specified Conversion Time (per LSR) | | | UAL | OCOSL | | | | | | | | 18.19 | | | | | | | | | | |
| | CLEC to CLEC Conversion Charge without outside dispatch | | | UAL | UREWO | | | | | | | | 86.04 | 40.33 | | | | | | | | | 15.75 |

| UNBUNDLED NETWORK ELEMENTS - Mississippi | | | | | | | | | | | Attachment: 2 | | Exhibit: B | | | | | | | | | | | | |
|--|---|---------|------|-----|-------|-----------|----------------------------------|--------------------------------------|--|--|---|---|---------------|--------------|-------|-------------------------|--|-------|-------|-------|-------|-------|-------|--|--|
| CATEGORY | RATE ELEMENTS | Interim | Zone | BCS | USOC | RATES(\$) | Svc Order Submitted Elec per LSR | Svc Order Submitted Manually per LSR | Incremental Charge - Manual Svc Order vs. Electronic-1st | Incremental Charge - Manual Svc Order vs. Electronic-Add'l | Incremental Charge - Manual Svc Order vs. Electronic-Disc 1st | Incremental Charge - Manual Svc Order vs. Electronic-Disc Add'l | OSS Rates(\$) | | | | | | | | | | | | |
| | | | | | | | | | | | | | Rec | Nonrecurring | | Nonrecurring Disconnect | | SOMEc | SOMAN | SOMAN | SOMAN | SOMAN | SOMAN | | |
| | | | | | | | | | | | | | First | Add'l | First | Add'l | | | | | | | | | |
| 2-WIRE HIGH BIT RATE DIGITAL SUBSCRIBER LINE (HDSL) COMPATIBLE LOOP | | | | | | | | | | | | | | | | | | | | | | | | | |
| | 2 Wire Unbundled HDSL Loop including manual service inquiry & facility reservation - Zone 1 | | 1 | UHL | UHL2X | 8.75 | | 129.98 | 79.52 | | 50.38 | 7.93 | | | | | | | | | | | | | |
| | 2 Wire Unbundled HDSL Loop including manual service inquiry & facility reservation - Zone 2 | | 2 | UHL | UHL2X | 9.22 | | 129.98 | 79.52 | | 50.38 | 7.93 | | | | | | | | | | | | | |
| | 2 Wire Unbundled HDSL Loop including manual service inquiry & facility reservation - Zone 3 | | 3 | UHL | UHL2X | 9.87 | | 129.98 | 79.52 | | 50.38 | 7.93 | | | | | | | | | | | | | |
| | 2 Wire Unbundled HDSL Loop including manual service inquiry & facility reservation - Zone 4 | | 4 | UHL | UHL2X | 10.46 | | 129.98 | 79.52 | | 50.38 | 7.93 | | | | | | | | | | | | | |
| | Order Coordination for Specified Conversion Time (per LSR) | | | UHL | OCOSL | | | 18.19 | | | | | | | | | | | | | | | | | |
| | 2 Wire Unbundled HDSL Loop without manual service inquiry and facility reservation - Zone 1 | | 1 | UHL | UHL2W | 8.75 | | 104.86 | 66.74 | | 50.38 | 7.93 | | | | | | | | | | | | | |
| | 2 Wire Unbundled HDSL Loop without manual service inquiry and facility reservation - Zone 2 | | 2 | UHL | UHL2W | 9.22 | | 104.86 | 66.74 | | 50.38 | 7.93 | | | | | | | | | | | | | |
| | 2 Wire Unbundled HDSL Loop without manual service inquiry and facility reservation - Zone 3 | | 3 | UHL | UHL2W | 9.87 | | 104.86 | 66.74 | | 50.38 | 7.93 | | | | | | | | | | | | | |
| | 2 Wire Unbundled HDSL Loop without manual service inquiry and facility reservation - Zone 4 | | 4 | UHL | UHL2W | 10.46 | | 104.86 | 66.74 | | 50.38 | 7.93 | | | | | | | | | | | | | |
| | Order Coordination for Specified Conversion Time (per LSR) | | | UHL | OCOSL | | | 18.19 | | | | | | | | | | | | | | | | | |
| | CLEC to CLEC Conversion Charge without outside dispatch | | | UHL | UREWO | | | 85.98 | 40.33 | | | | | | | | | | | | | | | | |
| 4-WIRE HIGH BIT RATE DIGITAL SUBSCRIBER LINE (HDSL) COMPATIBLE LOOP | | | | | | | | | | | | | | | | | | | | | | | | | |
| | 4 Wire Unbundled HDSL Loop including manual service inquiry and facility reservation - Zone 1 | | 1 | UHL | UHL4X | 13.78 | | 158.74 | 108.28 | | 56.72 | 10.68 | | | | | | | | | | | | | |
| | 4-Wire Unbundled HDSL Loop including manual service inquiry and facility reservation - Zone 2 | | 2 | UHL | UHL4X | 13.43 | | 158.74 | 108.28 | | 56.72 | 10.68 | | | | | | | | | | | | | |
| | 4-Wire Unbundled HDSL Loop including manual service inquiry and facility reservation - Zone 3 | | 3 | UHL | UHL4X | 15.59 | | 158.74 | 108.28 | | 56.72 | 10.68 | | | | | | | | | | | | | |
| | 4-Wire Unbundled HDSL Loop including manual service inquiry and facility reservation - Zone 4 | | 4 | UHL | UHL4X | 14.46 | | 158.74 | 108.28 | | 56.72 | 10.68 | | | | | | | | | | | | | |
| | Order Coordination for Specified Conversion Time (per LSR) | | | UHL | OCOSL | | | 18.19 | | | | | | | | | | | | | | | | | |
| | 4-Wire Unbundled HDSL Loop without manual service inquiry and facility reservation - Zone 1 | | 1 | UHL | UHL4W | 13.78 | | 133.62 | 95.50 | | 56.72 | 10.68 | | | | | | | | | | | | | |
| | 4-Wire Unbundled HDSL Loop without manual service inquiry and facility reservation - Zone 2 | | 2 | UHL | UHL4W | 13.43 | | 133.62 | 95.50 | | 56.72 | 10.68 | | | | | | | | | | | | | |
| | 4-Wire Unbundled HDSL Loop without manual service inquiry and facility reservation - Zone 3 | | 3 | UHL | UHL4W | 15.59 | | 133.62 | 95.50 | | 56.72 | 10.68 | | | | | | | | | | | | | |
| | 4-Wire Unbundled HDSL Loop without manual service inquiry and facility reservation - Zone 4 | | 4 | UHL | UHL4W | 14.46 | | 133.62 | 95.50 | | 56.72 | 10.68 | | | | | | | | | | | | | |
| | Order Coordination for Specified Conversion Time (per LSR) | | | UHL | OCOSL | | | 18.19 | | | | | | | | | | | | | | | | | |
| | CLEC to CLEC Conversion Charge without outside dispatch | | | UHL | UREWO | | | 85.98 | 40.33 | | | | | | | | | | | | | | | | |
| 4-WIRE DS1 DIGITAL LOOP | | | | | | | | | | | | | | | | | | | | | | | | | |
| | 4-Wire DS1 Digital Loop - Zone 1 | | 1 | USL | USLXX | 79.08 | | 253.93 | 158.45 | | 46.10 | 12.07 | | | | | | | | | | | | | |
| | 4-Wire DS1 Digital Loop - Zone 2 | | 2 | USL | USLXX | 129.38 | | 253.93 | 158.45 | | 46.10 | 12.07 | | | | | | | | | | | | | |
| | 4-Wire DS1 Digital Loop - Zone 3 | | 3 | USL | USLXX | 206.74 | | 253.93 | 158.45 | | 46.10 | 12.07 | | | | | | | | | | | | | |
| | 4-Wire DS1 Digital Loop - Zone 4 | | 4 | USL | USLXX | 458.46 | | 253.93 | 158.45 | | 46.10 | 12.07 | | | | | | | | | | | | | |
| | Order Coordination for Specified Conversion Time (per LSR) | | | USL | OCOSL | | | 18.19 | | | | | | | | | | | | | | | | | |
| | CLEC to CLEC Conversion Charge without outside dispatch | | | USL | UREWO | | | 100.90 | 42.96 | | | | | | | | | | | | | | | | |
| 4-WIRE 19.2, 56 OR 64 KBPS DIGITAL GRADE LOOP | | | | | | | | | | | | | | | | | | | | | | | | | |
| | 4 Wire Unbundled Digital 19.2 Kbps | | 1 | UDL | UDL19 | 27.44 | | 126.53 | 88.85 | | 60.68 | 14.64 | | | | | | | | | | | | | |
| | 4 Wire Unbundled Digital 19.2 Kbps | | 2 | UDL | UDL19 | 34.55 | | 126.53 | 88.85 | | 60.68 | 14.64 | | | | | | | | | | | | | |
| | 4 Wire Unbundled Digital 19.2 Kbps | | 3 | UDL | UDL19 | 40.76 | | 126.53 | 88.85 | | 60.68 | 14.64 | | | | | | | | | | | | | |
| | 4 Wire Unbundled Digital 19.2 Kbps | | 4 | UDL | UDL19 | 32.25 | | 126.53 | 88.85 | | 60.68 | 14.64 | | | | | | | | | | | | | |
| | 4 Wire Unbundled Digital Loop 56 Kbps - Zone 1 | | 1 | UDL | UDL56 | 27.44 | | 126.53 | 88.85 | | 60.68 | 14.64 | | | | | | | | | | | | | |
| | 4 Wire Unbundled Digital Loop 56 Kbps - Zone 2 | | 2 | UDL | UDL56 | 34.55 | | 126.53 | 88.85 | | 60.68 | 14.64 | | | | | | | | | | | | | |
| | 4 Wire Unbundled Digital Loop 56 Kbps - Zone 3 | | 3 | UDL | UDL56 | 40.76 | | 126.53 | 88.85 | | 60.68 | 14.64 | | | | | | | | | | | | | |
| | 4 Wire Unbundled Digital Loop 56 Kbps - Zone 4 | | 4 | UDL | UDL56 | 32.25 | | 126.53 | 88.85 | | 60.68 | 14.64 | | | | | | | | | | | | | |
| | Order Coordination for Specified Conversion Time (per LSR) | | | UDL | OCOSL | | | 18.19 | | | | | | | | | | | | | | | | | |
| | 4 Wire Unbundled Digital Loop 64 Kbps - Zone 1 | | 1 | UDL | UDL64 | 27.44 | | 126.53 | 88.85 | | 60.68 | 14.64 | | | | | | | | | | | | | |
| | 4 Wire Unbundled Digital Loop 64 Kbps - Zone 2 | | 2 | UDL | UDL64 | 34.55 | | 126.53 | 88.85 | | 60.68 | 14.64 | | | | | | | | | | | | | |

| UNBUNDLED NETWORK ELEMENTS - Mississippi | | | | | | | | | | | Attachment: 2 | | Exhibit: B | | | | | | | | |
|--|--|---------|------|-----|-------|-----------|----------------------------------|--------------------------------------|--|--|---|---|---------------|--------------|-------|-------------------------|--|-------|-------|-------|-------|
| CATEGORY | RATE ELEMENTS | Interim | Zone | BCS | USOC | RATES(\$) | Svc Order Submitted Elec per LSR | Svc Order Submitted Manually per LSR | Incremental Charge - Manual Svc Order vs. Electronic-1st | Incremental Charge - Manual Svc Order vs. Electronic-Add'l | Incremental Charge - Manual Svc Order vs. Electronic-Disc 1st | Incremental Charge - Manual Svc Order vs. Electronic-Disc Add'l | OSS Rates(\$) | | | | | | | | |
| | | | | | | | | | | | | | Rec | Nonrecurring | | Nonrecurring Disconnect | | SOMEc | SOMAN | SOMAN | SOMAN |
| | | | | | | | | | | | | | First | Add'l | First | Add'l | | | | | |
| | 4 Wire Unbundled Digital Loop 64 Kbps - Zone 3 | | 3 | UDL | UDL64 | 40.76 | | | | | | | 126.53 | 88.85 | 60.68 | 14.64 | | | | | |
| | 4 Wire Unbundled Digital Loop 64 Kbps - Zone 4 | | 4 | UDL | UDL64 | 32.25 | | | | | | | 126.53 | 88.85 | 60.68 | 14.64 | | | | | |
| | Order Coordination for Specified Conversion Time (per LSR) | | | UDL | OCOSL | | | | | | | | 18.19 | | | | | | | | |
| | CLEC to CLEC Conversion Charge without outside dispatch | | | UDL | UREWO | | | | | | | | 101.94 | 49.66 | | | | | | | |
| | 2-WIRE Unbundled COPPER LOOP | | | | | | | | | | | | | | | | | | | | |
| | 2-Wire Unbundled Copper Loop/Short including manual service inquiry & facility reservation - Zone 1 | | 1 | UCL | UCLPB | 11.11 | | | | | | | 120.34 | 69.87 | 50.38 | 7.93 | | | | | |
| | 2-Wire Unbundled Copper Loop/Short including manual service inquiry & facility reservation - Zone 2 | | 2 | UCL | UCLPB | 11.47 | | | | | | | 120.34 | 69.87 | 50.38 | 7.93 | | | | | |
| | 2 Wire Unbundled Copper Loop/Short including manual service inquiry & facility reservation - Zone 3 | | 3 | UCL | UCLPB | 11.74 | | | | | | | 120.34 | 69.87 | 50.38 | 7.93 | | | | | |
| | 2 Wire Unbundled Copper Loop/Short including manual service inquiry & facility reservation - Zone 4 | | 4 | UCL | UCLPB | 12.69 | | | | | | | 120.34 | 69.87 | 50.38 | 7.93 | | | | | |
| | Order Coordination for Unbundled Copper Loops (per loop) | | | UCL | UCLMC | | | | | | | | 8.20 | 8.20 | | | | | | | |
| | 2-Wire Unbundled Copper Loop/Short without manual service inquiry and facility reservation - Zone 1 | | 1 | UCL | UCLPW | 11.11 | | | | | | | 95.21 | 57.09 | 50.38 | 7.93 | | | | | |
| | 2-Wire Unbundled Copper Loop/Short without manual service inquiry and facility reservation - Zone 2 | | 2 | UCL | UCLPW | 11.47 | | | | | | | 95.21 | 57.09 | 50.38 | 7.93 | | | | | |
| | 2-Wire Unbundled Copper Loop/Short without manual service inquiry and facility reservation - Zone 3 | | 3 | UCL | UCLPW | 11.74 | | | | | | | 95.21 | 57.09 | 50.38 | 7.93 | | | | | |
| | 2-Wire Unbundled Copper Loop/Short without manual service inquiry and facility reservation - Zone 4 | | 4 | UCL | UCLPW | 12.69 | | | | | | | 95.21 | 57.09 | 50.38 | 7.93 | | | | | |
| | Order Coordination for Unbundled Copper Loops (per loop) | | | UCL | UCLMC | | | | | | | | 8.20 | 8.20 | | | | | | | |
| | 2-Wire Unbundled Copper Loop/Long - includes manual svc. inquiry and facility reservation - Zone 1 | | 1 | UCL | UCL2L | 29.29 | | | | | | | 120.34 | 69.87 | 50.38 | 7.93 | | | | | |
| | 2-Wire Unbundled Copper Loop/Long - includes manual svc. inquiry and facility reservation - Zone 2 | | 2 | UCL | UCL2L | 43.46 | | | | | | | 120.34 | 69.87 | 50.38 | 7.93 | | | | | |
| | 2-Wire Unbundled Copper Loop/Long - includes manual svc. inquiry and facility reservation - Zone 3 | | 3 | UCL | UCL2L | 64.44 | | | | | | | 120.34 | 69.87 | 50.38 | 7.93 | | | | | |
| | 2-Wire Unbundled Copper Loop/Long - includes manual svc. inquiry and facility reservation - Zone 4 | | 4 | UCL | UCL2L | 87.60 | | | | | | | 120.34 | 69.87 | 50.38 | 7.93 | | | | | |
| | Order Coordination for Unbundled Copper Loops (per loop) | | | UCL | UCLMC | | | | | | | | 8.20 | 8.20 | | | | | | | |
| | 2-Wire Unbundled Copper Loop/Long - without manual service inquiry and facility reservation - Zone 1 | | 1 | UCL | UCL2W | 29.29 | | | | | | | 95.21 | 57.09 | 50.38 | 7.93 | | | | | |
| | 2-Wire Unbundled Copper Loop/Long - without manual service inquiry and facility reservation - Zone 2 | | 2 | UCL | UCL2W | 43.46 | | | | | | | 95.21 | 57.09 | 50.38 | 7.93 | | | | | |
| | 2-Wire Unbundled Copper Loop/Long - without manual service inquiry and facility reservation - Zone 3 | | 3 | UCL | UCL2W | 64.44 | | | | | | | 95.21 | 57.09 | 50.38 | 7.93 | | | | | |
| | 2-Wire Unbundled Copper Loop/Long - without manual service inquiry and facility reservation - Zone 4 | | 4 | UCL | UCL2W | 87.60 | | | | | | | 95.21 | 57.09 | 50.38 | 7.93 | | | | | |
| | Order Coordination for Unbundled Copper Loops (per loop) | | | UCL | UCLMC | | | | | | | | 8.20 | 8.20 | | | | | | | |
| | CLEC to CLEC Conversion Charge without outside dispatch (UCL-Des) | | | UCL | UREWO | | | | | | | | 95.21 | 42.40 | | | | | | | |
| | 4-WIRE COPPER LOOP | | | | | | | | | | | | | | | | | | | | |
| | 4-Wire Copper Loop/Short - including manual service inquiry and facility reservation - Zone 1 | | 1 | UCL | UCL4S | 17.30 | | | | | | | 144.68 | 94.22 | 56.72 | 10.68 | | | | | |
| | 4-Wire Copper Loop/Short - including manual service inquiry and facility reservation - Zone 2 | | 2 | UCL | UCL4S | 18.84 | | | | | | | 144.68 | 94.22 | 56.72 | 10.68 | | | | | |
| | 4-Wire Copper Loop/Short - including manual service inquiry and facility reservation - Zone 3 | | 3 | UCL | UCL4S | 21.33 | | | | | | | 144.68 | 94.22 | 56.72 | 10.68 | | | | | |
| | 4-Wire Copper Loop/Short - including manual service inquiry and facility reservation - Zone 4 | | 4 | UCL | UCL4S | 21.33 | | | | | | | 144.68 | 94.22 | 56.72 | 10.68 | | | | | |
| | Order Coordination for Unbundled Copper Loops (per loop) | | | UCL | UCLMC | | | | | | | | 8.20 | 8.20 | | | | | | | |
| | 4-Wire Copper Loop/Short - without manual service inquiry and facility reservation - Zone 1 | | 1 | UCL | UCL4W | 17.30 | | | | | | | 119.56 | 81.44 | 56.72 | 10.68 | | | | | |
| | 4-Wire Copper Loop/Short - without manual service inquiry and facility reservation - Zone 2 | | 2 | UCL | UCL4W | 18.84 | | | | | | | 119.56 | 81.44 | 56.72 | 10.68 | | | | | |
| | 4-Wire Copper Loop/Short - without manual service inquiry and facility reservation - Zone 3 | | 3 | UCL | UCL4W | 21.33 | | | | | | | 119.56 | 81.44 | 56.72 | 10.68 | | | | | |

| UNBUNDLED NETWORK ELEMENTS - Mississippi | | | | | | | | | | | Attachment: 2 | | Exhibit: B | | |
|--|--|---------|------|---|-------|-----------|--------------|--------|-------------------------|----------------------------------|--------------------------------------|--|--|---|---|
| CATEGORY | RATE ELEMENTS | Interim | Zone | BCS | USOC | RATES(\$) | | | | Svc Order Submitted Elec per LSR | Svc Order Submitted Manually per LSR | Incremental Charge - Manual Svc Order vs. Electronic-1st | Incremental Charge - Manual Svc Order vs. Electronic-Add'l | Incremental Charge - Manual Svc Order vs. Electronic-Disc 1st | Incremental Charge - Manual Svc Order vs. Electronic-Disc Add'l |
| | | | | | | Rec | Nonrecurring | | Nonrecurring Disconnect | | | | | | |
| | | | | | | | First | Add'l | First | Add'l | SOMEc | SOMAN | SOMAN | SOMAN | SOMAN |
| | 4-Wire Copper Loop/Short - without manual service inquiry and facility reservation - Zone 4 | | 4 | UCL | UCL4W | 21.33 | 119.56 | 81.44 | 56.72 | 10.68 | | 15.75 | | | |
| | Order Coordination for Unbundled Copper Loops (per loop) | | | UCL | UCLMC | | 8.20 | 8.20 | | | | | | | |
| | 4-Wire Unbundled Copper Loop/Long - includes manual svc. inquiry and facility reservation - Zone 1 | | 1 | UCL | UCL4L | 54.72 | 144.68 | 94.22 | 56.72 | 10.68 | | 15.75 | | | |
| | 4-Wire Unbundled Copper Loop/Long - includes manual svc. inquiry and facility reservation - Zone 2 | | 2 | UCL | UCL4L | 97.47 | 144.68 | 94.22 | 56.72 | 10.68 | | 15.75 | | | |
| | 4-Wire Unbundled Copper Loop/Long - includes manual svc. inquiry and facility reservation - Zone 3 | | 3 | UCL | UCL4L | 106.06 | 144.68 | 94.22 | 56.72 | 10.68 | | 15.75 | | | |
| | 4-Wire Unbundled Copper Loop/Long - includes manual svc. inquiry and facility reservation - Zone 4 | | 4 | UCL | UCL4L | 106.06 | 144.68 | 94.22 | 56.72 | 10.68 | | 15.75 | | | |
| | Order Coordination for Unbundled Copper Loops (per loop) | | | UCL | UCLMC | | 8.20 | 8.20 | | | | | | | |
| | 4-Wire Unbundled Copper Loop/Long - without manual svc. inquiry and facility reservation - Zone 1 | | 1 | UCL | UCL4O | 54.72 | 119.56 | 81.44 | 56.72 | 10.68 | | 15.75 | | | |
| | 4-Wire Unbundled Copper Loop/Long - without manual svc. inquiry and facility reservation - Zone 2 | | 2 | UCL | UCL4O | 97.47 | 119.56 | 81.44 | 56.72 | 10.68 | | 15.75 | | | |
| | 4-Wire Unbundled Copper Loop/Long - without manual svc. inquiry and facility reservation - Zone 3 | | 3 | UCL | UCL4O | 106.06 | 119.56 | 81.44 | 56.72 | 10.68 | | 15.75 | | | |
| | 4-Wire Unbundled Copper Loop/Long - without manual service inquiry and facility reservation - Zone 4 | | 4 | UCL | UCL4O | 106.06 | 119.56 | 81.44 | 56.72 | 10.68 | | 15.75 | | | |
| | Order Coordination for Unbundled Copper Loops (per loop) | | | UCL | UCLMC | | 8.20 | 8.20 | | | | | | | |
| | CLEC to CLEC Conversion Charge without outside dispatch (UCL-Des) | | | UCL | UREWO | | 95.21 | 42.40 | | | | 15.75 | | | |
| LOOP MODIFICATION | | | | | | | | | | | | | | | |
| | Unbundled Loop Modification, Removal of Load Coils - 2 Wire pair less than or equal to 18k ft | | | UAL, UHL, UCL, UEQ, ULS, UEA, UEANL, UDL, UDC, UDN, UDL, USL | ULM2L | | 32.57 | 32.57 | | | | 15.75 | | | |
| | Unbundled Loop Modification, Removal of Load Coils - 2 wire greater than 18k ft | | | UCL, ULS | ULM2G | | 171.49 | 171.49 | | | | 15.75 | | | |
| | Unbundled Loop Modification Removal of Load Coils - 4 Wire less than or equal to 18K ft | | | UHL, UCL | ULM4L | | 32.57 | 32.57 | | | | 15.75 | | | |
| | Unbundled Loop Modification Removal of Load Coils - 4 Wire pair greater than 18k ft | | | UCL | ULM4G | | 171.49 | 171.49 | | | | 15.75 | | | |
| | Unbundled Loop Modification Removal of Bridged Tap Removal, per unbundled loop | | | UAL, UHL, UCL, UEQ, UEF, ULS, UEA, UEANL, UDL, UDC, UDN, UDL, USL | ULMBT | | 32.59 | 32.59 | | | | 15.75 | | | |
| SUB-LOOPS | | | | | | | | | | | | | | | |
| Sub-Loop Distribution | | | | | | | | | | | | | | | |
| | Sub-Loop - Per Cross Box Location - CLEC Feeder Facility Set-Up | | I | UEANL | USBSA | | 259.69 | | | | | 15.75 | | | |
| | Sub-Loop - Per Cross Box Location - Per 25 Pair Panel Set-Up | | I | UEANL | USBSB | | 22.77 | | | | | 15.75 | | | |
| | Sub-Loop - Per Building Equipment Room - CLEC Feeder Facility Set-Up | | I | UEANL | USBSC | | 178.47 | | | | | 15.75 | | | |
| | Sub-Loop - Per Building Equipment Room - Per 25 Pair Panel Set-Up | | I | UEANL | USBSD | | 56.39 | | | | | 15.75 | | | |
| | Sub-Loop Distribution Per 2-Wire Analog Voice Grade Loop - Zone 1 | | I | 1 | UEANL | USBN2 | 7.15 | 66.18 | 31.14 | 45.36 | 6.71 | 15.75 | | | |
| | Sub-Loop Distribution Per 2-Wire Analog Voice Grade Loop - Zone 2 | | I | 2 | UEANL | USBN2 | 9.51 | 66.18 | 31.14 | 45.36 | 6.71 | 15.75 | | | |
| | Sub-Loop Distribution Per 2-Wire Analog Voice Grade Loop - Zone 3 | | I | 3 | UEANL | USBN2 | 12.45 | 66.18 | 31.14 | 45.36 | 6.71 | 15.75 | | | |
| | Sub-Loop Distribution Per 2-Wire Analog Voice Grade Loop - Zone 4 | | I | 4 | UEANL | USBN2 | 18.26 | 66.18 | 31.14 | 45.36 | 6.71 | 15.75 | | | |
| | Order Coordination for Unbundled Sub-Loops, per sub-loop pair | | | UEANL | USBMC | | 8.20 | 8.20 | | | | | | | |

| UNBUNDLED NETWORK ELEMENTS - Mississippi | | | | | | | | | | | Attachment: 2 | | Exhibit: B | | | | | | | | | | |
|--|--|---------|------|----------------------|-------|-----------|----------------------------------|--------------------------------------|--|--|---|---|---------------|--------------|-------|-------------------------|--|-------|-------|-------|-------|-------|-------|
| CATEGORY | RATE ELEMENTS | Interim | Zone | BCS | USOC | RATES(\$) | Svc Order Submitted Elec per LSR | Svc Order Submitted Manually per LSR | Incremental Charge - Manual Svc Order vs. Electronic-1st | Incremental Charge - Manual Svc Order vs. Electronic-Add'l | Incremental Charge - Manual Svc Order vs. Electronic-Disc 1st | Incremental Charge - Manual Svc Order vs. Electronic-Disc Add'l | OSS Rates(\$) | | | | | | | | | | |
| | | | | | | | | | | | | | Rec | Nonrecurring | | Nonrecurring Disconnect | | SOMEc | SOMAN | SOMAN | SOMAN | SOMAN | SOMAN |
| | | | | | | | | | | | | | First | Add'l | First | Add'l | | | | | | | |
| | Sub-Loop Distribution Per 4-Wire Analog Voice Grade Loop - Zone 1 | | 1 | UEANL | USBN4 | 7.30 | | | | | | | 79.49 | 44.45 | 51.27 | 9.35 | | | 15.75 | | | | |
| | Sub-Loop Distribution Per 4-Wire Analog Voice Grade Loop - Zone 2 | | 2 | UEANL | USBN4 | 13.92 | | | | | | | 79.49 | 44.45 | 51.27 | 9.35 | | | 15.75 | | | | |
| | Sub-Loop Distribution Per 4-Wire Analog Voice Grade Loop - Zone 3 | | 3 | UEANL | USBN4 | 16.73 | | | | | | | 79.49 | 44.45 | 51.27 | 9.35 | | | 15.75 | | | | |
| | Sub-Loop Distribution Per 4-Wire Analog Voice Grade Loop - Zone 4 | | 4 | UEANL | USBN4 | 16.73 | | | | | | | 79.49 | 44.45 | 51.27 | 9.35 | | | 15.75 | | | | |
| | Order Coordination for Unbundled Sub-Loops, per sub-loop pair | | | UEANL | USBMC | | | | | | | | 8.20 | 8.20 | | | | | 15.75 | | | | |
| | Sub-Loop 2-Wire Intrabuilding Network Cable (INC) | I | | UEANL | USBR2 | 2.29 | | | | | | | 53.32 | 18.28 | 45.36 | 6.71 | | | 15.75 | | | | |
| | Order Coordination for Unbundled Sub-Loops, per sub-loop pair | | | UEANL | USBMC | | | | | | | | 8.20 | 8.20 | | | | | 15.75 | | | | |
| | Sub-Loop 4-Wire Intrabuilding Network Cable (INC) | I | | UEANL | USBR4 | 4.40 | | | | | | | 59.60 | 24.55 | 51.27 | 9.35 | | | 15.75 | | | | |
| | Order Coordination for Unbundled Sub-Loops, per sub-loop pair | | | UEANL | USBMC | | | | | | | | 8.20 | 8.20 | | | | | 15.75 | | | | |
| | 2 Wire Copper Unbundled Sub-Loop Distribution - Zone 1 | I | 1 | UEF | UCS2X | 6.06 | | | | | | | 66.18 | 31.14 | 45.36 | 6.71 | | | 15.75 | | | | |
| | 2 Wire Copper Unbundled Sub-Loop Distribution - Zone 2 | I | 2 | UEF | UCS2X | 7.09 | | | | | | | 66.18 | 31.14 | 45.36 | 6.71 | | | 15.75 | | | | |
| | 2 Wire Copper Unbundled Sub-Loop Distribution - Zone 3 | I | 3 | UEF | UCS2X | 8.16 | | | | | | | 66.18 | 31.14 | 45.36 | 6.71 | | | 15.75 | | | | |
| | 2 Wire Copper Unbundled Sub-Loop Distribution - Zone 4 | I | 4 | UEF | UCS2X | 9.90 | | | | | | | 66.18 | 31.14 | 45.36 | 6.71 | | | 15.75 | | | | |
| | Order Coordination for Unbundled Sub-Loops, per sub-loop pair | | | UEF | USBMC | | | | | | | | 8.20 | 8.20 | | | | | 15.75 | | | | |
| | 4 Wire Copper Unbundled Sub-Loop Distribution - Zone 1 | I | 1 | UEF | UCS4X | 5.10 | | | | | | | 79.49 | 44.45 | 51.27 | 9.35 | | | 15.75 | | | | |
| | 4 Wire Copper Unbundled Sub-Loop Distribution - Zone 2 | I | 2 | UEF | UCS4X | 9.11 | | | | | | | 79.49 | 44.45 | 51.27 | 9.35 | | | 15.75 | | | | |
| | 4 Wire Copper Unbundled Sub-Loop Distribution - Zone 3 | I | 3 | UEF | UCS4X | 14.00 | | | | | | | 79.49 | 44.45 | 51.27 | 9.35 | | | 15.75 | | | | |
| | 4 Wire Copper Unbundled Sub-Loop Distribution - Zone 4 | I | 4 | UEF | UCS4X | 14.00 | | | | | | | 79.49 | 44.45 | 51.27 | 9.35 | | | 15.75 | | | | |
| | Order Coordination for Unbundled Sub-Loops, per sub-loop pair | | | UEF | USBMC | | | | | | | | 8.20 | 8.20 | | | | | 15.75 | | | | |
| | Unbundled Sub-Loop Modification | | | | | | | | | | | | | | | | | | | | | | |
| | Unbundled Sub-Loop Modification - 2-W Copper Dist Load Coil/Equip Removal per 2-W PR | | | UEF | ULM2X | | | | | | | | 176.80 | 5.13 | | | | | 15.75 | | | | |
| | Unbundled Sub-loop Modification - 4-W Copper Dist Load Coil/Equip Removal per 4-W PR | | | UEF | ULM4X | | | | | | | | 176.80 | 5.13 | | | | | 15.75 | | | | |
| | Unbundled Sub-loop Modification - 2-w/4-w Copper Dist Bridged Tap Removal, per PR unloaded | | | UEF | ULM4T | | | | | | | | 279.81 | 6.15 | | | | | 15.75 | | | | |
| | Unbundled Network Terminating Wire (UNTW) | | | | | | | | | | | | | | | | | | | | | | |
| | Unbundled Network Terminating Wire (UNTW) per Pair | | | UENTW | UENPP | 0.3366 | | | | | | | 30.55 | | | | | | 15.75 | | | | |
| | Network Interface Device (NID) | | | | | | | | | | | | | | | | | | | | | | |
| | Network Interface Device (NID) - 1-2 lines | | | UENTW | UND12 | | | | | | | | 43.84 | 28.90 | | | | | 15.75 | | | | |
| | Network Interface Device (NID) - 1-6 lines | | | UENTW | UND16 | | | | | | | | 65.30 | 50.36 | | | | | 15.75 | | | | |
| | Network Interface Device Cross Connect - 2 W | | | UENTW | UNDC2 | | | | | | | | 5.94 | 5.94 | | | | | 15.75 | | | | |
| | Network Interface Device Cross Connect - 4W | | | UENTW | UNDC4 | | | | | | | | 5.94 | 5.94 | | | | | 15.75 | | | | |
| | SUB-LOOPS | | | | | | | | | | | | | | | | | | | | | | |
| | Sub-Loop Feeder | | | | | | | | | | | | | | | | | | | | | | |
| | USL-Feeder, DS0 Set-up per Cross Box location - CLEC Distribution Facility set-up | | | UEA, UDN,UCL,UDL,UDC | USBFW | | | | | | | | 259.69 | | | | | | 15.75 | | | | |
| | USL Feeder - DS0 Set-up per Cross Box location - per 25 pair set-up | | | UEA, UDN,UCL,UDL,UDC | USBFX | | | | | | | | 22.77 | 22.77 | | | | | 15.75 | | | | |
| | USL Feeder DS1 Set-up at DSX location, per DS1 termination | | | USL | USBFZ | | | | | | | | 534.46 | 11.30 | | | | | 15.75 | | | | |
| | Unbundled Sub-Loop Feeder Loop, 2 Wire Ground Start, Voice Grade - Zone 1 | | 1 | UEA | USBFA | 7.98 | | | | | | | 93.23 | 56.50 | 54.45 | 13.51 | | | 15.75 | | | | |
| | Unbundled Sub-Loop Feeder Loop, 2 Wire Ground-Start, Voice Grade - Zone 2 | | 2 | UEA | USBFA | 10.39 | | | | | | | 93.23 | 56.50 | 54.45 | 13.51 | | | 15.75 | | | | |
| | Unbundled Sub-Loop Feeder Loop, Per 2 Wire Ground-Start, Voice Grade - Zone 3 | | 3 | UEA | USBFA | 16.11 | | | | | | | 93.23 | 56.50 | 54.45 | 13.51 | | | 15.75 | | | | |
| | Unbundled Sub-Loop Feeder Loop, 2 Wire Ground-Start Loop, Voice Grade - Zone 4 | | 4 | UEA | USBFA | 28.37 | | | | | | | 93.23 | 56.50 | 54.45 | 13.51 | | | 15.75 | | | | |
| | Order Coordination for Specified Conversion Time, per LSR | | | UEA | OCOSL | | | | | | | | 18.19 | | | | | | | | | | |

| UNBUNDLED NETWORK ELEMENTS - Mississippi | | | | | | | | | | Attachment: 2 | | Exhibit: B | | | |
|--|--|---------|------|-----|-------|-----------|--------------|-------|-------------------------|----------------------------------|--------------------------------------|--|--|---|---|
| CATEGORY | RATE ELEMENTS | Interim | Zone | BCS | USOC | RATES(\$) | | | | Svc Order Submitted Elec per LSR | Svc Order Submitted Manually per LSR | Incremental Charge - Manual Svc Order vs. Electronic-1st | Incremental Charge - Manual Svc Order vs. Electronic-Add'l | Incremental Charge - Manual Svc Order vs. Electronic-Disc 1st | Incremental Charge - Manual Svc Order vs. Electronic-Disc Add'l |
| | | | | | | Rec | Nonrecurring | | Nonrecurring Disconnect | | | | | | |
| | | | | | | | First | Add'l | First | Add'l | SOMEc | SOMAN | SOMAN | SOMAN | SOMAN |
| | Unbundle Sub-Loop Feeder Loop, 2 Wire Loop-Start, Voice Grade - Zone 1 | | 1 | UEA | USBFB | 7.98 | 93.23 | 56.50 | 54.45 | 13.51 | | 15.75 | | | |
| | Unbundled Sub-Loop Feeder Loop, 2 Wire Loop-Start, Voice Grade - Zone 2 | | 2 | UEA | USBFB | 10.39 | 93.23 | 56.50 | 54.45 | 13.51 | | 15.75 | | | |
| | Unbundled Sub-Loop Feeder Loop, 2 Wire Start Loop, Voice Grade - Zone 3 | | 3 | UEA | USBFB | 16.11 | 93.23 | 56.50 | 54.45 | 13.51 | | 15.75 | | | |
| | Unbundled Sub-Loop Feeder Loop, 2 Wire Loop-Start, Voice Grade - Zone 4 | | 4 | UEA | USBFB | 28.37 | 93.23 | 56.50 | 54.45 | 13.51 | | 15.75 | | | |
| | Order Coordination for Specified Time Conversion, per LSR | | | UEA | OCOSL | | 18.19 | | | | | | | | |
| | Unbundled Sub-Loop Feeder Loop, 2 Wire Reverse Battery, Voice Grade - Zone 1 | | 1 | UEA | USBFC | 7.98 | 93.23 | 56.50 | 54.45 | 13.51 | | 15.75 | | | |
| | Unbundled Sub-Loop Feeder Loop, 2 Wire Reverse Battery, Voice Grade - Zone 2 | | 2 | UEA | USBFC | 10.39 | 93.23 | 56.50 | 54.45 | 13.51 | | 15.75 | | | |
| | Unbundled Sub-Loop Feeder Loop, 2 Wire Reverse Battery, Voice Grade - Zone 3 | | 3 | UEA | USBFC | 16.11 | 93.23 | 56.50 | 54.45 | 13.51 | | 15.75 | | | |
| | Unbundled Sub-Loop Feeder Loop, 2 Wire Reverse Battery, Voice Grade - Zone 4 | | 4 | UEA | USBFC | 28.37 | 93.23 | 56.50 | 54.45 | 13.51 | | 15.75 | | | |
| | Order Coordination For Specified Conversion Time, per LSR | | | UEA | OCOSL | | 18.19 | | | | | | | | |
| | Unbundled Sub-Loop Feeder Loop, 4 Wire Ground-Start, Voice Grade - Zone 1 | | 1 | UEA | USBFD | 21.69 | 107.71 | 70.03 | 63.68 | 17.64 | | 15.75 | | | |
| | Unbundled Sub-Loop Feeder Loop, 4 Wire Ground-Start, Voice Grade - Zone 2 | | 2 | UEA | USBFD | 26.06 | 107.71 | 70.03 | 63.68 | 17.64 | | 15.75 | | | |
| | Unbundled Sub-Loop Feeder Loop, 4 Wire Ground Start, Voice Grade - Zone 3 | | 3 | UEA | USBFD | 34.77 | 107.71 | 70.03 | 63.68 | 17.64 | | 15.75 | | | |
| | Unbundled Sub-Loop Feeder Loop, 4 Wire Ground-Start, Voice Grade - Zone 4 | | 4 | UEA | USBFD | 34.77 | 107.71 | 70.03 | 63.68 | 17.64 | | 15.75 | | | |
| | Order Coordination For Specified Conversion Time, Per LSR | | | UEA | OCOSL | | 18.19 | | | | | | | | |
| | Unbundled Sub-Loop Feeder Loop, 4 Wire Loop-Start, Voice Grade - Zone 1 | | 1 | UEA | USBFE | 21.69 | 107.71 | 70.03 | 63.68 | 17.64 | | 15.75 | | | |
| | Unbundled Sub-Loop Feeder Loop, 4 Wire Loop-Start, Voice Grade - Zone 2 | | 2 | UEA | USBFE | 26.06 | 107.71 | 70.03 | 63.68 | 17.64 | | 15.75 | | | |
| | Unbundled Sub-Loop Feeder Loop, 4 Wire Loop-Start, Voice Grade - Zone 3 | | 3 | UEA | USBFE | 34.77 | 107.71 | 70.03 | 63.68 | 17.64 | | 15.75 | | | |
| | Sub-Loop Feeder - Per 4-Wire Analog Voice Grade Loop-Start Loop - Zone 4 | | 4 | UEA | USBFE | 34.77 | 107.71 | 70.03 | 63.68 | 17.64 | | 15.75 | | | |
| | Order Coordination For Specified Conversion Time, Per LSR | | | UEA | OCOSL | | 18.19 | | | | | | | | |
| | Unbundled Sub-Loop Feeder Loop, 2 Wire ISDN BRI - Zone 1 | | 1 | UDN | USBFF | 14.60 | 106.46 | 68.78 | 55.58 | 13.13 | | 15.75 | | | |
| | Unbundled Sub-Loop Feeder Loop, 2-Wire ISDN BRI - Zone 2 | | 2 | UDN | USBFF | 18.78 | 106.46 | 68.78 | 55.58 | 13.13 | | 15.75 | | | |
| | Unbundled Sub-Loop Feeder Loop, 2-Wire ISDN BRI - Zone 3 | | 3 | UDN | USBFF | 25.47 | 106.46 | 68.78 | 55.58 | 13.13 | | 15.75 | | | |
| | Unbundled Sub-Loop Feeder Loop, 2-Wire ISDN BRI - Zone 4 | | 4 | UDN | USBFF | 41.41 | 106.46 | 68.78 | 55.58 | 13.13 | | 15.75 | | | |
| | Order Coordination For Specified Conversion Time, Per LSR | | | UDN | OCOSL | | 18.19 | | | | | | | | |
| | Unbundled Sub-Loop Feeder, 2 Wire UDC (IDSL compatible) | | 1 | UDC | USBFS | 14.60 | 106.46 | 68.78 | 55.58 | 13.13 | | 15.75 | | | |
| | Unbundled Sub-Loop Feeder, 2 Wire UDC (IDSL compatible) | | 2 | UDC | USBFS | 18.78 | 106.46 | 68.78 | 55.58 | 13.13 | | 15.75 | | | |
| | Unbundled Sub-Loop Feeder, 2 Wire UDC (IDSL compatible) | | 3 | UDC | USBFS | 25.47 | 106.46 | 68.78 | 55.58 | 13.13 | | 15.75 | | | |
| | Unbundled Sub-Loop Feeder, 2 Wire UDC (IDSL compatible) | | 4 | UDC | USBFS | 41.41 | 106.46 | 68.78 | 55.58 | 13.13 | | 15.75 | | | |
| | Unbundled Sub-Loop Feeder Loop, 4-Wire DS1 - Zone 1 | | 1 | USL | USBFG | 55.19 | 101.97 | 64.29 | 63.68 | 17.64 | | 15.75 | | | |
| | Unbundled Sub-Loop Feeder Loop, 4-Wire DS1 - Zone 2 | | 2 | USL | USBFG | 100.03 | 101.97 | 64.29 | 63.68 | 17.64 | | 15.75 | | | |
| | Unbundled Sub-Loop Feeder Loop, 4-Wire DS1 - Zone 3 | | 3 | USL | USBFG | 183.66 | 101.97 | 64.29 | 63.68 | 17.64 | | 15.75 | | | |
| | Unbundled Sub-Loop Feeder Loop, 4-Wire DS1 - Zone 4 | | 4 | USL | USBFG | 430.04 | 101.97 | 64.29 | 63.68 | 17.64 | | 15.75 | | | |
| | Order Coordination For Specified Conversion Time, Per LSR | | | USL | OCOSL | | 18.19 | | | | | | | | |
| | Unbundled Sub-Loop Feeder Loop, 2-Wire Copper Loop - Zone 1 | | 1 | UCL | USBFH | 5.88 | 84.27 | 46.59 | 53.14 | 10.70 | | 15.75 | | | |
| | Unbundled Sub-Loop Feeder Loop, 2-Wire Copper Loop - Zone 2 | | 2 | UCL | USBFH | 5.21 | 84.27 | 46.59 | 53.14 | 10.70 | | 15.75 | | | |
| | Unbundled Sub-Loop Feeder Loop, 2-Wire Copper Loop - Zone 3 | | 3 | UCL | USBFH | 4.40 | 84.27 | 46.59 | 53.14 | 10.70 | | 15.75 | | | |
| | Unbundled Sub-Loop Feeder, 2-Wire Copper Loop - Zone 4 | | 4 | UCL | USBFH | 3.63 | 84.27 | 46.59 | 53.14 | 10.70 | | 15.75 | | | |
| | Order Coordination For Specified Conversion Time, per LSR | | | UCL | OCOSL | | 18.19 | | | | | | | | |
| | Sub-Loop Feeder - Per 4-Wire Copper Loop - Zone 1 | | 1 | UCL | USBFJ | 13.49 | 101.58 | 63.90 | 59.71 | 13.67 | | 15.75 | | | |

| UNBUNDLED NETWORK ELEMENTS - Mississippi | | | | | | | | | | | Attachment: 2 | | Exhibit: B | | | | | | | |
|--|--|---------|------|-------|-------|-----------|----------------------------------|--------------------------------------|--|--|---|---|---------------|--------------------|--------------------|--------------------|--------------------|-------|-------|-------|
| CATEGORY | RATE ELEMENTS | Interim | Zone | BCS | USOC | RATES(\$) | Svc Order Submitted Elec per LSR | Svc Order Submitted Manually per LSR | Incremental Charge - Manual Svc Order vs. Electronic-1st | Incremental Charge - Manual Svc Order vs. Electronic-Add'l | Incremental Charge - Manual Svc Order vs. Electronic-Disc 1st | Incremental Charge - Manual Svc Order vs. Electronic-Disc Add'l | OSS Rates(\$) | | | | | | | |
| | | | | | | | | | | | | | Rec | Nonrecurring First | Nonrecurring Add'l | Nonrecurring First | Nonrecurring Add'l | SOMEK | SOMAN | SOMAN |
| | Sub-Loop Feeder - Per 4-Wire Copper Loop - Zone 2 | | 2 | UCL | USBFJ | 10.96 | | | | | | | | | | | | | | |
| | Sub-Loop Feeder - Per 4-Wire Copper Loop - Zone 3 | | 3 | UCL | USBFJ | 8.59 | | | | | | | | | | | | | | |
| | Sub-Loop Feeder - Per 4-Wire Copper Loop - Zone 4 | | 4 | UCL | USBFJ | 8.59 | | | | | | | | | | | | | | |
| | Order Coordination For Specified Conversion Time, per LSR | | | UCL | OCOSL | | | 18.19 | | | | | | | | | | | | |
| | Sub-Loop Feeder - Per 4-Wire 19.2 Kbps Digital Grade Loop | | 1 | UDL | USBFN | 22.89 | | | | | | | | | | | | | | |
| | Sub-Loop Feeder - Per 4-Wire 19.2 Kbps Digital Grade Loop | | 2 | UDL | USBFN | 25.11 | | | | | | | | | | | | | | |
| | Sub-Loop Feeder - Per 4-Wire 19.2 Kbps Digital Grade Loop | | 3 | UDL | USBFN | 30.84 | | | | | | | | | | | | | | |
| | Sub-Loop Feeder - Per 4-Wire 19.2 Kbps Digital Grade Loop | | 4 | UDL | USBFN | 41.05 | | | | | | | | | | | | | | |
| | Sub-Loop Feeder - Per 4-Wire 56 Kbps Digital Grade Loop - Zone 1 | | 1 | UDL | USBFO | 22.89 | | | | | | | | | | | | | | |
| | Sub-Loop Feeder - Per 4-Wire 56 Kbps Digital Grade Loop - Zone 2 | | 2 | UDL | USBFO | 25.11 | | | | | | | | | | | | | | |
| | Sub-Loop Feeder - Per 4-Wire 56 Kbps Digital Grade Loop - Zone 3 | | 3 | UDL | USBFO | 30.84 | | | | | | | | | | | | | | |
| | Sub-Loop Feeder - Per 4-Wire 56 Kbps Digital Grade Loop - Zone 4 | | 4 | UDL | USBFO | 41.05 | | | | | | | | | | | | | | |
| | Order Coordination For Specified Time Conversion, per LSR | | | UDL | OCOSL | | | 18.19 | | | | | | | | | | | | |
| | Sub-Loop Feeder - Per 4-Wire 64 Kbps Digital Grade Loop - Zone 1 | | 1 | UDL | USBFP | 22.89 | | | | | | | | | | | | | | |
| | Sub-Loop Feeder - Per 4-Wire 64 Kbps Digital Grade Loop - Zone 2 | | 2 | UDL | USBFP | 25.11 | | | | | | | | | | | | | | |
| | Sub-Loop Feeder - Per 4-Wire 64 Kbps Digital Grade Loop - Zone 3 | | 3 | UDL | USBFP | 30.84 | | | | | | | | | | | | | | |
| | Sub-Loop Feeder - Per 4-Wire 64 Kbps Digital Grade Loop - Zone 4 | | 4 | UDL | USBFP | 41.05 | | | | | | | | | | | | | | |
| | Order Coordination For Specified Conversion Time, per LSR | | | UDL | OCOSL | | | 18.19 | | | | | | | | | | | | |
| SUB-LOOPS | | | | | | | | | | | | | | | | | | | | |
| Sub-Loop Feeder | | | | | | | | | | | | | | | | | | | | |
| | Sub Loop Feeder - DS3 - Per Mile Per Month | | | UE3 | 1L5SL | 18.88 | | | | | | | | | | | | | | |
| | Sub Loop Feeder - DS3 - Facility Termination Per Month | | | UE3 | USBF1 | 349.41 | | 3,380.00 | 406.45 | 157.96 | | 89.54 | | 15.75 | | | | | | |
| | Sub Loop Feeder - STS-1 - Per Mile Per Month | | | UDLSX | 1L5SL | 18.88 | | | | | | | | | | | | | | |
| | Sub Loop Feeder - STS-1 - Facility Termination Per Month | | | UDLSX | USBF7 | 376.07 | | 3,380.00 | 406.45 | 157.96 | | 89.54 | | 15.75 | | | | | | |
| | Sub Loop Feeder - OC-3 - Per Mile Per Month | | | UDLO3 | 1L5SL | 14.33 | | | | | | | | | | | | | | |
| | Sub Loop Feeder - OC-3 - Facility Termination Protection Per Month | | | UDLO3 | USBF5 | 58.63 | | | | | | | | | | | | | | |
| | Sub Loop Feeder - OC-3 - Facility Termination Per Month | | | UDLO3 | USBF2 | 569.22 | | 3,380.00 | 406.45 | 157.96 | | 89.54 | | 15.75 | | | | | | |
| | Sub Loop Feeder - OC-12 - Per Mile Per Month | | | UDL12 | 1L5SL | 17.63 | | | | | | | | | | | | | | |
| | Sub Loop Feeder - OC-12 - Facility Termination Protection Per Month | | | UDL12 | USBF6 | 662.39 | | | | | | | | | | | | | | |
| | Sub Loop Feeder - OC-12 - Facility Termination Per Month | | | UDL12 | USBF3 | 1,795.00 | | 3,380.00 | 406.45 | 157.96 | | 89.54 | | 15.75 | | | | | | |
| | Sub Loop Feeder - OC-48 - Per Mile Per Month | | | UDL48 | 1L5SL | 57.83 | | | | | | | | | | | | | | |
| | Sub Loop Feeder - OC-48 - Facility Termination Protection Per Month | | | UDL48 | USBF9 | 331.52 | | | | | | | | | | | | | | |
| | Sub Loop Feeder - OC-48 - Facility Termination Per Month | | | UDL48 | USBF4 | 1,545.00 | | 3,565.00 | 406.45 | 157.96 | | 89.54 | | 15.75 | | | | | | |
| | Sub Loop Feeder - OC-12 Interface On OC-48 | | | UDL48 | USBF8 | 374.04 | | 787.04 | 406.45 | 157.96 | | 89.54 | | 15.75 | | | | | | |
| UNBUNDLED LOOP CONCENTRATION | | | | | | | | | | | | | | | | | | | | |
| | Unbundled Loop Concentration - System A (TR008) | | | ULC | UCT8A | 363.67 | | | 327.30 | 327.30 | | | | 15.75 | | | | | | |
| | Unbundled Loop Concentration - System B (TR008) | | | ULC | UCT8B | 47.56 | | | 136.37 | 136.37 | | | | 15.75 | | | | | | |
| | Unbundled Loop Concentration - System A (TR303) | | | ULC | UCT3A | 397.35 | | | 327.30 | 327.30 | | | | 15.75 | | | | | | |
| | Unbundled Loop Concentration - System B (TR303) | | | ULC | UCT3B | 80.15 | | | 136.37 | 136.37 | | | | 15.75 | | | | | | |
| | Unbundled Loop Concentration - DS1 Loop Interface Card | | | ULC | UCTCO | 4.52 | | | 63.65 | 46.34 | 17.31 | 4.85 | | 15.75 | | | | | | |
| | Unbundled Loop Concentration - ISDN Loop Interface (Brite Card) | | | UDN | ULCC1 | 7.17 | | | 10.60 | 10.54 | 5.56 | 5.53 | | 15.75 | | | | | | |
| | Unbundled Loop Concentration - UDC Loop Interface (Brite Card) | | | UDC | ULCCU | 7.17 | | | 10.60 | 10.54 | 5.56 | 5.53 | | 15.75 | | | | | | |
| | Unbundled Loop Concentration - -2 Wire Voice-Loop Start or Ground Start Loop Interface (POTS Card) | | | UEA | ULCC2 | 1.80 | | | 10.60 | 10.54 | 5.56 | 5.53 | | 15.75 | | | | | | |
| | Unbundled Loop Concentration - 2 Wire Voice - Reverse Battery Loop Interface (SPOTS Card) | | | UEA | ULCCR | 10.66 | | | 10.60 | 10.54 | 5.56 | 5.53 | | 15.75 | | | | | | |

| UNBUNDLED NETWORK ELEMENTS - Mississippi | | | | | | | | | | Attachment: 2 | | Exhibit: B | |
|--|--|---------|------|---------------------------------|-------|-----------|----------------------------------|--------------------------------------|--|--|---|---|-----|
| CATEGORY | RATE ELEMENTS | Interim | Zone | BCS | USOC | RATES(\$) | Svc Order Submitted Elec per LSR | Svc Order Submitted Manually per LSR | Incremental Charge - Manual Svc Order vs. Electronic-1st | Incremental Charge - Manual Svc Order vs. Electronic-Add'l | Incremental Charge - Manual Svc Order vs. Electronic-Disc 1st | Incremental Charge - Manual Svc Order vs. Electronic-Disc Add'l | |
| | | | | | | | | | | | | | Rec |
| | | | | | | | | | | | | | |
| | | | | | | | | | | | | | |
| | Unbundled Loop Concentration - 4 Wire Voice Loop Interface (Specials Card) | | | UEA | ULCC4 | 6.36 | | 10.60 | 10.54 | 5.56 | 5.53 | 15.75 | |
| | Unbundled Loop Concentration - TEST CIRCUIT Card | | | ULC | UCTTC | 31.07 | | 10.60 | 10.54 | 5.56 | 5.53 | 15.75 | |
| | Unbundled Loop Concentration - Digital 19.2 Kbps Data Loop Interface | | | UDL | ULCC7 | 9.42 | | 10.60 | 10.54 | 5.56 | 5.53 | 15.75 | |
| | Unbundled Loop Concentration - Digital 56 Kbps Data Loop Interface | | | UDL | ULCC5 | 9.42 | | 10.60 | 10.54 | 5.56 | 5.53 | 15.75 | |
| | Unbundled Loop Concentration - Digital 64 Kbps Data Loop Interface | | | UDL | ULCC6 | 9.42 | | 10.60 | 10.54 | 5.56 | 5.53 | 15.75 | |
| UNE OTHER, PROVISIONING ONLY - NO RATE | | | | | | | | | | | | | |
| | NID - Dispatch and Service Order for NID installation | | | UENTW | UNDBX | | | | | | | | |
| | UNTW Circuit Id Establishment, Provisioning Only - No Rate | | | UENTW | UENCE | | | | | | | | |
| | Unbundled Contract Name, Provisioning Only - No Rate | | | UEANL,UEF,UEQ,UENTW | UNECN | | | | | | | | |
| UNE OTHER, PROVISIONING ONLY - NO RATE | | | | | | | | | | | | | |
| | Unbundled Contact Name, Provisioning Only - no rate | | | UAL,UCL,UDC,UDL,UDN,UEA,UHL,ULC | UNECN | 0.00 | | 0.00 | | | | | |
| | Unbundled Sub-Loop Feeder-2 Wire Cross Box Jumper - no rate | | | UEA,UDN,UCL,UDC | USBFQ | 0.00 | | 0.00 | | | | | |
| | Unbundled Sub-Loop Feeder-4 Wire Cross Box Jumper - no rate | | | UEA,USL,UCL,UDL | USBFR | 0.00 | | 0.00 | | | | | |
| | Unbundled DS1 Loop - Superframe Format Option - no rate | | | USL | CCOSF | 0.00 | | 0.00 | | | | | |
| | Unbundled DS1 Loop - Expanded Superframe Format option - no rate | | | USL | CCOEF | 0.00 | | 0.00 | | | | | |
| HIGH CAPACITY UNBUNDLED LOCAL LOOP | | | | | | | | | | | | | |
| | High Capacity Unbundled Local Loop - DS3 - Per Mile per month | | | UE3 | 1L5ND | 11.20 | | | | | | | |
| | High Capacity Unbundled Local Loop - DS3 - Facility Termination per month | | | UE3 | UE3PX | 326.15 | | 454.13 | 265.47 | 123.23 | 86.19 | 15.75 | |
| | High Capacity Unbundled Local Loop - STS-1 - Per Mile per month | | | UDLSX | 1L5ND | 11.20 | | | | | | | |
| | High Capacity Unbundled Local Loop - STS-1 - Facility Termination per month | | | UDLSX | UDLS1 | 338.55 | | 454.13 | 265.47 | 123.23 | 86.19 | 15.75 | |
| LOOP MAKE-UP | | | | | | | | | | | | | |
| | Loop Makeup - Preordering Without Reservation, per working or spare facility queried (Manual). | | | UMK | UMKLW | | | 24.12 | 24.12 | | | | |
| | Loop Makeup - Preordering With Reservation, per spare facility queried (Manual). | | | UMK | UMKLP | | | 25.58 | 25.58 | | | | |
| | Loop Makeup--With or Without Reservation, per working or spare facility queried (Mechanized) | | | UMK | PSUMK | | | 0.6652 | 0.6652 | | | | |
| HIGH FREQUENCY SPECTRUM | | | | | | | | | | | | | |
| SPLITTERS-CENTRAL OFFICE BASED | | | | | | | | | | | | | |
| | Line Sharing Splitter, per System 96 Line Capacity | | | ULS | ULSDA | 186.67 | | 189.89 | 0.00 | 178.41 | 0.00 | 15.75 | |
| | Line Sharing Splitter, per System 24 Line Capacity | | | ULS | ULSDB | 46.67 | | 189.89 | 0.00 | 178.41 | 0.00 | 15.75 | |
| | Line Sharing Splitter, Per System, 8 Line Capacity | I | | ULS | ULSD8 | 15.55 | | 189.89 | 0.00 | 178.41 | 0.00 | 15.75 | |
| | Line Sharing-DLEC Owned Splitter in CO-CFA activation-deactivation (per LSOD) | | | ULS | ULSDG | | | 86.98 | | 49.96 | | 15.75 | |
| END USER ORDERING-CENTRAL OFFICE BASED-HIGH FREQUENCY SPECTRUM AKA LINE SHARING | | | | | | | | | | | | | |
| | Line Sharing - per Line Activation (BST Owned Splitter) | | | ULS | ULSDC | 0.61 | | 18.62 | 10.66 | 10.04 | 4.93 | 15.75 | |
| | Line Sharing - per Subsequent Activity per Line Rearrangement(BST Owned Splitter) | | | ULS | ULSDS | | | 16.48 | 8.24 | | | 15.75 | |
| | Line Sharing - per Subsequent Activity per Line Rearrangement(DLEC Owned Splitter) | | | ULS | ULSCC | | | 16.48 | 8.24 | | | 15.75 | |
| | Line Sharing - per Line Activation (DLEC owned Splitter) | I | | ULS | ULSCC | 0.61 | | 47.44 | 19.31 | 20.67 | 12.74 | 15.75 | |
| | Line Splitting - per line activation DLEC owned splitter | R | | UEPSR UEPSB | UREOS | 0.61 | | | | | | | |
| | Line Splitting - per line activation BST owned - physical | R | | UEPSR UEPSB | UREBP | 0.61 | | 18.62 | 10.66 | 10.04 | 4.93 | 15.75 | |
| | Line Splitting - per line activation BST owned - virtual | R | | UEPSR UEPSB | UREBV | 0.61 | | 18.62 | 10.66 | 10.04 | 4.93 | 15.75 | |
| UNBUNDLED DEDICATED TRANSPORT | | | | | | | | | | | | | |

| UNBUNDLED NETWORK ELEMENTS - Mississippi | | | | | | | | | | | Attachment: 2 | | Exhibit: B | | | | | | | | | | |
|--|--|---------|------|-------|-------|-----------|----------------------------------|--------------------------------------|--|--|---|---|---------------|--------------|-------|-------------------------|-------|-------|-------|-------|-------|-------|-------|
| CATEGORY | RATE ELEMENTS | Interim | Zone | BCS | USOC | RATES(\$) | Svc Order Submitted Elec per LSR | Svc Order Submitted Manually per LSR | Incremental Charge - Manual Svc Order vs. Electronic-1st | Incremental Charge - Manual Svc Order vs. Electronic-Add'l | Incremental Charge - Manual Svc Order vs. Electronic-Disc 1st | Incremental Charge - Manual Svc Order vs. Electronic-Disc Add'l | OSS Rates(\$) | | | | | | | | | | |
| | | | | | | | | | | | | | Rec | Nonrecurring | | Nonrecurring Disconnect | | SOMEc | SOMAN | SOMAN | SOMAN | SOMAN | SOMAN |
| | | | | | | | | | | | | | First | Add'l | First | Add'l | SOMEc | SOMAN | SOMAN | SOMAN | SOMAN | SOMAN | |
| NOTE: INTEROFFICE CHANNEL DEDICATED TRANSPORT - minimum billing period - below DS3=one month, DS3/STS-1=four months | | | | | | | | | | | | | | | | | | | | | | | |
| INTEROFFICE CHANNEL - DEDICATED TRANSPORT | | | | | | | | | | | | | | | | | | | | | | | |
| | Interoffice Channel - Dedicated Transport - 2-Wire Voice Grade - Per Mile per month | | | U1TVX | 1L5XX | 0.0098 | | | | | | | | | | | | | | | | | |
| | Interoffice Channel - Dedicated Transport- 2- Wire Voice Grade - Facility Termination per month | | | U1TVX | U1TV2 | 22.52 | 40.77 | 27.57 | 17.26 | 7.11 | | | 15.75 | | | | | | | | | | |
| | Interoffice Channel - Dedicated Transport- 2-Wire Voice Grade Rev Bat. - Per Mile per month | | | U1TVX | 1L5XX | 0.0098 | | | | | | | | | | | | | | | | | |
| | Interoffice Channel - Dedicated Transport- 2- Wire VG Rev Bat. - Facility Termination per month | | | U1TVX | U1TR2 | 22.52 | 40.77 | 27.57 | 17.26 | 7.11 | | | 15.75 | | | | | | | | | | |
| | Interoffice Channel - Dedicated Transport - 4-Wire Voice Grade - Per Mile per month | | | U1TVX | 1L5XX | 0.0098 | | | | | | | | | | | | | | | | | |
| | Interoffice Channel - Dedicated Transport - 4- Wire Voice Grade - Facility Termination per month | | | U1TVX | U1TV4 | 19.79 | 40.77 | 27.57 | 17.26 | 7.11 | | | 15.75 | | | | | | | | | | |
| | Interoffice Channel - Dedicated Transport - 56 kbps - per mile per month | | | U1TDX | 1L5XX | 0.0098 | | | | | | | | | | | | | | | | | |
| | Interoffice Channel - Dedicated Transport - 56 kbps - Facility Termination per month | | | U1TDX | U1TD5 | 15.68 | 40.78 | 27.57 | 17.26 | 7.11 | | | 15.75 | | | | | | | | | | |
| | Interoffice Channel - Dedicated Transport - 64 kbps - per mile per month | | | U1TDX | 1L5XX | 0.0098 | | | | | | | | | | | | | | | | | |
| | Interoffice Channel - Dedicated Transport - 64 kbps - Facility Termination per month | | | U1TDX | U1TD6 | 15.68 | 40.78 | 27.57 | 17.26 | 7.11 | | | 15.75 | | | | | | | | | | |
| | Interoffice Channel - Dedicated Channel - DS1 - Per Mile per month | | | U1TD1 | 1L5XX | 0.201 | | | | | | | | | | | | | | | | | |
| | Interoffice Channel - Dedicated Transport - DS1 - Facility Termination per month | | | U1TD1 | U1TF1 | 57.33 | 89.79 | 82.28 | 16.86 | 14.90 | | | 15.75 | | | | | | | | | | |
| | Interoffice Channel - Dedicated Transport - DS3 - Per Mile per month | | | U1TD3 | 1L5XX | 4.76 | | | | | | | | | | | | | | | | | |
| | Interoffice Channel - Dedicated Transport - DS3 - Facility Termination per month | | | U1TD3 | U1TF3 | 641.90 | 280.37 | 163.70 | 62.08 | 60.29 | | | 15.75 | | | | | | | | | | |
| | Interoffice Channel - Dedicated Transport - STS-1 - Per Mile per month | | | U1TS1 | 1L5XX | 4.76 | | | | | | | | | | | | | | | | | |
| | Interoffice Channel - Dedicated Transport - STS-1 - Facility Termination per month | | | U1TS1 | U1TFS | 644.21 | 280.37 | 163.70 | 62.08 | 60.29 | | | 15.75 | | | | | | | | | | |
| LOCAL CHANNEL - DEDICATED TRANSPORT | | | | | | | | | | | | | | | | | | | | | | | |
| NOTE: LOCAL CHANNEL DEDICATED TRANSPORT - minimum billing period - below DS3=one month, DS3/STS-1=four months | | | | | | | | | | | | | | | | | | | | | | | |
| | Local Channel - Dedicated - 2-Wire Voice Grade Per Month | | | ULDVX | ULDV2 | 14.91 | 194.22 | 33.36 | 37.79 | 3.30 | | | 15.75 | | | | | | | | | | |
| | Local Channel - Dedicated - 2-Wire Voice Grade Rev Bat per month | | | ULDVX | ULDR2 | 14.91 | 194.22 | 33.36 | 37.79 | 3.30 | | | 15.75 | | | | | | | | | | |
| | Local Channel - Dedicated - 4-Wire Voice Grade per month | | | UNDVX | ULDV4 | 15.99 | 194.66 | 33.80 | 38.27 | 3.78 | | | 15.75 | | | | | | | | | | |
| | Local Channel - Dedicated - DS1 per month - Zone 1 | | 1 | ULDD1 | ULDF1 | 36.83 | 178.50 | 154.61 | 22.89 | 15.74 | | | 15.75 | | | | | | | | | | |
| | Local Channel - Dedicated - DS1 per month - Zone 2 | | 2 | ULDD1 | ULDF1 | 35.99 | 178.50 | 154.61 | 22.89 | 15.74 | | | 15.75 | | | | | | | | | | |
| | Local Channel - Dedicated - DS1 per month - Zone 3 | | 3 | ULDD1 | ULDF1 | 221.63 | 178.50 | 154.61 | 22.89 | 15.74 | | | 15.75 | | | | | | | | | | |
| | Local Channel - Dedicated - DS1 per month - Zone 4 | | 4 | ULDD1 | ULDF1 | 221.63 | 178.50 | 154.61 | 22.89 | 15.74 | | | 15.75 | | | | | | | | | | |
| | Local Channel - Dedicated - DS3 - Per Mile per month | | | ULDD3 | 1L5NC | 9.66 | | | | | | | | | | | | | | | | | |
| | Local Channel - Dedicated - DS3 - Facility Termination per month | | | ULDD3 | ULDF3 | 413.87 | 454.13 | 265.47 | 123.23 | 86.19 | | | 15.75 | | | | | | | | | | |
| | Local Channel - Dedicated - STS-1 - Per Mile per month | | | ULDS1 | 1L5NC | 9.66 | | | | | | | | | | | | | | | | | |
| | Local Channel - Dedicated - STS-1 - Facility Termination per month | | | ULDS1 | ULDFS | 408.02 | 454.13 | 265.47 | 123.23 | 86.19 | | | 15.75 | | | | | | | | | | |
| MULTIPLEXERS | | | | | | | | | | | | | | | | | | | | | | | |
| | Channelization - DS1 to DS0 Channel System | | | UXTD1 | MQ1 | 102.85 | 91.57 | 62.94 | 10.87 | 10.10 | | | 15.75 | | | | | | | | | | |
| | OCU-DP COCI (data) - DS1 to DS0 Channel System - per month (2.4-64kbs) | | | UDL | 1D1DD | 1.22 | 6.62 | 4.74 | | | | | 15.75 | | | | | | | | | | |
| | 2-wire ISDN COCI (BRITE) - DS1 to DS0 Channel System - per month | | | UDN | UC1CA | 2.62 | 6.62 | 4.74 | | | | | 15.75 | | | | | | | | | | |
| | Voice Grade COCI - DS1 to DS0 Channel System - per month | | | UEA | 1D1VG | 0.5737 | 6.62 | 4.74 | | | | | 15.75 | | | | | | | | | | |
| | DS3 to DS1 Channel System per month | | | UXTD3 | MQ3 | 170.63 | 179.17 | 94.52 | 34.30 | 32.82 | | | 15.75 | | | | | | | | | | |
| | STS1 to DS1 Channel System per month | | | UXTS1 | MQ3 | 170.63 | 179.17 | 94.52 | 34.30 | 32.82 | | | 15.75 | | | | | | | | | | |

| UNBUNDLED NETWORK ELEMENTS - Mississippi | | | | | | | | | | | Attachment: 2 | | Exhibit: B | | | | | | | |
|---|--|---------|------|----------|-------|-----------|----------------------------------|--------------------------------------|--|--|---|---|---------------|--------------|--------|-------------------------|--|-------|-------|-------|
| CATEGORY | RATE ELEMENTS | Interim | Zone | BCS | USOC | RATES(\$) | Svc Order Submitted Elec per LSR | Svc Order Submitted Manually per LSR | Incremental Charge - Manual Svc Order vs. Electronic-1st | Incremental Charge - Manual Svc Order vs. Electronic-Add'l | Incremental Charge - Manual Svc Order vs. Electronic-Disc 1st | Incremental Charge - Manual Svc Order vs. Electronic-Disc Add'l | OSS Rates(\$) | | | | | | | |
| | | | | | | | | | | | | | Rec | Nonrecurring | | Nonrecurring Disconnect | | SOMEc | SOMAN | SOMAN |
| | | | | | | | | | | | | | First | Add'l | First | Add'l | | | | |
| | DS3 Interface Unit (DS1 COCI) used with Loop per month | | | USL | UC1D1 | 12.96 | | | | | | | 6.62 | 4.74 | | | | | | 15.75 |
| | DS3 Interface Unit (DS1 COCI) used with Local Channel per month | | | ULDD1 | UC1D1 | 12.96 | | | | | | | 6.62 | 4.74 | | | | | | 15.75 |
| | DS3 Interface Unit (DS1 COCI) used with Interoffice Channel per month | | | U1TD1 | UC1D1 | 12.96 | | | | | | | 6.62 | 4.74 | | | | | | 15.75 |
| DARK FIBER | | | | | | | | | | | | | | | | | | | | |
| | Dark Fiber, Four Fiber Strands, Per Route Mile or Fraction Thereof per month - Local Channel | | | UDF | 1L5DC | 59.95 | | | | | | | | | | | | | | |
| | NRC Dark Fiber - Local Channel | | | UDF | UDFC4 | | | | | | | | 642.79 | 138.67 | 326.97 | 203.85 | | | | 15.75 |
| | Dark Fiber, Four Fiber Strands, Per Route Mile or Fraction Thereof per month - Interoffice Channel | | | UDF | 1L5DF | 28.27 | | | | | | | | | | | | | | |
| | NRC Dark Fiber - Interoffice Channel | | | UDF | UDF14 | | | | | | | | 642.79 | 138.67 | 326.97 | 203.85 | | | | 15.75 |
| | Dark Fiber, Four Fiber Strands, Per Route Mile or Fraction Thereof per month - Local Loop | | | UDF | 1L5DL | 59.95 | | | | | | | | | | | | | | |
| | NRC Dark Fiber - Local Loop | | | UDF | UDFL4 | | | | | | | | 642.79 | 138.67 | 326.97 | 203.85 | | | | 15.75 |
| TRANSPORT OTHER | | | | | | | | | | | | | | | | | | | | |
| Optional Features & Functions: | | | | | | | | | | | | | | | | | | | | |
| 8XX ACCESS TEN DIGIT SCREENING | | | | | | | | | | | | | | | | | | | | |
| | 8XX Access Ten Digit Screening, Per Call | | | OHD | | 0.0006216 | | | | | | | | | | | | | | |
| | 8XX Access Ten Digit Screening, Reservation Charge Per 8XX Number Reserved | | | OHD | N8R1X | | | | | | | | 2.60 | 0.44 | | | | | | 15.75 |
| | 8XX Access Ten Digit Screening, Per 8XX No. Established W/O POTS Translations | | | OHD | | | | | | | | | 5.97 | 0.81 | 4.60 | 0.54 | | | | 15.75 |
| | 8XX Access Ten Digit Screening, Per 8XX No. Established With POTS Translations | | | OHD | N8FTX | | | | | | | | 5.97 | 0.81 | 4.60 | 0.54 | | | | 15.75 |
| | 8XX Access Ten Digit Screening, Customized Area of Service Per 8XX Number | | | OHD | N8FCX | | | | | | | | 2.60 | 1.30 | | | | | | 15.75 |
| | 8XX Access Ten Digit Screening, Multiple InterLATA CXR Routing Per CXR Requested Per 8XX No. | | | OHD | N8FMX | | | | | | | | 3.04 | 1.74 | | | | | | 15.75 |
| | 8XX Access Ten Digit Screening, Change Charge Per Request | | | OHD | N8FAX | | | | | | | | 3.04 | 0.44 | | | | | | 15.75 |
| | 8XX Access Ten Digit Screening, Call Handling and Destination Features | | | OHD | N8FDX | | | | | | | | 2.60 | | | | | | | 15.75 |
| | 8XX Access Ten Digit Screening, w/ 8FL No. Delivery, per query | | | OHD | | 0.0006216 | | | | | | | | | | | | | | |
| | 8XX Access Ten Digit Screening, w/ POTS No. Delivery, per query | | | OHD | | 0.0006216 | | | | | | | | | | | | | | |
| LINE INFORMATION DATA BASE ACCESS (LIDB) | | | | | | | | | | | | | | | | | | | | |
| | LIDB Common Transport Per Query | | | OQT | | 0.0000197 | | | | | | | | | | | | | | |
| | LIDB Validation Per Query | | | OQU | | 0.0137053 | | | | | | | | | | | | | | |
| | LIDB Originating Point Code Establishment or Change | | | OQT, OQU | NRPBX | | | | | | | | 34.52 | 34.52 | 42.33 | 42.33 | | | | 15.75 |
| SIGNALING (CCS7) | | | | | | | | | | | | | | | | | | | | |
| | CCS7 Signaling Termination, Per STP Port | | | UDB | PT8SX | 132.21 | | | | | | | | | | | | | | |
| | CCS7 Signaling Usage, Per TCAP Message | | | UDB | | 0.0000597 | | | | | | | | | | | | | | |
| | CCS7 Signaling Connection, Per link (A link) | | | UDB | TPP++ | 16.55 | | | | | | | 35.74 | 35.74 | 16.53 | 16.53 | | | | 15.75 |
| | CCS7 Signaling Connection, Per link (B link) (also known as D link) | | | UDB | TPP++ | 16.55 | | | | | | | 35.74 | 35.74 | 16.53 | 16.53 | | | | 15.75 |
| | CCS7 Signaling Usage, Per ISUP Message | | | UDB | | 0.0000149 | | | | | | | | | | | | | | |
| | CCS7 Signaling Usage Surrogate, per link per LATA | | | UDB | STU56 | 683.55 | | | | | | | | | | | | | | |
| | CCS7 Signaling Point Code, per Originating Point Code Establishment or Change, per STP affected | | | UDB | CCAPO | | | | | | | | 29.18 | 29.18 | 35.78 | 35.78 | | | | 15.75 |
| E911 SERVICE | | | | | | | | | | | | | | | | | | | | |
| | Local Channel - Dedicated - 2-wr Voice Grade | | | | | 14.91 | | | | | | | | | | | | | | |
| | Interoffice Transport - Dedicated - 2-wr Voice Grade Per Mile | | | | | 0.0098 | | | | | | | | | | | | | | |
| | Interoffice Transport - Dedicated - 2-wr Voice Grade Per Facility Termination | | | | | 22.52 | | | | | | | 40.77 | 27.57 | 17.26 | 7.11 | | | | 15.75 |
| | Local Channel - Dedicated - DS1 - Zone 1 | | | | | 36.83 | | | | | | | 178.50 | 154.61 | 22.89 | 15.74 | | | | 15.75 |
| | Local Channel - Dedicated - DS1 - Zone 2 | | | | | 35.99 | | | | | | | 178.50 | 154.61 | 22.89 | 15.74 | | | | 15.75 |
| | Local Channel - Dedicated - DS1 - Zone 3 | | | | | 221.63 | | | | | | | 178.50 | 154.61 | 22.89 | 15.74 | | | | 15.75 |
| | Local Channel - Dedicated - DS1 - Zone 4 | | | | | 221.63 | | | | | | | 178.50 | 154.61 | 22.89 | 15.74 | | | | 15.75 |

| UNBUNDLED NETWORK ELEMENTS - Mississippi | | | | | | | | | | Attachment: 2 | | Exhibit: B | | | |
|---|--|---------|------|-----|-------|-----------|--------------|----------|-------------------------|----------------------------------|--------------------------------------|--|--|---|---|
| CATEGORY | RATE ELEMENTS | Interim | Zone | BCS | USOC | RATES(\$) | | | | Svc Order Submitted Elec per LSR | Svc Order Submitted Manually per LSR | Incremental Charge - Manual Svc Order vs. Electronic-1st | Incremental Charge - Manual Svc Order vs. Electronic-Add'l | Incremental Charge - Manual Svc Order vs. Electronic-Disc 1st | Incremental Charge - Manual Svc Order vs. Electronic-Disc Add'l |
| | | | | | | Rec | Nonrecurring | | Nonrecurring Disconnect | | | | | | |
| | | | | | | First | Add'l | First | Add'l | SOME C | SOMAN | SOMAN | SOMAN | SOMAN | SOMAN |
| | Interoffice Transport - Dedicated - DS1 Per Mile | | | | | 0.2010 | | | | | | | | | |
| | Interoffice Transport - Dedicated - DS1 Per Facility Termination | | | | | 57.33 | 89.79 | 82.28 | 16.86 | 14.90 | | 15.75 | | | |
| | | | | | | | | | | | 15.75 | | | | |
| CALLING NAME (CNAM) SERVICE | | | | | | | | | | | | | | | |
| | CNAM for DB Owners, Per Query | | | OOV | | 0.0010231 | | | | | | | | | |
| | CNAM for Non DB Owners, Per Query | | | OOV | | 0.0010231 | | | | | | | | | |
| | CNAM For DB Owners - Service Establishment | | | OOV | | | 23.09 | 23.09 | 21.23 | 21.23 | | 15.75 | | | |
| | CNAM For Non DB Owners - Service Establishment | | | OOV | | | 23.09 | 23.09 | 21.23 | 21.23 | | 15.75 | | | |
| | CNAM For DB Owners - Service Provisioning With Point Code Establishment | | | OOV | | | 996.62 | 737.08 | 270.49 | 198.89 | | 15.75 | | | |
| | CNAM For Non DB Owners - Service Provisioning With Point Code Establishment | | | OOV | | | 344.32 | 246.56 | 276.85 | 198.89 | | 15.75 | | | |
| LNP Query Service | | | | | | | | | | | | | | | |
| | LNP Charge Per query | | | OOV | | 0.0008477 | | | | | | | | | |
| | LNP Service Establishment Manual | | | | | | 12.59 | 12.59 | 11.58 | 11.58 | | 15.75 | | | |
| | LNP Service Provisioning with Point Code Establishment | | | | | | 596.94 | 304.96 | 270.49 | 198.89 | | 15.75 | | | |
| OPERATOR CALL PROCESSING | | | | | | | | | | | | | | | |
| | Oper. Call Processing - Oper. Provided, Per Min. - Using BST LIDB | | | | | 1.20 | | | | | | | | | |
| | Oper. Call Processing - Oper. Provided, Per Min. - Using Foreign LIDB | | | | | 1.24 | | | | | | | | | |
| | Oper. Call Processing - Fully Automated, per Call - Using BST LIDB | | | | | 0.20 | | | | | | | | | |
| | Oper. Call Processing - Fully Automated, per Call - Using Foreign LIDB | | | | | 0.20 | | | | | | | | | |
| INWARD OPERATOR SERVICES | | | | | | | | | | | | | | | |
| | Inward Operator Services - Verification, Per Minute | | | | | 1.15 | | | | | | | | | |
| | Inward Operator Services - Verification and Emergency Interrupt - Per Minute | | | | | 1.15 | | | | | | | | | |
| BRANDING - OPERATOR CALL PROCESSING | | | | | | | | | | | | | | | |
| | Recording of Custom Branded OA Announcement | | | | CBAOS | | 7,000.00 | 7,000.00 | | | | 15.75 | | | |
| | Loading of Custom Branded OA Announcement per shelf/NAV | | | | CBAOL | | 500.00 | 500.00 | | | | 15.75 | | | |
| | Unbranding via OLNS for UNEP CLEC | | | | | | | | | | | | | | |
| | Loading of OA per OCN (Regional) | | | | | | 1,200.00 | 1,200.00 | | | | 15.75 | | | |
| DIRECTORY ASSISTANCE SERVICES | | | | | | | | | | | | | | | |
| DIRECTORY ASSISTANCE ACCESS SERVICE | | | | | | | | | | | | | | | |
| | Directory Assistance Access Service Calls, Charge Per Call | | | | | 0.275 | | | | | | | | | |
| DIRECTORY ASSISTANCE CALL COMPLETION ACCESS SERVICE (DACC) | | | | | | | | | | | | | | | |
| | Directory Assistance Call Completion Access Service (DACC), Per Call Attempt | | | | | 0.10 | | | | | | | | | |
| DIRECTORY TRANSPORT | | | | | | | | | | | | | | | |
| DIRECTORY ASSISTANCE SERVICES | | | | | | | | | | | | | | | |
| DIRECTORY ASSISTANCE DATA BASE SERVICE (DADS) | | | | | | | | | | | | | | | |
| | Directory Assistance Data Base Service Charge Per Listing | | | | | 0.04 | | | | | | | | | |
| | Directory Assistance Data Base Service, per month | | | | DBSOF | 150.00 | | | | | | | | | |
| BRANDING - DIRECTORY ASSISTANCE | | | | | | | | | | | | | | | |
| Facility Based CLEC | | | | | | | | | | | | | | | |
| | Recording and Provisioning of DA Custom Branded Announcement | | | AMT | CBADA | 6,000.00 | 6,000.00 | | | | | | | | |
| | Loading of Custom Branded Announcement per DRAM Card/Switch | | | AMT | CBADC | 1,170.00 | 1,170.00 | | | | | | | | |
| UNEP CLEC | | | | | | | | | | | | | | | |
| | Recording of DA Custom Branded Announcement | | | | | 3,000.00 | 3,000.00 | | | | | | | | |
| | Loading of DA Custom Branded Announcement per DRAM Card/Switch per OCN | | | | | 1,170.00 | 1,170.00 | | | | | | | | |
| Unbranding via OLNS for UNEP CLEC | | | | | | | | | | | | | | | |
| | Loading of DA per OCN (1 OCN per Order) | | | | | 420.00 | 420.00 | | | | | | | | |
| | Loading of DA per Switch per OCN | | | | | 16.00 | 16.00 | | | | | | | | |

| UNBUNDLED NETWORK ELEMENTS - Mississippi | | | | | | | | | | Attachment: 2 | | Exhibit: B | |
|--|--|---------|------|---|-------|-----------|----------------------------------|--------------------------------------|--|--|---|---|-----|
| CATEGORY | RATE ELEMENTS | Interim | Zone | BCS | USOC | RATES(\$) | Svc Order Submitted Elec per LSR | Svc Order Submitted Manually per LSR | Incremental Charge - Manual Svc Order vs. Electronic-1st | Incremental Charge - Manual Svc Order vs. Electronic-Add'l | Incremental Charge - Manual Svc Order vs. Electronic-Disc 1st | Incremental Charge - Manual Svc Order vs. Electronic-Disc Add'l | |
| | | | | | | | | | | | | | Rec |
| | | | | | | | | | | | | | |
| | | | | | | | | | | | | | |
| SELECTIVE ROUTING | | | | | | | | | | | | | |
| | Selective Routing Per Unique Line Class Code Per Request Per Switch | | | | USRCR | 85.19 | 85.19 | 14.19 | 14.19 | | 15.75 | | |
| VIRTUAL COLLOCATION | | | | | | | | | | | | | |
| | Virtual Collocation - Application Cost | | | AMTFS | EAF | 1,212.25 | | 0.51 | | | | | |
| | Virtual Collocation - Cable Installation Cost, per cable | | | AMTFS | ESPCX | 926.27 | | 22.62 | | | | | |
| | Virtual Collocation - Floor Space, per sq. ft. | | | AMTFS | ESPVX | 5.74 | | | | | | | |
| | Virtual Collocation - Power, per breaker amp | | | AMTFS | ESPAX | 7.33 | | | | | | | |
| | Virtual Collocation - Cable Support Structure, per entrance cable | | | AMTFS | ESPSX | 15.24 | | | | | | | |
| | Virtual Collocation - 2-wire Cross Connects (loop) | | | UEANL,UEA,UDN,U DC,UAL,UHL,UCL,U EQ, AMTFS, UDL, UNCVX, UNCDX, UNCNX | UEAC2 | 0.0268 | 12.37 | 11.87 | 6.04 | 5.45 | 15.75 | | |
| | Virtual Collocation - 4-wire Cross Connects (loop) | | | UEA,UHL,UCL,UDL, AMTFS, UAL, UDN, UNCVX, UNCDX | UEAC4 | 0.0536 | 12.47 | 11.94 | 6.59 | 5.91 | 15.75 | | |
| | Virtual Collocation - 2-Fiber Cross Connects | | | AMTFS,UDL12, UDLO3, U1T48, U1T12, U1T03, ULDO3, ULD12, ULD48, UDF | CNC2F | 2.91 | 21.01 | 15.29 | 7.61 | 6.10 | 15.75 | | |
| | Virtual Collocation - 4-Fiber Cross Connects | | | AMTFS,UDL12, UDLO3, U1T48, U1T12, U1T03, ULDO3, ULD12, ULD48, UDF | CNC4F | 5.82 | 25.70 | 19.97 | 10.01 | 8.50 | 15.75 | | |
| | Virtual collocation - DS1 Cross Connects | | | USL,ULC,AMTFS, ULR, UXTD1, UNC1X, ULDD1, U1TD1, USLEL, UNLD1 | CNC1X | 1.14 | 22.16 | 16.02 | 6.60 | 5.97 | 15.75 | | |
| | Virtual collocation - DS3 Cross Connects | | | USL,ULC,AMTFS,U E3, U1TD3, UXTS1, UXTD3, UNC3X, UNCSX, ULDD3, U1TS1, ULDS1, UDLSX, UNLD3 | CND3X | 14.49 | 21.01 | 15.29 | 7.61 | 6.10 | 15.75 | | |
| | Virtual Collocation - Co-Carrier Cross Connects - Fiber Cable Support Structure, per linear foot | | | AMTFS | VE1CB | 0.0025 | | | | | | | |
| | Virtual Collocation - Co-Carrier Cross Connects - Copper/Coax Cable Support Structure, per linear ft | | | AMTFS | VE1CD | 0.0037 | | | | | | | |
| | Virtual Collocation - Co-Carrier Cross Connects - Fiber Cable Support Structure, per cable | | | AMTFS | VE1CC | | 534.65 | | | | | | |
| | Virtual Collocation - Co-Carrier Cross Connects - Copper/Coax Cable Support Structure, per cable | | | AMTFS | VE1CE | | 534.65 | | | | | | |
| | Virtual collocation - Security Escort - Basic, per half hour | | | AMTFS | SPTBX | | 17.02 | 10.79 | | | | | |
| | Virtual collocation - Security Escort - Overtime, per half hour | | | AMTFS | SPTOX | | 22.17 | 13.94 | | | | | |
| | Virtual collocation - Security Escort - Premium, per half hour | | | AMTFS | SPTPX | | 27.32 | 17.08 | | | | | |
| | Virtual collocation - Maintenance in CO - Basic, per half hour | | | AMTFS | CTRLX | | 28.09 | 10.79 | | | | | |
| | Virtual collocation - Maintenance in CO - Overtime, per half hour | | | AMTFS | SPTOM | | 36.69 | 13.94 | | | | | |
| | Virtual collocation - Maintenance in CO - Premium per half hour | | | AMTFS | SPTPM | | 45.28 | 17.08 | | | | | |
| VIRTUAL COLLOCATION | | | | | | | | | | | | | |
| | Virtual Collocation - 2-wire Cross Connect, Exchange Port 2-Wire Analog - Res | | | UEPSR | VE1R2 | 0.0268 | 12.37 | 11.87 | 6.04 | 5.45 | 15.75 | | |

| UNBUNDLED NETWORK ELEMENTS - Mississippi | | | | | | | | | | Attachment: 2 | | Exhibit: B | | | |
|---|---|---------|------|--------------|-------|-----------|--------------|----------|-------------------------|----------------------------------|--------------------------------------|--|--|---|---|
| CATEGORY | RATE ELEMENTS | Interim | Zone | BCS | USOC | RATES(\$) | | | | Svc Order Submitted Elec per LSR | Svc Order Submitted Manually per LSR | Incremental Charge - Manual Svc Order vs. Electronic-1st | Incremental Charge - Manual Svc Order vs. Electronic-Add'l | Incremental Charge - Manual Svc Order vs. Electronic-Disc 1st | Incremental Charge - Manual Svc Order vs. Electronic-Disc Add'l |
| | | | | | | Rec | Nonrecurring | | Nonrecurring Disconnect | | | | | | |
| | | | | | | | First | Add'l | First | Add'l | SOMEc | SOMAN | SOMAN | SOMAN | SOMAN |
| | Virtual Collocation 2-Wire Cross Connect, Exchange Port 2-Wire Line Side PBX Trunk - Bus | | | UEPSP | VE1R2 | 0.0268 | 12.37 | 11.87 | 6.04 | 5.45 | | 15.75 | | | |
| | Virtual Collocation 2-Wire Cross Connect, Exchange Port 2-Wire Voice Grade PBX Trunk - Res | | | UEPSE | VE1R2 | 0.0268 | 12.37 | 11.87 | 6.04 | 5.45 | | 15.75 | | | |
| | Virtual Collocation 2-Wire Cross Connect, Exchange Port 2-Wire Analog Bus | | | UEPSB | VE1R2 | 0.0268 | 12.37 | 11.87 | 6.04 | 5.45 | | 15.75 | | | |
| | Virtual Collocation 2-Wire Cross Connect, Exchange Port 2-Wire ISDN | | | UEPSX | VE1R2 | 0.0268 | 12.37 | 11.87 | 6.04 | 5.45 | | 15.75 | | | |
| | Virtual Collocation 2-Wire Cross Connect, Exchange Port 2-Wire ISDN | | | UEPTX | VE1R2 | 0.0268 | 12.37 | 11.87 | 6.04 | 5.45 | | 15.75 | | | |
| | Virtual Collocation 4-Wire Cross Connect, Exchange Port 4-Wire ISDN DS1 | | | UEPEX | VE1R4 | 0.0536 | 12.47 | 11.94 | 6.59 | 5.91 | | 15.75 | | | |
| VIRTUAL COLLOCATION | | | | | | | | | | | | | | | |
| | Virtual Collocation-2 Wire Cross Connects (Loop) for Line Splitting | | | UEPSR, UEPSB | VE1LS | 0.0268 | 12.37 | 11.87 | 6.04 | 5.45 | | 15.75 | | | |
| AIN SELECTIVE CARRIER ROUTING | | | | | | | | | | | | | | | |
| | Regional Service Establishment | | | SRC | SRCEC | | 101,685.12 | | 8,640.51 | | | 15.75 | | | |
| | End Office Establishment | | | SRC | SRCEO | | 167.49 | 167.49 | 1.71 | 1.71 | | 15.75 | | | |
| | Query NRC, per query | | | SRC | | 0.0030502 | | | | | | | | | |
| AIN - BELLSOUTH AIN SMS ACCESS SERVICE | | | | | | | | | | | | | | | |
| | AIN SMS Access Service - Service Establishment, Per State, Initial Setup | | | A1N | CAMSE | | 39.67 | 39.67 | 40.92 | 40.92 | | 15.75 | | | |
| | AIN SMS Access Service - Port Connection - Dial/Shared Access | | | A1N | CAMDP | | 7.87 | 7.87 | 9.14 | 9.14 | | 15.75 | | | |
| | AIN SMS Access Service - Port Connection - ISDN Access | | | A1N | CAM1P | | 7.87 | 7.87 | 9.14 | 9.14 | | 15.75 | | | |
| | AIN SMS Access Service - User Identification Codes - Per User ID Code | | | A1N | CAMAU | | 35.21 | 35.21 | 27.21 | 27.21 | | 15.75 | | | |
| | AIN SMS Access Service - Security Card, Per User ID Code, Initial or Replacement | | | A1N | CAMRC | | 42.13 | 42.13 | 11.78 | 11.78 | | 15.75 | | | |
| | AIN SMS Access Service - Storage, Per Unit (100 Kilobytes) | | | | | 0.0021 | | | | | | | | | |
| | AIN SMS Access Service - Session, Per Minute | | | | | 0.5649 | | | | | | | | | |
| | AIN SMS Access Service - Company Performed Session, Per Minute | | | | | 0.8393 | | | | | | | | | |
| AIN - BELLSOUTH AIN TOOLKIT SERVICE | | | | | | | | | | | | | | | |
| | AIN Toolkit Service - Service Establishment Charge, Per State, Initial Setup | | | CAM | BAPSC | | 39.67 | 39.67 | 40.92 | 40.92 | | 15.75 | | | |
| | AIN Toolkit Service - Training Session, Per Customer | | | | BAPVX | | 4,226.54 | 4,226.54 | | | | 15.75 | | | |
| | AIN Toolkit Service - Trigger Access Charge, Per Trigger, Per DN, Term. Attempt | | | | BAPTT | | 7.87 | 7.87 | 9.14 | 9.14 | | 15.75 | | | |
| | AIN Toolkit Service - Trigger Access Charge, Per Trigger, Per DN, Off-Hook Delay | | | | BAPTD | | 7.87 | 7.87 | 9.14 | 9.14 | | 15.75 | | | |
| | AIN Toolkit Service - Trigger Access Charge, Per Trigger, Per DN, Off-Hook Immediate | | | | BAPTM | | 7.87 | 7.87 | 9.14 | 9.14 | | 15.75 | | | |
| | AIN Toolkit Service - Trigger Access Charge, Per Trigger, Per DN, 10-Digit PDDP | | | | BAPTO | | 34.67 | 34.67 | 14.44 | 14.44 | | 15.75 | | | |
| | AIN Toolkit Service - Trigger Access Charge, Per Trigger, Per DN, CDP | | | | BAPTC | | 34.67 | 34.67 | 14.44 | 14.44 | | 15.75 | | | |
| | AIN Toolkit Service - Trigger Access Charge, Per Trigger, Per DN, Feature Code | | | | BAPTF | | 34.67 | 34.67 | 14.44 | 14.44 | | 15.75 | | | |
| | AIN Toolkit Service - Query Charge, Per Query | | | | | 0.0535577 | | | | | | | | | |
| | AIN Toolkit Service - Type 1 Node Charge, Per AIN Toolkit Subscription, Per Node, Per Query | | | | | 0.0063509 | | | | | | | | | |
| | AIN Toolkit Service - SCP Storage Charge, Per SMS Access Account, Per 100 Kilobytes | | | | | 0.06 | | | | | | | | | |
| | AIN Toolkit Service - Monthly report - Per AIN Toolkit Service Subscription | | | CAM | BAPMS | 11.11 | 7.87 | 7.87 | 5.54 | 5.54 | | 15.75 | | | |
| | AIN Toolkit Service - Special Study - Per AIN Toolkit Service Subscription | | | CAM | BAPLS | 2.71 | 8.71 | 8.71 | | | | 15.75 | | | |

| UNBUNDLED NETWORK ELEMENTS - Mississippi | | | | | | | | | | Attachment: 2 | | Exhibit: B | | | | |
|--|--|---------|------|-------|-------|-----------|----------------------------------|--------------------------------------|--|--|---|---|-------|--------------|-------|-------------------------|
| CATEGORY | RATE ELEMENTS | Interim | Zone | BCS | USOC | RATES(\$) | Svc Order Submitted Elec per LSR | Svc Order Submitted Manually per LSR | Incremental Charge - Manual Svc Order vs. Electronic-1st | Incremental Charge - Manual Svc Order vs. Electronic-Add'l | Incremental Charge - Manual Svc Order vs. Electronic-Disc 1st | Incremental Charge - Manual Svc Order vs. Electronic-Disc Add'l | | | | |
| | | | | | | | | | | | | | Rec | Nonrecurring | | Nonrecurring Disconnect |
| | | | | | | | | | | | | | | | | |
| | | | | | | | | | | SOMEc | SOMAN | SOMAN | SOMAN | SOMAN | SOMAN | |
| | AIN Toolkit Service - Call Event Report - Per AIN Toolkit Service Subscription | | | CAM | BAPDS | 8.48 | 7.87 | 7.87 | 5.54 | 5.54 | | 15.75 | | | | |
| | AIN Toolkit Service - Call Event Special Study - Per AIN Toolkit Service Subscription | | | CAM | BAPES | 0.09 | 8.71 | 8.71 | | | | 15.75 | | | | |
| ENHANCED EXTENDED LINK (EELs) | | | | | | | | | | | | | | | | |
| NOTE: New EELs available in GA, TN, KY, LA, MS, & SC and density zone 1 of following MSAs: Orlando, FL; Miami, FL; Ft. Lauderdale, FL; | | | | | | | | | | | | | | | | |
| NOTE: Charlotte-Gastonia-Rockhill, NC; Greensboro-Winston Salem-High Point, NC. Use all rates below except Switch As Is Charge. | | | | | | | | | | | | | | | | |
| NOTE: In all states, EEL network elements shown below also apply to currently combined facilities which are converted to UNE rates. A Switch As Is Charge applies to currently combined facilities converted to UNEs.(Non-recurring rates do not apply.) | | | | | | | | | | | | | | | | |
| NOTE: In GA, TN, KY, LA, MS & SC the EEL network elements apply to ordinarily combined network elements.(No Switch As Is Charge.) | | | | | | | | | | | | | | | | |
| 2-WIRE VOICE GRADE EXTENDED LOOP WITH DEDICATED DS1 INTEROFFICE TRANSPORT (EEL) | | | | | | | | | | | | | | | | |
| | First 2-Wire VG Loop(SL2) in a DS1 Interofficed Transport Combination - Zone 1 | | 1 | UNCVX | UEAL2 | 13.89 | 105.96 | 68.28 | 52.82 | 10.37 | | 15.75 | | | | |
| | First 2-Wire VG Grade Loop(SL2) in a DS1 Interofficed Transport Combination - Zone 2 | | 2 | UNCVX | UEAL2 | 18.75 | 105.96 | 68.28 | 52.82 | 10.37 | | 15.75 | | | | |
| | First 2-Wire VG Grade Loop(SL2) in a DS1 Interofficed Transport Combination - Zone 3 | | 3 | UNCVX | UEAL2 | 27.55 | 105.96 | 68.28 | 52.82 | 10.37 | | 15.75 | | | | |
| | First 2-Wire VG Loop(SL2) in a DS1 Interofficed Transport Combination - Zone 4 | | 4 | UNCVX | UEAL2 | 45.72 | 105.96 | 68.28 | 52.82 | 10.37 | | 15.75 | | | | |
| | Interoffice Transport - Dedicated - DS1 combination - Per Mile per month | | | UNC1X | 1L5XX | 0.1813 | | | | | | | | | | |
| | Interoffice Transport - Dedicated - DS1 combination - Facility Termination per month | | | UNC1X | U1TF1 | 51.72 | 89.79 | 82.28 | 16.86 | 14.90 | | 15.75 | | | | |
| | DS1 Channelization System Per Month | | | UNC1X | MQ1 | 102.85 | 91.57 | 62.94 | 10.87 | 10.10 | | 15.75 | | | | |
| | Voice Grade COCI - DS1 To Ds0 Interface - Per Month | | | UNCVX | 1D1VG | 0.5737 | 6.62 | 4.74 | | | | | | | | |
| | Each Additional 2-Wire VG Loop(SL 2) in the same DS1 Interoffice Transport Combination - Zone 1 | | 1 | UNCVX | UEAL2 | 13.89 | 105.96 | 68.28 | 52.82 | 10.37 | | 15.75 | | | | |
| | Each Additional 2-Wire VG Loop(SL2) in the same DS1 Interoffice Transport Combination - Zone 2 | | 2 | UNCVX | UEAL2 | 18.75 | 105.96 | 68.28 | 52.82 | 10.37 | | 15.75 | | | | |
| | Each Additional 2-Wire VG Loop(SL2) in the same DS1 Interoffice Transport Combination - Zone 3 | | 3 | UNCVX | UEAL2 | 27.55 | 105.96 | 68.28 | 52.82 | 10.37 | | 15.75 | | | | |
| | Each Additional 2-Wire VG Loop(SL2) in the same DS1 Interoffice Transport Combination - Zone 4 | | 4 | UNCVX | UEAL2 | 45.72 | 105.96 | 68.28 | 52.82 | 10.37 | | 15.75 | | | | |
| | Voice Grade COCI - DS1 to DS0 Channel System combination - per month | | | UNCVX | 1D1VG | 0.5737 | 6.62 | 4.74 | | | | 15.75 | | | | |
| | Nonrecurring Currently Combined Network Elements Switch -As-Is Charge | | | UNC1X | UNCCC | | 5.63 | 5.63 | 7.20 | 7.20 | | 15.75 | | | | |
| 4-WIRE VOICE GRADE EXTENDED LOOP WITH DEDICATED DS1 INTEROFFICE TRANSPORT (EEL) | | | | | | | | | | | | | | | | |
| | First 4-Wire Analog Voice Grade Loop in a DS1 Interoffice Transport Combination - Zone 1 | | 1 | UNCVX | UEAL4 | 27.47 | 132.27 | 94.59 | 60.68 | 14.64 | | 15.75 | | | | |
| | First 4-Wire Analog Voice Grade Loop in a DS1 Interoffice Transport Combination - Zone 2 | | 2 | UNCVX | UEAL4 | 38.26 | 132.27 | 94.59 | 60.68 | 14.64 | | 15.75 | | | | |
| | First 4-Wire Analog Voice Grade Loop in a DS1 Interoffice Transport Combination - Zone 3 | | 3 | UNCVX | UEAL4 | 50.03 | 132.27 | 94.59 | 60.68 | 14.64 | | 15.75 | | | | |
| | First 4-Wire Analog Voice Grade Loop in a DS1 Interoffice Transport Combination - Zone 4 | | 4 | UNCVX | UEAL4 | 50.03 | 132.27 | 94.59 | 60.68 | 14.64 | | 15.75 | | | | |
| | Interoffice Transport - Dedicated - DS1 combination - Per Mile Per Month | | | UNC1X | 1L5XX | 0.1813 | | | | | | | | | | |
| | Interoffice Transport - Dedicated - DS1 - Facility Termination Per Month | | | UNC1X | U1TF1 | 51.72 | 89.79 | 82.28 | 16.86 | 14.90 | | 15.75 | | | | |
| | Channelization - Channel System DS1 to DS0 combination Per Month | | | UNC1X | MQ1 | 102.85 | 91.57 | 62.94 | 10.87 | 10.10 | | 15.75 | | | | |
| | Voice Grade COCI - DS1 to DS0 Channel System combination - per month | | | UNCVX | 1D1VG | 0.5737 | 6.62 | 4.74 | | | | 15.75 | | | | |
| | Additional 4-Wire Analog Voice Grade Loop in same DS1 Interoffice Transport Combination - Zone 1 | | 1 | UNCVX | UEAL4 | 27.47 | 132.27 | 94.59 | 60.68 | 14.64 | | 15.75 | | | | |
| | Additional 4-Wire Analog Voice Grade Loop in same DS1 Interoffice Transport Combination - Zone 2 | | 2 | UNCVX | UEAL4 | 38.26 | 132.27 | 94.59 | 60.68 | 14.64 | | 15.75 | | | | |
| | Additional 4-Wire Analog Voice Grade Loop in same DS1 Interoffice Transport Combination - Zone 3 | | 3 | UNCVX | UEAL4 | 50.03 | 132.27 | 94.59 | 60.68 | 14.64 | | 15.75 | | | | |

| UNBUNDLED NETWORK ELEMENTS - Mississippi | | | | | | | | | | | Attachment: 2 | | Exhibit: B | | | | | | | |
|--|--|---------|------|-------|-------|-----------|----------------------------------|--------------------------------------|--|--|---|---|---------------|--------------|-------|-------------------------|--|-------|-------|-------|
| CATEGORY | RATE ELEMENTS | Interim | Zone | BCS | USOC | RATES(\$) | Svc Order Submitted Elec per LSR | Svc Order Submitted Manually per LSR | Incremental Charge - Manual Svc Order vs. Electronic-1st | Incremental Charge - Manual Svc Order vs. Electronic-Add'l | Incremental Charge - Manual Svc Order vs. Electronic-Disc 1st | Incremental Charge - Manual Svc Order vs. Electronic-Disc Add'l | OSS Rates(\$) | | | | | | | |
| | | | | | | | | | | | | | Rec | Nonrecurring | | Nonrecurring Disconnect | | SOMEc | SOMAN | SOMAN |
| | | | | | | | | | | | | | First | Add'l | First | Add'l | | | | |
| | Additional 4-Wire Analog Voice Grade Loop in same DS1 Interoffice Transport Combination - Zone 4 | | 4 | UNCVX | UEAL4 | 50.03 | | | | | | | 132.27 | 94.59 | 60.68 | 14.64 | | | | 15.75 |
| | Voice Grade COCI - DS1 to DS0 Channel System combination - per month | | | UNCVX | 1D1VG | 0.5737 | | | | | | | 6.62 | 4.74 | | | | | | 15.75 |
| | Nonrecurring Currently Combined Network Elements Switch -As-Is Charge | | | UNC1X | UNCCC | | | | | | | | 5.63 | 5.63 | 7.20 | 7.20 | | | | 15.75 |
| 4-WIRE 56 KBPS EXTENDED DIGITAL LOOP WITH DEDICATED DS1 INTEROFFICE TRANSPORT (EEL) | | | | | | | | | | | | | | | | | | | | |
| | First 4-Wire 56Kbps Digital Grade Loop in a DS1 Interoffice Transport Combination - Zone 1 | | 1 | UNCDX | UDL56 | 27.44 | | | | | | | 126.53 | 88.85 | 60.68 | 14.64 | | | | 15.75 |
| | First 4-wire 56Kbps Digital Grade Loop in a DS1 Interoffice Transport Combination - Zone 2 | | 2 | UNCDX | UDL56 | 34.55 | | | | | | | 126.53 | 88.85 | 60.68 | 14.64 | | | | 15.75 |
| | First 4-Wire 56Kbps Digital Grade Loop in a DS1 Interoffice Transport Combination - Zone 3 | | 3 | UNCDX | UDL56 | 40.76 | | | | | | | 126.53 | 88.85 | 60.68 | 14.64 | | | | 15.75 |
| | First 4-Wire 56Kbps Digital Grade Loop in a DS1 Interoffice Transport Combination - Zone 4 | | 4 | UNCDX | UDL56 | 32.25 | | | | | | | 126.53 | 88.85 | 60.68 | 14.64 | | | | 15.75 |
| | Interoffice Transport - Dedicated - DS1 combination - Per Mile Per Month | | | UNC1X | 1L5XX | 0.1813 | | | | | | | | | | | | | | 15.75 |
| | Interoffice Transport - Dedicated - DS1 - combination Facility Termination Per Month | | | UNC1X | U1TF1 | 51.72 | | | | | | | 89.79 | 82.28 | 16.86 | 14.90 | | | | 15.75 |
| | Channelization - Channel System DS1 to DS0 combination Per Month | | | UNC1X | MQ1 | 102.85 | | | | | | | 91.57 | 62.94 | 10.87 | 10.10 | | | | 15.75 |
| | OCU-DP COCI (data) - DS1 to DS0 Channel System - per month (2.4-64kbs) | | | UNCDX | 1D1DD | 1.22 | | | | | | | 6.62 | 4.74 | | | | | | 15.75 |
| | Additional 4-Wire 56Kbps Digital Grade Loop in same DS1 Interoffice Transport Combination - Zone 1 | | 1 | UNCDX | UDL56 | 27.44 | | | | | | | 126.53 | 88.85 | 60.68 | 14.64 | | | | 15.75 |
| | Additional 4-Wire 56Kbps Digital Grade Loop in same DS1 Interoffice Transport Combination - Zone 2 | | 2 | UNCDX | UDL56 | 34.55 | | | | | | | 126.53 | 88.85 | 60.68 | 14.64 | | | | 15.75 |
| | Additional 4-Wire 56Kbps Digital Grade Loop in same DS1 Interoffice Transport Combination - Zone 3 | | 3 | UNCDX | UDL56 | 40.76 | | | | | | | 126.53 | 88.85 | 60.68 | 14.64 | | | | 15.75 |
| | Additional 4-Wire 56Kbps Digital Grade Loop in same DS1 Interoffice Transport Combination - Zone 4 | | 4 | UNCDX | UDL56 | 32.25 | | | | | | | 126.53 | 88.85 | 60.68 | 14.64 | | | | 15.75 |
| | OCU-DP COCI (data) - DS1 to DS0 Channel System - combination per month (2.4-64kbs) | | | UNCDX | 1D1DD | 1.22 | | | | | | | 6.62 | 4.74 | | | | | | 15.75 |
| | Nonrecurring Currently Combined Network Elements Switch -As-Is Charge | | | UNC1X | UNCCC | | | | | | | | 5.63 | 5.63 | 7.20 | 7.20 | | | | 15.75 |
| 4-WIRE 64 KBPS EXTENDED DIGITAL LOOP WITH DEDICATED DS1 INTEROFFICE TRANSPORT (EEL) | | | | | | | | | | | | | | | | | | | | |
| | First 4-Wire 64Kbps Digital Grade Loop in a DS1 Interoffice Transport Combination - Zone 1 | | 1 | UNCDX | UDL64 | 27.44 | | | | | | | 126.53 | 88.85 | 60.68 | 14.64 | | | | 15.75 |
| | First 4-Wire 64Kbps Digital Grade Loop in a DS1 Interoffice Transport Combination - Zone 2 | | 2 | UNCDX | UDL64 | 34.55 | | | | | | | 126.53 | 88.85 | 60.68 | 14.64 | | | | 15.75 |
| | First 4-Wire 64Kbps Digital Grade Loop in a DS1 Interoffice Transport Combination - Zone 3 | | 3 | UNCDX | UDL64 | 40.76 | | | | | | | 126.53 | 88.85 | 60.68 | 14.64 | | | | 15.75 |
| | First 4-Wire 64Kbps Digital Grade Loop in a DS1 Interoffice Transport Combination - Zone 4 | | 4 | UNCDX | UND64 | 32.25 | | | | | | | 126.53 | 88.85 | 60.68 | 14.64 | | | | 15.75 |
| | Interoffice Transport - Dedicated - DS1 combination - Per Mile Per Month | | | UNC1X | 1L5XX | 0.1813 | | | | | | | | | | | | | | 15.75 |
| | Interoffice Transport - Dedicated - DS1 combination - Facility Termination Per Month | | | UNC1X | U1TF1 | 51.72 | | | | | | | 89.79 | 82.28 | 16.86 | 14.90 | | | | 15.75 |
| | Channelization - Channel System DS1 to DS0 combination Per Month | | | UNC1X | MQ1 | 102.85 | | | | | | | 91.57 | 62.94 | 10.87 | 10.10 | | | | 15.75 |
| | OCU-DP COCI (data) - DS1 to DS0 Channel System combination - per month (2.4-64kbs) | | | UNCDX | 1D1DD | 1.22 | | | | | | | 6.62 | 4.74 | | | | | | 15.75 |
| | Additional 4-Wire 64Kbps Digital Grade Loop in same DS1 Interoffice Transport Combination - Zone 1 | | 1 | UNCDX | UDL64 | 27.44 | | | | | | | 126.53 | 88.85 | 60.68 | 14.64 | | | | 15.75 |
| | Additional 4-Wire 64Kbps Digital Grade Loop in same DS1 Interoffice Transport Combination - Zone 2 | | 2 | UNCDX | UDL64 | 34.55 | | | | | | | 126.53 | 88.85 | 60.68 | 14.64 | | | | 15.75 |
| | Additional 4-Wire 64Kbps Digital Grade Loop in same DS1 Interoffice Transport Combination - Zone 3 | | 3 | UNCDX | UDL64 | 40.76 | | | | | | | 126.53 | 88.85 | 60.68 | 14.64 | | | | 15.75 |

| UNBUNDLED NETWORK ELEMENTS - Mississippi | | | | | | | | | | | Attachment: 2 | | Exhibit: B | | | | | | | | | |
|---|--|---------|------|-------|-------|-----------|----------------------------------|--------------------------------------|--|--|---|---|---------------|--------------|-------|-------------------------|--|-------|-------|-------|-------|-------|
| CATEGORY | RATE ELEMENTS | Interim | Zone | BCS | USOC | RATES(\$) | Svc Order Submitted Elec per LSR | Svc Order Submitted Manually per LSR | Incremental Charge - Manual Svc Order vs. Electronic-1st | Incremental Charge - Manual Svc Order vs. Electronic-Add'l | Incremental Charge - Manual Svc Order vs. Electronic-Disc 1st | Incremental Charge - Manual Svc Order vs. Electronic-Disc Add'l | OSS Rates(\$) | | | | | | | | | |
| | | | | | | | | | | | | | Rec | Nonrecurring | | Nonrecurring Disconnect | | SOMEc | SOMAN | SOMAN | SOMAN | SOMAN |
| | | | | | | | | | | | | | First | Add'l | First | Add'l | | | | | | |
| | Additional 4-Wire 64Kbps Digital Grade Loop in same DS1 Interoffice Transport Combination - Zone 4 | | 4 | UNCDX | UDL64 | 32.25 | | | | | | | 126.53 | 88.85 | 60.68 | 14.64 | | | | | | 15.75 |
| | OCU-DP COCI (data) - DS1 to DS0 Channel System combination - per month (2.4-64kbs) | | | UNCDX | 1D1DD | 1.22 | | | | | | | 6.62 | 4.74 | | | | | | | | 15.75 |
| | Nonrecurring Currently Combined Network Elements Switch -As-Is Charge | | | UNC1X | UNCCC | | | | | | | | 5.63 | 5.63 | 7.20 | 7.20 | | | | | | 15.75 |
| 4-WIRE DS1 DIGITAL EXTENDED LOOP WITH DEDICATED DS1 INTEROFFICE TRANSPORT (EEL) | | | | | | | | | | | | | | | | | | | | | | |
| | 4-Wire DS1 Digital Loop in Combination with DS1 Interoffice Transport - Zone 1 | | 1 | UNC1X | USLXX | 79.08 | | | | | | | 253.93 | 158.45 | 46.10 | 12.07 | | | | | | 15.75 |
| | 4-Wire DS1 Digital Loop in Combination with DS1 Interoffice Transport - Zone 2 | | 2 | UNC1X | USLXX | 129.38 | | | | | | | 253.93 | 158.45 | 46.10 | 12.07 | | | | | | 15.75 |
| | 4-Wire DS1 Digital Loop in Combination with DS1 Interoffice Transport - Zone 3 | | 3 | UNC1X | USLXX | 206.74 | | | | | | | 253.93 | 158.45 | 46.10 | 12.07 | | | | | | 15.75 |
| | 4-Wire DS1 Digital Loop in Combination with DS1 Interoffice Transport - Zone 4 | | 4 | UNC1X | USLXX | 458.46 | | | | | | | 253.93 | 158.45 | 46.10 | 12.07 | | | | | | 15.75 |
| | Interoffice Transport - Dedicated - DS1 combination - Per Mile Per Month | | | UNC1X | 1L5XX | 0.1813 | | | | | | | | | | | | | | | | |
| | Interoffice Transport - Dedicated - DS1 combination - Facility Termination Per Month | | | UNC1X | U1TF1 | 51.72 | | | | | | | 89.79 | 82.28 | 16.86 | 14.90 | | | | | | 15.75 |
| | Nonrecurring Currently Combined Network Elements Switch -As-Is Charge | | | UNC1X | UNCCC | | | | | | | | 5.63 | 5.63 | 7.20 | 7.20 | | | | | | 15.75 |
| 4-WIRE DS1 DIGITAL EXTENDED LOOP WITH DEDICATED DS3 INTEROFFICE TRANSPORT (EEL) | | | | | | | | | | | | | | | | | | | | | | |
| | First DS1Loop in DS3 Interoffice Transport Combination - Zone 1 | | 1 | UNC1X | USLXX | 79.08 | | | | | | | 253.93 | 158.45 | 46.10 | 12.07 | | | | | | 15.75 |
| | First DS1Loop in DS3 Interoffice Transport Combination - Zone 2 | | 2 | UNC1X | USLXX | 129.38 | | | | | | | 253.93 | 158.45 | 46.10 | 12.07 | | | | | | 15.75 |
| | First DS1Loop in DS3 Interoffice Transport Combination - Zone 3 | | 3 | UNC1X | USLXX | 206.74 | | | | | | | 253.93 | 158.45 | 46.10 | 12.07 | | | | | | 15.75 |
| | First DS1Loop in DS3 Interoffice Transport Combination - Zone 4 | | 4 | UNC1X | USLXX | 458.46 | | | | | | | 253.93 | 158.45 | 46.10 | 12.07 | | | | | | 15.75 |
| | Interoffice Transport - Dedicated - DS3 combination - Per Mile Per Month | | | UNC3X | 1L5XX | 4.29 | | | | | | | | | | | | | | | | |
| | Interoffice Transport - Dedicated - DS3 - Facility Termination per month | | | UNC3X | U1TF3 | 641.90 | | | | | | | 280.37 | 163.70 | 62.08 | 60.29 | | | | | | 15.75 |
| | DS3 to DS1 Channel System combination per month | | | UNC3X | MQ3 | 107.85 | | | | | | | 179.17 | 94.52 | 34.30 | 32.82 | | | | | | 15.75 |
| | DS3 Interface Unit (DS1 COCI) combination per month | | | UNC1X | UC1D1 | 12.96 | | | | | | | 6.62 | 4.74 | | | | | | | | 15.75 |
| | Additional DS1Loop in DS3 Interoffice Transport Combination - Zone 1 | | 1 | UNC1X | USLXX | 79.08 | | | | | | | 253.93 | 158.45 | 46.10 | 12.07 | | | | | | 15.75 |
| | Additional DS1Loop in DS3 Interoffice Transport Combination - Zone 2 | | 2 | UNC1X | USLXX | 129.38 | | | | | | | 253.93 | 158.45 | 46.10 | 12.07 | | | | | | 15.75 |
| | Additional DS1Loop in DS3 Interoffice Transport Combination - Zone 3 | | 3 | UNC1X | USLXX | 206.74 | | | | | | | 253.93 | 158.45 | 46.10 | 12.07 | | | | | | 15.75 |
| | Additional DS1Loop in DS3 Interoffice Transport Combination - Zone 4 | | 4 | UNC1X | USLXX | 458.46 | | | | | | | 253.93 | 158.45 | 46.10 | 12.07 | | | | | | 15.75 |
| | DS3 Interface Unit (DS1 COCI) combination per month | | | UNC1X | UC1D1 | 12.96 | | | | | | | 6.62 | 4.74 | | | | | | | | 15.75 |
| | Nonrecurring Currently Combined Network Elements Switch -As-Is Charge | | | UNC3X | UNCCC | | | | | | | | 5.63 | 5.63 | 7.20 | 7.20 | | | | | | 15.75 |
| 2-WIRE VOICE GRADE EXTENDED LOOP/ 2 WIRE VOICE GRADE INTEROFFICE TRANSPORT (EEL) | | | | | | | | | | | | | | | | | | | | | | |
| | 2-WireVG Loop used with 2-wire VG Interoffice Transport Combination - Zone 1 | | 1 | UNCVX | UEAL2 | 13.89 | | | | | | | 105.96 | 68.28 | 52.82 | 10.37 | | | | | | 15.75 |
| | 2-WireVG Loop used with 2-wire VG Interoffice Transport Combination - Zone 2 | | 2 | UNCVX | UEAL2 | 18.75 | | | | | | | 105.96 | 68.28 | 52.82 | 10.37 | | | | | | 15.75 |
| | 2-WireVG Loop used with 2-wire VG Interoffice Transport Combination - Zone 3 | | 3 | UNCVX | UEAL2 | 27.55 | | | | | | | 105.96 | 68.28 | 52.82 | 10.37 | | | | | | 15.75 |
| | A.1.2 2-WireVG Loop used with 2-wire VG Interoffice Transport Combination - Zone 4 | | 4 | UNCVX | UEAL2 | 45.72 | | | | | | | 105.96 | 68.28 | 52.82 | 10.37 | | | | | | 15.75 |
| | Interoffice Transport - Dedicated - 2-wire VG combination - Per Mile Per Month | | | UNCVX | 1L5XX | 0.00088 | | | | | | | | | | | | | | | | |

| UNBUNDLED NETWORK ELEMENTS - Mississippi | | | | | | | | | | | Attachment: 2 | | Exhibit: B | | | | | | | | | |
|--|--|---------|------|-------|-------|-----------|----------------------------------|--------------------------------------|--|--|---|---|---------------|--------------|--------|-------------------------|--|-------|-------|-------|-------|-------|
| CATEGORY | RATE ELEMENTS | Interim | Zone | BCS | USOC | RATES(\$) | Svc Order Submitted Elec per LSR | Svc Order Submitted Manually per LSR | Incremental Charge - Manual Svc Order vs. Electronic-1st | Incremental Charge - Manual Svc Order vs. Electronic-Add'l | Incremental Charge - Manual Svc Order vs. Electronic-Disc 1st | Incremental Charge - Manual Svc Order vs. Electronic-Disc Add'l | OSS Rates(\$) | | | | | | | | | |
| | | | | | | | | | | | | | Rec | Nonrecurring | | Nonrecurring Disconnect | | SOMEc | SOMAN | SOMAN | SOMAN | SOMAN |
| | | | | | | | | | | | | | First | Add'l | First | Add'l | | | | | | |
| | Interoffice Transport - Dedicated - 2- Wire Voice Grade combination - Facility Termination per month | | | UNCVX | U1TV2 | 20.32 | | | | | | | 40.77 | 27.57 | 17.26 | 7.11 | | | | | | 15.75 |
| | Nonrecurring Currently Combined Network Elements Switch -As-Is Charge | | | UNCVX | UNCCC | | | | | | | | 5.63 | 5.63 | 7.20 | 7.20 | | | | | | 15.75 |
| | 4-WIRE VOICE GRADE EXTENDED LOOP/ 4 WIRE VOICE GRADE INTEROFFICE TRANSPORT (EEL) | | | | | | | | | | | | | | | | | | | | | |
| | 4-WireVG Loop used with 4-wire VG Interoffice Transport Combination - Zone 1 | | 1 | UNCVX | UEAL4 | 27.47 | | | | | | | 132.27 | 94.59 | 60.68 | 14.64 | | | | | | 15.75 |
| | 4-WireVG Loop used with 4-wire VG Interoffice Transport Combination - Zone 2 | | 2 | UNCVX | UEAL4 | 38.26 | | | | | | | 132.27 | 94.59 | 60.68 | 14.64 | | | | | | 15.75 |
| | 4-WireVG Loop used with 4-wire VG Interoffice Transport Combination - Zone 3 | | 3 | UNCVX | UEAL4 | 50.03 | | | | | | | 132.27 | 94.59 | 60.68 | 14.64 | | | | | | 15.75 |
| | 4-WireVG Loop used with 4-wire VG Interoffice Transport Combination - Zone 4 | | 4 | UNCVX | UEAL4 | 50.03 | | | | | | | 132.27 | 94.59 | 60.68 | 14.64 | | | | | | 15.75 |
| | Interoffice Transport - Dedicated - 4-wire VG combination - Per Mile Per Month | | | UNCVX | 1L5XX | 0.00088 | | | | | | | | | | | | | | | | |
| | Interoffice Transport - Dedicated - 4- Wire Voice Grade combination - Facility Termination per month | | | UNCVX | U1TV4 | 17.86 | | | | | | | 40.77 | 27.57 | 17.26 | 7.11 | | | | | | 15.75 |
| | Nonrecurring Currently Combined Network Elements Switch -As-Is Charge | | | UNCVX | UNCCC | | | | | | | | 5.63 | 5.63 | 7.20 | 7.20 | | | | | | 15.75 |
| | DS3 DIGITAL EXTENDED LOOP WITH DEDICATED DS3 INTEROFFICE TRANSPORT (EEL) | | | | | | | | | | | | | | | | | | | | | |
| | High Capacity Unbundled Local Loop - DS3 combination - Per Mile per month | | | UNC3X | 1L5ND | 11.20 | | | | | | | | | | | | | | | | |
| | High Capacity Unbundled Local Loop - DS3 combination - Facility Termination per month | | | UNC3X | UE3PX | 252.17 | | | | | | | 454.13 | 265.47 | 123.23 | 86.19 | | | | | | 15.75 |
| | Interoffice Transport - Dedicated - DS3 - Per Mile per month | | | UNC3X | 1L5XX | 4.29 | | | | | | | | | | | | | | | | |
| | Interoffice Transport - Dedicated - DS3 combination - Facility Termination per month | | | UNC3X | U1TF3 | 641.90 | | | | | | | 280.37 | 163.70 | 62.08 | 60.29 | | | | | | 15.75 |
| | Nonrecurring Currently Combined Network Elements Switch -As-Is Charge | | | UNC3X | UNCCC | | | | | | | | 5.63 | 5.63 | 7.20 | 7.20 | | | | | | 15.75 |
| | STS1 DIGITAL EXTENDED LOOP WITH DEDICATED STS1 INTEROFFICE TRANSPORT (EEL) | | | | | | | | | | | | | | | | | | | | | |
| | High Capacity Unbundled Local Loop - STS1 combination - Per Mile per month | | | UNCSX | 1L5ND | 11.20 | | | | | | | | | | | | | | | | |
| | High Capacity Unbundled Local Loop - STS1 combination - Facility Termination per month | | | UNCSX | UDLS1 | 264.35 | | | | | | | 454.13 | 265.47 | 123.23 | 86.19 | | | | | | 15.75 |
| | Interoffice Transport - Dedicated - STS1 combination - Per Mile per month | | | UNCSX | 1L5XX | 4.29 | | | | | | | | | | | | | | | | |
| | Interoffice Transport - Dedicated - STS1 combination - Facility Termination per month | | | UNCSX | U1TFS | 644.21 | | | | | | | 280.37 | 163.70 | 62.08 | 60.29 | | | | | | 15.75 |
| | Nonrecurring Currently Combined Network Elements Switch -As-Is Charge | | | UNCSX | UNCCC | | | | | | | | 5.63 | 5.63 | 7.20 | 7.20 | | | | | | 15.75 |
| | 2-WIRE ISDN EXTENDED LOOP WITH DS1 INTEROFFICE TRANSPORT (EEL) | | | | | | | | | | | | | | | | | | | | | |
| | First 2-Wire ISDN Loop in a DS1 Interoffice Combination Transport - Zone 1 | | 1 | UNCNX | U1L2X | 21.01 | | | | | | | 117.61 | 79.92 | 52.82 | 10.37 | | | | | | 15.75 |
| | First 2-Wire ISDN Loop in a DS1 Interoffice Combination Transport - Zone 2 | | 2 | UNCNX | U1L2X | 27.59 | | | | | | | 117.61 | 79.92 | 52.82 | 10.37 | | | | | | 15.75 |
| | First 2-Wire ISDN Loop in a DS1 Interoffice Combination Transport - Zone 3 | | 3 | UNCNX | U1L2X | 37.34 | | | | | | | 117.61 | 79.92 | 52.82 | 10.37 | | | | | | 15.75 |
| | First 2-Wire ISDN Loop in a DS1 Interoffice Combination Transport - Zone 4 | | 4 | UNCNX | U1L2X | 59.18 | | | | | | | 117.61 | 79.92 | 52.82 | 10.37 | | | | | | 15.75 |
| | Interoffice Transport - Dedicated - DS1 combination - Per Mile | | | UNC1X | 1L5XX | 0.1813 | | | | | | | | | | | | | | | | |
| | Interoffice Transport - Dedicated - DS1 combination - Facility Termination per month | | | UNC1X | U1TF1 | 51.72 | | | | | | | 89.79 | 82.28 | 16.86 | 14.90 | | | | | | 15.75 |
| | Channelization - Channel System DS1 to DS0 combination - per month | | | UNC1X | MQ1 | 102.85 | | | | | | | 91.57 | 62.94 | 10.87 | 10.10 | | | | | | 15.75 |
| | 2-wire ISDN COCI (BRITE) - DS1 to DS0 Channel System combination - per month | | | UNCNX | UC1CA | 2.62 | | | | | | | 6.62 | 4.74 | | | | | | | | 15.75 |
| | Additional 2-wire ISDN Loop in same DS1 Interoffice Transport Combination - Zone 1 | | 1 | UNCNX | U1L2X | 21.01 | | | | | | | 117.61 | 79.92 | 52.82 | 10.37 | | | | | | 15.75 |

| UNBUNDLED NETWORK ELEMENTS - Mississippi | | | | | | | | | | Attachment: 2 | | Exhibit: B | | | | | | | | |
|--|---|---------|------|-------|-------|-----------|----------------------------------|--------------------------------------|--|--|---|---|---------------|--------------|--|-------------------------|--|-------|-------|-------|
| CATEGORY | RATE ELEMENTS | Interim | Zone | BCS | USOC | RATES(\$) | Svc Order Submitted Elec per LSR | Svc Order Submitted Manually per LSR | Incremental Charge - Manual Svc Order vs. Electronic-1st | Incremental Charge - Manual Svc Order vs. Electronic-Add'l | Incremental Charge - Manual Svc Order vs. Electronic-Disc 1st | Incremental Charge - Manual Svc Order vs. Electronic-Disc Add'l | OSS Rates(\$) | | | | | | | |
| | | | | | | | | | | | | | Rec | Nonrecurring | | Nonrecurring Disconnect | | SOMEc | SOMAN | SOMAN |
| | | | | | | | | | | | | | | | | | | | | |
| | Additional 2-wire ISDN Loop in same DS1 Interoffice Transport Combination - Zone 2 | | 2 | UNCNX | U1L2X | 27.59 | | | | | | | | | | | | | | |
| | Additional 2-wire ISDN Loop in same DS1 Interoffice Transport Combination - Zone 3 | | 3 | UNCNX | U1L2X | 37.34 | | | | | | | | | | | | | | |
| | Additional 2-wire ISDN Loop in same DS1 Interoffice Transport Combination - Zone 4 | | 4 | UNCNX | U1L2X | 59.18 | | | | | | | | | | | | | | |
| | 2-wire ISDN COCI (BRITE) - DS1 to DS0 Channel System combination- per month | | | UNCNX | UC1CA | 2.62 | | | | | | | | | | | | | | |
| | Nonrecurring Currently Combined Network Elements Switch -As-Is Charge | | | UNC1X | UNCCC | | | | | | | | | | | | | | | |
| 4-WIRE DS1 DIGITAL EXTENDED LOOP WITH DEDICATED STS-1 INTEROFFICE TRANSPORT (EEL) | | | | | | | | | | | | | | | | | | | | |
| | First DS1 Loop in STS1 Interoffice Transport Combination - Zone 1 | | 1 | UNC1X | USLXX | 79.08 | | | | | | | | | | | | | | |
| | First DS1 Loop in STS1 Interoffice Transport Combination - Zone 2 | | 2 | UNC1X | USLXX | 129.38 | | | | | | | | | | | | | | |
| | First DS1 Loop in STS1 Interoffice Transport Combination - Zone 3 | | 3 | UNC1X | USLXX | 206.74 | | | | | | | | | | | | | | |
| | First DS1 Loop in STS1 Interoffice Transport Combination - Zone 4 | | 4 | UNC1X | USLXX | 458.46 | | | | | | | | | | | | | | |
| | Interoffice Transport - Dedicated - STS1 combination - Per Mile Per Month | | | UNCSX | 1L5XX | 4.29 | | | | | | | | | | | | | | |
| | Interoffice Transport - Dedicated - STS1 combination - Facility Termination | | | UNCSX | U1TFS | 644.21 | | | | | | | | | | | | | | |
| | STS1 to DS1 Channel System combination per month | | | UNCSX | MQ3 | 107.63 | | | | | | | | | | | | | | |
| | DS3 Interface Unit (DS1 COCI) combination per month | | | UNC1X | UC1D1 | 12.96 | | | | | | | | | | | | | | |
| | Additional DS1 Loop in STS1 Interoffice Transport Combination - Zone 1 | | 1 | UNC1X | USLXX | 79.08 | | | | | | | | | | | | | | |
| | Additional DS1 Loop in STS1 Interoffice Transport Combination - Zone 2 | | 2 | UNC1X | USLXX | 129.38 | | | | | | | | | | | | | | |
| | Additional DS1 Loop in STS1 Interoffice Transport Combination - Zone 3 | | 3 | UNC1X | USLXX | 206.74 | | | | | | | | | | | | | | |
| | Additional DS1 Loop in STS1 Interoffice Transport Combination - Zone 4 | | 4 | UNC1X | USLXX | 458.46 | | | | | | | | | | | | | | |
| | DS3 Interface Unit (DS1 COCI) combination per month | | | UNC1X | UC1D1 | 12.96 | | | | | | | | | | | | | | |
| | Nonrecurring Currently Combined Network Elements Switch -As-Is Charge | | | UNCSX | UNCCC | | | | | | | | | | | | | | | |
| 4-WIRE 56 KBPS DIGITAL EXTENDED LOOP WITH 56 KBPS INTEROFFICE TRANSPORT (EEL) | | | | | | | | | | | | | | | | | | | | |
| | 4-wire 56 kbps Loop/4-wire 56 kbps Interoffice Transport Combination - Zone 1 | | 1 | UNCDX | UDL56 | 27.44 | | | | | | | | | | | | | | |
| | 4-wire 56 kbps Loop/4-wire 56 kbps Interoffice Transport Combination - Zone 2 | | 2 | UNCDX | UDL56 | 34.55 | | | | | | | | | | | | | | |
| | 4-wire 56 kbps Loop/4-wire 56 kbps Interoffice Transport Combination - Zone 3 | | 3 | UNCDX | UDL56 | 40.76 | | | | | | | | | | | | | | |
| | 4-wire 56 kbps Loop/4-wire 56 kbps Interoffice Transport Combination - Zone 4 | | 4 | UNCDX | UDL56 | 32.25 | | | | | | | | | | | | | | |
| | Interoffice Transport - Dedicated - 4-wire 56 kbps combination - Per Mile | | | UNCDX | 1L5XX | 0.00088 | | | | | | | | | | | | | | |
| | Interoffice Transport - Dedicated - 4-wire 56 kbps combination - Facility Termination | | | UNCDX | U1TD5 | 14.14 | | | | | | | | | | | | | | |
| | Nonrecurring Currently Combined Network Elements Switch -As-Is Charge | | | UNCDX | UNCCC | | | | | | | | | | | | | | | |
| 4-WIRE 64 KBPS DIGITAL EXTENDED LOOP WITH 64 KBPS INTEROFFICE TRANSPORT (EEL) | | | | | | | | | | | | | | | | | | | | |
| | 4-wire 64 kbps Loop/4-wire 64 kbps Interoffice Transport Combination - Zone 1 | | 1 | UNCDX | UDL64 | 27.44 | | | | | | | | | | | | | | |
| | 4-wire 64 kbps Loop/4-wire 64 kbps Interoffice Transport Combination - Zone 2 | | 2 | UNCDX | UDL64 | 34.55 | | | | | | | | | | | | | | |
| | 4-wire 64 kbps Loop/4-wire 64 kbps Interoffice Transport Combination - Zone 3 | | 3 | UNCDX | UDL64 | 40.76 | | | | | | | | | | | | | | |

| UNBUNDLED NETWORK ELEMENTS - Mississippi | | | | | | | | | | | Attachment: 2 | | Exhibit: B | | | | | | | |
|---|--|---------|------|-------|-------|-----------|----------------------------------|--------------------------------------|--|--|---|---|---------------|--------------|--|-------------------------|--|-------|-------|-------|
| CATEGORY | RATE ELEMENTS | Interim | Zone | BCS | USOC | RATES(\$) | Svc Order Submitted Elec per LSR | Svc Order Submitted Manually per LSR | Incremental Charge - Manual Svc Order vs. Electronic-1st | Incremental Charge - Manual Svc Order vs. Electronic-Add'l | Incremental Charge - Manual Svc Order vs. Electronic-Disc 1st | Incremental Charge - Manual Svc Order vs. Electronic-Disc Add'l | OSS Rates(\$) | | | | | | | |
| | | | | | | | | | | | | | Rec | Nonrecurring | | Nonrecurring Disconnect | | SOMEc | SOMAN | SOMAN |
| | | | | | | | | | | | | | | | | | | | | |
| | 4-wire 64 kbps Loop/4-wire 64 kbps Interoffice Transport Combination - Zone 4 | | 4 | UNCDX | UDL64 | 32.25 | | | | | | | | | | | | | | |
| | Interoffice Transport - Dedicated - 4-wire 64 kbps combination - Per Mile | | | UNCDX | 1L5XX | 0.00088 | | | | | | | | | | | | | | |
| | Interoffice Transport - Dedicated - 4-wire 64 kbps combination - Facility Termination | | | UNCDX | U1TD6 | 14.14 | | | | | | | | | | | | | | |
| | Nonrecurring Currently Combined Network Elements Switch -As-Is Charge | | | UNCDX | UNCCC | | | | | | | | | | | | | | | |
| ADDITIONAL NETWORK ELEMENTS | | | | | | | | | | | | | | | | | | | | |
| When used as a part of a currently combined facility, the non-recurring charges do not apply, but a Switch As Is charge does apply. | | | | | | | | | | | | | | | | | | | | |
| When used as ordinarly combined network elements in Mississippi, the non-recurring charges apply and the Switch As Is Charge does not. | | | | | | | | | | | | | | | | | | | | |
| Nonrecurring Currently Combined Network Elements "Switch As Is" Charge (One applies to each combination) | | | | | | | | | | | | | | | | | | | | |
| | Nonrecurring Currently Combined Network Elements Switch -As-Is Charge - 2 wire/4-Wire VG | | | UNCVX | UNCCC | 5.63 | | | | | | | | | | | | | | |
| | Nonrecurring Currently Combined Network Elements Switch -As-Is Charge - 56/64 kbps | | | UNCDX | UNCCC | 5.63 | | | | | | | | | | | | | | |
| | Nonrecurring Currently Combined Network Elements Switch -As-Is Charge - DS1 | | | UNC1X | UNCCC | 5.63 | | | | | | | | | | | | | | |
| | Nonrecurring Currently Combined Network Elements Switch -As-Is Charge - DS3 | | | UNC3X | UNCCC | 5.63 | | | | | | | | | | | | | | |
| | Nonrecurring Currently Combined Network Elements Switch -As-Is Charge - STS1 | | | UNCSX | UNCCC | 5.63 | | | | | | | | | | | | | | |
| NOTE: Local Channel - Dedicated Transport - minimum billing period - Below DS3=one month, DS3 and above=four months | | | | | | | | | | | | | | | | | | | | |
| | Local Channel - Dedicated - 2-Wire Voice Grade per month | | | UNCXV | ULDV2 | 14.91 | | | | | | | | | | | | | | |
| | Local Channel - Dedicated - 4-Wire Voice Grade per month | | | UNCXV | ULDV4 | 15.99 | | | | | | | | | | | | | | |
| | Local Channel - Dedicated - DS1 per month Zone 1 | | 1 | UNC1X | ULDF1 | 36.83 | | | | | | | | | | | | | | |
| | Local Channel - Dedicated -DS1 Per Month Zone 2 | | 2 | UNC1X | ULDF1 | 35.99 | | | | | | | | | | | | | | |
| | Local Channel - Dedicated - DS1- Per Month Zone 3 | | 3 | UNC1X | ULDF1 | 221.63 | | | | | | | | | | | | | | |
| | Local Channel - Dedicated - DS1- Per Month Zone 4 | | 4 | UNC1X | ULDF1 | 221.63 | | | | | | | | | | | | | | |
| | Local Channel - Dedicated - DS3 - Per Mile per month | | | UNC3X | 1L5NC | 9.66 | | | | | | | | | | | | | | |
| | Local Channel - Dedicated - DS3 - Facility Termination per month | | | UNC3X | ULDF3 | 413.87 | | | | | | | | | | | | | | |
| | Local Channel - Dedicated - STS-1- Per Mile per month | | | UNCSX | 1L5NC | 9.66 | | | | | | | | | | | | | | |
| | Local Channel - Dedicated - STS-1 - Facility Termination per month | | | UNCSX | ULDFS | 408.02 | | | | | | | | | | | | | | |
| UNBUNDLED LOCAL EXCHANGE SWITCHING(PORTS) | | | | | | | | | | | | | | | | | | | | |
| Exchange Ports | | | | | | | | | | | | | | | | | | | | |
| NOTE: Although the Port Rate includes all available features in GA, KY, LA & TN, the desired features will need to be ordered using retail USOCs | | | | | | | | | | | | | | | | | | | | |
| 2-WIRE VOICE GRADE LINE PORT RATES (RES) | | | | | | | | | | | | | | | | | | | | |
| | Exchange Ports - 2-Wire Analog Line Port- Res. | | | UEPSR | UEPRL | 1.41 | | | | | | | | | | | | | | |
| | Exchange Ports - 2-Wire Analog Line Port with Caller ID - Res. | | | UEPSR | UEPRC | 1.41 | | | | | | | | | | | | | | |
| | Exchange Ports - 2-Wire Analog Line Port outgoing only - Res. | | | UEPSR | UEPRO | 1.41 | | | | | | | | | | | | | | |
| | Exchange Ports - 2-Wire VG unbundled MS extended local dialing parity Port with Caller ID - Res. | | | UEPSR | UEPAT | 1.41 | | | | | | | | | | | | | | |
| | Exchange Ports - 2-Wire VG unbundled res, low usage line port with Caller ID (LUM) | | | UEPSR | UEPAP | 1.41 | | | | | | | | | | | | | | |
| | Subsequent Activity | | | UEPSR | USASC | 0.00 | | | | | | | | | | | | | | |
| FEATURES | | | | | | | | | | | | | | | | | | | | |
| | All Available Vertical Features | | | UEPSR | UEPVF | 2.56 | | | | | | | | | | | | | | |
| 2-WIRE VOICE GRADE LINE PORT RATES (BUS) | | | | | | | | | | | | | | | | | | | | |
| | Exchange Ports - 2-Wire Analog Line Port without Caller ID - Bus | | | UEPSB | UEPBL | 1.41 | | | | | | | | | | | | | | |
| | Exchange Ports - 2-Wire VG unbundled Line Port with unbundled port with Caller+E484 ID - Bus. | | | UEPSB | UEPBC | 1.41 | | | | | | | | | | | | | | |
| | Exchange Ports - 2-Wire Analog Line Port outgoing only - Bus. | | | UEPSB | UEPBO | 1.41 | | | | | | | | | | | | | | |

| UNBUNDLED NETWORK ELEMENTS - Mississippi | | | | | | | | | | | Attachment: 2 | | Exhibit: B | | | | | | | | | | | | |
|---|--|---------|------|-------|-------|-----------|----------------------------------|--------------------------------------|--|--|---|---|------------|--------------|--------|-------------------------|-------|---------------|-------|-------|-------|-------|------|--|--|
| CATEGORY | RATE ELEMENTS | Interim | Zone | BCS | USOC | RATES(\$) | Svc Order Submitted Elec per LSR | Svc Order Submitted Manually per LSR | Incremental Charge - Manual Svc Order vs. Electronic-1st | Incremental Charge - Manual Svc Order vs. Electronic-Add'l | Incremental Charge - Manual Svc Order vs. Electronic-Disc 1st | Incremental Charge - Manual Svc Order vs. Electronic-Disc Add'l | | | | | | | | | | | | | |
| | | | | | | | | | | | | | Rec | Nonrecurring | | Nonrecurring Disconnect | | OSS Rates(\$) | | | | | | | |
| | | | | | | | | | | | | | First | Add'l | First | Add'l | SOMEC | SOMAN | SOMAN | SOMAN | SOMAN | SOMAN | | | |
| | Exchange Ports - 2-Wire VG unbundled MS extended local dialing parity Port with Caller ID - Bus. | | | UEPSB | UEPAY | 1.41 | | | | | | | 1.42 | 2.39 | 2.29 | 1.42 | 1.33 | | | 15.75 | | | | | |
| | Exchange Ports - 2-Wire VG unbundled incoming only port with Caller ID - Bus | | | UEPSB | UEPB1 | 1.41 | | | | | | | 1.42 | 2.39 | 2.29 | 1.42 | 1.33 | | | 15.75 | | | | | |
| | Subsequent Activity | | | UEPSB | USASC | 0.00 | | | | | | | | 0.00 | 0.00 | | | | | 15.75 | | | | | |
| FEATURES | | | | | | | | | | | | | | | | | | | | | | | | | |
| All Available Vertical Features | | | | | | | | | | | | | | | | | | | | | | | | | |
| EXCHANGE PORT RATES (DID & PBX) | | | | | | | | | | | | | | | | | | | | | | | | | |
| | 2-Wire VG Unbundled 2-Way PBX Trunk - Res | | | UEPSE | UEPRD | 1.41 | | | | | | | 14.38 | 31.45 | 14.93 | 14.38 | 0.92 | | | 15.75 | | | | | |
| | 2-Wire VG Line Side Unbundled 2-Way PBX Trunk - Bus | | | UEPSP | UEPPC | 1.41 | | | | | | | 14.38 | 31.45 | 14.93 | 14.38 | 0.92 | | | 15.75 | | | | | |
| | 2-Wire VG Line Side Unbundled Outward PBX Trunk - Bus | | | UEPSP | UEPPO | 1.41 | | | | | | | 14.38 | 31.45 | 14.93 | 14.38 | 0.92 | | | 15.75 | | | | | |
| | 2-Wire VG Line Side Unbundled Incoming PBX Trunk - Bus | | | UEPSP | UEPP1 | 1.41 | | | | | | | 14.38 | 31.45 | 14.93 | 14.38 | 0.92 | | | 15.75 | | | | | |
| | 2-Wire Analog Long Distance Terminal PBX Trunk - Bus | | | UEPSP | UEPLD | 1.41 | | | | | | | 14.38 | 31.45 | 14.93 | 14.38 | 0.92 | | | 15.75 | | | | | |
| | 2-Wire Voice Unbundled PBX LD Terminal Ports | | | UEPSP | UEPLD | 1.41 | | | | | | | 14.38 | 31.45 | 14.93 | 14.38 | 0.92 | | | 15.75 | | | | | |
| | 2-Wire Vice Unbundled 2-Way PBX Usage Port | | | UEPSP | UEPXA | 1.41 | | | | | | | 14.38 | 31.45 | 14.93 | 14.38 | 0.92 | | | 15.75 | | | | | |
| | 2-Wire Voice Unbundled PBX Toll Terminal Hotel Ports | | | UEPSP | UEPXB | 1.41 | | | | | | | 14.38 | 31.45 | 14.93 | 14.38 | 0.92 | | | 15.75 | | | | | |
| | 2-Wire Voice Unbundled PBX LD DDD Terminals Port | | | UEPSP | UEPXC | 1.41 | | | | | | | 14.38 | 31.45 | 14.93 | 14.38 | 0.92 | | | 15.75 | | | | | |
| | 2-Wire Voice Unbundled PBX LD Terminal Switchboard Port | | | UEPSP | UEPXD | 1.41 | | | | | | | 14.38 | 31.45 | 14.93 | 14.38 | 0.92 | | | 15.75 | | | | | |
| | 2-Wire Voice Unbundled PBX LD Terminal Switchboard IDD Capable Port | | | UEPSP | UEPXE | 1.41 | | | | | | | 14.38 | 31.45 | 14.93 | 14.38 | 0.92 | | | 15.75 | | | | | |
| | 2-Wire Voice Unbundled 2-Way PBX Hotel/Hospital Economy Administrative Calling Port | | | UEPSP | UEPXL | 1.41 | | | | | | | 14.38 | 31.45 | 14.93 | 14.38 | 0.92 | | | 15.75 | | | | | |
| | 2-Wire Voice Unbundled 2-Way PBX Hotel/Hospital Economy Room Calling Port | | | UEPSP | UEPXM | 1.41 | | | | | | | 14.38 | 31.45 | 14.93 | 14.38 | 0.92 | | | 15.75 | | | | | |
| | 2-Wire Voice Unbundled 1-Way Outgoing PBX Hotel/Hospital Discount Room Calling Port | | | UEPSP | UEPXO | 1.41 | | | | | | | 14.38 | 31.45 | 14.93 | 14.38 | 0.92 | | | 15.75 | | | | | |
| | 2-Wire Voice Unbundled 2-Way PBX Mississippi Local Economy Calling Port | | | UEPSP | UEPXQ | 1.41 | | | | | | | 14.38 | 31.45 | 14.93 | 14.38 | 0.92 | | | 15.75 | | | | | |
| | 2-Wire Voice Unbundled 2-Way PBX Mississippi Local Optional Calling Port | | | UEPSP | UEPXR | 1.41 | | | | | | | 14.38 | 31.45 | 14.93 | 14.38 | 0.92 | | | 15.75 | | | | | |
| | 2-Wire Voice Unbundled 1-Way Outgoing PBX Measured Port | | | UEPSP | UEPXS | 1.41 | | | | | | | 14.38 | 31.45 | 14.93 | 14.38 | 0.92 | | | 15.75 | | | | | |
| | Subsequent Activity | | | UEPSP | USASC | 0.00 | | | | | | | | 0.00 | 0.00 | | | | | 15.75 | | | | | |
| FEATURES | | | | | | | | | | | | | | | | | | | | | | | | | |
| All Available Vertical Features | | | | | | | | | | | | | | | | | | | | | | | | | |
| EXCHANGE PORT RATES (COIN) | | | | | | | | | | | | | | | | | | | | | | | | | |
| | Exchange Ports - Coin Port | | | | | 1.41 | | | | | | | 1.42 | 2.39 | 2.29 | 1.42 | 1.33 | | | 15.75 | | | | | |
| NOTE: Transmission/usage charges associated with POTS circuit switched usage will also apply to circuit switched voice and/or circuit switched data transmission by B-Channels associated with 2-wire ISDN ports. | | | | | | | | | | | | | | | | | | | | | | | | | |
| NOTE: Access to B Channel or D Channel Packet capabilities will be available only through BFR/New Business Request Process. Rates for the packet capabilities will be determined via the Bona Fide Request/New Business Request Process. | | | | | | | | | | | | | | | | | | | | | | | | | |
| UNBUNDLED LOCAL EXCHANGE SWITCHING(PORTS) | | | | | | | | | | | | | | | | | | | | | | | | | |
| EXCHANGE PORT RATES (DID & PBX) | | | | | | | | | | | | | | | | | | | | | | | | | |
| | Exchange Ports - 2-Wire DID Port | | | UEPEX | UEPP2 | 8.25 | | | | | | | 3.88 | 120.00 | 18.85 | 61.77 | 3.88 | | | 15.75 | | | 1.97 | | |
| | Exchange Ports - DDITS Port - 4-Wire DS1 Port with DID capability | | | UEPDD | UEPDD | 58.41 | | | | | | | 2.54 | 203.19 | 96.25 | 74.86 | 2.54 | | | 15.75 | | | 1.97 | | |
| | Exchange Ports - 2-Wire ISDN Port (See Notes below.) | | | UEPTX | UEPSX | 13.69 | | | | | | | 10.76 | 73.19 | 53.30 | 47.90 | 10.76 | | | 15.75 | | | 1.97 | | |
| | All Features Offered | | | UEPTX | UEPSX | 2.56 | | | | | | | 0.00 | 0.00 | 0.00 | | | | | 15.75 | | | 1.97 | | |
| NOTE: Transmission/usage charges associated with POTS circuit switched usage will also apply to circuit switched voice and/or circuit switched data transmission by B-Channels associated with 2-wire ISDN ports. | | | | | | | | | | | | | | | | | | | | | | | | | |
| NOTE: Access to B Channel or D Channel Packet capabilities will be available only through BFR/New Business Request Process. Rates for the packet capabilities will be determined via the Bona Fide Request/New Business Request Process. | | | | | | | | | | | | | | | | | | | | | | | | | |
| | Exchange Ports - 2-Wire ISDN Port -- Channel Profiles | | | UEPTX | UEPSX | 0.00 | | | | | | | 0.00 | 0.00 | 0.00 | | | | | | | | | | |
| | Exchange Ports - 4-Wire ISDN DS1 Port | | | UEPEX | UEPEX | 84.63 | | | | | | | 20.69 | 205.00 | 102.14 | 81.65 | 20.69 | | | 15.75 | | | 1.97 | | |
| UNBUNDLED LOCAL SWITCHING, PORT USAGE | | | | | | | | | | | | | | | | | | | | | | | | | |
| End Office Switching (Port Usage) | | | | | | | | | | | | | | | | | | | | | | | | | |
| | End Office Switching Function, Per MOU | | | | | 0.0010269 | | | | | | | | | | | | | | | | | | | |
| | End Office Trunk Port - Shared, Per MOU | | | | | 0.000161 | | | | | | | | | | | | | | | | | | | |
| Tandem Switching (Port Usage) (Local or Access Tandem) | | | | | | | | | | | | | | | | | | | | | | | | | |
| | Tandem Switching Function Per MOU | | | | | 0.0001723 | | | | | | | | | | | | | | | | | | | |
| | Tandem Trunk Port - Shared, Per MOU | | | | | 0.0001828 | | | | | | | | | | | | | | | | | | | |
| Common Transport | | | | | | | | | | | | | | | | | | | | | | | | | |
| | Common Transport - Per Mile, Per MOU | | | | | 0.0000026 | | | | | | | | | | | | | | | | | | | |
| | Common Transport - Facilities Termination Per MOU | | | | | 0.0004541 | | | | | | | | | | | | | | | | | | | |

| UNBUNDLED NETWORK ELEMENTS - Mississippi | | | | | | | | | | Attachment: 2 | | Exhibit: B | | | | | | | | | | | |
|---|--|---------|------|-------|-------|-----------|----------------------------------|--------------------------------------|--|--|---|---|-------|--------------|-------|-------------------------|--------|---------------|-------|-------|-------|-------|-------|
| CATEGORY | RATE ELEMENTS | Interim | Zone | BCS | USOC | RATES(\$) | Svc Order Submitted Elec per LSR | Svc Order Submitted Manually per LSR | Incremental Charge - Manual Svc Order vs. Electronic-1st | Incremental Charge - Manual Svc Order vs. Electronic-Add'l | Incremental Charge - Manual Svc Order vs. Electronic-Disc 1st | Incremental Charge - Manual Svc Order vs. Electronic-Disc Add'l | | | | | | | | | | | |
| | | | | | | | | | | | | | Rec | Nonrecurring | | Nonrecurring Disconnect | | OSS Rates(\$) | | | | | |
| | | | | | | | | | | | | | First | Add'l | First | Add'l | SOME C | SOMAN | SOMAN | SOMAN | SOMAN | SOMAN | SOMAN |
| UNBUNDLED PORT/LOOP COMBINATIONS - COST BASED RATES | | | | | | | | | | | | | | | | | | | | | | | |
| Cost Based Rates are applied where BellSouth is required by FCC and/or State Commission rule to provide Unbundled Local Switching or Switch Ports. | | | | | | | | | | | | | | | | | | | | | | | |
| Features shall apply to the Unbundled Port/Loop Combination - Cost Based Rate section in the same manner as they are applied to the Stand-Alone Unbundled Port section of this Rate Exhibit. | | | | | | | | | | | | | | | | | | | | | | | |
| End Office and Tandem Switching Usage and Common Transport Usage rates in the Port section of this rate exhibit shall apply to all combinations of loop/port network elements except for UNE Coin Port/Loop Combinations. | | | | | | | | | | | | | | | | | | | | | | | |
| For Georgia, Kentucky, Louisiana, Mississippi, South Carolina and Tennessee, the recurring UNE Port and Loop charges listed apply to Currently Combined and Not Currently Combined Combos. The first and additional Port nonrecurring charges apply to Not Currently Combined Combos for all states. In GA, KY, LA, MS, SC and TN these nonrecurring charges are commission ordered cost based rates and in AL, FL and NC these nonrecurring charges are Market Rates and are also listed in the Market Rate section. | | | | | | | | | | | | | | | | | | | | | | | |
| For Currently Combined Combos in all other states, the nonrecurring charges shall be those identified in the Nonrecurring - Currently Combined sections. | | | | | | | | | | | | | | | | | | | | | | | |
| 2-WIRE VOICE GRADE LOOP WITH 2-WIRE LINE PORT (RES) | | | | | | | | | | | | | | | | | | | | | | | |
| UNE Port/Loop Combination Rates | | | | | | | | | | | | | | | | | | | | | | | |
| | 2-Wire VG Loop/Port Combo - Zone 1 | | 1 | | | 12.22 | | | | | | | | | | | | | | | | | |
| | 2-Wire VG Loop/Port Combo - Zone 2 | | 2 | | | 17.13 | | | | | | | | | | | | | | | | | |
| | 2-Wire VG Loop/Port Combo - Zone 3 | | 3 | | | 26.26 | | | | | | | | | | | | | | | | | |
| | 2-Wire VG Loop/Port Combo - Zone 4 | | 4 | | | 44.91 | | | | | | | | | | | | | | | | | |
| UNE Loop Rates | | | | | | | | | | | | | | | | | | | | | | | |
| | 2-Wire Voice Grade Loop (SL1) - Zone 1 | | 1 | UEPRX | UEPLX | 10.98 | | | | | | | | | | | | | | | | | |
| | 2-Wire Voice Grade Loop (SL1) - Zone 2 | | 2 | UEPRX | UEPLX | 15.91 | | | | | | | | | | | | | | | | | |
| | 2-Wire Voice Grade Loop (SL1) - Zone 3 | | 3 | UEPRX | UEPLX | 25.04 | | | | | | | | | | | | | | | | | |
| | 2-Wire Voice Grade Loop (SL1) - Zone 4 | | 4 | UEPRX | UEPLX | 43.68 | | | | | | | | | | | | | | | | | |
| 2-Wire Voice Grade Line Port Rates (Res) | | | | | | | | | | | | | | | | | | | | | | | |
| | 2-Wire voice unbundled port - residence | | | UEPRX | UEPRL | 1.23 | 40.31 | 19.84 | 24.90 | 6.58 | | 15.75 | | | | | | | | | | | |
| | 2-Wire voice unbundled port with Caller ID - res | | | UEPRX | UEPRC | 1.23 | 40.31 | 19.84 | 24.90 | 6.58 | | 15.75 | | | | | | | | | | | |
| | 2-Wire voice unbundled port outgoing only - res | | | UEPRX | UEPRO | 1.23 | 40.31 | 19.84 | 24.90 | 6.58 | | 15.75 | | | | | | | | | | | |
| | 2-Wire voice Grade unbundled Mississippi extended local dialing parity port with Caller ID - res | | | UEPRX | UEPAT | 1.23 | 40.31 | 19.84 | 24.90 | 6.58 | | 15.75 | | | | | | | | | | | |
| | 2-Wire voice unbundles res, low usage line port with Caller ID (LUM) | | | UEPRX | UEPAP | 1.23 | 40.31 | 19.84 | 24.90 | 6.58 | | 15.75 | | | | | | | | | | | |
| FEATURES | | | | | | | | | | | | | | | | | | | | | | | |
| | All Features Offered | | | UEPRX | UEPVF | 2.56 | 0.00 | 0.00 | | | | 15.75 | | | | | | | | | | | |
| LOCAL NUMBER PORTABILITY | | | | | | | | | | | | | | | | | | | | | | | |
| | Local Number Portability (1 per port) | | | UEPRX | LNPCX | 0.35 | | | | | | | | | | | | | | | | | |
| NONRECURRING CHARGES (NRCs) - CURRENTLY COMBINED | | | | | | | | | | | | | | | | | | | | | | | |
| | 2-Wire Voice Grade Loop / Line Port Combination - Conversion - Switch-as-is | | | UEPRX | USAC2 | | 0.0988 | 0.0988 | | | | 15.75 | | | | | | | | | | | |
| | 2-Wire Voice Grade Loop / Line Port Combination - Conversion - Switch with change | | | UEPRX | USACC | | 0.0988 | 0.0988 | | | | 15.75 | | | | | | | | | | | |
| | 2-Wire Voice Grade Loop / Line Port Combination - Conversion - Subsequent Database Update | | | | | | 0.00 | 0.00 | | | | 15.75 | | | | | | | | | | | |
| ADDITIONAL NRCs | | | | | | | | | | | | | | | | | | | | | | | |
| | 2-Wire Voice Grade Loop/Line Port Combination - Subsequent Activity | | | UEPRX | USAS2 | 0.00 | 0.00 | 0.00 | | | | 15.75 | | | | | | | | | | | |
| 2-WIRE VOICE GRADE LOOP WITH 2-WIRE LINE PORT (BUS) | | | | | | | | | | | | | | | | | | | | | | | |
| UNE Port/Loop Combination Rates | | | | | | | | | | | | | | | | | | | | | | | |
| | 2-Wire VG Loop/Port Combo - Zone 1 | | 1 | | | 12.22 | | | | | | | | | | | | | | | | | |
| | 2-Wire VG Loop/Port Combo - Zone 2 | | 2 | | | 17.13 | | | | | | | | | | | | | | | | | |
| | 2-Wire VG Loop/Port Combo - Zone 3 | | 3 | | | 26.26 | | | | | | | | | | | | | | | | | |
| UNE Loop Rates | | | | | | | | | | | | | | | | | | | | | | | |
| | 2-Wire Voice Grade Loop (SL1) - Zone 1 | | 1 | UEPBX | UEPLX | 10.98 | | | | | | | | | | | | | | | | | |
| | 2-Wire Voice Grade Loop (SL1) - Zone 2 | | 2 | UEPBX | UEPLX | 15.91 | | | | | | | | | | | | | | | | | |
| | 2-Wire Voice Grade Loop (SL1) - Zone 3 | | 3 | UEPBX | UEPLX | 25.04 | | | | | | | | | | | | | | | | | |
| | 2-Wire Voice Grade Loop (SL1) - Zone 4 | | 4 | UEPBX | UEPLX | 43.68 | | | | | | | | | | | | | | | | | |
| 2-Wire Voice Grade Line Port (Bus) | | | | | | | | | | | | | | | | | | | | | | | |
| | 2-Wire voice unbundled port without Caller ID - bus | | | UEPBX | UEPBL | 1.23 | 40.31 | 19.84 | 24.90 | 6.58 | | 15.75 | | | | | | | | | | | |
| | 2-Wire voice unbundled port with Caller + E484 ID - bus | | | UEPBX | UEPBC | 1.23 | 40.31 | 19.84 | 24.90 | 6.58 | | 15.75 | | | | | | | | | | | |
| | 2-Wire voice unbundled port outgoing only - bus | | | UEPBX | UEPBO | 1.23 | 40.31 | 19.84 | 24.90 | 6.58 | | 15.75 | | | | | | | | | | | |
| | 2-Wire voice Grade unbundled Mississippi extended local dialing parity port with Caller ID - bus | | | UEPBX | UEPAY | 1.23 | 40.31 | 19.84 | 24.90 | 6.58 | | 15.75 | | | | | | | | | | | |
| | 2-Wire voice unbundled incoming only port with Caller ID - Bus | | | UEPBX | UEPB1 | 1.23 | 40.31 | 19.84 | 24.90 | 6.58 | | 15.75 | | | | | | | | | | | |
| LOCAL NUMBER PORTABILITY | | | | | | | | | | | | | | | | | | | | | | | |
| | Local Number Portability (1 per port) | | | UEPBX | LNPCX | 0.35 | | | | | | | | | | | | | | | | | |

| UNBUNDLED NETWORK ELEMENTS - Mississippi | | | | | | | | | | Attachment: 2 | | Exhibit: B | | |
|--|---|---------|------|-------|-------|-----------|--------------|----------------------------------|--------------------------------------|--|--|---|---|-------------------------|
| CATEGORY | RATE ELEMENTS | Interim | Zone | BCS | USOC | RATES(\$) | | Svc Order Submitted Elec per LSR | Svc Order Submitted Manually per LSR | Incremental Charge - Manual Svc Order vs. Electronic-1st | Incremental Charge - Manual Svc Order vs. Electronic-Add'l | Incremental Charge - Manual Svc Order vs. Electronic-Disc 1st | Incremental Charge - Manual Svc Order vs. Electronic-Disc Add'l | |
| | | | | | | Rec | Nonrecurring | | | | | | | Nonrecurring Disconnect |
| | | | | | | First | Add'l | First | Add'l | SOMEc | SOMAN | SOMAN | SOMAN | SOMAN |
| FEATURES | | | | | | | | | | | | | | |
| | All Features Offered | | | UEPBX | UEPVF | 2.56 | 0.00 | 0.00 | | | 15.75 | | | |
| NONRECURRING CHARGES (NRCs) - CURRENTLY COMBINED | | | | | | | | | | | | | | |
| | 2-Wire Voice Grade Loop / Line Port Combination - Conversion - Switch-as-is | | | UEPBX | USAC2 | | 0.0988 | 0.0988 | | | 15.75 | | | |
| | 2-Wire Voice Grade Loop / Line Port Combination - Conversion - Switch with change | | | UEPBX | USACC | | 0.0988 | 0.0988 | | | 15.75 | | | |
| | 2-Wire Voice Grade Loop / Line Port Combination - Conversion - Subsequent Database Update | | | | | | 0.00 | 0.00 | | | 15.75 | | | |
| ADDITIONAL NRCs | | | | | | | | | | | | | | |
| | 2-Wire Voice Grade Loop/Line Port Combination - Subsequent Activity | | | UEPBX | USAS2 | | 0.00 | 0.00 | | | 15.75 | | | |
| 2-WIRE VOICE GRADE LOOP WITH 2-WIRE LINE PORT (RES - PBX) | | | | | | | | | | | | | | |
| UNE Port/Loop Combination Rates | | | | | | | | | | | | | | |
| | 2-Wire VG Loop/Port Combo - Zone 1 | | 1 | | | 12.22 | | | | | | | | |
| | 2-Wire VG Loop/Port Combo - Zone 2 | | 2 | | | 17.13 | | | | | | | | |
| | 2-Wire VG Loop/Port Combo - Zone 3 | | 3 | | | 26.26 | | | | | | | | |
| | 2-Wire VG Loop/Port Combo - Zone 4 | | 4 | | | 44.91 | | | | | | | | |
| UNE Loop Rates | | | | | | | | | | | | | | |
| | 2-Wire Voice Grade Loop (SL 1) - Zone 1 | | 1 | UEPRG | UEPLX | 10.98 | | | | | | | | |
| | 2-Wire Voice Grade Loop (SL 1) - Zone 2 | | 2 | UEPRG | UEPLX | 15.91 | | | | | | | | |
| | 2-Wire Voice Grade Loop (SL 1) - Zone 3 | | 3 | UEPRG | UEPLX | 25.04 | | | | | | | | |
| | 2-Wire Voice Grade Loop (SL 1) - Zone 4 | | 4 | UEPRG | UEPLX | 43.68 | | | | | | | | |
| 2-Wire Voice Grade Line Port Rates (RES - PBX) | | | | | | | | | | | | | | |
| | 2-Wire VG Unbundled Combination 2-Way PBX Trunk Port - Res | | | UEPRG | UEPRD | 1.23 | 69.37 | 32.48 | 37.86 | 6.17 | 15.75 | | | |
| LOCAL NUMBER PORTABILITY | | | | | | | | | | | | | | |
| | Local Number Portability (1 per port) | | | UEPRG | LNPCP | 3.15 | 0.00 | 0.00 | | | 15.75 | | | |
| FEATURES | | | | | | | | | | | | | | |
| | All Features Offered | | | UEPRG | UEPVF | 2.56 | 0.00 | 0.00 | | | 15.75 | | | |
| NONRECURRING CHARGES (NRCs) - CURRENTLY COMBINED | | | | | | | | | | | | | | |
| | 2-Wire Voice Grade Loop/ Line Port Combination (PBX) - Conversion - Switch-As-Is | | | UEPRG | USAC2 | | 7.96 | 1.91 | | | 15.75 | | | |
| | 2-Wire Voice Grade Loop/ Line Port Combination (PBX) - Conversion - Switch with Change | | | UEPRG | USACC | | 7.96 | 1.91 | | | 15.75 | | | |
| | 2-Wire Voice Grade Loop / Line Port Combination - Conversion - Subsequent Database Update | | | | | | 0.00 | 0.00 | | | 15.75 | | | |
| ADDITIONAL NRCs | | | | | | | | | | | | | | |
| | 2-Wire Voice Grade Loop/ Line Port Combination (PBX) - Subsequent Activity | | | UEPRG | USAS2 | 0.00 | 0.00 | 0.00 | | | 15.75 | | | |
| | PBX Subsequent Activity - Change/Rearrange Multiline Hunt Group | | | | | | 7.36 | 7.36 | | | 15.75 | | | |
| 2-WIRE VOICE GRADE LOOP WITH 2-WIRE LINE PORT (BUS - PBX) | | | | | | | | | | | | | | |
| UNE Port/Loop Combination Rates | | | | | | | | | | | | | | |
| | 2-Wire VG Loop/Port Combo - Zone 1 | | 1 | | | 12.22 | | | | | | | | |
| | 2-Wire VG Loop/Port Combo - Zone 2 | | 2 | | | 17.13 | | | | | | | | |
| | 2-Wire VG Loop/Port Combo - Zone 3 | | 3 | | | 26.26 | | | | | | | | |
| | 2-Wire VG Loop/Port Combo - Zone 4 | | 4 | | | 44.91 | | | | | | | | |
| UNE Loop Rates | | | | | | | | | | | | | | |
| | 2-Wire Voice Grade Loop (SL 1) - Zone 1 | | 1 | UEPPX | UEPLX | 10.98 | | | | | | | | |
| | 2-Wire Voice Grade Loop (SL 1) - Zone 2 | | 2 | UEPPX | UEPLX | 15.91 | | | | | | | | |
| | 2-Wire Voice Grade Loop (SL 1) - Zone 3 | | 3 | UEPPX | UEPLX | 25.04 | | | | | | | | |
| | 2-Wire Voice Grade Loop (SL 1) - Zone 4 | | 4 | UEPPX | UEPLX | 43.68 | | | | | | | | |
| 2-Wire Voice Grade Line Port Rates (BUS - PBX) | | | | | | | | | | | | | | |
| | Line Side Unbundled Combination 2-Way PBX Trunk Port - Bus | | | UEPPX | UEPPC | 1.23 | 69.37 | 32.48 | 37.86 | 6.17 | 15.75 | | | |
| | Line Side Unbundled Outward PBX Trunk Port - Bus | | | UEPPX | UEPPO | 1.23 | 69.37 | 32.48 | 37.86 | 6.17 | 15.75 | | | |
| | Line Side Unbundled Incoming PBX Trunk Port - Bus | | | UEPPX | UEPP1 | 1.23 | 69.37 | 32.48 | 37.86 | 6.17 | 15.75 | | | |
| | 2-Wire Voice Unbundled PBX LD Terminal Ports | | | UEPPX | UEPLD | 1.23 | 69.37 | 32.48 | 37.86 | 6.17 | 15.75 | | | |

| UNBUNDLED NETWORK ELEMENTS - Mississippi | | | | | | | | | | | Attachment: 2 | | Exhibit: B | | | | | |
|--|--|---------|------|-------|-------|-----------|----------------------------------|--------------------------------------|--|--|---|---|---------------|--------------------|--------------------|--------------------|--------------------|-------|
| CATEGORY | RATE ELEMENTS | Interim | Zone | BCS | USOC | RATES(\$) | Svc Order Submitted Elec per LSR | Svc Order Submitted Manually per LSR | Incremental Charge - Manual Svc Order vs. Electronic-1st | Incremental Charge - Manual Svc Order vs. Electronic-Add'l | Incremental Charge - Manual Svc Order vs. Electronic-Disc 1st | Incremental Charge - Manual Svc Order vs. Electronic-Disc Add'l | OSS Rates(\$) | | | | | |
| | | | | | | | | | | | | | Rec | Nonrecurring First | Nonrecurring Add'l | Nonrecurring First | Nonrecurring Add'l | SOMEc |
| | 2-Wire Voice Unbundled 2-Way Combination PBX Usage Port | | | UEPPX | UEPXA | 1.23 | 69.37 | 32.48 | 37.86 | 6.17 | | 15.75 | | | | | | |
| | 2-Wire Voice Unbundled PBX Toll Terminal Hotel Ports | | | UEPPX | UEPXB | 1.23 | 69.37 | 32.48 | 37.86 | 6.17 | | 15.75 | | | | | | |
| | 2-Wire Voice Unbundled PBX LD DDD Terminals Port | | | UEPPX | UEPXC | 1.23 | 69.37 | 32.48 | 37.86 | 6.17 | | 15.75 | | | | | | |
| | 2-Wire Voice Unbundled PBX LD Terminal Switchboard Port | | | UEPPX | UEPXD | 1.23 | 69.37 | 32.48 | 37.86 | 6.17 | | 15.75 | | | | | | |
| | 2-Wire Voice Unbundled PBX LD Terminal Switchboard IDD Capable Port | | | UEPPX | UEPXE | 1.23 | 69.37 | 32.48 | 37.86 | 6.17 | | 15.75 | | | | | | |
| | 2-Wire Voice Unbundled 2-Way PBX Hotel/Hospital Economy Administrative Calling Port | | | UEPPX | UEPXL | 1.23 | 69.37 | 32.48 | 37.86 | 6.17 | | 15.75 | | | | | | |
| | 2-Wire Voice Unbundled 2-Way PBX Hotel/Hospital Economy Room Calling Port | | | UEPPX | UEPXM | 1.23 | 69.37 | 32.48 | 37.86 | 6.17 | | 15.75 | | | | | | |
| | 2-Wire Voice Unbundled 1-Way Outgoing PBX Hotel/Hospital Discount Room Calling Port | | | UEPPX | UEPXO | 1.23 | 69.37 | 32.48 | 37.86 | 6.17 | | 15.75 | | | | | | |
| | 2-Wire Voice Unbundled 2-Way PBX Mississippi Local Economy Calling Port | | | UEPPX | UEPXQ | 1.23 | 69.37 | 32.48 | 37.86 | 6.17 | | 15.75 | | | | | | |
| | 2-Wire Voice Unbundled 2-Way PBX Mississippi Local Optional Calling Port | | | UEPPX | UEPXR | 1.23 | 69.37 | 32.48 | 37.86 | 6.17 | | 15.75 | | | | | | |
| | 2-Wire Voice Unbundled 1-Way Outgoing PBX Measured Port | | | UEPPX | UEPXS | 1.23 | 69.37 | 32.48 | 37.86 | 6.17 | | 15.75 | | | | | | |
| LOCAL NUMBER PORTABILITY | | | | | | | | | | | | | | | | | | |
| | Local Number Portability (1 per port) | | | UEPPX | LNPCP | 3.15 | 0.00 | 0.00 | | | | 15.75 | | | | | | |
| FEATURES | | | | | | | | | | | | | | | | | | |
| | All Features Offered | | | UEPPX | UEPVF | 2.56 | 0.00 | 0.00 | | | | 15.75 | | | | | | |
| NONRECURRING CHARGES (NRCs) - CURRENTLY COMBINED | | | | | | | | | | | | | | | | | | |
| | 2-Wire Voice Grade Loop/ Line Port Combination (PBX) - Conversion - Switch-As-Is | | | UEPPX | USAC2 | | 7.96 | 1.91 | | | | 15.75 | | | | | | |
| | 2-Wire Voice Grade Loop/ Line Port Combination (PBX) - Conversion - Switch with Change | | | UEPPX | USACC | | 7.96 | 1.91 | | | | 15.75 | | | | | | |
| | 2-Wire Voice Grade Loop / Line Port Combination - Conversion - Subsequent Database Update | | | | | | 0.00 | 0.00 | | | | 15.75 | | | | | | |
| ADDITIONAL NRCs | | | | | | | | | | | | | | | | | | |
| | 2-Wire Voice Grade Loop/ Line Port Combination (PBX) - Subsequent Activity | | | UEPPX | USAS2 | 0.00 | 0.00 | 0.00 | | | | 15.75 | | | | | | |
| | PBX Subsequent Activity - Change/Rearrange Multiline Hunt Group | | | | | | 7.36 | 7.36 | | | | 15.75 | | | | | | |
| 2-WIRE VOICE GRADE LOOP WITH 2-WIRE ANALOG LINE COIN PORT | | | | | | | | | | | | | | | | | | |
| UNE Port/Loop Combination Rates | | | | | | | | | | | | | | | | | | |
| | 2-Wire VG Coin Port/Loop Combo – Zone 1 | | 1 | | | 12.22 | | | | | | | | | | | | |
| | 2-Wire VG Coin Port/Loop Combo – Zone 2 | | 2 | | | 17.13 | | | | | | | | | | | | |
| | 2-Wire VG Coin Port/Loop Combo – Zone 3 | | 3 | | | 26.26 | | | | | | | | | | | | |
| | 2-Wire VG Coin Port/Loop Combo – Zone 4 | | 4 | | | 44.91 | | | | | | | | | | | | |
| UNE Loop Rates | | | | | | | | | | | | | | | | | | |
| | 2-Wire Voice Grade Loop (SL1) - Zone 1 | | 1 | UEPCO | UEPLX | 10.98 | | | | | | | | | | | | |
| | 2-Wire Voice Grade Loop (SL1) - Zone 2 | | 2 | UEPCO | UEPLX | 15.91 | | | | | | | | | | | | |
| | 2-Wire Voice Grade Loop (SL1) - Zone 3 | | 3 | UEPCO | UEPLX | 25.04 | | | | | | | | | | | | |
| | 2-Wire Voice Grade Loop (SL1) - Zone 4 | | 4 | UEPCO | UEPLX | 43.68 | | | | | | | | | | | | |
| 2-Wire Voice Grade Line Ports (COIN) | | | | | | | | | | | | | | | | | | |
| | 2-Wire Coin 2-Way without Operator Screening and without Blocking (AL, KY, LA, MS) | | | UEPCO | UEPRF | 1.23 | 40.31 | 19.84 | 24.90 | 6.58 | | 15.75 | | | | | | |
| | 2-Wire Coin 2-Way without Operator Screening and without Blocking; with Dialing Parity (Note 3) (MS) | | | UEPCO | UEPMC | 1.23 | 40.31 | 19.84 | 24.90 | 6.58 | | 15.75 | | | | | | |
| | 2-Wire Coin 2-Way with Operator Screening and Blocking: 011, 900/976, 1+DDD (AL, KY, LA, MS) | | | UEPCO | UEPRA | 1.23 | 40.31 | 19.84 | 24.90 | 6.58 | | 15.75 | | | | | | |
| | 2-Wire Coin 2-W with Operator Screening and Blocking: 011, 900/976, 1+DDD; with Dialing Parity (MS) | | | UEPCO | UEPMA | 1.23 | 40.31 | 19.84 | 24.90 | 6.58 | | 15.75 | | | | | | |
| | 2-Wire Coin 2-Way with Operator Screening and 011 Blocking (AL, LA, MS) | | | UEPCO | UEPRB | 1.23 | 40.31 | 19.84 | 24.90 | 6.58 | | 15.75 | | | | | | |
| | 2-Wire Coin 2-Way with Operator Screening and 011 Blocking; with Dialing Parity (MS) | | | UEPCO | UEPMB | 1.23 | 40.31 | 19.84 | 24.90 | 6.58 | | 15.75 | | | | | | |
| | 2-Wire Coin 2-Way with Operator Screening & Blocking: 900/976, 1+DDD, 011+, & Local (AL, KY, LA, MS) | | | UEPCO | UEPCD | 1.23 | 40.31 | 19.84 | 24.90 | 6.58 | | 15.75 | | | | | | |

| UNBUNDLED NETWORK ELEMENTS - Mississippi | | | | | | | | | | Attachment: 2 | | Exhibit: B | | | |
|--|--|---------|------|-------|-------|-----------|----------------------------------|--------------------------------------|--|--|---|---|-------|--------------|-------|
| CATEGORY | RATE ELEMENTS | Interim | Zone | BCS | USOC | RATES(\$) | Svc Order Submitted Elec per LSR | Svc Order Submitted Manually per LSR | Incremental Charge - Manual Svc Order vs. Electronic-1st | Incremental Charge - Manual Svc Order vs. Electronic-Add'l | Incremental Charge - Manual Svc Order vs. Electronic-Disc 1st | Incremental Charge - Manual Svc Order vs. Electronic-Disc Add'l | | | |
| | | | | | | | | | | | | | Rec | Nonrecurring | |
| | | | | | | | | | | | | | | | |
| | | | | | | | | | | SOMEc | SOMAN | SOMAN | SOMAN | SOMAN | SOMAN |
| | 2-Wire Coin 2-W Operator Screening: 900 Block: 900/976, 1+DDD, 011+, Local; with Dialing Parity (MS) | | | UEPCO | UEPCJ | 1.23 | 40.31 | 19.84 | 24.90 | 6.58 | 15.75 | | | | |
| | 2-Wire Coin Outward without Blocking and without Operator Screening (KY, LA, MS) | | | UEPCO | UEPRN | 1.23 | 40.31 | 19.84 | 24.90 | 6.58 | 15.75 | | | | |
| | 2-Wire Coin Outward without Blocking and without Operator Screening: With Dialing Parity (MS) | | | UEPCO | UEPME | 1.23 | 40.31 | 19.84 | 24.90 | 6.58 | 15.75 | | | | |
| | 2-Wire Coin Outward with Operator Screening and 011 Blocking (GA, KY, MS) | | | UEPCO | UEPRJ | 1.23 | 40.31 | 19.84 | 24.90 | 6.58 | 15.75 | | | | |
| | 2-Wire Coin Outward with Operator Screening and 011 Blocking: with Dialing Parity (MS) | | | UEPCO | UEPMD | 1.23 | 40.31 | 19.84 | 24.90 | 6.58 | 15.75 | | | | |
| | 2-Wire Coin Outward with Operator Screening and Blocking: 011, 900/976, 1+DDD (AL, KY, LA, MS) | | | UEPCO | UEPRH | 1.23 | 40.31 | 19.84 | 24.90 | 6.58 | 15.75 | | | | |
| | 2-Wire Coin Outward Operator Screening & Blocking: 900/976, 1+DDD, 011+, and Local (AL, KY, LA, MS) | | | UEPCO | UEPCN | 1.23 | 40.31 | 19.84 | 24.90 | 6.58 | 15.75 | | | | |
| | 2-Wire Coin Out Operator Screen & Block: 900/976, 1+DDD, 011+, and Local; with Dialing Parity (MS) | | | UEPCO | UEPCS | 1.23 | 40.31 | 19.84 | 24.90 | 6.58 | 15.75 | | | | |
| | 2-Wire 2-Way Smartline with 900/976 (all states except LA) | | | UEPCO | UEPCK | 1.23 | 40.31 | 19.84 | 24.90 | 6.58 | 15.75 | | | | |
| | 2-Wire Coin Outward Smartline with 900/976 (all states except LA) | | | UEPCO | UEPCR | 1.23 | 40.31 | 19.84 | 24.90 | 6.58 | 15.75 | | | | |
| | ADDITIONAL UNE COIN PORT/LOOP (RC) | | | | | | | | | | | | | | |
| | UNE Coin Port/Loop Combo Usage (Flat Rate) | | | UEPCO | URECU | 4.62 | 0.00 | 0.00 | | | | | | | |
| | LOCAL NUMBER PORTABILITY | | | | | | | | | | | | | | |
| | Local Number Portability (1 per port) | | | UEPCO | LNPCX | 0.35 | | | | | | | | | |
| | NONRECURRING CHARGES - CURRENTLY COMBINED | | | | | | | | | | | | | | |
| | 2-Wire Voice Grade Loop / Line Port Combination - Conversion - Switch-as-is | | | UEPCO | USAC2 | | 0.0988 | 0.0988 | | | 15.75 | | | | |
| | 2-Wire Voice Grade Loop / Line Port Combination - Conversion - Switch with change | | | UEPCO | USACC | | 0.0988 | 0.0988 | | | 15.75 | | | | |
| | ADDITIONAL NRCS | | | | | | | | | | | | | | |
| | 2-Wire Voice Grade Loop/Line Port Combination - Subsequent Activity | | | UEPCO | USAS2 | | 0.00 | 0.00 | | | 15.75 | | | | |
| | UNBUNDLED REMOTE CALL FORWARDING - RES | | | | | | | | | | | | | | |
| | Non-Recurring | | | | | | | | | | | | | | |
| | UNBUNDLED REMOTE CALL FORWARDING - Bus | | | | | | | | | | | | | | |
| | Unbundled Remote Call Forwarding, InterState/Intra LATA-Bus | | | UEPVB | UEPVJ | 1.41 | 2.39 | 2.29 | 1.42 | 1.33 | 15.75 | | | | |
| | Non-Recurring | | | | | | | | | | | | | | |
| | 2-WIRE VOICE LOOP/ 2WIRE VOICE GRADE IO TRANSPORT/ 2-WIRE LINE PORT (RES) | | | | | | | | | | | | | | |
| | 2-WIRE VOICE LOOP/ 2WIRE VOICE GRADE IO TRANSPORT/ 2-WIRE LINE PORT (BUS) | | | | | | | | | | | | | | |
| | UNBUNDLED PORT/LOOP COMBINATIONS - COST BASED RATES | | | | | | | | | | | | | | |
| | 2-WIRE VOICE GRADE LOOP- BUS ONLY - WITH 2-WIRE DID TRUNK PORT | | | | | | | | | | | | | | |
| | UNE Port/Loop Combination Rates | | | | | | | | | | | | | | |
| | 2-Wire VG Loop/2-Wire DID Trunk Port Combo - UNE Zone 1 | | 1 | | | | | | | | 21.32 | | | | |
| | 2-Wire VG Loop/2-Wire DID Trunk Port Combo - UNE Zone 2 | | 2 | | | | | | | | 26.16 | | | | |
| | 2-Wire VG Loop/2-Wire DID Trunk Port Combo - UNE Zone 3 | | 3 | | | | | | | | 34.98 | | | | |
| | 2-Wire VG Loop/2-Wire DID Trunk Port Combo - UNE Zone 4 | | 4 | | | | | | | | 53.15 | | | | |
| | UNE Loop Rates | | | | | | | | | | | | | | |
| | 2-Wire Analog Voice Grade Loop - (SL2) - UNE Zone 1 | | 1 | UEPPX | UECD1 | | | | | | 13.89 | | | | |
| | 2-Wire Analog Voice Grade Loop - (SL2) - UNE Zone 2 | | 2 | UEPPX | UECD1 | | | | | | 18.75 | | | | |
| | 2-Wire Analog Voice Grade Loop - (SL2) - UNE Zone 3 | | 3 | UEPPX | UECD1 | | | | | | 27.55 | | | | |
| | 2-Wire Analog Voice Grade Loop - (SL2) - UNE Zone 4 | | 4 | UEPPX | UECD1 | | | | | | 45.72 | | | | |
| | UNE Port Rate | | | | | | | | | | | | | | |
| | Exchange Ports - 2-Wire DID Port | | | UEPPX | UEPD1 | 7.43 | 225.96 | 87.13 | 114.59 | 14.25 | 15.75 | | | 1.97 | |
| | NONRECURRING CHARGES - CURRENTLY COMBINED | | | | | | | | | | | | | | |
| | 2-Wire Voice Grade Loop / 2-Wire DID Trunk Port Combination - Switch-as-is | | | UEPPX | USAC1 | | 7.35 | 1.88 | | | 15.75 | | | 1.97 | |
| | 2-Wire Voice Grade Loop / 2-Wire DID Trunk Port Conversion with BellSouth Allowable Changes | | | UEPPX | USA1C | | 7.35 | 1.88 | | | 15.75 | | | 1.97 | |
| | ADDITIONAL NRCS | | | | | | | | | | | | | | |
| | 2-Wire DID Subsequent Activity - Add Trunks, Per Trunk | | | UEPPX | USAS1 | | 26.94 | 26.94 | | | 15.75 | | | 1.97 | |

| UNBUNDLED NETWORK ELEMENTS - Mississippi | | | | | | | | | | | Attachment: 2 | | Exhibit: B | | | | | | | | |
|---|--|---------|------|-------|-------|-----------|----------------------------------|--------------------------------------|--|--|---|---|---------------|--------------|-------|-------------------------|-------|-------|-------|-------|-------|
| CATEGORY | RATE ELEMENTS | Interim | Zone | BCS | USOC | RATES(\$) | Svc Order Submitted Elec per LSR | Svc Order Submitted Manually per LSR | Incremental Charge - Manual Svc Order vs. Electronic-1st | Incremental Charge - Manual Svc Order vs. Electronic-Add'l | Incremental Charge - Manual Svc Order vs. Electronic-Disc 1st | Incremental Charge - Manual Svc Order vs. Electronic-Disc Add'l | OSS Rates(\$) | | | | | | | | |
| | | | | | | | | | | | | | Rec | Nonrecurring | | Nonrecurring Disconnect | | SOMEc | SOMAN | SOMAN | SOMAN |
| | | | | | | | | | | | | | First | Add'l | First | Add'l | SOMEc | SOMAN | SOMAN | SOMAN | SOMAN |
| Telephone Number/Trunk Group Establishment Charges | | | | | | | | | | | | | | | | | | | | | |
| | DID Trunk Termination (One Per Port) | | | UEPPX | NDT | 0.00 | 0.00 | 0.00 | | | | | | | | | | 15.75 | | | 1.97 |
| | Additional DID Numbers for each Group of 20 DID Numbers | | | UEPPX | ND4 | 0.00 | 0.00 | 0.00 | | | | | | | | | | 15.75 | | | 1.97 |
| | DID Numbers, Non- consecutive DID Numbers , Per Number | | | UEPPX | ND5 | 0.00 | 0.00 | 0.00 | | | | | | | | | | 15.75 | | | 1.97 |
| | Reserve Non-Consecutive DID numbers | | | UEPPX | ND6 | 0.00 | 0.00 | 0.00 | | | | | | | | | | 15.75 | | | 1.97 |
| | Reserve DID Numbers | | | UEPPX | NDV | 0.00 | 0.00 | 0.00 | | | | | | | | | | 15.75 | | | 1.97 |
| LOCAL NUMBER PORTABILITY | | | | | | | | | | | | | | | | | | | | | |
| | Local Number Portability (1 per port) | | | UEPPX | LNPCP | 3.15 | 0.00 | 0.00 | | | | | | | | | | | | | |
| 2-WIRE ISDN DIGITAL GRADE LOOP WITH 2-WIRE ISDN DIGITAL LINE SIDE PORT | | | | | | | | | | | | | | | | | | | | | |
| UNE Port/Loop Combination Rates | | | | | | | | | | | | | | | | | | | | | |
| | 2W ISDN Digital Grade Loop/2W ISDN Digital Line Side Port - UNE Zone 1 | | 1 | UEPPB | UEPPR | 28.59 | | | | | | | | | | | | | | | |
| | 2W ISDN Digital Grade Loop/2W ISDN Digital Line Side Port - UNE Zone 2 | | 2 | UEPPB | UEPPR | 35.00 | | | | | | | | | | | | | | | |
| | 2W ISDN Digital Grade Loop/2W ISDN Digital Line Side Port - UNE Zone 3 | | 3 | UEPPB | UEPPR | 45.18 | | | | | | | | | | | | | | | |
| | 2W ISDN Digital Grade Loop/2W ISDN Digital Line Side Port - UNE Zone 4 | | 4 | | | 67.61 | | | | | | | | | | | | | | | |
| UNE Loop Rates | | | | | | | | | | | | | | | | | | | | | |
| | 2-Wire ISDN Digital Grade Loop - UNE Zone 1 | | 1 | UEPPB | UEPPR | USL2X | 18.26 | | | | | | | | | | | 15.75 | | | 1.97 |
| | 2-Wire ISDN Digital Grade Loop - UNE Zone 2 | | 2 | UEPPB | UEPPR | USL2X | 24.67 | | | | | | | | | | | 15.75 | | | 1.97 |
| | 2-Wire ISDN Digital Grade Loop - UNE Zone 3 | | 3 | UEPPB | UEPPR | USL2X | 34.85 | | | | | | | | | | | 15.75 | | | 1.97 |
| | 2-Wire ISDN Digital Grade Loop - UNE Zone 4 | | 4 | UEPPB | UEPPR | USL2X | 57.28 | | | | | | | | | | | 15.75 | | | 1.97 |
| UNE Port Rate | | | | | | | | | | | | | | | | | | | | | |
| | Exchange Port - 2-Wire ISDN Line Side Port | | | UEPPB | UEPPR | UEPPB | 10.33 | 190.80 | 133.22 | 100.72 | 21.13 | | | | | | | 15.75 | | | 1.97 |
| NONRECURRING CHARGES - CURRENTLY COMBINED | | | | | | | | | | | | | | | | | | | | | |
| | 2-Wire ISDN Digital Grade Loop / 2-Wire ISDN Line Side Port Combination - Conversion | | | UEPPB | UEPPR | USACB | 0.00 | 38.73 | 27.17 | | | | | | | | | 15.75 | | | 1.97 |
| ADDITIONAL NRCs | | | | | | | | | | | | | | | | | | | | | |
| LOCAL NUMBER PORTABILITY | | | | | | | | | | | | | | | | | | | | | |
| | Local Number Portability (1 per port) | | | UEPPB | UEPPR | LNPCX | 0.35 | 0.00 | 0.00 | | | | | | | | | | | | |
| B-CHANNEL USER PROFILE ACCESS: | | | | | | | | | | | | | | | | | | | | | |
| | CVS/CSD (DMS/5ESS) | | | UEPPB | UEPPR | U1UCA | 0.00 | 0.00 | 0.00 | | | | | | | | | | | | |
| | CVS (EWSD) | | | UEPPB | UEPPR | U1UCB | 0.00 | 0.00 | 0.00 | | | | | | | | | | | | |
| | CSD | | | UEPPB | UEPPR | U1UCC | 0.00 | 0.00 | 0.00 | | | | | | | | | | | | |
| B-CHANNEL AREA PLUS USER PROFILE ACCESS: (AL,KY,LA,MS SC,MS, & TN) | | | | | | | | | | | | | | | | | | | | | |
| | CVS/CSD (DMS/5ESS) | | | UEPPB | UEPPR | U1UCD | 0.00 | 0.00 | 0.00 | | | | | | | | | | | | |
| | CVS (EWSD) | | | UEPPB | UEPPR | U1UCE | 0.00 | 0.00 | 0.00 | | | | | | | | | | | | |
| | CSD | | | UEPPB | UEPPR | U1UCF | 0.00 | 0.00 | 0.00 | | | | | | | | | | | | |
| USER TERMINAL PROFILE | | | | | | | | | | | | | | | | | | | | | |
| | User Terminal Profile (EWSD only) | | | UEPPB | UEPPR | U1UMA | 0.00 | 0.00 | 0.00 | | | | | | | | | | | | |
| VERTICAL FEATURES | | | | | | | | | | | | | | | | | | | | | |
| | All Vertical Features - One per Channel B User Profile | | | UEPPB | UEPPR | UEPVF | 2.56 | 0.00 | 0.00 | | | | | | | | | 15.75 | | | 1.97 |
| INTEROFFICE CHANNEL MILEAGE | | | | | | | | | | | | | | | | | | | | | |
| | Interoffice Channel mileage each, including first mile and facilities termination | | | UEPPB | UEPPR | M1GNC | 22.5298 | 40.77 | 27.57 | 17.26 | 7.11 | | | | | | | 15.75 | | | 1.97 |
| | Interoffice Channel mileage each, additional mile | | | UEPPB | UEPPR | M1GNM | 0.0098 | 0.00 | 0.00 | | | | | | | | | | | | |
| 4-WIRE DS1 DIGITAL LOOP WITH 4-WIRE ISDN DS1 DIGITAL TRUNK PORT | | | | | | | | | | | | | | | | | | | | | |
| UNE Port/Loop Combination Rates | | | | | | | | | | | | | | | | | | | | | |
| | 4W DS1 Digital Loop/4W ISDN DS1 Digital Trunk Port - UNE Zone 1 | | 1 | UEPPP | | 155.43 | | | | | | | | | | | | | | | |
| | 4W DS1 Digital Loop/4W ISDN DS1 Digital Trunk Port - UNE Zone 2 | | 2 | UEPPP | | 205.74 | | | | | | | | | | | | | | | |
| | 4W DS1 Digital Loop/4W ISDN DS1 Digital Trunk Port - UNE Zone 3 | | 3 | UEPPP | | 283.10 | | | | | | | | | | | | | | | |
| | 4W DS1 Digital Loop/4W ISDN DS1 Digital Trunk Port - UNE Zone 4 | | 4 | UEPPP | | 534.81 | | | | | | | | | | | | | | | |
| UNE Loop Rates | | | | | | | | | | | | | | | | | | | | | |

| UNBUNDLED NETWORK ELEMENTS - Mississippi | | | | | | | | | | Attachment: 2 | | Exhibit: B | | | |
|--|--|---------|------|-------|-------|-----------|--------------|--------|-------------------------|----------------------------------|--------------------------------------|--|--|---|---|
| CATEGORY | RATE ELEMENTS | Interim | Zone | BCS | USOC | RATES(\$) | | | | Svc Order Submitted Elec per LSR | Svc Order Submitted Manually per LSR | Incremental Charge - Manual Svc Order vs. Electronic-1st | Incremental Charge - Manual Svc Order vs. Electronic-Add'l | Incremental Charge - Manual Svc Order vs. Electronic-Disc 1st | Incremental Charge - Manual Svc Order vs. Electronic-Disc Add'l |
| | | | | | | Rec | Nonrecurring | | Nonrecurring Disconnect | | | | | | |
| | | | | | | | First | Add'l | First | Add'l | SOMEc | SOMAN | SOMAN | SOMAN | SOMAN |
| | 4-Wire DS1 Digital Loop - UNE Zone 1 | | 1 | UEPPP | USL4P | 79.08 | | | | | | 15.75 | | | 1.97 |
| | 4-Wire DS1 Digital Loop - UNE Zone 2 | | 2 | UEPPP | USL4P | 129.38 | | | | | | 15.75 | | | 1.97 |
| | 4-Wire DS1 Digital Loop - UNE Zone 3 | | 3 | UEPPP | USL4P | 206.74 | | | | | | 15.75 | | | 1.97 |
| | 4-Wire DS1 Digital Loop - UNE Zone 4 | | 4 | UEPPP | USL4P | 458.46 | | | | | | 15.75 | | | 1.97 |
| | UNE Port Rate | | | | | | | | | | | | | | |
| | Exchange Ports - 4-Wire ISDN DS1 Port | | | UEPPP | UEPPP | 76.35 | 458.93 | 260.59 | 127.75 | 32.76 | | 15.75 | | | 1.97 |
| | NONRECURRING CHARGES - CURRENTLY COMBINED | | | | | | | | | | | | | | |
| | 4-Wire DS1 Digital Loop / 4-Wire ISDN DS1 Digital Trunk Port Combination - Conversion -Switch-as-is | | | UEPPP | USACP | 0.00 | 119.76 | 79.01 | | | | 15.75 | | | 1.97 |
| | ADDITIONAL NRCs | | | | | | | | | | | | | | |
| | 4-Wire DS1 Loop/4-W ISDN Digt Trk Port - Subsqct Actvy-Inward/two way tel nos within Std Allowance (except NC) | | | UEPPP | PR7TF | | 0.49 | | | | | 15.75 | | | 1.97 |
| | 4-Wire DS1 Loop / 4-Wire ISDN DS1 Digital Trunk Port - Outward Tel Numbers (All States except NC) | | | UEPPP | PR7TO | | 11.58 | 11.58 | | | | 15.75 | | | 1.97 |
| | 4-Wire DS1 Loop / 4-Wire ISDN DS1 Digital Trk Port - Subsequent Inward Tel Nos Above Std Allowance | | | UEPPP | PR7ZT | | 23.15 | 23.15 | | | | 15.75 | | | 1.97 |
| | LOCAL NUMBER PORTABILITY | | | | | | | | | | | | | | |
| | Local Number Portability (1 per port) | | | UEPPP | LNPCN | 1.75 | | | | | | | | | |
| | INTERFACE (Provisioning Only) | | | | | | | | | | | | | | |
| | Voice/Data | | | UEPPP | PR71V | 0.00 | 0.00 | 0.00 | | | | | | | |
| | Digital Data | | | UEPPP | PR71D | 0.00 | 0.00 | 0.00 | | | | | | | |
| | Inward Data | | | UEPPP | PR71E | 0.00 | 0.00 | 0.00 | | | | | | | |
| | New or Additional "B" Channel | | | | | | | | | | | | | | |
| | New or Additional - Voice/Data B Channel | | | UEPPP | PR7BV | 0.00 | 14.61 | | | | | 15.75 | | | 1.97 |
| | New or Additional - Digital Data B Channel | | | UEPPP | PR7BF | 0.00 | 14.61 | | | | | 15.75 | | | 1.97 |
| | New or Additional Inward Data B Channel | | | UEPPP | PR7BD | 0.00 | 14.61 | | | | | 15.75 | | | 1.97 |
| | CALL TYPES | | | | | | | | | | | | | | |
| | Inward | | | UEPPP | PR7C1 | 0.00 | 0.00 | 0.00 | | | | | | | |
| | Outward | | | UEPPP | PR7C0 | 0.00 | 0.00 | 0.00 | | | | | | | |
| | Two-way | | | UEPPP | PR7CC | 0.00 | 0.00 | 0.00 | | | | | | | |
| | Interoffice Channel Mileage | | | | | | | | | | | | | | |
| | Fixed Each Including First Mile | | | UEPPP | 1LN1A | 57.53 | 89.79 | 82.28 | 16.66 | 14.90 | | 15.75 | | | 1.97 |
| | Each Airline-Fractional Additional Mile | | | UEPPP | 1LN1B | 0.20 | | | | | | | | | |
| | 4-WIRE DS1 DIGITAL LOOP WITH 4-WIRE DDITS TRUNK PORT | | | | | | | | | | | | | | |
| | UNE Port/Loop Combination Rates | | | | | | | | | | | | | | |
| | 4W DS1 Digital Loop/4W DDITS Trunk Port - UNE Zone 1 | | 1 | UEPDC | | 131.78 | | | | | | 15.75 | | | 1.97 |
| | 4W DS1 Digital Loop/4W DDITS Trunk Port - UNE Zone 2 | | 2 | UEPDC | | 182.07 | | | | | | 15.75 | | | 1.97 |
| | 4W DS1 Digital Loop/4W DDITS Trunk Port - UNE Zone 3 | | 3 | UEPDC | | 259.44 | | | | | | 15.75 | | | 1.97 |
| | 4W DS1 Digital Loop/4W DDITS Trunk Port - UNE Zone 4 | | 4 | UEPDC | | 511.15 | | | | | | 15.75 | | | 1.97 |
| | UNE Loop Rates | | | | | | | | | | | | | | |
| | 4-Wire DS1 Digital Loop - UNE Zone 1 | | 1 | UEPDC | USLDC | 79.08 | | | | | | 15.75 | | | 1.97 |
| | 4-Wire DS1 Digital Loop - UNE Zone 2 | | 2 | UEPDC | USLDC | 129.38 | | | | | | 15.75 | | | 1.97 |
| | 4-Wire DS1 Digital Loop - UNE Zone 3 | | 3 | UEPDC | USLDC | 206.74 | | | | | | 15.75 | | | 1.97 |
| | 4-Wire DS1 Digital Loop - UNE Zone 4 | | 4 | UEPDC | USLDC | 458.46 | | | | | | 15.75 | | | 1.97 |
| | UNE Port Rate | | | | | | | | | | | | | | |
| | 4-Wire DDITS Digital Trunk Port | | | UEPDC | UDD1T | 52.70 | 457.12 | 254.70 | 120.96 | 14.61 | | 15.75 | | | 1.97 |
| | NONRECURRING CHARGES - CURRENTLY COMBINED | | | | | | | | | | | | | | |
| | 4-Wire DS1 Digital Loop / 4-Wire DDITS Trunk Port Combination - Switch-as-is | | | UEPDC | USAC4 | | 130.24 | 67.41 | | | | 15.75 | | | 1.97 |
| | 4-Wire DS1 Digital Loop / 4-Wire DDITS Trunk Port Combination - Conversion with DS1 Changes | | | UEPDC | USAWA | | 130.24 | 67.41 | | | | 15.75 | | | 1.97 |
| | 4-Wire DS1 Digital Loop / 4-Wire DDITS Trunk Port Combination - Conversion with Change - Trunk | | | UEPDC | USAWB | | 130.24 | 67.41 | | | | 15.75 | | | 1.97 |
| | ADDITIONAL NRCs | | | | | | | | | | | | | | |
| | 4-Wire DS1 Loop / 4-Wire DDITS Trunk Port - NRC - Subsequent Channel Activation/Chan - 2-Way Trunk | | | UEPDC | UDTTA | | 14.56 | 14.56 | | | | 15.75 | | | 1.97 |
| | 4-Wire DS1 Loop / 4-Wire DDITS Trunk Port - Subsequent Channel Activation/Chan - 1-Way Outward Trunk | | | UEPDC | UDTTB | | 14.56 | 14.56 | | | | 15.75 | | | 1.97 |

| UNBUNDLED NETWORK ELEMENTS - Mississippi | | | | | | | | | | Attachment: 2 | | Exhibit: B | |
|--|---|---------|------|-------|--------|-----------|----------------------------------|--------------------------------------|--|--|---|---|-----|
| CATEGORY | RATE ELEMENTS | Interim | Zone | BCS | USOC | RATES(\$) | Svc Order Submitted Elec per LSR | Svc Order Submitted Manually per LSR | Incremental Charge - Manual Svc Order vs. Electronic-1st | Incremental Charge - Manual Svc Order vs. Electronic-Add'l | Incremental Charge - Manual Svc Order vs. Electronic-Disc 1st | Incremental Charge - Manual Svc Order vs. Electronic-Disc Add'l | |
| | | | | | | | | | | | | | Rec |
| | | | | | | | | | | | | | |
| | | | | | | | | | | | | | |
| | 4-Wire DS1 Loop / 4-Wire DDITS Trunk Port - Subsqt Channel Activation/Chan Inward Trunk w/out DID | | | UEPDC | UDTTC | 14.56 | 14.56 | | | | 15.75 | 1.97 | |
| | 4-Wire DS1 Loop / 4-Wire DDITS Trunk Port - Subsqt Chan Activation Per Chan - Inward Trunk with DID | | | UEPDC | UDTTD | 14.56 | 14.56 | | | | 15.75 | 1.97 | |
| | 4-Wire DS1 Loop / 4-Wire DDITS Trunk Port - Subsqt Chan Activation / Chan - 2-Way DID w User Trans | | | UEPDC | UDTTE | 14.56 | 14.56 | | | | 15.75 | 1.97 | |
| BIPOLAR & ZERO SUBSTITUTION | | | | | | | | | | | | | |
| | B8ZS -Superframe Format | | | UEPDC | CCOSF | 0.00 | 600.00 | | | | 15.75 | 1.97 | |
| | B8ZS - Extended Superframe Format | | | UEPDC | CCOEF | 0.00 | 600.00 | | | | 15.75 | 1.97 | |
| Alternate Mark Inversion | | | | | | | | | | | | | |
| | AMI -Superframe Format | | | UEPDC | MCOSF | 0.00 | 0.00 | | | | | | |
| | AMI - Extended SuperFrame Format | | | UEPDC | MCOPO | 0.00 | 0.00 | | | | | | |
| Telephone Number/Trunk Group Establishment Charges | | | | | | | | | | | | | |
| | Telephone Number for 2-Way Trunk Group | | | UEPDC | UDTGX | 0.00 | | | | | 15.75 | 1.97 | |
| | Telephone Number for 1-Way Outward Trunk Group | | | UEPDC | UDTGY | 0.00 | | | | | 15.75 | 1.97 | |
| | Telephone Number for 1-Way Inward Trunk Group Without DID | | | UEPDC | UDTGZ | 0.00 | | | | | 15.75 | 1.97 | |
| | DID Numbers for each Group of 20 DID Numbers | | | UEPDC | ND4 | 0.00 | | | | | 15.75 | 1.97 | |
| | DID Numbers, Non- consecutive DID Numbers , Per Number | | | UEPDC | ND5 | 0.00 | | | | | 15.75 | 1.97 | |
| | Reserve Non-Consecutive DID Nos. | | | UEPDC | ND6 | 0.00 | 0.00 | 0.00 | | | 15.75 | 1.97 | |
| | Reserve DID Numbers | | | UEPDC | NDV | 0.00 | 0.00 | 0.00 | | | 15.75 | 1.97 | |
| Dedicated DS1 (Interoffice Channel Mileage) - FX/FCO for 4-Wire DS1 Digital Loop with 4-Wire DDITS Trunk Port | | | | | | | | | | | | | |
| | Interoffice Channel Mileage - Fixed rate 0-8 miles (Facilities Termination) | | | UEPDC | 1LNO1 | 57.33 | 89.79 | 82.28 | 16.86 | 14.90 | 15.75 | 1.97 | |
| | Interoffice Channel Mileage - Additional rate per mile - 0-8 miles | | | UEPDC | 1LNOA | 0.20 | 0.00 | 0.00 | | | | | |
| | Interoffice Channel Mileage - Fixed rate 9-25 miles (Facilities Termination) | | | UEPDC | 1LNO2 | 0.00 | 0.00 | 0.00 | | | | | |
| | Interoffice Channel Mileage - Additional rate per mile - 9-25 miles | | | UEPDC | 1LNOB | 0.20 | 0.00 | 0.00 | | | | | |
| | Interoffice Channel Mileage - Fixed rate 25+ miles (Facilities Termination) | | | UEPDC | 1LNO3 | 0.00 | 0.00 | 0.00 | 0.00 | | | | |
| | Interoffice Channel Mileage - Additional rate per mile - 25+ miles | | | UEPDC | 1LNOC | 0.20 | 0.00 | 0.00 | | | | | |
| | Local Number Portability, per DS0 Activated | | | UEPDC | LNPCP | 3.15 | 0.00 | 0.00 | 0.00 | | | | |
| | Central Office Terminating Point | | | UEPDC | CTG | 0.00 | | | | | | | |
| 4-WIRE DS1 LOOP WITH CHANNELIZATION WITH PORT | | | | | | | | | | | | | |
| System is 1 DS1 Loop, 1 D4 Channel Bank, and up to 24 Feature Activations | | | | | | | | | | | | | |
| Each System can have up to 24 combinations of rates depending on type and number of ports used | | | | | | | | | | | | | |
| UNE DS1 Loop | | | | | | | | | | | | | |
| | 4-Wire DS1 Loop - UNE Zone 1 | | 1 | UEPMG | USLDC | 79.08 | 0.00 | 0.00 | | | | | |
| | 4-Wire DS1 Loop - UNE Zone 2 | | 2 | UEPMG | USLDC | 129.38 | 0.00 | 0.00 | | | | | |
| | 4-Wire DS1 Loop - UNE Zone 3 | | 3 | UEPMG | USLDC | 206.74 | 0.00 | 0.00 | | | | | |
| | 4-Wire DS1 Loop - UNE Zone 4 | | 4 | UEPMG | USLDC | 458.46 | 0.00 | 0.00 | | | 15.75 | 1.97 | |
| UNE DSO Channelization Capacities (D4 Channel Bank Configurations) | | | | | | | | | | | | | |
| | 24 DSO Channel Capacity - 1 per DS1 | | | UEPMG | VUM24 | 95.06 | 0.00 | 0.00 | | | 15.75 | 1.97 | |
| | 48 DSO Channel Capacity - 1 per 2 DS1s | | | UEPMG | VUM48 | 190.12 | 0.00 | 0.00 | | | 15.75 | 1.97 | |
| | 96 DSO Channel Capacity -1per 4 DS1s | | | UEPMG | VUM96 | 380.24 | 0.00 | 0.00 | | | 15.75 | 1.97 | |
| | 144 DSO Channel Capacity - 1 per 6 DS1s | | | UEPMG | VUM144 | 570.36 | 0.00 | 0.00 | | | 15.75 | 1.97 | |
| | 192 DSO Channel Capacity -1 per 8 DS1s | | | UEPMG | VUM192 | 760.48 | 0.00 | 0.00 | | | 15.75 | 1.97 | |
| | 240 DSO Channel Capacity - 1 per 10 DS1s | | | UEPMG | VUM240 | 950.60 | 0.00 | 0.00 | | | 15.75 | 1.97 | |
| | 288 DSO Channel Capacity - 1 per 12 DS1s | | | UEPMG | VUM288 | 1,140.72 | 0.00 | 0.00 | | | 15.75 | 1.97 | |
| | 384 DSO Channel Capacity - 1 per 16 DS1s | | | UEPMG | VUM384 | 1,520.96 | 0.00 | 0.00 | | | 15.75 | 1.97 | |
| | 480 DSO Channel Capacity - 1 per 20 DS1s | | | UEPMG | VUM480 | 1,901.20 | 0.00 | 0.00 | | | 15.75 | 1.97 | |
| | 576 DSO Channel Capacity -1 per 24 DS1s | | | UEPMG | VUM576 | 2,281.44 | 0.00 | 0.00 | | | 15.75 | 1.97 | |
| | 672 DSO Channel Capacity - 1 per 28 DS1s | | | UEPMG | VUM672 | 2,661.68 | 0.00 | 0.00 | | | 15.75 | 1.97 | |
| Non-Recurring Charges (NRC) Associated with 4-Wire DS1 Loop with Channelization with Port - Conversion Charge Based on a System | | | | | | | | | | | | | |
| A Minimum System configuration is One (1) DS1, One (1) D4 Channel Bank, and Up To 24 DSO Ports with Feature Activations. | | | | | | | | | | | | | |
| Multiples of this configuration functioning as one are considered Add'l after the minimum system configuration is counted. | | | | | | | | | | | | | |

| UNBUNDLED NETWORK ELEMENTS - Mississippi | | | | | | | | | | Attachment: 2 | | Exhibit: B | |
|--|---|---------|------|-------|-------|-----------|----------------------------------|--------------------------------------|--|--|---|---|-----|
| CATEGORY | RATE ELEMENTS | Interim | Zone | BCS | USOC | RATES(\$) | Svc Order Submitted Elec per LSR | Svc Order Submitted Manually per LSR | Incremental Charge - Manual Svc Order vs. Electronic-1st | Incremental Charge - Manual Svc Order vs. Electronic-Add'l | Incremental Charge - Manual Svc Order vs. Electronic-Disc 1st | Incremental Charge - Manual Svc Order vs. Electronic-Disc Add'l | |
| | | | | | | | | | | | | | Rec |
| | | | | | | | | | | | | | |
| | | | | | | | | | | | | | |
| | NRC - Conversion (Currently Combined) with or without BellSouth Allowed Changes | | | UEPMG | USAC4 | 0.00 | 151.35 | 8.41 | | | | 1.97 | |
| | System Additions at End User Locations Where 4-Wire DS1 Loop with Channelization with Port Combination Currently Exists and New (Not Currently Combined) in GA, KY, LA, MS & TN Only | | | | | | | | | | | | |
| | 1 DS1/D4 Channel Bank - Add NRC for each Port and Assoc Fea Activation - New GA, LA, KY, MS, & TN Only | | | UEPMG | VUMD4 | 0.00 | 715.15 | 327.39 | 148.05 | 17.56 | | 1.97 | |
| | Bipolar 8 Zero Substitution | | | | | | | | | | | | |
| | Clear Channel Capability Format, superframe - Subsequent Activity Only | | | UEPMG | CCOSF | 0.00 | 0.00 | 600.00 | | | | 1.97 | |
| | Clear Channel Capability Format - Extended Superframe - Subsequent Activity Only | | | UEPMG | CCOEF | 0.00 | 0.00 | 600.00 | | | | 1.97 | |
| | Alternate Mark Inversion (AMI) | | | | | | | | | | | | |
| | Superframe Format | | | UEPMG | MCOSF | 0.00 | 0.00 | 0.00 | | | | | |
| | Extended Superframe Format | | | UEPMG | MCOPO | 0.00 | 0.00 | 0.00 | | | | | |
| | Exchange Ports Associated with 4-Wire DS1 Loop with Channelization with Port Exchange Ports | | | | | | | | | | | | |
| | Line Side Combination Channelized PBX Trunk Port - Business | | | UEPPX | UEPCX | 1.23 | 0.00 | 0.00 | 0.00 | 0.00 | | 1.97 | |
| | Line Side Outward Channelized PBX Trunk Port - Business | | | UEPPX | UEPOX | 1.23 | 0.00 | 0.00 | 0.00 | 0.00 | | 1.97 | |
| | Line Side Inward Only Channelized PBX Trunk Port without DID | | | UEPPX | UEP1X | 1.23 | 0.00 | 0.00 | 0.00 | 0.00 | | 1.97 | |
| | 2-Wire Trunk Side Unbundled Channelized DID Trunk Port | | | UEPPX | UEPDM | 7.40 | 0.00 | 0.00 | 0.00 | 0.00 | | 1.97 | |
| | Feature Activations - Unbundled Loop Concentration | | | | | | | | | | | | |
| | Feature (Service) Activation for each Line Side Port Terminated in D4 Bank | | | UEPPX | 1PQWM | 0.61 | 25.36 | 13.39 | 4.29 | 4.26 | | 1.97 | |
| | Feature (Service) Activation for each Trunk Side Port Terminated in D4 Bank | | | UEPPX | 1PQUW | 0.61 | 78.03 | 18.39 | 60.66 | 11.85 | | 1.97 | |
| | Telephone Number/ Group Establishment Charges for DID Service | | | | | | | | | | | | |
| | DID Trunk Termination (1 per Port) | | | UEPPX | NDT | 0.00 | 0.00 | 0.00 | | | | 1.97 | |
| | DID Numbers - groups of 20 - Valid all States | | | UEPPX | ND4 | 0.00 | 0.00 | 0.00 | | | | 1.97 | |
| | Non-Consecutive DID Numbers - per number | | | UEPPX | ND5 | 0.00 | 0.00 | 0.00 | | | | 1.97 | |
| | Reserve Non-Consecutive DID Numbers | | | UEPPX | ND6 | 0.00 | 0.00 | 0.00 | | | | 1.97 | |
| | Reserve DID Numbers | | | UEPPX | NDV | 0.00 | 0.00 | 0.00 | | | | 1.97 | |
| | Local Number Portability | | | | | | | | | | | | |
| | Local Number Portability - 1 per port | | | UEPPX | LNPCP | 3.15 | 0.00 | 0.00 | | | | | |
| | FEATURES - Vertical and Optional | | | | | | | | | | | | |
| | Local Switching Features Offered with Line Side Ports Only | | | | | | | | | | | | |
| | All Features Available | | | UEPPX | UEPVF | 2.56 | 0.00 | 0.00 | | | | 1.97 | |
| | Market Rates shall apply where BellSouth is not required to provide unbundled local switching or switch ports per FCC and/or State Commission rules. | | | | | | | | | | | | |
| | These scenarios include: | | | | | | | | | | | | |
| | 1. Unbundled port/loop combinations that are Not Currently Combined in Alabama, Florida and North Carolina. | | | | | | | | | | | | |
| | 2. Unbundled port/loop combinations that are Currently Combined or Not Currently Combined in Zone 1 of the Top 8 MSAs in BellSouth's region for end users with 4 or more DS0 equivalent lines. | | | | | | | | | | | | |
| | The Top 8 MSAs in BellSouth's region are: FL (Orlando, Ft. Lauderdale, Miami); GA (Atlanta); LA (New Orleans); NC (Greensboro-Winston Salem-Highpoint/Charlotte-Gastonia-Rock Hill); TN (Nashville). | | | | | | | | | | | | |
| | BellSouth currently is developing the billing capability to mechanically bill the recurring and non-recurring Market Rates in this section except for nonrecurring charges for not currently combined in AL, FL and NC. In the interim where BellSouth cannot bill Market Rates, BellSouth shall bill the rates in the Cost-Based section preceding in lieu of the Market Rates and reserves the right to true-up the billing difference. | | | | | | | | | | | | |
| | The Market Rate for unbundled ports includes all available features in all states. | | | | | | | | | | | | |
| | End Office and Tandem Switching Usage and Common Transport Usage rates in the Port section of this rate exhibit shall apply to all combinations of loop/port network elements except for UNE Coin Port/Loop Combinations which have a flat rate usage charge (USOC: URECU). | | | | | | | | | | | | |
| | For Not Currently Combined scenarios where Market Rates apply, the Nonrecurring charges are listed in the First and Additional NRC columns for each Port USOC. For Currently Combined scenarios, the Nonrecurring charges are listed in the NRC - Currently Combined section. Additional NRCs may apply also and are categorized accordingly. | | | | | | | | | | | | |
| | ADDITIONAL NRCs | | | | | | | | | | | | |
| | UNBUNDLED PORT/LOOP COMBINATIONS - MARKET BASED RATES | | | | | | | | | | | | |
| | UNE DS1 Loop | | | | | | | | | | | | |
| | Non-Recurring Charges (NRC) Associated with 4-Wire DS1 Loop with Channelization with Port - Conversion Charge Based on a System | | | | | | | | | | | | |
| | A Minimum System configuration is One (1) DS1, One (1) D4 Channel Bank, and Up To 24 DSO Ports with Feature Activations. | | | | | | | | | | | | |
| | Multiples of this configuration functioning as one are considered Add'l after the minimum system configuration is counted. | | | | | | | | | | | | |
| | UNBUNDLED CENTREX PORT/LOOP COMBINATIONS - COST BASED RATES | | | | | | | | | | | | |
| | 1. Cost Based Rates are applied where BellSouth is required by FCC and/or State Commission rule to provide Unbundled Local Switching or Switch Ports. | | | | | | | | | | | | |
| | 2. Features shall apply to the Unbundled Port/Loop Combination - Cost Based Rate section in the same manner as they are applied to the Stand-Alone Unbundled Port section of this Rate Exhibit. | | | | | | | | | | | | |

| UNBUNDLED NETWORK ELEMENTS - Mississippi | | | | | | | | | | | Attachment: 2 | | Exhibit: B | | | | | |
|--|---|---------|------|-------|-------|-----------|----------------------------------|--------------------------------------|--|--|---|---|---------------|--------------------|--------------------|-------------------------------|-------------------------------|-------|
| CATEGORY | RATE ELEMENTS | Interim | Zone | BCS | USOC | RATES(\$) | Svc Order Submitted Elec per LSR | Svc Order Submitted Manually per LSR | Incremental Charge - Manual Svc Order vs. Electronic-1st | Incremental Charge - Manual Svc Order vs. Electronic-Add'l | Incremental Charge - Manual Svc Order vs. Electronic-Disc 1st | Incremental Charge - Manual Svc Order vs. Electronic-Disc Add'l | OSS Rates(\$) | | | | | |
| | | | | | | | | | | | | | Rec | Nonrecurring First | Nonrecurring Add'l | Nonrecurring Disconnect First | Nonrecurring Disconnect Add'l | SOMEC |
| 3. End Office and Tandem Switching Usage and Common Transport Usage rates in the Port section of this rate exhibit shall apply to all combinations of loop/port network elements except for UNE Coin Port/Loop Combinations. For Georgia, Kentucky, Louisiana, Mississippi and Tennessee, the recurring UNE Port and Loop charges listed apply to Currently Combined and Not Currently Combined Combos. The the first and additional Port nonrecurring charges apply to Not Currently Combined Combos for all states. In GA, KY, LA, MS and TN these nonrecurring charges are commission ordered cost based rates and in AL, FL, NC and SC these nonrecurring charges are Market Rates and are listed in the Market Rate section. For Currently Combined Combos in all other states, the nonrecurring charges shall be those identified in the Nonrecurring - Currently Combined sections. | | | | | | | | | | | | | | | | | | |
| 5. Market Rates for Unbundled Centrex Port/Loop Combination will be negotiated on an Individual Case Basis, until further notice. | | | | | | | | | | | | | | | | | | |
| UNE-P CENTREX - 1AESS - (Valid in AL,FL,GA,KY,LA,MS,&TN only) | | | | | | | | | | | | | | | | | | |
| 2-Wire VG Loop/2-Wire Voice Grade Port (Centrex) Combo | | | | | | | | | | | | | | | | | | |
| UNE Port/Loop Combination Rates (Non-Design) | | | | | | | | | | | | | | | | | | |
| | 2-Wire VG Loop/2-Wire Voice Grade Port (Centrex) Port Combo - Non-Design | | 1 | UEP91 | | 12.22 | | | | | | | | | | | | |
| | 2-Wire VG Loop/2-Wire Voice Grade Port (Centrex)Port Combo - Non-Design | | 2 | UEP91 | | 17.13 | | | | | | | | | | | | |
| | 2-Wire VG Loop/2-Wire Voice Grade Port (Centrex)Port Combo - Non-Design | | 3 | UEP91 | | 26.26 | | | | | | | | | | | | |
| | 2-Wire VG Loop/2-Wire Voice Grade Port (Centrex) Port Combo - Non-Design | | 4 | UEP91 | | 44.91 | | | | | | | | | | | | |
| UNE Port/Loop Combination Rates (Design) | | | | | | | | | | | | | | | | | | |
| | 2-Wire VG Loop/2-Wire Voice Grade Port (Centrex) Port Combo - Design | | 1 | UEP91 | | 15.12 | | | | | | | | | | | | |
| | 2-Wire VG Loop/2-Wire Voice Grade Port (Centrex)Port Combo - Design | | 2 | UEP91 | | 19.98 | | | | | | | | | | | | |
| | 2-Wire VG Loop/2-Wire Voice Grade Port (Centrex)Port Combo - Design | | 3 | UEP91 | | 28.78 | | | | | | | | | | | | |
| | 2-Wire VG Loop/2-Wire Voice Grade Port (Centrex) Port Combo - Design | | 4 | UEP91 | | 46.95 | | | | | | | | | | | | |
| UNE Loop Rate | | | | | | | | | | | | | | | | | | |
| | 2-Wire Voice Grade Loop (SL 1) - Zone 1 | | 1 | UEP91 | UECS1 | 10.98 | | | | | | | | | | | | |
| | 2-Wire Voice Grade Loop (SL 1) - Zone 2 | | 2 | UEP91 | UECS1 | 15.91 | | | | | | | | | | | | |
| | 2-Wire Voice Grade Loop (SL 1) - Zone 3 | | 3 | UEP91 | UECS1 | 25.04 | | | | | | | | | | | | |
| | 2-Wire Voice Grade Loop (SL 1) - Zone 4 | | 4 | UEP91 | UECS1 | 43.68 | | | | | | | | | | | | |
| | 2-Wire Voice Grade Loop (SL 2) - Zone 1 | | 1 | UEP91 | UECS2 | 13.89 | | | | | | | | | | | | |
| | 2-Wire Voice Grade Loop (SL 2) - Zone 2 | | 2 | UEP91 | UECS2 | 18.75 | | | | | | | | | | | | |
| | 2-Wire Voice Grade Loop (SL 2) - Zone 3 | | 3 | UEP91 | UECS2 | 27.55 | | | | | | | | | | | | |
| | 2-Wire Voice Grade Loop (SL 2) - Zone 4 | | 4 | UEP91 | UECS2 | 45.72 | | | | | | | | | | | | |
| UNE Ports | | | | | | | | | | | | | | | | | | |
| All States (Except North Carolina and Sout Carolina) | | | | | | | | | | | | | | | | | | |
| | 2-Wire Voice Grade Port (Centrex) Basic Local Area | | | UEP91 | UEPYA | 1.23 | 40.31 | 19.84 | 24.90 | 6.58 | | 15.75 | | | | | | |
| | 2-Wire Voice Grade Port (Centrex 800 termination)Basic Local Area | | | UEP91 | UEPYB | 1.23 | 40.31 | 19.84 | 24.90 | 6.58 | | 15.75 | | | | | | |
| | 2-Wire Voice Grade Port (Centrex with Caller ID)1Basic Local Area | | | UEP91 | UEPYH | 1.23 | 40.31 | 19.84 | 24.90 | 6.58 | | 15.75 | | | | | | |
| | 2-Wire Voice Grade Port (Centrex from diff Serving Wire Center)2 Basic Local Area | | | UEP91 | UEPYM | 1.23 | 108.35 | 70.57 | 54.24 | 11.70 | | 15.75 | | | | | | |
| | 2-Wire Voice Grade Port, Diff Serving Wire Center - 800 Service Term - Basic Local Area | | | UEP91 | UEPYZ | 1.23 | 108.35 | 70.57 | 54.24 | 11.70 | | 15.75 | | | | | | |
| | 2-Wire Voice Grade Port terminated in on Megalink or equivalent - Basic Local Area | | | UEP91 | UEPY9 | 1.23 | 40.31 | 19.84 | 24.90 | 6.58 | | 15.75 | | | | | | |
| | 2-Wire Voice Grade Port Terminated on 800 Service Term - Basic Local Area | | | UEP91 | UEPY2 | 1.23 | 40.31 | 19.84 | 24.90 | 6.58 | | 15.75 | | | | | | |
| AL, KY, LA, MS, & TN Only | | | | | | | | | | | | | | | | | | |
| | 2-Wire Voice Grade Port (Centrex) | | | UEP91 | UEPQA | 1.23 | 40.31 | 19.84 | 24.90 | 6.58 | | 15.75 | | | | | | |
| | 2-Wire Voice Grade Port (Centrex 800 termination) | | | UEP91 | UEPQB | 1.23 | 40.31 | 19.84 | 24.90 | 6.58 | | 15.75 | | | | | | |
| | 2-Wire Voice Grade Port (Centrex with Caller ID)1 | | | UEP91 | UEPQH | 1.23 | 40.31 | 19.84 | 24.90 | 6.58 | | 15.75 | | | | | | |
| | 2-Wire Voice Grade Port (Centrex from diff Serving Wire Center)2 | | | UEP91 | UEPQM | 1.23 | 108.35 | 70.57 | 54.24 | 11.70 | | 15.75 | | | | | | |
| | 2-Wire Voice Grade Port, Diff Serving Wire Center - 800 Service Term | | | UEP91 | UEPQZ | 1.23 | 108.35 | 70.57 | 54.24 | 11.70 | | 15.75 | | | | | | |
| | 2-Wire Voice Grade Port terminated in on Megalink or equivalent | | | UEP91 | UEPQ9 | 1.23 | 40.31 | 19.84 | 24.90 | 6.58 | | 15.75 | | | | | | |

| UNBUNDLED NETWORK ELEMENTS - Mississippi | | | | | | | | | | | Attachment: 2 | | Exhibit: B | | | | | | | |
|--|--|---------|------|-------|-------|-----------|----------------------------------|--------------------------------------|--|--|---|---|---------------|--------------------|--------------------|--------------------|--------------------|-------|-------|-------|
| CATEGORY | RATE ELEMENTS | Interim | Zone | BCS | USOC | RATES(\$) | Svc Order Submitted Elec per LSR | Svc Order Submitted Manually per LSR | Incremental Charge - Manual Svc Order vs. Electronic-1st | Incremental Charge - Manual Svc Order vs. Electronic-Add'l | Incremental Charge - Manual Svc Order vs. Electronic-Disc 1st | Incremental Charge - Manual Svc Order vs. Electronic-Disc Add'l | OSS Rates(\$) | | | | | | | |
| | | | | | | | | | | | | | Rec | Nonrecurring First | Nonrecurring Add'l | Nonrecurring First | Nonrecurring Add'l | SOMEc | SOMAN | SOMAN |
| | 2-Wire Voice Grade Port Terminated on 800 Service Term | | | UEP91 | UEPQ2 | 1.23 | | | | | | | | | | | | | | |
| | Local Switching | | | | | | | | | | | | | | | | | | | |
| | Centrex Intercom Functionality, per port | | | UEP91 | URECS | 0.7947 | | | | | | | | | | | | | | |
| | Local Number Portability | | | | | | | | | | | | | | | | | | | |
| | Local Number Portability (1 per port) | | | UEP91 | LNPC | 0.35 | | | | | | | | | | | | | | |
| | Features | | | | | | | | | | | | | | | | | | | |
| | All Standard Features Offered, per port | | | UEP91 | UEPVF | 2.56 | | | | | | | | | | | | | | |
| | All Select Features Offered, per port | | | UEP91 | UEPVS | 0.00 | 404.98 | | | | | | | | | | | | | |
| | All Centrex Control Features Offered, per port | | | UEP91 | UEPVC | 2.56 | | | | | | | | | | | | | | |
| | NARS | | | | | | | | | | | | | | | | | | | |
| | Unbundled Network Access Register - Combination | | | UEP91 | UARCX | 0.00 | 0.00 | 0.00 | | | | | | | | | | | | |
| | Unbundled Network Access Register - Indial | | | UEP91 | UARIX | 0.00 | 0.00 | 0.00 | | | | | | | | | | | | |
| | Unbundled Network Access Register - Outdial | | | UEP91 | UAROx | 0.00 | 0.00 | 0.00 | | | | | | | | | | | | |
| | Miscellaneous Terminations | | | | | | | | | | | | | | | | | | | |
| | 2-Wire Trunk Side | | | | | | | | | | | | | | | | | | | |
| | Trunk Side Terminations, each | | | UEP91 | CENA6 | 8.25 | 120.00 | 18.85 | 61.77 | 3.88 | | | | | | | | | | |
| | Interoffice Channel Mileage - 2-Wire | | | | | | | | | | | | | | | | | | | |
| | Interoffice Channel Facilities Termination - Voice Grade | | | UEP91 | MIGBC | 22.52 | 40.77 | 27.57 | 17.26 | 7.11 | | | | | | | | | | |
| | Interoffice Channel mileage, per mile or fraction of mile | | | UEP91 | MIGBM | 0.0098 | | | | | | | | | | | | | | |
| | Feature Activations (DS0) Centrex Loops on Channelized DS1 Service | | | | | | | | | | | | | | | | | | | |
| | D4 Channel Bank Feature Activations | | | | | | | | | | | | | | | | | | | |
| | Feature Activation on D-4 Channel Bank Centrex Loop Slot | | | UEP91 | 1PQWS | 0.57 | | | | | | | | | | | | | | |
| | Feature Activation on D-4 Channel Bank FX line Side Loop Slot | | | UEP91 | 1PQW6 | 0.57 | | | | | | | | | | | | | | |
| | Feature Activation on D-4 Channel Bank FX Trunk Side Loop Slot | | | UEP91 | 1PQW7 | 0.57 | | | | | | | | | | | | | | |
| | Feature Activation on D-4 Channel Bank Centrex Loop Slot - Different Wire Center | | | UEP91 | 1PQWP | 0.57 | | | | | | | | | | | | | | |
| | Feature Activation on D-4 Channel Bank Private Line Loop Slot | | | UEP91 | 1PQWV | 0.57 | | | | | | | | | | | | | | |
| | Feature Activation on D-4 Channel Bank Tjie Line/Trunk Loop Slot | | | UEP91 | 1PQWQ | 0.57 | | | | | | | | | | | | | | |
| | Feature Activation on D-4 Channel Bank WATS Loop Slot | | | UEP91 | 1PQWA | 0.57 | | | | | | | | | | | | | | |
| | Non-Recurring Charges (NRC) Associated with UNE-P Centrex | | | | | | | | | | | | | | | | | | | |
| | Conversion - Currently Combined Switch-As-Is with allowed changes, per port | | | UEP91 | USAC2 | | 0.10 | 0.10 | | | | | | | | | | | | |
| | Conversion of Existing Centrex Common Block | | | UEP91 | USACN | | 37.97 | 16.68 | | | | | | | | | | | | |
| | New Centrex Standard Common Block | | | UEP91 | M1ACS | 0.00 | 666.32 | | | | | | | | | | | | | |
| | New Centrex Customized Common Block | | | UEP91 | M1ACC | 0.00 | 666.32 | | | | | | | | | | | | | |
| | Secondary Block, per Block | | | UEP91 | M2CC1 | 0.00 | 77.91 | | | | | | | | | | | | | |
| | NAR Establishment Charge, Per Occasion | | | UEP91 | URECA | 0.00 | 72.63 | | | | | | | | | | | | | |
| | UNE-P CENTREX - 5ESS (Valid in All States) | | | | | | | | | | | | | | | | | | | |
| | 2-Wire VG Loop/2-Wire Voice Grade Port (Centrex) Combo | | | | | | | | | | | | | | | | | | | |
| | UNE Port/Loop Combination Rates (Non-Design) | | | | | | | | | | | | | | | | | | | |
| | 2-Wire VG Loop/2-Wire Voice Grade Port (Centrex) Port Combo - Non-Design | | 1 | UEP95 | | 12.22 | | | | | | | | | | | | | | |
| | 2-Wire VG Loop/2-Wire Voice Grade Port (Centrex)Port Combo - Non-Design | | 2 | UEP95 | | 17.13 | | | | | | | | | | | | | | |
| | 2-Wire VG Loop/2-Wire Voice Grade Port (Centrex)Port Combo - Non-Design | | 3 | UEP95 | | 26.26 | | | | | | | | | | | | | | |
| | 2-Wire VG Loop/2-Wire Voice Grade Port (Centrex) Port Combo - Non-Design | | 4 | UEP95 | | 44.91 | | | | | | | | | | | | | | |
| | UNE Port/Loop Combination Rates (Design) | | | | | | | | | | | | | | | | | | | |
| | 2-Wire VG Loop/2-Wire Voice Grade Port (Centrex) Port Combo - Design | | 1 | UEP95 | | 15.12 | | | | | | | | | | | | | | |
| | 2-Wire VG Loop/2-Wire Voice Grade Port (Centrex)Port Combo - Design | | 2 | UEP95 | | 19.98 | | | | | | | | | | | | | | |
| | 2-Wire VG Loop/2-Wire Voice Grade Port (Centrex)Port Combo - Design | | 3 | UEP95 | | 28.78 | | | | | | | | | | | | | | |

| UNBUNDLED NETWORK ELEMENTS - Mississippi | | | | | | | | | | | Attachment: 2 | | Exhibit: B | | | | | | | |
|--|---|---------|------|-------|-------|-----------|----------------------------------|--------------------------------------|--|--|---|---|---------------|--------------|-------|-------------------------|--|-------|-------|-------|
| CATEGORY | RATE ELEMENTS | Interim | Zone | BCS | USOC | RATES(\$) | Svc Order Submitted Elec per LSR | Svc Order Submitted Manually per LSR | Incremental Charge - Manual Svc Order vs. Electronic-1st | Incremental Charge - Manual Svc Order vs. Electronic-Add'l | Incremental Charge - Manual Svc Order vs. Electronic-Disc 1st | Incremental Charge - Manual Svc Order vs. Electronic-Disc Add'l | OSS Rates(\$) | | | | | | | |
| | | | | | | | | | | | | | Rec | Nonrecurring | | Nonrecurring Disconnect | | SOMEK | SOMAN | SOMAN |
| | | | | | | | | | | | | | First | Add'l | First | Add'l | | | | |
| | 2-Wire VG Loop/2-Wire Voice Grade Port (Centrex) Port Combo-Design | | 4 | UEP95 | | 46.95 | | | | | | | | | | | | | | |
| | UNE Loop Rate | | | | | | | | | | | | | | | | | | | |
| | 2-Wire Voice Grade Loop (SL 1) - Zone 1 | | 1 | UEP95 | UECS1 | 10.98 | | | | | | | | | | | | | | |
| | 2-Wire Voice Grade Loop (SL 1) - Zone 2 | | 2 | UEP95 | UECS1 | 15.91 | | | | | | | | | | | | | | |
| | 2-Wire Voice Grade Loop (SL 1) - Zone 3 | | 3 | UEP95 | UECS1 | 25.04 | | | | | | | | | | | | | | |
| | 2-Wire Voice Grade Loop (SL 1) - Zone 4 | | 4 | UEP95 | UECS1 | 43.68 | | | | | | | | | | | | | | |
| | 2-Wire Voice Grade Loop (SL 2) - Zone 1 | | 1 | UEP95 | UECS2 | 13.89 | | | | | | | | | | | | | | |
| | 2-Wire Voice Grade Loop (SL 2) - Zone 2 | | 2 | UEP95 | UECS2 | 18.75 | | | | | | | | | | | | | | |
| | 2-Wire Voice Grade Loop (SL 2) - Zone 3 | | 3 | UEP95 | UECS2 | 27.55 | | | | | | | | | | | | | | |
| | 2-Wire Voice Grade Loop (SL 2) - Zone 4 | | 4 | UEP95 | UECS2 | 45.72 | | | | | | | | | | | | | | |
| | UNE Port Rate | | | | | | | | | | | | | | | | | | | |
| | All States | | | | | | | | | | | | | | | | | | | |
| | 2-Wire Voice Grade Port (Centrex) Basic Local Area | | | UEP95 | UEPYA | 1.23 | 40.31 | 19.84 | 24.90 | 6.58 | | 15.75 | | | | | | | | |
| | 2-Wire Voice Grade Port (Centrex 800 termination) | | | UEP95 | UEPYB | 1.23 | 40.31 | 19.84 | 24.90 | 6.58 | | 15.75 | | | | | | | | |
| | 2-Wire Voice Grade Port (Centrex with Caller ID)1Basic Local Area | | | UEP95 | UEPYH | 1.23 | 40.31 | 19.84 | 24.90 | 6.58 | | 15.75 | | | | | | | | |
| | 2-Wire Voice Grade Port (Centrex from diff Serving Wire Center)2 Basic Local Area | | | UEP95 | UEPYM | 1.23 | 108.35 | 70.57 | 54.24 | 11.70 | | 15.75 | | | | | | | | |
| | 2-Wire Voice Grade Port, Diff Serving Wire Center - 800 Service Term - Basic Local Area | | | UEP95 | UEPYZ | 1.23 | 108.35 | 70.57 | 54.24 | 11.70 | | 15.75 | | | | | | | | |
| | 2-Wire Voice Grade Port terminated in on Megalink or equivalent - Basic Local Area | | | UEP95 | UEPY9 | 1.23 | 40.31 | 19.84 | 24.90 | 6.58 | | 15.75 | | | | | | | | |
| | 2-Wire Voice Grade Port Terminated on 800 Service Term - Basic Local Area | | | UEP95 | UEPY2 | 1.23 | 40.31 | 19.84 | 24.90 | 6.58 | | 15.75 | | | | | | | | |
| | AL, KY, LA, MS, SC, & TN Only | | | | | | | | | | | | | | | | | | | |
| | 2-Wire Voice Grade Port (Centrex) | | | UEP95 | UEPQA | 1.23 | 40.31 | 19.84 | 24.90 | 6.58 | | 15.75 | | | | | | | | |
| | 2-Wire Voice Grade Port (Centrex 800 termination) | | | UEP95 | UEPQB | 1.23 | 40.31 | 19.84 | 24.90 | 6.58 | | 15.75 | | | | | | | | |
| | 2-Wire Voice Grade Port (Centrex with Caller ID)1 | | | UEP95 | UEPQH | 1.23 | 40.31 | 19.84 | 24.90 | 6.58 | | 15.75 | | | | | | | | |
| | 2-Wire Voice Grade Port (Centrex from diff Serving Wire Center)2 | | | UEP95 | UEPQM | 1.23 | 108.35 | 70.57 | 54.24 | 11.70 | | 15.75 | | | | | | | | |
| | 2-Wire Voice Grade Port, Diff Serving Wire Center - 800 Service Term | | | UEP95 | UEPQZ | 1.23 | 108.35 | 70.57 | 54.24 | 11.70 | | 15.75 | | | | | | | | |
| | 2-Wire Voice Grade Port terminated in on Megalink or equivalent | | | UEP95 | UEPQ9 | 1.23 | 40.31 | 19.84 | 24.90 | 6.58 | | 15.75 | | | | | | | | |
| | 2-Wire Voice Grade Port Terminated on 800 Service Term | | | UEP95 | UEPQ2 | 1.23 | 40.31 | 19.84 | 24.90 | 6.58 | | 15.75 | | | | | | | | |
| | FL & GA Only | | | | | | | | | | | | | | | | | | | |
| | Local Switching | | | | | | | | | | | | | | | | | | | |
| | Centrex Intercom Functionality, per port | | | UEP95 | URECS | 0.7947 | | | | | | | | | | | | | | |
| | Local Number Portability | | | | | | | | | | | | | | | | | | | |
| | Local Number Portability (1 per port) | | | UEP95 | LNPC | 0.35 | | | | | | | | | | | | | | |
| | Features | | | | | | | | | | | | | | | | | | | |
| | All Standard Features Offered, per port | | | UEP95 | UEPVF | 2.56 | | | | | | 15.75 | | | | | | | | |
| | All Select Features Offered, per port | | | UEP95 | UEPVS | 0.00 | 404.98 | | | | | 15.75 | | | | | | | | |
| | All Centrex Control Features Offered, per port | | | UEP95 | UEPVC | 2.56 | | | | | | 15.75 | | | | | | | | |
| | NARS | | | | | | | | | | | | | | | | | | | |
| | Unbundled Network Access Register - Combination | | | UEP95 | UARCX | 0.00 | 0.00 | 0.00 | | | | 15.75 | | | | | | | | |
| | Unbundled Network Access Register - Indial | | | UEP95 | UAR1X | 0.00 | 0.00 | 0.00 | | | | 15.75 | | | | | | | | |
| | Unbundled Network Access Register - Outdial | | | UEP95 | UAROY | 0.00 | 0.00 | 0.00 | | | | 15.75 | | | | | | | | |
| | Miscellaneous Terminations | | | | | | | | | | | | | | | | | | | |
| | 2-Wire Trunk Side | | | | | | | | | | | | | | | | | | | |
| | Trunk Side Terminations, each | | | UEP95 | CEND6 | 8.25 | 120.00 | 18.85 | 61.77 | 3.88 | | 15.75 | | | | | | | | |
| | 4-Wire Digital (1.544 Megabits) | | | | | | | | | | | | | | | | | | | |
| | DS1 Circuit Terminations, each | | | UEP95 | M1HD1 | 58.41 | 203.19 | 96.25 | 74.86 | 2.54 | | 15.75 | | | | | | | | |
| | DS0 Channels Activated, each | | | UEP95 | M1HDO | 0.00 | | 14.56 | | | | | | | | | | | | |
| | Interoffice Channel Mileage - 2-Wire | | | | | | | | | | | | | | | | | | | |
| | Interoffice Channel Facilities Termination | | | UEP95 | MIGBC | 22.52 | 40.77 | 27.57 | 17.26 | 7.11 | | 15.75 | | | | | | | | |
| | Interoffice Channel mileage, per mile or fraction of mile | | | UEP95 | MIGBM | 0.0098 | | | | | | | | | | | | | | |
| | Feature Activations (DS0) Centrex Loops on Channelized DS1 Service | | | | | | | | | | | | | | | | | | | |

| UNBUNDLED NETWORK ELEMENTS - Mississippi | | | | | | | | | | Attachment: 2 | | Exhibit: B | | | | | | | | | | | | |
|--|--|---------|------|-------|-------|-----------|----------------------------------|--------------------------------------|--|--|---|---|-------|--------------|-------|-------------------------|--------|---------------|-------|-------|-------|-------|--|--|
| CATEGORY | RATE ELEMENTS | Interim | Zone | BCS | USOC | RATES(\$) | Svc Order Submitted Elec per LSR | Svc Order Submitted Manually per LSR | Incremental Charge - Manual Svc Order vs. Electronic-1st | Incremental Charge - Manual Svc Order vs. Electronic-Add'l | Incremental Charge - Manual Svc Order vs. Electronic-Disc 1st | Incremental Charge - Manual Svc Order vs. Electronic-Disc Add'l | | | | | | | | | | | | |
| | | | | | | | | | | | | | Rec | Nonrecurring | | Nonrecurring Disconnect | | OSS Rates(\$) | | | | | | |
| | | | | | | | | | | | | | First | Add'l | First | Add'l | SOME C | SOMAN | SOMAN | SOMAN | SOMAN | SOMAN | | |
| D4 Channel Bank Feature Activations | | | | | | | | | | | | | | | | | | | | | | | | |
| | Feature Activation on D-4 Channel Bank Centrex Loop Slot | | | UEP95 | 1PQWS | 0.57 | | | | | | | | | | | | | | | | | | |
| | Feature Activation on D-4 Channel Bank FX line Side Loop Slot | | | UEP95 | 1PQW6 | 0.57 | | | | | | | | | | | | | | | | | | |
| | Feature Activation on D-4 Channel Bank FX Trunk Side Loop Slot | | | UEP95 | 1PQW7 | 0.57 | | | | | | | | | | | | | | | | | | |
| | Feature Activation on D-4 Channel Bank Centrex Loop Slot - Different Wire Center | | | UEP95 | 1PQWP | 0.57 | | | | | | | | | | | | | | | | | | |
| | Feature Activation on D-4 Channel Bank Private Line Loop Slot | | | UEP95 | 1PQWV | 0.57 | | | | | | | | | | | | | | | | | | |
| | Feature Activation on D-4 Channel Bank Tjie Line/Trunk Loop Slot | | | UEP95 | 1PQWQ | 0.57 | | | | | | | | | | | | | | | | | | |
| | Feature Activation on D-4 Channel Bank WATS Loop Slot | | | UEP95 | 1PQWA | 0.57 | | | | | | | | | | | | | | | | | | |
| Non-Recurring Charges (NRC) Associated with UNE-P Centrex | | | | | | | | | | | | | | | | | | | | | | | | |
| | NRC Conversion Currently Combined Switch-As-Is with allowed changes, per port | | | UEP95 | USAC2 | | 0.10 | 0.10 | | | | | | | | | | | | | | | | |
| | Conversion of Existing Centrex Common Block, each | | | UEP95 | USACN | | 37.97 | 16.68 | | | | | | | | | | | | | | | | |
| | New Centrex Standard Common Block | | | UEP95 | M1ACS | 0.00 | 666.32 | | | | | | | | | | | | | | | | | |
| | New Centrex Customized Common Block | | | UEP95 | M1ACC | 0.00 | 666.32 | | | | | | | | | | | | | | | | | |
| | NAR Establishment Charge, Per Occasion | | | UEP95 | URECA | 0.00 | 72.63 | | | | | | | | | | | | | | | | | |
| UNE-P CENTREX - DMS100 (Valid in All States) | | | | | | | | | | | | | | | | | | | | | | | | |
| 2-Wire VG Loop/2-Wire Voice Grade Port (Centrex) Combo | | | | | | | | | | | | | | | | | | | | | | | | |
| UNE Port/Loop Combination Rates (Non-Design) | | | | | | | | | | | | | | | | | | | | | | | | |
| | 2-Wire VG Loop/2-Wire Voice Grade Port (Centrex) Port Combo - Non-Design | | 1 | UEP9D | | 12.22 | | | | | | | | | | | | | | | | | | |
| | 2-Wire VG Loop/2-Wire Voice Grade Port (Centrex)Port Combo - Non-Design | | 2 | UEP9D | | 17.13 | | | | | | | | | | | | | | | | | | |
| | 2-Wire VG Loop/2-Wire Voice Grade Port (Centrex)Port Combo - Non-Design | | 3 | UEP9D | | 26.26 | | | | | | | | | | | | | | | | | | |
| | 2-Wire VG Loop/2-Wire Voice Grade Port (Centrex) Port Combo - Non-Design | | 4 | UEP9D | | 44.91 | | | | | | | | | | | | | | | | | | |
| UNE Port/Loop Combination Rates (Design) | | | | | | | | | | | | | | | | | | | | | | | | |
| | 2-Wire VG Loop/2-Wire Voice Grade Port (Centrex) Port Combo - Design | | 1 | UEP9D | | 15.12 | | | | | | | | | | | | | | | | | | |
| | 2-Wire VG Loop/2-Wire Voice Grade Port (Centrex)Port Combo - Design | | 2 | UEP9D | | 19.98 | | | | | | | | | | | | | | | | | | |
| | 2-Wire VG Loop/2-Wire Voice Grade Port (Centrex)Port Combo - Design | | 3 | UEP9D | | 28.78 | | | | | | | | | | | | | | | | | | |
| | 2-Wire VG Loop/2-Wire Voice Grade Port (Centrex) Port Combo - Design | | 4 | UEP9D | | 46.95 | | | | | | | | | | | | | | | | | | |
| UNE Loop Rate | | | | | | | | | | | | | | | | | | | | | | | | |
| | 2-Wire Voice Grade Loop (SL 1) - Zone 1 | | 1 | UEP9D | UECS1 | 10.98 | | | | | | | | | | | | | | | | | | |
| | 2-Wire Voice Grade Loop (SL 1) - Zone 2 | | 2 | UEP9D | UECS1 | 15.91 | | | | | | | | | | | | | | | | | | |
| | 2-Wire Voice Grade Loop (SL 1) - Zone 3 | | 3 | UEP9D | UECS1 | 25.04 | | | | | | | | | | | | | | | | | | |
| | 2-Wire Voice Grade Loop (SL 1) - Zone 4 | | 4 | UEP9D | UECS1 | 43.68 | | | | | | | | | | | | | | | | | | |
| | 2-Wire Voice Grade Loop (SL 2) - Zone 1 | | 1 | UEP9D | UECS2 | 13.89 | | | | | | | | | | | | | | | | | | |
| | 2-Wire Voice Grade Loop (SL 2) - Zone 2 | | 2 | UEP9D | UECS2 | 18.75 | | | | | | | | | | | | | | | | | | |
| | 2-Wire Voice Grade Loop (SL 2) - Zone 3 | | 3 | UEP9D | UECS2 | 27.55 | | | | | | | | | | | | | | | | | | |
| | 2-Wire Voice Grade Loop (SL21) - Zone 4 | | 4 | UEP9D | UECS2 | 45.72 | | | | | | | | | | | | | | | | | | |
| UNE Port Rate | | | | | | | | | | | | | | | | | | | | | | | | |
| ALL STATES | | | | | | | | | | | | | | | | | | | | | | | | |
| | 2-Wire Voice Grade Port (Centrex) Basic Local Area | | | UEP9D | UEPYA | 1.23 | 40.31 | 19.84 | 24.90 | 6.58 | | 15.75 | | | | | | | | | | | | |
| | 2-Wire Voice Grade Port (Centrex 800 termination)Basic Local Area | | | UEP9D | UEPYB | 1.23 | 40.31 | 19.84 | 24.90 | 6.58 | | 15.75 | | | | | | | | | | | | |
| | 2-Wire Voice Grade Port (Centrex / EBS-PSET)3Basic Local Area | | | UEP9D | UEPYC | 1.23 | 40.31 | 19.84 | 24.90 | 6.58 | | 15.75 | | | | | | | | | | | | |
| | 2-Wire Voice Grade Port (Centrex / EBS-M5009)3Basic Local Area | | | UEP9D | UEPYD | 1.23 | 40.31 | 19.84 | 24.90 | 6.58 | | 15.75 | | | | | | | | | | | | |

| UNBUNDLED NETWORK ELEMENTS - Mississippi | | | | | | | | | | | Attachment: 2 | | Exhibit: B | | | | | | | | | |
|--|--|---------|------|-------|-------|-----------|--------------|-------|-------------------------|----------------------------------|--------------------------------------|--|--|---|---|---------------|-------|-------|-------|-------|-------|-------|
| CATEGORY | RATE ELEMENTS | Interim | Zone | BCS | USOC | RATES(\$) | | | | Svc Order Submitted Elec per LSR | Svc Order Submitted Manually per LSR | Incremental Charge - Manual Svc Order vs. Electronic-1st | Incremental Charge - Manual Svc Order vs. Electronic-Add'l | Incremental Charge - Manual Svc Order vs. Electronic-Disc 1st | Incremental Charge - Manual Svc Order vs. Electronic-Disc Add'l | | | | | | | |
| | | | | | | Rec | Nonrecurring | | Nonrecurring Disconnect | | | | | | | OSS Rates(\$) | | | | | | |
| | | | | | | | First | Add'l | First | | | | | | | Add'l | SOMEc | SOMAN | SOMAN | SOMAN | SOMAN | SOMAN |
| | 2-Wire Voice Grade Port (Centrex / EBS-M5209))3 Basic Local Area | | | UEP9D | UEPYE | 1.23 | 40.31 | 19.84 | 24.90 | 6.58 | | 15.75 | | | | | | | | | | |
| | 2-Wire Voice Grade Port (Centrex / EBS-M5112))3 Basic Local Area | | | UEP9D | UEPYF | 1.23 | 40.31 | 19.84 | 24.90 | 6.58 | | 15.75 | | | | | | | | | | |
| | 2-Wire Voice Grade Port (Centrex / EBS-M5312))3 Basic Local Area | | | UEP9D | UEPYG | 1.23 | 40.31 | 19.84 | 24.90 | 6.58 | | 15.75 | | | | | | | | | | |
| | 2-Wire Voice Grade Port (Centrex / EBS-M5008))3 Basic Local Area | | | UEP9D | UEPYT | 1.23 | 40.31 | 19.84 | 24.90 | 6.58 | | 15.75 | | | | | | | | | | |
| | 2-Wire Voice Grade Port (Centrex / EBS-M5208))3 Basic Local Area | | | UEP9D | UEPYU | 1.23 | 40.31 | 19.84 | 24.90 | 6.58 | | 15.75 | | | | | | | | | | |
| | 2-Wire Voice Grade Port (Centrex / EBS-M5216))3 Basic Local Area | | | UEP9D | UEPYV | 1.23 | 40.31 | 19.84 | 24.90 | 6.58 | | 15.75 | | | | | | | | | | |
| | 2-Wire Voice Grade Port (Centrex / EBS-M5316))3 Basic Local Area | | | UEP9D | UEPY3 | 1.23 | 40.31 | 19.84 | 24.90 | 6.58 | | 15.75 | | | | | | | | | | |
| | 2-Wire Voice Grade Port (Centrex with Caller ID) Basic Local Area | | | UEP9D | UEPYH | 1.23 | 40.31 | 19.84 | 24.90 | 6.58 | | 15.75 | | | | | | | | | | |
| | 2-Wire Voice Grade Port (Centrex/Caller ID/Msg Wtg Lamp Indication))3 Basic Local Area | | | UEP9D | UEPYW | 1.23 | 40.31 | 19.84 | 24.90 | 6.58 | | 15.75 | | | | | | | | | | |
| | 2-Wire Voice Grade Port (Centrex/Msg Wtg Lamp Indication))3 Basic Local Area | | | UEP9D | UEPYJ | 1.23 | 40.31 | 19.84 | 24.90 | 6.58 | | 15.75 | | | | | | | | | | |
| | 2-Wire Voice Grade Port (Centrex from diff Serving Wire Center) 2 Basic Local Area | | | UEP9D | UEPYM | 1.23 | 108.35 | 70.57 | 54.24 | 11.70 | | 15.75 | | | | | | | | | | |
| | 2-Wire Voice Grade Port (Centrex/differ SWC /EBS-PSET)2, 3 Basic Local Area | | | UEP9D | UEPYO | 1.23 | 108.35 | 70.57 | 54.24 | 11.70 | | 15.75 | | | | | | | | | | |
| | 2-Wire Voice Grade Port (Centrex/differ SWC /EBS-M5009)2, 3 Basic Local Area | | | UEP9D | UEPYP | 1.23 | 108.35 | 70.57 | 54.24 | 11.70 | | 15.75 | | | | | | | | | | |
| | 2-Wire Voice Grade Port (Centrex/differ SWC /EBS-5209)2, 3 Basic Local Area | | | UEP9D | UEPYQ | 1.23 | 108.35 | 70.57 | 54.24 | 11.70 | | 15.75 | | | | | | | | | | |
| | 2-Wire Voice Grade Port (Centrex/differ SWC /EBS-M5112)2, 3 Basic Local Area | | | UEP9D | UEPYR | 1.23 | 108.35 | 70.57 | 54.24 | 11.70 | | 15.75 | | | | | | | | | | |
| | 2-Wire Voice Grade Port (Centrex/differ SWC /EBS-M5312)2, 3 Basic Local Area | | | UEP9D | UEPYS | 1.23 | 108.35 | 70.57 | 54.24 | 11.70 | | 15.75 | | | | | | | | | | |
| | 2-Wire Voice Grade Port (Centrex/differ SWC /EBS-M5008)2, 3 Basic Local Area | | | UEP9D | UEPY4 | 1.23 | 108.35 | 70.57 | 54.24 | 11.70 | | 15.75 | | | | | | | | | | |
| | 2-Wire Voice Grade Port (Centrex/differ SWC /EBS-M5208)2, 3 Basic Local Area | | | UEP9D | UEPY5 | 1.23 | 108.35 | 70.57 | 54.24 | 11.70 | | 15.75 | | | | | | | | | | |
| | 2-Wire Voice Grade Port (Centrex/differ SWC /EBS-M5216)2, 3 Basic Local Area | | | UEP9D | UEPY6 | 1.23 | 108.35 | 70.57 | 54.24 | 11.70 | | 15.75 | | | | | | | | | | |
| | 2-Wire Voice Grade Port (Centrex/differ SWC /EBS-M5316)2, 3 Basic Local Area | | | UEP9D | UEPY7 | 1.23 | 108.35 | 70.57 | 54.24 | 11.70 | | 15.75 | | | | | | | | | | |
| | 2-Wire Voice Grade Port, Diff Serving Wire Center - 800 Service Term | | | UEP9D | UEPYZ | 1.23 | 108.35 | 70.57 | 54.24 | 11.70 | | 15.75 | | | | | | | | | | |
| | 2-Wire Voice Grade Port terminated in on Megalink or equivalent Basic Local Area | | | UEP9D | UEPY9 | 1.23 | 40.31 | 19.84 | 24.90 | 6.58 | | 15.75 | | | | | | | | | | |
| | 2-Wire Voice Grade Port Terminated on 800 Service Term Basic Local Area | | | UEP9D | UEPY2 | 1.23 | 40.31 | 19.84 | 24.90 | 6.58 | | 15.75 | | | | | | | | | | |
| AL, KY, LA, MS, SC, & TN Only | | | | | | | | | | | | | | | | | | | | | | |
| | 2-Wire Voice Grade Port (Centrex) | | | UEP9D | UEPQA | 1.23 | 40.31 | 19.84 | 24.90 | 6.58 | | 15.75 | | | | | | | | | | |
| | 2-Wire Voice Grade Port (Centrex 800 termination) | | | UEP9D | UEPQB | 1.23 | 40.31 | 19.84 | 24.90 | 6.58 | | 15.75 | | | | | | | | | | |
| | 2-Wire Voice Grade Port (Centrex / EBS-PSET)3 | | | UEP9D | UEPQC | 1.23 | 40.31 | 19.84 | 24.90 | 6.58 | | 15.75 | | | | | | | | | | |
| | 2-Wire Voice Grade Port (Centrex / EBS-M5009)3 | | | UEP9D | UEPQD | 1.23 | 40.31 | 19.84 | 24.90 | 6.58 | | 15.75 | | | | | | | | | | |
| | 2-Wire Voice Grade Port (Centrex / EBS-M5209)3 | | | UEP9D | UEPQE | 1.23 | 40.31 | 19.84 | 24.90 | 6.58 | | 15.75 | | | | | | | | | | |
| | 2-Wire Voice Grade Port (Centrex / EBS-M5112)3 | | | UEP9D | UEPQF | 1.23 | 40.31 | 19.84 | 24.90 | 6.58 | | 15.75 | | | | | | | | | | |
| | 2-Wire Voice Grade Port (Centrex / EBS-M5312)3 | | | UEP9D | UEPQG | 1.23 | 40.31 | 19.84 | 24.90 | 6.58 | | 15.75 | | | | | | | | | | |
| | 2-Wire Voice Grade Port (Centrex / EBS-M5008)3 | | | UEP9D | UEPQT | 1.23 | 40.31 | 19.84 | 24.90 | 6.58 | | 15.75 | | | | | | | | | | |
| | 2-Wire Voice Grade Port (Centrex / EBS-M5208)3 | | | UEP9D | UEPQU | 1.23 | 40.31 | 19.84 | 24.90 | 6.58 | | 15.75 | | | | | | | | | | |
| | 2-Wire Voice Grade Port (Centrex / EBS-M5216)3 | | | UEP9D | UEPQV | 1.23 | 40.31 | 19.84 | 24.90 | 6.58 | | 15.75 | | | | | | | | | | |
| | 2-Wire Voice Grade Port (Centrex / EBS-M5316)3 | | | UEP9D | UEPQW | 1.23 | 40.31 | 19.84 | 24.90 | 6.58 | | 15.75 | | | | | | | | | | |
| | 2-Wire Voice Grade Port (Centrex with Caller ID) | | | UEP9D | UEPQH | 1.23 | 40.31 | 19.84 | 24.90 | 6.58 | | 15.75 | | | | | | | | | | |

| UNBUNDLED NETWORK ELEMENTS - Mississippi | | | | | | | | | | | Attachment: 2 | | Exhibit: B | | | | | | | |
|---|--|---------|------|-------|-------|-----------|----------------------------------|--------------------------------------|--|--|---|---|---------------|--------------|--|-------------------------|--|-------|-------|-------|
| CATEGORY | RATE ELEMENTS | Interim | Zone | BCS | USOC | RATES(\$) | Svc Order Submitted Elec per LSR | Svc Order Submitted Manually per LSR | Incremental Charge - Manual Svc Order vs. Electronic-1st | Incremental Charge - Manual Svc Order vs. Electronic-Add'l | Incremental Charge - Manual Svc Order vs. Electronic-Disc 1st | Incremental Charge - Manual Svc Order vs. Electronic-Disc Add'l | OSS Rates(\$) | | | | | | | |
| | | | | | | | | | | | | | Rec | Nonrecurring | | Nonrecurring Disconnect | | SOMEc | SOMAN | SOMAN |
| | | | | | | First | Add'l | First | Add'l | | | | | | | | | | | |
| | 2-Wire Voice Grade Port (Centrex/Caller ID/Msg Wtg Lamp Indication)3 | | | UEP9D | UEPQW | 1.23 | 40.31 | 19.84 | 24.90 | 6.58 | 15.75 | | | | | | | | | |
| | 2-Wire Voice Grade Port (Centrex/Msg Wtg Lamp Indication)3 | | | UEP9D | UEPQJ | 1.23 | 40.31 | 19.84 | 24.90 | 6.58 | 15.75 | | | | | | | | | |
| | 2-Wire Voice Grade Port (Centrex from diff Serving Wire Center) 2 | | | UEP9D | UEPQM | 1.23 | 108.35 | 70.57 | 54.24 | 11.70 | 15.75 | | | | | | | | | |
| | 2-Wire Voice Grade Port (Centrex/differ SWC /EBS-PSET)2, 3 | | | UEP9D | UEPQO | 1.23 | 108.35 | 70.57 | 54.24 | 11.70 | 15.75 | | | | | | | | | |
| | 2-Wire Voice Grade Port (Centrex/differ SWC /EBS-M5009)2, 3 | | | UEP9D | UEPQP | 1.23 | 108.35 | 70.57 | 54.24 | 11.70 | 15.75 | | | | | | | | | |
| | 2-Wire Voice Grade Port (Centrex/differ SWC /EBS-5209)2, 3 | | | UEP9D | UEPQQ | 1.23 | 108.35 | 70.57 | 54.24 | 11.70 | 15.75 | | | | | | | | | |
| | 2-Wire Voice Grade Port (Centrex/differ SWC /EBS-M5112)2, 3 | | | UEP9D | UEPQR | 1.23 | 108.35 | 70.57 | 54.24 | 11.70 | 15.75 | | | | | | | | | |
| | 2-Wire Voice Grade Port (Centrex/differ SWC /EBS-M5312)2, 3 | | | UEP9D | UEPQS | 1.23 | 108.35 | 70.57 | 54.24 | 11.70 | 15.75 | | | | | | | | | |
| | 2-Wire Voice Grade Port (Centrex/differ SWC /EBS-M5008)2, 3 | | | UEP9D | UEPQ4 | 1.23 | 108.35 | 70.57 | 54.24 | 11.70 | 15.75 | | | | | | | | | |
| | 2-Wire Voice Grade Port (Centrex/differ SWC /EBS-M5208)2, 3 | | | UEP9D | UEPQ5 | 1.23 | 108.35 | 70.57 | 54.24 | 11.70 | 15.75 | | | | | | | | | |
| | 2-Wire Voice Grade Port (Centrex/differ SWC /EBS-M5216)2, 3 | | | UEP9D | UEPQ6 | 1.23 | 108.35 | 70.57 | 54.24 | 11.70 | 15.75 | | | | | | | | | |
| | 2-Wire Voice Grade Port (Centrex/differ SWC /EBS-M5316)2, 3 | | | UEP9D | UEPQ7 | 1.23 | 108.35 | 70.57 | 54.24 | 11.70 | 15.75 | | | | | | | | | |
| | 2-Wire Voice Grade Port, Diff Serving Wire Center - 800 Service Term | | | UEP9D | UEPQZ | 1.23 | 108.35 | 70.57 | 54.24 | 11.70 | 15.75 | | | | | | | | | |
| | 2-Wire Voice Grade Port terminated in on Megalink or equivalent | | | UEP9D | UEPQ9 | 1.23 | 40.31 | 19.84 | 24.90 | 6.58 | 15.75 | | | | | | | | | |
| | 2-Wire Voice Grade Port Terminated on 800 Service Term | | | UEP9D | UEPQ2 | 1.23 | 40.31 | 19.84 | 24.90 | 6.58 | 15.75 | | | | | | | | | |
| Local Switching | | | | | | | | | | | | | | | | | | | | |
| | Centrex Intercom Funtionality, per port | | | UEP9D | URECS | 0.7947 | | | | | | | | | | | | | | |
| Local Number Portability | | | | | | | | | | | | | | | | | | | | |
| | Local Number Portability (1 per port) | | | UEP9D | LNPC | 0.35 | | | | | | | | | | | | | | |
| Features | | | | | | | | | | | | | | | | | | | | |
| | All Standard Features Offered, per port | | | UEP9D | UEPVF | 2.56 | | | | | 15.75 | | | | | | | | | |
| | All Select Features Offered, per port | | | UEP9D | UEPVS | 0.00 | 404.98 | | | | 15.75 | | | | | | | | | |
| | All Centrex Control Features Offered, per port | | | UEP9D | UEPVC | 2.56 | | | | | 15.75 | | | | | | | | | |
| NARS | | | | | | | | | | | | | | | | | | | | |
| | Unbundled Network Access Register - Combination | | | UEP9D | UARCX | 0.00 | 0.00 | 0.00 | | | 15.75 | | | | | | | | | |
| | Unbundled Network Access Register - Inward | | | UEP9D | UARIX | 0.00 | 0.00 | 0.00 | | | 15.75 | | | | | | | | | |
| | Unbundled Network Access Register - Outdial | | | UEP9D | UAROX | 0.00 | 0.00 | 0.00 | | | 15.75 | | | | | | | | | |
| Miscellaneous Terminations | | | | | | | | | | | | | | | | | | | | |
| 2-Wire Trunk Side | | | | | | | | | | | | | | | | | | | | |
| | Trunk Side Terminations, each | | | UEP9D | CEND6 | 8.25 | 120.00 | 18.85 | 61.77 | 3.88 | 15.75 | | | | | | | | | |
| 4-Wire Digital (1.544 Megabits) | | | | | | | | | | | | | | | | | | | | |
| | DS1 Circuit Terminations, each | | | UEP9D | M1HD1 | 58.41 | 203.19 | 96.25 | 74.86 | 2.54 | 15.75 | | | | | | | | | |
| | DS0 Channels Activated per Channel | | | UEP9D | M1HDO | 0.00 | 14.56 | | | | | | | | | | | | | |
| Interoffice Channel Mileage - 2-Wire | | | | | | | | | | | | | | | | | | | | |
| | Interoffice Channel Facilities Termination | | | UEP9D | MIGBC | 22.52 | 40.77 | 27.57 | 17.26 | 7.11 | 15.75 | | | | | | | | | |
| | Interoffice Channel mileage, per mile or fraction of mile | | | UEP9D | MIGBM | 0.0098 | | | | | | | | | | | | | | |
| Feature Activations (DS0) Centrex Loops on Channelized DS1 Service | | | | | | | | | | | | | | | | | | | | |
| D4 Channel Bank Feature Activations | | | | | | | | | | | | | | | | | | | | |
| | Feature Activation on D-4 Channel Bank Centrex Loop Slot | | | UEP9D | 1PQWS | 0.57 | | | | | | | | | | | | | | |
| | Feature Activation on D-4 Channel Bank FX line Side Loop Slot | | | UEP9D | 1PQW6 | 0.57 | | | | | | | | | | | | | | |
| | Feature Activation on D-4 Channel Bank FX Trunk Side Loop Slot | | | UEP9D | 1PQW7 | 0.57 | | | | | | | | | | | | | | |
| | Feature Activation on D-4 Channel Bank Centrex Loop Slot - Different Wire Center | | | UEP9D | 1PQWP | 0.57 | | | | | | | | | | | | | | |
| | Feature Activation on D-4 Channel Bank Private Line Loop Slot | | | UEP9D | 1PQWV | 0.57 | | | | | | | | | | | | | | |

| UNBUNDLED NETWORK ELEMENTS - Mississippi | | | | | | | | | | | Attachment: 2 | | Exhibit: B | | | | | | | |
|--|---|---------|------|-------|-------|-----------|----------------------------------|--------------------------------------|--|--|---|---|---------------|--------------|-------|-------------------------|--|-------|-------|-------|
| CATEGORY | RATE ELEMENTS | Interim | Zone | BCS | USOC | RATES(\$) | Svc Order Submitted Elec per LSR | Svc Order Submitted Manually per LSR | Incremental Charge - Manual Svc Order vs. Electronic-1st | Incremental Charge - Manual Svc Order vs. Electronic-Add'l | Incremental Charge - Manual Svc Order vs. Electronic-Disc 1st | Incremental Charge - Manual Svc Order vs. Electronic-Disc Add'l | OSS Rates(\$) | | | | | | | |
| | | | | | | | | | | | | | Rec | Nonrecurring | | Nonrecurring Disconnect | | SOMEc | SOMAN | SOMAN |
| | | | | | | | | | | | | | First | Add'l | First | Add'l | | | | |
| | Feature Activation on D-4 Channel Bank Tjje Line/Trunk Loop Slot | | | UEP9D | 1PQWQ | 0.57 | | | | | | | | | | | | | | |
| | Feature Activation on D-4 Channel Bank WATS Loop Slot | | | UEP9D | 1PQWA | 0.57 | | | | | | | | | | | | | | |
| | Non-Recurring Charges (NRC) Associated with UNE-P Centrex | | | | | | | | | | | | | | | | | | | |
| | NRC Conversion Currently Combined Switch-As-Is with allowed changes, per port | | | UEP9D | USAC2 | | | | | | | | 0.10 | 0.10 | | | | 15.75 | | |
| | Conversion of existing Centrex Common Block, each | | | UEP9D | USACN | | | | | | | | 37.97 | 16.68 | | | | 15.75 | | |
| | New Centrex Standard Common Block | | | UEP9D | M1ACS | 0.00 | | | | | | | 666.32 | | | | | 15.75 | | |
| | New Centrex Customized Common Block | | | UEP9D | M1ACC | 0.00 | | | | | | | 666.32 | | | | | 15.75 | | |
| | NAR Establishment Charge, Per Occasion | | | UEP9D | URECA | 0.00 | | | | | | | 72.63 | | | | | 15.75 | | |
| | UNE-P CENTREX - EWSD (Valid in AL, FL, KY, LA, MS & TN) | | | | | | | | | | | | | | | | | | | |
| | 2-Wire VG Loop/2-Wire Voice Grade Port (Centrex) Combo | | | | | | | | | | | | | | | | | | | |
| | UNE Port/Loop Combination Rates (Non-Design) | | | | | | | | | | | | | | | | | | | |
| | 2-Wire VG Loop/2-Wire Voice Grade Port (Centrex) Port Combo - Non-Design | | 1 | UEP9E | | 12.22 | | | | | | | | | | | | | | |
| | 2-Wire VG Loop/2-Wire Voice Grade Port (Centrex)Port Combo - Non-Design | | 2 | UEP9E | | 17.13 | | | | | | | | | | | | | | |
| | 2-Wire VG Loop/2-Wire Voice Grade Port (Centrex)Port Combo - Non-Design | | 3 | UEP9E | | 26.26 | | | | | | | | | | | | | | |
| | 2-Wire VG Loop/2-Wire Voice Grade Port (Centrex) Port Combo - Non-Design | | 4 | UEP9E | | 44.91 | | | | | | | | | | | | | | |
| | UNE Port/Loop Combination Rates (Design) | | | | | | | | | | | | | | | | | | | |
| | 2-Wire VG Loop/2-Wire Voice Grade Port (Centrex) Port Combo - Design | | 1 | UEP9E | | 15.12 | | | | | | | | | | | | | | |
| | 2-Wire VG Loop/2-Wire Voice Grade Port (Centrex)Port Combo - Design | | 2 | UEP9E | | 19.98 | | | | | | | | | | | | | | |
| | 2-Wire VG Loop/2-Wire Voice Grade Port (Centrex)Port Combo - Design | | 3 | UEP9E | | 28.78 | | | | | | | | | | | | | | |
| | 2-Wire VG Loop/2-Wire Voice Grade Port (Centrex) Port Combo - Design | | 4 | UEP9E | | 46.95 | | | | | | | | | | | | | | |
| | UNE Loop Rate | | | | | | | | | | | | | | | | | | | |
| | 2-Wire Voice Grade Loop (SL 1) - Zone 1 | | 1 | UEP9E | UECS1 | 10.98 | | | | | | | | | | | | | | |
| | 2-Wire Voice Grade Loop (SL 1) - Zone 2 | | 2 | UEP9E | UECS1 | 15.91 | | | | | | | | | | | | | | |
| | 2-Wire Voice Grade Loop (SL 1) - Zone 3 | | 3 | UEP9E | UECS1 | 25.04 | | | | | | | | | | | | | | |
| | 2-Wire Voice Grade Loop (SL 1) - Zone 4 | | 4 | UEP9E | UECS1 | 43.68 | | | | | | | | | | | | | | |
| | 2-Wire Voice Grade Loop (SL 2) - Zone 1 | | 1 | UEP9E | UECS2 | 13.89 | | | | | | | | | | | | | | |
| | 2-Wire Voice Grade Loop (SL 2) - Zone 2 | | 2 | UEP9E | UECS2 | 18.75 | | | | | | | | | | | | | | |
| | 2-Wire Voice Grade Loop (SL 2) - Zone 3 | | 3 | UEP9E | UECS2 | 27.55 | | | | | | | | | | | | | | |
| | 2-Wire Voice Grade Loop (SL21) - Zone 4 | | 4 | UEP9E | UECS2 | 45.72 | | | | | | | | | | | | | | |
| | UNE Port Rate | | | | | | | | | | | | | | | | | | | |
| | AL, FL, KY, LA, MS, & TN only | | | | | | | | | | | | | | | | | | | |
| | 2-Wire Voice Grade Port (Centrex) Basic Local Area | | | UEP9E | UEPYA | 1.23 | 40.31 | 19.84 | 24.90 | 6.58 | | | 15.75 | | | | | | | |
| | 2-Wire Voice Grade Port (Centrex 800 termination)Basic Local Area | | | UEP9E | UEPYB | 1.23 | 40.31 | 19.84 | 24.90 | 6.58 | | | 15.75 | | | | | | | |
| | 2-Wire Voice Grade Port (Centrex with Caller ID)1Basic Local Area | | | UEP9E | UEPYH | 1.23 | 40.31 | 19.84 | 24.90 | 6.58 | | | 15.75 | | | | | | | |
| | 2-Wire Voice Grade Port (Centrex from diff Serving Wire Center)2 Basic Local Area | | | UEP9E | UEPYM | 1.23 | 108.35 | 70.57 | 54.24 | 11.70 | | | 15.75 | | | | | | | |
| | 2-Wire Voice Grade Port, Diff Serving Wire Center - 800 Service Term - Basic Local Area | | | UEP9E | UEPYZ | 1.23 | 108.35 | 70.57 | 54.24 | 11.70 | | | 15.75 | | | | | | | |
| | 2-Wire Voice Grade Port terminated in on Megalink or equivalent - Basic Local Area | | | UEP9E | UEPY9 | 1.23 | 40.31 | 19.84 | 24.90 | 6.58 | | | 15.75 | | | | | | | |
| | 2-Wire Voice Grade Port Terminated on 800 Service Term - Basic Local Area | | | UEP9E | UEPY2 | 1.23 | 40.31 | 19.84 | 24.90 | 6.58 | | | 15.75 | | | | | | | |
| | AL, KY, LA, MS, & TN Only | | | | | | | | | | | | | | | | | | | |
| | 2-Wire Voice Grade Port (Centrex) | | | UEP9E | UEPQA | 1.23 | 40.31 | 19.84 | 24.90 | 6.58 | | | 15.75 | | | | | | | |
| | 2-Wire Voice Grade Port (Centrex 800 termination) | | | UEP9E | UEPQB | 1.23 | 40.31 | 19.84 | 24.90 | 6.58 | | | 15.75 | | | | | | | |
| | 2-Wire Voice Grade Port (Centrex with Caller ID)1 | | | UEP9E | UEPQH | 1.23 | 40.31 | 19.84 | 24.90 | 6.58 | | | 15.75 | | | | | | | |

| UNBUNDLED NETWORK ELEMENTS - Mississippi | | | | | | | | | | Attachment: 2 | | Exhibit: B | | | | |
|---|--|---------|------|-------|-------|-----------|----------------------------------|--------------------------------------|--|--|---|---|-------|--------------|-------|-------------------------|
| CATEGORY | RATE ELEMENTS | Interim | Zone | BCS | USOC | RATES(\$) | Svc Order Submitted Elec per LSR | Svc Order Submitted Manually per LSR | Incremental Charge - Manual Svc Order vs. Electronic-1st | Incremental Charge - Manual Svc Order vs. Electronic-Add'l | Incremental Charge - Manual Svc Order vs. Electronic-Disc 1st | Incremental Charge - Manual Svc Order vs. Electronic-Disc Add'l | | | | |
| | | | | | | | | | | | | | Rec | Nonrecurring | | Nonrecurring Disconnect |
| | | | | | | | | | | | | | | | | |
| | | | | | | | | | | SOMEc | SOMAN | SOMAN | SOMAN | SOMAN | SOMAN | |
| | 2-Wire Voice Grade Port (Centrex from diff Serving Wire Center)2 | | | UEP9E | UEPQM | 1.23 | 108.35 | 70.57 | 54.24 | 11.70 | 15.75 | | | | | |
| | 2-Wire Voice Grade Port, Diff Serving Wire Center - 800 Service Term | | | UEP9E | UEPQZ | 1.23 | 108.35 | 70.57 | 54.24 | 11.70 | 15.75 | | | | | |
| | 2-Wire Voice Grade Port terminated in on Megalink or equivalent | | | UEP9E | UEPQ9 | 1.23 | 40.31 | 19.84 | 24.90 | 6.58 | 15.75 | | | | | |
| | 2-Wire Voice Grade Port Terminated on 800 Service Term | | | UEP9E | UEPQ2 | 1.23 | 40.31 | 19.84 | 24.90 | 6.58 | 15.75 | | | | | |
| Local Switching | | | | | | | | | | | | | | | | |
| | Centrex Intercom Funtionalty, per port | | | UEP9E | URECS | 0.7947 | | | | | | | | | | |
| Local Number Portability | | | | | | | | | | | | | | | | |
| | Local Number Portability (1 per port) | | | UEP9E | LNPCc | 0.35 | | | | | | | | | | |
| Features | | | | | | | | | | | | | | | | |
| | All Standard Features Offered, per port | | | UEP9E | UEPVF | 2.56 | | | | | 15.75 | | | | | |
| | All Select Features Offered, per port | | | UEP9E | UEPVS | 0.00 | 404.98 | | | | 15.75 | | | | | |
| | All Centrex Control Features Offered, per port | | | UEP9E | UEPVC | 2.56 | | | | | 15.75 | | | | | |
| NARS | | | | | | | | | | | | | | | | |
| | Unbundled Network Access Register - Combination | | | UEP9E | UARCX | 0.00 | 0.00 | 0.00 | | | 15.75 | | | | | |
| | Unbundled Network Access Register - Indial | | | UEP9E | UAR1X | 0.00 | 0.00 | 0.00 | | | 15.75 | | | | | |
| | Unbundled Network Access Register - Outdial | | | UEP9E | UAROx | 0.00 | 0.00 | 0.00 | | | 15.75 | | | | | |
| Miscellaneous Terminations | | | | | | | | | | | | | | | | |
| 2-Wire Trunk Side | | | | | | | | | | | | | | | | |
| | Trunk Side Terminations, each | | | UEP9E | CEND6 | 8.25 | 120.00 | 18.85 | 61.77 | 3.88 | 15.75 | | | | | |
| 4-Wire Digital (1.544 Megabits) | | | | | | | | | | | | | | | | |
| | DS1 Circuit Terminations, each | | | UEP9E | M1HD1 | 58.41 | 203.19 | 96.25 | 74.86 | 2.54 | 15.75 | | | | | |
| | DS0 Channel Activated Per Channel | | | UEP9E | M1HDO | 0.00 | 14.56 | | | | 15.75 | | | | | |
| Interoffice Channel Mileage - 2-Wire | | | | | | | | | | | | | | | | |
| | Interoffice Channel Facilities Termination | | | UEP9E | MIGBC | 22.52 | 40.77 | 27.57 | 17.26 | 7.11 | 15.75 | | | | | |
| | Interoffice Channel mileage, per mile or fraction of mile | | | UEP9E | MIGBM | 0.0098 | | | | | | | | | | |
| Feature Activations (DS0) Centrex Loops on Channelized DS1 Service | | | | | | | | | | | | | | | | |
| D4 Channel Bank Feature Activations | | | | | | | | | | | | | | | | |
| | Feature Activation on D-4 Channel Bank Centrex Loop Slot | | | UEP9E | 1PQWS | 0.57 | | | | | 15.75 | | | | | |
| | Feature Activation on D-4 Channel Bank FX line Side Loop Slot | | | UEP9E | 1PQW6 | 0.57 | | | | | 15.75 | | | | | |
| | Feature Activation on D-4 Channel Bank FX Trunk Side Loop Slot | | | UEP9E | 1PQW7 | 0.57 | | | | | 15.75 | | | | | |
| | Feature Activation on D-4 Channel Bank Centrex Loop Slot - Different Wire Center | | | UEP9E | 1PQWP | 0.57 | | | | | 15.75 | | | | | |
| | Feature Activation on D-4 Channel Bank Private Line Loop Slot | | | UEP9E | 1PQWV | 0.57 | | | | | 15.75 | | | | | |
| | Feature Activation on D-4 Channel Bank Tjje Line/Trunk Loop Slot | | | UEP9E | 1PQWQ | 0.57 | | | | | 15.75 | | | | | |
| | Feature Activation on D-4 Channel Bank WATS Loop Slot | | | UEP9E | 1PQWA | 0.57 | | | | | 15.75 | | | | | |
| Non-Recurring Charges (NRC) Associated with UNE-P Centrex | | | | | | | | | | | | | | | | |
| | NRC Conversion Currently Combined Switch-As-Is with allowed changes, per port | | | UEP9E | USAC2 | | 0.10 | 0.10 | | | 15.75 | | | | | |
| | Conversion of Existing Centrex Common Block, each | | | UEP9E | USACN | | 37.97 | 16.68 | | | 15.75 | | | | | |
| | New Centrex Standard Common Block | | | UEP9E | M1ACS | 0.00 | 666.32 | | | | 15.75 | | | | | |
| | New Centrex Customized Common Block | | | UEP9E | M1ACC | 0.00 | 666.32 | | | | 15.75 | | | | | |
| | NAR Establishment Charge, Per Occasion | | | UEP9E | URECA | 0.00 | 72.63 | | | | 15.75 | | | | | |
| UNE-P CENTREX - DCO - Valid in AL, KY, LA, MS, & TN) | | | | | | | | | | | | | | | | |
| 2-Wire VG Loop/2-Wire Voice Grade Port (Centrex) Combo | | | | | | | | | | | | | | | | |
| UNE Port/Loop Combination Rates (Non-Design) | | | | | | | | | | | | | | | | |
| | 2-Wire VG Loop/2-Wire Voice Grade Port (Centrex) Port Combo - Non-Design | | 1 | UEP93 | | 12.22 | | | | | | | | | | |
| | 2-Wire VG Loop/2-Wire Voice Grade Port (Centrex)Port Combo - Non-Design | | 2 | UEP93 | | 17.13 | | | | | | | | | | |
| | 2-Wire VG Loop/2-Wire Voice Grade Port (Centrex)Port Combo - Non-Design | | 3 | UEP93 | | 26.26 | | | | | | | | | | |

| UNBUNDLED NETWORK ELEMENTS - Mississippi | | | | | | | | | | | Attachment: 2 | | Exhibit: B | | | | | | | | | | | | |
|--|---|---------|------|-------|-------|-----------|----------------------------------|--------------------------------------|--|--|---|---|------------|--------------|-------|-------------------------|-------|---------------|-------|-------|-------|-------|-------|-------|--|
| CATEGORY | RATE ELEMENTS | Interim | Zone | BCS | USOC | RATES(\$) | Svc Order Submitted Elec per LSR | Svc Order Submitted Manually per LSR | Incremental Charge - Manual Svc Order vs. Electronic-1st | Incremental Charge - Manual Svc Order vs. Electronic-Add'l | Incremental Charge - Manual Svc Order vs. Electronic-Disc 1st | Incremental Charge - Manual Svc Order vs. Electronic-Disc Add'l | Rec | Nonrecurring | | Nonrecurring Disconnect | | OSS Rates(\$) | | | | | | | |
| | | | | | | | | | | | | | | First | Add'l | First | Add'l | SOMEc | SOMAN | SOMAN | SOMAN | SOMAN | SOMAN | SOMAN | |
| | 2-Wire VG Loop/2-Wire Voice Grade Port (Centrex) Port Combo - Non-Design | | 4 | UEP93 | | 44.91 | | | | | | | | | | | | | | | | | | | |
| | UNE Port/Loop Combination Rates (Design) | | | | | | | | | | | | | | | | | | | | | | | | |
| | 2-Wire VG Loop/2-Wire Voice Grade Port (Centrex) Port Combo - Design | | 1 | UEP93 | | 15.12 | | | | | | | | | | | | | | | | | | | |
| | 2-Wire VG Loop/2-Wire Voice Grade Port (Centrex)Port Combo - Design | | 2 | UEP93 | | 19.98 | | | | | | | | | | | | | | | | | | | |
| | 2-Wire VG Loop/2-Wire Voice Grade Port (Centrex)Port Combo - Design | | 3 | UEP93 | | 28.78 | | | | | | | | | | | | | | | | | | | |
| | 2-Wire VG Loop/2-Wire Voice Grade Port (Centrex) Port Combo - Design | | 4 | UEP93 | | 46.95 | | | | | | | | | | | | | | | | | | | |
| | UNE Loop Rate | | | | | | | | | | | | | | | | | | | | | | | | |
| | 2-Wire Voice Grade Loop (SL 1) - Zone 1 | | 1 | UEP93 | UECS1 | 10.98 | | | | | | | | | | | | | | | | | | | |
| | 2-Wire Voice Grade Loop (SL 1) - Zone 2 | | 2 | UEP93 | UECS1 | 15.91 | | | | | | | | | | | | | | | | | | | |
| | 2-Wire Voice Grade Loop (SL 1) - Zone 3 | | 3 | UEP93 | UECS1 | 25.04 | | | | | | | | | | | | | | | | | | | |
| | 2-Wire Voice Grade Loop (SL 1) - Zone 4 | | 4 | UEP93 | UECS1 | 43.68 | | | | | | | | | | | | | | | | | | | |
| | 2-Wire Voice Grade Loop (SL 2) - Zone 1 | | 1 | UEP93 | UECS2 | 13.89 | | | | | | | | | | | | | | | | | | | |
| | 2-Wire Voice Grade Loop (SL 2) - Zone 2 | | 2 | UEP93 | UECS2 | 18.75 | | | | | | | | | | | | | | | | | | | |
| | 2-Wire Voice Grade Loop (SL 2) - Zone 3 | | 3 | UEP93 | UECS2 | 27.55 | | | | | | | | | | | | | | | | | | | |
| | 2-Wire Voice Grade Loop (SL21) - Zone 4 | | 4 | UEP93 | UECS2 | 45.72 | | | | | | | | | | | | | | | | | | | |
| | UNE Port Rate | | | | | | | | | | | | | | | | | | | | | | | | |
| | AL, KY, LA, MS, & TN only | | | | | | | | | | | | | | | | | | | | | | | | |
| | 2-Wire Voice Grade Port (Centrex) Basic Local Area | | | UEP93 | UEPYA | 1.23 | 40.31 | 19.84 | 24.90 | 6.58 | | 15.75 | | | | | | | | | | | | | |
| | 2-Wire Voice Grade Port (Centrex 800 termination)Basic Local Area | | | UEP93 | UEPYB | 1.23 | 40.31 | 19.84 | 24.90 | 6.58 | | 15.75 | | | | | | | | | | | | | |
| | 2-Wire Voice Grade Port (Centrex with Caller ID)1Basic Local Area | | | UEP93 | UEPYH | 1.23 | 40.31 | 19.84 | 24.90 | 6.58 | | 15.75 | | | | | | | | | | | | | |
| | 2-Wire Voice Grade Port (Centrex from diff Serving Wire Center)2 Basic Local Area | | | UEP93 | UEPYM | 1.23 | 108.35 | 70.57 | 54.24 | 11.70 | | 15.75 | | | | | | | | | | | | | |
| | 2-Wire Voice Grade Port, Diff Serving Wire Center - 800 Service Term - Basic Local Area | | | UEP93 | UEPYZ | 1.23 | 108.35 | 70.57 | 54.24 | 11.70 | | 15.75 | | | | | | | | | | | | | |
| | 2-Wire Voice Grade Port terminated in on Megalink or equivalent - Basic Local Area | | | UEP93 | UEPY9 | 1.23 | 40.31 | 19.84 | 24.90 | 6.58 | | 15.75 | | | | | | | | | | | | | |
| | 2-Wire Voice Grade Port Terminated on 800 Service Term - Basic Local Area | | | UEP93 | UEPY2 | 1.23 | 40.31 | 19.84 | 24.90 | 6.58 | | 15.75 | | | | | | | | | | | | | |
| | 2-Wire Voice Grade Port (Centrex) | | | UEP93 | UEPQA | 1.23 | 40.31 | 19.84 | 24.90 | 6.58 | | 15.75 | | | | | | | | | | | | | |
| | 2-Wire Voice Grade Port (Centrex 800 termination) | | | UEP93 | UEPQB | 1.23 | 40.31 | 19.84 | 24.90 | 6.58 | | 15.75 | | | | | | | | | | | | | |
| | 2-Wire Voice Grade Port (Centrex with Caller ID)1 | | | UEP93 | UEPQH | 1.23 | 40.31 | 19.84 | 24.90 | 6.58 | | 15.75 | | | | | | | | | | | | | |
| | 2-Wire Voice Grade Port (Centrex from diff Serving Wire Center)2 | | | UEP93 | UEPQM | 1.23 | 108.35 | 70.57 | 54.24 | 11.70 | | 15.75 | | | | | | | | | | | | | |
| | 2-Wire Voice Grade Port, Diff Serving Wire Center - 800 Service Term | | | UEP93 | UEPQZ | 1.23 | 108.35 | 70.57 | 54.24 | 11.70 | | 15.75 | | | | | | | | | | | | | |
| | 2-Wire Voice Grade Port terminated in on Megalink or equivalent | | | UEP93 | UEPQ9 | 1.23 | 40.31 | 19.84 | 24.90 | 6.58 | | 15.75 | | | | | | | | | | | | | |
| | 2-Wire Voice Grade Port Terminated on 800 Service Term | | | UEP93 | UEPQ2 | 1.23 | 40.31 | 19.84 | 24.90 | 6.58 | | 15.75 | | | | | | | | | | | | | |
| | Local Switching | | | | | | | | | | | | | | | | | | | | | | | | |
| | Centrex Intercom Funtionality, per port | | | UEP93 | URECS | 0.7947 | | | | | | | | | | | | | | | | | | | |
| | Local Number Portability | | | | | | | | | | | | | | | | | | | | | | | | |
| | Local Number Portability (1 per port) | | | UEP93 | LNCCC | 0.35 | | | | | | | | | | | | | | | | | | | |
| | Features | | | | | | | | | | | | | | | | | | | | | | | | |
| | All Standard Features Offered, per port | | | UEP93 | UEPVF | 2.56 | | | | | | 15.75 | | | | | | | | | | | | | |
| | All Centrex Control Features Offered, per port | | | UEP93 | UEPVC | 2.56 | | | | | | 15.75 | | | | | | | | | | | | | |
| | NARS | | | | | | | | | | | | | | | | | | | | | | | | |
| | Unbundled Network Access Register - Combination | | | UEP93 | UARCX | 0.00 | 0.00 | 0.00 | | | | 15.75 | | | | | | | | | | | | | |
| | Unbundled Network Access Register - Indial | | | UEP93 | UAR1X | 0.00 | 0.00 | 0.00 | | | | 15.75 | | | | | | | | | | | | | |
| | Unbundled Network Access Register - Outdial | | | UEP93 | UAROX | 0.00 | 0.00 | 0.00 | | | | 15.75 | | | | | | | | | | | | | |
| | Miscellaneous Terminations | | | | | | | | | | | | | | | | | | | | | | | | |
| | 2-Wire Trunk Side | | | | | | | | | | | | | | | | | | | | | | | | |
| | Trunk Side Terminations, each | | | UEP93 | CEND6 | 8.25 | 120.00 | 18.85 | 61.77 | 3.88 | | 15.75 | | | | | | | | | | | | | |

| UNBUNDLED NETWORK ELEMENTS - Mississippi | | | | | | | | | | | Attachment: 2 | | Exhibit: B | | |
|--|--|---------|------|-------|-------|-----------|--------------|-------|-------------------------|----------------------------------|--------------------------------------|--|--|---|---|
| CATEGORY | RATE ELEMENTS | Interim | Zone | BCS | USOC | RATES(\$) | | | | Svc Order Submitted Elec per LSR | Svc Order Submitted Manually per LSR | Incremental Charge - Manual Svc Order vs. Electronic-1st | Incremental Charge - Manual Svc Order vs. Electronic-Add'l | Incremental Charge - Manual Svc Order vs. Electronic-Disc 1st | Incremental Charge - Manual Svc Order vs. Electronic-Disc Add'l |
| | | | | | | Rec | Nonrecurring | | Nonrecurring Disconnect | | | | | | |
| | | | | | | | First | Add'l | First | Add'l | SOMEc | SOMAN | SOMAN | SOMAN | SOMAN |
| 4-Wire Digital (1.544 Megabits) | | | | | | | | | | | | | | | |
| | DS1 Circuit Terminations, each | | | UEP93 | M1HD1 | 58.41 | 203.19 | 96.25 | 74.86 | 2.54 | | 15.75 | | | |
| | DS0 Channels Activated, Per Channel | | | UEP93 | M1HDO | 0.00 | 14.56 | | | | | 15.75 | | | |
| Interoffice Channel Mileage - 2-Wire | | | | | | | | | | | | | | | |
| | Interoffice Channel Facilities Termination | | | UEP93 | MIGBC | 22.52 | 40.77 | 27.57 | 17.26 | 7.11 | | 15.75 | | | |
| | Interoffice Channel mileage, per mile or fraction of mile | | | UEP93 | MIGBM | 0.0098 | | | | | | | | | |
| Feature Activations (DS0) Centrex Loops on Channelized DS1 Service | | | | | | | | | | | | | | | |
| D4 Channel Bank Feature Activations | | | | | | | | | | | | | | | |
| | Feature Activation on D-4 Channel Bank Centrex Loop Slot | | | UEP93 | 1PQWS | 0.57 | | | | | | | | | |
| | Feature Activation on D-4 Channel Bank FX Line Side Loop Slot | | | UEP93 | 1PQW6 | 0.57 | | | | | | | | | |
| | Feature Activation on D-4 Channel Bank FX Trunk Side Loop Slot | | | UEP93 | 1PQW7 | 0.57 | | | | | | | | | |
| | Feature Activation on D-4 Channel Bank Centrex Loop Slot - Different Wire Center | | | UEP93 | 1PQWP | 0.57 | | | | | | | | | |
| | Feature Activation on D-4 Channel Bank Private Line Loop Slot | | | UEP93 | 1PQWV | 0.57 | | | | | | | | | |
| | Feature Activation on D-4 Channel Bank Tie Line/Trunk Loop Slot | | | UEP93 | 1PQWQ | 0.57 | | | | | | | | | |
| | Feature Activation on D-4 Channel Bank WATS Loop Slot | | | UEP93 | 1PQWA | 0.57 | | | | | | | | | |
| Non-Recurring Charges (NRC) Associated with UNE-P Centrex | | | | | | | | | | | | | | | |
| | NRC Conversion Currently Combined Switch-As-Is with allowed changes, per port | | | UEP93 | USAC2 | | 0.10 | 0.10 | | | | 15.75 | | | |
| | Conversion of Existing Centrex Common Block, each | | | UEP93 | USACN | | 37.97 | 16.68 | | | | | | | |
| | New Centrex Standard Common Block | | | UEP93 | M1ACS | 0.00 | 666.32 | | | | | 15.75 | | | |
| | New Centrex Customized Common Block | | | UEP93 | M1ACC | 0.00 | 666.32 | | | | | 15.75 | | | |
| | NAR Establishment Charge, Per Occasion | | | UEP93 | URECA | 0.00 | 72.63 | | | | | 15.75 | | | |
| Note 1 - Required Port for Centrex Control in 1AESS, 5ESS & EWSD | | | | | | | | | | | | | | | |
| Note 2 - Requires Interoffice Channel Mileage | | | | | | | | | | | | | | | |
| Note 3 - Requires Specific Customer Premises Equipment | | | | | | | | | | | | | | | |
| NOTE: Rates displaying an "R" in Interim column are interim and subject to rate true-up as set forth in General Terms and Conditions. | | | | | | | | | | | | | | | |

| UNBUNDLED NETWORK ELEMENTS - North Carolina | | | | | | | | | | Attachment: 2 | | Exhibit: B | | | | | |
|--|---|---------|------|-------------|-------|-----------|--------------|----------------------------------|--------------------------------------|--|--|---|---|-------------------------|-------|---------------|--|
| CATEGORY | RATE ELEMENTS | Interim | Zone | BCS | USOC | RATES(\$) | | Svc Order Submitted Elec per LSR | Svc Order Submitted Manually per LSR | Incremental Charge - Manual Svc Order vs. Electronic-1st | Incremental Charge - Manual Svc Order vs. Electronic-Add'l | Incremental Charge - Manual Svc Order vs. Electronic-Disc 1st | Incremental Charge - Manual Svc Order vs. Electronic-Disc Add'l | | | | |
| | | | | | | Rec | Nonrecurring | | | | | | | Nonrecurring Disconnect | | OSS Rates(\$) | |
| | | | | | | | First | Add'l | First | Add'l | SOME C | SOMAN | SOMAN | SOMAN | SOMAN | SOMAN | |
| OPERATIONAL SUPPORT SYSTEMS | | | | | | | | | | | | | | | | | |
| NOTE: (1) Electronic Service Order: CLEC should contact its contract negotiator if it prefers the state specific electronic service ordering charges as ordered by the State Commissions. The electronic service ordering charge currently contained in this rate exhibit is the BellSouth regional electronic service ordering charge. CLEC may elect either the state specific Commission ordered rates for the electronic service ordering charges, or CLEC may elect the regional electronic service ordering charge. | | | | | | | | | | | | | | | | | |
| NOTE: (2) Any element that can be ordered electronically will be billed according to the SOME C rate listed in this category. Please refer to BellSouth's Business Rules for Local Ordering (BBR-LO) to determine if a product can be ordered electronically. For those elements that cannot be ordered electronically at present per the BBR-LO, the listed SOME C rate in this category reflects the charge that would be billed to a CLEC once electronic ordering capabilities come on-line for that element. Otherwise, the manual ordering charge, SOMAN, will be applied to a CLECs bill when it submits an LSR to BellSouth. | | | | | | | | | | | | | | | | | |
| | Electronic OSS Charge, per LSR, submitted via BST's OSS interactive interfaces (Regional) | | | | | | | | | | | | | | | | |
| UNBUNDLED EXCHANGE ACCESS LOOP | | | | | | | | | | | | | | | | | |
| 2-WIRE ANALOG VOICE GRADE LOOP | | | | | | | | | | | | | | | | | |
| | 2-Wire Analog Voice Grade Loop - Service Level 1- Statewide | | sw | UEANL | UEAL2 | | 15.88 | 57.99 | 42.37 | | | | | 26.94 | 12.76 | | |
| | Loop Testing - Basic 1st Half Hour | | | UEANL | URET1 | | | 78.92 | 78.92 | | | | | 26.94 | 12.76 | | |
| | Loop Testing - Basic Additional Half Hour | | | UEANL | URETA | | | 23.33 | 23.33 | | | | | 26.94 | 12.76 | | |
| | CLEC to CLEC Conversion Charge Without Outside Dispatch (UVL-SL1) | | | UEANL | UREWO | | | 15.76 | 8.93 | | | | | 26.94 | 12.76 | | |
| | Engineering Information Document (EI) | | | UEANL | | | | 28.74 | 28.74 | | | | | | | | |
| | Manual Order Coordination for UVL-SL1s (per loop) | | | UEANL | UEAMC | | | 61.38 | 61.38 | | | | | | | | |
| | Order Coordination for Specified Conversion Time for UVL-SL1 (per LSR) | | | UEANL | OCOSL | | | 45.34 | 45.34 | | | | | | | | |
| 2-WIRE Unbundled COPPER LOOP | | | | | | | | | | | | | | | | | |
| | 2-Wire Unbundled Copper Loop Non-Designed - SW | | I sw | UEQ | UEQ2X | | 15.88 | 57.99 | 42.37 | | | | | 26.94 | 26.94 | | |
| | Order Coordination 2 Wire Unbundled Copper Loop - Non-Designed (per loop) | | | UEQ | USBMC | | | 61.38 | 61.38 | | | | | 26.94 | 12.76 | | |
| | Engineering Information Document | | | UEQ | | | | 28.74 | 28.74 | | | | | 26.94 | 12.76 | | |
| | Loop Testing - Basic 1st Half Hour | | | UEQ | URET1 | | | 78.92 | 78.92 | | | | | 26.94 | 12.76 | | |
| | Loop Testing - Basic Additional Half Hour | | | UEQ | URETA | | | 23.33 | 23.33 | | | | | 26.94 | 12.76 | | |
| | CLEC to CLEC Conversion Charge Without Outside Dispatch (UCL-ND) | | | UEQ | UREWO | | | 14.26 | 7.42 | | | | | 26.94 | 12.76 | | |
| UNBUNDLED EXCHANGE ACCESS LOOP | | | | | | | | | | | | | | | | | |
| 2-WIRE ANALOG VOICE GRADE LOOP | | | | | | | | | | | | | | | | | |
| | 2 Wire Analog Voice Grade Loop -Service Level 1-Statewide-Line Splitting | | | UEPSR UEPSB | UEALS | | 15.88 | 57.99 | 42.37 | | | | | 26.94 | 12.76 | | |
| | 2 Wire Analog Voice Grade Loop -Service Level 1-Statewide-Line Splitting | | | UEPSR UEPSB | UEABS | | 15.88 | 57.99 | 42.37 | | | | | 26.94 | 12.76 | | |
| UNE Loop Rates for Line Splitting | | | | | | | | | | | | | | | | | |
| | 2-Wire Voice Grade Loop (SL1) for Line Splitting- Statewide | | sw | UEPRX | UEPLX | | | 14.18 | | | | | | | | | |
| UNBUNDLED EXCHANGE ACCESS LOOP | | | | | | | | | | | | | | | | | |
| 2-WIRE ANALOG VOICE GRADE LOOP | | | | | | | | | | | | | | | | | |
| | 2-Wire Analog Voice Grade Loop - Service Level 2 w/Loop or Ground Start Signaling - Statewide | | sw | UEA | UEAL2 | | 19.50 | 142.97 | 106.56 | | | | | 26.94 | 12.76 | | |
| | Order Coordination for Specified Conversion Time (per LSR) | | | UEA | OCOSL | | | 45.34 | | | | | | | | | |
| | 2-Wire Analog Voice Grade Loop - Service Level 2 w/Reverse Battery Signaling-Statewide | | sw | UEA | UEAR2 | | 19.50 | 142.97 | 106.56 | | | | | 26.94 | 12.76 | | |
| | Order Coordination for Specified Conversion Time (per LSR) | | | UEA | OCOSL | | | 45.34 | | | | | | | | | |
| | CLEC to CLEC Conversion Charge without outside dispatch | | | UEA | UREWO | | | 87.64 | 36.33 | | | | | 26.94 | 12.76 | | |
| 4-WIRE ANALOG VOICE GRADE LOOP | | | | | | | | | | | | | | | | | |
| | 4-Wire Analog Voice Grade Loop - Statewide | | sw | UEA | UEAL4 | | 27.49 | 288.47 | 237.45 | | | | | 26.94 | 12.76 | | |
| | Order Coordination for Specified Conversion Time (per LSR) | | | UEA | OCOSL | | | 45.34 | | | | | | | | | |
| | CLEC to CLEC Conversion Charge without outside dispatch | | | UEA | UREWO | | | 87.64 | 36.33 | | | | | 26.94 | 12.76 | | |
| 2-WIRE ISDN DIGITAL GRADE LOOP | | | | | | | | | | | | | | | | | |
| | 2-Wire ISDN Digital Grade Loop - Statewide | | sw | UDN | U1L2X | | 24.98 | 325.91 | 251.31 | | | | | 26.94 | 12.76 | | |
| | Order Coordination For Specified Conversion Time (per LSR) | | | UDN | OCOSL | | | 45.34 | | | | | | | | | |
| | CLEC to CLEC Conversion Charge without outside dispatch | | | UDN | UREWO | | | 91.55 | 44.12 | | | | | 26.94 | 12.76 | | |
| 2-WIRE Universal Digital Channel (UDC) COMPATIBLE LOOP | | | | | | | | | | | | | | | | | |
| | 2-Wire Universal Digital Channel (UDC) Compatible Loop - Statewide | | sw | UDC | UDC2X | | 24.98 | 325.91 | 251.31 | | | | | 26.94 | 12.76 | | |
| | CLEC to CLEC Conversion Charge without outside dispatch | | | UDC | UREWO | | | 91.55 | 44.12 | | | | | 26.94 | 12.76 | | |
| 2-WIRE ASYMMETRICAL DIGITAL SUBSCRIBER LINE (ADSL) COMPATIBLE LOOP | | | | | | | | | | | | | | | | | |

| UNBUNDLED NETWORK ELEMENTS - North Carolina | | | | | | | | | | Attachment: 2 | | Exhibit: B | | | |
|--|--|---------|------|-----|-------|-----------|--------------|----------------------------------|--------------------------------------|--|--|---|---|--------------|------------|
| CATEGORY | RATE ELEMENTS | Interim | Zone | BCS | USOC | RATES(\$) | | Svc Order Submitted Elec per LSR | Svc Order Submitted Manually per LSR | Incremental Charge - Manual Svc Order vs. Electronic-1st | Incremental Charge - Manual Svc Order vs. Electronic-Add'l | Incremental Charge - Manual Svc Order vs. Electronic-Disc 1st | Incremental Charge - Manual Svc Order vs. Electronic-Disc Add'l | | |
| | | | | | | Rec | Nonrecurring | | | | | | | Nonrecurring | Disconnect |
| | | | | | | First | Add'l | First | Add'l | SOMEc | SOMAN | SOMAN | SOMAN | SOMAN | SOMAN |
| | 2 Wire Unbundled ADSL Loop including manual service inquiry & facility reservation - Statewide | | sw | UAL | UAL2X | 14.60 | 504.90 | 456.17 | | | | 26.94 | 12.76 | | |
| | Order Coordination for Specified Conversion Time (per LSR) | | | UAL | OCOSL | | 45.34 | | | | | | | | |
| | 2 Wire Unbundled ADSL Loop without manual service inquiry and facility reservation - Statewide | | sw | UAL | UAL2W | 14.60 | 203.85 | 128.42 | | | | 26.94 | 12.76 | | |
| | Order Coordination for Specified Conversion Time (per LSR) | | | UAL | OCOSL | | 45.34 | | | | | | | | |
| | CLEC to CLEC Conversion Charge without outside dispatch | | | UAL | UREWO | | 86.12 | 40.36 | | | | 26.94 | 12.76 | | |
| 2-WIRE HIGH BIT RATE DIGITAL SUBSCRIBER LINE (HDSL) COMPATIBLE LOOP | | | | | | | | | | | | | | | |
| | 2 Wire Unbundled HDSL Loop including manual service inquiry and facility reservation - Statewide | | sw | UHL | UHL2X | 11.98 | 504.90 | 456.17 | | | | 26.94 | 12.76 | | |
| | Order Coordination for Specified Conversion Time (per LSR) | | | UHL | OCOSL | | 45.34 | | | | | | | | |
| | 2 Wire Unbundled HDSL Loop without manual service inquiry and facility reservation - Statewide | | sw | UHL | UHL2W | 11.98 | 221.08 | 145.65 | | | | 26.94 | 12.76 | | |
| | Order Coordination for Specified Conversion Time (per LSR) | | | UHL | OCOSL | | 45.34 | | | | | | | | |
| | CLEC to CLEC Conversion Charge without outside dispatch | | | UHL | UREWO | | 86.06 | 40.36 | | | | 26.94 | 12.76 | | |
| 4-WIRE HIGH BIT RATE DIGITAL SUBSCRIBER LINE (HDSL) COMPATIBLE LOOP | | | | | | | | | | | | | | | |
| | 4 Wire Unbundled HDSL Loop including manual service inquiry and facility reservation - Statewide | | sw | UHL | UHL4X | 13.97 | 531.35 | 482.62 | | | | 26.94 | 12.76 | | |
| | Order Coordination for Specified Conversion Time (per LSR) | | | UHL | OCOSL | | 45.34 | | | | | | | | |
| | 4-Wire Unbundled HDSL Loop without manual service inquiry and facility reservation - Statewide | | sw | UHL | UHL4W | 13.97 | 277.99 | 202.56 | | | | 26.94 | 12.76 | | |
| | Order Coordination for Specified Conversion Time (per LSR) | | | UHL | OCOSL | | 45.34 | | | | | | | | |
| | CLEC to CLEC Conversion Charge without outside dispatch | | | UHL | UREWO | | 86.06 | 40.36 | | | | 26.94 | 12.76 | | |
| 4-WIRE DS1 DIGITAL LOOP | | | | | | | | | | | | | | | |
| | 4-Wire DS1 Digital Loop - Statewide | | sw | USL | USLXX | 62.78 | 714.84 | 421.47 | | | | 42.19 | 12.76 | | |
| | Order Coordination for Specified Conversion Time (per LSR) | | | USL | OCOSL | | 45.34 | | | | | | | | |
| | CLEC to CLEC Conversion Charge without outside dispatch | | | USL | UREWO | | 100.99 | 43.00 | | | | 26.94 | 12.76 | | |
| 4-WIRE 19.2, 56 OR 64 KBPS DIGITAL GRADE LOOP | | | | | | | | | | | | | | | |
| | 4 Wire Unbundled Digital 19.2 Kbps | | sw | UDL | UDL19 | 32.67 | 489.04 | 337.51 | | | | 19.99 | 19.99 | 19.99 | 19.99 |
| | 4 Wire Unbundled Digital Loop 56 Kbps | | sw | UDL | UDL56 | 32.67 | 489.04 | 337.51 | | | | 26.94 | 12.76 | | |
| | Order Coordination for Specified Conversion Time (per LSR) | | | UDL | OCOSL | | 45.34 | | | | | | | | |
| | 4 Wire Unbundled Digital Loop 64 Kbps - Statewide | | sw | UDL | UDL64 | 32.67 | 489.04 | 337.51 | | | | 26.94 | 12.76 | | |
| | Order Coordination for Specified Conversion Time (per LSR) | | | UDL | OCOSL | | 45.34 | | | | | | | | |
| | CLEC to CLEC Conversion Charge without outside dispatch | | | UDL | UREWO | | 102.03 | 49.70 | | | | 26.94 | 12.76 | | |
| 2-WIRE Unbundled COPPER LOOP | | | | | | | | | | | | | | | |
| | 2-Wire Unbundled Copper Loop/Short including manual service inquiry & facility reservation - Zone 1 | | 1 | UCL | UCLPB | 13.40 | 281.95 | 162.85 | | | | 19.99 | 19.99 | 19.99 | 19.99 |
| | 2-Wire Unbundled Copper Loop/Short including manual service inquiry & facility reservation - Zone 2 | | 2 | UCL | UCLPB | 21.76 | 281.95 | 162.85 | | | | 19.99 | 19.99 | 19.99 | 19.99 |
| | 2 Wire Unbundled Copper Loop/Short including manual service inquiry & facility reservation - Zone 3 | | 3 | UCL | UCLPB | 25.01 | 281.95 | 162.85 | | | | 19.99 | 19.99 | 19.99 | 19.99 |
| | Order Coordination for Unbundled Copper Loops (per loop) | | | UCL | UCLMC | | 61.38 | 61.38 | | | | | | | |
| | 2-Wire Unbundled Copper Loop/Short without manual service inquiry and facility reservation - Zone 1 | | 1 | UCL | UCLPW | 13.40 | 250.17 | 174.74 | | | | 19.99 | 19.99 | 19.99 | 19.99 |
| | 2-Wire Unbundled Copper Loop/Short without manual service inquiry and facility reservation - Zone 2 | | 2 | UCL | UCLPW | 21.76 | 250.17 | 174.74 | | | | 19.99 | 19.99 | 19.99 | 19.99 |
| | 2-Wire Unbundled Copper Loop/Short without manual service inquiry and facility reservation - Zone 3 | | 3 | UCL | UCLPW | 25.01 | 250.17 | 174.74 | | | | 19.99 | 19.99 | 19.99 | 19.99 |
| | Order Coordination for Unbundled Copper Loops (per loop) | | | UCL | UCLMC | | 61.38 | 61.38 | | | | | | | |
| | 2-Wire Unbundled Copper Loop/Long - includes manual svc. inquiry and facility reservation - Zone 1 | | 1 | UCL | UCL2L | 37.79 | 268.96 | 149.86 | | | | 19.99 | 19.99 | 19.99 | 19.99 |
| | 2-Wire Unbundled Copper Loop/Long - includes manual svc. inquiry and facility reservation - Zone 2 | | 2 | UCL | UCL2L | 63.16 | 268.96 | 149.86 | | | | 19.99 | 19.99 | 19.99 | 19.99 |
| | 2-Wire Unbundled Copper Loop/Long - includes manual svc. inquiry and facility reservation - Zone 3 | | 3 | UCL | UCL2L | 73.02 | 268.96 | 149.86 | | | | 19.99 | 19.99 | 19.99 | 19.99 |
| | Order Coordination for Unbundled Copper Loops (per loop) | | | UCL | UCLMC | | 61.38 | 61.38 | | | | | | | |
| | 2-Wire Unbundled Copper Loop/Long - without manual service inquiry and facility reservation - Zone 1 | | 1 | UCL | UCL2W | 37.79 | 189.00 | 113.57 | | | | 19.99 | 19.99 | 19.99 | 19.99 |

| UNBUNDLED NETWORK ELEMENTS - North Carolina | | | | | | | | | | | Attachment: 2 | | Exhibit: B | | |
|---|--|---------|------|---|-------|-----------|--------------|----------------------------------|--------------------------------------|--|--|---|---|-------------------------|-------|
| CATEGORY | RATE ELEMENTS | Interim | Zone | BCS | USOC | RATES(\$) | | Svc Order Submitted Elec per LSR | Svc Order Submitted Manually per LSR | Incremental Charge - Manual Svc Order vs. Electronic-1st | Incremental Charge - Manual Svc Order vs. Electronic-Add'l | Incremental Charge - Manual Svc Order vs. Electronic-Disc 1st | Incremental Charge - Manual Svc Order vs. Electronic-Disc Add'l | | |
| | | | | | | Rec | Nonrecurring | | | | | | | Nonrecurring Disconnect | |
| | | | | | | First | Add'l | First | Add'l | SOMEK | SOMAN | SOMAN | SOMAN | SOMAN | SOMAN |
| | 2-Wire Unbundled Copper Loop/Long - without manual service inquiry and facility reservation - Zone 2 | | 2 | UCL | UCL2W | 63.16 | 189.00 | 113.57 | | | | 19.99 | 19.99 | 19.99 | 19.99 |
| | 2-Wire Unbundled Copper Loop/Long - without manual service inquiry and facility reservation - Zone 3 | | 3 | UCL | UCL2W | 73.02 | 189.00 | 113.57 | | | | 19.99 | 19.99 | 19.99 | 19.99 |
| | Order Coordination for Unbundled Copper Loops (per loop) | | | UCL | UCLMC | | 61.38 | 61.38 | | | | | | | |
| | CLEC to CLEC Conversion Charge without outside dispatch (UCL-Des) | | | UCL | UREWO | | 97.14 | 42.44 | | | | 19.99 | 19.99 | 19.99 | 19.99 |
| 4-WIRE COPPER LOOP | | | | | | | | | | | | | | | |
| | 4-Wire Copper Loop/Short - including manual service inquiry and facility reservation - Zone 1 | | 1 | UCL | UCL4S | 17.63 | 330.13 | 211.02 | | | | 19.99 | 19.99 | 19.99 | 19.99 |
| | 4-Wire Copper Loop/Short - including manual service inquiry and facility reservation - Zone 2 | | 2 | UCL | UCL4S | 28.89 | 330.13 | 211.02 | | | | 19.99 | 19.99 | 19.99 | 19.99 |
| | 4-Wire Copper Loop/Short - including manual service inquiry and facility reservation - Zone 3 | | 3 | UCL | UCL4S | 33.28 | 330.13 | 211.02 | | | | 19.99 | 19.99 | 19.99 | 19.99 |
| | Order Coordination for Unbundled Copper Loops (per loop) | | | UCL | UCLMC | | 61.38 | 61.38 | | | | | | | |
| | 4-Wire Copper Loop/Short - without manual service inquiry and facility reservation - Zone 1 | | 1 | UCL | UCL4W | 17.63 | 250.17 | 174.74 | | | | 19.99 | 19.99 | 19.99 | 19.99 |
| | 4-Wire Copper Loop/Short - without manual service inquiry and facility reservation - Zone 2 | | 2 | UCL | UCL4W | 28.89 | 250.17 | 174.74 | | | | 19.99 | 19.99 | 19.99 | 19.99 |
| | 4-Wire Copper Loop/Short - without manual service inquiry and facility reservation - Zone 3 | | 3 | UCL | UCL4W | 33.28 | 250.17 | 174.74 | | | | 19.99 | 19.99 | 19.99 | 19.99 |
| | Order Coordination for Unbundled Copper Loops (per loop) | | | UCL | UCLMC | | 61.38 | 61.38 | | | | | | | |
| | 4-Wire Unbundled Copper Loop/Long - includes manual svc. inquiry and facility reservation - Zone 1 | | 1 | UCL | UCL4L | 53.68 | 317.14 | 198.03 | | | | 19.99 | 19.99 | 19.99 | 19.99 |
| | 4-Wire Unbundled Copper Loop/Long - includes manual svc. inquiry and facility reservation - Zone 2 | | 2 | UCL | UCL4L | 90.07 | 317.14 | 198.03 | | | | 19.99 | 19.99 | 19.99 | 19.99 |
| | 4-Wire Unbundled Copper Loop/Long - includes manual svc. inquiry and facility reservation - Zone 3 | | 3 | UCL | UCL4L | 104.23 | 317.14 | 198.03 | | | | 19.99 | 19.99 | 19.99 | 19.99 |
| | Order Coordination for Unbundled Copper Loops (per loop) | | | UCL | UCLMC | | 61.38 | 61.38 | | | | | | | |
| | 4-Wire Unbundled Copper Loop/Long - without manual svc. inquiry and facility reservation - Zone 1 | | 1 | UCL | UCL4O | 53.68 | 237.18 | 161.75 | | | | 19.99 | 19.99 | 19.99 | 19.99 |
| | 4-Wire Unbundled Copper Loop/Long - without manual svc. inquiry and facility reservation - Zone 2 | | 2 | UCL | UCL4O | 90.07 | 237.18 | 161.75 | | | | 19.99 | 19.99 | 19.99 | 19.99 |
| | 4-Wire Unbundled Copper Loop/Long - without manual svc. inquiry and facility reservation - Zone 3 | | 3 | UCL | UCL4O | 104.23 | 237.18 | 161.75 | | | | 19.99 | 19.99 | 19.99 | 19.99 |
| | Order Coordination for Unbundled Copper Loops (per loop) | | | UCL | UCLMC | | 61.38 | 61.38 | | | | | | | |
| | CLEC to CLEC Conversion Charge without outside dispatch (UCL-Des) | | | UCL | UREWO | | 97.14 | 42.44 | | | | 19.99 | 19.99 | 19.99 | 19.99 |
| LOOP MODIFICATION | | | | | | | | | | | | | | | |
| | Unbundled Loop Modification, Removal of Load Coils - 2 Wire pair less than or equal to 18k ft | | | UAL, UHL, UCL, UEQ, ULS, UEA, UEANL, UDL, UDC, UDN, UDL, USL | ULM2L | | 64.85 | 64.85 | | | | 26.94 | 12.76 | | |
| | Unbundled Loop Modification, Removal of Load Coils - 2 wire greater than 18k ft | | | UCL, ULS | ULM2G | | 339.84 | 339.84 | | | | 26.94 | 12.76 | | |
| | Unbundled Loop Modification Removal of Load Coils - 4 Wire less than or equal to 18K ft | | | UHL, UCL | ULM4L | | 64.85 | 64.85 | | | | 26.94 | 12.76 | | |
| | Unbundled Loop Modification Removal of Load Coils - 4 Wire pair greater than 18k ft | | | UCL | ULM4G | | 339.84 | 339.84 | | | | 26.94 | 12.76 | | |
| | Unbundled Loop Modification Removal of Bridged Tap Removal, per unbundled loop | | | UAL, UHL, UCL, UEQ, UEF, ULS, UEA, UEANL, UDL, UDC, UDN, UDL, USL | ULMBT | | 64.90 | 64.90 | | | | 26.94 | 12.76 | | |
| SUB-LOOPS | | | | | | | | | | | | | | | |
| Sub-Loop Distribution | | | | | | | | | | | | | | | |
| | Sub-Loop - Per Cross Box Location - CLEC Feeder Facility Set-Up | I | | UEANL | USBSA | | 498.09 | 498.09 | | | | 26.94 | 12.76 | 15.12 | 15.12 |

| UNBUNDLED NETWORK ELEMENTS - North Carolina | | | | | | | | | | | Attachment: 2 | | Exhibit: B | | | |
|---|--|---------|------|----------------------|-------|-----------|--------------|--------|-------------------------|----------------------------------|--------------------------------------|--|--|---|---|---------------|
| CATEGORY | RATE ELEMENTS | Interim | Zone | BCS | USOC | RATES(\$) | | | | Svc Order Submitted Elec per LSR | Svc Order Submitted Manually per LSR | Incremental Charge - Manual Svc Order vs. Electronic-1st | Incremental Charge - Manual Svc Order vs. Electronic-Add'l | Incremental Charge - Manual Svc Order vs. Electronic-Disc 1st | Incremental Charge - Manual Svc Order vs. Electronic-Disc Add'l | |
| | | | | | | Rec | Nonrecurring | | Nonrecurring Disconnect | | | | | | | OSS Rates(\$) |
| | | | | | | | First | Add'l | First | Add'l | SOMEc | SOMAN | SOMAN | SOMAN | SOMAN | |
| | Sub-Loop - Per Cross Box Location - Per 25 Pair Panel Set-Up | I | | UEANL | USBSB | | 45.04 | 45.04 | | | | | 26.94 | 12.76 | 15.12 | 15.12 |
| | Sub-Loop - Per Building Equipment Room - CLEC Feeder Facility Set-Up | I | | UEANL | USBSC | | 313.01 | 313.01 | | | | | 26.94 | 12.76 | 15.12 | 15.12 |
| | Sub-Loop - Per Building Equipment Room - Per 25 Pair Panel Set-Up | I | | UEANL | USBSD | | 108.06 | 108.06 | | | | | 26.94 | 12.76 | 15.12 | 15.12 |
| | Sub-Loop Distribution Per 2-Wire Analog Voice Grade Loop - Zone 1 | I | 1 | UEANL | USBN2 | 7.99 | 126.03 | 54.54 | 71.13 | 10.16 | | | 26.94 | 12.76 | 15.12 | 15.12 |
| | Sub-Loop Distribution Per 2-Wire Analog Voice Grade Loop - Zone 2 | I | 2 | UEANL | USBN2 | 12.63 | 126.03 | 54.54 | 71.13 | 10.16 | | | 26.94 | 12.76 | 15.12 | 15.12 |
| | Sub-Loop Distribution Per 2-Wire Analog Voice Grade Loop - Zone 3 | I | 3 | UEANL | USBN2 | 14.43 | 126.03 | 54.54 | 71.13 | 10.16 | | | 26.94 | 12.76 | 15.12 | 15.12 |
| | Order Coordination for Unbundled Sub-Loops, per sub-loop pair | | | UEANL | USBMC | | 45.34 | 45.34 | | | | | | | | |
| | Sub-Loop Distribution Per 4-Wire Analog Voice Grade Loop - Zone 1 | | 1 | UEANL | USBN4 | 9.23 | 156.52 | 79.66 | 78.56 | 13.53 | | | 26.94 | 12.76 | 15.12 | 15.12 |
| | Sub-Loop Distribution Per 4-Wire Analog Voice Grade Loop - Zone 2 | | 2 | UEANL | USBN4 | 14.63 | 156.52 | 79.66 | 78.56 | 13.53 | | | 26.94 | 12.76 | 15.12 | 15.12 |
| | Sub-Loop Distribution Per 4-Wire Analog Voice Grade Loop - Zone 3 | | 3 | UEANL | USBN4 | 16.73 | 156.52 | 79.66 | 78.56 | 13.53 | | | 26.94 | 12.76 | 15.12 | 15.12 |
| | Order Coordination for Unbundled Sub-Loops, per sub-loop pair | | | UEANL | USBMC | | 45.34 | 45.34 | | | | | | | | |
| | Sub-Loop 2-Wire Intrabuilding Network Cable (INC) | I | | UEANL | USBR2 | 3.50 | 114.05 | 37.20 | 76.58 | 10.81 | | | 26.94 | 12.76 | 15.12 | 15.12 |
| | Order Coordination for Unbundled Sub-Loops, per sub-loop pair | | | UEANL | USBMC | | 45.34 | 45.34 | | | | | | | | |
| | Sub-Loop 4-Wire Intrabuilding Network Cable (INC) | I | | UEANL | USBR4 | 3.75 | 127.67 | 50.82 | 78.71 | 10.69 | | | 26.94 | 12.76 | 15.12 | 15.12 |
| | Order Coordination for Unbundled Sub-Loops, per sub-loop pair | | | UEANL | USBMC | | 45.34 | 45.34 | | | | | | | | |
| | 2 Wire Copper Unbundled Sub-Loop Distribution - Zone 1 | I | 1 | UEF | UCS2X | 7.33 | 137.10 | 60.24 | 76.58 | 10.81 | | | 26.94 | 12.76 | 15.12 | 15.12 |
| | 2 Wire Copper Unbundled Sub-Loop Distribution - Zone 2 | I | 2 | UEF | UCS2X | 10.95 | 137.10 | 60.24 | 76.58 | 10.81 | | | 26.94 | 12.76 | 15.12 | 15.12 |
| | 2 Wire Copper Unbundled Sub-Loop Distribution - Zone 3 | I | 3 | UEF | UCS2X | 12.36 | 137.10 | 60.24 | 76.58 | 10.81 | | | 26.94 | 12.76 | 15.12 | 15.12 |
| | Order Coordination for Unbundled Sub-Loops, per sub-loop pair | | | UEF | USBMC | | 45.34 | 45.34 | | | | | | | | |
| | 4 Wire Copper Unbundled Sub-Loop Distribution - Zone 1 | I | 1 | UEF | UCS4X | 7.14 | 162.24 | 85.38 | 78.56 | 13.53 | | | 26.94 | 12.76 | 15.12 | 15.12 |
| | 4 Wire Copper Unbundled Sub-Loop Distribution - Zone 2 | I | 2 | UEF | UCS4X | 11.09 | 162.24 | 85.38 | 78.56 | 13.53 | | | 26.94 | 12.76 | 15.12 | 15.12 |
| | 4 Wire Copper Unbundled Sub-Loop Distribution - Zone 3 | I | 3 | UEF | UCS4X | 12.63 | 162.24 | 85.38 | 78.56 | 13.53 | | | 26.94 | 12.76 | 15.12 | 15.12 |
| | Order Coordination for Unbundled Sub-Loops, per sub-loop pair | | | UEF | USBMC | | 45.34 | 45.34 | | | | | | | | |
| | Unbundled Sub-Loop Modification | | | | | | | | | | | | | | | |
| | Unbundled Sub-Loop Modification - 2-W Copper Dist Load Coil/Equip Removal per 2-W PR | | | UEF | ULM2X | | 353.95 | 12.20 | | | | | 26.94 | 12.76 | 15.12 | 15.12 |
| | Unbundled Sub-loop Modification - 4-W Copper Dist Load Coil/Equip Removal per 4-W PR | | | UEF | ULM4X | | 353.95 | 12.20 | | | | | 26.94 | 12.76 | 15.12 | 15.12 |
| | Unbundled Sub-loop Modification - 2-w/4-w Copper Dist Bridged Tap Removal, per PR unloaded | | | UEF | ULM4T | | 557.78 | 14.23 | | | | | 26.94 | 12.76 | 15.12 | 15.12 |
| | Unbundled Network Terminating Wire (UNTW) | | | | | | | | | | | | | | | |
| | Unbundled Network Terminating Wire (UNTW) per Pair | | | UENTW | UENPP | 0.44 | 64.98 | 64.98 | | | | | 26.94 | 12.76 | 15.12 | 15.12 |
| | Network Interface Device (NID) | | | | | | | | | | | | | | | |
| | Network Interface Device (NID) - 1-2 lines | I | | UENTW | UND12 | | 86.37 | 56.69 | | | | | 26.94 | 12.76 | 15.12 | 15.12 |
| | Network Interface Device (NID) - 1-6 lines | I | | UENTW | UND16 | | 127.93 | 98.21 | | | | | 26.94 | 12.76 | 15.12 | 15.12 |
| | Network Interface Device Cross Connect - 2 W | I | | UENTW | UNDC2 | | 11.68 | 11.68 | | | | | 26.94 | 12.76 | 15.12 | 15.12 |
| | Network Interface Device Cross Connect - 4W | I | | UENTW | UNDC4 | | 11.68 | 11.68 | | | | | 26.94 | 12.76 | 15.12 | 15.12 |
| | SUB-LOOPS | | | | | | | | | | | | | | | |
| | Sub-Loop Feeder | | | | | | | | | | | | | | | |
| | USL-Feeder, DS0 Set-up per Cross Box location - CLEC Distribution Facility set-up | | | UEA, UDN,UCL,UDL,UDC | USBFW | | 498.09 | | | | | | 19.99 | 19.99 | 19.99 | 19.99 |
| | USL Feeder - DS0 Set-up per Cross Box location - per 25 pair set-up | | | UEA, UDN,UCL,UDL,UDC | USBFX | | 45.04 | 45.04 | | | | | 19.99 | 19.99 | 19.99 | 19.99 |
| | USL Feeder DS1 Set-up at DSX location, per DS1 termination | | | USL | USBFZ | | 523.51 | 11.31 | | | | | 19.99 | 19.99 | 19.99 | 19.99 |

UNBUNDLED NETWORK ELEMENTS - North Carolina

| UNBUNDLED NETWORK ELEMENTS - North Carolina | | | | | | | | | | Attachment: 2 | | Exhibit: B | | | | |
|---|---|---------|------|-----|-------|-----------|--------------|--------|-------------------------|----------------------------------|--------------------------------------|--|--|---|---|---------------|
| CATEGORY | RATE ELEMENTS | Interim | Zone | BCS | USOC | RATES(\$) | | | | Svc Order Submitted Elec per LSR | Svc Order Submitted Manually per LSR | Incremental Charge - Manual Svc Order vs. Electronic-1st | Incremental Charge - Manual Svc Order vs. Electronic-Add'l | Incremental Charge - Manual Svc Order vs. Electronic-Disc 1st | Incremental Charge - Manual Svc Order vs. Electronic-Disc Add'l | |
| | | | | | | Rec | Nonrecurring | | Nonrecurring Disconnect | | | | | | | OSS Rates(\$) |
| | | | | | | | First | Add'l | First | Add'l | SOMEc | SOMAN | SOMAN | SOMAN | SOMAN | |
| | Unbundled Sub-Loop Feeder Loop, 2 Wire Ground Start, Voice Grade - Zone 1 | | 1 | UEA | USBFA | 11.43 | 122.52 | 46.61 | 149.46 | 59.37 | | | 19.99 | 19.99 | 19.99 | 19.99 |
| | Unbundled Sub-Loop Feeder Loop, 2 Wire Ground-Start, Voice Grade - Zone 2 | | 2 | UEA | USBFA | 18.35 | 122.52 | 46.61 | 149.46 | 59.37 | | | 19.99 | 19.99 | 19.99 | 19.99 |
| | Unbundled Sub-Loop Feeder Loop, Per 2 Wire Ground-Start, Voice Grade - Zone 3 | | 3 | UEA | USBFA | 21.04 | 122.52 | 46.61 | 149.46 | 59.37 | | | 19.99 | 19.99 | 19.99 | 19.99 |
| | Order Coordination for Specified Conversion Time, per LSR | | | UEA | OCOSL | | 45.34 | | | | | | | | | |
| | Unbundled Sub-Loop Feeder Loop, 2 Wire Loop-Start, Voice Grade - Zone 1 | | 1 | UEA | USBFB | 11.43 | 122.52 | 46.61 | 149.46 | 59.37 | | | 19.99 | 19.99 | 19.99 | 19.99 |
| | Unbundled Sub-Loop Feeder Loop, 2 Wire Loop-Start, Voice Grade - Zone 2 | | 2 | UEA | USBFB | 18.35 | 122.52 | 46.61 | 149.46 | 59.37 | | | 19.99 | 19.99 | 19.99 | 19.99 |
| | Unbundled Sub-Loop Feeder Loop, 2 Wire Start Loop, Voice Grade - Zone 3 | | 3 | UEA | USBFB | 21.04 | 122.52 | 46.61 | 149.46 | 59.37 | | | 19.99 | 19.99 | 19.99 | 19.99 |
| | Order Coordination for Specified Time Conversion, per LSR | | | UEA | OCOSL | | 45.34 | | | | | | | | | |
| | Unbundled Sub-Loop Feeder Loop, 2 Wire Reverse Battery, Voice Grade - Zone 1 | | 1 | UEA | USBFC | 11.43 | 122.52 | 46.61 | 149.46 | 59.37 | | | 19.99 | 19.99 | 19.99 | 19.99 |
| | Unbundled Sub-Loop Feeder Loop, 2 Wire Reverse Battery, Voice Grade - Zone 2 | | 2 | UEA | USBFC | 18.35 | 122.52 | 46.61 | 149.46 | 59.37 | | | 19.99 | 19.99 | 19.99 | 19.99 |
| | Unbundled Sub-Loop Feeder Loop, 2 Wire Analog Reverse Battery, Voice Grade - Zone 3 | | 3 | UEA | USBFC | 21.04 | 122.52 | 46.61 | 149.46 | 59.37 | | | 19.99 | 19.99 | 19.99 | 19.99 |
| | Order Coordination For Specified Conversion Time, per LSR | | | UEA | OCOSL | | 45.34 | | | | | | | | | |
| | Unbundled Sub-Loop Feeder Loop, 4 Wire Ground-Start, Voice Grade - Zone 1 | | 1 | UEA | USBFD | 21.91 | 226.36 | 144.28 | | | | | 19.99 | 19.99 | 19.99 | 19.99 |
| | Unbundled Sub-Loop Feeder Loop, 4 Wire Ground-Start, Voice Grade - Zone 2 | | 2 | UEA | USBFD | 35.92 | 226.36 | 144.28 | | | | | 19.99 | 19.99 | 19.99 | 19.99 |
| | Unbundled Sub-Loop Feeder Loop, 4 Wire Ground Start, Voice Grade - Zone 3 | | 3 | UEA | USBFD | 41.37 | 226.36 | 144.28 | | | | | 19.99 | 19.99 | 19.99 | 19.99 |
| | Order Coordination For Specified Conversion Time, Per LSR | | | UEA | OCOSL | | 45.34 | | | | | | | | | |
| | Unbundled Sub-Loop Feeder Loop, 4 Wire Loop-Start, Voice Grade - Zone 1 | | 1 | UEA | USBFE | 21.91 | 226.36 | 144.28 | | | | | 19.99 | 19.99 | 19.99 | 19.99 |
| | Unbundled Sub-Loop Feeder Loop, 4 Wire Loop-Start, Voice Grade - Zone 2 | | 2 | UEA | USBFE | 35.92 | 226.36 | 144.28 | | | | | 19.99 | 19.99 | 19.99 | 19.99 |
| | Unbundled Sub-Loop Feeder Loop, 4 Wire Loop-Start, Voice Grade - Zone 3 | | 3 | UEA | USBFE | 41.37 | 226.36 | 144.28 | | | | | 19.99 | 19.99 | 19.99 | 19.99 |
| | Order Coordination For Specified Conversion Time, Per LSR | | | UEA | OCOSL | | 45.34 | | | | | | | | | |
| | Unbundled Sub-Loop Feeder Loop, 2 Wire ISDN BRI - Zone 1 | | 1 | UDN | USBFF | 19.63 | 202.01 | 105.88 | | | | | 19.99 | 19.99 | 19.99 | 19.99 |
| | Unbundled Sub-Loop Feeder Loop, 2-Wire ISDN BRI - Zone 2 | | 2 | UDN | USBFF | 31.61 | 202.01 | 105.88 | | | | | 19.99 | 19.99 | 19.99 | 19.99 |
| | Unbundled Sub-Loop Feeder Loop, 2-Wire ISDN BRI - Zone 3 | | 3 | UDN | USBFF | 36.27 | 202.01 | 105.88 | | | | | 19.99 | 19.99 | 19.99 | 19.99 |
| | Order Coordination For Specified Conversion Time, Per LSR | | | UDN | OCOSL | | 45.34 | | | | | | | | | |
| | Unbundled Sub-Loop Feeder, 2 Wire UDC (IDSL compatible) | | 1 | UDC | USBFS | 19.63 | 202.01 | 105.88 | | | | | 19.99 | 19.99 | 19.99 | 19.99 |
| | Unbundled Sub-Loop Feeder, 2 Wire UDC (IDSL compatible) | | 2 | UDC | USBFS | 31.61 | 202.01 | 105.88 | | | | | 19.99 | 19.99 | 19.99 | 19.99 |
| | Unbundled Sub-Loop Feeder, 2 Wire UDC (IDSL compatible) | | 3 | UDC | USBFS | 36.27 | 202.01 | 105.88 | | | | | 19.99 | 19.99 | 19.99 | 19.99 |
| | Unbundled Sub-Loop Feeder Loop, 4-Wire DS1 - Zone 1 | | 1 | USL | USBFG | 39.69 | 393.01 | 153.37 | | | | | 42.19 | 12.76 | | |
| | Unbundled Sub-Loop Feeder Loop, 4-Wire DS1 - Zone 2 | | 2 | USL | USBFG | 67.36 | 393.01 | 153.37 | | | | | 42.19 | 12.76 | | |
| | Unbundled Sub-Loop Feeder Loop, 4-Wire DS1 - Zone 3 | | 3 | USL | USBFG | 78.12 | 393.01 | 153.37 | | | | | 42.19 | 12.76 | | |
| | Order Coordination For Specified Conversion Time, Per LSR | | | USL | OCOSL | | 45.34 | | | | | | | | | |
| | Unbundled Sub-Loop Feeder, 2-Wire Copper Loop - Zone 1 | | 1 | UCL | USBFH | 10.66 | 172.89 | 90.81 | | | | | 19.99 | 19.99 | 19.99 | 19.99 |
| | Unbundled Sub-Loop Feeder Loop, 2-Wire Copper Loop - Zone 2 | | 2 | UCL | USBFH | 16.44 | 172.89 | 90.81 | | | | | 19.99 | 19.99 | 19.99 | 19.99 |
| | Unbundled Sub-Loop Feeder Loop, 2-Wire Copper Loop - Zone 3 | | 3 | UCL | USBFH | 18.69 | 172.89 | 90.81 | | | | | 19.99 | 19.99 | 19.99 | 19.99 |
| | Order Coordination For Specified Conversion Time, per LSR | | | UCL | OCOSL | | 45.34 | | | | | | | | | |
| | Sub-Loop Feeder - Per 4-Wire Copper Loop - Zone 1 | | 1 | UCL | USBFJ | 14.68 | 207.14 | 134.77 | | | | | 19.99 | 19.99 | 19.99 | 19.99 |
| | Sub-Loop Feeder - Per 4-Wire Copper Loop - Zone 2 | | 2 | UCL | USBFJ | 23.74 | 207.14 | 134.77 | | | | | 19.99 | 19.99 | 19.99 | 19.99 |
| | Sub-Loop Feeder - Per 4-Wire Copper Loop - Zone 3 | | 3 | UCL | USBFJ | 27.26 | 207.14 | 134.77 | | | | | 19.99 | 19.99 | 19.99 | 19.99 |
| | Order Coordination For Specified Conversion Time, per LSR | | | UCL | OCOSL | | 45.34 | | | | | | | | | |
| | Sub-Loop Feeder - Per 4-Wire 19.2 Kbps Digital Grade Loop | | 1 | UDL | USBFN | 26.71 | 215.00 | 132.92 | | | | | 19.99 | 19.99 | 19.99 | 19.99 |
| | Sub-Loop Feeder - Per 4-Wire 19.2 Kbps Digital Grade Loop | | 2 | UDL | USBFN | 44.07 | 215.00 | 132.92 | | | | | 19.99 | 19.99 | 19.99 | 19.99 |
| | Sub-Loop Feeder - Per 4-Wire 19.2 Kbps Digital Grade Loop | | 3 | UDL | USBFN | 50.83 | 215.00 | 132.92 | | | | | 19.99 | 19.99 | 19.99 | 19.99 |

| UNBUNDLED NETWORK ELEMENTS - North Carolina | | | | | | | | | | | Attachment: 2 | | Exhibit: B | | | |
|---|---|---------|------|-------|-------|-----------|--------------|--------|-------------------------|----------------------------------|--------------------------------------|--|--|---|---|---------------|
| CATEGORY | RATE ELEMENTS | Interim | Zone | BCS | USOC | RATES(\$) | | | | Svc Order Submitted Elec per LSR | Svc Order Submitted Manually per LSR | Incremental Charge - Manual Svc Order vs. Electronic-1st | Incremental Charge - Manual Svc Order vs. Electronic-Add'l | Incremental Charge - Manual Svc Order vs. Electronic-Disc 1st | Incremental Charge - Manual Svc Order vs. Electronic-Disc Add'l | |
| | | | | | | Rec | Nonrecurring | | Nonrecurring Disconnect | | | | | | | OSS Rates(\$) |
| | | | | | | | First | Add'l | First | Add'l | SOMEc | SOMAN | SOMAN | SOMAN | SOMAN | |
| | Sub-Loop Feeder - Per 4-Wire 56 Kbps Digital Grade Loop - Zone 1 | | 1 | UDL | USBFO | 26.71 | 215.00 | 132.92 | | | | | 19.99 | 19.99 | 19.99 | 19.99 |
| | Sub-Loop Feeder - Per 4-Wire 56 Kbps Digital Grade Loop - Zone 2 | | 2 | UDL | USBFO | 44.07 | 215.00 | 132.92 | | | | | 19.99 | 19.99 | 19.99 | 19.99 |
| | Sub-Loop Feeder - Per 4-Wire 56 Kbps Digital Grade Loop - Zone 3 | | 3 | UDL | USBFO | 50.83 | 215.00 | 132.92 | | | | | 19.99 | 19.99 | 19.99 | 19.99 |
| | Order Coordination For Specified Time Conversion, per LSR | | | UDL | OCOSL | | 45.34 | | | | | | | | | |
| | Sub-Loop Feeder - Per 4-Wire 64 Kbps Digital Grade Loop - Zone 1 | | 1 | UDL | USBFP | 26.71 | 215.00 | 132.92 | | | | | 19.99 | 19.99 | 19.99 | 19.99 |
| | Sub-Loop Feeder - Per 4-Wire 64 Kbps Digital Grade Loop - Zone 2 | | 2 | UDL | USBFP | 44.07 | 215.00 | 132.92 | | | | | 19.99 | 19.99 | 19.99 | 19.99 |
| | Sub-Loop Feeder - Per 4-Wire 64 Kbps Digital Grade Loop - Zone 3 | | 3 | UDL | USBFP | 50.83 | 215.00 | 132.92 | | | | | 19.99 | 19.99 | 19.99 | 19.99 |
| | Order Coordination For Specified Conversion Time, per LSR | | | UDL | OCOSL | | 45.34 | | | | | | | | | |
| SUB-LOOPS | | | | | | | | | | | | | | | | |
| Sub-Loop Feeder | | | | | | | | | | | | | | | | |
| | Sub Loop Feeder - DS3 - Per Mile Per Month | I | | UE3 | 1L5SL | 16.03 | | | | | | | | | | |
| | Sub Loop Feeder - DS3 - Facility Termination Per Month | I | | UE3 | USBF1 | 350.32 | 3,383.00 | 406.81 | 164.08 | 93.01 | | | 26.94 | 12.76 | | |
| | Sub Loop Feeder - STS-1 - Per Mile Per Month | I | | UDLSX | 1L5SL | 16.03 | | | | | | | | | | |
| | Sub Loop Feeder - STS-1 - Facility Termination Per Month | I | | UDLSX | USBF7 | 376.06 | 3,383.00 | 406.81 | 164.08 | 93.01 | | | 26.94 | 12.76 | | |
| | Sub Loop Feeder - OC-3 - Per Mile Per Month | I | | UDLO3 | 1L5SL | 12.16 | | | | | | | | | | |
| | Sub Loop Feeder - OC-3 - Facility Termination Protection Per Month | I | | UDLO3 | USBF5 | 56.60 | | | | | | | | | | |
| | Sub Loop Feeder - OC-3 - Facility Termination Per Month | I | | UDLO3 | USBF2 | 564.14 | 3,383.00 | 406.81 | 164.08 | 93.01 | | | 26.94 | 12.76 | | |
| | Sub Loop Feeder - OC-12 - Per Mile Per Month | I | | UDL12 | 1L5SL | 14.97 | | | | | | | | | | |
| | Sub Loop Feeder - OC-12 - Facility Termination Protection Per Month | I | | UDL12 | USBF6 | 639.50 | | | | | | | | | | |
| | Sub Loop Feeder - OC-12 - Facility Termination Per Month | I | | UDL12 | USBF3 | 1,841.00 | 3,383.00 | 406.81 | 164.08 | 93.01 | | | 26.94 | 12.76 | | |
| | Sub Loop Feeder - OC-48 - Per Mile Per Month | I | | UDL48 | 1L5SL | 49.10 | | | | | | | | | | |
| | Sub Loop Feeder - OC-48 - Facility Termination Protection Per Month | I | | UDL48 | USBF9 | 319.92 | | | | | | | | | | |
| | Sub Loop Feeder - OC-48 - Facility Termination Per Month | I | | UDL48 | USBF4 | 1,603.00 | 3,569.00 | 406.81 | 160.39 | 90.92 | | | 26.94 | 12.76 | | |
| | Sub Loop Feeder - OC-12 Interface On OC-48 | I | | UDL48 | USBF8 | 360.95 | 787.73 | 406.81 | 160.39 | 90.92 | | | 26.94 | 12.76 | | |
| UNBUNDLED LOOP CONCENTRATION | | | | | | | | | | | | | | | | |
| | Unbundled Loop Concentration - System A (TR008) | | | ULC | UCT8A | 398.41 | 652.26 | 652.26 | | | | | 19.99 | 19.99 | 19.99 | 19.99 |
| | Unbundled Loop Concentration - System B (TR008) | | | ULC | UCT8B | 58.36 | 271.78 | 271.78 | | | | | 19.99 | 19.99 | 19.99 | 19.99 |
| | Unbundled Loop Concentration - System A (TR303) | | | ULC | UCT3A | 439.73 | 652.25 | 652.26 | | | | | 19.99 | 19.99 | 19.99 | 19.99 |
| | Unbundled Loop Concentration - System B (TR303) | | | ULC | UCT3B | 98.34 | 271.78 | 271.78 | | | | | 19.99 | 19.99 | 19.99 | 19.99 |
| | Unbundled Loop Concentration - DS1 Loop Interface Card | | | ULC | UCTCO | 5.52 | 126.85 | 92.35 | 33.65 | 9.42 | | | 19.99 | 19.99 | 19.99 | 19.99 |
| | Unbundled Loop Concentration - ISDN Loop Interface (Brite Card) | | | UDN | ULCC1 | 8.77 | 21.11 | 21.00 | 10.81 | 10.74 | | | 19.99 | 19.99 | 19.99 | 19.99 |
| | Unbundled Loop Concentration - UDC Loop Interface (Brite Card) | | | UDC | ULCCU | 8.77 | 21.11 | 21.00 | 10.81 | 10.74 | | | 19.99 | 19.99 | 19.99 | 19.99 |
| | Unbundled Loop Concentration - 2 Wire Voice-Loop Start or Ground Start Loop Interface (POTS Card) | | | UEA | ULCC2 | 2.19 | 21.11 | 21.00 | 10.81 | 10.74 | | | 19.99 | 19.99 | 19.99 | 19.99 |
| | Unbundled Loop Concentration - 2 Wire Voice - Reverse Battery Loop Interface (SPOTS Card) | | | UEA | ULCCR | 13.03 | 21.11 | 21.00 | 10.81 | 10.74 | | | 19.99 | 19.99 | 19.99 | 19.99 |
| | Unbundled Loop Concentration - 4 Wire Voice Loop Interface (Specials Card) | | | UEA | ULCC4 | 7.77 | 21.11 | 21.00 | 10.81 | 10.74 | | | 19.99 | 19.99 | 19.99 | 19.99 |
| | Unbundled Loop Concentration - TEST CIRCUIT Card | | | ULC | UCTTC | 37.98 | 21.11 | 21.00 | 10.81 | 10.74 | | | 19.99 | 19.99 | 19.99 | 19.99 |
| | Unbundled Loop Concentration - Digital 19.2 Kbps Data Loop Interface | | | UDL | ULCC7 | 11.51 | 21.11 | 21.00 | 10.81 | 10.74 | | | 19.99 | 19.99 | 19.99 | 19.99 |
| | Unbundled Loop Concentration - Digital 56 Kbps Data Loop Interface | | | UDL | ULCC5 | 11.51 | 21.11 | 21.00 | 10.81 | 10.74 | | | 19.99 | 19.99 | 19.99 | 19.99 |
| | Unbundled Loop Concentration - Digital 64 Kbps Data Loop Interface | | | UDL | ULCC6 | 11.51 | 21.11 | 21.00 | 10.81 | 10.74 | | | 19.99 | 19.99 | 19.99 | 19.99 |
| UNE OTHER, PROVISIONING ONLY - NO RATE | | | | | | | | | | | | | | | | |
| | NID - Dispatch and Service Order for NID installation | | | UENTW | UNDBX | | | | | | | | | | | |
| | UNTW Circuit Id Establishment, Provisioning Only - No Rate | | | UENTW | UENCE | | | | | | | | | | | |

| UNBUNDLED NETWORK ELEMENTS - North Carolina | | | | | | | | | | Attachment: 2 | | Exhibit: B | |
|--|---|---------|------|---------------------------------|-------|-----------|----------------------------------|--------------------------------------|--|--|---|---|-----|
| CATEGORY | RATE ELEMENTS | Interim | Zone | BCS | USOC | RATES(\$) | Svc Order Submitted Elec per LSR | Svc Order Submitted Manually per LSR | Incremental Charge - Manual Svc Order vs. Electronic-1st | Incremental Charge - Manual Svc Order vs. Electronic-Add'l | Incremental Charge - Manual Svc Order vs. Electronic-Disc 1st | Incremental Charge - Manual Svc Order vs. Electronic-Disc Add'l | |
| | | | | | | | | | | | | | Rec |
| | | | | | | | | | | | | | |
| | Unbundled Contract Name, Provisioning Only - No Rate | | | UEANL,UEF,UEQ,U ENTW | UNECN | | | | | | | | |
| UNE OTHER, PROVISIONING ONLY - NO RATE | | | | | | | | | | | | | |
| | Unbundled Contact Name, Provisioning Only - no rate | | | UAL,UCL,UDC,UDL,UDN,UEA,UHL,ULC | UNECN | 0.00 | 0.00 | | | | | | |
| | Unbundled Sub-Loop Feeder-2 Wire Cross Box Jumper - no rate | | | UEA,UDN,UCL,UDC | USBFQ | 0.00 | 0.00 | | | | | | |
| | Unbundled Sub-Loop Feeder-4 Wire Cross Box Jumper - no rate | | | UEA,USL,UCL,UDL | USBFR | 0.00 | 0.00 | | | | | | |
| | Unbundled DS1 Loop - Superframe Format Option - no rate | | | USL | CCOSF | 0.00 | 0.00 | | | | | | |
| | Unbundled DS1 Loop - Expanded Superframe Format option - no rate | | | USL | CCOEF | 0.00 | 0.00 | | | | | | |
| HIGH CAPACITY UNBUNDLED LOCAL LOOP | | | | | | | | | | | | | |
| | High Capacity Unbundled Local Loop - DS3 - Per Mile per month | | | UE3 | 1L5ND | 11.12 | | | | | | | |
| | High Capacity Unbundled Local Loop - DS3 - Facility Termination per month | | | UE3 | UE3PX | 404.98 | 1,124.48 | 699.60 | | 53.48 | 53.48 | | |
| | High Capacity Unbundled Local Loop - STS-1 - Per Mile per month | | | UDLSX | 1L5ND | 11.12 | | | | | | | |
| | High Capacity Unbundled Local Loop - STS-1 - Facility Termination per month | | | UDLSX | UDLS1 | 417.70 | 1,124.48 | 699.60 | | 53.48 | 53.48 | | |
| LOOP MAKE-UP | | | | | | | | | | | | | |
| | Loop Makeup - Preordering Without Reservation, per working or spare facility queried (Manual). | | | UMK | UMKLW | | 56.34 | 56.34 | | | | | |
| | Loop Makeup - Preordering With Reservation, per spare facility queried (Manual). | | | UMK | UMKLP | | 58.56 | 58.56 | | | | | |
| | Loop Makeup--With or Without Reservation, per working or spare facility queried (Mechanized) | | | UMK | PSUMK | | 1.04 | 1.04 | | | | | |
| HIGH FREQUENCY SPECTRUM | | | | | | | | | | | | | |
| SPLITTERS-CENTRAL OFFICE BASED | | | | | | | | | | | | | |
| | Line Sharing Splitter, per System 96 Line Capacity | | | ULS | ULSDA | 152.73 | 424.61 | 0.00 | | 26.94 | 12.76 | | |
| | Line Sharing Splitter, per System 24 Line Capacity | | | ULS | ULSDB | 38.18 | 424.61 | 0.00 | | 26.94 | 12.76 | | |
| | Line Sharing Splitter, Per System, 8 Line Capacity | I | | ULS | ULSD8 | 12.73 | 424.61 | 0.00 | | 26.94 | 12.76 | | |
| | Line Sharing-DLEC Owned Splitter in CO-CFA activation-deactivation (per LSOD) | | | ULS | ULSDG | | 146.32 | 31.27 | | 26.94 | 12.76 | | |
| END USER ORDERING-CENTRAL OFFICE BASED-HIGH FREQUENCY SPECTRUM AKA LINE SHARING | | | | | | | | | | | | | |
| | Line Sharing - per Line Activation (BST Owned Splitter) | | | ULS | ULSDC | 0.61 | 56.92 | 28.59 | | 26.94 | 12.76 | | |
| | Line Sharing - per Subsequent Activity per Line Rearrangement(BST Owned Splitter) | | | ULS | ULSDS | | 35.14 | 16.29 | | 26.94 | 12.76 | | |
| | Line Sharing - per Subsequent Activity per Line Rearrangement(DLEC Owned Splitter) | | | ULS | ULSCS | | 35.14 | 16.29 | | 26.94 | 12.76 | | |
| | Line Sharing - per Line Activation (DLEC owned Splitter) | I | | ULS | ULSCC | 0.61 | 47.44 | 19.31 | 20.67 | 12.74 | 26.94 | 12.76 | |
| | Line Splitting - per line activation DLEC owned splitter | I | | UEPSR UEPSB | UREOS | 0.61 | | | | | | | |
| | Line Splitting - per line activation BST owned - physical | I | | UEPSR UEPSB | UREBP | 0.641 | 56.92 | 28.59 | | 26.94 | 12.76 | | |
| | Line Splitting - per line activation BST owned - virtual | I | | UEPSR UEPSB | UREBV | 0.639 | 56.92 | 28.59 | | 26.94 | 12.76 | | |
| UNBUNDLED DEDICATED TRANSPORT | | | | | | | | | | | | | |
| NOTE: INTEROFFICE CHANNEL DEDICATED TRANSPORT - minimum billing period - below DS3=one month, DS3/STS-1=four months | | | | | | | | | | | | | |
| INTEROFFICE CHANNEL - DEDICATED TRANSPORT | | | | | | | | | | | | | |
| | Interoffice Channel - Dedicated Transport - 2-Wire Voice Grade - Per Mile per month | | | U1TVX | 1L5XX | 0.0282 | | | | | | | |
| | Interoffice Channel - Dedicated Transport- 2- Wire Voice Grade - Facility Termination per month | | | U1TVX | U1TV2 | 18.00 | 137.48 | 52.58 | | 38.07 | 38.07 | | |
| | Interoffice Channel - Dedicated Transport- 2-Wire Voice Grade Rev Bat. - Per Mile per month | | | U1TVX | 1L5XX | 0.0282 | | | | | | | |
| | Interoffice Channel - Dedicated Transport- 2- Wire VG Rev Bat. Facility Termination per month | | | U1TVX | U1TR2 | 18.00 | 137.48 | 52.58 | | 38.07 | 38.07 | | |
| | Interoffice Channel - Dedicated Transport - 4-Wire Voice Grade - Per Mile per month | | | U1TVX | 1L5XX | 0.0282 | | | | | | | |

| UNBUNDLED NETWORK ELEMENTS - North Carolina | | | | | | | | | | | Attachment: 2 | | Exhibit: B | | | | | | | | |
|--|---|---------|------|-------|-------|-----------|----------------------------------|--------------------------------------|--|--|---|---|---------------|--------------|-------|-------------------------|--|--------|-------|-------|-------|
| CATEGORY | RATE ELEMENTS | Interim | Zone | BCS | USOC | RATES(\$) | Svc Order Submitted Elec per LSR | Svc Order Submitted Manually per LSR | Incremental Charge - Manual Svc Order vs. Electronic-1st | Incremental Charge - Manual Svc Order vs. Electronic-Add'l | Incremental Charge - Manual Svc Order vs. Electronic-Disc 1st | Incremental Charge - Manual Svc Order vs. Electronic-Disc Add'l | OSS Rates(\$) | | | | | | | | |
| | | | | | | | | | | | | | Rec | Nonrecurring | | Nonrecurring Disconnect | | SOME C | SOMAN | SOMAN | SOMAN |
| | | | | | | | | | | | | | First | Add'l | First | Add'l | | | | | |
| | Interoffice Channel - Dedicated Transport - 4-Wire Voice Grade - Facility Termination per month | | | U1TVX | U1TV4 | 22.16 | | | | | | | 106.11 | 65.95 | | | | | | 38.07 | 38.07 |
| | Interoffice Channel - Dedicated Transport - 56 kbps - per mile per month | | | U1TDX | 1L5XX | 0.0282 | | | | | | | | | | | | | | | |
| | Interoffice Channel - Dedicated Transport - 56 kbps - Facility Termination per month | | | U1TDX | U1TD5 | 17.40 | | | | | | | 137.48 | 52.58 | | | | | | 38.07 | 38.07 |
| | Interoffice Channel - Dedicated Transport - 64 kbps - per mile per month | | | U1TDX | 1L5XX | 0.0282 | | | | | | | | | | | | | | | |
| | Interoffice Channel - Dedicated Transport - 64 kbps - Facility Termination per month | | | U1TDX | U1TD6 | 17.40 | | | | | | | 137.48 | 52.58 | | | | | | 38.07 | 38.07 |
| | Interoffice Channel - Dedicated Channel - DS1 - Per Mile per month | | | U1TD1 | 1L5XX | 0.5753 | | | | | | | | | | | | | | | |
| | Interoffice Channel - Dedicated Transport - DS1 - Facility Termination per month | | | U1TD1 | U1TF1 | 71.29 | | | | | | | 217.17 | 163.75 | | | | | | 38.07 | 38.07 |
| | Interoffice Channel - Dedicated Transport - DS3 - Per Mile per month | | | U1TD3 | 1L5XX | 12.98 | | | | | | | | | | | | | | | |
| | Interoffice Channel - Dedicated Transport - DS3 - Facility Termination per month | | | U1TD3 | U1TF3 | 720.38 | | | | | | | 794.94 | 579.55 | | | | | | 91.26 | 91.26 |
| | Interoffice Channel - Dedicated Transport - STS-1 - Per Mile per month | | | U1TS1 | 1L5XX | 6.14 | | | | | | | | | | | | | | | |
| | Interoffice Channel - Dedicated Transport - STS-1 - Facility Termination per month | | | U1TS1 | U1TFS | 790.37 | | | | | | | 642.23 | 408.89 | | | | | | 53.48 | 53.48 |
| LOCAL CHANNEL - DEDICATED TRANSPORT | | | | | | | | | | | | | | | | | | | | | |
| NOTE: LOCAL CHANNEL DEDICATED TRANSPORT - minimum billing period - below DS3=one month, DS3/STS-1=four months | | | | | | | | | | | | | | | | | | | | | |
| | Local Channel - Dedicated - 2-Wire Voice Grade Per Month | | | ULDVX | ULDV2 | | | | | | | | | | | | | | | 42.17 | 12.76 |
| | Local Channel - Dedicated - 2-Wire Voice Grade per month - Zone 1 | | 1 | ULDVX | ULDV2 | 12.51 | | | | | | | 553.80 | 89.69 | | | | | | | |
| | Local Channel - Dedicated - 2-Wire Voice Grade per month - Zone 2 | | 2 | ULDVX | ULDV2 | 21.23 | | | | | | | 553.80 | 89.69 | | | | | | | |
| | Local Channel - Dedicated - 2-Wire Voice Grade per month - Zone 3 | | 3 | UNDVX | ULDV2 | 24.62 | | | | | | | 553.80 | 89.69 | | | | | | | |
| | Local Channel - Dedicated - 4-Wire Voice Grade per month - Zone 1 | | 1 | UNDVX | ULDV4 | 13.40 | | | | | | | 562.23 | 92.67 | | | | | | | |
| | Local Channel - Dedicated - 4-Wire Voice Grade per month - Zone 2 | | 2 | UNDVX | ULDV4 | 22.73 | | | | | | | 562.23 | 92.67 | | | | | | | |
| | Local Channel - Dedicated - 4-Wire Voice Grade per month - Zone 3 | | 3 | UNDVX | ULDV4 | 26.37 | | | | | | | 562.23 | 92.67 | | | | | | | |
| | Local Channel - Dedicated - DS1 per month - Zone 1 | | 1 | ULDD1 | ULDF1 | 30.12 | | | | | | | 534.48 | 462.69 | | | | | | 42.17 | 12.76 |
| | Local Channel - Dedicated - DS1 per month - Zone 2 | | 2 | ULDD1 | ULDF1 | 51.11 | | | | | | | 534.48 | 462.69 | | | | | | 42.17 | 12.76 |
| | Local Channel - Dedicated - DS1 per month - Zone 3 | | 3 | ULDD1 | ULDF1 | 59.28 | | | | | | | 534.48 | 462.69 | | | | | | 42.17 | 12.76 |
| | Local Channel - Dedicated - DS3 - Per Mile per month | | | ULDD3 | 1L5NC | 8.66 | | | | | | | | | | | | | | | |
| | Local Channel - Dedicated - DS3 - Facility Termination per month | | | ULDD3 | ULDF3 | 496.76 | | | | | | | 562.25 | 527.88 | | | | | | 56.25 | 56.25 |
| | Local Channel - Dedicated - STS-1 - Per Mile per month | | | ULDS1 | 1L5NC | 8.66 | | | | | | | | | | | | | | | |
| | Local Channel - Dedicated - STS-1 - Facility Termination per month | | | ULDS1 | ULDFS | 484.06 | | | | | | | 1,071.00 | 646.12 | | | | | | 38.07 | 38.07 |
| MULTIPLXERS | | | | | | | | | | | | | | | | | | | | | |
| | Channelization - DS1 to DS0 Channel System | | | UXTD1 | MQ1 | 146.69 | | | | | | | 197.78 | 140.06 | | | | | | 24.85 | 8.16 |
| | OCU-DP COCI (data) - DS1 to DS0 Channel System - per month (2.4-64kbs) | | | UDL | 1D1DD | 2.00 | | | | | | | 13.09 | 9.38 | | | | | | 24.85 | 8.16 |
| | 2-wire ISDN COCI (BRITE) - DS1 to DS0 Channel System - per month | | | UDN | UC1CA | 3.59 | | | | | | | 13.09 | 9.38 | | | | | | 24.85 | 8.16 |
| | Voice Grade COCI - DS1 to DS0 Channel System - per month | | | UEA | 1D1VG | 1.27 | | | | | | | 13.09 | 9.38 | | | | | | 24.85 | 8.16 |
| | DS3 to DS1 Channel System per month | | | UXTD3 | MQ3 | 233.10 | | | | | | | 403.97 | 234.40 | | | | | | 24.78 | 7.42 |
| | STS1 to DS1 Channel System per month | | | UXTS1 | MQ3 | 233.10 | | | | | | | 403.97 | 234.40 | | | | | | 38.07 | 38.07 |
| | DS3 Interface Unit (DS1 COCI) used with Loop per month | | | USL | UC1D1 | 16.07 | | | | | | | 13.09 | 9.38 | | | | | | 24.85 | 8.16 |
| | DS3 Interface Unit (DS1 COCI) used with Local Channel per month | | | ULDD1 | UC1D1 | 16.07 | | | | | | | 13.09 | 9.38 | | | | | | 24.85 | 8.16 |

| UNBUNDLED NETWORK ELEMENTS - North Carolina | | | | | | | | | | Attachment: 2 | | Exhibit: B | | | | | |
|---|--|---------|------|----------|-------|-----------|----------------------------------|--------------------------------------|--|--|---|---|-------|--------------|-------|-------------------------|--|
| CATEGORY | RATE ELEMENTS | Interim | Zone | BCS | USOC | RATES(\$) | Svc Order Submitted Elec per LSR | Svc Order Submitted Manually per LSR | Incremental Charge - Manual Svc Order vs. Electronic-1st | Incremental Charge - Manual Svc Order vs. Electronic-Add'l | Incremental Charge - Manual Svc Order vs. Electronic-Disc 1st | Incremental Charge - Manual Svc Order vs. Electronic-Disc Add'l | | | | | |
| | | | | | | | | | | | | | Rec | Nonrecurring | | Nonrecurring Disconnect | |
| | | | | | | | First | Add'l | First | Add'l | SOMEc | SOMAN | SOMAN | SOMAN | SOMAN | SOMAN | |
| | DS3 Interface Unit (DS1 COCI) used with Interoffice Channel per month | | | U1TD1 | UC1D1 | 16.07 | | 13.09 | 9.38 | | | | 24.85 | 8.16 | | | |
| DARK FIBER | | | | | | | | | | | | | | | | | |
| | Dark Fiber, Four Fiber Strands, Per Route Mile or Fraction Thereof per month - Local Channel | | | UDF | 1L5DC | 53.86 | | | | | | | | | | | |
| | NRC Dark Fiber - Local Channel | | | UDF | UDFC4 | | 1,807.00 | 562.96 | | | | | 38.07 | 38.07 | | | |
| | Dark Fiber, Four Fiber Strands, Per Route Mile or Fraction Thereof per month - Interoffice Channel | | | UDF | 1L5DF | 27.71 | | | | | | | | | | | |
| | NRC Dark Fiber - Interoffice Channel | | | UDF | UDF14 | | 1,807.00 | 562.96 | | | | | 38.07 | 38.07 | | | |
| | Dark Fiber, Four Fiber Strands, Per Route Mile or Fraction Thereof per month - Local Loop | | | UDF | 1L5DL | 53.86 | | | | | | | | | | | |
| | NRC Dark Fiber - Local Loop | | | UDF | UDFL4 | | 1,807.00 | 562.96 | | | | | 38.07 | 38.07 | | | |
| TRANSPORT OTHER | | | | | | | | | | | | | | | | | |
| | Optional Features & Functions: | | | | | | | | | | | | | | | | |
| 8XX ACCESS TEN DIGIT SCREENING | | | | | | | | | | | | | | | | | |
| | 8XX Access Ten Digit Screening, Per Call | | | OHD | | 0.0005 | | | | | | | | | | | |
| | 8XX Access Ten Digit Screening, Reservation Charge Per 8XX Number Reserved | | | OHD | N8R1X | | 7.05 | 0.96 | | | | | 26.94 | 26.94 | | | |
| | 8XX Access Ten Digit Screening, Per 8XX No. Established W/O POTS Translations | | | OHD | | | 23.82 | 2.73 | | | | | 26.94 | 26.94 | | | |
| | 8XX Access Ten Digit Screening, Per 8XX No. Established With POTS Translations | | | OHD | N8FTX | | 23.82 | 2.73 | | | | | 26.94 | 26.94 | | | |
| | 8XX Access Ten Digit Screening, Customized Area of Service Per 8XX Number | | | OHD | N8FCX | | 5.63 | 2.82 | | | | | 26.94 | 26.94 | | | |
| | 8XX Access Ten Digit Screening, Multiple InterLATA CXR Routing Per CXR Requested Per 8XX No. | | | OHD | N8FMX | | 6.59 | 3.77 | | | | | 26.94 | 26.94 | | | |
| | 8XX Access Ten Digit Screening, Change Charge Per Request | | | OHD | N8FAX | | 8.01 | 0.96 | | | | | 26.94 | 26.94 | | | |
| | 8XX Access Ten Digit Screening, Call Handling and Destination Features | | | OHD | N8FDX | | 5.63 | | | | | | 26.94 | 26.94 | | | |
| LINE INFORMATION DATA BASE ACCESS (LIDB) | | | | | | | | | | | | | | | | | |
| | LIDB Common Transport Per Query | | | OQT | | 0.0003 | | | | | | | | | | | |
| | LIDB Validation Per Query | | | OQU | | 0.0134 | | | | | | | | | | | |
| | LIDB Originating Point Code Establishment or Change | | | OQT, OQU | NRPBX | | 62.26 | | | | | | 26.94 | 26.94 | | | |
| SIGNALING (CCS7) | | | | | | | | | | | | | | | | | |
| | CCS7 Signaling Termination, Per STP Port | | | UDB | PT8SX | 132.83 | | | | | | | | | | | |
| | CCS7 Signaling Usage, Per TCAP Message | | | UDB | | 0.00009 | | | | | | | | | | | |
| | CCS7 Signaling Connection, Per link (A link) | | | UDB | TPP++ | 18.22 | 278.02 | 278.02 | | | | | 19.99 | 19.99 | 19.99 | 19.99 | |
| | CCS7 Signaling Connection, Per link (B link) (also known as D link) | | | UDB | TPP++ | 18.22 | 278.02 | 278.02 | | | | | 19.99 | 19.99 | 19.99 | 19.99 | |
| | CCS7 Signaling Usage, Per ISUP Message | | | UDB | | 0.00004 | | | | | | | | | | | |
| | CCS7 Signaling Usage Surrogate, per link per LATA | | | UDB | STU56 | 338.98 | | | | | | | | | | | |
| | CCS7 Signaling Point Code, per Originating Point Code Establishment or Change, per STP affected | | | UDB | CCAPO | | 40.00 | 40.00 | | | | | 19.99 | 19.99 | 19.99 | 19.99 | |
| | CCS7 Signaling Point Code, per Destination Point Code Establishment or Change, Per Stp Affected | | | UDB | CCAPD | | 8.00 | 8.00 | | | | | 19.99 | 19.99 | 19.99 | 19.99 | |
| CALLING NAME (CNAM) SERVICE | | | | | | | | | | | | | | | | | |
| | CNAM for DB Owners, Per Query | | | OQV | | 0.01 | | | | | | | | | | | |
| | CNAM for Non DB Owners, Per Query | | | OQV | | 0.01 | | | | | | | | | | | |
| | CNAM (Non-Databs Owner), NRC, applies when using the Character Based User Interface (CHUI) | | | OQV | CDDCH | | 595.00 | 595.00 | | | | | 26.94 | 26.94 | | | |
| OPERATOR CALL PROCESSING | | | | | | | | | | | | | | | | | |
| | Oper. Call Processing - Oper. Provided, Per Min. - Using BST LIDB | | | | | 1.20 | | | | | | | | | | | |
| | Oper. Call Processing - Oper. Provided, Per Min. - Using Foreign LIDB | | | | | 1.24 | | | | | | | | | | | |
| | Oper. Call Processing - Fully Automated, per Call - Using BST LIDB | | | | | 0.20 | | | | | | | | | | | |
| | Oper. Call Processing - Fully Automated, per Call - Using Foreign LIDB | | | | | 0.20 | | | | | | | | | | | |

| UNBUNDLED NETWORK ELEMENTS - North Carolina | | | | | | | | | | Attachment: 2 | | Exhibit: B | | | | | | | | | | | | | |
|---|--|---------|------|--|-------|-----------|----------------------------------|--------------------------------------|--|--|---|---|---------------|--------------|-------|-------------------------|--|-------|-------|-------|-------|-------|-------|-------|--|
| CATEGORY | RATE ELEMENTS | Interim | Zone | BCS | USOC | RATES(\$) | Svc Order Submitted Elec per LSR | Svc Order Submitted Manually per LSR | Incremental Charge - Manual Svc Order vs. Electronic-1st | Incremental Charge - Manual Svc Order vs. Electronic-Add'l | Incremental Charge - Manual Svc Order vs. Electronic-Disc 1st | Incremental Charge - Manual Svc Order vs. Electronic-Disc Add'l | OSS Rates(\$) | | | | | | | | | | | | |
| | | | | | | | | | | | | | Rec | Nonrecurring | | Nonrecurring Disconnect | | SOMEc | SOMAN | SOMAN | SOMAN | SOMAN | SOMAN | | |
| | | | | | | | | | | | | | First | Add'l | First | Add'l | | | | | | | | | |
| INWARD OPERATOR SERVICES | | | | | | | | | | | | | | | | | | | | | | | | | |
| | Inward Operator Services - Verification, Per Minute | | | | | 1.15 | | | | | | | | | | | | | | | | | | | |
| | Inward Operator Services - Verification and Emergency Interrupt - Per Minute | | | | | 1.15 | | | | | | | | | | | | | | | | | | | |
| BRANDING - OPERATOR CALL PROCESSING | | | | | | | | | | | | | | | | | | | | | | | | | |
| | Recording of Custom Branded OA Announcement | | | | CBAOS | 7,000.00 | 7,000.00 | | | | | | | | | | | | | | 19.99 | 19.99 | 19.99 | 19.99 | |
| | Loading of Custom Branded OA Announcement per shelf/NAV | | | | CBAOL | 500.00 | 500.00 | | | | | | | | | | | | | | | 19.99 | 19.99 | | |
| Unbranding via OLNS for UNEP CLEC | | | | | | | | | | | | | | | | | | | | | | | | | |
| | Loading of OA per OCN (Regional) | | | | | 1,200.00 | 1,200.00 | | | | | | | | | | | | | | | | | | |
| DIRECTORY ASSISTANCE SERVICES | | | | | | | | | | | | | | | | | | | | | | | | | |
| DIRECTORY ASSISTANCE ACCESS SERVICE | | | | | | | | | | | | | | | | | | | | | | | | | |
| | Directory Assistance Access Service Calls, Charge Per Call | | | | | 0.275 | | | | | | | | | | | | | | | | | | | |
| DIRECTORY ASSISTANCE CALL COMPLETION ACCESS SERVICE (DACC) | | | | | | | | | | | | | | | | | | | | | | | | | |
| | Directory Assistance Call Completion Access Service (DACC), Per Call Attempt | | | | | 0.062 | | | | | | | | | | | | | | | | | | | |
| DIRECTORY TRANSPORT | | | | | | | | | | | | | | | | | | | | | | | | | |
| DIRECTORY ASSISTANCE SERVICES | | | | | | | | | | | | | | | | | | | | | | | | | |
| DIRECTORY ASSISTANCE DATA BASE SERVICE (DADS) | | | | | | | | | | | | | | | | | | | | | | | | | |
| | Directory Assistance Data Base Service Charge Per Listing | | | | | 0.04 | | | | | | | | | | | | | | | | | | | |
| | Directory Assistance Data Base Service, per month | | | | DBSOF | 150.00 | | | | | | | | | | | | | | | | | | | |
| BRANDING - DIRECTORY ASSISTANCE | | | | | | | | | | | | | | | | | | | | | | | | | |
| Facility Based CLEC | | | | | | | | | | | | | | | | | | | | | | | | | |
| | Recording and Provisioning of DA Custom Branded Announcement | | | AMT | CBADA | 6,000.00 | 6,000.00 | | | | | | | | | | | | | | | | | | |
| | Loading of Custom Branded Announcement per DRAM Card/Switch | | | AMT | CBADC | 1,170.00 | 1,170.00 | | | | | | | | | | | | | | | | | | |
| UNEP CLEC | | | | | | | | | | | | | | | | | | | | | | | | | |
| | Recording of DA Custom Branded Announcement | | | | | 3,000.00 | 3,000.00 | | | | | | | | | | | | | | | | | | |
| | Loading of DA Custom Branded Announcement per DRAM Card/Switch per OCN | | | | | 1,170.00 | 1,170.00 | | | | | | | | | | | | | | | | | | |
| Unbranding via OLNS for UNEP CLEC | | | | | | | | | | | | | | | | | | | | | | | | | |
| | Loading of DA per OCN (1 OCN per Order) | | | | | 420.00 | 420.00 | | | | | | | | | | | | | | | | | | |
| | Loading of DA per Switch per OCN | | | | | 16.00 | 16.00 | | | | | | | | | | | | | | | | | | |
| SELECTIVE ROUTING | | | | | | | | | | | | | | | | | | | | | | | | | |
| | Selective Routing Per Unique Line Class Code Per Request Per Switch | | | | USRCR | 229.65 | 229.65 | | | | | | | | | | | | | | | 40.18 | 9.45 | | |
| VIRTUAL COLLOCATION | | | | | | | | | | | | | | | | | | | | | | | | | |
| | Virtual Collocation - Application Cost | | | AMTFS | EAF | 2,848.30 | 2,848.30 | | | | | | | | | | | | | | | | | | |
| | Virtual Collocation - Cable Installation Cost, per cable | | | AMTFS | ESPCX | 2,750.00 | 2,750.00 | | | | | | | | | | | | | | | | | | |
| | Virtual Collocation - Floor Space, per sq. ft. | | | AMTFS | ESPVX | 3.20 | | | | | | | | | | | | | | | | | | | |
| | Virtual Collocation - Power, per breaker amp | | | AMTFS | ESPAX | 3.48 | | | | | | | | | | | | | | | | | | | |
| | Virtual Collocation - Cable Support Structure, per entrance cable | | | AMTFS | ESPSX | 13.35 | | | | | | | | | | | | | | | | | | | |
| | Virtual Collocation - 2-wire Cross Connects (loop) | | | UEANL,UEA,UDN,U DC,UAL,UHL,UCL,U EQ, AMTFS, UDL, UNCVX, UNCDX, UNCNX | UEAC2 | 0.09 | 41.78 | 39.23 | 4.75 | 4.75 | | | | | | | | | | | 19.99 | 19.99 | 19.99 | 19.99 | |
| | Virtual Collocation - 4-wire Cross Connects (loop) | | | UEA,UHL,UCL,UDL, AMTFS, UAL, UDN, UNCVX, UNCDX | UEAC4 | 0.18 | 41.91 | 39.25 | 4.73 | 4.73 | | | | | | | | | | | 19.99 | 19.99 | 19.99 | 19.99 | |
| | Virtual Collocation - 2-Fiber Cross Connects | | | AMTFS,UDL12, UDLO3, U1T48, U1T12, U1T03, ULDO3, ULD12, ULD48, UDF | CNC2F | 15.99 | 67.34 | 48.55 | | | | | | | | | | | | | 19.99 | 19.99 | 19.99 | 19.99 | |

| UNBUNDLED NETWORK ELEMENTS - North Carolina | | | | | | | | | | Attachment: 2 | | Exhibit: B | | | |
|---|--|---------|------|---|-------|-----------|--------------|----------------------------------|--------------------------------------|--|--|---|---|-------------------------|-------|
| CATEGORY | RATE ELEMENTS | Interim | Zone | BCS | USOC | RATES(\$) | | Svc Order Submitted Elec per LSR | Svc Order Submitted Manually per LSR | Incremental Charge - Manual Svc Order vs. Electronic-1st | Incremental Charge - Manual Svc Order vs. Electronic-Add'l | Incremental Charge - Manual Svc Order vs. Electronic-Disc 1st | Incremental Charge - Manual Svc Order vs. Electronic-Disc Add'l | | |
| | | | | | | Rec | Nonrecurring | | | | | | | Nonrecurring Disconnect | |
| | | | | | | First | Add'l | First | Add'l | SOMEc | SOMAN | SOMAN | SOMAN | SOMAN | SOMAN |
| | Virtual Collocation - 4-Fiber Cross Connects | | | AMTFS,UDL12,UDLO3, U1T48,U1T12, U1T03, ULDO3, ULD12, ULD48, UDF | CNC4F | 28.74 | 82.35 | 63.56 | | | | 19.99 | 19.99 | 19.99 | 19.99 |
| | Virtual collocation - DS1 Cross Connects | | | USL,U LC,AMTFS,ULR, UXTD1,UNC1X, ULDD1,U1TD1, USLEL, UNLD1 | CNC1X | 0.97 | 71.02 | 51.08 | | | | | | | |
| | Virtual collocation - DS3 Cross Connects | | | USL,U LC,AMTFS,U E3, U1TD3, UXTS1, UXTD3, UNC3X, UNCSX, ULDD3, U1TS1, ULDS1, UDLXS, UNLD3 | CND3X | 56.25 | 151.90 | 11.83 | | | | | | | |
| | Virtual Collocation - Co-Carrier Cross Connects - Fiber Cable Support Structure, per linear foot | | | AMTFS | VE1CB | 0.0028 | | | | | | | | | |
| | Virtual Collocation - Co-Carrier Cross Connects - Copper/Coax Cable Support Structure, per linear ft | | | AMTFS | VE1CD | 0.0041 | | | | | | | | | |
| | Virtual Collocation - Co-Carrier Cross Connects - Fiber Cable Support Structure,per cable | | | AMTFS | VE1CC | | 532.72 | | | | | | | | |
| | Virtual Collocation - Co-Carrier Cross Connects - Copper/Coax Cable Support Structure, per cable | | | AMTFS | VE1CE | | 532.72 | | | | | | | | |
| | Virtual collocation - Security Escort - Basic, per half hour | | | AMTFS | SPTBX | | 41.00 | 25.00 | | | | | | | |
| | Virtual collocation - Security Escort - Overtime, per half hour | | | AMTFS | SPTOX | | 48.00 | 30.00 | | | | | | | |
| | Virtual collocation - Security Escort - Premium, per half hour | | | AMTFS | SPTPX | | 55.00 | 35.00 | | | | | | | |
| | Virtual collocation - Maintenance in CO - Basic, per half hour | | | AMTFS | CTRLX | | 30.64 | 30.64 | | | | | | | |
| | Virtual collocation - Maintenance in CO - Overtime, per half hour | | | AMTFS | SPTOM | | 35.77 | 35.77 | | | | | | | |
| | Virtual collocation - Maintenance in CO - Premium per half hour | | | AMTFS | SPTPM | | 40.90 | 40.90 | | | | | | | |
| VIRTUAL COLLOCATION | | | | | | | | | | | | | | | |
| | Virtual Collocation - 2-wire Cross Connect, Exchange Port 2-Wire Analog - Res | | | UEPSR | VE1R2 | 0.09 | 41.78 | 39.23 | | | | 26.94 | 12.76 | | |
| | Virtual Collocation 2-Wire Cross Connect, Exchange Port 2-Wire Line Side PBX Trunk - Bus | | | UEPSP | VE1R2 | 0.09 | 41.78 | 39.23 | | | | 26.94 | 12.76 | | |
| | Virtual Collocation 2-Wire Cross Connect, Exchange Port 2-Wire Voice Grade PBX Trunk - Res | | | UEPSE | VE1R2 | 0.09 | 41.78 | 39.23 | | | | 26.94 | 12.76 | | |
| | Virtual Collocation 2-Wire Cross Connect, Exchange Port 2-Wire Analog Bus | | | UEPSB | VE1R2 | 0.09 | 41.78 | 39.23 | | | | 26.94 | 12.76 | | |
| | Virtual Collocation 2-Wire Cross Connect, Exchange Port 2-Wire ISDN | | | UEPSX | VE1R2 | 0.09 | 41.78 | 39.23 | | | | 26.94 | 12.76 | | |
| | Virtual Collocation 2-Wire Cross Connect, Exchange Port 2-Wire ISDN | | | UEPTX | VE1R2 | 0.09 | 41.78 | 39.23 | | | | 26.94 | 12.76 | | |
| | Virtual Collocation 4-Wire Cross Connect, Exchange Port 4-Wire ISDN DS1 | | | UEPEX | VE1R4 | 0.18 | 41.91 | 39.25 | | | | 26.94 | 12.76 | | |
| VIRTUAL COLLOCATION | | | | | | | | | | | | | | | |
| | Virtual Collocation-2 Wire Cross Connects (Loop) for Line Splitting | | | UEPSR, UEPSB | VE1LS | 0.0287 | 33.96 | 32.08 | 36.72 | 34.84 | | 19.99 | 19.99 | | |
| AIN SELECTIVE CARRIER ROUTING | | | | | | | | | | | | | | | |
| | Regional Service Establishment | | | SRC | SRCEC | | 391,788.00 | | | | | 19.99 | 19.99 | 19.99 | 19.99 |
| | End Office Establishment | | | SRC | SRCEO | | 320.53 | 320.53 | | | | 19.99 | 19.99 | 19.99 | 19.99 |
| | Line/Port NRC, per end user | | | SRC | SRCLP | | 2.06 | 2.06 | | | | 19.99 | 19.99 | 19.99 | 19.99 |
| | Query NRC, per query | | | SRC | | 0.000448 | | | | | | | | | |
| AIN - BELLSOUTH AIN SMS ACCESS SERVICE | | | | | | | | | | | | | | | |
| | AIN SMS Access Service - Service Establishment, Per State, Initial Setup | | | A1N | CAMSE | | 294.77 | 294.77 | | | | 26.94 | 26.94 | | |

| UNBUNDLED NETWORK ELEMENTS - North Carolina | | | | | | | | | | Attachment: 2 | | Exhibit: B | | | |
|---|---|---------|------|-------|-------|-----------|----------------------------------|--------------------------------------|--|--|---|---|-------|--------------|-------|
| CATEGORY | RATE ELEMENTS | Interim | Zone | BCS | USOC | RATES(\$) | Svc Order Submitted Elec per LSR | Svc Order Submitted Manually per LSR | Incremental Charge - Manual Svc Order vs. Electronic-1st | Incremental Charge - Manual Svc Order vs. Electronic-Add'l | Incremental Charge - Manual Svc Order vs. Electronic-Disc 1st | Incremental Charge - Manual Svc Order vs. Electronic-Disc Add'l | | | |
| | | | | | | | | | | | | | Rec | Nonrecurring | |
| | | | | | | | | | | | | | | | |
| | | | | | | First | Add'l | First | Add'l | SOME C | SOMAN | SOMAN | SOMAN | SOMAN | SOMAN |
| | AIN SMS Access Service - Port Connection - Dial/Shared Access | | | A1N | CAMDP | 86.94 | 86.94 | | | | | 26.94 | 26.94 | | |
| | AIN SMS Access Service - Port Connection - ISDN Access | | | A1N | CAM1P | 86.94 | 86.94 | | | | | 26.94 | 26.94 | | |
| | AIN SMS Access Service - User Identification Codes - Per User ID Code | | | A1N | CAMAU | 200.83 | 200.83 | | | | | 26.94 | 26.94 | | |
| | AIN SMS Access Service - Security Card, Per User ID Code, Initial or Replacement | | | A1N | CAMRC | 172.05 | 172.05 | | | | | 26.94 | 26.94 | | |
| | AIN SMS Access Service - Storage, Per Unit (100 Kilobytes) | | | | | 0.0023 | | | | | | | | | |
| | AIN SMS Access Service - Session, Per Minute | | | | | 0.0791 | | | | | | | | | |
| | AIN SMS Access Service - Company Performed Session, Per Minute | | | | | 2.08 | | | | | | | | | |
| AIN - BELLSOUTH AIN TOOLKIT SERVICE | | | | | | | | | | | | | | | |
| | AIN Toolkit Service - Service Establishment Charge, Per State, Initial Setup | | | CAM | BAPSC | 290.05 | 290.05 | | | | | 15.69 | | | |
| | AIN Toolkit Service - Training Session, Per Customer | | | | BAPVX | 8,363.00 | 8,363.00 | | | | | 15.69 | | | |
| | AIN Toolkit Service - Trigger Access Charge, Per Trigger, Per DN, Term. Attempt | | | | BAPTT | 72.76 | 72.76 | | | | | 15.69 | | | |
| | AIN Toolkit Service - Trigger Access Charge, Per Trigger, Per DN, Off-Hook Delay | | | | BAPTD | 72.76 | 72.76 | | | | | 15.69 | | | |
| | AIN Toolkit Service - Trigger Access Charge, Per Trigger, Per DN, Off-Hook Immediate | | | | BAPTM | 72.76 | 72.76 | | | | | 15.69 | | | |
| | AIN Toolkit Service - Trigger Access Charge, Per Trigger, Per DN, 10-Digit PODP | | | | BAPTO | 149.95 | 149.95 | | | | | 15.69 | | | |
| | AIN Toolkit Service - Trigger Access Charge, Per Trigger, Per DN, CDP | | | | BAPTC | 149.95 | 149.95 | | | | | 15.69 | | | |
| | AIN Toolkit Service - Trigger Access Charge, Per Trigger, Per DN, Feature Code | | | | BAPTF | 149.95 | 149.95 | | | | | 15.69 | | | |
| | AIN Toolkit Service - Query Charge, Per Query | | | | | 0.02 | | | | | | | | | |
| | AIN Toolkit Service - Type 1 Node Charge, Per AIN Toolkit Subscription, Per Node, Per Query | | | | | 0.005 | | | | | | | | | |
| | AIN Toolkit Service - SCP Storage Charge, Per SMS Access Account, Per 100 Kilobytes | | | | | 1.45 | | | | | | | | | |
| | AIN Toolkit Service - Monthly report - Per AIN Toolkit Service Subscription | | | CAM | BAPMS | 15.98 | 71.80 | 71.80 | | | | 15.69 | | | |
| | AIN Toolkit Service - Special Study - Per AIN Toolkit Service Subscription | | | CAM | BAPLS | 0.08 | 47.20 | 47.20 | | | | 15.69 | | | |
| | AIN Toolkit Service - Call Event Report - Per AIN Toolkit Service Subscription | | | CAM | BAPDS | 15.90 | 71.80 | 71.80 | | | | 15.69 | | | |
| | AIN Toolkit Service - Call Event Special Study - Per AIN Toolkit Service Subscription | | | CAM | BAPES | 0.003 | 47.20 | 47.20 | | | | 15.69 | | | |
| ENHANCED EXTENDED LINK (EELs) | | | | | | | | | | | | | | | |
| NOTE: New EELs available in GA, TN, KY, LA, MS, & SC and density zone 1 of following MSAs: Orlando, FL; Miami, FL; Ft. Lauderdale, FL; | | | | | | | | | | | | | | | |
| NOTE: Charlotte-Gastonia-Rockhill, NC; Greensboro-Winston Salem-High Point, NC. Use all rates below except Switch As Is Charge. | | | | | | | | | | | | | | | |
| NOTE: In all states, EEL network elements shown below also apply to currently combined facilities which are converted to UNE rates. A Switch As Is Charge applies to currently combined facilities converted to UNEs.(Non-recurring rates do not apply.) | | | | | | | | | | | | | | | |
| NOTE: In GA, TN, KY, LA, MS & SC the EEL network elements apply to ordinarily combined network elements.(No Switch As Is Charge.) | | | | | | | | | | | | | | | |
| 2-WIRE VOICE GRADE EXTENDED LOOP WITH DEDICATED DS1 INTEROFFICE TRANSPORT (EEL) | | | | | | | | | | | | | | | |
| | First 2-Wire VG Loop - Service Level 2/DS1 Interofficed Transport Combination - Statewide | | sw | UNCVX | UEAL2 | 19.50 | 142.97 | 106.56 | | | | 38.07 | 38.07 | | |
| | Interoffice Transport - Dedicated - DS1 combination - Per Mile per month | | | UNC1X | 1L5XX | 0.5753 | | | | | | | | | |
| | Interoffice Transport - Dedicated - DS1 combination - Facility Termination per month | | | UNC1X | U1TF1 | 71.29 | 217.17 | 163.75 | | | | 38.07 | 38.07 | | |
| | DS1 Channelization System Per Month | | | UNC1X | MQ1 | 146.69 | 197.78 | 140.06 | | | | 38.07 | 38.07 | | |
| | Voice Grade COCI - DS1 To Ds0 Interface - Per Month | | | UNCVX | 1D1VG | 1.27 | 13.09 | 9.38 | | | | 38.07 | 38.07 | | |
| | Each Additional 2-Wire Vg Loop(SI2) In The Same Ds1 Interoffice Transport Combination Per Month | | | UNCVX | UEAL2 | 19.50 | 142.97 | 108.56 | | | | 38.07 | 38.07 | | |
| | Each Additional 2-Wire VG Loop(SL2) in the same DS1 Interoffice Transport Combination - Zone 3 | | 3 | UNCVX | UEAL2 | | | | | | | | | | |

| UNBUNDLED NETWORK ELEMENTS - North Carolina | | | | | | | | | | | Attachment: 2 | | Exhibit: B | | | | | | | | | | | |
|--|---|---------|------|-------|-------|-----------|----------------------------------|--------------------------------------|--|--|---|---|---------------|--------------|-------|-------------------------|--|-------|-------|-------|-------|-------|-------|-------|
| CATEGORY | RATE ELEMENTS | Interim | Zone | BCS | USOC | RATES(\$) | Svc Order Submitted Elec per LSR | Svc Order Submitted Manually per LSR | Incremental Charge - Manual Svc Order vs. Electronic-1st | Incremental Charge - Manual Svc Order vs. Electronic-Add'l | Incremental Charge - Manual Svc Order vs. Electronic-Disc 1st | Incremental Charge - Manual Svc Order vs. Electronic-Disc Add'l | OSS Rates(\$) | | | | | | | | | | | |
| | | | | | | | | | | | | | Rec | Nonrecurring | | Nonrecurring Disconnect | | SOMEc | SOMAN | SOMAN | SOMAN | SOMAN | SOMAN | |
| | | | | | | | | | | | | | First | Add'l | First | Add'l | | | | | | | | |
| | Voice Grade COCI - DS1 to DS0 Channel System combination - per month | | | UNCVX | 1D1VG | 1.27 | | | | | | | 13.09 | 9.38 | | | | | | | | | 38.07 | 38.07 |
| | Nonrecurring Currently Combined Network Elements Switch -As-Is Charge | | | UNC1X | UNCCC | | | | | | | | 21.75 | 21.75 | 32.28 | 10.96 | | | | | | | 38.07 | 38.07 |
| 4-WIRE VOICE GRADE EXTENDED LOOP WITH DEDICATED DS1 INTEROFFICE TRANSPORT (EEL) | | | | | | | | | | | | | | | | | | | | | | | | |
| | First 4-Wire Analog Voice Grade Loop/DS1 Interoffice Transport Combination - Statewide | | sw | UNCVX | UEAL4 | 27.49 | | | | | | | 288.47 | 237.45 | | | | | | | | | 38.07 | 38.07 |
| | Interoffice Transport - Dedicated - DS1 combination - Per Mile Per Month | | | UNC1X | 1L5XX | 0.5753 | | | | | | | | | | | | | | | | | | |
| | Interoffice Transport - Dedicated - DS1 - Facility Termination Per Month | | | UNC1X | U1TF1 | 71.29 | | | | | | | 217.17 | 163.75 | | | | | | | | | 38.07 | 38.07 |
| | Channelization - Channel System DS1 to DS0 combination Per Month | | | UNC1X | MQ1 | 146.69 | | | | | | | 197.78 | 140.06 | | | | | | | | | 38.07 | 38.07 |
| | Voice Grade COCI - DS1 to DS0 Channel System combination - per month | | | UNCVX | 1D1VG | 1.27 | | | | | | | 13.09 | 9.38 | | | | | | | | | 38.07 | 38.07 |
| | Additional 4-Wire Analog Voice Grade Loop in same DS1 Interoffice Transport Combination - Statewide | | sw | UNCVX | UEAL4 | 27.49 | | | | | | | 288.47 | 237.45 | | | | | | | | | 38.07 | 38.07 |
| | Voice Grade COCI - DS1 to DS0 Channel System combination - per month | | | UNCVX | 1D1VG | 1.27 | | | | | | | 13.09 | 9.38 | | | | | | | | | 38.07 | 38.07 |
| | Nonrecurring Currently Combined Network Elements Switch -As-Is Charge | | | UNC1X | UNCCC | | | | | | | | 21.75 | 21.75 | 32.28 | 10.96 | | | | | | | 38.07 | 38.07 |
| 4-WIRE 56 KBPS EXTENDED DIGITAL LOOP WITH DEDICATED DS1 INTEROFFICE TRANSPORT (EEL) | | | | | | | | | | | | | | | | | | | | | | | | |
| | First 4-Wire 56Kbps Digital Grade Loop/DS1 Interoffice Transport Combination - Statewide | | sw | UNCDX | UDL56 | 37.67 | | | | | | | 489.04 | 337.51 | | | | | | | | | 38.07 | 38.07 |
| | Interoffice Transport - Dedicated - DS1 combination - Per Mile Per Month | | | UNC1X | 1L5XX | 0.5753 | | | | | | | | | | | | | | | | | | |
| | Interoffice Transport - Dedicated - DS1 - combination Facility Termination Per Month | | | UNC1X | U1TF1 | 71.29 | | | | | | | 217.17 | 163.75 | | | | | | | | | 38.07 | 38.07 |
| | Channelization - Channel System DS1 to DS0 combination Per Month | | | UNC1X | MQ1 | 146.69 | | | | | | | 197.78 | 140.06 | | | | | | | | | 38.07 | 38.07 |
| | OCU-DP COCI (data) - DS1 to DS0 Channel System - per month (2.4-64kbs) | | | UNCDX | 1D1DD | 2.00 | | | | | | | 15.76 | 11.28 | | | | | | | | | 38.07 | 38.07 |
| | Additional 4-Wire 56Kbps Digital Grade Loop in same DS1 Interoffice Transport Combination - Statewide | | sw | UNCDX | UDL56 | 37.67 | | | | | | | 489.04 | 337.51 | | | | | | | | | 38.07 | 38.07 |
| | OCU-DP COCI (data) - DS1 to DS0 Channel System - combination per month (2.4-64kbs) | | | UNCDX | 1D1DD | 2.00 | | | | | | | 15.76 | 11.28 | | | | | | | | | 38.07 | 38.07 |
| | Nonrecurring Currently Combined Network Elements Switch -As-Is Charge | | | UNC1X | UNCCC | | | | | | | | 21.75 | 21.75 | 32.28 | 10.96 | | | | | | | 38.07 | 38.07 |
| 4-WIRE 64 KBPS EXTENDED DIGITAL LOOP WITH DEDICATED DS1 INTEROFFICE TRANSPORT (EEL) | | | | | | | | | | | | | | | | | | | | | | | | |
| | First 4-Wire 64Kbps Digital Grade Loop/DS1 Interoffice Transport Combination - Statewide | | sw | UNCDX | UDL64 | 37.67 | | | | | | | 489.04 | 337.51 | | | | | | | | | 38.07 | 38.07 |
| | Interoffice Transport - Dedicated - DS1 combination - Per Mile Per Month | | | UNC1X | 1L5XX | 0.5753 | | | | | | | | | | | | | | | | | | |
| | Interoffice Transport - Dedicated - DS1 combination - Facility Termination Per Month | | | UNC1X | U1TF1 | 71.29 | | | | | | | 217.17 | 163.75 | | | | | | | | | 38.07 | 38.07 |
| | Channelization - Channel System DS1 to DS0 combination Per Month | | | UNC1X | MQ1 | 146.69 | | | | | | | 197.78 | 140.06 | | | | | | | | | 38.07 | 38.07 |
| | OCU-DP COCI (data) - DS1 to DS0 Channel System combination - per month (2.4-64kbs) | | | UNCDX | 1D1DD | 2.00 | | | | | | | 15.76 | 11.28 | | | | | | | | | 38.07 | 38.07 |
| | Additional 4-Wire 64Kbps Digital Grade Loop in same DS1 Interoffice Transport Combination - Statewide | | sw | UNCDX | UDL64 | 37.67 | | | | | | | 489.04 | 337.51 | | | | | | | | | 38.07 | 38.07 |
| | OCU-DP COCI (data) - DS1 to DS0 Channel System combination - per month (2.4-64kbs) | | | UNCDX | 1D1DD | 2.00 | | | | | | | 15.76 | 11.28 | | | | | | | | | 38.07 | 38.07 |
| | Nonrecurring Currently Combined Network Elements Switch -As-Is Charge | | | UNC1X | UNCCC | | | | | | | | 21.75 | 21.75 | 32.28 | 10.96 | | | | | | | 38.07 | 38.07 |
| 4-WIRE DS1 DIGITAL EXTENDED LOOP WITH DEDICATED DS1 INTEROFFICE TRANSPORT (EEL) | | | | | | | | | | | | | | | | | | | | | | | | |
| | 4-Wire DS1 Digital Loop in Combination with DS1 Interoffice Transport - Statewide | | sw | UNC1X | USLXX | 62.78 | | | | | | | 714.84 | 421.47 | | | | | | | | | 38.07 | 38.07 |

| UNBUNDLED NETWORK ELEMENTS - North Carolina | | | | | | | | | | | Attachment: 2 | | Exhibit: B | | | | | | | |
|---|--|---------|------|-------|-------|-----------|----------------------------------|--------------------------------------|--|--|---|---|---------------|--------------|-------|-------------------------|--|-------|-------|-------|
| CATEGORY | RATE ELEMENTS | Interim | Zone | BCS | USOC | RATES(\$) | Svc Order Submitted Elec per LSR | Svc Order Submitted Manually per LSR | Incremental Charge - Manual Svc Order vs. Electronic-1st | Incremental Charge - Manual Svc Order vs. Electronic-Add'l | Incremental Charge - Manual Svc Order vs. Electronic-Disc 1st | Incremental Charge - Manual Svc Order vs. Electronic-Disc Add'l | OSS Rates(\$) | | | | | | | |
| | | | | | | | | | | | | | Rec | Nonrecurring | | Nonrecurring Disconnect | | SOMEc | SOMAN | SOMAN |
| | | | | | | | | | | | | | First | Add'l | First | Add'l | | | | |
| | Interoffice Transport - Dedicated - DS1 combination - Per Mile Per Month | | | UNC1X | 1L5XX | 0.5753 | | | | | | | | | | | | | | |
| | Interoffice Transport - Dedicated - DS1 combination - Facility Termination Per Month | | | UNC1X | U1TF1 | 71.29 | 217.17 | 163.75 | | | | | 38.07 | 38.07 | | | | | | |
| | Nonrecurring Currently Combined Network Elements Switch -As-Is Charge | | | UNC1X | UNCCC | | 21.75 | 21.75 | 32.28 | 10.96 | | | 38.07 | 38.07 | | | | | | |
| 4-WIRE DS1 DIGITAL EXTENDED LOOP WITH DEDICATED DS3 INTEROFFICE TRANSPORT (EEL) | | | | | | | | | | | | | | | | | | | | |
| | First DS1Loop in DS3 Interoffice Transport Combination - Statewide | | sw | UNC1X | USLXX | 62.78 | 714.84 | 421.47 | | | | | 38.07 | 38.07 | | | | | | |
| | Interoffice Transport - Dedicated - DS3 combination - Per Mile Per Month | | | UNC3X | 1L5XX | 12.98 | | | | | | | | | | | | | | |
| | Interoffice Transport - Dedicated - DS3 - Facility Termination per month | | | UNC3X | U1TF3 | 720.38 | 794.94 | 579.55 | | | | | 38.07 | 38.07 | | | | | | |
| | DS3 to DS1 Channel System combination per month | | | UNC3X | MQ3 | 233.10 | 403.97 | 234.40 | | | | | 38.07 | 38.07 | | | | | | |
| | DS3 Interface Unit (DS1 COCI) combination per month | | | UNC1X | UC1D1 | 16.07 | 13.09 | 9.38 | | | | | 38.07 | 38.07 | | | | | | |
| | Additional DS1Loop in DS3 Interoffice Transport Combination - Statewide | | sw | UNC1X | USLXX | 62.78 | 714.84 | 421.47 | | | | | 38.07 | 38.07 | | | | | | |
| | DS3 Interface Unit (DS1 COCI) combination per month | | | UNC1X | UC1D1 | 16.07 | 13.09 | 9.38 | | | | | 38.07 | 38.07 | | | | | | |
| | Nonrecurring Currently Combined Network Elements Switch -As-Is Charge | | | UNC3X | UNCCC | | 21.75 | 21.75 | 32.28 | 10.96 | | | 38.07 | 38.07 | | | | | | |
| 2-WIRE VOICE GRADE EXTENDED LOOP/ 2 WIRE VOICE GRADE INTEROFFICE TRANSPORT (EEL) | | | | | | | | | | | | | | | | | | | | |
| | 2-WireVG Loop used with 2-wire VG Interoffice Transport Combination - Statewide | | sw | UNCVX | UEAL2 | 19.50 | 142.97 | 106.56 | | | | | 38.07 | 38.07 | | | | | | |
| | Interoffice Transport - Dedicated - 2-wire VG combination - Per Mile Per Month | | | UNCVX | 1L5XX | 0.0282 | | | | | | | | | | | | | | |
| | Interoffice Transport - Dedicated - 2- Wire Voice Grade combination - Facility Termination per month | | | UNCVX | U1TV2 | 18.00 | 137.48 | 52.58 | | | | | 38.07 | 38.07 | | | | | | |
| | Nonrecurring Currently Combined Network Elements Switch -As-Is Charge | | | UNCVX | UNCCC | | 21.75 | 21.75 | 32.28 | 10.96 | | | 38.07 | 38.07 | | | | | | |
| 4-WIRE VOICE GRADE EXTENDED LOOP/ 4 WIRE VOICE GRADE INTEROFFICE TRANSPORT (EEL) | | | | | | | | | | | | | | | | | | | | |
| | 4-WireVG Loop used with 4-wire VG Interoffice Transport Combination - Statewide | | sw | UNCVX | UEAL4 | 27.49 | 288.47 | 237.45 | | | | | 38.07 | 38.07 | | | | | | |
| | Interoffice Transport - Dedicated - 4-wire VG combination - Per Mile Per Month | | | UNCVX | 1L5XX | 0.0282 | | | | | | | | | | | | | | |
| | Interoffice Transport - Dedicated - 4- Wire Voice Grade combination - Facility Termination per month | | | UNCVX | U1TV4 | 22.16 | 106.11 | 65.95 | | | | | 38.07 | 38.07 | | | | | | |
| | Nonrecurring Currently Combined Network Elements Switch -As-Is Charge | | | UNCVX | UNCCC | | 21.75 | 21.75 | 32.28 | 10.96 | | | 38.07 | 38.07 | | | | | | |
| DS3 DIGITAL EXTENDED LOOP WITH DEDICATED DS3 INTEROFFICE TRANSPORT (EEL) | | | | | | | | | | | | | | | | | | | | |
| | High Capacity Unbundled Local Loop - DS3 combination - Per Mile per month | | | UNC3X | 1L5ND | 11.12 | | | | | | | | | | | | | | |
| | High Capacity Unbundled Local Loop - DS3 combination - Facility Termination per month | | | UNC3X | UE3PX | 404.98 | 1,071.00 | 646.12 | | | | | 38.07 | 38.07 | | | | | | |
| | Interoffice Transport - Dedicated - DS3 - Per Mile per month | | | UNC3X | 1L5XX | 12.98 | | | | | | | | | | | | | | |
| | Interoffice Transport - Dedicated - DS3 combination - Facility Termination per per month | | | UNC3X | U1TF3 | 720.38 | 794.94 | 579.55 | | | | | 38.07 | 38.07 | | | | | | |
| | Nonrecurring Currently Combined Network Elements Switch -As-Is Charge | | | UNC3X | UNCCC | | 21.75 | 21.75 | 32.28 | 10.96 | | | 38.07 | 38.07 | | | | | | |
| STS1 DIGITAL EXTENDED LOOP WITH DEDICATED STS1 INTEROFFICE TRANSPORT (EEL) | | | | | | | | | | | | | | | | | | | | |
| | High Capacity Unbundled Local Loop - STS1 combination - Per Mile per month | | | UNCSX | 1L5ND | 11.12 | | | | | | | | | | | | | | |
| | High Capacity Unbundled Local Loop - STS1 combination - Facility Termination per month | | | UNCSX | UDLS1 | 417.70 | 1,071.00 | 646.12 | | | | | 38.07 | 38.07 | | | | | | |
| | Interoffice Transport - Dedicated - STS1 combination - Per Mile per month | | | UNCSX | 1L5XX | 6.14 | | | | | | | | | | | | | | |
| | Interoffice Transport - Dedicated - STS1 combination - Facility Termination per month | | | UNCSX | U1TFS | 790.37 | 794.94 | 679.55 | | | | | 38.07 | 38.07 | | | | | | |
| | Nonrecurring Currently Combined Network Elements Switch -As-Is Charge | | | UNCSX | UNCCC | | 21.75 | 21.75 | 32.28 | 10.96 | | | 38.07 | 38.07 | | | | | | |

| UNBUNDLED NETWORK ELEMENTS - North Carolina | | | | | | | | | | | Attachment: 2 | | Exhibit: B | | | | | | | | | | | |
|---|--|---------|------|-------|-------|-----------|----------------------------------|--------------------------------------|--|--|---|---|---------------|--------------|-------|-------------------------|--|-------|-------|-------|-------|-------|-------|-------|
| CATEGORY | RATE ELEMENTS | Interim | Zone | BCS | USOC | RATES(\$) | Svc Order Submitted Elec per LSR | Svc Order Submitted Manually per LSR | Incremental Charge - Manual Svc Order vs. Electronic-1st | Incremental Charge - Manual Svc Order vs. Electronic-Add'l | Incremental Charge - Manual Svc Order vs. Electronic-Disc 1st | Incremental Charge - Manual Svc Order vs. Electronic-Disc Add'l | OSS Rates(\$) | | | | | | | | | | | |
| | | | | | | | | | | | | | Rec | Nonrecurring | | Nonrecurring Disconnect | | SOMEc | SOMAN | SOMAN | SOMAN | SOMAN | SOMAN | |
| | | | | | | | | | | | | | First | Add'l | First | Add'l | | | | | | | | |
| 2-WIRE ISDN EXTENDED LOOP WITH DS1 INTEROFFICE TRANSPORT (EEL) | | | | | | | | | | | | | | | | | | | | | | | | |
| | First 2-Wire ISDN Loop/DS1 Interoffice Combination Transport - Statewide | | sw | UNCNX | U1L2X | 24.98 | | | | | | | 325.91 | 251.31 | | | | | | | | | 38.07 | 38.07 |
| | Interoffice Transport - Dedicated - DS1 combination - Per Mile | | | UNC1X | 1L5XX | 0.5753 | | | | | | | | | | | | | | | | | | |
| | Interoffice Transport - Dedicated - DS1 combination - Facility Termination per month | | | UNC1X | U1TF1 | 71.29 | | | | | | | 217.17 | 163.75 | | | | | | | | | 38.07 | 38.07 |
| | Channelization - Channel System DS1 to DS0 combination - per month | | | UNC1X | MQ1 | 146.69 | | | | | | | 197.78 | 140.06 | | | | | | | | | 38.07 | 38.07 |
| | 2-wire ISDN COCI (BRITE) - DS1 to DS0 Channel System combination - per month | | | UNCNX | UC1CA | 3.59 | | | | | | | 15.76 | 11.28 | | | | | | | | | 38.07 | 38.07 |
| | Additional 2-wire ISDN Loop in same DS1 Interoffice Transport Combination - Statewide | | sw | UNCNX | U1L2X | 24.98 | | | | | | | 325.91 | 251.31 | | | | | | | | | 38.07 | 38.07 |
| | 2-wire ISDN COCI (BRITE) - DS1 to DS0 Channel System combination - per month | | | UNCNX | UC1CA | 3.59 | | | | | | | 15.76 | 11.28 | | | | | | | | | 38.07 | 38.07 |
| | Nonrecurring Currently Combined Network Elements Switch -As-Is Charge | | | UNC1X | UNCCC | | | | | | | | 21.75 | 21.75 | 32.28 | 10.96 | | | | | | | 38.07 | 38.07 |
| 4-WIRE DS1 DIGITAL EXTENDED LOOP WITH DEDICATED STS-1 INTEROFFICE TRANSPORT (EEL) | | | | | | | | | | | | | | | | | | | | | | | | |
| | First DS1 Loop in STS1 Interoffice Transport Combination - Statewide | | sw | UNCIX | USLXX | 62.78 | | | | | | | 714.84 | 421.47 | | | | | | | | | 38.07 | 38.07 |
| | Interoffice Transport - Dedicated - STS1 combination - Per Mile Per Month | | | UNCSX | 1L5XX | 6.14 | | | | | | | | | | | | | | | | | | |
| | Interoffice Transport - Dedicated - STS1 combination - Facility Termination | | | UNCSX | U1TFS | 790.37 | | | | | | | 794.94 | 679.55 | | | | | | | | | 38.07 | 38.07 |
| | STS1 to DS1 Channel System combination per month | | | UNCSX | MQ3 | 233.10 | | | | | | | 403.90 | 234.40 | | | | | | | | | 38.07 | 38.07 |
| | DS3 Interface Unit (DS1 COCI) combination per month | | | UNC1X | UC1D1 | 16.07 | | | | | | | 13.09 | 9.38 | | | | | | | | | 38.07 | 38.07 |
| | Additional DS1 Loop in STS1 Interoffice Transport Combination - Statewide | | sw | UNC1X | USLXX | 62.78 | | | | | | | 714.84 | 421.47 | | | | | | | | | 38.07 | 38.07 |
| | DS3 Interface Unit (DS1 COCI) combination per month | | | UNC1X | UC1D1 | 16.07 | | | | | | | 13.09 | 9.38 | | | | | | | | | 38.07 | 38.07 |
| | Nonrecurring Currently Combined Network Elements Switch -As-Is Charge | | | UNCSX | UNCCC | | | | | | | | 21.75 | 21.75 | 32.28 | 10.96 | | | | | | | 38.07 | 38.07 |
| 4-WIRE 56 KBPS DIGITAL EXTENDED LOOP WITH 56 KBPS INTEROFFICE TRANSPORT (EEL) | | | | | | | | | | | | | | | | | | | | | | | | |
| | 4-wire 56 kbps Loop/4-wire 56 kbps Interoffice Transport Combination - Statewide | | sw | UNCDX | UDL56 | 37.67 | | | | | | | 489.04 | 337.51 | | | | | | | | | 38.07 | 38.07 |
| | Interoffice Transport - Dedicated - 4-wire 56 kbps combination - Per Mile | | | UNCDX | 1L5XX | 0.0282 | | | | | | | | | | | | | | | | | | |
| | Interoffice Transport - Dedicated - 4-wire 56 kbps combination - Facility Termination | | | UNCDX | U1TD5 | 17.40 | | | | | | | 137.48 | 52.58 | | | | | | | | | 38.07 | 38.07 |
| | Nonrecurring Currently Combined Network Elements Switch -As-Is Charge | | | UNCDX | UNCCC | | | | | | | | 21.75 | 21.75 | 32.28 | 10.96 | | | | | | | 38.07 | 38.07 |
| 4-WIRE 64 KBPS DIGITAL EXTENDED LOOP WITH 64 KBPS INTEROFFICE TRANSPORT (EEL) | | | | | | | | | | | | | | | | | | | | | | | | |
| | 4-wire 64 kbps Loop/4-wire 64 kbps Interoffice Transport Combination - Statewide | | sw | UNCDX | UDL64 | 37.67 | | | | | | | 489.04 | 337.51 | | | | | | | | | 38.07 | 38.07 |
| | Interoffice Transport - Dedicated - 4-wire 64 kbps combination - Per Mile | | | UNCDX | 1L5XX | 0.0282 | | | | | | | | | | | | | | | | | | |
| | Interoffice Transport - Dedicated - 4-wire 64 kbps combination - Facility Termination | | | UNCDX | U1TD6 | 17.40 | | | | | | | 137.48 | 52.58 | | | | | | | | | 38.07 | 38.07 |
| | Nonrecurring Currently Combined Network Elements Switch -As-Is Charge | | | UNCDX | UNCCC | | | | | | | | 21.75 | 21.75 | 32.28 | 10.96 | | | | | | | 38.07 | 38.07 |
| ADDITIONAL NETWORK ELEMENTS | | | | | | | | | | | | | | | | | | | | | | | | |
| When used as a part of a currently combined facility, the non-recurring charges do not apply, but a Switch As Is charge does apply. | | | | | | | | | | | | | | | | | | | | | | | | |
| Node (SynchroNet) | | | | | | | | | | | | | | | | | | | | | | | | |
| Nonrecurring Currently Combined Network Elements "Switch As Is" Charge (One applies to each combination) | | | | | | | | | | | | | | | | | | | | | | | | |
| | Nonrecurring Currently Combined Network Elements Switch -As-Is Charge - 2 wire/4-Wire VG | | | UNCVX | UNCCC | | | | | | | | 21.75 | 21.75 | 32.28 | 10.96 | | | | | | | 38.07 | 38.07 |
| | Nonrecurring Currently Combined Network Elements Switch -As-Is Charge - 56/64 kbps | | | UNCDX | UNCCC | | | | | | | | 21.75 | 21.75 | 32.28 | 10.96 | | | | | | | 38.07 | 38.07 |
| | Nonrecurring Currently Combined Network Elements Switch -As-Is Charge - DS1 | | | UNC1X | UNCCC | | | | | | | | 21.75 | 21.75 | 32.28 | 10.96 | | | | | | | 38.07 | 38.07 |

| UNBUNDLED NETWORK ELEMENTS - North Carolina | | | | | | | | | | Attachment: 2 | | Exhibit: B | |
|---|---|---------|------|-------|-------|-----------|----------------------------------|--------------------------------------|--|--|---|---|-----|
| CATEGORY | RATE ELEMENTS | Interim | Zone | BCS | USOC | RATES(\$) | Svc Order Submitted Elec per LSR | Svc Order Submitted Manually per LSR | Incremental Charge - Manual Svc Order vs. Electronic-1st | Incremental Charge - Manual Svc Order vs. Electronic-Add'l | Incremental Charge - Manual Svc Order vs. Electronic-Disc 1st | Incremental Charge - Manual Svc Order vs. Electronic-Disc Add'l | |
| | | | | | | | | | | | | | Rec |
| | | | | | | | | | | | | | |
| | | | | | | | | | | | | | |
| | Nonrecurring Currently Combined Network Elements Switch -As-Is Charge - DS3 | | | UNC3X | UNCCC | | | | | | | | |
| | Nonrecurring Currently Combined Network Elements Switch -As-Is Charge - STS1 | | | UNC3X | UNCCC | | | | | | | | |
| NOTE: Local Channel - Dedicated Transport - minimum billing period - Below DS3=one month, DS3 and above=four months | | | | | | | | | | | | | |
| UNBUNDLED LOCAL EXCHANGE SWITCHING(PORTS) | | | | | | | | | | | | | |
| Exchange Ports | | | | | | | | | | | | | |
| NOTE: Although the Port Rate includes all available features in GA, KY, LA & TN, the desired features will need to be ordered using retail USOCs | | | | | | | | | | | | | |
| 2-WIRE VOICE GRADE LINE PORT RATES (RES) | | | | | | | | | | | | | |
| | Exchange Ports - 2-Wire Analog Line Port- Res. | | | UEPSR | UEPRL | 2.19 | | | | | | | |
| | Exchange Ports - 2-Wire Analog Line Port with Caller ID - Res. | | | UEPSR | UEPRC | 2.19 | | | | | | | |
| | Exchange Ports - 2-Wire Analog Line Port outgoing only - Res. | | | UEPSR | UEPRO | 2.19 | | | | | | | |
| | Exchange Ports - 2-Wire VG unbundled res, low usage line port with Caller ID (LUM) | | | UEPSR | UEPAP | 2.19 | | | | | | | |
| | Subsequent Activity | | | UEPSR | USASC | 0.00 | | | | | | | |
| FEATURES | | | | | | | | | | | | | |
| | All Available Vertical Features | | | UEPSR | UEPVF | 3.40 | | | | | | | |
| 2-WIRE VOICE GRADE LINE PORT RATES (BUS) | | | | | | | | | | | | | |
| | Exchange Ports - 2-Wire Analog Line Port without Caller ID - Bus | | | UEPSB | UEPBL | 2.19 | | | | | | | |
| | Exchange Ports - 2-Wire VG unbundled Line Port with unbundled port with Caller+E484 ID - Bus. | | | UEPSB | UEPBC | 2.19 | | | | | | | |
| | Exchange Ports - 2-Wire Analog Line Port outgoing only - Bus. | | | UEPSB | UEPBO | 2.19 | | | | | | | |
| | Exchange Ports - 2-Wire VG unbundled incoming only port with Caller ID - Bus | | | UEPSB | UEPB1 | 2.19 | | | | | | | |
| | Subsequent Activity | | | UEPSB | USASC | 0.00 | | | | | | | |
| FEATURES | | | | | | | | | | | | | |
| | All Available Vertical Features | | | UEPSB | UEPVF | 3.40 | | | | | | | |
| EXCHANGE PORT RATES (DID & PBX) | | | | | | | | | | | | | |
| | 2-Wire VG Unbundled 2-Way PBX Trunk - Res | | | UEPSE | UEPRD | 2.18 | | | | | | | |
| | 2-Wire VG Line Side Unbundled 2-Way PBX Trunk - Bus | | | UEPSP | UEPPC | 2.18 | | | | | | | |
| | 2-Wire VG Line Side Unbundled Outward PBX Trunk - Bus | | | UEPSP | UEPPO | 2.18 | | | | | | | |
| | 2-Wire VG Line Side Unbundled Incoming PBX Trunk - Bus | | | UEPSP | UEPP1 | 2.18 | | | | | | | |
| | 2-Wire Analog Long Distance Terminal PBX Trunk - Bus | | | UEPSP | UEPLD | 2.18 | | | | | | | |
| | 2-Wire Voice Unbundled PBX LD Terminal Ports | | | UEPSP | UEPLD | 2.18 | | | | | | | |
| | 2-Wire Voice Unbundled 2-Way PBX Usage Port | | | UEPSP | UEPXA | 2.18 | | | | | | | |
| | 2-Wire Voice Unbundled PBX Toll Terminal Hotel Ports | | | UEPSP | UEPXB | 2.18 | | | | | | | |
| | 2-Wire Voice Unbundled PBX LD DDD Terminals Port | | | UEPSP | UEPXC | 2.18 | | | | | | | |
| | 2-Wire Voice Unbundled PBX LD Terminal Switchboard Port | | | UEPSP | UEPXD | 2.18 | | | | | | | |
| | 2-Wire Voice Unbundled PBX LD Terminal Switchboard IDD Capable Port | | | UEPSP | UEPXE | 2.18 | | | | | | | |
| | 2-Wire Voice Unbundled 2-Way PBX Hotel/Hospital Economy Administrative Calling Port | | | UEPSP | UEPXL | 2.18 | | | | | | | |
| | 2-Wire Voice Unbundled 2-Way PBX Hotel/Hospital Economy Room Calling Port | | | UEPSP | UEPXM | 2.18 | | | | | | | |
| | 2-Wire Voice Unbundled 1-Way Outgoing PBX Hotel/Hospital Discount Room Calling Port | | | UEPSP | UEPXO | 2.18 | | | | | | | |
| | 2-Wire Voice Unbundled 1-Way Outgoing PBX Measured Port | | | UEPSP | UEPXS | 2.18 | | | | | | | |
| | Subsequent Activity | | | UEPSP | USASC | 0.00 | | | | | | | |
| FEATURES | | | | | | | | | | | | | |
| | All Available Vertical Features | | | UEPSP | UEPSE | 3.40 | | | | | | | |
| EXCHANGE PORT RATES (COIN) | | | | | | | | | | | | | |
| | Exchange Ports - Coin Port | | | | | 2.59 | | | | | | | |
| NOTE: Transmission/usage charges associated with POTS circuit switched usage will also apply to circuit switched voice and/or circuit switched data transmission by B-Channels associated with 2-wire ISDN ports. | | | | | | | | | | | | | |
| NOTE: Access to B Channel or D Channel Packet capabilities will be available only through BFR/New Business Request Process. Rates for the packet capabilities will be determined via the Bona Fide Request/New Business Request Process. | | | | | | | | | | | | | |
| UNBUNDLED LOCAL EXCHANGE SWITCHING(PORTS) | | | | | | | | | | | | | |

| UNBUNDLED NETWORK ELEMENTS - North Carolina | | | | | | | | | | | Attachment: 2 | | Exhibit: B | | | | | | | | | | | | | | | | | | | | | | | | | | | | |
|---|---|---------|------|-------------|-------|-----------|----------------------------------|--------------------------------------|--|--|---|---|---------------|--------------------|--------------------|-------------------------------|-------------------------------|-------|-------|-------|-------|-------|-------|--|--|--|--|--|--|--|--|--|--|--|--|--|--|--|--|--|--|
| CATEGORY | RATE ELEMENTS | Interim | Zone | BCS | USOC | RATES(\$) | Svc Order Submitted Elec per LSR | Svc Order Submitted Manually per LSR | Incremental Charge - Manual Svc Order vs. Electronic-1st | Incremental Charge - Manual Svc Order vs. Electronic-Add'l | Incremental Charge - Manual Svc Order vs. Electronic-Disc 1st | Incremental Charge - Manual Svc Order vs. Electronic-Disc Add'l | OSS Rates(\$) | | | | | | | | | | | | | | | | | | | | | | | | | | | | |
| | | | | | | | | | | | | | Rec | Nonrecurring First | Nonrecurring Add'l | Nonrecurring Disconnect First | Nonrecurring Disconnect Add'l | SOMEc | SOMAN | SOMAN | SOMAN | SOMAN | SOMAN | | | | | | | | | | | | | | | | | | |
| EXCHANGE PORT RATES (DID & PBX) | | | | | | | | | | | | | | | | | | | | | | | | | | | | | | | | | | | | | | | | | |
| | Exchange Ports - 2-Wire DID Port | | | UEPEX | UEPP2 | 12.36 | | | | | | | | | | | | | | | | | | | | | | | | | | | | | | | | | | | |
| | Exchange Ports - DDITS Port - 4-Wire DS1 Port with DID capability | | | UEPDD | UEPDD | 123.65 | | | | | | | | | | | | | | | | | | | | | | | | | | | | | | | | | | | |
| | Exchange Ports - 2-Wire ISDN Port (See Notes below.) | | | UEPTX UEPSX | U1PMA | 24.50 | | | | | | | | | | | | | | | | | | | | | | | | | | | | | | | | | | | |
| | Exchange Ports - 4-Wire ISDN DS1 Port | | | UEPEX | UEPEX | 179.75 | | | | | | | | | | | | | | | | | | | | | | | | | | | | | | | | | | | |
| | All Features Offered | | | UEPTX UEPSX | UEPVF | 3.40 | | | | | | | | | | | | | | | | | | | | | | | | | | | | | | | | | | | |
| NOTE: Transmission/usage charges associated with POTS circuit switched voice will also apply to circuit switched voice and/or circuit switched data transmission by B-Channels associated with 2-wire ISDN ports. | | | | | | | | | | | | | | | | | | | | | | | | | | | | | | | | | | | | | | | | | |
| NOTE: Access to B Channel or D Channel Packet capabilities will be available only through BFR/New Business Request Process. Rates for the packet capabilities will be determined via the Bona Fide Request/New Business Request Process. | | | | | | | | | | | | | | | | | | | | | | | | | | | | | | | | | | | | | | | | | |
| | Exchange Ports - 2-Wire ISDN Port -- Channel Profiles | | | UEPTX UEPSX | U1UMA | 0.00 | | | | | | | | | | | | | | | | | | | | | | | | | | | | | | | | | | | |
| | Exchange Ports - 4-Wire ISDN DS1 Port | | | UEPEX | UEPEX | 179.75 | | | | | | | | | | | | | | | | | | | | | | | | | | | | | | | | | | | |
| UNBUNDLED LOCAL SWITCHING, PORT USAGE | | | | | | | | | | | | | | | | | | | | | | | | | | | | | | | | | | | | | | | | | |
| End Office Switching (Port Usage) | | | | | | | | | | | | | | | | | | | | | | | | | | | | | | | | | | | | | | | | | |
| | End Office Switching Function, Per MOU | | | | | 0.0015 | | | | | | | | | | | | | | | | | | | | | | | | | | | | | | | | | | | |
| | End Office Trunk Port - Shared, Per MOU | | | | | 0.00023 | | | | | | | | | | | | | | | | | | | | | | | | | | | | | | | | | | | |
| Tandem Switching (Port Usage) (Local or Access Tandem) | | | | | | | | | | | | | | | | | | | | | | | | | | | | | | | | | | | | | | | | | |
| | Tandem Switching Function Per MOU | | | | | 0.0006 | | | | | | | | | | | | | | | | | | | | | | | | | | | | | | | | | | | |
| | Tandem Trunk Port - Shared, Per MOU | | | | | 0.0003 | | | | | | | | | | | | | | | | | | | | | | | | | | | | | | | | | | | |
| Common Transport | | | | | | | | | | | | | | | | | | | | | | | | | | | | | | | | | | | | | | | | | |
| | Common Transport - Per Mile, Per MOU | | | | | 0.00001 | | | | | | | | | | | | | | | | | | | | | | | | | | | | | | | | | | | |
| | Common Transport - Facilities Termination Per MOU | | | | | 0.00034 | | | | | | | | | | | | | | | | | | | | | | | | | | | | | | | | | | | |
| UNBUNDLED PORT/LOOP COMBINATIONS - COST BASED RATES | | | | | | | | | | | | | | | | | | | | | | | | | | | | | | | | | | | | | | | | | |
| Cost Based Rates are applied where BellSouth is required by FCC and/or State Commission rule to provide Unbundled Local Switching or Switch Ports. | | | | | | | | | | | | | | | | | | | | | | | | | | | | | | | | | | | | | | | | | |
| Features shall apply to the Unbundled Port/Loop Combination - Cost Based Rate section in the same manner as they are applied to the Stand-Alone Unbundled Port section of this Rate Exhibit. | | | | | | | | | | | | | | | | | | | | | | | | | | | | | | | | | | | | | | | | | |
| End Office and Tandem Switching Usage and Common Transport Usage rates in the Port section of this rate exhibit shall apply to all combinations of loop/port network elements except for UNE Coin Port/Loop Combinations. | | | | | | | | | | | | | | | | | | | | | | | | | | | | | | | | | | | | | | | | | |
| For Georgia, Kentucky, Louisiana, Mississippi, South Carolina and Tennessee, the recurring UNE Port and Loop charges listed apply to Currently Combined and Not Currently Combined Combos. The first and additional Port nonrecurring charges apply to Not Currently Combined Combos for all states. In GA, KY, LA, MS, SC and TN these nonrecurring charges are commission ordered cost based rates and in AL, FL and NC these nonrecurring charges are Market Rates and are also listed in the Market Rate section. | | | | | | | | | | | | | | | | | | | | | | | | | | | | | | | | | | | | | | | | | |
| For Currently Combined Combos in all other states, the nonrecurring charges shall be those identified in the Nonrecurring - Currently Combined sections. | | | | | | | | | | | | | | | | | | | | | | | | | | | | | | | | | | | | | | | | | |
| 2-WIRE VOICE GRADE LOOP WITH 2-WIRE LINE PORT (RES) | | | | | | | | | | | | | | | | | | | | | | | | | | | | | | | | | | | | | | | | | |
| UNE Port/Loop Combination Rates | | | | | | | | | | | | | | | | | | | | | | | | | | | | | | | | | | | | | | | | | |
| | 2-Wire VG Loop/Port Combo - Statewide | | sw | | | 16.46 | | | | | | | | | | | | | | | | | | | | | | | | | | | | | | | | | | | |
| UNE Loop Rates | | | | | | | | | | | | | | | | | | | | | | | | | | | | | | | | | | | | | | | | | |
| | 2-Wire Voice Grade Loop (SL1) - Statewide | | sw | UEPRX | UEPLX | 14.18 | | | | | | | | | | | | | | | | | | | | | | | | | | | | | | | | | | | |
| 2-Wire Voice Grade Line Port Rates (Res) | | | | | | | | | | | | | | | | | | | | | | | | | | | | | | | | | | | | | | | | | |
| | 2-Wire voice unbundled port - residence | | | UEPRX | UEPRL | 2.28 | | 90.00 | | | | | | | | | | | | | | | | | | | | | | | | | | | | | | | | | |
| | 2-Wire voice unbundled port with Caller ID - res | | | UEPRX | UEPRC | 2.28 | | 90.00 | | | | | | | | | | | | | | | | | | | | | | | | | | | | | | | | | |
| | 2-Wire voice unbundled port outgoing only - res | | | UEPRX | UEPRO | 2.28 | | 90.00 | | | | | | | | | | | | | | | | | | | | | | | | | | | | | | | | | |
| | 2-Wire voice unbundles res, low usage line port with Caller ID (LUM) | | | UEPRX | UEPAP | 2.28 | | 90.00 | | | | | | | | | | | | | | | | | | | | | | | | | | | | | | | | | |
| FEATURES | | | | | | | | | | | | | | | | | | | | | | | | | | | | | | | | | | | | | | | | | |
| | All Features Offered | | | UEPRX | UEPVF | 3.40 | | 0.00 | | | | | | | | | | | | | | | | | | | | | | | | | | | | | | | | | |
| LOCAL NUMBER PORTABILITY | | | | | | | | | | | | | | | | | | | | | | | | | | | | | | | | | | | | | | | | | |
| | Local Number Portability (1 per port) | | | UEPRX | LNPCX | 0.35 | | | | | | | | | | | | | | | | | | | | | | | | | | | | | | | | | | | |
| NONRECURRING CHARGES (NRCs) - CURRENTLY COMBINED | | | | | | | | | | | | | | | | | | | | | | | | | | | | | | | | | | | | | | | | | |
| | 2-Wire Voice Grade Loop / Line Port Combination - Conversion - Switch-as-is | | | UEPRX | USAC2 | | | 2.77 | | | | | | | | | | | | | | | | | | | | | | | | | | | | | | | | | |
| | 2-Wire Voice Grade Loop / Line Port Combination - Conversion - Switch with change | | | UEPRX | USACC | | | 2.77 | | | | | | | | | | | | | | | | | | | | | | | | | | | | | | | | | |
| | 2-Wire Voice Grade Loop / Line Port Combination - Conversion - Subsequent Database Update | | | | | | | 1.42 | | | | | | | | | | | | | | | | | | | | | | | | | | | | | | | | | |
| ADDITIONAL NRCs | | | | | | | | | | | | | | | | | | | | | | | | | | | | | | | | | | | | | | | | | |
| | 2-Wire Voice Grade Loop/Line Port Combination - Subsequent Activity | | | UEPRX | USAS2 | 0.00 | | 0.00 | | | | | | | | | | | | | | | | | | | | | | | | | | | | | | | | | |
| 2-WIRE VOICE GRADE LOOP WITH 2-WIRE LINE PORT (BUS) | | | | | | | | | | | | | | | | | | | | | | | | | | | | | | | | | | | | | | | | | |
| UNE Port/Loop Combination Rates | | | | | | | | | | | | | | | | | | | | | | | | | | | | | | | | | | | | | | | | | |
| | 2-Wire VG Loop/Port Combo - Statewide | | sw | | | 16.46 | | | | | | | | | | | | | | | | | | | | | | | | | | | | | | | | | | | |
| UNE Loop Rates | | | | | | | | | | | | | | | | | | | | | | | | | | | | | | | | | | | | | | | | | |
| | 2-Wire Voice Grade Loop (SL1) - Statewide | | sw | UEPBX | UEPLX | 14.18 | | | | | | | | | | | | | | | | | | | | | | | | | | | | | | | | | | | |
| 2-Wire Voice Grade Line Port (Bus) | | | | | | | | | | | | | | | | | | | | | | | | | | | | | | | | | | | | | | | | | |
| | 2-Wire voice unbundled port without Caller ID - bus | | | UEPBX | UEPBL | 2.28 | | 90.00 | | | | | | | | | | | | | | | | | | | | | | | | | | | | | | | | | |

| UNBUNDLED NETWORK ELEMENTS - North Carolina | | | | | | | | | | Attachment: 2 | | Exhibit: B | |
|---|---|---------|------|-------|-------|-----------|--------------|----------------------------------|--------------------------------------|--|--|---|---|
| CATEGORY | RATE ELEMENTS | Interim | Zone | BCS | USOC | RATES(\$) | | Svc Order Submitted Elec per LSR | Svc Order Submitted Manually per LSR | Incremental Charge - Manual Svc Order vs. Electronic-1st | Incremental Charge - Manual Svc Order vs. Electronic-Add'l | Incremental Charge - Manual Svc Order vs. Electronic-Disc 1st | Incremental Charge - Manual Svc Order vs. Electronic-Disc Add'l |
| | | | | | | Rec | Nonrecurring | | | | | | |
| | | | | | | First | Add'l | First | Add'l | SOMEc | SOMAN | SOMAN | SOMAN |
| | 2-Wire voice unbundled port with Caller + E484 ID - bus | | | UEPBX | UEPBC | 2.28 | 90.00 | 90.00 | | | | 40.18 | 9.45 |
| | 2-Wire voice unbundled port outgoing only - bus | | | UEPBX | UEPBO | 2.28 | 90.00 | 90.00 | | | | 40.18 | 9.45 |
| | 2-Wire voice unbundled incoming only port with Caller ID - Bus | | | UEPBX | UPEB1 | 2.28 | 90.00 | 90.00 | | | | 40.18 | 9.45 |
| | LOCAL NUMBER PORTABILITY | | | | | | | | | | | | |
| | Local Number Portability (1 per port) | | | UEPBX | LNPCX | 0.35 | | | | | | | |
| | FEATURES | | | | | | | | | | | | |
| | All Features Offered | | | UEPBX | UEPVF | 3.40 | 0.00 | 0.00 | | | | 40.18 | 9.45 |
| | NONRECURRING CHARGES (NRCs) - CURRENTLY COMBINED | | | | | | | | | | | | |
| | 2-Wire Voice Grade Loop / Line Port Combination - Conversion - Switch-as-is | | | UEPBX | USAC2 | | 2.77 | 0.40 | | | | 40.18 | 9.45 |
| | 2-Wire Voice Grade Loop / Line Port Combination - Conversion - Switch with change | | | UEPBX | USACC | | 2.77 | 0.40 | | | | 40.18 | 9.45 |
| | 2-Wire Voice Grade Loop / Line Port Combination - Conversion - Subsequent Database Update | | | | | | 1.42 | | | | | 10.27 | |
| | ADDITIONAL NRCs | | | | | | | | | | | | |
| | 2-Wire Voice Grade Loop/Line Port Combination - Subsequent Activity | | | UEPBX | USAS2 | | 0.00 | 0.00 | | | | 40.18 | 9.45 |
| | 2-WIRE VOICE GRADE LOOP WITH 2-WIRE LINE PORT (RES - PBX) | | | | | | | | | | | | |
| | UNE Port/Loop Combination Rates | | | | | | | | | | | | |
| | 2-Wire VG Loop/Port Combo - Statewide | | sw | | | 16.46 | | | | | | | |
| | UNE Loop Rates | | | | | | | | | | | | |
| | 2-Wire Voice Grade Loop (SL 1) - Statewide | | sw | UEPRG | UEPLX | 14.18 | | | | | | | |
| | 2-Wire Voice Grade Line Port Rates (RES - PBX) | | | | | | | | | | | | |
| | 2-Wire VG Unbundled Combination 2-Way PBX Trunk Port - Res | | | UEPRG | UEPRD | 2.28 | 90.00 | 90.00 | | | | 40.18 | 9.45 |
| | LOCAL NUMBER PORTABILITY | | | | | | | | | | | | |
| | Local Number Portability (1 per port) | | | UEPRG | LNPCP | 3.15 | 0.00 | 0.00 | | | | | |
| | FEATURES | | | | | | | | | | | | |
| | All Features Offered | | | UEPRG | UEPVF | 3.40 | 0.00 | 0.00 | | | | 40.18 | 9.45 |
| | NONRECURRING CHARGES (NRCs) - CURRENTLY COMBINED | | | | | | | | | | | | |
| | 2-Wire Voice Grade Loop/ Line Port Combination (PBX) - Conversion - Switch-As-Is | | | UEPRG | USAC2 | | 2.77 | 0.40 | | | | 40.18 | 9.45 |
| | 2-Wire Voice Grade Loop/ Line Port Combination (PBX) - Conversion - Switch with Change | | | UEPRG | USACC | | 2.77 | 0.40 | | | | 40.18 | 9.45 |
| | 2-Wire Voice Grade Loop / Line Port Combination - Conversion - Subsequent Database Update | | | | | | 1.42 | | | | | 10.27 | |
| | ADDITIONAL NRCs | | | | | | | | | | | | |
| | 2-Wire Voice Grade Loop/ Line Port Combination (PBX) - Subsequent Activity | | | UEPRG | USAS2 | 0.00 | 0.00 | 0.00 | | | | 40.18 | 9.45 |
| | PBX Subsequent Activity - Change/Rearrange Multiline Hunt Group | | | | | | 14.64 | 14.64 | | | | 40.18 | 9.45 |
| | 2-WIRE VOICE GRADE LOOP WITH 2-WIRE LINE PORT (BUS - PBX) | | | | | | | | | | | | |
| | UNE Port/Loop Combination Rates | | | | | | | | | | | | |
| | 2-Wire VG Loop/Port Combo - Statewide | | sw | | | 16.46 | | | | | | | |
| | UNE Loop Rates | | | | | | | | | | | | |
| | 2-Wire Voice Grade Loop (SL 1) - Statewide | | sw | UEPPX | UEPLX | 14.18 | | | | | | | |
| | 2-Wire Voice Grade Line Port Rates (BUS - PBX) | | | | | | | | | | | | |
| | Line Side Unbundled Combination 2-Way PBX Trunk Port - Bus | | | UEPPX | UEPPC | 2.28 | 90.00 | 90.00 | | | | 40.18 | 9.45 |
| | Line Side Unbundled Outward PBX Trunk Port - Bus | | | UEPPX | UEPPO | 2.28 | 90.00 | 90.00 | | | | 40.18 | 9.45 |
| | Line Side Unbundled Incoming PBX Trunk Port - Bus | | | UEPPX | UEPP1 | 2.28 | 90.00 | 90.00 | | | | 40.18 | 9.45 |
| | 2-Wire Voice Unbundled PBX LD Terminal Ports | | | UEPPX | UEPLD | 2.28 | 90.00 | 90.00 | | | | 40.18 | 9.45 |
| | 2-Wire Voice Unbundled 2-Way Combination PBX Usage Port | | | UEPPX | UEPXA | 2.28 | 90.00 | 90.00 | | | | 40.18 | 9.45 |
| | 2-Wire Voice Unbundled PBX Toll Terminal Hotel Ports | | | UEPPX | UEPXB | 2.28 | 90.00 | 90.00 | | | | 40.18 | 9.45 |
| | 2-Wire Voice Unbundled PBX LD DDD Terminals Port | | | UEPPX | UEPXC | 2.28 | 90.00 | 90.00 | | | | 40.18 | 9.45 |
| | 2-Wire Voice Unbundled PBX LD Terminal Switchboard Port | | | UEPPX | UEPXD | 2.28 | 90.00 | 90.00 | | | | 40.18 | 9.45 |
| | 2-Wire Voice Unbundled PBX LD Terminal Switchboard IDD Capable Port | | | UEPPX | UEPXE | 2.28 | 90.00 | 90.00 | | | | 40.18 | 9.45 |

| UNBUNDLED NETWORK ELEMENTS - North Carolina | | | | | | | | | | | Attachment: 2 | | Exhibit: B | | |
|--|---|---------|------|-------|-------|-----------|--------------|----------------------------------|--------------------------------------|--|--|---|---|-------------------------|-------|
| CATEGORY | RATE ELEMENTS | Interim | Zone | BCS | USOC | RATES(\$) | | Svc Order Submitted Elec per LSR | Svc Order Submitted Manually per LSR | Incremental Charge - Manual Svc Order vs. Electronic-1st | Incremental Charge - Manual Svc Order vs. Electronic-Add'l | Incremental Charge - Manual Svc Order vs. Electronic-Disc 1st | Incremental Charge - Manual Svc Order vs. Electronic-Disc Add'l | | |
| | | | | | | Rec | Nonrecurring | | | | | | | Nonrecurring Disconnect | |
| | | | | | | First | Add'l | First | Add'l | SOMEC | SOMAN | SOMAN | SOMAN | SOMAN | SOMAN |
| | 2-Wire Voice Unbundled 2-Way PBX Hotel/Hospital Economy Administrative Calling Port | | | UEPPX | UEPXL | 2.28 | 90.00 | 90.00 | | | | 40.18 | 9.45 | | |
| | 2-Wire Voice Unbundled 2-Way PBX Hotel/Hospital Economy Room Calling Port | | | UEPPX | UEPXM | 2.28 | 90.00 | 90.00 | | | | 40.18 | 9.45 | | |
| | 2-Wire Voice Unbundled 1-Way Outgoing PBX Hotel/Hospital Discount Room Calling Port | | | UEPPX | UEPXO | 2.28 | 90.00 | 90.00 | | | | 40.18 | 9.45 | | |
| | 2-Wire Voice Unbundled 1-Way Outgoing PBX Measured Port | | | UEPPX | UEPXS | 2.28 | 90.00 | 90.00 | | | | 40.18 | 9.45 | | |
| LOCAL NUMBER PORTABILITY | | | | | | | | | | | | | | | |
| | Local Number Portability (1 per port) | | | UEPPX | LNPCP | 3.15 | 0.00 | 0.00 | | | | 40.18 | 9.45 | | |
| FEATURES | | | | | | | | | | | | | | | |
| | All Features Offered | | | UEPPX | UEPVF | 3.40 | 0.00 | 0.00 | | | | 40.18 | 9.45 | | |
| NONRECURRING CHARGES (NRCs) - CURRENTLY COMBINED | | | | | | | | | | | | | | | |
| | 2-Wire Voice Grade Loop/ Line Port Combination (PBX) - Conversion - Switch-As-Is | | | UEPPX | USAC2 | | 2.77 | 0.40 | | | | 40.18 | 9.45 | | |
| | 2-Wire Voice Grade Loop/ Line Port Combination (PBX) - Conversion - Switch with Change | | | UEPPX | USACC | | 2.77 | 0.40 | | | | 40.18 | 9.45 | | |
| | 2-Wire Voice Grade Loop / Line Port Combination - Conversion - Subsequent Database Update | | | | | | 1.42 | | | | | 10.27 | | | |
| ADDITIONAL NRCs | | | | | | | | | | | | | | | |
| | 2-Wire Voice Grade Loop/ Line Port Combination (PBX) - Subsequent Activity | | | UEPPX | USAS2 | 0.00 | 0.00 | 0.00 | | | | 40.18 | 9.45 | | |
| | PBX Subsequent Activity - Change/Rearrange Multiline Hunt Group | | | | | | 14.64 | 14.64 | | | | 40.18 | 9.45 | | |
| 2-WIRE VOICE GRADE LOOP WITH 2-WIRE ANALOG LINE COIN PORT | | | | | | | | | | | | | | | |
| UNE Port/Loop Combination Rates | | | | | | | | | | | | | | | |
| | 2-Wire VG Coin Port/Loop Combo – Statewide | | sw | | | 16.80 | | | | | | | | | |
| UNE Loop Rates | | | | | | | | | | | | | | | |
| | 2-Wire Voice Grade Loop (SL1) - Statewide | | sw | UEPCO | UEPLX | 14.18 | | | | | | | | | |
| 2-Wire Voice Grade Line Ports (COIN) | | | | | | | | | | | | | | | |
| | 2-Wire Coin 2-Way without Operator Screening and without Blocking (NC) | | | UEPCO | UEPND | 2.62 | 90.00 | 90.00 | | | | 40.18 | 9.45 | | |
| | 2-Wire Coin 2-Way with Operator Screening and Blocking: 011, 900/976, 1+DDD (NC, TN) | | | UEPCO | UEPNC | 2.62 | 90.00 | 90.00 | | | | 40.18 | 9.45 | | |
| | 2-Wire Coin 2-Way with Operator Screening and 011 Blocking (NC) | | | UEPCO | UEPRP | 2.62 | 90.00 | 90.00 | | | | 40.18 | 9.45 | | |
| | 2-Wire Coin 2-Way with Operator Screening: 900 Blocking: 900/976, 1+DDD, 011+, and Local (NC, TN) | | | UEPCO | UEPNB | 2.62 | 90.00 | 90.00 | | | | 40.18 | 9.45 | | |
| | 2-Wire Coin 2-Way with Operator Screening: 900 Blocking: 900/976, 1+DDD, 011+, and Local (NC, TN) | | | UEPCO | UEPCA | 2.62 | 90.00 | 90.00 | | | | 40.18 | 9.45 | | |
| | 2-Wire Coin Outward with Operator Screening and 011 Blocking (NC) | | | UEPCO | UEPNE | 2.62 | 90.00 | 90.00 | | | | 40.18 | 9.45 | | |
| | 2-Wire Coin Outward with Operator Screening and Blocking: 900/976, 1+DDD, 011+, and Local (NC) | | | UEPCO | UEPCL | 2.62 | 90.00 | 90.00 | | | | 40.18 | 9.45 | | |
| | 2-Wire 2-Way Smartline with 900/976 (all states except LA) | | | UEPCO | UEPCK | 2.62 | 90.00 | 90.00 | | | | 40.18 | 9.45 | | |
| | 2-Wire Coin Outward Smartline with 900/976 (all states except LA) | | | UEPCO | UEPCR | 2.62 | 90.00 | 90.00 | | | | 40.18 | 9.45 | | |
| ADDITIONAL UNE COIN PORT/LOOP (RC) | | | | | | | | | | | | | | | |
| | UNE Coin Port/Loop Combo Usage (Flat Rate) | | | UEPCO | URECU | 3.70 | 90.00 | 90.00 | | | | 40.18 | 9.45 | | |
| LOCAL NUMBER PORTABILITY | | | | | | | | | | | | | | | |
| | Local Number Portability (1 per port) | | | UEPCO | LNPCX | 0.35 | | | | | | | | | |
| NONRECURRING CHARGES - CURRENTLY COMBINED | | | | | | | | | | | | | | | |
| | 2-Wire Voice Grade Loop / Line Port Combination - Conversion - Switch-as-is | | | UEPCO | USAC2 | | 2.77 | 0.40 | | | | 40.18 | 9.45 | | |
| | 2-Wire Voice Grade Loop / Line Port Combination - Conversion - Switch with change | | | UEPCO | USACC | | 2.77 | 0.40 | | | | 40.18 | 9.45 | | |
| ADDITIONAL NRCs | | | | | | | | | | | | | | | |
| | 2-Wire Voice Grade Loop/Line Port Combination - Subsequent Activity | | | UEPCO | USAS2 | | 0.00 | 0.00 | | | | 40.18 | 9.45 | | |
| UNBUNDLED REMOTE CALL FORWARDING - RES | | | | | | | | | | | | | | | |
| Non-Recurring | | | | | | | | | | | | | | | |

| UNBUNDLED NETWORK ELEMENTS - North Carolina | | | | | | | | | | Attachment: 2 | | Exhibit: B | |
|---|---|---------|------|-------|-------|-----------|----------------------------------|--------------------------------------|--|--|---|---|-----|
| CATEGORY | RATE ELEMENTS | Interim | Zone | BCS | USOC | RATES(\$) | Svc Order Submitted Elec per LSR | Svc Order Submitted Manually per LSR | Incremental Charge - Manual Svc Order vs. Electronic-1st | Incremental Charge - Manual Svc Order vs. Electronic-Add'l | Incremental Charge - Manual Svc Order vs. Electronic-Disc 1st | Incremental Charge - Manual Svc Order vs. Electronic-Disc Add'l | |
| | | | | | | | | | | | | | Rec |
| | | | | | | | | | | | | | |
| | | | | | | | | | | | | | |
| | UNBUNDLED REMOTE CALL FORWARDING - Bus | | | | | | | | | | | | |
| | Unbundled Remote Call Forwarding, InterState/Intra LATA-Bus | | | UEPVB | UEPVJ | 2.19 | 21.60 | 21.60 | | | 26.94 | 12.76 | |
| | Non-Recurring | | | | | | | | | | | | |
| | 2-WIRE VOICE LOOP/ 2WIRE VOICE GRADE IO TRANSPORT/ 2-WIRE LINE PORT (RES) | | | | | | | | | | | | |
| | 2-WIRE VOICE LOOP/ 2WIRE VOICE GRADE IO TRANSPORT/ 2-WIRE LINE PORT (BUS) | | | | | | | | | | | | |
| | 2-Wire voice unbundled port with Caller + E484 ID - bus | | | UEPFB | UEPBC | 2.19 | 225.00 | 225.00 | | | 40.18 | 9.45 | |
| | UNBUNDLED PORT/LOOP COMBINATIONS - COST BASED RATES | | | | | | | | | | | | |
| | 2-WIRE VOICE GRADE LOOP- BUS ONLY - WITH 2-WIRE DID TRUNK PORT | | | | | | | | | | | | |
| | UNE Port/Loop Combination Rates | | | | | | | | | | | | |
| | 2-Wire VG Loop/2-Wire DID Trunk Port Combo - Statewide | | sw | | | 31.07 | | | | | | | |
| | UNE Loop Rates | | | | | | | | | | | | |
| | 2-Wire Analog Voice Grade Loop - (SL2) - Statewide | | sw | | | 19.50 | 142.97 | 106.56 | | | 40.18 | 9.45 | |
| | UNE Port Rate | | | | | | | | | | | | |
| | Exchange Ports - 2-Wire DID Port | | | UEPPX | UEPD1 | 12.36 | 485.00 | 75.00 | | | 40.18 | 9.45 | |
| | NONRECURRING CHARGES - CURRENTLY COMBINED | | | | | | | | | | | | |
| | 2-Wire Voice Grade Loop / 2-Wire DID Trunk Port Combination - Switch-as-is | | | UEPPX | USAC1 | | 13.26 | 8.39 | | | 40.18 | 9.45 | |
| | 2-Wire Voice Grade Loop / 2-Wire DID Trunk Port Conversion with BellSouth Allowable Changes | | | UEPPX | USA1C | | 13.26 | 8.39 | | | 40.71 | 9.45 | |
| | ADDITIONAL NRCs | | | | | | | | | | | | |
| | 2-Wire DID Subsequent Activity - Add Trunks, Per Trunk | | | UEPPX | USAS1 | | 53.49 | | | | 40.18 | 9.45 | |
| | Telephone Number/Trunk Group Establishment Charges | | | | | | | | | | | | |
| | DID Trunk Termination (One Per Port) | | | UEPPX | NDT | 0.00 | 0.00 | 0.00 | | | | | |
| | DID Numbers, Establish Trunk Group and Provide First Group of 20 DID Numbers | | | UEPPX | NDZ | 0.00 | 0.00 | 0.00 | | | | | |
| | Additional DID Numbers for each Group of 20 DID Numbers | | | UEPPX | ND4 | 0.00 | 0.00 | 0.00 | | | | | |
| | DID Numbers, Non- consecutive DID Numbers , Per Number | | | UEPPX | ND5 | 0.00 | 0.00 | 0.00 | | | | | |
| | Reserve Non-Consecutive DID numbers | | | UEPPX | ND6 | 0.00 | 0.00 | 0.00 | | | | | |
| | Reserve DID Numbers | | | UEPPX | NDV | 0.00 | 0.00 | 0.00 | | | | | |
| | LOCAL NUMBER PORTABILITY | | | | | | | | | | | | |
| | Local Number Portability (1 per port) | | | UEPPX | LNPCP | 3.15 | 0.00 | 0.00 | | | | | |
| | 2-WIRE ISDN DIGITAL GRADE LOOP WITH 2-WIRE ISDN DIGITAL LINE SIDE PORT | | | | | | | | | | | | |
| | UNE Port/Loop Combination Rates | | | | | | | | | | | | |
| | 2W ISDN Digital Grade Loop/2W ISDN Digital Line Side Port - Statewide | | sw | UEPPB | UEPPR | 44.49 | | | | | | | |
| | UNE Loop Rates | | | | | | | | | | | | |
| | 2-Wire ISDN Digital Grade Loop - Statewide | | sw | UEPPB | UEPPR | 20.12 | | | | | 19.99 | 19.99 | |
| | UNE Port Rate | | | | | | | | | | | | |
| | Exchange Port - 2-Wire ISDN Line Side Port | | | UEPPB | UEPPR | 24.37 | 450.00 | 375.00 | | | 19.99 | 19.99 | |
| | NONRECURRING CHARGES - CURRENTLY COMBINED | | | | | | | | | | | | |
| | 2-Wire ISDN Digital Grade Loop / 2-Wire ISDN Line Side Port Combination - Conversion | | | UEPPB | UEPPR | 0.00 | 174.35 | 174.35 | | | 19.99 | 19.99 | |
| | ADDITIONAL NRCs | | | | | | | | | | | | |
| | LOCAL NUMBER PORTABILITY | | | | | | | | | | | | |
| | Local Number Portability (1 per port) | | | UEPPB | UEPPR | 0.35 | 0.00 | 0.00 | | | | | |
| | B-CHANNEL USER PROFILE ACCESS: | | | | | | | | | | | | |
| | CVS/CSD (DMS/5ESS) | | | UEPPB | UEPPR | 0.00 | 0.00 | 0.00 | | | | | |
| | CVS (EWSD) | | | UEPPB | UEPPR | 0.00 | 0.00 | 0.00 | | | | | |
| | CSD | | | UEPPB | UEPPR | 0.00 | 0.00 | 0.00 | | | | | |
| | B-CHANNEL AREA PLUS USER PROFILE ACCESS: (AL,KY,LA,MS SC,MS, & TN) | | | | | | | | | | | | |
| | USER TERMINAL PROFILE | | | | | | | | | | | | |
| | User Terminal Profile (EWSD only) | | | UEPPB | UEPPR | 0.00 | 0.00 | 0.00 | | | | | |
| | VERTICAL FEATURES | | | | | | | | | | | | |
| | All Vertical Features - One per Channel B User Profile | | | UEPPB | UEPPR | 3.40 | 0.00 | 0.00 | | | 19.99 | 19.99 | |
| | INTEROFFICE CHANNEL MILEAGE | | | | | | | | | | | | |
| | Interoffice Channel mileage each, including first mile and facilities termination | | | UEPPB | UEPPR | 17.42 | 137.48 | 52.58 | | | 19.99 | 19.99 | |
| | Interoffice Channel mileage each, additional mile | | | UEPPB | UEPPR | 0.0282 | 0.00 | 0.00 | | | | | |

| UNBUNDLED NETWORK ELEMENTS - North Carolina | | | | | | | | | | Attachment: 2 | | Exhibit: B | | | | | | |
|--|--|---------|------|-------|-------|-----------|----------------------------------|--------------------------------------|--|--|---|---|-------|--------------|-------|-------------------------|--|---------------|
| CATEGORY | RATE ELEMENTS | Interim | Zone | BCS | USOC | RATES(\$) | Svc Order Submitted Elec per LSR | Svc Order Submitted Manually per LSR | Incremental Charge - Manual Svc Order vs. Electronic-1st | Incremental Charge - Manual Svc Order vs. Electronic-Add'l | Incremental Charge - Manual Svc Order vs. Electronic-Disc 1st | Incremental Charge - Manual Svc Order vs. Electronic-Disc Add'l | | | | | | |
| | | | | | | | | | | | | | Rec | Nonrecurring | | Nonrecurring Disconnect | | OSS Rates(\$) |
| | | | | | | | First | Add'l | First | Add'l | SOMEc | SOMAN | SOMAN | SOMAN | SOMAN | SOMAN | | |
| 4-WIRE DS1 DIGITAL LOOP WITH 4-WIRE ISDN DS1 DIGITAL TRUNK PORT | | | | | | | | | | | | | | | | | | |
| UNE Port/Loop Combination Rates | | | | | | | | | | | | | | | | | | |
| | 4W DS1 Digital Loop/4W ISDN DS1 Digital Trunk Port - Statewide | | sw | UEPPP | | 241.72 | | | | | | | | | | | | |
| UNE Loop Rates | | | | | | | | | | | | | | | | | | |
| | 4-Wire DS1 Digital Loop - UNE Zone 3 | | 3 | UEPPP | USL4P | | | | | | | | | | | | | |
| UNE Port Rate | | | | | | | | | | | | | | | | | | |
| | Exchange Ports - 4-Wire ISDN DS1 Port | | | UEPPP | UEPPP | 179.01 | 1,150.00 | 1,150.00 | | | 19.99 | 19.99 | | | | | | |
| NONRECURRING CHARGES - CURRENTLY COMBINED | | | | | | | | | | | | | | | | | | |
| | 4-Wire DS1 Digital Loop / 4-Wire ISDN DS1 Digital Trunk Port Combination - Conversion -Switch-as-is | | | UEPPP | USACP | 0.00 | 481.51 | 481.51 | | | 19.99 | 19.99 | | | | | | |
| ADDITIONAL NRCs | | | | | | | | | | | | | | | | | | |
| | 4-Wire DS1 Loop / 4-Wire ISDN DS1 Digital Trunk Port - Subsequent Inward/2-Way Tel Nos - (NC Only) | | | UEPPP | PR7TG | | 1.17 | 1.17 | | | 19.99 | 19.99 | | | | | | |
| | 4-Wire DS1 Loop/4-Wire ISDN Digital Trunk Port - Subsequent Activity Outward tel nos. (NC only) | | | UEPPP | PR7TP | | 28.17 | 28.17 | | | 19.99 | 19.99 | | | | | | |
| | 4-Wire DS1 Loop / 4-Wire ISDN DS1 Digital Trk Port - Subsequent Inward Tel Nos Above Std Allowance | | | UEPPP | PR7ZT | | 56.33 | 56.33 | | | 19.99 | 19.99 | | | | | | |
| LOCAL NUMBER PORTABILITY | | | | | | | | | | | | | | | | | | |
| | Local Number Portability (1 per port) | | | UEPPP | LNPCN | 1.75 | | | | | | | | | | | | |
| INTERFACE (Provisioning Only) | | | | | | | | | | | | | | | | | | |
| | Voice/Data | | | UEPPP | PR71V | 0.00 | 0.00 | 0.00 | | | | | | | | | | |
| | Digital Data | | | UEPPP | PR71D | 0.00 | 0.00 | 0.00 | | | | | | | | | | |
| | Inward Data | | | UEPPP | PR71E | 0.00 | 0.00 | 0.00 | | | | | | | | | | |
| New or Additional "B" Channel | | | | | | | | | | | | | | | | | | |
| | New or Additional - Voice/Data B Channel | | | UEPPP | PR7BV | 0.00 | 36.92 | | | | 19.99 | 19.99 | | | | | | |
| | New or Additional - Digital Data B Channel | | | UEPPP | PR7BF | 0.00 | 36.92 | | | | 19.99 | 19.99 | | | | | | |
| | New or Additional Inward Data B Channel | | | UEPPP | PR7BD | 0.00 | 36.92 | | | | 19.99 | 19.99 | | | | | | |
| CALL TYPES | | | | | | | | | | | | | | | | | | |
| | Inward | | | UEPPP | PR7C1 | 0.00 | 0.00 | 0.00 | | | | | | | | | | |
| | Outward | | | UEPPP | PR7C0 | 0.00 | 0.00 | 0.00 | | | | | | | | | | |
| | Two-way | | | UEPPP | PR7CC | 0.00 | 0.00 | 0.00 | | | | | | | | | | |
| Interoffice Channel Mileage | | | | | | | | | | | | | | | | | | |
| | Fixed Each Including First Mile | | | UEPPP | 1LN1A | 71.3683 | 217.17 | 163.75 | 0.00 | | 19.99 | 19.99 | | | | | | |
| | Each Airline-Fractional Additional Mile | | | UEPPP | 1LN1B | 0.0783 | | | | | | | | | | | | |
| 4-WIRE DS1 DIGITAL LOOP WITH 4-WIRE DDITS TRUNK PORT | | | | | | | | | | | | | | | | | | |
| UNE Port/Loop Combination Rates | | | | | | | | | | | | | | | | | | |
| | 4W DS1 Digital Loop/4W DDITS Trunk Port - Statewide | | sw | UEPDC | | 186.23 | | | | | 19.99 | 19.99 | | | | | | |
| UNE Loop Rates | | | | | | | | | | | | | | | | | | |
| | 4-Wire DS1 Digital Loop - Statewide | | sw | UEPDC | USLDC | 62.71 | 714.84 | 482.62 | | | 19.99 | 19.99 | | | | | | |
| UNE Port Rate | | | | | | | | | | | | | | | | | | |
| | 4-Wire DDITS Digital Trunk Port | | | UEPDC | UDD1T | 123.65 | | | | | 19.99 | 19.99 | | | | | | |
| NONRECURRING CHARGES - CURRENTLY COMBINED | | | | | | | | | | | | | | | | | | |
| | 4-Wire DS1 Digital Loop / 4-Wire DDITS Trunk Port Combination - Switch-as-is | | | UEPDC | USAC4 | | 288.86 | 133.87 | | | 19.99 | 19.99 | | | | | | |
| | 4-Wire DS1 Digital Loop / 4-Wire DDITS Trunk Port Combination - Conversion with DS1 Changes | | | UEPDC | USAWA | | 288.86 | 133.37 | | | 19.99 | 19.99 | | | | | | |
| | 4-Wire DS1 Digital Loop / 4-Wire DDITS Trunk Port Combination - Conversion with Change - Trunk | | | UEPDC | USAWB | | 288.86 | 133.37 | | | 19.99 | 19.99 | | | | | | |
| ADDITIONAL NRCs | | | | | | | | | | | | | | | | | | |
| | 4-Wire DS1 Loop / 4-Wire DDITS Trunk Port - Subsequent Service Activity Per Service Order | | | UEPDC | USAS4 | | 127.63 | 127.63 | | | | | | | | | | |
| | 4-Wire DS1 Loop / 4-Wire DDITS Trunk Port - NRC - Subsequent Channel Activation/Chan - 2-Way Trunk | | | UEPDC | UDTTA | | 28.81 | 28.81 | | | 19.99 | 19.99 | | | | | | |
| | 4-Wire DS1 Loop / 4-Wire DDITS Trunk Port - Subsequent Channel Activation/Chan - 1-Way Outward Trunk | | | UEPDC | UDTTB | | 28.81 | 28.81 | | | 19.99 | 19.99 | | | | | | |
| | 4-Wire DS1 Loop / 4-Wire DDITS Trunk Port - Subsqt Channel Activation/Chan Inward Trunk w/out DID | | | UEPDC | UDTTC | | 28.81 | 28.81 | | | 19.99 | 19.99 | | | | | | |

| UNBUNDLED NETWORK ELEMENTS - North Carolina | | | | | | | | | | | Attachment: 2 | | Exhibit: B | | | | | |
|---|---|---------|------|-------|-------|-----------|----------------------------------|--------------------------------------|--|--|---|---|------------|--------------|-------|-------------------------|-------|---------------|
| CATEGORY | RATE ELEMENTS | Interim | Zone | BCS | USOC | RATES(\$) | Svc Order Submitted Elec per LSR | Svc Order Submitted Manually per LSR | Incremental Charge - Manual Svc Order vs. Electronic-1st | Incremental Charge - Manual Svc Order vs. Electronic-Add'l | Incremental Charge - Manual Svc Order vs. Electronic-Disc 1st | Incremental Charge - Manual Svc Order vs. Electronic-Disc Add'l | | | | | | |
| | | | | | | | | | | | | | Rec | Nonrecurring | | Nonrecurring Disconnect | | OSS Rates(\$) |
| | | | | | | | | | | | | | SOMEc | SOMAN | SOMAN | SOMAN | SOMAN | SOMAN |
| | 4-Wire DS1 Loop / 4-Wire DDITS Trunk Port - Subsqt Chan Activation Per Chan - Inward Trunk with DID | | | UEPDC | UDTTD | 28.81 | 28.81 | | | 19.99 | 19.99 | | | | | | | |
| | 4-Wire DS1 Loop / 4-Wire DDITS Trunk Port - Subsqt Chan Activation / Chan - 2-Way DID w User Trans | | | UEPDC | UDTTE | 28.81 | 28.81 | | | 19.99 | 19.99 | | | | | | | |
| BIPOLAR 8 ZERO SUBSTITUTION | | | | | | | | | | | | | | | | | | |
| | B8ZS - Superframe Format | | | UEPDC | CCOSF | 0.00 | 615.00 | | | 19.99 | 19.99 | | | | | | | |
| | B8ZS - Extended Superframe Format | | | UEPDC | CCOEF | 0.00 | 615.00 | | | 19.99 | 19.99 | | | | | | | |
| Alternate Mark Inversion | | | | | | | | | | | | | | | | | | |
| | AMI - Superframe Format | | | UEPDC | MCOSF | 0.00 | 0.00 | | | | | | | | | | | |
| | AMI - Extended SuperFrame Format | | | UEPDC | MCOPO | 0.00 | 0.00 | | | | | | | | | | | |
| Telephone Number/Trunk Group Establishment Charges | | | | | | | | | | | | | | | | | | |
| | Telephone Number for 2-Way Trunk Group | | | UEPDC | UDTGX | 0.00 | | | | 19.99 | 19.99 | | | | | | | |
| | Telephone Number for 1-Way Outward Trunk Group | | | UEPDC | UDTGY | 0.00 | | | | 19.99 | 19.99 | | | | | | | |
| | Telephone Number for 1-Way Inward Trunk Group Without DID | | | UEPDC | UDTGZ | 0.00 | | | | 19.99 | 19.99 | | | | | | | |
| | DID Numbers, Establish Trunk Group and Provide First Group of 20 DID Numbers | | | UEPDC | NDZ | 0.00 | 0.00 | 0.00 | | | | | | | | | | |
| | DID Numbers for each Group of 20 DID Numbers | | | UEPDC | ND4 | 0.00 | | | | | | | | | | | | |
| | DID Numbers, Non- consecutive DID Numbers , Per Number | | | UEPDC | ND5 | 0.00 | | | | | | | | | | | | |
| | Reserve Non-Consecutive DID Nos. | | | UEPDC | ND6 | 0.00 | 0.00 | 0.00 | | | | | | | | | | |
| | Reserve DID Numbers | | | UEPDC | NDV | 0.00 | 0.00 | 0.00 | | | | | | | | | | |
| Dedicated DS1 (Interoffice Channel Mileage) - FX/FCO for 4-Wire DS1 Digital Loop with 4-Wire DDITS Trunk Port | | | | | | | | | | | | | | | | | | |
| | Interoffice Channel Mileage - Fixed rate 0-8 miles (Facilities Termination) | | | UEPDC | 1LNO1 | 71.29 | 217.17 | 163.75 | 0.00 | 0.00 | | | 19.99 | 19.99 | | | | |
| | Interoffice Channel Mileage - Additional rate per mile - 0-8 miles | | | UEPDC | 1LNOA | 0.0783 | 0.00 | 0.00 | | | | | | | | | | |
| | Interoffice Channel Mileage - Fixed rate 9-25 miles (Facilities Termination) | | | UEPDC | 1LNO2 | 0.00 | 0.00 | 0.00 | | | | | | | | | | |
| | Interoffice Channel Mileage - Additional rate per mile - 9-25 miles | | | UEPDC | 1LNOB | 0.0783 | 0.00 | 0.00 | | | | | | | | | | |
| | Interoffice Channel Mileage - Fixed rate 25+ miles (Facilities Termination) | | | UEPDC | 1LNO3 | 0.00 | 0.00 | 0.00 | 0.00 | | | | | | | | | |
| | Interoffice Channel Mileage - Additional rate per mile - 25+ miles | | | UEPDC | 1LNOC | 0.0783 | 0.00 | 0.00 | | | | | | | | | | |
| | Local Number Portability, per DS0 Activated | | | UEPDC | LNPCP | 3.15 | 0.00 | 0.00 | 0.00 | | | | | | | | | |
| | Central Office Terminating Point | | | UEPDC | CTG | 0.00 | | | | | | | | | | | | |
| 4-WIRE DS1 LOOP WITH CHANNELIZATION WITH PORT | | | | | | | | | | | | | | | | | | |
| System is 1 DS1 Loop, 1 D4 Channel Bank, and up to 24 Feature Activations | | | | | | | | | | | | | | | | | | |
| Each System can have up to 24 combinations of rates depending on type and number of ports used | | | | | | | | | | | | | | | | | | |
| UNE DS1 Loop | | | | | | | | | | | | | | | | | | |
| | 4-wire DS1 Loop UNE - Statewide | | sw | UEPMG | USLDC | 62.71 | | | | | | | 19.99 | | | | | |
| UNE DSO Channelization Capacities (D4 Channel Bank Configurations) | | | | | | | | | | | | | | | | | | |
| | 24 DSO Channel Capacity - 1 per DS1 | | | UEPMG | VUM24 | 123.06 | 0.00 | 0.00 | | | | | 19.99 | 19.99 | | | | |
| | 48 DSO Channel Capacity - 1 per 2 DS1s | | | UEPMG | VUM48 | 246.12 | 0.00 | 0.00 | | | | | 19.99 | 19.99 | | | | |
| | 96 DSO Channel Capacity -1per 4 DS1s | | | UEPMG | VUM96 | 492.24 | 0.00 | 0.00 | | | | | 19.99 | 19.99 | | | | |
| | 144 DSO Channel Capacity - 1 per 6 DS1s | | | UEPMG | VUM14 | 738.36 | 0.00 | 0.00 | | | | | 19.99 | 19.99 | | | | |
| | 192 DSO Channel Capacity -1 per 8 DS1s | | | UEPMG | VUM19 | 984.48 | 0.00 | 0.00 | | | | | 19.99 | 19.99 | | | | |
| | 240 DSO Channel Capacity - 1 per 10 DS1s | | | UEPMG | VUM20 | 1,230.60 | 0.00 | 0.00 | | | | | 19.99 | 19.99 | | | | |
| | 288 DSO Channel Capacity - 1 per 12 DS1s | | | UEPMG | VUM28 | 1,476.72 | 0.00 | 0.00 | | | | | 19.99 | 19.99 | | | | |
| | 384 DSO Channel Capacity - 1 per 16 DS1s | | | UEPMG | VUM38 | 1,968.96 | 0.00 | 0.00 | | | | | 19.99 | 19.99 | | | | |
| | 480 DSO Channel Capacity - 1 per 20 DS1s | | | UEPMG | VUM40 | 2,461.20 | 0.00 | 0.00 | | | | | 19.99 | 19.99 | | | | |
| | 576 DSO Channel Capacity -1 per 24 DS1s | | | UEPMG | VUM57 | 2,953.44 | 0.00 | 0.00 | | | | | 19.99 | 19.99 | | | | |
| | 672 DSO Channel Capacity - 1 per 28 DS1s | | | UEPMG | VUM67 | 3,445.68 | 0.00 | 0.00 | | | | | 19.99 | 19.99 | | | | |
| Non-Recurring Charges (NRC) Associated with 4-Wire DS1 Loop with Channelization with Port - Conversion Charge Based on a System | | | | | | | | | | | | | | | | | | |
| A Minimum System configuration is One (1) DS1, One (1) D4 Channel Bank, and Up To 24 DSO Ports with Feature Activations. | | | | | | | | | | | | | | | | | | |
| Multiples of this configuration functioning as one are considered Add'l after the minimum system configuration is counted. | | | | | | | | | | | | | | | | | | |
| | NRC - Conversion (Currently Combined) with or without BellSouth Allowed Changes | | | UEPMG | USAC4 | 0.00 | 330.61 | 16.64 | | | | | 19.99 | 19.99 | | | | |
| System Additions at End User Locations Where 4-Wire DS1 Loop with Channelization with Port Combination Currently Exists and New (Not Currently Combined) In GA, KY, LA, MS & TN Only | | | | | | | | | | | | | | | | | | |

| UNBUNDLED NETWORK ELEMENTS - North Carolina | | | | | | | | | | | Attachment: 2 | | Exhibit: B | | | | | | | | | | |
|---|---|---------|------|-------|-------|-----------|----------------------------------|--------------------------------------|--|--|---|---|---------------|--------------|--------|-------------------------|--|-------|-------|-------|-------|-------|-------|
| CATEGORY | RATE ELEMENTS | Interim | Zone | BCS | USOC | RATES(\$) | Svc Order Submitted Elec per LSR | Svc Order Submitted Manually per LSR | Incremental Charge - Manual Svc Order vs. Electronic-1st | Incremental Charge - Manual Svc Order vs. Electronic-Add'l | Incremental Charge - Manual Svc Order vs. Electronic-Disc 1st | Incremental Charge - Manual Svc Order vs. Electronic-Disc Add'l | OSS Rates(\$) | | | | | | | | | | |
| | | | | | | | | | | | | | Rec | Nonrecurring | | Nonrecurring Disconnect | | SOMEc | SOMAN | SOMAN | SOMAN | SOMAN | SOMAN |
| | | | | | | | | | | | | | First | Add'l | First | Add'l | | | | | | | |
| | 1 DS1/D4 Channel Bank - Add NRC for each Port and Assoc Fea Activation - New GA, LA, KY, MS, & TN Only | | | UEPMG | VUMD4 | 0.00 | | | | | | | 743.74 | 326.22 | 149.02 | 17.68 | | | | | | 19.99 | |
| | Bipolar 8 Zero Substitution | | | | | | | | | | | | | | | | | | | | | | |
| | Clear Channel Capability Format, superframe - Subsequent Activity Only | | | UEPMG | CCOSF | 0.00 | | | | | | | | 0.00 | 615.00 | | | | | | | | |
| | Clear Channel Capability Format - Extended Superframe - Subsequent Activity Only | | | UEPMG | CCOEF | 0.00 | | | | | | | | 0.00 | 615.00 | | | | | | | | |
| | Alternate Mark Inversion (AMI) | | | | | | | | | | | | | | | | | | | | | | |
| | Superframe Format | | | UEPMG | MCOSF | 0.00 | | | | | | | | 0.00 | 0.00 | | | | | | | | |
| | Extended Superframe Format | | | UEPMG | MCOPO | 0.00 | | | | | | | | 0.00 | 0.00 | | | | | | | | |
| | Exchange Ports Associated with 4-Wire DS1 Loop with Channelization with Port Exchange Ports | | | | | | | | | | | | | | | | | | | | | | |
| | Line Side Combination Channelized PBX Trunk Port - Business | | | UEPPX | UEPCX | 2.28 | | | | | | | | 0.00 | 0.00 | | | | | | | 40.18 | 9.45 |
| | Line Side Outward Channelized PBX Trunk Port - Business | | | UEPPX | UEPOX | 2.28 | | | | | | | | 0.00 | 0.00 | | | | | | | 40.18 | 9.45 |
| | Line Side Inward Only Channelized PBX Trunk Port without DID | | | UEPPX | UEP1X | 2.28 | | | | | | | | 0.00 | 0.00 | | | | | | | 40.18 | 9.45 |
| | 2-Wire Trunk Side Unbundled Channelized DID Trunk Port | | | UEPPX | UEPDM | 13.26 | | | | | | | | 0.00 | 0.00 | | | | | | | 40.18 | 9.45 |
| | Feature Activations - Unbundled Loop Concentration | | | | | | | | | | | | | | | | | | | | | | |
| | Feature (Service) Activation for each Line Side Port Terminated in D4 Bank | | | UEPPX | 1PQWM | 0.65 | | | | | | | | 25.27 | 13.34 | | | | | | | 40.18 | 9.45 |
| | Feature (Service) Activation for each Trunk Side Port Terminated in D4 Bank | | | UEPPX | 1PQWU | 0.65 | | | | | | | | 77.75 | 18.33 | | | | | | | 40.18 | 9.45 |
| | Telephone Number/ Group Establishment Charges for DID Service | | | | | | | | | | | | | | | | | | | | | | |
| | DID Trunk Termination (1 per Port) | | | UEPPX | NDT | 0.00 | | | | | | | | 0.00 | 0.00 | | | | | | | | |
| | Estab Trk Grp and Provide 1st 20 DID Nos. (FL, GA, NC, & SC) | | | UEPPX | NDZ | 0.00 | | | | | | | | 0.00 | 0.00 | | | | | | | | |
| | DID Numbers - groups of 20 - Valid all States | | | UEPPX | ND4 | 0.00 | | | | | | | | 0.00 | 0.00 | | | | | | | | |
| | Non-Consecutive DID Numbers - per number | | | UEPPX | ND5 | 0.00 | | | | | | | | 0.00 | 0.00 | | | | | | | | |
| | Reserve Non-Consecutive DID Numbers | | | UEPPX | ND6 | 0.00 | | | | | | | | 0.00 | 0.00 | | | | | | | | |
| | Reserve DID Numbers | | | UEPPX | NDV | 0.00 | | | | | | | | 0.00 | 0.00 | | | | | | | | |
| | Local Number Portability | | | | | | | | | | | | | | | | | | | | | | |
| | Local Number Portability - 1 per port | | | UEPPX | LNPCP | 3.15 | | | | | | | | 0.00 | 0.00 | | | | | | | | |
| | FEATURES - Vertical and Optional | | | | | | | | | | | | | | | | | | | | | | |
| | Local Switching Features Offered with Line Side Ports Only | | | | | | | | | | | | | | | | | | | | | | |
| | All Features Available | | | UEPPX | UEPVF | 3.40 | | | | | | | | 0.00 | 0.00 | | | | | | | 40.18 | 9.45 |
| | UNBUNDLED PORT LOOP COMBINATIONS - MARKET RATES | | | | | | | | | | | | | | | | | | | | | | |
| | Market Rates shall apply where BellSouth is not required to provide unbundled local switching or switch ports per FCC and/or State Commission rules. | | | | | | | | | | | | | | | | | | | | | | |
| | These scenarios include: | | | | | | | | | | | | | | | | | | | | | | |
| | 1. Unbundled port/loop combinations that are Not Currently Combined in Alabama, Florida and North Carolina. | | | | | | | | | | | | | | | | | | | | | | |
| | 2. Unbundled port/loop combinations that are Currently Combined or Not Currently Combined in Zone 1 of the Top 8 MSAs in BellSouth's region for end users with 4 or more DS0 equivalent lines. | | | | | | | | | | | | | | | | | | | | | | |
| | The Top 8 MSAs in BellSouth's region are: FL (Orlando, Ft. Lauderdale, Miami); GA (Atlanta); LA (New Orleans); NC (Greensboro-Winston Salem-Highpoint/Charlotte-Gastonia-Rock Hill); TN (Nashville). | | | | | | | | | | | | | | | | | | | | | | |
| | BellSouth currently is developing the billing capability to mechanically bill the recurring and non-recurring Market Rates in this section except for nonrecurring charges for not currently combined in AL, FL and NC. In the interim where BellSouth cannot bill Market Rates, BellSouth shall bill the rates in the Cost-Based section preceding in lieu of the Market Rates and reserves the right to true-up the billing difference. | | | | | | | | | | | | | | | | | | | | | | |
| | The Market Rate for unbundled ports includes all available features in all states. | | | | | | | | | | | | | | | | | | | | | | |
| | End Office and Tandem Switching Usage and Common Transport Usage rates in the Port section of this rate exhibit shall apply to all combinations of loop/port network elements except for UNE Coin Port/Loop Combinations which have a flat rate usage charge (USOC: URECU). | | | | | | | | | | | | | | | | | | | | | | |
| | For Not Currently Combined scenarios where Market Rates apply, the Nonrecurring charges are listed in the First and Additional NRC columns for each Port USOC. For Currently Combined scenarios, the Nonrecurring charges are listed in the NRC - Currently Combined section. Additional NRCs may apply also and are categorized accordingly. | | | | | | | | | | | | | | | | | | | | | | |
| | 2-WIRE VOICE GRADE LOOP WITH 2-WIRE LINE PORT (RES) | | | | | | | | | | | | | | | | | | | | | | |
| | UNE Port/Loop Combination Rates | | | | | | | | | | | | | | | | | | | | | | |
| | 2-Wire VG Loop/Port Combo - Statewide | | sw | | | 28.18 | | | | | | | | | | | | | | | | | |
| | UNE Loop Rates | | | | | | | | | | | | | | | | | | | | | | |
| | 2-Wire Voice Grade Loop (SL1) - Statewide | | sw | UEPRX | UEPLX | 14.18 | | | | | | | | | | | | | | | | | |
| | 2-Wire Voice Grade Line Port (Res) | | | | | | | | | | | | | | | | | | | | | | |
| | 2-Wire voice unbundled port - residence | | | UEPRX | UEPRL | 14.00 | | | | | | | | 90.00 | 90.00 | | | | | | | 40.18 | 9.45 |
| | 2-Wire voice unbundled port with Caller ID - res | | | UEPRX | UEPRC | 14.00 | | | | | | | | 90.00 | 90.00 | | | | | | | 40.18 | 9.45 |
| | 2-Wire voice unbundled port outgoing only - res | | | UEPRX | UEPRO | 14.00 | | | | | | | | 90.00 | 90.00 | | | | | | | 40.18 | 9.45 |
| | 2-Wire voice unbundles res, low usage line port with Caller ID (LUM) | | | UEPRX | UEPAP | 14.00 | | | | | | | | 90.00 | 90.00 | | | | | | | 40.18 | 9.45 |

| UNBUNDLED NETWORK ELEMENTS - North Carolina | | | | | | | | | | Attachment: 2 | | Exhibit: B | | | | | | | |
|--|--|---------|------|-------|-------|-----------|----------------------------------|--------------------------------------|--|--|---|---|-------|--------------|-------|-------------------------|-------|---------------|--|
| CATEGORY | RATE ELEMENTS | Interim | Zone | BCS | USOC | RATES(\$) | Svc Order Submitted Elec per LSR | Svc Order Submitted Manually per LSR | Incremental Charge - Manual Svc Order vs. Electronic-1st | Incremental Charge - Manual Svc Order vs. Electronic-Add'l | Incremental Charge - Manual Svc Order vs. Electronic-Disc 1st | Incremental Charge - Manual Svc Order vs. Electronic-Disc Add'l | | | | | | | |
| | | | | | | | | | | | | | Rec | Nonrecurring | | Nonrecurring Disconnect | | OSS Rates(\$) | |
| | | | | | | | | | | | | | SOMEc | SOMAN | SOMAN | SOMAN | SOMAN | SOMAN | |
| LOCAL NUMBER PORTABILITY | | | | | | | | | | | | | | | | | | | |
| | Local Number Portability (1 per port) | | | UEPRX | LNPCX | 0.35 | | | | | | | | | | | | | |
| FEATURES | | | | | | | | | | | | | | | | | | | |
| | All Features Offered | | | UEPRX | UEPVF | 0.00 | 0.00 | 0.00 | | | | | | | 40.18 | 9.45 | | | |
| | 2-Wire Voice Grade Loop / Line Port Combination - Switch-as-is | | | UEPRX | USAC2 | | 41.50 | 41.50 | | | | | | | 40.18 | 9.45 | | | |
| | 2-Wire Voice Grade Loop / Line Port Combination - Switch with change | | | UEPRX | USACC | | 41.50 | 41.50 | | | | | | | 40.18 | 9.45 | | | |
| ADDITIONAL NRCs | | | | | | | | | | | | | | | | | | | |
| | NRC - 2-Wire Voice Grade Loop/Line Port Combination - Subsequent | | | UEPRX | USAS2 | | 0.00 | 0.00 | | | | | | | 40.18 | 9.45 | | | |
| 2-WIRE VOICE GRADE LOOP WITH 2-WIRE LINE PORT (BUS) | | | | | | | | | | | | | | | | | | | |
| UNE Port/Loop Combination Rates | | | | | | | | | | | | | | | | | | | |
| | 2-Wire VG Loop/Port Combo - Statewide | | sw | | | 28.18 | | | | | | | | | | | | | |
| UNE Loop Rates | | | | | | | | | | | | | | | | | | | |
| | 2-Wire Voice Grade Loop (SL1) - Statewide | | sw | UEPBX | UEPLX | 14.18 | | | | | | | | | | | | | |
| 2-Wire Voice Grade Line Port (Bus) | | | | | | | | | | | | | | | | | | | |
| | 2-Wire voice unbundled port without Caller ID - bus | | | UEPBX | UEPBL | 14.00 | 90.00 | 90.00 | | | | | | | 40.18 | 9.45 | | | |
| | 2-Wire voice unbundled port with Caller + E484 ID - bus | | | UEPBX | UEPBC | 14.00 | 90.00 | 90.00 | | | | | | | 40.18 | 9.45 | | | |
| | 2-Wire voice unbundled port outgoing only - bus | | | UEPBX | UEPBO | 14.00 | 90.00 | 90.00 | | | | | | | 40.18 | 9.45 | | | |
| LOCAL NUMBER PORTABILITY | | | | | | | | | | | | | | | | | | | |
| | Local Number Portability (1 per port) | | | UEPBX | LNPCX | 0.35 | | | | | | | | | | | | | |
| FEATURES | | | | | | | | | | | | | | | | | | | |
| | All Features Offered | | | UEPBX | UEPVF | 0.00 | 0.00 | 0.00 | | | | | | | 40.18 | 9.45 | | | |
| NONRECURRING CHARGES - CURRENTLY COMBINED | | | | | | | | | | | | | | | | | | | |
| | 2-Wire Voice Grade Loop / Line Port Combination - Switch-as-is | | | UEPBX | USAC2 | | 41.50 | 41.50 | | | | | | | 40.18 | 9.45 | | | |
| | 2-Wire Voice Grade Loop / Line Port Combination - Switch with change | | | UEPBX | USACC | | 41.50 | 41.50 | | | | | | | 40.18 | 9.45 | | | |
| ADDITIONAL NRCs | | | | | | | | | | | | | | | | | | | |
| | NRC - 2-Wire Voice Grade Loop/Line Port Combination - Subsequent | | | UEPBX | USAS2 | | 0.00 | 0.00 | | | | | | | 40.18 | 9.45 | | | |
| 2-WIRE VOICE GRADE LOOP WITH 2-WIRE LINE PORT (RES - PBX) | | | | | | | | | | | | | | | | | | | |
| UNE Port/Loop Combination Rates | | | | | | | | | | | | | | | | | | | |
| | 2-Wire VG Loop/Port Combo - Statewide | | sw | | | 28.18 | | | | | | | | | | | | | |
| UNE Loop Rates | | | | | | | | | | | | | | | | | | | |
| | 2-Wire Voice Grade Loop (SL1) - Statewide | | sw | UEPRG | UEPLX | 14.18 | | | | | | | | | | | | | |
| 2-Wire Voice Grade Line Port Rates (RES - PBX) | | | | | | | | | | | | | | | | | | | |
| | 2-Wire VG Unbundled Combination 2-Way PBX Trunk Port - Res | | | UEPRG | UEPRD | 14.00 | 90.00 | 90.00 | | | | | | | 40.18 | 9.45 | | | |
| LOCAL NUMBER PORTABILITY | | | | | | | | | | | | | | | | | | | |
| | Local Number Portability (1 per port) | | | UEPRG | LNPCP | 3.15 | 0.00 | 0.00 | | | | | | | | | | | |
| FEATURES | | | | | | | | | | | | | | | | | | | |
| | All Features Offered | | | UEPRG | UEPVF | 0.00 | 0.00 | 0.00 | | | | | | | 40.18 | 9.45 | | | |
| NONRECURRING CHARGES - CURRENTLY COMBINED | | | | | | | | | | | | | | | | | | | |
| | 2-Wire Voice Grade Loop/ Line Port Combination - Switch-As-Is | | | UEPRG | USAC2 | | 41.50 | 41.50 | | | | | | | 40.18 | 9.45 | | | |
| | 2-Wire Voice Grade Loop/ Line Port Combination - Switch with Change | | | UEPRG | USACC | | 41.50 | 41.50 | | | | | | | 40.18 | 9.45 | | | |
| ADDITIONAL NRCs | | | | | | | | | | | | | | | | | | | |
| | 2 Wire Loop/Line Side Port Combination - Non feature - Subsequent Activity- Nonrecurring | | | | | | 0.00 | 0.00 | | | | | | | 40.18 | 9.45 | | | |
| | PBX Subsequent Activity - Change/Rearrange Multiline Hunt Group | | | | | | 14.64 | 14.64 | | | | | | | 40.18 | 9.45 | | | |
| 2-WIRE VOICE GRADE LOOP WITH 2-WIRE LINE PORT (BUS - PBX) | | | | | | | | | | | | | | | | | | | |
| UNE Port/Loop Combination Rates | | | | | | | | | | | | | | | | | | | |
| | 2-Wire VG Loop/Port Combo - Statewide | | sw | | | 28.18 | | | | | | | | | | | | | |
| UNE Loop Rates | | | | | | | | | | | | | | | | | | | |
| | 2-Wire Voice Grade Loop (SL1) - Statewide | | sw | UEPPX | UEPLX | 14.18 | | | | | | | | | | | | | |

| UNBUNDLED NETWORK ELEMENTS - North Carolina | | | | | | | | | | | Attachment: 2 | | Exhibit: B | | | | | | | | | | | |
|--|--|---------|------|-------|-------|-----------|----------------------------------|--------------------------------------|--|--|---|---|------------|--------------|-------|-------------------------|-------|---------------|-------|-------|-------|-------|--|--|
| CATEGORY | RATE ELEMENTS | Interim | Zone | BCS | USOC | RATES(\$) | Svc Order Submitted Elec per LSR | Svc Order Submitted Manually per LSR | Incremental Charge - Manual Svc Order vs. Electronic-1st | Incremental Charge - Manual Svc Order vs. Electronic-Add'l | Incremental Charge - Manual Svc Order vs. Electronic-Disc 1st | Incremental Charge - Manual Svc Order vs. Electronic-Disc Add'l | | | | | | | | | | | | |
| | | | | | | | | | | | | | Rec | Nonrecurring | | Nonrecurring Disconnect | | OSS Rates(\$) | | | | | | |
| | | | | | | | | | | | | | First | Add'l | First | Add'l | SOMEC | SOMAN | SOMAN | SOMAN | SOMAN | SOMAN | | |
| 2-Wire Voice Grade Line Port Rates (BUS - PBX) | | | | | | | | | | | | | | | | | | | | | | | | |
| | Line Side Unbundled Combination 2-Way PBX Trunk Port - Bus | | | UEPPX | UEPPC | 14.00 | | | | | | | 40.18 | 9.45 | | | | | | | | | | |
| | Line Side Unbundled Outward PBX Trunk Port - Bus | | | UEPPX | UEPPO | 14.00 | | | | | | | 40.18 | 9.45 | | | | | | | | | | |
| | Line Side Unbundled Incoming PBX Trunk Port - Bus | | | UEPPX | UEPP1 | 14.00 | | | | | | | 40.18 | 9.45 | | | | | | | | | | |
| | 2-Wire Voice Unbundled PBX LD Terminal Ports | | | UEPPX | UEPLD | 14.00 | | | | | | | 40.18 | 9.45 | | | | | | | | | | |
| | 2-Wire Voice Unbundled 2-Way Combination PBX Usage Port | | | UEPPX | UEPXA | 14.00 | | | | | | | 40.18 | 9.45 | | | | | | | | | | |
| | 2-Wire Voice Unbundled PBX Toll Terminal Hotel Ports | | | UEPPX | UEPXB | 14.00 | | | | | | | 40.18 | 9.45 | | | | | | | | | | |
| | 2-Wire Voice Unbundled PBX LD DDD Terminals Port | | | UEPPX | UEPXC | 14.00 | | | | | | | 40.18 | 9.45 | | | | | | | | | | |
| | 2-Wire Voice Unbundled PBX LD Terminal Switchboard Port | | | UEPPX | UEPXD | 14.00 | | | | | | | 40.18 | 9.45 | | | | | | | | | | |
| | 2-Wire Voice Unbundled PBX LD Terminal Switchboard IDD Capable Port | | | UEPPX | UEPXE | 14.00 | | | | | | | 40.18 | 9.45 | | | | | | | | | | |
| | 2-Wire Voice Unbundled 2-Way PBX Hotel/Hospital Economy Administrative Calling Port | | | UEPPX | UEPXL | 14.00 | | | | | | | 40.18 | 9.45 | | | | | | | | | | |
| | 2-Wire Voice Unbundled 2-Way PBX Hotel/Hospital Economy Room Calling Port | | | UEPPX | UEPXM | 14.00 | | | | | | | 40.18 | 9.45 | | | | | | | | | | |
| | 2-Wire Voice Unbundled 1-Way Outgoing PBX Hotel/Hospital Discount Room Calling Port | | | UEPPX | UEPXO | 14.00 | | | | | | | 40.18 | 9.45 | | | | | | | | | | |
| | 2-Wire Voice Unbundled 1-Way Outgoing PBX Measured Port | | | UEPPX | UEPXS | 14.00 | | | | | | | 40.18 | 9.45 | | | | | | | | | | |
| LOCAL NUMBER PORTABILITY | | | | | | | | | | | | | | | | | | | | | | | | |
| | Local Number Portability (1 per port) | | | UEPPX | LNPCP | 3.15 | | | | | | | | | | | | | | | | | | |
| FEATURES | | | | | | | | | | | | | | | | | | | | | | | | |
| | All Features Offered | | | UEPPX | UEPVF | 0.00 | | | | | | | 40.18 | 9.45 | | | | | | | | | | |
| NONRECURRING CHARGES - CURRENTLY COMBINED | | | | | | | | | | | | | | | | | | | | | | | | |
| | 2-Wire Voice Grade Loop/ Line Port Combination - Switch-As-Is | | | UEPPX | USAC2 | 41.50 | | | | | | | 40.18 | 9.45 | | | | | | | | | | |
| | 2-Wire Voice Grade Loop/ Line Port Combination - Switch with Change | | | UEPPX | USACC | 41.50 | | | | | | | 40.18 | 9.45 | | | | | | | | | | |
| ADDITIONAL NRCs | | | | | | | | | | | | | | | | | | | | | | | | |
| | 2-Wire Voice Grade Loop/ Line Port Combination - Subsequent | | | UEPPX | USAS2 | | | | | | | | 40.18 | 9.45 | | | | | | | | | | |
| | 2 Wire Loop/Line Side Port Combination - Non feature - Subsequent Activity- Nonrecurring | | | | | | | | | | | | 40.18 | 9.45 | | | | | | | | | | |
| | PBX Subsequent Activity - Change/Rearrange Multiline Hunt Group | | | | | | | | | | | | 40.18 | 9.45 | | | | | | | | | | |
| | | | | | | 14.64 | | | | | | | | | | | | | | | | | | |
| 2-WIRE VOICE GRADE LOOP WITH 2-WIRE ANALOG LINE COIN PORT UNE Port/Loop Combination Rates | | | | | | | | | | | | | | | | | | | | | | | | |
| | 2-Wire VG Coin Port/Loop Combo - Statewide | | sw | | | 28.18 | | | | | | | | | | | | | | | | | | |
| UNE Loop Rates | | | | | | | | | | | | | | | | | | | | | | | | |
| | 2-Wire Voice Grade Loop (SL1) - Statewide | | sw | UEPCO | UEPLX | 14.18 | | | | | | | | | | | | | | | | | | |
| 2-Wire Voice Grade Line Port Rates (Coin) | | | | | | | | | | | | | | | | | | | | | | | | |
| | 2-Wire Coin 2-Way without Operator Screening and without Blocking (NC) | | | UEPCO | UEPND | 14.00 | | | | | | | 40.18 | 9.45 | | | | | | | | | | |
| | 2-Wire Coin 2-Way with Operator Screening (NC) | | | UEPCO | UEPNC | 14.00 | | | | | | | 40.18 | 9.45 | | | | | | | | | | |
| | 2-Wire Coin 2-Way with Operator Screening and Blocking: 011, 900/976, 1+DDD (NC, TN) | | | UEPCO | UEPRP | 14.00 | | | | | | | 40.18 | 9.45 | | | | | | | | | | |
| | 2-Wire Coin 2-Way with Operator Screening and 011 Blocking (NC) | | | UEPCO | UEPNB | 14.00 | | | | | | | 40.18 | 9.45 | | | | | | | | | | |
| | 2-Wire Coin 2-Way with Operator Screening and Blocking: 900/976, 1+DDD, 011+, and Local (NC, TN) | | | UEPCO | UEPCA | 14.00 | | | | | | | 40.18 | 9.45 | | | | | | | | | | |
| | 2-Wire Coin Outward with Operator Screening and 011 Blocking (NC) | | | UEPCO | UEPNE | 14.00 | | | | | | | 40.18 | 9.45 | | | | | | | | | | |
| | 2-Wire Coin Outward with Operator Screening and Blocking: 900/976, 1+DDD, 011+, and Local (NC) | | | UEPCO | UEPCL | 14.00 | | | | | | | 40.18 | 9.45 | | | | | | | | | | |
| LOCAL NUMBER PORTABILITY | | | | | | | | | | | | | | | | | | | | | | | | |
| | Local Number Portability (1 per port) | | | UEPCO | LNPCX | 0.35 | | | | | | | | | | | | | | | | | | |
| NONRECURRING CHARGES - CURRENTLY COMBINED | | | | | | | | | | | | | | | | | | | | | | | | |
| | 2-Wire Voice Grade Loop/ Line Port Combination - Switch-As-Is | | | UEPCO | USAC2 | 41.50 | | | | | | | 40.18 | 9.45 | | | | | | | | | | |

| UNBUNDLED NETWORK ELEMENTS - North Carolina | | | | | | | | | | Attachment: 2 | | Exhibit: B | | | | | | | | | |
|---|---|---------|------|-------------------------|-------|-----------|----------------------------------|--------------------------------------|--|--|---|---|---------------|--------------|-------|-------------------------|--|-------|-------|-------|-------|
| CATEGORY | RATE ELEMENTS | Interim | Zone | BCS | USOC | RATES(\$) | Svc Order Submitted Elec per LSR | Svc Order Submitted Manually per LSR | Incremental Charge - Manual Svc Order vs. Electronic-1st | Incremental Charge - Manual Svc Order vs. Electronic-Add'l | Incremental Charge - Manual Svc Order vs. Electronic-Disc 1st | Incremental Charge - Manual Svc Order vs. Electronic-Disc Add'l | OSS Rates(\$) | | | | | | | | |
| | | | | | | | | | | | | | Rec | Nonrecurring | | Nonrecurring Disconnect | | SOMEc | SOMAN | SOMAN | SOMAN |
| | | | | | | | | | | | | | First | Add'l | First | Add'l | | | | | |
| | 2-Wire Voice Grade Loop/ Line Port Combination - Switch with Change | | | UEPCO | USACC | | | | | | | | 41.50 | 41.50 | | | | | | 40.18 | 9.45 |
| | ADDITIONAL NRCS | | | | | | | | | | | | | | | | | | | | |
| | 2-Wire Voice Grade Loop/ Line Port Combination - Subsequent | | | UEPCO | USAS2 | | | | | | | | 0.00 | 0.00 | | | | | | 40.18 | 9.45 |
| UNBUNDLED PORT/LOOP COMBINATIONS - MARKET BASED RATES | | | | | | | | | | | | | | | | | | | | | |
| 2-WIRE VOICE GRADE LOOP- BUS ONLY - WITH 2-WIRE DID TRUNK PORT | | | | | | | | | | | | | | | | | | | | | |
| UNE Port/Loop Combination Rates | | | | | | | | | | | | | | | | | | | | | |
| | 2-Wire VG Loop/2-Wire DID Trunk Port Combo - Statewide | | sw | | | | | | | | | | 71.50 | | | | | | | | |
| | UNE Loop Rates | | | | | | | | | | | | | | | | | | | | |
| | 2-Wire Analog Voice Grade Loop - (SL2) - Statewide | | sw | | | | | | | | | | 19.50 | | | | | | | 40.18 | 9.45 |
| | UNE Port Rate | | | | | | | | | | | | | | | | | | | | |
| | Exchange Ports - 2-Wire DID Port | | | UEPPX | UEPD1 | 52.00 | | | | | | | 485.00 | 75.00 | | | | | | 40.18 | 9.45 |
| NONRECURRING CHARGES - CURRENTLY COMBINED | | | | | | | | | | | | | | | | | | | | | |
| | 2-Wire Voice Grade Loop / 2-Wire DID Trunk Port Combination - Switch-As-Is Top 8 MSAs only | | | UEPPX | USAC1 | | | | | | | | 200.00 | 75.00 | | | | | | 40.18 | 9.45 |
| | 2-Wire Voice Grade Loop / 2-Wire DID Trunk Port Conversion with BellSouth Allowable Changes Top 8 MSAs only | | | UEPPX | USA1C | | | | | | | | 200.00 | 75.00 | | | | | | 40.71 | 9.45 |
| | ADDITIONAL NRCS | | | | | | | | | | | | | | | | | | | | |
| | 2-Wire DID Subsequent Activity - Add Trunks, Per Trunk | | | UEPPX | USAS1 | | | | | | | | 75.00 | | | | | | | 40.18 | 9.45 |
| Telephone Number/Trunk Group Establishment Charges | | | | | | | | | | | | | | | | | | | | | |
| | DID Trunk Termination (One Per Port) | | | UEPPX | NDT | 0.00 | | | | | | | 0.00 | 0.00 | 0.00 | | | | | | |
| | DID Numbers, Establish Trunk Group and Provide First Group of 20 DID Numbers | | | UEPPX | NDZ | 0.00 | | | | | | | 0.00 | 0.00 | 0.00 | | | | | | |
| | Additional DID Numbers for each Group of 20 DID Numbers | | | UEPPX | ND4 | 0.00 | | | | | | | 0.00 | 0.00 | 0.00 | | | | | | |
| | DID Numbers, Non- consecutive DID Numbers , Per Number | | | UEPPX | ND5 | 0.00 | | | | | | | 0.00 | 0.00 | 0.00 | | | | | | |
| | Reserve Non-Consecutive DID numbers | | | UEPPX | ND6 | 0.00 | | | | | | | 0.00 | 0.00 | 0.00 | | | | | | |
| | Reserve DID Numbers | | | UEPPX | NDV | 0.00 | | | | | | | 0.00 | 0.00 | 0.00 | | | | | | |
| LOCAL NUMBER PORTABILITY | | | | | | | | | | | | | | | | | | | | | |
| | Local Number Portability (1 per port) | | | UEPPX | LNPCP | 3.15 | | | | | | | 0.00 | 0.00 | | | | | | | |
| 2-WIRE ISDN DIGITAL GRADE LOOP WITH 2-WIRE ISDN DIGITAL LINE SIDE PORT | | | | | | | | | | | | | | | | | | | | | |
| UNE Port/Loop Combination Rates | | | | | | | | | | | | | | | | | | | | | |
| | 2W ISDN Digital Grade Loop/2W ISDN Digital Line Side Port - Statewide | | sw | UEPPB UEPPR | | | | | | | | | 85.12 | | | | | | | | |
| | UNE Loop Rates | | | | | | | | | | | | | | | | | | | | |
| | 2-Wire ISDN Digital Grade Loop - Statewide | | sw | UEPPB UEPPR | USL2X | 20.12 | | | | | | | | | | | | | | 19.99 | 19.99 |
| | UNE Port Rate | | | | | | | | | | | | | | | | | | | | |
| | Exchange Port - 2-Wire ISDN Line Side Port | | | UEPPB UEPPR UEPPB | | 65.00 | | | | | | | 450.00 | 375.00 | | | | | | 19.99 | 19.99 |
| NONRECURRING CHARGES - CURRENTLY COMBINED | | | | | | | | | | | | | | | | | | | | | |
| | 2-Wire ISDN Digital Grade Loop / 2-Wire ISDN Line Side Port Combination - Conversion - Top 8 MSAs only | | | UEPPB UEPPR | USACB | 0.00 | | | | | | | 200.00 | 200.00 | | | | | | 19.99 | 19.99 |
| | ADDITIONAL NRCS | | | | | | | | | | | | | | | | | | | | |
| LOCAL NUMBER PORTABILITY | | | | | | | | | | | | | | | | | | | | | |
| | Local Number Portability (1 per port) | | | UEPPB UEPPR | LNPCX | 0.35 | | | | | | | 0.00 | 0.00 | | | | | | | |
| B-CHANNEL USER PROFILE ACCESS: | | | | | | | | | | | | | | | | | | | | | |
| | CVS/CSD (DMS/5ESS) | | | UEPPB UEPPR | U1UCA | 0.00 | | | | | | | 0.00 | 0.00 | 0.00 | | | | | | |
| | CVS (EWSD) | | | UEPPB UEPPR | U1UCB | 0.00 | | | | | | | 0.00 | 0.00 | 0.00 | | | | | | |
| | CSD | | | UEPPB UEPPR | U1UCC | 0.00 | | | | | | | 0.00 | 0.00 | 0.00 | | | | | | |
| B-CHANNEL AREA PLUS USER PROFILE ACCESS: (AL,KY,LA,MS SC,MS, & TN) | | | | | | | | | | | | | | | | | | | | | |
| USER TERMINAL PROFILE | | | | | | | | | | | | | | | | | | | | | |
| | User Terminal Profile (EWSD only) | | | UEPPB UEPPR | U1UMA | 0.00 | | | | | | | 0.00 | 0.00 | 0.00 | | | | | | |
| VERTICAL FEATURES | | | | | | | | | | | | | | | | | | | | | |
| | All Vertical Features - One per Channel B User Profile | | | UEPPB UEPPR | UEPVF | 3.40 | | | | | | | 0.00 | 0.00 | | | | | | 19.99 | 19.99 |
| INTEROFFICE CHANNEL MILEAGE | | | | | | | | | | | | | | | | | | | | | |
| | Interoffice Channel mileage each, including first mile and facilities termination | | | UEPPB UEPPR | M1GNC | 17.42 | | | | | | | 137.48 | 52.58 | | | | | | 19.99 | 19.99 |
| | Interoffice Channel mileage each, additional mile | | | UEPPB UEPPR | M1GNM | 0.0282 | | | | | | | 0.00 | 0.00 | | | | | | | |
| 4-WIRE DS1 DIGITAL LOOP WITH 4-WIRE ISDN DS1 DIGITAL TRUNK PORT | | | | | | | | | | | | | | | | | | | | | |

| UNBUNDLED NETWORK ELEMENTS - North Carolina | | | | | | | | | | Attachment: 2 | | Exhibit: B | | | | | | | |
|---|---|---------|------|-------|-------|-----------|----------------------------------|--------------------------------------|--|--|---|---|---------------|--------------|--|-------------------------|--|-------|-------|
| CATEGORY | RATE ELEMENTS | Interim | Zone | BCS | USOC | RATES(\$) | Svc Order Submitted Elec per LSR | Svc Order Submitted Manually per LSR | Incremental Charge - Manual Svc Order vs. Electronic-1st | Incremental Charge - Manual Svc Order vs. Electronic-Add'l | Incremental Charge - Manual Svc Order vs. Electronic-Disc 1st | Incremental Charge - Manual Svc Order vs. Electronic-Disc Add'l | OSS Rates(\$) | | | | | | |
| | | | | | | | | | | | | | Rec | Nonrecurring | | Nonrecurring Disconnect | | SOMEc | SOMAN |
| | | | | | | | | | | | | | | | | | | | |
| UNE Port/Loop Combination Rates | | | | | | | | | | | | | | | | | | | |
| | 4W DS1 Digital Loop/4W ISDN DS1 Digital Trunk Port - Statewide | | sw | UEPPP | | 962.71 | | | | | | | | | | | | | |
| UNE Loop Rates | | | | | | | | | | | | | | | | | | | |
| | 4-Wire DS1 Digital Loop - UNE Zone 3 | | 3 | UEPPP | USL4P | | | | | | | | | | | | | | |
| UNE Port Rate | | | | | | | | | | | | | | | | | | | |
| | Exchange Ports - 4-Wire ISDN DS1 Port | | | UEPPP | UEPPP | 900.00 | 1,150.00 | 1,150.00 | | | 19.99 | 19.99 | | | | | | | |
| NONRECURRING CHARGES - CURRENTLY COMBINED | | | | | | | | | | | | | | | | | | | |
| | 4-Wire DS1 Digital Loop / 4-Wire ISDN DS1 Digital Trunk Port Combination - Conversion -Switch-As-Is Top 8 MSAs only | | | UEPPP | USACP | 0.00 | 925.00 | 925.00 | | | 19.99 | 19.99 | | | | | | | |
| ADDITIONAL NRCs | | | | | | | | | | | | | | | | | | | |
| | 4-Wire DS1 Loop / 4-Wire ISDN DS1 Digital Trunk Port - Subsequent Inward/2-Way Tel Nos - (NC Only) | | | UEPPP | PR7TG | | 1.17 | 1.17 | | | 19.99 | 19.99 | | | | | | | |
| | 4-Wire DS1 Loop/4-Wire ISDN Digital Trunk Port - Subsequent Activity Outward tel nos. (NC only) | | | UEPPP | PR7TP | | 28.17 | 28.17 | | | 19.99 | 19.99 | | | | | | | |
| | 4-Wire DS1 Loop / 4-Wire ISDN DS1 Digital Trk Port - Subsequent Inward Tel Nos Above Std Allowance | | | UEPPP | PR7ZT | | 56.33 | 56.33 | | | 19.99 | 19.99 | | | | | | | |
| LOCAL NUMBER PORTABILITY | | | | | | | | | | | | | | | | | | | |
| | Local Number Portability (1 per port) | | | UEPPP | LNPCN | 1.75 | | | | | | | | | | | | | |
| INTERFACE (Provisioning Only) | | | | | | | | | | | | | | | | | | | |
| | Voice/Data | | | UEPPP | PR71V | 0.00 | | | | | | | | | | | | | |
| | Digital Data | | | UEPPP | PR71D | 0.00 | | | | | | | | | | | | | |
| | Inward Data | | | UEPPP | PR71E | 0.00 | | | | | | | | | | | | | |
| New or Additional "B" Channel | | | | | | | | | | | | | | | | | | | |
| | New or Additional - Voice/Data B Channel | | | UEPPP | PR7BV | 0.00 | 36.92 | | | | 19.99 | 19.99 | | | | | | | |
| | New or Additional - Digital Data B Channel | | | UEPPP | PR7BF | 0.00 | 36.92 | | | | 19.99 | 19.99 | | | | | | | |
| | New or Additional Inward Data B Channel | | | UEPPP | PR7BD | 0.00 | 36.92 | | | | 19.99 | 19.99 | | | | | | | |
| CALL TYPES | | | | | | | | | | | | | | | | | | | |
| | Inward | | | UEPPP | PR7C1 | 0.00 | | | | | | | | | | | | | |
| | Outward | | | UEPPP | PR7C0 | 0.00 | | | | | | | | | | | | | |
| | Two-way | | | UEPPP | PR7CC | 0.00 | | | | | | | | | | | | | |
| Interoffice Channel Mileage | | | | | | | | | | | | | | | | | | | |
| | Fixed Each Including First Mile | | | UEPPP | 1LN1A | 71.3683 | 217.17 | 163.75 | 0.00 | | 19.99 | 19.99 | | | | | | | |
| | Each Airline-Fractional Additional Mile | | | UEPPP | 1LN1B | 0.0783 | | | | | | | | | | | | | |
| 4-WIRE DS1 DIGITAL LOOP WITH 4-WIRE DDITS TRUNK PORT | | | | | | | | | | | | | | | | | | | |
| UNE Port/Loop Combination Rates | | | | | | | | | | | | | | | | | | | |
| | 4W DS1 Digital Loop/4W DDITS Trunk Port - Statewide | | sw | UEPDC | | 186.23 | | | | | 19.99 | 19.99 | | | | | | | |
| | 4W DS1 Digital Loop/4W DDITS Trunk Port - UNE Zone 1 | | 1 | UEPDC | | | | | | | | | | | | | | | |
| | 4W DS1 Digital Loop/4W DDITS Trunk Port - UNE Zone 2 | | 2 | UEPDC | | | | | | | | | | | | | | | |
| | 4W DS1 Digital Loop/4W DDITS Trunk Port - UNE Zone 3 | | 3 | UEPDC | | | | | | | | | | | | | | | |
| | 4W DS1 Digital Loop/4W DDITS Trunk Port - UNE Zone 4 | | 4 | UEPDC | | | | | | | | | | | | | | | |
| UNE Loop Rates | | | | | | | | | | | | | | | | | | | |
| | 4-Wire DS1 Digital Loop - Statewide | | sw | UEPDC | USLDC | 62.71 | 714.84 | 482.62 | | | 19.99 | 19.99 | | | | | | | |
| | 4-Wire DS1 Digital Loop - UNE Zone 1 | | 1 | UEPDC | USLDC | | | | | | | | | | | | | | |
| | 4-Wire DS1 Digital Loop - UNE Zone 2 | | 2 | UEPDC | USLDC | | | | | | | | | | | | | | |
| | 4-Wire DS1 Digital Loop - UNE Zone 3 | | 3 | UEPDC | USLDC | | | | | | | | | | | | | | |
| | 4-Wire DS1 Digital Loop - UNE Zone 4 | | 4 | UEPDC | USLDC | | | | | | | | | | | | | | |
| UNE Port Rate | | | | | | | | | | | | | | | | | | | |
| | 4-Wire DDITS Digital Trunk Port | | | UEPDC | UDD1T | 750.00 | 1,048.23 | 480.17 | 0.00 | 0.00 | 19.99 | 19.99 | | | | | | | |
| NONRECURRING CHARGES - CURRENTLY COMBINED | | | | | | | | | | | | | | | | | | | |
| | 4-Wire DS1 Digital Loop / 4-Wire DDITS Trunk Port Combination - Switch-As-Is Top 8 MSAs only | | | UEPDC | USAC4 | | 288.86 | 133.87 | | | 19.99 | 19.99 | | | | | | | |
| | 4-Wire DS1 Digital Loop / 4-Wire DDITS Trunk Port Combination - Conversion with DS1 Changes Top 8 MSAs only | | | UEPDC | USAWA | | 288.86 | 133.37 | | | 19.99 | 19.99 | | | | | | | |
| | 4-Wire DS1 Digital Loop / 4-Wire DDITS Trunk Port Combination - Conversion with Change - Trunk Top 8 MSAs only | | | UEPDC | USAWB | | 288.86 | 133.37 | | | 19.99 | 19.99 | | | | | | | |
| ADDITIONAL NRCs | | | | | | | | | | | | | | | | | | | |

| UNBUNDLED NETWORK ELEMENTS - North Carolina | | | | | | | | | | Attachment: 2 | | Exhibit: B | | | | | | | | | | | | | |
|--|--|---------|------|-------|--------|-----------|----------------------------------|--------------------------------------|--|--|---|---|----------|--------------|--------|-------------------------|-------|---------------|-------|-------|-------|-------|-------|--|--|
| CATEGORY | RATE ELEMENTS | Interim | Zone | BCS | USOC | RATES(\$) | Svc Order Submitted Elec per LSR | Svc Order Submitted Manually per LSR | Incremental Charge - Manual Svc Order vs. Electronic-1st | Incremental Charge - Manual Svc Order vs. Electronic-Add'l | Incremental Charge - Manual Svc Order vs. Electronic-Disc 1st | Incremental Charge - Manual Svc Order vs. Electronic-Disc Add'l | | | | | | | | | | | | | |
| | | | | | | | | | | | | | Rec | Nonrecurring | | Nonrecurring Disconnect | | OSS Rates(\$) | | | | | | | |
| | | | | | | | | | | | | | First | Add'l | First | Add'l | SOMEc | SOMAN | SOMAN | SOMAN | SOMAN | SOMAN | SOMAN | | |
| | 4-Wire DS1 Loop / 4-Wire DDITS Trunk Port - Subsequent Service Activity Per Service Order | | | UEPDC | USAS4 | | | | | | | | 127.63 | 127.63 | | | | | | | | | | | |
| | 4-Wire DS1 Loop / 4-Wire DDITS Trunk Port - NRC - Subsequent Channel Activation/Chan - 2-Way Trunk | | | UEPDC | UDTTA | | | | | | | | 28.81 | 28.81 | | | | | | | 19.99 | 19.99 | | | |
| | 4-Wire DS1 Loop / 4-Wire DDITS Trunk Port - Subsequent Channel Activation/Chan - 1-Way Outward Trunk | | | UEPDC | UDTTB | | | | | | | | 28.81 | 28.81 | | | | | | | 19.99 | 19.99 | | | |
| | 4-Wire DS1 Loop / 4-Wire DDITS Trunk Port - Subsqt Channel Activation/Chan Inward Trunk w/out DID | | | UEPDC | UDTTC | | | | | | | | 28.81 | 28.81 | | | | | | | 19.99 | 19.99 | | | |
| | 4-Wire DS1 Loop / 4-Wire DDITS Trunk Port - Subsqt Chan Activation Per Chan - Inward Trunk with DID | | | UEPDC | UDTTD | | | | | | | | 28.81 | 28.81 | | | | | | | 19.99 | 19.99 | | | |
| | 4-Wire DS1 Loop / 4-Wire DDITS Trunk Port - Subsqt Chan Activation / Chan - 2-Way DID w User Trans | | | UEPDC | UDTTE | | | | | | | | 28.81 | 28.81 | | | | | | | 19.99 | 19.99 | | | |
| BIPOLAR 8 ZERO SUBSTITUTION | | | | | | | | | | | | | | | | | | | | | | | | | |
| | B8ZS - Superframe Format | | | UEPDC | CCOSF | | | | | | | | 0.00 | 615.00 | | | | | | | 19.99 | 19.99 | | | |
| | B8ZS - Extended Superframe Format | | | UEPDC | CCOEF | | | | | | | | 0.00 | 615.00 | | | | | | | 19.99 | 19.99 | | | |
| Alternate Mark Inversion | | | | | | | | | | | | | | | | | | | | | | | | | |
| | AMI - Superframe Format | | | UEPDC | MCOSF | | | | | | | | 0.00 | 0.00 | | | | | | | | | | | |
| | AMI - Extended SuperFrame Format | | | UEPDC | MCOPO | | | | | | | | 0.00 | 0.00 | | | | | | | | | | | |
| Telephone Number/Trunk Group Establishment Charges | | | | | | | | | | | | | | | | | | | | | | | | | |
| | Telephone Number for 2-Way Trunk Group | | | UEPDC | UDTGX | | | | | | | | 0.00 | | | | | | | | 19.99 | 19.99 | | | |
| | Telephone Number for 1-Way Outward Trunk Group | | | UEPDC | UDTGY | | | | | | | | 0.00 | | | | | | | | 19.99 | 19.99 | | | |
| | Telephone Number for 1-Way Inward Trunk Group Without DID | | | UEPDC | UDTGZ | | | | | | | | 0.00 | | | | | | | | 19.99 | 19.99 | | | |
| | DID Numbers, Establish Trunk Group and Provide First Group of 20 DID Numbers | | | UEPDC | NDZ | | | | | | | | 0.00 | 0.00 | 0.00 | | | | | | | | | | |
| | DID Numbers for each Group of 20 DID Numbers | | | UEPDC | ND4 | | | | | | | | 0.00 | 0.00 | 0.00 | | | | | | | | | | |
| | DID Numbers, Non- consecutive DID Numbers , Per Number | | | UEPDC | ND5 | | | | | | | | 0.00 | 0.00 | 0.00 | | | | | | | | | | |
| | Reserve Non-Consecutive DID Nos. | | | UEPDC | ND6 | | | | | | | | 0.00 | 0.00 | 0.00 | | | | | | | | | | |
| | Reserve DID Numbers | | | UEPDC | NDV | | | | | | | | 0.00 | 0.00 | 0.00 | | | | | | | | | | |
| Dedicated DS1 (Interoffice Channel Mileage) - FX/FCO for 4-Wire DS1 Digital Loop with 4-Wire DDITS Trunk Port | | | | | | | | | | | | | | | | | | | | | | | | | |
| | Interoffice Channel Mileage - Fixed rate 0-8 miles (Facilities Termination) | | | UEPDC | 1LNO1 | | | | | | | | 71.29 | 217.17 | 163.75 | 0.00 | 0.00 | | | | | 19.99 | 19.99 | | |
| | Interoffice Channel Mileage - Additional rate per mile - 0-8 miles | | | UEPDC | 1LNOA | | | | | | | | 0.0783 | 0.00 | 0.00 | | | | | | | | | | |
| | Interoffice Channel Mileage - Fixed rate 9-25 miles (Facilities Termination) | | | UEPDC | 1LNO2 | | | | | | | | 0.00 | 0.00 | 0.00 | | | | | | | | | | |
| | Interoffice Channel Mileage - Additional rate per mile - 9-25 miles | | | UEPDC | 1LNOB | | | | | | | | 0.0783 | 0.00 | 0.00 | | | | | | | | | | |
| | Interoffice Channel Mileage - Fixed rate 25+ miles (Facilities Termination) | | | UEPDC | 1LNO3 | | | | | | | | 0.00 | 0.00 | 0.00 | 0.00 | | | | | | | | | |
| | Interoffice Channel Mileage - Additional rate per mile - 25+ miles | | | UEPDC | 1LNOC | | | | | | | | 0.0783 | 0.00 | 0.00 | | | | | | | | | | |
| | Local Number Portability, per DS0 Activated | | | UEPDC | LNPCP | | | | | | | | 3.15 | 0.00 | 0.00 | 0.00 | | | | | | | | | |
| | Central Office Terminating Point | | | UEPDC | CTG | | | | | | | | 0.00 | | | | | | | | | | | | |
| 4-WIRE DS1 LOOP WITH CHANNELIZATION WITH PORT | | | | | | | | | | | | | | | | | | | | | | | | | |
| System is 1 DS1 Loop, 1 D4 Channel Bank, and up to 24 Feature Activations | | | | | | | | | | | | | | | | | | | | | | | | | |
| A system can have various rate combinations based on type and number of ports used | | | | | | | | | | | | | | | | | | | | | | | | | |
| UNE DS1 Loop | | | | | | | | | | | | | | | | | | | | | | | | | |
| | 4-wire DS1 Loop UNE - Statewide | | sw | UEPMG | USLDC | | | | | | | | 62.71 | | | | | | | | | 19.99 | 19.99 | | |
| UNE DSO Channelization Capacities (D4 Channel Bank Configurations) | | | | | | | | | | | | | | | | | | | | | | | | | |
| | 24 DSO Channel Capacity - 1 per DS1 | | | UEPMG | VUM24 | | | | | | | | 123.06 | 0.00 | 0.00 | | | | | | 19.99 | 19.99 | | | |
| | 48 DSO Channel Capacity - 1 per 2 DS1s | | | UEPMG | VUM48 | | | | | | | | 246.12 | 0.00 | 0.00 | | | | | | 19.99 | 19.99 | | | |
| | 96 DSO Channel Capacity - 1per 4 DS1s | | | UEPMG | VUM96 | | | | | | | | 492.24 | 0.00 | 0.00 | | | | | | 19.99 | 19.99 | | | |
| | 144 DSO Channel Capacity - 1 per 6 DS1s | | | UEPMG | VUM144 | | | | | | | | 738.36 | 0.00 | 0.00 | | | | | | 19.99 | 19.99 | | | |
| | 192 DSO Channel Capacity - 1 per 8 DS1s | | | UEPMG | VUM192 | | | | | | | | 984.48 | 0.00 | 0.00 | | | | | | 19.99 | 19.99 | | | |
| | 240 DSO Channel Capacity - 1 per 10 DS1s | | | UEPMG | VUM240 | | | | | | | | 1,230.60 | 0.00 | 0.00 | | | | | | 19.99 | 19.99 | | | |
| | 288 DSO Channel Capacity - 1 per 12 DS1s | | | UEPMG | VUM288 | | | | | | | | 1,476.72 | 0.00 | 0.00 | | | | | | 19.99 | 19.99 | | | |
| | 384 DSO Channel Capacity - 1 per 16 DS1s | | | UEPMG | VUM384 | | | | | | | | 1,968.96 | 0.00 | 0.00 | | | | | | 19.99 | 19.99 | | | |
| | 480 DSO Channel Capacity - 1 per 20 DS1s | | | UEPMG | VUM480 | | | | | | | | 2,461.20 | 0.00 | 0.00 | | | | | | 19.99 | 19.99 | | | |

| UNBUNDLED NETWORK ELEMENTS - North Carolina | | | | | | | | | | | Attachment: 2 | | Exhibit: B | | | | | | | |
|--|---|---------|------|-------|-------|-----------|----------------------------------|--------------------------------------|--|--|---|---|---------------|--------------------|--------------------|-------------------------------|-------------------------------|-------|-------|-------|
| CATEGORY | RATE ELEMENTS | Interim | Zone | BCS | USOC | RATES(\$) | Svc Order Submitted Elec per LSR | Svc Order Submitted Manually per LSR | Incremental Charge - Manual Svc Order vs. Electronic-1st | Incremental Charge - Manual Svc Order vs. Electronic-Add'l | Incremental Charge - Manual Svc Order vs. Electronic-Disc 1st | Incremental Charge - Manual Svc Order vs. Electronic-Disc Add'l | OSS Rates(\$) | | | | | | | |
| | | | | | | | | | | | | | Rec | Nonrecurring First | Nonrecurring Add'l | Nonrecurring Disconnect First | Nonrecurring Disconnect Add'l | SOMEc | SOMAN | SOMAN |
| | 576 DS0 Channel Capacity -1 per 24 DS1s | | | UEPMG | VUM57 | 2,953.44 | 0.00 | 0.00 | | | | | | | | | | | | |
| | 672 DS0 Channel Capacity - 1 per 28 DS1s | | | UEPMG | VUM67 | 3,445.68 | 0.00 | 0.00 | | | | | | | | | | | | |
| Non-Recurring Charges (NRC) Associated with 4-Wire DS1 Loop with Channelization with Port - Conversion Charge Based on a System | | | | | | | | | | | | | | | | | | | | |
| A Minimum System configuration is One (1) DS1, One (1) D4 Channel Bank, and Up To 24 DSO Ports with Feature Activations. | | | | | | | | | | | | | | | | | | | | |
| Multiples of this configuration functioning as one are considered Add'l after the minimum system configuration is counted. | | | | | | | | | | | | | | | | | | | | |
| | NRC - Conversion (Currently Combined) with or without BellSouth Allowed Changes - Top 8 MSAs Only | | | UEPMG | USAC4 | 0.00 | 330.61 | 16.64 | | | | | | | 19.99 | 19.99 | | | | |
| System Additions Where Currently Combined and New (Not Currently Combined) | | | | | | | | | | | | | | | | | | | | |
| In Top 8 MSAs and AL, FL, and NC Only | | | | | | | | | | | | | | | | | | | | |
| | 1 DS1/D4 Channel Bank - Add NRC for each Port and Assoc Fea Activation - | | | UEPMG | VUMD4 | 0.00 | 743.74 | 326.22 | 149.02 | 17.68 | | | | | 19.99 | 19.99 | | | | |
| Bipolar 8 Zero Substitution | | | | | | | | | | | | | | | | | | | | |
| | Clear Channel Capability Format, superframe - Subsequent Activity Only | | | UEPMG | CCOSF | 0.00 | 0.00 | 615.00 | | | | | | | | | | | | |
| | Clear Channel Capability Format - Extended Superframe - Subsequent Activity Only | | | UEPMG | CCOEF | 0.00 | 0.00 | 615.00 | | | | | | | | | | | | |
| Alternate Mark Inversion (AMI) | | | | | | | | | | | | | | | | | | | | |
| | Superframe Format | | | UEPMG | MCOSF | 0.00 | 0.00 | 0.00 | | | | | | | | | | | | |
| | Extended Superframe Format | | | UEPMG | MCOPO | 0.00 | 0.00 | 0.00 | | | | | | | | | | | | |
| Exchange Ports Associated with 4-Wire DS1 Loop with Channelization with Port Exchange Ports | | | | | | | | | | | | | | | | | | | | |
| | Line Side Combination Channelized PBX Trunk Port - Business | | | UEPPX | UEPCX | 14.00 | 0.00 | 0.00 | 0.00 | 0.00 | | | | | 40.18 | 9.45 | | | | |
| | Line Side Outward Channelized PBX Trunk Port - Business | | | UEPPX | UEPOX | 14.00 | 0.00 | 0.00 | 0.00 | 0.00 | | | | | 40.18 | 9.45 | | | | |
| | Line Side Inward Only Channelized PBX Trunk Port without DID | | | UEPPX | UEP1X | 14.00 | 0.00 | 0.00 | 0.00 | 0.00 | | | | | 40.18 | 9.45 | | | | |
| | 2-Wire Trunk Side Unbundled Channelized DID Trunk Port | | | UEPPX | UEPDM | 52.00 | 0.00 | 0.00 | 0.00 | 0.00 | | | | | 40.18 | 9.45 | | | | |
| Feature Activations - Unbundled Loop Concentration | | | | | | | | | | | | | | | | | | | | |
| | Feature (Service) Activation for each Line Side Port Terminated in D4 Bank | | | UEPPX | 1PQWM | 0.65 | 40.00 | 20.00 | 10.00 | 5.00 | | | | | 40.18 | 9.45 | | | | |
| | Feature (Service) Activation for each Trunk Side Port Terminated in D4 Bank | | | UEPPX | 1PQWU | 0.65 | 110.00 | 30.00 | 75.00 | 15.00 | | | | | 40.18 | 9.45 | | | | |
| Telephone Number/ Group Establishment Charges for DID Service | | | | | | | | | | | | | | | | | | | | |
| | DID Trunk Termination (1 per Port) | | | UEPPX | NDT | 0.00 | 0.00 | 0.00 | | | | | | | | | | | | |
| | Estab Trk Grp and Provide 1st 20 DID Nos. (FL,GA, NC,& SC) | | | UEPPX | NDZ | 0.00 | 0.00 | 0.00 | | | | | | | | | | | | |
| | DID Numbers - groups of 20 - Valid all States | | | UEPPX | ND4 | 0.00 | 0.00 | 0.00 | | | | | | | | | | | | |
| | Non-Consecutive DID Numbers - per number | | | UEPPX | ND5 | 0.00 | 0.00 | 0.00 | | | | | | | | | | | | |
| | Reserve Non-Consecutive DID Numbers | | | UEPPX | ND6 | 0.00 | 0.00 | 0.00 | | | | | | | | | | | | |
| | Reserve DID Numbers | | | UEPPX | NDV | 0.00 | 0.00 | 0.00 | | | | | | | | | | | | |
| Local Number Portability | | | | | | | | | | | | | | | | | | | | |
| | Local Number Portability - 1 per port | | | UEPPX | LNPCP | 3.15 | 0.00 | 0.00 | | | | | | | | | | | | |
| FEATURES - Vertical and Optional | | | | | | | | | | | | | | | | | | | | |
| Local Switching Features Offered with Line Side Ports Only | | | | | | | | | | | | | | | | | | | | |
| | All Features Available | | | UEPPX | UEPVF | 3.40 | 0.00 | 0.00 | | | | | | | 40.18 | 9.45 | | | | |
| UNBUNDLED CENTREX PORT/LOOP COMBINATIONS - COST BASED RATES | | | | | | | | | | | | | | | | | | | | |
| 1. Cost Based Rates are applied where BellSouth is required by FCC and/or State Commission rule to provide Unbundled Local Switching or Switch Ports. | | | | | | | | | | | | | | | | | | | | |
| 2. Features shall apply to the Unbundled Port/Loop Combination - Cost Based Rate section in the same manner as they are applied to the Stand-Alone Unbundled Port section of this Rate Exhibit. | | | | | | | | | | | | | | | | | | | | |
| 3. End Office and Tandem Switching Usage and Common Transport Usage rates in the Port section of this rate exhibit shall apply to all combinations of loop/port network elements except for UNE Coin Port/Loop Combinations. | | | | | | | | | | | | | | | | | | | | |
| For Georgia, Kentucky, Louisiana, Mississippi and Tennessee, the recurring UNE Port and Loop charges listed apply to Currently Combined and Not Currently Combined Combos. The first and additional Port nonrecurring charges apply to Not Currently Combined Combos for all states. In GA, KY, LA, MS and TN these nonrecurring charges are commission ordered cost based rates and in AL, FL, NC and SC these nonrecurring charges are Market Rates and are listed in the Market Rate section. For Currently Combined Combos in all other states, the nonrecurring charges shall be those identified in the Nonrecurring - Currently Combined sections. | | | | | | | | | | | | | | | | | | | | |
| 5. Market Rates for Unbundled Centrex Port/Loop Combination will be negotiated on an Individual Case Basis, until further notice. | | | | | | | | | | | | | | | | | | | | |
| UNE-P CENTREX - 5ESS (Valid in All States) | | | | | | | | | | | | | | | | | | | | |
| 2-Wire VG Loop/2-Wire Voice Grade Port (Centrex) Combo | | | | | | | | | | | | | | | | | | | | |
| UNE Port/Loop Combination Rates (Non-Design) | | | | | | | | | | | | | | | | | | | | |
| | 2-Wire VG Loop/2-Wire Voice Grade Port (Centrex) Combo - Non-Design | | sw | UEP95 | | 16.46 | | | | | | | | | | | | | | |
| UNE Port/Loop Combination Rates (Design) | | | | | | | | | | | | | | | | | | | | |

| UNBUNDLED NETWORK ELEMENTS - North Carolina | | | | | | | | | | | Attachment: 2 | | Exhibit: B | | | | | | | |
|---|---|---------|------|-------|-------|-----------|----------------------------------|--------------------------------------|--|--|---|---|---------------|--------------|--|-------------------------|--|-------|-------|-------|
| CATEGORY | RATE ELEMENTS | Interim | Zone | BCS | USOC | RATES(\$) | Svc Order Submitted Elec per LSR | Svc Order Submitted Manually per LSR | Incremental Charge - Manual Svc Order vs. Electronic-1st | Incremental Charge - Manual Svc Order vs. Electronic-Add'l | Incremental Charge - Manual Svc Order vs. Electronic-Disc 1st | Incremental Charge - Manual Svc Order vs. Electronic-Disc Add'l | OSS Rates(\$) | | | | | | | |
| | | | | | | | | | | | | | Rec | Nonrecurring | | Nonrecurring Disconnect | | SOMEc | SOMAN | SOMAN |
| | | | | | | | | | | | | | | | | | | | | |
| | 2-Wire VG Loop/2-Wire Voice Grade Port (Centrex) Combo - Design | | sw | UEP95 | | 21.78 | | | | | | | | | | | | | | |
| | UNE Loop Rate | | | | | | | | | | | | | | | | | | | |
| | 2-Wire Voice Grade Loop (SL 1) - Statewide | | sw | UEP95 | UECS1 | 14.18 | | | | | | | | | | | | | | |
| | 2-Wire Voice Grade Loop (SL 2) - Statewide | | sw | UEP95 | UECS2 | 19.50 | | | | | | | | | | | | | | |
| | UNE Port Rate | | | | | | | | | | | | | | | | | | | |
| | All States | | | | | | | | | | | | | | | | | | | |
| | 2-Wire Voice Grade Port (Centrex) Basic Local Area | | | UEP95 | UEPYA | 2.28 | | | | | | 40.18 | 9.45 | | | | | | | |
| | 2-Wire Voice Grade Port (Centrex 800 termination) | | | UEP95 | UEPYB | 2.28 | | | | | | 40.18 | 9.45 | | | | | | | |
| | 2-Wire Voice Grade Port (Centrex with Caller ID)1Basic Local Area | | | UEP95 | UEPYH | 2.28 | | | | | | 40.18 | 9.45 | | | | | | | |
| | 2-Wire Voice Grade Port (Centrex from diff Serving Wire Center)2 Basic Local Area | | | UEP95 | UEPYM | 2.28 | | | | | | 40.18 | 9.45 | | | | | | | |
| | 2-Wire Voice Grade Port, Diff Serving Wire Center - 800 Service Term - Basic Local Area | | | UEP95 | UEPYZ | 2.28 | | | | | | 40.18 | 9.45 | | | | | | | |
| | 2-Wire Voice Grade Port terminated in on Megalink or equivalent - Basic Local Area | | | UEP95 | UEPY9 | 2.28 | | | | | | 40.18 | 9.45 | | | | | | | |
| | 2-Wire Voice Grade Port Terminated on 800 Service Term - Basic Local Area | | | UEP95 | UEPY2 | 2.28 | | | | | | 40.18 | 9.45 | | | | | | | |
| | NC Only | | | | | | | | | | | | | | | | | | | |
| | 2-Wire Voice Grade Port (Centrex) | | | UEP95 | UEPUA | 2.28 | | | | | | 40.18 | 9.45 | | | | | | | |
| | 2-Wire Voice Grade Port (Centrex 800 termination) | | | UEP95 | UEPUB | 2.28 | | | | | | 40.18 | 9.45 | | | | | | | |
| | 2-Wire Voice Grade Port (Centrex with Caller ID)1 | | | UEP95 | UEPUH | 2.28 | | | | | | 40.18 | 9.45 | | | | | | | |
| | 2-Wire Voice Grade Port (Centrex from diff Serving Wire Center)2 | | | UEP95 | UEPUM | 2.28 | | | | | | 40.18 | 9.45 | | | | | | | |
| | 2-Wire Voice Grade Port, Diff Serving Wire Center - 800 Service Term | | | UEP95 | UEPUZ | 2.28 | | | | | | 40.18 | 9.45 | | | | | | | |
| | 2-Wire Voice Grade Port terminated in on Megalink or equivalent | | | UEP95 | UEPU9 | 2.28 | | | | | | 40.18 | 9.45 | | | | | | | |
| | 2-Wire Voice Grade Port Terminated on 800 Service Term | | | UEP95 | UEPU2 | 2.28 | | | | | | 40.18 | 9.45 | | | | | | | |
| | Local Switching | | | | | | | | | | | | | | | | | | | |
| | Centrex Intercom Functionality, per port | | | UEP95 | URECS | 0.903 | | | | | | | | | | | | | | |
| | Local Number Portability | | | | | | | | | | | | | | | | | | | |
| | Local Number Portability (1 per port) | | | UEP95 | LNPCc | 0.35 | | | | | | | | | | | | | | |
| | Features | | | | | | | | | | | | | | | | | | | |
| | All Standard Features Offered, per port | | | UEP95 | UEPVF | 3.40 | | | | | | | | | | | | | | |
| | All Select Features Offered, per port | | | UEP95 | UEPVS | 0.00 | 457.83 | | | | | | | | | | | | | |
| | All Centrex Control Features Offered, per port | | | UEP95 | UEPVC | 3.40 | | | | | | | | | | | | | | |
| | NARS | | | | | | | | | | | | | | | | | | | |
| | Unbundled Network Access Register - Combination | | | UEP95 | UARCX | 0.00 | 0.00 | 0.00 | | | | 40.18 | 9.45 | | | | | | | |
| | Unbundled Network Access Register - Indial | | | UEP95 | UAR1X | 0.00 | 0.00 | 0.00 | | | | 40.18 | 9.45 | | | | | | | |
| | Unbundled Network Access Register - Outdial | | | UEP95 | UAROx | 0.00 | 0.00 | 0.00 | | | | 40.18 | 9.45 | | | | | | | |
| | Miscellaneous Terminations | | | | | | | | | | | | | | | | | | | |
| | 2-Wire Trunk Side | | | | | | | | | | | | | | | | | | | |
| | Trunk Side Terminations, each | | | UEP95 | CEND6 | 12.36 | | | | | | | | | | | | | | |
| | 4-Wire Digital (1.544 Megabits) | | | | | | | | | | | | | | | | | | | |
| | DS1 Circuit Terminations, each | | | UEP95 | M1HD1 | 186.23 | | | | | | 40.18 | 9.45 | | | | | | | |
| | DS0 Channels Activated, each | | | UEP95 | M1HDO | 0.00 | 28.81 | | | | | 40.18 | 9.45 | | | | | | | |
| | Interoffice Channel Mileage - 2-Wire | | | | | | | | | | | | | | | | | | | |
| | Interoffice Channel Facilities Termination | | | UEP95 | MIGBC | 18.00 | | | | | | | | | | | | | | |
| | Interoffice Channel mileage, per mile or fraction of mile | | | UEP95 | MIGBM | 0.0282 | | | | | | | | | | | | | | |
| | Feature Activations (DS0) Centrex Loops on Channelized DS1 Service | | | | | | | | | | | | | | | | | | | |
| | D4 Channel Bank Feature Activations | | | | | | | | | | | | | | | | | | | |
| | Feature Activation on D-4 Channel Bank Centrex Loop Slot | | | UEP95 | 1PQWS | 0.65 | | | | | | | | | | | | | | |
| | Feature Activation on D-4 Channel Bank FX line Side Loop Slot | | | UEP95 | 1PQW6 | 0.65 | | | | | | | | | | | | | | |
| | Feature Activation on D-4 Channel Bank FX Trunk Side Loop Slot | | | UEP95 | 1PQW7 | 0.65 | | | | | | | | | | | | | | |

| UNBUNDLED NETWORK ELEMENTS - North Carolina | | | | | | | | | | | Attachment: 2 | | Exhibit: B | | | | | |
|--|--|---------|------|-------|-------|-----------|----------------------------------|--------------------------------------|--|--|---|---|------------|--------------|-------|-------------------------|--|---------------|
| CATEGORY | RATE ELEMENTS | Interim | Zone | BCS | USOC | RATES(\$) | Svc Order Submitted Elec per LSR | Svc Order Submitted Manually per LSR | Incremental Charge - Manual Svc Order vs. Electronic-1st | Incremental Charge - Manual Svc Order vs. Electronic-Add'l | Incremental Charge - Manual Svc Order vs. Electronic-Disc 1st | Incremental Charge - Manual Svc Order vs. Electronic-Disc Add'l | | | | | | |
| | | | | | | | | | | | | | Rec | Nonrecurring | | Nonrecurring Disconnect | | OSS Rates(\$) |
| | | | | | | | First | Add'l | First | Add'l | SOMEc | SOMAN | SOMAN | SOMAN | SOMAN | SOMAN | | |
| | Feature Activation on D-4 Channel Bank Centrex Loop Slot - Different Wire Center | | | UEP95 | 1PQWP | 0.65 | | | | | | | | | | | | |
| | Feature Activation on D-4 Channel Bank Private Line Loop Slot | | | UEP95 | 1PQWV | 0.65 | | | | | | | | | | | | |
| | Feature Activation on D-4 Channel Bank Tjje Line/Trunk Loop Slot | | | UEP95 | 1PQWQ | 0.65 | | | | | | | | | | | | |
| | Feature Activation on D-4 Channel Bank WATS Loop Slot | | | UEP95 | 1PQWA | 0.65 | | | | | | | | | | | | |
| Non-Recurring Charges (NRC) Associated with UNE-P Centrex | | | | | | | | | | | | | | | | | | |
| | NRC Conversion Currently Combined Switch-As-Is with allowed changes, per port | | | UEP95 | USAC2 | | 2.77 | 0.40 | | | | 40.18 | 9.45 | | | | | |
| | New Centrex Standard Common Block | | | UEP95 | M1ACS | 0.00 | 695.11 | | | | | 40.18 | 9.45 | | | | | |
| | New Centrex Customized Common Block | | | UEP95 | M1ACC | 0.00 | 695.11 | | | | | 40.18 | 9.45 | | | | | |
| | NAR Establishment Charge, Per Occasion | | | UEP95 | URECA | 0.00 | 72.73 | | | | | 40.18 | 9.45 | | | | | |
| UNE-P CENTREX - DMS100 (Valid in All States) | | | | | | | | | | | | | | | | | | |
| 2-Wire VG Loop/2-Wire Voice Grade Port (Centrex) Combo | | | | | | | | | | | | | | | | | | |
| UNE Port/Loop Combination Rates (Non-Design) | | | | | | | | | | | | | | | | | | |
| | 2-Wire VG Loop/2-Wire Voice Grade Port (Centrex) Combo - Non-Design | | sw | UEP9D | | 16.46 | | | | | | | | | | | | |
| UNE Port/Loop Combination Rates (Design) | | | | | | | | | | | | | | | | | | |
| | 2-Wire VG Loop/2-Wire Voice Grade Port (Centrex) Combo - Design | | sw | UEP9D | | 21.78 | | | | | | | | | | | | |
| UNE Loop Rate | | | | | | | | | | | | | | | | | | |
| | 2-Wire Voice Grade Loop (SL 1) - Statewide | | sw | UEP9D | UECS1 | 14.18 | | | | | | | | | | | | |
| | 2-Wire Voice Grade Loop (SL 2) - Statewide | | sw | UEP9D | UECS2 | 19.50 | | | | | | | | | | | | |
| UNE Port Rate | | | | | | | | | | | | | | | | | | |
| ALL STATES | | | | | | | | | | | | | | | | | | |
| | 2-Wire Voice Grade Port (Centrex) Basic Local Area | | | UEP9D | UEPYA | 2.28 | | | | | | 40.18 | 9.45 | | | | | |
| | 2-Wire Voice Grade Port (Centrex 800 termination)Basic Local Area | | | UEP9D | UEPYB | 2.28 | | | | | | 40.18 | 9.45 | | | | | |
| | 2-Wire Voice Grade Port (Centrex / EBS-PSET)3Basic Local Area | | | UEP9D | UEPYC | 2.28 | | | | | | 40.18 | 9.45 | | | | | |
| | 2-Wire Voice Grade Port (Centrex / EBS-M5009)3Basic Local Area | | | UEP9D | UEPYD | 2.28 | | | | | | 40.18 | 9.45 | | | | | |
| | 2-Wire Voice Grade Port (Centrex / EBS-M5209)3 Basic Local Area | | | UEP9D | UEPYE | 2.28 | | | | | | 40.18 | 9.45 | | | | | |
| | 2-Wire Voice Grade Port (Centrex / EBS-M5112)3 Basic Local Area | | | UEP9D | UEPYF | 2.28 | | | | | | 40.18 | 9.45 | | | | | |
| | 2-Wire Voice Grade Port (Centrex / EBS-M5312)3Basic Local Area | | | UEP9D | UEPYG | 2.28 | | | | | | 40.18 | 9.45 | | | | | |
| | 2-Wire Voice Grade Port (Centrex / EBS-M5008)3 Basic Local Area | | | UEP9D | UEPYT | 2.28 | | | | | | 40.18 | 9.45 | | | | | |
| | 2-Wire Voice Grade Port (Centrex / EBS-M5208)3 Basic Local Area | | | UEP9D | UEPYU | 2.28 | | | | | | 40.18 | 9.45 | | | | | |
| | 2-Wire Voice Grade Port (Centrex / EBS-M5216)3 Basic Local Area | | | UEP9D | UEPYV | 2.28 | | | | | | 40.18 | 9.45 | | | | | |
| | 2-Wire Voice Grade Port (Centrex / EBS-M5316)3 Basic Local Area | | | UEP9D | UEPY3 | 2.28 | | | | | | 40.18 | 9.45 | | | | | |
| | 2-Wire Voice Grade Port (Centrex with Caller ID) Basic Local Area | | | UEP9D | UEPYH | 2.28 | | | | | | 40.18 | 9.45 | | | | | |
| | 2-Wire Voice Grade Port (Centrex/Caller ID/Msg Wtg Lamp Indication))3 Basic Local Area | | | UEP9D | UEPYW | 2.28 | | | | | | 40.18 | 9.45 | | | | | |
| | 2-Wire Voice Grade Port (Centrex/Msg Wtg Lamp Indication))3 Basic Local Area | | | UEP9D | UEPYJ | 2.28 | | | | | | 40.18 | 9.45 | | | | | |
| | 2-Wire Voice Grade Port (Centrex from diff Serving Wire Center) 2 Basic Local Area | | | UEP9D | UEPYM | 2.28 | | | | | | 40.18 | 9.45 | | | | | |
| | 2-Wire Voice Grade Port (Centrex/differ SWC /EBS-PSET)2, 3 Basic Local Area | | | UEP9D | UEPYO | 2.28 | | | | | | 40.18 | 9.45 | | | | | |
| | 2-Wire Voice Grade Port (Centrex/differ SWC /EBS-M5009)2, 3 Basic Local Area | | | UEP9D | UEPYP | 2.28 | | | | | | 40.18 | 9.45 | | | | | |

| UNBUNDLED NETWORK ELEMENTS - North Carolina | | | | | | | | | | | Attachment: 2 | | Exhibit: B | | | | | | | | | |
|---|--|---------|------|-------|-------|-----------|----------------------------------|--------------------------------------|--|--|---|---|---------------|--------------|-------|-------------------------|--|-------|-------|-------|-------|-------|
| CATEGORY | RATE ELEMENTS | Interim | Zone | BCS | USOC | RATES(\$) | Svc Order Submitted Elec per LSR | Svc Order Submitted Manually per LSR | Incremental Charge - Manual Svc Order vs. Electronic-1st | Incremental Charge - Manual Svc Order vs. Electronic-Add'l | Incremental Charge - Manual Svc Order vs. Electronic-Disc 1st | Incremental Charge - Manual Svc Order vs. Electronic-Disc Add'l | OSS Rates(\$) | | | | | | | | | |
| | | | | | | | | | | | | | Rec | Nonrecurring | | Nonrecurring Disconnect | | SOMEc | SOMAN | SOMAN | SOMAN | SOMAN |
| | | | | | | | | | | | | | First | Add'l | First | Add'l | | | | | | |
| | 2-Wire Voice Grade Port (Centrex/differ SWC /EBS-5209)2, 3 Basic Local Area | | | UEP9D | UEPYQ | 2.28 | | | | | | | | | | | | | 40.18 | 9.45 | | |
| | 2-Wire Voice Grade Port (Centrex/differ SWC /EBS-M5112)2, 3 Basic Local Area | | | UEP9D | UEPYR | 2.28 | | | | | | | | | | | | | 40.18 | 9.45 | | |
| | 2-Wire Voice Grade Port (Centrex/differ SWC /EBS-M5312)2, 3 Basic Local Area | | | UEP9D | UEPYS | 2.28 | | | | | | | | | | | | | 40.18 | 9.45 | | |
| | 2-Wire Voice Grade Port (Centrex/differ SWC /EBS-M5008)2, 3 Basic Local Area | | | UEP9D | UEPY4 | 2.28 | | | | | | | | | | | | | 40.18 | 9.45 | | |
| | 2-Wire Voice Grade Port (Centrex/differ SWC /EBS-M5208)2, 3 Basic Local Area | | | UEP9D | UEPY5 | 2.28 | | | | | | | | | | | | | 40.18 | 9.45 | | |
| | 2-Wire Voice Grade Port (Centrex/differ SWC /EBS-M5216)2, 3 Basic Local Area | | | UEP9D | UEPY6 | 2.28 | | | | | | | | | | | | | 40.18 | 9.45 | | |
| | 2-Wire Voice Grade Port (Centrex/differ SWC /EBS-M5316)2, 3 Basic Local Area | | | UEP9D | UEPY7 | 2.28 | | | | | | | | | | | | | 40.18 | 9.45 | | |
| | 2-Wire Voice Grade Port, Diff Serving Wire Center - 800 Service Term | | | UEP9D | UEPYZ | 2.28 | | | | | | | | | | | | | 40.18 | 9.45 | | |
| | 2-Wire Voice Grade Port terminated in on Megalink or equivalent Basic Local Area | | | UEP9D | UEPY9 | 2.28 | | | | | | | | | | | | | 40.18 | 9.45 | | |
| | 2-Wire Voice Grade Port Terminated on 800 Service Term Basic Local Area | | | UEP9D | UEPY2 | 2.28 | | | | | | | | | | | | | 40.18 | 9.45 | | |
| | NC Only | | | | | | | | | | | | | | | | | | | | | |
| | 2-Wire Voice Grade Port (Centrex) | | | UEP9D | UEPUA | 2.28 | | | | | | | | | | | | | 40.18 | 9.45 | | |
| | 2-Wire Voice Grade Port (Centrex 800 termination) | | | UEP9D | UEPUB | 2.28 | | | | | | | | | | | | | 40.18 | 9.45 | | |
| | 2-Wire Voice Grade Port (Centrex / EBS-PSET)3 | | | UEP9D | UEPUC | 2.28 | | | | | | | | | | | | | 40.18 | 9.45 | | |
| | 2-Wire Voice Grade Port (Centrex / EBS-M5009)3 | | | UEP9D | UEPUD | 2.28 | | | | | | | | | | | | | 40.18 | 9.45 | | |
| | 2-Wire Voice Grade Port (Centrex / EBS-M5209)3 | | | UEP9D | UEPUE | 2.28 | | | | | | | | | | | | | 40.18 | 9.45 | | |
| | 2-Wire Voice Grade Port (Centrex / EBS-M5112)3 | | | UEP9D | UEPUF | 2.28 | | | | | | | | | | | | | 40.18 | 9.45 | | |
| | 2-Wire Voice Grade Port (Centrex / EBS-M5312)3 | | | UEP9D | UEPUG | 2.28 | | | | | | | | | | | | | 40.18 | 9.45 | | |
| | 2-Wire Voice Grade Port (Centrex / EBS-M5008)3 | | | UEP9D | UEPUT | 2.28 | | | | | | | | | | | | | 40.18 | 9.45 | | |
| | 2-Wire Voice Grade Port (Centrex / EBS-M5208)3 | | | UEP9D | UEPUJ | 2.28 | | | | | | | | | | | | | 40.18 | 9.45 | | |
| | 2-Wire Voice Grade Port (Centrex / EBS-M5216)3 | | | UEP9D | UEPUV | 2.28 | | | | | | | | | | | | | 40.18 | 9.45 | | |
| | 2-Wire Voice Grade Port (Centrex / EBS-M5316)3 | | | UEP9D | UEPU3 | 2.28 | | | | | | | | | | | | | 40.18 | 9.45 | | |
| | 2-Wire Voice Grade Port (Centrex with Caller ID) | | | UEP9D | UEPUH | 2.28 | | | | | | | | | | | | | 40.18 | 9.45 | | |
| | 2-Wire Voice Grade Port (Centrex/Caller ID/Msg Wtg Lamp Indication)3 | | | UEP9D | UEPUW | 2.28 | | | | | | | | | | | | | 40.18 | 9.45 | | |
| | 2-Wire Voice Grade Port (Centrex/Msg Wtg Lamp Indication)3 | | | UEP9D | UEPUJ | 2.28 | | | | | | | | | | | | | 40.18 | 9.45 | | |
| | 2-Wire Voice Grade Port (Centrex from diff Serving Wire Center)2 | | | UEP9D | UEPUM | 2.28 | | | | | | | | | | | | | 40.18 | 9.45 | | |
| | 2-Wire Voice Grade Port (Centrex/differ SWC /EBS-PSET)2, 3 | | | UEP9D | UEPUO | 2.28 | | | | | | | | | | | | | 40.18 | 9.45 | | |
| | 2-Wire Voice Grade Port (Centrex/differ SWC /EBS-M5009)2, 3 | | | UEP9D | UEPUP | 2.28 | | | | | | | | | | | | | 40.18 | 9.45 | | |
| | 2-Wire Voice Grade Port (Centrex/differ SWC /EBS-5209)2, 3 | | | UEP9D | UEPUQ | 2.28 | | | | | | | | | | | | | 40.18 | 9.45 | | |
| | 2-Wire Voice Grade Port (Centrex/differ SWC /EBS-M5112)2, 3 | | | UEP9D | UEPUR | 2.28 | | | | | | | | | | | | | 40.18 | 9.45 | | |
| | 2-Wire Voice Grade Port (Centrex/differ SWC /EBS-M5312)2, 3 | | | UEP9D | UEPUS | 2.28 | | | | | | | | | | | | | 40.18 | 9.45 | | |
| | 2-Wire Voice Grade Port (Centrex/differ SWC /EBS-M5008)2, 3 | | | UEP9D | UEPU4 | 2.28 | | | | | | | | | | | | | 40.18 | 9.45 | | |
| | 2-Wire Voice Grade Port (Centrex/differ SWC /EBS-M5208)2, 3 | | | UEP9D | UEPU5 | 2.28 | | | | | | | | | | | | | 40.18 | 9.45 | | |
| | 2-Wire Voice Grade Port (Centrex/differ SWC /EBS-M5216)2, 3 | | | UEP9D | UEPU6 | 2.28 | | | | | | | | | | | | | 40.18 | 9.45 | | |
| | 2-Wire Voice Grade Port (Centrex/differ SWC /EBS-M5316)2, 3 | | | UEP9D | UEPU7 | 2.28 | | | | | | | | | | | | | 40.18 | 9.45 | | |
| | 2-Wire Voice Grade Port, Diff Serving Wire Center - 800 Service Term | | | UEP9D | UEPUZ | 2.28 | | | | | | | | | | | | | 40.18 | 9.45 | | |
| | 2-Wire Voice Grade Port terminated in on Megalink or equivalent | | | UEP9D | UEPU9 | 2.28 | | | | | | | | | | | | | 40.18 | 9.45 | | |
| | 2-Wire Voice Grade Port Terminated on 800 Service Term | | | UEP9D | UEPU2 | 2.28 | | | | | | | | | | | | | 40.18 | 9.45 | | |

| UNBUNDLED NETWORK ELEMENTS - North Carolina | | | | | | | | | | Attachment: 2 | | Exhibit: B | |
|--|--|---------|------|-------|-------|-----------|----------------------------------|--------------------------------------|--|--|---|---|-----|
| CATEGORY | RATE ELEMENTS | Interim | Zone | BCS | USOC | RATES(\$) | Svc Order Submitted Elec per LSR | Svc Order Submitted Manually per LSR | Incremental Charge - Manual Svc Order vs. Electronic-1st | Incremental Charge - Manual Svc Order vs. Electronic-Add'l | Incremental Charge - Manual Svc Order vs. Electronic-Disc 1st | Incremental Charge - Manual Svc Order vs. Electronic-Disc Add'l | |
| | | | | | | | | | | | | | Rec |
| | | | | | | | | | | | | | |
| | | | | | | | | | | | | | |
| Local Switching | | | | | | | | | | | | | |
| | Centrex Intercom Functionality, per port | | | UEP9D | URECS | 0.903 | | | | | | | |
| Local Number Portability | | | | | | | | | | | | | |
| | Local Number Portability (1 per port) | | | UEP9D | LNPCC | 0.35 | | | | | | | |
| Features | | | | | | | | | | | | | |
| | All Standard Features Offered, per port | | | UEP9D | UEPVF | 3.40 | | | | | | | |
| | All Select Features Offered, per port | | | UEP9D | UEPVS | 0.00 | 457.83 | | | 40.18 | 9.45 | | |
| | All Centrex Control Features Offered, per port | | | UEP9D | UEPVC | 3.40 | | | | | | | |
| NARS | | | | | | | | | | | | | |
| | Unbundled Network Access Register - Combination | | | UEP9D | UARCX | 0.00 | 0.00 | 0.00 | | 40.18 | 9.45 | | |
| | Unbundled Network Access Register - Inward | | | UEP9D | UAR1X | 0.00 | 0.00 | 0.00 | | 40.18 | 9.45 | | |
| | Unbundled Network Access Register - Outdial | | | UEP9D | UAROY | 0.00 | 0.00 | 0.00 | | 40.18 | 9.45 | | |
| Miscellaneous Terminations | | | | | | | | | | | | | |
| 2-Wire Trunk Side | | | | | | | | | | | | | |
| | Trunk Side Terminations, each | | | UEP9D | CEND6 | 12.36 | | | | | | | |
| 4-Wire Digital (1.544 Megabits) | | | | | | | | | | | | | |
| | DS1 Circuit Terminations, each | | | UEP9D | M1HD1 | 186.23 | | | | | | | |
| | DS0 Channels Activated per Channel | | | UEP9D | M1HDO | 0.00 | 28.81 | | | 40.18 | 9.45 | | |
| | | | | | | | | | | 40.18 | 9.45 | | |
| Interoffice Channel Mileage - 2-Wire | | | | | | | | | | | | | |
| | Interoffice Channel Facilities Termination | | | UEP9D | MIGBC | 18.00 | | | | | | | |
| | Interoffice Channel mileage, per mile or fraction of mile | | | UEP9D | MIGBM | 0.0282 | | | | | | | |
| Feature Activations (DS0) Centrex Loops on Channelized DS1 Service | | | | | | | | | | | | | |
| D4 Channel Bank Feature Activations | | | | | | | | | | | | | |
| | Feature Activation on D-4 Channel Bank Centrex Loop Slot | | | UEP9D | 1PQWS | 0.65 | | | | | | | |
| | Feature Activation on D-4 Channel Bank FX line Side Loop Slot | | | UEP9D | 1PQW6 | 0.65 | | | | | | | |
| | Feature Activation on D-4 Channel Bank FX Trunk Side Loop Slot | | | UEP9D | 1PQW7 | 0.65 | | | | | | | |
| | Feature Activation on D-4 Channel Bank Centrex Loop Slot - Different Wire Center | | | UEP9D | 1PQWP | 0.65 | | | | | | | |
| | Feature Activation on D-4 Channel Bank Private Line Loop Slot | | | UEP9D | 1PQWV | 0.65 | | | | | | | |
| | Feature Activation on D-4 Channel Bank Tjje Line/Trunk Loop Slot | | | UEP9D | 1PQWQ | 0.65 | | | | | | | |
| | Feature Activation on D-4 Channel Bank WATS Loop Slot | | | UEP9D | 1PQWA | 0.65 | | | | | | | |
| Non-Recurring Charges (NRC) Associated with UNE-P Centrex | | | | | | | | | | | | | |
| | NRC Conversion Currently Combined Switch-As-Is with allowed changes, per port | | | UEP9D | USAC2 | | 2.77 | 0.40 | | 40.18 | 9.45 | | |
| | New Centrex Standard Common Block | | | UEP9D | M1ACS | 0.00 | 695.11 | | | 40.18 | 9.45 | | |
| | New Centrex Customized Common Block | | | UEP9D | M1ACC | 0.00 | 695.11 | | | 40.18 | 9.45 | | |
| | NAR Establishment Charge, Per Occasion | | | UEP9D | URECA | 0.00 | 72.73 | | | 40.18 | 9.45 | | |
| 4-Wire Digital (1.544 Megabits) | | | | | | | | | | | | | |
| Note 1 - Required Port for Centrex Control in 1AESS, 5ESS & EWSD | | | | | | | | | | | | | |
| Note 2 - Requires Interoffice Channel Mileage | | | | | | | | | | | | | |
| Note 3 - Requires Specific Customer Premises Equipment | | | | | | | | | | | | | |
| NOTE: Rates displaying an "R" in Interim column are interim and subject to rate true-up as set forth in General Terms and Conditions. | | | | | | | | | | | | | |

| UNBUNDLED NETWORK ELEMENTS - South Carolina | | | | | | | | | | Attachment: 2 | | Exhibit: B | |
|--|--|---------|------|-------------|-------|-----------|----------------------------------|--------------------------------------|--|--|---|---|-----|
| CATEGORY | RATE ELEMENTS | Interim | Zone | BCS | USOC | RATES(\$) | Svc Order Submitted Elec per LSR | Svc Order Submitted Manually per LSR | Incremental Charge - Manual Svc Order vs. Electronic-1st | Incremental Charge - Manual Svc Order vs. Electronic-Add'l | Incremental Charge - Manual Svc Order vs. Electronic-Disc 1st | Incremental Charge - Manual Svc Order vs. Electronic-Disc Add'l | |
| | | | | | | | | | | | | | Rec |
| | | | | | | | | | | | | | |
| | | | | | | | | | | | | | |
| OPERATIONAL SUPPORT SYSTEMS | | | | | | | | | | | | | |
| NOTE: (1) Electronic Service Order: CLEC should contact its contract negotiator if it prefers the state specific electronic service ordering charges as ordered by the State Commissions. The electronic service ordering charge currently contained in this rate exhibit is the BellSouth regional electronic service ordering charge. CLEC may elect either the state specific Commission ordered rates for the electronic service ordering charges, or CLEC may elect the regional electronic service ordering charge. | | | | | | | | | | | | | |
| NOTE: (2) Any element that can be ordered electronically will be billed according to the SOMEK rate listed in this category. Please refer to BellSouth's Business Rules for Local Ordering (BBR-LO) to determine if a product can be ordered electronically. For those elements that cannot be ordered electronically at present per the BBR-LO, the listed SOMEK rate in this category reflects the charge that would be billed to a CLEC once electronic ordering capabilities come on-line for that element. Otherwise, the manual ordering charge, SOMAN, will be applied to a CLECs bill when it submits an LSR to BellSouth. | | | | | | | | | | | | | |
| | Manual Service Order Charge, per LSR, Disconnect Only (SC) | | | | SOMAN | | | | | | 1.97 | | |
| | Electronic OSS Charge, per LSR, submitted via BST's OSS interactive interfaces (Regional) | | | | SOMEK | 3.50 | | | | | | | |
| UNBUNDLED EXCHANGE ACCESS LOOP | | | | | | | | | | | | | |
| 2-WIRE ANALOG VOICE GRADE LOOP | | | | | | | | | | | | | |
| | 2-Wire Analog Voice Grade Loop - Service Level 1- Zone 1 | | 1 | UEANL | UEAL2 | 14.94 | 37.92 | 17.62 | 23.56 | 5.32 | 15.69 | | |
| | 2-Wire Analog Voice Grade Loop - Service Level 1- Zone 2 | | 2 | UEANL | UEAL2 | 21.39 | 37.92 | 17.62 | 23.56 | 5.32 | 15.69 | | |
| | 2-Wire Analog Voice Grade Loop - Service Level 1- Zone 3 | | 3 | UEANL | UEAL2 | 26.72 | 37.92 | 17.62 | 23.56 | 5.32 | 15.69 | | |
| | Loop Testing - Basic 1st Half Hour | | | UEANL | URET1 | | 34.23 | 34.23 | | | 15.69 | | |
| | Loop Testing - Basic Additional Half Hour | | | UEANL | URETA | | 19.90 | 19.90 | | | 15.69 | | |
| | CLEC to CLEC Conversion Charge Without Outside Dispatch (UVL-SL1) | | | UEANL | UREWO | | 15.81 | 8.96 | | | 15.69 | | |
| | Engineering Information Document (EI) | | | UEANL | | | 13.47 | 13.47 | | | | | |
| | Manual Order Coordination for UVL-SL1s (per loop) | | | UEANL | UEAMC | | 8.17 | 8.17 | | | | | |
| | Order Coordination for Specified Conversion Time for UVL-SL1 (per LSR) | | | UEANL | OCOSL | | 18.13 | 18.13 | | | | | |
| 2-WIRE Unbundled COPPER LOOP | | | | | | | | | | | | | |
| | 2-Wire Unbundled Copper Loop - Non-Designed Zone 1 | I | 1 | UEQ | UEQ2X | 12.94 | 36.40 | 16.10 | 22.66 | 4.42 | 15.69 | | |
| | 2 Wire Unbundled Copper Loop - Non-Designed - Zone 2 | I | 2 | UEQ | UEQ2X | 14.51 | 36.40 | 16.10 | 22.66 | 4.42 | 15.69 | | |
| | 2 Wire Unbundled Copper Loop - Non-Designed - Zone 3 | I | 3 | UEQ | UEQ2X | 15.02 | 36.40 | 16.10 | 22.66 | 4.42 | 15.69 | | |
| | Order Coordination 2 Wire Unbundled Copper Loop - Non-Designed (per loop) | | | UEQ | USBMC | | 8.17 | 8.17 | | | 15.69 | | |
| | Engineering Information Document | | | UEQ | | | 13.47 | 13.47 | | | 15.69 | | |
| | Loop Testing - Basic 1st Half Hour | | | UEQ | URET1 | | 34.23 | 34.23 | | | 15.69 | | |
| | Loop Testing - Basic Additional Half Hour | | | UEQ | URETA | | 19.90 | 19.90 | | | 15.69 | | |
| | CLEC to CLEC Conversion Charge Without Outside Dispatch (UCL-ND) | | | UEQ | UREWO | | 14.30 | 7.45 | | | 15.69 | | |
| UNBUNDLED EXCHANGE ACCESS LOOP | | | | | | | | | | | | | |
| 2-WIRE ANALOG VOICE GRADE LOOP | | | | | | | | | | | | | |
| | 2 Wire Analog Voice Grade Loop-Service Level 1-Line Splitting-Zone 1 | | 1 | UEPSR UEPSB | UEALS | 14.94 | 37.92 | 17.62 | 23.56 | 5.32 | 15.69 | | |
| | 2 Wire Analog Voice Grade Loop-Service Level 1-Line Splitting-Zone 1 | | 1 | UEPSR UEPSB | UEABS | 14.94 | 37.92 | 17.62 | 23.56 | 5.32 | 15.69 | | |
| | 2 Wire Analog Voice Grade Loop- Service Level 1-Line Splitting-Zone 2 | | 2 | UEPSR UEPSB | UEALS | 21.39 | 37.92 | 17.62 | 23.56 | 5.32 | 15.69 | | |
| | 2 Wire Analog Voice Grade Loop- Service Level 1-Line Splitting-Zone 2 | | 2 | UEPSR UEPSB | UEABS | 21.39 | 37.92 | 17.62 | 23.56 | 5.32 | 15.69 | | |
| | 2 Wire Analog Voice Grade Loop-Service Level 1-Line Splitting-Zone 3 | | 3 | UEPSR UEPSB | UEALS | 26.72 | 37.92 | 17.62 | 23.56 | 5.32 | 15.69 | | |
| | 2 Wire Analog Voice Grade Loop-Service Level 1-Line Splitting-Zone 3 | | 3 | UEPSR UEPSB | UEABS | 26.72 | 37.92 | 17.62 | 23.56 | 5.32 | 15.69 | | |
| UNBUNDLED EXCHANGE ACCESS LOOP | | | | | | | | | | | | | |
| 2-WIRE ANALOG VOICE GRADE LOOP | | | | | | | | | | | | | |
| | 2-Wire Analog Voice Grade Loop - Service Level 2 w/Loop or Ground Start Signaling - Zone 1 | | 1 | UEA | UEAL2 | 16.68 | 105.98 | 68.43 | 53.05 | 10.61 | 15.69 | | |
| | 2-Wire Analog Voice Grade Loop - Service Level 2 w/Loop or Ground Start Signaling - Zone 2 | | 2 | UEA | UEAL2 | 23.13 | 105.98 | 68.43 | 53.05 | 10.61 | 15.69 | | |
| | 2-Wire Analog Voice Grade Loop - Service Level 2 w/Loop or Ground Start Signaling - Zone 3 | | 3 | UEA | UEAL2 | 28.46 | 105.98 | 68.43 | 53.05 | 10.61 | 15.69 | | |
| | Order Coordination for Specified Conversion Time (per LSR) | | | UEA | OCOSL | | 18.13 | | | | | | |
| | 2-Wire Analog Voice Grade Loop - Service Level 2 w/Reverse Battery Signaling - Zone 1 | | 1 | UEA | UEAR2 | 16.68 | 105.98 | 68.43 | 53.05 | 10.61 | 15.69 | | |

| UNBUNDLED NETWORK ELEMENTS - South Carolina | | | | | | | | | | | Attachment: 2 | | Exhibit: B | | | | | | | | | | |
|---|---|---------|------|-----|-------|-----------|----------------------------------|--------------------------------------|--|--|---|---|---------------|--------------|-------|-------------------------|--|-------|-------|-------|-------|-------|-------|
| CATEGORY | RATE ELEMENTS | Interim | Zone | BCS | USOC | RATES(\$) | Svc Order Submitted Elec per LSR | Svc Order Submitted Manually per LSR | Incremental Charge - Manual Svc Order vs. Electronic-1st | Incremental Charge - Manual Svc Order vs. Electronic-Add'l | Incremental Charge - Manual Svc Order vs. Electronic-Disc 1st | Incremental Charge - Manual Svc Order vs. Electronic-Disc Add'l | OSS Rates(\$) | | | | | | | | | | |
| | | | | | | | | | | | | | Rec | Nonrecurring | | Nonrecurring Disconnect | | SOMEc | SOMAN | SOMAN | SOMAN | SOMAN | SOMAN |
| | | | | | | | | | | | | | First | Add'l | First | Add'l | | | | | | | |
| | 2-Wire Analog Voice Grade Loop - Service Level 2 w/Reverse Battery Signaling - Zone 2 | | 2 | UEA | UEAR2 | 23.13 | | | | | | | 105.98 | 68.43 | 53.05 | 10.61 | | | | | | | 15.69 |
| | 2-Wire Analog Voice Grade Loop - Service Level 2 w/Reverse Battery Signaling - Zone 3 | | 3 | UEA | UEAR2 | 28.46 | | | | | | | 105.98 | 68.43 | 53.05 | 10.61 | | | | | | | 15.69 |
| | Order Coordination for Specified Conversion Time (per LSR) | | | UEA | OCOSL | | | | | | | | 18.13 | | | | | | | | | | |
| | CLEC to CLEC Conversion Charge without outside dispatch | | | UEA | UREWO | | | | | | | | 87.90 | 36.44 | | | | | | | | | 15.69 |
| | 4-WIRE ANALOG VOICE GRADE LOOP | | | | | | | | | | | | | | | | | | | | | | |
| | 4-Wire Analog Voice Grade Loop - Zone 1 | | 1 | UEA | UEAL4 | 32.59 | | | | | | | 132.38 | 94.83 | 59.35 | 14.61 | | | | | | | 15.69 |
| | 4-Wire Analog Voice Grade Loop - Zone 2 | | 2 | UEA | UEAL4 | 43.89 | | | | | | | 132.38 | 94.83 | 59.35 | 14.61 | | | | | | | 15.69 |
| | 4-Wire Analog Voice Grade Loop - Zone 3 | | 3 | UEA | UEAL4 | 43.38 | | | | | | | 132.38 | 94.83 | 59.35 | 14.61 | | | | | | | 15.69 |
| | Order Coordination for Specified Conversion Time (per LSR) | | | UEA | OCOSL | | | | | | | | 18.13 | | | | | | | | | | |
| | CLEC to CLEC Conversion Charge without outside dispatch | | | UEA | UREWO | | | | | | | | 87.90 | 36.44 | | | | | | | | | 15.69 |
| | 2-WIRE ISDN DIGITAL GRADE LOOP | | | | | | | | | | | | | | | | | | | | | | |
| | 2-Wire ISDN Digital Grade Loop - Zone 1 | | 1 | UDN | U1L2X | 25.21 | | | | | | | 117.58 | 80.03 | 53.05 | 10.61 | | | | | | | 15.69 |
| | 2-Wire ISDN Digital Grade Loop - Zone 2 | | 2 | UDN | U1L2X | 32.76 | | | | | | | 117.58 | 80.03 | 53.05 | 10.61 | | | | | | | 15.69 |
| | 2-Wire ISDN Digital Grade Loop - Zone 3 | | 3 | UDN | U1L2X | 37.70 | | | | | | | 117.58 | 80.03 | 53.05 | 10.61 | | | | | | | 15.69 |
| | Order Coordination For Specified Conversion Time (per LSR) | | | UDN | OCOSL | | | | | | | | 18.13 | | | | | | | | | | |
| | CLEC to CLEC Conversion Charge without outside dispatch | | | UDN | UREWO | | | | | | | | 91.82 | 44.25 | | | | | | | | | 15.69 |
| | 2-WIRE Universal Digital Channel (UDC) COMPATIBLE LOOP | | | | | | | | | | | | | | | | | | | | | | |
| | 2-Wire Universal Digital Channel (UDC) Compatible Loop - Zone 1 | | 1 | UDC | UDC2X | 25.21 | | | | | | | 117.58 | 80.03 | 53.05 | 10.61 | | | | | | | 15.69 |
| | 2-Wire Universal Digital Channel (UDC) Compatible Loop - Zone 2 | | 2 | UDC | UDC2X | 32.76 | | | | | | | 117.58 | 80.03 | 53.05 | 10.61 | | | | | | | 15.69 |
| | 2-Wire Universal Digital Channel (UDC) Compatible Loop - Zone 3 | | 3 | UDC | UDC2X | 37.70 | | | | | | | 117.58 | 80.03 | 53.05 | 10.61 | | | | | | | 15.69 |
| | CLEC to CLEC Conversion Charge without outside dispatch | | | UDC | UREWO | | | | | | | | 91.82 | 44.25 | | | | | | | | | 15.69 |
| | 2-WIRE ASYMMETRICAL DIGITAL SUBSCRIBER LINE (ADSL) COMPATIBLE LOOP | | | | | | | | | | | | | | | | | | | | | | |
| | 2 Wire Unbundled ADSL Loop including manual service inquiry & facility reservation - Zone 1 | | 1 | UAL | UAL2X | 12.19 | | | | | | | 120.84 | 70.56 | 50.37 | 7.93 | | | | | | | 15.69 |
| | 2 Wire Unbundled ADSL Loop including manual service inquiry & facility reservation - Zone 2 | | 2 | UAL | UAL2X | 13.71 | | | | | | | 120.84 | 70.56 | 50.37 | 7.93 | | | | | | | 15.69 |
| | 2 Wire Unbundled ADSL Loop including manual service inquiry & facility reservation - Zone 3 | | 3 | UAL | UAL2X | 14.14 | | | | | | | 120.84 | 70.56 | 50.37 | 7.93 | | | | | | | 15.69 |
| | Order Coordination for Specified Conversion Time (per LSR) | | | UAL | OCOSL | | | | | | | | 18.13 | | | | | | | | | | |
| | 2 Wire Unbundled ADSL Loop without manual service inquiry & facility reservaton - Zone 1 | | 1 | UAL | UAL2W | 12.19 | | | | | | | 95.81 | 57.82 | 50.37 | 7.93 | | | | | | | 15.69 |
| | 2 Wire Unbundled ADSL Loop without manual service inquiry & facility reservaton - Zone 2 | | 2 | UAL | UAL2W | 13.71 | | | | | | | 95.81 | 57.82 | 50.37 | 7.93 | | | | | | | 15.69 |
| | 2 Wire Unbundled ADSL Loop without manual service inquiry & facility reservaton - Zone 3 | | 3 | UAL | UAL2W | 14.14 | | | | | | | 95.81 | 57.82 | 50.37 | 7.93 | | | | | | | 15.69 |
| | Order Coordination for Specified Conversion Time (per LSR) | | | UAL | OCOSL | | | | | | | | 18.13 | | | | | | | | | | |
| | CLEC to CLEC Conversion Charge without outside dispatch | | | UAL | UREWO | | | | | | | | 86.38 | 40.48 | | | | | | | | | 15.69 |
| | 2-WIRE HIGH BIT RATE DIGITAL SUBSCRIBER LINE (HDSL) COMPATIBLE LOOP | | | | | | | | | | | | | | | | | | | | | | |
| | 2 Wire Unbundled HDSL Loop including manual service inquiry & facility reservation - Zone 1 | | 1 | UHL | UHL2X | 9.58 | | | | | | | 129.52 | 79.24 | 50.37 | 7.93 | | | | | | | 15.69 |
| | 2 Wire Unbundled HDSL Loop including manual service inquiry & facility reservation - Zone 2 | | 2 | UHL | UHL2X | 10.92 | | | | | | | 129.52 | 79.24 | 50.37 | 7.93 | | | | | | | 15.69 |
| | 2 Wire Unbundled HDSL Loop including manual service inquiry & facility reservation - Zone 3 | | 3 | UHL | UHL2X | 11.40 | | | | | | | 129.52 | 79.24 | 50.37 | 7.93 | | | | | | | 15.69 |
| | Order Coordination for Specified Conversion Time (per LSR) | | | UHL | OCOSL | | | | | | | | 18.13 | | | | | | | | | | |
| | 2 Wire Unbundled HDSL Loop without manual service inquiry and facility reservation - Zone 1 | | 1 | UHL | UHL2W | 9.58 | | | | | | | 104.49 | 66.50 | 50.37 | 7.93 | | | | | | | 15.69 |
| | 2 Wire Unbundled HDSL Loop without manual service inquiry and facility reservation - Zone 2 | | 2 | UHL | UHL2W | 10.92 | | | | | | | 104.49 | 66.50 | 50.37 | 7.93 | | | | | | | 15.69 |
| | 2 Wire Unbundled HDSL Loop without manual service inquiry and facility reservation - Zone 3 | | 3 | UHL | UHL2W | 11.40 | | | | | | | 104.49 | 66.50 | 50.37 | 7.93 | | | | | | | 15.69 |
| | Order Coordination for Specified Conversion Time (per LSR) | | | UHL | OCOSL | | | | | | | | 18.13 | | | | | | | | | | |
| | CLEC to CLEC Conversion Charge without outside dispatch | | | UHL | UREWO | | | | | | | | 86.32 | 40.48 | | | | | | | | | 15.69 |
| | 4-WIRE HIGH BIT RATE DIGITAL SUBSCRIBER LINE (HDSL) COMPATIBLE LOOP | | | | | | | | | | | | | | | | | | | | | | |

| UNBUNDLED NETWORK ELEMENTS - South Carolina | | | | | | | | | | | Attachment: 2 | | Exhibit: B | | |
|---|--|---------|------|-----|-------|-----------|--------------|--------|-------------------------|----------------------------------|--------------------------------------|--|--|---|---|
| CATEGORY | RATE ELEMENTS | Interim | Zone | BCS | USOC | RATES(\$) | | | | Svc Order Submitted Elec per LSR | Svc Order Submitted Manually per LSR | Incremental Charge - Manual Svc Order vs. Electronic-1st | Incremental Charge - Manual Svc Order vs. Electronic-Add'l | Incremental Charge - Manual Svc Order vs. Electronic-Disc 1st | Incremental Charge - Manual Svc Order vs. Electronic-Disc Add'l |
| | | | | | | Rec | Nonrecurring | | Nonrecurring Disconnect | | | | | | |
| | | | | | | | First | Add'l | First | Add'l | SOMEC | SOMAN | SOMAN | SOMAN | SOMAN |
| | 4 Wire Unbundled HDSL Loop including manual service inquiry and facility reservation - Zone 1 | | 1 | UHL | UHL4X | 16.02 | 158.18 | 107.89 | 55.12 | 10.38 | | 15.69 | | | |
| | 4-Wire Unbundled HDSL Loop including manual service inquiry and facility reservation - Zone 2 | | 2 | UHL | UHL4X | 14.33 | 158.18 | 107.89 | 55.12 | 10.38 | | 15.69 | | | |
| | 4-Wire Unbundled HDSL Loop including manual service inquiry and facility reservation - Zone 3 | | 3 | UHL | UHL4X | 16.84 | 158.18 | 107.89 | 55.12 | 10.38 | | 15.69 | | | |
| | Order Coordination for Specified Conversion Time (per LSR) | | | UHL | OCOSL | | 18.13 | | | | | | | | |
| | 4-Wire Unbundled HDSL Loop without manual service inquiry and facility reservation - Zone 1 | | 1 | UHL | UHL4W | 16.02 | 133.14 | 95.16 | 55.12 | 10.38 | | 15.69 | | | |
| | 4-Wire Unbundled HDSL Loop without manual service inquiry and facility reservation - Zone 2 | | 2 | UHL | UHL4W | 14.33 | 133.14 | 95.16 | 55.12 | 10.38 | | 15.69 | | | |
| | 4-Wire Unbundled HDSL Loop without manual service inquiry and facility reservation - Zone 3 | | 3 | UHL | UHL4W | 16.84 | 133.14 | 95.16 | 55.12 | 10.38 | | 15.69 | | | |
| | Order Coordination for Specified Conversion Time (per LSR) | | | UHL | OCOSL | | 18.13 | | | | | | | | |
| | CLEC to CLEC Conversion Charge without outside dispatch | | | UHL | UREWO | | 86.32 | 40.48 | | | | 15.69 | | | |
| | 4-WIRE DS1 DIGITAL LOOP | | | | | | | | | | | | | | |
| | 4-Wire DS1 Digital Loop - Zone 1 | | 1 | USL | USLXX | 79.51 | 253.03 | 157.89 | 44.80 | 11.73 | | 15.69 | | | |
| | 4-Wire DS1 Digital Loop - Zone 2 | | 2 | USL | USLXX | 136.00 | 253.03 | 157.89 | 44.80 | 11.73 | | 15.69 | | | |
| | 4-Wire DS1 Digital Loop - Zone 3 | | 3 | USL | USLXX | 229.15 | 253.03 | 157.89 | 44.80 | 11.73 | | 15.69 | | | |
| | Order Coordination for Specified Conversion Time (per LSR) | | | USL | OCOSL | | 18.13 | | | | | | | | |
| | CLEC to CLEC Conversion Charge without outside dispatch | | | USL | UREWO | | 101.30 | 43.13 | | | | 15.69 | | | |
| | 4-WIRE 19.2, 56 OR 64 KBPS DIGITAL GRADE LOOP | | | | | | | | | | | | | | |
| | 4 Wire Unbundled Digital 19.2 Kbps | | 1 | UDL | UDL19 | 29.93 | 126.66 | 89.12 | 59.35 | 14.61 | | 15.69 | | | |
| | 4 Wire Unbundled Digital 19.2 Kbps | | 2 | UDL | UDL19 | 33.99 | 126.66 | 89.12 | 59.35 | 14.61 | | 15.69 | | | |
| | 4 Wire Unbundled Digital 19.2 Kbps | | 3 | UDL | UDL19 | 34.74 | 126.66 | 89.12 | 59.35 | 14.61 | | 15.69 | | | |
| | 4 Wire Unbundled Digital Loop 56 Kbps - Zone 1 | | 1 | UDL | UDL56 | 29.93 | 126.66 | 89.12 | 59.35 | 14.61 | | 15.69 | | | |
| | 4 Wire Unbundled Digital Loop 56 Kbps - Zone 2 | | 2 | UDL | UDL56 | 33.99 | 126.66 | 89.12 | 59.35 | 14.61 | | 15.69 | | | |
| | 4 Wire Unbundled Digital Loop 56 Kbps - Zone 3 | | 3 | UDL | UDL56 | 34.74 | 126.66 | 89.12 | 59.35 | 14.61 | | 15.69 | | | |
| | Order Coordination for Specified Conversion Time (per LSR) | | | UDL | OCOSL | | 18.13 | | | | | | | | |
| | 4 Wire Unbundled Digital Loop 64 Kbps - Zone 1 | | 1 | UDL | UDL64 | 29.93 | 126.66 | 89.12 | 59.35 | 14.61 | | 15.69 | | | |
| | 4 Wire Unbundled Digital Loop 64 Kbps - Zone 2 | | 2 | UDL | UDL64 | 33.99 | 126.66 | 89.12 | 59.35 | 14.61 | | 15.69 | | | |
| | 4 Wire Unbundled Digital Loop 64 Kbps - Zone 3 | | 3 | UDL | UDL64 | 34.74 | 126.66 | 89.12 | 59.35 | 14.61 | | 15.69 | | | |
| | Order Coordination for Specified Conversion Time (per LSR) | | | UDL | OCOSL | | 18.13 | | | | | | | | |
| | CLEC to CLEC Conversion Charge without outside dispatch | | | UDL | UREWO | | 102.34 | 49.85 | | | | 15.69 | | | |
| | 2-WIRE Unbundled COPPER LOOP | | | | | | | | | | | | | | |
| | 2-Wire Unbundled Copper Loop/Short including manual service inquiry & facility reservation - Zone 1 | | 1 | UCL | UCLPB | 12.19 | 119.91 | 69.62 | 50.37 | 7.93 | | 15.69 | | | |
| | 2-Wire Unbundled Copper Loop/Short including manual service inquiry & facility reservation - Zone 2 | | 2 | UCL | UCLPB | 13.71 | 119.91 | 69.62 | 50.37 | 7.93 | | 15.69 | | | |
| | 2 Wire Unbundled Copper Loop/Short including manual service inquiry & facility reservation - Zone 3 | | 3 | UCL | UCLPB | 14.14 | 119.91 | 69.62 | 50.37 | 7.93 | | 15.69 | | | |
| | Order Coordination for Unbundled Copper Loops (per loop) | | | UCL | UCLMC | | 8.17 | 8.17 | | | | | | | |
| | 2-Wire Unbundled Copper Loop/Short without manual service inquiry and facility reservation - Zone 1 | | 1 | UCL | UCLPW | 12.19 | 94.87 | 56.89 | 50.37 | 7.93 | | 15.69 | | | |
| | 2-Wire Unbundled Copper Loop/Short without manual service inquiry and facility reservation - Zone 2 | | 2 | UCL | UCLPW | 13.71 | 94.87 | 56.89 | 50.37 | 7.93 | | 15.69 | | | |
| | 2-Wire Unbundled Copper Loop/Short without manual service inquiry and facility reservation - Zone 3 | | 3 | UCL | UCLPW | 14.14 | 94.87 | 56.89 | 50.37 | 7.93 | | 15.69 | | | |
| | Order Coordination for Unbundled Copper Loops (per loop) | | | UCL | UCLMC | | 8.17 | 8.17 | | | | | | | |
| | 2-Wire Unbundled Copper Loop/Long - includes manual svc. inquiry and facility reservation - Zone 1 | | 1 | UCL | UCL2L | 38.22 | 119.91 | 69.62 | 50.37 | 7.93 | | 15.69 | | | |
| | 2-Wire Unbundled Copper Loop/Long - includes manual svc. inquiry and facility reservation - Zone 2 | | 2 | UCL | UCL2L | 55.33 | 119.91 | 69.62 | 50.37 | 7.93 | | 15.69 | | | |
| | 2-Wire Unbundled Copper Loop/Long - includes manual svc. inquiry and facility reservation - Zone 3 | | 3 | UCL | UCL2L | 67.95 | 119.91 | 69.62 | 50.37 | 7.93 | | 15.69 | | | |
| | Order Coordination for Unbundled Copper Loops (per loop) | | | UCL | UCLMC | | 8.17 | 8.17 | | | | | | | |
| | 2-Wire Unbundled Copper Loop/Long - without manual service inquiry and facility reservation - Zone 1 | | 1 | UCL | UCL2W | 38.22 | 94.87 | 56.89 | 50.37 | 7.93 | | 15.69 | | | |

| UNBUNDLED NETWORK ELEMENTS - South Carolina | | | | | | | | | | Attachment: 2 | | Exhibit: B | | | | | | | | | | |
|---|--|---------|------|-----|---|-----------|----------------------------------|--------------------------------------|--|--|---|---|---------------|--------------|-------|-------------------------|--|-------|-------|-------|-------|-------|
| CATEGORY | RATE ELEMENTS | Interim | Zone | BCS | USOC | RATES(\$) | Svc Order Submitted Elec per LSR | Svc Order Submitted Manually per LSR | Incremental Charge - Manual Svc Order vs. Electronic-1st | Incremental Charge - Manual Svc Order vs. Electronic-Add'l | Incremental Charge - Manual Svc Order vs. Electronic-Disc 1st | Incremental Charge - Manual Svc Order vs. Electronic-Disc Add'l | OSS Rates(\$) | | | | | | | | | |
| | | | | | | | | | | | | | Rec | Nonrecurring | | Nonrecurring Disconnect | | SOMEc | SOMAN | SOMAN | SOMAN | SOMAN |
| | | | | | | | | | | | | | First | Add'l | First | Add'l | | | | | | |
| | 2-Wire Unbundled Copper Loop/Long - without manual service inquiry and facility reservation - Zone 2 | | 2 | UCL | UCL2W | 55.33 | | | | | | | 94.87 | 56.89 | 50.37 | 7.93 | | 15.69 | | | | |
| | 2-Wire Unbundled Copper Loop/Long - without manual service inquiry and facility reservation - Zone 3 | | 3 | UCL | UCL2W | 67.95 | | | | | | | 94.87 | 56.89 | 50.37 | 7.93 | | 15.69 | | | | |
| | Order Coordination for Unbundled Copper Loops (per loop) | | | UCL | UCLMC | | | | | | | | 8.17 | 8.17 | | | | | | | | |
| | CLEC to CLEC Conversion Charge without outside dispatch (UCL-Des) | | | UCL | UREWO | | | | | | | | 94.87 | 42.57 | | | | 15.69 | | | | |
| 4-WIRE COPPER LOOP | | | | | | | | | | | | | | | | | | | | | | |
| | 4-Wire Copper Loop/Short - including manual service inquiry and facility reservation - Zone 1 | | 1 | UCL | UCL4S | 19.64 | | | | | | | 144.17 | 93.88 | 55.12 | 10.38 | | 15.69 | | | | |
| | 4-Wire Copper Loop/Short - including manual service inquiry and facility reservation - Zone 2 | | 2 | UCL | UCL4S | 20.90 | | | | | | | 144.17 | 93.88 | 55.12 | 10.38 | | 15.69 | | | | |
| | 4-Wire Copper Loop/Short - including manual service inquiry and facility reservation - Zone 3 | | 3 | UCL | UCL4S | 19.34 | | | | | | | 144.17 | 93.88 | 55.12 | 10.38 | | 15.69 | | | | |
| | Order Coordination for Unbundled Copper Loops (per loop) | | | UCL | UCLMC | | | | | | | | 8.17 | 8.17 | | | | | | | | |
| | 4-Wire Copper Loop/Short - without manual service inquiry and facility reservation - Zone 1 | | 1 | UCL | UCL4W | 19.64 | | | | | | | 119.13 | 81.15 | 55.12 | 10.38 | | 15.69 | | | | |
| | 4-Wire Copper Loop/Short - without manual service inquiry and facility reservation - Zone 2 | | 2 | UCL | UCL4W | 20.90 | | | | | | | 119.13 | 81.15 | 55.12 | 10.38 | | 15.69 | | | | |
| | 4-Wire Copper Loop/Short - without manual service inquiry and facility reservation - Zone 3 | | 3 | UCL | UCL4W | 19.34 | | | | | | | 119.13 | 81.15 | 55.12 | 10.38 | | 15.69 | | | | |
| | Order Coordination for Unbundled Copper Loops (per loop) | | | UCL | UCLMC | | | | | | | | 8.17 | 8.17 | | | | | | | | |
| | 4-Wire Unbundled Copper Loop/Long - includes manual svc. inquiry and facility reservation - Zone 1 | | 1 | UCL | UCL4L | 77.29 | | | | | | | 144.17 | 93.88 | 55.12 | 10.38 | | 15.69 | | | | |
| | 4-Wire Unbundled Copper Loop/Long - includes manual svc. inquiry and facility reservation - Zone 2 | | 2 | UCL | UCL4L | 118.78 | | | | | | | 144.17 | 93.88 | 55.12 | 10.38 | | 15.69 | | | | |
| | 4-Wire Unbundled Copper Loop/Long - includes manual svc. inquiry and facility reservation - Zone 3 | | 3 | UCL | UCL4L | 144.10 | | | | | | | 144.17 | 93.88 | 55.12 | 10.38 | | 15.69 | | | | |
| | Order Coordination for Unbundled Copper Loops (per loop) | | | UCL | UCLMC | | | | | | | | 8.17 | 8.17 | | | | | | | | |
| | 4-Wire Unbundled Copper Loop/Long - without manual svc. inquiry and facility reservation - Zone 1 | | 1 | UCL | UCL4O | 77.29 | | | | | | | 119.44 | 81.45 | 55.12 | 10.38 | | 15.69 | | | | |
| | 4-Wire Unbundled Copper Loop/Long - without manual svc. inquiry and facility reservation - Zone 2 | | 2 | UCL | UCL4O | 118.78 | | | | | | | 119.44 | 81.45 | 55.12 | 10.38 | | 15.69 | | | | |
| | 4-Wire Unbundled Copper Loop/Long - without manual svc. inquiry and facility reservation - Zone 3 | | 3 | UCL | UCL4O | 144.10 | | | | | | | 119.44 | 81.45 | 55.12 | 10.38 | | 15.69 | | | | |
| | Order Coordination for Unbundled Copper Loops (per loop) | | | UCL | UCLMC | | | | | | | | 8.17 | 8.17 | | | | | | | | |
| | CLEC to CLEC Conversion Charge without outside dispatch (UCL-Des) | | | UCL | UREWO | | | | | | | | 94.87 | 42.57 | | | | 15.69 | | | | |
| LOOP MODIFICATION | | | | | | | | | | | | | | | | | | | | | | |
| | Unbundled Loop Modification, Removal of Load Coils - 2 Wire pair less than or equal to 18k ft | | | | UAL, UHL, UCL, UEQ, ULS, UEA, UEANL, UDL, UDC, UDN, UDL, USL | | | | | | | | 32.46 | 32.46 | | | | 15.69 | | | | |
| | Unbundled Loop Modification, Removal of Load Coils - 2 wire greater than 18k ft | | | | UCL, ULS | | | | | | | | 170.89 | 170.89 | | | | 15.69 | | | | |
| | Unbundled Loop Modification Removal of Load Coils - 4 Wire less than or equal to 18K ft | | | | UHL, UCL | | | | | | | | 32.46 | 32.46 | | | | 15.69 | | | | |
| | Unbundled Loop Modification Removal of Load Coils - 4 Wire pair greater than 18k ft | | | | UCL | | | | | | | | 170.89 | 170.89 | | | | 15.69 | | | | |
| | Unbundled Loop Modification Removal of Bridged Tap Removal, per unbundled loop | | | | UAL, UHL, UCL, UEQ, UEF, ULS, UEA, UEANL, UDL, UDC, UDN, UDL, USL | | | | | | | | 32.48 | 32.48 | | | | 15.69 | | | | |
| SUB-LOOPS | | | | | | | | | | | | | | | | | | | | | | |
| Sub-Loop Distribution | | | | | | | | | | | | | | | | | | | | | | |
| | Sub-Loop - Per Cross Box Location - CLEC Feeder Facility Set-Up | I | | | UEANL | USBSA | | | | | | | 241.42 | 241.42 | | | | 15.69 | | | | |

| UNBUNDLED NETWORK ELEMENTS - South Carolina | | | | | | | | | | | Attachment: 2 | | Exhibit: B | | | | | | | |
|---|--|---------|------|----------------------|-------|-----------|----------------------------------|--------------------------------------|--|--|---|---|---------------|--------------|-------|-------------------------|--|-------|-------|-------|
| CATEGORY | RATE ELEMENTS | Interim | Zone | BCS | USOC | RATES(\$) | Svc Order Submitted Elec per LSR | Svc Order Submitted Manually per LSR | Incremental Charge - Manual Svc Order vs. Electronic-1st | Incremental Charge - Manual Svc Order vs. Electronic-Add'l | Incremental Charge - Manual Svc Order vs. Electronic-Disc 1st | Incremental Charge - Manual Svc Order vs. Electronic-Disc Add'l | OSS Rates(\$) | | | | | | | |
| | | | | | | | | | | | | | Rec | Nonrecurring | | Nonrecurring Disconnect | | SOMEc | SOMAN | SOMAN |
| | | | | | | | | | | | | | First | Add'l | First | Add'l | | | | |
| | Sub-Loop - Per Cross Box Location - Per 25 Pair Panel Set-Up | I | | UEANL | USBSB | 22.69 | | 22.69 | | | | | | | | | | | | |
| | Sub-Loop - Per Building Equipment Room - CLEC Feeder Facility Set-Up | I | | UEANL | USBSC | 177.84 | | 177.84 | | | | | | | | | | | | |
| | Sub-Loop - Per Building Equipment Room - Per 25 Pair Panel Set-Up | I | | UEANL | USBSD | 55.58 | | 55.58 | | | | | | | | | | | | |
| | Sub-Loop Distribution Per 2-Wire Analog Voice Grade Loop - Zone 1 | I | 1 | UEANL | USBN2 | 8.87 | 65.94 | 31.03 | 45.35 | 6.71 | | | | | | | | | | |
| | Sub-Loop Distribution Per 2-Wire Analog Voice Grade Loop - Zone 2 | I | 2 | UEANL | USBN2 | 12.58 | 65.94 | 31.03 | 45.35 | 6.71 | | | | | | | | | | |
| | Sub-Loop Distribution Per 2-Wire Analog Voice Grade Loop - Zone 3 | I | 3 | UEANL | USBN2 | 14.79 | 65.94 | 31.03 | 45.35 | 6.71 | | | | | | | | | | |
| | Order Coordination for Unbundled Sub-Loops, per sub-loop pair | | | UEANL | USBMC | 8.17 | | 8.17 | | | | | | | | | | | | |
| | Sub-Loop Distribution Per 4-Wire Analog Voice Grade Loop - Zone 1 | | 1 | UEANL | USBN4 | 14.11 | 79.21 | 44.29 | 49.82 | 9.09 | | | | | | | | | | |
| | Sub-Loop Distribution Per 4-Wire Analog Voice Grade Loop - Zone 2 | | 2 | UEANL | USBN4 | 19.40 | 79.21 | 44.29 | 49.82 | 9.09 | | | | | | | | | | |
| | Sub-Loop Distribution Per 4-Wire Analog Voice Grade Loop - Zone 3 | | 3 | UEANL | USBN4 | 18.90 | 79.21 | 44.29 | 49.82 | 9.09 | | | | | | | | | | |
| | Order Coordination for Unbundled Sub-Loops, per sub-loop pair | | | UEANL | USBMC | 8.17 | | 8.17 | | | | | | | | | | | | |
| | Sub-Loop 2-Wire Intrabuilding Network Cable (INC) | I | | UEANL | USBR2 | 2.41 | 53.13 | 18.21 | 45.35 | 6.71 | | | | | | | | | | |
| | Order Coordination for Unbundled Sub-Loops, per sub-loop pair | | | UEANL | USBMC | 8.17 | | 8.17 | | | | | | | | | | | | |
| | Sub-Loop 4-Wire Intrabuilding Network Cable (INC) | I | | UEANL | USBR4 | 5.36 | 59.38 | 24.47 | 49.82 | 9.09 | | | | | | | | | | |
| | Order Coordination for Unbundled Sub-Loops, per sub-loop pair | | | UEANL | USBMC | 8.17 | | 8.17 | | | | | | | | | | | | |
| | 2 Wire Copper Unbundled Sub-Loop Distribution - Zone 1 | I | 1 | UEF | UCS2X | 7.11 | 65.94 | 31.03 | 45.35 | 6.71 | | | | | | | | | | |
| | 2 Wire Copper Unbundled Sub-Loop Distribution - Zone 2 | I | 2 | UEF | UCS2X | 9.83 | 65.94 | 31.03 | 45.35 | 6.71 | | | | | | | | | | |
| | 2 Wire Copper Unbundled Sub-Loop Distribution - Zone 3 | I | 3 | UEF | UCS2X | 10.48 | 65.94 | 31.03 | 45.35 | 6.71 | | | | | | | | | | |
| | Order Coordination for Unbundled Sub-Loops, per sub-loop pair | | | UEF | USBMC | 8.17 | | 8.17 | | | | | | | | | | | | |
| | 4 Wire Copper Unbundled Sub-Loop Distribution - Zone 1 | I | 1 | UEF | UCS4X | 7.85 | 79.21 | 44.29 | 49.82 | 9.09 | | | | | | | | | | |
| | 4 Wire Copper Unbundled Sub-Loop Distribution - Zone 2 | I | 2 | UEF | UCS4X | 14.17 | 79.21 | 44.29 | 49.82 | 9.09 | | | | | | | | | | |
| | 4 Wire Copper Unbundled Sub-Loop Distribution - Zone 3 | I | 3 | UEF | UCS4X | 12.64 | 79.21 | 44.29 | 49.82 | 9.09 | | | | | | | | | | |
| | Order Coordination for Unbundled Sub-Loops, per sub-loop pair | | | UEF | USBMC | 8.17 | | 8.17 | | | | | | | | | | | | |
| | Unbundled Sub-Loop Modification | | | | | | | | | | | | | | | | | | | |
| | Unbundled Sub-Loop Modification - 2-W Copper Dist Load Coil/Equip Removal per 2-W PR | | | UEF | ULM2X | 176.17 | | 5.11 | | | | | | | | | | | | |
| | Unbundled Sub-loop Modification - 4-W Copper Dist Load Coil/Equip Removal per 4-W PR | | | UEF | ULM4X | 176.17 | | 5.11 | | | | | | | | | | | | |
| | Unbundled Sub-loop Modification - 2-w/4-w Copper Dist Bridged Tap Removal, per PR unloaded | | | UEF | ULM4T | 278.82 | | 6.13 | | | | | | | | | | | | |
| | Unbundled Network Terminating Wire (UNTW) | | | | | | | | | | | | | | | | | | | |
| | Unbundled Network Terminating Wire (UNTW) per Pair | | | UENTW | UENPP | 0.3303 | 30.20 | 30.20 | | | | | | | | | | | | |
| | Network Interface Device (NID) | | | | | | | | | | | | | | | | | | | |
| | Network Interface Device (NID) - 1-2 lines | | | UENTW | UND12 | 43.68 | | 28.79 | | | | | | | | | | | | |
| | Network Interface Device (NID) - 1-6 lines | | | UENTW | UND16 | 64.42 | | 49.53 | | | | | | | | | | | | |
| | Network Interface Device Cross Connect - 2 W | | | UENTW | UNDC2 | 5.92 | | 5.92 | | | | | | | | | | | | |
| | Network Interface Device Cross Connect - 4W | | | UENTW | UNDC4 | 5.92 | | 5.92 | | | | | | | | | | | | |
| | SUB-LOOPS | | | | | | | | | | | | | | | | | | | |
| | Sub-Loop Feeder | | | | | | | | | | | | | | | | | | | |
| | USL-Feeder, DS0 Set-up per Cross Box location - CLEC Distribution Facility set-up | | | UEA, UDN,UCL,UDL,UDC | USBFW | 241.42 | | | | | | | | | | | | | | |
| | USL Feeder - DS0 Set-up per Cross Box location - per 25 pair set-up | | | UEA, UDN,UCL,UDL,UDC | USBFX | 22.69 | | 22.69 | | | | | | | | | | | | |
| | USL Feeder DS1 Set-up at DSX location, per DS1 termination | | | USL | USBFZ | 523.87 | | 11.34 | | | | | | | | | | | | |

| UNBUNDLED NETWORK ELEMENTS - South Carolina | | | | | | | | | | Attachment: 2 | | Exhibit: B | | | | | | | | | | | |
|---|---|---------|------|-----|-------|-----------|----------------------------------|--------------------------------------|--|--|---|---|---------------|--------------|-------|-------------------------|--|-------|-------|-------|-------|-------|-------|
| CATEGORY | RATE ELEMENTS | Interim | Zone | BCS | USOC | RATES(\$) | Svc Order Submitted Elec per LSR | Svc Order Submitted Manually per LSR | Incremental Charge - Manual Svc Order vs. Electronic-1st | Incremental Charge - Manual Svc Order vs. Electronic-Add'l | Incremental Charge - Manual Svc Order vs. Electronic-Disc 1st | Incremental Charge - Manual Svc Order vs. Electronic-Disc Add'l | OSS Rates(\$) | | | | | | | | | | |
| | | | | | | | | | | | | | Rec | Nonrecurring | | Nonrecurring Disconnect | | SOMEc | SOMAN | SOMAN | SOMAN | SOMAN | SOMAN |
| | | | | | | | | | | | | | First | Add'l | First | Add'l | | | | | | | |
| | Unbundled Sub-Loop Feeder Loop, 2 Wire Ground Start, Voice Grade - Zone 1 | | 1 | UEA | USBFA | 8.93 | | | | | | | 93.28 | 56.69 | 54.68 | 13.74 | | 15.69 | | | | | |
| | Unbundled Sub-Loop Feeder Loop, 2 Wire Ground-Start, Voice Grade - Zone 2 | | 2 | UEA | USBFA | 11.74 | | | | | | | 93.28 | 56.69 | 54.68 | 13.74 | | 15.69 | | | | | |
| | Unbundled Sub-Loop Feeder Loop, Per 2 Wire Ground-Start, Voice Grade - Zone 3 | | 3 | UEA | USBFA | 14.74 | | | | | | | 93.28 | 56.69 | 54.68 | 13.74 | | 15.69 | | | | | |
| | Order Coordination for Specified Conversion Time, per LSR | | | UEA | OCOSL | | | | | | | | 18.13 | | | | | | | | | | |
| | Unbundled Sub-Loop Feeder Loop, 2 Wire Loop-Start, Voice Grade - Zone 1 | | 1 | UEA | USBFB | 8.93 | | | | | | | 93.28 | 56.69 | 54.68 | 13.74 | | 15.69 | | | | | |
| | Unbundled Sub-Loop Feeder Loop, 2 Wire Loop-Start, Voice Grade - Zone 2 | | 2 | UEA | USBFB | 11.74 | | | | | | | 93.28 | 56.69 | 54.68 | 13.74 | | 15.69 | | | | | |
| | Unbundled Sub-Loop Feeder Loop, 2 Wire Start Loop, Voice Grade - Zone 3 | | 3 | UEA | USBFB | 14.74 | | | | | | | 93.28 | 56.69 | 54.68 | 13.74 | | 15.69 | | | | | |
| | Order Coordination for Specified Time Conversion, per LSR | | | UEA | OCOSL | | | | | | | | 18.13 | | | | | | | | | | |
| | Unbundled Sub-Loop Feeder Loop, 2 Wire Reverse Battery, Voice Grade - Zone 1 | | 1 | UEA | USBFC | 8.93 | | | | | | | 93.28 | 56.69 | 54.68 | 13.74 | | 15.69 | | | | | |
| | Unbundled Sub-Loop Feeder Loop, 2 Wire Reverse Battery, Voice Grade - Zone 2 | | 2 | UEA | USBFC | 11.74 | | | | | | | 93.28 | 56.69 | 54.68 | 13.74 | | 15.69 | | | | | |
| | Unbundled Sub-Loop Feeder Loop, 2 Wire Analog Reverse Battery, Voice Grade - Zone 3 | | 3 | UEA | USBFC | 14.74 | | | | | | | 93.28 | 56.69 | 54.68 | 13.74 | | 15.69 | | | | | |
| | Order Coordination For Specified Conversion Time, per LSR | | | UEA | OCOSL | | | | | | | | 18.13 | | | | | | | | | | |
| | Unbundled Sub-Loop Feeder Loop, 4 Wire Ground-Start, Voice Grade - Zone 1 | | 1 | UEA | USBFD | 21.63 | | | | | | | 107.91 | 70.36 | 62.26 | 17.52 | | 15.69 | | | | | |
| | Unbundled Sub-Loop Feeder Loop, 4 Wire Ground-Start, Voice Grade - Zone 2 | | 2 | UEA | USBFD | 27.57 | | | | | | | 107.91 | 70.36 | 62.26 | 17.52 | | 15.69 | | | | | |
| | Unbundled Sub-Loop Feeder Loop, 4 Wire Ground Start, Voice Grade - Zone 3 | | 3 | UEA | USBFD | 26.04 | | | | | | | 107.91 | 70.36 | 62.26 | 17.52 | | 15.69 | | | | | |
| | Order Coordination For Specified Conversion Time, Per LSR | | | UEA | OCOSL | | | | | | | | 18.13 | | | | | | | | | | |
| | Unbundled Sub-Loop Feeder Loop, 4 Wire Loop-Start, Voice Grade - Zone 1 | | 1 | UEA | USBFE | 21.63 | | | | | | | 107.91 | 70.36 | 62.26 | 17.52 | | 15.69 | | | | | |
| | Unbundled Sub-Loop Feeder Loop, 4 Wire Loop-Start, Voice Grade - Zone 2 | | 2 | UEA | USBFE | 27.57 | | | | | | | 107.91 | 70.36 | 62.26 | 17.52 | | 15.69 | | | | | |
| | Unbundled Sub-Loop Feeder Loop, 4 Wire Loop-Start, Voice Grade - Zone 3 | | 3 | UEA | USBFE | 26.04 | | | | | | | 107.91 | 70.36 | 62.26 | 17.52 | | 15.69 | | | | | |
| | Order Coordination For Specified Conversion Time, Per LSR | | | UEA | OCOSL | | | | | | | | 18.13 | | | | | | | | | | |
| | Unbundled Sub-Loop Feeder Loop, 2 Wire ISDN BRI - Zone 1 | | 1 | UDN | USBFF | 17.05 | | | | | | | 106.47 | 68.92 | 55.81 | 13.37 | | 15.69 | | | | | |
| | Unbundled Sub-Loop Feeder Loop, 2-Wire ISDN BRI - Zone 2 | | 2 | UDN | USBFF | 20.92 | | | | | | | 106.47 | 68.92 | 55.81 | 13.37 | | 15.69 | | | | | |
| | Unbundled Sub-Loop Feeder Loop, 2-Wire ISDN BRI - Zone 3 | | 3 | UDN | USBFF | 23.49 | | | | | | | 106.47 | 68.92 | 55.81 | 13.37 | | 15.69 | | | | | |
| | Order Coordination For Specified Conversion Time, Per LSR | | | UDN | OCOSL | | | | | | | | 18.13 | | | | | | | | | | |
| | Unbundled Sub-Loop Feeder, 2 Wire UDC (IDSL compatible) | | 1 | UDC | USBFS | 17.05 | | | | | | | 106.47 | 68.92 | 55.81 | 13.37 | | 15.69 | | | | | |
| | Unbundled Sub-Loop Feeder, 2 Wire UDC (IDSL compatible) | | 2 | UDC | USBFS | 20.92 | | | | | | | 106.47 | 68.92 | 55.81 | 13.37 | | 15.69 | | | | | |
| | Unbundled Sub-Loop Feeder, 2 Wire UDC (IDSL compatible) | | 3 | UDC | USBFS | 23.49 | | | | | | | 106.47 | 68.92 | 55.81 | 13.37 | | 15.69 | | | | | |
| | Unbundled Sub-Loop Feeder Loop, 4-Wire DS1 - Zone 1 | | 1 | USL | USBFG | 55.85 | | | | | | | 102.19 | 64.64 | 62.26 | 17.52 | | 15.69 | | | | | |
| | Unbundled Sub-Loop Feeder Loop, 4-Wire DS1 - Zone 2 | | 2 | USL | USBFG | 109.16 | | | | | | | 102.19 | 64.64 | 62.26 | 17.52 | | 15.69 | | | | | |
| | Unbundled Sub-Loop Feeder Loop, 4-Wire DS1 - Zone 3 | | 3 | USL | USBFG | 203.35 | | | | | | | 102.19 | 64.64 | 62.26 | 17.52 | | 15.69 | | | | | |
| | Order Coordination For Specified Conversion Time, Per LSR | | | USL | OCOSL | | | | | | | | 18.13 | | | | | | | | | | |
| | Unbundled Sub-Loop Feeder, 2-Wire Copper Loop - Zone 1 | | 1 | UCL | USBFH | 5.98 | | | | | | | 83.97 | 46.42 | 53.14 | 10.69 | | 15.69 | | | | | |
| | Unbundled Sub-Loop Feeder Loop, 2-Wire Copper Loop - Zone 2 | | 2 | UCL | USBFH | 4.80 | | | | | | | 83.97 | 46.42 | 53.14 | 10.69 | | 15.69 | | | | | |
| | Unbundled Sub-Loop Feeder Loop, 2-Wire Copper Loop - Zone 3 | | 3 | UCL | USBFH | 4.59 | | | | | | | 83.97 | 46.42 | 53.14 | 10.69 | | 15.69 | | | | | |
| | Order Coordination For Specified Conversion Time, per LSR | | | UCL | OCOSL | | | | | | | | 18.13 | | | | | | | | | | |
| | Sub-Loop Feeder - Per 4-Wire Copper Loop - Zone 1 | | 1 | UCL | USBFJ | 13.21 | | | | | | | 101.22 | 63.67 | 58.03 | 13.29 | | 15.69 | | | | | |
| | Sub-Loop Feeder - Per 4-Wire Copper Loop - Zone 2 | | 2 | UCL | USBFJ | 8.28 | | | | | | | 101.22 | 63.67 | 58.03 | 13.29 | | 15.69 | | | | | |
| | Sub-Loop Feeder - Per 4-Wire Copper Loop - Zone 3 | | 3 | UCL | USBFJ | 8.42 | | | | | | | 101.22 | 63.67 | 58.03 | 13.29 | | 15.69 | | | | | |
| | Order Coordination For Specified Conversion Time, per LSR | | | UCL | OCOSL | | | | | | | | 18.13 | | | | | | | | | | |
| | Sub-Loop Feeder - Per 4-Wire 19.2 Kbps Digital Grade Loop | | 1 | UDL | USBFN | 21.02 | | | | | | | 102.19 | 64.64 | 62.26 | 17.52 | | 15.69 | | | | | |
| | Sub-Loop Feeder - Per 4-Wire 19.2 Kbps Digital Grade Loop | | 2 | UDL | USBFN | 21.30 | | | | | | | 102.19 | 64.64 | 62.26 | 17.52 | | 15.69 | | | | | |
| | Sub-Loop Feeder - Per 4-Wire 19.2 Kbps Digital Grade Loop | | 3 | UDL | USBFN | 20.17 | | | | | | | 102.19 | 64.64 | 62.26 | 17.52 | | 15.69 | | | | | |

| UNBUNDLED NETWORK ELEMENTS - South Carolina | | | | | | | | | | Attachment: 2 | | Exhibit: B | | | |
|---|---|---------|------|-------|-------|-----------|--------------|--------|-------------------------|----------------------------------|--------------------------------------|--|--|---|---|
| CATEGORY | RATE ELEMENTS | Interim | Zone | BCS | USOC | RATES(\$) | | | | Svc Order Submitted Elec per LSR | Svc Order Submitted Manually per LSR | Incremental Charge - Manual Svc Order vs. Electronic-1st | Incremental Charge - Manual Svc Order vs. Electronic-Add'l | Incremental Charge - Manual Svc Order vs. Electronic-Disc 1st | Incremental Charge - Manual Svc Order vs. Electronic-Disc Add'l |
| | | | | | | Rec | Nonrecurring | | Nonrecurring Disconnect | | | | | | |
| | | | | | | First | Add'l | First | Add'l | SOMEc | SOMAN | SOMAN | SOMAN | SOMAN | SOMAN |
| | Sub-Loop Feeder - Per 4-Wire 56 Kbps Digital Grade Loop - Zone 1 | | 1 | UDL | USBFO | 21.02 | 102.19 | 64.64 | 62.26 | 17.52 | | 15.69 | | | |
| | Sub-Loop Feeder - Per 4-Wire 56 Kbps Digital Grade Loop - Zone 2 | | 2 | UDL | USBFO | 21.30 | 102.19 | 64.64 | 62.26 | 17.52 | | 15.69 | | | |
| | Sub-Loop Feeder - Per 4-Wire 56 Kbps Digital Grade Loop - Zone 3 | | 3 | UDL | USBFO | 20.17 | 102.19 | 64.64 | 62.26 | 17.52 | | 15.69 | | | |
| | Order Coordination For Specified Time Conversion, per LSR | | | UDL | OCOSL | | 18.13 | | | | | | | | |
| | Sub-Loop Feeder - Per 4-Wire 64 Kbps Digital Grade Loop - Zone 1 | | 1 | UDL | USBFP | 21.02 | 102.19 | 64.64 | 62.26 | 17.52 | | 15.69 | | | |
| | Sub-Loop Feeder - Per 4-Wire 64 Kbps Digital Grade Loop - Zone 2 | | 2 | UDL | USBFP | 21.30 | 102.19 | 64.64 | 62.26 | 17.52 | | 15.69 | | | |
| | Sub-Loop Feeder - Per 4-Wire 64 Kbps Digital Grade Loop - Zone 3 | | 3 | UDL | USBFP | 20.17 | 102.19 | 64.64 | 62.26 | 17.52 | | 15.69 | | | |
| | Order Coordination For Specified Conversion Time, per LSR | | | UDL | OCOSL | | 18.13 | | | | | | | | |
| SUB-LOOPS | | | | | | | | | | | | | | | |
| Sub-Loop Feeder | | | | | | | | | | | | | | | |
| | Sub Loop Feeder - DS3 - Per Mile Per Month | | I | UE3 | 1L5SL | 20.44 | | | | | | | | | |
| | Sub Loop Feeder - DS3 - Facility Termination Per Month | | I | UE3 | USBF1 | 348.12 | 3,392.00 | 407.90 | 160.83 | 91.17 | | 15.69 | | | |
| | Sub Loop Feeder - STS-1 - Per Mile Per Month | | I | UDLSX | 1L5SL | 20.44 | | | | | | | | | |
| | Sub Loop Feeder - STS-1 - Facility Termination Per Month | | I | UDLSX | USBF7 | 369.07 | 3,392.00 | 407.90 | 160.83 | 91.17 | | 15.69 | | | |
| | Sub Loop Feeder - OC-3 - Per Mile Per Month | | I | UDLO3 | 1L5SL | 15.51 | | | | | | | | | |
| | Sub Loop Feeder - OC-3 - Facility Termination Protection Per Month | | I | UDLO3 | USBF5 | 56.04 | | | | | | | | | |
| | Sub Loop Feeder - OC-3 - Facility Termination Per Month | | I | UDLO3 | USBF2 | 565.50 | 3,392.00 | 407.90 | 160.83 | 91.17 | | 15.69 | | | |
| | Sub Loop Feeder - OC-12 - Per Mile Per Month | | I | UDL12 | 1L5SL | 19.08 | | | | | | | | | |
| | Sub Loop Feeder - OC-12 - Facility Termination Protection Per Month | | I | UDL12 | USBF6 | 669.82 | | | | | | | | | |
| | Sub Loop Feeder - OC-12 - Facility Termination Per Month | | I | UDL12 | USBF3 | 1,840.00 | 3,392.00 | 407.90 | 160.83 | 91.17 | | 15.69 | | | |
| | Sub Loop Feeder - OC-48 - Per Mile Per Month | | I | UDL48 | 1L5SL | 62.60 | | | | | | | | | |
| | Sub Loop Feeder - OC-48 - Facility Termination Protection Per Month | | I | UDL48 | USBF9 | 326.16 | | | | | | | | | |
| | Sub Loop Feeder - OC-48 - Facility Termination Per Month | | I | UDL48 | USBF4 | 1,560.00 | 3,578.00 | 407.90 | 160.83 | 91.17 | | 15.69 | | | |
| | Sub Loop Feeder - OC-12 Interface On OC-48 | | I | UDL48 | USBF8 | 366.86 | 789.85 | 407.90 | 160.83 | 91.17 | | 15.69 | | | |
| UNBUNDLED LOOP CONCENTRATION | | | | | | | | | | | | | | | |
| | Unbundled Loop Concentration - System A (TR008) | | | ULC | UCT8A | 318.73 | 326.13 | 326.13 | | | | 15.69 | | | |
| | Unbundled Loop Concentration - System B (TR008) | | | ULC | UCT8B | 46.69 | 135.89 | 135.89 | | | | 15.69 | | | |
| | Unbundled Loop Concentration - System A (TR303) | | | ULC | UCT3A | 351.78 | 326.13 | 326.13 | | | | 15.69 | | | |
| | Unbundled Loop Concentration - System B (TR303) | | | ULC | UCT3B | 78.67 | 135.89 | 135.89 | | | | 15.69 | | | |
| | Unbundled Loop Concentration - DS1 Loop Interface Card | | | ULC | UCTCO | 4.42 | 63.43 | 46.18 | 16.83 | 4.71 | | 15.69 | | | |
| | Unbundled Loop Concentration - ISDN Loop Interface (Brite Card) | | | UDN | ULCC1 | 7.02 | 10.56 | 10.50 | 5.41 | 5.37 | | 15.69 | | | |
| | Unbundled Loop Concentration - UDC Loop Interface (Brite Card) | | | UDC | ULCCU | 7.02 | 10.56 | 10.50 | 5.41 | 5.37 | | 15.69 | | | |
| | Unbundled Loop Concentration - 2 Wire Voice-Loop Start or Ground Start Loop Interface (POTS Card) | | | UEA | ULCC2 | 1.75 | 10.56 | 10.50 | 5.41 | 5.37 | | 15.69 | | | |
| | Unbundled Loop Concentration - 2 Wire Voice - Reverse Battery Loop Interface (SPOTS Card) | | | UEA | ULCCR | 10.42 | 10.56 | 10.50 | 5.41 | 5.37 | | 15.69 | | | |
| | Unbundled Loop Concentration - 4 Wire Voice Loop Interface (Specials Card) | | | UEA | ULCC4 | 6.22 | 10.56 | 10.50 | 5.41 | 5.37 | | 15.69 | | | |
| | Unbundled Loop Concentration - TEST CIRCUIT Card | | | ULC | UCTTC | 30.38 | 10.56 | 10.50 | 5.41 | 5.37 | | 15.69 | | | |
| | Unbundled Loop Concentration - Digital 19.2 Kbps Data Loop Interface | | | UDL | ULCC7 | 9.21 | 10.56 | 10.50 | 5.41 | 5.37 | | 15.69 | | | |
| | Unbundled Loop Concentration - Digital 56 Kbps Data Loop Interface | | | UDL | ULCC5 | 9.21 | 10.56 | 10.50 | 5.41 | 5.37 | | 15.69 | | | |
| | Unbundled Loop Concentration - Digital 64 Kbps Data Loop Interface | | | UDL | ULCC6 | 9.21 | 10.56 | 10.50 | 5.41 | 5.37 | | 15.69 | | | |
| UNE OTHER, PROVISIONING ONLY - NO RATE | | | | | | | | | | | | | | | |
| | NID - Dispatch and Service Order for NID installation | | | UENTW | UNDBX | | | | | | | | | | |
| | UNTW Circuit Id Establishment, Provisioning Only - No Rate | | | UENTW | UENCE | | | | | | | | | | |

| UNBUNDLED NETWORK ELEMENTS - South Carolina | | | | | | | | | | Attachment: 2 | | Exhibit: B | |
|--|---|---------|------|---------------------------------|-------|-----------|----------------------------------|--------------------------------------|--|--|---|---|-----|
| CATEGORY | RATE ELEMENTS | Interim | Zone | BCS | USOC | RATES(\$) | Svc Order Submitted Elec per LSR | Svc Order Submitted Manually per LSR | Incremental Charge - Manual Svc Order vs. Electronic-1st | Incremental Charge - Manual Svc Order vs. Electronic-Add'l | Incremental Charge - Manual Svc Order vs. Electronic-Disc 1st | Incremental Charge - Manual Svc Order vs. Electronic-Disc Add'l | |
| | | | | | | | | | | | | | Rec |
| | | | | | | | | | | | | | |
| | Unbundled Contract Name, Provisioning Only - No Rate | | | UEANL,UEF,UEQ,UENTW | UNECN | | | | | | | | |
| UNE OTHER, PROVISIONING ONLY - NO RATE | | | | | | | | | | | | | |
| | Unbundled Contact Name, Provisioning Only - no rate | | | UAL,UCL,UDC,UDL,UDN,UEA,UHL,ULC | UNECN | 0.00 | 0.00 | | | | | | |
| | Unbundled Sub-Loop Feeder-2 Wire Cross Box Jumper - no rate | | | UEA,UDN,UCL,UDC | USBFQ | 0.00 | 0.00 | | | | | | |
| | Unbundled Sub-Loop Feeder-4 Wire Cross Box Jumper - no rate | | | UEA,USL,UCL,UDL | USBFR | 0.00 | 0.00 | | | | | | |
| | Unbundled DS1 Loop - Superframe Format Option - no rate | | | USL | CCOSF | 0.00 | 0.00 | | | | | | |
| | Unbundled DS1 Loop - Expanded Superframe Format option - no rate | | | USL | CCOEF | 0.00 | 0.00 | | | | | | |
| HIGH CAPACITY UNBUNDLED LOCAL LOOP | | | | | | | | | | | | | |
| | High Capacity Unbundled Local Loop - DS3 - Per Mile per month | | | UE3 | 1L5ND | 12.26 | | | | | | | |
| | High Capacity Unbundled Local Loop - DS3 - Facility Termination per month | | | UE3 | UE3PX | 306.36 | 452.52 | 264.53 | 119.75 | 83.77 | | 15.69 | |
| | High Capacity Unbundled Local Loop - STS-1 - Per Mile per month | | | UDLSX | 1L5ND | 12.26 | | | | | | 15.69 | |
| | High Capacity Unbundled Local Loop - STS-1 - Facility Termination per month | | | UDLSX | UDLS1 | 313.49 | 452.52 | 264.53 | 119.75 | 83.77 | | 15.69 | |
| LOOP MAKE-UP | | | | | | | | | | | | | |
| | Loop Makeup - Preordering Without Reservation, per working or spare facility queried (Manual). | | | UMK | UMKLW | | 24.04 | 24.04 | | | | | |
| | Loop Makeup - Preordering With Reservation, per spare facility queried (Manual). | | | UMK | UMKLP | | 25.49 | 25.49 | | | | | |
| | Loop Makeup--With or Without Reservation, per working or spare facility queried (Mechanized) | | | UMK | PSUMK | | 0.34 | 0.34 | | | | | |
| HIGH FREQUENCY SPECTRUM | | | | | | | | | | | | | |
| SPLITTERS-CENTRAL OFFICE BASED | | | | | | | | | | | | | |
| | Line Sharing Splitter, per System 96 Line Capacity | | | ULS | ULSDA | 216.22 | 189.21 | 0.00 | 178.38 | 0.00 | | 15.69 | |
| | Line Sharing Splitter, per System 24 Line Capacity | | | ULS | ULSDB | 54.05 | 189.21 | 0.00 | 178.38 | 0.00 | | 15.69 | |
| | Line Sharing Splitter, Per System, 8 Line Capacity | I | | ULS | ULSD8 | 18.02 | 189.21 | 0.00 | 178.38 | 0.00 | | 15.69 | |
| | Line Sharing-DLEC Owned Splitter in CO-CFA activation-deactivation (per LSOD) | | | ULS | ULSDG | | 86.67 | | 49.95 | | | 15.69 | |
| END USER ORDERING-CENTRAL OFFICE BASED-HIGH FREQUENCY SPECTRUM AKA LINE SHARING | | | | | | | | | | | | | |
| | Line Sharing - per Line Activation (BST owned Splitter) | | | ULS | ULSDC | 0.61 | 18.55 | 10.62 | 10.04 | 4.93 | | 15.69 | |
| | Line Sharing - per Subsequent Activity per Line Rearrangement(BST Owned Splitter) | | | ULS | ULSDS | | 16.42 | 8.21 | | | | 15.69 | |
| | Line Sharing - per Subsequent Activity per Line Rearrangement(DLEC Owned Splitter) | | | ULS | ULSCS | | 16.42 | 8.21 | | | | 15.69 | |
| | Line Sharing - per Line Activation (DLEC owned Splitter) | I | | ULS | ULSCC | 0.61 | 47.44 | 19.31 | 20.67 | 12.74 | | 15.69 | |
| | Line Splitting - per line activation DLEC owned splitter | I | | UEPSR UEPSB | UREOS | 0.61 | | | | | | | |
| | Line Splitting - per line activation BST owned - physical | I | | UEPSR UEPSB | UREBP | 0.644 | 37.09 | 21.24 | 20.07 | 9.85 | | 15.69 | |
| | Line Splitting - per line activation BST owned - virtual | I | | UEPSR UEPSB | UREBV | 0.642 | 37.09 | 21.24 | 20.07 | 9.85 | | 15.69 | |
| UNBUNDLED DEDICATED TRANSPORT | | | | | | | | | | | | | |
| NOTE: INTEROFFICE CHANNEL DEDICATED TRANSPORT - minimum billing period - below DS3=one month, DS3/STS-1=four months | | | | | | | | | | | | | |
| INTEROFFICE CHANNEL - DEDICATED TRANSPORT | | | | | | | | | | | | | |
| | Interoffice Channel - Dedicated Transport - 2-Wire Voice Grade - Per Mile per month | | | U1TVX | 1L5XX | 0.0167 | | | | | | | |
| | Interoffice Channel - Dedicated Transport- 2- Wire Voice Grade - Facility Termination per month | | | U1TVX | U1TV2 | 24.30 | 40.63 | 27.47 | 16.77 | 6.91 | | 15.69 | |
| | Interoffice Channel - Dedicated Transport- 2-Wire Voice Grade Rev Bat. - Per Mile per month | | | U1TVX | 1L5XX | 0.0167 | | | | | | | |
| | Interoffice Channel - Dedicated Transport- 2- Wire VG Rev Bat. Facility Termination per month | | | U1TVX | U1TR2 | 24.30 | 40.63 | 27.47 | 16.77 | 6.91 | | 15.69 | |
| | Interoffice Channel - Dedicated Transport - 4-Wire Voice Grade - Per Mile per month | | | U1TVX | 1L5XX | 0.0167 | | | | | | | |

| UNBUNDLED NETWORK ELEMENTS - South Carolina | | | | | | | | | | Attachment: 2 | | Exhibit: B | | | |
|--|--|---------|------|-------|-------|-----------|--------------|--------|-------------------------|----------------------------------|--------------------------------------|--|--|---|---|
| CATEGORY | RATE ELEMENTS | Interim | Zone | BCS | USOC | RATES(\$) | | | | Svc Order Submitted Elec per LSR | Svc Order Submitted Manually per LSR | Incremental Charge - Manual Svc Order vs. Electronic-1st | Incremental Charge - Manual Svc Order vs. Electronic-Add'l | Incremental Charge - Manual Svc Order vs. Electronic-Disc 1st | Incremental Charge - Manual Svc Order vs. Electronic-Disc Add'l |
| | | | | | | Rec | Nonrecurring | | Nonrecurring Disconnect | | | | | | |
| | | | | | | First | Add'l | First | Add'l | SOMEc | SOMAN | SOMAN | SOMAN | SOMAN | SOMAN |
| | Interoffice Channel - Dedicated Transport - 4- Wire Voice Grade - Facility Termination per month | | | U1TVX | U1TV4 | 21.29 | 40.63 | 27.47 | 16.77 | 6.91 | | 15.69 | | | |
| | Interoffice Channel - Dedicated Transport - 56 kbps - per mile per month | | | U1TDX | 1L5XX | 0.0167 | | | | | | | | | |
| | Interoffice Channel - Dedicated Transport - 56 kbps - Facility Termination per month | | | U1TDX | U1TD5 | 16.76 | 40.63 | 27.47 | 16.77 | 6.91 | | 15.69 | | | |
| | Interoffice Channel - Dedicated Transport - 64 kbps - per mile per month | | | U1TDX | 1L5XX | 0.0167 | | | | | | | | | |
| | Interoffice Channel - Dedicated Transport - 64 kbps - Facility Termination per month | | | U1TDX | U1TD6 | 16.76 | 40.63 | 27.47 | 16.77 | 6.91 | | 15.69 | | | |
| | Interoffice Channel - Dedicated Channel - DS1 - Per Mile per month | | | U1TD1 | 1L5XX | 0.3415 | | | | | | | | | |
| | Interoffice Channel - Dedicated Transport - DS1 - Facility Termination per month | | | U1TD1 | U1TF1 | 77.14 | 89.47 | 81.99 | 16.39 | 14.48 | | 15.69 | | | |
| | Interoffice Channel - Dedicated Transport - DS3 - Per Mile per month | | | U1TD3 | 1L5XX | 8.02 | | | | | | | | | |
| | Interoffice Channel - Dedicated Transport - DS3 - Facility Termination per month | | | U1TD3 | U1TF3 | 880.65 | 279.37 | 163.12 | 60.33 | 58.59 | | 15.69 | | | |
| | Interoffice Channel - Dedicated Transport - STS-1 - Per Mile per month | | | U1TS1 | 1L5XX | 8.02 | | | | | | | | | |
| | Interoffice Channel - Dedicated Transport - STS-1 - Facility Termination per month | | | U1TS1 | U1TFS | 880.55 | 279.37 | 163.12 | 60.33 | 58.59 | | 15.69 | | | |
| LOCAL CHANNEL - DEDICATED TRANSPORT | | | | | | | | | | | | | | | |
| NOTE: LOCAL CHANNEL DEDICATED TRANSPORT - minimum billing period - below DS3=one month, DS3/STS-1=four months | | | | | | | | | | | | | | | |
| | Local Channel - Dedicated - 2-Wire Voice Grade Per Month | | | ULDVX | ULDV2 | 15.33 | 193.53 | 33.24 | 36.72 | 3.21 | | 15.69 | | | |
| | Local Channel - Dedicated - 2-Wire Voice Grade Rev Bat per month | | | ULDVX | ULDR2 | 15.33 | 193.53 | 33.24 | 36.72 | 3.21 | | 15.69 | | | |
| | Local Channel - Dedicated - 4-Wire Voice Grade per month | | | UNDVX | ULDV4 | 16.54 | 193.97 | 33.68 | 37.19 | 3.68 | | 15.69 | | | |
| | Local Channel - Dedicated - DS1 per month - Zone 1 | | 1 | ULDD1 | ULDF1 | 42.62 | 177.87 | 154.06 | 22.24 | 15.30 | | 15.69 | | | |
| | Local Channel - Dedicated - DS1 per month - Zone 2 | | 2 | ULDD1 | ULDF1 | 70.32 | 177.87 | 154.06 | 22.24 | 15.30 | | 15.69 | | | |
| | Local Channel - Dedicated - DS1 per month - Zone 3 | | 3 | ULDD1 | ULDF1 | 190.68 | 177.87 | 154.06 | 22.24 | 15.30 | | 15.69 | | | |
| | Local Channel - Dedicated - DS3 - Per Mile per month | | | ULDD3 | 1L5NC | 11.93 | | | | | | | | | |
| | Interoffice Channel - Dedicated Transport - DS3 - Facility Termination per month | | | U1TD3 | U1TF3 | 446.00 | 452.52 | 264.53 | 119.75 | 83.77 | | 15.69 | | | |
| | Local Channel - Dedicated - STS-1 - Per Mile per month | | | ULDS1 | 1L5NC | 11.93 | | | | | | | | | |
| | Local Channel - Dedicated - STS-1 - Facility Termination per month | | | ULDS1 | ULDFS | 435.10 | 452.52 | 264.53 | 119.75 | 83.77 | | 15.69 | | | |
| MULTIPLEXERS | | | | | | | | | | | | | | | |
| | Channelization - DS1 to DS0 Channel System | | | UXTD1 | MQ1 | 107.57 | 91.24 | 62.71 | 10.56 | 9.81 | | 15.69 | | | |
| | OCU-DP COCI (data) - DS1 to DS0 Channel System - per month (2.4-64kbs) | | | UDL | 1D1DD | 1.19 | 6.59 | 4.73 | | | | 15.69 | | | |
| | 2-wire ISDN COCI (BRITE) - DS1 to DS0 Channel System - per month | | | UDN | UC1CA | 2.56 | 6.59 | 4.73 | | | | 15.69 | | | |
| | Voice Grade COCI - DS1 to DS0 Channel System - per month | | | UEA | 1D1VG | 0.56 | 6.59 | 4.73 | | | | 15.69 | | | |
| | DS3 to DS1 Channel System per month | | | UXTD3 | MQ3 | 144.02 | 178.54 | 94.18 | 33.33 | 31.90 | | 15.69 | | | |
| | STS1 to DS1 Channel System per month | | | UXTS1 | MQ3 | 144.02 | 178.54 | 94.18 | 33.33 | 31.90 | | 15.69 | | | |
| | DS3 Interface Unit (DS1 COCI) used with Loop per month | | | USL | UC1D1 | 8.64 | 6.59 | 4.73 | | | | 15.69 | | | |
| | DS3 Interface Unit (DS1 COCI) used with Local Channel per month | | | ULDD1 | UC1D1 | 8.64 | 6.59 | 4.73 | | | | 15.69 | | | |
| | DS3 Interface Unit (DS1 COCI) used with Interoffice Channel per month | | | U1TD1 | UC1D1 | 8.64 | 6.59 | 4.73 | | | | 15.69 | | | |
| DARK FIBER | | | | | | | | | | | | | | | |
| | Dark Fiber, Four Fiber Strands, Per Route Mile or Fraction Thereof per month - Local Channel | | | UDF | 1L5DC | 97.65 | | | | | | | | | |
| | NRC Dark Fiber - Local Channel | | | UDF | UDFC4 | | 640.51 | 138.17 | 317.76 | 198.11 | | 15.69 | | | |
| | Dark Fiber, Four Fiber Strands, Per Route Mile or Fraction Thereof per month - Interoffice Channel | | | UDF | 1L5DF | 36.41 | | | | | | | | | |
| | NRC Dark Fiber - Interoffice Channel | | | UDF | UDF14 | | 640.51 | 138.17 | 317.76 | 198.11 | | 15.69 | | | |

| UNBUNDLED NETWORK ELEMENTS - South Carolina | | | | | | | | | | | Attachment: 2 | | Exhibit: B | | | | | | | | | | |
|---|---|---------|------|----------|-------|-----------|----------------------------------|--------------------------------------|--|--|---|---|------------|--------------|--------|-------------------------|-------|---------------|-------|-------|-------|-------|-------|
| CATEGORY | RATE ELEMENTS | Interim | Zone | BCS | USOC | RATES(\$) | Svc Order Submitted Elec per LSR | Svc Order Submitted Manually per LSR | Incremental Charge - Manual Svc Order vs. Electronic-1st | Incremental Charge - Manual Svc Order vs. Electronic-Add'l | Incremental Charge - Manual Svc Order vs. Electronic-Disc 1st | Incremental Charge - Manual Svc Order vs. Electronic-Disc Add'l | | | | | | | | | | | |
| | | | | | | | | | | | | | Rec | Nonrecurring | | Nonrecurring Disconnect | | OSS Rates(\$) | | | | | |
| | | | | | | | | | | | | | First | Add'l | First | Add'l | SOMEc | SOMAN | SOMAN | SOMAN | SOMAN | SOMAN | |
| | Dark Fiber, Four Fiber Strands, Per Route Mile or Fraction Thereof per month - Local Loop | | | UDF | 1L5DL | 97.65 | | | | | | | | | | | | | | | | | |
| | NRC Dark Fiber - Local Loop | | | UDF | UDFL4 | | | | | | | | 640.51 | 138.17 | 317.76 | 198.11 | | | | | | | 15.69 |
| TRANSPORT OTHER | | | | | | | | | | | | | | | | | | | | | | | |
| Optional Features & Functions: | | | | | | | | | | | | | | | | | | | | | | | |
| 8XX ACCESS TEN DIGIT SCREENING | | | | | | | | | | | | | | | | | | | | | | | |
| | 8XX Access Ten Digit Screening, Per Call | | | OHD | | 0.0006673 | | | | | | | | | | | | | | | | | |
| | 8XX Access Ten Digit Screening, Reservation Charge Per 8XX Number Reserved | | | OHD | N8R1X | | | | | | | | 2.59 | 0.44 | | | | | | | | | 15.69 |
| | 8XX Access Ten Digit Screening, Per 8XX No. Established W/O POTS Translations | | | OHD | | | | | | | | | 5.95 | 0.81 | 4.58 | 0.54 | | | | | | | 15.69 |
| | 8XX Access Ten Digit Screening, Per 8XX No. Established With POTS Translations | | | OHD | N8FTX | | | | | | | | 5.95 | 0.81 | 4.58 | 0.54 | | | | | | | 15.69 |
| | 8XX Access Ten Digit Screening, Customized Area of Service Per 8XX Number | | | OHD | N8FCX | | | | | | | | 2.59 | 1.30 | | | | | | | | | 15.69 |
| | 8XX Access Ten Digit Screening, Multiple InterLATA CXR Routing Per CXR Requested Per 8XX No. | | | OHD | N8FMX | | | | | | | | 3.03 | 1.74 | | | | | | | | | 15.69 |
| | 8XX Access Ten Digit Screening, Change Charge Per Request | | | OHD | N8FAX | | | | | | | | 3.03 | 0.44 | | | | | | | | | 15.69 |
| | 8XX Access Ten Digit Screening, Call Handling and Destination Features | | | OHD | N8FDX | | | | | | | | 2.59 | 2.59 | | | | | | | | | 15.69 |
| | 8XX Access Ten Digit Screening, w/ 8XX No. Delivery | | | OHD | | 0.0006673 | | | | | | | | | | | | | | | | | |
| | 8XX Access Ten Digit Screening, w/ POTS No. Delivery | | | OHD | | 0.0006673 | | | | | | | | | | | | | | | | | |
| LINE INFORMATION DATA BASE ACCESS (LIDB) | | | | | | | | | | | | | | | | | | | | | | | |
| | LIDB Common Transport Per Query | | | OQT | | 0.0000246 | | | | | | | | | | | | | | | | | |
| | LIDB Validation Per Query | | | OQU | | 0.0138158 | | | | | | | | | | | | | | | | | |
| | LIDB Originating Point Code Establishment or Change | | | OQT, OQU | NRPBX | | | | | | | | 34.40 | | 42.18 | | | | | | | | 15.69 |
| SIGNALING (CCS7) | | | | | | | | | | | | | | | | | | | | | | | |
| | CCS7 Signaling Connection, Per 56 Kbps Facility | | | UDB | TPP++ | 16.93 | | | | | | | 35.61 | 35.61 | 16.48 | 16.48 | | | | | | | |
| | CCS7 Signaling Termination, Per STP Port | | | UDB | PT8SX | 163.49 | | | | | | | | | | | | | | | | | |
| | CCS7 Signaling Usage, Per TCAP Message | | | UDB | | 0.0000692 | | | | | | | | | | | | | | | | | |
| | CCS7 Signaling Connection, Per link (A link) | | | UDB | TPP++ | 16.93 | | | | | | | 35.61 | 35.61 | 16.48 | 16.48 | | | | | | | 15.69 |
| | CCS7 Signaling Connection, Per link (B link) (also known as D link) | | | UDB | TPP++ | 16.93 | | | | | | | 35.61 | 35.61 | 16.48 | 16.48 | | | | | | | 15.69 |
| | CCS7 Signaling Usage, Per ISUP Message | | | UDB | | 0.0000173 | | | | | | | | | | | | | | | | | |
| | CCS7 Signaling Usage Surrogate, per link per LATA | | | UDB | STU56 | 791.37 | | | | | | | | | | | | | | | | | |
| | CCS7 Signaling Point Code, per Originating Point Code Establishment or Change, per STP affected | | | UDB | CCAPO | | | | | | | | 29.08 | 29.08 | 35.65 | 35.65 | | | | | | | 15.69 |
| | CCS7 Signaling Point Code, per Destination Point Code Establishment or Change, Per Stp Affected | | | UDB | CCAPD | | | | | | | | 29.08 | 29.08 | 35.65 | 35.65 | | | | | | | 15.69 |
| E911 SERVICE | | | | | | | | | | | | | | | | | | | | | | | |
| | Local Channel - Dedicated - 2-wr Voice Grade | | | | | 15.33 | | | | | | | 193.53 | 33.24 | 36.72 | 3.21 | | | | | | | 15.69 |
| | Interoffice Transport - Dedicated - 2-wr Voice Grade Per Mile | | | | | 0.0167 | | | | | | | | | | | | | | | | | |
| | Interoffice Transport - Dedicated - 2-wr Voice Grade Per Facility Termination | | | | | 24.30 | | | | | | | 40.63 | 27.47 | 16.77 | 6.91 | | | | | | | 15.69 |
| | Local Channel - Dedicated - DS1 - Zone 1 | | | | | 42.62 | | | | | | | 177.87 | 154.06 | 22.24 | 15.30 | | | | | | | 15.69 |
| | Local Channel - Dedicated - DS1 - Zone 2 | | | | | 70.32 | | | | | | | 177.87 | 154.06 | 22.24 | 15.30 | | | | | | | 15.69 |
| | Local Channel - Dedicated - DS1 - Zone 3 | | | | | 190.68 | | | | | | | 177.87 | 154.06 | 22.24 | 15.30 | | | | | | | 15.69 |
| | Interoffice Transport - Dedicated - DS1 Per Mile | | | | | 0.3415 | | | | | | | | | | | | | | | | | |
| | Interoffice Transport - Dedicated - DS1 Per Facility Termination | | | | | 77.14 | | | | | | | 89.47 | 81.99 | 16.39 | 14.48 | | | | | | | 15.69 |
| CALLING NAME (CNAM) SERVICE | | | | | | | | | | | | | | | | | | | | | | | |
| | CNAM For DB Owners - Service Establishment | | | OQV | | | | | | | | | 23.00 | 23.00 | 21.15 | 21.15 | | | | | | | 15.69 |
| | CNAM For Non DB Owners - Service Establishment | | | OQV | | | | | | | | | 23.00 | 23.00 | 21.15 | 21.15 | | | | | | | 15.69 |
| | CNAM For DB Owners - Service Provisioning With Point Code Establishment | | | OQV | | | | | | | | | 993.09 | 734.47 | 269.53 | 198.18 | | | | | | | 15.69 |
| | CNAM For Non DB Owners - Service Provisioning With Point Code Establishment | | | OQV | | | | | | | | | 343.09 | 245.69 | 275.87 | 198.18 | | | | | | | 15.69 |
| | CNAM for DB Owners, Per Query | | | OQV | | 0.0010433 | | | | | | | | | | | | | | | | | |
| | CNAM for Non DB Owners, Per Query | | | OQV | | 0.0010433 | | | | | | | | | | | | | | | | | |

| UNBUNDLED NETWORK ELEMENTS - South Carolina | | | | | | | | | | Attachment: 2 | | Exhibit: B | | | |
|---|--|---------|------|-------|-------|-----------|--------------|----------------------------------|--------------------------------------|--|--|---|---|--------------|------------|
| CATEGORY | RATE ELEMENTS | Interim | Zone | BCS | USOC | RATES(\$) | | Svc Order Submitted Elec per LSR | Svc Order Submitted Manually per LSR | Incremental Charge - Manual Svc Order vs. Electronic-1st | Incremental Charge - Manual Svc Order vs. Electronic-Add'l | Incremental Charge - Manual Svc Order vs. Electronic-Disc 1st | Incremental Charge - Manual Svc Order vs. Electronic-Disc Add'l | | |
| | | | | | | Rec | Nonrecurring | | | | | | | Nonrecurring | Disconnect |
| | | | | | | First | Add'l | First | Add'l | SOMEc | SOMAN | SOMAN | SOMAN | SOMAN | SOMAN |
| LNP Query Service | | | | | | | | | | | | | | | |
| | LNP Charge Per query | | | | | 0.0008837 | | | | | | | | | |
| | LNP Service Establishment Manual | | | | | | 25.09 | 25.09 | 23.07 | 23.07 | 15.69 | | | | |
| | LNP Service Provisioning with Point Code Establishment | | | | | | 594.82 | 303.88 | 269.53 | 198.18 | 15.69 | | | | |
| OPERATOR CALL PROCESSING | | | | | | | | | | | | | | | |
| | Oper. Call Processing - Oper. Provided, Per Min. - Using BST LIDB | | | | | 1.20 | | | | | | | | | |
| | Oper. Call Processing - Oper. Provided, Per Min. - Using Foreign LIDB | | | | | 1.24 | | | | | | | | | |
| | Oper. Call Processing - Fully Automated, per Call - Using BST LIDB | | | | | 0.20 | | | | | | | | | |
| | Oper. Call Processing - Fully Automated, per Call - Using Foreign LIDB | | | | | 0.20 | | | | | | | | | |
| INWARD OPERATOR SERVICES | | | | | | | | | | | | | | | |
| | Inward Operator Services - Verification, Per Minute | | | | | 1.15 | | | | | | | | | |
| | Inward Operator Services - Verification and Emergency Interrupt - Per Minute | | | | | 1.15 | | | | | | | | | |
| BRANDING - OPERATOR CALL PROCESSING | | | | | | | | | | | | | | | |
| | Recording of Custom Branded OA Announcement | | | | CBAOS | 7,000.00 | 7,000.00 | | | | 15.69 | | | | |
| | Loading of Custom Branded OA Announcement per shelf/NAV | | | | CBAOL | 500.00 | 500.00 | | | | 15.69 | | | | |
| | Unbranding via OLNS for UNEP CLEC | | | | | | | | | | | | | | |
| | Loading of OA per OCN (Regional) | | | | | 1,200.00 | 1,200.00 | | | | 15.69 | | | | |
| DIRECTORY ASSISTANCE SERVICES | | | | | | | | | | | | | | | |
| DIRECTORY ASSISTANCE ACCESS SERVICE | | | | | | | | | | | | | | | |
| | Directory Assistance Access Service Calls, Charge Per Call | | | | | 0.275 | | | | | | | | | |
| DIRECTORY ASSISTANCE CALL COMPLETION ACCESS SERVICE (DACC) | | | | | | | | | | | | | | | |
| | Directory Assistance Call Completion Access Service (DACC), Per Call Attempt | | | | | 0.10 | | | | | | | | | |
| DIRECTORY TRANSPORT | | | | | | | | | | | | | | | |
| DIRECTORY ASSISTANCE SERVICES | | | | | | | | | | | | | | | |
| DIRECTORY ASSISTANCE DATA BASE SERVICE (DADS) | | | | | | | | | | | | | | | |
| | Directory Assistance Data Base Service Charge Per Listing | | | | | 0.04 | | | | | | | | | |
| | Directory Assistance Data Base Service, per month | | | | DBSOF | 150.00 | | | | | | | | | |
| BRANDING - DIRECTORY ASSISTANCE | | | | | | | | | | | | | | | |
| Facility Based CLEC | | | | | | | | | | | | | | | |
| | Recording and Provisioning of DA Custom Branded Announcement | | | AMT | CBADA | 6,000.00 | 6,000.00 | | | | | | | | |
| | Loading of Custom Branded Announcement per DRAM Card/Switch | | | AMT | CBADC | 1,170.00 | 1,170.00 | | | | | | | | |
| UNEP CLEC | | | | | | | | | | | | | | | |
| | Recording of DA Custom Branded Announcement | | | | | 3,000.00 | 3,000.00 | | | | | | | | |
| | Loading of DA Custom Branded Announcement per DRAM Card/Switch per OCN | | | | | 1,170.00 | 1,170.00 | | | | | | | | |
| Unbranding via OLNS for UNEP CLEC | | | | | | | | | | | | | | | |
| | Loading of DA per OCN (1 OCN per Order) | | | | | 420.00 | 420.00 | | | | | | | | |
| | Loading of DA per Switch per OCN | | | | | 16.00 | 16.00 | | | | | | | | |
| SELECTIVE ROUTING | | | | | | | | | | | | | | | |
| | Selective Routing Per Unique Line Class Code Per Request Per Switch | | | | USRCR | 84.89 | 84.89 | 14.14 | 14.14 | | 15.69 | | | | |
| VIRTUAL COLLOCATION | | | | | | | | | | | | | | | |
| | Virtual Collocation - Application Cost | | | AMTFS | EAF | 1,207.95 | 1,207.95 | 0.51 | 0.51 | | | | | | |
| | Virtual Collocation - Cable Installation Cost, per cable | | | AMTFS | ESPCX | 794.22 | 794.22 | 22.54 | 22.54 | | | | | | |
| | Virtual Collocation - Floor Space, per sq. ft. | | | AMTFS | ESPVX | 3.95 | | | | | | | | | |
| | Virtual Collocation - Power, per breaker amp | | | AMTFS | ESPAX | 9.19 | | | | | | | | | |
| | Virtual Collocation - Cable Support Structure, per entrance cable | | | AMTFS | ESPSX | 18.66 | | | | | | | | | |

| UNBUNDLED NETWORK ELEMENTS - South Carolina | | | | | | | | | | | Attachment: 2 | | Exhibit: B | | | | | | | | | | |
|---|--|---------|------|--|-------|-----------|----------------------------------|--------------------------------------|--|--|---|---|---------------|--------------|--------|-------------------------|--|-------|-------|-------|-------|-------|-------|
| CATEGORY | RATE ELEMENTS | Interim | Zone | BCS | USOC | RATES(\$) | Svc Order Submitted Elec per LSR | Svc Order Submitted Manually per LSR | Incremental Charge - Manual Svc Order vs. Electronic-1st | Incremental Charge - Manual Svc Order vs. Electronic-Add'l | Incremental Charge - Manual Svc Order vs. Electronic-Disc 1st | Incremental Charge - Manual Svc Order vs. Electronic-Disc Add'l | OSS Rates(\$) | | | | | | | | | | |
| | | | | | | | | | | | | | Rec | Nonrecurring | | Nonrecurring Disconnect | | SOMEc | SOMAN | SOMAN | SOMAN | SOMAN | SOMAN |
| | | | | | | | | | | | | | First | Add'l | First | Add'l | | | | | | | |
| | Virtual Collocation - 2-wire Cross Connects (loop) | | | UEANL,UEA,UDN,U DC,UAL,UHL,UCL,U EQ, AMTFS, UDL, UNCVX, UNCDX, UNCNX | UEAC2 | 0.0317 | | | | | | | 12.32 | 11.83 | 6.04 | 5.45 | | | | | | | 15.69 |
| | Virtual Collocation - 4-wire Cross Connects (loop) | | | UEA,UHL,UCL,UDL, AMTFS, UAL, UDN, UNCVX, UNCDX | UEAC4 | 0.0634 | | | | | | | 12.42 | 11.90 | 6.40 | 5.74 | | | | | | | 15.69 |
| | Virtual Collocation - 2-Fiber Cross Connects | | | AMTFS,UDL12, UDLO3, U1T48, U1T12, U1T03, ULDO3, ULD12, ULD48, UDF | CNC2F | 2.86 | | | | | | | 20.94 | 15.23 | 7.40 | 5.93 | | | | | | | 15.69 |
| | Virtual Collocation - 4-Fiber Cross Connects | | | AMTFS,UDL12, UDLO3, U1T48, U1T12, U1T03, ULDO3, ULD12, ULD48, UDF | CNC4F | 5.71 | | | | | | | 25.61 | 19.90 | 9.73 | 8.26 | | | | | | | 15.69 |
| | Virtual collocation - DS1 Cross Connects | | | USL,ULC,AMTFS, ULR, UXTD1, UNC1X, ULDD1, U1TD1, USLEL, UNLD1 | CNC1X | 1.12 | | | | | | | 22.08 | 15.96 | 6.42 | 5.80 | | | | | | | 15.69 |
| | Virtual collocation - DS3 Cross Connects | | | USL,ULC,AMTFS,U E3, U1TD3, UXTS1, UXTD3, UNC3X, UNCSX, ULDD3, U1TS1, ULDS1, UDLSX, UNLD3 | CND3X | 14.21 | | | | | | | 20.94 | 15.23 | 7.39 | 5.93 | | | | | | | 15.69 |
| | Virtual Collocation - Co-Carrier Cross Connects - Fiber Cable Support Structure, per linear foot | | | AMTFS | VE1CB | 0.0022 | | | | | | | | | | | | | | | | | |
| | Virtual Collocation - Co-Carrier Cross Connects - Copper/Coax Cable Support Structure, per linear ft | | | AMTFS | VE1CD | 0.0033 | | | | | | | | | | | | | | | | | |
| | Virtual Collocation - Co-Carrier Cross Connects - Fiber Cable Support Structure, per cable | | | AMTFS | VE1CC | | | | | | | | | | 536.56 | | | | | | | | |
| | Virtual Collocation - Co-Carrier Cross Connects - Copper/Coax Cable Support Structure, per cable | | | AMTFS | VE1CE | | | | | | | | | | 536.56 | | | | | | | | |
| | Virtual collocation - Security Escort - Basic, per half hour | | | AMTFS | SPTBX | | | | | | | | | | 16.96 | 10.75 | | | | | | | |
| | Virtual collocation - Security Escort - Overtime, per half hour | | | AMTFS | SPTOX | | | | | | | | | | 22.10 | 13.89 | | | | | | | |
| | Virtual collocation - Security Escort - Premium, per half hour | | | AMTFS | SPTPX | | | | | | | | | | 27.23 | 17.02 | | | | | | | |
| | Virtual collocation - Maintenance in CO - Basic, per half hour | | | AMTFS | CTRLX | | | | | | | | | | 27.99 | 10.75 | | | | | | | |
| | Virtual collocation - Maintenance in CO - Overtime, per half hour | | | AMTFS | SPTOM | | | | | | | | | | 36.56 | 13.89 | | | | | | | |
| | Virtual collocation - Maintenance in CO - Premium per half hour | | | AMTFS | SPTPM | | | | | | | | | | 45.12 | 17.02 | | | | | | | |
| VIRTUAL COLLOCATION | | | | | | | | | | | | | | | | | | | | | | | |
| | Virtual Collocation - 2-wire Cross Connect, Exchange Port 2-Wire Analog - Res | | | UEPSR | VE1R2 | 0.0317 | | | | | | | 12.32 | 11.83 | 6.04 | 5.45 | | | | | | | 15.69 |
| | Virtual Collocation 2-Wire Cross Connect, Exchange Port 2-Wire Line Side PBX Trunk - Bus | | | UEPSP | VE1R2 | 0.0317 | | | | | | | 12.32 | 11.83 | 6.04 | 5.45 | | | | | | | 15.69 |
| | Virtual Collocation 2-Wire Cross Connect, Exchange Port 2-Wire Voice Grade PBX Trunk - Res | | | UEPSE | VE1R2 | 0.0317 | | | | | | | 12.32 | 11.83 | 6.04 | 5.45 | | | | | | | 15.69 |
| | Virtual Collocation 2-Wire Cross Connect, Exchange Port 2-Wire Analog Bus | | | UEPSB | VE1R2 | 0.0317 | | | | | | | 12.32 | 11.83 | 6.04 | 5.45 | | | | | | | 15.69 |
| | Virtual Collocation 2-Wire Cross Connect, Exchange Port 2-Wire ISDN | | | UEPSX | VE1R2 | 0.0317 | | | | | | | 12.32 | 11.83 | 6.04 | 5.45 | | | | | | | 15.69 |
| | Virtual Collocation 2-Wire Cross Connect, Exchange Port 2-Wire ISDN | | | UEPTX | VE1R2 | 0.0317 | | | | | | | 12.32 | 11.83 | 6.04 | 5.45 | | | | | | | 15.69 |

| UNBUNDLED NETWORK ELEMENTS - South Carolina | | | | | | | | | | | Attachment: 2 | | Exhibit: B | | | | | | | | | | |
|--|---|---------|------|--------------|--------|-----------|----------------------------------|--------------------------------------|--|--|---|---|---------------|--------------|----------|-------------------------|--|-------|-------|-------|-------|-------|-------|
| CATEGORY | RATE ELEMENTS | Interim | Zone | BCS | USOC | RATES(\$) | Svc Order Submitted Elec per LSR | Svc Order Submitted Manually per LSR | Incremental Charge - Manual Svc Order vs. Electronic-1st | Incremental Charge - Manual Svc Order vs. Electronic-Add'l | Incremental Charge - Manual Svc Order vs. Electronic-Disc 1st | Incremental Charge - Manual Svc Order vs. Electronic-Disc Add'l | OSS Rates(\$) | | | | | | | | | | |
| | | | | | | | | | | | | | Rec | Nonrecurring | | Nonrecurring Disconnect | | SOMEc | SOMAN | SOMAN | SOMAN | SOMAN | SOMAN |
| | | | | | | | | | | | | | First | Add'l | First | Add'l | | | | | | | |
| | Virtual Collocation 4-Wire Cross Connect, Exchange Port 4-Wire ISDN DS1 | | | UEPEX | VE1R4 | 1.12 | | | | | | | 22.08 | 15.96 | 6.42 | 5.80 | | | 15.69 | | | | |
| VIRTUAL COLLOCATION | | | | | | | | | | | | | | | | | | | | | | | |
| | Virtual Collocation-2 Wire Cross Connects (Loop) for Line Splitting | | | UEPSR, UEPSB | VE1LS | 0.0317 | | | | | | | 12.32 | 11.83 | 6.04 | 5.45 | | | 15.69 | | | | |
| AIN SELECTIVE CARRIER ROUTING | | | | | | | | | | | | | | | | | | | | | | | |
| | Regional Service Establishment | | | SRC | SRCEC | | | | | | | | 101,324.34 | 101,324.34 | 8,609.85 | 8,609.85 | | | 15.69 | | | | |
| | End Office Establishment | | | SRC | SRCEO | | | | | | | | 175.66 | 175.66 | 1.70 | 1.70 | | | 15.69 | | | | |
| | Query NRC, per query | | | SRC | | 0.0035036 | | | | | | | | | | | | | | | | | |
| AIN - BELLSOUTH AIN SMS ACCESS SERVICE | | | | | | | | | | | | | | | | | | | | | | | |
| | AIN SMS Access Service - Service Establishment, Per State, Initial Setup | | | A1N | CAMSE | | | | | | | | 39.53 | 39.53 | 40.78 | 40.78 | | | 15.69 | | | | |
| | AIN SMS Access Service - Port Connection - Dial/Shared Access | | | A1N | CAMDP | | | | | | | | 7.85 | 7.85 | 9.11 | 9.11 | | | 15.69 | | | | |
| | AIN SMS Access Service - Port Connection - ISDN Access | | | A1N | CAMP1P | | | | | | | | 7.85 | 7.85 | 9.11 | 9.11 | | | 15.69 | | | | |
| | AIN SMS Access Service - User Identification Codes - Per User ID Code | | | A1N | CAMAU | | | | | | | | 35.08 | 35.08 | 27.12 | 27.12 | | | 15.69 | | | | |
| | AIN SMS Access Service - Security Card, Per User ID Code, Initial or Replacement | | | A1N | CAMRC | | | | | | | | 41.98 | 41.98 | 11.74 | 11.74 | | | 15.69 | | | | |
| | AIN SMS Access Service - Storage, Per Unit (100 Kilobytes) | | | | | 0.0027 | | | | | | | | | | | | | | | | | |
| | AIN SMS Access Service - Session, Per Minute | | | | | 0.7121 | | | | | | | | | | | | | | | | | |
| | AIN SMS Access Service - Company Performed Session, Per Minute | | | | | 0.8364 | | | | | | | | | | | | | | | | | |
| AIN - BELLSOUTH AIN TOOLKIT SERVICE | | | | | | | | | | | | | | | | | | | | | | | |
| | AIN Toolkit Service - Service Establishment Charge, Per State, Initial Setup | | | CAM | BAPSC | | | | | | | | 39.53 | 39.53 | 40.78 | 40.78 | | | 15.69 | | | | |
| | AIN Toolkit Service - Training Session, Per Customer | | | | BAPVX | | | | | | | | 4,211.54 | 4,211.54 | 0.00 | 0.00 | | | 15.69 | | | | |
| | AIN Toolkit Service - Trigger Access Charge, Per Trigger, Per DN, Term. Attempt | | | | BAPTT | | | | | | | | 7.85 | 7.85 | 9.11 | 9.11 | | | 15.69 | | | | |
| | AIN Toolkit Service - Trigger Access Charge, Per Trigger, Per DN, Off-Hook Delay | | | | BAPTD | | | | | | | | 7.85 | 7.85 | 9.11 | 9.11 | | | 15.69 | | | | |
| | AIN Toolkit Service - Trigger Access Charge, Per Trigger, Per DN, Off-Hook Immediate | | | | BAPTM | | | | | | | | 7.85 | 7.85 | 9.11 | 9.11 | | | 15.69 | | | | |
| | AIN Toolkit Service - Trigger Access Charge, Per Trigger, Per DN, 10-Digit PODP | | | | BAPTO | | | | | | | | 34.54 | 34.54 | 14.39 | 14.39 | | | 15.69 | | | | |
| | AIN Toolkit Service - Trigger Access Charge, Per Trigger, Per DN, CDP | | | | BAPTC | | | | | | | | 34.54 | 34.54 | 14.39 | 14.39 | | | 15.69 | | | | |
| | AIN Toolkit Service - Trigger Access Charge, Per Trigger, Per DN, Feature Code | | | | BAPTF | | | | | | | | 34.54 | 34.54 | 14.39 | 14.39 | | | 15.69 | | | | |
| | AIN Toolkit Service - Query Charge, Per Query | | | | | 0.0558238 | | | | | | | | | | | | | | | | | |
| | AIN Toolkit Service - Type 1 Node Charge, Per AIN Toolkit Subscription, Per Node, Per Query | | | | | 0.0069214 | | | | | | | | | | | | | | | | | |
| | AIN Toolkit Service - SCP Storage Charge, Per SMS Access Account, Per 100 Kilobytes | | | | | 0.07 | | | | | | | | | | | | | | | | | |
| | AIN Toolkit Service - Monthly report - Per AIN Toolkit Service Subscription | | | CAM | BAPMS | 11.87 | | | | | | | 7.85 | 7.85 | 5.52 | 5.52 | | | 15.69 | | | | |
| | AIN Toolkit Service - Special Study - Per AIN Toolkit Service Subscription | | | CAM | BAPLS | 3.51 | | | | | | | 8.68 | 8.68 | | | | | 15.69 | | | | |
| | AIN Toolkit Service - Call Event Report - Per AIN Toolkit Service Subscription | | | CAM | BAPDS | 8.48 | | | | | | | 7.85 | 7.85 | 5.52 | 5.52 | | | 15.69 | | | | |
| | AIN Toolkit Service - Call Event Special Study - Per AIN Toolkit Service Subscription | | | CAM | BAPES | 0.12 | | | | | | | 8.68 | 8.68 | | | | | 15.69 | | | | |
| ENHANCED EXTENDED LINK (EELs) | | | | | | | | | | | | | | | | | | | | | | | |
| NOTE: New EELs available in GA, TN, KY, LA, MS, & SC and density zone 1 of following MSAs: Orlando, FL; Miami, FL; Ft. Lauderdale, FL; | | | | | | | | | | | | | | | | | | | | | | | |
| NOTE: Charlotte-Gastonia-Rockhill, NC; Greensboro-Winston Salem-High Point, NC. Use all rates below except Switch As Is Charge. | | | | | | | | | | | | | | | | | | | | | | | |
| NOTE: In all states, EEL network elements shown below also apply to currently combined facilities which are converted to UNE rates. A Switch As Is Charge applies to currently combined facilities converted to UNEs.(Non-recurring rates do not apply.) | | | | | | | | | | | | | | | | | | | | | | | |
| NOTE: In GA, TN, KY, LA, MS & SC the EEL network elements apply to ordinarily combined network elements.(No Switch As Is Charge.) | | | | | | | | | | | | | | | | | | | | | | | |
| 2-WIRE VOICE GRADE EXTENDED LOOP WITH DEDICATED DS1 INTEROFFICE TRANSPORT (EEL) | | | | | | | | | | | | | | | | | | | | | | | |

| UNBUNDLED NETWORK ELEMENTS - South Carolina | | | | | | | | | | Attachment: 2 | | Exhibit: B | | | |
|--|--|---------|------|-------|-------|-----------|----------------------------------|--------------------------------------|--|--|---|---|-------|--------------|-------|
| CATEGORY | RATE ELEMENTS | Interim | Zone | BCS | USOC | RATES(\$) | Svc Order Submitted Elec per LSR | Svc Order Submitted Manually per LSR | Incremental Charge - Manual Svc Order vs. Electronic-1st | Incremental Charge - Manual Svc Order vs. Electronic-Add'l | Incremental Charge - Manual Svc Order vs. Electronic-Disc 1st | Incremental Charge - Manual Svc Order vs. Electronic-Disc Add'l | | | |
| | | | | | | | | | | | | | Rec | Nonrecurring | |
| | | | | | | | | | | | | | | | |
| | | | | | | | | | | SOMEc | SOMAN | SOMAN | SOMAN | SOMAN | SOMAN |
| | First 2-Wire VG Loop(SL2) in a DS1 Interofficed Transport Combination - Zone 1 | | 1 | UNCVX | UEAL2 | 16.68 | 105.98 | 68.43 | 53.05 | 10.61 | 15.69 | | | | |
| | First 2-Wire VG Grade Loop(SL2) in a DS1 Interofficed Transport Combination - Zone 2 | | 2 | UNCVX | UEAL2 | 23.13 | 105.98 | 68.43 | 53.05 | 10.61 | 15.69 | | | | |
| | First 2-Wire VG Grade Loop(SL2) in a DS1 Interofficed Transport Combination - Zone 3 | | 3 | UNCVX | UEAL2 | 28.46 | 105.98 | 68.43 | 53.05 | 10.61 | 15.69 | | | | |
| | Interoffice Transport - Dedicated - DS1 combination - Per Mile per month | | | UNC1X | 1L5XX | 0.27 | | | | | | | | | |
| | Interoffice Transport - Dedicated - DS1 combination - Facility Termination per month | | | UNC1X | U1TF1 | 61.71 | 89.47 | 81.99 | 16.39 | 14.48 | 15.69 | | | | |
| | DS1 Channelization System Per Month | | | UNC1X | MQ1 | 107.57 | 91.24 | 62.71 | 10.56 | 9.81 | 15.69 | | | | |
| | Voice Grade COCI - DS1 To Ds0 Interface - Per Month | | | UNCVX | 1D1VG | 0.56 | 6.59 | 4.73 | | | 15.69 | | | | |
| | Each Additional 2-Wire VG Loop(SL 2) in the same DS1 Interoffice Transport Combination - Zone 1 | | 1 | UNCVX | UEAL2 | 16.68 | 105.98 | 68.43 | 53.05 | 10.61 | 15.69 | | | | |
| | Each Additional 2-Wire VG Loop(SL2) in the same DS1 Interoffice Transport Combination - Zone 2 | | 2 | UNCVX | UEAL2 | 23.13 | 105.98 | 68.43 | 53.05 | 10.61 | 15.69 | | | | |
| | Each Additional 2-Wire VG Loop(SL2) in the same DS1 Interoffice Transport Combination - Zone 3 | | 3 | UNCVX | UEAL2 | 28.46 | 105.98 | 68.43 | 53.05 | 10.61 | 15.69 | | | | |
| | Voice Grade COCI - DS1 to DS0 Channel System combination - per month | | | UNCVX | 1D1VG | 0.56 | 6.59 | 4.73 | | | 15.69 | | | | |
| | Nonrecurring Currently Combined Network Elements Switch -As-Is Charge | | | UNC1X | UNCCC | | 5.61 | 5.61 | 7.00 | 7.00 | 15.69 | | | | |
| 4-WIRE VOICE GRADE EXTENDED LOOP WITH DEDICATED DS1 INTEROFFICE TRANSPORT (EEL) | | | | | | | | | | | | | | | |
| | First 4-Wire Analog Voice Grade Loop in a DS1 Interoffice Transport Combination - Zone 1 | | 1 | UNCVX | UEAL4 | 32.59 | 132.38 | 94.83 | 59.35 | 14.61 | 15.69 | | | | |
| | First 4-Wire Analog Voice Grade Loop in a DS1 Interoffice Transport Combination - Zone 2 | | 2 | UNCVX | UEAL4 | 43.89 | 132.38 | 94.83 | 59.35 | 14.61 | 15.69 | | | | |
| | First 4-Wire Analog Voice Grade Loop in a DS1 Interoffice Transport Combination - Zone 3 | | 3 | UNCVX | UEAL4 | 43.38 | 132.38 | 94.83 | 59.35 | 14.61 | 15.69 | | | | |
| | Interoffice Transport - Dedicated - DS1 combination - Per Mile Per Month | | | UNC1X | 1L5XX | 0.27 | | | | | | | | | |
| | Interoffice Transport - Dedicated - DS1 - Facility Termination Per Month | | | UNC1X | U1TF1 | 61.71 | 89.47 | 81.99 | 16.39 | 14.48 | 15.69 | | | | |
| | Channelization - Channel System DS1 to DS0 combination Per Month | | | UNC1X | MQ1 | 107.57 | 91.24 | 62.71 | 10.56 | 9.81 | 15.69 | | | | |
| | Voice Grade COCI - DS1 to DS0 Channel System combination - per month | | | UNCVX | 1D1VG | 0.56 | 6.59 | 4.73 | | | 15.69 | | | | |
| | Additional 4-Wire Analog Voice Grade Loop in same DS1 Interoffice Transport Combination - Zone 1 | | 1 | UNCVX | UEAL4 | 32.59 | 132.38 | 94.83 | 59.35 | 14.61 | 15.69 | | | | |
| | Additional 4-Wire Analog Voice Grade Loop in same DS1 Interoffice Transport Combination - Zone 2 | | 2 | UNCVX | UEAL4 | 43.89 | 132.38 | 94.83 | 59.35 | 14.61 | 15.69 | | | | |
| | Additional 4-Wire Analog Voice Grade Loop in same DS1 Interoffice Transport Combination - Zone 3 | | 3 | UNCVX | UEAL4 | 43.38 | 132.38 | 94.83 | 59.35 | 14.61 | 15.69 | | | | |
| | Nonrecurring Currently Combined Network Elements Switch -As-Is Charge | | | UNC1X | UNCCC | | 5.61 | 5.61 | 7.00 | 7.00 | 15.69 | | | | |
| 4-WIRE 56 KBPS EXTENDED DIGITAL LOOP WITH DEDICATED DS1 INTEROFFICE TRANSPORT (EEL) | | | | | | | | | | | | | | | |
| | First 4-Wire 56Kbps Digital Grade Loop in a DS1 Interoffice Transport Combination - Zone 1 | | 1 | UNCDX | UDL56 | 29.93 | 126.66 | 89.12 | 59.35 | 14.61 | 15.69 | | | | |
| | First 4-wire 56Kbps Digital Grade Loop in a DS1 Interoffice Transport Combination - Zone 2 | | 2 | UNCDX | UDL56 | 33.99 | 126.66 | 89.12 | 59.35 | 14.61 | 15.69 | | | | |
| | First 4-Wire 56Kbps Digital Grade Loop in a DS1 Interoffice Transport Combination - Zone 3 | | 3 | UNCDX | UDL56 | 34.74 | 126.66 | 89.12 | 59.35 | 14.61 | 15.69 | | | | |
| | Interoffice Transport - Dedicated - DS1 combination - Per Mile Per Month | | | UNC1X | 1L5XX | 0.27 | | | | | | | | | |
| | Interoffice Transport - Dedicated - DS1 - combination Facility Termination Per Month | | | UNC1X | U1TF1 | 61.71 | 89.47 | 81.99 | 16.39 | 14.48 | 15.69 | | | | |
| | Channelization - Channel System DS1 to DS0 combination Per Month | | | UNC1X | MQ1 | 107.57 | 91.24 | 62.71 | 10.56 | 9.81 | 15.69 | | | | |

| UNBUNDLED NETWORK ELEMENTS - South Carolina | | | | | | | | | | | Attachment: 2 | | Exhibit: B | | | | | | | |
|--|--|---------|------|-------|-------|-----------|----------------------------------|--------------------------------------|--|--|---|---|---------------|--------------|-------|-------------------------|--|-------|-------|-------|
| CATEGORY | RATE ELEMENTS | Interim | Zone | BCS | USOC | RATES(\$) | Svc Order Submitted Elec per LSR | Svc Order Submitted Manually per LSR | Incremental Charge - Manual Svc Order vs. Electronic-1st | Incremental Charge - Manual Svc Order vs. Electronic-Add'l | Incremental Charge - Manual Svc Order vs. Electronic-Disc 1st | Incremental Charge - Manual Svc Order vs. Electronic-Disc Add'l | OSS Rates(\$) | | | | | | | |
| | | | | | | | | | | | | | Rec | Nonrecurring | | Nonrecurring Disconnect | | SOMEc | SOMAN | SOMAN |
| | | | | | | | | | | | | | First | Add'l | First | Add'l | | | | |
| | OCU-DP COCI (data) - DS1 to DS0 Channel System - per month (2.4-64kbs) | | | UNCDX | 1D1DD | 1.19 | | | | | | | 6.59 | 4.73 | | | | | | 15.69 |
| | Additional 4-Wire 56Kbps Digital Grade Loop in same DS1 Interoffice Transport Combination - Zone 1 | | 1 | UNCDX | UDL56 | 29.93 | | | | | | | 126.66 | 89.12 | 59.35 | 14.61 | | | | 15.69 |
| | Additional 4-Wire 56Kbps Digital Grade Loop in same DS1 Interoffice Transport Combination - Zone 2 | | 2 | UNCDX | UDL56 | 33.99 | | | | | | | 126.66 | 89.12 | 59.35 | 14.61 | | | | 15.69 |
| | Additional 4-Wire 56Kbps Digital Grade Loop in same DS1 Interoffice Transport Combination - Zone 3 | | 3 | UNCDX | UDL56 | 34.74 | | | | | | | 126.66 | 89.12 | 59.35 | 14.61 | | | | 15.69 |
| | OCU-DP COCI (data) - DS1 to DS0 Channel System - combination per month (2.4-64kbs) | | | UNCDX | 1D1DD | 1.19 | | | | | | | 6.59 | 4.73 | | | | | | 15.69 |
| | Nonrecurring Currently Combined Network Elements Switch -As-Is Charge | | | UNC1X | UNCCC | | | | | | | | 5.61 | 5.61 | 7.00 | 7.00 | | | | 15.69 |
| 4-WIRE 64 KBPS EXTENDED DIGITAL LOOP WITH DEDICATED DS1 INTEROFFICE TRANSPORT (EEL) | | | | | | | | | | | | | | | | | | | | |
| | First 4-Wire 64Kbps Digital Grade Loop in a DS1 Interoffice Transport Combination - Zone 1 | | 1 | UNCDX | UDL64 | 29.93 | | | | | | | 126.66 | 89.12 | 59.35 | 14.61 | | | | 15.69 |
| | First 4-Wire 64Kbps Digital Grade Loop in a DS1 Interoffice Transport Combination - Zone 2 | | 2 | UNCDX | UDL64 | 33.99 | | | | | | | 126.66 | 89.12 | 59.35 | 14.61 | | | | 15.69 |
| | First 4-Wire 64Kbps Digital Grade Loop in a DS1 Interoffice Transport Combination - Zone 3 | | 3 | UNCDX | UDL64 | 34.74 | | | | | | | 126.66 | 89.12 | 59.35 | 14.61 | | | | 15.69 |
| | Interoffice Transport - Dedicated - DS1 combination - Per Mile Per Month | | | UNC1X | 1L5XX | 0.27 | | | | | | | | | | | | | | |
| | Interoffice Transport - Dedicated - DS1 combination - Facility Termination Per Month | | | UNC1X | U1TF1 | 61.71 | | | | | | | 89.47 | 81.99 | 16.39 | 14.48 | | | | 15.69 |
| | Channelization - Channel System DS1 to DS0 combination Per Month | | | UNC1X | MQ1 | 107.57 | | | | | | | 91.24 | 62.71 | 10.56 | 9.81 | | | | 15.69 |
| | OCU-DP COCI (data) - DS1 to DS0 Channel System combination - per month (2.4-64kbs) | | | UNCDX | 1D1DD | 1.19 | | | | | | | 6.59 | 4.73 | | | | | | 15.69 |
| | Additional 4-Wire 64Kbps Digital Grade Loop in same DS1 Interoffice Transport Combination - Zone 1 | | 1 | UNCDX | UDL64 | 29.93 | | | | | | | 126.66 | 89.12 | 59.35 | 14.61 | | | | 15.69 |
| | Additional 4-Wire 64Kbps Digital Grade Loop in same DS1 Interoffice Transport Combination - Zone 2 | | 2 | UNCDX | UDL64 | 33.99 | | | | | | | 126.66 | 89.12 | 59.35 | 14.61 | | | | 15.69 |
| | Additional 4-Wire 64Kbps Digital Grade Loop in same DS1 Interoffice Transport Combination - Zone 3 | | 3 | UNCDX | UDL64 | 34.74 | | | | | | | 126.66 | 89.12 | 59.35 | 14.61 | | | | 15.69 |
| | OCU-DP COCI (data) - DS1 to DS0 Channel System combination - per month (2.4-64kbs) | | | UNCDX | 1D1DD | 1.19 | | | | | | | 6.59 | 4.73 | | | | | | 15.69 |
| | Nonrecurring Currently Combined Network Elements Switch -As-Is Charge | | | UNC1X | UNCCC | | | | | | | | 5.61 | 5.61 | 7.00 | 7.00 | | | | 15.69 |
| 4-WIRE DS1 DIGITAL EXTENDED LOOP WITH DEDICATED DS1 INTEROFFICE TRANSPORT (EEL) | | | | | | | | | | | | | | | | | | | | |
| | 4-Wire DS1 Digital Loop in Combination with DS1 Interoffice Transport - Zone 1 | | 1 | UNC1X | USLXX | 90.87 | | | | | | | 253.03 | 157.89 | 44.80 | 11.73 | | | | 15.69 |
| | 4-Wire DS1 Digital Loop in Combination with DS1 Interoffice Transport - Zone 2 | | 2 | UNC1X | USLXX | 155.43 | | | | | | | 253.03 | 157.89 | 44.80 | 11.73 | | | | 15.69 |
| | 4-Wire DS1 Digital Loop in Combination with DS1 Interoffice Transport - Zone 3 | | 3 | UNC1X | USLXX | 261.89 | | | | | | | 253.03 | 157.89 | 44.80 | 11.73 | | | | 15.69 |
| | Interoffice Transport - Dedicated - DS1 combination - Per Mile Per Month | | | UNC1X | 1L5XX | 0.27 | | | | | | | | | | | | | | |
| | Interoffice Transport - Dedicated - DS1 combination - Facility Termination Per Month | | | UNC1X | U1TF1 | 61.71 | | | | | | | 89.47 | 81.99 | 16.39 | 14.48 | | | | 15.69 |
| | Nonrecurring Currently Combined Network Elements Switch -As-Is Charge | | | UNC1X | UNCCC | | | | | | | | 5.61 | 5.61 | 7.00 | 7.00 | | | | 15.69 |
| 4-WIRE DS1 DIGITAL EXTENDED LOOP WITH DEDICATED DS3 INTEROFFICE TRANSPORT (EEL) | | | | | | | | | | | | | | | | | | | | |
| | First DS1 Loop in DS3 Interoffice Transport Combination - Zone 1 | | 1 | UNC1X | USLXX | 90.87 | | | | | | | 253.03 | 157.89 | 44.80 | 11.73 | | | | 15.69 |
| | First DS1 Loop in DS3 Interoffice Transport Combination - Zone 2 | | 2 | UNC1X | USLXX | 155.43 | | | | | | | 253.03 | 157.89 | 44.80 | 11.73 | | | | 15.69 |
| | First DS1 Loop in DS3 Interoffice Transport Combination - Zone 3 | | 3 | UNC1X | USLXX | 261.89 | | | | | | | 253.03 | 157.89 | 44.80 | 11.73 | | | | 15.69 |
| | Interoffice Transport - Dedicated - DS3 combination - Per Mile Per Month | | | UNC3X | 1L5XX | 6.42 | | | | | | | | | | | | | | |

| UNBUNDLED NETWORK ELEMENTS - South Carolina | | | | | | | | | | | Attachment: 2 | | Exhibit: B | | | | | | | | |
|---|--|---------|------|-------|-------|-----------|----------------------------------|--------------------------------------|--|--|---|---|---------------|--------------|--------|-------------------------|--|-------|-------|-------|-------|
| CATEGORY | RATE ELEMENTS | Interim | Zone | BCS | USOC | RATES(\$) | Svc Order Submitted Elec per LSR | Svc Order Submitted Manually per LSR | Incremental Charge - Manual Svc Order vs. Electronic-1st | Incremental Charge - Manual Svc Order vs. Electronic-Add'l | Incremental Charge - Manual Svc Order vs. Electronic-Disc 1st | Incremental Charge - Manual Svc Order vs. Electronic-Disc Add'l | OSS Rates(\$) | | | | | | | | |
| | | | | | | | | | | | | | Rec | Nonrecurring | | Nonrecurring Disconnect | | SOMEc | SOMAN | SOMAN | SOMAN |
| | | | | | | | | | | | | | First | Add'l | First | Add'l | | | | | |
| | Interoffice Transport - Dedicated - DS3 - Facility Termination per month | | | UNC3X | U1TF3 | 704.52 | | | | | | | 279.37 | 163.12 | 60.33 | 58.59 | | | | | |
| | DS3 to DS1 Channel System combination per month | | | UNC3X | MQ3 | 144.02 | | | | | | | 178.54 | 94.18 | 33.33 | 31.90 | | | | | |
| | DS3 Interface Unit (DS1 COC) combination per month | | | UNC1X | UC1D1 | 8.64 | | | | | | | 6.59 | 4.73 | | | | | | | |
| | Additional DS1Loop in DS3 Interoffice Transport Combination - Zone 1 | | 1 | UNC1X | USLXX | 90.87 | | | | | | | 253.03 | 157.89 | 44.80 | 11.73 | | | | | |
| | Additional DS1Loop in DS3 Interoffice Transport Combination - Zone 2 | | 2 | UNC1X | USLXX | 155.43 | | | | | | | 253.03 | 157.89 | 44.80 | 11.73 | | | | | |
| | Additional DS1Loop in DS3 Interoffice Transport Combination - Zone 3 | | 3 | UNC1X | USLXX | 261.89 | | | | | | | 253.03 | 157.89 | 44.80 | 11.73 | | | | | |
| | DS3 Interface Unit (DS1 COC) combination per month | | | UNC1X | UC1D1 | 8.64 | | | | | | | 6.59 | 4.73 | | | | | | | |
| | Nonrecurring Currently Combined Network Elements Switch -As-Is Charge | | | UNC3X | UNCCC | | | | | | | | 5.61 | 5.61 | 7.00 | 7.00 | | | | | |
| 2-WIRE VOICE GRADE EXTENDED LOOP/ 2 WIRE VOICE GRADE INTEROFFICE TRANSPORT (EEL) | | | | | | | | | | | | | | | | | | | | | |
| | 2-WireVG Loop used with 2-wire VG Interoffice Transport Combination - Zone 1 | | 1 | UNCVX | UEAL2 | 16.68 | | | | | | | 105.98 | 68.43 | 53.05 | 10.61 | | | | | |
| | 2-WireVG Loop used with 2-wire VG Interoffice Transport Combination - Zone 2 | | 2 | UNCVX | UEAL2 | 23.13 | | | | | | | 105.98 | 68.43 | 53.05 | 10.61 | | | | | |
| | 2-WireVG Loop used with 2-wire VG Interoffice Transport Combination - Zone 3 | | 3 | UNCVX | UEAL2 | 28.46 | | | | | | | 105.98 | 68.43 | 53.05 | 10.61 | | | | | |
| | Interoffice Transport - Dedicated - 2-wire VG combination - Per Mile Per Month | | | UNCVX | 1L5XX | 0.0134 | | | | | | | | | | | | | | | |
| | Interoffice Transport - Dedicated - 2- Wire Voice Grade combination - Facility Termination per month | | | UNCVX | U1TV2 | 19.44 | | | | | | | 40.63 | 27.47 | 16.77 | 6.91 | | | | | |
| | Nonrecurring Currently Combined Network Elements Switch -As-Is Charge | | | UNCVX | UNCCC | | | | | | | | 5.61 | 5.61 | 7.00 | 7.00 | | | | | |
| 4-WIRE VOICE GRADE EXTENDED LOOP/ 4 WIRE VOICE GRADE INTEROFFICE TRANSPORT (EEL) | | | | | | | | | | | | | | | | | | | | | |
| | 4-WireVG Loop used with 4-wire VG Interoffice Transport Combination - Zone 1 | | 1 | UNCVX | UEAL4 | 32.59 | | | | | | | 132.38 | 94.83 | 59.35 | 14.61 | | | | | |
| | 4-WireVG Loop used with 4-wire VG Interoffice Transport Combination - Zone 2 | | 2 | UNCVX | UEAL4 | 43.89 | | | | | | | 132.38 | 94.83 | 59.35 | 14.61 | | | | | |
| | 4-WireVG Loop used with 4-wire VG Interoffice Transport Combination - Zone 3 | | 3 | UNCVX | UEAL4 | 43.38 | | | | | | | 132.38 | 94.83 | 59.35 | 14.61 | | | | | |
| | Interoffice Transport - Dedicated - 4-wire VG combination - Per Mile Per Month | | | UNCVX | 1L5XX | 0.0134 | | | | | | | | | | | | | | | |
| | Interoffice Transport - Dedicated - 4- Wire Voice Grade combination - Facility Termination per month | | | UNCVX | U1TV4 | 17.03 | | | | | | | 40.63 | 27.47 | 16.77 | 6.91 | | | | | |
| | Nonrecurring Currently Combined Network Elements Switch -As-Is Charge | | | UNCVX | UNCCC | | | | | | | | 5.61 | 5.61 | 7.00 | 7.00 | | | | | |
| DS3 DIGITAL EXTENDED LOOP WITH DEDICATED DS3 INTEROFFICE TRANSPORT (EEL) | | | | | | | | | | | | | | | | | | | | | |
| | High Capacity Unbundled Local Loop - DS3 combination - Per Mile per month | | | UNC3X | 1L5ND | 12.26 | | | | | | | | | | | | | | | |
| | High Capacity Unbundled Local Loop - DS3 combination - Facility Termination per month | | | UNC3X | UE3PX | 306.36 | | | | | | | 452.52 | 264.53 | 119.75 | 83.77 | | | | | |
| | Interoffice Transport - Dedicated - DS3 - Per Mile per month | | | UNC3X | 1L5XX | 6.42 | | | | | | | | | | | | | | | |
| | Interoffice Transport - Dedicated - DS3 combination - Facility Termination per per month | | | UNC3X | U1TF3 | 704.52 | | | | | | | 279.37 | 163.12 | 60.33 | 58.59 | | | | | |
| | Nonrecurring Currently Combined Network Elements Switch -As-Is Charge | | | UNC3X | UNCCC | | | | | | | | 5.61 | 5.61 | 7.00 | 7.00 | | | | | |
| STS1 DIGITAL EXTENDED LOOP WITH DEDICATED STS1 INTEROFFICE TRANSPORT (EEL) | | | | | | | | | | | | | | | | | | | | | |
| | High Capacity Unbundled Local Loop - STS1 combination - Per Mile per month | | | UNCSX | 1L5ND | 12.26 | | | | | | | | | | | | | | | |
| | High Capacity Unbundled Local Loop - STS1 combination - Facility Termination per month | | | UNCSX | UDLS1 | 313.49 | | | | | | | 452.52 | 264.53 | 119.75 | 83.77 | | | | | |
| | Interoffice Transport - Dedicated - STS1 combination - Per Mile per month | | | UNCSX | 1L5XX | 6.42 | | | | | | | | | | | | | | | |
| | Interoffice Transport - Dedicated - STS1 combination - Facility Termination per month | | | UNCSX | U1TFS | 704.44 | | | | | | | 279.37 | 163.12 | 60.33 | 58.59 | | | | | |

| UNBUNDLED NETWORK ELEMENTS - South Carolina | | | | | | | | | | | Attachment: 2 | | Exhibit: B | | | | | | | |
|--|---|---------|------|-------|-------|-----------|----------------------------------|--------------------------------------|--|--|---|---|---------------|--------------|-------|-------------------------|--|-------|-------|-------|
| CATEGORY | RATE ELEMENTS | Interim | Zone | BCS | USOC | RATES(\$) | Svc Order Submitted Elec per LSR | Svc Order Submitted Manually per LSR | Incremental Charge - Manual Svc Order vs. Electronic-1st | Incremental Charge - Manual Svc Order vs. Electronic-Add'l | Incremental Charge - Manual Svc Order vs. Electronic-Disc 1st | Incremental Charge - Manual Svc Order vs. Electronic-Disc Add'l | OSS Rates(\$) | | | | | | | |
| | | | | | | | | | | | | | Rec | Nonrecurring | | Nonrecurring Disconnect | | SOMEc | SOMAN | SOMAN |
| | | | | | | | | | | | | | First | Add'l | First | Add'l | | | | |
| | Nonrecurring Currently Combined Network Elements Switch -As-Is Charge | | | UNCSX | UNCCC | | | | | | | | 5.61 | 5.61 | 7.00 | 7.00 | | | | 15.69 |
| 2-WIRE ISDN EXTENDED LOOP WITH DS1 INTEROFFICE TRANSPORT (EEL) | | | | | | | | | | | | | | | | | | | | |
| | First 2-Wire ISDN Loop in a DS1 Interoffice Combination Transport - Zone 1 | | 1 | UNCNX | U1L2X | 25.21 | | | | | | | 117.58 | 80.03 | 53.05 | 10.61 | | | | 15.69 |
| | First 2-Wire ISDN Loop in a DS1 Interoffice Combination Transport - Zone 2 | | 2 | UNCNX | U1L2X | 32.76 | | | | | | | 117.58 | 80.03 | 53.05 | 10.61 | | | | 15.69 |
| | First 2-Wire ISDN Loop in a DS1 Interoffice Combination Transport - Zone 3 | | 3 | UNCNX | U1L2X | 37.70 | | | | | | | 117.58 | 80.03 | 53.05 | 10.61 | | | | 15.69 |
| | Interoffice Transport - Dedicated - DS1 combination - Per Mile | | | UNC1X | 1L5XX | 0.27 | | | | | | | | | | | | | | |
| | Interoffice Transport - Dedicated - DS1 combination - Facility Termination per month | | | UNC1X | U1TF1 | 61.71 | | | | | | | 89.47 | 81.99 | 16.39 | 14.48 | | | | 15.69 |
| | Channelization - Channel System DS1 to DS0 combination - per month | | | UNC1X | MQ1 | 107.57 | | | | | | | 91.24 | 62.71 | 10.56 | 9.81 | | | | 15.69 |
| | 2-wire ISDN COCI (BRITE) - DS1 to DS0 Channel System combination - per month | | | UNCNX | UC1CA | 2.56 | | | | | | | 6.59 | 4.73 | | | | | | 15.69 |
| | Additional 2-wire ISDN Loop in same DS1 Interoffice Transport Combination - Zone 1 | | 1 | UNCNX | U1L2X | 25.21 | | | | | | | 117.58 | 80.03 | 53.05 | 10.61 | | | | 15.69 |
| | Additional 2-wire ISDN Loop in same DS1 Interoffice Transport Combination - Zone 2 | | 2 | UNCNX | U1L2X | 32.76 | | | | | | | 117.58 | 80.03 | 53.05 | 10.61 | | | | 15.69 |
| | Additional 2-wire ISDN Loop in same DS1 Interoffice Transport Combination - Zone 3 | | 3 | UNCNX | U1L2X | 37.70 | | | | | | | 117.58 | 80.03 | 53.05 | 10.61 | | | | 15.69 |
| | 2-wire ISDN COCI (BRITE) - DS1 to DS0 Channel System combination - per month | | | UNCNX | UC1CA | 2.56 | | | | | | | 6.59 | 4.73 | | | | | | 15.69 |
| | Nonrecurring Currently Combined Network Elements Switch -As-Is Charge | | | UNC1X | UNCCC | | | | | | | | 5.61 | 5.61 | 7.00 | 7.00 | | | | 15.69 |
| 4-WIRE DS1 DIGITAL EXTENDED LOOP WITH DEDICATED STS-1 INTEROFFICE TRANSPORT (EEL) | | | | | | | | | | | | | | | | | | | | |
| | First DS1 Loop in STS1 Interoffice Transport Combination - Zone 1 | | 1 | UNC1X | USLXX | 90.87 | | | | | | | 253.03 | 157.89 | 44.80 | 11.73 | | | | 15.69 |
| | First DS1 Loop in STS1 Interoffice Transport Combination - Zone 2 | | 2 | UNC1X | USLXX | 155.43 | | | | | | | 253.03 | 157.89 | 44.80 | 11.73 | | | | 15.69 |
| | First DS1 Loop in STS1 Interoffice Transport Combination - Zone 3 | | 3 | UNC1X | USLXX | 261.89 | | | | | | | 253.03 | 157.89 | 44.80 | 11.73 | | | | 15.69 |
| | Interoffice Transport - Dedicated - STS1 combination - Per Mile Per Month | | | UNCSX | 1L5XX | 6.42 | | | | | | | | | | | | | | |
| | Interoffice Transport - Dedicated - STS1 combination - Facility Termination | | | UNCSX | U1TFS | 704.44 | | | | | | | 279.37 | 163.12 | 60.33 | 58.59 | | | | 15.69 |
| | STS1 to DS1 Channel System combination per month | | | UNCSX | MQ3 | 144.02 | | | | | | | 178.54 | 94.18 | 33.33 | 31.90 | | | | 15.69 |
| | DS3 Interface Unit (DS1 COCI) combination per month | | | UNC1X | UC1D1 | 8.64 | | | | | | | 6.59 | 4.73 | | | | | | 15.69 |
| | Additional DS1 Loop in STS1 Interoffice Transport Combination - Zone 1 | | 1 | UNC1X | USLXX | 90.87 | | | | | | | 253.03 | 157.89 | 44.80 | 11.73 | | | | 15.69 |
| | Additional DS1 Loop in STS1 Interoffice Transport Combination - Zone 2 | | 2 | UNC1X | USLXX | 155.43 | | | | | | | 253.03 | 157.89 | 44.80 | 11.73 | | | | 15.69 |
| | Additional DS1 Loop in STS1 Interoffice Transport Combination - Zone 3 | | 3 | UNC1X | USLXX | 261.89 | | | | | | | 253.03 | 157.89 | 44.80 | 11.73 | | | | 15.69 |
| | DS3 Interface Unit (DS1 COCI) combination per month | | | UNC1X | UC1D1 | 8.64 | | | | | | | 6.59 | 4.73 | | | | | | 15.69 |
| | Nonrecurring Currently Combined Network Elements Switch -As-Is Charge | | | UNCSX | UNCCC | | | | | | | | 5.61 | 5.61 | 7.00 | 7.00 | | | | 15.69 |
| 4-WIRE 56 KBPS DIGITAL EXTENDED LOOP WITH 56 KBPS INTEROFFICE TRANSPORT (EEL) | | | | | | | | | | | | | | | | | | | | |
| | 4-wire 56 kbps Loop/4-wire 56 kbps Interoffice Transport Combination - Zone 1 | | 1 | UNCDX | UDL56 | 29.93 | | | | | | | 126.66 | 89.12 | 59.35 | 14.61 | | | | 15.69 |
| | 4-wire 56 kbps Loop/4-wire 56 kbps Interoffice Transport Combination - Zone 2 | | 2 | UNCDX | UDL56 | 33.99 | | | | | | | 126.66 | 89.12 | 59.35 | 14.61 | | | | 15.69 |
| | 4-wire 56 kbps Loop/4-wire 56 kbps Interoffice Transport Combination - Zone 3 | | 3 | UNCDX | UDL56 | 34.74 | | | | | | | 126.66 | 89.12 | 59.35 | 14.61 | | | | 15.69 |
| | Interoffice Transport - Dedicated - 4-wire 56 kbps combination - Per Mile | | | UNCDX | 1L5XX | 0.0134 | | | | | | | | | | | | | | |
| | Interoffice Transport - Dedicated - 4-wire 56 kbps combination - Facility Termination | | | UNCDX | U1TD5 | 13.41 | | | | | | | 40.63 | 27.47 | 16.77 | 6.91 | | | | 15.69 |

| UNBUNDLED NETWORK ELEMENTS - South Carolina | | | | | | | | | | | Attachment: 2 | | Exhibit: B | | | | | | | |
|---|--|---------|------|-------|-------|-----------|----------------------------------|--------------------------------------|--|--|---|---|---------------|--------------|--------|-------------------------|--|-------|-------|-------|
| CATEGORY | RATE ELEMENTS | Interim | Zone | BCS | USOC | RATES(\$) | Svc Order Submitted Elec per LSR | Svc Order Submitted Manually per LSR | Incremental Charge - Manual Svc Order vs. Electronic-1st | Incremental Charge - Manual Svc Order vs. Electronic-Add'l | Incremental Charge - Manual Svc Order vs. Electronic-Disc 1st | Incremental Charge - Manual Svc Order vs. Electronic-Disc Add'l | OSS Rates(\$) | | | | | | | |
| | | | | | | | | | | | | | Rec | Nonrecurring | | Nonrecurring Disconnect | | SOMEc | SOMAN | SOMAN |
| | | | | | | | | | | | | | First | Add'l | First | Add'l | | | | |
| | Nonrecurring Currently Combined Network Elements Switch -As-Is Charge | | | UNCDX | UNCCC | | | | | | | | 5.61 | 5.61 | 7.00 | 7.00 | | | | 15.69 |
| 4-WIRE 64 KBPS DIGITAL EXTENDED LOOP WITH 64 KBPS INTEROFFICE TRANSPORT (EEL) | | | | | | | | | | | | | | | | | | | | |
| | 4-wire 64 kbps Loop/4-wire 64 kbps Interoffice Transport Combination - Zone 1 | | 1 | UNCDX | UDL64 | 29.93 | | | | | | | 126.66 | 89.12 | 59.35 | 14.61 | | | | 15.69 |
| | 4-wire 64 kbps Loop/4-wire 64 kbps Interoffice Transport Combination - Zone 2 | | 2 | UNCDX | UDL64 | 33.99 | | | | | | | 126.66 | 89.12 | 59.35 | 14.61 | | | | 15.69 |
| | 4-wire 64 kbps Loop/4-wire 64 kbps Interoffice Transport Combination - Zone 3 | | 3 | UNCDX | UDL64 | 34.74 | | | | | | | 126.66 | 89.12 | 59.35 | 14.61 | | | | 15.69 |
| | Interoffice Transport - Dedicated - 4-wire 64 kbps combination - Per Mile | | | UNCDX | 1L5XX | 0.0134 | | | | | | | | | | | | | | |
| | Interoffice Transport - Dedicated - 4-wire 64 kbps combination - Facility Termination | | | UNCDX | U1TD6 | 13.41 | | | | | | | 40.63 | 27.47 | 16.77 | 6.91 | | | | 15.69 |
| | Nonrecurring Currently Combined Network Elements Switch -As-Is Charge | | | UNCDX | UNCCC | | | | | | | | 5.61 | 5.61 | 7.00 | 7.00 | | | | 15.69 |
| ADDITIONAL NETWORK ELEMENTS | | | | | | | | | | | | | | | | | | | | |
| When used as a part of a currently combined facility, the non-recurring charges do not apply, but a Switch As Is charge does apply. | | | | | | | | | | | | | | | | | | | | |
| When used as ordinarily combined network elements in South Carolina, the non-recurring charges apply and the Switch As Is Charge does not. | | | | | | | | | | | | | | | | | | | | |
| Node (SynchroNet) | | | | | | | | | | | | | | | | | | | | |
| Nonrecurring Currently Combined Network Elements "Switch As Is" Charge (One applies to each combination) | | | | | | | | | | | | | | | | | | | | |
| | Nonrecurring Currently Combined Network Elements Switch -As-Is Charge - 2 wire/4-Wire VG | | | UNCVX | UNCCC | | | | | | | | 5.61 | 5.61 | 7.00 | 7.00 | | | | 15.69 |
| | Nonrecurring Currently Combined Network Elements Switch -As-Is Charge - 56/64 kbps | | | UNCDX | UNCCC | | | | | | | | 5.61 | 5.61 | 7.00 | 7.00 | | | | 15.69 |
| | Nonrecurring Currently Combined Network Elements Switch -As-Is Charge - DS1 | | | UNC1X | UNCCC | | | | | | | | 5.61 | 5.61 | 7.00 | 7.00 | | | | 15.69 |
| | Nonrecurring Currently Combined Network Elements Switch -As-Is Charge - DS3 | | | UNC3X | UNCCC | | | | | | | | 5.61 | 5.61 | 7.00 | 7.00 | | | | 15.69 |
| | Nonrecurring Currently Combined Network Elements Switch -As-Is Charge - STS1 | | | UNCSX | UNCCC | | | | | | | | 5.61 | 5.61 | 7.00 | 7.00 | | | | 15.69 |
| NOTE: Local Channel - Dedicated Transport - minimum billing period - Below DS3=one month, DS3 and above=four months | | | | | | | | | | | | | | | | | | | | |
| | Local Channel - Dedicated - 2-Wire Voice Grade per month | | | UNCXV | ULDV2 | 15.33 | | | | | | | 193.53 | 33.24 | 36.72 | 3.21 | | | | 15.69 |
| | Local Channel - Dedicated - 4-Wire Voice Grade per month | | | UNCXV | ULDV4 | 16.54 | | | | | | | 193.97 | 33.68 | 37.19 | 3.68 | | | | 15.69 |
| | Local Channel - Dedicated - DS1 per month Zone 1 | | 1 | UNC1X | ULDF1 | 42.62 | | | | | | | 177.87 | 154.06 | 22.24 | 15.30 | | | | 15.69 |
| | Local Channel - Dedicated - DS1 Per Month Zone 2 | | 2 | UNC1X | ULDF1 | 70.32 | | | | | | | 177.87 | 154.06 | 22.24 | 15.30 | | | | 15.69 |
| | Local Channel - Dedicated - DS1- Per Month Zone 3 | | 3 | UNC1X | ULDF1 | 190.68 | | | | | | | 177.87 | 154.06 | 22.24 | 15.30 | | | | 15.69 |
| | Local Channel - Dedicated - DS3 - Per Mile per month | | | UNC3X | 1L5NC | 11.93 | | | | | | | | | | | | | | |
| | Local Channel - Dedicated - DS3 - Facility Termination per month | | | UNC3X | ULDF3 | 446.00 | | | | | | | 452.52 | 264.53 | 119.75 | 83.77 | | | | 15.69 |
| | Local Channel - Dedicated - STS-1- Per Mile per month | | | UNCSX | 1L5NC | 11.93 | | | | | | | | | | | | | | |
| | Local Channel - Dedicated - STS-1 - Facility Termination per month | | | UNCSX | ULDFS | 435.10 | | | | | | | 452.52 | 264.53 | 119.75 | 83.77 | | | | 15.69 |
| UNBUNDLED LOCAL EXCHANGE SWITCHING(PORTS) | | | | | | | | | | | | | | | | | | | | |
| Exchange Ports | | | | | | | | | | | | | | | | | | | | |
| NOTE: Although the Port Rate includes all available features in GA, KY, LA & TN, the desired features will need to be ordered using retail USOCs | | | | | | | | | | | | | | | | | | | | |
| 2-WIRE VOICE GRADE LINE PORT RATES (RES) | | | | | | | | | | | | | | | | | | | | |
| | Exchange Ports - 2-Wire Analog Line Port- Res. | | | UEPSR | UEPRL | 1.65 | | | | | | | 2.38 | 2.28 | 1.42 | 1.33 | | | | 15.69 |
| | Exchange Ports - 2-Wire Analog Line Port with Caller ID - Res. | | | UEPSR | UEPRC | 1.65 | | | | | | | 2.38 | 2.28 | 1.42 | 1.33 | | | | 15.69 |
| | Exchange Ports - 2-Wire Analog Line Port outgoing only - Res. | | | UEPSR | UEPRO | 1.65 | | | | | | | 2.38 | 2.28 | 1.42 | 1.33 | | | | 15.69 |
| | Exchange Ports - 2-Wire VG unbundled SC extended local dialing parity Port with Caller ID - Res. | | | UEPSR | UEPAU | 1.65 | | | | | | | 2.38 | 2.28 | 1.42 | 1.33 | | | | 15.69 |
| | Exchange Ports - 2-Wire VG unbundled South Carolina Area Calling port with Caller ID - Res (LW8) | | | UEPSR | UEPAJ | 1.65 | | | | | | | 2.38 | 2.28 | 1.42 | 1.33 | | | | 15.69 |
| | Exchange Ports - 2-Wire VG unbundled res, low usage line port with Caller ID (LUM) | | | UEPSR | UEPAP | 1.65 | | | | | | | 2.38 | 2.28 | 1.42 | 1.33 | | | | 15.69 |
| | Subsequent Activity | | | UEPSR | USASC | 0.00 | | | | | | | 0.00 | 0.00 | 0.00 | | | | | 15.69 |
| FEATURES | | | | | | | | | | | | | | | | | | | | |

| UNBUNDLED NETWORK ELEMENTS - South Carolina | | | | | | | | | | | Attachment: 2 | | Exhibit: B | | | | | | | |
|---|---|---------|------|-------|-------|-----------|----------------------------------|--------------------------------------|--|--|---|---|---------------|--------------|-------|-------------------------|--|-------|-------|-------|
| CATEGORY | RATE ELEMENTS | Interim | Zone | BCS | USOC | RATES(\$) | Svc Order Submitted Elec per LSR | Svc Order Submitted Manually per LSR | Incremental Charge - Manual Svc Order vs. Electronic-1st | Incremental Charge - Manual Svc Order vs. Electronic-Add'l | Incremental Charge - Manual Svc Order vs. Electronic-Disc 1st | Incremental Charge - Manual Svc Order vs. Electronic-Disc Add'l | OSS Rates(\$) | | | | | | | |
| | | | | | | | | | | | | | Rec | Nonrecurring | | Nonrecurring Disconnect | | SOMEc | SOMAN | SOMAN |
| | | | | | | | | | | | | | First | Add'l | First | Add'l | | | | |
| | All Available Vertical Features | | | UEPSR | UEPVF | 3.04 | | | | | | | 0.00 | 0.00 | | | | | | 15.69 |
| | 2-WIRE VOICE GRADE LINE PORT RATES (BUS) | | | | | | | | | | | | | | | | | | | |
| | Exchange Ports - 2-Wire Analog Line Port without Caller ID - Bus | | | UEPSB | UEPBL | 1.65 | | | | | | | 2.38 | 2.28 | 1.42 | 1.33 | | | | 15.69 |
| | Exchange Ports - 2-Wire VG unbundled Line Port with unbundled port with Caller+E484 ID - Bus. | | | UEPSB | UEPBC | 1.65 | | | | | | | 2.38 | 2.28 | 1.42 | 1.33 | | | | 15.69 |
| | Exchange Ports - 2-Wire Analog Line Port outgoing only - Bus. | | | UEPSB | UEPBO | 1.65 | | | | | | | 2.38 | 2.28 | 1.42 | 1.33 | | | | 15.69 |
| | Exchange Ports - 2-Wire VG unbundled SC extended local dialing parity Port with Caller ID - Bus. | | | UEPSB | UEPAZ | 1.65 | | | | | | | 2.38 | 2.28 | 1.42 | 1.33 | | | | 15.69 |
| | Exchange Ports - 2-Wire VG unbundled incoming only port with Caller ID - Bus | | | UEPSB | UEPB1 | 1.65 | | | | | | | 2.38 | 2.28 | 1.42 | 1.33 | | | | 15.69 |
| | Exchange Ports - 2-Wire VG unbundled South Carolina Bus Area Calling Port with Caller ID - Bus (LMB) | | | UEPSB | UEPAB | 1.65 | | | | | | | 2.38 | 2.28 | 1.42 | 1.33 | | | | 15.69 |
| | Subsequent Activity | | | UEPSB | USASC | 0.00 | | | | | | | 0.00 | 0.00 | | | | | | 15.69 |
| | FEATURES | | | | | | | | | | | | | | | | | | | |
| | All Available Vertical Features | | | UEPSB | UEPVF | 3.04 | | | | | | | 0.00 | 0.00 | | | | | | 15.69 |
| | All Available Vertical Features | | | UEPSB | UEPVF | 3.04 | | | | | | | 0.00 | 0.00 | | | | | | 15.69 |
| | EXCHANGE PORT RATES (DID & PBX) | | | | | | | | | | | | | | | | | | | |
| | 2-Wire VG Unbundled 2-Way PBX Trunk - Res | | | UEPSE | UEPRD | 1.65 | | | | | | | 31.34 | 14.88 | 13.97 | 0.90 | | | | 15.69 |
| | 2-Wire VG Line Side Unbundled 2-Way PBX Trunk - Bus | | | UEPSP | UEPPC | 1.65 | | | | | | | 31.34 | 14.88 | 13.97 | 0.90 | | | | 15.69 |
| | 2-Wire VG Line Side Unbundled Outward PBX Trunk - Bus | | | UEPSP | UEPPO | 1.65 | | | | | | | 31.34 | 14.88 | 13.97 | 0.90 | | | | 15.69 |
| | 2-Wire VG Line Side Unbundled Incoming PBX Trunk - Bus | | | UEPSP | UEPP1 | 1.65 | | | | | | | 31.34 | 14.88 | 13.97 | 0.90 | | | | 15.69 |
| | 2-Wire Analog Long Distance Terminal PBX Trunk - Bus | | | UEPSP | UEPLD | 1.65 | | | | | | | 31.34 | 14.88 | 13.97 | 0.90 | | | | 15.69 |
| | 2-Wire Voice Unbundled PBX LD Terminal Ports | | | UEPSP | UEPLD | 1.65 | | | | | | | 31.34 | 14.88 | 13.97 | 0.90 | | | | 15.69 |
| | 2-Wire Voice Unbundled 2-Way PBX Usage Port | | | UEPSP | UEPXA | 1.65 | | | | | | | 31.34 | 14.88 | 13.97 | 0.90 | | | | 15.69 |
| | 2-Wire Voice Unbundled PBX Toll Terminal Hotel Ports | | | UEPSP | UEPXB | 1.65 | | | | | | | 31.34 | 14.88 | 13.97 | 0.90 | | | | 15.69 |
| | 2-Wire Voice Unbundled PBX LD DDD Terminals Port | | | UEPSP | UEPXC | 1.65 | | | | | | | 31.34 | 14.88 | 13.97 | 0.90 | | | | 15.69 |
| | 2-Wire Voice Unbundled PBX LD Terminal Switchboard Port | | | UEPSP | UEPXD | 1.65 | | | | | | | 31.34 | 14.88 | 13.97 | 0.90 | | | | 15.69 |
| | 2-Wire Voice Unbundled PBX LD Terminal Switchboard IDD Capable Port | | | UEPSP | UEPXE | 1.65 | | | | | | | 31.34 | 14.88 | 13.97 | 0.90 | | | | 15.69 |
| | 2-Wire Voice Unbundled 2-Way PBX Hotel/Hospital Economy Administrative Calling Port | | | UEPSP | UEPXL | 1.65 | | | | | | | 31.34 | 14.88 | 13.97 | 0.90 | | | | 15.69 |
| | 2-Wire Voice Unbundled 2-Way PBX Hotel/Hospital Economy Room Calling Port | | | UEPSP | UEPXM | 1.65 | | | | | | | 31.34 | 14.88 | 13.97 | 0.90 | | | | 15.69 |
| | 2-Wire Voice Unbundled 1-Way Outgoing PBX Hotel/Hospital Discount Room Calling Port | | | UEPSP | UEPXO | 1.65 | | | | | | | 31.34 | 14.88 | 13.97 | 0.90 | | | | 15.69 |
| | 2-Wire Voice Unbundled 1-Way Outgoing PBX Measured Port | | | UEPSP | UEPXS | 1.65 | | | | | | | 31.34 | 14.88 | 13.97 | 0.90 | | | | 15.69 |
| | 2-Wire Voice Unbundled 2-Way PBX South Carolina Area Plus Calling Port | | | UEPSP | UEPXT | 1.65 | | | | | | | 31.34 | 14.88 | 13.97 | 0.90 | | | | 15.69 |
| | Subsequent Activity | | | UEPSP | USASC | 0.00 | | | | | | | 0.00 | 0.00 | | | | | | 15.69 |
| | FEATURES | | | | | | | | | | | | | | | | | | | |
| | All Available Vertical Features | | | UEPSP | UEPSE | 3.04 | | | | | | | 0.00 | 0.00 | | | | | | 15.69 |
| | EXCHANGE PORT RATES (COIN) | | | | | | | | | | | | | | | | | | | |
| | Exchange Ports - Coin Port | | | | | 1.65 | | | | | | | 2.38 | 2.28 | 1.42 | 1.33 | | | | 15.69 |
| | Local Switching Features offered with Port | | | | | | | | | | | | | | | | | | | |
| | NOTE: Transmission/usage charges associated with POTS circuit switched usage will also apply to circuit switched voice and/or circuit switched data transmission by B-Channels associated with 2-wire ISDN ports. | | | | | | | | | | | | | | | | | | | |
| | NOTE: Access to B Channel or D Channel Packet capabilities will be available only through BFR/New Business Request Process. Rates for the packet capabilities will be determined via the Bona Fide Request/New Business Request Process. | | | | | | | | | | | | | | | | | | | |
| | UNBUNDLED LOCAL EXCHANGE SWITCHING(PORTS) | | | | | | | | | | | | | | | | | | | |
| | EXCHANGE PORT RATES (DID & PBX) | | | | | | | | | | | | | | | | | | | |
| | Exchange Ports - 2-Wire DID Port | | | UEPEX | UEPP2 | 8.86 | | | | | | | 119.57 | 18.78 | 60.03 | 3.77 | | | | 15.69 |
| | Exchange Ports - DDITS Port - 4-Wire DS1 Port with DID capability | | | UEPDD | UEPDD | 73.62 | | | | | | | 202.47 | 95.90 | 72.75 | 2.47 | | | | 15.69 |
| | Exchange Ports - 2-Wire ISDN Port (See Notes below.) | | | UEPTX | UEPSX | 13.38 | | | | | | | 72.93 | 53.11 | 47.90 | 10.76 | | | | 15.69 |
| | All Features Offered | | | UEPTX | UEPVF | 3.04 | | | | | | | 0.00 | 0.00 | | | | | | |
| | NOTE: Transmission/usage charges associated with POTS circuit switched usage will also apply to circuit switched voice and/or circuit switched data transmission by B-Channels associated with 2-wire ISDN ports. | | | | | | | | | | | | | | | | | | | |
| | NOTE: Access to B Channel or D Channel Packet capabilities will be available only through BFR/New Business Request Process. Rates for the packet capabilities will be determined via the Bona Fide Request/New Business Request Process. | | | | | | | | | | | | | | | | | | | |
| | Exchange Ports - 2-Wire ISDN Port -- Channel Profiles | | | UEPTX | UEPSX | 0.00 | | | | | | | 0.00 | 0.00 | | | | | | |
| | Exchange Ports - 4-Wire ISDN DS1 Port | | | UEPEX | UEPEX | 107.44 | | | | | | | 204.27 | 101.78 | 79.35 | 20.10 | | | | 15.69 |

| UNBUNDLED NETWORK ELEMENTS - South Carolina | | | | | | | | | | | Attachment: 2 | | Exhibit: B | | | | | | | | | | |
|---|---|---------|------|-------|-------|-----------|----------------------------------|--------------------------------------|--|--|---|---|------------|--------------|-------|-------------------------|-------|---------------|-------|-------|-------|-------|-------|
| CATEGORY | RATE ELEMENTS | Interim | Zone | BCS | USOC | RATES(\$) | Svc Order Submitted Elec per LSR | Svc Order Submitted Manually per LSR | Incremental Charge - Manual Svc Order vs. Electronic-1st | Incremental Charge - Manual Svc Order vs. Electronic-Add'l | Incremental Charge - Manual Svc Order vs. Electronic-Disc 1st | Incremental Charge - Manual Svc Order vs. Electronic-Disc Add'l | Rec | Nonrecurring | | Nonrecurring Disconnect | | OSS Rates(\$) | | | | | |
| | | | | | | | | | | | | | | First | Add'l | First | Add'l | SOMEc | SOMAN | SOMAN | SOMAN | SOMAN | SOMAN |
| UNBUNDLED LOCAL SWITCHING, PORT USAGE | | | | | | | | | | | | | | | | | | | | | | | |
| End Office Switching (Port Usage) | | | | | | | | | | | | | | | | | | | | | | | |
| | End Office Switching Function, Per MOU | | | | | 0.0010519 | | | | | | | | | | | | | | | | | |
| | End Office Trunk Port - Shared, Per MOU | | | | | 0.0002136 | | | | | | | | | | | | | | | | | |
| Tandem Switching (Port Usage) (Local or Access Tandem) | | | | | | | | | | | | | | | | | | | | | | | |
| | Tandem Switching Function Per MOU | | | | | 0.0001634 | | | | | | | | | | | | | | | | | |
| | Tandem Trunk Port - Shared, Per MOU | | | | | 0.0002863 | | | | | | | | | | | | | | | | | |
| Common Transport | | | | | | | | | | | | | | | | | | | | | | | |
| | Common Transport - Per Mile, Per MOU | | | | | 0.0000045 | | | | | | | | | | | | | | | | | |
| | Common Transport - Facilities Termination Per MOU | | | | | 0.0004095 | | | | | | | | | | | | | | | | | |
| UNBUNDLED PORT/LOOP COMBINATIONS - COST BASED RATES | | | | | | | | | | | | | | | | | | | | | | | |
| Cost Based Rates are applied where BellSouth is required by FCC and/or State Commission rule to provide Unbundled Local Switching or Switch Ports. | | | | | | | | | | | | | | | | | | | | | | | |
| Features shall apply to the Unbundled Port/Loop Combination - Cost Based Rate section in the same manner as they are applied to the Stand-Alone Unbundled Port section of this Rate Exhibit. | | | | | | | | | | | | | | | | | | | | | | | |
| End Office and Tandem Switching Usage and Common Transport Usage rates in the Port section of this rate exhibit shall apply to all combinations of loop/port network elements except for UNE Coin Port/Loop Combinations. | | | | | | | | | | | | | | | | | | | | | | | |
| For Georgia, Kentucky, Louisiana, Mississippi, South Carolina and Tennessee, the recurring UNE Port and Loop charges listed apply to Currently Combined and Not Currently Combined Combos. The first and additional Port nonrecurring charges apply to Not Currently Combined Combos for all states. In GA, KY, LA, MS, SC and TN these nonrecurring charges are commission ordered cost based rates and in AL, FL and NC these nonrecurring charges are Market Rates and are also listed in the Market Rate section. | | | | | | | | | | | | | | | | | | | | | | | |
| For Currently Combined Combos in all other states, the nonrecurring charges shall be those identified in the Nonrecurring - Currently Combined sections. | | | | | | | | | | | | | | | | | | | | | | | |
| 2-WIRE VOICE GRADE LOOP WITH 2-WIRE LINE PORT (RES) | | | | | | | | | | | | | | | | | | | | | | | |
| UNE Port/Loop Combination Rates | | | | | | | | | | | | | | | | | | | | | | | |
| | 2-Wire VG Loop/Port Combo - Zone 1 | | 1 | | | 14.89 | | | | | | | | | | | | | | | | | |
| | 2-Wire VG Loop/Port Combo - Zone 2 | | 2 | | | 21.52 | | | | | | | | | | | | | | | | | |
| | 2-Wire VG Loop/Port Combo - Zone 3 | | 3 | | | 27.17 | | | | | | | | | | | | | | | | | |
| UNE Loop Rates | | | | | | | | | | | | | | | | | | | | | | | |
| | 2-Wire Voice Grade Loop (SL1) - Zone 1 | | 1 | UEPRX | UEPLX | 13.76 | | | | | | | | | | | | | | | | | |
| | 2-Wire Voice Grade Loop (SL1) - Zone 2 | | 2 | UEPRX | UEPLX | 20.38 | | | | | | | | | | | | | | | | | |
| | 2-Wire Voice Grade Loop (SL1) - Zone 3 | | 3 | UEPRX | UEPLX | 26.04 | | | | | | | | | | | | | | | | | |
| 2-Wire Voice Grade Line Port Rates (Res) | | | | | | | | | | | | | | | | | | | | | | | |
| | 2-Wire voice unbundled port - residence | | | UEPRX | UEPRL | 1.13 | 37.93 | 16.72 | | | | | | | | | | | | | | | |
| | 2-Wire voice unbundled port with Caller ID - res | | | UEPRX | UEPRC | 1.13 | 37.93 | 16.72 | | | | | | | | | | | | | | | |
| | 2-Wire voice unbundled port outgoing only - res | | | UEPRX | UEPRO | 1.13 | 37.93 | 16.72 | | | | | | | | | | | | | | | |
| | 2-Wire voice Grade unbundled South Carolina extended local dialing parity port with Caller ID - res | | | UEPRX | UEPAU | 1.13 | 37.93 | 16.72 | | | | | | | | | | | | | | | |
| | 2-Wire voice unbundled South Carolina Area Calling port with Caller ID - res (LW8) | | | UEPRX | UEPAJ | 1.13 | 37.93 | 16.72 | | | | | | | | | | | | | | | |
| | 2-Wire voice unbundles res, low usage line port with Caller ID (LUM) | | | UEPRX | UEPAP | 1.13 | 37.93 | 16.72 | | | | | | | | | | | | | | | |
| FEATURES | | | | | | | | | | | | | | | | | | | | | | | |
| | All Features Offered | | | UEPRX | UEPVF | 3.04 | 0.00 | 0.00 | | | | | | | | | | | | | | | |
| LOCAL NUMBER PORTABILITY | | | | | | | | | | | | | | | | | | | | | | | |
| | Local Number Portability (1 per port) | | | UEPRX | LNPCX | 0.35 | | | | | | | | | | | | | | | | | |
| NONRECURRING CHARGES (NRCs) - CURRENTLY COMBINED | | | | | | | | | | | | | | | | | | | | | | | |
| | 2-Wire Voice Grade Loop / Line Port Combination - Conversion - Switch-as-is | | | UEPRX | USAC2 | | 0.10 | 0.10 | | | | | | | | | | | | | | | |
| | 2-Wire Voice Grade Loop / Line Port Combination - Conversion - Switch with change | | | UEPRX | USACC | | 0.10 | 0.10 | | | | | | | | | | | | | | | |
| ADDITIONAL NRCs | | | | | | | | | | | | | | | | | | | | | | | |
| | 2-Wire Voice Grade Loop/Line Port Combination - Subsequent Activity | | | UEPRX | USAS2 | 0.00 | 0.00 | 0.00 | | | | | | | | | | | | | | | |
| 2-WIRE VOICE GRADE LOOP WITH 2-WIRE LINE PORT (BUS) | | | | | | | | | | | | | | | | | | | | | | | |
| UNE Port/Loop Combination Rates | | | | | | | | | | | | | | | | | | | | | | | |
| | 2-Wire VG Loop/Port Combo - Zone 1 | | 1 | | | 14.89 | | | | | | | | | | | | | | | | | |
| | 2-Wire VG Loop/Port Combo - Zone 2 | | 2 | | | 21.52 | | | | | | | | | | | | | | | | | |
| | 2-Wire VG Loop/Port Combo - Zone 3 | | 3 | | | 27.17 | | | | | | | | | | | | | | | | | |
| UNE Loop Rates | | | | | | | | | | | | | | | | | | | | | | | |
| | 2-Wire Voice Grade Loop (SL1) - Zone 1 | | 1 | UEPBX | UEPLX | 13.76 | | | | | | | | | | | | | | | | | |
| | 2-Wire Voice Grade Loop (SL1) - Zone 2 | | 2 | UEPBX | UEPLX | 20.38 | | | | | | | | | | | | | | | | | |
| | 2-Wire Voice Grade Loop (SL1) - Zone 3 | | 3 | UEPBX | UEPLX | 26.04 | | | | | | | | | | | | | | | | | |
| 2-Wire Voice Grade Line Port (Bus) | | | | | | | | | | | | | | | | | | | | | | | |
| | 2-Wire voice unbundled port without Caller ID - bus | | | UEPBX | UEPBL | 1.13 | 37.93 | 16.72 | | | | | | | | | | | | | | | |

| UNBUNDLED NETWORK ELEMENTS - South Carolina | | | | | | | | | | | Attachment: 2 | | Exhibit: B | | | | | | | |
|---|---|---------|------|-------|-------|-----------|----------------------------------|--------------------------------------|--|--|---|---|---------------|--------------|-------|-------------------------|--|-------|-------|-------|
| CATEGORY | RATE ELEMENTS | Interim | Zone | BCS | USOC | RATES(\$) | Svc Order Submitted Elec per LSR | Svc Order Submitted Manually per LSR | Incremental Charge - Manual Svc Order vs. Electronic-1st | Incremental Charge - Manual Svc Order vs. Electronic-Add'l | Incremental Charge - Manual Svc Order vs. Electronic-Disc 1st | Incremental Charge - Manual Svc Order vs. Electronic-Disc Add'l | OSS Rates(\$) | | | | | | | |
| | | | | | | | | | | | | | Rec | Nonrecurring | | Nonrecurring Disconnect | | SOMEc | SOMAN | SOMAN |
| | | | | | | | | | | | | | First | Add'l | First | Add'l | | | | |
| | 2-Wire voice unbundled port with Caller + E484 ID - bus | | | UEPBX | UEPBC | 1.13 | | | | | | | 37.93 | 16.72 | | | | | | |
| | 2-Wire voice unbundled port outgoing only - bus | | | UEPBX | UEPBO | 1.13 | | | | | | | 37.93 | 16.72 | | | | | | |
| | 2-Wire voice Grade unbundled South Carolina extended local dialing parity port with Caller ID - bus | | | UEPBX | UEPAZ | 1.13 | | | | | | | 37.93 | 16.72 | | | | | | |
| | 2-Wire voice unbundled incoming only port with Caller ID - Bus | | | UEPBX | UEPB1 | 1.13 | | | | | | | 37.93 | 16.72 | | | | | | |
| | 2-Wire voice unbundled South Carolina Bus Area Calling Port with Caller ID (LMB) | | | UEPBX | UEPAB | 1.13 | | | | | | | 37.93 | 16.72 | | | | | | |
| | LOCAL NUMBER PORTABILITY | | | | | | | | | | | | | | | | | | | |
| | Local Number Portability (1 per port) | | | UEPBX | LNPCX | 0.35 | | | | | | | | | | | | | | |
| | FEATURES | | | | | | | | | | | | | | | | | | | |
| | All Features Offered | | | UEPBX | UEPVF | 3.04 | | | | | | | | | | | | | | 15.69 |
| | NONRECURRING CHARGES (NRCs) - CURRENTLY COMBINED | | | | | | | | | | | | | | | | | | | |
| | 2-Wire Voice Grade Loop / Line Port Combination - Conversion - Switch-as-is | | | UEPBX | USAC2 | | | | | | | | 0.10 | 0.10 | | | | | | 15.69 |
| | 2-Wire Voice Grade Loop / Line Port Combination - Conversion - Switch with change | | | UEPBX | USACC | | | | | | | | 0.10 | 0.10 | | | | | | 15.69 |
| | ADDITIONAL NRCs | | | | | | | | | | | | | | | | | | | |
| | 2-Wire Voice Grade Loop/Line Port Combination - Subsequent Activity | | | UEPBX | USAS2 | | | | | | | | 0.00 | 0.00 | | | | | | 15.69 |
| | 2-WIRE VOICE GRADE LOOP WITH 2-WIRE LINE PORT (RES - PBX) | | | | | | | | | | | | | | | | | | | |
| | UNE Port/Loop Combination Rates | | | | | | | | | | | | | | | | | | | |
| | 2-Wire VG Loop/Port Combo - Zone 1 | | 1 | | | | | | | | | | 14.89 | | | | | | | |
| | 2-Wire VG Loop/Port Combo - Zone 2 | | 2 | | | | | | | | | | 21.52 | | | | | | | |
| | 2-Wire VG Loop/Port Combo - Zone 3 | | 3 | | | | | | | | | | 27.17 | | | | | | | |
| | UNE Loop Rates | | | | | | | | | | | | | | | | | | | |
| | 2-Wire Voice Grade Loop (SL 1) - Zone 1 | | 1 | UEPRG | UEPLX | | | | | | | | 13.76 | | | | | | | |
| | 2-Wire Voice Grade Loop (SL 1) - Zone 2 | | 2 | UEPRG | UEPLX | | | | | | | | 20.38 | | | | | | | |
| | 2-Wire Voice Grade Loop (SL 1) - Zone 3 | | 3 | UEPRG | UEPLX | | | | | | | | 26.04 | | | | | | | |
| | 2-Wire Voice Grade Line Port Rates (RES - PBX) | | | | | | | | | | | | | | | | | | | |
| | 2-Wire VG Unbundled Combination 2-Way PBX Trunk Port - Res | | | UEPRG | UEPRD | 1.13 | | | | | | | 37.93 | 16.72 | | | | | | 15.69 |
| | LOCAL NUMBER PORTABILITY | | | | | | | | | | | | | | | | | | | |
| | Local Number Portability (1 per port) | | | UEPRG | LNPCP | 3.15 | | | | | | | 0.00 | 0.00 | | | | | | 15.69 |
| | FEATURES | | | | | | | | | | | | | | | | | | | |
| | All Features Offered | | | UEPRG | UEPVF | 3.04 | | | | | | | 0.00 | 0.00 | | | | | | 15.69 |
| | NONRECURRING CHARGES (NRCs) - CURRENTLY COMBINED | | | | | | | | | | | | | | | | | | | |
| | 2-Wire Voice Grade Loop/ Line Port Combination (PBX) - Conversion - Switch-As-Is | | | UEPRG | USAC2 | | | | | | | | 7.93 | 1.91 | | | | | | 15.69 |
| | 2-Wire Voice Grade Loop/ Line Port Combination (PBX) - Conversion - Switch with Change | | | UEPRG | USACC | | | | | | | | 7.93 | 1.91 | | | | | | 15.69 |
| | ADDITIONAL NRCs | | | | | | | | | | | | | | | | | | | |
| | 2-Wire Voice Grade Loop/ Line Port Combination (PBX) - Subsequent Activity | | | UEPRG | USAS2 | 0.00 | | | | | | | 0.00 | 0.00 | | | | | | 15.69 |
| | PBX Subsequent Activity - Change/Rearrange Multiline Hunt Group | | | | | | | | | | | | 7.34 | 7.34 | | | | | | 15.69 |
| | 2-WIRE VOICE GRADE LOOP WITH 2-WIRE LINE PORT (BUS - PBX) | | | | | | | | | | | | | | | | | | | |
| | UNE Port/Loop Combination Rates | | | | | | | | | | | | | | | | | | | |
| | 2-Wire VG Loop/Port Combo - Zone 1 | | 1 | | | | | | | | | | 14.89 | | | | | | | |
| | 2-Wire VG Loop/Port Combo - Zone 2 | | 2 | | | | | | | | | | 21.52 | | | | | | | |
| | 2-Wire VG Loop/Port Combo - Zone 3 | | 3 | | | | | | | | | | 27.17 | | | | | | | |
| | UNE Loop Rates | | | | | | | | | | | | | | | | | | | |
| | 2-Wire Voice Grade Loop (SL 1) - Zone 1 | | 1 | UEPPX | UEPLX | | | | | | | | 13.76 | | | | | | | |
| | 2-Wire Voice Grade Loop (SL 1) - Zone 2 | | 2 | UEPPX | UEPLX | | | | | | | | 20.38 | | | | | | | |
| | 2-Wire Voice Grade Loop (SL 1) - Zone 3 | | 3 | UEPPX | UEPLX | | | | | | | | 26.04 | | | | | | | |
| | 2-Wire Voice Grade Line Port Rates (BUS - PBX) | | | | | | | | | | | | | | | | | | | |
| | Line Side Unbundled Combination 2-Way PBX Trunk Port - Bus | | | UEPPX | UEPPC | 1.13 | | | | | | | 37.93 | 16.72 | | | | | | 15.69 |
| | Line Side Unbundled Outward PBX Trunk Port - Bus | | | UEPPX | UEPPO | 1.13 | | | | | | | 37.93 | 16.72 | | | | | | 15.69 |
| | Line Side Unbundled Incoming PBX Trunk Port - Bus | | | UEPPX | UEPP1 | 1.13 | | | | | | | 37.93 | 16.72 | | | | | | 15.69 |

| UNBUNDLED NETWORK ELEMENTS - South Carolina | | | | | | | | | | | Attachment: 2 | | Exhibit: B | | | | | | | |
|---|---|---------|------|-------|-------|-----------|----------------------------------|--------------------------------------|--|--|---|---|---------------|--------------------|--------------------|-------------------------------|-------------------------------|-------|-------|-------|
| CATEGORY | RATE ELEMENTS | Interim | Zone | BCS | USOC | RATES(\$) | Svc Order Submitted Elec per LSR | Svc Order Submitted Manually per LSR | Incremental Charge - Manual Svc Order vs. Electronic-1st | Incremental Charge - Manual Svc Order vs. Electronic-Add'l | Incremental Charge - Manual Svc Order vs. Electronic-Disc 1st | Incremental Charge - Manual Svc Order vs. Electronic-Disc Add'l | OSS Rates(\$) | | | | | | | |
| | | | | | | | | | | | | | Rec | Nonrecurring First | Nonrecurring Add'l | Nonrecurring Disconnect First | Nonrecurring Disconnect Add'l | SOMEc | SOMAN | SOMAN |
| | 2-Wire Voice Unbundled PBX LD Terminal Ports | | | UEPPX | UEPLD | 1.13 | 37.93 | 16.72 | | | | | | | | | | | | |
| | 2-Wire Voice Unbundled 2-Way Combination PBX Usage Port | | | UEPPX | UEPXA | 1.13 | 37.93 | 16.72 | | | | | | | | | | | | |
| | 2-Wire Voice Unbundled PBX Toll Terminal Hotel Ports | | | UEPPX | UEPXB | 1.13 | 37.93 | 16.72 | | | | | | | | | | | | |
| | 2-Wire Voice Unbundled PBX LD DDD Terminals Port | | | UEPPX | UEPXC | 1.13 | 37.93 | 16.72 | | | | | | | | | | | | |
| | 2-Wire Voice Unbundled PBX LD Terminal Switchboard Port | | | UEPPX | UEPXD | 1.13 | 37.93 | 16.72 | | | | | | | | | | | | |
| | 2-Wire Voice Unbundled PBX LD Terminal Switchboard IDD Capable Port | | | UEPPX | UEPXE | 1.13 | 37.93 | 16.72 | | | | | | | | | | | | |
| | 2-Wire Voice Unbundled 2-Way PBX Hotel/Hospital Economy Administrative Calling Port | | | UEPPX | UEPXL | 1.13 | 37.93 | 16.72 | | | | | | | | | | | | |
| | 2-Wire Voice Unbundled 2-Way PBX Hotel/Hospital Economy Room Calling Port | | | UEPPX | UEPXM | 1.13 | 37.93 | 16.72 | | | | | | | | | | | | |
| | 2-Wire Voice Unbundled 1-Way Outgoing PBX Hotel/Hospital Discount Room Calling Port | | | UEPPX | UEPXO | 1.13 | 37.93 | 16.72 | | | | | | | | | | | | |
| | 2-Wire Voice Unbundled 1-Way Outgoing PBX Measured Port | | | UEPPX | UEPXS | 1.13 | 37.93 | 16.72 | | | | | | | | | | | | |
| | 2-Wire Voice Unbundled 2-Way PBX South Carolina Area Plus Calling Port | | | UEPPX | UEPXT | 1.13 | 37.93 | 16.72 | | | | | | | | | | | | |
| | LOCAL NUMBER PORTABILITY | | | | | | | | | | | | | | | | | | | |
| | Local Number Portability (1 per port) | | | UEPPX | LNPCP | 3.15 | 0.00 | 0.00 | | | | | | | | | | | | |
| | FEATURES | | | | | | | | | | | | | | | | | | | |
| | All Features Offered | | | UEPPX | UEPVF | 3.04 | 0.00 | 0.00 | | | | | | | | | | | | |
| | NONRECURRING CHARGES (NRCs) - CURRENTLY COMBINED | | | | | | | | | | | | | | | | | | | |
| | 2-Wire Voice Grade Loop/ Line Port Combination (PBX) - Conversion - Switch-As-Is | | | UEPPX | USAC2 | | 7.93 | 1.91 | | | | | | | | | | | | |
| | 2-Wire Voice Grade Loop/ Line Port Combination (PBX) - Conversion - Switch with Change | | | UEPPX | USACC | | 7.93 | 1.91 | | | | | | | | | | | | |
| | ADDITIONAL NRCs | | | | | | | | | | | | | | | | | | | |
| | 2-Wire Voice Grade Loop/ Line Port Combination (PBX) - Subsequent Activity | | | UEPPX | USAS2 | 0.00 | 0.00 | 0.00 | | | | | | | | | | | | |
| | PBX Subsequent Activity - Change/Rearrange Multiline Hunt Group | | | | | | 7.34 | 7.34 | | | | | | | | | | | | |
| | 2-WIRE VOICE GRADE LOOP WITH 2-WIRE ANALOG LINE COIN PORT UNE Port/Loop Combination Rates | | | | | | | | | | | | | | | | | | | |
| | 2-Wire VG Coin Port/Loop Combo - Zone 1 | | 1 | | | | 14.89 | | | | | | | | | | | | | |
| | 2-Wire VG Coin Port/Loop Combo - Zone 2 | | 2 | | | | 21.52 | | | | | | | | | | | | | |
| | 2-Wire VG Coin Port/Loop Combo - Zone 3 | | 3 | | | | 27.17 | | | | | | | | | | | | | |
| | UNE Loop Rates | | | | | | | | | | | | | | | | | | | |
| | 2-Wire Voice Grade Loop (SL1) - Zone 1 | | 1 | UEPCO | UEPLX | | 13.76 | | | | | | | | | | | | | |
| | 2-Wire Voice Grade Loop (SL1) - Zone 2 | | 2 | UEPCO | UEPLX | | 20.38 | | | | | | | | | | | | | |
| | 2-Wire Voice Grade Loop (SL1) - Zone 3 | | 3 | UEPCO | UEPLX | | 26.04 | | | | | | | | | | | | | |
| | 2-Wire Voice Grade Line Ports (COIN) | | | | | | | | | | | | | | | | | | | |
| | 2-Wire Coin 2-Way without Operator Screening and without Blocking (SC) | | | UEPCO | UEPSD | 1.13 | 37.93 | 16.72 | | | | | | | | | | | | |
| | 2-Wire Coin 2-Way with Operator Screening and Blocking: 011, 900/976, 1+DDD (SC) | | | UEPCO | UEPSA | 1.13 | 37.93 | 16.72 | | | | | | | | | | | | |
| | 2-Wire Coin 2-Way with Operator Screening and 011 Blocking (SC) | | | UEPCO | UEPSH | 1.13 | 37.93 | 16.72 | | | | | | | | | | | | |
| | 2-Wire Coin 2-Way with Operator Screening and 011 Blocking; with Dialing Parity (SC) | | | UEPCO | UEPSC | 1.13 | 37.93 | 16.72 | | | | | | | | | | | | |
| | 2-Wire Coin 2-Way with Operator Screening and: 900 Blocking: 900/976, 1+DDD, 011+, and Local (SC) | | | UEPCO | UEPCC | 1.13 | 37.93 | 16.72 | | | | | | | | | | | | |
| | 2-Wire Coin 2-W Operator Screen: 900 Block: 900/976, 1+DDD, 011+, Local; Enhanced Call OPT 3YV (SC) | | | UEPCO | UEPCE | 1.13 | 37.93 | 16.72 | | | | | | | | | | | | |
| | 2-Wire Coin 2-W Operator Screen: 900 Block: 900/976, 1+DDD, 011+, Local; Enhanced Call OPT AP7 (SC) | | | UEPCO | UEPCF | 1.13 | 37.93 | 16.72 | | | | | | | | | | | | |
| | 2-Wire Coin Outward without Blocking and without Operator Screening (SC) | | | UEPCO | UEPSG | 1.13 | 37.93 | 16.72 | | | | | | | | | | | | |
| | 2-Wire Coin Outward with Operator Screening and 011 Blocking (SC) | | | UEPCO | UEPSF | 1.13 | 37.93 | 16.72 | | | | | | | | | | | | |

| UNBUNDLED NETWORK ELEMENTS - South Carolina | | | | | | | | | | Attachment: 2 | | Exhibit: B | |
|--|---|---------|------|-------|-------|-----------|----------------------------------|--------------------------------------|--|--|---|---|-----|
| CATEGORY | RATE ELEMENTS | Interim | Zone | BCS | USOC | RATES(\$) | Svc Order Submitted Elec per LSR | Svc Order Submitted Manually per LSR | Incremental Charge - Manual Svc Order vs. Electronic-1st | Incremental Charge - Manual Svc Order vs. Electronic-Add'l | Incremental Charge - Manual Svc Order vs. Electronic-Disc 1st | Incremental Charge - Manual Svc Order vs. Electronic-Disc Add'l | |
| | | | | | | | | | | | | | Rec |
| | | | | | | | | | | | | | |
| | 2-Wire Coin Outward with Operator Screening and Blocking: 011, 900/976, 1+DDD (SC) | | | UEPCO | UEPSJ | 1.13 | 37.93 | 16.72 | | | | 15.69 | |
| | 2-Wire Coin Outward with Operator Screening and Blocking: 900/976, 1+DDD, 011+, and Local (SC) | | | UEPCO | UEPCM | 1.13 | 37.93 | 16.72 | | | | 15.69 | |
| | 2-Wire Coin Out Operator Screen & Block: 900/976, 1+DDD, 011+, Local: Enhanced Calling OPT 3YW (SC) | | | UEPCO | UEPCP | 1.13 | 37.93 | 16.72 | | | | 15.69 | |
| | 2-Wire 2-Way Smartline with 900/976 (all states except LA) | | | UEPCO | UEPCK | 1.13 | 37.93 | 16.72 | | | | 15.69 | |
| | 2-Wire Coin Outward Smartline with 900/976 (all states except LA) | | | UEPCO | UEPCR | 1.13 | 37.93 | 16.72 | | | | 15.69 | |
| ADDITIONAL UNE COIN PORT/LOOP (RC) | | | | | | | | | | | | | |
| | UNE Coin Port/Loop Combo Usage (Flat Rate) | | | UEPCO | URECU | 4.05 | 37.93 | 16.72 | | | | 15.69 | |
| LOCAL NUMBER PORTABILITY | | | | | | | | | | | | | |
| | Local Number Portability (1 per port) | | | UEPCO | LNPCX | 0.35 | | | | | | | |
| NONRECURRING CHARGES - CURRENTLY COMBINED | | | | | | | | | | | | | |
| | 2-Wire Voice Grade Loop / Line Port Combination - Conversion - Switch-as-is | | | UEPCO | USAC2 | | 0.10 | 0.10 | | | | 15.69 | |
| | 2-Wire Voice Grade Loop / Line Port Combination - Conversion - Switch with change | | | UEPCO | USACC | | 0.10 | 0.10 | | | | 15.69 | |
| ADDITIONAL NRCs | | | | | | | | | | | | | |
| | 2-Wire Voice Grade Loop/Line Port Combination - Subsequent Activity | | | UEPCO | USAS2 | | 0.00 | 0.00 | | | | 15.69 | |
| UNBUNDLED REMOTE CALL FORWARDING - RES | | | | | | | | | | | | | |
| Non-Recurring | | | | | | | | | | | | | |
| UNBUNDLED REMOTE CALL FORWARDING - Bus | | | | | | | | | | | | | |
| | Unbundled Remote Call Forwarding, InterState/Intra LATA-Bus | | | UEPVB | UEPVJ | 1.65 | 2.38 | 2.28 | 1.42 | 1.33 | | 15.69 | |
| Non-Recurring | | | | | | | | | | | | | |
| 2-WIRE VOICE LOOP/ 2WIRE VOICE GRADE IO TRANSPORT/ 2-WIRE LINE PORT (RES) | | | | | | | | | | | | | |
| 2-WIRE VOICE LOOP/ 2WIRE VOICE GRADE IO TRANSPORT/ 2-WIRE LINE PORT (BUS) | | | | | | | | | | | | | |
| UNBUNDLED PORT/LOOP COMBINATIONS - COST BASED RATES | | | | | | | | | | | | | |
| 2-WIRE VOICE GRADE LOOP- BUS ONLY - WITH 2-WIRE DID TRUNK PORT | | | | | | | | | | | | | |
| UNE Port/Loop Combination Rates | | | | | | | | | | | | | |
| | 2-Wire VG Loop/2-Wire DID Trunk Port Combo - UNE Zone 1 | | 1 | | | | | | | | | 23.75 | |
| | 2-Wire VG Loop/2-Wire DID Trunk Port Combo - UNE Zone 2 | | 2 | | | | | | | | | 30.20 | |
| | 2-Wire VG Loop/2-Wire DID Trunk Port Combo - UNE Zone 3 | | 3 | | | | | | | | | 35.52 | |
| UNE Loop Rates | | | | | | | | | | | | | |
| | 2-Wire Analog Voice Grade Loop - (SL2) - UNE Zone 1 | | 1 | UEPPX | UECD1 | | 16.68 | | | | | | |
| | 2-Wire Analog Voice Grade Loop - (SL2) - UNE Zone 2 | | 2 | UEPPX | UECD1 | | 23.13 | | | | | | |
| | 2-Wire Analog Voice Grade Loop - (SL2) - UNE Zone 3 | | 3 | UEPPX | UECD1 | | 28.46 | | | | | | |
| UNE Port Rate | | | | | | | | | | | | | |
| | Exchange Ports - 2-Wire DID Port | | | UEPPX | UEPD1 | 7.06 | 225.55 | 87.21 | 113.08 | 14.38 | | 15.69 | |
| NONRECURRING CHARGES - CURRENTLY COMBINED | | | | | | | | | | | | | |
| | 2-Wire Voice Grade Loop / 2-Wire DID Trunk Port Combination - Switch-as-is | | | UEPPX | USAC1 | | 7.32 | 1.87 | | | | 15.69 | |
| | 2-Wire Voice Grade Loop / 2-Wire DID Trunk Port Conversion with BellSouth Allowable Changes | | | UEPPX | USA1C | | 7.32 | 1.87 | | | | 15.69 | |
| ADDITIONAL NRCs | | | | | | | | | | | | | |
| | 2-Wire DID Subsequent Activity - Add Trunks, Per Trunk | | | UEPPX | USAS1 | | 26.84 | | | | | 15.69 | |
| Telephone Number/Trunk Group Establishment Charges | | | | | | | | | | | | | |
| | DID Trunk Termination (One Per Port) | | | UEPPX | NDT | 0.00 | 0.00 | 0.00 | | | | 15.69 | |
| | DID Numbers, Establish Trunk Group and Provide First Group of 20 DID Numbers | | | UEPPX | NDZ | 0.00 | 0.00 | 0.00 | | | | 15.69 | |
| | Additional DID Numbers for each Group of 20 DID Numbers | | | UEPPX | ND4 | 0.00 | 0.00 | 0.00 | | | | 15.69 | |
| | DID Numbers, Non- consecutive DID Numbers , Per Number | | | UEPPX | ND5 | 0.00 | 0.00 | 0.00 | | | | 15.69 | |
| | Reserve Non-Consecutive DID numbers | | | UEPPX | ND6 | 0.00 | 0.00 | 0.00 | | | | 15.69 | |
| | Reserve DID Numbers | | | UEPPX | NDV | 0.00 | 0.00 | 0.00 | | | | 15.69 | |
| LOCAL NUMBER PORTABILITY | | | | | | | | | | | | | |
| | Local Number Portability (1 per port) | | | UEPPX | LNPCP | 3.15 | 0.00 | 0.00 | | | | | |
| 2-WIRE ISDN DIGITAL GRADE LOOP WITH 2-WIRE ISDN DIGITAL LINE SIDE PORT | | | | | | | | | | | | | |
| UNE Port/Loop Combination Rates | | | | | | | | | | | | | |

| UNBUNDLED NETWORK ELEMENTS - South Carolina | | | | | | | | | | Attachment: 2 | | Exhibit: B | | | | | | | | | | |
|---|---|---------|------|-------------------|------|-----------|----------------------------------|--------------------------------------|--|--|---|---|---------------|--------------|-------|-------------------------|--|-------|-------|-------|-------|-------|
| CATEGORY | RATE ELEMENTS | Interim | Zone | BCS | USOC | RATES(\$) | Svc Order Submitted Elec per LSR | Svc Order Submitted Manually per LSR | Incremental Charge - Manual Svc Order vs. Electronic-1st | Incremental Charge - Manual Svc Order vs. Electronic-Add'l | Incremental Charge - Manual Svc Order vs. Electronic-Disc 1st | Incremental Charge - Manual Svc Order vs. Electronic-Disc Add'l | OSS Rates(\$) | | | | | | | | | |
| | | | | | | | | | | | | | Rec | Nonrecurring | | Nonrecurring Disconnect | | SOMEC | SOMAN | SOMAN | SOMAN | SOMAN |
| | | | | | | | | | | | | | First | Add'l | First | Add'l | | | | | | |
| | 2W ISDN Digital Grade Loop/2W ISDN Digital Line Side Port - UNE Zone 1 | | 1 | UEPPB UEPPR | | 30.86 | | | | | | | | | | | | | | | | |
| | 2W ISDN Digital Grade Loop/2W ISDN Digital Line Side Port - UNE Zone 2 | | 2 | UEPPB UEPPR | | 38.60 | | | | | | | | | | | | | | | | |
| | 2W ISDN Digital Grade Loop/2W ISDN Digital Line Side Port - UNE Zone 3 | | 3 | UEPPB UEPPR | | 44.23 | | | | | | | | | | | | | | | | |
| UNE Loop Rates | | | | | | | | | | | | | | | | | | | | | | |
| | 2-Wire ISDN Digital Grade Loop - UNE Zone 1 | | 1 | UEPPB UEPPR USL2X | | 21.90 | | | | | | | | | | | | | | | | |
| | 2-Wire ISDN Digital Grade Loop - UNE Zone 2 | | 2 | UEPPB UEPPR USL2X | | 29.64 | | | | | | | | | | | | | | | | |
| | 2-Wire ISDN Digital Grade Loop - UNE Zone 3 | | 3 | UEPPB UEPPR USL2X | | 35.27 | | | | | | | | | | | | | | | | |
| UNE Port Rate | | | | | | | | | | | | | | | | | | | | | | |
| | Exchange Port - 2-Wire ISDN Line Side Port | | | UEPPB UEPPR UEPPB | | 8.96 | 190.51 | 133.14 | 100.95 | 21.37 | | | | | | | | | | | | |
| NONRECURRING CHARGES - CURRENTLY COMBINED | | | | | | | | | | | | | | | | | | | | | | |
| | 2-Wire ISDN Digital Grade Loop / 2-Wire ISDN Line Side Port Combination - Conversion | | | UEPPB UEPPR USACB | | 0.00 | 38.59 | 27.08 | | | | | | | | | | | | | | |
| ADDITIONAL NRCs | | | | | | | | | | | | | | | | | | | | | | |
| LOCAL NUMBER PORTABILITY | | | | | | | | | | | | | | | | | | | | | | |
| | Local Number Portability (1 per port) | | | UEPPB UEPPR LNPCX | | 0.35 | 0.00 | 0.00 | | | | | | | | | | | | | | |
| B-CHANNEL USER PROFILE ACCESS: | | | | | | | | | | | | | | | | | | | | | | |
| | CVS/CSD (DMS/5ESS) | | | UEPPB UEPPR U1UCA | | 0.00 | 0.00 | 0.00 | | | | | | | | | | | | | | |
| | CVS (EWSD) | | | UEPPB UEPPR U1UCB | | 0.00 | 0.00 | 0.00 | | | | | | | | | | | | | | |
| | CSD | | | UEPPB UEPPR U1UCC | | 0.00 | 0.00 | 0.00 | | | | | | | | | | | | | | |
| B-CHANNEL AREA PLUS USER PROFILE ACCESS: (AL,KY,LA,MS SC,MS, & TN) | | | | | | | | | | | | | | | | | | | | | | |
| | CVS/CSD (DMS/5ESS) | | | UEPPB UEPPR U1UCD | | 0.00 | 0.00 | 0.00 | | | | | | | | | | | | | | |
| | CVS (EWSD) | | | UEPPB UEPPR U1UCE | | 0.00 | 0.00 | 0.00 | | | | | | | | | | | | | | |
| | CSD | | | UEPPB UEPPR U1UCF | | 0.00 | 0.00 | 0.00 | | | | | | | | | | | | | | |
| USER TERMINAL PROFILE | | | | | | | | | | | | | | | | | | | | | | |
| | User Terminal Profile (EWSD only) | | | UEPPB UEPPR U1UMA | | 0.00 | 0.00 | 0.00 | | | | | | | | | | | | | | |
| VERTICAL FEATURES | | | | | | | | | | | | | | | | | | | | | | |
| | All Vertical Features - One per Channel B User Profile | | | UEPPB UEPPR UEPVF | | 3.04 | 0.00 | 0.00 | | | | | | | | | | | | | | |
| INTEROFFICE CHANNEL MILEAGE | | | | | | | | | | | | | | | | | | | | | | |
| | Interoffice Channel mileage each, including first mile and facilities termination | | | UEPPB UEPPR M1GNC | | 24.30 | 40.63 | 27.47 | 16.77 | 6.91 | | | | | | | | | | | | |
| | Interoffice Channel mileage each, additional mile | | | UEPPB UEPPR M1GNM | | 0.0167 | 0.00 | 0.00 | | | | | | | | | | | | | | |
| 4-WIRE DS1 DIGITAL LOOP WITH 4-WIRE ISDN DS1 DIGITAL TRUNK PORT | | | | | | | | | | | | | | | | | | | | | | |
| UNE Port/Loop Combination Rates | | | | | | | | | | | | | | | | | | | | | | |
| | 4W DS1 Digital Loop/4W ISDN DS1 Digital Trunk Port - UNE Zone 1 | | 1 | UEPPP | | 176.82 | | | | | | | | | | | | | | | | |
| | 4W DS1 Digital Loop/4W ISDN DS1 Digital Trunk Port - UNE Zone 2 | | 2 | UEPPP | | 241.38 | | | | | | | | | | | | | | | | |
| | 4W DS1 Digital Loop/4W ISDN DS1 Digital Trunk Port - UNE Zone 3 | | 3 | UEPPP | | 347.84 | | | | | | | | | | | | | | | | |
| UNE Loop Rates | | | | | | | | | | | | | | | | | | | | | | |
| | 4-Wire DS1 Digital Loop - UNE Zone 1 | | 1 | UEPPP USL4P | | 90.87 | | | | | | | | | | | | | | | | |
| | 4-Wire DS1 Digital Loop - UNE Zone 2 | | 2 | UEPPP USL4P | | 155.43 | | | | | | | | | | | | | | | | |
| | 4-Wire DS1 Digital Loop - UNE Zone 3 | | 3 | UEPPP USL4P | | 261.89 | | | | | | | | | | | | | | | | |
| UNE Port Rate | | | | | | | | | | | | | | | | | | | | | | |
| | Exchange Ports - 4-Wire ISDN DS1 Port | | | UEPPP UEPPP | | 85.95 | 457.30 | 259.67 | 124.15 | 31.83 | | | | | | | | | | | | |
| NONRECURRING CHARGES - CURRENTLY COMBINED | | | | | | | | | | | | | | | | | | | | | | |
| | 4-Wire DS1 Digital Loop / 4-Wire ISDN DS1 Digital Trunk Port Combination - Conversion -Switch-as-is | | | UEPPP USACP | | 0.00 | 119.34 | 78.73 | | | | | | | | | | | | | | |
| ADDITIONAL NRCs | | | | | | | | | | | | | | | | | | | | | | |
| | 4-Wire DS1 Loop/4-W ISDN Digit Trk Port - Subsqct Actvy-Inward/two way tel nos within Std Allowance (except NC) | | | UEPPP PR7TF | | | 0.49 | 0.49 | | | | | | | | | | | | | | |
| | 4-Wire DS1 Loop / 4-Wire ISDN DS1 Digital Trunk Port - Outward Tel Numbers (All States except NC) | | | UEPPP PR7TO | | | 11.54 | 11.54 | | | | | | | | | | | | | | |
| | 4-Wire DS1 Loop / 4-Wire ISDN DS1 Digital Trk Port - Subsequent Inward Tel Nos Above Std Allowance | | | UEPPP PR7ZT | | | 23.07 | 23.07 | | | | | | | | | | | | | | |

| UNBUNDLED NETWORK ELEMENTS - South Carolina | | | | | | | | | | Attachment: 2 | | Exhibit: B | | | | | | | | | | |
|---|--|---------|------|-------|-------|-----------|----------------------------------|--------------------------------------|--|--|---|---|---------------|--------------|-------|-------------------------|--|-------|-------|-------|-------|-------|
| CATEGORY | RATE ELEMENTS | Interim | Zone | BCS | USOC | RATES(\$) | Svc Order Submitted Elec per LSR | Svc Order Submitted Manually per LSR | Incremental Charge - Manual Svc Order vs. Electronic-1st | Incremental Charge - Manual Svc Order vs. Electronic-Add'l | Incremental Charge - Manual Svc Order vs. Electronic-Disc 1st | Incremental Charge - Manual Svc Order vs. Electronic-Disc Add'l | OSS Rates(\$) | | | | | | | | | |
| | | | | | | | | | | | | | Rec | Nonrecurring | | Nonrecurring Disconnect | | SOMEc | SOMAN | SOMAN | SOMAN | SOMAN |
| | | | | | | | | | | | | | First | Add'l | First | Add'l | | | | | | |
| LOCAL NUMBER PORTABILITY | | | | | | | | | | | | | | | | | | | | | | |
| | Local Number Portability (1 per port) | | | UEPPP | LNPCN | 1.75 | | | | | | | | | | | | | | | | |
| | Voice/Data | | | UEPPP | PR71V | 0.00 | 0.00 | 0.00 | | | | | | | | | | | | | | |
| | Digital Data | | | UEPPP | PR71D | 0.00 | 0.00 | 0.00 | | | | | | | | | | | | | | |
| | Inward Data | | | UEPPP | PR71E | 0.00 | 0.00 | 0.00 | | | | | | | | | | | | | | |
| New or Additional "B" Channel | | | | | | | | | | | | | | | | | | | | | | |
| | New or Additional - Voice/Data B Channel | | | UEPPP | PR7BV | 0.00 | 14.56 | | | | | | | | | | | | | | | |
| | New or Additional - Digital Data B Channel | | | UEPPP | PR7BF | 0.00 | 14.56 | | | | | | | | | | | | | | | |
| | New or Additional Inward Data B Channel | | | UEPPP | PR7BD | 0.00 | 14.56 | | | | | | | | | | | | | | | |
| CALL TYPES | | | | | | | | | | | | | | | | | | | | | | |
| | Inward | | | UEPPP | PR7C1 | 0.00 | 0.00 | 0.00 | | | | | | | | | | | | | | |
| | Outward | | | UEPPP | PR7C0 | 0.00 | 0.00 | 0.00 | | | | | | | | | | | | | | |
| | Two-way | | | UEPPP | PR7CC | 0.00 | 0.00 | 0.00 | | | | | | | | | | | | | | |
| Interoffice Channel Mileage | | | | | | | | | | | | | | | | | | | | | | |
| | Fixed Each Including First Mile | | | UEPPP | 1LN1A | 77.4815 | 89.47 | 81.99 | 16.39 | 14.48 | | | | | | | | | | | | |
| | Each Airline-Fractional Additional Mile | | | UEPPP | 1LN1B | 0.3415 | | | | | | | | | | | | | | | | |
| 4-WIRE DS1 DIGITAL LOOP WITH 4-WIRE DDITS TRUNK PORT | | | | | | | | | | | | | | | | | | | | | | |
| UNE Port/Loop Combination Rates | | | | | | | | | | | | | | | | | | | | | | |
| | 4W DS1 Digital Loop/4W DDITS Trunk Port - UNE Zone 1 | | 1 | UEPDC | | 149.77 | | | | | | | | | | | | | | | | |
| | 4W DS1 Digital Loop/4W DDITS Trunk Port - UNE Zone 2 | | 2 | UEPDC | | 214.33 | | | | | | | | | | | | | | | | |
| | 4W DS1 Digital Loop/4W DDITS Trunk Port - UNE Zone 3 | | 3 | UEPDC | | 320.78 | | | | | | | | | | | | | | | | |
| UNE Loop Rates | | | | | | | | | | | | | | | | | | | | | | |
| | 4-Wire DS1 Digital Loop - UNE Zone 1 | | 1 | UEPDC | USLDC | 90.87 | | | | | | | | | | | | | | | | |
| | 4-Wire DS1 Digital Loop - UNE Zone 2 | | 2 | UEPDC | USLDC | 155.43 | | | | | | | | | | | | | | | | |
| | 4-Wire DS1 Digital Loop - UNE Zone 3 | | 3 | UEPDC | USLDC | 261.89 | | | | | | | | | | | | | | | | |
| UNE Port Rate | | | | | | | | | | | | | | | | | | | | | | |
| | 4-Wire DDITS Digital Trunk Port | | | UEPDC | UDD1T | 58.90 | 455.50 | 253.79 | 117.55 | 14.20 | | | | | | | | | | | | |
| NONRECURRING CHARGES - CURRENTLY COMBINED | | | | | | | | | | | | | | | | | | | | | | |
| | 4-Wire DS1 Digital Loop / 4-Wire DDITS Trunk Port Combination - Switch-as-is | | | UEPDC | USAC4 | | 129.78 | 67.17 | | | | | | | | | | | | | | |
| | 4-Wire DS1 Digital Loop / 4-Wire DDITS Trunk Port Combination - Conversion with DS1 Changes | | | UEPDC | USAWA | | 129.78 | 67.17 | | | | | | | | | | | | | | |
| | 4-Wire DS1 Digital Loop / 4-Wire DDITS Trunk Port Combination - Conversion with Change - Trunk | | | UEPDC | USAWB | | 129.78 | 67.17 | | | | | | | | | | | | | | |
| ADDITIONAL NRCS | | | | | | | | | | | | | | | | | | | | | | |
| | 4-Wire DS1 Loop / 4-Wire DDITS Trunk Port - Subsequent Channel Activation/Chan - 1-Way Outward Trunk | | | UEPDC | UDTTB | | 14.51 | 14.51 | | | | | | | | | | | | | | |
| | 4-Wire DS1 Loop / 4-Wire DDITS Trunk Port - Subsqnt Channel Activation/Chan Inward Trunk w/out DID | | | UEPDC | UDTTC | | 14.51 | 14.51 | | | | | | | | | | | | | | |
| | 4-Wire DS1 Loop / 4-Wire DDITS Trunk Port - Subsqnt Chan Activation Per Chan - Inward Trunk with DID | | | UEPDC | UDTTD | | 14.51 | 14.51 | | | | | | | | | | | | | | |
| | 4-Wire DS1 Loop / 4-Wire DDITS Trunk Port - Subsqnt Chan Activation / Chan - 2-Way DID w User Trans | | | UEPDC | UDTTE | | 14.51 | 14.51 | | | | | | | | | | | | | | |
| BIPOLAR 8 ZERO SUBSTITUTION | | | | | | | | | | | | | | | | | | | | | | |
| | B8ZS - Superframe Format | | | UEPDC | CCOSF | | 0.00 | 605.00 | | | | | | | | | | | | | | |
| | B8ZS - Extended Superframe Format | | | UEPDC | CCOEF | | 0.00 | 605.00 | | | | | | | | | | | | | | |
| Alternate Mark Inversion | | | | | | | | | | | | | | | | | | | | | | |
| | AMI - Superframe Format | | | UEPDC | MCOSF | | 0.00 | 0.00 | | | | | | | | | | | | | | |
| | AMI - Extended SuperFrame Format | | | UEPDC | MCOPO | | 0.00 | 0.00 | | | | | | | | | | | | | | |
| Telephone Number/Trunk Group Establishment Charges | | | | | | | | | | | | | | | | | | | | | | |
| | Telephone Number for 2-Way Trunk Group | | | UEPDC | UDTGX | 0.00 | | | | | | | | | | | | | | | | |
| | Telephone Number for 1-Way Outward Trunk Group | | | UEPDC | UDTGY | 0.00 | | | | | | | | | | | | | | | | |
| | Telephone Number for 1-Way Inward Trunk Group Without DID | | | UEPDC | UDTGZ | 0.00 | | | | | | | | | | | | | | | | |
| | DID Numbers, Establish Trunk Group and Provide First Group of 20 DID Numbers | | | UEPDC | NDZ | 0.00 | 0.00 | 0.00 | | | | | | | | | | | | | | |
| | DID Numbers for each Group of 20 DID Numbers | | | UEPDC | ND4 | 0.00 | | | | | | | | | | | | | | | | |
| | DID Numbers, Non- consecutive DID Numbers , Per Number | | | UEPDC | ND5 | 0.00 | 0.00 | 0.00 | | | | | | | | | | | | | | |
| | Reserve Non-Consecutive DID Nos. | | | UEPDC | ND6 | 0.00 | 0.00 | 0.00 | | | | | | | | | | | | | | |
| | Reserve DID Numbers | | | UEPDC | NDV | 0.00 | 0.00 | 0.00 | | | | | | | | | | | | | | |

| UNBUNDLED NETWORK ELEMENTS - South Carolina | | | | | | | | | | | | Attachment: 2 | | Exhibit: B | | | | | | | | | | | | | |
|--|--|---------|------|-------|-------|-----------|----------------------------------|--------------------------------------|--|--|---|---|---------------|--------------|--|-------------------------|--|-------|-------|-------|-------|-------|-------|--|--|--|--|
| CATEGORY | RATE ELEMENTS | Interim | Zone | BCS | USOC | RATES(\$) | Svc Order Submitted Elec per LSR | Svc Order Submitted Manually per LSR | Incremental Charge - Manual Svc Order vs. Electronic-1st | Incremental Charge - Manual Svc Order vs. Electronic-Add'l | Incremental Charge - Manual Svc Order vs. Electronic-Disc 1st | Incremental Charge - Manual Svc Order vs. Electronic-Disc Add'l | OSS Rates(\$) | | | | | | | | | | | | | | |
| | | | | | | | | | | | | | Rec | Nonrecurring | | Nonrecurring Disconnect | | SOMEC | SOMAN | SOMAN | SOMAN | SOMAN | SOMAN | | | | |
| | | | | | | | First | Add'l | First | Add'l | | | | | | | | | | | | | | | | | |
| Dedicated DS1 (Interoffice Channel Mileage) - FX/FCO for 4-Wire DS1 Digital Loop with 4-Wire DDITS Trunk Port | | | | | | | | | | | | | | | | | | | | | | | | | | | |
| | Interoffice Channel Mileage - Fixed rate 0-8 miles (Facilities Termination) | | | UEPDC | 1LNO1 | 77.14 | 89.47 | 81.99 | 16.39 | 14.48 | | | 15.69 | | | | | | | | | | | | | | |
| | Interoffice Channel Mileage - Additional rate per mile - 0-8 miles | | | UEPDC | 1LNOA | 0.3415 | 0.00 | 0.00 | | | | | | | | | | | | | | | | | | | |
| | Interoffice Channel Mileage - Fixed rate 9-25 miles (Facilities Termination) | | | UEPDC | 1LNO2 | 0.00 | 0.00 | 0.00 | | | | | | | | | | | | | | | | | | | |
| | Interoffice Channel Mileage - Additional rate per mile - 9-25 miles | | | UEPDC | 1LNOB | 0.3415 | 0.00 | 0.00 | | | | | | | | | | | | | | | | | | | |
| | Interoffice Channel Mileage - Fixed rate 25+ miles (Facilities Termination) | | | UEPDC | 1LNO3 | 0.00 | 0.00 | 0.00 | | | | | | | | | | | | | | | | | | | |
| | Interoffice Channel Mileage - Additional rate per mile - 25+ miles | | | UEPDC | 1LNOC | 0.3415 | 0.00 | 0.00 | | | | | | | | | | | | | | | | | | | |
| | Local Number Portability, per DS0 Activated | | | UEPDC | LNPCP | 3.15 | 0.00 | 0.00 | | | | | | | | | | | | | | | | | | | |
| | Central Office Terminating Point | | | UEPDC | CTG | 0.00 | | | | | | | | | | | | | | | | | | | | | |
| 4-WIRE DS1 LOOP WITH CHANNELIZATION WITH PORT | | | | | | | | | | | | | | | | | | | | | | | | | | | |
| System is 1 DS1 Loop, 1 D4 Channel Bank, and up to 24 Feature Activations | | | | | | | | | | | | | | | | | | | | | | | | | | | |
| Each System can have up to 24 combinations of rates depending on type and number of ports used | | | | | | | | | | | | | | | | | | | | | | | | | | | |
| UNE DS1 Loop | | | | | | | | | | | | | | | | | | | | | | | | | | | |
| | 4-Wire DS1 Loop - UNE Zone 1 | | 1 | UEPMG | USLDC | 90.87 | 0.00 | 0.00 | | | | | | | | | | | | | | | | | | | |
| | 4-Wire DS1 Loop - UNE Zone 2 | | 2 | UEPMG | USLDC | 155.43 | 0.00 | 0.00 | | | | | | | | | | | | | | | | | | | |
| | 4-Wire DS1 Loop - UNE Zone 3 | | 3 | UEPMG | USLDC | 261.89 | 0.00 | 0.00 | | | | | | | | | | | | | | | | | | | |
| UNE DSO Channelization Capacities (D4 Channel Bank Configurations) | | | | | | | | | | | | | | | | | | | | | | | | | | | |
| | 24 DSO Channel Capacity - 1 per DS1 | | | UEPMG | VUM24 | 82.78 | 0.00 | 0.00 | | | | 15.69 | | | | | | | | | | | | | | | |
| | 48 DSO Channel Capacity - 1 per 2 DS1s | | | UEPMG | VUM48 | 165.56 | 0.00 | 0.00 | | | | 15.69 | | | | | | | | | | | | | | | |
| | 96 DSO Channel Capacity - 1 per 4 DS1s | | | UEPMG | VUM96 | 331.12 | 0.00 | 0.00 | | | | 15.69 | | | | | | | | | | | | | | | |
| | 144 DSO Channel Capacity - 1 per 6 DS1s | | | UEPMG | VUM14 | 496.68 | 0.00 | 0.00 | | | | 15.69 | | | | | | | | | | | | | | | |
| | 192 DSO Channel Capacity - 1 per 8 DS1s | | | UEPMG | VUM19 | 662.24 | 0.00 | 0.00 | | | | 15.69 | | | | | | | | | | | | | | | |
| | 240 DSO Channel Capacity - 1 per 10 DS1s | | | UEPMG | VUM20 | 827.80 | 0.00 | 0.00 | | | | 15.69 | | | | | | | | | | | | | | | |
| | 288 DSO Channel Capacity - 1 per 12 DS1s | | | UEPMG | VUM28 | 993.36 | 0.00 | 0.00 | | | | 15.69 | | | | | | | | | | | | | | | |
| | 384 DSO Channel Capacity - 1 per 16 DS1s | | | UEPMG | VUM38 | 1,324.48 | 0.00 | 0.00 | | | | 15.69 | | | | | | | | | | | | | | | |
| | 480 DSO Channel Capacity - 1 per 20 DS1s | | | UEPMG | VUM40 | 1,655.60 | 0.00 | 0.00 | | | | 15.69 | | | | | | | | | | | | | | | |
| | 576 DSO Channel Capacity - 1 per 24 DS1s | | | UEPMG | VUM57 | 1,986.72 | 0.00 | 0.00 | | | | 15.69 | | | | | | | | | | | | | | | |
| | 672 DSO Channel Capacity - 1 per 28 DS1s | | | UEPMG | VUM67 | 2,317.84 | 0.00 | 0.00 | | | | 15.69 | | | | | | | | | | | | | | | |
| Non-Recurring Charges (NRC) Associated with 4-Wire DS1 Loop with Channelization with Port - Conversion Charge Based on a System | | | | | | | | | | | | | | | | | | | | | | | | | | | |
| A Minimum System configuration is One (1) DS1, One (1) D4 Channel Bank, and Up To 24 DSO Ports with Feature Activations. | | | | | | | | | | | | | | | | | | | | | | | | | | | |
| Multiples of this configuration functioning as one are considered Add'l after the minimum system configuration is counted. | | | | | | | | | | | | | | | | | | | | | | | | | | | |
| | NRC - Conversion (Currently Combined) with or without BellSouth Allowed Changes | | | UEPMG | USAC4 | 0.00 | 150.81 | 8.38 | | | | 15.69 | | | | | | | | | | | | | | | |
| System Additions at End User Locations Where 4-Wire DS1 Loop with Channelization with Port Combination Currently Exists and | | | | | | | | | | | | | | | | | | | | | | | | | | | |
| New (Not Currently Combined) in GA, KY, LA, MS & TN Only | | | | | | | | | | | | | | | | | | | | | | | | | | | |
| | 1 DS1/D4 Channel Bank - Add NRC for each Port and Assoc Fea Activation - New GA, LA, KY, MS, & TN Only | | | UEPMG | VUMD4 | 0.00 | 717.71 | 425.81 | 149.08 | 17.69 | | 15.69 | | | | | | | | | | | | | | | |
| Bipolar 8 Zero Substitution | | | | | | | | | | | | | | | | | | | | | | | | | | | |
| | Clear Channel Capability Format, superframe - Subsequent Activity Only | | | UEPMG | CCOSF | 0.00 | 0.00 | 605.00 | | | | | | | | | | | | | | | | | | | |
| | Clear Channel Capability Format - Extended Superframe - Subsequent Activity Only | | | UEPMG | CCOEF | 0.00 | 0.00 | 605.00 | | | | | | | | | | | | | | | | | | | |
| Alternate Mark Inversion (AMI) | | | | | | | | | | | | | | | | | | | | | | | | | | | |
| | Superframe Format | | | UEPMG | MCOSE | 0.00 | 0.00 | 0.00 | | | | | | | | | | | | | | | | | | | |
| | Extended Superframe Format | | | UEPMG | MCOPO | 0.00 | 0.00 | 0.00 | | | | | | | | | | | | | | | | | | | |
| Exchange Ports Associated with 4-Wire DS1 Loop with Channelization with Port Exchange Ports | | | | | | | | | | | | | | | | | | | | | | | | | | | |
| | Line Side Combination Channelized PBX Trunk Port - Business | | | UEPPX | UEPCX | 1.13 | 0.00 | 0.00 | 0.00 | 0.00 | | 15.69 | | | | | | | | | | | | | | | |
| | Line Side Outward Channelized PBX Trunk Port - Business | | | UEPPX | UEPOX | 1.13 | 0.00 | 0.00 | 0.00 | 0.00 | | 15.69 | | | | | | | | | | | | | | | |
| | Line Side Inward Only Channelized PBX Trunk Port without DID | | | UEPPX | UEP1X | 1.13 | 0.00 | 0.00 | 0.00 | 0.00 | | 15.69 | | | | | | | | | | | | | | | |
| | 2-Wire Trunk Side Unbundled Channelized DID Trunk Port | | | UEPPX | UEPDM | 7.09 | 0.00 | 0.00 | 0.00 | 0.00 | | 15.69 | | | | | | | | | | | | | | | |

| UNBUNDLED NETWORK ELEMENTS - South Carolina | | | | | | | | | | Attachment: 2 | | Exhibit: B | | | |
|---|---|---------|------|-------|-------|-----------|--------------|-------|-------------------------|----------------------------------|--------------------------------------|--|--|---|---|
| CATEGORY | RATE ELEMENTS | Interim | Zone | BCS | USOC | RATES(\$) | | | | Svc Order Submitted Elec per LSR | Svc Order Submitted Manually per LSR | Incremental Charge - Manual Svc Order vs. Electronic-1st | Incremental Charge - Manual Svc Order vs. Electronic-Add'l | Incremental Charge - Manual Svc Order vs. Electronic-Disc 1st | Incremental Charge - Manual Svc Order vs. Electronic-Disc Add'l |
| | | | | | | Rec | Nonrecurring | | Nonrecurring Disconnect | | | | | | |
| | | | | | | | First | Add'l | First | Add'l | SOMEc | SOMAN | SOMAN | SOMAN | SOMAN |
| Feature Activations - Unbundled Loop Concentration | | | | | | | | | | | | | | | |
| | Feature (Service) Activation for each Line Side Port Terminated in D4 Bank | | | UEPPX | 1PQWM | 0.56 | 25.45 | 13.44 | 4.20 | 4.17 | | | 15.69 | | |
| | Feature (Service) Activation for each Trunk Side Port Terminated in D4 Bank | | | UEPPX | 1PQWU | 0.56 | 78.31 | 18.46 | 59.37 | 11.60 | | | 15.69 | | |
| Telephone Number/ Group Establishment Charges for DID Service | | | | | | | | | | | | | | | |
| | DID Trunk Termination (1 per Port) | | | UEPPX | NDT | 0.00 | 0.00 | 0.00 | | | | | | | |
| | Estab Trk Grp and Provide 1st 20 DID Nos. (FL,GA, NC,& SC) | | | UEPPX | NDZ | 0.00 | 0.00 | 0.00 | | | | | | | |
| | DID Numbers - groups of 20 - Valid all States | | | UEPPX | ND4 | 0.00 | 0.00 | 0.00 | | | | | | | |
| | Non-Consecutive DID Numbers - per number | | | UEPPX | ND5 | 0.00 | 0.00 | 0.00 | | | | | | | |
| | Reserve Non-Consecutive DID Numbers | | | UEPPX | ND6 | 0.00 | 0.00 | 0.00 | | | | | | | |
| | Reserve DID Numbers | | | UEPPX | NDV | 0.00 | 0.00 | 0.00 | | | | | | | |
| Local Number Portability | | | | | | | | | | | | | | | |
| | Local Number Portability - 1 per port | | | UEPPX | LNPCP | 3.15 | 0.00 | 0.00 | | | | | | | |
| FEATURES - Vertical and Optional | | | | | | | | | | | | | | | |
| Local Switching Features Offered with Line Side Ports Only | | | | | | | | | | | | | | | |
| | All Features Available | | | UEPPX | UEPVF | 3.04 | 0.00 | 0.00 | | | | | 15.69 | | |
| UNBUNDLED PORT LOOP COMBINATIONS - MARKET RATES | | | | | | | | | | | | | | | |
| Market Rates shall apply where BellSouth is not required to provide unbundled local switching or switch ports per FCC and/or State Commission rules. | | | | | | | | | | | | | | | |
| These scenarios include: | | | | | | | | | | | | | | | |
| 1. Unbundled port/loop combinations that are Not Currently Combined in Alabama, Florida and North Carolina. | | | | | | | | | | | | | | | |
| 2. Unbundled port/loop combinations that are Currently Combined or Not Currently Combined in Zone 1 of the Top 8 MSAs in BellSouth's region for end users with 4 or more DS0 equivalent lines. | | | | | | | | | | | | | | | |
| The Top 8 MSAs in BellSouth's region are: FL (Orlando, Ft. Lauderdale, Miami); GA (Atlanta); LA (New Orleans); NC (Greensboro-Winston Salem-Highpoint/Charlotte-Gastonia-Rock Hill); TN (Nashville). | | | | | | | | | | | | | | | |
| BellSouth currently is developing the billing capability to mechanically bill the recurring and non-recurring Market Rates in this section except for nonrecurring charges for not currently combined in AL, FL and NC. In the interim where BellSouth cannot bill Market Rates, BellSouth shall bill the rates in the Cost-Based section preceding in lieu of the Market Rates and reserves the right to true-up the billing difference. | | | | | | | | | | | | | | | |
| The Market Rate for unbundled ports includes all available features in all states. | | | | | | | | | | | | | | | |
| End Office and Tandem Switching Usage and Common Transport Usage rates in the Port section of this rate exhibit shall apply to all combinations of loop/port network elements except for UNE Coin Port/Loop Combinations which have a flat rate usage charge (USOC: URECU). | | | | | | | | | | | | | | | |
| For Not Currently Combined scenarios where Market Rates apply, the Nonrecurring charges are listed in the First and Additional NRC columns for each Port USOC. For Currently Combined scenarios, the Nonrecurring charges are listed in the NRC - Currently Combined section. Additional NRCs may apply also and are categorized accordingly. | | | | | | | | | | | | | | | |
| 2-WIRE VOICE GRADE LOOP WITH 2-WIRE LINE PORT (RES) | | | | | | | | | | | | | | | |
| UNE Port/Loop Combination Rates | | | | | | | | | | | | | | | |
| | 2-Wire VG Loop/Port Combo - Zone 1 | | 1 | | | 27.76 | | | | | | | | | |
| | 2-Wire VG Loop/Port Combo - Zone 2 | | 2 | | | 34.38 | | | | | | | | | |
| | 2-Wire VG Loop/Port Combo - Zone 3 | | 3 | | | 40.04 | | | | | | | | | |
| UNE Loop Rates | | | | | | | | | | | | | | | |
| | 2-Wire Voice Grade Loop (SL1) - Zone 1 | | 1 | UEPRX | UEPLX | 13.76 | | | | | | | | | |
| | 2-Wire Voice Grade Loop (SL1) - Zone 2 | | 2 | UEPRX | UEPLX | 20.38 | | | | | | | | | |
| | 2-Wire Voice Grade Loop (SL1) - Zone 3 | | 3 | UEPRX | UEPLX | 26.04 | | | | | | | | | |
| 2-Wire Voice Grade Line Port (Res) | | | | | | | | | | | | | | | |
| | 2-Wire voice unbundled port - residence | | | UEPRX | UEPRL | 14.00 | 90.00 | 90.00 | | | | | 15.69 | | |
| | 2-Wire voice unbundled port with Caller ID - res | | | UEPRX | UEPRC | 14.00 | 90.00 | 90.00 | | | | | 15.69 | | |
| | 2-Wire voice unbundled port outgoing only - res | | | UEPRX | UEPRO | 14.00 | 90.00 | 90.00 | | | | | 15.69 | | |
| | 2-Wire voice unbundles res, low usage line port with Caller ID (LUM) | | | UEPRX | UEPAP | 14.00 | 90.00 | 90.00 | | | | | 15.69 | | |
| LOCAL NUMBER PORTABILITY | | | | | | | | | | | | | | | |
| | Local Number Portability (1 per port) | | | UEPRX | LNPCX | 0.35 | | | | | | | | | |
| FEATURES | | | | | | | | | | | | | | | |
| | All Features Offered | | | UEPRX | UEPVF | 0.00 | 0.00 | 0.00 | | | | | 15.69 | | |
| ADDITIONAL NRCs | | | | | | | | | | | | | | | |
| | NRC - 2-Wire Voice Grade Loop/Line Port Combination - Subsequent | | | UEPRX | USAS2 | | 0.00 | 0.00 | | | | | 15.69 | | |
| 2-WIRE VOICE GRADE LOOP WITH 2-WIRE LINE PORT (BUS) | | | | | | | | | | | | | | | |
| UNE Port/Loop Combination Rates | | | | | | | | | | | | | | | |
| | 2-Wire VG Loop/Port Combo - Zone 1 | | 1 | | | 27.76 | | | | | | | | | |
| | 2-Wire VG Loop/Port Combo - Zone 2 | | 2 | | | 34.38 | | | | | | | | | |
| | 2-Wire VG Loop/Port Combo - Zone 3 | | 3 | | | 40.04 | | | | | | | | | |
| UNE Loop Rates | | | | | | | | | | | | | | | |
| | 2-Wire Voice Grade Loop (SL1) - Zone 1 | | 1 | UEPBX | UEPLX | 13.76 | | | | | | | | | |

| UNBUNDLED NETWORK ELEMENTS - South Carolina | | | | | | | | | | | Attachment: 2 | | Exhibit: B | | | | | | | |
|---|---|---------|------|-------|-------|-----------|----------------------------------|--------------------------------------|--|--|---|---|---------------|--------------|-------|-------------------------|--|-------|-------|-------|
| CATEGORY | RATE ELEMENTS | Interim | Zone | BCS | USOC | RATES(\$) | Svc Order Submitted Elec per LSR | Svc Order Submitted Manually per LSR | Incremental Charge - Manual Svc Order vs. Electronic-1st | Incremental Charge - Manual Svc Order vs. Electronic-Add'l | Incremental Charge - Manual Svc Order vs. Electronic-Disc 1st | Incremental Charge - Manual Svc Order vs. Electronic-Disc Add'l | OSS Rates(\$) | | | | | | | |
| | | | | | | | | | | | | | Rec | Nonrecurring | | Nonrecurring Disconnect | | SOMEc | SOMAN | SOMAN |
| | | | | | | | | | | | | | First | Add'l | First | Add'l | | | | |
| | 2-Wire Voice Grade Loop (SL1) - Zone 2 | | 2 | UEPBX | UEPLX | 20.38 | | | | | | | | | | | | | | |
| | 2-Wire Voice Grade Loop (SL1) - Zone 3 | | 3 | UEPBX | UEPLX | 26.04 | | | | | | | | | | | | | | |
| | 2-Wire Voice Grade Line Port (Bus) | | | | | | | | | | | | | | | | | | | |
| | 2-Wire voice unbundled port without Caller ID - bus | | | UEPBX | UEPBL | 14.00 | | | | | | | | | | | | | | |
| | 2-Wire voice unbundled port with Caller + E484 ID - bus | | | UEPBX | UEPBC | 14.00 | | | | | | | | | | | | | | |
| | 2-Wire voice unbundled port outgoing only - bus | | | UEPBX | UEPBO | 14.00 | | | | | | | | | | | | | | |
| | 2-Wire voice Grade unbundled South Carolina extended local dialing parity port with Caller ID - bus | | | UEPBX | UEPAZ | 14.00 | | | | | | | | | | | | | | |
| | 2-Wire voice unbundled South Carolina Bus Area Calling Port with Caller ID (LMB) | | | UEPBX | UEPAB | 14.00 | | | | | | | | | | | | | | |
| | LOCAL NUMBER PORTABILITY | | | | | | | | | | | | | | | | | | | |
| | Local Number Portability (1 per port) | | | UEPBX | LNPCX | 0.35 | | | | | | | | | | | | | | |
| | FEATURES | | | | | | | | | | | | | | | | | | | |
| | All Features Offered | | | UEPBX | UEPVF | 0.00 | | | | | | | | | | | | | | |
| | ADDITIONAL NRCs | | | | | | | | | | | | | | | | | | | |
| | NRC - 2-Wire Voice Grade Loop/Line Port Combination - Subsequent | | | UEPBX | USAS2 | | | | | | | | | | | | | | | |
| | 2-WIRE VOICE GRADE LOOP WITH 2-WIRE LINE PORT (RES - PBX) | | | | | | | | | | | | | | | | | | | |
| | UNE Port/Loop Combination Rates | | | | | | | | | | | | | | | | | | | |
| | 2-Wire VG Loop/Port Combo - Zone 1 | | 1 | | | 27.76 | | | | | | | | | | | | | | |
| | 2-Wire VG Loop/Port Combo - Zone 2 | | 2 | | | 34.38 | | | | | | | | | | | | | | |
| | 2-Wire VG Loop/Port Combo - Zone 3 | | 3 | | | 40.04 | | | | | | | | | | | | | | |
| | UNE Loop Rates | | | | | | | | | | | | | | | | | | | |
| | 2-Wire Voice Grade Loop (SL1) - Zone 1 | | 1 | UEPRG | UEPLX | 13.76 | | | | | | | | | | | | | | |
| | 2-Wire Voice Grade Loop (SL1) - Zone 2 | | 2 | UEPRG | UEPLX | 20.38 | | | | | | | | | | | | | | |
| | 2-Wire Voice Grade Loop (SL1) - Zone 3 | | 3 | UEPRG | UEPLX | 26.04 | | | | | | | | | | | | | | |
| | 2-Wire Voice Grade Line Port Rates (RES - PBX) | | | | | | | | | | | | | | | | | | | |
| | 2-Wire VG Unbundled Combination 2-Way PBX Trunk Port - Res | | | UEPRG | UEPRD | 14.00 | | | | | | | | | | | | | | |
| | LOCAL NUMBER PORTABILITY | | | | | | | | | | | | | | | | | | | |
| | Local Number Portability (1 per port) | | | UEPRG | LNPCP | 3.15 | | | | | | | | | | | | | | |
| | FEATURES | | | | | | | | | | | | | | | | | | | |
| | All Features Offered | | | UEPRG | UEPVF | 0.00 | | | | | | | | | | | | | | |
| | NONRECURRING CHARGES - CURRENTLY COMBINED | | | | | | | | | | | | | | | | | | | |
| | ADDITIONAL NRCs | | | | | | | | | | | | | | | | | | | |
| | 2 Wire Loop/Line Side Port Combination - Non feature - Subsequent Activity- Nonrecurring | | | | | | | | | | | | | | | | | | | |
| | PBX Subsequent Activity - Change/Rearrange Multiline Hunt Group | | | | | | | | | | | | | | | | | | | |
| | 2-WIRE VOICE GRADE LOOP WITH 2-WIRE LINE PORT (BUS - PBX) | | | | | | | | | | | | | | | | | | | |
| | UNE Port/Loop Combination Rates | | | | | | | | | | | | | | | | | | | |
| | 2-Wire VG Loop/Port Combo - Zone 1 | | 1 | | | 27.76 | | | | | | | | | | | | | | |
| | 2-Wire VG Loop/Port Combo - Zone 2 | | 2 | | | 34.38 | | | | | | | | | | | | | | |
| | 2-Wire VG Loop/Port Combo - Zone 3 | | 3 | | | 40.04 | | | | | | | | | | | | | | |
| | UNE Loop Rates | | | | | | | | | | | | | | | | | | | |
| | 2-Wire Voice Grade Loop (SL1) - Zone 1 | | 1 | UEPPX | UEPLX | 13.76 | | | | | | | | | | | | | | |
| | 2-Wire Voice Grade Loop (SL1) - Zone 2 | | 2 | UEPPX | UEPLX | 20.38 | | | | | | | | | | | | | | |
| | 2-Wire Voice Grade Loop (SL1) - Zone 3 | | 3 | UEPPX | UEPLX | 26.04 | | | | | | | | | | | | | | |
| | 2-Wire Voice Grade Line Port Rates (BUS - PBX) | | | | | | | | | | | | | | | | | | | |
| | Line Side Unbundled Combination 2-Way PBX Trunk Port - Bus | | | UEPPX | UEPPC | 14.00 | | | | | | | | | | | | | | |
| | Line Side Unbundled Outward PBX Trunk Port - Bus | | | UEPPX | UEPPO | 14.00 | | | | | | | | | | | | | | |
| | Line Side Unbundled Incoming PBX Trunk Port - Bus | | | UEPPX | UEPP1 | 14.00 | | | | | | | | | | | | | | |
| | 2-Wire Voice Unbundled PBX LD Terminal Ports | | | UEPPX | UEPLD | 14.00 | | | | | | | | | | | | | | |
| | 2-Wire Voice Unbundled 2-Way Combination PBX Usage Port | | | UEPPX | UEPXA | 14.00 | | | | | | | | | | | | | | |
| | 2-Wire Voice Unbundled PBX Toll Terminal Hotel Ports | | | UEPPX | UEPXB | 14.00 | | | | | | | | | | | | | | |
| | 2-Wire Voice Unbundled PBX LD DDD Terminals Port | | | UEPPX | UEPXC | 14.00 | | | | | | | | | | | | | | |
| | 2-Wire Voice Unbundled PBX LD Terminal Switchboard Port | | | UEPPX | UEPXD | 14.00 | | | | | | | | | | | | | | |

| UNBUNDLED NETWORK ELEMENTS - South Carolina | | | | | | | | | | Attachment: 2 | | Exhibit: B | | | | |
|---|---|---------|------|-------|-------|-----------|----------------------------------|--------------------------------------|--|--|---|---|-------|--------------|-------|-------------------------|
| CATEGORY | RATE ELEMENTS | Interim | Zone | BCS | USOC | RATES(\$) | Svc Order Submitted Elec per LSR | Svc Order Submitted Manually per LSR | Incremental Charge - Manual Svc Order vs. Electronic-1st | Incremental Charge - Manual Svc Order vs. Electronic-Add'l | Incremental Charge - Manual Svc Order vs. Electronic-Disc 1st | Incremental Charge - Manual Svc Order vs. Electronic-Disc Add'l | | | | |
| | | | | | | | | | | | | | Rec | Nonrecurring | | Nonrecurring Disconnect |
| | | | | | | | | | | | | | | | | |
| | | | | | | | | | | SOMEc | SOMAN | SOMAN | SOMAN | SOMAN | SOMAN | |
| | 2-Wire Voice Unbundled PBX LD Terminal Switchboard IDD Capable Port | | | UEPPX | UEPXE | 14.00 | | | 90.00 | 90.00 | | | | | 15.69 | |
| | 2-Wire Voice Unbundled 2-Way PBX Hotel/Hospital Economy Administrative Calling Port | | | UEPPX | UEPXL | 14.00 | | | 90.00 | 90.00 | | | | | 15.69 | |
| | 2-Wire Voice Unbundled 2-Way PBX Hotel/Hospital Economy Room Calling Port | | | UEPPX | UEPXM | 14.00 | | | 90.00 | 90.00 | | | | | 15.69 | |
| | 2-Wire Voice Unbundled 1-Way Outgoing PBX Hotel/Hospital Discount Room Calling Port | | | UEPPX | UEPXO | 14.00 | | | 90.00 | 90.00 | | | | | 15.69 | |
| | 2-Wire Voice Unbundled 1-Way Outgoing PBX Measured Port | | | UEPPX | UEPXS | 14.00 | | | 90.00 | 90.00 | | | | | 15.69 | |
| | LOCAL NUMBER PORTABILITY | | | | | | | | | | | | | | | |
| | Local Number Portability (1 per port) | | | UEPPX | LNPCP | 3.15 | | | 0.00 | 0.00 | | | | | | |
| | FEATURES | | | | | | | | | | | | | | | |
| | All Features Offered | | | UEPPX | UEPVF | 0.00 | | | 0.00 | 0.00 | | | | | 15.69 | |
| | NONRECURRING CHARGES - CURRENTLY COMBINED | | | | | | | | | | | | | | | |
| | ADDITIONAL NRCs | | | | | | | | | | | | | | | |
| | 2-Wire Voice Grade Loop/ Line Port Combination - Subsequent | | | UEPPX | USAS2 | | | | 0.00 | 0.00 | | | | | 15.69 | |
| | 2 Wire Loop/Line Side Port Combination - Non feature - Subsequent Activity- Nonrecurring | | | | | | | | 0.00 | 0.00 | | | | | 15.69 | |
| | PBX Subsequent Activity - Change/Rearrange Multiline Hunt Group | | | | | | | | 7.34 | 7.34 | | | | | 15.69 | |
| | 2-WIRE VOICE GRADE LOOP WITH 2-WIRE ANALOG LINE COIN PORT | | | | | | | | | | | | | | | |
| | UNE Port/Loop Combination Rates | | | | | | | | | | | | | | | |
| | 2-Wire VG Coin Port/Loop Combo – Zone 1 | | 1 | | | 27.76 | | | | | | | | | | |
| | 2-Wire VG Coin Port/Loop Combo – Zone 2 | | 2 | | | 34.38 | | | | | | | | | | |
| | 2-Wire VG Coin Port/Loop Combo – Zone 3 | | 3 | | | 40.04 | | | | | | | | | | |
| | UNE Loop Rates | | | | | | | | | | | | | | | |
| | 2-Wire Voice Grade Loop (SL1) - Zone 1 | | 1 | UEPCO | UEPLX | 13.76 | | | | | | | | | | |
| | 2-Wire Voice Grade Loop (SL1) - Zone 2 | | 2 | UEPCO | UEPLX | 20.38 | | | | | | | | | | |
| | 2-Wire Voice Grade Loop (SL1) - Zone 3 | | 3 | UEPCO | UEPLX | 26.04 | | | | | | | | | | |
| | 2-Wire Voice Grade Line Port Rates (Coin) | | | | | | | | | | | | | | | |
| | 2-Wire Coin 2-Way without Operator Screening and without Blocking (SC) | | | UEPCO | UEPSD | 14.00 | | | 90.00 | 90.00 | | | | | 15.69 | |
| | 2-Wire Coin 2-Way with Operator Screening and Blocking: 011, 900/976, 1+DDD (AL, KY, LA, MS, SC) | | | UEPCO | UEPRA | 14.00 | | | 90.00 | 90.00 | | | | | 15.69 | |
| | 2-Wire Coin 2-Way with Operator Screening and Blocking: 011, 900/976, 1+DDD (SC) | | | UEPCO | UEPSA | 14.00 | | | 90.00 | 90.00 | | | | | 15.69 | |
| | 2-Wire Coin 2-Way with Operator Screening and 011 Blocking (SC) | | | UEPCO | UEPSH | 14.00 | | | 90.00 | 90.00 | | | | | 15.69 | |
| | 2-Wire Coin 2-Way with Operator Screening and 011 Blocking; with Dialing Parity (SC) | | | UEPCO | UEPSC | 14.00 | | | 90.00 | 90.00 | | | | | 15.69 | |
| | 2-Wire Coin 2-Way with Operator Screening and Blocking: 900/976, 1+DDD, 011+, and Local (SC) | | | UEPCO | UEPCC | 14.00 | | | 90.00 | 90.00 | | | | | 15.69 | |
| | 2-Wire Coin 2-W Oper Screen & Blocking: 900/976, 1+DDD, 011+ & Local; Enhanced Calling OPT 3YV (SC) | | | UEPCO | UEPCE | 14.00 | | | 90.00 | 90.00 | | | | | 15.69 | |
| | 2-Wire Coin 2-W Oper Screen & Block: 900/976, 1+DDD, 011+, & Local; Enhanced Calling OPT AP7 (SC) | | | UEPCO | UEPCF | 14.00 | | | 90.00 | 90.00 | | | | | 15.69 | |
| | 2-Wire Coin Outward without Blocking and without Operator Screening (SC) | | | UEPCO | UEPSG | 14.00 | | | 90.00 | 90.00 | | | | | 15.69 | |
| | 2-Wire Coin Outward with Operator Screening and 011 Blocking (SC) | | | UEPCO | UEPSF | 14.00 | | | 90.00 | 90.00 | | | | | 15.69 | |
| | 2-Wire Coin Outward with Operator Screening and Blocking: 011, 900/976, 1+DDD (SC) | | | UEPCO | UEPSJ | 14.00 | | | 90.00 | 90.00 | | | | | 15.69 | |
| | 2-Wire Coin Outward with Operator Screening and Blocking: 900/976, 1+DDD, 011+, and Local (SC) | | | UEPCO | UEPCM | 14.00 | | | 90.00 | 90.00 | | | | | 15.69 | |
| | 2-Wire Coin Out Oper Screen & Block: 900/976, 1+DDD, 011+, & Local ; w/ Enhanced Call OPT 3YW (SC) | | | UEPCO | UEPCP | 14.00 | | | 90.00 | 90.00 | | | | | 15.69 | |
| | LOCAL NUMBER PORTABILITY | | | | | | | | | | | | | | | |
| | Local Number Portability (1 per port) | | | UEPCO | LNPCX | 0.35 | | | | | | | | | | |

| UNBUNDLED NETWORK ELEMENTS - South Carolina | | | | | | | | | | Attachment: 2 | | Exhibit: B | | | | | | | | | | | | |
|---|---|---------|------|-------|-------|-----------|----------------------------------|--------------------------------------|--|--|---|---|---------------|--------------|-------|-------------------------|--|-------|-------|-------|-------|-------|-------|--|
| CATEGORY | RATE ELEMENTS | Interim | Zone | BCS | USOC | RATES(\$) | Svc Order Submitted Elec per LSR | Svc Order Submitted Manually per LSR | Incremental Charge - Manual Svc Order vs. Electronic-1st | Incremental Charge - Manual Svc Order vs. Electronic-Add'l | Incremental Charge - Manual Svc Order vs. Electronic-Disc 1st | Incremental Charge - Manual Svc Order vs. Electronic-Disc Add'l | OSS Rates(\$) | | | | | | | | | | | |
| | | | | | | | | | | | | | Rec | Nonrecurring | | Nonrecurring Disconnect | | SOMEc | SOMAN | SOMAN | SOMAN | SOMAN | SOMAN | |
| | | | | | | | | | | | | | First | Add'l | First | Add'l | | | | | | | | |
| ADDITIONAL NRCs | | | | | | | | | | | | | | | | | | | | | | | | |
| | 2-Wire Voice Grade Loop/ Line Port Combination - Subsequent | | | UEPCO | USAS2 | 0.00 | 0.00 | | | | | | 15.69 | | | | | | | | | | | |
| UNBUNDLED PORT/LOOP COMBINATIONS - MARKET BASED RATES | | | | | | | | | | | | | | | | | | | | | | | | |
| 2-WIRE VOICE GRADE LOOP- BUS ONLY - WITH 2-WIRE DID TRUNK PORT | | | | | | | | | | | | | | | | | | | | | | | | |
| | 2-Wire VG Loop/2-Wire DID Trunk Port Combo - UNE Zone 1 | | 1 | | | 73.68 | | | | | | | | | | | | | | | | | | |
| | 2-Wire VG Loop/2-Wire DID Trunk Port Combo - UNE Zone 2 | | 2 | | | 80.13 | | | | | | | | | | | | | | | | | | |
| | 2-Wire VG Loop/2-Wire DID Trunk Port Combo - UNE Zone 3 | | 3 | | | 85.46 | | | | | | | | | | | | | | | | | | |
| UNE Loop Rates | | | | | | | | | | | | | | | | | | | | | | | | |
| | 2-Wire Analog Voice Grade Loop - (SL2) - Statewide | | sw | | | | | | | | | | | | | | | | | | | | | |
| | 2-Wire Analog Voice Grade Loop - (SL2) - UNE Zone 1 | | 1 | UEPPX | UECD1 | 16.68 | | | | | | | | | | | | | | | | | | |
| | 2-Wire Analog Voice Grade Loop - (SL2) - UNE Zone 2 | | 2 | UEPPX | UECD1 | 23.13 | | | | | | | | | | | | | | | | | | |
| | 2-Wire Analog Voice Grade Loop - (SL2) - UNE Zone 3 | | 3 | UEPPX | UECD1 | 28.46 | | | | | | | | | | | | | | | | | | |
| UNE Port Rate | | | | | | | | | | | | | | | | | | | | | | | | |
| | Exchange Ports - 2-Wire DID Port | | | UEPPX | UEPD1 | 57.00 | 600.00 | 75.00 | | | | | 15.69 | | | | | | | | | | | |
| NONRECURRING CHARGES - CURRENTLY COMBINED | | | | | | | | | | | | | | | | | | | | | | | | |
| | 2-Wire Voice Grade Loop / 2-Wire DID Trunk Port Combination - Switch-As-Is Top 8 MSAs only | | | UEPPX | USAC1 | 125.00 | 75.00 | | | | | | 15.69 | | | | | | | | | | | |
| | 2-Wire Voice Grade Loop / 2-Wire DID Trunk Port Conversion with BellSouth Allowable Changes Top 8 MSAs only | | | UEPPX | USA1C | 125.00 | 75.00 | | | | | | 15.69 | | | | | | | | | | | |
| ADDITIONAL NRCs | | | | | | | | | | | | | | | | | | | | | | | | |
| | 2-Wire DID Subsequent Activity - Add Trunks, Per Trunk | | | UEPPX | USAS1 | 53.68 | | | | | | | 15.69 | | | | | | | | | | | |
| Telephone Number/Trunk Group Establishment Charges | | | | | | | | | | | | | | | | | | | | | | | | |
| | DID Trunk Termination (One Per Port) | | | UEPPX | NDT | 0.00 | 0.00 | 0.00 | | | | | | | | | | | | | | | | |
| | DID Numbers, Establish Trunk Group and Provide First Group of 20 DID Numbers | | | UEPPX | NDZ | 0.00 | 0.00 | 0.00 | | | | | | | | | | | | | | | | |
| | Additional DID Numbers for each Group of 20 DID Numbers | | | UEPPX | ND4 | 0.00 | 0.00 | 0.00 | | | | | | | | | | | | | | | | |
| | DID Numbers, Non- consecutive DID Numbers , Per Number | | | UEPPX | ND5 | 0.00 | 0.00 | 0.00 | | | | | | | | | | | | | | | | |
| | Reserve Non-Consecutive DID numbers | | | UEPPX | ND6 | 0.00 | 0.00 | 0.00 | | | | | | | | | | | | | | | | |
| | Reserve DID Numbers | | | UEPPX | NDV | 0.00 | 0.00 | 0.00 | | | | | | | | | | | | | | | | |
| LOCAL NUMBER PORTABILITY | | | | | | | | | | | | | | | | | | | | | | | | |
| | Local Number Portability (1 per port) | | | UEPPX | LNPCP | 3.15 | 0.00 | 0.00 | | | | | | | | | | | | | | | | |
| 2-WIRE ISDN DIGITAL GRADE LOOP WITH 2-WIRE ISDN DIGITAL LINE SIDE PORT | | | | | | | | | | | | | | | | | | | | | | | | |
| UNE Port/Loop Combination Rates | | | | | | | | | | | | | | | | | | | | | | | | |
| | 2W ISDN Digital Grade Loop/2W ISDN Digital Line Side Port - UNE Zone 1 | | 1 | UEPPB | UEPPR | 76.90 | | | | | | | | | | | | | | | | | | |
| | 2W ISDN Digital Grade Loop/2W ISDN Digital Line Side Port - UNE Zone 2 | | 2 | UEPPB | UEPPR | 84.64 | | | | | | | | | | | | | | | | | | |
| | 2W ISDN Digital Grade Loop/2W ISDN Digital Line Side Port - UNE Zone 3 | | 3 | UEPPB | UEPPR | 90.27 | | | | | | | | | | | | | | | | | | |
| UNE Loop Rates | | | | | | | | | | | | | | | | | | | | | | | | |
| | 2-Wire ISDN Digital Grade Loop - Statewide | | sw | UEPPB | UEPPR | USL2X | | | | | | | | | | | | | | | | | | |
| | 2-Wire ISDN Digital Grade Loop - UNE Zone 1 | | 1 | UEPPB | UEPPR | USL2X | 21.90 | | | | | | | | | | | | | | | | | |
| | 2-Wire ISDN Digital Grade Loop - UNE Zone 2 | | 2 | UEPPB | UEPPR | USL2X | 29.64 | | | | | | | | | | | | | | | | | |
| | 2-Wire ISDN Digital Grade Loop - UNE Zone 3 | | 3 | UEPPB | UEPPR | USL2X | 35.27 | | | | | | | | | | | | | | | | | |
| UNE Port Rate | | | | | | | | | | | | | | | | | | | | | | | | |
| | Exchange Port - 2-Wire ISDN Line Side Port | | | UEPPB | UEPPR | UEPPB | 55.00 | 525.00 | 400.00 | | | | 15.69 | | | | | | | | | | | |
| NONRECURRING CHARGES - CURRENTLY COMBINED | | | | | | | | | | | | | | | | | | | | | | | | |
| | 2-Wire ISDN Digital Grade Loop / 2-Wire ISDN Line Side Port Combination - Conversion - Top 8 MSAs only | | | UEPPB | UEPPR | USACB | 0.00 | 225.00 | 225.00 | | | | 15.69 | | | | | | | | | | | |
| ADDITIONAL NRCs | | | | | | | | | | | | | | | | | | | | | | | | |
| LOCAL NUMBER PORTABILITY | | | | | | | | | | | | | | | | | | | | | | | | |
| | Local Number Portability (1 per port) | | | UEPPB | UEPPR | LNPCX | 0.35 | 0.00 | 0.00 | | | | | | | | | | | | | | | |
| B-CHANNEL USER PROFILE ACCESS: | | | | | | | | | | | | | | | | | | | | | | | | |
| | CVS/CSD (DMS/5ESS) | | | UEPPB | UEPPR | U1UCA | 0.00 | 0.00 | 0.00 | | | | | | | | | | | | | | | |
| | CVS (EWS) | | | UEPPB | UEPPR | U1UCB | 0.00 | 0.00 | 0.00 | | | | | | | | | | | | | | | |
| | CSD | | | UEPPB | UEPPR | U1UCC | 0.00 | 0.00 | 0.00 | | | | | | | | | | | | | | | |

| UNBUNDLED NETWORK ELEMENTS - South Carolina | | | | | | | | | | Attachment: 2 | | Exhibit: B | | | | | | | | | | | | |
|--|---|---------|------|-------|-------|-----------|----------------------------------|--------------------------------------|--|--|---|---|---------------|--------------|-------|-------------------------|-------|-------|-------|-------|-------|-------|-------|--|
| CATEGORY | RATE ELEMENTS | Interim | Zone | BCS | USOC | RATES(\$) | Svc Order Submitted Elec per LSR | Svc Order Submitted Manually per LSR | Incremental Charge - Manual Svc Order vs. Electronic-1st | Incremental Charge - Manual Svc Order vs. Electronic-Add'l | Incremental Charge - Manual Svc Order vs. Electronic-Disc 1st | Incremental Charge - Manual Svc Order vs. Electronic-Disc Add'l | OSS Rates(\$) | | | | | | | | | | | |
| | | | | | | | | | | | | | Rec | Nonrecurring | | Nonrecurring Disconnect | | SOMEc | SOMAN | SOMAN | SOMAN | SOMAN | SOMAN | |
| B-CHANNEL AREA PLUS USER PROFILE ACCESS: (AL,KY,LA,MS SC,MS, & TN) | | | | | | | | | | | | | First | Add'l | First | Add'l | SOMEc | SOMAN | SOMAN | SOMAN | SOMAN | SOMAN | | |
| | CVS/CSD (DMS/5ESS) | | | UEPPB | UEPPR | U1UCD | 0.00 | 0.00 | 0.00 | | | | | | | | | | | | | | | |
| | CVS (EWSD) | | | UEPPB | UEPPR | U1UCE | 0.00 | 0.00 | 0.00 | | | | | | | | | | | | | | | |
| | CSD | | | UEPPB | UEPPR | U1UCF | 0.00 | 0.00 | 0.00 | | | | | | | | | | | | | | | |
| USER TERMINAL PROFILE | | | | | | | | | | | | | | | | | | | | | | | | |
| | User Terminal Profile (EWSD only) | | | UEPPB | UEPPR | U1UMA | 0.00 | 0.00 | 0.00 | | | | | | | | | | | | | | | |
| VERTICAL FEATURES | | | | | | | | | | | | | | | | | | | | | | | | |
| | All Vertical Features - One per Channel B User Profile | | | UEPPB | UEPPR | UEPVF | 3.04 | 0.00 | 0.00 | | | | | | | | | | | | | | | |
| INTEROFFICE CHANNEL MILEAGE | | | | | | | | | | | | | | | | | | | | | | | | |
| | Interoffice Channel mileage each, including first mile and facilities termination | | | UEPPB | UEPPR | M1GNC | 24.30 | 60.00 | 40.00 | 25.00 | 10.00 | 15.69 | | | | | | | | | | | | |
| | Interoffice Channel mileage each, additional mile | | | UEPPB | UEPPR | M1GNM | 0.0167 | 0.00 | 0.00 | | | | | | | | | | | | | | | |
| 4-WIRE DS1 DIGITAL LOOP WITH 4-WIRE ISDN DS1 DIGITAL TRUNK PORT | | | | | | | | | | | | | | | | | | | | | | | | |
| UNE Port/Loop Combination Rates | | | | | | | | | | | | | | | | | | | | | | | | |
| | 4W DS1 Digital Loop/4W ISDN DS1 Digital Trunk Port - UNE Zone 1 | | 1 | UEPPP | | | 940.87 | | | | | | | | | | | | | | | | | |
| | 4W DS1 Digital Loop/4W ISDN DS1 Digital Trunk Port - UNE Zone 2 | | 2 | UEPPP | | | 1,005.43 | | | | | | | | | | | | | | | | | |
| | 4W DS1 Digital Loop/4W ISDN DS1 Digital Trunk Port - UNE Zone 3 | | 3 | UEPPP | | | 1,111.89 | | | | | | | | | | | | | | | | | |
| UNE Loop Rates | | | | | | | | | | | | | | | | | | | | | | | | |
| | 4-Wire DS1 Digital Loop - UNE Zone 1 | | 1 | UEPPP | | USL4P | 90.87 | | | | | 15.69 | | | | | | | | | | | | |
| | 4-Wire DS1 Digital Loop - UNE Zone 2 | | 2 | UEPPP | | USL4P | 155.43 | | | | | 15.69 | | | | | | | | | | | | |
| | 4-Wire DS1 Digital Loop - UNE Zone 3 | | 3 | UEPPP | | USL4P | 261.89 | | | | | 15.69 | | | | | | | | | | | | |
| UNE Port Rate | | | | | | | | | | | | | | | | | | | | | | | | |
| | Exchange Ports - 4-Wire ISDN DS1 Port | | | UEPPP | | UEPPP | 850.00 | 1,150.00 | 1,150.00 | | | 15.69 | | | | | | | | | | | | |
| NONRECURRING CHARGES - CURRENTLY COMBINED | | | | | | | | | | | | | | | | | | | | | | | | |
| | 4-Wire DS1 Digital Loop / 4-Wire ISDN DS1 Digital Trunk Port Combination - Conversion -Switch-As-Is Top 8 MSAs only | | | UEPPP | | USACP | 0.00 | 950.00 | 950.00 | | | 15.69 | | | | | | | | | | | | |
| ADDITIONAL NRCs | | | | | | | | | | | | | | | | | | | | | | | | |
| | 4-Wire DS1 Loop / 4-Wire ISDN DS1 Digital Trunk Port - Subsequent Inward/2-Way Tel Nos - (NC Only) | | | UEPPP | | PR7TG | | | | | | 15.69 | | | | | | | | | | | | |
| | 4-Wire DS1 Loop/4-Wire ISDN Digital Trunk Port - Subsequent Activity Outward tel nos. (NC only) | | | UEPPP | | PR7TP | | | | | | 15.69 | | | | | | | | | | | | |
| | 4-Wire DS1 Loop/4-W ISDN Digtl Trk Port - Subsqst Actvy-Inward/two way tel nos within Std Allowance (except NC) | | | UEPPP | | PR7TF | | 0.9822 | | | | 15.69 | | | | | | | | | | | | |
| | 4-Wire DS1 Loop / 4-Wire ISDN DS1 Digital Trunk Port - Outward Tel Numbers (All States except NC) | | | UEPPP | | PR7TO | | 23.02 | 23.02 | | | 15.69 | | | | | | | | | | | | |
| | 4-Wire DS1 Loop / 4-Wire ISDN DS1 Digital Trk Port - Subsequent Inward Tel Nos Above Std Allowance | | | UEPPP | | PR7ZT | | 46.05 | 46.05 | | | 15.69 | | | | | | | | | | | | |
| LOCAL NUMBER PORTABILITY | | | | | | | | | | | | | | | | | | | | | | | | |
| | Local Number Portability (1 per port) | | | UEPPP | | LNPCN | 1.75 | | | | | | | | | | | | | | | | | |
| INTERFACE (Provisioning Only) | | | | | | | | | | | | | | | | | | | | | | | | |
| | Voice/Data | | | UEPPP | | PR71V | 0.00 | 0.00 | 0.00 | | | | | | | | | | | | | | | |
| | Digital Data | | | UEPPP | | PR71D | 0.00 | 0.00 | 0.00 | | | | | | | | | | | | | | | |
| | Inward Data | | | UEPPP | | PR71E | 0.00 | 0.00 | 0.00 | | | | | | | | | | | | | | | |
| New or Additional "B" Channel | | | | | | | | | | | | | | | | | | | | | | | | |
| | New or Additional - Voice/Data B Channel | | | UEPPP | | PR7BV | 0.00 | 40.00 | | | | | | | | | | | | | | | | |
| | New or Additional - Digital Data B Channel | | | UEPPP | | PR7BF | 0.00 | 40.00 | | | | | | | | | | | | | | | | |
| | New or Additional Inward Data B Channel | | | UEPPP | | PR7BD | 0.00 | 40.00 | | | | | | | | | | | | | | | | |
| CALL TYPES | | | | | | | | | | | | | | | | | | | | | | | | |
| | Inward | | | UEPPP | | PR7C1 | 0.00 | 0.00 | 0.00 | | | | | | | | | | | | | | | |
| | Outward | | | UEPPP | | PR7C0 | 0.00 | 0.00 | 0.00 | | | | | | | | | | | | | | | |
| | Two-way | | | UEPPP | | PR7CC | 0.00 | 0.00 | 0.00 | | | | | | | | | | | | | | | |
| Interoffice Channel Mileage | | | | | | | | | | | | | | | | | | | | | | | | |
| | Fixed Each Including First Mile | | | UEPPP | | 1LN1A | 77.4815 | 89.47 | 81.99 | 16.39 | 14.48 | 15.69 | | | | | | | | | | | | |
| | Each Airline-Fractional Additional Mile | | | UEPPP | | 1LN1B | 0.3415 | | | | | | | | | | | | | | | | | |
| 4-WIRE DS1 DIGITAL LOOP WITH 4-WIRE DDITS TRUNK PORT | | | | | | | | | | | | | | | | | | | | | | | | |
| UNE Port/Loop Combination Rates | | | | | | | | | | | | | | | | | | | | | | | | |

| UNBUNDLED NETWORK ELEMENTS - South Carolina | | | | | | | | | | Attachment: 2 | | Exhibit: B | | | | | | | | | | | |
|--|--|---------|------|-------|-------|-----------|----------------------------------|--------------------------------------|--|--|---|---|---------------|--------------|-------|-------------------------|--|-------|-------|-------|-------|-------|-------|
| CATEGORY | RATE ELEMENTS | Interim | Zone | BCS | USOC | RATES(\$) | Svc Order Submitted Elec per LSR | Svc Order Submitted Manually per LSR | Incremental Charge - Manual Svc Order vs. Electronic-1st | Incremental Charge - Manual Svc Order vs. Electronic-Add'l | Incremental Charge - Manual Svc Order vs. Electronic-Disc 1st | Incremental Charge - Manual Svc Order vs. Electronic-Disc Add'l | OSS Rates(\$) | | | | | | | | | | |
| | | | | | | | | | | | | | Rec | Nonrecurring | | Nonrecurring Disconnect | | SOMEc | SOMAN | SOMAN | SOMAN | SOMAN | SOMAN |
| | | | | | | | | | | | | | First | Add'l | First | Add'l | | | | | | | |
| | 4W DS1 Digital Loop/4W DDITS Trunk Port - Statewide | | sw | UEPDC | | | | | | | | | | | | | | | | | | | |
| | 4W DS1 Digital Loop/4W DDITS Trunk Port - UNE Zone 1 | | 1 | UEPDC | | 840.87 | | | | | | | | | | | | | | | | | |
| | 4W DS1 Digital Loop/4W DDITS Trunk Port - UNE Zone 2 | | 2 | UEPDC | | 905.43 | | | | | | | | | | | | | | | | | |
| | 4W DS1 Digital Loop/4W DDITS Trunk Port - UNE Zone 3 | | 3 | UEPDC | | 1,011.89 | | | | | | | | | | | | | | | | | |
| | 4W DS1 Digital Loop/4W DDITS Trunk Port - UNE Zone 4 | | 4 | UEPDC | | | | | | | | | | | | | | | | | | | |
| UNE Loop Rates | | | | | | | | | | | | | | | | | | | | | | | |
| | 4-Wire DS1 Digital Loop - Statewide | | sw | UEPDC | USLDC | | | | | | | | | | | | | | | | | | |
| | 4-Wire DS1 Digital Loop - UNE Zone 1 | | 1 | UEPDC | USLDC | 90.87 | | | | | | | | | | | | | | | | | |
| | 4-Wire DS1 Digital Loop - UNE Zone 2 | | 2 | UEPDC | USLDC | 155.43 | | | | | | | | | | | | | | | | | |
| | 4-Wire DS1 Digital Loop - UNE Zone 3 | | 3 | UEPDC | USLDC | 261.89 | | | | | | | | | | | | | | | | | |
| | 4-Wire DS1 Digital Loop - UNE Zone 4 | | 4 | UEPDC | USLDC | | | | | | | | | | | | | | | | | | |
| UNE Port Rate | | | | | | | | | | | | | | | | | | | | | | | |
| | 4-Wire DDITS Digital Trunk Port | | | UEPDC | UDD1T | 750.00 | 1,005.07 | 478.99 | 213.53 | 20.94 | | 15.69 | | | | | | | | | | | |
| NONRECURRING CHARGES - CURRENTLY COMBINED | | | | | | | | | | | | | | | | | | | | | | | |
| | 4-Wire DS1 Digital Loop / 4-Wire DDITS Trunk Port Combination - Switch-As-Is Top 8 MSAs only | | | UEPDC | USAC4 | | 259.56 | 134.33 | | | | 15.69 | | | | | | | | | | | |
| | 4-Wire DS1 Digital Loop / 4-Wire DDITS Trunk Port Combination - Conversion with DS1 Changes Top 8 MSAs only | | | UEPDC | USAWA | | 259.56 | 134.33 | | | | 15.69 | | | | | | | | | | | |
| | 4-Wire DS1 Digital Loop / 4-Wire DDITS Trunk Port Combination - Conversion with Change - Trunk Top 8 MSAs only | | | UEPDC | USAWB | | 259.56 | 134.33 | | | | 15.69 | | | | | | | | | | | |
| ADDITIONAL NRCS | | | | | | | | | | | | | | | | | | | | | | | |
| | 4-Wire DS1 Loop / 4-Wire DDITS Trunk Port - Subsequent Service Activity Per Service Order | | | UEPDC | USAS4 | | | | | | | 15.69 | | | | | | | | | | | |
| | 4-Wire DS1 Loop / 4-Wire DDITS Trunk Port - NRC - Subsequent Channel Activation/Chan - 2-Way Trunk | | | UEPDC | UDTTA | | 29.01 | 29.01 | | | | 15.69 | | | | | | | | | | | |
| | 4-Wire DS1 Loop / 4-Wire DDITS Trunk Port - Subsequent Channel Activation/Chan - 1-Way Outward Trunk | | | UEPDC | UDTTB | | 29.01 | 29.01 | | | | 15.69 | | | | | | | | | | | |
| | 4-Wire DS1 Loop / 4-Wire DDITS Trunk Port - Subsqnt Channel Activation/Chan - Inward Trunk w/out DID | | | UEPDC | UDTTC | | 29.01 | 29.01 | | | | 15.69 | | | | | | | | | | | |
| | 4-Wire DS1 Loop / 4-Wire DDITS Trunk Port - Subsqnt Chan Activation Per Chan - Inward Trunk with DID | | | UEPDC | UDTTD | | 29.01 | 29.01 | | | | 15.69 | | | | | | | | | | | |
| | 4-Wire DS1 Loop / 4-Wire DDITS Trunk Port - Subsqnt Chan Activation / Chan - 2-Way DID w User Trans | | | UEPDC | UDTTE | | 29.01 | 29.01 | | | | 15.69 | | | | | | | | | | | |
| BIPOLAR 8 ZERO SUBSTITUTION | | | | | | | | | | | | | | | | | | | | | | | |
| | B8ZS -Superframe Format | | | UEPDC | CCOSF | | 0.00 | 605.00 | | | | | | | | | | | | | | | |
| | B8ZS - Extended Superframe Format | | | UEPDC | CCOEF | | 0.00 | 605.00 | | | | | | | | | | | | | | | |
| Alternate Mark Inversion | | | | | | | | | | | | | | | | | | | | | | | |
| | AMI -Superframe Format | | | UEPDC | MCOSF | | 0.00 | 0.00 | | | | | | | | | | | | | | | |
| | AMI - Extended SuperFrame Format | | | UEPDC | MCOPO | | 0.00 | 0.00 | | | | | | | | | | | | | | | |
| Telephone Number/Trunk Group Establishment Charges | | | | | | | | | | | | | | | | | | | | | | | |
| | Telephone Number for 2-Way Trunk Group | | | UEPDC | UDTGX | 0.00 | | | | | | 15.69 | | | | | | | | | | | |
| | Telephone Number for 1-Way Outward Trunk Group | | | UEPDC | UDTGY | 0.00 | | | | | | 15.69 | | | | | | | | | | | |
| | Telephone Number for 1-Way Inward Trunk Group Without DID | | | UEPDC | UDTGZ | 0.00 | | | | | | 15.69 | | | | | | | | | | | |
| | DID Numbers, Establish Trunk Group and Provide First Group of 20 DID Numbers | | | UEPDC | NDZ | 0.00 | 0.00 | 0.00 | | | | 15.69 | | | | | | | | | | | |
| | DID Numbers for each Group of 20 DID Numbers | | | UEPDC | ND4 | 0.00 | | | | | | 15.69 | | | | | | | | | | | |
| | DID Numbers, Non- consecutive DID Numbers , Per Number | | | UEPDC | ND5 | 0.00 | 0.00 | 0.00 | | | | 15.69 | | | | | | | | | | | |
| | Reserve Non-Consecutive DID Nos. | | | UEPDC | ND6 | 0.00 | 0.00 | 0.00 | | | | 15.69 | | | | | | | | | | | |
| | Reserve DID Numbers | | | UEPDC | NDV | 0.00 | 0.00 | 0.00 | | | | 15.69 | | | | | | | | | | | |
| Dedicated DS1 (Interoffice Channel Mileage) - | | | | | | | | | | | | | | | | | | | | | | | |
| FX/FCO for 4-Wire DS1 Digital Loop with 4-Wire DDITS Trunk Port | | | | | | | | | | | | | | | | | | | | | | | |
| | Interoffice Channel Mileage - Fixed rate 0-8 miles (Facilities Termination) | | | UEPDC | 1LNO1 | 77.14 | 89.47 | 81.99 | 16.39 | 14.48 | | 15.69 | | | | | | | | | | | |
| | Interoffice Channel Mileage - Additional rate per mile - 0-8 miles | | | UEPDC | 1LNOA | 0.3415 | 0.00 | 0.00 | | | | | | | | | | | | | | | |
| | Interoffice Channel Mileage - Fixed rate 9-25 miles (Facilities Termination) | | | UEPDC | 1LNO2 | 0.00 | 0.00 | 0.00 | | | | | | | | | | | | | | | |

UNBUNDLED NETWORK ELEMENTS - South Carolina

| CATEGORY | RATE ELEMENTS | Interim | Zone | BCS | USOC | RATES(\$) | Svc Order Submitted Elec per LSR | Svc Order Submitted Manually per LSR | Attachment: 2 | | Exhibit: B | | Incremental Charge - Manual Svc Order vs. Electronic-Disc 1st | Incremental Charge - Manual Svc Order vs. Electronic-Disc Add'l | |
|--|---|---------|------|-------|--------|-----------|----------------------------------|--------------------------------------|---------------|--------------|-------------------------|---------------|---|---|-------|
| | | | | | | | | | Rec | Nonrecurrent | Nonrecurrent Disconnect | OSS Rates(\$) | | | |
| | | | | | | First | Add'l | First | Add'l | SOMEC | SOMAN | SOMAN | SOMAN | SOMAN | SOMAN |
| | Interoffice Channel Mileage - Additional rate per mile - 9-25 miles | | | UEPDC | 1LNOB | 0.7598 | 0.00 | 0.00 | | | | | | | |
| | Interoffice Channel Mileage - Fixed rate 25+ miles (Facilities Termination) | | | UEPDC | 1LNO3 | 0.00 | 0.00 | 0.00 | | | | | | | |
| | Interoffice Channel Mileage - Additional rate per mile - 25+ miles | | | UEPDC | 1LNOC | 0.7598 | 0.00 | 0.00 | | | | | | | |
| | Local Number Portability, per DS0 Activated | | | UEPDC | LNPCP | 3.15 | 0.00 | 0.00 | | | | | | | |
| | Central Office Terminating Point | | | UEPDC | CTG | 0.00 | | | | | | | | | |
| 4-WIRE DS1 LOOP WITH CHANNELIZATION WITH PORT | | | | | | | | | | | | | | | |
| System is 1 DS1 Loop, 1 D4 Channel Bank, and up to 24 Feature Activations | | | | | | | | | | | | | | | |
| A system can have various rate combinations based on type and number of ports used | | | | | | | | | | | | | | | |
| UNE DS1 Loop | | | | | | | | | | | | | | | |
| | 4-Wire DS1 Loop - UNE Zone 1 | | 1 | UEPMG | USLDC | 90.87 | 0.00 | 0.00 | | | | | | | |
| | 4-Wire DS1 Loop - UNE Zone 2 | | 2 | UEPMG | USLDC | 155.43 | 0.00 | 0.00 | | | | | | | |
| | 4-Wire DS1 Loop - UNE Zone 3 | | 3 | UEPMG | USLDC | 261.89 | 0.00 | 0.00 | | | | | | | |
| UNE DSO Channelization Capacities (D4 Channel Bank Configurations) | | | | | | | | | | | | | | | |
| | 24 DSO Channel Capacity - 1 per DS1 | | | UEPMG | VUM24 | 103.47 | 0.00 | 0.00 | | | | | | | 15.69 |
| | 48 DSO Channel Capacity - 1 per 2 DS1s | | | UEPMG | VUM48 | 206.94 | 0.00 | 0.00 | | | | | | | 15.69 |
| | 96 DSO Channel Capacity - 1 per 4 DS1s | | | UEPMG | VUM96 | 413.88 | 0.00 | 0.00 | | | | | | | 15.69 |
| | 144 DSO Channel Capacity - 1 per 6 DS1s | | | UEPMG | VUM144 | 620.82 | 0.00 | 0.00 | | | | | | | 15.69 |
| | 192 DSO Channel Capacity - 1 per 8 DS1s | | | UEPMG | VUM192 | 827.76 | 0.00 | 0.00 | | | | | | | 15.69 |
| | 240 DSO Channel Capacity - 1 per 10 DS1s | | | UEPMG | VUM240 | 1,034.70 | 0.00 | 0.00 | | | | | | | 15.69 |
| | 288 DSO Channel Capacity - 1 per 12 DS1s | | | UEPMG | VUM288 | 1,241.64 | 0.00 | 0.00 | | | | | | | 15.69 |
| | 384 DSO Channel Capacity - 1 per 16 DS1s | | | UEPMG | VUM384 | 1,655.52 | 0.00 | 0.00 | | | | | | | 15.69 |
| | 480 DSO Channel Capacity - 1 per 20 DS1s | | | UEPMG | VUM480 | 2,069.40 | 0.00 | 0.00 | | | | | | | 15.69 |
| | 576 DSO Channel Capacity - 1 per 24 DS1s | | | UEPMG | VUM576 | 2,483.28 | 0.00 | 0.00 | | | | | | | 15.69 |
| | 672 DSO Channel Capacity - 1 per 28 DS1s | | | UEPMG | VUM672 | 2,897.16 | 0.00 | 0.00 | | | | | | | 15.69 |
| Non-Recurring Charges (NRC) Associated with 4-Wire DS1 Loop with Channelization with Port - Conversion Charge Based on a System | | | | | | | | | | | | | | | |
| A Minimum System configuration is One (1) DS1, One (1) D4 Channel Bank, and Up To 24 DSO Ports with Feature Activations. | | | | | | | | | | | | | | | |
| Multiples of this configuration functioning as one are considered Add'l after the minimum system configuration is counted. | | | | | | | | | | | | | | | |
| | NRC - Conversion (Currently Combined) with or without BellSouth Allowed Changes - Top 8 MSAs Only | | | UEPMG | USAC4 | 0.00 | 150.81 | 8.38 | | | | | | | 15.69 |
| System Additions Where Currently Combined and New (Not Currently Combined) | | | | | | | | | | | | | | | |
| In Top 8 MSAs and AL, FL, and NC Only | | | | | | | | | | | | | | | |
| | 1 DS1/D4 Channel Bank - Add NRC for each Port and Assoc Fea Activation - | | | UEPMG | VUMD4 | 0.00 | 717.71 | 425.81 | 149.08 | 17.69 | | | | | 15.69 |
| Bipolar 8 Zero Substitution | | | | | | | | | | | | | | | |
| | Clear Channel Capability Format, superframe - Subsequent Activity Only | | | UEPMG | CCOSF | 0.00 | 0.00 | 605.00 | | | | | | | |
| | Clear Channel Capability Format - Extended Superframe - Subsequent Activity Only | | | UEPMG | CCOEF | 0.00 | 0.00 | 605.00 | | | | | | | |
| Alternate Mark Inversion (AMI) | | | | | | | | | | | | | | | |
| | Superframe Format | | | UEPMG | MCOSF | 0.00 | 0.00 | 0.00 | | | | | | | |
| | Extended Superframe Format | | | UEPMG | MCOPO | 0.00 | 0.00 | 0.00 | | | | | | | |
| Exchange Ports Associated with 4-Wire DS1 Loop with Channelization with Port | | | | | | | | | | | | | | | |
| Exchange Ports | | | | | | | | | | | | | | | |
| | Line Side Combination Channelized PBX Trunk Port - Business | | | UEPPX | UEPCX | 14.00 | 0.00 | 0.00 | 0.00 | 0.00 | | | | | 15.69 |
| | Line Side Outward Channelized PBX Trunk Port - Business | | | UEPPX | UEPOX | 14.00 | 0.00 | 0.00 | 0.00 | 0.00 | | | | | 15.69 |
| | Line Side Inward Only Channelized PBX Trunk Port without DID | | | UEPPX | UEP1X | 14.00 | 0.00 | 0.00 | 0.00 | 0.00 | | | | | 15.69 |
| | 2-Wire Trunk Side Unbundled Channelized DID Trunk Port | | | UEPPX | UEPDM | 57.00 | 0.00 | 0.00 | 0.00 | 0.00 | | | | | 15.69 |
| | 2-Wire Channelized PBX Area Calling Service Combination Port (AL Only) | | | UEPPX | UEPA4 | | | | | | | | | | |
| | 2 Wire Channelized PBX Area Calling Service Outgoing Only Port (AL Only) | | | UEPPX | UEPA3 | | | | | | | | | | |
| Feature Activations - Unbundled Loop Concentration | | | | | | | | | | | | | | | |
| | Feature (Service) Activation for each Line Side Port Terminated in D4 Bank | | | UEPPX | 1PQWM | 0.70 | 40.00 | 20.00 | 6.00 | 5.00 | | | | | 15.69 |

| UNBUNDLED NETWORK ELEMENTS - South Carolina | | | | | | | | | | Attachment: 2 | | Exhibit: B | | | | |
|---|---|---------|------|-------|-------|-----------|----------------------------------|--------------------------------------|--|--|---|---|-------|--------------|-------|-------------------------|
| CATEGORY | RATE ELEMENTS | Interim | Zone | BCS | USOC | RATES(\$) | Svc Order Submitted Elec per LSR | Svc Order Submitted Manually per LSR | Incremental Charge - Manual Svc Order vs. Electronic-1st | Incremental Charge - Manual Svc Order vs. Electronic-Add'l | Incremental Charge - Manual Svc Order vs. Electronic-Disc 1st | Incremental Charge - Manual Svc Order vs. Electronic-Disc Add'l | | | | |
| | | | | | | | | | | | | | Rec | Nonrecurring | | Nonrecurring Disconnect |
| | | | | | | | | | | | | | | | | |
| | | | | | | | | | | SOMEc | SOMAN | SOMAN | SOMAN | SOMAN | SOMAN | |
| | Feature (Service) Activation for each Trunk Side Port Terminated in D4 Bank | | | UEPPX | 1PQWU | 0.70 | 110.00 | 30.00 | 65.00 | 20.00 | | 15.69 | | | | |
| Telephone Number/ Group Establishment Charges for DID Service | | | | | | | | | | | | | | | | |
| | DID Trunk Termination (1 per Port) | | | UEPPX | NDT | 0.00 | 0.00 | 0.00 | | | | 15.69 | | | | |
| | Estab Trk Grp and Provide 1st 20 DID Nos. (FL,GA, NC,& SC) | | | UEPPX | NDZ | 0.00 | 0.00 | 0.00 | | | | 15.69 | | | | |
| | DID Numbers - groups of 20 - Valid all States | | | UEPPX | ND4 | 0.00 | 0.00 | 0.00 | | | | 15.69 | | | | |
| | Non-Consecutive DID Numbers - per number | | | UEPPX | ND5 | 0.00 | 0.00 | 0.00 | | | | 15.69 | | | | |
| | Reserve Non-Consecutive DID Numbers | | | UEPPX | ND6 | 0.00 | 0.00 | 0.00 | | | | 15.69 | | | | |
| | Reserve DID Numbers | | | UEPPX | NDV | 0.00 | 0.00 | 0.00 | | | | 15.69 | | | | |
| Local Number Portability | | | | | | | | | | | | | | | | |
| | Local Number Portability - 1 per port | | | UEPPX | LNPCP | 3.15 | 0.00 | 0.00 | | | | | | | | |
| FEATURES - Vertical and Optional | | | | | | | | | | | | | | | | |
| Local Switching Features Offered with Line Side Ports Only | | | | | | | | | | | | | | | | |
| | All Features Available | | | UEPPX | UEPVF | 3.04 | 0.00 | 0.00 | | | | 15.69 | | | | |
| UNBUNDLED CENTREX PORT/LOOP COMBINATIONS - COST BASED RATES | | | | | | | | | | | | | | | | |
| 1. Cost Based Rates are applied where BellSouth is required by FCC and/or State Commission rule to provide Unbundled Local Switching or Switch Ports. | | | | | | | | | | | | | | | | |
| 2. Features shall apply to the Unbundled Port/Loop Combination - Cost Based Rate section in the same manner as they are applied to the Stand-Alone Unbundled Port section of this Rate Exhibit. | | | | | | | | | | | | | | | | |
| 3. End Office and Tandem Switching Usage and Common Transport Usage rates in the Port section of this rate exhibit shall apply to all combinations of loop/port network elements except for UNE Coin Port/Loop Combinations. | | | | | | | | | | | | | | | | |
| For Georgia, Kentucky, Louisiana, Mississippi and Tennessee, the recurring UNE Port and Loop charges listed apply to Currently Combined and Not Currently Combined Combos. The first and additional Port nonrecurring charges apply to Not Currently Combined Combos for all states. In GA, KY, LA, MS and TN these nonrecurring charges are commission ordered cost based rates and in AL, FL, NC and SC these nonrecurring charges are Market Rates and are listed in the Market Rate section. For Currently Combined Combos in all other states, the nonrecurring charges shall be those identified in the Nonrecurring - Currently Combined sections. | | | | | | | | | | | | | | | | |
| 5. Market Rates for Unbundled Centrex Port/Loop Combination will be negotiated on an Individual Case Basis, until further notice. | | | | | | | | | | | | | | | | |
| UNE-P CENTREX - 5ESS (Valid in All States) | | | | | | | | | | | | | | | | |
| 2-Wire VG Loop/2-Wire Voice Grade Port (Centrex) Combo | | | | | | | | | | | | | | | | |
| UNE Port/Loop Combination Rates (Non-Design) | | | | | | | | | | | | | | | | |
| | 2-Wire VG Loop/2-Wire Voice Grade Port (Centrex) Port Combo - Non-Design | | 1 | UEP95 | | 14.89 | | | | | | | | | | |
| | 2-Wire VG Loop/2-Wire Voice Grade Port (Centrex)Port Combo - Non-Design | | 2 | UEP95 | | 21.52 | | | | | | | | | | |
| | 2-Wire VG Loop/2-Wire Voice Grade Port (Centrex)Port Combo - Non-Design | | 3 | UEP95 | | 27.17 | | | | | | | | | | |
| UNE Port/Loop Combination Rates (Design) | | | | | | | | | | | | | | | | |
| | 2-Wire VG Loop/2-Wire Voice Grade Port (Centrex) Port Combo - Design | | 1 | UEP95 | | 17.81 | | | | | | | | | | |
| | 2-Wire VG Loop/2-Wire Voice Grade Port (Centrex)Port Combo - Design | | 2 | UEP95 | | 24.26 | | | | | | | | | | |
| | 2-Wire VG Loop/2-Wire Voice Grade Port (Centrex)Port Combo - Design | | 3 | UEP95 | | 29.59 | | | | | | | | | | |
| UNE Loop Rate | | | | | | | | | | | | | | | | |
| | 2-Wire Voice Grade Loop (SL 1) - Zone 1 | | 1 | UEP95 | UECS1 | 13.76 | | | | | | | | | | |
| | 2-Wire Voice Grade Loop (SL 1) - Zone 2 | | 2 | UEP95 | UECS1 | 20.38 | | | | | | | | | | |
| | 2-Wire Voice Grade Loop (SL 1) - Zone 3 | | 3 | UEP95 | UECS1 | 26.04 | | | | | | | | | | |
| | 2-Wire Voice Grade Loop (SL 2) - Zone 1 | | 1 | UEP95 | UECS2 | 16.68 | | | | | | | | | | |
| | 2-Wire Voice Grade Loop (SL 2) - Zone 2 | | 2 | UEP95 | UECS2 | 23.13 | | | | | | | | | | |
| | 2-Wire Voice Grade Loop (SL 2) - Zone 3 | | 3 | UEP95 | UECS2 | 28.46 | | | | | | | | | | |
| UNE Port Rate | | | | | | | | | | | | | | | | |
| All States | | | | | | | | | | | | | | | | |
| | 2-Wire Voice Grade Port (Centrex) Basic Local Area | | | UEP95 | UEPYA | 1.13 | 40.30 | 19.90 | 24.98 | 6.65 | | 15.69 | | | | |
| | 2-Wire Voice Grade Port (Centrex 800 termination) | | | UEP95 | UEPYB | 1.13 | 40.30 | 19.90 | 24.98 | 6.65 | | 15.69 | | | | |
| | 2-Wire Voice Grade Port (Centrex with Caller ID)1Basic Local Area | | | UEP95 | UEPYH | 1.13 | 40.30 | 19.90 | 24.98 | 6.65 | | 15.69 | | | | |
| | 2-Wire Voice Grade Port (Centrex from diff Serving Wire Center)2 Basic Local Area | | | UEP95 | UEPYM | 1.13 | 108.36 | 70.71 | 54.47 | 11.94 | | 15.69 | | | | |
| | 2-Wire Voice Grade Port, Diff Serving Wire Center - 800 Service Term - Basic Local Area | | | UEP95 | UEPYZ | 1.13 | 108.36 | 70.71 | 54.47 | 11.94 | | 15.69 | | | | |
| | 2-Wire Voice Grade Port terminated in on Megalink or equivalent - Basic Local Area | | | UEP95 | UEPY9 | 1.13 | 40.30 | 19.90 | 24.98 | 6.65 | | 15.69 | | | | |
| | 2-Wire Voice Grade Port Terminated on 800 Service Term - Basic Local Area | | | UEP95 | UEPY2 | 1.13 | 40.30 | 19.90 | 24.98 | 6.65 | | 15.69 | | | | |

| UNBUNDLED NETWORK ELEMENTS - South Carolina | | | | | | | | | | Attachment: 2 | | Exhibit: B | |
|---|--|---------|------|-------|-------|-----------|----------------------------------|--------------------------------------|--|--|---|---|-----|
| CATEGORY | RATE ELEMENTS | Interim | Zone | BCS | USOC | RATES(\$) | Svc Order Submitted Elec per LSR | Svc Order Submitted Manually per LSR | Incremental Charge - Manual Svc Order vs. Electronic-1st | Incremental Charge - Manual Svc Order vs. Electronic-Add'l | Incremental Charge - Manual Svc Order vs. Electronic-Disc 1st | Incremental Charge - Manual Svc Order vs. Electronic-Disc Add'l | |
| | | | | | | | | | | | | | Rec |
| | | | | | | | | | | | | | |
| | | | | | | | | | | | | | |
| AL, KY, LA, MS, SC, & TN Only | | | | | | | | | | | | | |
| | 2-Wire Voice Grade Port (Centrex) | | | UEP95 | UEPQA | 1.13 | 40.30 | 19.90 | 24.98 | 6.65 | 15.69 | | |
| | 2-Wire Voice Grade Port (Centrex 800 termination) | | | UEP95 | UEPQB | 1.13 | 40.30 | 19.90 | 24.98 | 6.65 | 15.69 | | |
| | 2-Wire Voice Grade Port (Centrex with Caller ID)1 | | | UEP95 | UEPQH | 1.13 | 40.30 | 19.90 | 24.98 | 6.65 | 15.69 | | |
| | 2-Wire Voice Grade Port (Centrex from diff Serving Wire Center)2 | | | UEP95 | UEPQM | 1.13 | 108.36 | 70.71 | 54.47 | 11.94 | 15.69 | | |
| | 2-Wire Voice Grade Port, Diff Serving Wire Center - 800 Service Term | | | UEP95 | UEPQZ | 1.13 | 108.36 | 70.71 | 54.47 | 11.94 | 15.69 | | |
| | 2-Wire Voice Grade Port terminated in on Megalink or equivalent | | | UEP95 | UEPQ9 | 1.13 | 40.30 | 19.90 | 24.98 | 6.65 | 15.69 | | |
| | 2-Wire Voice Grade Port Terminated on 800 Service Term | | | UEP95 | UEPQ2 | 1.13 | 40.30 | 19.90 | 24.98 | 6.65 | 15.69 | | |
| Local Switching | | | | | | | | | | | | | |
| | Centrex Intercom Funtionality, per port | | | UEP95 | URECS | 0.7996 | | | | | | | |
| Local Number Portability | | | | | | | | | | | | | |
| | Local Number Portability (1 per port) | | | UEP95 | LNPC | 0.35 | | | | | | | |
| Features | | | | | | | | | | | | | |
| | All Standard Features Offered, per port | | | UEP95 | UEPVF | 3.04 | | | | | 15.69 | | |
| | All Select Features Offered, per port | | | UEP95 | UEPVS | 0.00 | 406.42 | | | | 15.69 | | |
| | All Centrex Control Features Offered, per port | | | UEP95 | UEPVC | 3.04 | | | | | 15.69 | | |
| NARS | | | | | | | | | | | | | |
| | Unbundled Network Access Register - Combination | | | UEP95 | UARCX | 0.00 | 0.00 | 0.00 | | | 15.69 | | |
| | Unbundled Network Access Register - Indial | | | UEP95 | UARIX | 0.00 | 0.00 | 0.00 | | | 15.69 | | |
| | Unbundled Network Access Register - Outdial | | | UEP95 | UAROY | 0.00 | 0.00 | 0.00 | | | 15.69 | | |
| Miscellaneous Terminations | | | | | | | | | | | | | |
| 2-Wire Trunk Side | | | | | | | | | | | | | |
| | Trunk Side Terminations, each | | | UEP95 | CEND6 | 8.86 | 119.57 | 18.78 | 60.03 | 3.77 | 15.69 | | |
| 4-Wire Digital (1.544 Megabits) | | | | | | | | | | | | | |
| | DS1 Circuit Terminations, each | | | UEP95 | M1HD1 | 73.62 | 202.47 | 95.90 | 72.75 | 2.47 | 15.69 | | |
| | DS0 Channels Activated, each | | | UEP95 | M1HDO | 0.00 | 14.51 | | | | 15.69 | | |
| Interoffice Channel Mileage - 2-Wire | | | | | | | | | | | | | |
| | Interoffice Channel Facilities Termination | | | UEP95 | MIGBC | 24.30 | 40.63 | 27.47 | 16.77 | 6.91 | 15.69 | | |
| | Interoffice Channel mileage, per mile or fraction of mile | | | UEP95 | MIGBM | 0.0167 | | | | | | | |
| Feature Activations (DS0) Centrex Loops on Channelized DS1 Service | | | | | | | | | | | | | |
| D4 Channel Bank Feature Activations | | | | | | | | | | | | | |
| | Feature Activation on D-4 Channel Bank Centrex Loop Slot | | | UEP95 | 1PQWS | 0.56 | | | | | 15.69 | | |
| | Feature Activation on D-4 Channel Bank FX line Side Loop Slot | | | UEP95 | 1PQW6 | 0.56 | | | | | 15.69 | | |
| | Feature Activation on D-4 Channel Bank FX Trunk Side Loop Slot | | | UEP95 | 1PQW7 | 0.56 | | | | | 15.69 | | |
| | Feature Activation on D-4 Channel Bank Centrex Loop Slot - Different Wire Center | | | UEP95 | 1PQWP | 0.56 | | | | | 15.69 | | |
| | Feature Activation on D-4 Channel Bank Private Line Loop Slot | | | UEP95 | 1PQWV | 0.56 | | | | | 15.69 | | |
| | Feature Activation on D-4 Channel Bank Tjie Line/Trunk Loop Slot | | | UEP95 | 1PQWQ | 0.56 | | | | | 15.69 | | |
| | Feature Activation on D-4 Channel Bank WATS Loop Slot | | | UEP95 | 1PQWA | 0.56 | | | | | 15.69 | | |
| Non-Recurring Charges (NRC) Associated with UNE-P Centrex | | | | | | | | | | | | | |
| | NRC Conversion Currently Combined Switch-As-Is with allowed changes, per port | | | UEP95 | USAC2 | | 37.93 | 16.72 | | | 15.69 | | |
| | New Centrex Standard Common Block | | | UEP95 | M1ACS | 0.00 | 668.70 | | | | 15.69 | | |
| | New Centrex Customized Common Block | | | UEP95 | M1ACC | 0.00 | 668.70 | | | | 15.69 | | |
| | NAR Establishment Charge, Per Occasion | | | UEP95 | URECA | 0.00 | 72.89 | | | | 15.69 | | |
| UNE-P CENTREX - DMS100 (Valid in All States) | | | | | | | | | | | | | |
| 2-Wire VG Loop/2-Wire Voice Grade Port (Centrex) Combo | | | | | | | | | | | | | |
| UNE Port/Loop Combination Rates (Non-Design) | | | | | | | | | | | | | |
| | 2-Wire VG Loop/2-Wire Voice Grade Port (Centrex) Port Combo - Non-Design | | 1 | UEP9D | | 14.89 | | | | | | | |
| | 2-Wire VG Loop/2-Wire Voice Grade Port (Centrex)Port Combo - Non-Design | | 2 | UEP9D | | 21.52 | | | | | | | |

| UNBUNDLED NETWORK ELEMENTS - South Carolina | | | | | | | | | | Attachment: 2 | | Exhibit: B | | | | |
|---|--|---------|------|-------|-------|-----------|----------------------------------|--------------------------------------|--|--|---|---|-------|--------------|-------|-------------------------|
| CATEGORY | RATE ELEMENTS | Interim | Zone | BCS | USOC | RATES(\$) | Svc Order Submitted Elec per LSR | Svc Order Submitted Manually per LSR | Incremental Charge - Manual Svc Order vs. Electronic-1st | Incremental Charge - Manual Svc Order vs. Electronic-Add'l | Incremental Charge - Manual Svc Order vs. Electronic-Disc 1st | Incremental Charge - Manual Svc Order vs. Electronic-Disc Add'l | | | | |
| | | | | | | | | | | | | | Rec | Nonrecurring | | Nonrecurring Disconnect |
| | | | | | | | | | | | | | | | | |
| | | | | | | | First | Add'l | First | Add'l | SOMEC | SOMAN | SOMAN | SOMAN | SOMAN | SOMAN |
| | 2-Wire VG Loop/2-Wire Voice Grade Port (Centrex)Port Combo - Non-Design | | 3 | UEP9D | | 27.17 | | | | | | | | | | |
| UNE Port/Loop Combination Rates (Design) | | | | | | | | | | | | | | | | |
| | 2-Wire VG Loop/2-Wire Voice Grade Port (Centrex) Port Combo - Design | | 1 | UEP9D | | 17.81 | | | | | | | | | | |
| | 2-Wire VG Loop/2-Wire Voice Grade Port (Centrex)Port Combo - Design | | 2 | UEP9D | | 24.26 | | | | | | | | | | |
| | 2-Wire VG Loop/2-Wire Voice Grade Port (Centrex)Port Combo - Design | | 3 | UEP9D | | 29.59 | | | | | | | | | | |
| UNE Loop Rate | | | | | | | | | | | | | | | | |
| | 2-Wire Voice Grade Loop (SL 1) - Zone 1 | | 1 | UEP9D | UECS1 | 13.76 | | | | | | | | | | |
| | 2-Wire Voice Grade Loop (SL 1) - Zone 2 | | 2 | UEP9D | UECS1 | 20.38 | | | | | | | | | | |
| | 2-Wire Voice Grade Loop (SL 1) - Zone 3 | | 3 | UEP9D | UECS1 | 26.04 | | | | | | | | | | |
| | 2-Wire Voice Grade Loop (SL 2) - Zone 1 | | 1 | UEP9D | UECS2 | 16.68 | | | | | | | | | | |
| | 2-Wire Voice Grade Loop (SL 2) - Zone 2 | | 2 | UEP9D | UECS2 | 23.13 | | | | | | | | | | |
| | 2-Wire Voice Grade Loop (SL 2) - Zone 3 | | 3 | UEP9D | UECS2 | 28.46 | | | | | | | | | | |
| UNE Port Rate | | | | | | | | | | | | | | | | |
| ALL STATES | | | | | | | | | | | | | | | | |
| | 2-Wire Voice Grade Port (Centrex) Basic Local Area | | | UEP9D | UEPYA | 1.13 | 40.30 | 19.90 | 24.98 | 6.65 | | 15.69 | | | | |
| | 2-Wire Voice Grade Port (Centrex 800 termination)Basic Local Area | | | UEP9D | UEPYB | 1.13 | 40.30 | 19.90 | 24.98 | 6.65 | | 15.69 | | | | |
| | 2-Wire Voice Grade Port (Centrex / EBS-PSET)3Basic Local Area | | | UEP9D | UEPYC | 1.13 | 40.30 | 19.90 | 24.98 | 6.65 | | 15.69 | | | | |
| | 2-Wire Voice Grade Port (Centrex / EBS-M5009)3Basic Local Area | | | UEP9D | UEPYD | 1.13 | 40.30 | 19.90 | 24.98 | 6.65 | | 15.69 | | | | |
| | 2-Wire Voice Grade Port (Centrex / EBS-M5209)3 Basic Local Area | | | UEP9D | UEPYE | 1.13 | 40.30 | 19.90 | 24.98 | 6.65 | | 15.69 | | | | |
| | 2-Wire Voice Grade Port (Centrex / EBS-M5112)3 Basic Local Area | | | UEP9D | UEPYF | 1.13 | 40.30 | 19.90 | 24.98 | 6.65 | | 15.69 | | | | |
| | 2-Wire Voice Grade Port (Centrex / EBS-M5312)3Basic Local Area | | | UEP9D | UEPYG | 1.13 | 40.30 | 19.90 | 24.98 | 6.65 | | 15.69 | | | | |
| | 2-Wire Voice Grade Port (Centrex / EBS-M5008)3 Basic Local Area | | | UEP9D | UEPYT | 1.13 | 40.30 | 19.90 | 24.98 | 6.65 | | 15.69 | | | | |
| | 2-Wire Voice Grade Port (Centrex / EBS-M5208)3 Basic Local Area | | | UEP9D | UEPYU | 1.13 | 40.30 | 19.90 | 24.98 | 6.65 | | 15.69 | | | | |
| | 2-Wire Voice Grade Port (Centrex / EBS-M5216)3 Basic Local Area | | | UEP9D | UEPYV | 1.13 | 40.30 | 19.90 | 24.98 | 6.65 | | 15.69 | | | | |
| | 2-Wire Voice Grade Port (Centrex / EBS-M5316)3 Basic Local Area | | | UEP9D | UEPY3 | 1.13 | 40.30 | 19.90 | 24.98 | 6.65 | | 15.69 | | | | |
| | 2-Wire Voice Grade Port (Centrex with Caller ID) Basic Local Area | | | UEP9D | UEPYH | 1.13 | 40.30 | 19.90 | 24.98 | 6.65 | | 15.69 | | | | |
| | 2-Wire Voice Grade Port (Centrex/Caller ID/Msg Wtg Lamp Indication))3 Basic Local Area | | | UEP9D | UEPYW | 1.13 | 40.30 | 19.90 | 24.98 | 6.65 | | 15.69 | | | | |
| | 2-Wire Voice Grade Port (Centrex/Msg Wtg Lamp Indication))3 Basic Local Area | | | UEP9D | UEPYJ | 1.13 | 40.30 | 19.90 | 24.98 | 6.65 | | 15.69 | | | | |
| | 2-Wire Voice Grade Port (Centrex from diff Serving Wire Center) 2 Basic Local Area | | | UEP9D | UEPYM | 1.13 | 108.36 | 70.71 | 54.47 | 11.94 | | 15.69 | | | | |
| | 2-Wire Voice Grade Port (Centrex/differ SWC /EBS-PSET)2, 3 Basic Local Area | | | UEP9D | UEPYO | 1.13 | 108.36 | 70.71 | 54.47 | 11.94 | | 15.69 | | | | |
| | 2-Wire Voice Grade Port (Centrex/differ SWC /EBS-M5009)2, 3 Basic Local Area | | | UEP9D | UEPYP | 1.13 | 108.36 | 70.71 | 54.47 | 11.94 | | 15.69 | | | | |
| | 2-Wire Voice Grade Port (Centrex/differ SWC /EBS-5209)2, 3 Basic Local Area | | | UEP9D | UEPYQ | 1.13 | 108.36 | 70.71 | 54.47 | 11.94 | | 15.69 | | | | |
| | 2-Wire Voice Grade Port (Centrex/differ SWC /EBS-M5112)2, 3 Basic Local Area | | | UEP9D | UEPYR | 1.13 | 108.36 | 70.71 | 54.47 | 11.94 | | 15.69 | | | | |
| | 2-Wire Voice Grade Port (Centrex/differ SWC /EBS-M5312)2, 3 Basic Local Area | | | UEP9D | UEPYS | 1.13 | 108.36 | 70.71 | 54.47 | 11.94 | | 15.69 | | | | |
| | 2-Wire Voice Grade Port (Centrex/differ SWC /EBS-M5008)2, 3 Basic Local Area | | | UEP9D | UEPY4 | 1.13 | 108.36 | 70.71 | 54.47 | 11.94 | | 15.69 | | | | |

| UNBUNDLED NETWORK ELEMENTS - South Carolina | | | | | | | | | | Attachment: 2 | | Exhibit: B | | | |
|---|--|---------|------|-------|-------|-----------|--------------|-------|-------------------------|----------------------------------|--------------------------------------|--|--|---|---|
| CATEGORY | RATE ELEMENTS | Interim | Zone | BCS | USOC | RATES(\$) | | | | Svc Order Submitted Elec per LSR | Svc Order Submitted Manually per LSR | Incremental Charge - Manual Svc Order vs. Electronic-1st | Incremental Charge - Manual Svc Order vs. Electronic-Add'l | Incremental Charge - Manual Svc Order vs. Electronic-Disc 1st | Incremental Charge - Manual Svc Order vs. Electronic-Disc Add'l |
| | | | | | | Rec | Nonrecurring | | Nonrecurring Disconnect | | | | | | |
| | | | | | | | First | Add'l | First | Add'l | SOMEc | SOMAN | SOMAN | SOMAN | SOMAN |
| | 2-Wire Voice Grade Port (Centrex/differ SWC /EBS-M5208)2, 3 Basic Local Area | | | UEP9D | UEPY5 | 1.13 | 108.36 | 70.71 | 54.47 | 11.94 | | 15.69 | | | |
| | 2-Wire Voice Grade Port (Centrex/differ SWC /EBS-M5216)2, 3 Basic Local Area | | | UEP9D | UEPY6 | 1.13 | 108.36 | 70.71 | 54.47 | 11.94 | | 15.69 | | | |
| | 2-Wire Voice Grade Port (Centrex/differ SWC /EBS-M5316)2, 3 Basic Local Area | | | UEP9D | UEPY7 | 1.13 | 108.36 | 70.71 | 54.47 | 11.94 | | 15.69 | | | |
| | 2-Wire Voice Grade Port, Diff Serving Wire Center - 800 Service Term | | | UEP9D | UEPYZ | 1.13 | 108.36 | 70.71 | 54.47 | 11.94 | | 15.69 | | | |
| | 2-Wire Voice Grade Port terminated in on Megalink or equivalent Basic Local Area | | | UEP9D | UEPY9 | 1.13 | 40.30 | 19.90 | 24.98 | 6.65 | | 15.69 | | | |
| | 2-Wire Voice Grade Port Terminated on 800 Service Term Basic Local Area | | | UEP9D | UEPY2 | 1.13 | 40.30 | 19.90 | 24.98 | 6.65 | | 15.69 | | | |
| | AL, KY, LA, MS, SC, & TN Only | | | | | | | | | | | | | | |
| | 2-Wire Voice Grade Port (Centrex) | | | UEP9D | UEPQA | 1.13 | 40.30 | 19.90 | 24.98 | 6.65 | | 15.69 | | | |
| | 2-Wire Voice Grade Port (Centrex 800 termination) | | | UEP9D | UEPQB | 1.13 | 40.30 | 19.90 | 24.98 | 6.65 | | 15.69 | | | |
| | 2-Wire Voice Grade Port (Centrex / EBS-PSET)3 | | | UEP9D | UEPQC | 1.13 | 40.30 | 19.90 | 24.98 | 6.65 | | 15.69 | | | |
| | 2-Wire Voice Grade Port (Centrex / EBS-M5009)3 | | | UEP9D | UEPQD | 1.13 | 40.30 | 19.90 | 24.98 | 6.65 | | 15.69 | | | |
| | 2-Wire Voice Grade Port (Centrex / EBS-M5209)3 | | | UEP9D | UEPQE | 1.13 | 40.30 | 19.90 | 24.98 | 6.65 | | 15.69 | | | |
| | 2-Wire Voice Grade Port (Centrex / EBS-M5112)3 | | | UEP9D | UEPQF | 1.13 | 40.30 | 19.90 | 24.98 | 6.65 | | 15.69 | | | |
| | 2-Wire Voice Grade Port (Centrex / EBS-M5312)3 | | | UEP9D | UEPQG | 1.13 | 40.30 | 19.90 | 24.98 | 6.65 | | 15.69 | | | |
| | 2-Wire Voice Grade Port (Centrex / EBS-M5008)3 | | | UEP9D | UEPQT | 1.13 | 40.30 | 19.90 | 24.98 | 6.65 | | 15.69 | | | |
| | 2-Wire Voice Grade Port (Centrex / EBS-M5208)3 | | | UEP9D | UEPQU | 1.13 | 40.30 | 19.90 | 24.98 | 6.65 | | 15.69 | | | |
| | 2-Wire Voice Grade Port (Centrex / EBS-M5216)3 | | | UEP9D | UEPQV | 1.13 | 40.30 | 19.90 | 24.98 | 6.65 | | 15.69 | | | |
| | 2-Wire Voice Grade Port (Centrex / EBS-M5316)3 | | | UEP9D | UEPQ3 | 1.13 | 40.30 | 19.90 | 24.98 | 6.65 | | 15.69 | | | |
| | 2-Wire Voice Grade Port (Centrex with Caller ID) | | | UEP9D | UEPQH | 1.13 | 40.30 | 19.90 | 24.98 | 6.65 | | 15.69 | | | |
| | 2-Wire Voice Grade Port (Centrex/Caller ID/Msg Wtg Lamp Indication)3 | | | UEP9D | UEPQW | 1.13 | 40.30 | 19.90 | 24.98 | 6.65 | | 15.69 | | | |
| | 2-Wire Voice Grade Port (Centrex/Msg Wtg Lamp Indication)3 | | | UEP9D | UEPQJ | 1.13 | 40.30 | 19.90 | 24.98 | 6.65 | | 15.69 | | | |
| | 2-Wire Voice Grade Port (Centrex from diff Serving Wire Center) 2 | | | UEP9D | UEPQM | 1.13 | 108.36 | 70.71 | 54.47 | 11.94 | | 15.69 | | | |
| | 2-Wire Voice Grade Port (Centrex/differ SWC /EBS-PSET)2, 3 | | | UEP9D | UEPQO | 1.13 | 108.36 | 70.71 | 54.47 | 11.94 | | 15.69 | | | |
| | 2-Wire Voice Grade Port (Centrex/differ SWC /EBS-M5009)2, 3 | | | UEP9D | UEPQP | 1.13 | 108.36 | 70.71 | 54.47 | 11.94 | | 15.69 | | | |
| | 2-Wire Voice Grade Port (Centrex/differ SWC /EBS-5209)2, 3 | | | UEP9D | UEPQQ | 1.13 | 108.36 | 70.71 | 54.47 | 11.94 | | 15.69 | | | |
| | 2-Wire Voice Grade Port (Centrex/differ SWC /EBS-M5112)2, 3 | | | UEP9D | UEPQR | 1.13 | 108.36 | 70.71 | 54.47 | 11.94 | | 15.69 | | | |
| | 2-Wire Voice Grade Port (Centrex/differ SWC /EBS-M5312)2, 3 | | | UEP9D | UEPQS | 1.13 | 108.36 | 70.71 | 54.47 | 11.94 | | 15.69 | | | |
| | 2-Wire Voice Grade Port (Centrex/differ SWC /EBS-M5008)2, 3 | | | UEP9D | UEPQ4 | 1.13 | 108.36 | 70.71 | 54.47 | 11.94 | | 15.69 | | | |
| | 2-Wire Voice Grade Port (Centrex/differ SWC /EBS-M5208)2, 3 | | | UEP9D | UEPQ5 | 1.13 | 108.36 | 70.71 | 54.47 | 11.94 | | 15.69 | | | |
| | 2-Wire Voice Grade Port (Centrex/differ SWC /EBS-M5216)2, 3 | | | UEP9D | UEPQ6 | 1.13 | 108.36 | 70.71 | 54.47 | 11.94 | | 15.69 | | | |
| | 2-Wire Voice Grade Port (Centrex/differ SWC /EBS-M5316)2, 3 | | | UEP9D | UEPQ7 | 1.13 | 108.36 | 70.71 | 54.47 | 11.94 | | 15.69 | | | |
| | 2-Wire Voice Grade Port, Diff Serving Wire Center - 800 Service Term | | | UEP9D | UEPQZ | 1.13 | 108.36 | 70.71 | 54.47 | 11.94 | | 15.69 | | | |
| | 2-Wire Voice Grade Port terminated in on Megalink or equivalent | | | UEP9D | UEPQ9 | 1.13 | 40.30 | 19.90 | 24.98 | 6.65 | | 15.69 | | | |
| | 2-Wire Voice Grade Port Terminated on 800 Service Term | | | UEP9D | UEPQ2 | 1.13 | 40.30 | 19.90 | 24.98 | 6.65 | | 15.69 | | | |
| | Local Switching | | | | | | | | | | | | | | |
| | Centrex Intercom Functionality, per port | | | UEP9D | URECS | 0.7996 | | | | | | 15.69 | | | |
| | Local Number Portability | | | | | | | | | | | | | | |
| | Local Number Portability (1 per port) | | | UEP9D | LNPC | 0.35 | | | | | | | | | |
| | Features | | | | | | | | | | | | | | |
| | All Standard Features Offered, per port | | | UEP9D | UEPVF | 3.04 | | | | | | 15.69 | | | |
| | All Select Features Offered, per port | | | UEP9D | UEPVS | 0.00 | 406.42 | | | | | 15.69 | | | |
| | All Centrex Control Features Offered, per port | | | UEP9D | UEPVC | 3.04 | | | | | | 15.69 | | | |

| UNBUNDLED NETWORK ELEMENTS - South Carolina | | | | | | | | | | Attachment: 2 | | Exhibit: B | | | |
|---|--|---------|------|-------|-------|-----------|--------------|-------|-------------------------|----------------------------------|--------------------------------------|--|--|---|---|
| CATEGORY | RATE ELEMENTS | Interim | Zone | BCS | USOC | RATES(\$) | | | | Svc Order Submitted Elec per LSR | Svc Order Submitted Manually per LSR | Incremental Charge - Manual Svc Order vs. Electronic-1st | Incremental Charge - Manual Svc Order vs. Electronic-Add'l | Incremental Charge - Manual Svc Order vs. Electronic-Disc 1st | Incremental Charge - Manual Svc Order vs. Electronic-Disc Add'l |
| | | | | | | Rec | Nonrecurring | | Nonrecurring Disconnect | | | | | | |
| | | | | | | | First | Add'l | First | Add'l | SOMEc | SOMAN | SOMAN | SOMAN | SOMAN |
| | | | | | | | | | | | | 15.69 | | | |
| | NARS | | | | | | | | | | | 15.69 | | | |
| | Unbundled Network Access Register - Combination | | | UEP9D | UARCX | 0.00 | 0.00 | 0.00 | | | | 15.69 | | | |
| | Unbundled Network Access Register - Inward | | | UEP9D | UAR1X | 0.00 | 0.00 | 0.00 | | | | 15.69 | | | |
| | Unbundled Network Access Register - Outdial | | | UEP9D | UAROx | 0.00 | 0.00 | 0.00 | | | | 15.69 | | | |
| | Miscellaneous Terminations | | | | | | | | | | | | | | |
| | 2-Wire Trunk Side | | | | | | | | | | | | | | |
| | Trunk Side Terminations, each | | | UEP9D | CEND6 | 8.86 | 119.57 | 18.78 | 60.03 | 3.77 | | 15.69 | | | |
| | 4-Wire Digital (1.544 Megabits) | | | | | | | | | | | | | | |
| | DS1 Circuit Terminations, each | | | UEP9D | M1HD1 | 73.62 | 202.47 | 95.90 | 72.75 | 2.47 | | 15.69 | | | |
| | DS0 Channels Activated per Channel | | | UEP9D | M1HDO | 0.00 | 14.51 | | | | | 15.69 | | | |
| | Interoffice Channel Mileage - 2-Wire | | | | | | | | | | | | | | |
| | Interoffice Channel Facilities Termination | | | UEP9D | MIGBC | 24.30 | 40.63 | 27.47 | 16.77 | 6.91 | | 15.69 | | | |
| | Interoffice Channel mileage, per mile or fraction of mile | | | UEP9D | MIGBM | 0.0167 | | | | | | | | | |
| | Feature Activations (DS0) Centrex Loops on Channelized DS1 Service | | | | | | | | | | | | | | |
| | D4 Channel Bank Feature Activations | | | | | | | | | | | | | | |
| | Feature Activation on D-4 Channel Bank Centrex Loop Slot | | | UEP9D | 1PQWS | 0.56 | | | | | | 15.69 | | | |
| | Feature Activation on D-4 Channel Bank FX line Side Loop Slot | | | UEP9D | 1PQW6 | 0.56 | | | | | | 15.69 | | | |
| | Feature Activation on D-4 Channel Bank FX Trunk Side Loop Slot | | | UEP9D | 1PQW7 | 0.56 | | | | | | 15.69 | | | |
| | Feature Activation on D-4 Channel Bank Centrex Loop Slot - Different Wire Center | | | UEP9D | 1PQWP | 0.56 | | | | | | 15.69 | | | |
| | Feature Activation on D-4 Channel Bank Private Line Loop Slot | | | UEP9D | 1PQWV | 0.56 | | | | | | 15.69 | | | |
| | Feature Activation on D-4 Channel Bank Tjie Line/Trunk Loop Slot | | | UEP9D | 1PQWQ | 0.56 | | | | | | 15.69 | | | |
| | Feature Activation on D-4 Channel Bank WATS Loop Slot | | | UEP9D | 1PQWA | 0.56 | | | | | | 15.69 | | | |
| | Non-Recurring Charges (NRC) Associated with UNE-P Centrex | | | | | | | | | | | | | | |
| | NRC Conversion Currently Combined Switch-As-Is with allowed changes, per port | | | UEP9D | USAC2 | | 37.93 | 16.72 | | | | 15.69 | | | |
| | New Centrex Standard Common Block | | | UEP9D | M1ACS | 0.00 | | | | | | 15.69 | | | |
| | New Centrex Customized Common Block | | | UEP9D | M1ACC | 0.00 | | | | | | 15.69 | | | |
| | NAR Establishment Charge, Per Occasion | | | UEP9D | URECA | 0.00 | | | | | | 15.69 | | | |
| | Note 1 - Required Port for Centrex Control in 1AESS, 5ESS & EWSD | | | | | | | | | | | | | | |
| | Note 2 - Requires Interoffice Channel Mileage | | | | | | | | | | | | | | |
| | Note 3 - Requires Specific Customer Premises Equipment | | | | | | | | | | | | | | |
| | NOTE: Rates displaying an "R" in Interim column are interim and subject to rate true-up as set forth in General Terms and Conditions. | | | | | | | | | | | | | | |

| UNBUNDLED NETWORK ELEMENTS - Tennessee | | | | | | | | | | | Attachment: 2 | | Exhibit: B | | | |
|--|--|---------|------|-------------|-------|-----------|--------------------|-------|--------------------|----------------------------------|--------------------------------------|--|--|---|---|------------------|
| CATEGORY | RATE ELEMENTS | Interim | Zone | BCS | USOC | RATES(\$) | | | | Svc Order Submitted Elec per LSR | Svc Order Submitted Manually per LSR | Incremental Charge - Manual Svc Order vs. Electronic-1st | Incremental Charge - Manual Svc Order vs. Electronic-Add'l | Incremental Charge - Manual Svc Order vs. Electronic-Disc 1st | Incremental Charge - Manual Svc Order vs. Electronic-Disc Add'l | |
| | | | | | | Rec | Nonrecurring First | Add'l | Nonrecurring First | | | | | | | Disconnect Add'l |
| OPERATIONAL SUPPORT SYSTEMS | | | | | | | | | | | | | | | | |
| NOTE: (1) Electronic Service Order: CLEC should contact its contract negotiator if it prefers the state specific electronic service ordering charges as ordered by the State Commissions. The electronic service ordering charge currently contained in this rate exhibit is the BellSouth regional electronic service ordering charge. CLEC may elect either the state specific Commission ordered rates for the electronic service ordering charges, or CLEC may elect the regional electronic service ordering charge. | | | | | | | | | | | | | | | | |
| NOTE: (2) Any element that can be ordered electronically will be billed according to the SOMECE rate listed in this category. Please refer to BellSouth's Business Rules for Local Ordering (BBR-LO) to determine if a product can be ordered electronically. For those elements that cannot be ordered electronically at present per the BBR-LO, the listed SOMECE rate in this category reflects the charge that would be billed to a CLEC once electronic ordering capabilities come on-line for that element. Otherwise, the manual ordering charge, SOMAN, will be applied to a CLECs bill when it submits an LSR to BellSouth. | | | | | | | | | | | | | | | | |
| | Electronic OSS Charge, per LSR, submitted via BST's OSS interactive interfaces (Regional) | | | | | | | | | | | | | | | |
| UNBUNDLED EXCHANGE ACCESS LOOP | | | | | | | | | | | | | | | | |
| 2-WIRE ANALOG VOICE GRADE LOOP | | | | | | | | | | | | | | | | |
| | 2-Wire Analog Voice Grade Loop - Service Level 1- Zone 1 | | 1 | UEANL | UEAL2 | 13.19 | 31.99 | 20.02 | 10.65 | 1.41 | | | 20.35 | 10.54 | 13.32 | 13.32 |
| | 2-Wire Analog Voice Grade Loop - Service Level 1- Zone 2 | | 2 | UEANL | UEAL2 | 17.23 | 31.99 | 20.02 | 10.65 | 1.41 | | | 20.35 | 10.54 | 13.32 | 13.32 |
| | 2-Wire Analog Voice Grade Loop - Service Level 1- Zone 3 | | 3 | UEANL | UEAL2 | 22.53 | 31.99 | 20.02 | 10.65 | 1.41 | | | 20.35 | 10.54 | 13.32 | 13.32 |
| | Loop Testing - Basic 1st Half Hour | | | UEANL | URET1 | | 78.92 | 78.92 | | | | | 20.35 | 10.54 | 13.32 | 13.32 |
| | Loop Testing - Basic Additional Half Hour | | | UEANL | URETA | | 23.33 | 23.33 | | | | | 20.35 | 10.54 | 13.32 | 13.32 |
| | CLEC to CLEC Conversion Charge Without Outside Dispatch (UVL-SL1) | | | UEANL | UREWO | | 15.80 | 8.95 | | | | | 20.35 | 10.54 | 13.32 | 13.32 |
| | Engineering Information Document (EI) | | | UEANL | | | 28.80 | 28.80 | | | | | | | | |
| | Manual Order Coordination for UVL-SL1s (per loop) | | | UEANL | UEAMC | | 36.52 | 36.52 | | | | | | | | |
| | Order Coordination for Specified Conversion Time for UVL-SL1 (per LSR) | | | UEANL | OCOSL | | 34.29 | 34.29 | | | | | | | | |
| 2-WIRE Unbundled COPPER LOOP | | | | | | | | | | | | | | | | |
| | 2-Wire Unbundled Copper Loop - Non-Designed Zone 1 | I | 1 | UEQ | UEQ2X | 13.19 | 31.99 | 20.02 | 10.65 | 1.41 | | | 20.35 | 10.54 | 13.32 | 13.32 |
| | 2 Wire Unbundled Copper Loop - Non-Designed - Zone 2 | I | 2 | UEQ | UEQ2X | 17.23 | 31.99 | 20.02 | 10.65 | 1.41 | | | 20.35 | 10.54 | 13.32 | 13.32 |
| | 2 Wire Unbundled Copper Loop - Non-Designed - Zone 3 | I | 3 | UEQ | UEQ2X | 22.53 | 31.99 | 20.02 | 10.65 | 1.41 | | | 20.35 | 10.54 | 13.32 | 13.32 |
| | Order Coordination 2 Wire Unbundled Copper Loop - Non-Designed (per loop) | | | UEQ | USBMC | | 36.52 | 36.52 | | | | | 20.35 | 10.54 | 13.32 | 13.32 |
| | Engineering Information Document | | | UEQ | | | 28.80 | 28.80 | | | | | 20.35 | 10.54 | 13.32 | 13.32 |
| | Loop Testing - Basic 1st Half Hour | | | UEQ | URET1 | | 78.92 | 78.92 | | | | | 20.35 | 10.54 | 13.32 | 13.32 |
| | Loop Testing - Basic Additional Half Hour | | | UEQ | URETA | | 23.33 | 23.33 | | | | | 20.35 | 10.54 | 13.32 | 13.32 |
| | CLEC to CLEC Conversion Charge Without Outside Dispatch (UCL-ND) | | | UEQ | UREWO | | 14.29 | 7.44 | | | | | 20.35 | 10.54 | 13.32 | 13.32 |
| UNBUNDLED EXCHANGE ACCESS LOOP | | | | | | | | | | | | | | | | |
| 2-WIRE ANALOG VOICE GRADE LOOP | | | | | | | | | | | | | | | | |
| | 2 Wire Analog Voice Grade Loop-Service Level 1-Line Splitting-Zone 1 | | 1 | UEPSR UEPSB | UEALS | 13.19 | 31.99 | 20.02 | 10.65 | 1.41 | | | 20.35 | 10.54 | 13.32 | 13.32 |
| | 2 Wire Analog Voice Grade Loop-Service Level 1-Line Splitting-Zone 1 | | 1 | UEPSR UEPSB | UEABS | 13.19 | 31.99 | 20.02 | 10.65 | 1.41 | | | 20.35 | 10.54 | 13.32 | 13.32 |
| | 2 Wire Analog Voice Grade Loop- Service Level 1-Line Splitting-Zone 2 | | 2 | UEPSR UEPSB | UEALS | 17.23 | 31.99 | 20.02 | 10.65 | 1.41 | | | 20.35 | 10.54 | 13.32 | 13.32 |
| | 2 Wire Analog Voice Grade Loop- Service Level 1-Line Splitting-Zone 2 | | 2 | UEPSR UEPSB | UEABS | 17.23 | 31.99 | 20.02 | 10.65 | 1.41 | | | 20.35 | 10.54 | 13.32 | 13.32 |
| | 2 Wire Analog Voice Grade Loop-Service Level 1-Line Splitting-Zone 3 | | 3 | UEPSR UEPSB | UEALS | 22.53 | 31.99 | 20.02 | 10.65 | 1.41 | | | 20.35 | 10.54 | 13.32 | 13.32 |
| | 2 Wire Analog Voice Grade Loop-Service Level 1-Line Splitting-Zone 3 | | 3 | UEPSR UEPSB | UEABS | 22.53 | 31.99 | 20.02 | 10.65 | 1.41 | | | 20.35 | 10.54 | 13.32 | 13.32 |
| UNBUNDLED EXCHANGE ACCESS LOOP | | | | | | | | | | | | | | | | |
| 2-WIRE ANALOG VOICE GRADE LOOP | | | | | | | | | | | | | | | | |
| | 2-Wire Analog Voice Grade Loop - Service Level 2 w/Loop or Ground Start Signaling - Zone 1 | | 1 | UEA | UEAL2 | 16.56 | 75.06 | 48.20 | 28.70 | 17.64 | | | 20.35 | 10.54 | 13.32 | 13.32 |
| | 2-Wire Analog Voice Grade Loop - Service Level 2 w/Loop or Ground Start Signaling - Zone 2 | | 2 | UEA | UEAL2 | 21.63 | 75.06 | 48.20 | 28.70 | 17.64 | | | 20.35 | 10.54 | 13.32 | 13.32 |
| | 2-Wire Analog Voice Grade Loop - Service Level 2 w/Loop or Ground Start Signaling - Zone 3 | | 3 | UEA | UEAL2 | 28.28 | 75.06 | 48.20 | 28.70 | 17.64 | | | 20.35 | 10.54 | 13.32 | 13.32 |
| | Order Coordination for Specified Conversion Time (per LSR) | | | UEA | OCOSL | | 34.29 | | | | | | | | | |
| | 2-Wire Analog Voice Grade Loop - Service Level 2 w/Reverse Battery Signaling - Zone 1 | | 1 | UEA | UEAR2 | 16.56 | 75.06 | 48.20 | 28.70 | 17.64 | | | 20.35 | 10.54 | 13.32 | 13.32 |

UNBUNDLED NETWORK ELEMENTS - Tennessee

| CATEGORY | RATE ELEMENTS | Interim | Zone | BCS | USOC | RATES(\$) | | | | Svc Order Submitted Elec per LSR | Svc Order Submitted Manually per LSR | Attachment: 2 | | Exhibit: B | | Incremental Charge - Manual Svc Order vs. Electronic-Disc Add'l | Incremental Charge - Manual Svc Order vs. Electronic-Disc Add'l | | | |
|----------|---|---------|------|-----|-------|-----------|--------------|--------|-------------------------|----------------------------------|--------------------------------------|---------------|-------|------------|-------|---|---|-------|-------|-------|
| | | | | | | Rec | Nonrecurring | | Nonrecurring Disconnect | | | OSS Rates(\$) | | | | | | | | |
| | | | | | | | First | Add'l | First | | | Add'l | SOMEc | SOMAN | SOMAN | | | SOMAN | SOMAN | SOMAN |
| | 2-Wire Analog Voice Grade Loop - Service Level 2 w/Reverse Battery Signaling - Zone 2 | | 2 | UEA | UEAR2 | 21.63 | 75.06 | 48.20 | 28.70 | 17.64 | | | 20.35 | 10.54 | 13.32 | 13.32 | | | | |
| | 2-Wire Analog Voice Grade Loop - Service Level 2 w/Reverse Battery Signaling - Zone 3 | | 3 | UEA | UEAR2 | 28.28 | 75.06 | 48.20 | 28.70 | 17.64 | | | 20.35 | 10.54 | 13.32 | 13.32 | | | | |
| | Order Coordination for Specified Conversion Time (per LSR) | | | UEA | OCOSL | | 34.29 | | | | | | | | | | | | | |
| | CLEC to CLEC Conversion Charge without outside dispatch | | | UEA | UREWO | | 75.06 | 36.41 | | | | | 20.35 | 10.54 | 13.32 | 13.32 | | | | |
| | 4-WIRE ANALOG VOICE GRADE LOOP | | | | | | | | | | | | | | | | | | | |
| | 4-Wire Analog Voice Grade Loop - Zone 1 | | 1 | UEA | UEAL4 | 24.70 | 122.76 | 85.57 | 76.35 | 39.16 | | | 20.35 | 10.54 | 13.32 | 13.32 | | | | |
| | 4-Wire Analog Voice Grade Loop - Zone 2 | | 2 | UEA | UEAL4 | 32.25 | 122.76 | 85.57 | 76.35 | 39.16 | | | 20.35 | 10.54 | 13.32 | 13.32 | | | | |
| | 4-Wire Analog Voice Grade Loop - Zone 3 | | 3 | UEA | UEAL4 | 42.17 | 122.76 | 85.57 | 76.35 | 39.16 | | | 20.35 | 10.54 | 13.32 | 13.32 | | | | |
| | Order Coordination for Specified Conversion Time (per LSR) | | | UEA | OCOSL | | 34.29 | | | | | | | | | | | | | |
| | CLEC to CLEC Conversion Charge without outside dispatch | | | UEA | UREWO | | 75.06 | 36.41 | | | | | 20.35 | 10.54 | 13.32 | 13.32 | | | | |
| | 2-WIRE ISDN DIGITAL GRADE LOOP | | | | | | | | | | | | | | | | | | | |
| | 2-Wire ISDN Digital Grade Loop - Zone 1 | | 1 | UDN | U1L2X | 22.22 | 142.76 | 88.88 | 76.35 | 39.16 | | | 20.35 | 10.54 | 13.32 | 13.32 | | | | |
| | 2-Wire ISDN Digital Grade Loop - Zone 2 | | 2 | UDN | U1L2X | 29.02 | 142.76 | 88.88 | 76.35 | 39.16 | | | 20.35 | 10.54 | 13.32 | 13.32 | | | | |
| | 2-Wire ISDN Digital Grade Loop - Zone 3 | | 3 | UDN | U1L2X | 37.95 | 142.76 | 88.88 | 76.35 | 39.16 | | | 20.35 | 10.54 | 13.32 | 13.32 | | | | |
| | Order Coordination For Specified Conversion Time (per LSR) | | | UDN | OCOSL | | 34.29 | | | | | | | | | | | | | |
| | CLEC to CLEC Conversion Charge without outside dispatch | | | UDN | UREWO | | 91.77 | 44.22 | | | | | 20.35 | 10.54 | 13.32 | 13.32 | | | | |
| | 2-WIRE Universal Digital Channel (UDC) COMPATIBLE LOOP | | | | | | | | | | | | | | | | | | | |
| | 2-Wire Universal Digital Channel (UDC) Compatible Loop - Zone 1 | | 1 | UDC | UDC2X | 22.22 | 142.76 | 88.88 | 76.35 | 39.16 | | | 20.35 | 10.54 | 13.32 | 13.32 | | | | |
| | 2-Wire Universal Digital Channel (UDC) Compatible Loop - Zone 2 | | 2 | UDC | UDC2X | 29.02 | 142.76 | 88.88 | 76.35 | 39.16 | | | 20.35 | 10.54 | 13.32 | 13.32 | | | | |
| | 2-Wire Universal Digital Channel (UDC) Compatible Loop - Zone 3 | | 3 | UDC | UDC2X | 37.95 | 142.76 | 88.88 | 76.35 | 39.16 | | | 20.35 | 10.54 | 13.32 | 13.32 | | | | |
| | CLEC to CLEC Conversion Charge without outside dispatch | | | UDC | UREWO | | 91.77 | 44.22 | | | | | 20.35 | 10.54 | 13.32 | 13.32 | | | | |
| | 2-WIRE ASYMMETRICAL DIGITAL SUBSCRIBER LINE (ADSL) COMPATIBLE LOOP | | | | | | | | | | | | | | | | | | | |
| | 2 Wire Unbundled ADSL Loop including manual service inquiry & facility reservation - Zone 1 | | 1 | UAL | UAL2X | 13.82 | 270.01 | 234.63 | 74.54 | 39.14 | | | 20.35 | 10.54 | 13.32 | 13.32 | | | | |
| | 2 Wire Unbundled ADSL Loop including manual service inquiry & facility reservation - Zone 2 | | 2 | UAL | UAL2X | 18.05 | 270.01 | 234.63 | 74.54 | 39.14 | | | 20.35 | 10.54 | 13.32 | 13.32 | | | | |
| | 2 Wire Unbundled ADSL Loop including manual service inquiry & facility reservation - Zone 3 | | 3 | UAL | UAL2X | 23.60 | 270.01 | 234.63 | 74.54 | 39.14 | | | 20.35 | 10.54 | 13.32 | 13.32 | | | | |
| | Order Coordination for Specified Conversion Time (per LSR) | | | UAL | OCOSL | | 34.29 | | | | | | | | | | | | | |
| | 2 Wire Unbundled ADSL Loop without manual service inquiry & facility reservaton - Zone 1 | I | 1 | UAL | UAL2W | 13.82 | 31.99 | 20.02 | 10.65 | 1.41 | | | 20.35 | 10.54 | 13.32 | 13.32 | | | | |
| | 2 Wire Unbundled ADSL Loop without manual service inquiry & facility reservaton - Zone 2 | I | 2 | UAL | UAL2W | 18.05 | 31.99 | 20.02 | 10.65 | 1.41 | | | 20.35 | 10.54 | 13.32 | 13.32 | | | | |
| | 2 Wire Unbundled ADSL Loop without manual service inquiry & facility reservaton - Zone 3 | I | 3 | UAL | UAL2W | 23.60 | 31.99 | 20.02 | 10.65 | 1.41 | | | 20.35 | 10.54 | 13.32 | 13.32 | | | | |
| | 2 Wire Unbundled ADSL Loop without manual service inquiry & facility reservaton - Zone 4 | | 4 | UAL | UAL2W | | | | | | | | | | | | | | | |
| | Order Coordination for Specified Conversion Time (per LSR) | | | UAL | OCOSL | | 34.29 | | | | | | | | | | | | | |
| | CLEC to CLEC Conversion Charge without outside dispatch | I | | UAL | UREWO | | 31.99 | 20.02 | | | | | 20.35 | 10.54 | 13.32 | 13.32 | | | | |
| | 2-WIRE HIGH BIT RATE DIGITAL SUBSCRIBER LINE (HDSL) COMPATIBLE LOOP | | | | | | | | | | | | | | | | | | | |
| | 2 Wire Unbundled HDSL Loop including manual service inquiry & facility reservation - Zone 1 | | 1 | UHL | UHL2X | 10.83 | 270.01 | 234.63 | 74.54 | 39.14 | | | 20.35 | 10.54 | 13.32 | 13.32 | | | | |
| | 2 Wire Unbundled HDSL Loop including manual service inquiry & facility reservation - Zone 2 | | 2 | UHL | UHL2X | 14.15 | 270.01 | 234.63 | 74.54 | 39.14 | | | 20.35 | 10.54 | 13.32 | 13.32 | | | | |
| | 2 Wire Unbundled HDSL Loop including manual service inquiry & facility reservation - Zone 3 | | 3 | UHL | UHL2X | 18.50 | 270.01 | 234.63 | 74.54 | 39.14 | | | 20.35 | 10.54 | 13.32 | 13.32 | | | | |
| | Order Coordination for Specified Conversion Time (per LSR) | | | UHL | OCOSL | | 34.29 | | | | | | | | | | | | | |
| | 2 Wire Unbundled HDSL Loop without manual service inquiry and facility reservation - Zone 1 | I | 1 | UHL | UHL2W | 10.83 | 31.99 | 20.02 | 10.65 | 1.41 | | | 20.35 | 10.54 | 13.32 | 13.32 | | | | |
| | 2 Wire Unbundled HDSL Loop without manual service inquiry and facility reservation - Zone 2 | I | 2 | UHL | UHL2W | 14.15 | 31.99 | 20.02 | 10.65 | 1.41 | | | 20.35 | 10.54 | 13.32 | 13.32 | | | | |
| | 2 Wire Unbundled HDSL Loop without manual service inquiry and facility reservation - Zone 3 | I | 3 | UHL | UHL2W | 18.50 | 31.99 | 20.02 | 10.65 | 1.41 | | | 20.35 | 10.54 | 13.32 | 13.32 | | | | |
| | Order Coordination for Specified Conversion Time (per LSR) | | | UHL | OCOSL | | 34.29 | | | | | | | | | | | | | |

| UNBUNDLED NETWORK ELEMENTS - Tennessee | | | | | | | | | | | Attachment: 2 | | Exhibit: B | | | | | |
|--|---|---------|------|-----|-------|-----------|--------------------|--------|--------------------|----------------------------------|--------------------------------------|--|--|---|---|------------------|---------------|-------|
| CATEGORY | RATE ELEMENTS | Interim | Zone | BCS | USOC | RATES(\$) | | | | Svc Order Submitted Elec per LSR | Svc Order Submitted Manually per LSR | Incremental Charge - Manual Svc Order vs. Electronic-1st | Incremental Charge - Manual Svc Order vs. Electronic-Add'l | Incremental Charge - Manual Svc Order vs. Electronic-Disc 1st | Incremental Charge - Manual Svc Order vs. Electronic-Disc Add'l | | | |
| | | | | | | Rec | Nonrecurring First | Add'l | Nonrecurring First | | | | | | | Disconnect Add'l | OSS Rates(\$) | |
| | | | | | | | | | | | | | SOMEK | SOMAN | SOMAN | SOMAN | SOMAN | |
| | CLEC to CLEC Conversion Charge without outside dispatch | I | | UHL | UREWO | | 31.99 | 20.02 | | | | | | | 20.35 | 10.54 | 13.32 | 13.32 |
| | 4-WIRE HIGH BIT RATE DIGITAL SUBSCRIBER LINE (HDSL) COMPATIBLE LOOP | | | | | | | | | | | | | | | | | |
| | 4 Wire Unbundled HDSL Loop including manual service inquiry and facility reservation - Zone 1 | | 1 | UHL | UHL4X | 13.93 | 279.60 | 244.22 | 74.54 | 39.14 | | | | | 20.35 | 10.54 | 13.32 | 13.32 |
| | 4-Wire Unbundled HDSL Loop including manual service inquiry and facility reservation - Zone 2 | | 2 | UHL | UHL4X | 18.20 | 279.60 | 244.22 | 74.54 | 39.14 | | | | | 20.35 | 10.54 | 13.32 | 13.32 |
| | 4-Wire Unbundled HDSL Loop including manual service inquiry and facility reservation - Zone 3 | | 3 | UHL | UHL4X | 23.80 | 279.60 | 244.22 | 74.54 | 39.14 | | | | | 20.35 | 10.54 | 13.32 | 13.32 |
| | Order Coordination for Specified Conversion Time (per LSR) | | | UHL | OCOSL | | 34.29 | | | | | | | | | | | |
| | 4-Wire Unbundled HDSL Loop without manual service inquiry and facility reservation - Zone 1 | I | 1 | UHL | UHL4W | 13.93 | 31.99 | 20.02 | 10.65 | 1.41 | | | | | 20.35 | 10.54 | 13.32 | 13.32 |
| | 4-Wire Unbundled HDSL Loop without manual service inquiry and facility reservation - Zone 2 | I | 2 | UHL | UHL4W | 18.20 | 31.99 | 20.02 | 10.65 | 1.41 | | | | | 20.35 | 10.54 | 13.32 | 13.32 |
| | 4-Wire Unbundled HDSL Loop without manual service inquiry and facility reservation - Zone 3 | I | 3 | UHL | UHL4W | 23.80 | 31.99 | 20.02 | 10.65 | 1.41 | | | | | 20.35 | 10.54 | 13.32 | 13.32 |
| | Order Coordination for Specified Conversion Time (per LSR) | | | UHL | OCOSL | | 34.29 | | | | | | | | | | | |
| | CLEC to CLEC Conversion Charge without outside dispatch | I | | UHL | UREWO | | 31.99 | 20.02 | | | | | | | 20.35 | 10.54 | 13.32 | 13.32 |
| | 4-WIRE DS1 DIGITAL LOOP | | | | | | | | | | | | | | | | | |
| | 4-Wire DS1 Digital Loop - Zone 1 | | 1 | USL | USLXX | 57.73 | 313.08 | 219.72 | 96.86 | 40.45 | | | | | 18.98 | 8.43 | 11.95 | 11.95 |
| | 4-Wire DS1 Digital Loop - Zone 2 | | 2 | USL | USLXX | 75.40 | 313.08 | 219.72 | 96.86 | 40.45 | | | | | 18.98 | 8.43 | 11.95 | 11.95 |
| | 4-Wire DS1 Digital Loop - Zone 3 | | 3 | USL | USLXX | 98.59 | 313.08 | 219.72 | 96.86 | 40.45 | | | | | 18.98 | 8.43 | 11.95 | 11.95 |
| | Order Coordination for Specified Conversion Time (per LSR) | | | USL | OCOSL | | 34.59 | | | | | | | | | | | |
| | CLEC to CLEC Conversion Charge without outside dispatch | | | USL | UREWO | | 130.47 | 40.11 | | | | | | | 20.35 | 10.54 | 13.32 | 13.32 |
| | 4-WIRE 19.2, 56 OR 64 KBPS DIGITAL GRADE LOOP | | | | | | | | | | | | | | | | | |
| | 4 Wire Unbundled Digital 19.2 Kbps | | 1 | UDL | UDL19 | 31.10 | 207.01 | 141.38 | 90.70 | 44.18 | | | | | 20.35 | 10.54 | 13.32 | 13.32 |
| | 4 Wire Unbundled Digital 19.2 Kbps | | 2 | UDL | UDL19 | 40.61 | 207.01 | 141.38 | 90.70 | 44.18 | | | | | 20.35 | 10.54 | 13.32 | 13.32 |
| | 4 Wire Unbundled Digital 19.2 Kbps | | 3 | UDL | UDL19 | 53.11 | 207.01 | 141.38 | 90.70 | 44.18 | | | | | 20.35 | 10.54 | 13.32 | 13.32 |
| | 4 Wire Unbundled Digital Loop 56 Kbps - Zone 1 | | 1 | UDL | UDL56 | 31.10 | 207.01 | 141.38 | 90.70 | 44.18 | | | | | 20.35 | 10.54 | 13.32 | 13.32 |
| | 4 Wire Unbundled Digital Loop 56 Kbps - Zone 2 | | 2 | UDL | UDL56 | 40.61 | 207.01 | 141.38 | 90.70 | 44.18 | | | | | 20.35 | 10.54 | 13.32 | 13.32 |
| | 4 Wire Unbundled Digital Loop 56 Kbps - Zone 3 | | 3 | UDL | UDL56 | 53.11 | 207.01 | 141.38 | 90.70 | 44.18 | | | | | 20.35 | 10.54 | 13.32 | 13.32 |
| | Order Coordination for Specified Conversion Time (per LSR) | | | UDL | OCOSL | | 34.29 | | | | | | | | | | | |
| | 4 Wire Unbundled Digital Loop 64 Kbps - Zone 1 | | 1 | UDL | UDL64 | 31.10 | 207.01 | 141.38 | 90.70 | 44.18 | | | | | 20.35 | 10.54 | 13.32 | 13.32 |
| | 4 Wire Unbundled Digital Loop 64 Kbps - Zone 2 | | 2 | UDL | UDL64 | 40.61 | 207.01 | 141.38 | 90.70 | 44.18 | | | | | 20.35 | 10.54 | 13.32 | 13.32 |
| | 4 Wire Unbundled Digital Loop 64 Kbps - Zone 3 | | 3 | UDL | UDL64 | 53.11 | 207.01 | 141.38 | 90.70 | 44.18 | | | | | 20.35 | 10.54 | 13.32 | 13.32 |
| | Order Coordination for Specified Conversion Time (per LSR) | | | UDL | OCOSL | | 34.29 | | | | | | | | | | | |
| | CLEC to CLEC Conversion Charge without outside dispatch | | | UDL | UREWO | | 102.28 | 49.82 | | | | | | | 20.35 | 10.54 | 13.32 | 13.32 |
| | 2-WIRE Unbundled COPPER LOOP | | | | | | | | | | | | | | | | | |
| | 2-Wire Unbundled Copper Loop/Short including manual service inquiry & facility reservation - Zone 1 | I | 1 | UCL | UCLPB | 13.19 | 31.99 | 20.02 | 10.65 | 1.41 | | | | | 20.35 | 10.54 | 13.32 | 13.32 |
| | 2-Wire Unbundled Copper Loop/Short including manual service inquiry & facility reservation - Zone 2 | I | 2 | UCL | UCLPB | 17.23 | 31.99 | 20.02 | 10.65 | 1.41 | | | | | 20.35 | 10.54 | 13.32 | 13.32 |
| | 2 Wire Unbundled Copper Loop/Short including manual service inquiry & facility reservation - Zone 3 | I | 3 | UCL | UCLPB | 22.53 | 31.99 | 20.02 | 10.65 | 1.41 | | | | | 20.35 | 10.54 | 13.32 | 13.32 |
| | Order Coordination for Unbundled Copper Loops (per loop) | | | UCL | UCLMC | | 36.52 | 36.52 | | | | | | | | | | |
| | 2-Wire Unbundled Copper Loop/Short without manual service inquiry and facility reservation - Zone 1 | I | 1 | UCL | UCLPW | 13.19 | 31.99 | 20.02 | 10.65 | 1.41 | | | | | 20.35 | 10.54 | 13.32 | 13.32 |
| | 2-Wire Unbundled Copper Loop/Short without manual service inquiry and facility reservation - Zone 2 | I | 2 | UCL | UCLPW | 17.23 | 31.99 | 20.02 | 10.65 | 1.41 | | | | | 20.35 | 10.54 | 13.32 | 13.32 |
| | 2-Wire Unbundled Copper Loop/Short without manual service inquiry and facility reservation - Zone 3 | I | 3 | UCL | UCLPW | 22.53 | 31.99 | 20.02 | 10.65 | 1.41 | | | | | 20.35 | 10.54 | 13.32 | 13.32 |
| | Order Coordination for Unbundled Copper Loops (per loop) | | | UCL | UCLMC | | 36.52 | 36.52 | | | | | | | | | | |
| | 2-Wire Unbundled Copper Loop/Long - includes manual svc. inquiry and facility reservation - Zone 1 | I | 1 | UCL | UCL2L | 13.19 | 31.99 | 20.02 | 10.65 | 1.41 | | | | | 20.35 | 10.54 | 13.32 | 13.32 |
| | 2-Wire Unbundled Copper Loop/Long - includes manual svc. inquiry and facility reservation - Zone 2 | I | 2 | UCL | UCL2L | 17.23 | 31.99 | 20.02 | 10.65 | 1.41 | | | | | 20.35 | 10.54 | 13.32 | 13.32 |
| | 2-Wire Unbundled Copper Loop/Long - includes manual svc. inquiry and facility reservation - Zone 3 | I | 3 | UCL | UCL2L | 22.53 | 31.99 | 20.02 | 10.65 | 1.41 | | | | | 20.35 | 10.54 | 13.32 | 13.32 |
| | Order Coordination for Unbundled Copper Loops (per loop) | | | UCL | UCLMC | | 36.52 | 36.52 | | | | | | | | | | |

| UNBUNDLED NETWORK ELEMENTS - Tennessee | | | | | | | | | | | Attachment: 2 | | Exhibit: B | | | |
|--|--|---------|------|---|-------|-----------|--------------------|--------|--------------------|----------------------------------|--------------------------------------|--|--|---|---|------------------|
| CATEGORY | RATE ELEMENTS | Interim | Zone | BCS | USOC | RATES(\$) | | | | Svc Order Submitted Elec per LSR | Svc Order Submitted Manually per LSR | Incremental Charge - Manual Svc Order vs. Electronic-1st | Incremental Charge - Manual Svc Order vs. Electronic-Add'l | Incremental Charge - Manual Svc Order vs. Electronic-Disc 1st | Incremental Charge - Manual Svc Order vs. Electronic-Disc Add'l | |
| | | | | | | Rec | Nonrecurring First | Add'l | Nonrecurring First | | | | | | | Disconnect Add'l |
| | | | | | | | | | | | SOMEc | SOMAN | SOMAN | SOMAN | SOMAN | SOMAN |
| | 2-Wire Unbundled Copper Loop/Long - without manual service inquiry and facility reservation - Zone 1 | I | 1 | UCL | UCL2W | 13.19 | 31.99 | 20.02 | 10.65 | 1.41 | | | 20.35 | 10.54 | 13.32 | 13.32 |
| | 2-Wire Unbundled Copper Loop/Long - without manual service inquiry and facility reservation - Zone 2 | I | 2 | UCL | UCL2W | 17.23 | 31.99 | 20.02 | 10.65 | 1.41 | | | 20.35 | 10.54 | 13.32 | 13.32 |
| | Order Coordination for Unbundled Copper Loops (per loop) | | | UCL | UCLMC | | 36.52 | 36.52 | | | | | | | | |
| | CLEC to CLEC Conversion Charge without outside dispatch (UCL-Des) | I | | UCL | UREWO | | 31.99 | 20.02 | | | | | 20.35 | 10.54 | 13.32 | 13.32 |
| 4-WIRE COPPER LOOP | | | | | | | | | | | | | | | | |
| | 4-Wire Copper Loop/Short - including manual service inquiry and facility reservation - Zone 1 | I | 1 | UCL | UCL4S | 24.70 | 122.76 | 85.57 | 76.35 | 39.16 | | | 20.35 | 10.54 | 13.32 | 13.32 |
| | 4-Wire Copper Loop/Short - including manual service inquiry and facility reservation - Zone 2 | I | 2 | UCL | UCL4S | 32.25 | 122.76 | 85.57 | 76.35 | 39.16 | | | 20.35 | 10.54 | 13.32 | 13.32 |
| | 4-Wire Copper Loop/Short - including manual service inquiry and facility reservation - Zone 3 | I | 3 | UCL | UCL4S | 42.17 | 122.76 | 85.57 | 76.35 | 39.16 | | | 20.35 | 10.54 | 13.32 | 13.32 |
| | Order Coordination for Unbundled Copper Loops (per loop) | | | UCL | UCLMC | | 36.52 | 36.52 | | | | | | | | |
| | 4-Wire Copper Loop/Short - without manual service inquiry and facility reservation - Zone 1 | I | 1 | UCL | UCL4W | 24.70 | 122.76 | 85.57 | 76.35 | 39.16 | | | 20.35 | 10.54 | 13.32 | 13.32 |
| | 4-Wire Copper Loop/Short - without manual service inquiry and facility reservation - Zone 2 | I | 2 | UCL | UCL4W | 32.25 | 122.76 | 85.57 | 76.35 | 39.16 | | | 20.35 | 10.54 | 13.32 | 13.32 |
| | 4-Wire Copper Loop/Short - without manual service inquiry and facility reservation - Zone 3 | I | 3 | UCL | UCL4W | 42.17 | 122.76 | 85.57 | 76.35 | 39.16 | | | 20.35 | 10.54 | 13.32 | 13.32 |
| | Order Coordination for Unbundled Copper Loops (per loop) | | | UCL | UCLMC | | 36.52 | 36.52 | | | | | | | | |
| | 4-Wire Unbundled Copper Loop/Long - includes manual svc. inquiry and facility reservation - Zone 1 | I | 1 | UCL | UCL4L | 24.70 | 122.76 | 85.57 | 76.35 | 39.16 | | | 20.35 | 10.54 | 13.32 | 13.32 |
| | 4-Wire Unbundled Copper Loop/Long - includes manual svc. inquiry and facility reservation - Zone 2 | I | 2 | UCL | UCL4L | 32.25 | 122.76 | 85.57 | 76.35 | 39.16 | | | 20.35 | 10.54 | 13.32 | 13.32 |
| | 4-Wire Unbundled Copper Loop/Long - includes manual svc. inquiry and facility reservation - Zone 3 | I | 3 | UCL | UCL4L | 42.17 | 122.76 | 85.57 | 76.35 | 39.16 | | | 20.35 | 10.54 | 13.32 | 13.32 |
| | Order Coordination for Unbundled Copper Loops (per loop) | | | UCL | UCLMC | | 36.52 | 36.52 | | | | | | | | |
| | 4-Wire Unbundled Copper Loop/Long - without manual svc. inquiry and facility reservation - Statewide | I | sw | UCL | UCL4O | | | | | | | | | | | |
| | Order Coordination for Unbundled Copper Loops (per loop) | | | UCL | UCLMC | | 36.52 | 36.52 | | | | | | | | |
| | CLEC to CLEC Conversion Charge without outside dispatch (UCL-Des) | I | | UCL | UREWO | | 31.99 | 20.02 | | | | | 20.35 | 10.54 | 13.32 | 13.32 |
| LOOP MODIFICATION | | | | | | | | | | | | | | | | |
| | Unbundled Loop Modification, Removal of Load Coils - 2 Wire pair less than or equal to 18k ft | I | | UAL, UHL, UCL, UEQ, ULS, UEA, UEANL, UDL, UDC, UDN, UDL, USL | ULM2L | | 65.40 | 65.40 | | | | | 20.35 | 10.54 | 13.32 | 13.32 |
| | Unbundled Loop Modification, Removal of Load Coils - 2 wire greater than 18k ft | I | | UCL, ULS | ULM2G | | 710.71 | 23.77 | | | | | 20.35 | 10.54 | 13.32 | 13.32 |
| | Unbundled Loop Modification Removal of Load Coils - 4 Wire less than or equal to 18K ft | I | | UHL, UCL | ULM4L | | 65.40 | 65.40 | | | | | 20.35 | 10.54 | 13.32 | 13.32 |
| | Unbundled Loop Modification Removal of Load Coils - 4 Wire pair greater than 18k ft | I | | UCL | ULM4G | | 710.71 | 23.77 | | | | | 20.35 | 10.54 | 13.32 | 13.32 |
| | Unbundled Loop Modification Removal of Bridged Tap Removal, per unbundled loop | I | | UAL, UHL, UCL, UEQ, UEL, ULS, UEA, UEANL, UDL, UDC, UDN, UDL, USL | ULMBT | | 65.44 | 65.44 | | | | | 20.35 | 10.54 | 13.32 | 13.32 |
| SUB-LOOPS | | | | | | | | | | | | | | | | |
| Sub-Loop Distribution | | | | | | | | | | | | | | | | |
| | Sub-Loop - Per Cross Box Location - CLEC Feeder Facility Set-Up | I | | UEANL | USBSA | | 517.25 | 517.25 | | | | | 20.35 | 10.54 | 13.32 | 13.32 |
| | Sub-Loop - Per Cross Box Location - Per 25 Pair Panel Set-Up | I | | UEANL | USBSB | | 42.68 | 42.68 | | | | | 20.35 | 10.54 | 13.32 | 13.32 |
| | Sub-Loop - Per Building Equipment Room - CLEC Feeder Facility Set-Up | I | | UEANL | USBSC | | 313.01 | 313.01 | | | | | 20.35 | 10.54 | 13.32 | 13.32 |

| UNBUNDLED NETWORK ELEMENTS - Tennessee | | | | | | | | | | | Attachment: 2 | | Exhibit: B | | | | | | |
|--|--|---------|------|----------------------|-------|-----------|--------------------|--------|--------------------|----------------------------------|--------------------------------------|--|--|---|---|------------------|---------------|-------|--|
| CATEGORY | RATE ELEMENTS | Interim | Zone | BCS | USOC | RATES(\$) | | | | Svc Order Submitted Elec per LSR | Svc Order Submitted Manually per LSR | Incremental Charge - Manual Svc Order vs. Electronic-1st | Incremental Charge - Manual Svc Order vs. Electronic-Add'l | Incremental Charge - Manual Svc Order vs. Electronic-Disc 1st | Incremental Charge - Manual Svc Order vs. Electronic-Disc Add'l | | | | |
| | | | | | | Rec | Nonrecurring First | Add'l | Nonrecurring First | | | | | | | Disconnect Add'l | OSS Rates(\$) | | |
| | | | | | | | | | | | | | SOMEc | SOMAN | SOMAN | SOMAN | SOMAN | SOMAN | |
| | Sub-Loop - Per Building Equipment Room - Per 25 Pair Panel Set-Up | I | | UEANL | USBSD | | 108.06 | 108.06 | | | | | | | 20.35 | 10.54 | 13.32 | 13.32 | |
| | Sub-Loop Distribution Per 2-Wire Analog Voice Grade Loop - Statewide | | sw | UEANL | USBN2 | 10.02 | 148.84 | 112.34 | 73.14 | 36.65 | | | | | 20.35 | 10.54 | 13.32 | 13.32 | |
| | Order Coordination for Unbundled Sub-Loops, per sub-loop pair | | | UEANL | USBMC | | 34.29 | 34.29 | | | | | | | | | | | |
| | Sub-Loop Distribution Per 4-Wire Analog Voice Grade Loop - Zone 1 | | 1 | UEANL | USBN4 | 7.30 | 147.93 | 75.11 | 99.96 | 16.98 | | | | | 20.35 | 10.54 | 13.32 | 13.32 | |
| | Sub-Loop Distribution Per 4-Wire Analog Voice Grade Loop - Zone 2 | | 2 | UEANL | USBN4 | 9.54 | 147.93 | 75.11 | 99.96 | 16.98 | | | | | 20.35 | 10.54 | 13.32 | 13.32 | |
| | Sub-Loop Distribution Per 4-Wire Analog Voice Grade Loop - Zone 3 | | 3 | UEANL | USBN4 | 12.47 | 147.93 | 75.11 | 99.96 | 16.98 | | | | | 20.35 | 10.54 | 13.32 | 13.32 | |
| | Order Coordination for Unbundled Sub-Loops, per sub-loop pair | | | UEANL | USBMC | | 34.29 | 34.29 | | | | | | | | | | | |
| | Sub-Loop 2-Wire Intrabuilding Network Cable (INC) | I | | UEANL | USBR2 | 1.35 | 94.56 | 29.35 | | | | | | | 20.35 | 10.54 | 13.32 | 13.32 | |
| | Order Coordination for Unbundled Sub-Loops, per sub-loop pair | | | UEANL | USBMC | | 34.29 | 34.29 | | | | | | | | | | | |
| | Sub-Loop 4-Wire Intrabuilding Network Cable (INC) | I | | UEANL | USBR4 | 2.26 | 116.14 | 37.10 | | | | | | | 20.35 | 10.54 | 13.32 | 13.32 | |
| | Order Coordination for Unbundled Sub-Loops, per sub-loop pair | | | UEANL | USBMC | | 34.29 | 34.29 | | | | | | | | | | | |
| | 2 Wire Copper Unbundled Sub-Loop Distribution - Zone 1 | I | 1 | UEF | UCS2X | 5.16 | 110.71 | 37.89 | 94.41 | 13.09 | | | | | 20.35 | 10.54 | 13.32 | 13.32 | |
| | 2 Wire Copper Unbundled Sub-Loop Distribution - Zone 2 | I | 2 | UEF | UCS2X | 6.74 | 110.71 | 37.89 | 94.41 | 13.09 | | | | | 20.35 | 10.54 | 13.32 | 13.32 | |
| | 2 Wire Copper Unbundled Sub-Loop Distribution - Zone 3 | I | 3 | UEF | UCS2X | 8.81 | 110.71 | 37.89 | 94.41 | 13.09 | | | | | 20.35 | 10.54 | 13.32 | 13.32 | |
| | Order Coordination for Unbundled Sub-Loops, per sub-loop pair | | | UEF | USBMC | | 34.29 | 34.29 | | | | | | | | | | | |
| | 4 Wire Copper Unbundled Sub-Loop Distribution - Zone 1 | I | 1 | UEF | UCS4X | 6.52 | 117.12 | 44.30 | 99.96 | 16.98 | | | | | 20.35 | 10.54 | 13.32 | 13.32 | |
| | 4 Wire Copper Unbundled Sub-Loop Distribution - Zone 2 | I | 2 | UEF | UCS4X | 8.52 | 117.12 | 44.30 | 99.96 | 16.98 | | | | | 20.35 | 10.54 | 13.32 | 13.32 | |
| | 4 Wire Copper Unbundled Sub-Loop Distribution - Zone 3 | I | 3 | UEF | UCS4X | 11.14 | 117.12 | 44.30 | 99.96 | 16.98 | | | | | 20.35 | 10.54 | 13.32 | 13.32 | |
| | Order Coordination for Unbundled Sub-Loops, per sub-loop pair | | | UEF | USBMC | | 34.29 | 34.29 | | | | | | | | | | | |
| | Unbundled Sub-Loop Modification | | | | | | | | | | | | | | | | | | |
| | Unbundled Sub-Loop Modification - 2-W Copper Dist Load Coil/Equip Removal per 2-W PR | | | UEF | ULM2X | | 335.36 | 7.82 | | | | | | | 20.34 | 10.54 | 13.32 | 13.32 | |
| | Unbundled Sub-loop Modification - 4-W Copper Dist Load Coil/Equip Removal per 4-W PR | | | UEF | ULM4X | | 335.36 | 7.82 | | | | | | | 20.35 | 10.54 | 13.32 | 13.32 | |
| | Unbundled Sub-loop Modification - 2-w/4-w Copper Dist Bridged Tap Removal, per PR unloaded | | | UEF | ULM4T | | 528.48 | 9.74 | | | | | | | 20.35 | 10.54 | 13.32 | 13.32 | |
| | Unbundled Network Terminating Wire (UNTW) | | | | | | | | | | | | | | | | | | |
| | Unbundled Network Terminating Wire (UNTW) per Pair | I | | UENTW | UENPP | 0.4555 | 2.48 | 2.48 | | | | | | | 20.35 | 10.54 | 13.32 | 13.32 | |
| | Network Interface Device (NID) | | | | | | | | | | | | | | | | | | |
| | Network Interface Device (NID) - 1-2 lines | | | UENTW | UND12 | | 89.69 | 54.56 | 0.6391 | 0.6391 | | | | | 20.35 | 10.54 | 13.32 | 13.32 | |
| | Network Interface Device (NID) - 1-6 lines | | | UENTW | UND16 | | 129.65 | 94.51 | 0.6522 | 0.6522 | | | | | 20.35 | 10.54 | 13.32 | 13.32 | |
| | Network Interface Device Cross Connect - 2 W | | | UENTW | UNDC2 | | 11.11 | 11.11 | | | | | | | 20.35 | 10.54 | 13.32 | 13.32 | |
| | Network Interface Device Cross Connect - 4W | | | UENTW | UNDC4 | | 11.11 | 11.11 | | | | | | | 20.35 | 10.54 | 13.32 | 13.32 | |
| | SUB-LOOPS | | | | | | | | | | | | | | | | | | |
| | Sub-Loop Feeder | | | | | | | | | | | | | | | | | | |
| | USL-Feeder, DS0 Set-up per Cross Box location - CLEC Distribution Facility set-up | | | UEA, UDN,UCL,UDL,UDC | USBFW | | 517.25 | | | | | | | | 20.35 | 10.54 | 13.32 | 13.32 | |
| | USL Feeder - DS0 Set-up per Cross Box location - per 25 pair set-up | | | UEA, UDN,UCL,UDL,UDC | USBFX | | 42.68 | 42.68 | | | | | | | 20.35 | 10.54 | 13.32 | 13.32 | |
| | USL Feeder DS1 Set-up at DSX location, per DS1 termination | | | USL | USBFZ | | 531.04 | 11.34 | | | | | | | 20.35 | 10.54 | 13.32 | 13.32 | |
| | Unbundled Sub-Loop Feeder Loop, 2 Wire Ground-Start, Voice Grade- Statewide | | sw | UEA | USBFA | 12.05 | 122.24 | 85.05 | 76.35 | 39.16 | | | | | 20.35 | 10.54 | 13.32 | 13.32 | |
| | Order Coordination for Specified Conversion Time, per LSR | | | UEA | OCOSL | | 34.29 | | | | | | | | | | | | |
| | Unbundled Sub-Loop Feeder Loop, 2 Wire Loop-Start, Voice Grade - Statewide | | sw | UEA | USBFB | 12.05 | 122.24 | 85.05 | 76.35 | 39.16 | | | | | 20.35 | 10.54 | 13.32 | 13.32 | |
| | Order Coordination for Specified Time Conversion, per LSR | | | UEA | OCOSL | | 34.29 | | | | | | | | | | | | |
| | Unbundled Sub-Loop Feeder Loop, 2 Wire Reverse Battery, Voice Grade Loop - Statewide | | sw | UEA | USBFC | 12.05 | 122.24 | 85.05 | 76.35 | 39.16 | | | | | 20.35 | 10.54 | 13.32 | 13.32 | |

| UNBUNDLED NETWORK ELEMENTS - Tennessee | | | | | | | | | | | Attachment: 2 | | Exhibit: B | | | | | |
|--|---|---------|------|-------|-------|-----------|--------------------|--------|--------------------|----------------------------------|--------------------------------------|--|--|---|---|------------------|---------------|-------|
| CATEGORY | RATE ELEMENTS | Interim | Zone | BCS | USOC | RATES(\$) | | | | Svc Order Submitted Elec per LSR | Svc Order Submitted Manually per LSR | Incremental Charge - Manual Svc Order vs. Electronic-1st | Incremental Charge - Manual Svc Order vs. Electronic-Add'l | Incremental Charge - Manual Svc Order vs. Electronic-Disc 1st | Incremental Charge - Manual Svc Order vs. Electronic-Disc Add'l | | | |
| | | | | | | Rec | Nonrecurring First | Add'l | Nonrecurring First | | | | | | | Disconnect Add'l | OSS Rates(\$) | |
| | | | | | | | | | | | | | SOMEc | SOMAN | SOMAN | SOMAN | SOMAN | SOMAN |
| | Order Coordination For Specified Conversion Time, per LSR | | | UEA | OCOSL | | 34.29 | | | | | | | | | | | |
| | Unbundled Sub-Loop Feeder Loop, 4 Wire Ground-Start, Voice Grade - Zone 1 | | 1 | UEA | USBFD | 21.52 | 137.31 | 61.93 | 118.04 | 30.13 | | | 20.35 | 10.54 | 13.32 | 13.32 | | |
| | Unbundled Sub-Loop Feeder Loop, 4 Wire Ground-Start, Voice Grade - Zone 2 | | 2 | UEA | USBFD | 28.11 | 137.31 | 61.93 | 118.04 | 30.13 | | | 20.35 | 10.54 | 13.32 | 13.32 | | |
| | Unbundled Sub-Loop Feeder Loop, 4 Wire Ground Start, Voice Grade - Zone 3 | | 3 | UEA | USBFD | 36.76 | 137.31 | 61.93 | 118.04 | 30.13 | | | 20.35 | 10.54 | 13.32 | 13.32 | | |
| | Order Coordination For Specified Conversion Time, Per LSR | | | UEA | OCOSL | | 34.29 | | | | | | | | | | | |
| | Unbundled Sub-Loop Feeder Loop, 4 Wire Loop-Start, Voice Grade - Zone 1 | | 1 | UEA | USBFE | 21.52 | 137.31 | 61.93 | 118.04 | 30.13 | | | 20.35 | 10.54 | 13.32 | 13.32 | | |
| | Unbundled Sub-Loop Feeder Loop, 4 Wire Loop-Start, Voice Grade - Zone 2 | | 2 | UEA | USBFE | 28.11 | 137.31 | 61.93 | 118.04 | 30.13 | | | 20.35 | 10.54 | 13.32 | 13.32 | | |
| | Unbundled Sub-Loop Feeder Loop, 4 Wire Loop-Start, Voice Grade - Zone 3 | | 3 | UEA | USBFE | 36.76 | 137.31 | 61.93 | 118.04 | 30.13 | | | 20.35 | 10.54 | 13.32 | 13.32 | | |
| | Order Coordination For Specified Conversion Time, Per LSR | | | UEA | OCOSL | | 34.29 | | | | | | | | | | | |
| | Unbundled Sub-Loop Feeder Loop, 2 Wire ISDN BRI - Zone 1 | | 1 | UDN | USBFF | 16.11 | 142.83 | 67.45 | 104.67 | 18.53 | | | 19.99 | 19.99 | 19.99 | 19.99 | | |
| | Unbundled Sub-Loop Feeder Loop, 2-Wire ISDN BRI - Zone 2 | | 2 | UDN | USBFF | 21.04 | 142.83 | 67.45 | 104.67 | 18.53 | | | 19.99 | 19.99 | 19.99 | 19.99 | | |
| | Unbundled Sub-Loop Feeder Loop, 2-Wire ISDN BRI - Zone 3 | | 3 | UDN | USBFF | 27.51 | 142.83 | 67.45 | 104.64 | 18.53 | | | 19.99 | 19.99 | 19.99 | 19.99 | | |
| | Order Coordination For Specified Conversion Time, Per LSR | | | UDN | OCOSL | | 34.29 | | | | | | | | | | | |
| | Unbundled Sub-Loop Feeder, 2 Wire UDC (IDSL compatible) | | 1 | UDC | USBFS | 16.11 | 142.83 | 67.45 | 104.67 | 18.53 | | | 19.99 | 19.99 | 19.99 | 19.99 | | |
| | Unbundled Sub-Loop Feeder, 2 Wire UDC (IDSL compatible) | | 2 | UDC | USBFS | 21.04 | 142.83 | 67.45 | 104.67 | 18.53 | | | 19.99 | 19.99 | 19.99 | 19.99 | | |
| | Unbundled Sub-Loop Feeder, 2 Wire UDC (IDSL compatible) | | 3 | UDC | USBFS | 27.51 | 142.83 | 67.45 | 104.64 | 18.53 | | | 19.99 | 19.99 | 19.99 | 19.99 | | |
| | Unbundled Sub-Loop Feeder Loop, 4-Wire DS1 - Zone 1 | | 1 | USL | USBFG | 39.74 | 116.00 | 40.62 | 106.82 | 18.91 | | | 19.99 | 19.99 | 19.99 | 19.99 | | |
| | Unbundled Sub-Loop Feeder Loop, 4-Wire DS1 - Zone 2 | | 2 | USL | USBFG | 51.90 | 116.00 | 40.62 | 106.82 | 18.91 | | | 19.99 | 19.99 | 19.99 | 19.99 | | |
| | Unbundled Sub-Loop Feeder Loop, 4-Wire DS1 - Zone 3 | | 3 | USL | USBFG | 67.86 | 116.00 | 40.62 | 106.82 | 18.91 | | | 19.99 | 19.99 | 19.99 | 19.99 | | |
| | Order Coordination For Specified Conversion Time, Per LSR | | | USL | OCOSL | | 34.59 | | | | | | | | | | | |
| | Unbundled Sub-Loop Feeder, 2-Wire Copper Loop - Zone 1 | | 1 | UCL | USBFH | 9.52 | 114.27 | 38.89 | 104.64 | 18.53 | | | 19.99 | 19.99 | 19.99 | 19.99 | | |
| | Unbundled Sub-Loop Feeder Loop, 2-Wire Copper Loop - Zone 2 | | 2 | UCL | USBFH | 12.43 | 114.27 | 38.89 | 104.64 | 18.53 | | | 19.99 | 19.99 | 19.99 | 19.99 | | |
| | Unbundled Sub-Loop Feeder Loop, 2-Wire Copper Loop - Zone 3 | | 3 | UCL | USBFH | 16.26 | 114.27 | 38.89 | 104.64 | 18.53 | | | 19.99 | 19.99 | 19.99 | 19.99 | | |
| | Order Coordination For Specified Conversion Time, per LSR | | | UCL | OCOSL | | 34.29 | | | | | | | | | | | |
| | Sub-Loop Feeder - Per 4-Wire Copper Loop - Zone 1 | | 1 | UCL | USBFJ | 14.37 | 123.41 | 48.03 | 110.44 | 22.53 | | | 19.99 | 19.99 | 19.99 | 19.99 | | |
| | Sub-Loop Feeder - Per 4-Wire Copper Loop - Zone 2 | | 2 | UCL | USBFJ | 18.76 | 123.41 | 48.03 | 110.44 | 22.53 | | | 19.99 | 19.99 | 19.99 | 19.99 | | |
| | Sub-Loop Feeder - Per 4-Wire Copper Loop - Zone 3 | | 3 | UCL | USBFJ | 24.53 | 123.41 | 48.03 | 110.44 | 22.53 | | | 19.99 | 19.99 | 19.99 | 19.99 | | |
| | Order Coordination For Specified Conversion Time, per LSR | | | UCL | OCOSL | | 34.29 | | | | | | | | | | | |
| | Sub-Loop Feeder - Per 4-Wire 19.2 Kbps Digital Grade Loop | | 1 | UDL | USBFN | 26.06 | 116.00 | 40.62 | 106.82 | 18.91 | | | 19.99 | 19.99 | 19.99 | 19.99 | | |
| | Sub-Loop Feeder - Per 4-Wire 19.2 Kbps Digital Grade Loop | | 2 | UDL | USBFN | 34.03 | 116.00 | 40.62 | 106.82 | 18.91 | | | 19.99 | 19.99 | 19.99 | 19.99 | | |
| | Sub-Loop Feeder - Per 4-Wire 19.2 Kbps Digital Grade Loop | | 3 | UDL | USBFN | 44.50 | 116.00 | 40.62 | 106.82 | 18.91 | | | 19.99 | 19.99 | 19.99 | 19.99 | | |
| | Sub-Loop Feeder - Per 4-Wire 56 Kbps Digital Grade Loop - Zone 1 | | 1 | UDL | USBFO | 26.06 | 116.00 | 40.62 | 106.82 | 18.91 | | | 19.99 | 19.99 | 19.99 | 19.99 | | |
| | Sub-Loop Feeder - Per 4-Wire 56 Kbps Digital Grade Loop - Zone 2 | | 2 | UDL | USBFO | 34.03 | 116.00 | 40.62 | 106.82 | 18.91 | | | 19.99 | 19.99 | 19.99 | 19.99 | | |
| | Sub-Loop Feeder - Per 4-Wire 56 Kbps Digital Grade Loop - Zone 3 | | 3 | UDL | USBFO | 44.50 | 116.00 | 40.62 | 106.82 | 18.91 | | | 19.99 | 19.99 | 19.99 | 19.99 | | |
| | Order Coordination For Specified Time Conversion, per LSR | | | UDL | OCOSL | | 34.29 | | | | | | | | | | | |
| | Sub-Loop Feeder - Per 4-Wire 64 Kbps Digital Grade Loop - Zone 1 | | 1 | UDL | USBFP | 26.06 | 116.00 | 40.62 | 106.82 | 18.91 | | | 19.99 | 19.99 | 19.99 | 19.99 | | |
| | Sub-Loop Feeder - Per 4-Wire 64 Kbps Digital Grade Loop - Zone 2 | | 2 | UDL | USBFP | 34.03 | 116.00 | 40.62 | 106.82 | 18.91 | | | 19.99 | 19.99 | 19.99 | 19.99 | | |
| | Sub-Loop Feeder - Per 4-Wire 64 Kbps Digital Grade Loop - Zone 3 | | 3 | UDL | USBFP | 44.50 | 116.00 | 40.62 | 106.82 | 18.91 | | | 19.99 | 19.99 | 19.99 | 19.99 | | |
| | Order Coordination For Specified Conversion Time, per LSR | | | UDL | OCOSL | | 34.29 | | | | | | | | | | | |
| SUB-LOOPS | | | | | | | | | | | | | | | | | | |
| | Sub-Loop Feeder | | | | | | | | | | | | | | | | | |
| | Sub Loop Feeder - DS3 - Per Mile Per Month | | I | UE3 | 1L5SL | 14.11 | | | | | | | | | | | | |
| | Sub Loop Feeder - DS3 - Facility Termination Per Month | | I | UE3 | USBF1 | 333.26 | 3,390.00 | 407.68 | 165.17 | 501.31 | | | 20.35 | 10.54 | 13.32 | | | |
| | Sub Loop Feeder - STS-1 - Per Mile Per Month | | I | UDLSX | 1L5SL | 14.11 | | | | | | | | | | | | |
| | Sub Loop Feeder - STS-1 - Facility Termination Per Month | | I | UDLSX | USBF7 | 359.02 | 3,390.00 | 407.68 | 165.17 | 501.31 | | | 20.35 | 10.54 | 13.32 | | | |

| UNBUNDLED NETWORK ELEMENTS - Tennessee | | | | | | | | | | | Attachment: 2 | | Exhibit: B | | | | | |
|---|--|---------|------|---------------------------------|-------|-----------|--------------------|--------|--------------------|----------------------------------|--------------------------------------|--|--|---|---|------------------|---------------|-------|
| CATEGORY | RATE ELEMENTS | Interim | Zone | BCS | USOC | RATES(\$) | | | | Svc Order Submitted Elec per LSR | Svc Order Submitted Manually per LSR | Incremental Charge - Manual Svc Order vs. Electronic-1st | Incremental Charge - Manual Svc Order vs. Electronic-Add'l | Incremental Charge - Manual Svc Order vs. Electronic-Disc 1st | Incremental Charge - Manual Svc Order vs. Electronic-Disc Add'l | | | |
| | | | | | | Rec | Nonrecurring First | Add'l | Nonrecurring First | | | | | | | Disconnect Add'l | OSS Rates(\$) | |
| | | | | | | | | | | | | | SOMEc | SOMAN | SOMAN | SOMAN | SOMAN | SOMAN |
| | Sub Loop Feeder - OC-3 - Per Mile Per Month | I | | UDLO3 | 1L5SL | 10.71 | | | | | | | | | | | | |
| | Sub Loop Feeder - OC-3 - Facility Termination Protection Per Month | I | | UDLO3 | USBF5 | 56.64 | | | | | | | | | | | | |
| | Sub Loop Feeder - OC-3 - Facility Termination Protection Per Month | I | | UDLO3 | USBF2 | 546.31 | 3,390.00 | 407.68 | 165.17 | 501.31 | | | 20.35 | 10.54 | 13.32 | | | |
| | Sub Loop Feeder - OC-12 - Per Mile Per Month | I | | UDL12 | 1L5SL | 13.18 | | | | | | | | | | | | |
| | Sub Loop Feeder - OC-12 - Facility Termination Protection Per Month | I | | UDL12 | USBF6 | 639.98 | | | | | | | | | | | | |
| | Sub Loop Feeder - OC-12 - Facility Termination Protection Per Month | I | | UDL12 | USBF3 | 1,697.00 | 3,390.00 | 407.68 | 165.17 | 501.31 | | | 20.35 | 10.54 | 13.32 | | | |
| | Sub Loop Feeder - OC-48 - Per Mile Per Month | I | | UDL48 | 1L5SL | 43.22 | | | | | | | | | | | | |
| | Sub Loop Feeder - OC-48 - Facility Termination Protection Per Month | I | | UDL48 | USBF9 | 320.36 | | | | | | | | | | | | |
| | Sub Loop Feeder - OC-48 - Facility Termination Protection Per Month | I | | UDL48 | USBF4 | 1,457.00 | 3,576.00 | 407.68 | 165.17 | 501.31 | | | 20.35 | 10.54 | 13.32 | | | |
| | Sub Loop Feeder - OC-12 Interface On OC-48 | I | | UDL48 | USBF8 | 361.44 | 789.41 | 407.68 | 165.17 | 501.31 | | | 20.35 | 10.54 | 13.32 | | | |
| UNBUNDLED LOOP CONCENTRATION | | | | | | | | | | | | | | | | | | |
| | Loop Channelization System | | | ULC | ULCCS | 307.07 | 307.34 | 74.37 | 4.18 | | | | 20.35 | 10.54 | 13.32 | 13.32 | | |
| | CO Channel Interface - 2-Wire Voice Grade | | | ULC | ULCC2 | 1.20 | 9.57 | 9.52 | 8.66 | 8.60 | | | 20.35 | 10.54 | 13.32 | 13.32 | | |
| | Unbundled Loop Concentration - System A (TR008) | | | ULC | UCT8A | 500.18 | 613.60 | 613.60 | | | | | 20.35 | 10.54 | 13.32 | 13.32 | | |
| | Unbundled Loop Concentration - System B (TR008) | | | ULC | UCT8B | 54.82 | 255.67 | 255.67 | | | | | 20.35 | 10.54 | 13.32 | 13.32 | | |
| | Unbundled Loop Concentration - System A (TR303) | | | ULC | UCT3A | 539.00 | 613.60 | 613.60 | | | | | 20.35 | 10.54 | 13.32 | 13.32 | | |
| | Unbundled Loop Concentration - System B (TR303) | | | ULC | UCT3B | 92.37 | 255.67 | 255.67 | | | | | 20.35 | 10.54 | 13.32 | 13.32 | | |
| | Unbundled Loop Concentration - DS1 Loop Interface Card | | | ULC | UCTCO | 6.23 | 74.39 | 53.07 | 30.23 | 8.46 | | | 20.35 | 10.54 | 13.32 | 13.32 | | |
| | Unbundled Loop Concentration - ISDN Loop Interface (Brite Card) | | | UDN | ULCC1 | 8.46 | 8.69 | 8.65 | 9.71 | 9.65 | | | 20.35 | 10.54 | 13.32 | 13.32 | | |
| | Unbundled Loop Concentration - UDC Loop Interface (Brite Card) | | | UDC | ULCCU | 8.46 | 8.69 | 8.65 | 9.71 | 9.65 | | | 20.35 | 10.54 | 13.32 | 13.32 | | |
| | Unbundled Loop Concentration - -2 Wire Voice-Loop Start or Ground Start Loop Interface (POTS Card) | | | UEA | ULCC2 | 2.32 | 8.69 | 8.65 | 9.71 | 9.65 | | | 20.35 | 10.54 | 13.32 | 13.32 | | |
| | Unbundled Loop Concentration - 2 Wire Voice - Reverse Battery Loop Interface (SPOTS Card) | | | UEA | ULCCR | 12.45 | 8.69 | 8.65 | 9.71 | 9.65 | | | 20.35 | 10.54 | 13.32 | 13.32 | | |
| | Unbundled Loop Concentration - 4 Wire Voice Loop Interface (Specials Card) | | | UEA | ULCC4 | 7.53 | 8.69 | 8.65 | 9.71 | 9.65 | | | 20.35 | 10.54 | 13.32 | 13.32 | | |
| | Unbundled Loop Concentration - TEST CIRCUIT Card | | | ULC | UCTTC | 35.77 | 8.69 | 8.65 | 9.71 | 9.65 | | | 20.35 | 10.54 | 13.32 | 13.32 | | |
| | Unbundled Loop Concentration - Digital 19.2 Kbps Data Loop Interface | | | UDL | ULCC7 | 11.03 | 8.69 | 8.65 | 9.71 | 9.65 | | | 20.35 | 10.54 | 13.32 | 13.32 | | |
| | Unbundled Loop Concentration - Digital 56 Kbps Data Loop Interface | | | UDL | ULCC5 | 11.03 | 8.69 | 8.65 | 9.71 | 9.65 | | | 20.35 | 10.54 | 13.32 | 13.32 | | |
| | Unbundled Loop Concentration - Digital 64 Kbps Data Loop Interface | | | UDL | ULCC6 | 11.03 | 8.69 | 8.65 | 9.71 | 9.65 | | | 20.35 | 10.54 | 13.32 | 13.32 | | |
| | | | | | | | | | 9.71 | | | | | | | | | |
| UNE OTHER, PROVISIONING ONLY - NO RATE | | | | | | | | | | | | | | | | | | |
| | NID - Dispatch and Service Order for NID installation | | | UENTW | UNDBX | | | | | | | | | | | | | |
| | UNTW Circuit Id Establishment, Provisioning Only - No Rate | | | UENTW | UENCE | | | | | | | | | | | | | |
| | Unbundled Contract Name, Provisioning Only - No Rate | | | UEANL,UEF,UEQ,UENTW | UNEEN | | | | | | | | | | | | | |
| UNE OTHER, PROVISIONING ONLY - NO RATE | | | | | | | | | | | | | | | | | | |
| | Unbundled Contact Name, Provisioning Only - no rate | | | UAL,UCL,UDC,UDL,UDN,UEA,UHL,ULC | UNEEN | 0.00 | 0.00 | | | | | | | | | | | |
| | Unbundled Sub-Loop Feeder-2 Wire Cross Box Jumper - no rate | | | UEA,UDN,UCL,UDC | USBFQ | 0.00 | 0.00 | | | | | | | | | | | |
| | Unbundled Sub-Loop Feeder-4 Wire Cross Box Jumper - no rate | | | UEA,USL,UCL,UDL | USBFR | 0.00 | 0.00 | | | | | | | | | | | |
| | Unbundled DS1 Loop - Superframe Format Option - no rate | | | USL | CCOSF | 0.00 | 0.00 | | | | | | | | | | | |
| | Unbundled DS1 Loop - Expanded Superframe Format option - no rate | | | USL | CCOEF | 0.00 | 0.00 | | | | | | | | | | | |
| HIGH CAPACITY UNBUNDLED LOCAL LOOP | | | | | | | | | | | | | | | | | | |
| | High Capacity Unbundled Local Loop - DS3 - Per Mile per month | | | UE3 | 1L5ND | 9.19 | | | | | | | | | | | | |

| UNBUNDLED NETWORK ELEMENTS - Tennessee | | | | | | | | | | | Attachment: 2 | | Exhibit: B | | | | | |
|--|--|---------|------|-------------|-------|-----------|--------------------|--------|--------------------|----------------------------------|--------------------------------------|--|--|---|---|------------------|---------------|-------|
| CATEGORY | RATE ELEMENTS | Interim | Zone | BCS | USOC | RATES(\$) | | | | Svc Order Submitted Elec per LSR | Svc Order Submitted Manually per LSR | Incremental Charge - Manual Svc Order vs. Electronic-1st | Incremental Charge - Manual Svc Order vs. Electronic-Add'l | Incremental Charge - Manual Svc Order vs. Electronic-Disc 1st | Incremental Charge - Manual Svc Order vs. Electronic-Disc Add'l | | | |
| | | | | | | Rec | Nonrecurring First | Add'l | Nonrecurring First | | | | | | | Disconnect Add'l | OSS Rates(\$) | |
| | | | | | | | | | | | | | SOMEK | SOMAN | SOMAN | SOMAN | SOMAN | SOMAN |
| | High Capacity Unbundled Local Loop - DS3 - Facility Termination per month | | | UE3 | UE3PX | 374.24 | 595.37 | 304.50 | 234.83 | 170.16 | | | 36.84 | 36.84 | 19.01 | 19.01 | | |
| | High Capacity Unbundled Local Loop - STS-1 - Per Mile per month | | | UDLSX | 1L5ND | 9.19 | | | | | | | | | | | | |
| | High Capacity Unbundled Local Loop - STS-1 - Facility Termination per month | | | UDLSX | UDLS1 | 389.35 | 595.37 | 304.50 | 215.82 | 151.15 | | | 36.84 | 36.84 | 19.01 | 19.01 | | |
| Note (1): Rates provided in TN for both electronic and manual Loop Makeup are interim and subject to retro-active true-up adjustments pending a permanent rate ruling on these rate elements from the Tennessee Regulatory Authority. | | | | | | | | | | | | | | | | | | |
| LOOP MAKE-UP | | | | | | | | | | | | | | | | | | |
| | Loop Makeup - Preordering Without Reservation, per working or spare facility queried (Manual). | R | | UMK | UMKLW | | 0.76 | 0.76 | | | | | | | | | | |
| | Loop Makeup - Preordering With Reservation, per spare facility queried (Manual). | R | | UMK | UMKLP | | 0.76 | 0.76 | | | | | | | | | | |
| | Loop Makeup--With or Without Reservation, per working or spare facility queried (Mechanized) | R | | UMK | PSUMK | | 0.76 | 0.76 | | | | | | | | | | |
| HIGH FREQUENCY SPECTRUM | | | | | | | | | | | | | | | | | | |
| SPLITTERS-CENTRAL OFFICE BASED | | | | | | | | | | | | | | | | | | |
| | Line Sharing Splitter, per System 96 Line Capacity | | | ULS | ULSDA | 100.00 | 150.00 | 0.00 | 0.00 | 0.00 | | | 20.35 | 10.54 | 13.32 | 13.32 | | |
| | Line Sharing Splitter, per System 24 Line Capacity | | | ULS | ULSDB | 25.00 | 150.00 | 0.00 | 0.00 | 0.00 | | | 20.35 | 10.54 | 13.32 | 13.32 | | |
| | Line Sharing-DLEC Owned Splitter in CO-CFA activation-deactivation (per LSOD) | | | ULS | ULSDG | | 163.06 | | 92.71 | | | | 20.35 | 10.54 | 13.32 | 13.32 | | |
| END USER ORDERING-CENTRAL OFFICE BASED-HIGH FREQUENCY SPECTRUM AKA LINE SHARING | | | | | | | | | | | | | | | | | | |
| | Line Sharing - per Line Activation (BST owned Splitter) | | | ULS | ULSDC | 0.61 | 40.00 | 31.39 | 0.00 | 0.00 | | | 20.35 | 10.54 | 13.32 | 13.32 | | |
| | Line Sharing - per Subsequent Activity per Line Rearrangement(BST Owned Splitter) | | | ULS | ULSDS | | 30.00 | 15.00 | | | | | 20.35 | 10.54 | 13.32 | 13.32 | | |
| | Line Sharing - per Subsequent Activity per Line Rearrangement(DLEC Owned Splitter) | | | ULS | ULSCS | | 30.00 | 15.00 | | | | | 20.35 | 10.54 | 13.32 | 13.32 | | |
| | Line Sharing - per Line Activation (DLEC owned Splitter) | I | | ULS | ULSCC | 0.61 | 47.44 | 19.31 | 0.00 | 0.00 | | | 20.35 | 10.54 | 13.32 | 13.32 | | |
| | Line Splitting - per line activation DLEC owned splitter | I | | UEPSR UEPSB | UREOS | 0.61 | | | | | | | | | | | | |
| | Line Splitting - per line activation BST owned - physical | I | | UEPSR UEPSB | UREBP | 0.97 | 48.96 | 21.39 | 35.06 | 10.79 | | | 20.35 | 10.54 | 13.32 | 13.32 | | |
| | Line Splitting - per line activation BST owned - virtual | I | | UEPSR UEPSB | UREBV | 0.91 | 48.96 | 21.39 | 35.06 | 10.79 | | | 20.35 | 10.54 | 13.32 | 13.32 | | |
| UNBUNDLED DEDICATED TRANSPORT | | | | | | | | | | | | | | | | | | |
| NOTE: INTEROFFICE CHANNEL DEDICATED TRANSPORT - minimum billing period - below DS3=one month, DS3/STS-1=four months | | | | | | | | | | | | | | | | | | |
| INTEROFFICE CHANNEL - DEDICATED TRANSPORT | | | | | | | | | | | | | | | | | | |
| | Interoffice Channel - Dedicated Transport - 2-Wire Voice Grade - Per Mile per month | | | U1TVX | 1L5XX | 0.0054 | | | | | | | | | | | | |
| | Interoffice Channel - Dedicated Transport- 2- Wire Voice Grade - Facility Termination per month | | | U1TVX | U1TV2 | 18.58 | 55.39 | 17.37 | 27.96 | 3.51 | | | 20.35 | 21.09 | 9.80 | 10.54 | | |
| | Interoffice Channel - Dedicated Transport- 2-Wire Voice Grade Rev Bat. - Per Mile per month | | | U1TVX | 1L5XX | 0.0054 | | | | | | | | | | | | |
| | Interoffice Channel - Dedicated Transport- 2- Wire VG Rev Bat. - Facility Termination per month | | | U1TVX | U1TR2 | 18.58 | 55.39 | 17.37 | 27.96 | 3.51 | | | 20.35 | 21.09 | 9.80 | 10.54 | | |
| | Interoffice Channel - Dedicated Transport - 4-Wire Voice Grade - Per Mile per month | | | U1TVX | 1L5XX | 0.0054 | | | | | | | | | | | | |
| | Interoffice Channel - Dedicated Transport - 4- Wire Voice Grade - Facility Termination per month | | | U1TVX | U1TV4 | 24.09 | 37.87 | 26.02 | 30.78 | 13.07 | | | 15.08 | 15.08 | 8.66 | 8.66 | | |
| | Interoffice Channel - Dedicated Transport - 56 kbps - per mile per month | | | U1TDX | 1L5XX | 0.0174 | | | | | | | | | | | | |
| | Interoffice Channel - Dedicated Transport - 56 kbps - Facility Termination per month | | | U1TDX | U1TD5 | 17.98 | 55.39 | 17.37 | 27.96 | 3.51 | | | 20.35 | 21.09 | 9.80 | 10.54 | | |
| | Interoffice Channel - Dedicated Transport - 64 kbps - per mile per month | | | U1TDX | 1L5XX | 0.0174 | | | | | | | | | | | | |
| | Interoffice Channel - Dedicated Transport - 64 kbps - Facility Termination per month | | | U1TDX | U1TD6 | 17.98 | 55.39 | 17.37 | 27.96 | 3.51 | | | 20.35 | 21.09 | 9.80 | 10.54 | | |
| | Interoffice Channel - Dedicated Channel - DS1 - Per Mile per month | | | U1TD1 | 1L5XX | 0.3562 | | | | | | | | | | | | |
| | Interoffice Channel - Dedicated Transport - DS1 - Facility Termination per month | | | U1TD1 | U1TF1 | 77.86 | 112.40 | 76.27 | 19.55 | 14.99 | | | 20.35 | 21.09 | 9.80 | 10.54 | | |
| | Interoffice Channel - Dedicated Transport - DS3 - Per Mile per month | | | U1TD3 | 1L5XX | 2.34 | | | | | | | | | | | | |

| UNBUNDLED NETWORK ELEMENTS - Tennessee | | | | | | | | | | | Attachment: 2 | | Exhibit: B | | | | | |
|--|--|---------|------|-------|-------|-----------|----------------------------------|--------------------------------------|--|--|---|---|---------------|--------------------|-------|--------------------|------------------|--------|
| CATEGORY | RATE ELEMENTS | Interim | Zone | BCS | USOC | RATES(\$) | Svc Order Submitted Elec per LSR | Svc Order Submitted Manually per LSR | Incremental Charge - Manual Svc Order vs. Electronic-1st | Incremental Charge - Manual Svc Order vs. Electronic-Add'l | Incremental Charge - Manual Svc Order vs. Electronic-Disc 1st | Incremental Charge - Manual Svc Order vs. Electronic-Disc Add'l | OSS Rates(\$) | | | | | |
| | | | | | | | | | | | | | Rec | Nonrecurring First | Add'l | Nonrecurring First | Disconnect Add'l | SOME C |
| | Interoffice Channel - Dedicated Transport - DS3 - Facility Termination per month | | | U1TD3 | U1TF3 | 848.99 | 395.29 | 176.56 | 109.04 | 105.91 | | | 36.84 | 36.84 | 19.01 | 19.01 | | |
| | Interoffice Channel - Dedicated Transport - STS-1 - Per Mile per month | | | U1TS1 | 1L5XX | 2.34 | | | | | | | | | | | | |
| | Interoffice Channel - Dedicated Transport - STS-1 - Facility Termination per month | | | U1TS1 | U1TFS | 849.30 | 395.29 | 176.56 | 109.04 | 105.91 | | | 36.84 | 36.84 | 19.01 | 19.01 | | |
| LOCAL CHANNEL - DEDICATED TRANSPORT | | | | | | | | | | | | | | | | | | |
| NOTE: LOCAL CHANNEL DEDICATED TRANSPORT - minimum billing period - below DS3=one month, DS3/STS-1=four months | | | | | | | | | | | | | | | | | | |
| | Local Channel - Dedicated - 2-Wire Voice Grade per month - Zone 1 | | 1 | ULDVX | ULDV2 | 17.18 | 199.33 | 24.16 | 54.81 | 4.80 | | | | | | | | |
| | Local Channel - Dedicated - 2-Wire Voice Grade per month - Zone 2 | | 2 | ULDVX | ULDV2 | 22.44 | 199.33 | 24.16 | 54.81 | 4.80 | | | | | | | | |
| | Local Channel - Dedicated - 2-Wire Voice Grade per month - Zone 3 | | 3 | UNDVX | ULDV2 | 29.34 | 199.33 | 24.16 | 54.81 | 4.80 | | | | | | | | |
| | Local Channel - Dedicated - 2-Wire Voice Grade Rev Bat per month | | | ULDVX | ULDR2 | | | | | | | | 20.35 | 21.09 | 9.80 | 10.54 | | |
| | Local Channel - Dedicated - 2-Wire Voice Grade Rev. Bat. Per month - Zone 1 | | 1 | ULDVX | ULDR2 | 17.18 | 199.33 | 24.16 | 54.81 | 4.80 | | | | | | | | |
| | Local Channel - Dedicated - 2-Wire Voice Grade Rev. Bat. Per Month - Zone 2 | | 2 | ULDVX | ULDR2 | 22.44 | 199.33 | 24.16 | 54.81 | 4.80 | | | | | | | | |
| | Local Channel - Dedicated - 2-Wire Voice Grade Rev. Bat. Per Month - Zone 3 | | 3 | ULDVX | ULDR2 | 29.34 | 199.33 | 24.16 | 54.81 | 4.80 | | | | | | | | |
| | Local Channel - Dedicated - 4-Wire Voice Grade per month - Zone 1 | | 1 | UNDVX | ULDV4 | 18.18 | 201.53 | 24.83 | 55.52 | 5.51 | | | | | | | | |
| | Local Channel - Dedicated - 4-Wire Voice Grade per month - Zone 2 | | 2 | UNDVX | ULDV4 | 23.74 | 201.53 | 24.83 | 55.52 | 5.51 | | | | | | | | |
| | Local Channel - Dedicated - 4-Wire Voice Grade per month - Zone 3 | | 3 | UNDVX | ULDV4 | 31.05 | 201.53 | 24.83 | 55.52 | 5.51 | | | | | | | | |
| | Local Channel - Dedicated - DS1 per month - Zone 1 | | 1 | ULDD1 | ULDF1 | 36.24 | 277.35 | 233.26 | 33.18 | 22.30 | | | | | | | | |
| | Local Channel - Dedicated - DS1 per month - Zone 2 | | 2 | ULDD1 | ULDF1 | 47.33 | 277.35 | 233.26 | 33.18 | 22.30 | | | | | | | | |
| | Local Channel - Dedicated - DS1 per month - Zone 3 | | 3 | ULDD1 | ULDF1 | 61.89 | 277.35 | 233.26 | 33.18 | 22.30 | | | | | | | | |
| | Local Channel - Dedicated - DS3 - Per Mile per month | | | ULDD3 | 1L5NC | 7.15 | | | | | | | | | | | | |
| | Local Channel - Dedicated - DS3 - Facility Termination per month | | | ULDD3 | ULDF3 | 611.30 | 595.37 | 304.50 | 215.82 | 151.15 | | | 36.84 | 36.84 | 19.01 | 19.01 | | |
| | Local Channel - Dedicated - STS-1- Per Mile per month | | | ULDS1 | 1L5NC | 7.15 | | | | | | | | | | | | |
| | Local Channel - Dedicated - STS-1 - Facility Termination per month | | | ULDS1 | ULDFS | 599.59 | 588.07 | 297.20 | 215.82 | 151.15 | | | 20.35 | 21.09 | 9.80 | 10.54 | | |
| MULTIPLEXERS | | | | | | | | | | | | | | | | | | |
| | Channelization - DS1 to DS0 Channel System | | | UXTD1 | MQ1 | 80.77 | 141.67 | 77.11 | 14.51 | 13.46 | | | 20.35 | 9.80 | 11.49 | 1.18 | | |
| | OCU-DP COCI (data) - DS1 to DS0 Channel System - per month (2.4-64kbs) | | | UDL | 1D1DD | 1.82 | 6.07 | 4.66 | | | | | 20.35 | 9.80 | 11.49 | 1.18 | | |
| | 2-wire ISDN COCI (BRITE) - DS1 to DS0 Channel System - per month | | | UDN | UC1CA | 3.10 | 6.07 | 4.66 | | | | | 20.35 | 9.80 | 11.49 | 1.18 | | |
| | Voice Grade COCI - DS1 to DS0 Channel System - per month | | | UEA | 1D1VG | 0.91 | 6.07 | 4.66 | | | | | 20.35 | 9.80 | 11.49 | 1.18 | | |
| | DS3 to DS1 Channel System per month | | | UXTD3 | MQ3 | 222.98 | 308.03 | 108.47 | 44.47 | 42.62 | | | 20.35 | 9.80 | 11.49 | 1.18 | | |
| | STS1 to DS1 Channel System per month | | | UXTS1 | MQ3 | 222.98 | 308.03 | 108.47 | 44.47 | 42.62 | | | 20.35 | 21.09 | 9.80 | 9.80 | | |
| | DS3 Interface Unit (DS1 COCI) used with Loop per month | | | USL | UC1D1 | 17.58 | 6.07 | 4.66 | | | | | 20.35 | 9.80 | 11.49 | 1.18 | | |
| | DS3 Interface Unit (DS1 COCI) used with Local Channel per month | | | ULDD1 | UC1D1 | | 6.07 | 4.66 | | | | | 20.35 | 9.80 | 11.49 | 1.18 | | |
| | DS3 Interface Unit (DS1 COCI) used with Interoffice Channel per month | | | U1TD1 | UC1D1 | | 6.07 | 4.66 | | | | | 20.35 | 9.80 | 11.49 | 1.18 | | |
| DARK FIBER | | | | | | | | | | | | | | | | | | |
| | Dark Fiber, Four Fiber Strands, Per Route Mile or Fraction Thereof per month - Local Channel | | | UDF | 1L5DC | 58.83 | | | | | | | | | | | | |
| | NRC Dark Fiber - Local Channel | | | UDF | UDFC4 | | 1,121.00 | 153.19 | 580.26 | 357.17 | | | 20.35 | 21.09 | 9.80 | 10.54 | | |
| | Dark Fiber, Four Fiber Strands, Per Route Mile or Fraction Thereof per month - Interoffice Channel | | | UDF | 1L5DF | 28.74 | | | | | | | | | | | | |
| | NRC Dark Fiber - Interoffice Channel | | | UDF | UDF14 | | 1,121.00 | 153.19 | 580.26 | 357.17 | | | 20.35 | 21.09 | 9.80 | 10.54 | | |

| UNBUNDLED NETWORK ELEMENTS - Tennessee | | | | | | | | | | Attachment: 2 | | Exhibit: B | | | | | | | | | | | | | | | | | | | | | | |
|---|--|---------|------|----------|-------|-----------|----------------------------------|--------------------------------------|--|--|---|---|-------|--------------------|-------|--------------------|------------------|---------------|--|--|--|--|--|--|--|--|--|--|--|--|--|--|--|--|
| CATEGORY | RATE ELEMENTS | Interim | Zone | BCS | USOC | RATES(\$) | Svc Order Submitted Elec per LSR | Svc Order Submitted Manually per LSR | Incremental Charge - Manual Svc Order vs. Electronic-1st | Incremental Charge - Manual Svc Order vs. Electronic-Add'l | Incremental Charge - Manual Svc Order vs. Electronic-Disc 1st | Incremental Charge - Manual Svc Order vs. Electronic-Disc Add'l | | | | | | | | | | | | | | | | | | | | | | |
| | | | | | | | | | | | | | Rec | Nonrecurring First | Add'l | Nonrecurring First | Disconnect Add'l | OSS Rates(\$) | | | | | | | | | | | | | | | | |
| | | | | | | | | | | | | | SOMEc | SOMAN | SOMAN | SOMAN | SOMAN | SOMAN | | | | | | | | | | | | | | | | |
| | Dark Fiber, Four Fiber Strands, Per Route Mile or Fraction Thereof per month - Local Loop | | | UDF | 1L5DL | 58.83 | | | | | | | | | | | | | | | | | | | | | | | | | | | | |
| | NRC Dark Fiber - Local Loop | | | UDF | UDFL4 | | 1,121.00 | 153.19 | 580.26 | 357.17 | | | 20.35 | 21.09 | 9.80 | 10.54 | | | | | | | | | | | | | | | | | | |
| TRANSPORT OTHER | | | | | | | | | | | | | | | | | | | | | | | | | | | | | | | | | | |
| 8XX ACCESS TEN DIGIT SCREENING | | | | | | | | | | | | | | | | | | | | | | | | | | | | | | | | | | |
| | 8XX Access Ten Digit Screening, Per Call | | | OHD | | 0.0005192 | | | | | | | | | | | | | | | | | | | | | | | | | | | | |
| | 8XX Access Ten Digit Screening, Reservation Charge Per 8XX Number Reserved | | | OHD | N8R1X | | 5.21 | 0.76 | | | | | 20.35 | 20.35 | 13.28 | 13.28 | | | | | | | | | | | | | | | | | | |
| | 8XX Access Ten Digit Screening, Per 8XX No. Established W/O POTS Translations | | | OHD | | | 11.47 | 1.46 | 7.34 | 0.7602 | | | 20.35 | 20.35 | 13.28 | 13.28 | | | | | | | | | | | | | | | | | | |
| | 8XX Access Ten Digit Screening, Per 8XX No. Established With POTS Translations | | | OHD | N8FTX | | 11.47 | 1.46 | 7.34 | 0.7602 | | | 20.35 | 20.35 | 13.28 | 13.28 | | | | | | | | | | | | | | | | | | |
| | 8XX Access Ten Digit Screening, Customized Area of Service Per 8XX Number | | | OHD | N8FCX | | 4.47 | 2.24 | | | | | 20.35 | 20.35 | 13.28 | 13.28 | | | | | | | | | | | | | | | | | | |
| | 8XX Access Ten Digit Screening, Multiple InterLATA CXR Routing Per CXR Requested Per 8XX No. | | | OHD | N8FMX | | 5.23 | 3.00 | | | | | 20.35 | 20.35 | 13.28 | 13.28 | | | | | | | | | | | | | | | | | | |
| | 8XX Access Ten Digit Screening, Change Charge Per Request | | | OHD | N8FAX | | 5.97 | 0.76 | | | | | 20.35 | 20.35 | 13.28 | 13.28 | | | | | | | | | | | | | | | | | | |
| | 8XX Access Ten Digit Screening, Call Handling and Destination Features | | | OHD | N8FDX | | 4.47 | | | | | | 20.35 | 20.35 | 13.28 | 13.28 | | | | | | | | | | | | | | | | | | |
| LINE INFORMATION DATA BASE ACCESS (LIDB) | | | | | | | | | | | | | | | | | | | | | | | | | | | | | | | | | | |
| | LIDB Common Transport Per Query | | | OQT | | 0.0000354 | | | | | | | | | | | | | | | | | | | | | | | | | | | | |
| | LIDB Validation Per Query | | | OQU | | 0.0117403 | | | | | | | | | | | | | | | | | | | | | | | | | | | | |
| | LIDB Originating Point Code Establishment or Change | | | OQT, OQU | NRPBX | | 49.03 | | | | | | 20.35 | 20.35 | 13.28 | 13.28 | | | | | | | | | | | | | | | | | | |
| SIGNALING (CCS7) | | | | | | | | | | | | | | | | | | | | | | | | | | | | | | | | | | |
| | CCS7 Signaling Termination, Per STP Port | | | UDB | PT8SX | 138.41 | | | | | | | | | | | | | | | | | | | | | | | | | | | | |
| | CCS7 Signaling Usage, Per TCAP Message | | | UDB | | 0.0000916 | | | | | | | | | | | | | | | | | | | | | | | | | | | | |
| | CCS7 Signaling Connection, Per link (A link) | | | UDB | TPP++ | 17.84 | 130.84 | 130.84 | | | | | 20.35 | 20.35 | 13.32 | 13.32 | | | | | | | | | | | | | | | | | | |
| | CCS7 Signaling Connection, Per link (B link) (also known as D link) | | | UDB | TPP++ | 17.84 | 130.84 | 130.84 | | | | | 20.35 | 20.35 | 13.32 | 13.32 | | | | | | | | | | | | | | | | | | |
| | CCS7 Signaling Usage, Per ISUP Message | | | UDB | | 0.0000373 | | | | | | | | | | | | | | | | | | | | | | | | | | | | |
| | CCS7 Signaling Usage Surrogate, per link per LATA | | | UDB | STU56 | 352.30 | | | | | | | | | | | | | | | | | | | | | | | | | | | | |
| | Signaling Point Code, per Originating Point Code Establishment or Change, per STP | | | UDB | CCAPO | | 121.77 | 121.77 | | | | | 20.35 | 20.35 | 13.32 | 13.32 | | | | | | | | | | | | | | | | | | |
| CALLING NAME (CNAM) SERVICE | | | | | | | | | | | | | | | | | | | | | | | | | | | | | | | | | | |
| | CNAM for DB Owners, Per Query | | | OQV | | 0.0010541 | | | | | | | | | | | | | | | | | | | | | | | | | | | | |
| | CNAM for Non DB Owners, Per Query | | | OQV | | 0.0010541 | | | | | | | | | | | | | | | | | | | | | | | | | | | | |
| | CNAM (Non-Databs Owner), NRC, applies when using the Character Based User Interface (CHUI) | | | OQV | CDDCH | | 595.00 | 595.00 | | | | | 20.35 | 20.35 | 13.28 | 13.28 | | | | | | | | | | | | | | | | | | |
| OPERATOR CALL PROCESSING | | | | | | | | | | | | | | | | | | | | | | | | | | | | | | | | | | |
| | Oper. Call Processing - Oper. Provided, Per Min. - Using BST LIDB | | | | | 1.08 | | | | | | | | | | | | | | | | | | | | | | | | | | | | |
| | Oper. Call Processing - Oper. Provided, Per Min. - Using Foreign LIDB | | | | | 1.13 | | | | | | | | | | | | | | | | | | | | | | | | | | | | |
| | Oper. Call Processing - Fully Automated, per Call - Using BST LIDB | | | | | 0.1010353 | | | | | | | | | | | | | | | | | | | | | | | | | | | | |
| | Oper. Call Processing - Fully Automated, per Call - Using Foreign LIDB | | | | | 0.122818 | | | | | | | | | | | | | | | | | | | | | | | | | | | | |
| INWARD OPERATOR SERVICES | | | | | | | | | | | | | | | | | | | | | | | | | | | | | | | | | | |
| | Inward Operator Services - Verification, Per Minute | | | | | 1.03 | | | | | | | | | | | | | | | | | | | | | | | | | | | | |
| | Inward Operator Services - Verification and Emergency Interrupt - Per Minute | | | | | 1.03 | | | | | | | | | | | | | | | | | | | | | | | | | | | | |
| BRANDING - OPERATOR CALL PROCESSING | | | | | | | | | | | | | | | | | | | | | | | | | | | | | | | | | | |
| | Recording of Custom Branded OA Announcement | | | | CBAOS | | 1,555.00 | 1,553.00 | 7.03 | 7.03 | | | 19.99 | 19.99 | 19.99 | 19.99 | | | | | | | | | | | | | | | | | | |
| | Loading of Custom Branded OA Announcement per shelf/NAV | | | | CBAOL | | 240.71 | 240.71 | | | | | 19.99 | 19.99 | | | | | | | | | | | | | | | | | | | | |
| | Unbranding via OLNS for UNEP CLEC | | | | | | | | | | | | | | | | | | | | | | | | | | | | | | | | | |
| | Loading of OA per OCN (Regional) | | | | | | 1,200.00 | 1,200.00 | | | | | | | | | | | | | | | | | | | | | | | | | | |
| DIRECTORY ASSISTANCE SERVICES | | | | | | | | | | | | | | | | | | | | | | | | | | | | | | | | | | |
| DIRECTORY ASSISTANCE ACCESS SERVICE | | | | | | | | | | | | | | | | | | | | | | | | | | | | | | | | | | |
| | Directory Assistance Access Service Calls, Charge Per Call | | | | | 0.2286787 | | | | | | | | | | | | | | | | | | | | | | | | | | | | |

| UNBUNDLED NETWORK ELEMENTS - Tennessee | | | | | | | | | | Attachment: 2 | | Exhibit: B | | | |
|--|--|---------|------|---|-------|-----------|--------------------|--------|--------------------|----------------------------------|--------------------------------------|--|--|---|---|
| CATEGORY | RATE ELEMENTS | Interim | Zone | BCS | USOC | RATES(\$) | | | | Svc Order Submitted Elec per LSR | Svc Order Submitted Manually per LSR | Incremental Charge - Manual Svc Order vs. Electronic-1st | Incremental Charge - Manual Svc Order vs. Electronic-Add'l | Incremental Charge - Manual Svc Order vs. Electronic-Disc 1st | Incremental Charge - Manual Svc Order vs. Electronic-Disc Add'l |
| | | | | | | Rec | Nonrecurring First | Add'l | Nonrecurring First | | | | | | |
| DIRECTORY ASSISTANCE CALL COMPLETION ACCESS SERVICE (DACC) | | | | | | | | | | | | | | | |
| | Directory Assistance Call Completion Access Service (DACC), Per Call Attempt | | | | | 0.0364771 | | | | | | | | | |
| NUMBER SERVICES INTERCEPT ACCESS SERVICE | | | | | | | | | | | | | | | |
| | Number Services Intercept Per Query | | | | | 0.017793 | | | | | | | | | |
| DIRECTORY TRANSPORT (DT) | | | | | | | | | | | | | | | |
| | DT-Local Channel DS1 | | | | | 40.99 | 277.35 | 233.26 | 33.18 | 22.30 | | | | | |
| | DT-DS1 Level Interoffice per mile | | | | | 0.3562 | | | | | | | | | |
| | DT-DS1 Level Interoffice per facility termination | | | | | 77.86 | 112.40 | 76.27 | 19.55 | 14.99 | | | | | |
| | SWA Common Transport per Directory Assistance Access Service Per Call | | | | | 0.000271 | | | | | | | | | |
| | SWA Common Transport per Directory Assistance Access Service Per Call Per Mile | | | | | 0.0000165 | | | | | | | | | |
| | Access Tandem Switching Per Directory Assistance Access Service Per Call | | | | | 0.0001875 | | | | | | | | | |
| | DT- Directory Assistance Interconnection Per Directory Assistance Service Call | | | | | 0.00 | | | | | | | | | |
| | DT-Installation NRC, Per Trunk or Signaling Connection | | | | | 204.62 | 4.43 | 136.09 | 4.43 | | | | | | |
| | DT Local Channel DS1-Incremental Cost-Manual Svc Order vs Electronic | | | | | 45.68 | 1.76 | 21.75 | 1.76 | | | | | | |
| | DT Interoffice DS1-Incremental Cost-Manual Svc Order vs Electronic | | | | | 20.35 | 21.09 | 9.80 | 10.54 | | | | | | |
| DIRECTORY ASSISTANCE SERVICES | | | | | | | | | | | | | | | |
| DIRECTORY ASSISTANCE DATA BASE SERVICE (DADS) | | | | | | | | | | | | | | | |
| | Directory Assistance Data Base Service Charge Per Listing | | | | | 0.0485 | | | | | | | | | |
| | Directory Assistance Data Base Service, per month | | | | DBSOF | 104.13 | | | | | | | | | |
| BRANDING - DIRECTORY ASSISTANCE | | | | | | | | | | | | | | | |
| Facility Based CLEC | | | | | | | | | | | | | | | |
| | Recording and Provisioning of DA Custom Branded Announcement | | | AMT | CBADA | 1,555.00 | 1,553.00 | 7.03 | 7.03 | | | | | | |
| | Loading of Custom Branded Announcement per DRAM Card/Switch | | | AMT | CBADC | 240.71 | 240.71 | | | | | | | | |
| UNEP CLEC | | | | | | | | | | | | | | | |
| | Recording of DA Custom Branded Announcement | | | | | 1,555.00 | 1,553.00 | 7.03 | 7.03 | | | | | | |
| | Loading of DA Custom Branded Announcement per DRAM Card/Switch per OCN | | | | | 240.71 | 240.71 | | | | | | | | |
| Unbranding via OLNS for UNEP CLEC | | | | | | | | | | | | | | | |
| | Loading of DA per OCN (1 OCN per Order) | | | | | 420.00 | 420.00 | | | | | | | | |
| | Loading of DA per Switch per OCN | | | | | 16.00 | 16.00 | | | | | | | | |
| SELECTIVE ROUTING | | | | | | | | | | | | | | | |
| | Selective Routing Per Unique Line Class Code Per Request Per Switch | | | | USRCR | 179.60 | 179.60 | | | | | 20.35 | 20.35 | | |
| VIRTUAL COLLOCATION | | | | | | | | | | | | | | | |
| | Virtual Collocation - Application Cost | | | AMTFS | EAF | 2,633.00 | 2,633.00 | | | | | | | | |
| | Virtual Collocation - Cable Installation Cost, per cable | | | AMTFS | ESPCX | 1,749.00 | 1,749.00 | | | | | | | | |
| | Virtual Collocation - Floor Space, per sq. ft. | | | AMTFS | ESPVX | 3.91 | | | | | | | | | |
| | Virtual Collocation - Power, per breaker amp | | | AMTFS | ESPAX | 6.79 | | | | | | | | | |
| | Virtual Collocation - Cable Support Structure, per entrance cable | | | AMTFS | ESPSX | 17.87 | | | | | | | | | |
| | Virtual Collocation - 2-wire Cross Connects (loop) | | | UEANL,UEA,UDN,UDC,UAL,UHL,UCL,U | UEAC2 | 0.57 | 11.62 | 9.90 | 10.38 | 8.66 | | 2.07 | 2.81 | 0.67 | 1.41 |
| | Virtual Collocation - 4-wire Cross Connects (loop) | | | UEA,UHL,UCL,UDL,AMTFS,UAL,UDN,UNCVX,UNCDX | UEAC4 | 0.57 | 11.81 | 10.04 | 10.44 | 8.67 | | 2.07 | 2.81 | 0.67 | 1.41 |

| UNBUNDLED NETWORK ELEMENTS - Tennessee | | | | | | | | | | | Attachment: 2 | | Exhibit: B | | | | |
|--|--|---------|------|--|-------|-----------|--------------------|--------|--------------------|----------------------------------|--------------------------------------|--|--|---|---|------------------|---------------|
| CATEGORY | RATE ELEMENTS | Interim | Zone | BCS | USOC | RATES(\$) | | | | Svc Order Submitted Elec per LSR | Svc Order Submitted Manually per LSR | Incremental Charge - Manual Svc Order vs. Electronic-1st | Incremental Charge - Manual Svc Order vs. Electronic-Add'l | Incremental Charge - Manual Svc Order vs. Electronic-Disc 1st | Incremental Charge - Manual Svc Order vs. Electronic-Disc Add'l | | |
| | | | | | | Rec | Nonrecurring First | Add'l | Nonrecurring First | | | | | | | Disconnect Add'l | OSS Rates(\$) |
| | | | | | | | | | | | | SOMEc | SOMAN | SOMAN | SOMAN | SOMAN | SOMAN |
| | Virtual Collocation - 2-Fiber Cross Connects | | | AMTFS,UDL12,UDLO3,U1T48,U1T12,U1T03,ULDO3,ULD12,ULD48,UDF | CNC2F | 3.03 | 41.56 | 29.82 | 12.96 | 10.34 | | | | 2.69 | 2.69 | 1.56 | 1.56 |
| | Virtual Collocation - 4-Fiber Cross Connects | | | AMTFS,UDL12,UDLO3,U1T48,U1T12,U1T03,ULDO3,ULD12,ULD48,UDF | CNC4F | 6.06 | 50.53 | 38.78 | 16.97 | 14.35 | | | | 2.69 | 2.69 | 1.56 | 1.56 |
| | Virtual collocation - DS1 Cross Connects | | | USL,UCL,AMTFS,ULR,UXTD1,UNC1X,ULDD1,U1TD1,USLEL,UNLD1 | CNC1X | 1.32 | 32.22 | 17.76 | 10.46 | 8.75 | | | | 2.07 | 2.81 | 0.67 | 1.41 |
| | Virtual collocation - DS3 Cross Connects | | | USL,UCL,AMTFS,U E3,U1TD3,UXTS1,UXTD3,UNC3X,UNCSX,ULDD3,U1TS1,ULDS1,UDLSX,UNLD3 | CND3X | 12.32 | 29.97 | 16.30 | 12.03 | 8.99 | | | | 2.07 | 2.81 | 0.67 | 1.41 |
| | Virtual Collocation - Co-Carrier Cross Connects - Fiber Cable Support Structure, per linear foot | | | AMTFS | VE1CB | 0.0031 | | | | | | | | | | | |
| | Virtual Collocation - Co-Carrier Cross Connects - Copper/Coax Cable Support Structure, per linear ft | | | AMTFS | VE1CD | 0.0045 | | | | | | | | | | | |
| | Virtual Collocation - Co-Carrier Cross Connects - Fiber Cable Support Structure,per cable | | | AMTFS | VE1CC | | 555.03 | | | | | | | | | | |
| | Virtual Collocation - Co-Carrier Cross Connects - Copper/Coax Cable Support Structure, per cable | | | AMTFS | VE1CE | | 555.03 | | | | | | | | | | |
| | Virtual collocation - Security Escort - Basic, per half hour | | | AMTFS | SPTBX | | 33.15 | 20.44 | | | | | | | | | |
| | Virtual collocation - Security Escort - Overtime, per half hour | | | AMTFS | SPTOX | | 41.50 | 25.61 | | | | | | | | | |
| | Virtual collocation - Security Escort - Premium, per half hour | | | AMTFS | SPTPX | | 49.86 | 30.79 | | | | | | | | | |
| | Virtual collocation - Maintenance in CO - Basic, per half hour | | | AMTFS | CTRLX | | 30.64 | 30.64 | | | | | | | | | |
| | Virtual collocation - Maintenance in CO - Overtime, per half hour | | | AMTFS | SPTOM | | 35.77 | 35.77 | | | | | | | | | |
| | Virtual collocation - Maintenance in CO - Premium per half hour | | | AMTFS | SPTPM | | 40.90 | 40.90 | | | | | | | | | |
| VIRTUAL COLLOCATION | | | | | | | | | | | | | | | | | |
| | Virtual Collocation - 2-wire Cross Connect, Exchange Port 2-Wire Analog - Res | | | UEPSR | VE1R2 | 0.30 | 19.20 | 19.20 | | | | | | 20.35 | 10.54 | 13.32 | 1.40 |
| | Virtual Collocation 2-Wire Cross Connect, Exchange Port 2-Wire Line Side PBX Trunk - Bus | | | UEPSP | VE1R2 | 0.30 | 19.20 | 19.20 | | | | | | 20.35 | 10.54 | 13.32 | 1.40 |
| | Virtual Collocation 2-Wire Cross Connect, Exchange Port 2-Wire Voice Grade PBX Trunk - Res | | | UEPSE | VE1R2 | 0.30 | 19.20 | 19.20 | | | | | | 20.35 | 10.54 | 13.32 | 1.40 |
| | Virtual Collocation 2-Wire Cross Connect, Exchange Port 2-Wire Analog Bus | | | UEPSB | VE1R2 | 0.30 | 19.20 | 19.20 | | | | | | 20.35 | 10.54 | 13.32 | 1.40 |
| | Virtual Collocation 2-Wire Cross Connect, Exchange Port 2-Wire ISDN | | | UEPSX | VE1R2 | 0.30 | 19.20 | 19.20 | | | | | | 20.35 | 10.54 | 13.32 | 1.40 |
| | Virtual Collocation 2-Wire Cross Connect, Exchange Port 2-Wire ISDN | | | UEPTX | VE1R2 | 0.30 | 19.20 | 19.20 | | | | | | 20.35 | 10.54 | 13.32 | 1.40 |
| | Virtual Collocation 4-Wire Cross Connect, Exchange Port 4-Wire ISDN DS1 | | | UEPEX | VE1R4 | 0.50 | 19.20 | 19.20 | | | | | | 20.35 | 10.54 | 13.32 | 1.40 |
| VIRTUAL COLLOCATION | | | | | | | | | | | | | | | | | |
| | Virtual Collocation-2 Wire Cross Connects (Loop) for Line Splitting | | | UEPSR,UEPSB | VE1LS | 0.57 | 11.62 | 9.90 | 10.38 | 8.66 | | | | 19.99 | 19.99 | 19.99 | 19.99 |
| AIN SELECTIVE CARRIER ROUTING | | | | | | | | | | | | | | | | | |
| | Regional Service Establishment | | | SRC | SRCEC | | 190,638.00 | | | | | | | 20.35 | | | |
| | End Office Establishment | | | SRC | SRCEO | | 317.55 | 317.55 | 3.19 | 3.19 | | | | 20.35 | 20.35 | 13.28 | 13.28 |
| | Line/Port NRC, per end user | | | SRC | SRCLP | | | | | | | | | | | | |

| UNBUNDLED NETWORK ELEMENTS - Tennessee | | | | | | | | | | | Attachment: 2 | | Exhibit: B | | | | | | |
|--|---|---------|------|-------|-------|-----------|--------------------|----------|--------------------|----------------------------------|--------------------------------------|--|--|---|---|------------------|---------------|-------|--|
| CATEGORY | RATE ELEMENTS | Interim | Zone | BCS | USOC | RATES(\$) | | | | Svc Order Submitted Elec per LSR | Svc Order Submitted Manually per LSR | Incremental Charge - Manual Svc Order vs. Electronic-1st | Incremental Charge - Manual Svc Order vs. Electronic-Add'l | Incremental Charge - Manual Svc Order vs. Electronic-Disc 1st | Incremental Charge - Manual Svc Order vs. Electronic-Disc Add'l | | | | |
| | | | | | | Rec | Nonrecurring First | Add'l | Nonrecurring First | | | | | | | Disconnect Add'l | OSS Rates(\$) | | |
| | | | | | | | | | | | | | SOMEc | SOMAN | SOMAN | SOMAN | SOMAN | SOMAN | |
| | Query NRC, per query | | | SRC | | | 0.0206047 | | | | | | | | | | | | |
| AIN - BELLSOUTH AIN SMS ACCESS SERVICE | | | | | | | | | | | | | | | | | | | |
| | AIN SMS Access Service - Service Establishment, Per State, Initial Setup | | | A1N | CAMSE | | 135.56 | 135.56 | | | | | | | 20.35 | 20.35 | 13.28 | 13.28 | |
| | AIN SMS Access Service - Port Connection - Dial/Shared Access | | | A1N | CAMDP | | 41.75 | 41.75 | | | | | | | 20.35 | 20.35 | 13.28 | 13.28 | |
| | AIN SMS Access Service - Port Connection - ISDN Access | | | A1N | CAM1P | | 41.75 | 41.75 | | | | | | | 20.35 | 20.35 | 13.28 | 13.28 | |
| | AIN SMS Access Service - User Identification Codes - Per User ID Code | | | A1N | CAMAU | | 96.63 | 96.63 | | | | | | | 20.35 | 20.35 | 13.28 | 13.28 | |
| | AIN SMS Access Service - Security Card, Per User ID Code, Initial or Replacement | | | A1N | CAMRC | | 113.67 | 113.67 | | | | | | | 20.35 | 20.35 | 13.28 | 13.28 | |
| | AIN SMS Access Service - Storage, Per Unit (100 Kilobytes) | | | | | | 0.0024 | | | | | | | | | | | | |
| | AIN SMS Access Service - Session, Per Minute | | | | | | 0.0820123 | | | | | | | | | | | | |
| | AIN SMS Access Service - Company Performed Session, Per Minute | | | | | | 2.27 | | | | | | | | | | | | |
| AIN - BELLSOUTH AIN TOOLKIT SERVICE | | | | | | | | | | | | | | | | | | | |
| | AIN Toolkit Service - Service Establishment Charge, Per State, Initial Setup | | | CAM | BAPSC | | 132.04 | 132.04 | | | | | | | 20.35 | 20.35 | 13.28 | 13.28 | |
| | AIN Toolkit Service - Training Session, Per Customer | | | | BAPVX | | 7,915.00 | 7,915.00 | | | | | | | 20.35 | 20.35 | 13.28 | 13.28 | |
| | AIN Toolkit Service - Trigger Access Charge, Per Trigger, Per DN, Term. Attempt | | | | BAPTT | | 31.21 | 31.21 | | | | | | | 20.35 | 20.35 | 13.28 | 13.28 | |
| | AIN Toolkit Service - Trigger Access Charge, Per Trigger, Per DN, Off-Hook Delay | | | | BAPTD | | 31.21 | 31.21 | | | | | | | 20.35 | 20.35 | 13.28 | 13.28 | |
| | AIN Toolkit Service - Trigger Access Charge, Per Trigger, Per DN, Off-Hook Immediate | | | | BAPTM | | 31.21 | 31.21 | | | | | | | 20.35 | 20.35 | 13.28 | 13.28 | |
| | AIN Toolkit Service - Trigger Access Charge, Per Trigger, Per DN, 10-Digit PODP | | | | BAPTO | | 85.24 | 85.24 | | | | | | | 20.35 | 20.35 | 13.28 | 13.28 | |
| | AIN Toolkit Service - Trigger Access Charge, Per Trigger, Per DN, CDP | | | | BAPTC | | 85.24 | 85.24 | | | | | | | 20.35 | 20.35 | 13.28 | 13.28 | |
| | AIN Toolkit Service - Trigger Access Charge, Per Trigger, Per DN, Feature Code | | | | BAPTF | | 85.24 | 85.24 | | | | | | | 20.35 | 20.35 | 13.28 | 13.28 | |
| | AIN Toolkit Service - Query Charge, Per Query | | | | | | 0.0211882 | | | | | | | | | | | | |
| | AIN Toolkit Service - Type 1 Node Charge, Per AIN Toolkit Subscription, Per Node, Per Query | | | | | | 0.0054774 | | | | | | | | | | | | |
| | AIN Toolkit Service - SCP Storage Charge, Per SMS Access Account, Per 100 Kilobytes | | | | | | 1.50 | | | | | | | | | | | | |
| | AIN Toolkit Service - Monthly report - Per AIN Toolkit Service Subscription | | | CAM | BAPMS | | 17.43 | 33.52 | 33.52 | | | | | | 20.35 | 20.35 | 13.28 | 13.28 | |
| | AIN Toolkit Service - Special Study - Per AIN Toolkit Service Subscription | | | CAM | BAPLS | | 0.1321116 | 36.23 | 36.23 | | | | | | 20.35 | 20.35 | 13.28 | 13.28 | |
| | AIN Toolkit Service - Call Event Report - Per AIN Toolkit Service Subscription | | | CAM | BAPDS | | 17.35 | 33.52 | 33.52 | | | | | | 20.35 | 20.35 | 13.28 | 13.28 | |
| | AIN Toolkit Service - Call Event Special Study - Per AIN Toolkit Service Subscription | | | CAM | BAPES | | 0.0511435 | 36.23 | 36.23 | | | | | | 20.35 | 20.35 | 13.28 | 13.28 | |
| ENHANCED EXTENDED LINK (EELs) | | | | | | | | | | | | | | | | | | | |
| NOTE: New EELs available in GA, TN, KY, LA, MS, & SC and density zone 1 of following MSAs: Orlando, FL; Miami, FL; Ft. Lauderdale, FL; | | | | | | | | | | | | | | | | | | | |
| NOTE: Charlotte-Gastonia-Rockhill, NC; Greensboro-Winston Salem-High Point, NC. Use all rates below except Switch As Is Charge. | | | | | | | | | | | | | | | | | | | |
| NOTE: In all states, EEL network elements shown below also apply to currently combined facilities which are converted to UNE rates. A Switch As Is Charge applies to currently combined facilities converted to UNEs.(Non-recurring rates do not apply.) | | | | | | | | | | | | | | | | | | | |
| NOTE: In GA, TN, KY, LA, MS & SC the EEL network elements apply to ordinarily combined network elements.(No Switch As Is Charge.) | | | | | | | | | | | | | | | | | | | |
| 2-WIRE VOICE GRADE EXTENDED LOOP WITH DEDICATED DS1 INTEROFFICE TRANSPORT (EEL) | | | | | | | | | | | | | | | | | | | |
| | First 2-Wire VG Loop(SL2) in a DS1 Interofficed Transport Combination - Zone 1 | | 1 | UNCVX | UEAL2 | | 16.56 | 108.76 | 35.47 | 72.94 | 10.86 | | | 20.35 | 21.09 | 9.80 | 10.54 | | |
| | First 2-Wire VG Grade Loop(SL2) in a DS1 Interofficed Transport Combination - Zone 2 | | 2 | UNCVX | UEAL2 | | 21.63 | 108.76 | 35.47 | 72.94 | 10.86 | | | 20.35 | 21.09 | 9.80 | 10.54 | | |
| | First 2-Wire VG Grade Loop(SL2) in a DS1 Interofficed Transport Combination - Zone 3 | | 3 | UNCVX | UEAL2 | | 28.28 | 108.76 | 35.47 | 72.94 | 10.86 | | | 20.35 | 21.09 | 9.80 | 10.54 | | |
| | Interoffice Transport - Dedicated - DS1 combination - Per Mile per month | | | UNC1X | 1L5XX | | 0.3562 | | | | | | | | | | | | |

| UNBUNDLED NETWORK ELEMENTS - Tennessee | | | | | | | | | | Attachment: 2 | | Exhibit: B | | | | |
|--|--|---------|------|-------|-------|-----------|--------------------|--------|--------------------|----------------------------------|--------------------------------------|--|--|---|---|------------------|
| CATEGORY | RATE ELEMENTS | Interim | Zone | BCS | USOC | RATES(\$) | | | | Svc Order Submitted Elec per LSR | Svc Order Submitted Manually per LSR | Incremental Charge - Manual Svc Order vs. Electronic-1st | Incremental Charge - Manual Svc Order vs. Electronic-Add'l | Incremental Charge - Manual Svc Order vs. Electronic-Disc 1st | Incremental Charge - Manual Svc Order vs. Electronic-Disc Add'l | |
| | | | | | | Rec | Nonrecurring First | Add'l | Nonrecurring First | | | | | | | Disconnect Add'l |
| | | | | | | | | | | | SOMEc | SOMAN | SOMAN | SOMAN | SOMAN | SOMAN |
| | Interoffice Transport - Dedicated - DS1 combination - Facility Termination per month | | | UNC1X | U1TF1 | 77.86 | 171.24 | 113.12 | 70.07 | 30.90 | | 20.35 | 21.09 | 9.80 | 10.54 | |
| | DS1 Channelization System Per Month | | | UNC1X | MQ1 | 80.77 | 105.76 | 14.48 | 3.04 | 2.74 | | | | | | |
| | Voice Grade COCI - DS1 To DS0 Interface - Per Month | | | UNCVX | 1D1VG | 0.91 | 5.70 | 4.42 | | | | | | | | |
| | Each Additional 2-Wire VG Loop(SL 2) in the same DS1 Interoffice Transport Combination - Zone 1 | | 1 | UNCVX | UEAL2 | 16.56 | 108.76 | 35.47 | 72.94 | 10.86 | | 20.35 | 21.09 | 9.80 | 10.54 | |
| | Each Additional 2-Wire VG Loop(SL2) in the same DS1 Interoffice Transport Combination - Zone 2 | | 2 | UNCVX | UEAL2 | 21.63 | 108.76 | 35.47 | 72.94 | 10.86 | | 20.35 | 21.09 | 9.80 | 10.54 | |
| | Each Additional 2-Wire VG Loop(SL2) in the same DS1 Interoffice Transport Combination - Zone 3 | | 3 | UNCVX | UEAL2 | 28.28 | 108.76 | 35.47 | 72.94 | 10.86 | | 20.35 | 21.09 | 9.80 | 10.54 | |
| | Voice Grade COCI - DS1 to DS0 Channel System combination - per month | | | UNCVX | 1D1VG | 0.91 | 5.70 | 4.42 | | | | | | | | |
| | Nonrecurring Currently Combined Network Elements Switch -As-Is Charge | | | UNC1X | UNCCC | | 52.73 | 24.62 | 9.12 | 9.12 | | 20.35 | 21.09 | 9.80 | 10.54 | |
| 4-WIRE VOICE GRADE EXTENDED LOOP WITH DEDICATED DS1 INTEROFFICE TRANSPORT (EEL) | | | | | | | | | | | | | | | | |
| | First 4-Wire Analog Voice Grade Loop in a DS1 Interoffice Transport Combination - Zone 1 | | 1 | UNCVX | UEAL4 | 24.70 | 108.76 | 35.47 | 72.94 | 10.86 | | 20.35 | 21.09 | 9.80 | 10.54 | |
| | First 4-Wire Analog Voice Grade Loop in a DS1 Interoffice Transport Combination - Zone 2 | | 2 | UNCVX | UEAL4 | 32.26 | 108.76 | 35.47 | 72.94 | 10.86 | | 20.35 | 21.09 | 9.80 | 10.54 | |
| | First 4-Wire Analog Voice Grade Loop in a DS1 Interoffice Transport Combination - Zone 3 | | 3 | UNCVX | UEAL4 | 42.18 | 108.76 | 35.47 | 72.94 | 10.86 | | 20.35 | 21.09 | 9.80 | 10.54 | |
| | Interoffice Transport - Dedicated - DS1 combination - Per Mile Per Month | | | UNC1X | 1L5XX | 0.3562 | | | | | | | | | | |
| | Interoffice Transport - Dedicated - DS1 - Facility Termination Per Month | | | UNC1X | U1TF1 | 77.86 | 171.24 | 113.12 | 70.07 | 30.90 | | 20.35 | 21.09 | 9.80 | 10.54 | |
| | Channelization - Channel System DS1 to DS0 combination Per Month | | | UNC1X | MQ1 | 80.77 | 105.76 | 14.48 | 3.04 | 2.74 | | | | | | |
| | Voice Grade COCI - DS1 to DS0 Channel System combination - per month | | | UNCVX | 1D1VG | 0.91 | 5.70 | 4.42 | | | | | | | | |
| | Additional 4-Wire Analog Voice Grade Loop in same DS1 Interoffice Transport Combination - Zone 1 | | 1 | UNCVX | UEAL4 | 24.70 | 108.76 | 35.47 | 72.94 | 10.86 | | 20.35 | 21.09 | 9.80 | 10.54 | |
| | Additional 4-Wire Analog Voice Grade Loop in same DS1 Interoffice Transport Combination - Zone 2 | | 2 | UNCVX | UEAL4 | 32.26 | 108.76 | 35.47 | 72.94 | 10.86 | | 20.35 | 21.09 | 9.80 | 10.54 | |
| | Additional 4-Wire Analog Voice Grade Loop in same DS1 Interoffice Transport Combination - Zone 3 | | 3 | UNCVX | UEAL4 | 42.18 | 108.76 | 35.47 | 72.94 | 10.86 | | 20.35 | 21.09 | 9.80 | 10.54 | |
| | Voice Grade COCI - DS1 to DS0 Channel System combination - per month | | | UNCVX | 1D1VG | 0.91 | 5.70 | 4.42 | | | | | | | | |
| | Nonrecurring Currently Combined Network Elements Switch -As-Is Charge | | | UNC1X | UNCCC | | 52.73 | 24.62 | 9.12 | 9.12 | | 20.35 | 21.09 | 9.80 | 10.54 | |
| 4-WIRE 56 KBPS EXTENDED DIGITAL LOOP WITH DEDICATED DS1 INTEROFFICE TRANSPORT (EEL) | | | | | | | | | | | | | | | | |
| | First 4-Wire 56Kbps Digital Grade Loop in a DS1 Interoffice Transport Combination - Zone 1 | | 1 | UNCDX | UDL56 | 31.10 | 108.76 | 35.47 | 72.94 | 10.86 | | 20.35 | 21.09 | 9.80 | 10.54 | |
| | First 4-wire 56Kbps Digital Grade Loop in a DS1 Interoffice Transport Combination - Zone 2 | | 2 | UNCDX | UDL56 | 40.61 | 108.76 | 35.47 | 72.94 | 10.86 | | 20.35 | 21.09 | 9.80 | 10.54 | |
| | First 4-Wire 56Kbps Digital Grade Loop in a DS1 Interoffice Transport Combination - Zone 3 | | 3 | UNCDX | UDL56 | 53.11 | 108.76 | 35.47 | 72.94 | 10.86 | | 20.35 | 21.09 | 9.80 | 10.54 | |
| | Interoffice Transport - Dedicated - DS1 combination - Per Mile Per Month | | | UNC1X | 1L5XX | 0.3562 | | | | | | | | | | |
| | Interoffice Transport - Dedicated - DS1 - combination Facility Termination Per Month | | | UNC1X | U1TF1 | 77.86 | 171.24 | 113.12 | 70.07 | 30.90 | | 20.35 | 21.09 | 9.80 | 10.54 | |
| | Channelization - Channel System DS1 to DS0 combination Per Month | | | UNC1X | MQ1 | 80.77 | 105.76 | 14.48 | 3.04 | 2.74 | | | | | | |
| | OCU-DP COCI (data) - DS1 to DS0 Channel System - per month (2.4-64kbs) | | | UNCDX | 1D1DD | 0.91 | 5.70 | 4.42 | | | | | | | | |
| | Additional 4-Wire 56Kbps Digital Grade Loop in same DS1 Interoffice Transport Combination - Zone 1 | | 1 | UNCDX | UDL56 | 31.10 | 108.76 | 35.47 | 72.94 | 10.86 | | 20.35 | 21.09 | 9.80 | 10.54 | |
| | Additional 4-Wire 56Kbps Digital Grade Loop in same DS1 Interoffice Transport Combination - Zone 2 | | 2 | UNCDX | UDL56 | 40.61 | 108.76 | 35.47 | 72.94 | 10.86 | | 20.35 | 21.09 | 9.80 | 10.54 | |

| UNBUNDLED NETWORK ELEMENTS - Tennessee | | | | | | | | | | | Attachment: 2 | | Exhibit: B | | | |
|--|--|---------|------|-------|-------|-----------|--------------------|--------|--------------------|----------------------------------|--------------------------------------|--|--|---|---|------------------|
| CATEGORY | RATE ELEMENTS | Interim | Zone | BCS | USOC | RATES(\$) | | | | Svc Order Submitted Elec per LSR | Svc Order Submitted Manually per LSR | Incremental Charge - Manual Svc Order vs. Electronic-1st | Incremental Charge - Manual Svc Order vs. Electronic-Add'l | Incremental Charge - Manual Svc Order vs. Electronic-Disc 1st | Incremental Charge - Manual Svc Order vs. Electronic-Disc Add'l | |
| | | | | | | Rec | Nonrecurring First | Add'l | Nonrecurring First | | | | | | | Disconnect Add'l |
| | | | | | | | | | | | SOMEc | SOMAN | SOMAN | SOMAN | SOMAN | SOMAN |
| | Additional 4-Wire 56Kbps Digital Grade Loop in same DS1 Interoffice Transport Combination - Zone 3 | | 3 | UNCDX | UDL56 | 53.11 | 108.76 | 35.47 | 72.94 | 10.86 | | | 20.35 | 21.09 | 9.80 | 10.54 |
| | OCU-DP COCI (data) - DS1 to DS0 Channel System - combination per month (2.4-64kbs) | | | UNCDX | 1D1DD | 0.91 | 5.70 | 4.42 | | | | | | | | |
| | Nonrecurring Currently Combined Network Elements Switch -As-Is Charge | | | UNC1X | UNCCC | | 52.73 | 24.62 | 9.12 | 9.12 | | | 20.35 | 21.09 | 9.80 | 10.54 |
| 4-WIRE 64 KBPS EXTENDED DIGITAL LOOP WITH DEDICATED DS1 INTEROFFICE TRANSPORT (EEL) | | | | | | | | | | | | | | | | |
| | First 4-Wire 64Kbps Digital Grade Loop in a DS1 Interoffice Transport Combination - Zone 1 | | 1 | UNCDX | UDL64 | 31.10 | 108.76 | 35.47 | 72.94 | 10.86 | | | 20.35 | 21.09 | 9.80 | 10.54 |
| | First 4-Wire 64Kbps Digital Grade Loop in a DS1 Interoffice Transport Combination - Zone 2 | | 2 | UNCDX | UDL64 | 40.61 | 108.76 | 35.47 | 72.94 | 10.86 | | | 20.35 | 21.09 | 9.80 | 10.54 |
| | First 4-Wire 64Kbps Digital Grade Loop in a DS1 Interoffice Transport Combination - Zone 3 | | 3 | UNCDX | UDL64 | 53.11 | 108.76 | 35.47 | 72.94 | 10.86 | | | 20.35 | 21.09 | 9.80 | 10.54 |
| | Interoffice Transport - Dedicated - DS1 combination - Per Mile Per Month | | | UNC1X | 1L5XX | 0.3562 | | | | | | | | | | |
| | Interoffice Transport - Dedicated - DS1 combination - Facility Termination Per Month | | | UNC1X | U1TF1 | 77.86 | 171.24 | 113.12 | 70.07 | 30.90 | | | 20.35 | 21.09 | 9.80 | 10.54 |
| | Channelization - Channel System DS1 to DS0 combination Per Month | | | UNC1X | MQ1 | 80.77 | 105.76 | 14.48 | 3.04 | 2.74 | | | 20.35 | 21.09 | 9.80 | 10.54 |
| | OCU-DP COCI (data) - DS1 to DS0 Channel System combination - per month (2.4-64kbs) | | | UNCDX | 1D1DD | 0.91 | 5.70 | 4.42 | | | | | | | | |
| | Additional 4-Wire 64Kbps Digital Grade Loop in same DS1 Interoffice Transport Combination - Zone 1 | | 1 | UNCDX | UDL64 | 31.10 | 108.76 | 35.47 | 72.94 | 10.86 | | | 20.35 | 21.09 | 9.80 | 10.54 |
| | Additional 4-Wire 64Kbps Digital Grade Loop in same DS1 Interoffice Transport Combination - Zone 2 | | 2 | UNCDX | UDL64 | 40.61 | 108.76 | 35.47 | 72.94 | 10.86 | | | 20.35 | 21.09 | 9.80 | 10.54 |
| | Additional 4-Wire 64Kbps Digital Grade Loop in same DS1 Interoffice Transport Combination - Zone 3 | | 3 | UNCDX | UDL64 | 53.11 | 108.76 | 35.47 | 72.94 | 10.86 | | | 20.35 | 21.09 | 9.80 | 10.54 |
| | OCU-DP COCI (data) - DS1 to DS0 Channel System combination - per month (2.4-64kbs) | | | UNCDX | 1D1DD | 0.91 | 5.70 | 4.42 | | | | | | | | |
| | Nonrecurring Currently Combined Network Elements Switch -As-Is Charge | | | UNC1X | UNCCC | | 52.73 | 24.62 | 9.12 | 9.12 | | | 20.35 | 21.09 | 9.80 | 10.54 |
| 4-WIRE DS1 DIGITAL EXTENDED LOOP WITH DEDICATED DS1 INTEROFFICE TRANSPORT (EEL) | | | | | | | | | | | | | | | | |
| | 4-Wire DS1 Digital Loop in Combination with DS1 Interoffice Transport - Zone 1 | | 1 | UNC1X | USLXX | 57.73 | 228.40 | 161.74 | 79.87 | 24.88 | | | 20.35 | 21.09 | 9.80 | 10.54 |
| | 4-Wire DS1 Digital Loop in Combination with DS1 Interoffice Transport - Zone 2 | | 2 | UNC1X | USLXX | 75.40 | 228.40 | 161.74 | 79.87 | 24.88 | | | 20.35 | 21.09 | 9.80 | 10.54 |
| | 4-Wire DS1 Digital Loop in Combination with DS1 Interoffice Transport - Zone 3 | | 3 | UNC1X | USLXX | 98.59 | 228.40 | 161.74 | 79.87 | 24.88 | | | 20.35 | 21.09 | 9.80 | 10.54 |
| | Interoffice Transport - Dedicated - DS1 combination - Per Mile Per Month | | | UNC1X | 1L5XX | 0.3562 | | | | | | | | | | |
| | Interoffice Transport - Dedicated - DS1 combination - Facility Termination Per Month | | | UNC1X | U1TF1 | 77.86 | 171.24 | 113.12 | 70.07 | 30.90 | | | 20.35 | 21.09 | 9.80 | 10.54 |
| | Nonrecurring Currently Combined Network Elements Switch -As-Is Charge | | | UNC1X | UNCCC | | 52.73 | 24.62 | 9.12 | 9.12 | | | 20.35 | 21.09 | 9.80 | 10.54 |
| 4-WIRE DS1 DIGITAL EXTENDED LOOP WITH DEDICATED DS3 INTEROFFICE TRANSPORT (EEL) | | | | | | | | | | | | | | | | |
| | First DS1Loop in DS3 Interoffice Transport Combination - Zone 1 | | 1 | UNC1X | USLXX | 57.73 | 228.40 | 161.74 | 79.87 | 24.88 | | | 20.35 | 21.09 | 9.80 | 10.54 |
| | First DS1Loop in DS3 Interoffice Transport Combination - Zone 2 | | 2 | UNC1X | USLXX | 75.40 | 228.40 | 161.74 | 79.87 | 24.88 | | | 20.35 | 21.09 | 9.80 | 10.54 |
| | First DS1Loop in DS3 Interoffice Transport Combination - Zone 3 | | 3 | UNC1X | USLXX | 98.59 | 228.40 | 161.74 | 79.87 | 24.88 | | | 20.35 | 21.09 | 9.80 | 10.54 |
| | Interoffice Transport - Dedicated - DS3 combination - Per Mile Per Month | | | UNC3X | 1L5XX | 2.34 | | | | | | | | | | |
| | Interoffice Transport - Dedicated - DS3 - Facility Termination per month | | | UNC3X | U1TF3 | 854.97 | 482.01 | 153.81 | 64.43 | 35.43 | | | 20.35 | 21.09 | 9.80 | 10.54 |
| | DS3 to DS1 Channel System combination per month | | | UNC3X | MQ3 | 222.98 | 156.02 | 49.41 | 17.12 | 6.77 | | | | | | |
| | DS3 Interface Unit (DS1 COCI) combination per month | | | UNC1X | UC1D1 | 17.58 | 5.70 | 4.42 | | | | | | | | |
| | Additional DS1Loop in DS3 Interoffice Transport Combination - Zone 1 | | 1 | UNC1X | USLXX | 57.73 | 228.40 | 161.74 | 79.87 | 24.88 | | | 20.35 | 21.09 | 9.80 | 10.54 |

| UNBUNDLED NETWORK ELEMENTS - Tennessee | | | | | | | | | | | Attachment: 2 | | Exhibit: B | | | |
|---|--|---------|------|-------|-------|-----------|--------------------|--------|--------------------|----------------------------------|--------------------------------------|--|--|---|---|------------------|
| CATEGORY | RATE ELEMENTS | Interim | Zone | BCS | USOC | RATES(\$) | | | | Svc Order Submitted Elec per LSR | Svc Order Submitted Manually per LSR | Incremental Charge - Manual Svc Order vs. Electronic-1st | Incremental Charge - Manual Svc Order vs. Electronic-Add'l | Incremental Charge - Manual Svc Order vs. Electronic-Disc 1st | Incremental Charge - Manual Svc Order vs. Electronic-Disc Add'l | |
| | | | | | | Rec | Nonrecurring First | Add'l | Nonrecurring First | | | | | | | Disconnect Add'l |
| | | | | | | | | | | | SOMEc | SOMAN | SOMAN | SOMAN | SOMAN | SOMAN |
| | Additional DS1Loop in DS3 Interoffice Transport Combination - Zone 2 | | 2 | UNC1X | USLXX | 75.40 | 228.40 | 161.74 | 79.87 | 24.88 | | | 20.35 | 21.09 | 9.80 | 10.54 |
| | Additional DS1Loop in DS3 Interoffice Transport Combination - Zone 3 | | 3 | UNC1X | USLXX | 98.59 | 228.40 | 161.74 | 79.87 | 24.88 | | | 20.35 | 21.09 | 9.80 | 10.54 |
| | DS3 Interface Unit (DS1 COCI) combination per month | | | UNC1X | UC1D1 | 17.58 | 5.70 | 4.42 | | | | | | | | |
| | Nonrecurring Currently Combined Network Elements Switch -As-Is Charge | | | UNC3X | UNCCC | | 52.73 | 24.62 | 9.12 | 9.12 | | | 20.35 | 21.09 | 9.80 | 10.54 |
| 2-WIRE VOICE GRADE EXTENDED LOOP/ 2 WIRE VOICE GRADE INTEROFFICE TRANSPORT (EEL) | | | | | | | | | | | | | | | | |
| | 2-WireVG Loop used with 2-wire VG Interoffice Transport Combination - Zone 1 | | 1 | UNCVX | UEAL2 | 16.56 | 108.76 | 35.47 | 72.94 | 10.86 | | | 20.35 | 21.09 | 9.80 | 10.54 |
| | 2-WireVG Loop used with 2-wire VG Interoffice Transport Combination - Zone 2 | | 2 | UNCVX | UEAL2 | 21.63 | 108.76 | 35.47 | 72.94 | 10.86 | | | 20.35 | 21.09 | 9.80 | 10.54 |
| | 2-WireVG Loop used with 2-wire VG Interoffice Transport Combination - Zone 3 | | 3 | UNCVX | UEAL2 | 28.28 | 108.76 | 35.47 | 72.94 | 10.86 | | | 20.35 | 21.09 | 9.80 | 10.54 |
| | Interoffice Transport - Dedicated - 2-wire VG combination - Per Mile Per Month | | | UNCVX | 1L5XX | 0.0174 | | | | | | | | | | |
| | Interoffice Transport - Dedicated - 2- Wire Voice Grade combination - Facility Termination per month | | | UNCVX | U1TV2 | 21.79 | 79.83 | 44.08 | 69.32 | 31.00 | | | 20.35 | 21.09 | 9.80 | 10.54 |
| | Nonrecurring Currently Combined Network Elements Switch -As-Is Charge | | | UNCVX | UNCCC | | 52.73 | 24.62 | 9.12 | 9.12 | | | 20.35 | 21.09 | 9.80 | 10.54 |
| 4-WIRE VOICE GRADE EXTENDED LOOP/ 4 WIRE VOICE GRADE INTEROFFICE TRANSPORT (EEL) | | | | | | | | | | | | | | | | |
| | 4-WireVG Loop used with 4-wire VG Interoffice Transport Combination - Zone 1 | | 1 | UNCVX | UEAL4 | 24.70 | 108.76 | 35.47 | 72.94 | 10.86 | | | 20.35 | 21.09 | 9.80 | 10.54 |
| | 4-WireVG Loop used with 4-wire VG Interoffice Transport Combination - Zone 2 | | 2 | UNCVX | UEAL4 | 32.26 | 108.76 | 35.47 | 72.94 | 10.86 | | | 20.35 | 21.09 | 9.80 | 10.54 |
| | 4-WireVG Loop used with 4-wire VG Interoffice Transport Combination - Zone 3 | | 3 | UNCVX | UEAL4 | 42.18 | 108.76 | 35.47 | 72.94 | 10.86 | | | 20.35 | 21.09 | 9.80 | 10.54 |
| | Interoffice Transport - Dedicated - 4-wire VG combination - Per Mile Per Month | | | UNCVX | 1L5XX | 0.0174 | | | | | | | | | | |
| | Interoffice Transport - Dedicated - 4- Wire Voice Grade combination - Facility Termination per month | | | UNCVX | U1TV4 | 27.30 | 79.83 | 44.08 | 69.32 | 31.00 | | | 20.35 | 21.09 | 9.80 | 10.54 |
| | Nonrecurring Currently Combined Network Elements Switch -As-Is Charge | | | UNCVX | UNCCC | | 52.73 | 24.62 | 9.12 | 9.12 | | | 20.35 | 21.09 | 9.80 | 10.54 |
| DS3 DIGITAL EXTENDED LOOP WITH DEDICATED DS3 INTEROFFICE TRANSPORT (EEL) | | | | | | | | | | | | | | | | |
| | High Capacity Unbundled Local Loop - DS3 combination - Per Mile per month | | | UNC3X | 1L5ND | 9.19 | | | | | | | | | | |
| | High Capacity Unbundled Local Loop - DS3 combination - Facility Termination per month | | | UNC3X | UE3PX | 373.47 | 240.23 | 180.87 | 106.78 | 45.24 | | | 20.35 | 21.09 | 9.80 | 10.54 |
| | Interoffice Transport - Dedicated - DS3 - Per Mile per month | | | UNC3X | 1L5XX | 2.34 | | | | | | | | | | |
| | Interoffice Transport - Dedicated - DS3 combination - Facility Termination per per month | | | UNC3X | U1TF3 | 854.97 | 482.01 | 153.81 | 64.43 | 35.43 | | | 20.35 | 21.09 | 9.80 | 10.54 |
| | Nonrecurring Currently Combined Network Elements Switch -As-Is Charge | | | UNC3X | UNCCC | | 52.73 | 24.62 | 9.12 | 9.12 | | | 20.35 | 21.09 | 9.80 | 10.54 |
| STS1 DIGITAL EXTENDED LOOP WITH DEDICATED STS1 INTEROFFICE TRANSPORT (EEL) | | | | | | | | | | | | | | | | |
| | High Capacity Unbundled Local Loop - STS1 combination - Per Mile per month | | | UNCSX | 1L5ND | 9.19 | | | | | | | | | | |
| | High Capacity Unbundled Local Loop - STS1 combination - Facility Termination per month | | | UNCSX | UDLS1 | 394.56 | 240.23 | 180.87 | 106.78 | 45.24 | | | 20.35 | 21.09 | 9.80 | 10.54 |
| | Interoffice Transport - Dedicated - STS1 combination - Per Mile per month | | | UNCSX | 1L5XX | 2.34 | | | | | | | | | | |
| | Interoffice Transport - Dedicated - STS1 combination - Facility Termination per month | | | UNCSX | U1TFS | 849.30 | 482.01 | 153.81 | 64.43 | 35.43 | | | 20.35 | 21.09 | 9.80 | 10.54 |
| | Nonrecurring Currently Combined Network Elements Switch -As-Is Charge | | | UNCSX | UNCCC | | 52.73 | 24.62 | 9.12 | 9.12 | | | 20.35 | 21.09 | 9.80 | 10.54 |
| 2-WIRE ISDN EXTENDED LOOP WITH DS1 INTEROFFICE TRANSPORT (EEL) | | | | | | | | | | | | | | | | |
| | First 2-Wire ISDN Loop in a DS1 Interoffice Combination Transport - Zone 1 | | 1 | UNCNX | U1L2X | 22.22 | 108.76 | 35.47 | 72.94 | 10.86 | | | 20.35 | 21.09 | 9.80 | 10.54 |
| | First 2-Wire ISDN Loop in a DS1 Interoffice Combination Transport - Zone 2 | | 2 | UNCNX | U1L2X | 29.02 | 108.76 | 35.47 | 72.94 | 10.86 | | | 20.35 | 21.09 | 9.80 | 10.54 |

| UNBUNDLED NETWORK ELEMENTS - Tennessee | | | | | | | | | | | Attachment: 2 | | Exhibit: B | | | |
|--|---|---------|------|-------|-------|-----------|--------------------|--------|--------------------|----------------------------------|--------------------------------------|--|--|---|---|------------------|
| CATEGORY | RATE ELEMENTS | Interim | Zone | BCS | USOC | RATES(\$) | | | | Svc Order Submitted Elec per LSR | Svc Order Submitted Manually per LSR | Incremental Charge - Manual Svc Order vs. Electronic-1st | Incremental Charge - Manual Svc Order vs. Electronic-Add'l | Incremental Charge - Manual Svc Order vs. Electronic-Disc 1st | Incremental Charge - Manual Svc Order vs. Electronic-Disc Add'l | |
| | | | | | | Rec | Nonrecurring First | Add'l | Nonrecurring First | | | | | | | Disconnect Add'l |
| | | | | | | | | | | | SOMEc | SOMAN | SOMAN | SOMAN | SOMAN | SOMAN |
| | First 2-Wire ISDN Loop in a DS1 Interoffice Combination Transport - Zone 3 | | 3 | UNCNX | U1L2X | 37.95 | 108.76 | 35.47 | 72.94 | 10.86 | | | 20.35 | 21.09 | 9.80 | 10.54 |
| | Interoffice Transport - Dedicated - DS1 combination - Per Mile | | | UNC1X | 1L5XX | 0.3562 | | | | | | | | | | |
| | Interoffice Transport - Dedicated - DS1 combination - Facility Termination per month | | | UNC1X | U1TF1 | 77.86 | 171.24 | 113.12 | 70.07 | 30.90 | | | 20.35 | 21.09 | 9.80 | 10.54 |
| | Channelization - Channel System DS1 to DS0 combination - per month | | | UNC1X | MQ1 | 80.77 | 105.76 | 14.48 | 3.04 | 2.74 | | | 20.35 | 21.09 | 9.80 | 10.54 |
| | 2-wire ISDN COCI (BRITE) - DS1 to DS0 Channel System combination - per month | | | UNCNX | UC1CA | 3.24 | 5.70 | 4.42 | | | | | 20.35 | 21.09 | 9.80 | 10.54 |
| | Additional 2-wire ISDN Loop in same DS1 Interoffice Transport Combination - Zone 1 | | 1 | UNCNX | U1L2X | 22.22 | 108.76 | 35.47 | 72.94 | 10.86 | | | 20.35 | 21.09 | 9.80 | 10.54 |
| | Additional 2-wire ISDN Loop in same DS1 Interoffice Transport Combination - Zone 2 | | 2 | UNCNX | U1L2X | 29.02 | 108.76 | 35.47 | 72.94 | 10.86 | | | 20.35 | 21.09 | 9.80 | 10.54 |
| | Additional 2-wire ISDN Loop in same DS1 Interoffice Transport Combination - Zone 3 | | 3 | UNCNX | U1L2X | 37.95 | 108.76 | 35.47 | 72.94 | 10.86 | | | 20.35 | 21.09 | 9.80 | 10.54 |
| | 2-wire ISDN COCI (BRITE) - DS1 to DS0 Channel System combination- per month | | | UNCNX | UC1CA | 3.24 | 5.70 | 4.42 | | | | | 20.35 | 21.09 | 9.80 | 10.54 |
| | Nonrecurring Currently Combined Network Elements Switch -As-Is Charge | | | UNC1X | UNCCC | | 52.73 | 24.62 | 9.12 | 9.12 | | | 20.35 | 21.09 | 9.80 | 10.54 |
| 4-WIRE DS1 DIGITAL EXTENDED LOOP WITH DEDICATED STS-1 INTEROFFICE TRANSPORT (EEL) | | | | | | | | | | | | | | | | |
| | First DS1 Loop in STS1 Interoffice Transport Combination - Zone 1 | | 1 | UNC1X | USLXX | 57.73 | 228.40 | 161.74 | 79.87 | 24.88 | | | 20.35 | 21.09 | 9.80 | 10.54 |
| | First DS1 Loop in STS1 Interoffice Transport Combination - Zone 2 | | 2 | UNC1X | USLXX | 75.40 | 228.40 | 161.74 | 79.87 | 24.88 | | | 20.35 | 21.09 | 9.80 | 10.54 |
| | First DS1 Loop in STS1 Interoffice Transport Combination - Zone 3 | | 3 | UNC1X | USLXX | 98.59 | 228.40 | 161.74 | 79.87 | 24.88 | | | 20.35 | 21.09 | 9.80 | 10.54 |
| | Interoffice Transport - Dedicated - STS1 combination - Per Mile Per Month | | | UNCSX | 1L5XX | 2.34 | | | | | | | | | | |
| | Interoffice Transport - Dedicated - STS1 combination - Facility Termination | | | UNCSX | U1TFS | 849.30 | 482.01 | 153.81 | 64.43 | 35.43 | | | 20.35 | 21.09 | 9.80 | 10.54 |
| | STS1 to DS1 Channel System combination per month | | | UNCSX | MQ3 | 222.98 | 156.02 | 49.41 | 17.12 | 6.77 | | | 20.35 | 21.09 | 9.80 | 10.54 |
| | DS3 Interface Unit (DS1 COCI) combination per month | | | UNC1X | UC1D1 | 17.58 | 5.70 | 4.42 | | | | | 20.35 | 21.09 | 9.80 | 10.54 |
| | Additional DS1 Loop in STS1 Interoffice Transport Combination - Zone 1 | | 1 | UNC1X | USLXX | 57.73 | 228.40 | 161.74 | 79.87 | 24.88 | | | 20.35 | 21.09 | 9.80 | 10.54 |
| | Additional DS1 Loop in STS1 Interoffice Transport Combination - Zone 2 | | 2 | UNC1X | USLXX | 75.40 | 228.40 | 161.74 | 79.87 | 24.88 | | | 20.35 | 21.09 | 9.80 | 10.54 |
| | Additional DS1 Loop in STS1 Interoffice Transport Combination - Zone 3 | | 3 | UNC1X | USLXX | 98.59 | 228.40 | 161.74 | 79.87 | 24.88 | | | 20.35 | 21.09 | 9.80 | 10.54 |
| | DS3 Interface Unit (DS1 COCI) combination per month | | | UNC1X | UC1D1 | 17.58 | 5.70 | 4.42 | | | | | 20.35 | 21.09 | 9.80 | 10.54 |
| | Nonrecurring Currently Combined Network Elements Switch -As-Is Charge | | | UNCSX | UNCCC | | 52.73 | 24.62 | 9.12 | 9.12 | | | 20.35 | 21.09 | 9.80 | 10.54 |
| 4-WIRE 56 KBPS DIGITAL EXTENDED LOOP WITH 56 KBPS INTEROFFICE TRANSPORT (EEL) | | | | | | | | | | | | | | | | |
| | 4-wire 56 kbps Loop/4-wire 56 kbps Interoffice Transport Combination - Zone 1 | | 1 | UNCDX | UDL56 | 31.10 | 108.76 | 35.47 | 72.94 | 10.86 | | | 20.35 | 21.09 | 9.80 | 10.54 |
| | 4-wire 56 kbps Loop/4-wire 56 kbps Interoffice Transport Combination - Zone 2 | | 2 | UNCDX | UDL56 | 40.61 | 108.76 | 35.47 | 72.94 | 10.86 | | | 20.35 | 21.09 | 9.80 | 10.54 |
| | 4-wire 56 kbps Loop/4-wire 56 kbps Interoffice Transport Combination - Zone 3 | | 3 | UNCDX | UDL56 | 53.11 | 108.76 | 35.47 | 72.94 | 10.86 | | | 20.35 | 21.09 | 9.80 | 10.54 |
| | Interoffice Transport - Dedicated - 4-wire 56 kbps combination - Per Mile | | | UNCDX | 1L5XX | 0.0174 | | | | | | | | | | |
| | Interoffice Transport - Dedicated - 4-wire 56 kbps combination - Facility Termination | | | UNCDX | U1TD5 | 21.19 | 79.83 | 44.08 | 69.32 | 31.00 | | | 20.35 | 21.09 | 9.80 | 10.54 |
| | Nonrecurring Currently Combined Network Elements Switch -As-Is Charge | | | UNCDX | UNCCC | | 52.73 | 24.62 | 9.12 | 9.12 | | | 20.35 | 21.09 | 9.80 | 10.54 |
| 4-WIRE 64 KBPS DIGITAL EXTENDED LOOP WITH 64 KBPS INTEROFFICE TRANSPORT (EEL) | | | | | | | | | | | | | | | | |
| | 4-wire 64 kbps Loop/4-wire 64 kbps Interoffice Transport Combination - Zone 1 | | 1 | UNCDX | UDL64 | 31.10 | 108.76 | 35.47 | 72.94 | 10.86 | | | 20.35 | 21.09 | 9.80 | 10.54 |
| | 4-wire 64 kbps Loop/4-wire 64 kbps Interoffice Transport Combination - Zone 2 | | 2 | UNCDX | UDL64 | 40.61 | 108.76 | 35.47 | 72.94 | 10.86 | | | 20.35 | 21.09 | 9.80 | 10.54 |

| UNBUNDLED NETWORK ELEMENTS - Tennessee | | | | | | | | | | | Attachment: 2 | | Exhibit: B | | | |
|---|--|---------|------|-------|-------|-----------|--------------------|--------|--------------------|----------------------------------|--------------------------------------|--|--|---|---|------------------|
| CATEGORY | RATE ELEMENTS | Interim | Zone | BCS | USOC | RATES(\$) | | | | Svc Order Submitted Elec per LSR | Svc Order Submitted Manually per LSR | Incremental Charge - Manual Svc Order vs. Electronic-1st | Incremental Charge - Manual Svc Order vs. Electronic-Add'l | Incremental Charge - Manual Svc Order vs. Electronic-Disc 1st | Incremental Charge - Manual Svc Order vs. Electronic-Disc Add'l | |
| | | | | | | Rec | Nonrecurring First | Add'l | Nonrecurring First | | | | | | | Disconnect Add'l |
| | | | | | | | | | | | SOMEc | SOMAN | SOMAN | SOMAN | SOMAN | SOMAN |
| | 4-wire 64 kbps Loop/4-wire 64 kbps Interoffice Transport Combination - Zone 3 | | 3 | UNCDX | UDL64 | 53.11 | 108.76 | 35.47 | 72.94 | 10.86 | | | 20.35 | 21.09 | 9.80 | 10.54 |
| | Interoffice Transport - Dedicated - 4-wire 64 kbps combination - Per Mile | | | UNCDX | 1L5XX | 0.0174 | | | | | | | | | | |
| | Interoffice Transport - Dedicated - 4-wire 64 kbps combination - Facility Termination | | | UNCDX | U1TD6 | 21.19 | 79.83 | 44.08 | 69.32 | 31.00 | | | 20.35 | 21.09 | 9.80 | 10.54 |
| | Nonrecurring Currently Combined Network Elements Switch -As-Is Charge | | | UNCDX | UNCCC | | 52.73 | 24.62 | 9.12 | 9.12 | | | 20.35 | 21.09 | 9.80 | 10.54 |
| ADDITIONAL NETWORK ELEMENTS | | | | | | | | | | | | | | | | |
| When used as a part of a currently combined facility, the non-recurring charges do not apply, but a Switch As Is charge does apply. | | | | | | | | | | | | | | | | |
| When used as ordinarily combined network elements in Tennessee, the non-recurring charges apply and the Switch As Is Charge does not. | | | | | | | | | | | | | | | | |
| Node (SynchroNet) | | | | | | | | | | | | | | | | |
| Nonrecurring Currently Combined Network Elements "Switch As Is" Charge (One applies to each combination) | | | | | | | | | | | | | | | | |
| | Nonrecurring Currently Combined Network Elements Switch -As-Is Charge - 2 wire/4-Wire VG | | | UNCVX | UNCCC | | 52.73 | 24.62 | 9.12 | 9.12 | | | 20.35 | 21.09 | 9.80 | 10.54 |
| | Nonrecurring Currently Combined Network Elements Switch -As-Is Charge - 56/64 kbps | | | UNCDX | UNCCC | | 52.73 | 24.62 | 9.12 | 9.12 | | | 20.35 | 21.09 | 9.80 | 10.54 |
| | Nonrecurring Currently Combined Network Elements Switch -As-Is Charge - DS1 | | | UNC1X | UNCCC | | 52.73 | 24.62 | 9.12 | 9.12 | | | 20.35 | 21.09 | 9.80 | 10.54 |
| | Nonrecurring Currently Combined Network Elements Switch -As-Is Charge - DS3 | | | UNC3X | UNCCC | | 52.73 | 24.62 | 9.12 | 9.12 | | | 20.35 | 21.09 | 9.80 | 10.54 |
| | Nonrecurring Currently Combined Network Elements Switch -As-Is Charge - STS1 | | | UNCSX | UNCCC | | 52.73 | 24.62 | 9.12 | 9.12 | | | 20.35 | 21.09 | 9.80 | 10.54 |
| NOTE: Local Channel - Dedicated Transport - minimum billing period - Below DS3=one month, DS3 and above=four months | | | | | | | | | | | | | | | | |
| | Local Channel - Dedicated - 2-Wire Voice Grade Zone 1 | | 1 | UNCVX | ULDV2 | 17.18 | 108.76 | 35.47 | 72.94 | 10.86 | | | 20.35 | 21.09 | 9.80 | 10.54 |
| | Local Channel - Dedicated - 2-Wire Voice Grade Zone 2 | | 2 | UNCVX | ULDV2 | 22.44 | 108.76 | 35.47 | 72.94 | 10.86 | | | 20.35 | 21.09 | 9.80 | 10.54 |
| | Local Channel - Dedicated - 2-Wire Voice Grade Zone 3 | | 3 | UNCXV | ULDV2 | 29.34 | 108.76 | 35.47 | 72.94 | 10.86 | | | 20.35 | 21.09 | 9.80 | 10.54 |
| | Local Channel - Dedicated - 4-Wire Voice Grade Zone 1 | | 1 | UNCVX | ULDV4 | 18.18 | 108.76 | 35.47 | 72.94 | 10.86 | | | 20.35 | 21.09 | 9.80 | 10.54 |
| | Local Channel - Dedicated - 4-Wire Voice Grade Zone 2 | | 2 | UNCVX | ULDV4 | 23.74 | 108.76 | 35.47 | 72.94 | 10.86 | | | 20.35 | 21.09 | 9.80 | 10.54 |
| | Local Channel - Dedicated - 4-Wire Voice Grade Zone 3 | | 3 | UNCXV | ULDV4 | 31.05 | 108.76 | 35.47 | 72.94 | 10.86 | | | 20.35 | 21.09 | 9.80 | 10.54 |
| | Local Channel - Dedicated - DS1 per month Zone 1 | | 1 | UNC1X | ULDF1 | 36.24 | 228.40 | 161.74 | 79.87 | 24.88 | | | 20.35 | 21.09 | 9.80 | 10.54 |
| | Local Channel - Dedicated -DS1 Per Month Zone 2 | | 2 | UNC1X | ULDF1 | 47.33 | 228.40 | 161.74 | 79.87 | 24.88 | | | 20.35 | 21.09 | 9.80 | 10.54 |
| | Local Channel - Dedicated - DS1- Per Month Zone 3 | | 3 | UNC1X | ULDF1 | 61.89 | 228.40 | 161.74 | 79.87 | 24.88 | | | 20.35 | 21.09 | 9.80 | 10.54 |
| | Local Channel - Dedicated - DS3 - Per Mile per month | | | UNC3X | 1L5NC | 7.15 | | | | | | | | | | |
| | Local Channel - Dedicated - DS3 - Facility Termination per month | | | UNC3X | ULDF3 | 611.30 | 595.37 | 304.50 | 215.82 | 151.15 | | | 20.35 | 21.09 | 9.80 | 10.54 |
| | Local Channel - Dedicated - STS-1- Per Mile per month | | | UNCSX | 1L5NC | 7.15 | | | | | | | | | | |
| | Local Channel - Dedicated - STS-1 - Facility Termination per month | | | UNCSX | ULDFS | 599.59 | 588.07 | 297.20 | 215.82 | 151.15 | | | 20.35 | 21.09 | 9.80 | 10.54 |
| UNBUNDLED LOCAL EXCHANGE SWITCHING(PORTS) | | | | | | | | | | | | | | | | |
| Exchange Ports | | | | | | | | | | | | | | | | |
| NOTE: Although the Port Rate includes all available features in GA, KY, LA & TN, the desired features will need to be ordered using retail USOCs | | | | | | | | | | | | | | | | |
| 2-WIRE VOICE GRADE LINE PORT RATES (RES) | | | | | | | | | | | | | | | | |
| | Exchange Ports - 2-Wire Analog Line Port- Res. | | | UEPSR | UEPRL | 1.89 | 9.93 | 9.19 | 3.66 | 2.92 | | | 20.35 | 10.54 | 13.32 | 1.40 |
| | Exchange Ports - 2-Wire Analog Line Port with Caller ID - Res. | | | UEPSR | UEPRC | 1.89 | 9.93 | 9.19 | 3.66 | 2.92 | | | 20.35 | 10.54 | 13.32 | 1.40 |
| | Exchange Ports - 2-Wire Analog Line Port outgoing only - Res. | | | UEPSR | UEPRO | 1.89 | 9.93 | 9.19 | 3.66 | 2.92 | | | 20.35 | 10.54 | 13.32 | 1.40 |
| | Exchange Ports - 2-Wire VG unbundled TN extended local dialing parity Port with Caller ID - Res. | | | UEPSR | UEPAQ | 1.89 | 9.93 | 9.19 | 3.66 | 2.92 | | | 20.35 | 10.54 | 13.32 | 1.40 |
| | Exchange Ports - 2-Wire VG unbundled Tennessee Area Plus with Caller ID - Res (AC7) | | | UEPSR | UEPAH | 1.89 | 9.93 | 9.19 | 3.66 | 2.92 | | | 20.35 | 10.54 | 13.32 | 1.40 |
| | Exchange Ports - 2-Wire VG unbundled Tennessee Area Calling port with Caller ID - Res (F2R) | | | UEPSR | UEPAK | 1.89 | 9.93 | 9.19 | 3.66 | 2.92 | | | 20.35 | 10.54 | 13.32 | 1.40 |
| | Exchange Ports - 2-Wire VG unbundled Tennessee Area Calling port with Caller ID - Res (TACER) | | | UEPSR | UEPAL | 1.89 | 9.93 | 9.19 | 3.66 | 2.92 | | | 20.35 | 10.54 | 13.32 | 1.40 |
| | Exchange Ports - 2-Wire VG unbundled Tennessee Area Calling port with Caller ID - Res (TACSR) | | | UEPSR | UEPAM | 1.89 | 9.93 | 9.19 | 3.66 | 2.92 | | | 20.35 | 10.54 | 13.32 | 1.40 |

UNBUNDLED NETWORK ELEMENTS - Tennessee

| CATEGORY | RATE ELEMENTS | Interim | Zone | BCS | USOC | RATES(\$) | | | | Svc Order Submitted Elec per LSR | Svc Order Submitted Manually per LSR | Attachment: 2 | | Exhibit: B | | |
|---|---|---------|------|-------|-------|-----------|--------------|-------|-------------------------|----------------------------------|--------------------------------------|--|--|---|---|-------|
| | | | | | | Rec | Nonrecurring | | Nonrecurring Disconnect | | | Incremental Charge - Manual Svc Order vs. Electronic-1st | Incremental Charge - Manual Svc Order vs. Electronic-Add'l | Incremental Charge - Manual Svc Order vs. Electronic-Disc 1st | Incremental Charge - Manual Svc Order vs. Electronic-Disc Add'l | |
| | | | | | | | First | Add'l | First | | | | | | | Add'l |
| | | | | | | | | | | | OSS Rates(\$) | | | | | |
| | | | | | | | | | | | SOMEC | SOMAN | SOMAN | SOMAN | SOMAN | SOMAN |
| | Exchange Ports - 2-Wire VG unbundled Tennessee Area Calling port with Caller ID - Res (1MF2X) | | | UEPSR | UEPAN | 1.89 | 9.93 | 9.19 | 3.66 | 2.92 | | | 20.35 | 10.54 | 13.32 | 1.40 |
| | Exchange Ports - 2-Wire VG unbundled Tennessee Area Calling port with Caller ID - Res (2MR) | | | UEPSR | UEPAO | 1.89 | 9.93 | 9.19 | 3.66 | 2.92 | | | 20.35 | 10.54 | 13.32 | 1.40 |
| | Exchange Ports - 2-Wire VG unbundled res, low usage line port with Caller ID (LUM) | | | UEPSR | UEPAP | 1.89 | 9.93 | 9.19 | 3.66 | 2.92 | | | 20.35 | 10.54 | 13.32 | 1.40 |
| | Subsequent Activity | | | UEPSR | USASC | 0.00 | 0.00 | 0.00 | | | | | 20.35 | 10.54 | 13.32 | 1.40 |
| FEATURES | | | | | | | | | | | | | | | | |
| | All Available Vertical Features | | | UEPSR | UEPVF | 0.00 | 0.00 | 0.00 | | | | | 20.35 | 10.54 | 13.32 | 1.40 |
| 2-WIRE VOICE GRADE LINE PORT RATES (BUS) | | | | | | | | | | | | | | | | |
| | Exchange Ports - 2-Wire Analog Line Port without Caller ID - Bus | | | UEPSB | UEPBL | 1.89 | 9.93 | 9.19 | 3.66 | 2.92 | | | 20.35 | 10.54 | 13.32 | 1.40 |
| | Exchange Ports - 2-Wire VG unbundled Line Port with unbundled port with Caller+E484 ID - Bus. | | | UEPSB | UEPBC | 1.89 | 9.93 | 9.19 | 3.66 | 2.92 | | | 20.35 | 10.54 | 13.32 | 1.40 |
| | Exchange Ports - 2-Wire Analog Line Port outgoing only - Bus. | | | UEPSB | UEPBO | 1.89 | 9.93 | 9.19 | 3.66 | 2.92 | | | 20.35 | 10.54 | 13.32 | 1.40 |
| | Exchange Ports - 2-Wire VG unbundled TN extended local dialing parity Port with Caller ID - Bus. | | | UEPSB | UEPAV | 1.89 | 9.93 | 9.19 | 3.66 | 2.92 | | | 20.35 | 10.54 | 13.32 | 1.40 |
| | Exchange Ports - 2-Wire VG unbundled incoming only port with Caller ID - Bus | | | UEPSB | UEPB1 | 1.89 | 9.93 | 9.19 | 3.66 | 2.92 | | | 20.35 | 10.54 | 13.32 | 1.40 |
| | Exchange Ports - 2-Wire VG unbundled TN Bus 2-Way Area Calling Port Economy Option - Bus (TACC1) | | | UEPSB | UEPAC | 1.89 | 9.93 | 9.19 | 3.66 | 2.92 | | | 20.35 | 10.54 | 13.32 | 1.40 |
| | Exchange Ports - 2-Wire VG unbundled TN Bus 2-Way Area Calling Port Standard Option - Bus (TACC2) | | | UEPSB | UEPAD | 1.89 | 9.93 | 9.19 | 3.66 | 2.92 | | | 20.35 | 10.54 | 13.32 | 1.40 |
| | Exchange Ports - 2-Wire VG unbundled TN Bus 2-Way Collierville & Memphis Local Calling Port - Bus (B2F) | | | UEPSB | UEPAE | 1.89 | 9.93 | 9.19 | 3.66 | 2.92 | | | 20.35 | 10.54 | 13.32 | 1.40 |
| | Subsequent Activity | | | UEPSB | USASC | 0.00 | 0.00 | 0.00 | | | | | 20.35 | 10.54 | 13.32 | 1.40 |
| FEATURES | | | | | | | | | | | | | | | | |
| | All Available Vertical Features | | | UEPSB | UEPVF | 0.00 | 0.00 | 0.00 | | | | | 20.35 | 10.54 | 13.32 | 1.40 |
| EXCHANGE PORT RATES (DID & PBX) | | | | | | | | | | | | | | | | |
| | 2-Wire VG Unbundled 2-Way PBX Trunk - Res | | | UEPSE | UEPRD | 1.79 | 9.93 | 9.19 | 3.66 | 2.92 | | | 20.35 | 10.54 | 13.32 | 1.40 |
| | 2-Wire VG Line Side Unbundled 2-Way PBX Trunk - Bus | | | UEPSP | UEPPC | 1.79 | 9.93 | 9.19 | 3.66 | 2.92 | | | 20.35 | 10.54 | 13.32 | 1.40 |
| | 2-Wire VG Line Side Unbundled Outward PBX Trunk - Bus | | | UEPSP | UEPPO | 1.79 | 9.93 | 9.19 | 3.66 | 2.92 | | | 20.35 | 10.54 | 13.32 | 1.40 |
| | 2-Wire VG Line Side Unbundled Incoming PBX Trunk - Bus | | | UEPSP | UEPP1 | 1.79 | 9.93 | 9.19 | 3.66 | 2.92 | | | 20.35 | 10.54 | 13.32 | 1.40 |
| | 2-Wire Analog Long Distance Terminal PBX Trunk - Bus | | | UEPSP | UEPLD | 1.79 | 9.93 | 9.19 | 3.66 | 2.92 | | | 20.35 | 10.54 | 13.32 | 1.40 |
| | 2-Wire Analog TN 2-Way Calling Plan PBX Trunk - Bus | | | UEPSP | UEPT2 | 1.79 | 9.93 | 9.19 | 3.66 | 2.92 | | | 20.35 | 10.54 | 13.32 | 1.40 |
| | 2-Wire TN Outward Calling Plan PBX Trunk - Bus | | | UEPSP | UEPTO | 1.79 | 9.93 | 9.19 | 3.66 | 2.92 | | | 20.35 | 10.54 | 13.32 | 1.40 |
| | 2-Wire Voice Unbundled PBX LD Terminal Ports | | | UEPSP | UEPLD | 1.79 | 9.93 | 9.19 | 3.66 | 2.92 | | | 20.35 | 10.54 | 13.32 | 1.40 |
| | 2-Wire Voice Unbundled 2-Way PBX Tennessee Calling Port | | | UEPSP | UEPT2 | 1.79 | 9.93 | 9.19 | 3.66 | 2.92 | | | 20.35 | 10.54 | 13.32 | 1.40 |
| | 2-Wire Voice Unbundled 1-Way Outgoing PBX Tennessee Calling Port | | | UEPSP | UEPTO | 1.79 | 9.93 | 9.19 | 3.66 | 2.92 | | | 20.35 | 10.54 | 13.32 | 1.40 |
| | 2-Wire Vice Unbundled 2-Way PBX Usage Port | | | UEPSP | UEPXA | 1.79 | 9.93 | 9.19 | 3.66 | 2.92 | | | 20.35 | 10.54 | 13.32 | 1.40 |
| B.1.7 | 2-Wire Voice Unbundled PBX Toll Terminal Hotel Ports | | | UEPSP | UEPXB | 1.79 | 9.93 | 9.19 | 3.66 | 2.92 | | | 20.35 | 10.54 | 13.32 | 1.40 |
| B.1.7 | 2-Wire Voice Unbundled PBX LD DDD Terminals Port | | | UEPSP | UEPXC | 1.79 | 9.93 | 9.19 | 3.66 | 2.92 | | | 20.35 | 10.54 | 13.32 | 1.40 |
| B.1.7 | 2-Wire Voice Unbundled PBX LD Terminal Switchboard Port | | | UEPSP | UEPXD | 1.79 | 9.93 | 9.19 | 3.66 | 2.92 | | | 20.35 | 10.54 | 13.32 | 1.40 |
| B.1.7 | 2-Wire Voice Unbundled PBX LD Terminal Switchboard IDD Capable Port | | | UEPSP | UEPXE | 1.79 | 9.93 | 9.19 | 3.66 | 2.92 | | | 20.35 | 10.54 | 13.32 | 1.40 |
| B.1.7 | 2-Wire Voice Unbundled 2-Way PBX Hotel/Hospital Economy Administrative Calling Port | | | UEPSP | UEPXL | 1.79 | 9.93 | 9.19 | 3.66 | 2.92 | | | 20.35 | 10.54 | 13.32 | 1.40 |
| B.1.7 | 2-Wire Voice Unbundled 2-Way PBX Hotel/Hospital Economy Room Calling Port | | | UEPSP | UEPXM | 1.79 | 9.93 | 9.19 | 3.66 | 2.92 | | | 20.35 | 10.54 | 13.32 | 1.40 |
| B.1.7 | 2-Wire Voice Unbundled 1-Way Out PBX Hotel/Hospital Economy Administrative Calling Port TN Calling Port | | | UEPSP | UEPXN | 1.79 | 9.93 | 9.19 | 3.66 | 2.92 | | | 20.35 | 10.54 | 13.32 | 1.40 |
| B.1.7 | 2-Wire Voice Unbundled 1-Way Outgoing PBX Hotel/Hospital Discount Room Calling Port | | | UEPSP | UEPXO | 1.79 | 9.93 | 9.19 | 3.66 | 2.92 | | | 20.35 | 10.54 | 13.32 | 1.40 |
| B.1.7 | 2-Wire Voice Unbundled 1-Way Outgoing PBX Measured Port | | | UEPSP | UEPXS | 1.79 | 9.93 | 9.19 | 3.66 | 2.92 | | | 20.35 | 10.54 | 13.32 | 1.40 |
| B.1.7 | 2-Wire Voice Unbundled PBX Collierville and Memphis Calling Port | | | UEPSP | UEPXU | 1.79 | 9.93 | 9.19 | 3.66 | 2.92 | | | 20.35 | 10.54 | 13.32 | 1.40 |

| UNBUNDLED NETWORK ELEMENTS - Tennessee | | | | | | | | | | | Attachment: 2 | | Exhibit: B | | | | | |
|--|--|---------|------|-------|-------|-----------|--------------------|--------|--------------------|----------------------------------|--------------------------------------|--|--|---|---|------------------|---------------|-------|
| CATEGORY | RATE ELEMENTS | Interim | Zone | BCS | USOC | RATES(\$) | | | | Svc Order Submitted Elec per LSR | Svc Order Submitted Manually per LSR | Incremental Charge - Manual Svc Order vs. Electronic-1st | Incremental Charge - Manual Svc Order vs. Electronic-Add'l | Incremental Charge - Manual Svc Order vs. Electronic-Disc 1st | Incremental Charge - Manual Svc Order vs. Electronic-Disc Add'l | | | |
| | | | | | | Rec | Nonrecurring First | Add'l | Nonrecurring First | | | | | | | Disconnect Add'l | OSS Rates(\$) | |
| | | | | | | | | | | | | | SOMEK | SOMAN | SOMAN | SOMAN | SOMAN | |
| B.1.7 | 2-Wire Voice Unbundled 2-Way PBX Tennessee RegionServ Calling Port | | | UEPSP | UEPXV | 1.79 | 9.93 | 9.19 | 3.66 | 2.92 | | | | | 20.35 | 10.54 | 13.32 | 1.40 |
| | Subsequent Activity | | | UEPSP | USASC | 0.00 | 0.00 | 0.00 | | | | | | | 20.35 | 10.54 | 13.32 | 1.40 |
| | FEATURES | | | | | | | | | | | | | | | | | |
| | All Available Vertical Features | | | UEPSP | UEPSE | UEPVF | 0.00 | 0.00 | 0.00 | | | | | | 20.35 | 10.54 | 13.32 | 1.40 |
| | EXCHANGE PORT RATES (COIN) | | | | | | | | | | | | | | | | | |
| | Exchange Ports - Coin Port | | | | | 2.11 | 9.93 | 9.19 | 3.66 | 2.92 | | | | | 20.35 | 10.54 | 13.32 | 1.40 |
| | NOTE: Transmission/usage charges associated with POTS circuit switched usage will also apply to circuit switched voice and/or circuit switched data transmission by B-Channels associated with 2-wire ISDN ports. | | | | | | | | | | | | | | | | | |
| | NOTE: Access to B Channel or D Channel Packet capabilities will be available only through BFR/New Business Request Process. Rates for the packet capabilities will be determined via the Bona Fide Request/New Business Request Process. | | | | | | | | | | | | | | | | | |
| | UNBUNDLED LOCAL EXCHANGE SWITCHING(PORTS) | | | | | | | | | | | | | | | | | |
| | EXCHANGE PORT RATES (DID & PBX) | | | | | | | | | | | | | | | | | |
| | Exchange Ports - 2-Wire DID Port | | | UEPEX | UEPP2 | 8.97 | 47.75 | 47.01 | 9.21 | 8.47 | | | | | 20.35 | 10.54 | 13.32 | 1.40 |
| | Exchange Ports - DDITS Port - 4-Wire DS1 Port with DID capability | | | UEPDD | UEPDD | 35.74 | 75.93 | 38.15 | 8.77 | 8.04 | | | | | 19.99 | 19.99 | 19.99 | 19.99 |
| | Exchange Ports - 2-Wire ISDN Port (See Notes below.) | | | UEPTX | UEPSX | 16.26 | 30.23 | 29.49 | 4.10 | 4.10 | | | | | 41.43 | 42.17 | 9.80 | 9.80 |
| | NOTE: Transmission/usage charges associated with POTS circuit switched usage will also apply to circuit switched voice and/or circuit switched data transmission by B-Channels associated with 2-wire ISDN ports. | | | | | | | | | | | | | | | | | |
| | NOTE: Access to B Channel or D Channel Packet capabilities will be available only through BFR/New Business Request Process. Rates for the packet capabilities will be determined via the Bona Fide Request/New Business Request Process. | | | | | | | | | | | | | | | | | |
| | Exchange Ports - 2-Wire ISDN Port -- Channel Profiles | | | UEPTX | UEPSX | U1UMA | 0.00 | 0.00 | 0.00 | | | | | | | | | |
| | Exchange Ports - 4-Wire ISDN DS1 Port | | | UEPEX | UEPEX | 75.04 | 148.66 | 147.18 | 38.46 | 36.98 | | | | | 40.69 | 42.17 | 9.07 | 10.54 |
| | UNBUNDLED LOCAL SWITCHING, PORT USAGE | | | | | | | | | | | | | | | | | |
| | End Office Switching (Port Usage) | | | | | | | | | | | | | | | | | |
| | End Office Switching Function, Per MOU | | | | | 0.0008041 | | | | | | | | | | | | |
| | Tandem Switching (Port Usage) (Local or Access Tandem) | | | | | | | | | | | | | | | | | |
| | Tandem Switching Function Per MOU | | | | | 0.0009778 | | | | | | | | | | | | |
| | Common Transport | | | | | | | | | | | | | | | | | |
| | Common Transport - Per Mile, Per MOU | | | | | 0.0000064 | | | | | | | | | | | | |
| | Common Transport - Facilities Termination Per MOU | | | | | 0.0003871 | | | | | | | | | | | | |
| | UNBUNDLED PORT/LOOP COMBINATIONS - COST BASED RATES | | | | | | | | | | | | | | | | | |
| | Cost Based Rates are applied where BellSouth is required by FCC and/or State Commission rule to provide Unbundled Local Switching or Switch Ports. | | | | | | | | | | | | | | | | | |
| | Features shall apply to the Unbundled Port/Loop Combination - Cost Based Rate section in the same manner as they are applied to the Stand-Alone Unbundled Port section of this Rate Exhibit. | | | | | | | | | | | | | | | | | |
| | End Office and Tandem Switching Usage and Common Transport Usage rates in the Port section of this rate exhibit shall apply to all combinations of loop/port network elements except for UNE Coin Port/Loop Combinations. | | | | | | | | | | | | | | | | | |
| | For Georgia, Kentucky, Louisiana, Mississippi, South Carolina and Tennessee, the recurring UNE Port and Loop charges listed apply to Currently Combined and Not Currently Combined Combos. The first and additional Port nonrecurring charges apply to Not Currently Combined Combos for all states. In GA, KY, LA, MS, SC and TN these nonrecurring charges are commission ordered cost based rates and in AL, FL and NC these nonrecurring charges are Market Rates and are also listed in the Market Rate section. | | | | | | | | | | | | | | | | | |
| | For Currently Combined Combos in all other states, the nonrecurring charges shall be those identified in the Nonrecurring - Currently Combined sections. | | | | | | | | | | | | | | | | | |
| | 2-WIRE VOICE GRADE LOOP WITH 2-WIRE LINE PORT (RES) | | | | | | | | | | | | | | | | | |
| | UNE Port/Loop Combination Rates | | | | | | | | | | | | | | | | | |
| | 2-Wire VG Loop/Port Combo - Zone 1 | | 1 | | | 14.18 | | | | | | | | | | | | |
| | 2-Wire VG Loop/Port Combo - Zone 2 | | 2 | | | 18.01 | | | | | | | | | | | | |
| | 2-Wire VG Loop/Port Combo - Zone 3 | | 3 | | | 23.02 | | | | | | | | | | | | |
| | UNE Loop Rates | | | | | | | | | | | | | | | | | |
| | 2-Wire Voice Grade Loop (SL1) - Zone 1 | | 1 | UEPRX | UEPLX | 12.48 | | | | | | | | | | | | |
| | 2-Wire Voice Grade Loop (SL1) - Zone 2 | | 2 | UEPRX | UEPLX | 16.31 | | | | | | | | | | | | |
| | 2-Wire Voice Grade Loop (SL1) - Zone 3 | | 3 | UEPRX | UEPLX | 21.32 | | | | | | | | | | | | |
| | 2-Wire Voice Grade Line Port Rates (Res) | | | | | | | | | | | | | | | | | |
| | 2-Wire voice unbundled port - residence | | | UEPRX | UEPRL | 1.70 | 22.14 | 15.25 | 8.45 | 3.91 | | | | 30.89 | 7.03 | | | |
| | 2-Wire voice unbundled port with Caller ID - res | | | UEPRX | UEPRC | 1.70 | 22.14 | 15.25 | 8.45 | 3.91 | | | | 30.89 | 7.03 | | | |
| | 2-Wire voice unbundled port outgoing only - res | | | UEPRX | UEPRO | 1.70 | 22.14 | 15.25 | 8.45 | 3.91 | | | | 30.89 | 7.03 | | | |
| | 2-Wire voice Grade unbundled Tennessee extended local dialing parity port with Caller ID - res | | | UEPRX | UEPAQ | 1.70 | 22.14 | 15.25 | 8.45 | 3.91 | | | | 30.89 | 7.03 | | | |
| | 2-Wire voice unbundled Tennessee Area Plus with Caller ID - res (AC7) | | | UEPRX | UEPAH | 1.70 | 22.14 | 15.25 | 8.45 | 3.91 | | | | 30.89 | 7.03 | | | |
| | 2-Wire voice unbundled Tennessee Area Calling port with Caller ID - res (F2R) | | | UEPRX | UEPAK | 1.70 | 22.14 | 15.25 | 8.45 | 3.91 | | | | 30.89 | 7.03 | | | |
| | 2-Wire voice unbundled Tennessee Area Calling port with Caller ID - res (TACER) | | | UEPRX | UEPAL | 1.70 | 22.14 | 15.25 | 8.45 | 3.91 | | | | 30.89 | 7.03 | | | |
| | 2-Wire voice unbundled Tennessee Area Calling port with Caller ID - res (TACSR) | | | UEPRX | UEPAM | 1.70 | 22.14 | 15.25 | 8.45 | 3.91 | | | | 30.89 | 7.03 | | | |
| | 2-Wire voice unbundled Tennessee Area Calling port with Caller ID - res (1MF2X) | | | UEPRX | UEPAN | 1.70 | 22.14 | 15.25 | 8.45 | 3.91 | | | | 30.89 | 7.03 | | | |

| UNBUNDLED NETWORK ELEMENTS - Tennessee | | | | | | | | | | Attachment: 2 | | Exhibit: B | | | | |
|--|--|---------|------|-------|-------|-----------|--------------------|-------|--------------------|----------------------------------|--------------------------------------|--|--|---|---|------------------|
| CATEGORY | RATE ELEMENTS | Interim | Zone | BCS | USOC | RATES(\$) | | | | Svc Order Submitted Elec per LSR | Svc Order Submitted Manually per LSR | Incremental Charge - Manual Svc Order vs. Electronic-1st | Incremental Charge - Manual Svc Order vs. Electronic-Add'l | Incremental Charge - Manual Svc Order vs. Electronic-Disc 1st | Incremental Charge - Manual Svc Order vs. Electronic-Disc Add'l | |
| | | | | | | Rec | Nonrecurring First | Add'l | Nonrecurring First | | | | | | | Disconnect Add'l |
| | | | | | | | | | | | SOMEc | SOMAN | SOMAN | SOMAN | SOMAN | SOMAN |
| | 2-Wire voice unbundled Tennessee Area Calling port with Caller ID - res (2MR) | | | UEPRX | UEPAO | 1.70 | 22.14 | 15.25 | 8.45 | 3.91 | | | 30.89 | 7.03 | | |
| | 2-Wire voice unbundles res, low usage line port with Caller ID (LUM) | | | UEPRX | UEPAP | 1.70 | 22.14 | 15.25 | 8.45 | 3.91 | | | 30.89 | 7.03 | | |
| FEATURES | | | | | | | | | | | | | | | | |
| | All Features Offered | | | UEPRX | UEPVF | 0.00 | 0.00 | 0.00 | | | | | 30.89 | 7.03 | | |
| LOCAL NUMBER PORTABILITY | | | | | | | | | | | | | | | | |
| | Local Number Portability (1 per port) | | | UEPRX | LNPCX | 0.35 | | | | | | | | | | |
| NONRECURRING CHARGES (NRCs) - CURRENTLY COMBINED | | | | | | | | | | | | | | | | |
| | 2-Wire Voice Grade Loop / Line Port Combination - Conversion - Switch-as-is | | | UEPRX | USAC2 | | 1.03 | 0.29 | | | | | 30.89 | 7.03 | | |
| | 2-Wire Voice Grade Loop / Line Port Combination - Conversion - Switch with change | | | UEPRX | USACC | | 1.03 | 0.29 | | | | | 30.89 | 7.03 | | |
| | 2-Wire Voice Grade Loop / Line Port Combination - Conversion - Subsequent Database Update | | | | | | 0.76 | | | | | | 7.97 | | | |
| ADDITIONAL NRCs | | | | | | | | | | | | | | | | |
| | 2-Wire Voice Grade Loop/Line Port Combination - Subsequent Activity | | | UEPRX | USAS2 | 0.00 | 0.00 | 0.00 | | | | | 30.89 | 7.03 | | |
| 2-WIRE VOICE GRADE LOOP WITH 2-WIRE LINE PORT (BUS) | | | | | | | | | | | | | | | | |
| UNE Port/Loop Combination Rates | | | | | | | | | | | | | | | | |
| | 2-Wire VG Loop/Port Combo - Zone 1 | | 1 | | | | 14.18 | | | | | | | | | |
| | 2-Wire VG Loop/Port Combo - Zone 2 | | 2 | | | | 18.01 | | | | | | | | | |
| | 2-Wire VG Loop/Port Combo - Zone 3 | | 3 | | | | 23.02 | | | | | | | | | |
| UNE Loop Rates | | | | | | | | | | | | | | | | |
| | 2-Wire Voice Grade Loop (SL1) - Zone 1 | | 1 | UEPBX | UEPLX | | 12.48 | | | | | | | | | |
| | 2-Wire Voice Grade Loop (SL1) - Zone 2 | | 2 | UEPBX | UEPLX | | 16.31 | | | | | | | | | |
| | 2-Wire Voice Grade Loop (SL1) - Zone 3 | | 3 | UEPBX | UEPLX | | 21.32 | | | | | | | | | |
| 2-Wire Voice Grade Line Port (Bus) | | | | | | | | | | | | | | | | |
| | 2-Wire voice unbundled port without Caller ID - bus | | | UEPBX | UEPBL | 1.70 | 22.14 | 15.25 | 8.45 | 3.91 | | | 30.89 | 7.03 | | |
| | 2-Wire voice unbundled port with Caller + E484 ID - bus | | | UEPBX | UEPBC | 1.70 | 22.14 | 15.25 | 8.45 | 3.91 | | | 30.89 | 7.03 | | |
| | 2-Wire voice unbundled port outgoing only - bus | | | UEPBX | UEPBO | 1.70 | 22.14 | 15.25 | 8.45 | 3.91 | | | 30.89 | 7.03 | | |
| | 2-Wire voice Grade unbundled Tennessee extended local dialing parity port with Caller ID - bus | | | UEPBX | UEPAV | 1.70 | 22.14 | 15.25 | 8.45 | 3.91 | | | 30.89 | 7.03 | | |
| | 2-Wire voice unbundled incoming only port with Caller ID - Bus | | | UEPBX | UEPB1 | 1.70 | 22.14 | 15.25 | 8.45 | 3.91 | | | 30.89 | 7.03 | | |
| | 2-Wire voice unbundled Tennessee Bus 2-Way Area Calling Port Economy Option (TACC1) | | | UEPBX | UEPAC | 1.70 | 22.14 | 15.25 | 8.45 | 3.91 | | | 30.89 | 7.03 | | |
| | 2-Wire voice unbundled Tennessee Bus 2-Way Area Calling Port Standard Option (TACC2) | | | UEPBX | UEPAD | 1.70 | 22.14 | 15.25 | 8.45 | 3.91 | | | 30.89 | 7.03 | | |
| | 2-Wire voice unbundled Tennessee Bus 2-Way Collierville and Memphis Local Calling Port (B2F) | | | UEPBX | UEPAE | 1.70 | 22.14 | 15.25 | 8.45 | 3.91 | | | 30.89 | 7.03 | | |
| LOCAL NUMBER PORTABILITY | | | | | | | | | | | | | | | | |
| | Local Number Portability (1 per port) | | | UEPBX | LNPCX | 0.35 | | | | | | | | | | |
| FEATURES | | | | | | | | | | | | | | | | |
| | All Features Offered | | | UEPBX | UEPVF | 0.00 | 0.00 | 0.00 | | | | | 30.89 | 7.03 | | |
| NONRECURRING CHARGES (NRCs) - CURRENTLY COMBINED | | | | | | | | | | | | | | | | |
| | 2-Wire Voice Grade Loop / Line Port Combination - Conversion - Switch-as-is | | | UEPBX | USAC2 | | 1.03 | 0.29 | | | | | 30.89 | 7.03 | | |
| | 2-Wire Voice Grade Loop / Line Port Combination - Conversion - Switch with change | | | UEPBX | USACC | | 1.03 | 0.29 | | | | | 30.89 | 7.03 | | |
| | 2-Wire Voice Grade Loop / Line Port Combination - Conversion - Subsequent Database Update | | | | | | 0.76 | | | | | | 7.97 | | | |
| ADDITIONAL NRCs | | | | | | | | | | | | | | | | |
| | 2-Wire Voice Grade Loop/Line Port Combination - Subsequent Activity | | | UEPBX | USAS2 | 0.00 | 0.00 | 0.00 | | | | | 30.89 | 7.03 | | |
| 2-WIRE VOICE GRADE LOOP WITH 2-WIRE LINE PORT (RES - PBX) | | | | | | | | | | | | | | | | |
| UNE Port/Loop Combination Rates | | | | | | | | | | | | | | | | |
| | 2-Wire VG Loop/Port Combo - Zone 1 | | 1 | | | | 14.18 | | | | | | | | | |
| | 2-Wire VG Loop/Port Combo - Zone 2 | | 2 | | | | 18.01 | | | | | | | | | |
| | 2-Wire VG Loop/Port Combo - Zone 3 | | 3 | | | | 23.02 | | | | | | | | | |

| UNBUNDLED NETWORK ELEMENTS - Tennessee | | | | | | | | | | Attachment: 2 | | Exhibit: B | | | | | | |
|--|--|---------|------|-------|-------|-----------|--------------------|-------|--------------------|----------------------------------|--------------------------------------|--|--|---|---|------------------|---------------|-------|
| CATEGORY | RATE ELEMENTS | Interim | Zone | BCS | USOC | RATES(\$) | | | | Svc Order Submitted Elec per LSR | Svc Order Submitted Manually per LSR | Incremental Charge - Manual Svc Order vs. Electronic-1st | Incremental Charge - Manual Svc Order vs. Electronic-Add'l | Incremental Charge - Manual Svc Order vs. Electronic-Disc 1st | Incremental Charge - Manual Svc Order vs. Electronic-Disc Add'l | | | |
| | | | | | | Rec | Nonrecurring First | Add'l | Nonrecurring First | | | | | | | Disconnect Add'l | OSS Rates(\$) | |
| | | | | | | | | | | | | | SOME C | SOMAN | SOMAN | SOMAN | SOMAN | SOMAN |
| | 2-Wire Voice Grade Loop (SL 1) - Zone 1 | | 1 | UEPRG | UEPLX | 12.48 | | | | | | | | | | | | |
| | 2-Wire Voice Grade Loop (SL 1) - Zone 2 | | 2 | UEPRG | UEPLX | 16.31 | | | | | | | | | | | | |
| | 2-Wire Voice Grade Loop (SL 1) - Zone 3 | | 3 | UEPRG | UEPLX | 21.32 | | | | | | | | | | | | |
| | 2-Wire Voice Grade Line Port Rates (RES - PBX) | | | | | | | | | | | | | | | | | |
| | 2-Wire VG Unbundled Combination 2-Way PBX Trunk Port - Res | | | UEPRG | UEPRD | 1.70 | 22.14 | 15.25 | 8.45 | 3.91 | | | 30.89 | 7.03 | | | | |
| | LOCAL NUMBER PORTABILITY | | | | | | | | | | | | | | | | | |
| | Local Number Portability (1 per port) | | | UEPRG | LNPCP | 3.15 | 0.00 | 0.00 | | | | 30.89 | 7.03 | | | | | |
| | FEATURES | | | | | | | | | | | | | | | | | |
| | All Features Offered | | | UEPRG | UEPVF | 0.00 | 0.00 | 0.00 | | | | 30.89 | 7.03 | | | | | |
| | NONRECURRING CHARGES (NRCs) - CURRENTLY COMBINED | | | | | | | | | | | | | | | | | |
| | 2-Wire Voice Grade Loop/ Line Port Combination (PBX) - Conversion - Switch-As-Is | | | UEPRG | USAC2 | | 1.03 | 0.29 | | | | 30.89 | 7.03 | | | | | |
| | 2-Wire Voice Grade Loop/ Line Port Combination (PBX) - Conversion - Switch with Change | | | UEPRG | USACC | | 1.03 | 0.29 | | | | 30.89 | 7.03 | | | | | |
| | 2-Wire Voice Grade Loop / Line Port Combination - Conversion - Subsequent Database Update | | | | | | 0.76 | | | | | 7.97 | | | | | | |
| | ADDITIONAL NRCs | | | | | | | | | | | | | | | | | |
| | 2-Wire Voice Grade Loop/ Line Port Combination (PBX) - Subsequent Activity | | | UEPRG | USAS2 | 0.00 | 0.00 | 0.00 | | | | 30.89 | 7.03 | | | | | |
| | PBX Subsequent Activity - Change/Rearrange Multiline Hunt Group | | | | | | 14.64 | 14.64 | | | | 30.89 | 7.03 | | | | | |
| | 2-WIRE VOICE GRADE LOOP WITH 2-WIRE LINE PORT (BUS - PBX) | | | | | | | | | | | | | | | | | |
| | UNE Port/Loop Combination Rates | | | | | | | | | | | | | | | | | |
| | 2-Wire VG Loop/Port Combo - Zone 1 | | 1 | | | 14.18 | | | | | | | | | | | | |
| | 2-Wire VG Loop/Port Combo - Zone 2 | | 2 | | | 18.01 | | | | | | | | | | | | |
| | 2-Wire VG Loop/Port Combo - Zone 3 | | 3 | | | 23.02 | | | | | | | | | | | | |
| | UNE Loop Rates | | | | | | | | | | | | | | | | | |
| | 2-Wire Voice Grade Loop (SL 1) - Zone 1 | | 1 | UEPPX | UEPLX | 12.48 | | | | | | | | | | | | |
| | 2-Wire Voice Grade Loop (SL 1) - Zone 2 | | 2 | UEPPX | UEPLX | 16.31 | | | | | | | | | | | | |
| | 2-Wire Voice Grade Loop (SL 1) - Zone 3 | | 3 | UEPPX | UEPLX | 21.32 | | | | | | | | | | | | |
| | 2-Wire Voice Grade Line Port Rates (BUS - PBX) | | | | | | | | | | | | | | | | | |
| | Line Side Unbundled Combination 2-Way PBX Trunk Port - Bus | | | UEPPX | UEPPC | 1.70 | 22.14 | 15.25 | 8.45 | 3.91 | | 30.89 | 7.03 | | | | | |
| | Line Side Unbundled Outward PBX Trunk Port - Bus | | | UEPPX | UEPPO | 1.70 | 22.14 | 15.25 | 8.45 | 3.91 | | 30.89 | 7.03 | | | | | |
| | Line Side Unbundled Incoming PBX Trunk Port - Bus | | | UEPPX | UEPP1 | 1.70 | 22.14 | 15.25 | 8.45 | 3.91 | | 30.89 | 7.03 | | | | | |
| | 2-Wire Voice Unbundled PBX LD Terminal Ports | | | UEPPX | UEPLD | 1.70 | 22.14 | 15.25 | 8.45 | 3.91 | | 30.89 | 7.03 | | | | | |
| | 2-Wire Voice Unbundled 2-Way Combination PBX Tennessee Calling Port | | | UEPPX | UEPT2 | 1.70 | 22.14 | 15.25 | 8.45 | 3.91 | | 30.89 | 7.03 | | | | | |
| | 2-Wire Voice Unbundled 1-Way Outgoing PBX Tennessee Calling Port | | | UEPPX | UEPTO | 1.70 | 22.14 | 15.25 | 8.45 | 3.91 | | 30.89 | 7.03 | | | | | |
| | 2-Wire Voice Unbundled 2-Way Combination PBX Usage Port | | | UEPPX | UEPXA | 1.70 | 22.14 | 15.25 | 8.45 | 3.91 | | 30.89 | 7.03 | | | | | |
| | 2-Wire Voice Unbundled PBX Toll Terminal Hotel Ports | | | UEPPX | UEPXB | 1.70 | 22.14 | 15.25 | 8.45 | 3.91 | | 30.89 | 7.03 | | | | | |
| | 2-Wire Voice Unbundled PBX LD DDD Terminals Port | | | UEPPX | UEPXC | 1.70 | 22.14 | 15.25 | 8.45 | 3.91 | | 30.89 | 7.03 | | | | | |
| | 2-Wire Voice Unbundled PBX LD Terminal Switchboard Port | | | UEPPX | UEPXD | 1.70 | 22.14 | 15.25 | 8.45 | 3.91 | | 30.89 | 7.03 | | | | | |
| | 2-Wire Voice Unbundled PBX LD Terminal Switchboard IDD Capable Port | | | UEPPX | UEPXE | 1.70 | 22.14 | 15.25 | 8.45 | 3.91 | | 30.89 | 7.03 | | | | | |
| | 2-Wire Voice Unbundled 2-Way PBX Hotel/Hospital Economy Administrative Calling Port | | | UEPPX | UEPXL | 1.70 | 22.14 | 15.25 | 8.45 | 3.91 | | 30.89 | 7.03 | | | | | |
| | 2-Wire Voice Unbundled 2-Way PBX Hotel/Hospital Economy Room Calling Port | | | UEPPX | UEPXM | 1.70 | 22.14 | 15.25 | 8.45 | 3.91 | | 30.89 | 7.03 | | | | | |
| | 2-Wire Voice Unbundled 1W Out PBX Hotel/Hospital Economy Administrative Calling Port TN Calling Port | | | UEPPX | UEPXN | 1.70 | 22.14 | 15.25 | 8.45 | 3.91 | | 30.89 | 7.03 | | | | | |
| | 2-Wire Voice Unbundled 1-Way Outgoing PBX Hotel/Hospital Discount Room Calling Port | | | UEPPX | UEPXO | 1.70 | 22.14 | 15.25 | 8.45 | 3.91 | | 30.89 | 7.03 | | | | | |
| | 2-Wire Voice Unbundled 1-Way Outgoing PBX Measured Port | | | UEPPX | UEPXS | 1.70 | 22.14 | 15.25 | 8.45 | 3.91 | | 30.89 | 7.03 | | | | | |
| | 2-Wire Voice Unbundled PBX Collierville and Memphis Calling Port | | | UEPPX | UEPXU | 1.70 | 22.14 | 15.25 | 8.45 | 3.91 | | 30.89 | 7.03 | | | | | |

| UNBUNDLED NETWORK ELEMENTS - Tennessee | | | | | | | | | | Attachment: 2 | | Exhibit: B | | | | | | |
|--|---|---------|------|-------|-------|-----------|--------------------|-------|--------------------|----------------------------------|--------------------------------------|--|--|---|---|------------------|---------------|-------|
| CATEGORY | RATE ELEMENTS | Interim | Zone | BCS | USOC | RATES(\$) | | | | Svc Order Submitted Elec per LSR | Svc Order Submitted Manually per LSR | Incremental Charge - Manual Svc Order vs. Electronic-1st | Incremental Charge - Manual Svc Order vs. Electronic-Add'l | Incremental Charge - Manual Svc Order vs. Electronic-Disc 1st | Incremental Charge - Manual Svc Order vs. Electronic-Disc Add'l | | | |
| | | | | | | Rec | Nonrecurring First | Add'l | Nonrecurring First | | | | | | | Disconnect Add'l | OSS Rates(\$) | |
| | | | | | | | | | | | | | SOMEc | SOMAN | SOMAN | SOMAN | SOMAN | SOMAN |
| | 2-Wire Voice Unbundled 2-Way PBX Tennessee Region Serv Calling Port | | | UEPPX | UEPXV | 1.70 | 22.14 | 15.25 | 8.45 | 3.91 | | | | | 30.89 | 7.03 | | |
| LOCAL NUMBER PORTABILITY | | | | | | | | | | | | | | | | | | |
| | Local Number Portability (1 per port) | | | UEPPX | LNPCP | 3.15 | 0.00 | 0.00 | | | | | | | 30.89 | 7.03 | | |
| FEATURES | | | | | | | | | | | | | | | | | | |
| | All Features Offered | | | UEPPX | UEPVF | 0.00 | 0.00 | 0.00 | | | | | | | 30.89 | 7.03 | | |
| NONRECURRING CHARGES (NRCs) - CURRENTLY COMBINED | | | | | | | | | | | | | | | | | | |
| | 2-Wire Voice Grade Loop/ Line Port Combination (PBX) - Conversion - Switch-As-Is | | | UEPPX | USAC2 | | 1.03 | 0.29 | | | | | | | 30.89 | 7.03 | | |
| | 2-Wire Voice Grade Loop/ Line Port Combination (PBX) - Conversion - Switch with Change | | | UEPPX | USACC | | 1.03 | 0.29 | | | | | | | 30.89 | 7.03 | | |
| | 2-Wire Voice Grade Loop / Line Port Combination - Conversion - Subsequent Database Update | | | | | | 0.76 | | | | | | | | 7.97 | | | |
| ADDITIONAL NRCs | | | | | | | | | | | | | | | | | | |
| | 2-Wire Voice Grade Loop/ Line Port Combination (PBX) - Subsequent Activity | | | UEPPX | USAS2 | 0.00 | 0.00 | 0.00 | | | | | | | 30.89 | 7.03 | | |
| | PBX Subsequent Activity - Change/Rearrange Multiline Hunt Group | | | | | | 14.64 | 14.64 | | | | | | | 30.89 | 7.03 | | |
| UNE Port/Loop Combination Rates | | | | | | | | | | | | | | | | | | |
| | 2-Wire VG Coin Port/Loop Combo - Zone 1 | | 1 | | | | 14.18 | | | | | | | | | | | |
| | 2-Wire VG Coin Port/Loop Combo - Zone 2 | | 2 | | | | 18.01 | | | | | | | | | | | |
| | 2-Wire VG Coin Port/Loop Combo - Zone 3 | | 3 | | | | 23.02 | | | | | | | | | | | |
| UNE Loop Rates | | | | | | | | | | | | | | | | | | |
| | 2-Wire Voice Grade Loop (SL1) - Zone 1 | | 1 | UEPCO | UEPLX | | 12.48 | | | | | | | | | | | |
| | 2-Wire Voice Grade Loop (SL1) - Zone 2 | | 2 | UEPCO | UEPLX | | 16.31 | | | | | | | | | | | |
| | 2-Wire Voice Grade Loop (SL1) - Zone 3 | | 3 | UEPCO | UEPLX | | 21.32 | | | | | | | | | | | |
| 2-Wire Voice Grade Line Ports (COIN) | | | | | | | | | | | | | | | | | | |
| | 2-Wire Coin 2-Way without Operator Screening and without Blocking (TN) | | | UEPCO | UEPTB | 1.70 | 22.14 | 15.25 | 8.45 | 3.91 | | | | | 30.89 | 7.03 | | |
| | 2-Wire Coin 2-Way with Operator Screening and Blocking: 011, 900/976, 1+DDD (NC, TN) | | | UEPCO | UEPRP | 1.70 | 22.14 | 15.25 | 8.45 | 3.91 | | | | | 30.89 | 7.03 | | |
| | 2-Wire Coin 2-Way with Operator Screening and 011 Blocking (TN) | | | UEPCO | UEPTA | 1.70 | 22.14 | 15.25 | 8.45 | 3.91 | | | | | 30.89 | 7.03 | | |
| | 2-Wire Coin 2-Way with Operator Screening: 900 Blocking: 900/976, 1+DDD, 011+, and Local (NC, TN) | | | UEPCO | UEPCA | 1.70 | 22.14 | 15.25 | 8.45 | 3.91 | | | | | 30.89 | 7.03 | | |
| | 2-Wire Coin Outward with Operator Screening and 011 Blocking (TN) | | | UEPCO | UEPTC | 1.70 | 22.14 | 15.25 | 8.45 | 3.91 | | | | | 30.89 | 7.03 | | |
| | 2-Wire Coin Outward with Operator Screening and Blocking: 900/976, 1+DDD, 011+, and Local (TN) | | | UEPCO | UEPOT | 1.70 | 22.14 | 15.25 | 8.45 | 3.91 | | | | | 30.89 | 7.03 | | |
| | 2-Wire 2-Way Smartline with 900/976 (all states except LA) | | | UEPCO | UEPCK | 1.88 | | | | | | | | | 30.89 | 7.03 | | |
| | 2-Wire Coin Outward Smartline with 900/976 (all states except LA) | | | UEPCO | UEPCR | 1.88 | | | | | | | | | 30.89 | 7.03 | | |
| ADDITIONAL UNE COIN PORT/LOOP (RC) | | | | | | | | | | | | | | | | | | |
| | UNE Coin Port/Loop Combo Usage (Flat Rate) | | | UEPCO | URECU | 3.45 | 0.00 | 0.00 | | | | | | | 30.89 | 7.03 | | |
| | Local Number Portability (1 per port) | | | UEPCO | LNPCX | 0.35 | | | | | | | | | | | | |
| | 2-Wire Voice Grade Loop / Line Port Combination - Conversion - Switch-as-is | | | UEPCO | USAC2 | | 1.03 | 0.29 | | | | | | | 30.89 | 7.03 | | |
| | 2-Wire Voice Grade Loop / Line Port Combination - Conversion - Switch with change | | | UEPCO | USACC | | 1.03 | 0.29 | | | | | | | 30.89 | 7.03 | | |
| | 2-Wire Voice Grade Loop/Line Port Combination - Subsequent Activity | | | UEPCO | USAS2 | 0.00 | 0.00 | 0.00 | | | | | | | 30.89 | 7.03 | | |
| UNBUNDLED REMOTE CALL FORWARDING - RES | | | | | | | | | | | | | | | | | | |
| Non-Recurring | | | | | | | | | | | | | | | | | | |
| UNBUNDLED REMOTE CALL FORWARDING - Bus | | | | | | | | | | | | | | | | | | |
| | Unbundled Remote Call Forwarding, InterState/Intra LATA-Bus | | | UEPVB | UEPVJ | 1.89 | 9.93 | 9.19 | 3.66 | 2.92 | | | | | 20.35 | 10.54 | 13.32 | 1.40 |
| Non-Recurring | | | | | | | | | | | | | | | | | | |
| 2-WIRE VOICE LOOP/ 2WIRE VOICE GRADE IO TRANSPORT/ 2-WIRE LINE PORT (RES) | | | | | | | | | | | | | | | | | | |
| 2-WIRE VOICE LOOP/ 2WIRE VOICE GRADE IO TRANSPORT/ 2-WIRE LINE PORT (BUS) | | | | | | | | | | | | | | | | | | |
| | 2-Wire voice unbundled incoming only port with Caller ID - Bus | | | UEPFB | UEPB1 | 1.89 | 84.99 | 57.39 | 32.36 | 20.56 | | | | | 30.89 | 7.03 | | |

| UNBUNDLED NETWORK ELEMENTS - Tennessee | | | | | | | | | | Attachment: 2 | | Exhibit: B | | | | | | | | | |
|---|---|---------|------|-------|-------|-----------|----------------------------------|--------------------------------------|--|--|---|---|---------------|--------------------|-------|--------------------|------------------|-------|-------|-------|-------|
| CATEGORY | RATE ELEMENTS | Interim | Zone | BCS | USOC | RATES(\$) | Svc Order Submitted Elec per LSR | Svc Order Submitted Manually per LSR | Incremental Charge - Manual Svc Order vs. Electronic-1st | Incremental Charge - Manual Svc Order vs. Electronic-Add'l | Incremental Charge - Manual Svc Order vs. Electronic-Disc 1st | Incremental Charge - Manual Svc Order vs. Electronic-Disc Add'l | OSS Rates(\$) | | | | | | | | |
| | | | | | | | | | | | | | Rec | Nonrecurring First | Add'l | Nonrecurring First | Disconnect Add'l | SOMEC | SOMAN | SOMAN | SOMAN |
| | 2-Wire Voice Unbundled 1-Way Outgoing PBX Measured Port | | | UEPFP | UEPXS | 1.79 | 106.40 | 63.08 | 42.67 | 18.54 | | | | | | | | | | | |
| UNBUNDLED PORT/LOOP COMBINATIONS - COST BASED RATES | | | | | | | | | | | | | | | | | | | | | |
| 2-WIRE VOICE GRADE LOOP- BUS ONLY - WITH 2-WIRE DID TRUNK PORT | | | | | | | | | | | | | | | | | | | | | |
| UNE Port/Loop Combination Rates | | | | | | | | | | | | | | | | | | | | | |
| | 2-Wire VG Loop/2-Wire DID Trunk Port Combo - UNE Zone 1 | | 1 | | | 18.38 | | | | | | | | | | | | | | | |
| | 2-Wire VG Loop/2-Wire DID Trunk Port Combo - UNE Zone 2 | | 2 | | | 19.87 | | | | | | | | | | | | | | | |
| | 2-Wire VG Loop/2-Wire DID Trunk Port Combo - UNE Zone 3 | | 3 | | | 24.78 | | | | | | | | | | | | | | | |
| | 2-Wire Analog Voice Grade Loop - (SL2) - UNE Zone 1 | | 1 | UEPPX | UECD1 | 9.60 | | | | | | | | | | | | | | | |
| | 2-Wire Analog Voice Grade Loop - (SL2) - UNE Zone 2 | | 2 | UEPPX | UECD1 | 11.09 | | | | | | | | | | | | | | | |
| | 2-Wire Analog Voice Grade Loop - (SL2) - UNE Zone 3 | | 3 | UEPPX | UECD1 | 16.00 | | | | | | | | | | | | | | | |
| | Exchange Ports - 2-Wire DID Port | | | UEPPX | UEPD1 | 8.78 | 45.44 | 29.94 | 8.45 | 3.91 | | | 30.89 | 7.03 | | | | | | | |
| NONRECURRING CHARGES - CURRENTLY COMBINED | | | | | | | | | | | | | | | | | | | | | |
| | 2-Wire Voice Grade Loop / 2-Wire DID Trunk Port Combination - Switch-as-is | | | UEPPX | USAC1 | | 8.76 | 5.75 | | | | | 30.89 | 7.03 | | | | | | | |
| | 2-Wire Voice Grade Loop / 2-Wire DID Trunk Port Conversion with BellSouth Allowable Changes | | | UEPPX | USA1C | | 8.76 | 5.75 | | | | | 30.89 | 7.03 | | | | | | | |
| Telephone Number/Trunk Group Establishment Charges | | | | | | | | | | | | | | | | | | | | | |
| | DID Trunk Termination (One Per Port) | | | UEPPX | NDT | 0.00 | 0.00 | 0.00 | | | | | | | | | | | | | |
| | Additional DID Numbers for each Group of 20 DID Numbers | | | UEPPX | ND4 | 0.00 | 0.00 | 0.00 | | | | | | | | | | | | | |
| | DID Numbers, Non- consecutive DID Numbers , Per Number | | | UEPPX | ND5 | 0.00 | 0.00 | 0.00 | | | | | | | | | | | | | |
| | Reserve Non-Consecutive DID numbers | | | UEPPX | ND6 | 0.00 | 0.00 | 0.00 | | | | | | | | | | | | | |
| | Reserve DID Numbers | | | UEPPX | NDV | 0.00 | 0.00 | 0.00 | | | | | | | | | | | | | |
| LOCAL NUMBER PORTABILITY | | | | | | | | | | | | | | | | | | | | | |
| | Local Number Portability (1 per port) | | | UEPPX | LNPCP | 3.15 | 0.00 | 0.00 | | | | | | | | | | | | | |
| 2-WIRE ISDN DIGITAL GRADE LOOP WITH 2-WIRE ISDN DIGITAL LINE SIDE PORT | | | | | | | | | | | | | | | | | | | | | |
| UNE Port/Loop Combination Rates | | | | | | | | | | | | | | | | | | | | | |
| | 2W ISDN Digital Grade Loop/2W ISDN Digital Line Side Port - UNE Zone 1 | | 1 | UEPPB | UEPPR | 32.27 | | | | | | | | | | | | | | | |
| | 2W ISDN Digital Grade Loop/2W ISDN Digital Line Side Port - UNE Zone 2 | | 2 | UEPPB | UEPPR | 34.78 | | | | | | | | | | | | | | | |
| | 2W ISDN Digital Grade Loop/2W ISDN Digital Line Side Port - UNE Zone 3 | | 3 | UEPPB | UEPPR | 44.32 | | | | | | | | | | | | | | | |
| | 2-Wire ISDN Digital Grade Loop - UNE Zone 1 | | 1 | UEPPB | UEPPR | USL2X | 16.20 | | | | | | | | | | | | | | |
| | 2-Wire ISDN Digital Grade Loop - UNE Zone 2 | | 2 | UEPPB | UEPPR | USL2X | 18.71 | | | | | | | | | | | | | | |
| | 2-Wire ISDN Digital Grade Loop - UNE Zone 3 | | 3 | UEPPB | UEPPR | USL2X | 28.25 | | | | | | | | | | | | | | |
| | Exchange Port - 2-Wire ISDN Line Side Port | | | UEPPB | UEPPR | UEPPB | 16.07 | 141.75 | 118.37 | 49.20 | 43.26 | | 19.99 | 19.99 | | | | | | | |
| NONRECURRING CHARGES - CURRENTLY COMBINED | | | | | | | | | | | | | | | | | | | | | |
| | 2-Wire ISDN Digital Grade Loop / 2-Wire ISDN Line Side Port Combination - Conversion | | | UEPPB | UEPPR | USACB | 0.00 | 117.23 | 117.23 | | | | 19.99 | 19.99 | | | | | | | |
| ADDITIONAL NRCs | | | | | | | | | | | | | | | | | | | | | |
| | 2-Wire ISDN Loop / 2-Wire ISDN Port Combination - Sub Acty Non Feature/Add Trunk | | | UEPPB | UEPPR | USASB | | 212.88 | | | | | 19.99 | 19.99 | | | | | | | |
| LOCAL NUMBER PORTABILITY | | | | | | | | | | | | | | | | | | | | | |
| | Local Number Portability (1 per port) | | | UEPPB | UEPPR | LNPCX | 0.35 | 0.00 | 0.00 | | | | | | | | | | | | |
| B-CHANNEL USER PROFILE ACCESS: | | | | | | | | | | | | | | | | | | | | | |
| | CVS/CSD (DMS/5ESS) | | | UEPPB | UEPPR | U1UCA | 0.00 | 0.00 | 0.00 | | | | | | | | | | | | |
| | CVS (EWSD) | | | UEPPB | UEPPR | U1UCB | 0.00 | 0.00 | 0.00 | | | | | | | | | | | | |
| | CSD | | | UEPPB | UEPPR | U1UCC | 0.00 | 0.00 | 0.00 | | | | | | | | | | | | |
| B-CHANNEL AREA PLUS USER PROFILE ACCESS: (AL,KY,LA,MS SC,MS, & TN) | | | | | | | | | | | | | | | | | | | | | |
| | CVS/CSD (DMS/5ESS) | | | UEPPB | UEPPR | U1UCD | 0.00 | 0.00 | 0.00 | | | | | | | | | | | | |
| | CVS (EWSD) | | | UEPPB | UEPPR | U1UCE | 0.00 | 0.00 | 0.00 | | | | | | | | | | | | |
| | CSD | | | UEPPB | UEPPR | U1UCF | 0.00 | 0.00 | 0.00 | | | | | | | | | | | | |
| USER TERMINAL PROFILE | | | | | | | | | | | | | | | | | | | | | |
| | User Terminal Profile (EWSD only) | | | UEPPB | UEPPR | U1UMA | 0.00 | 0.00 | 0.00 | | | | | | | | | | | | |
| VERTICAL FEATURES | | | | | | | | | | | | | | | | | | | | | |
| | All Vertical Features - One per Channel B User Profile | | | UEPPB | UEPPR | UEPVF | 0.00 | 0.00 | 0.00 | | | | | | | | | | | | |
| | Interoffice Channel mileage each, including first mile and facilities termination | | | UEPPB | UEPPR | M1GNC | 17.91 | 53.99 | 17.37 | | | | 19.99 | 19.99 | | | | | | | |

| UNBUNDLED NETWORK ELEMENTS - Tennessee | | | | | | | | | | | Attachment: 2 | | Exhibit: B | | |
|--|---|---------|------|-------------|-------|-----------|--------------------|--------|--------------------|----------------------------------|--------------------------------------|--|--|---|---|
| CATEGORY | RATE ELEMENTS | Interim | Zone | BCS | USOC | RATES(\$) | | | | Svc Order Submitted Elec per LSR | Svc Order Submitted Manually per LSR | Incremental Charge - Manual Svc Order vs. Electronic-1st | Incremental Charge - Manual Svc Order vs. Electronic-Add'l | Incremental Charge - Manual Svc Order vs. Electronic-Disc 1st | Incremental Charge - Manual Svc Order vs. Electronic-Disc Add'l |
| | | | | | | Rec | Nonrecurring First | Add'l | Nonrecurring First | | | | | | |
| | Interoffice Channel mileage each, additional mile | | | UEPPB UEPPR | M1GNM | 0.173 | 0.00 | 0.00 | | | | | | | |
| 4-WIRE DS1 DIGITAL LOOP WITH 4-WIRE ISDN DS1 DIGITAL TRUNK PORT | | | | | | | | | | | | | | | |
| UNE Port/Loop Combination Rates | | | | | | | | | | | | | | | |
| | 4W DS1 Digital Loop/4W ISDN DS1 Digital Trunk Port - UNE Zone 1 | | 1 | UEPPP | | 132.58 | | | | | | | | | |
| | 4W DS1 Digital Loop/4W ISDN DS1 Digital Trunk Port - UNE Zone 2 | | 2 | UEPPP | | 150.25 | | | | | | | | | |
| | 4W DS1 Digital Loop/4W ISDN DS1 Digital Trunk Port - UNE Zone 3 | | 3 | UEPPP | | 173.44 | | | | | | | | | |
| | 4-Wire DS1 Digital Loop - UNE Zone 1 | | 1 | UEPPP | USL4P | 57.73 | | | | | | | | | |
| | 4-Wire DS1 Digital Loop - UNE Zone 2 | | 2 | UEPPP | USL4P | 75.40 | | | | | | | | | |
| | 4-Wire DS1 Digital Loop - UNE Zone 3 | | 3 | UEPPP | USL4P | 98.59 | | | | | | | | | |
| | Exchange Ports - 4-Wire ISDN DS1 Port | | | UEPPP | UEPPP | 74.85 | 415.53 | 366.90 | 89.28 | 77.43 | | 19.99 | 19.99 | | |
| NONRECURRING CHARGES - CURRENTLY COMBINED | | | | | | | | | | | | | | | |
| | 4-Wire DS1 Digital Loop / 4-Wire ISDN DS1 Digital Trunk Port Combination - Conversion -Switch-as-is | | | UEPPP | USACP | 0.00 | 328.53 | 328.53 | | | | 19.99 | 19.99 | | |
| ADDITIONAL NRCS | | | | | | | | | | | | | | | |
| | 4-Wire DS1 Loop/4-W ISDN Digtl Trk Port - Subsqct Actvy-Inward/two way tel nos within Std Allowance (except NC) | | | UEPPP | PR7TF | | 0.94 | | | | | 19.99 | 19.99 | | |
| | 4-Wire DS1 Loop / 4-Wire ISDN DS1 Digital Trunk Port - Outward Tel Numbers (All States except NC) | | | UEPPP | PR7TO | | 22.36 | 22.36 | | | | 19.99 | 19.99 | | |
| | 4-Wire DS1 Loop / 4-Wire ISDN DS1 Digital Trk Port - Subsequent Inward Tel Nos Above Std Allowance | | | UEPPP | PR7ZT | | 44.71 | 44.70 | | | | 19.99 | 19.99 | | |
| LOCAL NUMBER PORTABILITY | | | | | | | | | | | | | | | |
| | Local Number Portability (1 per port) | | | UEPPP | LNPCN | 1.75 | | | | | | | | | |
| INTERFACE (Provsioning Only) | | | | | | | | | | | | | | | |
| | Voice/Data | | | UEPPP | PR71V | 0.00 | 0.00 | 0.00 | | | | | | | |
| | Digital Data | | | UEPPP | PR71D | 0.00 | 0.00 | 0.00 | | | | | | | |
| | Inward Data | | | UEPPP | PR71E | 0.00 | 0.00 | 0.00 | | | | | | | |
| New or Additional "B" Channel | | | | | | | | | | | | | | | |
| | New or Additional - Voice/Data B Channel | | | UEPPP | PR7BV | 0.00 | 28.39 | | | | | 19.99 | 19.99 | | |
| | New or Additional - Digital Data B Channel | | | UEPPP | PR7BF | 0.00 | 29.11 | | | | | 19.99 | 19.99 | | |
| | New or Additional Inward Data B Channel | | | UEPPP | PR7BD | 0.00 | 29.39 | | | | | 19.99 | 19.99 | | |
| CALL TYPES | | | | | | | | | | | | | | | |
| | Inward | | | UEPPP | PR7C1 | 0.00 | 0.00 | 0.00 | | | | | | | |
| | Outward | | | UEPPP | PR7C0 | 0.00 | 0.00 | 0.00 | | | | | | | |
| | Two-way | | | UEPPP | PR7CC | 0.00 | 0.00 | 0.00 | | | | | | | |
| Interoffice Channel Mileage | | | | | | | | | | | | | | | |
| | Fixed Each Including First Mile | | | UEPPP | 1LN1A | 76.1825 | 145.98 | 109.85 | 19.55 | | | 19.99 | 19.99 | | |
| | Each Airline-Fractional Additional Mile | | | UEPPP | 1LN1B | 0.3525 | | | | | | | | | |
| 4-WIRE DS1 DIGITAL LOOP WITH 4-WIRE DDITS TRUNK PORT | | | | | | | | | | | | | | | |
| UNE Port/Loop Combination Rates | | | | | | | | | | | | | | | |
| | 4W DS1 Digital Loop/4W DDITS Trunk Port - UNE Zone 1 | | 1 | UEPDC | | 93.28 | | | | | | 19.99 | 19.99 | | |
| | 4W DS1 Digital Loop/4W DDITS Trunk Port - UNE Zone 2 | | 2 | UEPDC | | 110.95 | | | | | | 19.99 | 19.99 | | |
| | 4W DS1 Digital Loop/4W DDITS Trunk Port - UNE Zone 3 | | 3 | UEPDC | | 134.14 | | | | | | 19.99 | 19.99 | | |
| | 4-Wire DS1 Digital Loop - UNE Zone 1 | | 1 | UEPDC | USLDC | 57.53 | | | | | | | | | |
| | 4-Wire DS1 Digital Loop - UNE Zone 2 | | 2 | UEPDC | USLDC | 75.40 | | | | | | | | | |
| | 4-Wire DS1 Digital Loop - UNE Zone 3 | | 3 | UEPDC | USLDC | 98.59 | | | | | | | | | |
| | 4-Wire DDITS Digital Trunk Port | | | UEPDC | UDD1T | 35.55 | 342.80 | 257.87 | 61.41 | 48.49 | | 19.99 | 19.99 | | |
| NONRECURRING CHARGES - CURRENTLY COMBINED | | | | | | | | | | | | | | | |
| | 4-Wire DS1 Digital Loop / 4-Wire DDITS Trunk Port Combination - Switch-as-is | | | UEPDC | USAC4 | | 312.91 | 312.91 | | | | 19.99 | 19.99 | | |
| | 4-Wire DS1 Digital Loop / 4-Wire DDITS Trunk Port Combination - Conversion with DS1 Changes | | | UEPDC | USAWA | | 312.91 | 312.91 | | | | 19.99 | 19.99 | | |
| | 4-Wire DS1 Digital Loop / 4-Wire DDITS Trunk Port Combination - Conversion with Change - Trunk | | | UEPDC | USAWB | | 312.91 | 312.91 | | | | 19.99 | 19.99 | | |
| ADDITIONAL NRCS | | | | | | | | | | | | | | | |
| | 4-Wire DS1 Loop / 4-Wire DDITS Trunk Port - Subsequent Service Activity Per Service Order | | | UEPDC | USAS4 | | 94.88 | 94.88 | | | | | | | |

| UNBUNDLED NETWORK ELEMENTS - Tennessee | | | | | | | | | | | | | Attachment: 2 | | Exhibit: B | |
|--|--|---------|------|-------|-------|-----------|--------------------|----------------------------------|--------------------------------------|--|--|---|---|-------|--------------------|------------------|
| CATEGORY | RATE ELEMENTS | Interim | Zone | BCS | USOC | RATES(\$) | | Svc Order Submitted Elec per LSR | Svc Order Submitted Manually per LSR | Incremental Charge - Manual Svc Order vs. Electronic-1st | Incremental Charge - Manual Svc Order vs. Electronic-Add'l | Incremental Charge - Manual Svc Order vs. Electronic-Disc 1st | Incremental Charge - Manual Svc Order vs. Electronic-Disc Add'l | | | |
| | | | | | | Rec | Nonrecurring First | | | | | | | Add'l | Nonrecurring First | Disconnect Add'l |
| | | | | | | | | | | SOME C | SOMAN | SOMAN | SOMAN | SOMAN | SOMAN | |
| | 4-Wire DS1 Loop / 4-Wire DDITS Trunk Port - NRC - Subsequent Channel Activation/Chan - 2-Way Trunk | | | UEPDC | UDTTA | | 108.67 | 108.67 | | | | 19.99 | 19.99 | | | |
| | 4-Wire DS1 Loop / 4-Wire DDITS Trunk Port - Subsequent Channel Activation/Chan - 1-Way Outward Trunk | | | UEPDC | UDTTB | | 108.67 | 108.67 | | | | 19.99 | 19.99 | | | |
| | 4-Wire DS1 Loop / 4-Wire DDITS Trunk Port - Subsqt Channel Activation/Chan - Inward Trunk w/out DID | | | UEPDC | UDTTC | | 108.67 | 108.67 | | | | 19.99 | 19.99 | | | |
| | 4-Wire DS1 Loop / 4-Wire DDITS Trunk Port - Subsqt Chan Activation Per Chan - Inward Trunk with DID | | | UEPDC | UDTTD | | 108.67 | 108.67 | | | | 19.99 | 19.99 | | | |
| | 4-Wire DS1 Loop / 4-Wire DDITS Trunk Port - Subsqt Chan Activation / Chan - 2-Way DID w User Trans | | | UEPDC | UDTTE | | 108.67 | 108.67 | | | | 19.99 | 19.99 | | | |
| BIPOLAR 8 ZERO SUBSTITUTION | | | | | | | | | | | | | | | | |
| | B8ZS -Superframe Format | | | UEPDC | CCOSF | | 0.00 | 590.00 | | | | 19.99 | 19.99 | | | |
| | B8ZS - Extended Superframe Format | | | UEPDC | CCOEF | | 0.00 | 590.00 | | | | 19.99 | 19.99 | | | |
| Alternate Mark Inversion | | | | | | | | | | | | | | | | |
| | AMI -Superframe Format | | | UEPDC | MCOSF | | 0.00 | 0.00 | | | | | | | | |
| | AMI - Extended SuperFrame Format | | | UEPDC | MCOPO | | 0.00 | 0.00 | | | | | | | | |
| Telephone Number/Trunk Group Establishment Charges | | | | | | | | | | | | | | | | |
| | Telephone Number for 2-Way Trunk Group | | | UEPDC | UDTGX | 0.00 | | | | | | 19.99 | 19.99 | | | |
| | Telephone Number for 1-Way Outward Trunk Group | | | UEPDC | UDTGY | 0.00 | | | | | | 19.99 | 19.99 | | | |
| | Telephone Number for 1-Way Inward Trunk Group Without DID | | | UEPDC | UDTGZ | 0.00 | | | | | | 19.99 | 19.99 | | | |
| | DID Numbers for each Group of 20 DID Numbers | | | UEPDC | ND4 | 0.00 | | | | | | 19.99 | 19.99 | | | |
| | DID Numbers, Non- consecutive DID Numbers , Per Number | | | UEPDC | ND5 | 0.00 | | | | | | 19.99 | 19.99 | | | |
| | Reserve Non-Consecutive DID Nos. | | | UEPDC | ND6 | 0.00 | 0.00 | 0.00 | | | | | | | | |
| | Reserve DID Numbers | | | UEPDC | NDV | 0.00 | 0.00 | 0.00 | | | | | | | | |
| Dedicated DS1 (Interoffice Channel Mileage) - FX/FCO for 4-Wire DS1 Digital Loop with 4-Wire DDITS Trunk Port | | | | | | | | | | | | | | | | |
| | Interoffice Channel Mileage - Fixed rate 0-8 miles (Facilities Termination) | | | UEPDC | 1LNO1 | 75.83 | 145.98 | 109.85 | 19.66 | 14.99 | | | | | | |
| | Interoffice Channel Mileage - Additional rate per mile - 0-8 miles | | | UEPDC | 1LNOA | 0.3525 | 0.00 | 0.00 | | | | | | | | |
| | Interoffice Channel Mileage - Fixed rate 9-25 miles (Facilities Termination) | | | UEPDC | 1LNO2 | 0.00 | 0.00 | 0.00 | | | | | | | | |
| | Interoffice Channel Mileage - Additional rate per mile - 9-25 miles | | | UEPDC | 1LNOB | 0.3525 | 0.00 | 0.00 | | | | | | | | |
| | Interoffice Channel Mileage - Fixed rate 25+ miles (Facilities Termination) | | | UEPDC | 1LNO3 | 0.00 | 0.00 | 0.00 | | | | | | | | |
| | Interoffice Channel Mileage - Additional rate per mile - 25+ miles | | | UEPDC | 1LNOC | 0.3525 | 0.00 | 0.00 | | | | | | | | |
| | Local Number Portability, per DS0 Activated | | | UEPDC | LNPCP | 3.15 | 0.00 | 0.00 | | | | | | | | |
| | Central Office Terminating Point | | | UEPDC | CTG | 0.00 | | | | | | | | | | |
| 4-WIRE DS1 LOOP WITH CHANNELIZATION WITH PORT | | | | | | | | | | | | | | | | |
| System is 1 DS1 Loop, 1 D4 Channel Bank, and up to 24 Feature Activations | | | | | | | | | | | | | | | | |
| Each System can have up to 24 combinations of rates depending on type and number of ports used | | | | | | | | | | | | | | | | |
| UNE DS1 Loop | | | | | | | | | | | | | | | | |
| | 4-Wire DS1 Loop - UNE Zone 1 | | 1 | UEPMG | USLDC | 57.73 | 0.00 | 0.00 | | | | | | | | |
| | 4-Wire DS1 Loop - UNE Zone 2 | | 2 | UEPMG | USLDC | 75.40 | 0.00 | 0.00 | | | | | | | | |
| | 4-Wire DS1 Loop - UNE Zone 3 | | 3 | UEPMG | USLDC | 98.59 | 0.00 | 0.00 | | | | | | | | |
| UNE DSO Channelization Capacities (D4 Channel Bank Configurations) | | | | | | | | | | | | | | | | |
| | 24 DSO Channel Capacity - 1 per DS1 | | | UEPMG | VUM24 | 131.87 | 0.00 | 0.00 | | | | 19.99 | 19.99 | | | |
| | 48 DSO Channel Capacity - 1 per 2 DS1s | | | UEPMG | VUM48 | 263.74 | 0.00 | 0.00 | | | | 19.99 | 19.99 | | | |
| | 96 DSO Channel Capacity -1per 4 DS1s | | | UEPMG | VUM96 | 527.48 | 0.00 | 0.00 | | | | 19.99 | 19.99 | | | |
| | 144 DSO Channel Capacity - 1 per 6 DS1s | | | UEPMG | VUM14 | 791.42 | 0.00 | 0.00 | | | | 19.99 | 19.99 | | | |
| | 192 DSO Channel Capacity -1 per 8 DS1s | | | UEPMG | VUM19 | 827.76 | 0.00 | 0.00 | | | | 19.99 | 19.99 | | | |
| | 240 DSO Channel Capacity - 1 per 10 DS1s | | | UEPMG | VUM20 | 1,318.70 | 0.00 | 0.00 | | | | 19.99 | 19.99 | | | |
| | 288 DSO Channel Capacity - 1 per 12 DS1s | | | UEPMG | VUM28 | 1,582.44 | 0.00 | 0.00 | | | | 19.99 | 19.99 | | | |
| | 384 DSO Channel Capacity - 1 per 16 DS1s | | | UEPMG | VUM38 | 2,109.92 | 0.00 | 0.00 | | | | 19.99 | 19.99 | | | |
| | 480 DSO Channel Capacity - 1 per 20 DS1s | | | UEPMG | VUM40 | 2,637.40 | 0.00 | 0.00 | | | | 19.99 | 19.99 | | | |
| | 576 DSO Channel Capacity -1 per 24 DS1s | | | UEPMG | VUM57 | 3,164.88 | 0.00 | 0.00 | | | | 19.99 | 19.99 | | | |
| | 672 DSO Channel Capacity - 1 per 28 DS1s | | | UEPMG | VUM67 | 3,692.36 | 0.00 | 0.00 | | | | 19.99 | 19.99 | | | |
| Non-Recurring Charges (NRC) Associated with 4-Wire DS1 Loop with Channelization with Port - Conversion Charge Based on a System | | | | | | | | | | | | | | | | |

| UNBUNDLED NETWORK ELEMENTS - Tennessee | | | | | | | | | | Attachment: 2 | | Exhibit: B | | | |
|---|--|---------|------|-------|-------|-----------|--------------------|--------|--------------------|----------------------------------|--------------------------------------|--|--|---|---|
| CATEGORY | RATE ELEMENTS | Interim | Zone | BCS | USOC | RATES(\$) | | | | Svc Order Submitted Elec per LSR | Svc Order Submitted Manually per LSR | Incremental Charge - Manual Svc Order vs. Electronic-1st | Incremental Charge - Manual Svc Order vs. Electronic-Add'l | Incremental Charge - Manual Svc Order vs. Electronic-Disc 1st | Incremental Charge - Manual Svc Order vs. Electronic-Disc Add'l |
| | | | | | | Rec | Nonrecurring First | Add'l | Nonrecurring First | | | | | | |
| A Minimum System configuration is One (1) DS1, One (1) D4 Channel Bank, and Up To 24 DSO Ports with Feature Activations. | | | | | | | | | | | | | | | |
| Multiples of this configuration functioning as one are considered Add'l after the minimum system configuration is counted. | | | | | | | | | | | | | | | |
| | NRC - Conversion (Currently Combined) with or without BellSouth Allowed Changes | | | UEPMG | USAC4 | 0.00 | 303.61 | 15.74 | | | | 19.99 | 19.99 | | |
| System Additions at End User Locations Where 4-Wire DS1 Loop with Channelization with Port Combination Currently Exists and New (Not Currently Combined) in GA, KY, LA, MS & TN Only | | | | | | | | | | | | | | | |
| | 1 DS1/D4 Channel Bank - Add NRC for each Port and Assoc Fea Activation - New GA, LA, KY, MS, & TN Only | | | UEPMG | VUMD4 | 0.00 | 704.68 | 441.48 | 138.36 | 16.41 | | 19.99 | | | |
| Bipolar 8 Zero Substitution | | | | | | | | | | | | | | | |
| | Clear Channel Capability Format, superframe - Subsequent Activity Only | | | UEPMG | CCOSF | 0.00 | 0.00 | 590.00 | | | | | | | |
| | Clear Channel Capability Format - Extended Superframe - Subsequent Activity Only | | | UEPMG | CCOEF | 0.00 | 0.00 | 590.00 | | | | | | | |
| Alternate Mark Inversion (AMI) | | | | | | | | | | | | | | | |
| | Superframe Format | | | UEPMG | MCOSF | 0.00 | 0.00 | 0.00 | | | | | | | |
| | Extended Superframe Format | | | UEPMG | MCOPO | 0.00 | 0.00 | 0.00 | | | | | | | |
| Exchange Ports Associated with 4-Wire DS1 Loop with Channelization with Port Exchange Ports | | | | | | | | | | | | | | | |
| | Line Side Combination Channelized PBX Trunk Port - Business | | | UEPPX | UEPCX | 1.79 | 0.00 | 0.00 | 0.00 | 0.00 | | 30.89 | 7.03 | | |
| | Line Side Outward Channelized PBX Trunk Port - Business | | | UEPPX | UEPOX | 1.79 | 0.00 | 0.00 | 0.00 | 0.00 | | 30.89 | 7.03 | | |
| | Line Side Inward Only Channelized PBX Trunk Port without DID | | | UEPPX | UEP1X | 1.79 | 0.00 | 0.00 | 0.00 | 0.00 | | 30.89 | 7.03 | | |
| | 2-Wire Trunk Side Unbundled Channelized DID Trunk Port | | | UEPPX | UEPDM | 8.97 | 0.00 | 0.00 | 0.00 | 0.00 | | 30.89 | 7.03 | | |
| Feature Activations - Unbundled Loop Concentration | | | | | | | | | | | | | | | |
| | Feature (Service) Activation for each Line Side Port Terminated in D4 Bank | | | UEPPX | 1PQWM | 0.66 | 23.94 | 12.64 | 3.82 | 3.80 | | 30.89 | 7.03 | | |
| | Feature (Service) Activation for each Trunk Side Port Terminated in D4 Bank | | | UEPPX | 1PQWU | 0.66 | 73.67 | 17.37 | 54.09 | 10.57 | | 30.89 | 7.03 | | |
| Telephone Number/ Group Establishment Charges for DID Service | | | | | | | | | | | | | | | |
| | DID Trunk Termination (1 per Port) | | | UEPPX | NDT | 0.00 | 0.00 | 0.00 | | | | | | | |
| | DID Numbers - groups of 20 - Valid all States | | | UEPPX | ND4 | 0.00 | 0.00 | 0.00 | | | | | | | |
| | Non-Consecutive DID Numbers - per number | | | UEPPX | ND5 | 0.00 | 0.00 | 0.00 | | | | | | | |
| | Reserve Non-Consecutive DID Numbers | | | UEPPX | ND6 | 0.00 | 0.00 | 0.00 | | | | | | | |
| | Reserve DID Numbers | | | UEPPX | NDV | 0.00 | 0.00 | 0.00 | | | | | | | |
| Local Number Portability | | | | | | | | | | | | | | | |
| | Local Number Portability - 1 per port | | | UEPPX | LNPCP | 3.15 | 0.00 | 0.00 | | | | | | | |
| FEATURES - Vertical and Optional | | | | | | | | | | | | | | | |
| Local Switching Features Offered with Line Side Ports Only | | | | | | | | | | | | | | | |
| | All Features Available | | | UEPPX | UEPVF | 0.00 | 0.00 | 0.00 | | | | | | | |
| UNBUNDLED PORT LOOP COMBINATIONS - MARKET RATES | | | | | | | | | | | | | | | |
| Market Rates shall apply where BellSouth is not required to provide unbundled local switching or switch ports per FCC and/or State Commission rules. | | | | | | | | | | | | | | | |
| These scenarios include: | | | | | | | | | | | | | | | |
| 1. Unbundled port/loop combinations that are Not Currently Combined in Alabama, Florida and North Carolina. | | | | | | | | | | | | | | | |
| 2. Unbundled port/loop combinations that are Currently Combined or Not Currently Combined in Zone 1 of the Top 8 MSAs in BellSouth's region for end users with 4 or more DS0 equivalent lines. | | | | | | | | | | | | | | | |
| The Top 8 MSAs in BellSouth's region are: FL (Orlando, Ft. Lauderdale, Miami); GA (Atlanta); LA (New Orleans); NC (Greensboro-Winston Salem-Highpoint/Charlotte-Gastonia-Rock Hill); TN (Nashville). | | | | | | | | | | | | | | | |
| BellSouth currently is developing the billing capability to mechanically bill the recurring and non-recurring Market Rates in this section except for nonrecurring charges for not currently combined in AL, FL and NC. In the interim where BellSouth cannot bill Market Rates, BellSouth shall bill the rates in the Cost-Based section preceding in lieu of the Market Rates and reserves the right to true-up the billing difference. | | | | | | | | | | | | | | | |
| The Market Rate for unbundled ports includes all available features in all states. | | | | | | | | | | | | | | | |
| End Office and Tandem Switching Usage and Common Transport Usage rates in the Port section of this rate exhibit shall apply to all combinations of loop/port network elements except for UNE Coin Port/Loop Combinations which have a flat rate usage charge (USOC: URECU). | | | | | | | | | | | | | | | |
| For Not Currently Combined scenarios where Market Rates apply, the Nonrecurring charges are listed in the First and Additional NRC columns for each Port USOC. For Currently Combined scenarios, the Nonrecurring charges are listed in the NRC - Currently Combined section. Additional NRCs may apply also and are categorized accordingly. | | | | | | | | | | | | | | | |
| 2-WIRE VOICE GRADE LOOP WITH 2-WIRE LINE PORT (RES) | | | | | | | | | | | | | | | |
| UNE Port/Loop Combination Rates | | | | | | | | | | | | | | | |
| | 2-Wire VG Loop/Port Combo - Zone 1 | | 1 | | | 26.48 | | | | | | | | | |
| | 2-Wire VG Loop/Port Combo - Zone 2 | | 2 | | | 30.31 | | | | | | | | | |
| | 2-Wire VG Loop/Port Combo - Zone 3 | | 3 | | | 35.32 | | | | | | | | | |
| UNE Loop Rates | | | | | | | | | | | | | | | |

| UNBUNDLED NETWORK ELEMENTS - Tennessee | | | | | | | | | | | Attachment: 2 | | Exhibit: B | | | | | |
|--|--|---------|------|-------|-------|-----------|--------------------|-------|--------------------|----------------------------------|--------------------------------------|--|--|---|---|------------------|---------------|-------|
| CATEGORY | RATE ELEMENTS | Interim | Zone | BCS | USOC | RATES(\$) | | | | Svc Order Submitted Elec per LSR | Svc Order Submitted Manually per LSR | Incremental Charge - Manual Svc Order vs. Electronic-1st | Incremental Charge - Manual Svc Order vs. Electronic-Add'l | Incremental Charge - Manual Svc Order vs. Electronic-Disc 1st | Incremental Charge - Manual Svc Order vs. Electronic-Disc Add'l | | | |
| | | | | | | Rec | Nonrecurring First | Add'l | Nonrecurring First | | | | | | | Disconnect Add'l | OSS Rates(\$) | |
| | | | | | | | | | | | | | SOME C | SOMAN | SOMAN | SOMAN | SOMAN | SOMAN |
| | 2-Wire Voice Grade Loop (SL1) - Zone 1 | | 1 | UEPRX | UEPLX | 12.48 | | | | | | | | | | | | |
| | 2-Wire Voice Grade Loop (SL1) - Zone 2 | | 2 | UEPRX | UEPLX | 16.31 | | | | | | | | | | | | |
| | 2-Wire Voice Grade Loop (SL1) - Zone 3 | | 3 | UEPRX | UEPLX | 21.32 | | | | | | | | | | | | |
| | 2-Wire Voice Grade Line Port (Res) | | | | | | | | | | | | | | | | | |
| | 2-Wire voice unbundled port - residence | | | UEPRX | UEPRL | 14.00 | 90.00 | 90.00 | | | | | | 30.89 | 7.03 | | | |
| | 2-Wire voice unbundled port with Caller ID - res | | | UEPRX | UEPRC | 14.00 | 90.00 | 90.00 | | | | | | 30.89 | 7.03 | | | |
| | 2-Wire voice unbundled port outgoing only - res | | | UEPRX | UEPRO | 14.00 | 90.00 | 90.00 | | | | | | 30.89 | 7.03 | | | |
| | 2-Wire voice Grade unbundled Tennessee extended local dialing parity port with Caller ID - res | | | UEPRX | UEPAQ | 14.00 | 90.00 | 90.00 | | | | | | 30.89 | 7.03 | | | |
| | 2-Wire voice unbundled Tennessee Area Calling port with Caller ID - res (F2R) | | | UEPRX | UEPAK | 14.00 | 90.00 | 90.00 | | | | | | 30.89 | 7.03 | | | |
| | 2-Wire voice unbundled Tennessee Area Calling port with Caller ID - res (TACER) | | | UEPRX | UEPAL | 14.00 | 90.00 | 90.00 | | | | | | 30.89 | 7.03 | | | |
| | 2-Wire voice unbundled Tennessee Area Calling port with Caller ID - res (TACSR) | | | UEPRX | UEPAM | 14.00 | 90.00 | 90.00 | | | | | | 30.89 | 7.03 | | | |
| | 2-Wire voice unbundled Tennessee Area Calling port with Caller ID - res (1MF2X) | | | UEPRX | UEPAN | 14.00 | 90.00 | 90.00 | | | | | | 30.89 | 7.03 | | | |
| | 2-Wire voice unbundled Tennessee Area Calling port with Caller ID - res (2MR) | | | UEPRX | UEPAO | 14.00 | 90.00 | 90.00 | | | | | | 30.89 | 7.03 | | | |
| | 2-Wire voice unbundles res, low usage line port with Caller ID (LUM) | | | UEPRX | UEPAP | 14.00 | 90.00 | 90.00 | | | | | | 30.89 | 7.03 | | | |
| | LOCAL NUMBER PORTABILITY | | | | | | | | | | | | | | | | | |
| | Local Number Portability (1 per port) | | | UEPRX | LNPCX | 0.35 | | | | | | | | | | | | |
| | FEATURES | | | | | | | | | | | | | | | | | |
| | All Features Offered | | | UEPRX | UEPVF | 0.00 | 0.00 | 0.00 | | | | | | 30.89 | 7.03 | | | |
| | NONRECURRING CHARGES - CURRENTLY COMBINED | | | | | | | | | | | | | | | | | |
| | 2-Wire Voice Grade Loop / Line Port Combination - Switch-as-is | | | UEPRX | USAC2 | | 41.50 | 41.50 | | | | | | 30.89 | 7.03 | | | |
| | 2-Wire Voice Grade Loop / Line Port Combination - Switch with change | | | UEPRX | USACC | | 41.50 | 41.50 | | | | | | 30.89 | 7.03 | | | |
| | ADDITIONAL NRCs | | | | | | | | | | | | | | | | | |
| | NRC - 2-Wire Voice Grade Loop/Line Port Combination - Subsequent | | | UEPRX | USAS2 | 0.00 | 0.00 | 0.00 | | | | | | 30.89 | 7.03 | | | |
| | 2-WIRE VOICE GRADE LOOP WITH 2-WIRE LINE PORT (BUS) | | | | | | | | | | | | | | | | | |
| | UNE Port/Loop Combination Rates | | | | | | | | | | | | | | | | | |
| | 2-Wire VG Loop/Port Combo - Zone 1 | | 1 | | | 26.48 | | | | | | | | | | | | |
| | 2-Wire VG Loop/Port Combo - Zone 2 | | 2 | | | 30.31 | | | | | | | | | | | | |
| | 2-Wire VG Loop/Port Combo - Zone 3 | | 3 | | | 35.32 | | | | | | | | | | | | |
| | UNE Loop Rates | | | | | | | | | | | | | | | | | |
| | 2-Wire Voice Grade Loop (SL1) - Zone 1 | | 1 | UEPBX | UEPLX | 12.48 | | | | | | | | | | | | |
| | 2-Wire Voice Grade Loop (SL1) - Zone 2 | | 2 | UEPBX | UEPLX | 16.31 | | | | | | | | | | | | |
| | 2-Wire Voice Grade Loop (SL1) - Zone 3 | | 3 | UEPBX | UEPLX | 21.32 | | | | | | | | | | | | |
| | 2-Wire Voice Grade Line Port (Bus) | | | | | | | | | | | | | | | | | |
| | 2-Wire voice unbundled port without Caller ID - bus | | | UEPBX | UEPBL | 14.00 | 90.00 | 90.00 | | | | | | 30.89 | 7.03 | | | |
| | 2-Wire voice unbundled port with Caller + E484 ID - bus | | | UEPBX | UEPBC | 14.00 | 90.00 | 90.00 | | | | | | 30.89 | 7.03 | | | |
| | 2-Wire voice unbundled port outgoing only - bus | | | UEPBX | UEPBO | 14.00 | 90.00 | 90.00 | | | | | | 30.89 | 7.03 | | | |
| | 2-Wire voice Grade unbundled Tennessee extended local dialing parity port with Caller ID - bus | | | UEPBX | UEPAV | 14.00 | 90.00 | 90.00 | | | | | | 30.89 | 7.03 | | | |
| | 2-Wire voice unbundled Tennessee Bus 2-Way Area Calling Port Economy Option (TACC1) | | | UEPBX | UEPAC | 14.00 | 90.00 | 90.00 | | | | | | 30.89 | 7.03 | | | |
| | 2-Wire voice unbundled Tennessee Bus 2-Way Area Calling Port Standard Option (TACC2) | | | UEPBX | UEPAD | 14.00 | 90.00 | 90.00 | | | | | | 30.89 | 7.03 | | | |
| | 2-Wire voice unbundled Tennessee Bus 2-Way Collierville and Memphis Local Calling Port (B2F) | | | UEPBX | UEPAE | 14.00 | 90.00 | 90.00 | | | | | | 30.89 | 7.03 | | | |
| | LOCAL NUMBER PORTABILITY | | | | | | | | | | | | | | | | | |
| | Local Number Portability (1 per port) | | | UEPBX | LNPCX | 0.35 | | | | | | | | | | | | |
| | FEATURES | | | | | | | | | | | | | | | | | |
| | All Features Offered | | | UEPBX | UEPVF | 0.00 | 0.00 | 0.00 | | | | | | 30.89 | 7.03 | | | |
| | NONRECURRING CHARGES - CURRENTLY COMBINED | | | | | | | | | | | | | | | | | |

| UNBUNDLED NETWORK ELEMENTS - Tennessee | | | | | | | | | | | Attachment: 2 | | Exhibit: B | | | |
|--|---|---------|------|-------|-------|-----------|--------------------|-------|-------------------------------|----------------------------------|--------------------------------------|--|--|---|---|-------|
| CATEGORY | RATE ELEMENTS | Interim | Zone | BCS | USOC | RATES(\$) | | | | Svc Order Submitted Elec per LSR | Svc Order Submitted Manually per LSR | Incremental Charge - Manual Svc Order vs. Electronic-1st | Incremental Charge - Manual Svc Order vs. Electronic-Add'l | Incremental Charge - Manual Svc Order vs. Electronic-Disc 1st | Incremental Charge - Manual Svc Order vs. Electronic-Disc Add'l | |
| | | | | | | Rec | Nonrecurring First | Add'l | Nonrecurring Disconnect First | | | | | | | Add'l |
| | | | | | | | | | | | SOMEc | SOMAN | SOMAN | SOMAN | SOMAN | SOMAN |
| | 2-Wire Voice Grade Loop / Line Port Combination - Switch-as-is | | | UEPBX | USAC2 | | 41.50 | 41.50 | | | | 30.89 | 7.03 | | | |
| | 2-Wire Voice Grade Loop / Line Port Combination - Switch with change | | | UEPBX | USACC | | 41.50 | 41.50 | | | | 30.89 | 7.03 | | | |
| ADDITIONAL NRCs | | | | | | | | | | | | | | | | |
| | NRC - 2-Wire Voice Grade Loop/Line Port Combination - Subsequent | | | UEPBX | USAS2 | 0.00 | 0.00 | 0.00 | | | | 30.89 | 7.03 | | | |
| 2-WIRE VOICE GRADE LOOP WITH 2-WIRE LINE PORT (RES - PBX) | | | | | | | | | | | | | | | | |
| UNE Port/Loop Combination Rates | | | | | | | | | | | | | | | | |
| | 2-Wire VG Loop/Port Combo - Zone 1 | | 1 | | | | 26.48 | | | | | | | | | |
| | 2-Wire VG Loop/Port Combo - Zone 2 | | 2 | | | | 30.31 | | | | | | | | | |
| | 2-Wire VG Loop/Port Combo - Zone 3 | | 3 | | | | 35.32 | | | | | | | | | |
| UNE Loop Rates | | | | | | | | | | | | | | | | |
| | 2-Wire Voice Grade Loop (SL1) - Zone 1 | | 1 | UEPRG | UEPLX | | 12.48 | | | | | | | | | |
| | 2-Wire Voice Grade Loop (SL1) - Zone 2 | | 2 | UEPRG | UEPLX | | 16.31 | | | | | | | | | |
| | 2-Wire Voice Grade Loop (SL1) - Zone 3 | | 3 | UEPRG | UEPLX | | 21.32 | | | | | | | | | |
| 2-Wire Voice Grade Line Port Rates (RES - PBX) | | | | | | | | | | | | | | | | |
| | 2-Wire VG Unbundled Combination 2-Way PBX Trunk Port - Res | | | UEPRG | UEPRD | 14.00 | 90.00 | 90.00 | | | | 30.89 | 7.03 | | | |
| LOCAL NUMBER PORTABILITY | | | | | | | | | | | | | | | | |
| | Local Number Portability (1 per port) | | | UEPRG | LNPCP | 3.15 | 0.00 | 0.00 | | | | | | | | |
| FEATURES | | | | | | | | | | | | | | | | |
| | All Features Offered | | | UEPRG | UEPVF | 0.00 | 0.00 | 0.00 | | | | 30.89 | 7.03 | | | |
| NONRECURRING CHARGES - CURRENTLY COMBINED | | | | | | | | | | | | | | | | |
| | 2-Wire Voice Grade Loop/ Line Port Combination - Switch-As-Is | | | UEPRG | USAC2 | | 41.50 | 41.50 | | | | 30.89 | 7.03 | | | |
| | 2-Wire Voice Grade Loop/ Line Port Combination - Switch with Change | | | UEPRG | USACC | | 41.50 | 41.50 | | | | 30.89 | 7.03 | | | |
| ADDITIONAL NRCs | | | | | | | | | | | | | | | | |
| | 2 Wire Loop/Line Side Port Combination - Non feature - Subsequent Activity - Nonrecurring | | | | | | 0.00 | 0.00 | | | | 30.89 | 7.03 | | | |
| | PBX Subsequent Activity - Change/Rearrange Multiline Hunt Group | | | | | | 14.64 | 14.64 | | | | 30.89 | 7.03 | | | |
| 2-WIRE VOICE GRADE LOOP WITH 2-WIRE LINE PORT (BUS - PBX) | | | | | | | | | | | | | | | | |
| UNE Port/Loop Combination Rates | | | | | | | | | | | | | | | | |
| | 2-Wire VG Loop/Port Combo - Zone 1 | | 1 | | | | 26.48 | | | | | | | | | |
| | 2-Wire VG Loop/Port Combo - Zone 2 | | 2 | | | | 30.31 | | | | | | | | | |
| | 2-Wire VG Loop/Port Combo - Zone 3 | | 3 | | | | 35.32 | | | | | | | | | |
| UNE Loop Rates | | | | | | | | | | | | | | | | |
| | 2-Wire Voice Grade Loop (SL1) - Zone 1 | | 1 | UEPPX | UEPLX | | 12.48 | | | | | | | | | |
| | 2-Wire Voice Grade Loop (SL1) - Zone 2 | | 2 | UEPPX | UEPLX | | 16.31 | | | | | | | | | |
| | 2-Wire Voice Grade Loop (SL1) - Zone 3 | | 3 | UEPPX | UEPLX | | 21.32 | | | | | | | | | |
| 2-Wire Voice Grade Line Port Rates (BUS - PBX) | | | | | | | | | | | | | | | | |
| | Line Side Unbundled Combination 2-Way PBX Trunk Port - Bus | | | UEPPX | UEPPC | 14.00 | 90.00 | 90.00 | | | | 30.89 | 7.03 | | | |
| | Line Side Unbundled Outward PBX Trunk Port - Bus | | | UEPPX | UEPPO | 14.00 | 90.00 | 90.00 | | | | 30.89 | 7.03 | | | |
| | Line Side Unbundled Incoming PBX Trunk Port - Bus | | | UEPPX | UEPP1 | 14.00 | 90.00 | 90.00 | | | | 30.89 | 7.03 | | | |
| | 2-Wire Voice Unbundled PBX LD Terminal Ports | | | UEPPX | UEPLD | 14.00 | 90.00 | 90.00 | | | | 30.89 | 7.03 | | | |
| | 2-Wire Voice Unbundled 2-Way Combination PBX Tennessee Calling Port | | | UEPPX | UEPT2 | 14.00 | 90.00 | 90.00 | | | | 30.89 | 7.03 | | | |
| | 2-Wire Voice Unbundled 1-Way Outgoing PBX Tennessee Calling Port | | | UEPPX | UEPTO | 14.00 | 90.00 | 90.00 | | | | 30.89 | 7.03 | | | |
| | 2-Wire Voice Unbundled 2-Way Combination PBX Usage Port | | | UEPPX | UEPXA | 14.00 | 90.00 | 90.00 | | | | 30.89 | 7.03 | | | |
| | 2-Wire Voice Unbundled PBX Toll Terminal Hotel Ports | | | UEPPX | UEPXB | 14.00 | 90.00 | 90.00 | | | | 30.89 | 7.03 | | | |
| | 2-Wire Voice Unbundled PBX LD DDD Terminals Port | | | UEPPX | UEPXC | 14.00 | 90.00 | 90.00 | | | | 30.89 | 7.03 | | | |
| | 2-Wire Voice Unbundled PBX LD Terminal Switchboard Port | | | UEPPX | UEPXD | 14.00 | 90.00 | 90.00 | | | | 30.89 | 7.03 | | | |
| | 2-Wire Voice Unbundled PBX LD Terminal Switchboard IDD Capable Port | | | UEPPX | UEPXE | 14.00 | 90.00 | 90.00 | | | | 30.89 | 7.03 | | | |

| UNBUNDLED NETWORK ELEMENTS - Tennessee | | | | | | | | | | Attachment: 2 | | Exhibit: B | | | |
|--|--|---------|------|-------|-------|-----------|--------------------|----------------------------------|--------------------------------------|--|--|---|---|-------|--------------------|
| CATEGORY | RATE ELEMENTS | Interim | Zone | BCS | USOC | RATES(\$) | | Svc Order Submitted Elec per LSR | Svc Order Submitted Manually per LSR | Incremental Charge - Manual Svc Order vs. Electronic-1st | Incremental Charge - Manual Svc Order vs. Electronic-Add'l | Incremental Charge - Manual Svc Order vs. Electronic-Disc 1st | Incremental Charge - Manual Svc Order vs. Electronic-Disc Add'l | | |
| | | | | | | Rec | Nonrecurring First | | | | | | | Add'l | Nonrecurring First |
| | | | | | | | | | | SOME C | SOMAN | SOMAN | SOMAN | SOMAN | SOMAN |
| | 2-Wire Voice Unbundled 2-Way PBX Hotel/Hospital Economy Administrative Calling Port | | | UEPPX | UEPXL | 14.00 | 90.00 | 90.00 | | | 30.89 | 7.03 | | | |
| | 2-Wire Voice Unbundled 2-Way PBX Hotel/Hospital Economy Room Calling Port | | | UEPPX | UEPXM | 14.00 | 90.00 | 90.00 | | | 30.89 | 7.03 | | | |
| | 2-Wire Voice Unbundled 1-W Out PBX Hotel/Hospital Economy Administrative Calling Port TN | | | UEPPX | UEPXN | 14.00 | 90.00 | 90.00 | | | 30.89 | 7.03 | | | |
| | 2-Wire Voice Unbundled 1-Way Outgoing PBX Hotel/Hospital Discount Room Calling Port | | | UEPPX | UEPXO | 14.00 | 90.00 | 90.00 | | | 30.89 | 7.03 | | | |
| | 2-Wire Voice Unbundled 1-Way Outgoing PBX Measured Port | | | UEPPX | UEPXS | 14.00 | 90.00 | 90.00 | | | 30.89 | 7.03 | | | |
| | 2-Wire Voice Unbundled PBX Collierville and Memphis Calling Port | | | UEPPX | UEPXU | 14.00 | 90.00 | 90.00 | | | 30.89 | 7.03 | | | |
| | 2-Wire Voice Unbundled 2-Way PBX Tennessee RegionServ Calling Port | | | UEPPX | UEPXV | 14.00 | 90.00 | 90.00 | | | 30.89 | 7.03 | | | |
| LOCAL NUMBER PORTABILITY | | | | | | | | | | | | | | | |
| | Local Number Portability (1 per port) | | | UEPPX | LNPCP | 3.15 | 0.00 | 0.00 | | | | | | | |
| FEATURES | | | | | | | | | | | | | | | |
| | All Features Offered | | | UEPPX | UEPVF | 0.00 | 0.00 | 0.00 | | | 30.89 | 7.03 | | | |
| NONRECURRING CHARGES - CURRENTLY COMBINED | | | | | | | | | | | | | | | |
| | 2-Wire Voice Grade Loop/ Line Port Combination - Switch-As-Is | | | UEPPX | USAC2 | | 41.50 | 41.50 | | | 30.89 | 7.03 | | | |
| | 2-Wire Voice Grade Loop/ Line Port Combination - Switch with Change | | | UEPPX | USACC | | 41.50 | 41.50 | | | 30.89 | 7.03 | | | |
| | 2-Wire Voice Grade Loop/ Line Port Combination - Subsequent | | | UEPPX | USAS2 | 0.00 | 0.00 | 0.00 | | | 30.89 | 7.03 | | | |
| | 2 Wire Loop/Line Side Port Combination - Non feature - Subsequent Activity - Nonrecurring | | | | | | 0.00 | 0.00 | | | 30.89 | 7.03 | | | |
| | PBX Subsequent Activity - Change/Rearrange Multiline Hunt Group | | | | | | 14.64 | 14.64 | | | 30.89 | 7.03 | | | |
| 2-WIRE VOICE GRADE LOOP WITH 2-WIRE ANALOG LINE COIN PORT | | | | | | | | | | | | | | | |
| UNE Port/Loop Combination Rates | | | | | | | | | | | | | | | |
| | 2-Wire VG Coin Port/Loop Combo – Zone 1 | | 1 | | | 26.48 | | | | | | | | | |
| | 2-Wire VG Coin Port/Loop Combo – Zone 2 | | 2 | | | 30.31 | | | | | | | | | |
| | 2-Wire VG Coin Port/Loop Combo – Zone 3 | | 3 | | | 35.32 | | | | | | | | | |
| UNE Loop Rates | | | | | | | | | | | | | | | |
| | 2-Wire Voice Grade Loop (SL1) - Zone 1 | | 1 | UEPCO | UEPLX | 12.48 | | | | | | | | | |
| | 2-Wire Voice Grade Loop (SL1) - Zone 2 | | 2 | UEPCO | UEPLX | 16.31 | | | | | | | | | |
| | 2-Wire Voice Grade Loop (SL1) - Zone 3 | | 3 | UEPCO | UEPLX | 21.32 | | | | | | | | | |
| 2-Wire Voice Grade Line Port Rates (Coin) | | | | | | | | | | | | | | | |
| | 2-Wire Coin 2-Way without Operator Screening and without Blocking (TN) | | | UEPCO | UEPTB | 14.00 | 90.00 | 90.00 | | | 30.89 | 7.03 | | | |
| | 2-Wire Coin 2-Way with Operator Screening and Blocking: 011, 900/976, 1+DDD (NC, TN) | | | UEPCO | UEPRP | 14.00 | 90.00 | 90.00 | | | 30.89 | 7.03 | | | |
| | 2-Wire Coin 2-Way with Operator Screening and 011 Blocking (TN) | | | UEPCO | UEPTA | 14.00 | 90.00 | 90.00 | | | 30.89 | 7.03 | | | |
| | 2-Wire Coin 2-Way with Operator Screening and Blocking: 900/976, 1+DDD, 011+, and Local (NC, TN) | | | UEPCO | UEPCA | 14.00 | 90.00 | 90.00 | | | 30.89 | 7.03 | | | |
| | 2-Wire Coin Outward with Operator Screening and 011 Blocking (TN) | | | UEPCO | UEPTC | 14.00 | 90.00 | 90.00 | | | 30.89 | 7.03 | | | |
| | 2-Wire Coin Outward with Operator Screening and Blocking: 900/976, 1+DDD, 011+, and Local (TN) | | | UEPCO | UEPOT | 14.00 | 90.00 | 90.00 | | | 30.89 | 7.03 | | | |
| LOCAL NUMBER PORTABILITY | | | | | | | | | | | | | | | |
| | Local Number Portability (1 per port) | | | UEPCO | LNPCX | 0.35 | | | | | | | | | |
| NONRECURRING CHARGES - CURRENTLY COMBINED | | | | | | | | | | | | | | | |
| | 2-Wire Voice Grade Loop/ Line Port Combination - Switch-As-Is | | | UEPCO | USAC2 | | 41.50 | 41.50 | | | 30.89 | 7.03 | | | |
| | 2-Wire Voice Grade Loop/ Line Port Combination - Switch with Change | | | UEPCO | USACC | | 41.50 | 41.50 | | | 30.89 | 7.03 | | | |
| ADDITIONAL NRCS | | | | | | | | | | | | | | | |

| UNBUNDLED NETWORK ELEMENTS - Tennessee | | | | | | | | | | Attachment: 2 | | Exhibit: B | | | |
|---|---|---------|------|-------|-------|-----------|--------------------|--------|--------------------|----------------------------------|--------------------------------------|--|--|---|---|
| CATEGORY | RATE ELEMENTS | Interim | Zone | BCS | USOC | RATES(\$) | | | | Svc Order Submitted Elec per LSR | Svc Order Submitted Manually per LSR | Incremental Charge - Manual Svc Order vs. Electronic-1st | Incremental Charge - Manual Svc Order vs. Electronic-Add'l | Incremental Charge - Manual Svc Order vs. Electronic-Disc 1st | Incremental Charge - Manual Svc Order vs. Electronic-Disc Add'l |
| | | | | | | Rec | Nonrecurring First | Add'l | Nonrecurring First | | | | | | |
| | | | | | | | | | | SOME C | SOMAN | SOMAN | SOMAN | SOMAN | SOMAN |
| | 2-Wire Voice Grade Loop/ Line Port Combination - Subsequent | | | UEPCO | USAS2 | 0.00 | 0.00 | 0.00 | | | | 30.89 | 7.03 | | |
| UNBUNDLED PORT/LOOP COMBINATIONS - MARKET BASED RATES | | | | | | | | | | | | | | | |
| 2-WIRE VOICE GRADE LOOP- BUS ONLY - WITH 2-WIRE DID TRUNK PORT | | | | | | | | | | | | | | | |
| UNE Port/Loop Combination Rates | | | | | | | | | | | | | | | |
| | 2-Wire VG Loop/2-Wire DID Trunk Port Combo - UNE Zone 1 | | 1 | | | 49.60 | | | | | | | | | |
| | 2-Wire VG Loop/2-Wire DID Trunk Port Combo - UNE Zone 2 | | 2 | | | 51.09 | | | | | | | | | |
| | 2-Wire VG Loop/2-Wire DID Trunk Port Combo - UNE Zone 3 | | 3 | | | 56.00 | | | | | | | | | |
| UNE Loop Rates | | | | | | | | | | | | | | | |
| | 2-Wire Analog Voice Grade Loop - (SL2) - UNE Zone 1 | | 1 | UEPPX | UECD1 | 9.60 | | | | | | | | | |
| | 2-Wire Analog Voice Grade Loop - (SL2) - UNE Zone 2 | | 2 | UEPPX | UECD1 | 11.09 | | | | | | | | | |
| | 2-Wire Analog Voice Grade Loop - (SL2) - UNE Zone 3 | | 3 | UEPPX | UECD1 | 16.00 | | | | | | | | | |
| | Exchange Ports - 2-Wire DID Port | | | UEPPX | UEPD1 | 40.00 | 600.00 | 45.00 | 8.45 | 3.91 | | 30.89 | 7.03 | | |
| NONRECURRING CHARGES - CURRENTLY COMBINED | | | | | | | | | | | | | | | |
| | 2-Wire Voice Grade Loop / 2-Wire DID Trunk Port Combination - Switch-As-Is Top 8 MSAs only | | | UEPPX | USAC1 | | 100.00 | 42.50 | | | | 30.89 | 7.03 | | |
| | 2-Wire Voice Grade Loop / 2-Wire DID Trunk Port Conversion with BellSouth Allowable Changes Top 8 MSAs only | | | UEPPX | USA1C | | 100.00 | 42.50 | | | | 30.89 | 7.03 | | |
| Telephone Number/Trunk Group Establishment Charges | | | | | | | | | | | | | | | |
| | DID Trunk Termination (One Per Port) | | | UEPPX | NDT | 0.00 | 0.00 | 0.00 | | | | | | | |
| | Additional DID Numbers for each Group of 20 DID Numbers | | | UEPPX | ND4 | 0.00 | 0.00 | 0.00 | | | | | | | |
| | DID Numbers, Non- consecutive DID Numbers , Per Number | | | UEPPX | ND5 | 0.00 | 0.00 | 0.00 | | | | | | | |
| | Reserve Non-Consecutive DID numbers | | | UEPPX | ND6 | 0.00 | 0.00 | 0.00 | | | | | | | |
| | Reserve DID Numbers | | | UEPPX | NDV | 0.00 | 0.00 | 0.00 | | | | | | | |
| LOCAL NUMBER PORTABILITY | | | | | | | | | | | | | | | |
| | Local Number Portability (1 per port) | | | UEPPX | LNPCP | 3.15 | 0.00 | 0.00 | | | | | | | |
| 2-WIRE ISDN DIGITAL GRADE LOOP WITH 2-WIRE ISDN DIGITAL LINE SIDE PORT | | | | | | | | | | | | | | | |
| UNE Port/Loop Combination Rates | | | | | | | | | | | | | | | |
| | 2W ISDN Digital Grade Loop/2W ISDN Digital Line Side Port - UNE Zone 1 | | 1 | UEPPB | UEPPR | 32.27 | | | | | | | | | |
| | 2W ISDN Digital Grade Loop/2W ISDN Digital Line Side Port - UNE Zone 2 | | 2 | UEPPB | UEPPR | 34.78 | | | | | | | | | |
| | 2W ISDN Digital Grade Loop/2W ISDN Digital Line Side Port - UNE Zone 3 | | 3 | UEPPB | UEPPR | 44.32 | | | | | | | | | |
| | 2-Wire ISDN Digital Grade Loop - UNE Zone 1 | | 1 | UEPPB | UEPPR | 16.20 | | | | | | | | | |
| | 2-Wire ISDN Digital Grade Loop - UNE Zone 2 | | 2 | UEPPB | UEPPR | 18.71 | | | | | | | | | |
| | 2-Wire ISDN Digital Grade Loop - UNE Zone 3 | | 3 | UEPPB | UEPPR | 28.25 | | | | | | | | | |
| | Exchange Port - 2-Wire ISDN Line Side Port | | | UEPPB | UEPPR | 80.00 | 525.00 | 400.00 | 75.00 | 70.00 | | 30.89 | 7.03 | | |
| NONRECURRING CHARGES - CURRENTLY COMBINED | | | | | | | | | | | | | | | |
| | 2-Wire ISDN Digital Grade Loop / 2-Wire ISDN Line Side Port Combination - Conversion - Top 8 MSAs only | | | UEPPB | UEPPR | 0.00 | 225.00 | 225.00 | | | | 30.89 | 7.03 | | |
| ADDITIONAL NRCS | | | | | | | | | | | | | | | |
| | 2-Wire ISDN Loop / 2-Wire ISDN Port Combination - Sub Acty Non Feature/Add Trunk | | | UEPPB | UEPPR | | 212.88 | | | | | 30.89 | 7.03 | | |
| LOCAL NUMBER PORTABILITY | | | | | | | | | | | | | | | |
| | Local Number Portability (1 per port) | | | UEPPB | UEPPR | 0.35 | 0.00 | 0.00 | | | | | | | |
| B-CHANNEL USER PROFILE ACCESS: | | | | | | | | | | | | | | | |
| | CVS/CSD (DMS/5ESS) | | | UEPPB | UEPPR | 0.00 | 0.00 | 0.00 | | | | | | | |
| | CVS (EWSD) | | | UEPPB | UEPPR | 0.00 | 0.00 | 0.00 | | | | | | | |
| | CSD | | | UEPPB | UEPPR | 0.00 | 0.00 | 0.00 | | | | | | | |
| B-CHANNEL AREA PLUS USER PROFILE ACCESS: (AL,KY,LA,MS SC,MS, & TN) | | | | | | | | | | | | | | | |
| | CVS/CSD (DMS/5ESS) | | | UEPPB | UEPPR | 0.00 | 0.00 | 0.00 | | | | | | | |
| | CVS (EWSD) | | | UEPPB | UEPPR | 0.00 | 0.00 | 0.00 | | | | | | | |
| | CSD | | | UEPPB | UEPPR | 0.00 | 0.00 | 0.00 | | | | | | | |
| USER TERMINAL PROFILE | | | | | | | | | | | | | | | |
| | User Terminal Profile (EWSD only) | | | UEPPB | UEPPR | 0.00 | 0.00 | 0.00 | | | | | | | |
| VERTICAL FEATURES | | | | | | | | | | | | | | | |
| | All Vertical Features - One per Channel B User Profile | | | UEPPB | UEPPR | 0.00 | 0.00 | 0.00 | | | | | | | |

| UNBUNDLED NETWORK ELEMENTS - Tennessee | | | | | | | | | | Attachment: 2 | | Exhibit: B | | | |
|--|---|---------|------|-------------|-------|-----------|--------------------|--------|--------------------|----------------------------------|--------------------------------------|--|--|---|---|
| CATEGORY | RATE ELEMENTS | Interim | Zone | BCS | USOC | RATES(\$) | | | | Svc Order Submitted Elec per LSR | Svc Order Submitted Manually per LSR | Incremental Charge - Manual Svc Order vs. Electronic-1st | Incremental Charge - Manual Svc Order vs. Electronic-Add'l | Incremental Charge - Manual Svc Order vs. Electronic-Disc 1st | Incremental Charge - Manual Svc Order vs. Electronic-Disc Add'l |
| | | | | | | Rec | Nonrecurring First | Add'l | Nonrecurring First | | | | | | |
| | | | | | | | | | | SOMEc | SOMAN | SOMAN | SOMAN | SOMAN | SOMAN |
| | Interoffice Channel mileage each, including first mile and facilities termination | | | UEPPB UEPPR | M1GNC | 17.91 | 53.99 | 17.37 | | | | | | | |
| | Interoffice Channel mileage each, additional mile | | | UEPPB UEPPR | M1GNM | 0.173 | 0.00 | 0.00 | | | | | | | |
| 4-WIRE DS1 DIGITAL LOOP WITH 4-WIRE ISDN DS1 DIGITAL TRUNK PORT | | | | | | | | | | | | | | | |
| UNE Port/Loop Combination Rates | | | | | | | | | | | | | | | |
| | 4W DS1 Digital Loop/4W ISDN DS1 Digital Trunk Port - UNE Zone 1 | | 1 | UEPPP | | 982.73 | | | | | | | | | |
| | 4W DS1 Digital Loop/4W ISDN DS1 Digital Trunk Port - UNE Zone 2 | | 2 | UEPPP | | 1,000.40 | | | | | | | | | |
| | 4W DS1 Digital Loop/4W ISDN DS1 Digital Trunk Port - UNE Zone 3 | | 3 | UEPPP | | 1,023.59 | | | | | | | | | |
| | 4-Wire DS1 Digital Loop - UNE Zone 1 | | 1 | UEPPP | USL4P | 57.73 | | | | | | | | | |
| | 4-Wire DS1 Digital Loop - UNE Zone 2 | | 2 | UEPPP | USL4P | 75.40 | | | | | | | | | |
| | 4-Wire DS1 Digital Loop - UNE Zone 3 | | 3 | UEPPP | USL4P | 98.59 | | | | | | | | | |
| | Exchange Ports - 4-Wire ISDN DS1 Port | | | UEPPP | UEPPP | 925.00 | 950.00 | 950.00 | 130.00 | 100.00 | | 30.89 | 7.03 | | |
| NONRECURRING CHARGES - CURRENTLY COMBINED | | | | | | | | | | | | | | | |
| | 4-Wire DS1 Digital Loop / 4-Wire ISDN DS1 Digital Trunk Port Combination - Conversion -Switch-As-Is Top 8 MSAs only | | | UEPPP | USACP | 0.00 | 925.00 | 925.00 | | | | 30.89 | 7.03 | | |
| ADDITIONAL NRCs | | | | | | | | | | | | | | | |
| | 4-Wire DS1 Loop/4-W ISDN Digtl Trk Port - Subsqst Actvy-Inward/two way tel nos within Std Allowance (except NC) | | | UEPPP | PR7TF | | 0.94 | | | | | | | | |
| | 4-Wire DS1 Loop / 4-Wire ISDN DS1 Digital Trunk Port - Outward Tel Numbers (All States except NC) | | | UEPPP | PR7TO | | 22.36 | 22.36 | | | | | | | |
| | 4-Wire DS1 Loop / 4-Wire ISDN DS1 Digital Trk Port - Subsequent Inward Tel Nos Above Std Allowance | | | UEPPP | PR7ZT | | 44.71 | 44.70 | | | | | | | |
| LOCAL NUMBER PORTABILITY | | | | | | | | | | | | | | | |
| | Local Number Portability (1 per port) | | | UEPPP | LNPCN | 1.75 | | | | | | | | | |
| INTERFACE (Provisioning Only) | | | | | | | | | | | | | | | |
| | Voice/Data | | | UEPPP | PR71V | 0.00 | 0.00 | 0.00 | | | | | | | |
| | Digital Data | | | UEPPP | PR71D | 0.00 | 0.00 | 0.00 | | | | | | | |
| | Inward Data | | | UEPPP | PR71E | 0.00 | 0.00 | 0.00 | | | | | | | |
| New or Additional "B" Channel | | | | | | | | | | | | | | | |
| | New or Additional - Voice/Data B Channel | | | UEPPP | PR7BV | 0.00 | 28.39 | | | | | | | | |
| | New or Additional - Digital Data B Channel | | | UEPPP | PR7BF | 0.00 | 29.11 | | | | | | | | |
| | New or Additional Inward Data B Channel | | | UEPPP | PR7BD | 0.00 | 29.39 | | | | | | | | |
| CALL TYPES | | | | | | | | | | | | | | | |
| | Inward | | | UEPPP | PR7C1 | 0.00 | 0.00 | 0.00 | | | | | | | |
| | Outward | | | UEPPP | PR7C0 | 0.00 | 0.00 | 0.00 | | | | | | | |
| | Two-way | | | UEPPP | PR7CC | 0.00 | 0.00 | 0.00 | | | | | | | |
| Interoffice Channel Mileage | | | | | | | | | | | | | | | |
| | Fixed Each Including First Mile | | | UEPPP | 1LN1A | 76.1825 | 145.98 | 109.85 | 19.55 | | | | | | |
| | Each Airline-Fractional Additional Mile | | | UEPPP | 1LN1B | 0.3525 | | | | | | | | | |
| 4-WIRE DS1 DIGITAL LOOP WITH 4-WIRE DDITS TRUNK PORT | | | | | | | | | | | | | | | |
| UNE Port/Loop Combination Rates | | | | | | | | | | | | | | | |
| | 4W DS1 Digital Loop/4W DDITS Trunk Port - Statewide | | sw | UEPDC | | | | | | | | | | | |
| | 4W DS1 Digital Loop/4W DDITS Trunk Port - UNE Zone 1 | | 1 | UEPDC | | 93.28 | | | | | | | | | |
| | 4W DS1 Digital Loop/4W DDITS Trunk Port - UNE Zone 2 | | 2 | UEPDC | | 110.95 | | | | | | | | | |
| | 4W DS1 Digital Loop/4W DDITS Trunk Port - UNE Zone 3 | | 3 | UEPDC | | 134.14 | | | | | | | | | |
| | 4W DS1 Digital Loop/4W DDITS Trunk Port - UNE Zone 4 | | 4 | UEPDC | | | | | | | | | | | |
| UNE Loop Rates | | | | | | | | | | | | | | | |
| | 4-Wire DS1 Digital Loop - Statewide | | sw | UEPDC | USLDC | | | | | | | | | | |
| | 4-Wire DS1 Digital Loop - UNE Zone 1 | | 1 | UEPDC | USLDC | 57.53 | | | | | | | | | |
| | 4-Wire DS1 Digital Loop - UNE Zone 2 | | 2 | UEPDC | USLDC | 75.40 | | | | | | | | | |
| | 4-Wire DS1 Digital Loop - UNE Zone 3 | | 3 | UEPDC | USLDC | 98.59 | | | | | | | | | |
| | 4-Wire DS1 Digital Loop - UNE Zone 4 | | 4 | UEPDC | USLDC | | | | | | | | | | |
| UNE Port Rate | | | | | | | | | | | | | | | |
| | 4-Wire DDITS Digital Trunk Port | | | UEPDC | UDD1T | 750.00 | 982.57 | 450.10 | 196.09 | 19.23 | | 30.89 | 7.03 | | |
| NONRECURRING CHARGES - CURRENTLY COMBINED | | | | | | | | | | | | | | | |

| UNBUNDLED NETWORK ELEMENTS - Tennessee | | | | | | | | | | Attachment: 2 | | Exhibit: B | | | | | | | | | |
|---|--|---------|------|-------|-------|-----------|--------------------|----------------------------------|--------------------------------------|--|--|---|---|-------|--------------------|------------------|---------------|-------|-------|-------|--|
| CATEGORY | RATE ELEMENTS | Interim | Zone | BCS | USOC | RATES(\$) | | Svc Order Submitted Elec per LSR | Svc Order Submitted Manually per LSR | Incremental Charge - Manual Svc Order vs. Electronic-1st | Incremental Charge - Manual Svc Order vs. Electronic-Add'l | Incremental Charge - Manual Svc Order vs. Electronic-Disc 1st | Incremental Charge - Manual Svc Order vs. Electronic-Disc Add'l | | | | | | | | |
| | | | | | | Rec | Nonrecurring First | | | | | | | Add'l | Nonrecurring First | Disconnect Add'l | OSS Rates(\$) | | | | |
| | | | | | | | | | | | | | | SOMEc | SOMAN | SOMAN | SOMAN | SOMAN | SOMAN | SOMAN | |
| | 4-Wire DS1 Digital Loop / 4-Wire DDITS Trunk Port Combination - Switch-As-Is Top 8 MSAs only | | | UEPDC | USAC4 | | 312.91 | 312.91 | | | | | | | | | 30.89 | 7.03 | | | |
| | 4-Wire DS1 Digital Loop / 4-Wire DDITS Trunk Port Combination - Conversion with DS1 Changes Top 8 MSAs only | | | UEPDC | USAWA | | 312.91 | 312.91 | | | | | | | | | 30.89 | 7.03 | | | |
| | 4-Wire DS1 Digital Loop / 4-Wire DDITS Trunk Port Combination - Conversion with Change - Trunk Top 8 MSAs only | | | UEPDC | USAWB | | 312.91 | 312.91 | | | | | | | | | 30.89 | 7.03 | | | |
| ADDITIONAL NRCs | | | | | | | | | | | | | | | | | | | | | |
| | 4-Wire DS1 Loop / 4-Wire DDITS Trunk Port - Subsequent Service Activity Per Service Order | | | UEPDC | USAS4 | | 94.88 | 94.88 | | | | | | | | | | | | | |
| | 4-Wire DS1 Loop / 4-Wire DDITS Trunk Port - NRC - Subsequent Channel Activation/Chan - 2-Way Trunk | | | UEPDC | UDTTA | | 108.67 | 108.67 | | | | | | | | | 30.89 | 7.03 | | | |
| | 4-Wire DS1 Loop / 4-Wire DDITS Trunk Port - Subsequent Channel Activation/Chan - 1-Way Outward Trunk | | | UEPDC | UDTTB | | 108.67 | 108.67 | | | | | | | | | 30.89 | 7.03 | | | |
| | 4-Wire DS1 Loop / 4-Wire DDITS Trunk Port - Subsqt Channel Activation/Chan Inward Trunk w/out DID | | | UEPDC | UDTTC | | 108.67 | 108.67 | | | | | | | | | 30.89 | 7.03 | | | |
| | 4-Wire DS1 Loop / 4-Wire DDITS Trunk Port - Subsqt Chan Activation Per Chan - Inward Trunk with DID | | | UEPDC | UDTTD | | 108.67 | 108.67 | | | | | | | | | 30.89 | 7.03 | | | |
| | 4-Wire DS1 Loop / 4-Wire DDITS Trunk Port - Subsqt Chan Activation / Chan - 2-Way DID w User Trans | | | UEPDC | UDTTE | | 108.67 | 108.67 | | | | | | | | | 30.89 | 7.03 | | | |
| BIPOLAR & ZERO SUBSTITUTION | | | | | | | | | | | | | | | | | | | | | |
| | B8ZS -Superframe Format | | | UEPDC | CCOSF | | 0.00 | 590.00 | | | | | | | | | | | | | |
| | B8ZS - Extended Superframe Format | | | UEPDC | CCOEF | | 0.00 | 590.00 | | | | | | | | | | | | | |
| Alternate Mark Inversion | | | | | | | | | | | | | | | | | | | | | |
| | AMI -Superframe Format | | | UEPDC | MCOSF | | 0.00 | 0.00 | | | | | | | | | | | | | |
| | AMI - Extended SuperFrame Format | | | UEPDC | MCOPO | | 0.00 | 0.00 | | | | | | | | | | | | | |
| Telephone Number/Trunk Group Establishment Charges | | | | | | | | | | | | | | | | | | | | | |
| | Telephone Number for 2-Way Trunk Group | | | UEPDC | UDTGX | | | 0.00 | | | | | | | | | | | | | |
| | Telephone Number for 1-Way Outward Trunk Group | | | UEPDC | UDTGY | | | 0.00 | | | | | | | | | | | | | |
| | Telephone Number for 1-Way Inward Trunk Group Without DID | | | UEPDC | UDTGZ | | | 0.00 | | | | | | | | | | | | | |
| | DID Numbers, Establish Trunk Group and Provide First Group of 20 DID Numbers | | | UEPDC | NDZ | | 0.00 | 0.00 | 0.00 | | | | | | | | | | | | |
| | DID Numbers for each Group of 20 DID Numbers | | | UEPDC | ND4 | | | 0.00 | | | | | | | | | | | | | |
| | DID Numbers, Non- consecutive DID Numbers , Per Number | | | UEPDC | ND5 | | | 0.00 | | | | | | | | | | | | | |
| | Reserve Non-Consecutive DID Nos. | | | UEPDC | ND6 | | | 0.00 | 0.00 | 0.00 | | | | | | | | | | | |
| | Reserve DID Numbers | | | UEPDC | NDV | | | 0.00 | 0.00 | 0.00 | | | | | | | | | | | |
| Dedicated DS1 (Interoffice Channel Mileage) - | | | | | | | | | | | | | | | | | | | | | |
| FX/FCO for 4-Wire DS1 Digital Loop with 4-Wire DDITS Trunk Port | | | | | | | | | | | | | | | | | | | | | |
| | Interoffice Channel Mileage - Fixed rate 0-8 miles (Facilities Termination) | | | UEPDC | 1LNO1 | | 75.83 | 145.98 | 109.85 | 19.66 | 14.99 | | | | | | | | | | |
| | Interoffice Channel Mileage - Additional rate per mile - 0-8 miles | | | UEPDC | 1LNOA | | 0.3525 | 0.00 | 0.00 | | | | | | | | | | | | |
| | Interoffice Channel Mileage - Fixed rate 9-25 miles (Facilities Termination) | | | UEPDC | 1LNO2 | | 0.00 | 0.00 | 0.00 | | | | | | | | | | | | |
| | Interoffice Channel Mileage - Additional rate per mile - 9-25 miles | | | UEPDC | 1LNOB | | 0.3525 | 0.00 | 0.00 | | | | | | | | | | | | |
| | Interoffice Channel Mileage - Fixed rate 25+ miles (Facilities Termination) | | | UEPDC | 1LNO3 | | 0.00 | 0.00 | 0.00 | | | | | | | | | | | | |
| | Interoffice Channel Mileage - Additional rate per mile - 25+ miles | | | UEPDC | 1LNOC | | 0.3525 | 0.00 | 0.00 | | | | | | | | | | | | |
| | Local Number Portability, per DS0 Activated | | | UEPDC | LNPCP | | | 3.15 | 0.00 | 0.00 | | | | | | | | | | | |
| | Central Office Terminating Point | | | UEPDC | CTG | | | 0.00 | | | | | | | | | | | | | |
| 4-WIRE DS1 LOOP WITH CHANNELIZATION WITH PORT | | | | | | | | | | | | | | | | | | | | | |
| System is 1 DS1 Loop, 1 D4 Channel Bank, and up to 24 Feature Activations | | | | | | | | | | | | | | | | | | | | | |
| A system can have various rate combinations based on type and number of ports used | | | | | | | | | | | | | | | | | | | | | |
| UNE DS1 Loop | | | | | | | | | | | | | | | | | | | | | |
| | 4-Wire DS1 Loop - UNE Zone 1 | | 1 | UEPMG | USLDC | | 57.73 | 0.00 | 0.00 | | | | | | | | | | | | |
| | 4-Wire DS1 Loop - UNE Zone 2 | | 2 | UEPMG | USLDC | | 75.40 | 0.00 | 0.00 | | | | | | | | | | | | |

| UNBUNDLED NETWORK ELEMENTS - Tennessee | | | | | | | | | | | Attachment: 2 | | Exhibit: B | | | | | |
|--|---|---------|------|-------|--------|-----------|--------------------|--------|--------------------|----------------------------------|--------------------------------------|--|--|---|---|------------------|---------------|-------|
| CATEGORY | RATE ELEMENTS | Interim | Zone | BCS | USOC | RATES(\$) | | | | Svc Order Submitted Elec per LSR | Svc Order Submitted Manually per LSR | Incremental Charge - Manual Svc Order vs. Electronic-1st | Incremental Charge - Manual Svc Order vs. Electronic-Add'l | Incremental Charge - Manual Svc Order vs. Electronic-Disc 1st | Incremental Charge - Manual Svc Order vs. Electronic-Disc Add'l | | | |
| | | | | | | Rec | Nonrecurring First | Add'l | Nonrecurring First | | | | | | | Disconnect Add'l | OSS Rates(\$) | |
| | | | | | | | | | | | | | SOMEK | SOMAN | SOMAN | SOMAN | SOMAN | SOMAN |
| | 4-Wire DS1 Loop - UNE Zone 3 | | 3 | UEPMG | USLDC | 98.59 | 0.00 | 0.00 | | | | | | | | | | |
| UNE DSO Channelization Capacities (D4 Channel Bank Configurations) | | | | | | | | | | | | | | | | | | |
| | 24 DSO Channel Capacity - 1 per DS1 | | | UEPMG | VUM24 | 131.87 | 0.00 | 0.00 | | | | | 30.89 | 7.03 | | | | |
| | 48 DSO Channel Capacity - 1 per 2 DS1s | | | UEPMG | VUM48 | 263.74 | 0.00 | 0.00 | | | | | 30.89 | 7.03 | | | | |
| | 96 DSO Channel Capacity -1per 4 DS1s | | | UEPMG | VUM96 | 527.48 | 0.00 | 0.00 | | | | | 30.89 | 7.03 | | | | |
| | 144 DSO Channel Capacity - 1 per 6 DS1s | | | UEPMG | VUM144 | 791.42 | 0.00 | 0.00 | | | | | 30.89 | 7.03 | | | | |
| | 192 DSO Channel Capacity -1 per 8 DS1s | | | UEPMG | VUM192 | 827.76 | 0.00 | 0.00 | | | | | 30.89 | 7.03 | | | | |
| | 240 DSO Channel Capacity - 1 per 10 DS1s | | | UEPMG | VUM240 | 1,318.70 | 0.00 | 0.00 | | | | | 30.89 | 7.03 | | | | |
| | 288 DSO Channel Capacity - 1 per 12 DS1s | | | UEPMG | VUM288 | 1,582.44 | 0.00 | 0.00 | | | | | 30.89 | 7.03 | | | | |
| | 384 DSO Channel Capacity - 1 per 16 DS1s | | | UEPMG | VUM384 | 2,109.92 | 0.00 | 0.00 | | | | | 30.89 | 7.03 | | | | |
| | 480 DSO Channel Capacity - 1 per 20 DS1s | | | UEPMG | VUM480 | 2,637.40 | 0.00 | 0.00 | | | | | 30.89 | 7.03 | | | | |
| | 576 DSO Channel Capacity -1 per 24 DS1s | | | UEPMG | VUM576 | 3,164.88 | 0.00 | 0.00 | | | | | 30.89 | 7.03 | | | | |
| | 672 DSO Channel Capacity - 1 per 28 DS1s | | | UEPMG | VUM672 | 3,692.36 | 0.00 | 0.00 | | | | | 30.89 | 7.03 | | | | |
| Non-Recurring Charges (NRC) Associated with 4-Wire DS1 Loop with Channelization with Port - Conversion Charge Based on a System | | | | | | | | | | | | | | | | | | |
| A Minimum System configuration is One (1) DS1, One (1) D4 Channel Bank, and Up To 24 DSO Ports with Feature Activations. | | | | | | | | | | | | | | | | | | |
| Multiples of this configuration functioning as one are considered Add'l after the minimum system configuration is counted. | | | | | | | | | | | | | | | | | | |
| | NRC - Conversion (Currently Combined) with or without BellSouth Allowed Changes - Top 8 MSAs Only | | | UEPMG | USAC4 | 0.00 | 303.61 | 15.74 | | | | | 30.89 | 7.03 | | | | |
| System Additions Where Currently Combined and New (Not Currently Combined) | | | | | | | | | | | | | | | | | | |
| In Top 8 MSAs and AL, FL, and NC Only | | | | | | | | | | | | | | | | | | |
| | 1 DS1/D4 Channel Bank - Add NRC for each Port and Assoc Fea Activation - | | | UEPMG | VUMD4 | 0.00 | 704.68 | 441.48 | 138.36 | 16.41 | | | 30.89 | 7.03 | | | | |
| Bipolar 8 Zero Substitution | | | | | | | | | | | | | | | | | | |
| | Clear Channel Capability Format, superframe - Subsequent Activity Only | | | UEPMG | CCOSF | 0.00 | 0.00 | 590.00 | | | | | | | | | | |
| | Clear Channel Capability Format - Extended Superframe - Subsequent Activity Only | | | UEPMG | CCOEF | 0.00 | 0.00 | 590.00 | | | | | | | | | | |
| Alternate Mark Inversion (AMI) | | | | | | | | | | | | | | | | | | |
| | Superframe Format | | | UEPMG | MCOSF | 0.00 | 0.00 | 0.00 | | | | | | | | | | |
| | Extended Superframe Format | | | UEPMG | MCOPO | 0.00 | 0.00 | 0.00 | | | | | | | | | | |
| Exchange Ports Associated with 4-Wire DS1 Loop with Channelization with Port Exchange Ports | | | | | | | | | | | | | | | | | | |
| | Line Side Combination Channelized PBX Trunk Port - Business | | | UEPPX | UEPCX | 14.00 | 0.00 | 0.00 | 0.00 | 0.00 | | | 30.89 | 7.03 | | | | |
| | Line Side Outward Channelized PBX Trunk Port - Business | | | UEPPX | UEPOX | 14.00 | 0.00 | 0.00 | 0.00 | 0.00 | | | 30.89 | 7.03 | | | | |
| | Line Side Inward Only Channelized PBX Trunk Port without DID | | | UEPPX | UEP1X | 14.00 | 0.00 | 0.00 | 0.00 | 0.00 | | | 30.89 | 7.03 | | | | |
| | 2-Wire Trunk Side Unbundled Channelized DID Trunk Port | | | UEPPX | UEPDM | 40.00 | 0.00 | 0.00 | 0.00 | 0.00 | | | 30.89 | 7.03 | | | | |
| Feature Activations - Unbundled Loop Concentration | | | | | | | | | | | | | | | | | | |
| | Feature (Service) Activation for each Line Side Port Terminated in D4 Bank | | | UEPPX | 1PQWM | 0.66 | 40.00 | 20.00 | 6.00 | 5.00 | | | | | | | | |
| | Feature (Service) Activation for each Trunk Side Port Terminated in D4 Bank | | | UEPPX | 1PQWU | 0.66 | 110.00 | 30.00 | 75.00 | 15.00 | | | | | | | | |
| Telephone Number/ Group Establishment Charges for DID Service | | | | | | | | | | | | | | | | | | |
| | DID Trunk Termination (1 per Port) | | | UEPPX | NDT | 0.00 | 0.00 | 0.00 | | | | | | | | | | |
| | DID Numbers - groups of 20 - Valid all States | | | UEPPX | ND4 | 0.00 | 0.00 | 0.00 | | | | | | | | | | |
| | Non-Consecutive DID Numbers - per number | | | UEPPX | ND5 | 0.00 | 0.00 | 0.00 | | | | | | | | | | |
| | Reserve Non-Consecutive DID Numbers | | | UEPPX | ND6 | 0.00 | 0.00 | 0.00 | | | | | | | | | | |
| | Reserve DID Numbers | | | UEPPX | NDV | 0.00 | 0.00 | 0.00 | | | | | | | | | | |
| Local Number Portability | | | | | | | | | | | | | | | | | | |
| | Local Number Portability - 1 per port | | | UEPPX | LNPCP | 3.15 | 0.00 | 0.00 | | | | | | | | | | |
| FEATURES - Vertical and Optional | | | | | | | | | | | | | | | | | | |
| Local Switching Features Offered with Line Side Ports Only | | | | | | | | | | | | | | | | | | |
| | All Features Available | | | UEPPX | UEPVF | 0.00 | 0.00 | 0.00 | | | | | | | | | | |
| UNBUNDLED CENTREX PORT/LOOP COMBINATIONS - COST BASED RATES | | | | | | | | | | | | | | | | | | |
| 1. Cost Based Rates are applied where BellSouth is required by FCC and/or State Commission rule to provide Unbundled Local Switching or Switch Ports. | | | | | | | | | | | | | | | | | | |
| 2. Features shall apply to the Unbundled Port/Loop Combination - Cost Based Rate section in the same manner as they are applied to the Stand-Alone Unbundled Port section of this Rate Exhibit. | | | | | | | | | | | | | | | | | | |
| 3. End Office and Tandem Switching Usage and Common Transport Usage rates in the Port section of this rate exhibit shall apply to all combinations of loop/port network elements except for UNE Coin Port/Loop Combinations. | | | | | | | | | | | | | | | | | | |

| UNBUNDLED NETWORK ELEMENTS - Tennessee | | | | | | | | | | | Attachment: 2 | | Exhibit: B | | | | | | | | | | | |
|---|---|---------|------|-------|-------|-----------|----------------------------------|--------------------------------------|--|--|---|---|---------------|--------------------|-------|--------------------|------------------|-------|-------|-------|-------|-------|--|--|
| CATEGORY | RATE ELEMENTS | Interim | Zone | BCS | USOC | RATES(\$) | Svc Order Submitted Elec per LSR | Svc Order Submitted Manually per LSR | Incremental Charge - Manual Svc Order vs. Electronic-1st | Incremental Charge - Manual Svc Order vs. Electronic-Add'l | Incremental Charge - Manual Svc Order vs. Electronic-Disc 1st | Incremental Charge - Manual Svc Order vs. Electronic-Disc Add'l | OSS Rates(\$) | | | | | | | | | | | |
| | | | | | | | | | | | | | Rec | Nonrecurring First | Add'l | Nonrecurring First | Disconnect Add'l | SOMEC | SOMAN | SOMAN | SOMAN | SOMAN | | |
| <p>For Georgia, Kentucky, Louisiana, Mississippi and Tennessee, the recurring UNE Port and Loop charges listed apply to Currently Combined and Not Currently Combined Combos. The the first and additional Port nonrecurring charges apply to Not Currently Combined Combos in all other states, the nonrecurring charges shall be those identified in the Nonrecurring - Currently Combined sections.</p> <p>5. Market Rates for Unbundled Centrex Port/Loop Combination will be negotiated on an Individual Case Basis, until further notice.</p> | | | | | | | | | | | | | | | | | | | | | | | | |
| UNE-P CENTREX - 1AESS - (Valid in AL,FL,GA,KY,LA,MS,&TN only) | | | | | | | | | | | | | | | | | | | | | | | | |
| 2-Wire VG Loop/2-Wire Voice Grade Port (Centrex) Combo | | | | | | | | | | | | | | | | | | | | | | | | |
| UNE Port/Loop Combination Rates (Non-Design) | | | | | | | | | | | | | | | | | | | | | | | | |
| | 2-Wire VG Loop/2-Wire Voice Grade Port (Centrex) Port Combo - Non-Design | | 1 | UEP91 | | 14.18 | | | | | | | | | | | | | | | | | | |
| | 2-Wire VG Loop/2-Wire Voice Grade Port (Centrex)Port Combo - Non-Design | | 2 | UEP91 | | 18.01 | | | | | | | | | | | | | | | | | | |
| | 2-Wire VG Loop/2-Wire Voice Grade Port (Centrex)Port Combo - Non-Design | | 3 | UEP91 | | 23.02 | | | | | | | | | | | | | | | | | | |
| UNE Port/Loop Combination Rates (Design) | | | | | | | | | | | | | | | | | | | | | | | | |
| | 2-Wire VG Loop/2-Wire Voice Grade Port (Centrex) Port Combo - Design | | 1 | UEP91 | | 18.26 | | | | | | | | | | | | | | | | | | |
| | 2-Wire VG Loop/2-Wire Voice Grade Port (Centrex)Port Combo - Design | | 2 | UEP91 | | 23.33 | | | | | | | | | | | | | | | | | | |
| | 2-Wire VG Loop/2-Wire Voice Grade Port (Centrex)Port Combo - Design | | 3 | UEP91 | | 29.98 | | | | | | | | | | | | | | | | | | |
| UNE Loop Rate | | | | | | | | | | | | | | | | | | | | | | | | |
| | 2-Wire Voice Grade Loop (SL 1) - Zone 1 | | 1 | UEP91 | UECS1 | 12.48 | | | | | | | | | | | | | | | | | | |
| | 2-Wire Voice Grade Loop (SL 1) - Zone 2 | | 2 | UEP91 | UECS1 | 16.31 | | | | | | | | | | | | | | | | | | |
| | 2-Wire Voice Grade Loop (SL 1) - Zone 3 | | 3 | UEP91 | UECS1 | 21.32 | | | | | | | | | | | | | | | | | | |
| | 2-Wire Voice Grade Loop (SL 2) - Zone 1 | | 1 | UEP91 | UECS2 | 16.56 | | | | | | | | | | | | | | | | | | |
| | 2-Wire Voice Grade Loop (SL 2) - Zone 2 | | 2 | UEP91 | UECS2 | 21.63 | | | | | | | | | | | | | | | | | | |
| | 2-Wire Voice Grade Loop (SL 2) - Zone 3 | | 3 | UEP91 | UECS2 | 28.28 | | | | | | | | | | | | | | | | | | |
| UNE Ports | | | | | | | | | | | | | | | | | | | | | | | | |
| All States (Except North Carolina and Sout Carolina) | | | | | | | | | | | | | | | | | | | | | | | | |
| | 2-Wire Voice Grade Port (Centrex) Basic Local Area | | | UEP91 | UEPYA | 1.70 | 22.14 | 15.25 | 8.45 | 3.91 | | 30.89 | 7.03 | | | | | | | | | | | |
| | 2-Wire Voice Grade Port (Centrex 800 termination)Basic Local Area | | | UEP91 | UEPYB | 1.70 | 22.14 | 15.25 | 8.45 | 3.91 | | 30.89 | 7.03 | | | | | | | | | | | |
| | 2-Wire Voice Grade Port (Centrex with Caller ID)1Basic Local Area | | | UEP91 | UEPYH | 1.70 | 22.14 | 15.25 | 8.45 | 3.91 | | 30.89 | 7.03 | | | | | | | | | | | |
| | 2-Wire Voice Grade Port (Centrex from diff Serving Wire Center)2 Basic Local Area | | | UEP91 | UEPYM | 1.70 | 22.14 | 15.25 | 8.45 | 3.91 | | 30.89 | 7.03 | | | | | | | | | | | |
| | 2-Wire Voice Grade Port, Diff Serving Wire Center - 800 Service Term - Basic Local Area | | | UEP91 | UEPYZ | 1.70 | 22.14 | 15.25 | 8.45 | 3.91 | | 30.89 | 7.03 | | | | | | | | | | | |
| | 2-Wire Voice Grade Port terminated in on Megalink or equivalent - Basic Local Area | | | UEP91 | UEPY9 | 1.70 | 22.14 | 15.25 | 8.45 | 3.91 | | 30.89 | 7.03 | | | | | | | | | | | |
| | 2-Wire Voice Grade Port Terminated on 800 Service Term - Basic Local Area | | | UEP91 | UEPY2 | 1.70 | 22.14 | 15.25 | 8.45 | 3.91 | | 30.89 | 7.03 | | | | | | | | | | | |
| AL, KY, LA, MS, & TN Only | | | | | | | | | | | | | | | | | | | | | | | | |
| | 2-Wire Voice Grade Port (Centrex) | | | UEP91 | UEPQA | 1.70 | 22.14 | 15.25 | 8.45 | 3.91 | | 30.89 | 7.03 | | | | | | | | | | | |
| | 2-Wire Voice Grade Port (Centrex 800 termination) | | | UEP91 | UEPQB | 1.70 | 22.14 | 15.25 | 8.45 | 3.91 | | 30.89 | 7.03 | | | | | | | | | | | |
| | 2-Wire Voice Grade Port (Centrex with Caller ID)1 | | | UEP91 | UEPQH | 1.70 | 22.14 | 15.25 | 8.45 | 3.91 | | 30.89 | 7.03 | | | | | | | | | | | |
| | 2-Wire Voice Grade Port (Centrex from diff Serving Wire Center)2 | | | UEP91 | UEPQM | 1.70 | 22.14 | 15.25 | 8.45 | 3.91 | | 30.89 | 7.03 | | | | | | | | | | | |
| | 2-Wire Voice Grade Port, Diff Serving Wire Center - 800 Service Term | | | UEP91 | UEPQZ | 1.70 | 22.14 | 15.25 | 8.45 | 3.91 | | 30.89 | 7.03 | | | | | | | | | | | |
| | 2-Wire Voice Grade Port terminated in on Megalink or equivalent | | | UEP91 | UEPQ9 | 1.70 | 22.14 | 15.25 | 8.45 | 3.91 | | 30.89 | 7.03 | | | | | | | | | | | |
| | 2-Wire Voice Grade Port Terminated on 800 Service Term | | | UEP91 | UEPQ2 | 1.70 | 22.14 | 15.25 | 8.45 | 3.91 | | 30.89 | 7.03 | | | | | | | | | | | |
| Local Switching | | | | | | | | | | | | | | | | | | | | | | | | |
| | Centrex Intercom Funtionality, per port | | | UEP91 | URECS | 0.6381 | | | | | | | | | | | | | | | | | | |
| Local Number Portability | | | | | | | | | | | | | | | | | | | | | | | | |
| | Local Number Portability (1 per port) | | | UEP91 | LNPC | 0.35 | | | | | | | | | | | | | | | | | | |
| Features | | | | | | | | | | | | | | | | | | | | | | | | |
| | All Standard Features Offered, per port | | | UEP91 | UEPVF | 0.00 | | | | | | 30.89 | 7.03 | | | | | | | | | | | |

| UNBUNDLED NETWORK ELEMENTS - Tennessee | | | | | | | | | | | Attachment: 2 | | Exhibit: B | | |
|--|--|---------|------|-------|-------|-----------|--------------------|-------|--------------------|----------------------------------|--------------------------------------|--|--|---|---|
| CATEGORY | RATE ELEMENTS | Interim | Zone | BCS | USOC | RATES(\$) | | | | Svc Order Submitted Elec per LSR | Svc Order Submitted Manually per LSR | Incremental Charge - Manual Svc Order vs. Electronic-1st | Incremental Charge - Manual Svc Order vs. Electronic-Add'l | Incremental Charge - Manual Svc Order vs. Electronic-Disc 1st | Incremental Charge - Manual Svc Order vs. Electronic-Disc Add'l |
| | | | | | | Rec | Nonrecurring First | Add'l | Nonrecurring First | | | | | | |
| | | | | | | | | | | | SOMEc | SOMAN | SOMAN | SOMAN | SOMAN |
| | All Select Features Offered, per port | | | UEP91 | UEPVS | 0.00 | 433.78 | | | | | 30.89 | 7.03 | | |
| | All Centrex Control Features Offered, per port | | | UEP91 | UEPVC | 0.00 | | | | | | 30.89 | 7.03 | | |
| NARS | | | | | | | | | | | | | | | |
| | Unbundled Network Access Register - Combination | | | UEP91 | UARCX | 0.00 | 0.00 | 0.00 | | | | 30.89 | 7.03 | | |
| | Unbundled Network Access Register - Indial | | | UEP91 | UAR1X | 0.00 | 0.00 | 0.00 | | | | 30.89 | 7.03 | | |
| | Unbundled Network Access Register - Outdial | | | UEP91 | UAROx | 0.00 | 0.00 | 0.00 | | | | 30.89 | 7.03 | | |
| | Miscellaneous Terminations | | | | | | | | | | | | | | |
| | 2-Wire Trunk Side | | | | | | | | | | | | | | |
| | Trunk Side Terminations, each | | | UEP91 | CENA6 | 8.78 | 22.14 | 15.25 | 8.45 | 3.91 | | 30.89 | 7.03 | | |
| | Interoffice Channel Mileage - 2-Wire | | | | | | | | | | | | | | |
| | Interoffice Channel Facilities Termination - Voice Grade | | | UEP91 | MIGBC | 18.58 | 22.14 | 15.25 | 8.45 | 3.91 | | 30.89 | 7.03 | | |
| | Interoffice Channel mileage, per mile or fraction of mile | | | UEP91 | MIGBM | 0.0174 | | | | | | | | | |
| | Feature Activations (DS0) Centrex Loops on Channelized DS1 Service | | | | | | | | | | | | | | |
| | D4 Channel Bank Feature Activations | | | | | | | | | | | | | | |
| | Feature Activation on D-4 Channel Bank Centrex Loop Slot | | | UEP91 | 1PQWS | 0.66 | | | | | | | | | |
| | Feature Activation on D-4 Channel Bank FX line Side Loop Slot | | | UEP91 | 1PQW6 | 0.66 | | | | | | | | | |
| | Feature Activation on D-4 Channel Bank FX Trunk Side Loop Slot | | | UEP91 | 1PQW7 | 0.66 | | | | | | | | | |
| | Feature Activation on D-4 Channel Bank Centrex Loop Slot - Different Wire Center | | | UEP91 | 1PQWP | 0.66 | | | | | | | | | |
| | Feature Activation on D-4 Channel Bank Private Line Loop Slot | | | UEP91 | 1PQWV | 0.66 | | | | | | | | | |
| | Feature Activation on D-4 Channel Bank Tjie Line/Trunk Loop Slot | | | UEP91 | 1PQWQ | 0.66 | | | | | | | | | |
| | Feature Activation on D-4 Channel Bank WATS Loop Slot | | | UEP91 | 1PQWA | 0.66 | | | | | | | | | |
| | Non-Recurring Charges (NRC) Associated with UNE-P Centrex | | | | | | | | | | | | | | |
| | Conversion - Currently Combined Switch-As-Is with allowed changes, per port | | | UEP91 | USAC2 | | 1.03 | 0.29 | | | | 30.89 | 7.03 | | |
| | New Centrex Standard Common Block | | | UEP91 | M1ACS | 0.00 | 658.60 | | | | | 30.89 | 7.03 | | |
| | New Centrex Customized Common Block | | | UEP91 | M1ACC | 0.00 | 658.60 | | | | | 30.89 | 7.03 | | |
| | Secondary Block, per Block | | | UEP91 | M2CC1 | 0.00 | 73.55 | | | | | 30.89 | 7.03 | | |
| | NAR Establishment Charge, Per Occasion | | | UEP91 | URECA | | 68.57 | | | | | 30.89 | 7.03 | | |
| | UNE-P CENTREX - 5ESS (Valid in All States) | | | | | | | | | | | | | | |
| | 2-Wire VG Loop/2-Wire Voice Grade Port (Centrex) Combo | | | | | | | | | | | | | | |
| | UNE Port/Loop Combination Rates (Non-Design) | | | | | | | | | | | | | | |
| | 2-Wire VG Loop/2-Wire Voice Grade Port (Centrex) Port Combo - Non-Design | | 1 | UEP95 | | 14.18 | | | | | | | | | |
| | 2-Wire VG Loop/2-Wire Voice Grade Port (Centrex)Port Combo - Non-Design | | 2 | UEP95 | | 18.01 | | | | | | | | | |
| | 2-Wire VG Loop/2-Wire Voice Grade Port (Centrex)Port Combo - Non-Design | | 3 | UEP95 | | 23.02 | | | | | | | | | |
| | UNE Port/Loop Combination Rates (Design) | | | | | | | | | | | | | | |
| | 2-Wire VG Loop/2-Wire Voice Grade Port (Centrex) Port Combo - Design | | 1 | UEP95 | | 18.26 | | | | | | | | | |
| | 2-Wire VG Loop/2-Wire Voice Grade Port (Centrex)Port Combo - Design | | 2 | UEP95 | | 23.33 | | | | | | | | | |
| | 2-Wire VG Loop/2-Wire Voice Grade Port (Centrex)Port Combo - Design | | 3 | UEP95 | | 29.98 | | | | | | | | | |
| | UNE Loop Rate | | | | | | | | | | | | | | |
| | 2-Wire Voice Grade Loop (SL 1) - Zone 1 | | 1 | UEP95 | UECS1 | 12.48 | | | | | | | | | |
| | 2-Wire Voice Grade Loop (SL 1) - Zone 2 | | 2 | UEP95 | UECS1 | 16.31 | | | | | | | | | |
| | 2-Wire Voice Grade Loop (SL 1) - Zone 3 | | 3 | UEP95 | UECS1 | 21.32 | | | | | | | | | |
| | 2-Wire Voice Grade Loop (SL 2) - Zone 1 | | 1 | UEP95 | UECS2 | 16.56 | | | | | | | | | |
| | 2-Wire Voice Grade Loop (SL 2) - Zone 2 | | 2 | UEP95 | UECS2 | 21.63 | | | | | | | | | |
| | 2-Wire Voice Grade Loop (SL 2) - Zone 3 | | 3 | UEP95 | UECS2 | 28.28 | | | | | | | | | |
| | UNE Port Rate | | | | | | | | | | | | | | |
| | All States | | | | | | | | | | | | | | |
| | 2-Wire Voice Grade Port (Centrex) Basic Local Area | | | UEP95 | UEPYA | 1.70 | 22.14 | 15.25 | 8.45 | 3.91 | | 30.89 | 7.03 | | |

| UNBUNDLED NETWORK ELEMENTS - Tennessee | | | | | | | | | | | | | Attachment: 2 | | Exhibit: B | | |
|--|---|---------|------|-------|-------|-----------|--------------------|-------|--------------------|------------------|----------------------------------|--------------------------------------|--|--|---|---|---------------|
| CATEGORY | RATE ELEMENTS | Interim | Zone | BCS | USOC | RATES(\$) | | | | | Svc Order Submitted Elec per LSR | Svc Order Submitted Manually per LSR | Incremental Charge - Manual Svc Order vs. Electronic-1st | Incremental Charge - Manual Svc Order vs. Electronic-Add'l | Incremental Charge - Manual Svc Order vs. Electronic-Disc 1st | Incremental Charge - Manual Svc Order vs. Electronic-Disc Add'l | |
| | | | | | | Rec | Nonrecurring First | Add'l | Nonrecurring First | Disconnect Add'l | | | | | | | OSS Rates(\$) |
| | | | | | | | | | | | | | SOME C | SOMAN | SOMAN | SOMAN | SOMAN |
| | 2-Wire Voice Grade Port (Centrex 800 termination) | | | UEP95 | UEPYB | 1.70 | 22.14 | 15.25 | 8.45 | 3.91 | | | 30.89 | 7.03 | | | |
| | 2-Wire Voice Grade Port (Centrex with Caller ID)1Basic Local Area | | | UEP95 | UEPYH | 1.70 | 22.14 | 15.25 | 8.45 | 3.91 | | | 30.89 | 7.03 | | | |
| | 2-Wire Voice Grade Port (Centrex from diff Serving Wire Center)2 Basic Local Area | | | UEP95 | UEPYM | 1.70 | 22.14 | 15.25 | 8.45 | 3.91 | | | 30.89 | 7.03 | | | |
| | 2-Wire Voice Grade Port, Diff Serving Wire Center - 800 Service Term - Basic Local Area | | | UEP95 | UEPYZ | 1.70 | 22.14 | 15.25 | 8.45 | 3.91 | | | 30.89 | 7.03 | | | |
| | 2-Wire Voice Grade Port terminated in on Megalink or equivalent - Basic Local Area | | | UEP95 | UEPY9 | 1.70 | 22.14 | 15.25 | 8.45 | 3.91 | | | 30.89 | 7.03 | | | |
| | 2-Wire Voice Grade Port Terminated on 800 Service Term - Basic Local Area | | | UEP95 | UEPY2 | 1.70 | 22.14 | 15.25 | 8.45 | 3.91 | | | 30.89 | 7.03 | | | |
| | AL, KY, LA, MS, SC, & TN Only | | | | | | | | | | | | | | | | |
| | 2-Wire Voice Grade Port (Centrex) | | | UEP95 | UEPQA | 1.70 | 22.14 | 15.25 | 8.45 | 3.91 | | | 30.89 | 7.03 | | | |
| | 2-Wire Voice Grade Port (Centrex 800 termination) | | | UEP95 | UEPQB | 1.70 | 22.14 | 15.25 | 8.45 | 3.91 | | | 30.89 | 7.03 | | | |
| | 2-Wire Voice Grade Port (Centrex with Caller ID)1 | | | UEP95 | UEPQH | 1.70 | 22.14 | 15.25 | 8.45 | 3.91 | | | 30.89 | 7.03 | | | |
| | 2-Wire Voice Grade Port (Centrex from diff Serving Wire Center)2 | | | UEP95 | UEPQM | 1.70 | 22.14 | 15.25 | 8.45 | 3.91 | | | 30.89 | 7.03 | | | |
| | 2-Wire Voice Grade Port, Diff Serving Wire Center - 800 Service Term | | | UEP95 | UEPQZ | 1.70 | 22.14 | 15.25 | 8.45 | 3.91 | | | 30.89 | 7.03 | | | |
| | 2-Wire Voice Grade Port terminated in on Megalink or equivalent | | | UEP95 | UEPQ9 | 1.70 | 22.14 | 15.25 | 8.45 | 3.91 | | | 30.89 | 7.03 | | | |
| | 2-Wire Voice Grade Port Terminated on 800 Service Term | | | UEP95 | UEPQ2 | 1.70 | 22.14 | 15.25 | 8.45 | 3.91 | | | 30.89 | 7.03 | | | |
| | FL & GA Only | | | | | | | | | | | | | | | | |
| | Local Switching | | | | | | | | | | | | | | | | |
| | Centrex Intercom Funtionality, per port | | | UEP95 | URECS | 0.6381 | | | | | | | | | | | |
| | Local Number Portability | | | | | | | | | | | | | | | | |
| | Local Number Portability (1 per port) | | | UEP95 | LNPC | 0.35 | | | | | | | | | | | |
| | Features | | | | | | | | | | | | | | | | |
| | All Standard Features Offered, per port | | | UEP95 | UEPVF | 0.00 | | | | | | | 30.89 | 7.03 | | | |
| | All Select Features Offered, per port | | | UEP95 | UEPVS | 0.00 | 433.78 | | | | | | 30.89 | 7.03 | | | |
| | All Centrex Control Features Offered, per port | | | UEP95 | UEPVC | 0.00 | | | | | | | 30.89 | 7.03 | | | |
| | NARS | | | | | | | | | | | | | | | | |
| | Unbundled Network Access Register - Combination | | | UEP95 | UARCX | 0.00 | 0.00 | 0.00 | | | | | 30.89 | 7.03 | | | |
| | Unbundled Network Access Register - Indial | | | UEP95 | UAR1X | 0.00 | 0.00 | 0.00 | | | | | 30.89 | 7.03 | | | |
| | Unbundled Network Access Register - Outdial | | | UEP95 | UARO | 0.00 | 0.00 | 0.00 | | | | | 30.89 | 7.03 | | | |
| | Miscellaneous Terminations | | | | | | | | | | | | | | | | |
| | 2-Wire Trunk Side | | | | | | | | | | | | | | | | |
| | Trunk Side Terminations, each | | | UEP95 | CEND6 | 8.78 | 47.75 | 47.01 | 9.21 | 8.47 | | | 30.89 | 7.03 | | | |
| | 4-Wire Digital (1.544 Megabits) | | | | | | | | | | | | | | | | |
| | DS1 Circuit Terminations, each | | | UEP95 | M1HD1 | 35.55 | 75.93 | 38.15 | | | | | 30.89 | 7.03 | | | |
| | DS0 Channels Activated, each | | | UEP95 | M1HDO | 0.00 | 108.67 | | | | | | 30.89 | 7.03 | | | |
| | Interoffice Channel Mileage - 2-Wire | | | | | | | | | | | | | | | | |
| | Interoffice Channel Facilities Termination | | | UEP95 | MIGBC | 18.58 | 22.14 | 15.25 | 8.45 | 3.91 | | | 30.89 | 7.03 | | | |
| | Interoffice Channel mileage, per mile or fraction of mile | | | UEP95 | MIGBM | 0.0174 | | | | | | | | | | | |
| | Feature Activations (DS0) Centrex Loops on Channelized DS1 Service | | | | | | | | | | | | | | | | |
| | D4 Channel Bank Feature Activations | | | | | | | | | | | | | | | | |
| | Feature Activation on D-4 Channel Bank Centrex Loop Slot | | | UEP95 | 1PQWS | 0.66 | | | | | | | | | | | |
| | Feature Activation on D-4 Channel Bank FX line Side Loop Slot | | | UEP95 | 1PQW6 | 0.66 | | | | | | | | | | | |
| | Feature Activation on D-4 Channel Bank FX Trunk Side Loop Slot | | | UEP95 | 1PQW7 | 0.66 | | | | | | | | | | | |
| | Feature Activation on D-4 Channel Bank Centrex Loop Slot - Different Wire Center | | | UEP95 | 1PQWP | 0.66 | | | | | | | | | | | |
| | Feature Activation on D-4 Channel Bank Private Line Loop Slot | | | UEP95 | 1PQWV | 0.66 | | | | | | | | | | | |
| | Feature Activation on D-4 Channel Bank Tjie Line/Trunk Loop Slot | | | UEP95 | 1PQWQ | 0.66 | | | | | | | | | | | |
| | Feature Activation on D-4 Channel Bank WATS Loop Slot | | | UEP95 | 1PQWA | 0.66 | | | | | | | | | | | |
| | Non-Recurring Charges (NRC) Associated with UNE-P Centrex | | | | | | | | | | | | | | | | |

| UNBUNDLED NETWORK ELEMENTS - Tennessee | | | | | | | | | | | Attachment: 2 | | Exhibit: B | | | |
|---|--|---------|------|-------|-------|-----------|--------------------|-------|--------------------|----------------------------------|--------------------------------------|--|--|---|---|------------------|
| CATEGORY | RATE ELEMENTS | Interim | Zone | BCS | USOC | RATES(\$) | | | | Svc Order Submitted Elec per LSR | Svc Order Submitted Manually per LSR | Incremental Charge - Manual Svc Order vs. Electronic-1st | Incremental Charge - Manual Svc Order vs. Electronic-Add'l | Incremental Charge - Manual Svc Order vs. Electronic-Disc 1st | Incremental Charge - Manual Svc Order vs. Electronic-Disc Add'l | |
| | | | | | | Rec | Nonrecurring First | Add'l | Nonrecurring First | | | | | | | Disconnect Add'l |
| | | | | | | | | | | | SOMEc | SOMAN | SOMAN | SOMAN | SOMAN | SOMAN |
| | NRC Conversion Currently Combined Switch-As-Is with allowed changes, per port | | | UEP95 | USAC2 | | 1.03 | 0.29 | | | | | | | | |
| | New Centrex Standard Common Block | | | UEP95 | M1ACS | 0.00 | 658.60 | | | | 30.89 | 7.03 | | | | |
| | New Centrex Customized Common Block | | | UEP95 | M1ACC | 0.00 | 658.60 | | | | 30.89 | 7.03 | | | | |
| | NAR Establishment Charge, Per Occasion | | | UEP95 | URECA | 0.00 | 68.57 | | | | 30.89 | 7.03 | | | | |
| UNE-P CENTREX - DMS100 (Valid in All States) | | | | | | | | | | | | | | | | |
| 2-Wire VG Loop/2-Wire Voice Grade Port (Centrex) Combo | | | | | | | | | | | | | | | | |
| UNE Port/Loop Combination Rates (Non-Design) | | | | | | | | | | | | | | | | |
| | 2-Wire VG Loop/2-Wire Voice Grade Port (Centrex) Port Combo - Non-Design | | 1 | UEP9D | | 14.18 | | | | | | | | | | |
| | 2-Wire VG Loop/2-Wire Voice Grade Port (Centrex)Port Combo - Non-Design | | 2 | UEP9D | | 18.01 | | | | | | | | | | |
| | 2-Wire VG Loop/2-Wire Voice Grade Port (Centrex)Port Combo - Non-Design | | 3 | UEP9D | | 23.02 | | | | | | | | | | |
| UNE Port/Loop Combination Rates (Design) | | | | | | | | | | | | | | | | |
| | 2-Wire VG Loop/2-Wire Voice Grade Port (Centrex) Port Combo - Design | | 1 | UEP9D | | 18.26 | | | | | | | | | | |
| | 2-Wire VG Loop/2-Wire Voice Grade Port (Centrex)Port Combo - Design | | 2 | UEP9D | | 23.33 | | | | | | | | | | |
| | 2-Wire VG Loop/2-Wire Voice Grade Port (Centrex)Port Combo - Design | | 3 | UEP9D | | 29.98 | | | | | | | | | | |
| UNE Loop Rate | | | | | | | | | | | | | | | | |
| | 2-Wire Voice Grade Loop (SL 1) - Zone 1 | | 1 | UEP9D | UECS1 | 12.48 | | | | | | | | | | |
| | 2-Wire Voice Grade Loop (SL 1) - Zone 2 | | 2 | UEP9D | UECS1 | 16.31 | | | | | | | | | | |
| | 2-Wire Voice Grade Loop (SL 1) - Zone 3 | | 3 | UEP9D | UECS1 | 21.32 | | | | | | | | | | |
| | 2-Wire Voice Grade Loop (SL 2) - Zone 1 | | 1 | UEP9D | UECS2 | 16.56 | | | | | | | | | | |
| | 2-Wire Voice Grade Loop (SL 2) - Zone 2 | | 2 | UEP9D | UECS2 | 21.63 | | | | | | | | | | |
| | 2-Wire Voice Grade Loop (SL 2) - Zone 3 | | 3 | UEP9D | UECS2 | 28.28 | | | | | | | | | | |
| UNE Port Rate | | | | | | | | | | | | | | | | |
| ALL STATES | | | | | | | | | | | | | | | | |
| | 2-Wire Voice Grade Port (Centrex) Basic Local Area | | | UEP9D | UEPYA | 1.70 | 22.14 | 15.25 | 8.45 | 3.91 | 30.89 | 7.03 | | | | |
| | 2-Wire Voice Grade Port (Centrex 800 termination)Basic Local Area | | | UEP9D | UEPYB | 1.70 | 22.14 | 15.25 | 8.45 | 3.91 | 30.89 | 7.03 | | | | |
| | 2-Wire Voice Grade Port (Centrex / EBS-PSET)3Basic Local Area | | | UEP9D | UEPYC | 1.70 | 22.14 | 15.25 | 8.45 | 3.91 | 30.89 | 7.03 | | | | |
| | 2-Wire Voice Grade Port (Centrex / EBS-M5009)3Basic Local Area | | | UEP9D | UEPYD | 1.70 | 22.14 | 15.25 | 8.45 | 3.91 | 30.89 | 7.03 | | | | |
| | 2-Wire Voice Grade Port (Centrex / EBS-M5209))3 Basic Local Area | | | UEP9D | UEPYE | 1.70 | 22.14 | 15.25 | 8.45 | 3.91 | 30.89 | 7.03 | | | | |
| | 2-Wire Voice Grade Port (Centrex / EBS-M5112))3 Basic Local Area | | | UEP9D | UEPYF | 1.70 | 22.14 | 15.25 | 8.45 | 3.91 | 30.89 | 7.03 | | | | |
| | 2-Wire Voice Grade Port (Centrex / EBS-M5312))3Basic Local Area | | | UEP9D | UEPYG | 1.70 | 22.14 | 15.25 | 8.45 | 3.91 | 30.89 | 7.03 | | | | |
| | 2-Wire Voice Grade Port (Centrex / EBS-M5008))3 Basic Local Area | | | UEP9D | UEPYT | 1.70 | 22.14 | 15.25 | 8.45 | 3.91 | 30.89 | 7.03 | | | | |
| | 2-Wire Voice Grade Port (Centrex / EBS-M5208))3 Basic Local Area | | | UEP9D | UEPYU | 1.70 | 22.14 | 15.25 | 8.45 | 3.91 | 30.89 | 7.03 | | | | |
| | 2-Wire Voice Grade Port (Centrex / EBS-M5216))3 Basic Local Area | | | UEP9D | UEPYV | 1.70 | 22.14 | 15.25 | 8.45 | 3.91 | 30.89 | 7.03 | | | | |
| | 2-Wire Voice Grade Port (Centrex / EBS-M5316))3 Basic Local Area | | | UEP9D | UEPY3 | 1.70 | 22.14 | 15.25 | 8.45 | 3.91 | 30.89 | 7.03 | | | | |
| | 2-Wire Voice Grade Port (Centrex with Caller ID) Basic Local Area | | | UEP9D | UEPYH | 1.70 | 22.14 | 15.25 | 8.45 | 3.91 | 30.89 | 7.03 | | | | |
| | 2-Wire Voice Grade Port (Centrex/Caller ID/Msg Wtg Lamp Indication))3 Basic Local Area | | | UEP9D | UEPYW | 1.70 | 22.14 | 15.25 | 8.45 | 3.91 | 30.89 | 7.03 | | | | |
| | 2-Wire Voice Grade Port (Centrex/Msg Wtg Lamp Indication))3 Basic Local Area | | | UEP9D | UEPYJ | 1.70 | 22.14 | 15.25 | 8.45 | 3.91 | 30.89 | 7.03 | | | | |
| | 2-Wire Voice Grade Port (Centrex from diff Serving Wire Center) 2 Basic Local Area | | | UEP9D | UEPYM | 1.70 | 22.14 | 15.25 | 8.45 | 3.91 | 30.89 | 7.03 | | | | |

| UNBUNDLED NETWORK ELEMENTS - Tennessee | | | | | | | | | | | Attachment: 2 | | Exhibit: B | | | | | |
|--|--|---------|------|-------|-------|-----------|--------------------|-------|--------------------|----------------------------------|--------------------------------------|--|--|---|---|------------------|---------------|-------|
| CATEGORY | RATE ELEMENTS | Interim | Zone | BCS | USOC | RATES(\$) | | | | Svc Order Submitted Elec per LSR | Svc Order Submitted Manually per LSR | Incremental Charge - Manual Svc Order vs. Electronic-1st | Incremental Charge - Manual Svc Order vs. Electronic-Add'l | Incremental Charge - Manual Svc Order vs. Electronic-Disc 1st | Incremental Charge - Manual Svc Order vs. Electronic-Disc Add'l | | | |
| | | | | | | Rec | Nonrecurring First | Add'l | Nonrecurring First | | | | | | | Disconnect Add'l | OSS Rates(\$) | |
| | | | | | | | | | | | | | SOMEc | SOMAN | SOMAN | SOMAN | SOMAN | SOMAN |
| | 2-Wire Voice Grade Port (Centrex/differ SWC /EBS-PSET)2, 3 Basic Local Area | | | UEP9D | UEPYO | 1.70 | 22.14 | 15.25 | 8.45 | 3.91 | | | 30.89 | 7.03 | | | | |
| | 2-Wire Voice Grade Port (Centrex/differ SWC /EBS-M5009)2, 3 Basic Local Area | | | UEP9D | UEPYP | 1.70 | 22.14 | 15.25 | 8.45 | 3.91 | | | 30.89 | 7.03 | | | | |
| | 2-Wire Voice Grade Port (Centrex/differ SWC /EBS-5209)2, 3 Basic Local Area | | | UEP9D | UEPYQ | 1.70 | 22.14 | 15.25 | 8.45 | 3.91 | | | 30.89 | 7.03 | | | | |
| | 2-Wire Voice Grade Port (Centrex/differ SWC /EBS-M5112)2, 3 Basic Local Area | | | UEP9D | UEPYR | 1.70 | 22.14 | 15.25 | 8.45 | 3.91 | | | 30.89 | 7.03 | | | | |
| | 2-Wire Voice Grade Port (Centrex/differ SWC /EBS-M5312)2, 3 Basic Local Area | | | UEP9D | UEPYS | 1.70 | 22.14 | 15.25 | 8.45 | 3.91 | | | 30.89 | 7.03 | | | | |
| | 2-Wire Voice Grade Port (Centrex/differ SWC /EBS-M5008)2, 3 Basic Local Area | | | UEP9D | UEPY4 | 1.70 | 22.14 | 15.25 | 8.45 | 3.91 | | | 30.89 | 7.03 | | | | |
| | 2-Wire Voice Grade Port (Centrex/differ SWC /EBS-M5208)2, 3 Basic Local Area | | | UEP9D | UEPY5 | 1.70 | 22.14 | 15.25 | 8.45 | 3.91 | | | 30.89 | 7.03 | | | | |
| | 2-Wire Voice Grade Port (Centrex/differ SWC /EBS-M5216)2, 3 Basic Local Area | | | UEP9D | UEPY6 | 1.70 | 22.14 | 15.25 | 8.45 | 3.91 | | | 30.89 | 7.03 | | | | |
| | 2-Wire Voice Grade Port (Centrex/differ SWC /EBS-M5316)2, 3 Basic Local Area | | | UEP9D | UEPY7 | 1.70 | 22.14 | 15.25 | 8.45 | 3.91 | | | 30.89 | 7.03 | | | | |
| | 2-Wire Voice Grade Port, Diff Serving Wire Center - 800 Service Term | | | UEP9D | UEPYZ | 1.70 | 22.14 | 15.25 | 8.45 | 3.91 | | | 30.89 | 7.03 | | | | |
| | 2-Wire Voice Grade Port terminated in on Megalink or equivalent Basic Local Area | | | UEP9D | UEPY9 | 1.70 | 22.14 | 15.25 | 8.45 | 3.91 | | | 30.89 | 7.03 | | | | |
| | 2-Wire Voice Grade Port Terminated on 800 Service Term Basic Local Area | | | UEP9D | UEPY2 | 1.70 | 22.14 | 15.25 | 8.45 | 3.91 | | | 30.89 | 7.03 | | | | |
| | AL, KY, LA, MS, SC, & TN Only | | | | | | | | | | | | | | | | | |
| | 2-Wire Voice Grade Port (Centrex) | | | UEP9D | UEPQA | 1.70 | 22.14 | 15.25 | 8.45 | 3.91 | | | 30.89 | 7.03 | | | | |
| | 2-Wire Voice Grade Port (Centrex 800 termination) | | | UEP9D | UEPQB | 1.70 | 22.14 | 15.25 | 8.45 | 3.91 | | | 30.89 | 7.03 | | | | |
| | 2-Wire Voice Grade Port (Centrex / EBS-PSET)3 | | | UEP9D | UEPQC | 1.70 | 22.14 | 15.25 | 8.45 | 3.91 | | | 30.89 | 7.03 | | | | |
| | 2-Wire Voice Grade Port (Centrex / EBS-M5009)3 | | | UEP9D | UEPQD | 1.70 | 22.14 | 15.25 | 8.45 | 3.91 | | | 30.89 | 7.03 | | | | |
| | 2-Wire Voice Grade Port (Centrex / EBS-M5209)3 | | | UEP9D | UEPQE | 1.70 | 22.14 | 15.25 | 8.45 | 3.91 | | | 30.89 | 7.03 | | | | |
| | 2-Wire Voice Grade Port (Centrex / EBS-M5112)3 | | | UEP9D | UEPQF | 1.70 | 22.14 | 15.25 | 8.45 | 3.91 | | | 30.89 | 7.03 | | | | |
| | 2-Wire Voice Grade Port (Centrex / EBS-M5312)3 | | | UEP9D | UEPQG | 1.70 | 22.14 | 15.25 | 8.45 | 3.91 | | | 30.89 | 7.03 | | | | |
| | 2-Wire Voice Grade Port (Centrex / EBS-M5008)3 | | | UEP9D | UEPQT | 1.70 | 22.14 | 15.25 | 8.45 | 3.91 | | | 30.89 | 7.03 | | | | |
| | 2-Wire Voice Grade Port (Centrex / EBS-M5208)3 | | | UEP9D | UEPQU | 1.70 | 22.14 | 15.25 | 8.45 | 3.91 | | | 30.89 | 7.03 | | | | |
| | 2-Wire Voice Grade Port (Centrex / EBS-M5216)3 | | | UEP9D | UEPQV | 1.70 | 22.14 | 15.25 | 8.45 | 3.91 | | | 30.89 | 7.03 | | | | |
| | 2-Wire Voice Grade Port (Centrex / EBS-M5316)3 | | | UEP9D | UEPQ3 | 1.70 | 22.14 | 15.25 | 8.45 | 3.91 | | | 30.89 | 7.03 | | | | |
| | 2-Wire Voice Grade Port (Centrex with Caller ID) | | | UEP9D | UEPQH | 1.70 | 22.14 | 15.25 | 8.45 | 3.91 | | | 30.89 | 7.03 | | | | |
| | 2-Wire Voice Grade Port (Centrex/Caller ID/Msg Wtg Lamp Indication)3 | | | UEP9D | UEPQW | 1.70 | 22.14 | 15.25 | 8.45 | 3.91 | | | 30.89 | 7.03 | | | | |
| | 2-Wire Voice Grade Port (Centrex/Msg Wtg Lamp Indication)3 | | | UEP9D | UEPQJ | 1.70 | 22.14 | 15.25 | 8.45 | 3.91 | | | 30.89 | 7.03 | | | | |
| | 2-Wire Voice Grade Port (Centrex from diff Serving Wire Center)2 | | | UEP9D | UEPQM | 1.70 | 22.14 | 15.25 | 8.45 | 3.91 | | | 30.89 | 7.03 | | | | |
| | 2-Wire Voice Grade Port (Centrex/differ SWC /EBS-PSET)2, 3 | | | UEP9D | UEPQO | 1.70 | 22.14 | 15.25 | 8.45 | 3.91 | | | 30.89 | 7.03 | | | | |
| | 2-Wire Voice Grade Port (Centrex/differ SWC /EBS-M5009)2, 3 | | | UEP9D | UEPQP | 1.70 | 22.14 | 15.25 | 8.45 | 3.91 | | | 30.89 | 7.03 | | | | |
| | 2-Wire Voice Grade Port (Centrex/differ SWC /EBS-5209)2, 3 | | | UEP9D | UEPQQ | 1.70 | 22.14 | 15.25 | 8.45 | 3.91 | | | 30.89 | 7.03 | | | | |
| | 2-Wire Voice Grade Port (Centrex/differ SWC /EBS-M5112)2, 3 | | | UEP9D | UEPQR | 1.70 | 22.14 | 15.25 | 8.45 | 3.91 | | | 30.89 | 7.03 | | | | |
| | 2-Wire Voice Grade Port (Centrex/differ SWC /EBS-M5312)2, 3 | | | UEP9D | UEPQS | 1.70 | 22.14 | 15.25 | 8.45 | 3.91 | | | 30.89 | 7.03 | | | | |
| | 2-Wire Voice Grade Port (Centrex/differ SWC /EBS-M5008)2, 3 | | | UEP9D | UEPQ4 | 1.70 | 22.14 | 15.25 | 8.45 | 3.91 | | | 30.89 | 7.03 | | | | |
| | 2-Wire Voice Grade Port (Centrex/differ SWC /EBS-M5208)2, 3 | | | UEP9D | UEPQ5 | 1.70 | 22.14 | 15.25 | 8.45 | 3.91 | | | 30.89 | 7.03 | | | | |
| | 2-Wire Voice Grade Port (Centrex/differ SWC /EBS-M5216)2, 3 | | | UEP9D | UEPQ6 | 1.70 | 22.14 | 15.25 | 8.45 | 3.91 | | | 30.89 | 7.03 | | | | |
| | 2-Wire Voice Grade Port (Centrex/differ SWC /EBS-M5316)2, 3 | | | UEP9D | UEPQ7 | 1.70 | 22.14 | 15.25 | 8.45 | 3.91 | | | 30.89 | 7.03 | | | | |

| UNBUNDLED NETWORK ELEMENTS - Tennessee | | | | | | | | | | Attachment: 2 | | Exhibit: B | | | | | | |
|--|--|---------|------|-------|-------|-----------|--------------------|-------|--------------------|----------------------------------|--------------------------------------|--|--|---|---|------------------|---------------|-------|
| CATEGORY | RATE ELEMENTS | Interim | Zone | BCS | USOC | RATES(\$) | | | | Svc Order Submitted Elec per LSR | Svc Order Submitted Manually per LSR | Incremental Charge - Manual Svc Order vs. Electronic-1st | Incremental Charge - Manual Svc Order vs. Electronic-Add'l | Incremental Charge - Manual Svc Order vs. Electronic-Disc 1st | Incremental Charge - Manual Svc Order vs. Electronic-Disc Add'l | | | |
| | | | | | | Rec | Nonrecurring First | Add'l | Nonrecurring First | | | | | | | Disconnect Add'l | OSS Rates(\$) | |
| | | | | | | | | | | | | | SOMEc | SOMAN | SOMAN | SOMAN | SOMAN | SOMAN |
| | 2-Wire Voice Grade Port, Diff Serving Wire Center - 800 Service Term | | | UEP9D | UEPQZ | 1.70 | 22.14 | 15.25 | 8.45 | 3.91 | | | 30.89 | 7.03 | | | | |
| | 2-Wire Voice Grade Port terminated in on Megalink or equivalent | | | UEP9D | UEPQ9 | 1.70 | 22.14 | 15.25 | 8.45 | 3.91 | | | 30.89 | 7.03 | | | | |
| | 2-Wire Voice Grade Port Terminated on 800 Service Term | | | UEP9D | UEPQ2 | 1.70 | 22.14 | 15.25 | 8.45 | 3.91 | | | 30.89 | 7.03 | | | | |
| | Local Switching | | | | | | | | | | | | | | | | | |
| | Centrex Intercom Functionality, per port | | | UEP9D | URECS | 0.6381 | | | | | | | | | | | | |
| | Local Number Portability | | | | | | | | | | | | | | | | | |
| | Local Number Portability (1 per port) | | | UEP9D | LNPCc | 0.35 | | | | | | | | | | | | |
| | Features | | | | | | | | | | | | | | | | | |
| | All Standard Features Offered, per port | | | UEP9D | UEPVF | 0.00 | | | | | | | 30.89 | 7.03 | | | | |
| | All Select Features Offered, per port | | | UEP9D | UEPV9 | 0.00 | 433.78 | | | | | | 30.89 | 7.03 | | | | |
| | All Centrex Control Features Offered, per port | | | UEP9D | UEPVC | 0.00 | | | | | | | 30.89 | 7.03 | | | | |
| | NARS | | | | | | | | | | | | | | | | | |
| | Unbundled Network Access Register - Combination | | | UEP9D | UARCX | 0.00 | 0.00 | 0.00 | | | | | 30.89 | 7.03 | | | | |
| | Unbundled Network Access Register - Inward | | | UEP9D | UAR1X | 0.00 | 0.00 | 0.00 | | | | | 30.89 | 7.03 | | | | |
| | Unbundled Network Access Register - Outdial | | | UEP9D | UAROx | 0.00 | 0.00 | 0.00 | | | | | 30.89 | 7.03 | | | | |
| | Miscellaneous Terminations | | | | | | | | | | | | | | | | | |
| | 2-Wire Trunk Side | | | | | | | | | | | | | | | | | |
| | Trunk Side Terminations, each | | | UEP9D | CEND6 | 8.78 | 22.14 | 15.25 | 8.45 | 3.91 | | | 30.89 | 7.03 | | | | |
| | 4-Wire Digital (1.544 Megabits) | | | | | | | | | | | | | | | | | |
| | DS1 Circuit Terminations, each | | | UEP9D | M1HD1 | 35.55 | 75.93 | 38.15 | | | | | 30.89 | 7.03 | | | | |
| | DS0 Channels Activated per Channel | | | UEP9D | M1HDO | 0.00 | 108.67 | | | | | | 30.89 | 7.03 | | | | |
| | Interoffice Channel Mileage - 2-Wire | | | | | | | | | | | | | | | | | |
| | Interoffice Channel Facilities Termination | | | UEP9D | MIGBC | 18.58 | 22.14 | 15.25 | 8.45 | 3.91 | | | 30.89 | 7.03 | | | | |
| | Interoffice Channel mileage, per mile or fraction of mile | | | UEP9D | MIGBM | 0.0174 | | | | | | | | | | | | |
| | Feature Activations (DS0) Centrex Loops on Channelized DS1 Service | | | | | | | | | | | | | | | | | |
| | D4 Channel Bank Feature Activations | | | | | | | | | | | | | | | | | |
| | Feature Activation on D-4 Channel Bank Centrex Loop Slot | | | UEP9D | 1PQWS | 0.66 | | | | | | | | | | | | |
| | Feature Activation on D-4 Channel Bank FX line Side Loop Slot | | | UEP9D | 1PQW6 | 0.66 | | | | | | | | | | | | |
| | Feature Activation on D-4 Channel Bank FX Trunk Side Loop Slot | | | UEP9D | 1PQW7 | 0.66 | | | | | | | | | | | | |
| | Feature Activation on D-4 Channel Bank Centrex Loop Slot - Different Wire Center | | | UEP9D | 1PQWP | 0.66 | | | | | | | | | | | | |
| | Feature Activation on D-4 Channel Bank Private Line Loop Slot | | | UEP9D | 1PQWV | 0.66 | | | | | | | | | | | | |
| | Feature Activation on D-4 Channel Bank Tjje Line/Trunk Loop Slot | | | UEP9D | 1PQWQ | 0.66 | | | | | | | | | | | | |
| | Feature Activation on D-4 Channel Bank WATS Loop Slot | | | UEP9D | 1PQWA | 0.66 | | | | | | | | | | | | |
| | Non-Recurring Charges (NRC) Associated with UNE-P Centrex | | | | | | | | | | | | | | | | | |
| | NRC Conversion Currently Combined Switch-As-Is with allowed changes, per port | | | UEP9D | USAC2 | | 1.03 | 0.29 | | | | | 30.89 | 7.03 | | | | |
| | New Centrex Standard Common Block | | | UEP9D | M1ACS | 0.00 | 658.60 | | | | | | 30.89 | 7.03 | | | | |
| | New Centrex Customized Common Block | | | UEP9D | M1ACC | 0.00 | 658.60 | | | | | | 30.89 | 7.03 | | | | |
| | NAR Establishment Charge, Per Occasion | | | UEP9D | URECA | | 68.57 | | | | | | 30.89 | 7.03 | | | | |
| | UNE-P CENTREX - EWSD (Valid in AL, FL, KY, LA, MS & TN) | | | | | | | | | | | | | | | | | |
| | 2-Wire VG Loop/2-Wire Voice Grade Port (Centrex) Combo | | | | | | | | | | | | | | | | | |
| | UNE Port/Loop Combination Rates (Non-Design) | | | | | | | | | | | | | | | | | |
| | 2-Wire VG Loop/2-Wire Voice Grade Port (Centrex) Port Combo - Non-Design | | 1 | UEP9E | | 14.18 | | | | | | | | | | | | |
| | 2-Wire VG Loop/2-Wire Voice Grade Port (Centrex)Port Combo - Non-Design | | 2 | UEP9E | | 18.01 | | | | | | | | | | | | |
| | 2-Wire VG Loop/2-Wire Voice Grade Port (Centrex)Port Combo - Non-Design | | 3 | UEP9E | | 23.02 | | | | | | | | | | | | |
| | UNE Port/Loop Combination Rates (Design) | | | | | | | | | | | | | | | | | |
| | 2-Wire VG Loop/2-Wire Voice Grade Port (Centrex) Port Combo - Design | | 1 | UEP9E | | 18.26 | | | | | | | | | | | | |

| UNBUNDLED NETWORK ELEMENTS - Tennessee | | | | | | | | | | Attachment: 2 | | Exhibit: B | | | | | | | |
|--|---|---------|------|-------|-------|-----------|--------------------|-------|--------------------|----------------------------------|--------------------------------------|--|--|---|---|------------------|---------------|-------|--|
| CATEGORY | RATE ELEMENTS | Interim | Zone | BCS | USOC | RATES(\$) | | | | Svc Order Submitted Elec per LSR | Svc Order Submitted Manually per LSR | Incremental Charge - Manual Svc Order vs. Electronic-1st | Incremental Charge - Manual Svc Order vs. Electronic-Add'l | Incremental Charge - Manual Svc Order vs. Electronic-Disc 1st | Incremental Charge - Manual Svc Order vs. Electronic-Disc Add'l | | | | |
| | | | | | | Rec | Nonrecurring First | Add'l | Nonrecurring First | | | | | | | Disconnect Add'l | OSS Rates(\$) | | |
| | | | | | | | | | | | | | SOMEc | SOMAN | SOMAN | SOMAN | SOMAN | SOMAN | |
| | 2-Wire VG Loop/2-Wire Voice Grade Port (Centrex)Port Combo - Design | | 2 | UEP9E | | 23.33 | | | | | | | | | | | | | |
| | 2-Wire VG Loop/2-Wire Voice Grade Port (Centrex)Port Combo - Design | | 3 | UEP9E | | 29.98 | | | | | | | | | | | | | |
| | UNE Loop Rate | | | | | | | | | | | | | | | | | | |
| | 2-Wire Voice Grade Loop (SL 1) - Zone 1 | | 1 | UEP9E | UECS1 | 12.48 | | | | | | | | | | | | | |
| | 2-Wire Voice Grade Loop (SL 1) - Zone 2 | | 2 | UEP9E | UECS1 | 16.31 | | | | | | | | | | | | | |
| | 2-Wire Voice Grade Loop (SL 1) - Zone 3 | | 3 | UEP9E | UECS1 | 21.32 | | | | | | | | | | | | | |
| | 2-Wire Voice Grade Loop (SL 2) - Zone 1 | | 1 | UEP9E | UECS2 | 16.56 | | | | | | | | | | | | | |
| | 2-Wire Voice Grade Loop (SL 2) - Zone 2 | | 2 | UEP9E | UECS2 | 21.63 | | | | | | | | | | | | | |
| | 2-Wire Voice Grade Loop (SL 2) - Zone 3 | | 3 | UEP9E | UECS2 | 28.28 | | | | | | | | | | | | | |
| | UNE Port Rate | | | | | | | | | | | | | | | | | | |
| | AL, FL, KY, LA, MS, & TN only | | | | | | | | | | | | | | | | | | |
| | 2-Wire Voice Grade Port (Centrex) Basic Local Area | | | UEP9E | UEPYA | 1.70 | 22.14 | 15.25 | 8.45 | 3.91 | | | 30.89 | 7.03 | | | | | |
| | 2-Wire Voice Grade Port (Centrex 800 termination)Basic Local Area | | | UEP9E | UEPYB | 1.70 | 22.14 | 15.25 | 8.45 | 3.91 | | | 30.89 | 7.03 | | | | | |
| | 2-Wire Voice Grade Port (Centrex with Caller ID)1Basic Local Area | | | UEP9E | UEPYH | 1.70 | 22.14 | 15.25 | 8.45 | 3.91 | | | 30.89 | 7.03 | | | | | |
| | 2-Wire Voice Grade Port (Centrex from diff Serving Wire Center)2 Basic Local Area | | | UEP9E | UEPYM | 1.70 | 22.14 | 15.25 | 8.45 | 3.91 | | | 30.89 | 7.03 | | | | | |
| | 2-Wire Voice Grade Port, Diff Serving Wire Center - 800 Service Term - Basic Local Area | | | UEP9E | UEPYZ | 1.70 | 22.14 | 15.25 | 8.45 | 3.91 | | | 30.89 | 7.03 | | | | | |
| | 2-Wire Voice Grade Port terminated in on Megalink or equivalent - Basic Local Area | | | UEP9E | UEPY9 | 1.70 | 22.14 | 15.25 | 8.45 | 3.91 | | | 30.89 | 7.03 | | | | | |
| | 2-Wire Voice Grade Port Terminated on 800 Service Term - Basic Local Area | | | UEP9E | UEPY2 | 1.70 | 22.14 | 15.25 | 8.45 | 3.91 | | | 30.89 | 7.03 | | | | | |
| | AL, KY, LA, MS, & TN Only | | | | | | | | | | | | | | | | | | |
| | 2-Wire Voice Grade Port (Centrex) | | | UEP9E | UEPQA | 1.70 | 22.14 | 15.25 | 8.45 | 3.91 | | | 30.89 | 7.03 | | | | | |
| | 2-Wire Voice Grade Port (Centrex 800 termination) | | | UEP9E | UEPQB | 1.70 | 22.14 | 15.25 | 8.45 | 3.91 | | | 30.89 | 7.03 | | | | | |
| | 2-Wire Voice Grade Port (Centrex with Caller ID)1 | | | UEP9E | UEPQH | 1.70 | 22.14 | 15.25 | 8.45 | 3.91 | | | 30.89 | 7.03 | | | | | |
| | 2-Wire Voice Grade Port (Centrex from diff Serving Wire Center)2 | | | UEP9E | UEPQM | 1.70 | 22.14 | 15.25 | 8.45 | 3.91 | | | 30.89 | 7.03 | | | | | |
| | 2-Wire Voice Grade Port, Diff Serving Wire Center - 800 Service Term | | | UEP9E | UEPQZ | 1.70 | 22.14 | 15.25 | 8.45 | 3.91 | | | 30.89 | 7.03 | | | | | |
| | 2-Wire Voice Grade Port terminated in on Megalink or equivalent | | | UEP9E | UEPQ9 | 1.70 | 22.14 | 15.25 | 8.45 | 3.91 | | | 30.89 | 7.03 | | | | | |
| | 2-Wire Voice Grade Port Terminated on 800 Service Term | | | UEP9E | UEPQ2 | 1.70 | 22.14 | 15.25 | 8.45 | 3.91 | | | 30.89 | 7.03 | | | | | |
| | Local Switching | | | | | | | | | | | | | | | | | | |
| | Centrex Intercom Funtionality, per port | | | UEP9E | URECS | 0.6381 | | | | | | | | | | | | | |
| | Local Number Portability | | | | | | | | | | | | | | | | | | |
| | Local Number Portability (1 per port) | | | UEP9E | LNPCc | 0.35 | | | | | | | | | | | | | |
| | Features | | | | | | | | | | | | | | | | | | |
| | All Standard Features Offered, per port | | | UEP9E | UEPVF | 0.00 | | | | | | | 30.89 | 7.03 | | | | | |
| | All Select Features Offered, per port | | | UEP9E | UEPVS | 0.00 | 433.78 | | | | | | 30.89 | 7.03 | | | | | |
| | All Centrex Control Features Offered, per port | | | UEP9E | UEPVC | 0.00 | | | | | | | 30.89 | 7.03 | | | | | |
| | NARS | | | | | | | | | | | | | | | | | | |
| | Unbundled Network Access Register - Combination | | | UEP9E | UARCX | 0.00 | 0.00 | 0.00 | | | | | 30.89 | 7.03 | | | | | |
| | Unbundled Network Access Register - Indial | | | UEP9E | UAR1X | 0.00 | 0.00 | 0.00 | | | | | 30.89 | 7.03 | | | | | |
| | Unbundled Network Access Register - Outdial | | | UEP9E | UAROx | 0.00 | 0.00 | 0.00 | | | | | 30.89 | 7.03 | | | | | |
| | Miscellaneous Terminations | | | | | | | | | | | | | | | | | | |
| | 2-Wire Trunk Side | | | | | | | | | | | | | | | | | | |
| | Trunk Side Terminations, each | | | UEP9E | CEND6 | 8.78 | 22.14 | 15.25 | 8.45 | 3.91 | | | 30.89 | 7.03 | | | | | |
| | 4-Wire Digital (1.544 Megabits) | | | | | | | | | | | | | | | | | | |
| | DS1 Circuit Terminations, each | | | UEP9E | M1HD1 | 35.55 | 75.93 | 38.15 | | | | | 30.89 | 7.03 | | | | | |
| | DS0 Channel Activated Per Channel | | | UEP9E | M1HDO | 0.00 | 108.67 | | | | | | 30.89 | 7.03 | | | | | |
| | Interoffice Channel Mileage - 2-Wire | | | | | | | | | | | | | | | | | | |
| | Interoffice Channel Facilities Termination | | | UEP9E | MIGBC | 18.58 | 22.14 | 15.25 | 8.45 | 3.91 | | | 30.89 | 7.03 | | | | | |
| | Interoffice Channel mileage, per mile or fraction of mile | | | UEP9E | MIGBM | 0.0174 | | | | | | | | | | | | | |
| | Feature Activations (DS0) Centrex Loops on Channelized DS1 Service | | | | | | | | | | | | | | | | | | |

| UNBUNDLED NETWORK ELEMENTS - Tennessee | | | | | | | | | | | Attachment: 2 | | Exhibit: B | | | | | |
|--|---|---------|------|-------|-------|-----------|--------------------|-------|--------------------|----------------------------------|--------------------------------------|--|--|---|---|------------------|---------------|-------|
| CATEGORY | RATE ELEMENTS | Interim | Zone | BCS | USOC | RATES(\$) | | | | Svc Order Submitted Elec per LSR | Svc Order Submitted Manually per LSR | Incremental Charge - Manual Svc Order vs. Electronic-1st | Incremental Charge - Manual Svc Order vs. Electronic-Add'l | Incremental Charge - Manual Svc Order vs. Electronic-Disc 1st | Incremental Charge - Manual Svc Order vs. Electronic-Disc Add'l | | | |
| | | | | | | Rec | Nonrecurring First | Add'l | Nonrecurring First | | | | | | | Disconnect Add'l | OSS Rates(\$) | |
| | | | | | | | | | | | | | SOMEK | SOMAN | SOMAN | SOMAN | SOMAN | SOMAN |
| D4 Channel Bank Feature Activations | | | | | | | | | | | | | | | | | | |
| | Feature Activation on D-4 Channel Bank Centrex Loop Slot | | | UEP9E | 1PQWS | 0.66 | | | | | | | | | | | | |
| | Feature Activation on D-4 Channel Bank FX line Side Loop Slot | | | UEP9E | 1PQW6 | 0.66 | | | | | | | | | | | | |
| | Feature Activation on D-4 Channel Bank FX Trunk Side Loop Slot | | | UEP9E | 1PQW7 | 0.66 | | | | | | | | | | | | |
| | Feature Activation on D-4 Channel Bank Centrex Loop Slot - Different Wire Center | | | UEP9E | 1PQWP | 0.66 | | | | | | | | | | | | |
| | Feature Activation on D-4 Channel Bank Private Line Loop Slot | | | UEP9E | 1PQWV | 0.66 | | | | | | | | | | | | |
| | Feature Activation on D-4 Channel Bank Tjie Line/Trunk Loop Slot | | | UEP9E | 1PQWQ | 0.66 | | | | | | | | | | | | |
| | Feature Activation on D-4 Channel Bank WATS Loop Slot | | | UEP9E | 1PQWA | 0.66 | | | | | | | | | | | | |
| Non-Recurring Charges (NRC) Associated with UNE-P Centrex | | | | | | | | | | | | | | | | | | |
| | NRC Conversion Currently Combined Switch-As-Is with allowed changes, per port | | | UEP9E | USAC2 | | 1.03 | 0.29 | | | | | | 30.89 | 7.03 | | | |
| | New Centrex Standard Common Block | | | UEP9E | M1ACS | 0.00 | 658.60 | | | | | | | 30.89 | 7.03 | | | |
| | New Centrex Customized Common Block | | | UEP9E | M1ACC | 0.00 | 658.60 | | | | | | | 30.89 | 7.03 | | | |
| | NAR Establishment Charge, Per Occasion | | | UEP9E | URECA | 0.00 | 68.57 | | | | | | | 30.89 | 7.03 | | | |
| UNE-P CENTREX - DCO - Valid in AL, KY, LA, MS, & TN | | | | | | | | | | | | | | | | | | |
| 2-Wire VG Loop/2-Wire Voice Grade Port (Centrex) Combo | | | | | | | | | | | | | | | | | | |
| UNE Port/Loop Combination Rates (Non-Design) | | | | | | | | | | | | | | | | | | |
| | 2-Wire VG Loop/2-Wire Voice Grade Port (Centrex) Port Combo - Non-Design | | 1 | UEP93 | | 14.18 | | | | | | | | | | | | |
| | 2-Wire VG Loop/2-Wire Voice Grade Port (Centrex)Port Combo - Non-Design | | 2 | UEP93 | | 18.01 | | | | | | | | | | | | |
| | 2-Wire VG Loop/2-Wire Voice Grade Port (Centrex)Port Combo - Non-Design | | 3 | UEP93 | | 23.02 | | | | | | | | | | | | |
| UNE Port/Loop Combination Rates (Design) | | | | | | | | | | | | | | | | | | |
| | 2-Wire VG Loop/2-Wire Voice Grade Port (Centrex) Port Combo - Design | | 1 | UEP93 | | 18.26 | | | | | | | | | | | | |
| | 2-Wire VG Loop/2-Wire Voice Grade Port (Centrex)Port Combo - Design | | 2 | UEP93 | | 23.33 | | | | | | | | | | | | |
| | 2-Wire VG Loop/2-Wire Voice Grade Port (Centrex)Port Combo - Design | | 3 | UEP93 | | 29.98 | | | | | | | | | | | | |
| UNE Loop Rate | | | | | | | | | | | | | | | | | | |
| | 2-Wire Voice Grade Loop (SL 1) - Zone 1 | | 1 | UEP93 | UECS1 | 12.48 | | | | | | | | | | | | |
| | 2-Wire Voice Grade Loop (SL 1) - Zone 2 | | 2 | UEP93 | UECS1 | 16.31 | | | | | | | | | | | | |
| | 2-Wire Voice Grade Loop (SL 1) - Zone 3 | | 3 | UEP93 | UECS1 | 21.32 | | | | | | | | | | | | |
| | 2-Wire Voice Grade Loop (SL 2) - Zone 1 | | 1 | UEP93 | UECS2 | 16.56 | | | | | | | | | | | | |
| | 2-Wire Voice Grade Loop (SL 2) - Zone 2 | | 2 | UEP93 | UECS2 | 21.63 | | | | | | | | | | | | |
| | 2-Wire Voice Grade Loop (SL 2) - Zone 3 | | 3 | UEP93 | UECS2 | 28.28 | | | | | | | | | | | | |
| UNE Port Rate | | | | | | | | | | | | | | | | | | |
| AL, KY, LA, MS, & TN only | | | | | | | | | | | | | | | | | | |
| | 2-Wire Voice Grade Port (Centrex) Basic Local Area | | | UEP93 | UEPYA | 1.70 | 22.14 | 15.25 | 8.45 | 3.91 | | | | 30.89 | 7.03 | | | |
| | 2-Wire Voice Grade Port (Centrex 800 termination)Basic Local Area | | | UEP93 | UEPYB | 1.70 | 22.14 | 15.25 | 8.45 | 3.91 | | | | 30.89 | 7.03 | | | |
| | 2-Wire Voice Grade Port (Centrex with Caller ID)1Basic Local Area | | | UEP93 | UEPYH | 1.70 | 22.14 | 15.25 | 8.45 | 3.91 | | | | 30.89 | 7.03 | | | |
| | 2-Wire Voice Grade Port (Centrex from diff Serving Wire Center)2 Basic Local Area | | | UEP93 | UEPYM | 1.70 | 22.14 | 15.25 | 8.45 | 3.91 | | | | 30.89 | 7.03 | | | |
| | 2-Wire Voice Grade Port, Diff Serving Wire Center - 800 Service Term - Basic Local Area | | | UEP93 | UEPYZ | 1.70 | 22.14 | 15.25 | 8.45 | 3.91 | | | | 30.89 | 7.03 | | | |
| | 2-Wire Voice Grade Port terminated in on Megalink or equivalent - Basic Local Area | | | UEP93 | UEPY9 | 1.70 | 22.14 | 15.25 | 8.45 | 3.91 | | | | 30.89 | 7.03 | | | |
| | 2-Wire Voice Grade Port Terminated on 800 Service Term - Basic Local Area | | | UEP93 | UEPY2 | 1.70 | 22.14 | 15.25 | 8.45 | 3.91 | | | | 30.89 | 7.03 | | | |
| | 2-Wire Voice Grade Port (Centrex) | | | UEP93 | UEPQA | 1.70 | 22.14 | 15.25 | 8.45 | 3.91 | | | | 30.89 | 7.03 | | | |
| | 2-Wire Voice Grade Port (Centrex 800 termination) | | | UEP93 | UEPQB | 1.70 | 22.14 | 15.25 | 8.45 | 3.91 | | | | 30.89 | 7.03 | | | |

| UNBUNDLED NETWORK ELEMENTS - Tennessee | | | | | | | | | | | Attachment: 2 | | Exhibit: B | | | |
|--|--|---------|------|-------|-------|-----------|--------------------|-------|--------------------|------------------|----------------------------------|--------------------------------------|--|--|---|---|
| CATEGORY | RATE ELEMENTS | Interim | Zone | BCS | USOC | RATES(\$) | | | | | Svc Order Submitted Elec per LSR | Svc Order Submitted Manually per LSR | Incremental Charge - Manual Svc Order vs. Electronic-1st | Incremental Charge - Manual Svc Order vs. Electronic-Add'l | Incremental Charge - Manual Svc Order vs. Electronic-Disc 1st | Incremental Charge - Manual Svc Order vs. Electronic-Disc Add'l |
| | | | | | | Rec | Nonrecurring First | Add'l | Nonrecurring First | Disconnect Add'l | | | | | | |
| | | | | | | | | | | | SOMEc | SOMAN | SOMAN | SOMAN | SOMAN | |
| | 2-Wire Voice Grade Port (Centrex with Caller ID)1 | | | UEP93 | UEPQH | 1.70 | 22.14 | 15.25 | 8.45 | 3.91 | | 30.89 | 7.03 | | | |
| | 2-Wire Voice Grade Port (Centrex from diff Serving Wire Center)2 | | | UEP93 | UEPQM | 1.70 | 22.14 | 15.25 | 8.45 | 3.91 | | 30.89 | 7.03 | | | |
| | 2-Wire Voice Grade Port, Diff Serving Wire Center - 800 Service Term | | | UEP93 | UEPQZ | 1.70 | 22.14 | 15.25 | 8.45 | 3.91 | | 30.89 | 7.03 | | | |
| | 2-Wire Voice Grade Port terminated in on Megalink or equivalent | | | UEP93 | UEPQ9 | 1.70 | 22.14 | 15.25 | 8.45 | 3.91 | | 30.89 | 7.03 | | | |
| | 2-Wire Voice Grade Port Terminated on 800 Service Term | | | UEP93 | UEPQ2 | 1.70 | 22.14 | 15.25 | 8.45 | 3.91 | | 30.89 | 7.03 | | | |
| | Local Switching | | | | | | | | | | | | | | | |
| | Centrex Intercom Functionality, per port | | | UEP93 | URECS | 0.6381 | | | | | | | | | | |
| | Local Number Portability | | | | | | | | | | | | | | | |
| | Local Number Portability (1 per port) | | | UEP93 | LNCCC | 0.35 | | | | | | | | | | |
| | Features | | | | | | | | | | | | | | | |
| | All Standard Features Offered, per port | | | UEP93 | UEPVF | 0.00 | | | | | | | | | | |
| | All Centrex Control Features Offered, per port | | | UEP93 | UEPVC | 0.00 | | | | | | | | | | |
| | NARS | | | | | | | | | | | | | | | |
| | Unbundled Network Access Register - Combination | | | UEP93 | UARCX | 0.00 | 0.00 | 0.00 | | | | 30.89 | 7.03 | | | |
| | Unbundled Network Access Register - Indial | | | UEP93 | UAR1X | 0.00 | 0.00 | 0.00 | | | | 30.89 | 7.03 | | | |
| | Unbundled Network Access Register - Outdial | | | UEP93 | UAROx | 0.00 | 0.00 | 0.00 | | | | 30.89 | 7.03 | | | |
| | Miscellaneous Terminations | | | | | | | | | | | | | | | |
| | 2-Wire Trunk Side | | | | | | | | | | | | | | | |
| | Trunk Side Terminations, each | | | UEP93 | CEND6 | 8.78 | 22.14 | 15.25 | 8.45 | 3.91 | | 30.89 | 7.03 | | | |
| | 4-Wire Digital (1.544 Megabits) | | | | | | | | | | | | | | | |
| | DS1 Circuit Terminations, each | | | UEP93 | M1HD1 | 35.55 | 75.93 | 38.15 | | | | 30.89 | 7.03 | | | |
| | DS0 Channels Activated, Per Channel | | | UEP93 | M1HDO | 0.00 | 108.67 | | | | | 30.89 | 7.03 | | | |
| | Interoffice Channel Mileage - 2-Wire | | | | | | | | | | | | | | | |
| | Interoffice Channel Facilities Termination | | | UEP93 | MIGBC | 18.58 | 22.14 | 15.25 | 8.45 | 3.91 | | 30.89 | 7.03 | | | |
| | Interoffice Channel mileage, per mile or fraction of mile | | | UEP93 | MIGBM | 0.0174 | | | | | | | | | | |
| | Feature Activations (DS0) Centrex Loops on Channelized DS1 Service | | | | | | | | | | | | | | | |
| | D4 Channel Bank Feature Activations | | | | | | | | | | | | | | | |
| | Feature Activation on D-4 Channel Bank Centrex Loop Slot | | | UEP93 | 1PQWS | 0.66 | | | | | | | | | | |
| | Feature Activation on D-4 Channel Bank FX Line Side Loop Slot | | | UEP93 | 1PQW6 | 0.66 | | | | | | | | | | |
| | Feature Activation on D-4 Channel Bank FX Trunk Side Loop Slot | | | UEP93 | 1PQW7 | 0.66 | | | | | | | | | | |
| | Feature Activation on D-4 Channel Bank Centrex Loop Slot - Different Wire Center | | | UEP93 | 1PQWP | 0.66 | | | | | | | | | | |
| | Feature Activation on D-4 Channel Bank Private Line Loop Slot | | | UEP93 | 1PQWV | 0.66 | | | | | | | | | | |
| | Feature Activation on D-4 Channel Bank Tie Line/Trunk Loop Slot | | | UEP93 | 1PQWQ | 0.66 | | | | | | | | | | |
| | Feature Activation on D-4 Channel Bank WATS Loop Slot | | | UEP93 | 1PQWA | 0.66 | | | | | | | | | | |
| | Non-Recurring Charges (NRC) Associated with UNE-P Centrex | | | | | | | | | | | | | | | |
| | NRC Conversion Currently Combined Switch-As-Is with allowed changes, per port | | | UEP93 | USAC2 | | 1.03 | 0.29 | | | | 30.89 | 7.03 | | | |
| | New Centrex Standard Common Block | | | UEP93 | M1ACC | 0.00 | 658.60 | | | | | 30.89 | 7.03 | | | |
| | New Centrex Customized Common Block | | | UEP93 | M1ACC | 0.00 | 658.60 | | | | | 30.89 | 7.03 | | | |
| | NAR Establishment Charge, Per Occasion | | | UEP93 | URECA | | 68.57 | | | | | 30.89 | 7.03 | | | |
| | Note 1 - Required Port for Centrex Control in 1AESS, 5ESS & EWSD | | | | | | | | | | | | | | | |
| | Note 2 - Requires Interoffice Channel Mileage | | | | | | | | | | | | | | | |
| | Note 3 - Requires Specific Customer Premises Equipment | | | | | | | | | | | | | | | |
| | NOTE: Rates displaying an "R" in Interim column are interim and subject to rate true-up as set forth in General Terms and Conditions. | | | | | | | | | | | | | | | |

ATTACHMENT 3
NETWORK INTERCONNECTION

TABLE OF CONTENTS

| | |
|---|------------------|
| 1. GENERAL..... | 3 |
| 2. DEFINITIONS: (FOR THE PURPOSE OF THIS ATTACHMENT) | 3 |
| 3. NETWORK INTERCONNECTION..... | 4 |
| 4. INTERCONNECTION TRUNK GROUP ARCHITECTURES | 6 |
| 5. NETWORK DESIGN AND MANAGEMENT FOR INTERCONNECTION | 13 |
| 6. LOCAL DIALING PARITY..... | 16 |
| 7. INTERCONNECTION COMPENSATION | 16 |
| 8. FRAME RELAY SERVICE INTERCONNECTION..... | 22 |
| 9. ORDERING CHARGES | 24 |
| Rates | Exhibit A |
| Basic Architecture | Exhibit B |
| One Way Architecture | Exhibit C |
| Two Way Architecture | Exhibit D |
| Supergroup Architecture | Exhibit E |

NETWORK INTERCONNECTION

1. GENERAL

- 1.1 The Parties shall provide interconnection with each other's networks for the transmission and routing of telephone exchange service (Local Traffic), ISP-bound Traffic, and exchange access (Switched Access Traffic) on the following terms:

2. DEFINITIONS: (FOR THE PURPOSE OF THIS ATTACHMENT)

- 2.1 For purposes of this attachment only, the following terms shall have the definitions set forth below:
- 2.1.1 **Call Termination** has the meaning set forth for "termination" in 47CFR § 51.701(d).
- 2.1.2 **Call Transport** has the meaning set forth for "transport" in 47 CFR § 51.701(c).
- 2.1.3 **Call Transport and Termination** is used collectively to mean the switching and transport functions from the Interconnection Point to the last point of switching.
- 2.1.4 **Common (Shared) Transport** is defined as the transport of the originating Party's traffic by the terminating Party over the terminating Party's common (shared) facilities between (1) the terminating Party's tandem switch and end office switch, (2) between the terminating Party's tandem switches, and/or (3) between the terminating Party's host and remote end office switches. All switches referred herein must be entered into the Local Exchange Routing Guide ("LERG").
- 2.1.5 **Dedicated Interoffice Facility** is defined as a switch transport facility between a Party's Serving Wire Center and the first point of switching within the LATA on the other Party's network.
- 2.1.6 **End Office Switching** is defined as the function that establishes a communications path between the trunk side and line side of the End Office switch.
- 2.1.7 **Fiber Meet** is an interconnection arrangement whereby the Parties physically interconnect their networks via an optical fiber interface at which one Party's facilities, provisioning, and maintenance responsibility begins and the other Party's responsibility ends.
- 2.1.8 **Interconnection Point ("IP")** is the physical telecommunications equipment interface that interconnects the networks of BellSouth and Comm South.
- 2.1.9 **ISP-bound Traffic** is as defined in Section 7 of this Attachment.

- 2.1.10 **Local Channel** is defined as a switched transport facility between a Party's Interconnection Point and the IP's Serving Wire Center.
- 2.1.11 **Local Traffic** is as defined in Section 7 of this Attachment.
- 2.1.12 **Serving Wire Center** is defined as the wire center owned by one Party from which the other Party would normally obtain dial tone for its IP.
- 2.1.13 **Tandem Switching** is defined as the function that establishes a communications path between two switching offices through a third switching office through the provision of trunk side to trunk side switching.
- 2.1.14 **Transit Traffic** is traffic originating on Comm South's network that is switched and/or transported by BellSouth and delivered to a third party's network, or traffic originating on a third party's network that is switched and/or transported by BellSouth and delivered to Comm South's network.

3. NETWORK INTERCONNECTION

- 3.1 This Attachment pertains only to the provision of network interconnection where Comm South owns and provides its switch(es).
- 3.2 Network interconnection may be provided by the Parties at any technically feasible point within BellSouth's network. Requests to BellSouth for interconnection at points other than as set forth in this Attachment may be made through the Bona Fide Request/New Business Request process set out in this Agreement.
- 3.2.1 Each Party is responsible for providing, engineering and maintaining the network on its side of the IP. The IP must be located within BellSouth's serving territory in the LATA in which traffic is originating. The IP determines the point at which the originating Party shall pay the terminating Party for the Call Transport and Termination of Local Traffic and ISP-bound Traffic.
- 3.2.2 Pursuant to the provisions of this Attachment, the location of the initial IP in a given LATA shall be established by mutual agreement of the Parties. Subject to the requirements for installing additional IPs, as set forth below, any IPs existing prior to the Effective Date of the Agreement will be accepted as initial IPs and will not require re-grooming. When the Parties mutually agree to utilize two-way interconnection trunk groups for the exchange of Local Traffic and ISP-bound Traffic between each other, the Parties shall mutually agree to the location of IP(s). If the Parties are unable to agree to a mutual initial IP, each Party, as originating Party, shall establish a single IP in the LATA for the delivery of its originated Local Traffic and ISP-bound Traffic to the other Party for Call Transport and Termination by the terminating Party.

3.2.3 When first establishing the interconnection arrangement in each LATA, the location of the IP shall be established by mutual agreement of the Parties. In selecting the IP, both Parties will act in good faith and select the point that is most efficient for both Parties. If the Parties are unable to agree on the location of the IP, each Party will designate IPs for its originated traffic. Additional IP(s) in a LATA may be established by mutual agreement of the Parties. Notwithstanding the foregoing, additional IP(s) in a particular LATA shall be established, at the request of either Party, when the Local Traffic and ISP-bound Traffic exceeds 8.9 million minutes per month for three consecutive months at the proposed location of the additional IP. BellSouth will not request the establishment of an IP where physical or virtual collocation space is not available or where BellSouth fiber connectivity is not available. When the Parties agree to utilize two-way interconnection trunk groups for the exchange of Local Traffic, the Parties must agree to the location of the IP(s).

3.3 **Interconnection via Dedicated Facilities**

3.3.1 **Local Channel Facilities.** As part of Call Transport and Termination, the originating Party may obtain Local Channel facilities from the terminating Party. The percentage of Local Channel facilities utilized for Local Traffic shall be determined based upon the application of the Percent Local Facility (PLF) Factor on a statewide basis. The charges applied to the percentage of Local Channel facilities used for Local Traffic as determined by the PLF are as set forth in Exhibit A to this Attachment. The remaining percentage of Local Channel facilities shall be billed at BellSouth's applicable access tariff rates.

3.3.2 **Dedicated Interoffice Facilities.** As a part of Call Transport and Termination, the originating Party may obtain Dedicated Interoffice Facilities from the terminating Party. The percentage of Dedicated Interoffice Facilities utilized for Local Traffic shall be determined based upon the application of the Percent Local Facility (PLF) Factor on a statewide basis. The charges applied to the percentage of the Dedicated Interoffice Facilities used for Local Traffic as determined by the PLF are as set forth in Exhibit A to this Attachment. The remaining percentage of the Dedicated Interoffice Facilities shall be billed at BellSouth's applicable access tariff rates.

3.3.3 The facilities purchased pursuant to this Section 3 shall be ordered via the Access Service Request ("ASR") process.

3.4 **Fiber Meet**

3.4.1 If Comm South elects to interconnect with BellSouth pursuant to a Fiber Meet, Comm South and BellSouth shall jointly engineer, operate and maintain a Synchronous Optical Network ("SONET") transmission system by which they shall interconnect their transmission and routing of Local Traffic via a Local Channel at either the DS1 or DS3 level. The Parties shall work jointly to

determine the specific transmission system. However, Comm South's SONET transmission system must be compatible with BellSouth's equipment, and the Data Communications Channel (DCC) must be turned off.

- 3.4.2 Each Party, at its own expense, shall procure, install and maintain the agreed upon SONET transmission system in its network.
- 3.4.3 The Parties shall agree to a Fiber Meet point between the BellSouth Serving Wire Center and the Comm South Serving Wire Center. The Parties shall deliver their fiber optic facilities to the Fiber Meet point with sufficient spare length to reach the fusion splice point for the Fiber Meet Point. BellSouth shall, at its own expense, provide and maintain the fusion splice point for the Fiber Meet. A building type Common Language Location Identification ("CLLI") code will be established for each Fiber Meet point. All orders for interconnection facilities from the Fiber Meet point shall indicate the Fiber Meet point as the originating point for the facility.
- 3.4.4 Upon verbal request by Comm South, BellSouth shall allow Comm South access to the fusion splice point for the Fiber Meet point for maintenance purposes on Comm South's side of the Fiber Meet point.
- 3.4.5 Neither Party shall charge the other for its Local Channel portion of the Fiber Meet facility used exclusively for Local Traffic. All other appropriate charges will apply. Comm South shall be billed for a mixed use of the Local Channel as set forth in the appropriate tariff(s) using the PIU/PLF factors supplied by Comm South. Charges for switched and special access services shall be billed in accordance with the applicable access service tariff.

4. INTERCONNECTION TRUNK GROUP ARCHITECTURES

- 4.1 BellSouth and Comm South shall establish interconnecting trunk groups and trunk group configurations between networks, including the use of one-way or two-way trunks in accordance with the following provisions set forth in this Agreement. For trunking purposes, traffic will be routed based on the digits dialed by the originating end user and in accordance with the LERG.
- 4.2 Comm South shall establish an interconnection trunk group(s) to at least one BellSouth access tandem within the LATA for the delivery of Comm South's originated Local Traffic and for the receipt and delivery of Transit Traffic. To the extent Comm South desires to deliver Local Traffic and/or Transit Traffic to BellSouth access tandems within the LATA, other than the tandems(s) to which Comm South has established interconnection trunk groups, Comm South shall order Multiple Tandem Access, as described in this Attachment, to such other BellSouth access tandems.

- 4.2.1 Notwithstanding the forgoing, Comm South shall establish an interconnection trunk group(s) to all BellSouth access and local tandems in the LATA where Comm South has homed (i.e. assigned) its NPA/NXXs. Comm South shall home its NPA/NXXs on the BellSouth tandems that serve the exchange rate center areas to which the NPA/NXXs are assigned. The specified exchange rate center assigned to each BellSouth tandem is defined in the LERG. Comm South shall enter its NPA/NXX access and/or local tandem homing arrangements into the LERG.
- 4.3 Switched access traffic will be delivered to and from Interexchange Carriers (IXCs) based on Comm South's NXX access tandem homing arrangement as specified by Comm South in the LERG.
- 4.4 Any Comm South interconnection request that (1) deviates from the interconnection trunk group architectures as described in this Agreement, (2) affects traffic delivered to Comm South from a BellSouth switch, and (3) requires special BellSouth switch translations and other network modifications will require Comm South to submit a Bona Fide Request/New Business Request (BFR/NBR) via the BFR/NBR Process as set forth in this Agreement.
- 4.5 Recurring and non-recurring rates associated with interconnecting trunk groups between BellSouth and Comm South are set forth in Exhibit A. To the extent a rate associated with the interconnecting trunk group is not set forth in Exhibit A, the rate shall be as set forth in the appropriate BellSouth tariff for switched access services.
- 4.6 For two-way trunk groups that carry only both Parties' Local Traffic, the Parties shall be compensated at 50% of the nonrecurring and recurring rates for dedicated trunks and facilities. Comm South shall be responsible for ordering and paying for any two-way trunks carrying Transit Traffic.
- 4.7 All trunk groups will be provisioned as Signaling System 7 (SS7) capable where technically feasible. If SS7 is not technically feasible multi-frequency (MF) protocol signaling shall be used.
- 4.8 In cases where Comm South is also an IXC, the IXC's Feature Group D (FG D) trunk group(s) must remain separate from the local interconnection trunk group(s).
- 4.9 Each Party shall order interconnection trunks and trunk group including trunk and trunk group augmentations via the ASR process. A Firm Order Confirmation (FOC) shall be returned to the ordering Party, after receipt of a valid, error free ASR, within the timeframes set forth in each state's applicable Performance Measures. Notwithstanding the foregoing, blocking situations and projects shall be managed through BellSouth's Local Interconnection Switching Center (LISC) Project Management Group and Comm South's equivalent trunking group, and FOCs for such orders shall be returned in the timeframes applicable to the project.

A project is defined as (1) a new trunk group or (2) a request for more than 96 trunks on a single or multiple group(s) in a given BellSouth local calling area.

4.10 **Interconnection Trunk Groups for Exchange of Local Traffic and Transit Traffic**

Upon mutual agreement of the Parties in a joint planning meeting, the Parties' shall exchange Local Traffic on two-way interconnection trunk group(s) with the quantity of trunks being mutually determined and the provisioning being jointly coordinated. Furthermore, the Parties shall agree upon the IP(s) for two-way interconnection trunk groups transporting both Parties' Local Traffic. Comm South shall order such two-way trunks via the Access Service Request (ASR) process. BellSouth will use the Trunk Group Service Request (TGSR) to request changes in trunking. Furthermore, the Parties shall jointly review trunk performance and forecasts on a periodic basis. The Parties' use of two-way interconnection trunk groups for the transport of Local Traffic between the Parties does not preclude either Party from establishing additional one-way interconnection trunks for the delivery of its originated Local Traffic to the other Party.

4.10.1 **BellSouth Access Tandem Interconnection**

BellSouth access tandem interconnection at a single access tandem provides access to those end offices subtending that access tandem ("Intratandem Access"). Access tandem interconnection is available for any of the following access tandem architectures

4.10.1.1 **Basic Architecture**

In the basic architecture, Comm South's originating Local Traffic and originating and terminating Transit Traffic is transported on a single two-way trunk group between Comm South and BellSouth access tandem(s) within a LATA to provide Intratandem Access. This trunk group carries Transit Traffic between Comm South and Independent Companies, Interexchange Carriers, other CLECs, CMRS providers that have a Meet Point Billing arrangement with BellSouth, and other network providers with which Comm South desires to exchange traffic. This trunk group also carries Comm South originated Transit Traffic transiting a single BellSouth access tandem destined to third party tandems such as an Independent Company tandem or other CLEC tandem. BellSouth originated Local Traffic is transported on a separate single one-way trunk group terminating to Comm South. Other trunk groups for operator services, directory assistance, emergency services and intercept must be established pursuant to the applicable BellSouth tariff if service is requested. The LERG contains current routing and tandem serving arrangements. The basic Architecture is illustrated in Exhibit B.

4.10.1.2 **One-Way Trunk Group Architecture**

In one-way trunk group architecture, the Parties interconnect using three separate trunk groups. A one-way trunk group provides Intratandem Access for Comm

South-originated Local Traffic destined for BellSouth end-users. A second one-way trunk group carries BellSouth-originated Local Traffic destined for Comm South end-users. A two-way trunk group provides Intratandem Access for Comm South's originating and terminating Transit Traffic. This trunk group carries Transit Traffic between Comm South and Independent Companies, Interexchange Carriers, other CLECs, CMRS providers that have a Meet Point Billing arrangement with BellSouth, and other network providers with which Comm South desires to exchange traffic. This trunk group also carries Comm South originated Transit Traffic transiting a single BellSouth access tandem destined to third party tandems such as an Independent Company tandem or other CLEC tandem. BellSouth originated Local Traffic is transported on a separate single one-way trunk group terminating to Comm South. Other trunk groups for operator services, directory assistance, emergency services and intercept must be established pursuant to the applicable BellSouth tariff if service is requested. The LERG contains current routing and tandem serving arrangements. The one-way trunk group architecture is illustrated in Exhibit C.

4.10.1.3 **Two-Way Trunk Group Architecture**

The two-way trunk group Architecture establishes one two-way trunk group to provide Intratandem Access for the exchange of Local Traffic between Comm South and BellSouth. In addition, a separate two-way transit trunk group must be established for Comm South's originating and terminating Transit Traffic. This trunk group carries Transit Traffic between Comm South and Independent Companies, Interexchange Carriers, other CLECs, CMRS providers that have a Meet Point Billing arrangement with BellSouth, and other network providers with which Comm South desires to exchange traffic. This trunk group also carries Comm South originated Transit Traffic transiting a single BellSouth access tandem destined to third party tandems such as an Independent Company tandem or other CLEC tandem. BellSouth originated traffic may, in order to prevent or remedy traffic blocking situations, be transported on a separate single one-way trunk group terminating to Comm South. However, where Comm South is responsive in a timely manner to BellSouth's transport needs for its originated traffic, BellSouth originating traffic will be placed on the two-way Local Traffic trunk group. Other trunk groups for operator services, directory assistance, emergency services and intercept must be established pursuant to the applicable BellSouth tariff if service is requested. The LERG contains current routing and tandem serving arrangements. The two-way trunk group architecture is illustrated in Exhibit D.

4.10.1.4 **Supergroup Architecture**

In the supergroup architecture, the Parties' Local Traffic and Comm South's Transit Traffic are exchanged on a single two-way trunk group between Comm South and BellSouth to provide Intratandem Access to Comm South. This trunk group carries Transit Traffic between Comm South and Independent Companies, Interexchange Carriers, other CLECs, CMRS providers that have a Meet Point Billing arrangement with BellSouth, and other network providers with which

Comm South desires to exchange traffic. This trunk group also carries Comm South originated Transit Traffic transiting a single BellSouth access tandem destined to third party tandems such as an Independent Company tandem or other CLEC tandem. BellSouth originated traffic may, in order to prevent or remedy traffic blocking situations, be transported on a separate single one-way trunk group terminating to Comm South. However, where Comm South is responsive in a timely manner to BellSouth's transport needs for its originated traffic, BellSouth originating traffic will be placed on the Supergroup. Other trunk groups for operator services, directory assistance, emergency services and intercept must be established pursuant to the applicable BellSouth tariff if service is requested. The LERG contains current routing and tandem serving arrangements. The supergroup architecture is illustrated in Exhibit E.

4.10.1.5 Multiple Tandem Access Interconnection

4.10.1.5.1 Where Comm South does not choose access tandem interconnection at every BellSouth access tandem within a LATA, Comm South may utilize BellSouth's multiple tandem access interconnection (MTA). To utilize MTA Comm South must establish an interconnection trunk group(s) at a BellSouth access tandem through multiple BellSouth access tandems within the LATA as required. BellSouth will route Comm South's originated Local Traffic for LATA wide transport and termination. Comm South must also establish an interconnection trunk group(s) at all BellSouth access tandems where Comm South NXXs are homed as described in Section 4.2.1 above. If Comm South does not have NXXs homed at any particular BellSouth access tandem within a LATA and elects not to establish an interconnection trunk group(s) at such BellSouth access tandem, Comm South can order MTA in each BellSouth access tandem within the LATA where it does have an interconnection trunk group(s) and BellSouth will terminate Comm South's Local Traffic to end-users served through those BellSouth access tandems where Comm South does not have an interconnection trunk group(s). MTA shall be provisioned in accordance with BellSouth's Ordering Guidelines.

4.10.1.5.2 Comm South may also utilize MTA to route its originated Transit Traffic; provided, however, that MTA may not be utilized to route switched access traffic that transits the BellSouth network to an Interexchange Carrier (IXC). Switched access traffic originated by or terminated to Comm South will be delivered to and from IXCs based on Comm South's NXX access tandem homing arrangement as specified by Comm South in the LERG.

4.10.1.5.3 Compensation for MTA shall be at the applicable tandem switching and transport charges specified in Exhibit A to this Attachment and shall be billed in addition to any Call Transport and Termination charges.

4.10.1.5.4 To the extent Comm South does not purchase MTA in a LATA served by multiple access tandems, Comm South must establish an interconnection trunk group(s) to every access tandem in the LATA to serve the entire LATA. To the extent Comm

South routes its traffic in such a way that utilizes BellSouth's MTA service without properly ordering MTA, Comm South shall pay BellSouth the associated MTA charges.

4.10.2 **Local Tandem Interconnection**

4.10.2.1 Local Tandem Interconnection arrangement allows Comm South to establish an interconnection trunk group(s) at BellSouth local tandems for: (1) the delivery of Comm South-originated Local Traffic transported and terminated by BellSouth to BellSouth end offices served by those BellSouth local tandems, and (2) for local Transit Traffic transported by BellSouth for third party network providers who have also established an interconnection trunk group(s) at those BellSouth local tandems.

4.10.2.2 When a specified local calling area is served by more than one BellSouth local tandem, Comm South must designate a "home" local tandem for each of its assigned NPA/NXXs and establish trunk connections to such local tandems. Additionally, Comm South may choose to establish an interconnection trunk group(s) at the BellSouth local tandems where it has no codes homing but is not required to do so. Comm South may deliver Local Traffic to a "home" BellSouth local tandem that is destined for other BellSouth or third party network provider end offices subtending other BellSouth local tandems in the same local calling area where Comm South does not choose to establish an interconnection trunk group(s). It is Comm South's responsibility to enter its own NPA/NXX local tandem homing arrangements into the LERG either directly or via a vendor in order for other third party network providers to determine appropriate traffic routing to Comm South's codes. Likewise, Comm South shall obtain its routing information from the LERG.

4.10.2.3 Notwithstanding establishing an interconnection trunk group(s) to BellSouth's local tandems, Comm South must also establish an interconnection trunk group(s) to BellSouth access tandems within the LATA on which Comm South has NPA/NXXs homed for the delivery of Interexchange Carrier Switched Access (SWA) and toll traffic, and traffic to Type 2A CMRS connections located at the access tandems. BellSouth shall not switch SWA traffic through more than one BellSouth access tandem. SWA, Type 2A CMRS or toll traffic routed to the local tandem in error will not be backhauled to the BellSouth access tandem for completion. (Type 2A CMRS interconnection is defined in BellSouth's A35 General Subscriber Services Tariff).

4.10.2.4 BellSouth's provisioning of Local Tandem Interconnection assumes that Comm South has executed the necessary local interconnection agreements with the other third party network providers subtending those local tandems as required by the Act.

4.10.3 **Direct End Office-to-End Office Interconnection**

- 4.10.3.1 Direct End Office-to-End Office one-way or two-way interconnection trunk groups allow for the delivery of a Party's originating Local Traffic and ISP-bound Traffic to the terminating Party on a direct end office-to-end office basis.
- 4.10.3.2 The Parties shall utilize direct end office-to-end office trunk groups under any one of the following conditions:
- 4.10.3.2.1 Tandem Exhaust - If a tandem through which the Parties are interconnected is unable to, or is forecasted to be unable to support additional traffic loads for any period of time, the Parties will mutually agree on an end office trunking plan that will alleviate the tandem capacity shortage and ensure completion of traffic between Comm South and BellSouth.
- 4.10.3.2.2 Traffic Volume -To the extent either Party has the capability to measure the amount of traffic between Comm South's switch and a BellSouth end office and where such traffic exceeds or is forecasted to exceed a single DS1 of traffic per month, then the Parties shall install and retain direct end office trunking sufficient to handle such traffic volumes. Either Party will install additional capacity between such points when overflow traffic exceeds or is forecasted to exceed a single DS1 of traffic per month. In the case of one-way trunking, additional trunking shall only be required by the Party whose trunking has achieved the preceding usage threshold.
- 4.10.3.2.3 Mutual Agreement - The Parties may install direct end office trunking upon mutual agreement in the absence of conditions (1) or (2) above.
- 4.10.4 **Transit Traffic Trunk Group**
- Transit Traffic trunks can either be two-way trunks or two one-way trunks ordered by Comm South to deliver and receive Transit Traffic. Establishing Transit Traffic trunks at BellSouth access and local tandems provides intratandem access to the third parties also interconnected at those tandems.
- 4.10.4.1 **Toll Free Traffic**
- 4.10.4.1.1 If Comm South chooses BellSouth to perform the Service Switching Point ("SSP") Function (i.e., handle Toll Free database queries) from BellSouth's switches, all Comm South originating Toll Free traffic will be routed over the Transit Traffic Trunk Group and shall be delivered using GR-394 format. Carrier Code "0110" and Circuit Code (to be determined for each LATA) shall be used for all such calls.
- 4.10.4.1.2 Comm South may choose to perform its own Toll Free database queries from its switch. In such cases, Comm South will determine the nature (local/intraLATA/interLATA) of the Toll Free call (local/IntraLATA/InterLATA) based on the response from the database. If the call is a BellSouth local or intraLATA Toll Free call, Comm South will route the post-query local or

IntraLATA converted ten-digit local number to BellSouth over the local or intraLATA trunk group. If the call is a third party (ICO, IXC, CMRS or other CLEC) local or intraLATA Toll Free call, Comm South will route the post-query local or intraLATA converted ten-digit local number to BellSouth over the Transit Traffic Trunk Group and Comm South shall provide to BellSouth a Toll Free billing record when appropriate. If the query reveals the call is an interLATA Toll Free call, Comm South will route the post-query interLATA Toll Free call (1) directly from its switch for carriers interconnected with its network or (2) over the Transit Traffic Trunk Group to carriers that are not directly connected to Comm South's network but that are connected to BellSouth's access tandem.

- 4.10.5 All post-query Toll Free calls for which Comm South performs the SSP function, if delivered to BellSouth, shall be delivered using GR-394 format for calls destined to IXCs, and GR-317 format for calls destined to end offices that directly subtend a BellSouth access tandem within the LATA.

5. NETWORK DESIGN AND MANAGEMENT FOR INTERCONNECTION

- 5.1 Network Management and Changes. The Parties will exchange toll-free maintenance contact numbers and escalation procedures. The Parties will provide public notice of network changes in accordance with applicable federal and state rules and regulations.
- 5.2 Interconnection Technical Standards. The interconnection of all networks will be based upon accepted industry/national guidelines for transmission standards and traffic blocking criteria. Interconnecting facilities shall conform, at a minimum, to the telecommunications industry standard of DS-1 pursuant to Telcordia Standard No. TR-NWT-00499. Where Comm South chooses to utilize Signaling System 7 signaling, also known as Common Channel Signaling ("SS7"), SS7 connectivity is required between the Comm South switch and the BellSouth Signaling Transfer Point ("STP"). BellSouth will provide SS7 signaling using Common Channel Signaling Access Capability in accordance with the technical specifications set forth in the BellSouth Guidelines to Technical Publication, TR-TSV-000905. Facilities of each Party shall provide the necessary on-hook, off-hook answer and disconnect supervision and shall provide calling number ID (Calling Party Number) when technically feasible.
- 5.3 Quality of Interconnection. The local interconnection for the transmission and routing of telephone exchange service and exchange access that each Party provides to each other will be at least equal in quality to what it provides to itself and any subsidiary or affiliate, where technically feasible, or to any other Party to which each Party provides local interconnection.
- 5.4 Network Management Controls. Both Parties will work cooperatively to apply sound network management principles by invoking appropriate network

management controls (e.g., call gapping) to alleviate or prevent network congestion.

5.5 SS7 Signaling. Both Parties will utilize LEC-to-LEC SS7 Signaling, where available, in conjunction with all traffic in order to enable full interoperability of CLASS features and functions except for call return. All SS7 signaling parameters will be provided, including but not limited to automatic number identification (“ANI”), originating line information (“OLI”) calling company category and charge number. All privacy indicators will be honored, and the Parties will exchange Transactional Capabilities Application Part (“TCAP”) messages to facilitate full interoperability of SS7-based features between the respective networks. Neither Party shall alter the SS7 parameters, or be a party to altering such parameters, or knowingly pass SS7 parameters that have been altered in order to circumvent appropriate interconnection charges.

5.6 Signaling Call Information. BellSouth and Comm South will send and receive 10 digits for Local Traffic. Additionally, BellSouth and Comm South will exchange the proper call information, i.e. originated call company number and destination call company number, CIC, and OZZ, including all proper translations for routing between networks and any information necessary for billing.

5.7 **Forecasting for Trunk Provisioning**

5.7.1 Within six (6) months after execution of this Agreement, Comm South shall provide an initial interconnection trunk group forecast for each LATA in which it plans to provide service within BellSouth’s region. Upon receipt of Comm South’s forecast, the Parties shall conduct a joint planning meeting to develop a joint interconnection trunk group forecast. Each forecast provided under this Section shall be deemed “Confidential Information” under the General Terms and Conditions of this Agreement.

5.7.1.1 At a minimum, the forecast shall include the projected quantity of Transit Trunks, Comm South-to-BellSouth one-way trunks (“Comm South Trunks”), BellSouth-to-Comm South one-way trunks (“Reciprocal Trunks”) and/or two-way interconnection trunks, if the Parties have agreed to interconnect using two-way trunking to transport the Parties’ Local Traffic and IntraLATA Toll Traffic. The quantities shall be projected for a minimum of six months and shall include an estimate of the current year plus the next two years total forecasted quantities. The Parties shall mutually develop Reciprocal Trunk and/or two-way interconnection trunk forecast quantities.

5.7.1.2 All forecasts shall include, at a minimum, Access Carrier Terminal Location (“ACTL”), trunk group type (local/intraLATA toll, Transit, Operator Services, 911, etc.), A location/Z location (CLLI codes for Comm South location and BellSouth location where the trunks shall terminate), interface type (e.g., DS1),

Direction of Signaling, Trunk Group Number, if known, (commonly referred to as the 2-6 code) and forecasted trunks in service each year (cumulative).

5.7.2 Once initial interconnection trunk forecasts have been developed, Comm South shall continue to provide interconnection trunk forecasts on a semiannual basis or at otherwise mutually agreeable intervals. Comm South shall use its best efforts to make the forecasts as accurate as possible based on reasonable engineering criteria. The Parties shall continue to develop Reciprocal Trunk and/or two-way interconnection trunk forecasts as described in Section 5.7.1.1.

5.7.3 The submitting and development of interconnection trunk forecasts shall not replace the ordering process for local interconnection trunks. Each Party shall exercise its best efforts to provide the quantity of interconnection trunks mutually forecasted. However, the provision of the forecasted quantity of interconnection trunks is subject to trunk terminations and facility capacity existing at the time the trunk order is submitted. Furthermore, the receipt and development of trunk forecasts does not imply any liability for failure to perform if capacity (trunk terminations or facilities) is not available for use at the forecasted time.

5.8 **Trunk Utilization**

5.8.1 BellSouth and Comm South shall monitor traffic on each interconnection trunk group that is ordered and installed. The Parties agree that within 180 days of the installation of a trunk or trunks, the trunks will be utilized at 60 percent (60%) of the time consistent busy hour utilization level. The Parties agree that within 365 days of the installation of a trunk or trunks, the trunks will be utilized at eighty percent (80%) of the time consistent busy hour utilization level. Any trunk or trunks not meeting the minimum thresholds set forth in this Section are defined as "Under-utilized" trunks. BellSouth may disconnect any Under-utilized reciprocal trunk(s) and the Party whose trunks are disconnected shall refund to the other Party associated trunk and facility charges paid by such other Party, if any.

5.8.1.1 BellSouth's Local Interconnection Switching Center (LISC) will notify Comm South of any under-utilized reciprocal trunk groups and the number of trunks that BellSouth wishes to disconnect. BellSouth will provide supporting information either by email or facsimile to the designated Comm South interface. Comm South will provide concurrence with the disconnection in seven (7) business days or will provide specific information supporting why the trunks should not be disconnected. Such supporting information should include expected traffic volumes (including traffic volumes generated due to Local Number Portability) and the timeframes within which Comm South expects to need such trunks. BellSouth's LISC Project Manager and Circuit Capacity Manager will discuss the information with Comm South to determine if agreement can be reached on the number of trunks to be removed. If no agreement can be reached, BellSouth will issue disconnect orders to Comm South. The due date of these orders will be four

weeks after Comm South was first notified in writing of the underutilization of the trunk groups.

- 5.8.2 To the extent that any interconnection trunk group is utilized at a time-consistent busy hour of eighty percent (80%) or greater, the Parties shall negotiate in good faith for the installation of augmented facilities.

6. LOCAL DIALING PARITY

- 6.1 BellSouth and Comm South shall provide local and toll dialing parity, as defined in FCC rules and regulations, with no unreasonable dialing delays. Dialing parity shall be provided for all originating telecommunications services that require dialing to route a call.

7. INTERCONNECTION COMPENSATION

7.1 Compensation for Call Transportation and Termination for Local Traffic and ISP-bound Traffic

- 7.1.1 For reciprocal compensation between the Parties pursuant to this Attachment, Local Traffic is defined as any circuit switched call that is originated by an end user of one Party and terminated to an end user of the other Party within a given LATA on that other Party's network, except for those calls that are originated or terminated through switched access arrangements as established by the ruling regulatory body.

- 7.1.1.1 Additionally, Local Traffic includes any cross boundary, voice-to-voice intrastate, interLATA or interstate, interLATA calls established as a local call by the ruling regulatory body.

- 7.1.2 ISP-bound Traffic is defined as calls to an information service provider or Internet service provider ("ISP") that are dialed by using a local dialing pattern (7 or 10 digits) by a calling party in one LATA to an ISP server or modem in the same LATA. ISP-bound Traffic is not Local Traffic subject to reciprocal compensation, but instead is information access traffic subject to the FCC's jurisdiction..

- 7.1.3 Notwithstanding the definitions of Local Traffic and ISP-bound traffic above, and pursuant to the FCC's Order on Remand and Report and Order in CC Docket 99-68 released April 27, 2001 ("ISP Order on Remand"), BellSouth and Comm South agree to the rebuttable presumption that all combined circuit switched Local and ISP-bound Traffic delivered to BellSouth or Comm South that exceeds a 3:1 ratio of terminating to originating traffic on a statewide basis shall be considered ISP-bound traffic for compensation purposes. BellSouth and Comm South further agree to the rebuttable presumption that all combined circuit switched Local and ISP-bound Traffic delivered to BellSouth or Comm South that does not exceed a

3:1 ratio of terminating to originating traffic on a statewide basis shall be considered Local Traffic for compensation purposes.

7.1.4 Neither Party shall pay compensation to the other Party for per minute of use rate elements associated with the Call Transport and Termination of Local Traffic or ISP-bound Traffic.

7.1.5 The appropriate elemental rates set forth in Exhibit A of this Attachment shall apply for Transit Traffic as described in Sections 7.6 and 7.6.1 below and to Multiple Tandem Access as described in Section 4.10.1.5 above.

7.1.6 Neither Party shall represent Switched Access Traffic as Local Traffic or ISP-bound Traffic for purposes of determining compensation for the call.

7.1.7 If Comm South assigns NPA/NXXs to specific BellSouth rate centers within the LATA and assigns numbers from those NPA/NXXs to Comm South end users physically located outside of that LATA, BellSouth traffic originating from within the LATA where the NPA/NXXs are assigned and delivered to a Comm South customer physically located outside of such LATA, shall not be deemed Local Traffic. Further, Comm South agrees to identify such interLATA traffic to BellSouth and to compensate BellSouth for originating and transporting such interLATA traffic to Comm South at BellSouth's switched access tariff rates.

7.2 If Comm South does not identify such interLATA traffic to BellSouth, to the best of BellSouth's ability BellSouth will determine which whole Comm South NPA/NXXs on which to charge the applicable rates for originating network access service as reflected in BellSouth's Access Service Tariff. BellSouth shall make appropriate billing adjustments if Comm South can provide sufficient information for BellSouth to determine whether or not said traffic is Local Traffic.

7.3 **Jurisdictional Reporting**

7.3.1 **Percent Local Use.** Each Party shall report to the other a Percent Local Usage ("PLU") factor. The application of the PLU will determine the amount of local minutes to be billed to the other Party. For purposes of developing the PLU, each Party shall consider every local call and every long distance call, excluding Transit Traffic. Each Party shall update its PLU on the first of January, April, July and October of the year and shall send it to the other Party to be received no later than 30 days after the first of each such month based on local usage for the past three months ending the last day of December, March, June and September, respectively. Requirements associated with PLU calculation and reporting shall be as set forth in BellSouth's Jurisdictional Factors Reporting Guide, as it is amended from time to time. Notwithstanding the foregoing, where the terminating Party has message recording technology that identifies the jurisdiction of traffic terminated as defined in this Agreement, such information, in lieu of the PLU factor, shall at

the terminating Party's option be utilized to determine the appropriate local usage compensation to be paid.

- 7.3.2 **Percent Local Facility.** Each Party shall report to the other a Percent Local Facility ("PLF") factor. The application of the PLF will determine the portion of switched dedicated transport to be billed per the local jurisdiction rates. The PLF shall be applied to Multiplexing, Local Channel and Interoffice Channel Switched Dedicated Transport utilized in the provision of local interconnection trunks. Each Party shall update its PLF on the first of January, April, July and October of the year and shall send it to the other Party to be received no later than 30 days after the first of each such month to be effective the first bill period the following month, respectively. Requirements associated with PLU and PLF calculation and reporting shall be as set forth in BellSouth's Jurisdictional Factors Reporting Guide, as it is amended from time to time.
- 7.3.3 **Percent Interstate Usage.** Each Party shall report to the other the projected Percent Interstate Usage ("PIU") factor. All jurisdictional report requirements, rules and regulations for Interexchange Carriers specified in BellSouth's Intrastate Access Services Tariff will apply to Comm South. After interstate and intrastate traffic percentages have been determined by use of PIU procedures, the PLU and PLF factors will be used for application and billing of local interconnection. Each Party shall update its PIUs on the first of January, April, July and October of the year and shall send it to the other Party to be received no later than 30 days after the first of each such month, for all services showing the percentages of use (PIUs, PLU, and PLF) for the past three months ending the last day of December, March, June and September. Notwithstanding the foregoing, where the terminating Party has message recording technology that identifies the jurisdiction of traffic terminated as defined in this Agreement, such information, in lieu of the PIU and PLU factors, shall at the terminating Party's option be utilized to determine the appropriate local usage compensation to be paid.
- 7.3.4 Notwithstanding the provisions in Section 7.3.1, 7.3.2, and 7.3.3 above, where the terminating Party has message recording technology that identifies the jurisdiction of traffic terminated as defined in this Agreement, such information shall, at the terminating Party's option, be utilized to determine the appropriate jurisdictional reporting factors (PLU, PIU, and/or PLF), in lieu of those provided by the originating Party. In the event that the terminating Party opts to utilize its own data to determine jurisdictional reporting factors, such terminating Party shall notify the originating Party at least 15 days prior to the beginning of the calendar quarter in which the terminating Party will begin to utilize its own data. Such factors shall subject to the Dispute Resolution provisions in this Agreement, as well as the Audit provisions set forth in 7.3.5 below.
- 7.3.5 **Audits.** On thirty (30) days written notice, each Party must provide the other the ability and opportunity to conduct an annual audit to ensure the proper billing of

traffic. BellSouth and Comm South shall retain records of call detail for a minimum of nine months from which the PLU, PLF and/or PIU can be ascertained. The audit shall be conducted during normal business hours at an office designated by the Party being audited. Audit requests shall not be submitted more frequently than one (1) time per calendar year. Audits shall be performed by a mutually acceptable independent auditor paid for by the Party requesting the audit. The PLF, PLU and/or PIU shall be adjusted based upon the audit results and shall apply for the quarter the audit was completed, for the quarter prior to the completion of the audit, and for the two quarters following the completion of the audit. If, as a result of an audit, either Party is found to have overstated the PLF, PLU and/or PIU by twenty percentage points (20%) or more, that Party shall reimburse the auditing Party for the cost of the audit.

7.4 **Compensation for 8XX Traffic**

7.4.1 Compensation for 8XX Traffic. Each Party shall pay the other the appropriate switched access charges set forth in the BellSouth intrastate or interstate switched access tariffs. Comm South will pay BellSouth the database query charge as set forth in the BellSouth intrastate or interstate switched access tariffs as applicable.

7.4.2 Records for 8XX Billing. Each Party will provide to the other the appropriate records necessary for billing intraLATA 8XX customers. The records provided will be in a standard EMI format.

7.4.3 8XX Access Screening. BellSouth's provision of 8XX Toll Free Dialing ("TFD") to Comm South requires interconnection from Comm South to BellSouth's 8XX Signal Channel Point ("SCP"). Such interconnections shall be established pursuant to BellSouth's Common Channel Signaling Interconnection Guidelines and Telcordia's CCS Network Interface Specification document, TR-TSV-000905. Comm South shall establish SSS7 interconnection at the BellSouth Local Signal Transfer Points serving the BellSouth 8XX SCPs that Comm South desires to query. The terms and conditions for 8XX TFD are set out in BellSouth's Intrastate Access Services Tariff.

7.5 **Mutual Provision of Switched Access Service**

7.5.1 Switched Access Traffic. Switched Access Traffic is described as telephone calls requiring local transmission or switching services for the purpose of the origination or termination of Telephone Toll Service. Switched Access Traffic includes, but is not limited to, the following types of traffic: Feature Group A, Feature Group B, Feature Group C, Feature Group D, toll free access (e.g., 8XX), 900 access and their successors. Additionally, any Public Switched Telephone Network interexchange telecommunications traffic, regardless of transport protocol method, where the originating and terminating points, end-to-end points, are in different LATAs, or are in the same LATA and the Parties' Switched Access services are used for the origination or termination of the call, shall be considered Switched

Access Traffic. Irrespective of transport protocol method used, a call which originates in one LATA and terminates in another LATA (i.e., the end-to-end points of the call) or in which the Parties' Switched Access Services are used for the origination or termination of the call, shall not be considered Local Traffic or ISP-bound Traffic.

- 7.5.2 If the BellSouth end user chooses Comm South as their presubscribed interexchange carrier, or if the BellSouth end user uses Comm South as an interexchange carrier on a 101XXXX basis, BellSouth will charge Comm South the appropriate BellSouth tariff charges for originating switched access services.
- 7.5.3 Where the originating Party delivers a call to the terminating Party over switched access facilities, the originating Party will pay the terminating Party terminating, switched access charges as set forth in BellSouth's Intrastate or Interstate Access Services Tariff, as appropriate.
- 7.5.4 When Comm South's end office switch provides an access service connection to or from an interexchange carrier ("IXC") by a direct trunk group to the IXC utilizing BellSouth facilities, each Party will provide its own access services to the IXC and bill on a multi-bill, multi-tariff meet-point basis. Each Party will bill its own access services rates to the IXC with the exception of the interconnection charge. The interconnection charge will be billed by Comm South as the Party providing the end office function. Each party will use the Multiple Exchange Carrier Access Billing (MECAB) guidelines to establish meet point billing for all applicable traffic. The parties shall utilize a thirty (30) day billing period.
- 7.5.4.1 When Comm South's end office subtends the BellSouth Access Tandem switch for receipt or delivery of switched access traffic and provides an access service connection to or from an IXC via BellSouth's Access Tandem switch, BellSouth, as the tandem company agrees to provide to Comm South, as the End Office Company, as defined in MECAB, at no charge, all the switched access detail usage data, recorded at the access tandem, within no more than sixty (60) days after the recording date. Each Party will notify the other when it is not feasible to meet these requirements. As business requirements change, data reporting requirements may be modified as necessary.
- 7.5.5 BellSouth, as the tandem provider company, will retain for a minimum period of sixty (60) days, access message detail sufficient to recreate any data that is lost or damaged by the tandem provider company or any third party involved in processing or transporting data.
- 7.5.6 BellSouth, as the tandem provider company, agrees to recreate the lost or damaged data within forty-eight (48) hours of notification by the other or by an authorized third party handling the data.

- 7.5.7 Any claims against BellSouth, as the tandem provider company, for unbillable or uncollectible revenue should be filed with the tandem provider company within 120 days of the usage date.
- 7.5.8 BellSouth, as the tandem provider company shall keep records of its billing activities relating to jointly-provided Intrastate and Interstate access services in sufficient detail to permit the Subsequent Billing Party to, by formal or informal review or audit, to verify the accuracy and reasonableness of the jointly-provided access billing data provided by the Initial Billing Party. Each Party agrees to cooperate in such formal or informal reviews or audits and further agrees to jointly review the findings of such reviews or audits in order to resolve any differences concerning the findings thereof.
- 7.5.9 Comm South agrees not to deliver switched access traffic to BellSouth for termination except over Comm South ordered switched access trunks and facilities.
- 7.6 **Transit Traffic**
- 7.6.1 BellSouth shall provide tandem switching and transport services for Comm South's Transit Traffic. Rates for local Transit Traffic and ISP-bound Transit Traffic shall be the applicable Call Transport and Termination charges as set forth in Exhibit A to this Attachment. Rates for Switched Access Transit Traffic shall be the applicable charges as set forth in BellSouth Interstate or Intrastate Switched Access tariffs. Billing associated with all Transit Traffic shall be pursuant to MECAB guidelines. Traffic between Comm South and Wireless Type 1 third parties shall not be treated as Transit Traffic from a routing or billing perspective. Traffic between Comm South and Wireless Type 2A or a third party CLEC utilizing BellSouth switching shall not be treated as Transit Traffic from a routing or billing perspective until BellSouth and the Wireless carrier or a third party CLEC utilizing BellSouth switching have the capability to properly meet-point-bill in accordance with MECAB guidelines.
- 7.6.2 The delivery of traffic that transits the BellSouth network and is transported to another carrier's network is excluded from any BellSouth billing guarantees. BellSouth agrees to deliver Transit Traffic to the terminating carrier; provided, however, that Comm South is solely responsible for negotiating and executing any appropriate contractual agreements with the terminating carrier for the exchange of Transit Traffic through the BellSouth network. BellSouth will not be liable for any compensation to the terminating carrier or to Comm South. In the event that the terminating third party carrier imposes on BellSouth any charges or costs for the delivery of Transit Traffic, Comm South shall reimburse BellSouth for such costs. Additionally, the Parties agree that any billing to a third party or other telecommunications carrier under this section shall be pursuant to MECAB procedures.

8. FRAME RELAY SERVICE INTERCONNECTION

- 8.1 In addition to the Local Interconnection services set forth above, BellSouth will offer a network to network Interconnection arrangement between BellSouth's and Comm South's frame relay switches as set forth below. The following provisions will apply only to Frame Relay Service and Exchange Access Frame Relay Service and Managed Shared Frame Relay Service in those states in which Comm South is certified and providing Frame Relay Service as a Local Exchange Carrier and where traffic is being exchanged between Comm South and BellSouth Frame Relay Switches in the same LATA.
- 8.2 The Parties agree to establish two-way Frame Relay facilities between their respective Frame Relay Switches to the mutually agreed upon Frame Relay Service point(s) of interconnection ("IP(s)") within the LATA. All IPs shall be within the same Frame Relay Network Serving Areas as defined in Section A40 of BellSouth's General Subscriber Service Tariff except as set forth in this Attachment.
- 8.3 Upon the request of either Party, such interconnection will be established where BellSouth and Comm South have Frame Relay Switches in the same LATA. Where there are multiple Frame Relay switches in one central office, an interconnection with any one of the switches will be considered an interconnection with all of the switches at that central office for purposes of routing packet traffic.
- 8.4 The Parties agree to provision local and intraLATA Frame Relay Service and Exchange Access Frame Relay Service and Managed Shared Frame Relay Service (both intrastate and interstate) over Frame Relay interconnection facilities between the respective Frame Relay switches and the IPs.
- 8.5 The Parties agree to assess each other reciprocal charges for the facilities that each provides to the other according to the Percent Local Circuit Use Factor (PLCU), determined as follows:
- 8.5.1 If the data packets originate and terminate in locations in the same LATA, and are consistent with the local definitions of the Agreement, the traffic is considered local. Frame Relay framed packet data is transported within Virtual Circuits (VC). For the purposes of this Agreement, if all the data packets transported within a VC remain within the LATA, then consistent with the local definitions in this Agreement, the traffic on that VC is local ("Local VC").
- 8.5.2 If the originating and terminating locations of the two-way packet data traffic are not in the same LATA, the traffic on that VC is interLATA ("InterLATA VC").
- 8.5.3 The PLCU is determined by dividing the total number of Local VCs, by the total number of VCs on each Frame Relay facility. To facilitate implementation, Comm South may determine its PLCU in aggregate, by dividing the total number of Local

VCs in a given LATA by the total number VCs in that LATA. The Parties agree to renegotiate the method for determining PLCU, at BellSouth's request, and within 90 days, if BellSouth notifies Comm South that it has found that this method does not adequately represent the PLCU.

- 8.5.4 If there are no VCs on a facility when it is billed, the PLCU will be zero.
- 8.5.5 BellSouth will provide the circuit between the Parties' respective Frame Relay Switches. The Parties will be compensated as follows: BellSouth will invoice, and Comm South will pay, the total non-recurring and recurring charges for the circuit based upon the rates set forth in BellSouth's Interstate Access Tariff, FCC No. 1. Comm South will then invoice, and BellSouth will pay, an amount calculated by multiplying the BellSouth billed charges for the circuit by one-half of Comm South's PLCU.
- 8.6 The Parties agree to compensate each other for Frame Relay network-to-network interface (NNI) ports based upon the NNI rates set forth in BellSouth's Interstate Access Tariff, FCC No. 1. Compensation for each pair of NNI ports will be calculated as follows: BellSouth will invoice, and Comm South will pay, the total non-recurring and recurring charges for the NNI port. Comm South will then invoice, and BellSouth will pay, an amount calculated by multiplying the BellSouth billed non-recurring and recurring charges for the NNI port by Comm South's PLCU.
- 8.7 Each Party agrees that there will be no charges to the other Party for its own subscriber's Permanent Virtual Circuit (PVC) rate elements for the local PVC segment from its Frame Relay switch to its own subscriber's premises. PVC rate elements include the Data Link Connection Identifier (DLCI) and Committed Information Rate (CIR).
- 8.8 For the PVC segment between the Comm South and BellSouth Frame Relay switches, compensation for the PVC charges is based upon the rates in BellSouth's Interstate Access Tariff, FCC No. 1.
- 8.9 Compensation for PVC rate elements will be calculated as follows:
- 8.9.1 If Comm South orders a VC connection between a BellSouth subscriber's PVC segment and a PVC segment from the BellSouth Frame Relay switch to the Comm South Frame Relay switch, BellSouth will invoice, and Comm South will pay, the total non-recurring and recurring PVC charges for the PVC segment between the BellSouth and Comm South Frame Relay switches. If the VC is a Local VC, Comm South will then invoice and BellSouth will pay, the total nonrecurring and recurring PVC charges billed for that segment. If the VC is not local, no compensation will be paid to Comm South for the PVC segment.

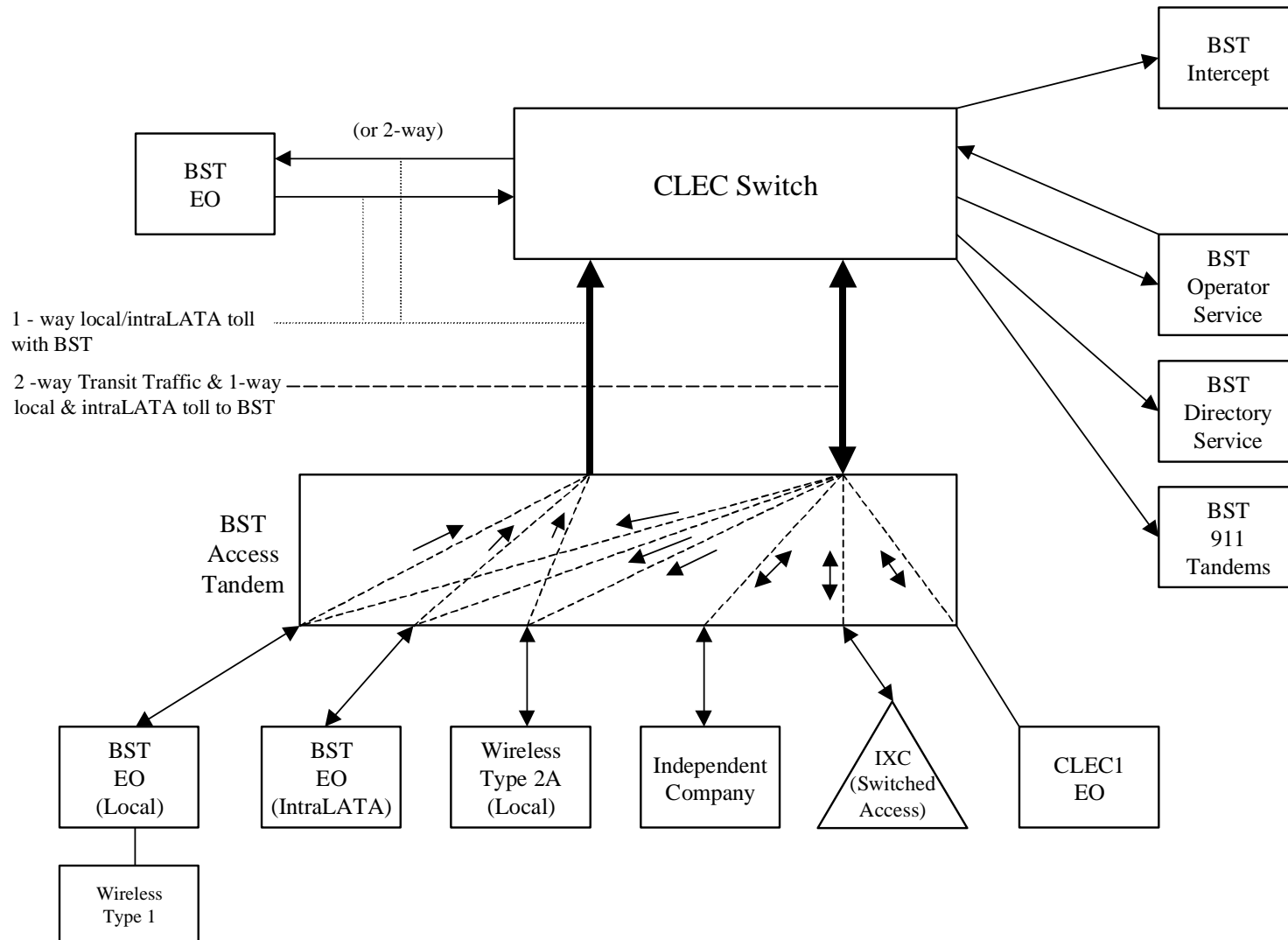
- 8.9.2 If BellSouth orders a Local VC connection between a Comm South subscriber's PVC segment and a PVC segment from the Comm South Frame Relay switch to the BellSouth Frame Relay switch, BellSouth will invoice, and Comm South will pay, the total non-recurring and recurring PVC and CIR charges for the PVC segment between the BellSouth and Comm South Frame Relay switches. If the VC is a Local VC, Comm South will then invoice and BellSouth will pay the total non-recurring and recurring PVC and CIR charges billed for that segment. If the VC is not local, no compensation will be paid to Comm South for the PVC segment.
- 8.9.3 The Parties agree to compensate each other for requests to change a PVC segment or PVC service order record, according to the Feature Change charge as set forth in the BellSouth access tariff BellSouth Tariff FCC No. 1.
- 8.9.4 If Comm South requests a change, BellSouth will invoice and Comm South will pay a Feature Change charge for each affected PVC segment.
- 8.9.4.1 If BellSouth requests a change to a Local VC, Comm South will invoice and BellSouth will pay a Feature Change charge for each affected PVC segment.
- 8.9.5 The Parties agree to limit the sum of the CIR for the VCs on a DS1 NNI port to not more than three times the port speed, or not more than six times the port speed on a DS3 NNI port.
- 8.9.6 Except as expressly provided herein, this Agreement does not address or alter in any way either Party's provision of Exchange Access Frame Relay Service, Managed Shared Frame Relay Service or interLATA Frame Relay Service. All charges by each Party to the other for carriage of Exchange Access Frame Relay Service or interLATA Frame Relay Service are included in the BellSouth access tariff BellSouth Tariff FCC No. 1.
- 8.10 Comm South will identify and report quarterly to BellSouth the PLCU of the Frame Relay facilities it uses, per Section 8.5.3 above.
- 8.11 Either Party may request a review or audit of the various service components, consistent with the provisions of section E2 of the BellSouth State Access Services tariffs or Section 2 of the BellSouth FCC No.1 Tariff.

9. ORDERING CHARGES

- 9.1 The terms, conditions and rates for Ordering Charges are as set forth in FCC Tariff for Access Service Records.

Exhibit B

Basic Architecture



One-Way Architecture

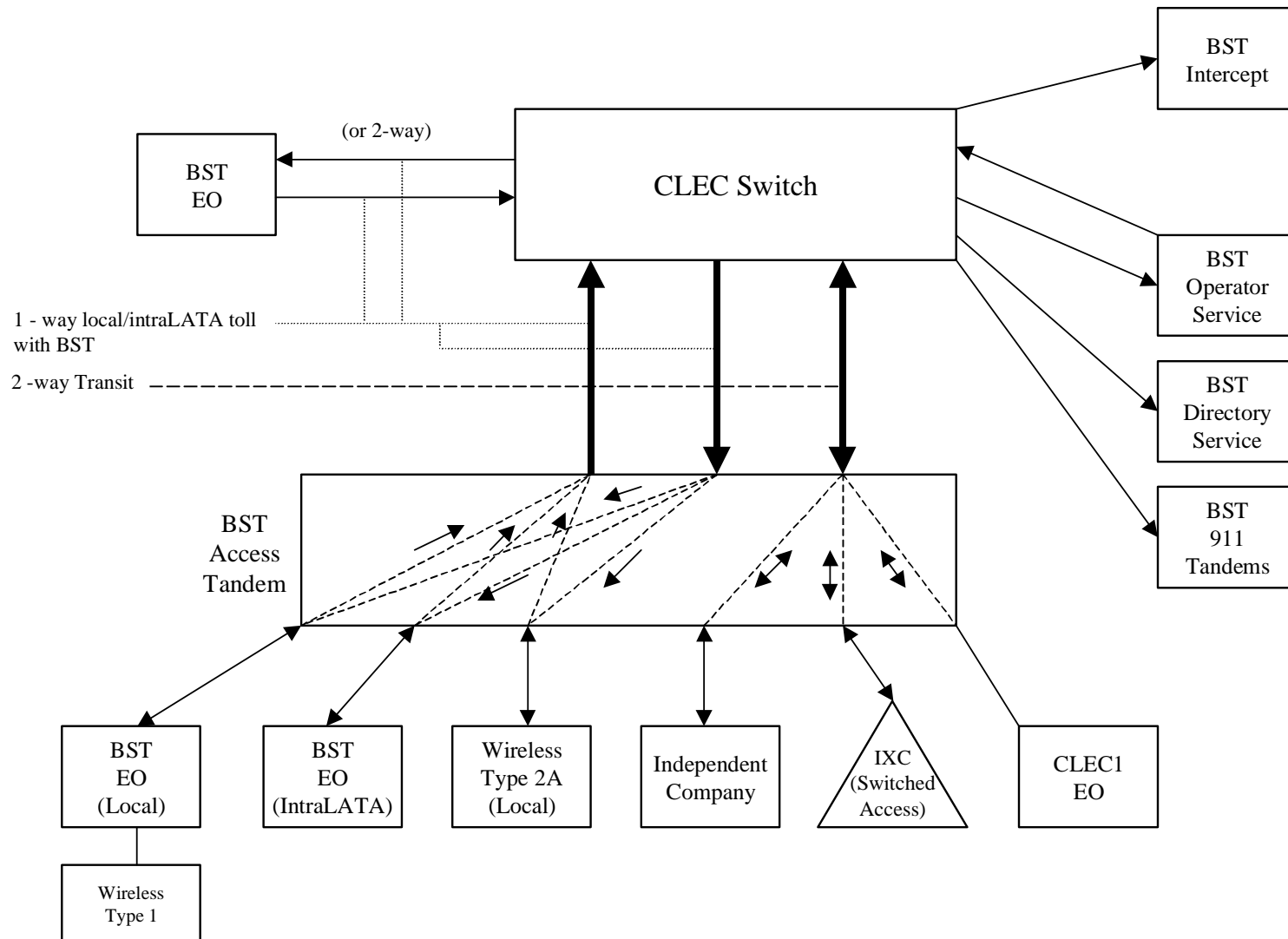


Exhibit D

Two-Way Architecture

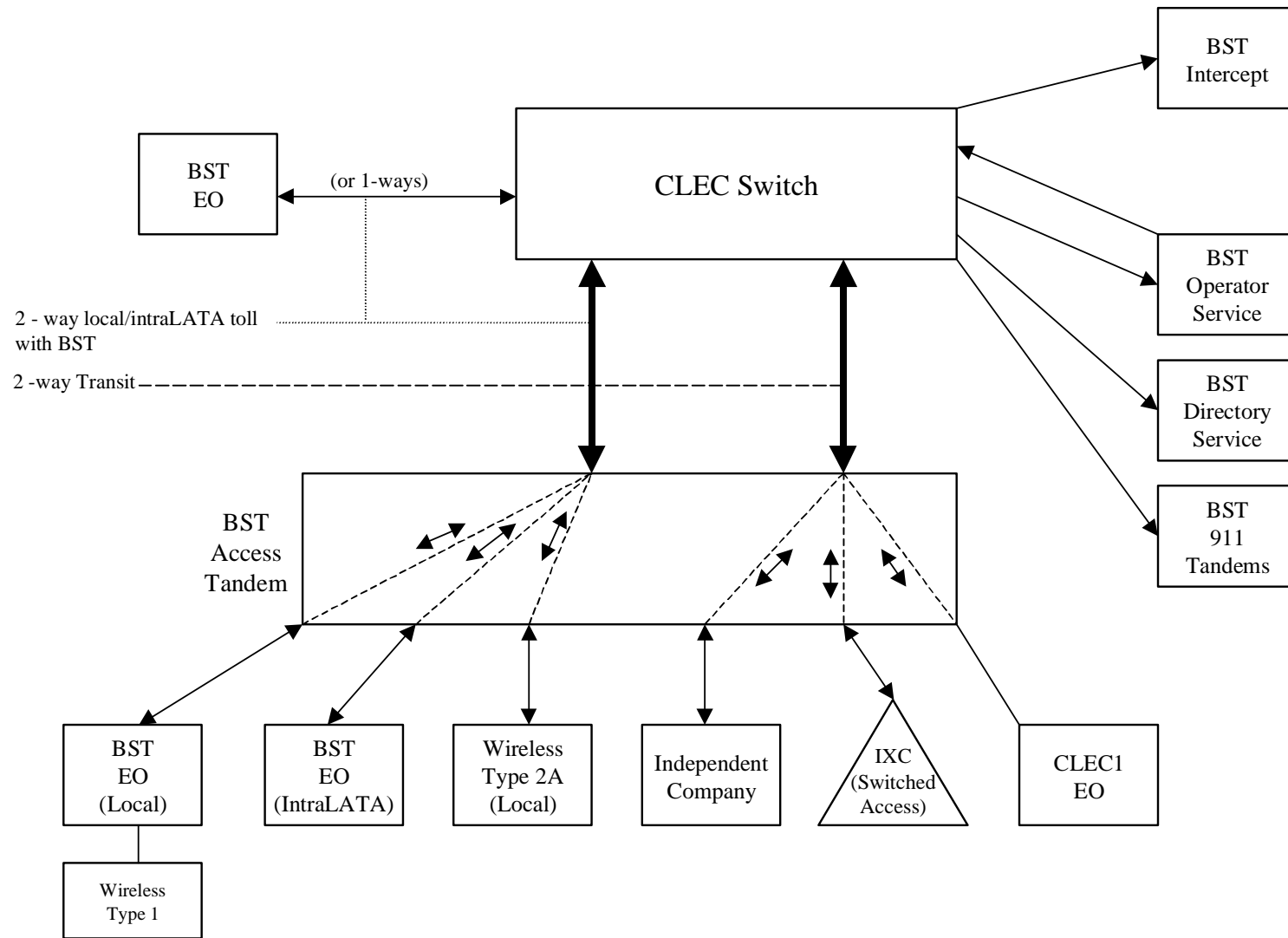
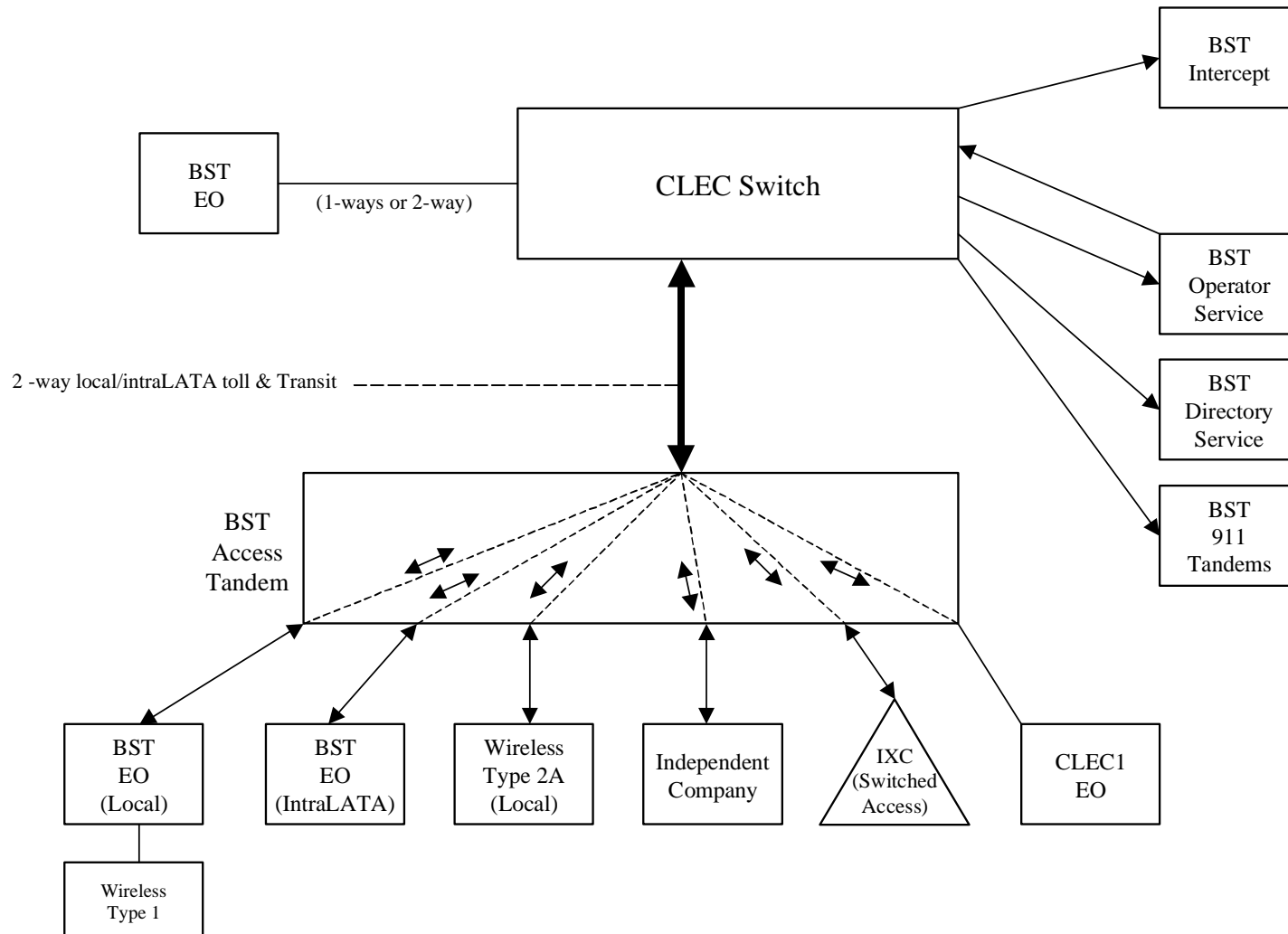


Exhibit E

Supergroup Architecture



| LOCAL INTERCONNECTION - Alabama | | | | | | | | | | Attachment: 3 | | Exhibit: A | | | | | | | | | | | |
|---|---|---------|------|------------|-------|-------------|----------------------------------|--------------------------------------|--|--|---|---|---------------|--------------|-------|-------------------------|--|-------|-------|-------|-------|-------|-------|
| CATEGORY | RATE ELEMENTS | Interim | Zone | BCS | USOC | RATES(\$) | Svc Order Submitted Elec per LSR | Svc Order Submitted Manually per LSR | Incremental Charge - Manual Svc Order vs. Electronic-1st | Incremental Charge - Manual Svc Order vs. Electronic-Add'l | Incremental Charge - Manual Svc Order vs. Electronic-Disc 1st | Incremental Charge - Manual Svc Order vs. Electronic-Disc Add'l | OSS Rates(\$) | | | | | | | | | | |
| | | | | | | | | | | | | | Rec | Nonrecurring | | Nonrecurring Disconnect | | SOMEc | SOMAN | SOMAN | SOMAN | SOMAN | SOMAN |
| | | | | | | | | | | | | | First | Add'l | First | Add'l | | | | | | | |
| LOCAL INTERCONNECTION (CALL TRANSPORT AND TERMINATION) | | | | | | | | | | | | | | | | | | | | | | | |
| NOTE: "bk" beside a rate indicates that the Parties have agreed to bill and keep for that element pursuant to the terms and conditions in Attachment 3. | | | | | | | | | | | | | | | | | | | | | | | |
| TANDEM SWITCHING | | | | | | | | | | | | | | | | | | | | | | | |
| | Tandem Switching Function Per MOU | | | OHD | | 0.0005692bk | | | | | | | | | | | | | | | | | |
| | Multiple Tandem Switching, per MOU (applies to intial tandem only) | | | OHD | | 0.0005692bk | | | | | | | | | | | | | | | | | |
| | Tandem Intermediary Charge, per MOU* | | | OHD | | 0.0015 | | | | | | | | | | | | | | | | | |
| * This charge is applicable only to transit traffic and is applied in addition to applicable switching and/or interconnection charges. | | | | | | | | | | | | | | | | | | | | | | | |
| TRUNK CHARGE | | | | | | | | | | | | | | | | | | | | | | | |
| | Installation Trunk Side Service - per DS0 | | | OHD | TPP++ | 333.69 | 56.91 | | | | | | | | | | | | | | | | |
| | Dedicated End Office Trunk Port Service-per DS0** | | | OHD | TDE0P | 0.00 | | | | | | | | | | | | | | | | | |
| | Dedicated End Office Trunk Port Service-per DS1** | | | OH1 OH1MS | TDE1P | 0.00 | | | | | | | | | | | | | | | | | |
| | Dedicated Tandem Trunk Port Service-per DS0** | | | OHD | TDW0P | 0.00 | | | | | | | | | | | | | | | | | |
| | Dedicated Tandem Trunk Port Service-per DS1** | | | OH1 OH1MS | TDW1P | 0.00 | | | | | | | | | | | | | | | | | |
| ** This rate element is recovered on a per MOU basis and is included in the End Office Switching and Tandem Switching, per MOU rate elements | | | | | | | | | | | | | | | | | | | | | | | |
| COMMON TRANSPORT (Shared) | | | | | | | | | | | | | | | | | | | | | | | |
| | Common Transport - Per Mile, Per MOU | | | OHD | | 0.0000026bk | | | | | | | | | | | | | | | | | |
| | Common Transport - Facilities Termination Per MOU | | | OHD | | 0.0003685bk | | | | | | | | | | | | | | | | | |
| LOCAL INTERCONNECTION (DEDICATED TRANSPORT) | | | | | | | | | | | | | | | | | | | | | | | |
| INTEROFFICE CHANNEL - DEDICATED TRANSPORT | | | | | | | | | | | | | | | | | | | | | | | |
| | Interoffice Channel - Dedicated Transport - 2-Wire Voice Grade - Per Mile per month | | | OHL, OHM | 1L5NF | 0.0101 | | | | | | | | | | | | | | | | | |
| | Interoffice Channel - Dedicated Transport- 2- Wire Voice Grade - Facility Termination per month | | | OHL, OHM | 1L5NF | 24.15 | 54.82 | | | | 13.79 | | | | | | | | | | | | |
| | Interoffice Channel - Dedicated Transport - 56 kbps - per mile per month | | | OHL, OHM | 1L5NK | 0.0101 | | | | | | | | | | | | | | | | | |
| | Interoffice Channel - Dedicated Transport - 56 kbps - Facility Termination per month | | | OHL, OHM | 1L5NK | 17.28 | 54.82 | | | | 13.79 | | | | | | | | | | | | |
| | Interoffice Channel - Dedicated Transport - 64 kbps - per mile per month | | | OHL, OHM | 1L5NK | 0.0101 | | | | | | | | | | | | | | | | | |
| | Interoffice Channel - Dedicated Transport - 64 kbps - Facility Termination per month | | | OHL, OHM | 1L5NK | 17.28 | 54.82 | | | | 13.79 | | | | | | | | | | | | |
| | Interoffice Channel - Dedicated Channel - DS1 - Per Mile per month | | | OH1, OH1MS | 1L5NL | 0.2067 | | | | | | | | | | | | | | | | | |
| | Interoffice Channel - Dedicated Transport - DS1 - Facility Termination per month | | | OH1, OH1MS | 1L5NL | 68.75 | 163.61 | | | | 28.88 | | | | | | | | | | | | |
| | Interoffice Channel - Dedicated Transport - DS3 - Per Mile per month | | | OH3, OH3MS | 1L5NM | 4.67 | | | | | | | | | | | | | | | | | |
| | Interoffice Channel - Dedicated Transport - DS3 - Facility Termination per month | | | OH3, OH3MS | 1L5NM | 804.02 | 325.51 | | | | 116.91 | | | | | | | | | | | | |
| LOCAL CHANNEL - DEDICATED TRANSPORT | | | | | | | | | | | | | | | | | | | | | | | |
| | Local Channel - Dedicated - 2-Wire Voice Grade per month | | | OHL, OHM | TEFV2 | 15.96 | 386.19 | 66.33 | | | 73.28 | | | | | | | | | | | | |
| | Local Channel - Dedicated - 4-Wire Voice Grade per month | | | OHL, OHM | TEFV4 | 17.06 | 387.06 | 67.20 | | | 74.22 | | | | | | | | | | | | |
| | Local Channel - Dedicated - DS1 per month | | | OH1 | TEFHG | 41.52 | 354.94 | 307.43 | | | 44.38 | | | | | | | | | | | | |
| | Local Channel - Dedicated - DS3 Facility Termination per month | | | OH3 | TEFHJ | 476.04 | 903.03 | 527.87 | | | 238.97 | | | | | | | | | | | | |
| LOCAL INTERCONNECTION MID-SPAN MEET | | | | | | | | | | | | | | | | | | | | | | | |
| NOTE: If Access service ride Mid-Span Meet, one-half the tariffed service Local Channel rate is applicable. | | | | | | | | | | | | | | | | | | | | | | | |
| | Local Channel - Dedicated - DS1 per month | | | OH1MS | TEFHG | 0.00 | 0.00 | | | | | | | | | | | | | | | | |
| | Local Channel - Dedicated - DS3 per month | | | OH3MS | TEFHJ | 0.00 | 0.00 | | | | | | | | | | | | | | | | |
| MULTIPLEXERS | | | | | | | | | | | | | | | | | | | | | | | |
| | Channelization - DS1 to DS0 Channel System | | | OH1, OH1MS | SATN1 | 122.50 | 182.08 | 125.14 | | | 21.07 | | | | | | | | | | | | |
| | DS3 to DS1 Channel System per month | | | OH3, OH3MS | SATNS | 201.37 | 356.28 | 187.94 | | | 66.51 | | | | | | | | | | | | |
| | DS3 Interface Unit (DS1 COC) per month | | | OH1, OH1MS | SATCO | 15.39 | 13.15 | 9.43 | | | | | | | | | | | | | | | |
| Notes: If no rate is identified in the contract, the rates, terms, and conditions for the specific service or function will be as set forth in applicable BellSouth tariff. | | | | | | | | | | | | | | | | | | | | | | | |

| LOCAL INTERCONNECTION - Florida | | | | | | | | | | Attachment: 3 | | Exhibit: A | | | | | | | | | | |
|---|---|---------|------|------------|-------|-------------|----------------------------------|--------------------------------------|--|--|---|---|---------------|--------------|-------|-------------------------|--|-------|-------|-------|-------|-------|
| CATEGORY | RATE ELEMENTS | Interim | Zone | BCS | USOC | RATES(\$) | Svc Order Submitted Elec per LSR | Svc Order Submitted Manually per LSR | Incremental Charge - Manual Svc Order vs. Electronic-1st | Incremental Charge - Manual Svc Order vs. Electronic-Add'l | Incremental Charge - Manual Svc Order vs. Electronic-Disc 1st | Incremental Charge - Manual Svc Order vs. Electronic-Disc Add'l | OSS Rates(\$) | | | | | | | | | |
| | | | | | | | | | | | | | Rec | Nonrecurring | | Nonrecurring Disconnect | | SOMEc | SOMAN | SOMAN | SOMAN | SOMAN |
| | | | | | | | | | | | | | First | Add'l | First | Add'l | | | | | | |
| LOCAL INTERCONNECTION (CALL TRANSPORT AND TERMINATION) | | | | | | | | | | | | | | | | | | | | | | |
| NOTE: "bk" beside a rate indicates that the Parties have agreed to bill and keep for that element pursuant to the terms and conditions in Attachment 3. | | | | | | | | | | | | | | | | | | | | | | |
| TANDEM SWITCHING | | | | | | | | | | | | | | | | | | | | | | |
| | Tandem Switching Function Per MOU | | | OHD | | 0.0006019bk | | | | | | | | | | | | | | | | |
| | Multiple Tandem Switching, per MOU (applies to intial tandem only) | | | OHD | | 0.0006019bk | | | | | | | | | | | | | | | | |
| | Tandem Intermediary Charge, per MOU* | | | OHD | | 0.0015 | | | | | | | | | | | | | | | | |
| * This charge is applicable only to transit traffic and is applied in addition to applicable switching and/or interconnection charges. | | | | | | | | | | | | | | | | | | | | | | |
| TRUNK CHARGE | | | | | | | | | | | | | | | | | | | | | | |
| | Installation Trunk Side Service - per DS0 | | | OHD | TPP++ | 336.43 | 57.38 | | | | | | | | | | | | | | | |
| | Dedicated End Office Trunk Port Service-per DS0** | | | OHD | TDE0P | 0.00 | | | | | | | | | | | | | | | | |
| | Dedicated End Office Trunk Port Service-per DS1** | | | OH1 OH1MS | TDE1P | 0.00 | | | | | | | | | | | | | | | | |
| | Dedicated Tandem Trunk Port Service-per DS0** | | | OHD | TDW0P | 0.00 | | | | | | | | | | | | | | | | |
| | Dedicated Tandem Trunk Port Service-per DS1** | | | OH1 OH1MS | TDW1P | 0.00 | | | | | | | | | | | | | | | | |
| ** This rate element is recovered on a per MOU basis and is included in the End Office Switching and Tandem Switching, per MOU rate elements | | | | | | | | | | | | | | | | | | | | | | |
| COMMON TRANSPORT (Shared) | | | | | | | | | | | | | | | | | | | | | | |
| | Common Transport - Per Mile, Per MOU | | | OHD | | 0.0000035bk | | | | | | | | | | | | | | | | |
| | Common Transport - Facilities Termination Per MOU | | | OHD | | 0.0004372bk | | | | | | | | | | | | | | | | |
| LOCAL INTERCONNECTION (DEDICATED TRANSPORT) | | | | | | | | | | | | | | | | | | | | | | |
| INTEROFFICE CHANNEL - DEDICATED TRANSPORT | | | | | | | | | | | | | | | | | | | | | | |
| | Interoffice Channel - Dedicated Transport - 2-Wire Voice Grade - Per Mile per month | | | OHL, OHM | 1L5NF | 0.0091 | | | | | | | | | | | | | | | | |
| | Interoffice Channel - Dedicated Transport- 2- Wire Voice Grade - Facility Termination per month | | | OHL, OHM | 1L5NF | 25.32 | 31.78 | | | | 7.03 | | | | | | | | | | | |
| | Interoffice Channel - Dedicated Transport - 56 kbps - per mile per month | | | OHL, OHM | 1L5NK | 0.0091 | | | | | | | | | | | | | | | | |
| | Interoffice Channel - Dedicated Transport - 56 kbps - Facility Termination per month | | | OHL, OHM | 1L5NK | 18.44 | 31.78 | | | | 7.03 | | | | | | | | | | | |
| | Interoffice Channel - Dedicated Transport - 64 kbps - per mile per month | | | OHL, OHM | 1L5NK | 0.0091 | | | | | | | | | | | | | | | | |
| | Interoffice Channel - Dedicated Transport - 64 kbps - Facility Termination per month | | | OHL, OHM | 1L5NK | 18.44 | 31.78 | | | | 7.03 | | | | | | | | | | | |
| | Interoffice Channel - Dedicated Channel - DS1 - Per Mile per month | | | OH1, OH1MS | 1L5NL | 0.1856 | | | | | | | | | | | | | | | | |
| | Interoffice Channel - Dedicated Transport - DS1 - Facility Termination per month | | | OH1, OH1MS | 1L5NL | 88.44 | 98.47 | | | | 19.05 | | | | | | | | | | | |
| | Interoffice Channel - Dedicated Transport - DS3 - Per Mile per month | | | OH3, OH3MS | 1L5NM | 3.87 | | | | | | | | | | | | | | | | |
| | Interoffice Channel - Dedicated Transport - DS3 - Facility Termination per month | | | OH3, OH3MS | 1L5NM | 1,071.00 | 219.28 | | | | 70.56 | | | | | | | | | | | |
| LOCAL CHANNEL - DEDICATED TRANSPORT | | | | | | | | | | | | | | | | | | | | | | |
| | Local Channel - Dedicated - 2-Wire Voice Grade per month | | | OHL, OHM | TEFV2 | 21.94 | 265.84 | 46.97 | | | 37.63 | | | | | | | | | | | |
| | Local Channel - Dedicated - 4-Wire Voice Grade per month | | | OHL, OHM | TEFV4 | 22.81 | 266.54 | 47.67 | | | 44.22 | | | | | | | | | | | |
| | Local Channel - Dedicated - DS1 per month | | | OH1 | TEFHG | 35.28 | 216.65 | 183.54 | | | 24.30 | | | | | | | | | | | |
| | Local Channel - Dedicated - DS3 Facility Termination per month | | | OH3 | TEFHJ | 531.91 | 556.37 | 343.01 | | | 139.13 | | | | | | | | | | | |
| LOCAL INTERCONNECTION MID-SPAN MEET | | | | | | | | | | | | | | | | | | | | | | |
| NOTE: If Access service ride Mid-Span Meet, one-half the tariffed service Local Channel rate is applicable. | | | | | | | | | | | | | | | | | | | | | | |
| | Local Channel - Dedicated - DS1 per month | | | OH1MS | TEFHG | 0.00 | 0.00 | | | | | | | | | | | | | | | |
| | Local Channel - Dedicated - DS3 per month | | | OH3MS | TEFHJ | 0.00 | 0.00 | | | | | | | | | | | | | | | |
| MULTIPLEXERS | | | | | | | | | | | | | | | | | | | | | | |
| | Channelization - DS1 to DS0 Channel System | | | OH1, OH1MS | SATN1 | 146.77 | 101.42 | 71.62 | | | 11.09 | | | | | | | | | | | |
| | DS3 to DS1 Channel System per month | | | OH3, OH3MS | SATNS | 211.19 | 199.28 | 118.64 | | | 40.34 | | | | | | | | | | | |
| | DS3 Interface Unit (DS1 COC) per month | | | OH1, OH1MS | SATCO | 13.76 | 10.07 | 7.08 | | | | | | | | | | | | | | |
| Notes: If no rate is identified in the contract, the rates, terms, and conditions for the specific service or function will be as set forth in applicable BellSouth tariff. | | | | | | | | | | | | | | | | | | | | | | |

| LOCAL INTERCONNECTION - Georgia | | | | | | | | | | Attachment: 3 | | Exhibit: A | | | | | | | | | | | |
|---|---|---------|------|------------|-------|-------------|----------------------------------|--------------------------------------|--|--|---|---|---------------|--------------|-------|-------------------------|--|-------|-------|-------|-------|-------|-------|
| CATEGORY | RATE ELEMENTS | Interim | Zone | BCS | USOC | RATES(\$) | Svc Order Submitted Elec per LSR | Svc Order Submitted Manually per LSR | Incremental Charge - Manual Svc Order vs. Electronic-1st | Incremental Charge - Manual Svc Order vs. Electronic-Add'l | Incremental Charge - Manual Svc Order vs. Electronic-Disc 1st | Incremental Charge - Manual Svc Order vs. Electronic-Disc Add'l | OSS Rates(\$) | | | | | | | | | | |
| | | | | | | | | | | | | | Rec | Nonrecurring | | Nonrecurring Disconnect | | SOMEc | SOMAN | SOMAN | SOMAN | SOMAN | SOMAN |
| | | | | | | | | | | | | | First | Add'l | First | Add'l | | | | | | | |
| LOCAL INTERCONNECTION (CALL TRANSPORT AND TERMINATION) | | | | | | | | | | | | | | | | | | | | | | | |
| NOTE: "bk" beside a rate indicates that the Parties have agreed to bill and keep for that element pursuant to the terms and conditions in Attachment 3. | | | | | | | | | | | | | | | | | | | | | | | |
| TANDEM SWITCHING | | | | | | | | | | | | | | | | | | | | | | | |
| | Tandem Switching Function Per MOU | | | OHD | | 0.0011009bk | | | | | | | | | | | | | | | | | |
| | Multiple Tandem Switching, per MOU (applies to intial tandem only) | | | OHD | | 0.0011009bk | | | | | | | | | | | | | | | | | |
| | Tandem Intermediary Charge, per MOU* | | | OHD | | 0.0015 | | | | | | | | | | | | | | | | | |
| * This charge is applicable only to transit traffic and is applied in addition to applicable switching and/or interconnection charges. | | | | | | | | | | | | | | | | | | | | | | | |
| TRUNK CHARGE | | | | | | | | | | | | | | | | | | | | | | | |
| | Installation Trunk Side Service - per DS0 | | | OHD | TPP++ | 333.28 | 56.84 | | | | | | | | | | | | | | | | |
| | Dedicated End Office Trunk Port Service-per DS0** | | | OHD | TDE0P | 0.00 | | | | | | | | | | | | | | | | | |
| | Dedicated End Office Trunk Port Service-per DS1** | | | OH1 OH1MS | TDE1P | 0.00 | | | | | | | | | | | | | | | | | |
| | Dedicated Tandem Trunk Port Service-per DS0** | | | OHD | TDW0P | 0.00 | | | | | | | | | | | | | | | | | |
| | Dedicated Tandem Trunk Port Service-per DS1** | | | OH1 OH1MS | TDW1P | 0.00 | | | | | | | | | | | | | | | | | |
| ** This rate element is recovered on a per MOU basis and is included in the End Office Switching and Tandem Switching, per MOU rate elements | | | | | | | | | | | | | | | | | | | | | | | |
| COMMON TRANSPORT (Shared) | | | | | | | | | | | | | | | | | | | | | | | |
| | Common Transport - Per Mile, Per MOU | | | OHD | | 0.000008bk | | | | | | | | | | | | | | | | | |
| | Common Transport - Facilities Termination Per MOU | | | OHD | | 0.0004152bk | | | | | | | | | | | | | | | | | |
| LOCAL INTERCONNECTION (DEDICATED TRANSPORT) | | | | | | | | | | | | | | | | | | | | | | | |
| INTEROFFICE CHANNEL - DEDICATED TRANSPORT | | | | | | | | | | | | | | | | | | | | | | | |
| | Interoffice Channel - Dedicated Transport - 2-Wire Voice Grade - Per Mile per month | | | OHL, OHM | 1L5NF | 0.0222 | | | | | | | | | | | | | | | | | |
| | Interoffice Channel - Dedicated Transport- 2- Wire Voice Grade - Facility Termination per month | | | OHL, OHM | 1L5NF | 17.07 | 36.08 | | | | | | | | | | | | | | | | |
| | Interoffice Channel - Dedicated Transport - 56 kbps - per mile per month | | | OHL, OHM | 1L5NK | 0.0222 | | | | | | | | | | | | | | | | | |
| | Interoffice Channel - Dedicated Transport - 56 kbps - Facility Termination per month | | | OHL, OHM | 1L5NK | 16.45 | 36.08 | | | | | | | | | | | | | | | | |
| | Interoffice Channel - Dedicated Transport - 64 kbps - per mile per month | | | OHL, OHM | 1L5NK | 0.0222 | | | | | | | | | | | | | | | | | |
| | Interoffice Channel - Dedicated Transport - 64 kbps - Facility Termination per month | | | OHL, OHM | 1L5NK | 16.45 | 36.08 | | | | | | | | | | | | | | | | |
| | Interoffice Channel - Dedicated Channel - DS1 - Per Mile per month | | | OH1, OH1MS | 1L5NL | 0.4523 | | | | | | | | | | | | | | | | | |
| | Interoffice Channel - Dedicated Transport - DS1 - Facility Termination per month | | | OH1, OH1MS | 1L5NL | 78.47 | 111.75 | | | | | | | | | | | | | | | | |
| | Interoffice Channel - Dedicated Transport - DS3 - Per Mile per month | | | OH3, OH3MS | 1L5NM | 2.72 | | | | | | | | | | | | | | | | | |
| | Interoffice Channel - Dedicated Transport - DS3 - Facility Termination per month | | | OH3, OH3MS | 1L5NM | 788.00 | 330.77 | | | | | | | | | | | | | | | | |
| LOCAL CHANNEL - DEDICATED TRANSPORT | | | | | | | | | | | | | | | | | | | | | | | |
| | Local Channel - Dedicated - 2-Wire Voice Grade per month | | | OHL, OHM | TEFV2 | 13.91 | 382.95 | 62.40 | | | | | | | | | | | | | | | |
| | Local Channel - Dedicated - 4-Wire Voice Grade per month | | | OHL, OHM | TEFV4 | 14.99 | 368.44 | 64.05 | | | | | | | | | | | | | | | |
| | Local Channel - Dedicated - DS1 per month | | | OH1 | TEFHG | 38.36 | 356.15 | 312.89 | | | | | | | | | | | | | | | |
| | Local Channel - Dedicated - DS3 Facility Termination per month | | | OH3 | TEFHJ | 515.91 | 639.50 | 426.31 | | | | | | | | | | | | | | | |
| LOCAL INTERCONNECTION MID-SPAN MEET | | | | | | | | | | | | | | | | | | | | | | | |
| NOTE: If Access service ride Mid-Span Meet, one-half the tariffed service Local Channel rate is applicable. | | | | | | | | | | | | | | | | | | | | | | | |
| | Local Channel - Dedicated - DS1 per month | | | OH1MS | TEFHG | 0.00 | 0.00 | | | | | | | | | | | | | | | | |
| | Local Channel - Dedicated - DS3 per month | | | OH3MS | TEFHJ | 0.00 | 0.00 | | | | | | | | | | | | | | | | |
| MULTIPLEXERS | | | | | | | | | | | | | | | | | | | | | | | |
| | Channelization - DS1 to DS0 Channel System | | | OH1, OH1MS | SATN1 | 126.22 | 198.22 | 123.59 | | | | | | | | | | | | | | | |
| | DS3 to DS1 Channel System per month | | | OH3, OH3MS | SATNS | 182.04 | 280.66 | 195.33 | | | | | | | | | | | | | | | |
| | DS3 Interface Unit (DS1 COC) per month | | | OH1, OH1MS | SATCO | 11.02 | 12.02 | 8.66 | | | | | | | | | | | | | | | |
| Notes: If no rate is identified in the contract, the rates, terms, and conditions for the specific service or function will be as set forth in applicable BellSouth tariff. | | | | | | | | | | | | | | | | | | | | | | | |

| LOCAL INTERCONNECTION - Kentucky | | | | | | | | | | Attachment: 3 | | Exhibit: A | | | | | | | | | | | |
|---|---|---------|------|------------|-------|-------------|----------------------------------|--------------------------------------|--|--|---|---|---------------|--------------|-------|-------------------------|--|-------|-------|-------|-------|-------|-------|
| CATEGORY | RATE ELEMENTS | Interim | Zone | BCS | USOC | RATES(\$) | Svc Order Submitted Elec per LSR | Svc Order Submitted Manually per LSR | Incremental Charge - Manual Svc Order vs. Electronic-1st | Incremental Charge - Manual Svc Order vs. Electronic-Add'l | Incremental Charge - Manual Svc Order vs. Electronic-Disc 1st | Incremental Charge - Manual Svc Order vs. Electronic-Disc Add'l | OSS Rates(\$) | | | | | | | | | | |
| | | | | | | | | | | | | | Rec | Nonrecurring | | Nonrecurring Disconnect | | SOMEc | SOMAN | SOMAN | SOMAN | SOMAN | SOMAN |
| | | | | | | | | | | | | | First | Add'l | First | Add'l | | | | | | | |
| LOCAL INTERCONNECTION (CALL TRANSPORT AND TERMINATION) | | | | | | | | | | | | | | | | | | | | | | | |
| NOTE: "bk" beside a rate indicates that the Parties have agreed to bill and keep for that element pursuant to the terms and conditions in Attachment 3. | | | | | | | | | | | | | | | | | | | | | | | |
| TANDEM SWITCHING | | | | | | | | | | | | | | | | | | | | | | | |
| | Tandem Switching Function Per MOU | | | OHD | | 0.0006772bk | | | | | | | | | | | | | | | | | |
| | Multiple Tandem Switching, per MOU (applies to intial tandem only) | | | OHD | | 0.0006772bk | | | | | | | | | | | | | | | | | |
| | Tandem Intermediary Charge, per MOU* | | | OHD | | 0.0015 | | | | | | | | | | | | | | | | | |
| * This charge is applicable only to transit traffic and is applied in addition to applicable switching and/or interconnection charges. | | | | | | | | | | | | | | | | | | | | | | | |
| TRUNK CHARGE | | | | | | | | | | | | | | | | | | | | | | | |
| | Installation Trunk Side Service - per DS0 | | | OHD | TPP++ | 334.09 | 57.12 | | | | | | | | | | | | | | | | |
| | Dedicated End Office Trunk Port Service-per DS0** | | | OHD | TDE0P | 0.00 | | | | | | | | | | | | | | | | | |
| | Dedicated End Office Trunk Port Service-per DS1** | | | OH1 OH1MS | TDE1P | 0.00 | | | | | | | | | | | | | | | | | |
| | Dedicated Tandem Trunk Port Service-per DS0** | | | OHD | TDW0P | 0.00 | | | | | | | | | | | | | | | | | |
| | Dedicated Tandem Trunk Port Service-per DS1** | | | OH1 OH1MS | TDW1P | 0.00 | | | | | | | | | | | | | | | | | |
| ** This rate element is recovered on a per MOU basis and is included in the End Office Switching and Tandem Switching, per MOU rate elements | | | | | | | | | | | | | | | | | | | | | | | |
| COMMON TRANSPORT (Shared) | | | | | | | | | | | | | | | | | | | | | | | |
| | Common Transport - Per Mile, Per MOU | | | OHD | | 0.0000030bk | | | | | | | | | | | | | | | | | |
| | Common Transport - Facilities Termination Per MOU | | | OHD | | 0.0007466bk | | | | | | | | | | | | | | | | | |
| LOCAL INTERCONNECTION (DEDICATED TRANSPORT) | | | | | | | | | | | | | | | | | | | | | | | |
| INTEROFFICE CHANNEL - DEDICATED TRANSPORT | | | | | | | | | | | | | | | | | | | | | | | |
| | Interoffice Channel - Dedicated Transport - 2-Wire Voice Grade - Per Mile per month | | | OHL, OHM | 1L5NF | 0.01 | | | | | | | | | | | | | | | | | |
| | Interoffice Channel - Dedicated Transport- 2- Wire Voice Grade - Facility Termination per month | | | OHL, OHM | 1L5NF | 29.11 | 47.34 | | | | 22.77 | | | | | | | | | | | | |
| | Interoffice Channel - Dedicated Transport - 56 kbps - per mile per month | | | OHL, OHM | 1L5NK | 0.0115 | | | | | | | | | | | | | | | | | |
| | Interoffice Channel - Dedicated Transport - 56 kbps - Facility Termination per month | | | OHL, OHM | 1L5NK | 20.97 | 47.35 | | | | 22.77 | | | | | | | | | | | | |
| | Interoffice Channel - Dedicated Transport - 64 kbps - per mile per month | | | OHL, OHM | 1L5NK | 0.0115 | | | | | | | | | | | | | | | | | |
| | Interoffice Channel - Dedicated Transport - 64 kbps - Facility Termination per month | | | OHL, OHM | 1L5NK | 20.97 | 47.35 | | | | 22.77 | | | | | | | | | | | | |
| | Interoffice Channel - Dedicated Channel - DS1 - Per Mile per month | | | OH1, OH1MS | 1L5NL | 0.23 | | | | | | | | | | | | | | | | | |
| | Interoffice Channel - Dedicated Transport - DS1 - Facility Termination per month | | | OH1, OH1MS | 1L5NL | 96.04 | 105.52 | | | | 23.09 | | | | | | | | | | | | |
| | Interoffice Channel - Dedicated Transport - DS3 - Per Mile per month | | | OH3, OH3MS | 1L5NM | 4.97 | | | | | | | | | | | | | | | | | |
| | Interoffice Channel - Dedicated Transport - DS3 - Facility Termination per month | | | OH3, OH3MS | 1L5NM | 1,175.15 | 335.40 | | | | 89.57 | | | | | | | | | | | | |
| LOCAL CHANNEL - DEDICATED TRANSPORT | | | | | | | | | | | | | | | | | | | | | | | |
| | Local Channel - Dedicated - 2-Wire Voice Grade per month | | | OHL, OHM | TEFV2 | 18.57 | 265.78 | 46.96 | | | 46.79 | 4.98 | | | | | | | | | | | |
| | Local Channel - Dedicated - 4-Wire Voice Grade per month | | | OHL, OHM | TEFV4 | 19.86 | 266.48 | 47.65 | | | 47.54 | 5.73 | | | | | | | | | | | |
| | Local Channel - Dedicated - DS1 per month | | | OH1 | TEFHG | 40.46 | 209.60 | 176.51 | | | 30.21 | 21.07 | | | | | | | | | | | |
| | Local Channel - Dedicated - DS3 Facility Termination per month | | | OH3 | TEFHJ | 576.05 | 551.38 | 338.08 | | | 173.00 | 120.42 | | | | | | | | | | | |
| LOCAL INTERCONNECTION MID-SPAN MEET | | | | | | | | | | | | | | | | | | | | | | | |
| NOTE: If Access service ride Mid-Span Meet, one-half the tariffed service Local Channel rate is applicable. | | | | | | | | | | | | | | | | | | | | | | | |
| | Local Channel - Dedicated - DS1 per month | | | OH1MS | TEFHG | 0.00 | 0.00 | | | | | | | | | | | | | | | | |
| | Local Channel - Dedicated - DS3 per month | | | OH3MS | TEFHJ | 0.00 | 0.00 | | | | | | | | | | | | | | | | |
| MULTIPLEXERS | | | | | | | | | | | | | | | | | | | | | | | |
| | Channelization - DS1 to DS0 Channel System | | | OH1, OH1MS | SATN1 | 113.33 | 101.40 | 71.60 | | | 13.79 | 13.04 | | | | | | | | | | | |
| | DS3 to DS1 Channel System per month | | | OH3, OH3MS | SATNS | 158.20 | 199.23 | 118.62 | | | 50.16 | 48.59 | | | | | | | | | | | |
| | DS3 Interface Unit (DS1 COC) per month | | | OH1, OH1MS | SATCO | 11.80 | 10.07 | 7.08 | | | | | | | | | | | | | | | |
| Notes: If no rate is identified in the contract, the rates, terms, and conditions for the specific service or function will be as set forth in applicable BellSouth tariff. | | | | | | | | | | | | | | | | | | | | | | | |

| LOCAL INTERCONNECTION - Louisiana | | | | | | | | | | Attachment: 3 | | Exhibit: A | | | | | | | | | | | |
|---|---|---------|------|------------|-------|-------------|----------------------------------|--------------------------------------|--|--|---|---|---------------|--------------|-------|-------------------------|--|-------|-------|-------|-------|-------|-------|
| CATEGORY | RATE ELEMENTS | Interim | Zone | BCS | USOC | RATES(\$) | Svc Order Submitted Elec per LSR | Svc Order Submitted Manually per LSR | Incremental Charge - Manual Svc Order vs. Electronic-1st | Incremental Charge - Manual Svc Order vs. Electronic-Add'l | Incremental Charge - Manual Svc Order vs. Electronic-Disc 1st | Incremental Charge - Manual Svc Order vs. Electronic-Disc Add'l | OSS Rates(\$) | | | | | | | | | | |
| | | | | | | | | | | | | | Rec | Nonrecurring | | Nonrecurring Disconnect | | SOMEc | SOMAN | SOMAN | SOMAN | SOMAN | SOMAN |
| | | | | | | | | | | | | | First | Add'l | First | Add'l | | | | | | | |
| LOCAL INTERCONNECTION (CALL TRANSPORT AND TERMINATION) | | | | | | | | | | | | | | | | | | | | | | | |
| NOTE: "bk" beside a rate indicates that the Parties have agreed to bill and keep for that element pursuant to the terms and conditions in Attachment 3. | | | | | | | | | | | | | | | | | | | | | | | |
| TANDEM SWITCHING | | | | | | | | | | | | | | | | | | | | | | | |
| | Tandem Switching Function Per MOU | | | OHD | | 0.0005507bk | | | | | | | | | | | | | | | | | |
| | Multiple Tandem Switching, per MOU (applies to intial tandem only) | | | OHD | | 0.0005507bk | | | | | | | | | | | | | | | | | |
| | Tandem Intermediary Charge, per MOU* | | | OHD | | 0.0015 | | | | | | | | | | | | | | | | | |
| * This charge is applicable only to transit traffic and is applied in addition to applicable switching and/or interconnection charges. | | | | | | | | | | | | | | | | | | | | | | | |
| TRUNK CHARGE | | | | | | | | | | | | | | | | | | | | | | | |
| | Installation Trunk Side Service - per DS0 | | | OHD | TPP++ | 334.94 | 56.98 | | | | | | | | | | | | | | | | |
| | Dedicated End Office Trunk Port Service-per DS0** | | | OHD | TDE0P | 0.00 | | | | | | | | | | | | | | | | | |
| | Dedicated End Office Trunk Port Service-per DS1** | | | OH1 OH1MS | TDE1P | 0.00 | | | | | | | | | | | | | | | | | |
| | Dedicated Tandem Trunk Port Service-per DS0** | | | OHD | TDW0P | 0.00 | | | | | | | | | | | | | | | | | |
| | Dedicated Tandem Trunk Port Service-per DS1** | | | OH1 OH1MS | TDW1P | 0.00 | | | | | | | | | | | | | | | | | |
| ** This rate element is recovered on a per MOU basis and is included in the End Office Switching and Tandem Switching, per MOU rate elements | | | | | | | | | | | | | | | | | | | | | | | |
| COMMON TRANSPORT (Shared) | | | | | | | | | | | | | | | | | | | | | | | |
| | Common Transport - Per Mile, Per MOU | | | OHD | | 0.0000032bk | | | | | | | | | | | | | | | | | |
| | Common Transport - Facilities Termination Per MOU | | | OHD | | 0.0003748bk | | | | | | | | | | | | | | | | | |
| LOCAL INTERCONNECTION (DEDICATED TRANSPORT) | | | | | | | | | | | | | | | | | | | | | | | |
| INTEROFFICE CHANNEL - DEDICATED TRANSPORT | | | | | | | | | | | | | | | | | | | | | | | |
| | Interoffice Channel - Dedicated Transport - 2-Wire Voice Grade - Per Mile per month | | | OHL, OHM | 1L5NF | 0.013 | | | | | | | | | | | | | | | | | |
| | Interoffice Channel - Dedicated Transport- 2- Wire Voice Grade - Facility Termination per month | | | OHL, OHM | 1L5NF | 22.60 | 26.62 | | | | | | | | | | | | | | | | |
| | Interoffice Channel - Dedicated Transport - 56 kbps - per mile per month | | | OHL, OHM | 1L5NK | 0.013 | | | | | | | | | | | | | | | | | |
| | Interoffice Channel - Dedicated Transport - 56 kbps - Facility Termination per month | | | OHL, OHM | 1L5NK | 15.61 | 26.62 | | | | | | | | | | | | | | | | |
| | Interoffice Channel - Dedicated Transport - 64 kbps - per mile per month | | | OHL, OHM | 1L5NK | 0.013 | | | | | | | | | | | | | | | | | |
| | Interoffice Channel - Dedicated Transport - 64 kbps - Facility Termination per month | | | OHL, OHM | 1L5NK | 15.61 | 26.62 | | | | | | | | | | | | | | | | |
| | Interoffice Channel - Dedicated Channel - DS1 - Per Mile per month | | | OH1, OH1MS | 1L5NL | 0.2652 | | | | | | | | | | | | | | | | | |
| | Interoffice Channel - Dedicated Transport - DS1 - Facility Termination per month | | | OH1, OH1MS | 1L5NL | 70.47 | 79.44 | | | | | | | | | | | | | | | | |
| | Interoffice Channel - Dedicated Transport - DS3 - Per Mile per month | | | OH3, OH3MS | 1L5NM | 6.04 | | | | | | | | | | | | | | | | | |
| | Interoffice Channel - Dedicated Transport - DS3 - Facility Termination per month | | | OH3, OH3MS | 1L5NM | 850.45 | 158.05 | | | | | | | | | | | | | | | | |
| LOCAL CHANNEL - DEDICATED TRANSPORT | | | | | | | | | | | | | | | | | | | | | | | |
| | Local Channel - Dedicated - 2-Wire Voice Grade per month | | | OHL, OHM | TEFV2 | 18.32 | 187.51 | 32.21 | | | | | | | | | | | | | | | |
| | Local Channel - Dedicated - 4-Wire Voice Grade per month | | | OHL, OHM | TEFV4 | 19.41 | 187.94 | 32.63 | | | | | | | | | | | | | | | |
| | Local Channel - Dedicated - DS1 per month | | | OH1 | TEFHG | 39.18 | 172.34 | 149.27 | | | | | | | | | | | | | | | |
| | Local Channel - Dedicated - DS3 Facility Termination per month | | | OH3 | TEFHJ | 469.44 | 438.46 | 256.30 | | | | | | | | | | | | | | | |
| LOCAL INTERCONNECTION MID-SPAN MEET | | | | | | | | | | | | | | | | | | | | | | | |
| NOTE: If Access service ride Mid-Span Meet, one-half the tariffed service Local Channel rate is applicable. | | | | | | | | | | | | | | | | | | | | | | | |
| | Local Channel - Dedicated - DS1 per month | | | OH1MS | TEFHG | 0.00 | 0.00 | | | | | | | | | | | | | | | | |
| | Local Channel - Dedicated - DS3 per month | | | OH3MS | TEFHJ | 0.00 | 0.00 | | | | | | | | | | | | | | | | |
| MULTIPLEXERS | | | | | | | | | | | | | | | | | | | | | | | |
| | Channelization - DS1 to DS0 Channel System | | | OH1, OH1MS | SATN1 | 105.09 | 88.41 | 60.76 | | | | | | | | | | | | | | | |
| | DS3 to DS1 Channel System per month | | | OH3, OH3MS | SATNS | 201.48 | 172.99 | 91.25 | | | | | | | | | | | | | | | |
| | DS3 Interface Unit (DS1 COC) per month | | | OH1, OH1MS | SATCO | 11.78 | 6.39 | 4.58 | | | | | | | | | | | | | | | |
| Notes: If no rate is identified in the contract, the rates, terms, and conditions for the specific service or function will be as set forth in applicable BellSouth tariff. | | | | | | | | | | | | | | | | | | | | | | | |

| LOCAL INTERCONNECTION - Mississippi | | | | | | | | | | Attachment: 3 | | Exhibit: A | | | | | | | | | | | |
|---|---|---------|------|------------|-------|-------------|----------------------------------|--------------------------------------|--|--|---|---|---------------|--------------|-------|-------------------------|--|-------|-------|-------|-------|-------|-------|
| CATEGORY | RATE ELEMENTS | Interim | Zone | BCS | USOC | RATES(\$) | Svc Order Submitted Elec per LSR | Svc Order Submitted Manually per LSR | Incremental Charge - Manual Svc Order vs. Electronic-1st | Incremental Charge - Manual Svc Order vs. Electronic-Add'l | Incremental Charge - Manual Svc Order vs. Electronic-Disc 1st | Incremental Charge - Manual Svc Order vs. Electronic-Disc Add'l | OSS Rates(\$) | | | | | | | | | | |
| | | | | | | | | | | | | | Rec | Nonrecurring | | Nonrecurring Disconnect | | SOMEK | SOMAN | SOMAN | SOMAN | SOMAN | SOMAN |
| | | | | | | | | | | | | | First | Add'l | First | Add'l | | | | | | | |
| LOCAL INTERCONNECTION (CALL TRANSPORT AND TERMINATION) | | | | | | | | | | | | | | | | | | | | | | | |
| NOTE: "bk" beside a rate indicates that the Parties have agreed to bill and keep for that element pursuant to the terms and conditions in Attachment 3. | | | | | | | | | | | | | | | | | | | | | | | |
| TANDEM SWITCHING | | | | | | | | | | | | | | | | | | | | | | | |
| | Tandem Switching Function Per MOU | | | OHD | | 0.0005379bk | | | | | | | | | | | | | | | | | |
| | Multiple Tandem Switching, per MOU (applies to intial tandem only) | | | OHD | | 0.0005379bk | | | | | | | | | | | | | | | | | |
| | Tandem Intermediary Charge, per MOU* | | | OHD | | 0.0015 | | | | | | | | | | | | | | | | | |
| * This charge is applicable only to transit traffic and is applied in addition to applicable switching and/or interconnection charges. | | | | | | | | | | | | | | | | | | | | | | | |
| TRUNK CHARGE | | | | | | | | | | | | | | | | | | | | | | | |
| | Installation Trunk Side Service - per DS0 | | | OHD | TPP++ | 334.11 | 56.98 | | | | | | | | | | | | | | | | |
| | Dedicated End Office Trunk Port Service-per DS0** | | | OHD | TDE0P | 0.00 | | | | | | | | | | | | | | | | | |
| | Dedicated End Office Trunk Port Service-per DS1** | | | OH1 OH1MS | TDE1P | 0.00 | | | | | | | | | | | | | | | | | |
| | Dedicated Tandem Trunk Port Service-per DS0** | | | OHD | TDW0P | 0.00 | | | | | | | | | | | | | | | | | |
| | Dedicated Tandem Trunk Port Service-per DS1** | | | OH1 OH1MS | TDW1P | 0.00 | | | | | | | | | | | | | | | | | |
| ** This rate element is recovered on a per MOU basis and is included in the End Office Switching and Tandem Switching, per MOU rate elements | | | | | | | | | | | | | | | | | | | | | | | |
| COMMON TRANSPORT (Shared) | | | | | | | | | | | | | | | | | | | | | | | |
| | Common Transport - Per Mile, Per MOU | | | OHD | | 0.0000026bk | | | | | | | | | | | | | | | | | |
| | Common Transport - Facilities Termination Per MOU | | | OHD | | 0.0004541bk | | | | | | | | | | | | | | | | | |
| LOCAL INTERCONNECTION (DEDICATED TRANSPORT) | | | | | | | | | | | | | | | | | | | | | | | |
| INTEROFFICE CHANNEL - DEDICATED TRANSPORT | | | | | | | | | | | | | | | | | | | | | | | |
| | Interoffice Channel - Dedicated Transport - 2-Wire Voice Grade - Per Mile per month | | | OHL, OHM | 1L5NF | 0.0098 | | | | | | | | | | | | | | | | | |
| | Interoffice Channel - Dedicated Transport- 2- Wire Voice Grade - Facility Termination per month | | | OHL, OHM | 1L5NF | 22.52 | 27.57 | | | | 7.11 | | | | | | | | | | | | |
| | Interoffice Channel - Dedicated Transport - 56 kbps - per mile per month | | | OHL, OHM | 1L5NK | 0.0098 | | | | | | | | | | | | | | | | | |
| | Interoffice Channel - Dedicated Transport - 56 kbps - Facility Termination per month | | | OHL, OHM | 1L5NK | 15.68 | 27.57 | | | | 7.11 | | | | | | | | | | | | |
| | Interoffice Channel - Dedicated Transport - 64 kbps - per mile per month | | | OHL, OHM | 1L5NK | 0.0098 | | | | | | | | | | | | | | | | | |
| | Interoffice Channel - Dedicated Transport - 64 kbps - Facility Termination per month | | | OHL, OHM | 1L5NK | 15.68 | 27.57 | | | | 7.11 | | | | | | | | | | | | |
| | Interoffice Channel - Dedicated Channel - DS1 - Per Mile per month | | | OH1, OH1MS | 1L5NL | 0.201 | | | | | | | | | | | | | | | | | |
| | Interoffice Channel - Dedicated Transport - DS1 - Facility Termination per month | | | OH1, OH1MS | 1L5NL | 57.33 | 82.28 | | | | 14.90 | | | | | | | | | | | | |
| | Interoffice Channel - Dedicated Transport - DS3 - Per Mile per month | | | OH3, OH3MS | 1L5NM | 4.76 | | | | | | | | | | | | | | | | | |
| | Interoffice Channel - Dedicated Transport - DS3 - Facility Termination per month | | | OH3, OH3MS | 1L5NM | 641.90 | 163.70 | | | | 60.29 | | | | | | | | | | | | |
| LOCAL CHANNEL - DEDICATED TRANSPORT | | | | | | | | | | | | | | | | | | | | | | | |
| | Local Channel - Dedicated - 2-Wire Voice Grade per month | | | OHL, OHM | TEFV2 | 14.91 | 194.22 | 33.36 | | | 37.79 | 3.30 | | | | | | | | | | | |
| | Local Channel - Dedicated - 4-Wire Voice Grade per month | | | OHL, OHM | TEFV4 | 15.99 | 194.66 | 33.80 | | | 38.27 | 3.78 | | | | | | | | | | | |
| | Local Channel - Dedicated - DS1 per month | | | OH1 | TEFHG | 36.83 | 178.50 | 154.61 | | | 22.89 | 15.74 | | | | | | | | | | | |
| | Local Channel - Dedicated - DS3 Facility Termination per month | | | OH3 | TEFHJ | 413.87 | 454.13 | 264.47 | | | 123.23 | 86.19 | | | | | | | | | | | |
| LOCAL INTERCONNECTION MID-SPAN MEET | | | | | | | | | | | | | | | | | | | | | | | |
| NOTE: If Access service ride Mid-Span Meet, one-half the tariffed service Local Channel rate is applicable. | | | | | | | | | | | | | | | | | | | | | | | |
| | Local Channel - Dedicated - DS1 per month | | | OH1MS | TEFHG | 0.00 | 0.00 | | | | | | | | | | | | | | | | |
| | Local Channel - Dedicated - DS3 per month | | | OH3MS | TEFHJ | 0.00 | 0.00 | | | | | | | | | | | | | | | | |
| MULTIPLEXERS | | | | | | | | | | | | | | | | | | | | | | | |
| | Channelization - DS1 to DS0 Channel System | | | OH1, OH1MS | SATN1 | 102.85 | 91.57 | 62.94 | | | 10.87 | 10.10 | | | | | | | | | | | |
| | DS3 to DS1 Channel System per month | | | OH3, OH3MS | SATNS | 170.63 | 179.17 | 94.52 | | | 34.30 | 32.82 | | | | | | | | | | | |
| | DS3 Interface Unit (DS1 COC) per month | | | OH1, OH1MS | SATCO | 12.96 | 6.62 | 4.74 | | | | | | | | | | | | | | | |
| Notes: If no rate is identified in the contract, the rates, terms, and conditions for the specific service or function will be as set forth in applicable BellSouth tariff. | | | | | | | | | | | | | | | | | | | | | | | |

| LOCAL INTERCONNECTION - North Carolina | | | | | | | | | | Attachment: 3 | | Exhibit: A | | | | | | | | | | | |
|---|---|---------|------|------------|-------|-----------|----------------------------------|--------------------------------------|--|--|---|---|---------------|--------------|-------|-------------------------|--|-------|-------|-------|-------|-------|-------|
| CATEGORY | RATE ELEMENTS | Interim | Zone | BCS | USOC | RATES(\$) | Svc Order Submitted Elec per LSR | Svc Order Submitted Manually per LSR | Incremental Charge - Manual Svc Order vs. Electronic-1st | Incremental Charge - Manual Svc Order vs. Electronic-Add'l | Incremental Charge - Manual Svc Order vs. Electronic-Disc 1st | Incremental Charge - Manual Svc Order vs. Electronic-Disc Add'l | OSS Rates(\$) | | | | | | | | | | |
| | | | | | | | | | | | | | Rec | Nonrecurring | | Nonrecurring Disconnect | | SOMEc | SOMAN | SOMAN | SOMAN | SOMAN | SOMAN |
| | | | | | | | | | | | | | First | Add'l | First | Add'l | | | | | | | |
| LOCAL INTERCONNECTION (CALL TRANSPORT AND TERMINATION) | | | | | | | | | | | | | | | | | | | | | | | |
| NOTE: "bk" beside a rate indicates that the Parties have agreed to bill and keep for that element pursuant to the terms and conditions in Attachment 3. | | | | | | | | | | | | | | | | | | | | | | | |
| TANDEM SWITCHING | | | | | | | | | | | | | | | | | | | | | | | |
| | Tandem Switching Function Per MOU | | | OHD | | 0.0012bk | | | | | | | | | | | | | | | | | |
| | Multiple Tandem Switching, per MOU (applies to intial tandem only) | | | OHD | | 0.0012bk | | | | | | | | | | | | | | | | | |
| | Tandem Intermediary Charge, per MOU* | | | OHD | | 0.0015 | | | | | | | | | | | | | | | | | |
| * This charge is applicable only to transit traffic and is applied in addition to applicable switching and/or interconnection charges. | | | | | | | | | | | | | | | | | | | | | | | |
| TRUNK CHARGE | | | | | | | | | | | | | | | | | | | | | | | |
| | Installation Trunk Side Service - per DS0 | | | OHD | TPP++ | 333.54 | 56.88 | | | | | | | | | | | | | | | | |
| | Dedicated End Office Trunk Port Service-per DS0** | | | OHD | TDE0P | 0.00 | | | | | | | | | | | | | | | | | |
| | Dedicated End Office Trunk Port Service-per DS1** | | | OH1 OH1MS | TDE1P | 0.00 | | | | | | | | | | | | | | | | | |
| | Dedicated Tandem Trunk Port Service-per DS0** | | | OHD | TDW0P | 0.00 | | | | | | | | | | | | | | | | | |
| | Dedicated Tandem Trunk Port Service-per DS1** | | | OH1 OH1MS | TDW1P | 0.00 | | | | | | | | | | | | | | | | | |
| ** This rate element is recovered on a per MOU basis and is included in the End Office Switching and Tandem Switching, per MOU rate elements | | | | | | | | | | | | | | | | | | | | | | | |
| COMMON TRANSPORT (Shared) | | | | | | | | | | | | | | | | | | | | | | | |
| | Common Transport - Per Mile, Per MOU | | | OHD | | 0.00001bk | | | | | | | | | | | | | | | | | |
| | Common Transport - Facilities Termination Per MOU | | | OHD | | 0.00034bk | | | | | | | | | | | | | | | | | |
| LOCAL INTERCONNECTION (DEDICATED TRANSPORT) | | | | | | | | | | | | | | | | | | | | | | | |
| INTEROFFICE CHANNEL - DEDICATED TRANSPORT | | | | | | | | | | | | | | | | | | | | | | | |
| | Interoffice Channel - Dedicated Transport - 2-Wire Voice Grade - Per Mile per month | | | OHL, OHM | 1L5NF | 0.0282 | | | | | | | | | | | | | | | | | |
| | Interoffice Channel - Dedicated Transport- 2- Wire Voice Grade - Facility Termination per month | | | OHL, OHM | 1L5NF | 18.00 | 52.58 | | | | | | | | | | | | | | | | |
| | Interoffice Channel - Dedicated Transport - 56 kbps - per mile per month | | | OHL, OHM | 1L5NK | 0.0282 | | | | | | | | | | | | | | | | | |
| | Interoffice Channel - Dedicated Transport - 56 kbps - Facility Termination per month | | | OHL, OHM | 1L5NK | 17.40 | 52.58 | | | | | | | | | | | | | | | | |
| | Interoffice Channel - Dedicated Transport - 64 kbps - per mile per month | | | OHL, OHM | 1L5NK | 0.0282 | | | | | | | | | | | | | | | | | |
| | Interoffice Channel - Dedicated Transport - 64 kbps - Facility Termination per month | | | OHL, OHM | 1L5NK | 17.40 | 52.58 | | | | | | | | | | | | | | | | |
| | Interoffice Channel - Dedicated Channel - DS1 - Per Mile per month | | | OH1, OH1MS | 1L5NL | 0.5753 | | | | | | | | | | | | | | | | | |
| | Interoffice Channel - Dedicated Transport - DS1 - Facility Termination per month | | | OH1, OH1MS | 1L5NL | 71.29 | 163.75 | | | | | | | | | | | | | | | | |
| | Interoffice Channel - Dedicated Transport - DS3 - Per Mile per month | | | OH3, OH3MS | 1L5NM | 12.98 | | | | | | | | | | | | | | | | | |
| | Interoffice Channel - Dedicated Transport - DS3 - Facility Termination per month | | | OH3, OH3MS | 1L5NM | 720.38 | 579.55 | | | | | | | | | | | | | | | | |
| LOCAL CHANNEL - DEDICATED TRANSPORT | | | | | | | | | | | | | | | | | | | | | | | |
| | Local Channel - Dedicated - 2-Wire Voice Grade per month | | | OHL, OHM | TEFV2 | 14.82 | 553.80 | 89.69 | | | | | | | | | | | | | | | |
| | Local Channel - Dedicated - 4-Wire Voice Grade per month | | | OHL, OHM | TEFV4 | 15.87 | 562.23 | 92.67 | | | | | | | | | | | | | | | |
| | Local Channel - Dedicated - DS1 per month | | | OH1 | TEFHG | 35.68 | 534.48 | 462.69 | | | | | | | | | | | | | | | |
| | Local Channel - Dedicated - DS3 Facility Termination per month | | | OH3 | TEFHJ | 498.87 | 562.25 | 527.88 | | | | | | | | | | | | | | | |
| LOCAL INTERCONNECTION MID-SPAN MEET | | | | | | | | | | | | | | | | | | | | | | | |
| NOTE: If Access service ride Mid-Span Meet, one-half the tariffed service Local Channel rate is applicable. | | | | | | | | | | | | | | | | | | | | | | | |
| | Local Channel - Dedicated - DS1 per month | | | OH1MS | TEFHG | 0.00 | 0.00 | | | | | | | | | | | | | | | | |
| | Local Channel - Dedicated - DS3 per month | | | OH3MS | TEFHJ | 0.00 | 0.00 | | | | | | | | | | | | | | | | |
| MULTIPLEXERS | | | | | | | | | | | | | | | | | | | | | | | |
| | Channelization - DS1 to DS0 Channel System | | | OH1, OH1MS | SATN1 | 146.69 | 197.78 | 140.06 | | | | | | | | | | | | | | | |
| | DS3 to DS1 Channel System per month | | | OH3, OH3MS | SATNS | 233.10 | 403.97 | 234.40 | | | | | | | | | | | | | | | |
| | DS3 Interface Unit (DS1 COC) per month | | | OH1, OH1MS | SATCO | 16.07 | 13.09 | 9.38 | | | | | | | | | | | | | | | |
| Notes: If no rate is identified in the contract, the rates, terms, and conditions for the specific service or function will be as set forth in applicable BellSouth tariff. | | | | | | | | | | | | | | | | | | | | | | | |

| LOCAL INTERCONNECTION - South Carolina | | | | | | | | | | Attachment: 3 | | Exhibit: A | | | | | | | | | | |
|---|---|---------|------|------------|-------|-------------|----------------------------------|--------------------------------------|--|--|---|---|---------------|--------------|-------|-------------------------|--|-------|-------|-------|-------|-------|
| CATEGORY | RATE ELEMENTS | Interim | Zone | BCS | USOC | RATES(\$) | Svc Order Submitted Elec per LSR | Svc Order Submitted Manually per LSR | Incremental Charge - Manual Svc Order vs. Electronic-1st | Incremental Charge - Manual Svc Order vs. Electronic-Add'l | Incremental Charge - Manual Svc Order vs. Electronic-Disc 1st | Incremental Charge - Manual Svc Order vs. Electronic-Disc Add'l | OSS Rates(\$) | | | | | | | | | |
| | | | | | | | | | | | | | Rec | Nonrecurring | | Nonrecurring Disconnect | | SOMEc | SOMAN | SOMAN | SOMAN | SOMAN |
| | | | | | | | | | | | | | First | Add'l | First | Add'l | | | | | | |
| LOCAL INTERCONNECTION (CALL TRANSPORT AND TERMINATION) | | | | | | | | | | | | | | | | | | | | | | |
| NOTE: "bk" beside a rate indicates that the Parties have agreed to bill and keep for that element pursuant to the terms and conditions in Attachment 3. | | | | | | | | | | | | | | | | | | | | | | |
| TANDEM SWITCHING | | | | | | | | | | | | | | | | | | | | | | |
| | Tandem Switching Function Per MOU | | | OHD | | 0.000736bk | | | | | | | | | | | | | | | | |
| | Multiple Tandem Switching, per MOU (applies to intial tandem only) | | | OHD | | 0.000736bk | | | | | | | | | | | | | | | | |
| | Tandem Intermediary Charge, per MOU* | | | OHD | | 0.0015 | | | | | | | | | | | | | | | | |
| * This charge is applicable only to transit traffic and is applied in addition to applicable switching and/or interconnection charges. | | | | | | | | | | | | | | | | | | | | | | |
| TRUNK CHARGE | | | | | | | | | | | | | | | | | | | | | | |
| | Installation Trunk Side Service - per DS0 | | | OHD | TPP++ | 335.14 | 57.16 | | | | | | | | | | | | | | | |
| | Dedicated End Office Trunk Port Service-per DS0** | | | OHD | TDE0P | 0.00 | | | | | | | | | | | | | | | | |
| | Dedicated End Office Trunk Port Service-per DS1** | | | OH1 OH1MS | TDE1P | 0.00 | | | | | | | | | | | | | | | | |
| | Dedicated Tandem Trunk Port Service-per DS0** | | | OHD | TDW0P | 0.00 | | | | | | | | | | | | | | | | |
| | Dedicated Tandem Trunk Port Service-per DS1** | | | OH1 OH1MS | TDW1P | 0.00 | | | | | | | | | | | | | | | | |
| ** This rate element is recovered on a per MOU basis and is included in the End Office Switching and Tandem Switching, per MOU rate elements | | | | | | | | | | | | | | | | | | | | | | |
| COMMON TRANSPORT (Shared) | | | | | | | | | | | | | | | | | | | | | | |
| | Common Transport - Per Mile, Per MOU | | | OHD | | 0.0000045bk | | | | | | | | | | | | | | | | |
| | Common Transport - Facilities Termination Per MOU | | | OHD | | 0.0004095bk | | | | | | | | | | | | | | | | |
| LOCAL INTERCONNECTION (DEDICATED TRANSPORT) | | | | | | | | | | | | | | | | | | | | | | |
| INTEROFFICE CHANNEL - DEDICATED TRANSPORT | | | | | | | | | | | | | | | | | | | | | | |
| | Interoffice Channel - Dedicated Transport - 2-Wire Voice Grade - Per Mile per month | | | OHL, OHM | 1L5NF | 0.0167 | | | | | | | | | | | | | | | | |
| | Interoffice Channel - Dedicated Transport- 2- Wire Voice Grade - Facility Termination per month | | | OHL, OHM | 1L5NF | 24.30 | 40.63 | | | | 16.77 | | | | | | | | | | | |
| | Interoffice Channel - Dedicated Transport - 56 kbps - per mile per month | | | OHL, OHM | 1L5NK | 0.0167 | | | | | | | | | | | | | | | | |
| | Interoffice Channel - Dedicated Transport - 56 kbps - Facility Termination per month | | | OHL, OHM | 1L5NK | 16.76 | 40.63 | | | | 16.77 | | | | | | | | | | | |
| | Interoffice Channel - Dedicated Transport - 64 kbps - per mile per month | | | OHL, OHM | 1L5NK | 0.0167 | | | | | | | | | | | | | | | | |
| | Interoffice Channel - Dedicated Transport - 64 kbps - Facility Termination per month | | | OHL, OHM | 1L5NK | 16.76 | 40.63 | | | | 16.77 | | | | | | | | | | | |
| | Interoffice Channel - Dedicated Channel - DS1 - Per Mile per month | | | OH1, OH1MS | 1L5NL | 0.3415 | | | | | | | | | | | | | | | | |
| | Interoffice Channel - Dedicated Transport - DS1 - Facility Termination per month | | | OH1, OH1MS | 1L5NL | 77.14 | 89.47 | | | | 16.39 | | | | | | | | | | | |
| | Interoffice Channel - Dedicated Transport - DS3 - Per Mile per month | | | OH3, OH3MS | 1L5NM | 8.02 | | | | | | | | | | | | | | | | |
| | Interoffice Channel - Dedicated Transport - DS3 - Facility Termination per month | | | OH3, OH3MS | 1L5NM | 880.65 | 279.37 | | | | 60.33 | | | | | | | | | | | |
| LOCAL CHANNEL - DEDICATED TRANSPORT | | | | | | | | | | | | | | | | | | | | | | |
| | Local Channel - Dedicated - 2-Wire Voice Grade per month | | | OHL, OHM | TEFV2 | 15.33 | 193.53 | 33.24 | | | 36.72 | | | | | | | | | | | |
| | Local Channel - Dedicated - 4-Wire Voice Grade per month | | | OHL, OHM | TEFV4 | 16.54 | 193.97 | 33.68 | | | 37.19 | | | | | | | | | | | |
| | Local Channel - Dedicated - DS1 per month | | | OH1 | TEFHG | 42.62 | 177.87 | 154.06 | | | 22.24 | | | | | | | | | | | |
| | Local Channel - Dedicated - DS3 Facility Termination per month | | | OH3 | TEFHJ | 446.00 | 452.52 | 264.53 | | | 119.75 | | | | | | | | | | | |
| LOCAL INTERCONNECTION MID-SPAN MEET | | | | | | | | | | | | | | | | | | | | | | |
| NOTE: If Access service ride Mid-Span Meet, one-half the tariffed service Local Channel rate is applicable. | | | | | | | | | | | | | | | | | | | | | | |
| | Local Channel - Dedicated - DS1 per month | | | OH1MS | TEFHG | 0.00 | 0.00 | | | | | | | | | | | | | | | |
| | Local Channel - Dedicated - DS3 per month | | | OH3MS | TEFHJ | 0.00 | 0.00 | | | | | | | | | | | | | | | |
| MULTIPLEXERS | | | | | | | | | | | | | | | | | | | | | | |
| | Channelization - DS1 to DS0 Channel System | | | OH1, OH1MS | SATN1 | 107.57 | 91.24 | 62.71 | | | 10.56 | | | | | | | | | | | |
| | DS3 to DS1 Channel System per month | | | OH3, OH3MS | SATNS | 144.02 | 178.54 | 94.18 | | | 33.33 | | | | | | | | | | | |
| | DS3 Interface Unit (DS1 COC) per month | | | OH1, OH1MS | SATCO | 8.64 | 6.59 | 4.73 | | | | | | | | | | | | | | |
| Notes: If no rate is identified in the contract, the rates, terms, and conditions for the specific service or function will be as set forth in applicable BellSouth tariff. | | | | | | | | | | | | | | | | | | | | | | |

| LOCAL INTERCONNECTION - Tennessee | | | | | | | | | | Attachment: 3 | | Exhibit: A | | | | | | | | | | | | | | | | | | | | |
|---|---|---------|------|------------|-------|-------------|----------------------------------|--------------------------------------|--|--|---|---|---------------|--------------------|-------|--------------------|------------------|-------|-------|-------|-------|-------|-------|--|--|--|--|--|--|--|--|--|
| CATEGORY | RATE ELEMENTS | Interim | Zone | BCS | USOC | RATES(\$) | Svc Order Submitted Elec per LSR | Svc Order Submitted Manually per LSR | Incremental Charge - Manual Svc Order vs. Electronic-1st | Incremental Charge - Manual Svc Order vs. Electronic-Add'l | Incremental Charge - Manual Svc Order vs. Electronic-Disc 1st | Incremental Charge - Manual Svc Order vs. Electronic-Disc Add'l | OSS Rates(\$) | | | | | | | | | | | | | | | | | | | |
| | | | | | | | | | | | | | Rec | Nonrecurring First | Add'l | Nonrecurring First | Disconnect Add'l | SOMEc | SOMAN | SOMAN | SOMAN | SOMAN | SOMAN | | | | | | | | | |
| LOCAL INTERCONNECTION (CALL TRANSPORT AND TERMINATION) | | | | | | | | | | | | | | | | | | | | | | | | | | | | | | | | |
| NOTE: "bk" beside a rate indicates that the Parties have agreed to bill and keep for that element pursuant to the terms and conditions in Attachment 3. | | | | | | | | | | | | | | | | | | | | | | | | | | | | | | | | |
| TANDEM SWITCHING | | | | | | | | | | | | | | | | | | | | | | | | | | | | | | | | |
| | Tandem Switching Function Per MOU | | | OHD | | 0.0009778bk | | | | | | | | | | | | | | | | | | | | | | | | | | |
| | Multiple Tandem Switching, per MOU (applies to intial tandem only) | | | OHD | | 0.0009778bk | | | | | | | | | | | | | | | | | | | | | | | | | | |
| | Tandem Intermediary Charge, per MOU* | | | OHD | | 0.0015 | | | | | | | | | | | | | | | | | | | | | | | | | | |
| * This charge is applicable only to transit traffic and is applied in addition to applicable switching and/or interconnection charges. | | | | | | | | | | | | | | | | | | | | | | | | | | | | | | | | |
| TRUNK CHARGE | | | | | | | | | | | | | | | | | | | | | | | | | | | | | | | | |
| | Installation Trunk Side Service - per DS0 | | | OHD | TPP++ | | 334.29 | 57.01 | | | | | | | | | | | | | | | | | | | | | | | | |
| | Dedicated End Office Trunk Port Service-per DS0** | | | OHD | TDE0P | 0.00 | | | | | | | | | | | | | | | | | | | | | | | | | | |
| | Dedicated End Office Trunk Port Service-per DS1** | | | OH1 OH1MS | TDE1P | 0.00 | | | | | | | | | | | | | | | | | | | | | | | | | | |
| | Dedicated Tandem Trunk Port Service-per DS0** | | | OHD | TDW0P | 0.00 | | | | | | | | | | | | | | | | | | | | | | | | | | |
| | Dedicated Tandem Trunk Port Service-per DS1** | | | OH1 OH1MS | TDW1P | 0.00 | | | | | | | | | | | | | | | | | | | | | | | | | | |
| ** This rate element is recovered on a per MOU basis and is included in the End Office Switching and Tandem Switching, per MOU rate elements | | | | | | | | | | | | | | | | | | | | | | | | | | | | | | | | |
| COMMON TRANSPORT (Shared) | | | | | | | | | | | | | | | | | | | | | | | | | | | | | | | | |
| | Common Transport - Per Mile, Per MOU | | | OHD | | 0.0000064bk | | | | | | | | | | | | | | | | | | | | | | | | | | |
| | Common Transport - Facilities Termination Per MOU | | | OHD | | 0.0003871bk | | | | | | | | | | | | | | | | | | | | | | | | | | |
| LOCAL INTERCONNECTION (DEDICATED TRANSPORT) | | | | | | | | | | | | | | | | | | | | | | | | | | | | | | | | |
| INTEROFFICE CHANNEL - DEDICATED TRANSPORT | | | | | | | | | | | | | | | | | | | | | | | | | | | | | | | | |
| | Interoffice Channel - Dedicated Transport - 2-Wire Voice Grade - Per Mile per month | | | OHL, OHM | 1L5NF | 0.0174 | | | | | | | | | | | | | | | | | | | | | | | | | | |
| | Interoffice Channel - Dedicated Transport- 2- Wire Voice Grade - Facility Termination per month | | | OHL, OHM | 1L5NF | 18.58 | 17.37 | | 3.51 | | | | | | | | | | | | | | | | | | | | | | | |
| | Interoffice Channel - Dedicated Transport - 56 kbps - per mile per month | | | OHL, OHM | 1L5NK | 0.0174 | | | | | | | | | | | | | | | | | | | | | | | | | | |
| | Interoffice Channel - Dedicated Transport - 56 kbps - Facility Termination per month | | | OHL, OHM | 1L5NK | 17.98 | 17.37 | | 3.51 | | | | | | | | | | | | | | | | | | | | | | | |
| | Interoffice Channel - Dedicated Transport - 64 kbps - per mile per month | | | OHL, OHM | 1L5NK | 0.0174 | | | | | | | | | | | | | | | | | | | | | | | | | | |
| | Interoffice Channel - Dedicated Transport - 64 kbps - Facility Termination per month | | | OHL, OHM | 1L5NK | 17.98 | 17.37 | | 3.51 | | | | | | | | | | | | | | | | | | | | | | | |
| | Interoffice Channel - Dedicated Channel - DS1 - Per Mile per month | | | OH1, OH1MS | 1L5NL | 0.3562 | | | | | | | | | | | | | | | | | | | | | | | | | | |
| | Interoffice Channel - Dedicated Tranport - DS1 - Facility Termination per month | | | OH1, OH1MS | 1L5NL | 77.86 | 76.27 | | 14.99 | | | | | | | | | | | | | | | | | | | | | | | |
| | Interoffice Channel - Dedicated Transport - DS3 - Per Mile per month | | | OH3, OH3MS | 1L5NM | 2.34 | | | | | | | | | | | | | | | | | | | | | | | | | | |
| | Interoffice Channel - Dedicated Transport - DS3 - Facility Termination per month | | | OH3, OH3MS | 1L5NM | 848.99 | 176.56 | | 105.91 | | | | | | | | | | | | | | | | | | | | | | | |
| LOCAL CHANNEL - DEDICATED TRANSPORT | | | | | | | | | | | | | | | | | | | | | | | | | | | | | | | | |
| | Local Channel - Dedicated - 2-Wire Voice Grade per month | | | OHL, OHM | TEFV2 | 19.43 | 199.33 | 24.16 | 54.81 | 4.80 | | | | | | | | | | | | | | | | | | | | | | |
| | Local Channel - Dedicated - 4-Wire Voice Grade per month | | | OHL, OHM | TEFV4 | 20.56 | 201.53 | 24.83 | 55.52 | 5.51 | | | | | | | | | | | | | | | | | | | | | | |
| | Local Channel - Dedicated - DS1 per month | | | OH1 | TEFHG | 40.99 | 277.35 | 233.26 | 33.18 | 22.30 | | | | | | | | | | | | | | | | | | | | | | |
| | Local Channel - Dedicated - DS3 Facility Termination per month | | | OH3 | TEFHJ | 611.30 | 595.37 | 304.50 | 215.82 | 151.15 | | | | | | | | | | | | | | | | | | | | | | |
| LOCAL INTERCONNECTION MID-SPAN MEET | | | | | | | | | | | | | | | | | | | | | | | | | | | | | | | | |
| NOTE: If Access service ride Mid-Span Meet, one-half the tariffed service Local Channel rate is applicable. | | | | | | | | | | | | | | | | | | | | | | | | | | | | | | | | |
| | Local Channel - Dedicated - DS1 per month | | | OH1MS | TEFHG | 0.00 | 0.00 | | | | | | | | | | | | | | | | | | | | | | | | | |
| | Local Channel - Dedicated - DS3 per month | | | OH3MS | TEFHJ | 0.00 | 0.00 | | | | | | | | | | | | | | | | | | | | | | | | | |
| MULTIPLEXERS | | | | | | | | | | | | | | | | | | | | | | | | | | | | | | | | |
| | Channelization - DS1 to DS0 Channel System | | | OH1, OH1MS | SATN1 | 80.77 | 141.87 | 77.11 | 44.47 | 42.62 | | | | | | | | | | | | | | | | | | | | | | |
| | DS3 to DS1 Channel System per month | | | OH3, OH3MS | SATNS | 222.98 | 308.03 | 108.47 | 6.34 | 4.23 | | | | | | | | | | | | | | | | | | | | | | |
| | DS3 Interface Unit (DS1 COC) per month | | | OH1, OH1MS | SATCO | 17.58 | | 6.07 | 4.66 | | | | | | | | | | | | | | | | | | | | | | | |
| Notes: If no rate is identified in the contract, the rates, terms, and conditions for the specific service or function will be as set forth in applicable BellSouth tariff. | | | | | | | | | | | | | | | | | | | | | | | | | | | | | | | | |

Attachment 4

Physical Collocation

BELLSOUTH
PHYSICAL COLLOCATION

1. Scope of Attachment

- 1.1 The rates, terms, and conditions contained within this Attachment shall only apply when Comm South is physically collocated as a sole occupant or as a Host within a Premises location pursuant to this Attachment. BellSouth Premises include BellSouth Central Offices and Serving Wire Centers (hereinafter “Premises”). This Attachment is applicable to Premises owned or leased by BellSouth. However, if the Premises occupied by BellSouth is leased by BellSouth from a third party, special considerations and intervals may apply in addition to the terms and conditions of this Attachment.
- 1.2 Right to Occupy. BellSouth shall offer to Comm South collocation on rates, terms, and conditions that are just, reasonable, non-discriminatory and consistent with the rules of the Federal Communications Commission (“FCC”). Subject to the rates, terms and conditions of this Attachment where space is available and it is technically feasible, BellSouth will allow Comm South to occupy that certain area designated by BellSouth within a BellSouth Premises, or on BellSouth property upon which the BellSouth Premises is located, of a size which is specified by Comm South and agreed to by BellSouth (hereinafter “Collocation Space”). The necessary rates, terms and conditions for BellSouth locations other than BellSouth Premises shall be negotiated upon request for collocation at such location(s).
- 1.2.1 Neither BellSouth nor any of BellSouth’s affiliates may reserve space for future use on more preferential terms than those set forth below.
- 1.2.1.1 In all states other than Florida, the size specified by Comm South may contemplate a request for space sufficient to accommodate Comm South’s growth within a two-year period.
- 1.2.1.2 In the state of Florida, the size specified by Comm South may contemplate a request for space sufficient to accommodate Comm South’s growth within an eighteen (18) month period.
- 1.3 Space Allocation. BellSouth shall attempt to accommodate <customer_ name>'s requested preferences if any. In allocating Collocation Space, BellSouth shall not materially increase Comm South's cost or materially delay Comm South's occupation and use of the Collocation Space, shall not assign Collocation Space that will impair the quality of service or otherwise limit the service the Comm South wishes to offer, and shall not reduce unreasonably the total space available for physical collocation or preclude unreasonably physical collocation within the Premises. Space shall not be available for collocation if it is: (a) physically occupied by non-obsolete equipment; (b) assigned to another collocator; (c) used to provide physical access to occupied space;

(d) used to enable technicians to work on equipment located within occupied space; (e) properly reserved for future use, either by BellSouth or by another carrier; or (f) essential for the administration and proper functioning of BellSouth's Premises. BellSouth may segregate collocation space and require separate entrances in accordance with FCC rules.

- 1.4 **Space Reclamation.** In the event of space exhaust within a Central Office Premises, BellSouth may include in its documentation for the Petition for Waiver filing any unutilized space in the Central Office Premises. Comm South will be responsible for any justification of unutilized space within its space, if the appropriate state commission requires such justification.
- 1.5 **Use of Space.** Comm South shall use the Collocation Space for the purposes of installing, maintaining and operating Comm South's equipment (to include testing and monitoring equipment) necessary for interconnection with BellSouth services and facilities or for accessing BellSouth unbundled network elements for the provision of telecommunications services, as specifically set forth in this Attachment. The Collocation Space may be used for no other purposes except as specifically described herein or in any amendment hereto.
- 1.6 **Rates and Charges.** Comm South agrees to pay the rates and charges identified in Exhibit C attached hereto.
- 1.7 If any due date contained in this Attachment falls on a weekend or National holiday, then the due date will be the next business day thereafter. For intervals of ten (10) days or less National holidays will be excluded.
- 1.8 The parties agree to comply with all applicable federal, state, county, local and administrative laws, rules, ordinances, regulations and codes in the performance of their obligations hereunder.

2. Space Availability Report

- 2.1 **Space Availability Report.** Upon request from Comm South, BellSouth will provide a written report ("Space Availability Report") describing in detail the space that is available for collocation and specifying the amount of Collocation Space available at the Premises requested, the number of collocators present at the Premises, any modifications in the use of the space since the last report on the Premises requested and the measures BellSouth is taking to make additional space available for collocation arrangements. A Space Availability Report does not reserve space at the Premises.
- 2.1.1 The request from Comm South for a Space Availability Report must be written and must include the Premises street address, as identified in the Local Exchange Routing Guide ("LERG"), and Common Language Location Identification ("CLLI") code of the Premises. CLLI code information is located in the National Exchange Carriers Association ("NECA") Tariff FCC No. 4.

2.1.2 BellSouth will respond to a request for a Space Availability Report for a particular Premises within ten (10) calendar days of receipt of such request. BellSouth will make best efforts to respond in ten (10) calendar days to such a request when the request includes from two (2) to five (5) Premises within the same state. The response time for requests of more than five (5) Premises shall be negotiated between the Parties. If BellSouth cannot meet the ten (10) calendar day response time, BellSouth shall notify Comm South and inform Comm South of the time frame under which it can respond.

3. Collocation Options

3.1 Cageless. BellSouth shall allow Comm South to collocate Comm South's equipment and facilities without requiring the construction of a cage or similar structure. BellSouth shall allow Comm South to have direct access to Comm South's equipment and facilities. BellSouth shall make cageless collocation available in single bay increments. Except where Comm South's equipment requires special technical considerations (e.g., special cable racking, isolated ground plane, etc.), BellSouth shall assign cageless Collocation Space in conventional equipment rack lineups where feasible. For equipment requiring special technical considerations, Comm South must provide the equipment layout, including spatial dimensions for such equipment pursuant to generic requirements contained in Telcordia GR-63-Core, and shall be responsible for compliance with all special technical requirements associated with such equipment.

3.2 Caged. At Comm South's expense, Comm South may arrange with a Supplier certified by BellSouth ("Certified Supplier") to construct a collocation arrangement enclosure in accordance with BellSouth's guidelines and specifications prior to starting equipment installation. BellSouth will provide guidelines and specifications upon request. Where local building codes require enclosure specifications more stringent than BellSouth's standard enclosure specification, Comm South and Comm South's Certified Supplier must comply with the more stringent local building code requirements. Comm South's Certified Supplier shall be responsible for filing and receiving any and all necessary permits and/or licenses for such construction. BellSouth shall cooperate with Comm South and provide, at Comm South's expense, the documentation, including existing building architectural drawings, enclosure drawings, and specifications required and necessary for Comm South to obtain the zoning, permits and/or other licenses. Comm South's Certified Supplier shall bill Comm South directly for all work performed for Comm South pursuant to this Attachment and BellSouth shall have no liability for nor responsibility to pay such charges imposed by Comm South's Certified Supplier. Comm South must provide the local BellSouth building contact with two Access Keys used to enter the locked enclosure. Except in case of emergency, BellSouth will not access Comm South's locked enclosure prior to notifying Comm South. Upon request, BellSouth shall construct the enclosure for Comm South.

- 3.2.1 BellSouth may elect to review Comm South's plans and specifications prior to allowing construction to start to ensure compliance with BellSouth's guidelines and specifications. Notification to Comm South indicating BellSouth's desire to execute this review will be provided in BellSouth's response to the Initial Application, if Comm South has indicated its desire to construct its own enclosure. If Comm South's Initial Application does not indicate its desire to construct its own enclosure, but its subsequent firm order does indicate its desire to construct its own enclosure, then notification to review will be given within ten (10) calendar days after the Firm Order date. BellSouth shall complete its review within fifteen (15) calendar days after the receipt of the plans and specifications. Regardless of whether or not BellSouth elects to review Comm South's plans and specifications, BellSouth reserves the right to inspect the enclosure after construction to make sure it is constructed according to the submitted plans and specifications and/or BellSouth's guidelines and specifications, as applicable. BellSouth shall require Comm South to remove or correct within seven (7) calendar days at Comm South's expense any structure that does not meet these plans and specifications or, where applicable, BellSouth guidelines and specifications.
- 3.3 Shared Caged Collocation. Comm South may allow other telecommunications carriers to share Comm South's caged collocation arrangement pursuant to terms and conditions agreed to by Comm South ("Host") and other telecommunications carriers ("Guests") and pursuant to this Section, except where the BellSouth Premises is located within a leased space and BellSouth is prohibited by said lease from offering such an option. Comm South shall notify BellSouth in writing upon execution of any agreement between the Host and its Guest within ten (10) calendar days of its execution and prior to any Firm Order. Further, such notice shall include the name of the Guest(s) and the term of the agreement, and shall contain a certification by Comm South that said agreement imposes upon the Guest(s) the same terms and conditions for Collocation Space as set forth in this Attachment between BellSouth and Comm South.
- 3.3.1 Comm South, as the Host, shall be the sole interface and responsible Party to BellSouth for the assessment and billing of rates and charges contained within this Attachment and for the purposes of ensuring that the safety and security requirements of this Attachment are fully complied with by the Guest, its employees and agents. BellSouth shall provide Comm South with a proration of the costs of the collocation space based on the number of collocators and the space used by each with a minimum charge of one (1) bay/rack per Host/Guest. In all states other than Florida, and in addition to the foregoing, Comm South shall be the responsible party to BellSouth for the purpose of submitting applications for initial and additional equipment placement of Guest. In Florida the Guest may directly submit initial and additional equipment placement applications using the Host's access carrier name abbreviation (ACNA). A separate Guest application shall require the assessment of an Initial or Subsequent Application Fee, as set forth in Exhibit C, which will be charged to the Host.

- 3.3.2 Notwithstanding the foregoing, the Guest may arrange directly with BellSouth for the provision of the interconnecting facilities between BellSouth and the Guest and for the provision of the services and access to unbundled network elements. The bill for these interconnecting facilities, services and access to UNEs will be charged to the Guest pursuant to the applicable tariff or the Guest's Interconnection Agreement with BellSouth.
- 3.3.3 Comm South shall indemnify and hold harmless BellSouth from any and all claims, actions, causes of action, of whatever kind or nature arising out of the presence of Comm South's Guests in the Collocation Space except to the extent caused by BellSouth's sole negligence, gross negligence, or willful misconduct.
- 3.4 Adjacent Collocation. Subject to technical feasibility and space availability, BellSouth will permit adjacent collocation arrangements ("Adjacent Arrangement") on the Premises' property, where the Adjacent Arrangement does not interfere with access to existing or planned structures or facilities on the Premises property. The Adjacent Arrangement shall be constructed or procured by Comm South and in conformance with BellSouth's design and construction specifications. Further, Comm South shall construct, procure, maintain and operate said Adjacent Arrangement(s) pursuant to all of the rates, terms and conditions set forth in this Attachment.
- 3.4.1 Should Comm South elect Adjacent Collocation, Comm South must arrange with a Certified Supplier to construct an Adjacent Arrangement structure in accordance with BellSouth's guidelines and specifications. BellSouth will provide guidelines and specifications upon request. Where local building codes require enclosure specifications more stringent than BellSouth's standard specification, Comm South and Comm South's Certified Supplier must comply with the more stringent local building code requirements. Comm South's Certified Supplier shall be responsible for filing and receiving any and all necessary zoning, permits and/or licenses for such construction. Comm South's Certified Supplier shall bill Comm South directly for all work performed for Comm South pursuant to this Attachment and BellSouth shall have no liability for nor responsibility to pay such charges imposed by Comm South's Certified Supplier. Comm South must provide the local BellSouth building contact with two cards, keys or other access device used to enter the locked enclosure. Except in cases of emergency, BellSouth shall not access Comm South's locked enclosure prior to notifying Comm South.
- 3.4.2 Comm South must submit its plans and specifications to BellSouth with its Firm Order. BellSouth shall review Comm South's plans and specifications prior to construction of an Adjacent Arrangement(s) to ensure compliance with BellSouth's guidelines and specifications. BellSouth shall complete its review within fifteen (15) calendar days after receipt of plans and specifications. BellSouth may inspect the Adjacent Arrangement during and after construction to confirm it is constructed according to the submitted plans and specifications. BellSouth shall require Comm South to remove or correct within seven (7) calendar days at Comm South's expense

any structure that does not meet these plans and specifications or, where applicable, BellSouth's guidelines and specifications.

- 3.4.3 Comm South shall provide a concrete pad, the structure housing the arrangement, heating/ventilation/air conditioning ("HVAC"), lighting, and all facilities that connect the structure (i.e. racking, conduits, etc.) to the BellSouth point of demarcation. At Comm South's option, and where the local authority having jurisdiction permits, BellSouth shall provide an AC power source and access to physical collocation services and facilities subject to the same nondiscriminatory requirements as applicable to any other physical collocation arrangement. In Louisiana, BellSouth will provide DC power to Adjacent Collocation sites where technically feasible, as that term has been defined by the FCC. Comm South's Certified Supplier shall be responsible, at Comm South's expense, for filing and receiving any and all necessary zoning, permits and/or licenses for such arrangement. BellSouth shall allow Shared Caged Collocation within an Adjacent Arrangement pursuant to the terms and conditions set forth herein.
- 3.5 Co-Carrier Cross Connect (CCXC). The primary purpose of collocating CLEC equipment is to interconnect with BellSouth's network or access BellSouth's unbundled network elements for the provision of telecommunications services. BellSouth will permit Comm South to interconnect between its virtual or physical collocation arrangements and those of another collocated CLEC whose Agreement contains rates, terms and conditions for CCXC language. At no point in time shall Comm South use the Collocation Space for the sole or primary purpose of cross connecting to other CLECs.
- 3.5.1 The CCXC shall be provisioned through facilities owned by Comm South. Such connections to other carriers may be made using either optical or electrical facilities. Comm South may deploy such optical or electrical connections directly between its own facilities and the facilities of other CLEC(s) without being routed through BellSouth equipment. Comm South may not self provision CCXC on any BellSouth distribution frame, Pot Bay, DSX or LGX. Comm South is responsible for ensuring the integrity of the signal.
- 3.5.2 Comm South shall be responsible for providing written authorization to BellSouth from the other CLEC prior to installing the CCXC. Comm South must use a BellSouth Certified Supplier to place the CCXC. There will be a recurring charge per linear foot of common cable support structure used. Comm South-provisioned CCXC shall utilize common cable support structure. In the case of two contiguous caged collocation arrangements, Comm South may have the option of constructing its own dedicated support structure.
- 3.5.3 To order CCXCs Comm South must submit an Initial Application or Subsequent Application. If no modification to the Collocation Space is requested other than the placement of CCXCs, the Subsequent Application Fee for CCXC, as defined in

Exhibit C, will apply. If modifications in addition to the placement of CCXCs are requested, the Initial Application or Subsequent Application Fee will apply.

4. Occupancy

4.1 Occupancy. BellSouth will notify Comm South in writing that the Collocation Space is ready for occupancy ("Space Ready Date"). Comm South will schedule and complete an acceptance walkthrough of each Collocation Space with BellSouth within fifteen (15) calendar days of BellSouth's notifying Comm South that the collocation space is ready for occupancy. In the event that Comm South fails to complete an acceptance walkthrough within this fifteen (15) day interval, the Collocation Space shall be deemed accepted by Comm South and billing will commence on the sixteenth day after BellSouth releases the collocation space. Comm South must notify BellSouth in writing that collocation equipment installation is complete and is operational with BellSouth's network. BellSouth may, at its option, not accept orders for cross connects until receipt of such notice. For purposes of this paragraph, Comm South's telecommunications equipment will be deemed operational when cross connected to BellSouth's network for the purpose of service provisioning.

4.2 Termination of Occupancy. In addition to any other provisions addressing termination of occupancy in this Agreement, Comm South may terminate occupancy in a particular Collocation Space by submitting a Subsequent Application requesting termination of occupancy. A Subsequent Application Fee will not apply for termination of occupancy. BellSouth may terminate Comm South's right to occupy the Collocation Space in the event Comm South fails to comply with any provision of this Agreement.

4.2.1 Upon termination of occupancy, Comm South at its expense shall remove its equipment and other property from the Collocation Space. Comm South shall have thirty (30) calendar days from the termination date to complete such removal, including the removal of all equipment and facilities of Comm South's Guests, unless Comm South's Guest has assumed responsibility for the collocation space housing the Guest's equipment and executed the documentation required by BellSouth prior to such removal date. Comm South shall continue payment of monthly fees to BellSouth until such date as Comm South, and if applicable Comm South's Guest, has fully vacated the Collocation Space and the Space Relinquish Form has been accepted by BellSouth.. Should Comm South or Comm South's Guest fail to vacate the Collocation Space within thirty (30) calendar days from the termination date, BellSouth shall have the right to remove the equipment and other property of Comm South or Comm South's Guest at Comm South's expense and with no liability for damage or injury to Comm South's property or Comm South's Guest's property unless caused by the gross negligence or intentional misconduct of BellSouth. Upon termination of Comm South's right to occupy Collocation Space, Comm South shall surrender such Collocation Space to BellSouth in the same condition as when first occupied by Comm South except for ordinary wear and tear, unless otherwise agreed to by the Parties. Comm South's BellSouth Certified Supplier shall be responsible for updating and making any necessary changes to BellSouth's records as required by

BellSouth's guidelines and specifications including but not limited to Central Office Record Drawings and ERMA Records. Comm South shall be responsible for the cost of removing any enclosure, together with all support structures (e.g., racking, conduits, power cables, etc.), at the termination of occupancy and restoring the grounds to their original condition.

5. Use of Collocation Space

- 5.1 Equipment Type. BellSouth permits the collocation of any type of equipment necessary for interconnection to BellSouth's network or for access to BellSouth's unbundled network elements in the provision of telecommunications services, as the term "necessary" is defined by FCC 47 C.F.R. Section 51.323 (b). The primary purpose and function of any equipment collocated in a Premises must be for interconnection to BellSouth's network or for access to BellSouth's unbundled network elements in the provision of telecommunications services.
- 5.1.1 Examples of equipment that would not be considered necessary include but are not limited to: Traditional circuit switching equipment, equipment used exclusively for call-related databases, computer servers used exclusively for providing information services, operations support system (OSS) equipment used to support CLEC network operations, equipment that generates customer orders, manages trouble tickets or inventory, or stores customer records in centralized databases, etc. BellSouth will determine upon receipt of an application if the requested equipment is necessary based on the criteria established by the FCC. Multifunctional equipment placed on BellSouth's Premises must not place any greater relative burden on BellSouth's property than comparable single-function equipment. BellSouth reserves the right to permit collocation of any equipment on a nondiscriminatory basis.
- 5.1.2 Such equipment must, at a minimum, meet the following Telcordia Network Equipment Building Systems (NEBS) General Equipment Requirements: Criteria Level 1 requirements as outlined in the Telcordia Special Report SR-3580, Issue 1; equipment design spatial requirements per GR-63-CORE, Section 2; thermal heat dissipation per GR-063-CORE, Section 4, Criteria 77-79; acoustic noise per GR-063-CORE, Section 4, Criterion 128, and National Electric Code standards. Except where otherwise required by a Commission, BellSouth shall comply with the applicable FCC rules relating to denial of collocation based on Comm South's failure to comply with this Section.
- 5.1.3 Comm South shall not request more DS0, DS1, DS3 and optical terminations for a collocation arrangement than the total port or termination capacity of the equipment physically installed in the arrangement. The total capacity of the equipment collocated in the arrangement will include equipment contained in the application in question as well as equipment already placed in the arrangement. If full network termination capacity of the equipment being installed is not requested in the application, additional network terminations for the installed equipment will require the submission of another

- application. In the event that Comm South submits an application for terminations that exceed the total capacity of the collocated equipment, Comm South will be informed of the discrepancy and will be required to submit a revision to the application.
- 5.2 Comm South shall not use the Collocation Space for marketing purposes nor shall it place any identifying signs or markings outside the Collocation Space or on the grounds of the Premises.
- 5.3 Comm South shall place a plaque or other identification affixed to Comm South's equipment necessary to identify Comm South's equipment, including a list of emergency contacts with telephone numbers.
- 5.4 Entrance Facilities. Comm South may elect to place Comm South-owned or Comm South-leased fiber entrance facilities into the Collocation Space. BellSouth will designate the point of interconnection in close proximity to the Premises building housing the Collocation Space, such as an entrance manhole or a cable vault, which are physically accessible by both Parties. Comm South will provide and place fiber cable at the point of entrance of sufficient length to be pulled through conduit and into the splice location. Comm South will provide and install a sufficient length of fire retardant riser cable, to which the entrance cable will be spliced by BellSouth, which will extend from the splice location to Comm South's equipment in the Collocation Space. In the event Comm South utilizes a non-metallic, riser-type entrance facility, a splice will not be required. Comm South must contact BellSouth for instructions prior to placing the entrance facility cable in the manhole. Comm South is responsible for maintenance of the entrance facilities. At Comm South's option BellSouth will accommodate where technically feasible a microwave entrance facility pursuant to separately negotiated terms and conditions. In the case of adjacent collocation, unless BellSouth determines that limited space is available for the entrance facilities, copper facilities may be used between the adjacent collocation arrangement and the central office demarcation point.
- 5.4.1 Dual Entrance. BellSouth will provide at least two interconnection points at each Premises where there are at least two such interconnection points available and where capacity exists. Upon receipt of a request for physical collocation under this Attachment, BellSouth shall provide Comm South with information regarding BellSouth's capacity to accommodate dual entrance facilities. If conduit in the serving manhole(s) is available and is not reserved for another purpose for utilization within 12 months of the receipt of an application for collocation, BellSouth will make the requested conduit space available for installing a second entrance facility to Comm South's arrangement. The location of the serving manhole(s) will be determined at the sole discretion of BellSouth. Where dual entrance is not available due to lack of capacity, BellSouth will so state in the Application Response.

- 5.4.2 Shared Use. Comm South may utilize spare capacity on an existing interconnector entrance facility for the purpose of providing an entrance facility to Comm South's collocation arrangement within the same BellSouth Premises. BellSouth shall allow the splice, provided that the fiber is non-working fiber. Comm South must arrange with BellSouth for BellSouth to splice the Comm South provided riser cable to the spare capacity on the entrance facility. The rates set forth in Exhibit C will apply. If Comm South desires to allow another CLEC to use its entrance facilities, additional rates, terms and conditions will apply and shall be negotiated between the Parties.
- 5.5 Demarcation Point. BellSouth will designate the point(s) of demarcation between Comm South's equipment and/or network and BellSouth's network. Each Party will be responsible for maintenance and operation of all equipment/facilities on its side of the demarcation point. For 2-wire and 4-wire connections to BellSouth's network, the demarcation point shall be a common block on the BellSouth designated conventional distributing frame (CDF). Comm South shall be responsible for providing, and a supplier certified by BellSouth ("BellSouth Certified Supplier") shall be responsible for installing and properly labeling/stenciling the common block and necessary cabling pursuant to Section 7. For all other terminations BellSouth shall designate a demarcation point on a per arrangement basis. Comm South or its agent must perform all required maintenance to equipment/facilities on its side of the demarcation point, pursuant to Section 5.6, following, and may self-provision cross-connects that may be required within the Collocation Space to activate service requests.
- 5.5.1 In Tennessee, BellSouth will designate the point(s) of demarcation between Comm South's equipment and/or network and BellSouth's network. Each Party will be responsible for maintenance and operation of all equipment/facilities on its side of the demarcation point. For connections to BellSouth's network, the demarcation point shall be a Comm South provided Point of Termination Bay (POT Bay) in a common area within the Premises. Comm South shall be responsible for providing, and a supplier certified by BellSouth shall be responsible for installing and properly labeling/stenciling the POT Bay as well as installing the necessary cabling between Comm South's collocation space and the demarcation point. Comm South or its agent must perform all required maintenance to equipment/facilities on its side of the demarcation point, pursuant to Section 5.6, following, and may self-provision cross-connects that may be required within the Collocation Space to activate service requests. BellSouth will negotiate alternative rates, terms and conditions related to the demarcation point in Tennessee in the event that Comm South desires to avoid the use of an intermediary device as contemplated by the Tennessee Regulatory Authority.
- 5.6 Comm South's Equipment and Facilities. Comm South, or if required by this Attachment, Comm South's BellSouth Certified Supplier, is solely responsible for the design, engineering, installation, testing, provisioning, performance, monitoring, maintenance and repair of the equipment and facilities used by Comm South which must be performed in compliance with all applicable BellSouth policies and guidelines. Such equipment and facilities may include but are not limited to cable(s), equipment, and point of termination connections. Comm South and its selected BellSouth

Certified Supplier must follow and comply with all BellSouth requirements outlined in BellSouth's TR 73503, TR 73519, TR 73572, and TR 73564.

- 5.7 BellSouth's Access to Collocation Space. From time to time BellSouth may require access to the Collocation Space. BellSouth retains the right to access such space for the purpose of making BellSouth equipment and building modifications (e.g., running, altering or removing racking, ducts, electrical wiring, HVAC, and cables). BellSouth will give notice to Comm South at least 48 hours before access to the Collocation Space is required. Comm South may elect to be present whenever BellSouth performs work in the Collocation Space. The Parties agree that Comm South will not bear any of the expense associated with this work.
- 5.8 Access. Pursuant to Section 12, Comm South shall have access to the Collocation Space twenty-four (24) hours a day, seven (7) days a week. Comm South agrees to provide the name and social security number or date of birth or driver's license number of each employee, contractor, or agent of Comm South or Comm South's Guests provided with access keys or devices ("Access Keys") prior to the issuance of said Access Keys. Key acknowledgement forms must be signed by Comm South and returned to BellSouth Access Management within fifteen (15) calendar days of Comm South's receipt. Failure to return properly acknowledged forms will result in the holding of subsequent requests until acknowledgements are current. Access Keys shall not be duplicated under any circumstances. Comm South agrees to be responsible for all Access Keys and for the return of all said Access Keys in the possession of Comm South employees, contractors, Guests, or agents after termination of the employment relationship, contractual obligation with Comm South or upon the termination of this Attachment or the termination of occupancy of an individual collocation arrangement.
- 5.8.1 BellSouth will permit one accompanied site visit to Comm South's designated collocation arrangement location after receipt of the Bona Fide Firm Order without charge to Comm South. Comm South must submit to BellSouth the completed Access Control Request Form for all employees or agents requiring access to the BellSouth Premises a minimum of thirty (30) calendar days prior to the date Comm South desires access to the Collocation Space. In order to permit reasonable access during construction of the Collocation Space, Comm South may submit such a request at any time subsequent to BellSouth's receipt of the Bona Fide Firm Order. In the event Comm South desires access to the Collocation Space after submitting such a request but prior to access being approved, in addition to the first accompanied free visit, BellSouth shall permit Comm South to access the Collocation Space accompanied by a security escort at Comm South's expense. Comm South must request escorted access at least three (3) business days prior to the date such access is desired.
- 5.9 Lost or Stolen Access Keys. Comm South shall notify BellSouth in writing immediately in the case of lost or stolen Access Keys. Should it become necessary for BellSouth to re-key buildings or deactivate a card as a result of a lost Access Key(s) or for failure to return an Access Key(s), Comm South shall pay for all reasonable costs associated with the re-keying or deactivating the card.

- 5.10 Interference or Impairment. Notwithstanding any other provisions of this Attachment, Comm South shall not use any product or service provided under this Agreement, any other service related thereto or used in combination therewith, or place or use any equipment or facilities in any manner that 1) significantly degrades, interferes with or impairs service provided by BellSouth or by any other entity or any person's use of its telecommunications service; 2) endangers or damages the equipment, facilities or other property of BellSouth or of any other entity or person; 3) compromises the privacy of any communications; or 4) creates an unreasonable risk of injury or death to any individual or to the public. If BellSouth reasonably determines that any equipment or facilities of Comm South violates the provisions of this paragraph, BellSouth shall give written notice to Comm South, which notice shall direct Comm South to cure the violation within forty-eight (48) hours of Comm South's actual receipt of written notice or, at a minimum, to commence curative measures within twenty-four (24) hours and to exercise reasonable diligence to complete such measures as soon as possible thereafter. After receipt of the notice, the Parties agree to consult immediately and, if necessary, to inspect the arrangement.
- 5.10.1 Except in the case of the deployment of an advanced service which significantly degrades the performance of other advanced services or traditional voice band services, if Comm South fails to take curative action within forty-eight (48) hours or if the violation is of a character which poses an immediate and substantial threat of damage to property, injury or death to any person, or any other significant degradation, interference or impairment of BellSouth's or another entity's service, then and only in that event BellSouth may take such action as it deems appropriate to correct the violation, including without limitation the interruption of electrical power to Comm South's equipment. BellSouth will endeavor, but is not required, to provide notice to Comm South prior to taking such action and shall have no liability to Comm South for any damages arising from such action, except to the extent that such action by BellSouth constitutes willful misconduct.
- 5.10.2 For purposes of this Section, the term significantly degrade shall mean an action that noticeably impairs a service from a user's perspective. In the case of the deployment of an advanced service which significantly degrades the performance of other advanced services or traditional voice band services and Comm South fails to take curative action within forty-eight (48) hours then BellSouth will establish before the relevant Commission that the technology deployment is causing the significant degradation. Any claims of network harm presented to Comm South or, if subsequently necessary, the relevant Commission, must be supported with specific and verifiable information. Where BellSouth demonstrates that a deployed technology is significantly degrading the performance of other advanced services or traditional voice band services, Comm South shall discontinue deployment of that technology and migrate its customers to technologies that will not significantly degrade the performance of other such services. Where the only degraded service itself is a known disturber, and the newly deployed technology satisfies at least one of the criteria for a

- presumption that is acceptable for deployment under Section 47 C.F.R. 51.230, the degraded service shall not prevail against the newly deployed technology.
- 5.11 Personalty and its Removal. Facilities and equipment placed by Comm South in the Collocation Space shall not become a part of the Collocation Space, even if nailed, screwed or otherwise fastened to the Collocation Space, but shall retain their status as personal property and may be removed by Comm South at any time. Any damage caused to the Collocation Space by Comm South's employees, agents or representatives during the removal of such property shall be promptly repaired by Comm South at its expense.
- 5.12 Alterations. In no case shall Comm South or any person acting on behalf of Comm South make any rearrangement, modification, improvement, addition, or other alteration which could affect in any way space, power, HVAC, and/or safety considerations to the Collocation Space or the BellSouth Premises without the written consent of BellSouth, which consent shall not be unreasonably withheld. The cost of any such specialized alterations shall be paid by Comm South. Any such material rearrangement, modification, improvement, addition, or other alteration shall require a Subsequent Application and Subsequent Application Fee.
- 5.13 Janitorial Service. Comm South shall be responsible for the general upkeep of the Collocation Space. Comm South shall arrange directly with a BellSouth Certified Supplier for janitorial services applicable to Caged Collocation Space. BellSouth shall provide a list of such suppliers on a site-specific basis upon request.
- 6. Ordering and Preparation of Collocation Space**
- 6.1 Should any state or federal regulatory agency impose procedures or intervals applicable to Comm South and BellSouth that are different from procedures or intervals set forth in this Section, whether now in effect or that become effective after execution of this Agreement, those procedures or intervals shall supersede the requirements set forth herein for that jurisdiction for all applications submitted for the first time after the effective date thereof.
- 6.2 Initial Application. For Comm South or Comm South's Guest(s) initial equipment placement, Comm South shall submit to BellSouth a Physical Expanded Interconnection Application Document ("Initial Application"). The Initial Application is Bona Fide when it is complete and accurate, meaning that all required fields on the application are completed with the appropriate type of information. An application fee will apply.
- 6.3 Subsequent Application. In the event Comm South or Comm South's Guest(s) desires to modify the use of the Collocation Space after Bona Fide Firm Order, Comm South shall complete an application detailing all information regarding the modification to the Collocation Space ("Subsequent Application"). The Subsequent Application is Bona

- Fide when it is complete and accurate, meaning that all required fields on the Subsequent Application are completed with the appropriate type of information. BellSouth shall determine what modifications, if any, to the Premises are required to accommodate the change requested by Comm South in the application. Such necessary modifications to the Premises may include, but are not limited to, floor loading changes, changes necessary to meet HVAC requirements, changes to power plant requirements, equipment additions, etc.
- 6.3.1 Subsequent Application Fee. The application fee paid by Comm South for its request to modify the use of the Collocation Space shall be dependent upon the level of assessment needed for the modification requested. The fee for a Subsequent Application where the modification requested has limited effect (e.g., requires labor expenditure but no capital expenditure by BellSouth) shall be the Subsequent Application Fee as set forth in Exhibit C. If the modification requires capital expenditure, an Initial Application Fee shall apply.
- 6.4 Space Preferences. If Comm South has previously requested and received a Space Availability Report for the Premises, Comm South may submit up to three (3) space preferences on its application identifying specific space identification numbers as referenced on the Space Availability Report. In the event that BellSouth can not accommodate the Comm South's preference(s), Comm South may elect to accept the space allocated by BellSouth or may cancel its application and submit another application requesting additional preferences, which will be treated as a new application and an application fee will apply.
- 6.5 Space Availability Notification.
- 6.5.1 Unless otherwise specified, BellSouth will respond to an application within ten (10) calendar days as to whether space is available or not available within a BellSouth Premises. BellSouth will also respond as to whether the application is Bona Fide and if it is not Bona Fide, the items necessary to cause the application to become Bona Fide. If the amount of space requested is not available, BellSouth will notify Comm South of the amount of space that is available and no application fee shall apply. When BellSouth's response includes an amount of space less than that requested by Comm South or differently configured, Comm South must resubmit its application to reflect the actual space available.
- 6.5.2 BellSouth will respond to a Florida application within fifteen (15) calendar days as to whether space is available or not available within a BellSouth Premises. BellSouth will also respond as to whether the application is Bona Fide and if it is not Bona Fide, the items necessary to cause the application to become Bona Fide. If a lesser amount of space than requested is available, BellSouth will provide an Application Response for the amount of space that is available and an application fee will be assessed. When BellSouth's Application Response includes an amount of space less than that requested by Comm South or differently configured, Comm South must amend its

application to reflect the actual space available prior to submitting Bona Fide Firm Order.

- 6.5.3 BellSouth will respond to a Louisiana application within ten (10) calendar days for space availability for one (1) to ten (10) applications; fifteen (15) calendar days for eleven (11) to twenty (20) applications; and for more than twenty (20) applications, it is increased by five (5) calendar days for every five additional applications received within five (5) business days. If the amount of space requested is not available, BellSouth will notify Comm South of the amount of space that is available and no application fee shall apply. When BellSouth's response includes an amount of space less than that requested by Comm South or differently configured, Comm South must resubmit its application to reflect the actual space available. BellSouth will also respond as to whether the application is Bona Fide and if it is not Bona Fide, the items necessary to cause the application to become Bona Fide.
- 6.6 Denial of Application. If BellSouth notifies Comm South that no space is available ("Denial of Application"), BellSouth will not assess an Application Fee. After notifying Comm South that BellSouth has no available space in the requested Premises, BellSouth will allow Comm South, upon request, to tour the entire Premises within ten (10) calendar days of such Denial of Application. In order to schedule said tour within ten (10) calendar days, the request for a tour of the Premises must be received by BellSouth within five (5) calendar days of the Denial of Application.
- 6.7 Filing of Petition for Waiver. Upon Denial of Application, BellSouth will timely file a petition with the Commission pursuant to 47 U.S.C. § 251(c)(6). BellSouth shall provide to the Commission any information requested by that Commission. Such information shall include which space, if any, BellSouth or any of BellSouth's affiliates have reserved for future use and a detailed description of the specific future uses for which the space has been reserved. Subject to an appropriate nondisclosure agreement or provision, BellSouth shall permit Comm South to inspect any floor plans or diagrams that BellSouth provides to the Commission.
- 6.8 Waiting List. On a first-come, first-served basis governed by the date of receipt of an application or Letter of Intent, BellSouth will maintain a waiting list of requesting carriers who have either received a Denial of Application or, where it is publicly known that the Premises is out of space, have submitted a Letter of Intent to collocate. BellSouth will notify the telecommunications carriers on the waiting list that can be accommodated by the amount of space that becomes available according to the position of the telecommunications carriers on said waiting list.
- 6.8.1 In Florida, on a first-come, first-served basis governed by the date of receipt of an application or Letter of Intent, BellSouth will maintain a waiting list of requesting carriers who have either received a Denial of Application or, where it is publicly known that the Premises is out of space, have submitted a Letter of Intent to collocate. Sixty (60) calendar days prior to space becoming available, if known, BellSouth will notify the Florida PSC and the telecommunications carriers on the waiting list by mail

- when space becomes available according to the position of telecommunications carrier on said waiting list. If not known sixty (60) calendar days in advance, BellSouth shall notify the Florida PSC and the telecommunications carriers on the waiting list within two (2) business days of the determination that space is available. A CLEC that, upon denial of physical collocation, requests virtual collocation shall be automatically placed on the waiting list.
- 6.8.2 When space becomes available, Comm South must submit an updated, complete, and correct application to BellSouth within thirty (30) calendar days of such notification. If Comm South has originally requested caged collocation space and cageless collocation space becomes available, Comm South may refuse such space and notify BellSouth in writing within that time that Comm South wants to maintain its place on the waiting list without accepting such space. Comm South may accept an amount of space less than its original request by submitting an application as set forth above, and upon request, may maintain its position on the waiting list for the remaining space that was initially requested. If Comm South does not submit such an application or notify BellSouth in writing as described above, BellSouth will offer such space to the next CLEC on the waiting list and remove Comm South from the waiting list. Upon request, BellSouth will advise Comm South as to its position on the list.
- 6.9 Public Notification. BellSouth will maintain on its Interconnection Services website a notification document that will indicate all Central Offices that are without available space. BellSouth shall update such document within ten (10) calendar days of the date BellSouth becomes aware that there is insufficient space to accommodate physical collocation. BellSouth will also post a document on its Interconnection Services website that contains a general notice where space has become available in a Central Office previously on the space exhaust list.
- 6.10 Application Response.
- 6.10.1 In Alabama, Kentucky and North Carolina, when space has been determined to be available, BellSouth will provide a written response (“Application Response”) within twenty-three (23) business days of the receipt of a Bona Fide application, which will include, at a minimum, the configuration of the space, the Cable Installation Fee, Cable Records Fee, and the space preparation fees, as described in Section 8.
- 6.10.2 In South Carolina, BellSouth will provide a written response (“Application Response”) within thirty (30) calendar days of receipt of a Bona Fide application. The Application Response will include, at a minimum, the configuration of the space, the Cable Installation Fee, Cable Records Fee, and the space preparation fees, as described in Section 8. When multiple applications are submitted in a state within a fifteen (15) calendar day window, BellSouth will respond to the Bona Fide applications as soon as possible, but no later than the following: within thirty (30) calendar days for Bona Fide applications one (1) to five (5); within thirty-six (36) calendar days for Bona Fide applications six (6) to ten (10); within forty-two (42) calendar days for Bona Fide applications eleven (11) to fifteen (15). Response intervals for multiple Bona Fide

applications submitted within the same timeframe for the same state in excess of fifteen (15) must be negotiated. All negotiations shall consider the total volume from all requests from telecommunications companies for collocation.

- 6.10.3 In Tennessee, BellSouth will provide a written response (“Application Response”) within fifteen (15) calendar days of receipt of a Bona Fide application. The Application Response will include, at a minimum, the configuration of the space, the Cable Installation Fee, Cable Records Fee, and a firm price quote for the space preparation fees, as described in Section 8 provided that Comm South has given BellSouth a forecast of Comm South’s collocation needs at least ten (10) calendar days prior to submitting an application if the Comm South has standardized space preparation rates in their Agreement and twenty (20) calendar days prior to submitting an application if the Comm South has standardized space preparation rates in their Agreement.
- 6.10.4 In Florida, within fifteen (15) calendar days of receipt of a Bona Fide application, when space has been determined to be available or when a lesser amount of space than that requested is available, then with respect to the space available, BellSouth will provide a written response (“Application Response”) including sufficient information to enable Comm South to place a Firm Order. The Application Response will include, at a minimum, the configuration of the space, the Cable Installation Fee, Cable Records Fee, and the space preparation fees, as described in Section 8. When Comm South submits ten (10) or more applications within ten (10) calendar days, the initial fifteen (15) day response period will increase by ten (10) calendar days for every additional ten (10) applications or fraction thereof.
- 6.10.5 In Georgia and Mississippi, when space has been determined to be available for caged or cageless arrangements, BellSouth will provide a written response (“Application Response”) within twenty (20) calendar days of receipt of a Bona Fide application. The Application Response will include, at a minimum, the configuration of the space, the Cable Installation Fee, Cable Records Fee, and the space preparation fees, as described in Section 8.
- 6.10.6 In Louisiana, when space has been determined to be available, BellSouth will provide a written response (“Application Response”) within thirty (30) calendar days for one (1) to ten (10) applications; thirty-five (35) calendar days for eleven (11) to twenty (20) applications; and for requests of more than twenty (20) applications it is increased by five (5) calendar days for every five (5) applications received within five (5) business days. The Application Response will include, at a minimum, the configuration of the space, the Cable Installation Fee, Cable Records Fee, and the space preparation fees, as described in Section 8.
- 6.11 Application Modifications.

- 6.11.1 If a modification or revision is made to any information in the Bona Fide application prior to Bona Fide Firm Order, with the exception of modifications to Customer Information, Contact Information or Billing Contact Information, either at the request of Comm South or necessitated by technical considerations, said application shall be considered a new application and shall be handled as a new application with respect to response and provisioning intervals and BellSouth may charge Comm South an additional application fee. The fee for an application modification where the modification requested has limited effect (e.g., requires labor expenditure but no capital expenditure by BellSouth) shall be the Subsequent Application Fee as set forth in Exhibit C. A modification involving a capital expenditure by BellSouth shall require Comm South to submit the application with an Initial Application Fee.
- 6.12 Bona Fide Firm Order.
- 6.12.1 In Alabama (Caged Only), Kentucky, and North Carolina, Comm South shall indicate its intent to proceed with equipment installation in a BellSouth Premises by submitting a Physical Expanded Interconnection Firm Order document (“Firm Order”) to BellSouth. A Firm Order shall be considered Bona Fide when Comm South has completed the Application/Inquiry process described in Section 6, preceding, and has submitted the Firm Order document indicating acceptance of the Application Response provided by BellSouth. The Bona Fide Firm Order must be received by BellSouth no later than five (5) business days after BellSouth’s Application Response to Comm South’s Bona Fide application in order to receive the intervals set forth in Section 7. The Bona Fide Firm Order must be received by BellSouth no later than thirty (30) calendar days after BellSouth’s Application Response to Comm South’s Bona Fide application or the application will expire. If the BFFO is received between the fifth business day and the thirtieth calendar day after the Application Response, then the intervals set forth in Section 7.1.1 will be extended day for day for each day after the fifth business day the Bona Fide Firm Order is received until the application expires.
- 6.12.2 Except as otherwise provided, in all States that have ordered provisioning intervals but not addressed Firm Order intervals, the following shall apply. Comm South shall indicate its intent to proceed with equipment installation in a BellSouth Premises by submitting a Firm Order to BellSouth. The Bona Fide Firm Order must be received by BellSouth no later than thirty (30) calendar days after BellSouth’s Application Response to Comm South’s Bona Fide application or the application will expire.
- 6.12.3 BellSouth will establish a firm order date based upon the date BellSouth is in receipt of a Bona Fide Firm Order. BellSouth will acknowledge the receipt of Comm South’s Bona Fide Firm Order within seven (7) calendar days of receipt indicating that the Bona Fide Firm Order has been received. A BellSouth response to a Bona Fide Firm Order will include a Firm Order Confirmation containing the firm order date. No revisions will be made to a Bona Fide Firm Order.

7. Construction and Provisioning

7.1 Construction and Provisioning Intervals

- 7.1.1 In Alabama (Caged Only), Kentucky, and North Carolina, BellSouth will complete construction for collocation arrangements within seventy-six (76) business days from receipt of an application or as agreed to by the Parties. Under extraordinary conditions, BellSouth will complete construction for collocation arrangements within ninety-one (91) business days. Examples of extraordinary conditions include, but are not limited to, extended license or permitting intervals; major BellSouth equipment rearrangement or addition; power plant addition or upgrade; major mechanical addition or upgrade; major upgrade for ADA compliance; environmental hazard or hazardous materials abatement; and arrangements for which equipment shipping intervals are extraordinary in length. In the event Comm South submits a forecast as described in the following paragraph three (3) months or more prior to the application date, the above intervals shall apply. In the event Comm South submits such a forecast between two (2) months and three (3) months prior to the application date, the above intervals may be extended by one (1) additional month. In the event Comm South submits such a forecast less than two (2) months prior to the application date, the above intervals may be extended by sixty (60) calendar days. BellSouth will attempt to meet standard intervals for unforecasted requests and any interval adjustments will be discussed with Comm South at the time the application is received. Raw space, which is space lacking the necessary infrastructure to provide collocation space including but not limited to HVAC, Power, etc., conversion time frames fall outside the normal intervals and are negotiated on an individual case basis. Additionally, installations to existing collocation arrangements for line sharing or line splitting, which include adding cable, adding cable and splitter, and adding a splitter, will be forty five (45) business days from receipt of an application.
- 7.1.1.1 To be considered a timely and accurate forecast, Comm South must submit to BellSouth the CLEC Forecast Form, as set forth in Exhibit B attached hereto, containing the following information: Central Office/Serving Wire Center CLLI, number of Caged square feet and/or Cageless bays, number of DS0, DS1, DS3 frame terminations, number of fused amps and planned application date.
- 7.1.2 In Alabama (Cageless), BellSouth will complete construction for cageless collocation arrangements under ordinary conditions as soon as possible and within a maximum of sixty (60) calendar days from receipt of a Bona Fide Firm Order and ninety (90) calendar days for extraordinary conditions or as agreed to by the Parties. Ordinary conditions are defined as space available with only minor changes to support systems required, such as but not limited to, HVAC, cabling and the power plant(s). Extraordinary conditions are defined to include but are not limited to major BellSouth equipment rearrangement or addition; power plant addition or upgrade; major mechanical addition or upgrade; major upgrade for ADA compliance; environmental hazard or hazardous materials abatement; and arrangements for which equipment shipping intervals are extraordinary in length. The Parties may mutually agree to

- renegotiate an alternative provisioning interval or BellSouth may seek a waiver from this interval from the Commission.
- 7.1.3 In Florida, BellSouth will complete construction for collocation arrangements as soon as possible and within a maximum of ninety (90) calendar days from receipt of a Bona Fide Firm Order or as agreed to by the Parties. For changes to collocation space after initial space completion (“Augmentation”), BellSouth will complete construction for collocation arrangements as soon as possible and within a maximum of forty-five (45) calendar days from receipt of a Bona Fide Firm Order or as agreed to by the Parties. If BellSouth does not believe that construction will be completed within the relevant time frame and BellSouth and Comm South cannot agree upon a completion date, within forty-five (45) calendar days of receipt of the Bona Fide Firm Order for an initial request, and within thirty (30) calendar days for Augmentations, BellSouth may seek an extension from the Florida Commission.
- 7.1.4 In Georgia, Mississippi and South Carolina, BellSouth will complete construction for caged collocation arrangements under ordinary conditions as soon as possible and within a maximum of ninety (90) calendar days from receipt of a Bona Fide Firm Order or as agreed to by the Parties. BellSouth will complete construction for cageless collocation arrangements under ordinary conditions as soon as possible and within a maximum of sixty (60) calendar days from receipt of a Bona Fide Firm Order and ninety (90) calendar days for extraordinary conditions or as agreed to by the Parties. Ordinary conditions are defined as space available with only minor changes to support systems required, such as but not limited to, HVAC, cabling and the power plant(s). Extraordinary conditions are defined to include but are not limited to major BellSouth equipment rearrangement or addition; power plant addition or upgrade; major mechanical addition or upgrade; major upgrade for ADA compliance; environmental hazard or hazardous materials abatement; and arrangements for which equipment shipping intervals are extraordinary in length. The Parties may mutually agree to renegotiate an alternative provisioning interval or BellSouth may seek a waiver from this interval from the Commission.
- 7.1.5 In Louisiana, BellSouth will complete construction for collocation arrangements under ordinary conditions as soon as possible and within a maximum of ninety (90) calendar days for caged and sixty (60) calendar days for cageless from receipt of a Bona Fide Firm Order for an initial request, and within sixty (60) calendar days for an Augmentation, or as agreed to by the Parties. Ordinary conditions are defined as space available with only minor changes to support systems required, such as but not limited to, HVAC, cabling and the power plant(s). BellSouth will complete construction of all other Collocation Space ("extraordinary conditions") within one hundred twenty (120) calendar days for caged and ninety (90) calendar days for cageless from the receipt of a Bona Fide Firm Order. Examples of extraordinary conditions include but are not limited to, extended license or permitting intervals; major BellSouth equipment rearrangement or addition; power plant addition or upgrade; major mechanical addition or upgrade; major upgrade for ADA compliance; environmental hazard or hazardous materials abatement; and arrangements for which

equipment shipping intervals are extraordinary in length. The Parties may mutually agree to renegotiate an alternative provisioning interval or BellSouth may seek a waiver from this interval from the Commission.

- 7.1.6 In Tennessee, BellSouth will complete construction for collocation arrangements under ordinary conditions as follows: (i) for caged collocation arrangements, within a maximum of ninety (90) calendar days from receipt of a Bona Fide Firm Order, or as agreed to by the Parties; (ii) for cageless collocation arrangements, within thirty (30) calendar days from receipt of a Bona Fide Firm Order when there is conditioned space and Comm South installs the bays/racks. In no event shall the provisioning interval for cageless collocation exceed ninety (90) calendar days from the receipt of a Bona Fide Firm Order, unless otherwise agreed to by the parties. Under extraordinary conditions, BellSouth may elect to renegotiate an alternative provisioning interval with Comm South or seek a waiver from this interval from the Commission. For the purpose of defining conditioned space as referenced in the Commission order setting intervals for cageless collocation in Tennessee, conditioned space is defined as follows: i) floor space must be available; ii) floor space must be equipped with adequate air conditioning to accommodate equipment listed on application; iii) Cable racking, any fiber duct, riser cable support structure and power cable support structure must be in place to support equipment listed on the application; and iv) power plant capacity at BDFB or main power board must be available. If LGX or DGX equipment is requested on the application and adequate existing capacity is not available then conditioned space is considered unavailable. If BellSouth is required by the application to place power cabling, conditioned space is considered unavailable.
- 7.2 Joint Planning. Joint planning between BellSouth and Comm South will commence within a maximum of twenty (20) calendar days from BellSouth's receipt of a Bona Fide Firm Order. BellSouth will provide the preliminary design of the Collocation Space and the equipment configuration requirements as reflected in the Bona Fide application and affirmed in the Bona Fide Firm Order. The Collocation Space completion time period will be provided to Comm South during joint planning.
- 7.3 Permits. Each Party or its agents will diligently pursue filing for the permits required for the scope of work to be performed by that Party or its agents within ten (10) calendar days of the completion of finalized construction designs and specifications.
- 7.4 Acceptance Walk Through. Comm South will schedule and complete an acceptance walkthrough of each Collocation Space with BellSouth within fifteen (15) calendar days of BellSouth's notifying Comm South that the collocation space is ready for occupancy ("Space Ready Date"). In the event that Comm South fails to complete an acceptance walkthrough within this fifteen (15) day interval, the Collocation Space shall be deemed accepted by Comm South. BellSouth will correct any deviations to Comm South's original or jointly amended requirements within seven (7) calendar days after the walkthrough, unless the Parties jointly agree upon a different time frame.

- 7.5 Circuit Facility Assignments (CFAs). Unless otherwise specified, BellSouth will make best efforts to provide CFAs to Comm South if Comm South informs BellSouth of the frame locations and the designation of Comm South's tie cables prior to Space Ready Date. If Comm South does not provide BellSouth the frame locations and the designation of Comm South's tie cables prior to the Space Ready Date, BellSouth will provide Comm South the CFAs after the Space Ready Date and the equipment to be installed in the Collocation Space has been verified by Comm South. Furthermore, BellSouth will bill Comm South a nonrecurring charge as set forth in Exhibit C each time Comm South requests a resend of CFAs.
- 7.6 Use of BellSouth Certified Supplier. Comm South shall select a supplier which has been approved as a BellSouth Certified Supplier to perform all engineering and installation work. Comm South and Comm South's BellSouth Certified Supplier must follow and comply with all BellSouth requirements outlined in BellSouth's TR 73503, TR 73519, TR 73572, and TR 73564. In some cases, Comm South must select separate BellSouth Certified Suppliers for transmission equipment, switching equipment and power equipment. BellSouth shall provide Comm South with a list of BellSouth Certified Suppliers upon request. The BellSouth Certified Supplier(s) shall be responsible for installing Comm South's equipment and components, extending power cabling to the BellSouth power distribution frame, performing operational tests after installation is complete, and notifying BellSouth's equipment engineers and Comm South upon successful completion of installation, etc. The BellSouth Certified Supplier shall bill Comm South directly for all work performed for Comm South pursuant to this Attachment, and BellSouth shall have no liability for nor responsibility to pay such charges imposed by the BellSouth Certified Supplier. BellSouth shall consider certifying Comm South or any supplier proposed by Comm South. All work performed by or for Comm South shall conform to generally accepted industry guidelines and standards.
- 7.7 Alarm and Monitoring. BellSouth shall place environmental alarms in the Premises for the protection of BellSouth equipment and facilities. Comm South shall be responsible for placement, monitoring and removal of environmental and equipment alarms used to service Comm South's Collocation Space. Upon request, BellSouth will provide Comm South with applicable tariffed service(s) to facilitate remote monitoring of collocated equipment by Comm South. Both Parties shall use best efforts to notify the other of any verified environmental condition known to that Party.
- 7.8 Virtual to Physical Collocation Relocation. In the event physical collocation space was previously denied at a location due to technical reasons or space limitations, and physical collocation space has subsequently become available, Comm South may relocate its virtual collocation arrangements to physical collocation arrangements and pay the appropriate fees for physical collocation and for the rearrangement or reconfiguration of services terminated in the virtual collocation arrangement, as outlined in the appropriate BellSouth tariffs. In the event that BellSouth knows when additional space for physical collocation may become available at the location requested by Comm South, such information will be provided to Comm South in

- BellSouth's written denial of physical collocation. To the extent that (i) physical Collocation Space becomes available to Comm South within one hundred eighty (180) calendar days of BellSouth's written denial of Comm South's request for physical collocation, (ii) BellSouth had knowledge that the space was going to become available, and (iii) Comm South was not informed in the written denial that physical Collocation Space would become available within such one hundred eighty (180) calendar days, then Comm South may relocate its virtual collocation arrangement to a physical collocation arrangement and will receive a credit for any nonrecurring charges previously paid for such virtual collocation. Comm South must arrange with a BellSouth Certified Supplier for the relocation of equipment from its virtual Collocation Space to its physical Collocation Space and will bear the cost of such relocation.
- 7.9 Virtual to Physical Conversion (In Place). Virtual collocation arrangements may be converted to "in-place" physical arrangements if the potential conversion meets the following four criteria: 1) there is no change in the amount of equipment or the configuration of the equipment that was in the virtual collocation arrangement; 2) the conversion of the virtual collocation arrangement will not cause the equipment or the results of that conversion to be located in a space that BellSouth has reserved for its own future needs; 3) the converted arrangement does not limit BellSouth's ability to secure its own equipment and facilities due to the location of the virtual collocation arrangement; and 4) any changes to the arrangement can be accommodated by existing power, HVAC, and other requirements. The application fee for the conversion from virtual to in-place, physical collocation is as set forth in Exhibit C. Unless otherwise specified, BellSouth will complete virtual to in-place physical collocation conversions within sixty (60) calendar days.
- 7.9.1 In Florida, for Virtual to Physical conversions in place that require no physical changes, the only applicable charges shall cover the administrative billing and engineering records updates.
- 7.9.2 In Tennessee, BellSouth will complete Virtual to Physical conversions in place within thirty (30) calendar days.
- 7.10 Cancellation. If, at any time prior to space acceptance, Comm South cancels its order for the Collocation Space(s) ("Cancellation"), BellSouth will bill the applicable non-recurring rate for any and all work processes for which work has begun. In Georgia, if Comm South cancels its order for Collocation Space at any time prior to space acceptance, BellSouth will bill Comm South for all costs incurred prior to the date of Cancellation and for any costs incurred as a direct result of the Cancellation, not to exceed the total amount that would have been due had the order not been cancelled.
- 7.11 Licenses. Comm South, at its own expense, will be solely responsible for obtaining from governmental authorities, and any other appropriate agency, entity, or person, all rights, privileges, and licenses necessary or required to operate as a provider of telecommunications services to the public or to occupy the Collocation Space.

7.12 Environmental Compliance. The Parties agree to utilize and adhere to the Environmental Hazard Guidelines identified in Exhibit A attached hereto.

8. Rates and Charges

8.1 Application Fee. BellSouth shall assess an application fee via a service order, which shall be issued at the time BellSouth responds that space is available pursuant to Section 6. Payment of said application fee will be due as dictated by Comm South's current billing cycle and is non-refundable.

8.1.1 In Tennessee the applicable application fee is the planning fee for both Initial Applications and Subsequent Applications placed by Comm South.

8.2 Space Preparation

8.2.1 Recurring Charges. The recurring charges for space preparation begin on the date Comm South executes the written document accepting the collocation space pursuant to Section 4 or on the Space Ready Date, whichever is first. If Comm South fails to schedule and complete an acceptance walk through within fifteen (15) calendar days after BellSouth releases the space for occupancy, BellSouth shall begin billing Comm South for recurring charges as of the sixteenth day after the Space Ready Date.

8.2.2 Space preparation fees consist of a nonrecurring charge for firm order processing and monthly recurring charges for central office modifications, assessed per arrangement, per square foot, and common systems modifications, assessed per arrangement, per square foot, for cageless collocation and per cage for caged collocation. Comm South shall remit payment of the nonrecurring firm order-processing fee coincident with submission of a Bona Fide Firm Order. The charges recover the costs associated with preparing the Collocation Space, which includes survey, engineering of the Collocation Space, design and modification costs for network, building and support systems. In the event Comm South opts for cageless space, the space preparation fees will be assessed based on the total floor space dedicated to Comm South as prescribed in this Section.

8.2.3 In North Carolina, space preparation fees consist of monthly recurring charges for central office modifications, assessed per arrangement, per square foot; common systems modifications, assessed per arrangement, per square foot for cageless and per cage for caged collocation; and power, assessed per the nominal -48V DC ampere requirements specified by Comm South on the Bona Fide application. The charges recover the costs associated with preparing the Collocation Space, which includes survey, engineering of the Collocation Space, design and modification costs for network, building and support systems. In the event Comm South opts for cageless space, the space preparation fees will be assessed based on the total floor space dedicated to Comm South as described in this Section.

8.3 Cable Installation. Cable Installation Fee(s) are assessed per entrance cable placed.

- 8.4 Floor Space. The Floor Space Charge includes reasonable charges for lighting, HVAC, and other allocated expenses associated with maintenance of the Premises but does not include any power-related costs incurred by BellSouth. When the Collocation Space is enclosed, Comm South shall pay floor space charges based upon the number of square feet so enclosed. When the Collocation Space is not enclosed, Comm South shall pay floor space charges based upon the following floor space calculation: [(depth of the equipment lineup in which the rack is placed) + (0.5 x maintenance aisle depth) + (0.5 x wiring aisle depth)] X (width of rack and spacers). For purposes of this calculation, the depth of the equipment lineup shall consider the footprint of equipment racks plus any equipment overhang. BellSouth will assign unenclosed Collocation Space in conventional equipment rack lineups where feasible. In the event Comm South's collocated equipment requires special cable racking, isolated grounding or other treatment which prevents placement within conventional equipment rack lineups, Comm South shall be required to request an amount of floor space sufficient to accommodate the total equipment arrangement.
- 8.4.1 The recurring charges for floor space begin on the Space Ready Date or on the date Comm South first occupies the Collocation Space, whichever is first. If Comm South fails to schedule and complete an acceptance walk through within fifteen (15) calendar days after BellSouth releases the space for occupancy, BellSouth shall begin billing Comm South for recurring charges as of the sixteenth day after the Space Ready Date.
- 8.5 Power. BellSouth shall make available -48 Volt (-48V) DC power for Comm South's Collocation Space at a BellSouth Power Board or BellSouth Battery Distribution Fuse Bay (BDFB) at Comm South's option within the Premises.
- 8.5.1 Recurring charges for -48V DC power will be assessed per ampere per month based upon the BellSouth Certified Supplier engineered and installed power feed fused ampere capacity. Rates include redundant feeder fuse positions (A&B) and common cable rack to Comm South's equipment or space enclosure. Recurring power charges begin on the Space Ready Date or on the date Comm South first occupies the Collocation Space, whichever is sooner. When obtaining power from a BDFB, fuses and power cables (A&B) must be engineered (sized), and installed by Comm South's BellSouth Certified Supplier. When obtaining power from a BellSouth power board, power cables (A&B) must be engineered (sized), and installed by Comm South's BellSouth Certified Supplier. Comm South is responsible for contracting with a BellSouth Certified Supplier for power distribution feeder cable runs from a BellSouth BDFB or power board to Comm South's equipment. The determination of the BellSouth BDFB or BellSouth power board as the power source will be made at BellSouth's sole, but reasonable, discretion. The BellSouth Certified Supplier contracted by Comm South must provide BellSouth a copy of the engineering power specification prior to the day on which Comm South's equipment becomes operational. BellSouth will provide the common power feeder cable support structure between the BellSouth BDFB or power board and Comm South's arrangement area. Comm South shall contract with a BellSouth Certified Supplier who will be responsible for the following: dedicated power cable support structure within Comm

- South's arrangement, power cable feeds, and terminations of cable. Any terminations at a BellSouth power board must be performed by a BellSouth Certified Supplier. Comm South shall comply with all applicable National Electric Code (NEC), BellSouth TR73503, Telcordia and ANSI Standards regarding power cabling.
- 8.5.2 If BellSouth has not previously invested in power plant capacity for collocation at a specific site, Comm South has the option to add its own dedicated power plant; provided, however, that such work shall be performed by a BellSouth Certified Supplier who shall comply with BellSouth's guidelines and specifications. Where the addition of Comm South's dedicated power plant results in construction of a new power plant room, upon termination of Comm South's right to occupy collocation space at such site, Comm South shall have the right to remove its equipment from the power plant room, but shall otherwise leave the room intact.
- 8.5.3 If Comm South elects to install its own DC Power Plant, BellSouth shall provide AC power to feed Comm South's DC Power Plant. Charges for AC power will be assessed per breaker ampere per month. Rates include the provision of commercial and standby AC power. When obtaining power from a BellSouth service panel, protection devices and power cables must be engineered (sized), and installed by Comm South's BellSouth Certified Supplier except that BellSouth shall engineer and install protection devices and power cables for Adjacent Collocation. Comm South's BellSouth Certified Supplier must also provide a copy of the engineering power specification prior to the equipment becoming operational. Charges for AC power shall be assessed pursuant to the rates specified in Exhibit C. AC power voltage and phase ratings shall be determined on a per location basis. At Comm South's option, Comm South may arrange for AC power in an Adjacent Collocation arrangement from a retail provider of electrical power.
- 8.5.4 In Tennessee, Recurring charges for -48V DC power consumption will be assessed per ampere per month based upon the engineered and installed power feed fused ampere capacity. Rates include redundant feeder fuse positions (A&B) and common cable rack to Comm South's equipment or space enclosure. Comm South shall contract with a Certified Supplier who will be responsible for the following: dedicated power cable support structure within Comm South's arrangement and terminations of cable within the collocation space.
- 8.5.4.1 In Tennessee, Non recurring charges for -48V DC power distribution will be based on the common power feeder cable support structure between the BellSouth BDFB and Comm South's arrangement area.
- 8.5.5 In Louisiana and South Carolina, Comm South has the option to purchase power directly from an electric utility company. Under such an option, Comm South is responsible for contracting with the electric utility company for its own power feed and meter, and is financially responsible for purchasing all equipment necessary to accomplish the arrangement, including inverters, batteries, power boards, bus bars, BDFBs, backup power supplies and cabling. The actual work to install this

- arrangement must be performed by a BellSouth Certified Supplier hired by Comm South. Comm South's BellSouth Certified Supplier must comply with all applicable safety codes, including the National Electric Safety Codes, in installing this power arrangement. Any floor space, cable racking, etc utilized by Comm South in provisioning said power will be billed on an ICB basis.
- 8.5.6 If Comm South requests a reduction in the amount of power that BellSouth is currently providing Comm South must submit a Subsequent Application. If no modification to the Collocation Space is requested other than the reduction in power, the Subsequent Application Fee for Power Reduction as set forth in Exhibit C will apply. If modifications are requested in addition to the reduction of power the Subsequent Application Fee will apply.
- 8.6 Security Escort. A security escort will be required whenever Comm South or its approved agent desires access to the entrance manhole or must have access to the Premises after the one accompanied site visit allowed pursuant to Section 5 prior to completing BellSouth's Security Training requirements. Rates for a security escort are assessed according to the schedule appended hereto as Exhibit C beginning with the scheduled escort time. BellSouth will wait for one-half (1/2) hour after the scheduled time for such an escort and Comm South shall pay for such half-hour charges in the event Comm South fails to show up.
- 8.7 Cable Record charges. These charges apply for work required to build cable records in BellSouth systems. The VG/DS0 per cable record charge is for a maximum of 3600 records. The Fiber cable record charge is for a maximum of 99 records.
- 8.8 Other. If no rate is identified in the contract, the rate for the specific service or function will be negotiated by the Parties upon request by either Party.
- 9. Insurance**
- 9.1 Comm South shall, at its sole cost and expense, procure, maintain, and keep in force insurance as specified in this Section and underwritten by insurance companies licensed to do business in the states applicable under this Attachment and having a Best's Insurance Rating of A-.
- 9.2 Comm South shall maintain the following specific coverage:
- 9.2.1 Commercial General Liability coverage in the amount of ten million dollars (\$10,000,000.00) or a combination of Commercial General Liability and Excess/Umbrella coverage totaling not less than ten million dollars (\$10,000,000.00). BellSouth shall be named as an Additional Insured on the Commercial General Liability policy as specified herein.
- 9.2.2 Statutory Workers Compensation coverage and Employers Liability coverage in the amount of one hundred thousand dollars (\$100,000.00) each accident, one hundred

- thousand dollars (\$100,000.00) each employee by disease, and five hundred thousand dollars (\$500,000.00) policy limit by disease.
- 9.2.3 All Risk Property coverage on a full replacement cost basis insuring all of Comm South's real and personal property situated on or within BellSouth's Central Office location(s).
- 9.2.4 Comm South may elect to purchase business interruption and contingent business interruption insurance, having been advised that BellSouth assumes no liability for loss of profit or revenues should an interruption of service occur.
- 9.3 The limits set forth in Section 9.2 above may be increased by BellSouth from time to time during the term of this Attachment upon thirty (30) calendar days notice to Comm South to at least such minimum limits as shall then be customary with respect to comparable occupancy of BellSouth structures.
- 9.4 All policies purchased by Comm South shall be deemed to be primary and not contributing to or in excess of any similar coverage purchased by BellSouth. All insurance must be in effect on or before the date equipment is delivered to BellSouth's Premises and shall remain in effect for the term of this Attachment or until all Comm South's property has been removed from BellSouth's Premises, whichever period is longer. If Comm South fails to maintain required coverage, BellSouth may pay the premiums thereon and seek reimbursement of same from Comm South.
- 9.5 Comm South shall submit certificates of insurance reflecting the coverage required pursuant to this Section a minimum of ten (10) business days prior to the commencement of any work in the Collocation Space. Failure to meet this interval may result in construction and equipment installation delays. Comm South shall arrange for BellSouth to receive thirty (30) business days' advance notice of cancellation from Comm South's insurance company. Comm South shall forward a certificate of insurance and notice of cancellation/non-renewal to BellSouth at the following address:
- BellSouth Telecommunications, Inc.
Attn.: Risk Management Coordinator
17H53 BellSouth Center
675 W. Peachtree Street
Atlanta, Georgia 30375
- 9.6 Comm South must conform to recommendations made by BellSouth's fire insurance company to the extent BellSouth has agreed to, or shall hereafter agree to, such recommendations.
- 9.7 Self-Insurance. If Comm South's net worth exceeds five hundred million dollars (\$500,000,000), Comm South may elect to request self-insurance status in lieu of obtaining any of the insurance required in Sections 9.2.1 and 9.2.2. Comm South shall provide audited financial statements to BellSouth thirty (30) calendar days prior to the

commencement of any work in the Collocation Space. BellSouth shall then review such audited financial statements and respond in writing to Comm South in the event that self-insurance status is not granted to Comm South. If BellSouth approves Comm South for self-insurance, Comm South shall annually furnish to BellSouth, and keep current, evidence of such net worth that is attested to by one of Comm South's corporate officers. The ability to self-insure shall continue so long as the Comm South meets all of the requirements of this Section. If the Comm South subsequently no longer satisfies this Section, Comm South is required to purchase insurance as indicated by Sections 9.2.1 and 9.2.2.

- 9.8 The net worth requirements set forth in Section 9.7 may be increased by BellSouth from time to time during the term of this Attachment upon thirty (30) calendar days' notice to Comm South to at least such minimum limits as shall then be customary with respect to comparable occupancy of BellSouth structures.
- 9.9 Failure to comply with the provisions of this Section will be deemed a material breach of this Attachment.

10. Mechanics Liens

- 10.1 If any mechanics lien or other liens shall be filed against property of either Party (BellSouth or Comm South), or any improvement thereon by reason of or arising out of any labor or materials furnished or alleged to have been furnished or to be furnished to or for the other Party or by reason of any changes, or additions to said property made at the request or under the direction of the other Party, the other Party directing or requesting those changes shall, within thirty (30) business days after receipt of written notice from the Party against whose property said lien has been filed, either pay such lien or cause the same to be bonded off the affected property in the manner provided by law. The Party causing said lien to be placed against the property of the other shall also defend, at its sole cost and expense, on behalf of the other, any action, suit or proceeding which may be brought for the enforcement of such liens and shall pay any damage and discharge any judgment entered thereon.

11. Inspections

- 11.1 BellSouth may conduct an inspection of Comm South's equipment and facilities in the Collocation Space(s) prior to the activation of facilities between Comm South's equipment and equipment of BellSouth. BellSouth may conduct an inspection if Comm South adds equipment and may otherwise conduct routine inspections at reasonable intervals mutually agreed upon by the Parties. BellSouth shall provide Comm South with a minimum of forty-eight (48) hours or two (2) business days, whichever is greater, advance notice of all such inspections. All costs of such inspection shall be borne by BellSouth.

12. Security and Safety Requirements

- 12.1 Unless otherwise specified, Comm South will be required, at its own expense, to conduct a statewide investigation of criminal history records for each Comm South employee hired in the past five years being considered for work on the BellSouth Premises, for the states/counties where the Comm South employee has worked and lived for the past five years. Where state law does not permit statewide collection or reporting, an investigation of the applicable counties is acceptable. Comm South shall not be required to perform this investigation if an affiliated company of Comm South has performed an investigation of the Comm South employee seeking access, if such investigation meets the criteria set forth above. This requirement will not apply if Comm South has performed a pre-employment statewide investigation of criminal history records of the Comm South employee for the states/counties where the Comm South employee has worked and lived for the past five years or, where state law does not permit a statewide investigation, an investigation of the applicable counties.
- 12.2 Comm South will be required to administer to its personnel assigned to the BellSouth Premises security training either provided by BellSouth, or meeting criteria defined by BellSouth.
- 12.3 Comm South shall provide its employees and agents with picture identification, which must be worn and visible at all times while in the Collocation Space or other areas in or around the Premises. The photo identification card shall bear, at a minimum, the employee's name and photo and Comm South's name. BellSouth reserves the right to remove from its premises any employee of Comm South not possessing identification issued by Comm South or who has violated any of BellSouth's policies as outlined in the CLEC Security Training documents. Comm South shall hold BellSouth harmless for any damages resulting from such removal of its personnel from BellSouth Premises. Comm South shall be solely responsible for ensuring that any Guest of Comm South is in compliance with all subsections of this Section.
- 12.4 Comm South shall not assign to the BellSouth Premises any personnel with records of felony criminal convictions. Comm South shall not assign to the BellSouth Premises any personnel with records of misdemeanor convictions, except for misdemeanor traffic violations, without advising BellSouth of the nature and gravity of the offense(s). BellSouth reserves the right to refuse building access to any Comm South personnel who have been identified to have misdemeanor criminal convictions. Notwithstanding the foregoing, in the event that Comm South chooses not to advise BellSouth of the nature and gravity of any misdemeanor conviction, Comm South may, in the alternative, certify to BellSouth that it shall not assign to the BellSouth Premises any personnel with records of misdemeanor convictions (other than misdemeanor traffic violations).
- 12.4.1 Comm South shall not knowingly assign to the BellSouth Premises any individual who was a former employee of BellSouth and whose employment with BellSouth was

- terminated for a criminal offense whether or not BellSouth sought prosecution of the individual for the criminal offense.
- 12.4.2 Comm South shall not knowingly assign to the BellSouth Premises any individual who was a former supplier of BellSouth and whose access to a BellSouth Premises was revoked due to commission of a criminal offense whether or not BellSouth sought prosecution of the individual for the criminal offense.
- 12.5 For each Comm South employee or agent hired by Comm South within five years of being considered for work on the BellSouth Premises, who requires access to a BellSouth Premises pursuant to this Attachment, Comm South shall furnish BellSouth, prior to an employee or agent gaining such access, a certification that the aforementioned background check and security training were completed. The certification will contain a statement that no felony convictions were found and certifying that the security training was completed by the employee. If the employee's criminal history includes misdemeanor convictions, Comm South will disclose the nature of the convictions to BellSouth at that time. In the alternative, Comm South may certify to BellSouth that it shall not assign to the BellSouth Premises any personnel with records of misdemeanor convictions other than misdemeanor traffic violations.
- 12.5.1 For all other Comm South employees requiring access to a BellSouth Premises pursuant to this Attachment, Comm South shall furnish BellSouth, prior to an employee gaining such access, a certification that the employee is not subject to the requirements of Section 12.5 above and that security training was completed by the employee.
- 12.6 At BellSouth's request, Comm South shall promptly remove from BellSouth's Premises any employee of Comm South BellSouth does not wish to grant access to its premises 1) pursuant to any investigation conducted by BellSouth or 2) prior to the initiation of an investigation if an employee of Comm South is found interfering with the property or personnel of BellSouth or another CLEC, provided that an investigation shall promptly be commenced by BellSouth.
- 12.7 Notification to BellSouth. BellSouth reserves the right to interview Comm South's employees, agents, or contractors in the event of wrongdoing in or around BellSouth's property or involving BellSouth's or another CLEC's property or personnel, provided that BellSouth shall provide reasonable notice to Comm South's Security contact of such interview. Comm South and its contractors shall reasonably cooperate with BellSouth's investigation into allegations of wrongdoing or criminal conduct committed by, witnessed by, or involving Comm South's employees, agents, or contractors. Additionally, BellSouth reserves the right to bill Comm South for all reasonable costs associated with investigations involving its employees, agents, or contractors if it is established and mutually agreed in good faith that Comm South's employees, agents, or contractors are responsible for the alleged act. BellSouth shall bill Comm South for BellSouth property, which is stolen or damaged where an

- investigation determines the culpability of Comm South's employees, agents, or contractors and where Comm South agrees, in good faith, with the results of such investigation. Comm South shall notify BellSouth in writing immediately in the event that Comm South discovers one of its employees already working on the BellSouth premises is a possible security risk. Upon request of the other Party, the Party who is the employer shall discipline consistent with its employment practices, up to and including removal from BellSouth Premises, any employee found to have violated the security and safety requirements of this Section. Comm South shall hold BellSouth harmless for any damages resulting from such removal of its personnel from BellSouth premises.
- 12.8 Use of Supplies. Unauthorized use of equipment, supplies or other property by either Party, whether or not used routinely to provide telephone service will be strictly prohibited and handled appropriately. Costs associated with such unauthorized use may be charged to the offending Party, as may be all associated investigative costs.
- 12.9 Use of Official Lines. Except for non-toll calls necessary in the performance of their work, neither Party shall use the telephones of the other Party on the BellSouth Premises. Charges for unauthorized telephone calls may be charged to the offending Party, as may be all associated investigative costs.
- 12.10 Accountability. Full compliance with the Security requirements of this Section shall in no way limit the accountability of either Party to the other for the improper actions of its employees.

13. Destruction of Collocation Space

- 13.1 In the event a Collocation Space is wholly or partially damaged by fire, windstorm, tornado, flood or by similar causes to such an extent as to be rendered wholly unsuitable for Comm South's permitted use hereunder, then either Party may elect within ten (10) business days after such damage, to terminate occupancy of the damaged Collocation Space, and if either Party shall so elect, by giving the other written notice of termination, both Parties shall stand released of and from further liability under the terms hereof. If the Collocation Space shall suffer only minor damage and shall not be rendered wholly unsuitable for Comm South's permitted use, or is damaged and the option to terminate is not exercised by either Party, BellSouth covenants and agrees to proceed promptly without expense to Comm South, except for improvements not the property of BellSouth, to repair the damage. BellSouth shall have a reasonable time within which to rebuild or make any repairs, and such rebuilding and repairing shall be subject to delays caused by storms, shortages of labor and materials, government regulations, strikes, walkouts, and causes beyond the control of BellSouth, which causes shall not be construed as limiting factors, but as exemplary only. Comm South may, at its own expense, accelerate the rebuild of its collocated space and equipment provided however that a BellSouth Certified Supplier is used and the necessary space preparation has been completed. If Comm South's

acceleration of the project increases the cost of the project, then those additional charges will be incurred by Comm South. Where allowed and where practical, Comm South may erect a temporary facility while BellSouth rebuilds or makes repairs. In all cases where the Collocation Space shall be rebuilt or repaired, Comm South shall be entitled to an equitable abatement of rent and other charges, depending upon the unsuitability of the Collocation Space for Comm South's permitted use, until such Collocation Space is fully repaired and restored and Comm South's equipment installed therein (but in no event later than thirty (30) calendar days after the Collocation Space is fully repaired and restored). Where Comm South has placed an Adjacent Arrangement pursuant to Section 3, Comm South shall have the sole responsibility to repair or replace said Adjacent Arrangement provided herein. Pursuant to this Section, BellSouth will restore the associated services to the Adjacent Arrangement.

14. Eminent Domain

- 14.1 If the whole of a Collocation Space or Adjacent Arrangement shall be taken by any public authority under the power of eminent domain, then this Attachment shall terminate with respect to such Collocation Space or Adjacent Arrangement as of the day possession shall be taken by such public authority and rent and other charges for the Collocation Space or Adjacent Arrangement shall be paid up to that day with proportionate refund by BellSouth of such rent and charges as may have been paid in advance for a period subsequent to the date of the taking. If any part of the Collocation Space or Adjacent Arrangement shall be taken under eminent domain, BellSouth and Comm South shall each have the right to terminate this Attachment with respect to such Collocation Space or Adjacent Arrangement and declare the same null and void, by written notice of such intention to the other Party within ten (10) business days after such taking.

15. Nonexclusivity

- 15.1 Comm South understands that this Attachment is not exclusive and that BellSouth may enter into similar agreements with other Parties. Assignment of space pursuant to all such agreements shall be determined by space availability and made on a first come, first served basis

ENVIRONMENTAL AND SAFETY PRINCIPLES

The following principles provide basic guidance on environmental and safety issues when applying for and establishing Physical Collocation arrangements.

1. GENERAL PRINCIPLES

- 1.1 Compliance with Applicable Law. BellSouth and Comm South agree to comply with applicable federal, state, and local environmental and safety laws and regulations including U.S. Environmental Protection Agency (USEPA) regulations issued under the Clean Air Act (CAA), Clean Water Act (CWA), Resource Conservation and Recovery Act (RCRA), Comprehensive Environmental Response, Compensation and Liability Act (CERCLA), Superfund Amendments and Reauthorization Act (SARA), the Toxic Substances Control Act (TSCA), and OSHA regulations issued under the Occupational Safety and Health Act of 1970, as amended and NFPA and National Electrical Codes (NEC) and the NESC (“Applicable Laws”). Each Party shall notify the other if compliance inspections are conducted by regulatory agencies and/or citations are issued that relate to any aspect of this Attachment.
- 1.2 Notice. BellSouth and Comm South shall provide notice to the other, including Material Safety Data Sheets (MSDSs), of known and recognized physical hazards or Hazardous Chemicals existing on site or brought on site. Each Party is required to provide specific notice for known potential Imminent Danger conditions. Comm South should contact 1-800-743-6737 for BellSouth MSDS sheets.
- 1.3 Practices/Procedures. BellSouth may make available additional environmental control procedures for Comm South to follow when working at a BellSouth Premises (See Section 2, below). These practices/procedures will represent the regular work practices required to be followed by the employees and contractors of BellSouth for environmental protection. Comm South will require its contractors, agents and others accessing the BellSouth Premises to comply with these practices. Section 2 lists the Environmental categories where BST practices should be followed by Comm South when operating in the BellSouth Premises.
- 1.4 Environmental and Safety Inspections. BellSouth reserves the right to inspect the Comm South space with proper notification. BellSouth reserves the right to stop any Comm South work operation that imposes Imminent Danger to the environment, employees or other persons in the area or Facility.
- 1.5 Hazardous Materials Brought On Site. Any hazardous materials brought into, used, stored or abandoned at the BellSouth Premises by Comm South are owned by Comm South. Comm South will indemnify BellSouth for claims, lawsuits or damages to persons or property caused by these materials. Without prior written BellSouth

- approval, no substantial new safety or environmental hazards can be created by Comm South or different hazardous materials used by Comm South at BellSouth Facility. Comm South must demonstrate adequate emergency response capabilities for its materials used or remaining at the BellSouth Facility.
- 1.6 Spills and Releases. When contamination is discovered at a BellSouth Premises, the Party discovering the condition must notify BellSouth. All Spills or Releases of regulated materials will immediately be reported by Comm South to BellSouth.
- 1.7 Coordinated Environmental Plans and Permits. BellSouth and Comm South will coordinate plans, permits or information required to be submitted to government agencies, such as emergency response plans, spill prevention control and countermeasures (SPCC) plans and community reporting. If fees are associated with filing, BellSouth and Comm South will develop a cost sharing procedure. If BellSouth's permit or EPA identification number must be used, Comm South must comply with all of BellSouth's permit conditions and environmental processes, including environmental "best management practices (BMP)" (see Section 2, below) and/or selection of BST disposition vendors and disposal sites.
- 1.8 Environmental and Safety Indemnification. BellSouth and Comm South shall indemnify, defend and hold harmless the other Party from and against any claims (including, without limitation, third-party claims for personal injury or death or real or personal property damage), judgments, damages, (including direct and indirect damages, and punitive damages), penalties, fines, forfeitures, costs, liabilities, interest and losses arising in connection with the violation or alleged violation of any Applicable Law or contractual obligation or the presence or alleged presence of contamination arising out of the acts or omissions of the indemnifying Party, its agents, contractors, or employees concerning its operations at the Facility.

2. CATEGORIES FOR CONSIDERATION OF ENVIRONMENTAL ISSUES

- 2.1 When performing functions that fall under the following Environmental categories on BellSouth's Premises, Comm South agrees to comply with the applicable sections of the current issue of BellSouth's Environmental and Safety Methods and Procedures (M&Ps), incorporated herein by this reference. Comm South further agrees to cooperate with BellSouth to ensure that Comm South's employees, agents, and/or subcontractors are knowledgeable of and satisfy those provisions of BellSouth's Environmental M&Ps which apply to the specific Environmental function being performed by Comm South, its employees, agents and/or subcontractors.
- 2.2 The most current version of reference documentation must be requested from BellSouth.

| ENVIRONMENTAL CATEGORIES | ENVIRONMENTAL ISSUES | ADDRESSED BY THE FOLLOWING DOCUMENTATION |
|---|---|--|
| Disposal of hazardous material or other regulated material (e.g., batteries, fluorescent tubes, solvents & cleaning materials) | Compliance with all applicable local, state, & federal laws and regulations Pollution liability insurance EVET approval of contractor | Std T&C 450 Fact Sheet Series 17000 Std T&C 660-3 Approved Environmental Vendor List (Contact E/S Management) |
| Emergency response | Hazmat/waste release/spill fire safety emergency | Fact Sheet Series 1700 Building Emergency Operations Plan (EOP) (specific to and located on Premises) |
| Contract labor/outsourcing for services with environmental implications to be performed on BellSouth Premises (e.g., disposition of hazardous material/waste; maintenance of storage tanks) | Compliance with all applicable local, state, & federal laws and regulations Performance of services in accordance with BST's environmental M&Ps Insurance | Std T&C 450 Std T&C 450-B (Contact E/S for copy of appropriate E/S M&Ps.) Std T&C 660 |
| Transportation of hazardous material | Compliance with all applicable local, state, & federal laws and regulations Pollution liability insurance EVET approval of contractor | Std T&C 450 Fact Sheet Series 17000 Std T&C 660-3 Approved Environmental Vendor List (Contact E/S Management) |
| Maintenance/operations work which may produce a waste Other maintenance work | Compliance with all application local, state, & federal laws and regulations Protection of BST employees and equipment | Std T&C 450 29CFR 1910.147 (OSHA Standard) 29CFR 1910 Subpart O (OSHA Standard) |

| | | |
|---|--|---|
| Janitorial services | <p>All waste removal and disposal must conform to all applicable federal, state and local regulations</p> <p>All Hazardous Material and Waste</p> <p>Asbestos notification and protection of employees and equipment</p> | <p>P&SM Manager - Procurement</p> <p>Fact Sheet Series 17000</p> <p>GU-BTEN-001BT, Chapter 3 BSP 010-170-001BS (Hazcom)</p> |
| Manhole cleaning | <p>Compliance with all applicable local, state, & federal laws and regulations</p> <p>Pollution liability insurance</p> <p>EVET approval of contractor</p> | <p>Std T&C 450 Fact Sheet 14050 BSP 620-145-011PR Issue A, August 1996</p> <p>Std T&C 660-3</p> <p>Approved Environmental Vendor List (Contact E/S Management)</p> |
| Removing or disturbing building materials that may contain asbestos | Asbestos work practices | <p>GU-BTEN-001BT, Chapter 3 For questions regarding removing or disturbing materials that contain asbestos, call the BellSouth Building Service Center: AL, MS, TN, KY & LA (local area code) 557-6194 FL, GA, NC & SC (local area code) 780-2740</p> |

3. DEFINITIONS

Generator. Under RCRA, the person whose act produces a Hazardous Waste, as defined in 40 CFR 261, or whose act first causes a Hazardous Waste to become subject to regulation. The Generator is legally responsible for the proper management and disposal of Hazardous Wastes in accordance with regulations.

Hazardous Chemical. As defined in the U.S. Occupational Safety and Health (OSHA) hazard communication standard (29 CFR 1910.1200), any chemical which is a health hazard or physical hazard.

Hazardous Waste. As defined in Section 1004 of RCRA.

Version 1Q02: 02-20-02

Imminent Danger. Any conditions or practices at a facility which are such that a danger exists which could reasonably be expected to cause immediate death or serious harm to people or immediate significant damage to the environment or natural resources.

Spill or Release. As defined in Section 101 of CERCLA.

4. ACRONYMS

E/S – Environmental/Safety

EVET - Environmental Vendor Evaluation Team

DEC/LDEC - Department Environmental Coordinator/Local Department Environmental Coordinator

GU-BTEN-001BT - BellSouth Environmental Methods and Procedures

NESC - National Electrical Safety Codes

P&SM - Property & Services Management

Std. T&C - Standard Terms & Conditions

THREE MONTH CLEC FORECAST

CLEC NAME _____

DATE _____

| STATE | Central Office/City | CAGED Sq. Ft. | CAGELESS # Bays | | FRAME TERMINATIONS | CLEC Provided BDFB-- Amps Load | BST Provided BDFB--- Amps Load | Heat Dissipation BTU/Hour | Entrance Facilities # sheaths & # fibers | Proposed Application Date | NOTES |
|-------|---------------------|---------------|-----------------|---------------------|--------------------|--------------------------------|--------------------------------|---------------------------|--|---------------------------|-------|
| | | | Standard Bays* | Non-Standard Bays** | | | | | | | |
| | | | | | | | | | | | |
| | | | | | | | | | | | |
| | | | | | | | | | | | |
| | | | | | | | | | | | |

*Standard bays are defined as racks, bays or cabinets, including equipment and cable, with measurements equal to or less than the following: Width - 26", Depth - 12". The standard height for all collocated equipment bays in BellSouth is 7' 0".
 ** Any forecast for non-standard cageless bays must include an attachment describing the quantity and width and depth measurements.

Notes: Forecast information will be used for no other purpose than collocation planning.

Attachment 4

Remote Site Physical Collocation

BELLSOUTH
REMOTE SITE PHYSICAL COLLOCATION

1. Scope of Attachment

1.1 Scope of Attachment. The rates, terms, and conditions contained within this Attachment shall only apply when Comm South is occupying the Remote Collocation Space as a sole occupant or as a Host within a Remote Site Location pursuant to this Attachment.

1.2 Right to occupy. BellSouth shall offer to Comm South Remote Site Collocation on rates, terms, and conditions that are just, reasonable, non-discriminatory and consistent with the rules of the Federal Communications Commission (“FCC”). Subject to the rates, terms, and conditions of this Attachment where space is available and collocation is technically feasible, BellSouth will allow Comm South to occupy that certain area designated by BellSouth within a BellSouth Remote Site Location, or on BellSouth property upon which the BellSouth Remote Site Location is located, of a size, which is specified by Comm South and agreed to by BellSouth (hereinafter “Remote Collocation Space”). BellSouth Remote Site Locations include cabinets, huts, and controlled environmental vaults owned or leased by BellSouth that house BellSouth Network Facilities. To the extent this Attachment does not include all the necessary rates, terms and conditions for BellSouth remote locations other than cabinets, huts and controlled environmental vaults, the Parties will negotiate said rates, terms, and conditions upon request for collocation at BellSouth remote locations other than those specified above.

1.3 Space Reservation.

1.3.1 In all states other than Florida, the number of racks/bays specified by Comm South may contemplate a request for space sufficient to accommodate Comm South’s growth within a two year period.

1.3.2 In the state of Florida, the number of racks/bays specified by Comm South may contemplate a request for space sufficient to accommodate Comm South’s growth within an eighteen (18) month period.

1.3.3 Neither BellSouth nor any of BellSouth’s affiliates may reserve space for future use on more preferential terms than those set forth above.

1.4 Third Party Property. If the Premises, or the property on which it is located, is leased by BellSouth from a Third Party or otherwise controlled by a Third Party, special

- considerations and intervals may apply in addition to the terms and conditions of this Attachment. Additionally, where BellSouth notifies Comm South that BellSouth's agreement with a Third Party does not grant BellSouth the ability to provide access and use rights to others, upon Comm South's request, BellSouth will use its best efforts to obtain the owner's consent and to otherwise secure such rights for Comm South. Comm South agrees to reimburse BellSouth for the reasonable and demonstrable costs incurred by BellSouth in obtaining such rights for Comm South. In cases where a Third Party agreement does not grant BellSouth the right to provide access and use rights to others as contemplated by this Attachment and BellSouth, despite its best efforts, is unable to secure such access and use rights for Comm South as above, Comm South shall be responsible for obtaining such permission to access and use such property. BellSouth shall cooperate with Comm South in obtaining such permission.
- 1.5 Space Reclamation. In the event of space exhaust within a Remote Site Location, BellSouth may include in its documentation for the Petition for Waiver filing any unutilized space in the Remote Site Location. Comm South will be responsible for any justification of unutilized space within its Remote Collocation Space, if the appropriate state commission requires such justification.
- 1.6 Use of Space. Comm South shall use the Remote Collocation Space for the purposes of installing, maintaining and operating Comm South's equipment (to include testing and monitoring equipment) necessary for interconnection with BellSouth services and facilities or for accessing BellSouth unbundled network elements (UNEs) for the provision of telecommunications services, as specifically set forth in this Attachment. The Remote Collocation Space may be used for no other purposes except as specifically described herein or in any amendment hereto.
- 1.7 Rates and charges. Comm South agrees to pay the rates and charges identified in Exhibit C attached hereto.
- 1.8 If any due date contained in this Attachment falls on a weekend or National holiday, then the due date will be the next business day thereafter. For intervals of ten (10) days or less National holidays will be excluded.
- 1.9 The Parties agree to comply with all applicable federal, state, county, local and administrative laws, rules, ordinances, regulations and codes in the performance of their obligations hereunder.
2. **Space Availability Report**
- 2.1 Space Availability Report. Upon request from Comm South, BellSouth will provide a written report ("Space Availability Report"), describing in detail the space that is available for collocation and specifying the amount of Remote Collocation Space available at the Remote Site Location requested, the number of collocators present at

- the Remote Site Location, any modifications in the use of the space since the last report on the Remote Site Location requested and the measures BellSouth is taking to make additional space available for collocation arrangements. A Space Availability Report does not reserve space at the Remote Site Location.
- 2.1.1 The request from Comm South for a Space Availability Report must be written and must include the Common Language Location Identification (“CLLI”) code for both the Remote Site Location and the serving central office. The CLLI code information for the serving central office is located in the National Exchange Carriers Association (NECA) Tariff FCC No. 4. If Comm South is unable to obtain the CLLI code from, for example, a site visit to the remote site, Comm South may request the CLLI code from BellSouth. To obtain a CLLI code for a remote site directly from BellSouth, Comm South should submit to BellSouth a Remote Site Interconnection Request for Remote Site CLLI Code prior to submitting its request for a Space Availability Report. Comm South should complete all the requested information and submit the Request with the applicable fee to BellSouth.
- 2.1.2 BellSouth will respond to a request for a Space Availability Report for a particular Remote Site Location within ten (10) calendar days of receipt of such request. BellSouth will make best efforts to respond in ten (10) calendar days to such a request when the request includes from two (2) to five (5) Remote Site Locations within the same state. The response time for requests of more than five (5) Remote Site Locations shall be negotiated between the Parties. If BellSouth cannot meet the ten (10) calendar day response time, BellSouth shall notify Comm South and inform Comm South of the time frame under which it can respond.
- 2.2 Remote Terminal information. Upon request, BellSouth will provide Comm South with the following information concerning BellSouth’s remote terminals: (i) the address of the remote terminal; (ii) the CLLI code of the remote terminal; (iii) the carrier serving area of the remote terminal; (iv) the designation of which remote terminals subtend a particular central office; and (v) the number and address of customers that are served by a particular remote terminal.
- 2.2.1 BellSouth will provide this information on a first come, first served basis within thirty (30) calendar days of a Comm South request subject to the following conditions: (i) the information will only be provided on a CD in the same format in which it appears in BellSouth’s systems; (ii) the information will only be provided for each serving wire center designated by Comm South, up to a maximum of thirty (30) wire centers per Comm South request per month per state, and up to for a maximum of 120 wire centers total per month per state for all CLECs; and (iii) Comm South agrees to pay the costs incurred by BellSouth in providing the information.

3. Collocation Options

- 3.1 Cageless. BellSouth shall allow Comm South to collocate Comm South's equipment and facilities without requiring the construction of a cage or similar structure. BellSouth shall allow Comm South to have direct access to Comm South's equipment and facilities. BellSouth shall make cageless collocation available in single rack/bay increments. Except where Comm South's equipment requires special technical considerations (e.g., special cable racking, isolated ground plane, etc.), BellSouth shall assign cageless Collocation Space in conventional equipment rack lineups where feasible. For equipment requiring special technical considerations, Comm South must provide the equipment layout, including spatial dimensions for such equipment pursuant to generic requirements contained in Telcordia GR-63-Core, and shall be responsible for compliance with all special technical requirements associated with such equipment pursuant.
- 3.2 Caged. At Comm South's expense, Comm South may arrange with a Supplier certified by BellSouth ("Certified Supplier") to construct a collocation arrangement enclosure, where technically feasible as that term has been defined by the FCC, in accordance with BellSouth's guidelines and specifications prior to starting equipment installation. BellSouth will provide guidelines and specifications upon request. Comm South's Certified Supplier shall be responsible for filing and receiving any and all necessary permits and/or licenses for such construction. BellSouth shall cooperate with Comm South and provide, at Comm South's expense, the documentation, including existing building architectural drawings, enclosure drawings, and specifications required and necessary for Comm South to obtain the zoning, permits and/or other licenses. Comm South's Certified Supplier shall bill Comm South directly for all work performed for Comm South pursuant to this Attachment and BellSouth shall have no liability for nor responsibility to pay such charges imposed by Comm South's Certified Supplier. Comm South must provide the local BellSouth Remote Site Location contact with two Access Keys used to enter the locked enclosure. Except in case of emergency, BellSouth will not access Comm South's locked enclosure prior to notifying Comm South. Upon request, BellSouth shall construct the enclosure for Comm South.
- 3.2.1 BellSouth may elect to review Comm South's plans and specifications prior to allowing construction to start to ensure compliance with BellSouth's guidelines and specifications. Notification to Comm South indicating BellSouth's desire to execute this review will be provided in BellSouth's response to the Initial Application, if Comm South has indicated their desire to construct their own enclosure. If Comm South's Initial Application does not indicate their desire to construct their own enclosure, but their subsequent firm order does indicate their desire to construct their own enclosure, then notification to review will be given within ten (10) calendar days after the Firm Order date. BellSouth shall complete its review within fifteen (15) calendar days after the receipt of the plans and specifications. Regardless of whether or not BellSouth elects to review Comm South's plans and specifications, BellSouth

- reserves the right to inspect the enclosure after construction to make sure it is constructed according to the submitted plans and specifications and/or BellSouth's guidelines and specifications, as applicable. BellSouth shall require Comm South to remove or correct within seven (7) calendar days at Comm South's expense any structure that does not meet these plans and specifications or, where applicable, BellSouth guidelines and specifications.
- 3.3 Shared Collocation. Comm South may allow other telecommunications carriers to share Comm South's Remote Collocation Space pursuant to terms and conditions agreed to by Comm South ("Host") and other telecommunications carriers ("Guests") and pursuant to this Section, except where the BellSouth Remote Site Location is located within a leased space and BellSouth is prohibited by said lease from offering such an option or is located on property for which BellSouth holds an easement and such easement does not permit such an option. Comm South shall notify BellSouth in writing upon execution of any agreement between the Host and its Guest within ten (10) calendar days of its execution and prior to any Firm Order. Further, such notice shall include the name of the Guest(s) and the term of the agreement, and shall contain a certification by Comm South that said agreement imposes upon the Guest(s) the same terms and conditions for Remote Collocation Space as set forth in this Attachment between BellSouth and Comm South.
- 3.3.1 Comm South, as the Host, shall be the sole interface and responsible Party to BellSouth for assessment of rates and charges contained within this Attachment and for the purposes of ensuring that the safety and security requirements of this Attachment are fully complied with by the Guest, its employees and agents. BellSouth shall provide Comm South with a proration of the costs of the collocation space based on the number of collocators and the space used by each with a minimum charge of one (1) bay/rack per Host/Guest. In those instances where the Host permits a Guest to use a shelf within the Host's bay, BellSouth will not prorate the cost of the bay. In all states other than Florida, and in addition to the foregoing, Comm South shall be the responsible party to BellSouth for the purpose of submitting applications for initial and additional equipment placement of Guest. In Florida the Guest may directly submit initial and additional equipment placement applications using the Host's access carrier name abbreviation (ACNA). A separate Guest application shall require the assessment of an Initial or Subsequent Application Fee, as set forth in Exhibit C, which will be charged to the Host.
- 3.3.2 Notwithstanding the foregoing, the Guest may arrange directly with BellSouth for the provision of the interconnecting facilities between BellSouth and the Guest and for the provision of the services and access to unbundled network elements. The bill for these interconnecting facilities, services and access to UNEs will be charged to the Guest pursuant to the applicable tariff or the Guest's Interconnection Agreement with BellSouth.

- 3.3.3 Comm South shall indemnify and hold harmless BellSouth from any and all claims, actions, causes of action, of whatever kind or nature arising out of the presence of Comm South's Guests in the Remote Collocation Space except to the extent caused by BellSouth's sole negligence, gross negligence, or willful misconduct.
- 3.4 Adjacent Collocation. Subject to technical feasibility and space availability, BellSouth will permit adjacent Remote Site collocation arrangements ("Remote Site Adjacent Arrangement") on the property on which the Remote Site is located, where the Remote Site Adjacent Arrangement does not interfere with access to existing or planned structures or facilities on the Remote Site Location property. The Remote Site Adjacent Arrangement shall be constructed or procured by Comm South and in conformance with BellSouth's design and construction specifications. Further, Comm South shall construct, procure, maintain and operate said Remote Site Adjacent Arrangement(s) pursuant to all of the terms and conditions set forth in this Attachment. Rates shall be negotiated at the time of the application for the Remote Site Adjacent Arrangement.
- 3.4.1 Should Comm South elect Adjacent Collocation, Comm South must arrange with a Certified Supplier to construct a Remote Site Adjacent Arrangement structure in accordance with BellSouth's guidelines and specifications. Where local building codes require enclosure specifications more stringent than BellSouth's standard specification, Comm South and Comm South's Certified Supplier must comply with local building code requirements. Comm South's Certified Supplier shall be responsible for filing and receiving any and all necessary zoning, permits and/or licenses for such construction. Comm South's Certified Supplier shall bill Comm South directly for all work performed for Comm South pursuant to this Attachment and BellSouth shall have no liability for nor responsibility to pay such charges imposed by Comm South's Certified Supplier. Comm South must provide the local BellSouth Remote Site Location contact with two cards, keys or other access device used to enter the locked enclosure. Except in cases of emergency, BellSouth shall not access Comm South's locked enclosure prior to notifying Comm South.
- 3.4.2 Comm South must submit its plans and specifications to BellSouth with its Firm Order. BellSouth shall review Comm South's plans and specifications prior to construction of a Remote Site Adjacent Arrangement(s) to ensure compliance with BellSouth's guidelines and specifications. BellSouth shall complete its review within fifteen (15) calendar days after receipt of plans and specifications. BellSouth may inspect the Remote Site Adjacent Arrangement(s) during and after construction to confirm it is constructed according to the submitted plans and specifications. BellSouth shall require Comm South to remove or correct within seven (7) calendar days at Comm South's expense any structure that does not meet these plans and specifications.
- 3.4.3 Comm South shall provide a concrete pad, the structure housing the arrangement, heating/ventilation/air conditioning ("HVAC"), lighting, and all facilities that connect the structure (i.e. racking, conduits, etc.) to the BellSouth point of demarcation. At

- Comm South's option, and where the local authority having jurisdiction permits, BellSouth shall provide an AC power source and access to physical collocation services and facilities subject to the same nondiscriminatory requirements as applicable to any other physical collocation arrangement. In Louisiana, BellSouth will provide DC power to Adjacent Collocation sites where technically feasible, as that term has been defined by the FCC. Comm South's Certified Supplier shall be responsible, at Comm South's expense, for filing and receiving any and all necessary zoning, permits and/or licenses for such arrangement. BellSouth shall allow Shared Collocation within a Remote Site Adjacent Arrangement pursuant to the terms and conditions set forth herein.
- 3.5 Co-carrier cross-connect (CCXC). The primary purpose of collocating CLEC equipment is to interconnect with BellSouth's network or access BellSouth's unbundled network elements for the provision of telecommunications services. BellSouth will permit Comm South to interconnect between its virtual or physical collocation arrangements and those of another collocated CLEC whose Agreement contains co-carrier cross-connect language. At no point in time shall Comm South use the Collocation Space for the sole or primary purpose of cross connecting to other CLECs.
- 3.5.1 The CCXC shall be provisioned through facilities owned by Comm South. Such connections to other carriers may be made using either optical or electrical facilities. Comm South may deploy such optical or electrical connections directly between its own facilities and the facilities of other CLEC(s) without being routed through BellSouth equipment. Comm South may not self-provision CCXC on any BellSouth distribution frame, Pot Bay, DSX or LGX. Comm South is responsible for ensuring the integrity of the signal.
- 3.5.2 Comm South shall be responsible for obtaining authorization from the other CLEC(s) involved. Comm South must use a BellSouth Certified Supplier to place the CCXC. There will be a recurring charge per linear foot of common cable support structure used. Comm South-provisioned CCXC shall utilize common cable support structure. In the case of two contiguous collocation arrangements, Comm South may have the option of constructing its own dedicated support structure.
- 3.5.3 To order CCXCs Comm South must submit an Initial Application or Subsequent Application. If no modification to the Collocation Space is requested other than the placement of CCXCs, the Subsequent Application Fee for CCXC, as defined in Exhibit C, will apply. If modifications in addition to the placement of CCXCs are requested, the Initial Application or Subsequent Application Fee will apply.
4. Occupancy
- 4.1 Occupancy. BellSouth will notify Comm South in writing that the Remote Collocation Space is ready for occupancy ("Space Ready Date"). Comm South will schedule and

complete an acceptance walkthrough of each Remote Collocation Space with BellSouth within fifteen (15) calendar days of BellSouth's notifying Comm South that Remote Collocation Space is ready for occupancy ("Space Ready Date"). In the event that Comm South fails to complete an acceptance walkthrough within this fifteen (15) calendar day interval, the Remote Collocation Space shall be deemed accepted by Comm South and billing will commence on the sixteenth day after BellSouth releases the Remote Collocation Space. Comm South must notify BellSouth in writing that collocation equipment installation is complete and is operational with BellSouth's network. BellSouth may, at its option, not accept orders for cross connects until receipt of such notice. For purposes of this paragraph, Comm South's telecommunications equipment will be deemed operational when cross-connected to BellSouth's network for the purpose of service provision.

4.2 Termination of Occupancy. In addition to any other provisions addressing termination of occupancy in this Attachment, Comm South may terminate occupancy in a particular Remote Collocation Space by submitting a Subsequent Application requesting termination of occupancy. A Subsequent Application Fee will not apply for termination of occupancy. BellSouth may terminate Comm South's right to occupy the Remote Collocation Space in the event Comm South fails to comply with any provision of this Agreement.

4.2.1 Upon termination of occupancy, Comm South at its expense shall remove its equipment and other property from the Remote Collocation Space. Comm South shall have thirty (30) calendar days from the termination date to complete such removal, including the removal of all equipment and facilities of Comm South's Guests, unless Comm South's Guest has assumed responsibility for the collocation space housing the Guest's equipment and executed the documentation required by BellSouth prior to such removal date. Comm South shall continue payment of monthly fees to BellSouth until such date as Comm South, and if applicable Comm South's Guest, has fully vacated the Remote Collocation Space and the Space Relinquish Form has been accepted by BellSouth. Should Comm South or Comm South's Guest fail to vacate the Remote Collocation Space within thirty (30) calendar days from the termination date, BellSouth shall have the right to remove the equipment and other property of Comm South or Comm South's Guest at Comm South's expense and with no liability for damage or injury to Comm South or Comm South's Guest's property unless caused by the gross negligence or intentional misconduct of BellSouth. Upon termination of Comm South's right to occupy Remote Collocation Space, Comm South shall surrender such Remote Collocation Space to BellSouth in the same condition as when first occupied by the Comm South except for ordinary wear and tear unless otherwise agreed to by the Parties. For CEVs and huts Comm South's BellSouth Certified Supplier shall be responsible for updating and making any necessary changes to BellSouth's records as required by BellSouth's guidelines and specifications including but not limited to Record Drawings and ERMA Records. Comm South shall be responsible for the cost of removing any enclosure, together

with all support structures (e.g., racking, conduits, power cables, etc.), at the termination of occupancy and restoring the grounds to their original condition.

5. Use of Remote Collocation Space

- 5.1 Equipment Type. BellSouth permits the collocation of any type of equipment necessary for interconnection to BellSouth's network or for access to BellSouth's unbundled network elements in the provision of telecommunications services, as the term "necessary" is defined by FCC 47 C.F.R. Section 51.323 (b). The primary purpose and function of any equipment collocated in a Remote Collocated Space must be for interconnection to BellSouth's network or for access to BellSouth's unbundled network elements in the provision of telecommunications services.
- 5.1.1 Examples of equipment that would not be considered necessary include but are not limited to: Traditional circuit switching equipment, equipment used exclusively for call-related databases, computer servers used exclusively for providing information services, operations support system (OSS) equipment used to support CLEC network operations, equipment that generates customer orders, manages trouble tickets or inventory, or stores customer records in centralized databases, etc. BellSouth will determine upon receipt of an application if the requested equipment is necessary based on the criteria established by the FCC. Multifunctional equipment placed on BellSouth's Premises must not place any greater relative burden on BellSouth's property than comparable single-function equipment. BellSouth reserves the right to permit collocation of any equipment on a nondiscriminatory basis.
- 5.1.2 Such equipment must, at a minimum, meet the following Telcordia Network Equipment Building Systems (NEBS) General Equipment Requirements: Criteria Level 3 requirements as outlined in the Telcordia Special Report SR-3580, Issue 1 and equipment design spatial requirements per GR-63-CORE, Section 2, requirement numbers 3, 23, 25 and 34. Cageless collocation arrangements must additionally meet GR-63-CORE, Section 2, requirement numbers 1, 2, 5, 6, 15, 17, 19, 20, 21 and 26. Except where otherwise required by a Commission, BellSouth shall comply with the applicable FCC rules relating to denial of collocation based on Comm South's failure to comply with this Section.
- 5.1.2.1 All Comm South equipment installation shall comply with BellSouth TR 73503-11h, "Grounding - Engineering Procedures". Metallic cable sheaths and metallic strength members of optical fiber cables as well as the metallic cable sheaths of all copper conductor cables shall be bonded to the designated grounding bus for the Remote Site Location. All copper conductor pairs, working and non-working, shall be equipped with a solid state protector unit (over-voltage protection only) which has been listed by a nationally recognized testing laboratory.
- 5.2 Comm South shall not use the Remote Collocation Space for marketing purposes nor shall it place any identifying signs or markings in the area surrounding the Remote Collocation Space or on the grounds of the Remote Site Location.

- 5.3 Comm South shall place a plaque or other identification affixed to Comm South's equipment to identify Comm South's equipment, including a list of emergency contacts with telephone numbers.
- 5.4 Entrance Facilities. Comm South may elect to place Comm South-owned or Comm South-leased fiber entrance facilities into the Remote Collocation Space. BellSouth will designate the point of interconnection at the Remote Site Location housing the Remote Collocation Space, which is physically accessible by both Parties. Comm South will provide and place copper cable through conduit from the Remote Collocation Space to the Feeder Distribution Interface to the splice location of sufficient length for splicing by BellSouth. Comm South must contact BellSouth for instructions prior to placing the entrance facility cable. Comm South is responsible for maintenance of the entrance facilities.
- 5.4.1 Shared Use. Comm South may utilize spare capacity on an existing interconnector entrance facility for the purpose of providing an entrance facility to Comm South's collocation arrangement within the same BellSouth Remote Site Location. BellSouth shall allow splicing to the entrance facility, provided that the fiber is non-working fiber. The rates set forth in Exhibit C will apply. If Comm South desires to allow another CLEC to use its entrance facilities, additional rates, terms and conditions will apply and shall be negotiated between the Parties.
- 5.5 Demarcation Point. BellSouth will designate the point(s) of demarcation between Comm South's equipment and/or network and BellSouth's network. Each Party will be responsible for maintenance and operation of all equipment/facilities on its side of the demarcation point. Comm South or its agent must perform all required maintenance to Comm South equipment/facilities on its side of the demarcation point, pursuant to Section 5.6, following.
- 5.6 Comm South's Equipment and Facilities. Comm South, or if required by this Attachment, Comm South's Certified Supplier, is solely responsible for the design, engineering, installation, testing, provisioning, performance, monitoring, maintenance and repair of the equipment and facilities used by Comm South which must be performed in compliance with all applicable BellSouth policies and guidelines. Such equipment and facilities may include but are not limited to cable(s), equipment, and point of termination connections. Comm South and its selected Certified Supplier must follow and comply with all BellSouth requirements outlined in BellSouth's TR 73503, TR 73519, TR 73572, and TR 73564..
- 5.7 BellSouth's Access to Remote Collocation Space. From time to time BellSouth may require access to the Remote Collocation Space. BellSouth retains the right to access the Remote Collocation Space for the purpose of making BellSouth equipment and Remote Site Location modifications.

- 5.8 Access. Pursuant to Section 12, Comm South shall have access to the Remote Collocation Space twenty-four (24) hours a day, seven (7) days a week. Comm South agrees to provide the name and social security number or date of birth or driver's license number of each employee, contractor, or agents of Comm South or Comm South's Guests provided with access keys or devices ("Access Keys") prior to the issuance of said Access Keys. Key acknowledgement forms must be signed by Comm South and returned to BellSouth Access Management within fifteen (15) calendar days of Comm South's receipt. Failure to return properly acknowledged forms will result in the holding of subsequent requests until acknowledgements are current. Access Keys shall not be duplicated under any circumstances. Comm South agrees to be responsible for all Access Keys and for the return of all said Access Keys in the possession of Comm South employees, contractors, Guests, or agents after termination of the employment relationship, contractual obligation with Comm South or upon the termination of this Attachment or the termination of occupancy of an individual Remote Site collocation arrangement.
- 5.8.1 BellSouth will permit one accompanied site visit to Comm South's designated collocation arrangement location after receipt of the Bona Fide Firm Order without charge to Comm South. Comm South must submit to BellSouth the completed Access Control Request Form for all employees or agents requiring access to the BellSouth Remote Site Location a minimum of thirty (30) calendar days prior to the date Comm South desires access to the Remote Collocation Space. In order to permit reasonable access during construction of the Remote Collocation Space, Comm South may submit such a request at any time subsequent to BellSouth's receipt of the Bona Fide Firm Order. In the event Comm South desires access to the Remote Collocation Space after submitting such a request but prior to access being approved, in addition to the first accompanied free visit, BellSouth shall permit Comm South to access the Remote Collocation Space accompanied by a security escort at Comm South's expense. Comm South must request escorted access at least three (3) business days prior to the date such access is desired.
- 5.9 Lost or Stolen Access Keys. Comm South shall notify BellSouth in writing immediately in the case of lost or stolen Access Keys. Should it become necessary for BellSouth to re-key Remote Site Locations or deactivate a card as a result of a lost Access Key(s) or for failure to return an Access Key(s), Comm South shall pay for all reasonable costs associated with the re-keying or deactivating the card.
- 5.10 Interference or Impairment. Notwithstanding any other provisions of this Attachment, Comm South shall not use any product or service provided under this Agreement, any other service related thereto or used in combination therewith, or place or use any equipment and facilities in any manner that 1) significantly degrades, interferes with or impairs service provided by BellSouth or by any other other entity or any person's use of its telecommunications service; 2) endangers or damages the equipment, facilities or other property of BellSouth or of any other entity or person; 3) compromises the

- privacy of any communications; or 4) creates an unreasonable risk of injury or death to any individual or to the public. If BellSouth reasonably determines that any equipment or facilities of Comm South violates the provisions of this paragraph, BellSouth shall give written notice to Comm South, which notice shall direct Comm South to cure the violation within forty-eight (48) hours of Comm South's actual receipt of written notice or, at a minimum, to commence curative measures within 24 hours and to exercise reasonable diligence to complete such measures as soon as possible thereafter. After receipt of the notice, the Parties agree to consult immediately and, if necessary, to inspect the arrangement.
- 5.10.1 Except in the case of the deployment of an advanced service which significantly degrades the performance of other advanced services or traditional voice band services, if Comm South fails to take curative action within 48 hours or if the violation is of a character which poses an immediate and substantial threat of damage to property, injury or death to any person, or any other significant degradation, interference or impairment of BellSouth's or any other entity's service, then and only in that event BellSouth may take such action as it deems appropriate to correct the violation, including without limitation the interruption of electrical power to Comm South's equipment. BellSouth will endeavor, but is not required, to provide notice to Comm South prior to taking such action and shall have no liability to Comm South for any damages arising from such action, except to the extent that such action by BellSouth constitutes willful misconduct.
- 5.10.2 For purposes of this section, the term significantly degrade shall mean an action that noticeably impairs a service from a user's perspective. In the case of the deployment of an advanced service which significantly degrades the performance of other advanced services or traditional voice band services and Comm South fails to take curative action within 48 hours then BellSouth will establish before the relevant Commission that the technology deployment is causing the significant degradation. Any claims of network harm presented to Comm South or, if subsequently necessary, the relevant Commission must be supported with specific and verifiable information. Where BellSouth demonstrates that a deployed technology is significantly degrading the performance of other advanced services or traditional voice band services, Comm South shall discontinue deployment of that technology and migrate its customers to technologies that will not significantly degrade the performance of other such services. Where the only degraded service itself is a known disturber, and the newly deployed technology satisfies at least one of the criteria for a presumption that is acceptable for deployment under Section 47 C.F.R. 51.230, the degraded service shall not prevail against the newly-deployed technology.
- 5.11 Personalty and its Removal. Facilities and equipment placed by Comm South in the Remote Collocation Space shall not become a part of the Remote Site Location, even if nailed, screwed or otherwise fastened to the Remote Collocation Space but shall retain their status as personalty and may be removed by Comm South at any time.

Any damage caused to the Remote Collocation Space by Comm South's employees, agents or representatives shall be promptly repaired by Comm South at its expense.

- 5.12 Alterations. In no case shall Comm South or any person acting on behalf of Comm South make any rearrangement, modification, improvement, addition, or other alteration which could affect in any way space, power, HVAC, and/or safety considerations to the Remote Collocation Space or the BellSouth Remote Site Location without the written consent of BellSouth, which consent shall not be unreasonably withheld. The cost of any specialized alterations shall be paid by Comm South. Any such material rearrangement, modification, improvement, addition, or other alteration shall require an application and Application Fee.
- 5.13 Upkeep of Remote Collocation Space. Comm South shall be responsible for the general upkeep and cleaning of the Remote Collocation Space. Comm South shall be responsible for removing any Comm South debris from the Remote Collocation Space and from in and around the Remote Collocation Site on each visit.
- 6. Ordering and Preparation of Collocation Space**
- 6.1 Should any state or federal regulatory agency impose procedures or intervals applicable to Comm South and BellSouth that are different from procedures or intervals set forth in this Section, whether now in effect or that become effective after execution of this Agreement, those procedures or intervals shall supersede the requirements set forth herein for that jurisdiction for all applications submitted for the first time after the effective date thereof
- 6.2 Initial Application. For Comm South or Comm South's Guest(s) initial equipment placement, Comm South shall submit to BellSouth a Physical Expanded Interconnection Application Document ("Initial Application"). The application is Bona Fide when it is complete and accurate, meaning that all required fields on the application are completed with the appropriate type of information. An application fee will apply.
- 6.3 Subsequent Application In the event Comm South or Comm South's Guest(s) desires to modify the use of the Remote Collocation Space after Bona Fide Firm Order, Comm South shall complete an application detailing all information regarding the modification to the Remote Collocation Space ("Subsequent Application"). BellSouth shall determine what modifications, if any, to the Remote Site Location are required to accommodate the change requested by Comm South in the application. Such necessary modifications to the Remote Site Location may include, but are not limited to floor loading changes, changes necessary to meet HVAC requirements, changes to power plant requirements, equipment additions, etc.
- 6.3.1 Application Fee for Subsequent Application. The application fee paid by Comm South for its request to modify the use of the Collocation Space shall be a full Application

Fee as set forth in Exhibit C. The Subsequent Application is Bona Fide when it is complete and accurate, meaning that all required fields on the application are completed with the appropriate type of information.

- 6.4 Availability of Space. Upon submission of an application, BellSouth will permit Comm South to physically collocate, pursuant to the terms of this Attachment, at any BellSouth Remote Site Location, unless BellSouth has determined that there is no space available due to space limitations or that Remote Site Collocation is not practical for technical reasons. In the event space is not immediately available at a Remote Site Location, BellSouth reserves the right to make additional space available, in which case the conditions in Section 7 shall apply, or BellSouth may elect to deny space in accordance with this Section in which case virtual or adjacent collocation options may be available. If the amount of space requested is not available, BellSouth will notify Comm South of the amount that is available.
- 6.5 Space Availability Notification.
- 6.5.1 Unless otherwise specified, BellSouth will respond to an application within ten (10) calendar days as to whether space is available or not available within a BellSouth Remote Site Location. BellSouth will also respond as to whether the application is Bona Fide and if it is not Bona Fide the items necessary to cause the application to become Bona Fide. If the amount of space requested is not available, BellSouth will notify Comm South of the amount of space that is available and no Application Fee shall apply. When BellSouth's response includes an amount of space less than that requested by Comm South or differently configured, Comm South must resubmit its application to reflect the actual space available.
- 6.5.2 BellSouth will respond to a Florida application within fifteen (15) calendar days as to whether space is available or not available within a BellSouth Remote Site Location. BellSouth will also respond as to whether the application is Bona Fide and if it is not Bona Fide the items necessary to cause the application to become Bona Fide. If a lesser amount of space than requested is available, BellSouth will provide an Application Response for the amount of space that is available and an Application Fee will be assessed. When BellSouth's Application Response includes an amount of space less than that requested by Comm South or differently configured, Comm South must amend its application to reflect the actual space available prior to submitting Bona Fide Firm Order.
- 6.5.3 BellSouth will respond to a Louisiana application within ten (10) calendar days for space availability for one (1) to ten (10) applications; fifteen (15) calendar days for eleven (11) to twenty (20) applications; and for more than twenty (20) applications, it is increased by five (5) calendar days for every five additional applications received within five (5) business days. If the amount of space requested is not available, BellSouth will notify Comm South of the amount of space that is available and no Application Fee will apply. When BellSouth's response includes an amount of space less than that requested by Comm South or differently configured, Comm South must

- resubmit its application to reflect the actual space available. BellSouth will also respond as to whether the application is Bona Fide and if it is not Bona Fide the items necessary to cause the application to become Bona Fide.
- 6.5 Denial of Application. If BellSouth notifies Comm South that no space is available (“Denial of Application”), BellSouth will not assess an Application Fee. After notifying Comm South that BellSouth has no available space in the requested Remote Site Location, BellSouth will allow Comm South, upon request, to tour the Remote Site Location within ten (10) calendar days of such Denial of Application. In order to schedule said tour within ten (10) calendar days, the request for a tour of the Remote Site Location must be received by BellSouth within five (5) calendar days of the Denial of Application.
- 6.6 Filing of Petition for Waiver. Upon Denial of Application BellSouth will timely file a petition with the Commission pursuant to 47 U.S.C. § 251(c)(6). BellSouth shall provide to the Commission any information requested by that Commission. Such information shall include which space, if any, BellSouth or any of BellSouth’s affiliates have reserved for future use and a detailed description of the specific future uses for which the space has been reserved. Subject to an appropriate nondisclosure agreement or provision, BellSouth shall permit Comm South to inspect any plans or diagrams that BellSouth provides to the Commission.
- 6.7 Waiting List. On a first-come, first-served basis governed by the date of receipt of an application or Letter of Intent, BellSouth will maintain a waiting list of requesting carriers who have either received a Denial of Application or, where it is publicly known that the Remote Site Location is out of space, have submitted a Letter of Intent to collocate. BellSouth will notify the telecommunications carriers on the waiting list that can be accommodated by the amount of space that becomes available according to the position of the telecommunications carriers on said waiting list.
- 6.8.1 In Florida, on a first-come, first-served basis governed by the date of receipt of an application or Letter of Intent, BellSouth will maintain a waiting list of requesting carriers who have either received a Denial of Application or, where it is publicly known that the Remote Site Location is out of space, have submitted a Letter of Intent to collocate. Sixty (60) calendar days prior to space becoming available, if known, BellSouth will notify the Florida PSC and the telecommunications carriers on the waiting list by mail when space becomes available according to the position of telecommunications carrier on said waiting list. If not known sixty (60) calendar days in advance, BellSouth shall notify the Florida PSC and the telecommunications carriers on the waiting list within two business days of the determination that space is available. A CLEC that, upon denial of physical collocation, requests virtual collocation shall be automatically placed on the waiting list.
- 6.8.2 When space becomes available, Comm South must submit an updated, complete, and correct application to BellSouth within thirty (30) calendar days of such notification. If Comm South has originally requested caged collocation space and cageless

collocation space becomes available, Comm South may refuse such space and notify BellSouth in writing within that time that Comm South wants to maintain its place on the waiting list without accepting such space. Comm South may accept an amount of space less than its original request by submitting an application as set forth above, and upon request, may maintain its position on the waiting list for the remaining space that was initially requested. If Comm South does not submit such an application or notify BellSouth in writing as described above, BellSouth will offer such space to the next CLEC on the waiting list and remove Comm South from the waiting list. Upon request, BellSouth will advise Comm South as to its position on the list.

- 6.9 Public Notification. BellSouth will maintain on its Interconnection Services website a notification document that will indicate all Remote Site Locations that are without available space. BellSouth shall update such document within ten (10) calendar days of the date that BellSouth becomes aware that there is insufficient space to accommodate Remote Site Collocation. BellSouth will also post a document on its Interconnection Services website that contains a general notice where space has become available in a Remote Site Location previously on the space exhaust list.
- 6.10 Application Response.
- 6.10.1 In Alabama, Kentucky and North Carolina, when space has been determined to be available, BellSouth will provide a written response (“Application Response”) within twenty-three (23) business days of the receipt of a Bona Fide application, which will include, at a minimum, the configuration of the space, the Cable Installation Fee, Cable Records Fee, and the space preparation fees, as described in Section 8.
- 6.10.2 In South Carolina, BellSouth will provide a written response (“Application Response”) within thirty (30) calendar days of receipt of a Bona Fide application. The Application Response will include, at a minimum, the configuration of the space, the Cable Installation Fee, Cable Records Fee, and the space preparation fees, as described in Section 8. When multiple applications are submitted in a state within a fifteen (15) calendar day window, BellSouth will respond to the Bona Fide applications as soon as possible, but no later than the following: within thirty (30) calendar days for Bona Fide applications one (1) –to five (5); within thirty-six (36) calendar days for Bona Fide applications six (6) –to ten (10); within forty-two (42) calendar days for Bona Fide applications eleven (11) –to fifteen (15). Response intervals for multiple Bona Fide applications submitted within the same timeframe for the same state in excess of fifteen (15) must be negotiated. All negotiations shall consider the total volume from all requests from telecommunications companies for collocation.
- 6.10.3 In Tennessee, BellSouth will provide a written response (“Application Response”) within fifteen (15) calendar days of receipt of a Bona Fide application. The Application Response will include, at a minimum, the configuration of the space, the Cable Installation Fee, Cable Records Fee, and a firm price quote for the space preparation fees, as described in Section 8 provided that Comm South has given BellSouth a forecast of Comm South’s collocation needs at least ten (10) calendar

- days prior to submitting an application if the Comm South has standardized space preparation rates in their Agreement and twenty (20) calendar days prior to submitting an application if the Comm South has standardized space preparation rates in their Agreement.
- 6.10.3 In Florida, within fifteen (15) calendar days of receipt of a Bona Fide application, when space has been determined to be available or when a lesser amount of space than that requested is available, then with respect to the space available, BellSouth will provide a written response (“Application Response”) including sufficient information to enable Comm South to place a Firm Order. The Application Response will include, at a minimum, the configuration of the space, the Cable Installation Fee, Cable Records Fee, and the space preparation fees, as described in Section 8. When Comm South submits ten (10) or more applications within ten (10) calendar days, the initial fifteen (15) day response period will increase by ten (10) calendar days for every additional ten (10) applications or fraction thereof.
- 6.10.4 In Georgia and Mississippi, when space has been determined to be available, BellSouth will provide a written response (“Application Response”) within twenty (20) calendar days of receipt of a Bona Fide application. The Application Response will include, at a minimum, the configuration of the space, the Cable Installation Fee, Cable Records Fee, and the space preparation fees, as described in Section 8.
- 6.10.5 In Louisiana, when space has been determined to be available, BellSouth will respond with a written response (“Application Response”) within thirty (30) calendar days for one (1) to ten (10) applications; thirty (35) calendar days for eleven (11) to twenty (20) applications; and for requests of more than twenty (20) applications, it is increased by five (5) calendar days for every five (5) applications received within five (5) business days. The Application Response will include, at a minimum, the configuration of the space, the Cable Installation Fee, Cable Records Fee, and the space preparation fees, as described in Section 8.
- 6.11 Application Modifications.
- 6.11.1 If a modification or revision is made to any information in the Bona Fide application prior to Bona Fide Firm Order, with the exception of modifications to Customer Information, Contact Information or Billing Contact Information, either at the request of Comm South or necessitated by technical considerations, said application shall be considered a new application and shall be handled as a new application with respect to response and provisioning intervals and BellSouth will charge Comm South a full application fee as set forth in Exhibit C.
- 6.12 Bona Fide Firm Order.
- 6.12.1 Bona Fide Firm Order. In Alabama, Kentucky and North Carolina, Comm South shall indicate its intent to proceed with equipment installation in a BellSouth Remote Site Location by submitting a Physical Expanded Interconnection Firm Order document

- (“Firm Order”) to BellSouth. A Firm Order shall be considered Bona Fide when Comm South has completed the Application/Inquiry process described in Section 6, preceding, and has submitted the Firm Order document indicating acceptance of the Application Response provided by BellSouth. The Bona Fide Firm Order must be received by BellSouth no later than five (5) business days after BellSouth’s Application Response to Comm South’s Bona Fide application. The Bona Fide Firm Order must be received by BellSouth no later than thirty (30) calendar days after BellSouth’s Application Response to Comm South’s Bona Fide application or the application will expire. If the BFFO is received between the fifth business day and the thirtieth calendar day after the Application Response, then the intervals set forth in 7.1.1 will be extended day for day for each day after the fifth business day the Bona Fide Firm Order is received until the application expires.
- 6.12.2 Except as otherwise provided, in all States that have ordered provisioning intervals but not addressed Firm Order intervals, the following shall apply. Comm South shall indicate its intent to proceed with equipment installation in a BellSouth Remote Site Location by submitting a Firm Order to BellSouth. The Bona Fide Firm Order must be received by BellSouth no later than thirty (30) calendar days after BellSouth’s Application Response to Comm South’s Bona Fide application or the application will expire.
- 6.12.3 BellSouth will establish a firm order date based upon the date BellSouth is in receipt of a Bona Fide Firm Order. BellSouth will acknowledge the receipt of Comm South’s Bona Fide Firm Order within seven (7) calendar days of receipt indicating that the Bona Fide Firm Order has been received. A BellSouth response to a Bona Fide Firm Order will include a Firm Order Confirmation containing the firm order date. No revisions will be made to a Bona Fide Firm Order.
- 7. Construction and Provisioning**
- 7.1 Construction and Provisioning Intervals.
- 7.1.1 In Alabama, Kentucky and North Carolina, BellSouth will complete construction for collocation arrangements within seventy-six (76) business days from receipt of an application or as agreed to by the Parties. Under extraordinary conditions, BellSouth will complete construction for collocation arrangements within ninety-one (91) business days. Examples of extraordinary conditions include, but are not limited to, extended license or permitting intervals; major BellSouth equipment rearrangement or addition; power plant addition or upgrade; major mechanical addition or upgrade; major upgrade for ADA compliance; environmental hazard or hazardous materials abatement; and arrangements for which equipment shipping intervals are extraordinary in length. In the event Comm South submits a forecast as described in the following paragraph three (3) months or more prior to the application date, the above intervals shall apply. In the event Comm South submits such a forecast between two (2) months and three (3) months prior to the application date, the above intervals may be extended by one (1) additional month. In the event Comm South submits such a

forecast less than two (2) months prior to the application date, the above intervals may be extended by sixty (60) calendar days. BellSouth will attempt to meet standard intervals for unforecasted requests and any interval adjustments will be discussed with Comm South at the time the application is received. Raw space, which is space lacking the necessary infrastructure to provide collocation space including but not limited to HVAC, Power, etc., conversion time frames fall outside the normal intervals and are negotiated on an individual case basis. Additionally, installations to existing collocation arrangements for line sharing or line splitting, which include adding cable, adding cable and splitter, and adding a splitter, will be forty five (45) business days from receipt of an application.

- 7.1.1.1 To be considered a timely and accurate forecast, Comm South must submit to BellSouth the CLEC Forecast Form, as set forth in Exhibit B attached hereto, containing the following information: Central Office/Serving Wire Center CLLI, Remote Site CLLI, number of Caged square feet and/or Cageless bays, number of DS0, DS1, DS3, STS-1, OC-3, OC-12, OC-48, and OC-192 frame terminations, number of fused amps and planned application date.
- 7.1.2 In Florida, BellSouth will complete construction for collocation arrangements as soon as possible and within a maximum of ninety (90) calendar days from receipt of a Bona Fide Firm Order or as agreed to by the Parties. For changes to collocation space after initial space completion (“Augmentation”), BellSouth will complete construction for collocation arrangements as soon as possible and within a maximum of forty-five (45) calendar days from receipt of a Bona Fide Firm Order or as agreed to by the Parties. If BellSouth does not believe that construction will be completed within the relevant time frame and BellSouth and Comm South cannot agree upon a completion date, within forty-five (45) calendar days of receipt of the Bona Fide Firm Order for an initial request, and within thirty (30) calendar days for Augmentations, BellSouth may seek an extension from the Florida Commission.
- 7.1.3 In Georgia, Mississippi and South Carolina, BellSouth will complete construction for collocation arrangements under ordinary conditions as soon as possible and within a maximum of ninety (90) calendar days from receipt of a Bona Fide Firm Order or as agreed to by the Parties. The Parties may mutually agree to renegotiate an alternative provisioning interval or BellSouth may seek a waiver from this interval from the Commission.
- 7.1.4 In Louisiana, BellSouth will complete construction for collocation arrangements under ordinary conditions as soon as possible and within a maximum of ninety (90) calendar days from receipt of a Bona Fide Firm Order for an initial request, and within 60 calendar days for an Augmentation, or as agreed to by the Parties. The Parties may mutually agree to renegotiate an alternative provisioning interval or BellSouth may seek a waiver from this interval from the Commission.

- 7.1.5 In Tennessee, BellSouth will complete construction for collocation arrangements under Ordinary Conditions within a maximum of 90 calendar days from receipt of a Bona Fide Firm Order, or as agreed to by the Parties. Under extraordinary conditions, BellSouth may elect to renegotiate an alternative provisioning interval with Comm South or seek a waiver from this interval from the Commission.
- 7.2 In the event BellSouth does not have space immediately available at a Remote Site Location, BellSouth may elect to make additional space available by, for example but not limited to, rearranging BellSouth facilities or constructing additional capacity. In such cases, the above intervals shall not apply and BellSouth will provision the Remote Collocation Space in a nondiscriminatory manner and at parity with BellSouth and will provide Comm South with the estimated completion date in its Response.
- 7.3 Joint Planning. Joint planning between BellSouth and Comm South will commence within a maximum of twenty (20) calendar days from BellSouth's receipt of a Bona Fide Firm Order. BellSouth will provide the preliminary design of the Collocation Space and the equipment configuration requirements as reflected in the Bona Fide application and affirmed in the Bona Fide Firm Order. The Collocation Space completion time period will be provided to Comm South during joint planning.
- 7.4 Permits. Each Party or its agents will diligently pursue filing for the permits required for the scope of work to be performed by that Party or its agents within ten (10) calendar days of the completion of finalized construction designs and specifications.
- 7.5 Acceptance Walk Through. Comm South will schedule and complete an acceptance walkthrough of each Collocation Space with BellSouth within fifteen (15) calendar days of BellSouth's notifying Comm South that the collocation space is ready for occupancy ("Space Ready Date"). In the event that Comm South fails to complete an acceptance walkthrough within this fifteen (15) day interval, the Collocation Space shall be deemed accepted by Comm South. BellSouth will correct any deviations to Comm South's original or jointly amended requirements within seven (7) calendar days after the walkthrough, unless the Parties jointly agree upon a different time frame.
- 7.6 Use of BellSouth Certified Supplier. Comm South shall select a supplier which has been approved by BellSouth to perform all engineering and installation work. Comm South and Comm South's BellSouth Certified Supplier must follow and comply with all BellSouth requirements outlined in BellSouth's TR 73503, TR 73519, TR 73572, and TR 73564. In some cases, Comm South must select separate BellSouth Certified Suppliers for transmission equipment, switching equipment and power equipment. BellSouth shall provide Comm South with a list of BellSouth Certified Suppliers upon request. The BellSouth Certified Supplier(s) shall be responsible for installing Comm South's equipment and components, extending power cabling to the BellSouth power distribution frame, performing operational tests after installation is complete, and notifying BellSouth's Outside Plant engineers and Comm South upon successful completion of installation. The BellSouth Certified Supplier shall bill Comm South

- directly for all work performed for Comm South pursuant to this Attachment, and BellSouth shall have no liability for nor responsibility to pay such charges imposed by the BellSouth Certified Supplier. BellSouth shall consider certifying Comm South or any supplier proposed by Comm South. All work performed by or for Comm South shall conform to generally accepted industry guidelines and standards.
- 7.7 Alarm and Monitoring. BellSouth may place alarms in the Remote Site Location for the protection of BellSouth equipment and facilities. Comm South shall be responsible for placement, monitoring and removal of environmental and equipment alarms used to service Comm South's Remote Collocation Space. Upon request, BellSouth will provide Comm South with applicable tariffed service(s) to facilitate remote monitoring of collocated equipment by Comm South. Both Parties shall use best efforts to notify the other of any verified hazardous conditions known to that Party.
- 7.8 Virtual Remote Site Collocation Relocation. In the event physical Remote Collocation Space was previously denied at a Remote Site Location due to technical reasons or space limitations, and physical Remote Collocation Space has subsequently become available, Comm South may relocate its virtual Remote Site collocation arrangements to physical Remote Site collocation arrangements and pay the appropriate fees for physical Remote Site collocation and for the rearrangement or reconfiguration of services terminated in the virtual Remote Site collocation arrangement, as outlined in the appropriate BellSouth tariffs. In the event that BellSouth knows when additional space for physical Remote Site collocation may become available at the location requested by Comm South, such information will be provided to Comm South in BellSouth's written denial of physical Remote Site collocation. To the extent that (i) physical Remote Collocation Space becomes available to Comm South within one hundred eighty 180 calendar days of BellSouth's written denial of Comm South's request for physical collocation, (ii) BellSouth had knowledge that the space was going to become available, and (iii) Comm South was not informed in the written denial that physical Remote Collocation Space would become available within such one hundred eighty 180 calendar days, then Comm South may relocate its virtual Remote Site collocation arrangement to a physical Remote Site collocation arrangement and will receive a credit for any nonrecurring charges previously paid for such virtual Remote Site collocation. Comm South must arrange with a BellSouth Certified Supplier for the relocation of equipment from its virtual Remote Collocation Space to its physical Remote Collocation Space and will bear the cost of such relocation.
- 7.9 Virtual to Physical Conversion (In Place). Virtual collocation arrangements may be converted to "in-place" physical arrangements if the potential conversion meets the following four criteria: 1) there is no change in the amount of equipment or the configuration of the equipment that was in the virtual collocation arrangement; 2) the conversion of the virtual collocation arrangement will not cause the equipment or the results of that conversion to be located in a space that BellSouth has reserved for its own future needs; 3) the converted arrangement does not limit BellSouth's ability to

- secure its own equipment and facilities due to the location of the virtual collocation arrangement; and 4) any changes to the arrangement can be accommodated by existing power, HVAC, and other requirements. The application fee for the conversion from virtual to in-place, physical collocation is as set forth in Exhibit C. Unless otherwise specified, BellSouth will complete virtual to in-place physical collocation conversions within sixty (60) calendar days.
- 7.9.1 In Florida, for Virtual to Physical conversions in place that require no physical changes, the only applicable charges shall cover the administrative billing and engineering records updates.
- 7.9.2 In Tennessee, BellSouth will complete Virtual to Physical conversions in place within thirty (30) calendar days.
- 7.10 Cancellation. If, at any time prior to space acceptance, Comm South cancels its order for the Remote Collocation Space(s) (“Cancellation”), BellSouth will bill the applicable non-recurring rate for any and all work processes for which work has begun. In Georgia, if Comm South cancels its order for Remote Collocation Space at any time prior to space acceptance, BellSouth will bill Comm South for all costs incurred prior to the date of Cancellation and for any costs incurred as a direct result of the Cancellation, not to exceed the total amount that would have been due had the order not been cancelled.
- 7.11 Licenses. Comm South, at its own expense, will be solely responsible for obtaining from governmental authorities, and any other appropriate agency, entity, or person, all rights, privileges, and licenses necessary or required to operate as a provider of telecommunications services to the public or to occupy the Remote Collocation Space.
- 7.12 Environmental Hazard Guidelines. The Parties agree to utilize and adhere to the Environmental Hazard Guidelines identified in Exhibit A attached hereto.
- 8. Rates and Charges**
- 8.1 BellSouth shall assess an Application Fee via a service order, which shall be issued at the time BellSouth responds that space is available pursuant to Section 2. Payment of said Application Fee will be due as dictated by Comm South’s current billing cycle and is non-refundable.
- 8.1.1 In Tennessee the applicable Application Fee is the Planning Fee for both Initial Applications and Subsequent Applications placed by Comm South.
- 8.2 Space Preparation
- 8.2.1 Recurring Charges. Recurring charges begin on the date that Comm South executes the written document accepting the Remote Collocation Space pursuant to Section 7, or on the Space Ready Date, whichever is first. If Comm South fails to schedule and

- complete a walkthrough within fifteen (15) calendar days after BellSouth releases the space for occupancy, then BellSouth shall begin billing Comm South for recurring charges as of the sixteenth day after the Space Ready Date..
- 8.2.2 Rack/Bay Space. The rack/bay space charge includes reasonable charges for air conditioning, ventilation and other allocated expenses associated with maintenance of the Remote Site Location, and includes amperage necessary to power Comm South's equipment. Comm South shall pay rack/bay space charges based upon the number of racks/bays requested. BellSouth will assign Remote Collocation Space in conventional remote site rack/bay lineups where feasible.
- 8.2 Power. BellSouth shall make available -48 Volt (-48V) DC power for Comm South's Remote Collocation Space at a BellSouth Power Board or BellSouth Battery Distribution Fuse Bay (BDFB) at Comm South's option within the Remote Site Location. The charge for power shall be assessed as part of the recurring charge for rack/bay space. If the power requirements for Comm South's equipment exceeds the capacity available, then such power requirements shall be assessed on an individual case basis.
- 8.2.1 Adjacent Collocation Power. Charges for AC power will be assessed per breaker ampere per month. Rates include the provision of commercial and standby AC power, where available. When obtaining power from a BellSouth service panel, protection devices and power cables must be engineered (sized), and installed by Comm South's BellSouth Certified Supplier except that BellSouth shall engineer and install protection devices and power cables for Adjacent Collocation. Comm South's BellSouth Certified Supplier must also provide a copy of the engineering power specification prior to the equipment becoming operational. Charges for AC power shall be assessed pursuant to the rates specified in Exhibit C. AC power voltage and phase ratings shall be determined on a per location basis. At Comm South's option, Comm South may arrange for AC power in an Adjacent Collocation arrangement from a retail provider of electrical power.
- 8.3 Security Escort. A security escort will be required whenever Comm South or its approved agent desires access to the Remote Site Location after the one accompanied site visit allowed pursuant to Section 5 prior to completing BellSouth's Security Training requirements. Rates for a security escort are assessed according to the schedule appended hereto as Exhibit C beginning with the scheduled escort time. BellSouth will wait for one-half (1/2) hour after the scheduled time for such an escort and Comm South shall pay for such half-hour charges in the event Comm South fails to show up.
- 8.4 Other. If no rate is identified in the contract, the rate for the specific service or function will be negotiated by the Parties upon request by either Party.

9. Insurance

- 9.1 Comm South shall, at its sole cost and expense, procure, maintain, and keep in force insurance as specified in this Section and underwritten by insurance companies licensed to do business in the states applicable under this Attachment and having a Best's Insurance Rating of A-.
- 9.2 Comm South shall maintain the following specific coverage:
- 9.2.1 Commercial General Liability coverage in the amount of ten million dollars (\$10,000,000.00) or a combination of Commercial General Liability and Excess/Umbrella coverage totaling not less than ten million dollars (\$10,000,000.00). BellSouth shall be named as an Additional Insured on the Commercial General Liability policy as specified herein.
- 9.2.2 Statutory Workers Compensation coverage and Employers Liability coverage in the amount of one hundred thousand dollars (\$100,000.00) each accident, one hundred thousand dollars (\$100,000.00) each employee by disease, and five hundred thousand dollars (\$500,000.00) policy limit by disease.
- 9.2.3 All Risk Property coverage on a full replacement cost basis insuring all of Comm South's real and personal property situated on or within BellSouth's Remote Site Location.
- 9.2.4 Comm South may elect to purchase business interruption and contingent business interruption insurance, having been advised that BellSouth assumes no liability for loss of profit or revenues should an interruption of service occur.
- 9.3 The limits set forth in Section 9.2 above may be increased by BellSouth from time to time during the term of this Attachment upon thirty (30) calendar days notice to Comm South to at least such minimum limits as shall then be customary with respect to comparable occupancy of BellSouth structures.
- 9.4 All policies purchased by Comm South shall be deemed to be primary and not contributing to or in excess of any similar coverage purchased by BellSouth. All insurance must be in effect on or before the date equipment is delivered to BellSouth's Remote Site Location and shall remain in effect for the term of this Attachment or until all Comm South's property has been removed from BellSouth's Remote Site Location, whichever period is longer. If Comm South fails to maintain required coverage, BellSouth may pay the premiums thereon and seek reimbursement of same from Comm South.
- 9.5 Comm South shall submit certificates of insurance reflecting the coverage required pursuant to this Section a minimum of ten (10) business days prior to the commencement of any work in the Remote Collocation Space. Failure to meet this

interval may result in construction and equipment installation delays. Comm South shall arrange for BellSouth to receive thirty (30) business days' advance notice of cancellation from Comm South's insurance company. Comm South shall forward a certificate of insurance and notice of cancellation/non-renewal to BellSouth at the following address:

BellSouth Telecommunications, Inc.
Attn.: Risk Management Coordinator
17H53 BellSouth Center
675 W. Peachtree Street
Atlanta, Georgia 30375

- 9.6 Comm South must conform to recommendations made by BellSouth's fire insurance company to the extent BellSouth has agreed to, or shall hereafter agree to, such recommendations.
- 9.7 Self-Insurance. If Comm South's net worth exceeds five hundred million dollars (\$500,000,000), Comm South may elect to request self-insurance status in lieu of obtaining any of the insurance required in Sections 9.2.1 and 9.2.2. Comm South shall provide audited financial statements to BellSouth thirty (30) calendar days prior to the commencement of any work in the Remote Collocation Space. BellSouth shall then review such audited financial statements and respond in writing to Comm South in the event that self-insurance status is not granted to Comm South. If BellSouth approves Comm South for self-insurance, Comm South shall annually furnish to BellSouth, and keep current, evidence of such net worth that is attested to by one of Comm South's corporate officers. The ability to self-insure shall continue so long as Comm South meets all of the requirements of this Section. If the Comm South subsequently no longer satisfies this Section, Comm South is required to purchase insurance as indicated by Sections 9.2.1 and Section 9.2.2.
- 9.8 The net worth requirements set forth in Section 9.7 may be increased by BellSouth from time to time during the term of this Attachment upon thirty (30) calendar days' notice to Comm South to at least such minimum limits as shall then be customary with respect to comparable occupancy of BellSouth structures.
- 9.9 Failure to comply with the provisions of this Section will be deemed a material breach of this Attachment.
- 10. Mechanics Liens**
- 10.1 If any mechanics lien or other liens shall be filed against property of either Party (BellSouth or Comm South), or any improvement thereon by reason of or arising out of any labor or materials furnished or alleged to have been furnished or to be furnished to or for the other Party or by reason of any changes, or additions to said property made at the request or under the direction of the other Party, the other Party directing or requesting those changes shall, within thirty (30) business days after receipt of

written notice from the Party against whose property said lien has been filed, either pay such lien or cause the same to be bonded off the affected property in the manner provided by law. The Party causing said lien to be placed against the property of the other shall also defend, at its sole cost and expense, on behalf of the other, any action, suit or proceeding which may be brought for the enforcement of such liens and shall pay any damage and discharge any judgment entered thereon.

11. Inspections

- 11.1 BellSouth may conduct an inspection of Comm South's equipment and facilities in the Remote Collocation Space(s) prior to the activation of facilities between Comm South's equipment and equipment of BellSouth. BellSouth may conduct an inspection if Comm South adds equipment and may otherwise conduct routine inspections at reasonable intervals mutually agreed upon by the Parties. BellSouth shall provide Comm South with a minimum of forty-eight (48) hours or two (2) business days, whichever is greater, advance notice of all such inspections. All costs of such inspection shall be borne by BellSouth.

12. Security and Safety Requirements

- 12.1 Unless otherwise specified, Comm South will be required, at its own expense, to conduct a statewide investigation of criminal history records for each Comm South employee hired in the past five years being considered for work on the BellSouth Remote Site Location, for the states/counties where the Comm South employee has worked and lived for the past five years. Where state law does not permit statewide collection or reporting, an investigation of the applicable counties is acceptable. Comm South shall not be required to perform this investigation if an affiliated company of Comm South has performed an investigation of the Comm South employee seeking access, if such investigation meets the criteria set forth above. This requirement will not apply if Comm South has performed a pre-employment statewide investigation of criminal history records of the Comm South employee for the states/counties where the Comm South employee has worked and lived for the past five years or, where state law does not permit a statewide investigation, an investigation of the applicable counties.
- 12.2 Comm South will be required to administer to their personnel assigned to the BellSouth Premises security training either provided by BellSouth, or meeting criteria defined by BellSouth.
- 12.3 Comm South shall provide its employees and agents with picture identification, which must be worn, and visible at all times while in the Remote Collocation Space or other areas in or around the Remote Site Location. The photo Identification card shall bear, at a minimum, the employee's name and photo, and Comm South's name. BellSouth reserves the right to remove from its Remote Site Location any employee of Comm South not possessing identification issued by Comm South or who have violated any

- of BellSouth's policies as outlined in the CLEC Security Training documents. Comm South shall hold BellSouth harmless for any damages resulting from such removal of its personnel from BellSouth Remote Site Location. Comm South shall be solely responsible for ensuring that any Guest of Comm South is in compliance with all subsections of this Section 12.
- 12.4 Comm South shall not assign to the BellSouth Remote Site Location any personnel with records of felony criminal convictions. Comm South shall not assign to the BellSouth Remote Site Location any personnel with records of misdemeanor convictions, except for misdemeanor traffic violations, without advising BellSouth of the nature and gravity of the offense(s). BellSouth reserves the right to refuse access to any Comm South personnel who have been identified to have misdemeanor criminal convictions. Notwithstanding the foregoing, in the event that Comm South chooses not to advise BellSouth of the nature and gravity of any misdemeanor conviction, Comm South may, in the alternative, certify to BellSouth that it shall not assign to the BellSouth Remote Site Location any personnel with records of misdemeanor convictions (other than misdemeanor traffic violations).
- 12.4.1 Comm South shall not knowingly assign to the BellSouth Remote Site Location any individual who was a former employee of BellSouth and whose employment with BellSouth was terminated for a criminal offense whether or not BellSouth sought prosecution of the individual for the criminal offense.
- 12.4.2 Comm South shall not knowingly assign to the BellSouth Remote Site Location any individual who was a former contractor of BellSouth and whose access to a BellSouth Remote Site Location was revoked due to commission of a criminal offense whether or not BellSouth sought prosecution of the individual for the criminal offense.
- 12.5 For each Comm South employee or agent hired by Comm South within five years of being considered for work on the BellSouth Remote Site Location, who requires access to a BellSouth Remote Site Location pursuant to this Attachment, Comm South shall furnish BellSouth, prior to an employee gaining such access, a certification that the aforementioned background check and security training were completed. The certification will contain a statement that no felony convictions were found and certifying that the security training was completed by the employee. If the employee's criminal history includes misdemeanor convictions, Comm South will disclose the nature of the convictions to BellSouth at that time. In the alternative, Comm South may certify to BellSouth that it shall not assign to the BellSouth Remote Site Location any personnel with records of misdemeanor convictions other than misdemeanor traffic violations.
- 12.5.1 For all other Comm South employees requiring access to a BellSouth Remote Site Location pursuant to this Attachment, Comm South shall furnish BellSouth, prior to an employee gaining such access, a certification that the employee is not subject to the

- requirements of Section 12.5 above and that security training was completed by the employee.
- 12.6 At BellSouth's request, Comm South shall promptly remove from BellSouth's Remote Site Location any employee of Comm South BellSouth does not wish to grant access to its Remote Site Location 1) pursuant to any investigation conducted by BellSouth or 2) prior to the initiation of an investigation if an employee of Comm South is found interfering with the property or personnel of BellSouth or another CLEC, provided that an investigation shall promptly be commenced by BellSouth.
- 12.7 Notification to BellSouth. BellSouth reserves the right to interview Comm South's employees, agents, or contractors in the event of wrongdoing in or around BellSouth's property or involving BellSouth's or another CLEC's property or personnel, provided that BellSouth shall provide reasonable notice to Comm South's Security contact of such interview. Comm South and its contractors shall reasonably cooperate with BellSouth's investigation into allegations of wrongdoing or criminal conduct committed by, witnessed by, or involving Comm South's employees, agents, or contractors. Additionally, BellSouth reserves the right to bill Comm South for all reasonable costs associated with investigations involving its employees, agents, or contractors if it is established and mutually agreed in good faith that Comm South's employees, agents, or contractors are responsible for the alleged act. BellSouth shall bill Comm South for BellSouth property, which is stolen or damaged where an investigation determines the culpability of Comm South's employees, agents, or contractors and where Comm South agrees, in good faith, with the results of such investigation. Comm South shall notify BellSouth in writing immediately in the event that the Comm South discovers one of its employees already working on the BellSouth Remote Site Location is a possible security risk. Upon request of the other Party, the Party who is the employer shall discipline consistent with its employment practices, up to and including removal from BellSouth's Remote Site Location, any employee found to have violated the security and safety requirements of this section. Comm South shall hold BellSouth harmless for any damages resulting from such removal of its personnel from BellSouth's Remote Site Location.
- 12.8 Use of Supplies. Unauthorized use of telecommunications equipment or supplies by either Party, whether or not used routinely to provide telephone service (e.g. plug-in cards,) will be strictly prohibited and handled appropriately. Costs associated with such unauthorized use may be charged to the offending Party, as may be all associated investigative costs.
- 12.9 Use of Official Lines. Except for non-toll calls necessary in the performance of their work, neither Party shall use the telephones of the other Party on the BellSouth Remote Site Location. Charges for unauthorized telephone calls may be charged to the offending Party, as may be all associated investigative costs.

- 12.10 Accountability. Full compliance with the Security requirements of this Section shall in no way limit the accountability of either Party to the other for the improper actions of its employees.

13. Destruction of Remote Collocation Space

- 13.1 In the event a Remote Collocation Space is wholly or partially damaged by fire, windstorm, tornado, flood or by similar causes to such an extent as to be rendered wholly unsuitable for Comm South's permitted use hereunder, then either Party may elect within ten (10) business days after such damage, to terminate this Attachment with respect to the affected Remote Collocation Space, and if either Party shall so elect, by giving the other written notice of termination, both Parties shall stand released of and from further liability under the terms hereof with respect to such Remote Collocation Space. If the Remote Collocation Space shall suffer only minor damage and shall not be rendered wholly unsuitable for Comm South's permitted use, or is damaged and the option to terminate is not exercised by either Party, BellSouth covenants and agrees to proceed promptly without expense to Comm South, except for improvements not the property of BellSouth, to repair the damage. BellSouth shall have a reasonable time within which to rebuild or make any repairs, and such rebuilding and repairing shall be subject to delays caused by storms, shortages of labor and materials, government regulations, strikes, walkouts, and causes beyond the control of BellSouth, which causes shall not be construed as limiting factors, but as exemplary only. Comm South may, at its own expense, accelerate the rebuild of its Remote Collocation Space and equipment provided however that a BellSouth Certified Contractor is used and the necessary space preparation has been completed. Rebuild of equipment must be performed by a BellSouth Certified Vendor. If Comm South's acceleration of the project increases the cost of the project, then those additional charges will be incurred by Comm South. Where allowed and where practical, Comm South may erect a temporary facility while BellSouth rebuilds or makes repairs. In all cases where the Remote Collocation Space shall be rebuilt or repaired, Comm South shall be entitled to an equitable abatement of rent and other charges, depending upon the unsuitability of the Remote Collocation Space for Comm South's permitted use, until such Remote Collocation Space is fully repaired and restored and Comm South's equipment installed therein (but in no event later than thirty (30) business days after the Remote Collocation Space is fully repaired and restored). Where Comm South has placed a Remote Site Adjacent Arrangement pursuant to Section 3, Comm South shall have the sole responsibility to repair or replace said Remote Site Adjacent Arrangement provided herein. Pursuant to this Section, BellSouth will restore the associated services to the Remote Site Adjacent Arrangement.

14. Eminent Domain

- 14.1 If the whole of a Remote Collocation Space or Remote Site Adjacent Arrangement shall be taken by any public authority under the power of eminent domain, then this

Attachment shall terminate with respect to such Remote Collocation Space or Remote Site Adjacent Arrangement as of the day possession shall be taken by such public authority and rent and other charges for the Remote Collocation Space or Remote Site Adjacent Arrangement shall be paid up to that day with proportionate refund by BellSouth of such rent and charges as may have been paid in advance for a period subsequent to the date of the taking. If any part of the Remote Collocation Space or Remote Site Adjacent Arrangement shall be taken under eminent domain, BellSouth and Comm South shall each have the right to terminate this Attachment with respect to such Remote Collocation Space or Remote Site Adjacent Arrangement and declare the same null and void, by written notice of such intention to the other Party within ten (10) business days after such taking.

15. Nonexclusivity

- 15.1 Comm South understands that this Attachment is not exclusive and that BellSouth may enter into similar agreements with other Parties. Assignment of space pursuant to all such agreements shall be determined by space availability and made on a first come, first served basis.

ENVIRONMENTAL AND SAFETY PRINCIPLES

The following principles provide basic guidance on environmental and safety issues when applying for and establishing Physical Collocation arrangements.

1. GENERAL PRINCIPLES

- 1.1 Compliance with Applicable Law. BellSouth and Comm South agree to comply with applicable federal, state, and local environmental and safety laws and regulations including U.S. Environmental Protection Agency (USEPA) regulations issued under the Clean Air Act (CAA), Clean Water Act (CWA), Resource Conservation and Recovery Act (RCRA), Comprehensive Environmental Response, Compensation and Liability Act (CERCLA), Superfund Amendments and Reauthorization Act (SARA), the Toxic Substances Control Act (TSCA), and OSHA regulations issued under the Occupational Safety and Health Act of 1970, as amended and NFPA and National Electrical Codes (NEC) and the NESC (“Applicable Laws”). Each Party shall notify the other if compliance inspections are conducted by regulatory agencies and/or citations are issued that relate to any aspect of this Attachment.
- 1.2 Notice. BellSouth and Comm South shall provide notice to the other, including Material Safety Data Sheets (MSDSs), of known and recognized physical hazards or Hazardous Chemicals existing on site or brought on site. Each Party is required to provide specific notice for known potential Imminent Danger conditions. Comm South should contact 1-800-743-6737 for BellSouth MSDS sheets.
- 1.3 Practices/Procedures. BellSouth may make available additional environmental control procedures for Comm South to follow when working at a BellSouth Remote Site Location (See Section 2, below). These practices/procedures will represent the regular work practices required to be followed by the employees and contractors of BellSouth for environmental protection. Comm South will require its contractors, agents and others accessing the BellSouth Remote Site Location to comply with these practices. Section 2 lists the Environmental categories where BST practices should be followed by Comm South when operating in the BellSouth Remote Site Location.
- 1.4 Environmental and Safety Inspections. BellSouth reserves the right to inspect the Comm South space with proper notification. BellSouth reserves the right to stop any Comm South work operation that imposes Imminent Danger to the environment, employees or other persons in the area or Facility.
- 1.5 Hazardous Materials Brought On Site. Any hazardous materials brought into, used, stored or abandoned at the BellSouth Remote Site Location by Comm South are owned by Comm South. Comm South will indemnify BellSouth for claims, lawsuits or damages to persons or property caused by these materials. Without prior written BellSouth approval, no substantial new safety or environmental hazards can be created by Comm South or different hazardous materials used by Comm South at BellSouth

- Facility. Comm South must demonstrate adequate emergency response capabilities for its materials used or remaining at the BellSouth Facility.
- 1.6 Spills and Releases. When contamination is discovered at a BellSouth Remote Site Location, the Party discovering the condition must notify BellSouth. All Spills or Releases of regulated materials will immediately be reported by Comm South to BellSouth.
- 1.7 Coordinated Environmental Plans and Permits. BellSouth and Comm South will coordinate plans, permits or information required to be submitted to government agencies, such as emergency response plans, spill prevention control and countermeasures (SPCC) plans and community reporting. If fees are associated with filing, BellSouth and Comm South will develop a cost sharing procedure. If BellSouth's permit or EPA identification number must be used, Comm South must comply with all of BellSouth's permit conditions and environmental processes, including environmental "best management practices (BMP)" (see Section 2, below) and/or selection of BST disposition vendors and disposal sites.
- 1.8 Environmental and Safety Indemnification. BellSouth and Comm South shall indemnify, defend and hold harmless the other Party from and against any claims (including, without limitation, third-party claims for personal injury or death or real or personal property damage), judgments, damages, (including direct and indirect damages, and punitive damages), penalties, fines, forfeitures, costs, liabilities, interest and losses arising in connection with the violation or alleged violation of any Applicable Law or contractual obligation or the presence or alleged presence of contamination arising out of the acts or omissions of the indemnifying Party, its agents, contractors, or employees concerning its operations at the Facility.

2. **CATEGORIES FOR CONSIDERATION OF ENVIRONMENTAL ISSUES**

When performing functions that fall under the following Environmental categories on BellSouth's Remote Site Location, Comm South agrees to comply with the applicable sections of the current issue of BellSouth's Environmental and Safety Methods and Procedures (M&Ps), incorporated herein by this reference. Comm South further agrees to cooperate with BellSouth to ensure that Comm South's employees, agents, and/or subcontractors are knowledgeable of and satisfy those provisions of BellSouth's Environmental M&Ps which apply to the specific Environmental function being performed by Comm South, its employees, agents and/or subcontractors.

The most current version of reference documentation must be requested from BellSouth.

| ENVIRONMENTAL CATEGORIES | ENVIRONMENTAL ISSUES | ADDRESSED BY THE FOLLOWING DOCUMENTATION |
|---|--|--|
| Disposal of hazardous material or other regulated material (e.g., batteries, fluorescent tubes, solvents & cleaning materials) | <p>Compliance with all applicable local, state, & federal laws and regulations</p> <p>Pollution liability insurance</p> <p>EVET approval of contractor</p> | <ul style="list-style-type: none"> • Std T&C 450 • Fact Sheet Series 17000 • Std T&C 660-3 • Approved Environmental Vendor List (Contact E/S Management) |
| Emergency response | Hazmat/waste release/spill firesafety emergency | <ul style="list-style-type: none"> • Fact Sheet Series 1700 • Building Emergency Operations Plan (EOP) (specific to and located on Remote Site Location) |
| Contract labor/outsourcing for services with environmental implications to be performed on BellSouth Remote Site Location (e.g., disposition of hazardous material/waste; maintenance of storage tanks) | <p>Compliance with all applicable local, state, & federal laws and regulations</p> <p>Performance of services in accordance with BST's environmental M&Ps</p> <p>Insurance</p> | <ul style="list-style-type: none"> • Std T&C 450 • Std T&C 450-B • (Contact E/S for copy of appropriate E/S M&Ps.) • Std T&C 660 |
| Transportation of hazardous material | <p>Compliance with all applicable local, state, & federal laws and regulations</p> <p>Pollution liability insurance</p> <p>EVET approval of contractor</p> | <ul style="list-style-type: none"> • Std T&C 450 • Fact Sheet Series 17000 • Std T&C 660-3 • Approved Environmental Vendor List (Contact E/S Management) |
| <p>Maintenance/operations work which may produce a waste</p> <p>Other maintenance work</p> | <p>Compliance with all application local, state, & federal laws and regulations</p> <p>Protection of BST employees and equipment</p> | <ul style="list-style-type: none"> • Std T&C 450 • 29CFR 1910.147 (OSHA Standard) • 29CFR 1910 Subpart O (OSHA Standard) |
| Janitorial services | All waste removal and disposal | <ul style="list-style-type: none"> • P&SM Manager - |

| | | |
|---|---|---|
| | <p>must conform to all applicable federal, state and local regulations</p> <p>All Hazardous Material and Waste</p> <p>Asbestos notification and protection of employees and equipment</p> | <p>Procurement</p> <ul style="list-style-type: none"> • Fact Sheet Series 17000 • GU-BTEN-001BT, Chapter 3 • BSP 010-170-001BS (Hazcom) |
| Manhole cleaning | <p>Compliance with all applicable local, state, & federal laws and regulations</p> <p>Pollution liability insurance</p> <p>EVET approval of contractor</p> | <ul style="list-style-type: none"> • Std T&C 450 • Fact Sheet 14050 • BSP 620-145-011PR Issue A, August 1996 • Std T&C 660-3 • Approved Environmental Vendor List (Contact E/S Management) |
| Removing or disturbing building materials that may contain asbestos | Asbestos work practices | <ul style="list-style-type: none"> • GU-BTEN-001BT, Chapter 3 <p>For questions regarding removing or disturbing materials that contain asbestos, call the BellSouth Building Service Center: AL, MS, TN, KY & LA (local area code) 557-6194 FL, GA, NC & SC (local area code) 780-2740</p> |

3. DEFINITIONS

Generator. Under RCRA, the person whose act produces a Hazardous Waste, as defined in 40 CFR 261, or whose act first causes a Hazardous Waste to become subject to regulation. The Generator is legally responsible for the proper management and disposal of Hazardous Wastes in accordance with regulations.

Hazardous Chemical. As defined in the U.S. Occupational Safety and Health (OSHA) hazard communication standard (29 CFR 1910.1200), any chemical which is a health hazard or physical hazard.

Hazardous Waste. As defined in section 1004 of RCRA.

Imminent Danger. Any conditions or practices at a facility which are such that a danger exists which could reasonably be expected to cause immediate death or serious harm to people or

Version 1Q02: 02-20-02

immediate significant damage to the environment or natural resources.

Spill or Release. As defined in Section 101 of CERCLA.

4. ACRONYMS

E/S – Environmental/Safety

EVET - Environmental Vendor Evaluation Team

DEC/LDEC - Department Environmental Coordinator/Local Department Environmental Coordinator

GU-BTEN-001BT - BellSouth Environmental Methods and Procedures

NESC - National Electrical Safety Codes

P&SM - Property & Services Management

Std. T&C - Standard Terms & Conditions

THREE-MONTH CLEC FORECAST

CLEC NAME _____

DATE _____

| STATE | Remote Site/City | CAGED Sq. Ft. | CAGE-LESS # Bays | FRAME TERMINATIONS | CLEC Provided BDFB-- Amps Load | BST Provided BDFB--- Amps Load | Heat Dissipation BTU/Hour | Entrance Facilities # sheaths & # fibers | Proposed Application Date | NOTES |
|-------|------------------|---------------|------------------|--------------------|--------------------------------|--------------------------------|---------------------------|--|---------------------------|-------|
| | | | | | | | | | | |
| | | | | | | | | | | |
| | | | | | | | | | | |
| | | | | | | | | | | |

Notes: Forecast information will be used for no other purpose than collocation planning.

| COLLOCATION - Alabama | | | | | | | | | | Attachment: 4 | | Exhibit: D | | | | | | | | | | |
|-----------------------------|--|---------|------|---|-------|-----------|----------------------------------|--------------------------------------|--|--|---|---|---------------|--------------|-------|-------------------------|--|--------|-------|-------|-------|-------|
| CATEGORY | RATE ELEMENTS | Interim | Zone | BCS | USOC | RATES(\$) | Svc Order Submitted Elec per LSR | Svc Order Submitted Manually per LSR | Incremental Charge - Manual Svc Order vs. Electronic-1st | Incremental Charge - Manual Svc Order vs. Electronic-Add'l | Incremental Charge - Manual Svc Order vs. Electronic-Disc 1st | Incremental Charge - Manual Svc Order vs. Electronic-Disc Add'l | OSS Rates(\$) | | | | | | | | | |
| | | | | | | | | | | | | | Recurring | Nonrecurring | | Nonrecurring Disconnect | | SOME C | SOMAN | SOMAN | SOMAN | SOMAN |
| | | | | | | | | | | | | | First | Add'l | First | Add'l | | | | | | |
| PHYSICAL COLLOCATION | | | | | | | | | | | | | | | | | | | | | | |
| | Physical Collocation - Application Fee - Initial | | | CLO | PE1BA | 3,760.00 | | 3,760.00 | | | | | | | | | | | | | | |
| | Physical Collocation - Application Fee - Subsequent | | | CLO | PE1CA | 3,134.00 | | 3,134.00 | | | | | | | | | | | | | | |
| | Physical Collocation Reduced Rate - Application Fee - Subsequent | | | CLO | PE1BL | 742.15 | | | | | | | | | | | | | | | | |
| | Physical Collocation - Space Preparation - Firm Order Processing | I | | CLO | PE1SJ | 1,211.00 | | 1,211.00 | | | | | | | | | | | | | | |
| | Physical Collocation - Space Preparation - C.O. Modification per square ft. | I | | CLO | PE1SK | 2.24 | | | | | | | | | | | | | | | | |
| | Physical Collocation - Space Preparation - Common Systems Modification per square ft. - Cageless | I | | CLO | PE1SL | 3.01 | | | | | | | | | | | | | | | | |
| | Physical Collocation - Space Preparation - Common Systems Modification per Cage | I | | CLO | PE1SM | 102.16 | | | | | | | | | | | | | | | | |
| | Physical Collocation - Cable Installation | | | CLO | PE1BD | 1,751.00 | | 1,751.00 | | | | | | | | | | | | | | |
| | Physical Collocation - Floor Space per Sq. Ft. | | | CLO | PE1PJ | 3.68 | | | | | | | | | | | | | | | | |
| | Physical Collocation - Cable Support Structure | | | CLO | PE1PM | 19.67 | | | | | | | | | | | | | | | | |
| | Physical Collocation - Power -48V DC Power, per Fused Amp | I | | CLO | PE1PL | 7.14 | | | | | | | | | | | | | | | | |
| | Physical Collocation - Power Reduction, Application Fee | I | | CLO | PE1PR | 399.51 | | | | | | | | | | | | | | | | |
| | Physical Collocation - 120V, Single Phase Standby Power Rate | I | | CLO | PE1FB | 5.63 | | | | | | | | | | | | | | | | |
| | Physical Collocation - 240V, Single Phase Standby Power Rate | I | | CLO | PE1FD | 11.26 | | | | | | | | | | | | | | | | |
| | Physical Collocation - 120V, Three Phase Standby Power Rate | I | | CLO | PE1FE | 16.89 | | | | | | | | | | | | | | | | |
| | Physical Collocation - 277V, Three Phase Standby Power Rate | I | | CLO | PE1FG | 38.99 | | | | | | | | | | | | | | | | |
| | Physical Collocation - 2-Wire Cross-Connects | | | UEANL,UEA,UDN,UDC,UAL,UHL,UCL,U EQ,UDL,UNCVX,UNLDX,UNCNX | PE1P2 | 0.031 | | 33.68 | | 31.79 | | | | | | | | | | | | |
| | Physical Collocation - 4-Wire Cross-Connects | | | CLO,UAL,UDL,UDN,UEA,UHL,UNCVX,UNCDX,UCL | PE1P4 | 0.062 | | 33.63 | | 31.67 | | | | | | | | | | | | |
| | Physical Collocation - DS1 Cross-Connects | | | CLO,UEANL,UEQ,WDS1L,WDS1S,USL,U1TD1,UXTD1,UNC1X,ULDD1,USLEL,UNLD1,UDL | PE1P1 | 1.28 | | 52.93 | | 39.87 | | | | | | | | | | | | |
| | Physical Collocation - DS3 Cross-Connects | | | CLO,UE3,U1TD3,UXTD3,UXTS1,UNC3X,UNC3X,ULDD3,U1TS1,ULDS1,UNLD3,UDL | PE1P3 | 16.27 | | 51.99 | | 38.59 | | | | | | | | | | | | |
| | Physical Collocation - 2-Fiber Cross-Connect | | | CLO,ULDO3,ULD12,ULD48,U1TO3,U1T12,U1T48,UDLO3,UDL12,UDF | PE1F2 | 3.23 | | 52.00 | | 38.60 | | | | | | | | | | | | |
| | Physical Collocation - 4-Fiber Cross-Connect | | | CLO,ULDO3,ULD12,ULD48,U1TO3,U1T12,U1T48,UDLO3,UDL12,UDF | PE1F4 | 5.73 | | 64.54 | | 51.14 | | | | | | | | | | | | |
| | Physical Collocation - Welded Wire Cage - First 100 Sq. Ft. | | | CLO | PE1BW | 178.65 | | | | | | | | | | | | | | | | |

| COLLOCATION - Alabama | | | | | | | | | | Attachment: 4 | | Exhibit: D | | | | | | | | | | |
|-----------------------|---|---------|------|--|-------|-----------|----------------------------------|--------------------------------------|--|--|---|---|---------------|--------------|-------|-------------------------|--|-------|-------|-------|-------|-------|
| CATEGORY | RATE ELEMENTS | Interim | Zone | BCS | USOC | RATES(\$) | Svc Order Submitted Elec per LSR | Svc Order Submitted Manually per LSR | Incremental Charge - Manual Svc Order vs. Electronic-1st | Incremental Charge - Manual Svc Order vs. Electronic-Add'l | Incremental Charge - Manual Svc Order vs. Electronic-Disc 1st | Incremental Charge - Manual Svc Order vs. Electronic-Disc Add'l | OSS Rates(\$) | | | | | | | | | |
| | | | | | | | | | | | | | Recurring | Nonrecurring | | Nonrecurring Disconnect | | SOMEC | SOMAN | SOMAN | SOMAN | SOMAN |
| | | | | | | | | | | | | | First | Add'l | First | Add'l | | | | | | |
| | Physical Collocation - Welded Wire Cage - Add'l 50 Sq. Ft. | | | CLO | PE1CW | 17.52 | | | | | | | | | | | | | | | | |
| | Physical Collocation - Security Access System - Security System per Central Office | | | CLO | PE1AX | 54.14 | | | | | | | | | | | | | | | | |
| | Physical Collocation - Security Access System - New Access Card Activation, per Card | | | CLO | PE1A1 | 0.0607 | | | | | | | | | | | | | | | | |
| | Physical Collocation-Security Access System-Administrative Change, existing Access Card, per Card | | | CLO | PE1AA | | | | | | | | | | | | | | | | | |
| | Physical Collocation - Security Access System - Replace Lost or Stolen Card, per Card | | | CLO | PE1AR | | | | | | | | | | | | | | | | | |
| | Physical Collocation - Security Access - Initial Key, per Key | | | CLO | PE1AK | | | | | | | | | | | | | | | | | |
| | Physical Collocation - Security Access - Key, Replace Lost or Stolen Key, per Key | | | CLO | PE1AL | | | | | | | | | | | | | | | | | |
| | Physical Collocation - Space Availability Report per premises | I | | CLO | PE1SR | | | | | | | | | | | | | | | | | |
| | POT Bay Arrangements prior to 6/1/99 - 2-Wire Cross-Connect, per cross-connect | | | UEANL,UEA,UDN,U DC,UAL,UHL,UCL,U EQ,CLO,UDL, UNCVX, UNCDX, UNCNX | PE1PE | 0.08 | | | | | | | | | | | | | | | | |
| | POT Bay Arrangements prior to 6/1/99 - 4-Wire Cross-Connect, per cross-connect | | | UEANL,UEA,UDN,U DC,UAL,UHL,UCL,U EQ,CLO, USL, UNCVX, UNCDX | PE1PF | 0.17 | | | | | | | | | | | | | | | | |
| | POT Bay Arrangements prior to 6/1/99 - DS1 Cross-Connect, per cross-connect | | | UEANL,UEA,UDN,U DC,UAL,UHL,UCL,U EQ,CLO,WDS1L,W DS1S, USL, U1TD1, UXTD1, UNC1X, ULDD1, USLEL, UNLD1 | PE1PG | 0.69 | | | | | | | | | | | | | | | | |
| | POT Bay Arrangements prior to 6/1/99 - DS3 Cross-Connect, per cross-connect | | | UEANL,UEA,UDN,U DC,UAL,UHL,UCL,U EQ,CLO,UE3, U1TD3, UXTD3, UXTS1, UNC3X, UNCSX, ULDD3, U1TS1, ULDS1, UNLD3, UDL, UDLSX | PE1PH | 4.74 | | | | | | | | | | | | | | | | |
| | POT Bay Arrangements prior to 6/1/99 - 2-Fiber Cross-Connect, per cross-connect | | | UEANL,UEA,UDN,U DC,UAL,UHL,UCL,U EQ,CLO, ULDO3, ULD12, ULD48, U1TO3, U1T12, U1T48, UDLO3, UDL12, UDF | PE1B2 | 32.02 | | | | | | | | | | | | | | | | |
| | POT Bay Arrangements prior to 6/1/99 - 4-Fiber Cross-Connect, per cross-connect | | | UEANL,UEA,UDN,U DC,UAL,UHL,UCL,U EQ,CLO, ULDO3, ULD12, ULD48, U1TO3, U1T12, U1T48, UDLO3, UDL12, UDF | PE1B4 | 40.48 | | | | | | | | | | | | | | | | |
| | Physical Collocation - Request Resend of CFA Information, per CLI | | | CLO | PE1C9 | | | | | | | | | | | | | | | | | |
| | Collocation Cable Records - per request | | | CLO | PE1CR | | | | | | | | | | | | | | | | | |
| | Collocation Cable Records - VG/DS0 Cable, per cable record | | | CLO | PE1CD | | | | | | | | | | | | | | | | | |
| | Collocation Cable Records - VG/DS0 Cable, per each 100 pair | | | CLO | PE1CO | | | | | | | | | | | | | | | | | |
| | Collocation Cable Records - DS1, per T1TIE | | | CLO | PE1C1 | | | | | | | | | | | | | | | | | |

| COLLOCATION - Alabama | | | | | | | | | | Attachment: 4 | | Exhibit: D | | | | | | | | | | | | |
|---|---|---------|------|------------------------|-------|-----------|----------------------------------|--------------------------------------|--|--|---|---|---------------|--------------|--------|-------------------------|--|-------|-------|-------|-------|-------|-------|--|
| CATEGORY | RATE ELEMENTS | Interim | Zone | BCS | USOC | RATES(\$) | Svc Order Submitted Elec per LSR | Svc Order Submitted Manually per LSR | Incremental Charge - Manual Svc Order vs. Electronic-1st | Incremental Charge - Manual Svc Order vs. Electronic-Add'l | Incremental Charge - Manual Svc Order vs. Electronic-Disc 1st | Incremental Charge - Manual Svc Order vs. Electronic-Disc Add'l | OSS Rates(\$) | | | | | | | | | | | |
| | | | | | | | | | | | | | Recurring | Nonrecurring | | Nonrecurring Disconnect | | SOMEK | SOMAN | SOMAN | SOMAN | SOMAN | SOMAN | |
| | | | | | | | | | | | | | First | Add'l | First | Add'l | | | | | | | | |
| | Collocation Cable Records - DS3, per T3TIE | | | CLO | PE1C3 | | | | | | | | 15.75 | 15.75 | 19.32 | 19.32 | | | | | | | | |
| | Collocation Cable Records - Fiber Cable, per 99 fiber records | | | CLO | PE1CB | | | | | | | | 168.97 | 168.97 | 154.25 | 154.25 | | | | | | | | |
| | Physical Collocation - Security Escort - Basic, per Half Hour | | | CLO,CLORS | PE1BT | | | | | | | | 33.85 | 21.45 | | | | | | | | | | |
| | Physical Collocation - Security Escort - Overtime, per Half Hour | | | CLO,CLORS | PE1OT | | | | | | | | 44.09 | 27.71 | | | | | | | | | | |
| | Physical Collocation - Security Escort - Premium, per Half Hour | | | CLO,CLORS | PE1PT | | | | | | | | 54.33 | 33.96 | | | | | | | | | | |
| | V to P Conversion, Per Customer Request-Voice Grade | | | CLO | PE1BV | 33.00 | | | | | | | | | | | | | | | | | | |
| | V to P Conversion, Per Customer Request-DS0 | | | CLO | PE1BO | 33.00 | | | | | | | | | | | | | | | | | | |
| | V to P Conversion, Per Customer Request-DS1 | | | CLO | PE1B1 | 52.00 | | | | | | | | | | | | | | | | | | |
| | V to P Conversion, Per Customer request-DS3 | | | CLO | PE1B3 | 52.00 | | | | | | | | | | | | | | | | | | |
| | V to P Conversion, Per Customer Request per VG Circuit Reconfigured | | | CLO | PE1BR | 23.00 | | | | | | | | | | | | | | | | | | |
| | V to P Conversion, Per Customer Request per DS0 Circuit Reconfigured | | | CLO | PE1BP | 23.00 | | | | | | | | | | | | | | | | | | |
| | V to P Conversion, Per Customer Request per DS1 Circuit Reconfigured | | | CLO | PE1BS | 33.00 | | | | | | | | | | | | | | | | | | |
| | V to P Conversion, Per Customer Request per DS3 Circuit Reconfigured | | | CLO | PE1BE | 37.00 | | | | | | | | | | | | | | | | | | |
| | V to P Conversion, Cable Pairs Assigned to Collo Space per 700 prs or fraction thereof | | | CLO | PE1B7 | 592.00 | | | | | | | | | | | | | | | | | | |
| | Physical Collocation - Co-Carrier Cross Connects - Fiber Cable Support Structure, per cable, per linear ft. | | | CLO,UDF | PE1ES | 0.0011 | | | | | | | | | | | | | | | | | | |
| | Physical Collocation - Co-Carrier Cross Connects - Copper/Coax Cable Support Structure, per cable, per lin. ft. | | | CLO, UE3, USL | PE1DS | 0.0016 | | | | | | | | | | | | | | | | | | |
| | Physical Collocation - Co-Carrier Cross Connects - Application Fee, per application | | | CLO | PE1DT | | | | | | | | 584.22 | | | | | | | | | | | |
| ADJACENT COLLOCATION | | | | | | | | | | | | | | | | | | | | | | | | |
| | Adjacent Collocation - Space Charge per Sq. Ft. | | | CLOAC | PE1JA | 0.2542 | | | | | | | | | | | | | | | | | | |
| | Adjacent Collocation - Electrical Facility Charge per Linear Ft. | | | CLOAC | PE1JC | 5.44 | | | | | | | | | | | | | | | | | | |
| | Adjacent Collocation - 2-Wire Cross-Connects | | | CLOAC | PE1P2 | 0.0598 | 24.95 | 23.97 | 12.80 | 11.67 | | | | | | | | | | | | | | |
| | Adjacent Collocation - 4-Wire Cross-Connects | | | UEA,UHL,UDL,UCL, CLOAC | PE1P4 | 0.1196 | 25.14 | 24.11 | 13.18 | 11.96 | | | | | | | | | | | | | | |
| | Adjacent Collocation - DS1 Cross-Connects | | | USL,CLOAC | PE1P1 | 1.04 | 44.19 | 32.13 | 12.94 | 11.82 | | | | | | | | | | | | | | |
| | Adjacent Collocation - DS3 Cross-Connects | | | CLOAC | PE1P3 | 14.12 | 41.93 | 30.69 | 14.72 | 12.05 | | | | | | | | | | | | | | |
| | Adjacent Collocation - 2-Fiber Cross-Connect | | | CLOAC | PE1F2 | 2.39 | 41.93 | 30.69 | 14.72 | 12.06 | | | | | | | | | | | | | | |
| | Adjacent Collocation - 4-Fiber Cross-Connect | | | CLOAC | PE1F4 | 4.57 | 51.14 | 39.90 | 18.97 | 16.30 | | | | | | | | | | | | | | |
| | Adjacent Collocation - Application Fee | | | CLOAC | PE1JB | | 1,555.00 | | 0.99 | | | | | | | | | | | | | | | |
| | Adjacent Collocation - 120V, Single Phase Standby Power Rate per AC Breaker Amp | | | CLOAC | PE1FB | 5.39 | | | | | | | | | | | | | | | | | | |
| | Adjacent Collocation - 240V, Single Phase Standby Power Rate per AC Breaker Amp | | | CLOAC | PE1FD | 10.79 | | | | | | | | | | | | | | | | | | |
| | Adjacent Collocation - 120V, Three Phase Standby Power Rate per AC Breaker Amp | | | CLOAC | PE1FE | 16.18 | | | | | | | | | | | | | | | | | | |
| | Adjacent Collocation - 277V, Three Phase Standby Power Rate per AC Breaker Amp | | | CLOAC | PE1FG | 37.37 | | | | | | | | | | | | | | | | | | |
| PHYSICAL COLLOCATION IN THE REMOTE SITE | | | | | | | | | | | | | | | | | | | | | | | | |
| | Physical Collocation in the Remote Site - Application Fee | | | CLORS | PE1RA | | 608.17 | 608.17 | 323.44 | 323.44 | | | | | | | | | | | | | | |
| | Cabinet Space in the Remote Site per Bay/ Rack | | | CLORS | PE1RB | 224.82 | | | | | | | | | | | | | | | | | | |
| | Physical Collocation in the Remote Site - Security Access - Key | | | CLORS | PE1RD | | 25.88 | 25.88 | | | | | | | | | | | | | | | | |
| | Physical Collocation in the Remote Site - Space Availability Report per Premises Requested | | | CLORS | PE1SR | | 229.02 | 229.02 | | | | | | | | | | | | | | | | |
| | Physical Collocation in the Remote Site - Remote Site CLLI Code Request, per CLLI Code Requested | | | CLORS | PE1RE | | 74.22 | 74.22 | | | | | | | | | | | | | | | | |
| | Remote Site DLEC Data (BRSDD), per Compact Disk, per CO | | | CLORS | PE1RR | | 233.38 | | | | | | | | | | | | | | | | | |
| PHYSICAL COLLOCATION IN THE REMOTE SITE - ADJACENT | | | | | | | | | | | | | | | | | | | | | | | | |
| | Remote Site-Adjacent Collocation - AC Power, per breaker amp | | | CLORS | PE1RS | 6.27 | | | | | | | | | | | | | | | | | | |

| COLLOCATION - Alabama | | | | | | | | | | | Attachment: 4 | | Exhibit: D | | |
|---|---|---------|------|-------|-------|-----------|--------------|--------|-------------------------|----------------------------------|--------------------------------------|--|--|---|---|
| CATEGORY | RATE ELEMENTS | Interim | Zone | BCS | USOC | RATES(\$) | | | | Svc Order Submitted Elec per LSR | Svc Order Submitted Manually per LSR | Incremental Charge - Manual Svc Order vs. Electronic-1st | Incremental Charge - Manual Svc Order vs. Electronic-Add'l | Incremental Charge - Manual Svc Order vs. Electronic-Disc 1st | Incremental Charge - Manual Svc Order vs. Electronic-Disc Add'l |
| | | | | | | Recurring | Nonrecurring | | Nonrecurring Disconnect | | | | | | |
| | | | | | | | First | Add'l | First | Add'l | SOMEK | SOMAN | SOMAN | SOMAN | SOMAN |
| | Remote Site-Adjacent Collocation - Real Estate, per square foot | | | CLORS | PE1RT | 0.134 | | | | | | | | | |
| | Remote Site-Adjacent Collocation-Application Fee | | | CLORS | PE1RU | | 755.62 | 755.62 | | | | | | | |
| NOTE: If Security Escort and/or Add'l Engineering Fees become necessary for remote site collocation, the Parties will negotiate appropriate rates. | | | | | | | | | | | | | | | |

| COLLOCATION - Florida | | | | | | | | | | Attachment: 4 | | Exhibit: D | | | | | | | | | | | |
|-----------------------------|--|---------|------|---|-------|-----------|----------------------------------|--------------------------------------|--|--|---|---|---------------|--------------|-------|-------------------------|--|--------|-------|-------|-------|-------|-------|
| CATEGORY | RATE ELEMENTS | Interim | Zone | BCS | USOC | RATES(\$) | Svc Order Submitted Elec per LSR | Svc Order Submitted Manually per LSR | Incremental Charge - Manual Svc Order vs. Electronic-1st | Incremental Charge - Manual Svc Order vs. Electronic-Add'l | Incremental Charge - Manual Svc Order vs. Electronic-Disc 1st | Incremental Charge - Manual Svc Order vs. Electronic-Disc Add'l | OSS Rates(\$) | | | | | | | | | | |
| | | | | | | | | | | | | | Recurring | Nonrecurring | | Nonrecurring Disconnect | | SOME C | SOMAN | SOMAN | SOMAN | SOMAN | SOMAN |
| | | | | | | | | | | | | | First | Add'l | First | Add'l | | | | | | | |
| PHYSICAL COLLOCATION | | | | | | | | | | | | | | | | | | | | | | | |
| | Physical Collocation - Application Fee - Initial | | | CLO | PE1BA | 2,597.00 | | | | | | | | | 1.01 | | | | | | | | |
| | Physical Collocation - Application Fee - Subsequent | | | CLO | PE1CA | 2,236.00 | | | | | | | | | | | | | | | | | |
| | Physical Collocation Reduced Rate - Application Fee - Subsequent | | | CLO | PE1BL | 742.00 | | | | | | | | | | | | | | | | | |
| | Physical Collocation - Space Preparation - Firm Order Processing | | | CLO | PE1SJ | 288.93 | | | | | | | | | | | | | | | | | |
| | Physical Collocation - Space Preparation - C.O. Modification per square ft. | | | CLO | PE1SK | 2.38 | | | | | | | | | | | | | | | | | |
| | Physical Collocation - Space Preparation - Common Systems Modification per square ft. - Cageless | | | CLO | PE1SL | 2.96 | | | | | | | | | | | | | | | | | |
| | Physical Collocation - Space Preparation - Common Systems Modification per Cage | | | CLO | PE1SM | 92.55 | | | | | | | | | | | | | | | | | |
| | Physical Collocation - Cable Installation per Cable | | | CLO | PE1BD | 1,750.00 | | | | | | | | | 45.16 | | | | | | | | |
| | Physical Collocation - Floor Space per Sq. Ft. | | | CLO | PE1PJ | 7.86 | | | | | | | | | | | | | | | | | |
| | Physical Collocation - Cable Support Structure | | | CLO | PE1PM | 18.96 | | | | | | | | | | | | | | | | | |
| | Physical Collocation - Power, per Fused Amp | | | CLO | PE1PL | 7.80 | | | | | | | | | | | | | | | | | |
| | Physical Collocation - Power Reduction, Application Fee | I | | CLO | PE1PR | 399.43 | | | | | | | | | | | | | | | | | |
| | Physical Collocation - 120V, Single Phase Standby Power Rate | | | CLO | PE1FB | 5.56 | | | | | | | | | | | | | | | | | |
| | Physical Collocation - 240V, Single Phase Standby Power Rate | | | CLO | PE1FD | 11.14 | | | | | | | | | | | | | | | | | |
| | Physical Collocation - 120V, Three Phase Standby Power Rate | | | CLO | PE1FE | 16.70 | | | | | | | | | | | | | | | | | |
| | Physical Collocation - 277V, Three Phase Standby Power Rate | | | CLO | PE1FG | 38.57 | | | | | | | | | | | | | | | | | |
| | Physical Collocation - 2-Wire Cross-Connects | | | UEANL,UEA,UDN,UDC,UAL,UHL,UCL,U EQ,UDL,UNCVX,UNLDX,UNCNX | PE1P2 | 0.0276 | | 8.22 | 7.22 | | 5.74 | 4.58 | | | | | | | | | | | |
| | Physical Collocation - 4-Wire Cross-Connects | | | CLO,UAL,UDL,UDN,UEA,UHL,UNCVX,UNCDX,UCL | PE1P4 | 0.0552 | | 8.42 | 7.36 | | 5.90 | 4.66 | | | | | | | | | | | |
| | Physical Collocation - DS1 Cross-Connects | | | CLO,UEANL,UEQ,WDS1L,WDS1S,USL,U1TD1,UXTD1,UNC1X,ULDD1,USLEL,UNLD1,UDL | PE1P1 | 1.32 | | 27.77 | 15.52 | | 5.93 | 4.77 | | | | | | | | | | | |
| | Physical Collocation - DS3 Cross-Connects | | | CLO,UE3,U1TD3,UXTD3,UXTS1,UNC3X,UNC3X,ULDD3,U1TS1,ULDS1,UNLD3,UDL | PE1P3 | 16.81 | | 25.48 | 14.05 | | 7.77 | 5.01 | | | | | | | | | | | |
| | Physical Collocation - 2-Fiber Cross-Connect | | | CLO,ULDO3,ULD12,ULD48,U1TO3,U1T12,U1T48,UDLO3,UDL12,UDF | PE1F2 | 3.34 | | 41.94 | 30.52 | | 13.91 | 11.16 | | | | | | | | | | | |
| | Physical Collocation - 4-Fiber Cross-Connect | | | CLO,ULDO3,ULD12,ULD48,U1TO3,U1T12,U1T48,UDLO3,UDL12,UDF | PE1F4 | 5.92 | | 51.30 | 39.87 | | 18.29 | 15.54 | | | | | | | | | | | |
| | Physical Collocation - Welded Wire Cage - First 100 Sq. Ft. | | | CLO | PE1BW | 189.45 | | | | | | | | | | | | | | | | | |

| COLLOCATION - Florida | | | | | | | | | | Attachment: 4 | | Exhibit: D | | | | | | | | | | |
|-----------------------------|---|---------|------|-----------------------|-------|-----------|----------------------------------|--------------------------------------|--|--|---|---|---------------|--------------|-------|-------------------------|--|--------|-------|-------|-------|-------|
| CATEGORY | RATE ELEMENTS | Interim | Zone | BCS | USOC | RATES(\$) | Svc Order Submitted Elec per LSR | Svc Order Submitted Manually per LSR | Incremental Charge - Manual Svc Order vs. Electronic-1st | Incremental Charge - Manual Svc Order vs. Electronic-Add'l | Incremental Charge - Manual Svc Order vs. Electronic-Disc 1st | Incremental Charge - Manual Svc Order vs. Electronic-Disc Add'l | OSS Rates(\$) | | | | | | | | | |
| | | | | | | | | | | | | | Recurring | Nonrecurring | | Nonrecurring Disconnect | | SOME C | SOMAN | SOMAN | SOMAN | SOMAN |
| | | | | | | | | | | | | | First | Add'l | First | Add'l | | | | | | |
| | Physical Collocation - Welded Wire Cage - Add'l 50 Sq. Ft. | | | CLO | PE1CW | 18.58 | | | | | | | | | | | | | | | | |
| | Physical Collocation - Security System Per Central Office Per Assignable Sq. Ft. | | | CLO | PE1AY | 0.0105 | | | | | | | | | | | | | | | | |
| | Physical Collocation - Security Access System - New Access Card Activation, per Card | | | CLO | PE1A1 | 0.0577 | | | | | | | | | | | | | | | | |
| | Physical Collocation-Security Access System-Administrative Change, existing Access Card, per Card | | | CLO | PE1AA | | | | | | | | | | | | | | | | | |
| | Physical Collocation - Security Access System - Replace Lost or Stolen Card, per Card | | | CLO | PE1AR | | | | | | | | | | | | | | | | | |
| | Physical Collocation - Security Access - Initial Key, per Key | | | CLO | PE1AK | | | | | | | | | | | | | | | | | |
| | Physical Collocation - Security Access - Key, Replace Lost or Stolen Key, per Key | | | CLO | PE1AL | | | | | | | | | | | | | | | | | |
| | Physical Collocation - Space Availability Report per premises | | | CLO | PE1SR | | | | | | | | | | | | | | | | | |
| | Physical Collocation - Request Resend of CFA Information, per CLLI | | | CLO | PE1C9 | | | | | | | | | | | | | | | | | |
| | Collocation Cable Records - per request | | | CLO | PE1CR | | | | | | | | | | | | | | | | | |
| | Collocation Cable Records - VG/DS0 Cable, per cable record | | | CLO | PE1CD | | | | | | | | | | | | | | | | | |
| | Collocation Cable Records - VG/DS0 Cable, per each 100 pair | | | CLO | PE1CO | | | | | | | | | | | | | | | | | |
| | Collocation Cable Records - DS1, per T1TIE | | | CLO | PE1C1 | | | | | | | | | | | | | | | | | |
| | Collocation Cable Records - DS3, per T3TIE | | | CLO | PE1C3 | | | | | | | | | | | | | | | | | |
| | Collocation Cable Records - Fiber Cable, per 99 fiber records | | | CLO | PE1CB | | | | | | | | | | | | | | | | | |
| | Physical Collocation - Security Escort - Basic, Per Quarter Hour | | | CLO | PE1BQ | | | | | | | | | | | | | | | | | |
| | Physical Collocation - Security Escort - Overtime, Per Quarter Hour | | | CLO | PE1OQ | | | | | | | | | | | | | | | | | |
| | Physical Collocation - Security Escort - Premium, Per Quarter Hour | | | CLO | PE1PQ | | | | | | | | | | | | | | | | | |
| | Physical Collocation - Security Escort - Basic, per Half Hour | | | CLO,CLORS | PE1BT | | | | | | | | | | | | | | | | | |
| | Physical Collocation - Security Escort - Overtime, per Half Hour | | | CLO,CLORS | PE1OT | | | | | | | | | | | | | | | | | |
| | Physical Collocation - Security Escort - Premium, per Half Hour | | | CLO,CLORS | PE1PT | | | | | | | | | | | | | | | | | |
| | V to P Conversion, Per Customer Request-Voice Grade | | | CLO | PE1BV | 33.00 | | | | | | | | | | | | | | | | |
| | V to P Conversion, Per Customer Request-DS0 | | | CLO | PE1BO | 33.00 | | | | | | | | | | | | | | | | |
| | V to P Conversion, Per Customer Request-DS1 | | | CLO | PE1B1 | 52.00 | | | | | | | | | | | | | | | | |
| | V to P Conversion, Per Customer request-DS3 | | | CLO | PE1B3 | 52.00 | | | | | | | | | | | | | | | | |
| | V to P Conversion, Per Customer Request per VG Circuit Reconfigured | | | CLO | PE1BR | 23.00 | | | | | | | | | | | | | | | | |
| | V to P Conversion, Per Customer Request per DS0 Circuit Reconfigured | | | CLO | PE1BP | 23.00 | | | | | | | | | | | | | | | | |
| | V to P Conversion, Per Customer Request per DS1 Circuit Reconfigured | | | CLO | PE1BS | 33.00 | | | | | | | | | | | | | | | | |
| | V to P Conversion, Per Customer Request per DS3 Circuit Reconfigured | | | CLO | PE1BE | 37.00 | | | | | | | | | | | | | | | | |
| | V to P Conversion, Cable Pairs Assigned to Collo Space per 700 prs or fraction thereof | | | CLO | PE1B7 | 592.00 | | | | | | | | | | | | | | | | |
| | Physical Collocation - Co-Carrier Cross Connects - Fiber Cable Support Structure, per cable, per linear ft. | | | CLO,UDF | PE1ES | 0.001 | | | | | | | | | | | | | | | | |
| | Physical Collocation - Co-Carrier Cross Connects - Copper/Coax Cable Support Structure, per cable, per lin. ft. | | | CLO, UE3, USL | PE1DS | 0.0014 | | | | | | | | | | | | | | | | |
| | Physical Collocation - Co-Carrier Cross Connects - Application Fee, per application | | | CLO | PE1DT | 584.11 | | | | | | | | | | | | | | | | |
| ADJACENT COLLOCATION | | | | | | | | | | | | | | | | | | | | | | |
| | Adjacent Collocation - Space Charge per Sq. Ft. | | | CLOAC | PE1JA | 0.1635 | | | | | | | | | | | | | | | | |
| | Adjacent Collocation - Electrical Facility Charge per Linear Ft. | | | CLOAC | PE1JC | 5.11 | | | | | | | | | | | | | | | | |
| | Adjacent Collocation - 2-Wire Cross-Connects | | | CLOAC | PE1P2 | 0.0213 | | | | | | | | | | | | | | | | |
| | Adjacent Collocation - 4-Wire Cross-Connects | | | UEA,UHL,UDL,UCL,CLOAC | PE1P4 | 0.0426 | | | | | | | | | | | | | | | | |

| COLLOCATION - Florida | | | | | | | | | | Attachment: 4 | | Exhibit: D | | | | |
|---|--|---------|------|-----------|-------|-----------|--------------|--------|-------------------------|---------------|----------------------------------|--------------------------------------|--|--|---|---|
| CATEGORY | RATE ELEMENTS | Interim | Zone | BCS | USOC | RATES(\$) | | | | | Svc Order Submitted Elec per LSR | Svc Order Submitted Manually per LSR | Incremental Charge - Manual Svc Order vs. Electronic-1st | Incremental Charge - Manual Svc Order vs. Electronic-Add'l | Incremental Charge - Manual Svc Order vs. Electronic-Disc 1st | Incremental Charge - Manual Svc Order vs. Electronic-Disc Add'l |
| | | | | | | Recurring | Nonrecurring | | Nonrecurring Disconnect | | | | | | | |
| | | | | | | | First | Add'l | First | Add'l | SOMEc | SOMAN | SOMAN | SOMAN | SOMAN | SOMAN |
| | Adjacent Collocation - DS1 Cross-Connects | | | USL_CLOAC | PE1P1 | 1.22 | 44.24 | 31.98 | 12.07 | 10.91 | | | | | | |
| | Adjacent Collocation - DS3 Cross-Connects | | | CLOAC | PE1P3 | 16.56 | 41.94 | 30.52 | 13.91 | 11.15 | | | | | | |
| | Adjacent Collocation - 2-Fiber Cross-Connect | | | CLOAC | PE1F2 | 2.81 | 41.94 | 30.52 | 13.91 | 11.16 | | | | | | |
| | Adjacent Collocation - 4-Fiber Cross-Connect | | | CLOAC | PE1F4 | 5.36 | 51.30 | 39.87 | 18.29 | 15.54 | | | | | | |
| | Adjacent Collocation - Application Fee | | | CLOAC | PE1JB | | 2,785.00 | | 1.01 | | | | | | | |
| | Adjacent Collocation - 120V, Single Phase Standby Power Rate per AC Breaker Amp | | | CLOAC | PE1FB | 5.38 | | | | | | | | | | |
| | Adjacent Collocation - 240V, Single Phase Standby Power Rate per AC Breaker Amp | | | CLOAC | PE1FD | 10.77 | | | | | | | | | | |
| | Adjacent Collocation - 120V, Three Phase Standby Power Rate per AC Breaker Amp | | | CLOAC | PE1FE | 16.15 | | | | | | | | | | |
| | Adjacent Collocation - 277V, Three Phase Standby Power Rate per AC Breaker Amp | | | CLOAC | PE1FG | 37.30 | | | | | | | | | | |
| | Adjacent Collocation - Cable Support Structure per Entrance Cable | | | CLOAC | PE1PM | 18.96 | | | | | | | | | | |
| PHYSICAL COLLOCATION IN THE REMOTE SITE | | | | | | | | | | | | | | | | |
| | Physical Collocation in the Remote Site - Application Fee | | | CLOAC | PE1RA | | 617.91 | | 328.81 | | | | | | | |
| | Cabinet Space in the Remote Site per Bay/ Rack | | | CLOAC | PE1RB | 219.49 | | | | | | | | | | |
| | Physical Collocation in the Remote Site - Security Access - Key | | | CLOAC | PE1RD | | 26.30 | | | | | | | | | |
| | Physical Collocation in the Remote Site - Space Availability Report per Premises Requested | | | CLOAC | PE1SR | | 232.69 | | | | | | | | | |
| | Physical Collocation in the Remote Site - Remote Site CLLI Code Request, per CLLI Code Requested | | | CLOAC | PE1RE | | 75.41 | | | | | | | | | |
| | Remote Site DLEC Data (BRSDD), per Compact Disk, per CO | | | CLOAC | PE1RR | | 233.51 | | | | | | | | | |
| PHYSICAL COLLOCATION IN THE REMOTE SITE - ADJACENT | | | | | | | | | | | | | | | | |
| | Remote Site-Adjacent Collocation - AC Power, per breaker amp | | | CLOAC | PE1RS | 6.27 | | | | | | | | | | |
| | Remote Site-Adjacent Collocation - Real Estate, per square foot | | | CLOAC | PE1RT | 0.134 | | | | | | | | | | |
| | Remote Site-Adjacent Collocation-Application Fee | | | CLOAC | PE1RU | | 755.62 | 755.62 | | | | | | | | |
| NOTE: If Security Escort and/or Add'l Engineering Fees become necessary for remote site collocation, the Parties will negotiate appropriate rates. | | | | | | | | | | | | | | | | |

| COLLOCATION - Georgia | | | | | | | | | | Attachment: 4 | | Exhibit: D | | | |
|-----------------------------|--|---------|------|---|-------|-----------|--------------|----------------------------------|--------------------------------------|--|--|---|---|--------------|------------|
| CATEGORY | RATE ELEMENTS | Interim | Zone | BCS | USOC | RATES(\$) | | Svc Order Submitted Elec per LSR | Svc Order Submitted Manually per LSR | Incremental Charge - Manual Svc Order vs. Electronic-1st | Incremental Charge - Manual Svc Order vs. Electronic-Add'l | Incremental Charge - Manual Svc Order vs. Electronic-Disc 1st | Incremental Charge - Manual Svc Order vs. Electronic-Disc Add'l | | |
| | | | | | | Recurring | Nonrecurring | | | | | | | Nonrecurring | Disconnect |
| | | | | | | First | Add'l | First | Add'l | SOME C | SOMAN | SOMAN | SOMAN | SOMAN | SOMAN |
| PHYSICAL COLLOCATION | | | | | | | | | | | | | | | |
| | Physical Collocation - Application Fee - Initial | | | CLO | PE1BA | 3,850.00 | | | | | | | | | |
| | Physical Collocation - Application Fee - Subsequent | | | CLO | PE1CA | 3,130.00 | 3,130.00 | | | | | | | | |
| | Physical Collocation Reduced Rate - Application Fee - Subsequent | | | CLO | PE1BL | 740.83 | | | | | | | | | |
| | Physical Collocation - Space Preparation Fee Per Square Ft. | | | CLO | PE1SS | 100.00 | 100.00 | | | | | | | | |
| | Physical Collocation - Space Preparation - Firm Order Processing | I | | CLO | PE1SJ | 1,187.00 | | | | | | | | | |
| | Physical Collocation - Space Preparation - C.O. Modification per square ft. | I | | CLO | PE1SK | 2.02 | | | | | | | | | |
| | Physical Collocation - Space Preparation - Common Systems Modification per square ft. - Cageless | I | | CLO | PE1SL | 2.80 | | | | | | | | | |
| | Physical Collocation - Space Preparation - Common Systems Modification per Cage | I | | CLO | PE1SM | 95.23 | | | | | | | | | |
| | Physical Collocation - Cable Installation | | | CLO | PE1BD | 2,750.00 | 2,750.00 | | | | | | | | |
| | Physical Collocation - Floor Space per Sq. Ft. | | | CLO | PE1PJ | 7.50 | | | | | | | | | |
| | Physical Collocation - Floor Space - Zone B per Sq. Ft. | | | CLO | PE1PK | 6.75 | | | | | | | | | |
| | Physical Collocation - Cable Support Structure | | | CLO | PE1PM | 13.35 | | | | | | | | | |
| | Physical Collocation - Power -48V DC Power, per Fused Amp | I | | CLO | PE1PL | 8.06 | | | | | | | | | |
| | Physical Collocation - Power Reduction, Application Fee | I | | CLO | PE1PR | 398.80 | | | | | | | | | |
| | Physical Collocation - 120V, Single Phase Standby Power Rate | I | | CLO | PE1FB | 5.52 | | | | | | | | | |
| | Physical Collocation - 240V, Single Phase Standby Power Rate | I | | CLO | PE1FD | 11.05 | | | | | | | | | |
| | Physical Collocation - 120V, Three Phase Standby Power Rate | I | | CLO | PE1FE | 16.58 | | | | | | | | | |
| | Physical Collocation - 277V, Three Phase Standby Power Rate | I | | CLO | PE1FG | 38.27 | | | | | | | | | |
| | Physical Collocation - 2-Wire Cross-Connects | | | UEANL,UEA,UDN,U DC,UAL,UHL,UCL,U EQ, UDL, UNCVX, UNLDX, UNCNX | PE1P2 | 0.30 | 12.60 | 12.60 | | | | | | | |
| | Physical Collocation - 4-Wire Cross-Connects | | | CLO, UAL, UDL, UDN, UEA, UHL, UNCVX, UNCDX, UCL | PE1P4 | 0.50 | 12.60 | 12.60 | | | | | | | |
| | Physical Collocation - DS1 Cross-Connects | | | CLO,UEANL,UEQ,W DS1L,WDS1S, USL, U1TD1, UXTD1, UNC1X, ULDD1, USLEL, UNLD1, UDL | PE1P1 | 8.00 | 155.00 | 27.00 | | | | | | | |
| | Physical Collocation - DS3 Cross-Connects | | | CLO, UE3,U1TD3, UXTD3, UXTS1, UNC3X, UNCSX, ULDD3, U1TS1,ULDS1, UNLD3, UDL | PE1P3 | 72.00 | 155.00 | 27.00 | | | | | | | |
| | Physical Collocation - 2-Fiber Cross-Connect | | | CLO, ULDO3, ULD12, ULD48, U1TO3, U1T12, U1T48, UDLO3, UDL12, UDF | PE1F2 | 2.86 | 52.14 | 38.72 | | | | | | | |

| COLLOCATION - Georgia | | | | | | | | | | | Attachment: 4 | | Exhibit: D | | | | | | | | | | |
|-----------------------|---|---------|------|--|-------|-----------|----------------------------------|--------------------------------------|--|--|---|---|---------------|--------------|-------|-------------------------|--|-------|-------|-------|-------|-------|-------|
| CATEGORY | RATE ELEMENTS | Interim | Zone | BCS | USOC | RATES(\$) | Svc Order Submitted Elec per LSR | Svc Order Submitted Manually per LSR | Incremental Charge - Manual Svc Order vs. Electronic-1st | Incremental Charge - Manual Svc Order vs. Electronic-Add'l | Incremental Charge - Manual Svc Order vs. Electronic-Disc 1st | Incremental Charge - Manual Svc Order vs. Electronic-Disc Add'l | OSS Rates(\$) | | | | | | | | | | |
| | | | | | | | | | | | | | Recurring | Nonrecurring | | Nonrecurring Disconnect | | SOMEc | SOMAN | SOMAN | SOMAN | SOMAN | SOMAN |
| | | | | | | | | | | | | | First | Add'l | First | Add'l | | | | | | | |
| | Physical Collocation - 4-Fiber Cross-Connect | | | CLO, ULDO3, ULD12, ULD48, U1TO3, U1T12, U1T48, UDLO3, UDL12, UDF | PE1F4 | 5.08 | | | | | | | 64.74 | 51.31 | | | | | | | | | |
| | Physical Collocation - Welded Wire Cage - First 100 Sq. Ft. | I | | CLO | PE1BW | 161.27 | | | | | | | | | | | | | | | | | |
| | Physical Collocation - Welded Wire Cage - Add'l 50 Sq. Ft. | I | | CLO | PE1CW | 15.82 | | | | | | | | | | | | | | | | | |
| | Physical Collocation - Security System Per Central Office Per Assignable Sq. Ft. | | | CLO | PE1AY | 0.0172 | | | | | | | | | | | | | | | | | |
| | Physical Collocation - Security Access System - New Access Card Activation, per Card | | | CLO | PE1A1 | 0.0607 | | | | | | | | | | | | | | | | | |
| | Physical Collocation - Security Access System - New Access Card Deactivation, per Card | | | CLO | PE1A4 | | | | | | | | | | | | | | | | | | |
| | Physical Collocation-Security Access System-Administrative Change, existing Access Card, per Card | | | CLO | PE1AA | | | | | | | | | | | | | | | | | | |
| | Physical Collocation - Security Access System - Replace Lost or Stolen Card, per Card | | | CLO | PE1AR | | | | | | | | | | | | | | | | | | |
| | Physical Collocation - Security Access - Initial Key, per Key | | | CLO | PE1AK | | | | | | | | | | | | | | | | | | |
| | Physical Collocation - Security Access - Key, Replace Lost or Stolen Key, per Key | | | CLO | PE1AL | | | | | | | | | | | | | | | | | | |
| | Physical Collocation - Space Availability Report per premises | I | | CLO | PE1SR | | | | | | | | | | | | | | | | | | |
| | POT Bay Arrangements prior to 6/1/99 - 2-Wire Cross-Connect, per cross-connect | | | UEANL,UEA,UDN,U DC,UAL,UHL,UCL,U EQ,CLO,UDL, UNCVX, UNCDX, UNCNX | PE1PE | 0.40 | | | | | | | | | | | | | | | | | |
| | POT Bay Arrangements prior to 6/1/99 - 4-Wire Cross-Connect, per cross-connect | | | UEANL,UEA,UDN,U DC,UAL,UHL,UCL,U EQ,CLO, USL, UNCVX, UNCDX | PE1PF | 1.20 | | | | | | | | | | | | | | | | | |
| | POT Bay Arrangements prior to 6/1/99 - DS1 Cross-Connect, per cross-connect | | | UEANL,UEA,UDN,U DC,UAL,UHL,UCL,U EQ,CLO,WDS1L,W DS1S, USL, U1TD1, UXTD1, UNC1X, ULDD1, USLEL, UNLD1 | PE1PG | 1.20 | | | | | | | | | | | | | | | | | |
| | POT Bay Arrangements prior to 6/1/99 - DS3 Cross-Connect, per cross-connect | | | UEANL,UEA,UDN,U DC,UAL,UHL,UCL,U EQ,CLO,UE3, U1TD3, UXTD3, UXTS1, UNC3X, UNCSX, ULDD3, U1TS1, ULDS1, UNLD3, UDL, UDLSX | PE1PH | 8.00 | | | | | | | | | | | | | | | | | |
| | POT Bay Arrangements prior to 6/1/99 - 2-Fiber Cross-Connect, per cross-connect | | | UEANL,UEA,UDN,U DC,UAL,UHL,UCL,U EQ,CLO, ULDO3, ULD12, ULD48, U1TO3, U1T12, U1T48, UDLO3, UDL12, UDF | PE1B2 | 38.79 | | | | | | | | | | | | | | | | | |

| COLLOCATION - Georgia | | | | | | | | | | Attachment: 4 | | Exhibit: D | | | |
|-----------------------------|---|---------|------|--|-------|-----------|--------------|----------------------------------|--------------------------------------|--|--|---|---|--------------|------------|
| CATEGORY | RATE ELEMENTS | Interim | Zone | BCS | USOC | RATES(\$) | | Svc Order Submitted Elec per LSR | Svc Order Submitted Manually per LSR | Incremental Charge - Manual Svc Order vs. Electronic-1st | Incremental Charge - Manual Svc Order vs. Electronic-Add'l | Incremental Charge - Manual Svc Order vs. Electronic-Disc 1st | Incremental Charge - Manual Svc Order vs. Electronic-Disc Add'l | | |
| | | | | | | Recurring | Nonrecurring | | | | | | | Nonrecurring | Disconnect |
| | | | | | | First | Add'l | First | Add'l | SOMEC | SOMAN | SOMAN | SOMAN | SOMAN | SOMAN |
| | POT Bay Arrangements prior to 6/1/99 - 4-Fiber Cross-Connect, per cross-connect | | | UEANL,UEA,UDN,U DC,UAL,UHL,UCL,U EQ,CLO, ULDO3, ULD12, ULD48, U1TO3, U1T12, U1T48, UDLO3, UDL12, UDF | PE1B4 | 52.31 | | | | | | | | | |
| | Physical Collocation - Request Resend of CFA Information, per CLI | | | CLO | PE1C9 | | 77.42 | | | | | | | | |
| | Collocation Cable Records - per request | | | CLO | PE1CR | | 1,706.00 | | | | | | | | |
| | Collocation Cable Records - VG/DS0 Cable, per cable record | | | CLO | PE1CD | | 922.38 | | | | | | | | |
| | Collocation Cable Records - VG/DS0 Cable, per each 100 pair | | | CLO | PE1CO | | 18.00 | 18.00 | | | | | | | |
| | Collocation Cable Records - DS1, per T1TIE | | | CLO | PE1C1 | | 8.43 | 8.43 | | | | | | | |
| | Collocation Cable Records - DS3, per T3TIE | | | CLO | PE1C3 | | 29.49 | 29.49 | | | | | | | |
| | Collocation Cable Records - Fiber Cable, per 99 fiber records | | | CLO | PE1CB | | 278.61 | 278.61 | | | | | | | |
| | Physical Collocation - Security Escort - Basic, per Half Hour | | | CLO,CLORS | PE1BT | | 41.00 | 25.00 | | | | | | | |
| | Physical Collocation - Security Escort - Overtime, per Half Hour | | | CLO,CLORS | PE1OT | | 48.00 | 30.00 | | | | | | | |
| | Physical Collocation - Security Escort - Premium, per Half Hour | | | CLO,CLORS | PE1PT | | 55.00 | 35.00 | | | | | | | |
| | V to P Conversion, Per Customer Request-Voice Grade | | | CLO | PE1BV | 33.00 | | | | | | | | | |
| | V to P Conversion, Per Customer Request-DS0 | | | CLO | PE1BO | 33.00 | | | | | | | | | |
| | V to P Conversion, Per Customer Request-DS1 | | | CLO | PE1B1 | 52.00 | | | | | | | | | |
| | V to P Conversion, Per Customer request-DS3 | | | CLO | PE1B3 | 52.00 | | | | | | | | | |
| | V to P Conversion, Per Customer Request per VG Circuit Reconfigured | | | CLO | PE1BR | 23.00 | | | | | | | | | |
| | V to P Conversion, Per Customer Request per DS0 Circuit Reconfigured | | | CLO | PE1BP | 23.00 | | | | | | | | | |
| | V to P Conversion, Per Customer Request per DS1 Circuit Reconfigured | | | CLO | PE1BS | 33.00 | | | | | | | | | |
| | V to P Conversion, Per Customer Request per DS3 Circuit Reconfigured | | | CLO | PE1BE | 37.00 | | | | | | | | | |
| | V to P Conversion, Cable Pairs Assigned to Collo Space per 700 prs or fraction thereof | | | CLO | PE1B7 | 592.00 | | | | | | | | | |
| | Physical Collocation - Co-Carrier Cross Connects - Fiber Cable Support Structure, per cable, per linear ft. | | | CLO,UDF | PE1ES | 0.001 | | | | | | | | | |
| | Physical Collocation - Co-Carrier Cross Connects - Copper/Coax Cable Support Structure, per cable, per lin. ft. | | | CLO, UE3, USL | PE1DS | 0.0015 | | | | | | | | | |
| | Physical Collocation - Co-Carrier Cross Connects - Application Fee, per application | | | CLO | PE1DT | | 583.18 | | | | | | | | |
| ADJACENT COLLOCATION | | | | | | | | | | | | | | | |
| | Adjacent Collocation - Space Charge per Sq. Ft. | | | CLOAC | PE1JA | 0.2542 | | | | | | | | | |
| | Adjacent Collocation - Electrical Facility Charge per Linear Ft. | | | CLOAC | PE1JC | 5.44 | | | | | | | | | |
| | Adjacent Collocation - 2-Wire Cross-Connects | | | CLOAC | PE1P2 | | 24.95 | 23.97 | 11.80 | 10.67 | | | | | |
| | Adjacent Collocation - 4-Wire Cross-Connects | | | UEA,UHL,UDL,UCL, CLOAC | PE1P4 | 0.1196 | 25.14 | 24.11 | 12.15 | 10.93 | | | | | |
| | Adjacent Collocation - DS1 Cross-Connects | | | USL,CLOAC | PE1P1 | 1.04 | 44.19 | 32.13 | 11.93 | 10.81 | | | | | |
| | Adjacent Collocation - DS3 Cross-Connects | | | CLOAC | PE1P3 | 14.12 | 41.93 | 30.69 | 13.71 | 11.04 | | | | | |
| | Adjacent Collocation - 2-Fiber Cross-Connect | | | CLOAC | PE1F2 | 2.39 | 41.93 | 30.69 | 13.71 | 11.05 | | | | | |
| | Adjacent Collocation - 4-Fiber Cross-Connect | | | CLOAC | PE1F4 | 4.57 | 51.14 | 39.90 | 17.96 | 15.29 | | | | | |
| | Adjacent Collocation - Application Fee | | | CLOAC | PE1JB | | 1,555.00 | | | | | | | | |
| | Adjacent Collocation - 120V, Single Phase Standby Power Rate per AC Breaker Amp | | | CLOAC | PE1FB | 5.39 | | | | | | | | | |
| | Adjacent Collocation - 240V, Single Phase Standby Power Rate per AC Breaker Amp | | | CLOAC | PE1FD | 10.79 | | | | | | | | | |
| | Adjacent Collocation - 120V, Three Phase Standby Power Rate per AC Breaker Amp | | | CLOAC | PE1FE | 16.18 | | | | | | | | | |

| COLLOCATION - Georgia | | | | | | | | | | Attachment: 4 | | Exhibit: D | | | | | | | | | |
|---|--|---------|------|-------|-------|-----------|----------------------------------|--------------------------------------|--|--|---|---|---------------|--------------|-------|-------------------------|--|-------|-------|-------|-------|
| CATEGORY | RATE ELEMENTS | Interim | Zone | BCS | USOC | RATES(\$) | Svc Order Submitted Elec per LSR | Svc Order Submitted Manually per LSR | Incremental Charge - Manual Svc Order vs. Electronic-1st | Incremental Charge - Manual Svc Order vs. Electronic-Add'l | Incremental Charge - Manual Svc Order vs. Electronic-Disc 1st | Incremental Charge - Manual Svc Order vs. Electronic-Disc Add'l | OSS Rates(\$) | | | | | | | | |
| | | | | | | | | | | | | | Recurring | Nonrecurring | | Nonrecurring Disconnect | | SOMEK | SOMAN | SOMAN | SOMAN |
| | | | | | | | | | | | | | First | Add'l | First | Add'l | | | | | |
| | Adjacent Collocation - 277V, Three Phase Standby Power Rate per AC Breaker Amp | | | CLOAC | PE1FG | 38.27 | | | | | | | | | | | | | | | |
| | Adjacent Collocation - 240V, Three Phase Standby Power Rate per AC Breaker Amp | | | CLOAC | PE1JD | 37.37 | | | | | | | | | | | | | | | |
| PHYSICAL COLLOCATION IN THE REMOTE SITE | | | | | | | | | | | | | | | | | | | | | |
| | Physical Collocation in the Remote Site - Application Fee | | | CLOAS | PE1RA | | 608.18 | 608.17 | 323.63 | 323.63 | | | | | | | | | | | |
| | Cabinet Space in the Remote Site per Bay/ Rack | | | CLOAS | PE1RB | 224.82 | | | | | | | | | | | | | | | |
| | Physical Collocation in the Remote Site - Security Access - Key | | | CLOAS | PE1RD | | 25.88 | 25.88 | | | | | | | | | | | | | |
| | Physical Collocation in the Remote Site - Space Availability Report per Premises Requested | | | CLOAS | PE1SR | | 229.02 | 229.02 | | | | | | | | | | | | | |
| | Physical Collocation in the Remote Site - Remote Site CLLI Code Request, per CLLI Code Requested | | | CLOAS | PE1RE | | 74.22 | 74.22 | | | | | | | | | | | | | |
| | Remote Site DLEC Data (BRSDD), per Compact Disk, per CO | | | CLOAS | PE1RR | | 232.88 | | | | | | | | | | | | | | |
| PHYSICAL COLLOCATION IN THE REMOTE SITE - ADJACENT | | | | | | | | | | | | | | | | | | | | | |
| | Remote Site-Adjacent Collocation - AC Power, per breaker amp | | | CLOAS | PE1RS | 6.27 | | | | | | | | | | | | | | | |
| | Remote Site-Adjacent Collocation - Real Estate, per square foot | | | CLOAS | PE1RT | 0.134 | | | | | | | | | | | | | | | |
| | Remote Site-Adjacent Collocation-Application Fee | | | CLOAS | PE1RU | | 755.62 | 755.62 | | | | | | | | | | | | | |
| NOTE: If Security Escort and/or Add'l Engineering Fees become necessary for remote site collocation, the Parties will negotiate appropriate rates. | | | | | | | | | | | | | | | | | | | | | |

| COLLOCATION - Kentucky | | | | | | | | | | Attachment: 4 | | Exhibit: D | | | |
|-----------------------------|--|---------|------|---|-------|-----------|--------------|----------------------------------|--------------------------------------|--|--|---|---|--------------|------------|
| CATEGORY | RATE ELEMENTS | Interim | Zone | BCS | USOC | RATES(\$) | | Svc Order Submitted Elec per LSR | Svc Order Submitted Manually per LSR | Incremental Charge - Manual Svc Order vs. Electronic-1st | Incremental Charge - Manual Svc Order vs. Electronic-Add'l | Incremental Charge - Manual Svc Order vs. Electronic-Disc 1st | Incremental Charge - Manual Svc Order vs. Electronic-Disc Add'l | | |
| | | | | | | Recurring | Nonrecurring | | | | | | | Nonrecurring | Disconnect |
| | | | | | | First | Add'l | First | Add'l | SOMEK | SOMAN | SOMAN | SOMAN | SOMAN | SOMAN |
| PHYSICAL COLLOCATION | | | | | | | | | | | | | | | |
| | Physical Collocation - Application Fee - Initial | | | CLO | PE1BA | 3,773.54 | 3,773.54 | 1.01 | 1.01 | | | | | | |
| | Physical Collocation - Application Fee - Subsequent | | | CLO | PE1CA | 3,145.35 | 3,145.35 | 1.01 | 1.01 | | | | | | |
| | Physical Collocation Reduced Rate - Application Fee - Subsequent | | | CLO | PE1BL | 742.12 | | | | | | | | | |
| | Physical Collocation - Space Preparation - Firm Order Processing | | | CLO | PE1SJ | 1,206.07 | 1,206.07 | | | | | | | | |
| | Physical Collocation - Space Preparation - C.O. Modification per square ft. | | | CLO | PE1SK | 2.32 | | | | | | | | | |
| | Physical Collocation - Space Preparation - Common Systems Modification per square ft. - Cageless | | | CLO | PE1SL | 3.26 | | | | | | | | | |
| | Physical Collocation - Space Preparation - Common Systems Modification per Cage | | | CLO | PE1SM | 110.57 | | | | | | | | | |
| | Physical Collocation - Cable Installation | | | CLO | PE1BD | 1,729.11 | | 45.16 | | | | | | | |
| | Physical Collocation - Floor Space per Sq. Ft. | | | CLO | PE1PJ | 7.99 | | | | | | | | | |
| | Physical Collocation - Cable Support Structure | | | CLO | PE1PM | 19.86 | | | | | | | | | |
| | Physical Collocation - Power -48V DC Power, per Fused Amp | | | CLO | PE1PL | 8.06 | | | | | | | | | |
| | Physical Collocation - Power Reduction, Application Fee | I | | CLO | PE1PR | 399.50 | | | | | | | | | |
| | Physical Collocation - 120V, Single Phase Standby Power Rate | | | CLO | PE1FB | 5.44 | | | | | | | | | |
| | Physical Collocation - 240V, Single Phase Standby Power Rate | | | CLO | PE1FD | 10.88 | | | | | | | | | |
| | Physical Collocation - 120V, Three Phase Standby Power Rate | | | CLO | PE1FE | 16.32 | | | | | | | | | |
| | Physical Collocation - 277V, Three Phase Standby Power Rate | | | CLO | PE1FG | 37.68 | | | | | | | | | |
| | Physical Collocation - 2-Wire Cross-Connects | | | UEANL,UEA,UDN,UDC,UAL,UHL,UCL,U EQ, UDL, UNCVX, UNLDX, UNCNX | PE1P2 | 0.0333 | 24.68 | 23.68 | 12.14 | 10.95 | | | | | |
| | Physical Collocation - 4-Wire Cross-Connects | | | CLO, UAL, UDL, UDN, UEA, UHL, UNCVX, UNCDX, UCL | PE1P4 | 0.0665 | 24.88 | 23.82 | 12.77 | 11.46 | | | | | |
| | Physical Collocation - DS1 Cross-Connects | | | CLO,UEANL,UEQ,WDS1L,WDS1S, USL, U1TD1, UXTD1, UNC1X, ULDD1, USLEL, UNLD1, UDL | PE1P1 | 1.48 | 44.23 | 31.98 | 12.81 | 11.57 | | | | | |
| | Physical Collocation - DS3 Cross-Connects | | | CLO, UE3,U1TD3, UXTD3, UXTS1, UNC3X, UNCSX, ULDD3, U1TS1,ULDS1, UNLD3, UDL | PE1P3 | 18.89 | 41.93 | 30.51 | 14.75 | 11.83 | | | | | |
| | Physical Collocation - 2-Fiber Cross-Connect | | | CLO, ULDO3, ULD12, ULD48, U1TO3, U1T12, U1T48, UDLO3, UDL12, UDF | PE1F2 | 3.75 | 41.93 | 30.51 | 14.76 | 11.84 | | | | | |
| | Physical Collocation - 4-Fiber Cross-Connect | | | CLO, ULDO3, ULD12, ULD48, U1TO3, U1T12, U1T48, UDLO3, UDL12, UDF | PE1F4 | 6.65 | 51.29 | 39.87 | 19.41 | 16.49 | | | | | |
| | Physical Collocation - Welded Wire Cage - First 100 Sq. Ft. | | | CLO | PE1BW | 184.97 | | | | | | | | | |

| COLLOCATION - Kentucky | | | | | | | | | | Attachment: 4 | | Exhibit: D | | | |
|------------------------|---|---------|------|--|-------|-----------|--------------|----------|-------------------------|----------------------------------|--------------------------------------|--|--|---|---|
| CATEGORY | RATE ELEMENTS | Interim | Zone | BCS | USOC | RATES(\$) | | | | Svc Order Submitted Elec per LSR | Svc Order Submitted Manually per LSR | Incremental Charge - Manual Svc Order vs. Electronic-1st | Incremental Charge - Manual Svc Order vs. Electronic-Add'l | Incremental Charge - Manual Svc Order vs. Electronic-Disc 1st | Incremental Charge - Manual Svc Order vs. Electronic-Disc Add'l |
| | | | | | | Recurring | Nonrecurring | | Nonrecurring Disconnect | | | | | | |
| | | | | | | | First | Add'l | First | Add'l | SOMEc | SOMAN | SOMAN | SOMAN | SOMAN |
| | Physical Collocation - Welded Wire Cage - Add'l 50 Sq. Ft. | | | CLO | PE1CW | 18.14 | | | | | | | | | |
| | Physical Collocation - Security Access System - Security System per Central Office | | | CLO | PE1AX | 76.10 | | | | | | | | | |
| | Physical Collocation - Security Access System - New Access Card Activation, per Card | | | CLO | PE1A1 | 0.058 | 55.79 | 55.79 | | | | | | | |
| | Physical Collocation-Security Access System-Administrative Change, existing Access Card, per Card | | | CLO | PE1AA | | 15.64 | 15.64 | | | | | | | |
| | Physical Collocation - Security Access System - Replace Lost or Stolen Card, per Card | | | CLO | PE1AR | | 45.74 | 45.74 | | | | | | | |
| | Physical Collocation - Security Access - Initial Key, per Key | | | CLO | PE1AK | | 26.29 | 26.29 | | | | | | | |
| | Physical Collocation - Security Access - Key, Replace Lost or Stolen Key, per Key | | | CLO | PE1AL | | 26.29 | 26.29 | | | | | | | |
| | Physical Collocation - Space Availability Report per premises | | | CLO | PE1SR | | 2,158.67 | 2,158.67 | | | | | | | |
| | POT Bay Arrangements prior to 6/1/99 - 2-Wire Cross-Connect, per cross-connect | | | UEANL,UEA,UDN,U DC,UAL,UHL,UCL,U EQ,CLO,UDL, UNCVX, UNCDX, UNCNX | PE1PE | 0.113 | | | | | | | | | |
| | POT Bay Arrangements prior to 6/1/99 - 4-Wire Cross-Connect, per cross-connect | | | UEANL,UEA,UDN,U DC,UAL,UHL,UCL,U EQ,CLO, USL, UNCVX, UNCDX | PE1PF | 0.23 | | | | | | | | | |
| | POT Bay Arrangements prior to 6/1/99 - DS1 Cross-Connect, per cross-connect | | | UEANL,UEA,UDN,U DC,UAL,UHL,UCL,U EQ,CLO,WDS1L,W DS1S, USL, U1TD1, UXTD1, UNC1X, ULDD1, USLEL, UNLD1 | PE1PG | 1.60 | | | | | | | | | |
| | POT Bay Arrangements prior to 6/1/99 - DS3 Cross-Connect, per cross-connect | | | UEANL,UEA,UDN,U DC,UAL,UHL,UCL,U EQ,CLO,UE3, U1TD3, UXTD3, UXTS1, UNC3X, UNCSX, ULDD3, U1TS1, ULDS1, UNLD3, UDL, UDLSX | PE1PH | 14.23 | | | | | | | | | |
| | POT Bay Arrangements prior to 6/1/99 - 2-Fiber Cross-Connect, per cross-connect | | | UEANL,UEA,UDN,U DC,UAL,UHL,UCL,U EQ,CLO, ULDO3, ULD12, ULD48, U1TO3, U1T12, U1T48, UDLO3, UDL12, UDF | PE1B2 | 48.57 | | | | | | | | | |
| | POT Bay Arrangements prior to 6/1/99 - 4-Fiber Cross-Connect, per cross-connect | | | UEANL,UEA,UDN,U DC,UAL,UHL,UCL,U EQ,CLO, ULDO3, ULD12, ULD48, U1TO3, U1T12, U1T48, UDLO3, UDL12, UDF | PE1B4 | 65.50 | | | | | | | | | |
| | Physical Collocation - Request Resend of CFA Information, per CLLI | | | CLO | PE1C9 | | 77.55 | | | | | | | | |
| | Collocation Cable Records - per request | | | CLO | PE1CR | | 1,524.45 | 980.01 | 267.02 | | | | | | |
| | Collocation Cable Records - VG/DS0 Cable, per cable record | | | CLO | PE1CD | | 656.37 | 656.37 | 379.70 | | | | | | |
| | Collocation Cable Records - VG/DS0 Cable, per each 100 pair | | | CLO | PE1CO | | 9.65 | 9.65 | 11.84 | 11.84 | | | | | |
| | Collocation Cable Records - DS1, per T1TIE | | | CLO | PE1C1 | | 4.52 | 4.52 | 5.54 | 5.54 | | | | | |

| COLLOCATION - Kentucky | | | | | | | | | | Attachment: 4 | | Exhibit: D | | | | | | | | |
|---|---|---------|------|------------------------|-------|-----------|----------------------------------|--------------------------------------|--|--|---|---|---------------|--------------------|--------------------|--------------------|--------------------|-------|-------|-------|
| CATEGORY | RATE ELEMENTS | Interim | Zone | BCS | USOC | RATES(\$) | Svc Order Submitted Elec per LSR | Svc Order Submitted Manually per LSR | Incremental Charge - Manual Svc Order vs. Electronic-1st | Incremental Charge - Manual Svc Order vs. Electronic-Add'l | Incremental Charge - Manual Svc Order vs. Electronic-Disc 1st | Incremental Charge - Manual Svc Order vs. Electronic-Disc Add'l | OSS Rates(\$) | | | | | | | |
| | | | | | | | | | | | | | Recurring | Nonrecurring First | Nonrecurring Add'l | Nonrecurring First | Nonrecurring Add'l | SOMEK | SOMAN | SOMAN |
| | Collocation Cable Records - DS3, per T3TIE | | | CLO | PE1C3 | 15.81 | | 15.81 | | 19.39 | | 19.39 | | | | | | | | |
| | Collocation Cable Records - Fiber Cable, per 99 fiber records | | | CLO | PE1CB | 169.63 | | 169.63 | | 154.85 | | 154.85 | | | | | | | | |
| | Physical Collocation - Security Escort - Basic, per Half Hour | | | CLO,CLORS | PE1BT | 33.98 | | 21.53 | | | | | | | | | | | | |
| | Physical Collocation - Security Escort - Overtime, per Half Hour | | | CLO,CLORS | PE1OT | 44.26 | | 27.81 | | | | | | | | | | | | |
| | Physical Collocation - Security Escort - Premium, per Half Hour | | | CLO,CLORS | PE1PT | 54.54 | | 34.09 | | | | | | | | | | | | |
| | V to P Conversion, Per Customer Request-Voice Grade | | | CLO | PE1BV | 33.00 | | | | | | | | | | | | | | |
| | V to P Conversion, Per Customer Request-DS0 | | | CLO | PE1BO | 33.00 | | | | | | | | | | | | | | |
| | V to P Conversion, Per Customer Request-DS1 | | | CLO | PE1B1 | 52.00 | | | | | | | | | | | | | | |
| | V to P Conversion, Per Customer request-DS3 | | | CLO | PE1B3 | 52.00 | | | | | | | | | | | | | | |
| | V to P Conversion, Per Customer Request per VG Circuit Reconfigured | | | CLO | PE1BR | 23.00 | | | | | | | | | | | | | | |
| | V to P Conversion, Per Customer Request per DS0 Circuit Reconfigured | | | CLO | PE1BP | 23.00 | | | | | | | | | | | | | | |
| | V to P Conversion, Per Customer Request per DS1 Circuit Reconfigured | | | CLO | PE1BS | 33.00 | | | | | | | | | | | | | | |
| | V to P Conversion, Per Customer Request per DS3 Circuit Reconfigured | | | CLO | PE1BE | 37.00 | | | | | | | | | | | | | | |
| | V to P Conversion, Cable Pairs Assigned to Collo Space per 700 prs or fraction thereof | | | CLO | PE1B7 | 592.00 | | | | | | | | | | | | | | |
| | Physical Collocation - Co-Carrier Cross Connects - Fiber Cable Support Structure, per cable, per linear ft. | | | CLO,UDF | PE1ES | 0.0012 | | | | | | | | | | | | | | |
| | Physical Collocation - Co-Carrier Cross Connects - Copper/Coax Cable Support Structure, per cable, per lin. ft. | | | CLO, UE3, USL | PE1DS | 0.0018 | | | | | | | | | | | | | | |
| | Physical Collocation - Co-Carrier Cross Connects - Application Fee, per application | | | CLO | PE1DT | 584.20 | | | | | | | | | | | | | | |
| ADJACENT COLLOCATION | | | | | | | | | | | | | | | | | | | | |
| | Adjacent Collocation - Space Charge per Sq. Ft. | | | CLOAC | PE1JA | 0.0173 | | | | | | | | | | | | | | |
| | Adjacent Collocation - Electrical Facility Charge per Linear Ft. | | | CLOAC | PE1JC | 5.35 | | | | | | | | | | | | | | |
| | Adjacent Collocation - 2-Wire Cross-Connects | | | CLOAC | PE1P2 | 0.0258 | 24.68 | 23.68 | 12.14 | 10.95 | | | | | | | | | | |
| | Adjacent Collocation - 4-Wire Cross-Connects | | | UEA,UHL,UDL,UCL, CLOAC | PE1P4 | 0.0515 | 24.88 | 23.82 | 12.77 | 11.46 | | | | | | | | | | |
| | Adjacent Collocation - DS1 Cross-Connects | | | USL,CLOAC | PE1P1 | 1.37 | 44.23 | 31.98 | 12.81 | 11.57 | | | | | | | | | | |
| | Adjacent Collocation - DS3 Cross-Connects | | | CLOAC | PE1P3 | 18.61 | 41.93 | 30.51 | 14.75 | 11.83 | | | | | | | | | | |
| | Adjacent Collocation - 2-Fiber Cross-Connect | | | CLOAC | PE1F2 | 3.15 | 41.93 | 30.51 | 14.76 | 11.84 | | | | | | | | | | |
| | Adjacent Collocation - 4-Fiber Cross-Connect | | | CLOAC | PE1F4 | 6.02 | 51.29 | 39.87 | 19.41 | 16.49 | | | | | | | | | | |
| | Adjacent Collocation - Application Fee | | | CLOAC | PE1JB | | 3,165.50 | | 1.01 | | | | | | | | | | | |
| | Adjacent Collocation - 120V, Single Phase Standby Power Rate per AC Breaker Amp | | | CLOAC | PE1FB | 5.44 | | | | | | | | | | | | | | |
| | Adjacent Collocation - 240V, Single Phase Standby Power Rate per AC Breaker Amp | | | CLOAC | PE1FD | 10.88 | | | | | | | | | | | | | | |
| | Adjacent Collocation - 120V, Three Phase Standby Power Rate per AC Breaker Amp | | | CLOAC | PE1FE | 16.32 | | | | | | | | | | | | | | |
| | Adjacent Collocation - 277V, Three Phase Standby Power Rate per AC Breaker Amp | | | CLOAC | PE1FG | 37.68 | | | | | | | | | | | | | | |
| PHYSICAL COLLOCATION IN THE REMOTE SITE | | | | | | | | | | | | | | | | | | | | |
| | Physical Collocation in the Remote Site - Application Fee | | | CLORS | PE1RA | 617.78 | | | 338.89 | | | | | | | | | | | |
| | Cabinet Space in the Remote Site per Bay/ Rack | | | CLORS | PE1RB | 219.67 | | | | | | | | | | | | | | |
| | Physical Collocation in the Remote Site - Security Access - Key | | | CLORS | PE1RD | 26.29 | | | | | | | | | | | | | | |
| | Physical Collocation in the Remote Site - Space Availability Report per Premises Requested | | | CLORS | PE1SR | 232.64 | | | | | | | | | | | | | | |
| | Physical Collocation in the Remote Site - Remote Site CLLI Code Request, per CLLI Code Requested | | | CLORS | PE1RE | 75.40 | | | | | | | | | | | | | | |
| | Remote Site DLEC Data (BRSDDD), per Compact Disk, per CO | | | CLORS | PE1RR | 233.42 | | | | | | | | | | | | | | |
| PHYSICAL COLLOCATION IN THE REMOTE SITE - ADJACENT | | | | | | | | | | | | | | | | | | | | |
| | Remote Site-Adjacent Collocation - AC Power, per breaker amp | | | CLORS | PE1RS | 6.27 | | | | | | | | | | | | | | |

| COLLOCATION - Kentucky | | | | | | | | | | Attachment: 4 | | Exhibit: D | | | |
|---|---|---------|------|-------|-------|-----------|--------------|----------------------------------|--------------------------------------|--|--|---|---|--------------|------------|
| CATEGORY | RATE ELEMENTS | Interim | Zone | BCS | USOC | RATES(\$) | | Svc Order Submitted Elec per LSR | Svc Order Submitted Manually per LSR | Incremental Charge - Manual Svc Order vs. Electronic-1st | Incremental Charge - Manual Svc Order vs. Electronic-Add'l | Incremental Charge - Manual Svc Order vs. Electronic-Disc 1st | Incremental Charge - Manual Svc Order vs. Electronic-Disc Add'l | | |
| | | | | | | Recurring | Nonrecurring | | | | | | | Nonrecurring | Disconnect |
| | | | | | | First | Add'l | First | Add'l | SOMEK | SOMAN | SOMAN | SOMAN | SOMAN | SOMAN |
| | Remote Site-Adjacent Collocation - Real Estate, per square foot | | | CLORS | PE1RT | 0.134 | | | | | | | | | |
| | Remote Site-Adjacent Collocation-Application Fee | | | CLORS | PE1RU | | 755.62 | 755.62 | | | | | | | |
| NOTE: If Security Escort and/or Add'l Engineering Fees become necessary for remote site collocation, the Parties will negotiate appropriate rates. | | | | | | | | | | | | | | | |

| COLLOCATION - Louisiana | | | | | | | | | | Attachment: 4 | | Exhibit: D | | | | | | | | | | |
|-----------------------------|--|---------|------|---|-------|-----------|----------------------------------|--------------------------------------|--|--|---|---|---------------|--------------|-------|-------------------------|--|--------|-------|-------|-------|-------|
| CATEGORY | RATE ELEMENTS | Interim | Zone | BCS | USOC | RATES(\$) | Svc Order Submitted Elec per LSR | Svc Order Submitted Manually per LSR | Incremental Charge - Manual Svc Order vs. Electronic-1st | Incremental Charge - Manual Svc Order vs. Electronic-Add'l | Incremental Charge - Manual Svc Order vs. Electronic-Disc 1st | Incremental Charge - Manual Svc Order vs. Electronic-Disc Add'l | OSS Rates(\$) | | | | | | | | | |
| | | | | | | | | | | | | | Recurring | Nonrecurring | | Nonrecurring Disconnect | | SOME C | SOMAN | SOMAN | SOMAN | SOMAN |
| | | | | | | | | | | | | | First | Add'l | First | Add'l | | | | | | |
| PHYSICAL COLLOCATION | | | | | | | | | | | | | | | | | | | | | | |
| | Physical Collocation - Application Fee - Initial | | | CLO | PE1BA | 1,837.24 | | | | | | | | | | | | | | | | |
| | Physical Collocation - Application Fee - Subsequent | | | CLO | PE1CA | 1,533.41 | | | | | | | | | | | | | | | | |
| | Physical Collocation Reduced Rate - Application Fee - Subsequent | | | CLO | PE1BL | 741.97 | | | | | | | | | | | | | | | | |
| | Physical Collocation - Space Preparation - Firm Order Processing | | | CLO | PE1SJ | 583.33 | | | | | | | | | | | | | | | | |
| | Physical Collocation - Space Preparation - C.O. Modification per square ft. | | | CLO | PE1SK | 2.31 | | | | | | | | | | | | | | | | |
| | Physical Collocation - Space Preparation - Common Systems Modification per square ft. - Cageless | | | CLO | PE1SL | 2.70 | | | | | | | | | | | | | | | | |
| | Physical Collocation - Space Preparation - Common Systems Modification per Cage | | | CLO | PE1SM | 91.60 | | | | | | | | | | | | | | | | |
| | Physical Collocation - Cable Installation | | | CLO | PE1BD | 841.54 | | 841.54 | | | | | | | | | | | | | | |
| | Physical Collocation - Floor Space per Sq. Ft. | | | CLO | PE1PJ | 5.30 | | | | | | | | | | | | | | | | |
| | Physical Collocation - Cable Support Structure | | | CLO | PE1PM | 18.31 | | | | | | | | | | | | | | | | |
| | Physical Collocation - Power -48V DC Power, per Fused Amp | I | | CLO | PE1PL | 8.32 | | | | | | | | | | | | | | | | |
| | Physical Collocation - Power Reduction, Application Fee | I | | CLO | PE1PR | 398.88 | | | | | | | | | | | | | | | | |
| | Physical Collocation - 120V, Single Phase Standby Power Rate | | | CLO | PE1FB | 5.45 | | | | | | | | | | | | | | | | |
| | Physical Collocation - 240V, Single Phase Standby Power Rate | | | CLO | PE1FD | 10.92 | | | | | | | | | | | | | | | | |
| | Physical Collocation - 120V, Three Phase Standby Power Rate | | | CLO | PE1FE | 16.37 | | | | | | | | | | | | | | | | |
| | Physical Collocation - 277V, Three Phase Standby Power Rate | | | CLO | PE1FG | 37.80 | | | | | | | | | | | | | | | | |
| | Physical Collocation - 2-Wire Cross-Connects | | | UEANL,UEA,UDN,UDC,UAL,UHL,UCL,U EQ,UDL,UNCVX,UNLDX,UNCNX | PE1P2 | 0.0318 | | 11.94 | 11.46 | | | | | | | | | | | | | |
| | Physical Collocation - 4-Wire Cross-Connects | | | CLO,UAL,UDL,UDN,UEA,UHL,UNCVX,UNCDX,UCL | PE1P4 | 0.0636 | | 12.04 | 11.53 | | | | | | | | | | | | | |
| | Physical Collocation - DS1 Cross-Connects | | | CLO,UEANL,UEQ,WDS1L,WDS1S,USL,U1TD1,UXTD1,UNC1X,ULDD1,USLEL,UNLD1,UDL | PE1P1 | 1.04 | | 21.39 | 15.47 | | | | | | | | | | | | | |
| | Physical Collocation - DS3 Cross-Connects | | | CLO,UE3,U1TD3,UXTD3,UXTS1,UNC3X,UNC3X,ULDD3,U1TS1,ULDS1,UNLD3,UDL | PE1P3 | 13.21 | | 20.28 | 14.76 | | | | | | | | | | | | | |
| | Physical Collocation - 2-Fiber Cross-Connect | | | CLO,ULDO3,ULD12,ULD48,U1TO3,U1T12,U1T48,UDLO3,UDL12,UDF | PE1F2 | 2.62 | | 20.28 | 14.76 | | | | | | | | | | | | | |
| | Physical Collocation - 4-Fiber Cross-Connect | | | CLO,ULDO3,ULD12,ULD48,U1TO3,U1T12,U1T48,UDLO3,UDL12,UDF | PE1F4 | 4.65 | | 24.81 | 19.29 | | | | | | | | | | | | | |
| | Physical Collocation - Welded Wire Cage - First 100 Sq. Ft. | | | CLO | PE1BW | 184.50 | | | | | | | | | | | | | | | | |

| COLLOCATION - Louisiana | | | | | | | | | | | Attachment: 4 | | Exhibit: D | | | | | | | | | | |
|-------------------------|---|---------|------|--|-------|-----------|----------------------------------|--------------------------------------|--|--|---|---|---------------|--------------|-------|-------------------------|--|--------|-------|-------|-------|-------|-------|
| CATEGORY | RATE ELEMENTS | Interim | Zone | BCS | USOC | RATES(\$) | Svc Order Submitted Elec per LSR | Svc Order Submitted Manually per LSR | Incremental Charge - Manual Svc Order vs. Electronic-1st | Incremental Charge - Manual Svc Order vs. Electronic-Add'l | Incremental Charge - Manual Svc Order vs. Electronic-Disc 1st | Incremental Charge - Manual Svc Order vs. Electronic-Disc Add'l | OSS Rates(\$) | | | | | | | | | | |
| | | | | | | | | | | | | | Recurring | Nonrecurring | | Nonrecurring Disconnect | | SOME C | SOMAN | SOMAN | SOMAN | SOMAN | SOMAN |
| | | | | | | | | | | | | | First | Add'l | First | Add'l | | | | | | | |
| | Physical Collocation - Welded Wire Cage - Add'l 50 Sq. Ft. | | | CLO | PE1CW | 18.10 | | | | | | | | | | | | | | | | | |
| | Physical Collocation - Security System Per Central Office Per Assignable Sq. Ft. | | | CLO | PE1AY | 0.0224 | | | | | | | | | | | | | | | | | |
| | Physical Collocation - Security Access System - New Access Card Activation, per Card | | | CLO | PE1A1 | 0.0579 | | | | | | | | | | | | | | | | | |
| | Physical Collocation-Security Access System-Administrative Change, existing Access Card, per Card | | | CLO | PE1AA | | | | | | | | | | | | | | | | | | |
| | Physical Collocation - Security Access System - Replace Lost or Stolen Card, per Card | | | CLO | PE1AR | | | | | | | | | | | | | | | | | | |
| | Physical Collocation - Security Access - Initial Key, per Key | | | CLO | PE1AK | | | | | | | | | | | | | | | | | | |
| | Physical Collocation - Security Access - Key, Replace Lost or Stolen Key, per Key | | | CLO | PE1AL | | | | | | | | | | | | | | | | | | |
| | Physical Collocation - Space Availability Report per premises | | | CLO | PE1SR | | | | | | | | | | | | | | | | | | |
| | POT Bay Arrangements prior to 6/1/99 - 2-Wire Cross-Connect, per cross-connect | | | UEANL,UEA,UDN,U DC,UAL,UHL,UCL,U EQ,CLO,UDL, UNCVX, UNCDX, UNCNX | PE1PE | 0.079 | | | | | | | | | | | | | | | | | |
| | POT Bay Arrangements prior to 6/1/99 - 4-Wire Cross-Connect, per cross-connect | | | UEANL,UEA,UDN,U DC,UAL,UHL,UCL,U EQ,CLO, USL, UNCVX, UNCDX | PE1PF | 0.158 | | | | | | | | | | | | | | | | | |
| | POT Bay Arrangements prior to 6/1/99 - DS1 Cross-Connect, per cross-connect | | | UEANL,UEA,UDN,U DC,UAL,UHL,UCL,U EQ,CLO,WDS1L,W DS1S, USL, U1TD1, UXTD1, UNC1X, ULDD1, USLEL, UNLD1 | PE1PG | 1.12 | | | | | | | | | | | | | | | | | |
| | POT Bay Arrangements prior to 6/1/99 - DS3 Cross-Connect, per cross-connect | | | UEANL,UEA,UDN,U DC,UAL,UHL,UCL,U EQ,CLO,UE3, U1TD3, UXTD3, UXTS1, UNC3X, UNCSX, ULDD3, U1TS1, ULDS1, UNLD3, UDL, UDLSX | PE1PH | 9.95 | | | | | | | | | | | | | | | | | |
| | POT Bay Arrangements prior to 6/1/99 - 2-Fiber Cross-Connect, per cross-connect | | | UEANL,UEA,UDN,U DC,UAL,UHL,UCL,U EQ,CLO, ULDO3, ULD12, ULD48, U1TO3, U1T12, U1T48, UDLO3, UDL12, UDF | PE1B2 | 33.96 | | | | | | | | | | | | | | | | | |
| | POT Bay Arrangements prior to 6/1/99 - 4-Fiber Cross-Connect, per cross-connect | | | UEANL,UEA,UDN,U DC,UAL,UHL,UCL,U EQ,CLO, ULDO3, ULD12, ULD48, U1TO3, U1T12, U1T48, UDLO3, UDL12, UDF | PE1B4 | 45.80 | | | | | | | | | | | | | | | | | |
| | Physical Collocation - Request Resend of CFA Information, per CLI | | | CLO | PE1C9 | | | | | | | | | | | | | | | | | | |
| | Collocation Cable Records - per request | | | CLO | PE1CR | 10.97 | | | | | | | | | | | | | | | | | |
| | Collocation Cable Records - VG/DS0 Cable, per cable record | | | CLO | PE1CD | 5.29 | | | | | | | | | | | | | | | | | |
| | Collocation Cable Records - VG/DS0 Cable, per each 100 pair | | | CLO | PE1CO | 0.08 | | | | | | | | | | | | | | | | | |
| | Collocation Cable Records - DS1, per T1TIE | | | CLO | PE1C1 | 0.04 | | | | | | | | | | | | | | | | | |

| COLLOCATION - Louisiana | | | | | | | | | | Attachment: 4 | | Exhibit: D | | | | | | | | | | | |
|---|---|---------|------|------------------------|-------|-----------|----------------------------------|--------------------------------------|--|--|---|---|---------------|--------------|-------|-------------------------|--|--------|-------|-------|-------|-------|-------|
| CATEGORY | RATE ELEMENTS | Interim | Zone | BCS | USOC | RATES(\$) | Svc Order Submitted Elec per LSR | Svc Order Submitted Manually per LSR | Incremental Charge - Manual Svc Order vs. Electronic-1st | Incremental Charge - Manual Svc Order vs. Electronic-Add'l | Incremental Charge - Manual Svc Order vs. Electronic-Disc 1st | Incremental Charge - Manual Svc Order vs. Electronic-Disc Add'l | OSS Rates(\$) | | | | | | | | | | |
| | | | | | | | | | | | | | Recurring | Nonrecurring | | Nonrecurring Disconnect | | SOME C | SOMAN | SOMAN | SOMAN | SOMAN | SOMAN |
| | | | | | | | | | | | | | First | Add'l | First | Add'l | | | | | | | |
| | Collocation Cable Records - DS3, per T3TIE | | | CLO | PE1C3 | 0.13 | | | | | | | | | | | | | | | | | |
| | Collocation Cable Records - Fiber Cable, per 99 fiber records | | | CLO | PE1CB | 1.37 | | | | | | | | | | | | | | | | | |
| | Physical Collocation - Security Escort - Basic, per Half Hour | | | CLO,CLORS | PE1BT | | | | 16.44 | 10.42 | | | | | | | | | | | | | |
| | Physical Collocation - Security Escort - Overtime, per Half Hour | | | CLO,CLORS | PE1OT | | | | 21.41 | 13.45 | | | | | | | | | | | | | |
| | Physical Collocation - Security Escort - Premium, per Half Hour | | | CLO,CLORS | PE1PT | | | | 26.38 | 16.49 | | | | | | | | | | | | | |
| | V to P Conversion, Per Customer Request-Voice Grade | | | CLO | PE1BV | 33.00 | | | | | | | | | | | | | | | | | |
| | V to P Conversion, Per Customer Request-DS0 | | | CLO | PE1BO | 33.00 | | | | | | | | | | | | | | | | | |
| | V to P Conversion, Per Customer Request-DS1 | | | CLO | PE1B1 | 52.00 | | | | | | | | | | | | | | | | | |
| | V to P Conversion, Per Customer request-DS3 | | | CLO | PE1B3 | 52.00 | | | | | | | | | | | | | | | | | |
| | V to P Conversion, Per Customer Request per VG Circuit Reconfigured | | | CLO | PE1BR | 23.00 | | | | | | | | | | | | | | | | | |
| | V to P Conversion, Per Customer Request per DS0 Circuit Reconfigured | | | CLO | PE1BP | 23.00 | | | | | | | | | | | | | | | | | |
| | V to P Conversion, Per Customer Request per DS1 Circuit Reconfigured | | | CLO | PE1BS | 33.00 | | | | | | | | | | | | | | | | | |
| | V to P Conversion, Per Customer Request per DS3 Circuit Reconfigured | | | CLO | PE1BE | 37.00 | | | | | | | | | | | | | | | | | |
| | V to P Conversion, Cable Pairs Assigned to Collo Space per 700 prs or fraction thereof | | | CLO | PE1B7 | 592.00 | | | | | | | | | | | | | | | | | |
| | Physical Collocation - Co-Carrier Cross Connects - Fiber Cable Support Structure, per cable, per linear ft. | | | CLO,UDF | PE1ES | 0.001 | | | | | | | | | | | | | | | | | |
| | Physical Collocation - Co-Carrier Cross Connects - Copper/Coax Cable Support Structure, per cable, per lin. ft. | | | CLO, UE3, USL | PE1DS | 0.0015 | | | | | | | | | | | | | | | | | |
| | Physical Collocation - Co-Carrier Cross Connects - Application Fee, per application | | | CLO | PE1DT | | | | 583.30 | | | | | | | | | | | | | | |
| ADJACENT COLLOCATION | | | | | | | | | | | | | | | | | | | | | | | |
| | Adjacent Collocation - Space Charge per Sq. Ft. | | | CLOAC | PE1JA | 0.0552 | | | | | | | | | | | | | | | | | |
| | Adjacent Collocation - Electrical Facility Charge per Linear Ft. | | | CLOAC | PE1JC | 5.61 | | | | | | | | | | | | | | | | | |
| | Adjacent Collocation - 2-Wire Cross-Connects | | | CLOAC | PE1P2 | 0.0245 | | | 11.94 | 11.46 | | | | | | | | | | | | | |
| | Adjacent Collocation - 4-Wire Cross-Connects | | | UEA,UHL,UDL,UCL, CLOAC | PE1P4 | 0.0491 | | | 12.04 | 11.53 | | | | | | | | | | | | | |
| | Adjacent Collocation - DS1 Cross-Connects | | | USL,CLOAC | PE1P1 | 0.9605 | | | 21.39 | 15.47 | | | | | | | | | | | | | |
| | Adjacent Collocation - DS3 Cross-Connects | | | CLOAC | PE1P3 | 13.01 | | | 20.28 | 14.76 | | | | | | | | | | | | | |
| | Adjacent Collocation - 2-Fiber Cross-Connect | | | CLOAC | PE1F2 | 2.20 | | | 20.28 | 14.76 | | | | | | | | | | | | | |
| | Adjacent Collocation - 4-Fiber Cross-Connect | | | CLOAC | PE1F4 | 4.21 | | | 24.81 | 19.29 | | | | | | | | | | | | | |
| | Adjacent Collocation - Application Fee | | | CLOAC | PE1JB | | | | 1,543.20 | | | | | | | | | | | | | | |
| | Adjacent Collocation - 120V, Single Phase Standby Power Rate per AC Breaker Amp | | | CLOAC | PE1FB | 5.45 | | | | | | | | | | | | | | | | | |
| | Adjacent Collocation - 240V, Single Phase Standby Power Rate per AC Breaker Amp | | | CLOAC | PE1FD | 10.92 | | | | | | | | | | | | | | | | | |
| | Adjacent Collocation - 120V, Three Phase Standby Power Rate per AC Breaker Amp | | | CLOAC | PE1FE | 16.37 | | | | | | | | | | | | | | | | | |
| | Adjacent Collocation - 277V, Three Phase Standby Power Rate per AC Breaker Amp | | | CLOAC | PE1FG | 37.80 | | | | | | | | | | | | | | | | | |
| PHYSICAL COLLOCATION IN THE REMOTE SITE | | | | | | | | | | | | | | | | | | | | | | | |
| | Physical Collocation in the Remote Site - Application Fee | | | CLORS | PE1RA | | | | 298.80 | 298.80 | | | | | | | | | | | | | |
| | Cabinet Space in the Remote Site per Bay/ Rack | | | CLORS | PE1RB | 225.39 | | | | | | | | | | | | | | | | | |
| | Physical Collocation in the Remote Site - Security Access - Key | | | CLORS | PE1RD | | | | 13.01 | 13.01 | | | | | | | | | | | | | |
| | Physical Collocation in the Remote Site - Space Availability Report per Premises Requested | | | CLORS | PE1SR | | | | 112.52 | 112.52 | | | | | | | | | | | | | |
| | Physical Collocation in the Remote Site - Remote Site CLLI Code Request, per CLLI Code Requested | | | CLORS | PE1RE | | | | 36.47 | 36.47 | | | | | | | | | | | | | |
| | Remote Site DLEC Data (BRSDD), per Compact Disk, per CO | | | CLORS | PE1RR | | | | 233.21 | | | | | | | | | | | | | | |
| PHYSICAL COLLOCATION IN THE REMOTE SITE - ADJACENT | | | | | | | | | | | | | | | | | | | | | | | |
| | Remote Site-Adjacent Collocation - AC Power, per breaker amp | | | CLORS | PE1RS | 6.27 | | | | | | | | | | | | | | | | | |

| COLLOCATION - Louisiana | | | | | | | | | | Attachment: 4 | | Exhibit: D | | | |
|---|---|---------|------|-------|-------|-----------|--------------|----------------------------------|--------------------------------------|--|--|---|---|--------------|------------|
| CATEGORY | RATE ELEMENTS | Interim | Zone | BCS | USOC | RATES(\$) | | Svc Order Submitted Elec per LSR | Svc Order Submitted Manually per LSR | Incremental Charge - Manual Svc Order vs. Electronic-1st | Incremental Charge - Manual Svc Order vs. Electronic-Add'l | Incremental Charge - Manual Svc Order vs. Electronic-Disc 1st | Incremental Charge - Manual Svc Order vs. Electronic-Disc Add'l | | |
| | | | | | | Recurring | Nonrecurring | | | | | | | Nonrecurring | Disconnect |
| | | | | | | First | Add'l | First | Add'l | SOMEK | SOMAN | SOMAN | SOMAN | SOMAN | SOMAN |
| | Remote Site-Adjacent Collocation - Real Estate, per square foot | | | CLORS | PE1RT | 0.134 | | | | | | | | | |
| | Remote Site-Adjacent Collocation-Application Fee | | | CLORS | PE1RU | | 755.62 | 755.62 | | | | | | | |
| NOTE: If Security Escort and/or Add'l Engineering Fees become necessary for remote site collocation, the Parties will negotiate appropriate rates. | | | | | | | | | | | | | | | |

| COLLOCATION - Mississippi | | | | | | | | | | Attachment: 4 | | Exhibit: D | | | | | | | | | | |
|-----------------------------|--|---------|------|---|-------|-----------|----------------------------------|--------------------------------------|--|--|---|---|---------------|--------------|-------|-------------------------|--|-------|-------|-------|-------|-------|
| CATEGORY | RATE ELEMENTS | Interim | Zone | BCS | USOC | RATES(\$) | Svc Order Submitted Elec per LSR | Svc Order Submitted Manually per LSR | Incremental Charge - Manual Svc Order vs. Electronic-1st | Incremental Charge - Manual Svc Order vs. Electronic-Add'l | Incremental Charge - Manual Svc Order vs. Electronic-Disc 1st | Incremental Charge - Manual Svc Order vs. Electronic-Disc Add'l | OSS Rates(\$) | | | | | | | | | |
| | | | | | | | | | | | | | Recurring | Nonrecurring | | Nonrecurring Disconnect | | SOMEC | SOMAN | SOMAN | SOMAN | SOMAN |
| | | | | | | | | | | | | | First | Add'l | First | Add'l | | | | | | |
| PHYSICAL COLLOCATION | | | | | | | | | | | | | | | | | | | | | | |
| | Physical Collocation - Application Fee - Initial | | | CLO | PE1BA | 1,890.38 | | | | | | | | | | | | | | | | |
| | Physical Collocation - Application Fee - Subsequent | | | CLO | PE1CA | 1,575.69 | | | | | | | | | | | | | | | | |
| | Physical Collocation Reduced Rate - Application Fee - Subsequent | | | CLO | PE1BL | 740.76 | | | | | | | | | | | | | | | | |
| | Physical Collocation - Space Preparation - Firm Order Processing | I | | CLO | PE1SJ | 604.19 | | | | | | | | | | | | | | | | |
| | Physical Collocation - Space Preparation - C.O. Modification per square ft. | I | | CLO | PE1SK | 2.30 | | | | | | | | | | | | | | | | |
| | Physical Collocation - Space Preparation - Common Systems Modification per square ft. - Cageless | I | | CLO | PE1SL | 2.52 | | | | | | | | | | | | | | | | |
| | Physical Collocation - Space Preparation - Common Systems Modification per Cage | I | | CLO | PE1SM | 85.67 | | | | | | | | | | | | | | | | |
| | Physical Collocation - Cable Installation | | | CLO | PE1BD | 926.27 | 926.27 | 22.62 | | | | | | | | | | | | | | |
| | Physical Collocation - Floor Space per Sq. Ft. | | | CLO | PE1PJ | 5.74 | | | | | | | | | | | | | | | | |
| | Physical Collocation - Cable Support Structure | | | CLO | PE1PM | 17.42 | | | | | | | | | | | | | | | | |
| | Physical Collocation - Power -48V DC Power, per Fused Amp | I | | CLO | PE1PL | 7.33 | | | | | | | | | | | | | | | | |
| | Physical Collocation - Power Reduction, Application Fee | I | | CLO | PE1PR | 398.76 | | | | | | | | | | | | | | | | |
| | Physical Collocation - 120V, Single Phase Standby Power Rate | I | | CLO | PE1FB | 5.29 | | | | | | | | | | | | | | | | |
| | Physical Collocation - 240V, Single Phase Standby Power Rate | I | | CLO | PE1FD | 10.58 | | | | | | | | | | | | | | | | |
| | Physical Collocation - 120V, Three Phase Standby Power Rate | I | | CLO | PE1FE | 15.87 | | | | | | | | | | | | | | | | |
| | Physical Collocation - 277V, Three Phase Standby Power Rate | I | | CLO | PE1FG | 36.65 | | | | | | | | | | | | | | | | |
| | Physical Collocation - 2-Wire Cross-Connects | | | UEANL,UEA,UDN,UDC,UAL,UHL,UCL,U EQ, UDL, UNCVX, UNLDX, UNCNX | PE1P2 | 0.0288 | 12.37 | 11.87 | 6.04 | 5.45 | | | | | | | | | | | | |
| | Physical Collocation - 4-Wire Cross-Connects | | | CLO, UAL, UDL, UDN, UEA, UHL, UNCVX, UNCDX, UCL | PE1P4 | 0.0576 | 12.47 | 11.94 | 6.59 | 5.91 | | | | | | | | | | | | |
| | Physical Collocation - DS1 Cross-Connects | | | CLO,UEANL,UEQ,WDS1L,WDS1S, USL, U1TD1, UXTD1, UNC1X, ULDD1, USLEL, UNLD1, UDL | PE1P1 | 1.14 | 22.16 | 16.02 | 6.60 | 5.97 | | | | | | | | | | | | |
| | Physical Collocation - DS3 Cross-Connects | | | CLO, UE3,U1TD3, UXTD3, UXTS1, UNC3X, UNCSX, ULDD3, U1TS1,ULDS1, UNLD3, UDL | PE1P3 | 14.49 | 21.01 | 15.29 | 7.61 | 6.10 | | | | | | | | | | | | |
| | Physical Collocation - 2-Fiber Cross-Connect | | | CLO, ULDO3, ULD12, ULD48, U1TO3, U1T12, U1T48, UDLO3, UDL12, UDF | PE1F2 | 2.87 | 21.01 | 15.29 | 7.61 | 6.10 | | | | | | | | | | | | |
| | Physical Collocation - 4-Fiber Cross-Connect | | | CLO, ULDO3, ULD12, ULD48, U1TO3, U1T12, U1T48, UDLO3, UDL12, UDF | PE1F4 | 5.10 | 25.70 | 19.97 | 10.01 | 8.50 | | | | | | | | | | | | |
| | Physical Collocation - Welded Wire Cage - First 100 Sq. Ft. | | | CLO | PE1BW | 183.20 | | | | | | | | | | | | | | | | |

| COLLOCATION - Mississippi | | | | | | | | | | Attachment: 4 | | Exhibit: D | | | |
|---------------------------|---|---------|------|--|-------|-----------|--------------|----------|-------------------------|----------------------------------|--------------------------------------|--|--|---|---|
| CATEGORY | RATE ELEMENTS | Interim | Zone | BCS | USOC | RATES(\$) | | | | Svc Order Submitted Elec per LSR | Svc Order Submitted Manually per LSR | Incremental Charge - Manual Svc Order vs. Electronic-1st | Incremental Charge - Manual Svc Order vs. Electronic-Add'l | Incremental Charge - Manual Svc Order vs. Electronic-Disc 1st | Incremental Charge - Manual Svc Order vs. Electronic-Disc Add'l |
| | | | | | | Recurring | Nonrecurring | | Nonrecurring Disconnect | | | | | | |
| | | | | | | | First | Add'l | First | Add'l | SOMEc | SOMAN | SOMAN | SOMAN | SOMAN |
| | Physical Collocation - Welded Wire Cage - Add'l 50 Sq. Ft. | | | CLO | PE1CW | 17.97 | | | | | | | | | |
| | Physical Collocation - Security Access System - Security System per Central Office | I | | CLO | PE1AX | 75.23 | | | | | | | | | |
| | Physical Collocation - Security Access System - New Access Card Activation, per Card | I | | CLO | PE1A1 | 0.0576 | 27.95 | 27.95 | | | | | | | |
| | Physical Collocation-Security Access System-Administrative Change, existing Access Card, per Card | I | | CLO | PE1AA | | 7.84 | 7.84 | | | | | | | |
| | Physical Collocation - Security Access System - Replace Lost or Stolen Card, per Card | | | CLO | PE1AR | | 22.91 | 22.91 | | | | | | | |
| | Physical Collocation - Security Access - Initial Key, per Key | | | CLO | PE1AK | | 13.17 | 13.17 | | | | | | | |
| | Physical Collocation - Security Access - Key, Replace Lost or Stolen Key, per Key | | | CLO | PE1AL | | 13.17 | 13.17 | | | | | | | |
| | Physical Collocation - Space Availability Report per premises | I | | CLO | PE1SR | | 1,081.40 | 1,081.40 | | | | | | | |
| | POT Bay Arrangements prior to 6/1/99 - 2-Wire Cross-Connect, per cross-connect | | | UEANL,UEA,UDN,U DC,UAL,UHL,UCL,U EQ,CLO,UDL, UNCVX, UNCDX, UNCNX | PE1PE | 0.0867 | | | | | | | | | |
| | POT Bay Arrangements prior to 6/1/99 - 4-Wire Cross-Connect, per cross-connect | | | UEANL,UEA,UDN,U DC,UAL,UHL,UCL,U EQ,CLO, USL, UNCVX, UNCDX | PE1PF | 0.1734 | | | | | | | | | |
| | POT Bay Arrangements prior to 6/1/99 - DS1 Cross-Connect, per cross-connect | | | UEANL,UEA,UDN,U DC,UAL,UHL,UCL,U EQ,CLO,WDS1L,W DS1S, USL, U1TD1, UXTD1, UNC1X, ULDD1, USLEL, UNLD1 | PE1PG | 1.22 | | | | | | | | | |
| | POT Bay Arrangements prior to 6/1/99 - DS3 Cross-Connect, per cross-connect | | | UEANL,UEA,UDN,U DC,UAL,UHL,UCL,U EQ,CLO,UE3, U1TD3, UXTD3, UXTS1, UNC3X, UNCSX, ULDD3, U1TS1, ULDS1, UNLD3, UDL, UDLSX | PE1PH | 10.91 | | | | | | | | | |
| | POT Bay Arrangements prior to 6/1/99 - 2-Fiber Cross-Connect, per cross-connect | | | UEANL,UEA,UDN,U DC,UAL,UHL,UCL,U EQ,CLO, ULDO3, ULD12, ULD48, U1TO3, U1T12, U1T48, UDLO3, UDL12, UDF | PE1B2 | 37.26 | | | | | | | | | |
| | POT Bay Arrangements prior to 6/1/99 - 4-Fiber Cross-Connect, per cross-connect | | | UEANL,UEA,UDN,U DC,UAL,UHL,UCL,U EQ,CLO, ULDO3, ULD12, ULD48, U1TO3, U1T12, U1T48, UDLO3, UDL12, UDF | PE1B4 | 50.24 | | | | | | | | | |
| | Physical Collocation - Request Resend of CFA Information, per CLI | | | CLO | PE1C9 | | 77.41 | | | | | | | | |
| | Collocation Cable Records - per request | | | CLO | PE1CR | | 763.69 | | 133.77 | | | | | | |
| | Collocation Cable Records - VG/DS0 Cable, per cable record | | | CLO | PE1CD | | 328.81 | | 190.22 | | | | | | |
| | Collocation Cable Records - VG/DS0 Cable, per each 100 pair | | | CLO | PE1CO | | 4.84 | 4.84 | 5.93 | 5.93 | | | | | |
| | Collocation Cable Records - DS1, per T1TIE | | | CLO | PE1C1 | | 2.27 | 2.27 | 2.78 | 2.78 | | | | | |

| COLLOCATION - Mississippi | | | | | | | | | | Attachment: 4 | | Exhibit: D | | | | | | | | | | | |
|---|---|---------|------|------------------------|-------|-----------|----------------------------------|--------------------------------------|--|--|---|---|---------------|--------------|-------|-------------------------|--|-------|-------|-------|-------|-------|-------|
| CATEGORY | RATE ELEMENTS | Interim | Zone | BCS | USOC | RATES(\$) | Svc Order Submitted Elec per LSR | Svc Order Submitted Manually per LSR | Incremental Charge - Manual Svc Order vs. Electronic-1st | Incremental Charge - Manual Svc Order vs. Electronic-Add'l | Incremental Charge - Manual Svc Order vs. Electronic-Disc 1st | Incremental Charge - Manual Svc Order vs. Electronic-Disc Add'l | OSS Rates(\$) | | | | | | | | | | |
| | | | | | | | | | | | | | Recurring | Nonrecurring | | Nonrecurring Disconnect | | SOMEc | SOMAN | SOMAN | SOMAN | SOMAN | SOMAN |
| | | | | | | | | | | | | | First | Add'l | First | Add'l | | | | | | | |
| | Collocation Cable Records - DS3, per T3TIE | | | CLO | PE1C3 | | | | | | | | 7.92 | 7.92 | 9.72 | 9.72 | | | | | | | |
| | Collocation Cable Records - Fiber Cable, per 99 fiber records | | | CLO | PE1CB | | | | | | | | 84.98 | 84.98 | 77.58 | 77.58 | | | | | | | |
| | Physical Collocation - Security Escort - Basic, per Half Hour | | | CLO,CLORS | PE1BT | | | | | | | | 17.02 | 10.79 | | | | | | | | | |
| | Physical Collocation - Security Escort - Overtime, per Half Hour | | | CLO,CLORS | PE1OT | | | | | | | | 22.17 | 13.94 | | | | | | | | | |
| | Physical Collocation - Security Escort - Premium, per Half Hour | | | CLO,CLORS | PE1PT | | | | | | | | 27.32 | 17.08 | | | | | | | | | |
| | V to P Conversion, Per Customer Request-Voice Grade | | | CLO | PE1BV | 33.00 | | | | | | | | | | | | | | | | | |
| | V to P Conversion, Per Customer Request-DS0 | | | CLO | PE1BO | 33.00 | | | | | | | | | | | | | | | | | |
| | V to P Conversion, Per Customer Request-DS1 | | | CLO | PE1B1 | 52.00 | | | | | | | | | | | | | | | | | |
| | V to P Conversion, Per Customer request-DS3 | | | CLO | PE1B3 | 52.00 | | | | | | | | | | | | | | | | | |
| | V to P Conversion, Per Customer Request per VG Circuit Reconfigured | | | CLO | PE1BR | 23.00 | | | | | | | | | | | | | | | | | |
| | V to P Conversion, Per Customer Request per DS0 Circuit Reconfigured | | | CLO | PE1BP | 23.00 | | | | | | | | | | | | | | | | | |
| | V to P Conversion, Per Customer Request per DS1 Circuit Reconfigured | | | CLO | PE1BS | 33.00 | | | | | | | | | | | | | | | | | |
| | V to P Conversion, Per Customer Request per DS3 Circuit Reconfigured | | | CLO | PE1BE | 37.00 | | | | | | | | | | | | | | | | | |
| | V to P Conversion, Cable Pairs Assigned to Collo Space per 700 prs or fraction thereof | | | CLO | PE1B7 | 592.00 | | | | | | | | | | | | | | | | | |
| | Physical Collocation - Co-Carrier Cross Connects - Fiber Cable Support Structure, per cable, per linear ft. | | | CLO,UDF | PE1ES | 0.001 | | | | | | | | | | | | | | | | | |
| | Physical Collocation - Co-Carrier Cross Connects - Copper/Coax Cable Support Structure, per cable, per lin. ft. | | | CLO, UE3, USL | PE1DS | 0.0015 | | | | | | | | | | | | | | | | | |
| | Physical Collocation - Co-Carrier Cross Connects - Application Fee, per application | | | CLO | PE1DT | | | | | | | | 583.13 | | | | | | | | | | |
| ADJACENT COLLOCATION | | | | | | | | | | | | | | | | | | | | | | | |
| | Adjacent Collocation - Space Charge per Sq. Ft. | | | CLOAC | PE1JA | 0.0678 | | | | | | | | | | | | | | | | | |
| | Adjacent Collocation - Electrical Facility Charge per Linear Ft. | | | CLOAC | PE1JC | 4.68 | | | | | | | | | | | | | | | | | |
| | Adjacent Collocation - 2-Wire Cross-Connects | | | CLOAC | PE1P2 | 0.0223 | 12.37 | 11.87 | 6.04 | 5.45 | | | | | | | | | | | | | |
| | Adjacent Collocation - 4-Wire Cross-Connects | | | UEA,UHL,UDL,UCL, CLOAC | PE1P4 | 0.0446 | 12.47 | 11.94 | 6.59 | 5.91 | | | | | | | | | | | | | |
| | Adjacent Collocation - DS1 Cross-Connects | | | USL,CLOAC | PE1P1 | 1.05 | 22.16 | 16.02 | 6.60 | 5.97 | | | | | | | | | | | | | |
| | Adjacent Collocation - DS3 Cross-Connects | | | CLOAC | PE1P3 | 14.27 | 21.01 | 15.29 | 7.61 | 6.10 | | | | | | | | | | | | | |
| | Adjacent Collocation - 2-Fiber Cross-Connect | | | CLOAC | PE1F2 | 2.42 | 21.01 | 15.29 | 7.61 | 6.10 | | | | | | | | | | | | | |
| | Adjacent Collocation - 4-Fiber Cross-Connect | | | CLOAC | PE1F4 | 4.62 | 25.70 | 19.97 | 10.01 | 8.50 | | | | | | | | | | | | | |
| | Adjacent Collocation - Application Fee | | | CLOAC | PE1JB | | 1,585.83 | | 0.51 | | | | | | | | | | | | | | |
| | Adjacent Collocation - 120V, Single Phase Standby Power Rate per AC Breaker Amp | | | CLOAC | PE1FB | 5.29 | | | | | | | | | | | | | | | | | |
| | Adjacent Collocation - 240V, Single Phase Standby Power Rate per AC Breaker Amp | | | CLOAC | PE1FD | 10.58 | | | | | | | | | | | | | | | | | |
| | Adjacent Collocation - 120V, Three Phase Standby Power Rate per AC Breaker Amp | | | CLOAC | PE1FE | 15.87 | | | | | | | | | | | | | | | | | |
| | Adjacent Collocation - 277V, Three Phase Standby Power Rate per AC Breaker Amp | | | CLOAC | PE1FG | 36.65 | | | | | | | | | | | | | | | | | |
| PHYSICAL COLLOCATION IN THE REMOTE SITE | | | | | | | | | | | | | | | | | | | | | | | |
| | Physical Collocation in the Remote Site - Application Fee | | | CLORS | PE1RA | | 309.48 | | 168.63 | | | | | | | | | | | | | | |
| | Cabinet Space in the Remote Site per Bay/ Rack | | | CLORS | PE1RB | 210.05 | | | | | | | | | | | | | | | | | |
| | Physical Collocation in the Remote Site - Security Access - Key | | | CLORS | PE1RD | | 13.17 | 13.17 | | | | | | | | | | | | | | | |
| | Physical Collocation in the Remote Site - Space Availability Report per Premises Requested | | | CLORS | PE1SR | | 116.54 | 116.54 | | | | | | | | | | | | | | | |
| | Physical Collocation in the Remote Site - Remote Site CLLI Code Request, per CLLI Code Requested | | | CLORS | PE1RE | | 37.77 | 37.77 | | | | | | | | | | | | | | | |
| | Remote Site DLEC Data (BRSDD), per Compact Disk, per CO | | | CLORS | PE1RR | | 233.14 | | | | | | | | | | | | | | | | |
| PHYSICAL COLLOCATION IN THE REMOTE SITE - ADJACENT | | | | | | | | | | | | | | | | | | | | | | | |
| | Remote Site-Adjacent Collocation - AC Power, per breaker amp | | | CLORS | PE1RS | 6.27 | | | | | | | | | | | | | | | | | |

| COLLOCATION - Mississippi | | | | | | | | | | Attachment: 4 | | Exhibit: D | | | |
|---|---|---------|------|-------|-------|-----------|--------------|----------------------------------|--------------------------------------|--|--|---|---|--------------|------------|
| CATEGORY | RATE ELEMENTS | Interim | Zone | BCS | USOC | RATES(\$) | | Svc Order Submitted Elec per LSR | Svc Order Submitted Manually per LSR | Incremental Charge - Manual Svc Order vs. Electronic-1st | Incremental Charge - Manual Svc Order vs. Electronic-Add'l | Incremental Charge - Manual Svc Order vs. Electronic-Disc 1st | Incremental Charge - Manual Svc Order vs. Electronic-Disc Add'l | | |
| | | | | | | Recurring | Nonrecurring | | | | | | | Nonrecurring | Disconnect |
| | | | | | | First | Add'l | First | Add'l | SOMEK | SOMAN | SOMAN | SOMAN | SOMAN | SOMAN |
| | Remote Site-Adjacent Collocation - Real Estate, per square foot | | | CLORS | PE1RT | 0.134 | | | | | | | | | |
| | Remote Site-Adjacent Collocation-Application Fee | | | CLORS | PE1RU | | 755.62 | 755.62 | | | | | | | |
| NOTE: If Security Escort and/or Add'l Engineering Fees become necessary for remote site collocation, the Parties will negotiate appropriate rates. | | | | | | | | | | | | | | | |

| COLLOCATION - North Carolina | | | | | | | | | | Attachment: 4 | | Exhibit: D | | | | | | | | | | |
|------------------------------|--|---------|------|--|-------|-----------|----------------------------------|--------------------------------------|--|--|---|---|---------------|--------------|-------|-------------------------|--|-------|-------|-------|-------|-------|
| CATEGORY | RATE ELEMENTS | Interim | Zone | BCS | USOC | RATES(\$) | Svc Order Submitted Elec per LSR | Svc Order Submitted Manually per LSR | Incremental Charge - Manual Svc Order vs. Electronic-1st | Incremental Charge - Manual Svc Order vs. Electronic-Add'l | Incremental Charge - Manual Svc Order vs. Electronic-Disc 1st | Incremental Charge - Manual Svc Order vs. Electronic-Disc Add'l | OSS Rates(\$) | | | | | | | | | |
| | | | | | | | | | | | | | Recurring | Nonrecurring | | Nonrecurring Disconnect | | SOMEC | SOMAN | SOMAN | SOMAN | SOMAN |
| | | | | | | | | | | | | | First | Add'l | First | Add'l | | | | | | |
| PHYSICAL COLLOCATION | | | | | | | | | | | | | | | | | | | | | | |
| | Physical Collocation - Application Fee - Initial | I | | CLO | PE1BA | 3,850.00 | | 3,850.00 | | | | | | | | | | | | | | |
| | Physical Collocation - Application Fee - Subsequent | | | CLO | PE1CA | 3,119.00 | | 3,119.00 | | | | | | | | | | | | | | |
| | Physical Collocation Reduced Rate - Application Fee - Subsequent | | | CLO | PE1BL | 741.44 | | | | | | | | | | | | | | | | |
| | Physical Collocation - Space Preparation - C.O. Modification per square ft. | I | | CLO | PE1SK | 1.57 | | | | | | | | | | | | | | | | |
| | Physical Collocation - Space Preparation - Common Systems Modification per square ft. - Cageless | I | | CLO | PE1SL | 3.26 | | | | | | | | | | | | | | | | |
| | Physical Collocation - Space Preparation - Common Systems Modification per Cage | I | | CLO | PE1SM | 110.79 | | | | | | | | | | | | | | | | |
| | Space Preparation Fees - Power Per Nominal -48V Dc Amp | I | | CLO | PEIFH | 5.76 | | | | | | | | | | | | | | | | |
| | Physical Collocation - Cable Installation | I | | CLO | PE1BD | | 2,305.00 | 2,305.00 | | | | | | | | | | | | | | |
| | Physical Collocation - Floor Space per Sq. Ft. | I | | CLO | PE1PJ | 3.45 | | | | | | | | | | | | | | | | |
| | Physical Collocation - Cable Support Structure | I | | CLO | PE1PM | 21.33 | | | | | | | | | | | | | | | | |
| | Physical Collocation - Power -48V DC Power, per Fused Amp | I | | CLO | PE1PL | 8.50 | | | | | | | | | | | | | | | | |
| | Physical Collocation - Power Reduction, Application Fee | I | | CLO | PE1PR | 399.13 | | | | | | | | | | | | | | | | |
| | Physical Collocation - 120V, Single Phase Standby Power Rate | I | | CLO | PE1FB | 5.50 | | | | | | | | | | | | | | | | |
| | Physical Collocation - 240V, Single Phase Standby Power Rate | I | | CLO | PE1FD | 11.01 | | | | | | | | | | | | | | | | |
| | Physical Collocation - 120V, Three Phase Standby Power Rate | I | | CLO | PE1FE | 16.51 | | | | | | | | | | | | | | | | |
| | Physical Collocation - 277V, Three Phase Standby Power Rate | I | | CLO | PE1FG | 38.12 | | | | | | | | | | | | | | | | |
| | Physical Collocation - 2-Wire Cross-Connects | I | | UEANL,UEA,UDN,U DC,UAL,UHL,UCL,U EQ, UDL, UNCVX, UNLDX, UNCNX | PE1P2 | 0.32 | 41.78 | 39.23 | | | | | | | | | | | | | | |
| | Physical Collocation - 4-Wire Cross-Connects | I | | CLO, UAL, UDL, UDN, UEA, UHL, UNCVX, UNCDX, UCL | PE1P4 | 0.64 | 41.91 | 39.25 | | | | | | | | | | | | | | |
| | Physical Collocation - DS1 Cross-Connects | I | | CLO,UEANL,UEQ,W DS1L,WDS1S, USL, U1TD1, UXTD1, UNC1X, ULDD1, USLEL, UNLD1, UDL | PE1P1 | 2.34 | 71.02 | 51.08 | | | | | | | | | | | | | | |
| | Physical Collocation - DS3 Cross-Connects | I | | CLO, UE3,U1TD3, UXTD3, UXTS1, UNC3X, UNCSX, ULDD3, U1TS1,ULDS1, UNLD3, UDL | PE1P3 | 42.84 | 69.84 | 49.43 | | | | | | | | | | | | | | |
| | Physical Collocation - 2-Fiber Cross-Connect | I | | CLO, ULDO3, ULD12, ULD48, U1TO3, U1T12, U1T48, UDLO3, UDL12, UDF | PE1F2 | 2.94 | 51.97 | 38.59 | | | | | | | | | | | | | | |
| | Physical Collocation - 4-Fiber Cross-Connect | I | | CLO, ULDO3, ULD12, ULD48, U1TO3, U1T12, U1T48, UDLO3, UDL12, UDF | PE1F4 | 5.62 | 64.53 | 51.15 | | | | | | | | | | | | | | |
| | Physical Collocation - Welded Wire Cage - First 100 Sq. Ft. | I | | CLO | PE1BW | 102.76 | | | | | | | | | | | | | | | | |
| | Physical Collocation - Welded Wire Cage - Add'l 50 Sq. Ft. | I | | CLO | PE1CW | 10.44 | | | | | | | | | | | | | | | | |

| COLLOCATION - North Carolina | | | | | | | | | | Attachment: 4 | | Exhibit: D | | | |
|------------------------------|---|---------|------|--|-------|-----------|--------------|----------------------------------|--------------------------------------|--|--|---|---|--------------|------------|
| CATEGORY | RATE ELEMENTS | Interim | Zone | BCS | USOC | RATES(\$) | | Svc Order Submitted Elec per LSR | Svc Order Submitted Manually per LSR | Incremental Charge - Manual Svc Order vs. Electronic-1st | Incremental Charge - Manual Svc Order vs. Electronic-Add'l | Incremental Charge - Manual Svc Order vs. Electronic-Disc 1st | Incremental Charge - Manual Svc Order vs. Electronic-Disc Add'l | | |
| | | | | | | Recurring | Nonrecurring | | | | | | | Nonrecurring | Disconnect |
| | | | | | | First | Add'l | First | Add'l | SOME C | SOMAN | SOMAN | SOMAN | SOMAN | SOMAN |
| | Physical Collocation - Security Access System - Security System per Central Office | I | | CLO | PE1AX | 41.03 | | | | | | | | | |
| | Physical Collocation - Security Access System - New Access Card Activation, per Card | I | | CLO | PE1A1 | 0.062 | 55.30 | 55.30 | | | | | | | |
| | Physical Collocation-Security Access System-Administrative Change, existing Access Card, per Card | I | | CLO | PE1AA | | 15.51 | 15.51 | | | | | | | |
| | Physical Collocation - Security Access System - Replace Lost or Stolen Card, per Card | | | CLO | PE1AR | | 45.34 | 45.34 | | | | | | | |
| | Physical Collocation - Security Access - Initial Key, per Key | | | CLO | PE1AK | | 26.18 | 26.18 | | | | | | | |
| | Physical Collocation - Security Access - Key, Replace Lost or Stolen Key, per Key | | | CLO | PE1AL | | 26.18 | 26.18 | | | | | | | |
| | Physical Collocation - Space Availability Report per premises | I | | CLO | PE1SR | | 2,140.00 | 2,140.00 | | | | | | | |
| | POT Bay Arrangements prior to 6/1/99 - 2-Wire Cross-Connect, per cross-connect | | | UEANL,UEA,UDN,U DC,UAL,UHL,UCL,U EQ,CLO,UDL, UNCVX, UNCDX, UNCNX | PE1PE | 0.10 | | | | | | | | | |
| | POT Bay Arrangements prior to 6/1/99 - 4-Wire Cross-Connect, per cross-connect | | | UEANL,UEA,UDN,U DC,UAL,UHL,UCL,U EQ,CLO, USL, UNCVX, UNCDX | PE1PF | 0.19 | | | | | | | | | |
| | POT Bay Arrangements prior to 6/1/99 - DS1 Cross-Connect, per cross-connect | | | UEANL,UEA,UDN,U DC,UAL,UHL,UCL,U EQ,CLO,WDS1L,W DS1S, USL, U1TD1, UXTD1, UNC1X, ULDD1, USLEL, UNLD1 | PE1PG | 0.79 | | | | | | | | | |
| | POT Bay Arrangements prior to 6/1/99 - DS3 Cross-Connect, per cross-connect | | | UEANL,UEA,UDN,U DC,UAL,UHL,UCL,U EQ,CLO,UE3, U1TD3, UXTD3, UXTS1, UNC3X, UNCSX, ULDD3, U1TS1, ULDS1, UNLD3, UDL, UDLSX | PE1PH | 4.85 | | | | | | | | | |
| | POT Bay Arrangements prior to 6/1/99 - 2-Fiber Cross-Connect, per cross-connect | | | UEANL,UEA,UDN,U DC,UAL,UHL,UCL,U EQ,CLO, ULDO3, ULD12, ULD48, U1TO3, U1T12, U1T48, UDLO3, UDL12, UDF | PE1B2 | 45.30 | | | | | | | | | |
| | POT Bay Arrangements prior to 6/1/99 - 4-Fiber Cross-Connect, per cross-connect | | | UEANL,UEA,UDN,U DC,UAL,UHL,UCL,U EQ,CLO, ULDO3, ULD12, ULD48, U1TO3, U1T12, U1T48, UDLO3, UDL12, UDF | PE1B4 | 61.09 | | | | | | | | | |
| | Physical Collocation - Request Resend of CFA Information, per CLLI | | | CLO | PE1C9 | | 77.48 | | | | | | | | |
| | Collocation Cable Records - per request | | | CLO | PE1CR | | 1,707.00 | | | | | | | | |
| | Collocation Cable Records - VG/DS0 Cable, per cable record | | | CLO | PE1CD | | 923.08 | | | | | | | | |
| | Collocation Cable Records - VG/DS0 Cable, per each 100 pair | | | CLO | PE1CO | | 18.02 | 18.02 | | | | | | | |
| | Collocation Cable Records - DS1, per T1TIE | | | CLO | PE1C1 | | 8.43 | 8.43 | | | | | | | |
| | Collocation Cable Records - DS3, per T3TIE | | | CLO | PE1C3 | | 29.51 | 29.51 | | | | | | | |

| COLLOCATION - North Carolina | | | | | | | | | | Attachment: 4 | | Exhibit: D | | | | | | | | | | |
|---|---|---------|------|-----------------------|-------|-----------|----------------------------------|--------------------------------------|--|--|---|---|---------------|--------------|-------|-------------------------|--------|--------|-------|-------|-------|-------|
| CATEGORY | RATE ELEMENTS | Interim | Zone | BCS | USOC | RATES(\$) | Svc Order Submitted Elec per LSR | Svc Order Submitted Manually per LSR | Incremental Charge - Manual Svc Order vs. Electronic-1st | Incremental Charge - Manual Svc Order vs. Electronic-Add'l | Incremental Charge - Manual Svc Order vs. Electronic-Disc 1st | Incremental Charge - Manual Svc Order vs. Electronic-Disc Add'l | OSS Rates(\$) | | | | | | | | | |
| | | | | | | | | | | | | | Recurring | Nonrecurring | | Nonrecurring Disconnect | | SOME C | SOMAN | SOMAN | SOMAN | SOMAN |
| | | | | | | | | | | | | | First | Add'l | First | Add'l | SOME C | SOMAN | SOMAN | SOMAN | SOMAN | SOMAN |
| | Collocation Cable Records - Fiber Cable, per 99 fiber records | | | CLO | PE1CB | | | | | | | | | | | | | | | | | |
| | Physical Collocation - Security Escort - Basic, per Half Hour | | | CLO,CLORS | PE1BT | | | | | | | | | | | | | | | | | |
| | Physical Collocation - Security Escort - Overtime, per Half Hour | | | CLO,CLORS | PE1OT | | | | | | | | | | | | | | | | | |
| | Physical Collocation - Security Escort - Premium, per Half Hour | | | CLO,CLORS | PE1PT | | | | | | | | | | | | | | | | | |
| | V to P Conversion, Per Customer Request-Voice Grade | | | CLO | PE1BV | 33.00 | | | | | | | | | | | | | | | | |
| | V to P Conversion, Per Customer Request-DS0 | | | CLO | PE1BO | 33.00 | | | | | | | | | | | | | | | | |
| | V to P Conversion, Per Customer Request-DS1 | | | CLO | PE1B1 | 52.00 | | | | | | | | | | | | | | | | |
| | V to P Conversion, Per Customer request-DS3 | | | CLO | PE1B3 | 52.00 | | | | | | | | | | | | | | | | |
| | V to P Conversion, Per Customer Request per VG Circuit Reconfigured | | | CLO | PE1BR | 23.00 | | | | | | | | | | | | | | | | |
| | V to P Conversion, Per Customer Request per DS0 Circuit Reconfigured | | | CLO | PE1BP | 23.00 | | | | | | | | | | | | | | | | |
| | V to P Conversion, Per Customer Request per DS1 Circuit Reconfigured | | | CLO | PE1BS | 33.00 | | | | | | | | | | | | | | | | |
| | V to P Conversion, Per Customer Request per DS3 Circuit Reconfigured | | | CLO | PE1BE | 37.00 | | | | | | | | | | | | | | | | |
| | V to P Conversion, Cable Pairs Assigned to Collo Space per 700 prs or fraction thereof | | | CLO | PE1B7 | 592.00 | | | | | | | | | | | | | | | | |
| | Physical Collocation - Co-Carrier Cross Connects - Fiber Cable Support Structure, per cable, per linear ft. | | | CLO,UDF | PE1ES | 0.0018 | | | | | | | | | | | | | | | | |
| | Physical Collocation - Co-Carrier Cross Connects - Copper/Coax Cable Support Structure, per cable, per lin. ft. | | | CLO, UE3, USL | PE1DS | 0.0027 | | | | | | | | | | | | | | | | |
| | Physical Collocation - Co-Carrier Cross Connects - Application Fee, per application | | | CLO | PE1DT | | | | | | | | | | | | | | | | | |
| ADJACENT COLLOCATION | | | | | | | | | | | | | | | | | | | | | | |
| | Adjacent Collocation - Space Charge per Sq. Ft. | | | CLOAC | PE1JA | 0.179 | | | | | | | | | | | | | | | | |
| | Adjacent Collocation - Electrical Facility Charge per Linear Ft. | | | CLOAC | PE1JC | 5.96 | | | | | | | | | | | | | | | | |
| | Adjacent Collocation - 2-Wire Cross-Connects | | | CLOAC | PE1P2 | 0.32 | | | | | | | | | | | | | | | | |
| | Adjacent Collocation - 4-Wire Cross-Connects | | | UEA,UHL,UDL,UCL,CLOAC | PE1P4 | 0.64 | | | | | | | | | | | | | | | | |
| | Adjacent Collocation - DS1 Cross-Connects | | | USL,CLOAC | PE1P1 | 2.34 | | | | | | | | | | | | | | | | |
| | Adjacent Collocation - DS3 Cross-Connects | | | CLOAC | PE1P3 | 42.84 | | | | | | | | | | | | | | | | |
| | Adjacent Collocation - 2-Fiber Cross-Connect | | | CLOAC | PE1F2 | 2.94 | | | | | | | | | | | | | | | | |
| | Adjacent Collocation - 4-Fiber Cross-Connect | | | CLOAC | PE1F4 | 5.62 | | | | | | | | | | | | | | | | |
| | Adjacent Collocation - Application Fee | | | CLOAC | PE1JB | | | | | | | | | | | | | | | | | |
| | Adjacent Collocation - 120V, Single Phase Standby Power Rate per AC Breaker Amp | | | CLOAC | PE1FB | 5.50 | | | | | | | | | | | | | | | | |
| | Adjacent Collocation - 240V, Single Phase Standby Power Rate per AC Breaker Amp | | | CLOAC | PE1FD | 11.01 | | | | | | | | | | | | | | | | |
| | Adjacent Collocation - 120V, Three Phase Standby Power Rate per AC Breaker Amp | | | CLOAC | PE1FE | 16.51 | | | | | | | | | | | | | | | | |
| | Adjacent Collocation - 277V, Three Phase Standby Power Rate per AC Breaker Amp | | | CLOAC | PE1FG | 38.12 | | | | | | | | | | | | | | | | |
| PHYSICAL COLLOCATION IN THE REMOTE SITE | | | | | | | | | | | | | | | | | | | | | | |
| | Physical Collocation in the Remote Site - Application Fee | | | CLORS | PE1RA | | | | | | | | | | | | | | | | | |
| | Cabinet Space in the Remote Site per Bay/ Rack | | | CLORS | PE1RB | 254.02 | | | | | | | | | | | | | | | | |
| | Physical Collocation in the Remote Site - Security Access - Key | | | CLORS | PE1RD | | | | | | | | | | | | | | | | | |
| | Physical Collocation in the Remote Site - Space Availability Report per Premises Requested | | | CLORS | PE1SR | | | | | | | | | | | | | | | | | |
| | Physical Collocation in the Remote Site - Remote Site CLLI Code Request, per CLLI Code Requested | | | CLORS | PE1RE | | | | | | | | | | | | | | | | | |
| | Remote Site DLEC Data (BRSDDD), per Compact Disk, per CO | | | CLORS | PE1RR | | | | | | | | | | | | | | | | | |
| PHYSICAL COLLOCATION IN THE REMOTE SITE - ADJACENT | | | | | | | | | | | | | | | | | | | | | | |
| | Remote Site-Adjacent Collocation - AC Power, per breaker amp | | | CLORS | PE1RS | 6.27 | | | | | | | | | | | | | | | | |

| COLLOCATION - North Carolina | | | | | | | | | | | Attachment: 4 | | Exhibit: D | | |
|---|---|---------|------|-------|-------|-----------|--------------|----------------------------------|--------------------------------------|--|--|---|---|--------------|------------|
| CATEGORY | RATE ELEMENTS | Interim | Zone | BCS | USOC | RATES(\$) | | Svc Order Submitted Elec per LSR | Svc Order Submitted Manually per LSR | Incremental Charge - Manual Svc Order vs. Electronic-1st | Incremental Charge - Manual Svc Order vs. Electronic-Add'l | Incremental Charge - Manual Svc Order vs. Electronic-Disc 1st | Incremental Charge - Manual Svc Order vs. Electronic-Disc Add'l | | |
| | | | | | | Recurring | Nonrecurring | | | | | | | Nonrecurring | Disconnect |
| | | | | | | First | Add'l | First | Add'l | SOMEK | SOMAN | SOMAN | SOMAN | SOMAN | SOMAN |
| | Remote Site-Adjacent Collocation - Real Estate, per square foot | | | CLORS | PE1RT | 0.134 | | | | | | | | | |
| | Remote Site-Adjacent Collocation-Application Fee | | | CLORS | PE1RU | | 755.62 | 755.62 | | | | | | | |
| NOTE: If Security Escort and/or Add'l Engineering Fees become necessary for remote site collocation, the Parties will negotiate appropriate rates. | | | | | | | | | | | | | | | |

COLLOCATION - South Carolina

| COLLOCATION - South Carolina | | | | | | | | | | Attachment: 4 | | Exhibit: D | | | | | | | | | | |
|------------------------------|--|---------|------|---|-------|-----------|----------------------------------|--------------------------------------|--|--|---|---|---------------|--------------|-------|-------------------------|--|--------|-------|-------|-------|-------|
| CATEGORY | RATE ELEMENTS | Interim | Zone | BCS | USOC | RATES(\$) | Svc Order Submitted Elec per LSR | Svc Order Submitted Manually per LSR | Incremental Charge - Manual Svc Order vs. Electronic-1st | Incremental Charge - Manual Svc Order vs. Electronic-Add'l | Incremental Charge - Manual Svc Order vs. Electronic-Disc 1st | Incremental Charge - Manual Svc Order vs. Electronic-Disc Add'l | OSS Rates(\$) | | | | | | | | | |
| | | | | | | | | | | | | | Recurring | Nonrecurring | | Nonrecurring Disconnect | | SOME C | SOMAN | SOMAN | SOMAN | SOMAN |
| | | | | | | | | | | | | | First | Add'l | First | Add'l | | | | | | |
| PHYSICAL COLLOCATION | | | | | | | | | | | | | | | | | | | | | | |
| | Physical Collocation - Application Fee - Initial | | | CLO | PE1BA | 1,883.67 | 1,883.67 | 0.51 | 0.51 | | | | | | | | | | | | | |
| | Physical Collocation - Application Fee - Subsequent | | | CLO | PE1CA | 1,570.10 | 1,570.10 | 0.51 | 0.51 | | | | | | | | | | | | | |
| | Physical Collocation Reduced Rate - Application Fee - Subsequent | | | CLO | PE1BL | 743.66 | | | | | | | | | | | | | | | | |
| | Physical Collocation - Space Preparation - Firm Order Processing | | | CLO | PE1SJ | 602.05 | 602.05 | | | | | | | | | | | | | | | |
| | Physical Collocation - Space Preparation - C.O. Modification per square ft. | | | CLO | PE1SK | 2.75 | | | | | | | | | | | | | | | | |
| | Physical Collocation - Space Preparation - Common Systems Modification per square ft. - Cageless | | | CLO | PE1SL | 3.24 | | | | | | | | | | | | | | | | |
| | Physical Collocation - Space Preparation - Common Systems Modification per Cage | | | CLO | PE1SM | 110.16 | | | | | | | | | | | | | | | | |
| | Physical Collocation - Cable Installation | | | CLO | PE1BD | 794.22 | 794.22 | 22.54 | 22.54 | | | | | | | | | | | | | |
| | Physical Collocation - Floor Space per Sq. Ft. | | | CLO | PE1PJ | 3.95 | | | | | | | | | | | | | | | | |
| | Physical Collocation - Cable Support Structure | | | CLO | PE1PM | 21.33 | | | | | | | | | | | | | | | | |
| | Physical Collocation - Power -48V DC Power, per Fused Amp | | | CLO | PE1PL | 9.19 | | | | | | | | | | | | | | | | |
| | Physical Collocation - Power Reduction, Application Fee | I | | CLO | PE1PR | 400.33 | | | | | | | | | | | | | | | | |
| | Physical Collocation - 120V, Single Phase Standby Power Rate | | | CLO | PE1FB | 5.67 | | | | | | | | | | | | | | | | |
| | Physical Collocation - 240V, Single Phase Standby Power Rate | | | CLO | PE1FD | 11.36 | | | | | | | | | | | | | | | | |
| | Physical Collocation - 120V, Three Phase Standby Power Rate | | | CLO | PE1FE | 17.03 | | | | | | | | | | | | | | | | |
| | Physical Collocation - 277V, Three Phase Standby Power Rate | | | CLO | PE1FG | 39.33 | | | | | | | | | | | | | | | | |
| | Physical Collocation - 2-Wire Cross-Connects | | | UEANL,UEA,UDN,UDC,UAL,UHL,UCL,U EQ, UDL, UNCVX, UNLDX, UNCNX | PE1P2 | 0.0341 | 12.32 | 11.83 | 6.04 | 5.45 | | | | | | | | | | | | |
| | Physical Collocation - 4-Wire Cross-Connects | | | CLO, UAL, UDL, UDN, UEA, UHL, UNCVX, UNCDX, UCL | PE1P4 | 0.0682 | 12.42 | 11.90 | 6.40 | 5.74 | | | | | | | | | | | | |
| | Physical Collocation - DS1 Cross-Connects | | | CLO,UEANL,UEQ,WDS1L,WDS1S, USL, U1TD1, UXTD1, UNC1X, ULDD1, USLEL, UNLD1, UDL | PE1P1 | 1.12 | 22.08 | 15.96 | 6.42 | 5.80 | | | | | | | | | | | | |
| | Physical Collocation - DS3 Cross-Connects | | | CLO, UE3,U1TD3, UXTD3, UXTS1, UNC3X, UNCSX, ULDD3, U1TS1,ULDS1, UNLD3, UDL | PE1P3 | 14.21 | 20.94 | 15.23 | 7.39 | 5.93 | | | | | | | | | | | | |
| | Physical Collocation - 2-Fiber Cross-Connect | | | CLO, ULDO3, ULD12, ULD48, U1TO3, U1T12, U1T48, UDLO3, UDL12, UDF | PE1F2 | 2.82 | 20.94 | 15.23 | 7.40 | 5.93 | | | | | | | | | | | | |
| | Physical Collocation - 4-Fiber Cross-Connect | | | CLO, ULDO3, ULD12, ULD48, U1TO3, U1T12, U1T48, UDLO3, UDL12, UDF | PE1F4 | 5.01 | 25.61 | 19.90 | 9.73 | 8.26 | | | | | | | | | | | | |
| | Physical Collocation - Welded Wire Cage - First 100 Sq. Ft. | | | CLO | PE1BW | 219.19 | | | | | | | | | | | | | | | | |

| COLLOCATION - South Carolina | | | | | | | | | | Attachment: 4 | | Exhibit: D | | | | | | | | | | | |
|------------------------------|---|---------|------|--|-------|-----------|----------------------------------|--------------------------------------|--|--|---|---|---------------|--------------|-------|-------------------------|--|-------|-------|-------|-------|-------|-------|
| CATEGORY | RATE ELEMENTS | Interim | Zone | BCS | USOC | RATES(\$) | Svc Order Submitted Elec per LSR | Svc Order Submitted Manually per LSR | Incremental Charge - Manual Svc Order vs. Electronic-1st | Incremental Charge - Manual Svc Order vs. Electronic-Add'l | Incremental Charge - Manual Svc Order vs. Electronic-Disc 1st | Incremental Charge - Manual Svc Order vs. Electronic-Disc Add'l | OSS Rates(\$) | | | | | | | | | | |
| | | | | | | | | | | | | | Recurring | Nonrecurring | | Nonrecurring Disconnect | | SOMEc | SOMAN | SOMAN | SOMAN | SOMAN | SOMAN |
| | | | | | | | | | | | | | First | Add'l | First | Add'l | | | | | | | |
| | Physical Collocation - Welded Wire Cage - Add'l 50 Sq. Ft. | | | CLO | PE1CW | 21.50 | | | | | | | | | | | | | | | | | |
| | Physical Collocation - Security Access System - Security System per Central Office | | | CLO | PE1AX | 74.72 | | | | | | | | | | | | | | | | | |
| | Physical Collocation - Security Access System - New Access Card Activation, per Card | | | CLO | PE1A1 | 0.0601 | | | 27.85 | 27.85 | | | | | | | | | | | | | |
| | Physical Collocation-Security Access System-Administrative Change, existing Access Card, per Card | | | CLO | PE1AA | | | | 7.81 | 7.81 | | | | | | | | | | | | | |
| | Physical Collocation - Security Access System - Replace Lost or Stolen Card, per Card | | | CLO | PE1AR | | | | 22.83 | 22.83 | | | | | | | | | | | | | |
| | Physical Collocation - Security Access - Initial Key, per Key | | | CLO | PE1AK | | | | 13.13 | 13.13 | | | | | | | | | | | | | |
| | Physical Collocation - Security Access - Key, Replace Lost or Stolen Key, per Key | | | CLO | PE1AL | | | | 13.13 | 13.13 | | | | | | | | | | | | | |
| | Physical Collocation - Space Availability Report per premises | | | CLO | PE1SR | | | | 1,077.57 | 1,077.57 | | | | | | | | | | | | | |
| | POT Bay Arrangements prior to 6/1/99 - 2-Wire Cross-Connect, per cross-connect | | | UEANL,UEA,UDN,U DC,UAL,UHL,UCL,U EQ,CLO,UDL, UNCVX, UNCDX, UNCNX | PE1PE | 0.085 | | | | | | | | | | | | | | | | | |
| | POT Bay Arrangements prior to 6/1/99 - 4-Wire Cross-Connect, per cross-connect | | | UEANL,UEA,UDN,U DC,UAL,UHL,UCL,U EQ,CLO, USL, UNCVX, UNCDX | PE1PF | 0.1701 | | | | | | | | | | | | | | | | | |
| | POT Bay Arrangements prior to 6/1/99 - DS1 Cross-Connect, per cross-connect | | | UEANL,UEA,UDN,U DC,UAL,UHL,UCL,U EQ,CLO,WDS1L,W DS1S, USL, U1TD1, UXTD1, UNC1X, ULDD1, USLEL, UNLD1 | PE1PG | 1.20 | | | | | | | | | | | | | | | | | |
| | POT Bay Arrangements prior to 6/1/99 - DS3 Cross-Connect, per cross-connect | | | UEANL,UEA,UDN,U DC,UAL,UHL,UCL,U EQ,CLO,UE3, U1TD3, UXTD3, UXTS1, UNC3X, UNCSX, ULDD3, U1TS1, ULDS1, UNLD3, UDL, UDLSX | PE1PH | 10.71 | | | | | | | | | | | | | | | | | |
| | POT Bay Arrangements prior to 6/1/99 - 2-Fiber Cross-Connect, per cross-connect | | | UEANL,UEA,UDN,U DC,UAL,UHL,UCL,U EQ,CLO, ULDO3, ULD12, ULD48, U1TO3, U1T12, U1T48, UDLO3, UDL12, UDF | PE1B2 | 36.55 | | | | | | | | | | | | | | | | | |
| | POT Bay Arrangements prior to 6/1/99 - 4-Fiber Cross-Connect, per cross-connect | | | UEANL,UEA,UDN,U DC,UAL,UHL,UCL,U EQ,CLO, ULDO3, ULD12, ULD48, U1TO3, U1T12, U1T48, UDLO3, UDL12, UDF | PE1B4 | 49.29 | | | | | | | | | | | | | | | | | |
| | Physical Collocation - Request Resend of CFA Information, per CLI | | | CLO | PE1C9 | | | | 77.71 | | | | | | | | | | | | | | |
| | Collocation Cable Records - per request | | | CLO | PE1CR | | | | 760.98 | | | | 133.29 | | | | | | | | | | |
| | Collocation Cable Records - VG/DS0 Cable, per cable record | | | CLO | PE1CD | | | | 327.65 | | | | 189.54 | | | | | | | | | | |
| | Collocation Cable Records - VG/DS0 Cable, per each 100 pair | | | CLO | PE1CO | | | | 4.82 | 4.82 | | | 5.91 | 5.91 | | | | | | | | | |
| | Collocation Cable Records - DS1, per T1TIE | | | CLO | PE1C1 | | | | 2.26 | 2.26 | | | 2.77 | 2.77 | | | | | | | | | |

| COLLOCATION - South Carolina | | | | | | | | | | Attachment: 4 | | Exhibit: D | | | | | | | | | | |
|---|---|---------|------|------------------------|-------|-----------|----------------------------------|--------------------------------------|--|--|---|---|---------------|--------------|-------|-------------------------|--|-------|-------|-------|-------|-------|
| CATEGORY | RATE ELEMENTS | Interim | Zone | BCS | USOC | RATES(\$) | Svc Order Submitted Elec per LSR | Svc Order Submitted Manually per LSR | Incremental Charge - Manual Svc Order vs. Electronic-1st | Incremental Charge - Manual Svc Order vs. Electronic-Add'l | Incremental Charge - Manual Svc Order vs. Electronic-Disc 1st | Incremental Charge - Manual Svc Order vs. Electronic-Disc Add'l | OSS Rates(\$) | | | | | | | | | |
| | | | | | | | | | | | | | Recurring | Nonrecurring | | Nonrecurring Disconnect | | SOMEC | SOMAN | SOMAN | SOMAN | SOMAN |
| | | | | | | | | | | | | | First | Add'l | First | Add'l | | | | | | |
| | Collocation Cable Records - DS3, per T3TIE | | | CLO | PE1C3 | | | | | | | | 7.90 | 7.90 | 9.68 | 9.68 | | | | | | |
| | Collocation Cable Records - Fiber Cable, per 99 fiber records | | | CLO | PE1CB | | | | | | | | 84.68 | 84.68 | 77.30 | 77.30 | | | | | | |
| | Physical Collocation - Security Escort - Basic, per Half Hour | | | CLO,CLORS | PE1BT | | | | | | | | 16.96 | 10.75 | | | | | | | | |
| | Physical Collocation - Security Escort - Overtime, per Half Hour | | | CLO,CLORS | PE1OT | | | | | | | | 22.10 | 13.89 | | | | | | | | |
| | Physical Collocation - Security Escort - Premium, per Half Hour | | | CLO,CLORS | PE1PT | | | | | | | | 27.23 | 17.02 | | | | | | | | |
| | V to P Conversion, Per Customer Request-Voice Grade | | | CLO | PE1BV | 33.00 | | | | | | | | | | | | | | | | |
| | V to P Conversion, Per Customer Request-DS0 | | | CLO | PE1BO | 33.00 | | | | | | | | | | | | | | | | |
| | V to P Conversion, Per Customer Request-DS1 | | | CLO | PE1B1 | 52.00 | | | | | | | | | | | | | | | | |
| | V to P Conversion, Per Customer request-DS3 | | | CLO | PE1B3 | 52.00 | | | | | | | | | | | | | | | | |
| | V to P Conversion, Per Customer Request per VG Circuit Reconfigured | | | CLO | PE1BR | 23.00 | | | | | | | | | | | | | | | | |
| | V to P Conversion, Per Customer Request per DS0 Circuit Reconfigured | | | CLO | PE1BP | 23.00 | | | | | | | | | | | | | | | | |
| | V to P Conversion, Per Customer Request per DS1 Circuit Reconfigured | | | CLO | PE1BS | 33.00 | | | | | | | | | | | | | | | | |
| | V to P Conversion, Per Customer Request per DS3 Circuit Reconfigured | | | CLO | PE1BE | 37.00 | | | | | | | | | | | | | | | | |
| | V to P Conversion, Cable Pairs Assigned to Collo Space per 700 prs or fraction thereof | | | CLO | PE1B7 | 592.00 | | | | | | | | | | | | | | | | |
| | Physical Collocation - Co-Carrier Cross Connects - Fiber Cable Support Structure, per cable, per linear ft. | | | CLO,UDF | PE1ES | 0.001 | | | | | | | | | | | | | | | | |
| | Physical Collocation - Co-Carrier Cross Connects - Copper/Coax Cable Support Structure, per cable, per lin. ft. | | | CLO, UE3, USL | PE1DS | 0.0015 | | | | | | | | | | | | | | | | |
| | Physical Collocation - Co-Carrier Cross Connects - Application Fee, per application | | | CLO | PE1DT | | | | | | | | 584.42 | | | | | | | | | |
| ADJACENT COLLOCATION | | | | | | | | | | | | | | | | | | | | | | |
| | Adjacent Collocation - Space Charge per Sq. Ft. | | | CLOAC | PE1JA | 0.0939 | | | | | | | | | | | | | | | | |
| | Adjacent Collocation - Electrical Facility Charge per Linear Ft. | | | CLOAC | PE1JC | 6.40 | | | | | | | | | | | | | | | | |
| | Adjacent Collocation - 2-Wire Cross-Connects | | | CLOAC | PE1P2 | 0.0264 | 12.32 | 11.83 | 6.04 | 5.45 | | | | | | | | | | | | |
| | Adjacent Collocation - 4-Wire Cross-Connects | | | UEA,UHL,UDL,UCL, CLOAC | PE1P4 | 0.0527 | 12.42 | 11.90 | 6.40 | 5.74 | | | | | | | | | | | | |
| | Adjacent Collocation - DS1 Cross-Connects | | | USL,CLOAC | PE1P1 | 1.03 | 22.08 | 15.96 | 6.42 | 5.80 | | | | | | | | | | | | |
| | Adjacent Collocation - DS3 Cross-Connects | | | CLOAC | PE1P3 | 14.00 | 20.94 | 15.23 | 7.39 | 5.93 | | | | | | | | | | | | |
| | Adjacent Collocation - 2-Fiber Cross-Connect | | | CLOAC | PE1F2 | 2.37 | 20.94 | 15.23 | 7.40 | 5.93 | | | | | | | | | | | | |
| | Adjacent Collocation - 4-Fiber Cross-Connect | | | CLOAC | PE1F4 | 4.53 | 25.61 | 19.90 | 9.73 | 8.26 | | | | | | | | | | | | |
| | Adjacent Collocation - Application Fee | | | CLOAC | PE1JB | | 1,580.20 | | 0.51 | | | | | | | | | | | | | |
| | Adjacent Collocation - 120V, Single Phase Standby Power Rate per AC Breaker Amp | | | CLOAC | PE1FB | 5.67 | | | | | | | | | | | | | | | | |
| | Adjacent Collocation - 240V, Single Phase Standby Power Rate per AC Breaker Amp | | | CLOAC | PE1FD | 11.36 | | | | | | | | | | | | | | | | |
| | Adjacent Collocation - 120V, Three Phase Standby Power Rate per AC Breaker Amp | | | CLOAC | PE1FE | 17.03 | | | | | | | | | | | | | | | | |
| | Adjacent Collocation - 277V, Three Phase Standby Power Rate per AC Breaker Amp | | | CLOAC | PE1FG | 39.33 | | | | | | | | | | | | | | | | |
| PHYSICAL COLLOCATION IN THE REMOTE SITE | | | | | | | | | | | | | | | | | | | | | | |
| | Physical Collocation in the Remote Site - Application Fee | | | CLORS | PE1RA | | 308.38 | 308.38 | 168.60 | 168.60 | | | | | | | | | | | | |
| | Cabinet Space in the Remote Site per Bay/ Rack | | | CLORS | PE1RB | 246.44 | | | | | | | | | | | | | | | | |
| | Physical Collocation in the Remote Site - Security Access - Key | | | CLORS | PE1RD | | 13.13 | 13.13 | | | | | | | | | | | | | | |
| | Physical Collocation in the Remote Site - Space Availability Report per Premises Requested | | | CLORS | PE1SR | | 116.13 | 116.13 | | | | | | | | | | | | | | |
| | Physical Collocation in the Remote Site - Remote Site CLLI Code Request, per CLLI Code Requested | | | CLORS | PE1RE | | 37.64 | 37.64 | | | | | | | | | | | | | | |
| | Remote Site DLEC Data (BRSDD), per Compact Disk, per CO | | | CLORS | PE1RR | | 234.50 | | | | | | | | | | | | | | | |
| PHYSICAL COLLOCATION IN THE REMOTE SITE - ADJACENT | | | | | | | | | | | | | | | | | | | | | | |
| | Remote Site-Adjacent Collocation - AC Power, per breaker amp | | | CLORS | PE1RS | 6.27 | | | | | | | | | | | | | | | | |

| COLLOCATION - South Carolina | | | | | | | | | | | Attachment: 4 | | Exhibit: D | | |
|---|---|---------|------|-------|-------|-----------|--------------|--------|--------------|----------------------------------|--------------------------------------|--|--|---|---|
| CATEGORY | RATE ELEMENTS | Interim | Zone | BCS | USOC | RATES(\$) | | | | Svc Order Submitted Elec per LSR | Svc Order Submitted Manually per LSR | Incremental Charge - Manual Svc Order vs. Electronic-1st | Incremental Charge - Manual Svc Order vs. Electronic-Add'l | Incremental Charge - Manual Svc Order vs. Electronic-Disc 1st | Incremental Charge - Manual Svc Order vs. Electronic-Disc Add'l |
| | | | | | | Recurring | Nonrecurring | | Nonrecurring | | | | | | |
| | | | | | | | First | Add'l | First | Add'l | SOMEK | SOMAN | SOMAN | SOMAN | SOMAN |
| | Remote Site-Adjacent Collocation - Real Estate, per square foot | | | CLORS | PE1RT | 0.134 | | | | | | | | | |
| | Remote Site-Adjacent Collocation-Application Fee | | | CLORS | PE1RU | | 755.62 | 755.62 | | | | | | | |
| NOTE: If Security Escort and/or Add'l Engineering Fees become necessary for remote site collocation, the Parties will negotiate appropriate rates. | | | | | | | | | | | | | | | |

| COLLOCATION - Tennessee | | | | | | | | | | Attachment: 4 | | Exhibit: D | | | | | | | |
|-----------------------------|--|---------|------|---|-------|-----------|--------------------|----------------------------------|--------------------------------------|--|--|---|---|--------|--------------------|------------------|---------------|-------|-------|
| CATEGORY | RATE ELEMENTS | Interim | Zone | BCS | USOC | RATES(\$) | | Svc Order Submitted Elec per LSR | Svc Order Submitted Manually per LSR | Incremental Charge - Manual Svc Order vs. Electronic-1st | Incremental Charge - Manual Svc Order vs. Electronic-Add'l | Incremental Charge - Manual Svc Order vs. Electronic-Disc 1st | Incremental Charge - Manual Svc Order vs. Electronic-Disc Add'l | | | | | | |
| | | | | | | Recurring | Nonrecurring First | | | | | | | Add'l | Nonrecurring First | Disconnect Add'l | OSS Rates(\$) | | |
| | | | | | | | | | | | | | | SOME C | SOMAN | SOMAN | SOMAN | SOMAN | SOMAN |
| PHYSICAL COLLOCATION | | | | | | | | | | | | | | | | | | | |
| | Physical Collocation - Application Fee - Initial | | | CLO | PE1BA | | 3,767.00 | 3,767.00 | | | | | | | | | | | |
| | Physical Collocation - Application Fee - Subsequent | | | CLO | PE1CA | | 3,140.00 | 3,140.00 | | | | | | | | | | | |
| | Physical Collocation Reduced Rate - Application Fee - Subsequent | | | CLO | PE1BL | | 743.25 | | | | | | | | | | | | |
| | Physical Collocation - Space Preparation - Firm Order Processing | I | | CLO | PE1SJ | | 1,204.00 | 1,204.00 | | | | | | | | | | | |
| | Physical Collocation - Space Preparation - C.O. Modification per square ft. | I | | CLO | PE1SK | 2.74 | | | | | | | | | | | | | |
| | Physical Collocation - Space Preparation - Common Systems Modification per square ft. - Cageless | I | | CLO | PE1SL | 2.95 | | | | | | | | | | | | | |
| | Physical Collocation - Space Preparation - Common Systems Modification per Cage | I | | CLO | PE1SM | 100.14 | | | | | | | | | | | | | |
| | Physical Collocation - Cable Installation | | | CLO | PE1BD | | 1,757.00 | 1,757.00 | | | | | | | | | | | |
| | Physical Collocation - Floor Space per Sq. Ft. | | | CLO | PE1PJ | 6.75 | | | | | | | | | | | | | |
| | Physical Collocation - Cable Support Structure | | | CLO | PE1PM | 19.80 | | | | | | | | | | | | | |
| | Physical Collocation - Power -48V DC Power, per Fused Amp | I | | CLO | PE1PL | 8.87 | | | | | | | | | | | | | |
| | Physical Collocation - Power Reduction, Application Fee | I | | CLO | PE1PR | | 400.10 | | | | | | | | | | | | |
| | Physical Collocation - 120V, Single Phase Standby Power Rate | I | | CLO | PE1FB | 5.60 | | | | | | | | | | | | | |
| | Physical Collocation - 240V, Single Phase Standby Power Rate | I | | CLO | PE1FD | 11.22 | | | | | | | | | | | | | |
| | Physical Collocation - 120V, Three Phase Standby Power Rate | I | | CLO | PE1FE | 16.82 | | | | | | | | | | | | | |
| | Physical Collocation - 277V, Three Phase Standby Power Rate | I | | CLO | PE1FG | 38.84 | | | | | | | | | | | | | |
| | Physical Collocation - 2-Wire Cross-Connects | | | UEANL,UEA,UDN,UDC,UAL,UHL,UCL,U EQ,UDL,UNCVX,UNLDX,UNCNX | PE1P2 | 0.033 | 33.82 | 31.92 | | | | | | | | | | | |
| | Physical Collocation - 4-Wire Cross-Connects | | | CLO,UAL,UDL,UDN,UEA,UHL,UNCVX,UNCDX,UCL | PE1P4 | 0.066 | 33.94 | 31.95 | | | | | | | | | | | |
| | Physical Collocation - DS1 Cross-Connects | | | CLO,UEANL,UEQ,WDS1L,WDS1S,USL,U1TD1,UXTD1,UNC1X,ULDD1,USLEL,UNLD1,UDL | PE1P1 | 1.51 | 53.27 | 40.16 | | | | | | | | | | | |
| | Physical Collocation - DS3 Cross-Connects | | | CLO,UE3,U1TD3,UXTD3,UXTS1,UNC3X,UNCSX,ULDD3,U1TS1,ULDS1,UNLD3,UDL | PE1P3 | 19.26 | 52.37 | 38.89 | | | | | | | | | | | |
| | Physical Collocation - 2-Fiber Cross-Connect | | | CLO,ULDO3,ULD12,ULD48,U1TO3,U1T12,U1T48,UDLO3,UDL12,UDF | PE1F2 | 15.64 | 41.56 | 29.82 | 12.96 | 10.34 | 2.69 | 2.69 | 1.56 | 1.56 | | | | | |
| | Physical Collocation - 4-Fiber Cross-Connect | | | CLO,ULDO3,ULD12,ULD48,U1TO3,U1T12,U1T48,UDLO3,UDL12,UDF | PE1F4 | 28.11 | 50.53 | 38.78 | 16.97 | 14.35 | 2.69 | 2.69 | 1.56 | 1.56 | | | | | |
| | Physical Collocation - Welded Wire Cage - First 100 Sq. Ft. | | | CLO | PE1BW | | 218.53 | | | | | | | | | | | | |

| COLLOCATION - Tennessee | | | | | | | | | | | Attachment: 4 | | Exhibit: D | | |
|-------------------------|---|---------|------|--|-------|-----------|--------------|----------------------------------|--------------------------------------|--|--|---|---|-------------------------|-------|
| CATEGORY | RATE ELEMENTS | Interim | Zone | BCS | USOC | RATES(\$) | | Svc Order Submitted Elec per LSR | Svc Order Submitted Manually per LSR | Incremental Charge - Manual Svc Order vs. Electronic-1st | Incremental Charge - Manual Svc Order vs. Electronic-Add'l | Incremental Charge - Manual Svc Order vs. Electronic-Disc 1st | Incremental Charge - Manual Svc Order vs. Electronic-Disc Add'l | | |
| | | | | | | Recurring | Nonrecurring | | | | | | | Nonrecurring Disconnect | |
| | | | | | | First | Add'l | First | Add'l | SOMEc | SOMAN | SOMAN | SOMAN | SOMAN | SOMAN |
| | Physical Collocation - Welded Wire Cage - Add'l 50 Sq. Ft. | | | CLO | PE1CW | 21.44 | | | | | | | | | |
| | Physical Collocation - Security Access System - Security System per Central Office | | | CLO | PE1AX | 55.99 | | | | | | | | | |
| | Physical Collocation - Security Access System - New Access Card Activation, per Card | | | CLO | PE1A1 | 0.059 | 55.67 | 55.67 | | | | | | | |
| | Physical Collocation-Security Access System-Administrative Change, existing Access Card, per Card | | | CLO | PE1AA | | 15.61 | 15.61 | | | | | | | |
| | Physical Collocation - Security Access System - Replace Lost or Stolen Card, per Card | | | CLO | PE1AR | | 45.64 | 45.64 | | | | | | | |
| | Physical Collocation - Security Access - Initial Key, per Key | | | CLO | PE1AK | | 26.24 | 26.24 | | | | | | | |
| | Physical Collocation - Security Access - Key, Replace Lost or Stolen Key, per Key | | | CLO | PE1AL | | 26.24 | 26.24 | | | | | | | |
| | Physical Collocation - Space Availability Report per premises | I | | CLO | PE1SR | | 2,027.00 | 2,154.00 | | | | | | | |
| | POT Bay Arrangements prior to 6/1/99 - 2-Wire Cross-Connect, per cross-connect | | | UEANL,UEA,UDN,U DC,UAL,UHL,UCL,U EQ,CLO,UDL, UNCVX, UNCDX, UNCNX | PE1PE | 0.40 | | | | | | | | | |
| | POT Bay Arrangements prior to 6/1/99 - 4-Wire Cross-Connect, per cross-connect | | | UEANL,UEA,UDN,U DC,UAL,UHL,UCL,U EQ,CLO, USL, UNCVX, UNCDX | PE1PF | 1.20 | | | | | | | | | |
| | POT Bay Arrangements prior to 6/1/99 - DS1 Cross-Connect, per cross-connect | | | UEANL,UEA,UDN,U DC,UAL,UHL,UCL,U EQ,CLO,WDS1L,W DS1S, USL, U1TD1, UXTD1, UNC1X, ULDD1, USLEL, UNLD1 | PE1PG | 1.20 | | | | | | | | | |
| | POT Bay Arrangements prior to 6/1/99 - DS3 Cross-Connect, per cross-connect | | | UEANL,UEA,UDN,U DC,UAL,UHL,UCL,U EQ,CLO,UE3, U1TD3, UXTD3, UXTS1, UNC3X, UNCSX, ULDD3, U1TS1, ULDS1, UNLD3, UDL, UDLSX | PE1PH | 8.00 | | | | | | | | | |
| | POT Bay Arrangements prior to 6/1/99 - 2-Fiber Cross-Connect, Per Cross-Connect | | | UEANL,UEA,UDN,U DC,UAL,UHL,UCL,U EQ,CLO, ULDO3, ULD12, ULD48, U1TO3, U1T12, U1T48, UDLO3, UDL12, UDF | PE1B2 | 38.79 | | | | | | | | | |
| | POT Bay Arrangements prior to 6/1/99 - 4-Fiber Cross-Connect, per cross-connect | | | UEANL,UEA,UDN,U DC,UAL,UHL,UCL,U EQ,CLO, ULDO3, ULD12, ULD48, U1TO3, U1T12, U1T48, UDLO3, UDL12, UDF | PE1B4 | 52.31 | | | | | | | | | |
| | Physical Collocation - Request Resend of CFA Information, per CLI | | | CLO | PE1C9 | | 77.67 | | | | | | | | |
| | Collocation Cable Records - per request | | | CLO | PE1CR | | 1,711.00 | | | | | | | | |
| | Collocation Cable Records - VG/DS0 Cable, per cable record | | | CLO | PE1CD | | 925.06 | | | | | | | | |
| | Collocation Cable Records - VG/DS0 Cable, per each 100 pair | | | CLO | PE1CO | | 18.05 | 18.05 | | | | | | | |
| | Collocation Cable Records - DS1, per T1TIE | | | CLO | PE1C1 | | 8.45 | 8.45 | | | | | | | |

COLLOCATION - Tennessee

| COLLOCATION - Tennessee | | | | | | | | | | Attachment: 4 | | Exhibit: D | | | |
|-------------------------|---|---------|------|-----------|-------|-----------|--------------|----------------------------------|--------------------------------------|--|--|---|---|--------------|------------|
| CATEGORY | RATE ELEMENTS | Interim | Zone | BCS | USOC | RATES(\$) | | Svc Order Submitted Elec per LSR | Svc Order Submitted Manually per LSR | Incremental Charge - Manual Svc Order vs. Electronic-1st | Incremental Charge - Manual Svc Order vs. Electronic-Add'l | Incremental Charge - Manual Svc Order vs. Electronic-Disc 1st | Incremental Charge - Manual Svc Order vs. Electronic-Disc Add'l | | |
| | | | | | | Recurring | Nonrecurring | | | | | | | Nonrecurring | Disconnect |
| | | | | | | First | Add'l | First | Add'l | SOMEc | SOMAN | SOMAN | SOMAN | SOMAN | SOMAN |
| | Collocation Cable Records - DS3, per T3TIE | | | CLO | PE1C3 | 29.57 | 29.57 | | | | | | | | |
| | Collocation Cable Records - Fiber Cable, per 99 fiber records | | | CLO | PE1CB | 279.42 | 279.42 | | | | | | | | |
| | Physical Collocation - Security Escort - Basic, per Half Hour | | | CLO,CLORS | PE1BT | 33.91 | 21.49 | | | | | | | | |
| | Physical Collocation - Security Escort - Overtime, per Half Hour | | | CLO,CLORS | PE1OT | 44.17 | 27.76 | | | | | | | | |
| | Physical Collocation - Security Escort - Premium, per Half Hour | | | CLO,CLORS | PE1PT | 54.42 | 34.02 | | | | | | | | |
| | V to P Conversion, Per Customer Request-Voice Grade | | | CLO | PE1BV | 33.00 | | | | | | | | | |
| | V to P Conversion, Per Customer Request-DS0 | | | CLO | PE1BO | 33.00 | | | | | | | | | |
| | V to P Conversion, Per Customer Request-DS1 | | | CLO | PE1B1 | 52.00 | | | | | | | | | |
| | V to P Conversion, Per Customer request-DS3 | | | CLO | PE1B3 | 52.00 | | | | | | | | | |
| | V to P Conversion, Per Customer Request per VG Circuit Reconfigured | | | CLO | PE1BR | 23.00 | | | | | | | | | |
| | V to P Conversion, Per Customer Request per DS0 Circuit Reconfigured | | | CLO | PE1BP | 23.00 | | | | | | | | | |
| | V to P Conversion, Per Customer Request per DS1 Circuit Reconfigured | | | CLO | PE1BS | 33.00 | | | | | | | | | |
| | V to P Conversion, Per Customer Request per DS3 Circuit Reconfigured | | | CLO | PE1BE | 37.00 | | | | | | | | | |
| | V to P Conversion, Cable Pairs Assigned to Collo Space per 700 prs or fraction thereof | | | CLO | PE1B7 | 592.00 | | | | | | | | | |
| | Physical Caged Collocation-App Cost(initial & sub)-Planning, per request | | | CLO | PEIAC | 16.16 | 2,903.66 | 2,903.66 | | | | | | | |
| | Physical Caged Collocation-Space Prep-Grounding, per location | | | CLO | PE1BB | 4.32 | | | | | | | | | |
| | Physical Caged Collocation-Space Prep-Power Delivery, per 40 amp Feed | | | CLO | PE1SN | 142.40 | | | | | | | | | |
| | Physical Caged Collocation-Space Prep-Power Delivery, per 100 amp Feed | | | CLO | PE1SO | 185.72 | | | | | | | | | |
| | Physical Caged Collocation-Space Prep-Power Delivery, per 200 amp Feed | | | CLO | PEISP | 242.05 | | | | | | | | | |
| | Physical Caged Collocation-Space Enclosure-Cage Preparation, per first 100 sq. ft. | | | CLO | PE1S1 | 110.97 | | | | | | | | | |
| | Physical Caged Collocation-Space Enclosure-Cage Preparation2, per add'l 50 sq. ft. | | | CLO | PE1S5 | 55.49 | | | | | | | | | |
| | Physical Caged collocation-Cable Installation-Entrance Fiber Structure, interduct per ft. | | | CLO | PE1CP | 0.0156 | | | | | | | | | |
| | Physical Caged Collocation-Cable Installation-Entrance Fiber, per cable | | | CLO | PE1CQ | 2.56 | 944.27 | | | | | | | | |
| | Physical Caged Collocation-Floor Space-Land & Buildings, per sq. ft. | | | CLO | PE1FS | 5.94 | | | | | | | | | |
| | Physical Caged Collocation-Cable Support Structure-Cable Racking, per entrance cable | | | CLO | PE1CS | 21.47 | | | | | | | | | |
| | Physical Caged Collocation-Power-Power Consumption, per amp DC plant | | | CLO | PE1PN | 3.55 | | | | | | | | | |
| | Physical Caged Collocation-Power-Power Consumption,per amp AC usage | | | CLO | PE1PO | 2.03 | | | | | | | | | |
| | Physical Caged Collocation-2-wire Cross Connects-Voice Grade ckts, per ckt. | | | CLO | PE12C | 0.0475 | 7.68 | | | | | | | | |
| | Physical Caged Collocation-4-wire Cross Connects-Voice Grade Ckts, per ckt. | | | CLO | PE14C | 0.0475 | 7.68 | | | | | | | | |
| | Physical Caged Collocation-DS1 Cross Connects-connection to DCS, per ckt. | | | CLO | PE11S | 7.68 | 41.65 | | | | | | | | |
| | Physical Caged Collocation-DS1 Cross Connects-Connection to DSX, per ckt. | | | CLO | PE11X | 0.38 | 41.65 | | | | | | | | |
| | Physical Caged Collocation-DS3 Cross Connects-Connection to DCS, per ckt. | | | CLO | PE13S | 53.96 | 298.03 | | | | | | | | |
| | Physical Caged Collocation-DS3 Cross Connects-Connection to DSX, per ckt. | | | CLO | PE13X | 9.32 | 298.03 | | | | | | | | |

| COLLOCATION - Tennessee | | | | | | | | | | | Attachment: 4 | | Exhibit: D | | | |
|---|---|---------|------|-----------------------|-------|-----------|--------------------|--------|--------------------|----------------------------------|--------------------------------------|--|--|---|---|------------------|
| CATEGORY | RATE ELEMENTS | Interim | Zone | BCS | USOC | RATES(\$) | | | | Svc Order Submitted Elec per LSR | Svc Order Submitted Manually per LSR | Incremental Charge - Manual Svc Order vs. Electronic-1st | Incremental Charge - Manual Svc Order vs. Electronic-Add'l | Incremental Charge - Manual Svc Order vs. Electronic-Disc 1st | Incremental Charge - Manual Svc Order vs. Electronic-Disc Add'l | |
| | | | | | | Recurring | Nonrecurring First | Add'l | Nonrecurring First | | | | | | | Disconnect Add'l |
| | | | | | | | | | | | SOMEC | SOMAN | SOMAN | SOMAN | SOMAN | SOMAN |
| | Physical Caged Collocation-Security Access-Access Cards, per 5 Cards | | | CLO | PE1A2 | | 76.10 | | | | | | | | | |
| | Physical Collocation - Co-Carrier Cross Connects - Fiber Cable Support Structure, per cable, per linear ft. | | | CLO,UDF | PE1ES | 0.0013 | | | | | | | | | | |
| | Physical Collocation - Co-Carrier Cross Connects - Copper/Coax Cable Support Structure, per cable, per lin. ft. | | | CLO, UE3, USL | PE1DS | 0.0019 | | | | | | | | | | |
| | Physical Collocation - Co-Carrier Cross Connects - Application Fee, per application | | | CLO | PE1DT | | 585.09 | | | | | | | | | |
| ADJACENT COLLOCATION | | | | | | | | | | | | | | | | |
| | Adjacent Collocation - Space Charge per Sq. Ft. | | | CLOAC | PE1JA | 0.0656 | | | | | | | | | | |
| | Adjacent Collocation - Electrical Facility Charge per Linear Ft. | | | CLOAC | PE1JC | 5.53 | | | | | | | | | | |
| | Adjacent Collocation - 2-Wire Cross-Connects | | | CLOAC | PE1P2 | 0.034 | 11.12 | 10.18 | 11.33 | 10.23 | | 1.77 | 1.77 | 1.12 | 1.12 | |
| | Adjacent Collocation - 4-Wire Cross-Connects | | | UEA,UHL,UDL,UCL,CLOAC | PE1P4 | 0.33 | 11.30 | 10.31 | 11.62 | 10.44 | | 1.77 | 1.77 | 1.12 | 1.12 | |
| | Adjacent Collocation - DS1 Cross-Connects | | | USL,CLOAC | PE1P1 | 1.70 | 28.39 | 16.88 | 11.65 | 10.54 | | 1.77 | 1.77 | 1.12 | 1.12 | |
| | Adjacent Collocation - DS3 Cross-Connects | | | CLOAC | PE1P3 | 19.03 | 26.23 | 15.51 | 13.40 | 10.77 | | 1.77 | 1.77 | 1.12 | 1.12 | |
| | Adjacent Collocation - 2-Fiber Cross-Connect | | | CLOAC | PE1F2 | 3.49 | 26.23 | 15.51 | 13.41 | 10.78 | | 1.77 | 1.77 | 1.12 | 1.12 | |
| | Adjacent Collocation - 4-Fiber Cross-Connect | | | CLOAC | PE1F4 | 6.50 | 29.75 | 19.02 | 17.60 | 14.97 | | 1.77 | 1.77 | 1.12 | 1.12 | |
| | Adjacent Collocation - Application Fee | | | CLOAC | PE1JB | | 2,973.00 | | 0.9475 | | | | | | | |
| | Adjacent Collocation - 120V, Single Phase Standby Power Rate per AC Breaker Amp | | | CLOAC | PE1FB | 5.81 | | | | | | | | | | |
| | Adjacent Collocation - 240V, Single Phase Standby Power Rate per AC Breaker Amp | | | CLOAC | PE1FD | 11.64 | | | | | | | | | | |
| | Adjacent Collocation - 120V, Three Phase Standby Power Rate per AC Breaker Amp | | | CLOAC | PE1FE | 17.45 | | | | | | | | | | |
| | Adjacent Collocation - 277V, Three Phase Standby Power Rate per AC Breaker Amp | | | CLOAC | PE1FG | 40.30 | | | | | | | | | | |
| PHYSICAL COLLOCATION IN THE REMOTE SITE | | | | | | | | | | | | | | | | |
| | Physical Collocation in the Remote Site - Application Fee | | | CLOAC | PE1RA | | 580.20 | | 312.76 | | | | | | | |
| | Cabinet Space in the Remote Site per Bay/ Rack | | | CLOAC | PE1RB | 220.41 | | | | | | | | | | |
| | Physical Collocation in the Remote Site - Security Access - Key | | | CLOAC | PE1RD | | 24.69 | | | | | | | | | |
| | Physical Collocation in the Remote Site - Space Availability Report per Premises Requested | | | CLOAC | PE1SR | | 218.49 | | | | | | | | | |
| | Physical Collocation in the Remote Site - Remote Site CLLI Code Request, per CLLI Code Requested | | | CLOAC | PE1RE | | 70.81 | | | | | | | | | |
| | Remote Site DLEC Data (BRSD), per Compact Disk, per CO | | | CLOAC | PE1RR | | 234.15 | | | | | | | | | |
| PHYSICAL COLLOCATION IN THE REMOTE SITE - ADJACENT | | | | | | | | | | | | | | | | |
| | Remote Site-Adjacent Collocation - AC Power, per breaker amp | | | CLOAC | PE1RS | 6.27 | | | | | | | | | | |
| | Remote Site-Adjacent Collocation - Real Estate, per square foot | | | CLOAC | PE1RT | 0.134 | | | | | | | | | | |
| | Remote Site-Adjacent Collocation-Application Fee | | | CLOAC | PE1RU | | 755.62 | 755.62 | | | | | | | | |
| NOTE: If Security Escort and/or Add'l Engineering Fees become necessary for remote site collocation, the Parties will negotiate appropriate rates. | | | | | | | | | | | | | | | | |

ATTACHMENT 5
ACCESS TO NUMBERS AND NUMBER PORTABILITY

TABLE OF CONTENTS

1. NON-DISCRIMINATORY ACCESS TO TELEPHONE NUMBERS..... 3

2. LOCAL SERVICE PROVIDER NUMBER PORTABILITY - PERMANENT SOLUTION (LNP)..... 3

3. INTERIM SERVICE PROVIDER NUMBER PORTABILITY (ISPNP) 4

4. ISPNP IMPLEMENTATION..... 5

5. OPERATIONAL SUPPORT SYSTEM (OSS) RATES..... 7

Rates.....Exhibit A

ACCESS TO NUMBERS AND NUMBER PORTABILITY

1. NON-DISCRIMINATORY ACCESS TO TELEPHONE NUMBERS

- 1.1 During the term of this Agreement, where Comm South is utilizing its own switch, Comm South shall contact the North American Numbering Plan Administrator, NeuStar, for the assignment of numbering resources. In order to be assigned a Central Office Code, Comm South will be required to complete the Central Office Code (NXX) Assignment Request and Confirmation Form (Code Request Form) in accordance with Industry Numbering Committee's Central Office Code (NXX) Assignment Guidelines (INC 95-0407-008).
- 1.2 Where BellSouth provides local switching or resold services to Comm South, BellSouth will provide Comm South with on-line access to intermediate telephone numbers as defined by applicable FCC rules and regulations on a first come first served basis. Comm South acknowledges that such access to numbers shall be in accordance with the appropriate FCC rules and regulations. Comm South acknowledges that there may be instances where there is a shortage of telephone numbers in a particular rate center; and in such instances, BellSouth may request that Comm South return unused intermediate numbers to BellSouth. Comm South shall return unused intermediate numbers to BellSouth upon BellSouth's request. BellSouth shall make all such requests on a nondiscriminatory basis.
- 1.3 BellSouth will allow Comm South to designate up to 100 intermediate telephone numbers per rate center for Comm South's sole use. Assignment, reservation and use of telephone numbers shall be governed by applicable FCC rules and regulations. Comm South acknowledges that there may be instances where there is a shortage of telephone numbers in a particular rate center and BellSouth has the right to limit access to blocks of intermediate telephone numbers. These instances include: 1) where jeopardy status has been declared by the North American Numbering Plan (NANP) for a particular Numbering Plan Area (NPA); or 2) where a rate center has less than six months supply of numbering resources.

2. LOCAL SERVICE PROVIDER NUMBER PORTABILITY - PERMANENT SOLUTION (LNP)

- 2.1 The Parties will offer Number Portability in accordance with rules, regulations and guidelines adopted by the Commission, the FCC and industry fora. Interim Service Provider Number Portability (ISPNP) will be available only in those end offices where no carrier has requested implementation of Local Service Provider Number Portability – Permanent Solution (LNP). Once LNP is implemented in an end office pursuant to the request of a carrier, both Parties must withdraw their ISPNP offerings. The transition from existing ISPNP arrangements to LNP shall occur

within one hundred and twenty (120) days from the date LNP is implemented in the end office. Neither Party shall charge the other Party for conversion from ISPNP to LNP.

- 2.2 End User Line Charge. Where Comm South subscribes to BellSouth's local switching, BellSouth shall bill and Comm South shall pay the end user line charge associated with implementing LNP as set forth in BellSouth's FCC Tariff No. 1. This charge is not subject to the resale discount set forth in Attachment 1 of this Agreement.
- 2.3 To limit service outage, BellSouth and Comm South will adhere to the process flows and cutover guidelines for porting numbers as outlined in the LNP Reference Guide, as amended from time to time. The LNP Reference Guide, incorporated herein by reference, is accessible via the Internet at the following site: <http://www.interconnection.bellsouth.com>. All intervals referenced in the LNP Reference Guide shall apply to both BellSouth and Comm South.
- 2.4 The Parties will set Local Routing Number (LRN) unconditional or 10-digit triggers where applicable. Where triggers are set, the porting Party will remove the ported number at the same time the trigger is removed.
- 2.5 A trigger order is a service order issued in advance of the porting of a number. A trigger order 1) initiates call queries to the AIN SS7 network in advance of the number being ported; and 2) provides for the new service provider to be in control of when a number ports.
- 2.6 Where triggers are not set, the Parties shall coordinate the porting of the number between service providers so as to minimize service interruptions to the end user.
- 2.7 BellSouth and Comm South will work cooperatively to implement changes to LNP process flows ordered by the FCC or as recommended by standard industry forums addressing LNP.

3. INTERIM SERVICE PROVIDER NUMBER PORTABILITY (ISPNP)

- 3.1 Where LNP has not been implemented in an end office, the Parties shall provide ISPNP. ISPNP is a service arrangement whereby an end user who switches subscription of his local exchange service from BellSouth to a CLEC, or vice versa, is permitted to retain the use of his existing assigned telephone number, provided that the end user remains at the same location for his local exchange service or changes locations and service providers but stays within the same BellSouth rate center as his existing number. Except as otherwise expressly provided herein, ISPNP is available only where the local exchange carrier is currently providing basic local exchange service to the end user. ISPNP for a particular assigned telephone number will be disconnected when any end user, Commission, BellSouth, or CLEC initiated activity (e.g., a change in exchange /

rate center boundaries) would normally result in a telephone number change had the end user retained his initial local exchange service.

- 3.2 Methods of Providing ISPNP. ISPNP is available through either remote call forwarding or direct inward dialing trunks. Remote call forwarding (ISPNP-RCF) is an existing switch-based service that redirects calls within the telephone network. Direct inward dialing trunks (ISPNP-DID) allow calls to be routed over a dedicated facility to the switch that serves the subscriber.
- 3.3 Signaling Requirements. SS7 Signaling is required for the provision of ISPNP services.
- 3.4 Rates
- 3.4.1 Rates for ISPNP are set out in Exhibit A to this Attachment. If no rate is identified in the Attachment, the rate for the specific service or function will be as set forth in the applicable BellSouth tariff or as negotiated by the Parties upon request by either Party.

4. ISPNP IMPLEMENTATION

- 4.1 ISPNP-RCF is a telecommunications service whereby a call dialed to an ISPNP-RCF equipped telephone number is automatically forwarded to an assigned seven- or ten- digit telephone number within the local calling area as defined in BellSouth's General Subscriber Services Tariff. The forwarded-to number shall be specified by Comm South or BellSouth, as appropriate. The forwarding Party will provide identification of the originating telephone number, via SS7 signaling, to the receiving Party. Identification of the originating telephone number to the ISPNP-RCF end user cannot be guaranteed, however. ISPNP-RCF provides a single call path for the forwarding of no more than one call to the receiving Party's specified forwarded-to number. Additional call paths for the forwarding of multiple simultaneous calls are available on a per path basis at rates as outlined in this Attachment.
- 4.2 ISPNP-DID service provides trunk side access to end office switches for direct inward dialing to the other Party's premises equipment from the telecommunications network to lines associated with the other Party's switching equipment and must be provided on all trunks in a group arranged for inward service. ISPNP-DID is available from BellSouth on a per DS0, DS1 or DS3 basis. A ISPNP-DID trunk termination charge, provided with SS7 Signaling only, applies for each trunk voice grade equivalent. In addition, direct facilities are required from the end office where a ported number resides to the end office serving the ported end user customer. The rates for a switched local channel and switched dedicated transport apply as contained in BellSouth's Intrastate Access Services tariff, as amended from time to time. Transport mileage will be calculated as the airline distance between the end office where the number is ported and the Point of

Interface (“POI”) using the V&H coordinate method. ISPNP-DID must be established with a minimum configuration of two channels and one unassigned telephone number per switch, per arrangement for control purposes. Transport facilities arranged for ISPNP-DID may not be mixed with any other type of trunk group, with no outgoing calls placed over said facilities. ISPNP-DID will be provided only where such facilities are available and where the switching equipment of the ordering Party is properly equipped. Where ISPNP-DID service is required from more than one wire center or from separate trunk groups within the same wire center, such service provided from each wire center or each trunk group within the same wire center shall be considered a separate service. Only customer-dialed sent-paid calls will be completed to the first number of an ISPNP-DID number group; however, there are no restrictions on calls completed to other numbers of an ISPNP-DID number group. Sent-paid calls refer to those calls placed by an end user who physically deposits currency in a public telephone. Interface group arrangements provided for terminating the switched transport at the Party’s terminal location are as set forth in BellSouth’s Intrastate Access Services Tariff, § E6.1.3.A as amended from time to time.

- 4.3 ISPNP-DID Service requires ordering consecutive telephone numbers in blocks of twenty. Comm South may order non-consecutive telephone numbers or telephone numbers in less than blocks of twenty pursuant to BellSouth’s tariffs.
- 4.4 The calling Party shall be responsible for payment of the applicable charges for sent-paid calls to the ISPNP number. For collect, third-party, or other operator-assisted non-sent paid calls to the ported telephone number, BellSouth or Comm South shall be responsible for the payment of charges under the same terms and conditions for which the end user would have been liable. Either Party may request that the other Party block collect and third party non-sent paid calls to the ISPNP-assigned telephone number. If a Party does not request blocking, the other Party will provide itemized local usage detail for the billing of non-sent paid calls on the monthly bill of usage charges provided at the individual end user account level. The detail will include itemization of all billable usage. Each Party shall have the option of receiving this usage data on a daily basis via a data file transfer arrangement. This arrangement will utilize the existing industry uniform standard, known as EMI standards, for exchange of billing data. Files of usage data will be created daily for the optional service. Usage originated and recorded in the sending BellSouth RAO will be provided in unrated or rated format, depending on the processing system. Comm South usage originated elsewhere and delivered via CMDS to the sending BellSouth RAO shall be provided in rated format.
- 4.5 The new service provider shall be responsible for obtaining authorization from the end user for the handling of the disconnection of the end user’s service, the provision of new local service and the provision of ISPNP services. Each Party shall be responsible for coordinating the provision of service with the other to assure that its switch is capable of accepting ISPNP ported traffic. Each Party shall be solely responsible to ensure that its facilities, equipment and services do not interfere with or impair any facility, equipment, or service of the other Party or

any of its end users. In the event that either Party determines in its reasonable judgment that the other Party will likely impair or is impairing or interfering with any equipment, facility or service of any of its end users, that Party may either refuse to provide ISPNP service or may terminate ISPNP service to the other Party after providing appropriate notice.

- 4.6 Each Party shall be responsible for providing an appropriate intercept announcement service for any telephone numbers subscribed to ISPNP-DID services for which it is not presently providing local exchange service or terminating to an end user. Where either Party chooses to disconnect or terminate any ISPNP service, that Party shall be responsible for designating the preferred standard type of announcement to be provided.
- 4.7 End-to-end transmission characteristics may vary depending on the distance and routing necessary to complete calls over ISPNP facilities and the fact that another carrier is involved in the provisioning of service. Neither Party shall specify end-to-end transmission characteristics for ISPNP calls.
- 4.8 Where ISPNP-RCF is utilized for ISPNP, for terminating IXC traffic ported to either Party which requires use of either Party's tandem switching, the tandem provider will bill the IXC tandem switching, the interconnection charge, and a portion of the transport, and the other Party will bill the IXC local switching, the carrier common line and a portion of the transport. If the tandem provider is unable to provide the necessary access records to permit the other Party to bill the IXC directly for terminating access to ported numbers, then the tandem provider will bill the IXC full terminating switched access charges at the tandem provider's rate and will compensate the other Party at the tandem Party's tariff rates via a process used by BellSouth to estimate the amount of ported switched access revenues due the other Party. If an intraLATA toll call is delivered, the delivering Party will pay terminating access rates to the other Party.

5. OPERATIONAL SUPPORT SYSTEM (OSS) RATES

- 5.1 The terms, conditions and rates for OSS are as set forth in Attachment 2.

| INTERIM SERVICE PROVIDER NUMBER PORTABILITY - Alabama | | | | | | | | | | Attachment: 5 | | Exhibit: A | | | | |
|--|---|---------|------|-----|-------|-----------|--------------|-------|--------------|----------------------------------|--------------------------------------|--|--|---|---|------------|
| CATEGORY | RATE ELEMENTS | Interim | Zone | BCS | USOC | RATES(\$) | | | | Svc Order Submitted Elec per LSR | Svc Order Submitted Manually per LSR | Incremental Charge - Manual Svc Order vs. Electronic-1st | Incremental Charge - Manual Svc Order vs. Electronic-Add'l | Incremental Charge - Manual Svc Order vs. Electronic-Disc 1st | Incremental Charge - Manual Svc Order vs. Electronic-Disc Add'l | |
| | | | | | | Recurring | Nonrecurring | | Nonrecurring | | | | | | | Disconnect |
| | | | | | | First | Add'l | First | Add'l | SOME C | SOMAN | SOMAN | SOMAN | SOMAN | SOMAN | |
| INTERIM SERVICE PROVIDER NUMBER PORTABILITY | | | | | | | | | | | | | | | | |
| | RCF, per number ported (Business Line) | | | | TNPBL | 2.13 | 0.65 | | 0.07 | | 3.50 | | 19.99 | 19.99 | 19.99 | 19.99 |
| | RCF, per number ported (Residence Line) | | | | TNPRL | 2.13 | 0.65 | | 0.07 | | 3.50 | | 19.99 | 19.99 | 19.99 | 19.99 |
| | RCF, add'l capacity for simultaneous call forwarding, per additional path | | | | | 0.32 | | | | | | | | | | |
| | RCF, per service order, per location (Business) | | | | TNPBD | | 1.44 | 1.44 | 1.44 | 1.44 | 3.50 | | 19.99 | 19.99 | 19.99 | 19.99 |
| | RCF, per service order, per location (Residence) | | | | TNPRD | | 1.44 | 1.44 | 1.44 | 1.44 | 3.50 | | 19.99 | 19.99 | 19.99 | 19.99 |
| INTERIM SERVICE PROVIDER NUMBER PORTABILITY - DID | | | | | | | | | | | | | | | | |
| | DID per number ported (Residence) | | | | TNPDR | | 1.18 | | 1.18 | | 3.50 | | 19.99 | 19.99 | 19.99 | 19.99 |
| | DID per number ported (Business) | | | | TNPDB | | 1.18 | | 1.18 | | 3.50 | | 19.99 | 19.99 | 19.99 | 19.99 |
| | DID per service order, per location (Residence) | | | | TNPRD | | 1.44 | 1.44 | 1.44 | 1.44 | 3.50 | | 19.99 | 19.99 | 19.99 | 19.99 |
| | DID per service order, per location (Business) | | | | TNPBD | | 1.44 | 1.44 | 1.44 | 1.44 | 3.50 | | 19.99 | 19.99 | 19.99 | 19.99 |
| | DID, per trunk termination, Initial | | | | TNPT2 | 11.84 | 173.73 | 51.00 | 50.43 | 25.00 | 3.50 | | 19.99 | 19.99 | 19.99 | 19.99 |
| Note: If no rate is identified in the contract, the rate for the specific service or function will be as set forth in applicable BellSouth tariff or as negotiated by the Parties upon request by either Party. | | | | | | | | | | | | | | | | |
| NOTE: Any element that can be ordered electronically will be billed according to the SOME C rate listed. Please refer to BellSouth's Business Rules for Local Ordering (BBR-LO) to determine if a product can be ordered electronically. For those elements that cannot be ordered electronically at present per the BBR-LO, the listed SOME C rate reflects the charge that would be billed to a CLEC once electronic ordering capabilities come on-line for that element. Otherwise, the manual ordering charge, SOMAN, will be | | | | | | | | | | | | | | | | |

| INTERIM SERVICE PROVIDER NUMBER PORTABILITY - Florida | | | | | | | | | | Attachment: 5 | | Exhibit: A | | | |
|--|---|---------|------|-----|-------|-----------|--------------|--------|-------------------------|----------------------------------|--------------------------------------|--|--|---|---|
| CATEGORY | RATE ELEMENTS | Interim | Zone | BCS | USOC | RATES(\$) | | | | Svc Order Submitted Elec per LSR | Svc Order Submitted Manually per LSR | Incremental Charge - Manual Svc Order vs. Electronic-1st | Incremental Charge - Manual Svc Order vs. Electronic-Add'l | Incremental Charge - Manual Svc Order vs. Electronic-Disc 1st | Incremental Charge - Manual Svc Order vs. Electronic-Disc Add'l |
| | | | | | | Recurring | Nonrecurring | | Nonrecurring Disconnect | | | | | | |
| | | | | | | First | Add'l | First | Add'l | SOME C | SOMAN | SOMAN | SOMAN | SOMAN | SOMAN |
| INTERIM SERVICE PROVIDER NUMBER PORTABILITY - RCF | | | | | | | | | | | | | | | |
| | RCF, per number ported (Business Line) | | | | TNPBL | 2.05 | 0.4145 | 0.4145 | 0.0415 | 0.0415 | 3.50 | 11.90 | | | 1.83 |
| | RCF, per number ported (Residence Line) | | | | TNPRL | 2.05 | 0.4145 | 0.4145 | 0.0415 | 0.0415 | 3.50 | 11.90 | | | 1.83 |
| | RCF, Per Additional Path | | | | | 0.7179 | | | | | | | | | |
| INTERIM SERVICE PROVIDER NUMBER PORTABILITY - DID | | | | | | | | | | | | | | | |
| | DID per number ported (Residence) | | | | TNPDR | | 0.6923 | 0.6923 | 0.6923 | 0.6923 | 3.50 | 11.90 | | | 1.83 |
| | DID per number ported (Business) | | | | TNPDB | | 0.6923 | 0.6923 | 0.6923 | 0.6923 | 3.50 | 11.90 | | | 1.83 |
| | DID, per trunk termination, Initial | | | | TNPT2 | 54.95 | 161.29 | 80.58 | 32.73 | 32.73 | 3.50 | 11.90 | | | 1.83 |
| SERVICE PROVIDER NUMBER PORTABILITY (RIPH) | | | | | | | | | | | | | | | |
| | RIPH, Functionality, Per Rearrangement | | | | | | 20.08 | 20.08 | | | 3.50 | 11.90 | | | 1.83 |
| | RIPH, Per Number Ported | | | | | 1.83 | 0.2165 | 0.2165 | 0.0216 | 0.0216 | 3.50 | 11.90 | | | 1.83 |
| | RIPH, Functionality, Per Central Ofc | | | | | | 90.47 | 90.47 | 2.54 | 2.54 | 3.50 | 11.90 | | | 1.83 |
| NOTE: Any element that can be ordered electronically will be billed according to the SOME C rate listed. Please refer to BellSouth's Business Rules for Local Ordering (BBR-LO) to determine if a product can be ordered electronically. For those elements that cannot be ordered electronically at present per the BBR-LO, the listed SOME C rate reflects the charge that would be billed to a CLEC once electronic ordering capabilities come on-line for that element. Otherwise, the manual ordering charge, SOMAN, will be | | | | | | | | | | | | | | | |

| INTERIM SERVICE PROVIDER NUMBER PORTABILITY - Georgia | | | | | | | | | | | Attachment: 5 | | Exhibit: A | | |
|--|---|---------|------|-----|-------|-----------|--------------|-------|-------------------------|----------------------------------|--------------------------------------|--|--|---|---|
| CATEGORY | RATE ELEMENTS | Interim | Zone | BCS | USOC | RATES(\$) | | | | Svc Order Submitted Elec per LSR | Svc Order Submitted Manually per LSR | Incremental Charge - Manual Svc Order vs. Electronic-1st | Incremental Charge - Manual Svc Order vs. Electronic-Add'l | Incremental Charge - Manual Svc Order vs. Electronic-Disc 1st | Incremental Charge - Manual Svc Order vs. Electronic-Disc Add'l |
| | | | | | | Recurring | Nonrecurring | | Nonrecurring Disconnect | | | | | | |
| | | | | | | First | Add'l | First | Add'l | SOME C | SOMAN | SOMAN | SOMAN | SOMAN | SOMAN |
| INTERIM SERVICE PROVIDER NUMBER PORTABILITY - RCF | | | | | | | | | | | | | | | |
| | RCF, per number ported (Business Line) | | | | TNPBL | 2.03 | 0.51 | | | 3.50 | | 18.94 | 18.94 | | |
| | RCF, per number ported (Residence Line) | | | | TNPRL | 2.03 | 0.51 | | | 3.50 | | 18.94 | 18.94 | | |
| | RCF, add'l capacity for simultaneous call forwarding, per additional path | | | | | 0.2836 | | | | | | | | | |
| | RCF, per service order, per location (Business) | | | | TNPBD | | 2.10 | 2.10 | | 3.50 | | 18.94 | 18.94 | | |
| | RCF, per service order, per location (Residence) | | | | TNPRD | | 2.10 | 2.10 | | 3.50 | | 18.94 | 18.94 | | |
| INTERIM SERVICE PROVIDER NUMBER PORTABILITY - DID | | | | | | | | | | | | | | | |
| | DID per number ported (Residence) | | | | TNPDR | | 0.93 | | | 3.50 | | 18.94 | 18.94 | | |
| | DID per number ported (Business) | | | | TNPDB | | 0.93 | | | 3.50 | | 18.94 | 18.94 | | |
| | DID per service order, per location (Residence) | | | | TNPRD | | 2.10 | 2.10 | | 3.50 | | 18.94 | 18.94 | | |
| | DID per service order, per location (Business) | | | | TNPBD | | 2.10 | 2.10 | | 3.50 | | 18.94 | 18.94 | | |
| | DID, per trunk termination, Initial | | | | TNPT2 | 10.73 | 135.47 | 40.00 | | 3.50 | | 18.94 | 18.94 | | |
| Note: If no rate is identified in the contract, the rate for the specific service or function will be as set forth in applicable BellSouth tariff or as negotiated by the Parties upon request by either Party. | | | | | | | | | | | | | | | |
| NOTE: Any element that can be ordered electronically will be billed according to the SOME C rate listed. Please refer to BellSouth's Business Rules for Local Ordering (BBR-LO) to determine if a product can be ordered electronically. For those elements that cannot be ordered electronically at present per the BBR-LO, the listed SOME C rate reflects the charge that would be billed to a CLEC once electronic ordering capabilities come on-line for that element. Otherwise, the manual ordering charge, SOMAN, will be | | | | | | | | | | | | | | | |

| INTERIM SERVICE PROVIDER NUMBER PORTABILITY - Kentucky | | | | | | | | | | Attachment: 5 | | Exhibit: A | | | | |
|--|---------------|---------|------|-----|------|-----------|-------|-------|----------------------------------|--------------------------------------|--|--|---|---|-----------|--------------|
| CATEGORY | RATE ELEMENTS | Interim | Zone | BCS | USOC | RATES(\$) | | | Svc Order Submitted Elec per LSR | Svc Order Submitted Manually per LSR | Incremental Charge - Manual Svc Order vs. Electronic-1st | Incremental Charge - Manual Svc Order vs. Electronic-Add'l | Incremental Charge - Manual Svc Order vs. Electronic-Disc 1st | Incremental Charge - Manual Svc Order vs. Electronic-Disc Add'l | | |
| | | | | | | | | | | | | | | | Recurring | Nonrecurring |
| | | | | | | | | | | | | | | | | |
| | | | | | | | First | Add'l | First | Add'l | SOME | SOMAN | SOMAN | SOMAN | SOMAN | SOMAN |
| NOTE: BellSouth and CLEC will each bear their own costs of providing remote call forwarding as an interim number portability option. | | | | | | | | | | | | | | | | |

| INTERIM SERVICE PROVIDER NUMBER PORTABILITY - Louisiana | | | | | | | | | | | Attachment: 5 | | Exhibit: A | | |
|---|---|---------|------|-----|-------|-----------|--------------|-------|-------------------------|----------------------------------|--------------------------------------|--|--|---|---|
| CATEGORY | RATE ELEMENTS | Interim | Zone | BCS | USOC | RATES(\$) | | | | Svc Order Submitted Elec per LSR | Svc Order Submitted Manually per LSR | Incremental Charge - Manual Svc Order vs. Electronic-1st | Incremental Charge - Manual Svc Order vs. Electronic-Add'l | Incremental Charge - Manual Svc Order vs. Electronic-Disc 1st | Incremental Charge - Manual Svc Order vs. Electronic-Disc Add'l |
| | | | | | | Recurring | Nonrecurring | | Nonrecurring Disconnect | | | | | | |
| | | | | | | First | Add'l | First | Add'l | SOME C | SOMAN | SOMAN | SOMAN | SOMAN | SOMAN |
| INTERIM SERVICE PROVIDER NUMBER PORTABILITY - RCF | | | | | | | | | | | | | | | |
| | RCF, per number ported (Business Line) | | | | TNPBL | 2.91 | 0.25 | 0.25 | | 3.50 | 15.20 | | | | |
| | RCF, per number ported (Residence Line) | | | | TNPRL | 2.91 | 0.25 | 0.25 | | 3.50 | 15.20 | | | | |
| | RCF, Per Additional Path | | | | | 1.24 | | | | | | | | | |
| INTERIM SERVICE PROVIDER NUMBER PORTABILITY - DID | | | | | | | | | | | | | | | |
| | DID per number ported (Residence) | | | | TNPDR | | 0.42 | 0.42 | | 3.50 | 15.20 | | | | |
| | DID per number ported (Business) | | | | TNPDB | | 0.42 | 0.42 | | 3.50 | 15.20 | | | | |
| | DID, per trunk termination, Initial | | | | TNPT2 | 68.47 | 185.13 | 68.79 | | 3.50 | 15.20 | | | | |
| SERVICE PROVIDER NUMBER PORTABILITY (RIPH) | | | | | | | | | | | | | | | |
| | RIPH, Functionality, Per Rearrangement | | | | | | 19.24 | 19.24 | | 3.50 | 15.20 | | | | |
| | RIPH, Per Number Ported | | | | | 1.62 | 0.19 | 0.19 | | 3.50 | 15.20 | | | | |
| | RIPH, Functionality, Per Central Ofc | | | | | | 79.67 | 79.67 | | 3.50 | 15.20 | | | | |
| <p>Note: If no rate is identified in the contract, the rate for the specific service or function will be as set forth in applicable BellSouth tariff or as negotiated by the Parties upon request by either Party.</p> <p>NOTE: Any element that can be ordered electronically will be billed according to the SOME C rate listed. Please refer to BellSouth's Business Rules for Local Ordering (BBR-LO) to determine if a product can be ordered electronically. For those elements that cannot be ordered electronically at present per the BBR-LO, the listed SOME C rate reflects the charge that would be billed to a CLEC once electronic ordering capabilities come on-line for that element. Otherwise, the manual ordering charge, SOMAN, will be</p> | | | | | | | | | | | | | | | |

| INTERIM SERVICE PROVIDER NUMBER PORTABILITY - Mississippi | | | | | | | | | | Attachment: 5 | | Exhibit: A | | | |
|--|---|---------|------|-----|-------|-----------|--------------|--------|-------------------------|----------------------------------|--------------------------------------|--|--|---|---|
| CATEGORY | RATE ELEMENTS | Interim | Zone | BCS | USOC | RATES(\$) | | | | Svc Order Submitted Elec per LSR | Svc Order Submitted Manually per LSR | Incremental Charge - Manual Svc Order vs. Electronic-1st | Incremental Charge - Manual Svc Order vs. Electronic-Add'l | Incremental Charge - Manual Svc Order vs. Electronic-Disc 1st | Incremental Charge - Manual Svc Order vs. Electronic-Disc Add'l |
| | | | | | | Recurring | Nonrecurring | | Nonrecurring Disconnect | | | | | | |
| | | | | | | First | Add'l | First | Add'l | SOME C | SOMAN | SOMAN | SOMAN | SOMAN | SOMAN |
| INTERIM SERVICE PROVIDER NUMBER PORTABILITY - RCF | | | | | | | | | | | | | | | |
| | RCF, per number ported (Business Line) | | | | TNPBL | 3.08 | 0.2596 | 0.2596 | 0.0282 | 0.0282 | 3.50 | 15.75 | | | |
| | RCF, per number ported (Residence Line) | | | | TNPRL | 3.08 | 0.2596 | 0.2596 | 0.0282 | 0.0282 | 3.50 | 15.75 | | | |
| | RCF, Per Additional Path | | | | | 1.17 | | | | | | | | | |
| INTERIM SERVICE PROVIDER NUMBER PORTABILITY - DID | | | | | | | | | | | | | | | |
| | DID per number ported (Residence) | | | | TNPDR | | 0.4335 | 0.4335 | 0.4701 | 0.4701 | 3.50 | 15.75 | | | |
| | DID per number ported (Business) | | | | TNPDB | | 0.4335 | 0.4335 | 0.4701 | 0.4701 | 3.50 | 15.75 | | | |
| | DID, per trunk termination, Initial | | | | TNPT2 | 58.41 | 191.75 | 71.25 | 28.94 | 28.94 | 3.50 | 15.75 | | | |
| SERVICE PROVIDER NUMBER PORTABILITY (RIPH) | | | | | | | | | | | | | | | |
| | RIPH, Functionality, Per Rearrangement | | | | | | 19.93 | 19.93 | | | 3.50 | 15.75 | | | |
| | RIPH, Per Number Ported | | | | | 1.96 | 0.1972 | 0.1972 | 0.0214 | 0.0214 | 3.50 | 15.75 | | | |
| | RIPH, Functionality, Per Central Ofc | | | | | | 85.52 | 85.52 | 2.51 | 2.51 | 3.50 | 15.75 | | | |
| NOTE: Any element that can be ordered electronically will be billed according to the SOME C rate listed. Please refer to BellSouth's Business Rules for Local Ordering (BBR-LO) to determine if a product can be ordered electronically. For those elements that cannot be ordered electronically at present per the BBR-LO, the listed SOME C rate reflects the charge that would be billed to a CLEC once electronic ordering capabilities come on-line for that element. Otherwise, the manual ordering charge, SOMAN, will be | | | | | | | | | | | | | | | |

| INTERIM SERVICE PROVIDER NUMBER PORTABILITY - North Carolina | | | | | | | | | | Attachment: 5 | | Exhibit: A | | | | |
|--|---|---------|------|-----|-------|-----------|--------------|-------|--------------|----------------------------------|--------------------------------------|--|--|---|---|------------|
| CATEGORY | RATE ELEMENTS | Interim | Zone | BCS | USOC | RATES(\$) | | | | Svc Order Submitted Elec per LSR | Svc Order Submitted Manually per LSR | Incremental Charge - Manual Svc Order vs. Electronic-1st | Incremental Charge - Manual Svc Order vs. Electronic-Add'l | Incremental Charge - Manual Svc Order vs. Electronic-Disc 1st | Incremental Charge - Manual Svc Order vs. Electronic-Disc Add'l | |
| | | | | | | Recurring | Nonrecurring | | Nonrecurring | | | | | | | Disconnect |
| | | | | | | | First | Add'l | First | Add'l | SOME C | SOMAN | SOMAN | SOMAN | SOMAN | |
| INTERIM SERVICE PROVIDER NUMBER PORTABILITY - RCF | | | | | | | | | | | | | | | | |
| | RCF, per number ported (Business Line) | | | | TNPBL | 1.66 | 0.71 | | 0.50 | | 3.50 | | 19.99 | 19.99 | 19.99 | 19.99 |
| | RCF, per number ported (Residence Line) | | | | TNPRL | 1.66 | 0.71 | | 0.50 | | 3.50 | | 19.99 | 19.99 | 19.99 | 19.99 |
| | RCF, add'l capacity for simultaneous call forwarding, per additional path | | | | | 0.32 | | | | | | | | | | |
| | RCF, per service order, per location (Business) | | | | TNPBD | | 2.73 | 2.73 | | | 3.50 | | 19.99 | 19.99 | 19.99 | 19.99 |
| | RCF, per service order, per location (Residence) | | | | TNPRD | | 2.73 | 2.73 | | | 3.50 | | 19.99 | 19.99 | 19.99 | 19.99 |
| INTERIM SERVICE PROVIDER NUMBER PORTABILITY - DID | | | | | | | | | | | | | | | | |
| | DID per number ported (Residence) | | | | TNPDR | | 2.25 | | | | 3.50 | | 19.99 | 19.99 | 19.99 | 19.99 |
| | DID per number ported (Business) | | | | TNPDB | | 2.25 | | | | 3.50 | | 19.99 | 19.99 | 19.99 | 19.99 |
| | DID per service order, per location (Residence) | | | | TNPRD | | 2.73 | 2.73 | | | 3.50 | | 19.99 | 19.99 | 19.99 | 19.99 |
| | DID per service order, per location (Business) | | | | TNPBD | | 2.73 | 2.73 | | | 3.50 | | 19.99 | 19.99 | 19.99 | 19.99 |
| | DID, per trunk termination, Initial | | | | TNPT2 | 11.43 | 217.88 | 74.00 | | | 3.50 | | 19.99 | 19.99 | 19.99 | 19.99 |
| Note: If no rate is identified in the contract, the rate for the specific service or function will be as set forth in applicable BellSouth tariff or as negotiated by the Parties upon request by either Party. | | | | | | | | | | | | | | | | |
| NOTE: Any element that can be ordered electronically will be billed according to the SOME C rate listed. Please refer to BellSouth's Business Rules for Local Ordering (BBR-LO) to determine if a product can be ordered electronically. For those elements that cannot be ordered electronically at present per the BBR-LO, the listed SOME C rate reflects the charge that would be billed to a CLEC once electronic ordering capabilities come on-line for that element. Otherwise, the manual ordering charge, SOMAN, will be | | | | | | | | | | | | | | | | |

| INTERIM SERVICE PROVIDER NUMBER PORTABILITY - South Carolina | | | | | | | | | | Attachment: 5 | | Exhibit: A | | | |
|---|---|---------|------|-----|-------|-----------|--------------|--------|--------------|----------------------------------|--------------------------------------|--|--|---|---|
| CATEGORY | RATE ELEMENTS | Interim | Zone | BCS | USOC | RATES(\$) | | | | Svc Order Submitted Elec per LSR | Svc Order Submitted Manually per LSR | Incremental Charge - Manual Svc Order vs. Electronic-1st | Incremental Charge - Manual Svc Order vs. Electronic-Add'l | Incremental Charge - Manual Svc Order vs. Electronic-Disc 1st | Incremental Charge - Manual Svc Order vs. Electronic-Disc Add'l |
| | | | | | | Recurring | Nonrecurring | | Nonrecurring | | | | | | |
| | | | | | | First | Add'l | First | Add'l | SOME C | SOMAN | SOMAN | SOMAN | SOMAN | SOMAN |
| INTERIM SERVICE PROVIDER NUMBER PORTABILITY - RCF | | | | | | | | | | | | | | | |
| | RCF, per number ported (Business Line) | | | | TNPBL | 2.68 | 0.26 | 0.26 | 0.03 | 0.03 | 3.50 | 15.69 | | | |
| | RCF, per number ported (Residence Line) | | | | TNPRL | 2.68 | 0.26 | 0.26 | 0.03 | 0.03 | 3.50 | 15.69 | | | |
| | RCF, Per Additional Path | | | | | 1.04 | | | | | | | | | |
| | RCF, add'l capacity for simultaneous call forwarding, per additional path | | | | | 0.3854 | | | | | | | | | |
| | RCF, per service order, per location (Business) | | | | TNPBD | | 1.37 | 1.37 | 44.70 | 44.70 | 3.50 | 15.69 | | | |
| | RCF, per service order, per location (Residence) | | | | TNPRD | | 1.37 | 1.37 | 44.70 | 44.70 | 3.50 | 15.69 | | | |
| INTERIM SERVICE PROVIDER NUMBER PORTABILITY - DID | | | | | | | | | | | | | | | |
| | DID per number ported (Residence) | | | | TNPDR | | 0.43 | 0.43 | 0.47 | 0.47 | 3.50 | 15.69 | | | |
| | DID per number ported (Business) | | | | TNPDB | | 0.43 | 0.43 | 0.47 | 0.47 | 3.50 | 15.69 | | | |
| | DID per service order, per location (Residence) | | | | TNPRD | | 1.37 | 1.37 | 44.70 | 44.70 | 3.50 | 15.69 | | | |
| | DID per service order, per location (Business) | | | | TNPBD | | 1.37 | 1.37 | 44.70 | 44.70 | 3.50 | 15.69 | | | |
| | DID, per trunk termination, Initial | | | | TNPT2 | 73.62 | 191.07 | 191.07 | 28.84 | 28.84 | 3.50 | 15.69 | | | |
| | DID, per trunk termination, Subsequent | | | | | 73.62 | 71.00 | 71.00 | 28.84 | 28.84 | 3.50 | 15.69 | | | |
| SERVICE PROVIDER NUMBER PORTABILITY (RIPH) | | | | | | | | | | | | | | | |
| | RIPH, Functionality, Per Central Ofc | | | | | | 82.23 | 82.23 | 2.50 | 2.50 | 3.50 | 15.69 | | | |
| | RIPH, Functionality, Per Rearrangement | | | | | | 19.86 | 19.86 | | | 3.50 | 15.69 | | | |
| | RIPH, Per Number Ported | | | | | 2.02 | 0.20 | 0.20 | 0.02 | 0.02 | 3.50 | 15.69 | | | |
| Note: If no rate is identified in the contract, the rate for the specific service or function will be as set forth in applicable BellSouth tariff or as negotiated by the Parties upon request by either Party. | | | | | | | | | | | | | | | |
| NOTE: Any element that can be ordered electronically will be billed according to the SOME C rate listed. Please refer to BellSouth's Business Rules for Local Ordering (BBR-LO) to determine if a product can be ordered electronically. For those elements that cannot be ordered electronically at present per the BBR-LO, the listed SOME C rate reflects the charge that would be billed to a CLEC once electronic ordering capabilities come on-line for that element. Otherwise, the manual ordering charge, SOMAN, will be | | | | | | | | | | | | | | | |

| INTERIM SERVICE PROVIDER NUMBER PORTABILITY - Tennessee | | | | | | | | | | | Attachment: 5 | | Exhibit: A | | |
|---|---|---------|------|-----|-------|-----------|--------------------|--------------------|-------------------------------|----------------------------------|--------------------------------------|--|--|---|---|
| CATEGORY | RATE ELEMENTS | Interim | Zone | BCS | USOC | RATES(\$) | | | | Svc Order Submitted Elec per LSR | Svc Order Submitted Manually per LSR | Incremental Charge - Manual Svc Order vs. Electronic-1st | Incremental Charge - Manual Svc Order vs. Electronic-Add'l | Incremental Charge - Manual Svc Order vs. Electronic-Disc 1st | Incremental Charge - Manual Svc Order vs. Electronic-Disc Add'l |
| | | | | | | Recurring | Nonrecurring First | Nonrecurring Add'l | Nonrecurring Disconnect First | | | | | | |
| | | | | | | | | | | | | | | | |
| | | | | | | | | | | SOME C | SOMAN | SOMAN | SOMAN | SOMAN | SOMAN |
| INTERIM SERVICE PROVIDER NUMBER PORTABILITY - RCF | | | | | | | | | | | | | | | |
| | RCF, per number ported (Business Line) | | | | TNPBL | 1.50 | | | | | | | | | |
| | RCF, per number ported (Residence Line) | | | | TNPRL | 1.25 | | | | | | | | | |
| | RCF, add'l capacity for simultaneous call forwarding, per additional path | | | | | 0.50 | | | | | | | | | |
| | RCF, per service order, per location (Business) | | | | TNPBD | | 25.00 | 25.00 | | 3.50 | | 19.99 | 19.99 | 19.99 | 19.99 |
| | RCF, per service order, per location (Residence) | | | | TNPRD | | 25.00 | 25.00 | | 3.50 | | 19.99 | 19.99 | 19.99 | 19.99 |
| <p>Note: If no rate is identified in the contract, the rate for the specific service or function will be as set forth in applicable BellSouth tariff or as negotiated by the Parties upon request by either Party.</p> <p>NOTE: Any element that can be ordered electronically will be billed according to the SOME C rate listed. Please refer to BellSouth's Business Rules for Local Ordering (BBR-LO) to determine if a product can be ordered electronically. For those elements that cannot be ordered electronically at present per the BBR-LO, the listed SOME C rate reflects the charge that would be billed to a CLEC once electronic ordering capabilities come on-line for that element. Otherwise, the manual ordering charge, SOMAN, will be</p> | | | | | | | | | | | | | | | |

Attachment 6
Pre-Ordering, Ordering and Provisioning,
Maintenance and Repair

TABLE OF CONTENTS

1. QUALITY OF PRE-ORDERING, ORDERING, PROVISIONING, MAINTENANCE AND REPAIR ... 3

2. ACCESS TO OPERATIONS SUPPORT SYSTEMS 3

3. MISCELLANEOUS 5

PRE-ORDERING, ORDERING, PROVISIONING, MAINTENANCE AND REPAIR

1. QUALITY OF PRE-ORDERING, ORDERING, PROVISIONING, MAINTENANCE AND REPAIR

1.1 BellSouth shall provide pre-ordering, ordering, provisioning, and maintenance and repair services to Comm South that are equivalent to the pre-ordering, ordering, provisioning, and maintenance and repair services BellSouth provides to itself or any other CLEC, where technically feasible. The guidelines for pre-ordering, ordering, provisioning, and maintenance and repair are set forth in the various guides and business rules, as appropriate, and as they are amended from time to time during this Agreement. The guides and business rules are found at <http://www.interconnection.bellsouth.com> and are incorporated herein by reference.

1.2 For purposes of this Agreement, BellSouth's regular working hours for provisioning are defined as follows:

Monday – Friday – 8:00 a.m. – 5:00 p.m. (Excluding Holidays)
(Resale/UNE non-coordinated,
coordinated orders and order
coordinated-time specific)
Saturday - 8:00 a.m. – 5:00 p.m. (Excluding Holidays)
(Resale/UNE non-coordinated
orders)

1.2.1 The above hours represent the hours, either Eastern or Central Time, of the location where the physical work is being performed.

1.2.2 To the extent Comm South requests provisioning of service to be performed outside BellSouth's regular working hours, or the work so requested requires BellSouth's technicians or Project Manager to work outside of regular working hours, overtime billing charges shall apply. Notwithstanding the foregoing, if such work is performed outside of regular working hours by a BellSouth technician or Project Manager during his or her scheduled shift and BellSouth does not incur any overtime charges in performing the work on behalf of Comm South, BellSouth will not assess Comm South additional charges beyond the rates and charges specified in this Agreement.

2. ACCESS TO OPERATIONS SUPPORT SYSTEMS

2.1 BellSouth shall provide Comm South access to operations support systems ("OSS") functions for pre-ordering, ordering, provisioning, maintenance and repair, and billing. BellSouth shall provide access to the OSS through manual and/or electronic interfaces as described in this Attachment. It is the sole

responsibility of Comm South to obtain the technical capability to access and utilize BellSouth's OSS interfaces. Specifications for Comm South's access and use of BellSouth's electronic interfaces are set forth at www.interconnection.bellsouth.com and are incorporated herein by reference.

- 2.1.1 Pre-Ordering. In accordance with FCC and Commission rules and orders, BellSouth will provide electronic access to the following pre-ordering functions: service address validation, telephone number selection, service and feature availability, due date information, customer record information and loop makeup information. Access is provided through the Local Exchange Navigation System (LENS) interface and the Telecommunications Access Gateway (TAG) interface. Customer record information includes customer specific information in CRIS and RSAG. Comm South shall provide to BellSouth access to customer record information including circuit numbers associated with each telephone number where applicable. Comm South shall provide such information within four (4) hours after request via electronic access where available. If electronic access is not available, Comm South shall provide to BellSouth paper copies of customer record information including circuit numbers associated with each telephone number where applicable within twenty-four (24) hours of request. The Parties agree not to view, copy, or otherwise obtain access to the customer record information of any customer without that customer's permission. Comm South will obtain access to customer record information only in strict compliance with applicable laws, rules, or regulations of the State in which the service is provided. BellSouth reserves the right to audit Comm South's access to customer record information. If a BellSouth audit of Comm South's access to customer record information reveals that Comm South is accessing customer record information without having obtained the proper End User authorization, BellSouth upon reasonable notice to Comm South may take corrective action, including but not limited to suspending or terminating Comm South's electronic access to BellSouth's OSS functionality. All such information obtained through an audit shall be deemed Information covered by the Proprietary and Confidential Information section in the General Terms and Conditions of this Agreement.
- 2.1.2 Service Ordering. BellSouth will make available the Electronic Data Interchange (EDI) interface and the TAG ordering interface for the purpose of exchanging order information, including order status and completion notification, for non-complex and certain complex resale requests and certain network elements. Comm South may integrate the EDI interface or the TAG ordering interface with the TAG pre-ordering interface. In addition, BellSouth will provide integrated pre-ordering and ordering capability through the LENS interface for non-complex and certain complex resale service requests and certain network element requests.
- 2.1.3 Maintenance and Repair. Comm South may report and monitor service troubles and obtain repair services from BellSouth via electronic interfaces. BellSouth provides several options for electronic trouble reporting. For exchange services, BellSouth will offer Comm South non-discriminatory access to the Trouble Analysis Facilitation Interface (TAFI). In addition, BellSouth will offer an industry

standard, machine-to-machine Electronic Communications Trouble Administration (ECTA) Gateway interface. For designed services, BellSouth will provide non-discriminatory trouble reporting via the ECTA Gateway. BellSouth will provide Comm South an estimated time to repair, an appointment time or a commitment time, as appropriate, on trouble reports. Requests for trouble repair will be billed in accordance with the provisions of this Attachment. BellSouth and Comm South agree to adhere to BellSouth's Operational Understanding, as amended from time to time during this Agreement and as incorporated herein by reference. The Operational Understanding may be accessed via the Internet at <http://www.interconnection.bellsouth.com>.

- 2.2 Change Management. BellSouth provides a collaborative process for change management of the electronic interfaces through the Change Control Process (CCP). Guidelines for this process are set forth in the CCP document as amended from time to time during this Agreement. The CCP document may be accessed via the Internet at <http://www.interconnection.bellsouth.com>.
- 2.3 BellSouth's Versioning Policy for Electronic Interfaces. BellSouth's Versioning Policy is part of the Change Control Process (CCP). Pursuant to the CCP, BellSouth will issue new software releases for new industry standards for its EDI and TAG electronic interfaces. The Versioning Policy, including the appropriate notification to Comm South, is set forth in the CCP document as amended from time to time during this Agreement. The CCP document may be accessed via the Internet at <http://www.interconnection.bellsouth.com>.
- 2.4 Rates. Charges for use of OSS shall be as set forth in Attachments 1 and 2 of this Agreement and are incorporated herein by reference.

3. MISCELLANEOUS

- 3.1 Pending Orders. Orders placed in the hold or pending status by Comm South will be held for a maximum of thirty (30) days from the date the order is placed on hold. After such time, Comm South shall be required to submit a new service request. Incorrect or invalid requests returned to Comm South for correction or clarification will be held for thirty (30) days. If Comm South does not return a corrected request within thirty (30) days, BellSouth will cancel the request.
- 3.2 Single Point of Contact. Comm South will be the single point of contact with BellSouth for ordering activity for network elements and other services used by Comm South to provide services to its end users, except that BellSouth may accept a request directly from another CLEC, or BellSouth, acting with authorization of the affected end user. Comm South and BellSouth shall each execute a blanket letter of authorization with respect to customer requests. The Parties shall each be entitled to adopt their own internal processes for verification of customer authorization for requests, provided, however, that such processes shall comply with applicable state and federal law including, until superseded, the FCC guidelines and orders applicable to Presubscribed Interexchange Carrier

(PIC) changes, including Un-PIC. Pursuant to a request from another carrier, BellSouth may disconnect any network element being used by Comm South to provide service to that end user and may reuse such network elements or facilities to enable such other carrier to provide service to the end user. BellSouth will notify Comm South that such a request has been processed, but will not be required to notify Comm South in advance of such processing.

- 3.3 Use of Facilities. When a customer of Comm South elects to discontinue service and to transfer service to another local exchange carrier, including BellSouth, BellSouth shall have the right to reuse the facilities provided to Comm South by BellSouth. In addition, where BellSouth provides local switching, BellSouth may disconnect and reuse facilities when the facility is in a denied state and BellSouth has received a request to establish new service or transfer of service from a customer or a customer's CLEC at the same address served by the denied facility. BellSouth will notify Comm South that such a request has been processed after the disconnect order has been completed.
- 3.4 Contact Numbers. The Parties agree to provide one another with toll-free nationwide (50 states) contact numbers for the purpose of ordering, provisioning and maintenance of services.
- 3.5 Subscription Functions. In cases where BellSouth performs subscription functions for an interexchange carrier ("IXC") (i.e. PIC and LPIC changes via Customer Account Record Exchange (CARE)), BellSouth will provide the affected IXCs with the Operating Company Number (OCN) of the local provider for the purpose of obtaining end user billing account and other end user information required under subscription requirements.
- 3.6 Cancellation Charges. If Comm South cancels a request for network elements or other services, any costs incurred by BellSouth in conjunction with the provisioning of that request will be recovered in accordance with BellSouth's Private Line Tariff or BellSouth's FCC No. 1 Tariff, Section 5.4, as applicable. Notwithstanding the foregoing, if Comm South places an LSR based upon BellSouth's loop makeup information, and such information is inaccurate resulting in the inability of BellSouth to provision the network elements or services requested in accordance with the transmission characteristics of the network elements or services requested, cancellation charges described in this Section shall not apply. Where Comm South places a single LSR for multiple network elements or services based upon loop makeup information, and information as to some, but not all, of the network elements or services is inaccurate, if BellSouth cannot provision the network elements or services that were the subject of the inaccurate loop makeup information, Comm South may cancel its request for those network elements or services without incurring cancellation charges as described in this Section. In such instance, should Comm South elect to cancel the entire LSR, cancellation charges as described in this Section shall apply to those elements and services that were not the subject of inaccurate loop makeup.

- 3.7 Service Date Advancement Charges (a.k.a. Expedites). For Service Date Advancement requests by Comm South, Service Date Advancement charges will apply for intervals less than the standard interval as outlined in the BellSouth Product and Services Interval Guide. The charges as outlined in BellSouth's FCC No. 1 Tariff, Section 5, will apply as applicable.

Attachment 7
Billing

TABLE OF CONTENTS

1. PAYMENT AND BILLING ARRANGEMENTS..... 3

2. BILLING DISPUTES..... 6

3. RAO HOSTING..... 7

4. OPTIONAL DAILY USAGE FILE 11

5. ACCESS DAILY USAGE FILE 13

Rates.....Exhibit A

BILLING

1. PAYMENT AND BILLING ARRANGEMENTS

The terms and conditions set forth in this Attachment shall apply to all services ordered and provisioned pursuant to this Agreement.

- 1.1 Billing. BellSouth will bill through the Carrier Access Billing System (CABS) and through the Customer Records Information System (CRIS) depending on the particular service(s) provided to Comm South under this Agreement. BellSouth will format all bills in CBOS Standard or CLUB/EDI format, depending on the type of service provided. For those services where standards have not yet been developed, BellSouth's billing format will change as necessary when standards are finalized by the applicable industry forum.
- 1.1.1 For any service(s) BellSouth receives from Comm South, Comm South shall bill BellSouth in CABS format.
- 1.1.2 If either Party requests multiple billing media or additional copies of bills, the Billing Party will provide these at a reasonable cost.
- 1.1.3 Any switched access charges associated with interexchange carrier access to the resold local exchange lines will be billed by, and due to BellSouth.
- 1.1.4 BellSouth will render bills each month for resold lines on established bill days for each of Comm South's accounts. If either Party requests multiple billing media or additional copies of the bills, the Billing Party will provide these at a reasonable cost.
- 1.1.5 BellSouth will bill Comm South in advance for all resold services to be provided during the ensuing billing period except charges associated with service usage, which will be billed in arrears. Charges will be calculated on an individual End User account level, including, if applicable, any charge for usage or usage allowances. BellSouth will also bill Comm South, and Comm South will be responsible for and remit to BellSouth, all charges applicable to resold services including but not limited to 911 and E911 charges, End Users common line charges, federal subscriber line charges, telecommunications relay charges (TRS), and franchise fees.
- 1.1.6 BellSouth will not perform billing and collection services for Comm South as a result of the execution of this Agreement. All requests for billing services should be referred to the appropriate entity or operational group within BellSouth.
- 1.2 Establishing Accounts. After receiving certification as a local exchange carrier from the appropriate regulatory agency, Comm South will provide the appropriate BellSouth account manager the necessary documentation to enable BellSouth to establish accounts for Local Interconnection, Network Elements and Other

Services, Collocation and/or resold services. Such documentation shall include the Application for Master Account, if applicable, proof of authority to provide telecommunications services, the appropriate Operating Company Number (OCN) assigned by the National Exchange Carriers Association (NECA), Carrier Identification Code (CIC), Group Access Code (GAC), Access Customer Name and Abbreviation (ACNA), as applicable, and a tax exemption certificate, if applicable.

- 1.2.1 Payment Responsibility. Payment of all charges will be the responsibility of Comm South. Comm South shall make payment to BellSouth for all services billed. Payments made by Comm South to BellSouth as payment on account will be credited to Comm South's accounts receivable master account. BellSouth will not become involved in billing disputes that may arise between Comm South and Comm South's customer.
- 1.3 Payment Due. Payment for services provided will be due on or before the next bill date (i.e., same date in the following month as the bill date) and is payable in immediately available funds. Payment is considered to have been made when received by BellSouth.
- 1.4 If the payment due date falls on a Sunday or on a Holiday that is observed on a Monday, the payment due date shall be the first non-Holiday day following such Sunday or Holiday. If the payment due date falls on a Saturday or on a Holiday which is observed on Tuesday, Wednesday, Thursday, or Friday, the payment due date shall be the last non-Holiday day preceding such Saturday or Holiday. If payment is not received by the payment due date, a late payment charge, as set forth in Section 1.6, below, shall apply.
- 1.5 Tax Exemption. Upon BellSouth's receipt of tax exemption certificate, the total amount billed to Comm South will not include those taxes or fees from which Comm South is exempt. Comm South will be solely responsible for the computation, tracking, reporting and payment of all taxes and like fees associated with the services provided to the end user of Comm South.
- 1.6 Late Payment. If any portion of the payment is received by BellSouth after the payment due date as set forth preceding, or if any portion of the payment is received by BellSouth in funds that are not immediately available to BellSouth, then a late payment charge shall be due to BellSouth. The late payment charge shall be the portion of the payment not received by the payment due date multiplied by a late factor and will be applied on a per bill basis. The late factor shall be as set forth in Section A2 of the General Subscriber Services Tariff, Section B2 of the Private Line Service Tariff or Section E2 of the Intrastate Access Tariff, as appropriate. In addition to any applicable late payment charges, Comm South may be charged a fee for all returned checks as set forth in Section A2 of the General Subscriber Services Tariff or pursuant to the applicable state law.

- 1.7 Discontinuing Service to Comm South. The procedures for discontinuing service to Comm South are as follows:
- 1.7.1 BellSouth reserves the right to suspend or terminate service in the event of prohibited, unlawful or improper use of BellSouth facilities or service, abuse of BellSouth facilities, or any other violation or noncompliance by Comm South of the rules and regulations of BellSouth's tariffs.
- 1.7.2 BellSouth reserves the right to suspend or terminate service for nonpayment. If payment of amounts not subject to a billing dispute, as described in Section 2, is not received by the bill date in the month after the original bill date, BellSouth will provide written notice to Comm South that additional applications for service may be refused, that any pending orders for service may not be completed, and/or that access to ordering systems may be suspended if payment is not received by the fifteenth day following the date of the notice. In addition, BellSouth may, at the same time, provide written notice to the person designated by Comm South to receive notices of noncompliance that BellSouth may discontinue the provision of existing services to Comm South if payment is not received by the thirtieth day following the date of the initial notice.
- 1.7.3 In the case of such discontinuance, all billed charges, as well as applicable termination charges, shall become due.
- 1.7.4 If BellSouth does not discontinue the provision of the services involved on the date specified in the thirty days notice and Comm South's noncompliance continues, nothing contained herein shall preclude BellSouth's right to discontinue the provision of the services to Comm South without further notice.
- 1.7.5 Upon discontinuance of service on Comm South's account, service to Comm South's end users will be denied. BellSouth will reestablish service for Comm South upon payment of all past due charges and the appropriate connection fee subject to BellSouth's normal application procedures. Comm South is solely responsible for notifying the end user of the proposed service disconnection. If within fifteen (15) days after Comm South has been denied and no arrangements to reestablish service have been made consistent with this subsection, Comm South's service will be disconnected.
- 1.8 Deposit Policy. Comm South shall complete the BellSouth Credit Profile and provide information to BellSouth regarding credit worthiness. Based on the results of the credit analysis, BellSouth reserves the right to secure the account with a suitable form of security deposit. Such security deposit shall take the form of cash, an Irrevocable Letter of Credit (BellSouth form), Surety Bond (BellSouth form) or, in BellSouth's sole discretion, some other form of security. Any such security deposit shall in no way release Comm South from its obligation to make complete and timely payments of its bill. Comm South shall pay any applicable deposits prior to the inauguration of service. If, in the sole opinion of BellSouth,

circumstances so warrant and/or gross monthly billing has increased beyond the level initially used to determine the level of security deposit, BellSouth reserves the right to request additional security and/or file a Uniform Commercial Code (UCC-1) security interest in Comm South's "accounts receivables and proceeds." Interest on a security deposit, if provided in cash, shall accrue and be paid in accordance with the terms in the appropriate BellSouth tariff. Security deposits collected under this Section shall not exceed two months' estimated billing. In the event Comm South fails to remit to BellSouth any deposit requested pursuant to this Section, service to Comm South may be terminated in accordance with the terms of Section 1.7 of this Attachment, and any security deposits will be applied to Comm South's account(s).

1.9 Notices. Notwithstanding anything to the contrary in this Agreement, all bills and notices regarding billing matters, including notices relating to security deposits, disconnection of services for nonpayment of charges, and rejection of additional orders from Comm South, shall be forwarded to the individual and/or address provided by Comm South in establishment of its billing account(s) with BellSouth, or to the individual and/or address subsequently provided by Comm South as the contact for billing information. All monthly bills and notices described in this Section shall be forwarded to the same individual and/or address; provided, however, upon written notice from Comm South to BellSouth's billing organization, a final notice of disconnection of services purchased by Comm South under this Agreement shall be sent via certified mail to the individual(s) listed in the Notices provision of the General Terms and Conditions of this Agreement at least 30 days before BellSouth takes any action to terminate such services.

1.10 Rates. Rates for Optional Daily Usage File (ODUF), Access Daily Usage File (ADUF), and Centralized Message Distribution Service (CMDS) are set out in Exhibit A to this Attachment. If no rate is identified in this Attachment, the rate for the specific service or function will be as set forth in applicable BellSouth tariff or as negotiated by the Parties upon request by either Party.

2. BILLING DISPUTES

2.1 Each Party agrees to notify the other Party in writing upon the discovery of a billing dispute. Comm South shall report all billing disputes to BellSouth using the Billing Adjustment Request Form (RF 1461) provided by BellSouth. In the event of a billing dispute, the Parties will endeavor to resolve the dispute within sixty (60) calendar days of the notification date. If the Parties are unable within the 60 day period to reach resolution, then the aggrieved Party may pursue dispute resolution in accordance with the General Terms and Conditions of this Agreement.

2.2 For purposes of this Section 2, a billing dispute means a reported dispute of a specific amount of money actually billed by either Party. The dispute must be clearly explained by the disputing Party and supported by written documentation,

which clearly shows the basis for disputing charges. By way of example and not by limitation, a billing dispute will not include the refusal to pay all or part of a bill or bills when no written documentation is provided to support the dispute, nor shall a billing dispute include the refusal to pay other amounts owed by the billed Party until the dispute is resolved. Claims by the billed Party for damages of any kind will not be considered a billing dispute for purposes of this Section. If the billing dispute is resolved in favor of the billing Party, the disputing Party will make immediate payment of any of the disputed amount owed to the billing Party or the billing Party shall have the right to pursue normal treatment procedures. Any credits due to the disputing Party, pursuant to the billing dispute, will be applied to the disputing Party's account by the billing Party immediately upon resolution of the dispute.

- 2.3 If a Party disputes a charge and does not pay such charge by the payment due date, or if a payment or any portion of a payment is received by either Party after the payment due date, or if a payment or any portion of a payment is received in funds which are not immediately available to the other Party, then a late payment charge and interest, where applicable, shall be assessed. For bills rendered by either Party for payment, the late payment charge for both Parties shall be calculated based on the portion of the payment not received by the payment due date multiplied by the late factor as set forth in the following BellSouth tariffs: for services purchased from the General Subscribers Services Tariff for purposes of resale and for ports and non-designed loops, Section A2 of the General Subscriber Services Tariff; for services purchased from the Private Line Tariff for purposes of resale, Section B2 of the Private Line Service Tariff; and for designed network elements and other services and local interconnection charges, Section E2 of the Access Service Tariff. The Parties shall assess interest on previously assessed late payment charges only in a state where it has the authority pursuant to its tariffs.

3. RAO HOSTING

- 3.1 RAO Hosting, Calling Card and Third Number Settlement System (CATS) and Non-Intercompany Settlement System (NICS) services provided to Comm South by BellSouth will be in accordance with the methods and practices regularly applied by BellSouth to its own operations during the term of this Agreement, including such revisions as may be made from time to time by BellSouth.
- 3.2 Comm South shall furnish all relevant information required by BellSouth for the provision of RAO Hosting, CATS and NICS.
- 3.3 Charges or credits, as applicable, will be applied by BellSouth to Comm South on a monthly basis in arrears. Amounts due (excluding adjustments) are payable within thirty (30) days of receipt of the billing statement.
- 3.4 Comm South must have its own unique hosted RAO code. Where BellSouth is the selected CMDS interfacing host, Comm South must request that BellSouth

establish a unique hosted RAO code for Comm South. Such request shall be in writing to the BellSouth RAO Hosting coordinator and must be submitted at least eight (8) weeks prior to provision of services pursuant to this Section. Services shall commence on a date mutually agreed by the Parties.

- 3.5 BellSouth will receive messages from Comm South that are to be processed by BellSouth, another LEC in the BellSouth region or a LEC outside the BellSouth region. Comm South shall send all messages to BellSouth no later than sixty (60) days after the message date.
- 3.6 BellSouth will perform invoice sequence checking, standard EMI format editing, and balancing of message data with the EMI trailer record counts on all data received from Comm South.
- 3.7 All data received from Comm South that is to be processed or billed by another LEC within the BellSouth region will be distributed to that LEC in accordance with the Agreement(s) in effect between BellSouth and the involved LEC.
- 3.8 All data received from Comm South that is to be placed on the CMDS network for distribution outside the BellSouth region will be handled in accordance with the agreement(s) in effect between BellSouth and its connecting contractor.
- 3.9 BellSouth will receive messages from the CMDS network that are destined to be processed by Comm South and will forward them to Comm South on a daily basis for processing.
- 3.10 Transmission of message data between BellSouth and Comm South will be via CONNECT:Direct.
 - 3.10.1 Data circuits (private line or dial-up) will be required between BellSouth and Comm South for the purpose of data transmission. Where a dedicated line is required, Comm South will be responsible for ordering the circuit and coordinating the installation with BellSouth. Comm South is responsible for any charges associated with this line. Equipment required on the BellSouth end to attach the line to the mainframe computer and to transmit data will be negotiated on a individual case basis. Where a dial-up facility is required, dial circuits will be installed in the BellSouth data center by BellSouth and the associated charges assessed to Comm South. Additionally, all message toll charges associated with the use of the dial circuit by Comm South will be the responsibility of Comm South. Associated equipment on the BellSouth end, including a modem, will be negotiated on a individual case basis between the Parties. All equipment, including modems and software, that is required on the Comm South end for the purpose of data transmission will be the responsibility of Comm South.

- 3.11 All messages and related data exchanged between BellSouth and Comm South will be formatted for EMI formatted records and packed between appropriate EMI header and trailer records in accordance with accepted industry standards.
- 3.12 Comm South will maintain recorded message detail necessary to recreate files provided to BellSouth for a period of three (3) calendar months beyond the related message dates.
- 3.13 Should it become necessary for Comm South to send data to BellSouth more than sixty (60) days past the message date(s), Comm South will notify BellSouth in advance of the transmission of the data. BellSouth will work with its connecting contractor and/or Comm South, where necessary, to notify all affected LECs.
- 3.14 In the event that data to be exchanged between the two Parties should become lost or destroyed, the Party responsible for creating the data will make every effort to restore and retransmit such data. If the data cannot be retrieved, the Party responsible for losing or destroying the data will be liable to the other Party for any resulting lost revenue. Lost revenue may be a combination of revenues that could not be billed to the end users and associated access revenues. Both Parties will work together to estimate the revenue amount based upon historical data through a method mutually agreed upon. The resulting estimated revenue loss will be paid by the responsible Party to the other Party within three (3) calendar months of the resolution of the amount owed, or as mutually agreed upon by the Parties.
- 3.15 Should an error be detected by the EMI format edits performed by BellSouth on data received from Comm South, the entire pack containing the affected data will not be processed by BellSouth. BellSouth will notify Comm South of the error. Comm South will correct the error(s) and will resend the entire pack to BellSouth for processing. In the event that an out-of-sequence condition occurs on subsequent packs, Comm South will resend these packs to BellSouth after the pack containing the error has been successfully reprocessed by BellSouth.
- 3.16 In association with message distribution service, BellSouth will provide Comm South with associated intercompany settlements reports (CATS and NICS) as appropriate.
- 3.17 Notwithstanding anything in this Agreement to the contrary, in no case shall either Party be liable to the other for any direct or consequential damages incurred as a result of the obligations set out in this Section 3.
- 3.18 Intercompany Settlements Messages
- 3.18.1 Intercompany Settlements Messages facilitate the settlement of revenues associated with traffic originated from or billed by Comm South as a facilities based provider of local exchange telecommunications services outside the BellSouth region. Only traffic that originates in one Bell operating territory and

bills in another Bell operating territory is included. Traffic that originates and bills within the same Bell operating territory will be settled on a local basis between Comm South and the involved company(ies), unless that company is participating in NICS.

- 3.18.2 Both traffic that originates outside the BellSouth region by Comm South and is billed within the BellSouth region, and traffic that originates within the BellSouth region and is billed outside the BellSouth region by Comm South, is covered by CATS. Also covered is traffic that either is originated by or billed by Comm South, involves a company other than Comm South, qualifies for inclusion in the CATS settlement, and is not originated or billed within the BellSouth region (NICS).
- 3.18.3 Once Comm South is operating within the BellSouth territory, revenues associated with calls originated and billed within the BellSouth region will be settled via NICS.
- 3.18.4 BellSouth will receive the monthly NICS reports from Telcordia on behalf of Comm South. BellSouth will distribute copies of these reports to Comm South on a monthly basis.
- 3.18.5 BellSouth will receive the monthly CATS reports from Telcordia on behalf of Comm South. BellSouth will distribute copies of these reports to Comm South on a monthly basis.
- 3.18.6 BellSouth will collect the revenue earned by Comm South from the Bell operating company in whose territory the messages are billed via CATS, less a per message billing and collection fee of five cents (\$0.05), on behalf of Comm South. BellSouth will remit the revenue billed by Comm South to the Bell operating company in whose territory the messages originated, less a per message billing and collection fee of five cents (\$0.05), on behalf on Comm South. These two amounts will be netted together by BellSouth and the resulting charge or credit issued to Comm South via a monthly Carrier Access Billing System (CABS) miscellaneous bill.
- 3.18.7 BellSouth will collect the revenue earned by Comm South within the BellSouth territory from another CLEC also within the BellSouth territory (NICS) where the messages are billed, less a per message billing and collection fee of five cents (\$0.05), on behalf of Comm South. BellSouth will remit the revenue billed by Comm South within the BellSouth region to the CLEC also within the BellSouth region, where the messages originated, less a per message billing and collection fee of five cents (\$0.05). These two amounts will be netted together by BellSouth and the resulting charge or credit issued to Comm South via a monthly CABS miscellaneous bill.

3.18.8 BellSouth and Comm South agree that monthly netted amounts of less than fifty dollars (\$50.00) will not be settled.

4. OPTIONAL DAILY USAGE FILE

4.1 Upon written request from Comm South, BellSouth will provide the Optional Daily Usage File (ODUF) service to Comm South pursuant to the terms and conditions set forth in this section.

4.2 Comm South shall furnish all relevant information required by BellSouth for the provision of the ODUF.

4.3 The ODUF feed will contain billable messages that were carried over the BellSouth Network and processed in the BellSouth Billing System, but billed to a Comm South customer.

4.4 Charges for the ODUF will appear on Comm Souths' monthly bills. The charges are as set forth in Exhibit A to this Attachment.

4.5 The ODUF feed will contain both rated and unrated messages. All messages will be in the standard Alliance for Telecommunications Industry Solutions (ATIS) EMI record format.

4.6 Messages that error in the billing system of Comm South will be the responsibility of Comm South. If, however, Comm South should encounter significant volumes of errored messages that prevent processing by Comm South within its systems, BellSouth will work with Comm South to determine the source of the errors and the appropriate resolution.

4.7 The following specifications shall apply to the ODUF feed.

4.7.1 ODUF Messages to be Transmitted

4.7.1.1 The following messages recorded by BellSouth will be transmitted to Comm South:

4.7.1.1.1 Message recording for per use/per activation type services (examples:
Three -Way Calling, Verify, Interrupt, Call Return, etc.)

4.7.1.1.2 Measured billable Local

4.7.1.1.3 Directory Assistance messages

4.7.1.1.4 IntraLATA Toll

4.7.1.1.5 WATS and 800 Service

4.7.1.1.6 N11

- 4.7.1.1.7 Information Service Provider Messages
- 4.7.1.1.8 Operator Services Messages
- 4.7.1.1.9 Operator Services Message Attempted Calls (Network Element only)
- 4.7.1.1.10 Credit/Cancel Records
- 4.7.1.1.11 Usage for Voice Mail Message Service
- 4.7.1.2 Rated Incollects (messages BellSouth receives from other revenue accounting offices) can also be on ODUF. Rated Incollects will be intermingled with BellSouth recorded rated and unrated usage. Rated Incollects will not be packed separately.
- 4.7.1.3 BellSouth will perform duplicate record checks on records processed to ODUF. Any duplicate messages detected will be deleted and not sent to Comm South.
- 4.7.1.4 In the event that Comm South detects a duplicate on ODUF they receive from BellSouth, Comm South will drop the duplicate message and will not return the duplicate to BellSouth.
- 4.7.2 ODUF Physical File Characteristics
 - 4.7.2.1 ODUF will be distributed to Comm South via CONNECT:Direct or another mutually agreed medium. The ODUF feed will be a variable block format (2476) with a Logical Record Link (LRECL) of 2472. The data on the ODUF feed will be in a non-compacted EMI format (175 byte format plus modules). It will be created on a daily basis Monday through Friday except holidays. Details such as dataset name and delivery schedule will be addressed during negotiations of the distribution medium. There will be a maximum of one dataset per workday per OCN.
 - 4.7.2.2 Data circuits (private line or dial-up) will be required between BellSouth and Comm South for the purpose of data transmission as set forth in Section 3.10.1 above.
- 4.7.3 ODUF Packing Specifications
 - 4.7.3.1 A pack will contain a minimum of one message record or a maximum of 99,999 message records plus a pack header record and a pack trailer record. One transmission can contain a maximum of 99 packs and a minimum of one pack.
 - 4.7.3.2 The OCN, From RAO, and Invoice Number will control the invoice sequencing. The From RAO will be used to identify to Comm South which BellSouth RAO that is sending the message. BellSouth and Comm South will use the invoice

sequencing to control data exchange. BellSouth will be notified of sequence failures identified by Comm South and resend the data as appropriate.

The data will be packed using ATIS EMI records.

4.7.4 ODUF Pack Rejection

4.7.4.1 Comm South will notify BellSouth within one business day of rejected packs (via the mutually agreed medium). Packs could be rejected because of pack sequencing discrepancies or a critical edit failure on the Pack Header or Pack Trailer records (i.e. out-of-balance condition on grand totals, invalid data populated). Standard ATIS EMI error codes will be used. Comm South will not be required to return the actual rejected data to BellSouth. Rejected packs will be corrected and retransmitted to Comm South by BellSouth.

4.7.5 ODUF Control Data

4.7.5.1 Comm South will send one confirmation record per pack that is received from BellSouth. This confirmation record will indicate Comm South's receipt of the pack and acceptance or rejection of the pack. Pack Status Code(s) will be populated using standard ATIS EMI error codes for packs that were rejected by Comm South for reasons stated in the above section.

4.7.6 ODUF Testing

4.7.6.1 Upon request from Comm South, BellSouth shall send ODUF test files to Comm South. The Parties agree to review and discuss the ODUF content and/or format. For testing of usage results, BellSouth shall request that Comm South set up a production (live) file. The live test may consist of Comm South's employees making test calls for the types of services Comm South requests on ODUF. These test calls are logged by Comm South, and the logs are provided to BellSouth. These logs will be used to verify the files. Testing will be completed within 30 calendar days from the date on which the initial test file was sent.

5. ACCESS DAILY USAGE FILE

5.1 Upon written request from Comm South, BellSouth will provide the Access Daily Usage File (ADUF) service to Comm South pursuant to the terms and conditions set forth in this section.

5.2 Comm South shall furnish all relevant information required by BellSouth for the provision of ADUF.

5.3 ADUF will contain access messages associated with a port that Comm South has purchased from BellSouth

- 5.4 Charges for ADUF will appear on Comm South's monthly bills. The charges are as set forth in Exhibit A to this Attachment. All messages will be in the standard ATIS EMI record format.
- 5.5 Messages that error in the billing system of Comm South will be the responsibility of Comm South. If, however, Comm South should encounter significant volumes of errored messages that prevent processing by Comm South within its systems, BellSouth will work with Comm South to determine the source of the errors and the appropriate resolution.
- 5.6 ADUF Messages To Be Transmitted
 - 5.6.1 The following messages recorded by BellSouth will be transmitted to Comm South:
 - 5.6.1.1 Recorded originating and terminating interstate and intrastate access records associated with a port.
 - 5.6.1.2 Recorded terminating access records for undetermined jurisdiction access records associated with a port.
 - 5.6.2 BellSouth will perform duplicate record checks on records processed to ADUF. Any duplicate messages detected will be dropped and not sent to Comm South.
 - 5.6.3 In the event that Comm South detects a duplicate on ADUF they receive from BellSouth, Comm South will drop the duplicate message and will not return the duplicate to BellSouth.
 - 5.6.4 ADUF Physical File Characteristics
 - 5.6.4.1 ADUF will be distributed to Comm South via CONNECT:Direct or another mutually agreed medium. The ADUF feed will be a fixed block format (2476) with an LRECL of 2472. The data on the ADUF feed will be in a non-compacted EMI format (210 byte). It will be created on a daily basis Monday through Friday except holidays. Details such as dataset name and delivery schedule will be addressed during negotiations of the distribution medium. There will be a maximum of one dataset per workday per OCN.
 - 5.6.4.2 Data circuits (private line or dial-up) will be required between BellSouth and Comm South for the purpose of data transmission as set forth in Section 3.10.1 above.
 - 5.6.5 ADUF Packing Specifications
 - 5.6.5.1 A pack will contain a minimum of one message record or a maximum of 99,999 message records plus a pack header record and a pack trailer record. One transmission can contain a maximum of 99 packs and a minimum of one pack.

- 5.6.5.2 The OCN, From RAO, and Invoice Number will control the invoice sequencing. The From RAO will be used to identify to Comm South which BellSouth RAO is sending the message. BellSouth and Comm South will use the invoice sequencing to control data exchange. BellSouth will be notified of sequence failures identified by Comm South and resend the data as appropriate.
The data will be packed using ATIS EMI records.
- 5.6.6 ADUF Pack Rejection
 - 5.6.6.1 Comm South will notify BellSouth within one business day of rejected packs (via the mutually agreed medium). Packs could be rejected because of pack sequencing discrepancies or a critical edit failure on the Pack Header or Pack Trailer records (i.e. out-of-balance condition on grand totals, invalid data populated). Standard ATIS EMI error codes will be used. Comm South will not be required to return the actual rejected data to BellSouth. Rejected packs will be corrected and retransmitted to Comm South by BellSouth.
- 5.6.7 ADUF Control Data
 - 5.6.7.1 Comm South will send one confirmation record per pack that is received from BellSouth. This confirmation record will indicate Comm South's receipt of the pack and acceptance or rejection of the pack. Pack Status Code(s) will be populated using standard ATIS EMI error codes for packs that were rejected by Comm South for reasons stated in the above section.
- 5.6.8 ADUF Testing
 - 5.6.8.1 Upon request from Comm South, BellSouth shall send a test file of generic data to Comm South via Connect:Direct or Text File via E-Mail. The Parties agree to review and discuss the test file's content and/or format.

| ODUF/ADUF/CMDS - Alabama | | | | | | | | | | Attachment: 7 | | Exhibit: A | | | |
|---|---|---------|------|-----|------|-----------|--------------|----------------------------------|--------------------------------------|--|--|---|---|-------------------------|---------------|
| CATEGORY | RATE ELEMENTS | Interim | Zone | BCS | USOC | RATES(\$) | | Svc Order Submitted Elec per LSR | Svc Order Submitted Manually per LSR | Incremental Charge - Manual Svc Order vs. Electronic-1st | Incremental Charge - Manual Svc Order vs. Electronic-Add'l | Incremental Charge - Manual Svc Order vs. Electronic-Disc 1st | Incremental Charge - Manual Svc Order vs. Electronic-Disc Add'l | | |
| | | | | | | Rec | Nonrecurring | | | | | | | Nonrecurring Disconnect | OSS Rates(\$) |
| | | | | | | First | Add'l | First | Add'l | SOME C | SOMAN | SOMAN | SOMAN | SOMAN | SOMAN |
| ODUF/ADUF/CMDS | | | | | | | | | | | | | | | |
| ACCESS DAILY USAGE FILE (ADUF) | | | | | | | | | | | | | | | |
| | ADUF: Message Processing, per message | | | | N/A | 0.004 | | | | | | | | | |
| | ADUF: Data Transmission (CONNECT:DIRECT), per message | | | | N/A | 0.001 | | | | | | | | | |
| OPTIONAL DAILY USAGE FILE (ODUF) | | | | | | | | | | | | | | | |
| | ODUF: Recording, per message | | | | N/A | 0.0002 | | | | | | | | | |
| | ODUF: Message Processing, per message | | | | N/A | 0.0033 | | | | | | | | | |
| | ODUF: Message Processing, per Magnetic Tape provisioned | | | | N/A | 55.19 | | | | | | | | | |
| | ODUF: Data Transmission (CONNECT:DIRECT), per message | | | | N/A | 0.00004 | | | | | | | | | |
| CENTRALIZED MESSAGE DISTRIBUTION SERVICE (CMDS) | | | | | | | | | | | | | | | |
| | CMDS: Message Processing, per message | | | | N/A | 0.004 | | | | | | | | | |
| | CMDS: Data Transmission (CONNECT:DIRECT), per message | | | | N/A | 0.001 | | | | | | | | | |
| Notes: If no rate is identified in the contract, the rate for the specific service or function will be as set forth in applicable BellSouth tariff or as negotiated by the Parties upon request by either Party. | | | | | | | | | | | | | | | |

| ODUF/ADUF/CMDS - Florida | | | | | | | | | | | Attachment: 7 | | Exhibit: A | | | | |
|---|---|---------|------|-----|------|------------|-----|--------------|-------|-------------------------|---------------|----------------------------------|--------------------------------------|--|--|---|---|
| CATEGORY | RATE ELEMENTS | Interim | Zone | BCS | USOC | RATES(\$) | Rec | Nonrecurring | | Nonrecurring Disconnect | | Svc Order Submitted Elec per LSR | Svc Order Submitted Manually per LSR | Incremental Charge - Manual Svc Order vs. Electronic-1st | Incremental Charge - Manual Svc Order vs. Electronic-Add'l | Incremental Charge - Manual Svc Order vs. Electronic-Disc 1st | Incremental Charge - Manual Svc Order vs. Electronic-Disc Add'l |
| | | | | | | | | First | Add'l | First | Add'l | | | | | | |
| ODUF/ADUF/CMDS | | | | | | | | | | | | | | | | | |
| ACCESS DAILY USAGE FILE (ADUF) | | | | | | | | | | | | | | | | | |
| | ADUF: Message Processing, per message | | | | N/A | 0.014391 | | | | | | | | | | | |
| | ADUF: Data Transmission (CONNECT:DIRECT), per message | | | | N/A | 0.00012973 | | | | | | | | | | | |
| OPTIONAL DAILY USAGE FILE (ODUF) | | | | | | | | | | | | | | | | | |
| | ODUF: Recording, per message | | | | N/A | 0.0000071 | | | | | | | | | | | |
| | ODUF: Message Processing, per message | | | | N/A | 0.006835 | | | | | | | | | | | |
| | ODUF: Message Processing, per Magnetic Tape provisioned | | | | N/A | 48.96 | | | | | | | | | | | |
| | ODUF: Data Transmission (CONNECT:DIRECT), per message | | | | N/A | 0.00010811 | | | | | | | | | | | |
| CENTRALIZED MESSAGE DISTRIBUTION SERVICE (CMDS) | | | | | | | | | | | | | | | | | |
| | CMDS: Message Processing, per message | | | | N/A | 0.004 | | | | | | | | | | | |
| | CMDS: Data Transmission (CONNECT:DIRECT), per message | | | | N/A | 0.001 | | | | | | | | | | | |
| Notes: If no rate is identified in the contract, the rate for the specific service or function will be as set forth in applicable BellSouth tariff or as negotiated by the Parties upon request by either Party. | | | | | | | | | | | | | | | | | |

| ODUF/ADUF/CMDS - Georgia | | | | | | | | | | Attachment: 7 | | Exhibit: A | | | | | |
|---|---|---------|------|-----|------|-----------|-----|----------------------------------|--------------------------------------|--|--|---|---|--------------|-------|-------------------------|-------|
| CATEGORY | RATE ELEMENTS | Interim | Zone | BCS | USOC | RATES(\$) | Rec | Svc Order Submitted Elec per LSR | Svc Order Submitted Manually per LSR | Incremental Charge - Manual Svc Order vs. Electronic-1st | Incremental Charge - Manual Svc Order vs. Electronic-Add'l | Incremental Charge - Manual Svc Order vs. Electronic-Disc 1st | Incremental Charge - Manual Svc Order vs. Electronic-Disc Add'l | | | | |
| | | | | | | | | | | | | | | Nonrecurring | | Nonrecurring Disconnect | |
| | | | | | | | | | | | | | | | | | |
| | | | | | | | | First | Add'l | First | Add'l | SOME C | SOMAN | SOMAN | SOMAN | SOMAN | SOMAN |
| ODUF/ADUF/CMDS | | | | | | | | | | | | | | | | | |
| ACCESS DAILY USAGE FILE (ADUF) | | | | | | | | | | | | | | | | | |
| | ADUF: Message Processing, per message | | | | N/A | 0.0136327 | | | | | | | | | | | |
| | ADUF: Data Transmission (CONNECT:DIRECT), per message | | | | N/A | 0.0000434 | | | | | | | | | | | |
| OPTIONAL DAILY USAGE FILE (ODUF) | | | | | | | | | | | | | | | | | |
| | ODUF: Recording, per message | | | | N/A | 0.0001275 | | | | | | | | | | | |
| | ODUF: Message Processing, per message | | | | N/A | 0.0082548 | | | | | | | | | | | |
| | ODUF: Message Processing, per Magnetic Tape provisioned | | | | N/A | 28.85 | | | | | | | | | | | |
| | ODUF: Data Transmission (CONNECT:DIRECT), per message | | | | N/A | 0.0000434 | | | | | | | | | | | |
| CENTRALIZED MESSAGE DISTRIBUTION SERVICE (CMDS) | | | | | | | | | | | | | | | | | |
| | CMDS: Message Processing, per message | | | | N/A | 0.004 | | | | | | | | | | | |
| | CMDS: Data Transmission (CONNECT:DIRECT), per message | | | | N/A | 0.001 | | | | | | | | | | | |
| Notes: If no rate is identified in the contract, the rate for the specific service or function will be as set forth in applicable BellSouth tariff or as negotiated by the Parties upon request by either Party. | | | | | | | | | | | | | | | | | |

| ODUF/ADUF/CMDS - Kentucky | | | | | | | | | | Attachment: 7 | | Exhibit: A | | | | | |
|---|---|---------|------|-----|------|------------|-----|----------------------------------|--------------------------------------|--|--|---|---|---------------|--|-------------------------|--|
| CATEGORY | RATE ELEMENTS | Interim | Zone | BCS | USOC | RATES(\$) | Rec | Svc Order Submitted Elec per LSR | Svc Order Submitted Manually per LSR | Incremental Charge - Manual Svc Order vs. Electronic-1st | Incremental Charge - Manual Svc Order vs. Electronic-Add'l | Incremental Charge - Manual Svc Order vs. Electronic-Disc 1st | Incremental Charge - Manual Svc Order vs. Electronic-Disc Add'l | OSS Rates(\$) | | | |
| | | | | | | | | | | | | | | Nonrecurring | | Nonrecurring Disconnect | |
| | | | | | | | | First | Add'l | First | Add'l | | | | | | |
| ODUF/ADUF/CMDS | | | | | | | | | | | | | | | | | |
| ACCESS DAILY USAGE FILE (ADUF) | | | | | | | | | | | | | | | | | |
| | ADUF: Message Processing, per message | | | | N/A | 0.001857 | | | | | | | | | | | |
| | ADUF: Data Transmission (CONNECT:DIRECT), per message | | | | N/A | 0.0001245 | | | | | | | | | | | |
| OPTIONAL DAILY USAGE FILE (ODUF) | | | | | | | | | | | | | | | | | |
| | ODUF: Recording, per message | | | | N/A | 0.0000136 | | | | | | | | | | | |
| | ODUF: Message Processing, per message | | | | N/A | 0.002506 | | | | | | | | | | | |
| | ODUF: Message Processing, per Magnetic Tape provisioned | | | | N/A | 35.90 | | | | | | | | | | | |
| | ODUF: Data Transmission (CONNECT:DIRECT), per message | | | | N/A | 0.00010372 | | | | | | | | | | | |
| CENTRALIZED MESSAGE DISTRIBUTION SERVICE (CMDS) | | | | | | | | | | | | | | | | | |
| | CMDS: Message Processing, per message | | | | N/A | 0.004 | | | | | | | | | | | |
| | CMDS: Data Transmission (CONNECT:DIRECT), per message | | | | N/A | 0.001 | | | | | | | | | | | |
| Notes: If no rate is identified in the contract, the rate for the specific service or function will be as set forth in applicable BellSouth tariff or as negotiated by the Parties upon request by either Party. | | | | | | | | | | | | | | | | | |

| ODUF/ADUF/CMDS - Louisiana | | | | | | | | | | Attachment: 7 | | Exhibit: A | | | | | |
|--|---|---------|------|-----|------|------------|-----|----------------------------------|--------------------------------------|--|--|---|---|--------------|-------|-------------------------|-------|
| CATEGORY | RATE ELEMENTS | Interim | Zone | BCS | USOC | RATES(\$) | Rec | Svc Order Submitted Elec per LSR | Svc Order Submitted Manually per LSR | Incremental Charge - Manual Svc Order vs. Electronic-1st | Incremental Charge - Manual Svc Order vs. Electronic-Add'l | Incremental Charge - Manual Svc Order vs. Electronic-Disc 1st | Incremental Charge - Manual Svc Order vs. Electronic-Disc Add'l | | | | |
| | | | | | | | | | | | | | | Nonrecurring | | Nonrecurring Disconnect | |
| | | | | | | | | | | | | | | | | | |
| | | | | | | | | First | Add'l | First | Add'l | SOMEK | SOMAN | SOMAN | SOMAN | SOMAN | SOMAN |
| ODUF/ADUF/CMDS | | | | | | | | | | | | | | | | | |
| ACCESS DAILY USAGE FILE (ADUF) | | | | | | | | | | | | | | | | | |
| | ADUF: Message Processing, per message | | | | N/A | 0.007983 | | | | | | | | | | | |
| | ADUF: Data Transmission (CONNECT:DIRECT), per message | | | | N/A | 0.00012681 | | | | | | | | | | | |
| OPTIONAL DAILY USAGE FILE (ODUF) | | | | | | | | | | | | | | | | | |
| | ODUF: Recording, per message | | | | N/A | 0.0000117 | | | | | | | | | | | |
| | ODUF: Message Processing, per message | | | | N/A | 0.004641 | | | | | | | | | | | |
| | ODUF: Message Processing, per Magnetic Tape provisioned | | | | N/A | 48.45 | | | | | | | | | | | |
| | ODUF: Data Transmission (CONNECT:DIRECT), per message | | | | N/A | 0.00010568 | | | | | | | | | | | |
| CENTRALIZED MESSAGE DISTRIBUTION SERVICE (CMDS) | | | | | | | | | | | | | | | | | |
| | CMDS: Message Processing, per message | | | | N/A | 0.004 | | | | | | | | | | | |
| | CMDS: Data Transmission (CONNECT:DIRECT), per message | | | | N/A | 0.001 | | | | | | | | | | | |

Notes: If no rate is identified in the contract, the rate for the specific service or function will be as set forth in applicable BellSouth tariff or as negotiated by the Parties upon request by either Party.

| ODUF/ADUF/CMDS - Mississippi | | | | | | | | | | Attachment: 7 | | Exhibit: A | | | | | |
|---|---|---------|------|-----|------|------------|-----|----------------------------------|--------------------------------------|--|--|---|---|---------------|--|-------------------------|--|
| CATEGORY | RATE ELEMENTS | Interim | Zone | BCS | USOC | RATES(\$) | Rec | Svc Order Submitted Elec per LSR | Svc Order Submitted Manually per LSR | Incremental Charge - Manual Svc Order vs. Electronic-1st | Incremental Charge - Manual Svc Order vs. Electronic-Add'l | Incremental Charge - Manual Svc Order vs. Electronic-Disc 1st | Incremental Charge - Manual Svc Order vs. Electronic-Disc Add'l | OSS Rates(\$) | | | |
| | | | | | | | | | | | | | | Nonrecurring | | Nonrecurring Disconnect | |
| | | | | | | | | First | Add'l | First | Add'l | | | | | | |
| ODUF/ADUF/CMDS | | | | | | | | | | | | | | | | | |
| ACCESS DAILY USAGE FILE (ADUF) | | | | | | | | | | | | | | | | | |
| | ADUF: Message Processing, per message | | | | N/A | 0.008087 | | | | | | | | | | | |
| | ADUF: Data Transmission (CONNECT:DIRECT), per message | | | | N/A | 0.00012803 | | | | | | | | | | | |
| OPTIONAL DAILY USAGE FILE (ODUF) | | | | | | | | | | | | | | | | | |
| | ODUF: Recording, per message | | | | N/A | 0.0000063 | | | | | | | | | | | |
| | ODUF: Message Processing, per message | | | | N/A | 0.004707 | | | | | | | | | | | |
| | ODUF: Message Processing, per Magnetic Tape provisioned | | | | N/A | 49.04 | | | | | | | | | | | |
| | ODUF: Data Transmission (CONNECT:DIRECT), per message | | | | N/A | 0.00010669 | | | | | | | | | | | |
| CENTRALIZED MESSAGE DISTRIBUTION SERVICE (CMDS) | | | | | | | | | | | | | | | | | |
| | CMDS: Message Processing, per message | | | | N/A | 0.004 | | | | | | | | | | | |
| | CMDS: Data Transmission (CONNECT:DIRECT), per message | | | | N/A | 0.001 | | | | | | | | | | | |
| Notes: If no rate is identified in the contract, the rate for the specific service or function will be as set forth in applicable BellSouth tariff or as negotiated by the Parties upon request by either Party. | | | | | | | | | | | | | | | | | |

| ODUF/ADUF/CMDS - North Carolina | | | | | | | | | | Attachment: 7 | | Exhibit: A | | | |
|---|---|---------|------|-----|------|-----------|--------------|-------|-------------------------|----------------------------------|--------------------------------------|--|--|---|---|
| CATEGORY | RATE ELEMENTS | Interim | Zone | BCS | USOC | RATES(\$) | | | | Svc Order Submitted Elec per LSR | Svc Order Submitted Manually per LSR | Incremental Charge - Manual Svc Order vs. Electronic-1st | Incremental Charge - Manual Svc Order vs. Electronic-Add'l | Incremental Charge - Manual Svc Order vs. Electronic-Disc 1st | Incremental Charge - Manual Svc Order vs. Electronic-Disc Add'l |
| | | | | | | Rec | Nonrecurring | | Nonrecurring Disconnect | | | | | | |
| | | | | | | | First | Add'l | First | Add'l | SOME C | SOMAN | SOMAN | SOMAN | SOMAN |
| ODUF/ADUF/CMDS | | | | | | | | | | | | | | | |
| ACCESS DAILY USAGE FILE (ADUF) | | | | | | | | | | | | | | | |
| | ADUF: Message Processing, per message | | | | N/A | 0.004 | | | | | | | | | |
| | ADUF: Data Transmission (CONNECT:DIRECT), per message | | | | N/A | 0.001 | | | | | | | | | |
| OPTIONAL DAILY USAGE FILE (ODUF) | | | | | | | | | | | | | | | |
| | ODUF: Recording, per message | | | | N/A | 0.0003 | | | | | | | | | |
| | ODUF: Message Processing, per message | | | | N/A | 0.0032 | | | | | | | | | |
| | ODUF: Message Processing, per Magnetic Tape provisioned | | | | N/A | 54.61 | | | | | | | | | |
| | ODUF: Data Transmission (CONNECT:DIRECT), per message | | | | N/A | 0.0004 | | | | | | | | | |
| CENTRALIZED MESSAGE DISTRIBUTION SERVICE (CMDS) | | | | | | | | | | | | | | | |
| | CMDS: Message Processing, per message | | | | N/A | 0.004 | | | | | | | | | |
| | CMDS: Data Transmission (CONNECT:DIRECT), per message | | | | N/A | 0.001 | | | | | | | | | |
| Notes: If no rate is identified in the contract, the rate for the specific service or function will be as set forth in applicable BellSouth tariff or as negotiated by the Parties upon request by either Party. | | | | | | | | | | | | | | | |

| ODUF/ADUF/CMDS - South Carolina | | | | | | | | | | | Attachment: 7 | | Exhibit: A | | | | | | |
|--|---|---------|------|-----|------|------------|-----|----------------------------------|--------------------------------------|--|--|---|---|---------------|--|-------------------------|--|------|-------|
| CATEGORY | RATE ELEMENTS | Interim | Zone | BCS | USOC | RATES(\$) | Rec | Svc Order Submitted Elec per LSR | Svc Order Submitted Manually per LSR | Incremental Charge - Manual Svc Order vs. Electronic-1st | Incremental Charge - Manual Svc Order vs. Electronic-Add'l | Incremental Charge - Manual Svc Order vs. Electronic-Disc 1st | Incremental Charge - Manual Svc Order vs. Electronic-Disc Add'l | OSS Rates(\$) | | | | | |
| | | | | | | | | | | | | | | Nonrecurring | | Nonrecurring Disconnect | | SOME | SOMAN |
| | | | | | | | | First | Add'l | First | Add'l | | | | | | | | |
| ODUF/ADUF/CMDS | | | | | | | | | | | | | | | | | | | |
| ACCESS DAILY USAGE FILE (ADUF) | | | | | | | | | | | | | | | | | | | |
| | ADUF: Message Processing, per message | | | | N/A | 0.008061 | | | | | | | | | | | | | |
| | ADUF: Data Transmission (CONNECT:DIRECT), per message | | | | N/A | 0.00013036 | | | | | | | | | | | | | |
| OPTIONAL DAILY USAGE FILE (ODUF) | | | | | | | | | | | | | | | | | | | |
| | ODUF: Recording, per message | | | | N/A | 0.0000216 | | | | | | | | | | | | | |
| | ODUF: Message Processing, per message | | | | N/A | 0.004704 | | | | | | | | | | | | | |
| | ODUF: Message Processing, per Magnetic Tape provisioned | | | | N/A | 48.87 | | | | | | | | | | | | | |
| | ODUF: Data Transmission (CONNECT:DIRECT), per message | | | | N/A | 0.00010863 | | | | | | | | | | | | | |
| CENTRALIZED MESSAGE DISTRIBUTION SERVICE (CMDS) | | | | | | | | | | | | | | | | | | | |
| | CMDS: Message Processing, per message | | | | N/A | 0.004 | | | | | | | | | | | | | |
| | CMDS: Data Transmission (CONNECT:DIRECT), per message | | | | N/A | 0.001 | | | | | | | | | | | | | |
| Notes: If no rate is identified in the contract, the rate for the specific service or function will be as set forth in applicable BellSouth tariff or as negotiated by the Parties upon request by either Party. | | | | | | | | | | | | | | | | | | | |

| ODUF/ADUF/CMDS - Tennessee | | | | | | | | | | | Attachment: 7 | | Exhibit: A | | |
|---|---|---------|------|-----|------|-----------|--------------------|-------|--------------------|----------------------------------|--------------------------------------|--|--|---|---|
| CATEGORY | RATE ELEMENTS | Interim | Zone | BCS | USOC | RATES(\$) | | | | Svc Order Submitted Elec per LSR | Svc Order Submitted Manually per LSR | Incremental Charge - Manual Svc Order vs. Electronic-1st | Incremental Charge - Manual Svc Order vs. Electronic-Add'l | Incremental Charge - Manual Svc Order vs. Electronic-Disc 1st | Incremental Charge - Manual Svc Order vs. Electronic-Disc Add'l |
| | | | | | | Rec | Nonrecurring First | Add'l | Nonrecurring First | | | | | | |
| | | | | | | | | | | | | | | | |
| | | | | | | | | | | | SOME C | SOMAN | SOMAN | SOMAN | SOMAN |
| ODUF/ADUF/CMDS | | | | | | | | | | | | | | | |
| ACCESS DAILY USAGE FILE (ADUF) | | | | | | | | | | | | | | | |
| | ADUF: Message Processing, per message | | | | N/A | 0.004 | | | | | | | | | |
| | ADUF: Data Transmission (CONNECT:DIRECT), per message | | | | N/A | 0.001 | | | | | | | | | |
| OPTIONAL DAILY USAGE FILE (ODUF) | | | | | | | | | | | | | | | |
| | ODUF: Recording, per message | | | | N/A | 0.0000044 | | | | | | | | | |
| | ODUF: Message Processing, per message | | | | N/A | 0.0027366 | | | | | | | | | |
| | ODUF: Message Processing, per Magnetic Tape provisioned | | | | N/A | 52.75 | | | | | | | | | |
| | ODUF: Data Transmission (CONNECT:DIRECT), per message | | | | N/A | 0.0000339 | | | | | | | | | |
| CENTRALIZED MESSAGE DISTRIBUTION SERVICE (CMDS) | | | | | | | | | | | | | | | |
| | CMDS: Message Processing, per message | | | | N/A | 0.004 | | | | | | | | | |
| | CMDS: Data Transmission (CONNECT:DIRECT), per message | | | | N/A | 0.001 | | | | | | | | | |
| Notes: If no rate is identified in the contract, the rate for the specific service or function will be as set forth in applicable BellSouth tariff or as negotiated by the Parties upon request by either Party. | | | | | | | | | | | | | | | |

Attachment 8

Rights-of-Way, Conduits and Pole Attachments

Rights-of-Way, Conduits and Pole Attachments

BellSouth will provide nondiscriminatory access to any pole, duct, conduit, or right-of-way owned or controlled by BellSouth pursuant to 47 U.S.C. § 224, as amended by the Act, pursuant to terms and conditions of a license agreement subsequently negotiated with BellSouth's Competitive Structure Provisioning Center.

ATTACHMENT 9

PERFORMANCE MEASUREMENTS

PERFORMANCE MEASUREMENTS

Upon a particular Commission's issuance of an Order pertaining to Performance Measurements in a proceeding expressly applicable to all CLECs generally, BellSouth shall implement in that state such Performance Measurements as of the date specified by the Commission. Performance Measurements that have been Ordered in a particular state can currently be accessed via the internet at <https://pmap.bellsouth.com>. At the request of the Tennessee Regulatory Authority (TRA), the following Regional Service Quality Measurements (SQM) plan is being included as the performance measurements currently in place for the state of Tennessee. At such time that the TRA issues an Order pertaining to Performance Measurements, such Performance Measurements shall supersede the Regional SQM contained in the Agreement.

BellSouth Service Quality Measurement Plan (SQM)

Region Performance Metrics

**Measurement Descriptions
Version 0.05**

Issue Date: December 21, 2001

Introduction

The BellSouth Service Quality Measurement Plan (SQM) describes in detail the measurements produced to evaluate the quality of service delivered to BellSouth's customers both wholesale and retail. The SQM was developed to respond to the requirements of the Communications Act of 1996 Section 251 (96 Act) which required BellSouth to provide non-discriminatory access to Competitive Local Exchange Carriers (CLEC)¹ and its Retail Customers. The reports produced by the SQM provide regulators, CLECs and BellSouth the information necessary to monitor the delivery of non-discriminatory access.

This plan results from the many divergent forces evolving from the 96 Act. The 96 Act, the Georgia Public Service Commission (GPSC) Order (Docket 7892-U 12/30/97), LCUG 1-7.0, the FCC's NPRM (CC Docket 98-56 RM9101 04/17/98), the Louisiana Public Service Commission (LPSC) Order (Docket U-22252 Subdocket C 04/19/98), numerous arbitration cases, LPSC sponsored collaborative workshops (10/98-02/00), and proceedings in Alabama, Mississippi, and North Carolina have and continue to influence the SQM.

The SQM and the reports flowing from it must change to reflect the dynamic requirements of the industry. New measurements are added as new products, systems, and processes are developed and fielded. New products and services are added as the markets for them develop and the processes stabilize. The measurements are also changed to reflect changes in systems, correct errors, and respond to both 3rd Party audit requirements and Commission requirements.

This document is intended for use by someone with knowledge of telecommunications industry, information technologies and a functional knowledge of the subject areas covered by the BellSouth Performance Measurements and the reports that flow from them.

Once it is approved, the most current copy of this document can be found on the web at URL: <https://pmap.bellsouth.com> in the Documentation Downloads folder.

Report Publication Dates

Each month, preliminary SQM reports will be posted to BellSouth's SQM web site (<https://www.pmap.bellsouth.com>) by 8:00 A.M. EST on the 21st day of each month or the first business day after the 21st. Final validated SQM reports will be posted by 8:00 A.M. on the last day of the month. Reports not posted by this time will be considered late for SEEM payment purposes. SEEM reports will be posted on the 15th of the following month. Payments due will also be paid on the 15th of the following month. For instance: May data will be posted in preliminary SQM reports on June 21. Final validated SQM reports will be posted on the last day of June. Final validated SEEM reports will be posted and payments mailed on July 15th. In the event the 15th falls on a weekend or holiday, reports and payments will be posted/made the next business day.

¹ *Alternative Local Exchange Companies (ALEC) and Competing Local Providers (CLP) are referred to as Competitive Local Exchange Carriers (CLEC) in this document.*

Report Delivery Methods

CLEC SQM and SEEM reports will be considered delivered when posted to the web site. Commissions will be given access to the web site. In addition, a copy of the Monthly State Summary reports will be filed with the appropriate Commissions as soon as possible after the last day of each month.

Document Number: RGN-V005-122101

Contents

Section 1: Operations Support Systems (OSS).....1-1

- OSS-1: Average Response Time and Response Interval (Pre-Ordering/ Ordering) 1-1
- OSS-2: Interface Availability (Pre-Ordering/Ordering) 1-5
- OSS-3: Interface Availability (Maintenance & Repair) 1-7
- OSS-4: Response Interval (Maintenance & Repair)..... 1-9
- PO-1: Loop Makeup - Response Time – Manual..... 1-11
- PO-2: Loop Make Up - Response Time - Electronic 1-13

Section 2: Ordering2-1

- O-1: Acknowledgement Message Timeliness..... 2-1
- O-2: Acknowledgement Message Completeness 2-3
- O-3: Percent Flow-Through Service Requests (Summary) 2-4
- O-4: Percent Flow-Through Service Requests (Detail) 2-6
- O-5: Flow-Through Error Analysis 2-9
- O-6: CLEC LSR Information 2-10
- LSR Flow Through Matrix..... 2-11
- O-7: Percent Rejected Service Requests..... 2-14
- O-8: Reject Interval 2-16
- O-9: Firm Order Confirmation Timeliness 2-19
- O-10: Service Inquiry with LSR Firm Order Confirmation (FOC) Response Time Manual 2-22
- O-11: Firm Order Confirmation and Reject Response Completeness 2-24
- O-12: Speed of Answer in Ordering Center..... 2-26
- O-13: LNP-Percent Rejected Service Requests 2-27
- O-14: LNP-Reject Interval Distribution & Average Reject Interval..... 2-29
- O-15: LNP-Firm Order Confirmation Timeliness Interval Distribution & Firm Order Confirmation Average Interval..... 2-32

Section 3: Provisioning.....3-1

- P-1: Mean Held Order Interval & Distribution Intervals..... 3-1
- P-2: Average Jeopardy Notice Interval & Percentage of Orders Given Jeopardy Notices 3-3
- P-3: Percent Missed Installation Appointments 3-5
- P-4: Average Completion Interval (OCI) & Order Completion Interval Distribution 3-8
- P-5: Average Completion Notice Interval 3-11
- P-6: % Completions/Attempts without Notice or < 24 hours Notice 3-13
- P-7: Coordinated Customer Conversions Interval..... 3-15
- P-7A: Coordinated Customer Conversions – Hot Cut Timeliness% Within Interval and Average Interval..... 3-17
- P-7B: Coordinated Customer Conversions – Average Recovery Time 3-19
- P-7C: Hot Cut Conversions - % Provisioning Troubles Received Within 7 days of a completed Service Order 3-21
- P-8: Cooperative Acceptance Testing - % of xDSL Loops Tested 3-23
- P-9: % Provisioning Troubles within 30 days of Service Order Completion 3-25
- P-10: Total Service Order Cycle Time (TSOCT)..... 3-28
- P-11: Service Order Accuracy..... 3-30
- P-12: LNP-Percent Missed Installation Appointments..... 3-32
- P-13: LNP-Average Disconnect Timeliness Interval & Disconnect Timeliness Interval Distribution

..... 3-34

P-14: LNP-Total Service Order Cycle Time (TSOCT)..... 3-36

Section 4: Section 4: Maintenance & Repair.....4-1

M&R-1: Missed Repair Appointments..... 4-1

M&R-2: Customer Trouble Report Rate 4-3

M&R-3: Maintenance Average Duration 4-5

M&R-4: Percent Repeat Troubles within 30 Days..... 4-7

M&R-5: Out of Service (OOS) > 24 Hours 4-9

M&R-6: Average Answer Time – Repair Centers 4-11

M&R-7: Mean Time To Notify CLEC of Network Outages..... 4-12

Section 5: Billing.....5-1

B-1: Invoice Accuracy 5-1

B2: Mean Time to Deliver Invoices 5-3

B3: Usage Data Delivery Accuracy..... 5-5

B4: Usage Data Delivery Completeness..... 5-6

B5: Usage Data Delivery Timeliness 5-7

B6: Mean Time to Deliver Usage..... 5-8

B7: Recurring Charge Completeness..... 5-9

B8: Non-Recurring Charge Completeness..... 5-10

Section 6: Operator Services And Directory Assistance6-1

OS-1: Speed to Answer Performance/Average Speed to Answer - Toll 6-1

OS-2: Speed to Answer Performance/Percent Answered with “X” Seconds - Toll..... 6-2

DA-1: Speed to Answer Performance/Average Speed to Answer - Directory Assistance (DA)..... 6-3

DA-2: Speed to Answer Performance/Percent Answered within “X” Seconds - Directory Assistance (DA) 6-4

Section 7: Database Update Information.....7-1

D-1: Average Database Update Interval..... 7-1

D-2: Percent Database Update Accuracy..... 7-3

D-3: Percent NXXs and LRNs Loaded by the LERG Effective Date 7-5

Section 8: E9118-1

E-1: Timeliness..... 8-1

E-2: Accuracy..... 8-2

E-3: Mean Interval..... 8-3

Section 9: Trunk Group Performance.....9-1

TGP-1: Trunk Group Performance-Aggregate 9-1

TGP-2: Trunk Group Performance-CLEC Specific 9-3

Section 10: Collocation10-1

C-1: Collocation Average Response Time..... 10-1

C-2: Collocation Average Arrangement Time 10-2

C-3: Collocation Percent of Due Dates Missed..... 10-3

Section 11: Change Management.....11-4

CM-1: Timeliness of Change Management Notices 11-4

CM-2: Change Management Notice Average Delay Days..... 11-5

CM-3: Timeliness of Documents Associated with Change 11-6

CM-4: Change Management Documentation Average Delay Days 11-7

CM-5: Notification of CLEC Interface Outages 11-8

Section 12: Bona Fide / New Business Request Process 12-1

 BFR-1: Percentage of BFR/NBR Requests Processed Within 30 Business Days 12-1

 BFR-2: Percentage of Quotes Provided for Authorized BFR/NBR Requests Processed Within X
 (10/30/60) Business Days 12-2

Appendix A: Reporting Scope..... 1

 A-1: Standard Service Groupings..... 1

 A-2: Standard Service Order Activities 1

Appendix B: Glossary of Acronyms and Terms..... 1

Appendix C: BellSouth Audit Policy..... 1

Section 1: Operations Support Systems (OSS)

OSS-1: Average Response Time and Response Interval (Pre-Ordering/Ordering)

Definition

Average response time and response intervals are the average times and number of requests responded to within certain intervals for accessing legacy data associated with appointment scheduling, service & feature availability, address verification, request for Telephone numbers (TNs), and Customer Service Records (CSRs).

Exclusions

None

Business Rules

The average response time for retrieving pre-order/order information from a given legacy system is determined by summing the response times for all requests submitted to the legacy systems during the reporting period and dividing by the total number of legacy system requests for that month.

The response interval starts when the client application (LENS or TAG for CLECs and RNS or ROS for BellSouth) submits a request to the legacy system and ends when the appropriate response is returned to the client application. The number of accesses to the legacy systems during the reporting period which take less than 2.3 seconds, the number of accesses which take more than 6 seconds, and the number which are less than or equal to 6.3 seconds are also captured.

Calculation

Response Time = (a - b)

- a = Date & Time of Legacy Response
- b = Date & Time of Legacy Request

Average Response Time = c / d

- c = Sum of Response Times
- d = Number of Legacy Requests During the Reporting Period

Report Structure

- Not CLEC Specific
- Not Product/Service Specific
- Regional Level

Data Retained

| Relating to CLEC Experience | Relating to BellSouth Performance |
|--|--|
| <ul style="list-style-type: none"> • Report Month • Legacy Contract (per reporting dimension) • Response Interval • Regional Scope | <ul style="list-style-type: none"> • Report Month • Legacy Contract (per reporting dimension) • Response Interval • Regional Scope |

SQM Disaggregation - Analog/Benchmark

| SQM Level of Disaggregation | SQM Analog/Benchmark |
|---|----------------------|
| <ul style="list-style-type: none"> • RSAG – Address (Regional Street Address Guide-Address) – stores street address information used to validate customer addresses. CLECs and BellSouth query this legacy system. • RSAG – TN (Regional Street Address Guide-Telephone number) – contains information about facilities available and telephone numbers working at a given address. | |

| | |
|---|--|
| <p>CLECs and BellSouth query this legacy system.</p> <ul style="list-style-type: none"> • ATLAS (Application for Telephone Number Load Administration and Selection) – acts as a warehouse for storing telephone numbers that are available for assignment by the system. It enables CLECs and BellSouth service reps to select and reserve telephone numbers. CLECs and BellSouth query this legacy system. • COFFI (Central Office Feature File Interface) – stores information about product and service offerings and availability. CLECs query this legacy system. • DSAP (DOE Support Application) – provides due date information. CLECs and BellSouth query this legacy system. • HAL/CRIS (Hands-Off Assignment Logic/Customer Record Information System) – a system used to access the Business Office Customer Record Information System (BOCRIS). It allows BellSouth servers, including LENS, access to legacy systems. CLECs query this legacy system. • P/SIMS (Product/Services Inventory Management system) – provides information on capacity, tariffs, inventory and service availability. CLECs query this legacy system. • OASIS (Obtain Available Services Information Systems) – Information on feature and rate availability. BellSouth queries this legacy system. | |
|---|--|

Table 1: Legacy System Access Times For RNS

| System | Contract | Data | < 2.3 sec. | > 6 sec. | <= 6.3 sec. | Avg. Sec. | # of Calls |
|--------|-----------|-----------------|------------|----------|-------------|-----------|------------|
| RSAG | RSAG-TN | Address | x | x | x | x | x |
| RSAG | RSAG-ADDR | Address | x | x | x | x | x |
| ATLAS | ATLAS-TN | TN | x | x | x | x | x |
| DSAP | DSAP | Schedule | x | x | x | x | x |
| CRIS | CRSACCTS | CSR | x | x | x | x | x |
| OASIS | OASISCAR | Feature/Service | x | x | x | x | x |
| OASIS | OASISLPC | Feature/Service | x | x | x | x | x |
| OASIS | OASISMTN | Feature/Service | x | x | x | x | x |
| OASIS | OASISBIG | Feature/Service | x | x | x | x | x |

Table 2: Legacy System Access Times For R0S

| System | Contract | Data | < 2.3 sec. | > 6 sec. | <= 6.3 sec. | Avg. sec. | # of Calls |
|--------|-----------|-----------------|------------|----------|-------------|-----------|------------|
| RSAG | RSAG-TN | Address | x | x | x | x | x |
| RSAG | RSAG-ADDR | Address | x | x | x | x | x |
| ATLAS | ATLAS-TN | TN | x | x | x | x | x |
| DSAP | DSAP | Schedule | x | x | x | x | x |
| CRIS | CRSOCSR | CSR | x | x | x | x | x |
| OASIS | OASISBIG | Feature/Service | x | x | x | x | x |

Table 3: Legacy System Access Times For LENS

| System | Contract | Data | < 2.3 sec. | > 6 sec. | <6.3 sec. | Avg. sec. | # of Calls |
|--------|------------|-----------------|------------|----------|-----------|-----------|------------|
| RSAG | RSAG-TN | Address | x | x | x | x | x |
| RSAG | RSAG-ADDR | Address | x | x | x | x | x |
| ATLAS | ATLAS-TN | TN | x | x | x | x | x |
| DSAP | DSAP | Schedule | x | x | x | x | x |
| HAL | HAL/CRIS | CSR | x | x | x | x | x |
| COFFI | COFFI/USOC | Feature/Service | x | x | x | x | x |
| P/SIMS | PSIMS/ORB | Feature/Service | x | x | x | x | x |

Table 4: Legacy System Access Times For TAG

| System | Contract | Data | < 2.3 sec. | > 6 sec. | <6.3 sec. | Avg. sec. | # of Calls |
|--------|-----------|----------|------------|----------|-----------|-----------|------------|
| RSAG | RSAG-TN | Address | x | x | x | x | x |
| RSAG | RSAG-ADDR | Address | x | x | x | x | x |
| ATLAS | ATLAS-TN | TN | x | x | x | x | x |
| ATLAS | ATLAS-MLH | TN | x | x | x | x | x |
| ATLAS | ATLAS-DID | TN | x | x | x | x | x |
| DSAP | DSAP | Schedule | x | x | x | x | x |
| CRIS | CRSECSRL | CSR | x | x | x | x | x |
| CRIS | CRSECSR | CSR | x | x | x | x | x |

SEEM Measure

| SEEM Measure | | |
|--------------|---------|---|
| Yes | Tier I | |
| | Tier II | X |

Note: CLEC specific data is not available in this measure. Queries of this sort do not have company specific signatures.

SEEM Disaggregation - Analog/Benchmark

| SEEM Disaggregation | SEEM Analog/Benchmark |
|--|--|
| <ul style="list-style-type: none"> • RSAG – Address (Regional Street Address Guide-Address) – stores street address information used to validate customer addresses. CLECs and BellSouth query this legacy system. • RSAG – TN (Regional Street Address Guide-Telephone number) – contains information about facilities available and telephone numbers working at a given address. CLECs and BellSouth query this legacy system. • ATLAS (Application for Telephone Number Load Administration and Selection) – acts as a warehouse for storing telephone numbers that are available for assignment by the system. It enables CLECs and BellSouth service reps to select and reserve telephone numbers. CLECs and BellSouth query this legacy system. • COFFI (Central Office Feature File Interface) – stores information about product and service offerings and availability. CLECs query this legacy system. • DSAP (DOE Support Application) – provides due date information. CLECs and BellSouth query this legacy system. • HAL/CRIS (Hands-Off Assignment Logic/Customer Record Information System) – a system used to access the | <ul style="list-style-type: none"> • Percent Response Received within 6.3 seconds: > 95% • Parity + 2 seconds |

| | |
|--|--|
| <p>Business Office Customer Record Information System (BOCRIS). It allows BellSouth servers, including LENS, access to legacy systems. CLECs query this legacy system.</p> <ul style="list-style-type: none"> • P/SIMS (Product/Services Inventory Management system) – provides information on capacity, tariffs, inventory and service availability. CLECs query this legacy system. • OASIS (Obtain Available Services Information Systems) – Information on feature and rate availability. BellSouth queries this legacy system. | |
|--|--|

SEEM OSS Legacy Systems

| System | BellSouth | CLEC |
|-------------------------------------|-----------|-----------|
| Telephone Number/Address | | |
| RSAG-ADDR | RNS, ROS | TAG, LENS |
| RSAG-TN | RNS, ROS | TAG, LENS |
| ATLAS | RNS,ROS | TAG, LENS |
| Appointment Scheduling | | |
| DSAP | RNS, ROS | TAG, LENS |
| CSR Data | | |
| CRSACCTS | RNS | |
| CRSOCSR | ROS | |
| HAL/CRIS | | LENS |
| CRSECSRL | | TAG |
| CRSECSR | | TAG |
| Service/Feature Availability | | |
| OASISBIG | RNS, ROS | |
| PSIMS/ORB | | LENS |

OSS-2: Interface Availability (Pre-Ordering/Ordering)

Definition

Percent of time applications are functionally available as compared to scheduled availability. Calculations are based upon availability of applications and interfacing applications utilized by CLECs for pre-ordering and ordering. "Functional Availability" is defined as the number of hours in the reporting period that the applications/interfaces are available to users. "Scheduled Availability" is defined as the number of hours in the reporting period that the applications/interfaces are scheduled to be available.

Scheduled availability is posted on the Interconnection web site: (www.interconnection.bellsouth.com/oss/oss_hour.html)

Exclusions

- CLEC-impacting troubles caused by factors outside of BellSouth's purview, e.g., troubles in customer equipment, troubles in networks owned by telecommunications companies other than BellSouth, etc.
- Degraded service, e.g., slow response time, loss of non-critical functionality, etc.

Business Rules

This measurement captures the functional availability of applications/interfaces as a percentage of scheduled availability for the same systems. Only full outages are included in the calculations for this measure. Full outages are defined as occurrences of either of the following:

- Application/interfacing application is down or totally inoperative.
- Application is totally inoperative for customers attempting to access or use the application. This includes transport outages when they may be directly associated with a specific application.

Comparison to an internal benchmark provides a vehicle for determining whether or not CLECs and retail BST entities are given comparable opportunities for use of pre-ordering and ordering systems.

Calculation

Interface Availability (Pre-Ordering/Ordering) = (a / b) X 100

- a = Functional Availability
- b = Scheduled Availability

Report Structure

- Not CLEC Specific
- Not Product/Service Specific
- Regional Level

Data Retained

| Relating to CLEC Experience | Relating to BellSouth Performance |
|---|---|
| <ul style="list-style-type: none"> • Report Month • Legacy Contract Type (per reporting dimension) • Regional Scope • Hours of Downtime | <ul style="list-style-type: none"> • Report Month • Legacy Contract Type (per reporting dimension) • Regional Scope • Hours of Downtime |

SQM Disaggregation - Analog/Benchmark

| SQM Level of Disaggregation | SQM Analog/Benchmark |
|--|---|
| <ul style="list-style-type: none"> • Regional Level | <ul style="list-style-type: none"> • >= 99.5% |

OSS Interface Availability

| Application | Applicable to | % Availability |
|-------------|----------------|-------------------|
| EDI | CLEC | x |
| TAG | CLEC | x |
| LENS | CLEC | x |
| LEO | CLEC | x |
| LESOG | CLEC | x |
| LNP Gateway | CLEC | x |
| COG | CLEC | Under Development |
| SOG | CLEC | Under Development |
| DOM | CLEC | Under Development |
| DOE | CLEC/BellSouth | x |
| SONGS | CLEC/BellSouth | x |
| ATLAS/COFFI | CLEC/BellSouth | x |
| BOCRIS | CLEC/BellSouth | x |
| DSAP | CLEC/BellSouth | x |
| RSAG | CLEC/BellSouth | x |
| SOCS | CLEC/BellSouth | x |
| CRIS | CLEC/BellSouth | x |

SEEM Measure

| SEEM Measure | | |
|--------------|---------|---|
| Yes | Tier I | |
| | Tier II | X |

SEEM Disaggregation - Analog/Benchmark

| SEEM Disaggregation | SEEM Analog/Benchmark |
|---------------------|-----------------------|
| • Regional Level | • >= 99.5% |

SEEM OSS Interface Availability

| Application | Applicable to | % Availability |
|---------------|---------------|----------------|
| EDI | CLEC | x |
| HAL | CLEC | x |
| LENS | CLEC | x |
| LEO Mainframe | CLEC | x |
| LESOG | CLEC | x |
| PSIMS | CLEC | x |
| TAG | CLEC | x |

OSS-3: Interface Availability (Maintenance & Repair)

Definition

Percent of time applications are functionally available as compared to scheduled availability. Calculations are based upon availability of applications and interfacing applications utilized by CLECs for maintenance and repair. "Functional Availability" is defined as the number of hours in the reporting period that the applications/interfaces are available to users. "Scheduled Availability" is defined as the number of hours in the reporting period that the applications/interfaces are scheduled to be available.

Scheduled availability is posted on the Interconnection web site: (www.interconnection.bellsouth.com/oss/oss_hour.html)

Exclusions

- CLEC-impacting troubles caused by factors outside of BellSouth's purview, e.g., troubles in customer equipment, troubles in networks owned by telecommunications companies other than BellSouth, etc.
- Degraded service, e.g., slow response time, loss of non-critical functionality, etc.

Business Rules

This measurement captures the functional availability of applications/interfaces as a percentage of scheduled availability for the same systems. Only full outages are included in the calculations for this measure. Full outages are defined as occurrences of either of the following:

- Application/interfacing application is down or totally inoperative.
- Application is totally inoperative for customers attempting to access or use the application. This includes transport outages when they may be directly associated with a specific application.

Comparison to an internal benchmark provides a vehicle for determining whether or not CLECs and retail BST entities are given comparable opportunities for use of maintenance and repair systems.

Calculation

OSS Interface Availability (a / b) X 100

- a = Functional Availability
- b = Scheduled Availability

Report Structure

- Not CLEC Specific
- Not Product/Service Specific
- Regional Level

Data Retained

| Relating to CLEC Experience | Relating to BellSouth Performance |
|---|--|
| <ul style="list-style-type: none"> • Availability of CLEC TAFI • Availability of LMOS HOST, MARCH, SOCS, CRIS, PREDICTOR, LNP and OSPDM • ECTA | <ul style="list-style-type: none"> • Availability of BellSouth TAFI • Availability of LMOS HOST, MARCH, SOCS, CRIS, PREDICTOR, LNP and OSPDM |

SQM Disaggregation - Analog/Benchmark

| SQM Level of Disaggregation | SQM Analog/Benchmark |
|--|---|
| <ul style="list-style-type: none"> • Regional Level | <ul style="list-style-type: none"> • >= 99.5% |

OSS Interface Availability (M&R)

| OSS Interface | % Availability |
|-----------------------------|----------------|
| BST TAFI | x |
| CLEC TAFI | x |
| CLEC ECTA | x |
| BellSouth & CLEC | x |
| CRIS | x |
| LMOS HOST | x |
| LNP | x |
| MARCH | x |
| OSPCM | x |
| PREDICTOR | x |
| SOCS | x |

SEEM Measure

| SEEM Measure | | |
|--------------|---------|---|
| Yes | Tier I | |
| | Tier II | X |

SEEM Disaggregation - Analog/Benchmark

| SEEM Disaggregation | SEEM Analog/Benchmark |
|---------------------|-----------------------|
| • Regional Level | • >= 99.5% |

OSS Interface Availability (M&R)

| OSS Interface | % Availability |
|---------------|----------------|
| CLEC TAFI | x |
| CLEC ECTA | x |

OSS-4: Response Interval (Maintenance & Repair)

Definition

The response intervals are determined by subtracting the time a request is received on the BellSouth side of the interface from the time the response is received from the legacy system. Percentages of requests falling into each interval category are reported, along with the actual number of requests falling into those categories.

Exclusions

None

Business Rules

This measure is designed to monitor the time required for the CLEC and BellSouth interface system to obtain from BellSouth's legacy systems the information required to handle maintenance and repair functions. The clock starts on the date and time when the request is received on the BellSouth side of the interface and the clock stops when the response has been transmitted through that same point to the requester.

Note: The OSS Response Interval BellSouth Total Report is a combination of BellSouth Residence and Business Total.

Calculation

OSS Response Interval = (a - b)

- a = Query Response Date and Time
- b = Query Request Date and Time

Percent Response Interval (per category) = (c / d) X 100

- c = Number of Response Intervals in category "X"
- d = Number of Queries Submitted in the Reporting Period

where, "X" is <= 4, > 4 <= 10, <= 10, > 10, or > 30 seconds.

Report Structure

- Not CLEC Specific
- Not product/service specific
- Regional Level

Data Retained

| Relating to CLEC Experience | Relating to BellSouth Performance |
|------------------------------|---|
| • CLEC Transaction Intervals | • BellSouth Business and Residential Transactions Intervals |

SQM Disaggregation - Analog/Benchmark

| SQM Level of Disaggregation | SQM Analog/Benchmark |
|-----------------------------|----------------------|
| • Regional Level | • Parity |

Legacy System Access Times for M&R

| System | BellSouth & CLEC | Count | | | | |
|-----------|------------------|-------|-----------|-------|------|------|
| | | <= 4 | > 4 <= 10 | <= 10 | > 10 | > 30 |
| CRIS | x | x | x | x | x | x |
| DLETH | x | x | x | x | x | x |
| DLR | x | x | x | x | x | x |
| LMOS | x | x | x | x | x | x |
| LMOSupd | x | x | x | x | x | x |
| LNP | x | x | x | x | x | x |
| MARCH | x | x | x | x | x | x |
| OSPCM | x | x | x | x | x | x |
| Predictor | x | x | x | x | x | x |
| SOCS | x | x | x | x | x | x |
| NIW | x | x | x | x | x | x |

SEEM Measure

| SEEM Measure | |
|--------------|---------|
| No | Tier I |
| | Tier II |

SEEM Disaggregation - Analog/Benchmark

| SEEM Disaggregation | SEEM Analog/Benchmark |
|---------------------|-----------------------|
| • Not Applicable | • Not Applicable |

PO-1: Loop Makeup - Response Time – Manual

Definition

This report measures the average interval and percent within the interval from the submission of a Manual Loop Makeup Service Inquiry (LMUSI) to the distribution of Loop Makeup information back to the CLEC.

Exclusions

- Inquiries, which are submitted electronically.
- Designated Holidays are excluded from the interval calculation.
- Weekend hours from 5:00PM Friday until 8:00AM Monday are excluded from the interval calculation.
- Canceled Inquiries.

Business Rules

The CLEC Manual Loop Makeup Service Inquiry (LMUSI) process includes inquiries submitted via mail or FAX to BellSouth's Complex Resale Support Group (CRSG).

This measurement combines three intervals:

1. From receipt of the Service Inquiry for Loop Makeup to hand off to the Service Advocacy Center (SAC) for "Look-up."
2. From SAC start date to SAC complete date.
3. From SAC complete date to date the Complex Resale Support Group (CRSG) distributes loop makeup information back to the CLEC.

The "Receive Date" is defined as the date the Manual LMUSI is received by the CRSG. It is counted as day Zero. LMU "Return Date" is defined as the date the LMU information is sent back to the CLEC from BellSouth. The interval calculation is reset to Zero when a CLEC initiated change occurs on the Manual LMU request.

Note: The Loop Make Up Service Inquiry Form does not require the CLEC to furnish the type of Loop. The CLEC determines whether the loop makeup will support the type of service they wish to order or not and qualifies the loop. If the loop makeup will support the service, a firm order LSR is submitted by the CLEC.

Calculation

Response Interval = (a - b)

- a = Date and Time LMUSI returned to CLEC
- b = Date and Time the LMUSI is received

Average Interval = (c / d)

- c = Sum of all Response Intervals
- d = Total Number of LMUSIs received within the reporting period

Percent within interval = (e / f) X 100

- e = Total LMUSIs received within the interval
- f = Total Number of LMUSIs processed within the reporting period

Report Structure

- CLEC Aggregate
- CLEC Specific
- Geographic Scope
 - State
 - Region
- Interval for manual LMUs:
 - 0 - <= 1 day
 - >1 - <= 2 days
 - >2 - <= 3 days
 - 0 - <= 3 days
 - >3 - <= 6 days
 - >6 - <= 10 days
 - > 10 days
- Average Interval in days

Data Retained

| Relating to CLEC Experience | Relating to BellSouth Performance |
|---|--|
| <ul style="list-style-type: none"> • Report Month • Total Number of Inquiries • SI Intervals • State and Region | <ul style="list-style-type: none"> • Not Applicable |

SQM Disaggregation - Analog/Benchmark

| SQM Level of Disaggregation | SQM Analog/Benchmark |
|---|---|
| <ul style="list-style-type: none"> • Loops | Benchmark <ul style="list-style-type: none"> • 95% <= 3 Business Days |

SEEM Measure

| SEEM Measure | | |
|--------------|---------|---|
| Yes | Tier I | X |
| | Tier II | X |

SEEM Disaggregation - Analog/Benchmark

| SEEM Disaggregation | SEEM Analog/Benchmark |
|---|---|
| <ul style="list-style-type: none"> • Loops | Benchmark <ul style="list-style-type: none"> • 95% <= 3 Business Days |

PO-2: Loop Make Up - Response Time - Electronic

Definition

This report measures the average interval and the percent within the interval from the electronic submission of a Loop Makeup Service Inquiry (LMUSI) to the distribution of Loop Makeup information back to the CLEC.

Exclusions

- Manually submitted inquiries.
- Designated Holidays are excluded from the interval calculation.
- Canceled Requests.
- Scheduled OSS Maintenance.

Business Rules

The response interval starts when the CLEC's Mechanized Loop Makeup Service Inquiry (LMUSI) is submitted electronically through the Operational Support Systems interface, LENS, TAG or RoboTAG. It ends when BellSouth's Loop Facility Assignment and Control System (LFACS) responds electronically to the CLEC with the requested Loop Makeup data via LENS, TAG or RoboTAG Interfaces.

Note: The Loop Make Up Service Inquiry Form does not require the CLEC to furnish the type of Loop. The CLEC determines whether the loop makeup will support the type of service they wish to order or not and qualifies the loop. If the loop makeup will support the service, a firm order LSR is submitted by the CLEC. EDI is not a pre-ordering system, and, therefore, is not applicable in this measure.

Calculation

Response Interval = (a - b)

- a = Date and Time LMUSI returned to CLEC
- b = Date and Time the LMUSI is received

Average Interval = (c / d)

- c = Sum of all response intervals
- d = Total Number of LMUSIs received within the reporting period

Percent within interval = (e / f) X 100

- e = Total LMUSIs received within the interval
- f = Total Number of LMUSIs processed within the reporting period

Report Structure

- CLEC Aggregate
- CLEC Specific
- Geographic Scope
 - State
 - Region
- Interval for electronic LMUs:
 - 0 - <= 1 minute
 - >1 - <= 5 minutes
 - 0 - <= 5 minutes
 - > 5 - <= 8 minutes
 - > 8 - <= 15 minutes
 - > 15 minutes
- Average Interval in minutes

Data Retained

| Relating to CLEC Experience | Relating to BellSouth Performance |
|-----------------------------|-----------------------------------|
| • Report Month | • Not Applicable |

| | |
|--|--|
| <ul style="list-style-type: none"> • Legacy Contract • Response Interval • Regional Scope | |
|--|--|

SQM Disaggregation - Analog/Benchmark

| SQM Level of Disaggregation | SQM Analog/Benchmark |
|---|---|
| <ul style="list-style-type: none"> • Loops | Benchmark <ul style="list-style-type: none"> • 90% <= 5 Minutes (05/01/01) • 95% <= 1 Minute (08/01/01) |

SEEM Measure

| SEEM Measure | | |
|--------------|---------|---|
| Yes | Tier I | X |
| | Tier II | X |

SEEM Disaggregation - Analog/Benchmark

| SEEM Disaggregation | SEEM Analog/Benchmark |
|--|---|
| <ul style="list-style-type: none"> • Loop | <ul style="list-style-type: none"> • 90% <= 5 Minutes (05/01/01) • 95% <= 1 Minute (08/01/01) |

Section 2: Ordering

O-1: Acknowledgement Message Timeliness

Definition

This measurement provides the response interval from the time an LSR or transmission (may contain multiple LSRs from one or more CLECs in multiple states) is electronically submitted via EDI or TAG respectively until an acknowledgement notice is sent by the system.

Exclusions

- Scheduled OSS Maintenance

Business Rules

The process includes EDI & TAG system functional acknowledgements for all messages/Local Service Requests (LSRs) which are electronically submitted by the CLEC. Users of EDI may package many LSRs into one transmission which will receive the acknowledgement message. EDI users may place multiple LSRs in one “envelope” requesting service in one or more states which will mask the identity of the state and CLEC. The start time is the receipt time of the message at BellSouth’s side of the interface (gateway). The end time is when the acknowledgement is transmitted by BellSouth at BellSouth’s side of the interface (gateway). If more than one CLEC uses the same ordering center (aggregator), an Acknowledgement Message will be returned to the “Aggregator”. However, BellSouth will not be able to determine which specific CLEC or state this message represented.

Calculation

Response Interval = (a - b)

- a = Date and Time Acknowledgement Notices returned to CLEC
- b = Date and Time messages/LSRs electronically submitted by the CLEC via EDI or TAG respectively

Average Response Interval = (c / d)

- c = Sum of all Response Intervals
- d = Total number of electronically submitted messages/LSRs received, from CLECs via EDI or TAG respectively, in the Reporting Period.

Reporting Structure

- CLEC Aggregate
- CLEC Specific/Aggregator
- Geographic Scope
 - Region
- Electronically Submitted LSRs
 - 0 – <= 10 minutes
 - >10 – <= 20 minutes
 - >20 – <= 30 minutes
 - 0 – <= 30 minutes
 - >30 – <= 45 minutes
 - >45 – <= 60 minutes
 - >60 – <= 120 minutes
 - >120 minutes
- Average interval for electronically submitted messages/LSRs in minutes

Data Retained

| Relating to CLEC Experience | Relating to BellSouth Performance |
|---|--|
| <ul style="list-style-type: none"> • Report Month • Record of Functional Acknowledgements | <ul style="list-style-type: none"> • Not Applicable |

SQM Disaggregation - Analog/Benchmark

| SQM Level of Disaggregation | SQM Analog/Benchmark |
|--|---|
| <ul style="list-style-type: none"> • EDI • TAG | <ul style="list-style-type: none"> • EDI <ul style="list-style-type: none"> - 90% <= 30 minutes (05/01/01) - 95% <= 30 minutes (08/01/01) • TAG – 95% <= 30 minutes |

SEEM Measure

| SEEM Measure | | |
|--------------|---------|---|
| Yes | Tier I | X |
| | Tier II | X |

SEEM Disaggregation - Analog/Benchmark

| SEEM Disaggregation | SEEM Analog/Benchmark |
|--|---|
| <ul style="list-style-type: none"> • EDI • TAG | <ul style="list-style-type: none"> • EDI <ul style="list-style-type: none"> - 90% <= 30 minutes (05/01/01) - 95% <= 30 minutes (08/01/01) • TAG – 95% <= 30 minutes |

O-2: Acknowledgement Message Completeness

Definition

This measurement provides the percent of transmissions/LSRs received via EDI or TAG respectively, which are acknowledged electronically.

Exclusions

- Manually submitted LSRs
- Scheduled OSS Maintenance

Business Rules

EDI and TAG send Functional Acknowledgements for all transmissions/LSRs, which are electronically submitted by a CLEC. Users of EDI may package many LSRs from multiple states in one transmission. If more than one CLEC uses the same ordering center, an Acknowledgement Message will be returned to the “Aggregator”, however, BellSouth will not be able to determine which specific CLEC this message represented. The Acknowledgement Message is returned prior to the determination of whether the transmission/LSR will be partially mechanized or fully mechanized.

Calculation

$$\text{Acknowledgement Completeness} = (a / b) \times 100$$

- a = Total number of Functional Acknowledgements returned in the reporting period for transmissions/LSRs electronically submitted by EDI or TAG respectively
- b = Total number of electronically submitted transmissions/LSRs received in the reporting period by EDI or TAG respectively

Report Structure

- CLEC Aggregate
- CLEC Specific/Aggregator
- Geographic Scope
 - Region

Note: The Order calls for Mechanized, Partially Mechanized, and Totally Mechanized, however, the Acknowledgement message is generated before the system recognizes whether this electronic transmission will be partially or fully mechanized.

Data Retained

| Relating to CLEC Experience | Relating to BellSouth Performance |
|---|--|
| <ul style="list-style-type: none"> • Report Month • Record of Functional Acknowledgements | <ul style="list-style-type: none"> • Not Applicable |

SQM Disaggregation - Analog/Benchmark

| SQM Level of Disaggregation | SQM Analog/Benchmark |
|--|---|
| <ul style="list-style-type: none"> • EDI • TAG | <ul style="list-style-type: none"> • Benchmark: 100% |

SEEM Measure

| SEEM Measure | | |
|--------------|---------|---|
| Yes | Tier I | X |
| | Tier II | X |

SEEM Disaggregation - Analog/Benchmark

| SEEM Disaggregation | SEEM Analog/Benchmark |
|--|---|
| <ul style="list-style-type: none"> • EDI • TAG | <ul style="list-style-type: none"> • Benchmark: 100% |

O-3: Percent Flow-Through Service Requests (Summary)

Definition

The percentage of Local Service Requests (LSR) and LNP Local Service Requests (LNP LSRs) submitted electronically via the CLEC mechanized ordering process that flow through and reach a status for a FOC to be issued, without manual intervention.

Exclusions

- Fatal Rejects
- Auto Clarification
- Manual Fallout
- CLEC System Fallout
- Scheduled OSS Maintenance

Business Rules

The CLEC mechanized ordering process includes all LSRs, including supplements (subsequent versions) which are submitted through one of the three gateway interfaces (TAG, EDI and LENS), that flow through and reach a status for a FOC to be issued, without manual intervention. These LSRs can be divided into two classes of service: Business and Residence, and two types of service: Resale, and Unbundled Network Elements (UNE). The CLEC mechanized ordering process does not include LSRs which are submitted manually (for example, fax and courier) or are not designed to flow through (for example, Manual Fallout.)

Definitions:

Fatal Rejects: Errors that prevent an LSR, submitted electronically by the CLEC, from being processed further. When an LSR is submitted by a CLEC, LEO/LNP Gateway will perform edit checks to ensure the data received is correctly formatted and complete. For example, if the PON field contains an invalid character, LEO/LNP Gateway will reject the LSR and the CLEC will receive a Fatal Reject.

Auto-Clarification: Clarifications that occur due to invalid data within the LSR. LESOG/LAUTO will perform data validity checks to ensure the data within the LSR is correct and valid. For example, if the address on the LSR is not valid according to RSAG, or if the LNP is not available for the NPA NXXX requested, the CLEC will receive an Auto-Clarification.

Manual Fallout: Planned Fallout that occur by design. Certain LSRs are designed to fallout of the Mechanized Order Process due to their complexity. These LSRs are manually processed by the LCSC. When a CLEC submits an LSR, LESOG/LAUTO will determine if the LSR should be forwarded to LCSC for manual handling. Following are the categories for Manual Fallout:

- | | |
|---|--|
| 1. Complex* | 8. Denials-restore and conversion, or disconnect and conversion orders |
| 2. Special pricing plans | 9. Class of service invalid in certain states with some types of service |
| 3. Some Partial migrations | 10. Low volume such as activity type "T" (move) |
| 4. New telephone number not yet posted to BOCRIS | 11. More than 25 business lines, or more than 15 loops |
| 5. Pending order review required | 12. Transfer of calls option for the CLEC end users |
| 6. CSR inaccuracies such as invalid or missing CSR data in CRIS | 13. Directory Listings (Intentions and Captions) |
| 7. Expedites (requested by the CLEC) | |

*See LSR Flow-Through Matrix following O-6 for a list of services, including complex services, and whether LSRs issued for the services are eligible to flow through.

Total System Fallout: Errors that require manual review by the LCSC to determine if the error is caused by the CLEC, or is due to BellSouth system functionality. If it is determined the error is caused by the CLEC, the LSR will be sent back to the CLEC for clarification. If it is determined the error is BellSouth caused, the LCSC representative will correct the error, and the LSR will continue to be processed.

Z Status: LSRs that receive a supplemental LSR submission prior to final disposition of the original LSR.

Calculation

Percent Flow Through = $a / [b - (c + d + e + f)] \times 100$

- a = The total number of LSRs that flow through LESOG/LAUTO and reach a status for a FOC to be issued
- b = the number of LSRs passed from LEO/LNP Gateway to LESOG/LAUTO
- c = the number of LSRs that fall out for manual processing
- d = the number of LSRs that are returned to the CLEC for clarification
- e = the number of LSRs that contain errors made by CLECs
- f = the number of LSRs that receive a Z status

Percent Achieved Flow Through = a / [b-(c+d+e)] X 100

- a = the number of LSRs that flow through LESOG/LAUTO and reach a status for a FOC to be issued
- b = the number of LSRs passed from LEO/LNP Gateway to LESOG/LAUTO
- c = the number of LSRs that are returned to the CLEC for clarification
- d = the number of LSRs that contain errors made by CLECs
- e = the number of LSRs that receive Z status

Report Structure

- CLEC Aggregate
 - Region

Data Retained

| Relating to CLEC Experience | Relating to BellSouth Performance |
|---|--|
| <ul style="list-style-type: none"> • Report Month • Total Number of LSRs Received, by Interface, by CLEC <ul style="list-style-type: none"> - TAG - EDI - LENS • Total Number of Errors by Type, by CLEC <ul style="list-style-type: none"> - Fatal Rejects - Auto Clarification - CLEC Caused System Fallout • Total Number of Errors by Error Code • Total Fallout for Manual Processing | <ul style="list-style-type: none"> • Report Month • Total Number of Errors By Type <ul style="list-style-type: none"> - Bellsouth System Error |

SQM Disaggregation - Analog/Benchmark

| SQM Level of Disaggregation | SQM Analog/Benchmark ² |
|-----------------------------|-----------------------------------|
| • Residence | • Benchmark: 95% |
| • Business | • Benchmark: 90% |
| • UNE | • Benchmark: 85% |
| • LNP | • Benchmark: 85% |

SEEM Measure

| SEEM Measure | | |
|--------------|---------|---|
| Yes | Tier I | |
| | Tier II | X |

SEEM Disaggregation - Analog/Benchmark

| SEEM Disaggregation | SEEM Analog/Benchmark ³ |
|---------------------|------------------------------------|
| • Residence | • Benchmark: 95% |
| • Business | • Benchmark: 90% |
| • UNE | • Benchmark: 85% |
| • LNP | • Benchmark: 85% |

² Benchmarks do not apply to the "Percent Achieved Flow Through."

³ Benchmarks do not apply to the "Percent Achieved Flow Through."

O-4: Percent Flow-Through Service Requests (Detail)

Definition

A detailed list, by CLEC, of the percentage of Local Service Requests (LSR) and LNP Local Service Requests (LNP LSRs) submitted electronically via the CLEC mechanized ordering process that flow through and reach a status for a FOC to be issued, without manual or human intervention.

Exclusions

- Fatal Rejects
- Auto Clarification
- Manual Fallout
- CLEC System Fallout
- Scheduled OSS Maintenance

Business Rules

The CLEC mechanized ordering process includes all LSRs, including supplements (subsequent versions) which are submitted through one of the three gateway interfaces (TAG, EDI, and LENS), that flow through and reach a status for a FOC to be issued, without manual intervention. These LSRs can be divided into two classes of service: Business and Residence, and three types of service: Resale, and Unbundled Network Elements (UNE). The CLEC mechanized ordering process does not include LSRs, which are submitted manually (for example, fax and courier) or are not designed to flow through (for example, Manual Fallout.)

Definitions:

Fatal Rejects: Errors that prevent an LSR, submitted electronically by the CLEC, from being processed further. When an LSR is submitted by a CLEC, LEO/LNP Gateway will perform edit checks to ensure the data received is correctly formatted and complete. For example, if the PON field contains an invalid character, LEO/LNP Gateway will reject the LSR and the CLEC will receive a Fatal Reject.

Auto-Clarification: Clarifications that occur due to invalid data within the LSR. LESOG/LAUTO will perform data validity checks to ensure the data within the LSR is correct and valid. For example, if the address on the LSR is not valid according to RSAG, or if the LNP is not available for the NPA NXXX requested, the CLEC will receive an Auto-Clarification.

Manual Fallout: Planned Fallout that occur by design. Certain LSRs are designed to fallout of the Mechanized Order Process due to their complexity. These LSRs are manually processed by the LCSC. When a CLEC submits an LSR, LESOG/LAUTO will determine if the LSR should be forwarded to LCSC for manual handling. Following are the categories for Manual Fallout:

- | | |
|---|--|
| 1. Complex* | 8. Denials-restore and conversion, or disconnect and conversion orders |
| 2. Special pricing plans | 9. Class of service invalid in certain states with some types of service |
| 3. Some Partial migrations | 10. Low volume such as activity type "T" (move) |
| 4. New telephone number not yet posted to BOCRIS | 11. More than 25 business lines, or more than 15 loops |
| 5. Pending order review required | 12. Transfer of calls option for the CLEC end users |
| 6. CSR inaccuracies such as invalid or missing CSR data in CRIS | 13. Directory Listings (Indentions and Captions) |
| 7. Expedites (requested by the CLEC) | |

*See LSR Flow-Through Matrix following O-6 for a list of services, including complex services, and whether LSRs issued for the services are eligible to flow through.

Total System Fallout: Errors that require manual review by the LSCS to determine if the error is caused by the CLEC, or is due to BellSouth system functionality. If it is determined the error is caused by the CLEC, the LSR will be sent back to the CLEC for clarification. If it is determined the error is BellSouth caused, the LCSC representative will correct the error, and the LSR will continue to be processed.

Z Status: LSRs that receive a supplemental LSR submission prior to final disposition of the original LSR.

Calculation

Percent Flow Through = $a / [b - (c + d + e + f)] \times 100$

- a = The total number of LSRs that flow through LESOG/LAUTO and reach a status for a FOC to be issued
- b = the number of LSRs passed from LEO/LNP Gateway to LESOG/LAUTO
- c = the number of LSRs that fall out for manual processing
- d = the number of LSRs that are returned to the CLEC for clarification
- e = the number of LSRs that contain errors made by CLECs
- f = the number of LSRs that receive a Z status

Percent Achieved Flow Through = $a / [b-(c+d+e)] \times 100$

- a = the number of LSRs that flow through LESOG/LAUTO and reach a status for a FOC to be issued
- b = the number of LSRs passed from LEO/LNP Gateway to LESOG/LAUTO
- c = the number of LSRs that are returned to the CLEC for clarification
- d = the number of LSRs that contain errors made by CLECs
- e = the number of LSRs that receive Z status

Report Structure

Provides the flow through percentage for each CLEC (by alias designation) submitting LSRs through the CLEC mechanized ordering process. The report provides the following:

- CLEC (by alias designation)
- Number of fatal rejects
- Mechanized interface used
- Total mechanized LSRs
- Total manual fallout
- Number of auto clarifications returned to CLEC
- Number of validated LSRs
- Number of BellSouth caused fallout
- Number of CLEC caused fallout
- Number of Service Orders Issued
- Base calculation
- CLEC error excluded calculation

Data Retained

| Relating to CLEC Experience | Relating to BellSouth Performance |
|--|--|
| <ul style="list-style-type: none"> • Report Month • Total Number of LSRs Received, by Interface, by CLEC <ul style="list-style-type: none"> - TAG - EDI - LENS • Total Number of Errors by Type, by CLEC <ul style="list-style-type: none"> - Fatal Rejects - Auto Clarification - CLEC Errors • Total Number of Errors by Error Code • Total Fallout for Manual Processing | <ul style="list-style-type: none"> • Report Month • Total Number of Errors by Type <ul style="list-style-type: none"> - Bellsouth System Error |

SQM Disaggregation - Analog/Benchmark

| SQM Level of Disaggregation | SQM Analog/Benchmark ⁴ |
|-----------------------------|-----------------------------------|
| • Residence | • Benchmark: 95% |
| • Business | • Benchmark: 90% |
| • UNE | • Benchmark: 85% |
| • LNP | • Benchmark: 85% |

⁴ Benchmarks do not apply to the "Percent Achieved Flow Through."

SEEM Measure

| SEEM Measure | | |
|--------------|---------|---|
| Yes | Tier I | X |
| | Tier II | |

SEEM Disaggregation - Analog/Benchmark

| SEEM Disaggregation | SEEM Analog/Benchmark ⁵ |
|---------------------|------------------------------------|
| • Residence | • Benchmark: 95% |
| • Business | • Benchmark: 90% |
| • UNE | • Benchmark: 85% |
| • LNP | • Benchmark: 85% |

⁵ Benchmarks do not apply to the "Percent Achieved Flow Through."

O-5: Flow-Through Error Analysis

Definition

An analysis of each error type (by error code) that was experienced by the LSRs that did not flow through or reached a status for a FOC to be issued.

Exclusions

Each Error Analysis is error code specific, therefore exclusions are not applicable.

Business Rules

The CLEC mechanized ordering process includes all LSRs, including supplements (subsequent versions) which are submitted through one of the three gateway interfaces (TAG, EDI, and LENS), that flow through and reach a status for a FOC to be issued. The CLEC mechanized ordering process does not include LSRs which are submitted manually (for example, fax and courier).

Calculation

Total for each error type.

Report Structure

Provides an analysis of each error type (by error code). The report is in descending order by count of each error code and provides the following:

- Error Type (by error code)
- Count of each error type
- Percent of each error type
- Cumulative percent
- Error Description
- CLEC Caused Count of each error code
- Percent of aggregate by CLEC caused count
- Percent of CLEC caused count
- BellSouth Caused Count of each error code
- Percent of aggregate by BellSouth caused count
- Percent of BellSouth by BellSouth caused count

Data Retained

| Relating to CLEC Experience | Relating to BellSouth Performance |
|--|--|
| <ul style="list-style-type: none"> • Report Month • Total Number of LSRs Received • Total Number of Errors by Type (by error code) - CLEC Caused Error | <ul style="list-style-type: none"> • Report Month • Total Number of Errors by Type (by error code) - BellSouth System Error |

SQM Disaggregation - Analog/Benchmark

| SQM Level of Disaggregation | SQM Analog/Benchmark |
|--|--|
| <ul style="list-style-type: none"> • Not Applicable | <ul style="list-style-type: none"> • Not Applicable |

SEEM Measure

| SEEM Measure | | |
|--------------|---------|--|
| No | Tier I | |
| | Tier II | |

SEEM Disaggregation - Analog/Benchmark

| SEEM Disaggregation | SEEM Analog/Benchmark |
|--|--|
| <ul style="list-style-type: none"> • Not Applicable | <ul style="list-style-type: none"> • Not Applicable |

O-6: CLEC LSR Information

Definition

A list with the flow through activity of LSRs by CC, PON and Ver, issued by each CLEC during the report period.

Exclusions

- Fatal Rejects
- LSRs submitted manually

Business Rules

The CLEC mechanized ordering process includes all LSRs, including supplements (subsequent versions) which are submitted through one of the three gateway interfaces (TAG, EDI, and LENS), that flow through and reach a status for a FOC to be issued. The CLEC mechanized ordering process does not include LSRs which are submitted manually (for example, fax and courier).

Calculation

Not Applicable

Report Structure

Provides a list with the flow through activity of LSRs by CC, PON and Ver, issued by each CLEC during the report period with an explanation of the of the columns and content. This report is available on a CLEC specific basis. The report provides the following for each LSR.

- CC
- PON
- Ver
- Timestamp
- Type
- Err #
- Note or Error Description

Data Retained

| Relating to CLEC Experience | Relating to BellSouth Performance |
|--|--|
| <ul style="list-style-type: none"> • Report Month • Record of LSRs Received by CC, PON and Ver • Record of Timestamp, Type, Err # and Note or Error Description for each LSR by CC, PON and Ver | <ul style="list-style-type: none"> • Not Applicable |

SQM Disaggregation - Analog/Benchmark

| SQM Level of Disaggregation | SQM Analog/Benchmark |
|--|--|
| <ul style="list-style-type: none"> • Not Applicable | <ul style="list-style-type: none"> • Not Applicable |

SEEM Measure

| SEEM Measure | |
|--------------|---------|
| No | Tier I |
| | Tier II |

SEEM Disaggregation - Analog/Benchmark

| SEEM Disaggregation | SEEM Analog/Benchmark |
|--|--|
| <ul style="list-style-type: none"> • Not Applicable | <ul style="list-style-type: none"> • Not Applicable |

LSR Flow Through Matrix

| Product | Product Type | Reqtype | ACT Type | F/T ³ | Complex Service | Complex Order | Planned Fallout For Manual Handling ¹ | EDI | TAG ² | LENS ⁴ |
|-------------------------------------|--------------|----------------|------------------------|------------------|-----------------|---------------|--|-----|------------------|-------------------|
| 2 wire analog DID trunk port | U,C | A | N,T | No | UNE | Yes | NA | N | N | N |
| 2 wire analog port | U | A | N,T | No | UNE | No | Yes | Y | Y | N |
| 2 wire ISDN digital line | U,C | A | N,T | No | UNE | Yes | NA | N | N | N |
| 2 wire ISDN digital loop | U,C | A | N,T | Yes | UNE | Yes | No | Y | Y | N |
| 3 Way Calling | R,B | E,M | N,C,T,V,W | Yes | No | No | No | Y | Y | Y |
| 4 wire analog voice grade loop | U,C | A | N,T | Yes | UNE | Yes | No | Y | Y | N |
| 4 wire DSO & PRI digital loop | U,C | A | N,T | No | UNE | Yes | NA | N | N | N |
| 4 wire DS1 & PRI digital loop | U,C | A | N,T | No | UNE | Yes | NA | N | N | N |
| 4 wire ISDN DSI digital trunk ports | U,C | A | N,T | No | UNE | Yes | NA | N | N | N |
| Accupulse | C | E | N,C,T,V,W | No | Yes | Yes | NA | N | N | N |
| ADSL | R,B,C | E | V,W | No | UNE | No | No | Y | Y | N |
| Area Plus | R,B | E,M | N,C,T,V,W | Yes | No | No | No | Y | Y | Y |
| Basic Rate ISDN | U,C | A | N,T | No | Yes | Yes | Yes | Y | Y | N |
| Basic Rate ISDN 2 Wire | C | E | C, D,T,V,W | No | Yes | Yes | Yes | Y | Y | N |
| Basic Rate ISDN 2 Wire | C | E | N,T | No | Yes | Yes | N/A | N | N | N |
| Basic Rate ISDN 2 Wire UNE P | C | M | N,C,D,V | No | YES | Yes | N/A | N | N | N |
| Analog Data/Private Line | C | E | N, C, T, V, W, D, P, Q | No | Yes | Yes | N/A | N | N | N |
| Call Block | R,B | E,B,M | N,C,T,V,W | Yes | No | No | No | Y | Y | Y |
| Call Forwarding | R,B | E,B,M | N,C,T,V,W | Yes | No | No | No | Y | Y | Y |
| Call Return | R,B | E,B,M | N,C,T,V,W | Yes | No | No | No | Y | Y | Y |
| Call Selector | R,B | E,B,M | N,C,T,V,W | Yes | No | No | No | Y | Y | Y |
| Call Tracing | R,B | E,B,M | N,C,T,V,W | Yes | No | No | No | Y | Y | Y |
| Call Waiting | R,B | E,B,M | N,C,T,V,W | Yes | No | No | No | Y | Y | Y |
| Call Waiting Deluxe | R,B | E,B,M | N,C,T,V,W | Yes | No | No | No | Y | Y | Y |
| Caller ID | R,B | E,B,M | N,C,T,V,W | Yes | No | No | No | Y | Y | Y |
| CENTREX | C | P | V,P | No | Yes | Yes | NA | N | N | N |
| DID ACT W | C | N | W | No | Yes | Yes | Yes | Y | Y | Y |
| Digital Data Transport | U | E | N,C,T,V,W | No | UNE | Yes | NA | N | N | N |
| Directory Listing Indentions | B,U | B,C,E,F, J,M,N | N,C,T,R,V,W,P,Q | No | No | No | Yes | Y | Y | Y |
| Directory Listings Captions | R,B,U | B,C,E,F, J,M,N | N,C,T,R,V,W,P,Q | No | No | Yes | Yes | Y | Y | Y |
| Directory Listings (simple) | R,B,U | B,C,E,F, J,M,N | N,C,T,R,V,W,P,Q | Yes | No | No | No | Y | Y | Y |
| DS3 | U | A,M | N,C,V | No | UNE | Yes | NA | N | N | N |
| DS1Loop | U | A,M | N,C,V | Yes | UNE | Yes | No | Y | Y | N |
| DSO Loop | U | A, B | N,C,D,T,V | Yes | UNE | Yes | No | Y | Y | N |
| Enhanced Caller ID | R,B | E,M | C,D,N,T,V,W | Yes | No | No | No | Y | Y | Y |
| ESSX | C | P | C,D,T,V,S,B,W,L .P,Q | No | Yes | Yes | NA | N | N | N |
| Flat Rate/Business | B | E, M | C,D,N,T,V,W | Yes | No | No | No | Y | Y | Y |
| Flat Rate/Residence | R | E, M | C,D,N,T,V,W | Yes | No | No | No | Y | Y | Y |
| FLEXSERV | C | E | N,C,D,T,V,W,P,Q | No | Yes | Yes | NA | N | N | N |
| Frame Relay | C | E | N,C,D,V,W | No | Yes | Yes | NA | N | N | N |
| FX | C | E | N,C,D,T,V,W,P,Q | No | Yes | Yes | NA | N | N | N |
| Ga. Community Calling | R,B | E, M | C,D,N,T,V,W | Yes | No | No | No | Y | Y | Y |
| HDSL | U | A | N,C,D | Yes | UNE | No | No | Y | Y | N |
| Hunting MLH | R,B | E, M | C,D,N,T,V,W | No | C/S4 | C/S | Yes | Y | Y | N |
| Hunting Series Completion | R,B | E, M | C,D,N,T,V,W | Yes | C/S | C/S | No | Y | Y | Y |
| INP to LNP Conversion | U | C | C | No | UNE | Yes | Yes | Y | Y | N |

| Product | Product Type | Reqtype | ACT Type | F/T ³ | Complex Service | Complex Order | Planned Fallout For Manual Handling ¹ | EDI | TAG ² | LENS ⁴ |
|--|--------------|---------|---------------------------|------------------|-----------------|---------------|--|-----|------------------|-------------------|
| LightGate | C | E | N,C,D,T,V,W,P,Q | No | Yes | Yes | NA | N | N | N |
| Line Sharing | U | A | C,D | Yes | UNE | No | No | Y | Y | Y |
| Local Number Portability | U | C | C,D,P,V,Q | Yes | UNE | Yes | No | Y | Y | N |
| LNP With Complex Listing | C | C | P,V,Q,W | No | UNE | Yes | Yes | Y | Y | N |
| LNP with Partial Migration | U | C | D,P,V,Q | No | UNE | Yes | Yes | Y | Y | N |
| LNP with Complex Services | C | C | P,V,Q,W | No | UNE | Yes | Yes | Y | Y | N |
| Loop+INP | U | B | D,P,V,Q | Yes | UNE | No | No | Y | Y | N |
| Loop+LNP | U | B | C,D,N,V | Yes | UNE | No | No | Y | Y | N |
| Measured Rate/Bus | R,B | E,M | C,D,T,N,V,W | Yes | No | No | No | Y | Y | Y |
| Measured Rate/Res | R,B | E,M | C,D,T,N,V,W | Yes | No | No | No | Y | Y | Y |
| Megalink | C | E | N,V,W,T,D,C,P,Q | No | Yes | Yes | NA | N | N | N |
| Megalink-T1 | C | E,M | N,V,W,T,D,C,P,Q | No | Yes | Yes | NA | N | N | N |
| Memory Call | R,B | E, M | C,D,N,T,V,W | Yes | No | No | No | Y | Y | Y |
| Memory Call Ans. Svc. | R,B | E, M | C,D,N,T,V,W | Yes | No | No | No | Y | Y | Y |
| Multiserv | C | P | N,C,D,T,V,S,B, W,L,P,Q | No | Yes | Yes | NA | N | N | N |
| Native Mode LAN Interconnection (NMLI) | C | E | N,C,D,V,W | No | Yes | Yes | NA | N | N | N |
| Off-Prem Stations | C | E | N,C,D,V,W,T,P,Q | No | Yes | Yes | NA | N | N | N |
| Optional Calling Plan | R,B | E, M | N | Yes | No | No | No | Y | Y | Y |
| Package/Complete Choice and Area Plus | R,B | E, M | N,T,C,V,W | Yes | No | No | No | Y | Y | Y |
| Pathlink Primary Rate ISDN | C | E | N,C,D,T,V,W,P,Q | No | Yes | Yes | NA | N | N | N |
| Pay Phone Provider | B | E | C,D,T,N,V,W | No | No | No | NA | N | N | N |
| PBX Standalone Port | C | F | N,C,D | No | Yes | Yes | Yes | Y | Y | N |
| PBX Trunks | R,B | E | N,C,D,V,W,T,P,Q | No | Yes | Yes | Yes | Y | Y | N |
| Port/Loop PBX | U | M | A,C,D,V | No | No | No | Yes | Y | Y | N |
| Port/Loop Simple | U | M | A,C,D,V | Yes | No | No | Yes | Y | Y | Y |
| Preferred Call Forward | R,B,U | E | C,D,T,N,V,W | Yes | No | No | No | Y | Y | Y |
| RCF Basic | R,B | E | N,D,W,T,F | Yes | No | No | No | Y | Y | Y |
| Remote Access to CF | R,B | E,M | C,D,T,N,V,W | Yes | No | No | No | Y | Y | Y |
| Repeat Dialing | R,B | E,M | C,D,T,N,V,W | Yes | No | No | No | Y | Y | Y |
| Ringmaster | R,B | E,M | C,D,T,N,V,W | Yes | No | No | No | Y | Y | Y |
| Smartpath | R,B | E | C,D,T,N,V,W | No | Yes | Yes | NA | N | N | N |
| SmartRING | C | E | N,D,C,V,W | No | Yes | Yes | NA | N | N | N |
| Speed Calling | R,B | E | C,D,T,N,V,W | Yes | No | No | No | Y | Y | Y |
| Synchronet | C | E | N | Yes | Yes | Yes | Yes | Y | Y | N |
| Tie Lines | C | E | N,C,D,V,W,T,P,Q | No | Yes | Yes | NA | N | N | N |
| Touchtone | R,B | E | C,D,T,N,V,W | Yes | No | No | No | Y | Y | Y |
| Unbundled Loop-Analog 2W, SL1, SL2 | U | A,B | C,D,T,N,V,W | Yes | UNE | No | No | Y | Y | Y |
| WATS | R,B | E | W,D | No | Yes | Yes | NA | N | N | N |
| XDSL | C,U | A,B | N,T,C,V,D | Yes | UNE | No | No | Y | Y | N |
| XDSL Extended LOOP | C,U | A,B | N,T,C,V,D | No | UNE | Yes | NA | N | N | N |
| Collect Call Block | R,B | E | N,T,C,V,W,D | Yes | No | No | No | Y | Y | Y |
| 900 Call Block | R,B | E | N,T,C,V,W,D | Yes | No | No | No | Y | Y | Y |
| 3rd Party Call Block | R,B | E | N,T,C,V,W,D | Yes | No | No | No | Y | Y | Y |
| Three Way Call Block | R,B | E | N,T,C,V,W,D | Yes | No | No | No | Y | Y | Y |
| PIC/LPIC Change | R,B | E | T,C,V | Yes | No | No | No | Y | Y | Y |
| PIC/LPIC Freeze | R,B | E | N,T,C,V | Yes | No | No | No | Y | Y | Y |

Note¹: Planned Fallout for Manual Handling denotes those services that are electronically submitted and are not intended to flow through due to the complexity of the service.

Note²: The TAG column includes those LSRs submitted via Robo TAG.

Note³: For all services that indicate 'No' for flow-through, the following reasons, in addition to errors or complex services, also prompt manual handling: Expedites from CLECs, special pricing plans, denials restore and conversion or disconnect and conversion both required, partial migrations (although conversions-as-is flow through for issue 9), class of service invalid in certain states with some TOS e.g. government, or cannot be changed when changing main TN on C activity, low volume e.g. activity type T=move, pending order review required, more than 25 business lines, CSR inaccuracies such as invalid or missing CSR data in CRIS, Directory listings – Intentions, Directory listings – Captions, transfer of calls option for CLEC end user – new TN not yet posted to BOCRIS. Many are unique to the CLEC environment.

Note⁴: Services with C/S in the Complex Service and/or the Complex Order columns can be either complex or simple.

Note⁵: EELs are manually ordered.

Note⁶: LSRs submitted for Resale Products and Services for which there is a temporary promotion or discount plan will be processed identically to those LSRs ordering the same Products or Services without a promotion or discount plan.

O-7: Percent Rejected Service Requests

Definition

Percent Rejected Service Request is the percent of total Local Service Requests (LSRs) received which are rejected due to error or omission. An LSR is considered valid when it is submitted by the CLEC and passes edit checks to insure the data received is correctly formatted and complete.

Exclusions

- Service Requests canceled by the CLEC prior to being rejected/clarified.
- Scheduled OSS Maintenance

Business Rules

Fully Mechanized: An LSR is considered “rejected” when it is submitted electronically but does not pass LEO edit checks in the ordering systems (EDI, LENS, TAG, LEO, LESOG) and is returned to the CLEC without manual intervention. There are two types of “Rejects” in the Mechanized category:

A **Fatal Reject** occurs when a CLEC attempts to electronically submit an LSR but required fields are either not populated or incorrectly populated and the request is returned to the CLEC before it is considered a valid LSR.

Fatal rejects are reported in a separate column, and for informational purposes ONLY. Fatal rejects are excluded from the calculation of the percent of total LSRs rejected or the total number of rejected LSRs.

An **Auto Clarification** occurs when a valid LSR is electronically submitted but rejected from LESOG because it does not pass further edit checks for order accuracy.

Partially Mechanized: A valid LSR, which is electronically submitted (via EDI, LENS, TAG) but cannot be processed electronically and “falls out” for manual handling. It is then put into “clarification” and sent back (rejected) to the CLEC.

Total Mechanized: Combination of Fully Mechanized and Partially Mechanized LSRs electronically submitted by the CLEC.

Non-Mechanized: LSRs which are faxed or mailed to the LCSC for processing and “clarified” (rejected) back to the CLEC by the BellSouth service representative.

Interconnection Trunks: Interconnection Trunks are ordered on Access Service Requests (ASRs). ASRs are submitted to and processed by the Interconnection Purchasing Center (IPC). Trunk data is reported separately.

Calculation

Percent Rejected Service Requests = (a / b) X 100

- a = Total Number of Rejected Service Requests in the Reporting Period
- b = Total Number of Service Requests Received in the Reporting Period

Report Structure

- Fully Mechanized, Partially Mechanized, Total Mechanized, Non-Mechanized
- CLEC Specific
- CLEC Aggregate
- Geographic Scope
 - State
 - Region
- Product Specific Percent Rejected
- Total Percent Rejected

Data Retained

| Relating to CLEC Experience | Relating to BellSouth Performance |
|--|--|
| <ul style="list-style-type: none"> • Report Month • Total Number of LSRs • Total Number of Rejects • State and Region • Total Number of ASRs (Trunks) | <ul style="list-style-type: none"> • Not Applicable |

SQM Disaggregation - Analog/Benchmark

| SQM Level of Disaggregation | SQM Analog/Benchmark |
|--|--|
| Mechanized, Partially Mechanized and Non-Mechanized <ul style="list-style-type: none"> • Resale - Residence • Resale - Business • Resale – Design (Special) • Resale PBX • Resale Centrex • Resale ISDN • LNP (Standalone) • INP (Standalone) • 2W Analog Loop Design • 2W Analog Loop Non-Design • 2W Analog Loop With INP Design • 2W Analog Loop With INP Non-Design • 2W Analog Loop With LNP Design • 2W Analog Loop With LNP Non-Design • UNE Loop + Port Combinations • Switch Ports • UNE Combination Other • UNE xDSL (ADSL, HDSL, UCL) • Line Sharing • UNE ISDN Loop • UNE Other Design • UNE Other Non-Design • Local Interoffice Transport • Local Interconnection Trunks | <ul style="list-style-type: none"> • Diagnostic |

SEEM Measure

| SEEM Measure | |
|--------------|---------|
| No | Tier I |
| | Tier II |

SEEM Disaggregation - Analog/Benchmark

| SEEM Disaggregation | SEEM Analog/Benchmark |
|--|--|
| <ul style="list-style-type: none"> • Not Applicable | <ul style="list-style-type: none"> • Not Applicable |

O-8: Reject Interval

Definition

Reject Interval is the average reject time from receipt of an LSR to the distribution of a Reject. An LSR is considered valid when it is submitted by the CLEC and passes edit checks to insure the data received is correctly formatted and complete.

Exclusions

- Service Requests canceled by CLEC prior to being rejected/clarified
- Designated Holidays are excluded from the interval calculation
- LSRs which are identified and classified as "Projects"
- The following hours for Partially mechanized and Non-mechanized LSRs are excluded from the interval calculation:

Residence Resale Group – Monday through Saturday 7:00PM until 7:00AM
From 7:00 PM Saturday until 7:00 AM Monday

Business Resale, Complex, UNE Groups – Monday through Friday 6:00PM until 8:00AM
From 6:00 PM Friday until 8:00 AM Monday.

The hours excluded will be altered to reflect changes in the Center operating hours. The LCSC will accept faxed LSRs only during posted hours of operation.

The interval will be the amount of time accrued from receipt of the LSR until normal closing of the center if an LSR is worked using overtime hours.

In the case of a Partially Mechanized LSR received and worked after normal business hours, the interval will be set at one (1) minute.

- Scheduled OSS Maintenance

Business Rules

Fully Mechanized: The elapsed time from receipt of a valid electronically submitted LSR (date and time stamp in EDI, LENS or TAG) until the LSR is rejected (date and time stamp or reject in EDI, TAG or LENS). Auto Clarifications are considered in the Fully Mechanized category.

Partially Mechanized: The elapsed time from receipt of a valid electronically submitted LSR (date and time stamp in EDI, LENS or TAG) until it falls out for manual handling. The stop time on partially mechanized LSRs is when the LCSC Service Representative clarifies the LSR back to the CLEC via LENS, EDI, or TAG.

Total Mechanized: Combination of Fully Mechanized and Partially Mechanized LSRs which are electronically submitted by the CLEC.

Non-Mechanized: The elapsed time from receipt of a valid LSR (date and time stamp of FAX or date and time mailed LSR is received in the LCSC) until notice of the reject (clarification) is returned to the CLEC via LON.

Interconnection Trunks: Interconnection Trunks are ordered on Access Service Requests (ASRs). ASRs are submitted to and processed by the Local Interconnection Service Center (LISC). Trunk data is reported separately. All interconnection trunks are counted in the non-mechanized category.

Calculation

Reject Interval = (a - b)

- a = Date and Time of Service Request Rejection
- b = Date and Time of Service Request Receipt

Average Reject Interval = (c / d)

- c = Sum of all Reject Intervals
- d = Number of Service Requests Rejected in Reporting Period

Report Structure

- CLEC Specific
- CLEC Aggregate
- Fully Mechanized, Partially Mechanized, Total Mechanized, Non-Mechanized
- Geographic Scope

- State
- Region
- Mechanized:
 - 0 - <= 4 minutes
 - >4 - <= 8 minutes
 - >8 - <= 12 minutes
 - >12 - <= 60 minutes
 - 0 - <= 1 hour
 - >1 - <= 4 hours
 - >4 - <= 8 hours
 - >8 - <= 12 hours
 - >12 - <= 16 hours
 - >16 - <= 20 hours
 - >20 - <= 24 hours
 - >24 hours
- Partially Mechanized:
 - 0 - <= 1 hour
 - >1 - <= 4 hours
 - >4 - <= 8 hours
 - >8 - <= 10 hours
 - 0 - <= 10 hours
 - >10 - <= 18 hours
 - 0 - <= 18 hours
 - >18 - <= 24 hours
 - >24 hours
- Non-mechanized:
 - 0 - <= 1 hour
 - >1 - <= 4 hours
 - >4 - <= 8 hours
 - >8 - <= 12 hours
 - >12 - <= 16 hours
 - >16 - <= 20 hours
 - >20 - <= 24 hours
 - 0 - <= 24 hours
 - > 24 hours
- Trunks:
 - <= 4 days
 - >4 - <= 8 days
 - >8 - <= 12 days
 - >12 - <= 14 days
 - >14 - <= 20 days
 - >20 days

Data Retained

| Relating to CLEC Experience | Relating to BellSouth Performance |
|---|-----------------------------------|
| Report Month • Reject Interval • Total Number of LSRs • Total Number of Rejects • State and Region • Total Number of ASRs (Trunks) | • Not Applicable |

SQM Disaggregation - Analog/Benchmark

| SQM Level of Disaggregation | SQM Analog/Benchmark |
|--|--|
| • Resale - Residence • Resale - Business • Resale - Design (Special) • Resale PBX • Resale Centrex | • Mechanized: - 97% <= I Hour • Partially Mechanized: - 85% <= 24 hours - 85% <= 18 Hours (05/01/01) |

| | |
|---|---|
| <ul style="list-style-type: none"> • Resale ISDN • LNP (Standalone) • INP (Standalone) • 2W Analog Loop Design • 2W Analog Loop Non-Design • 2W Analog Loop With INP Design • 2W Analog Loop With INP Non-Design • 2W Analog Loop With LNP Design • 2W Analog Loop With LNP Non-Design • UNE Loop + Port Combinations • Switch Ports • UNE Combination Other • UNE xDSL (ADSL, HDSL, UCL) • Line Sharing • UNE ISDN Loops • UNE Other Non-Design • Local Interoffice Transport • UNE Other Design | <ul style="list-style-type: none"> - 85% <= 10 Hours (08/01/01) • Non-Mechanized: - 85% <= 24 hours |
| <ul style="list-style-type: none"> • Local Interconnection Trunks | <ul style="list-style-type: none"> • Trunks: - 85% <= 4 Days |

SEEM Measure

| SEEM Measure | | |
|--------------|---------|---|
| Yes | Tier I | X |
| | Tier II | X |

SEEM Disaggregation - Analog/Benchmark

| SEEM Disaggregation | SEEM Analog/Benchmark |
|--|--|
| <ul style="list-style-type: none"> • Fully Mechanized | <ul style="list-style-type: none"> • 97% <= 1 Hour |
| <ul style="list-style-type: none"> • Partially Mechanized | <ul style="list-style-type: none"> • 85% <= 24 Hours • 85% <= 18 Hours (05/01/01) • 85% <= 10 Hours (08/01/01) |
| <ul style="list-style-type: none"> • Non-Mechanized | <ul style="list-style-type: none"> • 85% <= 24 Hours |

O-9: Firm Order Confirmation Timeliness

Definition

Interval for Return of a Firm Order Confirmation (FOC Interval) is the average response time from receipt of valid LSR to distribution of a Firm Order Confirmation.

Exclusions

- Rejected LSRs
- Designated Holidays are excluded from the interval calculation
- LSRs which are identified and classified as "Projects"
- The following hours for Partially Mechanized and Non-mechanized LSRs are excluded from the interval calculation:

Residence Resale Group – Monday through Saturday 7:00PM until 7:00AM
From 7:00 PM Saturday until 7:00 AM Monday.

Business Resale, Complex, UNE Groups – Monday through Friday 6:00PM until 8:00AM
From 6:00 PM Friday until 8:00 AM Monday.

The hours excluded will be altered to reflect changes in the Center operating hours. The LCSC will accept faxed LSRs only during posted hours of operation.

The interval will be the amount of time accrued from receipt of the LSR until normal closing of the center if an LSR is worked using overtime hours.

In the case of a Partially Mechanized LSR received and worked after normal business hours, the interval will be set at one (1) minute.

- Scheduled OSS Maintenance

Business Rules

- **Fully Mechanized:** The elapsed time from receipt of a valid electronically submitted LSR (date and time stamp in EDI, LENS or TAG) until the LSR is processed, appropriate service orders are generated and a Firm Order Confirmation is returned to the CLEC via EDI, LENS or TAG.
- **Partially Mechanized:** The elapsed time from receipt of a valid electronically submitted LSR (date and time stamp in EDI, LENS, or TAG) which falls out for manual handling until appropriate service orders are issued by a BellSouth service representative via Direct Order Entry (DOE) or Service Order Negotiation Generation System (SONGS) to SOCS and a Firm Order Confirmation is returned to the CLEC via EDI, LENS, or TAG.
- **Total Mechanized:** Combination of Fully Mechanized and Partially Mechanized LSRs which are electronically submitted by the CLEC.
- **Non-Mechanized:** The elapsed time from receipt of a valid paper LSR (date and time stamp of FAX or date and time paper LSRs received in LCSC) until appropriate service orders are issued by a BellSouth service representative via Direct Order Entry (DOE) or Service Order Negotiation Generation System (SONGS) to SOCS and a Firm Order Confirmation is sent to the CLEC via LON.
- **Interconnection Trunks:** Interconnection Trunks are ordered on Access Service Requests (ASRs). ASRs are submitted to and processed by the Local Interconnection Service Center (LISC). Trunk data is reported separately.

Calculation

Firm Order Confirmation Interval = (a - b)

- a = Date & Time of Firm Order Confirmation
- b = Date & Time of Service Request Receipt)

Average FOC Interval = (c / d)

- c = Sum of all FOC Intervals
- d = Total Number of Service Requests Confirmed in Reporting Period

FOC Interval Distribution (for each interval) = (e / f) X 100

- e = Service Requests Confirmed in interval
- f = Total Service Requests Confirmed in the Reporting Period

Report Structure

- Fully Mechanized, Partially Mechanized, Total Mechanized, Non-Mechanized
 - CLEC Specific
 - CLEC Aggregate
- Geographic Scope
 - State
 - Region
- Fully Mechanized:
 - 0 - <= 15 minutes
 - >15 - <= 30 minutes
 - >30 - <= 45 minutes
 - >45 - <= 60 minutes
 - >60 - <= 90 minutes
 - >90 - <= 120 minutes
 - >120 - <= 180 minutes
 - 0 - <= 3 hours
 - >3 - <= 6 hours
 - >6 - <= 12 hours
 - >12 - <= 24 hours
 - >24 - <= 48 hours
 - >48 hours
- Partially Mechanized:
 - 0 - <= 4 hours
 - >4 - <= 8 hours
 - >8 - <= 10 hours
 - 0 - <= 10 hours
 - >10 - <= 18 hours
 - 0 - <= 18 hours
 - >18 - <= 24 hours
 - 0 - <= 24 hours
 - >24 - <= 48 hours
 - >48 hours
- Non-Mechanized:
 - 0 - <= 4 hours
 - >4 - <= 8 hours
 - >8 - <= 12 hours
 - >12 - <= 16 hours
 - >16 - <= 20 hours
 - >20 - <= 24 hours
 - >24 - <= 36 hours
 - 0 - <= 36 hours
 - >36 - <= 48 hours
 - >48 hours
- Trunks:
 - 0 - <= 5 days
 - >5 - <= 10 days
 - 0 - <= 10 days
 - >10 - <= 15 days
 - >15 - <= 20 days
 - >20 days

Data Retained

| Relating to CLEC Experience | Relating to BellSouth Performance |
|---|--|
| <ul style="list-style-type: none"> • Report Month • Interval for FOC • Total Number of LSRs • State and Region • Total Number of ASRs (Trunks) | <ul style="list-style-type: none"> • Not Applicable |

SQM Disaggregation - Analog/Benchmark

| SQM Level of Disaggregation | SQM Analog/Benchmark |
|---|--|
| <ul style="list-style-type: none"> • Resale – Residence • Resale – Business • Resale – Design (Special) • Resale PBX • Resale Centrex • Resale ISDN • LNP (Standalone) • INP(Standalone) • 2W Analog Loop Design • 2W Analog Loop Non-Design • 2W Analog Loop With INP Design • 2W Analog Loop With INP Non-Design • 2W Analog Loop With LNP Design • 2W Analog Loop With LNP Non-Design • UNE Loop + Port Combinations • Switch Ports • UNE Combination Other • UNE xDSL (ADSL, HDSL, UCL) • Line Sharing • UNE ISDN Loops • UNE Other Design • UNE Other Non-Design • Local Interoffice Transport | <ul style="list-style-type: none"> • Mechanized: - 95% <= 3 Hours • Partially Mechanized: <ul style="list-style-type: none"> - 85% <= 24 Hours - 85% <= 18 Hours (05/01/01) - 85% <= 10 Hours (08/01/01) • Non-mechanized: - 85% <= 36 Hours |
| <ul style="list-style-type: none"> • Local Interconnection Trunks | <ul style="list-style-type: none"> • Trunks: - 95% <= 10 Days |

SEEM Measure

| SEEM Measure | | |
|--------------|---------|---|
| Yes | Tier I | X |
| | Tier II | X |

SEEM Disaggregation - Analog/Benchmark

| SEEM Disaggregation | SEEM Analog/Benchmark |
|------------------------|--|
| • Fully Mechanized | • 95% <= 3 Hours |
| • Partially Mechanized | <ul style="list-style-type: none"> • 85% <= 24 Hours • 85% <= 18 Hours (05/01/01) • 85% <= 10 Hours (08/01/01) |
| • Non-Mechanized | • 85% <= 36 Hours |
| • IC Trunks | • 95% <= 10 Days |

O-10: Service Inquiry with LSR Firm Order Confirmation (FOC) Response Time Manual⁶

Definition

This report measures the interval and the percent within the interval from the submission of a Service Inquiry (SI) with Firm Order LSR to the distribution of a Firm Order Confirmation (FOC).

Exclusions

- Designated Holidays are excluded from the interval calculation
- Weekend hours from 5:00PM Friday until 8:00AM Monday are excluded from the interval calculation of the Service Inquiry
- Canceled Requests
- Electronically Submitted Requests
- Scheduled OSS Maintenance

Business Rules

This measurement combines four intervals:

1. From receipt of Service Inquiry with LSR to hand off to the Service Advocacy Center (SAC) for Loop 'Look-up'.
2. From SAC start date to SAC complete date.
3. From SAC complete date to the Complex Resale Support Group (CRSG) complete date with hand off to LCSC.
4. From receipt of SI/LSR in the LCSC to Firm Order Confirmation.

Calculation

FOC Timeliness Interval = (a - b)

- a = Date and Time Firm Order Confirmation (FOC) for SI with LSR returned to CLEC
- b = Date and Time SI with LSR received

Average Interval = (c / d)

- c = Sum of all FOC Timeliness Intervals
- d = Total number of SIs with LSRs received in the reporting period

Percent Within Interval = (e / f) X 100

- e = Total number of Service Inquiries with LSRs received by the CRSG to distribution of FOC by the Local Carrier Service Center (LCSC)
- f = Total number of Service Inquiries with LSRs received in the reporting period

Report Structure

- CLEC Aggregate
- CLEC Specific
- Geographic Scope
 - State
 - Region
- Intervals
 - 0 - <= 3 days
 - >3 - <= 5 days
 - 0 - <= 5 days
 - >5 - <= 7 days
 - >7 - <= 10 days
 - >10 - <= 15 days
 - >15 days

⁶ See O-9 for FOC Timeliness

- Average Interval measured in days

Data Retained

| Relating to CLEC Experience | Relating to BellSouth Performance |
|--|--|
| <ul style="list-style-type: none"> • Report Month • Total Number of Requests • SI Intervals • State and Region | <ul style="list-style-type: none"> • Not Applicable |

SQM Disaggregation - Analog/Benchmark

| SQM Level of Disaggregation | SQM Analog/Benchmark |
|--|--|
| <ul style="list-style-type: none"> • xDSL (includes UNE unbundled ADSL, HDSL and UNE Unbundled Copper Loops) • Unbundled Interoffice Transport | <ul style="list-style-type: none"> • 95% Returned <= 5 Business days |

SEEM Measure

| SEEM Measure | |
|--------------|---------|
| No | Tier I |
| | Tier II |

SEEM Disaggregation - Analog/Benchmark

| SEEM Disaggregation | SEEM Analog/Benchmark |
|--|--|
| <ul style="list-style-type: none"> • Not Applicable | <ul style="list-style-type: none"> • Not Applicable |

O-11: Firm Order Confirmation and Reject Response Completeness

Definition

A response is expected from BellSouth for every Local Service Request transaction (version). More than one response or differing responses per transaction is not expected. Firm Order Confirmation and Reject Response Completeness is the corresponding number of Local Service Requests received to the combination of Firm Order Confirmation and Reject Responses.

Exclusions

- Service Requests canceled by the CLEC prior to FOC or Rejected/Clarified
- Non-Mechanized LSRs
- Scheduled OSS Maintenance

Business Rules

Mechanized – The number of FOCs or Auto Clarifications sent to the CLEC from LENS, EDI, TAG in response to electronically submitted LSRs (date and time stamp in LENS, EDI, TAG).

Partially Mechanized – The number of FOCs or Rejects sent to the CLEC from LENS, EDI, TAG in response to electronically submitted LSRs (date and time stamp in LENS, EDI, TAG), which fall out for manual handling by the LCSC personnel.

Total Mechanized – The number of the combination of Fully Mechanized and Partially Mechanized LSRs

Non-Mechanized – The number of FOCs or Rejects sent to the CLEC via FAX Server in response to manually submitted LSRs (date and time stamp in FAX Server).

Note: Manual (Non-Mechanized) LSRs have no version control by the very nature of the manual process, therefore, non-mechanized LSRs are not captured by this report.

For CLEC Results:

Firm Order Confirmation and Reject Response Completeness is determined in two dimensions:

Percent responses is determined by computing the number of Firm Order Confirmations and Rejects transmitted by BellSouth and dividing by the number of Local Service Requests (all versions) received in the reporting period.

Percent of multiple responses is determined by computing the number of Local Service Request unique versions receiving more than one Firm Order Confirmation, Reject or the combination of the two and dividing by the number of Local Service Requests (all versions) received in the reporting period.

Calculation

Single FOC/Reject Response Expected

Firm Order Confirmation / Reject Response Completeness = $(a / b) \times 100$

- a = Total Number of Service Requests for which a Firm Order Confirmation or Reject is Sent
- b = Total Number of Service Requests Received in the Report Period

Multiple or Differing FOC / Reject Responses Not Expected

Response Completeness = $[(a + b) / c] \times 100$

- a = Total Number of Firm Order Confirmations Per LSR Version
- b = Total Number of Reject Responses Per LSR Version
- c = Total Number of Service Requests (All Versions) Received in the Reporting Period

Report Structure

Fully Mechanized, Partially Mechanized, Total Mechanized, Non-Mechanized

- State and Region
- CLEC Specific
- CLEC Aggregate
- BellSouth Specific

Data Retained

| Relating to CLEC Experience | Relating to BellSouth Performance |
|--|-----------------------------------|
| Report Month • Reject Interval • Total Number of LSRs • Total Number of Rejects | • Not Applicable |

SQM Disaggregation - Analog/Benchmark

| SQM Level of Disaggregation | SQM Analog/Benchmark |
|---|--|
| <ul style="list-style-type: none"> • Resale Residence • Resale Business • Resale Design • Resale PBX • Resale Centrex • Resale ISDN • LNP (Standalone) • INP (Standalone) • 2W Analog Loop Design • 2W Analog Loop Non - Design • 2W Analog Loop With INP Design • 2W Analog Loop With INP Non - Design • 2W Analog Loop With LNP Design • 2W Analog Loop With LNP Non - Design • UNE Loop and Port Combinations • Switch Ports • UNE Combination Other • UNE xDSL (ADSL, HDSL, UCL) • Line Sharing • UNE ISDN Loops • UNE Other Design • UNE Other Non - Design • Local Interoffice Transport • Local Interconnection Trunks | <ul style="list-style-type: none"> • 95% Returned |

SEEM Measure

| SEEM Measure | | |
|--------------|---------|---|
| Yes | Tier I | X |
| | Tier II | X |

SEEM Disaggregation - Analog/Benchmark

| SEEM Disaggregation | SEEM Analog/Benchmark |
|--|--|
| <ul style="list-style-type: none"> • Fully Mechanized | <ul style="list-style-type: none"> • 95% Returned |

O-12: Speed of Answer in Ordering Center

Definition

Measures the average time a customer is in queue.

Exclusions

None

Business Rules

The clock starts when the appropriate option is selected (i.e., 1 for Resale Consumer, 2 for Resale Multiline, and 3 for UNE-LNP, etc.) and the call enters the queue for that particular group in the LCSC. The clock stops when a BellSouth service representative in the LCSC answers the call. The speed of answer is determined by measuring and accumulating the elapsed time from the entry of a CLEC call into the BellSouth automatic call distributor (ACD) until a service representative in BellSouth's Local Carrier Service Center (LCSC) answers the CLEC call.

Calculation

Speed of Answer in Ordering Center = (a / b)

- a = Total seconds in queue
- b = Total number of calls answered in the Reporting Period

Report Structure

Aggregate

- CLEC – Local Carrier Service Center
- BellSouth
 - Business Service Center
 - Residence Service Center

Note: Combination of Residence Service Center and Business Service Center data.

Data Retained

| Relating to CLEC Experience | Relating to BellSouth Performance |
|---|---|
| <ul style="list-style-type: none"> • Mechanized tracking through LCSC Automatic Call Distributor | <ul style="list-style-type: none"> • Mechanized tracking through BellSouth Retail center support system. |

SQM Disaggregation - Analog/Benchmark

| SQM Level of Disaggregation | SQM Analog/Benchmark |
|---|--|
| Aggregate <ul style="list-style-type: none"> • CLEC – Local Carrier Service Center • BellSouth <ul style="list-style-type: none"> - Business Service Center - Residence Service Center | <ul style="list-style-type: none"> • Parity with Retail |

SEEM Measure

| SEEM Measure | | |
|--------------|---------|--|
| No | Tier I | |
| | Tier II | |

SEEM Disaggregation - Analog/Benchmark

| SEEM Disaggregation | SEEM Analog/Benchmark |
|--|--|
| <ul style="list-style-type: none"> • Not Applicable | <ul style="list-style-type: none"> • Not Applicable |

O-13: LNP-Percent Rejected Service Requests

Definition

Percent Rejected Service Request is the percent of total Local Service Requests (LSRs) which are rejected due to error or omission. An LSR is considered valid when it is electronically submitted by the CLEC and passes LNP Gateway edit checks to insure the data received is correctly formatted and complete, i.e., fatal rejects are never accepted and, therefore, are not included.

Exclusions

- Service Requests canceled by the CLEC
- Scheduled OSS Maintenance

Business Rules

An LSR is considered “rejected” when it is submitted electronically but does not pass edit checks in the ordering systems (EDI, TAG, LNP Gateway, LAUTO) and is returned to the CLEC without manual intervention.

Fully Mechanized: There are two types of “Rejects” in the Fully Mechanized category:

A **Fatal Reject** occurs when a CLEC attempts to electronically submit an LSR (via EDI or TAG) but required fields are not populated correctly and the request is returned to the CLEC.

Fatal rejects are reported in a separate column, and for informational purposes ONLY. They are not considered in the calculation of the percent of total LSRs rejected or the total number of rejected LSRs.

An **Auto Clarification** is a valid LSR which is electronically submitted (via EDI or TAG), but is rejected from LAUTO because it does not pass further edit checks for order accuracy. Auto Clarifications are returned without manual intervention.

Partially Mechanized: A valid LSR which is electronically submitted (via EDI or TAG), but cannot be processed electronically due to a CLEC error and “falls out” for manual handling. It is then put into “clarification”, and sent back (rejected) to the CLEC.

Total Mechanized: Combination of Fully Mechanized and Partially Mechanized rejects.

Non-Mechanized: A valid LSR which is faxed or mailed to the BellSouth LCSC.

Calculation

$$\text{LNP-Percent Rejected Service Requests} = (a / b) \times 100$$

- a = Number of Service Requests Rejected in the Reporting Period
- b = Number of Service Requests Received in the Reporting Period

Report Structure

- Fully Mechanized, Partially Mechanized, Total Mechanized, Non-Mechanized
- CLEC Specific
- CLEC Aggregate

Data Retained

| Relating to CLEC Experience | Relating to BellSouth Performance |
|-----------------------------|-----------------------------------|
| • Not Applicable | • Not Applicable |

SQM Disaggregation - Analog/Benchmark

| SQM Level of Disaggregation | SQM Analog/Benchmark |
|--|----------------------|
| <ul style="list-style-type: none"> • LNP • UNE Loop With LNP | • Diagnostic |

SEEM Measure

| SEEM Measure | |
|--------------|---------|
| No | Tier I |
| | Tier II |

SEEM Disaggregation - Analog/Benchmark

| SEEM Disaggregation | SEEM Analog/Benchmark |
|----------------------------|------------------------------|
| • Not Applicable | • Not Applicable |

O-14: LNP-Reject Interval Distribution & Average Reject Interval

Definition

Reject Interval is the average reject time from receipt of an LSR to the distribution of a Reject. An LSR is considered valid when it is electronically submitted by the CLEC and passes LNP Gateway edit checks to insure the data received is correctly formatted and complete.

Exclusions

- Service Requests canceled by the CLEC
- Designated Holidays are excluded from the interval calculation
- LSRs which are identified and classified as "Projects"
- The following hours for Partially mechanized and Non-mechanized LSRs are excluded from the interval calculation:

Residence Resale Group – Monday through Saturday 7:00PM until 7:00AM
From 7:00 PM Saturday until 7:00 AM Monday

Business Resale, Complex, UNE Groups – Monday through Friday 6:00PM until 8:00AM
From 6:00 PM Friday until 8:00 AM Monday.

The hours excluded will be altered to reflect changes in the Center operating hours. The LCSC will accept faxed LSRs only during posted hours of operation.

The interval will be the amount of time accrued from receipt of the LSR until normal closing of the center if an LSR is worked using overtime hours.

In the case of a Partially Mechanized LSR received and worked after normal business hours, the interval will be set at one (1) minute.

- Scheduled OSS Maintenance

Business Rules

The Reject interval is determined for each rejected LSR processed during the reporting period. The Reject interval is the elapsed time from when BellSouth receives LSR until that LSR is rejected back to the CLEC. Elapsed time for each LSR is accumulated for each reporting dimension. The accumulated time for each reporting dimension is then divided by the associated total number of rejected LSRs to produce the reject interval distribution.

An LSR is considered "rejected" when it is submitted electronically but does not pass edit checks in the ordering systems (EDI, TAG, LNP Gateway, LAUTO) and is returned to the CLEC without manual intervention.

Fully Mechanized: There are two types of "Rejects" in the Fully Mechanized category:

A **Fatal Reject** occurs when a CLEC attempts to electronically submit an LSR but required fields are not populated correctly and the request is returned to the CLEC.

An **Auto Clarification** is a valid LSR which is electronically submitted (via EDI or TAG), but is rejected from LAUTO because it does not pass further edit checks for order accuracy. Auto Clarifications are returned without manual intervention.

Partially Mechanized: A valid LSR which electronically submitted (via EDI or TAG), but cannot be processed electronically due to a CLEC error and "falls out" for manual handling. It is then put into "clarification", and sent back to the CLEC.

Total Mechanized: Combination of Fully Mechanized and Partially Mechanized rejects.

Non-Mechanized: A valid LSR which is faxed or mailed to the BellSouth LCSC.

Calculation

Reject Interval = (a - b)

- a = Date & Time of Service Request Rejection
- b = Date & Time of Service Request Receipt

Average Reject Interval = (c / d)

- c = Sum of all Reject Intervals
- d = Total Number of Service Requests Rejected in Reporting Period

Reject Interval Distribution = (e / f) X 100

- e = Service Requests Rejected in reported interval
- f = Total Number of Service Requests Rejected in Reporting Period

Report Structure

Fully Mechanized, Partially Mechanized, Total Mechanized, Non-Mechanized

- CLEC Specific
- CLEC Aggregate
- State, Region
- Fully Mechanized:
 - 0 - <= 4 minutes
 - >4 - <= 8 minutes
 - >8 - <= 12 minutes
 - >12 - <= 60 minutes
 - 0 - <= 1 hour
 - >1 - <= 4 hours
 - >4 - <= 8 hours
 - >8 - <= 12 hours
 - >12 - <= 16 hours
 - >16 - <= 20 hours
 - >20 - <= 24 hours
 - > 24 hours
- Partially Mechanized:
 - 0 - <= 1 hour
 - >1 - <= 4 hours
 - >4 - <= 8 hours
 - >8 - <= 10 hours
 - 0 - <= 10 hours
 - >10 - <= 18 hours
 - 0 - <= 18 hours
 - >18 - <= 24 hours
 - > 24 hours
- Non-Mechanized:
 - 0 - <= 1 hour
 - >1 - <= 4 hours
 - >4 - <= 8 hours
 - >8 - <= 12 hours
 - >12 - <= 16 hours
 - >16 - <= 20 hours
 - >20 - <= 24 hours
 - 0 - <= 24 hours
 - >24 hours
- Average Interval in Days or Hours

Data Retained

| Relating to CLEC Experience | Relating to BellSouth Performance |
|--|--|
| <ul style="list-style-type: none"> • Report Month • Reject Interval • Total Number of LSRs • Total number of Rejects • State and Region | <ul style="list-style-type: none"> • Not Applicable |

SQM Disaggregation - Analog/Benchmark

| SQM Level of Disaggregation | SQM Analog/Benchmark |
|--|--|
| <ul style="list-style-type: none"> • LNP • UNE Loop with LNP | <ul style="list-style-type: none"> • Mechanized: 97% <= I Hour • Partially Mechanized: 85% <= 24 Hours • Partially Mechanized: 85% <= 18 Hours (05/01/01) • Partially Mechanized: 85% <= 10 Hours (08/01/01) • Non-Mechanized: 85% <= 24 Hours |

SEEM Measure

| SEEM Measure | | |
|--------------|---------|--|
| No | Tier I | |
| | Tier II | |

SEEM Disaggregation - Analog/Benchmark

| SEEM Disaggregation | SEEM Analog/Benchmark |
|--|--|
| <ul style="list-style-type: none"> • Not Applicable | <ul style="list-style-type: none"> • Not Applicable |

O-15: LNP-Firm Order Confirmation Timeliness Interval Distribution & Firm Order Confirmation Average Interval

Definition

Interval for Return of a Firm Order Confirmation (FOC Interval) is the average response time from receipt of a valid LSR to distribution of a firm order confirmation.

Exclusions

- Rejected LSRs
- Designated Holidays are excluded from the interval calculation
- LSRs which are identified and classified as “Projects”
- The following hours for Partially Mechanized and Non-mechanized LSRs are excluded from the interval calculation:

Residence Resale Group – Monday through Saturday 7:00PM until 7:00AM

From 7:00 PM Saturday until 7:00 AM Monday.

Business Resale, Complex, UNE Groups – Monday through Friday 6:00PM until 8:00AM

From 6:00 PM Friday until 8:00 AM Monday.

The hours excluded will be altered to reflect changes in the Center operating hours. The LCSC will accept faxed LSRs only during posted hours of operation.

The interval will be the amount of time accrued from receipt of the LSR until normal closing of the center if an LSR is worked using overtime hours.

In the case of a Partially Mechanized LSR received and worked after normal business hours, the interval will be set at one (1) minute.

- Scheduled OSS Maintenance

Business Rules

- **Fully Mechanized:** The elapsed time from receipt of a valid electronically submitted LSR (date and time stamp in EDI, LENS or TAG) until the LSR is processed, appropriate service orders are generated and a Firm Order Confirmation is returned to the CLEC via EDI, LENS or TAG.
- **Partially Mechanized:** The elapsed time from receipt of a valid electronically submitted LSR (date and time stamp in EDI, LENS, or TAG) which falls out for manual handling until appropriate service orders are issued by a BellSouth service representative via Direct Order Entry (DOE) or Service Order Negotiation Generation System (SONGS) to SOCS and a Firm Order Confirmation is returned to the CLEC via EDI, LENS, or TAG.
- **Total Mechanized:** Combination of Fully Mechanized and Partially Mechanized LSRs which are electronically submitted by the CLEC.
- **Non-Mechanized:** The elapsed time from receipt of a valid paper LSR (date and time stamp of FAX or date and time paper LSRs received in LCSC) until appropriate service orders are issued by a BellSouth service representative via Direct Order Entry (DOE) or Service Order Negotiation Generation System (SONGS) to SOCS and a Firm Order Confirmation is sent to the CLEC via LON.

Calculation

Firm Order Confirmation Interval = (a - b)

- a = Date & Time of Firm Order Confirmation
- b = Date & Time of Service Request Receipt)

Average FOC Interval = (c / d)

- c = Sum of all FOC Intervals
- d = Total Number of Service Requests Confirmed in Reporting Period

FOC Interval Distribution (for each interval) = (e / f) X 100

- e = Service Requests Confirmed in interval
- f = Total Service Requests Confirmed in the Reporting Period

Report Structure

Fully Mechanized, Partially Mechanized, Total Mechanized, Non-Mechanized

- CLEC Specific
- CLEC Aggregate
- State and Region
- Fully Mechanized:
 - 0 - <= 15 minutes
 - >15 - <= 30 minutes
 - >30 - <= 45 minutes
 - >45 - <= 60 minutes
 - >60 - <= 90 minutes
 - >90 - <= 120 minutes
 - >120 - <= 180 minutes
 - 0 - <= 3 hours
 - >3 - <= 6 hours
 - >6 - <= 12 hours
 - >12 - <= 24 hours
 - >24 - <= 48 hours
 - >48 hours
- Partially Mechanized:
 - 0 - <= 4 hours
 - >4 - <= 8 hours
 - >8 - <= 10 hours
 - 0 - <= 10 hours
 - >10 - <= 18 hours
 - 0 - <= 18 hours
 - >18 - <= 24 hours
 - 0 - <= 24 hours
 - >24 - <= 48 hours
 - > 48 hours
- Non-Mechanized:
 - 0 - <= 4 hours
 - >4 - <= 8 hours
 - >8 - <= 12 hours
 - >12 - <= 16 hours
 - >16 - <= 20 hours
 - >20 - <= 24 hours
 - >24 - <= 36 hours
 - 0 - <= 36 hours
 - >36 - <= 48 hours
 - >48 hours

Data Retained

| Relating to CLEC Experience | Relating to BellSouth Performance |
|--|-----------------------------------|
| Report Month • Total Number of LSRs • Total Number of FOCs • State and Region | • Not Applicable |

SQM Disaggregation - Analog/Benchmark

| SQM Level of Disaggregation | SQM Analog/Benchmark |
|------------------------------|--|
| • LNP • UNE Loop with LNP | • Mechanized: 95% <= 3 Hours • Partially Mechanized: 85% <= 24 Hours • Partially Mechanized: 85% <= 18 Hours (05/01/01) • Partially Mechanized: 85% <= 10 Hours (08/01/01) • Non-Mechanized: 85% <= 36 hours |

SEEM Measure

| SEEM Measure | | |
|--------------|---------|--|
| No | Tier I | |
| | Tier II | |

SEEM Disaggregation - Analog/Benchmark

| SEEM Disaggregation | SEEM Analog/Benchmark |
|---------------------|-----------------------|
| • Not Applicable | • Not Applicable |

Section 3: Provisioning

P-1: Mean Held Order Interval & Distribution Intervals

Definition

When delays occur in completing CLEC orders, the average period that CLEC orders are held for BellSouth reasons, pending a delayed completion, should be no worse for the CLEC when compared to BellSouth delayed orders. Calculation of the interval is the total days orders are held and pending but not completed that have passed the currently committed due date; divided by the total number of held orders. This report is based on orders still pending, held and past their committed due date at the close of the reporting period. The distribution interval is based on the number of orders held and pending but not completed over 15 and 90 days. (Orders reported in the >90 day interval are also included in the >15 day interval.)

Exclusions

- Order Activities of BellSouth or the CLEC associated with internal or administrative use of local services (Record Orders, Listing Orders, Test Orders, etc.)
- Disconnect (D) & From (F) orders
- Orders with appointment code of 'A' for Rural orders

Business Rules

Mean Held Order Interval: This metric is computed at the close of each report period. The held order interval is established by first identifying all orders, at the close of the reporting interval, that both have not been reported as completed in SOCS and have passed the currently committed due date for the order. For each such order, the number of calendar days between the earliest committed due date on which BellSouth had a company missed appointment and the close of the reporting period is established and represents the held order interval for that particular order. The held order interval is accumulated by the standard groupings, unless otherwise noted, and the reason for the order being held. The total number of days accumulated in a category is then divided by the number of held orders within the same category to produce the mean held order interval. The interval is by calendar days with no exclusions for Holidays or Sundays.

CLEC Specific reporting is by type of held order (facilities, equipment, other), total number of orders held, and the total and average days.

Held Order Distribution Interval: This measure provides data to report total days held and identifies these in categories of >15 days and > 90 days. (Orders counted in >90 days are also included in > 15 days).

Calculation

Mean Held Order Interval = a / b

- a = Sum of held-over-days for all Past Due Orders Held for the reporting period
- b = Number of Past Due Orders Held and Pending But Not Completed and past the committed due date

Held Order Distribution Interval (for each interval) = $(c / d) \times 100$

- c = # of Orders Held for ≥ 15 days or # of Orders Held for ≥ 90 days
- d = Total # of Past Due Orders Held and Pending But Not Completed

Report Structure

- CLEC Specific
- CLEC Aggregate
- BellSouth Aggregate
- Circuit Breakout < 10, ≥ 10 (except trunks)

Data Retained

| Relating to CLEC Experience | Relating to BellSouth Performance |
|---|--|
| <ul style="list-style-type: none"> • Report Month • CLEC Order Number and PON (PON) • Order Submission Date (TICKET_ID) • Committed Due Date (DD) • Service Type (CLASS_SVC_DESC) • Hold Reason • Total Line/circuit Count • Geographic Scope | <ul style="list-style-type: none"> • Report Month • BellSouth Order Number • Order Submission Date • Committed Due Date • Service Type • Hold Reason • Total Line/circuit Count • Geographic Scope |
| <p>Note: Code in parentheses is the corresponding header found in the raw data file.</p> | |

SQM Disaggregation - Analog/Benchmark

| SQM Level of Disaggregation | SQM Analog/Benchmark |
|---|--|
| • Resale Residence | • Retail Residence |
| • Resale Business | • Retail Business |
| • Resale Design | • Retail Design |
| • Resale PBX | • Retail PBX |
| • Resale Centrex | • Retail Centrex |
| • Resale ISDN | • Retail ISDN |
| • LNP (Standalone) | • Retail Residence and Business (POTS) |
| • INP (Standalone) | • Retail Residence and Business (POTS) |
| • 2W Analog Loop Design | • Retail Residence and Business Dispatch |
| • 2W Analog Loop Non-Design | • Retail Residence and Business - POTS Excluding Switch-Based Orders |
| • 2W Analog Loop With LNP Design | • Retail Residence and Business Dispatch |
| • 2W Analog Loop With LNP Non-Design | • Retail Residence and Business - POTS Excluding Switch-Based Orders |
| • 2W Analog Loop With INP-Design | • Retail Residence and Business Dispatch |
| • 2W Analog Loop With INP Non-Design | • Retail Residence and Business - POTS Excluding Switch-Based Orders |
| • UNE Digital Loop < DS1 | • Retail Digital Loop < DS1 |
| • UNE Digital Loop >= DS1 | • Retail Digital Loop >= DS1 |
| • UNE Loop + Port Combinations | • Retail Residence and Business |
| • UNE Switch Ports | • Retail Residence and Business (POTS) |
| • UNE Combo Other | • Retail Residence, Business and Design Dispatch |
| • UNE xDSL (HDSL, ADSL and UCL) | • ADSL Provided to Retail |
| • UNE ISDN | • Retail ISDN - BRI |
| • UNE Line Sharing | • ADSL Provided to Retail |
| • UNE Other Design | • Retail Design |
| • UNE Other Non-Design | • Retail Residence and Business |
| • Local Transport (Unbundled Interoffice Transport) | • Retail DS1/DS3 Interoffice |
| • Local Interconnection Trunks | • Parity with Retail |

SEEM Measure

| SEEM Measure | |
|--------------|---------|
| No | Tier I |
| | Tier II |

SEEM Disaggregation - Analog/Benchmark

| SEEM Disaggregation | SEEM Analog/Benchmark |
|---------------------|-----------------------|
| • Not Applicable | • Not Applicable |

P-2: Average Jeopardy Notice Interval & Percentage of Orders Given Jeopardy Notices

Definition

When BellSouth can determine in advance that a committed due date is in jeopardy for facility delay, it will provide advance notice to the CLEC.

The interval is from the date/time the notice is released to the CLEC/BellSouth systems until 5pm on the commitment date of the order. The Percent of Orders is the percentage of orders given jeopardy notices for facility delay in the count of orders confirmed in the report period.

Exclusions

- Orders held for CLEC end user reasons
- Disconnect (D) & From (F) orders
- Non-Dispatch Orders

Business Rules

When BellSouth can determine in advance that a committed due date is in jeopardy for facility delay, it will provide advance notice to the CLEC. The number of committed orders in a report period is the number of orders that have a due date in the reporting period. Jeopardy notices for interconnection trunks results are usually zero as these trunks seldom experience facility delays. The Committed due date is considered the Confirmed due date. This report measures dispatched orders only. If an order is originally sent as non-dispatch and it is determined there is a facility delay, the order is converted to a dispatch code so the facility problem can be corrected. It will remain coded dispatched until completion.

Calculation

Jeopardy Interval = a - b

- a = Date and Time of Jeopardy Notice
- b = Date and Time of Scheduled Due Date on Service Order

Average Jeopardy Interval = c / d

- c = Sum of all jeopardy intervals
- d = Number of Orders Notified of Jeopardy in Reporting Period

Percent of Orders Given Jeopardy Notice = (e / f) X 100

- e = Number of Orders Given Jeopardy Notices in Reporting Period
- f = Number of Orders Confirmed (due) in Reporting Period

Report Structure

- CLEC Specific
- CLEC Aggregate
- BellSouth Aggregate
- Dispatch Orders
- Mechanized Orders
- Non-Mechanized Orders

Data Retained

| Relating to CLEC Experience | Relating to BellSouth Performance |
|---|--|
| <ul style="list-style-type: none"> • Report Month • CLEC Order Number and PON • Date and Time Jeopardy Notice Sent • Committed Due Date • Service Type | <ul style="list-style-type: none"> • Report Month • BellSouth Order Number • Date and Time Jeopardy Notice Sent • Committed Due Date • Service Type |
| <p>Note: Code in parentheses is the corresponding header found in the raw data file.</p> | |

SQM Disaggregation - Analog/Benchmark

| SQM Level of Disaggregation | SQM Analog/Benchmark |
|--|---|
| % Orders Given Jeopardy Notice | |
| • Resale Residence | • Retail Residence |
| • Resale Business | • Retail Business |
| • Resale Design | • Retail Design |
| • Resale PBX | • Retail PBX |
| • Resale Centrex | • Retail Centrex |
| • Resale ISDN | • Retail ISDN |
| • LNP (Standalone) | • Retail Residence and Business (POTS) |
| • INP (Standalone) | • Retail Residence and Business (POTS) |
| • 2W Analog Loop Design | • Retail Residence and Business Dispatch |
| • 2W Analog Loop Non-Design | • Retail Residence and Business - (POTS Excluding Switch- Based Orders) |
| • 2W Analog Loop With LNP Design | • Retail Residence and Business Dispatch |
| • 2W Analog Loop With LNP Non-Design | • Retail Residence and Business - (POTS Excluding Switch- Based Orders) |
| • 2W Analog Loop With INP Design | • Retail Residence and Business Dispatch |
| • 2W Analog Loop With INP Non-Design | • Retail Residence and Business (POTS Excluding Switch- Based Orders) |
| •UNE Digital Loop < DS1 | • Retail Digital Loop < DS1 |
| •UNE Digital Loop >= DS1 | • Retail Digital Loop >= DS1 |
| •UNE Loop + Port Combinations | • Retail Business and Residence |
| •UNE Switch Ports | • Retail Residence and Business (POTS) |
| •UNE Combo Other | • Retail Residence, Business and Design Dispatch |
| •UNE xDSL (HDSL, ADSL and UCL) | • ADSL Provided to Retail |
| •UNE ISDN | • Retail ISDN BRI |
| •UNE Line Sharing | • ADSL Provided to Retail |
| •UNE Other Design | • Retail Design |
| •UNE Other Non -Design | • Retail Residence and Business |
| •Local Transport (Unbundled Interoffice Transport) | • Retail DS1/DS3 Interoffice |
| •Local Interconnection Trunks | • Parity with Retail |
| •Average Jeopardy Notice Interval | • 95% >= 48 Hours |

SEEM Measure

| SEEM Measure | |
|--------------|---------|
| No | Tier I |
| | Tier II |

SEEM Disaggregation - Analog/Benchmark

| SEEM Disaggregation | SEEM Analog/Benchmark |
|---------------------|-----------------------|
| • Not Applicable | • Not Applicable |

P-3: Percent Missed Installation Appointments

Definition

“Percent missed installation appointments” monitors the reliability of BellSouth commitments with respect to committed due dates to assure that the CLEC can reliably quote expected due dates to their retail customer as compared to BellSouth. This measure is the percentage of total orders processed for which BellSouth is unable to complete the service orders on the committed due dates and reported for Total misses and End User Misses.

Exclusions

- Canceled Service Orders
- Order Activities of BellSouth or the CLEC associated with internal or administrative use of local services (Record Orders, Listing Orders Test Orders, etc.)
- Disconnect (D) & From (F) orders
- End User Misses on Local Interconnection Trunks

Business Rules

Percent Missed Installation Appointments (PMI) is the percentage of orders with completion dates in the reporting period that are past the original committed due date. Missed Appointments caused by end-user reasons will be included and reported separately. The first commitment date on the service order that is a missed appointment is the missed appointment code used for calculation whether it is a BellSouth missed appointment or an End User missed appointment. The “due date” is any time on the confirmed due date. Which means there cannot be a cutoff time for commitments, as certain types of orders are requested to be worked after standard business hours. Also, during Daylight Savings Time, field technicians are scheduled until 9PM in some areas and the customer is offered a greater range of intervals from which to select.

Calculation

$$\text{Percent Missed Installation Appointments} = (a / b) \times 100$$

- a = Number of Orders with Completion date in Reporting Period past the Original Committed Due Date
- b = Number of Orders Completed in Reporting Period

Report Structure

- CLEC Specific
- CLEC Aggregate
- BellSouth Aggregate
- Report in Categories of <10 lines/circuits >= 10 lines/circuits (except trunks)
- Dispatch/No Dispatch

Report Explanation: The difference between End User MA and Total MA is the result of BellSouth caused misses. Here, Total MA is the total percent of orders missed either by BellSouth or CLEC end user. The End User MA represents the percentage of orders missed by the CLEC or their end user.

Data Retained

| Relating to CLEC Experience | Relating to BellSouth Performance |
|---|--|
| <ul style="list-style-type: none"> • Report Month • CLEC Order Number and PON (PON) • Committed Due Date (DD) • Completion Date (CMPLTN DD) • Status Type • Status Notice Date • Standard Order Activity • Geographic Scope <p>Note: Code in parentheses is the corresponding header found in the raw data file.</p> | <ul style="list-style-type: none"> • Report Month • BellSouth Order Number • Committed Due Date (DD) • Completion Date (CMPLTN DD) • Status Type • Status Notice Date • Standard Order Activity • Geographic Scope |

SQM Disaggregation - Analog/Benchmark

| SQM LEVEL of Disaggregation | SQM Analog/Benchmark |
|---|---|
| • Resale Residence | • Retail Residence |
| • Resale Business | • Retail Business |
| • Resale Design | • Retail Design |
| • Resale PBX | • Retail PBX |
| • Resale Centrex | • Retail Centrex |
| • Resale ISDN | • Retail ISDN |
| • LNP (Standalone) | • Retail Residence and Business (POTS) |
| • INP (Standalone) | • Retail Residence and Business (POTS) |
| • 2W Analog Loop Design | • Retail Residence and Business Dispatch |
| • 2W Analog Loop Non-Design - Dispatch - Non-Dispatch (Dispatch In) | • Retail Residence and Business - (POTS Excluding Switch-Based Orders) - Dispatch - Non-Dispatch (Dispatch In) |
| • 2W Analog Loop With LNP Design | • Retail Residence and Business Dispatch |
| • 2W Analog Loop With LNP Non-Design - Dispatch - Non-Dispatch (Dispatch In) | • Retail Residence and Business - (POTS Excluding Switch-Based Orders) - Dispatch - Non-Dispatch (Dispatch In) |
| • 2W Analog Loop With INP Design | • Retail Residence and Business Dispatch |
| • 2W Analog Loop With INP Non-Design - Dispatch - Non-Dispatch (Dispatch In) | • Retail Residence and Business (POTS Excluding Switch-Based Orders) - Dispatch - Non-Dispatch (Dispatch In) |
| • UNE Digital Loop < DS1 | • Retail Digital Loop < DS1 |
| • UNE Digital Loop >= DS1 | • Retail Digital Loop >= DS1 |
| • UNE Loop + Port Combinations - Dispatch Out - Non-Dispatch - Dispatch In - Switch-Based | • Retail Residence and Business - Dispatch Out - Non-Dispatch - Dispatch In - Switch-Based |
| • UNE Switch Ports | • Retail Residence and Business (POTS) |
| • UNE Combo Other - Dispatch - Non-Dispatch (Dispatch In) | • Retail Residence, Business and Design Dispatch (Including Dispatch Out and Dispatch In) - Dispatch - Non-Dispatch (Dispatch In) |
| • UNE xDSL (HDSL, ADSL and UCL) | • ADSL Provided to Retail |
| • UNE ISDN | • Retail ISDN - BRI |
| • UNE Line Sharing | • ADSL Provided to Retail |
| • UNE Other Design | • Retail Design |
| • UNE Other Non - Design | • Retail Residence and Business |
| • Local Transport (Unbundled Interoffice Transport) | • Retail DS1/DS3 Interoffice |
| • Local Interconnection Trunks | • Parity with Retail |

SEEM Measure

| SEEM Measure | | |
|---------------------|---------|---|
| Yes | Tier I | X |
| | Tier II | X |

SEEM Disaggregation - Analog/Benchmark

| SEEM Disaggregation | SEEM Analog/Benchmark |
|--------------------------------|--|
| • Resale POTS | • Retail Residence and Business (POTS) |
| • Resale Design | • Retail Design |
| • UNE Loop + Port Combinations | • Retail Residence and Business |
| • UNE Loops | • Retail Residence and Business Dispatch |
| • UNE xDSL | • ADSL Provided to Retail |
| • UNE Line Sharing | • ADSL Provided to Retail |
| • Local Interconnection Trunks | • Parity with Retail |

P-4: Average Completion Interval (OCI) & Order Completion Interval Distribution

Definition

The “average completion interval” measure monitors the interval of time it takes BellSouth to provide service for the CLEC or its own customers. The “Order Completion Interval Distribution” provides the percentages of orders completed within certain time periods. This report measures how well BellSouth meets the interval offered to customers on service orders.

Exclusions

- Canceled Service Orders
- Order Activities of BellSouth or the CLEC associated with internal or administrative use of local services (Record Orders, Listing Orders, Test Orders, etc.)
- Disconnect (D&F) orders (Except “D” orders associated with LNP Standalone)
- “L” Appointment coded orders (where the customer has requested a later than offered interval)

Business Rules

The actual completion interval is determined for each order processed during the reporting period. The completion interval is the elapsed time from when BellSouth issues a FOC or SOCS date time stamp receipt of an order from the CLEC to BellSouth’s actual order completion date. This includes all delays for BellSouth’s CLEC/End Users. The clock starts when a valid order number is assigned by SOCS and stops when the technician or system completes the order in SOCS. Elapsed time for each order is accumulated for each reporting dimension. The accumulated time for each reporting dimension is then divided by the associated total number of orders completed. Orders that are worked on zero due dates are calculated with a .33-day interval (8 hours) in order to report a portion of a day interval. These orders are issued and worked/completed on the same day. They can be either flow through orders (no field work-non-dispatched) or field orders (dispatched).

The interval breakout for UNE and Design is: 0-5 = 0-4.99, 5-10 = 5-9.99, 10-15 = 10-14.99, 15-20 = 15- 19.99, 20-25 = 20-24.99, 25-30 = 25-29.99, >= 30 = 30 and greater.

Calculation

Completion Interval = (a - b)

- a = Completion Date
- b = Order Issue Date

Average Completion Interval = (c / d)

- c = Sum of all Completion Intervals
- d = Count of Orders Completed in Reporting Period

Order Completion Interval Distribution (for each interval) = (e / f) X 100

- e = Service Orders Completed in “X” days
- f = Total Service Orders Completed in Reporting Period

Report Structure

- CLEC Specific
- CLEC Aggregate
- BellSouth Aggregate
- Dispatch / No Dispatch categories applicable to all levels except trunks
- Residence & Business reported in day intervals = 0, 1, 2, 3, 4, 5, 5+
- UNE and Design reported in day intervals = 0-5, 5-10, 10-15, 15-20, 20-25, 25-30, >= 30
- All Levels are reported <10 line/circuits; >= 10 line/circuits (except trunks)
- ISDN Orders included in Non-Design

Data Retained

| Relating to CLEC Experience | Relating to BellSouth Performance |
|---|--|
| <ul style="list-style-type: none"> • Report Month • CLEC Company Name • Order Number (PON) | <ul style="list-style-type: none"> • Report Month • BellSouth Order Number |

| | |
|---|---|
| <ul style="list-style-type: none"> • Application Date & Time (TICKET_ID) • Completion Date (CMPLTN_DT) • Service Type (CLASS_SVC_DESC) • Geographic Scope <p>Note: Code in parentheses is the corresponding header found in the raw data file.</p> | <ul style="list-style-type: none"> • Application Date & Time • Order Completion Date & Time • Service Type • Geographic Scope |
|---|---|

SQM Disaggregation - Analog/Benchmark

| SQM Level of Disaggregation | SQM Analog/Benchmark |
|--|---|
| • Resale Residence | • Retail Residence |
| • Resale Business | • Retail Business |
| • Resale Design | • Retail Design |
| • Resale PBX | • Retail PBX |
| • Resale Centrex | • Retail Centrex |
| • Resale ISDN | • Retail ISDN |
| • LNP (Standalone) | • Retail Residence and Business (POTS) |
| • INP (Standalone) | • Retail Residence and Business (POTS) |
| • 2W Analog Loop Design | • Retail Residence and Business Dispatch |
| • 2W Analog Loop Non-Design | • Retail Residence and Business - (POTS Excluding Switch-Based Orders) |
| - Dispatch | - Dispatch |
| - Non-Dispatch (Dispatch In) | - Non-Dispatch (Dispatch In) |
| • 2W Analog Loop With LNP Design | • Retail Residence and Business Dispatch |
| • 2W Analog Loop With LNP Non-Design | • Retail Residence and Business - (POTS Excluding Switch-Based Orders) |
| - Dispatch | - Dispatch |
| - Non-Dispatch (Dispatch In) | - Non-Dispatch (Dispatch In) |
| • 2W Analog Loop With INP Design | • Retail Residence and Business Dispatch |
| • 2W Analog Loop With INP Non-Design | • Retail Residence and Business - (POTS Excluding Switch-Based Orders) |
| - Dispatch | - Dispatch |
| - Non-Dispatch (Dispatch In) | - Non-Dispatch (Dispatch In) |
| • UNE Digital Loop < DS1 | • Retail Digital Loop < DS1 |
| • UNE Digital Loop >= DS1 | • Retail Digital Loop >= DS1 |
| • UNE Loop + Port Combinations | • Retail Residence and Business |
| - Dispatch Out | - Dispatch Out |
| - Non-Dispatch | - Non-Dispatch |
| - Dispatch In | - Dispatch In |
| - Switch-Based | - Switch-Based |
| • UNE Switch Ports | • Retail Residence and Business (POTS) |
| • UNE Combo Other | • Retail Residence, Business and Design Dispatch (Including Dispatch Out and Dispatch In) |
| - Dispatch | - Dispatch |
| - Non-Dispatch (Dispatch In) | - Non-Dispatch (Dispatch In) |
| • UNE xDSL (HDSL, ADSL and UCL) without conditioning | • 7 Days |
| • UNE xDSL (HDSL, ADSL and UCL) with conditioning | • 14 Days |
| • UNE ISDN | • Retail ISDN BRI |
| • UNE Line Sharing | • ADSL Provided to Retail |
| • UNE Other Design | • Retail Design |
| • UNE Other Non-Design | • Retail Residence and Business |
| • Local Transport (Unbundled Interoffice Transport) | • Retail DS1/DS3 Interoffice |
| • Local Interconnection Trunks | • Parity with Retail |

SEEM Measure

| SEEM Measure | | |
|--------------|---------|---|
| Yes | Tier I | X |
| | Tier II | X |

SEEM Disaggregation - Analog/Benchmark

| SEEM Disaggregation | SEEM Analog/Benchmark |
|---------------------------------|--|
| • Resale POTS | • Retail Residence and Business (POTS) |
| • Resale Design | • Retail Design |
| • UNE Loop + Port Combinations | • Retail Residence and Business |
| • UNE Loops | • Retail Residence and Business Dispatch |
| • UNE xDSL without conditioning | • 7 Days |
| • UNE xDSL with conditioning | • 14 Days |
| • UNE Line Sharing | • ADSL Provided to Retail |
| • Local Interconnection Trunks | • Parity with Retail |

P-5: Average Completion Notice Interval

Definitions

The Completion Notice Interval is the elapsed time between the BellSouth reported completion of work and the issuance of a valid completion notice to the CLEC.

Exclusions

- Cancelled Service Orders
- Order Activities of BellSouth or the CLEC associated with internal or administrative use of local services (Record Orders, Listing Orders, Test Orders, etc.)
- D&F orders (Exception: “D” orders associated with LNP Standalone)

Business Rules

Measurement on interval of completion date and time entered by a field technician on dispatched orders, and 5PM start time on the due date for non-dispatched orders; to the release of a notice to the CLEC/BellSouth of the completion status. The field technician notifies the CLEC the work was complete and then he/she enters the completion time stamp information in his/her computer. This information switches through to the SOCS systems either completing the order or rejecting the order to the Work Management Center (WMC). If the completion is rejected, it is manually corrected and then completed by the WMC. The notice is returned on each individual order.

The start time for all orders is the completion stamp either by the field technician or the 5PM due date stamp; the end time for mechanized orders is the time stamp the notice was transmitted to the CLEC interface (LENS, EDI, OR TAG). For non-mechanized orders the end timestamp will be timestamp of order update to C-SOTS system.

Calculation

Completion Notice Interval = (a - b)

- a = Date and Time of Notice of Completion
- b = Date and Time of Work Completion

Average Completion Notice Interval = c / d

- c = Sum of all Completion Notice Intervals
- d = Number of Orders with Notice of Completion in Reporting Period

Report Structure

- CLEC Specific
- CLEC Aggregate
- BellSouth Aggregate
- Mechanized Orders
- Non-Mechanized Orders
- Reporting intervals in Hours; 0, 1-2, 2-4, 4-8, 8-12, 12-24, >= 24 plus Overall Average Hour Interval (The categories are inclusive of these time intervals: 0-1 = 0.99; 1-2 = 1-1.99; 2-4 = 2-3.99, etc.)
- Reported in categories of <10 line/circuits; >= 10 line/circuits (except trunks)

Data Retained

| Relating to CLEC Experience | Relating to BellSouth Performance |
|---|--|
| <ul style="list-style-type: none"> • Report Month • CLEC Order Number (so_nbr) • Work Completion Date (cmplt_n_dt) • Work Completion Time • Completion Notice Availability Date • Completion Notice Availability Time • Service Type • Geographic Scope | <ul style="list-style-type: none"> • Report Month • BellSouth Order Number (so_nbr) • Work Completion Date (cmplt_n_dt) • Work Completion Time • Completion Notice Availability Date • Completion Notice Availability Time • Service Type • Geographic Scope |
| Note: Code in parentheses is the corresponding header found | NOTE: Code in parentheses is the corresponding header |

| | |
|-----------------------|-----------------------------|
| in the raw data file. | found in the raw data file. |
|-----------------------|-----------------------------|

SQM Disaggregation - Analog/Benchmark

| SQM Level of Disaggregation | SQM Analog/Benchmark |
|---|---|
| • Resale Residence | • Retail Residence |
| • Resale Business | • Retail Business |
| • Resale Design | • Retail Design |
| • Resale PBX | • Retail PBX |
| • Resale Centrex | • Retail Centrex |
| • Resale ISDN | • Retail ISDN |
| • LNP (Standalone) | • Retail Residence and Business (POTS) |
| • INP (Standalone) | • Retail Residence and Business (POTS) |
| • 2W Analog Loop Design | • Retail Residence and Business Dispatch |
| • 2W Analog Loop Non-Design | • Retail Residence and Business - (POTS Excluding Switch-Based Orders) |
| - Dispatch | - Dispatch |
| - Non-Dispatch (Dispatch In) | - Non-Dispatch (Dispatch In) |
| • 2W Analog Loop With LNP Design | • Retail Residence and Business Dispatch |
| • 2W Analog Loop With LNP Non-Design | • Retail Residence and Business - (POTS Excluding Switch-Based Orders) |
| - Dispatch | - Dispatch |
| - Non-Dispatch (Dispatch In) | - Non-Dispatch (Dispatch In) |
| • 2W Analog Loop With INP Design | • Retail Residence and Business Dispatch |
| • 2W Analog Loop With INP Non-Design | • Retail Residence and Business (POTS Excluding Switch-Based Orders) |
| - Dispatch | - Dispatch |
| - Non-Dispatch (Dispatch In) | - Non-Dispatch (Dispatch In) |
| • UNE Digital Loop < DS1 | • Retail Digital Loop < DS1 |
| • UNE Digital Loop >= DS1 | • Retail Digital Loop >= DS1 |
| • UNE Loop + Port Combinations | • Retail Residence and Business |
| - Dispatch Out | - Dispatch Out |
| - Non-Dispatch | - Non-Dispatch |
| - Dispatch In | - Dispatch In |
| - Switch-Based | - Switch-Based |
| • UNE Switch Ports | • Retail Residence and Business (POTS) |
| • UNE Combo Other | • Retail Residence, Business and Design Dispatch (Including Dispatch Out and Dispatch In) |
| - Dispatch | - Dispatch |
| - Non-Dispatch (Dispatch In) | - Non-Dispatch (Dispatch In) |
| • UNE xDSL (HDSL, ADSL and UCL) | • ADSL Provided to Retail |
| • UNE ISDN | • Retail ISDN BRI |
| • UNE Line Sharing | • ADSL Provided to Retail |
| • UNE Other Design | • Retail Design |
| • UNE Other Non-Design | • Retail Residence and Business |
| • Local Transport (Unbundled Interoffice Transport) | • Retail DS1/DS3 Interoffice |
| • Local Interconnection Trunks | • Parity with Retail |

SEEM Measure

| SEEM Measure | |
|--------------|---------|
| No | Tier I |
| | Tier II |

SEEM Disaggregation - Analog/Benchmark

| SEEM Disaggregation | SEEM Analog/Benchmark |
|---------------------|-----------------------|
| • Not Applicable | • Not Applicable |

P-6: % Completions/Attempts without Notice or < 24 hours Notice

Definition

This Report measures the interval from the FOC end timestamp on the LSR until 5:00 P.M. on the original committed due date of a service order. The purpose of this measure is to report if BellSouth is returning a FOC to the CLEC in time for the CLEC to notify their customer of the scheduled date.

Exclusions

“0” dated orders or any request where the subscriber requested an earlier due date of < 24 hours prior to the original commitment date, or any LSR received < 24 hours prior to the original commitment date.

Business Rules

For CLEC Results:

Calculation would exclude any successful or unsuccessful service delivery where the CLEC was informed at least 24 hours in advance. BellSouth may also exclude from calculation any LSRs received from the requesting CLEC with less than 24 hour notice prior to the commitment date.

For BellSouth Results:

BellSouth does not provide a FOC to its retail customers.

Calculation

Percent Completions or Attempts without Notice or with Less Than 24 Hours Notice = (a / b) X 100

- a = Completion Dispatches (Successful and Unsuccessful) With No FOC or FOC Received < 24 Hours of original Committed Due Date
- b = All Completions

Report Structure

- CLEC Specific
- CLEC Aggregate
- Dispatch /Non-Dispatch
- Total Orders FOC < 24 Hours
- Total Completed Service Orders
- % FOC < 24 Hours

Data Retained

| Relating to CLEC Experience | Relating to BellSouth Performance |
|---|--|
| <ul style="list-style-type: none"> • Committed Due Date (DD) • FOC End Timestamp • Report Month • CLEC Order Number and PON • Geographic Scope - State / Region | <ul style="list-style-type: none"> • Not Applicable |

SQM Disaggregation - Analog/Benchmark

| SQM Level of Disaggregation | SQM Analog/Benchmark |
|---|--|
| <ul style="list-style-type: none"> • Resale Residence • Resale Business • Resale Design • Resale PBX • Resale Centrex • Resale ISDN • LNP (Standalone) • INP (Standalone) • 2W Analog Loop Design • 2W Analog Loop Non-Design • 2W Analog Loop With LNP-Design • 2W Analog Loop With LNP Non-Design • 2W Analog Loop With INP-Design • 2W Analog Loop With INP Non-Design • UNE Digital Loop < DS1 • UNE Digital Loop >=DS1 • UNE Loop + Port Combinations • UNE Switch ports • UNE Combo Other • UNE xDSL (HDSL, ADSL and UCL) • UNE ISDN • UNE Line Sharing • UNE Other Design • UNE Other Non -Design • Local Transport (Unbundled Interoffice Transport) • Local Interconnection Trunks | <ul style="list-style-type: none"> • Diagnostic |

SEEM Measure

| SEEM Measure | | |
|--------------|---------|--|
| No | Tier I | |
| | Tier II | |

SEEM Disaggregation - Analog/Benchmark

| SEEM Disaggregation | SEEM Analog/Benchmark |
|---------------------|-----------------------|
| • Not Applicable | • Not Applicable |

P-7: Coordinated Customer Conversions Interval

Definition

This report measures the average time it takes BellSouth to disconnect an unbundled loop from the BellSouth switch and cross connect it to CLEC equipment. This measurement applies to service orders with INP and with LNP, and where the CLEC has requested BellSouth to provide a coordinated cut over.

Exclusions

- Any order canceled by the CLEC will be excluded from this measurement
- Delays due to CLEC following disconnection of the unbundled loop
- Unbundled Loops where there is no existing subscriber loop and loops where coordination is not requested

Business Rules

When the service order includes INP, the interval includes the total time for the cut over including the translation time to place the line back in service on the ported line. When the service order includes LNP, the interval only includes the total time for the cut over (the port of the number is controlled by the CLEC). The interval is calculated for the entire cut over time for the service order and then divided by items worked in that time to give the average per-item interval for each service order.

Calculation

Coordinated Customer Conversions Interval = (a - b)

- a = Completion Date and Time for Cross Connection of a Coordinated Unbundled Loop
- b = Disconnection Date and Time of an Coordinated Unbundled Loop

Percent Coordinated Customer Conversions (for each interval) = (c / d) X 100

- c = Total number of Coordinated Customer Conversions for each interval
- d = Total Number of Unbundled Loop with Coordinated Conversions (items) for the reporting period

Report Structure

- CLEC Specific
- CLEC Aggregate
- The interval breakout is 0-5 = 0-4.99, 5-15 = 5-14.99, >=15 = 15 and greater, plus Overall Average Interval.

Data Retained

| Relating to CLEC Experience | Relating to BellSouth Performance |
|--|--|
| <ul style="list-style-type: none"> • Report Month • CLEC Order Number • Committed Due Date (DD) • Service Type (CLASS_SVC_DESC) • Cut over Start Time • Cut over Completion Time • Portability Start and Completion Times (INP orders) • Total Conversions (Items) <p>Note: Code in parentheses is the corresponding header found in the raw data file.</p> | <ul style="list-style-type: none"> • No BellSouth Analog Exists |

SQM Disaggregation - Analog/Benchmark

| SQM Level of Disaggregation | SQM Analog/Benchmark |
|---|--|
| <ul style="list-style-type: none"> • Unbundled Loops with INP/LNP • Unbundled Loops without INP/LNP | <ul style="list-style-type: none"> • 95% <= 15 minutes |

SEEM Measure

| SEEM Measure | | |
|--------------|---------|---|
| Yes | Tier I | X |
| | Tier II | X |

SEEM Disaggregation - Analog/Benchmark

| SEEM Disaggregation | SEEM Analog/Benchmark |
|----------------------------|------------------------------|
| • Unbundled Loops | • 95% <= 15 minutes |

P-7A: Coordinated Customer Conversions – Hot Cut Timeliness% Within Interval and Average Interval

Definition

This category measures whether BellSouth begins the cut over of an unbundled loop on a coordinated and/or a time specific order at the CLEC requested start time. It measures the percentage of orders where the cut begins within 15 minutes of the requested start time of the order and the average interval.

Exclusions

- Any order canceled by the CLEC will be excluded from this measurement
- Delays caused by the CLEC
- Unbundled Loops where there is no existing subscriber loop and loops where coordination is not requested
- All unbundled loops on multiple loop orders after the first loop

Business Rules

This report measures whether BellSouth begins the cut over of an unbundled loop on a coordinated and/or a time specific order at the CLEC requested start time. The cut is considered on time if it starts 15 minutes before or after the requested start time. Using the scheduled time and the actual cut over start time, the measurement will calculate the percent within interval and the average interval. If a cut involves multiple lines, the cut will be considered “on time” if the first line is cut within the interval. <= 15 minutes includes intervals that began 15:00 minutes or less before the scheduled cut time and cuts that began 15 minutes or less after the scheduled cut time; >15 minutes, <= 30 minutes includes cuts within 15:00 – 30:00 minutes either prior to or after the scheduled cut time; >30 minutes includes cuts greater than 30:00 minutes either prior to or after the scheduled cut time.

Calculation

% within Interval = (a / b) X 100

- a = Total Number of Coordinated Unbundled Loop Orders for the interval
- b = Total Number of Coordinated Unbundled Loop Orders for the reporting period

Interval = (c - d)

- c = Scheduled Time for Cross Connection of a Coordinated Unbundled Loop Order
- d = Actual Start Date and Time of a Coordinated Unbundled Loop Order

Average Interval = (e / f)

- Sum of all Intervals
- Total Number of Coordinated Unbundled Loop Orders for the reporting period.

Report Structure

- CLEC Specific
- CLEC Aggregate

Reported in intervals of early, on time and late cuts % <=15 minutes; % >15 minutes, <= 30 minutes; % > 30 minutes, plus Overall Average Interval.

Data Retained

| Relating to CLEC Experience | Relating to BellSouth Performance |
|---|--|
| <ul style="list-style-type: none"> • Report Month • CLEC Order Number (so_nbr) • Committed Due Date (DD) • Service Type (CLASS_SVC_DESC) • Cut over Scheduled Start Time • Cut over Actual Start Time • Total Conversions Orders <p>Note: Code in parentheses is the corresponding header found in the raw data file.</p> | <ul style="list-style-type: none"> • No BellSouth Analog exists |

SQM Disaggregation - Analog/Benchmark

| SQM Level of Disaggregation | SQM Analog/Benchmark |
|---|--|
| <ul style="list-style-type: none"> • Product Reporting Level <ul style="list-style-type: none"> - SL1 Time Specific - SL1 Non-Time Specific - SL2 Time Specific - SL2 Non-Time Specific | <ul style="list-style-type: none"> • 95% Within + or – 15 minutes of Scheduled Start Time |

SEEM Measure

| SEEM Measure | | |
|--------------|---------|---|
| Yes | Tier I | X |
| | Tier II | X |

SEEM Disaggregation - Analog/Benchmark

| SEEM Disaggregation | SEEM Analog/Benchmark |
|---|--|
| <ul style="list-style-type: none"> • UNE Loops | <ul style="list-style-type: none"> • 95% Within + or – 15 minutes of Scheduled Start time |

P-7B: Coordinated Customer Conversions – Average Recovery Time

Definition

Measures the time between notification and resolution by BellSouth of a service outage found that can be isolated to the BellSouth side of the network. The time between notification and resolution by BellSouth must be measured to ensure that CLEC customers do not experience unjustifiable lengthy service outages during a Coordinated Customer Conversion. This report measures outages associated with Coordinated Customer Conversions prior to service order completion.

Exclusions

- Cut overs where service outages are due to CLEC caused reasons
- Cut overs where service outages are due to end-user caused reasons

Business Rules

Measures the outage duration time related to Coordinated Customer Conversions from the initial trouble notification until the trouble has been restored and the CLEC has been notified. The duration time is defined as the time from the initial trouble notification until the trouble has been restored and the CLEC has been notified. The interval is calculated on the total outage time for the circuits divided by the total number of outages restored during the report period to give the average outage duration.

Calculation

Recovery Time = (a - b)

- a = Date & Time That Trouble is Closed by CLEC
- b = Date & Time Initial Trouble is Opened with BellSouth

Average Recovery Time = (c / d)

- c = Sum of all the Recovery Times
- d = Number of Troubles Referred to the BellSouth

Report Structure

- CLEC Specific
- CLEC Aggregate

Data Retained

| Relating to CLEC Experience | Relating to BellSouth Performance |
|--|--|
| <ul style="list-style-type: none"> • Report Month • CLEC Company Name • CLEC Order Number (so_nbr) • Committed Due Date (DD) • Service Type (CLASS_SVC_DESC) • CLEC Acceptance Conflict (CLEC_CONFLICT) • CLEC Conflict Resolved (CLEC_RESOLVE) • CLEC Conflict MFC (CLEC_CONFLICT_MFC) • Total Conversion Orders <p>Note: Code in parentheses is the corresponding header found in the raw data file.</p> | <ul style="list-style-type: none"> • None |

SQM Disaggregation - Analog/Benchmark

| SQM Level of Disaggregation | SQM Analog/Benchmark |
|---|--|
| <ul style="list-style-type: none"> • Unbundled Loops with INP/LNP • Unbundled Loops without INP/LNP | <ul style="list-style-type: none"> • Diagnostic |

SEEM Measure

| SEEM Measure | | |
|--------------|---------|--|
| No | Tier I | |
| | Tier II | |

SEEM Disaggregation - Analog/Benchmark

| SEEM Disaggregation | SEEM Analog/Benchmark |
|---------------------|-----------------------|
| • Not Applicable | • Not Applicable |

P-7C: Hot Cut Conversions - % Provisioning Troubles Received Within 7 days of a completed Service Order

Definition

Percent Provisioning Troubles received within 7 days of a completed service order associated with a Coordinated and Non-Coordinated Customer Conversion. Measures the quality and accuracy of Hot Cut Conversion Activities.

Exclusions

- Any order canceled by the CLEC
- Troubles caused by Customer Provided Equipment

Business Rules

Measures the quality and accuracy of completed service orders associated with Coordinated and Non-Coordinated Hot Cut Conversions. The first trouble report received on a circuit ID within 7 days following a service order completion is counted in this measure. Subsequent trouble reports are measured in Repeat Report Rate. Reports are calculated searching in the prior report period for completed Coordinated and Non-Coordinated Hot Cut Conversion service orders and following 7 days after the completion of the service order for a trouble report issue date.

Calculation

% Provisioning Troubles within 7 days of service order completion = (a / b) X 100

- a = The sum of all Hot Cut Circuits with a trouble within 7 days following service order(s) completion
- b = The total number of Hot Cut service order circuits completed in the previous report calendar month

Report Structure

- CLEC Specific
- CLEC Aggregate
- Dispatch/Non-Dispatch

Data Retained

| Relating to CLEC Experience | Relating to BellSouth Performance |
|--|--|
| <ul style="list-style-type: none"> • Report Month • CLEC Order Number (so_nbr) • PON • Order Submission Date (TICKET_ID) • Order Submission Time (TICKET_ID) • Status Type • Status Notice Date • Standard Order Activity • Geographic Scope • Total Conversion Circuits <p>Note: Code in parentheses is the corresponding header found in the raw data file.</p> | <ul style="list-style-type: none"> • No BellSouth Analog Exists |

SQM Disaggregation - Analog/Benchmark

| SQM Level of Disaggregation | SQM Analog/Benchmark |
|--|--|
| <ul style="list-style-type: none"> • UNE Loop Design • UNE Loop Non-Design | <ul style="list-style-type: none"> • <= 5% |

SEEM Measure

| SEEM Measure | | |
|--------------|---------|---|
| Yes | Tier I | X |
| | Tier II | X |

SEEM Disaggregation - Analog/Benchmark

| SEEM Disaggregation | SEEM Analog/Benchmark |
|----------------------------|------------------------------|
| • UNE Loops | • $\leq 5\%$ |

P-8: Cooperative Acceptance Testing - % of xDSL Loops Tested

Definition

The loop will be considered cooperatively tested when the BellSouth technician places a call to the CLEC representative to initiate cooperative testing and jointly performs the tests with the CLEC.

Exclusions

- Testing failures due to CLEC (incorrect contact number, CLEC not ready, etc.)
- xDSL lines with no request for cooperative testing

Business Rules

When a BellSouth technician finishes delivering an order for an xDSL loop where the CLEC order calls for cooperative testing at the customer’s premise, the BellSouth technician is to call a toll free number to the CLEC testing center. The BellSouth technician and the CLEC representative at the center then test the line. As an example of the type of testing performed, the testing center may ask the technician to put a short on the line so that the center can run a test to see if it can identify the short.

Calculation

Cooperative Acceptance Testing - % of xDSL Loops Tested = (a / b) X 100

- a = Total number of successful xDSL cooperative tests for xDSL lines where cooperative testing was requested in the reporting period
- b = Total Number of xDSL line tests requested by the CLEC and scheduled in the reporting period

Report Structure

- CLEC Specific
- CLEC Aggregate
- Type of Loop tested

Data Retained

| Relating to CLEC Experience | Relating to BellSouth Performance |
|---|--|
| <ul style="list-style-type: none"> • Report Month • CLEC Company Name (OCN) • CLEC Order Number (so_nbr) and PON (PON) • Committed Due Date (DD) • Service Type (CLASS_SVC_DESC) • Acceptance Testing Completed (ACCEPT_TESTING) • Acceptance Testing Declined (ACCEPT_TESTING) • Total xDSL Orders <p>Note: Code in parentheses is the corresponding header found in the raw data file.</p> | <ul style="list-style-type: none"> • No BellSouth Analog Exists |

SQM Disaggregation - Analog/Benchmark

| SQM Level of Disaggregation: | SQM Analog/Benchmark: |
|--|---|
| <ul style="list-style-type: none"> • UNE xDSL <ul style="list-style-type: none"> - ADSL - HDSL - UCL - OTHER | <ul style="list-style-type: none"> • 95% of Lines Tested |

SEEM Measure

| SEEM Measure | | |
|--------------|---------|---|
| Yes | Tier I | X |
| | Tier II | X |

SEEM Disaggregation - Analog/Benchmark

| SEEM Disaggregation | SEEM Analog/Benchmark |
|----------------------------|------------------------------|
| • UNE xDSL | • 95% of Lines Tested |

P-9: % Provisioning Troubles within 30 days of Service Order Completion

Definition

Percent Provisioning Troubles within 30 days of Service Order Completion measures the quality and accuracy of Service order activities.

Exclusions

- Canceled Service Orders
- Order Activities of BellSouth or the CLEC associated with internal or administrative use of local services (Record Orders, Listing Orders, Test Orders, etc.)
- D & F orders
- Trouble reports caused and closed out to Customer Provided Equipment (CPE)

Business Rules

Measures the quality and accuracy of completed orders. The first trouble report from a service order after completion is counted in this measure. Subsequent trouble reports are measured in Repeat Report Rate. Reports are calculated searching in the prior report period for completed service orders and following 30 days after completion of the service order for a trouble report issue date.

D & F orders are excluded as there is no subsequent activity following a disconnect.

Note: Standalone LNP historical data is not available in the maintenance systems (LMOS or WFA).

Calculation

% Provisioning Troubles within 30 days of Service Order Activity = (a / b) X 100

- a = Trouble reports on all completed orders 30 days following service order(s) completion
- b = All Service Orders completed in the previous report calendar month

Report Structure

- CLEC Specific
- CLEC Aggregate
- BellSouth Aggregate
- Reported in categories of <10 line/circuits; >= 10 line/circuits (except trunks)
- Dispatch / No Dispatch (except trunks)

Data Retained

| Relating to CLEC Experience | Relating to BellSouth Performance |
|---|--|
| <ul style="list-style-type: none"> • Report Month • CLEC Order Number and PON • Order Submission Date (TICKET_ID) • Order Submission Time (TICKET_ID) • Status Type • Status Notice Date • Standard Order Activity • Geographic Scope <p>Note: Code in parentheses is the corresponding header found in the raw data file.</p> | <ul style="list-style-type: none"> • Report Month • BellSouth Order Number • Order Submission Date • Order Submission Time • Status Type • Status Notice Date • Standard Order Activity • Geographic Scope |

SQM Disaggregation - Analog/Benchmark

| SQM Level of Disaggregation | SQM Analog/Benchmark |
|---|---|
| • Resale Residence | • Retail Residence |
| • Resale Business | • Retail Business |
| • Resale Design | • Retail Design |
| • Resale PBX | • Retail PBX |
| • Resale Centrex | • Retail Centrex |
| • Resale ISDN | • Retail ISDN |
| • 2W Analog Loop Design | • Retail Residence and Business Dispatch |
| • 2W Analog Loop Non-Design - Dispatch - Non-Dispatch (Dispatch In) | • Retail Residence and Business - (POTS Excluding Switch-Based Orders) - Dispatch - Non-Dispatch (Dispatch In) |
| • 2W Analog Loop With LNP Design | • Retail Residence and Business Dispatch |
| • 2W Analog Loop With LNP Non-Design - Dispatch - Non-Dispatch (Dispatch In) | • Retail Residence and Business - (POTS Excluding Switch-Based Orders) - Dispatch - Non-Dispatch (Dispatch In) |
| • 2W Analog Loop With INP Design | • Retail Residence and Business Dispatch |
| • 2W Analog Loop With INP Non-Design - Dispatch - Non-Dispatch (Dispatch In) | • Retail Residence and Business (POTS - Excluding Switch-Based Orders) - Dispatch - Non-Dispatch (Dispatch In) |
| • UNE Digital Loop < DS1 | • Retail Digital Loop < DS1 |
| • UNE Digital Loop >= DS1 | • Retail Digital Loop >= DS1 |
| • UNE xDSL (HDSL, ADSL and UCL) | • ADSL provided to Retail |
| • UNE ISDN | • Retail ISDN BRI |
| • UNE Line Sharing | • ADSL Provided to Retail |
| • INP (Standalone) | • Retail Residence and Business (POTS) |
| • LNP (Standalone) | • Retail Residence and Business (POTS) |
| • UNE Loop + Port Combinations - Dispatch Out - Non-Dispatch - Dispatch In - Switch-Based | • Retail Residence and Business - Dispatch Out - Non-Dispatch - Dispatch In - Switch-Based |
| • UNE Switch Ports | • Retail Residence and Business (POTS) |
| • UNE Combo Other - Dispatch - Non-Dispatch (Dispatch In) | • Retail Residence, Business and Design Dispatch (Including Dispatch Out and Dispatch In) - Dispatch - Non-Dispatch (Dispatch In) |
| • Local Transport (Unbundled Interoffice Transport) | • Retail DS1/DS3 Interoffice |
| • UNE Other Non-Design | • Retail Residence and Business |
| • UNE Other Design | • Retail Design |
| • Local Interconnection Trunks | • Parity with Retail |

SEEM Measure

| SEEM Measure | | |
|--------------|---------|---|
| Yes | Tier I | X |
| | Tier II | X |

SEEM Disaggregation - Analog/Benchmark

| SEEM Disaggregation | SEEM Analog/Benchmark |
|--------------------------------|--|
| • Resale POTS | • Retail Residence and Business (POTS) |
| • Resale Design | • Retail Design |
| • UNE Loop + Port Combinations | • Retail Residence and Business |
| • UNE Loops | • Retail Residence and Business Dispatch |
| • UNE xDSL | • ADSL Provided to Retail |
| • UNE Line Sharing | • ADSL Provided to Retail |
| • Local Interconnection Trunks | • Parity with Retail |

P-10: Total Service Order Cycle Time (TSOCT)

Definition

This report measures the total service order cycle time from receipt of a valid service order request to the return of a completion notice to the CLEC Interface.

Exclusions

- Canceled Service Orders
- Order Activities of BellSouth or the CLEC associated with internal or administrative use of local services (Record Orders, Listing Orders, Test Orders, etc.)
- D (Disconnect - Except "D" orders associated with LNP Standalone.) and F (From) orders. (From is disconnect side of a move order when the customer moves to a new address)
- "L" Appointment coded orders (where the customer has requested a later than offered interval)
- Orders with CLEC/Subscriber caused delays or CLEC/Subscriber requested due date changes

Business Rules

The interval is determined for each order processed during the reporting period. This measurement combines three reports: FOC Timeliness, Average Order Completion Interval and Average Completion Notice Interval. For UNE XDSL Loop, this measurement combines Service Inquiry Interval (SI), FOC Timeliness, Average Completion Interval, and Average Completion Notice Interval.

This interval starts with the receipt of a valid service order request and stops when a completion notice is sent to the CLEC Interface (LENS, TAG OR EDI) and the BellSouth Legacy Systems. Elapsed time for each order is accumulated for each reporting dimension. The accumulated time for each reporting dimension is then divided by the associated total number of orders completed. Orders that are worked on zero due dates are calculated with a .33 day interval (8 hours) in order to report a portion of a day interval. These orders are issued and worked/completed on same day. They can be either flow through orders (no field work-non-dispatched) or field orders (dispatched).

Reporting is by Fully Mechanized, Partially Mechanized and Non-Mechanized receipt of LSRs.

Calculation

Total Service Order Cycle Time = (a - b)

- a = Service Order Completion Notice Date
- b = Service Request Receipt Date

Average Total Service Order Cycle Time = (c / d)

- c = Sum of all Total Service Order Cycle Times
- d = Total Number Service Orders Completed in Reporting Period

Total Service Order Cycle Time Interval Distribution (for each interval) = (e / f) X 100

- e = Total Number of Service Requests Completed in "X" minutes/hours
- f = Total Number of Service Requests Received in Reporting Period

Report Structure

- CLEC Specific
- CLEC Aggregate
- BellSouth Aggregate
- Fully Mechanized; Partially Mechanized; Non-Mechanized
- Report in categories of <10 line/circuits; >= 10 line/circuits (except trunks)
- Dispatch / No Dispatch categories applicable to all levels except trunks
- Intervals 0-5, 5-10, 10-15, 15-20, 20-25, 25-30, >= 30 Days. The interval breakout is: 0-5 = 0-4.99, 5-10 = 5-9.99, 10-15 = 10-14.99, 15-20 = 15-19.99, 20-25 = 20-24.99, 25-30 = 25-29.99, >= 30 = 30 and greater.

Data Retained

| Relating to CLEC Experience | Relating to BellSouth Performance |
|--|--|
| <ul style="list-style-type: none"> • Report Month • Interval for FOC | <ul style="list-style-type: none"> • Report Month • BellSouth Order Number |

| | |
|---|--|
| <ul style="list-style-type: none"> • CLEC Company Name (OCN) • Order Number (PON) • Submission Date & Time (TICKET_ID) • Completion Date (CMPLTN_DT) • Completion Notice Date and Time • Service Type (CLASS_SVC_DESC) • Geographic Scope <p>Note: Code in parentheses is the corresponding header found in the raw data file</p> | <ul style="list-style-type: none"> • Order Submission Date & Time • Order Completion Date & Time • Service Type • Geographic Scope |
|---|--|

SQM Disaggregation - Analog/Benchmark

| SQM Level of Disaggregation | SQM Analog/Benchmark |
|--|--|
| <ul style="list-style-type: none"> • Resale Residence • Resale Business • Resale Design • Resale PBX • Resale Centrex • Resale ISDN • LNP (Standalone) • INP (Standalone) • 2W Analog Loop Design • 2W Analog Loop Non-Design • 2W Analog Loop With LNP Design • 2W Analog Loop With LNP Non-Design • UNE Switch Ports • UNE Loop + Port Combinations • UNE Combo Other • UNE xDSL (HDSL, ADSL and UCL) • UNE ISDN • UNE Line Sharing • UNE Other Design • UNE Other Non -Design • UNE Digital Loops < DS1 • UNE Digital Loops >= DS1 • Local Transport (Unbundled Interoffice Transport) • Local Interconnection Trunks | <ul style="list-style-type: none"> • Diagnostic |

SEEM Measure

| SEEM Measure | |
|--------------|---------|
| No | Tier I |
| | Tier II |

SEEM Disaggregation - Analog/Benchmark

| SEEM Disaggregation | SEEM Analog/Benchmark |
|---------------------|-----------------------|
| • Not Applicable | • Not Applicable |

P-11: Service Order Accuracy

Definition

The “service order accuracy” measurement measures the accuracy and completeness of a sample of BellSouth service orders by comparing what was ordered and what was completed.

Exclusions

- Cancelled Service Orders
- Order Activities of BellSouth or the CLEC associated with internal or administrative use of local services (Record Orders, Listing Orders, Test Orders, etc.)
- D & F orders

Business Rules

A statistically valid sample of service orders, completed during a monthly reporting period, is compared to the original account profile and the order that the CLEC sent to BellSouth. An order is “completed without error” if all service attributes and account detail changes (as determined by comparing the original order) completely and accurately reflect the activity specified on the original order and any supplemental CLEC order. For both small and large sample sizes, when a Service Request cannot be matched with a corresponding Service Order, it will not be counted. For small sample sizes an effort will be made to replace the service request.

Calculation

Percent Service Order Accuracy = (a / b) X 100

- a = Orders Completed without Error
- b = Orders Completed in Reporting Period

Report Structure

- CLEC Aggregate
- Reported in categories of <10 line/circuits; >= 10 line/circuits
- Dispatch / No Dispatch

Data Retained

| Relating to CLEC Experience | Relating to BellSouth Performance |
|--|---|
| <ul style="list-style-type: none"> • Report Month • CLEC Order Number and PON • Local Service Request (LSR) • Order Submission Date • Committed Due Date • Service Type • Standard Order Activity | <ul style="list-style-type: none"> • No BellSouth Analog Exist |

SQM Disaggregation - Analog/Benchmark

| SQM Level of Disaggregation | SQM Analog/Benchmark |
|--|--|
| <ul style="list-style-type: none"> • Resale Residence • Resale Business • Resale Design (Specials) • UNE Specials (Design) • UNE (Non-Design) • Local Interconnection Trunks | <ul style="list-style-type: none"> • 95% Accurate |

SEEM Measure

| SEEM Measure | |
|--------------|---------|
| No | Tier I |
| | Tier II |

SEEM Disaggregation - Analog/Benchmark

| SEEM Disaggregation | SEEM Analog/Benchmark |
|----------------------------|------------------------------|
| • Not Applicable | • Not Applicable |

P-12: LNP-Percent Missed Installation Appointments

Definition

“Percent missed installation appointments” monitors the reliability of BellSouth commitments with respect to committed due dates to assure that CLECs can reliably quote expected due dates to their retail customer as compared to BellSouth. This measure is the percentage of total orders processed for which BellSouth is unable to complete the service orders on the committed due dates and reported for total misses and End User Misses.

Exclusions

- Canceled Service Orders
- Order Activities of BellSouth or the CLEC associated with internal or administrative use of local services (Record Orders, Listing Orders, Test Orders, etc.) where identifiable

Business Rules

Percent Missed Installation Appointments (PMI) is the percentage of total orders processed for which BellSouth is unable to complete the service orders on the committed due dates. Missed Appointments caused by end-user reasons will be included and reported in a separate category. The first commitment date on the service order that is a missed appointment is the missed appointment code used for calculation whether it is a BellSouth missed appointment or an End User missed appointment. The “due date” is any time on the confirmed due date, which means there cannot be a cutoff time for commitments as certain types of orders are requested to be worked after standard business hours.

Calculation

$$\text{LNP Percent Missed Installation Appointments} = (a / b) \times 100$$

- a = Number of Orders with Completion date in Reporting Period past the Original Committed Due Date
- b = Number of Orders Completed in Reporting Period

Report Structure

- CLEC Specific
- CLEC Aggregate
- Geographic Scope
 - State/Region
- Report in Categories of <10 lines/circuits >= 10 lines/circuits (except trunks)

Report explanation: Total Missed Appointments is the total percent of orders missed either by BellSouth or the CLEC end user. End User MA represents the percentage of orders missed by the CLEC end user. The difference between End User Missed Appointments and Total Missed Appointments is the result of BellSouth caused misses.

Data Retained

| Relating to CLEC Experience | Relating to BellSouth Performance |
|---|--|
| <ul style="list-style-type: none"> • Report Month • CLEC Order Number and PON (PON) • Committed Due Date (DD) • Completion Date (CMPLTN DD) • Status Type • Status Notice Date • Standard Order Activity • Geographic Scope <p>Note: Code in parentheses is the corresponding header found in the raw data file.</p> | <ul style="list-style-type: none"> • Not Applicable |

SQM Disaggregation - Analog/Benchmark

| SQM Level of Disaggregation | SQM Analog/Benchmark |
|-----------------------------|--|
| • LNP | • Retail Residence and Business (POTS) |

SEEM Measure

| SEEM Measure | | |
|--------------|---------|---|
| Yes | Tier I | X |
| | Tier II | X |

SEEM Disaggregation - Analog/Benchmark

| SEEM Disaggregation | SEEM Analog/Benchmark |
|---|---|
| <ul style="list-style-type: none"> LNP | <ul style="list-style-type: none"> 95% Due Dates Met^a |

^aDue to data structure issues, BellSouth is using a benchmark comparison for SEEM rather than the Truncated Z as stated in the Order.

P-13: LNP-Average Disconnect Timeliness Interval & Disconnect Timeliness Interval Distribution

Definition

Disconnect Timeliness is defined as the interval between the time ESI Number Manager receives the valid 'Number Ported' message from NPAC (signifying the CLEC 'Activate') until the time the Disconnect is completed in the Central Office switch. This interval effectively measures BellSouth responsiveness by isolating it from impacts that are caused by CLEC related activities.

Exclusions

- Canceled Service Orders
- Order Activities of BellSouth or the CLEC associated with internal or administrative use of local services (Record Orders, Listing Orders, Test Orders, etc.) where identifiable.

Business Rules

The Disconnect Timeliness interval is determined for each telephone number ported associated with a disconnect service order processed on an LSR during the reporting period. The Disconnect Timeliness interval is the elapsed time from when BellSouth receives a valid 'Number Ported' message in ESI Number Manager (signifying the CLEC 'Activate') for each telephone number ported until each telephone number on the service order is disconnected in the Central Office switch. Elapsed time for each ported telephone number is accumulated for each reporting dimension. The accumulated time for each reporting dimension is then divided by the total number of selected telephone numbers disconnected in the reporting period.

Calculation

Disconnect Timeliness Interval = (a - b)

- a = Completion Date and Time in Central Office switch for each number on disconnect order
- b = Valid 'Number Ported' message received date & time

Average Disconnect Timeliness Interval = (c / d)

- c = Sum of all Disconnect Timeliness Intervals
- d = Total Number of disconnected numbers completed in reporting period

Disconnect Timeliness Interval Distribution (for each interval) = (e / f) X 100

- e = Disconnected numbers completed in "X" days
- f = Total disconnect numbers completed in reporting period

Report Structure

- CLEC Specific
- CLEC Aggregate
- Geographic Scope
 - State, Region

Data Retained

| Relating to CLEC Experience | Relating to BellSouth Performance |
|--|--|
| <ul style="list-style-type: none"> • Order Number • Telephone Number/Circuit Number • Committed Due Date • Receipt Date/Time (ESI Number Manager) • Date/Time of Recent Change Notice | <ul style="list-style-type: none"> • Not Applicable |

SQM Disaggregation - Analog/Benchmark

| SQM Level of Disaggregation | SQM Analog/Benchmark |
|---|--|
| <ul style="list-style-type: none"> • LNP | <ul style="list-style-type: none"> • 95% <= 15 Minutes |

SEEM Measure

| SEEM Measure | | |
|--------------|---------|---|
| Yes | Tier I | X |
| | Tier II | X |

SEEM Disaggregation - Analog/Benchmark

| SEEM Disaggregation | SEEM Analog/Benchmark |
|---------------------|-----------------------|
| • LNP Standalone | • 95% <= 15 Minutes |

P-14: LNP-Total Service Order Cycle Time (TSOCT)

Definition

Total Service Order Cycle Time measures the interval from receipt of a valid service order request to the completion of the final service order associated with that service request.

Exclusions

- Canceled Service Orders
- Order Activities of BellSouth or the CLEC associated with internal or administrative use of local services (Record Orders, Listing Orders, Test Orders, etc.) where identifiable
- "L" appointment coded orders (indicating the customer has requested a later than offered interval)
- "S" missed appointment coded orders (indicating subscriber missed appointments), except for "SP" codes (indicating subscriber prior due date requested). This would include "S" codes assigned to subsequent due date changes.

Business Rules

The interval is determined for each order processed during the reporting period. This measurement combines three reports: FOC Timeliness, Average Order Completion Interval and Average Completion Notice Interval.

This interval starts with the receipt of a valid service order request and stops when a completion notice is sent to the CLEC Interface (LENS, TAG OR EDI). Elapsed time for each order is accumulated for each reporting dimension. The accumulated time for each reporting dimension is then divided by the associated total number of orders completed. Orders that are worked on zero due dates are calculated with a .33 day interval (8 hours) in order to report a portion of a day interval. These orders are issued and worked/completed on the same day.

Reporting is by Fully Mechanized, Partially Mechanized and Non-Mechanized receipt of LSRs.

Calculation

Total Service Order Cycle Time = (a - b)

- a = Service Order Completion Notice Date
- b = Service Request Receipt Date

Average Total Service Order Cycle Time = (c / d)

- c = Sum of all Total Service Order Cycle Times
- d = Total Number Service Orders Completed in Reporting Period

Total Service Order Cycle Time Interval Distribution (for each interval) = (e / f) X 100

- e = Total Number of Service Orders Completed in "X" minutes/hours
- f = Total Number of Service Orders Received in Reporting Period

Report Structure

- CLEC Specific
- CLEC Aggregate
- Fully Mechanized; Partially Mechanized; Non-Mechanized
- Report in categories of < 10 lines/circuits; >= lines/circuits (except trunks)
- Intervals 0-5, 5-10, 10-15, 15-20, 20-25, 25-30, >= 30 Days. The interval breakout is: 0-5 = 0-4.99, 5-10 = 5-9.99, 10-15 = 10-14.99, 15-20 = 15-19.99, 20-25 = 20-24.99, 25-30 = 25-29.99, >= 30 = 30 and greater.

Data Retained

| Relating to CLEC Experience | Relating to BellSouth Performance |
|---|--|
| <ul style="list-style-type: none"> • Report Month • Interval for FOC • CLEC Company Name (OCN) • Order Number (PON) • Submission Date & Time (TICKET_ID) • Completion Date (CMPLTN_DT) • Completion Notice Date and Time | <ul style="list-style-type: none"> • Not Applicable |

| | |
|--|--|
| <ul style="list-style-type: none"> • Service Type (CLASS_SVC_DESC) • Geographic Scope <p>Note: Code in parentheses is the corresponding header found in the raw data file</p> | |
|--|--|

SQM Disaggregation - Analog/Benchmark

| SQM Level of Disaggregation | SQM Analog/Benchmark |
|-----------------------------|----------------------|
| • LNP | • Diagnostic |

SEEM Measure

| SEEM Measure | | |
|--------------|---------|--|
| No | Tier I | |
| | Tier II | |

SEEM Disaggregation - Analog/Benchmark

| SEEM Disaggregation | SEEM Analog/Benchmark |
|---------------------|-----------------------|
| • Not Applicable | • Not Applicable |

Section 4: Section 4: Maintenance & Repair

M&R-1: Missed Repair Appointments

Definition

The percent of trouble reports not cleared by the committed date and time.

Exclusions

- Trouble tickets canceled at the CLEC request
- BellSouth trouble reports associated with internal or administrative service
- Customer Provided Equipment (CPE) troubles or CLEC Equipment Trouble

Business Rules

The negotiated commitment date and time is established when the repair report is received. The cleared time is the date and time that BellSouth personnel clear the trouble and closes the trouble report in his/her Computer Access Terminal (CAT) or workstation. If this is after the Commitment time, the report is flagged as a "Missed Commitment" or a missed repair appointment. When the data for this measure is collected for BellSouth and a CLEC, it can be used to compare the percentage of the time repair appointments are missed due to BellSouth reasons. (No access reports are not part of this measure because they are not a missed appointment.)

Note: Appointment intervals vary with force availability in the POTS environment. Specials and Trunk intervals are standard interval appointments of no greater than 24 hours. Standalone LNP historical data is not available in the maintenance systems (LMOS or WFA).

Calculation

Percentage of Missed Repair Appointments = (a / b) X 100

- a = Count of Customer Troubles Not Cleared by the Quoted Commitment Date and Time
- b = Total Trouble reports closed in Reporting Period

Report Structure

- Dispatch/Non-Dispatch
- CLEC Specific
- CLEC Aggregate
- BellSouth Aggregate

Data Retained

| Relating to CLEC Experience | Relating to BellSouth Performance |
|--|--|
| <ul style="list-style-type: none"> • Report Month • CLEC Company Name • Submission Date & Time (TICKET_ID) • Completion Date (CMPLTN_DT) • Service Type (CLASS_SVC_DESC) • Disposition and Cause (CAUSE_CD & CAUSE_DESC) • Geographic Scope <p>Note: Code in parentheses is the corresponding header found in the raw data file.</p> | <ul style="list-style-type: none"> • Report Month • BellSouth Company Code • Submission Date & Time • Completion Date • Service Type • Disposition and Cause (Non-Design /Non-Special Only) • Trouble Code (Design and Trunking Services) • Geographic Scope |

SQM Disaggregation - Analog/Benchmark

| SQM Level of Disaggregation | SQM Analog/Benchmark |
|---|---|
| • Resale Residence | • Retail Residence |
| • Resale Business | • Retail business |
| • Resale Design | • Retail Design |
| • Resale PBX | • |
| • Resale Centrex | • Retail Centrex |
| • Resale ISDN | • Retail ISDN |
| • LNP (Standalone) (Not Available in Maintenance) | • Not Applicable |
| • 2W Analog Loop Design | • Retail Residence & Business Dispatch |
| • 2W Analog Loop Non - Design | • Retail Residence & Business (POTS) (Exclusion of Switch-Based Feature Troubles) |
| • UNE Loop + Port Combinations | • Retail Residence & Business |
| • UNE Switch Ports | • Retail Residence & Business (POTS) |
| • UNE Combo Other | • Retail Residence, Business and Design Dispatch |
| • UNE xDSL (HDSL, ADSL and UCL) | • ADSL Provided to Retail |
| • UNE ISDN | • Retail ISDN – BRI |
| • UNE Line Sharing | • ADSL Provided to Retail |
| • UNE Other Design | • Retail Design |
| • UNE Other Non - Design | • Retail Residence & Business |
| • Local Interconnection Trunks | • Parity with Retail |
| • Local Transport (Unbundled Interoffice Transport) | • Retail DS1/DS3 Interoffice |

SEEM Measure

| SEEM Measure | | |
|--------------|---------|---|
| Yes | Tier I | X |
| | Tier II | X |

SEEM Disaggregation - Analog/Benchmark

| SEEM Disaggregation | SEEM Analog/Benchmark |
|--------------------------------|--|
| • Resale POTS | • Retail Residence and Business (POTS) |
| • Resale Design | • Retail Design |
| • UNE Loop + Port Combinations | • Retail Residence and Business |
| • UNE Loops | • Retail Residence and Business Dispatch |
| • UNE xDSL | • ADSL Provided to Retail |
| • UNE Line Sharing | • ADSL Provided to Retail |
| • Local Interconnection Trunks | • Parity with Retail |

M&R-2: Customer Trouble Report Rate

Definition

Percent of initial and repeated customer direct or referred troubles reported within a calendar month per 100 lines/circuits in service.

Exclusions

- Trouble tickets canceled at the CLEC request
- BellSouth trouble reports associated with internal or administrative service
- Customer Provided Equipment (CPE) troubles or CLEC Equipment Trouble

Business Rules

Customer Trouble Report Rate is computed by accumulating the number of maintenance initial and repeated trouble reports during the reporting period. The resulting number of trouble reports are divided by the total “number of service” lines, ports or combination that exist for the CLECs and BellSouth respectively at the end of the report month.

Calculation

Customer Trouble Report Rate = (a / b) X 100

- a = Count of Initial and Repeated Trouble Reports closed in the Current Period
- b = Number of Service Access Lines in service at End of the Report Period

Report Structure

- Dispatch/Non-Dispatch
- CLEC Specific
- CLEC Aggregate
- BellSouth Aggregate

Data Retained

| Relating to CLEC Experience | Relating to BellSouth Performance |
|--|--|
| <ul style="list-style-type: none"> • Report Month • CLEC Company Name • Ticket Submission Date & Time (TICKET_ID) • Ticket Completion Date (CMPLTN_DT) • Service Type (CLASS_SVC_DESC) • Disposition and Cause (CAUSE_CD & CAUSE_DESC) • # Service Access Lines in Service at the end of period • Geographic Scope <p>Note: Code in parentheses is the corresponding header found in the raw data file.</p> | <ul style="list-style-type: none"> • Report Month • BellSouth Company Code • Ticket Submission Date & Time • Ticket Completion Date • Service Type • Disposition and Cause (Non-Design /Non-Special Only) • Trouble Code (Design and Trunking Services) • # Service Access Lines in Service at the end of period • Geographic Scope |

SQM Disaggregation - Analog/Benchmark

| SQM Level of Disaggregation | SQM Analog/Benchmark |
|---|---|
| • Resale Residence | • Retail Residence |
| • Resale Business | • Retail Business |
| • Resale Design | • Retail Design |
| • Resale PBX | • Retail PBX |
| • Resale Centrex | • Retail Centrex |
| • Resale ISDN | • Retail ISDN |
| • LNP (Standalone) (Not Available in Maintenance) | • Not Applicable |
| • 2W Analog Loop Design | • Retail Residence & Business Dispatch |
| • 2W Analog Loop Non - Design | • Retail Residence & Business (POTS) (Exclusion of Switch-Based Feature Troubles) |
| • UNE Loop + Port Combinations | • Retail Residence & Business |
| • UNE Switch Ports | • Retail Residence & Business (POTS) |
| • UNE Combo Other | • Retail Residence, Business and Design Dispatch |
| • UNE xDSL (HDSL, ADSL and UCL) | • ADSL Provided to Retail |
| • UNE ISDN | • Retail ISDN – BRI |
| • UNE Line Sharing | • ADSL Provided to Retail |
| • UNE Other Design | • Retail Design |
| • UNE Other Non - Design | • Retail Residence & Business |
| • Local Interconnection Trunks | • Parity with Retail |
| • Local Transport (Unbundled Interoffice Transport) | • Retail DS1/DS3 Interoffice |

SEEM Measure

| SEEM Measure | | |
|--------------|---------|---|
| Yes | Tier I | X |
| | Tier II | X |

SEEM Disaggregation - Analog/Benchmark

| SEEM Disaggregation | SEEM Analog/Benchmark |
|--------------------------------|--|
| • Resale POTS | • Retail Residence and Business (POTS) |
| • Resale Design | • Retail Design |
| • UNE Loop + Port Combinations | • Retail Residence and Business |
| • UNE Loops | • Retail Residence and Business Dispatch |
| • UNE xDSL | • ADSL Provided to Retail |
| • UNE Line Sharing | • ADSL Provided to Retail |
| • Local Interconnection Trunks | • Parity with Retail |

M&R-3: Maintenance Average Duration

Definition

The Average duration of Customer Trouble Reports from the receipt of the Customer Trouble Report to the time the trouble report is cleared.

Exclusions

- Trouble tickets canceled at the CLEC request
- BellSouth trouble reports associated with internal or administrative service
- Customer Provided Equipment (CPE) troubles or CLEC Equipment Trouble

Business Rules

For Average Duration the clock starts on the date and time of the receipt of a correct repair request. The clock stops on the date and time the service is restored and the BellSouth or CLEC customer is notified (when the technician completes the trouble ticket on his/her CAT or work systems).

Calculation

Maintenance Duration = (a - b)

- a = Date and Time of Service Restoration
- b = Date and Time Trouble Ticket was Opened

Average Maintenance Duration = (c / d)

- c = Total of all maintenance durations in the reporting period
- d = Total Closed Troubles in the reporting period

Report Structure

- Dispatch/Non-Dispatch
- CLEC Specific
- CLEC Aggregate
- BellSouth Aggregate

Data Retained

| Relating to CLEC Experience | Relating to BellSouth Performance |
|--|---|
| <ul style="list-style-type: none"> • Report Month • Total Tickets (LINE_NBR) • CLEC Company Name • Ticket Submission Date & Time (TICKET_ID) • Ticket Completion Date (CMPLTN_DT) • Service Type (CLASS_SVC_DESC) • Disposition and Cause (CAUSE_CD & CAUSE_DESC) • Geographic Scope <p>Note: Code in parentheses is the corresponding header found in the raw data file.</p> | <ul style="list-style-type: none"> • Report Month • Total Tickets • BellSouth Company Code • Ticket Submission Date • Ticket Submission Time • Ticket Completion Date • Ticket Completion Time • Total Duration Time • Service Type • Disposition and Cause (Non-Design /Non-Special Only) • Trouble Code (Design and Trunking Services) • Geographic Scope |

SQM Disaggregation - Analog/Benchmark

| SQM Level of Disaggregation | SQM Analog/Benchmark |
|---|---|
| • Resale Residence | • Retail Residence |
| • Resale Business | • Retail Business |
| • Resale Design | • Retail Design |
| • Resale PBX | • Retail PBX |
| • Resale Centrex | • Retail Centrex |
| • Resale ISDN | • Retail ISDN |
| • LNP (Standalone) (Not Available in Maintenance) | • Not Applicable |
| • 2W Analog Loop Design | • Retail Residence & Business Dispatch |
| • 2W Analog Loop Non - Design | • Retail Residence & Business (POTS) (Exclusion of Switch-Based Feature Troubles) |
| • UNE Loop + Port Combinations | • Retail Residence & Business |
| • UNE Switch Ports | • Retail Residence & Business (POTS) |
| • UNE Combo Other | • Retail Residence, Business and Design Dispatch |
| • UNE xDSL (HDSL, ADSL and UCL) | • ADSL Provided to Retail |
| • UNE ISDN | • Retail ISDN – BRI |
| • UNE Line Sharing | • ADSL Provided to Retail |
| • UNE Other Design | • Retail Design |
| • UNE Other Non - Design | • Retail Residence & Business |
| • Local Interconnection Trunks | • Parity with Retail |
| • Local Transport (Unbundled Interoffice Transport) | • Retail DS1/DS3 Interoffice |

SEEM Measure

| SEEM Measure | | |
|--------------|---------|---|
| Yes | Tier I | X |
| | Tier II | X |

SEEM Disaggregation - Analog/Benchmark

| SEEM Disaggregation | SEEM Analog/Benchmark |
|--------------------------------|--|
| • Resale POTS | • Retail Residence and Business (POTS) |
| • Resale Design | • Retail Design |
| • UNE Loop + Port Combinations | • Retail Residence and Business |
| • UNE Loops | • Retail Residence and Business Dispatch |
| • UNE xDSL | • ADSL Provided to Retail |
| • UNE Line Sharing | • ADSL Provided to Retail |
| • Local Interconnection Trunks | • Parity with Retail |

M&R-4: Percent Repeat Troubles within 30 Days

Definition

Closed trouble reports on the same line/circuit as a previous trouble report received within 30 calendar days as a percent of total troubles closed reported

Exclusions

- Trouble tickets canceled at the CLEC request
- BellSouth trouble reports associated with internal or administrative service
- Customer Provided Equipment (CPE) troubles or CLEC Equipment Trouble

Business Rules

Includes Customer trouble reports received within 30 days of an original Customer trouble report.

Calculation

Percent Repeat Troubles within 30 Days = (a / b) X 100

- a = Count of closed Customer Troubles where more than one trouble report was logged for the same service line within a continuous 30 days
- b = Total Trouble Reports Closed in Reporting Period

Report Structure

- Dispatch/Non-Dispatch
- CLEC Specific
- CLEC Aggregate
- BellSouth Aggregate

Data Retained

| Relating to CLEC Experience | Relating to BellSouth Performance |
|---|---|
| <ul style="list-style-type: none"> • Report Month • Total Tickets (LINE_NBR) • CLEC Company Name • Ticket Submission Date & Time (TICKET_ID) • Ticket Completion Date (CMPLTN_DT) • Total and Percent Repeat Trouble Reports within 30 Days (TOT_REPEAT) • Service Type • Disposition and Cause (CAUSE_CD & CAUSE_DESC) • Geographic Scope <p>Note: Code in parentheses is the corresponding header found in the raw data file.</p> | <ul style="list-style-type: none"> • Report Month • Total Tickets • BellSouth Company Code • Ticket Submission Date • Ticket Submission Time • Ticket Completion Date • Ticket Completion Time • Total and Percent Repeat Trouble Reports within 30 Days • Service Type • Disposition and Cause (Non-Design /Non-Special Only) • Trouble Code (Design and Trunking Services) • Geographic Scope |

SQM Disaggregation - Analog/Benchmark

| SQM Level of Disaggregation | SQM Analog/Benchmark |
|---|---|
| • Resale Residence | • Retail Residence |
| • Resale Business | • Retail Business |
| • Resale Design | • Retail Design |
| • Resale PBX | • Retail PBX |
| • Resale Centrex | • Retail Centrex |
| • Resale ISDN | • Retail ISDN |
| • LNP (Standalone) (Not Available in Maintenance) | • Not Applicable |
| • 2W Analog Loop Design | • Retail Residence & Business Dispatch |
| • 2W Analog Loop Non - Design | • Retail Residence & Business (POTS) (Exclusion of Switch-Based Feature Troubles) |
| • UNE Loop + Port Combinations | • Retail Residence & Business |
| • UNE Switch Ports | • Retail Residence and Business (POTS) |
| • UNE Combo Other | • Retail Residence, Business & Design Dispatch |
| • UNE xDSL (HDSL, ADSL and UCL) | • ADSL Provided to Retail |
| • UNE ISDN | • Retail ISDN – BRI |
| • UNE Line Sharing | • ADSL Provided to Retail |
| • UNE Other Design | • Retail Design |
| • UNE Other Non - Design | • Retail Residence & Business |
| • Local Interconnection Trunks | • Parity with Retail |
| • Local Transport (Unbundled Interoffice Transport) | • Retail DS1/DS3 Interoffice |

SEEM Measure

| SEEM Measure | | |
|---------------------|---------|---|
| Yes | Tier I | X |
| | Tier II | X |

SEEM Disaggregation - Analog/Benchmark

| SEEM Disaggregation | SEEM Analog/Benchmark |
|--------------------------------|--|
| • Resale POTS | • Retail Residence and Business (POTS) |
| • Resale Design | • Retail Design |
| • UNE Loop + Port Combinations | • Retail Residence and Business |
| • UNE Loops | • Retail Residence and Business Dispatch |
| • UNE xDSL | • ADSL Provided to Retail |
| • UNE Line Sharing | • ADSL Provided to Retail |
| • Local Interconnection Trunks | • Parity with Retail |

M&R-5: Out of Service (OOS) > 24 Hours

Definition

For Out of Service Troubles (no dial tone, cannot be called or cannot call out) the percentage of Total OOS Troubles cleared in excess of 24 hours. (All design services are considered to be out of service).

Exclusions

- Trouble Reports canceled at the CLEC request
- BellSouth Trouble Reports associated with administrative service
- Customer Provided Equipment (CPE) Troubles or CLEC Equipment Troubles

Business Rules

Customer Trouble reports that are out of service and cleared in excess of 24 hours. The clock begins when the trouble report is created in LMOS/WFA and the trouble is counted if the elapsed time exceeds 24 hours.

Calculation

Out of Service (OOS) > 24 hours = (a / b) X 100

- a = Total Cleared Troubles OOS > 24 Hours
- b = Total OOS Troubles in Reporting Period

Report Structure

- Dispatch/Non - Dispatch
- CLEC Specific
- BellSouth Aggregate
- CLEC Aggregate

Data Retained

| Relating to CLEC Experience | Relating to BellSouth Performance |
|--|--|
| <ul style="list-style-type: none"> • Report Month • Total Tickets • CLEC Company Name • Ticket Submission Date & Time (TICKET_ID) • Ticket Completion Date (CMPLTN_DT) • Percentage of Customer Troubles out of Service > 24 Hours (OOS>24_FLAG) • Service type (CLASS_SVC_DESC) • Disposition and Cause (CAUSE_CD & CAUSE-DESC) • Geographic Scope <p>Note: Code in parentheses is the corresponding header found in the raw data file.</p> | <ul style="list-style-type: none"> • Report Month • Total Tickets • BellSouth Company Code • Ticket Submission Date • Ticket Submission time • Ticket Completion Date • Ticket Completion Time • Percent of Customer Troubles out of Service > 24 Hours • Service type • Disposition and Cause (Non-Design/Non-Special only) • Trouble Code (Design and Trunking Services) • Geographic Scope |

SQM Disaggregation - Analog/Benchmark

| SQM Level of Disaggregation | SQM Analog/Benchmark |
|---|---|
| • Resale Residence | • Retail Residence |
| • Resale Business | • Retail Business |
| • Resale Design | • Retail Design |
| • Resale PBX | • Retail PBX |
| • Resale Centrex | • Retail Centrex |
| • Resale ISDN | • Retail ISDN |
| • LNP (Standalone) (Not Available in Maintenance) | • Not Applicable |
| • 2W Analog Loop Design | • Retail Residence & Business Dispatch |
| • 2W Analog Loop Non - Design | • Retail Residence & Business (POTS) (Exclusion of Switch-Based Feature Troubles) |
| • UNE Loop + Port Combinations | • Retail Residence & Business |
| • UNE Switch Ports | • Retail Residence & Business (POTS) |
| • UNE Combo Other | • Retail Residence, Business and Design Dispatch |
| • UNE xDSL (HDSL, ADSL and UCL) | • ADSL Provided to Retail |
| • UNE ISDN | • Retail ISDN – BRI |
| • UNE Line Sharing | • ADSL Provided to Retail |
| • UNE Other Design | • Retail Design |
| • UNE Other Non - Design | • Retail Residence & Business |
| • Local Interconnection Trunks | • Parity with Retail |
| • Local Transport (Unbundled Interoffice Transport) | • Retail DS1/DS3 Interoffice |

SEEM Measure

| SEEM Measure | | |
|---------------------|---------|--|
| No | Tier I | |
| | Tier II | |

SEEM Disaggregation - Analog/Benchmark

| SEEM Disaggregation | SEEM Analog/Benchmark |
|----------------------------|------------------------------|
| • Not Applicable | • Not Applicable |

M&R-6: Average Answer Time – Repair Centers

Definition

This measures the average time a customer is in queue when calling a BellSouth Repair Center.

Exclusions

None

Business Rules

The clock starts when a CLEC Representative or BellSouth customer makes a choice on the Repair Center’s menu and is put in queue for the next repair attendant. The clock stops when the repair attendant answers the call (abandoned calls are not included).

Note: The Total Column is a combined BellSouth Residence and Business number.

Calculation

Answer Time for BellSouth Repair Centers = (a - b)

- a = Time BellSouth Repair Attendant Answers Call
- b = Time of entry into queue after ACD Selection

Average Answer Time for BellSouth Repair Centers = (c / d)

- c = Sum of all Answer Times
- d = Total number of calls by reporting period

Report Structure

- CLEC Aggregate
- BellSouth Aggregate

Data Retained

| Relating to CLEC Experience | Relating to BellSouth Performance |
|-----------------------------|-----------------------------------|
| • CLEC Average Answer Time | • BellSouth Average Answer Time |

SQM Disaggregation - Analog/Benchmark

| SQM Level of Disaggregation | SQM Analog/Benchmark |
|---|---|
| • Region. CLEC/BellSouth Service Centers and BellSouth Repair Centers are regional. | • For CLEC, Average Answer Times in UNE Center and BRMC are comparable to the Average Answer Times in the BellSouth Repair Centers. |

SEEM Measure

| SEEM Measure | |
|--------------|---------|
| No | Tier I |
| | Tier II |

SEEM Disaggregation - Analog/Benchmark

| SEEM Disaggregation | SEEM Analog/Benchmark |
|---------------------|-----------------------|
| • Not Applicable | • Not Applicable |

M&R-7: Mean Time To Notify CLEC of Network Outages

Definition

This report measures the time it takes for the BellSouth Network Management Center (NMC) to notify the CLEC of major network outages.

Exclusions

None

Business Rules

BellSouth will inform the CLEC of any major network outages (key customer accounts) via a page or email. When the BellSouth NMC becomes aware of a network incident, the CLEC and BellSouth will be notified electronically. The notification time for each outage will be measured in minutes and divided by the number of outages for the reporting period. These are broadcast messages. It is up to those receiving the message to determine if they have customers affected by the incident.

The CLECs will be notified in accordance with the rules outlined in Appendix D of the CLEC “Customer Guide” which is published on the internet at: www.interconnection.bellsouth.com/guides/other_guides/html/gopue/indexf.htm.

Calculation

Time to Notify CLEC = (a - b)

- a = Date and Time BellSouth Notified CLEC
- b = Date and Time BellSouth Detected Network Incident

Mean Time to Notify CLEC = (c / d)

- c = Sum of all Times to Notify CLEC
- d = Count of Network Incidents

Report Structure

- BellSouth Aggregate
- CLEC Aggregate
- CLEC Specific

Data Retained

| Relating to CLEC Experience | Relating to BellSouth Performance |
|--|--|
| <ul style="list-style-type: none"> • Report Month • Major Network Events • Date/Time of Incident • Date/Time of Notification | <ul style="list-style-type: none"> • Report Month • Major Network Events • Date/Time of Incident • Date/Time of Notification |

SQM Disaggregation - Analog/Benchmark

| SQM Level of Disaggregation | SQM Analog/Benchmark |
|--|--|
| <ul style="list-style-type: none"> • BellSouth Aggregate • CLEC Aggregate • CLEC Specific | <ul style="list-style-type: none"> • Parity by Design |

SEEM Measure

| SEEM Measure | | |
|--------------|---------|--|
| No | Tier I | |
| | Tier II | |

SEEM Disaggregation - Analog/Benchmark

| SEEM Disaggregation | SEEM Analog/Benchmark |
|--|--|
| <ul style="list-style-type: none"> • Not Applicable | <ul style="list-style-type: none"> • Not Applicable |

Section 5: Billing

B-1: Invoice Accuracy

Definition

This measure provides the percentage of accuracy of the billing invoices rendered to CLECs during the current month.

Exclusions

- Adjustments not related to billing errors (e.g., credits for service outage, special promotion credits, adjustments to satisfy the customer)
- Test Accounts

Business Rules

The accuracy of billing invoices delivered by BellSouth to the CLEC must enable them to provide a degree of billing accuracy comparative to BellSouth bills rendered to retail customers of BellSouth. CLECs request adjustments on bills determined to be incorrect. The BellSouth Billing verification process includes manually analyzing a sample of local bills from each bill period. The bill verification process draws from a mix of different customer billing options and types of service. An end-to-end auditing process is performed for new products and services. Internal measurements and controls are maintained on all billing processes.

Calculation

$$\text{Invoice Accuracy} = [(a - b) / a] \times 100$$

- a = Absolute Value of Total Billed Revenues during current month
- b = Absolute Value of Billing Related Adjustments during current month

Report Structure

- CLEC Specific
- CLEC Aggregate
- BellSouth Aggregate
- Geographic Scope
 - Region
 - State

Data Retained

| Relating to CLEC Experience | Relating to BellSouth Performance |
|---|--|
| <ul style="list-style-type: none"> • Report Month • Invoice Type <ul style="list-style-type: none"> - UNE - Resale - Interconnection • Total Billed Revenue • Billing Related Adjustments | <ul style="list-style-type: none"> • Report Month • Retail Type <ul style="list-style-type: none"> - CRIS - CABS • Total Billed Revenue • Billing Related Adjustments |

SQM Disaggregation - Analog/Benchmark

| SQM Level of Disaggregation | SQM Analog/Benchmark |
|--|---|
| <ul style="list-style-type: none"> • Product/Invoice Type <ul style="list-style-type: none"> - Resale - UNE - Interconnection | <ul style="list-style-type: none"> • CLEC Invoice Accuracy is comparable to BellSouth Invoice Accuracy |

SEEM Measure

| SEEM Measure | | |
|--------------|---------|---|
| Yes | Tier I | X |
| | Tier II | X |

SEEM Disaggregation - Analog/Benchmark

| SEEM Disaggregation | SEEM Analog/Benchmark |
|---|--|
| <ul style="list-style-type: none"> • CLEC State • BellSouth State | <ul style="list-style-type: none"> • Parity With Retail |

B2: Mean Time to Deliver Invoices

Definition

Bill Distribution is calculated as follows: CRIS BILLS-The number of workdays is reported for CRIS bills. This is calculated by counting the Bill Period date as the first work day. Weekends and holidays are excluded when counting workdays. J/N Bills are counted in the CRIS work day category for the purposes of the measurement since their billing account number (Q account) is provided from the CRIS system.

CABS BILLS-The number of calendar days is reported for CABS bills. This is calculated by counting the day following the Bill Period date as the first calendar day. Weekends and holidays are included when counting the calendar days.

Exclusions

Any invoices rejected due to formatting or content errors.

Business Rules

This report measures the mean interval for timeliness of billing records delivered to CLECs in an agreed upon format. CRIS-based invoices are measured in business days, and CABS-based invoices in calendar days.

Calculation

Invoice Timeliness = (a - b)

- a = Invoice Transmission Date
- b = Close Date of Scheduled Bill Cycle

Mean Time To Deliver Invoices = (c / d)

- c = Sum of all Invoice Timeliness intervals
- d = Count of Invoices Transmitted in Reporting Period

Report Structure

- CLEC Specific
- CLEC Aggregate
- BellSouth Aggregate
- Geographic Scope
 - Region
 - State

Data Retained

| Relating to CLEC Experience | Relating to BellSouth Performance |
|--|--|
| <ul style="list-style-type: none"> • Report Month • Invoice Type <ul style="list-style-type: none"> - UNE - Resale - Interconnection • Invoice Transmission Count • Date of Scheduled Bill Close | <ul style="list-style-type: none"> • Report Month • Invoice Type <ul style="list-style-type: none"> - CRIS - CABS • Invoice Transmission Count • Date of Scheduled Bill Close |

SQM Disaggregation - Analog/Benchmark

| SQM Level of Disaggregation | SQM Analog/Benchmark |
|---|--|
| Product/Invoice Type <ul style="list-style-type: none"> • Resale • UNE • Interconnection | <ul style="list-style-type: none"> • CRIS-based invoices will be released for delivery within six (6) business days. • CABS-based invoices will be released for delivery within eight (8) calendar days. • CLEC Average Delivery Intervals for both CRIS and CABS Invoices are comparable to BellSouth Average delivery for both systems. |

SEEM Measure

| SEEM Measure | | |
|--------------|---------|---|
| Yes | Tier I | X |
| | Tier II | X |

SEEM Disaggregation - Analog/Benchmark

| SEEM Disaggregation | SEEM Analog/Benchmark |
|--|--|
| <ul style="list-style-type: none"> • CLEC State <ul style="list-style-type: none"> - CRIS - CABS • BellSouth Region | <ul style="list-style-type: none"> • Parity with Retail |

B3: Usage Data Delivery Accuracy

Definition

This measurement captures the percentage of recorded usage that is delivered error free and in an acceptable format to the appropriate Competitive Local Exchange Carrier (CLEC). These percentages will provide the necessary data for use as a comparative measurement for BellSouth performance. This measurement captures Data Delivery Accuracy rather than the accuracy of the individual usage recording.

Exclusions

None

Business Rules

The accuracy of the data delivery of usage records delivered by BellSouth to the CLEC must enable them to provide a degree of accuracy comparative to BellSouth bills rendered to their retail customers. If errors are detected in the delivery process, they are investigated, evaluated and documented. Errors are corrected and the data retransmitted to the CLEC.

Calculation

$$\text{Usage Data Delivery Accuracy} = (a - b) / a \times 100$$

- a = Total number of usage data packs sent during current month
- b = Total number of usage data packs requiring retransmission during current month

Report Structure

- CLEC Specific
- CLEC Aggregate
- BellSouth Aggregate
- Geographic Scope
 - Region

Data Retained

| Relating to CLEC Experience | Relating to BellSouth Performance |
|---|---|
| <ul style="list-style-type: none"> • Report Month • Record Type <ul style="list-style-type: none"> - BellSouth Recorded - Non-BellSouth Recorded | <ul style="list-style-type: none"> • Report Month • Record Type |

SQM Disaggregation - Analog/Benchmark

| SQM Level of Disaggregation | SQM Analog/Benchmark |
|--|---|
| <ul style="list-style-type: none"> • Region | <ul style="list-style-type: none"> • CLEC Usage Data Delivery Accuracy is comparable to BellSouth Usage Data Delivery Accuracy |

SEEM Measure

| SEEM Measure | | |
|--------------|---------|---|
| Yes | Tier I | X |
| | Tier II | X |

SEEM Disaggregation - Analog/Benchmark

| SEEM Disaggregation | SEEM Analog/Benchmark |
|--|--|
| <ul style="list-style-type: none"> • CLEC State • BellSouth Region | <ul style="list-style-type: none"> • Parity With Retail |

B4: Usage Data Delivery Completeness

Definition

This measurement provides percentage of complete and accurately recorded usage data (usage recorded by BellSouth and usage recorded by other companies and sent to BellSouth for billing) that is processed and transmitted to the CLEC within thirty (30) days of the message recording date. A parity measure is also provided showing completeness of BellSouth messages processed and transmitted via CMDS. BellSouth delivers its own retail usage from recording location to billing location via CMDS as well as delivering billing data to other companies. Timeliness, Completeness and Mean Time to Deliver Usage measures are reported on the same report.

Exclusions

None

Business Rules

The purpose of these measurements is to demonstrate the level of quality of usage data delivered to the appropriate CLEC. Method of delivery is at the option of the CLEC.

Calculation

Usage Data Delivery Completeness = (a / b) X 100

- a = Total number of Recorded usage records delivered during current month that are within thirty (30) days of the message recording date
- b = Total number of Recorded usage records delivered during the current month

Report Structure

- CLEC Specific
- CLEC Aggregate
- BellSouth Aggregate
- Region

Data Retained

| Relating to CLEC Experience | Relating to BellSouth Performance |
|---|---|
| <ul style="list-style-type: none"> • Report Month • Record Type <ul style="list-style-type: none"> - BellSouth Recorded - Non-BellSouth Recorded | <ul style="list-style-type: none"> • Report Month • Record Type |

SQM Disaggregation - Analog/Benchmark

| SQM Level of Disaggregation | SQM Analog/Benchmark |
|--|---|
| <ul style="list-style-type: none"> • Region | <ul style="list-style-type: none"> • CLEC Usage Data Delivery Completeness is comparable to BellSouth Usage Data Delivery Completeness |

SEEM Measure

| SEEM Measure | | |
|--------------|---------|--|
| No | Tier I | |
| | Tier II | |

SEEM Disaggregation - Analog/Benchmark

| SEEM Disaggregation | SEEM Analog/Benchmark |
|--|--|
| <ul style="list-style-type: none"> • Not Applicable | <ul style="list-style-type: none"> • Not Applicable |

B5: Usage Data Delivery Timeliness

Definition

This measurement provides a percentage of recorded usage data (usage recorded by BellSouth and usage recorded by other companies and sent to BellSouth for billing) that is delivered to the appropriate CLEC within six (6) calendar days from the receipt of the initial recording. A parity measure is also provided showing timeliness of BellSouth messages processed and transmitted via CMDS. Timeliness, Completeness and Mean Time to Deliver Usage measures are reported on the same report.

Exclusions

None

Business Rules

The purpose of this measurement is to demonstrate the level of timeliness for processing and transmission of usage data delivered to the appropriate CLEC. The usage data will be mechanically transmitted or mailed to the CLEC data processing center once daily. The Timeliness interval of usage recorded by other companies is measured from the date BellSouth receives the records to the date BellSouth distributes to the CLEC. Method of delivery is at the option of the CLEC.

Calculation

Usage Data Delivery Timeliness Current month = (a / b) X 100

- a = Total number of usage records sent within six (6) calendar days from initial recording/receipt
- b = Total number of usage records sent

Report Structure

- CLEC Aggregate
- CLEC Specific
- BellSouth Aggregate
- Region

Data Retained

| Relating to CLEC Experience | Relating to BellSouth Performance |
|---|---|
| <ul style="list-style-type: none"> • Report Month • Record Type <ul style="list-style-type: none"> - BellSouth Recorded - Non-BellSouth Recorded | <ul style="list-style-type: none"> • Report Month • Record Type |

SQM Disaggregation - Analog/Benchmark

| SQM Level of Disaggregation | SQM Analog/Benchmark |
|--|---|
| <ul style="list-style-type: none"> • Region | <ul style="list-style-type: none"> • CLEC Usage Data Delivery Timeliness is comparable to BellSouth Usage Data Delivery Timeliness |

SEEM Measure

| SEEM Measure | | |
|--------------|---------|--|
| No | Tier I | |
| | Tier II | |

SEEM Disaggregation - Analog/Benchmark

| SEEM Disaggregation | SEEM Analog/Benchmark |
|--|--|
| <ul style="list-style-type: none"> • Not Applicable | <ul style="list-style-type: none"> • Not Applicable |

B6: Mean Time to Deliver Usage

Definition

This measurement provides the average time it takes to deliver Usage Records to a CLEC. A parity measure is also provided showing timeliness of BellSouth messages processed and transmitted via CMDS. Timeliness, Completeness and Mean Time to Deliver Usage measures are reported on the same report.

Exclusions

None

Business Rules

The purpose of this measurement is to demonstrate the average number of days it takes BellSouth to deliver Usage data to the appropriate CLEC. Usage data is mechanically transmitted or mailed to the CLEC data processing center once daily. Method of delivery is at the option of the CLEC.

Calculation

Mean Time to Deliver Usage = (a X b) / c

- a = Volume of Records Delivered
- b = Estimated number of days to deliver
- c = Total Record Volume Delivered

Note: Any usage record falling in the 30+ day interval will be added using an average figure of 31.5 days.

Report Structure

- CLEC Aggregate
- CLEC Specific
- BellSouth Aggregate
- Region

Data Retained

| Relating to CLEC Experience | Relating to BellSouth Performance |
|---|---|
| <ul style="list-style-type: none"> • Report Month • Record Type <ul style="list-style-type: none"> - BellSouth Recorded - Non-BellSouth Recorded | <ul style="list-style-type: none"> • Report Month • Record Type |

SQM Disaggregation - Analog/Benchmark

| SQM Level of Disaggregation | SQM Analog/Benchmark |
|--|--|
| <ul style="list-style-type: none"> • Region | <ul style="list-style-type: none"> • Mean Time to Deliver Usage to CLEC is comparable to Mean Time to Deliver Usage to BellSouth. |

SEEM Measure

| SEEM Measure | | |
|--------------|---------|--|
| No | Tier I | |
| | Tier II | |

SEEM Disaggregation - Analog/Benchmark

| SEEM Disaggregation | SEEM Analog/Benchmark |
|--|--|
| <ul style="list-style-type: none"> • Not Applicable | <ul style="list-style-type: none"> • Not Applicable |

B7: Recurring Charge Completeness

Definition

This measure captures percentage of fractional recurring charges appearing on the correct bill.

Exclusions

None

Business Rules

The effective date of the recurring charge must be within 30 days of the bill date for the charge to appear on the correct bill.

Calculation

Recurring Charge Completeness = (a / b) X 100

- a = Count of fractional recurring charges that are on the correct bill¹
- b = Total count of fractional recurring charges that are on the correct bill

¹Correct bill = next available bill

Report Structure

- CLEC Specific
- CLEC Aggregate
- BellSouth Aggregate

Data Retained

| Relating to CLEC Experience | Relating to BellSouth Performance |
|--|---|
| <ul style="list-style-type: none"> • Report Month • Invoice Type • Total Recurring Charges Billed • Total Billed on Time | <ul style="list-style-type: none"> • Report Month • Retail Analog • Total Recurring Charges Billed • Total Billed on Time |

SQM Disaggregation - Analog/Benchmark

| SQM Level of Disaggregation | SQM Analog/Benchmark |
|-----------------------------|----------------------|
| Product/Invoice Type | |
| • Resale | • Parity |
| • UNE | • Benchmark 90% |
| • Interconnection | • Benchmark 90% |

SEEM Measure

| SEEM Measure | | |
|--------------|---------|--|
| No | Tier I | |
| | Tier II | |

SEEM Disaggregation - Analog/Benchmark

| SEEM Disaggregation | SEEM Analog/Benchmark |
|---------------------|-----------------------|
| • Not Applicable | • Not Applicable |

B8: Non-Recurring Charge Completeness

Definition

This measure captures percentage of non-recurring charges appearing on the correct bill.

Exclusions

None

Business Rules

The effective date of the non-recurring charge must be within 30 days of the bill date for the charge to appear on the correct bill.

Calculation

Non-Recurring Charge Completeness = (a / b) X 100

- a = Count of non-recurring charges that are on the correct bill¹
- b = Total count of non-recurring charges that are on the correct bill

¹Correct bill = next available bill

Report Structure

- CLEC Specific
- CLEC Aggregate
- BellSouth Aggregate

Data Retained

| Relating to CLEC Experience | Relating to BellSouth Performance |
|--|---|
| <ul style="list-style-type: none"> • Report Month • Invoice Type • Total Non-recurring Charges Billed • Total Billed on Time | <ul style="list-style-type: none"> • Report Month • Retail Analog • Total Non-recurring Charges Billed • Total Billed on Time |

SQM Disaggregation - Analog/Benchmark

| SQM Level of Disaggregation | SQM Analog/Benchmark |
|-----------------------------|----------------------|
| Product/Invoice Type | |
| • Resale | • Parity |
| • UNE | • Benchmark 90% |
| • Interconnection | • Benchmark 90% |

SEEM Measure

| SEEM Measure | | |
|--------------|---------|--|
| No | Tier I | |
| | Tier II | |

SEEM Disaggregation - Analog/Benchmark

| SEEM Disaggregation | SEEM Analog/Benchmark |
|---------------------|-----------------------|
| • Not Applicable | • Not Applicable |

Section 6: Operator Services And Directory Assistance

OS-1: Speed to Answer Performance/Average Speed to Answer - Toll

Definition

Measurement of the average time in seconds calls wait before answered by a toll operator.

Exclusions

None

Business Rules

The clock starts when the customer enters the queue and the clock stops when a BellSouth representative answers the call or the customer abandons the call. The length of each call is determined by measuring, using a scanning technique, and accumulating the elapsed time from the entry of a customer call into the BellSouth call management system queue until the customer call is abandoned or transferred to BellSouth personnel assigned to handle calls for assistance. The system makes no distinction between CLEC customers and BellSouth customers.

Calculation

Speed to Answer Performance/Average Speed to Answer - Toll = a / b

- a = Total queue time
- b = Total calls answered

Note: Total queue time includes time that answered calls wait in queue as well as time abandoned calls wait in queue prior to abandonment.

Report Structure

- Reported for the aggregate of BellSouth and CLECs
- State

Data Retained (on Aggregate Basis)

- For the items below, BellSouth's Performance Measurement Analysis Platform (PMAP) receives a final computation; therefore, no raw data file is available in PMAP
- Month
- Call Type (Toll)
- Average Speed of Answer

SQM Disaggregation - Analog/Benchmark

| SQM Level of Disaggregation | SQM Analog/Benchmark |
|-----------------------------|----------------------|
| • None | • Parity by Design |

SEEM Measure

| SEEM Measure | |
|--------------|---------|
| No | Tier I |
| | Tier II |

SEEM Disaggregation - Analog/Benchmark

| SEEM Disaggregation | SEEM Analog/Benchmark |
|---------------------|-----------------------|
| • Not Applicable | • Not Applicable |

OS-2: Speed to Answer Performance/Percent Answered with “X” Seconds - Toll

Definition

Measurement of the percent of toll calls that are answered in less than ten seconds.

Exclusions

None

Business Rules

The clock starts when the customer enters the queue and the clock stops when a BellSouth representative answers the call or the customer abandons the call. The length of each call is determined by measuring, using a scanning technique, and accumulating the elapsed time from the entry of a customer call into the BellSouth call management system queue until the customer call is abandoned or transferred to BellSouth personnel assigned to handle calls for assistance. The system makes no distinction between CLEC customers and BellSouth customers.

Calculation

The Percent Answered within “X” Seconds measurement for toll is derived by using the BellCore Statistical Answer Conversion Tables, to convert the Average Speed to Answer measure into a percent of calls answered within “X” seconds. The BellCore Conversion Tables are specific to the defined parameters of work time, number of operators, max queue size and call abandonment rates.

Report Structure

- Reported for the aggregate of BellSouth and CLECs
 - State

Data Retained (on Aggregate Basis)

- For the items below, BellSouth’s Performance Measurement Analysis Platform (PMAP) receives a final computation; therefore, no raw data file is available in PMAP
- Month
- Call Type (Toll)
- Average Speed of Answer

SQM Disaggregation - Analog/Benchmark

| SQM Level of Disaggregation | SQM Analog/Benchmark |
|-----------------------------|----------------------|
| • None | • Parity by Design |

SEEM Measure

| SEEM Measure | |
|--------------|---------|
| No | Tier I |
| | Tier II |

SEEM Disaggregation - Analog/Benchmark

| SEEM Disaggregation | SEEM Analog/Benchmark |
|---------------------|-----------------------|
| • Not Applicable | • Not Applicable |

DA-1: Speed to Answer Performance/Average Speed to Answer - Directory Assistance (DA)

Definition

Measurement of the average time in seconds calls wait before answered by a DA operator.

Exclusions

None

Business Rules

The clock starts when the customer enters the queue and the clock stops when a BellSouth representative answers the call or the customer abandons the call. The length of each call is determined by measuring, using a scanning technique, and accumulating the elapsed time from the entry of a customer call into the BellSouth call management system queue until the customer call is abandoned or transferred to BellSouth personnel assigned to handle calls for assistance. The system makes no distinction between CLEC customers and BellSouth customers.

Calculation

Speed to Answer Performance/Average Speed to Answer – Directory Assistance (DA) = a / b

- a = Total queue time
- b = Total calls answered

Note: Total queue time includes time that answered calls wait in queue as well as time abandoned calls wait in queue prior to abandonment.

Report Structure

- Reported for the aggregate of BellSouth and CLECs
 - State

Data Retained (on Aggregate Basis)

- For the items below, BellSouth’s Performance Measurement Analysis Platform (PMAP) receives a final computation; therefore, no raw data file is available in PMAP
- Month
- Call Type (DA)
- Average Speed of Answer

SQM Disaggregation - Analog/Benchmark

| SQM Level of Disaggregation | SQM Analog/Benchmark |
|-----------------------------|----------------------|
| • None | • Parity by Design |

SEEM Measure

| SEEM Measure | | |
|--------------|---------|--|
| No | Tier I | |
| | Tier II | |

SEEM Disaggregation - Analog/Benchmark

| SEEM Disaggregation | SEEM Analog/Benchmark |
|---------------------|-----------------------|
| • Not Applicable | • Not Applicable |

DA-2: Speed to Answer Performance/Percent Answered within “X” Seconds - Directory Assistance (DA)

Definition

Measurement of the percent of DA calls that are answered in less than twelve seconds.

Exclusions

None

Business Rules

The clock starts when the customer enters the queue and the clock stops when a BellSouth representative answers the call or the customer abandons the call. The length of each call is determined by measuring, using a scanning technique, and accumulating the elapsed time from the entry of a customer call into the BellSouth call management system queue until the customer call is abandoned or transferred to BellSouth personnel assigned to handle calls for assistance. The system makes no distinction between CLEC customers and BellSouth customers.

Calculation

The Percent Answered within “X” Seconds measurement for DA is derived by using the BellCore Statistical Answer Conversion Tables, to convert the Average Speed to Answer measure into a percent of calls answered within “X” seconds. The BellCore Conversion Tables are specific to the defined parameters of work time, number of operators, max queue size and call abandonment rates.

Report Structure

- Reported for the aggregate of BellSouth and CLECs
 - State

Data Retained (on Aggregate Basis)

- For the items below, BellSouth’s Performance Measurement Analysis Platform (PMAP) receives a final computation; therefore, no raw data file is available in PMAP.
- Month
- Call Type (DA)
- Average Speed of Answer

SQM Disaggregation - Analog/Benchmark

| SQM Level of Disaggregation | SQM Analog/Benchmark |
|-----------------------------|----------------------|
| • None | • Parity by Design |

SEEM Measure

| SEEM Measure | |
|--------------|---------|
| No | Tier I |
| | Tier II |

SEEM Disaggregation - Analog/Benchmark

| SEEM Disaggregation | SEEM Analog/Benchmark |
|---------------------|-----------------------|
| • Not Applicable | • Not Applicable |

Section 7: Database Update Information

D-1: Average Database Update Interval

Definition

This report measures the interval from receipt of the database change request to the completion of the update to the database for Line Information Database (LIDB), Directory Assistance and Directory Listings. For E-911, see Section 8.

Exclusions

- Updates Canceled by the CLEC
- Initial update when supplemented by CLEC
- BellSouth updates associated with internal or administrative use of local services

Business Rules

The interval for this measure begins with the date and time stamp when a service order is completed and the completion notice is released to all systems to be updated with the order information including Directory Assistance, Directory Listings, and Line Information Database (LIDB). The end time stamp is the date and time of completion of updates to the system.

For BellSouth Results:

The BellSouth computation is identical to that for the CLEC with the clarifications noted below.

Other Clarifications and Qualification:

- For LIDB, the elapsed time for a BellSouth update is measured from the point in time when the BellSouth file maintenance process makes the LIDB update information available until the date and time reported by BellSouth that database updates are completed.
- Results for the CLECs are captured and reported at the update level by Reporting Dimension (see below).
- The Completion Date is the date upon which BellSouth issues the Update Completion Notice to the CLEC.
- If the CLEC initiates a supplement to the originally submitted update and the supplement reflects changes in customer requirements (rather than responding to BellSouth initiated changes), then the update submission date and time will be the date and time of BellSouth receipt of a syntactically correct update supplement. Update activities responding to BellSouth initiated changes will not result in changes to the update submission date and time used for the purposes of computing the update completion interval.
- Elapsed time is measured in hours and hundredths of hours rounded to the nearest tenth of an hour.
- Because this should be a highly automated process, the accumulation of elapsed time continues through off-schedule, weekends and holidays; however, scheduled maintenance windows are excluded.

Calculation

Update Interval = (a - b)

- a = Completion Date & Time of Database Update
- b = Submission Date and Time of Database Change

Average Update Interval = (c / d)

- c = Sum of all Update Intervals
- d = Total Number of Updates Completed During Reporting Period

Report Structure

- CLEC Specific (Under development)
- CLEC Aggregate
- BellSouth Aggregate

Data Retained

| Relating to CLEC Experience | Relating to BellSouth Performance |
|--|---|
| <ul style="list-style-type: none"> • Database File Submission Time • Database File Update Completion Time • CLEC Number of Submissions • Total Number of Updates | <ul style="list-style-type: none"> • Database File Submission Time • Database File Update Completion Time • BellSouth Number of Submissions • Total Number of Updates |

SQM Disaggregation - Analog/Benchmark

| SQM Level of Disaggregation: | SQM Analog/Benchmark: |
|--|--|
| Database Type <ul style="list-style-type: none"> • LIDB • Directory Listings • Directory Assistance | <ul style="list-style-type: none"> • Parity by Design |

SEEM Measure

| SEEM Measure | | |
|--------------|---------|--|
| No | Tier I | |
| | Tier II | |

SEEM Disaggregation - Analog/Benchmark

| SEEM Disaggregation | SEEM Analog/Benchmark |
|--|--|
| <ul style="list-style-type: none"> • Not Applicable | <ul style="list-style-type: none"> • Not Applicable |

D-2: Percent Database Update Accuracy

Definition

This report measures the accuracy of database updates by BellSouth for Line Information Database (LIDB), Directory Assistance, and Directory Listings using a statistically valid sample of LSRs/Orders in a manual review. This manual review is not conducted on BellSouth Retail Orders.

Exclusions

- Updates canceled by the CLEC
- Initial update when supplemented by CLEC
- CLEC orders that had CLEC errors
- BellSouth updates associated with internal or administrative use of local services

Business Rules

For each update completed during the reporting period, the original update that the CLEC sent to BellSouth is compared to the database following completion of the update by BellSouth. An update is “completed without error” if the database completely and accurately reflects the activity specified on the original and supplemental update (order) submitted by the CLEC. Each database (LIDB, Directory Assistance, and Directory Listings) should be separately tracked and reported.

A statistically valid sample of CLEC Orders are pulled each month. That sample will be used to test the accuracy of the database update process. This is a manual process.

Calculation

$$\text{Percent Update Accuracy} = (a / b) \times 100$$

- a = Number of Updates Completed Without Error
- b = Number Updates Completed

Report Structure

- CLEC Aggregate
- CLEC Specific (not available in this report)
- BellSouth Aggregate (not available in this report)

Data Retained

| Relating to CLEC Experience | Relating to BellSouth Performance |
|---|--|
| <ul style="list-style-type: none"> • Report Month • CLEC Order Number (so_nbr) and PON (PON) • Local Service Request (LSR) • Order Submission Date • Number of Orders Reviewed <p>Note: Code in parentheses is the corresponding header found in the raw data file.</p> | <ul style="list-style-type: none"> • Not Applicable |

SQM Disaggregation - Analog/Benchmark

| SQM Level of Disaggregation | SQM Analog/Benchmark |
|--|--|
| Database Type <ul style="list-style-type: none"> • LIDB • Directory Assistance • Directory Listings | <ul style="list-style-type: none"> • 95% Accurate |

SEEM Measure

| SEEM Measure | | |
|--------------|---------|--|
| No | Tier I | |
| | Tier II | |

SEEM Disaggregation - Analog/Benchmark

| SEEM Disaggregation | SEEM Analog/Benchmark |
|----------------------------|------------------------------|
| • Not Applicable | • Not Applicable |

D-3: Percent NXXs and LRNs Loaded by the LERG Effective Date

Definition

Measurement of the percent of NXX(s) and Location Routing Numbers LRN(s) loaded in end office and/or tandem switches by the Local Exchange Routing Guide (LERG) effective date when facilities are in place. BellSouth has a single provisioning process for both NXX(s) and LRN(s). In this measure, BellSouth will identify whether or not a particular NXX has been flagged as LNP capable (set triggers for dips) by the LERG effective date.

An LRN is assigned by the owner of the switch and is placed into the software translations for every switch to be used as an administrative pointer to route NXX(s) in LNP capable switches. The LRN is a result of Local Number Porting and is housed in a national database provided by the Number Portability Administration Center (NPAC). The switch owner is responsible for notifying NPAC and requesting the effective date that will be reflected in the LERG. The national database downloads routing tables into BellSouth Service Control Point (SCP) regional databases, which are queried by switches when routing ported numbers.

The basic NXX routing process includes the addition of all NXX(s) in the response translations. This addition to response translations is what supports LRN routing. Routing instructions for all NXX(s), including LRN(s), are received from the Advance Routing & Trunking System (ARTS) and all routing, including response, is established based on the information contained in the Translation Work Instructions (TWINs) document.

Exclusions

- Activation requests where the CLEC's interconnection arrangements and facilities are not in place by the LERG effective date
- Expedite requests

Business Rules

Data for the initial NXX(s) and LRN(s) in a local calling area will be based on the LERG effective date or completion of the initial interconnection trunk group(s), whichever is longer. Data for additional NXX(s) in the local calling area will be based on the LERG effective date. The LERG effective date is loaded into the system at the request of the CLEC. It is contingent upon the CLEC to engineer, order, and install interconnection arrangements and facilities prior to that date.

The total Count of NXX(s) and LRN(s) that were scheduled to be loaded and those that were loaded by the LERG effective date in BellSouth switches will be captured in the Work Force Administration -Dispatch In database.

Calculation

Percent NXXs/LRNs Loaded and Tested Prior to the LERG Effective Date = (a / b) X 100

- a = Count of NXXs and LRNs loaded by the LERG effective date
- b = Total NXXs and LRNs scheduled to be loaded by the LERG effective date

Report Structure

- CLEC Specific
- CLEC Aggregate
- BellSouth (Not Applicable)

Data Retained

| Relating to CLEC Experience | Relating to BellSouth Performance |
|---|--|
| <ul style="list-style-type: none"> • Company Name • Company Code • NPA/NXX • LERG Effective Date • Loaded Date | <ul style="list-style-type: none"> • Not Applicable |

SQM Disaggregation - Analog/Benchmark

| SQM Level of Disaggregation | SQM Analog/Benchmark |
|---|---|
| <ul style="list-style-type: none"> • Geographic Scope - Region | <ul style="list-style-type: none"> • 100% by LERG Effective Date |

SEEM Measure

| SEEM Measure | | |
|--------------|---------|--|
| No | Tier I | |
| | Tier II | |

SEEM Disaggregation - Analog/Benchmark

| SEEM Disaggregation | SEEM Analog/Benchmark |
|---------------------|-----------------------|
| • Not Applicable | • Not Applicable |

Section 8: E911

E-1: Timeliness

Definition

Measures the percent of batch orders for E911 database updates (to CLEC resale and BellSouth retail records) processed successfully within a 24-hour period.

Exclusions

- Any resale order canceled by a CLEC
- Facilities-based CLEC orders

Business Rules

The 24-hour processing period is calculated based on the date and time processing starts on the batch orders and the date and time processing stops on the batch orders. Mechanical processing starts when SCC (the BellSouth E911 vendor) receives E911 files containing batch orders extracted from the BellSouth Service Order Control System (SOCS). Processing stops when SCC loads the individual records to the E911 database. The E911 database includes updates to the Automatic Location Identification (ALI) database. The system makes no distinction between CLEC resale records and BellSouth retail records.

Calculation

$$E911 \text{ Timeliness} = (a / b) \times 100$$

- a = Number of batch orders processed within 24 hours
- b = Total number of batch orders submitted

Report Structure

Reported for the aggregate of CLEC resale updates and BellSouth retail updates

- State
- Region

Data Retained

- Report month
- Aggregate data

SQM Disaggregation - Analog/Benchmark

| SQM Level of Disaggregation | SQM Analog/Benchmark |
|-----------------------------|----------------------|
| • None | • Parity by Design |

SEEM Measure

| SEEM Measure | | |
|--------------|---------|--|
| No | Tier I | |
| | Tier II | |

SEEM Disaggregation - Analog/Benchmark

| SEEM Disaggregation | SEEM Analog/Benchmark |
|---------------------|-----------------------|
| • Not Applicable | • Not Applicable |

E-2: Accuracy

Definition

Measures the percent of E911 telephone number (TN) record updates (to CLEC resale and BellSouth retail records) processed successfully for E911 (including the Automatic Location Identification (ALI) database).

Exclusions

- Any resale order canceled by a CLEC
- Facilities-based CLEC orders

Business Rules

Accuracy is based on the number of records processed without error at the conclusion of the processing cycle. Mechanical processing starts when SCC (the BellSouth E911 vendor) receives E911 files containing telephone number (TN) records extracted from BellSouth’s Service Order Control System (SOCS). The system makes no distinction between CLEC resale records and BellSouth retail records.

Calculation

$$\text{E911 Accuracy} = (a / b) \times 100$$

- a = Number of record individual updates processed with no errors
- b = Total number of individual record updates

Report Structure

Reported for the aggregate of CLEC resale updates and BellSouth retail updates

- State
- Region

Data Retained

- Report month
- Aggregate data

SQM Disaggregation - Analog/Benchmark

| SQM Level of Disaggregation | SQM Analog/Benchmark |
|-----------------------------|----------------------|
| • None | • Parity by Design |

SEEM Measure

| SEEM Measure | | |
|--------------|---------|--|
| No | Tier I | |
| | Tier II | |

SEEM Disaggregation - Analog/Benchmark

| SEEM Disaggregation | SEEM Analog/Benchmark |
|---------------------|-----------------------|
| • Not Applicable | • Not Applicable |

E-3: Mean Interval

Definition

Measures the mean interval processing of E911 batch orders (to update CLEC resale and BellSouth retail records) including processing against the Automatic Location Identification (ALI) database.

Exclusions

- Any resale order canceled by a CLEC
- Facilities-based CLEC orders

Business Rules

The processing period is calculated based on the date and time processing starts on the batch orders and the date and time processing stops on the batch orders. Data is posted in 4-hour increments up to and beyond 24 hours. The system makes no distinction between CLEC resale records and BellSouth retail records.

Calculation

E911 Interval = (a - b)

- a = Date and time of batch order completion
- b = Date and time of batch order submission

E911 Mean Interval = (c / d)

- c = Sum of all E911 Intervals
- d = Number of batch orders completed

Report Structure

Reported for the aggregate of CLEC resale updates and BellSouth retail updates

- State
- Region

Data Retained

- Report month
- Aggregate data

SQM Disaggregation - Analog/Benchmark

| SQM Level of Disaggregation | SQM Analog/Benchmark |
|-----------------------------|----------------------|
| • None | • Parity by Design |

SEEM Measure

| SEEM Measure | |
|--------------|---------|
| No | Tier I |
| | Tier II |

SEEM Disaggregation - Analog/Benchmark

| SEEM Disaggregation | SEEM Analog/Benchmark |
|---------------------|-----------------------|
| • Not Applicable | • Not Applicable |

Section 9: Trunk Group Performance

TGP-1: Trunk Group Performance-Aggregate

Definition

The Trunk Group Performance report displays, over a reporting cycle, aggregate, average trunk group blocking data for each hour of each day of the reporting cycle, for both CLEC affecting and BellSouth affecting trunk groups.

Exclusions

- Trunk groups for which valid data is not available for an entire study period
- Duplicate trunk group information
- Trunk groups blocked due to CLEC network/equipment failure
- Trunk groups blocked due to CLEC delayed or refused orders
- Trunk groups blocked due to unanticipated significant increases in CLEC traffic
- Final groups actually overflowing, not blocked

Business Rules

The purpose of the Trunk Group Performance Report is to provide trunk blocking measurements on CLEC and BellSouth trunk groups for comparison only. It is not the intent of the report that it be used for network management and/or engineering.

Monthly Average Blocking:

- The reporting cycle includes both business and non-business days in a calendar month.
- Monthly average blocking values are calculated for each trunk group for each of the 24 time consistent hours across a reporting cycle.

Aggregate Monthly Blocking:

- Used to compare aggregate blocking across trunk groups which terminate traffic at CLEC points of presence versus BellSouth switches.
- Aggregate monthly blocking data is calculated for each hour of the day across all trunk groups assigned to a category.

Trunk Categorization:

This report displays, over a reporting cycle, aggregate, average blocking data for each hour of a day. Therefore, for each reporting cycle, 24 blocking data points are generated for two aggregate groups of selected trunk groups. These groups are CLEC affecting and BellSouth affecting trunk groups. In order to assign trunk groups to each aggregate group, all trunk groups are first assigned to a category. A trunk group's end points and the type of traffic that is transmitted on it define a category. Selected categories of trunk groups are assigned to the aggregate groups so that trunk reports can be generated. The categories to which trunk groups have been assigned for this report are as follows.

CLEC Affecting Categories:

| | Point A | Point B |
|--------------|-------------------------|-------------------------|
| Category 1: | BellSouth End Office | BellSouth Access Tandem |
| Category 3: | BellSouth End Office | CLEC Switch |
| Category 4: | BellSouth Local Tandem | CLEC Switch |
| Category 5: | BellSouth Access Tandem | CLEC Switch |
| Category 10: | BellSouth End Office | BellSouth Local Tandem |
| Category 16: | BellSouth Tandem | BellSouth Tandem |

BellSouth Affecting Categories:

| | Point A | Point B |
|-------------|----------------------|----------------------|
| Category 9: | BellSouth End Office | BellSouth End Office |

Calculation

Monthly Average Blocking:

- For each hour of the day, each day's raw data are summed across all valid measurements days in a report cycle for blocked and attempted calls.

- The sum of the blocked calls is divided by the total number of calls attempted in a reporting period.

Aggregate Monthly Blocking:

- For each hour of the day, the monthly sums of the blocked and attempted calls from each trunk group are separately aggregated over all trunk groups within each assigned category.
- The total blocked calls is divided by the total call attempts within a group to calculate an aggregate monthly blocking for each assigned group.
- The result is an aggregate monthly average blocking value for each of the 24 hours by group.
- The difference between the CLEC and BellSouth affecting trunk groups are also calculated for each hour.

Report Structure

- CLEC Aggregate
- BellSouth Aggregate
- State

Data Retained

| Relating to CLEC Experience | Relating to BellSouth Performance |
|---|---|
| <ul style="list-style-type: none"> • Report Month • Total Trunk Groups • Number of Trunk Groups by CLEC • Hourly Blocking Per Trunk Group • Hourly Usage Per Trunk Group • Hourly Call Attempts Per Trunk Group | <ul style="list-style-type: none"> • Report Month • Total Trunk Groups • Aggregate Hourly Blocking Per Trunk Group • Hourly Usage Per Trunk Group • Hourly Call Attempts Per Trunk Group |

SQM Disaggregation - Analog/Benchmark

| SQM Level of Disaggregation | SQM Analog/Benchmark |
|---|--|
| <ul style="list-style-type: none"> • CLEC aggregate • BellSouth aggregate | <ul style="list-style-type: none"> • Any 2 hour period in 24 hours where CLEC blockage exceeds BellSouth blockage by more than 0.5% using trunk groups 1, 3, 4, 5, 10, 16 for CLECs and 9 for BellSouth |

SEEM Measure

| SEEM Measure | | |
|--------------|---------|---|
| Yes | Tier I | |
| | Tier II | X |

SEEM Disaggregation - Analog/Benchmark

| SEEM Disaggregation | SEEM Analog/Benchmark |
|---|---|
| <ul style="list-style-type: none"> • CLEC Aggregate • BellSouth Aggregate | <ul style="list-style-type: none"> • Any 2 hour period in 24 hours where CLEC blockage exceeds BellSouth blockage by more than 0.5% using trunk groups 1,3,4,5,10,16 for CLECs and 9 for BellSouth |

TGP-2: Trunk Group Performance-CLEC Specific

Definition

The Trunk Group Performance report displays, over a reporting cycle, aggregate, average trunk group blocking data for each hour of each day of the reporting cycle, for both CLEC affecting and BellSouth affecting trunk groups.

Exclusions

- Trunk Groups for which valid data is not available for an entire study period
- Duplicate trunk group information
- Trunk groups blocked due to CLEC network/equipment failure
- Trunk groups blocked due to CLEC delayed or refused orders
- Trunk groups blocked due to unanticipated significant increases in CLEC traffic
- Final groups actually overflowing, not blocked

Business Rules

The purpose of the Trunk Group Performance Report is to provide trunk blocking measurements on CLEC and BellSouth trunk groups for comparison only. It is not the intent of the report that it be used for network management and/or engineering.

Monthly Average Blocking:

- The reporting cycle includes both business and non-business days in a calendar month.
- Monthly average blocking values are calculated for each trunk group for each of the 24 time consistent hours across a reporting cycle.

Aggregate Monthly Blocking:

- Used to compare aggregate blocking across trunk groups which terminate traffic at CLEC points of presence versus BellSouth switches.
- Aggregate monthly blocking data is calculated for each hour of the day across all trunk groups assigned to a category.

Trunk Categorization:

- This report displays, over a reporting cycle, aggregate, average blocking data for each hour of a day. Therefore, for each reporting cycle, 24 blocking data points are generated for two aggregate groups of selected trunk groups. These groups are CLEC affecting and BellSouth affecting trunk groups. In order to assign trunk groups to each aggregate group, all trunk groups are first assigned to a category. A trunk group's end points and the type of traffic that is transmitted on it define a category. Selected categories of trunk groups are assigned to the aggregate groups so that trunk reports can be generated. The categories to which trunk groups have been assigned for this report are as follows.

CLEC Affecting Categories:

| | Point A | Point B |
|--------------|-------------------------|-------------------------|
| Category 1: | BellSouth End Office | BellSouth Access Tandem |
| Category 3: | BellSouth End Office | CLEC Switch |
| Category 4: | BellSouth Local Tandem | CLEC Switch |
| Category 5: | BellSouth Access Tandem | CLEC Switch |
| Category 10: | BellSouth End Office | BellSouth Local Tandem |
| Category 16: | BellSouth Tandem | BellSouth Tandem |

BellSouth Affecting Categories:

| | Point A | Point B |
|-------------|----------------------|----------------------|
| Category 9: | BellSouth End Office | BellSouth End Office |

Calculation

Monthly Average Blocking:

- For each hour of the day, each day’s raw data are summed across all valid measurements days in a report cycle for blocked and attempted calls.
- The sum of the blocked calls is divided by the total number of calls attempted in a reporting period.

Aggregate Monthly Blocking:

- For each hour of the day, the monthly sums of the blocked and attempted calls from each trunk group are separately aggregated over all trunk groups within each assigned category.
- The total blocked calls is divided by the total call attempts within a group to calculate an aggregate monthly blocking for each assigned group.
- The result is an aggregate monthly average blocking value for each of the 24 hours by group.
- The difference between the CLEC and BellSouth affecting trunk groups are also calculated for each hour.

Report Structure

- CLEC Specific
- State

Data Retained

| Relating to CLEC Experience | Relating to BellSouth Performance |
|---|---|
| <ul style="list-style-type: none"> • Report Month • Total Trunk Groups • Number of Trunk Groups by CLEC • Hourly Blocking Per Trunk Group • Hourly Usage Per Trunk Group • Hourly Call Attempts Per Trunk Group | <ul style="list-style-type: none"> • Report Month • Total Trunk Groups • Aggregate Hourly Blocking Per Trunk Group • Hourly Usage Per Trunk Group • Hourly Call Attempts Per Trunk Group |

SQM Disaggregation - Analog/Benchmark

| SQM Level of Disaggregation | SQM Analog/Benchmark |
|--|--|
| <ul style="list-style-type: none"> • CLEC Trunk Group | <ul style="list-style-type: none"> • Any 2 hour period in 24 hours where CLEC blockage exceeds BellSouth blockage by more than 0.5% using trunk groups 1, 3, 4, 5, 10, 16 for CLECs and 9 for BellSouth |

SEEM Measure

| SEEM Measure | | |
|--------------|---------|---|
| Yes | Tier I | X |
| | Tier II | |

SEEM Disaggregation - Analog/Benchmark

| SEEM Disaggregation | SEEM Analog/Benchmark |
|---|--|
| <ul style="list-style-type: none"> • CLEC Trunk Group • BellSouth Trunk Group | <ul style="list-style-type: none"> • Any 2 hour period in 24 hours where CLEC blockage exceeds BellSouth blockage by more than 0.5% using trunk groups 1, 3, 4, 5, 10, 16 for CLECs and 9 for BellSouth |

Section 10: Collocation

C-1: Collocation Average Response Time

Definition

Measures the average time (counted in calendar days) from the receipt of a complete and accurate collocation application (including receipt of application fee if required) to the date BellSouth returns a response electronically or in writing. Within 10 calendar days after having received a bona fide application for physical collocation, BellSouth must respond as to whether space is available or not.

Exclusions

Any application canceled by the CLEC.

Business Rules

The clock starts on the date that BellSouth receives a complete and accurate collocation application accompanied by the appropriate application fee if required. The clock stops on the date that BellSouth returns a response. The clock will restart upon receipt of changes to the original application request.

Calculation

Response Time = (a - b)

- a = Request Response Date
- b = Request Submission Date

Average Response Time = (c / d)

- c = Sum of all Response Times
- d = Count of Responses Returned within Reporting Period

Report Structure

- Individual CLEC (alias) Aggregate
- Aggregate of all CLECs

Data Retained

- Report Period
- Aggregate Data

SQM Disaggregation - Analog/Benchmark

| Level of Disaggregation | SQM Analog/Benchmark |
|---|---|
| <ul style="list-style-type: none"> • State • Virtual-Initial • Virtual-Augment • Physical Caged-Initial • Physical Caged-Augment • Physical-Cageless-Initial • Physical Cageless-Augment | <ul style="list-style-type: none"> • Virtual - 20 Calendar Days • Physical Caged - 30 Calendar Days • Physical Cageless - 30 Calendar Days |

SEEM Measure

| SEEM Measure | | |
|--------------|---------|--|
| No | Tier I | |
| | Tier II | |

SEEM Disaggregation - Analog/Benchmark

| SEEM Disaggregation | SEEM Analog/Benchmark |
|---------------------|-----------------------|
| • Not Applicable | • Not Applicable |

C-2: Collocation Average Arrangement Time

Definition

Measures the average time (counted in calendar days) from receipt of a complete and accurate Bona Fide firm order (including receipt of appropriate fee if required) to the date BellSouth completes the collocation arrangement and notifies the CLEC.

Exclusions

- Any Bona Fide firm order canceled by the CLEC
- Any Bona Fide firm order with a CLEC-negotiated interval longer than the benchmark interval

Business Rules

The clock starts on the date that BellSouth receives a complete and accurate Bone Fide firm order accompanied by the appropriate fee. The clock stops on the date that BellSouth completes the collocation arrangement and notifies the CLEC.

Calculation

Arrangement Time = (a - b)

- a = Date Collocation Arrangement is Complete
- b = Date Order for Collocation Arrangement Submitted

Average Arrangement Time = (c / d)

- c = Sum of all Arrangement Times
- d = Total Number of Collocation Arrangements Completed during Reporting Period

Report Structure

- Individual CLEC (alias) Aggregate
- Aggregate of all CLECs

Data Retained

- Report Period
- Aggregate Data

SQM Disaggregation - Analog/Benchmark

| SQM Level of Disaggregation | SQM Analog/Benchmark |
|---|---|
| <ul style="list-style-type: none"> • State • Virtual-Initial • Virtual-Augment • Physical Caged-Initial • Physical Caged-Augment • Physical Cageless-Initial • Physical Cageless-Augment | <ul style="list-style-type: none"> • Virtual - 50 Calendar Days (Ordinary) • Virtual - 75 Calendar Days (Extraordinary) • Physical Caged - 90 Calendar Days • Physical Cageless - 60 Calendar Days (Ordinary) • Physical Cageless - 90 Calendar Days (Extraordinary) |

SEEM Measure

| SEEM Measure | | |
|--------------|---------|--|
| No | Tier I | |
| | Tier II | |

SEEM Disaggregation - Analog/Benchmark

| SEEM Disaggregation | SEEM Analog/Benchmark |
|---------------------|-----------------------|
| • Not Applicable | • Not Applicable |

C-3: Collocation Percent of Due Dates Missed

Definition

Measures the percent of missed due dates for both virtual and physical collocation arrangements.

Exclusions

Any Bona Fide firm order canceled by the CLEC.

Business Rules

Percent Due Dates Missed is the percent of total collocation arrangements which BellSouth is unable to complete by end of the BellSouth committed due date. The clock starts on the date that BellSouth receives a complete and accurate Bona Fide firm order accompanied by the appropriate fee if required. The arrangement is considered a missed due date if it is not completed on or before the committed due date.

Calculation

$$\% \text{ of Due Dates Missed} = (a / b) \times 100$$

- a = Number of Completed Orders that were not completed within BellSouth Committed Due Date during Reporting Period
- b = Number of Orders Completed in Reporting Period

Report Structure

- Individual CLEC (alias) Aggregate
- Aggregate of all CLECs

Data Retained

- Report Period
- Aggregate Data

SQM Disaggregation - Analog/Benchmark

| SQM Level of Disaggregation | SQM Analog/Benchmark |
|---|---|
| <ul style="list-style-type: none"> • State • Virtual-Initial • Virtual-Augment • Physical Caged-Initial • Physical Caged-Augment • Physical Cageless-Initial • Physical Cageless-Augment | <ul style="list-style-type: none"> • >= 95% on time |

SEEM Measure

| SEEM Measure | | |
|--------------|---------|---|
| Yes | Tier I | X |
| | Tier II | X |

SEEM Disaggregation - Analog/Benchmark

| SEEM Disaggregation | SEEM Analog/Benchmark |
|--|---|
| <ul style="list-style-type: none"> • All Collocation Arrangements | <ul style="list-style-type: none"> • >= 95% on time |

Section 11: Change Management

CM-1: Timeliness of Change Management Notices

Definition

Measures whether CLECs receive required software release notices on time to prepare for BellSouth interface/system changes so CLEC interfaces are not impaired by change.

Exclusions

- Changes to release dates for reasons outside BellSouth control, such as the system software vendor changes. For example: a patch to fix a software problem.
- Type 6 Change Requests (Defects/Expedites), as defined by the Change Control Process (CCP)

Business Rules

This metric is designed to measure the percent of change management notices sent to the CLECs according to notification standards and time frames set forth in the Change Control Process. The CCP is used by BellSouth and the CLECs to manage requested changes to the BellSouth Local Interfaces.

The clock starts on the notification date. The clock stops on the software release date. When project events occur (scope changes, analysis information, etc.), the software release date may change. A revised notification would be required and the clock would restart. Based on release constraints for defects/expedites, notification may be less than the agreed upon interval in the CCP for new features.

Calculation

$$\text{Timeliness of Change Management Notices} = (a / b) \times 100$$

- a = Total number of Change Management Notifications Sent Within Required Timeframes
- b = Total Number of Change Management Notifications Sent

Report Structure

- BellSouth Aggregate

Data Retained

- Report Period
- Notice Date
- Release Date

SQM Disaggregation - Analog/Benchmark

| SQM Level of Disaggregation | SQM Analog/Benchmark |
|-----------------------------|-----------------------------|
| • Region | • 95% >= 30 Days of Release |

SEEM Measure

| SEEM Measure | |
|--------------|---------|
| Yes | Tier I |
| | Tier II |
| | X |

SEEM Disaggregation - Analog/Benchmark

| SEEM Disaggregation | SEEM Analog/Benchmark |
|---------------------|-----------------------------|
| • Region | • 95% >= 30 Days of Release |

CM-2: Change Management Notice Average Delay Days

Definition

Measures the average delay days for change management system release notices sent outside the time frame set forth in the Change Control Process.

Exclusions

- Changes to release dates for reasons outside BellSouth control, such as the system software vendor changes. For example: a patch to fix a software problem
- Type 6 Change Requests (Defects/Expedites), as defined by the Change Control Process

Business Rules

This metric is designed to measure the percent of change management notices sent to the CLECs according to notification standards and time frames set forth in the Change Control Process. The CCP is used by BellSouth and the CLECs to manage requested changes to the BellSouth Local Interfaces.

The clock starts on the notification due date. The clock stops on the software release date. When project events occur (scope changes, analysis information, etc.), the software release date may change. A revised notification would be required and the clock would restart. Based on release constraints for defects/expedites, notification may be less than the agreed upon interval in the CCP for new features.

Calculation

Change Management Notice Delay Days = (a - b)

- a = Date Notice Sent
- b = Date Notice Due

Change Management Notice Average Delay Days = (c / d)

- c = Sum of all Change Management Notice Delay Days
- d = Total Number of Notices Sent Late

Report Structure

- BellSouth Aggregate

Data Retained

- Report Period
- Notice Date
- Release Date

SQM Disaggregation - Analog/Benchmark

| SQM Level of Disaggregation | SQM Analog/Benchmark |
|-----------------------------|----------------------|
| • Region | • <= 8 Days |

SEEM Measure

| SEEM Measure | | |
|--------------|---------|--|
| No | Tier I | |
| | Tier II | |

SEEM Disaggregation - Analog/Benchmark

| SEEM Disaggregation | SEEM Analog/Benchmark |
|---------------------|-----------------------|
| • Not Applicable | • Not Applicable |

CM-3: Timeliness of Documents Associated with Change

Definition

Measures whether CLECs received requirements or business rule documentation on time to prepare for BellSouth interface/system changes so CLEC interfaces are not impaired by change.

Exclusions

- Documentation for release dates that slip less than 30 days for reasons outside BellSouth control, such as changes due to Regulatory mandate or CLEC request
- Type 6 Change Requests (Defects/Expedites), as defined by the Change Control Process

Business Rules

This metric is designed to measure the percent of requirements or business rule documentation sent to the CLECs according to documentation standards and timeframes set forth in the Change Control Process. The CCP is used by BellSouth and the CLECs to manage requested changes to the BellSouth Local Interfaces.

The clock starts on the business rule documentation release date. The clock stops on the software release date. When project events occur (scope changes, analysis information, etc.), the software release date may change. Revisions to documentation could be required and the clock would restart.

Calculation

$$\text{Timeliness of Documents Associated with Change} = (a / b) \times 100$$

- a = Change Management Documentation Sent Within Required Timeframes after Notices
- b = Total Number of Change Management Documentation Sent

Report Structure

- BellSouth Aggregate

Data Retained

- Report Period
- Notice Date
- Release Date

SQM Disaggregation - Analog/Benchmark

| SQM Level of Disaggregation | SQM Analog/Benchmark |
|-----------------------------|---|
| • Region | <ul style="list-style-type: none"> • 95% >= 30 days if new features coding is required • 95% >= 5 days for documentation defects, corrections or clarifications |

SEEM Measure

| SEEM Measure | | |
|--------------|---------|---|
| Yes | Tier I | |
| | Tier II | X |

SEEM Disaggregation - Analog/Benchmark

| SEEM Disaggregation | SEEM Analog/Benchmark |
|---------------------|--------------------------------|
| • Region | • 95% >= 30 days of the change |

CM-4: Change Management Documentation Average Delay Days

Definition

Measures the average delay days for requirements or business rule documentation sent outside the time frames set forth in the Change Control Process.

Exclusions

- Documentation for release dates that slip less than 30 days for reasons outside BellSouth control, such as changes due to Regulatory mandate or CLEC request
- Type 6 Change Requests (Defects/Expedites), as defined by the Change Control Process

Business Rules

This metric is designed to measure the percent of requirements or business rule documentation sent to the CLECs according to documentation standards and time frames set forth in the Change Control Process. The CCP is used by BellSouth and the CLECs to manage requested changes to the BellSouth Local Interfaces.

The clock starts on the business rule documentation release date. The clock stops on the software release date. When project events occur (scope changes, analysis information, etc.), the software release date may change. Revisions to documentation could be required and the clock would restart.

Calculation

Change Management Documentation Delay Days = (a - b)

- a = Date Documentation Provided
- b = Date Documentation Due

Change Management Documentation Average Delay Days = (c / d)

- c = Sum of all CM Documentation Delay Days
- d = Total Change Management Documents Sent

Report Structure

- BellSouth Aggregate

Data Retained

- Report Period
- Notice Date
- Release Date

SQM Disaggregation - Analog/Benchmark

| SQM Level of Disaggregation | SQM Analog/Benchmark |
|-----------------------------|----------------------|
| • Region | • <= 8 Days |

SEEM Measure

| SEEM Measure | | |
|--------------|---------|--|
| No | Tier I | |
| | Tier II | |

SEEM Disaggregation - Analog/Benchmark

| SEEM Disaggregation | SEEM Analog/Benchmark |
|---------------------|-----------------------|
| • Not Applicable | • Not Applicable |

CM-5: Notification of CLEC Interface Outages

Definition

Measures the time it takes BellSouth to notify the CLEC of an outage of an interface.

Exclusions

None

Business Rules

This measure is designed to notify the CLEC of interface outages within 15 minutes of BellSouth’s verification that an outage has taken place. This metric will be expressed as a percentage.

Calculation

Notification of CLEC Interface Outages = (a / b) X 100

- a = Number of Interface Outages where CLECS are notified within 15 minutes
- b = Total Number of Interface Outages

Report Structure

- CLEC Aggregate

Data Retained

| Relating to CLEC Experience | Relating to BellSouth Performance |
|---|--|
| <ul style="list-style-type: none"> • Number of Interface Outages • Number of Notifications <= 15 minutes | <ul style="list-style-type: none"> • Not Applicable |

SQM Disaggregation - Analog/Benchmark

| SQM Level of Disaggregation | SQM Analog/Benchmark |
|--|---|
| <ul style="list-style-type: none"> • By interface type for all interfaces accessed by CLECs | <ul style="list-style-type: none"> • 97% in 15 Minutes |

| Interface | Applicable to |
|-----------|----------------|
| EDI | CLEC |
| CSOTS | CLEC |
| LENS | CLEC |
| TAG | CLEC |
| ECTA | CLEC |
| TAFI | CLEC/BellSouth |

SEEM Measure

| SEEM Measure | |
|--------------|---------|
| No | Tier I |
| | Tier II |

SEEM Disaggregation - Analog/Benchmark

| SEEM Disaggregation | SEEM Analog/Benchmark |
|--|--|
| <ul style="list-style-type: none"> • Not Applicable | <ul style="list-style-type: none"> • Not Applicable |

Section 12: Bona Fide / New Business Request Process

BFR-1: Percentage of BFR/NBR Requests Processed Within 30 Business Days

Definition

Percentage of Bona Fide/New Business Requests processed within 30 business days for the development and purchases of network elements not currently offered.

Exclusions

- Any application cancelled by the CLEC

Business Rules

The clock starts when BellSouth receives a complete and accurate application. The clock stops when BellSouth completes application processing for Network Elements that are not operational at the time of the request.

Calculation

Percentage of BFR/NBR Requests Processed Within 30 Business Days = (a / b) X 100

- a = Count of number of requests processed within 30 days
- b = Total number of requests

Report Structure

- Individual CLEC (alias) Aggregate
- Aggregate of all CLECs

Data Retained

- Report Period
- Aggregate Data

SQM Disaggregation - Analog/Benchmark

| SQM Level of Disaggregation | SQM Analog/Benchmark |
|-----------------------------|---------------------------|
| • Region | • 90% <= 30 business days |

SEEM Measure

| SEEM Measure | |
|--------------|---------|
| No | Tier I |
| | Tier II |

SEEM Disaggregation - Analog/Benchmark

| SEEM Disaggregation | SEEM Analog/Benchmark |
|---------------------|-----------------------|
| • Not Applicable | • Not Applicable |

BFR-2: Percentage of Quotes Provided for Authorized BFR/NBR Requests Processed Within X (10/30/60) Business Days

Definition

Percentage of quotes provided in response to Bona Fide/New Business Requests within X (10/30/60) business days for network elements not currently offered.

Exclusions

- Requests that are subject to pending arbitration

Business Rules

The clock starts when BellSouth receives a complete and accurate application. The clock stops when BellSouth responds back to the application with a price quote.

Calculation

Percentage of Quotes Provided for Authorized BFR/NBR Requests Processed Within X (10/30/60) Business Days = $(a / b) \times 100$

- a = Count of number of requests processed within “X” days
- b = Total number of requests
where “X” = 10, 30, or 60 days

Report Structure

- New Network Elements that are operational at the time of the request
- New Network Elements that are ordered by the FCC
- New Network Elements that are not operational at the time of the request

Data Retained

- Report Period
- Aggregate Data

SQM Disaggregation - Analog/Benchmark

| SQM Level of Disaggregation | SQM Analog/Benchmark |
|--|--|
| <ul style="list-style-type: none"> • Region | <ul style="list-style-type: none"> • 90% <= 10/30/60 business days <ul style="list-style-type: none"> - Network Elements that are operational at the time of the request – 10 days - Network Elements that are Ordered by the FCC – 30 days - New Network Elements – 90 days |

SEEM Measure

| SEEM Measure | |
|--------------|---------|
| No | Tier I |
| | Tier II |

SEEM Disaggregation - Analog/Benchmark

| SEEM Disaggregation | SEEM Analog/Benchmark |
|--|--|
| <ul style="list-style-type: none"> • Not Applicable | <ul style="list-style-type: none"> • Not Applicable |

Appendix A: Reporting Scope

A-1: Standard Service Groupings

See individual reports in the body of the SQM.

A-2: Standard Service Order Activities

These are the generic BellSouth/CLEC service order activities which are included in the Pre-Ordering, Ordering, and Provisioning sections of this document. It is not meant to indicate specific reporting categories.

Service Order Activity Types

- Service Migrations Without Changes
- Service Migrations With Changes
- Move and Change Activities
- Service Disconnects (Unless noted otherwise)
- New Service Installations

Pre-Ordering Query Types

- Address
- Telephone Number
- Appointment Scheduling
- Customer Service Record
- Feature Availability
- Service Inquiry

Maintenance Query Types:

TAFI - TAFI queries the systems below

- CRIS
- March
- Predictor
- LMOS
 - DLR
 - DLETH
 - LMOSupd
- LNP
- NIW
- OSPCM
- SOCS

Report Levels

- CLEC RESH
- CLEC State
- CLEC Region
- Aggregate CLEC State
- Aggregate CLEC Region
- BellSouth State
- BellSouth Region

Appendix B: Glossary of Acronyms and Terms

Symbols used in calculations

Σ

A mathematical symbol representing the sum of a series of values following the symbol.

-

A mathematical operator representing subtraction.

+

A mathematical operator representing addition.

/

A mathematical operator representing division.

<

A mathematical symbol that indicates the metric on the left of the symbol is less than the metric on the right.

<=

A mathematical symbol that indicates the metric on the left of the symbol is less than or equal to the metric on the right.

>

A mathematical symbol that indicates the metric on the left of the symbol is greater than the metric on the right.

>=

A mathematical symbol that indicates the metric on the left of the symbol is greater than or equal to the metric on the right.

()

Parentheses, used to group mathematical operations which are completed before operations outside the parentheses.

A

ACD

Automatic Call Distributor - A service that provides status monitoring of agents in a call center and routes high volume incoming telephone calls to available agents while collecting management information on both callers and attendants.

Aggregate

Sum total of all items in like category, e.g. CLEC aggregate equals the sum total of all CLECs' data for a given reporting level.

ALEC

Alternative Local Exchange Company = FL CLEC

ADSL

Asymmetrical Digital Subscriber Line

ASR

Access Service Request - A request for access service terminating delivery of carrier traffic into a Local Exchange Carrier's network.

ATLAS

Application for Telephone Number Load Administration System - The BellSouth Operations System used to administer the pool of available telephone numbers and to reserve selected numbers from the pool for use on pending service requests/service orders.

ATLASTN

ATLAS software contract for Telephone Number.

Auto Clarification

The number of LSRs that were electronically rejected from LESOG and electronically returned to the CLEC for correction.

B**BFR:**

Bona Fide Request

BILLING

The process and functions by which billing data is collected and by which account information is processed in order to render accurate and timely billing.

BOCRIS

Business Office Customer Record Information System (Front-end to the CRIS database.)

BRI

Basic Rate ISDN

BRC

Business Repair Center – The BellSouth Business Systems trouble receipt center which serves business and CLEC customers.

BellSouth

BellSouth Telecommunications, Inc.

C**CABS**

Carrier Access Billing System

CCC

Coordinated Customer Conversions

CCP

Change Control Process

Centrex

A business telephone service, offered by local exchange carriers, which is similar to a Private Branch Exchange (PBX) but the switching equipment is located in the telephone company Central Office (CO).

CKTID

A unique identifier for elements combined in a service configuration

CLEC

Competitive Local Exchange Carrier

CLP

Competitive Local Provider = NC CLEC

CM

Change Management

CMDS

Centralized Message Distribution System - Telcordia administered national system used to transfer specially formatted messages among companies.

COFFI

Central Office Feature File Interface - Provides information about USOCs and class of service. COFFI is a part of DOE/ SONGS. It indicates all services available to a customer.

COG

Corporate Gateway - Telcordia product designed for the electronic submission of xDSL Local Service Requests.

CRIS

Customer Record Information System - The BellSouth proprietary corporate database and billing system for non-access customers and services.

CRSACCTS

CRIS software contract for CSR information

CRSG

Complex Resale Support Group

C-SOTS

CLEC Service Order Tracking System

CSR

Customer Service Record

CTTG

Common Transport Trunk Group - Final trunk groups between BellSouth & Independent end offices and the BellSouth access tandems.

CWINS Center

Customer Wholesale Interconnection Network Services Center (formerly the UNE Center).

D**DA**

Directory Assistance

Design

Design Service is defined as any Special or Plain Old Telephone Service Order which requires BellSouth Design Engineering Activities.

Disposition & Cause

Types of trouble conditions, e.g. No Trouble Found, Central Office Equipment, Customer Premises Equipment, etc.

DLETH

Display Lengthy Trouble History - A history report that gives all activity on a line record for trouble reports in LMOS.

DLR

Detail Line Record - All the basic information maintained on a line record in LMOS, e.g. name, address, facilities, features etc.

DS-0

The worldwide standard speed for one digital voice signal (64000 bps).

DS-1

24 DS-0s (1.544Mb/sec., i.e. carrier systems)

DOE

Direct Order Entry System - An internal BellSouth service order entry system used by BellSouth Service Representatives to input business service orders in BellSouth format.

DOM

Delivery Order Manager - Telcordia product designed for the electronic submission of xDSL Local Service Requests.

DSAP

DOE (Direct Order Entry) Support Application - The BellSouth Operations System which assists a Service Representative or similar carrier agent in negotiating service provisioning commitments for non-designed services and Unbundled Network Elements.

DSAPDDI

DSAP software contract for schedule information.

DSL

Digital Subscriber Line

DUI

Database Update Information

E**E911**

Provides callers access to the applicable emergency services bureau by dialing a 3-digit universal telephone number.

EDI

Electronic Data Interchange - The computer-to-computer exchange of inter and/or intra-company business documents in a public standard format.

ESSX

BellSouth Centrex Service

F**Fatal Reject**

LSRs electronically rejected from LEO, which checks to see if the LSR has all the required fields correctly populated.

Flow-Through

In the context of this document, LSRs submitted electronically via the CLEC mechanized ordering process that flow through to the BellSouth OSS without manual or human intervention.

FOC

Firm Order Confirmation - A notification returned to the CLEC confirming that the LSR has been received and accepted, including the specified commitment date.

FX

Foreign Exchange

G H**HAL**

“Hands Off” Assignment Logic - Front end access and error resolution logic used in interfacing BellSouth Operations Systems such as ATLAS, BOCRIS, LMOS, PSIMS, RSAG and SOCS.

HALCRIS

HAL software contract for CSR information

HDSL

High Density Subscriber Loop/Line

I J K**ILEC**

Incumbent Local Exchange Company

INP

Interim Number Portability

ISDN

Integrated Services Digital Network

IPC

Interconnection Purchasing Center

L**LAN**

Local Area Network

LAUTO

The automatic processor in the LNP Gateway that validates LSRs and issues service orders.

LCSC

Local Carrier Service Center - The BellSouth center which is dedicated to handling CLEC LSRs, ASRs, and Preordering transactions along with associated expedite requests and escalations.

Legacy System

Term used to refer to BellSouth Operations Support Systems (see OSS)

LENS

Local Exchange Negotiation System - The BellSouth LAN/web server/OS application developed to provide both preordering and ordering electronic interface functions for CLECs.

LEO

Local Exchange Ordering - A BellSouth system which accepts the output of EDI, applies edit and formatting checks, and reformats the Local Service Requests in BellSouth Service Order format.

LERG

Local Exchange Routing Guide

LESOG

Local Exchange Service Order Generator - A BellSouth system which accepts the service order output of LEO and enters the Service Order into the Service Order Control System using terminal emulation technology.

LFACS

Loop Facilities Assessment and Control System

LIDB

Line Information Database

LISC

Local Interconnection Service Center - The center that issues trunk orders.

LMOS

Loop Maintenance Operations System - A BellSouth Operations System that stores the assignment and selected account information for use by downstream OSS and BellSouth personnel during provisioning and maintenance activities.

LMOS HOST

LMOS host computer

LMOSupd

LMOS updates

LMU

Loop Make-up

LMUS

Loop Make-up Service Inquiry

LNP

Local Number Portability - In the context of this document, the capability for a subscriber to retain his current telephone number as he transfers to a different local service provider.

Loops

Transmission paths from the central office to the customer premises.

LRN

Location Routing Number

LSR

Local Service Request – A request for local resale service or unbundled network elements from a CLEC.

M**Maintenance & Repair**

The process and function by which trouble reports are passed to BellSouth and by which the related service problems are resolved.

MARCH

BellSouth Operations System which accepts service orders, interprets the coding contained in the service order image, and constructs the specific switching system Recent Change command messages for input into end office switches.

N**NBR**

New Business Request

NC

“No Circuits” - All circuits busy announcement.

NIW

Network Information Warehouse

NMLI

Native Mode LAN Interconnection

NPA

Numbering Plan Area

NXX

The “exchange” portion of a telephone number.

O**OASIS**

Obtain Availability Services Information System - A BellSouth front-end processor, which acts as an interface between COFFI and RNS. This system takes the USOCs in COFFI and translates them to English for display in RNS.

OASISBSN

OASIS software contract for feature/service

OASISCAR

OASIS software contract for feature/service

OASISLPC

OASIS software contract for feature/service

OASISMTN

OASIS software contract for feature/service

OASISNET

OASIS software contract for feature/service

OASISOCP

OASIS software contract for feature/service

ORDERING

The process and functions by which resale services or unbundled network elements are ordered from BellSouth as well as the process by which an LSR or ASR is placed with BellSouth.

OSPCM

Outside Plant Contract Management System - Provides Scheduling Information.

OSS

Operations Support System - A support system or database which is used to mechanize the flow or performance of work. The term is used to refer to the overall system consisting of hardware complex, computer operating system(s), and application which is used to provide the support functions.

Out Of Service

Customer has no dial tone and cannot call out.

P**PMAP**

Performance Measurement Analysis Platform

PMQAP

Performance Measurement Quality Assurance Plan

PON

Purchase Order Number

POTS

Plain Old Telephone Service

PREDICTOR

The BellSouth Operations system which is used to administer proactive maintenance and rehabilitation activities on outside plant facilities, provide access to selected work groups (e.g. RRC & BRC) to Mechanized Loop Testing and switching system I/O ports, and provide certain information regarding the attributes and capabilities of outside plant facilities.

Preordering

The process and functions by which vital information is obtained, verified, or validated prior to placing a service request.

PRI

Primary Rate ISDN

Provisioning

The process and functions by which necessary work is performed to activate a service requested via an LSR or ASR and to initiate the proper billing and accounting functions.

PSIMS

Product/Service Inventory Management System - A BellSouth database Operations System which contains availability information on switching system features and capabilities and on BellSouth service availability. This database is used to verify the availability of a feature or service in an NXX prior to making a commitment to the customer.

PSIMSORB

PSIMS software contract for feature/service.

Q R**RNS**

Regional Negotiation System - An internal BellSouth service order entry system used by BellSouth Consumer Services to input service orders in BellSouth format.

ROS

Regional Ordering System

RRC

Residence Repair Center - The BellSouth Consumer Services trouble receipt center which serves residential customers.

RSAG

Regional Street Address Guide - The BellSouth database, which contains street addresses validated to be accurate with state and local governments.

RSAGADDR

RSAG software contract for address search.

RSAGTN

RSAG software contract for telephone number search.

S**SAC**

Service Advocacy Center

SEEM

Self Effectuating Enforcement Mechanism

SOCS

Service Order Control System - The BellSouth Operations System which routes service order images among BellSouth drop points and BellSouth Operations Systems during the service provisioning process.

SOG

Service Order Generator - Telcordia product designed to generate a service order for xDSL.

SOIR

Service Order Interface Record - any change effecting activity to a customer account by service order that impacts 911/E911

SONGS

Service Order Negotiation and Generation System.

T**TAFI**

Trouble Analysis Facilitation Interface - The BellSouth Operations System that supports trouble receipt center personnel in taking and handling customer trouble reports.

TAG

Telecommunications Access Gateway – TAG was designed to provide an electronic interface, or machine-to-machine interface for the bi-directional flow of information between BellSouth’s OSSs and participating CLECs.

TN

Telephone Number

Total Manual Fallout

The number of LSRs which are entered electronically but require manual entering into a service order generator.

U V**UNE**

Unbundled Network Element

UCL

Unbundled Copper Link

USOC

Universal Service Order Code

W X Y Z**WATS**

Wide Area Telephone Service

WFA

Work Force Administration

WMC

Work Management Center

WTN

Working Telephone Number.

Appendix C: Appendix C: BellSouth Audit Policy

BellSouth currently provides many CLECs with certain audit rights as a part of their individual interconnection agreements. However, it is not reasonable for BellSouth to undergo an audit of the SQM for every CLEC with which it has a contract. BellSouth has developed a proposed Audit Plan for use by the parties to an audit. If requested by a Public Service Commission or by a CLEC exercising contractual audit rights, BellSouth will agree to undergo a comprehensive audit of the aggregate level reports for both BellSouth and the CLEC(s) each of the next five (5) years (2001-2005) to be conducted by an independent third party. The results of that audit will be made available to all the parties subject to proper safeguards to protect proprietary information. This aggregate level audit includes the following specifications:

1. The cost shall be borne 50% by BellSouth and 50% by the CLEC or CLECs.
2. The independent third party auditor shall be selected with input from BellSouth, the PSC, if applicable, and the CLEC(s).
3. BellSouth, the PSC and the CLEC(s) shall jointly determine the scope of the audit.

BellSouth reserves the right to make changes to this audit policy as growth and changes in the industry dictate.

Attachment 10

BellSouth Disaster Recovery Plan

| <u>CONTENTS</u> | | <u>PAGE</u> |
|------------------------|---|--------------------|
| 1.0 | Purpose | 2 |
| 2.0 | Single Point of Contact | 2 |
| 3.0 | Identifying the Problem | 2 |
| 3.1 | Site Control | 3 |
| 3.2 | Environmental Concerns | 4 |
| 4.0 | The Emergency Control Center (ECC) | 4 |
| 5.0 | Recovery Procedures | 5 |
| 5.1 | CLEC Outage | 5 |
| 5.2 | BellSouth Outage | 5 |
| 5.2.1 | Loss of Central Office | 6 |
| 5.2.2 | Loss of a Central Office with Serving Wire Center Functions | 6 |
| 5.2.3 | Loss of a Central Office with Tandem Functions | 6 |
| 5.2.4 | Loss of a Facility Hub | 6 |
| 5.3 | Combined Outage (CLEC and BellSouth Equipment) | 7 |
| 6.0 | T1 Identification Procedures | 7 |
| 7.0 | Acronyms | 8 |

1.0 PURPOSE

In the unlikely event of a disaster occurring that affects BellSouth's long-term ability to deliver traffic to a Competitive Local Exchange Carrier (CLEC), general procedures have been developed to hasten the recovery process. Since each location is different and could be affected by an assortment of potential problems, a detailed recovery plan is impractical. However, in the process of reviewing recovery activities for specific locations, some basic procedures emerge that appear to be common in most cases.

These general procedures should apply to any disaster that affects the delivery of traffic for an extended time period. Each CLEC will be given the same consideration during an outage and service will be restored as quickly as possible.

This document will cover the basic recovery procedures that would apply to every CLEC.

2.0 SINGLE POINT OF CONTACT

When a problem is experienced, regardless of the severity, the BellSouth Network Management Center (NMC) will observe traffic anomalies and begin monitoring the situation. Controls will be appropriately applied to insure the sanity of BellSouth's network; and, in the event that a switch or facility node is lost, the NMC will attempt to circumvent the failure using available reroutes.

BellSouth's NMC will remain in control of the restoration efforts until the problem has been identified as being a long-term outage. At that time, the NMC will contact BellSouth's Emergency Control Center (ECC) and relinquish control of the recovery efforts. Even though the ECC may take charge of the situation, the NMC will continue to monitor the circumstances and restore traffic as soon as damaged network elements are revitalized.

The telephone number for the BellSouth Network Management Center in Atlanta, as published in Telcordia's National Network Management Directory, is 404-321-2516.

3.0 IDENTIFYING THE PROBLEM

During the early stages of problem detection, the NMC will be able to tell which CLECs are affected by the catastrophe. Further analysis and/or first hand observation will determine if the disaster has affected CLEC equipment only; BellSouth equipment only or a combination. The initial restoration activity will be largely determined by the equipment that is affected.

Once the nature of the disaster is determined and after verifying the cause of the problem, the NMC will initiate reroutes and/or transfers that are jointly agreed upon by the affected CLECs' Network Management Center and the BellSouth NMC. The type and percentage of controls used will depend upon available network capacity. Controls necessary to stabilize the situation will be invoked and the NMC will attempt to re-establish as much traffic as possible.

For long-term outages, recovery efforts will be coordinated by the Emergency Control Center (ECC). Traffic controls will continue to be applied by the NMC until facilities are re-established. As equipment is made available for service, the ECC will instruct the NMC to begin removing the controls and allow traffic to resume.

3.1 SITE CONTROL

In the total loss of building use scenario, what likely exists will be a smoking pile of rubble. This rubble will contain many components that could be dangerous. It could also contain any personnel on the premises at the time of the disaster. For these reasons, the local fire marshal with the assistance of the police will control the site until the building is no longer a threat to surrounding properties and the companies have secured the site from the general public.

During this time, the majority owner of the building should be arranging for a demolition contractor to mobilize to the site with the primary objective of reaching the cable entrance facility for a damage assessment. The results of this assessment would then dictate immediate plans for restoration, both short term and permanent.

In a less catastrophic event, i.e., the building is still standing and the cable entrance facility is usable, the situation is more complex. The site will initially be controlled by local authorities until the threat to adjacent property has diminished. Once the site is returned to the control of the companies, the following events should occur.

An initial assessment of the main building infrastructure systems (mechanical, electrical, fire and life safety, elevators, and others) will establish building needs. Once these needs are determined, the majority owner should lead the building restoration efforts. There may be situations where the site will not be totally restored within the confines of the building. The companies must individually determine their needs and jointly assess the cost of permanent restoration to determine the overall plan of action.

Multiple restoration trailers from each company will result in the need for designated space and installation order. This layout and control is required to maximize the amount of restoration equipment that can be placed at the site, and the priority of placements.

Care must be taken in this planning to insure other restoration efforts have logistical access to the building. Major components of telephone and building equipment will need to be removed and replaced. A priority for this equipment must also be jointly established to facilitate overall site restoration. (Example: If the AC switchgear has sustained damage, this would be of the highest priority in order to regain power, lighting, and HVAC throughout the building.)

If the site will not accommodate the required restoration equipment, the companies would then need to quickly arrange with local authorities for street closures, rights of way or other possible options available.

3.2 ENVIRONMENTAL CONCERNS

In the worse case scenario, many environmental concerns must be addressed. Along with the police and fire marshal, the state environmental protection department will be on site to monitor the situation.

Items to be concerned with in a large central office building could include:

1. Emergency engine fuel supply. Damage to the standby equipment and the fuel handling equipment could have created "spill" conditions that have to be handled within state and federal regulations.
2. Asbestos containing materials that may be spread throughout the wreckage. Asbestos could be in many components of building, electrical, mechanical, outside plant distribution, and telephone systems.
3. Lead and acid. These materials could be present in potentially large quantities depending upon the extent of damage to the power room.
4. Mercury and other regulated compounds resident in telephone equipment.
5. Other compounds produced by the fire or heat.

Once a total loss event occurs at a large site, local authorities will control immediate clean up (water placed on the wreckage by the fire department) and site access.

At some point, the companies will become involved with local authorities in the overall planning associated with site clean up and restoration. Depending on the clean up approach taken, delays in the restoration of several hours to several days may occur.

In a less severe disaster, items listed above are more defined and can be addressed individually depending on the damage.

In each case, the majority owner should coordinate building and environmental restoration as well as maintain proper planning and site control.

4.0 THE EMERGENCY CONTROL CENTER (ECC)

The ECC is located in the Colonnade Building in Birmingham, Alabama. During an emergency, the ECC staff will convene a group of pre-selected experts to inventory the damage and initiate corrective actions. These experts have regional access to BellSouth's personnel and equipment and will assume control of the restoration activity anywhere in the nine-state area.

In the past, the ECC has been involved with restoration activities resulting from hurricanes, ice storms and floods. They have demonstrated their capabilities during these calamities as well as

during outages caused by human error or equipment failures. This group has an excellent record of restoring service as quickly as possible.

During a major disaster, the ECC may move emergency equipment to the affected location, direct recovery efforts of local personnel and coordinate service restoration activities with the CLECs. The ECC will attempt to restore service as quickly as possible using whatever means is available; leaving permanent solutions, such as the replacement of damaged buildings or equipment, for local personnel to administer.

Part of the ECC's responsibility, after temporary equipment is in place, is to support the NMC efforts to return service to the CLECs. Once service has been restored, the ECC will return control of the network to normal operational organizations. Any long-term changes required after service is restored will be made in an orderly fashion and will be conducted as normal activity.

5.0 RECOVERY PROCEDURES

The nature and severity of any disaster will influence the recovery procedures. One crucial factor in determining how BellSouth will proceed with restoration is whether or not BellSouth's equipment is incapacitated. Regardless of who's equipment is out of service, BellSouth will move as quickly as possible to aid with service recovery; however, the approach that will be taken may differ depending upon the location of the problem.

5.1 CLEC OUTAGE

For a problem limited to one CLEC (or a building with multiple CLECs), BellSouth has several options available for restoring service quickly. For those CLECs that have agreements with other CLECs, BellSouth can immediately start directing traffic to a provisional CLEC for completion. This alternative is dependent upon BellSouth having concurrence from the affected CLECs.

Whether or not the affected CLECs have requested a traffic transfer to another CLEC will not impact BellSouth's resolve to re-establish traffic to the original destination as quickly as possible.

5.2 BELLSOUTH OUTAGE

Because BellSouth's equipment has varying degrees of impact on the service provided to the CLECs, restoring service from damaged BellSouth equipment is different. The outage will probably impact a number of Carriers simultaneously. However, the ECC will be able to initiate immediate actions to correct the problem.

A disaster involving any of BellSouth's equipment locations could impact the CLECs, some more than others. A disaster at a Central Office (CO) would only impact the delivery of traffic to and from that one location, but the incident could affect many Carriers. If the Central Office is a Serving Wire Center (SWC), then traffic from the entire area to those Carriers served from that switch would also be impacted. If the switch functions as an Access Tandem, or there is a tandem in the building, traffic from every CO to every CLEC could be interrupted. A disaster that destroys a facility hub could disrupt various traffic flows, even though the switching equipment may be unaffected.

The NMC would be the first group to observe a problem involving BellSouth's equipment. Shortly after a disaster, the NMC will begin applying controls and finding re-routes for the

completion of as much traffic as possible. These reroutes may involve delivering traffic to alternate Carriers upon receiving approval from the CLECs involved. In some cases, changes in translations will be required. If the outage is caused by the destruction of equipment, then the ECC will assume control of the restoration.

5.2.1 Loss of a Central Office

When BellSouth loses a Central Office, the ECC will

- a) Place specialists and emergency equipment on notice;
- b) Inventory the damage to determine what equipment and/or functions are lost;
- c) Move containerized emergency equipment and facility equipment to the stricken area, if necessary;
- d) Begin reconnecting service for Hospitals, Police and other emergency agencies; and
- e) Begin restoring service to CLECs and other customers.

5.2.2 Loss of a Central Office with Serving Wire Center Functions

The loss of a Central Office that also serves as a Serving Wire Center (SWC) will be restored as described in Section 5.2.1.

5.2.3 Loss of a Central Office with Tandem Functions

When BellSouth loses a Central Office building that serves as an Access Tandem and as a SWC, the ECC will

- a) Place specialists and emergency equipment on notice;
- b) Inventory the damage to determine what equipment and/or functions are lost;
- c) Move containerized emergency equipment and facility equipment to the stricken area, if necessary;
- d) Begin reconnecting service for Hospitals, Police and other emergency agencies;
- e) Re-direct as much traffic as possible to the alternate access tandem (if available) for delivery to those CLECs utilizing a different location as a SWC;
- f) Begin aggregating traffic to a location near the damaged building. From this location, begin re-establishing trunk groups to the CLECs for the delivery of traffic normally found on the direct trunk groups. (This aggregation point may be the alternate access tandem location or another CO on a primary facility route.)
- g) Begin restoring service to CLECs and other customers.

5.2.4 Loss of a Facility Hub

In the event that BellSouth loses a facility hub, the recovery process is much the same as above. Once the NMC has observed the problem and administered the appropriate controls, the ECC will assume authority for the repairs. The recovery effort will include

- a) Placing specialists and emergency equipment on notice;
- b) Inventorying the damage to determine what equipment and/or functions are lost;
- c) Moving containerized emergency equipment to the stricken area, if necessary;
- d) Reconnecting service for Hospitals, Police and other emergency agencies; and
- e) Restoring service to CLECs and other customers. If necessary, BellSouth will aggregate the traffic at another location and build temporary facilities. This alternative would be viable for a location that is destroyed and building repairs are required.

5.3 COMBINED OUTAGE (CLEC AND BELLSOUTH EQUIPMENT)

In some instances, a disaster may impact BellSouth's equipment as well as the CLECs'. This situation will be handled in much the same way as described in Section 5.2.3. Since BellSouth and the CLECs will be utilizing temporary equipment, close coordination will be required.

6.0 T1 IDENTIFICATION PROCEDURES

During the restoration of service after a disaster, BellSouth may be forced to aggregate traffic for delivery to a CLEC. During this process, T1 traffic may be consolidated onto DS3s and may become unidentifiable to the Carrier. Because resources will be limited, BellSouth may be forced to "package" this traffic entirely differently than normally received by the CLECs. Therefore, a method for identifying the T1 traffic on the DS3s and providing the information to the Carriers is required.

7.0 ACRONYMS

- CO - Central Office (BellSouth)
- DS3 - Facility that carries 28 T1s (672 circuits)
- ECC - Emergency Control Center (BellSouth)
- CLEC - Competitive Local Exchange Carrier
- NMC - Network Management Center
- SWC - Serving Wire Center (BellSouth switch)
- T1 - Facility that carries 24 circuits

Hurricane Information

During a hurricane, BellSouth will make every effort to keep CLECs updated on the status of our network. Information centers will be set up throughout BellSouth Telecommunications. These centers are not intended to be used for escalations, but rather to keep the CLEC informed of network related issues, area damages and dispatch conditions, etc.

Hurricane-related information can also be found on line at http://www.interconnection.bellsouth.com/network/disaster/dis_resp.htm. Information concerning Mechanized Disaster Reports can also be found at this website by clicking on CURRENT MDR REPORTS or by going directly to <http://www.interconnection.bellsouth.com/network/disaster/mdrs.htm>.

BST Disaster Management Plan

BellSouth maintenance centers have geographical and redundant communication capabilities. In the event of a disaster removing any maintenance center from service another geographical center would assume maintenance responsibilities. The contact numbers will not change and the transfer will be transparent to the CLEC.

Attachment 11

Bona Fide Request and New Business Requests Process

BONA FIDE REQUEST AND NEW BUSINESS REQUESTS PROCESS

- 1.0 The Parties agree that Comm South is entitled to order any Network Element, Interconnection option, service option or Resale Service required to be made available by the Communications Act of 1934, as modified by the Telecommunications Act of 1996 (the “Act”), FCC requirements or State Commission requirements. Comm South also shall be permitted to request the development of new or revised facilities or service options which are not required by the Act. Procedures applicable to requesting the addition of such facilities or service options are specified in this Attachment 11.
- 2.0 Bona Fide Requests (“BFR”) are to be used when Comm South makes a request of BellSouth to provide a new or modified network element, interconnection option, or other service option pursuant to the Act that was not previously included in the Agreement. New Business Requests (“NBRs”) are to be used when Comm South makes a request of BellSouth to provide a new or custom capability or function to meet Comm South’s business needs that was not previously included in the Agreement.
- 3.0 A BFR or a NBR shall be submitted in writing by Comm South and shall specifically identify the required service date, technical requirements, space requirements and/or such specifications that clearly define the request such that BellSouth has sufficient information to analyze and prepare a response. Such a request also shall include a Comm South’s designation of the request as being (i) pursuant to the Telecommunications Act of 1996 (i.e. a “BFR”) or (ii) pursuant to the needs of the business (i.e. a “NBR”). The request shall be sent to Comm South’s Account Executive.
- 4.0 Within thirty (30) business days of its receipt of a BFR or NBR from Comm South, BellSouth shall respond to Comm South by providing a preliminary analysis of such Interconnection, Network Element, or other facility or service option that is the subject of the BFR or NBR. The preliminary analysis shall confirm that BellSouth will either offer access to the Interconnection, Network Element, or other facility or service option, or provide an explanation of why it is not technically feasible and/or why the request does not qualify as an Interconnection or Network Element or is otherwise not required to be provided under the Act. However, if the preliminary analysis is determined to be of such complexity that it causes BellSouth to expend inordinate resources, a fee will be levied upon Comm South and collected prior to the beginning of the preliminary analysis and the thirty (30) business days will begin upon receipt of the fee. In addition to the preliminary analysis, an explanation of the fee will be provided.

- 5.0 Comm South may cancel a BFR or NBR at any time. If Comm South cancels the request more than three (3) business days after submitting it, Comm South shall pay BellSouth's reasonable and demonstrable costs of processing and/or implementing the BFR or NBR up to the date of cancellation. If Comm South does not cancel a BFR or NBR, Comm South shall pay BellSouth's reasonable and demonstrable costs of processing and implementing the request.
- 6.0 BellSouth shall propose a firm price quote and a detailed implementation plan for BFRs within thirty (30) business days of Comm South's acceptance of the preliminary analysis. BellSouth shall propose a firm price and a detailed implementation plan for NBRs within sixty (60) business days of Comm South's acceptance of the preliminary analysis.
- 7.0 If Comm South accepts the preliminary analysis, BellSouth shall proceed with Comm South's BFR or NBR, and Comm South agrees to pay the non-refundable amount identified in the preliminary analysis for the initial work required to develop the project plan, create the design parameters, and establish all activities and resources required to complete the BFR or NBR. These costs will be referred to as "development" costs. The development costs identified in the preliminary analysis are fixed. If Comm South cancels a BFR or NBR after BellSouth has received Comm South's acceptance of the preliminary analysis, Comm South agrees to pay BellSouth the reasonable, demonstrable, and actual costs, if any, directly related to complying with Comm South's BFR or NBR up to the date of cancellation, to the extent such costs were not included in the non-refundable amount set forth above.
- 8.0 If Comm South believes that BellSouth's firm price quote is not consistent with the requirements of the Act, Comm South may seek FCC or state Commission arbitration of its request, as appropriate. Any such arbitration applicable to Network Elements and/or Interconnection shall be conducted in accordance with standards prescribed in Section 252 of the Act.
- 9.0 Unless Comm South agrees otherwise, all prices shall be consistent with the pricing principles of the Act, FCC and/or the State Commission.
- 10.0 If either Party to a BFR or NBR believes that the other Party is not requesting, negotiating, or processing the Bona Fide Request in good faith, or disputes a determination, or price or cost quote, such Party may seek FCC or state Commission resolution of the dispute, as appropriate.
- 11.0 Upon agreement to the terms of a BFR or NBR, an amendment to the Agreement may be required.

Amendment to the
Interconnection Agreement Between
BellSouth Telecommunications, Inc.
and
Comm South Companies, Inc.
North Carolina

This agreement (the "Amendment") is made and entered into between BellSouth Telecommunications, Inc. ("BellSouth") a Georgia corporation, and Comm South Companies, Inc., a Texas corporation, on behalf of itself and its certificated operating affiliates as follows: Georgia Comm South, Inc., E-Z Tel, Inc. and Comm South Companies, Inc., doing business in its own name and doing business as Alabama Comm South Corp., Florida Comm South, Kentucky Comm South, Inc., Comm South in North Carolina (collectively referred to as "Comm South").

WHEREAS, BellSouth and Comm South executed an interconnection agreement effective on July 3, 2002 (the "Agreement");

WHEREAS, the Parties desire to amend that certain Agreement in order to incorporate rates established by the North Carolina Utilities Commission's order in Docket Number P-100, Sub133d on May 1, 2002;

NOW THEREFORE, in consideration of the mutual provisions contained herein and other good and valuable consideration, the receipt and sufficiency of which are hereby acknowledged, BellSouth and Comm South hereby covenant and agree as follows:

1. The North Carolina Enhanced Optional Daily Usage Files (EODUF) rates contained in Exhibit E of Attachment 1 of the Agreement are hereby deleted in entirety and replaced with the rates in Exhibit 1 of this Amendment.
2. The North Carolina rates contained in Exhibit B of Attachment 2 of the Agreement are hereby deleted in entirety and replaced with the rates in Exhibit 2 of this Amendment.
3. The North Carolina rates contained in Exhibit A of Attachment 3 of the Agreement are hereby deleted in entirety and replaced with the rates in Exhibit 3 of this Amendment.
4. The North Carolina rates contained in Exhibit A of Attachment 7 of the Agreement are hereby deleted in entirety and replaced with the rates in Exhibit 4 of this Amendment.
5. The Parties agree that all of the other provisions of the Agreement, dated July 3, 2002, shall remain in full force and effect.

6. The Parties further agree that either or both of the Parties is authorized to submit this Amendment to the North Carolina Utilities Commission or other regulatory body having jurisdiction over the subject matter of this Amendment, for approval subject to Section 252(e) of the federal Telecommunications Act of 1996.

This Amendment is made effective 30 days after the date that it is signed by both Parties.

IN WITNESS WHEREOF, the parties hereto have caused this Amendment to be executed by their respective duly authorized representatives on the data indicated below.

Comm South Companies, Inc.

BellSouth Telecommunications, Inc.

Signature on File
Signature

Signature on File
Signature

Sheri Pringle
Name

Chris Boltz
Name

Director – Regulatory Affairs
Title

Managing Director
Title

7-29-02
Date

7-30-02
Date

RESALE DISCOUNTS AND RATES

| | |
|---|-----------------------|
| | NORTH CAROLINA |
| ENHANCED OPTIONAL DAILY USAGE FILE (EODUF) | |
| EODUF: Message Processing, per message | 0.2285406 |

| UNBUNDLED NETWORK ELEMENTS - North Carolina | | | | | | | | | | Exhibit B of Attachment 2 of the Agreement | | | | | | | | | | | | | |
|--|---|---------|------|-------------|-------|-----------|----------------------------------|--------------------------------------|--|--|---|---|---------------|--------------------|--------------------|-------------------------------|-------------------------------|-------|-------|-------|-------|--|--|
| CATEGORY | RATE ELEMENTS | Interim | Zone | BCS | USOC | RATES(\$) | Svc Order Submitted Elec per LSR | Svc Order Submitted Manually per LSR | Incremental Charge - Manual Svc Order vs. Electronic-1st | Incremental Charge - Manual Svc Order vs. Electronic-Add'l | Incremental Charge - Manual Svc Order vs. Electronic-Disc 1st | Incremental Charge - Manual Svc Order vs. Electronic-Disc Add'l | OSS Rates(\$) | | | | | | | | | | |
| | | | | | | | | | | | | | Rec | Nonrecurring First | Nonrecurring Add'l | Nonrecurring Disconnect First | Nonrecurring Disconnect Add'l | SOMEC | SOMAN | SOMAN | SOMAN | | |
| <p>The "Zone" shown in the sections for stand-alone loops or loops as part of a combination refers to Geographically Deaveraged UNE Zones. To view Geographically Deaveraged UNE Zone Designations by Central Office, refer to internet Website: http://www.interconnection.bellsouth.com/become_a_clec/html/interconnection.htm</p> | | | | | | | | | | | | | | | | | | | | | | | |
| OPERATIONAL SUPPORT SYSTEMS | | | | | | | | | | | | | | | | | | | | | | | |
| <p>NOTE: (1) Electronic Service Order: CLEC should contact its contract negotiator if it prefers the state specific electronic service ordering charges as ordered by the State Commissions. The electronic service ordering charge currently contained in this rate exhibit is the BellSouth regional electronic service ordering charge. CLEC may elect either the state specific Commission ordered rates for the electronic service ordering charges, or CLEC may elect the regional electronic service ordering charge.</p> <p>NOTE: (2) Any element that can be ordered electronically will be billed according to the SOMEC rate listed in this category. Please refer to BellSouth's Business Rules for Local Ordering (BBR-LO) to determine if a product can be ordered electronically. For those elements that cannot be ordered electronically at present per the BBR-LO, the listed SOMEC rate in this category reflects the charge that would be billed to a CLEC once electronic ordering capabilities come on-line for that element. Otherwise, the manual ordering charge, SOMAN, will be applied to a CLECs bill when it submits an LSR to BellSouth.</p> | | | | | | | | | | | | | | | | | | | | | | | |
| | Electronic OSS Charge, per LSR, submitted via BST's OSS interactive interfaces (Regional) | | | | | SOMEC | 3.50 | | | | | | | | | | | | | | | | |
| UNE SERVICE DATE ADVANCEMENT CHARGE | | | | | | | | | | | | | | | | | | | | | | | |
| <p>NOTE: The Expedite charge will be maintained commensurate with BellSouth's FCC No.1 Tariff, Section 5 as applicable.</p> | | | | | | | | | | | | | | | | | | | | | | | |
| | UNE Expedite Charge per Circuit or Line Assignable USOC, per Day | | | ALL UNE | SDASP | | 200.00 | | | | | | | | | | | | | | | | |
| UNBUNDLED EXCHANGE ACCESS LOOP | | | | | | | | | | | | | | | | | | | | | | | |
| 2-WIRE ANALOG VOICE GRADE LOOP | | | | | | | | | | | | | | | | | | | | | | | |
| | 2-Wire Analog Voice Grade Loop - Service Level 1- Zone 1 | | 1 | UEANL | UEAL2 | | 12.11 | 57.99 | 42.37 | | | | 26.94 | 12.76 | | | | | | | | | |
| | 2-Wire Analog Voice Grade Loop - Service Level 1- Zone 2 | | 2 | UEANL | UEAL2 | | 21.24 | 57.99 | 42.37 | | | | 26.94 | 12.76 | | | | | | | | | |
| | 2-Wire Analog Voice Grade Loop - Service Level 1- Zone 3 | | 3 | UEANL | UEAL2 | | 33.65 | 57.99 | 42.37 | | | | 26.94 | 12.76 | | | | | | | | | |
| | Loop Testing - Basic 1st Half Hour | | | UEANL | URET1 | | | 76.24 | | | | | 26.94 | 12.76 | | | | | | | | | |
| | Loop Testing - Basic Additional Half Hour | | | UEANL | URETA | | | 39.51 | | | | | 26.94 | 12.76 | | | | | | | | | |
| | CLEC to CLEC Conversion Charge Without Outside Dispatch (UVL-SL1) | | | UEANL | UREWO | | | 15.76 | 8.93 | | | | 26.94 | 12.76 | | | | | | | | | |
| | Engineering Information Document (EI) | | | UEANL | UEANM | | | 28.74 | 28.74 | | | | | | | | | | | | | | |
| | Manual Order Coordination for UVL-SL1s (per loop) | | | UEANL | UEAMC | | | 61.38 | 61.38 | | | | | | | | | | | | | | |
| | Order Coordination for Specified Conversion Time for UVL-SL1 (per LSR) | | | UEANL | OCOSL | | | 45.34 | | | | | | | | | | | | | | | |
| 2-WIRE Unbundled COPPER LOOP | | | | | | | | | | | | | | | | | | | | | | | |
| | 2-Wire Unbundled Copper Loop - Non-Designed Zone 1 | | 1 | UEQ | UEQ2X | | 10.16 | 35.27 | 15.60 | | | | 26.94 | 12.76 | | | | | | | | | |
| | 2 Wire Unbundled Copper Loop - Non-Designed - Zone 2 | | 2 | UEQ | UEQ2X | | 17.55 | 35.27 | 15.60 | | | | 26.94 | 12.76 | | | | | | | | | |
| | 2 Wire Unbundled Copper Loop - Non-Designed - Zone 3 | | 3 | UEQ | UEQ2X | | 27.58 | 35.27 | 15.60 | | | | 26.94 | 12.76 | | | | | | | | | |
| | Order Coordination 2 Wire Unbundled Copper Loop - Non-Designed (per loop) | | | UEQ | USBMC | | | 45.34 | | | | | | | | | | | | | | | |
| | Engineering Information Document | | | UEQ | | | | 28.74 | 28.74 | | | | 26.94 | 12.76 | | | | | | | | | |
| | Loop Testing - Basic 1st Half Hour | | | UEQ | URET1 | | | 76.24 | | | | | 26.94 | 12.76 | | | | | | | | | |
| | Loop Testing - Basic Additional Half Hour | | | UEQ | URETA | | | 39.51 | | | | | 26.94 | 12.76 | | | | | | | | | |
| | CLEC to CLEC Conversion Charge Without Outside Dispatch (UCL-ND) | | | UEQ | UREWO | | | 14.26 | 7.42 | | | | 26.94 | 12.76 | | | | | | | | | |
| UNBUNDLED EXCHANGE ACCESS LOOP | | | | | | | | | | | | | | | | | | | | | | | |
| 2-WIRE ANALOG VOICE GRADE LOOP | | | | | | | | | | | | | | | | | | | | | | | |
| | 2 Wire Analog Voice Grade Loop -Service Level 1-Statewide-Line Splitting | | | UEPSR UEPSB | UEALS | | | | | | | | 26.94 | 12.76 | | | | | | | | | |
| | 2 Wire Analog Voice Grade Loop -Service Level 1-Statewide-Line Splitting | | | UEPSR UEPSB | UEABS | | | | | | | | 26.94 | 12.76 | | | | | | | | | |
| | 2 Wire Analog Voice Grade Loop-Service Level 1-Line Splitting-Zone 1 | | 1 | UEPSR UEPSB | UEALS | | 12.11 | 57.99 | 42.37 | | | | 26.94 | 12.76 | | | | | | | | | |
| | 2 Wire Analog Voice Grade Loop-Service Level 1-Line Splitting-Zone 1 | | 1 | UEPSR UEPSB | UEABS | | 12.11 | 57.99 | 42.37 | | | | 26.94 | 12.76 | | | | | | | | | |
| | 2 Wire Analog Voice Grade Loop- Service Level 1-Line Splitting-Zone 2 | | 2 | UEPSR UEPSB | UEALS | | 21.24 | 57.99 | 42.37 | | | | 26.94 | 12.76 | | | | | | | | | |
| | 2 Wire Analog Voice Grade Loop- Service Level 1-Line Splitting-Zone 2 | | 2 | UEPSR UEPSB | UEABS | | 21.24 | 57.99 | 42.37 | | | | 26.94 | 12.76 | | | | | | | | | |
| | 2 Wire Analog Voice Grade Loop-Service Level 1-Line Splitting-Zone 3 | | 3 | UEPSR UEPSB | UEALS | | 33.65 | 57.99 | 42.37 | | | | 26.94 | 12.76 | | | | | | | | | |
| | 2 Wire Analog Voice Grade Loop-Service Level 1-Line Splitting-Zone 3 | | 3 | UEPSR UEPSB | UEABS | | 33.65 | 57.99 | 42.37 | | | | 26.94 | 12.76 | | | | | | | | | |
| UNE Loop Rates for Line Splitting | | | | | | | | | | | | | | | | | | | | | | | |
| | 2-Wire Voice Grade Loop (SL1) for Line Splitting- Statewide | | sw | UEPRX | UEPLX | | 14.18 | | | | | | | | | | | | | | | | |
| UNBUNDLED EXCHANGE ACCESS LOOP | | | | | | | | | | | | | | | | | | | | | | | |

| UNBUNDLED NETWORK ELEMENTS - North Carolina | | | | | | | Exhibit B of Attachment 2 of the Agreement | | | | | | | | | | | | | | | | |
|--|---|---------|------|-----|-------|-----------|--|--------------------------------------|--|--|---|---|---------------|--------------|-------|-------------------------|--|-------|-------|-------|-------|-------|-------|
| CATEGORY | RATE ELEMENTS | Interim | Zone | BCS | USOC | RATES(\$) | Svc Order Submitted Elec per LSR | Svc Order Submitted Manually per LSR | Incremental Charge - Manual Svc Order vs. Electronic-1st | Incremental Charge - Manual Svc Order vs. Electronic-Add'l | Incremental Charge - Manual Svc Order vs. Electronic-Disc 1st | Incremental Charge - Manual Svc Order vs. Electronic-Disc Add'l | OSS Rates(\$) | | | | | | | | | | |
| | | | | | | | | | | | | | Rec | Nonrecurring | | Nonrecurring Disconnect | | SOMEc | SOMAN | SOMAN | SOMAN | SOMAN | SOMAN |
| | | | | | | | | | | | | | First | Add'l | First | Add'l | | | | | | | |
| 2-WIRE ANALOG VOICE GRADE LOOP | | | | | | | | | | | | | | | | | | | | | | | |
| | 2-Wire Analog Voice Grade Loop - Service Level 2 w/Loop or Ground Start Signaling - Zone 1 | | 1 | UEA | UEAL2 | 14.97 | | | | | | | 142.97 | 106.56 | | | | | | | | 26.94 | 12.76 |
| | 2-Wire Analog Voice Grade Loop - Service Level 2 w/Loop or Ground Start Signaling - Zone 2 | | 2 | UEA | UEAL2 | 25.93 | | | | | | | 142.97 | 106.56 | | | | | | | | 26.94 | 12.76 |
| | 2-Wire Analog Voice Grade Loop - Service Level 2 w/Loop or Ground Start Signaling - Zone 3 | | 3 | UEA | UEAL2 | 40.81 | | | | | | | 142.97 | 106.56 | | | | | | | | 26.94 | 12.76 |
| | Order Coordination for Specified Conversion Time (per LSR) | | | UEA | OCOSL | | | | | | | | 45.34 | | | | | | | | | | |
| | 2-Wire Analog Voice Grade Loop - Service Level 2 w/Reverse Battery Signaling - Zone 1 | | 1 | UEA | UEAR2 | 14.97 | | | | | | | 142.97 | 106.56 | | | | | | | | 26.94 | 12.76 |
| | 2-Wire Analog Voice Grade Loop - Service Level 2 w/Reverse Battery Signaling - Zone 2 | | 2 | UEA | UEAR2 | 25.93 | | | | | | | 142.97 | 106.56 | | | | | | | | 26.94 | 12.76 |
| | 2-Wire Analog Voice Grade Loop - Service Level 2 w/Reverse Battery Signaling - Zone 3 | | 3 | UEA | UEAR2 | 40.81 | | | | | | | 142.97 | 106.56 | | | | | | | | 26.94 | 12.76 |
| | Order Coordination for Specified Conversion Time (per LSR) | | | UEA | OCOSL | | | | | | | | 45.34 | | | | | | | | | | |
| | CLEC to CLEC Conversion Charge without outside dispatch | | | UEA | UREWO | | | | | | | | 87.64 | 36.33 | | | | | | | | 26.94 | 12.76 |
| 4-WIRE ANALOG VOICE GRADE LOOP | | | | | | | | | | | | | | | | | | | | | | | |
| | 4-Wire Analog Voice Grade Loop - Zone 1 | | 1 | UEA | UEAL4 | 21.32 | | | | | | | 288.47 | 237.45 | | | | | | | | 26.94 | 12.76 |
| | 4-Wire Analog Voice Grade Loop - Zone 2 | | 2 | UEA | UEAL4 | 36.27 | | | | | | | 288.47 | 237.45 | | | | | | | | 26.94 | 12.76 |
| | 4-Wire Analog Voice Grade Loop - Zone 3 | | 3 | UEA | UEAL4 | 56.57 | | | | | | | 288.47 | 237.45 | | | | | | | | 26.94 | 12.76 |
| | Order Coordination for Specified Conversion Time (per LSR) | | | UEA | OCOSL | | | | | | | | 45.34 | | | | | | | | | | |
| | CLEC to CLEC Conversion Charge without outside dispatch | | | UEA | UREWO | | | | | | | | 87.64 | 36.33 | | | | | | | | 26.94 | 12.76 |
| 2-WIRE ISDN DIGITAL GRADE LOOP | | | | | | | | | | | | | | | | | | | | | | | |
| | 2-Wire ISDN Digital Grade Loop - Zone 1 | | 1 | UDN | U1L2X | 19.42 | | | | | | | 325.91 | 251.31 | | | | | | | | 26.94 | 12.76 |
| | 2-Wire ISDN Digital Grade Loop - Zone 2 | | 2 | UDN | U1L2X | 32.88 | | | | | | | 325.91 | 251.31 | | | | | | | | 26.94 | 12.76 |
| | 2-Wire ISDN Digital Grade Loop - Zone 3 | | 3 | UDN | U1L2X | 51.14 | | | | | | | 325.91 | 251.31 | | | | | | | | 26.94 | 12.76 |
| | Order Coordination For Specified Conversion Time (per LSR) | | | UDN | OCOSL | | | | | | | | 45.34 | | | | | | | | | | |
| | CLEC to CLEC Conversion Charge without outside dispatch | | | UDN | UREWO | | | | | | | | 91.55 | 44.12 | | | | | | | | 26.94 | 12.76 |
| 2-WIRE Universal Digital Channel (UDC) COMPATIBLE LOOP | | | | | | | | | | | | | | | | | | | | | | | |
| | 2-Wire Universal Digital Channel (UDC) Compatible Loop - Zone 1 | | 1 | UDC | UDC2X | 19.42 | | | | | | | 325.91 | 251.31 | | | | | | | | 26.94 | 12.76 |
| | 2-Wire Universal Digital Channel (UDC) Compatible Loop - Zone 2 | | 2 | UDC | UDC2X | 32.88 | | | | | | | 325.91 | 251.31 | | | | | | | | 26.94 | 12.76 |
| | 2-Wire Universal Digital Channel (UDC) Compatible Loop - Zone 3 | | 3 | UDC | UDC2X | 51.14 | | | | | | | 325.91 | 251.31 | | | | | | | | 26.94 | 12.76 |
| | CLEC to CLEC Conversion Charge without outside dispatch | | | UDC | UREWO | | | | | | | | 91.55 | 44.12 | | | | | | | | 26.94 | 12.76 |
| 2-WIRE ASYMMETRICAL DIGITAL SUBSCRIBER LINE (ADSL) COMPATIBLE LOOP | | | | | | | | | | | | | | | | | | | | | | | |
| | 2 Wire Unbundled ADSL Loop including manual service inquiry & facility reservation - Zone 1 | | 1 | UAL | UAL2X | 11.00 | | | | | | | 264.71 | 145.60 | | | | | | | | | |
| | 2 Wire Unbundled ADSL Loop including manual service inquiry & facility reservation - Zone 2 | | 2 | UAL | UAL2X | 18.39 | | | | | | | 264.71 | 145.60 | | | | | | | | | |
| | 2 Wire Unbundled ADSL Loop including manual service inquiry & facility reservation - Zone 3 | | 3 | UAL | UAL2X | 28.42 | | | | | | | 264.71 | 145.60 | | | | | | | | | |
| | Order Coordination for Specified Conversion Time (per LSR) | | | UAL | OCOSL | | | | | | | | 45.34 | | | | | | | | | | |
| | 2 Wire Unbundled ADSL Loop without manual service inquiry & facility reservaton - Zone 1 | | 1 | UAL | UAL2W | 11.00 | | | | | | | 190.25 | 114.82 | | | | | | | | 26.94 | 12.76 |
| | 2 Wire Unbundled ADSL Loop without manual service inquiry & facility reservaton - Zone 2 | | 2 | UAL | UAL2W | 18.39 | | | | | | | 190.25 | 114.82 | | | | | | | | 26.94 | 12.76 |
| | 2 Wire Unbundled ADSL Loop without manual service inquiry & facility reservaton - Zone 3 | | 3 | UAL | UAL2W | 28.42 | | | | | | | 190.25 | 114.82 | | | | | | | | 26.94 | 12.76 |
| | Order Coordination for Specified Conversion Time (per LSR) | | | UAL | OCOSL | | | | | | | | 45.34 | | | | | | | | | | |
| | CLEC to CLEC Conversion Charge without outside dispatch | | | UAL | UREWO | | | | | | | | 86.12 | 40.36 | | | | | | | | 26.94 | 12.76 |
| 2-WIRE HIGH BIT RATE DIGITAL SUBSCRIBER LINE (HDSL) COMPATIBLE LOOP | | | | | | | | | | | | | | | | | | | | | | | |
| | 2 Wire Unbundled HDSL Loop including manual service inquiry & facility reservation - Zone 1 | | 1 | UHL | UHL2X | 9.01 | | | | | | | 284.74 | 163.54 | | | | | | | | 0.00 | 0.00 |
| | 2 Wire Unbundled HDSL Loop including manual service inquiry & facility reservation - Zone 2 | | 2 | UHL | UHL2X | 14.87 | | | | | | | 284.74 | 163.54 | | | | | | | | 0.00 | 0.00 |
| | 2 Wire Unbundled HDSL Loop including manual service inquiry & facility reservation - Zone 3 | | 3 | UHL | UHL2X | 22.82 | | | | | | | 284.74 | 163.54 | | | | | | | | 0.00 | 0.00 |

| UNBUNDLED NETWORK ELEMENTS - North Carolina | | | | | | | | | | Exhibit B of Attachment 2 of the Agreement | | | | | | | | | | | | | | |
|---|---|---------|------|-----|-------|-----------|----------------------------------|--------------------------------------|--|--|---|---|---------------|--------------|-------|-------------------------|--|-------|-------|-------|-------|-------|-------|-------|
| CATEGORY | RATE ELEMENTS | Interim | Zone | BCS | USOC | RATES(\$) | Svc Order Submitted Elec per LSR | Svc Order Submitted Manually per LSR | Incremental Charge - Manual Svc Order vs. Electronic-1st | Incremental Charge - Manual Svc Order vs. Electronic-Add'l | Incremental Charge - Manual Svc Order vs. Electronic-Disc 1st | Incremental Charge - Manual Svc Order vs. Electronic-Disc Add'l | OSS Rates(\$) | | | | | | | | | | | |
| | | | | | | | | | | | | | Rec | Nonrecurring | | Nonrecurring Disconnect | | SOMEc | SOMAN | SOMAN | SOMAN | SOMAN | SOMAN | |
| | | | | | | | | | | | | | First | Add'l | First | Add'l | | | | | | | | |
| | Order Coordination for Specified Conversion Time (per LSR) | | | UHL | OCOSL | | | | | | | | | | | | | | | | | | | |
| | 2 Wire Unbundled HDSL Loop without manual service inquiry and facility reservation - Zone 1 | | 1 | UHL | UHL2W | 9.01 | | | | | | | 207.48 | 132.05 | | | | | | | | | 26.94 | 12.76 |
| | 2 Wire Unbundled HDSL Loop without manual service inquiry and facility reservation - Zone 2 | | 2 | UHL | UHL2W | 14.87 | | | | | | | 207.48 | 132.05 | | | | | | | | | 26.94 | 12.76 |
| | 2 Wire Unbundled HDSL Loop without manual service inquiry and facility reservation - Zone 3 | | 3 | UHL | UHL2W | 22.82 | | | | | | | 207.48 | 132.05 | | | | | | | | | 26.94 | 12.76 |
| | Order Coordination for Specified Conversion Time (per LSR) | | | UHL | OCOSL | | | | | | | | 45.34 | | | | | | | | | | | |
| | CLEC to CLEC Conversion Charge without outside dispatch | | | UHL | UREWO | | | | | | | | 86.06 | 40.36 | | | | | | | | | 26.94 | 12.76 |
| | 4-WIRE HIGH BIT RATE DIGITAL SUBSCRIBER LINE (HDSL) COMPATIBLE LOOP | | | | | | | | | | | | | | | | | | | | | | | |
| | 4 Wire Unbundled HDSL Loop including manual service inquiry and facility reservation - Zone 1 | | 1 | UHL | UHL4X | 10.62 | | | | | | | 341.65 | 220.45 | | | | | | | | | | |
| | 4-Wire Unbundled HDSL Loop including manual service inquiry and facility reservation - Zone 2 | | 2 | UHL | UHL4X | 17.67 | | | | | | | 341.65 | 220.45 | | | | | | | | | | |
| | 4-Wire Unbundled HDSL Loop including manual service inquiry and facility reservation - Zone 3 | | 3 | UHL | UHL4X | 27.24 | | | | | | | 341.65 | 220.45 | | | | | | | | | | |
| | Order Coordination for Specified Conversion Time (per LSR) | | | UHL | OCOSL | | | | | | | | 45.34 | | | | | | | | | | | |
| | 4-Wire Unbundled HDSL Loop without manual service inquiry and facility reservation - Zone 1 | | 1 | UHL | UHL4W | 10.62 | | | | | | | 264.39 | 188.96 | | | | | | | | | 26.94 | 12.76 |
| | 4-Wire Unbundled HDSL Loop without manual service inquiry and facility reservation - Zone 2 | | 2 | UHL | UHL4W | 17.67 | | | | | | | 264.39 | 188.96 | | | | | | | | | 26.94 | 12.76 |
| | 4-Wire Unbundled HDSL Loop without manual service inquiry and facility reservation - Zone 3 | | 3 | UHL | UHL4W | 27.24 | | | | | | | 264.39 | 188.96 | | | | | | | | | 26.94 | 12.76 |
| | Order Coordination for Specified Conversion Time (per LSR) | | | UHL | OCOSL | | | | | | | | 45.34 | | | | | | | | | | | |
| | CLEC to CLEC Conversion Charge without outside dispatch | | | UHL | UREWO | | | | | | | | 86.06 | 40.36 | | | | | | | | | 26.94 | 12.76 |
| | 4-WIRE DS1 DIGITAL LOOP | | | | | | | | | | | | | | | | | | | | | | | |
| | 4-Wire DS1 Digital Loop - Zone 1 | | 1 | USL | USLXX | 47.60 | | | | | | | 714.84 | 421.47 | | | | | | | | | 42.19 | 12.76 |
| | 4-Wire DS1 Digital Loop - Zone 2 | | 2 | USL | USLXX | 84.36 | | | | | | | 714.84 | 421.47 | | | | | | | | | 42.19 | 12.76 |
| | 4-Wire DS1 Digital Loop - Zone 3 | | 3 | USL | USLXX | 134.29 | | | | | | | 714.84 | 421.47 | | | | | | | | | 42.19 | 12.76 |
| | Order Coordination for Specified Conversion Time (per LSR) | | | USL | OCOSL | | | | | | | | 48.31 | | | | | | | | | | | |
| | CLEC to CLEC Conversion Charge without outside dispatch | | | USL | UREWO | | | | | | | | 100.99 | 43.00 | | | | | | | | | 26.94 | 12.76 |
| | 4-WIRE 19.2, 56 OR 64 KBPS DIGITAL GRADE LOOP | | | | | | | | | | | | | | | | | | | | | | | |
| | 4 Wire Unbundled Digital 19.2 Kbps | | 1 | UDL | UDL19 | 25.32 | | | | | | | 489.04 | 337.51 | | | | | | | | | 26.94 | 12.76 |
| | 4 Wire Unbundled Digital 19.2 Kbps | | 2 | UDL | UDL19 | 43.11 | | | | | | | 489.04 | 337.51 | | | | | | | | | 26.94 | 12.76 |
| | 4 Wire Unbundled Digital 19.2 Kbps | | 3 | UDL | UDL19 | 67.26 | | | | | | | 489.04 | 337.51 | | | | | | | | | 26.94 | 12.76 |
| | 4 Wire Unbundled Digital Loop 56 Kbps - Zone 1 | | 1 | UDL | UDL56 | 25.32 | | | | | | | 489.04 | 337.51 | | | | | | | | | 26.94 | 12.76 |
| | 4 Wire Unbundled Digital Loop 56 Kbps - Zone 2 | | 2 | UDL | UDL56 | 43.11 | | | | | | | 489.04 | 337.51 | | | | | | | | | 26.94 | 12.76 |
| | 4 Wire Unbundled Digital Loop 56 Kbps - Zone 3 | | 3 | UDL | UDL56 | 67.26 | | | | | | | 489.04 | 337.51 | | | | | | | | | 26.94 | 12.76 |
| | Order Coordination for Specified Conversion Time (per LSR) | | | UDL | OCOSL | | | | | | | | 45.34 | | | | | | | | | | | |
| | 4 Wire Unbundled Digital Loop 64 Kbps - Zone 1 | | 1 | UDL | UDL64 | 25.32 | | | | | | | 489.04 | 337.51 | | | | | | | | | 26.94 | 12.76 |
| | 4 Wire Unbundled Digital Loop 64 Kbps - Zone 2 | | 2 | UDL | UDL64 | 43.11 | | | | | | | 489.04 | 337.51 | | | | | | | | | 26.94 | 12.76 |
| | 4 Wire Unbundled Digital Loop 64 Kbps - Zone 3 | | 3 | UDL | UDL64 | 67.26 | | | | | | | 489.04 | 337.51 | | | | | | | | | 26.94 | 12.76 |
| | Order Coordination for Specified Conversion Time (per LSR) | | | UDL | OCOSL | | | | | | | | 45.34 | | | | | | | | | | | |
| | CLEC to CLEC Conversion Charge without outside dispatch | | | UDL | UREWO | | | | | | | | 102.03 | 49.70 | | | | | | | | | 26.94 | 12.76 |
| | 2-WIRE Unbundled COPPER LOOP | | | | | | | | | | | | | | | | | | | | | | | |
| | 2-Wire Unbundled Copper Loop/Short including manual service inquiry & facility reservation - Zone 1 | | 1 | UCL | UCLPB | 13.26 | | | | | | | 262.86 | 143.75 | | | | | | | | | | |
| | 2-Wire Unbundled Copper Loop/Short including manual service inquiry & facility reservation - Zone 2 | | 2 | UCL | UCLPB | 22.39 | | | | | | | 262.86 | 143.75 | | | | | | | | | | |
| | 2 Wire Unbundled Copper Loop/Short including manual service inquiry & facility reservation - Zone 3 | | 3 | UCL | UCLPB | 34.80 | | | | | | | 262.86 | 143.75 | | | | | | | | | | |
| | Order Coordination for Unbundled Copper Loops (per loop) | | | UCL | UCLMC | | | | | | | | 61.38 | 61.38 | | | | | | | | | | |
| | 2-Wire Unbundled Copper Loop/Short without manual service inquiry and facility reservation - Zone 1 | | 1 | UCL | UCLPW | 13.26 | | | | | | | 188.39 | 112.96 | | | | | | | | | 26.94 | 12.76 |
| | 2-Wire Unbundled Copper Loop/Short without manual service inquiry and facility reservation - Zone 2 | | 2 | UCL | UCLPW | 22.39 | | | | | | | 188.39 | 112.96 | | | | | | | | | 26.94 | 12.76 |
| | 2-Wire Unbundled Copper Loop/Short without manual service inquiry and facility reservation - Zone 3 | | 3 | UCL | UCLPW | 34.80 | | | | | | | 188.39 | 112.96 | | | | | | | | | 26.94 | 12.76 |
| | Order Coordination for Unbundled Copper Loops (per loop) | | | UCL | UCLMC | | | | | | | | 61.38 | 61.38 | | | | | | | | | | |

| UNBUNDLED NETWORK ELEMENTS - North Carolina | | | | | | | Exhibit B of Attachment 2 of the Agreement | | | | | | | | | | | | | | | | |
|---|--|---------|------|--|-------|-----------|--|--------------------------------------|--|--|---|---|---------------|--------------|-------|-------------------------|--|-------|-------|-------|-------|-------|-------|
| CATEGORY | RATE ELEMENTS | Interim | Zone | BCS | USOC | RATES(\$) | Svc Order Submitted Elec per LSR | Svc Order Submitted Manually per LSR | Incremental Charge - Manual Svc Order vs. Electronic-1st | Incremental Charge - Manual Svc Order vs. Electronic-Add'l | Incremental Charge - Manual Svc Order vs. Electronic-Disc 1st | Incremental Charge - Manual Svc Order vs. Electronic-Disc Add'l | OSS Rates(\$) | | | | | | | | | | |
| | | | | | | | | | | | | | Rec | Nonrecurring | | Nonrecurring Disconnect | | SOMEc | SOMAN | SOMAN | SOMAN | SOMAN | SOMAN |
| | | | | | | | | | | | | | First | Add'l | First | Add'l | | | | | | | |
| | 2-Wire Unbundled Copper Loop/Long - includes manual svc. inquiry and facility reservation - Zone 1 | | 1 | UCL | UCL2L | 13.26 | | | | | | | 262.86 | 143.75 | | | | | | | | | |
| | 2-Wire Unbundled Copper Loop/Long - includes manual svc. inquiry and facility reservation - Zone 2 | | 2 | UCL | UCL2L | 22.39 | | | | | | | 262.86 | 143.75 | | | | | | | | | |
| | 2-Wire Unbundled Copper Loop/Long - includes manual svc. inquiry and facility reservation - Zone 3 | | 3 | UCL | UCL2L | 34.80 | | | | | | | 262.86 | 143.75 | | | | | | | | | |
| | Order Coordination for Unbundled Copper Loops (per loop) | | | UCL | UCLMC | | | | | | | | 61.38 | 61.38 | | | | | | | | | |
| | 2-Wire Unbundled Copper Loop/Long - without manual service inquiry and facility reservation - Zone 1 | | 1 | UCL | UCL2W | 13.26 | | | | | | | 188.39 | 112.96 | | | | | 26.94 | 12.76 | | | |
| | 2-Wire Unbundled Copper Loop/Long - without manual service inquiry and facility reservation - Zone 2 | | 2 | UCL | UCL2W | 22.39 | | | | | | | 188.39 | 112.96 | | | | | 26.94 | 12.76 | | | |
| | 2-Wire Unbundled Copper Loop/Long - without manual service inquiry and facility reservation - Zone 3 | | 3 | UCL | UCL2W | 34.80 | | | | | | | 188.39 | 112.96 | | | | | 26.94 | 12.76 | | | |
| | Order Coordination for Unbundled Copper Loops (per loop) | | | UCL | UCLMC | | | | | | | | 61.38 | 61.38 | | | | | | | | | |
| | CLEC to CLEC Conversion Charge without outside dispatch (UCL-Des) | | | UCL | UREWO | | | | | | | | 97.14 | 42.44 | | | | | 26.94 | 12.76 | | | |
| | 4-WIRE COPPER LOOP | | | | | | | | | | | | | | | | | | | | | | |
| | 4-Wire Copper Loop/Short - including manual service inquiry and facility reservation - Zone 1 | | 1 | UCL | UCL4S | 17.36 | | | | | | | 311.03 | 191.93 | | | | | | | | | |
| | 4-Wire Copper Loop/Short - including manual service inquiry and facility reservation - Zone 2 | | 2 | UCL | UCL4S | 29.61 | | | | | | | 311.03 | 191.93 | | | | | | | | | |
| | 4-Wire Copper Loop/Short - including manual service inquiry and facility reservation - Zone 3 | | 3 | UCL | UCL4S | 46.26 | | | | | | | 311.03 | 191.93 | | | | | | | | | |
| | Order Coordination for Unbundled Copper Loops (per loop) | | | UCL | UCLMC | | | | | | | | 61.38 | 61.38 | | | | | | | | | |
| | 4-Wire Copper Loop/Short - without manual service inquiry and facility reservation - Zone 1 | | 1 | UCL | UCL4W | 17.36 | | | | | | | 236.57 | 161.14 | | | | | 26.94 | 12.76 | | | |
| | 4-Wire Copper Loop/Short - without manual service inquiry and facility reservation - Zone 2 | | 2 | UCL | UCL4W | 29.61 | | | | | | | 236.57 | 161.14 | | | | | 26.94 | 12.76 | | | |
| | 4-Wire Copper Loop/Short - without manual service inquiry and facility reservation - Zone 3 | | 3 | UCL | UCL4W | 46.26 | | | | | | | 236.57 | 161.14 | | | | | 26.94 | 12.76 | | | |
| | Order Coordination for Unbundled Copper Loops (per loop) | | | UCL | UCLMC | | | | | | | | 61.38 | 61.38 | | | | | | | | | |
| | 4-Wire Unbundled Copper Loop/Long - includes manual svc. inquiry and facility reservation - Zone 1 | | 1 | UCL | UCL4L | 17.36 | | | | | | | 311.03 | 191.93 | | | | | | | | | |
| | 4-Wire Unbundled Copper Loop/Long - includes manual svc. inquiry and facility reservation - Zone 2 | | 2 | UCL | UCL4L | 29.61 | | | | | | | 311.03 | 191.93 | | | | | | | | | |
| | 4-Wire Unbundled Copper Loop/Long - includes manual svc. inquiry and facility reservation - Zone 3 | | 3 | UCL | UCL4L | 46.26 | | | | | | | 311.03 | 191.93 | | | | | | | | | |
| | Order Coordination for Unbundled Copper Loops (per loop) | | | UCL | UCLMC | | | | | | | | 61.38 | 61.38 | | | | | | | | | |
| | 4-Wire Unbundled Copper Loop/Long - without manual svc. inquiry and facility reservation - Zone 1 | | 1 | UCL | UCL4O | 17.36 | | | | | | | 236.57 | 161.14 | | | | | 26.94 | 12.76 | | | |
| | 4-Wire Unbundled Copper Loop/Long - without manual svc. inquiry and facility reservation - Zone 2 | | 2 | UCL | UCL4O | 29.61 | | | | | | | 236.57 | 161.14 | | | | | 26.94 | 12.76 | | | |
| | 4-Wire Unbundled Copper Loop/Long - without manual svc. inquiry and facility reservation - Zone 3 | | 3 | UCL | UCL4O | 46.26 | | | | | | | 236.57 | 161.14 | | | | | 26.94 | 12.76 | | | |
| | Order Coordination for Unbundled Copper Loops (per loop) | | | UCL | UCLMC | | | | | | | | 61.38 | 61.38 | | | | | | | | | |
| | CLEC to CLEC Conversion Charge without outside dispatch (UCL-Des) | | | UCL | UREWO | | | | | | | | 97.14 | 42.44 | | | | | | | | | |
| | LOOP MODIFICATION | | | | | | | | | | | | | | | | | | | | | | |
| | Unbundled Loop Modification, Removal of Load Coils - 2 Wire pair less than or equal to 18k ft | | | UAL, UHL, UCL, UEQ, ULS, UEA, UEANL, UDL, UDC, UDN, UDL, USL | ULM2L | | | | | | | | 21.24 | 21.24 | | | | | | | | | |
| | Unbundled Loop Modification, Removal of Load Coils - 2 wire greater than 18k ft | | | UCL, ULS, UEQ | ULM2G | | | | | | | | 119.24 | 119.24 | | | | | | | | | |
| | Unbundled Loop Modification Removal of Load Coils - 4 Wire less than or equal to 18K ft | | | UHL, UCL | ULM4L | | | | | | | | 21.24 | 21.24 | | | | | | | | | |
| | Unbundled Loop Modification Removal of Load Coils - 4 Wire pair greater than 18k ft | | | UCL | ULM4G | | | | | | | | 119.24 | 119.24 | | | | | | | | | |

| UNBUNDLED NETWORK ELEMENTS - North Carolina | | | | | | | | | | Exhibit B of Attachment 2 of the Agreement | | | | | | | | | | | | | | | |
|--|--|---------|------|---|-------|-----------|----------------------------------|--------------------------------------|--|--|---|---|---------------|--------------|-------|-------------------------|--|-------|-------|-------|-------|-------|-------|--|--|
| CATEGORY | RATE ELEMENTS | Interim | Zone | BCS | USOC | RATES(\$) | Svc Order Submitted Elec per LSR | Svc Order Submitted Manually per LSR | Incremental Charge - Manual Svc Order vs. Electronic-1st | Incremental Charge - Manual Svc Order vs. Electronic-Add'l | Incremental Charge - Manual Svc Order vs. Electronic-Disc 1st | Incremental Charge - Manual Svc Order vs. Electronic-Disc Add'l | OSS Rates(\$) | | | | | | | | | | | | |
| | | | | | | | | | | | | | Rec | Nonrecurring | | Nonrecurring Disconnect | | SOMEc | SOMAN | SOMAN | SOMAN | SOMAN | SOMAN | | |
| | | | | | | | | | | | | | First | Add'l | First | Add'l | | | | | | | | | |
| | Unbundled Loop Modification Removal of Bridged Tap Removal, per unbundled loop | | | UAL, UHL, UCL, UEQ, UEF, ULS, UEA, UEANL, UDL, UDC, UDN, UDL, USL | ULMBT | | | | | | | | | | | | | | | | | | | | |
| SUB-LOOPS | | | | | | | | | | | | | | | | | | | | | | | | | |
| Sub-Loop Distribution | | | | | | | | | | | | | | | | | | | | | | | | | |
| | Sub-Loop - Per Cross Box Location - CLEC Feeder Facility Set-Up | I | | UEANL | USBSA | | | | | | | | | | | | | | | | | | | | |
| | Sub-Loop - Per Cross Box Location - Per 25 Pair Panel Set-Up | I | | UEANL | USBSB | | | | | | | | | | | | | | | | | | | | |
| | Sub-Loop - Per Building Equipment Room - CLEC Feeder Facility Set-Up | I | | UEANL | USBSC | | | | | | | | | | | | | | | | | | | | |
| | Sub-Loop - Per Building Equipment Room - Per 25 Pair Panel Set-Up | I | | UEANL | USBSD | | | | | | | | | | | | | | | | | | | | |
| | Sub-Loop Distribution Per 2-Wire Analog Voice Grade Loop - Zone 1 | I | 1 | UEANL | USBN2 | 7.31 | | | | | | | | | | | | | | | | | | | |
| | Sub-Loop Distribution Per 2-Wire Analog Voice Grade Loop - Zone 2 | I | 2 | UEANL | USBN2 | 11.93 | | | | | | | | | | | | | | | | | | | |
| | Sub-Loop Distribution Per 2-Wire Analog Voice Grade Loop - Zone 3 | I | 3 | UEANL | USBN2 | 18.20 | | | | | | | | | | | | | | | | | | | |
| | Order Coordination for Unbundled Sub-Loops, per sub-loop pair | | | UEANL | USBMC | | | | | | | | | | | | | | | | | | | | |
| | Sub-Loop Distribution Per 4-Wire Analog Voice Grade Loop - Zone 1 | | 1 | UEANL | USBN4 | 8.44 | | | | | | | | | | | | | | | | | | | |
| | Sub-Loop Distribution Per 4-Wire Analog Voice Grade Loop - Zone 2 | | 2 | UEANL | USBN4 | 13.81 | | | | | | | | | | | | | | | | | | | |
| | Sub-Loop Distribution Per 4-Wire Analog Voice Grade Loop - Zone 3 | | 3 | UEANL | USBN4 | 21.10 | | | | | | | | | | | | | | | | | | | |
| | Order Coordination for Unbundled Sub-Loops, per sub-loop pair | | | UEANL | USBMC | | | | | | | | | | | | | | | | | | | | |
| | Sub-Loop 2-Wire Intrabuilding Network Cable (INC) | I | | UEANL | USBR2 | 2.79 | | | | | | | | | | | | | | | | | | | |
| | Order Coordination for Unbundled Sub-Loops, per sub-loop pair | | | UEANL | USBMC | | | | | | | | | | | | | | | | | | | | |
| | Sub-Loop 4-Wire Intrabuilding Network Cable (INC) | I | | UEANL | USBR4 | 3.74 | | | | | | | | | | | | | | | | | | | |
| | Order Coordination for Unbundled Sub-Loops, per sub-loop pair | | | UEANL | USBMC | | | | | | | | | | | | | | | | | | | | |
| | 2 Wire Copper Unbundled Sub-Loop Distribution - Zone 1 | I | 1 | UEF | UCS2X | 6.10 | | | | | | | | | | | | | | | | | | | |
| | 2 Wire Copper Unbundled Sub-Loop Distribution - Zone 2 | I | 2 | UEF | UCS2X | 9.70 | | | | | | | | | | | | | | | | | | | |
| | 2 Wire Copper Unbundled Sub-Loop Distribution - Zone 3 | I | 3 | UEF | UCS2X | 14.59 | | | | | | | | | | | | | | | | | | | |
| | Order Coordination for Unbundled Sub-Loops, per sub-loop pair | | | UEF | USBMC | | | | | | | | | | | | | | | | | | | | |
| | 4 Wire Copper Unbundled Sub-Loop Distribution - Zone 1 | I | 1 | UEF | UCS4X | 6.58 | | | | | | | | | | | | | | | | | | | |
| | 4 Wire Copper Unbundled Sub-Loop Distribution - Zone 2 | I | 2 | UEF | UCS4X | 10.51 | | | | | | | | | | | | | | | | | | | |
| | 4 Wire Copper Unbundled Sub-Loop Distribution - Zone 3 | I | 3 | UEF | UCS4X | 15.84 | | | | | | | | | | | | | | | | | | | |
| | Order Coordination for Unbundled Sub-Loops, per sub-loop pair | | | UEF | USBMC | | | | | | | | | | | | | | | | | | | | |
| Unbundled Sub-Loop Modification | | | | | | | | | | | | | | | | | | | | | | | | | |
| | Unbundled Sub-Loop Modification - 2-W Copper Dist Load Coil/Equip Removal per 2-W PR | | | UEF | ULM2X | | | | | | | | | | | | | | | | | | | | |
| | Unbundled Sub-loop Modification - 4-W Copper Dist Load Coil/Equip Removal per 4-W PR | | | UEF | ULM4X | | | | | | | | | | | | | | | | | | | | |
| | Unbundled Sub-loop Modification - 2-w/4-w Copper Dist Bridged Tap Removal, per PR unloaded | | | UEF | ULM4T | | | | | | | | | | | | | | | | | | | | |
| Unbundled Network Terminating Wire (UNTW) | | | | | | | | | | | | | | | | | | | | | | | | | |
| | Unbundled Network Terminating Wire (UNTW) per Pair | | | UENTW | UENPP | 0.4351 | | | | | | | | | | | | | | | | | | | |
| Network Interface Device (NID) | | | | | | | | | | | | | | | | | | | | | | | | | |
| | Network Interface Device (NID) - 1-2 lines | I | | UENTW | UND12 | | | | | | | | | | | | | | | | | | | | |
| | Network Interface Device (NID) - 1-6 lines | I | | UENTW | UND16 | | | | | | | | | | | | | | | | | | | | |

| UNBUNDLED NETWORK ELEMENTS - North Carolina | | | | | | | Exhibit B of Attachment 2 of the Agreement | | | | | | | | | |
|---|---|---------|------|----------------------|-------|-----------|--|--------------------------------------|--|--|---|---|---------------|--------------------|--------------------|-------------------------------|
| CATEGORY | RATE ELEMENTS | Interim | Zone | BCS | USOC | RATES(\$) | Svc Order Submitted Elec per LSR | Svc Order Submitted Manually per LSR | Incremental Charge - Manual Svc Order vs. Electronic-1st | Incremental Charge - Manual Svc Order vs. Electronic-Add'l | Incremental Charge - Manual Svc Order vs. Electronic-Disc 1st | Incremental Charge - Manual Svc Order vs. Electronic-Disc Add'l | OSS Rates(\$) | | | |
| | | | | | | | | | | | | | Rec | Nonrecurring First | Nonrecurring Add'l | Nonrecurring Disconnect First |
| | Network Interface Device Cross Connect - 2 W | I | | UENTW | UNDC2 | | 11.68 | 11.68 | | | | 26.94 | 12.76 | | | |
| | Network Interface Device Cross Connect - 4W | I | | UENTW | UNDC4 | | 11.68 | 11.68 | | | | 26.94 | 12.76 | | | |
| SUB-LOOPS | | | | | | | | | | | | | | | | |
| | Sub-Loop Feeder | | | | | | | | | | | | | | | |
| | USL-Feeder, DS0 Set-up per Cross Box location - CLEC Distribution Facility set-up | | | UEA, UDN,UCL,UDL,UDC | USBFW | | 373.57 | | | | | | | | | |
| | USL Feeder - DS0 Set-up per Cross Box location - per 25 pair set-up | | | UEA, UDN,UCL,UDL,UDC | USBFX | | 33.78 | 33.78 | | | | | | | | |
| | USL Feeder DS1 Set-up at DSX location, per DS1 termination | | | USL | USBFZ | | 523.51 | 11.31 | | | | 19.99 | 19.99 | | | |
| | Unbundled Sub-Loop Feeder Loop, 2 Wire Ground Start, Voice Grade - Zone 1 | | 1 | UEA | USBFA | 10.41 | 122.52 | 46.61 | | | | 26.94 | 12.76 | | | |
| | Unbundled Sub-Loop Feeder Loop, 2 Wire Ground-Start, Voice Grade - Zone 2 | | 2 | UEA | USBFA | 17.31 | 122.52 | 46.61 | | | | 26.94 | 12.76 | | | |
| | Unbundled Sub-Loop Feeder Loop, Per 2 Wire Ground-Start, Voice Grade - Zone 3 | | 3 | UEA | USBFA | 26.67 | 122.52 | 46.61 | | | | 26.94 | 12.76 | | | |
| | Order Coordination for Specified Conversion Time, per LSR | | | UEA | OCOSL | | 45.34 | | | | | | | | | |
| | Unbundle Sub-Loop Feeder Loop, 2 Wire Loop-Start, Voice Grade - Zone 1 | | 1 | UEA | USBFB | 10.41 | 122.52 | 46.61 | | | | 26.94 | 12.76 | | | |
| | Unbundled Sub-Loop Feeder Loop, 2 Wire Loop-Start, Voice Grade - Zone 2 | | 2 | UEA | USBFB | 17.31 | 122.52 | 46.61 | | | | 26.94 | 12.76 | | | |
| | Unbundled Sub-Loop Feeder Loop, 2 Wire Start Loop, Voice Grade - Zone 3 | | 3 | UEA | USBFB | 26.67 | 122.52 | 46.61 | | | | 26.94 | 12.76 | | | |
| | Order Coordination for Specified Time Conversion, per LSR | | | UEA | OCOSL | | 45.34 | | | | | | | | | |
| | Unbundled Sub-Loop Feeder Loop, 2 Wire Reverse Battery, Voice Grade - Zone 1 | | 1 | UEA | USBFC | 10.41 | 122.52 | 46.61 | | | | 26.94 | 12.76 | | | |
| | Unbundled Sub-Loop Feeder Loop, 2 Wire Reverse Battery, Voice Grade - Zone 2 | | 2 | UEA | USBFC | 17.31 | 122.52 | 46.61 | | | | 26.94 | 12.76 | | | |
| | Unbundled Sub-Loop Feeder Loop, 2 Wire Analog Reverse Battery, Voice Grade - Zone 3 | | 3 | UEA | USBFC | 26.67 | 122.52 | 46.61 | | | | 26.94 | 12.76 | | | |
| | Order Coordination For Specified Conversion Time, per LSR | | | UEA | OCOSL | | 45.34 | | | | | | | | | |
| | Unbundled Sub-Loop Feeder Loop, 4 Wire Ground-Start, Voice Grade - Zone 1 | | 1 | UEA | USBFD | 19.96 | 226.36 | 144.28 | | | | 26.94 | 12.76 | | | |
| | Unbundled Sub-Loop Feeder Loop, 4 Wire Ground-Start, Voice Grade - Zone 2 | | 2 | UEA | USBFD | 33.91 | 226.36 | 144.28 | | | | 26.94 | 12.76 | | | |
| | Unbundled Sub-Loop Feeder Loop, 4 Wire Ground Start, Voice Grade - Zone 3 | | 3 | UEA | USBFD | 52.85 | 226.36 | 144.28 | | | | 26.94 | 12.76 | | | |
| | Order Coordination For Specified Conversion Time, Per LSR | | | UEA | OCOSL | | 45.34 | | | | | | | | | |
| | Unbundled Sub-Loop Feeder Loop, 4 Wire Loop-Start, Voice Grade - Zone 1 | | 1 | UEA | USBFE | 19.96 | 226.36 | 144.28 | | | | 26.94 | 12.76 | | | |
| | Unbundled Sub-Loop Feeder Loop, 4 Wire Loop-Start, Voice Grade - Zone 2 | | 2 | UEA | USBFE | 33.91 | 226.36 | 144.28 | | | | 26.94 | 12.76 | | | |
| | Unbundled Sub-Loop Feeder Loop, 4 Wire Loop-Start, Voice Grade - Zone 3 | | 3 | UEA | USBFE | 52.85 | 226.36 | 144.28 | | | | 26.94 | 12.76 | | | |
| | Order Coordination For Specified Conversion Time, Per LSR | | | UEA | OCOSL | | 45.34 | | | | | | | | | |
| | Unbundled Sub-Loop Feeder Loop, 2 Wire ISDN BRI - Zone 1 | | 1 | UDN | USBFF | 17.24 | 202.01 | 105.88 | | | | 26.94 | 12.76 | | | |
| | Unbundled Sub-Loop Feeder Loop, 2-Wire ISDN BRI - Zone 2 | | 2 | UDN | USBFF | 29.17 | 202.01 | 105.88 | | | | 26.94 | 12.76 | | | |
| | Unbundled Sub-Loop Feeder Loop, 2-Wire ISDN BRI - Zone 3 | | 3 | UDN | USBFF | 45.37 | 202.01 | 105.88 | | | | 26.94 | 12.76 | | | |
| | Order Coordination For Specified Conversion Time, Per LSR | | | UDN | OCOSL | | 45.34 | | | | | | | | | |
| | Unbundled Sub-Loop Feeder, 2 Wire UDC (IDSL compatible) | | 1 | UDC | USBFS | 17.24 | 202.01 | 105.88 | | | | 26.94 | 12.76 | | | |
| | Unbundled Sub-Loop Feeder, 2 Wire UDC (IDSL compatible) | | 2 | UDC | USBFS | 29.17 | 202.01 | 105.88 | | | | 26.94 | 12.76 | | | |
| | Unbundled Sub-Loop Feeder, 2 Wire UDC (IDSL compatible) | | 3 | UDC | USBFS | 45.37 | 202.01 | 105.88 | | | | 26.94 | 12.76 | | | |
| | Unbundled Sub-Loop Feeder Loop, 4-Wire DS1 - Zone 1 | | 1 | USL | USBFG | 35.65 | 393.01 | 153.37 | | | | 42.19 | 12.76 | | | |
| | Unbundled Sub-Loop Feeder Loop, 4-Wire DS1 - Zone 2 | | 2 | USL | USBFG | 63.18 | 393.01 | 153.37 | | | | 42.19 | 12.76 | | | |
| | Unbundled Sub-Loop Feeder Loop, 4-Wire DS1 - Zone 3 | | 3 | USL | USBFG | 100.58 | 393.01 | 153.37 | | | | 42.19 | 12.76 | | | |
| | Order Coordination For Specified Conversion Time, Per LSR | | | USL | OCOSL | | 48.31 | | | | | | | | | |
| | Unbundled Sub-Loop Feeder, 2-Wire Copper Loop - Zone 1 | | 1 | UCL | USBFH | 9.14 | 172.89 | 90.81 | | | | 26.94 | 12.76 | | | |
| | Unbundled Sub-Loop Feeder Loop, 2-Wire Copper Loop - Zone 2 | | 2 | UCL | USBFH | 14.90 | 172.89 | 90.81 | | | | 26.94 | 12.76 | | | |

| UNBUNDLED NETWORK ELEMENTS - North Carolina | | | | | | | Exhibit B of Attachment 2 of the Agreement | | | | | | | | | |
|---|--|---------|------|-------|-------|-----------|--|--------------------------------------|--|--|---|---|-------|-------|-------|-------|
| CATEGORY | RATE ELEMENTS | Interim | Zone | BCS | USOC | RATES(\$) | Svc Order Submitted Elec per LSR | Svc Order Submitted Manually per LSR | Incremental Charge - Manual Svc Order vs. Electronic-1st | Incremental Charge - Manual Svc Order vs. Electronic-Add'l | Incremental Charge - Manual Svc Order vs. Electronic-Disc 1st | Incremental Charge - Manual Svc Order vs. Electronic-Disc Add'l | | | | |
| | | | | | | | Rec | Nonrecurring | | Nonrecurring Disconnect | | OSS Rates(\$) | | | | |
| | | | | | | | First | Add'l | First | Add'l | SOMEC | SOMAN | SOMAN | SOMAN | SOMAN | SOMAN |
| | Unbundled Sub-Loop Feeder Loop, 2-Wire Copper Loop - Zone 3 | | 3 | UCL | USBFH | 22.71 | 172.89 | 90.81 | | | | 26.94 | 12.76 | | | |
| | Order Coordination For Specified Conversion Time, per LSR | | | UCL | OCOSL | | 45.34 | | | | | | | | | |
| | Sub-Loop Feeder - Per 4-Wire Copper Loop - Zone 1 | | 1 | UCL | USBFJ | 13.41 | 207.14 | 134.77 | | | | 26.94 | 12.76 | | | |
| | Sub-Loop Feeder - Per 4-Wire Copper Loop - Zone 2 | | 2 | UCL | USBFJ | 22.42 | 207.14 | 134.77 | | | | 26.94 | 12.76 | | | |
| | Sub-Loop Feeder - Per 4-Wire Copper Loop - Zone 3 | | 3 | UCL | USBFJ | 34.66 | 207.14 | 134.77 | | | | 26.94 | 12.76 | | | |
| | Order Coordination For Specified Conversion Time, per LSR | | | UCL | OCOSL | | 45.34 | | | | | | | | | |
| | Sub-Loop Feeder - Per 4-Wire 19.2 Kbps Digital Grade Loop | | 1 | UDL | USBFN | 24.27 | 215.00 | 132.92 | | | | 26.94 | 12.76 | | | |
| | Sub-Loop Feeder - Per 4-Wire 19.2 Kbps Digital Grade Loop | | 2 | UDL | USBFN | 41.55 | 215.00 | 132.92 | | | | 26.94 | 12.76 | | | |
| | Sub-Loop Feeder - Per 4-Wire 19.2 Kbps Digital Grade Loop | | 3 | UDL | USBFN | 65.02 | 215.00 | 132.92 | | | | 26.94 | 12.76 | | | |
| | Sub-Loop Feeder - Per 4-Wire 56 Kbps Digital Grade Loop - Zone 1 | | 1 | UDL | USBFO | 24.27 | 215.00 | 132.92 | | | | 26.94 | 12.76 | | | |
| | Sub-Loop Feeder - Per 4-Wire 56 Kbps Digital Grade Loop - Zone 2 | | 2 | UDL | USBFO | 41.55 | 215.00 | 132.92 | | | | 26.94 | 12.76 | | | |
| | Sub-Loop Feeder - Per 4-Wire 56 Kbps Digital Grade Loop - Zone 3 | | 3 | UDL | USBFO | 65.02 | 215.00 | 132.92 | | | | 26.94 | 12.76 | | | |
| | Order Coordination For Specified Time Conversion, per LSR | | | UDL | OCOSL | | 45.34 | | | | | | | | | |
| | Sub-Loop Feeder - Per 4-Wire 64 Kbps Digital Grade Loop - Zone 1 | | 1 | UDL | USBFP | 24.27 | 215.00 | 132.92 | | | | 26.94 | 12.76 | | | |
| | Sub-Loop Feeder - Per 4-Wire 64 Kbps Digital Grade Loop - Zone 2 | | 2 | UDL | USBFP | 41.55 | 215.00 | 132.92 | | | | 26.94 | 12.76 | | | |
| | Sub-Loop Feeder - Per 4-Wire 64 Kbps Digital Grade Loop - Zone 3 | | 3 | UDL | USBFP | 65.02 | 215.00 | 132.92 | | | | 26.94 | 12.76 | | | |
| | Order Coordination For Specified Conversion Time, per LSR | | | UDL | OCOSL | | 45.34 | | | | | | | | | |
| SUB-LOOPS | | | | | | | | | | | | | | | | |
| | Sub-Loop Feeder | | | | | | | | | | | | | | | |
| | Sub Loop Feeder - DS3 - Per Mile Per Month | I | | UE3 | 1L5SL | 16.03 | | | | | | | | | | |
| | Sub Loop Feeder - DS3 - Facility Termination Per Month | I | | UE3 | USBF1 | 350.32 | 3,383.00 | 406.81 | 164.08 | 93.01 | | 26.94 | 12.76 | | | |
| | Sub Loop Feeder - STS-1 - Per Mile Per Month | I | | UDLSX | 1L5SL | 16.03 | | | | | | | | | | |
| | Sub Loop Feeder - STS-1 - Facility Termination Per Month | I | | UDLSX | USBF7 | 376.06 | 3,383.00 | 406.81 | 164.08 | 93.01 | | 26.94 | 12.76 | | | |
| | Sub Loop Feeder - OC-3 - Per Mile Per Month | I | | UDLO3 | 1L5SL | 12.16 | | | | | | | | | | |
| | Sub Loop Feeder - OC-3 - Facility Termination Protection Per Month | I | | UDLO3 | USBF5 | 56.60 | | | | | | | | | | |
| | Sub Loop Feeder - OC-3 - Facility Termination Per Month | I | | UDLO3 | USBF2 | 564.14 | 3,383.00 | 406.81 | 164.08 | 93.01 | | 26.94 | 12.76 | | | |
| | Sub Loop Feeder - OC-12 - Per Mile Per Month | I | | UDL12 | 1L5SL | 14.97 | | | | | | | | | | |
| | Sub Loop Feeder - OC-12 - Facility Termination Protection Per Month | I | | UDL12 | USBF6 | 639.50 | | | | | | | | | | |
| | Sub Loop Feeder - OC-12 - Facility Termination Per Month | I | | UDL12 | USBF3 | 1,841.00 | 3,383.00 | 406.81 | 164.08 | 93.01 | | 26.94 | 12.76 | | | |
| | Sub Loop Feeder - OC-48 - Per Mile Per Month | I | | UDL48 | 1L5SL | 49.10 | | | | | | | | | | |
| | Sub Loop Feeder - OC-48 - Facility Termination Protection Per Month | I | | UDL48 | USBF9 | 319.92 | | | | | | | | | | |
| | Sub Loop Feeder - OC-48 - Facility Termination Per Month | I | | UDL48 | USBF4 | 1,603.00 | 3,569.00 | 406.81 | 160.39 | 90.92 | | 26.94 | 12.76 | | | |
| | Sub Loop Feeder - OC-12 Interface On OC-48 | I | | UDL48 | USBF8 | 360.95 | 787.73 | 406.81 | 160.39 | 90.92 | | 26.94 | 12.76 | | | |
| UNBUNDLED LOOP CONCENTRATION | | | | | | | | | | | | | | | | |
| | Unbundled Loop Concentration - System A (TR008) | | | ULC | UCT8A | 398.41 | 652.26 | 652.26 | | | | | | | | |
| | Unbundled Loop Concentration - System B (TR008) | | | ULC | UCT8B | 58.36 | 271.78 | 271.78 | | | | | | | | |
| | Unbundled Loop Concentration - System A (TR303) | | | ULC | UCT3A | 439.73 | 652.25 | 652.26 | | | | | | | | |
| | Unbundled Loop Concentration - System B (TR303) | | | ULC | UCT3B | 98.34 | 271.78 | 271.78 | | | | | | | | |
| | Unbundled Loop Concentration - DS1 Loop Interface Card | | | ULC | UCTCO | 5.52 | 126.85 | 92.35 | 33.65 | 9.42 | | | | | | |
| | Unbundled Loop Concentration - ISDN Loop Interface (Brite Card) | | | UDN | ULCC1 | 8.77 | 21.11 | 21.00 | 10.81 | 10.74 | | | | | | |
| | Unbundled Loop Concentration - UDC Loop Interface (Brite Card) | | | UDC | ULCCU | 8.77 | 21.11 | 21.00 | 10.81 | 10.74 | | | | | | |
| | Unbundled Loop Concentration - -2 Wire Voice-Loop Start or Ground Start Loop Interface (POTS Card) | | | UEA | ULCC2 | 0.89 | 35.73 | 35.49 | | | | | | | | |
| | Unbundled Loop Concentration - 2 Wire Voice - Reverse Battery Loop Interface (SPOTS Card) | | | UEA | ULCCR | 13.03 | 21.11 | 21.00 | 10.81 | 10.74 | | | | | | |
| | Unbundled Loop Concentration - 4 Wire Voice Loop Interface (Specials Card) | | | UEA | ULCC4 | 7.77 | 21.11 | 21.00 | 10.81 | 10.74 | | | | | | |

| UNBUNDLED NETWORK ELEMENTS - North Carolina | | | | | | | | | | Exhibit B of Attachment 2 of the Agreement | | | | | | | | | |
|--|--|---------|------|---------------------------------|-------|-----------|----------------------------------|--------------------------------------|--|--|---|---|---------------|--------------|--|-------------------------|--|-------|-------|
| CATEGORY | RATE ELEMENTS | Interim | Zone | BCS | USOC | RATES(\$) | Svc Order Submitted Elec per LSR | Svc Order Submitted Manually per LSR | Incremental Charge - Manual Svc Order vs. Electronic-1st | Incremental Charge - Manual Svc Order vs. Electronic-Add'l | Incremental Charge - Manual Svc Order vs. Electronic-Disc 1st | Incremental Charge - Manual Svc Order vs. Electronic-Disc Add'l | OSS Rates(\$) | | | | | | |
| | | | | | | | | | | | | | Rec | Nonrecurring | | Nonrecurring Disconnect | | SOMEc | SOMAN |
| | | | | | | | | | | | | | | | | | | | |
| | Unbundled Loop Concentration - TEST CIRCUIT Card | | | ULC | UCTTC | 37.98 | | | | | | | | | | | | | |
| | Unbundled Loop Concentration - Digital 19.2 Kbps Data Loop Interface | | | UDL | ULCC7 | 11.51 | | | | | | | | | | | | | |
| | Unbundled Loop Concentration - Digital 56 Kbps Data Loop Interface | | | UDL | ULCC5 | 11.51 | | | | | | | | | | | | | |
| | Unbundled Loop Concentration - Digital 64 Kbps Data Loop Interface | | | UDL | ULCC6 | 11.51 | | | | | | | | | | | | | |
| UNE OTHER, PROVISIONING ONLY - NO RATE | | | | | | | | | | | | | | | | | | | |
| | NID - Dispatch and Service Order for NID installation | | | UENTW | UNDBX | 0.00 | | | | | | | | | | | | | |
| | UNTW Circuit Id Establishment, Provisioning Only - No Rate | | | UENTW | UENCE | 0.00 | | | | | | | | | | | | | |
| | Unbundled Contract Name, Provisioning Only - No Rate | | | UEANL,UEF,UEQ,UENTW | UNECN | 0.00 | | | | | | | | | | | | | |
| UNE OTHER, PROVISIONING ONLY - NO RATE | | | | | | | | | | | | | | | | | | | |
| | Unbundled Contact Name, Provisioning Only - no rate | | | UAL,UCL,UDC,UDL,UDN,UEA,UHL,ULC | UNECN | 0.00 | | | | | | | | | | | | | |
| | Unbundled Sub-Loop Feeder-2 Wire Cross Box Jumper - no rate | | | UEA,UDN,UCL,UDC | USBFQ | 0.00 | | | | | | | | | | | | | |
| | Unbundled Sub-Loop Feeder-4 Wire Cross Box Jumper - no rate | | | UEA,USL,UCL,UDL | USBFR | 0.00 | | | | | | | | | | | | | |
| | Unbundled DS1 Loop - Superframe Format Option - no rate | | | USL | CCOSF | 0.00 | | | | | | | | | | | | | |
| | Unbundled DS1 Loop - Expanded Superframe Format option - no rate | | | USL | CCOEF | 0.00 | | | | | | | | | | | | | |
| HIGH CAPACITY UNBUNDLED LOCAL LOOP | | | | | | | | | | | | | | | | | | | |
| | High Capacity Unbundled Local Loop - DS3 - Per Mile per month | | | UE3 | 1L5ND | 13.33 | | | | | | | | | | | | | |
| | High Capacity Unbundled Local Loop - DS3 - Facility Termination per month | | | UE3 | UE3PX | 450.69 | | | | | | | | | | | | | |
| | High Capacity Unbundled Local Loop - STS-1 - Per Mile per month | | | UDLSX | 1L5ND | 13.33 | | | | | | | | | | | | | |
| | High Capacity Unbundled Local Loop - STS-1 - Facility Termination per month | | | UDLSX | UDLS1 | 464.26 | | | | | | | | | | | | | |
| LOOP MAKE-UP | | | | | | | | | | | | | | | | | | | |
| | Loop Makeup - Preordering Without Reservation, per working or spare facility queried (Manual). | | | UMK | UMKLW | | | | | | | | | | | | | | |
| | Loop Makeup - Preordering With Reservation, per spare facility queried (Manual). | | | UMK | UMKLP | | | | | | | | | | | | | | |
| | Loop Makeup--With or Without Reservation, per working or spare facility queried (Mechanized) | | | UMK | PSUMK | | | | | | | | | | | | | | |
| HIGH FREQUENCY SPECTRUM | | | | | | | | | | | | | | | | | | | |
| LINE SHARING | | | | | | | | | | | | | | | | | | | |
| SPLITTERS-CENTRAL OFFICE BASED | | | | | | | | | | | | | | | | | | | |
| | Line Sharing Splitter, per System 96 Line Capacity | | | ULS | ULSDA | 181.18 | | | | | | | | | | | | | |
| | Line Sharing Splitter, per System 24 Line Capacity | | | ULS | ULSDB | 38.99 | | | | | | | | | | | | | |
| | Line Sharing Splitter, Per System, 8 Line Capacity | | | ULS | ULSD8 | 12.73 | | | | | | | | | | | | | |
| | Line Sharing Splitter - per Line Activation in the Remote Terminal (RT) | | | ULS | | 2.23 | | | | | | | | | | | | | |
| | Line Sharing-DLEC Owned Splitter in CO-CFA activation-deactivation (per LSOD) | | | ULS | ULSDG | | | | | | | | | | | | | | |
| END USER ORDERING-CENTRAL OFFICE BASED-HIGH FREQUENCY SPECTRUM AKA LINE SHARING | | | | | | | | | | | | | | | | | | | |
| | Line Sharing - per Line Activation (BST Owned Splitter) | | | ULS | ULSDC | 0.61 | | | | | | | | | | | | | |
| | Line Sharing - per Subsequent Activity per Line Rearrangement(BST Owned Splitter) | | | ULS | ULSDS | | | | | | | | | | | | | | |
| | Line Sharing - per Subsequent Activity per Line Rearrangement(DLEC Owned Splitter) | | | ULS | ULSCS | | | | | | | | | | | | | | |
| | Line Sharing - per Line Activation (DLEC owned Splitter) | | | ULS | ULSCC | 0.61 | | | | | | | | | | | | | |
| LINE SPLITTING | | | | | | | | | | | | | | | | | | | |
| END USER ORDERING-CENTRAL OFFICE BASED | | | | | | | | | | | | | | | | | | | |
| | Line Splitting - per line activation DLEC owned splitter | | | UEPSR UEPSB | UREOS | 0.61 | | | | | | | | | | | | | |

| UNBUNDLED NETWORK ELEMENTS - North Carolina | | | | | | | | | | Exhibit B of Attachment 2 of the Agreement | | | | | | | | | | |
|--|--|---------|------|-------------|-------|-----------|----------------------------------|--------------------------------------|--|--|---|---|---------------|--------------|-------|-------------------------|--|-------|-------|-------|
| CATEGORY | RATE ELEMENTS | Interim | Zone | BCS | USOC | RATES(\$) | Svc Order Submitted Elec per LSR | Svc Order Submitted Manually per LSR | Incremental Charge - Manual Svc Order vs. Electronic-1st | Incremental Charge - Manual Svc Order vs. Electronic-Add'l | Incremental Charge - Manual Svc Order vs. Electronic-Disc 1st | Incremental Charge - Manual Svc Order vs. Electronic-Disc Add'l | OSS Rates(\$) | | | | | | | |
| | | | | | | | | | | | | | Rec | Nonrecurring | | Nonrecurring Disconnect | | SOMEc | SOMAN | SOMAN |
| | | | | | | | | | | | | | First | Add'l | First | Add'l | | | | |
| | Line Splitting - per line activation BST owned - physical | I | | UEPSR UEPSB | UREBP | 0.61 | | | | | | | 26.94 | 12.76 | | | | | | |
| | Line Splitting - per line activation BST owned - virtual | I | | UEPSR UEPSB | UREBV | 0.61 | | | | | | | 26.94 | 12.76 | | | | | | |
| REMOTE SITE HIGH FREQUENCY SPECTRUM | | | | | | | | | | | | | | | | | | | | |
| SPLITTERS-REMOTE SITE | | | | | | | | | | | | | | | | | | | | |
| | Remote Site Line Share BellSouth Owned Splitter, 24 Port | I | | ULS | ULSRB | 38.18 | | | | | | | 26.94 | | | | | | | |
| | Remote Site Line Share Cable Pair Activation CLEC Owned at RS and Deactivation | I | | ULS | ULSTG | | | | | | | | 26.94 | | | | | | | |
| END USER ORDERING-REMOTE SITE HIGH FREQUENCY SPECTRUM AKA REMOTE SITE LINE SHARING | | | | | | | | | | | | | | | | | | | | |
| | Remote Site Line Share Line Activationfor End User Served at RS, BST Splitter | I | | ULS | ULSRC | 0.61 | | | | | | | 26.94 | 12.76 | | | | | | |
| | RS Line Share Line Activation for End User served at RS, CLEC Splitter | I | | ULS | ULSTC | 0.61 | | | | | | | 26.94 | 12.76 | | | | | | |
| UNBUNDLED DEDICATED TRANSPORT | | | | | | | | | | | | | | | | | | | | |
| NOTE: INTEROFFICE CHANNEL DEDICATED TRANSPORT - minimum billing period - below DS3=one month, DS3/STS-1=four months | | | | | | | | | | | | | | | | | | | | |
| INTEROFFICE CHANNEL - DEDICATED TRANSPORT | | | | | | | | | | | | | | | | | | | | |
| | Interoffice Channel - Dedicated Transport - 2-Wire Voice Grade - Per Mile per month | | | U1TVX | 1L5XX | 0.0125 | | | | | | | | | | | | | | |
| | Interoffice Channel - Dedicated Transport- 2- Wire Voice Grade - Facility Termination | | | U1TVX | U1TV2 | 18.00 | | 137.48 | | | | | 38.07 | 38.07 | | | | | | |
| | Interoffice Channel - Dedicated Transport - 2-Wire Voice Grade Rev Bat. - Per Mile per month | | | U1TVX | 1L5XX | 0.0125 | | | | | | | | | | | | | | |
| | Interoffice Channel - Dedicated Transport- 2- Wire VG Rev Bat. - Facility Termination | | | U1TVX | U1TR2 | 18.00 | | 137.48 | | | | | 38.07 | 38.07 | | | | | | |
| | Interoffice Channel - Dedicated Transport - 4-Wire Voice Grade - Per Mile per month | | | U1TVX | 1L5XX | 0.0125 | | | | | | | | | | | | | | |
| | Interoffice Channel - Dedicated Transport - 4- Wire Voice Grade - Facility Termination | | | U1TVX | U1TV4 | 22.16 | | 106.11 | | | | | 22.32 | 22.32 | | | | | | |
| | Interoffice Channel - Dedicated Transport - 56 kbps - per mile per month | | | U1TDX | 1L5XX | 0.0282 | | | | | | | | | | | | | | |
| | Interoffice Channel - Dedicated Transport - 56 kbps - Facility Termination | | | U1TDX | U1TD5 | 17.40 | | 137.48 | | | | | 38.07 | 38.07 | | | | | | |
| | Interoffice Channel - Dedicated Transport - 64 kbps - per mile per month | | | U1TDX | 1L5XX | 0.0282 | | | | | | | | | | | | | | |
| | Interoffice Channel - Dedicated Transport - 64 kbps - Facility Termination | | | U1TDX | U1TD6 | 17.40 | | 137.48 | | | | | 38.07 | 38.07 | | | | | | |
| | Interoffice Channel - Dedicated Channel - DS1 - Per Mile per month | | | U1TD1 | 1L5XX | 0.5753 | | | | | | | | | | | | | | |
| | Interoffice Channel - Dedicated Transport - DS1 - Facility Termination | | | U1TD1 | U1TF1 | 71.29 | | 217.17 | | | | | 38.07 | 38.07 | | | | | | |
| | Interoffice Channel - Dedicated Transport - DS3 - Per Mile per month | | | U1TD3 | 1L5XX | 12.98 | | | | | | | | | | | | | | |
| | Interoffice Channel - Dedicated Transport - DS3 - Facility Termination per month | | | U1TD3 | U1TF3 | 720.38 | | 794.94 | | | | | 91.26 | 91.26 | | | | | | |
| | Interoffice Channel - Dedicated Transport - STS-1 - Per Mile per month | | | U1TS1 | 1L5XX | 6.14 | | | | | | | | | | | | | | |
| | Interoffice Channel - Dedicated Transport - STS-1 - Facility Termination | | | U1TS1 | U1TFS | 790.37 | | 642.23 | | | | | 53.48 | 53.48 | | | | | | |
| LOCAL CHANNEL - DEDICATED TRANSPORT | | | | | | | | | | | | | | | | | | | | |
| NOTE: LOCAL CHANNEL DEDICATED TRANSPORT - minimum billing period - below DS3=one month, DS3/STS-1=four months | | | | | | | | | | | | | | | | | | | | |
| | Local Channel - Dedicated - 2-Wire Voice Grade - Zone 1 | 1 | | ULDVX | ULDV2 | 11.24 | | 553.80 | | | | | 42.17 | 12.76 | | | | | | |
| | Local Channel - Dedicated - 2-Wire Voice Grade - Zone 2 | 2 | | ULDVX | ULDV2 | 19.91 | | 553.80 | | | | | 42.17 | 12.76 | | | | | | |
| | Local Channel - Dedicated - 2-Wire Voice Grade - Zone 3 | 3 | | UNDVX | ULDV2 | 31.70 | | 553.80 | | | | | 42.17 | 12.76 | | | | | | |
| | Local Channel - Dedicated - 4-Wire Voice Grade - Zone 1 | 1 | | UNDVX | ULDV4 | 12.03 | | 562.23 | | | | | 42.17 | 12.76 | | | | | | |
| | Local Channel - Dedicated - 4-Wire Voice Grade - Zone 2 | 2 | | UNDVX | ULDV4 | 21.33 | | 562.23 | | | | | 42.17 | 12.76 | | | | | | |
| | Local Channel - Dedicated - 4-Wire Voice Grade - Zone 3 | 3 | | UNDVX | ULDV4 | 33.95 | | 562.23 | | | | | 42.17 | 12.76 | | | | | | |
| | Local Channel - Dedicated - DS1 - Zone 1 | 1 | | ULDD1 | ULDF1 | 27.05 | | 534.48 | | | | | 86.15 | 1.77 | | | | | | |
| | Local Channel - Dedicated - DS1 - Zone 2 | 2 | | ULDD1 | ULDF1 | 47.94 | | 534.48 | | | | | 86.15 | 1.77 | | | | | | |
| | Local Channel - Dedicated - DS1 - Zone 3 | 3 | | ULDD1 | ULDF1 | 76.32 | | 534.48 | | | | | 86.15 | 1.77 | | | | | | |
| | Local Channel - Dedicated - DS3 - Per Mile per month | | | ULDD3 | 1L5NC | 0.9954 | | | | | | | | | | | | | | |

| UNBUNDLED NETWORK ELEMENTS - North Carolina | | | | | | | Exhibit B of Attachment 2 of the Agreement | | | | | | | | |
|---|--|---------|------|----------|-------|-----------|--|--------------------------------------|--|--|---|---|-------|--------------|-------|
| CATEGORY | RATE ELEMENTS | Interim | Zone | BCS | USOC | RATES(\$) | Svc Order Submitted Elec per LSR | Svc Order Submitted Manually per LSR | Incremental Charge - Manual Svc Order vs. Electronic-1st | Incremental Charge - Manual Svc Order vs. Electronic-Add'l | Incremental Charge - Manual Svc Order vs. Electronic-Disc 1st | Incremental Charge - Manual Svc Order vs. Electronic-Disc Add'l | | | |
| | | | | | | | | | | | | | Rec | Nonrecurring | |
| | | | | | | First | Add'l | First | Add'l | SOMEC | SOMAN | SOMAN | SOMAN | SOMAN | SOMAN |
| | Local Channel - Dedicated - DS3 - Facility Termination | | | ULDD3 | ULDF3 | 298.92 | | 562.25 | 527.88 | | | 56.25 | 56.25 | | |
| | Local Channel - Dedicated - STS-1- Per Mile per month | | | ULDS1 | 1L5NC | 0.9954 | | | | | | | | | |
| | Local Channel - Dedicated - STS-1 - Facility Termination | | | ULDS1 | ULDFS | 286.13 | 1,071.00 | 646.12 | | | | 53.48 | 53.48 | | |
| DARK FIBER | | | | | | | | | | | | | | | |
| | Dark Fiber, Four Fiber Strands, Per Route Mile or Fraction Thereof per month - Local Channel | | | UDF | 1L5DC | 64.04 | | | | | | | | | |
| | NRC Dark Fiber - Local Channel | | | UDF | UDFC4 | | 1,347.00 | 279.87 | | | | | | | |
| | Dark Fiber, Four Fiber Strands, Per Route Mile or Fraction Thereof per month - Interoffice Channel | | | UDF | 1L5DF | 27.71 | | | | | | | | | |
| | NRC Dark Fiber - Interoffice Channel | | | UDF | UDF14 | | 1,807.00 | 562.96 | | | | | | | |
| | Dark Fiber, Four Fiber Strands, Per Route Mile or Fraction Thereof per month - Local Loop | | | UDF | 1L5DL | 64.04 | | | | | | | | | |
| | NRC Dark Fiber - Local Loop | | | UDF | UDFL4 | | 1,347.00 | 279.87 | | | | | | | |
| 8XX ACCESS TEN DIGIT SCREENING | | | | | | | | | | | | | | | |
| | 8XX Access Ten Digit Screening, Per Call | | | OHD | | 0.0005 | | | | | | | | | |
| | 8XX Access Ten Digit Screening, Reservation Charge Per 8XX Number Reserved | | | OHD | N8R1X | | 7.05 | 0.96 | | | | 26.94 | | | |
| | 8XX Access Ten Digit Screening, Per 8XX No. Established W/O POTS Translations | | | OHD | | | 23.82 | 2.73 | | | | 41.35 | | | |
| | 8XX Access Ten Digit Screening, Per 8XX No. Established With POTS Translations | | | OHD | N8FTX | | 23.82 | 2.73 | | | | 41.35 | | | |
| | 8XX Access Ten Digit Screening, Customized Area of Service Per 8XX Number | | | OHD | N8FCX | | 5.63 | 2.82 | | | | | | | |
| | 8XX Access Ten Digit Screening, Multiple InterLATA CXR Routing Per CXR Requested Per 8XX No. | | | OHD | N8FMX | | 6.59 | 3.77 | | | | | | | |
| | 8XX Access Ten Digit Screening, Change Charge Per Request | | | OHD | N8FAX | | 8.01 | 0.96 | | | | 26.94 | | | |
| | 8XX Access Ten Digit Screening, Call Handling and Destination Features | | | OHD | N8FDX | | 5.63 | | | | | | | | |
| LINE INFORMATION DATA BASE ACCESS (LIDB) | | | | | | | | | | | | | | | |
| | LIDB Common Transport Per Query | | | OQT | | 0.00003 | | | | | | | | | |
| | LIDB Validation Per Query | | | OQU | | 0.0134 | | | | | | | | | |
| | LIDB Originating Point Code Establishment or Change | | | OQT, OQU | NRPBX | | 62.26 | | | | | 26.94 | 26.94 | | |
| SIGNALING (CCS7) | | | | | | | | | | | | | | | |
| | CCS7 Signaling Connection, Per link (A link) | | | UDB | TPP++ | 18.22 | 278.02 | 278.02 | | | | 41.35 | 41.35 | | |
| | CCS7 Signaling Connection, Per link (B link) (also known as D link) | | | UDB | TPP++ | 18.22 | 278.02 | 278.02 | | | | 41.35 | 41.35 | | |
| | CCS7 Signaling Termination, Per STP Port | | | UDB | PT8SX | 132.83 | | | | | | | | | |
| | CCS7 Signaling Usage, Per ISUP Message | | | UDB | | 0.00004 | | | | | | | | | |
| | CCS7 Signaling Usage, Per TCAP Message | | | UDB | | 0.00009 | | | | | | | | | |
| | CCS7 Signaling Usage Surrogate, per link per LATA | | | UDB | STU56 | 338.98 | | | | | | | | | |
| | CCS7 Signaling Point Code, per Originating Point Code Establishment or Change, per STP affected | | | UDB | CCAPO | | 40.00 | 40.00 | | | | 19.99 | 19.99 | | |
| | CCS7 Signaling Point Code, per Destination Point Code Establishment or Change, Per Stp Affected | | | UDB | CCAPD | | 8.00 | 8.00 | | | | 19.99 | 19.99 | | |
| E911 SERVICE | | | | | | | | | | | | | | | |
| | Local Channel - Dedicated - 2-wr Voice Grade - Zone 1 | | 1 | | | 11.24 | 553.80 | 89.69 | | | | 42.17 | 12.76 | | |
| | Local Channel - Dedicated - 2-wr Voice Grade - Zone 2 | | 2 | | | 19.91 | 553.80 | 89.69 | | | | 42.17 | 12.76 | | |
| | Local Channel - Dedicated - 2-wr Voice Grade - Zone 3 | | 3 | | | 31.70 | 553.80 | 89.69 | | | | 42.17 | 12.76 | | |
| | Interoffice Transport - Dedicated - 2-wr Voice Grade Per Mile | | | | | 0.0282 | | | | | | | | | |
| | Interoffice Transport - Dedicated - 2-wr Voice Grade Per Facility Termination | | | | | 18.00 | 137.48 | 52.58 | | | | 38.07 | 38.07 | | |
| | Local Channel - Dedicated - DS1 - Zone 1 | | 1 | | | 27.05 | 534.48 | 462.69 | | | | 86.15 | 1.77 | | |
| | Local Channel - Dedicated - DS1 - Zone 2 | | 2 | | | 47.94 | 534.48 | 462.69 | | | | 86.15 | 1.77 | | |
| | Local Channel - Dedicated - DS1 - Zone 3 | | 3 | | | 76.32 | 534.48 | 462.69 | | | | 86.15 | 1.77 | | |
| | Interoffice Transport - Dedicated - DS1 Per Mile | | | | | 0.5753 | | | | | | | | | |
| | Interoffice Transport - Dedicated - DS1 Per Facility Termination | | | | | 71.29 | 217.17 | 163.75 | | | | 38.07 | 38.07 | | |
| CALLING NAME (CNAM) SERVICE | | | | | | | | | | | | | | | |
| | CNAM For DB Owners - Service Establishment | | | OQV | | | 75.62 | | | | | | | | |

| UNBUNDLED NETWORK ELEMENTS - North Carolina | | | | | | | Exhibit B of Attachment 2 of the Agreement | | | | | | | | | | | | | | | | |
|---|--|---------|------|-----|-------|-----------|--|--------------------------------------|--|--|---|---|---------------|--------------|-------|-------------------------|--|-------|-------|-------|-------|-------|-------|
| CATEGORY | RATE ELEMENTS | Interim | Zone | BCS | USOC | RATES(\$) | Svc Order Submitted Elec per LSR | Svc Order Submitted Manually per LSR | Incremental Charge - Manual Svc Order vs. Electronic-1st | Incremental Charge - Manual Svc Order vs. Electronic-Add'l | Incremental Charge - Manual Svc Order vs. Electronic-Disc 1st | Incremental Charge - Manual Svc Order vs. Electronic-Disc Add'l | OSS Rates(\$) | | | | | | | | | | |
| | | | | | | | | | | | | | Rec | Nonrecurring | | Nonrecurring Disconnect | | SOMEC | SOMAN | SOMAN | SOMAN | SOMAN | SOMAN |
| | | | | | | | | | | | | | First | Add'l | First | Add'l | | | | | | | |
| | CNAM For Non DB Owners - Service Establishment | | | OQV | | | | | | | | | | | | | | | | | | | |
| | CNAM For DB Owners - Service Provisioning With Point Code Establishment (Initial) | | | OQV | | | | | | | | | | | | | | | | | | | |
| | CNAM For DB Owners - Service Provisioning With Point Code Establishment (Subsequent) | | | OQV | | | | | | | | | | | | | | | | | | | |
| | CNAM For Non DB Owners - Service Provisioning With Point Code Establishment (Initial) | | | OQV | | | | | | | | | | | | | | | | | | | |
| | CNAM For Non DB Owners - Service Provisioning With Point Code Establishment (Subsequent) | | | OQV | | | | | | | | | | | | | | | | | | | |
| | CNAM for DB & Non DB Owners, Per Query | | | OQV | | 0.0009592 | | | | | | | | | | | | | | | | | |
| LNP Query Service | | | | | | | | | | | | | | | | | | | | | | | |
| | LNP Charge Per query | | | OQV | | 0.00084 | | | | | | | | | | | | | | | | | |
| | LNP Service Establishment Manual | | | OQV | | | | | | | | | | | | | | | | | | | |
| | LNP Service Provisioning with Point Code Establishment (Initial) | | | OQV | | | | | | | | | | | | | | | | | | | |
| | LNP Service Provisioning with Point Code Establishment (Subsequent) | | | OQV | | | | | | | | | | | | | | | | | | | |
| OPERATOR CALL PROCESSING | | | | | | | | | | | | | | | | | | | | | | | |
| | Oper. Call Processing - Oper. Provided, Per Min. - Using BST LIDB | | | | | 1.20 | | | | | | | | | | | | | | | | | |
| | Oper. Call Processing - Oper. Provided, Per Min. - Using Foreign LIDB | | | | | 1.24 | | | | | | | | | | | | | | | | | |
| | Oper. Call Processing - Fully Automated, per Call - Using BST LIDB | | | | | 0.20 | | | | | | | | | | | | | | | | | |
| | Oper. Call Processing - Fully Automated, per Call - Using Foreign LIDB | | | | | 0.20 | | | | | | | | | | | | | | | | | |
| INWARD OPERATOR SERVICES | | | | | | | | | | | | | | | | | | | | | | | |
| | Inward Operator Services - Verification, Per Minute | | | | | 1.15 | | | | | | | | | | | | | | | | | |
| | Inward Operator Services - Verification and Emergency Interrupt - Per Minute | | | | | 1.15 | | | | | | | | | | | | | | | | | |
| BRANDING - OPERATOR CALL PROCESSING | | | | | | | | | | | | | | | | | | | | | | | |
| Facility based CLEC | | | | | | | | | | | | | | | | | | | | | | | |
| | Recording of Custom Branded OA Announcement | | | | CBAOS | 7,000.00 | 7,000.00 | | | | | | | | | | | | | | | | |
| | Loading of Custom Branded OA Announcement per shelf/NAV per OCN | | | | CBAOL | 500.00 | 500.00 | | | | | | | | | | | | | | | | |
| UNEP CLEC | | | | | | | | | | | | | | | | | | | | | | | |
| | Recording of Custom Branded OA Announcement | | | | | 7,000.00 | 7,000.00 | | | | | | | | | | | | | | | | |
| | Loading of Custom Branded OA Announcement per shelf/NAV per OCN | | | | | 500.00 | 500.00 | | | | | | | | | | | | | | | | |
| Unbranding via OLNS for UNEP CLEC | | | | | | | | | | | | | | | | | | | | | | | |
| | Loading of OA per OCN (Regional) | | | | | 1,200.00 | 1,200.00 | | | | | | | | | | | | | | | | |
| DIRECTORY ASSISTANCE SERVICES | | | | | | | | | | | | | | | | | | | | | | | |
| DIRECTORY ASSISTANCE ACCESS SERVICE | | | | | | | | | | | | | | | | | | | | | | | |
| | Directory Assistance Access Service Calls, Charge Per Call | | | | | 0.275 | | | | | | | | | | | | | | | | | |
| DIRECTORY ASSISTANCE CALL COMPLETION ACCESS SERVICE (DACC) | | | | | | | | | | | | | | | | | | | | | | | |
| | Directory Assistance Call Completion Access Service (DACC), Per Call Attempt | | | | | 0.062 | | | | | | | | | | | | | | | | | |
| DIRECTORY ASSISTANCE SERVICES | | | | | | | | | | | | | | | | | | | | | | | |
| DIRECTORY ASSISTANCE DATA BASE SERVICE (DADS) | | | | | | | | | | | | | | | | | | | | | | | |
| | Directory Assistance Data Base Service Charge Per Listing | | | | | 0.04 | | | | | | | | | | | | | | | | | |
| | Directory Assistance Data Base Service, per month | | | | DBSOF | 150.00 | | | | | | | | | | | | | | | | | |
| BRANDING - DIRECTORY ASSISTANCE | | | | | | | | | | | | | | | | | | | | | | | |
| Facility Based CLEC | | | | | | | | | | | | | | | | | | | | | | | |
| | Recording and Provisioning of DA Custom Branded Announcement | | | AMT | CBADA | 6,000.00 | 6,000.00 | | | | | | | | | | | | | | | | |
| | Loading of Custom Branded Announcement per DRAM Card/Switch | | | AMT | CBADC | 1,170.00 | 1,170.00 | | | | | | | | | | | | | | | | |
| UNEP CLEC | | | | | | | | | | | | | | | | | | | | | | | |
| | Recording of DA Custom Branded Announcement | | | | | 3,000.00 | 3,000.00 | | | | | | | | | | | | | | | | |

| UNBUNDLED NETWORK ELEMENTS - North Carolina | | | | | | | | | | | Exhibit B of Attachment 2 of the Agreement | | | | | | | | | | | | | |
|---|--|---------|------|---|-------|-----------|----------------------------------|--------------------------------------|--|--|---|---|---------------|--------------|-------|-------------------------|--|--------|-------|-------|-------|-------|-------|-------|
| CATEGORY | RATE ELEMENTS | Interim | Zone | BCS | USOC | RATES(\$) | Svc Order Submitted Elec per LSR | Svc Order Submitted Manually per LSR | Incremental Charge - Manual Svc Order vs. Electronic-1st | Incremental Charge - Manual Svc Order vs. Electronic-Add'l | Incremental Charge - Manual Svc Order vs. Electronic-Disc 1st | Incremental Charge - Manual Svc Order vs. Electronic-Disc Add'l | OSS Rates(\$) | | | | | | | | | | | |
| | | | | | | | | | | | | | Rec | Nonrecurring | | Nonrecurring Disconnect | | SOME C | SOMAN | SOMAN | SOMAN | SOMAN | SOMAN | |
| | | | | | | | | | | | | | First | Add'l | First | Add'l | | | | | | | | |
| | Loading of DA Custom Branded Announcement per DRAM Card/Switch per OCN | | | | | | | | | | | | 1,170.00 | 1,170.00 | | | | | | | | | 26.94 | 12.76 |
| | Unbranding via OLNS for UNEP CLEC | | | | | | | | | | | | | | | | | | | | | | | |
| | Loading of DA per OCN (1 OCN per Order) | | | | | | | | | | | | 420.00 | 420.00 | | | | | | | | | 26.94 | 12.76 |
| | Loading of DA per Switch per OCN | | | | | | | | | | | | 16.00 | 16.00 | | | | | | | | | 26.94 | 12.76 |
| | SELECTIVE ROUTING | | | | | | | | | | | | | | | | | | | | | | | |
| | Selective Routing Per Unique Line Class Code Per Request Per Switch | | | | USRCR | | | | | | | | 188.59 | 188.59 | | | | | | | | | | |
| | VIRTUAL COLLOCATION | | | | | | | | | | | | | | | | | | | | | | | |
| | Virtual Collocation - Application Cost | | | AMTFS | EAF | | | | | | | | 2,848.30 | 2,848.30 | | | | | | | | | | |
| | Virtual Collocation - Cable Installation Cost, per cable | | | AMTFS | ESPCX | | | | | | | | 2,750.00 | 2,750.00 | | | | | | | | | | |
| | Virtual Collocation - Floor Space, per sq. ft. | | | AMTFS | ESPVX | 3.20 | | | | | | | | | | | | | | | | | | |
| | Virtual Collocation - Power, per fused amp | | | AMTFS | ESPAX | 3.48 | | | | | | | | | | | | | | | | | | |
| | Virtual Collocation - Cable Support Structure, per entrance cable | | | AMTFS | ESPSX | 13.35 | | | | | | | | | | | | | | | | | | |
| | Virtual Collocation - 2-wire Cross Connects (loop) | | | UEANL,UEA,UDN,U DC,UAL,UHL,UCL,U EQ, AMTFS, UDL, UNCVX, UNCDX, UNCNX | UEAC2 | 0.09 | | | | | | | 41.78 | 39.23 | 4.75 | 4.75 | | | | | | | 19.99 | 19.99 |
| | Virtual Collocation - 4-wire Cross Connects (loop) | | | UEA,UHL,UCL,UDL, AMTFS, UAL, UDN, UNCVX, UNCDX | UEAC4 | 0.18 | | | | | | | 41.91 | 39.25 | 4.73 | 4.73 | | | | | | | 19.99 | 19.99 |
| | Virtual Collocation - 2-Fiber Cross Connects | | | AMTFS,UDL12, UDLO3, U1T48, U1T12, U1T03, ULDO3, ULD12, ULD48, UDF | CNC2F | 15.99 | | | | | | | 67.34 | 48.55 | | | | | | | | | 19.99 | 19.99 |
| | Virtual Collocation - 4-Fiber Cross Connects | | | AMTFS,UDL12, UDLO3, U1T48, U1T12, U1T03, ULDO3, ULD12, ULD48, UDF | CNC4F | 28.74 | | | | | | | 82.35 | 63.56 | | | | | | | | | 19.99 | 19.99 |
| | Virtual collocation - DS1 Cross Connects | | | USL,ULC,AMTFS, ULR, UXTD1, UNC1X, ULDD1, U1TD1, USLEL, UNLD1 | CNC1X | 0.97 | | | | | | | 71.02 | 51.08 | | | | | | | | | | |
| | Virtual collocation - DS3 Cross Connects | | | USL,ULC,AMTFS,U E3, U1TD3, UXTS1, UXTD3, UNC3X, UNCSX, ULDD3, U1TS1, ULDS1, UDLSX, UNLD3 | CND3X | 56.25 | | | | | | | 151.90 | 11.83 | | | | | | | | | 19.99 | 19.99 |
| | Virtual Collocation - Co-Carrier Cross Connects - Fiber Cable Support Structure, per linear foot | | | AMTFS | VE1CB | 0.0028 | | | | | | | | | | | | | | | | | | |
| | Virtual Collocation - Co-Carrier Cross Connects - Copper/Coax Cable Support Structure, per linear ft | | | AMTFS | VE1CD | 0.0041 | | | | | | | | | | | | | | | | | | |
| | Virtual Collocation - Co-Carrier Cross Connects - Fiber Cable Support Structure, per cable | | | AMTFS | VE1CC | | | | | | | | | | | | | | | | | | 19.99 | |
| | Virtual Collocation - Co-Carrier Cross Connects - Copper/Coax Cable Support Structure, per cable | | | AMTFS | VE1CE | | | | | | | | | | | | | | | | | | 19.99 | |
| | Virtual Collocation Cable Records - per request | | | AMTFS | VE1BA | | | | | | | | 1,707.00 | | | | | | | | | | | |
| | Virtual Collocation Cable Records - VG/DS0 Cable, per cable record | | | AMTFS | VE1BB | | | | | | | | 923.08 | | | | | | | | | | | |
| | Virtual Collocation Cable Records - VG/DS0 Cable, per each 100 pair | | | AMTFS | VE1BC | | | | | | | | 18.02 | 18.02 | | | | | | | | | | |
| | Virtual Collocation Cable Records - DS1, per T1TIE | | | AMTFS | VE1BD | | | | | | | | 8.43 | 8.43 | | | | | | | | | | |

| UNBUNDLED NETWORK ELEMENTS - North Carolina | | | | | | | Exhibit B of Attachment 2 of the Agreement | | | | | | | | | | | | |
|---|--|---------|------|--------------|-------|-----------|--|--------------------------------------|--|--|---|---|---------------|--------------------|--------------------|-------------------------------|-------------------------------|--------|-------|
| CATEGORY | RATE ELEMENTS | Interim | Zone | BCS | USOC | RATES(\$) | Svc Order Submitted Elec per LSR | Svc Order Submitted Manually per LSR | Incremental Charge - Manual Svc Order vs. Electronic-1st | Incremental Charge - Manual Svc Order vs. Electronic-Add'l | Incremental Charge - Manual Svc Order vs. Electronic-Disc 1st | Incremental Charge - Manual Svc Order vs. Electronic-Disc Add'l | OSS Rates(\$) | | | | | | |
| | | | | | | | | | | | | | Rec | Nonrecurring First | Nonrecurring Add'l | Nonrecurring Disconnect First | Nonrecurring Disconnect Add'l | SOME C | SOMAN |
| | Virtual Collocation Cable Records - DS3, per T3TIE | | | AMTFS | VE1BE | | | | | | | | | | | | | | |
| | Virtual Collocation Cable Records - Fiber Cable, per 99 fiber records | | | AMTFS | VE1BF | | | | | | | | | | | | | | |
| | Virtual collocation - Security Escort - Basic, per half hour | | | AMTFS | SPTBX | | | | | | | | | | | | | | |
| | Virtual collocation - Security Escort - Overtime, per half hour | | | AMTFS | SPTOX | | | | | | | | | | | | | | |
| | Virtual collocation - Security Escort - Premium, per half hour | | | AMTFS | SPTPX | | | | | | | | | | | | | | |
| | Virtual collocation - Maintenance in CO - Basic, per half hour | | | AMTFS | CTRLX | | | | | | | | | | | | | | |
| | Virtual collocation - Maintenance in CO - Overtime, per half hour | | | AMTFS | SPTOM | | | | | | | | | | | | | | |
| | Virtual collocation - Maintenance in CO - Premium per half hour | | | AMTFS | SPTPM | | | | | | | | | | | | | | |
| VIRTUAL COLLOCATION | | | | | | | | | | | | | | | | | | | |
| | Virtual Collocation - 2-wire Cross Connect, Exchange Port 2-Wire Analog - Res | | | UEPSR | VE1R2 | 0.09 | | | | | | | | | | | | | |
| | Virtual Collocation 2-Wire Cross Connect, Exchange Port 2-Wire Line Side PBX Trunk - Bus | | | UEPSP | VE1R2 | 0.09 | | | | | | | | | | | | | |
| | Virtual Collocation 2-Wire Cross Connect, Exchange Port 2-Wire Voice Grade PBX Trunk - Res | | | UEPSE | VE1R2 | 0.09 | | | | | | | | | | | | | |
| | Virtual Collocation 2-Wire Cross Connect, Exchange Port 2-Wire Analog Bus | | | UEPSB | VE1R2 | 0.09 | | | | | | | | | | | | | |
| | Virtual Collocation 2-Wire Cross Connect, Exchange Port 2-Wire ISDN | | | UEPSX | VE1R2 | 0.09 | | | | | | | | | | | | | |
| | Virtual Collocation 2-Wire Cross Connect, Exchange Port 2-Wire ISDN | | | UEPTX | VE1R2 | 0.09 | | | | | | | | | | | | | |
| | Virtual Collocation 4-Wire Cross Connect, Exchange Port 4-Wire ISDN DS1 | | | UEPEX | VE1R4 | 0.18 | | | | | | | | | | | | | |
| VIRTUAL COLLOCATION | | | | | | | | | | | | | | | | | | | |
| | Virtual Collocation-2 Wire Cross Connects (Loop) for Line Splitting | | | UEPSR, UEPSB | VE1LS | 0.0287 | | | | | | | | | | | | | |
| PHYSICAL COLLOCATION | | | | | | | | | | | | | | | | | | | |
| | Physical Collocation-2 Wire Cross Connects (Loop) for Line Splitting | | | UEPSR, UEPSB | PE1LS | 0.0309 | | | | | | | | | | | | | |
| AIN SELECTIVE CARRIER ROUTING | | | | | | | | | | | | | | | | | | | |
| | Regional Service Establishment | | | SRC | SRCEC | | | | | | | | | | | | | | |
| | End Office Establishment | | | SRC | SRCEO | | | | | | | | | | | | | | |
| | Query NRC, per query | | | SRC | | 0.0053758 | | | | | | | | | | | | | |
| AIN - BELLSOUTH AIN SMS ACCESS SERVICE | | | | | | | | | | | | | | | | | | | |
| | AIN SMS Access Service - Service Establishment, Per State, Initial Setup | | | A1N | CAMSE | | | | | | | | | | | | | | |
| | AIN SMS Access Service - Port Connection - Dial/Shared Access | | | A1N | CAMDP | | | | | | | | | | | | | | |
| | AIN SMS Access Service - Port Connection - ISDN Access | | | A1N | CAM1P | | | | | | | | | | | | | | |
| | AIN SMS Access Service - User Identification Codes - Per User ID Code | | | A1N | CAMAU | | | | | | | | | | | | | | |
| | AIN SMS Access Service - Security Card, Per User ID Code, Initial or Replacement | | | A1N | CAMRC | | | | | | | | | | | | | | |
| | AIN SMS Access Service - Storage, Per Unit (100 Kilobytes) | | | | | 0.0023 | | | | | | | | | | | | | |
| | AIN SMS Access Service - Session, Per Minute | | | | | 0.0791 | | | | | | | | | | | | | |
| | AIN SMS Access Service - Company Performed Session, Per Minute | | | | | 2.08 | | | | | | | | | | | | | |
| AIN - BELLSOUTH AIN TOOLKIT SERVICE | | | | | | | | | | | | | | | | | | | |
| | AIN Toolkit Service - Service Establishment Charge, Per State, Initial Setup | | | CAM | BAPSC | | | | | | | | | | | | | | |
| | AIN Toolkit Service - Training Session, Per Customer | | | | BAPVX | | | | | | | | | | | | | | |
| | AIN Toolkit Service - Trigger Access Charge, Per Trigger, Per DN, Term. Attempt | | | | BAPTT | | | | | | | | | | | | | | |
| | AIN Toolkit Service - Trigger Access Charge, Per Trigger, Per DN, Off-Hook Delay | | | | BAPTD | | | | | | | | | | | | | | |

| UNBUNDLED NETWORK ELEMENTS - North Carolina | | | | | | | Exhibit B of Attachment 2 of the Agreement | | | | | | | | |
|---|---|---------|------|-------|-------|-----------|--|--------------------------------------|--|--|---|---|-------|--------------|-------|
| CATEGORY | RATE ELEMENTS | Interim | Zone | BCS | USOC | RATES(\$) | Svc Order Submitted Elec per LSR | Svc Order Submitted Manually per LSR | Incremental Charge - Manual Svc Order vs. Electronic-1st | Incremental Charge - Manual Svc Order vs. Electronic-Add'l | Incremental Charge - Manual Svc Order vs. Electronic-Disc 1st | Incremental Charge - Manual Svc Order vs. Electronic-Disc Add'l | | | |
| | | | | | | | | | | | | | Rec | Nonrecurring | |
| | | | | | | | | | | | | | | | |
| | | | | | | | | | | SOMEc | SOMAN | SOMAN | SOMAN | SOMAN | SOMAN |
| | AIN Toolkit Service - Trigger Access Charge, Per Trigger, Per DN, Off-Hook Immediate | | | | BAPTM | | | | | | | | | | |
| | AIN Toolkit Service - Trigger Access Charge, Per Trigger, Per DN, 10-Digit PODP | | | | BAPTO | | | | | | | | | | |
| | AIN Toolkit Service - Trigger Access Charge, Per Trigger, Per DN, CDP | | | | BAPTC | | | | | | | | | | |
| | AIN Toolkit Service - Trigger Access Charge, Per Trigger, Per DN, Feature Code | | | | BAPTF | | | | | | | | | | |
| | AIN Toolkit Service - Query Charge, Per Query | | | | | 0.02 | | | | | | | | | |
| | AIN Toolkit Service - Type 1 Node Charge, Per AIN Toolkit Subscription, Per Node, Per Query | | | | | 0.005 | | | | | | | | | |
| | AIN Toolkit Service - SCP Storage Charge, Per SMS Access Account, Per 100 Kilobytes | | | | | 1.45 | | | | | | | | | |
| | AIN Toolkit Service - Monthly report - Per AIN Toolkit Service Subscription | | CAM | | BAPMS | 15.98 | 71.80 | | | | | | | | |
| | AIN Toolkit Service - Special Study - Per AIN Toolkit Service Subscription | | CAM | | BAPLS | 0.08 | 47.20 | | | | | | | | |
| | AIN Toolkit Service - Call Event Report - Per AIN Toolkit Service Subscription | | CAM | | BAPDS | 15.90 | 71.80 | | | | | | | | |
| | AIN Toolkit Service - Call Event Special Study - Per AIN Toolkit Service Subscription | | CAM | | BAPES | 0.003 | 47.20 | | | | | | | | |
| ENHANCED EXTENDED LINK (EELs) | | | | | | | | | | | | | | | |
| NOTE: New EELs available in GA, TN, KY, LA, MS, & SC and density zone 1 of following MSAs: Orlando, FL; Miami, FL; Ft. Lauderdale, FL; | | | | | | | | | | | | | | | |
| NOTE: Charlotte-Gastonia-Rockhill, NC; Greensboro-Winston Salem-High Point, NC. Use all rates below except Switch As Is Charge. | | | | | | | | | | | | | | | |
| NOTE: In all states, EEL network elements shown below also apply to currently combined facilities which are converted to UNE rates. A Switch As Is Charge applies to currently combined facilities converted to UNEs.(Non-recurring rates do not apply.) | | | | | | | | | | | | | | | |
| NOTE: In GA, TN, KY, LA, MS & SC the EEL network elements apply to ordinarily combined network elements.(No Switch As Is Charge.) | | | | | | | | | | | | | | | |
| 2-WIRE VOICE GRADE EXTENDED LOOP WITH DEDICATED DS1 INTEROFFICE TRANSPORT (EEL) | | | | | | | | | | | | | | | |
| | First 2-Wire VG Loop(SL2) in a DS1 Interofficed Transport Combination - Zone 1 | | 1 | UNCVX | UEAL2 | 14.97 | 142.97 | 106.56 | | | | | | | |
| | First 2-Wire VG Grade Loop(SL2) in a DS1 Interofficed Transport Combination - Zone 2 | | 2 | UNCVX | UEAL2 | 25.93 | 142.97 | 106.56 | | | | | | | |
| | First 2-Wire VG Grade Loop(SL2) in a DS1 Interofficed Transport Combination - Zone 3 | | 3 | UNCVX | UEAL2 | 40.81 | 142.97 | 106.56 | | | | | | | |
| | Interoffice Transport - Dedicated - DS1 combination - Per Mile per month | | | UNC1X | 1L5XX | 0.5753 | | | | | | | | | |
| | Interoffice Transport - Dedicated - DS1 combination - Facility Termination per month | | | UNC1X | U1TF1 | 71.29 | 217.17 | 163.75 | | | 38.07 | 38.07 | | | |
| | DS1 Channelization System Per Month | | | UNC1X | MQ1 | 146.69 | 197.78 | 140.06 | | | 38.07 | 38.07 | | | |
| | Voice Grade COCI - DS1 To DS0 Interface - Per Month | | | UNCVX | 1D1VG | 1.27 | 13.09 | 9.38 | | | 38.07 | 38.07 | | | |
| | Each Additional 2-Wire VG Loop(SL 2) in the same DS1 Interoffice Transport Combination - Zone 1 | | 1 | UNCVX | UEAL2 | 14.97 | 142.97 | 106.56 | | | | | | | |
| | Each Additional 2-Wire VG Loop(SL2) in the same DS1 Interoffice Transport Combination - Zone 2 | | 2 | UNCVX | UEAL2 | 25.93 | 142.97 | 106.56 | | | | | | | |
| | Each Additional 2-Wire VG Loop(SL2) in the same DS1 Interoffice Transport Combination - Zone 3 | | 3 | UNCVX | UEAL2 | 40.81 | 142.97 | 106.56 | | | | | | | |
| | Voice Grade COCI - DS1 to DS0 Channel System combination - per month | | | UNCVX | 1D1VG | 1.27 | 13.09 | 9.38 | | | 38.07 | 38.07 | | | |
| | Nonrecurring Currently Combined Network Elements Switch -As-Is Charge | | | UNC1X | UNCCC | | 21.75 | 21.75 | 32.28 | 10.96 | | | 38.07 | 38.07 | |
| 4-WIRE VOICE GRADE EXTENDED LOOP WITH DEDICATED DS1 INTEROFFICE TRANSPORT (EEL) | | | | | | | | | | | | | | | |
| | First 4-Wire Analog Voice Grade Loop in a DS1 Interoffice Transport Combination - Zone 1 | | 1 | UNCVX | UEAL4 | 21.32 | 288.47 | 237.45 | | | | | | | |
| | First 4-Wire Analog Voice Grade Loop in a DS1 Interoffice Transport Combination - Zone 2 | | 2 | UNCVX | UEAL4 | 36.27 | 288.47 | 237.45 | | | | | | | |
| | First 4-Wire Analog Voice Grade Loop in a DS1 Interoffice Transport Combination - Zone 3 | | 3 | UNCVX | UEAL4 | 56.57 | 288.47 | 237.45 | | | | | | | |
| | Interoffice Transport - Dedicated - DS1 combination - Per Mile Per Month | | | UNC1X | 1L5XX | 0.5753 | | | | | | | | | |

| UNBUNDLED NETWORK ELEMENTS - North Carolina | | | | | | | Exhibit B of Attachment 2 of the Agreement | | | | | | | | | | | | | | | | | |
|--|--|---------|------|-------|-------|-----------|--|--------------------------------------|--|--|---|---|---------------|--------------|-------|-------------------------|--|-------|-------|-------|-------|-------|-------|-------|
| CATEGORY | RATE ELEMENTS | Interim | Zone | BCS | USOC | RATES(\$) | Svc Order Submitted Elec per LSR | Svc Order Submitted Manually per LSR | Incremental Charge - Manual Svc Order vs. Electronic-1st | Incremental Charge - Manual Svc Order vs. Electronic-Add'l | Incremental Charge - Manual Svc Order vs. Electronic-Disc 1st | Incremental Charge - Manual Svc Order vs. Electronic-Disc Add'l | OSS Rates(\$) | | | | | | | | | | | |
| | | | | | | | | | | | | | Rec | Nonrecurring | | Nonrecurring Disconnect | | SOMEc | SOMAN | SOMAN | SOMAN | SOMAN | SOMAN | |
| | | | | | | | | | | | | | First | Add'l | First | Add'l | | | | | | | | |
| | Interoffice Transport - Dedicated - DS1 - Facility Termination Per Month | | | UNC1X | U1TF1 | 71.29 | | | | | | | 217.17 | 163.75 | | | | | | | | | 38.07 | 38.07 |
| | Channelization - Channel System DS1 to DS0 combination Per Month | | | UNC1X | MQ1 | 146.69 | | | | | | | 197.78 | 140.06 | | | | | | | | | 38.07 | 38.07 |
| | Voice Grade COCI - DS1 to DS0 Channel System combination - per month | | | UNCVX | 1D1VG | 1.27 | | | | | | | 13.09 | 9.38 | | | | | | | | | 38.07 | 38.07 |
| | Additional 4-Wire Analog Voice Grade Loop in same DS1 Interoffice Transport Combination - Zone 1 | | 1 | UNCVX | UEAL4 | 21.32 | | | | | | | 288.47 | 237.45 | | | | | | | | | | |
| | Additional 4-Wire Analog Voice Grade Loop in same DS1 Interoffice Transport Combination - Zone 2 | | 2 | UNCVX | UEAL4 | 36.27 | | | | | | | 288.47 | 237.45 | | | | | | | | | | |
| | Additional 4-Wire Analog Voice Grade Loop in same DS1 Interoffice Transport Combination - Zone 3 | | 3 | UNCVX | UEAL4 | 56.57 | | | | | | | 288.47 | 237.45 | | | | | | | | | | |
| | Voice Grade COCI - DS1 to DS0 Channel System combination - per month | | | UNCVX | 1D1VG | 1.27 | | | | | | | 13.09 | 9.38 | | | | | | | | | 38.07 | 38.07 |
| | Nonrecurring Currently Combined Network Elements Switch -As-Is Charge | | | UNC1X | UNCCC | | | | | | | | 21.75 | 21.75 | 32.28 | 10.96 | | | | | | | 38.07 | 38.07 |
| 4-WIRE 56 KBPS EXTENDED DIGITAL LOOP WITH DEDICATED DS1 INTEROFFICE TRANSPORT (EEL) | | | | | | | | | | | | | | | | | | | | | | | | |
| | First 4-Wire 56Kbps Digital Grade Loop in a DS1 Interoffice Transport Combination - Zone 1 | | 1 | UNCDX | UDL56 | 25.32 | | | | | | | 489.04 | 337.51 | | | | | | | | | | |
| | First 4-wire 56Kbps Digital Grade Loop in a DS1 Interoffice Transport Combination - Zone 2 | | 2 | UNCDX | UDL56 | 43.11 | | | | | | | 489.04 | 337.51 | | | | | | | | | | |
| | First 4-Wire 56Kbps Digital Grade Loop in a DS1 Interoffice Transport Combination - Zone 3 | | 3 | UNCDX | UDL56 | 67.26 | | | | | | | 489.04 | 337.51 | | | | | | | | | | |
| | Interoffice Transport - Dedicated - DS1 combination - Per Mile Per Month | | | UNC1X | 1L5XX | 0.5753 | | | | | | | | | | | | | | | | | | |
| | Interoffice Transport - Dedicated - DS1 - combination Facility Termination Per Month | | | UNC1X | U1TF1 | 71.29 | | | | | | | 217.17 | 163.75 | | | | | | | | | 38.07 | 38.07 |
| | Channelization - Channel System DS1 to DS0 combination Per Month | | | UNC1X | MQ1 | 146.69 | | | | | | | 197.78 | 140.06 | | | | | | | | | 38.07 | 38.07 |
| | OCU-DP COCI (data) - DS1 to DS0 Channel System - per month (2.4-64kbs) | | | UNCDX | 1D1DD | 2.00 | | | | | | | 15.76 | 11.28 | | | | | | | | | 38.07 | 38.07 |
| | Additional 4-Wire 56Kbps Digital Grade Loop in same DS1 Interoffice Transport Combination - Zone 1 | | 1 | UNCDX | UDL56 | 25.32 | | | | | | | 489.04 | 337.51 | | | | | | | | | | |
| | Additional 4-Wire 56Kbps Digital Grade Loop in same DS1 Interoffice Transport Combination - Zone 2 | | 2 | UNCDX | UDL56 | 43.11 | | | | | | | 489.04 | 337.51 | | | | | | | | | | |
| | Additional 4-Wire 56Kbps Digital Grade Loop in same DS1 Interoffice Transport Combination - Zone 3 | | 3 | UNCDX | UDL56 | 67.26 | | | | | | | 489.04 | 337.51 | | | | | | | | | | |
| | OCU-DP COCI (data) - DS1 to DS0 Channel System - combination per month (2.4-64kbs) | | | UNCDX | 1D1DD | 2.00 | | | | | | | 15.76 | 11.28 | | | | | | | | | 38.07 | 38.07 |
| | Nonrecurring Currently Combined Network Elements Switch -As-Is Charge | | | UNC1X | UNCCC | | | | | | | | 21.75 | 21.75 | 32.28 | 10.96 | | | | | | | 38.07 | 38.07 |
| 4-WIRE 64 KBPS EXTENDED DIGITAL LOOP WITH DEDICATED DS1 INTEROFFICE TRANSPORT (EEL) | | | | | | | | | | | | | | | | | | | | | | | | |
| | First 4-Wire 64Kbps Digital Grade Loop in a DS1 Interoffice Transport Combination - Zone 1 | | 1 | UNCDX | UDL64 | 25.32 | | | | | | | 489.04 | 337.51 | | | | | | | | | | |
| | First 4-Wire 64Kbps Digital Grade Loop in a DS1 Interoffice Transport Combination - Zone 2 | | 2 | UNCDX | UDL64 | 43.11 | | | | | | | 489.04 | 337.51 | | | | | | | | | | |
| | First 4-Wire 64Kbps Digital Grade Loop in a DS1 Interoffice Transport Combination - Zone 3 | | 3 | UNCDX | UDL64 | 67.26 | | | | | | | 489.04 | 337.51 | | | | | | | | | | |
| | Interoffice Transport - Dedicated - DS1 combination - Per Mile Per Month | | | UNC1X | 1L5XX | 0.5753 | | | | | | | | | | | | | | | | | | |
| | Interoffice Transport - Dedicated - DS1 combination - Facility Termination Per Month | | | UNC1X | U1TF1 | 71.29 | | | | | | | 217.17 | 163.75 | | | | | | | | | 38.07 | 38.07 |
| | Channelization - Channel System DS1 to DS0 combination Per Month | | | UNC1X | MQ1 | 146.69 | | | | | | | 197.78 | 140.06 | | | | | | | | | 38.07 | 38.07 |
| | OCU-DP COCI (data) - DS1 to DS0 Channel System combination - per month (2.4-64kbs) | | | UNCDX | 1D1DD | 2.00 | | | | | | | 15.76 | 11.28 | | | | | | | | | 38.07 | 38.07 |
| | Additional 4-Wire 64Kbps Digital Grade Loop in same DS1 Interoffice Transport Combination - Zone 1 | | 1 | UNCDX | UDL64 | 25.32 | | | | | | | 489.04 | 337.51 | | | | | | | | | | |

| UNBUNDLED NETWORK ELEMENTS - North Carolina | | | | | | | | | | Exhibit B of Attachment 2 of the Agreement | | | | | |
|---|--|---------|------|-------|-------|-----------|--------------|--------|-------------------------|--|--------------------------------------|--|--|---|---|
| CATEGORY | RATE ELEMENTS | Interim | Zone | BCS | USOC | RATES(\$) | | | | Svc Order Submitted Elec per LSR | Svc Order Submitted Manually per LSR | Incremental Charge - Manual Svc Order vs. Electronic-1st | Incremental Charge - Manual Svc Order vs. Electronic-Add'l | Incremental Charge - Manual Svc Order vs. Electronic-Disc 1st | Incremental Charge - Manual Svc Order vs. Electronic-Disc Add'l |
| | | | | | | Rec | Nonrecurring | | Nonrecurring Disconnect | | | | | | |
| | | | | | | | First | Add'l | First | Add'l | SOMEc | SOMAN | SOMAN | SOMAN | SOMAN |
| | Additional 4-Wire 64Kbps Digital Grade Loop in same DS1 Interoffice Transport Combination - Zone 2 | | 2 | UNCDX | UDL64 | 43.11 | 489.04 | 337.51 | | | | | | | |
| | Additional 4-Wire 64Kbps Digital Grade Loop in same DS1 Interoffice Transport Combination - Zone 3 | | 3 | UNCDX | UDL64 | 67.26 | 489.04 | 337.51 | | | | | | | |
| | OCU-DP COCI (data) - DS1 to DS0 Channel System combination - per month (2.4-64kbs) | | | UNCDX | 1D1DD | 2.00 | 15.76 | 11.28 | | | | | 38.07 | 38.07 | |
| | Nonrecurring Currently Combined Network Elements Switch -As-Is Charge | | | UNC1X | UNCCC | | 21.75 | 21.75 | 32.28 | 10.96 | | | 38.07 | 38.07 | |
| 4-WIRE DS1 DIGITAL EXTENDED LOOP WITH DEDICATED DS1 INTEROFFICE TRANSPORT (EEL) | | | | | | | | | | | | | | | |
| | 4-Wire DS1 Digital Loop in Combination with DS1 Interoffice Transport - Zone 1 | | 1 | UNC1X | USLXX | 47.60 | 714.84 | 421.47 | | | | | | | |
| | 4-Wire DS1 Digital Loop in Combination with DS1 Interoffice Transport - Zone 2 | | 2 | UNC1X | USLXX | 84.36 | 714.84 | 421.47 | | | | | | | |
| | 4-Wire DS1 Digital Loop in Combination with DS1 Interoffice Transport - Zone 3 | | 3 | UNC1X | USLXX | 134.29 | 714.84 | 421.47 | | | | | | | |
| | Interoffice Transport - Dedicated - DS1 combination - Per Mile Per Month | | | UNC1X | 1L5XX | 0.5753 | | | | | | | | | |
| | Interoffice Transport - Dedicated - DS1 combination - Facility Termination Per Month | | | UNC1X | U1TF1 | 71.29 | 217.17 | 163.75 | | | | | 38.07 | 38.07 | |
| | Nonrecurring Currently Combined Network Elements Switch -As-Is Charge | | | UNC1X | UNCCC | | 21.75 | 21.75 | 32.28 | 10.96 | | | 38.07 | 38.07 | |
| 4-WIRE DS1 DIGITAL EXTENDED LOOP WITH DEDICATED DS3 INTEROFFICE TRANSPORT (EEL) | | | | | | | | | | | | | | | |
| | First DS1Loop in DS3 Interoffice Transport Combination - Zone 1 | | 1 | UNC1X | USLXX | 47.60 | 714.84 | 421.47 | | | | | | | |
| | First DS1Loop in DS3 Interoffice Transport Combination - Zone 2 | | 2 | UNC1X | USLXX | 84.36 | 714.84 | 421.47 | | | | | | | |
| | First DS1Loop in DS3 Interoffice Transport Combination - Zone 3 | | 3 | UNC1X | USLXX | 134.29 | 714.84 | 421.47 | | | | | | | |
| | Interoffice Transport - Dedicated - DS3 combination - Per Mile Per Month | | | UNC3X | 1L5XX | 12.98 | | | | | | | | | |
| | Interoffice Transport - Dedicated - DS3 - Facility Termination per month | | | UNC3X | U1TF3 | 720.38 | 794.94 | 579.55 | | | | | 38.07 | 38.07 | |
| | DS3 to DS1 Channel System combination per month | | | UNC3X | MQ3 | 233.10 | 403.97 | 234.40 | | | | | 38.07 | 38.07 | |
| | DS3 Interface Unit (DS1 COCI) combination per month | | | UNC1X | UC1D1 | 16.07 | 13.09 | 9.38 | | | | | 38.07 | 38.07 | |
| | Additional DS1Loop in DS3 Interoffice Transport Combination - Zone 1 | | 1 | UNC1X | USLXX | 47.60 | 714.84 | 421.47 | | | | | | | |
| | Additional DS1Loop in DS3 Interoffice Transport Combination - Zone 2 | | 2 | UNC1X | USLXX | 84.36 | 714.84 | 421.47 | | | | | | | |
| | Additional DS1Loop in DS3 Interoffice Transport Combination - Zone 3 | | 3 | UNC1X | USLXX | 134.29 | 714.84 | 421.47 | | | | | | | |
| | DS3 Interface Unit (DS1 COCI) combination per month | | | UNC1X | UC1D1 | 16.07 | 13.09 | 9.38 | | | | | 38.07 | 38.07 | |
| | Nonrecurring Currently Combined Network Elements Switch -As-Is Charge | | | UNC3X | UNCCC | | 21.75 | 21.75 | 32.28 | 10.96 | | | 38.07 | 38.07 | |
| 2-WIRE VOICE GRADE EXTENDED LOOP/ 2 WIRE VOICE GRADE INTEROFFICE TRANSPORT (EEL) | | | | | | | | | | | | | | | |
| | 2-WireVG Loop used with 2-wire VG Interoffice Transport Combination - Zone 1 | | 1 | UNCVX | UEAL2 | 14.97 | 142.97 | 106.56 | | | | | | | |
| | 2-WireVG Loop used with 2-wire VG Interoffice Transport Combination - Zone 2 | | 2 | UNCVX | UEAL2 | 25.93 | 142.97 | 106.56 | | | | | | | |
| | 2-WireVG Loop used with 2-wire VG Interoffice Transport Combination - Zone 3 | | 3 | UNCVX | UEAL2 | 40.81 | 142.97 | 106.56 | | | | | | | |
| | Interoffice Transport - Dedicated - 2-wire VG combination - Per Mile Per Month | | | UNCVX | 1L5XX | 0.0282 | | | | | | | | | |
| | Interoffice Transport - Dedicated - 2- Wire Voice Grade combination - Facility Termination per month | | | UNCVX | U1TV2 | 18.00 | 137.48 | 52.58 | | | | | 38.07 | 38.07 | |
| | Nonrecurring Currently Combined Network Elements Switch -As-Is Charge | | | UNCVX | UNCCC | | 21.75 | 21.75 | 32.28 | 10.96 | | | 38.07 | 38.07 | |
| 4-WIRE VOICE GRADE EXTENDED LOOP/ 4 WIRE VOICE GRADE INTEROFFICE TRANSPORT (EEL) | | | | | | | | | | | | | | | |
| | 4-WireVG Loop used with 4-wire VG Interoffice Transport Combination - Zone 1 | | 1 | UNCVX | UEAL4 | 21.32 | 288.47 | 237.45 | | | | | | | |

| UNBUNDLED NETWORK ELEMENTS - North Carolina | | | | | | | Exhibit B of Attachment 2 of the Agreement | | | | | | | | | | | | | | | | |
|--|--|---------|------|-------|-------|-----------|--|--------------------------------------|--|--|---|---|---------------|--------------|-------|-------------------------|--|-------|-------|-------|-------|-------|-------|
| CATEGORY | RATE ELEMENTS | Interim | Zone | BCS | USOC | RATES(\$) | Svc Order Submitted Elec per LSR | Svc Order Submitted Manually per LSR | Incremental Charge - Manual Svc Order vs. Electronic-1st | Incremental Charge - Manual Svc Order vs. Electronic-Add'l | Incremental Charge - Manual Svc Order vs. Electronic-Disc 1st | Incremental Charge - Manual Svc Order vs. Electronic-Disc Add'l | OSS Rates(\$) | | | | | | | | | | |
| | | | | | | | | | | | | | Rec | Nonrecurring | | Nonrecurring Disconnect | | SOMEc | SOMAN | SOMAN | SOMAN | SOMAN | SOMAN |
| | | | | | | | | | | | | | First | Add'l | First | Add'l | | | | | | | |
| | 4-WireVG Loop used with 4-wire VG Interoffice Transport Combination - Zone 2 | | 2 | UNCVX | UEAL4 | 36.27 | | | | | | | 288.47 | 237.45 | | | | | | | | | |
| | 4-WireVG Loop used with 4-wire VG Interoffice Transport Combination - Zone 3 | | 3 | UNCVX | UEAL4 | 56.57 | | | | | | | 288.47 | 237.45 | | | | | | | | | |
| | Interoffice Transport - Dedicated - 4-wire VG combination - Per Mile Per Month | | | UNCVX | 1L5XX | 0.0282 | | | | | | | | | | | | | | | | | |
| | Interoffice Transport - Dedicated - 4- Wire Voice Grade combination - Facility Termination per month | | | UNCVX | U1TV4 | 22.16 | | | | | | | 106.11 | 65.95 | | | | | 38.07 | 38.07 | | | |
| | Nonrecurring Currently Combined Network Elements Switch -As-Is Charge | | | UNCVX | UNCCC | | | | | | | | 21.75 | 21.75 | 32.28 | 10.96 | | | 38.07 | 38.07 | | | |
| DS3 DIGITAL EXTENDED LOOP WITH DEDICATED DS3 INTEROFFICE TRANSPORT (EEL) | | | | | | | | | | | | | | | | | | | | | | | |
| | High Capacity Unbundled Local Loop - DS3 combination - Per Mile per month | | | UNC3X | 1L5ND | 11.12 | | | | | | | | | | | | | | | | | |
| | High Capacity Unbundled Local Loop - DS3 combination - Facility Termination per month | | | UNC3X | UE3PX | 404.98 | | | | | | | 1,071.00 | 646.12 | | | | | 38.07 | 38.07 | | | |
| | Interoffice Transport - Dedicated - DS3 - Per Mile per month | | | UNC3X | 1L5XX | 12.98 | | | | | | | | | | | | | | | | | |
| | Interoffice Transport - Dedicated - DS3 combination - Facility Termination per month | | | UNC3X | U1TF3 | 720.38 | | | | | | | 794.94 | 579.55 | | | | | 38.07 | 38.07 | | | |
| | Nonrecurring Currently Combined Network Elements Switch -As-Is Charge | | | UNC3X | UNCCC | | | | | | | | 21.75 | 21.75 | 32.28 | 10.96 | | | 38.07 | 38.07 | | | |
| STS1 DIGITAL EXTENDED LOOP WITH DEDICATED STS1 INTEROFFICE TRANSPORT (EEL) | | | | | | | | | | | | | | | | | | | | | | | |
| | High Capacity Unbundled Local Loop - STS1 combination - Per Mile per month | | | UNCSX | 1L5ND | 11.12 | | | | | | | | | | | | | | | | | |
| | High Capacity Unbundled Local Loop - STS1 combination - Facility Termination per month | | | UNCSX | UDLS1 | 417.70 | | | | | | | 1,071.00 | 646.12 | | | | | 38.07 | 38.07 | | | |
| | Interoffice Transport - Dedicated - STS1 combination - Per Mile per month | | | UNCSX | 1L5XX | 6.14 | | | | | | | | | | | | | | | | | |
| | Interoffice Transport - Dedicated - STS1 combination - Facility Termination per month | | | UNCSX | U1TFS | 790.37 | | | | | | | 794.94 | 679.55 | | | | | 38.07 | 38.07 | | | |
| | Nonrecurring Currently Combined Network Elements Switch -As-Is Charge | | | UNCSX | UNCCC | | | | | | | | 21.75 | 21.75 | 32.28 | 10.96 | | | 38.07 | 38.07 | | | |
| 2-WIRE ISDN EXTENDED LOOP WITH DS1 INTEROFFICE TRANSPORT (EEL) | | | | | | | | | | | | | | | | | | | | | | | |
| | First 2-Wire ISDN Loop in a DS1 Interoffice Combination Transport - Zone 1 | | 1 | UNCNX | U1L2X | 19.42 | | | | | | | 325.91 | 251.31 | | | | | | | | | |
| | First 2-Wire ISDN Loop in a DS1 Interoffice Combination Transport - Zone 2 | | 2 | UNCNX | U1L2X | 32.88 | | | | | | | 325.91 | 251.31 | | | | | | | | | |
| | First 2-Wire ISDN Loop in a DS1 Interoffice Combination Transport - Zone 3 | | 3 | UNCNX | U1L2X | 51.14 | | | | | | | 325.91 | 251.31 | | | | | | | | | |
| | Interoffice Transport - Dedicated - DS1 combination - Per Mile | | | UNC1X | 1L5XX | 0.5753 | | | | | | | | | | | | | | | | | |
| | Interoffice Transport - Dedicated - DS1 combination - Facility Termination per month | | | UNC1X | U1TF1 | 71.29 | | | | | | | 217.17 | 163.75 | | | | | 38.07 | 38.07 | | | |
| | Channelization - Channel System DS1 to DS0 combination - per month | | | UNC1X | MQ1 | 146.69 | | | | | | | 197.78 | 140.06 | | | | | 38.07 | 38.07 | | | |
| | 2-wire ISDN COCI (BRITE) - DS1 to DS0 Channel System combination - per month | | | UNCNX | UC1CA | 3.59 | | | | | | | 15.76 | 11.28 | | | | | 38.07 | 38.07 | | | |
| | Additional 2-wire ISDN Loop in same DS1Interoffice Transport Combination - Zone 1 | | 1 | UNCNX | U1L2X | 19.42 | | | | | | | 325.91 | 251.31 | | | | | | | | | |
| | Additional 2-wire ISDN Loop in same DS1Interoffice Transport Combination - Zone 2 | | 2 | UNCNX | U1L2X | 32.88 | | | | | | | 325.91 | 251.31 | | | | | | | | | |
| | Additional 2-wire ISDN Loop in same DS1Interoffice Transport Combination - Zone 3 | | 3 | UNCNX | U1L2X | 51.14 | | | | | | | 325.91 | 251.31 | | | | | | | | | |
| | 2-wire ISDN COCI (BRITE) - DS1 to DS0 Channel System combination- per month | | | UNCNX | UC1CA | 3.59 | | | | | | | 15.76 | 11.28 | | | | | 38.07 | 38.07 | | | |
| | Nonrecurring Currently Combined Network Elements Switch -As-Is Charge | | | UNC1X | UNCCC | | | | | | | | 21.75 | 21.75 | 32.28 | 10.96 | | | 38.07 | 38.07 | | | |
| 4-WIRE DS1 DIGITAL EXTENDED LOOP WITH DEDICATED STS-1 INTEROFFICE TRANSPORT (EEL) | | | | | | | | | | | | | | | | | | | | | | | |
| | First DS1 Loop in STS1 Interoffice Transport Combination - Zone 1 | | 1 | UNC1X | USLXX | 47.60 | | | | | | | 714.84 | 421.47 | | | | | | | | | |

| UNBUNDLED NETWORK ELEMENTS - North Carolina | | | | | | | | | | Exhibit B of Attachment 2 of the Agreement | | | | | | | | | | |
|---|--|---------|------|-------|-------|-----------|----------------------------------|--------------------------------------|--|--|---|---|---------------|--------------|--|-------------------------|--|-------|-------|-------|
| CATEGORY | RATE ELEMENTS | Interim | Zone | BCS | USOC | RATES(\$) | Svc Order Submitted Elec per LSR | Svc Order Submitted Manually per LSR | Incremental Charge - Manual Svc Order vs. Electronic-1st | Incremental Charge - Manual Svc Order vs. Electronic-Add'l | Incremental Charge - Manual Svc Order vs. Electronic-Disc 1st | Incremental Charge - Manual Svc Order vs. Electronic-Disc Add'l | OSS Rates(\$) | | | | | | | |
| | | | | | | | | | | | | | Rec | Nonrecurring | | Nonrecurring Disconnect | | SOMEc | SOMAN | SOMAN |
| | | | | | | | | | | | | | | | | | | | | |
| | First DS1 Loop in STS1 Interoffice Transport Combination - Zone 2 | | 2 | UNC1X | USLXX | 84.36 | | | | | | | | | | | | | | |
| | First DS1 Loop in STS1 Interoffice Transport Combination - Zone 3 | | 3 | UNC1X | USLXX | 134.29 | | | | | | | | | | | | | | |
| | Interoffice Transport - Dedicated - STS1 combination - Per Mile Per Month | | | UNCSX | 1L5XX | 6.14 | | | | | | | | | | | | | | |
| | Interoffice Transport - Dedicated - STS1 combination - Facility Termination | | | UNCSX | U1TFS | 790.37 | | | | | | | 38.07 | 38.07 | | | | | | |
| | STS1 to DS1 Channel System combination per month | | | UNCSX | MQ3 | 233.10 | | | | | | | 38.07 | 38.07 | | | | | | |
| | DS3 Interface Unit (DS1 COCI) combination per month | | | UNC1X | UC1D1 | 16.07 | | | | | | | 38.07 | 38.07 | | | | | | |
| | Additional DS1 Loop in STS1 Interoffice Transport Combination - Zone 1 | | 1 | UNC1X | USLXX | 47.60 | | | | | | | | | | | | | | |
| | Additional DS1 Loop in STS1 Interoffice Transport Combination - Zone 2 | | 2 | UNC1X | USLXX | 84.36 | | | | | | | | | | | | | | |
| | Additional DS1 Loop in STS1 Interoffice Transport Combination - Zone 3 | | 3 | UNC1X | USLXX | 134.29 | | | | | | | | | | | | | | |
| | DS3 Interface Unit (DS1 COCI) combination per month | | | UNC1X | UC1D1 | 16.07 | | | | | | | | | | | | | | |
| | Nonrecurring Currently Combined Network Elements Switch -As-Is Charge | | | UNCSX | UNCCC | | | | | | | | | | | | | | | |
| | | | | | | | | | | | | | | | | | | | | |
| | 4-WIRE 56 KBPS DIGITAL EXTENDED LOOP WITH 56 KBPS INTEROFFICE TRANSPORT (EEL) | | | | | | | | | | | | | | | | | | | |
| | 4-wire 56 kbps Loop/4-wire 56 kbps Interoffice Transport Combination - Zone 1 | | 1 | UNCDX | UDL56 | 25.32 | | | | | | | | | | | | | | |
| | 4-wire 56 kbps Loop/4-wire 56 kbps Interoffice Transport Combination - Zone 2 | | 2 | UNCDX | UDL56 | 43.11 | | | | | | | | | | | | | | |
| | 4-wire 56 kbps Loop/4-wire 56 kbps Interoffice Transport Combination - Zone 3 | | 3 | UNCDX | UDL56 | 67.26 | | | | | | | | | | | | | | |
| | Interoffice Transport - Dedicated - 4-wire 56 kbps combination - Per Mile | | | UNCDX | 1L5XX | 0.0282 | | | | | | | | | | | | | | |
| | Interoffice Transport - Dedicated - 4-wire 56 kbps combination - Facility Termination | | | UNCDX | U1TD5 | 17.40 | | | | | | | | | | | | | | |
| | Nonrecurring Currently Combined Network Elements Switch -As-Is Charge | | | UNCDX | UNCCC | | | | | | | | | | | | | | | |
| | | | | | | | | | | | | | | | | | | | | |
| | 4-WIRE 64 KBPS DIGITAL EXTENDED LOOP WITH 64 KBPS INTEROFFICE TRANSPORT (EEL) | | | | | | | | | | | | | | | | | | | |
| | 4-wire 64 kbps Loop/4-wire 64 kbps Interoffice Transport Combination - Zone 1 | | 1 | UNCDX | UDL64 | 25.32 | | | | | | | | | | | | | | |
| | 4-wire 64 kbps Loop/4-wire 64 kbps Interoffice Transport Combination - Zone 2 | | 2 | UNCDX | UDL64 | 43.11 | | | | | | | | | | | | | | |
| | 4-wire 64 kbps Loop/4-wire 64 kbps Interoffice Transport Combination - Zone 3 | | 3 | UNCDX | UDL64 | 67.26 | | | | | | | | | | | | | | |
| | Interoffice Transport - Dedicated - 4-wire 64 kbps combination - Per Mile | | | UNCDX | 1L5XX | 0.0282 | | | | | | | | | | | | | | |
| | Interoffice Transport - Dedicated - 4-wire 64 kbps combination - Facility Termination | | | UNCDX | U1TD6 | 17.40 | | | | | | | | | | | | | | |
| | Nonrecurring Currently Combined Network Elements Switch -As-Is Charge | | | UNCDX | UNCCC | | | | | | | | | | | | | | | |
| | | | | | | | | | | | | | | | | | | | | |
| | ADDITIONAL NETWORK ELEMENTS | | | | | | | | | | | | | | | | | | | |
| | When used as a part of a currently combined facility, the non-recurring charges do not apply, but a Switch As Is charge does apply. | | | | | | | | | | | | | | | | | | | |
| | When used as ordinarily combined network elements in Tennessee, the non-recurring charges apply and the Switch As Is Charge does not. | | | | | | | | | | | | | | | | | | | |
| | Node (SynchroNet) | | | | | | | | | | | | | | | | | | | |
| | Nonrecurring Currently Combined Network Elements "Switch As Is" Charge (One applies to each combination) | | | | | | | | | | | | | | | | | | | |
| | Nonrecurring Currently Combined Network Elements Switch -As-Is Charge - 2 wire/4-Wire VG | | | UNCVX | UNCCC | | | | | | | | | | | | | | | |
| | Nonrecurring Currently Combined Network Elements Switch -As-Is Charge - 56/64 kbps | | | UNCDX | UNCCC | | | | | | | | | | | | | | | |
| | Nonrecurring Currently Combined Network Elements Switch -As-Is Charge - DS1 | | | UNC1X | UNCCC | | | | | | | | | | | | | | | |
| | Nonrecurring Currently Combined Network Elements Switch -As-Is Charge - DS3 | | | UNC3X | UNCCC | | | | | | | | | | | | | | | |

| UNBUNDLED NETWORK ELEMENTS - North Carolina | | | | | | | Exhibit B of Attachment 2 of the Agreement | | | | | | | | | |
|---|---|---------|------|-------|-------|-----------|--|--------------------------------------|--|--|---|---|-------|--------------|-------|-------------------------|
| CATEGORY | RATE ELEMENTS | Interim | Zone | BCS | USOC | RATES(\$) | Svc Order Submitted Elec per LSR | Svc Order Submitted Manually per LSR | Incremental Charge - Manual Svc Order vs. Electronic-1st | Incremental Charge - Manual Svc Order vs. Electronic-Add'l | Incremental Charge - Manual Svc Order vs. Electronic-Disc 1st | Incremental Charge - Manual Svc Order vs. Electronic-Disc Add'l | | | | |
| | | | | | | | | | | | | | Rec | Nonrecurring | | Nonrecurring Disconnect |
| | | | | | | | First | Add'l | First | Add'l | SOMEc | SOMAN | SOMAN | SOMAN | SOMAN | SOMAN |
| | Nonrecurring Currently Combined Network Elements Switch -As-Is Charge - STS1 | | | UNCSX | UNCCC | | 21.75 | 21.75 | 32.28 | 10.96 | | | 38.07 | 38.07 | | |
| | NOTE: Local Channel - Dedicated Transport - minimum billing period - Below DS3=one month, DS3 and above=four months | | | | | | | | | | | | | | | |
| | Local Channel - Dedicated - 2-Wire Voice Grade Zone 1 | | 1 | UNCVX | ULDV2 | 11.24 | 553.80 | 89.69 | | | | | | | | |
| | Local Channel - Dedicated - 2-Wire Voice Grade Zone 2 | | 2 | UNCVX | ULDV2 | 19.91 | 553.80 | 89.69 | | | | | | | | |
| | Local Channel - Dedicated - 2-Wire Voice Grade - Zone 3 | | 3 | UNCVX | ULDV2 | 31.70 | 553.80 | 89.69 | | | | | | | | |
| | Local Channel - Dedicated - 4-Wire Voice Grade Zone 1 | | 1 | UNCVX | ULDV4 | 12.03 | 562.23 | 92.67 | | | | | | | | |
| | Local Channel - Dedicated - 4-Wire Voice Grade Zone 2 | | 2 | UNCVX | ULDV4 | 21.33 | 562.23 | 92.67 | | | | | | | | |
| | Local Channel - Dedicated - 4-Wire Voice Grade - Zone 3 | | 3 | UNCVX | ULDV4 | 33.95 | 562.23 | 92.67 | | | | | | | | |
| | Local Channel - Dedicated - DS1 per month Zone 1 | | 1 | UNC1X | ULDF1 | 27.05 | 534.48 | 462.69 | | | | | | | | |
| | Local Channel - Dedicated -DS1 Per Month Zone 2 | | 2 | UNC1X | ULDF1 | 47.94 | 534.48 | 462.69 | | | | | | | | |
| | Local Channel - Dedicated - DS1- Per Month Zone 3 | | 3 | UNC1X | ULDF1 | 76.32 | 534.48 | 462.69 | | | | | | | | |
| | Local Channel - Dedicated - DS3 - Per Mile per month | | | UNC3X | 1L5NC | 0.9954 | | | | | | | | | | |
| | Local Channel - Dedicated - DS3 - Facility Termination | | | UNC3X | ULDF3 | 298.92 | 562.25 | 527.88 | | | | | | | | |
| | Local Channel - Dedicated - STS-1- Per Mile per month | | | UNC3X | 1L5NC | 0.9954 | | | | | | | | | | |
| | Local Channel - Dedicated - STS-1 - Facility Termination | | | UNCSX | ULDFS | 286.13 | 1,071.00 | 646.12 | | | | | | | | |
| | Optional Features & Functions: | | | | | | | | | | | | | | | |
| | MULTIPLEXERS | | | | | | | | | | | | | | | |
| | Channelization - DS1 to DS0 Channel System | | | UXTD1 | MQ1 | 146.69 | 197.78 | 140.06 | | | | | 24.85 | 8.16 | | |
| | OCU-DP COCI (data) - DS1 to DS0 Channel System - per month (2.4-64kbs) | | | UDL | 1D1DD | 2.00 | 13.09 | 9.38 | | | | | 24.85 | 8.16 | | |
| | 2-wire ISDN COCI (BRITE) - DS1 to DS0 Channel System - per month | | | UDN | UC1CA | 3.59 | 13.09 | 9.38 | | | | | 24.85 | 8.16 | | |
| | Voice Grade COCI - DS1 to DS0 Channel System - per month | | | UEA | 1D1VG | 1.27 | 13.09 | 9.38 | | | | | 24.85 | 8.16 | | |
| | DS3 to DS1 Channel System per month | | | UXTD3 | MQ3 | 233.10 | 403.97 | 234.40 | | | | | 24.78 | 7.42 | | |
| | STS1 to DS1 Channel System per month | | | UXTS1 | MQ3 | 233.10 | 403.97 | 234.40 | | | | | 38.07 | 38.07 | | |
| | DS3 Interface Unit (DS1 COCI) used with Loop per month | | | USL | UC1D1 | 16.07 | 13.09 | 9.38 | | | | | 24.85 | 8.16 | | |
| | DS3 Interface Unit (DS1 COCI) used with Local Channel per month | | | ULDD1 | UC1D1 | 16.07 | 13.09 | 9.38 | | | | | 24.85 | 8.16 | | |
| | DS3 Interface Unit (DS1 COCI) used with Interoffice Channel per month | | | U1TD1 | UC1D1 | 16.07 | 13.09 | 9.38 | | | | | 24.85 | 8.16 | | |
| | UNBUNDLED LOCAL EXCHANGE SWITCHING(PORTS) | | | | | | | | | | | | | | | |
| | Exchange Ports | | | | | | | | | | | | | | | |
| | NOTE: Although the Port Rate includes all available features in GA, KY, LA & TN, the desired features will need to be ordered using retail USOCs | | | | | | | | | | | | | | | |
| | 2-WIRE VOICE GRADE LINE PORT RATES (RES) | | | | | | | | | | | | | | | |
| | Exchange Ports - 2-Wire Analog Line Port- Res. | | | UEPSR | UEPRL | 2.19 | 21.60 | 21.60 | | | | | 26.94 | 12.76 | | |
| | Exchange Ports - 2-Wire Analog Line Port with Caller ID - Res. | | | UEPSR | UEPRC | 2.19 | 21.60 | 21.60 | | | | | 26.94 | 12.76 | | |
| | Exchange Ports - 2-Wire Analog Line Port outgoing only - Res. | | | UEPSR | UEPRO | 2.19 | 21.60 | 21.60 | | | | | 26.94 | 12.76 | | |
| | Exchange Ports - 2-Wire VG unbundled res, low usage line port with Caller ID (LUM) | | | UEPSR | UEPAP | 2.19 | 21.60 | 21.60 | | | | | 26.94 | 12.76 | | |
| | Subsequent Activity | | | UEPSR | USASC | 0.00 | 0.00 | 0.00 | | | | | 26.94 | 12.76 | | |
| | FEATURES | | | | | | | | | | | | | | | |
| | All Available Vertical Features | | | UEPSR | UEPVF | 3.40 | 0.00 | 0.00 | | | | | 26.94 | 12.76 | | |
| | 2-WIRE VOICE GRADE LINE PORT RATES (BUS) | | | | | | | | | | | | | | | |
| | Exchange Ports - 2-Wire Analog Line Port without Caller ID - Bus | | | UEPSB | UEPBL | 2.19 | 21.60 | 21.60 | | | | | 26.94 | 12.76 | | |
| | Exchange Ports - 2-Wire VG unbundled Line Port with unbundled port with Caller+E484 ID - Bus. | | | UEPSB | UEPBC | 2.19 | 21.60 | 21.60 | | | | | 26.94 | 12.76 | | |
| | Exchange Ports - 2-Wire Analog Line Port outgoing only - Bus. | | | UEPSB | UEPBO | 2.19 | 21.60 | 21.60 | | | | | 26.94 | 12.76 | | |
| | Exchange Ports - 2-Wire VG unbundled incoming only port with Caller ID - Bus | | | UEPSB | UEPB1 | 2.19 | 21.60 | 21.60 | | | | | 26.94 | 12.76 | | |
| | Subsequent Activity | | | UEPSB | USASC | 0.00 | 0.00 | 0.00 | | | | | | | | |
| | FEATURES | | | | | | | | | | | | | | | |
| | All Available Vertical Features | | | UEPSB | UEPVF | 3.40 | 0.00 | 0.00 | | | | | 26.94 | 12.76 | | |
| | EXCHANGE PORT RATES (DID & PBX) | | | | | | | | | | | | | | | |

| UNBUNDLED NETWORK ELEMENTS - North Carolina | | | | | | | | | | Exhibit B of Attachment 2 of the Agreement | | | | | |
|--|--|---------|------|-------------|-------|-----------|----------------------------------|--------------------------------------|--|--|---|---|-------|--------------|--|
| CATEGORY | RATE ELEMENTS | Interim | Zone | BCS | USOC | RATES(\$) | Svc Order Submitted Elec per LSR | Svc Order Submitted Manually per LSR | Incremental Charge - Manual Svc Order vs. Electronic-1st | Incremental Charge - Manual Svc Order vs. Electronic-Add'l | Incremental Charge - Manual Svc Order vs. Electronic-Disc 1st | Incremental Charge - Manual Svc Order vs. Electronic-Disc Add'l | | | |
| | | | | | | | | | | | | | Rec | Nonrecurring | |
| | | | | | | | | | | | | | | | |
| | | | | | | | | | | | | | | | |
| | | | | | | 2.18 | 21.60 | 21.60 | | | | | | | |
| | 2-Wire VG Unbundled 2-Way PBX Trunk - Res | | | UEPSE | UEPRD | 2.18 | 21.60 | 21.60 | | | | 26.94 | 12.76 | | |
| | 2-Wire VG Line Side Unbundled 2-Way PBX Trunk - Bus | | | UEPSP | UEPPC | 2.18 | 21.60 | 21.60 | | | | 26.94 | 12.76 | | |
| | 2-Wire VG Line Side Unbundled Outward PBX Trunk - Bus | | | UEPSP | UEPP0 | 2.18 | 21.60 | 21.60 | | | | 26.94 | 12.76 | | |
| | 2-Wire VG Line Side Unbundled Incoming PBX Trunk - Bus | | | UEPSP | UEPP1 | 2.18 | 21.60 | 21.60 | | | | 26.94 | 12.76 | | |
| | 2-Wire Analog Long Distance Terminal PBX Trunk - Bus | | | UEPSP | UEPLD | 2.18 | 21.60 | 21.60 | | | | 26.94 | 12.76 | | |
| | 2-Wire Voice Unbundled PBX LD Terminal Ports | | | UEPSP | UEPLD | 2.18 | 21.60 | 21.60 | | | | 26.94 | 12.76 | | |
| | 2-Wire Vice Unbundled 2-Way PBX Usage Port | | | UEPSP | UEPXA | 2.18 | 21.60 | 21.60 | | | | 26.94 | 12.76 | | |
| | 2-Wire Voice Unbundled PBX Toll Terminal Hotel Ports | | | UEPSP | UEPXB | 2.18 | 21.60 | 21.60 | | | | 26.94 | 12.76 | | |
| | 2-Wire Voice Unbundled PBX LD DDD Terminals Port | | | UEPSP | UEPXC | 2.18 | 21.60 | 21.60 | | | | 26.94 | 12.76 | | |
| | 2-Wire Voice Unbundled PBX LD Terminal Switchboard Port | | | UEPSP | UEPXD | 2.18 | 21.60 | 21.60 | | | | 26.94 | 12.76 | | |
| | 2-Wire Voice Unbundled PBX LD Terminal Switchboard IDD Capable Port | | | UEPSP | UEPXE | 2.18 | 21.60 | 21.60 | | | | 26.94 | 12.76 | | |
| | 2-Wire Voice Unbundled 2-Way PBX Hotel/Hospital Economy Administrative Calling Port | | | UEPSP | UEPXL | 2.18 | 21.60 | 21.60 | | | | 26.94 | 12.76 | | |
| | 2-Wire Voice Unbundled 2-Way PBX Hotel/Hospital Economy Room Calling Port | | | UEPSP | UEPXM | 2.18 | 21.60 | 21.60 | | | | 26.94 | 12.76 | | |
| | 2-Wire Voice Unbundled 1-Way Outgoing PBX Hotel/Hospital Discount Room Calling Port | | | UEPSP | UEPXO | 2.18 | 21.60 | 21.60 | | | | 26.94 | 12.76 | | |
| | 2-Wire Voice Unbundled 1-Way Outgoing PBX Measured Port | | | UEPSP | UEPXS | 2.18 | 21.60 | 21.60 | | | | 26.94 | 12.76 | | |
| | Subsequent Activity | | | UEPSP | USASC | 0.00 | 0.00 | 0.00 | | | | 26.94 | 12.76 | | |
| FEATURES | | | | | | | | | | | | | | | |
| | All Available Vertical Features | | | UEPSP UEPSE | UEPVF | 3.40 | 0.00 | 0.00 | | | | 26.94 | 12.76 | | |
| EXCHANGE PORT RATES (COIN) | | | | | | | | | | | | | | | |
| | Exchange Ports - Coin Port | | | | | 2.59 | 21.60 | 21.60 | | | | 26.94 | 12.76 | | |
| NOTE: Transmission/usage charges associated with POTS circuit switched usage will also apply to circuit switched voice and/or circuit switched data transmission by B-Channels associated with 2-wire ISDN ports. | | | | | | | | | | | | | | | |
| NOTE: Access to B Channel or D Channel Packet capabilities will be available only through BFR/New Business Request Process. Rates for the packet capabilities will be determined via the Bona Fide Request/New Business Request Process. | | | | | | | | | | | | | | | |
| UNBUNDLED LOCAL EXCHANGE SWITCHING(PORTS) | | | | | | | | | | | | | | | |
| EXCHANGE PORT RATES | | | | | | | | | | | | | | | |
| | Exchange Ports - 2-Wire DID Port | | | UEPEX | UEPP2 | 12.36 | 81.84 | 81.84 | | | | 26.94 | 12.76 | | |
| | Exchange Ports - DDITS Port - 4-Wire DS1 Port with DID capability | | | UEPDD | UEPDD | 123.65 | 116.59 | 69.92 | | | | 26.94 | 12.76 | | |
| | Exchange Ports - 2-Wire ISDN Port (See Notes below.) | | | UEPTX UEPX | U1PMA | 24.50 | 62.29 | 62.29 | | | | 55.30 | 55.30 | | |
| | All Features Offered | | | UEPTX UEPX | UEPVF | 3.40 | 0.00 | 0.00 | | | | | | | |
| NOTE: Transmission/usage charges associated with POTS circuit switched usage will also apply to circuit switched voice and/or circuit switched data transmission by B-Channels associated with 2-wire ISDN ports. | | | | | | | | | | | | | | | |
| NOTE: Access to B Channel or D Channel Packet capabilities will be available only through BFR/New Business Request Process. Rates for the packet capabilities will be determined via the Bona Fide Request/New Business Request Process. | | | | | | | | | | | | | | | |
| | Exchange Ports - 2-Wire ISDN Port -- Channel Profiles | | | UEPTX UEPX | U1UMA | 0.00 | 0.00 | 0.00 | | | | | | | |
| | Exchange Ports - 4-Wire ISDN DS1 Port | | | UEPEX | UEPEX | 179.75 | 241.63 | 241.63 | | | | 53.89 | 53.89 | | |
| UNBUNDLED PORT with REMOTE CALL FORWARDING CAPABILITY | | | | | | | | | | | | | | | |
| UNBUNDLED REMOTE CALL FORWARDING SERVICE - RESIDENCE | | | | | | | | | | | | | | | |
| | Unbundled Remote Call Forwarding Service, Area Calling, Res | | | UEPVR | UERAC | 2.19 | 21.60 | 21.60 | | | | 26.94 | 12.76 | | |
| | Unbundled Remote Call Forwarding Service, Local Calling - Res | | | UEPVR | UERLC | 2.19 | 21.60 | 21.60 | | | | 26.94 | 12.76 | | |
| | Unbundled Remote Call Forwarding Service, InterLATA - Res | | | UEPVR | UERTE | 2.19 | 21.60 | 21.60 | | | | 26.94 | 12.76 | | |
| | Unbundled Remote Call Forwarding Service, IntraLATA - Res | | | UEPVR | UERTR | 2.19 | 21.60 | 21.60 | | | | 26.94 | 12.76 | | |
| Non-Recurring | | | | | | | | | | | | | | | |
| | Unbundled Remote Call Forwarding Service - Conversion - Switch-as-is | | | UEPVR | USAC2 | | 2.77 | 0.40 | | | | 26.94 | 12.76 | | |
| | Unbundled Remote Call Forwarding Service - Conversion with allowed change (PIC and LPIC) | | | UEPVR | USACC | | 2.77 | 0.40 | | | | | | | |
| UNBUNDLED REMOTE CALL FORWARDING - Bus | | | | | | | | | | | | | | | |
| | Unbundled Remote Call Forwarding Service, Area Calling - Bus | | | UEPVB | UERAC | 2.19 | 21.60 | 21.60 | | | | 26.94 | 12.76 | | |
| | Unbundled Remote Call Forwarding Service, Local Calling - Bus | | | UEPVB | UERLC | 2.19 | 21.60 | 21.60 | | | | 26.94 | 12.76 | | |
| | Unbundled Remote Call Forwarding Service, InterLATA - Bus | | | UEPVB | UERTE | 2.19 | 21.60 | 21.60 | | | | 26.94 | 12.76 | | |
| | Unbundled Remote Call Forwarding Service, IntraLATA - Bus | | | UEPVB | UERTR | 2.19 | 21.60 | 21.60 | | | | 26.94 | 12.76 | | |
| | Unbundled Remote Call Forwarding Service Expanded and Exception Local Calling | | | UEPVB | UERVJ | 2.19 | 21.60 | 21.60 | | | | 26.94 | 12.76 | | |
| Non-Recurring | | | | | | | | | | | | | | | |

| UNBUNDLED NETWORK ELEMENTS - North Carolina | | | | | | | Exhibit B of Attachment 2 of the Agreement | | | | | |
|---|---|---------|------|-------|-------|-----------|--|--------------------------------------|--|--|---|---|
| CATEGORY | RATE ELEMENTS | Interim | Zone | BCS | USOC | RATES(\$) | Svc Order Submitted Elec per LSR | Svc Order Submitted Manually per LSR | Incremental Charge - Manual Svc Order vs. Electronic-1st | Incremental Charge - Manual Svc Order vs. Electronic-Add'l | Incremental Charge - Manual Svc Order vs. Electronic-Disc 1st | Incremental Charge - Manual Svc Order vs. Electronic-Disc Add'l |
| | | | | | | | | | | | | |
| | | | | | | | | | | | | |
| | | | | | | | | | | | | |
| | Unbundled Remote Call Forwarding Service - Conversion - Switch-as-is | | | UEPVB | USAC2 | | | | | | | |
| | Unbundled Remote Call Forwarding Service - Conversion with allowed change (PIC and LPIC) | | | UEPVB | USACC | | | | | | 26.94 | 12.76 |
| UNBUNDLED LOCAL SWITCHING, PORT USAGE | | | | | | | | | | | | |
| End Office Switching (Port Usage) | | | | | | | | | | | | |
| | End Office Switching Function, Per MOU | | | | | 0.0015 | | | | | | |
| | End Office Trunk Port - Shared, Per MOU | | | | | 0.00023 | | | | | | |
| Tandem Switching (Port Usage) (Local or Access Tandem) | | | | | | | | | | | | |
| | Tandem Switching Function Per MOU | | | | | 0.0006 | | | | | | |
| | Tandem Trunk Port - Shared, Per MOU | | | | | 0.0003 | | | | | | |
| Common Transport | | | | | | | | | | | | |
| | Common Transport - Per Mile, Per MOU | | | | | 0.00001 | | | | | | |
| | Common Transport - Facilities Termination Per MOU | | | | | 0.00034 | | | | | | |
| UNBUNDLED PORT/LOOP COMBINATIONS - COST BASED RATES | | | | | | | | | | | | |
| Cost Based Rates are applied where BellSouth is required by FCC and/or State Commission rule to provide Unbundled Local Switching or Switch Ports. | | | | | | | | | | | | |
| Features shall apply to the Unbundled Port/Loop Combination - Cost Based Rate section in the same manner as they are applied to the Stand-Alone Unbundled Port section of this Rate Exhibit. | | | | | | | | | | | | |
| End Office and Tandem Switching Usage and Common Transport Usage rates in the Port section of this rate exhibit shall apply to all combinations of loop/port network elements except for UNE Coin Port/Loop Combinations. | | | | | | | | | | | | |
| For Alabama, Georgia, Kentucky, Louisiana, Mississippi, South Carolina and Tennessee, the recurring UNE Port and Loop charges listed apply to Currently Combined and Not Currently Combined Combos. The first and additional Port nonrecurring charges apply to Not Currently Combined Combos for all states. In AL, GA, KY, LA, MS, SC and TN these nonrecurring charges are commission ordered cost based rates and in FL and NC these nonrecurring charges are Market Rates and are also listed in the Market Rate section. For Currently Combined Combos in all other states, the nonrecurring charges shall be those identified in the Nonrecurring - Currently Combined sections. | | | | | | | | | | | | |
| 2-WIRE VOICE GRADE LOOP WITH 2-WIRE LINE PORT (RES) | | | | | | | | | | | | |
| UNE Port/Loop Combination Rates | | | | | | | | | | | | |
| | 2-Wire VG Loop/Port Combo - Zone 1 | | 1 | | | 13.03 | | | | | | |
| | 2-Wire VG Loop/Port Combo - Zone 2 | | 2 | | | 21.33 | | | | | | |
| | 2-Wire VG Loop/Port Combo - Zone 3 | | 3 | | | 32.61 | | | | | | |
| UNE Loop Rates | | | | | | | | | | | | |
| | 2-Wire Voice Grade Loop (SL1) - Zone 1 | | 1 | UEPRX | UEPLX | 10.75 | | | | | | |
| | 2-Wire Voice Grade Loop (SL1) - Zone 2 | | 2 | UEPRX | UEPLX | 19.05 | | | | | | |
| | 2-Wire Voice Grade Loop (SL1) - Zone 3 | | 3 | UEPRX | UEPLX | 30.33 | | | | | | |
| 2-Wire Voice Grade Line Port Rates (Res) | | | | | | | | | | | | |
| | 2-Wire voice unbundled port - residence | | | UEPRX | UEPRL | 2.28 | 90.00 | 90.00 | | | 40.18 | 9.45 |
| | 2-Wire voice unbundled port with Caller ID - res | | | UEPRX | UEPRC | 2.28 | 90.00 | 90.00 | | | 40.18 | 9.45 |
| | 2-Wire voice unbundled port outgoing only - res | | | UEPRX | UEPRO | 2.28 | 90.00 | 90.00 | | | 40.18 | 9.45 |
| | 2-Wire voice unbundles res, low usage line port with Caller ID (LUM) | | | UEPRX | UEPAP | 2.28 | 90.00 | 90.00 | | | 40.18 | 9.45 |
| FEATURES | | | | | | | | | | | | |
| | All Features Offered | | | UEPRX | UEPVF | 3.40 | 0.00 | 0.00 | | | 40.18 | 9.45 |
| LOCAL NUMBER PORTABILITY | | | | | | | | | | | | |
| | Local Number Portability (1 per port) | | | UEPRX | LNPCX | 0.35 | | | | | | |
| NONRECURRING CHARGES (NRCs) - CURRENTLY COMBINED | | | | | | | | | | | | |
| | 2-Wire Voice Grade Loop / Line Port Combination - Conversion - Switch-as-is | | | UEPRX | USAC2 | | 2.77 | 0.40 | | | 40.18 | 9.45 |
| | 2-Wire Voice Grade Loop / Line Port Combination - Conversion - Switch with change | | | UEPRX | USACC | | 2.77 | 0.40 | | | 40.18 | 9.45 |
| | 2-Wire Voice Grade Loop / Line Port Combination - Conversion - Subsequent Database Update | | | | | | 1.42 | | | | 10.27 | |
| ADDITIONAL NRCs | | | | | | | | | | | | |
| | 2-Wire Voice Grade Loop/Line Port Combination - Subsequent Activity | | | UEPRX | USAS2 | 0.00 | 0.00 | 0.00 | | | 40.18 | 9.45 |
| 2-WIRE VOICE GRADE LOOP WITH 2-WIRE LINE PORT (BUS) | | | | | | | | | | | | |
| UNE Port/Loop Combination Rates | | | | | | | | | | | | |
| | 2-Wire VG Loop/Port Combo - Zone 1 | | 1 | | | 13.03 | | | | | | |
| | 2-Wire VG Loop/Port Combo - Zone 2 | | 2 | | | 21.33 | | | | | | |
| | 2-Wire VG Loop/Port Combo - Zone 3 | | 3 | | | 32.61 | | | | | | |
| UNE Loop Rates | | | | | | | | | | | | |
| | 2-Wire Voice Grade Loop (SL1) - Zone 1 | | 1 | UEPBX | UEPLX | 10.75 | | | | | | |
| | 2-Wire Voice Grade Loop (SL1) - Zone 2 | | 2 | UEPBX | UEPLX | 19.05 | | | | | | |
| | 2-Wire Voice Grade Loop (SL1) - Zone 3 | | 3 | UEPBX | UEPLX | 30.33 | | | | | | |

| UNBUNDLED NETWORK ELEMENTS - North Carolina | | | | | | | Exhibit B of Attachment 2 of the Agreement | | | | | | | | | | | |
|--|---|---------|------|-------|-------|-----------|--|--------------------------------------|--|--|---|---|-----|--------------|--|-------------------------|--|---------------|
| CATEGORY | RATE ELEMENTS | Interim | Zone | BCS | USOC | RATES(\$) | Svc Order Submitted Elec per LSR | Svc Order Submitted Manually per LSR | Incremental Charge - Manual Svc Order vs. Electronic-1st | Incremental Charge - Manual Svc Order vs. Electronic-Add'l | Incremental Charge - Manual Svc Order vs. Electronic-Disc 1st | Incremental Charge - Manual Svc Order vs. Electronic-Disc Add'l | | | | | | |
| | | | | | | | | | | | | | Rec | Nonrecurring | | Nonrecurring Disconnect | | OSS Rates(\$) |
| | | | | | | | | | | | | | | | | | | |
| | | | | | | | | | | | | | | | | | | |
| 2-Wire Voice Grade Line Port (Bus) | | | | | | | | | | | | | | | | | | |
| | 2-Wire voice unbundled port without Caller ID - bus | | | UEPBX | UEPBL | 2.28 | | | | | | | | | | | | |
| | 2-Wire voice unbundled port with Caller + E484 ID - bus | | | UEPBX | UEPBC | 2.28 | | | | | | | | | | | | |
| | 2-Wire voice unbundled port outgoing only - bus | | | UEPBX | UEPBO | 2.28 | | | | | | | | | | | | |
| | 2-Wire voice unbundled incoming only port with Caller ID - Bus | | | UEPBX | UEPB1 | 2.28 | | | | | | | | | | | | |
| LOCAL NUMBER PORTABILITY | | | | | | | | | | | | | | | | | | |
| | Local Number Portability (1 per port) | | | UEPBX | LNPCX | 0.35 | | | | | | | | | | | | |
| FEATURES | | | | | | | | | | | | | | | | | | |
| | All Features Offered | | | UEPBX | UEPVF | 3.40 | | | | | | | | | | | | |
| NONRECURRING CHARGES (NRCs) - CURRENTLY COMBINED | | | | | | | | | | | | | | | | | | |
| | 2-Wire Voice Grade Loop / Line Port Combination - Conversion - Switch-as-is | | | UEPBX | USAC2 | | | | | | | | | | | | | |
| | 2-Wire Voice Grade Loop / Line Port Combination - Conversion - Switch with change | | | UEPBX | USACC | | | | | | | | | | | | | |
| | 2-Wire Voice Grade Loop / Line Port Combination - Conversion - Subsequent Database Update | | | | | | | | | | | | | | | | | |
| ADDITIONAL NRCs | | | | | | | | | | | | | | | | | | |
| | 2-Wire Voice Grade Loop/Line Port Combination - Subsequent Activity | | | UEPBX | USAS2 | | | | | | | | | | | | | |
| 2-WIRE VOICE GRADE LOOP WITH 2-WIRE LINE PORT (RES - PBX) | | | | | | | | | | | | | | | | | | |
| UNE Port/Loop Combination Rates | | | | | | | | | | | | | | | | | | |
| | 2-Wire VG Loop/Port Combo - Zone 1 | | 1 | | | 13.03 | | | | | | | | | | | | |
| | 2-Wire VG Loop/Port Combo - Zone 2 | | 2 | | | 21.33 | | | | | | | | | | | | |
| | 2-Wire VG Loop/Port Combo - Zone 3 | | 3 | | | 32.61 | | | | | | | | | | | | |
| UNE Loop Rates | | | | | | | | | | | | | | | | | | |
| | 2-Wire Voice Grade Loop (SL 1) - Zone 1 | | 1 | UEPRG | UEPLX | 10.75 | | | | | | | | | | | | |
| | 2-Wire Voice Grade Loop (SL 1) - Zone 2 | | 2 | UEPRG | UEPLX | 19.05 | | | | | | | | | | | | |
| | 2-Wire Voice Grade Loop (SL 1) - Zone 3 | | 3 | UEPRG | UEPLX | 30.33 | | | | | | | | | | | | |
| 2-Wire Voice Grade Line Port Rates (RES - PBX) | | | | | | | | | | | | | | | | | | |
| | 2-Wire VG Unbundled Combination 2-Way PBX Trunk Port - Res | | | UEPRG | UEPRD | 2.28 | | | | | | | | | | | | |
| LOCAL NUMBER PORTABILITY | | | | | | | | | | | | | | | | | | |
| | Local Number Portability (1 per port) | | | UEPRG | LNPCP | 3.15 | | | | | | | | | | | | |
| FEATURES | | | | | | | | | | | | | | | | | | |
| | All Features Offered | | | UEPRG | UEPVF | 3.40 | | | | | | | | | | | | |
| NONRECURRING CHARGES (NRCs) - CURRENTLY COMBINED | | | | | | | | | | | | | | | | | | |
| | 2-Wire Voice Grade Loop/ Line Port Combination (PBX) - Conversion - Switch-As-Is | | | UEPRG | USAC2 | | | | | | | | | | | | | |
| | 2-Wire Voice Grade Loop/ Line Port Combination (PBX) - Conversion - Switch with Change | | | UEPRG | USACC | | | | | | | | | | | | | |
| | 2-Wire Voice Grade Loop / Line Port Combination - Conversion - Subsequent Database Update | | | | | | | | | | | | | | | | | |
| ADDITIONAL NRCs | | | | | | | | | | | | | | | | | | |
| | 2-Wire Voice Grade Loop/ Line Port Combination (PBX) - Subsequent Activity | | | UEPRG | USAS2 | 0.00 | | | | | | | | | | | | |
| 2-WIRE VOICE GRADE LOOP WITH 2-WIRE LINE PORT (BUS - PBX) | | | | | | | | | | | | | | | | | | |
| UNE Port/Loop Combination Rates | | | | | | | | | | | | | | | | | | |
| | 2-Wire VG Loop/Port Combo - Zone 1 | | 1 | | | 13.03 | | | | | | | | | | | | |
| | 2-Wire VG Loop/Port Combo - Zone 2 | | 2 | | | 21.33 | | | | | | | | | | | | |
| | 2-Wire VG Loop/Port Combo - Zone 3 | | 3 | | | 32.61 | | | | | | | | | | | | |
| UNE Loop Rates | | | | | | | | | | | | | | | | | | |
| | 2-Wire Voice Grade Loop (SL 1) - Zone 1 | | 1 | UEPPX | UEPLX | 10.75 | | | | | | | | | | | | |
| | 2-Wire Voice Grade Loop (SL 1) - Zone 2 | | 2 | UEPPX | UEPLX | 19.05 | | | | | | | | | | | | |
| | 2-Wire Voice Grade Loop (SL 1) - Zone 3 | | 3 | UEPPX | UEPLX | 30.33 | | | | | | | | | | | | |
| 2-Wire Voice Grade Line Port Rates (BUS - PBX) | | | | | | | | | | | | | | | | | | |
| | Line Side Unbundled Combination 2-Way PBX Trunk Port - Bus | | | UEPPX | UEPPC | 2.28 | | | | | | | | | | | | |
| | Line Side Unbundled Outward PBX Trunk Port - Bus | | | UEPPX | UEPPO | 2.28 | | | | | | | | | | | | |
| | Line Side Unbundled Incoming PBX Trunk Port - Bus | | | UEPPX | UEPP1 | 2.28 | | | | | | | | | | | | |

| UNBUNDLED NETWORK ELEMENTS - North Carolina | | | | | | | Exhibit B of Attachment 2 of the Agreement | | | | | | | | |
|---|---|---------|------|-------|-------|-----------|--|--------------------------------------|--|--|---|---|-------|--------------|--|
| CATEGORY | RATE ELEMENTS | Interim | Zone | BCS | USOC | RATES(\$) | Svc Order Submitted Elec per LSR | Svc Order Submitted Manually per LSR | Incremental Charge - Manual Svc Order vs. Electronic-1st | Incremental Charge - Manual Svc Order vs. Electronic-Add'l | Incremental Charge - Manual Svc Order vs. Electronic-Disc 1st | Incremental Charge - Manual Svc Order vs. Electronic-Disc Add'l | | | |
| | | | | | | | | | | | | | Rec | Nonrecurring | |
| | | | | | | First | Add'l | First | Add'l | SOME C | SOMAN | SOMAN | SOMAN | SOMAN | |
| | 2-Wire Voice Unbundled PBX LD Terminal Ports | | | UEPPX | UEPLD | 2.28 | 90.00 | 90.00 | | | | 40.18 | 9.45 | | |
| | 2-Wire Voice Unbundled 2-Way Combination PBX Usage Port | | | UEPPX | UEPXA | 2.28 | 90.00 | 90.00 | | | | 40.18 | 9.45 | | |
| | 2-Wire Voice Unbundled PBX Toll Terminal Hotel Ports | | | UEPPX | UEPXB | 2.28 | 90.00 | 90.00 | | | | 40.18 | 9.45 | | |
| | 2-Wire Voice Unbundled PBX LD DDD Terminals Port | | | UEPPX | UEPXC | 2.28 | 90.00 | 90.00 | | | | 40.18 | 9.45 | | |
| | 2-Wire Voice Unbundled PBX LD Terminal Switchboard Port | | | UEPPX | UEPXD | 2.28 | 90.00 | 90.00 | | | | 40.18 | 9.45 | | |
| | 2-Wire Voice Unbundled PBX LD Terminal Switchboard IDD Capable Port | | | UEPPX | UEPXE | 2.28 | 90.00 | 90.00 | | | | 40.18 | 9.45 | | |
| | 2-Wire Voice Unbundled 2-Way PBX Hotel/Hospital Economy Administrative Calling Port | | | UEPPX | UEPXL | 2.28 | 90.00 | 90.00 | | | | 40.18 | 9.45 | | |
| | 2-Wire Voice Unbundled 2-Way PBX Hotel/Hospital Economy Room Calling Port | | | UEPPX | UEPXM | 2.28 | 90.00 | 90.00 | | | | 40.18 | 9.45 | | |
| | 2-Wire Voice Unbundled 1-Way Outgoing PBX Hotel/Hospital Discount Room Calling Port | | | UEPPX | UEPXO | 2.28 | 90.00 | 90.00 | | | | 40.18 | 9.45 | | |
| | 2-Wire Voice Unbundled 1-Way Outgoing PBX Measured Port | | | UEPPX | UEPXS | 2.28 | 90.00 | 90.00 | | | | 40.18 | 9.45 | | |
| | LOCAL NUMBER PORTABILITY | | | | | | | | | | | | | | |
| | Local Number Portability (1 per port) | | | UEPPX | LNPCP | 3.15 | 0.00 | 0.00 | | | | 40.18 | 9.45 | | |
| | FEATURES | | | | | | | | | | | | | | |
| | All Features Offered | | | UEPPX | UEPVF | 3.40 | 0.00 | 0.00 | | | | 40.18 | 9.45 | | |
| | NONRECURRING CHARGES (NRCs) - CURRENTLY COMBINED | | | | | | | | | | | | | | |
| | 2-Wire Voice Grade Loop/ Line Port Combination (PBX) - Conversion - Switch-As-Is | | | UEPPX | USAC2 | | 2.77 | 0.40 | | | | 40.18 | 9.45 | | |
| | 2-Wire Voice Grade Loop/ Line Port Combination (PBX) - Conversion - Switch with Change | | | UEPPX | USACC | | 2.77 | 0.40 | | | | 40.18 | 9.45 | | |
| | 2-Wire Voice Grade Loop / Line Port Combination - Conversion - Subsequent Database Update | | | | | | 1.42 | | | | | 10.27 | | | |
| | ADDITIONAL NRCs | | | | | | | | | | | | | | |
| | 2-Wire Voice Grade Loop/ Line Port Combination (PBX) - Subsequent Activity | | | UEPPX | USAS2 | 0.00 | 0.00 | 0.00 | | | | 40.18 | 9.45 | | |
| | 2-WIRE VOICE GRADE LOOP WITH 2-WIRE ANALOG LINE COIN PORT | | | | | | | | | | | | | | |
| | UNE Port/Loop Combination Rates | | | | | | | | | | | | | | |
| | 2-Wire VG Coin Port/Loop Combo – Zone 1 | | 1 | | | 13.03 | | | | | | | | | |
| | 2-Wire VG Coin Port/Loop Combo – Zone 2 | | 2 | | | 21.33 | | | | | | | | | |
| | 2-Wire VG Coin Port/Loop Combo – Zone 3 | | 3 | | | 32.61 | | | | | | | | | |
| | UNE Loop Rates | | | | | | | | | | | | | | |
| | 2-Wire Voice Grade Loop (SL1) - Zone 1 | | 1 | UEPCO | UEPLX | 10.75 | | | | | | | | | |
| | 2-Wire Voice Grade Loop (SL1) - Zone 2 | | 2 | UEPCO | UEPLX | 19.05 | | | | | | | | | |
| | 2-Wire Voice Grade Loop (SL1) - Zone 3 | | 3 | UEPCO | UEPLX | 30.33 | | | | | | | | | |
| | 2-Wire Voice Grade Line Ports (COIN) | | | | | | | | | | | | | | |
| | 2-Wire Coin 2-Way without Operator Screening and without Blocking (NC) | | | UEPCO | UEPND | 2.28 | 90.00 | 90.00 | | | | 40.18 | 9.45 | | |
| | 2-Wire Coin 2-Way with Operator Screening (NC) | | | UEPCO | UEPNC | 2.28 | 90.00 | 90.00 | | | | 40.18 | 9.45 | | |
| | 2-Wire Coin 2-Way with Operator Screening and Blocking: 011, 900/976, 1+DDD (NC, TN) | | | UEPCO | UEPRP | 2.28 | 90.00 | 90.00 | | | | 40.18 | 9.45 | | |
| | 2-Wire Coin 2-Way with Operator Screening and 011 Blocking (NC) | | | UEPCO | UEPNB | 2.28 | 90.00 | 90.00 | | | | 40.18 | 9.45 | | |
| | 2-Wire Coin 2-Way with Operator Screening: 900 Blocking: 900/976, 1+DDD, 011+, and Local (NC, TN) | | | UEPCO | UEPCA | 2.28 | 90.00 | 90.00 | | | | 40.18 | 9.45 | | |
| | 2-Wire Coin Outward with Operator Screening and 011 Blocking (NC) | | | UEPCO | UEPNE | 2.28 | 90.00 | 90.00 | | | | 40.18 | 9.45 | | |
| | 2-Wire Coin Outward with Operator Screening and Blocking: 900/976, 1+DDD, 011+, and Local (NC) | | | UEPCO | UEPCL | 2.28 | 90.00 | 90.00 | | | | 40.18 | 9.45 | | |
| | 2-Wire 2-Way Smartline with 900/976 (all states except LA) | | | UEPCO | UEPCK | 2.28 | 90.00 | 90.00 | | | | 40.18 | 9.45 | | |
| | 2-Wire Coin Outward Smartline with 900/976 (all states except LA) | | | UEPCO | UEPCR | 2.28 | 90.00 | 90.00 | | | | 40.18 | 9.45 | | |
| | ADDITIONAL UNE COIN PORT/LOOP (RC) | | | | | | | | | | | | | | |
| | UNE Coin Port/Loop Combo Usage (Flat Rate) | | | UEPCO | URECU | 3.70 | 90.00 | 90.00 | | | | 40.18 | 9.45 | | |
| | LOCAL NUMBER PORTABILITY | | | | | | | | | | | | | | |
| | Local Number Portability (1 per port) | | | UEPCO | LNPCX | 0.35 | | | | | | | | | |
| | NONRECURRING CHARGES - CURRENTLY COMBINED | | | | | | | | | | | | | | |

| UNBUNDLED NETWORK ELEMENTS - North Carolina | | | | | | | | Exhibit B of Attachment 2 of the Agreement | | | | | | | | | | | | | | | |
|---|---|---------|------|-------|-------|-----------|----------------------------------|--|--|--|---|---|---------------|--------------|-------|-------------------------|--|-------|-------|-------|-------|-------|-------|
| CATEGORY | RATE ELEMENTS | Interim | Zone | BCS | USOC | RATES(\$) | Svc Order Submitted Elec per LSR | Svc Order Submitted Manually per LSR | Incremental Charge - Manual Svc Order vs. Electronic-1st | Incremental Charge - Manual Svc Order vs. Electronic-Add'l | Incremental Charge - Manual Svc Order vs. Electronic-Disc 1st | Incremental Charge - Manual Svc Order vs. Electronic-Disc Add'l | OSS Rates(\$) | | | | | | | | | | |
| | | | | | | | | | | | | | Rec | Nonrecurring | | Nonrecurring Disconnect | | SOMEC | SOMAN | SOMAN | SOMAN | SOMAN | SOMAN |
| | | | | | | | | | | | | | First | Add'l | First | Add'l | | | | | | | |
| | 2-Wire Voice Grade Loop / Line Port Combination - Conversion - Switch-as-is | | | UEPCO | USAC2 | | | | | | | | 2.77 | 0.40 | | | | | | | | 40.18 | 9.45 |
| | 2-Wire Voice Grade Loop / Line Port Combination - Conversion - Switch with change | | | UEPCO | USACC | | | | | | | | 2.77 | 0.40 | | | | | | | | 40.18 | 9.45 |
| | 2-Wire Voice Grade Loop / Line Port Combination - Conversion - Subsequent Database Update | | | | | | | | | | | | 1.42 | | | | | | | | | | |
| ADDITIONAL NRCS | | | | | | | | | | | | | | | | | | | | | | | |
| | 2-Wire Voice Grade Loop/Line Port Combination - Subsequent Activity | | | UEPCO | USAS2 | | | | | | | | | 0.00 | 0.00 | | | | | | | 40.18 | 9.45 |
| | 2-Wire voice unbundled port with Caller + E484 ID - bus | | | UEPFB | UEPBC | 2.19 | | | | | | | 225.00 | 225.00 | | | | | | | | 40.18 | 9.45 |
| UNBUNDLED PORT/LOOP COMBINATIONS - COST BASED RATES | | | | | | | | | | | | | | | | | | | | | | | |
| 2-WIRE VOICE GRADE LOOP- BUS ONLY - WITH 2-WIRE DID TRUNK PORT | | | | | | | | | | | | | | | | | | | | | | | |
| UNE Port/Loop Combination Rates | | | | | | | | | | | | | | | | | | | | | | | |
| | 2-Wire VG Loop/2-Wire DID Trunk Port Combo - UNE Zone 1 | | 1 | | | 20.97 | | | | | | | | | | | | | | | | | |
| | 2-Wire VG Loop/2-Wire DID Trunk Port Combo - UNE Zone 2 | | 2 | | | 27.80 | | | | | | | | | | | | | | | | | |
| | 2-Wire VG Loop/2-Wire DID Trunk Port Combo - UNE Zone 3 | | 3 | | | 37.08 | | | | | | | | | | | | | | | | | |
| UNE Loop Rates | | | | | | | | | | | | | | | | | | | | | | | |
| | 2-Wire Analog Voice Grade Loop - (SL2) - UNE Zone 1 | | 1 | UEPPX | UECD1 | 8.85 | | | | | | | | | | | | | | | | | |
| | 2-Wire Analog Voice Grade Loop - (SL2) - UNE Zone 2 | | 2 | UEPPX | UECD1 | 15.68 | | | | | | | | | | | | | | | | | |
| | 2-Wire Analog Voice Grade Loop - (SL2) - UNE Zone 3 | | 3 | UEPPX | UECD1 | 24.96 | | | | | | | | | | | | | | | | | |
| UNE Port Rate | | | | | | | | | | | | | | | | | | | | | | | |
| | Exchange Ports - 2-Wire DID Port | | | UEPPX | UEPD1 | 12.12 | | | | | | | 485.00 | 75.00 | | | | | | | | 40.18 | 9.45 |
| NONRECURRING CHARGES - CURRENTLY COMBINED | | | | | | | | | | | | | | | | | | | | | | | |
| | 2-Wire Voice Grade Loop / 2-Wire DID Trunk Port Combination - Switch-as-is | | | UEPPX | USAC1 | | | | | | | | 13.26 | 8.39 | | | | | | | | 53.89 | 11.34 |
| | 2-Wire Voice Grade Loop / 2-Wire DID Trunk Port Conversion with BellSouth Allowable Changes | | | UEPPX | USA1C | | | | | | | | 13.26 | 8.39 | | | | | | | | 53.89 | 11.34 |
| ADDITIONAL NRCS | | | | | | | | | | | | | | | | | | | | | | | |
| | 2-Wire DID Subsequent Activity - Add Trunks, Per Trunk | | | UEPPX | USAS1 | 53.49 | | | | | | | | | | | | | | | | 40.18 | 9.45 |
| Telephone Number/Trunk Group Establishment Charges | | | | | | | | | | | | | | | | | | | | | | | |
| | DID Trunk Termination (One Per Port) | | | UEPPX | NDT | 0.00 | 0.00 | 0.00 | | | | | | | | | | | | | | | |
| | DID Numbers, Establish Trunk Group and Provide First Group of 20 DID Numbers | | | UEPPX | NDZ | 0.00 | 0.00 | 0.00 | | | | | | | | | | | | | | | |
| | Additional DID Numbers for each Group of 20 DID Numbers | | | UEPPX | ND4 | 0.00 | 0.00 | 0.00 | | | | | | | | | | | | | | | |
| | DID Numbers, Non-consecutive DID Numbers, Per Number | | | UEPPX | ND5 | 0.00 | 0.00 | 0.00 | | | | | | | | | | | | | | | |
| | Reserve Non-Consecutive DID numbers | | | UEPPX | ND6 | 0.00 | 0.00 | 0.00 | | | | | | | | | | | | | | | |
| | Reserve DID Numbers | | | UEPPX | NDV | 0.00 | 0.00 | 0.00 | | | | | | | | | | | | | | | |
| LOCAL NUMBER PORTABILITY | | | | | | | | | | | | | | | | | | | | | | | |
| | Local Number Portability (1 per port) | | | UEPPX | LNPCP | 3.15 | 0.00 | 0.00 | | | | | | | | | | | | | | | |
| 2-WIRE ISDN DIGITAL GRADE LOOP WITH 2-WIRE ISDN DIGITAL LINE SIDE PORT | | | | | | | | | | | | | | | | | | | | | | | |
| UNE Port/Loop Combination Rates | | | | | | | | | | | | | | | | | | | | | | | |
| | 2W ISDN Digital Grade Loop/2W ISDN Digital Line Side Port - UNE Zone 1 | | 1 | UEPPB | UEPPR | 38.84 | | | | | | | | | | | | | | | | | |
| | 2W ISDN Digital Grade Loop/2W ISDN Digital Line Side Port - UNE Zone 2 | | 2 | UEPPB | UEPPR | 50.01 | | | | | | | | | | | | | | | | | |
| | 2W ISDN Digital Grade Loop/2W ISDN Digital Line Side Port - UNE Zone 3 | | 3 | UEPPB | UEPPR | 65.18 | | | | | | | | | | | | | | | | | |
| UNE Loop Rates | | | | | | | | | | | | | | | | | | | | | | | |
| | 2-Wire ISDN Digital Grade Loop - UNE Zone 1 | | 1 | UEPPB | UEPPR | USL2X | 14.47 | | | | | | | | | | | | | | | | |
| | 2-Wire ISDN Digital Grade Loop - UNE Zone 2 | | 2 | UEPPB | UEPPR | USL2X | 25.64 | | | | | | | | | | | | | | | | |
| | 2-Wire ISDN Digital Grade Loop - UNE Zone 3 | | 3 | UEPPB | UEPPR | USL2X | 40.81 | | | | | | | | | | | | | | | | |
| UNE Port Rate | | | | | | | | | | | | | | | | | | | | | | | |
| | Exchange Port - 2-Wire ISDN Line Side Port | | | UEPPB | UEPPR | UEPPB | 24.37 | 450.00 | 375.00 | | | | | | | | | | | | | 19.99 | 19.99 |
| NONRECURRING CHARGES - CURRENTLY COMBINED | | | | | | | | | | | | | | | | | | | | | | | |
| | 2-Wire ISDN Digital Grade Loop / 2-Wire ISDN Line Side Port Combination - Conversion | | | UEPPB | UEPPR | USACB | 0.00 | 174.35 | 174.35 | | | | | | | | | | | | | | |
| ADDITIONAL NRCS | | | | | | | | | | | | | | | | | | | | | | | |
| LOCAL NUMBER PORTABILITY | | | | | | | | | | | | | | | | | | | | | | | |

| UNBUNDLED NETWORK ELEMENTS - North Carolina | | | | | | | Exhibit B of Attachment 2 of the Agreement | | | | | | | | | | | | | |
|---|---|---------|------|-------------------|------|-----------|--|--------------------------------------|--|--|---|---|---------------|--------------|--|-------------------------|--|-------|-------|-------|
| CATEGORY | RATE ELEMENTS | Interim | Zone | BCS | USOC | RATES(\$) | Svc Order Submitted Elec per LSR | Svc Order Submitted Manually per LSR | Incremental Charge - Manual Svc Order vs. Electronic-1st | Incremental Charge - Manual Svc Order vs. Electronic-Add'l | Incremental Charge - Manual Svc Order vs. Electronic-Disc 1st | Incremental Charge - Manual Svc Order vs. Electronic-Disc Add'l | OSS Rates(\$) | | | | | | | |
| | | | | | | | | | | | | | Rec | Nonrecurring | | Nonrecurring Disconnect | | SOMEc | SOMAN | SOMAN |
| | | | | | | | First | Add'l | First | Add'l | | | | | | | | | | |
| | Local Number Portability (1 per port) | | | UEPPB UEPPR LNPCX | | 0.35 | 0.00 | 0.00 | | | | | | | | | | | | |
| | B-CHANNEL USER PROFILE ACCESS: | | | | | | | | | | | | | | | | | | | |
| | CVS/CSD (DMS/5ESS) | | | UEPPB UEPPR U1UCA | | 0.00 | 0.00 | 0.00 | | | | | | | | | | | | |
| | CVS (EWSD) | | | UEPPB UEPPR U1UCB | | 0.00 | 0.00 | 0.00 | | | | | | | | | | | | |
| | CSD | | | UEPPB UEPPR U1UCC | | 0.00 | 0.00 | 0.00 | | | | | | | | | | | | |
| | B-CHANNEL AREA PLUS USER PROFILE ACCESS: (AL,KY,LA,MS SC,MS, & TN) | | | | | | | | | | | | | | | | | | | |
| | USER TERMINAL PROFILE | | | | | | | | | | | | | | | | | | | |
| | User Terminal Profile (EWSD only) | | | UEPPB UEPPR U1UMA | | 0.00 | 0.00 | 0.00 | | | | | | | | | | | | |
| | VERTICAL FEATURES | | | | | | | | | | | | | | | | | | | |
| | All Vertical Features - One per Channel B User Profile | | | UEPPB UEPPR UEPVF | | 3.40 | 0.00 | 0.00 | | | | | | | | | | | | |
| | INTEROFFICE CHANNEL MILEAGE | | | | | | | | | | | | | | | | | | | |
| | Interoffice Channel mileage each, including first mile and facilities termination | | | UEPPB UEPPR M1GNC | | 18.0282 | 137.48 | 52.58 | | | | 19.99 | 19.99 | | | | | | | |
| | Interoffice Channel mileage each, additional mile | | | UEPPB UEPPR M1GNM | | 0.0282 | 0.00 | 0.00 | | | | | | | | | | | | |
| | 4-WIRE DS1 DIGITAL LOOP WITH 4-WIRE ISDN DS1 DIGITAL TRUNK PORT | | | | | | | | | | | | | | | | | | | |
| | UNE Port/Loop Combination Rates | | | | | | | | | | | | | | | | | | | |
| | 4W DS1 Digital Loop/4W ISDN DS1 Digital Trunk Port - UNE Zone 1 | | 1 | UEPPP | | 226.55 | | | | | | | | | | | | | | |
| | 4W DS1 Digital Loop/4W ISDN DS1 Digital Trunk Port - UNE Zone 2 | | 2 | UEPPP | | 263.28 | | | | | | | | | | | | | | |
| | 4W DS1 Digital Loop/4W ISDN DS1 Digital Trunk Port - UNE Zone 3 | | 3 | UEPPP | | 313.15 | | | | | | | | | | | | | | |
| | UNE Loop Rates | | | | | | | | | | | | | | | | | | | |
| | 4-Wire DS1 Digital Loop - UNE Zone 1 | | 1 | UEPPP USL4P | | 47.54 | | | | | | | | | | | | | | |
| | 4-Wire DS1 Digital Loop - UNE Zone 2 | | 2 | UEPPP USL4P | | 84.27 | | | | | | | | | | | | | | |
| | 4-Wire DS1 Digital Loop - UNE Zone 3 | | 3 | UEPPP USL4P | | 134.14 | | | | | | | | | | | | | | |
| | UNE Port Rate | | | | | | | | | | | | | | | | | | | |
| | Exchange Ports - 4-Wire ISDN DS1 Port | | | UEPPP UEPPP | | 179.01 | 1,150.00 | 1,150.00 | | | | 19.99 | 19.99 | | | | | | | |
| | NONRECURRING CHARGES - CURRENTLY COMBINED | | | | | | | | | | | | | | | | | | | |
| | 4-Wire DS1 Digital Loop / 4-Wire ISDN DS1 Digital Trunk Port Combination - Conversion -Switch-as-is | | | UEPPP USACP | | 0.00 | 481.51 | 481.51 | | | | | | | | | | | | |
| | ADDITIONAL NRCs | | | | | | | | | | | | | | | | | | | |
| | 4-Wire DS1 Loop / 4-Wire ISDN DS1 Digital Trunk Port - Subsequent Inward/2-Way Tel Nos - (NC Only) | | | UEPPP PR7TG | | | 1.17 | 1.17 | | | | | | | | | | | | |
| | 4-Wire DS1 Loop/4-Wire ISDN Digital Trunk Port - Subsequent Activity Outward tel nos. (NC only) | | | UEPPP PR7TP | | | 28.17 | 28.17 | | | | | | | | | | | | |
| | 4-Wire DS1 Loop / 4-Wire ISDN DS1 Digital Trk Port - Subsequent Inward Tel Nos Above Std Allowance | | | UEPPP PR7ZT | | | 56.33 | 56.33 | | | | | | | | | | | | |
| | LOCAL NUMBER PORTABILITY | | | | | | | | | | | | | | | | | | | |
| | Local Number Portability (1 per port) | | | UEPPP LNPCN | | 1.75 | | | | | | | | | | | | | | |
| | INTERFACE (Provsioning Only) | | | | | | | | | | | | | | | | | | | |
| | Voice/Data | | | UEPPP PR71V | | 0.00 | 0.00 | 0.00 | | | | | | | | | | | | |
| | Digital Data | | | UEPPP PR71D | | 0.00 | 0.00 | 0.00 | | | | | | | | | | | | |
| | Inward Data | | | UEPPP PR71E | | 0.00 | 0.00 | 0.00 | | | | | | | | | | | | |
| | New or Additional "B" Channel | | | | | | | | | | | | | | | | | | | |
| | New or Additional - Voice/Data B Channel | | | UEPPP PR7BV | | 0.00 | 36.92 | | | | | 19.99 | 19.99 | | | | | | | |
| | New or Additional - Digital Data B Channel | | | UEPPP PR7BF | | 0.00 | 36.92 | | | | | 19.99 | 19.99 | | | | | | | |
| | New or Additional Inward Data B Channel | | | UEPPP PR7BD | | 0.00 | 36.92 | | | | | 19.99 | 19.99 | | | | | | | |
| | CALL TYPES | | | | | | | | | | | | | | | | | | | |
| | Inward | | | UEPPP PR7C1 | | 0.00 | 0.00 | 0.00 | | | | | | | | | | | | |
| | Outward | | | UEPPP PR7C0 | | 0.00 | 0.00 | 0.00 | | | | | | | | | | | | |
| | Two-way | | | UEPPP PR7CC | | 0.00 | 0.00 | 0.00 | | | | | | | | | | | | |
| | Interoffice Channel Mileage | | | | | | | | | | | | | | | | | | | |
| | Fixed Each Including First Mile | | | UEPPP 1LN1A | | 71.8653 | 217.17 | 163.75 | 0.00 | | | 19.99 | 19.99 | | | | | | | |
| | Each Airline-Fractional Additional Mile | | | UEPPP 1LN1B | | 0.5753 | | | | | | | | | | | | | | |
| | 4-WIRE DS1 DIGITAL LOOP WITH 4-WIRE DDITS TRUNK PORT | | | | | | | | | | | | | | | | | | | |
| | UNE Port/Loop Combination Rates | | | | | | | | | | | | | | | | | | | |
| | 4W DS1 Digital Loop/4W DDITS Trunk Port - UNE Zone 1 | | 1 | UEPDC | | 171.06 | | | | | | | | | | | | | | |
| | 4W DS1 Digital Loop/4W DDITS Trunk Port - UNE Zone 2 | | 2 | UEPDC | | 207.79 | | | | | | | | | | | | | | |

| UNBUNDLED NETWORK ELEMENTS - North Carolina | | | | | | | Exhibit B of Attachment 2 of the Agreement | | | | | | | | | | | | | | | |
|---|--|---------|------|-------|-------|-----------|--|--------------------------------------|--|--|---|---|---------------|--------------|-------|-------------------------|-------|-------|-------|-------|-------|-------|
| CATEGORY | RATE ELEMENTS | Interim | Zone | BCS | USOC | RATES(\$) | Svc Order Submitted Elec per LSR | Svc Order Submitted Manually per LSR | Incremental Charge - Manual Svc Order vs. Electronic-1st | Incremental Charge - Manual Svc Order vs. Electronic-Add'l | Incremental Charge - Manual Svc Order vs. Electronic-Disc 1st | Incremental Charge - Manual Svc Order vs. Electronic-Disc Add'l | OSS Rates(\$) | | | | | | | | | |
| | | | | | | | | | | | | | Rec | Nonrecurring | | Nonrecurring Disconnect | | SOMEc | SOMAN | SOMAN | SOMAN | SOMAN |
| | | | | | | | | | | | | | First | Add'l | First | Add'l | | | | | | |
| | 4W DS1 Digital Loop/4W DDITS Trunk Port - UNE Zone 3 | | 3 | UEPDC | | 257.66 | | | | | | | | | | | | | | | | |
| | UNE Loop Rates | | | | | | | | | | | | | | | | | | | | | |
| | 4-Wire DS1 Digital Loop - UNE Zone 1 | | 1 | UEPDC | USLDC | 47.54 | | | | | | | | | | | | | | | | |
| | 4-Wire DS1 Digital Loop - UNE Zone 2 | | 2 | UEPDC | USLDC | 84.27 | | | | | | | | | | | | | | | | |
| | 4-Wire DS1 Digital Loop - UNE Zone 3 | | 3 | UEPDC | USLDC | 134.14 | | | | | | | | | | | | | | | | |
| | UNE Port Rate | | | | | | | | | | | | | | | | | | | | | |
| | 4-Wire DDITS Digital Trunk Port | | | UEPDC | UDD1T | 123.52 | | | 1,050.00 | 480.00 | | | | | | | 19.99 | 19.99 | | | | |
| | NONRECURRING CHARGES - CURRENTLY COMBINED | | | | | | | | | | | | | | | | | | | | | |
| | 4-Wire DS1 Digital Loop / 4-Wire DDITS Trunk Port Combination - Switch-as-is | | | UEPDC | USAC4 | | | | 490.38 | 490.38 | | | | | | | | | | | | |
| | 4-Wire DS1 Digital Loop / 4-Wire DDITS Trunk Port Combination - Conversion with DS1 Changes | | | UEPDC | USAWA | | | | 490.38 | 490.38 | | | | | | | | | | | | |
| | 4-Wire DS1 Digital Loop / 4-Wire DDITS Trunk Port Combination - Conversion with Change - Trunk | | | UEPDC | USAWB | | | | 490.38 | 490.38 | | | | | | | | | | | | |
| | ADDITIONAL NRCs | | | | | | | | | | | | | | | | | | | | | |
| | 4-Wire DS1 Loop / 4-Wire DDITS Trunk Port - Subsequent Service Activity Per Service Order | | | UEPDC | USAS4 | | | | 127.63 | 127.63 | | | | | | | | | | | | |
| | 4-Wire DS1 Loop / 4-Wire DDITS Trunk Port - NRC - Subsequent Channel Activation/Chan - 2-Way Trunk | | | UEPDC | UDTTA | | | | 28.81 | 28.81 | | | | | | | | | | | | |
| | 4-Wire DS1 Loop / 4-Wire DDITS Trunk Port - Subsequent Channel Activation/Chan - 1-Way Outward Trunk | | | UEPDC | UDTTB | | | | 28.81 | 28.81 | | | | | | | | | | | | |
| | 4-Wire DS1 Loop / 4-Wire DDITS Trunk Port - Subsqt Channel Activation/Chan Inward Trunk w/out DID | | | UEPDC | UDTTC | | | | 28.81 | 28.81 | | | | | | | 19.99 | 19.99 | | | | |
| | 4-Wire DS1 Loop / 4-Wire DDITS Trunk Port - Subsqt Chan Activation Per Chan - Inward Trunk with DID | | | UEPDC | UDTTD | | | | 28.81 | 28.81 | | | | | | | 19.99 | 19.99 | | | | |
| | 4-Wire DS1 Loop / 4-Wire DDITS Trunk Port - Subsqt Chan Activation / Chan - 2-Way DID w User Trans | | | UEPDC | UDTTE | | | | 28.81 | 28.81 | | | | | | | | | | | | |
| | BIPOLAR 8 ZERO SUBSTITUTION | | | | | | | | | | | | | | | | | | | | | |
| | B8ZS - Superframe Format | | | UEPDC | CCOSF | | | | 0.00 | 615.00 | | | | | | | | | | | | |
| | B8ZS - Extended Superframe Format | | | UEPDC | CCOEF | | | | 0.00 | 615.00 | | | | | | | | | | | | |
| | Alternate Mark Inversion | | | | | | | | | | | | | | | | | | | | | |
| | AMI - Superframe Format | | | UEPDC | MCOSF | | | | 0.00 | 0.00 | | | | | | | | | | | | |
| | AMI - Extended SuperFrame Format | | | UEPDC | MCOPO | | | | 0.00 | 0.00 | | | | | | | | | | | | |
| | Telephone Number/Trunk Group Establishment Charges | | | | | | | | | | | | | | | | | | | | | |
| | Telephone Number for 2-Way Trunk Group | | | UEPDC | UDTGX | 0.00 | | | | | | | | | | | | | | | | |
| | Telephone Number for 1-Way Outward Trunk Group | | | UEPDC | UDTGY | 0.00 | | | | | | | | | | | | | | | | |
| | Telephone Number for 1-Way Inward Trunk Group Without DID | | | UEPDC | UDTGZ | 0.00 | | | | | | | | | | | | | | | | |
| | DID Numbers, Establish Trunk Group and Provide First Group of 20 DID Numbers | | | UEPDC | NDZ | 0.00 | | | 0.00 | 0.00 | | | | | | | | | | | | |
| | DID Numbers for each Group of 20 DID Numbers | | | UEPDC | ND4 | 0.00 | | | | | | | | | | | | | | | | |
| | DID Numbers, Non- consecutive DID Numbers , Per Number | | | UEPDC | ND5 | 0.00 | | | | | | | | | | | | | | | | |
| | Reserve Non-Consecutive DID Nos. | | | UEPDC | ND6 | 0.00 | | | 0.00 | 0.00 | | | | | | | | | | | | |
| | Reserve DID Numbers | | | UEPDC | NDV | 0.00 | | | 0.00 | 0.00 | | | | | | | | | | | | |
| | Dedicated DS1 (Interoffice Channel Mileage) - FX/FCO for 4-Wire DS1 Digital Loop with 4-Wire DDITS Trunk Port | | | | | | | | | | | | | | | | | | | | | |
| | Interoffice Channel Mileage - Fixed rate 0-8 miles (Facilities Termination) | | | UEPDC | 1LNO1 | 71.29 | | | 217.17 | 163.75 | | | | | | | | | | | | |
| | Interoffice Channel Mileage - Additional rate per mile - 0-8 miles | | | UEPDC | 1LNOA | 0.5753 | | | 0.00 | 0.00 | | | | | | | | | | | | |
| | Interoffice Channel Mileage - Fixed rate 9-25 miles (Facilities Termination) | | | UEPDC | 1LNO2 | 0.00 | | | 0.00 | 0.00 | | | | | | | | | | | | |
| | Interoffice Channel Mileage - Additional rate per mile - 9-25 miles | | | UEPDC | 1LNOB | 0.5753 | | | 0.00 | 0.00 | | | | | | | | | | | | |
| | Interoffice Channel Mileage - Fixed rate 25+ miles (Facilities Termination) | | | UEPDC | 1LNO3 | 0.00 | | | 0.00 | 0.00 | | | | | | | | | | | | |
| | Interoffice Channel Mileage - Additional rate per mile - 25+ miles | | | UEPDC | 1LNOC | 0.5753 | | | 0.00 | 0.00 | | | | | | | | | | | | |
| | Local Number Portability, per DS0 Activated | | | UEPDC | LNPCP | 3.15 | | | 0.00 | 0.00 | | | | | | | | | | | | |
| | Central Office Terminating Point | | | UEPDC | CTG | 0.00 | | | | | | | | | | | | | | | | |
| | 4-WIRE DS1 LOOP WITH CHANNELIZATION WITH PORT | | | | | | | | | | | | | | | | | | | | | |

| UNBUNDLED NETWORK ELEMENTS - North Carolina | | | | | | | | | | Exhibit B of Attachment 2 of the Agreement | | | | | | | | | | | | |
|---|---|---------|------|-------|--------|-----------|----------------------------------|--------------------------------------|--|--|---|---|---------------|--------------|-------|-------------------------|--|-------|-------|-------|-------|-------|
| CATEGORY | RATE ELEMENTS | Interim | Zone | BCS | USOC | RATES(\$) | Svc Order Submitted Elec per LSR | Svc Order Submitted Manually per LSR | Incremental Charge - Manual Svc Order vs. Electronic-1st | Incremental Charge - Manual Svc Order vs. Electronic-Add'l | Incremental Charge - Manual Svc Order vs. Electronic-Disc 1st | Incremental Charge - Manual Svc Order vs. Electronic-Disc Add'l | OSS Rates(\$) | | | | | | | | | |
| | | | | | | | | | | | | | Rec | Nonrecurring | | Nonrecurring Disconnect | | SOMEc | SOMAN | SOMAN | SOMAN | SOMAN |
| System is 1 DS1 Loop, 1 D4 Channel Bank, and up to 24 Feature Activations | | | | | | | | | | | | | First | Add'l | First | Add'l | | | | | | |
| Each System can have up to 24 combinations of rates depending on type and number of ports used | | | | | | | | | | | | | | | | | | | | | | |
| UNE DS1 Loop | | | | | | | | | | | | | | | | | | | | | | |
| | 4-Wire DS1 Loop - UNE Zone 1 | | 1 | UEPMG | USLDC | 47.54 | 0.00 | 0.00 | | | | | | | | | | | | | | |
| | 4-Wire DS1 Loop - UNE Zone 2 | | 2 | UEPMG | USLDC | 84.27 | 0.00 | 0.00 | | | | | | | | | | | | | | |
| | 4-Wire DS1 Loop - UNE Zone 3 | | 3 | UEPMG | USLDC | 134.14 | 0.00 | 0.00 | | | | | | | | | | | | | | |
| UNE DSO Channelization Capacities (D4 Channel Bank Configurations) | | | | | | | | | | | | | | | | | | | | | | |
| | 24 DSO Channel Capacity - 1 per DS1 | | | UEPMG | VUM24 | 123.06 | 0.00 | 0.00 | | | | | 19.99 | 19.99 | | | | | | | | |
| | 48 DSO Channel Capacity - 1 per 2 DS1s | | | UEPMG | VUM48 | 246.12 | 0.00 | 0.00 | | | | | 19.99 | 19.99 | | | | | | | | |
| | 96 DSO Channel Capacity -1per 4 DS1s | | | UEPMG | VUM96 | 492.24 | 0.00 | 0.00 | | | | | 19.99 | 19.99 | | | | | | | | |
| | 144 DSO Channel Capacity - 1 per 6 DS1s | | | UEPMG | VUM144 | 738.36 | 0.00 | 0.00 | | | | | 19.99 | 19.99 | | | | | | | | |
| | 192 DSO Channel Capacity -1 per 8 DS1s | | | UEPMG | VUM192 | 984.48 | 0.00 | 0.00 | | | | | 19.99 | 19.99 | | | | | | | | |
| | 240 DSO Channel Capacity - 1 per 10 DS1s | | | UEPMG | VUM240 | 1,230.60 | 0.00 | 0.00 | | | | | 19.99 | 19.99 | | | | | | | | |
| | 288 DSO Channel Capacity - 1 per 12 DS1s | | | UEPMG | VUM288 | 1,476.72 | 0.00 | 0.00 | | | | | 19.99 | 19.99 | | | | | | | | |
| | 384 DSO Channel Capacity - 1 per 16 DS1s | | | UEPMG | VUM384 | 1,968.96 | 0.00 | 0.00 | | | | | 19.99 | 19.99 | | | | | | | | |
| | 480 DSO Channel Capacity - 1 per 20 DS1s | | | UEPMG | VUM480 | 2,461.20 | 0.00 | 0.00 | | | | | 19.99 | 19.99 | | | | | | | | |
| | 576 DSO Channel Capacity -1 per 24 DS1s | | | UEPMG | VUM576 | 2,953.44 | 0.00 | 0.00 | | | | | 19.99 | 19.99 | | | | | | | | |
| | 672 DSO Channel Capacity - 1 per 28 DS1s | | | UEPMG | VUM672 | 3,445.68 | 0.00 | 0.00 | | | | | 19.99 | 19.99 | | | | | | | | |
| Non-Recurring Charges (NRC) Associated with 4-Wire DS1 Loop with Channelization with Port - Conversion Charge Based on a System | | | | | | | | | | | | | | | | | | | | | | |
| A Minimum System configuration is One (1) DS1, One (1) D4 Channel Bank, and Up To 24 DSO Ports with Feature Activations. | | | | | | | | | | | | | | | | | | | | | | |
| Multiples of this configuration functioning as one are considered Add'l after the minimum system configuration is counted. | | | | | | | | | | | | | | | | | | | | | | |
| | NRC - Conversion (Currently Combined) with or without BellSouth Allowed Changes | | | UEPMG | USAC4 | 0.00 | 330.61 | 16.64 | | | | | 19.99 | 19.99 | | | | | | | | |
| System Additions at End User Locations Where 4-Wire DS1 Loop with Channelization with Port Combination Currently Exists and New (Not Currently Combined) in all states, except in Density Zone 1 of Top 8 MSA's | | | | | | | | | | | | | | | | | | | | | | |
| | 1 DS1/D4 Channel Bank - Additionally Add NRC for each Port and Assoc Fea Activation | | | UEPMG | VUMD4 | 0.00 | 743.74 | 326.22 | 149.02 | 17.68 | | | 19.99 | 19.99 | | | | | | | | |
| Bipolar 8 Zero Substitution | | | | | | | | | | | | | | | | | | | | | | |
| | Clear Channel Capability Format, superframe - Subsequent Activity Only | | | UEPMG | CCOSF | 0.00 | 0.00 | 615.00 | | | | | | | | | | | | | | |
| | Clear Channel Capability Format - Extended Superframe - Subsequent Activity Only | | | UEPMG | CCOEF | 0.00 | 0.00 | 615.00 | | | | | | | | | | | | | | |
| Alternate Mark Inversion (AMI) | | | | | | | | | | | | | | | | | | | | | | |
| | Superframe Format | | | UEPMG | MCOSF | 0.00 | 0.00 | 0.00 | | | | | | | | | | | | | | |
| | Extended Superframe Format | | | UEPMG | MCOPO | 0.00 | 0.00 | 0.00 | | | | | | | | | | | | | | |
| Exchange Ports Associated with 4-Wire DS1 Loop with Channelization with Port Exchange Ports | | | | | | | | | | | | | | | | | | | | | | |
| | Line Side Combination Channelized PBX Trunk Port - Business | | | UEPPX | UEPCX | 2.28 | 0.00 | 0.00 | 0.00 | 0.00 | | | 40.18 | 9.45 | | | | | | | | |
| | Line Side Outward Channelized PBX Trunk Port - Business | | | UEPPX | UEPOX | 2.28 | 0.00 | 0.00 | 0.00 | 0.00 | | | 40.18 | 9.45 | | | | | | | | |
| | Line Side Inward Only Channelized PBX Trunk Port without DID | | | UEPPX | UEP1X | 2.28 | 0.00 | 0.00 | 0.00 | 0.00 | | | 40.18 | 9.45 | | | | | | | | |
| | 2-Wire Trunk Side Unbundled Channelized DID Trunk Port | | | UEPPX | UEPDM | 13.26 | 0.00 | 0.00 | 0.00 | 0.00 | | | 40.18 | 9.45 | | | | | | | | |
| Feature Activations - Unbundled Loop Concentration | | | | | | | | | | | | | | | | | | | | | | |
| | Feature (Service) Activation for each Line Side Port Terminated in D4 Bank | | | UEPPX | 1PQWM | 0.65 | 25.27 | 13.34 | 4.15 | 4.12 | | | 40.18 | 9.45 | | | | | | | | |
| | Feature (Service) Activation for each Trunk Side Port Terminated in D4 Bank | | | UEPPX | 1PQWU | 0.65 | 77.75 | 18.33 | 58.74 | 11.48 | | | 40.18 | 9.45 | | | | | | | | |
| Telephone Number/ Group Establishment Charges for DID Service | | | | | | | | | | | | | | | | | | | | | | |
| | DID Trunk Termination (1 per Port) | | | UEPPX | NDT | 0.00 | 0.00 | 0.00 | | | | | | | | | | | | | | |
| | Estab Trk Grp and Provide 1st 20 DID Nos. (FL, GA, NC, & SC) | | | UEPPX | NDZ | 0.00 | 0.00 | 0.00 | | | | | | | | | | | | | | |
| | DID Numbers - groups of 20 - Valid All States | | | UEPPX | ND4 | 0.00 | 0.00 | 0.00 | | | | | | | | | | | | | | |
| | Non-Consecutive DID Numbers - per number | | | UEPPX | ND5 | 0.00 | 0.00 | 0.00 | | | | | | | | | | | | | | |
| | Reserve Non-Consecutive DID Numbers | | | UEPPX | ND6 | 0.00 | 0.00 | 0.00 | | | | | | | | | | | | | | |
| | Reserve DID Numbers | | | UEPPX | NDV | 0.00 | 0.00 | 0.00 | | | | | | | | | | | | | | |
| Local Number Portability | | | | | | | | | | | | | | | | | | | | | | |
| | Local Number Portability - 1 per port | | | UEPPX | LNPCP | 3.15 | 0.00 | 0.00 | | | | | | | | | | | | | | |
| FEATURES - Vertical and Optional | | | | | | | | | | | | | | | | | | | | | | |
| Local Switching Features Offered with Line Side Ports Only | | | | | | | | | | | | | | | | | | | | | | |

| UNBUNDLED NETWORK ELEMENTS - North Carolina | | | | | | | | | | Exhibit B of Attachment 2 of the Agreement | | | | |
|---|--|---------|------|-------|-------|-----------|--------------|-------|----------------------------------|--|--|--|---|---|
| CATEGORY | RATE ELEMENTS | Interim | Zone | BCS | USOC | RATES(\$) | | | Svc Order Submitted Elec per LSR | Svc Order Submitted Manually per LSR | Incremental Charge - Manual Svc Order vs. Electronic-1st | Incremental Charge - Manual Svc Order vs. Electronic-Add'l | Incremental Charge - Manual Svc Order vs. Electronic-Disc 1st | Incremental Charge - Manual Svc Order vs. Electronic-Disc Add'l |
| | | | | | | Rec | Nonrecurring | | | | | | | |
| | | | | | | First | Add'l | First | Add'l | SOME C | SOMAN | SOMAN | SOMAN | SOMAN |
| | All Features Available | | | UEPPX | UEPVF | 3.40 | 0.00 | 0.00 | | | | 40.18 | 9.45 | |
| UNBUNDLED PORT LOOP COMBINATIONS - MARKET RATES | | | | | | | | | | | | | | |
| Market Rates shall apply where BellSouth is not required to provide unbundled local switching or switch ports per FCC and/or State Commission rules. | | | | | | | | | | | | | | |
| These scenarios include: | | | | | | | | | | | | | | |
| BellSouth currently is developing the billing capability to mechanically bill the recurring and non-recurring Market Rates in this section except for nonrecurring charges for not currently combined in FL and NC. In the interim where BellSouth cannot bill Market Rates, BellSouth shall bill the rates in the Cost-Based section preceding in lieu of the Market Rates and reserves the right to true-up the billing difference. | | | | | | | | | | | | | | |
| 2. Unbundled port/loop combinations that are Currently Combined or Not Currently Combined in Zone 1 of the Top 8 MSAs in BellSouth's region for end users with 4 or more DS0 equivalent lines. | | | | | | | | | | | | | | |
| The Top 8 MSAs in BellSouth's region are: FL (Orlando, Ft. Lauderdale, Miami); GA (Atlanta); LA (New Orleans); NC (Greensboro-Winston Salem-Highpoint/Charlotte-Gastonia-Rock Hill); TN (Nashville). | | | | | | | | | | | | | | |
| BellSouth currently is developing the billing capability to mechanically bill the recurring and non-recurring Market Rates in this section except for nonrecurring charges for not currently combined in FL and NC. In the interim where BellSouth cannot bill Market Rates, BellSouth shall bill the rates in the Cost-Based section preceding in lieu of the Market Rates and reserves the right to true-up the billing difference. | | | | | | | | | | | | | | |
| The Market Rate for unbundled ports includes all available features in all states. | | | | | | | | | | | | | | |
| End Office and Tandem Switching Usage and Common Transport Usage rates in the Port section of this rate exhibit shall apply to all combinations of loop/port network elements except for UNE Coin Port/Loop Combinations which have a flat rate usage charge (U | | | | | | | | | | | | | | |
| For Not Currently Combined scenarios where Market Rates apply, the Nonrecurring charges are listed in the First and Additional NRC columns for each Port USOC. For Currently Combined scenarios, the Nonrecurring charges are listed in the NRC - Currently Combined section. Additional NRCs may apply also and are categorized accordingly. | | | | | | | | | | | | | | |
| 2-WIRE VOICE GRADE LOOP WITH 2-WIRE LINE PORT (RES) | | | | | | | | | | | | | | |
| UNE Port/Loop Combination Rates | | | | | | | | | | | | | | |
| | 2-Wire VG Loop/Port Combo - Zone 1 | | 1 | | | 24.75 | | | | | | | | |
| | 2-Wire VG Loop/Port Combo - Zone 2 | | 2 | | | 33.05 | | | | | | | | |
| | 2-Wire VG Loop/Port Combo - Zone 3 | | 3 | | | 44.33 | | | | | | | | |
| UNE Loop Rates | | | | | | | | | | | | | | |
| | 2-Wire Voice Grade Loop (SL1) - Zone 1 | | 1 | UEPRX | UEPLX | 10.75 | | | | | | | | |
| | 2-Wire Voice Grade Loop (SL1) - Zone 2 | | 2 | UEPRX | UEPLX | 19.05 | | | | | | | | |
| | 2-Wire Voice Grade Loop (SL1) - Zone 3 | | 3 | UEPRX | UEPLX | 30.33 | | | | | | | | |
| 2-Wire Voice Grade Line Port (Res) | | | | | | | | | | | | | | |
| | 2-Wire voice unbundled port - residence | | | UEPRX | UEPRL | 14.00 | 90.00 | 90.00 | | | 40.18 | 9.45 | | |
| | 2-Wire voice unbundled port with Caller ID - res | | | UEPRX | UEPRC | 14.00 | 90.00 | 90.00 | | | 40.18 | 9.45 | | |
| | 2-Wire voice unbundled port outgoing only - res | | | UEPRX | UEPRO | 14.00 | 90.00 | 90.00 | | | 40.18 | 9.45 | | |
| | 2-Wire voice unbundles res, low usage line port with Caller ID (LUM) | | | UEPRX | UEPAP | 14.00 | 90.00 | 90.00 | | | 40.18 | 9.45 | | |
| LOCAL NUMBER PORTABILITY | | | | | | | | | | | | | | |
| | Local Number Portability (1 per port) | | | UEPRX | LNPCX | 0.35 | | | | | | | | |
| FEATURES | | | | | | | | | | | | | | |
| | All Features Offered | | | UEPRX | UEPVF | 0.00 | 0.00 | 0.00 | | | 40.18 | 9.45 | | |
| | 2-Wire Voice Grade Loop / Line Port Combination - Switch-as-is | | | UEPRX | USAC2 | | 41.50 | 41.50 | | | 40.18 | 9.45 | | |
| | 2-Wire Voice Grade Loop / Line Port Combination - Switch with change | | | UEPRX | USACC | | 41.50 | 41.50 | | | 40.18 | 9.45 | | |
| ADDITIONAL NRCs | | | | | | | | | | | | | | |
| | NRC - 2-Wire Voice Grade Loop/Line Port Combination - Subsequent | | | UEPRX | USAS2 | | 0.00 | 0.00 | | | 40.18 | 9.45 | | |
| 2-WIRE VOICE GRADE LOOP WITH 2-WIRE LINE PORT (BUS) | | | | | | | | | | | | | | |
| UNE Port/Loop Combination Rates | | | | | | | | | | | | | | |
| | 2-Wire VG Loop/Port Combo - Zone 1 | | 1 | | | 24.75 | | | | | | | | |
| | 2-Wire VG Loop/Port Combo - Zone 2 | | 2 | | | 33.05 | | | | | | | | |
| | 2-Wire VG Loop/Port Combo - Zone 3 | | 3 | | | 44.33 | | | | | | | | |
| UNE Loop Rates | | | | | | | | | | | | | | |
| | 2-Wire Voice Grade Loop (SL1) - Zone 1 | | 1 | UEPBX | UEPLX | 10.75 | | | | | | | | |
| | 2-Wire Voice Grade Loop (SL1) - Zone 2 | | 2 | UEPBX | UEPLX | 19.05 | | | | | | | | |
| | 2-Wire Voice Grade Loop (SL1) - Zone 3 | | 3 | UEPBX | UEPLX | 30.33 | | | | | | | | |
| 2-Wire Voice Grade Line Port (Bus) | | | | | | | | | | | | | | |
| | 2-Wire voice unbundled port without Caller ID - bus | | | UEPBX | UEPBL | 14.00 | 90.00 | 90.00 | | | 40.18 | 9.45 | | |
| | 2-Wire voice unbundled port with Caller + E484 ID - bus | | | UEPBX | UEPBC | 14.00 | 90.00 | 90.00 | | | 40.18 | 9.45 | | |
| | 2-Wire voice unbundled port outgoing only - bus | | | UEPBX | UEPBO | 14.00 | 90.00 | 90.00 | | | 40.18 | 9.45 | | |
| LOCAL NUMBER PORTABILITY | | | | | | | | | | | | | | |
| | Local Number Portability (1 per port) | | | UEPBX | LNPCX | 0.35 | | | | | | | | |
| FEATURES | | | | | | | | | | | | | | |
| | All Features Offered | | | UEPBX | UEPVF | 0.00 | 0.00 | 0.00 | | | 40.18 | 9.45 | | |
| NONRECURRING CHARGES - CURRENTLY COMBINED | | | | | | | | | | | | | | |

| UNBUNDLED NETWORK ELEMENTS - North Carolina | | | | | | | Exhibit B of Attachment 2 of the Agreement | | | | | | | | |
|---|--|---------|------|-------|-------|-----------|--|--------------------------------------|--|--|---|---|-------|--------------|-------|
| CATEGORY | RATE ELEMENTS | Interim | Zone | BCS | USOC | RATES(\$) | Svc Order Submitted Elec per LSR | Svc Order Submitted Manually per LSR | Incremental Charge - Manual Svc Order vs. Electronic-1st | Incremental Charge - Manual Svc Order vs. Electronic-Add'l | Incremental Charge - Manual Svc Order vs. Electronic-Disc 1st | Incremental Charge - Manual Svc Order vs. Electronic-Disc Add'l | | | |
| | | | | | | | | | | | | | Rec | Nonrecurring | |
| | | | | | | | | | | | | | | | |
| | | | | | | | | | | SOME C | SOMAN | SOMAN | SOMAN | SOMAN | SOMAN |
| | 2-Wire Voice Grade Loop / Line Port Combination - Switch-as-is | | | UEPBX | USAC2 | | | | | | | 40.18 | 9.45 | | |
| | 2-Wire Voice Grade Loop / Line Port Combination - Switch with change | | | UEPBX | USACC | | | | | | | 40.18 | 9.45 | | |
| | ADDITIONAL NRCs | | | | | | | | | | | | | | |
| | NRC - 2-Wire Voice Grade Loop/Line Port Combination - Subsequent | | | UEPBX | USAS2 | | | | | | | 40.18 | 9.45 | | |
| | 2-WIRE VOICE GRADE LOOP WITH 2-WIRE LINE PORT (RES - PBX) | | | | | | | | | | | | | | |
| | UNE Port/Loop Combination Rates | | | | | | | | | | | | | | |
| | 2-Wire VG Loop/Port Combo - Zone 1 | | 1 | | | 24.75 | | | | | | | | | |
| | 2-Wire VG Loop/Port Combo - Zone 2 | | 2 | | | 33.05 | | | | | | | | | |
| | 2-Wire VG Loop/Port Combo - Zone 3 | | 3 | | | 44.33 | | | | | | | | | |
| | UNE Loop Rates | | | | | | | | | | | | | | |
| | 2-Wire Voice Grade Loop (SL1) - Zone 1 | | 1 | UEPRG | UEPLX | 10.75 | | | | | | | | | |
| | 2-Wire Voice Grade Loop (SL1) - Zone 2 | | 2 | UEPRG | UEPLX | 19.05 | | | | | | | | | |
| | 2-Wire Voice Grade Loop (SL1) - Zone 3 | | 3 | UEPRG | UEPLX | 30.33 | | | | | | | | | |
| | 2-Wire Voice Grade Line Port Rates (RES - PBX) | | | | | | | | | | | | | | |
| | 2-Wire VG Unbundled Combination 2-Way PBX Trunk Port - Res | | | UEPRG | UEPRD | 14.00 | | | | | | 40.18 | 9.45 | | |
| | LOCAL NUMBER PORTABILITY | | | | | | | | | | | | | | |
| | Local Number Portability (1 per port) | | | UEPRG | LNPCP | 3.15 | | | | | | | | | |
| | FEATURES | | | | | | | | | | | | | | |
| | All Features Offered | | | UEPRG | UEPVF | 0.00 | | | | | | 40.18 | 9.45 | | |
| | NONRECURRING CHARGES - CURRENTLY COMBINED | | | | | | | | | | | | | | |
| | 2-Wire Voice Grade Loop/ Line Port Combination - Switch-As-Is | | | UEPRG | USAC2 | | | | | | | 40.18 | 9.45 | | |
| | 2-Wire Voice Grade Loop/ Line Port Combination - Switch with Change | | | UEPRG | USACC | | | | | | | 40.18 | 9.45 | | |
| | ADDITIONAL NRCs | | | | | | | | | | | | | | |
| | 2 Wire Loop/Line Side Port Combination - Non feature - Subsequent Activity- Nonrecurring | | | | | | | | | | | 40.18 | 9.45 | | |
| | PBX Subsequent Activity - Change/Rearrange Multiline Hunt Group | | | | | | | | | | | 40.18 | 9.45 | | |
| | 2-WIRE VOICE GRADE LOOP WITH 2-WIRE LINE PORT (BUS - PBX) | | | | | | | | | | | | | | |
| | UNE Port/Loop Combination Rates | | | | | | | | | | | | | | |
| | 2-Wire VG Loop/Port Combo - Zone 1 | | 1 | | | 24.75 | | | | | | | | | |
| | 2-Wire VG Loop/Port Combo - Zone 2 | | 2 | | | 33.05 | | | | | | | | | |
| | 2-Wire VG Loop/Port Combo - Zone 3 | | 3 | | | 44.33 | | | | | | | | | |
| | UNE Loop Rates | | | | | | | | | | | | | | |
| | 2-Wire Voice Grade Loop (SL1) - Zone 1 | | 1 | UEPPX | UEPLX | 10.75 | | | | | | | | | |
| | 2-Wire Voice Grade Loop (SL1) - Zone 2 | | 2 | UEPPX | UEPLX | 19.05 | | | | | | | | | |
| | 2-Wire Voice Grade Loop (SL1) - Zone 3 | | 3 | UEPPX | UEPLX | 30.33 | | | | | | | | | |
| | 2-Wire Voice Grade Line Port Rates (BUS - PBX) | | | | | | | | | | | | | | |
| | Line Side Unbundled Combination 2-Way PBX Trunk Port - Bus | | | UEPPX | UEPPC | 14.00 | | | | | | 40.18 | 9.45 | | |
| | Line Side Unbundled Outward PBX Trunk Port - Bus | | | UEPPX | UEPPO | 14.00 | | | | | | 40.18 | 9.45 | | |
| | Line Side Unbundled Incoming PBX Trunk Port - Bus | | | UEPPX | UEPP1 | 14.00 | | | | | | 40.18 | 9.45 | | |
| | 2-Wire Voice Unbundled PBX LD Terminal Ports | | | UEPPX | UEPLD | 14.00 | | | | | | 40.18 | 9.45 | | |
| | 2-Wire Voice Unbundled 2-Way Combination PBX Usage Port | | | UEPPX | UEPXA | 14.00 | | | | | | 40.18 | 9.45 | | |
| | 2-Wire Voice Unbundled PBX Toll Terminal Hotel Ports | | | UEPPX | UEPXB | 14.00 | | | | | | 40.18 | 9.45 | | |
| | 2-Wire Voice Unbundled PBX LD DDD Terminals Port | | | UEPPX | UEPXC | 14.00 | | | | | | 40.18 | 9.45 | | |
| | 2-Wire Voice Unbundled PBX LD Terminal Switchboard Port | | | UEPPX | UEPXD | 14.00 | | | | | | 40.18 | 9.45 | | |
| | 2-Wire Voice Unbundled PBX LD Terminal Switchboard IDD Capable Port | | | UEPPX | UEPXE | 14.00 | | | | | | 40.18 | 9.45 | | |
| | 2-Wire Voice Unbundled 2-Way PBX Hotel/Hospital Economy Administrative Calling Port | | | UEPPX | UEPXL | 14.00 | | | | | | 40.18 | 9.45 | | |
| | 2-Wire Voice Unbundled 2-Way PBX Hotel/Hospital Economy Room Calling Port | | | UEPPX | UEPXM | 14.00 | | | | | | 40.18 | 9.45 | | |

| UNBUNDLED NETWORK ELEMENTS - North Carolina | | | | | | | Exhibit B of Attachment 2 of the Agreement | | | | | | | | | | |
|---|--|---------|------|-------|-------|-----------|--|--------------------------------------|--|--|---|---|-------|--------------|-------|-------------------------|--|
| CATEGORY | RATE ELEMENTS | Interim | Zone | BCS | USOC | RATES(\$) | Svc Order Submitted Elec per LSR | Svc Order Submitted Manually per LSR | Incremental Charge - Manual Svc Order vs. Electronic-1st | Incremental Charge - Manual Svc Order vs. Electronic-Add'l | Incremental Charge - Manual Svc Order vs. Electronic-Disc 1st | Incremental Charge - Manual Svc Order vs. Electronic-Disc Add'l | | | | | |
| | | | | | | | | | | | | | Rec | Nonrecurring | | Nonrecurring Disconnect | |
| | | | | | | | | | | | SOMEc | SOMAN | SOMAN | SOMAN | SOMAN | SOMAN | |
| | | | | | | | | First | Add'l | First | Add'l | | | | | | |
| | 2-Wire Voice Unbundled 1-Way Outgoing PBX Hotel/Hospital Discount Room Calling Port | | | UEPPX | UEPXO | 14.00 | | 90.00 | 90.00 | | | | 40.18 | 9.45 | | | |
| | 2-Wire Voice Unbundled 1-Way Outgoing PBX Measured Port | | | UEPPX | UEPXS | 14.00 | | 90.00 | 90.00 | | | | 40.18 | 9.45 | | | |
| LOCAL NUMBER PORTABILITY | | | | | | | | | | | | | | | | | |
| | Local Number Portability (1 per port) | | | UEPPX | LNPCP | 3.15 | | 0.00 | 0.00 | | | | | | | | |
| FEATURES | | | | | | | | | | | | | | | | | |
| | All Features Offered | | | UEPPX | UEPVF | 0.00 | | 0.00 | 0.00 | | | | 40.18 | 9.45 | | | |
| NONRECURRING CHARGES - CURRENTLY COMBINED | | | | | | | | | | | | | | | | | |
| | 2-Wire Voice Grade Loop/ Line Port Combination - Switch-As-Is | | | UEPPX | USAC2 | | | 41.50 | 41.50 | | | | 40.18 | 9.45 | | | |
| | 2-Wire Voice Grade Loop/ Line Port Combination - Switch with Change | | | UEPPX | USACC | | | 41.50 | 41.50 | | | | 40.18 | 9.45 | | | |
| ADDITIONAL NRCs | | | | | | | | | | | | | | | | | |
| | 2-Wire Voice Grade Loop/ Line Port Combination - Subsequent | | | UEPPX | USAS2 | | | | 0.00 | | | | 40.18 | 9.45 | | | |
| | 2-Wire Loop/Line Side Port Combination - Non feature - Subsequent Activity- Nonrecurring | | | | | | | | 0.00 | | | | 40.18 | 9.45 | | | |
| | PBX Subsequent Activity - Change/Rearrange Multiline Hunt Group | | | | | | | | 14.64 | | | | 40.18 | 9.45 | | | |
| 2-WIRE VOICE GRADE LOOP WITH 2-WIRE ANALOG LINE COIN PORT | | | | | | | | | | | | | | | | | |
| UNE Port/Loop Combination Rates | | | | | | | | | | | | | | | | | |
| | 2-Wire VG Coin Port/Loop Combo – Zone 1 | | 1 | | | | | | 24.75 | | | | | | | | |
| | 2-Wire VG Coin Port/Loop Combo – Zone 2 | | 2 | | | | | | 33.05 | | | | | | | | |
| | 2-Wire VG Coin Port/Loop Combo – Zone 3 | | 3 | | | | | | 44.33 | | | | | | | | |
| UNE Loop Rates | | | | | | | | | | | | | | | | | |
| | 2-Wire Voice Grade Loop (SL1) - Zone 1 | | 1 | UEPCO | UEPLX | | | | 10.75 | | | | | | | | |
| | 2-Wire Voice Grade Loop (SL1) - Zone 2 | | 2 | UEPCO | UEPLX | | | | 19.05 | | | | | | | | |
| | 2-Wire Voice Grade Loop (SL1) - Zone 3 | | 3 | UEPCO | UEPLX | | | | 30.33 | | | | | | | | |
| 2-Wire Voice Grade Line Port Rates (Coin) | | | | | | | | | | | | | | | | | |
| | 2-Wire Coin 2-Way without Operator Screening and without Blocking (NC) | | | UEPCO | UEPND | 14.00 | | 90.00 | 90.00 | | | | 40.18 | 9.45 | | | |
| | 2-Wire Coin 2-Way with Operator Screening (NC) | | | UEPCO | UEPNC | 14.00 | | 90.00 | 90.00 | | | | 40.18 | 9.45 | | | |
| | 2-Wire Coin 2-Way with Operator Screening and Blocking: 011, 900/976, 1+DDD (NC, TN) | | | UEPCO | UEPRP | 14.00 | | 90.00 | 90.00 | | | | 40.18 | 9.45 | | | |
| | 2-Wire Coin 2-Way with Operator Screening and 011 Blocking (NC) | | | UEPCO | UEPNB | 14.00 | | 90.00 | 90.00 | | | | 40.18 | 9.45 | | | |
| | 2-Wire Coin 2-Way with Operator Screening and Blocking: 900/976, 1+DDD, 011+, and Local (NC, TN) | | | UEPCO | UEPCA | 14.00 | | 90.00 | 90.00 | | | | 40.18 | 9.45 | | | |
| | 2-Wire Coin Outward with Operator Screening and 011 Blocking (NC) | | | UEPCO | UEPNE | 14.00 | | 90.00 | 90.00 | | | | 40.18 | 9.45 | | | |
| | 2-Wire Coin Outward with Operator Screening and Blocking: 900/976, 1+DDD, 011+, and Local (NC) | | | UEPCO | UEPCL | 14.00 | | 90.00 | 90.00 | | | | 40.18 | 9.45 | | | |
| LOCAL NUMBER PORTABILITY | | | | | | | | | | | | | | | | | |
| | Local Number Portability (1 per port) | | | UEPCO | LNPCX | 0.35 | | | | | | | | | | | |
| NONRECURRING CHARGES - CURRENTLY COMBINED | | | | | | | | | | | | | | | | | |
| | 2-Wire Voice Grade Loop/ Line Port Combination - Switch-As-Is | | | UEPCO | USAC2 | | | 41.50 | 41.50 | | | | 40.18 | 9.45 | | | |
| | 2-Wire Voice Grade Loop/ Line Port Combination - Switch with Change | | | UEPCO | USACC | | | 41.50 | 41.50 | | | | 40.18 | 9.45 | | | |
| ADDITIONAL NRCs | | | | | | | | | | | | | | | | | |
| | 2-Wire Voice Grade Loop/ Line Port Combination - Subsequent | | | UEPCO | USAS2 | | | | 0.00 | | | | 40.18 | 9.45 | | | |
| UNBUNDLED PORT/LOOP COMBINATIONS - MARKET BASED RATES | | | | | | | | | | | | | | | | | |
| 2-WIRE VOICE GRADE LOOP- BUS ONLY - WITH 2-WIRE DID TRUNK PORT | | | | | | | | | | | | | | | | | |
| UNE Port/Loop Combination Rates | | | | | | | | | | | | | | | | | |
| | 2-Wire VG Loop/2-Wire DID Trunk Port Combo - UNE Zone 1 | | 1 | | | | | | 60.85 | | | | | | | | |
| | 2-Wire VG Loop/2-Wire DID Trunk Port Combo - UNE Zone 2 | | 2 | | | | | | 67.68 | | | | | | | | |
| | 2-Wire VG Loop/2-Wire DID Trunk Port Combo - UNE Zone 3 | | 3 | | | | | | 77.96 | | | | | | | | |
| UNE Loop Rates | | | | | | | | | | | | | | | | | |

| UNBUNDLED NETWORK ELEMENTS - North Carolina | | | | | | | Exhibit B of Attachment 2 of the Agreement | | | | | |
|---|---|---------|------|-------|-------|-----------|--|--------------------------------------|--|--|---|---|
| CATEGORY | RATE ELEMENTS | Interim | Zone | BCS | USOC | RATES(\$) | Svc Order Submitted Elec per LSR | Svc Order Submitted Manually per LSR | Incremental Charge - Manual Svc Order vs. Electronic-1st | Incremental Charge - Manual Svc Order vs. Electronic-Add'l | Incremental Charge - Manual Svc Order vs. Electronic-Disc 1st | Incremental Charge - Manual Svc Order vs. Electronic-Disc Add'l |
| | | | | | | | | | | | | |
| | | | | | | | | | | | | |
| | | | | | | | | | | | | |
| | | | | | | | | | | | | |
| | 2-Wire Analog Voice Grade Loop - (SL2) - UNE Zone 1 | | 1 | UEPPX | UECD1 | 8.85 | | | | | | |
| | 2-Wire Analog Voice Grade Loop - (SL2) - UNE Zone 2 | | 2 | UEPPX | UECD1 | 15.68 | | | | | | |
| | 2-Wire Analog Voice Grade Loop - (SL2) - UNE Zone 3 | | 3 | UEPPX | UECD1 | 25.96 | | | | | | |
| | UNE Port Rate | | | | | | | | | | | |
| | Exchange Ports - 2-Wire DID Port | | | UEPPX | UEPD1 | 52.00 | 485.00 | 75.00 | | | 40.18 | 9.45 |
| | NONRECURRING CHARGES - CURRENTLY COMBINED | | | | | | | | | | | |
| | 2-Wire Voice Grade Loop / 2-Wire DID Trunk Port Combination - Switch-As-Is Top 8 MSAs only | | | UEPPX | USAC1 | | 200.00 | 75.00 | | | 53.89 | 11.34 |
| | 2-Wire Voice Grade Loop / 2-Wire DID Trunk Port Conversion with BellSouth Allowable Changes Top 8 MSAs only | | | UEPPX | USA1C | | 200.00 | 75.00 | | | 53.89 | 11.34 |
| | ADDITIONAL NRCs | | | | | | | | | | | |
| | 2-Wire DID Subsequent Activity - Add Trunks, Per Trunk | | | UEPPX | USAS1 | | 75.00 | | | | 40.18 | 9.45 |
| | Telephone Number/Trunk Group Establishment Charges | | | | | | | | | | | |
| | DID Trunk Termination (One Per Port) | | | UEPPX | NDT | 0.00 | 0.00 | 0.00 | | | | |
| | DID Numbers, Establish Trunk Group and Provide First Group of 20 DID Numbers | | | UEPPX | NDZ | 0.00 | 0.00 | 0.00 | | | | |
| | Additional DID Numbers for each Group of 20 DID Numbers | | | UEPPX | ND4 | 0.00 | 0.00 | 0.00 | | | | |
| | DID Numbers, Non- consecutive DID Numbers , Per Number | | | UEPPX | ND5 | 0.00 | 0.00 | 0.00 | | | | |
| | Reserve Non-Consecutive DID numbers | | | UEPPX | ND6 | 0.00 | 0.00 | 0.00 | | | | |
| | Reserve DID Numbers | | | UEPPX | NDV | 0.00 | 0.00 | 0.00 | | | | |
| | LOCAL NUMBER PORTABILITY | | | | | | | | | | | |
| | Local Number Portability (1 per port) | | | UEPPX | LNPCP | 3.15 | 0.00 | 0.00 | | | | |
| | 2-WIRE ISDN DIGITAL GRADE LOOP WITH 2-WIRE ISDN DIGITAL LINE SIDE PORT | | | | | | | | | | | |
| | UNE Port/Loop Combination Rates | | | | | | | | | | | |
| | 2W ISDN Digital Grade Loop/2W ISDN Digital Line Side Port - UNE Zone 1 | | 1 | UEPPB | UEPPR | 79.47 | | | | | | |
| | 2W ISDN Digital Grade Loop/2W ISDN Digital Line Side Port - UNE Zone 2 | | 2 | UEPPB | UEPPR | 90.64 | | | | | | |
| | 2W ISDN Digital Grade Loop/2W ISDN Digital Line Side Port - UNE Zone 3 | | 3 | UEPPB | UEPPR | 105.81 | | | | | | |
| | UNE Loop Rates | | | | | | | | | | | |
| | 2-Wire ISDN Digital Grade Loop - UNE Zone 1 | | 1 | UEPPB | UEPPR | USL2X | 14.47 | | | | | |
| | 2-Wire ISDN Digital Grade Loop - UNE Zone 2 | | 2 | UEPPB | UEPPR | USL2X | 25.64 | | | | | |
| | 2-Wire ISDN Digital Grade Loop - UNE Zone 3 | | 3 | UEPPB | UEPPR | USL2X | 40.81 | | | | | |
| | UNE Port Rate | | | | | | | | | | | |
| | Exchange Port - 2-Wire ISDN Line Side Port | | | UEPPB | UEPPR | UEPPB | 65.00 | 450.00 | 375.00 | | 19.99 | 19.99 |
| | NONRECURRING CHARGES - CURRENTLY COMBINED | | | | | | | | | | | |
| | 2-Wire ISDN Digital Grade Loop / 2-Wire ISDN Line Side Port Combination - Conversion - Top 8 MSAs only | | | UEPPB | UEPPR | USACB | 0.00 | 200.00 | 200.00 | | | |
| | ADDITIONAL NRCs | | | | | | | | | | | |
| | LOCAL NUMBER PORTABILITY | | | | | | | | | | | |
| | Local Number Portability (1 per port) | | | UEPPB | UEPPR | LNPCX | 0.35 | 0.00 | 0.00 | | | |
| | B-CHANNEL USER PROFILE ACCESS: | | | | | | | | | | | |
| | CVS/CSD (DMS/5ESS) | | | UEPPB | UEPPR | U1UCA | 0.00 | 0.00 | 0.00 | | | |
| | CVS (EWSD) | | | UEPPB | UEPPR | U1UCB | 0.00 | 0.00 | 0.00 | | | |
| | CSD | | | UEPPB | UEPPR | U1UCC | 0.00 | 0.00 | 0.00 | | | |
| | B-CHANNEL AREA PLUS USER PROFILE ACCESS: (AL, KY, LA, MS, SC, MS, & TN) | | | | | | | | | | | |
| | USER TERMINAL PROFILE | | | | | | | | | | | |
| | User Terminal Profile (EWSD only) | | | UEPPB | UEPPR | U1UMA | 0.00 | 0.00 | 0.00 | | | |
| | VERTICAL FEATURES | | | | | | | | | | | |
| | All Vertical Features - One per Channel B User Profile | | | UEPPB | UEPPR | UEPVF | 3.40 | 0.00 | 0.00 | | 19.99 | 19.99 |
| | INTEROFFICE CHANNEL MILEAGE | | | | | | | | | | | |
| | Interoffice Channel mileage each, including first mile and facilities termination | | | UEPPB | UEPPR | M1GNC | 18.0282 | 137.48 | 52.58 | | 19.99 | 19.99 |
| | Interoffice Channel mileage each, additional mile | | | UEPPB | UEPPR | M1GNM | 0.0282 | 0.00 | 0.00 | | | |
| | 4-WIRE DS1 DIGITAL LOOP WITH 4-WIRE ISDN DS1 DIGITAL TRUNK PORT | | | | | | | | | | | |
| | UNE Port/Loop Combination Rates | | | | | | | | | | | |

| UNBUNDLED NETWORK ELEMENTS - North Carolina | | | | | | | Exhibit B of Attachment 2 of the Agreement | | | | | | | | |
|---|---|---------|------|-------|-------|-----------|--|--------------------------------------|--|--|---|---|-------|--------------|-------|
| CATEGORY | RATE ELEMENTS | Interim | Zone | BCS | USOC | RATES(\$) | Svc Order Submitted Elec per LSR | Svc Order Submitted Manually per LSR | Incremental Charge - Manual Svc Order vs. Electronic-1st | Incremental Charge - Manual Svc Order vs. Electronic-Add'l | Incremental Charge - Manual Svc Order vs. Electronic-Disc 1st | Incremental Charge - Manual Svc Order vs. Electronic-Disc Add'l | | | |
| | | | | | | | | | | | | | Rec | Nonrecurring | |
| | | | | | | | | | | | | | | | |
| | | | | | | | | | | SOMEc | SOMAN | SOMAN | SOMAN | SOMAN | SOMAN |
| | 4W DS1 Digital Loop/4W ISDN DS1 Digital Trunk Port - UNE Zone 1 | | 1 | UEPPP | | 947.54 | | | | | | | | | |
| | 4W DS1 Digital Loop/4W ISDN DS1 Digital Trunk Port - UNE Zone 2 | | 2 | UEPPP | | 984.27 | | | | | | | | | |
| | 4W DS1 Digital Loop/4W ISDN DS1 Digital Trunk Port - UNE Zone 3 | | 3 | UEPPP | | 1,034.14 | | | | | | | | | |
| UNE Loop Rates | | | | | | | | | | | | | | | |
| | 4-Wire DS1 Digital Loop - UNE Zone 1 | | 1 | UEPPP | USL4P | 47.54 | | | | | | | | | |
| | 4-Wire DS1 Digital Loop - UNE Zone 2 | | 2 | UEPPP | USL4P | 84.27 | | | | | | | | | |
| | 4-Wire DS1 Digital Loop - UNE Zone 3 | | 3 | UEPPP | USL4P | 134.14 | | | | | | | | | |
| UNE Port Rate | | | | | | | | | | | | | | | |
| | Exchange Ports - 4-Wire ISDN DS1 Port | | | UEPPP | UEPPP | 900.00 | 1,150.00 | 1,150.00 | | | 19.99 | 19.99 | | | |
| NONRECURRING CHARGES - CURRENTLY COMBINED | | | | | | | | | | | | | | | |
| | 4-Wire DS1 Digital Loop / 4-Wire ISDN DS1 Digital Trunk Port Combination - Conversion -Switch-As-Is Top 8 MSAs only | | | UEPPP | USACP | 0.00 | 925.00 | 925.00 | | | | | | | |
| ADDITIONAL NRCs | | | | | | | | | | | | | | | |
| | 4-Wire DS1 Loop / 4-Wire ISDN DS1 Digital Trunk Port - Subsequent Inward/2-Way Tel Nos - (NC Only) | | | UEPPP | PR7TG | | 1.17 | 1.17 | | | | | | | |
| | 4-Wire DS1 Loop/4-Wire ISDN Digital Trunk Port - Subsequent Activity Outward tel nos. (NC only) | | | UEPPP | PR7TP | | 28.17 | 28.17 | | | | | | | |
| | 4-Wire DS1 Loop / 4-Wire ISDN DS1 Digital Trk Port - Subsequent Inward Tel Nos Above Std Allowance | | | UEPPP | PR7ZT | | 56.33 | 56.33 | | | | | | | |
| LOCAL NUMBER PORTABILITY | | | | | | | | | | | | | | | |
| | Local Number Portability (1 per port) | | | UEPPP | LNPCN | 1.75 | | | | | | | | | |
| INTERFACE (Provisioning Only) | | | | | | | | | | | | | | | |
| | Voice/Data | | | UEPPP | PR71V | 0.00 | | | | | | | | | |
| | Digital Data | | | UEPPP | PR71D | 0.00 | | | | | | | | | |
| | Inward Data | | | UEPPP | PR71E | 0.00 | | | | | | | | | |
| New or Additional "B" Channel | | | | | | | | | | | | | | | |
| | New or Additional - Voice/Data B Channel | | | UEPPP | PR7BV | 0.00 | 36.92 | | | | 19.99 | 19.99 | | | |
| | New or Additional - Digital Data B Channel | | | UEPPP | PR7BF | 0.00 | 36.92 | | | | 19.99 | 19.99 | | | |
| | New or Additional Inward Data B Channel | | | UEPPP | PR7BD | 0.00 | 36.92 | | | | 19.99 | 19.99 | | | |
| CALL TYPES | | | | | | | | | | | | | | | |
| | Inward | | | UEPPP | PR7C1 | 0.00 | | | | | | | | | |
| | Outward | | | UEPPP | PR7C0 | 0.00 | | | | | | | | | |
| | Two-way | | | UEPPP | PR7CC | 0.00 | | | | | | | | | |
| Interoffice Channel Mileage | | | | | | | | | | | | | | | |
| | Fixed Each Including First Mile | | | UEPPP | 1LN1A | 71.8653 | 217.17 | 163.75 | 0.00 | | 19.99 | 19.99 | | | |
| | Each Airline-Fractional Additional Mile | | | UEPPP | 1LN1B | 0.5753 | | | | | | | | | |
| 4-WIRE DS1 DIGITAL LOOP WITH 4-WIRE DDITS TRUNK PORT | | | | | | | | | | | | | | | |
| UNE Port/Loop Combination Rates | | | | | | | | | | | | | | | |
| | 4W DS1 Digital Loop/4W DDITS Trunk Port - UNE Zone 1 | | 1 | UEPDC | | 797.54 | | | | | | | | | |
| | 4W DS1 Digital Loop/4W DDITS Trunk Port - UNE Zone 2 | | 2 | UEPDC | | 834.27 | | | | | | | | | |
| | 4W DS1 Digital Loop/4W DDITS Trunk Port - UNE Zone 3 | | 3 | UEPDC | | 884.14 | | | | | | | | | |
| UNE Loop Rates | | | | | | | | | | | | | | | |
| | 4-Wire DS1 Digital Loop - UNE Zone 1 | | 1 | UEPDC | USLDC | 47.54 | | | | | | | | | |
| | 4-Wire DS1 Digital Loop - UNE Zone 2 | | 2 | UEPDC | USLDC | 84.27 | | | | | | | | | |
| | 4-Wire DS1 Digital Loop - UNE Zone 3 | | 3 | UEPDC | USLDC | 134.14 | | | | | | | | | |
| UNE Port Rate | | | | | | | | | | | | | | | |
| | 4-Wire DDITS Digital Trunk Port | | | UEPDC | UDD1T | 750.00 | 1,050.00 | 480.00 | 0.00 | 0.00 | 19.99 | 19.99 | | | |
| NONRECURRING CHARGES - CURRENTLY COMBINED | | | | | | | | | | | | | | | |
| | 4-Wire DS1 Digital Loop / 4-Wire DDITS Trunk Port Combination - Switch-As-Is Top 8 MSAs only | | | UEPDC | USAC4 | | 288.86 | 133.87 | | | | | | | |
| | 4-Wire DS1 Digital Loop / 4-Wire DDITS Trunk Port Combination - Conversion with DS1 Changes Top 8 MSAs only | | | UEPDC | USAWA | | 288.86 | 133.37 | | | | | | | |
| | 4-Wire DS1 Digital Loop / 4-Wire DDITS Trunk Port Combination - Conversion with Change - Trunk Top 8 MSAs only | | | UEPDC | USAWB | | 288.86 | 133.37 | | | | | | | |

| UNBUNDLED NETWORK ELEMENTS - North Carolina | | | | | | | Exhibit B of Attachment 2 of the Agreement | | | | | | | | | | |
|---|--|---------|------|-------|--------|-----------|--|--------------------------------------|--|--|---|---|-------|--------------|-------|-------------------------|--|
| CATEGORY | RATE ELEMENTS | Interim | Zone | BCS | USOC | RATES(\$) | Svc Order Submitted Elec per LSR | Svc Order Submitted Manually per LSR | Incremental Charge - Manual Svc Order vs. Electronic-1st | Incremental Charge - Manual Svc Order vs. Electronic-Add'l | Incremental Charge - Manual Svc Order vs. Electronic-Disc 1st | Incremental Charge - Manual Svc Order vs. Electronic-Disc Add'l | | | | | |
| | | | | | | | | | | | | | Rec | Nonrecurring | | Nonrecurring Disconnect | |
| | | | | | | | | | | | SOMEc | SOMAN | SOMAN | SOMAN | SOMAN | SOMAN | |
| ADDITIONAL NRCs | | | | | | | | | | | | | | | | | |
| | 4-Wire DS1 Loop / 4-Wire DDITS Trunk Port - Subsequent Service Activity Per Service Order | | | UEPDC | USAS4 | | | 127.63 | 127.63 | | | | | | | | |
| | 4-Wire DS1 Loop / 4-Wire DDITS Trunk Port - NRC - Subsequent Channel Activation/Chan - 2-Way Trunk | | | UEPDC | UDTTA | | | 28.81 | 28.81 | | | | | | | | |
| | 4-Wire DS1 Loop / 4-Wire DDITS Trunk Port - Subsequent Channel Activation/Chan - 1-Way Outward Trunk | | | UEPDC | UDTTB | | | 28.81 | 28.81 | | | | | | | | |
| | 4-Wire DS1 Loop / 4-Wire DDITS Trunk Port - Subsqnt Channel Activation/Chan Inward Trunk w/out DID | | | UEPDC | UDTTC | | | 28.81 | 28.81 | | | 19.99 | 19.99 | | | | |
| | 4-Wire DS1 Loop / 4-Wire DDITS Trunk Port - Subsqnt Chan Activation Per Chan - Inward Trunk with DID | | | UEPDC | UDTTD | | | 28.81 | 28.81 | | | 19.99 | 19.99 | | | | |
| | 4-Wire DS1 Loop / 4-Wire DDITS Trunk Port - Subsqnt Chan Activation / Chan - 2-Way DID w User Trans | | | UEPDC | UDTTE | | | 28.81 | 28.81 | | | | | | | | |
| BIPOLAR 8 ZERO SUBSTITUTION | | | | | | | | | | | | | | | | | |
| | B8ZS -Superframe Format | | | UEPDC | CCOSF | | | 0.00 | 615.00 | | | 19.99 | 19.99 | | | | |
| | B8ZS - Extended Superframe Format | | | UEPDC | CCOEF | | | 0.00 | 615.00 | | | 19.99 | 19.99 | | | | |
| Alternate Mark Inversion | | | | | | | | | | | | | | | | | |
| | AMI -Superframe Format | | | UEPDC | MCOSF | | | 0.00 | 0.00 | | | | | | | | |
| | AMI - Extended SuperFrame Format | | | UEPDC | MCOPO | | | 0.00 | 0.00 | | | | | | | | |
| Telephone Number/Trunk Group Establishment Charges | | | | | | | | | | | | | | | | | |
| | Telephone Number for 2-Way Trunk Group | | | UEPDC | UDTGX | 0.00 | | | | | | 19.99 | 19.99 | | | | |
| | Telephone Number for 1-Way Outward Trunk Group | | | UEPDC | UDTGY | 0.00 | | | | | | 19.99 | 19.99 | | | | |
| | Telephone Number for 1-Way Inward Trunk Group Without DID | | | UEPDC | UDTGZ | 0.00 | | | | | | 19.99 | 19.99 | | | | |
| | DID Numbers, Establish Trunk Group and Provide First Group of 20 DID Numbers | | | UEPDC | NDZ | 0.00 | 0.00 | 0.00 | | | | | | | | | |
| | DID Numbers for each Group of 20 DID Numbers | | | UEPDC | ND4 | 0.00 | 0.00 | 0.00 | | | | | | | | | |
| | DID Numbers, Non- consecutive DID Numbers , Per Number | | | UEPDC | ND5 | 0.00 | 0.00 | 0.00 | | | | | | | | | |
| | Reserve Non-Consecutive DID Nos. | | | UEPDC | ND6 | 0.00 | 0.00 | 0.00 | | | | | | | | | |
| | Reserve DID Numbers | | | UEPDC | NDV | 0.00 | 0.00 | 0.00 | | | | | | | | | |
| Dedicated DS1 (Interoffice Channel Mileage) - | | | | | | | | | | | | | | | | | |
| FX/FCO for 4-Wire DS1 Digital Loop with 4-Wire DDITS Trunk Port | | | | | | | | | | | | | | | | | |
| | Interoffice Channel Mileage - Fixed rate 0-8 miles (Facilities Termination) | | | UEPDC | 1LNO1 | 71.29 | 217.17 | 163.75 | 0.00 | 0.00 | | 19.99 | 19.99 | | | | |
| | Interoffice Channel Mileage - Additional rate per mile - 0-8 miles | | | UEPDC | 1LNOA | 0.5753 | 0.00 | 0.00 | | | | | | | | | |
| | Interoffice Channel Mileage - Fixed rate 9-25 miles (Facilities Termination) | | | UEPDC | 1LNO2 | 0.00 | 0.00 | 0.00 | | | | | | | | | |
| | Interoffice Channel Mileage - Additional rate per mile - 9-25 miles | | | UEPDC | 1LNOB | 0.5753 | 0.00 | 0.00 | | | | | | | | | |
| | Interoffice Channel Mileage - Fixed rate 25+ miles (Facilities Termination) | | | UEPDC | 1LNO3 | 0.00 | 0.00 | 0.00 | 0.00 | | | | | | | | |
| | Interoffice Channel Mileage - Additional rate per mile - 25+ miles | | | UEPDC | 1LNOC | 0.5753 | 0.00 | 0.00 | | | | | | | | | |
| | Local Number Portability, per DS0 Activated | | | UEPDC | LNPCP | 3.15 | 0.00 | 0.00 | 0.00 | | | | | | | | |
| | Central Office Terminating Point | | | UEPDC | CTG | 0.00 | | | | | | | | | | | |
| 4-WIRE DS1 LOOP WITH CHANNELIZATION WITH PORT | | | | | | | | | | | | | | | | | |
| System is 1 DS1 Loop, 1 D4 Channel Bank, and up to 24 Feature Activations | | | | | | | | | | | | | | | | | |
| A system can have various rate combinations based on type and number of ports used | | | | | | | | | | | | | | | | | |
| UNE DS1 Loop | | | | | | | | | | | | | | | | | |
| | 4-Wire DS1 Loop - UNE Zone 1 | | 1 | UEPMG | USLDC | 47.54 | | | | | | | | | | | |
| | 4-Wire DS1 Loop - UNE Zone 2 | | 2 | UEPMG | USLDC | 84.27 | 0.00 | 0.00 | | | | | | | | | |
| | 4-Wire DS1 Loop - UNE Zone 3 | | 3 | UEPMG | USLDC | 134.14 | 0.00 | 0.00 | | | | | | | | | |
| UNE DSO Channelization Capacities (D4 Channel Bank Configurations) | | | | | | | | | | | | | | | | | |
| | 24 DSO Channel Capacity - 1 per DS1 | | | UEPMG | VUM24 | 123.06 | 0.00 | 0.00 | | | | 19.99 | 19.99 | | | | |
| | 48 DSO Channel Capacity - 1 per 2 DS1s | | | UEPMG | VUM48 | 246.12 | 0.00 | 0.00 | | | | 19.99 | 19.99 | | | | |
| | 96 DSO Channel Capacity -1per 4 DS1s | | | UEPMG | VUM96 | 492.24 | 0.00 | 0.00 | | | | 19.99 | 19.99 | | | | |
| | 144 DSO Channel Capacity - 1 per 6 DS1s | | | UEPMG | VUM144 | 738.36 | 0.00 | 0.00 | | | | 19.99 | 19.99 | | | | |
| | 192 DSO Channel Capacity -1 per 8 DS1s | | | UEPMG | VUM192 | 984.48 | 0.00 | 0.00 | | | | 19.99 | 19.99 | | | | |
| | 240 DSO Channel Capacity - 1 per 10 DS1s | | | UEPMG | VUM240 | 1,230.60 | 0.00 | 0.00 | | | | 19.99 | 19.99 | | | | |

| UNBUNDLED NETWORK ELEMENTS - North Carolina | | | | | | | | | | Exhibit B of Attachment 2 of the Agreement | | | | | |
|---|---|---------|------|-------|-------|-----------|--------------|--------|-------------------------|--|--------------------------------------|--|--|---|---|
| CATEGORY | RATE ELEMENTS | Interim | Zone | BCS | USOC | RATES(\$) | | | | Svc Order Submitted Elec per LSR | Svc Order Submitted Manually per LSR | Incremental Charge - Manual Svc Order vs. Electronic-1st | Incremental Charge - Manual Svc Order vs. Electronic-Add'l | Incremental Charge - Manual Svc Order vs. Electronic-Disc 1st | Incremental Charge - Manual Svc Order vs. Electronic-Disc Add'l |
| | | | | | | Rec | Nonrecurring | | Nonrecurring Disconnect | | | | | | |
| | | | | | | First | Add'l | First | Add'l | SOMEc | SOMAN | SOMAN | SOMAN | SOMAN | |
| | 288 DS0 Channel Capacity - 1 per 12 DS1s | | | UEPMG | VUM28 | 1,476.72 | 0.00 | 0.00 | | | | | 19.99 | 19.99 | |
| | 384 DS0 Channel Capacity - 1 per 16 DS1s | | | UEPMG | VUM38 | 1,968.96 | 0.00 | 0.00 | | | | | 19.99 | 19.99 | |
| | 480 DS0 Channel Capacity - 1 per 20 DS1s | | | UEPMG | VUM40 | 2,461.20 | 0.00 | 0.00 | | | | | 19.99 | 19.99 | |
| | 576 DS0 Channel Capacity - 1 per 24 DS1s | | | UEPMG | VUM57 | 2,953.44 | 0.00 | 0.00 | | | | | 19.99 | 19.99 | |
| | 672 DS0 Channel Capacity - 1 per 28 DS1s | | | UEPMG | VUM67 | 3,445.68 | 0.00 | 0.00 | | | | | 19.99 | 19.99 | |
| Non-Recurring Charges (NRC) Associated with 4-Wire DS1 Loop with Channelization with Port - Conversion Charge Based on a System | | | | | | | | | | | | | | | |
| A Minimum System configuration is One (1) DS1, One (1) D4 Channel Bank, and Up To 24 DSO Ports with Feature Activations. | | | | | | | | | | | | | | | |
| Multiples of this configuration functioning as one are considered Add'l after the minimum system configuration is counted. | | | | | | | | | | | | | | | |
| | NRC - Conversion (Currently Combined) with or without BellSouth Allowed Changes - Top 8 MSAs Only | | | UEPMG | USAC4 | 0.00 | 330.61 | 16.64 | | | | | 19.99 | 19.99 | |
| System Additions Where Currently Combined and New (Not Currently Combined) In Top 8 MSAs and AL, FL, and NC Only | | | | | | | | | | | | | | | |
| | 1 DS1/D4 Channel Bank - Add NRC for each Port and Assoc Fea Activation - | | | UEPMG | VUMD4 | 0.00 | 743.74 | 326.22 | 149.02 | 17.68 | | | 19.99 | 19.99 | |
| Bipolar 8 Zero Substitution | | | | | | | | | | | | | | | |
| | Clear Channel Capability Format, superframe - Subsequent Activity Only | | | UEPMG | CCOSF | 0.00 | 0.00 | 615.00 | | | | | | | |
| | Clear Channel Capability Format - Extended Superframe - Subsequent Activity Only | | | UEPMG | CCOEF | 0.00 | 0.00 | 615.00 | | | | | | | |
| Alternate Mark Inversion (AMI) | | | | | | | | | | | | | | | |
| | Superframe Format | | | UEPMG | MCOSF | 0.00 | 0.00 | 0.00 | | | | | | | |
| | Extended Superframe Format | | | UEPMG | MCOPO | 0.00 | 0.00 | 0.00 | | | | | | | |
| Exchange Ports Associated with 4-Wire DS1 Loop with Channelization with Port | | | | | | | | | | | | | | | |
| Exchange Ports | | | | | | | | | | | | | | | |
| | Line Side Combination Channelized PBX Trunk Port - Business | | | UEPPX | UEPCX | 14.00 | 0.00 | 0.00 | 0.00 | 0.00 | | | 40.18 | 9.45 | |
| | Line Side Outward Channelized PBX Trunk Port - Business | | | UEPPX | UEPOX | 14.00 | 0.00 | 0.00 | 0.00 | 0.00 | | | 40.18 | 9.45 | |
| | Line Side Inward Only Channelized PBX Trunk Port without DID | | | UEPPX | UEP1X | 14.00 | 0.00 | 0.00 | 0.00 | 0.00 | | | 40.18 | 9.45 | |
| | 2-Wire Trunk Side Unbundled Channelized DID Trunk Port | | | UEPPX | UEPDM | 52.00 | 0.00 | 0.00 | 0.00 | 0.00 | | | 40.18 | 9.45 | |
| Feature Activations - Unbundled Loop Concentration | | | | | | | | | | | | | | | |
| | Feature (Service) Activation for each Line Side Port Terminated in D4 Bank | | | UEPPX | 1PQWM | 0.65 | 40.00 | 20.00 | 10.00 | 5.00 | | | 40.18 | 9.45 | |
| | Feature (Service) Activation for each Trunk Side Port Terminated in D4 Bank | | | UEPPX | 1PQWU | 0.65 | 110.00 | 30.00 | 75.00 | 15.00 | | | 40.18 | 9.45 | |
| Telephone Number/ Group Establishment Charges for DID Service | | | | | | | | | | | | | | | |
| | DID Trunk Termination (1 per Port) | | | UEPPX | NDT | 0.00 | 0.00 | 0.00 | | | | | | | |
| | Estab Trk Grp and Provide 1st 20 DID Nos. (FL,GA, NC,& SC) | | | UEPPX | NDZ | 0.00 | 0.00 | 0.00 | | | | | | | |
| | DID Numbers - groups of 20 - Valid all States | | | UEPPX | ND4 | 0.00 | 0.00 | 0.00 | | | | | | | |
| | Non-Consecutive DID Numbers - per number | | | UEPPX | ND5 | 0.00 | 0.00 | 0.00 | | | | | | | |
| | Reserve Non-Consecutive DID Numbers | | | UEPPX | ND6 | 0.00 | 0.00 | 0.00 | | | | | | | |
| | Reserve DID Numbers | | | UEPPX | NDV | 0.00 | 0.00 | 0.00 | | | | | | | |
| Local Number Portability | | | | | | | | | | | | | | | |
| | Local Number Portability - 1 per port | | | UEPPX | LNPCP | 3.15 | 0.00 | 0.00 | | | | | | | |
| FEATURES - Vertical and Optional | | | | | | | | | | | | | | | |
| Local Switching Features Offered with Line Side Ports Only | | | | | | | | | | | | | | | |
| | All Features Available | | | UEPPX | UEPVF | 3.40 | 0.00 | 0.00 | | | | | 40.18 | 9.45 | |
| UNBUNDLED CENTREX PORT/LOOP COMBINATIONS - COST BASED RATES | | | | | | | | | | | | | | | |
| 1. Cost Based Rates are applied where BellSouth is required by FCC and/or State Commission rule to provide Unbundled Local Switching or Switch Ports. | | | | | | | | | | | | | | | |
| 2. Features shall apply to the Unbundled Port/Loop Combination - Cost Based Rate section in the same manner as they are applied to the Stand-Alone Unbundled Port section of this Rate Exhibit. | | | | | | | | | | | | | | | |
| 3. End Office and Tandem Switching Usage and Common Transport Usage rates in the Port section of this rate exhibit shall apply to all combinations of loop/port network elements except for UNE Coin Port/Loop Combinations. For Georgia, Kentucky, Louisiana, Mississippi and Tennessee, the recurring UNE Port and Loop charges listed apply to Currently Combined and Not Currently Combined Combos. The first and additional Port nonrecurring charges apply to Not Currently Combined Combos for all states. In GA, KY, LA, MS and TN these nonrecurring charges are commission ordered cost based rates and in AL, FL, NC and SC these nonrecurring charges are Market Rates and are listed in the Market Rate section. For Currently Combined Combos in all other states, the nonrecurring charges shall be those identified in the Nonrecurring - Currently Combined sections. | | | | | | | | | | | | | | | |
| 5. Market Rates for Unbundled Centrex Port/Loop Combination will be negotiated on an Individual Case Basis, until further notice. | | | | | | | | | | | | | | | |
| UNE-P CENTREX - 5ESS (Valid in All States) | | | | | | | | | | | | | | | |
| 2-Wire VG Loop/2-Wire Voice Grade Port (Centrex) Combo | | | | | | | | | | | | | | | |
| UNE Port/Loop Combination Rates (Non-Design) | | | | | | | | | | | | | | | |

| UNBUNDLED NETWORK ELEMENTS - North Carolina | | | | | | | Exhibit B of Attachment 2 of the Agreement | | | | | | | | |
|---|---|---------|------|-------|-------|-----------|--|--------------------------------------|--|--|---|---|-------|--------------|-------|
| CATEGORY | RATE ELEMENTS | Interim | Zone | BCS | USOC | RATES(\$) | Svc Order Submitted Elec per LSR | Svc Order Submitted Manually per LSR | Incremental Charge - Manual Svc Order vs. Electronic-1st | Incremental Charge - Manual Svc Order vs. Electronic-Add'l | Incremental Charge - Manual Svc Order vs. Electronic-Disc 1st | Incremental Charge - Manual Svc Order vs. Electronic-Disc Add'l | | | |
| | | | | | | | | | | | | | Rec | Nonrecurring | |
| | | | | | | | | | | | | | | | |
| | | | | | | | | | | SOME C | SOMAN | SOMAN | SOMAN | SOMAN | SOMAN |
| | 2-Wire VG Loop/2-Wire Voice Grade Port (Centrex) Port Combo - Non-Design | | 1 | UEP95 | | 13.03 | | | | | | | | | |
| | 2-Wire VG Loop/2-Wire Voice Grade Port (Centrex)Port Combo - Non-Design | | 2 | UEP95 | | 21.33 | | | | | | | | | |
| | 2-Wire VG Loop/2-Wire Voice Grade Port (Centrex)Port Combo - Non-Design | | 3 | UEP95 | | 32.61 | | | | | | | | | |
| UNE Port/Loop Combination Rates (Design) | | | | | | | | | | | | | | | |
| | 2-Wire VG Loop/2-Wire Voice Grade Port (Centrex) Port Combo - Design | | 1 | UEP95 | | 17.25 | | | | | | | | | |
| | 2-Wire VG Loop/2-Wire Voice Grade Port (Centrex)Port Combo - Design | | 2 | UEP95 | | 28.21 | | | | | | | | | |
| | 2-Wire VG Loop/2-Wire Voice Grade Port (Centrex)Port Combo - Design | | 3 | UEP95 | | 43.09 | | | | | | | | | |
| UNE Loop Rate | | | | | | | | | | | | | | | |
| | 2-Wire Voice Grade Loop (SL 1) - Zone 1 | | 1 | UEP95 | UECS1 | 10.75 | | | | | | | | | |
| | 2-Wire Voice Grade Loop (SL 1) - Zone 2 | | 2 | UEP95 | UECS1 | 19.05 | | | | | | | | | |
| | 2-Wire Voice Grade Loop (SL 1) - Zone 3 | | 3 | UEP95 | UECS1 | 30.33 | | | | | | | | | |
| | 2-Wire Voice Grade Loop (SL 2) - Zone 1 | | 1 | UEP95 | UECS2 | 14.97 | | | | | | | | | |
| | 2-Wire Voice Grade Loop (SL 2) - Zone 2 | | 2 | UEP95 | UECS2 | 25.93 | | | | | | | | | |
| | 2-Wire Voice Grade Loop (SL 2) - Zone 3 | | 3 | UEP95 | UECS2 | 40.81 | | | | | | | | | |
| UNE Port Rate | | | | | | | | | | | | | | | |
| All States | | | | | | | | | | | | | | | |
| | 2-Wire Voice Grade Port (Centrex) Basic Local Area | | | UEP95 | UEPYA | 2.28 | | | | | 40.18 | 9.45 | | | |
| | 2-Wire Voice Grade Port (Centrex 800 termination) | | | UEP95 | UEPYB | 2.28 | | | | | 40.18 | 9.45 | | | |
| | 2-Wire Voice Grade Port (Centrex with Caller ID)1Basic Local Area | | | UEP95 | UEPYH | 2.28 | | | | | 40.18 | 9.45 | | | |
| | 2-Wire Voice Grade Port (Centrex from diff Serving Wire Center)2 Basic Local Area | | | UEP95 | UEPYM | 2.28 | | | | | 40.18 | 9.45 | | | |
| | 2-Wire Voice Grade Port, Diff Serving Wire Center - 800 Service Term - Basic Local Area | | | UEP95 | UEPYZ | 2.28 | | | | | 40.18 | 9.45 | | | |
| | 2-Wire Voice Grade Port terminated in on Megalink or equivalent - Basic Local Area | | | UEP95 | UEPY9 | 2.28 | | | | | 40.18 | 9.45 | | | |
| | 2-Wire Voice Grade Port Terminated on 800 Service Term - Basic Local Area | | | UEP95 | UEPY2 | 2.28 | | | | | 40.18 | 9.45 | | | |
| NC Only | | | | | | | | | | | | | | | |
| | 2-Wire Voice Grade Port (Centrex) | | | UEP95 | UEPUA | 2.28 | | | | | 40.18 | 9.45 | | | |
| | 2-Wire Voice Grade Port (Centrex 800 termination) | | | UEP95 | UEPUB | 2.28 | | | | | 40.18 | 9.45 | | | |
| | 2-Wire Voice Grade Port (Centrex with Caller ID)1 | | | UEP95 | UEPUH | 2.28 | | | | | 40.18 | 9.45 | | | |
| | 2-Wire Voice Grade Port (Centrex from diff Serving Wire Center)2 | | | UEP95 | UEPUM | 2.28 | | | | | 40.18 | 9.45 | | | |
| | 2-Wire Voice Grade Port, Diff Serving Wire Center - 800 Service Term | | | UEP95 | UEPUZ | 2.28 | | | | | 40.18 | 9.45 | | | |
| | 2-Wire Voice Grade Port terminated in on Megalink or equivalent | | | UEP95 | UEPU9 | 2.28 | | | | | 40.18 | 9.45 | | | |
| | 2-Wire Voice Grade Port Terminated on 800 Service Term | | | UEP95 | UEPU2 | 2.28 | | | | | 40.18 | 9.45 | | | |
| Local Switching | | | | | | | | | | | | | | | |
| | Centrex Intercom Funtionality, per port | | | UEP95 | URECS | 0.903 | | | | | | | | | |
| Local Number Portability | | | | | | | | | | | | | | | |
| | Local Number Portability (1 per port) | | | UEP95 | LNPC | 0.35 | | | | | | | | | |
| Features | | | | | | | | | | | | | | | |
| | All Standard Features Offered, per port | | | UEP95 | UEPVF | 3.40 | | | | | | | | | |
| | All Select Features Offered, per port | | | UEP95 | UEPVS | 0.00 | 457.83 | | | | | | | | |
| | All Centrex Control Features Offered, per port | | | UEP95 | UEPVC | 3.40 | | | | | | | | | |
| NARS | | | | | | | | | | | | | | | |
| | Unbundled Network Access Register - Combination | | | UEP95 | UARCX | 0.00 | 0.00 | 0.00 | | | 40.18 | 9.45 | | | |
| | Unbundled Network Access Register - Indial | | | UEP95 | UAR1X | 0.00 | 0.00 | 0.00 | | | 40.18 | 9.45 | | | |
| | Unbundled Network Access Register - Outdial | | | UEP95 | UAROX | 0.00 | 0.00 | 0.00 | | | 40.18 | 9.45 | | | |
| Miscellaneous Terminations | | | | | | | | | | | | | | | |
| | 2-Wire Trunk Side | | | | | | | | | | | | | | |

| UNBUNDLED NETWORK ELEMENTS - North Carolina | | | | | | Exhibit B of Attachment 2 of the Agreement | | | | | | | | |
|---|--|---------|------|-------|-------|--|----------------------------------|--------------------------------------|--|--|---|---|-------|--------------|
| CATEGORY | RATE ELEMENTS | Interim | Zone | BCS | USOC | RATES(\$) | Svc Order Submitted Elec per LSR | Svc Order Submitted Manually per LSR | Incremental Charge - Manual Svc Order vs. Electronic-1st | Incremental Charge - Manual Svc Order vs. Electronic-Add'l | Incremental Charge - Manual Svc Order vs. Electronic-Disc 1st | Incremental Charge - Manual Svc Order vs. Electronic-Disc Add'l | | |
| | | | | | | | | | | | | | Rec | Nonrecurring |
| | | | | | | | | | | | | | | |
| | | | | | | | | | SOMEc | SOMAN | SOMAN | SOMAN | SOMAN | SOMAN |
| | Trunk Side Terminations, each | | | UEP95 | CEND6 | 12.36 | | | | | | | | |
| | 4-Wire Digital (1.544 Megabits) | | | | | | | | | | | | | |
| | DS1 Circuit Terminations, each | | | UEP95 | M1HD1 | 123.65 | | | | | 40.18 | 9.45 | | |
| | DS0 Channels Activated, each | | | UEP95 | M1HDO | 0.00 | 28.81 | | | | 40.18 | 9.45 | | |
| | Interoffice Channel Mileage - 2-Wire | | | | | | | | | | | | | |
| | Interoffice Channel Facilities Termination | | | UEP95 | MIGBC | 18.00 | | | | | | | | |
| | Interoffice Channel mileage, per mile or fraction of mile | | | UEP95 | MIGBM | 0.0282 | | | | | | | | |
| | Feature Activations (DS0) Centrex Loops on Channelized DS1 Service | | | | | | | | | | | | | |
| | D4 Channel Bank Feature Activations | | | | | | | | | | | | | |
| | Feature Activation on D-4 Channel Bank Centrex Loop Slot | | | UEP95 | 1PQWS | 0.65 | | | | | | | | |
| | Feature Activation on D-4 Channel Bank FX line Side Loop Slot | | | UEP95 | 1PQW6 | 0.65 | | | | | | | | |
| | Feature Activation on D-4 Channel Bank FX Trunk Side Loop Slot | | | UEP95 | 1PQW7 | 0.65 | | | | | | | | |
| | Feature Activation on D-4 Channel Bank Centrex Loop Slot - Different Wire Center | | | UEP95 | 1PQWP | 0.65 | | | | | | | | |
| | Feature Activation on D-4 Channel Bank Private Line Loop Slot | | | UEP95 | 1PQWV | 0.65 | | | | | | | | |
| | Feature Activation on D-4 Channel Bank Tjje Line/Trunk Loop Slot | | | UEP95 | 1PQWQ | 0.65 | | | | | | | | |
| | Feature Activation on D-4 Channel Bank WATS Loop Slot | | | UEP95 | 1PQWA | 0.65 | | | | | | | | |
| | Non-Recurring Charges (NRC) Associated with UNE-P Centrex | | | | | | | | | | | | | |
| | NRC Conversion Currently Combined Switch-As-Is with allowed changes, per port | | | UEP95 | USAC2 | | | 2.77 | 0.40 | | 40.18 | 9.45 | | |
| | New Centrex Standard Common Block | | | UEP95 | M1ACS | 0.00 | | 695.11 | | | 40.18 | 9.45 | | |
| | New Centrex Customized Common Block | | | UEP95 | M1ACC | 0.00 | | 695.11 | | | 40.18 | 9.45 | | |
| | NAR Establishment Charge, Per Occasion | | | UEP95 | URECA | 0.00 | | 72.73 | | | 40.18 | 9.45 | | |
| | UNE-P CENTREX - DMS100 (Valid in All States) | | | | | | | | | | | | | |
| | 2-Wire VG Loop/2-Wire Voice Grade Port (Centrex) Combo | | | | | | | | | | | | | |
| | UNE Port/Loop Combination Rates (Non-Design) | | | | | | | | | | | | | |
| | 2-Wire VG Loop/2-Wire Voice Grade Port (Centrex) Port Combo - Non-Design | | 1 | UEP9D | | 13.03 | | | | | | | | |
| | 2-Wire VG Loop/2-Wire Voice Grade Port (Centrex)Port Combo - Non-Design | | 2 | UEP9D | | 21.33 | | | | | | | | |
| | 2-Wire VG Loop/2-Wire Voice Grade Port (Centrex)Port Combo - Non-Design | | 3 | UEP9D | | 32.61 | | | | | | | | |
| | UNE Port/Loop Combination Rates (Design) | | | | | | | | | | | | | |
| | 2-Wire VG Loop/2-Wire Voice Grade Port (Centrex) Port Combo - Design | | 1 | UEP9D | | 17.25 | | | | | | | | |
| | 2-Wire VG Loop/2-Wire Voice Grade Port (Centrex)Port Combo - Design | | 2 | UEP9D | | 28.21 | | | | | | | | |
| | 2-Wire VG Loop/2-Wire Voice Grade Port (Centrex)Port Combo - Design | | 3 | UEP9D | | 43.09 | | | | | | | | |
| | UNE Loop Rate | | | | | | | | | | | | | |
| | 2-Wire Voice Grade Loop (SL 1) - Zone 1 | | 1 | UEP9D | UECS1 | 10.75 | | | | | | | | |
| | 2-Wire Voice Grade Loop (SL 1) - Zone 2 | | 2 | UEP9D | UECS1 | 19.05 | | | | | | | | |
| | 2-Wire Voice Grade Loop (SL 1) - Zone 3 | | 3 | UEP9D | UECS1 | 30.33 | | | | | | | | |
| | 2-Wire Voice Grade Loop (SL 2) - Zone 1 | | 1 | UEP9D | UECS2 | 14.97 | | | | | | | | |
| | 2-Wire Voice Grade Loop (SL 2) - Zone 2 | | 2 | UEP9D | UECS2 | 25.93 | | | | | | | | |
| | 2-Wire Voice Grade Loop (SL 2) - Zone 3 | | 3 | UEP9D | UECS2 | 40.81 | | | | | | | | |
| | UNE Port Rate | | | | | | | | | | | | | |
| | ALL STATES | | | | | | | | | | | | | |
| | 2-Wire Voice Grade Port (Centrex) Basic Local Area | | | UEP9D | UEPYA | 2.28 | | | | | 40.18 | 9.45 | | |
| | 2-Wire Voice Grade Port (Centrex 800 termination)Basic Local Area | | | UEP9D | UEPYB | 2.28 | | | | | 40.18 | 9.45 | | |
| | 2-Wire Voice Grade Port (Centrex / EBS-PSET)3Basic Local Area | | | UEP9D | UEPYC | 2.28 | | | | | 40.18 | 9.45 | | |
| | 2-Wire Voice Grade Port (Centrex / EBS-M5009)3Basic Local Area | | | UEP9D | UEPYD | 2.28 | | | | | 40.18 | 9.45 | | |

| UNBUNDLED NETWORK ELEMENTS - North Carolina | | | | | | Exhibit B of Attachment 2 of the Agreement | | | | | | | | | | | |
|---|--|---------|------|-------|-------|--|----------------------------------|--------------------------------------|--|--|---|---|-------|--------------|-------|-------------------------|--|
| CATEGORY | RATE ELEMENTS | Interim | Zone | BCS | USOC | RATES(\$) | Svc Order Submitted Elec per LSR | Svc Order Submitted Manually per LSR | Incremental Charge - Manual Svc Order vs. Electronic-1st | Incremental Charge - Manual Svc Order vs. Electronic-Add'l | Incremental Charge - Manual Svc Order vs. Electronic-Disc 1st | Incremental Charge - Manual Svc Order vs. Electronic-Disc Add'l | | | | | |
| | | | | | | | | | | | | | Rec | Nonrecurring | | Nonrecurring Disconnect | |
| | | | | | | | First | Add'l | First | Add'l | SOMEc | SOMAN | SOMAN | SOMAN | SOMAN | SOMAN | |
| | 2-Wire Voice Grade Port (Centrex / EBS-M5209))3 Basic Local Area | | | UEP9D | UEPYE | 2.28 | | | | | | | 40.18 | 9.45 | | | |
| | 2-Wire Voice Grade Port (Centrex / EBS-M5112))3 Basic Local Area | | | UEP9D | UEPYF | 2.28 | | | | | | | 40.18 | 9.45 | | | |
| | 2-Wire Voice Grade Port (Centrex / EBS-M5312))3Basic Local Area | | | UEP9D | UEPYG | 2.28 | | | | | | | 40.18 | 9.45 | | | |
| | 2-Wire Voice Grade Port (Centrex / EBS-M5008))3 Basic Local Area | | | UEP9D | UEPYT | 2.28 | | | | | | | 40.18 | 9.45 | | | |
| | 2-Wire Voice Grade Port (Centrex / EBS-M5208))3 Basic Local Area | | | UEP9D | UEPYU | 2.28 | | | | | | | 40.18 | 9.45 | | | |
| | 2-Wire Voice Grade Port (Centrex / EBS-M5216))3 Basic Local Area | | | UEP9D | UEPYV | 2.28 | | | | | | | 40.18 | 9.45 | | | |
| | 2-Wire Voice Grade Port (Centrex / EBS-M5316))3 Basic Local Area | | | UEP9D | UEPY3 | 2.28 | | | | | | | 40.18 | 9.45 | | | |
| | 2-Wire Voice Grade Port (Centrex with Caller ID) Basic Local Area | | | UEP9D | UEPYH | 2.28 | | | | | | | 40.18 | 9.45 | | | |
| | 2-Wire Voice Grade Port (Centrex/Caller ID/Msg Wtg Lamp Indication))3 Basic Local Area | | | UEP9D | UEPYW | 2.28 | | | | | | | 40.18 | 9.45 | | | |
| | 2-Wire Voice Grade Port (Centrex/Msg Wtg Lamp Indication))3 Basic Local Area | | | UEP9D | UEPYJ | 2.28 | | | | | | | 40.18 | 9.45 | | | |
| | 2-Wire Voice Grade Port (Centrex from diff Serving Wire Center) 2 Basic Local Area | | | UEP9D | UEPYM | 2.28 | | | | | | | 40.18 | 9.45 | | | |
| | 2-Wire Voice Grade Port (Centrex/differ SWC /EBS-PSET)2, 3 Basic Local Area | | | UEP9D | UEPYO | 2.28 | | | | | | | 40.18 | 9.45 | | | |
| | 2-Wire Voice Grade Port (Centrex/differ SWC /EBS-M5009)2, 3 Basic Local Area | | | UEP9D | UEPYP | 2.28 | | | | | | | 40.18 | 9.45 | | | |
| | 2-Wire Voice Grade Port (Centrex/differ SWC /EBS-5209)2, 3 Basic Local Area | | | UEP9D | UEPYQ | 2.28 | | | | | | | 40.18 | 9.45 | | | |
| | 2-Wire Voice Grade Port (Centrex/differ SWC /EBS-M5112)2, 3 Basic Local Area | | | UEP9D | UEPYR | 2.28 | | | | | | | 40.18 | 9.45 | | | |
| | 2-Wire Voice Grade Port (Centrex/differ SWC /EBS-M5312)2, 3 Basic Local Area | | | UEP9D | UEPYS | 2.28 | | | | | | | 40.18 | 9.45 | | | |
| | 2-Wire Voice Grade Port (Centrex/differ SWC /EBS-M5008)2, 3 Basic Local Area | | | UEP9D | UEPY4 | 2.28 | | | | | | | 40.18 | 9.45 | | | |
| | 2-Wire Voice Grade Port (Centrex/differ SWC /EBS-M5208)2, 3 Basic Local Area | | | UEP9D | UEPY5 | 2.28 | | | | | | | 40.18 | 9.45 | | | |
| | 2-Wire Voice Grade Port (Centrex/differ SWC /EBS-M5216)2, 3 Basic Local Area | | | UEP9D | UEPY6 | 2.28 | | | | | | | 40.18 | 9.45 | | | |
| | 2-Wire Voice Grade Port (Centrex/differ SWC /EBS-M5316)2, 3 Basic Local Area | | | UEP9D | UEPY7 | 2.28 | | | | | | | 40.18 | 9.45 | | | |
| | 2-Wire Voice Grade Port, Diff Serving Wire Center - 800 Service Term | | | UEP9D | UEPYZ | 2.28 | | | | | | | 40.18 | 9.45 | | | |
| | 2-Wire Voice Grade Port terminated in on Megalink or equivalent Basic Local Area | | | UEP9D | UEPY9 | 2.28 | | | | | | | 40.18 | 9.45 | | | |
| | 2-Wire Voice Grade Port Terminated on 800 Service Term Basic Local Area | | | UEP9D | UEPY2 | 2.28 | | | | | | | 40.18 | 9.45 | | | |
| NC Only | | | | | | | | | | | | | | | | | |
| | 2-Wire Voice Grade Port (Centrex) | | | UEP9D | UEPUA | 2.28 | | | | | | | 40.18 | 9.45 | | | |
| | 2-Wire Voice Grade Port (Centrex 800 termination) | | | UEP9D | UEPUB | 2.28 | | | | | | | 40.18 | 9.45 | | | |
| | 2-Wire Voice Grade Port (Centrex / EBS-PSET)3 | | | UEP9D | UEPUC | 2.28 | | | | | | | 40.18 | 9.45 | | | |
| | 2-Wire Voice Grade Port (Centrex / EBS-M5009)3 | | | UEP9D | UEPUD | 2.28 | | | | | | | 40.18 | 9.45 | | | |
| | 2-Wire Voice Grade Port (Centrex / EBS-M5209)3 | | | UEP9D | UEPUE | 2.28 | | | | | | | 40.18 | 9.45 | | | |
| | 2-Wire Voice Grade Port (Centrex / EBS-M5112)3 | | | UEP9D | UEPUF | 2.28 | | | | | | | 40.18 | 9.45 | | | |
| | 2-Wire Voice Grade Port (Centrex / EBS-M5312)3 | | | UEP9D | UEPUG | 2.28 | | | | | | | 40.18 | 9.45 | | | |
| | 2-Wire Voice Grade Port (Centrex / EBS-M5008)3 | | | UEP9D | UEPUT | 2.28 | | | | | | | 40.18 | 9.45 | | | |
| | 2-Wire Voice Grade Port (Centrex / EBS-M5208)3 | | | UEP9D | UEPUJ | 2.28 | | | | | | | 40.18 | 9.45 | | | |
| | 2-Wire Voice Grade Port (Centrex / EBS-M5216)3 | | | UEP9D | UEPUV | 2.28 | | | | | | | 40.18 | 9.45 | | | |
| | 2-Wire Voice Grade Port (Centrex / EBS-M5316)3 | | | UEP9D | UEPU3 | 2.28 | | | | | | | 40.18 | 9.45 | | | |
| | 2-Wire Voice Grade Port (Centrex with Caller ID) | | | UEP9D | UEPUH | 2.28 | | | | | | | 40.18 | 9.45 | | | |

| UNBUNDLED NETWORK ELEMENTS - North Carolina | | | | | | | Exhibit B of Attachment 2 of the Agreement | | | | | | | | | | | | | | | | | | | | |
|---|--|---------|------|-------|-------|-----------|--|--------------------------------------|--|--|---|---|-----|--------------|--|-------------------------|--|---------------|--|--|--|--|--|--|--|--|--|
| CATEGORY | RATE ELEMENTS | Interim | Zone | BCS | USOC | RATES(\$) | Svc Order Submitted Elec per LSR | Svc Order Submitted Manually per LSR | Incremental Charge - Manual Svc Order vs. Electronic-1st | Incremental Charge - Manual Svc Order vs. Electronic-Add'l | Incremental Charge - Manual Svc Order vs. Electronic-Disc 1st | Incremental Charge - Manual Svc Order vs. Electronic-Disc Add'l | | | | | | | | | | | | | | | |
| | | | | | | | | | | | | | Rec | Nonrecurring | | Nonrecurring Disconnect | | OSS Rates(\$) | | | | | | | | | |
| | | | | | | | | | | | | | | | | | | | | | | | | | | | |
| | | | | | | | | | | | | | | | | | | | | | | | | | | | |
| | 2-Wire Voice Grade Port (Centrex/Caller ID/Msg Wtg Lamp Indication)3 | | | UEP9D | UEPUW | 2.28 | | | | | | | | | | | | | | | | | | | | | |
| | 2-Wire Voice Grade Port (Centrex/Msg Wtg Lamp Indication)3 | | | UEP9D | UEPUJ | 2.28 | | | | | | | | | | | | | | | | | | | | | |
| | 2-Wire Voice Grade Port (Centrex from diff Serving Wire Center) 2 | | | UEP9D | UEPUM | 2.28 | | | | | | | | | | | | | | | | | | | | | |
| | 2-Wire Voice Grade Port (Centrex/differ SWC /EBS-PSET)2, 3 | | | UEP9D | UEPUO | 2.28 | | | | | | | | | | | | | | | | | | | | | |
| | 2-Wire Voice Grade Port (Centrex/differ SWC /EBS-M5009)2, 3 | | | UEP9D | UEPUP | 2.28 | | | | | | | | | | | | | | | | | | | | | |
| | 2-Wire Voice Grade Port (Centrex/differ SWC /EBS-5209)2, 3 | | | UEP9D | UEPUQ | 2.28 | | | | | | | | | | | | | | | | | | | | | |
| | 2-Wire Voice Grade Port (Centrex/differ SWC /EBS-M5112)2, 3 | | | UEP9D | UEPUR | 2.28 | | | | | | | | | | | | | | | | | | | | | |
| | 2-Wire Voice Grade Port (Centrex/differ SWC /EBS-M5312)2, 3 | | | UEP9D | UEPUS | 2.28 | | | | | | | | | | | | | | | | | | | | | |
| | 2-Wire Voice Grade Port (Centrex/differ SWC /EBS-M5008)2, 3 | | | UEP9D | UEPU4 | 2.28 | | | | | | | | | | | | | | | | | | | | | |
| | 2-Wire Voice Grade Port (Centrex/differ SWC /EBS-M5208)2, 3 | | | UEP9D | UEPU5 | 2.28 | | | | | | | | | | | | | | | | | | | | | |
| | 2-Wire Voice Grade Port (Centrex/differ SWC /EBS-M5216)2, 3 | | | UEP9D | UEPU6 | 2.28 | | | | | | | | | | | | | | | | | | | | | |
| | 2-Wire Voice Grade Port (Centrex/differ SWC /EBS-M5316)2, 3 | | | UEP9D | UEPU7 | 2.28 | | | | | | | | | | | | | | | | | | | | | |
| | 2-Wire Voice Grade Port, Diff Serving Wire Center - 800 Service Term | | | UEP9D | UEPUZ | 2.28 | | | | | | | | | | | | | | | | | | | | | |
| | 2-Wire Voice Grade Port terminated in on Megalink or equivalent | | | UEP9D | UEPU9 | 2.28 | | | | | | | | | | | | | | | | | | | | | |
| | 2-Wire Voice Grade Port Terminated on 800 Service Term | | | UEP9D | UEPU2 | 2.28 | | | | | | | | | | | | | | | | | | | | | |
| | Local Switching | | | | | | | | | | | | | | | | | | | | | | | | | | |
| | Centrex Intercom Funtionality, per port | | | UEP9D | URECS | 0.903 | | | | | | | | | | | | | | | | | | | | | |
| | Local Number Portability | | | | | | | | | | | | | | | | | | | | | | | | | | |
| | Local Number Portability (1 per port) | | | UEP9D | LNPC | 0.35 | | | | | | | | | | | | | | | | | | | | | |
| | Features | | | | | | | | | | | | | | | | | | | | | | | | | | |
| | All Standard Features Offered, per port | | | UEP9D | UEPVF | 3.40 | | | | | | | | | | | | | | | | | | | | | |
| | All Select Features Offered, per port | | | UEP9D | UEPVS | 0.00 | | | 457.83 | | | | | | | | | | | | | | | | | | |
| | All Centrex Control Features Offered, per port | | | UEP9D | UEPVC | 3.40 | | | | | | | | | | | | | | | | | | | | | |
| | NARS | | | | | | | | | | | | | | | | | | | | | | | | | | |
| | Unbundled Network Access Register - Combination | | | UEP9D | UARCX | 0.00 | | | 0.00 | 0.00 | | | | | | | | | | | | | | | | | |
| | Unbundled Network Access Register - Inward | | | UEP9D | UAR1X | 0.00 | | | 0.00 | 0.00 | | | | | | | | | | | | | | | | | |
| | Unbundled Network Access Register - Outdial | | | UEP9D | UAROX | 0.00 | | | 0.00 | 0.00 | | | | | | | | | | | | | | | | | |
| | Miscellaneous Terminations | | | | | | | | | | | | | | | | | | | | | | | | | | |
| | 2-Wire Trunk Side | | | | | | | | | | | | | | | | | | | | | | | | | | |
| | Trunk Side Terminations, each | | | UEP9D | CEND6 | 12.36 | | | | | | | | | | | | | | | | | | | | | |
| | 4-Wire Digital (1.544 Megabits) | | | | | | | | | | | | | | | | | | | | | | | | | | |
| | DS1 Circuit Terminations, each | | | UEP9D | M1HD1 | 123.65 | | | | | | | | | | | | | | | | | | | | | |
| | DS0 Channels Activiated per Channel | | | UEP9D | M1HDO | 0.00 | | | 28.81 | | | | | | | | | | | | | | | | | | |
| | | | | | | | | | | | | | | | | | | | | | | | | | | | |
| | Interoffice Channel Mileage - 2-Wire | | | | | | | | | | | | | | | | | | | | | | | | | | |
| | Interoffice Channel Facilities Termination | | | UEP9D | MIGBC | 18.00 | | | | | | | | | | | | | | | | | | | | | |
| | Interoffice Channel mileage, per mile or fraction of mile | | | UEP9D | MIGBM | 0.0282 | | | | | | | | | | | | | | | | | | | | | |
| | Feature Activations (DS0) Centrex Loops on Channelized DS1 Service | | | | | | | | | | | | | | | | | | | | | | | | | | |
| | D4 Channel Bank Feature Activations | | | | | | | | | | | | | | | | | | | | | | | | | | |
| | Feature Activation on D-4 Channel Bank Centrex Loop Slot | | | UEP9D | 1PQWS | 0.65 | | | | | | | | | | | | | | | | | | | | | |
| | Feature Activation on D-4 Channel Bank FX line Side Loop Slot | | | UEP9D | 1PQW6 | 0.65 | | | | | | | | | | | | | | | | | | | | | |
| | Feature Activation on D-4 Channel Bank FX Trunk Side Loop Slot | | | UEP9D | 1PQW7 | 0.65 | | | | | | | | | | | | | | | | | | | | | |
| | Feature Activation on D-4 Channel Bank Centrex Loop Slot - Different Wire Center | | | UEP9D | 1PQWP | 0.65 | | | | | | | | | | | | | | | | | | | | | |
| | Feature Activation on D-4 Channel Bank Private Line Loop Slot | | | UEP9D | 1PQWV | 0.65 | | | | | | | | | | | | | | | | | | | | | |

| UNBUNDLED NETWORK ELEMENTS - North Carolina | | | | | | | | | | Exhibit B of Attachment 2 of the Agreement | | | | | |
|---|--|---------|------|-------|-------|-----------|--------------|-------|-------------------------|--|--------------------------------------|--|--|---|---|
| CATEGORY | RATE ELEMENTS | Interim | Zone | BCS | USOC | RATES(\$) | | | | Svc Order Submitted Elec per LSR | Svc Order Submitted Manually per LSR | Incremental Charge - Manual Svc Order vs. Electronic-1st | Incremental Charge - Manual Svc Order vs. Electronic-Add'l | Incremental Charge - Manual Svc Order vs. Electronic-Disc 1st | Incremental Charge - Manual Svc Order vs. Electronic-Disc Add'l |
| | | | | | | Rec | Nonrecurring | | Nonrecurring Disconnect | | | | | | |
| | | | | | | | First | Add'l | First | Add'l | SOME C | SOMAN | SOMAN | SOMAN | SOMAN |
| | Feature Activation on D-4 Channel Bank Tjje Line/Trunk Loop Slot | | | UEP9D | 1PQWQ | 0.65 | | | | | | | | | |
| | Feature Activation on D-4 Channel Bank WATS Loop Slot | | | UEP9D | 1PQWA | 0.65 | | | | | | | | | |
| | Non-Recurring Charges (NRC) Associated with UNE-P Centrex | | | | | | | | | | | | | | |
| | NRC Conversion Currently Combined Switch-As-Is with allowed changes, per port | | | UEP9D | USAC2 | | 2.77 | 0.40 | | | | 40.18 | 9.45 | | |
| | New Centrex Standard Common Block | | | UEP9D | M1ACS | 0.00 | 695.11 | | | | | 40.18 | 9.45 | | |
| | New Centrex Customized Common Block | | | UEP9D | M1ACC | 0.00 | 695.11 | | | | | 40.18 | 9.45 | | |
| | NAR Establishment Charge, Per Occasion | | | UEP9D | URECA | 0.00 | 72.73 | | | | | 40.18 | 9.45 | | |
| | 4-Wire Digital (1,544 Megabits) | | | | | | | | | | | | | | |
| | Note 1 - Required Port for Centrex Control in 1AESS, 5ESS & EWSD | | | | | | | | | | | | | | |
| | Note 2 - Requires Interoffice Channel Mileage | | | | | | | | | | | | | | |
| | Note 3 - Requires Specific Customer Premises Equipment | | | | | | | | | | | | | | |
| | Note: Rates displaying an "R" in Interim column are interim and subject to rate true-up as set forth in General Terms and Conditions. | | | | | | | | | | | | | | |

| LOCAL INTERCONNECTION - North Carolina | | | | | | | Exhibit A of Attachment 3 of the Agreement | | | | | | | | |
|---|---|---------|------|------------|-------|-----------|--|--------------------------------------|--|--|---|---|-------|--------------|-------|
| CATEGORY | RATE ELEMENTS | Interim | Zone | BCS | USOC | RATES(\$) | Svc Order Submitted Elec per LSR | Svc Order Submitted Manually per LSR | Incremental Charge - Manual Svc Order vs. Electronic-1st | Incremental Charge - Manual Svc Order vs. Electronic-Add'l | Incremental Charge - Manual Svc Order vs. Electronic-Disc 1st | Incremental Charge - Manual Svc Order vs. Electronic-Disc Add'l | | | |
| | | | | | | | | | | | | | Rec | Nonrecurring | |
| | | | | | | | | | | | | | | | |
| | | | | | | | | | | SOMEc | SOMAN | SOMAN | SOMAN | SOMAN | SOMAN |
| LOCAL INTERCONNECTION (CALL TRANSPORT AND TERMINATION) | | | | | | | | | | | | | | | |
| NOTE: "bk" beside a rate indicates that the Parties have agreed to bill and keep for that element pursuant to the terms and conditions in Attachment 3. | | | | | | | | | | | | | | | |
| TANDEM SWITCHING | | | | | | | | | | | | | | | |
| | Tandem Switching Function Per MOU | | | OHD | | 0.0012bk | | | | | | | | | |
| | Multiple Tandem Switching, per MOU (applies to initial tandem only) | | | OHD | | 0.0012 | | | | | | | | | |
| | Tandem Intermediary Charge, per MOU* | | | OHD | | 0.0015 | | | | | | | | | |
| * This charge is applicable only to transit traffic and is applied in addition to applicable switching and/or interconnection charges. | | | | | | | | | | | | | | | |
| TRUNK CHARGE | | | | | | | | | | | | | | | |
| | Installation Trunk Side Service - per DS0 | | | OHD | TPP++ | | 333.54 | 56.88 | | | | | | | |
| | Dedicated End Office Trunk Port Service-per DS0** | | | OHD | TDE0P | 0.00 | | | | | | | | | |
| | Dedicated End Office Trunk Port Service-per DS1** | | | OH1 OH1MS | TDE1P | 0.00 | | | | | | | | | |
| | Dedicated Tandem Trunk Port Service-per DS0** | | | OHD | TDW0P | 0.00 | | | | | | | | | |
| | Dedicated Tandem Trunk Port Service-per DS1** | | | OH1 OH1MS | TDW1P | 0.00 | | | | | | | | | |
| ** This rate element is recovered on a per MOU basis and is included in the End Office Switching and Tandem Switching, per MOU rate elements | | | | | | | | | | | | | | | |
| COMMON TRANSPORT (Shared) | | | | | | | | | | | | | | | |
| | Common Transport - Per Mile, Per MOU | | | OHD | | 0.00001bk | | | | | | | | | |
| | Common Transport - Facilities Termination Per MOU | | | OHD | | 0.00034bk | | | | | | | | | |
| LOCAL INTERCONNECTION (DEDICATED TRANSPORT) | | | | | | | | | | | | | | | |
| INTEROFFICE CHANNEL - DEDICATED TRANSPORT | | | | | | | | | | | | | | | |
| | Interoffice Channel - Dedicated Transport - 2-Wire Voice Grade - Per Mile per month | | | OHL, OHM | 1L5NF | 0.0282 | | | | | | | | | |
| | Interoffice Channel - Dedicated Transport- 2- Wire Voice Grade - Facility Termination per month | | | OHL, OHM | 1L5NF | 18.00 | 137.48 | 52.58 | | | 38.07 | 38.07 | | | |
| | Interoffice Channel - Dedicated Transport - 56 kbps - per mile per month | | | OHL, OHM | 1L5NK | 0.0282 | | | | | | | | | |
| | Interoffice Channel - Dedicated Transport - 56 kbps - Facility Termination per month | | | OHL, OHM | 1L5NK | 17.40 | 137.48 | 52.58 | | | 38.07 | 38.07 | | | |
| | Interoffice Channel - Dedicated Transport - 64 kbps - per mile per month | | | OHL, OHM | 1L5NK | 0.0282 | | | | | | | | | |
| | Interoffice Channel - Dedicated Transport - 64 kbps - Facility Termination per month | | | OHL, OHM | 1L5NK | 17.40 | 137.48 | 52.58 | | | 38.07 | 38.07 | | | |
| | Interoffice Channel - Dedicated Channel - DS1 - Per Mile per month | | | OH1, OH1MS | 1L5NL | 0.5753 | | | | | | | | | |
| | Interoffice Channel - Dedicated Transport - DS1 - Facility Termination per month | | | OH1, OH1MS | 1L5NL | 71.29 | 217.17 | 163.75 | | | 38.07 | 38.07 | | | |
| | Interoffice Channel - Dedicated Transport - DS3 - Per Mile per month | | | OH3, OH3MS | 1L5NM | 12.98 | | | | | | | | | |
| | Interoffice Channel - Dedicated Transport - DS3 - Facility Termination per month | | | OH3, OH3MS | 1L5NM | 720.38 | 794.94 | 579.55 | | | 91.26 | 91.26 | | | |
| LOCAL CHANNEL - DEDICATED TRANSPORT | | | | | | | | | | | | | | | |
| | Local Channel - Dedicated - 2-Wire Voice Grade per month | | | OHL, OHM | TEFV2 | 11.24 | 553.80 | 89.69 | | | 42.17 | 12.76 | | | |
| | Local Channel - Dedicated - 4-Wire Voice Grade per month | | | OHL, OHM | TEFV4 | 12.03 | 562.23 | 92.67 | | | 42.17 | 12.76 | | | |
| | Local Channel - Dedicated - DS1 per month | | | OH1 | TEFHG | 27.05 | 534.48 | 462.69 | | | 86.15 | 1.77 | | | |
| | Local Channel - Dedicated - DS3 Facility Termination per month | | | OH3 | TEFHJ | 298.92 | 438.46 | 256.30 | | | 56.25 | 56.25 | | | |
| LOCAL INTERCONNECTION MID-SPAN MEET | | | | | | | | | | | | | | | |
| NOTE: If Access service ride Mid-Span Meet, one-half the tariffed service Local Channel rate is applicable. | | | | | | | | | | | | | | | |
| | Local Channel - Dedicated - DS1 per month | | | OH1MS | TEFHG | 0.00 | 0.00 | | | | 86.15 | 1.77 | | | |
| | Local Channel - Dedicated - DS3 per month | | | OH3MS | TEFHJ | 0.00 | 0.00 | | | | 56.25 | 56.25 | | | |
| MULTIPLEXERS | | | | | | | | | | | | | | | |
| | Channelization - DS1 to DS0 Channel System | | | OH1, OH1MS | SATN1 | 146.69 | 197.78 | 140.06 | | | 24.77 | 8.16 | | | |
| | DS3 to DS1 Channel System per month | | | OH3, OH3MS | SATNS | 233.10 | 403.97 | 234.40 | | | 24.78 | 7.42 | | | |
| | DS3 Interface Unit (DS1 COC) per month | | | OH1, OH1MS | SATCO | 16.07 | 13.09 | 9.38 | | | | | | | |
| Notes: If no rate is identified in the contract, the rates, terms, and conditions for the specific service or function will be as set forth in applicable BellSouth tariff. | | | | | | | | | | | | | | | |

| ODUF/ADUF/EODUF/CMDS - North Carolina | | | | | | | Exhibit A of Attachment 7 of the Agreement | | | | | | | | | | | | | | | | | |
|---|---|---------|------|-----|------|-----------|--|--------------------------------------|--|--|---|---|-----|--------------|--|-------------------------|--|---------------|--|--|--|--|--|--|
| CATEGORY | RATE ELEMENTS | Interim | Zone | BCS | USOC | RATES(\$) | Svc Order Submitted Elec per LSR | Svc Order Submitted Manually per LSR | Incremental Charge - Manual Svc Order vs. Electronic-1st | Incremental Charge - Manual Svc Order vs. Electronic-Add'l | Incremental Charge - Manual Svc Order vs. Electronic-Disc 1st | Incremental Charge - Manual Svc Order vs. Electronic-Disc Add'l | | | | | | | | | | | | |
| | | | | | | | | | | | | | Rec | Nonrecurring | | Nonrecurring Disconnect | | OSS Rates(\$) | | | | | | |
| | | | | | | | | | | | | | | | | | | | | | | | | |
| | | | | | | | | | | | | | | | | | | | | | | | | |
| ODUF/ADUF/OEDUF/CMDS | | | | | | | | | | | | | | | | | | | | | | | | |
| ACCESS DAILY USAGE FILE (ADUF) | | | | | | | | | | | | | | | | | | | | | | | | |
| | ADUF: Message Processing, per message | | | | N/A | 0.01435 | | | | | | | | | | | | | | | | | | |
| | ADUF: Data Transmission (CONNECT:DIRECT), per message | | | | N/A | 0.0001277 | | | | | | | | | | | | | | | | | | |
| OPTIONAL DAILY USAGE FILE (ODUF) | | | | | | | | | | | | | | | | | | | | | | | | |
| | ODUF: Recording, per message | | | | N/A | 0.0003 | | | | | | | | | | | | | | | | | | |
| | ODUF: Message Processing, per message | | | | N/A | 0.0032 | | | | | | | | | | | | | | | | | | |
| | ODUF: Message Processing, per Magnetic Tape provisioned | | | | N/A | 54.61 | | | | | | | | | | | | | | | | | | |
| | ODUF: Data Transmission (CONNECT:DIRECT), per message | | | | N/A | 0.00004 | | | | | | | | | | | | | | | | | | |
| CENTRALIZED MESSAGE DISTRIBUTION SERVICE (CMDS) | | | | | | | | | | | | | | | | | | | | | | | | |
| | CMDS: Message Processing, per message | | | | N/A | 0.004 | | | | | | | | | | | | | | | | | | |
| | CMDS: Data Transmission (CONNECT:DIRECT), per message | | | | N/A | 0.001 | | | | | | | | | | | | | | | | | | |

Notes: If no rate is identified in the contract, the rate for the specific service or function will be as set forth in applicable BellSouth tariff or as negotiated by the Parties upon request by either Party.

**AMENDMENT
TO THE
AGREEMENT BETWEEN
COMM SOUTH COMPANIES, INC.
AND
BELLSOUTH TELECOMMUNICATIONS, INC.
DATED JULY 4, 2002**

Pursuant to this Amendment, (the "Amendment"), Comm South Companies, Inc., a Texas corporation, on behalf of itself and its certificated operating affiliates as follows: Georgia Comm South, Inc., E-Z Tel, Inc. and Comm South Companies, Inc., doing business in its own name and doing business as Alabama Comm South Corp., Comm South Companies, Inc. d/b/a Florida Comm South, Kentucky Comm South, Inc., Comm South in Tennessee (collectively referred to as "Comm South"), and BellSouth Telecommunications, Inc. ("BellSouth"), hereinafter referred to collectively as the "Parties," hereby agree to amend that certain Interconnection Agreement between the Parties dated July 4, 2002.

WHEREAS, BellSouth and Comm South entered into the Agreement on July 4, 2002, and;

NOW THEREFORE, in consideration of the mutual provisions contained herein and other good and valuable consideration, the receipt and sufficiency of which are hereby acknowledged, the Parties hereby covenant and agree as follows:

1. The name of Comm South Companies, Inc. in the Interconnection Agreement is hereby deleted throughout the Interconnection Agreement for the state of Florida and replaced with Comm South Companies, Inc. d/b/a Florida Comm South ("Comm South").
2. The Parties agree to add to the rates in Exhibit B of Attachment 2, the rates set forth in Exhibit 1 of this Amendment, attached hereto and incorporated herein by this reference.
3. All of the other provisions of the Agreement, dated July 4, 2002, shall remain in full force and effect.
4. Either or both of the Parties are authorized to submit this Amendment to the respective state regulatory authorities for approval subject to Section 252(e) of the Federal Telecommunications Act of 1996.
5. Neither party waives any right to seek clarification from the Commission regarding retroactive application of the rates contained in this Amendment.

IN WITNESS WHEREOF, the Parties hereto have caused this Amendment to be executed by their respective duly authorized representatives on the date indicated below.

**Alabama Comm South Corp.
Comm South Companies, Inc.
Comm South in Tennessee
Comm South Companies, Inc. d/b/a
Florida Comm South
E-Z Tel, Inc.
Georgia Comm South, Inc.
Kentucky Comm South, Inc.**

BellSouth Telecommunications, Inc.

By: Original Signed

By: Original Signed

Name: Sheri Pringle

Name: Patrick C. Finlen

Title: Director Regulatory Affairs

Title: Assistant Director

Date: 1/9/2003

Date: 1/10/2003

| UNBUNDLED NETWORK ELEMENTS - Alabama | | | | | | | | | | | | | | Attachment: 2 | | Exhibit: B | | | |
|---|--|---------|------|-------|-------|-----------|----------------------------------|--------------------------------------|--|--|---|---|---------------|---------------|-------|-------------------------|--|-------|-------|
| CATEGORY | RATE ELEMENTS | Interim | Zone | BCS | USOC | RATES(\$) | Svc Order Submitted Elec per LSR | Svc Order Submitted Manually per LSR | Incremental Charge - Manual Svc Order vs. Electronic-1st | Incremental Charge - Manual Svc Order vs. Electronic-Add'l | Incremental Charge - Manual Svc Order vs. Electronic-Disc 1st | Incremental Charge - Manual Svc Order vs. Electronic-Disc Add'l | OSS Rates(\$) | | | | | | |
| | | | | | | | | | | | | | Rec | Nonrecurring | | Nonrecurring Disconnect | | SOMEc | SOMAN |
| | | | | | | | | | | | | | | | | | | | |
| UNBUNDLED LOCAL EXCHANGE SWITCHING(PORTS) | | | | | | | | | | | | | | | | | | | |
| 2-WIRE VOICE GRADE LINE PORT RATES (RES) | | | | | | | | | | | | | | | | | | | |
| | Alabama Extended Local Dialing Port without Caller ID capability | | | UEPSR | UEPWA | 2.07 | 21.93 | 21.93 | 6.21 | 6.21 | | | 27.37 | 12.97 | 17.77 | \$1.44 | | | |
| | Low Usage Line Port without Caller ID capability | | | UEPSR | UEPRT | 2.07 | 21.93 | 21.93 | 6.21 | 6.21 | | | 27.37 | 12.97 | 17.77 | \$1.44 | | | |
| 2-WIRE VOICE GRADE LINE PORT RATES (BUS) | | | | | | | | | | | | | | | | | | | |
| | Alabama Extended Local Dialing Port without Caller ID capability | | | UEPSB | UEPWB | 2.07 | 21.93 | 21.93 | 6.21 | 6.21 | | | 27.37 | 12.97 | 17.77 | \$1.44 | | | |
| | Incoming Only without Caller ID capability | | | UEPSB | UEPBE | 2.07 | 21.93 | 21.93 | 6.21 | 6.21 | | | 27.37 | 12.97 | 17.77 | \$1.44 | | | |
| UNBUNDLED PORT/LOOP COMBINATIONS - COST BASED RATES | | | | | | | | | | | | | | | | | | | |
| > Cost Based Rates are applied where BellSouth is required by FCC and/or State Commission rule to provide Unbundled Local Switching or Switch Ports. | | | | | | | | | | | | | | | | | | | |
| > End Office and Tandem Switching Usage and Common Transport Usage rates in the Port section of this rate exhibit shall apply to all combinations of loop/port network elements except for UNE Coin Port/Loop Combinations. | | | | | | | | | | | | | | | | | | | |
| > The first and additional Port nonrecurring charges apply to Not Currently Combined Combos. For Currently Combined Combos, the nonrecurring charges shall be those identified in the Nonrecurring - Currently Combined sections. Additional NRCs may apply also and are categorized accordingly. | | | | | | | | | | | | | | | | | | | |
| 2-WIRE VOICE GRADE LOOP WITH 2-WIRE LINE PORT (RES) | | | | | | | | | | | | | | | | | | | |
| 2-Wire Voice Grade Line Port Rates (Res) | | | | | | | | | | | | | | | | | | | |
| | Alabama Extended Local Dialing Port without Caller ID capability | | | UEPRX | UEPWA | 2.20 | 90.00 | 90.00 | | | | | 40.71 | 9.58 | | | | | |
| | Low Usage Line Port without Caller ID capability | | | UEPRX | UEPRT | 2.20 | 90.00 | 90.00 | | | | | 40.71 | 9.58 | | | | | |
| 2-WIRE VOICE GRADE LOOP WITH 2-WIRE LINE PORT (BUS) | | | | | | | | | | | | | | | | | | | |
| 2-Wire Voice Grade Line Port (Bus) | | | | | | | | | | | | | | | | | | | |
| | Alabama Extended Local Dialing Port without Caller ID capability | | | UEPBX | UEPWB | 2.20 | 90.00 | 90.00 | | | | | 40.71 | 9.58 | | | | | |
| | Incoming Only without Caller ID capability | | | UEPBX | UEPBE | 2.20 | 90.00 | 90.00 | | | | | 40.71 | 9.58 | | | | | |

| UNBUNDLED NETWORK ELEMENTS - Florida | | | | | | | | | | Attachment: 2 | | Exhibit: B | | | |
|---|--|---------|------|-------|-------|-----------|----------------------------------|--------------------------------------|--|--|---|---|-------|--------------|-------|
| CATEGORY | RATE ELEMENTS | Interim | Zone | BCS | USOC | RATES(\$) | Svc Order Submitted Elec per LSR | Svc Order Submitted Manually per LSR | Incremental Charge - Manual Svc Order vs. Electronic-1st | Incremental Charge - Manual Svc Order vs. Electronic-Add'l | Incremental Charge - Manual Svc Order vs. Electronic-Disc 1st | Incremental Charge - Manual Svc Order vs. Electronic-Disc Add'l | | | |
| | | | | | | | | | | | | | Rec | Nonrecurring | |
| | | | | | | | | | | | | | | | |
| | | | | | | | | | | SOME C | SOMAN | SOMAN | SOMAN | SOMAN | SOMAN |
| UNBUNDLED LOCAL EXCHANGE SWITCHING(PORTS) | | | | | | | | | | | | | | | |
| 2-WIRE VOICE GRADE LINE PORT RATES (RES) | | | | | | | | | | | | | | | |
| | Florida Area Calling Port without Caller ID capability | | | UEPSR | UEPA9 | 1.40 | 3.74 | 3.63 | 1.88 | 1.80 | | | | | |
| | Florida Extended Dialing for use with CREX7 and Caller ID | | | UEPSR | UEPA1 | 1.40 | 3.74 | 3.63 | 1.88 | 1.80 | | | | | |
| | Florida Extended Dialing for use with CREX7 and without Caller ID capability | | | UEPSR | UEPA8 | 1.40 | 3.74 | 3.63 | 1.88 | 1.80 | | | | | |
| | Low Usage Line Port without Caller ID capability | | | UEPSR | UEPRT | 1.40 | 3.74 | 3.63 | 1.88 | 1.80 | | | | | |
| 2-WIRE VOICE GRADE LINE PORT RATES (BUS) | | | | | | | | | | | | | | | |
| | Incoming Only without Caller ID capability | | | UEPSB | UEPBE | 1.40 | 3.74 | 3.63 | 1.88 | 1.80 | | | | | |
| UNBUNDLED PORT/LOOP COMBINATIONS - COST BASED RATES | | | | | | | | | | | | | | | |
| > Cost Based Rates are applied where BellSouth is required by FCC and/or State Commission rule to provide Unbundled Local Switching or Switch Ports. | | | | | | | | | | | | | | | |
| > Features shall apply to the Unbundled Port/Loop Combination - Cost Based Rate section in the same manner as they are applied to the Stand-Alone Unbundled Port section of this Rate Exhibit. | | | | | | | | | | | | | | | |
| > End Office and Tandem Switching Usage and Common Transport Usage rates in the Port section of this rate exhibit shall apply to all combinations of loop/port network elements except for UNE Coin Port/Loop Combinations. | | | | | | | | | | | | | | | |
| > The first and additional Port nonrecurring charges apply to Not Currently Combined Combos. For Currently Combined Combos, the nonrecurring charges shall be those identified in the Nonrecurring - Currently Combined sections. Additional NRCs may apply also and are categorized accordingly. | | | | | | | | | | | | | | | |
| 2-WIRE VOICE GRADE LOOP WITH 2-WIRE LINE PORT (RES) | | | | | | | | | | | | | | | |
| 2-Wire Voice Grade Line Port Rates (Res) | | | | | | | | | | | | | | | |
| | Florida Area Calling Port without Caller ID capability | | | UEPRX | UEPA9 | 1.17 | 90.00 | 90.00 | | | | | | | |
| | Florida Extended Dialing for use with CREX7 and Caller ID | | | UEPRX | UEPA1 | 1.17 | 90.00 | 90.00 | | | | | | | |
| | Florida Extended Dialing for use with CREX7 and without Caller ID capability | | | UEPRX | UEPA8 | 1.17 | 90.00 | 90.00 | | | | | | | |
| | Low Usage Line Port without Caller ID capability | | | UEPRX | UEPRT | 1.17 | 90.00 | 90.00 | | | | | | | |
| 2-WIRE VOICE GRADE LOOP WITH 2-WIRE LINE PORT (BUS) | | | | | | | | | | | | | | | |
| 2-Wire Voice Grade Line Port (Bus) | | | | | | | | | | | | | | | |
| | Incoming Only without Caller ID capability | | | UEPBX | UEPBE | 1.17 | 53.31 | 26.46 | | | | | | | |
| UNBUNDLED PORT LOOP COMBINATIONS - MARKET RATES | | | | | | | | | | | | | | | |
| > Market Rates shall apply where BellSouth is not required to provide unbundled local switching or switch ports per FCC and/or State Commission rules. | | | | | | | | | | | | | | | |
| This includes unbundled port/loop combinations that are Currently Combined or Not Currently Combined in Zone 1 of the Top 8 MSAs in BellSouth's region for end users with 4 or more DS0 equivalent lines. | | | | | | | | | | | | | | | |
| > The Top 8 MSAs in BellSouth's region are: FL (Orlando, Ft. Lauderdale, Miami); GA (Atlanta); LA (New Orleans); NC (Greensboro-Winston Salem-Highpoint/Charlotte-Gastonia-Rock Hill); TN (Nashville). | | | | | | | | | | | | | | | |
| BellSouth currently is developing the billing capability to mechanically bill the recurring and non-recurring Market Rates in this section. In the interim where BellSouth cannot bill Market Rates, BellSouth shall bill the rates in the Cost-Based section preceding in lieu of the Market Rates and reserves the right to true-up the billing difference. | | | | | | | | | | | | | | | |
| > The Market Rate for unbundled ports includes all available features in all states. | | | | | | | | | | | | | | | |
| > End Office and Tandem Switching Usage and Common Transport Usage rates in the Port section of this rate exhibit shall apply to all combinations of loop/port network elements except for UNE Coin Port/Loop Combinations which have a flat rate usage charge | | | | | | | | | | | | | | | |
| > For Not Currently Combined scenarios where Market Rates apply, the Nonrecurring charges are listed in the First and Additional NRC columns for each Port USOC. For Currently Combined scenarios, the Nonrecurring charges are listed in the NRC - Currently Combined section. Additional NRCs may apply also and are categorized accordingly. | | | | | | | | | | | | | | | |
| 2-WIRE VOICE GRADE LOOP WITH 2-WIRE LINE PORT (RES) | | | | | | | | | | | | | | | |

| UNBUNDLED NETWORK ELEMENTS - Florida | | | | | | | | | | | | Attachment: 2 | | Exhibit: B | | | | | | | |
|--------------------------------------|--|---------|------|-------|-------|-----------|----------------------------------|--------------------------------------|--|--|---|---|---------------|--------------|--|-------------------------|--|-------|-------|-------|-------|
| CATEGORY | RATE ELEMENTS | Interim | Zone | BCS | USOC | RATES(\$) | Svc Order Submitted Elec per LSR | Svc Order Submitted Manually per LSR | Incremental Charge - Manual Svc Order vs. Electronic-1st | Incremental Charge - Manual Svc Order vs. Electronic-Add'l | Incremental Charge - Manual Svc Order vs. Electronic-Disc 1st | Incremental Charge - Manual Svc Order vs. Electronic-Disc Add'l | OSS Rates(\$) | | | | | | | | |
| | | | | | | | | | | | | | Rec | Nonrecurring | | Nonrecurring Disconnect | | SOMEc | SOMAN | SOMAN | SOMAN |
| | | | | | | | | | | | | | | | | | | | | | |
| | 2-Wire Voice Grade Line Port (Res) | | | | | | | | | | | | | | | | | | | | |
| | Florida Area Calling Port without Caller ID capability | | | UEPRX | UEPA9 | 14.00 | 90.00 | 90.00 | | | | | 11.90 | | | | | | | | |
| | Florida Extended Dialing for use with CREX7 and Caller ID | | | UEPRX | UEPA1 | 14.00 | 90.00 | 90.00 | | | | | 11.90 | | | | | | | | |
| | Florida Extended Dialing for use with CREX7 and without Caller ID capability | | | UEPRX | UEPA8 | 14.00 | 90.00 | 90.00 | | | | | 11.90 | | | | | | | | |
| | Low Usage Line Port without Caller ID capability | | | UEPRX | UEPRT | 14.00 | 90.00 | 90.00 | | | | | 11.90 | | | | | | | | |
| | | | | | | | | | | | | | | | | | | | | | |
| | 2-WIRE VOICE GRADE LOOP WITH 2-WIRE LINE PORT (BUS) | | | | | | | | | | | | | | | | | | | | |
| | | | | | | | | | | | | | | | | | | | | | |
| | 2-Wire Voice Grade Line Port (Bus) | | | | | | | | | | | | | | | | | | | | |
| | Incoming Only without Caller ID capability | | | UEPBX | UEPBE | 14.00 | 90.00 | 90.00 | | | | | 11.90 | | | | | | | | |

| UNBUNDLED NETWORK ELEMENTS - Georgia | | | | | | | | | | | | | | Attachment: 2 | | Exhibit: B | |
|---|--|---------|------|-------|-------|-----------|--------------|-------|-------------------------|----------------------------------|--------------------------------------|--|--|---|---|---------------|--|
| CATEGORY | RATE ELEMENTS | Interim | Zone | BCS | USOC | RATES(\$) | | | | Svc Order Submitted Elec per LSR | Svc Order Submitted Manually per LSR | Incremental Charge - Manual Svc Order vs. Electronic-1st | Incremental Charge - Manual Svc Order vs. Electronic-Add'l | Incremental Charge - Manual Svc Order vs. Electronic-Disc 1st | Incremental Charge - Manual Svc Order vs. Electronic-Disc Add'l | | |
| | | | | | | Rec | Nonrecurring | | Nonrecurring Disconnect | | | | | | | OSS Rates(\$) | |
| | | | | | | | First | Add'l | First | Add'l | SOMEC | SOMAN | SOMAN | SOMAN | SOMAN | SOMAN | |
| UNBUNDLED LOCAL EXCHANGE SWITCHING(PORTS) | | | | | | | | | | | | | | | | | |
| Exchange Ports | | | | | | | | | | | | | | | | | |
| NOTE: Although the Port Rate includes all available features in GA, KY, LA & TN, the desired features will need to be ordered using retail USOCs | | | | | | | | | | | | | | | | | |
| 2-WIRE VOICE GRADE LINE PORT RATES (RES) | | | | | | | | | | | | | | | | | |
| | 2-Wire Voice Grade Georgia Basic Dialing Port without Caller ID capability | | | UEPSR | UEPWC | 1.85 | 17.16 | 17.16 | | | | | 18.94 | 8.42 | | | |
| | 2-Wire Voice Grade Georgia Basic Dialing Port for use with Caller ID | | | UEPSR | UEPWQ | 1.85 | 17.16 | 17.16 | | | | | 18.94 | 8.42 | | | |
| | 2-Wire voice unbundled Georgia basic dialing port - outgoing only | | | UEPSR | UEPWR | 1.85 | 17.16 | 17.16 | | | | | 18.94 | 8.42 | | | |
| | Low Usage Line Port without Caller ID capability | | | UEPSR | UEPRT | 1.85 | 17.16 | 17.16 | | | | | 18.94 | 8.42 | | | |
| 2-WIRE VOICE GRADE LINE PORT RATES (BUS) | | | | | | | | | | | | | | | | | |
| | 2-Wire voice unbundled Georgia basic dialing port without Caller ID - bus | | | UEPSB | UEPWD | 1.85 | 17.16 | 17.16 | | | | | 18.94 | 8.42 | | | |
| | 2-Wire voice unbundled Georgia basic dialing port with Caller ID - bus | | | UEPSB | UEPWP | 1.85 | 17.16 | 17.16 | | | | | 18.94 | 8.42 | | | |
| | Incoming Only without Caller ID capability | | | UEPSB | UEPBE | 1.85 | 17.16 | 17.16 | | | | | 18.94 | 8.42 | | | |
| EXCHANGE PORT RATES (DID & PBX) | | | | | | | | | | | | | | | | | |
| | 2-Wire voice unbundled Georgia basic dialing port - 2-way PBX Trunk | | | UEPSE | UEPPQ | 1.85 | 17.16 | 17.16 | | | | | 18.94 | 8.42 | | | |
| | 2-Wire voice unbundled Georgia basic dialing port - 1-Way Outdial Trunk | | | UEPSP | UEPWS | 1.85 | 17.16 | 17.16 | | | | | 18.94 | 8.42 | | | |
| | 2-Wire voice unbundled Georgia basic dialing port - 2-Way Trunk | | | UEPSP | UEPWT | 1.85 | 17.16 | 17.16 | | | | | 18.94 | 8.42 | | | |
| UNBUNDLED PORT/LOOP COMBINATIONS - COST BASED RATES | | | | | | | | | | | | | | | | | |
| > Cost Based Rates are applied where BellSouth is required by FCC and/or State Commission rule to provide Unbundled Local Switching or Switch Ports. | | | | | | | | | | | | | | | | | |
| > Features shall apply to the Unbundled Port/Loop Combination - Cost Based Rate section in the same manner as they are applied to the Stand-Alone Unbundled Port section of this Rate Exhibit. | | | | | | | | | | | | | | | | | |
| > End Office and Tandem Switching Usage and Common Transport Usage rates in the Port section of this rate exhibit shall apply to all combinations of loop/port network elements except for UNE Coin Port/Loop Combinations. | | | | | | | | | | | | | | | | | |
| > The first and additional Port nonrecurring charges apply to Not Currently Combined Combos. For Currently Combined Combos, the nonrecurring charges shall be those identified in the Nonrecurring - Currently Combined sections. Additional NRCs may apply also and are categorized accordingly. | | | | | | | | | | | | | | | | | |
| 2-WIRE VOICE GRADE LOOP WITH 2-WIRE LINE PORT (RES) | | | | | | | | | | | | | | | | | |
| 2-Wire Voice Grade Line Port Rates (Res) | | | | | | | | | | | | | | | | | |
| | 2-Wire Voice Grade Georgia Basic Dialing Port without Caller ID capability | | | UEPRX | UEPWC | 1.79 | 22.14 | 15.25 | 8.45 | 3.91 | | | 33.67 | 7.88 | 11.17 | 3.91 | |
| | 2-Wire Voice Grade Georgia Basic Dialing Port for use with Caller ID | | | UEPRX | UEPWQ | 1.79 | 22.14 | 15.25 | 8.45 | 3.91 | | | 33.67 | 7.88 | 11.17 | 3.91 | |
| | 2-Wire voice unbundled Georgia basic dialing port - outgoing only | | | UEPRX | UEPWR | 1.79 | 22.14 | 15.25 | 8.45 | 3.91 | | | 33.67 | 7.88 | 11.17 | 3.91 | |
| | Low Usage Line Port without Caller ID capability | | | UEPRX | UEPRT | 1.79 | 22.14 | 15.25 | 8.45 | 3.91 | | | 33.67 | 7.88 | 11.17 | 3.91 | |

| UNBUNDLED NETWORK ELEMENTS - Georgia | | | | | | | | | | | | | | Attachment: 2 | | Exhibit: B | |
|---|--|---------|------|-------|-------|-----------|--------------|-------|-------------------------|----------------------------------|--------------------------------------|--|--|---|---|---------------|--|
| CATEGORY | RATE ELEMENTS | Interim | Zone | BCS | USOC | RATES(\$) | | | | Svc Order Submitted Elec per LSR | Svc Order Submitted Manually per LSR | Incremental Charge - Manual Svc Order vs. Electronic-1st | Incremental Charge - Manual Svc Order vs. Electronic-Add'l | Incremental Charge - Manual Svc Order vs. Electronic-Disc 1st | Incremental Charge - Manual Svc Order vs. Electronic-Disc Add'l | | |
| | | | | | | Rec | Nonrecurring | | Nonrecurring Disconnect | | | | | | | OSS Rates(\$) | |
| | | | | | | First | Add'l | First | Add'l | SOMEC | SOMAN | SOMAN | SOMAN | SOMAN | SOMAN | | |
| 2-WIRE VOICE GRADE LOOP WITH 2-WIRE LINE PORT (BUS) | | | | | | | | | | | | | | | | | |
| 2-Wire Voice Grade Line Port (Bus) | | | | | | | | | | | | | | | | | |
| | 2-Wire voice unbundled Georgia basic dialing port without Caller ID - bus | | | UEPBX | UEPWD | 1.79 | 22.14 | 15.25 | 8.45 | 3.91 | | 33.67 | 7.88 | 11.17 | 3.91 | | |
| | 2-Wire voice unbundled Georgia basic dialing port with Caller ID - bus | | | UEPBX | UEPWP | 1.79 | 22.14 | 15.25 | 8.45 | 3.91 | | 33.67 | 7.88 | 11.17 | 3.91 | | |
| | Incoming Only without Caller ID capability | | | UEPBX | UEPBE | 1.79 | 22.14 | 15.25 | 8.45 | 3.91 | | 33.67 | 7.88 | 11.17 | 3.91 | | |
| 2-WIRE VOICE GRADE LOOP WITH 2-WIRE LINE PORT (RES - PBX) | | | | | | | | | | | | | | | | | |
| 2-Wire Voice Grade Line Port Rates (RES - PBX) | | | | | | | | | | | | | | | | | |
| | 2-Wire voice unbundled Georgia basic dialing port - 2-way PBX Trunk | | | UEPRG | UEPPQ | 1.79 | 22.14 | 15.25 | 8.45 | 3.91 | | 33.67 | 7.88 | 11.17 | 3.91 | | |
| 2-WIRE VOICE GRADE LOOP WITH 2-WIRE LINE PORT (BUS - PBX) | | | | | | | | | | | | | | | | | |
| 2-Wire Voice Grade Line Port Rates (BUS - PBX) | | | | | | | | | | | | | | | | | |
| | 2-Wire voice unbundled Georgia basic dialing port - 1-Way Outdial Trunk | | | UEPPX | UEPWS | 1.79 | 22.14 | 15.25 | 8.45 | 3.91 | | 33.67 | 7.88 | 11.17 | 3.91 | | |
| | 2-Wire voice unbundled Georgia basic dialing port - 2-Way Trunk | | | UEPPX | UEPWT | 1.79 | 22.14 | 15.25 | 8.45 | 3.91 | | 33.67 | 7.88 | 11.17 | 3.91 | | |
| UNBUNDLED PORT LOOP COMBINATIONS - MARKET RATES | | | | | | | | | | | | | | | | | |
| > Market Rates shall apply where BellSouth is not required to provide unbundled local switching or switch ports per FCC and/or State Commission rules. | | | | | | | | | | | | | | | | | |
| This includes unbundled port/loop combinations that are Currently Combined or Not Currently Combined in Zone 1 of the Top 8 MSAs in BellSouth's region for end users with 4 or more DS0 equivalent lines. | | | | | | | | | | | | | | | | | |
| > The Top 8 MSAs in BellSouth's region are: FL (Orlando, Ft. Lauderdale, Miami); GA (Atlanta); LA (New Orleans); NC (Greensboro-Winston Salem-Highpoint/Charlotte-Gastonia-Rock Hill); TN (Nashville). | | | | | | | | | | | | | | | | | |
| > BellSouth currently is developing the billing capability to mechanically bill the recurring and non-recurring Market Rates in this section. In the interim where BellSouth cannot bill Market Rates, BellSouth shall bill the rates in the Cost-Based section preceding in lieu of the Market Rates and reserves the right to true-up the billing difference. | | | | | | | | | | | | | | | | | |
| > The Market Rate for unbundled ports includes all available features in all states. | | | | | | | | | | | | | | | | | |
| > End Office and Tandem Switching Usage and Common Transport Usage rates in the Port section of this rate exhibit shall apply to all combinations of loop/port network elements except for UNE Coin Port/Loop Combinations which have a flat rate usage | | | | | | | | | | | | | | | | | |
| > For Not Currently Combined scenarios where Market Rates apply, the Nonrecurring charges are listed in the First and Additional NRC columns for each Port USOC. For Currently Combined scenarios, the Nonrecurring charges are listed in the NRC - Currently Combined section. Additional NRCs may apply also and are categorized accordingly. | | | | | | | | | | | | | | | | | |
| 2-WIRE VOICE GRADE LOOP WITH 2-WIRE LINE PORT (RES) | | | | | | | | | | | | | | | | | |
| 2-Wire Voice Grade Line Port (Res) | | | | | | | | | | | | | | | | | |
| | 2-Wire Voice Grade Georgia Basic Dialing Port without Caller ID capability | | | UEPRX | UEPWC | 14.00 | 90.00 | 90.00 | | | | 33.67 | 7.88 | 11.17 | 3.91 | | |
| | 2-Wire Voice Grade Georgia Basic Dialing Port for use with Caller ID | | | UEPRX | UEPWQ | 14.00 | 90.00 | 90.00 | | | | 33.67 | 7.88 | 11.17 | 3.91 | | |
| | 2-Wire voice unbundled Georgia basic dialing port - outgoing only | | | UEPRX | UEPWR | 14.00 | 90.00 | 90.00 | | | | 33.67 | 7.88 | 11.17 | 3.91 | | |
| | Low Usage Line Port without Caller ID capability | | | UEPRX | UEPRT | 14.00 | 90.00 | 90.00 | | | | 33.67 | 7.88 | 11.17 | 3.91 | | |
| 2-WIRE VOICE GRADE LOOP WITH 2-WIRE LINE PORT (BUS) | | | | | | | | | | | | | | | | | |
| 2-Wire Voice Grade Line Port (Bus) | | | | | | | | | | | | | | | | | |

| UNBUNDLED NETWORK ELEMENTS - Georgia | | | | | | | | | | | | | | Attachment: 2 | | Exhibit: B | |
|--|---|---------|------|-------|-------|-----------|--------------|-------|-------------------------|----------------------------------|--------------------------------------|--|--|---|---|---------------|--|
| CATEGORY | RATE ELEMENTS | Interim | Zone | BCS | USOC | RATES(\$) | | | | Svc Order Submitted Elec per LSR | Svc Order Submitted Manually per LSR | Incremental Charge - Manual Svc Order vs. Electronic-1st | Incremental Charge - Manual Svc Order vs. Electronic-Add'l | Incremental Charge - Manual Svc Order vs. Electronic-Disc 1st | Incremental Charge - Manual Svc Order vs. Electronic-Disc Add'l | | |
| | | | | | | Rec | Nonrecurring | | Nonrecurring Disconnect | | | | | | | OSS Rates(\$) | |
| | | | | | | First | Add'l | First | Add'l | SOMEK | SOMAN | SOMAN | SOMAN | SOMAN | SOMAN | | |
| | 2-Wire voice unbundled Georgia basic dialing port without Caller ID - bus | | | UEPBX | UEPWD | 14.00 | 90.00 | 90.00 | | | | 33.67 | 7.88 | 11.17 | 3.91 | | |
| | 2-Wire voice unbundled Georgia basic dialing port with Caller ID - bus | | | UEPBX | UEPWP | 14.00 | 90.00 | 90.00 | | | | 33.67 | 7.88 | 11.17 | 3.91 | | |
| | Incoming Only without Caller ID capability | | | UEPBX | UEPBE | 14.00 | 90.00 | 90.00 | | | | 33.67 | 7.88 | 11.17 | 3.91 | | |
| 2-WIRE VOICE GRADE LOOP WITH 2-WIRE LINE PORT (RES - PBX) | | | | | | | | | | | | | | | | | |
| 2-Wire Voice Grade Line Port Rates (RES - PBX) | | | | | | | | | | | | | | | | | |
| | 2-Wire voice unbundled Georgia basic dialing port - 2-way PBX Trunk | | | UEPRG | UEPPQ | 14.00 | 90.00 | 90.00 | | | | 33.67 | 7.88 | 11.17 | 3.91 | | |
| 2-WIRE VOICE GRADE LOOP WITH 2-WIRE LINE PORT (BUS - PBX) | | | | | | | | | | | | | | | | | |
| 2-Wire Voice Grade Line Port Rates (BUS - PBX) | | | | | | | | | | | | | | | | | |
| | 2-Wire voice unbundled Georgia basic dialing port - 1-Way Outdial Trunk | | | UEPPX | UEPWS | 14.00 | 22.14 | 15.25 | 8.45 | 3.91 | | 33.67 | 7.88 | 11.17 | 3.91 | | |
| | 2-Wire voice unbundled Georgia basic dialing port - 2-Way Trunk | | | UEPPX | UEPWT | 14.00 | 22.14 | 15.25 | 8.45 | 3.91 | | 33.67 | 7.88 | 11.17 | 3.91 | | |

| UNBUNDLED NETWORK ELEMENTS - Kentucky | | | | | | | | | | | Attachment: 2 | | Exhibit: B | | |
|--|---|---------|------|-------|-------|-----------|--------------|-------|-------------------------|----------------------------------|--------------------------------------|--|--|---|---|
| CATEGORY | RATE ELEMENTS | Interim | Zone | BCS | USOC | RATES(\$) | | | | Svc Order Submitted Elec per LSR | Svc Order Submitted Manually per LSR | Incremental Charge - Manual Svc Order vs. Electronic-1st | Incremental Charge - Manual Svc Order vs. Electronic-Add'l | Incremental Charge - Manual Svc Order vs. Electronic-Disc 1st | Incremental Charge - Manual Svc Order vs. Electronic-Disc Add'l |
| | | | | | | Rec | Nonrecurring | | Nonrecurring Disconnect | | | | | | |
| | | | | | | First | Add'l | First | Add'l | SOME C | SOMAN | SOMAN | SOMAN | SOMAN | SOMAN |
| UNBUNDLED LOCAL EXCHANGE SWITCHING(PORTS) | | | | | | | | | | | | | | | |
| | Exchange Ports | | | | | | | | | | | | | | |
| | NOTE: Although the Port Rate includes all available features in GA, KY, LA & TN, the desired features will need to be ordered using retail USOCs | | | | | | | | | | | | | | |
| | 2-WIRE VOICE GRADE LINE PORT RATES (RES) | | | | | | | | | | | | | | |
| | Kentucky Extended Local Dialing Port without Caller ID capability | | | UEPSR | UEPWE | 1.49 | 3.74 | 3.63 | 2.23 | 2.13 | | | | | 7.86 |
| | Low Usage Line Port without Caller ID capability | | | UEPSR | UEPRT | 1.49 | 3.74 | 3.63 | 2.23 | 2.13 | | | | | 7.86 |
| | 2-WIRE VOICE GRADE LINE PORT RATES (BUS) | | | | | | | | | | | | | | |
| | Kentucky Extended Local Dialing Port without Caller ID capability | | | UEPSB | UEPWF | 1.49 | 3.74 | 3.63 | 2.23 | 2.13 | | | | | 7.86 |
| | Incoming Only without Caller ID capability | | | UEPSB | UEPBE | 1.49 | 3.74 | 3.63 | 2.23 | 2.13 | | | | | 7.86 |
| | UNBUNDLED PORT/LOOP COMBINATIONS - COST BASED RATES | | | | | | | | | | | | | | |
| | > Cost Based Rates are applied where BellSouth is required by FCC and/or State Commission rule to provide Unbundled Local Switching or Switch Ports. | | | | | | | | | | | | | | |
| | > Features shall apply to the Unbundled Port/Loop Combination - Cost Based Rate section in the same manner as they are applied to the Stand-Alone Unbundled Port section of this Rate Exhibit. | | | | | | | | | | | | | | |
| | > End Office and Tandem Switching Usage and Common Transport Usage rates in the Port section of this rate exhibit shall apply to all combinations of loop/port network elements except for UNE Coin Port/Loop Combinations. | | | | | | | | | | | | | | |
| | > The first and additional Port nonrecurring charges apply to Not Currently Combined Combos. For Currently Combined Combos, the nonrecurring charges shall be those identified in the Nonrecurring - Currently Combined sections. Additional NRCs may apply also and are categorized accordingly. | | | | | | | | | | | | | | |
| | 2-WIRE VOICE GRADE LOOP WITH 2-WIRE LINE PORT (RES) | | | | | | | | | | | | | | |
| | 2-Wire Voice Grade Line Port Rates (Res) | | | | | | | | | | | | | | |
| | Kentucky Extended Local Dialing Port without Caller ID capability | | | UEPRX | UEPWE | 1.15 | 21.29 | 15.49 | 2.85 | 2.67 | | | | | 7.86 |
| | Low Usage Line Port without Caller ID capability | | | UEPRX | UEPRT | 1.15 | 21.29 | 15.49 | 2.85 | 2.67 | | | | | 7.86 |
| | 2-WIRE VOICE GRADE LOOP WITH 2-WIRE LINE PORT (BUS) | | | | | | | | | | | | | | |
| | 2-Wire Voice Grade Line Port (Bus) | | | | | | | | | | | | | | |
| | Kentucky Extended Local Dialing Port without Caller ID capability | | | UEPBX | UEPWF | 1.15 | 21.29 | 15.49 | 2.85 | 2.67 | | | | | 7.86 |
| | Incominy Only without Caller ID capability | | | UEPBX | UEPBE | 1.15 | 21.29 | 15.49 | 2.85 | 2.67 | | | | | 7.86 |

| UNBUNDLED NETWORK ELEMENTS - Louisiana | | | | | | | | | | | | | | Attachment: 2 | | Exhibit: B | | | | | | | | |
|---|--|---------|------|-------|-------|-----------|----------------------------------|--------------------------------------|--|--|---|---|---------------|---------------|-------|-------------------------|-------|--------|-------|-------|-------|-------|-------|--|
| CATEGORY | RATE ELEMENTS | Interim | Zone | BCS | USOC | RATES(\$) | Svc Order Submitted Elec per LSR | Svc Order Submitted Manually per LSR | Incremental Charge - Manual Svc Order vs. Electronic-1st | Incremental Charge - Manual Svc Order vs. Electronic-Add'l | Incremental Charge - Manual Svc Order vs. Electronic-Disc 1st | Incremental Charge - Manual Svc Order vs. Electronic-Disc Add'l | OSS Rates(\$) | | | | | | | | | | | |
| | | | | | | | | | | | | | Rec | Nonrecurring | | Nonrecurring Disconnect | | SOME C | SOMAN | SOMAN | SOMAN | SOMAN | SOMAN | |
| | | | | | | | | | | | | | | First | Add'l | First | Add'l | | | | | | | |
| UNBUNDLED LOCAL EXCHANGE SWITCHING(PORTS) | | | | | | | | | | | | | | | | | | | | | | | | |
| Exchange Ports | | | | | | | | | | | | | | | | | | | | | | | | |
| NOTE: Although the Port Rate includes all available features in GA, KY, LA & TN, the desired features will need to be ordered using retail USOCs | | | | | | | | | | | | | | | | | | | | | | | | |
| 2-WIRE VOICE GRADE LINE PORT RATES (RES) | | | | | | | | | | | | | | | | | | | | | | | | |
| | Louisiana Extended Local Dialing Port without Caller ID | | | UEPSR | UEPWG | 1.52 | 2.31 | 2.21 | | | | | | | | | | | 15.20 | | | | | |
| | Louisiana Calling Plan Port without Caller ID capability | | | UEPSR | UEPRQ | 1.52 | 2.31 | 2.21 | | | | | | | | | | | 15.20 | | | | | |
| | Low Usage Line Port without Caller ID capability | | | UEPSR | UEPRT | 1.52 | 2.31 | 2.21 | | | | | | | | | | | 15.20 | | | | | |
| 2-WIRE VOICE GRADE LINE PORT RATES (BUS) | | | | | | | | | | | | | | | | | | | | | | | | |
| | Louisiana Extended Local Dialing Port without Caller ID capability | | | UEPSB | UEPWH | 1.52 | 2.31 | 2.21 | | | | | | | | | | | 15.20 | | | | | |
| | Louisiana Business Area Calling Port without Caller ID capability | | | UEPSB | UEPBA | 1.52 | 2.31 | 2.21 | | | | | | | | | | | 15.20 | | | | | |
| | Incoming Only without Caller ID capability | | | | UEPBE | 1.52 | 2.31 | 2.21 | | | | | | | | | | | 15.20 | | | | | |
| UNBUNDLED PORT/LOOP COMBINATIONS - COST BASED RATES | | | | | | | | | | | | | | | | | | | | | | | | |
| > Cost Based Rates are applied where BellSouth is required by FCC and/or State Commission rule to provide Unbundled Local Switching or Switch Ports. | | | | | | | | | | | | | | | | | | | | | | | | |
| > Features shall apply to the Unbundled Port/Loop Combination - Cost Based Rate section in the same manner as they are applied to the Stand-Alone Unbundled Port section of this Rate Exhibit. | | | | | | | | | | | | | | | | | | | | | | | | |
| > End Office and Tandem Switching Usage and Common Transport Usage rates in the Port section of this rate exhibit shall apply to all combinations of loop/port network elements except for UNE Coin Port/Loop Combinations. | | | | | | | | | | | | | | | | | | | | | | | | |
| > The first and additional Port nonrecurring charges apply to Not Currently Combined Combos. For Currently Combined Combos, the nonrecurring charges shall be those identified in the Nonrecurring - Currently Combined sections. Additional NRCs may apply also and are categorized accordingly. | | | | | | | | | | | | | | | | | | | | | | | | |
| 2-WIRE VOICE GRADE LOOP WITH 2-WIRE LINE PORT (RES) | | | | | | | | | | | | | | | | | | | | | | | | |
| 2-Wire Voice Grade Line Port Rates (Res) | | | | | | | | | | | | | | | | | | | | | | | | |
| | Louisiana Extended Local Dialing Port without Caller ID capability | | | UEPRX | UEPWG | 1.36 | 38.85 | 19.08 | | | | | | | | | | | 15.20 | | | | | |
| | Louisiana Calling Plan Port without Caller ID capability | | | UEPRX | UEPRQ | 1.36 | 38.85 | 19.08 | | | | | | | | | | | 15.20 | | | | | |
| | Low Usage Line Port without Caller ID capability | | | UEPRX | UEPRT | 1.36 | 38.85 | 19.08 | | | | | | | | | | | 15.20 | | | | | |
| 2-WIRE VOICE GRADE LOOP WITH 2-WIRE LINE PORT (BUS) | | | | | | | | | | | | | | | | | | | | | | | | |
| 2-Wire Voice Grade Line Port (Bus) | | | | | | | | | | | | | | | | | | | | | | | | |
| | Louisiana Extended Local Dialing Port without Caller ID capability | | | UEPBX | UEPWH | 1.36 | 38.85 | 19.08 | | | | | | | | | | | 15.20 | | | | | |
| | Louisiana Business Area Calling Port without Caller ID capability | | | UEPBX | UEPBA | 1.36 | 38.85 | 19.08 | | | | | | | | | | | 15.20 | | | | | |
| | Incoming Only without Caller ID capability | | | UEPBX | UEPBE | 1.36 | 38.85 | 19.08 | | | | | | | | | | | 15.20 | | | | | |
| UNBUNDLED PORT LOOP COMBINATIONS - MARKET RATES | | | | | | | | | | | | | | | | | | | | | | | | |
| > Market Rates shall apply where BellSouth is not required to provide unbundled local switching or switch ports per FCC and/or State Commission rules. | | | | | | | | | | | | | | | | | | | | | | | | |
| This includes unbundled port/loop combinations that are Currently Combined or Not Currently Combined in Zone 1 of the Top 8 MSAS in BellSouth's region for end users with 4 or more DS0 equivalent lines. | | | | | | | | | | | | | | | | | | | | | | | | |
| > The Top 8 MSAs in BellSouth's region are: FL (Orlando, Ft. Lauderdale, Miami); GA (Atlanta); LA (New Orleans); NC (Greensboro-Winston Salem-Highpoint/Charlotte-Gastonia-Rock Hill); TN (Nashville). | | | | | | | | | | | | | | | | | | | | | | | | |

| UNBUNDLED NETWORK ELEMENTS - Louisiana | | | | | | | | | | | | | | Attachment: 2 | | Exhibit: B | | | |
|---|--|---------|------|-------|-------|-----------|----------------------------------|--------------------------------------|--|--|---|---|---------------|---------------|--|-------------------------|--|--------|-------|
| CATEGORY | RATE ELEMENTS | Interim | Zone | BCS | USOC | RATES(\$) | Svc Order Submitted Elec per LSR | Svc Order Submitted Manually per LSR | Incremental Charge - Manual Svc Order vs. Electronic-1st | Incremental Charge - Manual Svc Order vs. Electronic-Add'l | Incremental Charge - Manual Svc Order vs. Electronic-Disc 1st | Incremental Charge - Manual Svc Order vs. Electronic-Disc Add'l | OSS Rates(\$) | | | | | | |
| | | | | | | | | | | | | | Rec | Nonrecurring | | Nonrecurring Disconnect | | SOME C | SOMAN |
| | | | | | | | | | | | | | | | | | | | |
| > BellSouth currently is developing the billing capability to mechanically bill the recurring and non-recurring Market Rates in this section. In the interim where BellSouth cannot bill Market Rates, BellSouth shall bill the rates in the Cost-Based section preceding in lieu of the Market Rates and reserves the right to true-up the billing difference. | | | | | | | | | | | | | | | | | | | |
| > The Market Rate for unbundled ports includes all available features in all states. | | | | | | | | | | | | | | | | | | | |
| > End Office and Tandem Switching Usage and Common Transport Usage rates in the Port section of this rate exhibit shall apply to all combinations of loop/port network elements except for UNE Coin Port/Loop Combinations which have a flat rate usage charge | | | | | | | | | | | | | | | | | | | |
| > For Not Currently Combined scenarios where Market Rates apply, the Nonrecurring charges are listed in the First and Additional NRC columns for each Port USOC. For Currently Combined scenarios, the Nonrecurring charges are listed in the NRC - Currently Combined section. Additional NRCs may apply also and are categorized accordingly. | | | | | | | | | | | | | | | | | | | |
| 2-WIRE VOICE GRADE LOOP WITH 2-WIRE LINE PORT (RES) | | | | | | | | | | | | | | | | | | | |
| 2-Wire Voice Grade Line Port (Res) | | | | | | | | | | | | | | | | | | | |
| | Louisiana Extended Local Dialing Port without Caller ID capability | | | UEPRX | UEPWG | 14.00 | 90.00 | 90.00 | | | 31.92 | 7.32 | | | | | | | |
| | Louisiana Calling Plan Port without Caller ID capability | | | UEPRX | UEPRQ | 14.00 | 90.00 | 90.00 | | | 31.92 | 7.32 | | | | | | | |
| | Low Usage Line Port without Caller ID capability | | | UEPRX | UEPRT | 14.00 | 90.00 | 90.00 | | | 31.92 | 7.32 | | | | | | | |
| 2-WIRE VOICE GRADE LOOP WITH 2-WIRE LINE PORT (BUS) | | | | | | | | | | | | | | | | | | | |
| 2-Wire Voice Grade Line Port (Bus) | | | | | | | | | | | | | | | | | | | |
| | Louisiana Extended Local Dialing Port without Caller ID capability | | | UEPBX | UEPWH | 14.00 | 90.00 | 90.00 | | | 31.92 | 7.32 | | | | | | | |
| | Louisiana Business Area Calling Port without Caller ID capability | | | UEPBX | UEPBA | 14.00 | 90.00 | 90.00 | | | 31.92 | 7.32 | | | | | | | |
| | Incoming Only without Caller ID capability | | | UEPBX | UEPBE | 14.00 | 90.00 | 90.00 | | | 31.92 | 7.32 | | | | | | | |

| UNBUNDLED NETWORK ELEMENTS - Mississippi | | | | | | | | | | | | | | Attachment: 2 | | Exhibit: B | | | |
|---|--|---------|------|-------|-------|-----------|----------------------------------|--------------------------------------|--|--|---|---|---------------|---------------|--|-------------------------|--|--------|-------|
| CATEGORY | RATE ELEMENTS | Interim | Zone | BCS | USOC | RATES(\$) | Svc Order Submitted Elec per LSR | Svc Order Submitted Manually per LSR | Incremental Charge - Manual Svc Order vs. Electronic-1st | Incremental Charge - Manual Svc Order vs. Electronic-Add'l | Incremental Charge - Manual Svc Order vs. Electronic-Disc 1st | Incremental Charge - Manual Svc Order vs. Electronic-Disc Add'l | OSS Rates(\$) | | | | | | |
| | | | | | | | | | | | | | Rec | Nonrecurring | | Nonrecurring Disconnect | | SOME C | SOMAN |
| | | | | | | | | | | | | | | | | | | | |
| UNBUNDLED LOCAL EXCHANGE SWITCHING(PORTS) | | | | | | | | | | | | | | | | | | | |
| 2-WIRE VOICE GRADE LINE PORT RATES (RES) | | | | | | | | | | | | | | | | | | | |
| | Mississippi Extended Local Dialing Port without Caller ID capability | | | UEPSR | UEPWJ | 1.41 | 2.39 | 2.29 | 1.42 | 1.33 | | 15.75 | | | | | | | |
| | Low Usage Line Port without Caller ID capability | | | UEPSR | UEPRT | 1.41 | 2.39 | 2.29 | 1.42 | 1.33 | | 15.75 | | | | | | | |
| 2-WIRE VOICE GRADE LINE PORT RATES (BUS) | | | | | | | | | | | | | | | | | | | |
| | Mississippi Extended Local Dialing Port without Caller ID capability | | | UEPSB | UEPWK | 1.41 | 2.39 | 2.29 | 1.42 | 1.33 | | 15.75 | | | | | | | |
| | Incoming Only without Caller ID capability | | | UEPSB | UEPBE | 1.41 | 2.39 | 2.29 | 1.42 | 1.33 | | 15.75 | | | | | | | |
| EXCHANGE PORT RATES (DID & PBX) | | | | | | | | | | | | | | | | | | | |
| | PBX 2-Way Combo MS Local Opt 2 Calling Port | | | UEPSP | UEPA5 | 1.41 | 31.45 | 14.93 | 14.38 | 0.92 | | 15.75 | | | | | | | |
| UNBUNDLED PORT/LOOP COMBINATIONS - COST BASED RATES | | | | | | | | | | | | | | | | | | | |
| > Cost Based Rates are applied where BellSouth is required by FCC and/or State Commission rule to provide Unbundled Local Switching or Switch Ports. | | | | | | | | | | | | | | | | | | | |
| > Features shall apply to the Unbundled Port/Loop Combination - Cost Based Rate section in the same manner as they are applied to the Stand-Alone Unbundled Port section of this Rate Exhibit. | | | | | | | | | | | | | | | | | | | |
| > End Office and Tandem Switching Usage and Common Transport Usage rates in the Port section of this rate exhibit shall apply to all combinations of loop/port network elements except for UNE Coin Port/Loop Combinations. | | | | | | | | | | | | | | | | | | | |
| > The first and additional Port nonrecurring charges apply to Not Currently Combined Combos. For Currently Combined Combos, the nonrecurring charges shall be those identified in the Nonrecurring - Currently Combined sections. Additional NRCs may apply also and are categorized accordingly. | | | | | | | | | | | | | | | | | | | |
| 2-WIRE VOICE GRADE LOOP WITH 2-WIRE LINE PORT (RES) | | | | | | | | | | | | | | | | | | | |
| 2-Wire Voice Grade Line Port Rates (Res) | | | | | | | | | | | | | | | | | | | |
| | Mississippi Extended Local Dialing Port without Caller ID capability | | | UEPRX | UEPWJ | 1.23 | 40.31 | 19.84 | 24.90 | 6.58 | | 15.75 | | | | | | | |
| | Low Usage Line Port without Caller ID capability | | | UEPRX | UEPRT | 1.23 | 40.31 | 19.84 | 24.90 | 6.58 | | 15.75 | | | | | | | |
| 2-WIRE VOICE GRADE LOOP WITH 2-WIRE LINE PORT (BUS) | | | | | | | | | | | | | | | | | | | |
| 2-Wire Voice Grade Line Port (Bus) | | | | | | | | | | | | | | | | | | | |
| | Mississippi Extended Local Dialing Port without Caller ID capability | | | UEPBX | UEPWK | 1.23 | 40.31 | 19.84 | 24.90 | 6.58 | | 15.75 | | | | | | | |
| | Incoming Only without Caller ID capability | | | UEPBX | UEPBE | 1.23 | 40.31 | 19.84 | 24.90 | 6.58 | | 15.75 | | | | | | | |
| 2-WIRE VOICE GRADE LOOP WITH 2-WIRE LINE PORT (BUS - PBX) | | | | | | | | | | | | | | | | | | | |
| 2-Wire Voice Grade Line Port Rates (BUS - PBX) | | | | | | | | | | | | | | | | | | | |
| | PBX 2-Way Combo MS Local Opt 2 Calling Port | | | UEPPX | UEPA5 | 1.23 | 69.37 | 32.48 | 37.86 | 6.17 | | 15.75 | | | | | | | |

| UNBUNDLED NETWORK ELEMENTS - North Carolina | | | | | | | | | | | | | | | | |
|---|--|---------|------|-------|-------|-----------|----------------------------------|--------------------------------------|--|--|---|---|-------|-------|-------|-------|
| CATEGORY | RATE ELEMENTS | Interim | Zone | BCS | USOC | RATES(\$) | Svc Order Submitted Elec per LSR | Svc Order Submitted Manually per LSR | Attachment: 2 | | Exhibit: B | | | | | |
| | | | | | | | | | Incremental Charge - Manual Svc Order vs. Electronic-1st | Incremental Charge - Manual Svc Order vs. Electronic-Add'l | Incremental Charge - Manual Svc Order vs. Electronic-Disc 1st | Incremental Charge - Manual Svc Order vs. Electronic-Disc Add'l | | | | |
| | | | | | | Rec | Nonrecurring | | Nonrecurring Disconnect | | OSS Rates(\$) | | | | | |
| | | | | | | | First | Add'l | First | Add'l | SOME C | SOMAN | SOMAN | SOMAN | SOMAN | SOMAN |
| UNBUNDLED LOCAL EXCHANGE SWITCHING (PORTS) | | | | | | | | | | | | | | | | |
| 2-WIRE VOICE GRADE LINE PORT RATES (RES) | | | | | | | | | | | | | | | | |
| | Low Usage Line Port without Caller ID capability | | | UEPSR | UEPRT | 2.19 | 21.60 | 21.60 | | | | 26.94 | 12.76 | | | |
| 2-WIRE VOICE GRADE LINE PORT RATES (BUS) | | | | | | | | | | | | | | | | |
| | Incoming Only without Caller ID capability | | | UEPSB | UEPBE | 2.19 | 21.60 | 21.60 | | | | 26.94 | 12.76 | | | |
| UNBUNDLED PORT/LOOP COMBINATIONS - COST BASED RATES | | | | | | | | | | | | | | | | |
| > Cost Based Rates are applied where BellSouth is required by FCC and/or State Commission rule to provide Unbundled Local Switching or Switch Ports. | | | | | | | | | | | | | | | | |
| > Features shall apply to the Unbundled Port/Loop Combination - Cost Based Rate section in the same manner as they are applied to the Stand-Alone Unbundled Port section of this Rate Exhibit. | | | | | | | | | | | | | | | | |
| > End Office and Tandem Switching Usage and Common Transport Usage rates in the Port section of this rate exhibit shall apply to all combinations of loop/port network elements except for UNE Coin Port/Loop Combinations. | | | | | | | | | | | | | | | | |
| > The first and additional Port nonrecurring charges apply to Not Currently Combined Combos. For Currently Combined Combos, the nonrecurring charges shall be those identified in the Nonrecurring - Currently Combined sections. Additional NRCs may apply also and are categorized accordingly. | | | | | | | | | | | | | | | | |
| 2-WIRE VOICE GRADE LOOP WITH 2-WIRE LINE PORT (RES) | | | | | | | | | | | | | | | | |
| | Low Usage Line Port without Caller ID capability | | | UEPRX | UEPRT | 2.28 | 90.00 | 90.00 | | | | 40.18 | 9.45 | | | |
| 2-WIRE VOICE GRADE LOOP WITH 2-WIRE LINE PORT (BUS) | | | | | | | | | | | | | | | | |
| | Incoming Only without Caller ID capability | | | UEPBX | UEPBE | 2.28 | 90.00 | 90.00 | | | | 40.18 | 9.45 | | | |
| UNBUNDLED PORT LOOP COMBINATIONS - MARKET RATES | | | | | | | | | | | | | | | | |
| > Market Rates shall apply where BellSouth is not required to provide unbundled local switching or switch ports per FCC and/or State Commission rules. | | | | | | | | | | | | | | | | |
| This includes unbundled port/loop combinations that are Currently Combined or Not Currently Combined in Zone 1 of the Top 8 MSAs in BellSouth's region for end users with 4 or more DS0 equivalent lines. | | | | | | | | | | | | | | | | |
| > The Top 8 MSAs in BellSouth's region are: FL (Orlando, Ft. Lauderdale, Miami); GA (Atlanta); LA (New Orleans); NC (Greensboro-Winston Salem-Highpoint/Charlotte-Gastonia-Rock Hill); TN (Nashville). | | | | | | | | | | | | | | | | |
| > BellSouth currently is developing the billing capability to mechanically bill the recurring and non-recurring Market Rates in this section. In the interim where BellSouth cannot bill Market Rates, BellSouth shall bill the rates in the Cost-Based section preceding in lieu of the Market Rates and reserves the right to true-up the billing difference. | | | | | | | | | | | | | | | | |
| > The Market Rate for unbundled ports includes all available features in all states. | | | | | | | | | | | | | | | | |
| > End Office and Tandem Switching Usage and Common Transport Usage rates in the Port section of this rate exhibit shall apply to all combinations of loop/port network elements except for UNE Coin Port/Loop Combinations which have a flat rate usage charge | | | | | | | | | | | | | | | | |
| > For Not Currently Combined scenarios where Market Rates apply, the Nonrecurring charges are listed in the First and Additional NRC columns for each Port USOC. For Currently Combined scenarios, the Nonrecurring charges are listed in the NRC - Currently Combined section. Additional NRCs may apply also and are categorized accordingly. | | | | | | | | | | | | | | | | |
| 2-WIRE VOICE GRADE LOOP WITH 2-WIRE LINE PORT (RES) | | | | | | | | | | | | | | | | |
| | Low Usage Line Port without Caller ID capability | | | UEPRX | UEPRT | 14.00 | 90.00 | 90.00 | | | | 40.18 | 9.45 | | | |
| 2-WIRE VOICE GRADE LOOP WITH 2-WIRE LINE PORT (BUS) | | | | | | | | | | | | | | | | |
| | Incoming Only without Caller ID capability | | | | | | | | | | | | | | | |

| UNBUNDLED NETWORK ELEMENTS - North Carolina | | | | | | | | | | | Attachment: 2 | | Exhibit: B | | | | | | | |
|---|--|---------|------|-------|-------|-----------|----------------------------------|--------------------------------------|--|--|---|---|------------|--------------|--|-------------------------|--|---------------|--|--|
| CATEGORY | RATE ELEMENTS | Interim | Zone | BCS | USOC | RATES(\$) | Svc Order Submitted Elec per LSR | Svc Order Submitted Manually per LSR | Incremental Charge - Manual Svc Order vs. Electronic-1st | Incremental Charge - Manual Svc Order vs. Electronic-Add'l | Incremental Charge - Manual Svc Order vs. Electronic-Disc 1st | Incremental Charge - Manual Svc Order vs. Electronic-Disc Add'l | | | | | | | | |
| | | | | | | | | | | | | | Rec | Nonrecurring | | Nonrecurring Disconnect | | OSS Rates(\$) | | |
| | | | | | | | | | | | | | | | | | | | | |
| | | | | | | | | | | | | | | | | | | | | |
| | Incoming Only without Caller ID capability | | | UEPBX | UEPBE | 14.00 | | 90.00 | 90.00 | | | | | | | | | | | |
| | | | | | | | | | | | | | | | | | | | | |

| UNBUNDLED NETWORK ELEMENTS - South Carolina | | | | | | | | | | | Attachment: 2 | | Exhibit: B | | | | | | | |
|---|---|---------|------|-------|-------|-----------|----------------------------------|--------------------------------------|--|--|---|---|---------------|--------------|-------|-------------------------|--|--------|-------|-------|
| CATEGORY | RATE ELEMENTS | Interim | Zone | BCS | USOC | RATES(\$) | Svc Order Submitted Elec per LSR | Svc Order Submitted Manually per LSR | Incremental Charge - Manual Svc Order vs. Electronic-1st | Incremental Charge - Manual Svc Order vs. Electronic-Add'l | Incremental Charge - Manual Svc Order vs. Electronic-Disc 1st | Incremental Charge - Manual Svc Order vs. Electronic-Disc Add'l | OSS Rates(\$) | | | | | | | |
| | | | | | | | | | | | | | Rec | Nonrecurring | | Nonrecurring Disconnect | | SOME C | SOMAN | SOMAN |
| | | | | | | | | | | | | | First | Add'l | First | Add'l | | | | |
| UNBUNDLED LOCAL EXCHANGE SWITCHING (PORTS) | | | | | | | | | | | | | | | | | | | | |
| 2-WIRE VOICE GRADE LINE PORT RATES (RES) | | | | | | | | | | | | | | | | | | | | |
| | South Carolina Extended Local Dialing Port without Caller ID capability | | | UEPSR | UEPWL | 1.65 | 2.38 | 2.28 | 1.42 | 1.33 | | 15.69 | | | | | | | | |
| | South Carolina Area Calling Port without Caller ID capability | | | UEPSR | UEPRS | 1.65 | 2.38 | 2.28 | 1.42 | 1.33 | | 15.69 | | | | | | | | |
| | Low Usage Line Port without Caller ID capability | | | UEPSR | UEPRT | 1.65 | 2.38 | 2.28 | 1.42 | 1.33 | | 15.69 | | | | | | | | |
| 2-WIRE VOICE GRADE LINE PORT RATES (BUS) | | | | | | | | | | | | | | | | | | | | |
| | South Carolina Extended Local Dialing Port without Caller ID capability | | | UEPSB | UEPWM | 1.65 | 2.38 | 2.28 | 1.42 | 1.33 | | 15.69 | | | | | | | | |
| | South Carolina Business Area Calling Port without Caller ID capability | | | UEPSB | UEPBB | 1.65 | 2.38 | 2.28 | 1.42 | 1.33 | | 15.69 | | | | | | | | |
| | Incoming Only without Caller ID capability | | | UEPSB | UEPBE | 1.65 | 2.38 | 2.28 | 1.42 | 1.33 | | 15.69 | | | | | | | | |
| UNBUNDLED PORT/LOOP COMBINATIONS - COST BASED RATES | | | | | | | | | | | | | | | | | | | | |
| > Cost Based Rates are applied where BellSouth is required by FCC and/or State Commission rule to provide Unbundled Local Switching or Switch Ports. | | | | | | | | | | | | | | | | | | | | |
| > Features shall apply to the Unbundled Port/Loop Combination - Cost Based Rate section in the same manner as they are applied to the Stand-Alone Unbundled Port section of this Rate Exhibit. | | | | | | | | | | | | | | | | | | | | |
| > End Office and Tandem Switching Usage and Common Transport Usage rates in the Port section of this rate exhibit shall apply to all combinations of loop/port network elements except for UNE Coin Port/Loop Combinations. | | | | | | | | | | | | | | | | | | | | |
| > The first and additional Port nonrecurring charges apply to Not Currently Combined Combos. For Currently Combined Combos, the nonrecurring charges shall be those identified in the Nonrecurring - Currently Combined sections. Additional NRCs may apply also and are categorized accordingly. | | | | | | | | | | | | | | | | | | | | |
| 2-WIRE VOICE GRADE LOOP WITH 2-WIRE LINE PORT (RES) | | | | | | | | | | | | | | | | | | | | |
| 2-Wire Voice Grade Line Port Rates (Res) | | | | | | | | | | | | | | | | | | | | |
| | South Carolina Extended Local Dialing Port without Caller ID capability | | | UEPRX | UEPWL | 1.13 | 37.93 | 16.72 | | | | 15.69 | | | | | | | | |
| | South Carolina Area Calling Port without Caller ID capability | | | UEPRX | UEPRS | 1.13 | 37.93 | 16.72 | | | | 15.69 | | | | | | | | |
| | Low Usage Line Port without Caller ID capability | | | UEPRX | UEPRT | 1.13 | 37.93 | 16.72 | | | | 15.69 | | | | | | | | |
| 2-WIRE VOICE GRADE LOOP WITH 2-WIRE LINE PORT (BUS) | | | | | | | | | | | | | | | | | | | | |
| 2-Wire Voice Grade Line Port (Bus) | | | | | | | | | | | | | | | | | | | | |
| | South Carolina Extended Local Dialing Port without Caller ID capability | | | UEPBX | UEPWM | 1.13 | 37.93 | 16.72 | | | | 15.69 | | | | | | | | |
| | South Carolina Business Area Calling Port without Caller ID capability | | | UEPBX | UEPBB | 1.13 | 37.93 | 16.72 | | | | 15.69 | | | | | | | | |
| | Incoming Only without Caller ID capability | | | UEPBX | UEPBE | 1.13 | 37.93 | 16.72 | | | | 15.69 | | | | | | | | |

| UNBUNDLED NETWORK ELEMENTS - Tennessee | | | | | | | | | | | | | | Attachment: 2 | | Exhibit: B | | | | | | | | | | | | | | |
|---|---|---------|------|-------|-------|-----------|--------------------|-------|--------------------|----------------------------------|--------------------------------------|--|--|---|---|------------------|---------------|-------|-------|-------|-------|--|--|--|--|--|--|--|--|--|
| CATEGORY | RATE ELEMENTS | Interim | Zone | BCS | USOC | RATES(\$) | | | | Svc Order Submitted Elec per LSR | Svc Order Submitted Manually per LSR | Incremental Charge - Manual Svc Order vs. Electronic-1st | Incremental Charge - Manual Svc Order vs. Electronic-Add'l | Incremental Charge - Manual Svc Order vs. Electronic-Disc 1st | Incremental Charge - Manual Svc Order vs. Electronic-Disc Add'l | | | | | | | | | | | | | | | |
| | | | | | | Rec | Nonrecurring First | Add'l | Nonrecurring First | | | | | | | Disconnect Add'l | OSS Rates(\$) | | | | | | | | | | | | | |
| | | | | | | | | | | | | | | | | SOMEK | SOMAN | SOMAN | SOMAN | SOMAN | SOMAN | | | | | | | | | |
| UNBUNDLED LOCAL EXCHANGE SWITCHING (PORTS) | | | | | | | | | | | | | | | | | | | | | | | | | | | | | | |
| Exchange Ports | | | | | | | | | | | | | | | | | | | | | | | | | | | | | | |
| NOTE: Although the Port Rate includes all available features in GA, KY, LA & TN, the desired features will need to be ordered using retail USOCs | | | | | | | | | | | | | | | | | | | | | | | | | | | | | | |
| 2-WIRE VOICE GRADE LINE PORT RATES (RES) | | | | | | | | | | | | | | | | | | | | | | | | | | | | | | |
| | Tennessee Area Plus Port without Caller ID capability | | | UEPSR | UEPRR | 1.89 | 9.93 | 9.19 | 3.66 | 2.92 | | 20.35 | 10.54 | 13.32 | 1.40 | | | | | | | | | | | | | | | |
| | Tennessee Extended Local Dialing Port without Caller ID capability | | | UEPSR | UEPWN | 1.89 | 9.93 | 9.19 | 3.66 | 2.92 | | 20.35 | 10.54 | 13.32 | 1.40 | | | | | | | | | | | | | | | |
| | Low Usage Line Port without Caller ID capability | | | UEPSR | UEPRT | 1.89 | 9.93 | 9.19 | 3.66 | 2.92 | | 20.35 | 10.54 | 13.32 | 1.40 | | | | | | | | | | | | | | | |
| 2-WIRE VOICE GRADE LINE PORT RATES (BUS) | | | | | | | | | | | | | | | | | | | | | | | | | | | | | | |
| | Tennessee Extended Local Dialing Port without Caller ID capability | | | UEPSB | UEPWO | 1.89 | 9.93 | 9.19 | 3.66 | 2.92 | | 20.35 | 10.54 | 13.32 | 1.40 | | | | | | | | | | | | | | | |
| | Tennessee (BUS) inward Collierville and Memphis Local Calling Plan | | | UEPSB | UEPB2 | 1.89 | 9.93 | 9.19 | 3.66 | 2.92 | | 20.35 | 10.54 | 13.32 | 1.40 | | | | | | | | | | | | | | | |
| | Tennessee (BUS) 2-Way Collierville and Memphis Local Calling Plan | | | UEPSB | UEPB3 | 1.89 | 9.93 | 9.19 | 3.66 | 2.92 | | 20.35 | 10.54 | 13.32 | 1.40 | | | | | | | | | | | | | | | |
| | Incoming Only without Caller ID capability | | | UEPSB | UEPBE | 1.89 | 9.93 | 9.19 | 3.66 | 2.92 | | 20.35 | 10.54 | 13.32 | 1.40 | | | | | | | | | | | | | | | |
| EXCHANGE PORT RATES (DID & PBX) | | | | | | | | | | | | | | | | | | | | | | | | | | | | | | |
| | PBX Trunk Combination, Collierville and Memphis Local Calling Plan | | | UEPSP | UEPA6 | 1.79 | 9.93 | 9.19 | 3.66 | 2.92 | | 20.35 | 10.54 | 13.32 | 1.40 | | | | | | | | | | | | | | | |
| | PBX 2-Way Combo First Trunk Collierville and Memphis Local Calling Plan | | | UEPSP | UEPA7 | 1.79 | 9.93 | 9.19 | 3.66 | 2.92 | | 20.35 | 10.54 | 13.32 | 1.40 | | | | | | | | | | | | | | | |
| UNBUNDLED PORT/LOOP COMBINATIONS - COST BASED RATES | | | | | | | | | | | | | | | | | | | | | | | | | | | | | | |
| > Cost Based Rates are applied where BellSouth is required by FCC and/or State Commission rule to provide Unbundled Local Switching or Switch Ports. | | | | | | | | | | | | | | | | | | | | | | | | | | | | | | |
| > Features shall apply to the Unbundled Port/Loop Combination - Cost Based Rate section in the same manner as they are applied to the Stand-Alone Unbundled Port section of this Rate Exhibit. | | | | | | | | | | | | | | | | | | | | | | | | | | | | | | |
| > End Office and Tandem Switching Usage and Common Transport Usage rates in the Port section of this rate exhibit shall apply to all combinations of loop/port network elements except for UNE Coin Port/Loop Combinations. | | | | | | | | | | | | | | | | | | | | | | | | | | | | | | |
| > The first and additional Port nonrecurring charges apply to Not Currently Combined Combos. For Currently Combined Combos, the nonrecurring charges shall be those identified in the Nonrecurring - Currently Combined sections. Additional NRCs may apply also and are categorized accordingly. | | | | | | | | | | | | | | | | | | | | | | | | | | | | | | |
| 2-WIRE VOICE GRADE LOOP WITH 2-WIRE LINE PORT (RES) | | | | | | | | | | | | | | | | | | | | | | | | | | | | | | |
| 2-Wire Voice Grade Line Port Rates (Res) | | | | | | | | | | | | | | | | | | | | | | | | | | | | | | |
| | Tennessee Area Plus Port without Caller ID capability | | | UEPRX | UEPRR | 1.70 | 22.14 | 15.25 | 8.45 | 3.91 | | 30.89 | 7.03 | | | | | | | | | | | | | | | | | |
| | Tennessee Extended Local Dialing Port without Caller ID capability | | | UEPRX | UEPWN | 1.70 | 22.14 | 15.25 | 8.45 | 3.91 | | 30.89 | 7.03 | | | | | | | | | | | | | | | | | |
| | Low Usage Line Port without Caller ID capability | | | UEPRX | UEPRT | 1.70 | 22.14 | 15.25 | 8.45 | 3.91 | | 30.89 | 7.03 | | | | | | | | | | | | | | | | | |
| 2-WIRE VOICE GRADE LOOP WITH 2-WIRE LINE PORT (BUS) | | | | | | | | | | | | | | | | | | | | | | | | | | | | | | |
| 2-Wire Voice Grade Line Port (Bus) | | | | | | | | | | | | | | | | | | | | | | | | | | | | | | |
| | Tennessee Extended Local Dialing Port without Caller ID capability | | | UEPBX | UEPWO | 1.70 | 22.14 | 15.25 | 8.45 | 3.91 | | 30.89 | 7.03 | | | | | | | | | | | | | | | | | |

| UNBUNDLED NETWORK ELEMENTS - Tennessee | | | | | | | | | | | Attachment: 2 | | Exhibit: B | | | |
|--|---|---------|------|-------|-------|-----------|--------------------|-------|--------------------|------------------|----------------------------------|--------------------------------------|--|--|---|---|
| CATEGORY | RATE ELEMENTS | Interim | Zone | BCS | USOC | RATES(\$) | | | | | Svc Order Submitted Elec per LSR | Svc Order Submitted Manually per LSR | Incremental Charge - Manual Svc Order vs. Electronic-1st | Incremental Charge - Manual Svc Order vs. Electronic-Add'l | Incremental Charge - Manual Svc Order vs. Electronic-Disc 1st | Incremental Charge - Manual Svc Order vs. Electronic-Disc Add'l |
| | | | | | | Rec | Nonrecurring First | Add'l | Nonrecurring First | Disconnect Add'l | | | | | | |
| | | | | | | | | | | | | | | | | |
| | Tennessee (BUS) inward Collierville and Memphis Local Calling Plan | | | UEPBX | UEPB2 | 1.70 | 22.14 | 15.25 | 8.45 | 3.91 | | | 30.89 | 7.03 | | |
| | Tennessee (BUS) 2-Way Collierville and Memphis Local Calling Plan | | | UEPBX | UEPB3 | 1.70 | 22.14 | 15.25 | 8.45 | 3.91 | | | 30.89 | 7.03 | | |
| | Incoming Only without Caller ID capability | | | UEPBX | UEPBE | 1.70 | 22.14 | 15.25 | 8.45 | 3.91 | | | 30.89 | 7.03 | | |
| | | | | | | | | | | | | | | | | |
| | 2-WIRE VOICE GRADE LOOP WITH 2-WIRE LINE PORT (BUS - PBX) | | | | | | | | | | | | | | | |
| | | | | | | | | | | | | | | | | |
| | 2-Wire Voice Grade Line Port Rates (BUS - PBX) | | | | | | | | | | | | | | | |
| | PBX Trunk Combination, Collierville and Memphis Local Calling Plan | | | UEPPX | UEPA6 | 1.70 | 22.14 | 15.25 | 8.45 | 3.91 | | | 30.89 | 7.03 | | |
| | PBX 2-Way Combo First Trunk Collierville and Memphis Local Calling Plan | | | UEPPX | UEPA7 | 1.70 | 22.14 | 15.25 | 8.45 | 3.91 | | | 30.89 | 7.03 | | |
| | | | | | | | | | | | | | | | | |
| | UNBUNDLED PORT LOOP COMBINATIONS - MARKET RATES | | | | | | | | | | | | | | | |
| | > Market Rates shall apply where BellSouth is not required to provide unbundled local switching or switch ports per FCC and/or State Commission rules. | | | | | | | | | | | | | | | |
| | This includes unbundled port/loop combinations that are Currently Combined or Not Currently Combined in Zone 1 of the Top 8 MSAs in BellSouth's region for end users with 4 or more DS0 equivalent lines. | | | | | | | | | | | | | | | |
| | > The Top 8 MSAs in BellSouth's region are: FL (Orlando, Ft. Lauderdale, Miami); GA (Atlanta); LA (New Orleans); NC (Greensboro-Winston Salem-Highpoint/Charlotte-Gastonia-Rock Hill); TN (Nashville). | | | | | | | | | | | | | | | |
| | > BellSouth currently is developing the billing capability to mechanically bill the recurring and non-recurring Market Rates in this section. In the interim where BellSouth cannot bill Market Rates, BellSouth shall bill the rates in the Cost-Based section preceding in lieu of the Market Rates and reserves the right to true-up the billing difference. | | | | | | | | | | | | | | | |
| | > The Market Rate for unbundled ports includes all available features in all states. | | | | | | | | | | | | | | | |
| | > End Office and Tandem Switching Usage and Common Transport Usage rates in the Port section of this rate exhibit shall apply to all combinations of loop/port network elements except for UNE Coin Port/Loop Combinations which have a flat rate usage charge | | | | | | | | | | | | | | | |
| | > For Not Currently Combined scenarios where Market Rates apply, the Nonrecurring charges are listed in the First and Additional NRC columns for each Port USOC. For Currently Combined scenarios, the Nonrecurring charges are listed in the NRC - Currently Combined section. Additional NRCs may apply also and are categorized accordingly. | | | | | | | | | | | | | | | |
| | | | | | | | | | | | | | | | | |
| | 2-WIRE VOICE GRADE LOOP WITH 2-WIRE LINE PORT (RES) | | | | | | | | | | | | | | | |
| | | | | | | | | | | | | | | | | |
| | 2-Wire Voice Grade Line Port (Res) | | | | | | | | | | | | | | | |
| | Tennessee Area Plus Port without Caller ID capability | | | UEPRX | UEPRR | 14.00 | 90.00 | 90.00 | | | | | 30.89 | 7.03 | | |
| | Tennessee Extended Local Dialing Port without Caller ID capability | | | UEPRX | UEPWN | 14.00 | 90.00 | 90.00 | | | | | 30.89 | 7.03 | | |
| | Low Usage Line Port without Caller ID capability | | | UEPRX | UEPRT | 14.00 | 90.00 | 90.00 | | | | | 30.89 | 7.03 | | |
| | | | | | | | | | | | | | | | | |
| | 2-WIRE VOICE GRADE LOOP WITH 2-WIRE LINE PORT (BUS) | | | | | | | | | | | | | | | |
| | | | | | | | | | | | | | | | | |
| | 2-Wire Voice Grade Line Port (Bus) | | | | | | | | | | | | | | | |
| | Tennessee Extended Local Dialing Port without Caller ID capability | | | UEPBX | UEPWO | 14.00 | 90.00 | 90.00 | | | | | 30.89 | 7.03 | | |
| | Tennessee (BUS) inward Collierville and Memphis Local Calling Plan | | | UEPBX | UEPB2 | 14.00 | 90.00 | 90.00 | | | | | 30.89 | 7.03 | | |
| | Tennessee (BUS) 2-Way Collierville and Memphis Local Calling Plan | | | UEPBX | UEPB3 | 14.00 | 90.00 | 90.00 | | | | | 30.89 | 7.03 | | |
| | Incoming Only without Caller ID capability | | | UEPBX | UEPBE | 14.00 | 90.00 | 90.00 | | | | | 30.89 | 7.03 | | |
| | | | | | | | | | | | | | | | | |
| | 2-WIRE VOICE GRADE LOOP WITH 2-WIRE LINE PORT (BUS - PBX) | | | | | | | | | | | | | | | |
| | | | | | | | | | | | | | | | | |
| | 2-Wire Voice Grade Line Port Rates (BUS - PBX) | | | | | | | | | | | | | | | |
| | PBX Trunk Combination, Collierville and Memphis Local Calling Plan | | | UEPPX | UEPA6 | 14.00 | 90.00 | 90.00 | | | | | 30.89 | 7.03 | | |
| | PBX 2-Way Combo First Trunk Collierville and Memphis Local Calling Plan | | | UEPPX | UEPA7 | 14.00 | 90.00 | 90.00 | | | | | 30.89 | 7.03 | | |