

**COMMONWEALTH OF KENTUCKY  
BEFORE THE PUBLIC SERVICE COMMISSION**

In the Matter of:

THE APPLICATION OF )  
NEW CINGULAR WIRELESS PCS, LLC, )  
A DELAWARE LIMITED LIABILITY COMPANY )  
FOR ISSUANCE OF A CERTIFICATE OF PUBLIC ) CASE NO.: 2024-00168  
CONVENIENCE AND NECESSITY TO CONSTRUCT )  
A WIRELESS COMMUNICATIONS FACILITY )  
IN THE COMMONWEALTH OF KENTUCKY )  
IN THE COUNTY OF WEBSTER )

SITE NAME: TRADEWATER

\*\*\*\*\*

**APPLICATION FOR  
CERTIFICATE OF PUBLIC CONVENIENCE AND NECESSITY  
FOR CONSTRUCTION OF A WIRELESS COMMUNICATIONS FACILITY**

New Cingular Wireless PCS, LLC (“Applicant”), by counsel, pursuant to (i) KRS §§ 278.020, 278.040, 278.650, 278.665, and other statutory authority, and the rules and regulations applicable thereto, and (ii) the Telecommunications Act of 1996, respectfully submits this Application requesting issuance of a Certificate of Public Convenience and Necessity (“CPCN”) from the Kentucky Public Service Commission (“PSC”) to construct, maintain, and operate a Wireless Communications Facility (“WCF”) to serve their customers with wireless communications services.

In support of this Application, Applicant respectfully provides and states the following information:

1. The complete name and address of the Applicant is: New Cingular Wireless PCS, LLC, having an address of 534 Armory Place, Louisville, Kentucky 40202. New Cingular Wireless PCS, LLC markets and provides wireless services under AT&T branding.

2. Applicant proposes construction of an antenna tower for communications services, which is to be located in an area outside the jurisdiction of a planning commission, and Applicant submits this application to the PSC for a certificate of public convenience and necessity pursuant to KRS §§ 278.020(1), 278.040, 278.650, 278.665, and other statutory authority.

3. New Cingular Wireless PCS, LLC is a limited liability company organized in the State of Delaware on October 20, 1994. New Cingular Wireless PCS, LLC's Certificate of Good standing issued by the State of Delaware is attached as part of **Exhibit A** and hereby incorporated by reference.

4. Applicant attests that they are in good standing in the state in which they are organized and further states that they are authorized to transact business in Kentucky. A copy of the Applicant's Certificate of Authorization issued by the Kentucky Secretary of State is attached as part of **Exhibit A** and is hereby incorporated by reference.

5. New Cingular Wireless PCS, LLC operates on frequencies licensed by the Federal Communications Commission ("FCC") pursuant to applicable FCC requirements. A copy of the Applicant's FCC applications and licenses to provide wireless services are attached to this Application or described as part of **Exhibit A**, and the facility will be constructed and operated in accordance with applicable FCC regulations.

6. The public convenience and necessity require the construction of the proposed WCF. The construction of the WCF will bring or improve Applicant's wireless services to an area currently not served or not adequately served by Applicant by increasing coverage or capacity and thereby enhancing the public's access to innovative

and competitive wireless communications services. The WCF will provide a necessary link in New Cingular Wireless PCS, LLC's communications network that is designed to meet the increasing demands for wireless services in Kentucky's wireless communications service area. The WCF is an integral link in the Applicant's network design that must be in place to provide adequate coverage to the service area.

7. To address the above-described service needs, the Applicant proposes to construct a WCF in a lease area located at 695 Dave Miller Road (a.k.a. William Station Road), Clay, Kentucky 42404 (37° 29' 53.398565" North latitude, 87° 53' 05.636801" West longitude), on a parcel of land located entirely within the county referenced in the caption of this application. The property on which the WCF will be located is owned by the John R. Williams Living Trust pursuant to a Deed recorded at Deed Book 265, Page 269 in the office of the County Clerk. The proposed WCF will consist of a 195-foot tall tower, with an approximately 4-foot tall lightning arrestor attached at the top, for a total height of 199-feet. The WCF will also include concrete foundations and a shelter or cabinets to accommodate the placement of radio electronics equipment and appurtenant equipment. The equipment cabinet or shelter will be approved for use in the Commonwealth of Kentucky by the relevant building inspector. The WCF compound will be fenced and all access gate(s) will be secured. A description of the manner in which the proposed WCF will be constructed is attached as **Exhibit B** and **Exhibit C**.

8. A list of utilities, corporations, or persons with whom the proposed WCF is likely to compete is attached as **Exhibit D**.

9. The site development plan and a vertical profile sketch of the WCF signed

and sealed by a professional engineer registered in Kentucky depicting the tower height, as well as a proposed configuration for the antennas of New Cingular Wireless PCS, LLC has also been included as part of **Exhibit B**.

10. Foundation design plans signed and sealed by a professional engineer registered in Kentucky and a description of the standards according to which the tower was designed are included as part of **Exhibit C**.

11. Applicant has considered the likely effects of the installation of the proposed WCF on nearby land uses and values and has concluded that there is no more suitable location reasonably available from which adequate services can be provided, and that there are no reasonably available opportunities to co-locate Applicant's antennas on an existing structure. When suitable towers or structures exist, Applicant attempt to co-locate on existing structures such as communications towers or other structures capable of supporting Applicant's facilities; however, no other suitable or available co-location site was found to be located in the vicinity of the site.

12. Documentation confirming that notice of the proposed construction to the Federal Aviation Administration ("FAA") is not required is attached as **Exhibit E**.

13. Documentation from the KAZC Administrator confirming KAZC approval for the proposed construction is not required is attached as **Exhibit F**.

14. A geotechnical engineering firm has performed soil boring(s) and subsequent geotechnical engineering studies at the WCF site. A copy of the geotechnical engineering report, signed and sealed by a professional engineer registered in the Commonwealth of Kentucky, is attached as **Exhibit G**. The name and address of the geotechnical

engineering firm and the professional engineer registered in the Commonwealth of Kentucky who supervised the examination of this WCF site are included as part of this exhibit.

15. Clear directions to the proposed WCF site from the County seat are attached as **Exhibit H**. The name and telephone number of the preparer of **Exhibit H** are included as part of this exhibit.

16. Applicant, pursuant to a written agreement, has acquired the right to use the WCF site and associated property rights. A copy of the agreement or an abbreviated agreement recorded with the County Clerk is attached as **Exhibit I**.

17. Personnel directly responsible for the design and construction of the proposed WCF are well qualified and experienced. The tower and foundation drawings for the proposed tower submitted as part of **Exhibit C** bear the signature and stamp of a professional engineer registered in the Commonwealth of Kentucky. All tower designs meet or exceed the minimum requirements of applicable laws and regulations.

18. The Construction Manager for the proposed facility is John Lounsbury and the identity and qualifications of each person directly responsible for design and construction of the proposed tower are contained in **Exhibits B & C**.

19. As noted on the Survey attached as part of **Exhibit B**, the surveyor has determined that the site is not within any flood hazard area.

20. **Exhibit B** includes a map drawn to an appropriate scale that shows the location of the proposed tower and identifies every owner of real estate within 500 feet of the proposed tower (according to the records maintained by the County Property Valuation

Administrator). Every structure and every easement within 500 feet of the proposed tower or within 200 feet of the access road including intersection with the public street system is illustrated in **Exhibit B**.

21. Applicant has sent notice letters to every person who, according to the records of the County Property Valuation Administrator (“PVA”), owns property which is within 500 feet of the proposed tower or contiguous to the site property. The letters were sent by certified mail, return receipt requested and included a description of the proposed construction. Within each mailing, notified property owners were sent a map of the location of the proposed construction, the PSC docket number for this application, the address of the PSC, and information regarding his or her right to request intervention. A list of the notified property owners and a copy of the form of the notice sent by certified mail to each landowner are attached as **Exhibit J** and **Exhibit K**, respectively.

22. Copies of the Webster County PVA records obtained from the County’s PVA website on May 22, 2024 are attached as part of **Exhibit J**. The accuracy of the records was verified via correspondence with the County’s Property Value Administrator, and a copy of this correspondence is attached as part of **Exhibit J**. These records were used to generate the notice list.

23. Ten notice letters were sent to the landowners on the notice list at the mailing addresses shown on the County’s PVA records on May 24, 2024. Copies of ten “Certified Mail Receipts” confirming the date on which the letters were sent are attached as part of **Exhibit J**.

24. To date, five signed United States Postal Service Form 3811 “green cards”

have been returned. Copies of the five returned “green cards” are attached as a part of **Exhibit J**. Three notice letters have been returned, and copies of the returned letters are attached as part of **Exhibit J**. Two notice letters were “delivered, left with individual” according to the United States Postal Service (USPS) tracking data, which is attached as part of **Exhibit J**. There are no unaccountable notices.

25. Applicant has notified the applicable County Judge/Executive by certified mail, return receipt requested, of the proposed construction. This notice included the PSC docket number under which the application will be processed and informed the County Judge/Executive of his/her right to request intervention. A copy of this notice is attached as **Exhibit L**. A copy of the “Certified Mail Receipt” and a copy of the USPS Form 3811 “green card” for this mailing are also attached as part of **Exhibit L**.

26. Notice signs meeting the requirements prescribed by 807 KAR 5:063, Section 1(2) that measure at least 2 feet in height and 4 feet in width and that contain all required language in letters of required height, have been posted, one in a visible location on the proposed site and one on the nearest public road. Such signs shall remain posted for at least two weeks after filing of the Application, and a copy of the posted text is attached as **Exhibit M**. A legal notice advertisement regarding the location of the proposed facility will be published in a newspaper of general circulation in the county in which the WCF is proposed to be located. A copy of the newspaper legal notice advertisement is attached as part of **Exhibit M**.

27. The general area where the proposed facility is to be located rural and heavily wooded with sparse residences along highways in the area. The site parcel is used as a

pasture for cattle. There are no existing structures on the site parcel.

28. The process that was used by Applicant's radio frequency engineers in selecting the site for the proposed WCF was consistent with the general process used for selecting all other existing and proposed WCF facilities within the proposed network design area. Applicant's radio frequency engineers have conducted studies and tests in order to develop a highly efficient network that is designed to handle voice and data traffic in the service area. The engineers determined an optimum area for the placement of the proposed facility in terms of elevation and location to provide the best quality service to customers in the service area. A radio frequency design search area prepared in reference to these radio frequency studies was considered by the Applicant when searching for sites for its antennas that would provide the coverage deemed necessary by Applicant's radio frequency engineers. A map of the area in which the tower is proposed to be located which is drawn to scale and clearly depicts the necessary search area within which the site should be located pursuant to radio frequency requirements is attached as **Exhibit N**.

29. The tower must be located at the proposed location and proposed height to provide necessary service to wireless communications users in the subject area.

30. All Exhibits to this Application are hereby incorporated by reference as if fully set out as part of the Application.



31. All responses and requests associated with this Application may be directed

to:

David A. Pike and  
F. Keith Brown  
Pike Legal Group, PLLC  
1578 Highway 44 East, Suite 6  
P. O. Box 369  
Shepherdsville, KY 40165-0369  
Telephone: (502) 955-4400  
Telefax: (502) 543-4410  
Email: dpike@pikelegal.com  
kbrown@pikelegal.com

**WHEREFORE**, Applicant respectfully request that the PSC accept the foregoing Application for filing, and having met the requirements of KRS §§ 278.020(1), 278.650, and 278.665 and all applicable rules and regulations of the PSC, grant a Certificate of Public Convenience and Necessity to construct and operate the WCF at the location set forth herein.

Respectfully submitted,



---

David A. Pike  
And



---

F. Keith Brown

Pike Legal Group, PLLC  
1578 Highway 44 East, Suite 6  
P. O. Box 369  
Shepherdsville, KY 40165-0369  
Telephone: (502) 955-4400  
Telefax: (502) 543-4410  
Email: dpike@pikelegal.com  
kbrown@pikelegal.com  
Attorneys for Applicant

## LIST OF EXHIBITS

- A - Corporate Documentation & FCC License Documentation
- B - Site Development Plan:
  - 500' Vicinity Map
  - Legal Descriptions
  - Flood Plain Certification
  - Site Plan
  - Vertical Tower Profile
- C - Tower and Foundation Design
  - Construction Manager Letter
  - List of Qualified Professionals
  - Tower and Foundation Drawings
- D - Competing Utilities, Corporations, or Persons List
- E - FAA
- F - Kentucky Airport Zoning Commission
- G - Geotechnical Report
- H - Directions to WCF Site
- I - Copy of Real Estate Agreement
- J - Notification Listing, PVA Records & Proof of Notice
- K - Copy of Property Owner Notification
- L - Copy of County Judge/Executive Notice & Proof of Notice
- M - Copy of Posted Notices and Newspaper Notice Advertisement
- N - Copy of Radio Frequency Design Search Area

**EXHIBIT A**  
**CORPORATE DOCUMENTATION & FCC LICENSE**  
**DOCUMENTATION**

# Delaware

The First State

I, JEFFREY W. BULLOCK, SECRETARY OF STATE OF THE STATE OF DELAWARE, DO HEREBY CERTIFY "NEW CINGULAR WIRELESS PCS, LLC" IS DULY FORMED UNDER THE LAWS OF THE STATE OF DELAWARE AND IS IN GOOD STANDING AND HAS A LEGAL EXISTENCE SO FAR AS THE RECORDS OF THIS OFFICE SHOW, AS OF THE TWELFTH DAY OF APRIL, A.D. 2024.

AND I DO HEREBY FURTHER CERTIFY THAT THE SAID "NEW CINGULAR WIRELESS PCS, LLC" WAS FORMED ON THE TWENTIETH DAY OF OCTOBER, A.D. 1994.

AND I DO HEREBY FURTHER CERTIFY THAT THE ANNUAL TAXES HAVE BEEN PAID TO DATE.



2445544 8300

SR# 20241423461

You may verify this certificate online at [corp.delaware.gov/authver.shtml](http://corp.delaware.gov/authver.shtml)

A handwritten signature in black ink, appearing to read "JBULLOCK", is written over a horizontal line. Below the line, the text "Jeffrey W. Bullock, Secretary of State" is printed in a small font.

Authentication: 203243800

Date: 04-12-24

**Commonwealth of Kentucky**  
**Michael G. Adams, Secretary of State**

Michael G. Adams  
Secretary of State  
P. O. Box 718  
Frankfort, KY 40602-0718  
(502) 564-3490  
<http://www.sos.ky.gov>

**Certificate of Authorization**

Authentication number: 307635  
Visit <https://web.sos.ky.gov/ftshow/certvalidate.aspx> to authenticate this certificate.

I, Michael G. Adams, Secretary of State of the Commonwealth of Kentucky, do hereby certify that according to the records in the Office of the Secretary of State,

**NEW CINGULAR WIRELESS PCS, LLC**

, a limited liability company authorized under the laws of the state of Delaware, is authorized to transact business in the Commonwealth of Kentucky, and received the authority to transact business in Kentucky on October 14, 1999.

I further certify that all fees and penalties owed to the Secretary of State have been paid; that an application for certificate of withdrawal has not been filed; and that the most recent annual report required by KRS 14A.6-010 has been delivered to the Secretary of State.

IN WITNESS WHEREOF, I have hereunto set my hand and affixed my Official Seal at Frankfort, Kentucky, this 21<sup>st</sup> day of March, 2024, in the 232<sup>nd</sup> year of the Commonwealth.



*Michael G. Adams*

Michael G. Adams  
Secretary of State  
Commonwealth of Kentucky  
307635/0481848

REFERENCE COPY

This is not an official FCC license. It is a record of public information contained in the FCC's licensing database on the date that this reference copy was generated. In cases where FCC rules require the presentation, posting, or display of an FCC license, this document may not be used in place of an official FCC license.



**Federal Communications Commission**  
**Wireless Telecommunications Bureau**

**RADIO STATION AUTHORIZATION**

LICENSEE: NEW CINGULAR WIRELESS PCS, LLC

ATTN: NATIONAL REGULATORY COMPLIANCE  
 NEW CINGULAR WIRELESS PCS, LLC  
 208 S AKARD ST, 20F  
 DALLAS, TX 75202

<b>Call Sign</b> KNKN674	<b>File Number</b>
<b>Radio Service</b> CL - Cellular	
<b>Market Numer</b> CMA444	<b>Channel Block</b> A
<b>Sub-Market Designator</b> 0	

FCC Registration Number (FRN): 0003291192

<b>Market Name</b> Kentucky 2 - Union
--

<b>Grant Date</b> 09-08-2021	<b>Effective Date</b> 01-23-2024	<b>Expiration Date</b> 10-01-2031	<b>Five Yr Build-Out Date</b>	<b>Print Date</b>
---------------------------------	-------------------------------------	--------------------------------------	-------------------------------	-------------------

**Site Information:**

Location	Latitude	Longitude	Ground Elevation (meters)	Structure Hgt to Tip (meters)	Antenna Structure Registration No.
2	37-13-06.1 N	087-26-55.2 W	190.8	74.7	1232468

Address: 2837 Mortons Gap Road (76132)

City: Nortonville County: HOPKINS State: KY Construction Deadline:

**Antenna: 1**

<b>Maximum Transmitting ERP in Watts:</b> 140.820								
Azimuth(from true north)	0	45	90	135	180	225	270	315
<b>Antenna Height AAT (meters)</b>	119.600	113.700	121.000	115.700	97.100	96.400	79.600	108.500
<b>Transmitting ERP (watts)</b>	11.049	36.274	32.141	6.281	0.353	0.100	0.101	0.947

**Antenna: 2**

<b>Maximum Transmitting ERP in Watts:</b> 140.820								
Azimuth(from true north)	0	45	90	135	180	225	270	315
<b>Antenna Height AAT (meters)</b>	119.600	113.700	121.000	115.700	97.100	96.400	79.600	108.500
<b>Transmitting ERP (watts)</b>	0.148	0.151	2.758	31.484	73.890	34.411	3.370	0.147

**Antenna: 3**

<b>Maximum Transmitting ERP in Watts:</b> 140.820								
Azimuth(from true north)	0	45	90	135	180	225	270	315
<b>Antenna Height AAT (meters)</b>	119.600	113.700	121.000	115.700	97.100	96.400	79.600	108.500
<b>Transmitting ERP (watts)</b>	12.714	0.940	0.099	0.100	0.397	5.201	29.662	38.742

**Conditions:**

Pursuant to §309(h) of the Communications Act of 1934, as amended, 47 U.S.C. §309(h), this license is subject to the following conditions: This license shall not vest in the licensee any right to operate the station nor any right in the use of the frequencies designated in the license beyond the term thereof nor in any other manner than authorized herein. Neither the license nor the right granted thereunder shall be assigned or otherwise transferred in violation of the Communications Act of 1934, as amended. See 47 U.S.C. § 310(d). This license is subject in terms to the right of use or control conferred by §706 of the Communications Act of 1934, as amended. See 47 U.S.C. §606.

Licensee Name: NEW CINGULAR WIRELESS PCS, LLC

Call Sign: KNKN674

File Number:

Print Date:

Location	Latitude	Longitude	Ground Elevation (meters)	Structure Hgt to Tip (meters)	Antenna Structure Registration No.
6	37-26-08.9 N	087-59-07.1 W	211.2	95.7	1043416

Address: 614 Rosebud Church Road (76137)

City: STURGIS County: CRITTENDEN State: KY Construction Deadline:

Antenna: 1

Maximum Transmitting ERP in Watts:	140.820							
Azimuth(from true north)	0	45	90	135	180	225	270	315
Antenna Height AAT (meters)	181.700	184.800	184.200	171.500	143.100	138.000	160.700	151.100
Transmitting ERP (watts)	140.061	182.986	201.464	78.939	26.872	10.497	13.914	31.520

Antenna: 2

Maximum Transmitting ERP in Watts:	140.820							
Azimuth(from true north)	0	45	90	135	180	225	270	315
Antenna Height AAT (meters)	181.700	184.800	184.200	171.500	143.100	138.000	160.700	151.100
Transmitting ERP (watts)	0.244	15.054	52.062	103.948	68.767	110.549	40.818	28.256

Antenna: 3

Maximum Transmitting ERP in Watts:	140.820							
Azimuth(from true north)	0	45	90	135	180	225	270	315
Antenna Height AAT (meters)	181.700	184.800	184.200	171.500	143.100	138.000	160.700	151.100
Transmitting ERP (watts)	90.126	27.369	33.582	15.535	16.134	77.108	101.371	97.219

Location	Latitude	Longitude	Ground Elevation (meters)	Structure Hgt to Tip (meters)	Antenna Structure Registration No.
11	37-39-06.2 N	087-55-17.8 W	189.6	103.6	1043419

Address: 190 ED RICKETTS ROAD (76131)

City: MORGANFIELD County: UNION State: KY Construction Deadline:

Antenna: 1

Maximum Transmitting ERP in Watts:	140.820							
Azimuth(from true north)	0	45	90	135	180	225	270	315
Antenna Height AAT (meters)	165.200	160.200	158.600	145.000	166.800	157.700	167.000	160.800
Transmitting ERP (watts)	1.622	2.069	2.213	0.865	0.145	0.100	0.105	0.346

Antenna: 2

Maximum Transmitting ERP in Watts:	140.820							
Azimuth(from true north)	0	45	90	135	180	225	270	315
Antenna Height AAT (meters)	165.200	160.200	158.600	145.000	166.800	157.700	167.000	160.800
Transmitting ERP (watts)	0.510	5.501	44.360	185.434	245.411	184.244	37.569	15.212

Antenna: 3

Maximum Transmitting ERP in Watts:	140.820							
Azimuth(from true north)	0	45	90	135	180	225	270	315
Antenna Height AAT (meters)	165.200	160.200	158.600	145.000	166.800	157.700	167.000	160.800
Transmitting ERP (watts)	107.554	32.662	40.122	18.648	19.229	91.715	121.062	115.484



Licensee Name: NEW CINGULAR WIRELESS PCS, LLC

Call Sign: KNKN674

File Number:

Print Date:

Location	Latitude	Longitude	Ground Elevation (meters)	Structure Hgt to Tip (meters)	Antenna Structure Registration No.
12	36-48-32.0 N	087-56-12.0 W	164.6	78.0	1020835

Address: 7220 Canton Road (76143)

City: CANTON County: TRIGG State: KY Construction Deadline:

Antenna: 1

Maximum Transmitting ERP in Watts:	140.820							
Azimuth(from true north)	0	45	90	135	180	225	270	315
Antenna Height AAT (meters)	94.900	96.900	82.100	74.200	105.800	97.600	103.000	117.500
Transmitting ERP (watts)	83.428	280.249	199.164	28.014	3.586	0.574	1.287	6.142

Antenna: 2

Maximum Transmitting ERP in Watts:	140.820							
Azimuth(from true north)	0	45	90	135	180	225	270	315
Antenna Height AAT (meters)	94.900	96.900	82.100	74.200	105.800	97.600	103.000	117.500
Transmitting ERP (watts)	0.327	20.152	69.995	141.328	92.475	148.542	55.193	37.997

Antenna: 3

Maximum Transmitting ERP in Watts:	140.820							
Azimuth(from true north)	0	45	90	135	180	225	270	315
Antenna Height AAT (meters)	94.900	96.900	82.100	74.200	105.800	97.600	103.000	117.500
Transmitting ERP (watts)	60.723	6.432	2.249	0.857	1.966	43.153	209.513	282.936

Location	Latitude	Longitude	Ground Elevation (meters)	Structure Hgt to Tip (meters)	Antenna Structure Registration No.
16	37-38-32.0 N	087-31-16.3 W	117.3	128.3	1215065

Address: 2600 U S HIGHWAY 41 NORTH (76145)

City: ROBARDS County: WEBSTER State: KY Construction Deadline: 12-13-2014

Antenna: 1

Maximum Transmitting ERP in Watts:	140.820							
Azimuth(from true north)	0	45	90	135	180	225	270	315
Antenna Height AAT (meters)	82.000	79.900	83.900	94.200	79.700	65.300	76.600	84.400
Transmitting ERP (watts)	74.559	254.016	181.766	25.285	3.250	0.514	1.146	5.470

Antenna: 2

Maximum Transmitting ERP in Watts:	140.820							
Azimuth(from true north)	0	45	90	135	180	225	270	315
Antenna Height AAT (meters)	82.000	79.900	83.900	94.200	79.700	65.300	76.600	84.400
Transmitting ERP (watts)	0.604	0.911	15.830	126.137	297.959	109.909	11.178	2.898

Antenna: 3

Maximum Transmitting ERP in Watts:	140.820							
Azimuth(from true north)	0	45	90	135	180	225	270	315
Antenna Height AAT (meters)	82.000	79.900	83.900	94.200	79.700	65.300	76.600	84.400
Transmitting ERP (watts)	55.266	5.851	2.046	0.760	1.729	38.513	188.055	257.777

Licensee Name: NEW CINGULAR WIRELESS PCS, LLC

Call Sign: KNKN674

File Number:

Print Date:

Location	Latitude	Longitude	Ground Elevation (meters)	Structure Hgt to Tip (meters)	Antenna Structure Registration No.
18	37-14-55.1 N	088-20-42.2 W	175.8	108.8	1231318

Address: 708 Mitchell Road (76153)

City: Burna County: LIVINGSTON State: KY Construction Deadline: 12-13-2014

Antenna: 1

Maximum Transmitting ERP in Watts:	140.820							
Azimuth(from true north)	0	45	90	135	180	225	270	315
Antenna Height AAT (meters)	103.700	135.300	134.600	160.200	145.200	154.500	135.200	128.600
Transmitting ERP (watts)	45.066	148.806	105.252	14.601	1.889	0.303	0.684	3.302

Antenna: 2

Maximum Transmitting ERP in Watts:	140.820							
Azimuth(from true north)	0	45	90	135	180	225	270	315
Antenna Height AAT (meters)	103.700	135.300	134.600	160.200	145.200	154.500	135.200	128.600
Transmitting ERP (watts)	0.360	0.556	9.612	74.944	174.640	62.865	6.468	1.670

Antenna: 3

Maximum Transmitting ERP in Watts:	140.820							
Azimuth(from true north)	0	45	90	135	180	225	270	315
Antenna Height AAT (meters)	103.700	135.300	134.600	160.200	145.200	154.500	135.200	128.600
Transmitting ERP (watts)	64.517	19.549	24.038	11.103	11.663	54.460	72.252	68.527

Location	Latitude	Longitude	Ground Elevation (meters)	Structure Hgt to Tip (meters)	Antenna Structure Registration No.
19	36-55-26.0 N	087-49-59.4 W	145.1	86.6	1244917

Address: 699 BUSH ROAD (76154)

City: CADIZ County: TRIGG State: KY Construction Deadline: 12-13-2014

Antenna: 1

Maximum Transmitting ERP in Watts:	140.820							
Azimuth(from true north)	0	45	90	135	180	225	270	315
Antenna Height AAT (meters)	69.300	79.700	74.700	83.600	83.700	107.800	90.100	68.300
Transmitting ERP (watts)	178.878	232.715	257.641	101.135	34.491	13.229	17.593	39.790

Antenna: 2

Maximum Transmitting ERP in Watts:	140.820							
Azimuth(from true north)	0	45	90	135	180	225	270	315
Antenna Height AAT (meters)	69.300	79.700	74.700	83.600	83.700	107.800	90.100	68.300
Transmitting ERP (watts)	0.637	0.967	16.790	133.407	314.491	113.888	11.612	3.032

Antenna: 3

Maximum Transmitting ERP in Watts:	140.820							
Azimuth(from true north)	0	45	90	135	180	225	270	315
Antenna Height AAT (meters)	69.300	79.700	74.700	83.600	83.700	107.800	90.100	68.300
Transmitting ERP (watts)	57.732	6.107	2.140	0.804	1.870	40.392	196.166	269.783

Licensee Name: NEW CINGULAR WIRELESS PCS, LLC

Call Sign: KNKN674

File Number:

Print Date:

Location	Latitude	Longitude	Ground Elevation (meters)	Structure Hgt to Tip (meters)	Antenna Structure Registration No.
20	37-11-26.3 N	087-33-12.6 W	152.1	77.4	1246381

Address: Gilliland Street (76156)

City: St. Charles County: HOPKINS State: KY Construction Deadline: 12-13-2014

Antenna: 1

Maximum Transmitting ERP in Watts:	140.820							
Azimuth(from true north)	0	45	90	135	180	225	270	315
Antenna Height AAT (meters)	85.000	86.700	95.000	78.400	73.600	76.700	86.700	87.100
Transmitting ERP (watts)	203.086	265.427	293.723	115.336	39.266	15.161	20.131	44.941

Antenna: 2

Maximum Transmitting ERP in Watts:	140.820							
Azimuth(from true north)	0	45	90	135	180	225	270	315
Antenna Height AAT (meters)	85.000	86.700	95.000	78.400	73.600	76.700	86.700	87.100
Transmitting ERP (watts)	0.343	21.692	75.219	151.412	99.682	160.909	59.465	41.743

Antenna: 3

Maximum Transmitting ERP in Watts:	140.820							
Azimuth(from true north)	0	45	90	135	180	225	270	315
Antenna Height AAT (meters)	85.000	86.700	95.000	78.400	73.600	76.700	86.700	87.100
Transmitting ERP (watts)	141.930	28.758	15.209	5.387	9.463	101.790	279.413	329.510

Location	Latitude	Longitude	Ground Elevation (meters)	Structure Hgt to Tip (meters)	Antenna Structure Registration No.
22	36-50-58.2 N	087-50-48.6 W	153.9	79.2	1267262

Address: 80 Old Dover St (104037)

City: Cadiz County: TRIGG State: KY Construction Deadline: 12-13-2014

Antenna: 1

Maximum Transmitting ERP in Watts:	140.820							
Azimuth(from true north)	0	45	90	135	180	225	270	315
Antenna Height AAT (meters)	82.800	82.800	93.000	77.800	59.600	77.800	101.200	79.100
Transmitting ERP (watts)	18.872	58.121	45.266	7.066	0.416	0.117	0.138	1.803

Antenna: 2

Maximum Transmitting ERP in Watts:	140.820							
Azimuth(from true north)	0	45	90	135	180	225	270	315
Antenna Height AAT (meters)	82.800	82.800	93.000	77.800	59.600	77.800	101.200	79.100
Transmitting ERP (watts)	0.725	1.296	23.184	191.272	358.769	140.039	7.340	1.443

Antenna: 3

Maximum Transmitting ERP in Watts:	140.820							
Azimuth(from true north)	0	45	90	135	180	225	270	315
Antenna Height AAT (meters)	82.800	82.800	93.000	77.800	59.600	77.800	101.200	79.100
Transmitting ERP (watts)	68.359	2.979	0.698	0.700	4.214	57.185	271.670	319.705

Licensee Name: NEW CINGULAR WIRELESS PCS, LLC

Call Sign: KNKN674

File Number:

Print Date:

Location	Latitude	Longitude	Ground Elevation (meters)	Structure Hgt to Tip (meters)	Antenna Structure Registration No.
23	37-03-22.7 N	088-26-49.1 W	128.9	110.9	1039771

Address: 1229 US Highway 60 (101020)

City: LEDBETTER County: LIVINGSTON State: KY Construction Deadline: 12-13-2014

Antenna: 1

Maximum Transmitting ERP in Watts:	140.820							
Azimuth(from true north)	0	45	90	135	180	225	270	315
Antenna Height AAT (meters)	102.900	82.200	104.500	91.900	96.800	102.300	107.600	103.500
Transmitting ERP (watts)	54.977	122.838	60.144	6.545	0.429	0.247	0.264	7.232

Antenna: 2

Maximum Transmitting ERP in Watts:	140.820							
Azimuth(from true north)	0	45	90	135	180	225	270	315
Antenna Height AAT (meters)	102.900	82.200	104.500	91.900	96.800	102.300	107.600	103.500
Transmitting ERP (watts)	0.173	0.486	7.193	42.880	59.119	18.759	1.594	0.210

Antenna: 3

Maximum Transmitting ERP in Watts:	140.820							
Azimuth(from true north)	0	45	90	135	180	225	270	315
Antenna Height AAT (meters)	102.900	82.200	104.500	91.900	96.800	102.300	107.600	103.500
Transmitting ERP (watts)	35.020	2.113	0.624	0.665	7.469	90.508	311.698	261.190

Location	Latitude	Longitude	Ground Elevation (meters)	Structure Hgt to Tip (meters)	Antenna Structure Registration No.
24	37-38-13.3 N	087-38-10.0 W	159.1	79.2	1267707

Address: 465 State Rt 56 East (106265)

City: Sebree County: WEBSTER State: KY Construction Deadline: 12-13-2014

Antenna: 1

Maximum Transmitting ERP in Watts:	140.820							
Azimuth(from true north)	0	45	90	135	180	225	270	315
Antenna Height AAT (meters)	105.000	105.100	116.800	107.900	101.900	98.200	108.100	108.900
Transmitting ERP (watts)	84.996	250.740	177.382	18.902	1.480	0.503	0.510	7.043

Antenna: 2

Maximum Transmitting ERP in Watts:	140.820							
Azimuth(from true north)	0	45	90	135	180	225	270	315
Antenna Height AAT (meters)	105.000	105.100	116.800	107.900	101.900	98.200	108.100	108.900
Transmitting ERP (watts)	0.535	0.947	17.057	141.483	263.966	103.686	5.459	1.065

Antenna: 3

Maximum Transmitting ERP in Watts:	140.820							
Azimuth(from true north)	0	45	90	135	180	225	270	315
Antenna Height AAT (meters)	105.000	105.100	116.800	107.900	101.900	98.200	108.100	108.900
Transmitting ERP (watts)	50.859	2.208	0.517	0.516	3.059	41.748	201.613	236.408

Licensee Name: NEW CINGULAR WIRELESS PCS, LLC

Call Sign: KNKN674

File Number:

Print Date:

Location	Latitude	Longitude	Ground Elevation (meters)	Structure Hgt to Tip (meters)	Antenna Structure Registration No.
25	37-25-05.2 N	087-29-33.7 W	157.6	91.4	1218437

Address: 700 Sunset Road (76139)

City: Hanson County: HOPKINS State: KY Construction Deadline: 12-13-2014

Antenna: 1

Maximum Transmitting ERP in Watts:	140.820							
Azimuth(from true north)	0	45	90	135	180	225	270	315
Antenna Height AAT (meters)	101.000	117.900	109.900	106.600	89.000	96.000	86.200	96.100
Transmitting ERP (watts)	226.434	210.842	258.284	142.431	66.542	42.878	39.508	78.904

Antenna: 2

Maximum Transmitting ERP in Watts:	140.820							
Azimuth(from true north)	0	45	90	135	180	225	270	315
Antenna Height AAT (meters)	101.000	117.900	109.900	106.600	89.000	96.000	86.200	96.100
Transmitting ERP (watts)	0.317	1.779	10.365	29.781	29.842	34.388	7.949	2.571

Antenna: 3

Maximum Transmitting ERP in Watts:	140.820							
Azimuth(from true north)	0	45	90	135	180	225	270	315
Antenna Height AAT (meters)	101.000	117.900	109.900	106.600	89.000	96.000	86.200	96.100
Transmitting ERP (watts)	196.098	76.485	83.392	29.118	37.964	175.475	241.895	220.669

Location	Latitude	Longitude	Ground Elevation (meters)	Structure Hgt to Tip (meters)	Antenna Structure Registration No.
26	36-55-17.0 N	088-05-48.0 W	178.0	154.6	1044000

Address: 9659 Trace Rd (112832)

City: GRAND RIVERS County: LYON State: KY Construction Deadline: 12-13-2014

Antenna: 1

Maximum Transmitting ERP in Watts:	140.820							
Azimuth(from true north)	0	45	90	135	180	225	270	315
Antenna Height AAT (meters)	126.900	129.300	134.100	138.000	120.200	146.100	139.600	133.300
Transmitting ERP (watts)	111.221	324.639	227.876	24.201	1.923	0.650	0.675	9.306

Antenna: 2

Maximum Transmitting ERP in Watts:	140.820							
Azimuth(from true north)	0	45	90	135	180	225	270	315
Antenna Height AAT (meters)	126.900	129.300	134.100	138.000	120.200	146.100	139.600	133.300
Transmitting ERP (watts)	0.698	1.253	22.511	183.957	343.394	132.128	7.021	1.377

Antenna: 3

Maximum Transmitting ERP in Watts:	140.820							
Azimuth(from true north)	0	45	90	135	180	225	270	315
Antenna Height AAT (meters)	126.900	129.300	134.100	138.000	120.200	146.100	139.600	133.300
Transmitting ERP (watts)	65.053	2.841	0.672	0.676	4.089	54.516	261.799	304.293

Licensee Name: NEW CINGULAR WIRELESS PCS, LLC

Call Sign: KNKN674

File Number:

Print Date:

Location	Latitude	Longitude	Ground Elevation (meters)	Structure Hgt to Tip (meters)	Antenna Structure Registration No.
27	37-16-31.3 N	088-13-54.9 W	182.9	78.9	1276270

Address: Baker Road (109705)

City: Salem County: LIVINGSTON State: KY Construction Deadline: 12-13-2014

Antenna: 1

Maximum Transmitting ERP in Watts:	140.820							
Azimuth(from true north)	0	45	90	135	180	225	270	315
Antenna Height AAT (meters)	114.600	84.000	79.200	116.200	139.200	133.000	101.800	118.000
Transmitting ERP (watts)	38.924	137.255	114.557	20.344	0.969	0.273	0.287	2.696

Antenna: 2

Maximum Transmitting ERP in Watts:	140.820							
Azimuth(from true north)	0	45	90	135	180	225	270	315
Antenna Height AAT (meters)	114.600	84.000	79.200	116.200	139.200	133.000	101.800	118.000
Transmitting ERP (watts)	0.142	0.151	2.797	30.883	70.740	32.393	3.173	0.142

Antenna: 3

Maximum Transmitting ERP in Watts:	140.820							
Azimuth(from true north)	0	45	90	135	180	225	270	315
Antenna Height AAT (meters)	114.600	84.000	79.200	116.200	139.200	133.000	101.800	118.000
Transmitting ERP (watts)	42.248	2.712	0.290	0.346	1.143	17.493	109.449	141.842

Location	Latitude	Longitude	Ground Elevation (meters)	Structure Hgt to Tip (meters)	Antenna Structure Registration No.
29	37-45-39.9 N	087-56-10.8 W	122.2	78.3	1277118

Address: 2400 Hill Top Rd (113354)

City: Uniontown County: UNION State: KY Construction Deadline: 12-13-2014

Antenna: 1

Maximum Transmitting ERP in Watts:	140.820							
Azimuth(from true north)	0	45	90	135	180	225	270	315
Antenna Height AAT (meters)	89.600	89.400	80.800	71.800	68.700	71.100	83.600	91.500
Transmitting ERP (watts)	85.207	249.259	175.535	18.698	1.475	0.504	0.518	7.133

Antenna: 2

Maximum Transmitting ERP in Watts:	140.820							
Azimuth(from true north)	0	45	90	135	180	225	270	315
Antenna Height AAT (meters)	89.600	89.400	80.800	71.800	68.700	71.100	83.600	91.500
Transmitting ERP (watts)	0.535	0.954	17.190	141.670	263.404	102.884	5.438	1.063

Antenna: 3

Maximum Transmitting ERP in Watts:	140.820							
Azimuth(from true north)	0	45	90	135	180	225	270	315
Antenna Height AAT (meters)	89.600	89.400	80.800	71.800	68.700	71.100	83.600	91.500
Transmitting ERP (watts)	19.637	1.846	0.193	0.291	1.262	14.269	70.022	83.440

Licensee Name: NEW CINGULAR WIRELESS PCS, LLC

Call Sign: KNKN674

File Number:

Print Date:

Location	Latitude	Longitude	Ground Elevation (meters)	Structure Hgt to Tip (meters)	Antenna Structure Registration No.
30	37-41-42.3 N	087-51-18.4 W	132.6	94.5	1267058

Address: 3220 US HWY 60E (103405)

City: Morganfield County: UNION State: KY Construction Deadline: 12-13-2014

Antenna: 1

Maximum Transmitting ERP in Watts:	140.820							
Azimuth(from true north)	0	45	90	135	180	225	270	315
Antenna Height AAT (meters)	109.100	100.100	100.700	96.600	86.100	88.700	99.300	108.400
Transmitting ERP (watts)	106.976	314.584	221.567	23.581	1.860	0.633	0.650	8.963

Antenna: 2

Maximum Transmitting ERP in Watts:	140.820							
Azimuth(from true north)	0	45	90	135	180	225	270	315
Antenna Height AAT (meters)	109.100	100.100	100.700	96.600	86.100	88.700	99.300	108.400
Transmitting ERP (watts)	0.820	0.863	29.715	214.060	407.322	155.955	10.552	1.090

Antenna: 3

Maximum Transmitting ERP in Watts:	140.820							
Azimuth(from true north)	0	45	90	135	180	225	270	315
Antenna Height AAT (meters)	109.100	100.100	100.700	96.600	86.100	88.700	99.300	108.400
Transmitting ERP (watts)	49.939	3.203	0.746	0.511	3.999	39.761	205.788	245.836

Location	Latitude	Longitude	Ground Elevation (meters)	Structure Hgt to Tip (meters)	Antenna Structure Registration No.
32	37-31-26.3 N	087-30-04.9 W	154.8	61.0	

Address: 415 GOWER ROAD (76133)

City: SLAUGHTERS County: WEBSTER State: KY Construction Deadline: 12-13-2014

Antenna: 1

Maximum Transmitting ERP in Watts:	140.820							
Azimuth(from true north)	0	45	90	135	180	225	270	315
Antenna Height AAT (meters)	80.400	78.200	79.800	87.100	73.300	56.800	62.000	81.500
Transmitting ERP (watts)	145.839	137.853	173.595	96.532	34.529	25.525	31.352	46.907

Antenna: 2

Maximum Transmitting ERP in Watts:	140.820							
Azimuth(from true north)	0	45	90	135	180	225	270	315
Antenna Height AAT (meters)	80.400	78.200	79.800	87.100	73.300	56.800	62.000	81.500
Transmitting ERP (watts)	0.401	2.488	19.967	61.274	71.719	69.254	13.936	4.590

Antenna: 3

Maximum Transmitting ERP in Watts:	140.820							
Azimuth(from true north)	0	45	90	135	180	225	270	315
Antenna Height AAT (meters)	80.400	78.200	79.800	87.100	73.300	56.800	62.000	81.500
Transmitting ERP (watts)	187.925	53.508	38.931	14.790	21.959	144.147	284.024	296.932

Licensee Name: NEW CINGULAR WIRELESS PCS, LLC

Call Sign: KNKN674

File Number:

Print Date:

Location	Latitude	Longitude	Ground Elevation (meters)	Structure Hgt to Tip (meters)	Antenna Structure Registration No.
33	37-12-46.3 N	087-39-41.5 W	175.0	80.8	1044198

Address: 4669 DAYLIGHT ROAD (76138)

City: DAWSON SPRINGS County: HOPKINS State: KY Construction Deadline: 12-13-2014

Antenna: 1

Maximum Transmitting ERP in Watts:	140.820							
Azimuth(from true north)	0	45	90	135	180	225	270	315
Antenna Height AAT (meters)	117.600	117.800	86.400	106.700	97.300	102.300	104.900	117.000
Transmitting ERP (watts)	163.523	304.158	300.409	80.103	19.811	4.884	7.700	23.633

Antenna: 2

Maximum Transmitting ERP in Watts:	140.820							
Azimuth(from true north)	0	45	90	135	180	225	270	315
Antenna Height AAT (meters)	117.600	117.800	86.400	106.700	97.300	102.300	104.900	117.000
Transmitting ERP (watts)	0.534	28.458	124.093	251.295	156.234	243.121	99.933	75.450

Antenna: 3

Maximum Transmitting ERP in Watts:	140.820							
Azimuth(from true north)	0	45	90	135	180	225	270	315
Antenna Height AAT (meters)	117.600	117.800	86.400	106.700	97.300	102.300	104.900	117.000
Transmitting ERP (watts)	65.084	6.858	2.416	0.901	2.074	45.621	222.646	303.964

Location	Latitude	Longitude	Ground Elevation (meters)	Structure Hgt to Tip (meters)	Antenna Structure Registration No.
34	36-52-21.8 N	087-45-00.6 W	171.6	40.2	

Address: 5101 HOPKINSVILLE RD (76142)

City: CADIZ County: TRIGG State: KY Construction Deadline: 12-13-2014

Antenna: 1

Maximum Transmitting ERP in Watts:	140.820							
Azimuth(from true north)	0	45	90	135	180	225	270	315
Antenna Height AAT (meters)	61.300	39.800	55.100	58.400	63.600	61.500	78.600	58.600
Transmitting ERP (watts)	409.684	153.393	15.491	4.017	0.835	1.293	21.975	176.498

Antenna: 2

Maximum Transmitting ERP in Watts:	140.820							
Azimuth(from true north)	0	45	90	135	180	225	270	315
Antenna Height AAT (meters)	61.300	39.800	55.100	58.400	63.600	61.500	78.600	58.600
Transmitting ERP (watts)	0.605	18.273	97.570	290.196	262.860	286.449	82.832	46.273

Antenna: 3

Maximum Transmitting ERP in Watts:	140.820							
Azimuth(from true north)	0	45	90	135	180	225	270	315
Antenna Height AAT (meters)	61.300	39.800	55.100	58.400	63.600	61.500	78.600	58.600
Transmitting ERP (watts)	15.711	4.011	0.818	1.252	22.618	178.234	399.146	153.157

Control Points:

Control Pt. No. 1

Address: 1650 Lyndon Farms Court

City: LOUISVILLE County: State: KY Telephone Number: (502)329-4700



**Licensee Name:** NEW CINGULAR WIRELESS PCS, LLC

**Call Sign:** KNKN674

**File Number:**

**Print Date:**

**Waivers/Conditions:**

Commission approval of this application and the licenses contained therein are subject to the conditions set forth in the Memorandum Opinion and Order, adopted on December 29, 2006 and released on March 26, 2007, and revised in the Order on Reconsideration, adopted and released on March 26, 2007. See AT&T Inc. and BellSouth Corporation Application for Transfer of Control, WC Docket No. 06-74, Memorandum Opinion and Order, FCC 06-189 (rel. Mar. 26, 2007); AT&T Inc. and BellSouth Corporation, WC Docket No. 06-74, Order on Reconsideration, FCC 07-44 (rel. Mar. 26, 2007).

# Reference Copy Only. Do Not Mail to the FCC as an Application.

Submitted: 01/22/2024 at 15:00:08  
File Number: 0010868303

**FCC 601**  
**Main Form**

## FCC Application for Radio Service Authorization: Wireless Telecommunications Bureau Public Safety and Homeland Security Bureau

Approved by OMB  
3060 - 0798  
See instructions for  
public burden estimate

1) Radio Service Code: <p style="text-align: center;"><b>CL</b></p>	1a) Existing Radio Service Code:
--	----------------------------------

**General Information**

2) (Select only one) ( <b>AU</b> ) <b>NE</b> - New <b>RO</b> - Renewal Only <b>AU</b> - Administrative Update <b>NT</b> - Required Notifications <b>MD</b> - Modification <b>RM</b> - Renewal/Modification <b>WD</b> - Withdrawal of Application <b>EX</b> - Requests for Extension of Time <b>AM</b> - Amendment <b>CA</b> - Cancellation of License <b>RL</b> - Registered Location/Link	
3a) If this application is for a Demonstration License or a Special Temporary Authorization (STA), enter the code and attach the required exhibit as described in the instructions. Otherwise enter ' <u>N/A</u> ' (Not Applicable).	( <b>N</b> ) <u>M</u> <u>S</u> <u>N/A</u>
3b) If this application is for Special Temporary Authority due to an emergency situation, enter 'Y'; otherwise enter 'N'. Refer to Rule 1.915 for an explanation of situations considered to be an emergency.	(    ) <u>Y</u> es <b>N</b> o
4) If this application is for an Amendment or Withdrawal, enter the file number of the pending application currently on file with the FCC.	File Number
5) If this application is for a Modification, Renewal Only, Renewal/Modification, Cancellation of License, , or Administrative Update, enter the call sign of the existing FCC license. If this is a request for Registered Location/Link, enter the FCC call sign assigned to the geographic license.	Call Sign <b>KNKN674</b>
6a) If this application is for a New, Amendment, Renewal Only, or Renewal/Modification, enter the requested authorization expiration date (this item is optional).	MM    DD ____ / ____
6b) If this application is for a Renewal Only or Renewal/Modification and the license is a geographic area license, is the license used to provide service to customers ( <b>C</b> ), or is the license used for private business (internal) purposes or to meet the licensee's public interest/public safety communications needs ( <b>P</b> )?	(    ) <u>C</u> <b>P</b>
7) Is this application "major" as defined in § 1.929 of the Commission's Rules when read in conjunction with the applicable radio service rules found in Parts 22 and 90 of the Commission's Rules? (NOTE: This question only applies to certain site-specific applications. See the instructions for applicability and full text of § 1.929).	(    ) <u>Y</u> es <b>N</b> o
8) Are attachments (other than associated schedules) being filed with this application?	(    ) <u>Y</u> es <b>N</b> o

**Fees, Waivers, and Exemptions**

9) Is the Applicant exempt from FCC application fees?	( <b>N</b> ) <u>Y</u> es <b>N</b> o
10) Is the Applicant exempt from FCC regulatory fees?	( <b>N</b> ) <u>Y</u> es <b>N</b> o
11) Does this application include a request for a Waiver of the Commission's Rule(s)? If 'Yes', attach an exhibit providing rule number(s) and explaining circumstances.	( <b>N</b> ) <u>Y</u> es <b>N</b> o
12) Are the frequencies or parameters requested in this filing covered by grandfathered privileges, previously approved by waiver, or functionally integrated with an existing station?	(    ) <u>Y</u> es <b>N</b> o

**Applicant Information**

13) FCC Registration Number (FRN): <b>0003291192</b>			
14) Applicant/Licensee Legal Entity Type: (Select One) <input type="checkbox"/> Individual <input type="checkbox"/> Unincorporated Association <input type="checkbox"/> Trust <input type="checkbox"/> Government Entity <input type="checkbox"/> Corporation <input checked="" type="checkbox"/> Limited Liability Company <input type="checkbox"/> General Partnership <input type="checkbox"/> Limited Partnership <input type="checkbox"/> Limited Liability Partnership <input type="checkbox"/> Consortium <input type="checkbox"/> Other: _____			
15) If the Licensee name is being updated, is the update a result from the sale (or transfer of control) of the license(s) to party and for which proper Commission approval has not been received or proper notification not provided?			( <input type="checkbox"/> )Yes <input checked="" type="checkbox"/> No
16) First Name (if individual):	MI:	Last Name:	Suffix:
17) Legal Entity Name (if other than individual): <b>NEW CINGULAR WIRELESS PCS, LLC</b>			
18) Attention To: <b>National Regulatory Compliance</b>			
19) P.O. Box:	And/Or	20) Street Address: <b>208 S Akard St, 20F</b>	
21) City: <b>Dallas</b>	22) State: <b>TX</b>	23) Zip Code: <b>75202</b>	
24) Telephone Number: <b>(855)699-7073</b>		25) Fax:	
26) E-Mail Address: <b>FCCMW@att.com</b>			

**27) Demographics (Optional)**

Race: <input type="checkbox"/> American Indian or Alaska Native <input type="checkbox"/> Asian <input type="checkbox"/> Black or African-American <input type="checkbox"/> Native Hawaiian or Other Pacific Islander <input type="checkbox"/> White	Ethnicity: <input type="checkbox"/> Hispanic or Latino <input type="checkbox"/> Not Hispanic or Latino	Gender: <input type="checkbox"/> Male <input type="checkbox"/> Female
--	--	---

**Real Party in Interest**

28) Name of Real Party in Interest of Applicant (If different from Applicant):	29) FCC Registration Number (FRN) of Real Party in Interest:
--	--

**Contact Information (If different from the Applicant)****(  ) Check here if same as Applicant.**

30) First Name: <b>Jessica</b>	MI: <b>J</b>	Last Name: <b>Dunk</b>	Suffix:
31) Company Name: <b>AT&amp;T Services, Inc.</b>			
32) Attention To: <b>NRC</b>			
33) P.O. Box:	And /Or	34) Street Address: <b>208 S Akard St, 20F</b>	
35) City: <b>Dallas</b>	36) State: <b>TX</b>	37) Zip Code: <b>75202</b>	
38) Telephone Number: <b>(855)699-7073</b>		39) Fax:	
40) E-Mail Address: <b>FCCMW@att.com</b>			

**Regulatory Status**

41) This filing is for authorization to provide or use the following type(s) of radio service offering (enter all that apply):  
(  ) Common Carrier (  ) Non-Common Carrier (  ) Private, internal communications (  ) Broadcast Services (  ) Band Manager

**Type of Radio Service**

42) This filing is for authorization to provide the following type(s) of radio service (choose all that apply):  
(  ) Fixed (  ) Mobile (  ) Radiolocation (  ) Satellite (sound) (  ) Broadcast Services  
43) Does the Applicant propose to provide service interconnected to the public telephone network? (  ) Yes (  ) No

**Alien Ownership Questions (If any answer is 'Y', provide an attachment explaining the circumstances. In preparing the attachment, refer to the Main Form Instructions for the "Alien Ownership Questions".)**

44) Is the Applicant a foreign government or the representative of any foreign government? (  ) Yes (  ) No  
45) Is the Applicant an alien or the representative of an alien? (  ) Yes (  ) No  
46) Is the Applicant a corporation organized under the laws of any foreign government? (  ) Yes (  ) No  
47) Is the Applicant a corporation of which more than one-fifth of the capital stock is owned of record or voted by aliens or their representatives, or by a foreign government or representative thereof, or by any corporation organized under the laws of a foreign country? (  ) Yes (  ) No

48a) Is the Applicant directly or indirectly controlled by any other corporation of which more than one-fourth of the capital stock ( ) Yes No is owned of record or voted by aliens or their representatives, or by a foreign government or representative thereof, or by any corporation organized under the laws of a foreign country?

48b) If the answer to 47 or 48a is 'Y' select one of the choices below.

The Applicant is exempt from the provisions of Section 310(b).

*If checked, it is not necessary to file a petition for declaratory ruling if the Applicant includes in the attachment required by Item 47 or Item 48a a showing that the requested license(s) is exempt from the provisions of Section 310(b).*

The Applicant has received a declaratory ruling(s) approving its foreign ownership, and the application involves only the acquisition of additional spectrum for the provision of a wireless service in a geographic coverage area for which the Applicant has been previously authorized.

*If checked, include in the attachment required by Item 47 or Item 48a the citation(s) of the applicable declaratory ruling(s) by DA/FCC number, the FCC Record citation, if available, release date, and a statement that there has been no change in the foreign ownership of the Applicant since the issuance of its ruling.*

The Applicant: (i) has received a declaratory ruling(s) approving its foreign ownership, but is not able to make the certification specified immediately above; or (ii) is an "affiliate" of a Licensee or Lessee/Sublessee that received a declaratory ruling(s) under 47 CFR § 1.5000(a) and is relying on the affiliate's ruling for purposes of filing this application as permitted under the affiliate's ruling and 47 CFR § 1.5004(b)

*If checked, and if the Applicant received its declaratory ruling(s) on or after August 9, 2013, include in the attachment required by Item 47 or Item 48a the citation(s) of the Applicant's declaratory ruling(s) by DA/FCC number, the FCC Record citation, if available, release date, and a statement that the Applicant is in compliance with the terms and conditions of its ruling and with the Commission's Rules.*

*If checked, and if the Applicant received its declaratory ruling(s) prior to August 9, 2013, include in the attachment required by Item 48a a copy of a petition for declaratory ruling filed contemporaneously with the Commission to extend the Applicant's existing ruling(s) to cover the same radio service(s) and geographic coverage area(s) involved in the application. Alternatively, the Applicant may request a new declaratory ruling pursuant to Section 1.5000(a) of the Commission's Rules, 47 CFR § 1.5000 (a). Petitions for declaratory ruling may be filed electronically on the Internet through the International Bureau Filing System (IBFS) (with a copy attached hereto).*

*If checked, and if the Applicant is relying on an affiliate's ruling for purposes of filing this application, include in the attachment required by Item 47 or Item 48a the citation(s) of the applicable declaratory ruling(s) by DA/FCC number, the FCC Record citation, if available, release date, and a statement that the Applicant is in compliance with the terms and conditions of the named affiliate's ruling and with the Commission's Rules. The Applicant must also include a certification of compliance signed by the named affiliate or other qualified entity as specified in 47 CFR § 1.5004(b). See Main Form Instructions for Items 47 or 48a, as applicable.*

The Applicant has not received a declaratory ruling approving its foreign ownership and is requesting a declaratory ruling under 47 CFR § 1.5004(b) in a petition filed contemporaneously with the Commission.

*If checked, include in the attachment required by Item 47 or 48a a copy of the petition for declaratory ruling filed contemporaneously with the Commission pursuant to 47 CFR § 1.5004(b). Petitions for declaratory ruling may be filed electronically on the Internet through the International Bureau Filing System (IBFS) (with a copy attached hereto).*

**Basic Qualification Questions**

49) Has the Applicant or any party to this application had any FCC station authorization, license or construction permit revoked or had any application for an initial, modification or renewal of FCC station authorization, license, or construction permit denied by the Commission?	( ) <u>Yes</u> <u>No</u>
50) Has the Applicant or any party to this application, or any party directly or indirectly controlling the Applicant, ever been convicted of a felony by any state or federal court?	( ) <u>Yes</u> <u>No</u>
51) Has any court finally adjudged the Applicant or any party directly or indirectly controlling the Applicant guilty of unlawfully monopolizing or attempting unlawfully to monopolize radio communication, directly or indirectly, through control of manufacture or sale of radio apparatus, exclusive traffic arrangement, or any other means or unfair methods of competition?	( ) <u>Yes</u> <u>No</u>

**Note: If the answer to any of 49-51 is 'Y', attach an exhibit explaining the circumstances.**

**Aeronautical Advisory Station (Unicom) Certification**

52) ( ) I certify that the station will be located on property of the airport to be served, and, in cases where the airport does not have a control tower, RCO, or FAA flight service station, that I have notified the owner of the airport and all aviation service organizations located at the airport within ten days prior to application.
--

**Broadband Radio Service and Educational Broadband Service Cable Cross-Ownership**

53a) Will the requested facilities be used to provide multichannel video programming service?	( ) <u>Yes</u> <u>No</u>
53b) If the answer to question 53a is 'Y', does the Applicant operate, control or have an attributable interest (as defined in 47 CFR § 27.1202) in a cable television system whose franchise area is located within the geographic service area of the requested facilities?	( ) <u>Yes</u> <u>No</u>

**Note: If the answer to question 53b is 'Y', attach an exhibit explaining how the Applicant complies with 47 CFR § 27.1202 or justifying a waiver of that rule. If a waiver of the Commission Rule(s) is being requested, Item 11a must be answered 'Y'.**

**Broadband Radio Service and Educational Broadband Service (Part 27)**

54) (For EBS only) Does the Applicant comply with the programming requirements contained in 47 CFR § 27.1203?	( ) <u>Yes</u> <u>No</u>
---	--------------------------

**Note: If the answer to item 54 is 'N', attach an exhibit explaining how the Applicant complies with 47 CFR § 27.1203 of the Commission's Rules or justifying a waiver of that rule. If a waiver of the Commission Rule(s) is being requested, Item 11a must be answered 'Y'.**

55) (For BRS and EBS) Does the Applicant comply with 47 CFR §§ 27.50, 27.55, and 27.1221?	( ) <u>Yes</u> <u>No</u>
---	--------------------------

**Note: If the answer to item 55 is 'N', attach an exhibit justifying a waiver of that rule(s). If a waiver of the Commission Rule(s) is being requested, Item 11a must be answered 'Y'.**

**For Applicants Who Participated in an Auction**

56) Is the Applicant a qualifying rural wireless partnership or a member of a qualifying rural wireless partnership?	( ) <u>Yes</u> <u>No</u>
--	--------------------------

**Note: If the answer to item 56 is 'Y', attach an exhibit listing all members of the qualifying rural wireless partnership, including their FRN numbers.**

**For Renewal Applicants**

57) Operation/Performance Requirement Certification	
<b>[For a site-based license]:</b> Applicant certifies that it is continuing to operate consistent with its most recently filed construction notification (or most recent authorization, if no construction notification was required).	( ) <u>Yes</u> <u>No</u>
<b>[For a geographic license, commercial service - licensee in its initial license term with an interim performance requirement]:</b> Applicant certifies that it has met its interim performance requirement, that over the portion of the license term following the interim performance requirement, it continues to use its facilities to provide at least the level of service required by its interim performance requirement, it has met its final performance requirement, and it continues to use its facilities to provide at least the level of service required by its final performance requirement through the end of the license term.	( ) <u>Yes</u> <u>No</u>
<b>[For a geographic license, commercial service - licensee in its initial license term with no interim performance requirement]:</b> Applicant certifies that it has met its final performance requirement and it continues to use its facilities to provide at least the level of service required by its final performance requirement through the end of the license term. [Note: licensee must provide a showing demonstrating that the final performance requirement has been met, either separately in a timely application for notification of completion of construction, or as part of its renewal application, depending on the radio service.]	( ) <u>Yes</u> <u>No</u>
<b>[For a geographic license, commercial service - licensee in any subsequent term]:</b> Applicant certifies that it continues to use its facilities to provide at least the level of service required by its final performance requirement through the end of any subsequent license terms.	( ) <u>Yes</u> <u>No</u>
<b>[For a geographic license, private systems - licensee in its initial license term with an interim performance requirement]:</b> Applicant certifies that it has met its interim performance requirement, that over the portion of the license term following the interim performance requirement, it continues to use its facilities to further its private business or public interest/public safety communications needs at or above the level required to meet its interim performance requirement, it has met its final performance requirement, and it continues to use its facilities to provide at least the level of operation required by its final performance requirement through the end of the license term.	( ) <u>Yes</u> <u>No</u>
<b>[For a geographic license, private systems - licensee in its initial license term with no interim performance requirement]:</b> Applicant certifies that it has met its final performance requirement, it continues to use its facilities to further its private business or public interest/public safety communications needs, and it continues to use its facilities to provide at least the level of operation required by its final performance requirement through the end of the license term. [Note: licensee must provide a showing demonstrating that the final performance requirement has been met, either separately in a timely application for notification of completion of construction, or as part of its renewal application, depending on the radio service.]	( ) <u>Yes</u> <u>No</u>

<b>[For a geographic license, private systems - licensee in any subsequent term]:</b> Applicant certifies that it continues to use its facilities to further its private business or public interest/public safety communications needs at or above the level required to meet its final performance requirement through the end of any subsequent license terms.	( ) <u>Yes</u> <u>No</u>
<b>[For a partitioned or disaggregated license without a performance requirement, for the first renewal application filed after effective date of the rules]:</b> Applicant certifies that the partitioned and/or disaggregated license that is the subject of this renewal application has no separate performance requirement and that this is the first renewal of this license filed subsequent to the effective date of the rules.	( ) <u>Yes</u> <u>No</u>
<b>[For a partitioned or disaggregated license without a performance requirement, for any subsequent renewal filings]:</b> Applicant certifies that it continues to use its facilities to provide service or to further the applicant's private business or public interest/public safety needs.	( ) <u>Yes</u> <u>No</u>

**Discontinuance of Service Certification**

58) Applicant certifies that no permanent discontinuance of service or operation, as applicable, occurred during its current license term.  <b>Note: If the response to either item 57 or item 58 is 'N',</b> attach an exhibit that demonstrates that over the course of the license term, the Applicant provided and continues to provide service to the public, or operated and continues to operate the license to meet the Applicant's private business or public interest/public safety communications needs. This exhibit must include a detailed description of the Applicant's provision of service or, when allowed under the relevant service rules or pursuant to waiver, use of the spectrum for private business or public interest/public safety communications needs, during the entire license period and address, as applicable: 1) the level and quality of service provided by the applicant (e.g., the population served, the area served, the number of subscribers, the services offered); (2) the date service commenced, whether service was ever interrupted, and the duration of any interruption or outage; (3) the extent to which service is provided to rural areas; (4) the extent to which service is provided to qualifying tribal land as defined in 47 CFR § 1.2110(e)(3)(i); and (5) any other factors associated with the level of service to the public. The licensee may note in its exhibit: 1) any grant(s) of waiver or extension of a performance deadline or license renewal subject to meeting a performance requirement; or 2) if the final performance deadline and/or expiration date for the license accelerated because the licensee did not meet an interim performance requirement.	( ) <u>Yes</u> <u>No</u>
--	--------------------------

**Regulatory Compliance Certification [same for all]**

59) Applicant certifies that it has substantially complied with all applicable FCC rules, policies, and the Communications Act of 1934, as amended.  <b>Note: If the response to item 59 is 'N',</b> attach an exhibit explaining the circumstances and demonstrating why Applicant's license should be renewed.	( ) <u>Yes</u> <u>No</u>
--	--------------------------

**General Certification Statements**

1) The Applicant waives any claim to the use of any particular frequency or of the electromagnetic spectrum as against the regulatory power of the United States because of the previous use of the same, whether by license or otherwise, and requests an authorization in accordance with this application.
2) The Applicant certifies that grant of this application would not cause the Applicant to be in violation of any pertinent cross-ownership or attribution rules.* *If the Applicant has sought a waiver of any such rule in connection with this application, it may make this certification subject to the outcome of the waiver request.
3) The Applicant certifies that all statements made in this application and in the exhibits, attachments, or documents incorporated by reference are material, are part of this application, and are true, complete, correct, and made in good faith.
4) The Applicant certifies that neither the Applicant nor any other party to the application is subject to a denial of Federal benefits pursuant to § 5301 of the Anti-Drug Abuse Act of 1988, 21 U.S.C. § 862, because of a conviction for possession or distribution of a controlled substance. This certification does not apply to applications filed in services exempted under § 1.2002(c) of the rules, 47 CFR § 1.2002(c). See 47 CFR § 1.2002(b) for the definition of "party to the application" as used in this certification.
5) The Applicant certifies that it either (1) has current required ownership data on file with the Commission, (2) is filing updated ownership data simultaneously with this application, or (3) is not required to file ownership data under the Commission's Rules.
6) The Applicant certifies that the facilities, operations, and transmitters for which this authorization is hereby requested are either: (1) categorically excluded from routine environmental evaluation for RF exposure as set forth in 47 CFR § 1.1307(b); or, (2) have been found not to cause human exposure to levels of radiofrequency radiation in excess of the limits specified in 47 CFR §§ 1.1310 and 2.1093; or, (3) are the subject of one or more Environmental Assessments filed with the Commission.
7) The Applicant certifies that it has reviewed the appropriate Commission Rules defining eligibility to hold the requested license(s) and is eligible to hold the requested license(s).
8) The Applicant certifies that it is not in default on any payment for Commission licenses and that it is not delinquent on any non-tax debt owed to any federal agency.
9) The Applicant certifies that the Applicant and all of the related individuals and entities required to be disclosed on this application and FCC Form 602 (FCC Ownership Disclosure Information for the Wireless Telecommunications Services) are not person(s) who have been, for reasons of national security, barred by any agency of the Federal Government from bidding on a contract, participating in an auction, or receiving a grant. This certification applies only to applications for licenses for spectrum that is required by Sections 6103, 6401-6403 of the Middle Class Tax Relief and Job Creation Act of 2012, codified at 47 U.S.C. §§ 309, 1413, 1451-1452, to be assigned by a system of competitive bidding under 47 U.S.C. § 309(j).

**Signature**

60) Typed or Printed Name of Party Authorized to Sign

First Name: <b>Jessica</b>	MI:	Last Name: <b>Dunk</b>	Suffix:
61) Title: <b>Assistant Secretary - Compliance</b>			
Signature: <b>Jessica Dunk</b>			62) Date: <b>01/22/2024</b>
<b>FAILURE TO SIGN THIS APPLICATION MAY RESULT IN DISMISSAL OF THE APPLICATION AND FORFEITURE OF ANY FEES PAID.</b>			
Upon grant of this license application, the Licensee may be subject to certain construction or coverage requirements. Failure to meet the construction or coverage requirements will result in termination of the license. Consult appropriate FCC regulations to determine the construction or coverage requirements that apply to the type of license requested in this application.			
WILLFUL FALSE STATEMENTS MADE ON THIS FORM OR ANY ATTACHMENTS ARE PUNISHABLE BY FINE AND/OR IMPRISONMENT (U.S. Code, Title 18, § 1001) AND/OR REVOCATION OF ANY STATION LICENSE OR CONSTRUCTION PERMIT (U.S. Code, Title 47, § 312(a)(1)), AND/OR FORFEITURE (U.S. Code, Title 47, § 503).			



Technical Data Schedule for the  
Cellular and Air-ground (Commercial Aviation)  
Radiotelephone Services (Part 22)

**Cellular Unserved Area Information**

1) Identify whether this is a New or Modification application for Unserved Area. <span style="float: right;">( ) Yes ( ) No</span>			
If claiming Unserved Area, complete Items 2 through 5, as applicable.			
2) Market Designator	3) Market Name	4) Sub-Market Designator	5) Channel Block

**Control Points**

6) Action A/M/D	7) Control Point Number	8) Location Street Address, City or Town, County/Borough/Parish, State	9) Telephone Number

**Commercial Air-ground Technical Parameters (Antenna Data)**

10) Action A/M/D	11) Channel Block	12) Location Number	13) Antenna Number	14) Height to Tip of Antenna AGL (meters)	15) Maximum ERP (watts)

# Cellular Radial Data

16) Action: (    ) <u>A</u> dd <u>M</u> odify <u>D</u> elete	17) Location Number:		
18) Identify whether this is a New or Modification application using the non-PSD methodology (in accordance with 47 CFR § 22.911(a) or (b)), or using the PSD methodology (in accordance with 47 CFR § 22.911(c)).			
<input type="checkbox"/> Non-PSD <input type="checkbox"/> PSD			
19) Sector Number:			
20) Provide the Maximum ERP in watts/MHz (per sector) if the PSD option for determining the CGSA was selected under Item 18 of this Schedule F.			
Watts/MHz			
21) If this location/PSD sector contributes to the CGSA, and you are requesting that the CGSA boundary be determined using the PSD methodology (in accordance with 47 CFR § 22.911(c)), have you attached the required exhibit? If 'N/A', attach an exhibit explaining the circumstances.			
<input type="checkbox"/> Yes <input type="checkbox"/> No <input type="checkbox"/> N/A – Not applicable			
22) Antenna Number:			
23) Provide the Maximum ERP in watts (per emission) if the Non-PSD option for determining the CGSA was selected under Item 18 of this Schedule F.			
Watts			
24) If this location/Non-PSD antenna contributes to the CGSA, are you requesting that the CGSA boundary be determined using an alternative methodology under 47 CFR § 22.911(b) (non-PSD)? If 'Yes', attach an exhibit explaining the circumstances.			
<input type="checkbox"/> Yes <input checked="" type="checkbox"/> No			
25-27) If this location contributes to the CGSA and you are requesting that the CGSA boundary be determined using the Non-PSD methodology (in accordance with 47 CFR § 22.911(a) or (b)), please provide the following information:			
Azimuth (degrees from true north)	25) Antenna Height AAT (meters)	26) Transmitting ERP (watts)	27) Distance to CGSA (kilometers)
0°			
45°			
90°			
135°			
180°			
225°			
270°			
315°			

I certify that the proposed Cellular base or repeater stations comply with the ERP limits and all other applicable requirements in the Commission's rules, including 47 CFR § 22.913.

REFERENCE COPY

This is not an official FCC license. It is a record of public information contained in the FCC's licensing database on the date that this reference copy was generated. In cases where FCC rules require the presentation, posting, or display of an FCC license, this document may not be used in place of an official FCC license.



Federal Communications Commission
Wireless Telecommunications Bureau

RADIO STATION AUTHORIZATION

LICENSEE: NEW CINGULAR WIRELESS PCS, LLC

ATTN: NATIONAL REGULATORY COMPLIANCE
NEW CINGULAR WIRELESS PCS, LLC
208 S AKARD ST, 20F
DALLAS, TX 75202

Table with Call Sign (KNLF251), File Number, and Radio Service (CW - PCS Broadband).

FCC Registration Number (FRN): 0003291192

Table with columns: Grant Date, Effective Date, Expiration Date, Print Date, Market Number, Channel Block, Sub-Market Designator, Market Name, 1st Build-out Date, 2nd Build-out Date, 3rd Build-out Date, 4th Build-out Date.

Waivers/Conditions:

This authorization is subject to the condition that, in the event that systems using the same frequencies as granted herein are authorized in an adjacent foreign territory (Canada/United States), future coordination of any base station transmitters within 72 km (45 miles) of the United States/Canada border shall be required to eliminate any harmful interference to operations in the adjacent foreign territory and to ensure continuance of equal access to the frequencies by both countries.

This authorization is subject to the condition that the remaining balance of the winning bid amount will be paid in accordance with Part 1 of the Commission's rules, 47 C.F.R. Part 1.

Conditions:

Pursuant to §309(h) of the Communications Act of 1934, as amended, 47 U.S.C. §309(h), this license is subject to the following conditions: This license shall not vest in the licensee any right to operate the station nor any right in the use of the frequencies designated in the license beyond the term thereof nor in any other manner than authorized herein.

This license may not authorize operation throughout the entire geographic area or spectrum identified on the hardcopy version. To view the specific geographic area and spectrum authorized by this license, refer to the Spectrum and Market Area information under the Market Tab of the license record in the Universal Licensing System (ULS).

**Licensee Name:** NEW CINGULAR WIRELESS PCS, LLC

**Call Sign:** KNLF251

**File Number:**

**Print Date:**

This license is conditioned upon compliance with the provisions of Applications of AT&T Wireless Services, Inc. and Cingular Wireless Corporation For Consent to Transfer Control of Licenses and Authorizations, Memorandum Opinion and Order, FCC 04-255 (rel. Oct. 26, 2004).

Spectrum Lease Associated with this License. See Spectrum Leasing Arrangement Letter dated 12/06/2004 and File # 0001918512.

Commission approval of this application and the licenses contained therein are subject to the conditions set forth in the Memorandum Opinion and Order, adopted on December 29, 2006 and released on March 26, 2007, and revised in the Order on Reconsideration, adopted and released on March 26, 2007. See AT&T Inc. and BellSouth Corporation Application for Transfer of Control, WC Docket No. 06-74, Memorandum Opinion and Order, FCC 06-189 (rel. Mar. 26, 2007); AT&T Inc. and BellSouth Corporation, WC Docket No. 06-74, Order on Reconsideration, FCC 07-44 (rel. Mar. 26, 2007).

**Licensee Name:** NEW CINGULAR WIRELESS PCS, LLC

**Call Sign:** KNLF251

**File Number:**

**Print Date:**

**700 MHz Relicensed Area Information:**

<b>Market</b>	<b>Market Name</b>	<b>Buildout Deadline</b>	<b>Buildout Notification</b>	<b>Status</b>
---------------	--------------------	--------------------------	------------------------------	---------------

Reference Copy

# Reference Copy Only. Do Not Mail to the FCC as an Application.

Submitted: 01/23/2024 at 17:43:02  
 File Number: 0010873735

**FCC 601**  
**Main Form**

## FCC Application for Radio Service Authorization: Wireless Telecommunications Bureau Public Safety and Homeland Security Bureau

Approved by OMB  
 3060 - 0798  
 See instructions for  
 public burden estimate

1) Radio Service Code: <p style="text-align: center;"><b>CW</b></p>	1a) Existing Radio Service Code:
--	----------------------------------

**General Information**

2) (Select only one) ( <b>AU</b> ) <b>NE</b> - New <b>RO</b> - Renewal Only <b>AU</b> - Administrative Update <b>NT</b> - Required Notifications <b>MD</b> - Modification <b>RM</b> - Renewal/Modification <b>WD</b> - Withdrawal of Application <b>EX</b> - Requests for Extension of Time <b>AM</b> - Amendment <b>CA</b> - Cancellation of License <b>RL</b> - Registered Location/Link	
3a) If this application is for a Demonstration License or a <b>S</b> pecial Temporary Authorization (STA), enter the code and attach the required exhibit as described in the instructions. Otherwise enter ' <b>N/A</b> ' (Not Applicable).	( <b>N</b> ) <u><b>M</b></u> <u><b>S</b></u> <u><b>N/A</b></u>
3b) If this application is for Special Temporary Authority due to an emergency situation, enter 'Y'; otherwise enter 'N'. Refer to Rule 1.915 for an explanation of situations considered to be an emergency.	(    ) <u><b>Y</b></u> <u><b>N</b></u>
4) If this application is for an Amendment or Withdrawal, enter the file number of the pending application currently on file with the FCC.	File Number
5) If this application is for a Modification, Renewal Only, Renewal/Modification, Cancellation of License, , or Administrative Update, enter the call sign of the existing FCC license. If this is a request for Registered Location/Link, enter the FCC call sign assigned to the geographic license.	Call Sign <b>KNLF251</b>
6a) If this application is for a New, Amendment, Renewal Only, or Renewal/Modification, enter the requested authorization expiration date (this item is optional).	MM    DD _____ / _____
6b) If this application is for a Renewal Only or Renewal/Modification and the license is a geographic area license, is the license used to provide service to customers ( <b>C</b> ), or is the license used for private business (internal) purposes or to meet the licensee's public interest/public safety communications needs ( <b>P</b> )?	(    ) <u><b>C</b></u> <u><b>P</b></u>
7) Is this application "major" as defined in § 1.929 of the Commission's Rules when read in conjunction with the applicable radio service rules found in Parts 22 and 90 of the Commission's Rules? (NOTE: This question only applies to certain site-specific applications. See the instructions for applicability and full text of § 1.929).	(    ) <u><b>Y</b></u> <u><b>N</b></u>
8) Are attachments (other than associated schedules) being filed with this application?	(    ) <u><b>Y</b></u> <u><b>N</b></u>

**Fees, Waivers, and Exemptions**

9) Is the Applicant exempt from FCC application fees?	( <b>N</b> ) <u><b>Y</b></u> <u><b>N</b></u>
10) Is the Applicant exempt from FCC regulatory fees?	( <b>N</b> ) <u><b>Y</b></u> <u><b>N</b></u>
11) Does this application include a request for a Waiver of the Commission's Rule(s)? If 'Yes', attach an exhibit providing rule number(s) and explaining circumstances.	( <b>N</b> ) <u><b>Y</b></u> <u><b>N</b></u>
12) Are the frequencies or parameters requested in this filing covered by grandfathered privileges, previously approved by waiver, or functionally integrated with an existing station?	(    ) <u><b>Y</b></u> <u><b>N</b></u>

**Applicant Information**

13) FCC Registration Number (FRN): <b>0003291192</b>			
14) Applicant/Licensee Legal Entity Type: (Select One) ( ) Individual ( ) Unincorporated Association ( ) Trust ( ) Government Entity ( <input checked="" type="checkbox"/> ) Corporation ( ) Limited Liability Company ( ) General Partnership ( ) Limited Partnership ( ) Limited Liability Partnership ( ) Consortium ( ) Other: _____			
15) If the Licensee name is being updated, is the update a result from the sale (or transfer of control) of the license(s) to party and for which proper Commission approval has not been received or proper notification not provided?			( ) <u>Yes</u> <b>No</b>
16) First Name (if individual):	MI:	Last Name:	Suffix:
17) Legal Entity Name (if other than individual): <b>New Cingular Wireless PCS, LLC</b>			
18) Attention To: <b>National Regulatory Compliance</b>			
19) P.O. Box:	And/Or	20) Street Address: <b>208 S Akard St, 20F</b>	
21) City: <b>Dallas</b>	22) State: <b>TX</b>	23) Zip Code: <b>75202</b>	
24) Telephone Number: <b>(855)699-7073</b>		25) Fax: <b>(214)746-6410</b>	
26) E-Mail Address: <b>FCCMW@att.com</b>			

**27) Demographics (Optional)**

Race: ( ) American Indian or Alaska Native ( ) Asian ( ) Black or African-American ( ) Native Hawaiian or Other Pacific Islander ( ) White	Ethnicity: ( ) Hispanic or Latino ( ) Not Hispanic or Latino	Gender: ( ) Male ( ) Female
---	--	-----------------------------------

**Real Party in Interest**

28) Name of Real Party in Interest of Applicant (If different from Applicant):	29) FCC Registration Number (FRN) of Real Party in Interest:
--	--

**Contact Information (If different from the Applicant)****( ) Check here if same as Applicant.**

30) First Name: <b>Jessica</b>	MI: <b>J</b>	Last Name: <b>Dunk</b>	Suffix:
31) Company Name: <b>AT&amp;T Services, Inc.</b>			
32) Attention To: <b>NRC</b>			
33) P.O. Box:	And /Or	34) Street Address: <b>208 S Akard St, 20F</b>	
35) City: <b>Dallas</b>	36) State: <b>TX</b>	37) Zip Code: <b>75202</b>	
38) Telephone Number: <b>(855)699-7073</b>		39) Fax: <b>(214)757-3706</b>	
40) E-Mail Address: <b>FCCMW@att.com</b>			

**Regulatory Status**

41) This filing is for authorization to provide or use the following type(s) of radio service offering (enter all that apply):  
(  ) Common Carrier (  ) Non-Common Carrier (  ) Private, internal communications (  ) Broadcast Services (  ) Band Manager

**Type of Radio Service**

42) This filing is for authorization to provide the following type(s) of radio service (choose all that apply):  
(  ) Fixed (  ) Mobile (  ) Radiolocation (  ) Satellite (sound) (  ) Broadcast Services  
43) Does the Applicant propose to provide service interconnected to the public telephone network? (  ) Yes (  ) No

**Alien Ownership Questions (If any answer is 'Y', provide an attachment explaining the circumstances. In preparing the attachment, refer to the Main Form Instructions for the "Alien Ownership Questions".)**

44) Is the Applicant a foreign government or the representative of any foreign government? (  ) Yes (  ) No  
45) Is the Applicant an alien or the representative of an alien? (  ) Yes (  ) No  
46) Is the Applicant a corporation organized under the laws of any foreign government? (  ) Yes (  ) No  
47) Is the Applicant a corporation of which more than one-fifth of the capital stock is owned of record or voted by aliens or their representatives, or by a foreign government or representative thereof, or by any corporation organized under the laws of a foreign country? (  ) Yes (  ) No



48a) Is the Applicant directly or indirectly controlled by any other corporation of which more than one-fourth of the capital stock ( ) Yes No is owned of record or voted by aliens or their representatives, or by a foreign government or representative thereof, or by any corporation organized under the laws of a foreign country?

48b) If the answer to 47 or 48a is 'Y' select one of the choices below.

The Applicant is exempt from the provisions of Section 310(b).

*If checked, it is not necessary to file a petition for declaratory ruling if the Applicant includes in the attachment required by Item 47 or Item 48a a showing that the requested license(s) is exempt from the provisions of Section 310(b).*

The Applicant has received a declaratory ruling(s) approving its foreign ownership, and the application involves only the acquisition of additional spectrum for the provision of a wireless service in a geographic coverage area for which the Applicant has been previously authorized.

*If checked, include in the attachment required by Item 47 or Item 48a the citation(s) of the applicable declaratory ruling(s) by DA/FCC number, the FCC Record citation, if available, release date, and a statement that there has been no change in the foreign ownership of the Applicant since the issuance of its ruling.*

The Applicant: (i) has received a declaratory ruling(s) approving its foreign ownership, but is not able to make the certification specified immediately above; or (ii) is an "affiliate" of a Licensee or Lessee/Sublessee that received a declaratory ruling(s) under 47 CFR § 1.5000(a) and is relying on the affiliate's ruling for purposes of filing this application as permitted under the affiliate's ruling and 47 CFR § 1.5004(b)

*If checked, and if the Applicant received its declaratory ruling(s) on or after August 9, 2013, include in the attachment required by Item 47 or Item 48a the citation(s) of the Applicant's declaratory ruling(s) by DA/FCC number, the FCC Record citation, if available, release date, and a statement that the Applicant is in compliance with the terms and conditions of its ruling and with the Commission's Rules.*

*If checked, and if the Applicant received its declaratory ruling(s) prior to August 9, 2013, include in the attachment required by Item 48a a copy of a petition for declaratory ruling filed contemporaneously with the Commission to extend the Applicant's existing ruling(s) to cover the same radio service(s) and geographic coverage area(s) involved in the application. Alternatively, the Applicant may request a new declaratory ruling pursuant to Section 1.5000(a) of the Commission's Rules, 47 CFR § 1.5000 (a). Petitions for declaratory ruling may be filed electronically on the Internet through the International Bureau Filing System (IBFS) (with a copy attached hereto).*

*If checked, and if the Applicant is relying on an affiliate's ruling for purposes of filing this application, include in the attachment required by Item 47 or Item 48a the citation(s) of the applicable declaratory ruling(s) by DA/FCC number, the FCC Record citation, if available, release date, and a statement that the Applicant is in compliance with the terms and conditions of the named affiliate's ruling and with the Commission's Rules. The Applicant must also include a certification of compliance signed by the named affiliate or other qualified entity as specified in 47 CFR § 1.5004(b). See Main Form Instructions for Items 47 or 48a, as applicable.*

The Applicant has not received a declaratory ruling approving its foreign ownership and is requesting a declaratory ruling under 47 CFR § 1.5004(b) in a petition filed contemporaneously with the Commission.

*If checked, include in the attachment required by Item 47 or 48a a copy of the petition for declaratory ruling filed contemporaneously with the Commission pursuant to 47 CFR § 1.5004(b). Petitions for declaratory ruling may be filed electronically on the Internet through the International Bureau Filing System (IBFS) (with a copy attached hereto).*

**Basic Qualification Questions**

49) Has the Applicant or any party to this application had any FCC station authorization, license or construction permit revoked or had any application for an initial, modification or renewal of FCC station authorization, license, or construction permit denied by the Commission?	( <input type="checkbox"/> ) <u>Yes</u> <u>No</u>
50) Has the Applicant or any party to this application, or any party directly or indirectly controlling the Applicant, ever been convicted of a felony by any state or federal court?	( <input type="checkbox"/> ) <u>Yes</u> <u>No</u>
51) Has any court finally adjudged the Applicant or any party directly or indirectly controlling the Applicant guilty of unlawfully monopolizing or attempting unlawfully to monopolize radio communication, directly or indirectly, through control of manufacture or sale of radio apparatus, exclusive traffic arrangement, or any other means or unfair methods of competition?	( <input type="checkbox"/> ) <u>Yes</u> <u>No</u>

**Note: If the answer to any of 49-51 is 'Y', attach an exhibit explaining the circumstances.**

**Aeronautical Advisory Station (Unicom) Certification**

52) ( <input type="checkbox"/> ) I certify that the station will be located on property of the airport to be served, and, in cases where the airport does not have a control tower, RCO, or FAA flight service station, that I have notified the owner of the airport and all aviation service organizations located at the airport within ten days prior to application.
---

**Broadband Radio Service and Educational Broadband Service Cable Cross-Ownership**

53a) Will the requested facilities be used to provide multichannel video programming service?	( <input type="checkbox"/> ) <u>Yes</u> <u>No</u>
53b) If the answer to question 53a is 'Y', does the Applicant operate, control or have an attributable interest (as defined in 47 CFR § 27.1202) in a cable television system whose franchise area is located within the geographic service area of the requested facilities?	( <input type="checkbox"/> ) <u>Yes</u> <u>No</u>

**Note: If the answer to question 53b is 'Y', attach an exhibit explaining how the Applicant complies with 47 CFR § 27.1202 or justifying a waiver of that rule. If a waiver of the Commission Rule(s) is being requested, Item 11a must be answered 'Y'.**

**Broadband Radio Service and Educational Broadband Service (Part 27)**

54) (For EBS only) Does the Applicant comply with the programming requirements contained in 47 CFR § 27.1203?	( <input type="checkbox"/> ) <u>Yes</u> <u>No</u>
---	---

**Note: If the answer to item 54 is 'N', attach an exhibit explaining how the Applicant complies with 47 CFR § 27.1203 of the Commission's Rules or justifying a waiver of that rule. If a waiver of the Commission Rule(s) is being requested, Item 11a must be answered 'Y'.**

55) (For BRS and EBS) Does the Applicant comply with 47 CFR §§ 27.50, 27.55, and 27.1221?	( <input type="checkbox"/> ) <u>Yes</u> <u>No</u>
---	---

**Note: If the answer to item 55 is 'N', attach an exhibit justifying a waiver of that rule(s). If a waiver of the Commission Rule(s) is being requested, Item 11a must be answered 'Y'.**

**For Applicants Who Participated in an Auction**

56) Is the Applicant a qualifying rural wireless partnership or a member of a qualifying rural wireless partnership?	( <input type="checkbox"/> ) <u>Yes</u> <u>No</u>
--	---

**Note: If the answer to item 56 is 'Y', attach an exhibit listing all members of the qualifying rural wireless partnership, including their FRN numbers.**

**For Renewal Applicants****57) Operation/Performance Requirement Certification**

<b>[For a site-based license]:</b> Applicant certifies that it is continuing to operate consistent with its most recently filed construction notification (or most recent authorization, if no construction notification was required).	( <input type="checkbox"/> ) <u>Yes</u> <u>No</u>
<b>[For a geographic license, commercial service - licensee in its initial license term with an interim performance requirement]:</b> Applicant certifies that it has met its interim performance requirement, that over the portion of the license term following the interim performance requirement, it continues to use its facilities to provide at least the level of service required by its interim performance requirement, it has met its final performance requirement, and it continues to use its facilities to provide at least the level of service required by its final performance requirement through the end of the license term.	( <input type="checkbox"/> ) <u>Yes</u> <u>No</u>
<b>[For a geographic license, commercial service - licensee in its initial license term with no interim performance requirement]:</b> Applicant certifies that it has met its final performance requirement and it continues to use its facilities to provide at least the level of service required by its final performance requirement through the end of the license term. [Note: licensee must provide a showing demonstrating that the final performance requirement has been met, either separately in a timely application for notification of completion of construction, or as part of its renewal application, depending on the radio service.]	( <input type="checkbox"/> ) <u>Yes</u> <u>No</u>
<b>[For a geographic license, commercial service - licensee in any subsequent term]:</b> Applicant certifies that it continues to use its facilities to provide at least the level of service required by its final performance requirement through the end of any subsequent license terms.	( <input type="checkbox"/> ) <u>Yes</u> <u>No</u>
<b>[For a geographic license, private systems - licensee in its initial license term with an interim performance requirement]:</b> Applicant certifies that it has met its interim performance requirement, that over the portion of the license term following the interim performance requirement, it continues to use its facilities to further its private business or public interest/public safety communications needs at or above the level required to meet its interim performance requirement, it has met its final performance requirement, and it continues to use its facilities to provide at least the level of operation required by its final performance requirement through the end of the license term.	( <input type="checkbox"/> ) <u>Yes</u> <u>No</u>
<b>[For a geographic license, private systems - licensee in its initial license term with no interim performance requirement]:</b> Applicant certifies that it has met its final performance requirement, it continues to use its facilities to further its private business or public interest/public safety communications needs, and it continues to use its facilities to provide at least the level of operation required by its final performance requirement through the end of the license term. [Note: licensee must provide a showing demonstrating that the final performance requirement has been met, either separately in a timely application for notification of completion of construction, or as part of its renewal application, depending on the radio service.]	( <input type="checkbox"/> ) <u>Yes</u> <u>No</u>

<b>[For a geographic license, private systems - licensee in any subsequent term]:</b> Applicant certifies that it continues to use its facilities to further its private business or public interest/public safety communications needs at or above the level required to meet its final performance requirement through the end of any subsequent license terms.	( <input type="checkbox"/> ) <u>Yes</u> <u>No</u>
<b>[For a partitioned or disaggregated license without a performance requirement, for the first renewal application filed after effective date of the rules]:</b> Applicant certifies that the partitioned and/or disaggregated license that is the subject of this renewal application has no separate performance requirement and that this is the first renewal of this license filed subsequent to the effective date of the rules.	( <input type="checkbox"/> ) <u>Yes</u> <u>No</u>
<b>[For a partitioned or disaggregated license without a performance requirement, for any subsequent renewal filings]:</b> Applicant certifies that it continues to use its facilities to provide service or to further the applicant's private business or public interest/public safety needs.	( <input type="checkbox"/> ) <u>Yes</u> <u>No</u>

**Discontinuance of Service Certification**

58) Applicant certifies that no permanent discontinuance of service or operation, as applicable, occurred during its current license term.  <b>Note: If the response to either item 57 or item 58 is 'N',</b> attach an exhibit that demonstrates that over the course of the license term, the Applicant provided and continues to provide service to the public, or operated and continues to operate the license to meet the Applicant's private business or public interest/public safety communications needs. This exhibit must include a detailed description of the Applicant's provision of service or, when allowed under the relevant service rules or pursuant to waiver, use of the spectrum for private business or public interest/public safety communications needs, during the entire license period and address, as applicable: 1) the level and quality of service provided by the applicant (e.g., the population served, the area served, the number of subscribers, the services offered); (2) the date service commenced, whether service was ever interrupted, and the duration of any interruption or outage; (3) the extent to which service is provided to rural areas; (4) the extent to which service is provided to qualifying tribal land as defined in 47 CFR § 1.2110(e)(3)(i); and (5) any other factors associated with the level of service to the public. The licensee may note in its exhibit: 1) any grant(s) of waiver or extension of a performance deadline or license renewal subject to meeting a performance requirement; or 2) if the final performance deadline and/or expiration date for the license accelerated because the licensee did not meet an interim performance requirement.	( <input type="checkbox"/> ) <u>Yes</u> <u>No</u>
--	---

**Regulatory Compliance Certification [same for all]**

59) Applicant certifies that it has substantially complied with all applicable FCC rules, policies, and the Communications Act of 1934, as amended.  <b>Note: If the response to item 59 is 'N',</b> attach an exhibit explaining the circumstances and demonstrating why Applicant's license should be renewed.	( <input type="checkbox"/> ) <u>Yes</u> <u>No</u>
--	---

**General Certification Statements**

1) The Applicant waives any claim to the use of any particular frequency or of the electromagnetic spectrum as against the regulatory power of the United States because of the previous use of the same, whether by license or otherwise, and requests an authorization in accordance with this application.
2) The Applicant certifies that grant of this application would not cause the Applicant to be in violation of any pertinent cross-ownership or attribution rules.* *If the Applicant has sought a waiver of any such rule in connection with this application, it may make this certification subject to the outcome of the waiver request.
3) The Applicant certifies that all statements made in this application and in the exhibits, attachments, or documents incorporated by reference are material, are part of this application, and are true, complete, correct, and made in good faith.
4) The Applicant certifies that neither the Applicant nor any other party to the application is subject to a denial of Federal benefits pursuant to § 5301 of the Anti-Drug Abuse Act of 1988, 21 U.S.C. § 862, because of a conviction for possession or distribution of a controlled substance. This certification does not apply to applications filed in services exempted under § 1.2002(c) of the rules, 47 CFR § 1.2002(c). See 47 CFR § 1.2002(b) for the definition of "party to the application" as used in this certification.
5) The Applicant certifies that it either (1) has current required ownership data on file with the Commission, (2) is filing updated ownership data simultaneously with this application, or (3) is not required to file ownership data under the Commission's Rules.
6) The Applicant certifies that the facilities, operations, and transmitters for which this authorization is hereby requested are either: (1) categorically excluded from routine environmental evaluation for RF exposure as set forth in 47 CFR § 1.1307(b); or, (2) have been found not to cause human exposure to levels of radiofrequency radiation in excess of the limits specified in 47 CFR §§ 1.1310 and 2.1093; or, (3) are the subject of one or more Environmental Assessments filed with the Commission.
7) The Applicant certifies that it has reviewed the appropriate Commission Rules defining eligibility to hold the requested license(s) and is eligible to hold the requested license(s).
8) The Applicant certifies that it is not in default on any payment for Commission licenses and that it is not delinquent on any non-tax debt owed to any federal agency.
9) The Applicant certifies that the Applicant and all of the related individuals and entities required to be disclosed on this application and FCC Form 602 (FCC Ownership Disclosure Information for the Wireless Telecommunications Services) are not person(s) who have been, for reasons of national security, barred by any agency of the Federal Government from bidding on a contract, participating in an auction, or receiving a grant. This certification applies only to applications for licenses for spectrum that is required by Sections 6103, 6401-6403 of the Middle Class Tax Relief and Job Creation Act of 2012, codified at 47 U.S.C. §§ 309, 1413, 1451-1452, to be assigned by a system of competitive bidding under 47 U.S.C. § 309(j).

**Signature**

60) Typed or Printed Name of Party Authorized to Sign

First Name: <b>Jessica</b>	MI:	Last Name: <b>Dunk</b>	Suffix:
61) Title: <b>Assistant Secretary - Compliance</b>			
Signature: <b>Jessica Dunk</b>			62) Date: <b>01/23/2024</b>
<b>FAILURE TO SIGN THIS APPLICATION MAY RESULT IN DISMISSAL OF THE APPLICATION AND FORFEITURE OF ANY FEES PAID.</b>			
Upon grant of this license application, the Licensee may be subject to certain construction or coverage requirements. Failure to meet the construction or coverage requirements will result in termination of the license. Consult appropriate FCC regulations to determine the construction or coverage requirements that apply to the type of license requested in this application.			
WILLFUL FALSE STATEMENTS MADE ON THIS FORM OR ANY ATTACHMENTS ARE PUNISHABLE BY FINE AND/OR IMPRISONMENT (U.S. Code, Title 18, § 1001) AND/OR REVOCATION OF ANY STATION LICENSE OR CONSTRUCTION PERMIT (U.S. Code, Title 47, § 312(a)(1)), AND/OR FORFEITURE (U.S. Code, Title 47, § 503).			

REFERENCE COPY

This is not an official FCC license. It is a record of public information contained in the FCC's licensing database on the date that this reference copy was generated. In cases where FCC rules require the presentation, posting, or display of an FCC license, this document may not be used in place of an official FCC license.



Federal Communications Commission
Wireless Telecommunications Bureau

RADIO STATION AUTHORIZATION

LICENSEE: NEW CINGULAR WIRELESS PCS, LLC

ATTN: NATIONAL REGULATORY COMPLIANCE
NEW CINGULAR WIRELESS PCS, LLC
208 S AKARD ST, 20F
DALLAS, TX 75202

Table with 2 columns: Call Sign (KNLF460), File Number, and Radio Service (CW - PCS Broadband).

FCC Registration Number (FRN): 0003291192

Table with 4 columns: Grant Date (08-31-2016), Effective Date (01-24-2024), Expiration Date (09-17-2026), Print Date, Market Number (BTA083), Channel Block (C), Sub-Market Designator (3), Market Name (Clarksville, TN-Hopkinsville), 1st Build-out Date (09-17-2001), 2nd Build-out Date, 3rd Build-out Date, 4th Build-out Date.

Waivers/Conditions:

This authorization is subject to the condition that, in the event that systems using the same frequencies as granted herein are authorized in an adjacent foreign territory (Canada/United States), future coordination of any base station transmitters within 72 km (45 miles) of the United States/Canada border shall be required to eliminate any harmful interference to operations in the adjacent foreign territory and to ensure continuance of equal access to the frequencies by both countries.

This authorization is conditioned upon the full and timely payment of all monies due pursuant to Sections 1.2110 and 24.711 of the Commission's Rules and the terms of the Commission's installment plan as set forth in the Note and Security Agreement executed by the licensee. Failure to comply with this condition will result in the automatic cancellation of this authorization.

Conditions:

Pursuant to §309(h) of the Communications Act of 1934, as amended, 47 U.S.C. §309(h), this license is subject to the following conditions: This license shall not vest in the licensee any right to operate the station nor any right in the use of the frequencies designated in the license beyond the term thereof nor in any other manner than authorized herein. Neither the license nor the right granted thereunder shall be assigned or otherwise transferred in violation of the Communications Act of 1934, as amended. See 47 U.S.C. § 310(d). This license is subject in terms to the right of use or control conferred by §706 of the Communications Act of 1934, as amended. See 47 U.S.C. §606.

This license may not authorize operation throughout the entire geographic area or spectrum identified on the hardcopy version. To view the specific geographic area and spectrum authorized by this license, refer to the Spectrum and Market Area information under the Market Tab of the license record in the Universal Licensing System (ULS). To view the license record, go to the ULS homepage at http://wireless.fcc.gov/uls/index.htm?job=home and select "License Search". Follow the instructions on how to search for license information.

**Licensee Name:** NEW CINGULAR WIRELESS PCS, LLC

**Call Sign:** KNLF460

**File Number:**

**Print Date:**

**700 MHz Relicensed Area Information:**

<b>Market</b>	<b>Market Name</b>	<b>Buildout Deadline</b>	<b>Buildout Notification</b>	<b>Status</b>
---------------	--------------------	--------------------------	------------------------------	---------------

Reference Copy

# Reference Copy Only. Do Not Mail to the FCC as an Application.

Submitted: 01/23/2024 at 17:43:02  
 File Number: 0010873887

**FCC 601**  
**Main Form**

## FCC Application for Radio Service Authorization: Wireless Telecommunications Bureau Public Safety and Homeland Security Bureau

Approved by OMB  
 3060 - 0798  
 See instructions for  
 public burden estimate

1) Radio Service Code: <p style="text-align: center;"><b>CW</b></p>	1a) Existing Radio Service Code:
--	----------------------------------

**General Information**

2) (Select only one) ( <b>AU</b> ) <b>NE</b> - New <b>RO</b> - Renewal Only <b>AU</b> - Administrative Update <b>NT</b> - Required Notifications <b>MD</b> - Modification <b>RM</b> - Renewal/Modification <b>WD</b> - Withdrawal of Application <b>EX</b> - Requests for Extension of Time <b>AM</b> - Amendment <b>CA</b> - Cancellation of License <b>RL</b> - Registered Location/Link	
3a) If this application is for a Demonstration License or a <b>S</b> pecial Temporary Authorization (STA), enter the code and attach the required exhibit as described in the instructions. Otherwise enter ' <b>N/A</b> ' (Not Applicable).	( <b>N</b> ) <u><b>M</b></u> <u><b>S</b></u> <u><b>N/A</b></u>
3b) If this application is for Special Temporary Authority due to an emergency situation, enter 'Y'; otherwise enter 'N'. Refer to Rule 1.915 for an explanation of situations considered to be an emergency.	(    ) <u><b>Y</b></u> <u><b>N</b></u>
4) If this application is for an Amendment or Withdrawal, enter the file number of the pending application currently on file with the FCC.	File Number
5) If this application is for a Modification, Renewal Only, Renewal/Modification, Cancellation of License, , or Administrative Update, enter the call sign of the existing FCC license. If this is a request for Registered Location/Link, enter the FCC call sign assigned to the geographic license.	Call Sign <b>KNLF460</b>
6a) If this application is for a New, Amendment, Renewal Only, or Renewal/Modification, enter the requested authorization expiration date (this item is optional).	MM      DD _____ / _____
6b) If this application is for a Renewal Only or Renewal/Modification and the license is a geographic area license, is the license used to provide service to customers ( <b>C</b> ), or is the license used for private business (internal) purposes or to meet the licensee's public interest/public safety communications needs ( <b>P</b> )?	(    ) <u><b>C</b></u> <u><b>P</b></u>
7) Is this application "major" as defined in § 1.929 of the Commission's Rules when read in conjunction with the applicable radio service rules found in Parts 22 and 90 of the Commission's Rules? (NOTE: This question only applies to certain site-specific applications. See the instructions for applicability and full text of § 1.929).	(    ) <u><b>Y</b></u> <u><b>N</b></u>
8) Are attachments (other than associated schedules) being filed with this application?	(    ) <u><b>Y</b></u> <u><b>N</b></u>

**Fees, Waivers, and Exemptions**

9) Is the Applicant exempt from FCC application fees?	( <b>N</b> ) <u><b>Y</b></u> <u><b>N</b></u>
10) Is the Applicant exempt from FCC regulatory fees?	( <b>N</b> ) <u><b>Y</b></u> <u><b>N</b></u>
11) Does this application include a request for a Waiver of the Commission's Rule(s)? If 'Yes', attach an exhibit providing rule number(s) and explaining circumstances.	( <b>N</b> ) <u><b>Y</b></u> <u><b>N</b></u>
12) Are the frequencies or parameters requested in this filing covered by grandfathered privileges, previously approved by waiver, or functionally integrated with an existing station?	(    ) <u><b>Y</b></u> <u><b>N</b></u>

**Applicant Information**

13) FCC Registration Number (FRN): <b>0003291192</b>			
14) Applicant/Licensee Legal Entity Type: (Select One) <input type="checkbox"/> Individual <input type="checkbox"/> Unincorporated Association <input type="checkbox"/> Trust <input type="checkbox"/> Government Entity <input type="checkbox"/> Corporation <input checked="" type="checkbox"/> Limited Liability Company <input type="checkbox"/> General Partnership <input type="checkbox"/> Limited Partnership <input type="checkbox"/> Limited Liability Partnership <input type="checkbox"/> Consortium <input type="checkbox"/> Other: _____			
15) If the Licensee name is being updated, is the update a result from the sale (or transfer of control) of the license(s) to party and for which proper Commission approval has not been received or proper notification not provided?			<input type="checkbox"/> Yes <input checked="" type="checkbox"/> No
16) First Name (if individual):	MI:	Last Name:	Suffix:
17) Legal Entity Name (if other than individual): <b>New Cingular Wireless PCS, LLC</b>			
18) Attention To: <b>National Regulatory Compliance</b>			
19) P.O. Box:	And/Or	20) Street Address: <b>208 S Akard St, 20F</b>	
21) City: <b>Dallas</b>	22) State: <b>TX</b>	23) Zip Code: <b>75202</b>	
24) Telephone Number: <b>(855)699-7073</b>		25) Fax: <b>(214)746-6410</b>	
26) E-Mail Address: <b>FCCMW@att.com</b>			

**27) Demographics (Optional)**

Race: <input type="checkbox"/> American Indian or Alaska Native <input type="checkbox"/> Asian <input type="checkbox"/> Black or African-American <input type="checkbox"/> Native Hawaiian or Other Pacific Islander <input type="checkbox"/> White	Ethnicity: <input type="checkbox"/> Hispanic or Latino <input type="checkbox"/> Not Hispanic or Latino	Gender: <input type="checkbox"/> Male <input type="checkbox"/> Female
--	--	---

**Real Party in Interest**

28) Name of Real Party in Interest of Applicant (If different from Applicant):	29) FCC Registration Number (FRN) of Real Party in Interest:
--	--

**Contact Information (If different from the Applicant)** Check here if same as Applicant.

30) First Name: <b>Jessica</b>	MI: <b>J</b>	Last Name: <b>Dunk</b>	Suffix:
31) Company Name: <b>AT&amp;T Services, Inc.</b>			
32) Attention To: <b>NRC</b>			
33) P.O. Box:	And /Or	34) Street Address: <b>208 S Akard St, 20F</b>	
35) City: <b>Dallas</b>	36) State: <b>TX</b>	37) Zip Code: <b>75202</b>	
38) Telephone Number: <b>(855)699-7073</b>		39) Fax: <b>(214)746-6410</b>	
40) E-Mail Address: <b>FCCMW@att.com</b>			



**Regulatory Status**

41) This filing is for authorization to provide or use the following type(s) of radio service offering (enter all that apply):  
(  ) Common Carrier (  ) Non-Common Carrier (  ) Private, internal communications (  ) Broadcast Services (  ) Band Manager

**Type of Radio Service**

42) This filing is for authorization to provide the following type(s) of radio service (choose all that apply):  
(  ) Fixed (  ) Mobile (  ) Radiolocation (  ) Satellite (sound) (  ) Broadcast Services  
43) Does the Applicant propose to provide service interconnected to the public telephone network? (  ) Yes (  ) No

**Alien Ownership Questions (If any answer is 'Y', provide an attachment explaining the circumstances. In preparing the attachment, refer to the Main Form Instructions for the "Alien Ownership Questions".)**

44) Is the Applicant a foreign government or the representative of any foreign government? (  ) Yes (  ) No  
45) Is the Applicant an alien or the representative of an alien? (  ) Yes (  ) No  
46) Is the Applicant a corporation organized under the laws of any foreign government? (  ) Yes (  ) No  
47) Is the Applicant a corporation of which more than one-fifth of the capital stock is owned of record or voted by aliens or their representatives, or by a foreign government or representative thereof, or by any corporation organized under the laws of a foreign country? (  ) Yes (  ) No

48a) Is the Applicant directly or indirectly controlled by any other corporation of which more than one-fourth of the capital stock ( ) Yes No is owned of record or voted by aliens or their representatives, or by a foreign government or representative thereof, or by any corporation organized under the laws of a foreign country?

48b) If the answer to 47 or 48a is 'Y' select one of the choices below.

The Applicant is exempt from the provisions of Section 310(b).

*If checked, it is not necessary to file a petition for declaratory ruling if the Applicant includes in the attachment required by Item 47 or Item 48a a showing that the requested license(s) is exempt from the provisions of Section 310(b).*

The Applicant has received a declaratory ruling(s) approving its foreign ownership, and the application involves only the acquisition of additional spectrum for the provision of a wireless service in a geographic coverage area for which the Applicant has been previously authorized.

*If checked, include in the attachment required by Item 47 or Item 48a the citation(s) of the applicable declaratory ruling(s) by DA/FCC number, the FCC Record citation, if available, release date, and a statement that there has been no change in the foreign ownership of the Applicant since the issuance of its ruling.*

The Applicant: (i) has received a declaratory ruling(s) approving its foreign ownership, but is not able to make the certification specified immediately above; or (ii) is an "affiliate" of a Licensee or Lessee/Sublessee that received a declaratory ruling(s) under 47 CFR § 1.5000(a) and is relying on the affiliate's ruling for purposes of filing this application as permitted under the affiliate's ruling and 47 CFR § 1.5004(b)

*If checked, and if the Applicant received its declaratory ruling(s) on or after August 9, 2013, include in the attachment required by Item 47 or Item 48a the citation(s) of the Applicant's declaratory ruling(s) by DA/FCC number, the FCC Record citation, if available, release date, and a statement that the Applicant is in compliance with the terms and conditions of its ruling and with the Commission's Rules.*

*If checked, and if the Applicant received its declaratory ruling(s) prior to August 9, 2013, include in the attachment required by Item 48a a copy of a petition for declaratory ruling filed contemporaneously with the Commission to extend the Applicant's existing ruling(s) to cover the same radio service(s) and geographic coverage area(s) involved in the application. Alternatively, the Applicant may request a new declaratory ruling pursuant to Section 1.5000(a) of the Commission's Rules, 47 CFR § 1.5000 (a). Petitions for declaratory ruling may be filed electronically on the Internet through the International Bureau Filing System (IBFS) (with a copy attached hereto).*

*If checked, and if the Applicant is relying on an affiliate's ruling for purposes of filing this application, include in the attachment required by Item 47 or Item 48a the citation(s) of the applicable declaratory ruling(s) by DA/FCC number, the FCC Record citation, if available, release date, and a statement that the Applicant is in compliance with the terms and conditions of the named affiliate's ruling and with the Commission's Rules. The Applicant must also include a certification of compliance signed by the named affiliate or other qualified entity as specified in 47 CFR § 1.5004(b). See Main Form Instructions for Items 47 or 48a, as applicable.*

The Applicant has not received a declaratory ruling approving its foreign ownership and is requesting a declaratory ruling under 47 CFR § 1.5004(b) in a petition filed contemporaneously with the Commission.

*If checked, include in the attachment required by Item 47 or 48a a copy of the petition for declaratory ruling filed contemporaneously with the Commission pursuant to 47 CFR § 1.5004(b). Petitions for declaratory ruling may be filed electronically on the Internet through the International Bureau Filing System (IBFS) (with a copy attached hereto).*

**Basic Qualification Questions**

49) Has the Applicant or any party to this application had any FCC station authorization, license or construction permit revoked or had any application for an initial, modification or renewal of FCC station authorization, license, or construction permit denied by the Commission?	( ) <u>Yes</u> <u>No</u>
50) Has the Applicant or any party to this application, or any party directly or indirectly controlling the Applicant, ever been convicted of a felony by any state or federal court?	( ) <u>Yes</u> <u>No</u>
51) Has any court finally adjudged the Applicant or any party directly or indirectly controlling the Applicant guilty of unlawfully monopolizing or attempting unlawfully to monopolize radio communication, directly or indirectly, through control of manufacture or sale of radio apparatus, exclusive traffic arrangement, or any other means or unfair methods of competition?	( ) <u>Yes</u> <u>No</u>

**Note: If the answer to any of 49-51 is 'Y', attach an exhibit explaining the circumstances.**

**Aeronautical Advisory Station (Unicom) Certification**

52) ( ) I certify that the station will be located on property of the airport to be served, and, in cases where the airport does not have a control tower, RCO, or FAA flight service station, that I have notified the owner of the airport and all aviation service organizations located at the airport within ten days prior to application.
--

**Broadband Radio Service and Educational Broadband Service Cable Cross-Ownership**

53a) Will the requested facilities be used to provide multichannel video programming service?	( ) <u>Yes</u> <u>No</u>
53b) If the answer to question 53a is 'Y', does the Applicant operate, control or have an attributable interest (as defined in 47 CFR § 27.1202) in a cable television system whose franchise area is located within the geographic service area of the requested facilities?	( ) <u>Yes</u> <u>No</u>

**Note: If the answer to question 53b is 'Y', attach an exhibit explaining how the Applicant complies with 47 CFR § 27.1202 or justifying a waiver of that rule. If a waiver of the Commission Rule(s) is being requested, Item 11a must be answered 'Y'.**

**Broadband Radio Service and Educational Broadband Service (Part 27)**

54) (For EBS only) Does the Applicant comply with the programming requirements contained in 47 CFR § 27.1203?	( ) <u>Yes</u> <u>No</u>
---	--------------------------

**Note: If the answer to item 54 is 'N', attach an exhibit explaining how the Applicant complies with 47 CFR § 27.1203 of the Commission's Rules or justifying a waiver of that rule. If a waiver of the Commission Rule(s) is being requested, Item 11a must be answered 'Y'.**

55) (For BRS and EBS) Does the Applicant comply with 47 CFR §§ 27.50, 27.55, and 27.1221?	( ) <u>Yes</u> <u>No</u>
---	--------------------------

**Note: If the answer to item 55 is 'N', attach an exhibit justifying a waiver of that rule(s). If a waiver of the Commission Rule(s) is being requested, Item 11a must be answered 'Y'.**

**For Applicants Who Participated in an Auction**

56) Is the Applicant a qualifying rural wireless partnership or a member of a qualifying rural wireless partnership?	( ) <u>Yes</u> <u>No</u>
--	--------------------------

**Note: If the answer to item 56 is 'Y', attach an exhibit listing all members of the qualifying rural wireless partnership, including their FRN numbers.**

**For Renewal Applicants****57) Operation/Performance Requirement Certification**

<b>[For a site-based license]:</b> Applicant certifies that it is continuing to operate consistent with its most recently filed construction notification (or most recent authorization, if no construction notification was required).	( ) <u>Yes</u> <u>No</u>
<b>[For a geographic license, commercial service - licensee in its initial license term with an interim performance requirement]:</b> Applicant certifies that it has met its interim performance requirement, that over the portion of the license term following the interim performance requirement, it continues to use its facilities to provide at least the level of service required by its interim performance requirement, it has met its final performance requirement, and it continues to use its facilities to provide at least the level of service required by its final performance requirement through the end of the license term.	( ) <u>Yes</u> <u>No</u>
<b>[For a geographic license, commercial service - licensee in its initial license term with no interim performance requirement]:</b> Applicant certifies that it has met its final performance requirement and it continues to use its facilities to provide at least the level of service required by its final performance requirement through the end of the license term. [Note: licensee must provide a showing demonstrating that the final performance requirement has been met, either separately in a timely application for notification of completion of construction, or as part of its renewal application, depending on the radio service.]	( ) <u>Yes</u> <u>No</u>
<b>[For a geographic license, commercial service - licensee in any subsequent term]:</b> Applicant certifies that it continues to use its facilities to provide at least the level of service required by its final performance requirement through the end of any subsequent license terms.	( ) <u>Yes</u> <u>No</u>
<b>[For a geographic license, private systems - licensee in its initial license term with an interim performance requirement]:</b> Applicant certifies that it has met its interim performance requirement, that over the portion of the license term following the interim performance requirement, it continues to use its facilities to further its private business or public interest/public safety communications needs at or above the level required to meet its interim performance requirement, it has met its final performance requirement, and it continues to use its facilities to provide at least the level of operation required by its final performance requirement through the end of the license term.	( ) <u>Yes</u> <u>No</u>
<b>[For a geographic license, private systems - licensee in its initial license term with no interim performance requirement]:</b> Applicant certifies that it has met its final performance requirement, it continues to use its facilities to further its private business or public interest/public safety communications needs, and it continues to use its facilities to provide at least the level of operation required by its final performance requirement through the end of the license term. [Note: licensee must provide a showing demonstrating that the final performance requirement has been met, either separately in a timely application for notification of completion of construction, or as part of its renewal application, depending on the radio service.]	( ) <u>Yes</u> <u>No</u>

<b>[For a geographic license, private systems - licensee in any subsequent term]:</b> Applicant certifies that it continues to use its facilities to further its private business or public interest/public safety communications needs at or above the level required to meet its final performance requirement through the end of any subsequent license terms.	( ) <u>Yes</u> <u>No</u>
<b>[For a partitioned or disaggregated license without a performance requirement, for the first renewal application filed after effective date of the rules]:</b> Applicant certifies that the partitioned and/or disaggregated license that is the subject of this renewal application has no separate performance requirement and that this is the first renewal of this license filed subsequent to the effective date of the rules.	( ) <u>Yes</u> <u>No</u>
<b>[For a partitioned or disaggregated license without a performance requirement, for any subsequent renewal filings]:</b> Applicant certifies that it continues to use its facilities to provide service or to further the applicant's private business or public interest/public safety needs.	( ) <u>Yes</u> <u>No</u>

**Discontinuance of Service Certification**

58) Applicant certifies that no permanent discontinuance of service or operation, as applicable, occurred during its current license term.  <b>Note: If the response to either item 57 or item 58 is 'N',</b> attach an exhibit that demonstrates that over the course of the license term, the Applicant provided and continues to provide service to the public, or operated and continues to operate the license to meet the Applicant's private business or public interest/public safety communications needs. This exhibit must include a detailed description of the Applicant's provision of service or, when allowed under the relevant service rules or pursuant to waiver, use of the spectrum for private business or public interest/public safety communications needs, during the entire license period and address, as applicable: 1) the level and quality of service provided by the applicant (e.g., the population served, the area served, the number of subscribers, the services offered); (2) the date service commenced, whether service was ever interrupted, and the duration of any interruption or outage; (3) the extent to which service is provided to rural areas; (4) the extent to which service is provided to qualifying tribal land as defined in 47 CFR § 1.2110(e)(3)(i); and (5) any other factors associated with the level of service to the public. The licensee may note in its exhibit: 1) any grant(s) of waiver or extension of a performance deadline or license renewal subject to meeting a performance requirement; or 2) if the final performance deadline and/or expiration date for the license accelerated because the licensee did not meet an interim performance requirement.	( ) <u>Yes</u> <u>No</u>
--	--------------------------

**Regulatory Compliance Certification [same for all]**

59) Applicant certifies that it has substantially complied with all applicable FCC rules, policies, and the Communications Act of 1934, as amended.  <b>Note: If the response to item 59 is 'N',</b> attach an exhibit explaining the circumstances and demonstrating why Applicant's license should be renewed.	( ) <u>Yes</u> <u>No</u>
--	--------------------------

**General Certification Statements**

1) The Applicant waives any claim to the use of any particular frequency or of the electromagnetic spectrum as against the regulatory power of the United States because of the previous use of the same, whether by license or otherwise, and requests an authorization in accordance with this application.
2) The Applicant certifies that grant of this application would not cause the Applicant to be in violation of any pertinent cross-ownership or attribution rules.* *If the Applicant has sought a waiver of any such rule in connection with this application, it may make this certification subject to the outcome of the waiver request.
3) The Applicant certifies that all statements made in this application and in the exhibits, attachments, or documents incorporated by reference are material, are part of this application, and are true, complete, correct, and made in good faith.
4) The Applicant certifies that neither the Applicant nor any other party to the application is subject to a denial of Federal benefits pursuant to § 5301 of the Anti-Drug Abuse Act of 1988, 21 U.S.C. § 862, because of a conviction for possession or distribution of a controlled substance. This certification does not apply to applications filed in services exempted under § 1.2002(c) of the rules, 47 CFR § 1.2002(c). See 47 CFR § 1.2002(b) for the definition of "party to the application" as used in this certification.
5) The Applicant certifies that it either (1) has current required ownership data on file with the Commission, (2) is filing updated ownership data simultaneously with this application, or (3) is not required to file ownership data under the Commission's Rules.
6) The Applicant certifies that the facilities, operations, and transmitters for which this authorization is hereby requested are either: (1) categorically excluded from routine environmental evaluation for RF exposure as set forth in 47 CFR § 1.1307(b); or, (2) have been found not to cause human exposure to levels of radiofrequency radiation in excess of the limits specified in 47 CFR §§ 1.1310 and 2.1093; or, (3) are the subject of one or more Environmental Assessments filed with the Commission.
7) The Applicant certifies that it has reviewed the appropriate Commission Rules defining eligibility to hold the requested license(s) and is eligible to hold the requested license(s).
8) The Applicant certifies that it is not in default on any payment for Commission licenses and that it is not delinquent on any non-tax debt owed to any federal agency.
9) The Applicant certifies that the Applicant and all of the related individuals and entities required to be disclosed on this application and FCC Form 602 (FCC Ownership Disclosure Information for the Wireless Telecommunications Services) are not person(s) who have been, for reasons of national security, barred by any agency of the Federal Government from bidding on a contract, participating in an auction, or receiving a grant. This certification applies only to applications for licenses for spectrum that is required by Sections 6103, 6401-6403 of the Middle Class Tax Relief and Job Creation Act of 2012, codified at 47 U.S.C. §§ 309, 1413, 1451-1452, to be assigned by a system of competitive bidding under 47 U.S.C. § 309(j).

**Signature**

60) Typed or Printed Name of Party Authorized to Sign

First Name: <b>Jessica</b>	MI:	Last Name: <b>Dunk</b>	Suffix:
61) Title: <b>Assistant Secretary - Compliance</b>			
Signature: <b>Jessica Dunk</b>			62) Date: <b>01/23/2024</b>
<b>FAILURE TO SIGN THIS APPLICATION MAY RESULT IN DISMISSAL OF THE APPLICATION AND FORFEITURE OF ANY FEES PAID.</b>			
Upon grant of this license application, the Licensee may be subject to certain construction or coverage requirements. Failure to meet the construction or coverage requirements will result in termination of the license. Consult appropriate FCC regulations to determine the construction or coverage requirements that apply to the type of license requested in this application.			
WILLFUL FALSE STATEMENTS MADE ON THIS FORM OR ANY ATTACHMENTS ARE PUNISHABLE BY FINE AND/OR IMPRISONMENT (U.S. Code, Title 18, § 1001) AND/OR REVOCATION OF ANY STATION LICENSE OR CONSTRUCTION PERMIT (U.S. Code, Title 47, § 312(a)(1)), AND/OR FORFEITURE (U.S. Code, Title 47, § 503).			

REFERENCE COPY

This is not an official FCC license. It is a record of public information contained in the FCC's licensing database on the date that this reference copy was generated. In cases where FCC rules require the presentation, posting, or display of an FCC license, this document may not be used in place of an official FCC license.



Federal Communications Commission
Wireless Telecommunications Bureau

RADIO STATION AUTHORIZATION

LICENSEE: NEW CINGULAR WIRELESS PCS, LLC

ATTN: NATIONAL REGULATORY COMPLIANCE
NEW CINGULAR WIRELESS PCS, LLC
208 S AKARD ST, 20F
DALLAS, TX 75202

Table with 2 columns: Call Sign (KNLG230), File Number, and Radio Service (CW - PCS Broadband)

FCC Registration Number (FRN): 0003291192

Table with 4 columns: Grant Date (04-11-2017), Effective Date (01-24-2024), Expiration Date (04-28-2027), Print Date, Market Number (BTA083), Channel Block (F), Sub-Market Designator (1), Market Name (Clarksville, TN-Hopkinsville), 1st Build-out Date (04-28-2002), 2nd Build-out Date, 3rd Build-out Date, 4th Build-out Date

Waivers/Conditions:

This authorization is subject to the condition that, in the event that systems using the same frequencies as granted herein are authorized in an adjacent foreign territory (Canada/United States), future coordination of any base station transmitters within 72 km (45 miles) of the United States/Canada border shall be required to eliminate any harmful interference to operations in the adjacent foreign territory and to ensure continuance of equal access to the frequencies by both countries.

This authorization is conditioned upon the full and timely payment of all monies due pursuant to Sections 1.2110 and 24.716 of the Commission's Rules and the terms of the Commission's installment plan as set forth in the Note and Security Agreement executed by the licensee. Failure to comply with this condition will result in the automatic cancellation of this authorization.

Conditions:

Pursuant to §309(h) of the Communications Act of 1934, as amended, 47 U.S.C. §309(h), this license is subject to the following conditions: This license shall not vest in the licensee any right to operate the station nor any right in the use of the frequencies designated in the license beyond the term thereof nor in any other manner than authorized herein. Neither the license nor the right granted thereunder shall be assigned or otherwise transferred in violation of the Communications Act of 1934, as amended. See 47 U.S.C. § 310(d). This license is subject in terms to the right of use or control conferred by §706 of the Communications Act of 1934, as amended. See 47 U.S.C. §606.

This license may not authorize operation throughout the entire geographic area or spectrum identified on the hardcopy version. To view the specific geographic area and spectrum authorized by this license, refer to the Spectrum and Market Area information under the Market Tab of the license record in the Universal Licensing System (ULS). To view the license record, go to the ULS homepage at http://wireless.fcc.gov/uls/index.htm?job=home and select "License Search". Follow the instructions on how to search for license information.

**Licensee Name:** NEW CINGULAR WIRELESS PCS, LLC

**Call Sign:** KNLG230

**File Number:**

**Print Date:**

**700 MHz Relicensed Area Information:**

<b>Market</b>	<b>Market Name</b>	<b>Buildout Deadline</b>	<b>Buildout Notification</b>	<b>Status</b>
---------------	--------------------	--------------------------	------------------------------	---------------

Reference Copy

# Reference Copy Only. Do Not Mail to the FCC as an Application.

Submitted: 01/23/2024 at 17:43:02  
 File Number: 0010873552

**FCC 601**  
**Main Form**

## FCC Application for Radio Service Authorization: Wireless Telecommunications Bureau Public Safety and Homeland Security Bureau

Approved by OMB  
 3060 - 0798  
 See instructions for  
 public burden estimate

1) Radio Service Code: <p style="text-align: center;"><b>CW</b></p>	1a) Existing Radio Service Code:
--	----------------------------------

**General Information**

2) (Select only one) ( <b>AU</b> ) <b>NE</b> - New <b>RO</b> - Renewal Only <b>AU</b> - Administrative Update <b>NT</b> - Required Notifications <b>MD</b> - Modification <b>RM</b> - Renewal/Modification <b>WD</b> - Withdrawal of Application <b>EX</b> - Requests for Extension of Time <b>AM</b> - Amendment <b>CA</b> - Cancellation of License <b>RL</b> - Registered Location/Link	
3a) If this application is for a Demonstration License or a <b>S</b> pecial Temporary Authorization (STA), enter the code and attach the required exhibit as described in the instructions. Otherwise enter ' <b>N/A</b> ' (Not Applicable).	( <b>N</b> ) <u><b>M</b></u> <u><b>S</b></u> <u><b>N/A</b></u>
3b) If this application is for Special Temporary Authority due to an emergency situation, enter 'Y'; otherwise enter 'N'. Refer to Rule 1.915 for an explanation of situations considered to be an emergency.	(    ) <u><b>Y</b></u> <u><b>N</b></u>
4) If this application is for an Amendment or Withdrawal, enter the file number of the pending application currently on file with the FCC.	File Number
5) If this application is for a Modification, Renewal Only, Renewal/Modification, Cancellation of License, , or Administrative Update, enter the call sign of the existing FCC license. If this is a request for Registered Location/Link, enter the FCC call sign assigned to the geographic license.	Call Sign <b>KNLG230</b>
6a) If this application is for a New, Amendment, Renewal Only, or Renewal/Modification, enter the requested authorization expiration date (this item is optional).	MM    DD _____ / _____
6b) If this application is for a Renewal Only or Renewal/Modification and the license is a geographic area license, is the license used to provide service to customers ( <b>C</b> ), or is the license used for private business (internal) purposes or to meet the licensee's public interest/public safety communications needs ( <b>P</b> )?	(    ) <u><b>C</b></u> <u><b>P</b></u>
7) Is this application "major" as defined in § 1.929 of the Commission's Rules when read in conjunction with the applicable radio service rules found in Parts 22 and 90 of the Commission's Rules? (NOTE: This question only applies to certain site-specific applications. See the instructions for applicability and full text of § 1.929).	(    ) <u><b>Y</b></u> <u><b>N</b></u>
8) Are attachments (other than associated schedules) being filed with this application?	(    ) <u><b>Y</b></u> <u><b>N</b></u>

**Fees, Waivers, and Exemptions**

9) Is the Applicant exempt from FCC application fees?	( <b>N</b> ) <u><b>Y</b></u> <u><b>N</b></u>
10) Is the Applicant exempt from FCC regulatory fees?	( <b>N</b> ) <u><b>Y</b></u> <u><b>N</b></u>
11) Does this application include a request for a Waiver of the Commission's Rule(s)? If 'Yes', attach an exhibit providing rule number(s) and explaining circumstances.	( <b>N</b> ) <u><b>Y</b></u> <u><b>N</b></u>
12) Are the frequencies or parameters requested in this filing covered by grandfathered privileges, previously approved by waiver, or functionally integrated with an existing station?	(    ) <u><b>Y</b></u> <u><b>N</b></u>



**Applicant Information**

13) FCC Registration Number (FRN): <b>0003291192</b>			
14) Applicant/Licensee Legal Entity Type: (Select One) <input type="checkbox"/> Individual <input type="checkbox"/> Unincorporated Association <input type="checkbox"/> Trust <input type="checkbox"/> Government Entity <input type="checkbox"/> Corporation <input checked="" type="checkbox"/> Limited Liability Company <input type="checkbox"/> General Partnership <input type="checkbox"/> Limited Partnership <input type="checkbox"/> Limited Liability Partnership <input type="checkbox"/> Consortium <input type="checkbox"/> Other: _____			
15) If the Licensee name is being updated, is the update a result from the sale (or transfer of control) of the license(s) to party and for which proper Commission approval has not been received or proper notification not provided?			<input type="checkbox"/> Yes <input checked="" type="checkbox"/> No
16) First Name (if individual):	MI:	Last Name:	Suffix:
17) Legal Entity Name (if other than individual): <b>New Cingular Wireless PCS, LLC</b>			
18) Attention To: <b>National Regulatory Compliance</b>			
19) P.O. Box:	And/Or	20) Street Address: <b>208 S Akard St, 20F</b>	
21) City: <b>Dallas</b>	22) State: <b>TX</b>	23) Zip Code: <b>75202</b>	
24) Telephone Number: <b>(855)699-7073</b>		25) Fax: <b>(214)746-6410</b>	
26) E-Mail Address: <b>FCCMW@att.com</b>			

**27) Demographics (Optional)**

Race: <input type="checkbox"/> American Indian or Alaska Native <input type="checkbox"/> Asian <input type="checkbox"/> Black or African-American <input type="checkbox"/> Native Hawaiian or Other Pacific Islander <input type="checkbox"/> White	Ethnicity: <input type="checkbox"/> Hispanic or Latino <input type="checkbox"/> Not Hispanic or Latino	Gender: <input type="checkbox"/> Male <input type="checkbox"/> Female
--	--	---

**Real Party in Interest**

28) Name of Real Party in Interest of Applicant (If different from Applicant):	29) FCC Registration Number (FRN) of Real Party in Interest:
--	--

**Contact Information (If different from the Applicant)** Check here if same as Applicant.

30) First Name: <b>Jessica</b>	MI: <b>J</b>	Last Name: <b>Dunk</b>	Suffix:
31) Company Name: <b>AT&amp;T Services, Inc.</b>			
32) Attention To: <b>NRC</b>			
33) P.O. Box:	And /Or	34) Street Address: <b>208 S Akard St, 20F</b>	
35) City: <b>Dallas</b>	36) State: <b>TX</b>	37) Zip Code: <b>75202</b>	
38) Telephone Number: <b>(855)699-7073</b>		39) Fax: <b>(214)746-6410</b>	
40) E-Mail Address: <b>FCCMW@att.com</b>			

**Regulatory Status**

41) This filing is for authorization to provide or use the following type(s) of radio service offering (enter all that apply):  
(  ) Common Carrier (  ) Non-Common Carrier (  ) Private, internal communications (  ) Broadcast Services (  ) Band Manager

**Type of Radio Service**

42) This filing is for authorization to provide the following type(s) of radio service (choose all that apply):  
(  ) Fixed (  ) Mobile (  ) Radiolocation (  ) Satellite (sound) (  ) Broadcast Services  
43) Does the Applicant propose to provide service interconnected to the public telephone network? (  ) Yes (  ) No

**Alien Ownership Questions (If any answer is 'Y', provide an attachment explaining the circumstances. In preparing the attachment, refer to the Main Form Instructions for the "Alien Ownership Questions".)**

44) Is the Applicant a foreign government or the representative of any foreign government? (  ) Yes (  ) No  
45) Is the Applicant an alien or the representative of an alien? (  ) Yes (  ) No  
46) Is the Applicant a corporation organized under the laws of any foreign government? (  ) Yes (  ) No  
47) Is the Applicant a corporation of which more than one-fifth of the capital stock is owned of record or voted by aliens or their representatives, or by a foreign government or representative thereof, or by any corporation organized under the laws of a foreign country? (  ) Yes (  ) No

48a) Is the Applicant directly or indirectly controlled by any other corporation of which more than one-fourth of the capital stock ( ) Yes No is owned of record or voted by aliens or their representatives, or by a foreign government or representative thereof, or by any corporation organized under the laws of a foreign country?

48b) If the answer to 47 or 48a is 'Y' select one of the choices below.

The Applicant is exempt from the provisions of Section 310(b).

*If checked, it is not necessary to file a petition for declaratory ruling if the Applicant includes in the attachment required by Item 47 or Item 48a a showing that the requested license(s) is exempt from the provisions of Section 310(b).*

The Applicant has received a declaratory ruling(s) approving its foreign ownership, and the application involves only the acquisition of additional spectrum for the provision of a wireless service in a geographic coverage area for which the Applicant has been previously authorized.

*If checked, include in the attachment required by Item 47 or Item 48a the citation(s) of the applicable declaratory ruling(s) by DA/FCC number, the FCC Record citation, if available, release date, and a statement that there has been no change in the foreign ownership of the Applicant since the issuance of its ruling.*

The Applicant: (i) has received a declaratory ruling(s) approving its foreign ownership, but is not able to make the certification specified immediately above; or (ii) is an "affiliate" of a Licensee or Lessee/Sublessee that received a declaratory ruling(s) under 47 CFR § 1.5000(a) and is relying on the affiliate's ruling for purposes of filing this application as permitted under the affiliate's ruling and 47 CFR § 1.5004(b)

*If checked, and if the Applicant received its declaratory ruling(s) on or after August 9, 2013, include in the attachment required by Item 47 or Item 48a the citation(s) of the Applicant's declaratory ruling(s) by DA/FCC number, the FCC Record citation, if available, release date, and a statement that the Applicant is in compliance with the terms and conditions of its ruling and with the Commission's Rules.*

*If checked, and if the Applicant received its declaratory ruling(s) prior to August 9, 2013, include in the attachment required by Item 48a a copy of a petition for declaratory ruling filed contemporaneously with the Commission to extend the Applicant's existing ruling(s) to cover the same radio service(s) and geographic coverage area(s) involved in the application. Alternatively, the Applicant may request a new declaratory ruling pursuant to Section 1.5000(a) of the Commission's Rules, 47 CFR § 1.5000 (a). Petitions for declaratory ruling may be filed electronically on the Internet through the International Bureau Filing System (IBFS) (with a copy attached hereto).*

*If checked, and if the Applicant is relying on an affiliate's ruling for purposes of filing this application, include in the attachment required by Item 47 or Item 48a the citation(s) of the applicable declaratory ruling(s) by DA/FCC number, the FCC Record citation, if available, release date, and a statement that the Applicant is in compliance with the terms and conditions of the named affiliate's ruling and with the Commission's Rules. The Applicant must also include a certification of compliance signed by the named affiliate or other qualified entity as specified in 47 CFR § 1.5004(b). See Main Form Instructions for Items 47 or 48a, as applicable.*

The Applicant has not received a declaratory ruling approving its foreign ownership and is requesting a declaratory ruling under 47 CFR § 1.5004(b) in a petition filed contemporaneously with the Commission.

*If checked, include in the attachment required by Item 47 or 48a a copy of the petition for declaratory ruling filed contemporaneously with the Commission pursuant to 47 CFR § 1.5004(b). Petitions for declaratory ruling may be filed electronically on the Internet through the International Bureau Filing System (IBFS) (with a copy attached hereto).*

**Basic Qualification Questions**

49) Has the Applicant or any party to this application had any FCC station authorization, license or construction permit revoked or had any application for an initial, modification or renewal of FCC station authorization, license, or construction permit denied by the Commission?	( ) <u>Yes</u> <u>No</u>
50) Has the Applicant or any party to this application, or any party directly or indirectly controlling the Applicant, ever been convicted of a felony by any state or federal court?	( ) <u>Yes</u> <u>No</u>
51) Has any court finally adjudged the Applicant or any party directly or indirectly controlling the Applicant guilty of unlawfully monopolizing or attempting unlawfully to monopolize radio communication, directly or indirectly, through control of manufacture or sale of radio apparatus, exclusive traffic arrangement, or any other means or unfair methods of competition?	( ) <u>Yes</u> <u>No</u>

**Note: If the answer to any of 49-51 is 'Y', attach an exhibit explaining the circumstances.**

**Aeronautical Advisory Station (Unicom) Certification**

52) ( ) I certify that the station will be located on property of the airport to be served, and, in cases where the airport does not have a control tower, RCO, or FAA flight service station, that I have notified the owner of the airport and all aviation service organizations located at the airport within ten days prior to application.
--

**Broadband Radio Service and Educational Broadband Service Cable Cross-Ownership**

53a) Will the requested facilities be used to provide multichannel video programming service?	( ) <u>Yes</u> <u>No</u>
53b) If the answer to question 53a is 'Y', does the Applicant operate, control or have an attributable interest (as defined in 47 CFR § 27.1202) in a cable television system whose franchise area is located within the geographic service area of the requested facilities?	( ) <u>Yes</u> <u>No</u>

**Note: If the answer to question 53b is 'Y', attach an exhibit explaining how the Applicant complies with 47 CFR § 27.1202 or justifying a waiver of that rule. If a waiver of the Commission Rule(s) is being requested, Item 11a must be answered 'Y'.**

**Broadband Radio Service and Educational Broadband Service (Part 27)**

54) (For EBS only) Does the Applicant comply with the programming requirements contained in 47 CFR § 27.1203?	( ) <u>Yes</u> <u>No</u>
---	--------------------------

**Note: If the answer to item 54 is 'N', attach an exhibit explaining how the Applicant complies with 47 CFR § 27.1203 of the Commission's Rules or justifying a waiver of that rule. If a waiver of the Commission Rule(s) is being requested, Item 11a must be answered 'Y'.**

55) (For BRS and EBS) Does the Applicant comply with 47 CFR §§ 27.50, 27.55, and 27.1221?	( ) <u>Yes</u> <u>No</u>
---	--------------------------

**Note: If the answer to item 55 is 'N', attach an exhibit justifying a waiver of that rule(s). If a waiver of the Commission Rule(s) is being requested, Item 11a must be answered 'Y'.**

**For Applicants Who Participated in an Auction**

56) Is the Applicant a qualifying rural wireless partnership or a member of a qualifying rural wireless partnership?	( ) <u>Yes</u> <u>No</u>
--	--------------------------

**Note: If the answer to item 56 is 'Y', attach an exhibit listing all members of the qualifying rural wireless partnership, including their FRN numbers.**

**For Renewal Applicants****57) Operation/Performance Requirement Certification**

<b>[For a site-based license]:</b> Applicant certifies that it is continuing to operate consistent with its most recently filed construction notification (or most recent authorization, if no construction notification was required).	( ) <u>Yes</u> <u>No</u>
<b>[For a geographic license, commercial service - licensee in its initial license term with an interim performance requirement]:</b> Applicant certifies that it has met its interim performance requirement, that over the portion of the license term following the interim performance requirement, it continues to use its facilities to provide at least the level of service required by its interim performance requirement, it has met its final performance requirement, and it continues to use its facilities to provide at least the level of service required by its final performance requirement through the end of the license term.	( ) <u>Yes</u> <u>No</u>
<b>[For a geographic license, commercial service - licensee in its initial license term with no interim performance requirement]:</b> Applicant certifies that it has met its final performance requirement and it continues to use its facilities to provide at least the level of service required by its final performance requirement through the end of the license term. [Note: licensee must provide a showing demonstrating that the final performance requirement has been met, either separately in a timely application for notification of completion of construction, or as part of its renewal application, depending on the radio service.]	( ) <u>Yes</u> <u>No</u>
<b>[For a geographic license, commercial service - licensee in any subsequent term]:</b> Applicant certifies that it continues to use its facilities to provide at least the level of service required by its final performance requirement through the end of any subsequent license terms.	( ) <u>Yes</u> <u>No</u>
<b>[For a geographic license, private systems - licensee in its initial license term with an interim performance requirement]:</b> Applicant certifies that it has met its interim performance requirement, that over the portion of the license term following the interim performance requirement, it continues to use its facilities to further its private business or public interest/public safety communications needs at or above the level required to meet its interim performance requirement, it has met its final performance requirement, and it continues to use its facilities to provide at least the level of operation required by its final performance requirement through the end of the license term.	( ) <u>Yes</u> <u>No</u>
<b>[For a geographic license, private systems - licensee in its initial license term with no interim performance requirement]:</b> Applicant certifies that it has met its final performance requirement, it continues to use its facilities to further its private business or public interest/public safety communications needs, and it continues to use its facilities to provide at least the level of operation required by its final performance requirement through the end of the license term. [Note: licensee must provide a showing demonstrating that the final performance requirement has been met, either separately in a timely application for notification of completion of construction, or as part of its renewal application, depending on the radio service.]	( ) <u>Yes</u> <u>No</u>

<b>[For a geographic license, private systems - licensee in any subsequent term]:</b> Applicant certifies that it continues to use its facilities to further its private business or public interest/public safety communications needs at or above the level required to meet its final performance requirement through the end of any subsequent license terms.	( ) <u>Yes</u> <u>No</u>
<b>[For a partitioned or disaggregated license without a performance requirement, for the first renewal application filed after effective date of the rules]:</b> Applicant certifies that the partitioned and/or disaggregated license that is the subject of this renewal application has no separate performance requirement and that this is the first renewal of this license filed subsequent to the effective date of the rules.	( ) <u>Yes</u> <u>No</u>
<b>[For a partitioned or disaggregated license without a performance requirement, for any subsequent renewal filings]:</b> Applicant certifies that it continues to use its facilities to provide service or to further the applicant's private business or public interest/public safety needs.	( ) <u>Yes</u> <u>No</u>

**Discontinuance of Service Certification**

58) Applicant certifies that no permanent discontinuance of service or operation, as applicable, occurred during its current license term.  <b>Note: If the response to either item 57 or item 58 is 'N',</b> attach an exhibit that demonstrates that over the course of the license term, the Applicant provided and continues to provide service to the public, or operated and continues to operate the license to meet the Applicant's private business or public interest/public safety communications needs. This exhibit must include a detailed description of the Applicant's provision of service or, when allowed under the relevant service rules or pursuant to waiver, use of the spectrum for private business or public interest/public safety communications needs, during the entire license period and address, as applicable: 1) the level and quality of service provided by the applicant (e.g., the population served, the area served, the number of subscribers, the services offered); (2) the date service commenced, whether service was ever interrupted, and the duration of any interruption or outage; (3) the extent to which service is provided to rural areas; (4) the extent to which service is provided to qualifying tribal land as defined in 47 CFR § 1.2110(e)(3)(i); and (5) any other factors associated with the level of service to the public. The licensee may note in its exhibit: 1) any grant(s) of waiver or extension of a performance deadline or license renewal subject to meeting a performance requirement; or 2) if the final performance deadline and/or expiration date for the license accelerated because the licensee did not meet an interim performance requirement.	( ) <u>Yes</u> <u>No</u>
--	--------------------------

**Regulatory Compliance Certification [same for all]**

59) Applicant certifies that it has substantially complied with all applicable FCC rules, policies, and the Communications Act of 1934, as amended.  <b>Note: If the response to item 59 is 'N',</b> attach an exhibit explaining the circumstances and demonstrating why Applicant's license should be renewed.	( ) <u>Yes</u> <u>No</u>
--	--------------------------

**General Certification Statements**

1) The Applicant waives any claim to the use of any particular frequency or of the electromagnetic spectrum as against the regulatory power of the United States because of the previous use of the same, whether by license or otherwise, and requests an authorization in accordance with this application.
2) The Applicant certifies that grant of this application would not cause the Applicant to be in violation of any pertinent cross-ownership or attribution rules.* *If the Applicant has sought a waiver of any such rule in connection with this application, it may make this certification subject to the outcome of the waiver request.
3) The Applicant certifies that all statements made in this application and in the exhibits, attachments, or documents incorporated by reference are material, are part of this application, and are true, complete, correct, and made in good faith.
4) The Applicant certifies that neither the Applicant nor any other party to the application is subject to a denial of Federal benefits pursuant to § 5301 of the Anti-Drug Abuse Act of 1988, 21 U.S.C. § 862, because of a conviction for possession or distribution of a controlled substance. This certification does not apply to applications filed in services exempted under § 1.2002(c) of the rules, 47 CFR § 1.2002(c). See 47 CFR § 1.2002(b) for the definition of "party to the application" as used in this certification.
5) The Applicant certifies that it either (1) has current required ownership data on file with the Commission, (2) is filing updated ownership data simultaneously with this application, or (3) is not required to file ownership data under the Commission's Rules.
6) The Applicant certifies that the facilities, operations, and transmitters for which this authorization is hereby requested are either: (1) categorically excluded from routine environmental evaluation for RF exposure as set forth in 47 CFR § 1.1307(b); or, (2) have been found not to cause human exposure to levels of radiofrequency radiation in excess of the limits specified in 47 CFR §§ 1.1310 and 2.1093; or, (3) are the subject of one or more Environmental Assessments filed with the Commission.
7) The Applicant certifies that it has reviewed the appropriate Commission Rules defining eligibility to hold the requested license(s) and is eligible to hold the requested license(s).
8) The Applicant certifies that it is not in default on any payment for Commission licenses and that it is not delinquent on any non-tax debt owed to any federal agency.
9) The Applicant certifies that the Applicant and all of the related individuals and entities required to be disclosed on this application and FCC Form 602 (FCC Ownership Disclosure Information for the Wireless Telecommunications Services) are not person(s) who have been, for reasons of national security, barred by any agency of the Federal Government from bidding on a contract, participating in an auction, or receiving a grant. This certification applies only to applications for licenses for spectrum that is required by Sections 6103, 6401-6403 of the Middle Class Tax Relief and Job Creation Act of 2012, codified at 47 U.S.C. §§ 309, 1413, 1451-1452, to be assigned by a system of competitive bidding under 47 U.S.C. § 309(j).

**Signature**

60) Typed or Printed Name of Party Authorized to Sign

First Name: <b>Jessica</b>	MI:	Last Name: <b>Dunk</b>	Suffix:
61) Title: <b>Assistant Secretary - Compliance</b>			
Signature: <b>Jessica Dunk</b>			62) Date: <b>01/23/2024</b>
<b>FAILURE TO SIGN THIS APPLICATION MAY RESULT IN DISMISSAL OF THE APPLICATION AND FORFEITURE OF ANY FEES PAID.</b>			
Upon grant of this license application, the Licensee may be subject to certain construction or coverage requirements. Failure to meet the construction or coverage requirements will result in termination of the license. Consult appropriate FCC regulations to determine the construction or coverage requirements that apply to the type of license requested in this application.			
WILLFUL FALSE STATEMENTS MADE ON THIS FORM OR ANY ATTACHMENTS ARE PUNISHABLE BY FINE AND/OR IMPRISONMENT (U.S. Code, Title 18, § 1001) AND/OR REVOCATION OF ANY STATION LICENSE OR CONSTRUCTION PERMIT (U.S. Code, Title 47, § 312(a)(1)), AND/OR FORFEITURE (U.S. Code, Title 47, § 503).			

REFERENCE COPY

This is not an official FCC license. It is a record of public information contained in the FCC's licensing database on the date that this reference copy was generated. In cases where FCC rules require the presentation, posting, or display of an FCC license, this document may not be used in place of an official FCC license.



Federal Communications Commission
Wireless Telecommunications Bureau

RADIO STATION AUTHORIZATION

LICENSEE: NEW CINGULAR WIRELESS PCS, LLC

ATTN: NATIONAL REGULATORY COMPLIANCE
NEW CINGULAR WIRELESS PCS, LLC
208 S AKARD ST, 20F
DALLAS, TX 75202

Table with Call Sign (KNLH406), File Number, and Radio Service (CW - PCS Broadband).

FCC Registration Number (FRN): 0003291192

Table with columns: Grant Date, Effective Date, Expiration Date, Print Date, Market Number, Channel Block, Sub-Market Designator, Market Name, 1st Build-out Date, 2nd Build-out Date, 3rd Build-out Date, 4th Build-out Date.

Waivers/Conditions:

This authorization is subject to the condition that, in the event that systems using the same frequencies as granted herein are authorized in an adjacent foreign territory (Canada/United States), future coordination of any base station transmitters within 72 km (45 miles) of the United States/Canada border shall be required to eliminate any harmful interference to operations in the adjacent foreign territory and to ensure continuance of equal access to the frequencies by both countries.

This authorization is subject to the condition that the remaining balance of the winning bid amount will be paid in accordance with Part 1 of the Commission's rules, 47 C.F.R. Part 1.

Conditions:

Pursuant to §309(h) of the Communications Act of 1934, as amended, 47 U.S.C. §309(h), this license is subject to the following conditions: This license shall not vest in the licensee any right to operate the station nor any right in the use of the frequencies designated in the license beyond the term thereof nor in any other manner than authorized herein.

This license may not authorize operation throughout the entire geographic area or spectrum identified on the hardcopy version. To view the specific geographic area and spectrum authorized by this license, refer to the Spectrum and Market Area information under the Market Tab of the license record in the Universal Licensing System (ULS).

**Licensee Name:** NEW CINGULAR WIRELESS PCS, LLC

**Call Sign:** KNLH406

**File Number:**

**Print Date:**

**700 MHz Relicensed Area Information:**

<b>Market</b>	<b>Market Name</b>	<b>Buildout Deadline</b>	<b>Buildout Notification</b>	<b>Status</b>
---------------	--------------------	--------------------------	------------------------------	---------------

Reference Copy



# Reference Copy Only. Do Not Mail to the FCC as an Application.

Submitted: 01/23/2024 at 17:43:02  
File Number: 0010873310

**FCC 601**  
**Main Form**

## FCC Application for Radio Service Authorization: Wireless Telecommunications Bureau Public Safety and Homeland Security Bureau

Approved by OMB  
3060 - 0798  
See instructions for  
public burden estimate

1) Radio Service Code: <p style="text-align: center;"><b>CW</b></p>	1a) Existing Radio Service Code:
--	----------------------------------

**General Information**

2) (Select only one) ( <b>AU</b> ) <b>NE</b> - New <b>RO</b> - Renewal Only <b>AU</b> - Administrative Update <b>NT</b> - Required Notifications <b>MD</b> - Modification <b>RM</b> - Renewal/Modification <b>WD</b> - Withdrawal of Application <b>EX</b> - Requests for Extension of Time <b>AM</b> - Amendment <b>CA</b> - Cancellation of License <b>RL</b> - Registered Location/Link	
3a) If this application is for a Demonstration License or a <b>S</b> pecial Temporary Authorization (STA), enter the code and attach the required exhibit as described in the instructions. Otherwise enter ' <b>N/A</b> ' (Not Applicable).	( <b>N</b> ) <u><b>M</b></u> <u><b>S</b></u> <u><b>N/A</b></u>
3b) If this application is for Special Temporary Authority due to an emergency situation, enter 'Y'; otherwise enter 'N'. Refer to Rule 1.915 for an explanation of situations considered to be an emergency.	(    ) <u><b>Y</b></u> <u><b>N</b></u>
4) If this application is for an Amendment or Withdrawal, enter the file number of the pending application currently on file with the FCC.	File Number
5) If this application is for a Modification, Renewal Only, Renewal/Modification, Cancellation of License, , or Administrative Update, enter the call sign of the existing FCC license. If this is a request for Registered Location/Link, enter the FCC call sign assigned to the geographic license.	Call Sign <b>KNLH406</b>
6a) If this application is for a New, Amendment, Renewal Only, or Renewal/Modification, enter the requested authorization expiration date (this item is optional).	MM      DD ____ / ____
6b) If this application is for a Renewal Only or Renewal/Modification and the license is a geographic area license, is the license used to provide service to customers ( <b>C</b> ), or is the license used for private business (internal) purposes or to meet the licensee's public interest/public safety communications needs ( <b>P</b> )?	(    ) <u><b>C</b></u> <u><b>P</b></u>
7) Is this application "major" as defined in § 1.929 of the Commission's Rules when read in conjunction with the applicable radio service rules found in Parts 22 and 90 of the Commission's Rules? (NOTE: This question only applies to certain site-specific applications. See the instructions for applicability and full text of § 1.929).	(    ) <u><b>Y</b></u> <u><b>N</b></u>
8) Are attachments (other than associated schedules) being filed with this application?	(    ) <u><b>Y</b></u> <u><b>N</b></u>

**Fees, Waivers, and Exemptions**

9) Is the Applicant exempt from FCC application fees?	( <b>N</b> ) <u><b>Y</b></u> <u><b>N</b></u>
10) Is the Applicant exempt from FCC regulatory fees?	( <b>N</b> ) <u><b>Y</b></u> <u><b>N</b></u>
11) Does this application include a request for a Waiver of the Commission's Rule(s)? If 'Yes', attach an exhibit providing rule number(s) and explaining circumstances.	( <b>N</b> ) <u><b>Y</b></u> <u><b>N</b></u>
12) Are the frequencies or parameters requested in this filing covered by grandfathered privileges, previously approved by waiver, or functionally integrated with an existing station?	(    ) <u><b>Y</b></u> <u><b>N</b></u>

**Applicant Information**

13) FCC Registration Number (FRN): <b>0003291192</b>			
14) Applicant/Licensee Legal Entity Type: (Select One) ( ) Individual ( ) Unincorporated Association ( ) Trust ( ) Government Entity ( ) Corporation ( <input checked="" type="checkbox"/> ) Limited Liability Company ( ) General Partnership ( ) Limited Partnership ( ) Limited Liability Partnership ( ) Consortium ( ) Other: _____			
15) If the Licensee name is being updated, is the update a result from the sale (or transfer of control) of the license(s) to party and for which proper Commission approval has not been received or proper notification not provided?			( ) <u>Yes</u> <u>No</u>
16) First Name (if individual):	MI:	Last Name:	Suffix:
17) Legal Entity Name (if other than individual): <b>New Cingular Wireless PCS, LLC</b>			
18) Attention To: <b>National Regulatory Compliance</b>			
19) P.O. Box:	And/Or	20) Street Address: <b>208 S Akard St, 20F</b>	
21) City: <b>Dallas</b>	22) State: <b>TX</b>	23) Zip Code: <b>75202</b>	
24) Telephone Number: <b>(855)699-7073</b>		25) Fax: <b>(214)746-6410</b>	
26) E-Mail Address: <b>FCCMW@att.com</b>			

**27) Demographics (Optional)**

Race: ( ) American Indian or Alaska Native ( ) Asian ( ) Black or African-American ( ) Native Hawaiian or Other Pacific Islander ( ) White	Ethnicity: ( ) Hispanic or Latino ( ) Not Hispanic or Latino	Gender: ( ) Male ( ) Female
---	--	-----------------------------------

**Real Party in Interest**

28) Name of Real Party in Interest of Applicant (If different from Applicant):	29) FCC Registration Number (FRN) of Real Party in Interest:
--	--

**Contact Information (If different from the Applicant)****( ) Check here if same as Applicant.**

30) First Name: <b>Jessica</b>	MI: <b>J</b>	Last Name: <b>Dunk</b>	Suffix:
31) Company Name: <b>AT&amp;T Services, Inc.</b>			
32) Attention To: <b>NRC</b>			
33) P.O. Box:	And /Or	34) Street Address: <b>208 S Akard St, 20F</b>	
35) City: <b>Dallas</b>	36) State: <b>TX</b>	37) Zip Code: <b>75202</b>	
38) Telephone Number: <b>(855)699-7073</b>		39) Fax: <b>(214)746-6410</b>	
40) E-Mail Address: <b>FCCMW@att.com</b>			

**Regulatory Status**

41) This filing is for authorization to provide or use the following type(s) of radio service offering (enter all that apply):  
(  ) Common Carrier (  ) Non-Common Carrier (  ) Private, internal communications (  ) Broadcast Services (  ) Band Manager

**Type of Radio Service**

42) This filing is for authorization to provide the following type(s) of radio service (choose all that apply):  
(  ) Fixed (  ) Mobile (  ) Radiolocation (  ) Satellite (sound) (  ) Broadcast Services  
43) Does the Applicant propose to provide service interconnected to the public telephone network? (  ) Yes (  ) No

**Alien Ownership Questions (If any answer is 'Y', provide an attachment explaining the circumstances. In preparing the attachment, refer to the Main Form Instructions for the "Alien Ownership Questions".)**

44) Is the Applicant a foreign government or the representative of any foreign government? (  ) Yes (  ) No  
45) Is the Applicant an alien or the representative of an alien? (  ) Yes (  ) No  
46) Is the Applicant a corporation organized under the laws of any foreign government? (  ) Yes (  ) No  
47) Is the Applicant a corporation of which more than one-fifth of the capital stock is owned of record or voted by aliens or their representatives, or by a foreign government or representative thereof, or by any corporation organized under the laws of a foreign country? (  ) Yes (  ) No

48a) Is the Applicant directly or indirectly controlled by any other corporation of which more than one-fourth of the capital stock ( ) Yes No is owned of record or voted by aliens or their representatives, or by a foreign government or representative thereof, or by any corporation organized under the laws of a foreign country?

48b) If the answer to 47 or 48a is 'Y' select one of the choices below.

The Applicant is exempt from the provisions of Section 310(b).

*If checked, it is not necessary to file a petition for declaratory ruling if the Applicant includes in the attachment required by Item 47 or Item 48a a showing that the requested license(s) is exempt from the provisions of Section 310(b).*

The Applicant has received a declaratory ruling(s) approving its foreign ownership, and the application involves only the acquisition of additional spectrum for the provision of a wireless service in a geographic coverage area for which the Applicant has been previously authorized.

*If checked, include in the attachment required by Item 47 or Item 48a the citation(s) of the applicable declaratory ruling(s) by DA/FCC number, the FCC Record citation, if available, release date, and a statement that there has been no change in the foreign ownership of the Applicant since the issuance of its ruling.*

The Applicant: (i) has received a declaratory ruling(s) approving its foreign ownership, but is not able to make the certification specified immediately above; or (ii) is an "affiliate" of a Licensee or Lessee/Sublessee that received a declaratory ruling(s) under 47 CFR § 1.5000(a) and is relying on the affiliate's ruling for purposes of filing this application as permitted under the affiliate's ruling and 47 CFR § 1.5004(b)

*If checked, and if the Applicant received its declaratory ruling(s) on or after August 9, 2013, include in the attachment required by Item 47 or Item 48a the citation(s) of the Applicant's declaratory ruling(s) by DA/FCC number, the FCC Record citation, if available, release date, and a statement that the Applicant is in compliance with the terms and conditions of its ruling and with the Commission's Rules.*

*If checked, and if the Applicant received its declaratory ruling(s) prior to August 9, 2013, include in the attachment required by Item 48a a copy of a petition for declaratory ruling filed contemporaneously with the Commission to extend the Applicant's existing ruling(s) to cover the same radio service(s) and geographic coverage area(s) involved in the application. Alternatively, the Applicant may request a new declaratory ruling pursuant to Section 1.5000(a) of the Commission's Rules, 47 CFR § 1.5000 (a). Petitions for declaratory ruling may be filed electronically on the Internet through the International Bureau Filing System (IBFS) (with a copy attached hereto).*

*If checked, and if the Applicant is relying on an affiliate's ruling for purposes of filing this application, include in the attachment required by Item 47 or Item 48a the citation(s) of the applicable declaratory ruling(s) by DA/FCC number, the FCC Record citation, if available, release date, and a statement that the Applicant is in compliance with the terms and conditions of the named affiliate's ruling and with the Commission's Rules. The Applicant must also include a certification of compliance signed by the named affiliate or other qualified entity as specified in 47 CFR § 1.5004(b). See Main Form Instructions for Items 47 or 48a, as applicable.*

The Applicant has not received a declaratory ruling approving its foreign ownership and is requesting a declaratory ruling under 47 CFR § 1.5004(b) in a petition filed contemporaneously with the Commission.

*If checked, include in the attachment required by Item 47 or 48a a copy of the petition for declaratory ruling filed contemporaneously with the Commission pursuant to 47 CFR § 1.5004(b). Petitions for declaratory ruling may be filed electronically on the Internet through the International Bureau Filing System (IBFS) (with a copy attached hereto).*

**Basic Qualification Questions**

49) Has the Applicant or any party to this application had any FCC station authorization, license or construction permit revoked or had any application for an initial, modification or renewal of FCC station authorization, license, or construction permit denied by the Commission?	( ) <u>Yes</u> <u>No</u>
50) Has the Applicant or any party to this application, or any party directly or indirectly controlling the Applicant, ever been convicted of a felony by any state or federal court?	( ) <u>Yes</u> <u>No</u>
51) Has any court finally adjudged the Applicant or any party directly or indirectly controlling the Applicant guilty of unlawfully monopolizing or attempting unlawfully to monopolize radio communication, directly or indirectly, through control of manufacture or sale of radio apparatus, exclusive traffic arrangement, or any other means or unfair methods of competition?	( ) <u>Yes</u> <u>No</u>

**Note: If the answer to any of 49-51 is 'Y', attach an exhibit explaining the circumstances.**

**Aeronautical Advisory Station (Unicom) Certification**

52) ( ) I certify that the station will be located on property of the airport to be served, and, in cases where the airport does not have a control tower, RCO, or FAA flight service station, that I have notified the owner of the airport and all aviation service organizations located at the airport within ten days prior to application.
--

**Broadband Radio Service and Educational Broadband Service Cable Cross-Ownership**

53a) Will the requested facilities be used to provide multichannel video programming service?	( ) <u>Yes</u> <u>No</u>
53b) If the answer to question 53a is 'Y', does the Applicant operate, control or have an attributable interest (as defined in 47 CFR § 27.1202) in a cable television system whose franchise area is located within the geographic service area of the requested facilities?	( ) <u>Yes</u> <u>No</u>

**Note: If the answer to question 53b is 'Y', attach an exhibit explaining how the Applicant complies with 47 CFR § 27.1202 or justifying a waiver of that rule. If a waiver of the Commission Rule(s) is being requested, Item 11a must be answered 'Y'.**

**Broadband Radio Service and Educational Broadband Service (Part 27)**

54) (For EBS only) Does the Applicant comply with the programming requirements contained in 47 CFR § 27.1203?	( ) <u>Yes</u> <u>No</u>
---	--------------------------

**Note: If the answer to item 54 is 'N', attach an exhibit explaining how the Applicant complies with 47 CFR § 27.1203 of the Commission's Rules or justifying a waiver of that rule. If a waiver of the Commission Rule(s) is being requested, Item 11a must be answered 'Y'.**

55) (For BRS and EBS) Does the Applicant comply with 47 CFR §§ 27.50, 27.55, and 27.1221?	( ) <u>Yes</u> <u>No</u>
---	--------------------------

**Note: If the answer to item 55 is 'N', attach an exhibit justifying a waiver of that rule(s). If a waiver of the Commission Rule(s) is being requested, Item 11a must be answered 'Y'.**

**For Applicants Who Participated in an Auction**

56) Is the Applicant a qualifying rural wireless partnership or a member of a qualifying rural wireless partnership?	( ) <u>Yes</u> <u>No</u>
--	--------------------------

**Note: If the answer to item 56 is 'Y', attach an exhibit listing all members of the qualifying rural wireless partnership, including their FRN numbers.**

**For Renewal Applicants**

57) Operation/Performance Requirement Certification	
<b>[For a site-based license]:</b> Applicant certifies that it is continuing to operate consistent with its most recently filed construction notification (or most recent authorization, if no construction notification was required).	( ) <u>Yes</u> <u>No</u>
<b>[For a geographic license, commercial service - licensee in its initial license term with an interim performance requirement]:</b> Applicant certifies that it has met its interim performance requirement, that over the portion of the license term following the interim performance requirement, it continues to use its facilities to provide at least the level of service required by its interim performance requirement, it has met its final performance requirement, and it continues to use its facilities to provide at least the level of service required by its final performance requirement through the end of the license term.	( ) <u>Yes</u> <u>No</u>
<b>[For a geographic license, commercial service - licensee in its initial license term with no interim performance requirement]:</b> Applicant certifies that it has met its final performance requirement and it continues to use its facilities to provide at least the level of service required by its final performance requirement through the end of the license term. [Note: licensee must provide a showing demonstrating that the final performance requirement has been met, either separately in a timely application for notification of completion of construction, or as part of its renewal application, depending on the radio service.]	( ) <u>Yes</u> <u>No</u>
<b>[For a geographic license, commercial service - licensee in any subsequent term]:</b> Applicant certifies that it continues to use its facilities to provide at least the level of service required by its final performance requirement through the end of any subsequent license terms.	( ) <u>Yes</u> <u>No</u>
<b>[For a geographic license, private systems - licensee in its initial license term with an interim performance requirement]:</b> Applicant certifies that it has met its interim performance requirement, that over the portion of the license term following the interim performance requirement, it continues to use its facilities to further its private business or public interest/public safety communications needs at or above the level required to meet its interim performance requirement, it has met its final performance requirement, and it continues to use its facilities to provide at least the level of operation required by its final performance requirement through the end of the license term.	( ) <u>Yes</u> <u>No</u>
<b>[For a geographic license, private systems - licensee in its initial license term with no interim performance requirement]:</b> Applicant certifies that it has met its final performance requirement, it continues to use its facilities to further its private business or public interest/public safety communications needs, and it continues to use its facilities to provide at least the level of operation required by its final performance requirement through the end of the license term. [Note: licensee must provide a showing demonstrating that the final performance requirement has been met, either separately in a timely application for notification of completion of construction, or as part of its renewal application, depending on the radio service.]	( ) <u>Yes</u> <u>No</u>

<b>[For a geographic license, private systems - licensee in any subsequent term]:</b> Applicant certifies that it continues to use its facilities to further its private business or public interest/public safety communications needs at or above the level required to meet its final performance requirement through the end of any subsequent license terms.	( ) <u>Yes</u> <u>No</u>
<b>[For a partitioned or disaggregated license without a performance requirement, for the first renewal application filed after effective date of the rules]:</b> Applicant certifies that the partitioned and/or disaggregated license that is the subject of this renewal application has no separate performance requirement and that this is the first renewal of this license filed subsequent to the effective date of the rules.	( ) <u>Yes</u> <u>No</u>
<b>[For a partitioned or disaggregated license without a performance requirement, for any subsequent renewal filings]:</b> Applicant certifies that it continues to use its facilities to provide service or to further the applicant's private business or public interest/public safety needs.	( ) <u>Yes</u> <u>No</u>

**Discontinuance of Service Certification**

58) Applicant certifies that no permanent discontinuance of service or operation, as applicable, occurred during its current license term.  <b>Note: If the response to either item 57 or item 58 is 'N',</b> attach an exhibit that demonstrates that over the course of the license term, the Applicant provided and continues to provide service to the public, or operated and continues to operate the license to meet the Applicant's private business or public interest/public safety communications needs. This exhibit must include a detailed description of the Applicant's provision of service or, when allowed under the relevant service rules or pursuant to waiver, use of the spectrum for private business or public interest/public safety communications needs, during the entire license period and address, as applicable: 1) the level and quality of service provided by the applicant (e.g., the population served, the area served, the number of subscribers, the services offered); (2) the date service commenced, whether service was ever interrupted, and the duration of any interruption or outage; (3) the extent to which service is provided to rural areas; (4) the extent to which service is provided to qualifying tribal land as defined in 47 CFR § 1.2110(e)(3)(i); and (5) any other factors associated with the level of service to the public. The licensee may note in its exhibit: 1) any grant(s) of waiver or extension of a performance deadline or license renewal subject to meeting a performance requirement; or 2) if the final performance deadline and/or expiration date for the license accelerated because the licensee did not meet an interim performance requirement.	( ) <u>Yes</u> <u>No</u>
--	--------------------------

**Regulatory Compliance Certification [same for all]**

59) Applicant certifies that it has substantially complied with all applicable FCC rules, policies, and the Communications Act of 1934, as amended.  <b>Note: If the response to item 59 is 'N',</b> attach an exhibit explaining the circumstances and demonstrating why Applicant's license should be renewed.	( ) <u>Yes</u> <u>No</u>
--	--------------------------

**General Certification Statements**

1) The Applicant waives any claim to the use of any particular frequency or of the electromagnetic spectrum as against the regulatory power of the United States because of the previous use of the same, whether by license or otherwise, and requests an authorization in accordance with this application.
2) The Applicant certifies that grant of this application would not cause the Applicant to be in violation of any pertinent cross-ownership or attribution rules.* *If the Applicant has sought a waiver of any such rule in connection with this application, it may make this certification subject to the outcome of the waiver request.
3) The Applicant certifies that all statements made in this application and in the exhibits, attachments, or documents incorporated by reference are material, are part of this application, and are true, complete, correct, and made in good faith.
4) The Applicant certifies that neither the Applicant nor any other party to the application is subject to a denial of Federal benefits pursuant to § 5301 of the Anti-Drug Abuse Act of 1988, 21 U.S.C. § 862, because of a conviction for possession or distribution of a controlled substance. This certification does not apply to applications filed in services exempted under § 1.2002(c) of the rules, 47 CFR § 1.2002(c). See 47 CFR § 1.2002(b) for the definition of "party to the application" as used in this certification.
5) The Applicant certifies that it either (1) has current required ownership data on file with the Commission, (2) is filing updated ownership data simultaneously with this application, or (3) is not required to file ownership data under the Commission's Rules.
6) The Applicant certifies that the facilities, operations, and transmitters for which this authorization is hereby requested are either: (1) categorically excluded from routine environmental evaluation for RF exposure as set forth in 47 CFR § 1.1307(b); or, (2) have been found not to cause human exposure to levels of radiofrequency radiation in excess of the limits specified in 47 CFR §§ 1.1310 and 2.1093; or, (3) are the subject of one or more Environmental Assessments filed with the Commission.
7) The Applicant certifies that it has reviewed the appropriate Commission Rules defining eligibility to hold the requested license(s) and is eligible to hold the requested license(s).
8) The Applicant certifies that it is not in default on any payment for Commission licenses and that it is not delinquent on any non-tax debt owed to any federal agency.
9) The Applicant certifies that the Applicant and all of the related individuals and entities required to be disclosed on this application and FCC Form 602 (FCC Ownership Disclosure Information for the Wireless Telecommunications Services) are not person(s) who have been, for reasons of national security, barred by any agency of the Federal Government from bidding on a contract, participating in an auction, or receiving a grant. This certification applies only to applications for licenses for spectrum that is required by Sections 6103, 6401-6403 of the Middle Class Tax Relief and Job Creation Act of 2012, codified at 47 U.S.C. §§ 309, 1413, 1451-1452, to be assigned by a system of competitive bidding under 47 U.S.C. § 309(j).

**Signature**

60) Typed or Printed Name of Party Authorized to Sign

First Name: <b>Jessica</b>	MI:	Last Name: <b>Dunk</b>	Suffix:
61) Title: <b>Assistant Secretary - Compliance</b>			
Signature: <b>Jessica Dunk</b>			62) Date: <b>01/23/2024</b>
<b>FAILURE TO SIGN THIS APPLICATION MAY RESULT IN DISMISSAL OF THE APPLICATION AND FORFEITURE OF ANY FEES PAID.</b>			
Upon grant of this license application, the Licensee may be subject to certain construction or coverage requirements. Failure to meet the construction or coverage requirements will result in termination of the license. Consult appropriate FCC regulations to determine the construction or coverage requirements that apply to the type of license requested in this application.			
WILLFUL FALSE STATEMENTS MADE ON THIS FORM OR ANY ATTACHMENTS ARE PUNISHABLE BY FINE AND/OR IMPRISONMENT (U.S. Code, Title 18, § 1001) AND/OR REVOCATION OF ANY STATION LICENSE OR CONSTRUCTION PERMIT (U.S. Code, Title 47, § 312(a)(1)), AND/OR FORFEITURE (U.S. Code, Title 47, § 503).			

REFERENCE COPY

This is not an official FCC license. It is a record of public information contained in the FCC's licensing database on the date that this reference copy was generated. In cases where FCC rules require the presentation, posting, or display of an FCC license, this document may not be used in place of an official FCC license.



Federal Communications Commission
Wireless Telecommunications Bureau

RADIO STATION AUTHORIZATION

LICENSEE: NEW CINGULAR WIRELESS PCS, LLC

ATTN: NATIONAL REGULATORY COMPLIANCE
NEW CINGULAR WIRELESS PCS, LLC
208 S AKARD ST, 20F
DALLAS, TX 75202

Table with Call Sign (KNLH416), File Number, and Radio Service (CW - PCS Broadband).

FCC Registration Number (FRN): 0003291192

Table with columns: Grant Date, Effective Date, Expiration Date, Print Date, Market Number, Channel Block, Sub-Market Designator, Market Name, 1st Build-out Date, 2nd Build-out Date, 3rd Build-out Date, 4th Build-out Date.

Waivers/Conditions:

This authorization is subject to the condition that, in the event that systems using the same frequencies as granted herein are authorized in an adjacent foreign territory (Canada/United States), future coordination of any base station transmitters within 72 km (45 miles) of the United States/Canada border shall be required to eliminate any harmful interference to operations in the adjacent foreign territory and to ensure continuance of equal access to the frequencies by both countries.

This authorization is subject to the condition that the remaining balance of the winning bid amount will be paid in accordance with Part 1 of the Commission's rules, 47 C.F.R. Part 1.

Conditions:

Pursuant to §309(h) of the Communications Act of 1934, as amended, 47 U.S.C. §309(h), this license is subject to the following conditions: This license shall not vest in the licensee any right to operate the station nor any right in the use of the frequencies designated in the license beyond the term thereof nor in any other manner than authorized herein.

This license may not authorize operation throughout the entire geographic area or spectrum identified on the hardcopy version. To view the specific geographic area and spectrum authorized by this license, refer to the Spectrum and Market Area information under the Market Tab of the license record in the Universal Licensing System (ULS).



**Licensee Name:** NEW CINGULAR WIRELESS PCS, LLC

**Call Sign:** KNLH416

**File Number:**

**Print Date:**

**700 MHz Relicensed Area Information:**

<b>Market</b>	<b>Market Name</b>	<b>Buildout Deadline</b>	<b>Buildout Notification</b>	<b>Status</b>
---------------	--------------------	--------------------------	------------------------------	---------------

Reference Copy

# Reference Copy Only. Do Not Mail to the FCC as an Application.

Submitted: 01/23/2024 at 17:43:02  
 File Number: 0010873620

**FCC 601**  
**Main Form**

## FCC Application for Radio Service Authorization: Wireless Telecommunications Bureau Public Safety and Homeland Security Bureau

Approved by OMB  
 3060 - 0798  
 See instructions for  
 public burden estimate

1) Radio Service Code: <p style="text-align: center;"><b>CW</b></p>	1a) Existing Radio Service Code:
--	----------------------------------

**General Information**

2) (Select only one) ( <b>AU</b> ) <b>NE</b> - New <b>RO</b> - Renewal Only <b>AU</b> - Administrative Update <b>NT</b> - Required Notifications <b>MD</b> - Modification <b>RM</b> - Renewal/Modification <b>WD</b> - Withdrawal of Application <b>EX</b> - Requests for Extension of Time <b>AM</b> - Amendment <b>CA</b> - Cancellation of License <b>RL</b> - Registered Location/Link	
3a) If this application is for a Demonstration License or a <b>S</b> pecial Temporary Authorization (STA), enter the code and attach the required exhibit as described in the instructions. Otherwise enter ' <b>N/A</b> ' (Not Applicable).	( <b>N</b> ) <u><b>M</b></u> <u><b>S</b></u> <u><b>N/A</b></u>
3b) If this application is for Special Temporary Authority due to an emergency situation, enter 'Y'; otherwise enter 'N'. Refer to Rule 1.915 for an explanation of situations considered to be an emergency.	(    ) <u><b>Y</b></u> <u><b>N</b></u>
4) If this application is for an Amendment or Withdrawal, enter the file number of the pending application currently on file with the FCC.	File Number
5) If this application is for a Modification, Renewal Only, Renewal/Modification, Cancellation of License, , or Administrative Update, enter the call sign of the existing FCC license. If this is a request for Registered Location/Link, enter the FCC call sign assigned to the geographic license.	Call Sign <b>KNLH416</b>
6a) If this application is for a New, Amendment, Renewal Only, or Renewal/Modification, enter the requested authorization expiration date (this item is optional).	MM      DD _____ / _____
6b) If this application is for a Renewal Only or Renewal/Modification and the license is a geographic area license, is the license used to provide service to customers ( <b>C</b> ), or is the license used for private business (internal) purposes or to meet the licensee's public interest/public safety communications needs ( <b>P</b> )?	(    ) <u><b>C</b></u> <u><b>P</b></u>
7) Is this application "major" as defined in § 1.929 of the Commission's Rules when read in conjunction with the applicable radio service rules found in Parts 22 and 90 of the Commission's Rules? (NOTE: This question only applies to certain site-specific applications. See the instructions for applicability and full text of § 1.929).	(    ) <u><b>Y</b></u> <u><b>N</b></u>
8) Are attachments (other than associated schedules) being filed with this application?	(    ) <u><b>Y</b></u> <u><b>N</b></u>

**Fees, Waivers, and Exemptions**

9) Is the Applicant exempt from FCC application fees?	( <b>N</b> ) <u><b>Y</b></u> <u><b>N</b></u>
10) Is the Applicant exempt from FCC regulatory fees?	( <b>N</b> ) <u><b>Y</b></u> <u><b>N</b></u>
11) Does this application include a request for a Waiver of the Commission's Rule(s)? If 'Yes', attach an exhibit providing rule number(s) and explaining circumstances.	( <b>N</b> ) <u><b>Y</b></u> <u><b>N</b></u>
12) Are the frequencies or parameters requested in this filing covered by grandfathered privileges, previously approved by waiver, or functionally integrated with an existing station?	(    ) <u><b>Y</b></u> <u><b>N</b></u>

**Applicant Information**

13) FCC Registration Number (FRN): <b>0003291192</b>			
14) Applicant/Licensee Legal Entity Type: (Select One) <input type="checkbox"/> Individual <input type="checkbox"/> Unincorporated Association <input type="checkbox"/> Trust <input type="checkbox"/> Government Entity <input type="checkbox"/> Corporation <input checked="" type="checkbox"/> Limited Liability Company <input type="checkbox"/> General Partnership <input type="checkbox"/> Limited Partnership <input type="checkbox"/> Limited Liability Partnership <input type="checkbox"/> Consortium <input type="checkbox"/> Other: _____			
15) If the Licensee name is being updated, is the update a result from the sale (or transfer of control) of the license(s) to party and for which proper Commission approval has not been received or proper notification not provided?			<input type="checkbox"/> Yes <input checked="" type="checkbox"/> No
16) First Name (if individual):	MI:	Last Name:	Suffix:
17) Legal Entity Name (if other than individual): <b>New Cingular Wireless PCS, LLC</b>			
18) Attention To: <b>National Regulatory Compliance</b>			
19) P.O. Box:	And/Or	20) Street Address: <b>208 S Akard St, 20F</b>	
21) City: <b>Dallas</b>	22) State: <b>TX</b>	23) Zip Code: <b>75202</b>	
24) Telephone Number: <b>(855)699-7073</b>		25) Fax: <b>(214)746-6410</b>	
26) E-Mail Address: <b>FCCMW@att.com</b>			

**27) Demographics (Optional)**

Race: <input type="checkbox"/> American Indian or Alaska Native <input type="checkbox"/> Asian <input type="checkbox"/> Black or African-American <input type="checkbox"/> Native Hawaiian or Other Pacific Islander <input type="checkbox"/> White	Ethnicity: <input type="checkbox"/> Hispanic or Latino <input type="checkbox"/> Not Hispanic or Latino	Gender: <input type="checkbox"/> Male <input type="checkbox"/> Female
--	--	---

**Real Party in Interest**

28) Name of Real Party in Interest of Applicant (If different from Applicant):	29) FCC Registration Number (FRN) of Real Party in Interest:
--	--

**Contact Information (If different from the Applicant)** Check here if same as Applicant.

30) First Name: <b>Jessica</b>	MI: <b>J</b>	Last Name: <b>Dunk</b>	Suffix:
31) Company Name: <b>AT&amp;T Services, Inc.</b>			
32) Attention To: <b>NRC</b>			
33) P.O. Box:	And /Or	34) Street Address: <b>208 S Akard St, 20F</b>	
35) City: <b>Dallas</b>	36) State: <b>TX</b>	37) Zip Code: <b>75202</b>	
38) Telephone Number: <b>(855)699-7073</b>		39) Fax: <b>(214)746-6410</b>	
40) E-Mail Address: <b>FCCMW@att.com</b>			

**Regulatory Status**

41) This filing is for authorization to provide or use the following type(s) of radio service offering (enter all that apply):  
(  ) Common Carrier (  ) Non-Common Carrier (  ) Private, internal communications (  ) Broadcast Services (  ) Band Manager

**Type of Radio Service**

42) This filing is for authorization to provide the following type(s) of radio service (choose all that apply):  
(  ) Fixed (  ) Mobile (  ) Radiolocation (  ) Satellite (sound) (  ) Broadcast Services  
43) Does the Applicant propose to provide service interconnected to the public telephone network? (  ) Yes (  ) No

**Alien Ownership Questions (If any answer is 'Y', provide an attachment explaining the circumstances. In preparing the attachment, refer to the Main Form Instructions for the "Alien Ownership Questions".)**

44) Is the Applicant a foreign government or the representative of any foreign government? (  ) Yes (  ) No  
45) Is the Applicant an alien or the representative of an alien? (  ) Yes (  ) No  
46) Is the Applicant a corporation organized under the laws of any foreign government? (  ) Yes (  ) No  
47) Is the Applicant a corporation of which more than one-fifth of the capital stock is owned of record or voted by aliens or their representatives, or by a foreign government or representative thereof, or by any corporation organized under the laws of a foreign country? (  ) Yes (  ) No

48a) Is the Applicant directly or indirectly controlled by any other corporation of which more than one-fourth of the capital stock ( ) Yes No is owned of record or voted by aliens or their representatives, or by a foreign government or representative thereof, or by any corporation organized under the laws of a foreign country?

48b) If the answer to 47 or 48a is 'Y' select one of the choices below.

The Applicant is exempt from the provisions of Section 310(b).

*If checked, it is not necessary to file a petition for declaratory ruling if the Applicant includes in the attachment required by Item 47 or Item 48a a showing that the requested license(s) is exempt from the provisions of Section 310(b).*

The Applicant has received a declaratory ruling(s) approving its foreign ownership, and the application involves only the acquisition of additional spectrum for the provision of a wireless service in a geographic coverage area for which the Applicant has been previously authorized.

*If checked, include in the attachment required by Item 47 or Item 48a the citation(s) of the applicable declaratory ruling(s) by DA/FCC number, the FCC Record citation, if available, release date, and a statement that there has been no change in the foreign ownership of the Applicant since the issuance of its ruling.*

The Applicant: (i) has received a declaratory ruling(s) approving its foreign ownership, but is not able to make the certification specified immediately above; or (ii) is an "affiliate" of a Licensee or Lessee/Sublessee that received a declaratory ruling(s) under 47 CFR § 1.5000(a) and is relying on the affiliate's ruling for purposes of filing this application as permitted under the affiliate's ruling and 47 CFR § 1.5004(b)

*If checked, and if the Applicant received its declaratory ruling(s) on or after August 9, 2013, include in the attachment required by Item 47 or Item 48a the citation(s) of the Applicant's declaratory ruling(s) by DA/FCC number, the FCC Record citation, if available, release date, and a statement that the Applicant is in compliance with the terms and conditions of its ruling and with the Commission's Rules.*

*If checked, and if the Applicant received its declaratory ruling(s) prior to August 9, 2013, include in the attachment required by Item 48a a copy of a petition for declaratory ruling filed contemporaneously with the Commission to extend the Applicant's existing ruling(s) to cover the same radio service(s) and geographic coverage area(s) involved in the application. Alternatively, the Applicant may request a new declaratory ruling pursuant to Section 1.5000(a) of the Commission's Rules, 47 CFR § 1.5000 (a). Petitions for declaratory ruling may be filed electronically on the Internet through the International Bureau Filing System (IBFS) (with a copy attached hereto).*

*If checked, and if the Applicant is relying on an affiliate's ruling for purposes of filing this application, include in the attachment required by Item 47 or Item 48a the citation(s) of the applicable declaratory ruling(s) by DA/FCC number, the FCC Record citation, if available, release date, and a statement that the Applicant is in compliance with the terms and conditions of the named affiliate's ruling and with the Commission's Rules. The Applicant must also include a certification of compliance signed by the named affiliate or other qualified entity as specified in 47 CFR § 1.5004(b). See Main Form Instructions for Items 47 or 48a, as applicable.*

The Applicant has not received a declaratory ruling approving its foreign ownership and is requesting a declaratory ruling under 47 CFR § 1.5004(b) in a petition filed contemporaneously with the Commission.

*If checked, include in the attachment required by Item 47 or 48a a copy of the petition for declaratory ruling filed contemporaneously with the Commission pursuant to 47 CFR § 1.5004(b). Petitions for declaratory ruling may be filed electronically on the Internet through the International Bureau Filing System (IBFS) (with a copy attached hereto).*

**Basic Qualification Questions**

49) Has the Applicant or any party to this application had any FCC station authorization, license or construction permit revoked or had any application for an initial, modification or renewal of FCC station authorization, license, or construction permit denied by the Commission?	( ) <u>Yes</u> <u>No</u>
50) Has the Applicant or any party to this application, or any party directly or indirectly controlling the Applicant, ever been convicted of a felony by any state or federal court?	( ) <u>Yes</u> <u>No</u>
51) Has any court finally adjudged the Applicant or any party directly or indirectly controlling the Applicant guilty of unlawfully monopolizing or attempting unlawfully to monopolize radio communication, directly or indirectly, through control of manufacture or sale of radio apparatus, exclusive traffic arrangement, or any other means or unfair methods of competition?	( ) <u>Yes</u> <u>No</u>

**Note: If the answer to any of 49-51 is 'Y', attach an exhibit explaining the circumstances.**

**Aeronautical Advisory Station (Unicom) Certification**

52) ( ) I certify that the station will be located on property of the airport to be served, and, in cases where the airport does not have a control tower, RCO, or FAA flight service station, that I have notified the owner of the airport and all aviation service organizations located at the airport within ten days prior to application.
--

**Broadband Radio Service and Educational Broadband Service Cable Cross-Ownership**

53a) Will the requested facilities be used to provide multichannel video programming service?	( ) <u>Yes</u> <u>No</u>
53b) If the answer to question 53a is 'Y', does the Applicant operate, control or have an attributable interest (as defined in 47 CFR § 27.1202) in a cable television system whose franchise area is located within the geographic service area of the requested facilities?	( ) <u>Yes</u> <u>No</u>

**Note: If the answer to question 53b is 'Y', attach an exhibit explaining how the Applicant complies with 47 CFR § 27.1202 or justifying a waiver of that rule. If a waiver of the Commission Rule(s) is being requested, Item 11a must be answered 'Y'.**

**Broadband Radio Service and Educational Broadband Service (Part 27)**

54) (For EBS only) Does the Applicant comply with the programming requirements contained in 47 CFR § 27.1203?	( ) <u>Yes</u> <u>No</u>
---	--------------------------

**Note: If the answer to item 54 is 'N', attach an exhibit explaining how the Applicant complies with 47 CFR § 27.1203 of the Commission's Rules or justifying a waiver of that rule. If a waiver of the Commission Rule(s) is being requested, Item 11a must be answered 'Y'.**

55) (For BRS and EBS) Does the Applicant comply with 47 CFR §§ 27.50, 27.55, and 27.1221?	( ) <u>Yes</u> <u>No</u>
---	--------------------------

**Note: If the answer to item 55 is 'N', attach an exhibit justifying a waiver of that rule(s). If a waiver of the Commission Rule(s) is being requested, Item 11a must be answered 'Y'.**

**For Applicants Who Participated in an Auction**

56) Is the Applicant a qualifying rural wireless partnership or a member of a qualifying rural wireless partnership?	( ) <u>Yes</u> <u>No</u>
--	--------------------------

**Note: If the answer to item 56 is 'Y', attach an exhibit listing all members of the qualifying rural wireless partnership, including their FRN numbers.**

**For Renewal Applicants****57) Operation/Performance Requirement Certification**

<b>[For a site-based license]:</b> Applicant certifies that it is continuing to operate consistent with its most recently filed construction notification (or most recent authorization, if no construction notification was required).	( ) <u>Yes</u> <u>No</u>
<b>[For a geographic license, commercial service - licensee in its initial license term with an interim performance requirement]:</b> Applicant certifies that it has met its interim performance requirement, that over the portion of the license term following the interim performance requirement, it continues to use its facilities to provide at least the level of service required by its interim performance requirement, it has met its final performance requirement, and it continues to use its facilities to provide at least the level of service required by its final performance requirement through the end of the license term.	( ) <u>Yes</u> <u>No</u>
<b>[For a geographic license, commercial service - licensee in its initial license term with no interim performance requirement]:</b> Applicant certifies that it has met its final performance requirement and it continues to use its facilities to provide at least the level of service required by its final performance requirement through the end of the license term. [Note: licensee must provide a showing demonstrating that the final performance requirement has been met, either separately in a timely application for notification of completion of construction, or as part of its renewal application, depending on the radio service.]	( ) <u>Yes</u> <u>No</u>
<b>[For a geographic license, commercial service - licensee in any subsequent term]:</b> Applicant certifies that it continues to use its facilities to provide at least the level of service required by its final performance requirement through the end of any subsequent license terms.	( ) <u>Yes</u> <u>No</u>
<b>[For a geographic license, private systems - licensee in its initial license term with an interim performance requirement]:</b> Applicant certifies that it has met its interim performance requirement, that over the portion of the license term following the interim performance requirement, it continues to use its facilities to further its private business or public interest/public safety communications needs at or above the level required to meet its interim performance requirement, it has met its final performance requirement, and it continues to use its facilities to provide at least the level of operation required by its final performance requirement through the end of the license term.	( ) <u>Yes</u> <u>No</u>
<b>[For a geographic license, private systems - licensee in its initial license term with no interim performance requirement]:</b> Applicant certifies that it has met its final performance requirement, it continues to use its facilities to further its private business or public interest/public safety communications needs, and it continues to use its facilities to provide at least the level of operation required by its final performance requirement through the end of the license term. [Note: licensee must provide a showing demonstrating that the final performance requirement has been met, either separately in a timely application for notification of completion of construction, or as part of its renewal application, depending on the radio service.]	( ) <u>Yes</u> <u>No</u>

<b>[For a geographic license, private systems - licensee in any subsequent term]:</b> Applicant certifies that it continues to use its facilities to further its private business or public interest/public safety communications needs at or above the level required to meet its final performance requirement through the end of any subsequent license terms.	( ) <u>Yes</u> <u>No</u>
<b>[For a partitioned or disaggregated license without a performance requirement, for the first renewal application filed after effective date of the rules]:</b> Applicant certifies that the partitioned and/or disaggregated license that is the subject of this renewal application has no separate performance requirement and that this is the first renewal of this license filed subsequent to the effective date of the rules.	( ) <u>Yes</u> <u>No</u>
<b>[For a partitioned or disaggregated license without a performance requirement, for any subsequent renewal filings]:</b> Applicant certifies that it continues to use its facilities to provide service or to further the applicant's private business or public interest/public safety needs.	( ) <u>Yes</u> <u>No</u>

**Discontinuance of Service Certification**

58) Applicant certifies that no permanent discontinuance of service or operation, as applicable, occurred during its current license term.  <b>Note: If the response to either item 57 or item 58 is 'N',</b> attach an exhibit that demonstrates that over the course of the license term, the Applicant provided and continues to provide service to the public, or operated and continues to operate the license to meet the Applicant's private business or public interest/public safety communications needs. This exhibit must include a detailed description of the Applicant's provision of service or, when allowed under the relevant service rules or pursuant to waiver, use of the spectrum for private business or public interest/public safety communications needs, during the entire license period and address, as applicable: 1) the level and quality of service provided by the applicant (e.g., the population served, the area served, the number of subscribers, the services offered); (2) the date service commenced, whether service was ever interrupted, and the duration of any interruption or outage; (3) the extent to which service is provided to rural areas; (4) the extent to which service is provided to qualifying tribal land as defined in 47 CFR § 1.2110(e)(3)(i); and (5) any other factors associated with the level of service to the public. The licensee may note in its exhibit: 1) any grant(s) of waiver or extension of a performance deadline or license renewal subject to meeting a performance requirement; or 2) if the final performance deadline and/or expiration date for the license accelerated because the licensee did not meet an interim performance requirement.	( ) <u>Yes</u> <u>No</u>
--	--------------------------

**Regulatory Compliance Certification [same for all]**

59) Applicant certifies that it has substantially complied with all applicable FCC rules, policies, and the Communications Act of 1934, as amended.  <b>Note: If the response to item 59 is 'N',</b> attach an exhibit explaining the circumstances and demonstrating why Applicant's license should be renewed.	( ) <u>Yes</u> <u>No</u>
--	--------------------------

**General Certification Statements**

1) The Applicant waives any claim to the use of any particular frequency or of the electromagnetic spectrum as against the regulatory power of the United States because of the previous use of the same, whether by license or otherwise, and requests an authorization in accordance with this application.
2) The Applicant certifies that grant of this application would not cause the Applicant to be in violation of any pertinent cross-ownership or attribution rules.* *If the Applicant has sought a waiver of any such rule in connection with this application, it may make this certification subject to the outcome of the waiver request.
3) The Applicant certifies that all statements made in this application and in the exhibits, attachments, or documents incorporated by reference are material, are part of this application, and are true, complete, correct, and made in good faith.
4) The Applicant certifies that neither the Applicant nor any other party to the application is subject to a denial of Federal benefits pursuant to § 5301 of the Anti-Drug Abuse Act of 1988, 21 U.S.C. § 862, because of a conviction for possession or distribution of a controlled substance. This certification does not apply to applications filed in services exempted under § 1.2002(c) of the rules, 47 CFR § 1.2002(c). See 47 CFR § 1.2002(b) for the definition of "party to the application" as used in this certification.
5) The Applicant certifies that it either (1) has current required ownership data on file with the Commission, (2) is filing updated ownership data simultaneously with this application, or (3) is not required to file ownership data under the Commission's Rules.
6) The Applicant certifies that the facilities, operations, and transmitters for which this authorization is hereby requested are either: (1) categorically excluded from routine environmental evaluation for RF exposure as set forth in 47 CFR § 1.1307(b); or, (2) have been found not to cause human exposure to levels of radiofrequency radiation in excess of the limits specified in 47 CFR §§ 1.1310 and 2.1093; or, (3) are the subject of one or more Environmental Assessments filed with the Commission.
7) The Applicant certifies that it has reviewed the appropriate Commission Rules defining eligibility to hold the requested license(s) and is eligible to hold the requested license(s).
8) The Applicant certifies that it is not in default on any payment for Commission licenses and that it is not delinquent on any non-tax debt owed to any federal agency.
9) The Applicant certifies that the Applicant and all of the related individuals and entities required to be disclosed on this application and FCC Form 602 (FCC Ownership Disclosure Information for the Wireless Telecommunications Services) are not person(s) who have been, for reasons of national security, barred by any agency of the Federal Government from bidding on a contract, participating in an auction, or receiving a grant. This certification applies only to applications for licenses for spectrum that is required by Sections 6103, 6401-6403 of the Middle Class Tax Relief and Job Creation Act of 2012, codified at 47 U.S.C. §§ 309, 1413, 1451-1452, to be assigned by a system of competitive bidding under 47 U.S.C. § 309(j).

**Signature**

60) Typed or Printed Name of Party Authorized to Sign

First Name: <b>Jessica</b>	MI:	Last Name: <b>Dunk</b>	Suffix:
61) Title: <b>Assistant Secretary - Compliance</b>			
Signature: <b>Jessica Dunk</b>			62) Date: <b>01/23/2024</b>
<b>FAILURE TO SIGN THIS APPLICATION MAY RESULT IN DISMISSAL OF THE APPLICATION AND FORFEITURE OF ANY FEES PAID.</b>			
Upon grant of this license application, the Licensee may be subject to certain construction or coverage requirements. Failure to meet the construction or coverage requirements will result in termination of the license. Consult appropriate FCC regulations to determine the construction or coverage requirements that apply to the type of license requested in this application.			
WILLFUL FALSE STATEMENTS MADE ON THIS FORM OR ANY ATTACHMENTS ARE PUNISHABLE BY FINE AND/OR IMPRISONMENT (U.S. Code, Title 18, § 1001) AND/OR REVOCATION OF ANY STATION LICENSE OR CONSTRUCTION PERMIT (U.S. Code, Title 47, § 312(a)(1)), AND/OR FORFEITURE (U.S. Code, Title 47, § 503).			



REFERENCE COPY

This is not an official FCC license. It is a record of public information contained in the FCC's licensing database on the date that this reference copy was generated. In cases where FCC rules require the presentation, posting, or display of an FCC license, this document may not be used in place of an official FCC license.



Federal Communications Commission
Wireless Telecommunications Bureau

RADIO STATION AUTHORIZATION

LICENSEE: NEW CINGULAR WIRELESS PCS, LLC

ATTN: NATIONAL REGULATORY COMPLIANCE
NEW CINGULAR WIRELESS PCS, LLC
208 S AKARD ST, 20F
DALLAS, TX 75202

Table with Call Sign (KNLH417), File Number, and Radio Service (CW - PCS Broadband).

FCC Registration Number (FRN): 0003291192

Table with columns: Grant Date, Effective Date, Expiration Date, Print Date, Market Number, Channel Block, Sub-Market Designator, Market Name, 1st Build-out Date, 2nd Build-out Date, 3rd Build-out Date, 4th Build-out Date.

Waivers/Conditions:

This authorization is subject to the condition that, in the event that systems using the same frequencies as granted herein are authorized in an adjacent foreign territory (Canada/United States), future coordination of any base station transmitters within 72 km (45 miles) of the United States/Canada border shall be required to eliminate any harmful interference to operations in the adjacent foreign territory and to ensure continuance of equal access to the frequencies by both countries.

This authorization is subject to the condition that the remaining balance of the winning bid amount will be paid in accordance with Part 1 of the Commission's rules, 47 C.F.R. Part 1.

Conditions:

Pursuant to §309(h) of the Communications Act of 1934, as amended, 47 U.S.C. §309(h), this license is subject to the following conditions: This license shall not vest in the licensee any right to operate the station nor any right in the use of the frequencies designated in the license beyond the term thereof nor in any other manner than authorized herein.

This license may not authorize operation throughout the entire geographic area or spectrum identified on the hardcopy version. To view the specific geographic area and spectrum authorized by this license, refer to the Spectrum and Market Area information under the Market Tab of the license record in the Universal Licensing System (ULS).

**Licensee Name:** NEW CINGULAR WIRELESS PCS, LLC

**Call Sign:** KNLH417

**File Number:**

**Print Date:**

**700 MHz Relicensed Area Information:**

<b>Market</b>	<b>Market Name</b>	<b>Buildout Deadline</b>	<b>Buildout Notification</b>	<b>Status</b>
---------------	--------------------	--------------------------	------------------------------	---------------

Reference Copy

# Reference Copy Only. Do Not Mail to the FCC as an Application.

Submitted: 01/23/2024 at 17:43:02  
 File Number: 0010873312

**FCC 601**  
**Main Form**

## FCC Application for Radio Service Authorization: Wireless Telecommunications Bureau Public Safety and Homeland Security Bureau

Approved by OMB  
 3060 - 0798  
 See instructions for  
 public burden estimate

1) Radio Service Code: <p style="text-align: center;"><b>CW</b></p>	1a) Existing Radio Service Code:
--	----------------------------------

**General Information**

2) (Select only one) ( <b>AU</b> ) <b>NE</b> - New <b>RO</b> - Renewal Only <b>AU</b> - Administrative Update <b>NT</b> - Required Notifications <b>MD</b> - Modification <b>RM</b> - Renewal/Modification <b>WD</b> - Withdrawal of Application <b>EX</b> - Requests for Extension of Time <b>AM</b> - Amendment <b>CA</b> - Cancellation of License <b>RL</b> - Registered Location/Link	
3a) If this application is for a Demonstration License or a <b>S</b> pecial Temporary Authorization (STA), enter the code and attach the required exhibit as described in the instructions. Otherwise enter ' <b>N/A</b> ' (Not Applicable).	( <b>N</b> ) <u><b>M</b></u> <u><b>S</b></u> <u><b>N/A</b></u>
3b) If this application is for Special Temporary Authority due to an emergency situation, enter 'Y'; otherwise enter 'N'. Refer to Rule 1.915 for an explanation of situations considered to be an emergency.	(    ) <u><b>Y</b></u> <u><b>N</b></u>
4) If this application is for an Amendment or Withdrawal, enter the file number of the pending application currently on file with the FCC.	File Number
5) If this application is for a Modification, Renewal Only, Renewal/Modification, Cancellation of License, , or Administrative Update, enter the call sign of the existing FCC license. If this is a request for Registered Location/Link, enter the FCC call sign assigned to the geographic license.	Call Sign <b>KNLH417</b>
6a) If this application is for a New, Amendment, Renewal Only, or Renewal/Modification, enter the requested authorization expiration date (this item is optional).	MM      DD _____ / _____
6b) If this application is for a Renewal Only or Renewal/Modification and the license is a geographic area license, is the license used to provide service to customers ( <b>C</b> ), or is the license used for private business (internal) purposes or to meet the licensee's public interest/public safety communications needs ( <b>P</b> )?	(    ) <u><b>C</b></u> <u><b>P</b></u>
7) Is this application "major" as defined in § 1.929 of the Commission's Rules when read in conjunction with the applicable radio service rules found in Parts 22 and 90 of the Commission's Rules? (NOTE: This question only applies to certain site-specific applications. See the instructions for applicability and full text of § 1.929).	(    ) <u><b>Y</b></u> <u><b>N</b></u>
8) Are attachments (other than associated schedules) being filed with this application?	(    ) <u><b>Y</b></u> <u><b>N</b></u>

**Fees, Waivers, and Exemptions**

9) Is the Applicant exempt from FCC application fees?	( <b>N</b> ) <u><b>Y</b></u> <u><b>N</b></u>
10) Is the Applicant exempt from FCC regulatory fees?	( <b>N</b> ) <u><b>Y</b></u> <u><b>N</b></u>
11) Does this application include a request for a Waiver of the Commission's Rule(s)? If 'Yes', attach an exhibit providing rule number(s) and explaining circumstances.	( <b>N</b> ) <u><b>Y</b></u> <u><b>N</b></u>
12) Are the frequencies or parameters requested in this filing covered by grandfathered privileges, previously approved by waiver, or functionally integrated with an existing station?	(    ) <u><b>Y</b></u> <u><b>N</b></u>

**Applicant Information**

13) FCC Registration Number (FRN): <b>0003291192</b>			
14) Applicant/Licensee Legal Entity Type: (Select One) ( ) Individual ( ) Unincorporated Association ( ) Trust ( ) Government Entity ( ) Corporation ( <input checked="" type="checkbox"/> ) Limited Liability Company ( ) General Partnership ( ) Limited Partnership ( ) Limited Liability Partnership ( ) Consortium ( ) Other: _____			
15) If the Licensee name is being updated, is the update a result from the sale (or transfer of control) of the license(s) to party and for which proper Commission approval has not been received or proper notification not provided?			( ) <u>Yes</u> <u>No</u>
16) First Name (if individual):	MI:	Last Name:	Suffix:
17) Legal Entity Name (if other than individual): <b>New Cingular Wireless PCS, LLC</b>			
18) Attention To: <b>National Regulatory Compliance</b>			
19) P.O. Box:	And/Or	20) Street Address: <b>208 S Akard St, 20F</b>	
21) City: <b>Dallas</b>	22) State: <b>TX</b>	23) Zip Code: <b>75202</b>	
24) Telephone Number: <b>(855)699-7073</b>		25) Fax: <b>(214)746-6410</b>	
26) E-Mail Address: <b>FCCMW@att.com</b>			

**27) Demographics (Optional)**

Race: ( ) American Indian or Alaska Native ( ) Asian ( ) Black or African-American ( ) Native Hawaiian or Other Pacific Islander ( ) White	Ethnicity: ( ) Hispanic or Latino ( ) Not Hispanic or Latino	Gender: ( ) Male ( ) Female
---	--	-----------------------------------

**Real Party in Interest**

28) Name of Real Party in Interest of Applicant (If different from Applicant):	29) FCC Registration Number (FRN) of Real Party in Interest:
--	--

**Contact Information (If different from the Applicant)****( ) Check here if same as Applicant.**

30) First Name: <b>Jessica</b>	MI: <b>J</b>	Last Name: <b>Dunk</b>	Suffix:
31) Company Name: <b>AT&amp;T Services, Inc.</b>			
32) Attention To: <b>NRC</b>			
33) P.O. Box:	And /Or	34) Street Address: <b>208 S Akard St, 20F</b>	
35) City: <b>Dallas</b>	36) State: <b>TX</b>	37) Zip Code: <b>75202</b>	
38) Telephone Number: <b>(855)699-7073</b>		39) Fax: <b>(214)746-6410</b>	
40) E-Mail Address: <b>FCCMW@att.com</b>			

**Regulatory Status**

41) This filing is for authorization to provide or use the following type(s) of radio service offering (enter all that apply):  
(  ) Common Carrier (  ) Non-Common Carrier (  ) Private, internal communications (  ) Broadcast Services (  ) Band Manager

**Type of Radio Service**

42) This filing is for authorization to provide the following type(s) of radio service (choose all that apply):  
(  ) Fixed (  ) Mobile (  ) Radiolocation (  ) Satellite (sound) (  ) Broadcast Services  
43) Does the Applicant propose to provide service interconnected to the public telephone network? (  ) Yes (  ) No

**Alien Ownership Questions (If any answer is 'Y', provide an attachment explaining the circumstances. In preparing the attachment, refer to the Main Form Instructions for the "Alien Ownership Questions".)**

44) Is the Applicant a foreign government or the representative of any foreign government? (  ) Yes (  ) No  
45) Is the Applicant an alien or the representative of an alien? (  ) Yes (  ) No  
46) Is the Applicant a corporation organized under the laws of any foreign government? (  ) Yes (  ) No  
47) Is the Applicant a corporation of which more than one-fifth of the capital stock is owned of record or voted by aliens or their representatives, or by a foreign government or representative thereof, or by any corporation organized under the laws of a foreign country? (  ) Yes (  ) No

48a) Is the Applicant directly or indirectly controlled by any other corporation of which more than one-fourth of the capital stock ( ) Yes No is owned of record or voted by aliens or their representatives, or by a foreign government or representative thereof, or by any corporation organized under the laws of a foreign country?

48b) If the answer to 47 or 48a is 'Y' select one of the choices below.

The Applicant is exempt from the provisions of Section 310(b).

*If checked, it is not necessary to file a petition for declaratory ruling if the Applicant includes in the attachment required by Item 47 or Item 48a a showing that the requested license(s) is exempt from the provisions of Section 310(b).*

The Applicant has received a declaratory ruling(s) approving its foreign ownership, and the application involves only the acquisition of additional spectrum for the provision of a wireless service in a geographic coverage area for which the Applicant has been previously authorized.

*If checked, include in the attachment required by Item 47 or Item 48a the citation(s) of the applicable declaratory ruling(s) by DA/FCC number, the FCC Record citation, if available, release date, and a statement that there has been no change in the foreign ownership of the Applicant since the issuance of its ruling.*

The Applicant: (i) has received a declaratory ruling(s) approving its foreign ownership, but is not able to make the certification specified immediately above; or (ii) is an "affiliate" of a Licensee or Lessee/Sublessee that received a declaratory ruling(s) under 47 CFR § 1.5000(a) and is relying on the affiliate's ruling for purposes of filing this application as permitted under the affiliate's ruling and 47 CFR § 1.5004(b)

*If checked, and if the Applicant received its declaratory ruling(s) on or after August 9, 2013, include in the attachment required by Item 47 or Item 48a the citation(s) of the Applicant's declaratory ruling(s) by DA/FCC number, the FCC Record citation, if available, release date, and a statement that the Applicant is in compliance with the terms and conditions of its ruling and with the Commission's Rules.*

*If checked, and if the Applicant received its declaratory ruling(s) prior to August 9, 2013, include in the attachment required by Item 48a a copy of a petition for declaratory ruling filed contemporaneously with the Commission to extend the Applicant's existing ruling(s) to cover the same radio service(s) and geographic coverage area(s) involved in the application. Alternatively, the Applicant may request a new declaratory ruling pursuant to Section 1.5000(a) of the Commission's Rules, 47 CFR § 1.5000 (a). Petitions for declaratory ruling may be filed electronically on the Internet through the International Bureau Filing System (IBFS) (with a copy attached hereto).*

*If checked, and if the Applicant is relying on an affiliate's ruling for purposes of filing this application, include in the attachment required by Item 47 or Item 48a the citation(s) of the applicable declaratory ruling(s) by DA/FCC number, the FCC Record citation, if available, release date, and a statement that the Applicant is in compliance with the terms and conditions of the named affiliate's ruling and with the Commission's Rules. The Applicant must also include a certification of compliance signed by the named affiliate or other qualified entity as specified in 47 CFR § 1.5004(b). See Main Form Instructions for Items 47 or 48a, as applicable.*

The Applicant has not received a declaratory ruling approving its foreign ownership and is requesting a declaratory ruling under 47 CFR § 1.5004(b) in a petition filed contemporaneously with the Commission.

*If checked, include in the attachment required by Item 47 or 48a a copy of the petition for declaratory ruling filed contemporaneously with the Commission pursuant to 47 CFR § 1.5004(b). Petitions for declaratory ruling may be filed electronically on the Internet through the International Bureau Filing System (IBFS) (with a copy attached hereto).*

**Basic Qualification Questions**

49) Has the Applicant or any party to this application had any FCC station authorization, license or construction permit revoked or had any application for an initial, modification or renewal of FCC station authorization, license, or construction permit denied by the Commission?	( ) <u>Yes</u> <u>No</u>
50) Has the Applicant or any party to this application, or any party directly or indirectly controlling the Applicant, ever been convicted of a felony by any state or federal court?	( ) <u>Yes</u> <u>No</u>
51) Has any court finally adjudged the Applicant or any party directly or indirectly controlling the Applicant guilty of unlawfully monopolizing or attempting unlawfully to monopolize radio communication, directly or indirectly, through control of manufacture or sale of radio apparatus, exclusive traffic arrangement, or any other means or unfair methods of competition?	( ) <u>Yes</u> <u>No</u>

**Note: If the answer to any of 49-51 is 'Y', attach an exhibit explaining the circumstances.**

**Aeronautical Advisory Station (Unicom) Certification**

52) ( ) I certify that the station will be located on property of the airport to be served, and, in cases where the airport does not have a control tower, RCO, or FAA flight service station, that I have notified the owner of the airport and all aviation service organizations located at the airport within ten days prior to application.
--

**Broadband Radio Service and Educational Broadband Service Cable Cross-Ownership**

53a) Will the requested facilities be used to provide multichannel video programming service?	( ) <u>Yes</u> <u>No</u>
53b) If the answer to question 53a is 'Y', does the Applicant operate, control or have an attributable interest (as defined in 47 CFR § 27.1202) in a cable television system whose franchise area is located within the geographic service area of the requested facilities?	( ) <u>Yes</u> <u>No</u>

**Note: If the answer to question 53b is 'Y', attach an exhibit explaining how the Applicant complies with 47 CFR § 27.1202 or justifying a waiver of that rule. If a waiver of the Commission Rule(s) is being requested, Item 11a must be answered 'Y'.**

**Broadband Radio Service and Educational Broadband Service (Part 27)**

54) (For EBS only) Does the Applicant comply with the programming requirements contained in 47 CFR § 27.1203?	( ) <u>Yes</u> <u>No</u>
---	--------------------------

**Note: If the answer to item 54 is 'N', attach an exhibit explaining how the Applicant complies with 47 CFR § 27.1203 of the Commission's Rules or justifying a waiver of that rule. If a waiver of the Commission Rule(s) is being requested, Item 11a must be answered 'Y'.**

55) (For BRS and EBS) Does the Applicant comply with 47 CFR §§ 27.50, 27.55, and 27.1221?	( ) <u>Yes</u> <u>No</u>
---	--------------------------

**Note: If the answer to item 55 is 'N', attach an exhibit justifying a waiver of that rule(s). If a waiver of the Commission Rule(s) is being requested, Item 11a must be answered 'Y'.**

**For Applicants Who Participated in an Auction**

56) Is the Applicant a qualifying rural wireless partnership or a member of a qualifying rural wireless partnership?	( ) <u>Yes</u> <u>No</u>
--	--------------------------

**Note: If the answer to item 56 is 'Y', attach an exhibit listing all members of the qualifying rural wireless partnership, including their FRN numbers.**

**For Renewal Applicants****57) Operation/Performance Requirement Certification**

<b>[For a site-based license]:</b> Applicant certifies that it is continuing to operate consistent with its most recently filed construction notification (or most recent authorization, if no construction notification was required).	( ) <u>Yes</u> <u>No</u>
<b>[For a geographic license, commercial service - licensee in its initial license term with an interim performance requirement]:</b> Applicant certifies that it has met its interim performance requirement, that over the portion of the license term following the interim performance requirement, it continues to use its facilities to provide at least the level of service required by its interim performance requirement, it has met its final performance requirement, and it continues to use its facilities to provide at least the level of service required by its final performance requirement through the end of the license term.	( ) <u>Yes</u> <u>No</u>
<b>[For a geographic license, commercial service - licensee in its initial license term with no interim performance requirement]:</b> Applicant certifies that it has met its final performance requirement and it continues to use its facilities to provide at least the level of service required by its final performance requirement through the end of the license term. [Note: licensee must provide a showing demonstrating that the final performance requirement has been met, either separately in a timely application for notification of completion of construction, or as part of its renewal application, depending on the radio service.]	( ) <u>Yes</u> <u>No</u>
<b>[For a geographic license, commercial service - licensee in any subsequent term]:</b> Applicant certifies that it continues to use its facilities to provide at least the level of service required by its final performance requirement through the end of any subsequent license terms.	( ) <u>Yes</u> <u>No</u>
<b>[For a geographic license, private systems - licensee in its initial license term with an interim performance requirement]:</b> Applicant certifies that it has met its interim performance requirement, that over the portion of the license term following the interim performance requirement, it continues to use its facilities to further its private business or public interest/public safety communications needs at or above the level required to meet its interim performance requirement, it has met its final performance requirement, and it continues to use its facilities to provide at least the level of operation required by its final performance requirement through the end of the license term.	( ) <u>Yes</u> <u>No</u>
<b>[For a geographic license, private systems - licensee in its initial license term with no interim performance requirement]:</b> Applicant certifies that it has met its final performance requirement, it continues to use its facilities to further its private business or public interest/public safety communications needs, and it continues to use its facilities to provide at least the level of operation required by its final performance requirement through the end of the license term. [Note: licensee must provide a showing demonstrating that the final performance requirement has been met, either separately in a timely application for notification of completion of construction, or as part of its renewal application, depending on the radio service.]	( ) <u>Yes</u> <u>No</u>

<b>[For a geographic license, private systems - licensee in any subsequent term]:</b> Applicant certifies that it continues to use its facilities to further its private business or public interest/public safety communications needs at or above the level required to meet its final performance requirement through the end of any subsequent license terms.	( ) <u>Yes</u> <u>No</u>
<b>[For a partitioned or disaggregated license without a performance requirement, for the first renewal application filed after effective date of the rules]:</b> Applicant certifies that the partitioned and/or disaggregated license that is the subject of this renewal application has no separate performance requirement and that this is the first renewal of this license filed subsequent to the effective date of the rules.	( ) <u>Yes</u> <u>No</u>
<b>[For a partitioned or disaggregated license without a performance requirement, for any subsequent renewal filings]:</b> Applicant certifies that it continues to use its facilities to provide service or to further the applicant's private business or public interest/public safety needs.	( ) <u>Yes</u> <u>No</u>

**Discontinuance of Service Certification**

58) Applicant certifies that no permanent discontinuance of service or operation, as applicable, occurred during its current license term.  <b>Note: If the response to either item 57 or item 58 is 'N',</b> attach an exhibit that demonstrates that over the course of the license term, the Applicant provided and continues to provide service to the public, or operated and continues to operate the license to meet the Applicant's private business or public interest/public safety communications needs. This exhibit must include a detailed description of the Applicant's provision of service or, when allowed under the relevant service rules or pursuant to waiver, use of the spectrum for private business or public interest/public safety communications needs, during the entire license period and address, as applicable: 1) the level and quality of service provided by the applicant (e.g., the population served, the area served, the number of subscribers, the services offered); (2) the date service commenced, whether service was ever interrupted, and the duration of any interruption or outage; (3) the extent to which service is provided to rural areas; (4) the extent to which service is provided to qualifying tribal land as defined in 47 CFR § 1.2110(e)(3)(i); and (5) any other factors associated with the level of service to the public. The licensee may note in its exhibit: 1) any grant(s) of waiver or extension of a performance deadline or license renewal subject to meeting a performance requirement; or 2) if the final performance deadline and/or expiration date for the license accelerated because the licensee did not meet an interim performance requirement.	( ) <u>Yes</u> <u>No</u>
--	--------------------------

**Regulatory Compliance Certification [same for all]**

59) Applicant certifies that it has substantially complied with all applicable FCC rules, policies, and the Communications Act of 1934, as amended.  <b>Note: If the response to item 59 is 'N',</b> attach an exhibit explaining the circumstances and demonstrating why Applicant's license should be renewed.	( ) <u>Yes</u> <u>No</u>
--	--------------------------

**General Certification Statements**

1) The Applicant waives any claim to the use of any particular frequency or of the electromagnetic spectrum as against the regulatory power of the United States because of the previous use of the same, whether by license or otherwise, and requests an authorization in accordance with this application.
2) The Applicant certifies that grant of this application would not cause the Applicant to be in violation of any pertinent cross-ownership or attribution rules.* *If the Applicant has sought a waiver of any such rule in connection with this application, it may make this certification subject to the outcome of the waiver request.
3) The Applicant certifies that all statements made in this application and in the exhibits, attachments, or documents incorporated by reference are material, are part of this application, and are true, complete, correct, and made in good faith.
4) The Applicant certifies that neither the Applicant nor any other party to the application is subject to a denial of Federal benefits pursuant to § 5301 of the Anti-Drug Abuse Act of 1988, 21 U.S.C. § 862, because of a conviction for possession or distribution of a controlled substance. This certification does not apply to applications filed in services exempted under § 1.2002(c) of the rules, 47 CFR § 1.2002(c). See 47 CFR § 1.2002(b) for the definition of "party to the application" as used in this certification.
5) The Applicant certifies that it either (1) has current required ownership data on file with the Commission, (2) is filing updated ownership data simultaneously with this application, or (3) is not required to file ownership data under the Commission's Rules.
6) The Applicant certifies that the facilities, operations, and transmitters for which this authorization is hereby requested are either: (1) categorically excluded from routine environmental evaluation for RF exposure as set forth in 47 CFR § 1.1307(b); or, (2) have been found not to cause human exposure to levels of radiofrequency radiation in excess of the limits specified in 47 CFR §§ 1.1310 and 2.1093; or, (3) are the subject of one or more Environmental Assessments filed with the Commission.
7) The Applicant certifies that it has reviewed the appropriate Commission Rules defining eligibility to hold the requested license(s) and is eligible to hold the requested license(s).
8) The Applicant certifies that it is not in default on any payment for Commission licenses and that it is not delinquent on any non-tax debt owed to any federal agency.
9) The Applicant certifies that the Applicant and all of the related individuals and entities required to be disclosed on this application and FCC Form 602 (FCC Ownership Disclosure Information for the Wireless Telecommunications Services) are not person(s) who have been, for reasons of national security, barred by any agency of the Federal Government from bidding on a contract, participating in an auction, or receiving a grant. This certification applies only to applications for licenses for spectrum that is required by Sections 6103, 6401-6403 of the Middle Class Tax Relief and Job Creation Act of 2012, codified at 47 U.S.C. §§ 309, 1413, 1451-1452, to be assigned by a system of competitive bidding under 47 U.S.C. § 309(j).



**Signature**

60) Typed or Printed Name of Party Authorized to Sign

First Name: <b>Jessica</b>	MI:	Last Name: <b>Dunk</b>	Suffix:
61) Title: <b>Assistant Secretary - Compliance</b>			
Signature: <b>Jessica Dunk</b>			62) Date: <b>01/23/2024</b>
<b>FAILURE TO SIGN THIS APPLICATION MAY RESULT IN DISMISSAL OF THE APPLICATION AND FORFEITURE OF ANY FEES PAID.</b>			
Upon grant of this license application, the Licensee may be subject to certain construction or coverage requirements. Failure to meet the construction or coverage requirements will result in termination of the license. Consult appropriate FCC regulations to determine the construction or coverage requirements that apply to the type of license requested in this application.			
WILLFUL FALSE STATEMENTS MADE ON THIS FORM OR ANY ATTACHMENTS ARE PUNISHABLE BY FINE AND/OR IMPRISONMENT (U.S. Code, Title 18, § 1001) AND/OR REVOCATION OF ANY STATION LICENSE OR CONSTRUCTION PERMIT (U.S. Code, Title 47, § 312(a)(1)), AND/OR FORFEITURE (U.S. Code, Title 47, § 503).			

REFERENCE COPY

This is not an official FCC license. It is a record of public information contained in the FCC's licensing database on the date that this reference copy was generated. In cases where FCC rules require the presentation, posting, or display of an FCC license, this document may not be used in place of an official FCC license.



Federal Communications Commission
Wireless Telecommunications Bureau

RADIO STATION AUTHORIZATION

LICENSEE: NEW CINGULAR WIRELESS PCS, LLC

ATTN: NATIONAL REGULATORY COMPLIANCE
NEW CINGULAR WIRELESS PCS, LLC
208 S AKARD ST, 20F
DALLAS, TX 75202

Table with Call Sign (KNLH651), File Number, and Radio Service (CW - PCS Broadband).

FCC Registration Number (FRN): 0003291192

Table with columns: Grant Date, Effective Date, Expiration Date, Print Date, Market Number, Channel Block, Sub-Market Designator, Market Name, 1st Build-out Date, 2nd Build-out Date, 3rd Build-out Date, 4th Build-out Date.

Waivers/Conditions:

This authorization is subject to the condition that, in the event that systems using the same frequencies as granted herein are authorized in an adjacent foreign territory (Canada/United States), future coordination of any base station transmitters within 72 km (45 miles) of the United States/Canada border shall be required to eliminate any harmful interference to operations in the adjacent foreign territory and to ensure continuance of equal access to the frequencies by both countries.

Grant conditioned upon consummation of the assignment of license to Banana Communications, LLC within 180 days of June 9, 2008, per Memorandum Opinion and Order, DA 08-1380, released June 9, 2008.

Conditions:

Pursuant to §309(h) of the Communications Act of 1934, as amended, 47 U.S.C. §309(h), this license is subject to the following conditions: This license shall not vest in the licensee any right to operate the station nor any right in the use of the frequencies designated in the license beyond the term thereof nor in any other manner than authorized herein.

This license may not authorize operation throughout the entire geographic area or spectrum identified on the hardcopy version. To view the specific geographic area and spectrum authorized by this license, refer to the Spectrum and Market Area information under the Market Tab of the license record in the Universal Licensing System (ULS).

**Licensee Name:** NEW CINGULAR WIRELESS PCS, LLC

**Call Sign:** KNLH651

**File Number:**

**Print Date:**

**700 MHz Relicensed Area Information:**

<b>Market</b>	<b>Market Name</b>	<b>Buildout Deadline</b>	<b>Buildout Notification</b>	<b>Status</b>
---------------	--------------------	--------------------------	------------------------------	---------------

Reference Copy

# Reference Copy Only. Do Not Mail to the FCC as an Application.

Submitted: 01/23/2024 at 17:43:02  
 File Number: 0010873332

**FCC 601**  
**Main Form**

## FCC Application for Radio Service Authorization: Wireless Telecommunications Bureau Public Safety and Homeland Security Bureau

Approved by OMB  
 3060 - 0798  
 See instructions for  
 public burden estimate

1) Radio Service Code: <p style="text-align: center;"><b>CW</b></p>	1a) Existing Radio Service Code:
--	----------------------------------

**General Information**

2) (Select only one) ( <b>AU</b> ) <b>NE</b> - New <b>RO</b> - Renewal Only <b>AU</b> - Administrative Update <b>NT</b> - Required Notifications <b>MD</b> - Modification <b>RM</b> - Renewal/Modification <b>WD</b> - Withdrawal of Application <b>EX</b> - Requests for Extension of Time <b>AM</b> - Amendment <b>CA</b> - Cancellation of License <b>RL</b> - Registered Location/Link	
3a) If this application is for a Demonstration License or a <b>S</b> pecial Temporary Authorization (STA), enter the code and attach the required exhibit as described in the instructions. Otherwise enter ' <b>N/A</b> ' (Not Applicable).	( <b>N</b> ) <u><b>M</b></u> <u><b>S</b></u> <u><b>N/A</b></u>
3b) If this application is for Special Temporary Authority due to an emergency situation, enter 'Y'; otherwise enter 'N'. Refer to Rule 1.915 for an explanation of situations considered to be an emergency.	(    ) <u><b>Y</b></u> <u><b>N</b></u>
4) If this application is for an Amendment or Withdrawal, enter the file number of the pending application currently on file with the FCC.	File Number
5) If this application is for a Modification, Renewal Only, Renewal/Modification, Cancellation of License, , or Administrative Update, enter the call sign of the existing FCC license. If this is a request for Registered Location/Link, enter the FCC call sign assigned to the geographic license.	Call Sign <p style="text-align: center;"><b>KNLH651</b></p>
6a) If this application is for a New, Amendment, Renewal Only, or Renewal/Modification, enter the requested authorization expiration date (this item is optional).	MM      DD _____ / _____
6b) If this application is for a Renewal Only or Renewal/Modification and the license is a geographic area license, is the license used to provide service to customers ( <b>C</b> ), or is the license used for private business (internal) purposes or to meet the licensee's public interest/public safety communications needs ( <b>P</b> )?	(    ) <u><b>C</b></u> <u><b>P</b></u>
7) Is this application "major" as defined in § 1.929 of the Commission's Rules when read in conjunction with the applicable radio service rules found in Parts 22 and 90 of the Commission's Rules? (NOTE: This question only applies to certain site-specific applications. See the instructions for applicability and full text of § 1.929).	(    ) <u><b>Y</b></u> <u><b>N</b></u>
8) Are attachments (other than associated schedules) being filed with this application?	(    ) <u><b>Y</b></u> <u><b>N</b></u>

**Fees, Waivers, and Exemptions**

9) Is the Applicant exempt from FCC application fees?	( <b>N</b> ) <u><b>Y</b></u> <u><b>N</b></u>
10) Is the Applicant exempt from FCC regulatory fees?	( <b>N</b> ) <u><b>Y</b></u> <u><b>N</b></u>
11) Does this application include a request for a Waiver of the Commission's Rule(s)? If 'Yes', attach an exhibit providing rule number(s) and explaining circumstances.	( <b>N</b> ) <u><b>Y</b></u> <u><b>N</b></u>
12) Are the frequencies or parameters requested in this filing covered by grandfathered privileges, previously approved by waiver, or functionally integrated with an existing station?	(    ) <u><b>Y</b></u> <u><b>N</b></u>

**Applicant Information**

13) FCC Registration Number (FRN): <b>0003291192</b>			
14) Applicant/Licensee Legal Entity Type: (Select One) <input type="checkbox"/> Individual <input type="checkbox"/> Unincorporated Association <input type="checkbox"/> Trust <input type="checkbox"/> Government Entity <input type="checkbox"/> Corporation <input checked="" type="checkbox"/> Limited Liability Company <input type="checkbox"/> General Partnership <input type="checkbox"/> Limited Partnership <input type="checkbox"/> Limited Liability Partnership <input type="checkbox"/> Consortium <input type="checkbox"/> Other: _____			
15) If the Licensee name is being updated, is the update a result from the sale (or transfer of control) of the license(s) to party and for which proper Commission approval has not been received or proper notification not provided?			<input type="checkbox"/> Yes <input checked="" type="checkbox"/> No
16) First Name (if individual):	MI:	Last Name:	Suffix:
17) Legal Entity Name (if other than individual): <b>New Cingular Wireless PCS, LLC</b>			
18) Attention To: <b>National Regulatory Compliance</b>			
19) P.O. Box:	And/Or	20) Street Address: <b>208 S Akard St, 20F</b>	
21) City: <b>Dallas</b>	22) State: <b>TX</b>	23) Zip Code: <b>75202</b>	
24) Telephone Number: <b>(855)699-7073</b>		25) Fax: <b>(214)746-6410</b>	
26) E-Mail Address: <b>FCCMW@att.com</b>			

**27) Demographics (Optional)**

Race: <input type="checkbox"/> American Indian or Alaska Native <input type="checkbox"/> Asian <input type="checkbox"/> Black or African-American <input type="checkbox"/> Native Hawaiian or Other Pacific Islander <input type="checkbox"/> White	Ethnicity: <input type="checkbox"/> Hispanic or Latino <input type="checkbox"/> Not Hispanic or Latino	Gender: <input type="checkbox"/> Male <input type="checkbox"/> Female
--	--	---

**Real Party in Interest**

28) Name of Real Party in Interest of Applicant (If different from Applicant):	29) FCC Registration Number (FRN) of Real Party in Interest:
--	--

**Contact Information (If different from the Applicant)** Check here if same as Applicant.

30) First Name: <b>Jessica</b>	MI: <b>J</b>	Last Name: <b>Dunk</b>	Suffix:
31) Company Name: <b>AT&amp;T Services, Inc.</b>			
32) Attention To: <b>NRC</b>			
33) P.O. Box:	And /Or	34) Street Address: <b>208 S Akard St, 20F</b>	
35) City: <b>Dallas</b>	36) State: <b>TX</b>	37) Zip Code: <b>75202</b>	
38) Telephone Number: <b>(855)699-7073</b>		39) Fax: <b>(214)746-6410</b>	
40) E-Mail Address: <b>FCCMW@att.com</b>			

**Regulatory Status**

41) This filing is for authorization to provide or use the following type(s) of radio service offering (enter all that apply):  
(  ) Common Carrier (  ) Non-Common Carrier (  ) Private, internal communications (  ) Broadcast Services (  ) Band Manager

**Type of Radio Service**

42) This filing is for authorization to provide the following type(s) of radio service (choose all that apply):  
(  ) Fixed (  ) Mobile (  ) Radiolocation (  ) Satellite (sound) (  ) Broadcast Services  
43) Does the Applicant propose to provide service interconnected to the public telephone network? (  ) Yes No

**Alien Ownership Questions (If any answer is 'Y', provide an attachment explaining the circumstances. In preparing the attachment, refer to the Main Form Instructions for the "Alien Ownership Questions".)**

44) Is the Applicant a foreign government or the representative of any foreign government? (  ) Yes No  
45) Is the Applicant an alien or the representative of an alien? (  ) Yes No  
46) Is the Applicant a corporation organized under the laws of any foreign government? (  ) Yes No  
47) Is the Applicant a corporation of which more than one-fifth of the capital stock is owned of record or voted by aliens or their representatives, or by a foreign government or representative thereof, or by any corporation organized under the laws of a foreign country? (  ) Yes No

48a) Is the Applicant directly or indirectly controlled by any other corporation of which more than one-fourth of the capital stock ( ) Yes No is owned of record or voted by aliens or their representatives, or by a foreign government or representative thereof, or by any corporation organized under the laws of a foreign country?

48b) If the answer to 47 or 48a is 'Y' select one of the choices below.

The Applicant is exempt from the provisions of Section 310(b).

*If checked, it is not necessary to file a petition for declaratory ruling if the Applicant includes in the attachment required by Item 47 or Item 48a a showing that the requested license(s) is exempt from the provisions of Section 310(b).*

The Applicant has received a declaratory ruling(s) approving its foreign ownership, and the application involves only the acquisition of additional spectrum for the provision of a wireless service in a geographic coverage area for which the Applicant has been previously authorized.

*If checked, include in the attachment required by Item 47 or Item 48a the citation(s) of the applicable declaratory ruling(s) by DA/FCC number, the FCC Record citation, if available, release date, and a statement that there has been no change in the foreign ownership of the Applicant since the issuance of its ruling.*

The Applicant: (i) has received a declaratory ruling(s) approving its foreign ownership, but is not able to make the certification specified immediately above; or (ii) is an "affiliate" of a Licensee or Lessee/Sublessee that received a declaratory ruling(s) under 47 CFR § 1.5000(a) and is relying on the affiliate's ruling for purposes of filing this application as permitted under the affiliate's ruling and 47 CFR § 1.5004(b)

*If checked, and if the Applicant received its declaratory ruling(s) on or after August 9, 2013, include in the attachment required by Item 47 or Item 48a the citation(s) of the Applicant's declaratory ruling(s) by DA/FCC number, the FCC Record citation, if available, release date, and a statement that the Applicant is in compliance with the terms and conditions of its ruling and with the Commission's Rules.*

*If checked, and if the Applicant received its declaratory ruling(s) prior to August 9, 2013, include in the attachment required by Item 48a a copy of a petition for declaratory ruling filed contemporaneously with the Commission to extend the Applicant's existing ruling(s) to cover the same radio service(s) and geographic coverage area(s) involved in the application. Alternatively, the Applicant may request a new declaratory ruling pursuant to Section 1.5000(a) of the Commission's Rules, 47 CFR § 1.5000 (a). Petitions for declaratory ruling may be filed electronically on the Internet through the International Bureau Filing System (IBFS) (with a copy attached hereto).*

*If checked, and if the Applicant is relying on an affiliate's ruling for purposes of filing this application, include in the attachment required by Item 47 or Item 48a the citation(s) of the applicable declaratory ruling(s) by DA/FCC number, the FCC Record citation, if available, release date, and a statement that the Applicant is in compliance with the terms and conditions of the named affiliate's ruling and with the Commission's Rules. The Applicant must also include a certification of compliance signed by the named affiliate or other qualified entity as specified in 47 CFR § 1.5004(b). See Main Form Instructions for Items 47 or 48a, as applicable.*

The Applicant has not received a declaratory ruling approving its foreign ownership and is requesting a declaratory ruling under 47 CFR § 1.5004(b) in a petition filed contemporaneously with the Commission.

*If checked, include in the attachment required by Item 47 or 48a a copy of the petition for declaratory ruling filed contemporaneously with the Commission pursuant to 47 CFR § 1.5004(b). Petitions for declaratory ruling may be filed electronically on the Internet through the International Bureau Filing System (IBFS) (with a copy attached hereto).*

**Basic Qualification Questions**

49) Has the Applicant or any party to this application had any FCC station authorization, license or construction permit revoked or had any application for an initial, modification or renewal of FCC station authorization, license, or construction permit denied by the Commission?	( ) <u>Yes</u> <u>No</u>
50) Has the Applicant or any party to this application, or any party directly or indirectly controlling the Applicant, ever been convicted of a felony by any state or federal court?	( ) <u>Yes</u> <u>No</u>
51) Has any court finally adjudged the Applicant or any party directly or indirectly controlling the Applicant guilty of unlawfully monopolizing or attempting unlawfully to monopolize radio communication, directly or indirectly, through control of manufacture or sale of radio apparatus, exclusive traffic arrangement, or any other means or unfair methods of competition?	( ) <u>Yes</u> <u>No</u>

**Note: If the answer to any of 49-51 is 'Y', attach an exhibit explaining the circumstances.**

**Aeronautical Advisory Station (Unicom) Certification**

52) ( ) I certify that the station will be located on property of the airport to be served, and, in cases where the airport does not have a control tower, RCO, or FAA flight service station, that I have notified the owner of the airport and all aviation service organizations located at the airport within ten days prior to application.
--

**Broadband Radio Service and Educational Broadband Service Cable Cross-Ownership**

53a) Will the requested facilities be used to provide multichannel video programming service?	( ) <u>Yes</u> <u>No</u>
53b) If the answer to question 53a is 'Y', does the Applicant operate, control or have an attributable interest (as defined in 47 CFR § 27.1202) in a cable television system whose franchise area is located within the geographic service area of the requested facilities?	( ) <u>Yes</u> <u>No</u>

**Note: If the answer to question 53b is 'Y', attach an exhibit explaining how the Applicant complies with 47 CFR § 27.1202 or justifying a waiver of that rule. If a waiver of the Commission Rule(s) is being requested, Item 11a must be answered 'Y'.**

**Broadband Radio Service and Educational Broadband Service (Part 27)**

54) (For EBS only) Does the Applicant comply with the programming requirements contained in 47 CFR § 27.1203?	( ) <u>Yes</u> <u>No</u>
---	--------------------------

**Note: If the answer to item 54 is 'N', attach an exhibit explaining how the Applicant complies with 47 CFR § 27.1203 of the Commission's Rules or justifying a waiver of that rule. If a waiver of the Commission Rule(s) is being requested, Item 11a must be answered 'Y'.**

55) (For BRS and EBS) Does the Applicant comply with 47 CFR §§ 27.50, 27.55, and 27.1221?	( ) <u>Yes</u> <u>No</u>
---	--------------------------

**Note: If the answer to item 55 is 'N', attach an exhibit justifying a waiver of that rule(s). If a waiver of the Commission Rule(s) is being requested, Item 11a must be answered 'Y'.**

**For Applicants Who Participated in an Auction**

56) Is the Applicant a qualifying rural wireless partnership or a member of a qualifying rural wireless partnership?	( ) <u>Yes</u> <u>No</u>
--	--------------------------

**Note: If the answer to item 56 is 'Y', attach an exhibit listing all members of the qualifying rural wireless partnership, including their FRN numbers.**

**For Renewal Applicants****57) Operation/Performance Requirement Certification**

<b>[For a site-based license]:</b> Applicant certifies that it is continuing to operate consistent with its most recently filed construction notification (or most recent authorization, if no construction notification was required).	( ) <u>Yes</u> <u>No</u>
<b>[For a geographic license, commercial service - licensee in its initial license term with an interim performance requirement]:</b> Applicant certifies that it has met its interim performance requirement, that over the portion of the license term following the interim performance requirement, it continues to use its facilities to provide at least the level of service required by its interim performance requirement, it has met its final performance requirement, and it continues to use its facilities to provide at least the level of service required by its final performance requirement through the end of the license term.	( ) <u>Yes</u> <u>No</u>
<b>[For a geographic license, commercial service - licensee in its initial license term with no interim performance requirement]:</b> Applicant certifies that it has met its final performance requirement and it continues to use its facilities to provide at least the level of service required by its final performance requirement through the end of the license term. [Note: licensee must provide a showing demonstrating that the final performance requirement has been met, either separately in a timely application for notification of completion of construction, or as part of its renewal application, depending on the radio service.]	( ) <u>Yes</u> <u>No</u>
<b>[For a geographic license, commercial service - licensee in any subsequent term]:</b> Applicant certifies that it continues to use its facilities to provide at least the level of service required by its final performance requirement through the end of any subsequent license terms.	( ) <u>Yes</u> <u>No</u>
<b>[For a geographic license, private systems - licensee in its initial license term with an interim performance requirement]:</b> Applicant certifies that it has met its interim performance requirement, that over the portion of the license term following the interim performance requirement, it continues to use its facilities to further its private business or public interest/public safety communications needs at or above the level required to meet its interim performance requirement, it has met its final performance requirement, and it continues to use its facilities to provide at least the level of operation required by its final performance requirement through the end of the license term.	( ) <u>Yes</u> <u>No</u>
<b>[For a geographic license, private systems - licensee in its initial license term with no interim performance requirement]:</b> Applicant certifies that it has met its final performance requirement, it continues to use its facilities to further its private business or public interest/public safety communications needs, and it continues to use its facilities to provide at least the level of operation required by its final performance requirement through the end of the license term. [Note: licensee must provide a showing demonstrating that the final performance requirement has been met, either separately in a timely application for notification of completion of construction, or as part of its renewal application, depending on the radio service.]	( ) <u>Yes</u> <u>No</u>



<b>[For a geographic license, private systems - licensee in any subsequent term]:</b> Applicant certifies that it continues to use its facilities to further its private business or public interest/public safety communications needs at or above the level required to meet its final performance requirement through the end of any subsequent license terms.	( ) <u>Yes</u> <u>No</u>
<b>[For a partitioned or disaggregated license without a performance requirement, for the first renewal application filed after effective date of the rules]:</b> Applicant certifies that the partitioned and/or disaggregated license that is the subject of this renewal application has no separate performance requirement and that this is the first renewal of this license filed subsequent to the effective date of the rules.	( ) <u>Yes</u> <u>No</u>
<b>[For a partitioned or disaggregated license without a performance requirement, for any subsequent renewal filings]:</b> Applicant certifies that it continues to use its facilities to provide service or to further the applicant's private business or public interest/public safety needs.	( ) <u>Yes</u> <u>No</u>

#### Discontinuance of Service Certification

58) Applicant certifies that no permanent discontinuance of service or operation, as applicable, occurred during its current license term.  <b>Note: If the response to either item 57 or item 58 is 'N',</b> attach an exhibit that demonstrates that over the course of the license term, the Applicant provided and continues to provide service to the public, or operated and continues to operate the license to meet the Applicant's private business or public interest/public safety communications needs. This exhibit must include a detailed description of the Applicant's provision of service or, when allowed under the relevant service rules or pursuant to waiver, use of the spectrum for private business or public interest/public safety communications needs, during the entire license period and address, as applicable: 1) the level and quality of service provided by the applicant (e.g., the population served, the area served, the number of subscribers, the services offered); (2) the date service commenced, whether service was ever interrupted, and the duration of any interruption or outage; (3) the extent to which service is provided to rural areas; (4) the extent to which service is provided to qualifying tribal land as defined in 47 CFR § 1.2110(e)(3)(i); and (5) any other factors associated with the level of service to the public. The licensee may note in its exhibit: 1) any grant(s) of waiver or extension of a performance deadline or license renewal subject to meeting a performance requirement; or 2) if the final performance deadline and/or expiration date for the license accelerated because the licensee did not meet an interim performance requirement.	( ) <u>Yes</u> <u>No</u>
--	--------------------------

#### Regulatory Compliance Certification [same for all]

59) Applicant certifies that it has substantially complied with all applicable FCC rules, policies, and the Communications Act of 1934, as amended.  <b>Note: If the response to item 59 is 'N',</b> attach an exhibit explaining the circumstances and demonstrating why Applicant's license should be renewed.	( ) <u>Yes</u> <u>No</u>
--	--------------------------

#### General Certification Statements

1) The Applicant waives any claim to the use of any particular frequency or of the electromagnetic spectrum as against the regulatory power of the United States because of the previous use of the same, whether by license or otherwise, and requests an authorization in accordance with this application.
2) The Applicant certifies that grant of this application would not cause the Applicant to be in violation of any pertinent cross-ownership or attribution rules.* *If the Applicant has sought a waiver of any such rule in connection with this application, it may make this certification subject to the outcome of the waiver request.
3) The Applicant certifies that all statements made in this application and in the exhibits, attachments, or documents incorporated by reference are material, are part of this application, and are true, complete, correct, and made in good faith.
4) The Applicant certifies that neither the Applicant nor any other party to the application is subject to a denial of Federal benefits pursuant to § 5301 of the Anti-Drug Abuse Act of 1988, 21 U.S.C. § 862, because of a conviction for possession or distribution of a controlled substance. This certification does not apply to applications filed in services exempted under § 1.2002(c) of the rules, 47 CFR § 1.2002(c). See 47 CFR § 1.2002(b) for the definition of "party to the application" as used in this certification.
5) The Applicant certifies that it either (1) has current required ownership data on file with the Commission, (2) is filing updated ownership data simultaneously with this application, or (3) is not required to file ownership data under the Commission's Rules.
6) The Applicant certifies that the facilities, operations, and transmitters for which this authorization is hereby requested are either: (1) categorically excluded from routine environmental evaluation for RF exposure as set forth in 47 CFR § 1.1307(b); or, (2) have been found not to cause human exposure to levels of radiofrequency radiation in excess of the limits specified in 47 CFR §§ 1.1310 and 2.1093; or, (3) are the subject of one or more Environmental Assessments filed with the Commission.
7) The Applicant certifies that it has reviewed the appropriate Commission Rules defining eligibility to hold the requested license(s) and is eligible to hold the requested license(s).
8) The Applicant certifies that it is not in default on any payment for Commission licenses and that it is not delinquent on any non-tax debt owed to any federal agency.
9) The Applicant certifies that the Applicant and all of the related individuals and entities required to be disclosed on this application and FCC Form 602 (FCC Ownership Disclosure Information for the Wireless Telecommunications Services) are not person(s) who have been, for reasons of national security, barred by any agency of the Federal Government from bidding on a contract, participating in an auction, or receiving a grant. This certification applies only to applications for licenses for spectrum that is required by Sections 6103, 6401-6403 of the Middle Class Tax Relief and Job Creation Act of 2012, codified at 47 U.S.C. §§ 309, 1413, 1451-1452, to be assigned by a system of competitive bidding under 47 U.S.C. § 309(j).

**Signature**

60) Typed or Printed Name of Party Authorized to Sign

First Name: <b>Jessica</b>	MI:	Last Name: <b>Dunk</b>	Suffix:
61) Title: <b>Assistant Secretary - Compliance</b>			
Signature: <b>Jessica Dunk</b>			62) Date: <b>01/23/2024</b>
<b>FAILURE TO SIGN THIS APPLICATION MAY RESULT IN DISMISSAL OF THE APPLICATION AND FORFEITURE OF ANY FEES PAID.</b>			
Upon grant of this license application, the Licensee may be subject to certain construction or coverage requirements. Failure to meet the construction or coverage requirements will result in termination of the license. Consult appropriate FCC regulations to determine the construction or coverage requirements that apply to the type of license requested in this application.			
WILLFUL FALSE STATEMENTS MADE ON THIS FORM OR ANY ATTACHMENTS ARE PUNISHABLE BY FINE AND/OR IMPRISONMENT (U.S. Code, Title 18, § 1001) AND/OR REVOCATION OF ANY STATION LICENSE OR CONSTRUCTION PERMIT (U.S. Code, Title 47, § 312(a)(1)), AND/OR FORFEITURE (U.S. Code, Title 47, § 503).			

REFERENCE COPY

This is not an official FCC license. It is a record of public information contained in the FCC's licensing database on the date that this reference copy was generated. In cases where FCC rules require the presentation, posting, or display of an FCC license, this document may not be used in place of an official FCC license.



Federal Communications Commission
Wireless Telecommunications Bureau

RADIO STATION AUTHORIZATION

LICENSEE: NEW CINGULAR WIRELESS PCS, LLC

ATTN: NATIONAL REGULATORY COMPLIANCE
NEW CINGULAR WIRELESS PCS, LLC
208 S AKARD ST, 20F
DALLAS, TX 75202

Table with 2 columns: Call Sign (KNLH653), File Number, and Radio Service (CW - PCS Broadband).

FCC Registration Number (FRN): 0003291192

Table with 4 columns: Grant Date (04-11-2017), Effective Date (01-24-2024), Expiration Date (04-28-2027), Print Date, Market Number (BTA339), Channel Block (F), Sub-Market Designator (0), Market Name (Paducah-Murray-Mayfield, KY), 1st Build-out Date (04-28-2002), 2nd Build-out Date, 3rd Build-out Date, 4th Build-out Date.

Waivers/Conditions:

This authorization is subject to the condition that, in the event that systems using the same frequencies as granted herein are authorized in an adjacent foreign territory (Canada/United States), future coordination of any base station transmitters within 72 km (45 miles) of the United States/Canada border shall be required to eliminate any harmful interference to operations in the adjacent foreign territory and to ensure continuance of equal access to the frequencies by both countries.

Grant conditioned upon consummation of the assignment of license to Banana Communications, LLC within 180 days of June 9, 2008, per Memorandum Opinion and Order, DA 08-1380, released June 9, 2008.

Conditions:

Pursuant to §309(h) of the Communications Act of 1934, as amended, 47 U.S.C. §309(h), this license is subject to the following conditions: This license shall not vest in the licensee any right to operate the station nor any right in the use of the frequencies designated in the license beyond the term thereof nor in any other manner than authorized herein. Neither the license nor the right granted thereunder shall be assigned or otherwise transferred in violation of the Communications Act of 1934, as amended. See 47 U.S.C. § 310(d). This license is subject in terms to the right of use or control conferred by §706 of the Communications Act of 1934, as amended. See 47 U.S.C. §606.

This license may not authorize operation throughout the entire geographic area or spectrum identified on the hardcopy version. To view the specific geographic area and spectrum authorized by this license, refer to the Spectrum and Market Area information under the Market Tab of the license record in the Universal Licensing System (ULS). To view the license record, go to the ULS homepage at http://wireless.fcc.gov/uls/index.htm?job=home and select "License Search". Follow the instructions on how to search for license information.

**Licensee Name:** NEW CINGULAR WIRELESS PCS, LLC

**Call Sign:** KNLH653

**File Number:**

**Print Date:**

**700 MHz Relicensed Area Information:**

<b>Market</b>	<b>Market Name</b>	<b>Buildout Deadline</b>	<b>Buildout Notification</b>	<b>Status</b>
---------------	--------------------	--------------------------	------------------------------	---------------

Reference Copy

# Reference Copy Only. Do Not Mail to the FCC as an Application.

Submitted: 01/23/2024 at 17:43:02  
 File Number: 0010873334

**FCC 601**  
**Main Form**

## FCC Application for Radio Service Authorization: Wireless Telecommunications Bureau Public Safety and Homeland Security Bureau

Approved by OMB  
 3060 - 0798  
 See instructions for  
 public burden estimate

1) Radio Service Code: <p style="text-align: center;"><b>CW</b></p>	1a) Existing Radio Service Code:
--	----------------------------------

**General Information**

2) (Select only one) ( <b>AU</b> ) <b>NE</b> - New <b>RO</b> - Renewal Only <b>AU</b> - Administrative Update <b>NT</b> - Required Notifications <b>MD</b> - Modification <b>RM</b> - Renewal/Modification <b>WD</b> - Withdrawal of Application <b>EX</b> - Requests for Extension of Time <b>AM</b> - Amendment <b>CA</b> - Cancellation of License <b>RL</b> - Registered Location/Link	
3a) If this application is for a Demonstration License or a <u>Special Temporary Authorization (STA)</u> , enter the code and attach the required exhibit as described in the instructions. Otherwise enter ' <u>N/A</u> ' (Not Applicable).	( <b>N</b> ) <u>M</u> <u>S</u> <u>N/A</u>
3b) If this application is for Special Temporary Authority due to an emergency situation, enter 'Y'; otherwise enter 'N'. Refer to Rule 1.915 for an explanation of situations considered to be an emergency.	(    ) <u>Y</u> es <b>N</b> o
4) If this application is for an Amendment or Withdrawal, enter the file number of the pending application currently on file with the FCC.	File Number
5) If this application is for a Modification, Renewal Only, Renewal/Modification, Cancellation of License, , or Administrative Update, enter the call sign of the existing FCC license. If this is a request for Registered Location/Link, enter the FCC call sign assigned to the geographic license.	Call Sign <b>KNLH653</b>
6a) If this application is for a New, Amendment, Renewal Only, or Renewal/Modification, enter the requested authorization expiration date (this item is optional).	MM      DD _____ / _____
6b) If this application is for a Renewal Only or Renewal/Modification and the license is a geographic area license, is the license used to provide service to customers ( <b>C</b> ), or is the license used for private business (internal) purposes or to meet the licensee's public interest/public safety communications needs ( <b>P</b> )?	(    ) <u>C</u> <b>P</b>
7) Is this application "major" as defined in § 1.929 of the Commission's Rules when read in conjunction with the applicable radio service rules found in Parts 22 and 90 of the Commission's Rules? (NOTE: This question only applies to certain site-specific applications. See the instructions for applicability and full text of § 1.929).	(    ) <u>Y</u> es <b>N</b> o
8) Are attachments (other than associated schedules) being filed with this application?	(    ) <u>Y</u> es <b>N</b> o

**Fees, Waivers, and Exemptions**

9) Is the Applicant exempt from FCC application fees?	( <b>N</b> ) <u>Y</u> es <b>N</b> o
10) Is the Applicant exempt from FCC regulatory fees?	( <b>N</b> ) <u>Y</u> es <b>N</b> o
11) Does this application include a request for a Waiver of the Commission's Rule(s)? If 'Yes', attach an exhibit providing rule number(s) and explaining circumstances.	( <b>N</b> ) <u>Y</u> es <b>N</b> o
12) Are the frequencies or parameters requested in this filing covered by grandfathered privileges, previously approved by waiver, or functionally integrated with an existing station?	(    ) <u>Y</u> es <b>N</b> o

**Applicant Information**

13) FCC Registration Number (FRN): <b>0003291192</b>			
14) Applicant/Licensee Legal Entity Type: (Select One) <input type="checkbox"/> Individual <input type="checkbox"/> Unincorporated Association <input type="checkbox"/> Trust <input type="checkbox"/> Government Entity <input type="checkbox"/> Corporation <input checked="" type="checkbox"/> Limited Liability Company <input type="checkbox"/> General Partnership <input type="checkbox"/> Limited Partnership <input type="checkbox"/> Limited Liability Partnership <input type="checkbox"/> Consortium <input type="checkbox"/> Other: _____			
15) If the Licensee name is being updated, is the update a result from the sale (or transfer of control) of the license(s) to party and for which proper Commission approval has not been received or proper notification not provided?			<input type="checkbox"/> Yes <input checked="" type="checkbox"/> No
16) First Name (if individual):	MI:	Last Name:	Suffix:
17) Legal Entity Name (if other than individual): <b>New Cingular Wireless PCS, LLC</b>			
18) Attention To: <b>National Regulatory Compliance</b>			
19) P.O. Box:	And/Or	20) Street Address: <b>208 S Akard St, 20F</b>	
21) City: <b>Dallas</b>	22) State: <b>TX</b>	23) Zip Code: <b>75202</b>	
24) Telephone Number: <b>(855)699-7073</b>		25) Fax: <b>(214)746-6410</b>	
26) E-Mail Address: <b>FCCMW@att.com</b>			

**27) Demographics (Optional)**

Race: <input type="checkbox"/> American Indian or Alaska Native <input type="checkbox"/> Asian <input type="checkbox"/> Black or African-American <input type="checkbox"/> Native Hawaiian or Other Pacific Islander <input type="checkbox"/> White	Ethnicity: <input type="checkbox"/> Hispanic or Latino <input type="checkbox"/> Not Hispanic or Latino	Gender: <input type="checkbox"/> Male <input type="checkbox"/> Female
--	--	---

**Real Party in Interest**

28) Name of Real Party in Interest of Applicant (If different from Applicant):	29) FCC Registration Number (FRN) of Real Party in Interest:
--	--

**Contact Information (If different from the Applicant)** Check here if same as Applicant.

30) First Name: <b>Jessica</b>	MI: <b>J</b>	Last Name: <b>Dunk</b>	Suffix:
31) Company Name: <b>AT&amp;T Services, Inc.</b>			
32) Attention To: <b>NRC</b>			
33) P.O. Box:	And /Or	34) Street Address: <b>208 S Akard St, 20F</b>	
35) City: <b>Dallas</b>	36) State: <b>TX</b>	37) Zip Code: <b>75202</b>	
38) Telephone Number: <b>(855)699-7073</b>		39) Fax: <b>(214)746-6410</b>	
40) E-Mail Address: <b>FCCMW@att.com</b>			

**Regulatory Status**

41) This filing is for authorization to provide or use the following type(s) of radio service offering (enter all that apply):  
(  ) Common Carrier (  ) Non-Common Carrier (  ) Private, internal communications (  ) Broadcast Services (  ) Band Manager

**Type of Radio Service**

42) This filing is for authorization to provide the following type(s) of radio service (choose all that apply):  
(  ) Fixed (  ) Mobile (  ) Radiolocation (  ) Satellite (sound) (  ) Broadcast Services  
43) Does the Applicant propose to provide service interconnected to the public telephone network? (  ) Yes (  ) No

**Alien Ownership Questions (If any answer is 'Y', provide an attachment explaining the circumstances. In preparing the attachment, refer to the Main Form Instructions for the "Alien Ownership Questions".)**

44) Is the Applicant a foreign government or the representative of any foreign government? (  ) Yes (  ) No  
45) Is the Applicant an alien or the representative of an alien? (  ) Yes (  ) No  
46) Is the Applicant a corporation organized under the laws of any foreign government? (  ) Yes (  ) No  
47) Is the Applicant a corporation of which more than one-fifth of the capital stock is owned of record or voted by aliens or their representatives, or by a foreign government or representative thereof, or by any corporation organized under the laws of a foreign country? (  ) Yes (  ) No

48a) Is the Applicant directly or indirectly controlled by any other corporation of which more than one-fourth of the capital stock ( ) Yes No is owned of record or voted by aliens or their representatives, or by a foreign government or representative thereof, or by any corporation organized under the laws of a foreign country?

48b) If the answer to 47 or 48a is 'Y' select one of the choices below.

The Applicant is exempt from the provisions of Section 310(b).

*If checked, it is not necessary to file a petition for declaratory ruling if the Applicant includes in the attachment required by Item 47 or Item 48a a showing that the requested license(s) is exempt from the provisions of Section 310(b).*

The Applicant has received a declaratory ruling(s) approving its foreign ownership, and the application involves only the acquisition of additional spectrum for the provision of a wireless service in a geographic coverage area for which the Applicant has been previously authorized.

*If checked, include in the attachment required by Item 47 or Item 48a the citation(s) of the applicable declaratory ruling(s) by DA/FCC number, the FCC Record citation, if available, release date, and a statement that there has been no change in the foreign ownership of the Applicant since the issuance of its ruling.*

The Applicant: (i) has received a declaratory ruling(s) approving its foreign ownership, but is not able to make the certification specified immediately above; or (ii) is an "affiliate" of a Licensee or Lessee/Sublessee that received a declaratory ruling(s) under 47 CFR § 1.5000(a) and is relying on the affiliate's ruling for purposes of filing this application as permitted under the affiliate's ruling and 47 CFR § 1.5004(b)

*If checked, and if the Applicant received its declaratory ruling(s) on or after August 9, 2013, include in the attachment required by Item 47 or Item 48a the citation(s) of the Applicant's declaratory ruling(s) by DA/FCC number, the FCC Record citation, if available, release date, and a statement that the Applicant is in compliance with the terms and conditions of its ruling and with the Commission's Rules.*

*If checked, and if the Applicant received its declaratory ruling(s) prior to August 9, 2013, include in the attachment required by Item 48a a copy of a petition for declaratory ruling filed contemporaneously with the Commission to extend the Applicant's existing ruling(s) to cover the same radio service(s) and geographic coverage area(s) involved in the application. Alternatively, the Applicant may request a new declaratory ruling pursuant to Section 1.5000(a) of the Commission's Rules, 47 CFR § 1.5000 (a). Petitions for declaratory ruling may be filed electronically on the Internet through the International Bureau Filing System (IBFS) (with a copy attached hereto).*

*If checked, and if the Applicant is relying on an affiliate's ruling for purposes of filing this application, include in the attachment required by Item 47 or Item 48a the citation(s) of the applicable declaratory ruling(s) by DA/FCC number, the FCC Record citation, if available, release date, and a statement that the Applicant is in compliance with the terms and conditions of the named affiliate's ruling and with the Commission's Rules. The Applicant must also include a certification of compliance signed by the named affiliate or other qualified entity as specified in 47 CFR § 1.5004(b). See Main Form Instructions for Items 47 or 48a, as applicable.*

The Applicant has not received a declaratory ruling approving its foreign ownership and is requesting a declaratory ruling under 47 CFR § 1.5004(b) in a petition filed contemporaneously with the Commission.

*If checked, include in the attachment required by Item 47 or 48a a copy of the petition for declaratory ruling filed contemporaneously with the Commission pursuant to 47 CFR § 1.5004(b). Petitions for declaratory ruling may be filed electronically on the Internet through the International Bureau Filing System (IBFS) (with a copy attached hereto).*



**Basic Qualification Questions**

49) Has the Applicant or any party to this application had any FCC station authorization, license or construction permit revoked or had any application for an initial, modification or renewal of FCC station authorization, license, or construction permit denied by the Commission?	( ) <u>Yes</u> <u>No</u>
50) Has the Applicant or any party to this application, or any party directly or indirectly controlling the Applicant, ever been convicted of a felony by any state or federal court?	( ) <u>Yes</u> <u>No</u>
51) Has any court finally adjudged the Applicant or any party directly or indirectly controlling the Applicant guilty of unlawfully monopolizing or attempting unlawfully to monopolize radio communication, directly or indirectly, through control of manufacture or sale of radio apparatus, exclusive traffic arrangement, or any other means or unfair methods of competition?	( ) <u>Yes</u> <u>No</u>

**Note: If the answer to any of 49-51 is 'Y', attach an exhibit explaining the circumstances.**

**Aeronautical Advisory Station (Unicom) Certification**

52) ( ) I certify that the station will be located on property of the airport to be served, and, in cases where the airport does not have a control tower, RCO, or FAA flight service station, that I have notified the owner of the airport and all aviation service organizations located at the airport within ten days prior to application.
--

**Broadband Radio Service and Educational Broadband Service Cable Cross-Ownership**

53a) Will the requested facilities be used to provide multichannel video programming service?	( ) <u>Yes</u> <u>No</u>
53b) If the answer to question 53a is 'Y', does the Applicant operate, control or have an attributable interest (as defined in 47 CFR § 27.1202) in a cable television system whose franchise area is located within the geographic service area of the requested facilities?	( ) <u>Yes</u> <u>No</u>

**Note: If the answer to question 53b is 'Y', attach an exhibit explaining how the Applicant complies with 47 CFR § 27.1202 or justifying a waiver of that rule. If a waiver of the Commission Rule(s) is being requested, Item 11a must be answered 'Y'.**

**Broadband Radio Service and Educational Broadband Service (Part 27)**

54) (For EBS only) Does the Applicant comply with the programming requirements contained in 47 CFR § 27.1203?	( ) <u>Yes</u> <u>No</u>
---	--------------------------

**Note: If the answer to item 54 is 'N', attach an exhibit explaining how the Applicant complies with 47 CFR § 27.1203 of the Commission's Rules or justifying a waiver of that rule. If a waiver of the Commission Rule(s) is being requested, Item 11a must be answered 'Y'.**

55) (For BRS and EBS) Does the Applicant comply with 47 CFR §§ 27.50, 27.55, and 27.1221?	( ) <u>Yes</u> <u>No</u>
---	--------------------------

**Note: If the answer to item 55 is 'N', attach an exhibit justifying a waiver of that rule(s). If a waiver of the Commission Rule(s) is being requested, Item 11a must be answered 'Y'.**

**For Applicants Who Participated in an Auction**

56) Is the Applicant a qualifying rural wireless partnership or a member of a qualifying rural wireless partnership?	( ) <u>Yes</u> <u>No</u>
--	--------------------------

**Note: If the answer to item 56 is 'Y', attach an exhibit listing all members of the qualifying rural wireless partnership, including their FRN numbers.**

**For Renewal Applicants**

57) Operation/Performance Requirement Certification	
<b>[For a site-based license]:</b> Applicant certifies that it is continuing to operate consistent with its most recently filed construction notification (or most recent authorization, if no construction notification was required).	( ) <u>Yes</u> <u>No</u>
<b>[For a geographic license, commercial service - licensee in its initial license term with an interim performance requirement]:</b> Applicant certifies that it has met its interim performance requirement, that over the portion of the license term following the interim performance requirement, it continues to use its facilities to provide at least the level of service required by its interim performance requirement, it has met its final performance requirement, and it continues to use its facilities to provide at least the level of service required by its final performance requirement through the end of the license term.	( ) <u>Yes</u> <u>No</u>
<b>[For a geographic license, commercial service - licensee in its initial license term with no interim performance requirement]:</b> Applicant certifies that it has met its final performance requirement and it continues to use its facilities to provide at least the level of service required by its final performance requirement through the end of the license term. [Note: licensee must provide a showing demonstrating that the final performance requirement has been met, either separately in a timely application for notification of completion of construction, or as part of its renewal application, depending on the radio service.]	( ) <u>Yes</u> <u>No</u>
<b>[For a geographic license, commercial service - licensee in any subsequent term]:</b> Applicant certifies that it continues to use its facilities to provide at least the level of service required by its final performance requirement through the end of any subsequent license terms.	( ) <u>Yes</u> <u>No</u>
<b>[For a geographic license, private systems - licensee in its initial license term with an interim performance requirement]:</b> Applicant certifies that it has met its interim performance requirement, that over the portion of the license term following the interim performance requirement, it continues to use its facilities to further its private business or public interest/public safety communications needs at or above the level required to meet its interim performance requirement, it has met its final performance requirement, and it continues to use its facilities to provide at least the level of operation required by its final performance requirement through the end of the license term.	( ) <u>Yes</u> <u>No</u>
<b>[For a geographic license, private systems - licensee in its initial license term with no interim performance requirement]:</b> Applicant certifies that it has met its final performance requirement, it continues to use its facilities to further its private business or public interest/public safety communications needs, and it continues to use its facilities to provide at least the level of operation required by its final performance requirement through the end of the license term. [Note: licensee must provide a showing demonstrating that the final performance requirement has been met, either separately in a timely application for notification of completion of construction, or as part of its renewal application, depending on the radio service.]	( ) <u>Yes</u> <u>No</u>

<b>[For a geographic license, private systems - licensee in any subsequent term]:</b> Applicant certifies that it continues to use its facilities to further its private business or public interest/public safety communications needs at or above the level required to meet its final performance requirement through the end of any subsequent license terms.	( ) <u>Yes</u> <u>No</u>
<b>[For a partitioned or disaggregated license without a performance requirement, for the first renewal application filed after effective date of the rules]:</b> Applicant certifies that the partitioned and/or disaggregated license that is the subject of this renewal application has no separate performance requirement and that this is the first renewal of this license filed subsequent to the effective date of the rules.	( ) <u>Yes</u> <u>No</u>
<b>[For a partitioned or disaggregated license without a performance requirement, for any subsequent renewal filings]:</b> Applicant certifies that it continues to use its facilities to provide service or to further the applicant's private business or public interest/public safety needs.	( ) <u>Yes</u> <u>No</u>

**Discontinuance of Service Certification**

58) Applicant certifies that no permanent discontinuance of service or operation, as applicable, occurred during its current license term.  <b>Note: If the response to either item 57 or item 58 is 'N',</b> attach an exhibit that demonstrates that over the course of the license term, the Applicant provided and continues to provide service to the public, or operated and continues to operate the license to meet the Applicant's private business or public interest/public safety communications needs. This exhibit must include a detailed description of the Applicant's provision of service or, when allowed under the relevant service rules or pursuant to waiver, use of the spectrum for private business or public interest/public safety communications needs, during the entire license period and address, as applicable: 1) the level and quality of service provided by the applicant (e.g., the population served, the area served, the number of subscribers, the services offered); (2) the date service commenced, whether service was ever interrupted, and the duration of any interruption or outage; (3) the extent to which service is provided to rural areas; (4) the extent to which service is provided to qualifying tribal land as defined in 47 CFR § 1.2110(e)(3)(i); and (5) any other factors associated with the level of service to the public. The licensee may note in its exhibit: 1) any grant(s) of waiver or extension of a performance deadline or license renewal subject to meeting a performance requirement; or 2) if the final performance deadline and/or expiration date for the license accelerated because the licensee did not meet an interim performance requirement.	( ) <u>Yes</u> <u>No</u>
--	--------------------------

**Regulatory Compliance Certification [same for all]**

59) Applicant certifies that it has substantially complied with all applicable FCC rules, policies, and the Communications Act of 1934, as amended.  <b>Note: If the response to item 59 is 'N',</b> attach an exhibit explaining the circumstances and demonstrating why Applicant's license should be renewed.	( ) <u>Yes</u> <u>No</u>
--	--------------------------

**General Certification Statements**

1) The Applicant waives any claim to the use of any particular frequency or of the electromagnetic spectrum as against the regulatory power of the United States because of the previous use of the same, whether by license or otherwise, and requests an authorization in accordance with this application.
2) The Applicant certifies that grant of this application would not cause the Applicant to be in violation of any pertinent cross-ownership or attribution rules.* *If the Applicant has sought a waiver of any such rule in connection with this application, it may make this certification subject to the outcome of the waiver request.
3) The Applicant certifies that all statements made in this application and in the exhibits, attachments, or documents incorporated by reference are material, are part of this application, and are true, complete, correct, and made in good faith.
4) The Applicant certifies that neither the Applicant nor any other party to the application is subject to a denial of Federal benefits pursuant to § 5301 of the Anti-Drug Abuse Act of 1988, 21 U.S.C. § 862, because of a conviction for possession or distribution of a controlled substance. This certification does not apply to applications filed in services exempted under § 1.2002(c) of the rules, 47 CFR § 1.2002(c). See 47 CFR § 1.2002(b) for the definition of "party to the application" as used in this certification.
5) The Applicant certifies that it either (1) has current required ownership data on file with the Commission, (2) is filing updated ownership data simultaneously with this application, or (3) is not required to file ownership data under the Commission's Rules.
6) The Applicant certifies that the facilities, operations, and transmitters for which this authorization is hereby requested are either: (1) categorically excluded from routine environmental evaluation for RF exposure as set forth in 47 CFR § 1.1307(b); or, (2) have been found not to cause human exposure to levels of radiofrequency radiation in excess of the limits specified in 47 CFR §§ 1.1310 and 2.1093; or, (3) are the subject of one or more Environmental Assessments filed with the Commission.
7) The Applicant certifies that it has reviewed the appropriate Commission Rules defining eligibility to hold the requested license(s) and is eligible to hold the requested license(s).
8) The Applicant certifies that it is not in default on any payment for Commission licenses and that it is not delinquent on any non-tax debt owed to any federal agency.
9) The Applicant certifies that the Applicant and all of the related individuals and entities required to be disclosed on this application and FCC Form 602 (FCC Ownership Disclosure Information for the Wireless Telecommunications Services) are not person(s) who have been, for reasons of national security, barred by any agency of the Federal Government from bidding on a contract, participating in an auction, or receiving a grant. This certification applies only to applications for licenses for spectrum that is required by Sections 6103, 6401-6403 of the Middle Class Tax Relief and Job Creation Act of 2012, codified at 47 U.S.C. §§ 309, 1413, 1451-1452, to be assigned by a system of competitive bidding under 47 U.S.C. § 309(j).

**Signature**

60) Typed or Printed Name of Party Authorized to Sign

First Name: <b>Jessica</b>	MI:	Last Name: <b>Dunk</b>	Suffix:
61) Title: <b>Assistant Secretary - Compliance</b>			
Signature: <b>Jessica Dunk</b>			62) Date: <b>01/23/2024</b>
<b>FAILURE TO SIGN THIS APPLICATION MAY RESULT IN DISMISSAL OF THE APPLICATION AND FORFEITURE OF ANY FEES PAID.</b>			
Upon grant of this license application, the Licensee may be subject to certain construction or coverage requirements. Failure to meet the construction or coverage requirements will result in termination of the license. Consult appropriate FCC regulations to determine the construction or coverage requirements that apply to the type of license requested in this application.			
WILLFUL FALSE STATEMENTS MADE ON THIS FORM OR ANY ATTACHMENTS ARE PUNISHABLE BY FINE AND/OR IMPRISONMENT (U.S. Code, Title 18, § 1001) AND/OR REVOCATION OF ANY STATION LICENSE OR CONSTRUCTION PERMIT (U.S. Code, Title 47, § 312(a)(1)), AND/OR FORFEITURE (U.S. Code, Title 47, § 503).			

REFERENCE COPY

This is not an official FCC license. It is a record of public information contained in the FCC's licensing database on the date that this reference copy was generated. In cases where FCC rules require the presentation, posting, or display of an FCC license, this document may not be used in place of an official FCC license.



Federal Communications Commission
Wireless Telecommunications Bureau

RADIO STATION AUTHORIZATION

LICENSEE: NEW CINGULAR WIRELESS PCS, LLC

ATTN: NATIONAL REGULATORY COMPLIANCE
NEW CINGULAR WIRELESS PCS, LLC
208 S AKARD ST, 20F
DALLAS, TX 75202

Table with 2 columns: Call Sign (WPOI215), File Number, and Radio Service (CW - PCS Broadband).

FCC Registration Number (FRN): 0003291192

Table with 4 columns: Grant Date (05-27-2015), Effective Date (01-24-2024), Expiration Date (06-23-2025), Print Date, Market Number (MTA026), Channel Block (A), Sub-Market Designator (17), Market Name (Louisville-Lexington-Evansville), 1st Build-out Date (10-23-2000), 2nd Build-out Date (06-23-2005), 3rd Build-out Date, 4th Build-out Date.

Waivers/Conditions:

This authorization is subject to the condition that, in the event that systems using the same frequencies as granted herein are authorized in an adjacent foreign territory (Canada/United States), future coordination of any base station transmitters within 72 km (45 miles) of the United States/Canada border shall be required to eliminate any harmful interference to operations in the adjacent foreign territory and to ensure continuance of equal access to the frequencies by both countries.

This authorization is subject to the condition that the remaining balance of the winning bid amount will be paid in accordance with Part 1 of the Commission's rules, 47 C.F.R. Part 1.

Conditions:

Pursuant to §309(h) of the Communications Act of 1934, as amended, 47 U.S.C. §309(h), this license is subject to the following conditions: This license shall not vest in the licensee any right to operate the station nor any right in the use of the frequencies designated in the license beyond the term thereof nor in any other manner than authorized herein. Neither the license nor the right granted thereunder shall be assigned or otherwise transferred in violation of the Communications Act of 1934, as amended. See 47 U.S.C. § 310(d). This license is subject in terms to the right of use or control conferred by §706 of the Communications Act of 1934, as amended. See 47 U.S.C. §606.

This license may not authorize operation throughout the entire geographic area or spectrum identified on the hardcopy version. To view the specific geographic area and spectrum authorized by this license, refer to the Spectrum and Market Area information under the Market Tab of the license record in the Universal Licensing System (ULS). To view the license record, go to the ULS homepage at http://wireless.fcc.gov/uls/index.htm?job=home and select "License Search". Follow the instructions on how to search for license information.

**Licensee Name:** NEW CINGULAR WIRELESS PCS, LLC

**Call Sign:** WPOI215

**File Number:**

**Print Date:**

This license is conditioned upon compliance with the provisions of Applications of AT&T Wireless Services, Inc. and Cingular Wireless Corporation For Consent to Transfer Control of Licenses and Authorizations, Memorandum Opinion and Order, FCC 04-255 (rel. Oct. 26, 2004).

Spectrum Lease Associated with this License. See Spectrum Leasing Arrangement Letter dated 12/06/2004 and File # 0001918579.

The Spectrum Leasing Arrangement, which became effective upon approval of application file number 0001918579, was terminated on 04/14/2005. Please see file number 0002135370.

Commission approval of this application and the licenses contained therein are subject to the conditions set forth in the Memorandum Opinion and Order, adopted on December 29, 2006 and released on March 26, 2007, and revised in the Order on Reconsideration, adopted and released on March 26, 2007. See AT&T Inc. and BellSouth Corporation Application for Transfer of Control, WC Docket No. 06-74, Memorandum Opinion and Order, FCC 06-189 (rel. Mar. 26, 2007); AT&T Inc. and BellSouth Corporation, WC Docket No. 06-74, Order on Reconsideration, FCC 07-44 (rel. Mar. 26, 2007).

**Licensee Name:** NEW CINGULAR WIRELESS PCS, LLC

**Call Sign:** WPOI215

**File Number:**

**Print Date:**

**700 MHz Relicensed Area Information:**

<b>Market</b>	<b>Market Name</b>	<b>Buildout Deadline</b>	<b>Buildout Notification</b>	<b>Status</b>
---------------	--------------------	--------------------------	------------------------------	---------------

Reference Copy

# Reference Copy Only. Do Not Mail to the FCC as an Application.

Submitted: 01/23/2024 at 17:43:02  
 File Number: 0010873345

**FCC 601**  
**Main Form**

## FCC Application for Radio Service Authorization: Wireless Telecommunications Bureau Public Safety and Homeland Security Bureau

Approved by OMB  
 3060 - 0798  
 See instructions for  
 public burden estimate

1) Radio Service Code: <p style="text-align: center;"><b>CW</b></p>	1a) Existing Radio Service Code:
--	----------------------------------

**General Information**

2) (Select only one) ( <b>AU</b> ) <b>NE</b> - New <b>RO</b> - Renewal Only <b>AU</b> - Administrative Update <b>NT</b> - Required Notifications <b>MD</b> - Modification <b>RM</b> - Renewal/Modification <b>WD</b> - Withdrawal of Application <b>EX</b> - Requests for Extension of Time <b>AM</b> - Amendment <b>CA</b> - Cancellation of License <b>RL</b> - Registered Location/Link	
3a) If this application is for a Demonstration License or a <b>S</b> pecial Temporary Authorization (STA), enter the code and attach the required exhibit as described in the instructions. Otherwise enter ' <b>N/A</b> ' (Not Applicable).	( <b>N</b> ) <u><b>M</b></u> <u><b>S</b></u> <u><b>N/A</b></u>
3b) If this application is for Special Temporary Authority due to an emergency situation, enter 'Y'; otherwise enter 'N'. Refer to Rule 1.915 for an explanation of situations considered to be an emergency.	(    ) <u><b>Y</b></u> <u><b>N</b></u>
4) If this application is for an Amendment or Withdrawal, enter the file number of the pending application currently on file with the FCC.	File Number
5) If this application is for a Modification, Renewal Only, Renewal/Modification, Cancellation of License, , or Administrative Update, enter the call sign of the existing FCC license. If this is a request for Registered Location/Link, enter the FCC call sign assigned to the geographic license.	Call Sign <b>WPOI215</b>
6a) If this application is for a New, Amendment, Renewal Only, or Renewal/Modification, enter the requested authorization expiration date (this item is optional).	MM      DD _____ / _____
6b) If this application is for a Renewal Only or Renewal/Modification and the license is a geographic area license, is the license used to provide service to customers ( <b>C</b> ), or is the license used for private business (internal) purposes or to meet the licensee's public interest/public safety communications needs ( <b>P</b> )?	(    ) <u><b>C</b></u> <u><b>P</b></u>
7) Is this application "major" as defined in § 1.929 of the Commission's Rules when read in conjunction with the applicable radio service rules found in Parts 22 and 90 of the Commission's Rules? (NOTE: This question only applies to certain site-specific applications. See the instructions for applicability and full text of § 1.929).	(    ) <u><b>Y</b></u> <u><b>N</b></u>
8) Are attachments (other than associated schedules) being filed with this application?	(    ) <u><b>Y</b></u> <u><b>N</b></u>

**Fees, Waivers, and Exemptions**

9) Is the Applicant exempt from FCC application fees?	( <b>N</b> ) <u><b>Y</b></u> <u><b>N</b></u>
10) Is the Applicant exempt from FCC regulatory fees?	( <b>N</b> ) <u><b>Y</b></u> <u><b>N</b></u>
11) Does this application include a request for a Waiver of the Commission's Rule(s)? If 'Yes', attach an exhibit providing rule number(s) and explaining circumstances.	( <b>N</b> ) <u><b>Y</b></u> <u><b>N</b></u>
12) Are the frequencies or parameters requested in this filing covered by grandfathered privileges, previously approved by waiver, or functionally integrated with an existing station?	(    ) <u><b>Y</b></u> <u><b>N</b></u>

**Applicant Information**

13) FCC Registration Number (FRN): <b>0003291192</b>			
14) Applicant/Licensee Legal Entity Type: (Select One) <input type="checkbox"/> Individual <input type="checkbox"/> Unincorporated Association <input type="checkbox"/> Trust <input type="checkbox"/> Government Entity <input type="checkbox"/> Corporation <input checked="" type="checkbox"/> Limited Liability Company <input type="checkbox"/> General Partnership <input type="checkbox"/> Limited Partnership <input type="checkbox"/> Limited Liability Partnership <input type="checkbox"/> Consortium <input type="checkbox"/> Other: _____			
15) If the Licensee name is being updated, is the update a result from the sale (or transfer of control) of the license(s) to party and for which proper Commission approval has not been received or proper notification not provided?			<input type="checkbox"/> Yes <input checked="" type="checkbox"/> No
16) First Name (if individual):	MI:	Last Name:	Suffix:
17) Legal Entity Name (if other than individual): <b>NEW CINGULAR WIRELESS PCS, LLC</b>			
18) Attention To: <b>National Regulatory Compliance</b>			
19) P.O. Box:	And/Or	20) Street Address: <b>208 S Akard St, 20F</b>	
21) City: <b>Dallas</b>	22) State: <b>TX</b>	23) Zip Code: <b>75202</b>	
24) Telephone Number: <b>(855)699-7073</b>		25) Fax: <b>(214)746-6410</b>	
26) E-Mail Address: <b>FCCMW@att.com</b>			

**27) Demographics (Optional)**

Race: <input type="checkbox"/> American Indian or Alaska Native <input type="checkbox"/> Asian <input type="checkbox"/> Black or African-American <input type="checkbox"/> Native Hawaiian or Other Pacific Islander <input type="checkbox"/> White	Ethnicity: <input type="checkbox"/> Hispanic or Latino <input type="checkbox"/> Not Hispanic or Latino	Gender: <input type="checkbox"/> Male <input type="checkbox"/> Female
--	--	---

**Real Party in Interest**

28) Name of Real Party in Interest of Applicant (If different from Applicant):	29) FCC Registration Number (FRN) of Real Party in Interest:
--	--

**Contact Information (If different from the Applicant)** Check here if same as Applicant.

30) First Name: <b>Jessica</b>	MI: <b>J</b>	Last Name: <b>Dunk</b>	Suffix:
31) Company Name: <b>AT&amp;T Services, Inc.</b>			
32) Attention To: <b>NRC</b>			
33) P.O. Box:	And /Or	34) Street Address: <b>208 S Akard St, 20F</b>	
35) City: <b>Dallas</b>	36) State: <b>TX</b>	37) Zip Code: <b>75202</b>	
38) Telephone Number: <b>(855)699-7073</b>		39) Fax: <b>(214)746-6410</b>	
40) E-Mail Address: <b>FCCMW@att.com</b>			



**Regulatory Status**

41) This filing is for authorization to provide or use the following type(s) of radio service offering (enter all that apply):  
(  ) Common Carrier (  ) Non-Common Carrier (  ) Private, internal communications (  ) Broadcast Services (  ) Band Manager

**Type of Radio Service**

42) This filing is for authorization to provide the following type(s) of radio service (choose all that apply):  
(  ) Fixed (  ) Mobile (  ) Radiolocation (  ) Satellite (sound) (  ) Broadcast Services  
43) Does the Applicant propose to provide service interconnected to the public telephone network? (  ) Yes (  ) No

**Alien Ownership Questions (If any answer is 'Y', provide an attachment explaining the circumstances. In preparing the attachment, refer to the Main Form Instructions for the "Alien Ownership Questions".)**

44) Is the Applicant a foreign government or the representative of any foreign government? (  ) Yes (  ) No  
45) Is the Applicant an alien or the representative of an alien? (  ) Yes (  ) No  
46) Is the Applicant a corporation organized under the laws of any foreign government? (  ) Yes (  ) No  
47) Is the Applicant a corporation of which more than one-fifth of the capital stock is owned of record or voted by aliens or their representatives, or by a foreign government or representative thereof, or by any corporation organized under the laws of a foreign country? (  ) Yes (  ) No

48a) Is the Applicant directly or indirectly controlled by any other corporation of which more than one-fourth of the capital stock ( ) Yes No is owned of record or voted by aliens or their representatives, or by a foreign government or representative thereof, or by any corporation organized under the laws of a foreign country?

48b) If the answer to 47 or 48a is 'Y' select one of the choices below.

The Applicant is exempt from the provisions of Section 310(b).

*If checked, it is not necessary to file a petition for declaratory ruling if the Applicant includes in the attachment required by Item 47 or Item 48a a showing that the requested license(s) is exempt from the provisions of Section 310(b).*

The Applicant has received a declaratory ruling(s) approving its foreign ownership, and the application involves only the acquisition of additional spectrum for the provision of a wireless service in a geographic coverage area for which the Applicant has been previously authorized.

*If checked, include in the attachment required by Item 47 or Item 48a the citation(s) of the applicable declaratory ruling(s) by DA/FCC number, the FCC Record citation, if available, release date, and a statement that there has been no change in the foreign ownership of the Applicant since the issuance of its ruling.*

The Applicant: (i) has received a declaratory ruling(s) approving its foreign ownership, but is not able to make the certification specified immediately above; or (ii) is an "affiliate" of a Licensee or Lessee/Sublessee that received a declaratory ruling(s) under 47 CFR § 1.5000(a) and is relying on the affiliate's ruling for purposes of filing this application as permitted under the affiliate's ruling and 47 CFR § 1.5004(b)

*If checked, and if the Applicant received its declaratory ruling(s) on or after August 9, 2013, include in the attachment required by Item 47 or Item 48a the citation(s) of the Applicant's declaratory ruling(s) by DA/FCC number, the FCC Record citation, if available, release date, and a statement that the Applicant is in compliance with the terms and conditions of its ruling and with the Commission's Rules.*

*If checked, and if the Applicant received its declaratory ruling(s) prior to August 9, 2013, include in the attachment required by Item 48a a copy of a petition for declaratory ruling filed contemporaneously with the Commission to extend the Applicant's existing ruling(s) to cover the same radio service(s) and geographic coverage area(s) involved in the application. Alternatively, the Applicant may request a new declaratory ruling pursuant to Section 1.5000(a) of the Commission's Rules, 47 CFR § 1.5000 (a). Petitions for declaratory ruling may be filed electronically on the Internet through the International Bureau Filing System (IBFS) (with a copy attached hereto).*

*If checked, and if the Applicant is relying on an affiliate's ruling for purposes of filing this application, include in the attachment required by Item 47 or Item 48a the citation(s) of the applicable declaratory ruling(s) by DA/FCC number, the FCC Record citation, if available, release date, and a statement that the Applicant is in compliance with the terms and conditions of the named affiliate's ruling and with the Commission's Rules. The Applicant must also include a certification of compliance signed by the named affiliate or other qualified entity as specified in 47 CFR § 1.5004(b). See Main Form Instructions for Items 47 or 48a, as applicable.*

The Applicant has not received a declaratory ruling approving its foreign ownership and is requesting a declaratory ruling under 47 CFR § 1.5004(b) in a petition filed contemporaneously with the Commission.

*If checked, include in the attachment required by Item 47 or 48a a copy of the petition for declaratory ruling filed contemporaneously with the Commission pursuant to 47 CFR § 1.5004(b). Petitions for declaratory ruling may be filed electronically on the Internet through the International Bureau Filing System (IBFS) (with a copy attached hereto).*

**Basic Qualification Questions**

49) Has the Applicant or any party to this application had any FCC station authorization, license or construction permit revoked or had any application for an initial, modification or renewal of FCC station authorization, license, or construction permit denied by the Commission?	( <input type="checkbox"/> ) <u>Yes</u> <u>No</u>
50) Has the Applicant or any party to this application, or any party directly or indirectly controlling the Applicant, ever been convicted of a felony by any state or federal court?	( <input type="checkbox"/> ) <u>Yes</u> <u>No</u>
51) Has any court finally adjudged the Applicant or any party directly or indirectly controlling the Applicant guilty of unlawfully monopolizing or attempting unlawfully to monopolize radio communication, directly or indirectly, through control of manufacture or sale of radio apparatus, exclusive traffic arrangement, or any other means or unfair methods of competition?	( <input type="checkbox"/> ) <u>Yes</u> <u>No</u>

**Note: If the answer to any of 49-51 is 'Y', attach an exhibit explaining the circumstances.**

**Aeronautical Advisory Station (Unicom) Certification**

52) ( <input type="checkbox"/> ) I certify that the station will be located on property of the airport to be served, and, in cases where the airport does not have a control tower, RCO, or FAA flight service station, that I have notified the owner of the airport and all aviation service organizations located at the airport within ten days prior to application.
---

**Broadband Radio Service and Educational Broadband Service Cable Cross-Ownership**

53a) Will the requested facilities be used to provide multichannel video programming service?	( <input type="checkbox"/> ) <u>Yes</u> <u>No</u>
53b) If the answer to question 53a is 'Y', does the Applicant operate, control or have an attributable interest (as defined in 47 CFR § 27.1202) in a cable television system whose franchise area is located within the geographic service area of the requested facilities?	( <input type="checkbox"/> ) <u>Yes</u> <u>No</u>

**Note: If the answer to question 53b is 'Y', attach an exhibit explaining how the Applicant complies with 47 CFR § 27.1202 or justifying a waiver of that rule. If a waiver of the Commission Rule(s) is being requested, Item 11a must be answered 'Y'.**

**Broadband Radio Service and Educational Broadband Service (Part 27)**

54) (For EBS only) Does the Applicant comply with the programming requirements contained in 47 CFR § 27.1203?	( <input type="checkbox"/> ) <u>Yes</u> <u>No</u>
---	---

**Note: If the answer to item 54 is 'N', attach an exhibit explaining how the Applicant complies with 47 CFR § 27.1203 of the Commission's Rules or justifying a waiver of that rule. If a waiver of the Commission Rule(s) is being requested, Item 11a must be answered 'Y'.**

55) (For BRS and EBS) Does the Applicant comply with 47 CFR §§ 27.50, 27.55, and 27.1221?	( <input type="checkbox"/> ) <u>Yes</u> <u>No</u>
---	---

**Note: If the answer to item 55 is 'N', attach an exhibit justifying a waiver of that rule(s). If a waiver of the Commission Rule(s) is being requested, Item 11a must be answered 'Y'.**

**For Applicants Who Participated in an Auction**

56) Is the Applicant a qualifying rural wireless partnership or a member of a qualifying rural wireless partnership?	( <input type="checkbox"/> ) <u>Yes</u> <u>No</u>
--	---

**Note: If the answer to item 56 is 'Y', attach an exhibit listing all members of the qualifying rural wireless partnership, including their FRN numbers.**

**For Renewal Applicants**

57) Operation/Performance Requirement Certification	
<b>[For a site-based license]:</b> Applicant certifies that it is continuing to operate consistent with its most recently filed construction notification (or most recent authorization, if no construction notification was required).	( <input type="checkbox"/> ) <u>Yes</u> <u>No</u>
<b>[For a geographic license, commercial service - licensee in its initial license term with an interim performance requirement]:</b> Applicant certifies that it has met its interim performance requirement, that over the portion of the license term following the interim performance requirement, it continues to use its facilities to provide at least the level of service required by its interim performance requirement, it has met its final performance requirement, and it continues to use its facilities to provide at least the level of service required by its final performance requirement through the end of the license term.	( <input type="checkbox"/> ) <u>Yes</u> <u>No</u>
<b>[For a geographic license, commercial service - licensee in its initial license term with no interim performance requirement]:</b> Applicant certifies that it has met its final performance requirement and it continues to use its facilities to provide at least the level of service required by its final performance requirement through the end of the license term. [Note: licensee must provide a showing demonstrating that the final performance requirement has been met, either separately in a timely application for notification of completion of construction, or as part of its renewal application, depending on the radio service.]	( <input type="checkbox"/> ) <u>Yes</u> <u>No</u>
<b>[For a geographic license, commercial service - licensee in any subsequent term]:</b> Applicant certifies that it continues to use its facilities to provide at least the level of service required by its final performance requirement through the end of any subsequent license terms.	( <input type="checkbox"/> ) <u>Yes</u> <u>No</u>
<b>[For a geographic license, private systems - licensee in its initial license term with an interim performance requirement]:</b> Applicant certifies that it has met its interim performance requirement, that over the portion of the license term following the interim performance requirement, it continues to use its facilities to further its private business or public interest/public safety communications needs at or above the level required to meet its interim performance requirement, it has met its final performance requirement, and it continues to use its facilities to provide at least the level of operation required by its final performance requirement through the end of the license term.	( <input type="checkbox"/> ) <u>Yes</u> <u>No</u>
<b>[For a geographic license, private systems - licensee in its initial license term with no interim performance requirement]:</b> Applicant certifies that it has met its final performance requirement, it continues to use its facilities to further its private business or public interest/public safety communications needs, and it continues to use its facilities to provide at least the level of operation required by its final performance requirement through the end of the license term. [Note: licensee must provide a showing demonstrating that the final performance requirement has been met, either separately in a timely application for notification of completion of construction, or as part of its renewal application, depending on the radio service.]	( <input type="checkbox"/> ) <u>Yes</u> <u>No</u>

<b>[For a geographic license, private systems - licensee in any subsequent term]:</b> Applicant certifies that it continues to use its facilities to further its private business or public interest/public safety communications needs at or above the level required to meet its final performance requirement through the end of any subsequent license terms.	( ) <u>Yes</u> <u>No</u>
<b>[For a partitioned or disaggregated license without a performance requirement, for the first renewal application filed after effective date of the rules]:</b> Applicant certifies that the partitioned and/or disaggregated license that is the subject of this renewal application has no separate performance requirement and that this is the first renewal of this license filed subsequent to the effective date of the rules.	( ) <u>Yes</u> <u>No</u>
<b>[For a partitioned or disaggregated license without a performance requirement, for any subsequent renewal filings]:</b> Applicant certifies that it continues to use its facilities to provide service or to further the applicant's private business or public interest/public safety needs.	( ) <u>Yes</u> <u>No</u>

**Discontinuance of Service Certification**

58) Applicant certifies that no permanent discontinuance of service or operation, as applicable, occurred during its current license term.  <b>Note: If the response to either item 57 or item 58 is 'N',</b> attach an exhibit that demonstrates that over the course of the license term, the Applicant provided and continues to provide service to the public, or operated and continues to operate the license to meet the Applicant's private business or public interest/public safety communications needs. This exhibit must include a detailed description of the Applicant's provision of service or, when allowed under the relevant service rules or pursuant to waiver, use of the spectrum for private business or public interest/public safety communications needs, during the entire license period and address, as applicable: 1) the level and quality of service provided by the applicant (e.g., the population served, the area served, the number of subscribers, the services offered); (2) the date service commenced, whether service was ever interrupted, and the duration of any interruption or outage; (3) the extent to which service is provided to rural areas; (4) the extent to which service is provided to qualifying tribal land as defined in 47 CFR § 1.2110(e)(3)(i); and (5) any other factors associated with the level of service to the public. The licensee may note in its exhibit: 1) any grant(s) of waiver or extension of a performance deadline or license renewal subject to meeting a performance requirement; or 2) if the final performance deadline and/or expiration date for the license accelerated because the licensee did not meet an interim performance requirement.	( ) <u>Yes</u> <u>No</u>
--	--------------------------

**Regulatory Compliance Certification [same for all]**

59) Applicant certifies that it has substantially complied with all applicable FCC rules, policies, and the Communications Act of 1934, as amended.  <b>Note: If the response to item 59 is 'N',</b> attach an exhibit explaining the circumstances and demonstrating why Applicant's license should be renewed.	( ) <u>Yes</u> <u>No</u>
--	--------------------------

**General Certification Statements**

1) The Applicant waives any claim to the use of any particular frequency or of the electromagnetic spectrum as against the regulatory power of the United States because of the previous use of the same, whether by license or otherwise, and requests an authorization in accordance with this application.
2) The Applicant certifies that grant of this application would not cause the Applicant to be in violation of any pertinent cross-ownership or attribution rules.* *If the Applicant has sought a waiver of any such rule in connection with this application, it may make this certification subject to the outcome of the waiver request.
3) The Applicant certifies that all statements made in this application and in the exhibits, attachments, or documents incorporated by reference are material, are part of this application, and are true, complete, correct, and made in good faith.
4) The Applicant certifies that neither the Applicant nor any other party to the application is subject to a denial of Federal benefits pursuant to § 5301 of the Anti-Drug Abuse Act of 1988, 21 U.S.C. § 862, because of a conviction for possession or distribution of a controlled substance. This certification does not apply to applications filed in services exempted under § 1.2002(c) of the rules, 47 CFR § 1.2002(c). See 47 CFR § 1.2002(b) for the definition of "party to the application" as used in this certification.
5) The Applicant certifies that it either (1) has current required ownership data on file with the Commission, (2) is filing updated ownership data simultaneously with this application, or (3) is not required to file ownership data under the Commission's Rules.
6) The Applicant certifies that the facilities, operations, and transmitters for which this authorization is hereby requested are either: (1) categorically excluded from routine environmental evaluation for RF exposure as set forth in 47 CFR § 1.1307(b); or, (2) have been found not to cause human exposure to levels of radiofrequency radiation in excess of the limits specified in 47 CFR §§ 1.1310 and 2.1093; or, (3) are the subject of one or more Environmental Assessments filed with the Commission.
7) The Applicant certifies that it has reviewed the appropriate Commission Rules defining eligibility to hold the requested license(s) and is eligible to hold the requested license(s).
8) The Applicant certifies that it is not in default on any payment for Commission licenses and that it is not delinquent on any non-tax debt owed to any federal agency.
9) The Applicant certifies that the Applicant and all of the related individuals and entities required to be disclosed on this application and FCC Form 602 (FCC Ownership Disclosure Information for the Wireless Telecommunications Services) are not person(s) who have been, for reasons of national security, barred by any agency of the Federal Government from bidding on a contract, participating in an auction, or receiving a grant. This certification applies only to applications for licenses for spectrum that is required by Sections 6103, 6401-6403 of the Middle Class Tax Relief and Job Creation Act of 2012, codified at 47 U.S.C. §§ 309, 1413, 1451-1452, to be assigned by a system of competitive bidding under 47 U.S.C. § 309(j).

**Signature**

60) Typed or Printed Name of Party Authorized to Sign

First Name: <b>Jessica</b>	MI:	Last Name: <b>Dunk</b>	Suffix:
61) Title: <b>Assistant Secretary - Compliance</b>			
Signature: <b>Jessica Dunk</b>			62) Date: <b>01/23/2024</b>
<b>FAILURE TO SIGN THIS APPLICATION MAY RESULT IN DISMISSAL OF THE APPLICATION AND FORFEITURE OF ANY FEES PAID.</b>			
Upon grant of this license application, the Licensee may be subject to certain construction or coverage requirements. Failure to meet the construction or coverage requirements will result in termination of the license. Consult appropriate FCC regulations to determine the construction or coverage requirements that apply to the type of license requested in this application.			
WILLFUL FALSE STATEMENTS MADE ON THIS FORM OR ANY ATTACHMENTS ARE PUNISHABLE BY FINE AND/OR IMPRISONMENT (U.S. Code, Title 18, § 1001) AND/OR REVOCATION OF ANY STATION LICENSE OR CONSTRUCTION PERMIT (U.S. Code, Title 47, § 312(a)(1)), AND/OR FORFEITURE (U.S. Code, Title 47, § 503).			

REFERENCE COPY

This is not an official FCC license. It is a record of public information contained in the FCC's licensing database on the date that this reference copy was generated. In cases where FCC rules require the presentation, posting, or display of an FCC license, this document may not be used in place of an official FCC license.



Federal Communications Commission
Wireless Telecommunications Bureau

RADIO STATION AUTHORIZATION

LICENSEE: NEW CINGULAR WIRELESS PCS, LLC

ATTN: NATIONAL REGULATORY COMPLIANCE
NEW CINGULAR WIRELESS PCS, LLC
208 S AKARD ST, 20F
DALLAS, TX 75202

Table with 2 columns: Call Sign (WPOI255), File Number, and Radio Service (CW - PCS Broadband).

FCC Registration Number (FRN): 0003291192

Table with 4 columns: Grant Date, Effective Date, Expiration Date, Print Date, Market Number, Channel Block, Sub-Market Designator, Market Name, 1st Build-out Date, 2nd Build-out Date, 3rd Build-out Date, 4th Build-out Date.

Waivers/Conditions:

This authorization is subject to the condition that, in the event that systems using the same frequencies as granted herein are authorized in an adjacent foreign territory (Canada/United States), future coordination of any base station transmitters within 72 km (45 miles) of the United States/Canada border shall be required to eliminate any harmful interference to operations in the adjacent foreign territory and to ensure continuance of equal access to the frequencies by both countries.

This authorization is subject to the condition that the remaining balance of the winning bid amount will be paid in accordance with Part 1 of the Commission's rules, 47 C.F.R. Part 1.

Conditions:

Pursuant to §309(h) of the Communications Act of 1934, as amended, 47 U.S.C. §309(h), this license is subject to the following conditions: This license shall not vest in the licensee any right to operate the station nor any right in the use of the frequencies designated in the license beyond the term thereof nor in any other manner than authorized herein.

This license may not authorize operation throughout the entire geographic area or spectrum identified on the hardcopy version. To view the specific geographic area and spectrum authorized by this license, refer to the Spectrum and Market Area information under the Market Tab of the license record in the Universal Licensing System (ULS).

**Licensee Name:** NEW CINGULAR WIRELESS PCS, LLC

**Call Sign:** WPO1255

**File Number:**

**Print Date:**

This license is conditioned upon compliance with the provisions of Applications of AT&T Wireless Services, Inc. and Cingular Wireless Corporation For Consent to Transfer Control of Licenses and Authorizations, Memorandum Opinion and Order, FCC 04-255 (rel. Oct. 26, 2004).

Spectrum Lease Associated with this License. See Spectrum Leasing Arrangement Letter dated 12/06/2004 and File # 0001918558.

The Spectrum Leasing Arrangement, which became effective upon approval of application file number 0001918558, was terminated on 04/14/2005. See file number 0002135370.

Commission approval of this application and the licenses contained therein are subject to the conditions set forth in the Memorandum Opinion and Order, adopted on December 29, 2006 and released on March 26, 2007, and revised in the Order on Reconsideration, adopted and released on March 26, 2007. See AT&T Inc. and BellSouth Corporation Application for Transfer of Control, WC Docket No. 06-74, Memorandum Opinion and Order, FCC 06-189 (rel. Mar. 26, 2007); AT&T Inc. and BellSouth Corporation, WC Docket No. 06-74, Order on Reconsideration, FCC 07-44 (rel. Mar. 26, 2007).

**Licensee Name:** NEW CINGULAR WIRELESS PCS, LLC

**Call Sign:** WPOI255

**File Number:**

**Print Date:**

**700 MHz Relicensed Area Information:**

<b>Market</b>	<b>Market Name</b>	<b>Buildout Deadline</b>	<b>Buildout Notification</b>	<b>Status</b>
---------------	--------------------	--------------------------	------------------------------	---------------

Reference Copy



# Reference Copy Only. Do Not Mail to the FCC as an Application.

Submitted: 01/23/2024 at 17:43:02  
 File Number: 0010873347

**FCC 601**  
**Main Form**

## FCC Application for Radio Service Authorization: Wireless Telecommunications Bureau Public Safety and Homeland Security Bureau

Approved by OMB  
 3060 - 0798  
 See instructions for  
 public burden estimate

1) Radio Service Code: <p style="text-align: center;"><b>CW</b></p>	1a) Existing Radio Service Code:
--	----------------------------------

**General Information**

2) (Select only one) ( <b>AU</b> ) <b>NE</b> - New <b>RO</b> - Renewal Only <b>AU</b> - Administrative Update <b>NT</b> - Required Notifications <b>MD</b> - Modification <b>RM</b> - Renewal/Modification <b>WD</b> - Withdrawal of Application <b>EX</b> - Requests for Extension of Time <b>AM</b> - Amendment <b>CA</b> - Cancellation of License <b>RL</b> - Registered Location/Link	
3a) If this application is for a Demonstration License or a <b>S</b> pecial Temporary Authorization (STA), enter the code and attach the required exhibit as described in the instructions. Otherwise enter ' <b>N/A</b> ' (Not Applicable).	( <b>N</b> ) <u><b>M</b></u> <u><b>S</b></u> <u><b>N/A</b></u>
3b) If this application is for Special Temporary Authority due to an emergency situation, enter 'Y'; otherwise enter 'N'. Refer to Rule 1.915 for an explanation of situations considered to be an emergency.	(    ) <u><b>Y</b></u> <u><b>N</b></u>
4) If this application is for an Amendment or Withdrawal, enter the file number of the pending application currently on file with the FCC.	File Number
5) If this application is for a Modification, Renewal Only, Renewal/Modification, Cancellation of License, , or Administrative Update, enter the call sign of the existing FCC license. If this is a request for Registered Location/Link, enter the FCC call sign assigned to the geographic license.	Call Sign <b>WPOI255</b>
6a) If this application is for a New, Amendment, Renewal Only, or Renewal/Modification, enter the requested authorization expiration date (this item is optional).	MM      DD _____ / _____
6b) If this application is for a Renewal Only or Renewal/Modification and the license is a geographic area license, is the license used to provide service to customers ( <b>C</b> ), or is the license used for private business (internal) purposes or to meet the licensee's public interest/public safety communications needs ( <b>P</b> )?	(    ) <u><b>C</b></u> <u><b>P</b></u>
7) Is this application "major" as defined in § 1.929 of the Commission's Rules when read in conjunction with the applicable radio service rules found in Parts 22 and 90 of the Commission's Rules? (NOTE: This question only applies to certain site-specific applications. See the instructions for applicability and full text of § 1.929).	(    ) <u><b>Y</b></u> <u><b>N</b></u>
8) Are attachments (other than associated schedules) being filed with this application?	(    ) <u><b>Y</b></u> <u><b>N</b></u>

**Fees, Waivers, and Exemptions**

9) Is the Applicant exempt from FCC application fees?	( <b>N</b> ) <u><b>Y</b></u> <u><b>N</b></u>
10) Is the Applicant exempt from FCC regulatory fees?	( <b>N</b> ) <u><b>Y</b></u> <u><b>N</b></u>
11) Does this application include a request for a Waiver of the Commission's Rule(s)? If 'Yes', attach an exhibit providing rule number(s) and explaining circumstances.	( <b>N</b> ) <u><b>Y</b></u> <u><b>N</b></u>
12) Are the frequencies or parameters requested in this filing covered by grandfathered privileges, previously approved by waiver, or functionally integrated with an existing station?	(    ) <u><b>Y</b></u> <u><b>N</b></u>

**Applicant Information**

13) FCC Registration Number (FRN): <b>0003291192</b>			
14) Applicant/Licensee Legal Entity Type: (Select One) <input type="checkbox"/> Individual <input type="checkbox"/> Unincorporated Association <input type="checkbox"/> Trust <input type="checkbox"/> Government Entity <input type="checkbox"/> Corporation <input checked="" type="checkbox"/> Limited Liability Company <input type="checkbox"/> General Partnership <input type="checkbox"/> Limited Partnership <input type="checkbox"/> Limited Liability Partnership <input type="checkbox"/> Consortium <input type="checkbox"/> Other: _____			
15) If the Licensee name is being updated, is the update a result from the sale (or transfer of control) of the license(s) to party and for which proper Commission approval has not been received or proper notification not provided?			<input type="checkbox"/> Yes <input checked="" type="checkbox"/> No
16) First Name (if individual):	MI:	Last Name:	Suffix:
17) Legal Entity Name (if other than individual): <b>NEW CINGULAR WIRELESS PCS, LLC</b>			
18) Attention To: <b>National Regulatory Compliance</b>			
19) P.O. Box:	And/Or	20) Street Address: <b>208 S Akard St, 20F</b>	
21) City: <b>Dallas</b>	22) State: <b>TX</b>	23) Zip Code: <b>75202</b>	
24) Telephone Number: <b>(855)699-7073</b>		25) Fax:	
26) E-Mail Address: <b>FCCMW@att.com</b>			

**27) Demographics (Optional)**

Race: <input type="checkbox"/> American Indian or Alaska Native <input type="checkbox"/> Asian <input type="checkbox"/> Black or African-American <input type="checkbox"/> Native Hawaiian or Other Pacific Islander <input type="checkbox"/> White	Ethnicity: <input type="checkbox"/> Hispanic or Latino <input type="checkbox"/> Not Hispanic or Latino	Gender: <input type="checkbox"/> Male <input type="checkbox"/> Female
--	--	---

**Real Party in Interest**

28) Name of Real Party in Interest of Applicant (If different from Applicant):	29) FCC Registration Number (FRN) of Real Party in Interest:
--	--

**Contact Information (If different from the Applicant)** Check here if same as Applicant.

30) First Name: <b>Jessica</b>	MI: <b>J</b>	Last Name: <b>Dunk</b>	Suffix:
31) Company Name: <b>AT&amp;T Services, Inc.</b>			
32) Attention To: <b>NRC</b>			
33) P.O. Box:	And /Or	34) Street Address: <b>208 S Akard St, 20F</b>	
35) City: <b>Dallas</b>	36) State: <b>TX</b>	37) Zip Code: <b>75202</b>	
38) Telephone Number: <b>(855)699-7073</b>		39) Fax:	
40) E-Mail Address: <b>FCCMW@att.com</b>			

**Regulatory Status**

41) This filing is for authorization to provide or use the following type(s) of radio service offering (enter all that apply):  
(  ) Common Carrier (  ) Non-Common Carrier (  ) Private, internal communications (  ) Broadcast Services (  ) Band Manager

**Type of Radio Service**

42) This filing is for authorization to provide the following type(s) of radio service (choose all that apply):  
(  ) Fixed (  ) Mobile (  ) Radiolocation (  ) Satellite (sound) (  ) Broadcast Services  
43) Does the Applicant propose to provide service interconnected to the public telephone network? (  ) Yes (  ) No

**Alien Ownership Questions (If any answer is 'Y', provide an attachment explaining the circumstances. In preparing the attachment, refer to the Main Form Instructions for the "Alien Ownership Questions".)**

44) Is the Applicant a foreign government or the representative of any foreign government? (  ) Yes (  ) No  
45) Is the Applicant an alien or the representative of an alien? (  ) Yes (  ) No  
46) Is the Applicant a corporation organized under the laws of any foreign government? (  ) Yes (  ) No  
47) Is the Applicant a corporation of which more than one-fifth of the capital stock is owned of record or voted by aliens or their representatives, or by a foreign government or representative thereof, or by any corporation organized under the laws of a foreign country? (  ) Yes (  ) No

48a) Is the Applicant directly or indirectly controlled by any other corporation of which more than one-fourth of the capital stock ( ) Yes No is owned of record or voted by aliens or their representatives, or by a foreign government or representative thereof, or by any corporation organized under the laws of a foreign country?

48b) If the answer to 47 or 48a is 'Y' select one of the choices below.

The Applicant is exempt from the provisions of Section 310(b).

*If checked, it is not necessary to file a petition for declaratory ruling if the Applicant includes in the attachment required by Item 47 or Item 48a a showing that the requested license(s) is exempt from the provisions of Section 310(b).*

The Applicant has received a declaratory ruling(s) approving its foreign ownership, and the application involves only the acquisition of additional spectrum for the provision of a wireless service in a geographic coverage area for which the Applicant has been previously authorized.

*If checked, include in the attachment required by Item 47 or Item 48a the citation(s) of the applicable declaratory ruling(s) by DA/FCC number, the FCC Record citation, if available, release date, and a statement that there has been no change in the foreign ownership of the Applicant since the issuance of its ruling.*

The Applicant: (i) has received a declaratory ruling(s) approving its foreign ownership, but is not able to make the certification specified immediately above; or (ii) is an "affiliate" of a Licensee or Lessee/Sublessee that received a declaratory ruling(s) under 47 CFR § 1.5000(a) and is relying on the affiliate's ruling for purposes of filing this application as permitted under the affiliate's ruling and 47 CFR § 1.5004(b)

*If checked, and if the Applicant received its declaratory ruling(s) on or after August 9, 2013, include in the attachment required by Item 47 or Item 48a the citation(s) of the Applicant's declaratory ruling(s) by DA/FCC number, the FCC Record citation, if available, release date, and a statement that the Applicant is in compliance with the terms and conditions of its ruling and with the Commission's Rules.*

*If checked, and if the Applicant received its declaratory ruling(s) prior to August 9, 2013, include in the attachment required by Item 48a a copy of a petition for declaratory ruling filed contemporaneously with the Commission to extend the Applicant's existing ruling(s) to cover the same radio service(s) and geographic coverage area(s) involved in the application. Alternatively, the Applicant may request a new declaratory ruling pursuant to Section 1.5000(a) of the Commission's Rules, 47 CFR § 1.5000 (a). Petitions for declaratory ruling may be filed electronically on the Internet through the International Bureau Filing System (IBFS) (with a copy attached hereto).*

*If checked, and if the Applicant is relying on an affiliate's ruling for purposes of filing this application, include in the attachment required by Item 47 or Item 48a the citation(s) of the applicable declaratory ruling(s) by DA/FCC number, the FCC Record citation, if available, release date, and a statement that the Applicant is in compliance with the terms and conditions of the named affiliate's ruling and with the Commission's Rules. The Applicant must also include a certification of compliance signed by the named affiliate or other qualified entity as specified in 47 CFR § 1.5004(b). See Main Form Instructions for Items 47 or 48a, as applicable.*

The Applicant has not received a declaratory ruling approving its foreign ownership and is requesting a declaratory ruling under 47 CFR § 1.5004(b) in a petition filed contemporaneously with the Commission.

*If checked, include in the attachment required by Item 47 or 48a a copy of the petition for declaratory ruling filed contemporaneously with the Commission pursuant to 47 CFR § 1.5004(b). Petitions for declaratory ruling may be filed electronically on the Internet through the International Bureau Filing System (IBFS) (with a copy attached hereto).*

**Basic Qualification Questions**

49) Has the Applicant or any party to this application had any FCC station authorization, license or construction permit revoked or had any application for an initial, modification or renewal of FCC station authorization, license, or construction permit denied by the Commission?	( <input type="checkbox"/> ) <u>Yes</u> <u>No</u>
50) Has the Applicant or any party to this application, or any party directly or indirectly controlling the Applicant, ever been convicted of a felony by any state or federal court?	( <input type="checkbox"/> ) <u>Yes</u> <u>No</u>
51) Has any court finally adjudged the Applicant or any party directly or indirectly controlling the Applicant guilty of unlawfully monopolizing or attempting unlawfully to monopolize radio communication, directly or indirectly, through control of manufacture or sale of radio apparatus, exclusive traffic arrangement, or any other means or unfair methods of competition?	( <input type="checkbox"/> ) <u>Yes</u> <u>No</u>

**Note: If the answer to any of 49-51 is 'Y', attach an exhibit explaining the circumstances.**

**Aeronautical Advisory Station (Unicom) Certification**

52) ( <input type="checkbox"/> ) I certify that the station will be located on property of the airport to be served, and, in cases where the airport does not have a control tower, RCO, or FAA flight service station, that I have notified the owner of the airport and all aviation service organizations located at the airport within ten days prior to application.
---

**Broadband Radio Service and Educational Broadband Service Cable Cross-Ownership**

53a) Will the requested facilities be used to provide multichannel video programming service?	( <input type="checkbox"/> ) <u>Yes</u> <u>No</u>
53b) If the answer to question 53a is 'Y', does the Applicant operate, control or have an attributable interest (as defined in 47 CFR § 27.1202) in a cable television system whose franchise area is located within the geographic service area of the requested facilities?	( <input type="checkbox"/> ) <u>Yes</u> <u>No</u>

**Note: If the answer to question 53b is 'Y', attach an exhibit explaining how the Applicant complies with 47 CFR § 27.1202 or justifying a waiver of that rule. If a waiver of the Commission Rule(s) is being requested, Item 11a must be answered 'Y'.**

**Broadband Radio Service and Educational Broadband Service (Part 27)**

54) (For EBS only) Does the Applicant comply with the programming requirements contained in 47 CFR § 27.1203?	( <input type="checkbox"/> ) <u>Yes</u> <u>No</u>
---	---

**Note: If the answer to item 54 is 'N', attach an exhibit explaining how the Applicant complies with 47 CFR § 27.1203 of the Commission's Rules or justifying a waiver of that rule. If a waiver of the Commission Rule(s) is being requested, Item 11a must be answered 'Y'.**

55) (For BRS and EBS) Does the Applicant comply with 47 CFR §§ 27.50, 27.55, and 27.1221?	( <input type="checkbox"/> ) <u>Yes</u> <u>No</u>
---	---

**Note: If the answer to item 55 is 'N', attach an exhibit justifying a waiver of that rule(s). If a waiver of the Commission Rule(s) is being requested, Item 11a must be answered 'Y'.**

**For Applicants Who Participated in an Auction**

56) Is the Applicant a qualifying rural wireless partnership or a member of a qualifying rural wireless partnership?	( <input type="checkbox"/> ) <u>Yes</u> <u>No</u>
--	---

**Note: If the answer to item 56 is 'Y', attach an exhibit listing all members of the qualifying rural wireless partnership, including their FRN numbers.**

**For Renewal Applicants****57) Operation/Performance Requirement Certification**

<b>[For a site-based license]:</b> Applicant certifies that it is continuing to operate consistent with its most recently filed construction notification (or most recent authorization, if no construction notification was required).	( <input type="checkbox"/> ) <u>Yes</u> <u>No</u>
<b>[For a geographic license, commercial service - licensee in its initial license term with an interim performance requirement]:</b> Applicant certifies that it has met its interim performance requirement, that over the portion of the license term following the interim performance requirement, it continues to use its facilities to provide at least the level of service required by its interim performance requirement, it has met its final performance requirement, and it continues to use its facilities to provide at least the level of service required by its final performance requirement through the end of the license term.	( <input type="checkbox"/> ) <u>Yes</u> <u>No</u>
<b>[For a geographic license, commercial service - licensee in its initial license term with no interim performance requirement]:</b> Applicant certifies that it has met its final performance requirement and it continues to use its facilities to provide at least the level of service required by its final performance requirement through the end of the license term. [Note: licensee must provide a showing demonstrating that the final performance requirement has been met, either separately in a timely application for notification of completion of construction, or as part of its renewal application, depending on the radio service.]	( <input type="checkbox"/> ) <u>Yes</u> <u>No</u>
<b>[For a geographic license, commercial service - licensee in any subsequent term]:</b> Applicant certifies that it continues to use its facilities to provide at least the level of service required by its final performance requirement through the end of any subsequent license terms.	( <input type="checkbox"/> ) <u>Yes</u> <u>No</u>
<b>[For a geographic license, private systems - licensee in its initial license term with an interim performance requirement]:</b> Applicant certifies that it has met its interim performance requirement, that over the portion of the license term following the interim performance requirement, it continues to use its facilities to further its private business or public interest/public safety communications needs at or above the level required to meet its interim performance requirement, it has met its final performance requirement, and it continues to use its facilities to provide at least the level of operation required by its final performance requirement through the end of the license term.	( <input type="checkbox"/> ) <u>Yes</u> <u>No</u>
<b>[For a geographic license, private systems - licensee in its initial license term with no interim performance requirement]:</b> Applicant certifies that it has met its final performance requirement, it continues to use its facilities to further its private business or public interest/public safety communications needs, and it continues to use its facilities to provide at least the level of operation required by its final performance requirement through the end of the license term. [Note: licensee must provide a showing demonstrating that the final performance requirement has been met, either separately in a timely application for notification of completion of construction, or as part of its renewal application, depending on the radio service.]	( <input type="checkbox"/> ) <u>Yes</u> <u>No</u>

<b>[For a geographic license, private systems - licensee in any subsequent term]:</b> Applicant certifies that it continues to use its facilities to further its private business or public interest/public safety communications needs at or above the level required to meet its final performance requirement through the end of any subsequent license terms.	( ) <u>Yes</u> <u>No</u>
<b>[For a partitioned or disaggregated license without a performance requirement, for the first renewal application filed after effective date of the rules]:</b> Applicant certifies that the partitioned and/or disaggregated license that is the subject of this renewal application has no separate performance requirement and that this is the first renewal of this license filed subsequent to the effective date of the rules.	( ) <u>Yes</u> <u>No</u>
<b>[For a partitioned or disaggregated license without a performance requirement, for any subsequent renewal filings]:</b> Applicant certifies that it continues to use its facilities to provide service or to further the applicant's private business or public interest/public safety needs.	( ) <u>Yes</u> <u>No</u>

**Discontinuance of Service Certification**

58) Applicant certifies that no permanent discontinuance of service or operation, as applicable, occurred during its current license term.  <b>Note: If the response to either item 57 or item 58 is 'N',</b> attach an exhibit that demonstrates that over the course of the license term, the Applicant provided and continues to provide service to the public, or operated and continues to operate the license to meet the Applicant's private business or public interest/public safety communications needs. This exhibit must include a detailed description of the Applicant's provision of service or, when allowed under the relevant service rules or pursuant to waiver, use of the spectrum for private business or public interest/public safety communications needs, during the entire license period and address, as applicable: 1) the level and quality of service provided by the applicant (e.g., the population served, the area served, the number of subscribers, the services offered); (2) the date service commenced, whether service was ever interrupted, and the duration of any interruption or outage; (3) the extent to which service is provided to rural areas; (4) the extent to which service is provided to qualifying tribal land as defined in 47 CFR § 1.2110(e)(3)(i); and (5) any other factors associated with the level of service to the public. The licensee may note in its exhibit: 1) any grant(s) of waiver or extension of a performance deadline or license renewal subject to meeting a performance requirement; or 2) if the final performance deadline and/or expiration date for the license accelerated because the licensee did not meet an interim performance requirement.	( ) <u>Yes</u> <u>No</u>
--	--------------------------

**Regulatory Compliance Certification [same for all]**

59) Applicant certifies that it has substantially complied with all applicable FCC rules, policies, and the Communications Act of 1934, as amended.  <b>Note: If the response to item 59 is 'N',</b> attach an exhibit explaining the circumstances and demonstrating why Applicant's license should be renewed.	( ) <u>Yes</u> <u>No</u>
--	--------------------------

**General Certification Statements**

1) The Applicant waives any claim to the use of any particular frequency or of the electromagnetic spectrum as against the regulatory power of the United States because of the previous use of the same, whether by license or otherwise, and requests an authorization in accordance with this application.
2) The Applicant certifies that grant of this application would not cause the Applicant to be in violation of any pertinent cross-ownership or attribution rules.* *If the Applicant has sought a waiver of any such rule in connection with this application, it may make this certification subject to the outcome of the waiver request.
3) The Applicant certifies that all statements made in this application and in the exhibits, attachments, or documents incorporated by reference are material, are part of this application, and are true, complete, correct, and made in good faith.
4) The Applicant certifies that neither the Applicant nor any other party to the application is subject to a denial of Federal benefits pursuant to § 5301 of the Anti-Drug Abuse Act of 1988, 21 U.S.C. § 862, because of a conviction for possession or distribution of a controlled substance. This certification does not apply to applications filed in services exempted under § 1.2002(c) of the rules, 47 CFR § 1.2002(c). See 47 CFR § 1.2002(b) for the definition of "party to the application" as used in this certification.
5) The Applicant certifies that it either (1) has current required ownership data on file with the Commission, (2) is filing updated ownership data simultaneously with this application, or (3) is not required to file ownership data under the Commission's Rules.
6) The Applicant certifies that the facilities, operations, and transmitters for which this authorization is hereby requested are either: (1) categorically excluded from routine environmental evaluation for RF exposure as set forth in 47 CFR § 1.1307(b); or, (2) have been found not to cause human exposure to levels of radiofrequency radiation in excess of the limits specified in 47 CFR §§ 1.1310 and 2.1093; or, (3) are the subject of one or more Environmental Assessments filed with the Commission.
7) The Applicant certifies that it has reviewed the appropriate Commission Rules defining eligibility to hold the requested license(s) and is eligible to hold the requested license(s).
8) The Applicant certifies that it is not in default on any payment for Commission licenses and that it is not delinquent on any non-tax debt owed to any federal agency.
9) The Applicant certifies that the Applicant and all of the related individuals and entities required to be disclosed on this application and FCC Form 602 (FCC Ownership Disclosure Information for the Wireless Telecommunications Services) are not person(s) who have been, for reasons of national security, barred by any agency of the Federal Government from bidding on a contract, participating in an auction, or receiving a grant. This certification applies only to applications for licenses for spectrum that is required by Sections 6103, 6401-6403 of the Middle Class Tax Relief and Job Creation Act of 2012, codified at 47 U.S.C. §§ 309, 1413, 1451-1452, to be assigned by a system of competitive bidding under 47 U.S.C. § 309(j).

**Signature**

60) Typed or Printed Name of Party Authorized to Sign

First Name: <b>Jessica</b>	MI:	Last Name: <b>Dunk</b>	Suffix:
61) Title: <b>Assistant Secretary - Compliance</b>			
Signature: <b>Jessica Dunk</b>			62) Date: <b>01/23/2024</b>
<b>FAILURE TO SIGN THIS APPLICATION MAY RESULT IN DISMISSAL OF THE APPLICATION AND FORFEITURE OF ANY FEES PAID.</b>			
Upon grant of this license application, the Licensee may be subject to certain construction or coverage requirements. Failure to meet the construction or coverage requirements will result in termination of the license. Consult appropriate FCC regulations to determine the construction or coverage requirements that apply to the type of license requested in this application.			
WILLFUL FALSE STATEMENTS MADE ON THIS FORM OR ANY ATTACHMENTS ARE PUNISHABLE BY FINE AND/OR IMPRISONMENT (U.S. Code, Title 18, § 1001) AND/OR REVOCATION OF ANY STATION LICENSE OR CONSTRUCTION PERMIT (U.S. Code, Title 47, § 312(a)(1)), AND/OR FORFEITURE (U.S. Code, Title 47, § 503).			

REFERENCE COPY

This is not an official FCC license. It is a record of public information contained in the FCC's licensing database on the date that this reference copy was generated. In cases where FCC rules require the presentation, posting, or display of an FCC license, this document may not be used in place of an official FCC license.



Federal Communications Commission
Wireless Telecommunications Bureau

RADIO STATION AUTHORIZATION

LICENSEE: NEW CINGULAR WIRELESS PCS, LLC

ATTN: NATIONAL REGULATORY COMPLIANCE
NEW CINGULAR WIRELESS PCS, LLC
208 S AKARD ST, 20F
DALLAS, TX 75202

Table with 2 columns: Call Sign (WPOI256), File Number, and Radio Service (CW - PCS Broadband).

FCC Registration Number (FRN): 0003291192

Table with 4 columns: Grant Date (06-02-2015), Effective Date (01-24-2024), Expiration Date (06-23-2025), Print Date, Market Number (MTA043), Channel Block (B), Sub-Market Designator (2), Market Name (Nashville), 1st Build-out Date (06-23-2000), 2nd Build-out Date (06-23-2005), 3rd Build-out Date, 4th Build-out Date.

Waivers/Conditions:

This authorization is subject to the condition that, in the event that systems using the same frequencies as granted herein are authorized in an adjacent foreign territory (Canada/United States), future coordination of any base station transmitters within 72 km (45 miles) of the United States/Canada border shall be required to eliminate any harmful interference to operations in the adjacent foreign territory and to ensure continuance of equal access to the frequencies by both countries.

This authorization is subject to the condition that the remaining balance of the winning bid amount will be paid in accordance with Part 1 of the Commission's rules, 47 C.F.R. Part 1.

Conditions:

Pursuant to §309(h) of the Communications Act of 1934, as amended, 47 U.S.C. §309(h), this license is subject to the following conditions: This license shall not vest in the licensee any right to operate the station nor any right in the use of the frequencies designated in the license beyond the term thereof nor in any other manner than authorized herein. Neither the license nor the right granted thereunder shall be assigned or otherwise transferred in violation of the Communications Act of 1934, as amended. See 47 U.S.C. § 310(d). This license is subject in terms to the right of use or control conferred by §706 of the Communications Act of 1934, as amended. See 47 U.S.C. §606.

This license may not authorize operation throughout the entire geographic area or spectrum identified on the hardcopy version. To view the specific geographic area and spectrum authorized by this license, refer to the Spectrum and Market Area information under the Market Tab of the license record in the Universal Licensing System (ULS). To view the license record, go to the ULS homepage at http://wireless.fcc.gov/uls/index.htm?job=home and select "License Search". Follow the instructions on how to search for license information.



**Licensee Name:** NEW CINGULAR WIRELESS PCS, LLC

**Call Sign:** WPO1256

**File Number:**

**Print Date:**

This license is conditioned upon compliance with the provisions of Applications of AT&T Wireless Services, Inc. and Cingular Wireless Corporation For Consent to Transfer Control of Licenses and Authorizations, Memorandum Opinion and Order, FCC 04-255 (rel. Oct. 26, 2004).

Commission approval of this application and the licenses contained therein are subject to the conditions set forth in the Memorandum Opinion and Order, adopted on December 29, 2006 and released on March 26, 2007, and revised in the Order on Reconsideration, adopted and released on March 26, 2007. See AT&T Inc. and BellSouth Corporation Application for Transfer of Control, WC Docket No. 06-74, Memorandum Opinion and Order, FCC 06-189 (rel. Mar. 26, 2007); AT&T Inc. and BellSouth Corporation, WC Docket No. 06-74, Order on Reconsideration, FCC 07-44 (rel. Mar. 26, 2007).

**Licensee Name:** NEW CINGULAR WIRELESS PCS, LLC

**Call Sign:** WPOI256

**File Number:**

**Print Date:**

**700 MHz Relicensed Area Information:**

<b>Market</b>	<b>Market Name</b>	<b>Buildout Deadline</b>	<b>Buildout Notification</b>	<b>Status</b>
---------------	--------------------	--------------------------	------------------------------	---------------

Reference Copy

# Reference Copy Only. Do Not Mail to the FCC as an Application.

Submitted: 01/23/2024 at 17:43:02  
 File Number: 0010873348

**FCC 601**  
**Main Form**

## FCC Application for Radio Service Authorization: Wireless Telecommunications Bureau Public Safety and Homeland Security Bureau

Approved by OMB  
 3060 - 0798  
 See instructions for  
 public burden estimate

1) Radio Service Code: <p style="text-align: center;"><b>CW</b></p>	1a) Existing Radio Service Code:
--	----------------------------------

**General Information**

2) (Select only one) ( <b>AU</b> ) <b>NE</b> - New <b>RO</b> - Renewal Only <b>AU</b> - Administrative Update <b>NT</b> - Required Notifications <b>MD</b> - Modification <b>RM</b> - Renewal/Modification <b>WD</b> - Withdrawal of Application <b>EX</b> - Requests for Extension of Time <b>AM</b> - Amendment <b>CA</b> - Cancellation of License <b>RL</b> - Registered Location/Link	
3a) If this application is for a Demonstration License or a <b>S</b> pecial Temporary Authorization (STA), enter the code and attach the required exhibit as described in the instructions. Otherwise enter ' <b>N/A</b> ' (Not Applicable).	( <b>N</b> ) <u><b>M</b></u> <u><b>S</b></u> <u><b>N/A</b></u>
3b) If this application is for Special Temporary Authority due to an emergency situation, enter 'Y'; otherwise enter 'N'. Refer to Rule 1.915 for an explanation of situations considered to be an emergency.	(    ) <u><b>Y</b></u> <u><b>N</b></u>
4) If this application is for an Amendment or Withdrawal, enter the file number of the pending application currently on file with the FCC.	File Number
5) If this application is for a Modification, Renewal Only, Renewal/Modification, Cancellation of License, , or Administrative Update, enter the call sign of the existing FCC license. If this is a request for Registered Location/Link, enter the FCC call sign assigned to the geographic license.	Call Sign <b>WPO1256</b>
6a) If this application is for a New, Amendment, Renewal Only, or Renewal/Modification, enter the requested authorization expiration date (this item is optional).	MM      DD _____ / _____
6b) If this application is for a Renewal Only or Renewal/Modification and the license is a geographic area license, is the license used to provide service to customers ( <b>C</b> ), or is the license used for private business (internal) purposes or to meet the licensee's public interest/public safety communications needs ( <b>P</b> )?	(    ) <u><b>C</b></u> <u><b>P</b></u>
7) Is this application "major" as defined in § 1.929 of the Commission's Rules when read in conjunction with the applicable radio service rules found in Parts 22 and 90 of the Commission's Rules? (NOTE: This question only applies to certain site-specific applications. See the instructions for applicability and full text of § 1.929).	(    ) <u><b>Y</b></u> <u><b>N</b></u>
8) Are attachments (other than associated schedules) being filed with this application?	(    ) <u><b>Y</b></u> <u><b>N</b></u>

**Fees, Waivers, and Exemptions**

9) Is the Applicant exempt from FCC application fees?	( <b>N</b> ) <u><b>Y</b></u> <u><b>N</b></u>
10) Is the Applicant exempt from FCC regulatory fees?	( <b>N</b> ) <u><b>Y</b></u> <u><b>N</b></u>
11) Does this application include a request for a Waiver of the Commission's Rule(s)? If 'Yes', attach an exhibit providing rule number(s) and explaining circumstances.	( <b>N</b> ) <u><b>Y</b></u> <u><b>N</b></u>
12) Are the frequencies or parameters requested in this filing covered by grandfathered privileges, previously approved by waiver, or functionally integrated with an existing station?	(    ) <u><b>Y</b></u> <u><b>N</b></u>

**Applicant Information**

13) FCC Registration Number (FRN): <b>0003291192</b>			
14) Applicant/Licensee Legal Entity Type: (Select One) <input type="checkbox"/> Individual <input type="checkbox"/> Unincorporated Association <input type="checkbox"/> Trust <input type="checkbox"/> Government Entity <input type="checkbox"/> Corporation <input checked="" type="checkbox"/> Limited Liability Company <input type="checkbox"/> General Partnership <input type="checkbox"/> Limited Partnership <input type="checkbox"/> Limited Liability Partnership <input type="checkbox"/> Consortium <input type="checkbox"/> Other: _____			
15) If the Licensee name is being updated, is the update a result from the sale (or transfer of control) of the license(s) to party and for which proper Commission approval has not been received or proper notification not provided?			<input type="checkbox"/> Yes <input checked="" type="checkbox"/> No
16) First Name (if individual):	MI:	Last Name:	Suffix:
17) Legal Entity Name (if other than individual): <b>NEW CINGULAR WIRELESS PCS, LLC</b>			
18) Attention To: <b>National Regulatory Compliance</b>			
19) P.O. Box:	And/Or	20) Street Address: <b>208 S Akard St, 20F</b>	
21) City: <b>Dallas</b>	22) State: <b>TX</b>	23) Zip Code: <b>75202</b>	
24) Telephone Number: <b>(855)699-7073</b>		25) Fax: <b>(214)746-6410</b>	
26) E-Mail Address: <b>FCCMW@att.com</b>			

**27) Demographics (Optional)**

Race: <input type="checkbox"/> American Indian or Alaska Native <input type="checkbox"/> Asian <input type="checkbox"/> Black or African-American <input type="checkbox"/> Native Hawaiian or Other Pacific Islander <input type="checkbox"/> White	Ethnicity: <input type="checkbox"/> Hispanic or Latino <input type="checkbox"/> Not Hispanic or Latino	Gender: <input type="checkbox"/> Male <input type="checkbox"/> Female
--	--	---

**Real Party in Interest**

28) Name of Real Party in Interest of Applicant (If different from Applicant):	29) FCC Registration Number (FRN) of Real Party in Interest:
--	--

**Contact Information (If different from the Applicant)** Check here if same as Applicant.

30) First Name: <b>Jessica</b>	MI: <b>J</b>	Last Name: <b>Dunk</b>	Suffix:
31) Company Name: <b>AT&amp;T Services, Inc.</b>			
32) Attention To: <b>NRC</b>			
33) P.O. Box:	And /Or	34) Street Address: <b>208 S Akard St, 20F</b>	
35) City: <b>Dallas</b>	36) State: <b>TX</b>	37) Zip Code: <b>75202</b>	
38) Telephone Number: <b>(855)699-7073</b>		39) Fax: <b>(214)746-6410</b>	
40) E-Mail Address: <b>FCCMW@att.com</b>			

**Regulatory Status**

41) This filing is for authorization to provide or use the following type(s) of radio service offering (enter all that apply):  
(  ) Common Carrier (  ) Non-Common Carrier (  ) Private, internal communications (  ) Broadcast Services (  ) Band Manager

**Type of Radio Service**

42) This filing is for authorization to provide the following type(s) of radio service (choose all that apply):  
(  ) Fixed (  ) Mobile (  ) Radiolocation (  ) Satellite (sound) (  ) Broadcast Services  
43) Does the Applicant propose to provide service interconnected to the public telephone network? (  ) Yes (  ) No

**Alien Ownership Questions (If any answer is 'Y', provide an attachment explaining the circumstances. In preparing the attachment, refer to the Main Form Instructions for the "Alien Ownership Questions".)**

44) Is the Applicant a foreign government or the representative of any foreign government? (  ) Yes (  ) No  
45) Is the Applicant an alien or the representative of an alien? (  ) Yes (  ) No  
46) Is the Applicant a corporation organized under the laws of any foreign government? (  ) Yes (  ) No  
47) Is the Applicant a corporation of which more than one-fifth of the capital stock is owned of record or voted by aliens or their representatives, or by a foreign government or representative thereof, or by any corporation organized under the laws of a foreign country? (  ) Yes (  ) No

48a) Is the Applicant directly or indirectly controlled by any other corporation of which more than one-fourth of the capital stock ( ) Yes No is owned of record or voted by aliens or their representatives, or by a foreign government or representative thereof, or by any corporation organized under the laws of a foreign country?

48b) If the answer to 47 or 48a is 'Y' select one of the choices below.

The Applicant is exempt from the provisions of Section 310(b).

*If checked, it is not necessary to file a petition for declaratory ruling if the Applicant includes in the attachment required by Item 47 or Item 48a a showing that the requested license(s) is exempt from the provisions of Section 310(b).*

The Applicant has received a declaratory ruling(s) approving its foreign ownership, and the application involves only the acquisition of additional spectrum for the provision of a wireless service in a geographic coverage area for which the Applicant has been previously authorized.

*If checked, include in the attachment required by Item 47 or Item 48a the citation(s) of the applicable declaratory ruling(s) by DA/FCC number, the FCC Record citation, if available, release date, and a statement that there has been no change in the foreign ownership of the Applicant since the issuance of its ruling.*

The Applicant: (i) has received a declaratory ruling(s) approving its foreign ownership, but is not able to make the certification specified immediately above; or (ii) is an "affiliate" of a Licensee or Lessee/Sublessee that received a declaratory ruling(s) under 47 CFR § 1.5000(a) and is relying on the affiliate's ruling for purposes of filing this application as permitted under the affiliate's ruling and 47 CFR § 1.5004(b)

*If checked, and if the Applicant received its declaratory ruling(s) on or after August 9, 2013, include in the attachment required by Item 47 or Item 48a the citation(s) of the Applicant's declaratory ruling(s) by DA/FCC number, the FCC Record citation, if available, release date, and a statement that the Applicant is in compliance with the terms and conditions of its ruling and with the Commission's Rules.*

*If checked, and if the Applicant received its declaratory ruling(s) prior to August 9, 2013, include in the attachment required by Item 48a a copy of a petition for declaratory ruling filed contemporaneously with the Commission to extend the Applicant's existing ruling(s) to cover the same radio service(s) and geographic coverage area(s) involved in the application. Alternatively, the Applicant may request a new declaratory ruling pursuant to Section 1.5000(a) of the Commission's Rules, 47 CFR § 1.5000 (a). Petitions for declaratory ruling may be filed electronically on the Internet through the International Bureau Filing System (IBFS) (with a copy attached hereto).*

*If checked, and if the Applicant is relying on an affiliate's ruling for purposes of filing this application, include in the attachment required by Item 47 or Item 48a the citation(s) of the applicable declaratory ruling(s) by DA/FCC number, the FCC Record citation, if available, release date, and a statement that the Applicant is in compliance with the terms and conditions of the named affiliate's ruling and with the Commission's Rules. The Applicant must also include a certification of compliance signed by the named affiliate or other qualified entity as specified in 47 CFR § 1.5004(b). See Main Form Instructions for Items 47 or 48a, as applicable.*

The Applicant has not received a declaratory ruling approving its foreign ownership and is requesting a declaratory ruling under 47 CFR § 1.5004(b) in a petition filed contemporaneously with the Commission.

*If checked, include in the attachment required by Item 47 or 48a a copy of the petition for declaratory ruling filed contemporaneously with the Commission pursuant to 47 CFR § 1.5004(b). Petitions for declaratory ruling may be filed electronically on the Internet through the International Bureau Filing System (IBFS) (with a copy attached hereto).*

**Basic Qualification Questions**

49) Has the Applicant or any party to this application had any FCC station authorization, license or construction permit revoked or had any application for an initial, modification or renewal of FCC station authorization, license, or construction permit denied by the Commission?	( ) <u>Yes</u> <u>No</u>
50) Has the Applicant or any party to this application, or any party directly or indirectly controlling the Applicant, ever been convicted of a felony by any state or federal court?	( ) <u>Yes</u> <u>No</u>
51) Has any court finally adjudged the Applicant or any party directly or indirectly controlling the Applicant guilty of unlawfully monopolizing or attempting unlawfully to monopolize radio communication, directly or indirectly, through control of manufacture or sale of radio apparatus, exclusive traffic arrangement, or any other means or unfair methods of competition?	( ) <u>Yes</u> <u>No</u>

**Note: If the answer to any of 49-51 is 'Y', attach an exhibit explaining the circumstances.**

**Aeronautical Advisory Station (Unicom) Certification**

52) ( ) I certify that the station will be located on property of the airport to be served, and, in cases where the airport does not have a control tower, RCO, or FAA flight service station, that I have notified the owner of the airport and all aviation service organizations located at the airport within ten days prior to application.
--

**Broadband Radio Service and Educational Broadband Service Cable Cross-Ownership**

53a) Will the requested facilities be used to provide multichannel video programming service?	( ) <u>Yes</u> <u>No</u>
53b) If the answer to question 53a is 'Y', does the Applicant operate, control or have an attributable interest (as defined in 47 CFR § 27.1202) in a cable television system whose franchise area is located within the geographic service area of the requested facilities?	( ) <u>Yes</u> <u>No</u>

**Note: If the answer to question 53b is 'Y', attach an exhibit explaining how the Applicant complies with 47 CFR § 27.1202 or justifying a waiver of that rule. If a waiver of the Commission Rule(s) is being requested, Item 11a must be answered 'Y'.**

**Broadband Radio Service and Educational Broadband Service (Part 27)**

54) (For EBS only) Does the Applicant comply with the programming requirements contained in 47 CFR § 27.1203?	( ) <u>Yes</u> <u>No</u>
---	--------------------------

**Note: If the answer to item 54 is 'N', attach an exhibit explaining how the Applicant complies with 47 CFR § 27.1203 of the Commission's Rules or justifying a waiver of that rule. If a waiver of the Commission Rule(s) is being requested, Item 11a must be answered 'Y'.**

55) (For BRS and EBS) Does the Applicant comply with 47 CFR §§ 27.50, 27.55, and 27.1221?	( ) <u>Yes</u> <u>No</u>
---	--------------------------

**Note: If the answer to item 55 is 'N', attach an exhibit justifying a waiver of that rule(s). If a waiver of the Commission Rule(s) is being requested, Item 11a must be answered 'Y'.**

**For Applicants Who Participated in an Auction**

56) Is the Applicant a qualifying rural wireless partnership or a member of a qualifying rural wireless partnership?	( ) <u>Yes</u> <u>No</u>
--	--------------------------

**Note: If the answer to item 56 is 'Y', attach an exhibit listing all members of the qualifying rural wireless partnership, including their FRN numbers.**

**For Renewal Applicants****57) Operation/Performance Requirement Certification**

<b>[For a site-based license]:</b> Applicant certifies that it is continuing to operate consistent with its most recently filed construction notification (or most recent authorization, if no construction notification was required).	( ) <u>Yes</u> <u>No</u>
<b>[For a geographic license, commercial service - licensee in its initial license term with an interim performance requirement]:</b> Applicant certifies that it has met its interim performance requirement, that over the portion of the license term following the interim performance requirement, it continues to use its facilities to provide at least the level of service required by its interim performance requirement, it has met its final performance requirement, and it continues to use its facilities to provide at least the level of service required by its final performance requirement through the end of the license term.	( ) <u>Yes</u> <u>No</u>
<b>[For a geographic license, commercial service - licensee in its initial license term with no interim performance requirement]:</b> Applicant certifies that it has met its final performance requirement and it continues to use its facilities to provide at least the level of service required by its final performance requirement through the end of the license term. [Note: licensee must provide a showing demonstrating that the final performance requirement has been met, either separately in a timely application for notification of completion of construction, or as part of its renewal application, depending on the radio service.]	( ) <u>Yes</u> <u>No</u>
<b>[For a geographic license, commercial service - licensee in any subsequent term]:</b> Applicant certifies that it continues to use its facilities to provide at least the level of service required by its final performance requirement through the end of any subsequent license terms.	( ) <u>Yes</u> <u>No</u>
<b>[For a geographic license, private systems - licensee in its initial license term with an interim performance requirement]:</b> Applicant certifies that it has met its interim performance requirement, that over the portion of the license term following the interim performance requirement, it continues to use its facilities to further its private business or public interest/public safety communications needs at or above the level required to meet its interim performance requirement, it has met its final performance requirement, and it continues to use its facilities to provide at least the level of operation required by its final performance requirement through the end of the license term.	( ) <u>Yes</u> <u>No</u>
<b>[For a geographic license, private systems - licensee in its initial license term with no interim performance requirement]:</b> Applicant certifies that it has met its final performance requirement, it continues to use its facilities to further its private business or public interest/public safety communications needs, and it continues to use its facilities to provide at least the level of operation required by its final performance requirement through the end of the license term. [Note: licensee must provide a showing demonstrating that the final performance requirement has been met, either separately in a timely application for notification of completion of construction, or as part of its renewal application, depending on the radio service.]	( ) <u>Yes</u> <u>No</u>

<b>[For a geographic license, private systems - licensee in any subsequent term]:</b> Applicant certifies that it continues to use its facilities to further its private business or public interest/public safety communications needs at or above the level required to meet its final performance requirement through the end of any subsequent license terms.	( ) <u>Yes</u> <u>No</u>
<b>[For a partitioned or disaggregated license without a performance requirement, for the first renewal application filed after effective date of the rules]:</b> Applicant certifies that the partitioned and/or disaggregated license that is the subject of this renewal application has no separate performance requirement and that this is the first renewal of this license filed subsequent to the effective date of the rules.	( ) <u>Yes</u> <u>No</u>
<b>[For a partitioned or disaggregated license without a performance requirement, for any subsequent renewal filings]:</b> Applicant certifies that it continues to use its facilities to provide service or to further the applicant's private business or public interest/public safety needs.	( ) <u>Yes</u> <u>No</u>

**Discontinuance of Service Certification**

58) Applicant certifies that no permanent discontinuance of service or operation, as applicable, occurred during its current license term.  <b>Note: If the response to either item 57 or item 58 is 'N',</b> attach an exhibit that demonstrates that over the course of the license term, the Applicant provided and continues to provide service to the public, or operated and continues to operate the license to meet the Applicant's private business or public interest/public safety communications needs. This exhibit must include a detailed description of the Applicant's provision of service or, when allowed under the relevant service rules or pursuant to waiver, use of the spectrum for private business or public interest/public safety communications needs, during the entire license period and address, as applicable: 1) the level and quality of service provided by the applicant (e.g., the population served, the area served, the number of subscribers, the services offered); (2) the date service commenced, whether service was ever interrupted, and the duration of any interruption or outage; (3) the extent to which service is provided to rural areas; (4) the extent to which service is provided to qualifying tribal land as defined in 47 CFR § 1.2110(e)(3)(i); and (5) any other factors associated with the level of service to the public. The licensee may note in its exhibit: 1) any grant(s) of waiver or extension of a performance deadline or license renewal subject to meeting a performance requirement; or 2) if the final performance deadline and/or expiration date for the license accelerated because the licensee did not meet an interim performance requirement.	( ) <u>Yes</u> <u>No</u>
--	--------------------------

**Regulatory Compliance Certification [same for all]**

59) Applicant certifies that it has substantially complied with all applicable FCC rules, policies, and the Communications Act of 1934, as amended.  <b>Note: If the response to item 59 is 'N',</b> attach an exhibit explaining the circumstances and demonstrating why Applicant's license should be renewed.	( ) <u>Yes</u> <u>No</u>
--	--------------------------

**General Certification Statements**

1) The Applicant waives any claim to the use of any particular frequency or of the electromagnetic spectrum as against the regulatory power of the United States because of the previous use of the same, whether by license or otherwise, and requests an authorization in accordance with this application.
2) The Applicant certifies that grant of this application would not cause the Applicant to be in violation of any pertinent cross-ownership or attribution rules.* *If the Applicant has sought a waiver of any such rule in connection with this application, it may make this certification subject to the outcome of the waiver request.
3) The Applicant certifies that all statements made in this application and in the exhibits, attachments, or documents incorporated by reference are material, are part of this application, and are true, complete, correct, and made in good faith.
4) The Applicant certifies that neither the Applicant nor any other party to the application is subject to a denial of Federal benefits pursuant to § 5301 of the Anti-Drug Abuse Act of 1988, 21 U.S.C. § 862, because of a conviction for possession or distribution of a controlled substance. This certification does not apply to applications filed in services exempted under § 1.2002(c) of the rules, 47 CFR § 1.2002(c). See 47 CFR § 1.2002(b) for the definition of "party to the application" as used in this certification.
5) The Applicant certifies that it either (1) has current required ownership data on file with the Commission, (2) is filing updated ownership data simultaneously with this application, or (3) is not required to file ownership data under the Commission's Rules.
6) The Applicant certifies that the facilities, operations, and transmitters for which this authorization is hereby requested are either: (1) categorically excluded from routine environmental evaluation for RF exposure as set forth in 47 CFR § 1.1307(b); or, (2) have been found not to cause human exposure to levels of radiofrequency radiation in excess of the limits specified in 47 CFR §§ 1.1310 and 2.1093; or, (3) are the subject of one or more Environmental Assessments filed with the Commission.
7) The Applicant certifies that it has reviewed the appropriate Commission Rules defining eligibility to hold the requested license(s) and is eligible to hold the requested license(s).
8) The Applicant certifies that it is not in default on any payment for Commission licenses and that it is not delinquent on any non-tax debt owed to any federal agency.
9) The Applicant certifies that the Applicant and all of the related individuals and entities required to be disclosed on this application and FCC Form 602 (FCC Ownership Disclosure Information for the Wireless Telecommunications Services) are not person(s) who have been, for reasons of national security, barred by any agency of the Federal Government from bidding on a contract, participating in an auction, or receiving a grant. This certification applies only to applications for licenses for spectrum that is required by Sections 6103, 6401-6403 of the Middle Class Tax Relief and Job Creation Act of 2012, codified at 47 U.S.C. §§ 309, 1413, 1451-1452, to be assigned by a system of competitive bidding under 47 U.S.C. § 309(j).



**Signature**

60) Typed or Printed Name of Party Authorized to Sign

First Name: <b>Jessica</b>	MI:	Last Name: <b>Dunk</b>	Suffix:
61) Title: <b>Assistant Secretary - Compliance</b>			
Signature: <b>Jessica Dunk</b>			62) Date: <b>01/23/2024</b>
<b>FAILURE TO SIGN THIS APPLICATION MAY RESULT IN DISMISSAL OF THE APPLICATION AND FORFEITURE OF ANY FEES PAID.</b>			
Upon grant of this license application, the Licensee may be subject to certain construction or coverage requirements. Failure to meet the construction or coverage requirements will result in termination of the license. Consult appropriate FCC regulations to determine the construction or coverage requirements that apply to the type of license requested in this application.			
WILLFUL FALSE STATEMENTS MADE ON THIS FORM OR ANY ATTACHMENTS ARE PUNISHABLE BY FINE AND/OR IMPRISONMENT (U.S. Code, Title 18, § 1001) AND/OR REVOCATION OF ANY STATION LICENSE OR CONSTRUCTION PERMIT (U.S. Code, Title 47, § 312(a)(1)), AND/OR FORFEITURE (U.S. Code, Title 47, § 503).			

REFERENCE COPY

This is not an official FCC license. It is a record of public information contained in the FCC's licensing database on the date that this reference copy was generated. In cases where FCC rules require the presentation, posting, or display of an FCC license, this document may not be used in place of an official FCC license.



Federal Communications Commission
Wireless Telecommunications Bureau

RADIO STATION AUTHORIZATION

LICENSEE: NEW CINGULAR WIRELESS PCS, LLC

ATTN: NATIONAL REGULATORY COMPLIANCE
NEW CINGULAR WIRELESS PCS, LLC
208 S AKARD ST, 20F
DALLAS, TX 75202

Table with Call Sign (WPOK641), File Number, and Radio Service (CW - PCS Broadband).

FCC Registration Number (FRN): 0003291192

Table with columns: Grant Date, Effective Date, Expiration Date, Print Date, Market Number, Channel Block, Sub-Market Designator, Market Name, 1st Build-out Date, 2nd Build-out Date, 3rd Build-out Date, 4th Build-out Date.

Waivers/Conditions:

This authorization is subject to the condition that, in the event that systems using the same frequencies as granted herein are authorized in an adjacent foreign territory (Canada/United States), future coordination of any base station transmitters within 72 km (45 miles) of the United States/Canada border shall be required to eliminate any harmful interference to operations in the adjacent foreign territory and to ensure continuance of equal access to the frequencies by both countries.

This license is conditioned upon compliance with the provisions of Applications of AT&T Wireless Services, Inc. and Cingular Wireless Corporation For Consent to Transfer Control of Licenses and Authorizations, Memorandum Opinion and Order, FCC 04-255 (rel. Oct. 26, 2004).

Conditions:

Pursuant to §309(h) of the Communications Act of 1934, as amended, 47 U.S.C. §309(h), this license is subject to the following conditions: This license shall not vest in the licensee any right to operate the station nor any right in the use of the frequencies designated in the license beyond the term thereof nor in any other manner than authorized herein.

This license may not authorize operation throughout the entire geographic area or spectrum identified on the hardcopy version. To view the specific geographic area and spectrum authorized by this license, refer to the Spectrum and Market Area information under the Market Tab of the license record in the Universal Licensing System (ULS).

**Licensee Name:** NEW CINGULAR WIRELESS PCS, LLC

**Call Sign:** WPOK641

**File Number:**

**Print Date:**

Commission approval of this application and the licenses contained therein are subject to the conditions set forth in the Memorandum Opinion and Order, adopted on December 29, 2006 and released on March 26, 2007, and revised in the Order on Reconsideration, adopted and released on March 26, 2007. See AT&T Inc. and BellSouth Corporation Application for Transfer of Control, WC Docket No. 06-74, Memorandum Opinion and Order, FCC 06-189 (rel. Mar. 26, 2007); AT&T Inc. and BellSouth Corporation, WC Docket No. 06-74, Order on Reconsideration, FCC 07-44 (rel. Mar. 26, 2007).

Reference Copy

**Licensee Name:** NEW CINGULAR WIRELESS PCS, LLC

**Call Sign:** WPOK641

**File Number:**

**Print Date:**

**700 MHz Relicensed Area Information:**

<b>Market</b>	<b>Market Name</b>	<b>Buildout Deadline</b>	<b>Buildout Notification</b>	<b>Status</b>
---------------	--------------------	--------------------------	------------------------------	---------------

Reference Copy

# Reference Copy Only. Do Not Mail to the FCC as an Application.

Submitted: 01/23/2024 at 17:43:02  
 File Number: 0010873297

**FCC 601**  
**Main Form**

## FCC Application for Radio Service Authorization: Wireless Telecommunications Bureau Public Safety and Homeland Security Bureau

Approved by OMB  
 3060 - 0798  
 See instructions for  
 public burden estimate

1) Radio Service Code: <p style="text-align: center;"><b>CW</b></p>	1a) Existing Radio Service Code:
--	----------------------------------

**General Information**

2) (Select only one) ( <b>AU</b> ) <b>NE</b> - New <b>RO</b> - Renewal Only <b>AU</b> - Administrative Update <b>NT</b> - Required Notifications <b>MD</b> - Modification <b>RM</b> - Renewal/Modification <b>WD</b> - Withdrawal of Application <b>EX</b> - Requests for Extension of Time <b>AM</b> - Amendment <b>CA</b> - Cancellation of License <b>RL</b> - Registered Location/Link	
3a) If this application is for a Demonstration License or a <b>S</b> pecial Temporary Authorization (STA), enter the code and attach the required exhibit as described in the instructions. Otherwise enter ' <b>N/A</b> ' (Not Applicable).	( <b>N</b> ) <u><b>M</b></u> <u><b>S</b></u> <u><b>N/A</b></u>
3b) If this application is for Special Temporary Authority due to an emergency situation, enter 'Y'; otherwise enter 'N'. Refer to Rule 1.915 for an explanation of situations considered to be an emergency.	(    ) <u><b>Y</b></u> <u><b>N</b></u>
4) If this application is for an Amendment or Withdrawal, enter the file number of the pending application currently on file with the FCC.	File Number
5) If this application is for a Modification, Renewal Only, Renewal/Modification, Cancellation of License, , or Administrative Update, enter the call sign of the existing FCC license. If this is a request for Registered Location/Link, enter the FCC call sign assigned to the geographic license.	Call Sign <b>WPOK641</b>
6a) If this application is for a New, Amendment, Renewal Only, or Renewal/Modification, enter the requested authorization expiration date (this item is optional).	MM    DD _____ / _____
6b) If this application is for a Renewal Only or Renewal/Modification and the license is a geographic area license, is the license used to provide service to customers ( <b>C</b> ), or is the license used for private business (internal) purposes or to meet the licensee's public interest/public safety communications needs ( <b>P</b> )?	(    ) <u><b>C</b></u> <u><b>P</b></u>
7) Is this application "major" as defined in § 1.929 of the Commission's Rules when read in conjunction with the applicable radio service rules found in Parts 22 and 90 of the Commission's Rules? (NOTE: This question only applies to certain site-specific applications. See the instructions for applicability and full text of § 1.929).	(    ) <u><b>Y</b></u> <u><b>N</b></u>
8) Are attachments (other than associated schedules) being filed with this application?	(    ) <u><b>Y</b></u> <u><b>N</b></u>

**Fees, Waivers, and Exemptions**

9) Is the Applicant exempt from FCC application fees?	( <b>N</b> ) <u><b>Y</b></u> <u><b>N</b></u>
10) Is the Applicant exempt from FCC regulatory fees?	( <b>N</b> ) <u><b>Y</b></u> <u><b>N</b></u>
11) Does this application include a request for a Waiver of the Commission's Rule(s)? If 'Yes', attach an exhibit providing rule number(s) and explaining circumstances.	( <b>N</b> ) <u><b>Y</b></u> <u><b>N</b></u>
12) Are the frequencies or parameters requested in this filing covered by grandfathered privileges, previously approved by waiver, or functionally integrated with an existing station?	(    ) <u><b>Y</b></u> <u><b>N</b></u>

**Applicant Information**

13) FCC Registration Number (FRN): <b>0003291192</b>			
14) Applicant/Licensee Legal Entity Type: (Select One) <input type="checkbox"/> Individual <input type="checkbox"/> Unincorporated Association <input type="checkbox"/> Trust <input type="checkbox"/> Government Entity <input type="checkbox"/> Corporation <input checked="" type="checkbox"/> Limited Liability Company <input type="checkbox"/> General Partnership <input type="checkbox"/> Limited Partnership <input type="checkbox"/> Limited Liability Partnership <input type="checkbox"/> Consortium <input type="checkbox"/> Other: _____			
15) If the Licensee name is being updated, is the update a result from the sale (or transfer of control) of the license(s) to party and for which proper Commission approval has not been received or proper notification not provided?			<input type="checkbox"/> Yes <input checked="" type="checkbox"/> No
16) First Name (if individual):	MI:	Last Name:	Suffix:
17) Legal Entity Name (if other than individual): <b>NEW CINGULAR WIRELESS PCS, LLC</b>			
18) Attention To: <b>National Regulatory Compliance</b>			
19) P.O. Box:	And/Or	20) Street Address: <b>208 S Akard St, 20F</b>	
21) City: <b>Dallas</b>	22) State: <b>TX</b>	23) Zip Code: <b>75202</b>	
24) Telephone Number: <b>(855)699-7073</b>		25) Fax: <b>(214)746-6410</b>	
26) E-Mail Address: <b>FCCMW@att.com</b>			

**27) Demographics (Optional)**

Race: <input type="checkbox"/> American Indian or Alaska Native <input type="checkbox"/> Asian <input type="checkbox"/> Black or African-American <input type="checkbox"/> Native Hawaiian or Other Pacific Islander <input type="checkbox"/> White	Ethnicity: <input type="checkbox"/> Hispanic or Latino <input type="checkbox"/> Not Hispanic or Latino	Gender: <input type="checkbox"/> Male <input type="checkbox"/> Female
--	--	---

**Real Party in Interest**

28) Name of Real Party in Interest of Applicant (If different from Applicant):	29) FCC Registration Number (FRN) of Real Party in Interest:
--	--

**Contact Information (If different from the Applicant)** Check here if same as Applicant.

30) First Name: <b>Jessica</b>	MI: <b>J</b>	Last Name: <b>Dunk</b>	Suffix:
31) Company Name: <b>AT&amp;T Services, Inc.</b>			
32) Attention To: <b>NRC</b>			
33) P.O. Box:	And /Or	34) Street Address: <b>208 S Akard St, 20F</b>	
35) City: <b>Dallas</b>	36) State: <b>TX</b>	37) Zip Code: <b>75202</b>	
38) Telephone Number: <b>(855)699-7073</b>		39) Fax: <b>(214)746-6410</b>	
40) E-Mail Address: <b>FCCMW@att.com</b>			

**Regulatory Status**

41) This filing is for authorization to provide or use the following type(s) of radio service offering (enter all that apply):  
(  ) Common Carrier (  ) Non-Common Carrier (  ) Private, internal communications (  ) Broadcast Services (  ) Band Manager

**Type of Radio Service**

42) This filing is for authorization to provide the following type(s) of radio service (choose all that apply):  
(  ) Fixed (  ) Mobile (  ) Radiolocation (  ) Satellite (sound) (  ) Broadcast Services  
43) Does the Applicant propose to provide service interconnected to the public telephone network? (  ) Yes (  ) No

**Alien Ownership Questions (If any answer is 'Y', provide an attachment explaining the circumstances. In preparing the attachment, refer to the Main Form Instructions for the "Alien Ownership Questions".)**

44) Is the Applicant a foreign government or the representative of any foreign government? (  ) Yes (  ) No  
45) Is the Applicant an alien or the representative of an alien? (  ) Yes (  ) No  
46) Is the Applicant a corporation organized under the laws of any foreign government? (  ) Yes (  ) No  
47) Is the Applicant a corporation of which more than one-fifth of the capital stock is owned of record or voted by aliens or their representatives, or by a foreign government or representative thereof, or by any corporation organized under the laws of a foreign country? (  ) Yes (  ) No

48a) Is the Applicant directly or indirectly controlled by any other corporation of which more than one-fourth of the capital stock ( ) Yes No is owned of record or voted by aliens or their representatives, or by a foreign government or representative thereof, or by any corporation organized under the laws of a foreign country?

48b) If the answer to 47 or 48a is 'Y' select one of the choices below.

The Applicant is exempt from the provisions of Section 310(b).

*If checked, it is not necessary to file a petition for declaratory ruling if the Applicant includes in the attachment required by Item 47 or Item 48a a showing that the requested license(s) is exempt from the provisions of Section 310(b).*

The Applicant has received a declaratory ruling(s) approving its foreign ownership, and the application involves only the acquisition of additional spectrum for the provision of a wireless service in a geographic coverage area for which the Applicant has been previously authorized.

*If checked, include in the attachment required by Item 47 or Item 48a the citation(s) of the applicable declaratory ruling(s) by DA/FCC number, the FCC Record citation, if available, release date, and a statement that there has been no change in the foreign ownership of the Applicant since the issuance of its ruling.*

The Applicant: (i) has received a declaratory ruling(s) approving its foreign ownership, but is not able to make the certification specified immediately above; or (ii) is an "affiliate" of a Licensee or Lessee/Sublessee that received a declaratory ruling(s) under 47 CFR § 1.5000(a) and is relying on the affiliate's ruling for purposes of filing this application as permitted under the affiliate's ruling and 47 CFR § 1.5004(b)

*If checked, and if the Applicant received its declaratory ruling(s) on or after August 9, 2013, include in the attachment required by Item 47 or Item 48a the citation(s) of the Applicant's declaratory ruling(s) by DA/FCC number, the FCC Record citation, if available, release date, and a statement that the Applicant is in compliance with the terms and conditions of its ruling and with the Commission's Rules.*

*If checked, and if the Applicant received its declaratory ruling(s) prior to August 9, 2013, include in the attachment required by Item 48a a copy of a petition for declaratory ruling filed contemporaneously with the Commission to extend the Applicant's existing ruling(s) to cover the same radio service(s) and geographic coverage area(s) involved in the application. Alternatively, the Applicant may request a new declaratory ruling pursuant to Section 1.5000(a) of the Commission's Rules, 47 CFR § 1.5000 (a). Petitions for declaratory ruling may be filed electronically on the Internet through the International Bureau Filing System (IBFS) (with a copy attached hereto).*

*If checked, and if the Applicant is relying on an affiliate's ruling for purposes of filing this application, include in the attachment required by Item 47 or Item 48a the citation(s) of the applicable declaratory ruling(s) by DA/FCC number, the FCC Record citation, if available, release date, and a statement that the Applicant is in compliance with the terms and conditions of the named affiliate's ruling and with the Commission's Rules. The Applicant must also include a certification of compliance signed by the named affiliate or other qualified entity as specified in 47 CFR § 1.5004(b). See Main Form Instructions for Items 47 or 48a, as applicable.*

The Applicant has not received a declaratory ruling approving its foreign ownership and is requesting a declaratory ruling under 47 CFR § 1.5004(b) in a petition filed contemporaneously with the Commission.

*If checked, include in the attachment required by Item 47 or 48a a copy of the petition for declaratory ruling filed contemporaneously with the Commission pursuant to 47 CFR § 1.5004(b). Petitions for declaratory ruling may be filed electronically on the Internet through the International Bureau Filing System (IBFS) (with a copy attached hereto).*



**Basic Qualification Questions**

49) Has the Applicant or any party to this application had any FCC station authorization, license or construction permit revoked or had any application for an initial, modification or renewal of FCC station authorization, license, or construction permit denied by the Commission?	( ) <u>Yes</u> <u>No</u>
50) Has the Applicant or any party to this application, or any party directly or indirectly controlling the Applicant, ever been convicted of a felony by any state or federal court?	( ) <u>Yes</u> <u>No</u>
51) Has any court finally adjudged the Applicant or any party directly or indirectly controlling the Applicant guilty of unlawfully monopolizing or attempting unlawfully to monopolize radio communication, directly or indirectly, through control of manufacture or sale of radio apparatus, exclusive traffic arrangement, or any other means or unfair methods of competition?	( ) <u>Yes</u> <u>No</u>

**Note: If the answer to any of 49-51 is 'Y', attach an exhibit explaining the circumstances.**

**Aeronautical Advisory Station (Unicom) Certification**

52) ( ) I certify that the station will be located on property of the airport to be served, and, in cases where the airport does not have a control tower, RCO, or FAA flight service station, that I have notified the owner of the airport and all aviation service organizations located at the airport within ten days prior to application.
--

**Broadband Radio Service and Educational Broadband Service Cable Cross-Ownership**

53a) Will the requested facilities be used to provide multichannel video programming service?	( ) <u>Yes</u> <u>No</u>
53b) If the answer to question 53a is 'Y', does the Applicant operate, control or have an attributable interest (as defined in 47 CFR § 27.1202) in a cable television system whose franchise area is located within the geographic service area of the requested facilities?	( ) <u>Yes</u> <u>No</u>

**Note: If the answer to question 53b is 'Y', attach an exhibit explaining how the Applicant complies with 47 CFR § 27.1202 or justifying a waiver of that rule. If a waiver of the Commission Rule(s) is being requested, Item 11a must be answered 'Y'.**

**Broadband Radio Service and Educational Broadband Service (Part 27)**

54) (For EBS only) Does the Applicant comply with the programming requirements contained in 47 CFR § 27.1203?	( ) <u>Yes</u> <u>No</u>
---	--------------------------

**Note: If the answer to item 54 is 'N', attach an exhibit explaining how the Applicant complies with 47 CFR § 27.1203 of the Commission's Rules or justifying a waiver of that rule. If a waiver of the Commission Rule(s) is being requested, Item 11a must be answered 'Y'.**

55) (For BRS and EBS) Does the Applicant comply with 47 CFR §§ 27.50, 27.55, and 27.1221?	( ) <u>Yes</u> <u>No</u>
---	--------------------------

**Note: If the answer to item 55 is 'N', attach an exhibit justifying a waiver of that rule(s). If a waiver of the Commission Rule(s) is being requested, Item 11a must be answered 'Y'.**

**For Applicants Who Participated in an Auction**

56) Is the Applicant a qualifying rural wireless partnership or a member of a qualifying rural wireless partnership?	( ) <u>Yes</u> <u>No</u>
--	--------------------------

**Note: If the answer to item 56 is 'Y', attach an exhibit listing all members of the qualifying rural wireless partnership, including their FRN numbers.**

**For Renewal Applicants**

57) Operation/Performance Requirement Certification	
<b>[For a site-based license]:</b> Applicant certifies that it is continuing to operate consistent with its most recently filed construction notification (or most recent authorization, if no construction notification was required).	( ) <u>Yes</u> <u>No</u>
<b>[For a geographic license, commercial service - licensee in its initial license term with an interim performance requirement]:</b> Applicant certifies that it has met its interim performance requirement, that over the portion of the license term following the interim performance requirement, it continues to use its facilities to provide at least the level of service required by its interim performance requirement, it has met its final performance requirement, and it continues to use its facilities to provide at least the level of service required by its final performance requirement through the end of the license term.	( ) <u>Yes</u> <u>No</u>
<b>[For a geographic license, commercial service - licensee in its initial license term with no interim performance requirement]:</b> Applicant certifies that it has met its final performance requirement and it continues to use its facilities to provide at least the level of service required by its final performance requirement through the end of the license term. [Note: licensee must provide a showing demonstrating that the final performance requirement has been met, either separately in a timely application for notification of completion of construction, or as part of its renewal application, depending on the radio service.]	( ) <u>Yes</u> <u>No</u>
<b>[For a geographic license, commercial service - licensee in any subsequent term]:</b> Applicant certifies that it continues to use its facilities to provide at least the level of service required by its final performance requirement through the end of any subsequent license terms.	( ) <u>Yes</u> <u>No</u>
<b>[For a geographic license, private systems - licensee in its initial license term with an interim performance requirement]:</b> Applicant certifies that it has met its interim performance requirement, that over the portion of the license term following the interim performance requirement, it continues to use its facilities to further its private business or public interest/public safety communications needs at or above the level required to meet its interim performance requirement, it has met its final performance requirement, and it continues to use its facilities to provide at least the level of operation required by its final performance requirement through the end of the license term.	( ) <u>Yes</u> <u>No</u>
<b>[For a geographic license, private systems - licensee in its initial license term with no interim performance requirement]:</b> Applicant certifies that it has met its final performance requirement, it continues to use its facilities to further its private business or public interest/public safety communications needs, and it continues to use its facilities to provide at least the level of operation required by its final performance requirement through the end of the license term. [Note: licensee must provide a showing demonstrating that the final performance requirement has been met, either separately in a timely application for notification of completion of construction, or as part of its renewal application, depending on the radio service.]	( ) <u>Yes</u> <u>No</u>

<b>[For a geographic license, private systems - licensee in any subsequent term]:</b> Applicant certifies that it continues to use its facilities to further its private business or public interest/public safety communications needs at or above the level required to meet its final performance requirement through the end of any subsequent license terms.	( ) <u>Yes</u> <u>No</u>
<b>[For a partitioned or disaggregated license without a performance requirement, for the first renewal application filed after effective date of the rules]:</b> Applicant certifies that the partitioned and/or disaggregated license that is the subject of this renewal application has no separate performance requirement and that this is the first renewal of this license filed subsequent to the effective date of the rules.	( ) <u>Yes</u> <u>No</u>
<b>[For a partitioned or disaggregated license without a performance requirement, for any subsequent renewal filings]:</b> Applicant certifies that it continues to use its facilities to provide service or to further the applicant's private business or public interest/public safety needs.	( ) <u>Yes</u> <u>No</u>

**Discontinuance of Service Certification**

58) Applicant certifies that no permanent discontinuance of service or operation, as applicable, occurred during its current license term.  <b>Note: If the response to either item 57 or item 58 is 'N',</b> attach an exhibit that demonstrates that over the course of the license term, the Applicant provided and continues to provide service to the public, or operated and continues to operate the license to meet the Applicant's private business or public interest/public safety communications needs. This exhibit must include a detailed description of the Applicant's provision of service or, when allowed under the relevant service rules or pursuant to waiver, use of the spectrum for private business or public interest/public safety communications needs, during the entire license period and address, as applicable: 1) the level and quality of service provided by the applicant (e.g., the population served, the area served, the number of subscribers, the services offered); (2) the date service commenced, whether service was ever interrupted, and the duration of any interruption or outage; (3) the extent to which service is provided to rural areas; (4) the extent to which service is provided to qualifying tribal land as defined in 47 CFR § 1.2110(e)(3)(i); and (5) any other factors associated with the level of service to the public. The licensee may note in its exhibit: 1) any grant(s) of waiver or extension of a performance deadline or license renewal subject to meeting a performance requirement; or 2) if the final performance deadline and/or expiration date for the license accelerated because the licensee did not meet an interim performance requirement.	( ) <u>Yes</u> <u>No</u>
--	--------------------------

**Regulatory Compliance Certification [same for all]**

59) Applicant certifies that it has substantially complied with all applicable FCC rules, policies, and the Communications Act of 1934, as amended.  <b>Note: If the response to item 59 is 'N',</b> attach an exhibit explaining the circumstances and demonstrating why Applicant's license should be renewed.	( ) <u>Yes</u> <u>No</u>
--	--------------------------

**General Certification Statements**

1) The Applicant waives any claim to the use of any particular frequency or of the electromagnetic spectrum as against the regulatory power of the United States because of the previous use of the same, whether by license or otherwise, and requests an authorization in accordance with this application.
2) The Applicant certifies that grant of this application would not cause the Applicant to be in violation of any pertinent cross-ownership or attribution rules.* *If the Applicant has sought a waiver of any such rule in connection with this application, it may make this certification subject to the outcome of the waiver request.
3) The Applicant certifies that all statements made in this application and in the exhibits, attachments, or documents incorporated by reference are material, are part of this application, and are true, complete, correct, and made in good faith.
4) The Applicant certifies that neither the Applicant nor any other party to the application is subject to a denial of Federal benefits pursuant to § 5301 of the Anti-Drug Abuse Act of 1988, 21 U.S.C. § 862, because of a conviction for possession or distribution of a controlled substance. This certification does not apply to applications filed in services exempted under § 1.2002(c) of the rules, 47 CFR § 1.2002(c). See 47 CFR § 1.2002(b) for the definition of "party to the application" as used in this certification.
5) The Applicant certifies that it either (1) has current required ownership data on file with the Commission, (2) is filing updated ownership data simultaneously with this application, or (3) is not required to file ownership data under the Commission's Rules.
6) The Applicant certifies that the facilities, operations, and transmitters for which this authorization is hereby requested are either: (1) categorically excluded from routine environmental evaluation for RF exposure as set forth in 47 CFR § 1.1307(b); or, (2) have been found not to cause human exposure to levels of radiofrequency radiation in excess of the limits specified in 47 CFR §§ 1.1310 and 2.1093; or, (3) are the subject of one or more Environmental Assessments filed with the Commission.
7) The Applicant certifies that it has reviewed the appropriate Commission Rules defining eligibility to hold the requested license(s) and is eligible to hold the requested license(s).
8) The Applicant certifies that it is not in default on any payment for Commission licenses and that it is not delinquent on any non-tax debt owed to any federal agency.
9) The Applicant certifies that the Applicant and all of the related individuals and entities required to be disclosed on this application and FCC Form 602 (FCC Ownership Disclosure Information for the Wireless Telecommunications Services) are not person(s) who have been, for reasons of national security, barred by any agency of the Federal Government from bidding on a contract, participating in an auction, or receiving a grant. This certification applies only to applications for licenses for spectrum that is required by Sections 6103, 6401-6403 of the Middle Class Tax Relief and Job Creation Act of 2012, codified at 47 U.S.C. §§ 309, 1413, 1451-1452, to be assigned by a system of competitive bidding under 47 U.S.C. § 309(j).

**Signature**

60) Typed or Printed Name of Party Authorized to Sign

First Name: <b>Jessica</b>	MI:	Last Name: <b>Dunk</b>	Suffix:
61) Title: <b>Assistant Secretary - Compliance</b>			
Signature: <b>Jessica Dunk</b>			62) Date: <b>01/23/2024</b>
<b>FAILURE TO SIGN THIS APPLICATION MAY RESULT IN DISMISSAL OF THE APPLICATION AND FORFEITURE OF ANY FEES PAID.</b>			
Upon grant of this license application, the Licensee may be subject to certain construction or coverage requirements. Failure to meet the construction or coverage requirements will result in termination of the license. Consult appropriate FCC regulations to determine the construction or coverage requirements that apply to the type of license requested in this application.			
WILLFUL FALSE STATEMENTS MADE ON THIS FORM OR ANY ATTACHMENTS ARE PUNISHABLE BY FINE AND/OR IMPRISONMENT (U.S. Code, Title 18, § 1001) AND/OR REVOCATION OF ANY STATION LICENSE OR CONSTRUCTION PERMIT (U.S. Code, Title 47, § 312(a)(1)), AND/OR FORFEITURE (U.S. Code, Title 47, § 503).			

REFERENCE COPY

This is not an official FCC license. It is a record of public information contained in the FCC's licensing database on the date that this reference copy was generated. In cases where FCC rules require the presentation, posting, or display of an FCC license, this document may not be used in place of an official FCC license.



Federal Communications Commission
Wireless Telecommunications Bureau

RADIO STATION AUTHORIZATION

LICENSEE: NEW CINGULAR WIRELESS PCS, LLC

ATTN: NATIONAL REGULATORY COMPLIANCE
NEW CINGULAR WIRELESS PCS, LLC
208 S AKARD ST, 20F
DALLAS, TX 75202

Table with Call Sign (WPSJ971), File Number, and Radio Service (CW - PCS Broadband).

FCC Registration Number (FRN): 0003291192

Table with columns: Grant Date, Effective Date, Expiration Date, Print Date, Market Number, Channel Block, Sub-Market Designator, Market Name, 1st Build-out Date, 2nd Build-out Date, 3rd Build-out Date, 4th Build-out Date.

Waivers/Conditions:

This authorization is subject to the condition that, in the event that systems using the same frequencies as granted herein are authorized in an adjacent foreign territory (Canada/United States), future coordination of any base station transmitters within 72 km (45 miles) of the United States/Canada border shall be required to eliminate any harmful interference to operations in the adjacent foreign territory and to ensure continuance of equal access to the frequencies by both countries.

Conditions:

Pursuant to §309(h) of the Communications Act of 1934, as amended, 47 U.S.C. §309(h), this license is subject to the following conditions: This license shall not vest in the licensee any right to operate the station nor any right in the use of the frequencies designated in the license beyond the term thereof nor in any other manner than authorized herein.

This license may not authorize operation throughout the entire geographic area or spectrum identified on the hardcopy version. To view the specific geographic area and spectrum authorized by this license, refer to the Spectrum and Market Area information under the Market Tab of the license record in the Universal Licensing System (ULS).

**Licensee Name:** NEW CINGULAR WIRELESS PCS, LLC

**Call Sign:** WPSJ971

**File Number:**

**Print Date:**

**700 MHz Relicensed Area Information:**

<b>Market</b>	<b>Market Name</b>	<b>Buildout Deadline</b>	<b>Buildout Notification</b>	<b>Status</b>
---------------	--------------------	--------------------------	------------------------------	---------------

Reference Copy

# Reference Copy Only. Do Not Mail to the FCC as an Application.

Submitted: 01/23/2024 at 17:43:02  
 File Number: 0010873666

**FCC 601**  
**Main Form**

## FCC Application for Radio Service Authorization: Wireless Telecommunications Bureau Public Safety and Homeland Security Bureau

Approved by OMB  
 3060 - 0798  
 See instructions for  
 public burden estimate

1) Radio Service Code: <p style="text-align: center;"><b>CW</b></p>	1a) Existing Radio Service Code:
--	----------------------------------

**General Information**

2) (Select only one) ( <b>AU</b> ) <b>NE</b> - New <b>RO</b> - Renewal Only <b>AU</b> - Administrative Update <b>NT</b> - Required Notifications <b>MD</b> - Modification <b>RM</b> - Renewal/Modification <b>WD</b> - Withdrawal of Application <b>EX</b> - Requests for Extension of Time <b>AM</b> - Amendment <b>CA</b> - Cancellation of License <b>RL</b> - Registered Location/Link	
3a) If this application is for a Demonstration License or a <b>S</b> pecial Temporary Authorization (STA), enter the code and attach the required exhibit as described in the instructions. Otherwise enter ' <b>N/A</b> ' (Not Applicable).	( <b>N</b> ) <u><b>M</b></u> <u><b>S</b></u> <u><b>N/A</b></u>
3b) If this application is for Special Temporary Authority due to an emergency situation, enter 'Y'; otherwise enter 'N'. Refer to Rule 1.915 for an explanation of situations considered to be an emergency.	(    ) <u><b>Y</b></u> <u><b>N</b></u>
4) If this application is for an Amendment or Withdrawal, enter the file number of the pending application currently on file with the FCC.	File Number
5) If this application is for a Modification, Renewal Only, Renewal/Modification, Cancellation of License, , or Administrative Update, enter the call sign of the existing FCC license. If this is a request for Registered Location/Link, enter the FCC call sign assigned to the geographic license.	Call Sign <b>WPSJ971</b>
6a) If this application is for a New, Amendment, Renewal Only, or Renewal/Modification, enter the requested authorization expiration date (this item is optional).	MM      DD _____ / _____
6b) If this application is for a Renewal Only or Renewal/Modification and the license is a geographic area license, is the license used to provide service to customers ( <b>C</b> ), or is the license used for private business (internal) purposes or to meet the licensee's public interest/public safety communications needs ( <b>P</b> )?	(    ) <u><b>C</b></u> <u><b>P</b></u>
7) Is this application "major" as defined in § 1.929 of the Commission's Rules when read in conjunction with the applicable radio service rules found in Parts 22 and 90 of the Commission's Rules? (NOTE: This question only applies to certain site-specific applications. See the instructions for applicability and full text of § 1.929).	(    ) <u><b>Y</b></u> <u><b>N</b></u>
8) Are attachments (other than associated schedules) being filed with this application?	(    ) <u><b>Y</b></u> <u><b>N</b></u>

**Fees, Waivers, and Exemptions**

9) Is the Applicant exempt from FCC application fees?	( <b>N</b> ) <u><b>Y</b></u> <u><b>N</b></u>
10) Is the Applicant exempt from FCC regulatory fees?	( <b>N</b> ) <u><b>Y</b></u> <u><b>N</b></u>
11) Does this application include a request for a Waiver of the Commission's Rule(s)? If 'Yes', attach an exhibit providing rule number(s) and explaining circumstances.	( <b>N</b> ) <u><b>Y</b></u> <u><b>N</b></u>
12) Are the frequencies or parameters requested in this filing covered by grandfathered privileges, previously approved by waiver, or functionally integrated with an existing station?	(    ) <u><b>Y</b></u> <u><b>N</b></u>

**Applicant Information**

13) FCC Registration Number (FRN): <b>0003291192</b>			
14) Applicant/Licensee Legal Entity Type: (Select One) ( ) Individual ( ) Unincorporated Association ( ) Trust ( ) Government Entity ( ) Corporation ( <input checked="" type="checkbox"/> ) Limited Liability Company ( ) General Partnership ( ) Limited Partnership ( ) Limited Liability Partnership ( ) Consortium ( ) Other: _____			
15) If the Licensee name is being updated, is the update a result from the sale (or transfer of control) of the license(s) to party and for which proper Commission approval has not been received or proper notification not provided?			( ) <u>Yes</u> <u>No</u>
16) First Name (if individual):	MI:	Last Name:	Suffix:
17) Legal Entity Name (if other than individual): <b>New Cingular Wireless PCS, LLC</b>			
18) Attention To: <b>National Regulatory Compliance</b>			
19) P.O. Box:	And/Or	20) Street Address: <b>208 S Akard St, 20F</b>	
21) City: <b>Dallas</b>	22) State: <b>TX</b>	23) Zip Code: <b>75202</b>	
24) Telephone Number: <b>(855)699-7073</b>		25) Fax:	
26) E-Mail Address: <b>FCCMW@att.com</b>			

**27) Demographics (Optional)**

Race: ( ) American Indian or Alaska Native ( ) Asian ( ) Black or African-American ( ) Native Hawaiian or Other Pacific Islander ( ) White	Ethnicity: ( ) Hispanic or Latino ( ) Not Hispanic or Latino	Gender: ( ) Male ( ) Female
---	--	-----------------------------------

**Real Party in Interest**

28) Name of Real Party in Interest of Applicant (If different from Applicant):	29) FCC Registration Number (FRN) of Real Party in Interest:
--	--

**Contact Information (If different from the Applicant)****( ) Check here if same as Applicant.**

30) First Name: <b>Jessica</b>	MI: <b>J</b>	Last Name: <b>Dunk</b>	Suffix:
31) Company Name: <b>AT&amp;T Services, Inc.</b>			
32) Attention To: <b>NRC</b>			
33) P.O. Box:	And /Or	34) Street Address: <b>208 S Akard St, 20F</b>	
35) City: <b>Dallas</b>	36) State: <b>TX</b>	37) Zip Code: <b>75202</b>	
38) Telephone Number: <b>(855)699-7073</b>		39) Fax:	
40) E-Mail Address: <b>FCCMW@att.com</b>			

**Regulatory Status**

41) This filing is for authorization to provide or use the following type(s) of radio service offering (enter all that apply):  
(  ) Common Carrier (  ) Non-Common Carrier (  ) Private, internal communications (  ) Broadcast Services (  ) Band Manager

**Type of Radio Service**

42) This filing is for authorization to provide the following type(s) of radio service (choose all that apply):  
(  ) Fixed (  ) Mobile (  ) Radiolocation (  ) Satellite (sound) (  ) Broadcast Services  
43) Does the Applicant propose to provide service interconnected to the public telephone network? (  ) Yes (  ) No

**Alien Ownership Questions (If any answer is 'Y', provide an attachment explaining the circumstances. In preparing the attachment, refer to the Main Form Instructions for the "Alien Ownership Questions".)**

44) Is the Applicant a foreign government or the representative of any foreign government? (  ) Yes (  ) No  
45) Is the Applicant an alien or the representative of an alien? (  ) Yes (  ) No  
46) Is the Applicant a corporation organized under the laws of any foreign government? (  ) Yes (  ) No  
47) Is the Applicant a corporation of which more than one-fifth of the capital stock is owned of record or voted by aliens or their representatives, or by a foreign government or representative thereof, or by any corporation organized under the laws of a foreign country? (  ) Yes (  ) No



48a) Is the Applicant directly or indirectly controlled by any other corporation of which more than one-fourth of the capital stock ( ) Yes No is owned of record or voted by aliens or their representatives, or by a foreign government or representative thereof, or by any corporation organized under the laws of a foreign country?

48b) If the answer to 47 or 48a is 'Y' select one of the choices below.

The Applicant is exempt from the provisions of Section 310(b).

*If checked, it is not necessary to file a petition for declaratory ruling if the Applicant includes in the attachment required by Item 47 or Item 48a a showing that the requested license(s) is exempt from the provisions of Section 310(b).*

The Applicant has received a declaratory ruling(s) approving its foreign ownership, and the application involves only the acquisition of additional spectrum for the provision of a wireless service in a geographic coverage area for which the Applicant has been previously authorized.

*If checked, include in the attachment required by Item 47 or Item 48a the citation(s) of the applicable declaratory ruling(s) by DA/FCC number, the FCC Record citation, if available, release date, and a statement that there has been no change in the foreign ownership of the Applicant since the issuance of its ruling.*

The Applicant: (i) has received a declaratory ruling(s) approving its foreign ownership, but is not able to make the certification specified immediately above; or (ii) is an "affiliate" of a Licensee or Lessee/Sublessee that received a declaratory ruling(s) under 47 CFR § 1.5000(a) and is relying on the affiliate's ruling for purposes of filing this application as permitted under the affiliate's ruling and 47 CFR § 1.5004(b)

*If checked, and if the Applicant received its declaratory ruling(s) on or after August 9, 2013, include in the attachment required by Item 47 or Item 48a the citation(s) of the Applicant's declaratory ruling(s) by DA/FCC number, the FCC Record citation, if available, release date, and a statement that the Applicant is in compliance with the terms and conditions of its ruling and with the Commission's Rules.*

*If checked, and if the Applicant received its declaratory ruling(s) prior to August 9, 2013, include in the attachment required by Item 48a a copy of a petition for declaratory ruling filed contemporaneously with the Commission to extend the Applicant's existing ruling(s) to cover the same radio service(s) and geographic coverage area(s) involved in the application. Alternatively, the Applicant may request a new declaratory ruling pursuant to Section 1.5000(a) of the Commission's Rules, 47 CFR § 1.5000 (a). Petitions for declaratory ruling may be filed electronically on the Internet through the International Bureau Filing System (IBFS) (with a copy attached hereto).*

*If checked, and if the Applicant is relying on an affiliate's ruling for purposes of filing this application, include in the attachment required by Item 47 or Item 48a the citation(s) of the applicable declaratory ruling(s) by DA/FCC number, the FCC Record citation, if available, release date, and a statement that the Applicant is in compliance with the terms and conditions of the named affiliate's ruling and with the Commission's Rules. The Applicant must also include a certification of compliance signed by the named affiliate or other qualified entity as specified in 47 CFR § 1.5004(b). See Main Form Instructions for Items 47 or 48a, as applicable.*

The Applicant has not received a declaratory ruling approving its foreign ownership and is requesting a declaratory ruling under 47 CFR § 1.5004(b) in a petition filed contemporaneously with the Commission.

*If checked, include in the attachment required by Item 47 or 48a a copy of the petition for declaratory ruling filed contemporaneously with the Commission pursuant to 47 CFR § 1.5004(b). Petitions for declaratory ruling may be filed electronically on the Internet through the International Bureau Filing System (IBFS) (with a copy attached hereto).*

**Basic Qualification Questions**

49) Has the Applicant or any party to this application had any FCC station authorization, license or construction permit revoked or had any application for an initial, modification or renewal of FCC station authorization, license, or construction permit denied by the Commission?	( ) <u>Yes</u> <u>No</u>
50) Has the Applicant or any party to this application, or any party directly or indirectly controlling the Applicant, ever been convicted of a felony by any state or federal court?	( ) <u>Yes</u> <u>No</u>
51) Has any court finally adjudged the Applicant or any party directly or indirectly controlling the Applicant guilty of unlawfully monopolizing or attempting unlawfully to monopolize radio communication, directly or indirectly, through control of manufacture or sale of radio apparatus, exclusive traffic arrangement, or any other means or unfair methods of competition?	( ) <u>Yes</u> <u>No</u>

**Note: If the answer to any of 49-51 is 'Y', attach an exhibit explaining the circumstances.**

**Aeronautical Advisory Station (Unicom) Certification**

52) ( ) I certify that the station will be located on property of the airport to be served, and, in cases where the airport does not have a control tower, RCO, or FAA flight service station, that I have notified the owner of the airport and all aviation service organizations located at the airport within ten days prior to application.
--

**Broadband Radio Service and Educational Broadband Service Cable Cross-Ownership**

53a) Will the requested facilities be used to provide multichannel video programming service?	( ) <u>Yes</u> <u>No</u>
53b) If the answer to question 53a is 'Y', does the Applicant operate, control or have an attributable interest (as defined in 47 CFR § 27.1202) in a cable television system whose franchise area is located within the geographic service area of the requested facilities?	( ) <u>Yes</u> <u>No</u>

**Note: If the answer to question 53b is 'Y', attach an exhibit explaining how the Applicant complies with 47 CFR § 27.1202 or justifying a waiver of that rule. If a waiver of the Commission Rule(s) is being requested, Item 11a must be answered 'Y'.**

**Broadband Radio Service and Educational Broadband Service (Part 27)**

54) (For EBS only) Does the Applicant comply with the programming requirements contained in 47 CFR § 27.1203?	( ) <u>Yes</u> <u>No</u>
---	--------------------------

**Note: If the answer to item 54 is 'N', attach an exhibit explaining how the Applicant complies with 47 CFR § 27.1203 of the Commission's Rules or justifying a waiver of that rule. If a waiver of the Commission Rule(s) is being requested, Item 11a must be answered 'Y'.**

55) (For BRS and EBS) Does the Applicant comply with 47 CFR §§ 27.50, 27.55, and 27.1221?	( ) <u>Yes</u> <u>No</u>
---	--------------------------

**Note: If the answer to item 55 is 'N', attach an exhibit justifying a waiver of that rule(s). If a waiver of the Commission Rule(s) is being requested, Item 11a must be answered 'Y'.**

**For Applicants Who Participated in an Auction**

56) Is the Applicant a qualifying rural wireless partnership or a member of a qualifying rural wireless partnership?	( ) <u>Yes</u> <u>No</u>
--	--------------------------

**Note: If the answer to item 56 is 'Y', attach an exhibit listing all members of the qualifying rural wireless partnership, including their FRN numbers.**

**For Renewal Applicants**

57) Operation/Performance Requirement Certification	
<b>[For a site-based license]:</b> Applicant certifies that it is continuing to operate consistent with its most recently filed construction notification (or most recent authorization, if no construction notification was required).	( ) <u>Yes</u> <u>No</u>
<b>[For a geographic license, commercial service - licensee in its initial license term with an interim performance requirement]:</b> Applicant certifies that it has met its interim performance requirement, that over the portion of the license term following the interim performance requirement, it continues to use its facilities to provide at least the level of service required by its interim performance requirement, it has met its final performance requirement, and it continues to use its facilities to provide at least the level of service required by its final performance requirement through the end of the license term.	( ) <u>Yes</u> <u>No</u>
<b>[For a geographic license, commercial service - licensee in its initial license term with no interim performance requirement]:</b> Applicant certifies that it has met its final performance requirement and it continues to use its facilities to provide at least the level of service required by its final performance requirement through the end of the license term. [Note: licensee must provide a showing demonstrating that the final performance requirement has been met, either separately in a timely application for notification of completion of construction, or as part of its renewal application, depending on the radio service.]	( ) <u>Yes</u> <u>No</u>
<b>[For a geographic license, commercial service - licensee in any subsequent term]:</b> Applicant certifies that it continues to use its facilities to provide at least the level of service required by its final performance requirement through the end of any subsequent license terms.	( ) <u>Yes</u> <u>No</u>
<b>[For a geographic license, private systems - licensee in its initial license term with an interim performance requirement]:</b> Applicant certifies that it has met its interim performance requirement, that over the portion of the license term following the interim performance requirement, it continues to use its facilities to further its private business or public interest/public safety communications needs at or above the level required to meet its interim performance requirement, it has met its final performance requirement, and it continues to use its facilities to provide at least the level of operation required by its final performance requirement through the end of the license term.	( ) <u>Yes</u> <u>No</u>
<b>[For a geographic license, private systems - licensee in its initial license term with no interim performance requirement]:</b> Applicant certifies that it has met its final performance requirement, it continues to use its facilities to further its private business or public interest/public safety communications needs, and it continues to use its facilities to provide at least the level of operation required by its final performance requirement through the end of the license term. [Note: licensee must provide a showing demonstrating that the final performance requirement has been met, either separately in a timely application for notification of completion of construction, or as part of its renewal application, depending on the radio service.]	( ) <u>Yes</u> <u>No</u>

<b>[For a geographic license, private systems - licensee in any subsequent term]:</b> Applicant certifies that it continues to use its facilities to further its private business or public interest/public safety communications needs at or above the level required to meet its final performance requirement through the end of any subsequent license terms.	( ) <u>Yes</u> <u>No</u>
<b>[For a partitioned or disaggregated license without a performance requirement, for the first renewal application filed after effective date of the rules]:</b> Applicant certifies that the partitioned and/or disaggregated license that is the subject of this renewal application has no separate performance requirement and that this is the first renewal of this license filed subsequent to the effective date of the rules.	( ) <u>Yes</u> <u>No</u>
<b>[For a partitioned or disaggregated license without a performance requirement, for any subsequent renewal filings]:</b> Applicant certifies that it continues to use its facilities to provide service or to further the applicant's private business or public interest/public safety needs.	( ) <u>Yes</u> <u>No</u>

**Discontinuance of Service Certification**

58) Applicant certifies that no permanent discontinuance of service or operation, as applicable, occurred during its current license term.  <b>Note: If the response to either item 57 or item 58 is 'N',</b> attach an exhibit that demonstrates that over the course of the license term, the Applicant provided and continues to provide service to the public, or operated and continues to operate the license to meet the Applicant's private business or public interest/public safety communications needs. This exhibit must include a detailed description of the Applicant's provision of service or, when allowed under the relevant service rules or pursuant to waiver, use of the spectrum for private business or public interest/public safety communications needs, during the entire license period and address, as applicable: 1) the level and quality of service provided by the applicant (e.g., the population served, the area served, the number of subscribers, the services offered); (2) the date service commenced, whether service was ever interrupted, and the duration of any interruption or outage; (3) the extent to which service is provided to rural areas; (4) the extent to which service is provided to qualifying tribal land as defined in 47 CFR § 1.2110(e)(3)(i); and (5) any other factors associated with the level of service to the public. The licensee may note in its exhibit: 1) any grant(s) of waiver or extension of a performance deadline or license renewal subject to meeting a performance requirement; or 2) if the final performance deadline and/or expiration date for the license accelerated because the licensee did not meet an interim performance requirement.	( ) <u>Yes</u> <u>No</u>
--	--------------------------

**Regulatory Compliance Certification [same for all]**

59) Applicant certifies that it has substantially complied with all applicable FCC rules, policies, and the Communications Act of 1934, as amended.  <b>Note: If the response to item 59 is 'N',</b> attach an exhibit explaining the circumstances and demonstrating why Applicant's license should be renewed.	( ) <u>Yes</u> <u>No</u>
--	--------------------------

**General Certification Statements**

1) The Applicant waives any claim to the use of any particular frequency or of the electromagnetic spectrum as against the regulatory power of the United States because of the previous use of the same, whether by license or otherwise, and requests an authorization in accordance with this application.
2) The Applicant certifies that grant of this application would not cause the Applicant to be in violation of any pertinent cross-ownership or attribution rules.* *If the Applicant has sought a waiver of any such rule in connection with this application, it may make this certification subject to the outcome of the waiver request.
3) The Applicant certifies that all statements made in this application and in the exhibits, attachments, or documents incorporated by reference are material, are part of this application, and are true, complete, correct, and made in good faith.
4) The Applicant certifies that neither the Applicant nor any other party to the application is subject to a denial of Federal benefits pursuant to § 5301 of the Anti-Drug Abuse Act of 1988, 21 U.S.C. § 862, because of a conviction for possession or distribution of a controlled substance. This certification does not apply to applications filed in services exempted under § 1.2002(c) of the rules, 47 CFR § 1.2002(c). See 47 CFR § 1.2002(b) for the definition of "party to the application" as used in this certification.
5) The Applicant certifies that it either (1) has current required ownership data on file with the Commission, (2) is filing updated ownership data simultaneously with this application, or (3) is not required to file ownership data under the Commission's Rules.
6) The Applicant certifies that the facilities, operations, and transmitters for which this authorization is hereby requested are either: (1) categorically excluded from routine environmental evaluation for RF exposure as set forth in 47 CFR § 1.1307(b); or, (2) have been found not to cause human exposure to levels of radiofrequency radiation in excess of the limits specified in 47 CFR §§ 1.1310 and 2.1093; or, (3) are the subject of one or more Environmental Assessments filed with the Commission.
7) The Applicant certifies that it has reviewed the appropriate Commission Rules defining eligibility to hold the requested license(s) and is eligible to hold the requested license(s).
8) The Applicant certifies that it is not in default on any payment for Commission licenses and that it is not delinquent on any non-tax debt owed to any federal agency.
9) The Applicant certifies that the Applicant and all of the related individuals and entities required to be disclosed on this application and FCC Form 602 (FCC Ownership Disclosure Information for the Wireless Telecommunications Services) are not person(s) who have been, for reasons of national security, barred by any agency of the Federal Government from bidding on a contract, participating in an auction, or receiving a grant. This certification applies only to applications for licenses for spectrum that is required by Sections 6103, 6401-6403 of the Middle Class Tax Relief and Job Creation Act of 2012, codified at 47 U.S.C. §§ 309, 1413, 1451-1452, to be assigned by a system of competitive bidding under 47 U.S.C. § 309(j).

**Signature**

60) Typed or Printed Name of Party Authorized to Sign

First Name: <b>Jessica</b>	MI:	Last Name: <b>Dunk</b>	Suffix:
61) Title: <b>Assistant Secretary - Compliance</b>			
Signature: <b>Jessica Dunk</b>			62) Date: <b>01/23/2024</b>
<b>FAILURE TO SIGN THIS APPLICATION MAY RESULT IN DISMISSAL OF THE APPLICATION AND FORFEITURE OF ANY FEES PAID.</b>			
Upon grant of this license application, the Licensee may be subject to certain construction or coverage requirements. Failure to meet the construction or coverage requirements will result in termination of the license. Consult appropriate FCC regulations to determine the construction or coverage requirements that apply to the type of license requested in this application.			
WILLFUL FALSE STATEMENTS MADE ON THIS FORM OR ANY ATTACHMENTS ARE PUNISHABLE BY FINE AND/OR IMPRISONMENT (U.S. Code, Title 18, § 1001) AND/OR REVOCATION OF ANY STATION LICENSE OR CONSTRUCTION PERMIT (U.S. Code, Title 47, § 312(a)(1)), AND/OR FORFEITURE (U.S. Code, Title 47, § 503).			

REFERENCE COPY

This is not an official FCC license. It is a record of public information contained in the FCC's licensing database on the date that this reference copy was generated. In cases where FCC rules require the presentation, posting, or display of an FCC license, this document may not be used in place of an official FCC license.



Federal Communications Commission
Wireless Telecommunications Bureau

RADIO STATION AUTHORIZATION

LICENSEE: NEW CINGULAR WIRELESS PCS, LLC

ATTN: CECIL J MATHEW
NEW CINGULAR WIRELESS PCS, LLC
208 S. AKARD STREET, RM 1016
DALLAS, TX 75202

Table with 2 columns: Call Sign (WPTB358), File Number (0010345939), and Radio Service (CW - PCS Broadband)

FCC Registration Number (FRN): 0003291192

Table with 4 columns: Grant Date, Effective Date, Expiration Date, Print Date; Market Number, Channel Block, Sub-Market Designator; Market Name; 1st Build-out Date, 2nd Build-out Date, 3rd Build-out Date, 4th Build-out Date

Waivers/Conditions:

This authorization is subject to the condition that, in the event that systems using the same frequencies as granted herein are authorized in an adjacent foreign territory (Canada/United States), future coordination of any base station transmitters within 72 km (45 miles) of the United States/Canada border shall be required to eliminate any harmful interference to operations in the adjacent foreign territory and to ensure continuance of equal access to the frequencies by both countries.

Grant of the request to update licensee name is conditioned on it not reflecting an assignment or transfer of control (see Rule 1.948); if an assignment or transfer occurred without proper notification or FCC approval, the grant is void and the station is licensed under the prior name.

Conditions:

Pursuant to §309(h) of the Communications Act of 1934, as amended, 47 U.S.C. §309(h), this license is subject to the following conditions: This license shall not vest in the licensee any right to operate the station nor any right in the use of the frequencies designated in the license beyond the term thereof nor in any other manner than authorized herein.

This license may not authorize operation throughout the entire geographic area or spectrum identified on the hardcopy version. To view the specific geographic area and spectrum authorized by this license, refer to the Spectrum and Market Area information under the Market Tab of the license record in the Universal Licensing System (ULS).

**Licensee Name:** NEW CINGULAR WIRELESS PCS, LLC

**Call Sign:** WPTB358

**File Number:** 0010345939

**Print Date:** 04-04-2024

**700 MHz Relicensed Area Information:**

<b>Market</b>	<b>Market Name</b>	<b>Buildout Deadline</b>	<b>Buildout Notification</b>	<b>Status</b>
---------------	--------------------	--------------------------	------------------------------	---------------

Reference Copy

Submitted: 03/15/2024 at 14:59:38

File Number: 0010976490

**FCC Form 603  
Main Form**

**FCC Application for Assignments of Authorization or Transfers of Control:  
Wireless Telecommunications Bureau  
Public Safety and Homeland Security Bureau**

Approved by  
OMB 3060 - 0800  
See instructions for  
public burden estimate

**General Information**

1) Application Purpose (Select only one) ( <input type="checkbox"/> NT )	
<b>AA</b> - Assignment of Authorization <b>TC</b> - Transfer of Control	<b>AM</b> - Amendment <b>WD</b> - Withdrawal
<b>NT</b> - Required Notification (For Consummation of an Assignment or Transfer) <b>EX</b> - Request for Extension of Time To Consummate an Assignment or Transfer)	
2) If this application is for an Amendment (AM) or Withdrawal (WD), enter the File Number of the pending or consented to application currently on file with the FCC.	File Number:
3a) Is this application for Assignment of Authorization or Transfer of Control part of a series of applications involving other wireless license(s) held by the Licensee, affiliates of the Licensee (e.g., parents, subsidiaries, or commonly-controlled entities), or third parties that are not included on this application and for which Commission approval or notification is required?	( <input type="checkbox"/> ) <b>Yes</b> <b>No</b>
3b) If the answer to 3a is 'Y', is this filing the lead application?	( <input type="checkbox"/> ) <b>Yes</b> <b>No</b>
3c) If the answer to 3b is 'N', provide the File Number of the lead application.	File Number:
3d) Does this transaction for Assignment of Authorization or Transfer of Control involve the assignment or transfer of non-wireless licenses/authorizations for which Commission approval or notification is required?	( <input type="checkbox"/> ) <b>Yes</b> <b>No</b>
4) Are attachments (other than associated schedules) being filed with this application?	( <input type="checkbox"/> ) <b>Yes</b> <b>No</b>

**Fees and Waivers**

5a) Is the Applicant exempt from FCC application fees? If 'Y', attach an exhibit demonstrating how the Applicant is exempt from FCC application fees.	( <input type="checkbox"/> N ) <b>Yes</b> <b>No</b>
5b) Is a waiver/deferral of the FCC application fees being requested and the application fees are not being submitted in conjunction with this application? If 'Y', attach a date-stamped copy of the request for waiver/deferral of the FCC application fees.	( <input type="checkbox"/> ) <b>Yes</b> <b>No</b>
6) Does this application include a request for waiver of the Commission's Rules (other than a request for application fee waivers)? If 'Y', attach an exhibit specifying the rule section(s) for which a waiver is being requested and including a justification for the waiver request.	( <input type="checkbox"/> N ) <b>Yes</b> <b>No</b>

**Additional Transaction Information**

7a) Has this application for Assignment of Authorization or Transfer of Control already occurred?	( <input type="checkbox"/> ) <b>Yes</b> <b>No</b>
7b) If the response to Item 7a is 'Y', provide the date the event occurred:	(MM/DD/YYYY)
8) The Assignment of Authorization or Transfer of Control is:	( <input type="checkbox"/> ) Voluntary ( <input type="checkbox"/> ) Involuntary
9a) Is this application a <i>pro forma</i> Assignment of Authorization or Transfer of Control?	( <input type="checkbox"/> ) <b>Yes</b> <b>No</b>
9b) If Item 9a is 'Y', is this a post-consummation notification that is being filed under the Commission's forbearance procedures pursuant to Section 1.948(c)(1) of the Commission's Rules?	( <input type="checkbox"/> ) <b>Yes</b> <b>No</b>
10a) Does this application involve the partitioning and/or disaggregation of geographic-area licenses? If 'Y', complete Schedule B and, if applicable, Schedule C.	( <input type="checkbox"/> ) <b>Yes</b> <b>No</b>
10b) If 10a is 'N', does this application involve the partial assignment of site-based licenses?	( <input type="checkbox"/> ) <b>Yes</b> <b>No</b>

<p>11) How will/has the Assignment of Authorization or Transfer of Control be/been accomplished? Select One: ( )</p> <p><u>S</u>ale or other assignment of assets                      <u>C</u>ourt order                      <u>R</u>eorganization or liquidation</p> <p><u>T</u>ransfer of stock or other ownership interests</p> <p><u>O</u>ther (voting trust agreement, management contract, etc.): _____</p>
---

<p>12) Is this Assignment of Authorization being filed under the Enhanced Competition Incentive Program (ECIP)? ( <input type="checkbox"/> N ) <input checked="" type="checkbox"/> Yes <input type="checkbox"/> No</p>
--

<p>13) Is this Assignment of Authorization application being filed under the 'Small Carrier or Tribal Nation Transaction' Prong or the 'Rural-Focused Transaction' Prong?</p> <p>( <input type="checkbox"/> ) Small Carrier or Tribal Nation Transaction</p> <p>( <input type="checkbox"/> ) Rural-Focused Transaction</p>
--

**Designated Entity Information** (If 14a or 14b is 'Y', Schedule A is required to be completed.)

<p>14a) Enter 'Y' if this application for Assignment of Authorization or Transfer of Control involve any licenses that were awarded with bidding credits within the last five years. Otherwise, enter 'N'.</p> <p>The initial grant date is the date that the license was originally granted by the Commission after an auction, even if the license was acquired in the secondary market. The initial grant date is not the date on which the Commission granted an assignment or transfer of control of the license.</p> <p>If the response to this item is 'Y', the licenses may be subject to the FCC's unjust enrichment rules, and the Applicant should answer relevant bidding credit questions. See Section 1.2111 of the Commission's Rules.</p>	<p>( <input type="checkbox"/> ) Yes <input checked="" type="checkbox"/> No</p>
<p>14b) Does this application for Assignment of Authorization or Transfer of Control involve any licenses that were originally granted pursuant to closed bidding within the last five years?</p> <p>If the response to this item is 'Y', the license may be subject to assignment or transfer restrictions, and the Applicant should answer relevant closed bidding questions. See Sections 24.709 and 24.839 of the Commission's Rules.</p>	<p>( <input type="checkbox"/> ) Yes <input checked="" type="checkbox"/> No</p>

**Competition Related Information**

<p>15) Does this application for Assignment of Authorization or Transfer of Control involve a license(s) that may be used for interconnected mobile voice and/or data services that would, if assigned or transferred, create a geographic overlap with another license(s) in which the Assignee/Transferee already holds attributable interests, as defined in Section 20.22(b) of the Commission's Rules, either as a licensee or spectrum lessee/sublessee, and that also could be used to provide interconnected mobile voice and/or data services?</p> <p>If 'Y', specify in an exhibit all geographic areas/markets (e.g., BTA, CMA, county, etc.) where there are spectrum overlaps and the total amount of spectrum that the Assignee/Transferee will hold and/or lease in each geographic area/market.</p>	<p>( <input type="checkbox"/> ) Yes <input checked="" type="checkbox"/> No</p>
<p>16) If the answer to Item 13 is 'Yes,' would/does this application for Assignment of Authorization or Transfer of Control reduce the number of entities providing service in the affected market(s)?</p>	<p>( <input type="checkbox"/> ) Yes <input checked="" type="checkbox"/> No</p>

**Broadband Radio Service and Educational Broadband Service Information**

<p>17a) Will the requested facilities be used to provide multichannel video programming service?</p>	<p>( <input type="checkbox"/> ) Yes <input checked="" type="checkbox"/> No</p>
--	--



<p>17b) If 15a is 'Y', does the Assignee/Transferee operate, control, or have an attributable interest (as defined in Section 27.1202 of the Commission's Rules) in a cable television system whose franchise area is located within the geographic area of the requested facilities?</p> <p>If 'Y', provide an exhibit explaining how the Assignee/Transferee complies with Section 27.1202 of the Commission's Rules or request a waiver of that rule pursuant to Commission Rules. If a waiver of the Commission's Rule(s) is being requested, 6a must be answered 'Y'.</p>	<p>( <input type="checkbox"/> ) <u>Yes</u> <u>No</u></p>
<p>18) Does the Assignee/Transferee comply with the programming requirements contained in Section 27.1203 of the Commission's Rules?</p> <p>If 'N', provide an exhibit explaining how the Assignee/Transferee complies with Section 27.1203 of the Commission's Rules or request a waiver of that rule pursuant to Commission Rules. If a waiver of the Commission's Rule(s) is being requested, 6a must be answered 'Y'.</p>	<p>( <input type="checkbox"/> ) <u>Yes</u> <u>No</u></p>

**600 MHz Band Information**

<p>19) Does the Assignment or Transfer involve any licenses in the 600 MHz Band initially granted in the last six years that would, if assigned/transferred, create a geographic overlap with another licenses(s) in which the Assignee/Transferee already holds attributable interests, either as a licensee or Assignee/Transferee, and that would result in the Assignee/Transferee holding an attributable interest in one-third or more of the total suitable and available below-1-GHz spectrum as calculated on a county-by-county population-weighted basis in the relevant license area, utilizing 2010 U.S. Census data?</p> <p>The initial grant date is the date that the license was originally granted by the Commission after an auction, even if the license was acquired in the secondary market. The initial grant date is not the date on which the Commission granted an assignment or transfer of control of the license.</p> <p>If the response to this item is 'Y', this application for Assignment or Transfer application must be part of an exchange of 600 MHz band spectrum in the same market(s) or must be a pro forma Assignment or Transfer. If 'Y', provide an exhibit detailing the proposed exchange of 600 MHz band spectrum in the same market(s), including a list of all file numbers for applications associated with the proposed exchange.</p>	<p>( <input type="checkbox"/> ) <u>Yes</u> <u>No</u></p>
<p>20) Does the Assignment or Transfer involve any licenses that were initially granted as reserved spectrum licenses in the 600 MHz Band in the last six years? Otherwise, enter 'N'.</p> <p>The initial grant date is the date that the license was originally granted by the Commission after an auction, even if the license was acquired in the secondary market. The initial grant date is not the date on which the Commission granted an assignment or transfer of control of the license.</p> <p>If 'Y', provide an exhibit demonstrating how the Assignee/Transferee would have qualified to bid on that reserved spectrum license(s) in Auction 1002 as of the FCC Form 175 filing deadline (February 10, 2016) for Auction 1002, the forward auction of the Broadcast Incentive Auction.</p>	<p>( <input type="checkbox"/> ) <u>Yes</u> <u>No</u></p>

**Assignor/Licensee Information**

21) Assignor/Licensee is a(n): (Select One)			
<input type="checkbox"/> Individual <input type="checkbox"/> Unincorporated Association <input type="checkbox"/> Trust <input type="checkbox"/> Government Entity <input type="checkbox"/> Corporation <input type="checkbox"/> Limited Liability Company <input type="checkbox"/> General Partnership <input type="checkbox"/> Limited Partnership <input type="checkbox"/> Limited Liability Partnership <input type="checkbox"/> Other: _____			
22) FCC Registration Number (FRN):			
23) First Name (if individual):	MI:	Last Name:	Suffix:
24) Legal Entity Name (if not an individual):			
25) Attention To:			
26) P.O. Box:	<b>And /Or</b>	27) Street Address:	
28) City:	29) State:	30) Zip Code:	
31) Telephone Number:	32) Fax Number:		
33) E-Mail Address:			

**34) Demographics of Assignor/Licensee (Optional):**

<b>Race:</b> <input type="checkbox"/> American Indian or Alaska Native <input type="checkbox"/> Asian <input type="checkbox"/> Black or African-American <input type="checkbox"/> Native Hawaiian or Other Pacific Islander <input type="checkbox"/> White	<b>Ethnicity:</b> <input type="checkbox"/> Hispanic or Latino <input type="checkbox"/> Not Hispanic or Latino	<b>Gender:</b> <input type="checkbox"/> Male <input type="checkbox"/> Female
---	---	--

**Assignor/Licensee Contact Representative**

35) First Name:	MI:	Last Name:	Suffix:
36) Company Name:			
37) Attention To:			
38) P.O. Box:	<b>And /Or</b>	39) Street Address:	
40) City:	41) State:	42) Zip Code:	
43) Telephone Number:	44) Fax Number:		
45) E-Mail Address:			

**Transferor Information** (for Transfers of Control only)

46) Transferor is a(n): (Select One)			
<input type="checkbox"/> Individual <input type="checkbox"/> Unincorporated Association <input type="checkbox"/> Trust <input type="checkbox"/> Government Entity <input type="checkbox"/> Corporation <input type="checkbox"/> Limited Liability Company <input type="checkbox"/> General Partnership <input type="checkbox"/> Limited Partnership <input type="checkbox"/> Limited Liability Partnership <input type="checkbox"/> Other: _____			
47) FCC Registration Number (FRN):			
48) First Name (if individual):	MI:	Last Name:	Suffix:
49) Legal Entity Name (if not an individual):			
50) Attention To:			
51) P.O. Box:	<b>And /Or</b>	52) Street Address:	
53) City:	54) State:	55) Zip Code:	
56) Telephone Number:	57) Fax Number:		
58) E-Mail Address:			

**59) Demographics of Transferor (Optional):**

<b>Race:</b> <input type="checkbox"/> American Indian or Alaska Native <input type="checkbox"/> Asian <input type="checkbox"/> Black or African-American <input type="checkbox"/> Native Hawaiian or Other Pacific Islander <input type="checkbox"/> White	<b>Ethnicity:</b> <input type="checkbox"/> Hispanic or Latino <input type="checkbox"/> Not Hispanic or Latino	<b>Gender:</b> <input type="checkbox"/> Male <input type="checkbox"/> Female
---	---	--

**Transferor Contact Representative**

60) First Name:	MI:	Last Name:	Suffix:
61) Company Name:			
62) Attention To:			
63) P.O. Box:	<b>And /Or</b>	64) Street Address:	
65) City:	66) State:	67) Zip Code:	
68) Telephone Number:	69) Fax Number:		
70) E-Mail Address:			

**Assignee/Transferee Information**

71) Assignee/Transferee is a(n): (Select One) <input type="checkbox"/> Individual <input type="checkbox"/> Unincorporated Association <input type="checkbox"/> Trust <input type="checkbox"/> Government Entity <input type="checkbox"/> Corporation <input checked="" type="checkbox"/> Limited Liability Company <input type="checkbox"/> General Partnership <input type="checkbox"/> Limited Partnership <input type="checkbox"/> Limited Liability Partnership <input type="checkbox"/> Other: _____			
72) FCC Registration Number (FRN): 0003291192			
73) First Name (if individual):	MI:	Last Name:	Suffix:
74) Legal Entity Name (if not an individual):			
75) Attention To: Cecil J Mathew			
76) Real Party in Interest FCC Registration Number (FRN):			
77) Name of Real Party in Interest:			
78) P.O. Box:	And /Or	79) Street Address: 208 S. Akard Street, RM 1016	
80) City: Dallas	81) State: TX	80) Zip Code: 75202	
83) Telephone Number: (855)699-7073		84) Fax Number: (214)746-6410	
85) E-Mail Address: FCCMW@att.com			

**86) Demographics of Assignee/Transferee (Optional):**

<b>Race:</b> <input type="checkbox"/> American Indian or Alaska Native <input type="checkbox"/> Asian <input type="checkbox"/> Black or African-American <input type="checkbox"/> Native Hawaiian or Other Pacific Islander <input type="checkbox"/> White	<b>Ethnicity:</b> <input type="checkbox"/> Hispanic or Latino <input type="checkbox"/> Not Hispanic or Latino	<b>Gender:</b> <input type="checkbox"/> Male <input type="checkbox"/> Female
---	---	--

**Assignee/Transferee Contact Representative** (if other than Assignee/Transferee)

Check here if same as Assignee/Transferee.

87) First Name:	MI:	Last Name:	Suffix:
88) Company Name: AT&T Mobility LLC			
89) Attention To: Michael P. Goggin			
90) P.O. Box:	And /Or	91) Street Address: 1120 20th Street NW, Suite 1000	
92) City: Washington	93) State: DC	94) Zip Code: 20036	
95) Telephone Number: (202)457-2055		96) Fax Number:	
97) E-Mail Address: michael.p.goggin@att.com			

### Ownership Disclosure Information

98a) Is the Assignee/Transferee required to file FCC Form 602, Ownership Disclosure Information for the Wireless Telecommunications Services?	( ) Yes <u>No</u>
98b) If 94a is 'Y', provide the File Number of the FCC Form 602 that is required to be submitted in conjunction with this application or is already on file with the FCC.	File Number: _____

### Alien Ownership (If any answer is 'Y', provide an attachment explaining the circumstances. In preparing the attachment, refer to the Main Form Instructions for the "Alien Ownership Questions".)

99) Is the Assignee/Post-transfer Licensee a foreign government or the representative of any foreign government?	( ) Yes <u>No</u>
100) Is the Assignee/Post-Transfer Licensee an alien or the representative of an alien?	( ) Yes <u>No</u>
101) Is the Assignee/Post-Transfer Licensee a corporation organized under the laws of any foreign government?	( ) Yes <u>No</u>
102) Is the Assignee/Post-Transfer Licensee a corporation of which more than one-fifth of the capital stock is owned of record or voted by aliens or their representatives, or by a foreign government or representative thereof, or by any corporation organized under the laws of a foreign country?	( ) Yes <u>No</u>
103a) Is the Assignee/Post-Transfer Licensee directly or indirectly controlled by any other corporation of which more than one-fourth of the capital stock is owned of record or voted by aliens or their representatives, or by a foreign government or representative thereof, or by any corporation organized under the laws of a foreign country?	( ) Yes <u>No</u>

103b) If the answer to 102 or 103a is 'Y' select one of the choices below.

The Assignee or Post-Transfer Licensee is exempt from the provisions of Section 310(b).

*It is not necessary to file a petition for declaratory ruling if the Assignee or Post-Transfer Licensee includes in the attachment required by Item 100 or Item 101a a showing that the subject License(s) is exempt from the provisions of Section 310(b).*

The Assignee or Post-Transfer Licensee has received a declaratory ruling(s) approving its foreign ownership, and the application involves only the acquisition of additional spectrum for the provision of a wireless service in a geographic coverage area for which the Assignee or Post-Transfer Licensee has been previously authorized.

*If checked, include in the attachment required by Item 100 or Item 101a the citation(s) of the applicable declaratory ruling(s) by DA/FCC number, the FCC Record citation, if available, release date, and a statement that there has been no change in the foreign ownership of the Assignee or Post-Transfer Licensee since the issuance of its ruling.*

The Assignee or Post-Transfer Licensee: (i) has received a declaratory ruling(s) approving its foreign ownership, but is not able to make the certification specified immediately above; or (ii) is an "affiliate" of a Licensee or Lessee/SubLessee that received a declaratory ruling(s) under Section 1.990(a) of the Commission's Rules, 47 C.F.R. § 1.990(a), and is relying on the affiliate's ruling for purposes of filing this application as permitted under the affiliate's ruling and Section 1.994(b) of the Rules, 47 C.F.R. § 1.994(b).

*If checked, and if the Assignee or Post-Transfer Licensee received its declaratory ruling(s) on or after August 9, 2013, include in the attachment required by Item 102 or Item 103a the citation(s) of the Assignee or Post-Transfer Licensee's declaratory ruling(s) by DA/FCC number, the FCC Record citation, if available, release date, and a statement that the Assignee or Post-Transfer Licensee is in compliance with the terms and conditions of its ruling and with the Commission's Rules.*

*If checked, and if the Assignee or Post-Transfer Licensee received its declaratory ruling(s) prior to August 9, 2013, include in the attachment required by Item 103a a copy of a petition for declaratory ruling filed contemporaneously with the Commission to extend the Assignee or Post-Transfer Licensee's existing ruling(s) to cover the same radio service(s) and geographic coverage area(s) involved in the application. Alternatively, the Assignee or Post-Transfer Licensee may request a new declaratory ruling pursuant to Section 1.990(a) of the Commission's Rules, 47 C.F.R. § 1.990(a). Petitions for declaratory ruling may be filed electronically on the Internet through the International Bureau Filing System (IBFS) (with a copy attached hereto).*

*If checked, and if the Assignee or Post-Transfer Licensee is relying on an affiliate's ruling for purposes of filing this application/notification, include in the attachment required by Item 100 or Item 101a the citation(s) of the applicable declaratory ruling(s) by DA/FCC number, the FCC Record citation, if available, release date, and a statement that the Assignee or Post-Transfer Licensee is in compliance with the terms and conditions of the named affiliate(s)'s ruling and with the Commission's Rules. The Assignee or Post-Transfer Licensee must also include a certification of compliance signed by the named affiliate or other qualified entity as specified in Section 1.994(b) of the Rules, 47 C.F.R. § 1.994(b). See Main Form Instructions for Items 102 or 103a, as applicable.*

The Assignee or Post-Transfer Licensee has not received a declaratory ruling approving its foreign ownership and is requesting a declaratory ruling under Section 1.990(a) of the Commission's Rules, 47 C.F.R. § 1.990(a), in a petition filed contemporaneously with the Commission.

*If checked, include in the attachment required by Item 102 or 103a a copy of the petition for declaratory ruling filed contemporaneously with the Commission pursuant to Section 1.990(a) of the Commission's Rules, 47 C.F.R. § 1.990(a). Petitions for declaratory ruling may be filed electronically on the Internet through the International Bureau Filing System (IBFS) (with a copy attached hereto).*

**Basic Qualification Information**

<p>104) Has the Assignee/Transferee or any party to this application had any FCC station authorization, license or construction permit revoked or had any application for an initial, modification, or renewal of FCC station authorization, license, or construction permit denied by the Commission?</p> <p>If 'Y', attach an exhibit explaining the circumstances.</p>	<p>( ) <u>Yes</u> <u>No</u></p>
<p>105) Has the Assignee/Transferee or any party to this application, or any party directly or indirectly controlling the Assignee/Transferee ever been convicted of a felony by any state or federal court?</p> <p>If 'Y', attach an exhibit explaining the circumstances.</p>	<p>( ) <u>Yes</u> <u>No</u></p>
<p>106) Has any court finally adjudged the Assignee/Transferee, or any party directly or indirectly controlling the Assignee/Transferee guilty of unlawfully monopolizing or attempting unlawfully to monopolize radio communication, directly or indirectly, through control of manufacture or sale of radio apparatus, exclusive traffic arrangement, or any other means or unfair methods of competition?</p> <p>If 'Y', attach an exhibit explaining the circumstances.</p>	<p>( ) <u>Yes</u> <u>No</u></p>

**Assignor/Transferor Certification Statements**

<p>1) The Assignor/Transferor certifies either that (1) the authorization will not be assigned or that control of the license(s) will not be transferred until the consent of the Federal Communications Commission has been given, or (2) prior Commission consent is not required because the transaction is subject to streamlined notification procedures for <i>pro forma</i> assignments and transfers by telecommunications carriers. See Section 1.948(c) (1) of the Commission's Rules.</p>
<p>2) The Assignor/Transferor certifies that all statements made in this application and in the exhibits, attachments, or documents incorporated by reference are material, are part of this application, and are true, complete, correct, and made in good faith.</p>
<p>3) The Assignor/Transferor certifies that it is not in default on any payment for Commission licenses and that it is not delinquent on any non-tax debt owed to any federal agency.</p>

<p><b>Typed or Printed Name of Party Authorized to Sign</b></p>			
<p>107) First Name:</p>	<p>MI:</p>	<p>Last Name:</p>	<p>Suffix:</p>
<p>108) Title:</p>			
<p>Signature:</p>			<p>109) Date:</p>
<p><b>FAILURE TO SIGN THIS APPLICATION MAY RESULT IN DISMISSAL OF THE APPLICATION AND FORFEITURE OF ANY FEES PAID. WILLFUL FALSE STATEMENTS MADE ON THIS FORM OR ANY ATTACHMENTS ARE PUNISHABLE BY FINE AND/OR IMPRISONMENT (U.S. Code, Title 18, Section 1001) AND/OR REVOCATION OF ANY STATION LICENSE OR CONSTRUCTION PERMIT (U.S. Code, Title 47, Section 312(a)(1)), AND/OR FORFEITURE (U.S. Code, Title 47, Section 503).</b></p>			

**Spectrum Aggregation Limit Certifications**

<p>110) The Assignee/Transferee certifies that grant of this application would not cause the Assignee/Transferee to be in violation of the 40 megahertz in-band spectrum aggregation limit set forth under Section 96.31 of the Commission's Rules for 3.5 GHz licenses, taking into consideration the spectrum attribution rules under Section 20.22(b) of the Commission's Rules.</p> <p>*If the Assignee/Transferee has sought a waiver of Section 96.31 in connection with this application, it may make this certification subject to the outcome of the waiver request.</p>	<p>( <input type="checkbox"/> ) <u>Yes</u> <u>No</u></p>
<p>111) The Assignee/Transferee certifies that grant of this application would not cause the Assignee/Transferee to be in violation of the 40 megahertz in-band spectrum aggregation limit set forth under Section 27.1606 of the Commission's Rules for 3.45 GHz licenses, taking into consideration the spectrum attribution rules under Section 20.22(b) of the Commission's Rules.</p> <p>*If the Assignee/Transferee has sought a waiver of Section 27.1606 in connection with this application, it may make this certification subject to the outcome of the waiver request..</p>	<p>( <input type="checkbox"/> ) <u>Yes</u> <u>No</u></p>

**Assignee/Transferee Certification Statements**

<p>1) The Assignee/Transferee certifies either that (1) the authorization(s) will not be assigned or that control of the license(s) will not be transferred until the consent of the Federal Communications Commission has been given, or (2) prior Commission consent is not required because the transaction is subject to streamlined notification procedures for <i>pro forma</i> assignments and transfers by telecommunications carriers. See Section 1.948(c)(1) of the Commission's Rules.</p>
<p>2) The Assignee/Transferee waives any claim to the use of any particular frequency or of the electromagnetic spectrum as against the regulatory power of the United States because of the previous use of the same, whether by license or otherwise, and requests an authorization in accordance with this application.</p>
<p>3) The Assignee/Transferee certifies that grant of this application would not cause the Assignee or Transferee to be in violation of any pertinent cross-ownership or attribution rules.* *If the Assignee/Transferee has sought a waiver of any such rule in connection with this application, it may make this certification subject to the outcome of the waiver request.</p>
<p>4) The Assignee/Transferee agrees to assume all obligations and abide by all conditions imposed on the Assignor/Transferor under the subject authorization(s), unless the Federal Communications Commission pursuant to a request made herein otherwise allows, except for liability for any act done by, or any right accrued by, or any suit or proceeding had or commenced against the Assignor/Transferor prior to this assignment/transfer.</p>
<p>5) The Assignee/Transferee certifies that all statements made in this application and in the exhibits, attachments, or documents incorporated by reference are material, are part of this application, and are true, complete, correct, and made in good faith.</p>
<p>6) The Assignee/Transferee certifies that neither it nor any other party to the application is subject to a denial of Federal benefits pursuant to Section 5301 of the Anti-Drug Abuse Act of 1988, 21 U.S.C. § 862, because of a conviction for possession or distribution of a controlled substance. This certification does not apply to applications filed in services exempted under Section 1.2002(c) of the Commission's Rules. See Section 1.2002(b) of the Commission's Rules for the definition of "party to the application" as used in this certification.</p>

- 7) The Assignee/Transferee certifies that it is not in default on any payment for Commission licenses and that it is not delinquent on any non-tax debt owed to any federal agency.
- 8) The Assignee/Transferee certifies that it and all of the related individuals and entities required to be disclosed on this application and FCC Form 602 (FCC Ownership Disclosure Information for the Wireless Telecommunications Services) are not person(s) who have been, for reasons of national security, barred by any agency of the Federal Government from bidding on a contract, participating in an auction, or receiving a grant. This certification applies only to applications for licenses for spectrum that is required by Sections 6103, 6401-6403 of the Middle Class Tax Relief and Job Creation Act of 2012, codified at 47 U.S.C. §§ 309, 1413, 1451-1452, to be assigned by a system of competitive bidding under 47 U.S.C. § 309(j).

**Typed or Printed Name of Party Authorized to Sign**

112) First Name: Jessica	MI: B	Last Name: Lyons	Suffix:
113) Title: Asst. Secretary of Manager			
Signature: Jessica B Lyons		1140) Date: 03/15/2024	
<b>FAILURE TO SIGN THIS APPLICATION MAY RESULT IN DISMISSAL OF THE APPLICATION AND FORFEITURE OF ANY FEES PAID.</b>			
<b>WILLFUL FALSE STATEMENTS MADE ON THIS FORM OR ANY ATTACHMENTS ARE PUNISHABLE BY FINE AND/OR IMPRISONMENT (U.S. Code, Title 18, Section 1001) AND/OR REVOCATION OF ANY STATION LICENSE OR CONSTRUCTION PERMIT (U.S. Code, Title 47, Section 312(a)(1)), AND/OR FORFEITURE (U.S. Code, Title 47, Section 503).</b>			



**Authorizations To Be Assigned or Transferred**

115) Call Sign	116) Radio Service Code	117) Location Number	118) Path Number (Microwave only)	119) Frequency Number	120) Lower or Center Frequency (MHz)	121) Upper Frequency (MHz)	122) Constructed Yes / No

Reference Copy

**Schedule for Notification of Consummation of an  
Assignment of Authorization or a Transfer of Control**

1) Provide the File Number of the Assignment of Authorization or Transfer of Control application.	File Number: <u>0010345939</u>
2) Provide the actual date of consummation for the Assignment of Authorization or Transfer of Control.	(MM/DD/YYYY) <u>03/15/2024</u>

Reference Copy

REFERENCE COPY

This is not an official FCC license. It is a record of public information contained in the FCC's licensing database on the date that this reference copy was generated. In cases where FCC rules require the presentation, posting, or display of an FCC license, this document may not be used in place of an official FCC license.



Federal Communications Commission
Wireless Telecommunications Bureau

RADIO STATION AUTHORIZATION

LICENSEE: NEW CINGULAR WIRELESS PCS, LLC

ATTN: NATIONAL REGULATORY COMPLIANCE
NEW CINGULAR WIRELESS PCS, LLC
208 S AKARD ST, 20F
DALLAS, TX 75202

Table with Call Sign (WPTJ404), File Number, and Radio Service (CW - PCS Broadband).

FCC Registration Number (FRN): 0003291192

Table with columns: Grant Date, Effective Date, Expiration Date, Print Date, Market Number, Channel Block, Sub-Market Designator, Market Name, 1st Build-out Date, 2nd Build-out Date, 3rd Build-out Date, 4th Build-out Date.

Waivers/Conditions:

This license is conditioned upon compliance with the provisions of Applications of AT&T Wireless Services, Inc. and Cingular Wireless Corporation For Consent to Transfer Control of Licenses and Authorizations, Memorandum Opinion and Order, FCC 04-255 (rel. Oct. 26, 2004).

Spectrum Lease Associated with this License. See Spectrum Leasing Arrangement Letter dated 12/06/2004 and File # 0001918563.

The Spectrum Leasing Arrangement, which became effective upon approval of application file number 0001918563, was terminated on 04/14/2005. See file number 0002135370.

Conditions:

Pursuant to §309(h) of the Communications Act of 1934, as amended, 47 U.S.C. §309(h), this license is subject to the following conditions: This license shall not vest in the licensee any right to operate the station nor any right in the use of the frequencies designated in the license beyond the term thereof nor in any other manner than authorized herein.

This license may not authorize operation throughout the entire geographic area or spectrum identified on the hardcopy version. To view the specific geographic area and spectrum authorized by this license, refer to the Spectrum and Market Area information under the Market Tab of the license record in the Universal Licensing System (ULS).

**Licensee Name:** NEW CINGULAR WIRELESS PCS, LLC

**Call Sign:** WPTJ404

**File Number:**

**Print Date:**

Commission approval of this application and the licenses contained therein are subject to the conditions set forth in the Memorandum Opinion and Order, adopted on December 29, 2006 and released on March 26, 2007, and revised in the Order on Reconsideration, adopted and released on March 26, 2007. See AT&T Inc. and BellSouth Corporation Application for Transfer of Control, WC Docket No. 06-74, Memorandum Opinion and Order, FCC 06-189 (rel. Mar. 26, 2007); AT&T Inc. and BellSouth Corporation, WC Docket No. 06-74, Order on Reconsideration, FCC 07-44 (rel. Mar. 26, 2007).

Reference Copy

**Licensee Name:** NEW CINGULAR WIRELESS PCS, LLC

**Call Sign:** WPTJ404

**File Number:**

**Print Date:**

**700 MHz Relicensed Area Information:**

<b>Market</b>	<b>Market Name</b>	<b>Buildout Deadline</b>	<b>Buildout Notification</b>	<b>Status</b>
---------------	--------------------	--------------------------	------------------------------	---------------

Reference Copy

# Reference Copy Only. Do Not Mail to the FCC as an Application.

Submitted: 01/23/2024 at 17:43:02  
 File Number: 0010873385

**FCC 601**  
**Main Form**

## FCC Application for Radio Service Authorization: Wireless Telecommunications Bureau Public Safety and Homeland Security Bureau

Approved by OMB  
 3060 - 0798  
 See instructions for  
 public burden estimate

1) Radio Service Code: <p style="text-align: center;"><b>CW</b></p>	1a) Existing Radio Service Code:
--	----------------------------------

**General Information**

2) (Select only one) ( <b>AU</b> ) <b>NE</b> - New <b>RO</b> - Renewal Only <b>AU</b> - Administrative Update <b>NT</b> - Required Notifications <b>MD</b> - Modification <b>RM</b> - Renewal/Modification <b>WD</b> - Withdrawal of Application <b>EX</b> - Requests for Extension of Time <b>AM</b> - Amendment <b>CA</b> - Cancellation of License <b>RL</b> - Registered Location/Link	
3a) If this application is for a Demonstration License or a <b>S</b> pecial Temporary Authorization (STA), enter the code and attach the required exhibit as described in the instructions. Otherwise enter ' <b>N/A</b> ' (Not Applicable).	( <b>N</b> ) <u><b>M</b></u> <u><b>S</b></u> <u><b>N/A</b></u>
3b) If this application is for Special Temporary Authority due to an emergency situation, enter 'Y'; otherwise enter 'N'. Refer to Rule 1.915 for an explanation of situations considered to be an emergency.	(    ) <u><b>Y</b></u> <u><b>N</b></u>
4) If this application is for an Amendment or Withdrawal, enter the file number of the pending application currently on file with the FCC.	File Number
5) If this application is for a Modification, Renewal Only, Renewal/Modification, Cancellation of License, , or Administrative Update, enter the call sign of the existing FCC license. If this is a request for Registered Location/Link, enter the FCC call sign assigned to the geographic license.	Call Sign <b>WPTJ404</b>
6a) If this application is for a New, Amendment, Renewal Only, or Renewal/Modification, enter the requested authorization expiration date (this item is optional).	MM    DD _____ / _____
6b) If this application is for a Renewal Only or Renewal/Modification and the license is a geographic area license, is the license used to provide service to customers ( <b>C</b> ), or is the license used for private business (internal) purposes or to meet the licensee's public interest/public safety communications needs ( <b>P</b> )?	(    ) <u><b>C</b></u> <u><b>P</b></u>
7) Is this application "major" as defined in § 1.929 of the Commission's Rules when read in conjunction with the applicable radio service rules found in Parts 22 and 90 of the Commission's Rules? (NOTE: This question only applies to certain site-specific applications. See the instructions for applicability and full text of § 1.929).	(    ) <u><b>Y</b></u> <u><b>N</b></u>
8) Are attachments (other than associated schedules) being filed with this application?	(    ) <u><b>Y</b></u> <u><b>N</b></u>

**Fees, Waivers, and Exemptions**

9) Is the Applicant exempt from FCC application fees?	( <b>N</b> ) <u><b>Y</b></u> <u><b>N</b></u>
10) Is the Applicant exempt from FCC regulatory fees?	( <b>N</b> ) <u><b>Y</b></u> <u><b>N</b></u>
11) Does this application include a request for a Waiver of the Commission's Rule(s)? If 'Yes', attach an exhibit providing rule number(s) and explaining circumstances.	( <b>N</b> ) <u><b>Y</b></u> <u><b>N</b></u>
12) Are the frequencies or parameters requested in this filing covered by grandfathered privileges, previously approved by waiver, or functionally integrated with an existing station?	(    ) <u><b>Y</b></u> <u><b>N</b></u>

**Applicant Information**

13) FCC Registration Number (FRN): <b>0003291192</b>			
14) Applicant/Licensee Legal Entity Type: (Select One) ( ) Individual ( ) Unincorporated Association ( ) Trust ( ) Government Entity ( ) Corporation ( <input checked="" type="checkbox"/> ) Limited Liability Company ( ) General Partnership ( ) Limited Partnership ( ) Limited Liability Partnership ( ) Consortium ( ) Other: _____			
15) If the Licensee name is being updated, is the update a result from the sale (or transfer of control) of the license(s) to party and for which proper Commission approval has not been received or proper notification not provided?			( ) <u>Yes</u> <u>No</u>
16) First Name (if individual):	MI:	Last Name:	Suffix:
17) Legal Entity Name (if other than individual): <b>NEW CINGULAR WIRELESS PCS, LLC</b>			
18) Attention To: <b>National Regulatory Compliance</b>			
19) P.O. Box:	And/Or	20) Street Address: <b>208 S Akard St, 20F</b>	
21) City: <b>Dallas</b>	22) State: <b>TX</b>	23) Zip Code: <b>75202</b>	
24) Telephone Number: <b>(855)699-7073</b>		25) Fax: <b>(214)746-6410</b>	
26) E-Mail Address: <b>FCCMW@att.com</b>			

**27) Demographics (Optional)**

Race: ( ) American Indian or Alaska Native ( ) Asian ( ) Black or African-American ( ) Native Hawaiian or Other Pacific Islander ( ) White	Ethnicity: ( ) Hispanic or Latino ( ) Not Hispanic or Latino	Gender: ( ) Male ( ) Female
---	--	-----------------------------------

**Real Party in Interest**

28) Name of Real Party in Interest of Applicant (If different from Applicant):	29) FCC Registration Number (FRN) of Real Party in Interest:
--	--

**Contact Information (If different from the Applicant)****( ) Check here if same as Applicant.**

30) First Name: <b>Jessica</b>	MI: <b>J</b>	Last Name: <b>Dunk</b>	Suffix:
31) Company Name: <b>AT&amp;T Services, Inc.</b>			
32) Attention To: <b>NRC</b>			
33) P.O. Box:	And /Or	34) Street Address: <b>208 S Akard St, 20F</b>	
35) City: <b>Dallas</b>	36) State: <b>TX</b>	37) Zip Code: <b>75202</b>	
38) Telephone Number: <b>(855)699-7073</b>		39) Fax: <b>(214)746-6410</b>	
40) E-Mail Address: <b>FCCMW@att.com</b>			

**Regulatory Status**

41) This filing is for authorization to provide or use the following type(s) of radio service offering (enter all that apply):  
(  ) Common Carrier (  ) Non-Common Carrier (  ) Private, internal communications (  ) Broadcast Services (  ) Band Manager

**Type of Radio Service**

42) This filing is for authorization to provide the following type(s) of radio service (choose all that apply):  
(  ) Fixed (  ) Mobile (  ) Radiolocation (  ) Satellite (sound) (  ) Broadcast Services  
43) Does the Applicant propose to provide service interconnected to the public telephone network? (  ) Yes (  ) No

**Alien Ownership Questions (If any answer is 'Y', provide an attachment explaining the circumstances. In preparing the attachment, refer to the Main Form Instructions for the "Alien Ownership Questions".)**

44) Is the Applicant a foreign government or the representative of any foreign government? (  ) Yes (  ) No  
45) Is the Applicant an alien or the representative of an alien? (  ) Yes (  ) No  
46) Is the Applicant a corporation organized under the laws of any foreign government? (  ) Yes (  ) No  
47) Is the Applicant a corporation of which more than one-fifth of the capital stock is owned of record or voted by aliens or their representatives, or by a foreign government or representative thereof, or by any corporation organized under the laws of a foreign country? (  ) Yes (  ) No



48a) Is the Applicant directly or indirectly controlled by any other corporation of which more than one-fourth of the capital stock ( ) Yes No is owned of record or voted by aliens or their representatives, or by a foreign government or representative thereof, or by any corporation organized under the laws of a foreign country?

48b) If the answer to 47 or 48a is 'Y' select one of the choices below.

The Applicant is exempt from the provisions of Section 310(b).

*If checked, it is not necessary to file a petition for declaratory ruling if the Applicant includes in the attachment required by Item 47 or Item 48a a showing that the requested license(s) is exempt from the provisions of Section 310(b).*

The Applicant has received a declaratory ruling(s) approving its foreign ownership, and the application involves only the acquisition of additional spectrum for the provision of a wireless service in a geographic coverage area for which the Applicant has been previously authorized.

*If checked, include in the attachment required by Item 47 or Item 48a the citation(s) of the applicable declaratory ruling(s) by DA/FCC number, the FCC Record citation, if available, release date, and a statement that there has been no change in the foreign ownership of the Applicant since the issuance of its ruling.*

The Applicant: (i) has received a declaratory ruling(s) approving its foreign ownership, but is not able to make the certification specified immediately above; or (ii) is an "affiliate" of a Licensee or Lessee/Sublessee that received a declaratory ruling(s) under 47 CFR § 1.5000(a) and is relying on the affiliate's ruling for purposes of filing this application as permitted under the affiliate's ruling and 47 CFR § 1.5004(b)

*If checked, and if the Applicant received its declaratory ruling(s) on or after August 9, 2013, include in the attachment required by Item 47 or Item 48a the citation(s) of the Applicant's declaratory ruling(s) by DA/FCC number, the FCC Record citation, if available, release date, and a statement that the Applicant is in compliance with the terms and conditions of its ruling and with the Commission's Rules.*

*If checked, and if the Applicant received its declaratory ruling(s) prior to August 9, 2013, include in the attachment required by Item 48a a copy of a petition for declaratory ruling filed contemporaneously with the Commission to extend the Applicant's existing ruling(s) to cover the same radio service(s) and geographic coverage area(s) involved in the application. Alternatively, the Applicant may request a new declaratory ruling pursuant to Section 1.5000(a) of the Commission's Rules, 47 CFR § 1.5000 (a). Petitions for declaratory ruling may be filed electronically on the Internet through the International Bureau Filing System (IBFS) (with a copy attached hereto).*

*If checked, and if the Applicant is relying on an affiliate's ruling for purposes of filing this application, include in the attachment required by Item 47 or Item 48a the citation(s) of the applicable declaratory ruling(s) by DA/FCC number, the FCC Record citation, if available, release date, and a statement that the Applicant is in compliance with the terms and conditions of the named affiliate's ruling and with the Commission's Rules. The Applicant must also include a certification of compliance signed by the named affiliate or other qualified entity as specified in 47 CFR § 1.5004(b). See Main Form Instructions for Items 47 or 48a, as applicable.*

The Applicant has not received a declaratory ruling approving its foreign ownership and is requesting a declaratory ruling under 47 CFR § 1.5004(b) in a petition filed contemporaneously with the Commission.

*If checked, include in the attachment required by Item 47 or 48a a copy of the petition for declaratory ruling filed contemporaneously with the Commission pursuant to 47 CFR § 1.5004(b). Petitions for declaratory ruling may be filed electronically on the Internet through the International Bureau Filing System (IBFS) (with a copy attached hereto).*

**Basic Qualification Questions**

49) Has the Applicant or any party to this application had any FCC station authorization, license or construction permit revoked or had any application for an initial, modification or renewal of FCC station authorization, license, or construction permit denied by the Commission?	( <input type="checkbox"/> ) <u>Yes</u> <u>No</u>
50) Has the Applicant or any party to this application, or any party directly or indirectly controlling the Applicant, ever been convicted of a felony by any state or federal court?	( <input type="checkbox"/> ) <u>Yes</u> <u>No</u>
51) Has any court finally adjudged the Applicant or any party directly or indirectly controlling the Applicant guilty of unlawfully monopolizing or attempting unlawfully to monopolize radio communication, directly or indirectly, through control of manufacture or sale of radio apparatus, exclusive traffic arrangement, or any other means or unfair methods of competition?	( <input type="checkbox"/> ) <u>Yes</u> <u>No</u>

**Note: If the answer to any of 49-51 is 'Y', attach an exhibit explaining the circumstances.**

**Aeronautical Advisory Station (Unicom) Certification**

52) ( <input type="checkbox"/> ) I certify that the station will be located on property of the airport to be served, and, in cases where the airport does not have a control tower, RCO, or FAA flight service station, that I have notified the owner of the airport and all aviation service organizations located at the airport within ten days prior to application.
---

**Broadband Radio Service and Educational Broadband Service Cable Cross-Ownership**

53a) Will the requested facilities be used to provide multichannel video programming service?	( <input type="checkbox"/> ) <u>Yes</u> <u>No</u>
53b) If the answer to question 53a is 'Y', does the Applicant operate, control or have an attributable interest (as defined in 47 CFR § 27.1202) in a cable television system whose franchise area is located within the geographic service area of the requested facilities?	( <input type="checkbox"/> ) <u>Yes</u> <u>No</u>

**Note: If the answer to question 53b is 'Y', attach an exhibit explaining how the Applicant complies with 47 CFR § 27.1202 or justifying a waiver of that rule. If a waiver of the Commission Rule(s) is being requested, Item 11a must be answered 'Y'.**

**Broadband Radio Service and Educational Broadband Service (Part 27)**

54) (For EBS only) Does the Applicant comply with the programming requirements contained in 47 CFR § 27.1203?	( <input type="checkbox"/> ) <u>Yes</u> <u>No</u>
---	---

**Note: If the answer to item 54 is 'N', attach an exhibit explaining how the Applicant complies with 47 CFR § 27.1203 of the Commission's Rules or justifying a waiver of that rule. If a waiver of the Commission Rule(s) is being requested, Item 11a must be answered 'Y'.**

55) (For BRS and EBS) Does the Applicant comply with 47 CFR §§ 27.50, 27.55, and 27.1221?	( <input type="checkbox"/> ) <u>Yes</u> <u>No</u>
---	---

**Note: If the answer to item 55 is 'N', attach an exhibit justifying a waiver of that rule(s). If a waiver of the Commission Rule(s) is being requested, Item 11a must be answered 'Y'.**

**For Applicants Who Participated in an Auction**

56) Is the Applicant a qualifying rural wireless partnership or a member of a qualifying rural wireless partnership?	( <input type="checkbox"/> ) <u>Yes</u> <u>No</u>
--	---

**Note: If the answer to item 56 is 'Y', attach an exhibit listing all members of the qualifying rural wireless partnership, including their FRN numbers.**

**For Renewal Applicants**

57) Operation/Performance Requirement Certification	
<b>[For a site-based license]:</b> Applicant certifies that it is continuing to operate consistent with its most recently filed construction notification (or most recent authorization, if no construction notification was required).	( <input type="checkbox"/> ) <u>Yes</u> <u>No</u>
<b>[For a geographic license, commercial service - licensee in its initial license term with an interim performance requirement]:</b> Applicant certifies that it has met its interim performance requirement, that over the portion of the license term following the interim performance requirement, it continues to use its facilities to provide at least the level of service required by its interim performance requirement, it has met its final performance requirement, and it continues to use its facilities to provide at least the level of service required by its final performance requirement through the end of the license term.	( <input type="checkbox"/> ) <u>Yes</u> <u>No</u>
<b>[For a geographic license, commercial service - licensee in its initial license term with no interim performance requirement]:</b> Applicant certifies that it has met its final performance requirement and it continues to use its facilities to provide at least the level of service required by its final performance requirement through the end of the license term. [Note: licensee must provide a showing demonstrating that the final performance requirement has been met, either separately in a timely application for notification of completion of construction, or as part of its renewal application, depending on the radio service.]	( <input type="checkbox"/> ) <u>Yes</u> <u>No</u>
<b>[For a geographic license, commercial service - licensee in any subsequent term]:</b> Applicant certifies that it continues to use its facilities to provide at least the level of service required by its final performance requirement through the end of any subsequent license terms.	( <input type="checkbox"/> ) <u>Yes</u> <u>No</u>
<b>[For a geographic license, private systems - licensee in its initial license term with an interim performance requirement]:</b> Applicant certifies that it has met its interim performance requirement, that over the portion of the license term following the interim performance requirement, it continues to use its facilities to further its private business or public interest/public safety communications needs at or above the level required to meet its interim performance requirement, it has met its final performance requirement, and it continues to use its facilities to provide at least the level of operation required by its final performance requirement through the end of the license term.	( <input type="checkbox"/> ) <u>Yes</u> <u>No</u>
<b>[For a geographic license, private systems - licensee in its initial license term with no interim performance requirement]:</b> Applicant certifies that it has met its final performance requirement, it continues to use its facilities to further its private business or public interest/public safety communications needs, and it continues to use its facilities to provide at least the level of operation required by its final performance requirement through the end of the license term. [Note: licensee must provide a showing demonstrating that the final performance requirement has been met, either separately in a timely application for notification of completion of construction, or as part of its renewal application, depending on the radio service.]	( <input type="checkbox"/> ) <u>Yes</u> <u>No</u>

<b>[For a geographic license, private systems - licensee in any subsequent term]:</b> Applicant certifies that it continues to use its facilities to further its private business or public interest/public safety communications needs at or above the level required to meet its final performance requirement through the end of any subsequent license terms.	( ) <u>Yes</u> <u>No</u>
<b>[For a partitioned or disaggregated license without a performance requirement, for the first renewal application filed after effective date of the rules]:</b> Applicant certifies that the partitioned and/or disaggregated license that is the subject of this renewal application has no separate performance requirement and that this is the first renewal of this license filed subsequent to the effective date of the rules.	( ) <u>Yes</u> <u>No</u>
<b>[For a partitioned or disaggregated license without a performance requirement, for any subsequent renewal filings]:</b> Applicant certifies that it continues to use its facilities to provide service or to further the applicant's private business or public interest/public safety needs.	( ) <u>Yes</u> <u>No</u>

**Discontinuance of Service Certification**

58) Applicant certifies that no permanent discontinuance of service or operation, as applicable, occurred during its current license term.  <b>Note: If the response to either item 57 or item 58 is 'N',</b> attach an exhibit that demonstrates that over the course of the license term, the Applicant provided and continues to provide service to the public, or operated and continues to operate the license to meet the Applicant's private business or public interest/public safety communications needs. This exhibit must include a detailed description of the Applicant's provision of service or, when allowed under the relevant service rules or pursuant to waiver, use of the spectrum for private business or public interest/public safety communications needs, during the entire license period and address, as applicable: 1) the level and quality of service provided by the applicant (e.g., the population served, the area served, the number of subscribers, the services offered); (2) the date service commenced, whether service was ever interrupted, and the duration of any interruption or outage; (3) the extent to which service is provided to rural areas; (4) the extent to which service is provided to qualifying tribal land as defined in 47 CFR § 1.2110(e)(3)(i); and (5) any other factors associated with the level of service to the public. The licensee may note in its exhibit: 1) any grant(s) of waiver or extension of a performance deadline or license renewal subject to meeting a performance requirement; or 2) if the final performance deadline and/or expiration date for the license accelerated because the licensee did not meet an interim performance requirement.	( ) <u>Yes</u> <u>No</u>
--	--------------------------

**Regulatory Compliance Certification [same for all]**

59) Applicant certifies that it has substantially complied with all applicable FCC rules, policies, and the Communications Act of 1934, as amended.  <b>Note: If the response to item 59 is 'N',</b> attach an exhibit explaining the circumstances and demonstrating why Applicant's license should be renewed.	( ) <u>Yes</u> <u>No</u>
--	--------------------------

**General Certification Statements**

1) The Applicant waives any claim to the use of any particular frequency or of the electromagnetic spectrum as against the regulatory power of the United States because of the previous use of the same, whether by license or otherwise, and requests an authorization in accordance with this application.
2) The Applicant certifies that grant of this application would not cause the Applicant to be in violation of any pertinent cross-ownership or attribution rules.* *If the Applicant has sought a waiver of any such rule in connection with this application, it may make this certification subject to the outcome of the waiver request.
3) The Applicant certifies that all statements made in this application and in the exhibits, attachments, or documents incorporated by reference are material, are part of this application, and are true, complete, correct, and made in good faith.
4) The Applicant certifies that neither the Applicant nor any other party to the application is subject to a denial of Federal benefits pursuant to § 5301 of the Anti-Drug Abuse Act of 1988, 21 U.S.C. § 862, because of a conviction for possession or distribution of a controlled substance. This certification does not apply to applications filed in services exempted under § 1.2002(c) of the rules, 47 CFR § 1.2002(c). See 47 CFR § 1.2002(b) for the definition of "party to the application" as used in this certification.
5) The Applicant certifies that it either (1) has current required ownership data on file with the Commission, (2) is filing updated ownership data simultaneously with this application, or (3) is not required to file ownership data under the Commission's Rules.
6) The Applicant certifies that the facilities, operations, and transmitters for which this authorization is hereby requested are either: (1) categorically excluded from routine environmental evaluation for RF exposure as set forth in 47 CFR § 1.1307(b); or, (2) have been found not to cause human exposure to levels of radiofrequency radiation in excess of the limits specified in 47 CFR §§ 1.1310 and 2.1093; or, (3) are the subject of one or more Environmental Assessments filed with the Commission.
7) The Applicant certifies that it has reviewed the appropriate Commission Rules defining eligibility to hold the requested license(s) and is eligible to hold the requested license(s).
8) The Applicant certifies that it is not in default on any payment for Commission licenses and that it is not delinquent on any non-tax debt owed to any federal agency.
9) The Applicant certifies that the Applicant and all of the related individuals and entities required to be disclosed on this application and FCC Form 602 (FCC Ownership Disclosure Information for the Wireless Telecommunications Services) are not person(s) who have been, for reasons of national security, barred by any agency of the Federal Government from bidding on a contract, participating in an auction, or receiving a grant. This certification applies only to applications for licenses for spectrum that is required by Sections 6103, 6401-6403 of the Middle Class Tax Relief and Job Creation Act of 2012, codified at 47 U.S.C. §§ 309, 1413, 1451-1452, to be assigned by a system of competitive bidding under 47 U.S.C. § 309(j).

**Signature**

60) Typed or Printed Name of Party Authorized to Sign

First Name: <b>Jessica</b>	MI:	Last Name: <b>Dunk</b>	Suffix:
61) Title: <b>Assistant Secretary - Compliance</b>			
Signature: <b>Jessica Dunk</b>			62) Date: <b>01/23/2024</b>
<b>FAILURE TO SIGN THIS APPLICATION MAY RESULT IN DISMISSAL OF THE APPLICATION AND FORFEITURE OF ANY FEES PAID.</b>			
Upon grant of this license application, the Licensee may be subject to certain construction or coverage requirements. Failure to meet the construction or coverage requirements will result in termination of the license. Consult appropriate FCC regulations to determine the construction or coverage requirements that apply to the type of license requested in this application.			
WILLFUL FALSE STATEMENTS MADE ON THIS FORM OR ANY ATTACHMENTS ARE PUNISHABLE BY FINE AND/OR IMPRISONMENT (U.S. Code, Title 18, § 1001) AND/OR REVOCATION OF ANY STATION LICENSE OR CONSTRUCTION PERMIT (U.S. Code, Title 47, § 312(a)(1)), AND/OR FORFEITURE (U.S. Code, Title 47, § 503).			

REFERENCE COPY

This is not an official FCC license. It is a record of public information contained in the FCC's licensing database on the date that this reference copy was generated. In cases where FCC rules require the presentation, posting, or display of an FCC license, this document may not be used in place of an official FCC license.



Federal Communications Commission
Wireless Telecommunications Bureau

RADIO STATION AUTHORIZATION

LICENSEE: NEW CINGULAR WIRELESS PCS, LLC

ATTN: NATIONAL REGULATORY COMPLIANCE
NEW CINGULAR WIRELESS PCS, LLC
208 S AKARD ST, 20F
DALLAS, TX 75202

Table with Call Sign (WQGD489), File Number, and Radio Service (AW - AWS (1710-1755 MHz and 2110-2155 MHz)).

FCC Registration Number (FRN): 0003291192

Table with columns: Grant Date, Effective Date, Expiration Date, Print Date, Market Number, Channel Block, Sub-Market Designator, Market Name, 1st Build-out Date, 2nd Build-out Date, 3rd Build-out Date, 4th Build-out Date.

Waivers/Conditions:

This authorization is conditioned upon the licensee, prior to initiating operations from any base or fixed station, making reasonable efforts to coordinate frequency usage with known co-channel and adjacent channel incumbent federal users operating in the 1710-1755 MHz band whose facilities could be affected by the proposed operations.

Grant of the request to update licensee name is conditioned on it not reflecting an assignment or transfer of control (see Rule 1.948); if an assignment or transfer occurred without proper notification or FCC approval, the grant is void and the station is licensed under the prior name.

Conditions:

Pursuant to §309(h) of the Communications Act of 1934, as amended, 47 U.S.C. §309(h), this license is subject to the following conditions: This license shall not vest in the licensee any right to operate the station nor any right in the use of the frequencies designated in the license beyond the term thereof nor in any other manner than authorized herein.

This license may not authorize operation throughout the entire geographic area or spectrum identified on the hardcopy version. To view the specific geographic area and spectrum authorized by this license, refer to the Spectrum and Market Area information under the Market Tab of the license record in the Universal Licensing System (ULS).

**Licensee Name:** NEW CINGULAR WIRELESS PCS, LLC

**Call Sign:** WQGD489

**File Number:**

**Print Date:**

**700 MHz Relicensed Area Information:**

<b>Market</b>	<b>Market Name</b>	<b>Buildout Deadline</b>	<b>Buildout Notification</b>	<b>Status</b>
---------------	--------------------	--------------------------	------------------------------	---------------

Reference Copy

# Reference Copy Only. Do Not Mail to the FCC as an Application.

Submitted: 01/22/2024 at 14:24:20  
 File Number: 0010867787

**FCC 601**  
**Main Form**

## FCC Application for Radio Service Authorization: Wireless Telecommunications Bureau Public Safety and Homeland Security Bureau

Approved by OMB  
 3060 - 0798  
 See instructions for  
 public burden estimate

1) Radio Service Code:  <b>AW</b>	1a) Existing Radio Service Code:
---	----------------------------------

**General Information**

2) (Select only one) ( <b>AU</b> ) <b>NE</b> - New <b>RO</b> - Renewal Only <b>AU</b> - Administrative Update <b>NT</b> - Required Notifications <b>MD</b> - Modification <b>RM</b> - Renewal/Modification <b>WD</b> - Withdrawal of Application <b>EX</b> - Requests for Extension of Time <b>AM</b> - Amendment <b>CA</b> - Cancellation of License <b>RL</b> - Registered Location/Link	
3a) If this application is for a Demonstration License or a <b>S</b> pecial Temporary Authorization (STA), enter the code and attach the required exhibit as described in the instructions. Otherwise enter ' <b>N/A</b> ' (Not Applicable).	( <b>N</b> ) <u><b>M</b></u> <u><b>S</b></u> <u><b>N/A</b></u>
3b) If this application is for Special Temporary Authority due to an emergency situation, enter 'Y'; otherwise enter 'N'. Refer to Rule 1.915 for an explanation of situations considered to be an emergency.	(    ) <u><b>Y</b></u> <u><b>N</b></u>
4) If this application is for an Amendment or Withdrawal, enter the file number of the pending application currently on file with the FCC.	File Number
5) If this application is for a Modification, Renewal Only, Renewal/Modification, Cancellation of License, , or Administrative Update, enter the call sign of the existing FCC license. If this is a request for Registered Location/Link, enter the FCC call sign assigned to the geographic license.	Call Sign <b>WQGD489</b>
6a) If this application is for a New, Amendment, Renewal Only, or Renewal/Modification, enter the requested authorization expiration date (this item is optional).	MM    DD ____ / ____
6b) If this application is for a Renewal Only or Renewal/Modification and the license is a geographic area license, is the license used to provide service to customers ( <b>C</b> ), or is the license used for private business (internal) purposes or to meet the licensee's public interest/public safety communications needs ( <b>P</b> )?	(    ) <u><b>C</b></u> <u><b>P</b></u>
7) Is this application "major" as defined in § 1.929 of the Commission's Rules when read in conjunction with the applicable radio service rules found in Parts 22 and 90 of the Commission's Rules? (NOTE: This question only applies to certain site-specific applications. See the instructions for applicability and full text of § 1.929).	(    ) <u><b>Y</b></u> <u><b>N</b></u>
8) Are attachments (other than associated schedules) being filed with this application?	(    ) <u><b>Y</b></u> <u><b>N</b></u>

**Fees, Waivers, and Exemptions**

9) Is the Applicant exempt from FCC application fees?	( <b>N</b> ) <u><b>Y</b></u> <u><b>N</b></u>
10) Is the Applicant exempt from FCC regulatory fees?	( <b>N</b> ) <u><b>Y</b></u> <u><b>N</b></u>
11) Does this application include a request for a Waiver of the Commission's Rule(s)? If 'Yes', attach an exhibit providing rule number(s) and explaining circumstances.	( <b>N</b> ) <u><b>Y</b></u> <u><b>N</b></u>
12) Are the frequencies or parameters requested in this filing covered by grandfathered privileges, previously approved by waiver, or functionally integrated with an existing station?	(    ) <u><b>Y</b></u> <u><b>N</b></u>

**Applicant Information**

13) FCC Registration Number (FRN): <b>0003291192</b>			
14) Applicant/Licensee Legal Entity Type: (Select One) ( ) Individual ( ) Unincorporated Association ( ) Trust ( ) Government Entity ( ) Corporation ( <input checked="" type="checkbox"/> ) Limited Liability Company ( ) General Partnership ( ) Limited Partnership ( ) Limited Liability Partnership ( ) Consortium ( ) Other: _____			
15) If the Licensee name is being updated, is the update a result from the sale (or transfer of control) of the license(s) to party and for which proper Commission approval has not been received or proper notification not provided?			( ) <u>Yes</u> <u>No</u>
16) First Name (if individual):	MI:	Last Name:	Suffix:
17) Legal Entity Name (if other than individual): <b>New Cingular Wireless PCS, LLC</b>			
18) Attention To: <b>National Regulatory Compliance</b>			
19) P.O. Box:	And/Or	20) Street Address: <b>208 S Akard St, 20F</b>	
21) City: <b>Dallas</b>	22) State: <b>TX</b>	23) Zip Code: <b>75202</b>	
24) Telephone Number: <b>(855)699-7073</b>		25) Fax:	
26) E-Mail Address: <b>FCCMW@att.com</b>			

**27) Demographics (Optional)**

Race: ( ) American Indian or Alaska Native ( ) Asian ( ) Black or African-American ( ) Native Hawaiian or Other Pacific Islander ( ) White	Ethnicity: ( ) Hispanic or Latino ( ) Not Hispanic or Latino	Gender: ( ) Male ( ) Female
---	--	-----------------------------------

**Real Party in Interest**

28) Name of Real Party in Interest of Applicant (If different from Applicant):	29) FCC Registration Number (FRN) of Real Party in Interest:
--	--

**Contact Information (If different from the Applicant)****( ) Check here if same as Applicant.**

30) First Name: <b>Jessica</b>	MI: <b>J</b>	Last Name: <b>Dunk</b>	Suffix:
31) Company Name: <b>AT&amp;T Services, Inc.</b>			
32) Attention To: <b>NRC</b>			
33) P.O. Box:	And /Or	34) Street Address: <b>208 S Akard St, 20F</b>	
35) City: <b>Dallas</b>	36) State: <b>TX</b>	37) Zip Code: <b>75202</b>	
38) Telephone Number: <b>(855)699-7073</b>		39) Fax:	
40) E-Mail Address: <b>FCCMW@att.com</b>			



**Regulatory Status**

41) This filing is for authorization to provide or use the following type(s) of radio service offering (enter all that apply):  
(  ) Common Carrier (  ) Non-Common Carrier (  ) Private, internal communications (  ) Broadcast Services (  ) Band Manager

**Type of Radio Service**

42) This filing is for authorization to provide the following type(s) of radio service (choose all that apply):  
(  ) Fixed (  ) Mobile (  ) Radiolocation (  ) Satellite (sound) (  ) Broadcast Services  
43) Does the Applicant propose to provide service interconnected to the public telephone network? (  ) Yes (  ) No

**Alien Ownership Questions (If any answer is 'Y', provide an attachment explaining the circumstances. In preparing the attachment, refer to the Main Form Instructions for the "Alien Ownership Questions".)**

44) Is the Applicant a foreign government or the representative of any foreign government? (  ) Yes (  ) No  
45) Is the Applicant an alien or the representative of an alien? (  ) Yes (  ) No  
46) Is the Applicant a corporation organized under the laws of any foreign government? (  ) Yes (  ) No  
47) Is the Applicant a corporation of which more than one-fifth of the capital stock is owned of record or voted by aliens or their representatives, or by a foreign government or representative thereof, or by any corporation organized under the laws of a foreign country? (  ) Yes (  ) No

48a) Is the Applicant directly or indirectly controlled by any other corporation of which more than one-fourth of the capital stock ( ) Yes No is owned of record or voted by aliens or their representatives, or by a foreign government or representative thereof, or by any corporation organized under the laws of a foreign country?

48b) If the answer to 47 or 48a is 'Y' select one of the choices below.

The Applicant is exempt from the provisions of Section 310(b).

*If checked, it is not necessary to file a petition for declaratory ruling if the Applicant includes in the attachment required by Item 47 or Item 48a a showing that the requested license(s) is exempt from the provisions of Section 310(b).*

The Applicant has received a declaratory ruling(s) approving its foreign ownership, and the application involves only the acquisition of additional spectrum for the provision of a wireless service in a geographic coverage area for which the Applicant has been previously authorized.

*If checked, include in the attachment required by Item 47 or Item 48a the citation(s) of the applicable declaratory ruling(s) by DA/FCC number, the FCC Record citation, if available, release date, and a statement that there has been no change in the foreign ownership of the Applicant since the issuance of its ruling.*

The Applicant: (i) has received a declaratory ruling(s) approving its foreign ownership, but is not able to make the certification specified immediately above; or (ii) is an "affiliate" of a Licensee or Lessee/Sublessee that received a declaratory ruling(s) under 47 CFR § 1.5000(a) and is relying on the affiliate's ruling for purposes of filing this application as permitted under the affiliate's ruling and 47 CFR § 1.5004(b)

*If checked, and if the Applicant received its declaratory ruling(s) on or after August 9, 2013, include in the attachment required by Item 47 or Item 48a the citation(s) of the Applicant's declaratory ruling(s) by DA/FCC number, the FCC Record citation, if available, release date, and a statement that the Applicant is in compliance with the terms and conditions of its ruling and with the Commission's Rules.*

*If checked, and if the Applicant received its declaratory ruling(s) prior to August 9, 2013, include in the attachment required by Item 48a a copy of a petition for declaratory ruling filed contemporaneously with the Commission to extend the Applicant's existing ruling(s) to cover the same radio service(s) and geographic coverage area(s) involved in the application. Alternatively, the Applicant may request a new declaratory ruling pursuant to Section 1.5000(a) of the Commission's Rules, 47 CFR § 1.5000 (a). Petitions for declaratory ruling may be filed electronically on the Internet through the International Bureau Filing System (IBFS) (with a copy attached hereto).*

*If checked, and if the Applicant is relying on an affiliate's ruling for purposes of filing this application, include in the attachment required by Item 47 or Item 48a the citation(s) of the applicable declaratory ruling(s) by DA/FCC number, the FCC Record citation, if available, release date, and a statement that the Applicant is in compliance with the terms and conditions of the named affiliate's ruling and with the Commission's Rules. The Applicant must also include a certification of compliance signed by the named affiliate or other qualified entity as specified in 47 CFR § 1.5004(b). See Main Form Instructions for Items 47 or 48a, as applicable.*

The Applicant has not received a declaratory ruling approving its foreign ownership and is requesting a declaratory ruling under 47 CFR § 1.5004(b) in a petition filed contemporaneously with the Commission.

*If checked, include in the attachment required by Item 47 or 48a a copy of the petition for declaratory ruling filed contemporaneously with the Commission pursuant to 47 CFR § 1.5004(b). Petitions for declaratory ruling may be filed electronically on the Internet through the International Bureau Filing System (IBFS) (with a copy attached hereto).*

**Basic Qualification Questions**

49) Has the Applicant or any party to this application had any FCC station authorization, license or construction permit revoked or had any application for an initial, modification or renewal of FCC station authorization, license, or construction permit denied by the Commission?	( ) <u>Yes</u> <u>No</u>
50) Has the Applicant or any party to this application, or any party directly or indirectly controlling the Applicant, ever been convicted of a felony by any state or federal court?	( ) <u>Yes</u> <u>No</u>
51) Has any court finally adjudged the Applicant or any party directly or indirectly controlling the Applicant guilty of unlawfully monopolizing or attempting unlawfully to monopolize radio communication, directly or indirectly, through control of manufacture or sale of radio apparatus, exclusive traffic arrangement, or any other means or unfair methods of competition?	( ) <u>Yes</u> <u>No</u>

**Note: If the answer to any of 49-51 is 'Y', attach an exhibit explaining the circumstances.**

**Aeronautical Advisory Station (Unicom) Certification**

52) ( ) I certify that the station will be located on property of the airport to be served, and, in cases where the airport does not have a control tower, RCO, or FAA flight service station, that I have notified the owner of the airport and all aviation service organizations located at the airport within ten days prior to application.
--

**Broadband Radio Service and Educational Broadband Service Cable Cross-Ownership**

53a) Will the requested facilities be used to provide multichannel video programming service?	( ) <u>Yes</u> <u>No</u>
53b) If the answer to question 53a is 'Y', does the Applicant operate, control or have an attributable interest (as defined in 47 CFR § 27.1202) in a cable television system whose franchise area is located within the geographic service area of the requested facilities?	( ) <u>Yes</u> <u>No</u>

**Note: If the answer to question 53b is 'Y', attach an exhibit explaining how the Applicant complies with 47 CFR § 27.1202 or justifying a waiver of that rule. If a waiver of the Commission Rule(s) is being requested, Item 11a must be answered 'Y'.**

**Broadband Radio Service and Educational Broadband Service (Part 27)**

54) (For EBS only) Does the Applicant comply with the programming requirements contained in 47 CFR § 27.1203?	( ) <u>Yes</u> <u>No</u>
---	--------------------------

**Note: If the answer to item 54 is 'N', attach an exhibit explaining how the Applicant complies with 47 CFR § 27.1203 of the Commission's Rules or justifying a waiver of that rule. If a waiver of the Commission Rule(s) is being requested, Item 11a must be answered 'Y'.**

55) (For BRS and EBS) Does the Applicant comply with 47 CFR §§ 27.50, 27.55, and 27.1221?	( ) <u>Yes</u> <u>No</u>
---	--------------------------

**Note: If the answer to item 55 is 'N', attach an exhibit justifying a waiver of that rule(s). If a waiver of the Commission Rule(s) is being requested, Item 11a must be answered 'Y'.**

**For Applicants Who Participated in an Auction**

56) Is the Applicant a qualifying rural wireless partnership or a member of a qualifying rural wireless partnership?	( ) <u>Yes</u> <u>No</u>
--	--------------------------

**Note: If the answer to item 56 is 'Y', attach an exhibit listing all members of the qualifying rural wireless partnership, including their FRN numbers.**

**For Renewal Applicants****57) Operation/Performance Requirement Certification**

<b>[For a site-based license]:</b> Applicant certifies that it is continuing to operate consistent with its most recently filed construction notification (or most recent authorization, if no construction notification was required).	( ) <u>Yes</u> <u>No</u>
<b>[For a geographic license, commercial service - licensee in its initial license term with an interim performance requirement]:</b> Applicant certifies that it has met its interim performance requirement, that over the portion of the license term following the interim performance requirement, it continues to use its facilities to provide at least the level of service required by its interim performance requirement, it has met its final performance requirement, and it continues to use its facilities to provide at least the level of service required by its final performance requirement through the end of the license term.	( ) <u>Yes</u> <u>No</u>
<b>[For a geographic license, commercial service - licensee in its initial license term with no interim performance requirement]:</b> Applicant certifies that it has met its final performance requirement and it continues to use its facilities to provide at least the level of service required by its final performance requirement through the end of the license term. [Note: licensee must provide a showing demonstrating that the final performance requirement has been met, either separately in a timely application for notification of completion of construction, or as part of its renewal application, depending on the radio service.]	( ) <u>Yes</u> <u>No</u>
<b>[For a geographic license, commercial service - licensee in any subsequent term]:</b> Applicant certifies that it continues to use its facilities to provide at least the level of service required by its final performance requirement through the end of any subsequent license terms.	( ) <u>Yes</u> <u>No</u>
<b>[For a geographic license, private systems - licensee in its initial license term with an interim performance requirement]:</b> Applicant certifies that it has met its interim performance requirement, that over the portion of the license term following the interim performance requirement, it continues to use its facilities to further its private business or public interest/public safety communications needs at or above the level required to meet its interim performance requirement, it has met its final performance requirement, and it continues to use its facilities to provide at least the level of operation required by its final performance requirement through the end of the license term.	( ) <u>Yes</u> <u>No</u>
<b>[For a geographic license, private systems - licensee in its initial license term with no interim performance requirement]:</b> Applicant certifies that it has met its final performance requirement, it continues to use its facilities to further its private business or public interest/public safety communications needs, and it continues to use its facilities to provide at least the level of operation required by its final performance requirement through the end of the license term. [Note: licensee must provide a showing demonstrating that the final performance requirement has been met, either separately in a timely application for notification of completion of construction, or as part of its renewal application, depending on the radio service.]	( ) <u>Yes</u> <u>No</u>

<b>[For a geographic license, private systems - licensee in any subsequent term]:</b> Applicant certifies that it continues to use its facilities to further its private business or public interest/public safety communications needs at or above the level required to meet its final performance requirement through the end of any subsequent license terms.	( ) <u>Yes</u> <u>No</u>
<b>[For a partitioned or disaggregated license without a performance requirement, for the first renewal application filed after effective date of the rules]:</b> Applicant certifies that the partitioned and/or disaggregated license that is the subject of this renewal application has no separate performance requirement and that this is the first renewal of this license filed subsequent to the effective date of the rules.	( ) <u>Yes</u> <u>No</u>
<b>[For a partitioned or disaggregated license without a performance requirement, for any subsequent renewal filings]:</b> Applicant certifies that it continues to use its facilities to provide service or to further the applicant's private business or public interest/public safety needs.	( ) <u>Yes</u> <u>No</u>

**Discontinuance of Service Certification**

58) Applicant certifies that no permanent discontinuance of service or operation, as applicable, occurred during its current license term.  <b>Note: If the response to either item 57 or item 58 is 'N',</b> attach an exhibit that demonstrates that over the course of the license term, the Applicant provided and continues to provide service to the public, or operated and continues to operate the license to meet the Applicant's private business or public interest/public safety communications needs. This exhibit must include a detailed description of the Applicant's provision of service or, when allowed under the relevant service rules or pursuant to waiver, use of the spectrum for private business or public interest/public safety communications needs, during the entire license period and address, as applicable: 1) the level and quality of service provided by the applicant (e.g., the population served, the area served, the number of subscribers, the services offered); (2) the date service commenced, whether service was ever interrupted, and the duration of any interruption or outage; (3) the extent to which service is provided to rural areas; (4) the extent to which service is provided to qualifying tribal land as defined in 47 CFR § 1.2110(e)(3)(i); and (5) any other factors associated with the level of service to the public. The licensee may note in its exhibit: 1) any grant(s) of waiver or extension of a performance deadline or license renewal subject to meeting a performance requirement; or 2) if the final performance deadline and/or expiration date for the license accelerated because the licensee did not meet an interim performance requirement.	( ) <u>Yes</u> <u>No</u>
--	--------------------------

**Regulatory Compliance Certification [same for all]**

59) Applicant certifies that it has substantially complied with all applicable FCC rules, policies, and the Communications Act of 1934, as amended.  <b>Note: If the response to item 59 is 'N',</b> attach an exhibit explaining the circumstances and demonstrating why Applicant's license should be renewed.	( ) <u>Yes</u> <u>No</u>
--	--------------------------

**General Certification Statements**

1) The Applicant waives any claim to the use of any particular frequency or of the electromagnetic spectrum as against the regulatory power of the United States because of the previous use of the same, whether by license or otherwise, and requests an authorization in accordance with this application.
2) The Applicant certifies that grant of this application would not cause the Applicant to be in violation of any pertinent cross-ownership or attribution rules.* *If the Applicant has sought a waiver of any such rule in connection with this application, it may make this certification subject to the outcome of the waiver request.
3) The Applicant certifies that all statements made in this application and in the exhibits, attachments, or documents incorporated by reference are material, are part of this application, and are true, complete, correct, and made in good faith.
4) The Applicant certifies that neither the Applicant nor any other party to the application is subject to a denial of Federal benefits pursuant to § 5301 of the Anti-Drug Abuse Act of 1988, 21 U.S.C. § 862, because of a conviction for possession or distribution of a controlled substance. This certification does not apply to applications filed in services exempted under § 1.2002(c) of the rules, 47 CFR § 1.2002(c). See 47 CFR § 1.2002(b) for the definition of "party to the application" as used in this certification.
5) The Applicant certifies that it either (1) has current required ownership data on file with the Commission, (2) is filing updated ownership data simultaneously with this application, or (3) is not required to file ownership data under the Commission's Rules.
6) The Applicant certifies that the facilities, operations, and transmitters for which this authorization is hereby requested are either: (1) categorically excluded from routine environmental evaluation for RF exposure as set forth in 47 CFR § 1.1307(b); or, (2) have been found not to cause human exposure to levels of radiofrequency radiation in excess of the limits specified in 47 CFR §§ 1.1310 and 2.1093; or, (3) are the subject of one or more Environmental Assessments filed with the Commission.
7) The Applicant certifies that it has reviewed the appropriate Commission Rules defining eligibility to hold the requested license(s) and is eligible to hold the requested license(s).
8) The Applicant certifies that it is not in default on any payment for Commission licenses and that it is not delinquent on any non-tax debt owed to any federal agency.
9) The Applicant certifies that the Applicant and all of the related individuals and entities required to be disclosed on this application and FCC Form 602 (FCC Ownership Disclosure Information for the Wireless Telecommunications Services) are not person(s) who have been, for reasons of national security, barred by any agency of the Federal Government from bidding on a contract, participating in an auction, or receiving a grant. This certification applies only to applications for licenses for spectrum that is required by Sections 6103, 6401-6403 of the Middle Class Tax Relief and Job Creation Act of 2012, codified at 47 U.S.C. §§ 309, 1413, 1451-1452, to be assigned by a system of competitive bidding under 47 U.S.C. § 309(j).

**Signature**

60) Typed or Printed Name of Party Authorized to Sign

First Name: <b>Jessica</b>	MI:	Last Name: <b>Dunk</b>	Suffix:
61) Title: <b>Assistant Secretary - Compliance</b>			
Signature: <b>Jessica Dunk</b>			62) Date: <b>01/22/2024</b>
<b>FAILURE TO SIGN THIS APPLICATION MAY RESULT IN DISMISSAL OF THE APPLICATION AND FORFEITURE OF ANY FEES PAID.</b>			
Upon grant of this license application, the Licensee may be subject to certain construction or coverage requirements. Failure to meet the construction or coverage requirements will result in termination of the license. Consult appropriate FCC regulations to determine the construction or coverage requirements that apply to the type of license requested in this application.			
WILLFUL FALSE STATEMENTS MADE ON THIS FORM OR ANY ATTACHMENTS ARE PUNISHABLE BY FINE AND/OR IMPRISONMENT (U.S. Code, Title 18, § 1001) AND/OR REVOCATION OF ANY STATION LICENSE OR CONSTRUCTION PERMIT (U.S. Code, Title 47, § 312(a)(1)), AND/OR FORFEITURE (U.S. Code, Title 47, § 503).			

REFERENCE COPY

This is not an official FCC license. It is a record of public information contained in the FCC's licensing database on the date that this reference copy was generated. In cases where FCC rules require the presentation, posting, or display of an FCC license, this document may not be used in place of an official FCC license.



Federal Communications Commission
Wireless Telecommunications Bureau

RADIO STATION AUTHORIZATION

LICENSEE: NEW CINGULAR WIRELESS PCS, LLC

ATTN: NATIONAL REGULATORY COMPLIANCE
NEW CINGULAR WIRELESS PCS, LLC
208 S AKARD ST, 20F
DALLAS, TX 75202

Table with Call Sign (WQGD545), File Number, and Radio Service (AW - AWS (1710-1755 MHz and 2110-2155 MHz)).

FCC Registration Number (FRN): 0003291192

Table with columns: Grant Date, Effective Date, Expiration Date, Print Date, Market Number, Channel Block, Sub-Market Designator, Market Name, 1st Build-out Date, 2nd Build-out Date, 3rd Build-out Date, 4th Build-out Date.

Waivers/Conditions:

This authorization is conditioned upon the licensee, prior to initiating operations from any base or fixed station, making reasonable efforts to coordinate frequency usage with known co-channel and adjacent channel incumbent federal users operating in the 1710-1755 MHz band whose facilities could be affected by the proposed operations.

Grant of the request to update licensee name is conditioned on it not reflecting an assignment or transfer of control (see Rule 1.948); if an assignment or transfer occurred without proper notification or FCC approval, the grant is void and the station is licensed under the prior name.

Conditions:

Pursuant to §309(h) of the Communications Act of 1934, as amended, 47 U.S.C. §309(h), this license is subject to the following conditions: This license shall not vest in the licensee any right to operate the station nor any right in the use of the frequencies designated in the license beyond the term thereof nor in any other manner than authorized herein.

This license may not authorize operation throughout the entire geographic area or spectrum identified on the hardcopy version. To view the specific geographic area and spectrum authorized by this license, refer to the Spectrum and Market Area information under the Market Tab of the license record in the Universal Licensing System (ULS).

**Licensee Name:** NEW CINGULAR WIRELESS PCS, LLC

**Call Sign:** WQGD545

**File Number:**

**Print Date:**

**700 MHz Relicensed Area Information:**

<b>Market</b>	<b>Market Name</b>	<b>Buildout Deadline</b>	<b>Buildout Notification</b>	<b>Status</b>
---------------	--------------------	--------------------------	------------------------------	---------------

Reference Copy

# Reference Copy Only. Do Not Mail to the FCC as an Application.

Submitted: 01/22/2024 at 14:24:20  
 File Number: 0010867837

**FCC 601**  
**Main Form**

## FCC Application for Radio Service Authorization: Wireless Telecommunications Bureau Public Safety and Homeland Security Bureau

Approved by OMB  
 3060 - 0798  
 See instructions for  
 public burden estimate

1) Radio Service Code: <p style="text-align: center;"><b>AW</b></p>	1a) Existing Radio Service Code:
--	----------------------------------

**General Information**

2) (Select only one) ( <b>AU</b> ) <b>NE</b> - New <b>RO</b> - Renewal Only <b>AU</b> - Administrative Update <b>NT</b> - Required Notifications <b>MD</b> - Modification <b>RM</b> - Renewal/Modification <b>WD</b> - Withdrawal of Application <b>EX</b> - Requests for Extension of Time <b>AM</b> - Amendment <b>CA</b> - Cancellation of License <b>RL</b> - Registered Location/Link	
3a) If this application is for a Demonstration License or a <u>Special Temporary Authorization (STA)</u> , enter the code and attach the required exhibit as described in the instructions. Otherwise enter ' <u>N/A</u> ' (Not Applicable).	( <b>N</b> ) <u><b>M</b></u> <u><b>S</b></u> <u><b>N/A</b></u>
3b) If this application is for Special Temporary Authority due to an emergency situation, enter 'Y'; otherwise enter 'N'. Refer to Rule 1.915 for an explanation of situations considered to be an emergency.	(    ) <u><b>Y</b></u> <u><b>N</b></u>
4) If this application is for an Amendment or Withdrawal, enter the file number of the pending application currently on file with the FCC.	File Number
5) If this application is for a Modification, Renewal Only, Renewal/Modification, Cancellation of License, , or Administrative Update, enter the call sign of the existing FCC license. If this is a request for Registered Location/Link, enter the FCC call sign assigned to the geographic license.	Call Sign <b>WQGD545</b>
6a) If this application is for a New, Amendment, Renewal Only, or Renewal/Modification, enter the requested authorization expiration date (this item is optional).	MM    DD _____ / _____
6b) If this application is for a Renewal Only or Renewal/Modification and the license is a geographic area license, is the license used to provide service to customers ( <b>C</b> ), or is the license used for private business (internal) purposes or to meet the licensee's public interest/public safety communications needs ( <b>P</b> )?	(    ) <u><b>C</b></u> <u><b>P</b></u>
7) Is this application "major" as defined in § 1.929 of the Commission's Rules when read in conjunction with the applicable radio service rules found in Parts 22 and 90 of the Commission's Rules? (NOTE: This question only applies to certain site-specific applications. See the instructions for applicability and full text of § 1.929).	(    ) <u><b>Y</b></u> <u><b>N</b></u>
8) Are attachments (other than associated schedules) being filed with this application?	(    ) <u><b>Y</b></u> <u><b>N</b></u>

**Fees, Waivers, and Exemptions**

9) Is the Applicant exempt from FCC application fees?	( <b>N</b> ) <u><b>Y</b></u> <u><b>N</b></u>
10) Is the Applicant exempt from FCC regulatory fees?	( <b>N</b> ) <u><b>Y</b></u> <u><b>N</b></u>
11) Does this application include a request for a Waiver of the Commission's Rule(s)? If 'Yes', attach an exhibit providing rule number(s) and explaining circumstances.	( <b>N</b> ) <u><b>Y</b></u> <u><b>N</b></u>
12) Are the frequencies or parameters requested in this filing covered by grandfathered privileges, previously approved by waiver, or functionally integrated with an existing station?	(    ) <u><b>Y</b></u> <u><b>N</b></u>



**Applicant Information**

13) FCC Registration Number (FRN): <b>0003291192</b>			
14) Applicant/Licensee Legal Entity Type: (Select One) <input type="checkbox"/> Individual <input type="checkbox"/> Unincorporated Association <input type="checkbox"/> Trust <input type="checkbox"/> Government Entity <input type="checkbox"/> Corporation <input checked="" type="checkbox"/> Limited Liability Company <input type="checkbox"/> General Partnership <input type="checkbox"/> Limited Partnership <input type="checkbox"/> Limited Liability Partnership <input type="checkbox"/> Consortium <input type="checkbox"/> Other: _____			
15) If the Licensee name is being updated, is the update a result from the sale (or transfer of control) of the license(s) to party and for which proper Commission approval has not been received or proper notification not provided?			<input type="checkbox"/> Yes <input checked="" type="checkbox"/> No
16) First Name (if individual):	MI:	Last Name:	Suffix:
17) Legal Entity Name (if other than individual): <b>New Cingular Wireless PCS, LLC</b>			
18) Attention To: <b>National Regulatory Compliance</b>			
19) P.O. Box:	And/Or	20) Street Address: <b>208 S Akard St, 20F</b>	
21) City: <b>Dallas</b>	22) State: <b>TX</b>	23) Zip Code: <b>75202</b>	
24) Telephone Number: <b>(855)699-7073</b>		25) Fax:	
26) E-Mail Address: <b>FCCMW@att.com</b>			

**27) Demographics (Optional)**

Race: <input type="checkbox"/> American Indian or Alaska Native <input type="checkbox"/> Asian <input type="checkbox"/> Black or African-American <input type="checkbox"/> Native Hawaiian or Other Pacific Islander <input type="checkbox"/> White	Ethnicity: <input type="checkbox"/> Hispanic or Latino <input type="checkbox"/> Not Hispanic or Latino	Gender: <input type="checkbox"/> Male <input type="checkbox"/> Female
--	--	---

**Real Party in Interest**

28) Name of Real Party in Interest of Applicant (If different from Applicant):	29) FCC Registration Number (FRN) of Real Party in Interest:
--	--

**Contact Information (If different from the Applicant)** Check here if same as Applicant.

30) First Name: <b>Jessica</b>	MI: <b>J</b>	Last Name: <b>Dunk</b>	Suffix:
31) Company Name: <b>AT&amp;T Services, Inc.</b>			
32) Attention To: <b>NRC</b>			
33) P.O. Box:	And /Or	34) Street Address: <b>208 S Akard St, 20F</b>	
35) City: <b>Dallas</b>	36) State: <b>TX</b>	37) Zip Code: <b>75202</b>	
38) Telephone Number: <b>(855)699-7073</b>		39) Fax:	
40) E-Mail Address: <b>FCCMW@att.com</b>			

**Regulatory Status**

41) This filing is for authorization to provide or use the following type(s) of radio service offering (enter all that apply):  
(  ) Common Carrier (  ) Non-Common Carrier (  ) Private, internal communications (  ) Broadcast Services (  ) Band Manager

**Type of Radio Service**

42) This filing is for authorization to provide the following type(s) of radio service (choose all that apply):  
(  ) Fixed (  ) Mobile (  ) Radiolocation (  ) Satellite (sound) (  ) Broadcast Services  
43) Does the Applicant propose to provide service interconnected to the public telephone network? (  ) Yes (  ) No

**Alien Ownership Questions (If any answer is 'Y', provide an attachment explaining the circumstances. In preparing the attachment, refer to the Main Form Instructions for the "Alien Ownership Questions".)**

44) Is the Applicant a foreign government or the representative of any foreign government? (  ) Yes (  ) No  
45) Is the Applicant an alien or the representative of an alien? (  ) Yes (  ) No  
46) Is the Applicant a corporation organized under the laws of any foreign government? (  ) Yes (  ) No  
47) Is the Applicant a corporation of which more than one-fifth of the capital stock is owned of record or voted by aliens or their representatives, or by a foreign government or representative thereof, or by any corporation organized under the laws of a foreign country? (  ) Yes (  ) No

48a) Is the Applicant directly or indirectly controlled by any other corporation of which more than one-fourth of the capital stock ( ) Yes No is owned of record or voted by aliens or their representatives, or by a foreign government or representative thereof, or by any corporation organized under the laws of a foreign country?

48b) If the answer to 47 or 48a is 'Y' select one of the choices below.

The Applicant is exempt from the provisions of Section 310(b).

*If checked, it is not necessary to file a petition for declaratory ruling if the Applicant includes in the attachment required by Item 47 or Item 48a a showing that the requested license(s) is exempt from the provisions of Section 310(b).*

The Applicant has received a declaratory ruling(s) approving its foreign ownership, and the application involves only the acquisition of additional spectrum for the provision of a wireless service in a geographic coverage area for which the Applicant has been previously authorized.

*If checked, include in the attachment required by Item 47 or Item 48a the citation(s) of the applicable declaratory ruling(s) by DA/FCC number, the FCC Record citation, if available, release date, and a statement that there has been no change in the foreign ownership of the Applicant since the issuance of its ruling.*

The Applicant: (i) has received a declaratory ruling(s) approving its foreign ownership, but is not able to make the certification specified immediately above; or (ii) is an "affiliate" of a Licensee or Lessee/Sublessee that received a declaratory ruling(s) under 47 CFR § 1.5000(a) and is relying on the affiliate's ruling for purposes of filing this application as permitted under the affiliate's ruling and 47 CFR § 1.5004(b)

*If checked, and if the Applicant received its declaratory ruling(s) on or after August 9, 2013, include in the attachment required by Item 47 or Item 48a the citation(s) of the Applicant's declaratory ruling(s) by DA/FCC number, the FCC Record citation, if available, release date, and a statement that the Applicant is in compliance with the terms and conditions of its ruling and with the Commission's Rules.*

*If checked, and if the Applicant received its declaratory ruling(s) prior to August 9, 2013, include in the attachment required by Item 48a a copy of a petition for declaratory ruling filed contemporaneously with the Commission to extend the Applicant's existing ruling(s) to cover the same radio service(s) and geographic coverage area(s) involved in the application. Alternatively, the Applicant may request a new declaratory ruling pursuant to Section 1.5000(a) of the Commission's Rules, 47 CFR § 1.5000 (a). Petitions for declaratory ruling may be filed electronically on the Internet through the International Bureau Filing System (IBFS) (with a copy attached hereto).*

*If checked, and if the Applicant is relying on an affiliate's ruling for purposes of filing this application, include in the attachment required by Item 47 or Item 48a the citation(s) of the applicable declaratory ruling(s) by DA/FCC number, the FCC Record citation, if available, release date, and a statement that the Applicant is in compliance with the terms and conditions of the named affiliate's ruling and with the Commission's Rules. The Applicant must also include a certification of compliance signed by the named affiliate or other qualified entity as specified in 47 CFR § 1.5004(b). See Main Form Instructions for Items 47 or 48a, as applicable.*

The Applicant has not received a declaratory ruling approving its foreign ownership and is requesting a declaratory ruling under 47 CFR § 1.5004(b) in a petition filed contemporaneously with the Commission.

*If checked, include in the attachment required by Item 47 or 48a a copy of the petition for declaratory ruling filed contemporaneously with the Commission pursuant to 47 CFR § 1.5004(b). Petitions for declaratory ruling may be filed electronically on the Internet through the International Bureau Filing System (IBFS) (with a copy attached hereto).*

**Basic Qualification Questions**

49) Has the Applicant or any party to this application had any FCC station authorization, license or construction permit revoked or had any application for an initial, modification or renewal of FCC station authorization, license, or construction permit denied by the Commission?	( ) <u>Yes</u> <u>No</u>
50) Has the Applicant or any party to this application, or any party directly or indirectly controlling the Applicant, ever been convicted of a felony by any state or federal court?	( ) <u>Yes</u> <u>No</u>
51) Has any court finally adjudged the Applicant or any party directly or indirectly controlling the Applicant guilty of unlawfully monopolizing or attempting unlawfully to monopolize radio communication, directly or indirectly, through control of manufacture or sale of radio apparatus, exclusive traffic arrangement, or any other means or unfair methods of competition?	( ) <u>Yes</u> <u>No</u>

**Note: If the answer to any of 49-51 is 'Y', attach an exhibit explaining the circumstances.**

**Aeronautical Advisory Station (Unicom) Certification**

52) ( ) I certify that the station will be located on property of the airport to be served, and, in cases where the airport does not have a control tower, RCO, or FAA flight service station, that I have notified the owner of the airport and all aviation service organizations located at the airport within ten days prior to application.
--

**Broadband Radio Service and Educational Broadband Service Cable Cross-Ownership**

53a) Will the requested facilities be used to provide multichannel video programming service?	( ) <u>Yes</u> <u>No</u>
53b) If the answer to question 53a is 'Y', does the Applicant operate, control or have an attributable interest (as defined in 47 CFR § 27.1202) in a cable television system whose franchise area is located within the geographic service area of the requested facilities?	( ) <u>Yes</u> <u>No</u>

**Note: If the answer to question 53b is 'Y', attach an exhibit explaining how the Applicant complies with 47 CFR § 27.1202 or justifying a waiver of that rule. If a waiver of the Commission Rule(s) is being requested, Item 11a must be answered 'Y'.**

**Broadband Radio Service and Educational Broadband Service (Part 27)**

54) (For EBS only) Does the Applicant comply with the programming requirements contained in 47 CFR § 27.1203?	( ) <u>Yes</u> <u>No</u>
---	--------------------------

**Note: If the answer to item 54 is 'N', attach an exhibit explaining how the Applicant complies with 47 CFR § 27.1203 of the Commission's Rules or justifying a waiver of that rule. If a waiver of the Commission Rule(s) is being requested, Item 11a must be answered 'Y'.**

55) (For BRS and EBS) Does the Applicant comply with 47 CFR §§ 27.50, 27.55, and 27.1221?	( ) <u>Yes</u> <u>No</u>
---	--------------------------

**Note: If the answer to item 55 is 'N', attach an exhibit justifying a waiver of that rule(s). If a waiver of the Commission Rule(s) is being requested, Item 11a must be answered 'Y'.**

**For Applicants Who Participated in an Auction**

56) Is the Applicant a qualifying rural wireless partnership or a member of a qualifying rural wireless partnership?	( ) <u>Yes</u> <u>No</u>
--	--------------------------

**Note: If the answer to item 56 is 'Y', attach an exhibit listing all members of the qualifying rural wireless partnership, including their FRN numbers.**

**For Renewal Applicants**

57) Operation/Performance Requirement Certification	
<b>[For a site-based license]:</b> Applicant certifies that it is continuing to operate consistent with its most recently filed construction notification (or most recent authorization, if no construction notification was required).	( ) <u>Yes</u> <u>No</u>
<b>[For a geographic license, commercial service - licensee in its initial license term with an interim performance requirement]:</b> Applicant certifies that it has met its interim performance requirement, that over the portion of the license term following the interim performance requirement, it continues to use its facilities to provide at least the level of service required by its interim performance requirement, it has met its final performance requirement, and it continues to use its facilities to provide at least the level of service required by its final performance requirement through the end of the license term.	( ) <u>Yes</u> <u>No</u>
<b>[For a geographic license, commercial service - licensee in its initial license term with no interim performance requirement]:</b> Applicant certifies that it has met its final performance requirement and it continues to use its facilities to provide at least the level of service required by its final performance requirement through the end of the license term. [Note: licensee must provide a showing demonstrating that the final performance requirement has been met, either separately in a timely application for notification of completion of construction, or as part of its renewal application, depending on the radio service.]	( ) <u>Yes</u> <u>No</u>
<b>[For a geographic license, commercial service - licensee in any subsequent term]:</b> Applicant certifies that it continues to use its facilities to provide at least the level of service required by its final performance requirement through the end of any subsequent license terms.	( ) <u>Yes</u> <u>No</u>
<b>[For a geographic license, private systems - licensee in its initial license term with an interim performance requirement]:</b> Applicant certifies that it has met its interim performance requirement, that over the portion of the license term following the interim performance requirement, it continues to use its facilities to further its private business or public interest/public safety communications needs at or above the level required to meet its interim performance requirement, it has met its final performance requirement, and it continues to use its facilities to provide at least the level of operation required by its final performance requirement through the end of the license term.	( ) <u>Yes</u> <u>No</u>
<b>[For a geographic license, private systems - licensee in its initial license term with no interim performance requirement]:</b> Applicant certifies that it has met its final performance requirement, it continues to use its facilities to further its private business or public interest/public safety communications needs, and it continues to use its facilities to provide at least the level of operation required by its final performance requirement through the end of the license term. [Note: licensee must provide a showing demonstrating that the final performance requirement has been met, either separately in a timely application for notification of completion of construction, or as part of its renewal application, depending on the radio service.]	( ) <u>Yes</u> <u>No</u>

<b>[For a geographic license, private systems - licensee in any subsequent term]:</b> Applicant certifies that it continues to use its facilities to further its private business or public interest/public safety communications needs at or above the level required to meet its final performance requirement through the end of any subsequent license terms.	( <input type="checkbox"/> ) <u>Yes</u> <u>No</u>
<b>[For a partitioned or disaggregated license without a performance requirement, for the first renewal application filed after effective date of the rules]:</b> Applicant certifies that the partitioned and/or disaggregated license that is the subject of this renewal application has no separate performance requirement and that this is the first renewal of this license filed subsequent to the effective date of the rules.	( <input type="checkbox"/> ) <u>Yes</u> <u>No</u>
<b>[For a partitioned or disaggregated license without a performance requirement, for any subsequent renewal filings]:</b> Applicant certifies that it continues to use its facilities to provide service or to further the applicant's private business or public interest/public safety needs.	( <input type="checkbox"/> ) <u>Yes</u> <u>No</u>

**Discontinuance of Service Certification**

58) Applicant certifies that no permanent discontinuance of service or operation, as applicable, occurred during its current license term.  <b>Note: If the response to either item 57 or item 58 is 'N',</b> attach an exhibit that demonstrates that over the course of the license term, the Applicant provided and continues to provide service to the public, or operated and continues to operate the license to meet the Applicant's private business or public interest/public safety communications needs. This exhibit must include a detailed description of the Applicant's provision of service or, when allowed under the relevant service rules or pursuant to waiver, use of the spectrum for private business or public interest/public safety communications needs, during the entire license period and address, as applicable: 1) the level and quality of service provided by the applicant (e.g., the population served, the area served, the number of subscribers, the services offered); (2) the date service commenced, whether service was ever interrupted, and the duration of any interruption or outage; (3) the extent to which service is provided to rural areas; (4) the extent to which service is provided to qualifying tribal land as defined in 47 CFR § 1.2110(e)(3)(i); and (5) any other factors associated with the level of service to the public. The licensee may note in its exhibit: 1) any grant(s) of waiver or extension of a performance deadline or license renewal subject to meeting a performance requirement; or 2) if the final performance deadline and/or expiration date for the license accelerated because the licensee did not meet an interim performance requirement.	( <input type="checkbox"/> ) <u>Yes</u> <u>No</u>
--	---

**Regulatory Compliance Certification [same for all]**

59) Applicant certifies that it has substantially complied with all applicable FCC rules, policies, and the Communications Act of 1934, as amended.  <b>Note: If the response to item 59 is 'N',</b> attach an exhibit explaining the circumstances and demonstrating why Applicant's license should be renewed.	( <input type="checkbox"/> ) <u>Yes</u> <u>No</u>
--	---

**General Certification Statements**

1) The Applicant waives any claim to the use of any particular frequency or of the electromagnetic spectrum as against the regulatory power of the United States because of the previous use of the same, whether by license or otherwise, and requests an authorization in accordance with this application.
2) The Applicant certifies that grant of this application would not cause the Applicant to be in violation of any pertinent cross-ownership or attribution rules.* *If the Applicant has sought a waiver of any such rule in connection with this application, it may make this certification subject to the outcome of the waiver request.
3) The Applicant certifies that all statements made in this application and in the exhibits, attachments, or documents incorporated by reference are material, are part of this application, and are true, complete, correct, and made in good faith.
4) The Applicant certifies that neither the Applicant nor any other party to the application is subject to a denial of Federal benefits pursuant to § 5301 of the Anti-Drug Abuse Act of 1988, 21 U.S.C. § 862, because of a conviction for possession or distribution of a controlled substance. This certification does not apply to applications filed in services exempted under § 1.2002(c) of the rules, 47 CFR § 1.2002(c). See 47 CFR § 1.2002(b) for the definition of "party to the application" as used in this certification.
5) The Applicant certifies that it either (1) has current required ownership data on file with the Commission, (2) is filing updated ownership data simultaneously with this application, or (3) is not required to file ownership data under the Commission's Rules.
6) The Applicant certifies that the facilities, operations, and transmitters for which this authorization is hereby requested are either: (1) categorically excluded from routine environmental evaluation for RF exposure as set forth in 47 CFR § 1.1307(b); or, (2) have been found not to cause human exposure to levels of radiofrequency radiation in excess of the limits specified in 47 CFR §§ 1.1310 and 2.1093; or, (3) are the subject of one or more Environmental Assessments filed with the Commission.
7) The Applicant certifies that it has reviewed the appropriate Commission Rules defining eligibility to hold the requested license(s) and is eligible to hold the requested license(s).
8) The Applicant certifies that it is not in default on any payment for Commission licenses and that it is not delinquent on any non-tax debt owed to any federal agency.
9) The Applicant certifies that the Applicant and all of the related individuals and entities required to be disclosed on this application and FCC Form 602 (FCC Ownership Disclosure Information for the Wireless Telecommunications Services) are not person(s) who have been, for reasons of national security, barred by any agency of the Federal Government from bidding on a contract, participating in an auction, or receiving a grant. This certification applies only to applications for licenses for spectrum that is required by Sections 6103, 6401-6403 of the Middle Class Tax Relief and Job Creation Act of 2012, codified at 47 U.S.C. §§ 309, 1413, 1451-1452, to be assigned by a system of competitive bidding under 47 U.S.C. § 309(j).

**Signature**

60) Typed or Printed Name of Party Authorized to Sign

First Name: <b>Jessica</b>	MI:	Last Name: <b>Dunk</b>	Suffix:
61) Title: <b>Assistant Secretary - Compliance</b>			
Signature: <b>Jessica Dunk</b>			62) Date: <b>01/22/2024</b>
<b>FAILURE TO SIGN THIS APPLICATION MAY RESULT IN DISMISSAL OF THE APPLICATION AND FORFEITURE OF ANY FEES PAID.</b>			
Upon grant of this license application, the Licensee may be subject to certain construction or coverage requirements. Failure to meet the construction or coverage requirements will result in termination of the license. Consult appropriate FCC regulations to determine the construction or coverage requirements that apply to the type of license requested in this application.			
WILLFUL FALSE STATEMENTS MADE ON THIS FORM OR ANY ATTACHMENTS ARE PUNISHABLE BY FINE AND/OR IMPRISONMENT (U.S. Code, Title 18, § 1001) AND/OR REVOCATION OF ANY STATION LICENSE OR CONSTRUCTION PERMIT (U.S. Code, Title 47, § 312(a)(1)), AND/OR FORFEITURE (U.S. Code, Title 47, § 503).			

REFERENCE COPY

This is not an official FCC license. It is a record of public information contained in the FCC's licensing database on the date that this reference copy was generated. In cases where FCC rules require the presentation, posting, or display of an FCC license, this document may not be used in place of an official FCC license.



Federal Communications Commission
Wireless Telecommunications Bureau

RADIO STATION AUTHORIZATION

LICENSEE: NEW CINGULAR WIRELESS PCS, LLC

ATTN: NATIONAL REGULATORY COMPLIANCE
NEW CINGULAR WIRELESS PCS, LLC
208 S AKARD ST, 20F
DALLAS, TX 75202

Table with Call Sign (WQGD546), File Number, and Radio Service (AW - AWS (1710-1755 MHz and 2110-2155 MHz)).

FCC Registration Number (FRN): 0003291192

Table with columns: Grant Date, Effective Date, Expiration Date, Print Date, Market Number, Channel Block, Sub-Market Designator, Market Name, 1st Build-out Date, 2nd Build-out Date, 3rd Build-out Date, 4th Build-out Date.

Waivers/Conditions:

This authorization is conditioned upon the licensee, prior to initiating operations from any base or fixed station, making reasonable efforts to coordinate frequency usage with known co-channel and adjacent channel incumbent federal users operating in the 1710-1755 MHz band whose facilities could be affected by the proposed operations.

Grant of the request to update licensee name is conditioned on it not reflecting an assignment or transfer of control (see Rule 1.948); if an assignment or transfer occurred without proper notification or FCC approval, the grant is void and the station is licensed under the prior name.

Conditions:

Pursuant to §309(h) of the Communications Act of 1934, as amended, 47 U.S.C. §309(h), this license is subject to the following conditions: This license shall not vest in the licensee any right to operate the station nor any right in the use of the frequencies designated in the license beyond the term thereof nor in any other manner than authorized herein.

This license may not authorize operation throughout the entire geographic area or spectrum identified on the hardcopy version. To view the specific geographic area and spectrum authorized by this license, refer to the Spectrum and Market Area information under the Market Tab of the license record in the Universal Licensing System (ULS).

**Licensee Name:** NEW CINGULAR WIRELESS PCS, LLC

**Call Sign:** WQGD546

**File Number:**

**Print Date:**

**700 MHz Relicensed Area Information:**

<b>Market</b>	<b>Market Name</b>	<b>Buildout Deadline</b>	<b>Buildout Notification</b>	<b>Status</b>
---------------	--------------------	--------------------------	------------------------------	---------------

Reference Copy



# Reference Copy Only. Do Not Mail to the FCC as an Application.

Submitted: 01/22/2024 at 14:24:20  
File Number: 0010867653

**FCC 601**

**Main Form**

## FCC Application for Radio Service Authorization: Wireless Telecommunications Bureau Public Safety and Homeland Security Bureau

Approved by OMB

3060 - 0798

See instructions for public burden estimate

1) Radio Service Code: <p style="text-align: center;"><b>AW</b></p>	1a) Existing Radio Service Code:
--	----------------------------------

**General Information**

2) (Select only one) ( <b>AU</b> ) <b>NE</b> - New <b>RO</b> - Renewal Only <b>AU</b> - Administrative Update <b>NT</b> - Required Notifications <b>MD</b> - Modification <b>RM</b> - Renewal/Modification <b>WD</b> - Withdrawal of Application <b>EX</b> - Requests for Extension of Time <b>AM</b> - Amendment <b>CA</b> - Cancellation of License <b>RL</b> - Registered Location/Link	
3a) If this application is for a Demonstration License or a <b>S</b> pecial Temporary Authorization (STA), enter the code and attach the required exhibit as described in the instructions. Otherwise enter ' <b>N/A</b> ' (Not Applicable).	( <b>N</b> ) <u><b>M</b></u> <u><b>S</b></u> <u><b>N/A</b></u>
3b) If this application is for Special Temporary Authority due to an emergency situation, enter 'Y'; otherwise enter 'N'. Refer to Rule 1.915 for an explanation of situations considered to be an emergency.	(    ) <u><b>Y</b></u> <u><b>N</b></u>
4) If this application is for an Amendment or Withdrawal, enter the file number of the pending application currently on file with the FCC.	File Number
5) If this application is for a Modification, Renewal Only, Renewal/Modification, Cancellation of License, , or Administrative Update, enter the call sign of the existing FCC license. If this is a request for Registered Location/Link, enter the FCC call sign assigned to the geographic license.	Call Sign <b>WQGD546</b>
6a) If this application is for a New, Amendment, Renewal Only, or Renewal/Modification, enter the requested authorization expiration date (this item is optional).	MM      DD ____ / ____
6b) If this application is for a Renewal Only or Renewal/Modification and the license is a geographic area license, is the license used to provide service to customers ( <b>C</b> ), or is the license used for private business (internal) purposes or to meet the licensee's public interest/public safety communications needs ( <b>P</b> )?	(    ) <u><b>C</b></u> <u><b>P</b></u>
7) Is this application "major" as defined in § 1.929 of the Commission's Rules when read in conjunction with the applicable radio service rules found in Parts 22 and 90 of the Commission's Rules? (NOTE: This question only applies to certain site-specific applications. See the instructions for applicability and full text of § 1.929).	(    ) <u><b>Y</b></u> <u><b>N</b></u>
8) Are attachments (other than associated schedules) being filed with this application?	(    ) <u><b>Y</b></u> <u><b>N</b></u>

**Fees, Waivers, and Exemptions**

9) Is the Applicant exempt from FCC application fees?	( <b>N</b> ) <u><b>Y</b></u> <u><b>N</b></u>
10) Is the Applicant exempt from FCC regulatory fees?	( <b>N</b> ) <u><b>Y</b></u> <u><b>N</b></u>
11) Does this application include a request for a Waiver of the Commission's Rule(s)? If 'Yes', attach an exhibit providing rule number(s) and explaining circumstances.	( <b>N</b> ) <u><b>Y</b></u> <u><b>N</b></u>
12) Are the frequencies or parameters requested in this filing covered by grandfathered privileges, previously approved by waiver, or functionally integrated with an existing station?	(    ) <u><b>Y</b></u> <u><b>N</b></u>

**Applicant Information**

13) FCC Registration Number (FRN): <b>0003291192</b>			
14) Applicant/Licensee Legal Entity Type: (Select One) <input type="checkbox"/> Individual <input type="checkbox"/> Unincorporated Association <input type="checkbox"/> Trust <input type="checkbox"/> Government Entity <input type="checkbox"/> Corporation <input checked="" type="checkbox"/> Limited Liability Company <input type="checkbox"/> General Partnership <input type="checkbox"/> Limited Partnership <input type="checkbox"/> Limited Liability Partnership <input type="checkbox"/> Consortium <input type="checkbox"/> Other: _____			
15) If the Licensee name is being updated, is the update a result from the sale (or transfer of control) of the license(s) to party and for which proper Commission approval has not been received or proper notification not provided?			<input type="checkbox"/> Yes <input checked="" type="checkbox"/> No
16) First Name (if individual):	MI:	Last Name:	Suffix:
17) Legal Entity Name (if other than individual): <b>New Cingular Wireless PCS, LLC</b>			
18) Attention To: <b>National Regulatory Compliance</b>			
19) P.O. Box:	And/Or	20) Street Address: <b>208 S Akard St, 20F</b>	
21) City: <b>Dallas</b>	22) State: <b>TX</b>	23) Zip Code: <b>75202</b>	
24) Telephone Number: <b>(855)699-7073</b>		25) Fax:	
26) E-Mail Address: <b>FCCMW@att.com</b>			

**27) Demographics (Optional)**

Race: <input type="checkbox"/> American Indian or Alaska Native <input type="checkbox"/> Asian <input type="checkbox"/> Black or African-American <input type="checkbox"/> Native Hawaiian or Other Pacific Islander <input type="checkbox"/> White	Ethnicity: <input type="checkbox"/> Hispanic or Latino <input type="checkbox"/> Not Hispanic or Latino	Gender: <input type="checkbox"/> Male <input type="checkbox"/> Female
--	--	---

**Real Party in Interest**

28) Name of Real Party in Interest of Applicant (If different from Applicant):	29) FCC Registration Number (FRN) of Real Party in Interest:
--	--

**Contact Information (If different from the Applicant)** Check here if same as Applicant.

30) First Name: <b>Jessica</b>	MI: <b>J</b>	Last Name: <b>Dunk</b>	Suffix:
31) Company Name: <b>AT&amp;T Services, Inc.</b>			
32) Attention To: <b>NRC</b>			
33) P.O. Box:	And /Or	34) Street Address: <b>208 S Akard St, 20F</b>	
35) City: <b>Dallas</b>	36) State: <b>TX</b>	37) Zip Code: <b>75202</b>	
38) Telephone Number: <b>(855)699-7073</b>		39) Fax:	
40) E-Mail Address: <b>FCCMW@att.com</b>			

**Regulatory Status**

41) This filing is for authorization to provide or use the following type(s) of radio service offering (enter all that apply):  
(  ) Common Carrier (  ) Non-Common Carrier (  ) Private, internal communications (  ) Broadcast Services (  ) Band Manager

**Type of Radio Service**

42) This filing is for authorization to provide the following type(s) of radio service (choose all that apply):  
(  ) Fixed (  ) Mobile (  ) Radiolocation (  ) Satellite (sound) (  ) Broadcast Services  
43) Does the Applicant propose to provide service interconnected to the public telephone network? (  ) Yes (  ) No

**Alien Ownership Questions (If any answer is 'Y', provide an attachment explaining the circumstances. In preparing the attachment, refer to the Main Form Instructions for the "Alien Ownership Questions".)**

44) Is the Applicant a foreign government or the representative of any foreign government? (  ) Yes (  ) No  
45) Is the Applicant an alien or the representative of an alien? (  ) Yes (  ) No  
46) Is the Applicant a corporation organized under the laws of any foreign government? (  ) Yes (  ) No  
47) Is the Applicant a corporation of which more than one-fifth of the capital stock is owned of record or voted by aliens or their representatives, or by a foreign government or representative thereof, or by any corporation organized under the laws of a foreign country? (  ) Yes (  ) No

48a) Is the Applicant directly or indirectly controlled by any other corporation of which more than one-fourth of the capital stock ( ) Yes No is owned of record or voted by aliens or their representatives, or by a foreign government or representative thereof, or by any corporation organized under the laws of a foreign country?

48b) If the answer to 47 or 48a is 'Y' select one of the choices below.

The Applicant is exempt from the provisions of Section 310(b).

*If checked, it is not necessary to file a petition for declaratory ruling if the Applicant includes in the attachment required by Item 47 or Item 48a a showing that the requested license(s) is exempt from the provisions of Section 310(b).*

The Applicant has received a declaratory ruling(s) approving its foreign ownership, and the application involves only the acquisition of additional spectrum for the provision of a wireless service in a geographic coverage area for which the Applicant has been previously authorized.

*If checked, include in the attachment required by Item 47 or Item 48a the citation(s) of the applicable declaratory ruling(s) by DA/FCC number, the FCC Record citation, if available, release date, and a statement that there has been no change in the foreign ownership of the Applicant since the issuance of its ruling.*

The Applicant: (i) has received a declaratory ruling(s) approving its foreign ownership, but is not able to make the certification specified immediately above; or (ii) is an "affiliate" of a Licensee or Lessee/Sublessee that received a declaratory ruling(s) under 47 CFR § 1.5000(a) and is relying on the affiliate's ruling for purposes of filing this application as permitted under the affiliate's ruling and 47 CFR § 1.5004(b)

*If checked, and if the Applicant received its declaratory ruling(s) on or after August 9, 2013, include in the attachment required by Item 47 or Item 48a the citation(s) of the Applicant's declaratory ruling(s) by DA/FCC number, the FCC Record citation, if available, release date, and a statement that the Applicant is in compliance with the terms and conditions of its ruling and with the Commission's Rules.*

*If checked, and if the Applicant received its declaratory ruling(s) prior to August 9, 2013, include in the attachment required by Item 48a a copy of a petition for declaratory ruling filed contemporaneously with the Commission to extend the Applicant's existing ruling(s) to cover the same radio service(s) and geographic coverage area(s) involved in the application. Alternatively, the Applicant may request a new declaratory ruling pursuant to Section 1.5000(a) of the Commission's Rules, 47 CFR § 1.5000 (a). Petitions for declaratory ruling may be filed electronically on the Internet through the International Bureau Filing System (IBFS) (with a copy attached hereto).*

*If checked, and if the Applicant is relying on an affiliate's ruling for purposes of filing this application, include in the attachment required by Item 47 or Item 48a the citation(s) of the applicable declaratory ruling(s) by DA/FCC number, the FCC Record citation, if available, release date, and a statement that the Applicant is in compliance with the terms and conditions of the named affiliate's ruling and with the Commission's Rules. The Applicant must also include a certification of compliance signed by the named affiliate or other qualified entity as specified in 47 CFR § 1.5004(b). See Main Form Instructions for Items 47 or 48a, as applicable.*

The Applicant has not received a declaratory ruling approving its foreign ownership and is requesting a declaratory ruling under 47 CFR § 1.5004(b) in a petition filed contemporaneously with the Commission.

*If checked, include in the attachment required by Item 47 or 48a a copy of the petition for declaratory ruling filed contemporaneously with the Commission pursuant to 47 CFR § 1.5004(b). Petitions for declaratory ruling may be filed electronically on the Internet through the International Bureau Filing System (IBFS) (with a copy attached hereto).*

**Basic Qualification Questions**

49) Has the Applicant or any party to this application had any FCC station authorization, license or construction permit revoked or had any application for an initial, modification or renewal of FCC station authorization, license, or construction permit denied by the Commission?	( ) <u>Yes</u> <u>No</u>
50) Has the Applicant or any party to this application, or any party directly or indirectly controlling the Applicant, ever been convicted of a felony by any state or federal court?	( ) <u>Yes</u> <u>No</u>
51) Has any court finally adjudged the Applicant or any party directly or indirectly controlling the Applicant guilty of unlawfully monopolizing or attempting unlawfully to monopolize radio communication, directly or indirectly, through control of manufacture or sale of radio apparatus, exclusive traffic arrangement, or any other means or unfair methods of competition?	( ) <u>Yes</u> <u>No</u>

**Note: If the answer to any of 49-51 is 'Y', attach an exhibit explaining the circumstances.**

**Aeronautical Advisory Station (Unicom) Certification**

52) ( ) I certify that the station will be located on property of the airport to be served, and, in cases where the airport does not have a control tower, RCO, or FAA flight service station, that I have notified the owner of the airport and all aviation service organizations located at the airport within ten days prior to application.
--

**Broadband Radio Service and Educational Broadband Service Cable Cross-Ownership**

53a) Will the requested facilities be used to provide multichannel video programming service?	( ) <u>Yes</u> <u>No</u>
53b) If the answer to question 53a is 'Y', does the Applicant operate, control or have an attributable interest (as defined in 47 CFR § 27.1202) in a cable television system whose franchise area is located within the geographic service area of the requested facilities?	( ) <u>Yes</u> <u>No</u>

**Note: If the answer to question 53b is 'Y', attach an exhibit explaining how the Applicant complies with 47 CFR § 27.1202 or justifying a waiver of that rule. If a waiver of the Commission Rule(s) is being requested, Item 11a must be answered 'Y'.**

**Broadband Radio Service and Educational Broadband Service (Part 27)**

54) (For EBS only) Does the Applicant comply with the programming requirements contained in 47 CFR § 27.1203?	( ) <u>Yes</u> <u>No</u>
---	--------------------------

**Note: If the answer to item 54 is 'N', attach an exhibit explaining how the Applicant complies with 47 CFR § 27.1203 of the Commission's Rules or justifying a waiver of that rule. If a waiver of the Commission Rule(s) is being requested, Item 11a must be answered 'Y'.**

55) (For BRS and EBS) Does the Applicant comply with 47 CFR §§ 27.50, 27.55, and 27.1221?	( ) <u>Yes</u> <u>No</u>
---	--------------------------

**Note: If the answer to item 55 is 'N', attach an exhibit justifying a waiver of that rule(s). If a waiver of the Commission Rule(s) is being requested, Item 11a must be answered 'Y'.**

**For Applicants Who Participated in an Auction**

56) Is the Applicant a qualifying rural wireless partnership or a member of a qualifying rural wireless partnership?	( ) <u>Yes</u> <u>No</u>
--	--------------------------

**Note: If the answer to item 56 is 'Y', attach an exhibit listing all members of the qualifying rural wireless partnership, including their FRN numbers.**

**For Renewal Applicants****57) Operation/Performance Requirement Certification**

<b>[For a site-based license]:</b> Applicant certifies that it is continuing to operate consistent with its most recently filed construction notification (or most recent authorization, if no construction notification was required).	( ) <u>Yes</u> <u>No</u>
<b>[For a geographic license, commercial service - licensee in its initial license term with an interim performance requirement]:</b> Applicant certifies that it has met its interim performance requirement, that over the portion of the license term following the interim performance requirement, it continues to use its facilities to provide at least the level of service required by its interim performance requirement, it has met its final performance requirement, and it continues to use its facilities to provide at least the level of service required by its final performance requirement through the end of the license term.	( ) <u>Yes</u> <u>No</u>
<b>[For a geographic license, commercial service - licensee in its initial license term with no interim performance requirement]:</b> Applicant certifies that it has met its final performance requirement and it continues to use its facilities to provide at least the level of service required by its final performance requirement through the end of the license term. [Note: licensee must provide a showing demonstrating that the final performance requirement has been met, either separately in a timely application for notification of completion of construction, or as part of its renewal application, depending on the radio service.]	( ) <u>Yes</u> <u>No</u>
<b>[For a geographic license, commercial service - licensee in any subsequent term]:</b> Applicant certifies that it continues to use its facilities to provide at least the level of service required by its final performance requirement through the end of any subsequent license terms.	( ) <u>Yes</u> <u>No</u>
<b>[For a geographic license, private systems - licensee in its initial license term with an interim performance requirement]:</b> Applicant certifies that it has met its interim performance requirement, that over the portion of the license term following the interim performance requirement, it continues to use its facilities to further its private business or public interest/public safety communications needs at or above the level required to meet its interim performance requirement, it has met its final performance requirement, and it continues to use its facilities to provide at least the level of operation required by its final performance requirement through the end of the license term.	( ) <u>Yes</u> <u>No</u>
<b>[For a geographic license, private systems - licensee in its initial license term with no interim performance requirement]:</b> Applicant certifies that it has met its final performance requirement, it continues to use its facilities to further its private business or public interest/public safety communications needs, and it continues to use its facilities to provide at least the level of operation required by its final performance requirement through the end of the license term. [Note: licensee must provide a showing demonstrating that the final performance requirement has been met, either separately in a timely application for notification of completion of construction, or as part of its renewal application, depending on the radio service.]	( ) <u>Yes</u> <u>No</u>

<b>[For a geographic license, private systems - licensee in any subsequent term]:</b> Applicant certifies that it continues to use its facilities to further its private business or public interest/public safety communications needs at or above the level required to meet its final performance requirement through the end of any subsequent license terms.	( ) <u>Yes</u> <u>No</u>
<b>[For a partitioned or disaggregated license without a performance requirement, for the first renewal application filed after effective date of the rules]:</b> Applicant certifies that the partitioned and/or disaggregated license that is the subject of this renewal application has no separate performance requirement and that this is the first renewal of this license filed subsequent to the effective date of the rules.	( ) <u>Yes</u> <u>No</u>
<b>[For a partitioned or disaggregated license without a performance requirement, for any subsequent renewal filings]:</b> Applicant certifies that it continues to use its facilities to provide service or to further the applicant's private business or public interest/public safety needs.	( ) <u>Yes</u> <u>No</u>

**Discontinuance of Service Certification**

58) Applicant certifies that no permanent discontinuance of service or operation, as applicable, occurred during its current license term.  <b>Note: If the response to either item 57 or item 58 is 'N',</b> attach an exhibit that demonstrates that over the course of the license term, the Applicant provided and continues to provide service to the public, or operated and continues to operate the license to meet the Applicant's private business or public interest/public safety communications needs. This exhibit must include a detailed description of the Applicant's provision of service or, when allowed under the relevant service rules or pursuant to waiver, use of the spectrum for private business or public interest/public safety communications needs, during the entire license period and address, as applicable: 1) the level and quality of service provided by the applicant (e.g., the population served, the area served, the number of subscribers, the services offered); (2) the date service commenced, whether service was ever interrupted, and the duration of any interruption or outage; (3) the extent to which service is provided to rural areas; (4) the extent to which service is provided to qualifying tribal land as defined in 47 CFR § 1.2110(e)(3)(i); and (5) any other factors associated with the level of service to the public. The licensee may note in its exhibit: 1) any grant(s) of waiver or extension of a performance deadline or license renewal subject to meeting a performance requirement; or 2) if the final performance deadline and/or expiration date for the license accelerated because the licensee did not meet an interim performance requirement.	( ) <u>Yes</u> <u>No</u>
--	--------------------------

**Regulatory Compliance Certification [same for all]**

59) Applicant certifies that it has substantially complied with all applicable FCC rules, policies, and the Communications Act of 1934, as amended.  <b>Note: If the response to item 59 is 'N',</b> attach an exhibit explaining the circumstances and demonstrating why Applicant's license should be renewed.	( ) <u>Yes</u> <u>No</u>
--	--------------------------

**General Certification Statements**

1) The Applicant waives any claim to the use of any particular frequency or of the electromagnetic spectrum as against the regulatory power of the United States because of the previous use of the same, whether by license or otherwise, and requests an authorization in accordance with this application.
2) The Applicant certifies that grant of this application would not cause the Applicant to be in violation of any pertinent cross-ownership or attribution rules.* *If the Applicant has sought a waiver of any such rule in connection with this application, it may make this certification subject to the outcome of the waiver request.
3) The Applicant certifies that all statements made in this application and in the exhibits, attachments, or documents incorporated by reference are material, are part of this application, and are true, complete, correct, and made in good faith.
4) The Applicant certifies that neither the Applicant nor any other party to the application is subject to a denial of Federal benefits pursuant to § 5301 of the Anti-Drug Abuse Act of 1988, 21 U.S.C. § 862, because of a conviction for possession or distribution of a controlled substance. This certification does not apply to applications filed in services exempted under § 1.2002(c) of the rules, 47 CFR § 1.2002(c). See 47 CFR § 1.2002(b) for the definition of "party to the application" as used in this certification.
5) The Applicant certifies that it either (1) has current required ownership data on file with the Commission, (2) is filing updated ownership data simultaneously with this application, or (3) is not required to file ownership data under the Commission's Rules.
6) The Applicant certifies that the facilities, operations, and transmitters for which this authorization is hereby requested are either: (1) categorically excluded from routine environmental evaluation for RF exposure as set forth in 47 CFR § 1.1307(b); or, (2) have been found not to cause human exposure to levels of radiofrequency radiation in excess of the limits specified in 47 CFR §§ 1.1310 and 2.1093; or, (3) are the subject of one or more Environmental Assessments filed with the Commission.
7) The Applicant certifies that it has reviewed the appropriate Commission Rules defining eligibility to hold the requested license(s) and is eligible to hold the requested license(s).
8) The Applicant certifies that it is not in default on any payment for Commission licenses and that it is not delinquent on any non-tax debt owed to any federal agency.
9) The Applicant certifies that the Applicant and all of the related individuals and entities required to be disclosed on this application and FCC Form 602 (FCC Ownership Disclosure Information for the Wireless Telecommunications Services) are not person(s) who have been, for reasons of national security, barred by any agency of the Federal Government from bidding on a contract, participating in an auction, or receiving a grant. This certification applies only to applications for licenses for spectrum that is required by Sections 6103, 6401-6403 of the Middle Class Tax Relief and Job Creation Act of 2012, codified at 47 U.S.C. §§ 309, 1413, 1451-1452, to be assigned by a system of competitive bidding under 47 U.S.C. § 309(j).

**Signature**

60) Typed or Printed Name of Party Authorized to Sign

First Name: <b>Jessica</b>	MI:	Last Name: <b>Dunk</b>	Suffix:
61) Title: <b>Assistant Secretary - Compliance</b>			
Signature: <b>Jessica Dunk</b>			62) Date: <b>01/22/2024</b>
<b>FAILURE TO SIGN THIS APPLICATION MAY RESULT IN DISMISSAL OF THE APPLICATION AND FORFEITURE OF ANY FEES PAID.</b>			
Upon grant of this license application, the Licensee may be subject to certain construction or coverage requirements. Failure to meet the construction or coverage requirements will result in termination of the license. Consult appropriate FCC regulations to determine the construction or coverage requirements that apply to the type of license requested in this application.			
WILLFUL FALSE STATEMENTS MADE ON THIS FORM OR ANY ATTACHMENTS ARE PUNISHABLE BY FINE AND/OR IMPRISONMENT (U.S. Code, Title 18, § 1001) AND/OR REVOCATION OF ANY STATION LICENSE OR CONSTRUCTION PERMIT (U.S. Code, Title 47, § 312(a)(1)), AND/OR FORFEITURE (U.S. Code, Title 47, § 503).			

REFERENCE COPY

This is not an official FCC license. It is a record of public information contained in the FCC's licensing database on the date that this reference copy was generated. In cases where FCC rules require the presentation, posting, or display of an FCC license, this document may not be used in place of an official FCC license.



Federal Communications Commission  
Wireless Telecommunications Bureau

RADIO STATION AUTHORIZATION

LICENSEE: NEW CINGULAR WIRELESS PCS, LLC

ATTN: NATIONAL REGULATORY COMPLIANCE  
NEW CINGULAR WIRELESS PCS, LLC  
208 S AKARD ST, 20F  
DALLAS, TX 75202

<b>Call Sign</b> WQGT878	<b>File Number</b>
<b>Radio Service</b> AW - AWS (1710-1755 MHz and 2110-2155 MHz)	

FCC Registration Number (FRN): 0003291192

<b>Grant Date</b> 03-15-2022	<b>Effective Date</b> 01-23-2024	<b>Expiration Date</b> 04-16-2037	<b>Print Date</b>
<b>Market Number</b> BEA069	<b>Channel Block</b> C	<b>Sub-Market Designator</b> 9	
<b>Market Name</b> Evansville-Henderson, IN-KY-IL			
<b>1st Build-out Date</b>	<b>2nd Build-out Date</b>	<b>3rd Build-out Date</b>	<b>4th Build-out Date</b>

Waivers/Conditions:

This authorization is conditioned upon the licensee, prior to initiating operations from any base or fixed station, making reasonable efforts to coordinate frequency usage with known co-channel and adjacent channel incumbent federal users operating in the 1710-1755 MHz band whose facilities could be affected by the proposed operations. See, e.g., FCC and NTIA Coordination Procedures in the 1710-1755 MHz Band, Public Notice, FCC 06-50, WTB Docket No. 02-353, rel. April 20, 2006.

Conditions:

Pursuant to §309(h) of the Communications Act of 1934, as amended, 47 U.S.C. §309(h), this license is subject to the following conditions: This license shall not vest in the licensee any right to operate the station nor any right in the use of the frequencies designated in the license beyond the term thereof nor in any other manner than authorized herein. Neither the license nor the right granted thereunder shall be assigned or otherwise transferred in violation of the Communications Act of 1934, as amended. See 47 U.S.C. § 310(d). This license is subject in terms to the right of use or control conferred by §706 of the Communications Act of 1934, as amended. See 47 U.S.C. §606.

This license may not authorize operation throughout the entire geographic area or spectrum identified on the hardcopy version. To view the specific geographic area and spectrum authorized by this license, refer to the Spectrum and Market Area information under the Market Tab of the license record in the Universal Licensing System (ULS). To view the license record, go to the ULS homepage at <http://wireless.fcc.gov/uls/index.htm?job=home> and select "License Search". Follow the instructions on how to search for license information.



**Licensee Name:** NEW CINGULAR WIRELESS PCS, LLC

**Call Sign:** WQGT878

**File Number:**

**Print Date:**

**700 MHz Relicensed Area Information:**

<b>Market</b>	<b>Market Name</b>	<b>Buildout Deadline</b>	<b>Buildout Notification</b>	<b>Status</b>
---------------	--------------------	--------------------------	------------------------------	---------------

Reference Copy

# Reference Copy Only. Do Not Mail to the FCC as an Application.

Submitted: 01/22/2024 at 14:24:20  
 File Number: 0010867695

**FCC 601**  
**Main Form**

## FCC Application for Radio Service Authorization: Wireless Telecommunications Bureau Public Safety and Homeland Security Bureau

Approved by OMB  
 3060 - 0798  
 See instructions for  
 public burden estimate

1) Radio Service Code: <p style="text-align: center;"><b>AW</b></p>	1a) Existing Radio Service Code:
--	----------------------------------

**General Information**

2) (Select only one) ( <b>AU</b> ) <b>NE</b> - New <b>RO</b> - Renewal Only <b>AU</b> - Administrative Update <b>NT</b> - Required Notifications <b>MD</b> - Modification <b>RM</b> - Renewal/Modification <b>WD</b> - Withdrawal of Application <b>EX</b> - Requests for Extension of Time <b>AM</b> - Amendment <b>CA</b> - Cancellation of License <b>RL</b> - Registered Location/Link	
3a) If this application is for a Demonstration License or a <b>S</b> pecial Temporary Authorization (STA), enter the code and attach the required exhibit as described in the instructions. Otherwise enter ' <b>N/A</b> ' (Not Applicable).	( <b>N</b> ) <u><b>M</b></u> <u><b>S</b></u> <u><b>N/A</b></u>
3b) If this application is for Special Temporary Authority due to an emergency situation, enter 'Y'; otherwise enter 'N'. Refer to Rule 1.915 for an explanation of situations considered to be an emergency.	(    ) <u><b>Y</b></u> <u><b>N</b></u>
4) If this application is for an Amendment or Withdrawal, enter the file number of the pending application currently on file with the FCC.	File Number
5) If this application is for a Modification, Renewal Only, Renewal/Modification, Cancellation of License, , or Administrative Update, enter the call sign of the existing FCC license. If this is a request for Registered Location/Link, enter the FCC call sign assigned to the geographic license.	Call Sign <b>WQGT878</b>
6a) If this application is for a New, Amendment, Renewal Only, or Renewal/Modification, enter the requested authorization expiration date (this item is optional).	MM    DD ____ / ____
6b) If this application is for a Renewal Only or Renewal/Modification and the license is a geographic area license, is the license used to provide service to customers ( <b>C</b> ), or is the license used for private business (internal) purposes or to meet the licensee's public interest/public safety communications needs ( <b>P</b> )?	(    ) <u><b>C</b></u> <u><b>P</b></u>
7) Is this application "major" as defined in § 1.929 of the Commission's Rules when read in conjunction with the applicable radio service rules found in Parts 22 and 90 of the Commission's Rules? (NOTE: This question only applies to certain site-specific applications. See the instructions for applicability and full text of § 1.929).	(    ) <u><b>Y</b></u> <u><b>N</b></u>
8) Are attachments (other than associated schedules) being filed with this application?	(    ) <u><b>Y</b></u> <u><b>N</b></u>

**Fees, Waivers, and Exemptions**

9) Is the Applicant exempt from FCC application fees?	( <b>N</b> ) <u><b>Y</b></u> <u><b>N</b></u>
10) Is the Applicant exempt from FCC regulatory fees?	( <b>N</b> ) <u><b>Y</b></u> <u><b>N</b></u>
11) Does this application include a request for a Waiver of the Commission's Rule(s)? If 'Yes', attach an exhibit providing rule number(s) and explaining circumstances.	( <b>N</b> ) <u><b>Y</b></u> <u><b>N</b></u>
12) Are the frequencies or parameters requested in this filing covered by grandfathered privileges, previously approved by waiver, or functionally integrated with an existing station?	(    ) <u><b>Y</b></u> <u><b>N</b></u>

**Applicant Information**

13) FCC Registration Number (FRN): <b>0003291192</b>			
14) Applicant/Licensee Legal Entity Type: (Select One) <input type="checkbox"/> Individual <input type="checkbox"/> Unincorporated Association <input type="checkbox"/> Trust <input type="checkbox"/> Government Entity <input type="checkbox"/> Corporation <input checked="" type="checkbox"/> Limited Liability Company <input type="checkbox"/> General Partnership <input type="checkbox"/> Limited Partnership <input type="checkbox"/> Limited Liability Partnership <input type="checkbox"/> Consortium <input type="checkbox"/> Other: _____			
15) If the Licensee name is being updated, is the update a result from the sale (or transfer of control) of the license(s) to party and for which proper Commission approval has not been received or proper notification not provided?			<input type="checkbox"/> Yes <input checked="" type="checkbox"/> No
16) First Name (if individual):	MI:	Last Name:	Suffix:
17) Legal Entity Name (if other than individual): <b>New Cingular Wireless PCS, LLC</b>			
18) Attention To: <b>National Regulatory Compliance</b>			
19) P.O. Box:	And/Or	20) Street Address: <b>208 S Akard St, 20F</b>	
21) City: <b>Dallas</b>	22) State: <b>TX</b>	23) Zip Code: <b>75202</b>	
24) Telephone Number: <b>(855)699-7073</b>		25) Fax:	
26) E-Mail Address: <b>FCCMW@att.com</b>			

**27) Demographics (Optional)**

Race: <input type="checkbox"/> American Indian or Alaska Native <input type="checkbox"/> Asian <input type="checkbox"/> Black or African-American <input type="checkbox"/> Native Hawaiian or Other Pacific Islander <input type="checkbox"/> White	Ethnicity: <input type="checkbox"/> Hispanic or Latino <input type="checkbox"/> Not Hispanic or Latino	Gender: <input type="checkbox"/> Male <input type="checkbox"/> Female
--	--	---

**Real Party in Interest**

28) Name of Real Party in Interest of Applicant (If different from Applicant):	29) FCC Registration Number (FRN) of Real Party in Interest:
--	--

**Contact Information (If different from the Applicant)** Check here if same as Applicant.

30) First Name: <b>Jessica</b>	MI: <b>J</b>	Last Name: <b>Dunk</b>	Suffix:
31) Company Name: <b>AT&amp;T Services, Inc.</b>			
32) Attention To: <b>NRC</b>			
33) P.O. Box:	And /Or	34) Street Address: <b>208 S Akard St, 20F</b>	
35) City: <b>Dallas</b>	36) State: <b>TX</b>	37) Zip Code: <b>75202</b>	
38) Telephone Number: <b>(855)699-7073</b>		39) Fax:	
40) E-Mail Address: <b>FCCMW@att.com</b>			

**Regulatory Status**

41) This filing is for authorization to provide or use the following type(s) of radio service offering (enter all that apply):  
(  ) Common Carrier (  ) Non-Common Carrier (  ) Private, internal communications (  ) Broadcast Services (  ) Band Manager

**Type of Radio Service**

42) This filing is for authorization to provide the following type(s) of radio service (choose all that apply):  
(  ) Fixed (  ) Mobile (  ) Radiolocation (  ) Satellite (sound) (  ) Broadcast Services  
43) Does the Applicant propose to provide service interconnected to the public telephone network? (  ) Yes (  ) No

**Alien Ownership Questions (If any answer is 'Y', provide an attachment explaining the circumstances. In preparing the attachment, refer to the Main Form Instructions for the "Alien Ownership Questions".)**

44) Is the Applicant a foreign government or the representative of any foreign government? (  ) Yes (  ) No  
45) Is the Applicant an alien or the representative of an alien? (  ) Yes (  ) No  
46) Is the Applicant a corporation organized under the laws of any foreign government? (  ) Yes (  ) No  
47) Is the Applicant a corporation of which more than one-fifth of the capital stock is owned of record or voted by aliens or their representatives, or by a foreign government or representative thereof, or by any corporation organized under the laws of a foreign country? (  ) Yes (  ) No

48a) Is the Applicant directly or indirectly controlled by any other corporation of which more than one-fourth of the capital stock ( ) Yes No is owned of record or voted by aliens or their representatives, or by a foreign government or representative thereof, or by any corporation organized under the laws of a foreign country?

48b) If the answer to 47 or 48a is 'Y' select one of the choices below.

The Applicant is exempt from the provisions of Section 310(b).

*If checked, it is not necessary to file a petition for declaratory ruling if the Applicant includes in the attachment required by Item 47 or Item 48a a showing that the requested license(s) is exempt from the provisions of Section 310(b).*

The Applicant has received a declaratory ruling(s) approving its foreign ownership, and the application involves only the acquisition of additional spectrum for the provision of a wireless service in a geographic coverage area for which the Applicant has been previously authorized.

*If checked, include in the attachment required by Item 47 or Item 48a the citation(s) of the applicable declaratory ruling(s) by DA/FCC number, the FCC Record citation, if available, release date, and a statement that there has been no change in the foreign ownership of the Applicant since the issuance of its ruling.*

The Applicant: (i) has received a declaratory ruling(s) approving its foreign ownership, but is not able to make the certification specified immediately above; or (ii) is an "affiliate" of a Licensee or Lessee/Sublessee that received a declaratory ruling(s) under 47 CFR § 1.5000(a) and is relying on the affiliate's ruling for purposes of filing this application as permitted under the affiliate's ruling and 47 CFR § 1.5004(b)

*If checked, and if the Applicant received its declaratory ruling(s) on or after August 9, 2013, include in the attachment required by Item 47 or Item 48a the citation(s) of the Applicant's declaratory ruling(s) by DA/FCC number, the FCC Record citation, if available, release date, and a statement that the Applicant is in compliance with the terms and conditions of its ruling and with the Commission's Rules.*

*If checked, and if the Applicant received its declaratory ruling(s) prior to August 9, 2013, include in the attachment required by Item 48a a copy of a petition for declaratory ruling filed contemporaneously with the Commission to extend the Applicant's existing ruling(s) to cover the same radio service(s) and geographic coverage area(s) involved in the application. Alternatively, the Applicant may request a new declaratory ruling pursuant to Section 1.5000(a) of the Commission's Rules, 47 CFR § 1.5000 (a). Petitions for declaratory ruling may be filed electronically on the Internet through the International Bureau Filing System (IBFS) (with a copy attached hereto).*

*If checked, and if the Applicant is relying on an affiliate's ruling for purposes of filing this application, include in the attachment required by Item 47 or Item 48a the citation(s) of the applicable declaratory ruling(s) by DA/FCC number, the FCC Record citation, if available, release date, and a statement that the Applicant is in compliance with the terms and conditions of the named affiliate's ruling and with the Commission's Rules. The Applicant must also include a certification of compliance signed by the named affiliate or other qualified entity as specified in 47 CFR § 1.5004(b). See Main Form Instructions for Items 47 or 48a, as applicable.*

The Applicant has not received a declaratory ruling approving its foreign ownership and is requesting a declaratory ruling under 47 CFR § 1.5004(b) in a petition filed contemporaneously with the Commission.

*If checked, include in the attachment required by Item 47 or 48a a copy of the petition for declaratory ruling filed contemporaneously with the Commission pursuant to 47 CFR § 1.5004(b). Petitions for declaratory ruling may be filed electronically on the Internet through the International Bureau Filing System (IBFS) (with a copy attached hereto).*

**Basic Qualification Questions**

49) Has the Applicant or any party to this application had any FCC station authorization, license or construction permit revoked or had any application for an initial, modification or renewal of FCC station authorization, license, or construction permit denied by the Commission?	( ) <u>Yes</u> <u>No</u>
50) Has the Applicant or any party to this application, or any party directly or indirectly controlling the Applicant, ever been convicted of a felony by any state or federal court?	( ) <u>Yes</u> <u>No</u>
51) Has any court finally adjudged the Applicant or any party directly or indirectly controlling the Applicant guilty of unlawfully monopolizing or attempting unlawfully to monopolize radio communication, directly or indirectly, through control of manufacture or sale of radio apparatus, exclusive traffic arrangement, or any other means or unfair methods of competition?	( ) <u>Yes</u> <u>No</u>

**Note: If the answer to any of 49-51 is 'Y', attach an exhibit explaining the circumstances.**

**Aeronautical Advisory Station (Unicom) Certification**

52) ( ) I certify that the station will be located on property of the airport to be served, and, in cases where the airport does not have a control tower, RCO, or FAA flight service station, that I have notified the owner of the airport and all aviation service organizations located at the airport within ten days prior to application.
--

**Broadband Radio Service and Educational Broadband Service Cable Cross-Ownership**

53a) Will the requested facilities be used to provide multichannel video programming service?	( ) <u>Yes</u> <u>No</u>
53b) If the answer to question 53a is 'Y', does the Applicant operate, control or have an attributable interest (as defined in 47 CFR § 27.1202) in a cable television system whose franchise area is located within the geographic service area of the requested facilities?	( ) <u>Yes</u> <u>No</u>

**Note: If the answer to question 53b is 'Y', attach an exhibit explaining how the Applicant complies with 47 CFR § 27.1202 or justifying a waiver of that rule. If a waiver of the Commission Rule(s) is being requested, Item 11a must be answered 'Y'.**

**Broadband Radio Service and Educational Broadband Service (Part 27)**

54) (For EBS only) Does the Applicant comply with the programming requirements contained in 47 CFR § 27.1203?	( ) <u>Yes</u> <u>No</u>
---	--------------------------

**Note: If the answer to item 54 is 'N', attach an exhibit explaining how the Applicant complies with 47 CFR § 27.1203 of the Commission's Rules or justifying a waiver of that rule. If a waiver of the Commission Rule(s) is being requested, Item 11a must be answered 'Y'.**

55) (For BRS and EBS) Does the Applicant comply with 47 CFR §§ 27.50, 27.55, and 27.1221?	( ) <u>Yes</u> <u>No</u>
---	--------------------------

**Note: If the answer to item 55 is 'N', attach an exhibit justifying a waiver of that rule(s). If a waiver of the Commission Rule(s) is being requested, Item 11a must be answered 'Y'.**

**For Applicants Who Participated in an Auction**

56) Is the Applicant a qualifying rural wireless partnership or a member of a qualifying rural wireless partnership?	( ) <u>Yes</u> <u>No</u>
--	--------------------------

**Note: If the answer to item 56 is 'Y', attach an exhibit listing all members of the qualifying rural wireless partnership, including their FRN numbers.**

**For Renewal Applicants**

57) Operation/Performance Requirement Certification	
<b>[For a site-based license]:</b> Applicant certifies that it is continuing to operate consistent with its most recently filed construction notification (or most recent authorization, if no construction notification was required).	( ) <u>Yes</u> <u>No</u>
<b>[For a geographic license, commercial service - licensee in its initial license term with an interim performance requirement]:</b> Applicant certifies that it has met its interim performance requirement, that over the portion of the license term following the interim performance requirement, it continues to use its facilities to provide at least the level of service required by its interim performance requirement, it has met its final performance requirement, and it continues to use its facilities to provide at least the level of service required by its final performance requirement through the end of the license term.	( ) <u>Yes</u> <u>No</u>
<b>[For a geographic license, commercial service - licensee in its initial license term with no interim performance requirement]:</b> Applicant certifies that it has met its final performance requirement and it continues to use its facilities to provide at least the level of service required by its final performance requirement through the end of the license term. [Note: licensee must provide a showing demonstrating that the final performance requirement has been met, either separately in a timely application for notification of completion of construction, or as part of its renewal application, depending on the radio service.]	( ) <u>Yes</u> <u>No</u>
<b>[For a geographic license, commercial service - licensee in any subsequent term]:</b> Applicant certifies that it continues to use its facilities to provide at least the level of service required by its final performance requirement through the end of any subsequent license terms.	( ) <u>Yes</u> <u>No</u>
<b>[For a geographic license, private systems - licensee in its initial license term with an interim performance requirement]:</b> Applicant certifies that it has met its interim performance requirement, that over the portion of the license term following the interim performance requirement, it continues to use its facilities to further its private business or public interest/public safety communications needs at or above the level required to meet its interim performance requirement, it has met its final performance requirement, and it continues to use its facilities to provide at least the level of operation required by its final performance requirement through the end of the license term.	( ) <u>Yes</u> <u>No</u>
<b>[For a geographic license, private systems - licensee in its initial license term with no interim performance requirement]:</b> Applicant certifies that it has met its final performance requirement, it continues to use its facilities to further its private business or public interest/public safety communications needs, and it continues to use its facilities to provide at least the level of operation required by its final performance requirement through the end of the license term. [Note: licensee must provide a showing demonstrating that the final performance requirement has been met, either separately in a timely application for notification of completion of construction, or as part of its renewal application, depending on the radio service.]	( ) <u>Yes</u> <u>No</u>

<b>[For a geographic license, private systems - licensee in any subsequent term]:</b> Applicant certifies that it continues to use its facilities to further its private business or public interest/public safety communications needs at or above the level required to meet its final performance requirement through the end of any subsequent license terms.	( ) <u>Yes</u> <u>No</u>
<b>[For a partitioned or disaggregated license without a performance requirement, for the first renewal application filed after effective date of the rules]:</b> Applicant certifies that the partitioned and/or disaggregated license that is the subject of this renewal application has no separate performance requirement and that this is the first renewal of this license filed subsequent to the effective date of the rules.	( ) <u>Yes</u> <u>No</u>
<b>[For a partitioned or disaggregated license without a performance requirement, for any subsequent renewal filings]:</b> Applicant certifies that it continues to use its facilities to provide service or to further the applicant's private business or public interest/public safety needs.	( ) <u>Yes</u> <u>No</u>

**Discontinuance of Service Certification**

58) Applicant certifies that no permanent discontinuance of service or operation, as applicable, occurred during its current license term.  <b>Note: If the response to either item 57 or item 58 is 'N',</b> attach an exhibit that demonstrates that over the course of the license term, the Applicant provided and continues to provide service to the public, or operated and continues to operate the license to meet the Applicant's private business or public interest/public safety communications needs. This exhibit must include a detailed description of the Applicant's provision of service or, when allowed under the relevant service rules or pursuant to waiver, use of the spectrum for private business or public interest/public safety communications needs, during the entire license period and address, as applicable: 1) the level and quality of service provided by the applicant (e.g., the population served, the area served, the number of subscribers, the services offered); (2) the date service commenced, whether service was ever interrupted, and the duration of any interruption or outage; (3) the extent to which service is provided to rural areas; (4) the extent to which service is provided to qualifying tribal land as defined in 47 CFR § 1.2110(e)(3)(i); and (5) any other factors associated with the level of service to the public. The licensee may note in its exhibit: 1) any grant(s) of waiver or extension of a performance deadline or license renewal subject to meeting a performance requirement; or 2) if the final performance deadline and/or expiration date for the license accelerated because the licensee did not meet an interim performance requirement.	( ) <u>Yes</u> <u>No</u>
--	--------------------------

**Regulatory Compliance Certification [same for all]**

59) Applicant certifies that it has substantially complied with all applicable FCC rules, policies, and the Communications Act of 1934, as amended.  <b>Note: If the response to item 59 is 'N',</b> attach an exhibit explaining the circumstances and demonstrating why Applicant's license should be renewed.	( ) <u>Yes</u> <u>No</u>
--	--------------------------

**General Certification Statements**

1) The Applicant waives any claim to the use of any particular frequency or of the electromagnetic spectrum as against the regulatory power of the United States because of the previous use of the same, whether by license or otherwise, and requests an authorization in accordance with this application.
2) The Applicant certifies that grant of this application would not cause the Applicant to be in violation of any pertinent cross-ownership or attribution rules.* *If the Applicant has sought a waiver of any such rule in connection with this application, it may make this certification subject to the outcome of the waiver request.
3) The Applicant certifies that all statements made in this application and in the exhibits, attachments, or documents incorporated by reference are material, are part of this application, and are true, complete, correct, and made in good faith.
4) The Applicant certifies that neither the Applicant nor any other party to the application is subject to a denial of Federal benefits pursuant to § 5301 of the Anti-Drug Abuse Act of 1988, 21 U.S.C. § 862, because of a conviction for possession or distribution of a controlled substance. This certification does not apply to applications filed in services exempted under § 1.2002(c) of the rules, 47 CFR § 1.2002(c). See 47 CFR § 1.2002(b) for the definition of "party to the application" as used in this certification.
5) The Applicant certifies that it either (1) has current required ownership data on file with the Commission, (2) is filing updated ownership data simultaneously with this application, or (3) is not required to file ownership data under the Commission's Rules.
6) The Applicant certifies that the facilities, operations, and transmitters for which this authorization is hereby requested are either: (1) categorically excluded from routine environmental evaluation for RF exposure as set forth in 47 CFR § 1.1307(b); or, (2) have been found not to cause human exposure to levels of radiofrequency radiation in excess of the limits specified in 47 CFR §§ 1.1310 and 2.1093; or, (3) are the subject of one or more Environmental Assessments filed with the Commission.
7) The Applicant certifies that it has reviewed the appropriate Commission Rules defining eligibility to hold the requested license(s) and is eligible to hold the requested license(s).
8) The Applicant certifies that it is not in default on any payment for Commission licenses and that it is not delinquent on any non-tax debt owed to any federal agency.
9) The Applicant certifies that the Applicant and all of the related individuals and entities required to be disclosed on this application and FCC Form 602 (FCC Ownership Disclosure Information for the Wireless Telecommunications Services) are not person(s) who have been, for reasons of national security, barred by any agency of the Federal Government from bidding on a contract, participating in an auction, or receiving a grant. This certification applies only to applications for licenses for spectrum that is required by Sections 6103, 6401-6403 of the Middle Class Tax Relief and Job Creation Act of 2012, codified at 47 U.S.C. §§ 309, 1413, 1451-1452, to be assigned by a system of competitive bidding under 47 U.S.C. § 309(j).

**Signature**

60) Typed or Printed Name of Party Authorized to Sign

First Name: <b>Jessica</b>	MI:	Last Name: <b>Dunk</b>	Suffix:
61) Title: <b>Assistant Secretary - Compliance</b>			
Signature: <b>Jessica Dunk</b>			62) Date: <b>01/22/2024</b>
<b>FAILURE TO SIGN THIS APPLICATION MAY RESULT IN DISMISSAL OF THE APPLICATION AND FORFEITURE OF ANY FEES PAID.</b>			
Upon grant of this license application, the Licensee may be subject to certain construction or coverage requirements. Failure to meet the construction or coverage requirements will result in termination of the license. Consult appropriate FCC regulations to determine the construction or coverage requirements that apply to the type of license requested in this application.			
WILLFUL FALSE STATEMENTS MADE ON THIS FORM OR ANY ATTACHMENTS ARE PUNISHABLE BY FINE AND/OR IMPRISONMENT (U.S. Code, Title 18, § 1001) AND/OR REVOCATION OF ANY STATION LICENSE OR CONSTRUCTION PERMIT (U.S. Code, Title 47, § 312(a)(1)), AND/OR FORFEITURE (U.S. Code, Title 47, § 503).			



REFERENCE COPY

This is not an official FCC license. It is a record of public information contained in the FCC's licensing database on the date that this reference copy was generated. In cases where FCC rules require the presentation, posting, or display of an FCC license, this document may not be used in place of an official FCC license.



Federal Communications Commission
Wireless Telecommunications Bureau

RADIO STATION AUTHORIZATION

LICENSEE: NEW CINGULAR WIRELESS PCS, LLC

ATTN: NATIONAL REGULATORY COMPLIANCE
NEW CINGULAR WIRELESS PCS, LLC
208 S AKARD ST, 20F
DALLAS, TX 75202

Table with Call Sign (WQNE326), File Number, and Radio Service (CW - PCS Broadband).

FCC Registration Number (FRN): 0003291192

Table with columns: Grant Date, Effective Date, Expiration Date, Print Date, Market Number, Channel Block, Sub-Market Designator, Market Name, 1st Build-out Date, 2nd Build-out Date, 3rd Build-out Date, 4th Build-out Date.

Waivers/Conditions:

This authorization is subject to the condition that, in the event that systems using the same frequencies as granted herein are authorized in an adjacent foreign territory (Canada/United States), future coordination of any base station transmitters within 72 km (45 miles) of the United States/Canada border shall be required to eliminate any harmful interference to operations in the adjacent foreign territory and to ensure continuance of equal access to the frequencies by both countries.

This authorization is subject to the condition that the remaining balance of the winning bid amount will be paid in accordance with Part 1 of the Commission's rules, 47 C.F.R. Part 1.

Conditions:

Pursuant to §309(h) of the Communications Act of 1934, as amended, 47 U.S.C. §309(h), this license is subject to the following conditions: This license shall not vest in the licensee any right to operate the station nor any right in the use of the frequencies designated in the license beyond the term thereof nor in any other manner than authorized herein.

This license may not authorize operation throughout the entire geographic area or spectrum identified on the hardcopy version. To view the specific geographic area and spectrum authorized by this license, refer to the Spectrum and Market Area information under the Market Tab of the license record in the Universal Licensing System (ULS).

**Licensee Name:** NEW CINGULAR WIRELESS PCS, LLC

**Call Sign:** WQNE326

**File Number:**

**Print Date:**

**700 MHz Relicensed Area Information:**

<b>Market</b>	<b>Market Name</b>	<b>Buildout Deadline</b>	<b>Buildout Notification</b>	<b>Status</b>
---------------	--------------------	--------------------------	------------------------------	---------------

Reference Copy

# Reference Copy Only. Do Not Mail to the FCC as an Application.

Submitted: 01/23/2024 at 17:43:02  
 File Number: 0010873463

**FCC 601**  
**Main Form**

## FCC Application for Radio Service Authorization: Wireless Telecommunications Bureau Public Safety and Homeland Security Bureau

Approved by OMB  
 3060 - 0798  
 See instructions for  
 public burden estimate

1) Radio Service Code: <p style="text-align: center;"><b>CW</b></p>	1a) Existing Radio Service Code:
--	----------------------------------

**General Information**

2) (Select only one) ( <b>AU</b> ) <b>NE</b> - New <b>RO</b> - Renewal Only <b>AU</b> - Administrative Update <b>NT</b> - Required Notifications <b>MD</b> - Modification <b>RM</b> - Renewal/Modification <b>WD</b> - Withdrawal of Application <b>EX</b> - Requests for Extension of Time <b>AM</b> - Amendment <b>CA</b> - Cancellation of License <b>RL</b> - Registered Location/Link	
3a) If this application is for a Demonstration License or a <b>S</b> pecial Temporary Authorization (STA), enter the code and attach the required exhibit as described in the instructions. Otherwise enter ' <b>N/A</b> ' (Not Applicable).	( <b>N</b> ) <u><b>M</b></u> <u><b>S</b></u> <u><b>N/A</b></u>
3b) If this application is for Special Temporary Authority due to an emergency situation, enter 'Y'; otherwise enter 'N'. Refer to Rule 1.915 for an explanation of situations considered to be an emergency.	(    ) <u><b>Y</b></u> <u><b>N</b></u>
4) If this application is for an Amendment or Withdrawal, enter the file number of the pending application currently on file with the FCC.	File Number
5) If this application is for a Modification, Renewal Only, Renewal/Modification, Cancellation of License, , or Administrative Update, enter the call sign of the existing FCC license. If this is a request for Registered Location/Link, enter the FCC call sign assigned to the geographic license.	Call Sign <b>WQNE326</b>
6a) If this application is for a New, Amendment, Renewal Only, or Renewal/Modification, enter the requested authorization expiration date (this item is optional).	MM    DD _____ / _____
6b) If this application is for a Renewal Only or Renewal/Modification and the license is a geographic area license, is the license used to provide service to customers ( <b>C</b> ), or is the license used for private business (internal) purposes or to meet the licensee's public interest/public safety communications needs ( <b>P</b> )?	(    ) <u><b>C</b></u> <u><b>P</b></u>
7) Is this application "major" as defined in § 1.929 of the Commission's Rules when read in conjunction with the applicable radio service rules found in Parts 22 and 90 of the Commission's Rules? (NOTE: This question only applies to certain site-specific applications. See the instructions for applicability and full text of § 1.929).	(    ) <u><b>Y</b></u> <u><b>N</b></u>
8) Are attachments (other than associated schedules) being filed with this application?	(    ) <u><b>Y</b></u> <u><b>N</b></u>

**Fees, Waivers, and Exemptions**

9) Is the Applicant exempt from FCC application fees?	( <b>N</b> ) <u><b>Y</b></u> <u><b>N</b></u>
10) Is the Applicant exempt from FCC regulatory fees?	( <b>N</b> ) <u><b>Y</b></u> <u><b>N</b></u>
11) Does this application include a request for a Waiver of the Commission's Rule(s)? If 'Yes', attach an exhibit providing rule number(s) and explaining circumstances.	( <b>N</b> ) <u><b>Y</b></u> <u><b>N</b></u>
12) Are the frequencies or parameters requested in this filing covered by grandfathered privileges, previously approved by waiver, or functionally integrated with an existing station?	(    ) <u><b>Y</b></u> <u><b>N</b></u>

**Applicant Information**

13) FCC Registration Number (FRN): <b>0003291192</b>			
14) Applicant/Licensee Legal Entity Type: (Select One) <input type="checkbox"/> Individual <input type="checkbox"/> Unincorporated Association <input type="checkbox"/> Trust <input type="checkbox"/> Government Entity <input type="checkbox"/> Corporation <input checked="" type="checkbox"/> Limited Liability Company <input type="checkbox"/> General Partnership <input type="checkbox"/> Limited Partnership <input type="checkbox"/> Limited Liability Partnership <input type="checkbox"/> Consortium <input type="checkbox"/> Other: _____			
15) If the Licensee name is being updated, is the update a result from the sale (or transfer of control) of the license(s) to party and for which proper Commission approval has not been received or proper notification not provided?			<input type="checkbox"/> Yes <input checked="" type="checkbox"/> No
16) First Name (if individual):	MI:	Last Name:	Suffix:
17) Legal Entity Name (if other than individual): <b>New Cingular Wireless PCS, LLC</b>			
18) Attention To: <b>National Regulatory Compliance</b>			
19) P.O. Box:	And/Or	20) Street Address: <b>208 S Akard St, 20F</b>	
21) City: <b>Dallas</b>	22) State: <b>TX</b>	23) Zip Code: <b>75202</b>	
24) Telephone Number: <b>(855)699-7073</b>		25) Fax: <b>(214)746-6410</b>	
26) E-Mail Address: <b>FCCMW@att.com</b>			

**27) Demographics (Optional)**

Race: <input type="checkbox"/> American Indian or Alaska Native <input type="checkbox"/> Asian <input type="checkbox"/> Black or African-American <input type="checkbox"/> Native Hawaiian or Other Pacific Islander <input type="checkbox"/> White	Ethnicity: <input type="checkbox"/> Hispanic or Latino <input type="checkbox"/> Not Hispanic or Latino	Gender: <input type="checkbox"/> Male <input type="checkbox"/> Female
--	--	---

**Real Party in Interest**

28) Name of Real Party in Interest of Applicant (If different from Applicant):	29) FCC Registration Number (FRN) of Real Party in Interest:
--	--

**Contact Information (If different from the Applicant)** Check here if same as Applicant.

30) First Name: <b>Jessica</b>	MI: <b>J</b>	Last Name: <b>Dunk</b>	Suffix:
31) Company Name: <b>AT&amp;T Services, Inc.</b>			
32) Attention To: <b>NRC</b>			
33) P.O. Box:	And /Or	34) Street Address: <b>208 S Akard St, 20F</b>	
35) City: <b>Dallas</b>	36) State: <b>TX</b>	37) Zip Code: <b>75202</b>	
38) Telephone Number: <b>(855)699-7073</b>		39) Fax: <b>(214)746-6410</b>	
40) E-Mail Address: <b>FCCMW@att.com</b>			

**Regulatory Status**

41) This filing is for authorization to provide or use the following type(s) of radio service offering (enter all that apply):  
(  ) Common Carrier (  ) Non-Common Carrier (  ) Private, internal communications (  ) Broadcast Services (  ) Band Manager

**Type of Radio Service**

42) This filing is for authorization to provide the following type(s) of radio service (choose all that apply):  
(  ) Fixed (  ) Mobile (  ) Radiolocation (  ) Satellite (sound) (  ) Broadcast Services  
43) Does the Applicant propose to provide service interconnected to the public telephone network? (  ) Yes (  ) No

**Alien Ownership Questions (If any answer is 'Y', provide an attachment explaining the circumstances. In preparing the attachment, refer to the Main Form Instructions for the "Alien Ownership Questions".)**

44) Is the Applicant a foreign government or the representative of any foreign government? (  ) Yes (  ) No  
45) Is the Applicant an alien or the representative of an alien? (  ) Yes (  ) No  
46) Is the Applicant a corporation organized under the laws of any foreign government? (  ) Yes (  ) No  
47) Is the Applicant a corporation of which more than one-fifth of the capital stock is owned of record or voted by aliens or their representatives, or by a foreign government or representative thereof, or by any corporation organized under the laws of a foreign country? (  ) Yes (  ) No

48a) Is the Applicant directly or indirectly controlled by any other corporation of which more than one-fourth of the capital stock ( ) Yes No is owned of record or voted by aliens or their representatives, or by a foreign government or representative thereof, or by any corporation organized under the laws of a foreign country?

48b) If the answer to 47 or 48a is 'Y' select one of the choices below.

The Applicant is exempt from the provisions of Section 310(b).

*If checked, it is not necessary to file a petition for declaratory ruling if the Applicant includes in the attachment required by Item 47 or Item 48a a showing that the requested license(s) is exempt from the provisions of Section 310(b).*

The Applicant has received a declaratory ruling(s) approving its foreign ownership, and the application involves only the acquisition of additional spectrum for the provision of a wireless service in a geographic coverage area for which the Applicant has been previously authorized.

*If checked, include in the attachment required by Item 47 or Item 48a the citation(s) of the applicable declaratory ruling(s) by DA/FCC number, the FCC Record citation, if available, release date, and a statement that there has been no change in the foreign ownership of the Applicant since the issuance of its ruling.*

The Applicant: (i) has received a declaratory ruling(s) approving its foreign ownership, but is not able to make the certification specified immediately above; or (ii) is an "affiliate" of a Licensee or Lessee/Sublessee that received a declaratory ruling(s) under 47 CFR § 1.5000(a) and is relying on the affiliate's ruling for purposes of filing this application as permitted under the affiliate's ruling and 47 CFR § 1.5004(b)

*If checked, and if the Applicant received its declaratory ruling(s) on or after August 9, 2013, include in the attachment required by Item 47 or Item 48a the citation(s) of the Applicant's declaratory ruling(s) by DA/FCC number, the FCC Record citation, if available, release date, and a statement that the Applicant is in compliance with the terms and conditions of its ruling and with the Commission's Rules.*

*If checked, and if the Applicant received its declaratory ruling(s) prior to August 9, 2013, include in the attachment required by Item 48a a copy of a petition for declaratory ruling filed contemporaneously with the Commission to extend the Applicant's existing ruling(s) to cover the same radio service(s) and geographic coverage area(s) involved in the application. Alternatively, the Applicant may request a new declaratory ruling pursuant to Section 1.5000(a) of the Commission's Rules, 47 CFR § 1.5000 (a). Petitions for declaratory ruling may be filed electronically on the Internet through the International Bureau Filing System (IBFS) (with a copy attached hereto).*

*If checked, and if the Applicant is relying on an affiliate's ruling for purposes of filing this application, include in the attachment required by Item 47 or Item 48a the citation(s) of the applicable declaratory ruling(s) by DA/FCC number, the FCC Record citation, if available, release date, and a statement that the Applicant is in compliance with the terms and conditions of the named affiliate's ruling and with the Commission's Rules. The Applicant must also include a certification of compliance signed by the named affiliate or other qualified entity as specified in 47 CFR § 1.5004(b). See Main Form Instructions for Items 47 or 48a, as applicable.*

The Applicant has not received a declaratory ruling approving its foreign ownership and is requesting a declaratory ruling under 47 CFR § 1.5004(b) in a petition filed contemporaneously with the Commission.

*If checked, include in the attachment required by Item 47 or 48a a copy of the petition for declaratory ruling filed contemporaneously with the Commission pursuant to 47 CFR § 1.5004(b). Petitions for declaratory ruling may be filed electronically on the Internet through the International Bureau Filing System (IBFS) (with a copy attached hereto).*

**Basic Qualification Questions**

49) Has the Applicant or any party to this application had any FCC station authorization, license or construction permit revoked or had any application for an initial, modification or renewal of FCC station authorization, license, or construction permit denied by the Commission?	( ) <u>Yes</u> <u>No</u>
50) Has the Applicant or any party to this application, or any party directly or indirectly controlling the Applicant, ever been convicted of a felony by any state or federal court?	( ) <u>Yes</u> <u>No</u>
51) Has any court finally adjudged the Applicant or any party directly or indirectly controlling the Applicant guilty of unlawfully monopolizing or attempting unlawfully to monopolize radio communication, directly or indirectly, through control of manufacture or sale of radio apparatus, exclusive traffic arrangement, or any other means or unfair methods of competition?	( ) <u>Yes</u> <u>No</u>

**Note: If the answer to any of 49-51 is 'Y', attach an exhibit explaining the circumstances.**

**Aeronautical Advisory Station (Unicom) Certification**

52) ( ) I certify that the station will be located on property of the airport to be served, and, in cases where the airport does not have a control tower, RCO, or FAA flight service station, that I have notified the owner of the airport and all aviation service organizations located at the airport within ten days prior to application.
--

**Broadband Radio Service and Educational Broadband Service Cable Cross-Ownership**

53a) Will the requested facilities be used to provide multichannel video programming service?	( ) <u>Yes</u> <u>No</u>
53b) If the answer to question 53a is 'Y', does the Applicant operate, control or have an attributable interest (as defined in 47 CFR § 27.1202) in a cable television system whose franchise area is located within the geographic service area of the requested facilities?	( ) <u>Yes</u> <u>No</u>

**Note: If the answer to question 53b is 'Y', attach an exhibit explaining how the Applicant complies with 47 CFR § 27.1202 or justifying a waiver of that rule. If a waiver of the Commission Rule(s) is being requested, Item 11a must be answered 'Y'.**

**Broadband Radio Service and Educational Broadband Service (Part 27)**

54) (For EBS only) Does the Applicant comply with the programming requirements contained in 47 CFR § 27.1203?	( ) <u>Yes</u> <u>No</u>
---	--------------------------

**Note: If the answer to item 54 is 'N', attach an exhibit explaining how the Applicant complies with 47 CFR § 27.1203 of the Commission's Rules or justifying a waiver of that rule. If a waiver of the Commission Rule(s) is being requested, Item 11a must be answered 'Y'.**

55) (For BRS and EBS) Does the Applicant comply with 47 CFR §§ 27.50, 27.55, and 27.1221?	( ) <u>Yes</u> <u>No</u>
---	--------------------------

**Note: If the answer to item 55 is 'N', attach an exhibit justifying a waiver of that rule(s). If a waiver of the Commission Rule(s) is being requested, Item 11a must be answered 'Y'.**

**For Applicants Who Participated in an Auction**

56) Is the Applicant a qualifying rural wireless partnership or a member of a qualifying rural wireless partnership?	( ) <u>Yes</u> <u>No</u>
--	--------------------------

**Note: If the answer to item 56 is 'Y', attach an exhibit listing all members of the qualifying rural wireless partnership, including their FRN numbers.**

**For Renewal Applicants****57) Operation/Performance Requirement Certification**

<b>[For a site-based license]:</b> Applicant certifies that it is continuing to operate consistent with its most recently filed construction notification (or most recent authorization, if no construction notification was required).	( ) <u>Yes</u> <u>No</u>
<b>[For a geographic license, commercial service - licensee in its initial license term with an interim performance requirement]:</b> Applicant certifies that it has met its interim performance requirement, that over the portion of the license term following the interim performance requirement, it continues to use its facilities to provide at least the level of service required by its interim performance requirement, it has met its final performance requirement, and it continues to use its facilities to provide at least the level of service required by its final performance requirement through the end of the license term.	( ) <u>Yes</u> <u>No</u>
<b>[For a geographic license, commercial service - licensee in its initial license term with no interim performance requirement]:</b> Applicant certifies that it has met its final performance requirement and it continues to use its facilities to provide at least the level of service required by its final performance requirement through the end of the license term. [Note: licensee must provide a showing demonstrating that the final performance requirement has been met, either separately in a timely application for notification of completion of construction, or as part of its renewal application, depending on the radio service.]	( ) <u>Yes</u> <u>No</u>
<b>[For a geographic license, commercial service - licensee in any subsequent term]:</b> Applicant certifies that it continues to use its facilities to provide at least the level of service required by its final performance requirement through the end of any subsequent license terms.	( ) <u>Yes</u> <u>No</u>
<b>[For a geographic license, private systems - licensee in its initial license term with an interim performance requirement]:</b> Applicant certifies that it has met its interim performance requirement, that over the portion of the license term following the interim performance requirement, it continues to use its facilities to further its private business or public interest/public safety communications needs at or above the level required to meet its interim performance requirement, it has met its final performance requirement, and it continues to use its facilities to provide at least the level of operation required by its final performance requirement through the end of the license term.	( ) <u>Yes</u> <u>No</u>
<b>[For a geographic license, private systems - licensee in its initial license term with no interim performance requirement]:</b> Applicant certifies that it has met its final performance requirement, it continues to use its facilities to further its private business or public interest/public safety communications needs, and it continues to use its facilities to provide at least the level of operation required by its final performance requirement through the end of the license term. [Note: licensee must provide a showing demonstrating that the final performance requirement has been met, either separately in a timely application for notification of completion of construction, or as part of its renewal application, depending on the radio service.]	( ) <u>Yes</u> <u>No</u>

<b>[For a geographic license, private systems - licensee in any subsequent term]:</b> Applicant certifies that it continues to use its facilities to further its private business or public interest/public safety communications needs at or above the level required to meet its final performance requirement through the end of any subsequent license terms.	( ) <u>Yes</u> <u>No</u>
<b>[For a partitioned or disaggregated license without a performance requirement, for the first renewal application filed after effective date of the rules]:</b> Applicant certifies that the partitioned and/or disaggregated license that is the subject of this renewal application has no separate performance requirement and that this is the first renewal of this license filed subsequent to the effective date of the rules.	( ) <u>Yes</u> <u>No</u>
<b>[For a partitioned or disaggregated license without a performance requirement, for any subsequent renewal filings]:</b> Applicant certifies that it continues to use its facilities to provide service or to further the applicant's private business or public interest/public safety needs.	( ) <u>Yes</u> <u>No</u>

**Discontinuance of Service Certification**

58) Applicant certifies that no permanent discontinuance of service or operation, as applicable, occurred during its current license term.  <b>Note: If the response to either item 57 or item 58 is 'N',</b> attach an exhibit that demonstrates that over the course of the license term, the Applicant provided and continues to provide service to the public, or operated and continues to operate the license to meet the Applicant's private business or public interest/public safety communications needs. This exhibit must include a detailed description of the Applicant's provision of service or, when allowed under the relevant service rules or pursuant to waiver, use of the spectrum for private business or public interest/public safety communications needs, during the entire license period and address, as applicable: 1) the level and quality of service provided by the applicant (e.g., the population served, the area served, the number of subscribers, the services offered); (2) the date service commenced, whether service was ever interrupted, and the duration of any interruption or outage; (3) the extent to which service is provided to rural areas; (4) the extent to which service is provided to qualifying tribal land as defined in 47 CFR § 1.2110(e)(3)(i); and (5) any other factors associated with the level of service to the public. The licensee may note in its exhibit: 1) any grant(s) of waiver or extension of a performance deadline or license renewal subject to meeting a performance requirement; or 2) if the final performance deadline and/or expiration date for the license accelerated because the licensee did not meet an interim performance requirement.	( ) <u>Yes</u> <u>No</u>
--	--------------------------

**Regulatory Compliance Certification [same for all]**

59) Applicant certifies that it has substantially complied with all applicable FCC rules, policies, and the Communications Act of 1934, as amended.  <b>Note: If the response to item 59 is 'N',</b> attach an exhibit explaining the circumstances and demonstrating why Applicant's license should be renewed.	( ) <u>Yes</u> <u>No</u>
--	--------------------------

**General Certification Statements**

1) The Applicant waives any claim to the use of any particular frequency or of the electromagnetic spectrum as against the regulatory power of the United States because of the previous use of the same, whether by license or otherwise, and requests an authorization in accordance with this application.
2) The Applicant certifies that grant of this application would not cause the Applicant to be in violation of any pertinent cross-ownership or attribution rules.* *If the Applicant has sought a waiver of any such rule in connection with this application, it may make this certification subject to the outcome of the waiver request.
3) The Applicant certifies that all statements made in this application and in the exhibits, attachments, or documents incorporated by reference are material, are part of this application, and are true, complete, correct, and made in good faith.
4) The Applicant certifies that neither the Applicant nor any other party to the application is subject to a denial of Federal benefits pursuant to § 5301 of the Anti-Drug Abuse Act of 1988, 21 U.S.C. § 862, because of a conviction for possession or distribution of a controlled substance. This certification does not apply to applications filed in services exempted under § 1.2002(c) of the rules, 47 CFR § 1.2002(c). See 47 CFR § 1.2002(b) for the definition of "party to the application" as used in this certification.
5) The Applicant certifies that it either (1) has current required ownership data on file with the Commission, (2) is filing updated ownership data simultaneously with this application, or (3) is not required to file ownership data under the Commission's Rules.
6) The Applicant certifies that the facilities, operations, and transmitters for which this authorization is hereby requested are either: (1) categorically excluded from routine environmental evaluation for RF exposure as set forth in 47 CFR § 1.1307(b); or, (2) have been found not to cause human exposure to levels of radiofrequency radiation in excess of the limits specified in 47 CFR §§ 1.1310 and 2.1093; or, (3) are the subject of one or more Environmental Assessments filed with the Commission.
7) The Applicant certifies that it has reviewed the appropriate Commission Rules defining eligibility to hold the requested license(s) and is eligible to hold the requested license(s).
8) The Applicant certifies that it is not in default on any payment for Commission licenses and that it is not delinquent on any non-tax debt owed to any federal agency.
9) The Applicant certifies that the Applicant and all of the related individuals and entities required to be disclosed on this application and FCC Form 602 (FCC Ownership Disclosure Information for the Wireless Telecommunications Services) are not person(s) who have been, for reasons of national security, barred by any agency of the Federal Government from bidding on a contract, participating in an auction, or receiving a grant. This certification applies only to applications for licenses for spectrum that is required by Sections 6103, 6401-6403 of the Middle Class Tax Relief and Job Creation Act of 2012, codified at 47 U.S.C. §§ 309, 1413, 1451-1452, to be assigned by a system of competitive bidding under 47 U.S.C. § 309(j).



**Signature**

60) Typed or Printed Name of Party Authorized to Sign

First Name: <b>Jessica</b>	MI:	Last Name: <b>Dunk</b>	Suffix:
61) Title: <b>Assistant Secretary - Compliance</b>			
Signature: <b>Jessica Dunk</b>			62) Date: <b>01/23/2024</b>
<b>FAILURE TO SIGN THIS APPLICATION MAY RESULT IN DISMISSAL OF THE APPLICATION AND FORFEITURE OF ANY FEES PAID.</b>			
Upon grant of this license application, the Licensee may be subject to certain construction or coverage requirements. Failure to meet the construction or coverage requirements will result in termination of the license. Consult appropriate FCC regulations to determine the construction or coverage requirements that apply to the type of license requested in this application.			
WILLFUL FALSE STATEMENTS MADE ON THIS FORM OR ANY ATTACHMENTS ARE PUNISHABLE BY FINE AND/OR IMPRISONMENT (U.S. Code, Title 18, § 1001) AND/OR REVOCATION OF ANY STATION LICENSE OR CONSTRUCTION PERMIT (U.S. Code, Title 47, § 312(a)(1)), AND/OR FORFEITURE (U.S. Code, Title 47, § 503).			

REFERENCE COPY

This is not an official FCC license. It is a record of public information contained in the FCC's licensing database on the date that this reference copy was generated. In cases where FCC rules require the presentation, posting, or display of an FCC license, this document may not be used in place of an official FCC license.



Federal Communications Commission
Wireless Telecommunications Bureau

RADIO STATION AUTHORIZATION

LICENSEE: NEW CINGULAR WIRELESS PCS, LLC

ATTN: NATIONAL REGULATORY COMPLIANCE
NEW CINGULAR WIRELESS PCS, LLC
208 S AKARD ST, 20F
DALLAS, TX 75202

Table with 2 columns: Call Sign (WQQQ250), File Number, and Radio Service (CW - PCS Broadband).

FCC Registration Number (FRN): 0003291192

Table with 4 columns: Grant Date (04-26-2017), Effective Date (01-24-2024), Expiration Date (04-28-2027), Print Date, Market Number (BTA083), Channel Block (F), Sub-Market Designator (2), Market Name (Clarksville, TN-Hopkinsville), and 4 Build-out Date columns.

Waivers/Conditions:

This authorization is subject to the condition that, in the event that systems using the same frequencies as granted herein are authorized in an adjacent foreign territory (Canada/United States), future coordination of any base station transmitters within 72 km (45 miles) of the United States/Canada border shall be required to eliminate any harmful interference to operations in the adjacent foreign territory and to ensure continuance of equal access to the frequencies by both countries.

This authorization is conditioned upon the full and timely payment of all monies due pursuant to Sections 1.2110 and 24.716 of the Commission's Rules and the terms of the Commission's installment plan as set forth in the Note and Security Agreement executed by the licensee. Failure to comply with this condition will result in the automatic cancellation of this authorization.

Conditions:

Pursuant to §309(h) of the Communications Act of 1934, as amended, 47 U.S.C. §309(h), this license is subject to the following conditions: This license shall not vest in the licensee any right to operate the station nor any right in the use of the frequencies designated in the license beyond the term thereof nor in any other manner than authorized herein. Neither the license nor the right granted thereunder shall be assigned or otherwise transferred in violation of the Communications Act of 1934, as amended. See 47 U.S.C. § 310(d). This license is subject in terms to the right of use or control conferred by §706 of the Communications Act of 1934, as amended. See 47 U.S.C. §606.

This license may not authorize operation throughout the entire geographic area or spectrum identified on the hardcopy version. To view the specific geographic area and spectrum authorized by this license, refer to the Spectrum and Market Area information under the Market Tab of the license record in the Universal Licensing System (ULS). To view the license record, go to the ULS homepage at http://wireless.fcc.gov/uls/index.htm?job=home and select "License Search". Follow the instructions on how to search for license information.

**Licensee Name:** NEW CINGULAR WIRELESS PCS, LLC

**Call Sign:** WQQQ250

**File Number:**

**Print Date:**

**700 MHz Relicensed Area Information:**

<b>Market</b>	<b>Market Name</b>	<b>Buildout Deadline</b>	<b>Buildout Notification</b>	<b>Status</b>
---------------	--------------------	--------------------------	------------------------------	---------------

Reference Copy

# Reference Copy Only. Do Not Mail to the FCC as an Application.

Submitted: 01/23/2024 at 17:43:02  
 File Number: 0010873470

**FCC 601**  
**Main Form**

## FCC Application for Radio Service Authorization: Wireless Telecommunications Bureau Public Safety and Homeland Security Bureau

Approved by OMB  
 3060 - 0798  
 See instructions for  
 public burden estimate

1) Radio Service Code: <p style="text-align: center;"><b>CW</b></p>	1a) Existing Radio Service Code:
--	----------------------------------

**General Information**

2) (Select only one) ( <b>AU</b> ) <b>NE</b> - New <b>RO</b> - Renewal Only <b>AU</b> - Administrative Update <b>NT</b> - Required Notifications <b>MD</b> - Modification <b>RM</b> - Renewal/Modification <b>WD</b> - Withdrawal of Application <b>EX</b> - Requests for Extension of Time <b>AM</b> - Amendment <b>CA</b> - Cancellation of License <b>RL</b> - Registered Location/Link	
3a) If this application is for a Demonstration License or a <b>S</b> pecial Temporary Authorization (STA), enter the code and attach the required exhibit as described in the instructions. Otherwise enter ' <b>N/A</b> ' (Not Applicable).	( <b>N</b> ) <u><b>M</b></u> <u><b>S</b></u> <u><b>N/A</b></u>
3b) If this application is for Special Temporary Authority due to an emergency situation, enter 'Y'; otherwise enter 'N'. Refer to Rule 1.915 for an explanation of situations considered to be an emergency.	(    ) <u><b>Y</b></u> <u><b>N</b></u>
4) If this application is for an Amendment or Withdrawal, enter the file number of the pending application currently on file with the FCC.	File Number
5) If this application is for a Modification, Renewal Only, Renewal/Modification, Cancellation of License, , or Administrative Update, enter the call sign of the existing FCC license. If this is a request for Registered Location/Link, enter the FCC call sign assigned to the geographic license.	Call Sign <b>WQQQ250</b>
6a) If this application is for a New, Amendment, Renewal Only, or Renewal/Modification, enter the requested authorization expiration date (this item is optional).	MM    DD _____ / _____
6b) If this application is for a Renewal Only or Renewal/Modification and the license is a geographic area license, is the license used to provide service to customers ( <b>C</b> ), or is the license used for private business (internal) purposes or to meet the licensee's public interest/public safety communications needs ( <b>P</b> )?	(    ) <u><b>C</b></u> <u><b>P</b></u>
7) Is this application "major" as defined in § 1.929 of the Commission's Rules when read in conjunction with the applicable radio service rules found in Parts 22 and 90 of the Commission's Rules? (NOTE: This question only applies to certain site-specific applications. See the instructions for applicability and full text of § 1.929).	(    ) <u><b>Y</b></u> <u><b>N</b></u>
8) Are attachments (other than associated schedules) being filed with this application?	(    ) <u><b>Y</b></u> <u><b>N</b></u>

**Fees, Waivers, and Exemptions**

9) Is the Applicant exempt from FCC application fees?	( <b>N</b> ) <u><b>Y</b></u> <u><b>N</b></u>
10) Is the Applicant exempt from FCC regulatory fees?	( <b>N</b> ) <u><b>Y</b></u> <u><b>N</b></u>
11) Does this application include a request for a Waiver of the Commission's Rule(s)? If 'Yes', attach an exhibit providing rule number(s) and explaining circumstances.	( <b>N</b> ) <u><b>Y</b></u> <u><b>N</b></u>
12) Are the frequencies or parameters requested in this filing covered by grandfathered privileges, previously approved by waiver, or functionally integrated with an existing station?	(    ) <u><b>Y</b></u> <u><b>N</b></u>

**Applicant Information**

13) FCC Registration Number (FRN): <b>0003291192</b>			
14) Applicant/Licensee Legal Entity Type: (Select One) <input type="checkbox"/> Individual <input type="checkbox"/> Unincorporated Association <input type="checkbox"/> Trust <input type="checkbox"/> Government Entity <input type="checkbox"/> Corporation <input checked="" type="checkbox"/> Limited Liability Company <input type="checkbox"/> General Partnership <input type="checkbox"/> Limited Partnership <input type="checkbox"/> Limited Liability Partnership <input type="checkbox"/> Consortium <input type="checkbox"/> Other: _____			
15) If the Licensee name is being updated, is the update a result from the sale (or transfer of control) of the license(s) to party and for which proper Commission approval has not been received or proper notification not provided?			<input type="checkbox"/> Yes <input checked="" type="checkbox"/> No
16) First Name (if individual):	MI:	Last Name:	Suffix:
17) Legal Entity Name (if other than individual): <b>New Cingular Wireless PCS, LLC</b>			
18) Attention To: <b>National Regulatory Compliance</b>			
19) P.O. Box:	And/Or	20) Street Address: <b>208 S Akard St, 20F</b>	
21) City: <b>Dallas</b>	22) State: <b>TX</b>	23) Zip Code: <b>75202</b>	
24) Telephone Number: <b>(855)699-7073</b>		25) Fax: <b>(214)746-6410</b>	
26) E-Mail Address: <b>FCCMW@att.com</b>			

**27) Demographics (Optional)**

Race: <input type="checkbox"/> American Indian or Alaska Native <input type="checkbox"/> Asian <input type="checkbox"/> Black or African-American <input type="checkbox"/> Native Hawaiian or Other Pacific Islander <input type="checkbox"/> White	Ethnicity: <input type="checkbox"/> Hispanic or Latino <input type="checkbox"/> Not Hispanic or Latino	Gender: <input type="checkbox"/> Male <input type="checkbox"/> Female
--	--	---

**Real Party in Interest**

28) Name of Real Party in Interest of Applicant (If different from Applicant):	29) FCC Registration Number (FRN) of Real Party in Interest:
--	--

**Contact Information (If different from the Applicant)** Check here if same as Applicant.

30) First Name: <b>Jessica</b>	MI: <b>J</b>	Last Name: <b>Dunk</b>	Suffix:
31) Company Name: <b>AT&amp;T Services, Inc.</b>			
32) Attention To: <b>NRC</b>			
33) P.O. Box:	And /Or	34) Street Address: <b>208 S Akard St, 20F</b>	
35) City: <b>Dallas</b>	36) State: <b>TX</b>	37) Zip Code: <b>75202</b>	
38) Telephone Number: <b>(855)699-7073</b>		39) Fax: <b>(214)746-6410</b>	
40) E-Mail Address: <b>FCCMW@att.com</b>			

**Regulatory Status**

41) This filing is for authorization to provide or use the following type(s) of radio service offering (enter all that apply):  
(  ) Common Carrier (  ) Non-Common Carrier (  ) Private, internal communications (  ) Broadcast Services (  ) Band Manager

**Type of Radio Service**

42) This filing is for authorization to provide the following type(s) of radio service (choose all that apply):  
(  ) Fixed (  ) Mobile (  ) Radiolocation (  ) Satellite (sound) (  ) Broadcast Services  
43) Does the Applicant propose to provide service interconnected to the public telephone network? (  ) Yes (  ) No

**Alien Ownership Questions (If any answer is 'Y', provide an attachment explaining the circumstances. In preparing the attachment, refer to the Main Form Instructions for the "Alien Ownership Questions".)**

44) Is the Applicant a foreign government or the representative of any foreign government? (  ) Yes (  ) No  
45) Is the Applicant an alien or the representative of an alien? (  ) Yes (  ) No  
46) Is the Applicant a corporation organized under the laws of any foreign government? (  ) Yes (  ) No  
47) Is the Applicant a corporation of which more than one-fifth of the capital stock is owned of record or voted by aliens or their representatives, or by a foreign government or representative thereof, or by any corporation organized under the laws of a foreign country? (  ) Yes (  ) No

48a) Is the Applicant directly or indirectly controlled by any other corporation of which more than one-fourth of the capital stock ( ) Yes No is owned of record or voted by aliens or their representatives, or by a foreign government or representative thereof, or by any corporation organized under the laws of a foreign country?

48b) If the answer to 47 or 48a is 'Y' select one of the choices below.

The Applicant is exempt from the provisions of Section 310(b).

*If checked, it is not necessary to file a petition for declaratory ruling if the Applicant includes in the attachment required by Item 47 or Item 48a a showing that the requested license(s) is exempt from the provisions of Section 310(b).*

The Applicant has received a declaratory ruling(s) approving its foreign ownership, and the application involves only the acquisition of additional spectrum for the provision of a wireless service in a geographic coverage area for which the Applicant has been previously authorized.

*If checked, include in the attachment required by Item 47 or Item 48a the citation(s) of the applicable declaratory ruling(s) by DA/FCC number, the FCC Record citation, if available, release date, and a statement that there has been no change in the foreign ownership of the Applicant since the issuance of its ruling.*

The Applicant: (i) has received a declaratory ruling(s) approving its foreign ownership, but is not able to make the certification specified immediately above; or (ii) is an "affiliate" of a Licensee or Lessee/Sublessee that received a declaratory ruling(s) under 47 CFR § 1.5000(a) and is relying on the affiliate's ruling for purposes of filing this application as permitted under the affiliate's ruling and 47 CFR § 1.5004(b)

*If checked, and if the Applicant received its declaratory ruling(s) on or after August 9, 2013, include in the attachment required by Item 47 or Item 48a the citation(s) of the Applicant's declaratory ruling(s) by DA/FCC number, the FCC Record citation, if available, release date, and a statement that the Applicant is in compliance with the terms and conditions of its ruling and with the Commission's Rules.*

*If checked, and if the Applicant received its declaratory ruling(s) prior to August 9, 2013, include in the attachment required by Item 48a a copy of a petition for declaratory ruling filed contemporaneously with the Commission to extend the Applicant's existing ruling(s) to cover the same radio service(s) and geographic coverage area(s) involved in the application. Alternatively, the Applicant may request a new declaratory ruling pursuant to Section 1.5000(a) of the Commission's Rules, 47 CFR § 1.5000 (a). Petitions for declaratory ruling may be filed electronically on the Internet through the International Bureau Filing System (IBFS) (with a copy attached hereto).*

*If checked, and if the Applicant is relying on an affiliate's ruling for purposes of filing this application, include in the attachment required by Item 47 or Item 48a the citation(s) of the applicable declaratory ruling(s) by DA/FCC number, the FCC Record citation, if available, release date, and a statement that the Applicant is in compliance with the terms and conditions of the named affiliate's ruling and with the Commission's Rules. The Applicant must also include a certification of compliance signed by the named affiliate or other qualified entity as specified in 47 CFR § 1.5004(b). See Main Form Instructions for Items 47 or 48a, as applicable.*

The Applicant has not received a declaratory ruling approving its foreign ownership and is requesting a declaratory ruling under 47 CFR § 1.5004(b) in a petition filed contemporaneously with the Commission.

*If checked, include in the attachment required by Item 47 or 48a a copy of the petition for declaratory ruling filed contemporaneously with the Commission pursuant to 47 CFR § 1.5004(b). Petitions for declaratory ruling may be filed electronically on the Internet through the International Bureau Filing System (IBFS) (with a copy attached hereto).*

**Basic Qualification Questions**

49) Has the Applicant or any party to this application had any FCC station authorization, license or construction permit revoked or had any application for an initial, modification or renewal of FCC station authorization, license, or construction permit denied by the Commission?	( ) <u>Yes</u> <u>No</u>
50) Has the Applicant or any party to this application, or any party directly or indirectly controlling the Applicant, ever been convicted of a felony by any state or federal court?	( ) <u>Yes</u> <u>No</u>
51) Has any court finally adjudged the Applicant or any party directly or indirectly controlling the Applicant guilty of unlawfully monopolizing or attempting unlawfully to monopolize radio communication, directly or indirectly, through control of manufacture or sale of radio apparatus, exclusive traffic arrangement, or any other means or unfair methods of competition?	( ) <u>Yes</u> <u>No</u>

**Note: If the answer to any of 49-51 is 'Y', attach an exhibit explaining the circumstances.**

**Aeronautical Advisory Station (Unicom) Certification**

52) ( ) I certify that the station will be located on property of the airport to be served, and, in cases where the airport does not have a control tower, RCO, or FAA flight service station, that I have notified the owner of the airport and all aviation service organizations located at the airport within ten days prior to application.
--

**Broadband Radio Service and Educational Broadband Service Cable Cross-Ownership**

53a) Will the requested facilities be used to provide multichannel video programming service?	( ) <u>Yes</u> <u>No</u>
53b) If the answer to question 53a is 'Y', does the Applicant operate, control or have an attributable interest (as defined in 47 CFR § 27.1202) in a cable television system whose franchise area is located within the geographic service area of the requested facilities?	( ) <u>Yes</u> <u>No</u>

**Note: If the answer to question 53b is 'Y', attach an exhibit explaining how the Applicant complies with 47 CFR § 27.1202 or justifying a waiver of that rule. If a waiver of the Commission Rule(s) is being requested, Item 11a must be answered 'Y'.**

**Broadband Radio Service and Educational Broadband Service (Part 27)**

54) (For EBS only) Does the Applicant comply with the programming requirements contained in 47 CFR § 27.1203?	( ) <u>Yes</u> <u>No</u>
---	--------------------------

**Note: If the answer to item 54 is 'N', attach an exhibit explaining how the Applicant complies with 47 CFR § 27.1203 of the Commission's Rules or justifying a waiver of that rule. If a waiver of the Commission Rule(s) is being requested, Item 11a must be answered 'Y'.**

55) (For BRS and EBS) Does the Applicant comply with 47 CFR §§ 27.50, 27.55, and 27.1221?	( ) <u>Yes</u> <u>No</u>
---	--------------------------

**Note: If the answer to item 55 is 'N', attach an exhibit justifying a waiver of that rule(s). If a waiver of the Commission Rule(s) is being requested, Item 11a must be answered 'Y'.**

**For Applicants Who Participated in an Auction**

56) Is the Applicant a qualifying rural wireless partnership or a member of a qualifying rural wireless partnership?	( ) <u>Yes</u> <u>No</u>
--	--------------------------

**Note: If the answer to item 56 is 'Y', attach an exhibit listing all members of the qualifying rural wireless partnership, including their FRN numbers.**

**For Renewal Applicants****57) Operation/Performance Requirement Certification**

<b>[For a site-based license]:</b> Applicant certifies that it is continuing to operate consistent with its most recently filed construction notification (or most recent authorization, if no construction notification was required).	( ) <u>Yes</u> <u>No</u>
<b>[For a geographic license, commercial service - licensee in its initial license term with an interim performance requirement]:</b> Applicant certifies that it has met its interim performance requirement, that over the portion of the license term following the interim performance requirement, it continues to use its facilities to provide at least the level of service required by its interim performance requirement, it has met its final performance requirement, and it continues to use its facilities to provide at least the level of service required by its final performance requirement through the end of the license term.	( ) <u>Yes</u> <u>No</u>
<b>[For a geographic license, commercial service - licensee in its initial license term with no interim performance requirement]:</b> Applicant certifies that it has met its final performance requirement and it continues to use its facilities to provide at least the level of service required by its final performance requirement through the end of the license term. [Note: licensee must provide a showing demonstrating that the final performance requirement has been met, either separately in a timely application for notification of completion of construction, or as part of its renewal application, depending on the radio service.]	( ) <u>Yes</u> <u>No</u>
<b>[For a geographic license, commercial service - licensee in any subsequent term]:</b> Applicant certifies that it continues to use its facilities to provide at least the level of service required by its final performance requirement through the end of any subsequent license terms.	( ) <u>Yes</u> <u>No</u>
<b>[For a geographic license, private systems - licensee in its initial license term with an interim performance requirement]:</b> Applicant certifies that it has met its interim performance requirement, that over the portion of the license term following the interim performance requirement, it continues to use its facilities to further its private business or public interest/public safety communications needs at or above the level required to meet its interim performance requirement, it has met its final performance requirement, and it continues to use its facilities to provide at least the level of operation required by its final performance requirement through the end of the license term.	( ) <u>Yes</u> <u>No</u>
<b>[For a geographic license, private systems - licensee in its initial license term with no interim performance requirement]:</b> Applicant certifies that it has met its final performance requirement, it continues to use its facilities to further its private business or public interest/public safety communications needs, and it continues to use its facilities to provide at least the level of operation required by its final performance requirement through the end of the license term. [Note: licensee must provide a showing demonstrating that the final performance requirement has been met, either separately in a timely application for notification of completion of construction, or as part of its renewal application, depending on the radio service.]	( ) <u>Yes</u> <u>No</u>



<b>[For a geographic license, private systems - licensee in any subsequent term]:</b> Applicant certifies that it continues to use its facilities to further its private business or public interest/public safety communications needs at or above the level required to meet its final performance requirement through the end of any subsequent license terms.	( <input type="checkbox"/> ) <u>Yes</u> <u>No</u>
<b>[For a partitioned or disaggregated license without a performance requirement, for the first renewal application filed after effective date of the rules]:</b> Applicant certifies that the partitioned and/or disaggregated license that is the subject of this renewal application has no separate performance requirement and that this is the first renewal of this license filed subsequent to the effective date of the rules.	( <input type="checkbox"/> ) <u>Yes</u> <u>No</u>
<b>[For a partitioned or disaggregated license without a performance requirement, for any subsequent renewal filings]:</b> Applicant certifies that it continues to use its facilities to provide service or to further the applicant's private business or public interest/public safety needs.	( <input type="checkbox"/> ) <u>Yes</u> <u>No</u>

**Discontinuance of Service Certification**

58) Applicant certifies that no permanent discontinuance of service or operation, as applicable, occurred during its current license term.  <b>Note: If the response to either item 57 or item 58 is 'N',</b> attach an exhibit that demonstrates that over the course of the license term, the Applicant provided and continues to provide service to the public, or operated and continues to operate the license to meet the Applicant's private business or public interest/public safety communications needs. This exhibit must include a detailed description of the Applicant's provision of service or, when allowed under the relevant service rules or pursuant to waiver, use of the spectrum for private business or public interest/public safety communications needs, during the entire license period and address, as applicable: 1) the level and quality of service provided by the applicant (e.g., the population served, the area served, the number of subscribers, the services offered); (2) the date service commenced, whether service was ever interrupted, and the duration of any interruption or outage; (3) the extent to which service is provided to rural areas; (4) the extent to which service is provided to qualifying tribal land as defined in 47 CFR § 1.2110(e)(3)(i); and (5) any other factors associated with the level of service to the public. The licensee may note in its exhibit: 1) any grant(s) of waiver or extension of a performance deadline or license renewal subject to meeting a performance requirement; or 2) if the final performance deadline and/or expiration date for the license accelerated because the licensee did not meet an interim performance requirement.	( <input type="checkbox"/> ) <u>Yes</u> <u>No</u>
--	---

**Regulatory Compliance Certification [same for all]**

59) Applicant certifies that it has substantially complied with all applicable FCC rules, policies, and the Communications Act of 1934, as amended.  <b>Note: If the response to item 59 is 'N',</b> attach an exhibit explaining the circumstances and demonstrating why Applicant's license should be renewed.	( <input type="checkbox"/> ) <u>Yes</u> <u>No</u>
--	---

**General Certification Statements**

1) The Applicant waives any claim to the use of any particular frequency or of the electromagnetic spectrum as against the regulatory power of the United States because of the previous use of the same, whether by license or otherwise, and requests an authorization in accordance with this application.
2) The Applicant certifies that grant of this application would not cause the Applicant to be in violation of any pertinent cross-ownership or attribution rules.* *If the Applicant has sought a waiver of any such rule in connection with this application, it may make this certification subject to the outcome of the waiver request.
3) The Applicant certifies that all statements made in this application and in the exhibits, attachments, or documents incorporated by reference are material, are part of this application, and are true, complete, correct, and made in good faith.
4) The Applicant certifies that neither the Applicant nor any other party to the application is subject to a denial of Federal benefits pursuant to § 5301 of the Anti-Drug Abuse Act of 1988, 21 U.S.C. § 862, because of a conviction for possession or distribution of a controlled substance. This certification does not apply to applications filed in services exempted under § 1.2002(c) of the rules, 47 CFR § 1.2002(c). See 47 CFR § 1.2002(b) for the definition of "party to the application" as used in this certification.
5) The Applicant certifies that it either (1) has current required ownership data on file with the Commission, (2) is filing updated ownership data simultaneously with this application, or (3) is not required to file ownership data under the Commission's Rules.
6) The Applicant certifies that the facilities, operations, and transmitters for which this authorization is hereby requested are either: (1) categorically excluded from routine environmental evaluation for RF exposure as set forth in 47 CFR § 1.1307(b); or, (2) have been found not to cause human exposure to levels of radiofrequency radiation in excess of the limits specified in 47 CFR §§ 1.1310 and 2.1093; or, (3) are the subject of one or more Environmental Assessments filed with the Commission.
7) The Applicant certifies that it has reviewed the appropriate Commission Rules defining eligibility to hold the requested license(s) and is eligible to hold the requested license(s).
8) The Applicant certifies that it is not in default on any payment for Commission licenses and that it is not delinquent on any non-tax debt owed to any federal agency.
9) The Applicant certifies that the Applicant and all of the related individuals and entities required to be disclosed on this application and FCC Form 602 (FCC Ownership Disclosure Information for the Wireless Telecommunications Services) are not person(s) who have been, for reasons of national security, barred by any agency of the Federal Government from bidding on a contract, participating in an auction, or receiving a grant. This certification applies only to applications for licenses for spectrum that is required by Sections 6103, 6401-6403 of the Middle Class Tax Relief and Job Creation Act of 2012, codified at 47 U.S.C. §§ 309, 1413, 1451-1452, to be assigned by a system of competitive bidding under 47 U.S.C. § 309(j).

**Signature**

60) Typed or Printed Name of Party Authorized to Sign

First Name: <b>Jessica</b>	MI:	Last Name: <b>Dunk</b>	Suffix:
61) Title: <b>Assistant Secretary - Compliance</b>			
Signature: <b>Jessica Dunk</b>			62) Date: <b>01/23/2024</b>
<b>FAILURE TO SIGN THIS APPLICATION MAY RESULT IN DISMISSAL OF THE APPLICATION AND FORFEITURE OF ANY FEES PAID.</b>			
Upon grant of this license application, the Licensee may be subject to certain construction or coverage requirements. Failure to meet the construction or coverage requirements will result in termination of the license. Consult appropriate FCC regulations to determine the construction or coverage requirements that apply to the type of license requested in this application.			
WILLFUL FALSE STATEMENTS MADE ON THIS FORM OR ANY ATTACHMENTS ARE PUNISHABLE BY FINE AND/OR IMPRISONMENT (U.S. Code, Title 18, § 1001) AND/OR REVOCATION OF ANY STATION LICENSE OR CONSTRUCTION PERMIT (U.S. Code, Title 47, § 312(a)(1)), AND/OR FORFEITURE (U.S. Code, Title 47, § 503).			

REFERENCE COPY

This is not an official FCC license. It is a record of public information contained in the FCC's licensing database on the date that this reference copy was generated. In cases where FCC rules require the presentation, posting, or display of an FCC license, this document may not be used in place of an official FCC license.



Federal Communications Commission
Wireless Telecommunications Bureau

RADIO STATION AUTHORIZATION

LICENSEE: NEW CINGULAR WIRELESS PCS, LLC

ATTN: NATIONAL REGULATORY COMPLIANCE
NEW CINGULAR WIRELESS PCS, LLC
208 S AKARD ST, 20F
DALLAS, TX 75202

Table with Call Sign (WQXA289), File Number, and Radio Service (CW - PCS Broadband).

FCC Registration Number (FRN): 0003291192

Table with columns: Grant Date, Effective Date, Expiration Date, Print Date, Market Number, Channel Block, Sub-Market Designator, Market Name, 1st Build-out Date, 2nd Build-out Date, 3rd Build-out Date, 4th Build-out Date.

Waivers/Conditions:

This authorization is subject to the condition that, in the event that systems using the same frequencies as granted herein are authorized in an adjacent foreign territory (Canada/United States), future coordination of any base station transmitters within 72 km (45 miles) of the United States/Canada border shall be required to eliminate any harmful interference to operations in the adjacent foreign territory and to ensure continuance of equal access to the frequencies by both countries.

Conditions:

Pursuant to §309(h) of the Communications Act of 1934, as amended, 47 U.S.C. §309(h), this license is subject to the following conditions: This license shall not vest in the licensee any right to operate the station nor any right in the use of the frequencies designated in the license beyond the term thereof nor in any other manner than authorized herein. Neither the license nor the right granted thereunder shall be assigned or otherwise transferred in violation of the Communications Act of 1934, as amended. See 47 U.S.C. § 310(d). This license is subject in terms to the right of use or control conferred by §706 of the Communications Act of 1934, as amended. See 47 U.S.C. §606.

This license may not authorize operation throughout the entire geographic area or spectrum identified on the hardcopy version. To view the specific geographic area and spectrum authorized by this license, refer to the Spectrum and Market Area information under the Market Tab of the license record in the Universal Licensing System (ULS). To view the license record, go to the ULS homepage at http://wireless.fcc.gov/uls/index.htm?job=home and select "License Search". Follow the instructions on how to search for license information.

**Licensee Name:** NEW CINGULAR WIRELESS PCS, LLC

**Call Sign:** WQXA289

**File Number:**

**Print Date:**

**700 MHz Relicensed Area Information:**

<b>Market</b>	<b>Market Name</b>	<b>Buildout Deadline</b>	<b>Buildout Notification</b>	<b>Status</b>
---------------	--------------------	--------------------------	------------------------------	---------------

Reference Copy

# Reference Copy Only. Do Not Mail to the FCC as an Application.

Submitted: 01/23/2024 at 17:43:02  
 File Number: 0010873483

**FCC 601**  
**Main Form**

## FCC Application for Radio Service Authorization: Wireless Telecommunications Bureau Public Safety and Homeland Security Bureau

Approved by OMB  
 3060 - 0798  
 See instructions for  
 public burden estimate

1) Radio Service Code: <p style="text-align: center;"><b>CW</b></p>	1a) Existing Radio Service Code:
--	----------------------------------

**General Information**

2) (Select only one) ( <b>AU</b> ) <b>NE</b> - New <b>RO</b> - Renewal Only <b>AU</b> - Administrative Update <b>NT</b> - Required Notifications <b>MD</b> - Modification <b>RM</b> - Renewal/Modification <b>WD</b> - Withdrawal of Application <b>EX</b> - Requests for Extension of Time <b>AM</b> - Amendment <b>CA</b> - Cancellation of License <b>RL</b> - Registered Location/Link	
3a) If this application is for a Demonstration License or a <b>S</b> pecial Temporary Authorization (STA), enter the code and attach the required exhibit as described in the instructions. Otherwise enter ' <b>N/A</b> ' (Not Applicable).	( <b>N</b> ) <u><b>M</b></u> <u><b>S</b></u> <u><b>N/A</b></u>
3b) If this application is for Special Temporary Authority due to an emergency situation, enter 'Y'; otherwise enter 'N'. Refer to Rule 1.915 for an explanation of situations considered to be an emergency.	(    ) <u><b>Y</b></u> <u><b>N</b></u>
4) If this application is for an Amendment or Withdrawal, enter the file number of the pending application currently on file with the FCC.	File Number
5) If this application is for a Modification, Renewal Only, Renewal/Modification, Cancellation of License, , or Administrative Update, enter the call sign of the existing FCC license. If this is a request for Registered Location/Link, enter the FCC call sign assigned to the geographic license.	Call Sign <b>WQXA289</b>
6a) If this application is for a New, Amendment, Renewal Only, or Renewal/Modification, enter the requested authorization expiration date (this item is optional).	MM    DD _____ / _____
6b) If this application is for a Renewal Only or Renewal/Modification and the license is a geographic area license, is the license used to provide service to customers ( <b>C</b> ), or is the license used for private business (internal) purposes or to meet the licensee's public interest/public safety communications needs ( <b>P</b> )?	(    ) <u><b>C</b></u> <u><b>P</b></u>
7) Is this application "major" as defined in § 1.929 of the Commission's Rules when read in conjunction with the applicable radio service rules found in Parts 22 and 90 of the Commission's Rules? (NOTE: This question only applies to certain site-specific applications. See the instructions for applicability and full text of § 1.929).	(    ) <u><b>Y</b></u> <u><b>N</b></u>
8) Are attachments (other than associated schedules) being filed with this application?	(    ) <u><b>Y</b></u> <u><b>N</b></u>

**Fees, Waivers, and Exemptions**

9) Is the Applicant exempt from FCC application fees?	( <b>N</b> ) <u><b>Y</b></u> <u><b>N</b></u>
10) Is the Applicant exempt from FCC regulatory fees?	( <b>N</b> ) <u><b>Y</b></u> <u><b>N</b></u>
11) Does this application include a request for a Waiver of the Commission's Rule(s)? If 'Yes', attach an exhibit providing rule number(s) and explaining circumstances.	( <b>N</b> ) <u><b>Y</b></u> <u><b>N</b></u>
12) Are the frequencies or parameters requested in this filing covered by grandfathered privileges, previously approved by waiver, or functionally integrated with an existing station?	(    ) <u><b>Y</b></u> <u><b>N</b></u>

**Applicant Information**

13) FCC Registration Number (FRN): <b>0003291192</b>			
14) Applicant/Licensee Legal Entity Type: (Select One) <input type="checkbox"/> Individual <input type="checkbox"/> Unincorporated Association <input type="checkbox"/> Trust <input type="checkbox"/> Government Entity <input type="checkbox"/> Corporation <input checked="" type="checkbox"/> Limited Liability Company <input type="checkbox"/> General Partnership <input type="checkbox"/> Limited Partnership <input type="checkbox"/> Limited Liability Partnership <input type="checkbox"/> Consortium <input type="checkbox"/> Other: _____			
15) If the Licensee name is being updated, is the update a result from the sale (or transfer of control) of the license(s) to party and for which proper Commission approval has not been received or proper notification not provided?			<input type="checkbox"/> Yes <input checked="" type="checkbox"/> No
16) First Name (if individual):	MI:	Last Name:	Suffix:
17) Legal Entity Name (if other than individual): <b>New Cingular Wireless PCS, LLC</b>			
18) Attention To: <b>National Regulatory Compliance</b>			
19) P.O. Box:	And/Or	20) Street Address: <b>208 S Akard St, 20F</b>	
21) City: <b>Dallas</b>	22) State: <b>TX</b>	23) Zip Code: <b>75202</b>	
24) Telephone Number: <b>(855)699-7073</b>		25) Fax: <b>(214)746-6410</b>	
26) E-Mail Address: <b>FCCMW@att.com</b>			

**27) Demographics (Optional)**

Race: <input type="checkbox"/> American Indian or Alaska Native <input type="checkbox"/> Asian <input type="checkbox"/> Black or African-American <input type="checkbox"/> Native Hawaiian or Other Pacific Islander <input type="checkbox"/> White	Ethnicity: <input type="checkbox"/> Hispanic or Latino <input type="checkbox"/> Not Hispanic or Latino	Gender: <input type="checkbox"/> Male <input type="checkbox"/> Female
--	--	---

**Real Party in Interest**

28) Name of Real Party in Interest of Applicant (If different from Applicant):	29) FCC Registration Number (FRN) of Real Party in Interest:
--	--

**Contact Information (If different from the Applicant)** Check here if same as Applicant.

30) First Name: <b>Jessica</b>	MI: <b>J</b>	Last Name: <b>Dunk</b>	Suffix:
31) Company Name: <b>AT&amp;T Services, Inc.</b>			
32) Attention To: <b>NRC</b>			
33) P.O. Box:	And /Or	34) Street Address: <b>208 S Akard St, 20F</b>	
35) City: <b>Dallas</b>	36) State: <b>TX</b>	37) Zip Code: <b>75202</b>	
38) Telephone Number: <b>(855)699-7073</b>		39) Fax: <b>(214)746-6410</b>	
40) E-Mail Address: <b>FCCMW@att.com</b>			

**Regulatory Status**

41) This filing is for authorization to provide or use the following type(s) of radio service offering (enter all that apply):  
(  ) Common Carrier (  ) Non-Common Carrier (  ) Private, internal communications (  ) Broadcast Services (  ) Band Manager

**Type of Radio Service**

42) This filing is for authorization to provide the following type(s) of radio service (choose all that apply):  
(  ) Fixed (  ) Mobile (  ) Radiolocation (  ) Satellite (sound) (  ) Broadcast Services  
43) Does the Applicant propose to provide service interconnected to the public telephone network? (  ) Yes (  ) No

**Alien Ownership Questions (If any answer is 'Y', provide an attachment explaining the circumstances. In preparing the attachment, refer to the Main Form Instructions for the "Alien Ownership Questions".)**

44) Is the Applicant a foreign government or the representative of any foreign government? (  ) Yes (  ) No  
45) Is the Applicant an alien or the representative of an alien? (  ) Yes (  ) No  
46) Is the Applicant a corporation organized under the laws of any foreign government? (  ) Yes (  ) No  
47) Is the Applicant a corporation of which more than one-fifth of the capital stock is owned of record or voted by aliens or their representatives, or by a foreign government or representative thereof, or by any corporation organized under the laws of a foreign country? (  ) Yes (  ) No

48a) Is the Applicant directly or indirectly controlled by any other corporation of which more than one-fourth of the capital stock ( ) Yes No is owned of record or voted by aliens or their representatives, or by a foreign government or representative thereof, or by any corporation organized under the laws of a foreign country?

48b) If the answer to 47 or 48a is 'Y' select one of the choices below.

The Applicant is exempt from the provisions of Section 310(b).

*If checked, it is not necessary to file a petition for declaratory ruling if the Applicant includes in the attachment required by Item 47 or Item 48a a showing that the requested license(s) is exempt from the provisions of Section 310(b).*

The Applicant has received a declaratory ruling(s) approving its foreign ownership, and the application involves only the acquisition of additional spectrum for the provision of a wireless service in a geographic coverage area for which the Applicant has been previously authorized.

*If checked, include in the attachment required by Item 47 or Item 48a the citation(s) of the applicable declaratory ruling(s) by DA/FCC number, the FCC Record citation, if available, release date, and a statement that there has been no change in the foreign ownership of the Applicant since the issuance of its ruling.*

The Applicant: (i) has received a declaratory ruling(s) approving its foreign ownership, but is not able to make the certification specified immediately above; or (ii) is an "affiliate" of a Licensee or Lessee/Sublessee that received a declaratory ruling(s) under 47 CFR § 1.5000(a) and is relying on the affiliate's ruling for purposes of filing this application as permitted under the affiliate's ruling and 47 CFR § 1.5004(b)

*If checked, and if the Applicant received its declaratory ruling(s) on or after August 9, 2013, include in the attachment required by Item 47 or Item 48a the citation(s) of the Applicant's declaratory ruling(s) by DA/FCC number, the FCC Record citation, if available, release date, and a statement that the Applicant is in compliance with the terms and conditions of its ruling and with the Commission's Rules.*

*If checked, and if the Applicant received its declaratory ruling(s) prior to August 9, 2013, include in the attachment required by Item 48a a copy of a petition for declaratory ruling filed contemporaneously with the Commission to extend the Applicant's existing ruling(s) to cover the same radio service(s) and geographic coverage area(s) involved in the application. Alternatively, the Applicant may request a new declaratory ruling pursuant to Section 1.5000(a) of the Commission's Rules, 47 CFR § 1.5000 (a). Petitions for declaratory ruling may be filed electronically on the Internet through the International Bureau Filing System (IBFS) (with a copy attached hereto).*

*If checked, and if the Applicant is relying on an affiliate's ruling for purposes of filing this application, include in the attachment required by Item 47 or Item 48a the citation(s) of the applicable declaratory ruling(s) by DA/FCC number, the FCC Record citation, if available, release date, and a statement that the Applicant is in compliance with the terms and conditions of the named affiliate's ruling and with the Commission's Rules. The Applicant must also include a certification of compliance signed by the named affiliate or other qualified entity as specified in 47 CFR § 1.5004(b). See Main Form Instructions for Items 47 or 48a, as applicable.*

The Applicant has not received a declaratory ruling approving its foreign ownership and is requesting a declaratory ruling under 47 CFR § 1.5004(b) in a petition filed contemporaneously with the Commission.

*If checked, include in the attachment required by Item 47 or 48a a copy of the petition for declaratory ruling filed contemporaneously with the Commission pursuant to 47 CFR § 1.5004(b). Petitions for declaratory ruling may be filed electronically on the Internet through the International Bureau Filing System (IBFS) (with a copy attached hereto).*



**Basic Qualification Questions**

49) Has the Applicant or any party to this application had any FCC station authorization, license or construction permit revoked or had any application for an initial, modification or renewal of FCC station authorization, license, or construction permit denied by the Commission?	( ) <u>Yes</u> <u>No</u>
50) Has the Applicant or any party to this application, or any party directly or indirectly controlling the Applicant, ever been convicted of a felony by any state or federal court?	( ) <u>Yes</u> <u>No</u>
51) Has any court finally adjudged the Applicant or any party directly or indirectly controlling the Applicant guilty of unlawfully monopolizing or attempting unlawfully to monopolize radio communication, directly or indirectly, through control of manufacture or sale of radio apparatus, exclusive traffic arrangement, or any other means or unfair methods of competition?	( ) <u>Yes</u> <u>No</u>

**Note: If the answer to any of 49-51 is 'Y', attach an exhibit explaining the circumstances.**

**Aeronautical Advisory Station (Unicom) Certification**

52) ( ) I certify that the station will be located on property of the airport to be served, and, in cases where the airport does not have a control tower, RCO, or FAA flight service station, that I have notified the owner of the airport and all aviation service organizations located at the airport within ten days prior to application.
--

**Broadband Radio Service and Educational Broadband Service Cable Cross-Ownership**

53a) Will the requested facilities be used to provide multichannel video programming service?	( ) <u>Yes</u> <u>No</u>
53b) If the answer to question 53a is 'Y', does the Applicant operate, control or have an attributable interest (as defined in 47 CFR § 27.1202) in a cable television system whose franchise area is located within the geographic service area of the requested facilities?	( ) <u>Yes</u> <u>No</u>

**Note: If the answer to question 53b is 'Y', attach an exhibit explaining how the Applicant complies with 47 CFR § 27.1202 or justifying a waiver of that rule. If a waiver of the Commission Rule(s) is being requested, Item 11a must be answered 'Y'.**

**Broadband Radio Service and Educational Broadband Service (Part 27)**

54) (For EBS only) Does the Applicant comply with the programming requirements contained in 47 CFR § 27.1203?	( ) <u>Yes</u> <u>No</u>
---	--------------------------

**Note: If the answer to item 54 is 'N', attach an exhibit explaining how the Applicant complies with 47 CFR § 27.1203 of the Commission's Rules or justifying a waiver of that rule. If a waiver of the Commission Rule(s) is being requested, Item 11a must be answered 'Y'.**

55) (For BRS and EBS) Does the Applicant comply with 47 CFR §§ 27.50, 27.55, and 27.1221?	( ) <u>Yes</u> <u>No</u>
---	--------------------------

**Note: If the answer to item 55 is 'N', attach an exhibit justifying a waiver of that rule(s). If a waiver of the Commission Rule(s) is being requested, Item 11a must be answered 'Y'.**

**For Applicants Who Participated in an Auction**

56) Is the Applicant a qualifying rural wireless partnership or a member of a qualifying rural wireless partnership?	( ) <u>Yes</u> <u>No</u>
--	--------------------------

**Note: If the answer to item 56 is 'Y', attach an exhibit listing all members of the qualifying rural wireless partnership, including their FRN numbers.**

**For Renewal Applicants****57) Operation/Performance Requirement Certification**

<b>[For a site-based license]:</b> Applicant certifies that it is continuing to operate consistent with its most recently filed construction notification (or most recent authorization, if no construction notification was required).	( ) <u>Yes</u> <u>No</u>
<b>[For a geographic license, commercial service - licensee in its initial license term with an interim performance requirement]:</b> Applicant certifies that it has met its interim performance requirement, that over the portion of the license term following the interim performance requirement, it continues to use its facilities to provide at least the level of service required by its interim performance requirement, it has met its final performance requirement, and it continues to use its facilities to provide at least the level of service required by its final performance requirement through the end of the license term.	( ) <u>Yes</u> <u>No</u>
<b>[For a geographic license, commercial service - licensee in its initial license term with no interim performance requirement]:</b> Applicant certifies that it has met its final performance requirement and it continues to use its facilities to provide at least the level of service required by its final performance requirement through the end of the license term. [Note: licensee must provide a showing demonstrating that the final performance requirement has been met, either separately in a timely application for notification of completion of construction, or as part of its renewal application, depending on the radio service.]	( ) <u>Yes</u> <u>No</u>
<b>[For a geographic license, commercial service - licensee in any subsequent term]:</b> Applicant certifies that it continues to use its facilities to provide at least the level of service required by its final performance requirement through the end of any subsequent license terms.	( ) <u>Yes</u> <u>No</u>
<b>[For a geographic license, private systems - licensee in its initial license term with an interim performance requirement]:</b> Applicant certifies that it has met its interim performance requirement, that over the portion of the license term following the interim performance requirement, it continues to use its facilities to further its private business or public interest/public safety communications needs at or above the level required to meet its interim performance requirement, it has met its final performance requirement, and it continues to use its facilities to provide at least the level of operation required by its final performance requirement through the end of the license term.	( ) <u>Yes</u> <u>No</u>
<b>[For a geographic license, private systems - licensee in its initial license term with no interim performance requirement]:</b> Applicant certifies that it has met its final performance requirement, it continues to use its facilities to further its private business or public interest/public safety communications needs, and it continues to use its facilities to provide at least the level of operation required by its final performance requirement through the end of the license term. [Note: licensee must provide a showing demonstrating that the final performance requirement has been met, either separately in a timely application for notification of completion of construction, or as part of its renewal application, depending on the radio service.]	( ) <u>Yes</u> <u>No</u>

<b>[For a geographic license, private systems - licensee in any subsequent term]:</b> Applicant certifies that it continues to use its facilities to further its private business or public interest/public safety communications needs at or above the level required to meet its final performance requirement through the end of any subsequent license terms.	( ) <u>Yes</u> <u>No</u>
<b>[For a partitioned or disaggregated license without a performance requirement, for the first renewal application filed after effective date of the rules]:</b> Applicant certifies that the partitioned and/or disaggregated license that is the subject of this renewal application has no separate performance requirement and that this is the first renewal of this license filed subsequent to the effective date of the rules.	( ) <u>Yes</u> <u>No</u>
<b>[For a partitioned or disaggregated license without a performance requirement, for any subsequent renewal filings]:</b> Applicant certifies that it continues to use its facilities to provide service or to further the applicant's private business or public interest/public safety needs.	( ) <u>Yes</u> <u>No</u>

**Discontinuance of Service Certification**

58) Applicant certifies that no permanent discontinuance of service or operation, as applicable, occurred during its current license term.  <b>Note: If the response to either item 57 or item 58 is 'N',</b> attach an exhibit that demonstrates that over the course of the license term, the Applicant provided and continues to provide service to the public, or operated and continues to operate the license to meet the Applicant's private business or public interest/public safety communications needs. This exhibit must include a detailed description of the Applicant's provision of service or, when allowed under the relevant service rules or pursuant to waiver, use of the spectrum for private business or public interest/public safety communications needs, during the entire license period and address, as applicable: 1) the level and quality of service provided by the applicant (e.g., the population served, the area served, the number of subscribers, the services offered); (2) the date service commenced, whether service was ever interrupted, and the duration of any interruption or outage; (3) the extent to which service is provided to rural areas; (4) the extent to which service is provided to qualifying tribal land as defined in 47 CFR § 1.2110(e)(3)(i); and (5) any other factors associated with the level of service to the public. The licensee may note in its exhibit: 1) any grant(s) of waiver or extension of a performance deadline or license renewal subject to meeting a performance requirement; or 2) if the final performance deadline and/or expiration date for the license accelerated because the licensee did not meet an interim performance requirement.	( ) <u>Yes</u> <u>No</u>
--	--------------------------

**Regulatory Compliance Certification [same for all]**

59) Applicant certifies that it has substantially complied with all applicable FCC rules, policies, and the Communications Act of 1934, as amended.  <b>Note: If the response to item 59 is 'N',</b> attach an exhibit explaining the circumstances and demonstrating why Applicant's license should be renewed.	( ) <u>Yes</u> <u>No</u>
--	--------------------------

**General Certification Statements**

1) The Applicant waives any claim to the use of any particular frequency or of the electromagnetic spectrum as against the regulatory power of the United States because of the previous use of the same, whether by license or otherwise, and requests an authorization in accordance with this application.
2) The Applicant certifies that grant of this application would not cause the Applicant to be in violation of any pertinent cross-ownership or attribution rules.* *If the Applicant has sought a waiver of any such rule in connection with this application, it may make this certification subject to the outcome of the waiver request.
3) The Applicant certifies that all statements made in this application and in the exhibits, attachments, or documents incorporated by reference are material, are part of this application, and are true, complete, correct, and made in good faith.
4) The Applicant certifies that neither the Applicant nor any other party to the application is subject to a denial of Federal benefits pursuant to § 5301 of the Anti-Drug Abuse Act of 1988, 21 U.S.C. § 862, because of a conviction for possession or distribution of a controlled substance. This certification does not apply to applications filed in services exempted under § 1.2002(c) of the rules, 47 CFR § 1.2002(c). See 47 CFR § 1.2002(b) for the definition of "party to the application" as used in this certification.
5) The Applicant certifies that it either (1) has current required ownership data on file with the Commission, (2) is filing updated ownership data simultaneously with this application, or (3) is not required to file ownership data under the Commission's Rules.
6) The Applicant certifies that the facilities, operations, and transmitters for which this authorization is hereby requested are either: (1) categorically excluded from routine environmental evaluation for RF exposure as set forth in 47 CFR § 1.1307(b); or, (2) have been found not to cause human exposure to levels of radiofrequency radiation in excess of the limits specified in 47 CFR §§ 1.1310 and 2.1093; or, (3) are the subject of one or more Environmental Assessments filed with the Commission.
7) The Applicant certifies that it has reviewed the appropriate Commission Rules defining eligibility to hold the requested license(s) and is eligible to hold the requested license(s).
8) The Applicant certifies that it is not in default on any payment for Commission licenses and that it is not delinquent on any non-tax debt owed to any federal agency.
9) The Applicant certifies that the Applicant and all of the related individuals and entities required to be disclosed on this application and FCC Form 602 (FCC Ownership Disclosure Information for the Wireless Telecommunications Services) are not person(s) who have been, for reasons of national security, barred by any agency of the Federal Government from bidding on a contract, participating in an auction, or receiving a grant. This certification applies only to applications for licenses for spectrum that is required by Sections 6103, 6401-6403 of the Middle Class Tax Relief and Job Creation Act of 2012, codified at 47 U.S.C. §§ 309, 1413, 1451-1452, to be assigned by a system of competitive bidding under 47 U.S.C. § 309(j).

**Signature**

60) Typed or Printed Name of Party Authorized to Sign

First Name: <b>Jessica</b>	MI:	Last Name: <b>Dunk</b>	Suffix:
61) Title: <b>Assistant Secretary - Compliance</b>			
Signature: <b>Jessica Dunk</b>			62) Date: <b>01/23/2024</b>
<b>FAILURE TO SIGN THIS APPLICATION MAY RESULT IN DISMISSAL OF THE APPLICATION AND FORFEITURE OF ANY FEES PAID.</b>			
Upon grant of this license application, the Licensee may be subject to certain construction or coverage requirements. Failure to meet the construction or coverage requirements will result in termination of the license. Consult appropriate FCC regulations to determine the construction or coverage requirements that apply to the type of license requested in this application.			
WILLFUL FALSE STATEMENTS MADE ON THIS FORM OR ANY ATTACHMENTS ARE PUNISHABLE BY FINE AND/OR IMPRISONMENT (U.S. Code, Title 18, § 1001) AND/OR REVOCATION OF ANY STATION LICENSE OR CONSTRUCTION PERMIT (U.S. Code, Title 47, § 312(a)(1)), AND/OR FORFEITURE (U.S. Code, Title 47, § 503).			

**EXHIBIT B**

**SITE DEVELOPMENT PLAN:**

**500' VICINITY MAP  
LEGAL DESCRIPTIONS  
FLOOD PLAIN CERTIFICATION  
SITE PLAN  
VERTICAL TOWER PROFILE**



# AT&T

SITE NAME:  
**TRADEWATER**

FA# 16224925  
PACE# MRTNK069999  
USID# 329428  
IWM# WSTNK0010512

NEW BUILD SITE WITH PROPOSED 195'-0" SELF SUPPORT WITH  
A 4' LIGHTNING ARRESTOR & INSTALLATION OF PROPOSED  
WUC & GENERATOR ON A 10' X 17' CONCRETE PAD

CALL KENTUCKY  
ONE CALL  
(800) 752-6007  
CALL 3 WORKING DAYS  
BEFORE YOU DIG!



VICINITY MAP

NOT TO SCALE

**DRIVE DIRECTIONS**

STARTING AT WEBSTER COUNTY COURTHOUSE, 25 US HIGHWAY 41A S, DIXON, KY 42409

HEAD NORTHEAST ON US-41 N ALT / US HIGHWAY 41A S TOWARD KY-132 / STATE ROUTE 132 W 203 FEET  
TURN LEFT ONTO KY-132 / STATE ROUTE 132 W 8.4 MILES  
TURN RIGHT TO STAY ON KY-132 / STATE ROUTE 132 W 0.4 MILES  
TURN RIGHT ONTO KY-109 / STATE ROUTE 109 N 2.8 FEET  
TURN RIGHT ONTO ROCK SPRINGS RD, THEN IMMEDIATELY BEAR LEFT ONTO MONTGOMERY AVE 0.2 MILES  
ROAD NAME CHANGES TO KY-2837 / STATE ROUTE 2837 0.6 MILES  
BEAR LEFT ONTO DAVE MILLER RD 0.5 MILES

ARRIVE AT DAVE MILLER RD ON THE RIGHT  
THE LAST INTERSECTION BEFORE YOUR DESTINATION IS KY-2837 / STATE ROUTE 2837  
IF YOU REACH OLD CLAYSVILLE RD, YOU'VE GONE TOO FAR

ARRIVE AT SITE ACCESS DRIVE ON THE RIGHT

DIRECTIONS PREPARED BY:  
MARK PATTERSON  
(502) 276-2779

**SCOPE OF WORK**

CONSTRUCTION DRAWINGS FOR:  
CONSTRUCTION OF A NEW UNMANNED TELECOMMUNICATIONS FACILITY.

SITE WORK: NEW TOWER, UNMANNED EQUIPMENT CABINET, AND UTILITY INSTALLATIONS.

**PROJECT INFORMATION**

COUNTY: WEBSTER

SITE ADDRESS: 695 DAVE MILLER ROAD A.K.A. WILLIAM STATION ROAD CLAY, KY 42404

APPLICANT: NEW CINGULAR WIRELESS PCS LLC A DELAWARE LIMITED LIABILITY COMPANY, D/B/A AT&T MOBILITY MEIDINGER TOWER 462 S. 4TH/ STREET, SUITE 2400 LOUISVILLE, KY 40202

LATITUDE: 37° 29' 53.398565" (37.498166°)  
LONGITUDE: -87° 53' 05.636801" (-87.884899°)

**CONTACT INFORMATION**

**EMERGENCY**  
CALL 911

**LANDLORD APPROVAL**

SIGNATURE \_\_\_\_\_ DATE \_\_\_\_\_

**SHEET INDEX**

T-1	TITLE SHEET & PROJECT INFORMATION
<b>SURVEY:</b>	
B-1 - B-1.1	SITE SURVEY
B-2	500' RADIUS & ABUTTERS MAP
<b>GENERAL:</b>	
GN-1	GENERAL NOTES & SPECIFICATIONS
GN-2	ANTENNA INSTALLATION NOTES
<b>CIVIL:</b>	
C-1	OVERALL SITE PLAN
C-2	COMPOUND SITE PLAN
C-3	TOWER ELEVATION
C-4	GRIP ANCHOR SPEC
C-4.1	CABLE LADDER SPEC
C-5	WUC SPECS
C-5.1	BATTERY SPECS
C-5.2	PTLC & MTS SPECS
C-6	GENERATOR SPECS
C-7	FENCE DETAILS
C-7.1	AT&T SIGNAGE DETAILS
C-8	WUC FOUNDATION PLAN (PAD)
C-9	GROUND EQUIPMENT SPECS
<b>RADIO FREQUENCY DATA SHEETS:</b>	
RF-1	PLUMBING DIAGRAM
RF-2	ANTENNA MOUNT & ORIENTATION
RF-3	PROPOSED EQUIPMENT SCHEDULE
RF-4	EQUIPMENT SPECS
RF-4.1	EQUIPMENT SPECS
RF-5	MOUNT PARTS LIST

PREPARED BY:

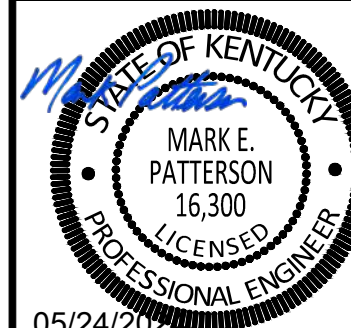


11490 BLUEGRASS PARKWAY  
LOUISVILLE, KY 40299  
502-437-5252

PREPARED FOR:



575 MOROSGO DRIVE  
ATLANTA, GA 30324-3300



05/24/2024

EN PERMIT: 3594

**ZONING DRAWINGS**

REV.	DATE	DESCRIPTION
C	11/17/23	CLIENT COMMENTS
D	12/07/23	CLIENT COMMENTS
E	12/07/23	CLIENT COMMENTS
F	04/29/24	CLIENT COMMENTS
0	05/24/24	CLIENT COMMENTS

SITE NAME:  
TRADEWATER

SITE INFORMATION:

695 DAVE MILLER ROAD A.K.A.  
WILLIAM STATION ROAD  
CLAY, KY 42404  
WEBSTER COUNTY

FA NUMBER:  
16224925

USID:  
329428

POD PROJECT NUMBER: 23-160257  
DRAWN BY: SM  
CHECKED BY: MEP  
DATE: 05/24/24

SHEET TITLE:  
**TITLE SHEET  
& PROJECT  
INFORMATION**

SHEET NUMBER:

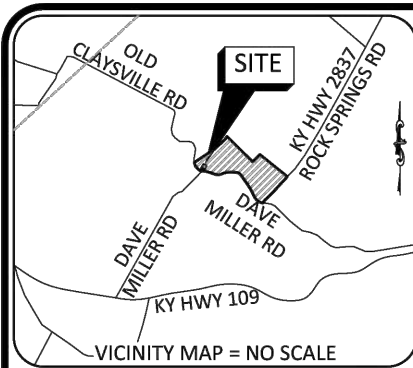
**T-1**

**BUILDING CODES AND STANDARDS**

CONTRACTOR'S WORK SHALL COMPLY WITH ALL APPLICABLE NATIONAL, STATE AND LOCAL CODES AS ADOPTED BY THE LOCAL AUTHORITY HAVING JURISDICTION FOR THE LOCATION.

- CONTRACTOR'S WORK SHALL COMPLY WITH THE LATEST EDITION OF THE FOLLOWING STANDARDS:
- AMERICAN CONCRETE INSTITUTE 318
- AMERICAN INSTITUTE OF STEEL CONSTRUCTION MANUAL OF STEEL CONSTRUCTION
- TELECOMMUNICATIONS INDUSTRY ASSOCIATION TIA-222
- STRUCTURAL STANDARDS FOR STEEL ANTENNA TOWER AND SUPPORTING STRUCTURES TIA-601
- COMMERCIAL BUILDING GROUNDING AND BONDING REQUIREMENTS FOR TELECOMMUNICATIONS ENGINEERS IEEE-81, IEEE 1100, IEEE C62.41
- ANSI T1.311, FOR TELECOM - DC POWER SYSTEMS - TELECOM, ENVIRONMENTAL PROTECTION
- 2018 KENTUCKY BUILDING CODE, 4TH EDITION/2015 IBC W/ AMENDMENTS
- 2018 KENTUCKY BUILDING CODE, 4TH EDITION/2015 IMC W/ AMENDMENTS
- 2018 KENTUCKY BUILDING CODE, 4TH EDITION/2017 NEC

FOR ANY CONFLICTS BETWEEN SECTIONS OF LISTED CODES AND STANDARDS, THE MOST RESTRICTIVE REQUIREMENT SHALL GOVERN.



PARCEL ID: 008-004-000  
DAYMOND AND KATHRYN FOSTER  
DEED BOOK 303, PAGE 327

PARCEL ID: 008-007-000  
JOHN R. WILLIAMS LIVING TRUST  
PARCEL 1 OF  
DEED BOOK 265, PAGE 269

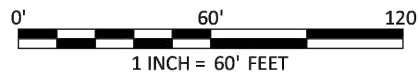
PARCEL ID: 008-056-001  
ALCOA FUELS, INC.  
DEED BOOK 272, PAGE 361

**GLOBAL POSITIONING SYSTEMS NOTE**

1. RANDOM TRAVERSE CONTROL MONUMENTS WERE SET USING GPS METHODS. A PORTION OF THE TOPOGRAPHY AND FOUND BOUNDARY MONUMENTS WERE ALSO LOCATED USING GPS METHODS.
2. THE TYPE OF GPS UTILIZED WAS NETWORK ADJUSTED REAL TIME KINEMATIC (KYTC VRS NETWORK), NAD 83 KENTUCKY SINGLE ZONE WITH THE ORTHOMETRIC HEIGHT COMPUTED USING GEOID18. RELATIVE POSITIONAL ACCURACY VARIED FROM 0.04' TO 0.07' HORIZONTALLY.
3. SPECTRA PRECISION SP85 DUAL FREQUENCY RECEIVERS WERE USED TO PERFORM THE SURVEY.

LINE	BEARING	DISTANCE
L1	S23°24'42"W	30.00'
L2	N66°35'18"W	24.57'
L3	S40°59'34"E	35.68'
L4	N02°52'12"W	54.89'
L5	N66°35'18"W	21.35'
L6	N23°24'42"E	30.00'

CURVE	RADIUS	ARC LENGTH	CHORD BEARING	CHORD LENGTH
C1	5.00'	13.47'	S36°12'34"W	9.75'
C2	132.78'	65.04'	S78°27'35"W	64.39'



**LAND SURVEYOR'S CERTIFICATE**

I, MARK E. PATTERSON, HEREBY CERTIFY THAT I AM A LICENSED PROFESSIONAL LAND SURVEYOR LICENSED IN COMPLIANCE WITH THE LAWS OF THE COMMONWEALTH OF KENTUCKY. I FURTHER CERTIFY THAT THIS PLAT AND THE SURVEY ON THE GROUND WERE PERFORMED BY PERSONS UNDER MY DIRECT SUPERVISION, AND THAT THE DIRECTIONAL AND LINEAR MEASUREMENTS BEING WITNESSED BY MONUMENTS SHOWN HEREON ARE TRUE AND CORRECT TO THE BEST OF MY KNOWLEDGE. THE "RURAL" SURVEY, AND THE PLAT ON WHICH IT IS BASED, MEETS ALL SPECIFICATIONS AS STATED IN KAR 201 18:150.

*Mark Patterson*

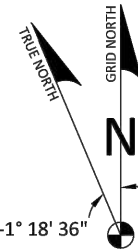
04/29/2024

DATE



Know what's below.  
Call before you dig.  
Call Monday thru Friday - 7 am. to 6 pm.  
1-800-752-6007

PER KENTUCKY STATE LAW, IT IS AGAINST THE LAW TO EXCAVATE WITHOUT NOTIFYING THE UNDERGROUND LOCATION SERVICE TWO (2) WORKING DAYS BEFORE COMMENCING WORK.



-1° 18' 36"  
BASED ON KENTUCKY STATE PLANE SINGLE ZONE. THE SOURCE OF BEARINGS WERE DETERMINED BY A GPS OBSERVATIONS COMPLETED ON SEPTEMBER 11, 2023

FAA COORDINATE POINT  
NAD 83  
LATITUDE: 37°29'53.398565"  
LONGITUDE: -87°53'05.636801"  
NAVD 88  
ELEVATION: 501.5± AMSL  
NORTHING: 3,712,051.7585  
EASTING: 4,301,980.5762

**GENERAL NOTES**

NO SEARCH OF PUBLIC RECORDS HAS BEEN COMPLETED BY POD GROUP TO DETERMINE ANY DEFECTS AND/OR AMBIGUITIES IN THE TITLE OF THE SUBJECT PROPERTY.

THIS SURVEY IS FOR THE PROPOSED LEASE AREA AND THE PROPOSED ACCESS & UTILITY EASEMENTS ONLY, AND NO BOUNDARY SURVEY OF THE PARENT TRACT HAS BEEN PERFORMED.

A PORTION OF THIS SURVEY WAS CONDUCTED BY METHOD OF RANDOM TRAVERSE WITH SIDE SHOTS. UNADJUSTED CLOSURE EQUALS 0.045', FOR A PRECISION OF 1:34,522 AND HAS NOT BEEN ADJUSTED.

THIS PROPERTY IS SUBJECT TO ANY RECORDED EASEMENTS AND/OR RIGHTS OF WAY SHOWN HEREON OR NOT.

THIS PLAT IS NOT INTENDED FOR LAND TRANSFER.

THE PARENT PARCEL, THE PROPOSED LEASE AREA AND THE PROPOSED ACCESS & UTILITY EASEMENT SHOWN HEREON ARE NOT LOCATED IN A 100 YEAR FLOOD PLAIN (ZONE "X"), PER FLOOD HAZARD BOUNDARY MAP 21233C0225C, EFFECTIVE DATE OF DECEMBER 17, 2013.

**LEGEND**

- EX. EXISTING
- S.F. SQUARE FEET
- ℄ CENTERLINE
- SPC STATE PLANE COORDINATE
- P.O.R. POINT OF REFERENCE
- P.O.B. POINT OF BEGINNING
- EX. WIRE FENCE SET 1/2" REBAR, 18" LONG WITH A YELLOW PLASTIC CAP STAMPED "PATTERSON KY PLS3136"
- MONUMENT AS NOTED
- PROPERTY LINE
- ADJACENT PROPERTY LINE

PREPARED BY:  
**POD**  
POWER OF DESIGN  
11490 BLUEGRASS PARKWAY  
LOUISVILLE, KY 40299  
502-437-5252

PREPARED FOR:  
**smartlink**

PREPARED FOR:  
**at&t**

**REVISIONS**

REV.	DATE	DESCRIPTION
A	9.29.23	PRELIMINARY ISSUE
B	11.6.23	LEASEHOLD LOCATION
C	11.17.23	OLC COMMENTS
D	12.28.23	ISSUED AS FINAL
1	4.29.24	E911 ADDRESS

**SITE INFORMATION:**

**TRADEWATER**  
695 DAVE MILLER ROAD  
CLAY, KY 42404  
WEBSTER COUNTY

**TAX PARCEL NUMBER:**  
008-007-000

**PROPERTY OWNER:**  
JOHN R. WILLIAMS LIVING TRUST  
P.O. BOX 467  
CLAY, KY 42404

**SOURCE OF TITLE:**  
PARCEL 1 OF  
DEED BOOK 265, PAGE 269

**FA NUMBER:**  
16224925

POD NUMBER: 23-159504  
CHECKED BY: MEP  
DRAWN BY: DAP  
SURVEY DATE: 9.11.23  
PLAT DATE: 9.29.23

**SHEET TITLE:**

**SITE SURVEY**  
THIS DOES NOT REPRESENT A BOUNDARY SURVEY OF THE PARENT PARCEL

SHEET NUMBER: (2 pages)

**B-1**

PARCEL ID: 008-011-000  
ALCOA FUELS, INC.  
DEED BOOK 272, PAGE 361

PROPOSED LEASE AREA  
(10,000.000 S.F.)

PROPOSED 30' / VARIABLE WIDTH  
ACCESS & UTILITY EASEMENT  
(5,514.354 S.F.)

P.O.B.  
SPC: KY SINGLE ZONE  
N:3,712,025.7414  
E:4,301,914.8258

SPC: KY SINGLE ZONE  
N:3,712,077.7756  
E:4,302,046.3266

**LEGAL DESCRIPTIONS**

**PROPOSED LEASE AREA**

THE FOLLOWING IS A DESCRIPTION OF THE PROPOSED LEASE AREA TO BE GRANTED FROM THE PROPERTY CONVEYED TO JOHN R. WILLIAMS LIVING TRUST AS RECORDED IN DEED BOOK 265, PAGE 269, PARCEL 1, PARCEL ID: 008-007-000, IN THE OFFICE OF THE CLERK OF WEBSTER COUNTY, KENTUCKY, WHICH IS MORE PARTICULARLY DESCRIBED AS FOLLOWS:

BEARING DATUM USED HEREIN IS BASED UPON KENTUCKY SINGLE ZONE STATE PLANE COORDINATE SYSTEM, NAD 83, FROM A REAL TIME KINEMATIC GLOBAL POSITIONING SYSTEM OBSERVATION USING THE KENTUCKY TRANSPORTATION CABINET VRS NETWORK COMPLETED ON SEPTEMBER 11, 2023.

**BEGINNING** AT A SET 1/2" REBAR, 18" LONG, WITH A YELLOW PLASTIC CAP STAMPED "PATTERSON KY PLS3136", HEREAFTER REFERRED TO AS A "SET IPC" IN THE SOUTH WEST CORNER OF THE PROPOSED LEASE AREA, HAVING A KENTUCKY STATE PLANE COORDINATE VALUE OF N:3,712,025.7414 & E:4,301,914.8258, LOCATED ON A PORTION OF THE PROPERTY CONVEYED TO JOHN R. WILLIAMS LIVING TRUST AS RECORDED IN DEED BOOK 265, PAGE 269, PARCEL 1, PARCEL ID: 008-007-000, FOR REFERENCE SAID POINT OF BEGINNING IS S44°39'10"E 302.34' FROM A FOUND RAILROAD TIE FENCE CORNER; THENCE N23°24'42"E 100.00' TO A "SET IPC"; THENCE S66°35'18"E 100.00' TO A "SET IPC", HAVING A KENTUCKY STATE PLANE COORDINATE VALUE OF N:3,712,077.7756 & E:4,302,046.3266; THENCE S23°24'42"W 100.00' TO A "SET IPC"; THENCE N66°35'18"W 100.00' TO THE POINT OF BEGINNING CONTAINING 10,000.000 SQUARE FEET AS PER SURVEY BY MARK E. PATTERSON, PLS #3136 DATED SEPTEMBER 11, 2023.

**PROPOSED 30' / VARIABLE WIDTH ACCESS & UTILITY EASEMENT**

THE FOLLOWING IS A DESCRIPTION OF THE PROPOSED 30' / VARIABLE WIDTH ACCESS & UTILITY EASEMENT TO BE GRANTED FROM THE PROPERTY CONVEYED TO JOHN R. WILLIAMS LIVING TRUST AS RECORDED IN DEED BOOK 265, PAGE 269, PARCEL 1, PARCEL ID: 008-007-000, IN THE OFFICE OF THE CLERK OF WEBSTER COUNTY, KENTUCKY, WHICH IS MORE PARTICULARLY DESCRIBED AS FOLLOWS:

BEARING DATUM USED HEREIN IS BASED UPON KENTUCKY SINGLE ZONE STATE PLANE COORDINATE SYSTEM, NAD 83, FROM A REAL TIME KINEMATIC GLOBAL POSITIONING SYSTEM OBSERVATION USING THE KENTUCKY TRANSPORTATION CABINET VRS NETWORK COMPLETED ON SEPTEMBER 11, 2023.

**BEGINNING** AT A SET 1/2" REBAR, 18" LONG, WITH A YELLOW PLASTIC CAP STAMPED "PATTERSON KY PLS3136", HEREAFTER REFERRED TO AS A "SET IPC" IN THE SOUTH WEST CORNER OF THE PROPOSED LEASE AREA, HAVING A KENTUCKY STATE PLANE COORDINATE VALUE OF N:3,712,025.7414 & E:4,301,914.8258, LOCATED ON A PORTION OF THE PROPERTY CONVEYED TO JOHN R. WILLIAMS LIVING TRUST AS RECORDED IN DEED BOOK 265, PAGE 269, PARCEL 1, PARCEL ID: 008-007-000, FOR REFERENCE SAID POINT OF BEGINNING IS S44°39'10"E 302.34' FROM A FOUND RAILROAD TIE FENCE CORNER; THENCE WITH SAID LEASE AREA, S66°35'18"E 100.00' TO A "SET IPC"; THENCE LEAVING SAID LEASE AREA, S23°24'42"W 30.00'; THENCE N66°35'18"W 24.57'; THENCE ALONG THE ARC OF A CURVE TO THE LEFT HAVING A RADIUS OF 5.00', ARC LENGTH OF 13.47', THE CHORD OF WHICH BEARS S36°12'34"W 9.75; THENCE S40°59'34"E 35.68' TO THE CENTER OF DAVE MILLER ROAD (a.k.a. WILLIAM STATION ROAD) AND THE SOUTH LINE OF THE AFOREMENTIONED WILLIAMS PROPERTY; THENCE WITH SAID ROAD CENTERLINE, ALONG THE ARC OF A NON-TANGENT CURVE TO THE LEFT HAVING A RADIUS OF 132.78', ARC LENGTH OF 65.04', THE CHORD OF WHICH BEARS S78°27'35"W 64.39'; THENCE LEAVING SAID ROAD AND TRAVERSING THE LAND OF WILLIAMS, N02°52'12"W 54.89'; THENCE N66°35'18"W 21.35'; THENCE N23°24'42"E 30.00' TO THE POINT OF BEGINNING CONTAINING 5,514.354 SQUARE FEET AS PER SURVEY BY MARK E. PATTERSON, PLS #3136 DATED SEPTEMBER 11, 2023.

**REPORT OF TITLE - PARCEL ID: 008-007-000, DEED BOOK 265, PAGE 269**

THIS SURVEY DOES NOT CONSTITUTE A TITLE SEARCH BY POD GROUP, LLC AND AS SUCH WE ARE NOT RESPONSIBLE FOR THE INVESTIGATION OR INDEPENDENT SEARCH FOR EASEMENTS OF RECORD, ENCUMBRANCES, RESTRICTIVE COVENANTS, OWNERSHIP TITLE EVIDENCE, UNRECORDED EASEMENTS, AUGMENTING EASEMENTS, IMPLIED OR PRESCRIPTIVE EASEMENTS, OR ANY OTHER FACTS THAT AN ACCURATE AND CURRENT TITLE SEARCH MAY DISCLOSE. INFORMATION REGARDING THESE MATTERS WERE GAINED FROM AMC SETTLEMENT SERVICES, ORDER NO. 50030606, DATED AUGUST 29, 2023. THE FOLLOWING COMMENTS ARE IN REGARD TO SAID REPORT AND THE NUMBERS IN THE COMMENTS CORRESPOND TO THE NUMBERING SYSTEM IN SAID REPORT.

TAX INFORMATION  
 TAXES(YEAR): 2022 TAX TYPE : COUNTY TAX PERIOD: ANNUALLY TAX ID#:008-007-000  
 STATUS:PAID AMOUNT:\$325.52 DUE DATE:  
 ADDITIONAL INFORMATION:

ASSESSMENT INFORMATION  
 LAND: \$0.00 BUILDING: \$0.00 TOTAL: \$28,700.00

MORTGAGE/ DEED OF TRUST INFORMATION  
 NONE OF RECORD.

JUDGMENT AND LIEN INFORMATION  
 NONE OF RECORD.

OTHER INFORMATION  
 NONE OF RECORD.

UCC  
 NONE OF RECORD.

EXCEPTIONS  
 1. SUBJECT TO AGREEMENT FOR RIGHT OF WAY AND EASEMENT FROM JOHN R. WILLIAMS, WIDOW, TO CNX GAS COMPANY LLC RECORDED 12/12/2006 IN BOOK 263, PAGE 10, WEBSTER COUNTY RECORDS. (AGREEMENT AFFECTS THE PARENT PARCEL, BUT DOES NOT AFFECT THE PROPOSED LEASE AREA AND THE PROPOSED ACCESS AND UTILITY EASEMENT.)

2. PLEASE NOTE: THE LIABILITY FOR THIS REPORT IS LIMITED TO THE COST OF THE REPORT.

**LEGAL DESCRIPTION, PARCEL ID: 008-007-000, DEED BOOK 265, PAGE 269 (NOT FIELD SURVEYED)**

ALL THAT PARCEL OF LAND IN THE IN THE COUNTY OF WEBSTER AND COMMONWEALTH OF KENTUCKY AS MORE FULLY DESCRIBED IN DEED BOOK 265 PAGE 269 AND PARCEL # 008-007- 000, BEING KNOWN AND DESIGNATED AS:

**PARCEL 1:**  
 ADJOINING THE FIRST TRACT BELONG TO J. L. DALTON NEAR WHEATCROFT, KY. BEGINNING AT A STAKE IN THE WHEATCROFT AND WILLIAM STATION ROAD, CORNER WITH DARIEN QUIREY AND J. W. MCGILL LAND; RUNS WITH SAID ROAD N. 39-34 E. 1253 FEET TO A STAKE IN THE ROAD, CORNER WITH J. W. MCGILL AND P. S. DAVIS; THENCE WITH P. S. DAVIS N 57 W. 885 FEET TO A STAKE; THENCE N. 56-30 W 350 FEET TO A LARGE WHITE OAK; THENCE S. 38-45 W. 356 FEET TO A STAKE; THENCE N. 49-30 W 237 FEET TO A STAKE; THENCE N. 50-95 W. 1067 FEET TO A STAKE IN THE P. S. DAVIS LINE CORNER WITH FINIS SOUTHERN LAND; THENCE S. 25- 44 W 81.5 FEET TO A POST CORNER WITH FINIS SOUTHERLAND; THENCE S. 47-50 W. 1062.3 3 FEET TO A STAKE CORNER WITH A AL CAIN IN THE ROAD; THENCE S 50-14 WEST 123.2 FEET TO A CORNER; WITH AL CAIN AND BLANCHE MCGILL; THENCE S. 69-31 E. 1567.4 FEET TO A POST CORNER WITH DARIEN QUIREY; THENCE N. 44-15 W. 489 FEET TO A STAKE IN THE ROAD CORNER WITH DARIEN QUIREY; THENCE WITH THE ROAD AND DARIEN QUIREY'S LINE N. 71-51 E 357.2 FEET THENCE S. 82-20 E 231 FEET; THENCE S. 38-11 E 741 FEET; THENCE S. 30-47 E. 313 FEET; THENCE S. 65 E 255.8 FEET TO THE BEGINNING CONTAINING 65.5 ACRES MORE OR LESS.

THERE IS INCLUDED IN THIS CONVEYANCE WHATEVER INTEREST IN THE OIL, GAS AND OTHER MINERALS IN AND UNDERLYING THE ABOVE DESCRIBED REAL PROPERTY THAT FIRST PARTIES OWN.

LESS THE FOLLOWING DESCRIBED PROPERTY CONVEYED EDWIN D. WILLIAMS AND HIS WIFE, THERESA WILLIAMS BY DEED DATED JUNE 19, 1978, AND RECORDED IN DEED BOOK 175, PAGE 155, TO WIT:

POINT OF BEGINNING IS AN IRON ROD IN AN OLD FENCE LINE 22 FEET WEST OF THE CENTER OF THE EXISTING WHEATCROFT-WILLIAMS STATION ROAD AND 402 FEET NORTHEAST OF THE INTERSECTION OF THE ABOVE NAMED ROAD, AND THE ROCK SPRINGS ROAD (R 501 AS SHOWN ON THE USGS MAP, BLACKFORD, KY., N3722.5-W8752.5/7.5, 1954 SERIES). GEOGRAPHIC COORDINATES OF THE POINT OF BEGINNING ARE N37-29-44.5 AND W87-52-36.4". FROM POINT OF BEGINNING ALONG AN OLD FENCE LINE N 39-34-E 150.0 FEET TO AN IRON ROD IN OLD FENCE LINE; THENCE N 50-26 W 200.0 FEET TO AN IRON ROD; THENCE S 39-34 W 150.0 FEET TO AN IRON ROD; THENCE S 50-26 E 200.0 FEET TO THE BEGINNING, CONTAINS 0.6887 ACRES BY SURVEY OF G. D. CARNAHAN, KY RLS #1949, 1 JUNE 1978.

BEING THE SAME PROPERTY CONVEYED UNTO JOHN R. WILLIAMS AND HIS WIFE, BETTY WILLIAMS, FROM THURMAN DIVINE AND HIS WIFE, MARY AVALON DIVINE, BY DEED DATED THE 6TH DAY OF OCTOBER, 1973 OF RECORD IN DEED BOOK 161 AT PAGE 442 IN THE OFFICE OF THE WEBSTER COUNTY COURT CLERK. BETTY SHARON WILLIAMS DIED ON THE 11TH DAY OF OCTOBER, 2005 AND PURSUANT TO THE SURVIVORSHIP CLAUSE IN THE ABOVE REFERENCED DEED, TITLE IS VESTED IN JOHN R. WILLIAMS.

PARCEL NUMBER: 008-007-000

BY FEE SIMPLE DEED FROM JOHN R. WILLIAMS, A SINGLE PERSON AS SET FORTH IN DEED BOOK / PAGE : 265 / 269, DATED 07/12/2007 AND RECORDED 07/24/2007, WEBSTER COUNTY RECORDS, STATE OF KENTUCKY.

PREPARED BY:  
  
 POWER OF DESIGN  
 11490 BLUEGRASS PARKWAY  
 LOUISVILLE, KY 40299  
 502-437-5252

PREPARED FOR:  


PREPARED FOR:  


**REVISIONS**

REV.	DATE	DESCRIPTION
A	9.29.23	PRELIMINARY ISSUE
B	11.6.23	LEASEHOLD LOCATION
C	11.17.23	OLC COMMENTS
O	12.28.23	ISSUED AS FINAL
1	4.29.24	E911 ADDRESS

SITE INFORMATION:  
**TRADEWATER**  
 695 DAVE MILLER ROAD  
 CLAY, KY 42404  
 WEBSTER COUNTY  
**TAX PARCEL NUMBER:**  
 008-007-000  
**PROPERTY OWNER:**  
 JOHN R. WILLIAMS LIVING TRUST  
 P.O. BOX 467  
 CLAY, KY 42404  
**SOURCE OF TITLE:**  
 PARCEL 1 OF DEED BOOK 265, PAGE 269

FA NUMBER:  
 16224925  
 POD NUMBER: 23-159504  
 CHECKED BY: MEP  
 DRAWN BY: DAP  
 SURVEY DATE: 9.11.23  
 PLAT DATE: 9.29.23

SHEET TITLE:  
**SITE SURVEY**  
 THIS DOES NOT REPRESENT A BOUNDARY SURVEY OF THE PARENT PARCEL

SHEET NUMBER: (2 pages)  
**B-1.1**

**LAND SURVEYOR'S CERTIFICATE**

I, MARK E. PATTERSON, HEREBY CERTIFY THAT I AM A LICENSED PROFESSIONAL LAND SURVEYOR LICENSED IN COMPLIANCE WITH THE LAWS OF THE COMMONWEALTH OF KENTUCKY. I FURTHER CERTIFY THAT THIS PLAT AND THE SURVEY ON THE GROUND WERE PERFORMED BY PERSONS UNDER MY DIRECT SUPERVISION, AND THAT THE DIRECTIONAL AND LINEAR MEASUREMENTS BEING WITNESSED BY MONUMENTS SHOWN HEREON ARE TRUE AND CORRECT TO THE BEST OF MY KNOWLEDGE. THE "RURAL" SURVEY, AND THE PLAT ON WHICH IT IS BASED, MEETS ALL SPECIFICATIONS AS STATED IN KAR 201 18:150.



04/29/2024

DATE



MARK PATTERSON, PLS #3136

NOTE:  
PARCEL NUMBERS ARE OF RECORD IN  
THE WEBSTER COUNTY PROPERTY  
VALUATION ADMINISTRATOR OFFICE.

- GENERAL NOTE:
1. ALL INFORMATION SHOWN HEREON WAS OBTAINED FROM THE RECORDS OF THE WEBSTER COUNTY KENTUCKY PROPERTY VALUATION ADMINISTRATION OFFICE ON SEPTEMBER 11, 2023 AND RE-VERIFIED ON NOVEMBER 14, 2023. THE PROPERTY VALUATION ADMINISTRATION RECORDS MAY NOT REFLECT THE CURRENT OWNERS AND ADDRESSES DUE TO THE INACCURACIES AND TIME LAPSE IN UPDATING FILES. POD AND THE COUNTY PROPERTY VALUATION ADMINISTRATION EXPRESSLY DISCLAIMS ANY WARRANTY FOR THE CONTENT AND ANY ERRORS CONTAINED IN THEIR FILES
  2. THIS MAP IS FOR GENERAL INFORMATIONAL PURPOSES ONLY AND IS NOT A BOUNDARY SURVEY
  3. NOT FOR RECORDING OR PROPERTY TRANSFER.

PREPARED BY:



11490 BLUEGRASS PARKWAY  
LOUISVILLE, KY 40299  
502-437-5252

PREPARED FOR:



PREPARED FOR:



REVISIONS

REV.	DATE	DESCRIPTION
A	11.14.23	ISSUED FOR REVIEW
0	12.13.23	ISSUED AS FINAL

SITE INFORMATION:

**TRADEWATER**  
DAVE MILLER ROAD  
a.k.a. WILLIAM STATION ROAD  
CLAY, KY 42404  
WEBSTER COUNTY

**TAX PARCEL NUMBER:**  
008-007-000

**PROPERTY OWNER:**  
JOHN R. WILLIAMS LIVING TRUST  
P.O. BOX 467  
CLAY, KY 42404

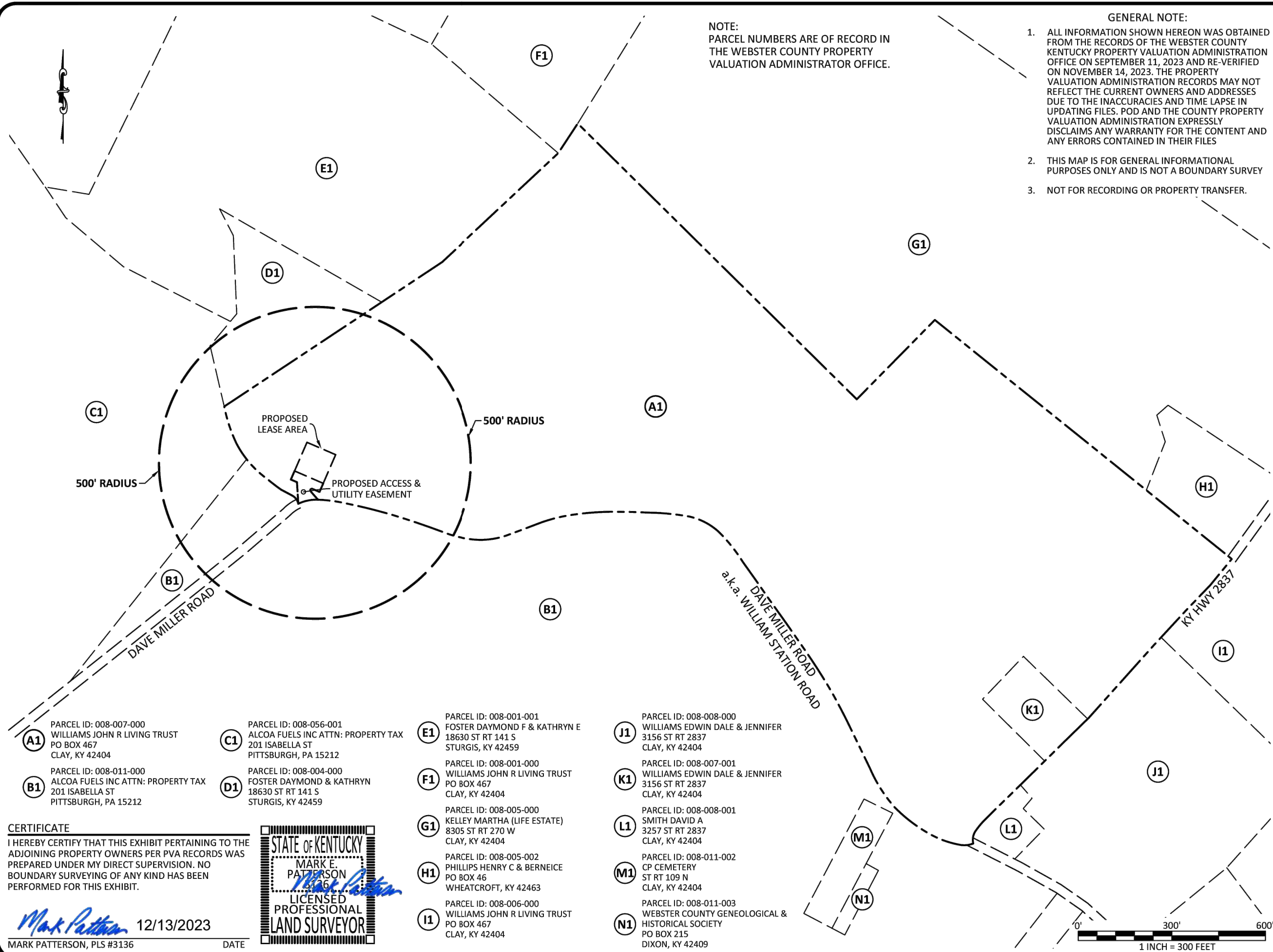
**SOURCE OF TITLE:**  
PARCEL 1 OF  
DEED BOOK 265, PAGE 269

FA NUMBER:  
16224925

POD NUMBER: 23-162125  
CHECKED BY: MEP  
DRAWN BY: DAP  
SURVEY DATE: 9.11.23  
PLAT DATE: 11.14.23

SHEET TITLE:  
**500' RADIUS AND  
ABUTTERS MAP**

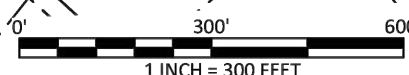
SHEET NUMBER: (1 page)  
**B-2**



- (A1)** PARCEL ID: 008-007-000  
WILLIAMS JOHN R LIVING TRUST  
PO BOX 467  
CLAY, KY 42404
- (B1)** PARCEL ID: 008-011-000  
ALCOA FUELS INC ATTN: PROPERTY TAX  
201 ISABELLA ST  
PITTSBURGH, PA 15212
- (C1)** PARCEL ID: 008-056-001  
ALCOA FUELS INC ATTN: PROPERTY TAX  
201 ISABELLA ST  
PITTSBURGH, PA 15212
- (D1)** PARCEL ID: 008-004-000  
FOSTER DAYMOND & KATHRYN  
18630 ST RT 141 S  
STURGIS, KY 42459
- (E1)** PARCEL ID: 008-001-001  
FOSTER DAYMOND F & KATHRYN E  
18630 ST RT 141 S  
STURGIS, KY 42459
- (F1)** PARCEL ID: 008-001-000  
WILLIAMS JOHN R LIVING TRUST  
PO BOX 467  
CLAY, KY 42404
- (G1)** PARCEL ID: 008-005-000  
KELLEY MARTHA (LIFE ESTATE)  
8305 ST RT 270 W  
CLAY, KY 42404
- (H1)** PARCEL ID: 008-005-002  
PHILLIPS HENRY C & BERNEICE  
PO BOX 46  
WHEATCROFT, KY 42463
- (I1)** PARCEL ID: 008-006-000  
WILLIAMS JOHN R LIVING TRUST  
PO BOX 467  
CLAY, KY 42404
- (J1)** PARCEL ID: 008-008-000  
WILLIAMS EDWIN DALE & JENNIFER  
3156 ST RT 2837  
CLAY, KY 42404
- (K1)** PARCEL ID: 008-007-001  
WILLIAMS EDWIN DALE & JENNIFER  
3156 ST RT 2837  
CLAY, KY 42404
- (L1)** PARCEL ID: 008-008-001  
SMITH DAVID A  
3257 ST RT 2837  
CLAY, KY 42404
- (M1)** PARCEL ID: 008-011-002  
CP CEMETERY  
ST RT 109 N  
CLAY, KY 42404
- (N1)** PARCEL ID: 008-011-003  
WEBSTER COUNTY GENELOGICAL &  
HISTORICAL SOCIETY  
PO BOX 215  
DIXON, KY 42409

**CERTIFICATE**  
I HEREBY CERTIFY THAT THIS EXHIBIT PERTAINING TO THE  
ADJOINING PROPERTY OWNERS PER PVA RECORDS WAS  
PREPARED UNDER MY DIRECT SUPERVISION. NO  
BOUNDARY SURVEYING OF ANY KIND HAS BEEN  
PERFORMED FOR THIS EXHIBIT.

*Mark Patterson* 12/13/2023  
MARK PATTERSON, PLS #3136 DATE







## SPECIAL CONSTRUCTION — ANTENNA INSTALLATION

### PART 1 GENERAL

#### 1.01 CODES REQUIREMENTS

- A. INSTALL ANTENNA, COAXIAL CABLES, TMA'S, GROUNDING SYSTEM, AND ALL OTHER EQUIPMENT SHOWN ON THESE DRAWINGS OR THE AT&T RF DESIGN IN ACCORDANCE WITH DRAWINGS AND SPECIFICATIONS IN EFFECT AT THE PROJECT LOCATION AND RECOMMENDATIONS OF STATE AND LOCAL BUILDING CODES HAVING JURISDICTION OVER SPECIFIC PORTIONS OF WORK. THESE CODES INCLUDE, BUT ARE NOT LIMITED TO THE FOLLOWING:
  1. EIA — ELECTRONIC INDUSTRIES ASSOCIATION RS-22. STRUCTURAL STANDARDS FOR STEEL ANTENNA TOWERS AND ANTENNA SUPPORTING STRUCTURES.
  2. FAA — FEDERAL AVIATION ADMINISTRATION ADVISORY CIRCULAR AC 70/7480—IH, CONSTRUCTION MARKING AND LIGHTING.
  3. FCC — FEDERAL COMMUNICATION COMMISSION RULES AND REGULATIONS FORM 715, OBSTRUCTION MARKING AND LIGHTING SPECIFICATION FOR ANTENNA STRUCTURES.
  4. AISC — AMERICAN INSTITUTE OF STEEL CONSTRUCTION FOR STRUCTURAL JOINTS USING ASTM 1325 OR A490 BOLTS.
  5. NEC — NATIONAL ELECTRIC CODE — ON TOWER LIGHTING KITS.
  6. UL — UNDERWRITER'S LABORATORIES APPROVED ELECTRICAL PRODUCTS.
  7. IN ALL CASES, PART 77 OF THE FAA RULES AND PARTS 17 AND 22 OR THE FCC RULES ARE APPLICABLE AND IN THE EVENT OF CONFLICT, SUPERSEDE ANY OTHER STANDARDS OR SPECIFICATIONS.
  8. LIFE SAFETY CODE NFPA, LATEST EDITION.

#### 1.02 WORK INCLUDED

- A. INSTALLATION OF GALVANIZED STEEL ANTENNA MOUNTS AS INDICATED ON DRAWINGS.
- B. INSTALLATION OF GALVANIZED STEEL CABLE LADDER AS INDICATED ON DRAWINGS.
- C. INSTALLATION OF ALL ANTENNAS, TMA'S, COAXIAL CABLES, AND OTHER EQUIPMENT AS SPECIFIED ON THE AT&T RF DESIGN.
- D. INSTALLATION OF PROPER GROUNDING FOR LINES, ANTENNAS AND OTHER NEW EQUIPMENT.
- E. TESTING OF ALL LINES, ANTENNAS, AND OTHER EQUIPMENT PER AT&T SPECIFICATIONS.
- F. DAILY CLEAN UP AND REMOVAL OF ALL DEBRIS, EXCESS MATERIALS, AND TRASH FROM THE SITE.
- G. RELATED WORK
  1. FURNISH THE FOLLOWING WORK AS SPECIFIED IN CONSTRUCTION DOCUMENTS, BUT COORDINATE WITH OTHER TRADES PRIOR TO BID:
    - a. FLASHING OF OPENINGS INTO OUTSIDE WALLS.
    - b. SEALING AND CAULKING ALL OPENINGS.
    - c. PAINTING.
    - d. CUTTING AND PATCHING.

#### 1.03 GENERAL

- A. NO WORK SHALL BE PERFORMED ON THE SITE BY THE CONTRACTOR WITHOUT A FINAL RE CONFIGURATION SHEET.
- B. CONTRACTOR IS RESPONSIBLE TO REVIEW AND ADHERE TO RF EXPOSURE OCCUPATIONAL M.O.P. PROVIDED BY OWNER.

### PART 2 PRODUCTS

#### 2.01 EQUIPMENT

- A. UNLESS SPECIFIED OTHERWISE BY OWNER, ANTENNAS, COAXIAL CABLES, TMA'S, JUMPERS, CONNECTORS, GROUND KITS, AND ATTACHMENT HARDWARE ARE FURNISHED BY OTHERS UNDER SEPARATE CONTRACT.
- B. ALL WEATHERPROOFING TO BE SUPPLIED BY CONTRACTOR.

### PART 3 EXECUTION

#### 3.01 INSTALLATION

- A. ANY EXISTING CONDITIONS THAT WOULD PREVENT THE INSTALLATION OF THE MOUNTS, COAXIAL CABLES, ANTENNAS, OR ANY OTHER EQUIPMENT TO BE INSTALLED ACCORDING TO THE SPECIFIED RE CONFIGURATION OR THAT WOULD CAUSE SHADOWING, SHALL BE BROUGHT TO THE ATTENTION OF THE CONSTRUCTION MANAGER IMMEDIATELY.
- B. THE CONTRACTOR SHOULD CHECK TO VERIFY THAT NO PART OF THE TOWER STRUCTURE OR OTHER OBSTRUCTIONS EXISTS WITHIN A 180 DEGREE VIEW OF THE ANTENNAS AND MOUNT.
- C. INSTALL ANTENNAS AS INDICATED ON DRAWINGS AND AT&T SPECIFICATIONS.
- D. INSTALL GALVANIZED STEEL ANTENNA MOUNTS.
- E. INSTALL COAXIAL CABLES AND TERMINATIONS BETWEEN ANTENNAS AND EQUIPMENT PER MANUFACTURER'S RECOMMENDATIONS. WEATHERPROOF ALL CONNECTORS BETWEEN THE ANTENNA AND EQUIPMENT PER MANUFACTURER'S REQUIREMENTS. TERMINATE ALL COAXIAL CABLE THREE (3) FEET IN EXCESS OF ENTRY PORT LOCATION UNLESS OTHERWISE STATED.
- F. BENDS IN COAXIAL CABLES ARE TO BE KEPT TO A MINIMUM. UNDER NO CIRCUMSTANCES SHOULD COAXIAL CABLE BE BENT TO A RADIUS LESS THAN FOLLOWS:

CABLE SIZE	MINIMUM BENDING RADIUS
1/2" SUPERFLEX	1.25"
1/2"	5"
3/8"	3.75"
5/8"	8"
7/8"	10"
1-1/4"	15"
1-5/8"	20"

- G. JUMPERS SHALL BE INSTALLED WITH MINIMUM BENDS. MINIMUM BENDING RADIUS FOR 1/2" JUMPER IS 5". JUMPERS SHALL NOT BE COILED.
- H. ANTENNA JUMPERS SHALL BE SUPPORTED AT MAXIMUM 3' SPACING WITH SUPPORT SUPPLIED WITHIN 18" OF EACH END OF THE JUMPER.
- I. CABLES THAT EXCEED THE MINIMUM BENDING RADIUS, ARE CRUSHED, OR ARE OTHERWISE DAMAGED SHALL BE DISCARDED AND REPLACED AT CONTRACTOR'S EXPENSE.
- J. DO NOT REMOVE DUST CAPS FROM CONNECTORS OF JUMPERS UNTIL CONNECTION IS READY TO BE MADE. USE CARE IN MAKING CONNECTIONS. VISUALLY INSPECT THE CENTER PIN.
- K. ANTENNAS SHALL BE INSTALLED WITH DOWNTILT BRACKETS AND HEAVY DUTY CLAMPS SUPPLIED BY THE MANUFACTURER.

#### 3.02 GROUNDING

- A. ANTENNA AND COAXIAL CABLE GROUNDING:
  1. GROUNDS SHALL BE INSTALLED ON THE COAXIAL CABLE APPROXIMATELY TWO FEET ABOVE THE VERTICAL TO HORIZONTAL TRANSITION.
  2. ALL EXTERIOR #6 GREEN GROUND WIRE DAISY CHAIN CONNECTIONS TO BE WEATHER SEALED WITH APPROVED WEATHERPROOFING KIT.
  3. ALL COAXIAL CABLE GROUNDING KITS ARE TO BE INSTALLED ON STRAIGHT RUNS OF COAXIAL CABLE (NOT WITHIN BENDS).
  4. ALL COAX GROUNDS SHALL BE BONDED TO THE GROUND BAR UTILIZING TWO HOLE LUGS.
  5. ALL COAX GROUND LEADS ARE TO BE INSTALLED WITH 2" OF SLACK TO ACCOMMODATE MOVEMENT IN THE LINES.
  6. ALL COAX GROUNDS SHALL BE INSTALLED SUCH THAT THE LEADS FALL DOWNWARD TO THE CONNECTION TO THE GROUND BAR.
- B. ALL ANTENNA MOUNTING PIPES TO BE BONDED TO TOWER GROUND BAR.

#### 3.03 COLOR CODING

- A. ALL JUMPERS, COAX RUNS, AND BIAS—T POWER CABLES TO HAVE COLOR CODE BANDS INSTALLED ON BOTH ENDS.
- B. COLOR CODE BANDS TO BE INSTALLED UTILIZING MINIMUM THREE WRAPS OF 3M-35 TAPE. COLOR CODE BANDS ON MAIN COAX CABLES AT TOP OF TOWER TO BE INSTALLED UTILIZING MINIMUM 3" WIDE BANDS WITH MINIMUM 3/4" SPACING BETWEEN BANDS. COLOR CODE BANDS NEAR GROUND LEVEL TO BE INSTALLED UTILIZING 3/4" WIDE BANDS.
- C. ON 'COMMON' ELEMENTS, THOSE CARRYING BOTH 850MHZ AND 1900MHZ SIGNALS, THE COLOR CODE IS TO MATCH THE 850MHZ COLOR CODE (NO WHITE).

#### 3.04 INSPECTION, TESTING, AND CLOSE OUT

- A. MOUNT ORIENTATION MUST BE LESS THAN 10 DEGREES FROM THE DESIRED AZIMUTH. MOUNTS MUST NOT OVERSHADOW OR IMPEDE ANTENNAS ON OTHER SECTORS.
- B. ALL ANTENNAS MUST BE WITHIN ±3 DEGREES FROM THE SPECIFIED RF CONFIGURATION. ALL ANTENNAS IN A SECTOR MUST BE WITHIN ±1 DEGREE FROM OTHER ANTENNAS IN THE SAME SECTOR.
- C. EACH ANTENNA MUST HAVE THE DOWNTILT VERIFIED UTILIZING A DIGITAL LEVEL. A PHOTOGRAPH OF THE ANTENNA WITH THE LEVEL IN PLACE MUST BE TAKEN FOR EACH ANTENNA. ALL PHOTOGRAPHS MUST CLEARLY IDENTIFY THE SECTOR AND ANTENNA BEING DISPLAYED.
- D. THE MODEL NUMBER OF ALL NEW AND EXISTING ANTENNAS SHALL BE PHOTOGRAPHED. THIS INFORMATION SHOULD BE RECORDED ON THE JOB CHECKLIST. ALL PHOTOGRAPHS MUST CLEARLY IDENTIFY THE SECTOR AND ANTENNA BEING DISPLAYED.
- E. THE CONTRACTOR SHALL CONDUCT SWEEP TEST FOR THE COMPLETED ANTENNA SYSTEM PER AT&T REQUIREMENTS.

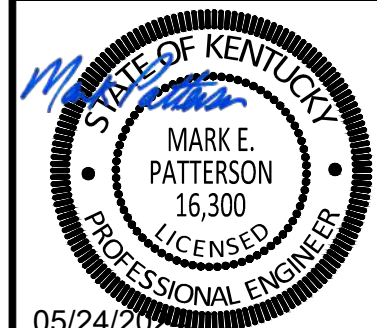
PREPARED BY:



PREPARED FOR:



575 MOROSGO DRIVE  
ATLANTA, GA 30324-3300



EN PERMIT: 3594

#### ZONING DRAWINGS

REV.	DATE	DESCRIPTION
C	11/17/23	CLIENT COMMENTS
D	12/07/23	CLIENT COMMENTS
E	12/07/23	CLIENT COMMENTS
F	04/29/24	CLIENT COMMENTS
0	05/24/24	CLIENT COMMENTS

SITE NAME:  
TRADEWATER  
SITE INFORMATION:  
695 DAVE MILLER ROAD A.K.A.  
WILLIAM STATION ROAD  
CLAY, KY 42404  
WEBSTER COUNTY

FA NUMBER:  
16224925

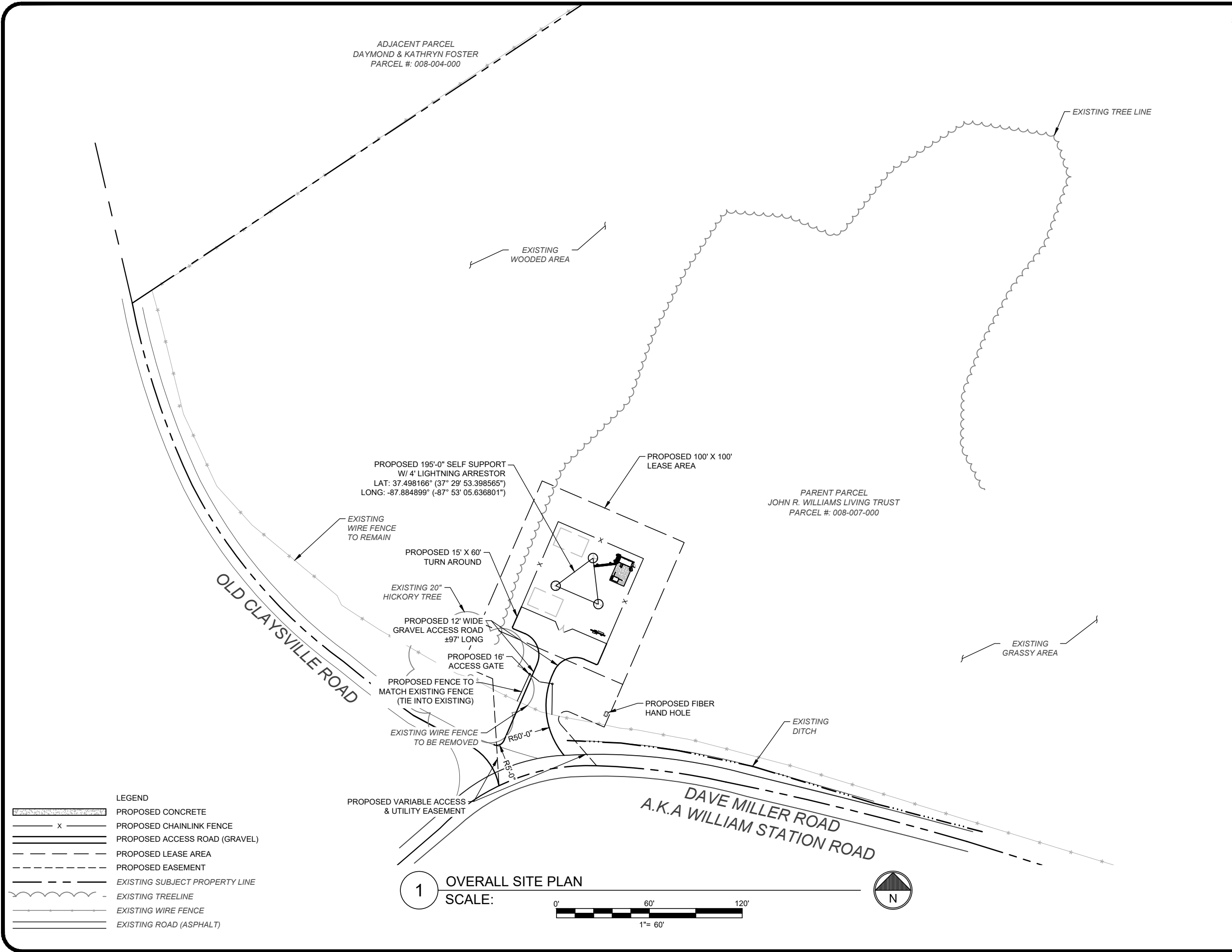
USID:  
329428

POD PROJECT NUMBER: 23-160257  
DRAWN BY: SM  
CHECKED BY: MEP  
DATE: 05/24/24

SHEET TITLE:  
**ANTENNA  
INSTALLATION  
NOTES**

SHEET NUMBER:

**GN-2**



LEGEND

	PROPOSED CONCRETE
	PROPOSED CHAINLINK FENCE
	PROPOSED ACCESS ROAD (GRAVEL)
	PROPOSED LEASE AREA
	PROPOSED EASEMENT
	EXISTING SUBJECT PROPERTY LINE
	EXISTING TREELINE
	EXISTING WIRE FENCE
	EXISTING ROAD (ASPHALT)

1 OVERALL SITE PLAN  
SCALE: 1" = 60'

PREPARED BY:

11490 BLUEGRASS PARKWAY  
LOUISVILLE, KY 40299  
502-437-5252

PREPARED FOR:

575 MOROSGO DRIVE  
ATLANTA, GA 30324-3300

EN PERMIT: 3594

ZONING DRAWINGS

REV.	DATE	DESCRIPTION
C	11/17/23	CLIENT COMMENTS
D	12/07/23	CLIENT COMMENTS
E	12/07/23	CLIENT COMMENTS
F	04/29/24	CLIENT COMMENTS
0	05/24/24	CLIENT COMMENTS

SITE NAME:  
TRADEWATER

SITE INFORMATION:  
695 DAVE MILLER ROAD A.K.A.  
WILLIAM STATION ROAD  
CLAY, KY 42404  
WEBSTER COUNTY

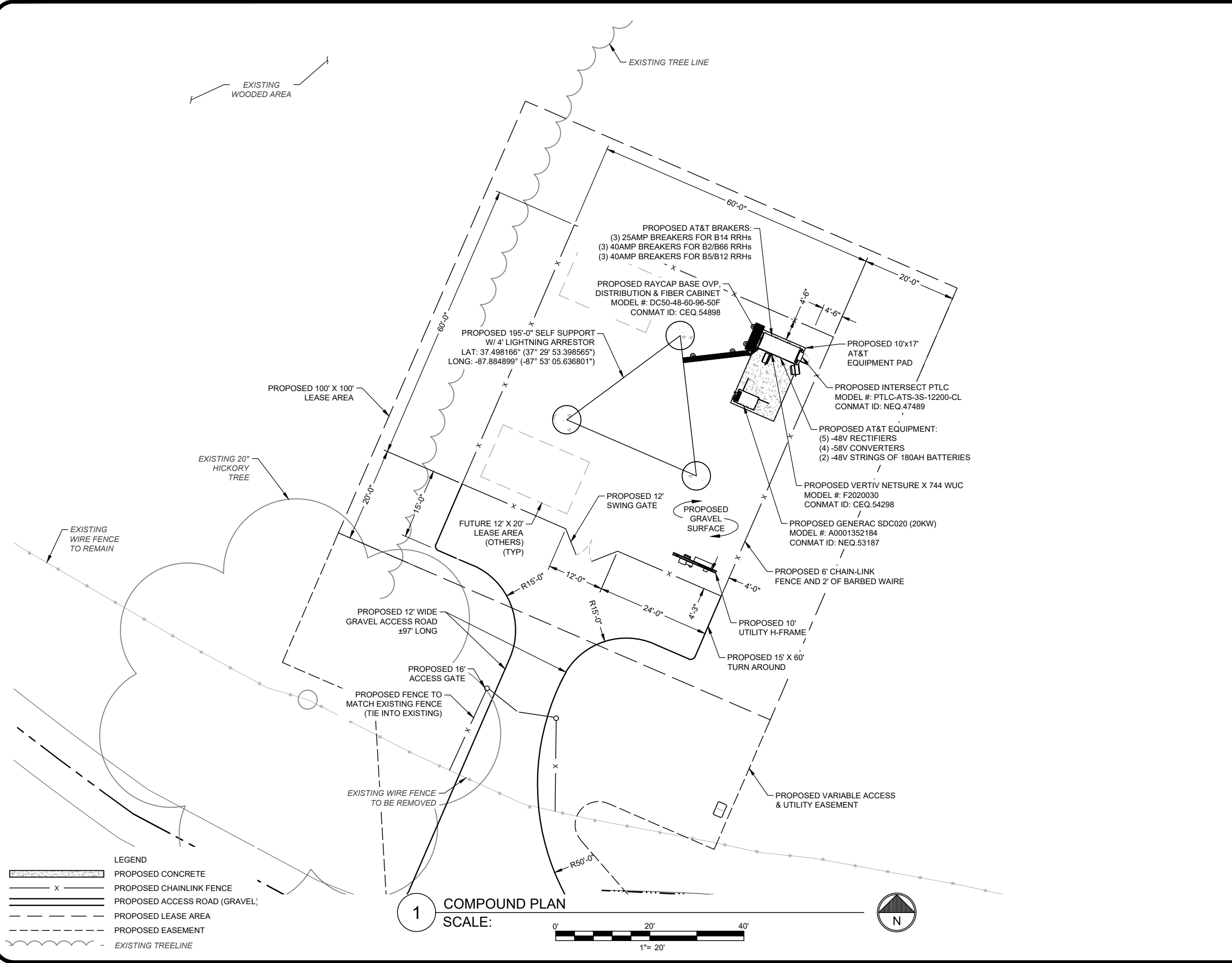
FA NUMBER:  
16224925

USID:  
329428

POD PROJECT NUMBER: 23-160257  
DRAWN BY: SM  
CHECKED BY: MEP  
DATE: 05/24/24

SHEET TITLE:  
**OVERALL SITE PLAN**

SHEET NUMBER:  
**C-1**



**LEGEND**

	PROPOSED CONCRETE
	PROPOSED CHAINLINK FENCE
	PROPOSED ACCESS ROAD (GRAVEL)
	PROPOSED LEASE AREA
	PROPOSED EASEMENT
	EXISTING TREELINE

**1** **COMPOUND PLAN**  
**SCALE:** 1" = 20'

PREPARED BY:

11490 BLUEGRASS PARKWAY  
 LOUISVILLE, KY 40299  
 502-437-5252

PREPARED FOR:

575 MOROSGO DRIVE  
 ATLANTA, GA 30324-3300

05/24/2024  
 EN PERMIT: 3594

**ZONING DRAWINGS**

REV.	DATE	DESCRIPTION
C	11/17/23	CLIENT COMMENTS
D	12/07/23	CLIENT COMMENTS
E	12/07/23	CLIENT COMMENTS
F	04/29/24	CLIENT COMMENTS
0	05/24/24	CLIENT COMMENTS

SITE NAME:  
 TRADEWATER

SITE INFORMATION:  
 695 DAVE MILLER ROAD A.K.A.  
 WILLIAM STATION ROAD  
 CLAY, KY 42404  
 WEBSTER COUNTY

FA NUMBER:  
 16224925

USID:  
 329428

POD PROJECT NUMBER: 23-160257  
 DRAWN BY: SM  
 CHECKED BY: MEP  
 DATE: 05/24/24

SHEET TITLE:  
**COMPOUND PLAN**

SHEET NUMBER:  
**C-2**

**TOWER NOTES:**

1. THE NEW TOWER, FOUNDATION, ANTENNA MOUNTS, AND ANTENNAS WERE DESIGNED BY OTHERS.
2. THE TOWER ELEVATION SHOWN IS FOR REFERENCE ONLY.
3. TOWER AND FOUNDATION DESIGN WAS NOT PROVIDED TO POWER OF DESIGN GROUP, LLC.
4. CONTRACTOR TO FIELD VERIFY ANTENNA MOUNT CONFIGURATION WITH AT&T. ALL ANTENNAS AND MOUNTING HARDWARE SHALL CONFORM TO DESIGN REQUIREMENTS PER INTERNATIONAL BUILDING CODE (LATEST EDITION) AND EIA/TIA-222-G STRUCTURAL STANDARDS FOR STEEL ANTENNA TOWERS AND ANTENNA SUPPORTING STRUCTURES, BASIC WIND SPEED AS LISTED IN TOWER DRAWINGS.
5. SEE TOWER MANUFACTURER'S DRAWINGS FOR TOWER AND FOUNDATION DETAILS & SPECIFICATIONS.
6. MANUFACTURER'S DRAWINGS SUPERCEDE A&E DRAWINGS.
7. CARRIER LOADING SHOWN IS FOR ILLUSTRATIVE PURPOSES ONLY AND MAY NOT REPRESENT ACTUAL FINAL LOADING. PLEASE REFER TO THE LATEST RFDS OR APPLICATION FOR CONFIRMATION.
8. ONLY ONE SECTOR SHOWN FOR CLARITY.
9. THE TOWER WILL BE PAINTED A GRAY OR NEUTRAL COLOR OR WILL UTILIZE A GALVANIZED STEEL FINISH.
10. TOWER LIGHTING WILL ONLY BE UTILIZED IF STRICTLY REQUIRED BY THE FAA OR OTHER APPLICABLE REGULATORY ORGANIZATION.
11. ALL ARTIFICIAL LIGHTING DEEMED NECESSARY OR REQUIRED BY FEDERAL REGULATIONS SHALL BE SHIELDED AND ORIENTED INWARD WITHIN THE FACILITY SO AS NOT TO PROJECT ON THE SURROUNDING PROPERTIES

**GENERAL NOTES:**

1. ALL WORK PRESENTED ON THESE DRAWINGS MUST BE COMPLETED BY THE CONTRACTOR UNLESS NOTED OTHERWISE. THE CONTRACTOR MUST HAVE CONSIDERABLE EXPERIENCE IN PERFORMANCE OF WORK SIMILAR TO THAT DESCRIBED HEREIN. BY ACCEPTANCE OF THIS ASSIGNMENT: THE CONTRACTOR IS ATTESTING THAT HE DOES HAVE SUFFICIENT EXPERIENCE AND ABILITY, THAT HE IS KNOWLEDGEABLE OF THE WORK TO BE PERFORMED AND THAT HE IS PROPERLY LICENSED AND PROPERLY REGISTERED TO DO THIS WORK IN THE STATE AND/OR COUNTY IN WHICH IT IS TO BE PERFORMED.
2. ALL MATERIALS AND EQUIPMENT FURNISHED SHALL BE NEW AND OF GOOD QUALITY, FREE FROM FAULTS AND DEFECTS AND IN CONFORMANCE WITH THE CONTRACT DOCUMENTS. ANY AND ALL SUBSTITUTIONS MUST BE PROPERLY APPROVED AND AUTHORIZED IN WRITING BY THE OWNER AND ENGINEER PRIOR TO INSTALLATION. THE CONTRACTOR SHALL FURNISH SATISFACTORY EVIDENCE AS TO THE KIND AND QUALITY OF THE MATERIALS AND EQUIPMENT BEING SUBSTITUTED.
3. THE CONTRACTOR SHALL BE RESPONSIBLE FOR INITIATING, MAINTAINING, AND SUPERVISING ALL SAFETY PRECAUTIONS AND PROGRAMS IN CONNECTION WITH THE WORK. THE CONTRACTOR IS RESPONSIBLE FOR INSURING THAT THIS PROJECT AND RELATED WORK COMPLIES WITH ALL APPLICABLE LOCAL, STATE, AND FEDERAL SAFETY CODES AND REGULATIONS GOVERNING THIS WORK.
4. ALL DIMENSIONS SHALL BE VERIFIED WITH THE PLANS (LATEST REVISION) PRIOR TO COMMENCING CONSTRUCTION. NOTIFY THE OWNER IMMEDIATELY IF DISCREPANCIES ARE DISCOVERED.
5. ALL MATERIALS AND WORKMANSHIP SHALL BE WARRANTED FOR ONE (1) YEAR FROM THE DATE OF ACCEPTANCE.

**INSTALLER NOTE:**

INSTALL HOISTING AND SUPPORT GRIP(S) AND GRIP ANCHOR(S) PER AT&T BUILD STANDARDS AND MANUFACTURER'S INSTRUCTIONS. SEE GRIP ANCHOR SPECIFICATIONS ON SHEET C-4.

**DISCLAIMER:**

HOIST ANCHOR(S) SHOWN IN THIS PLAN SET IS USED PER THE AT&T BUILD STANDARDS. A RIGGING ANALYSIS SHALL BE PERFORMED TO DETERMINE THE ADEQUACY OF THE TOWER FOR THE HOIST ANCHOR LOADS. POD CAN PROVIDE THIS SERVICE. CONTACT NATHAN GILKERSON AT NGILKERSON@PODGRP.COM

**REFER TO AT&T STD DOCS:**

ATT-CEM-18002  
 ATT-CEM-23001  
 ATT-TP-76300  
 ATT-TP-76416  
 ATT-002-290-531  
 ATT-002-290-701  
 ATT-290-202-083

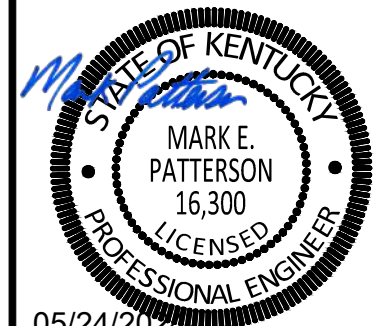
**PREPARED BY:**



**PREPARED FOR:**



575 MOROSGO DRIVE  
 ATLANTA, GA 30324-3300



05/24/2024  
 EN PERMIT: 3594

**ZONING DRAWINGS**

REV.	DATE	DESCRIPTION
C	11/17/23	CLIENT COMMENTS
D	12/07/23	CLIENT COMMENTS
E	12/07/23	CLIENT COMMENTS
F	04/29/24	CLIENT COMMENTS
0	05/24/24	CLIENT COMMENTS

**SITE NAME:**  
 TRADEWATER  
**SITE INFORMATION:**  
 695 DAVE MILLER ROAD A.K.A.  
 WILLIAM STATION ROAD  
 CLAY, KY 42404  
 WEBSTER COUNTY

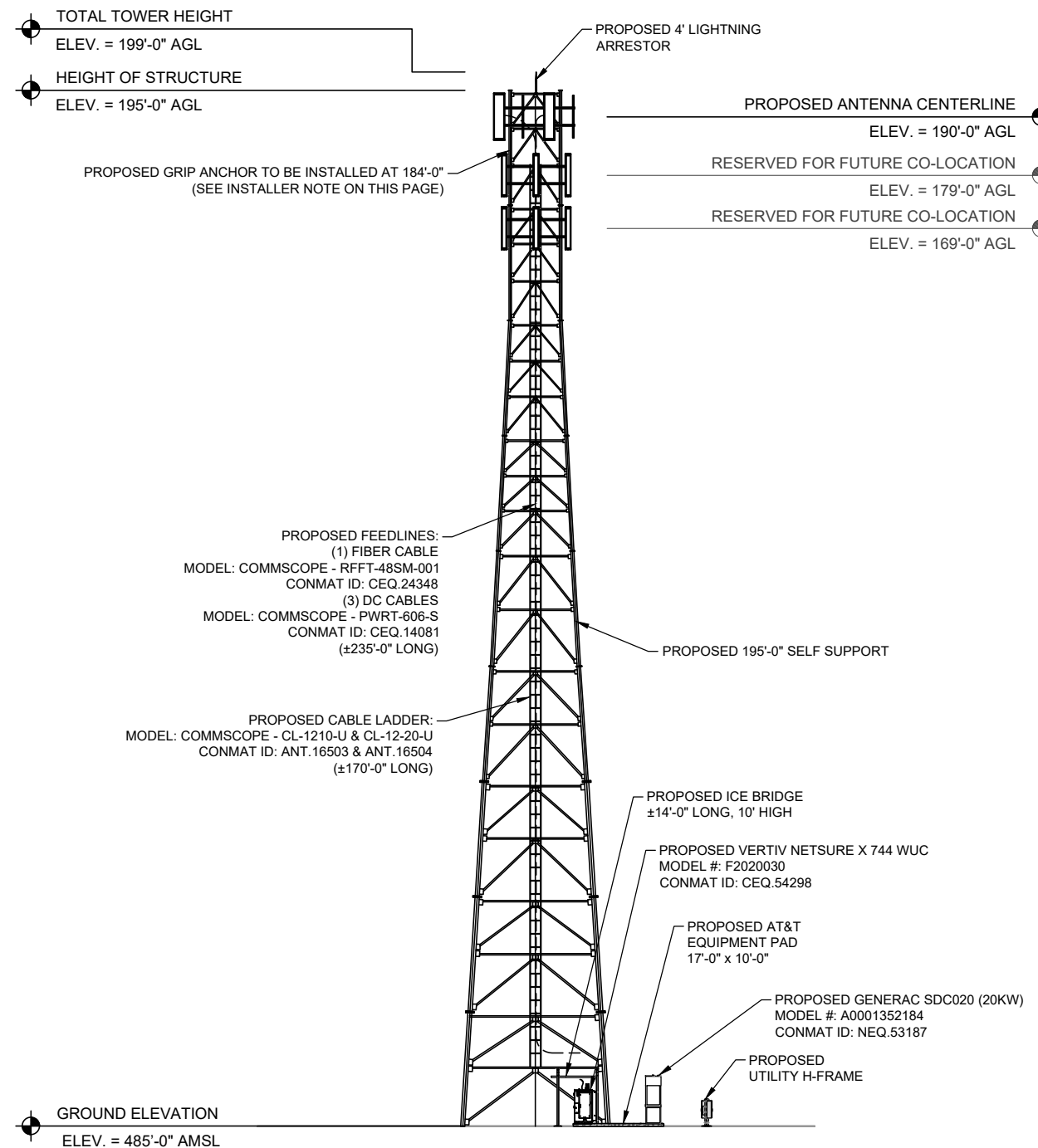
**FA NUMBER:**  
 16224925

**USID:**  
 329428

POD PROJECT NUMBER: 23-160257  
 DRAWN BY: SM  
 CHECKED BY: MEP  
 DATE: 05/24/24

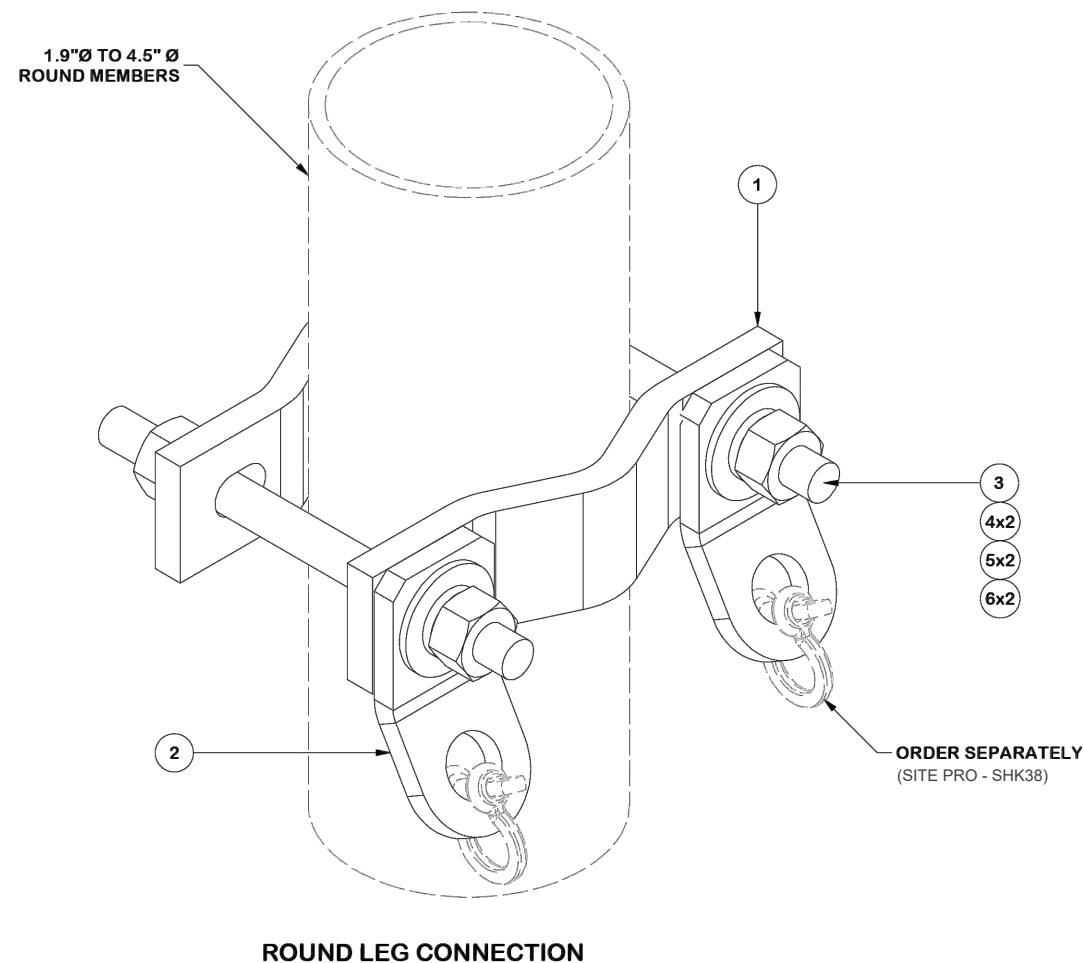
**SHEET TITLE:**  
 TOWER ELEVATION

**SHEET NUMBER:**  
 C-3

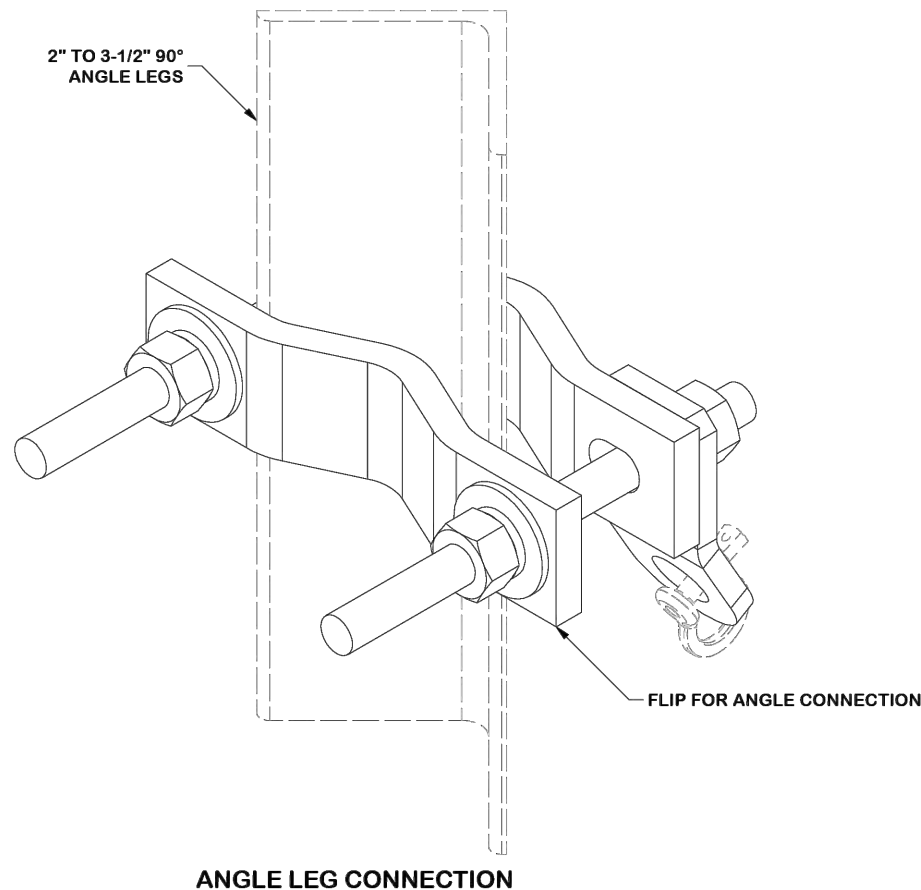


**1 PROPOSED TOWER ELEVATION**  
 SCALE: NOT TO SCALE

PARTS LIST						
ITEM	QTY	PART NO.	PART DESCRIPTION	LENGTH	UNIT WT.	NET WT.
1	2	DCP	1/2" THICK, 5-3/4" CTR TO CENTER CLAMP HALF	8 1/8 in	2.36	4.72
2	2	X-TOAB-BPL	TIE-OFF ANCHOR BRACKET BENT PLATE	2 in	0.83	1.66
3	2	G58R-8	5/8" x 8" THREADED ROD (HDG.)		0.70	1.39
4	4	G58FW	5/8" HDG USS FLATWASHER	1/8 in	0.07	0.28
5	4	G58LW	5/8" HDG LOCKWASHER		0.03	0.10
6	4	G58NUT	5/8" HDG HEAVY 2H HEX NUT		0.13	0.52
					<b>TOTAL WT. #</b>	<b>8.69</b>



**ROUND LEG CONNECTION**



**ANGLE LEG CONNECTION**

FINISH:  
HOT DIP GALVANIZED.

**TOLERANCE NOTES**

TOLERANCES ON DIMENSIONS, UNLESS OTHERWISE NOTED ARE:  
 SAWED, SHEARED AND GAS CUT EDGES ( $\pm 0.030"$ )  
 DRILLED AND GAS CUT HOLES ( $\pm 0.030"$ ) - NO CONING OF HOLES  
 LASER CUT EDGES AND HOLES ( $\pm 0.010"$ ) - NO CONING OF HOLES  
 BENDS AND ANGLES ARE  $\pm 1/2$  DEGREE  
 ALL OTHER MACHINING ( $\pm 0.030"$ )  
 ALL OTHER ASSEMBLY ( $\pm 0.060"$ )

PROPRIETARY NOTE:  
 THE DATA AND TECHNIQUES CONTAINED IN THIS DRAWING ARE PROPRIETARY INFORMATION OF VALMONT INDUSTRIES AND CONSIDERED A TRADE SECRET. ANY USE OR DISCLOSURE WITHOUT THE CONSENT OF VALMONT INDUSTRIES IS STRICTLY PROHIBITED.

DESCRIPTION  
**CABLE HANGER BRACKET  
 V-CLAMP W/ TWO TABS**

CPD NO.	DRAWN BY	ENG. APPROVAL
	CMFL 4/28/2023	4/28/2023
CLASS	SUB	DRAWING USAGE
87	02	CUSTOMER
	CHECKED BY	
	BMC 4/28/2023	

**SITE PRO 1**  
 A valmont COMPANY  
 Locations:  
 New York, NY  
 Atlanta, GA  
 Los Angeles, CA  
 Plymouth, IN  
 Salem, OR  
 Dallas, TX  
 Tampa, FL  
 Engineering Support Team:  
 1-888-753-7446

PART NO.	CHB-DCP2
DWG. NO.	CHB-DCP2

PAGE  
1 OF 1

NOTE:  
 TABS CAN SUPPORT 2400 LBS AND LOAD SHALL BE SPLIT BETWEEN TABS AS NEEDED.

NOTE:  
 POWER OF DESIGN GROUP, NOR OUR ENGINEER IS RESPONSIBLE FOR DESIGN OR MANUFACTURE OF THE SPECS SHOWN ON THIS SHEET. PLEASE CONTACT THE MANUFACTURE FOR ANY QUESTIONS OR CONCERNS.

1 GRIP ANCHOR SPECIFICATIONS  
 SCALE: NOT TO SCALE

PREPARED BY:  
  
 POWER OF DESIGN  
 11490 BLUEGRASS PARKWAY  
 LOUISVILLE, KY 40299  
 502-437-5252

PREPARED FOR:

575 MOROSGO DRIVE  
 ATLANTA, GA 30324-3300

**ZONING DRAWINGS**

REV.	DATE	DESCRIPTION
C	11/17/23	CLIENT COMMENTS
D	12/07/23	CLIENT COMMENTS
E	12/07/23	CLIENT COMMENTS
F	04/29/24	CLIENT COMMENTS
0	05/24/24	CLIENT COMMENTS

SITE NAME:  
 TRADEWATER  
 SITE INFORMATION:  
 695 DAVE MILLER ROAD A.K.A.  
 WILLIAM STATION ROAD  
 CLAY, KY 42404  
 WEBSTER COUNTY

FA NUMBER:  
 16224925

USID:  
 329428

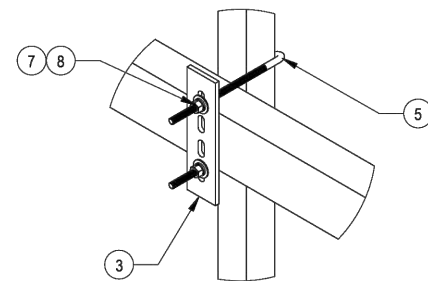
POD PROJECT NUMBER: 23-160257  
 DRAWN BY: SM  
 CHECKED BY: MEP  
 DATE: 05/24/24

SHEET TITLE:  
**GRIP ANCHOR  
 SPECIFICATIONS**

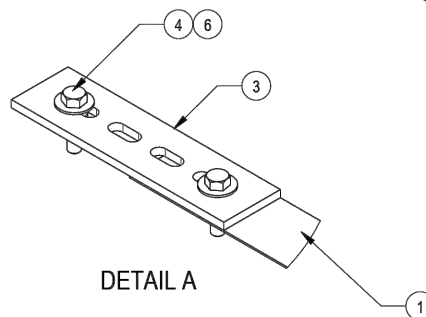
SHEET NUMBER:  
**C-4**

- 1.0 GENERAL NOTES  
 1.1 ALL METRIC DIMENSIONS ARE IN BRACKETS [X.X]  
 1.2 FOR PATENT INFO: <https://www.cs-pat.com>  
 2.0 DESIGN NOTES  
 2.1 ANY HAZARDS OR OBSTRUCTIONS TO THE CLIMBING FACILITY AND SAFETY CLIMB MUST BE IDENTIFIED PRIOR TO INSTALLING THE APPURTENANCE. ADDITIONAL PRODUCTS MAY BE REQUIRED TO MAINTAIN THE INTEGRITY OF THE SAFETY CLIMB. DURING INSTALLATION, TEMPORARY AND/OR PERMANENT PRECAUTIONARY MEASURES SHOULD BE TAKEN TO PRESERVE THE CLIMBING FACILITY AND/OR SAFETY CLIMB.  
 3.0 MANUFACTURING/SPECIAL REQUIREMENTS  
 3.1 TIGHTEN ALL BOLTS SECURING FLAT PLATES BY THE TURN-OF-NUT METHOD. TIGHTEN ALL U-BOLTS USING TURN-OF-NUT METHOD WITH ATTENTION TO LEAVE EQUAL DISTANCE AND EQUAL FORCE ON EACH LEG OF THE U-BOLT.  
 4.0 TEST  
 5.0 PACKAGING  
 5.1 PACKAGING SHALL MEET COMMSCOPE REQUIREMENTS PER DOCUMENT IS-PL-3005  
 5.2 PRINTED DOCUMENT TO BE PLACED INSIDE POLYBAG AND THEN IN SHIPPING CONTAINER  
 5.3 EXTRA HARDWARE MAYBE SUPPLIED, BAGGED AND SHIPPED

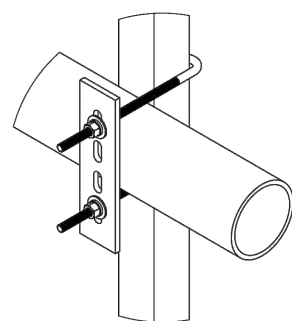
REVISIONS			
REV.	DESCRIPTION	DATE	APPROVED
C	UPDATE PART LIST	ACG 14JAN05	TP
D	REPLACE J-BOLT FROM JB-HK	ACG 12DEC08	TP
E	UPDATED BOM AND BALLOON NUMBERS	DRR 07AUG12	TP
F	UPDATE BOM	MSM 15MAY13	TP
G	UPDATED MEMBER DESCRIPTION CALLOUTS OF ROUND AND ANGLE ON DRAWING	LL1090 04SEP23	BCROSS 40178615CMO



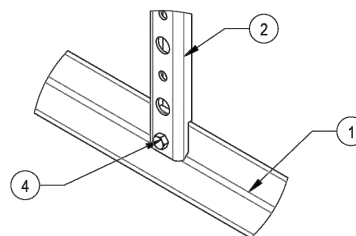
ANGLE MEMBER



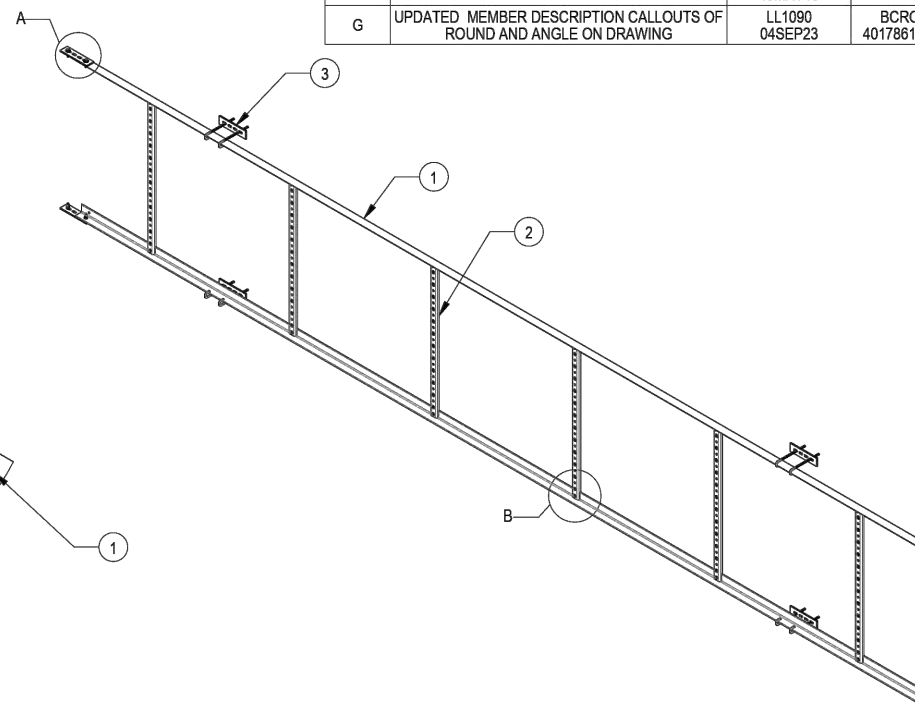
DETAIL A



ROUND MEMBER



DETAIL B



COMPONENT PART NUMBERS PROVIDED FOR ASSEMBLY PURPOSES; INDIVIDUAL COMPONENTS MAY BE SHIPPED AS PARTS WITHIN AN INCLUDED KIT.

ITEM NO.	PART NUMBER	DESCRIPTION	QTY.	WEIGHT	NOTE NO.
1	CL2001	20' ANGLE SIDE RAIL	2	32.76 LBS	
2	CL12R01	38" LADDER RUNG	6	3.28 LBS	
3	HKCLU02	BACKING PLATE	6	0.95 LBS	
4	GB-03145	3/8" X 1-1/2" GALV BOLT KIT	16	0.07 LBS	
5	GJB0380	8" GALV J-BOLT KIT	8	0.23 LBS	
6	GW-03	3/8" GALV FLAT WASHER	12	0.01 LBS	
7	GWL-03	3/8" GALV LOCK WASHER	8	0.01 LBS	
8	GN-03	3/8" GALV HEX NUT	8	0.02 LBS	

**COMMSCOPE, INC. OF NORTH CAROLINA**

TOLERANCES  
 1 PLACE .X[X] ± 0.06[1.5]    3 PLACE .XXX[X] ± 0.010[0.3]  
 2 PLACE .XX[X] ± 0.03[0.8]    ANGLES ± 2°

SAP MATERIAL MASTER  
**CL-1220-U**

FINISH: \_\_\_\_\_ MATERIAL: \_\_\_\_\_

REV.	NAME	DATE	TITLE
CE	ACG	14JAN05	CABLE LADDER, 20', 12 HOLE, UNIV. HDWR
RW	YMENG	02/04/2024	
AD	LS1146	02/04/2024	
RE	YMENG	02/04/2024	

SCALE: 1:1    DOCUMENT NO. **CL-1220-U**

ECN 40178615CMO

SIZE	Auth Group	INSL	MODEL	DRAWING	SHEET
C			VERSION	STATUS	REVISION
			01	RE	G

DENSITY	94.49	lbs/in <sup>3</sup>
MASS	334.95	lbs
VOLUME	5431.50	in <sup>3</sup>
SURFACE AREA	41.84"	
HEIGHT	8.86"	
LENGTH	244.16"	
WIDTH		

© 2024 CommScope, Inc. Confidential

1 COMMSCOPE - CL-1220-U (ANT.16503)  
 SCALE: NOT TO SCALE

**NOTE:**  
 POWER OF DESIGN GROUP, NOR OUR ENGINEER IS RESPONSIBLE FOR DESIGN OR MANUFACTURE OF THE SPECS SHOWN ON THIS SHEET. PLEASE CONTACT THE MANUFACTURE FOR ANY QUESTIONS OR CONCERNS.

PREPARED BY:  
  
 11490 BLUEGRASS PARKWAY  
 LOUISVILLE, KY 40299  
 502-437-5252

PREPARED FOR:  
  
  
 575 MOROSGO DRIVE  
 ATLANTA, GA 30324-3300

**ZONING DRAWINGS**

REV.	DATE	DESCRIPTION
C	11/17/23	CLIENT COMMENTS
D	12/07/23	CLIENT COMMENTS
E	12/07/23	CLIENT COMMENTS
F	04/29/24	CLIENT COMMENTS
0	05/24/24	CLIENT COMMENTS

SITE NAME:  
 TRADEWATER  
 SITE INFORMATION:  
 695 DAVE MILLER ROAD A.K.A.  
 WILLIAM STATION ROAD  
 CLAY, KY 42404  
 WEBSTER COUNTY

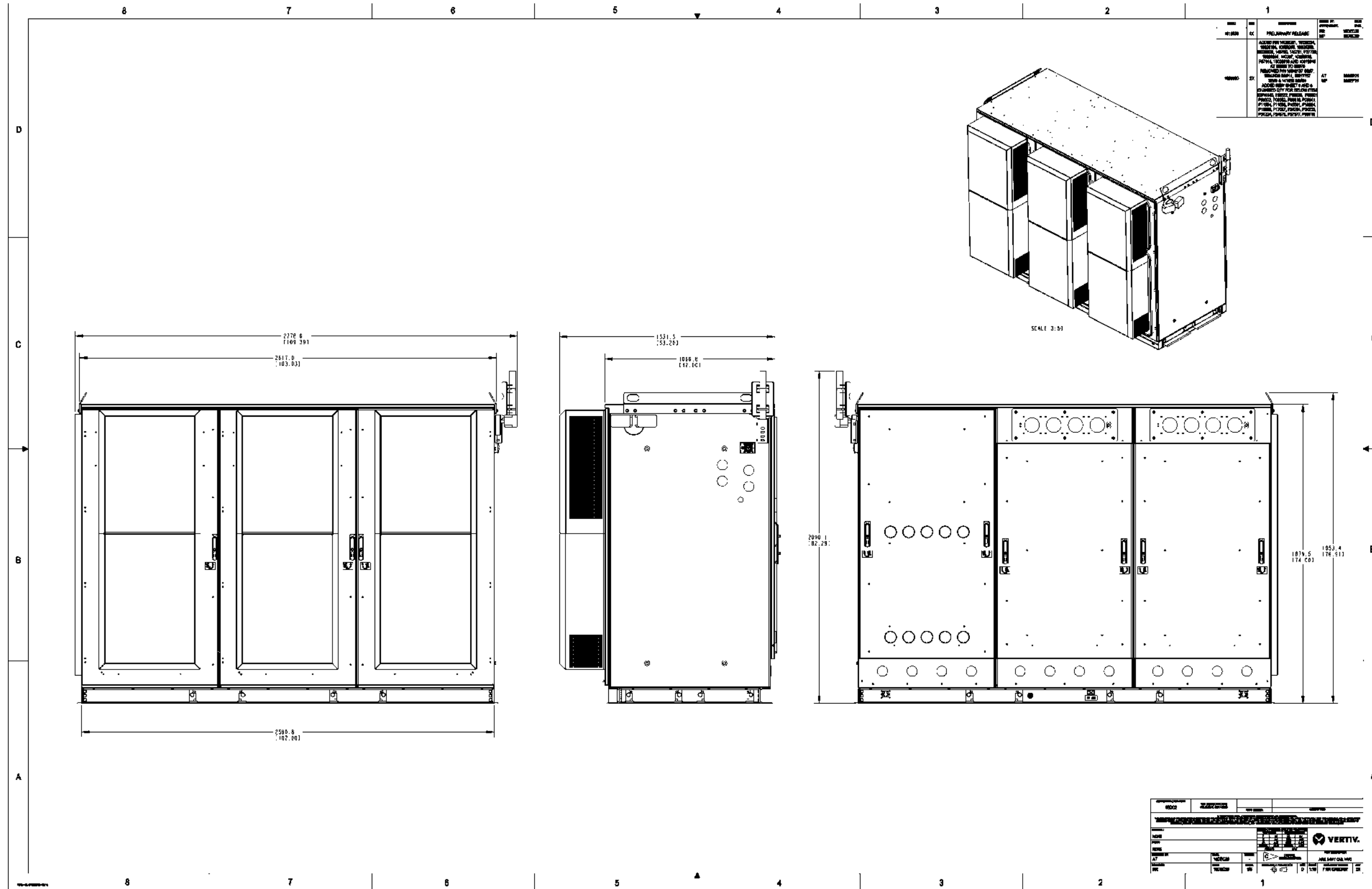
FA NUMBER:  
 16224925

USID:  
 329428

POD PROJECT NUMBER: 23-160257  
 DRAWN BY: SM  
 CHECKED BY: MEP  
 DATE: 05/24/24

SHEET TITLE:  
**CABLE LADDER SPECIFICATION**

SHEET NUMBER:  
**C-4.1**



1 VERTIV NETSURE X 744 WUC - MODEL #: F2020030  
SCALE: NOT TO SCALE

**NOTE:**  
POWER OF DESIGN GROUP, NOR OUR ENGINEER IS RESPONSIBLE FOR DESIGN OR MANUFACTURE OF THE SPECS SHOWN ON THIS SHEET. PLEASE CONTACT THE MANUFACTURE FOR ANY QUESTIONS OR CONCERNS.

PREPARED BY:



11490 BLUEGRASS PARKWAY  
LOUISVILLE, KY 40299  
502-437-5252

PREPARED FOR:




575 MOROSGO DRIVE  
ATLANTA, GA 30324-3300

ZONING DRAWINGS		
REV.	DATE	DESCRIPTION
C	11/17/23	CLIENT COMMENTS
D	12/07/23	CLIENT COMMENTS
E	12/07/23	CLIENT COMMENTS
F	04/29/24	CLIENT COMMENTS
0	05/24/24	CLIENT COMMENTS

SITE NAME:  
TRADEWATER  
SITE INFORMATION:  
695 DAVE MILLER ROAD A.K.A.  
WILLIAM STATION ROAD  
CLAY, KY 42404  
WEBSTER COUNTY

FA NUMBER:  
16224925

USID:  
329428

POD PROJECT NUMBER: 23-160257  
DRAWN BY: SM  
CHECKED BY: MEP  
DATE: 05/24/24

SHEET TITLE:  
**WUC SPECS**

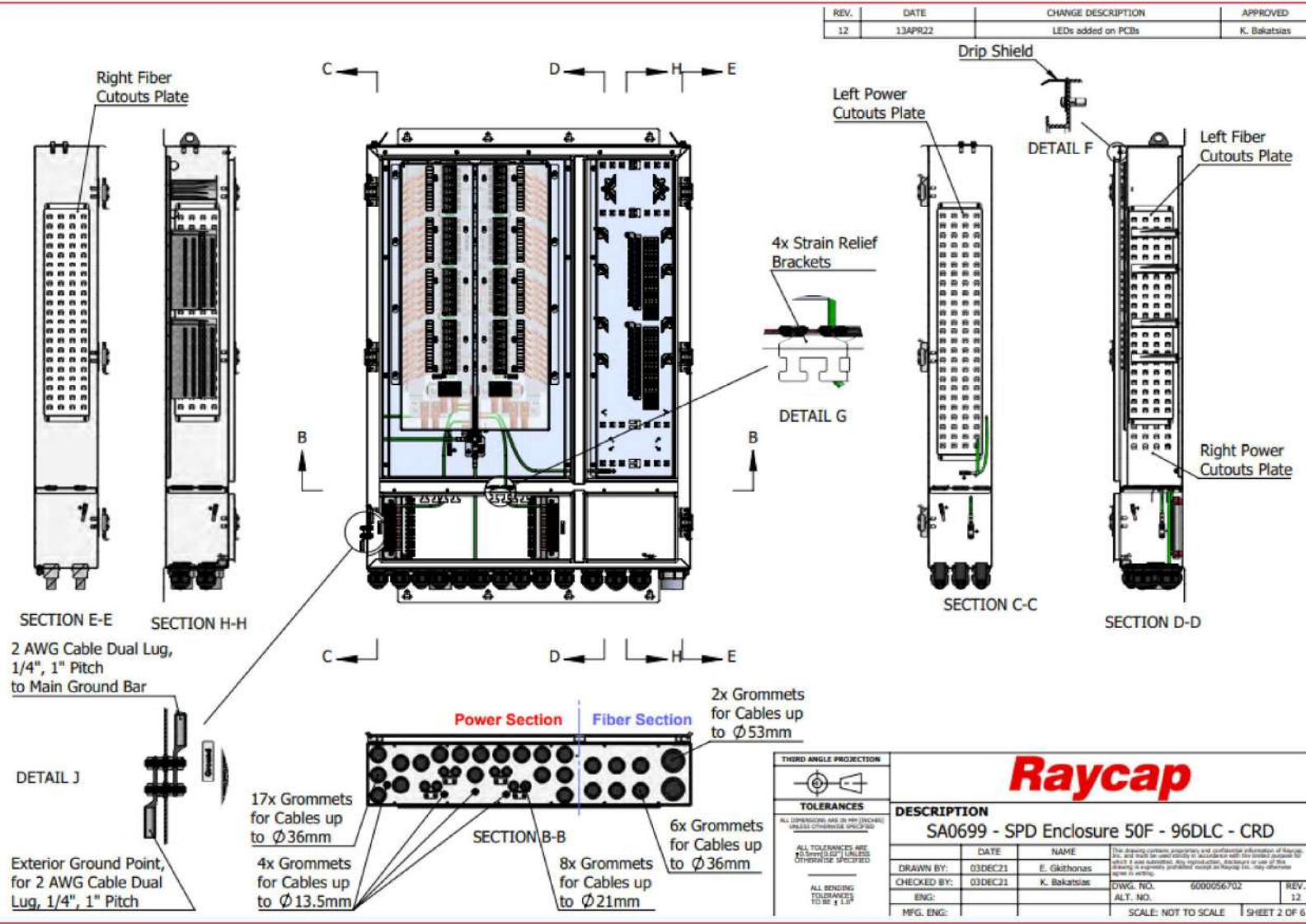
SHEET NUMBER:  
**C-5**



# DC50-48-60-96-50F

ATT Item Number: CEQ.54898

Raycap DC50-48-60-96-50F  
52.24" H, 40" wide, 9" Deep



1 RAYCAP OVP & FIBER CABINET - MODEL #: DC50-48-60-96-50F (CEQ.54898)  
SCALE: NOT TO SCALE

**NOTE:**  
POWER OF DESIGN GROUP, NOR OUR ENGINEER IS RESPONSIBLE FOR DESIGN OR MANUFACTURE OF THE SPECS SHOWN ON THIS SHEET. PLEASE CONTACT THE MANUFACTURE FOR ANY QUESTIONS OR CONCERNS.

PREPARED BY:

11490 BLUEGRASS PARKWAY  
LOUISVILLE, KY 40299  
502-437-5252

PREPARED FOR:

575 MOROSGO DRIVE  
ATLANTA, GA 30324-3300

**ZONING DRAWINGS**

REV.	DATE	DESCRIPTION
C	11/17/23	CLIENT COMMENTS
D	12/07/23	CLIENT COMMENTS
E	12/07/23	CLIENT COMMENTS
F	04/29/24	CLIENT COMMENTS
0	05/24/24	CLIENT COMMENTS

SITE NAME:  
TRADEWATER  
SITE INFORMATION:  
695 DAVE MILLER ROAD A.K.A.  
WILLIAM STATION ROAD  
CLAY, KY 42404  
WEBSTER COUNTY

FA NUMBER:  
16224925

USID:  
329428

POD PROJECT NUMBER: 23-160257  
DRAWN BY: SM  
CHECKED BY: MEP  
DATE: 05/24/24

SHEET TITLE:  
**OVP & FIBER  
CABINET SPECS**

SHEET NUMBER:  
**C-5.1**



### General Data

Enclosure dimensions\* (H x W x D)  
 60" x 25" x 15"  
 60" x 35" x 15" with CamLok enclosure  
 \*Dimensions may change. Drawings may be requested for current outline specifications.

Weight  
 ≥ 150 lbs  
 Door  
 3-point pad-lockable  
 ICGC also is pad-lockable  
 Convenience receptacle  
 20A GFIC external receptacle

Rating  
 NEMA 3R  
 Composition  
 Aluminum  
 Powder coat paint  
 RAL 7032  
 Other Pantone colors may be requested  
 UL certification  
 UL 891 – Dead Front Switchboard  
 UL 1008 – ATS and ICGC

### Load Center

Panel board type  
 Square D, NQ Series  
 Circuit breaker positions  
 30 circuits

### Electrical Specifications

120/240 V, 1Ø, or 120/208 V, 3Ø  
 200 A maximum  
 SCRR based on branch devices  
 42 kA, Sq D Type QH or QHB  
 22 kA, Sq D Type ZO-VH or QOB-VH  
 10 kA, Sq D QO or QOB

### ATS Accessories

4AR – Utility fail relay  
 11BE – Fully-programmable engine exerciser  
 • Exercise with or without load  
 • Exercise daily, weekly, bi-weekly or monthly  
 • Setting displayed and changed from inter-face keypad  
 18RX – Relay for source availability  
 • Contacts for utility and one emergency source (second emergency contact on switch)  
 • Additional output relay, default to indicate common alarm

### Suppression Technology

Technology type  
 Strikesorb 40mm, 120 V module  
 Certification  
 UL 1449 3rd Edition (or current)  
 CE  
 VDE

### ICGC – CamLok Generator Connection Panel

Color-coded connectors  
 Pad-lockable enclosure

PREPARED BY:



PREPARED FOR:



575 MOROSGO DRIVE  
 ATLANTA, GA 30324-3300

### ZONING DRAWINGS

REV.	DATE	DESCRIPTION
C	11/17/23	CLIENT COMMENTS
D	12/07/23	CLIENT COMMENTS
E	12/07/23	CLIENT COMMENTS
F	04/29/24	CLIENT COMMENTS
0	05/24/24	CLIENT COMMENTS

SITE NAME:  
 TRADEWATER  
 SITE INFORMATION:  
 695 DAVE MILLER ROAD A.K.A.  
 WILLIAM STATION ROAD  
 CLAY, KY 42404  
 WEBSTER COUNTY

FA NUMBER:  
 16224925

USID:  
 329428

POD PROJECT NUMBER: 23-160257  
 DRAWN BY: SM  
 CHECKED BY: MEP  
 DATE: 05/24/24

SHEET TITLE:

**PTLC & ATS  
 SPECS**

SHEET NUMBER:

**C-5.2**

1 INTERSECT PTLC & ATS - MODEL #: PTLC-ATS-3S-12200-CL (NEQ.47489)  
 SCALE: NOT TO SCALE

**NOTE:**

POWER OF DESIGN GROUP, NOR OUR ENGINEER IS RESPONSIBLE FOR DESIGN OR MANUFACTURE OF THE SPECS SHOWN ON THIS SHEET. PLEASE CONTACT THE MANUFACTURE FOR ANY QUESTIONS OR CONCERNS.

**SDC020 | 2.2L | 20 kW**  
**INDUSTRIAL DIESEL GENERATOR SET**  
 EPA Certified Stationary Emergency



**Standby Power Rating**  
 20 kW, 25 kVA, 60 Hz

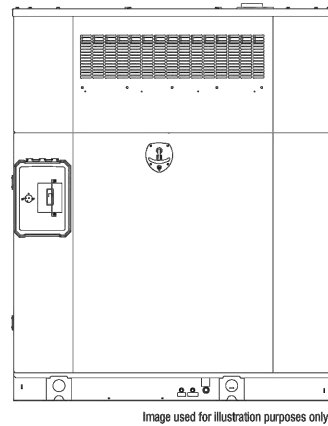


Image used for illustration purposes only



\*EPA Certified Prime ratings are not available in the US or its Territories

**Codes and Standards**

Not all codes and standards apply to all configurations. Contact factory for details.

- UL2200, UL6200, UL1236, UL489, UL142
- CSA C22.2, ULC S601
- BS5514 and DIN 6271
- SAE J1349
- NFPA 37, 70, 99, 110
- NEC700, 701, 702, 708
- ISO 3046, 7637, 8528, 9001
- NEMA ICS10, MG1, 250, ICS6, AB1
- ANSI C62.41

**Powering Ahead**

For over 60 years, Generac has provided innovative design and superior manufacturing.

Generac ensures superior quality by designing and manufacturing most of its generator components, including alternators, enclosures and base tanks, control systems and communications software.

Generac gensets utilize a wide variety of options, configurations and arrangements, allowing us to meet the standby power needs of practically every application.

Generac searched globally to ensure the most reliable engines power our generators. We choose only engines that have already been proven in heavy-duty industrial applications under adverse conditions.

Generac is committed to ensuring our customers' service support continues after their generator purchase.

**SDC020 | 2.2L | 20 kW**  
**INDUSTRIAL DIESEL GENERATOR SET**  
 EPA Certified Stationary Emergency



**APPLICATION AND ENGINEERING DATA**

**ENGINE SPECIFICATIONS**

**General**

Make	Perkins
EPA Emissions Compliance	Stationary Emergency
EPA Emissions Reference	See Emission Data Sheet
Cylinder #	4
Type	In-Line
Displacement - in <sup>3</sup> (L)	135 (2.22)
Bore - in (mm)	3.3 (84)
Stroke - in (mm)	3.9 (100)
Compression Ratio	23.3:1
Intake Air Method	Naturally Aspirated
Cylinder Head	Cast Iron
Piston Type	Aluminum
Crankshaft Type	Forged Steel

**Engine Governing**

Governor	Electronic Isochronous
Frequency Regulation (Steady State)	±0.5%

**Lubrication System**

Oil Pump Type	Gear
Oil Filter Type	Full-Flow Cartridge
Crankcase Capacity - qt (L)	11.2 (10.6)

**Cooling System**

Cooling System Type	Pressurized Closed
Water Pump Type	Pre-Lubed, Self Sealing
Fan Type	Puller
Fan Speed - RPM	3,000
Fan Diameter - in (mm)	11 (279)

**Fuel System**

Fuel Type	Ultra Low Sulfur Diesel Fuel
Fuel Specifications	ASTM
Fuel Filtering (Microns)	5
Fuel Inject Pump	Distribution Injection Pump
Fuel Pump Type	Cassette
Injector Type	Indirect, Pintle Nozzle
Fuel Supply Line - in (mm)	0.31 (7.94) ID
Fuel Return Line - in (mm)	0.31 (7.94) ID

**Engine Electrical System**

System Voltage	12 VDC
Battery Charger Alternator	Standard
Battery Size	See Battery Index 0161970SBY
Battery Voltage	12 VDC
Ground Polarity	Negative

**ALTERNATOR SPECIFICATIONS**

Standard Model	K0035124Y26
Poles	4
Field Type	Revolving
Insulation Class - Rotor	H
Insulation Class - Stator	H
Total Harmonic Distortion	<5% (3-Phase Only)
Telephone Interference Factor (TIF)	<50

Standard Excitation	Permanent Magnet Excitation
Bearings	Single Sealed
Coupling	Direct via Flexible Disc
Load Capacity - Standby	100%
Prototype Short Circuit Test	Yes
Voltage Regulator Type	Digital
Number of Sensed Phases	All
Regulation Accuracy (Steady State)	±0.25%

SPEC SHEET

1 of 6

1 GENERAC SDC020 (20KW) - MODEL #: A0001352184  
 SCALE: NOT TO SCALE

**NOTE:**  
 POWER OF DESIGN GROUP, NOR OUR ENGINEER IS RESPONSIBLE FOR DESIGN OR MANUFACTURE OF THE SPECS SHOWN ON THIS SHEET. PLEASE CONTACT THE MANUFACTURE FOR ANY QUESTIONS OR CONCERNS.

PREPARED BY:



PREPARED FOR:



575 MOROSGO DRIVE  
 ATLANTA, GA 30324-3300

**ZONING DRAWINGS**

REV.	DATE	DESCRIPTION
C	11/17/23	CLIENT COMMENTS
D	12/07/23	CLIENT COMMENTS
E	12/07/23	CLIENT COMMENTS
F	04/29/24	CLIENT COMMENTS
0	05/24/24	CLIENT COMMENTS

**SITE NAME:**  
 TRADEWATER  
**SITE INFORMATION:**  
 695 DAVE MILLER ROAD A.K.A.  
 WILLIAM STATION ROAD  
 CLAY, KY 42404  
 WEBSTER COUNTY

**FA NUMBER:**  
 16224925

**USID:**  
 329428

**POD PROJECT NUMBER:** 23-160257  
**DRAWN BY:** SM  
**CHECKED BY:** MEP  
**DATE:** 05/24/24

**SHEET TITLE:**

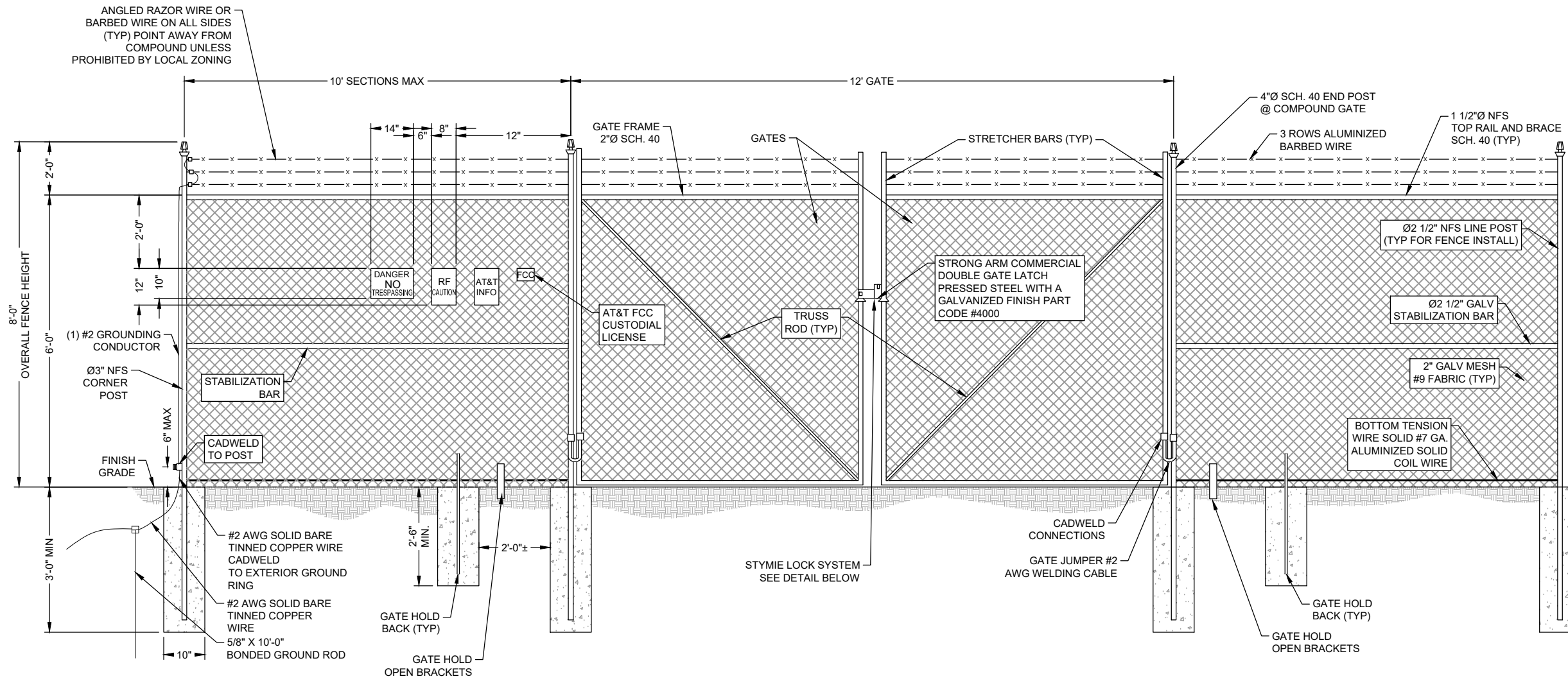
**GENERATOR  
 SPECS**

**SHEET NUMBER:**

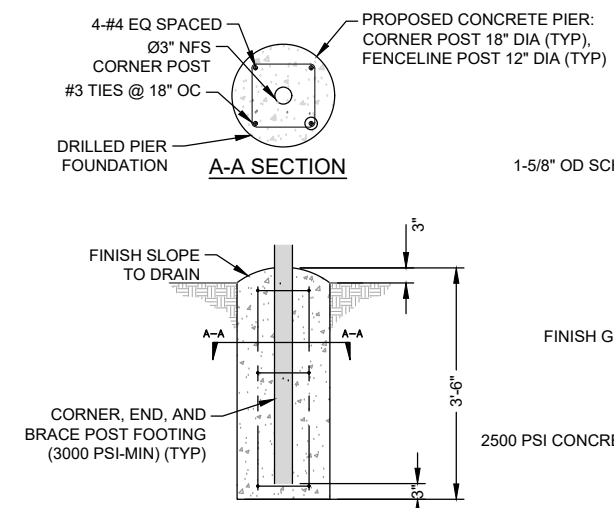
**C-6**

SPEC SHEET

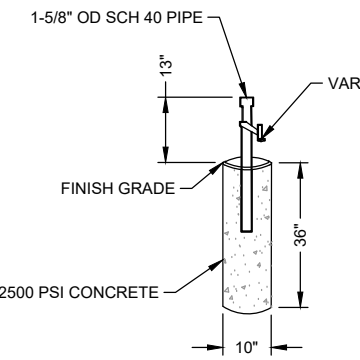
4 of 6



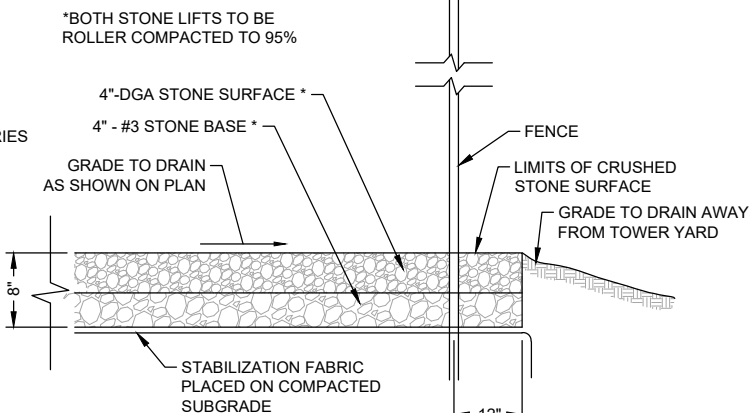
1 FENCE AND SIGNAGE DETAIL AND SPECIFICATIONS  
SCALE: NOT TO SCALE



2 FENCE POST DETAIL  
SCALE: NOT TO SCALE

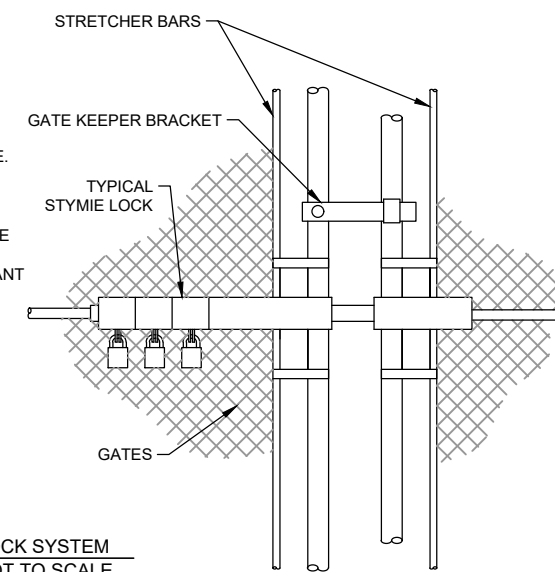


3 GATE STOP DETAIL  
SCALE: NOT TO SCALE



4 COMPOUND SURFACING  
SCALE: NOT TO SCALE

**STANDARD COMBINATION LOCK SPEC**  
ALL LOCK SHOULD BE MARINE GRADE BRASS LOCK WITH STAINLESS STEEL SHACKLE. SOLID BRASS BODY PROVIDES STRENGTH AND CORROSION RESISTANCE. STAINLESS STEEL SHACKLES RESIST HACKSAWS, BOLT CUTTERS, AND CORROSIVE WEATHER CONDITIONS. ALL LOCKS SHOULD BE A PROGRAMMABLE COMBINATION LOCK THAT IS STRONG, DURABLE AND HIGHLY WEATHER RESISTANT



5 STYMIE LOCK SYSTEM  
SCALE: NOT TO SCALE

PREPARED BY:  
  
 11490 BLUEGRASS PARKWAY  
 LOUISVILLE, KY 40299  
 502-437-5252

PREPARED FOR:

575 MOROSGO DRIVE  
 ATLANTA, GA 30324-3300

EN PERMIT: 3594  
 ZONING DRAWINGS

REV.	DATE	DESCRIPTION
C	11/17/23	CLIENT COMMENTS
D	12/07/23	CLIENT COMMENTS
E	12/07/23	CLIENT COMMENTS
F	04/29/24	CLIENT COMMENTS
0	05/24/24	CLIENT COMMENTS

SITE NAME:  
 TRADEWATER  
 SITE INFORMATION:  
 695 DAVE MILLER ROAD A.K.A.  
 WILLIAM STATION ROAD  
 CLAY, KY 42404  
 WEBSTER COUNTY

FA NUMBER:  
 16224925

USID:  
 329428

POD PROJECT NUMBER: 23-160257  
 DRAWN BY: SM  
 CHECKED BY: MEP  
 DATE: 05/24/24

SHEET TITLE:  
**FENCE DETAILS**

SHEET NUMBER:  
**C-7**

**INFORMATION**


**Federal Communications Commission  
Tower Registration Number**

# 1234567

**Posted in accordance with Federal Communications  
Commission rules on antenna tower registration  
47 CFR 17.4(g)**

1 12"x18" FCC REGISTRATION SIGN DETAIL  
SCALE: NOT TO SCALE

**NOTICE**



**AT&T operates antennas at this site.**  
*Beyond This Point* you are entering an area where radio frequency (RF) fields *may exceed* the FCC General Population Exposure Limits.  
Follow safety guidelines for working in an RF environment.  
Contact AT&T at 800-638-2822, option 9 and 3, and follow their instructions prior to performing any maintenance or repairs above this point.

NO-2-BTP-AL-128 This is AT&T Site

2 8"x12" NOTICE SIGN DETAIL  
SCALE: NOT TO SCALE

**WARNING**




**Beyond this point:  
Radio frequency fields at  
this site exceed the FCC rules  
for human exposure.**

Failure to obey all posted signs and site guidelines for working in radio frequency environments could result in serious injury.  
In accordance with Federal Communications commission rules on radio frequency emissions 47 CFR 1.1307(b)

3 8"x12" WARNING SIGN DETAIL  
SCALE: NOT TO SCALE


PREPARED BY:




POWER OF DESIGN  
11490 BLUEGRASS PARKWAY  
LOUISVILLE, KY 40299  
502-437-5252

---

PREPARED FOR:





---



575 MOROSGO DRIVE  
ATLANTA, GA 30324-3300

---



05/24/2024  
EN PERMIT: 3594

---

**ZONING DRAWINGS**

REV.	DATE	DESCRIPTION
C	11/17/23	CLIENT COMMENTS
D	12/07/23	CLIENT COMMENTS
E	12/07/23	CLIENT COMMENTS
F	04/29/24	CLIENT COMMENTS
0	05/24/24	CLIENT COMMENTS

---

SITE NAME:  
TRADEWATER

SITE INFORMATION:  
695 DAVE MILLER ROAD A.K.A.  
WILLIAM STATION ROAD  
CLAY, KY 42404  
WEBSTER COUNTY

---

FA NUMBER:  
16224925

---

USID:  
329428

---

POD PROJECT NUMBER: 23-160257  
DRAWN BY: SM  
CHECKED BY: MEP  
DATE: 05/24/24

---

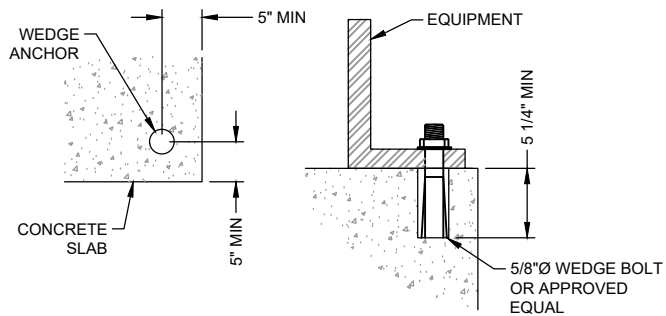
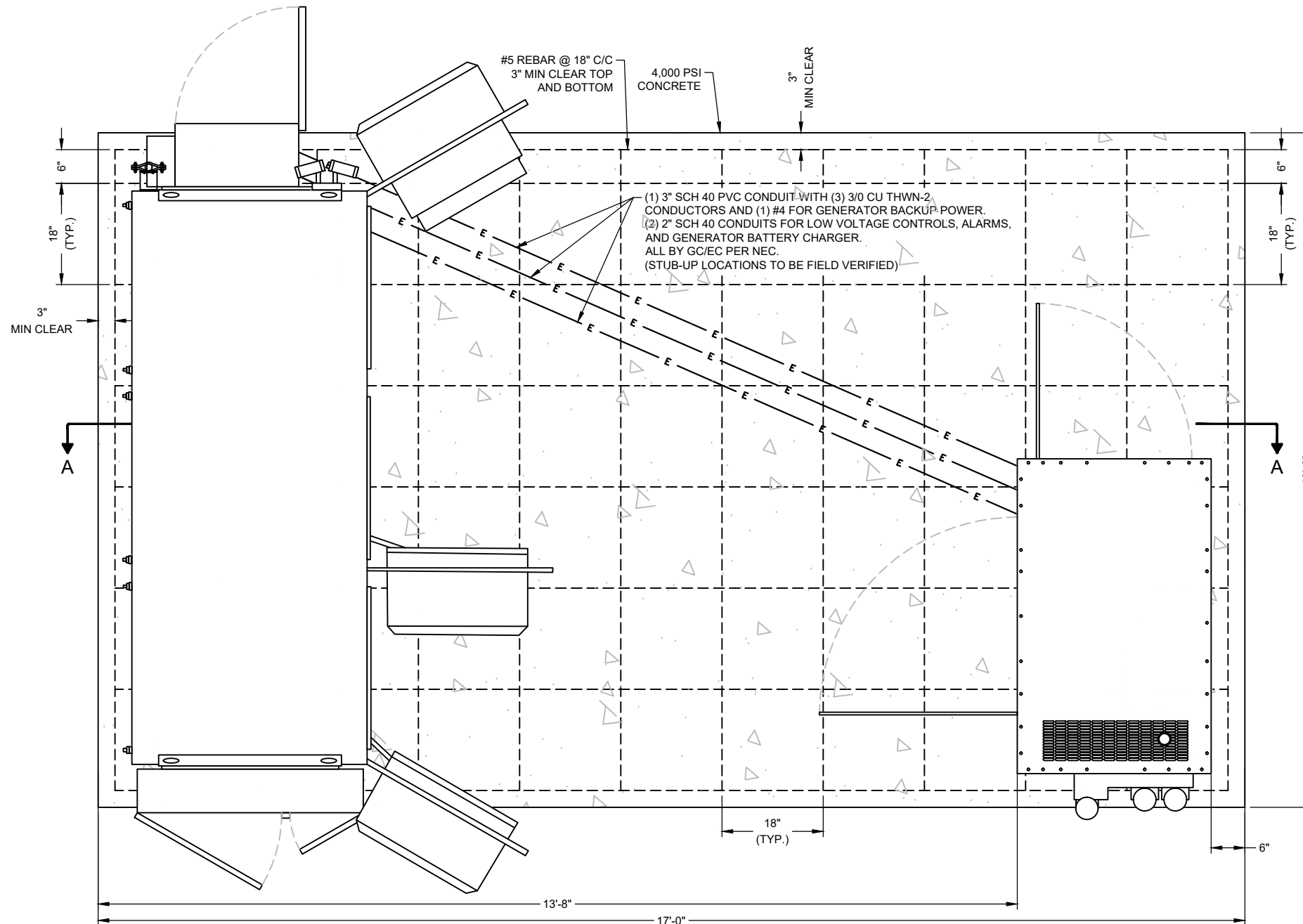
SHEET TITLE:  
**AT&T SIGNAGE  
DETAILS**

---

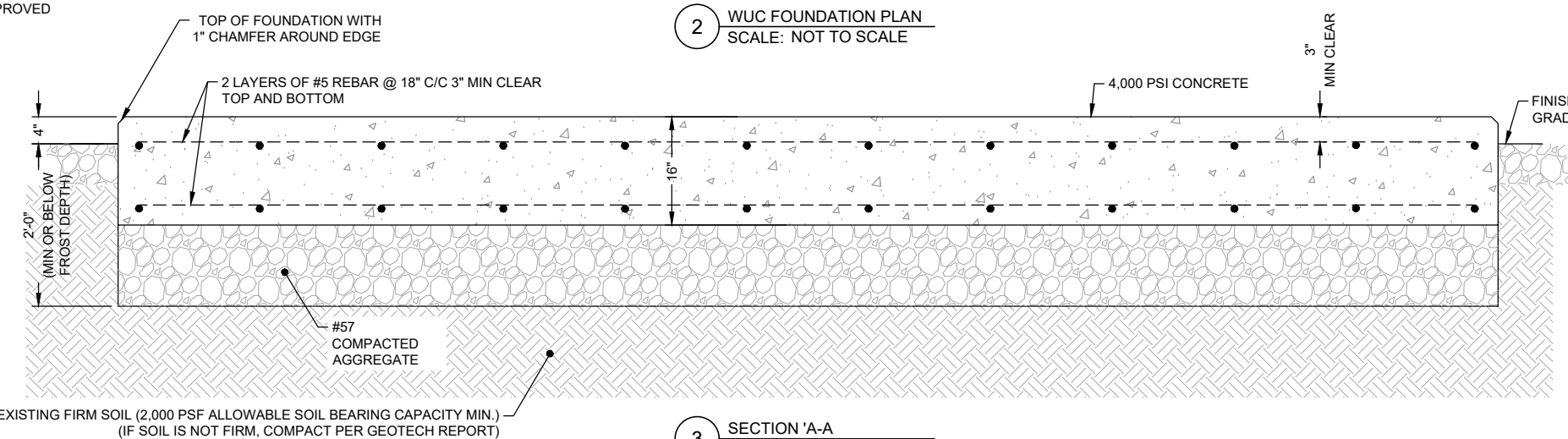
SHEET NUMBER:  
**C-7.1**

**FOUNDATION NOTES:**

- REFER TO CIVIL DRAWINGS FOR ORIENTATION OF FOUNDATION.
- USE A HIGH-EARLY STRENGTH CONCRETE MIX SO THE CABINET MAY BE PLACED THREE DAYS FOLLOWING CONCRETE POURING. COARSE AGGREGATE USED IN THE CONCRETE SHALL BE GRADED FROM 3/4" TO NO. 4 ONLY. THE COMPRESSION STRENGTH OF THE CONCRETE MUST BE A MINIMUM OF 4000 PSI AS DETERMINED BY ASTM C39 TEST OF COMPRESSION STRENGTH OF CONCRETE CYLINDERS.
- CURE THE PAD FOR A MINIMUM OF THREE DAYS BEFORE EQUIPMENT INSTALLATION, OR PER SPECIFICATIONS FOR THE TYPE OF CONCRETE USED AND PER LOCAL CODES AND REQUIREMENTS.
- ALL CONCRETE SHALL HAVE 28 DAY STRENGTH OF 4000 PSI MINIMUM, WITH A SLUMP OF 3"-7" AND SHALL BE AIR ENTRAINED @ 5.5 ± 1.1%. 5 TEST CYLINDERS SHALL BE MADE FOR THE 3, 7, & (2) 28 DAY TESTS WITH ONE SPARE
- REINFORCING STEEL SHALL CONFORM TO ASTM A 615, GRADE 60, DEFORMED UNLESS NOTED OTHERWISE. WELDED WIRE REINFORCEMENT SHALL CONFORM TO ASTM A 185 FOR STEEL WELDED WIRE REINFORCEMENT UNLESS NOTED OTHERWISE. SPLICES SHALL BE CLASS "B" AND ALL HOOKS SHALL BE STANDARD UNLESS NOTED OTHERWISE.
- CONTRACTOR TO ENSURE FOUNDATION / SLAB ARE POURED TO MEET FLATNESS LEVEL TOLERANCES AS INDICATED IN ACI 4.5.6 AND ACI 4.5.7.
- SLAB TOLERANCE IS ± 1/4".
- THIS FOUNDATION IS DESIGNED FOR 2,000 PSF ALLOWABLE SOIL BEARING CAPACITY.
- A CHAMFER, 3/4", SHALL BE PROVIDED AT ALL EXPOSED EDGES OF CONCRETE, IN ACCORDANCE WITH ACI 301 SECTION 4.2.4.
- FOUNDATION BEARING MATERIAL SHALL BE TESTED & VERIFIED BY A LICENSED GEOTECHNICAL ENGINEER.
- GROUND REBAR TO GROUND RING IN (2) LOCATIONS USING #2 SOLID BARE TINNED COPPER GROUND WIRE.
- INSTALLATION OF CONCRETE EXPANSION/WEDGE ANCHORS, SHALL BE PER MANUFACTURER'S WRITTEN RECOMMENDED PROCEDURE. THE ANCHOR BOLT, DOWEL OR ROD SHALL CONFORM TO MANUFACTURER'S RECOMMENDATION FOR EMBEDMENT DEPTH OR AS SHOWN ON THE DRAWINGS. NO REBAR SHALL BE CUT WITHOUT PRIOR ENGINEERING APPROVAL WHEN DRILLING HOLES IN CONCRETE.
- CONDUITS SHALL EXTEND APPROXIMATELY 2" ABOVE FINISHED SURFACE. SEAL CONDUITS TO PREVENT CONCRETE ENTRY DURING POUR.
- CONTRACTOR SHALL VERIFY THE PLACEMENT OF CONDUITS WITH THE ACTUAL ENCLOSURE KNOCK-OUT AND OR STUB-UP LOCATIONS TO ENSURE THE PROPER ALIGNMENT OF ALL CONDUITS.
- FOUNDATION DESIGNED FOR A MINIMUM 2,000 PSF SOIL BEARING CAPACITY
- USE SHIMS AS REQUIRED TO ASSURE WUC IS BEARING AT PERIMETER. SEAL PERIMETER W/ CAULK OR GROUT DESIRED.



1 GENERATOR ANCHOR BOLT DETAIL  
SCALE: NOT TO SCALE



2 WUC FOUNDATION PLAN  
SCALE: NOT TO SCALE

3 SECTION 'A-A  
SCALE: NOT TO SCALE

PREPARED BY:  
  
 11490 BLUEGRASS PARKWAY  
 LOUISVILLE, KY 40299  
 502-437-5252

PREPARED FOR:

575 MOROSGO DRIVE  
 ATLANTA, GA 30324-3300

STATE OF KENTUCKY  
  
 EN PERMIT: 3594

ZONING DRAWINGS

REV.	DATE	DESCRIPTION
C	11/17/23	CLIENT COMMENTS
D	12/07/23	CLIENT COMMENTS
E	12/07/23	CLIENT COMMENTS
F	04/29/24	CLIENT COMMENTS
0	05/24/24	CLIENT COMMENTS

SITE NAME:  
 TRADEWATER  
 SITE INFORMATION:  
 695 DAVE MILLER ROAD A.K.A.  
 WILLIAM STATION ROAD  
 CLAY, KY 42404  
 WEBSTER COUNTY

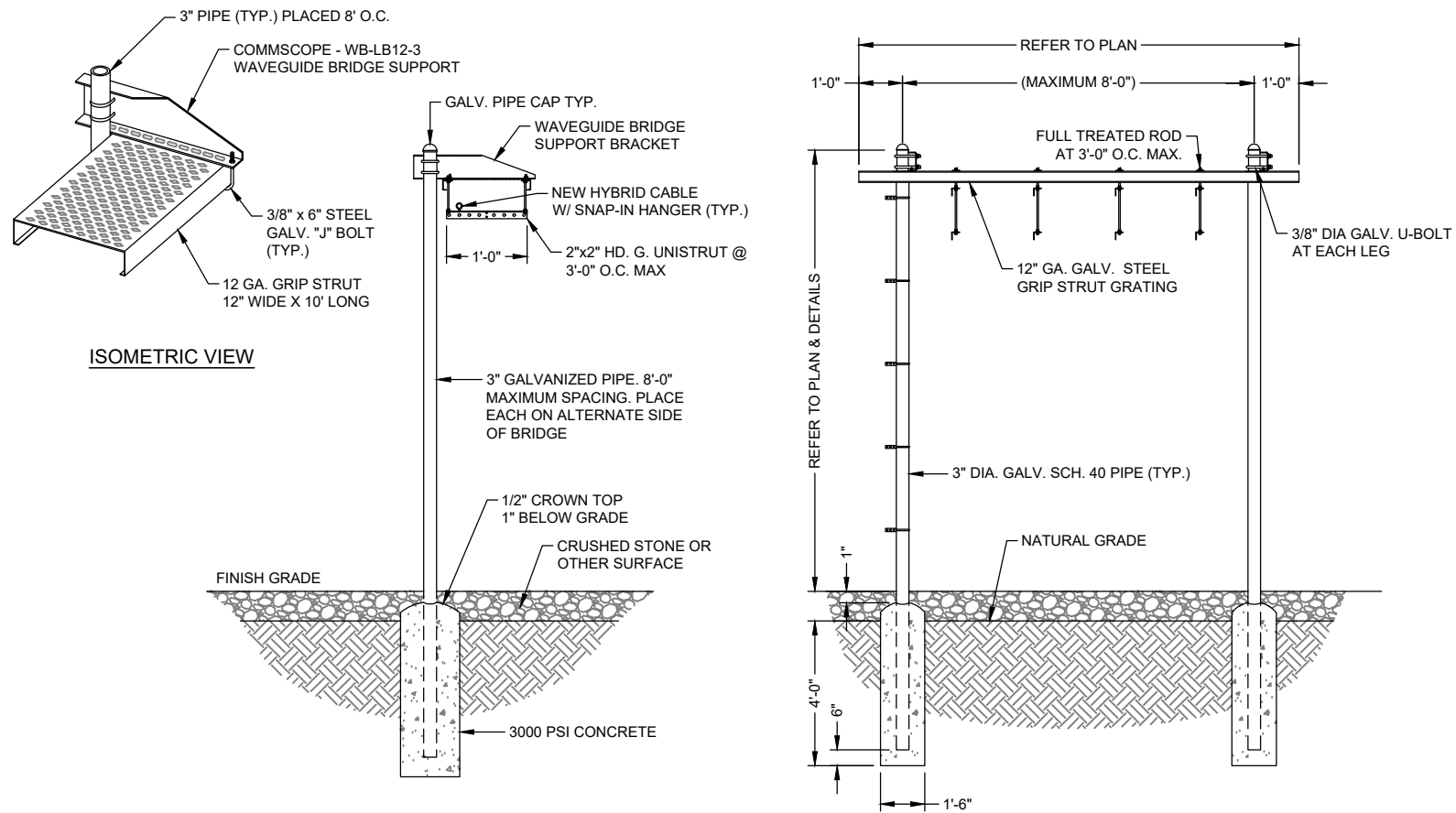
FA NUMBER:  
 16224925

USID:  
 329428

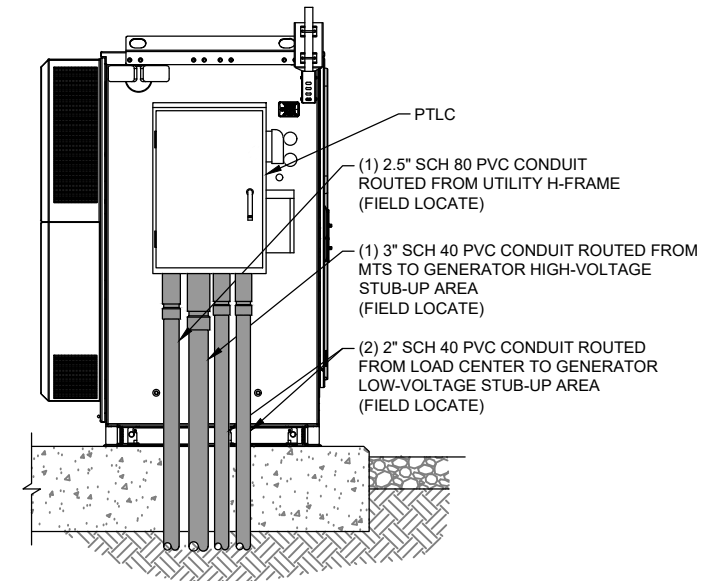
POD PROJECT NUMBER: 23-160257  
 DRAWN BY: SM  
 CHECKED BY: MEP  
 DATE: 05/24/24

SHEET TITLE:  
**WUC FOUNDATION  
 PLAN (PAD)**

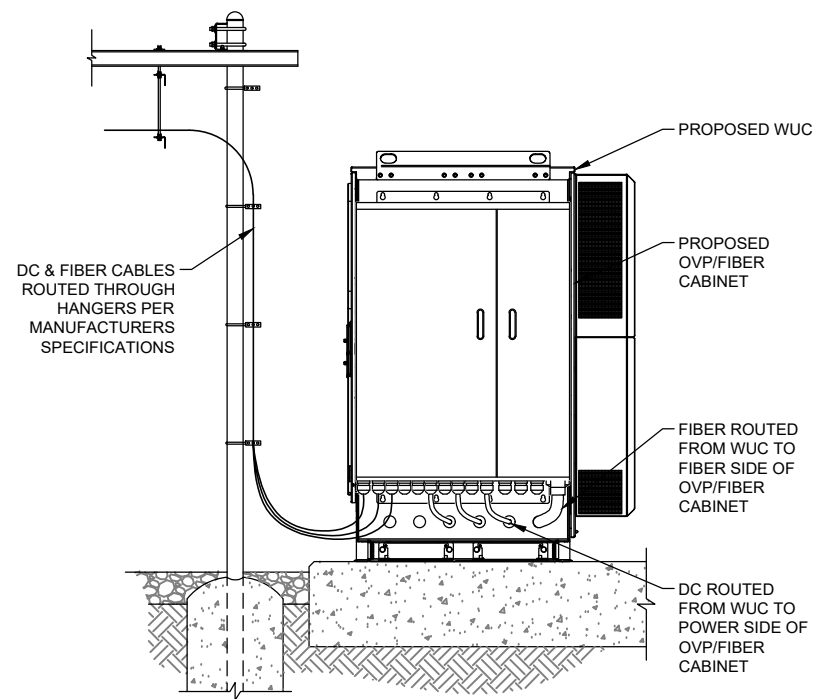
SHEET NUMBER:  
**C-8**



1 ICE BRIDGE DETAIL  
SCALE: NOT TO SCALE



2 PTLC DETAIL  
SCALE: NOT TO SCALE



3 OVP & FIBER CABINET DETAIL  
SCALE: NOT TO SCALE

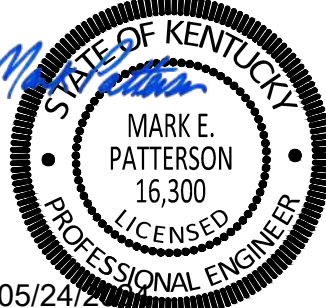
4 NOT USED  
SCALE: NOT TO SCALE

5 NOT USED  
SCALE: NOT TO SCALE

PREPARED BY:  
  
 POWER OF DESIGN  
 11490 BLUEGRASS PARKWAY  
 LOUISVILLE, KY 40299  
 502-437-5252

PREPARED FOR:  


  
 575 MOROSGO DRIVE  
 ATLANTA, GA 30324-3300

  
 05/24/24

EN PERMIT: 3594

ZONING DRAWINGS

REV.	DATE	DESCRIPTION
C	11/17/23	CLIENT COMMENTS
D	12/07/23	CLIENT COMMENTS
E	12/07/23	CLIENT COMMENTS
F	04/29/24	CLIENT COMMENTS
0	05/24/24	CLIENT COMMENTS

SITE NAME:  
 TRADEWATER  
 SITE INFORMATION:  
 695 DAVE MILLER ROAD A.K.A.  
 WILLIAM STATION ROAD  
 CLAY, KY 42404  
 WEBSTER COUNTY

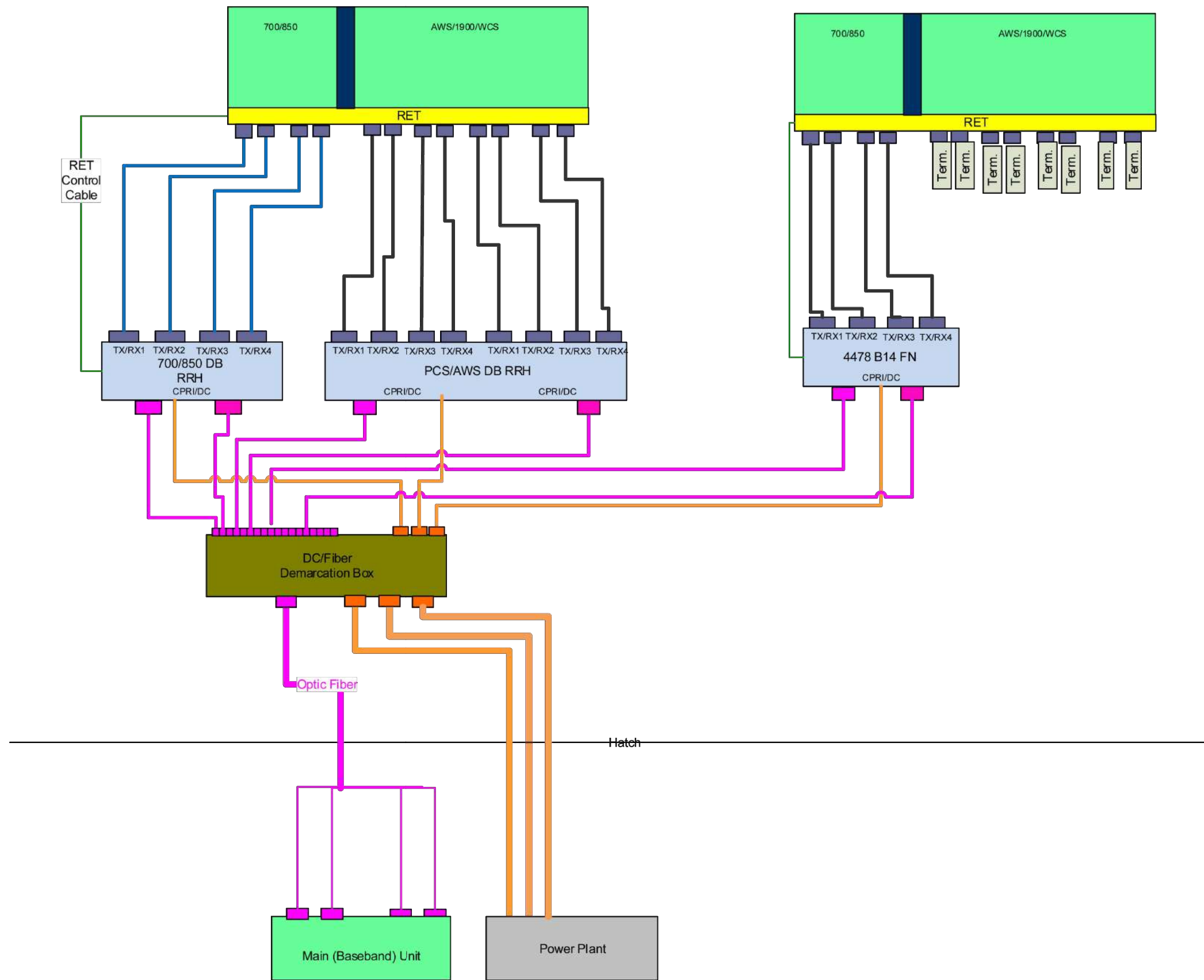
FA NUMBER:  
 16224925

USID:  
 329428

POD PROJECT NUMBER: 23-160257  
 DRAWN BY: SM  
 CHECKED BY: MEP  
 DATE: 05/24/24

SHEET TITLE:  
**EQUIPMENT  
 SPECS**

SHEET NUMBER:  
**C-9**



PREPARED BY:  
  
 POWER OF DESIGN  
 11490 BLUEGRASS PARKWAY  
 LOUISVILLE, KY 40299  
 502-437-5252

PREPARED FOR:  


  
 575 MOROSGO DRIVE  
 ATLANTA, GA 30324-3300

ZONING DRAWINGS

REV.	DATE	DESCRIPTION
C	11/17/23	CLIENT COMMENTS
D	12/07/23	CLIENT COMMENTS
E	12/07/23	CLIENT COMMENTS
F	04/29/24	CLIENT COMMENTS
0	05/24/24	CLIENT COMMENTS

SITE NAME:  
 TRADEWATER  
 SITE INFORMATION:  
 695 DAVE MILLER ROAD A.K.A.  
 WILLIAM STATION ROAD  
 CLAY, KY 42404  
 WEBSTER COUNTY

FA NUMBER:  
 16224925

USID:  
 329428

POD PROJECT NUMBER: 23-160257  
 DRAWN BY: SM  
 CHECKED BY: MEP  
 DATE: 05/24/24

SHEET TITLE:

PLUMBING DIAGRAM

SHEET NUMBER:

RF-1

1 PLUMBING DIAGRAM - ALL SECTORS (TYP.)  
 SCALE: NOT TO SCALE

RFDS DATE: 05/22/2024  
 RFDS REV: 1  
 USID# 329428

NOTE: THE RF DESIGN AND ANY ASSOCIATED INFORMATION ON THIS SHEET HAS BEEN PREPARED AND DESIGNED BY OTHERS. POWER OF DESIGN DID NOT DESIGN OR PREPARE ANY RF.

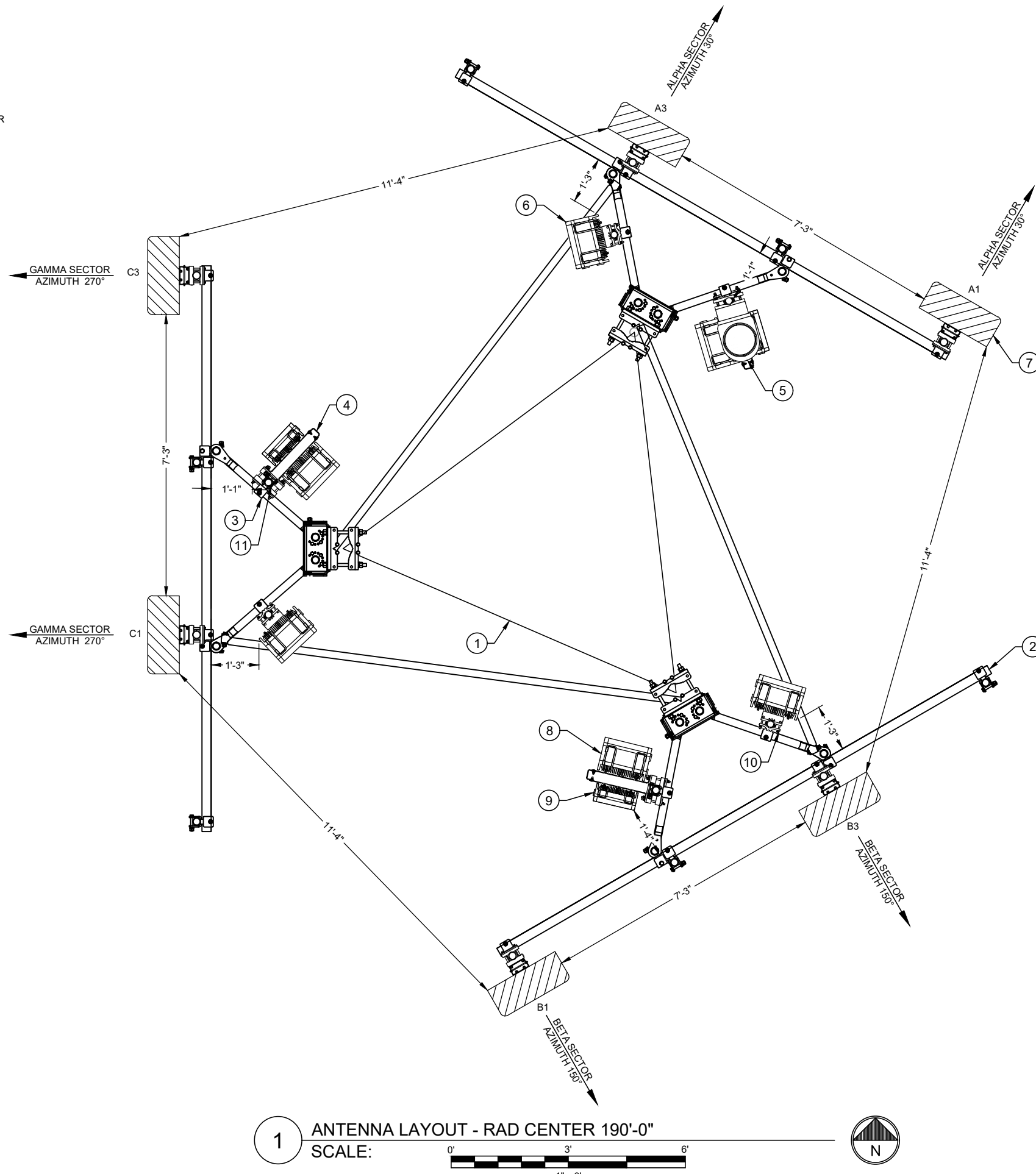


**EQUIPMENT LEGEND:**

- ① PROPOSED 195'-0" SELF SUPPORT
- ② PROPOSED PERFECT VISION - PV-SFR-GS14-25-HSH10 SECTOR FRAME  
CONMAT: CEQ.53351  
(3 TOTAL)
- ③ PROPOSED PERFECT VISION - PV-XP-DC-2020 2-3/8" x 2-3/8" CROSSOVER  
CONMAT: CEQ.52722  
(6 TOTAL)
- ④ PROPOSED COMMSCOPE - RRFA2 DUAL RRU MOUNT  
CONMAT ID: ANT.16533  
(1 PER SECTOR, 3 TOTAL)
- ⑤ PROPOSED RAYCAP - DC9-48-60-24-8C-EV SQUID  
(1) FIBER LINE AND (3) DC CABLE TO BE INSTALLED  
CONMAT ID: CEQ.21427  
(1 TOTAL)
- ⑥ PROPOSED ERICSSON - 4490 B5/B12 RADIO  
CONMAT ID: CEQ.56842  
(1 PER SECTOR, 3 TOTAL)
- ⑦ PROPOSED COMMSCOPE - NNH4-65D-R6 ANTENNA  
CONMAT ID: ANT.16194  
(2 PER SECTOR, 6 TOTAL)
- ⑧ PROPOSED ERICSSON - 4890 B25/B66 RADIO  
CONMAT ID: CEQ.57137  
(1 PER SECTOR, 3 TOTAL)
- ⑨ PROPOSED ERICSSON - 4478 B14 RADIO  
CONMAT ID: CEQ.44942  
(1 PER SECTOR, 3 TOTAL)
- ⑩ PROPOSED ERICSSON - SXX1250244/1 RRU MOUNTING KIT  
CONMAT ID: CEQ.15204  
(1 PER SECTOR, 3 TOTAL)
- ⑪ PROPOSED PROPOSED 2" SCH 40 (2-3/8" O.D.) BY 7'-0" LONG PIPE  
CONMAT ID: CEQ.48466  
(8 TOTAL)

**NOTE:**

TO ADD (48) NEW HM-HM RF JUMPERS  
ADD (6) NEW RET CONTROL CABLES, ADD (24) RF PORT CAPS TO  
UNUSED ANTENNA PORTS, ADD 8AWG MINIMUM DC JUMPERS,  
ADD ALL REQUIRED DUAL MODE FIBER JUMPERS



① ANTENNA LAYOUT - RAD CENTER 190'-0"  
SCALE: 1"= 3'

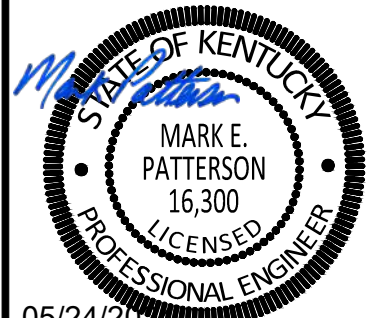
PREPARED BY:



PREPARED FOR:



575 MOROSGO DRIVE  
ATLANTA, GA 30324-3300



EN PERMIT: 3594

**ZONING DRAWINGS**

REV.	DATE	DESCRIPTION
C	11/17/23	CLIENT COMMENTS
D	12/07/23	CLIENT COMMENTS
E	12/07/23	CLIENT COMMENTS
F	04/29/24	CLIENT COMMENTS
0	05/24/24	CLIENT COMMENTS

SITE NAME:  
TRADEWATER  
SITE INFORMATION:  
695 DAVE MILLER ROAD A.K.A.  
WILLIAM STATION ROAD  
CLAY, KY 42404  
WEBSTER COUNTY

FA NUMBER:  
16224925

USID:  
329428

POD PROJECT NUMBER: 23-160257  
DRAWN BY: SM  
CHECKED BY: MEP  
DATE: 05/24/24

SHEET TITLE:  
**ANTENNA MOUNT  
& ORIENTATION**

SHEET NUMBER:  
**RF-2**

### FINAL EQUIPMENT SCHEDULE (VERIFY WITH CURRENT RFDS)

ALPHA																		
POSITION	ANTENNA				RADIO			DIPLEXER		TMA		SURGE PROTECTION			CABLES			
	TECH.	STATUS/MANUFACTURER MODEL	AZIMUTH	RAD CENTER	QTY.	STATUS/MODEL	LOCATION	QTY.	STATUS	LOCATION	QTY.	STATUS	QTY.	STATUS/MODEL	QTY.	STATUS/TYPE	SIZE	LENGTH
A1	LTE 5G	(P) COMMSCOPE - NNH4-65D-R6	30°	190'-0"	1	(P) ERICSSON - 4490 B5/B12	TOWER	-	-	-	-	-	1	(P) RAYCAP DC9-48-60-24-8C-EV	1	(P) FIBER	3/8"	240'-0"
					1	(P) ERICSSON - 4890 B25/B66	TOWER	-	-	-	-	-	-	3	(P) DC	7/8"	240'-0"	
A2	-	-	-	-	-	-	-	-	-	-	-	-	-	-	-	-	-	-
A3	LTE	(P) COMMSCOPE - NNH4-65D-R6	30°	190'-0"	1	(P) ERICSSON - 4478 B14	TOWER	-	-	-	-	-	-	-	-	-	-	-
A4	-	-	-	-	-	-	-	-	-	-	-	-	-	-	-	-	-	-
A5	-	-	-	-	-	-	-	-	-	-	-	-	-	-	-	-	-	-
BETA																		
B1	LTE 5G	(P) COMMSCOPE - NNH4-65D-R6	150°	190'-0"	1	(P) ERICSSON - 4490 B5/B12	TOWER	-	-	-	-	-	-	-	-	-	-	-
					1	(P) ERICSSON - 4890 B25/B66	TOWER	-	-	-	-	-	-	-	-	-	-	
B2	-	-	-	-	-	-	-	-	-	-	-	-	-	-	-	-	-	-
B3	LTE	(P) COMMSCOPE - NNH4-65D-R6	150°	190'-0"	1	(P) ERICSSON - 4478 B14	TOWER	-	-	-	-	-	-	-	-	-	-	-
B4	-	-	-	-	-	-	-	-	-	-	-	-	-	-	-	-	-	-
B5	-	-	-	-	-	-	-	-	-	-	-	-	-	-	-	-	-	-
GAMMA																		
C1	LTE 5G	(P) COMMSCOPE - NNH4-65D-R6	270°	190'-0"	1	(P) ERICSSON - 4490 B5/B12	TOWER	-	-	-	-	-	-	-	-	-	-	-
					1	(P) ERICSSON - 4890 B25/B66	TOWER	-	-	-	-	-	-	-	-	-		
C2	-	-	-	-	-	-	-	-	-	-	-	-	-	-	-	-	-	-
C3	LTE	(P) COMMSCOPE - NNH4-65D-R6	270°	190'-0"	1	(P) ERICSSON - 4478 B14	TOWER	-	-	-	-	-	-	-	-	-	-	-
C4	-	-	-	-	-	-	-	-	-	-	-	-	-	-	-	-	-	-
C5	-	-	-	-	-	-	-	-	-	-	-	-	-	-	-	-	-	-

NOTE:  
(E) - EXISTING  
(R) - RELOCATED  
(P) - PROPOSED

**1** PROPOSED EQUIPMENT SCHEDULE  
SCALE: NOT TO SCALE

RFDS DATE: 05/22/2024  
RFDS REV: 1  
USID# 329428

PREPARED BY:  
  
 11490 BLUEGRASS PARKWAY  
 LOUISVILLE, KY 40299  
 502-437-5252

PREPARED FOR:  


  
 575 MOROSGO DRIVE  
 ATLANTA, GA 30324-3300

  
 05/24/2024

EN PERMIT: 3594

**ZONING DRAWINGS**

REV.	DATE	DESCRIPTION
C	11/17/23	CLIENT COMMENTS
D	12/07/23	CLIENT COMMENTS
E	12/07/23	CLIENT COMMENTS
F	04/29/24	CLIENT COMMENTS
0	05/24/24	CLIENT COMMENTS

SITE NAME:  
TRADEWATER  
 SITE INFORMATION:  
 695 DAVE MILLER ROAD A.K.A.  
 WILLIAM STATION ROAD  
 CLAY, KY 42404  
 WEBSTER COUNTY

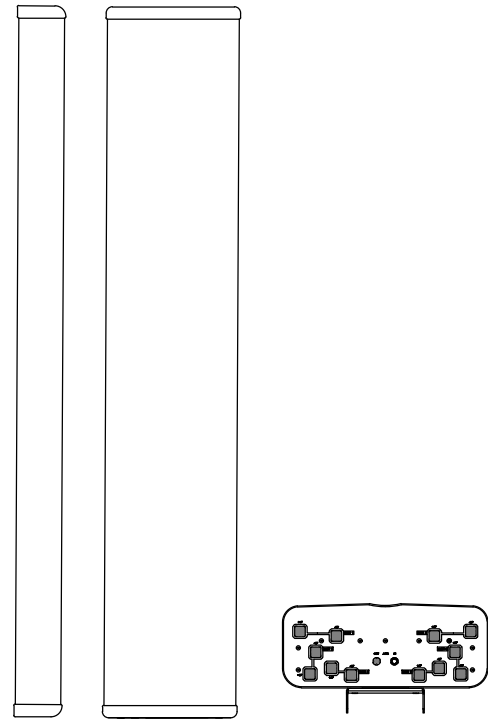
FA NUMBER:  
16224925

USID:  
329428

POD PROJECT NUMBER: 23-160257  
 DRAWN BY: SM  
 CHECKED BY: MEP  
 DATE: 05/24/24

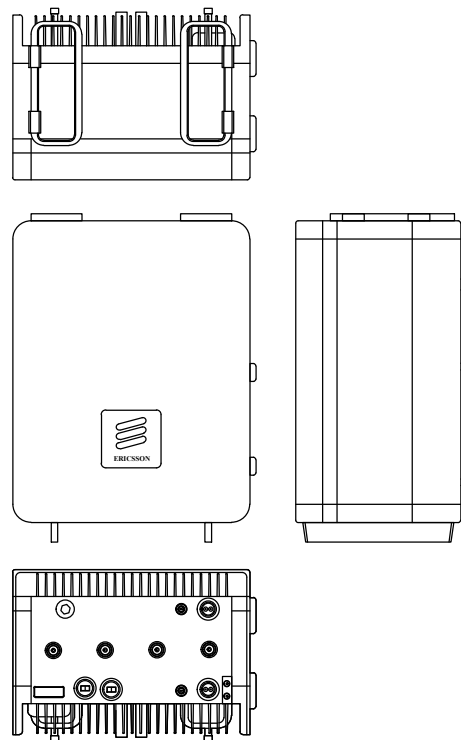
SHEET TITLE:  
**EQUIPMENT  
SCHEDULE**

SHEET NUMBER:  
**RF-3**



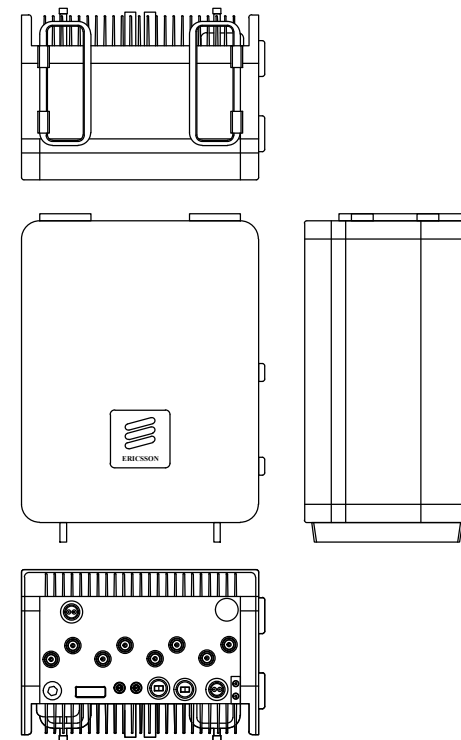
COMMSCOPE - NNH4-65D-R6  
 WEIGHT (FULLY EQUIPPED): 88.2 LBS  
 SIZE (HxWxD): 105.8x19.6x7.8 IN.  
 CONNECTOR TYPE: 4.3-10 FEMALE (12 TOTAL PORTS)

1 COMMSCOPE - NNH4-65D-R6 (ANT.16194)  
 SCALE: NOT TO SCALE



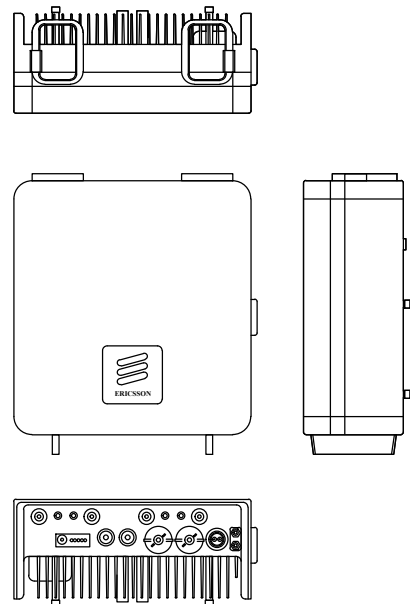
ERICSSON - 4490 B5/B12  
 WEIGHT: 20.83 LBS  
 SIZE (HxWxD): 17.48x15.12x6.77 IN.

2 ERICSSON - 4490 B5/B12 (CEQ.56842)  
 SCALE: NOT TO SCALE



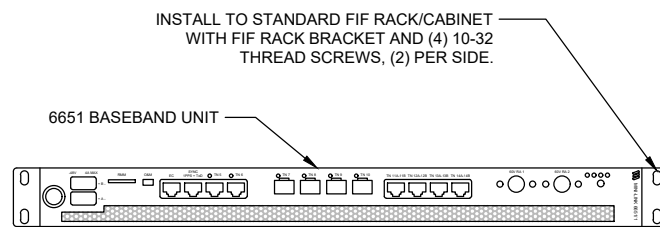
ERICSSON - 4890 B25/B66  
 WEIGHT: 20.83 LBS  
 SIZE (HxWxD): 17.48x15.12x6.93 IN.

3 ERICSSON - 4890 B25/B66 (CEQ.57137)  
 SCALE: NOT TO SCALE



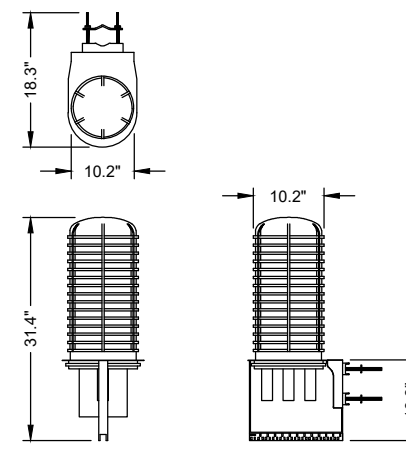
ERICSSON - RADIO 4478 B14  
 WEIGHT: 60.0 LBS  
 SIZE (HxWxD): 15.0x13.0x8.0 IN.

4 ERICSSON - RADIO 4478 B14 (CEQ.44942)  
 SCALE: NOT TO SCALE



ERICSSON - 6651 STAND-ALONE BASEBAND  
 WEIGHT: 10.0 LBS  
 SIZE (HxWxD): 1.7x17.6x9.4 IN.

5 ERICSSON - BB 6651  
 SCALE: NOT TO SCALE



RAYCAP - DC9-48-60-24-8C-EV  
 WEIGHT (WITHOUT MOUNTING HARDWARE): 26.2 LBS  
 SIZE (HxWxD): 31.4x10.2x10.2 IN.

6 RAYCAP - DC9-48-60-24-8C-EV (CEQ.21427)  
 SCALE: NOT TO SCALE

PREPARED BY:  
**POD**  
 POWER OF DESIGN  
 11490 BLUEGRASS PARKWAY  
 LOUISVILLE, KY 40299  
 502-437-5252

PREPARED FOR:  
**smartlink**

**AT&T**  
 575 MOROSGO DRIVE  
 ATLANTA, GA 30324-3300

ZONING DRAWINGS

REV.	DATE	DESCRIPTION
C	11/17/23	CLIENT COMMENTS
D	12/07/23	CLIENT COMMENTS
E	12/07/23	CLIENT COMMENTS
F	04/29/24	CLIENT COMMENTS
0	05/24/24	CLIENT COMMENTS

SITE NAME:  
 TRADEWATER  
 SITE INFORMATION:  
 695 DAVE MILLER ROAD A.K.A.  
 WILLIAM STATION ROAD  
 CLAY, KY 42404  
 WEBSTER COUNTY

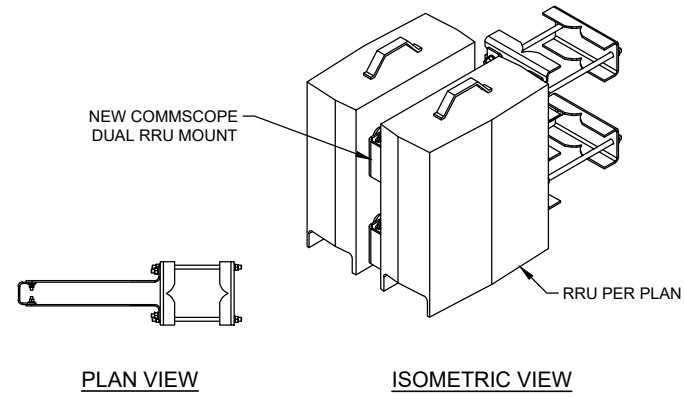
FA NUMBER:  
 16224925

USID:  
 329428

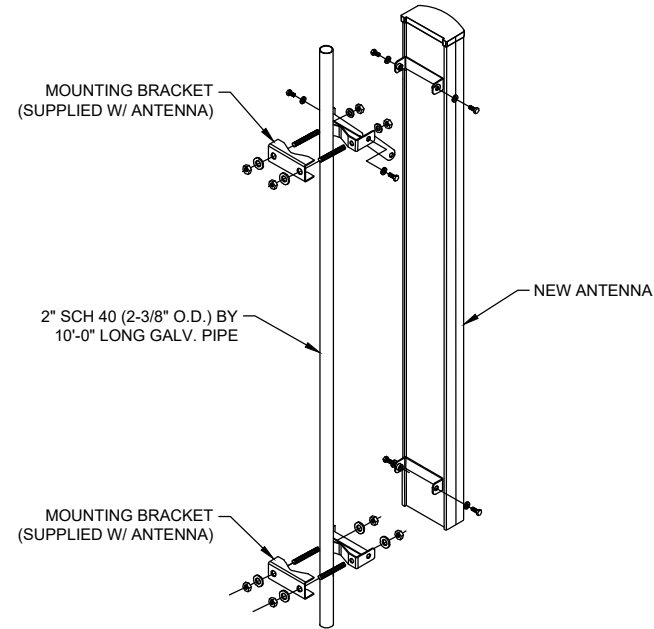
POD PROJECT NUMBER: 23-160257  
 DRAWN BY: SM  
 CHECKED BY: MEP  
 DATE: 05/24/24

SHEET TITLE:  
**EQUIPMENT  
 SPECS**

SHEET NUMBER:  
**RF-4**



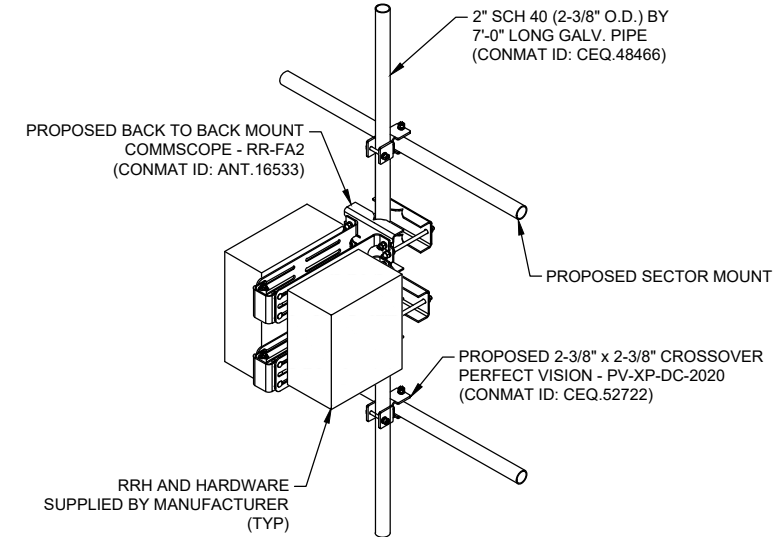
1 COMMSCOPE - RR-FA2 (ANT.16533)  
SCALE: NOT TO SCALE



2 ANTENNA MOUNTING DETAIL  
SCALE: NOT TO SCALE

**INSTALLER NOTES:**

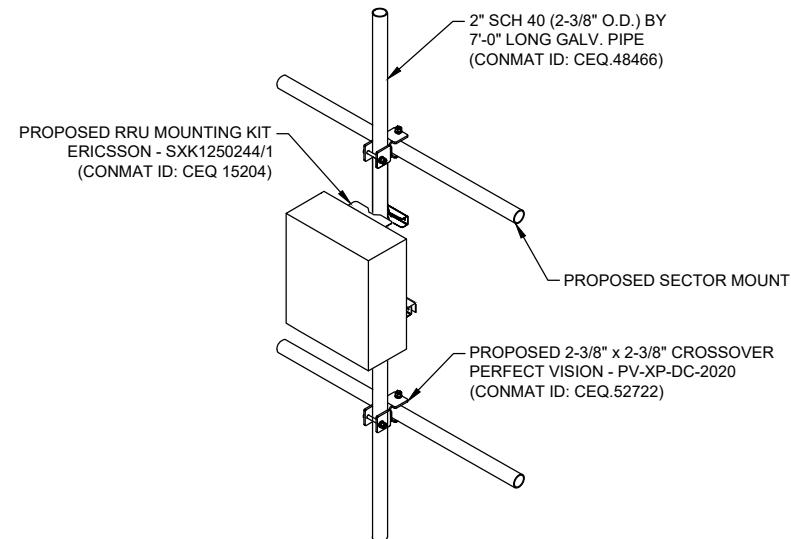
1. COMPLY WITH MANUFACTURERS INSTRUCTIONS TO ENSURE THAT ALL RRHs RECEIVE ELECTRICAL POWER WITHIN 24 HOURS OF BEING REMOVED FROM THE MANUFACTURER'S PACKAGING.
2. DO NOT OPEN RRH PACKAGES IN THE RAIN.
3. ALL PIPES, BRACKETS, AND MISCELLANEOUS HARDWARE TO BE GALVANIZED UNLESS NOTED OTHERWISE.



3 RRU MOUNTING DETAIL  
SCALE: NOT TO SCALE

**INSTALLER NOTES:**

1. COMPLY WITH MANUFACTURERS INSTRUCTIONS TO ENSURE THAT ALL RRHs RECEIVE ELECTRICAL POWER WITHIN 24 HOURS OF BEING REMOVED FROM THE MANUFACTURER'S PACKAGING.
2. DO NOT OPEN RRH PACKAGES IN THE RAIN.
3. ALL PIPES, BRACKETS, AND MISCELLANEOUS HARDWARE TO BE GALVANIZED UNLESS NOTED OTHERWISE.



4 RRU MOUNTING DETAIL  
SCALE: NOT TO SCALE

5 NOT USED  
SCALE: NOT TO SCALE

6 NOT USED  
SCALE: NOT TO SCALE

PREPARED BY:  
  
 POWER OF DESIGN  
 11490 BLUEGRASS PARKWAY  
 LOUISVILLE, KY 40299  
 502-437-5252

PREPARED FOR:  


  
 575 MOROSGO DRIVE  
 ATLANTA, GA 30324-3300

ZONING DRAWINGS

REV.	DATE	DESCRIPTION
C	11/17/23	CLIENT COMMENTS
D	12/07/23	CLIENT COMMENTS
E	12/07/23	CLIENT COMMENTS
F	04/29/24	CLIENT COMMENTS
0	05/24/24	CLIENT COMMENTS

SITE NAME:  
 TRADEWATER  
 SITE INFORMATION:  
 695 DAVE MILLER ROAD A.K.A.  
 WILLIAM STATION ROAD  
 CLAY, KY 42404  
 WEBSTER COUNTY

FA NUMBER:  
 16224925

USID:  
 329428

POD PROJECT NUMBER: 23-160257  
 DRAWN BY: SM  
 CHECKED BY: MEP  
 DATE: 05/24/24

SHEET TITLE:  
**EQUIPMENT  
 SPECS**

SHEET NUMBER:  
**RF-4.1**

PREPARED BY:



11490 BLUEGRASS PARKWAY  
LOUISVILLE, KY 40299  
502-437-5252

PREPARED FOR:




575 MOROSGO DRIVE  
ATLANTA, GA 30324-3300



05/24/2024  
EN PERMIT: 3594

ZONING DRAWINGS

REV.	DATE	DESCRIPTION
C	11/17/23	CLIENT COMMENTS
D	12/07/23	CLIENT COMMENTS
E	12/07/23	CLIENT COMMENTS
F	04/29/24	CLIENT COMMENTS
0	05/24/24	CLIENT COMMENTS

SITE NAME:  
TRADEWATER  
SITE INFORMATION:  
695 DAVE MILLER ROAD A.K.A.  
WILLIAM STATION ROAD  
CLAY, KY 42404  
WEBSTER COUNTY

FA NUMBER:  
16224925

USID:  
329428

POD PROJECT NUMBER: 23-160257  
DRAWN BY: SM  
CHECKED BY: MEP  
DATE: 05/24/24

SHEET TITLE:  
**MOUNT PARTS LIST**

SHEET NUMBER:  
**RF-5**

**Table 1: Included Parts, EPA, Weight**

Part Number	Description	Weight (lbs)	Single Sector EPA				Included Parts								
			(EPA)N (ft2)*	(EPA)T (ft2)*	(EPA)N 1/2" Radial Ice (ft2)	(EPA)T 1/2" Radial Ice (ft2)	PV-SFR-GS-B	PV-SFR-HK-SST8	PV-XP-DC-2025	PIPE-238X120	PIPE-278X174	PV-SA-PIPE-150	PV-SMUJ2080-01	PV-SCRB-SFA	PV-CMX-CG-BO
PV-SFR-GS14-25-H5H10	Single Sector, 14'6" Face, 2-7/8" OD Face Pipe, (12) 2-3/8" x 120" Pipe	875	13.2	11.8	18.3	18.3	1	1	12	4	2	2	2	1	1

**Table 4: Crossover Configurations and Capacities**

Part Number	Weight <i>lbs</i>	Pipe 1 Size (Vertical) <i>in</i>	Pipe 2 Size (Horizontal) <i>in</i>	Pipe 1 Bolt Size <i>in</i>	Pipe 2 Bolt Size <i>in</i>	Available Sliding Strength ( $\Phi=0.7$ )			Available Torsional Strength ( $\Phi=0.7$ )		Available Lateral Twist Strength ( $\Phi=0.9$ )
						$\Phi Rns$ (X)	$\Phi Rns$ (Y)	$\Phi Rns$ (Z)	$\Phi Rnr$ (X)	$\Phi Rnr$ (Y)	$\Phi Rnl$ (Z)
						<i>kip</i>	<i>kip</i>	<i>kip</i>	<i>kip-in</i>	<i>kip-in</i>	<i>kip-in</i>
PV-XP-DC-2020	6.1	$\Phi 2.375$	$\Phi 2.375$	$\Phi 5/8 \times 4-1/2$	$\Phi 5/8 \times 4-1/2$	3.85	3.85	Fixed	6.0	6.0	14.0
PV-XP-DC-2025	7.0	$\Phi 2.375$	$\Phi 2.875$	$\Phi 5/8 \times 4-1/2$	$\Phi 5/8 \times 5$	3.85	3.85	Fixed	6.0	6.0	14.0
PV-XP-DC-2030	8.1	$\Phi 2.375$	$\Phi 3.5$	$\Phi 5/8 \times 4-1/2$	$\Phi 5/8 \times 5-1/2$	3.85	3.85	Fixed	6.8	6.0	14.0
PV-XP-DC-2525	8.0	$\Phi 2.875$	$\Phi 2.875$	$\Phi 5/8 \times 5$	$\Phi 5/8 \times 5$	3.85	3.85	Fixed	6.0	6.0	20.0
PV-XP-DC-2530	9.3	$\Phi 2.875$	$\Phi 3.5$	$\Phi 5/8 \times 5$	$\Phi 5/8 \times 5-1/2$	3.85	3.85	Fixed	6.8	6.0	20.0
PV-XP-DC-3030	10.7	$\Phi 3.5$	$\Phi 3.5$	$\Phi 5/8 \times 5-1/2$	$\Phi 5/8 \times 5-1/2$	3.85	3.85	Fixed	6.8	6.8	27.0
PV-XP-DC-3040	13.1	$\Phi 3.5$	$\Phi 4.5$	$\Phi 5/8 \times 5-1/2$	$\Phi 5/8 \times 6-1/2$	3.85	3.85	Fixed	6.8	6.8	27.0

1 PERFECT VISION - PV-SFR-GS14-25-H5H10 SECTOR MOUNT (CEQ.53351)  
SCALE: NOT TO SCALE

**EXHIBIT C**  
**TOWER AND FOUNDATION DESIGN**

June 12, 2024

Kentucky Public Service Commission  
211 Sower Boulevard  
Frankfort, Ky 40602

RE: Site Name – Trade Water  
Proposed Cell Tower  
37° 29' 53.398" (37.498166°) -87° 53' 05.636" (-87.884899°)

Dear Kentucky Public Service Commission,

The Project / Construction Manager for the proposed new communications facility will be John Lounsbury. His contact information is (770) 865-2254 or [jlounsbury@Tillmaninfrastructure.com](mailto:jlounsbury@Tillmaninfrastructure.com)

John has been in the industry completing civil construction and constructing towers since 1996. He has worked at Tillman Infrastructures since 2018 completing project and construction management on new site build projects.

Thank you,

*Kendra Moorhead*

Kendra Morehead  
Director of Construction East Region - Tillman Infrastructure  
770-714-9771

## **Tradewater – List of Qualified Professionals**

Mark E. Patterson  
Professional Engineer, Kentucky License 16,300  
Licensed Professional Land Surveyor, License No. 3136  
Power of Design  
11490 Bluegrass Parkway  
Louisville, KY 40299

Robert E. Beacom  
Kentucky License 28165  
Sabre Industries Inc.  
7101 Southbridge Drive  
Sioux City, IA 51111

John Lounsbury  
Project/Construction Manager  
Tillman Infrastructure, LLC  
152 W. 57<sup>th</sup> Street, 27<sup>th</sup> Floor  
New York, NY 10019

Sherri Lewis  
RF Engineer  
534 Armory Place  
Louisville, KY 40202



May 9, 2024

Ms. Chelsea Iglesias  
Project Controls Coordinator Sr.  
Tillman Infrastructure, LLC  
299 Market St, Suite 350  
Saddle Brook, NJ 07663

RE: Proposed 195' Sabre Self-Supporting Tower for TI-OPP-36104, KY

Dear Ms. Iglesias,

Upon receipt of order, we propose to design a tower for the above referenced project for a Basic Wind Speed of 106 mph with no ice and 30 mph + 1.5" ice, Risk Category II, Exposure Category C, and Topographic Category 1 in accordance with the Telecommunications Industry Association Standard ANSI/TIA-222-H, "Structural Standard for Antenna Supporting Structures, Antennas and Small Wind Turbine Supporting Structures.

When designed according to this standard, the wind pressures and steel strength capacities include several safety factors. Therefore, it is highly unlikely that the tower will fail structurally in a wind event where the design wind speed is exceeded within the range of the built-in safety factors.

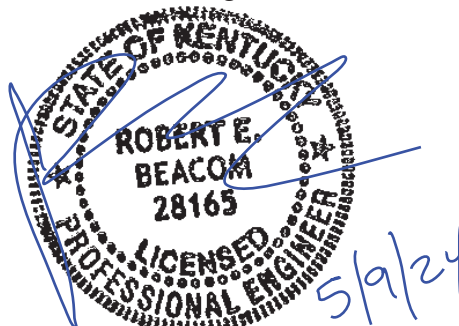
Should the wind speed increase beyond the capacity of the built-in safety factors, to the point of failure of one or more structural elements, the most likely location of the failure would be within one or more of the tower members in the upper portion. This would result in a buckling failure mode, where the loaded member would bend beyond its elastic limit (beyond the point where the member would return to its original shape upon removal of the wind load).

Therefore, it is likely that the overall effect of such an extreme wind event would be localized buckling of a tower section. Assuming that the wind pressure profile is similar to that used to design the tower, the tower is most likely to buckle at the location of the highest combined stress ratio in the upper portion of the tower. This would result in the portion of the tower above the failure location "folding over" onto the portion of the tower below the failure location.

*Please note that this letter only applies to the above referenced tower designed and manufactured by Sabre Industries.* In the unlikely event of total separation, this would result in a fall radius within the 100' x 100' leased area at ground level.

Sincerely,

Robert E. Beacom, P.E., S.E.  
Engineering Manager





**Structural Design Report**

195' S3TL Series HD1 Self-Supporting Tower

Site: TI-OPP-36104, KY

Site Number: 16224925

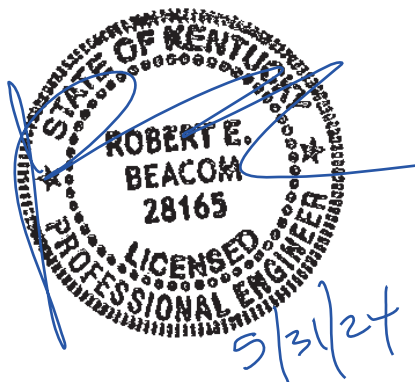
Prepared for: TILLMAN INFRASTRUCTURE, LLC

by: Sabre Industries™

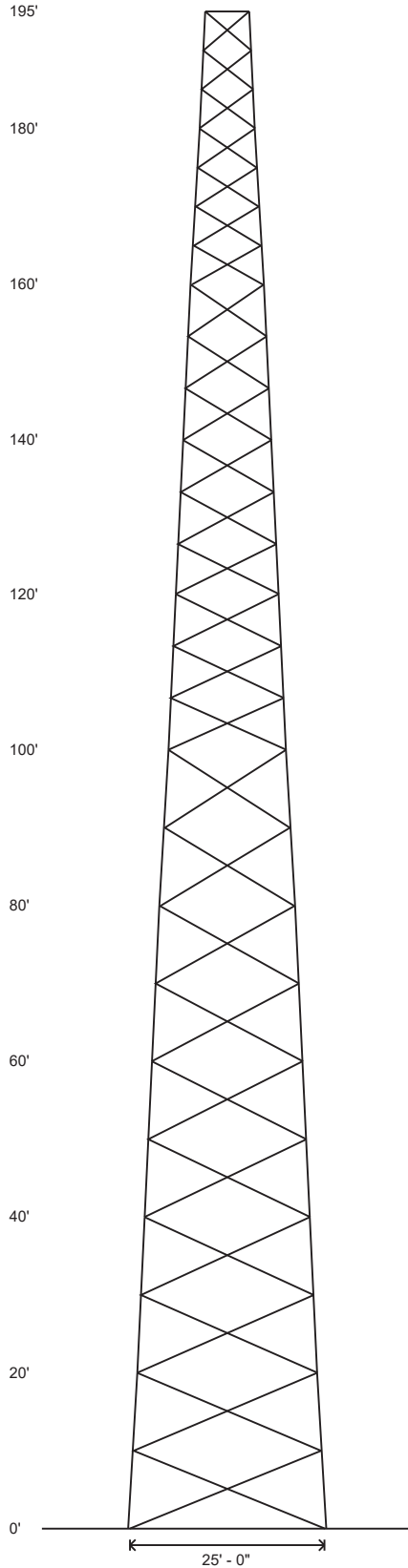
Job Number: 25-0161-TJH-R1

May 31, 2024

Tower Profile.....	1-2
Foundation Design Summary (Option 1).....	3
Foundation Design Summary (Option 2).....	4
Maximum Leg Loads.....	5
Maximum Diagonal Loads.....	6
Maximum Foundation Loads.....	7
Calculations.....	8-27



Legs	8.625 OD X .500	8.625 OD X .322	5.563 OD X .500	5.563 OD X .375	5.563 OD X .258	4.000 OD X .318	3.500 OD X .216	A
Diagonals	L 4 X 4 X 1/4	L 3 1/2 X 3 1/2 X 1/4	L 3 X 3 X 1/4	L 3 X 3 X 3/16	L 2 1/2 X 2 1/2 X 3/16		L 2 X 2 X 1/8	B
Horizontals			NONE					C
Brace Bolts	(2) 5/8"	(1) 3/4"				(1) 5/8"		
Top Face Width	23'	19'	15'	13'	11'	9'	7'	5.5'
Panel Count/Height		10 @ 10'			9 @ 6.6667'		7 @ 5'	
Section Weight	5250	3730	3028	2587	1925	1740	1091	718



### Design Criteria - ANSI/TIA-222-H

Wind Speed (No Ice)	106 mph
Wind Speed (Ice)	30 mph
Design Ice Thickness	1.50 in
Risk Category	II
Exposure Category	C
Topographic Factor Procedure	Method 1 (Simplified)
Topographic Category	1
Ground Elevation	501 ft
Seismic Importance Factor, I <sub>e</sub>	1.00
0.2-sec Spectral Response, S <sub>s</sub>	0.583 g
1-sec Spectral Response, S <sub>1</sub>	0.211 g
Site Class	C
Seismic Design Category	D
Basic Seismic Force-Resisting System	Telecommunication Tower (Truss: Steel)

### Base Reactions - Wind/Ice

Total Foundation		Individual Footing	
Shear (kips)	56.76	Shear (kips)	34.33
Axial (kips)	152.76	Compression (kips)	352
Moment (ft-kips)	7194	Uplift (kips)	309

### Base Reactions - Seismic

Total Foundation		Individual Footing	
Shear (kips)	6.14	Shear (kips)	5.58
Axial (kips)	69.61	Compression (kips)	65
Moment (ft-kips)	896	Uplift (kips)	27

### Material List

Display	Value
A	2.875 OD X .203
B	L 1 3/4 X 1 3/4 X 1/8
C	L 2 1/2 X 2 1/2 X 3/16

### Notes

- 1) All legs are A500 (50 ksi Min. Yield).
- 2) All braces are A572 Grade 50.
- 3) All brace bolts are A325-X.
- 4) The tower model is S3TL Series HD1.
- 5) Transmission lines are to be attached to standard 8 hole waveguide ladders with stackable hangers.
- 6) Azimuths are relative (not based on true north).
- 7) Foundation loads shown are maximums.
- 8) All unequal angles are oriented with the short leg vertical.
- 9) Weights shown are estimates. Final weights may vary.
- 10) This tower design and, if applicable, the foundation design(s) shown on the following page(s) also meet or exceed the requirements of the 2015 International Building Code.
- 11) Tower Rating: 98.8%
- 12) No grout is required under the base plates.

 <p><b>Sabre Industries</b> 7101 Southbridge Drive P.O. Box 658 Sioux City, IA 51102-0658 Phone: (712) 258-6690 Fax: (712) 279-0814</p> <p><small>Information contained herein is the sole property of Sabre Communications Corporation, constitutes a trade secret as defined by Iowa Code Ch. 550 and shall not be reproduced, copied or used in whole or part for any purpose whatsoever without the prior written consent of Sabre Communications Corporation.</small></p>	<p>Job: <b>25-0161-TJH-R1</b></p> <p>Customer: TILLMAN INFRASTRUCTURE, LLC</p> <p>Site Name: TI-OPP-36104, KY 16224925</p> <p>Description: 195' S3TL</p> <p>Date: 5/31/2024 By: REB</p>
---	---

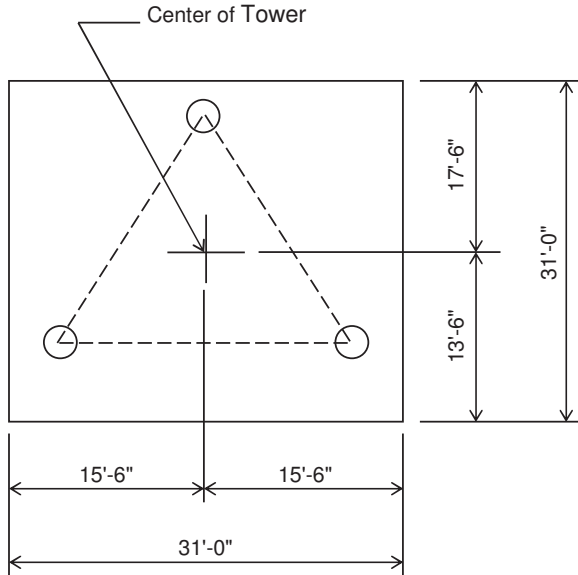
**Designed Appurtenance Loading**

Elev	Description	Tx-Line
190	(1) 278 sq. ft. EPA 6000# (no Ice)	(9) 1 5/8"
175	(1) 278 sq. ft. EPA 6000# (no Ice)	(9) 1 5/8"
160	(1) 208 sq. ft. EPA 4000# (no ice)	(9) 1 5/8"
145	Leg Dish Mount	

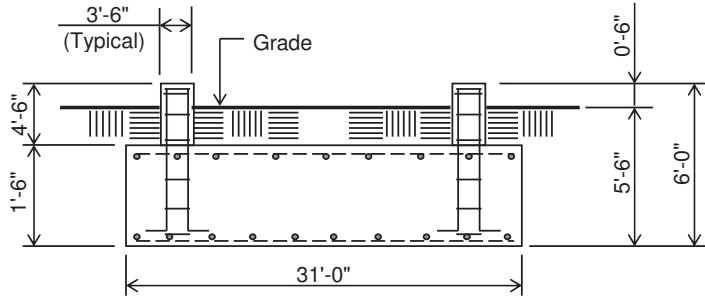
Elev	Description	Tx-Line
145	(1) 8' Solid Dish W/ Radome	(1) EW63
135	Leg Dish Mount	
135	(1) 8' Solid Dish W/ Radome	(1) EW63

 <p><b>Sabre Industries</b> 7101 Southbridge Drive P.O. Box 658 Sioux City, IA 51102-0658 Phone: (712) 258-6690 Fax: (712) 279-0814</p> <p><small>Information contained herein is the sole property of Sabre Communications Corporation, constitutes a trade secret as defined by Iowa Code Ch. 550 and shall not be reproduced, copied or used in whole or part for any purpose whatsoever without the prior written consent of Sabre Communications Corporation.</small></p>	<p>Job: <b>25-0161-TJH-R1</b></p>
	<p>Customer: TILLMAN INFRASTRUCTURE, LLC</p>
	<p>Site Name: TI-OPP-36104, KY 16224925</p>
	<p>Description: 195' S3TL</p>
	<p>Date: 5/31/2024 By: REB</p>

**Customer: TILLMAN INFRASTRUCTURE, LLC**  
**Site: TI-OPP-36104, KY 16224925**  
195 ft. Model S3TL Series HD1 Self Supporting Tower



**PLAN VIEW**



**ELEVATION VIEW**

(58.2 cu. yds.)  
(1 REQD.; NOT TO SCALE)

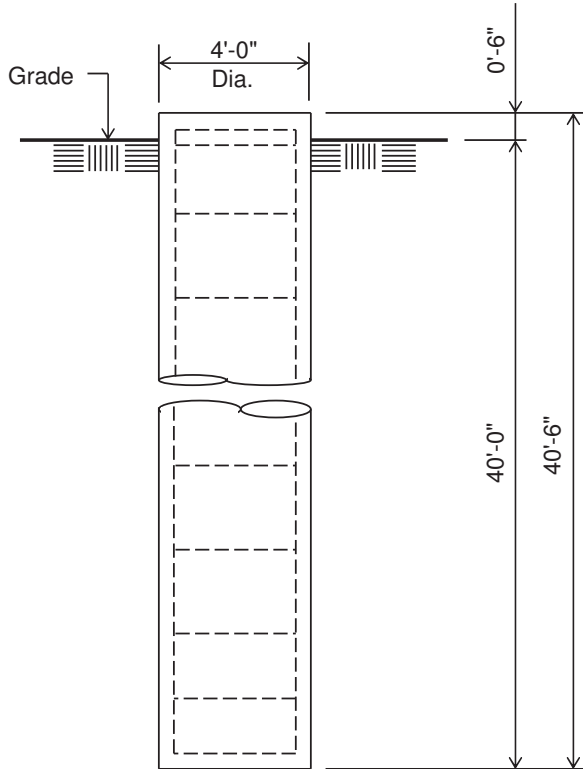
CAUTION: Center of tower is not in center of slab.

**Notes:**

- 1) Concrete shall have a minimum 28-day compressive strength of 4,500 psi, in accordance with ACI 318-14.
- 2) Rebar to conform to ASTM specification A615 Grade 60.
- 3) All rebar to have a minimum of 3" concrete cover.
- 4) All exposed concrete corners to be chamfered 3/4".
- 5) The foundation design is based on the geotechnical report by POD, Project No. 23-159421, dated May 3, 2024.
- 6) See the geotechnical report for compaction requirements, if specified.
- 7) 4' of soil cover is required over the entire area of the foundation slab.
- 8) The bottom anchor bolt template shall be positioned as closely as possible to the bottom of the anchor bolts.

<b>Rebar Schedule per Mat and per Pier</b>	
<b>Pier</b>	(18) #7 vertical rebar w/ hooks at bottom w/ #4 rebar ties, two (2) within top 5" of pier then 4" C/C
<b>Mat</b>	(55) #8 horizontal rebar evenly spaced each way top and bottom. (220 total)
<b>Anchor Bolts per Leg</b>	
(6) 1.25" dia. x 63" F1554-105 on a 12.75" B.C. w/ 8" max. projection above concrete.	

**Customer: TILLMAN INFRASTRUCTURE, LLC**  
**Site: TI-OPP-36104, KY 16224925**  
195 ft. Model S3TL Series HD1 Self Supporting Tower



**Notes:**

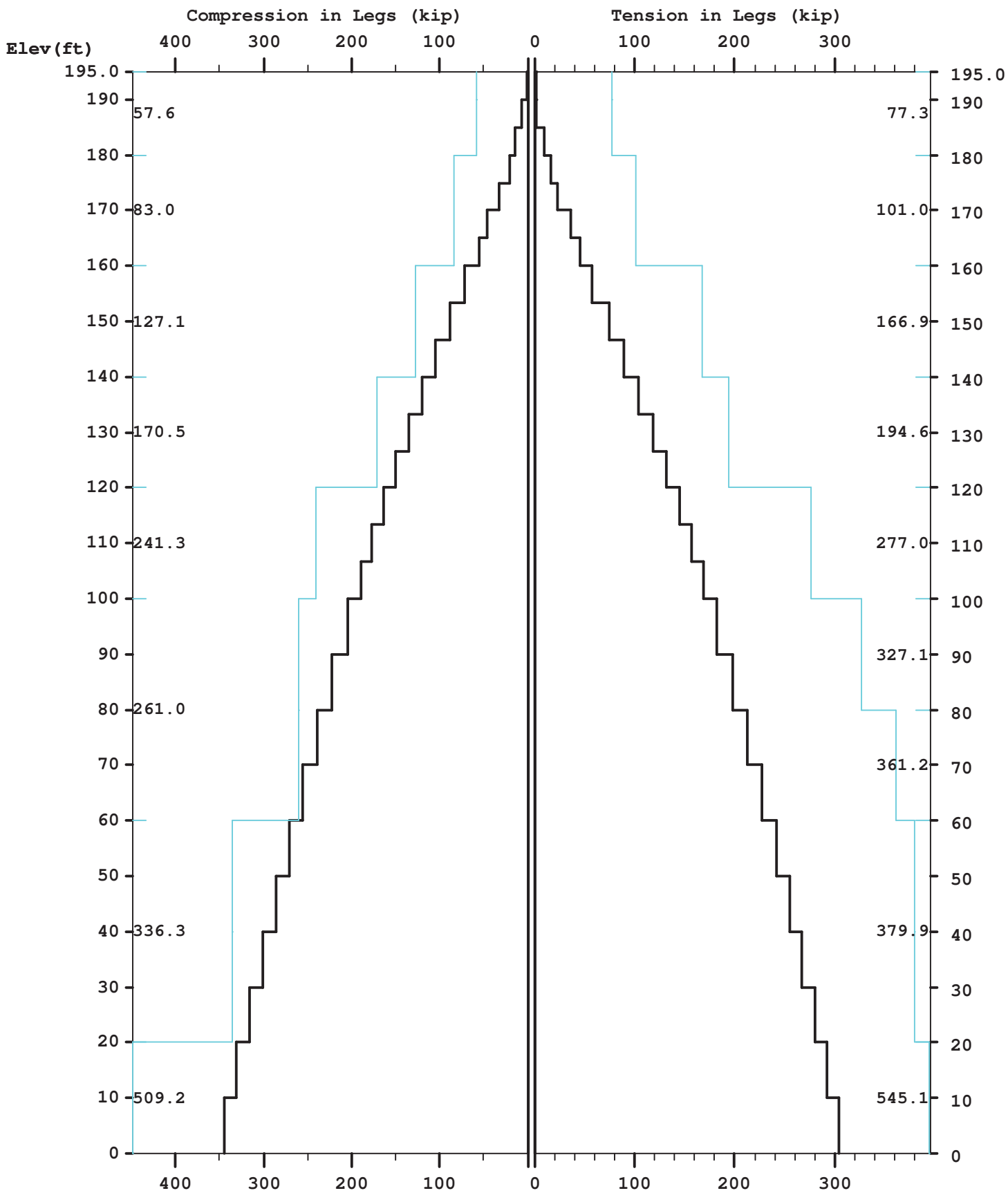
- 1) Concrete shall have a minimum 28-day compressive strength of 4,500 psi, in accordance with ACI 318-14.
- 2) Rebar to conform to ASTM specification A615 Grade 60.
- 3) All rebar to have a minimum of 3" concrete cover.
- 4) All exposed concrete corners to be chamfered 3/4".
- 5) The foundation design is based on the geotechnical report by POD, Project No. 23-159421, dated May 3, 2024.
- 6) See the geotechnical report for drilled pier installation requirements, if specified.
- 7) The bottom anchor bolt template shall be positioned as closely as possible to the bottom of the anchor bolts.

**ELEVATION VIEW**  
(18.8 cu. yds.)  
(3 REQUIRED; NOT TO SCALE)

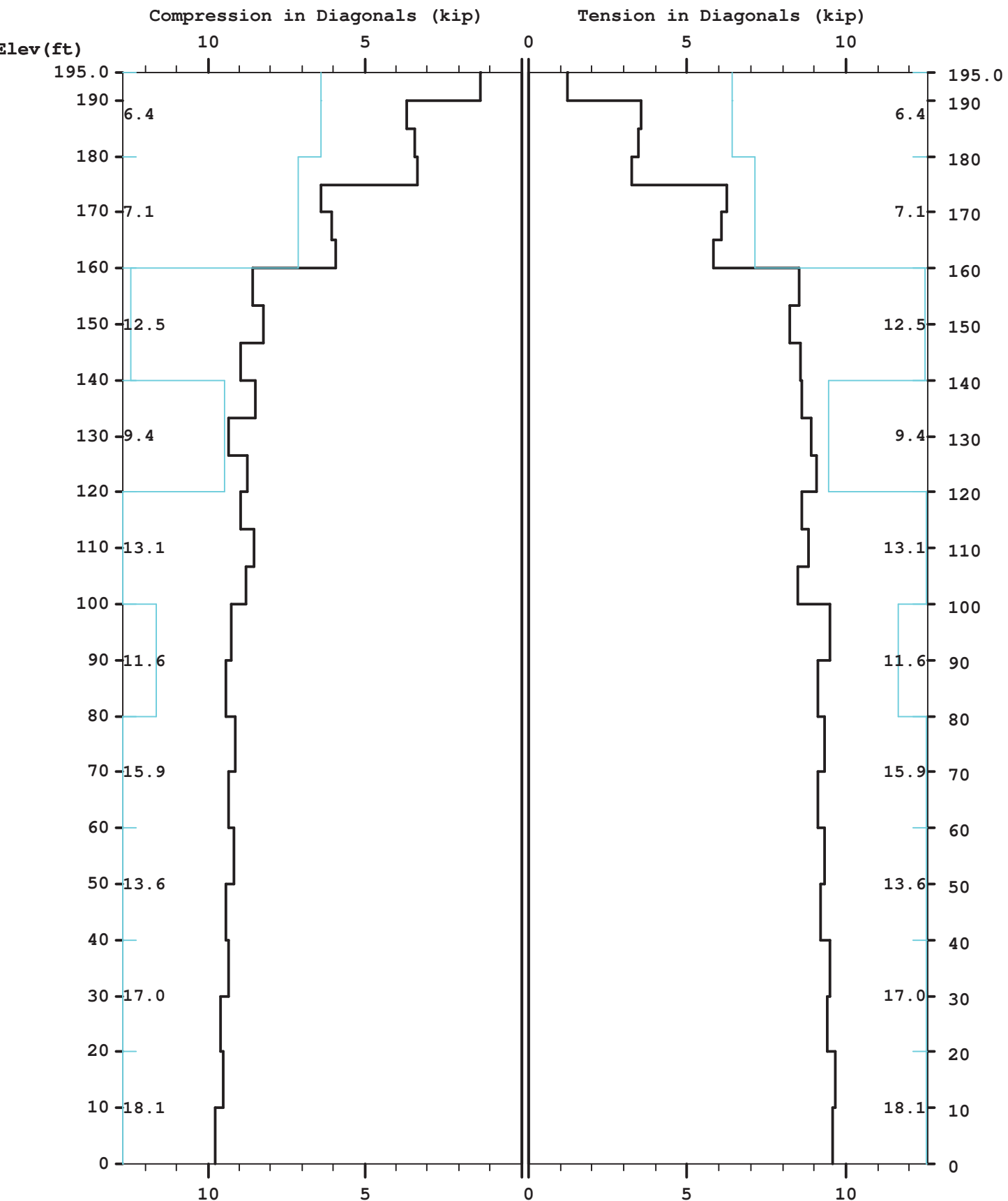
<b>Rebar Schedule per Pier</b>	
<b>Pier</b>	(12) #9 vertical rebar w/ #4 ties, two (2) within top 5" of pier then 12" C/C
<b>Anchor Bolts per Leg</b>	
	(6) 1.25" dia. x 63" F1554-105 on a 12.75" B.C. w/ 8" max. projection above concrete.

Information contained herein is the sole property of Sabre Industries, constitutes a trade secret as defined by Iowa Code Ch. 550 and shall not be reproduced, copied or used in whole or part for any purpose whatsoever without the prior written consent of Sabre Industries.

Maximum



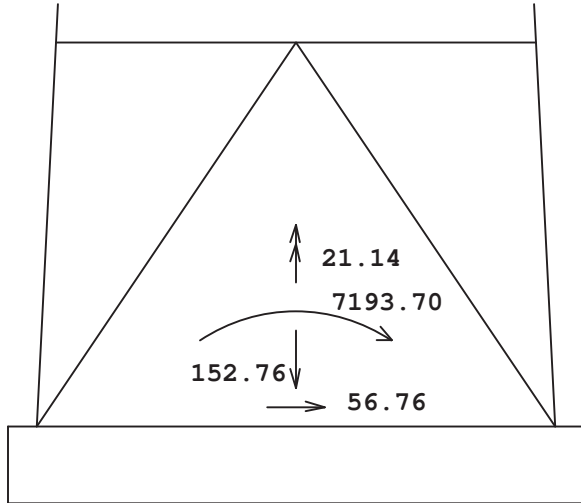
Maximum



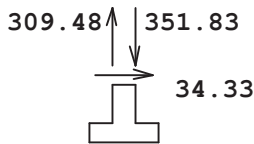
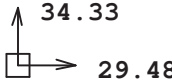


Maximum

TOTAL FOUNDATION LOADS (kip, ft-kip)



INDIVIDUAL FOOTING LOADS (kip)



=====  
 Latticed Tower Analysis (Unguyed) (c)2024 Guymast Inc. 416-736-7453  
 Processed under license at:

Sabre Towers and Poles on: 31 may 2024 at: 8:17:03  
 =====

MAST GEOMETRY ( ft )  
 =====

PANEL TYPE	NO.OF LEGS	ELEV.AT BOTTOM	ELEV.AT TOP	F.W..AT BOTTOM	F.W..AT TOP	TYPICAL PANEL HEIGHT
X	3	190.00	195.00	6.00	5.50	5.00
X	3	180.00	190.00	7.00	6.00	5.00
X	3	160.00	180.00	9.00	7.00	5.00
X	3	140.00	160.00	11.00	9.00	6.67
X	3	120.00	140.00	13.00	11.00	6.67
X	3	100.00	120.00	15.00	13.00	6.67
X	3	80.00	100.00	17.00	15.00	10.00
X	3	60.00	80.00	19.00	17.00	10.00
X	3	40.00	60.00	21.00	19.00	10.00
X	3	20.00	40.00	23.00	21.00	10.00
X	3	0.00	20.00	25.00	23.00	10.00

MEMBER PROPERTIES  
 =====

MEMBER TYPE	BOTTOM ELEV ft	TOP ELEV ft	X-SECTN AREA in.sq	RADIUS OF GYRAT in	ELASTIC MODULUS ksi	THERMAL EXPANSN /deg
LE	180.00	195.00	1.704	0.947	29000.	0.0000117
LE	160.00	180.00	2.228	0.947	29000.	0.0000117
LE	140.00	160.00	3.678	0.947	29000.	0.0000117
LE	120.00	140.00	4.299	0.947	29000.	0.0000117
LE	100.00	120.00	6.111	0.947	29000.	0.0000117
LE	60.00	100.00	7.952	0.947	29000.	0.0000117
LE	20.00	60.00	8.399	0.947	29000.	0.0000117
LE	0.00	20.00	12.763	0.947	29000.	0.0000117
DI	180.00	195.00	0.422	0.546	29000.	0.0000117
DI	160.00	180.00	0.484	0.546	29000.	0.0000117
DI	120.00	160.00	0.902	0.546	29000.	0.0000117
DI	100.00	120.00	1.090	0.546	29000.	0.0000117
DI	80.00	100.00	1.438	0.546	29000.	0.0000117
DI	40.00	80.00	1.688	0.546	29000.	0.0000117
DI	0.00	40.00	1.938	0.546	29000.	0.0000117
HO	190.00	195.00	0.902	0.778	29000.	0.0000117

FACTORED MEMBER RESISTANCES  
 =====

BOTTOM ELEV ft	TOP ELEV ft	LEGS		DIAGONALS		HORIZONTALS		INT BRACING	
		COMP kip	TENS kip	COMP kip	TENS kip	COMP kip	TENS kip	COMP kip	TENS kip
190.0	195.0	57.62	77.27	6.40	6.40	13.03	13.03	0.00	0.00
180.0	190.0	57.62	77.27	6.40	6.40	0.00	0.00	0.00	0.00
160.0	180.0	83.04	100.98	7.13	7.13	0.00	0.00	0.00	0.00
140.0	160.0	127.08	166.92	12.47	12.47	0.00	0.00	0.00	0.00
120.0	140.0	170.46	194.59	9.45	9.45	0.00	0.00	0.00	0.00
100.0	120.0	241.28	277.05	13.10	13.10	0.00	0.00	0.00	0.00
80.0	100.0	260.96	327.10	11.64	11.64	0.00	0.00	0.00	0.00
60.0	80.0	260.96	361.16	15.88	15.88	0.00	0.00	0.00	0.00
40.0	60.0	336.31	379.88	13.59	13.59	0.00	0.00	0.00	0.00
20.0	40.0	336.31	379.88	17.02	17.02	0.00	0.00	0.00	0.00
0.0	20.0	509.22	545.12	18.13	18.13	0.00	0.00	0.00	0.00

=====  
 \* Only 5 condition(s) shown in full  
 \* Some wind loads may have been derived from full-scale wind tunnel testing  
 =====

LOADING CONDITION A =====

106 mph wind with no ice. Wind Azimuth: 0° (1.2 D + 1.0 Wo)

MAST LOADING

=====

LOAD TYPE	ELEV ft	APPLY.. RADIUS ft	LOAD..AT AZI	LOAD AZI	.....FORCES.....		.....MOMENTS.....	
					HORIZ kip	DOWN kip	VERTICAL ft-kip	TORSNAL ft-kip
C	190.0	0.00	0.0	0.0	8.22	7.20	0.00	0.00
C	175.0	0.00	0.0	0.0	8.08	7.20	0.00	0.00
C	160.0	0.00	0.0	0.0	5.97	4.80	0.00	0.00
D	195.0	0.00	31.6	0.0	0.07	0.06	0.01	0.00
D	190.0	0.00	31.6	0.0	0.07	0.06	0.01	0.00
D	190.0	0.00	355.1	0.0	0.09	0.06	0.04	-0.01
D	175.0	0.00	355.4	0.0	0.10	0.07	0.04	-0.01
D	175.0	0.00	44.7	0.0	0.12	0.09	0.05	0.04
D	160.0	0.00	44.4	0.0	0.13	0.09	0.04	0.03
D	160.0	0.00	345.8	0.0	0.15	0.14	0.01	-0.01
D	140.0	0.00	346.4	0.0	0.16	0.14	0.02	-0.01
D	140.0	0.00	350.8	0.0	0.17	0.15	0.02	-0.01
D	120.0	0.00	354.4	0.0	0.17	0.16	0.02	-0.01
D	120.0	0.00	356.0	0.0	0.18	0.19	0.02	-0.01
D	100.0	0.00	355.1	0.0	0.18	0.20	0.02	-0.01
D	100.0	0.00	357.1	0.0	0.16	0.22	0.02	-0.01
D	80.0	0.00	356.6	0.0	0.16	0.22	0.02	-0.01
D	80.0	0.00	358.1	0.0	0.17	0.24	0.03	-0.01
D	40.0	0.00	358.5	0.0	0.17	0.25	0.03	-0.01
D	40.0	0.00	359.5	0.0	0.16	0.27	0.03	-0.01
D	20.0	0.00	359.2	0.0	0.16	0.28	0.03	-0.01
D	20.0	0.00	0.0	0.0	0.15	0.33	0.04	-0.01
D	0.0	0.00	359.8	0.0	0.15	0.34	0.03	-0.01

ANTENNA LOADING

=====

..... ANTENNA..... TYPE	ELEV ft	AZI	ATTACHMENT		..... ANTENNA FORCES.....			
			RAD ft	AZI	AXIAL kip	SHEAR kip	GRAVITY kip	TORSION ft-kip
STD+R	145.0	0.0	7.6	0.0	1.21	0.00	0.40	0.00
STD+R	135.0	0.0	8.1	0.0	1.19	0.00	0.40	0.00

LOADING CONDITION M

106 mph wind with no ice. Wind Azimuth: 0° (0.9 D + 1.0 Wo)

MAST LOADING

=====

LOAD TYPE	ELEV ft	APPLY.. RADIUS ft	LOAD..AT AZI	LOAD AZI	.....FORCES.....		.....MOMENTS.....	
					HORIZ kip	DOWN kip	VERTICAL ft-kip	TORSNAL ft-kip
C	190.0	0.00	0.0	0.0	8.22	5.40	0.00	0.00
C	175.0	0.00	0.0	0.0	8.08	5.40	0.00	0.00
C	160.0	0.00	0.0	0.0	5.97	3.60	0.00	0.00
D	195.0	0.00	31.6	0.0	0.07	0.04	0.01	0.00
D	190.0	0.00	31.6	0.0	0.07	0.04	0.01	0.00
D	190.0	0.00	355.1	0.0	0.09	0.04	0.03	-0.01
D	175.0	0.00	355.4	0.0	0.10	0.05	0.03	-0.01
D	175.0	0.00	44.7	0.0	0.12	0.07	0.03	0.04
D	160.0	0.00	44.4	0.0	0.13	0.07	0.03	0.03
D	160.0	0.00	345.8	0.0	0.15	0.10	0.01	-0.01
D	140.0	0.00	346.4	0.0	0.16	0.11	0.01	-0.01
D	140.0	0.00	350.8	0.0	0.17	0.11	0.01	-0.01
D	120.0	0.00	354.4	0.0	0.17	0.12	0.01	-0.01
D	120.0	0.00	356.0	0.0	0.18	0.14	0.02	-0.01
D	100.0	0.00	355.1	0.0	0.18	0.15	0.01	-0.01
D	100.0	0.00	357.1	0.0	0.16	0.16	0.02	-0.01
D	80.0	0.00	356.6	0.0	0.16	0.17	0.02	-0.01
D	80.0	0.00	358.1	0.0	0.17	0.18	0.02	-0.01
D	40.0	0.00	358.5	0.0	0.17	0.19	0.02	-0.01

D	40.0	0.00	359.5	0.0	0.16	0.20	0.02	-0.01
D	20.0	0.00	359.2	0.0	0.16	0.21	0.02	-0.01
D	20.0	0.00	0.0	0.0	0.15	0.25	0.03	-0.01
D	0.0	0.00	359.8	0.0	0.15	0.25	0.03	-0.01

ANTENNA LOADING

=====

.....ANTENNA.....	ATTACHMENT				.....ANTENNA FORCES.....			
TYPE	ELEV	AZI	RAD	AZI	AXIAL	SHEAR	GRAVITY	TORSION
	ft		ft		kip	kip	kip	ft-kip
STD+R	145.0	0.0	7.6	0.0	1.21	0.00	0.30	0.00
STD+R	135.0	0.0	8.1	0.0	1.19	0.00	0.30	0.00

=====  
LOADING CONDITION Y =====

30 mph wind with 1.5 ice. Wind Azimuth: 0° (1.2 D + 1.0 Di + 1.0 Wi)

MAST LOADING

=====

LOAD	ELEV	APPLY..LOAD..AT	LOAD	.....FORCES.....		.....MOMENTS.....		
TYPE	ft	RADIUS	AZI	AZI	HORIZ	DOWN	VERTICAL	TORSNAL
		ft			kip	kip	ft-kip	ft-kip
C	190.0	0.00	0.0	0.0	1.13	17.92	0.00	0.00
C	175.0	0.00	0.0	0.0	1.11	17.83	0.00	0.00
C	160.0	0.00	0.0	0.0	0.82	11.83	0.00	0.00
D	195.0	0.00	31.6	0.0	0.01	0.22	0.04	0.00
D	190.0	0.00	31.6	0.0	0.01	0.22	0.04	0.00
D	190.0	0.00	354.6	0.0	0.01	0.24	0.18	0.00
D	185.0	0.00	354.6	0.0	0.01	0.24	0.18	0.00
D	185.0	0.00	354.2	0.0	0.01	0.25	0.17	0.00
D	180.0	0.00	354.2	0.0	0.01	0.25	0.17	0.00
D	180.0	0.00	355.0	0.0	0.01	0.27	0.19	0.00
D	175.0	0.00	355.0	0.0	0.01	0.27	0.19	0.00
D	175.0	0.00	45.2	0.0	0.02	0.34	0.19	0.00
D	160.0	0.00	44.8	0.0	0.02	0.36	0.17	0.00
D	160.0	0.00	343.4	0.0	0.02	0.45	0.06	0.00
D	146.7	0.00	342.2	0.0	0.02	0.46	0.05	0.00
D	146.7	0.00	344.8	0.0	0.02	0.47	0.07	0.00
D	133.3	0.00	349.0	0.0	0.02	0.49	0.08	0.00
D	133.3	0.00	357.2	0.0	0.02	0.50	0.08	0.00
D	120.0	0.00	356.4	0.0	0.02	0.51	0.07	0.00
D	120.0	0.00	359.3	0.0	0.02	0.56	0.09	0.00
D	100.0	0.00	358.1	0.0	0.02	0.58	0.08	0.00
D	100.0	0.00	0.6	0.0	0.02	0.56	0.10	0.00
D	80.0	0.00	359.9	0.0	0.02	0.57	0.09	0.00
D	80.0	0.00	1.7	0.0	0.02	0.59	0.11	0.00
D	60.0	0.00	1.2	0.0	0.02	0.60	0.10	0.00
D	60.0	0.00	2.6	0.0	0.02	0.62	0.11	0.00
D	20.0	0.00	3.0	0.0	0.02	0.66	0.12	0.00
D	20.0	0.00	2.2	0.0	0.02	0.59	0.06	0.00
D	10.0	0.00	2.2	0.0	0.02	0.59	0.06	0.00
D	10.0	0.00	3.4	0.0	0.02	0.65	0.10	0.00
D	0.0	0.00	3.4	0.0	0.02	0.65	0.10	0.00

ANTENNA LOADING

=====

.....ANTENNA.....	ATTACHMENT				.....ANTENNA FORCES.....			
TYPE	ELEV	AZI	RAD	AZI	AXIAL	SHEAR	GRAVITY	TORSION
	ft		ft		kip	kip	kip	ft-kip
STD+R	145.0	0.0	7.6	0.0	0.10	0.00	1.50	0.00
STD+R	135.0	0.0	8.1	0.0	0.10	0.00	1.49	0.00

=====  
LOADING CONDITION k =====

Seismic - Azimuth: 0° (1.2 D + 1.0 Ev + 1.0 Eh)

MAST LOADING

=====

LOAD TYPE	ELEV ft	APPLY. RADIUS ft	LOAD. AT AZI	LOAD AZI	.....FORCES.....		.....MOMENTS.....	
					HORIZ kip	DOWN kip	VERTICAL ft-kip	TORSNAL ft-kip
C	192.5	0.00	0.0	0.0	0.00	0.03	0.00	0.00
C	190.0	0.00	0.0	0.0	1.23	7.79	0.00	0.00
C	187.5	0.00	0.0	0.0	0.15	0.93	0.00	0.00
C	185.0	0.00	0.0	0.0	0.01	0.05	0.00	0.00
C	185.0	0.00	0.0	0.0	0.03	0.17	0.00	0.00
C	177.5	0.00	0.0	0.0	0.00	0.03	0.00	0.00
C	177.5	0.00	0.0	0.0	0.01	0.09	0.00	0.00
C	175.0	0.00	0.0	0.0	1.13	7.79	0.00	0.00
C	170.0	0.00	0.0	0.0	0.20	1.42	0.00	0.00
C	167.5	0.00	0.0	0.0	0.01	0.08	0.00	0.00
C	167.5	0.00	0.0	0.0	0.04	0.26	0.00	0.00
C	167.5	0.00	0.0	0.0	0.04	0.26	0.00	0.00
C	160.0	0.00	0.0	0.0	0.69	5.19	0.00	0.00
C	152.5	0.00	0.0	0.0	0.01	0.08	0.00	0.00
C	152.5	0.00	0.0	0.0	0.03	0.26	0.00	0.00
C	152.5	0.00	0.0	0.0	0.03	0.26	0.00	0.00
C	150.0	0.00	0.0	0.0	0.28	2.26	0.00	0.00
C	145.0	0.00	0.0	0.0	0.08	0.65	0.00	0.00
C	145.0	0.00	0.0	0.0	0.07	0.58	0.00	0.00
C	145.0	0.00	0.0	0.0	0.01	0.06	0.00	0.00
C	142.5	0.00	0.0	0.0	0.00	0.03	0.00	0.00
C	142.5	0.00	0.0	0.0	0.01	0.09	0.00	0.00
C	142.5	0.00	0.0	0.0	0.01	0.09	0.00	0.00
C	142.5	0.00	0.0	0.0	0.01	0.09	0.00	0.00
C	137.5	0.00	0.0	0.0	0.01	0.09	0.00	0.00
C	137.5	0.00	0.0	0.0	0.01	0.09	0.00	0.00
C	137.5	0.00	0.0	0.0	0.01	0.09	0.00	0.00
C	137.5	0.00	0.0	0.0	0.00	0.03	0.00	0.00
C	135.0	0.00	0.0	0.0	0.06	0.58	0.00	0.00
C	135.0	0.00	0.0	0.0	0.01	0.06	0.00	0.00
C	135.0	0.00	0.0	0.0	0.07	0.65	0.00	0.00
C	130.0	0.00	0.0	0.0	0.27	2.50	0.00	0.00
C	127.5	0.00	0.0	0.0	0.01	0.08	0.00	0.00
C	127.5	0.00	0.0	0.0	0.03	0.27	0.00	0.00
C	127.5	0.00	0.0	0.0	0.03	0.26	0.00	0.00
C	127.5	0.00	0.0	0.0	0.03	0.27	0.00	0.00
C	110.0	0.00	0.0	0.0	0.03	0.36	0.00	0.00
C	110.0	0.00	0.0	0.0	0.30	3.36	0.00	0.00
C	110.0	0.00	0.0	0.0	0.01	0.10	0.00	0.00
C	110.0	0.00	0.0	0.0	0.03	0.36	0.00	0.00
C	110.0	0.00	0.0	0.0	0.03	0.35	0.00	0.00
C	90.0	0.00	0.0	0.0	0.01	0.10	0.00	0.00
C	90.0	0.00	0.0	0.0	0.03	0.35	0.00	0.00
C	90.0	0.00	0.0	0.0	0.03	0.36	0.00	0.00
C	90.0	0.00	0.0	0.0	0.03	0.36	0.00	0.00
C	90.0	0.00	0.0	0.0	0.28	3.93	0.00	0.00
C	70.0	0.00	0.0	0.0	0.01	0.10	0.00	0.00
C	70.0	0.00	0.0	0.0	0.02	0.36	0.00	0.00
C	70.0	0.00	0.0	0.0	0.02	0.35	0.00	0.00
C	70.0	0.00	0.0	0.0	0.25	4.57	0.00	0.00
C	70.0	0.00	0.0	0.0	0.02	0.36	0.00	0.00
C	50.0	0.00	0.0	0.0	0.00	0.10	0.00	0.00
C	50.0	0.00	0.0	0.0	0.01	0.36	0.00	0.00
C	50.0	0.00	0.0	0.0	0.01	0.36	0.00	0.00
C	50.0	0.00	0.0	0.0	0.01	0.35	0.00	0.00
C	50.0	0.00	0.0	0.0	0.19	4.84	0.00	0.00
C	30.0	0.00	0.0	0.0	0.00	0.10	0.00	0.00
C	30.0	0.00	0.0	0.0	0.01	0.36	0.00	0.00
C	30.0	0.00	0.0	0.0	0.01	0.36	0.00	0.00
C	30.0	0.00	0.0	0.0	0.12	5.31	0.00	0.00
C	30.0	0.00	0.0	0.0	0.01	0.35	0.00	0.00
C	10.0	0.00	0.0	0.0	0.00	0.36	0.00	0.00
C	10.0	0.00	0.0	0.0	0.00	0.35	0.00	0.00
C	10.0	0.00	0.0	0.0	0.00	0.10	0.00	0.00
C	10.0	0.00	0.0	0.0	0.05	6.82	0.00	0.00
C	10.0	0.00	0.0	0.0	0.00	0.36	0.00	0.00
D	195.0	0.00	180.0	180.0	0.00	0.00	0.00	0.00
D	0.0	0.00	180.0	180.0	0.00	0.00	0.00	0.00

ANTENNA LOADING  
=====

..... ANTENNA .....	ATTACHMENT			..... ANTENNA FORCES .....				
TYPE	ELEV	AZI	RAD	AZI	AXIAL	SHEAR	GRAVITY	TORSION

	ft	ft	kip	kip	kip	ft-kip
STD+R	145.0	0.0	7.6	0.0	0.00	0.00
STD+R	135.0	0.0	8.1	0.0	0.00	0.00

=====  
LOADING CONDITION n =====

Seismic - Azimuth: 0° (0.9 D - 1.0 Ev + 1.0 Eh)

MAST LOADING

=====

LOAD TYPE	ELEV ft	APPLY. RADIUS ft	LOAD. AZI	LOAD AZI	.....FORCES.....		.....MOMENTS.....	
					HORIZ kip	DOWN kip	VERTICAL ft-kip	TORSNAL ft-kip
C	192.5	0.00	0.0	0.0	0.00	0.02	0.00	0.00
C	190.0	0.00	0.0	0.0	1.23	4.81	0.00	0.00
C	187.5	0.00	0.0	0.0	0.15	0.58	0.00	0.00
C	185.0	0.00	0.0	0.0	0.01	0.03	0.00	0.00
C	185.0	0.00	0.0	0.0	0.03	0.11	0.00	0.00
C	177.5	0.00	0.0	0.0	0.00	0.02	0.00	0.00
C	177.5	0.00	0.0	0.0	0.01	0.05	0.00	0.00
C	175.0	0.00	0.0	0.0	1.13	4.81	0.00	0.00
C	170.0	0.00	0.0	0.0	0.20	0.87	0.00	0.00
C	167.5	0.00	0.0	0.0	0.01	0.05	0.00	0.00
C	167.5	0.00	0.0	0.0	0.04	0.16	0.00	0.00
C	167.5	0.00	0.0	0.0	0.04	0.16	0.00	0.00
C	160.0	0.00	0.0	0.0	0.69	3.21	0.00	0.00
C	152.5	0.00	0.0	0.0	0.01	0.05	0.00	0.00
C	152.5	0.00	0.0	0.0	0.03	0.16	0.00	0.00
C	152.5	0.00	0.0	0.0	0.03	0.16	0.00	0.00
C	152.5	0.00	0.0	0.0	0.03	0.16	0.00	0.00
C	150.0	0.00	0.0	0.0	0.28	1.39	0.00	0.00
C	145.0	0.00	0.0	0.0	0.08	0.40	0.00	0.00
C	145.0	0.00	0.0	0.0	0.07	0.36	0.00	0.00
C	145.0	0.00	0.0	0.0	0.01	0.04	0.00	0.00
C	142.5	0.00	0.0	0.0	0.00	0.02	0.00	0.00
C	142.5	0.00	0.0	0.0	0.01	0.05	0.00	0.00
C	142.5	0.00	0.0	0.0	0.01	0.05	0.00	0.00
C	142.5	0.00	0.0	0.0	0.01	0.06	0.00	0.00
C	137.5	0.00	0.0	0.0	0.01	0.06	0.00	0.00
C	137.5	0.00	0.0	0.0	0.01	0.05	0.00	0.00
C	137.5	0.00	0.0	0.0	0.01	0.05	0.00	0.00
C	137.5	0.00	0.0	0.0	0.00	0.02	0.00	0.00
C	135.0	0.00	0.0	0.0	0.06	0.36	0.00	0.00
C	135.0	0.00	0.0	0.0	0.01	0.04	0.00	0.00
C	135.0	0.00	0.0	0.0	0.07	0.40	0.00	0.00
C	130.0	0.00	0.0	0.0	0.27	1.54	0.00	0.00
C	127.5	0.00	0.0	0.0	0.01	0.05	0.00	0.00
C	127.5	0.00	0.0	0.0	0.03	0.17	0.00	0.00
C	127.5	0.00	0.0	0.0	0.03	0.16	0.00	0.00
C	127.5	0.00	0.0	0.0	0.03	0.17	0.00	0.00
C	110.0	0.00	0.0	0.0	0.03	0.22	0.00	0.00
C	110.0	0.00	0.0	0.0	0.30	2.07	0.00	0.00
C	110.0	0.00	0.0	0.0	0.01	0.06	0.00	0.00
C	110.0	0.00	0.0	0.0	0.03	0.22	0.00	0.00
C	110.0	0.00	0.0	0.0	0.03	0.21	0.00	0.00
C	90.0	0.00	0.0	0.0	0.01	0.06	0.00	0.00
C	90.0	0.00	0.0	0.0	0.03	0.21	0.00	0.00
C	90.0	0.00	0.0	0.0	0.03	0.22	0.00	0.00
C	90.0	0.00	0.0	0.0	0.03	0.22	0.00	0.00
C	90.0	0.00	0.0	0.0	0.28	2.43	0.00	0.00
C	70.0	0.00	0.0	0.0	0.01	0.06	0.00	0.00
C	70.0	0.00	0.0	0.0	0.02	0.22	0.00	0.00
C	70.0	0.00	0.0	0.0	0.02	0.21	0.00	0.00
C	70.0	0.00	0.0	0.0	0.25	2.82	0.00	0.00
C	70.0	0.00	0.0	0.0	0.02	0.22	0.00	0.00
C	50.0	0.00	0.0	0.0	0.00	0.06	0.00	0.00
C	50.0	0.00	0.0	0.0	0.01	0.22	0.00	0.00
C	50.0	0.00	0.0	0.0	0.01	0.21	0.00	0.00
C	50.0	0.00	0.0	0.0	0.19	2.99	0.00	0.00
C	30.0	0.00	0.0	0.0	0.00	0.06	0.00	0.00
C	30.0	0.00	0.0	0.0	0.01	0.22	0.00	0.00
C	30.0	0.00	0.0	0.0	0.01	0.22	0.00	0.00
C	30.0	0.00	0.0	0.0	0.12	3.28	0.00	0.00
C	30.0	0.00	0.0	0.0	0.01	0.21	0.00	0.00

C	10.0	0.00	0.0	0.0	0.00	0.22	0.00	0.00
C	10.0	0.00	0.0	0.0	0.00	0.21	0.00	0.00
C	10.0	0.00	0.0	0.0	0.00	0.06	0.00	0.00
C	10.0	0.00	0.0	0.0	0.05	4.21	0.00	0.00
C	10.0	0.00	0.0	0.0	0.00	0.22	0.00	0.00
D	195.0	0.00	180.0	180.0	0.00	0.00	0.00	0.00
D	0.0	0.00	180.0	180.0	0.00	0.00	0.00	0.00

ANTENNA LOADING

..... ANTENNA .....	ATTACHMENT				..... ANTENNA FORCES .....			
TYPE	ELEV	AZI	RAD	AZI	AXIAL	SHEAR	GRAVITY	TORSION
	ft		ft		kip	kip	kip	ft-kip
STD+R	145.0	0.0	7.6	0.0	0.00	0.00	0.00	0.00
STD+R	135.0	0.0	8.1	0.0	0.00	0.00	0.00	0.00

MAXIMUM ANTENNA AND REFLECTOR ROTATIONS:

ELEV	AZI	TYPE	..... BEAM DEFLECTIONS (deg) .....			
ft	deg	*	ROLL	YAW	PITCH	TOTAL
145.0	0.0	STD+R	-0.819 G	0.065 P	-0.785 J	0.788 J
135.0	0.0	STD+R	-0.742 G	0.060 P	-0.710 J	0.713 J

MAXIMUM TENSION IN MAST MEMBERS (kip)

ELEV	LEGS	DIAG	HORIZ	BRACE
ft				
195.0	-----	-----	1.01 A	0.00 A
	0.76 K	1.24 S		
190.0	-----	-----	0.12 G	0.00 A
	1.74 M	3.56 P		
185.0	-----	-----	0.07 I	0.00 A
	9.82 M	3.44 J		
180.0	-----	-----	0.13 A	0.00 A
	15.86 M	3.25 X		
175.0	-----	-----	0.11 K	0.00 A
	22.98 M	6.26 X		
170.0	-----	-----	0.16 A	0.00 A
	35.23 M	6.09 F		
165.0	-----	-----	0.07 A	0.00 A
	44.88 M	5.81 X		
160.0	-----	-----	0.05 A	0.00 A
	57.25 M	8.51 X		
153.3	-----	-----	0.13 E	0.00 A
	74.12 M	8.21 F		
146.7	-----	-----	0.07 A	0.00 A
	89.11 M	8.57 R		
140.0	-----	-----	0.13 E	0.00 A
	103.73 M	8.63 L		
133.3	-----	-----	0.04 A	0.00 A
	117.83 M	8.91 R		
126.7	-----	-----	0.12 E	0.00 A
	131.21 M	9.09 L		
120.0	-----	-----	0.05 A	0.00 A
	144.38 M	8.60 R		
113.3	-----	-----	0.12 E	0.00 A
	156.40 M	8.83 L		
106.7	-----	-----	0.05 A	0.00 A
	168.35 M	8.49 R		
100.0	-----	-----	0.11 E	0.00 A
	181.99 M	9.51 X		
90.0	-----	-----	0.09 A	0.00 A
	198.15 M	9.13 R		
80.0	-----	-----	0.09 E	0.00 A
	213.04 M	9.32 X		
70.0	-----	-----	0.08 A	0.00 A
	227.64 M	9.09 R		
60.0	-----	-----	0.08 E	0.00 A
	241.35 M	9.34 X		
50.0	-----	-----	0.07 A	0.00 A
	254.85 M	9.21 R		
40.0	-----	-----	0.05 E	0.00 A

30.0	267.69 M	9.48 X	0.07 A	0.00 A
	-----	-----		
	280.33 M	9.40 R	0.01 k	0.00 A
20.0	-----	-----		
	292.41 M	9.66 X	0.04 A	0.00 A
10.0	-----	-----		
	304.18 M	9.58 R	0.00 A	0.00 A
0.0	-----	-----		

MAXIMUM COMPRESSION IN MAST MEMBERS (kip)

=====

ELEV ft	LEGS	DIAG	HORIZ	BRACE
195.0	-----	-----	-0.94 S	0.00 A
	-0.74 U	-1.32 A		
190.0	-----	-----	-0.12 M	0.00 A
	-6.95 e	-3.67 D		
185.0	-----	-----	-0.03 O	0.00 A
	-14.66 G	-3.40 P		
180.0	-----	-----	-0.11 S	0.00 A
	-20.85 G	-3.33 C		
175.0	-----	-----	-0.10 Q	0.00 A
	-32.49 G	-6.38 F		
170.0	-----	-----	-0.12 S	0.00 A
	-45.32 G	-6.03 R		
165.0	-----	-----	-0.05 S	0.00 A
	-55.25 G	-5.90 F		
160.0	-----	-----	-0.03 S	0.00 A
	-71.03 G	-8.58 F		
153.3	-----	-----	-0.10 W	0.00 A
	-88.78 G	-8.21 X		
146.7	-----	-----	-0.05 S	0.00 A
	-104.81 G	-8.95 L		
140.0	-----	-----	-0.10 W	0.00 A
	-120.60 G	-8.48 L		
133.3	-----	-----	-0.03 M	0.00 A
	-135.67 G	-9.33 L		
126.7	-----	-----	-0.10 W	0.00 A
	-149.82 G	-8.74 R		
120.0	-----	-----	-0.04 S	0.00 A
	-163.62 G	-8.96 L		
113.3	-----	-----	-0.10 W	0.00 A
	-176.61 G	-8.54 F		
106.7	-----	-----	-0.04 S	0.00 A
	-189.43 G	-8.79 L		
100.0	-----	-----	-0.09 W	0.00 A
	-204.39 G	-9.27 F		
90.0	-----	-----	-0.08 S	0.00 A
	-222.15 G	-9.42 L		
80.0	-----	-----	-0.08 W	0.00 A
	-238.85 G	-9.12 F		
70.0	-----	-----	-0.07 S	0.00 A
	-255.28 G	-9.35 L		
60.0	-----	-----	-0.07 W	0.00 A
	-270.98 G	-9.17 F		
50.0	-----	-----	-0.06 S	0.00 A
	-286.47 G	-9.43 L		
40.0	-----	-----	-0.04 W	0.00 A
	-301.47 G	-9.33 F		
30.0	-----	-----	-0.06 S	0.00 A
	-316.29 G	-9.61 L		
20.0	-----	-----	-0.01 W	0.00 A
	-330.85 G	-9.53 F		
10.0	-----	-----	-0.04 S	0.00 A
	-345.21 G	-9.78 L		
0.0	-----	-----	0.00 A	0.00 A

FORCE/RESISTANCE RATIO IN LEGS

=====

MAST ELEV	-- LEG COMPRESSION --		---- LEG TENSION ----		
	MAX	COMP	MAX	TENS	FORCE/ RESIST



ft	COMP	RESIST	RATIO	TENS	RESIST	RATIO
195.00	0.74	57.62	0.01	0.76	77.27	0.01
190.00	6.95	57.62	0.12	1.74	77.27	0.02
185.00	14.66	57.62	0.25	9.82	77.27	0.13
180.00	20.85	83.04	0.25	15.86	100.98	0.16
175.00	32.49	83.04	0.39	22.98	100.98	0.23
170.00	45.32	83.04	0.55	35.23	100.98	0.35
165.00	55.25	83.04	0.67	44.88	100.98	0.44
160.00	71.03	127.08	0.56	57.25	166.92	0.34
153.33	88.78	127.08	0.70	74.12	166.92	0.44
146.67	104.81	127.08	0.82	89.11	166.92	0.53
140.00	120.60	170.46	0.71	103.73	194.59	0.53
133.33	135.67	170.46	0.80	117.83	194.59	0.61
126.67	149.82	170.46	0.88	131.21	194.59	0.67
120.00	163.62	241.28	0.68	144.38	277.05	0.52
113.33	176.61	241.28	0.73	156.40	277.05	0.56
106.67	189.43	241.28	0.79	168.35	277.05	0.61
100.00	204.39	260.96	0.78	181.99	327.10	0.56
90.00	222.15	260.96	0.85	198.15	327.10	0.61
80.00	238.85	260.96	0.92	213.04	361.16	0.59
70.00	255.28	260.96	0.98	227.64	361.16	0.63
60.00	270.98	336.31	0.81	241.35	379.88	0.64
50.00	286.47	336.31	0.85	254.85	379.88	0.67
40.00	301.47	336.31	0.90	267.69	379.88	0.70
30.00	316.29	336.31	0.94	280.33	379.88	0.74
20.00	330.85	509.22	0.65	292.41	545.12	0.54
10.00	345.21	509.22	0.68	304.18	545.12	0.56
0.00						

FORCE/RESISTANCE RATIO IN DIAGONALS

MAST ELEV ft	- DIAG COMPRESSION -			--- DIAG TENSION ---		
	MAX COMP	COMP RESIST	FORCE/ RESIST RATIO	MAX TENS	TENS RESIST	FORCE/ RESIST RATIO
195.00	1.32	6.40	0.21	1.24	6.40	0.19
190.00	3.67	6.40	0.57	3.56	6.40	0.56
185.00	3.40	6.40	0.53	3.44	6.40	0.54
180.00	3.33	7.13	0.47	3.25	7.13	0.46
175.00	6.38	7.13	0.90	6.26	7.13	0.88
170.00	6.03	7.13	0.85	6.09	7.13	0.85
165.00	5.90	7.13	0.83	5.81	7.13	0.82
160.00	8.58	12.47	0.69	8.51	12.47	0.68
153.33						

146.67	8.21	12.47	0.66	8.21	12.47	0.66
140.00	8.95	12.47	0.72	8.57	12.47	0.69
133.33	8.48	9.45	0.90	8.63	9.45	0.91
126.67	9.33	9.45	0.99	8.91	9.45	0.94
120.00	8.74	9.45	0.92	9.09	9.45	0.96
113.33	8.96	13.10	0.68	8.60	13.10	0.66
106.67	8.54	13.10	0.65	8.83	13.10	0.67
100.00	8.79	13.10	0.67	8.49	13.10	0.65
90.00	9.27	11.64	0.80	9.51	11.64	0.82
80.00	9.42	11.64	0.81	9.13	11.64	0.78
70.00	9.12	15.88	0.57	9.32	15.88	0.59
60.00	9.35	15.88	0.59	9.09	15.88	0.57
50.00	9.17	13.59	0.67	9.34	13.59	0.69
40.00	9.43	13.59	0.69	9.21	13.59	0.68
30.00	9.33	17.02	0.55	9.48	17.02	0.56
20.00	9.61	17.02	0.56	9.40	17.02	0.55
10.00	9.53	18.13	0.53	9.66	18.13	0.53
0.00	9.78	18.13	0.54	9.58	18.13	0.53

MAXIMUM INDIVIDUAL FOUNDATION LOADS: (kip)

LOAD---COMPONENTS				TOTAL
NORTH	EAST	DOWN	UPLIFT	SHEAR
34.33 G	29.48 K	351.83 G	-309.48 M	34.33 G

MAXIMUM TOTAL LOADS ON FOUNDATION : (kip & kip-ft)

HORIZONTAL			DOWN	OVERTURNING			TORSION
NORTH	EAST	TOTAL		NORTH	EAST	TOTAL	
		@ 0.0				@ 0.0	
56.8 G	53.6 V	56.8 G	152.8 c	7193.7 G	6837.0 J	7193.7 G	21.1 P

Latticed Tower Analysis (Unguyed) (c)2024 Guymast Inc. 416-736-7453  
 Processed under license at:

Sabre Towers and Poles on: 31 may 2024 at: 8:17:14

\*\*\*\*\*  
 \*\*\*\*\* Service Load Condition \*\*\*\*\*  
 \*\*\*\*\*

\* Only 1 condition(s) shown in full  
 \* Some wind loads may have been derived from full-scale wind tunnel testing

LOADING CONDITION A =====

60 mph wind with no ice. Wind Azimuth: 0° (1.0 D + 1.0 Wo)

MAST LOADING

=====

LOAD TYPE	ELEV ft	APPLY..LOAD..AT		LOAD AZI	.....FORCES.....		.....MOMENTS.....	
		RADIUS ft	AZI		HORIZ kip	DOWN kip	VERTICAL ft-kip	TORSNAL ft-kip
C	190.0	0.00	0.0	0.0	2.63	6.00	0.00	0.00
C	175.0	0.00	0.0	0.0	2.59	6.00	0.00	0.00
C	160.0	0.00	0.0	0.0	1.91	4.00	0.00	0.00
D	195.0	0.00	31.6	0.0	0.02	0.05	0.01	0.00
D	190.0	0.00	31.6	0.0	0.02	0.05	0.01	0.00
D	190.0	0.00	355.1	0.0	0.03	0.05	0.03	0.00
D	175.0	0.00	355.4	0.0	0.03	0.06	0.04	0.00
D	175.0	0.00	44.7	0.0	0.04	0.07	0.04	0.01
D	160.0	0.00	44.4	0.0	0.04	0.08	0.03	0.01
D	160.0	0.00	345.8	0.0	0.05	0.12	0.01	0.00
D	140.0	0.00	346.4	0.0	0.05	0.12	0.01	0.00
D	140.0	0.00	350.8	0.0	0.05	0.13	0.02	0.00
D	120.0	0.00	354.4	0.0	0.06	0.13	0.01	0.00
D	120.0	0.00	356.0	0.0	0.06	0.16	0.02	0.00
D	100.0	0.00	355.1	0.0	0.06	0.16	0.02	0.00
D	100.0	0.00	357.1	0.0	0.05	0.18	0.02	0.00
D	80.0	0.00	356.6	0.0	0.05	0.18	0.02	0.00
D	80.0	0.00	358.1	0.0	0.05	0.20	0.02	0.00
D	40.0	0.00	358.5	0.0	0.06	0.21	0.02	0.00
D	40.0	0.00	359.5	0.0	0.06	0.23	0.03	0.00
D	20.0	0.00	359.2	0.0	0.06	0.23	0.03	0.00
D	20.0	0.00	0.0	0.0	0.05	0.28	0.03	0.00
D	0.0	0.00	359.8	0.0	0.05	0.28	0.03	0.00

ANTENNA LOADING

=====

..... ANTENNA .....	..... ATTACHMENT .....		..... ANTENNA FORCES .....					
	ELEV ft	AZI	RAD ft	AZI	AXIAL kip	SHEAR kip	GRAVITY kip	TORSION ft-kip
STD+R	145.0	0.0	7.6	0.0	0.39	0.00	0.34	0.00
STD+R	135.0	0.0	8.1	0.0	0.38	0.00	0.34	0.00

MAXIMUM MAST DISPLACEMENTS:

=====

ELEV ft	-----DEFLECTIONS (ft)-----			--TILTS (DEG)---		TWIST DEG
	NORTH	EAST	DOWN	NORTH	EAST	
195.0	0.598 G	0.572 J	0.011 G	0.339 G	0.325 J	0.019 D
190.0	0.569 G	0.544 J	0.011 G	0.339 G	0.326 J	0.019 D
185.0	0.538 G	0.514 J	0.010 G	0.338 G	0.325 J	0.019 D
180.0	0.508 G	0.485 J	0.010 G	0.333 G	0.320 J	0.020 D
175.0	0.479 G	0.457 J	0.010 G	0.328 G	0.315 J	0.020 D
170.0	0.448 G	0.428 J	0.009 G	0.320 G	0.307 J	0.020 D
165.0	0.420 G	0.400 J	0.009 G	0.309 G	0.297 J	0.021 D
160.0	0.392 G	0.374 J	0.008 G	0.297 G	0.284 J	0.021 D
153.3	0.357 G	0.340 J	0.008 G	0.284 G	0.272 J	0.021 D
146.7	0.324 G	0.308 J	0.008 G	0.269 G	0.257 J	0.021 D
140.0	0.292 G	0.278 J	0.007 G	0.251 G	0.240 J	0.020 D
133.3	0.262 G	0.250 J	0.007 L	0.235 G	0.225 J	0.019 D
126.7	0.235 G	0.223 J	0.006 G	0.218 G	0.208 J	0.016 D
120.0	0.209 G	0.199 J	0.006 L	0.200 G	0.191 J	0.014 D
113.3	0.185 G	0.176 J	0.005 G	0.187 G	0.178 J	0.013 D
106.7	0.163 G	0.155 J	0.005 L	0.173 G	0.165 J	0.011 D
100.0	0.143 G	0.136 J	0.005 G	0.159 G	0.151 J	0.010 D
90.0	0.115 G	0.110 J	0.004 L	0.142 G	0.136 J	0.008 D
80.0	0.091 G	0.086 J	0.004 G	0.125 G	0.119 J	0.007 D
70.0	0.069 G	0.066 J	0.003 L	0.108 G	0.103 J	0.006 D
60.0	0.051 G	0.049 J	0.003 G	0.090 G	0.086 J	0.005 D
50.0	0.036 G	0.034 J	0.002 L	0.073 G	0.070 J	0.004 D
40.0	0.023 G	0.022 J	0.002 G	0.057 G	0.054 J	0.003 D
30.0	0.014 G	0.013 J	0.001 A	0.039 G	0.038 J	0.002 D
20.0	0.007 G	0.007 J	0.001 G	0.022 G	0.021 J	0.001 D
10.0	0.002 G	0.002 J	0.000 A	0.011 G	0.011 J	0.001 D

0.0 0.000 A 0.000 A 0.000 A 0.000 A 0.000 A 0.000 A

MAXIMUM ANTENNA AND REFLECTOR ROTATIONS:

=====

ELEV ft	AZI deg	TYPE *	.....BEAM DEFLECTIONS (deg).....			
			ROLL	YAW	PITCH	TOTAL
145.0	0.0	STD+R	-0.264 G	0.021 D	-0.253 J	0.254 J
135.0	0.0	STD+R	-0.239 G	0.019 D	-0.229 J	0.229 J

MAXIMUM TENSION IN MAST MEMBERS (kip)

=====

ELEV ft	LEGS	DIAG	HORIZ	BRACE
195.0	-----		0.34 A	0.00 A
	0.25 K	0.37 G		
190.0	-----		0.04 G	0.00 A
	0.00 A	1.11 D		
185.0	-----		0.04 I	0.00 A
	1.59 A	1.12 J		
180.0	-----		0.05 A	0.00 A
	3.52 A	1.02 L		
175.0	-----		0.04 K	0.00 A
	4.33 A	1.97 L		
170.0	-----		0.06 A	0.00 A
	8.12 A	1.97 L		
165.0	-----		0.03 A	0.00 A
	11.18 A	1.84 L		
160.0	-----		0.02 A	0.00 A
	14.07 A	2.70 L		
153.3	-----		0.05 E	0.00 A
	19.25 A	2.63 F		
146.7	-----		0.03 A	0.00 A
	23.76 A	2.69 F		
140.0	-----		0.05 E	0.00 A
	28.12 A	2.80 L		
133.3	-----		0.02 A	0.00 A
	32.33 A	2.84 F		
126.7	-----		0.04 E	0.00 A
	36.42 A	2.93 L		
120.0	-----		0.02 A	0.00 A
	40.45 A	2.75 F		
113.3	-----		0.04 E	0.00 A
	44.08 A	2.85 L		
106.7	-----		0.02 A	0.00 A
	47.69 A	2.73 F		
100.0	-----		0.04 E	0.00 A
	51.76 A	3.07 L		
90.0	-----		0.03 A	0.00 A
	56.57 A	2.94 F		
80.0	-----		0.03 E	0.00 A
	60.95 A	3.01 L		
70.0	-----		0.03 A	0.00 A
	65.21 A	2.93 F		
60.0	-----		0.03 E	0.00 A
	69.19 A	3.03 L		
50.0	-----		0.03 A	0.00 A
	73.11 A	2.99 F		
40.0	-----		0.02 E	0.00 A
	76.80 A	3.09 L		
30.0	-----		0.03 A	0.00 A
	80.42 A	3.07 F		
20.0	-----		0.00 D	0.00 A
	83.79 A	3.17 L		
10.0	-----		0.02 A	0.00 A
	87.02 A	3.14 F		
0.0	-----		0.00 A	0.00 A

MAXIMUM COMPRESSION IN MAST MEMBERS (kip)

=====

ELEV ft	LEGS	DIAG	HORIZ	BRACE
195.0	----- -0.23 I	----- -0.45 A	-0.28 G	0.00 A
190.0	----- -3.24 G	----- -1.22 D	-0.04 A	0.00 A
185.0	----- -6.10 G	----- -1.08 D	0.00 A	0.00 A
180.0	----- -8.12 G	----- -1.09 C	-0.03 G	0.00 A
175.0	----- -13.15 G	----- -2.09 L	-0.03 E	0.00 A
170.0	----- -17.40 G	----- -1.92 L	-0.03 G	0.00 A
165.0	----- -20.63 G	----- -1.92 L	-0.01 G	0.00 A
160.0	----- -26.63 G	----- -2.77 F	0.00 A	0.00 A
153.3	----- -32.51 G	----- -2.63 L	-0.02 K	0.00 A
146.7	----- -37.90 G	----- -2.92 L	-0.01 G	0.00 A
140.0	----- -43.25 G	----- -2.73 L	-0.02 K	0.00 A
133.3	----- -48.36 G	----- -3.02 L	-0.01 A	0.00 A
126.7	----- -53.09 G	----- -2.81 F	-0.02 K	0.00 A
120.0	----- -57.71 G	----- -2.90 L	-0.01 G	0.00 A
113.3	----- -62.11 G	----- -2.75 F	-0.02 K	0.00 A
106.7	----- -66.46 G	----- -2.85 L	-0.01 G	0.00 A
100.0	----- -71.57 G	----- -3.00 F	-0.02 K	0.00 A
90.0	----- -77.68 G	----- -3.06 L	-0.02 G	0.00 A
80.0	----- -83.47 G	----- -2.96 F	-0.02 K	0.00 A
70.0	----- -89.19 G	----- -3.05 L	-0.02 G	0.00 A
60.0	----- -94.69 G	----- -2.99 F	-0.02 K	0.00 A
50.0	----- -100.15 G	----- -3.09 L	-0.02 G	0.00 A
40.0	----- -105.49 G	----- -3.06 F	-0.01 K	0.00 A
30.0	----- -110.80 G	----- -3.17 L	-0.01 G	0.00 A
20.0	----- -116.09 G	----- -3.14 F	0.00 K	0.00 A
10.0	----- -121.37 G	----- -3.24 L	-0.01 G	0.00 A
0.0	-----	-----	0.00 A	0.00 A

MAXIMUM INDIVIDUAL FOUNDATION LOADS: (kip)

-----LOAD-----COMPONENTS-----				TOTAL
NORTH	EAST	DOWN	UPLIFT	SHEAR
11.76 G	10.10 K	123.83 G	-88.45 A	11.76 G

MAXIMUM TOTAL LOADS ON FOUNDATION : (kip & kip-ft)

-----HORIZONTAL-----			DOWN	-----OVERTURNING-----			TORSION
NORTH	EAST	TOTAL		NORTH	EAST	TOTAL	
		@ 0.0				@ 0.0	
18.5 G	17.5 J	18.5 G	48.9 G	2327.9 G	2211.8 J	2327.9 G	6.8 D

=====

**Seismic Load Effects  
Equivalent Lateral Force Procedure  
ANSI/TIA-222-H**

		Vertical Distribution of Seismic Forces							
		$h_n$ (ft.)	$w_n$ (kips)	$W_n$ (kips)	$w \cdot h_n^{ke}$	$F_x$ or $E_h$ (kips)	$E_v$ (kips)	$1.2 D + 1.0 E_v$ (kips)	$0.9 D - 1.0 E_v$ (kips)
<b>Parameters</b>									
Risk Category									
R	3.000								
S <sub>s</sub>	0.583								
S <sub>1</sub>	0.211								
Site Class	C								
T <sub>L</sub> (sec)	12.000								
F <sub>a</sub>	1.267								
F <sub>v</sub>	1.500								
S <sub>M5</sub>	0.739								
S <sub>M1</sub>	0.317								
S <sub>D5</sub>	0.492								
S <sub>D1</sub>	0.211								
T <sub>s</sub>	0.429								
I <sub>e</sub>	1.000								
Ω	1.500								
C <sub>s</sub>	0.115								
h (ft)	195.00								
K <sub>f</sub>	4.540								
W <sub>a</sub> (ft)	15.25								
W <sub>o</sub> (ft)	25.00								
W (kips)	53.614								
W <sub>1</sub> (kips)	27.992								
W <sub>2</sub> (kips)	6.679								
f <sub>1</sub> (Hertz)	1.636								
T (sec)	0.611								
k <sub>e</sub>	1.0555								
V <sub>s</sub> (kips)	6.166								
Seismic Design Category	D								
Description		192.50	0.0200	0.0390	5.1552	0.0042	0.0020	0.0260	0.0160
Ladder		190.00	6.0000	6.0000	1,525.3717	1.2340	0.5904	7.7904	4.8096
Antenna Load		187.50	0.7180	0.4667	180.0020	0.1456	0.0707	0.9323	0.5755
Structure - Section 1		185.00	0.0400	0.0400	9.8869	0.0080	0.0039	0.0519	0.0321
Ladder		185.00	0.1336	0.1336	33.0222	0.0267	0.0131	0.1734	0.1071
Ladder/Line		177.50	0.0200	0.0000	4.7322	0.0038	0.0020	0.0260	0.0160
Ladder		177.50	0.0668	0.0000	15.8054	0.0128	0.0066	0.0868	0.0535
Ladder/Line		175.00	6.0000	6.0000	1,398.5497	1.1314	0.5904	7.7904	4.8096
Antenna Load		170.00	1.0910	0.0000	246.6400	0.1995	0.1074	1.4166	0.8745
Structure - Section 2		167.50	0.0600	0.0000	13.3536	0.0108	0.0059	0.0779	0.0481
Ladder		167.50	0.2004	0.0000	44.6011	0.0361	0.0197	0.2602	0.1607
Ladder/Line		167.50	0.2004	0.0000	44.6011	0.0361	0.0197	0.2602	0.1607
Ladder/Line		160.00	4.0000	0.0000	848.2202	0.6862	0.3936	5.1936	3.2064
Antenna Load		152.50	0.0600	0.0000	12.0946	0.0098	0.0059	0.0779	0.0481
Ladder		152.50	0.2004	0.0000	40.3961	0.0327	0.0197	0.2602	0.1607
Ladder/Line		152.50	0.2004	0.0000	40.3961	0.0327	0.0197	0.2602	0.1607
Ladder/Line		152.50	0.2004	0.0000	40.3961	0.0327	0.0197	0.2602	0.1607
Ladder/Line		150.00	1.7400	0.0000	344.6780	0.2788	0.1712	2.2592	1.3948
Structure - Section 3		145.00	0.4500	0.0000	86.0075	0.0696	0.0443	0.5843	0.3607
Antenna Load		145.00	0.0500	0.0000	9.5564	0.0077	0.0049	0.0649	0.0401
Mount Load		145.00	0.5000	0.0000	95.5639	0.0773	0.0492	0.6492	0.4008
Mount/Antenna Load		142.50	0.0200	0.0000	3.7530	0.0030	0.0020	0.0260	0.0160
Ladder		142.50	0.0668	0.0000	12.5351	0.0101	0.0066	0.0868	0.0535
Ladder/Line		142.50	0.0668	0.0000	12.5351	0.0101	0.0066	0.0868	0.0535
Ladder/Line		142.50	0.0694	0.0000	13.0230	0.0105	0.0068	0.0901	0.0557
Ladder/Line		137.50	0.0200	0.0000	3.6142	0.0029	0.0020	0.0260	0.0160
Ladder		137.50	0.0694	0.0000	12.5412	0.0101	0.0068	0.0901	0.0557
Ladder/Line		137.50	0.0668	0.0000	12.0713	0.0098	0.0066	0.0868	0.0535
Ladder/Line		137.50	0.0668	0.0000	12.0713	0.0098	0.0066	0.0868	0.0535
Ladder/Line		135.00	0.4500	0.0000	79.7590	0.0645	0.0443	0.5843	0.3607
Antenna Load		135.00	0.0500	0.0000	8.8621	0.0072	0.0049	0.0649	0.0401
Mount Load		135.00	0.5000	0.0000	88.6211	0.0717	0.0492	0.6492	0.4008
Mount/Antenna Load		130.00	1.9250	0.0000	327.8672	0.2652	0.1894	2.4994	1.5431
Structure - Section 4		127.50	0.0600	0.0000	10.0119	0.0081	0.0059	0.0779	0.0481
Ladder		127.50	0.2080	0.0000	34.7080	0.0281	0.0205	0.2701	0.1667
Ladder/Line									

**Seismic Load Effects**  
**Equivalent Lateral Force Procedure**  
**ANSI/TIA-222-H**

Description	h <sub>i</sub> (ft.)	w <sub>i</sub> (kips)	W <sub>2</sub> (kips)	w <sub>h</sub> <sup>ke</sup>	Vertical Distribution of Seismic Forces			0.9 D - 1.0 E <sub>v</sub> (kips)
					F <sub>z</sub> or E <sub>b</sub> (kips)	E <sub>v</sub> (kips)	1.2 D + 1.0 E <sub>v</sub> (kips)	
Ladder/Line	127.50	0.2004	0.0000	33.4398	0.0271	0.0197	0.2602	0.1607
Ladder/Line	127.50	0.2080	0.0000	34.7080	0.0281	0.0205	0.2701	0.1667
Ladder	110.00	0.0800	0.0000	11.4230	0.0092	0.0079	0.1039	0.0641
Ladder/Line	110.00	0.2774	0.0000	39.6092	0.0320	0.0273	0.3602	0.2224
Ladder/Line	110.00	0.2672	0.0000	38.1528	0.0309	0.0263	0.3469	0.2142
Ladder/Line	110.00	0.2774	0.0000	39.6092	0.0320	0.0273	0.3602	0.2224
Structure - Section 5	110.00	2.5870	0.0000	369.3911	0.2988	0.2546	3.3590	2.0737
Ladder	90.00	0.0800	0.0000	9.2426	0.0075	0.0079	0.1039	0.0641
Ladder/Line	90.00	0.2672	0.0000	30.8702	0.0250	0.0263	0.3469	0.2142
Ladder/Line	90.00	0.2774	0.0000	32.0486	0.0259	0.0273	0.3602	0.2224
Ladder/Line	90.00	0.2774	0.0000	32.0486	0.0259	0.0273	0.3602	0.2224
Structure - Section 6	90.00	3.0280	0.0000	349.8314	0.2830	0.2980	3.9316	2.4272
Ladder	70.00	0.0800	0.0000	7.0891	0.0057	0.0079	0.1039	0.0641
Ladder/Line	70.00	0.2774	0.0000	24.5814	0.0199	0.0273	0.3602	0.2224
Ladder/Line	70.00	0.2672	0.0000	23.6776	0.0192	0.0263	0.3469	0.2142
Ladder/Line	70.00	0.2774	0.0000	24.5814	0.0199	0.0273	0.3602	0.2224
Structure - Section 7	70.00	3.5190	0.0000	311.8317	0.2523	0.3463	4.5691	2.8208
Ladder	50.00	0.0800	0.0000	4.9700	0.0040	0.0079	0.1039	0.0641
Ladder/Line	50.00	0.2774	0.0000	17.2333	0.0139	0.0273	0.3602	0.2224
Ladder/Line	50.00	0.2774	0.0000	17.2333	0.0139	0.0273	0.3602	0.2224
Ladder/Line	50.00	0.2672	0.0000	16.5997	0.0134	0.0263	0.3469	0.2142
Structure - Section 8	50.00	3.7300	0.0000	231.7243	0.1875	0.3670	4.8430	2.9900
Ladder	30.00	0.0800	0.0000	2.8986	0.0023	0.0079	0.1039	0.0641
Ladder/Line	30.00	0.2672	0.0000	9.6814	0.0078	0.0263	0.3469	0.2142
Ladder/Line	30.00	0.2774	0.0000	10.0510	0.0081	0.0273	0.3602	0.2224
Ladder/Line	30.00	0.2774	0.0000	10.0510	0.0081	0.0273	0.3602	0.2224
Structure - Section 9	30.00	4.0890	0.0000	148.1558	0.1199	0.4024	5.3092	3.2777
Ladder	10.00	0.0800	0.0000	0.9091	0.0007	0.0079	0.1039	0.0641
Ladder/Line	10.00	0.2672	0.0000	3.0362	0.0025	0.0263	0.3469	0.2142
Ladder/Line	10.00	0.2774	0.0000	3.1521	0.0025	0.0273	0.3602	0.2224
Ladder/Line	10.00	0.2774	0.0000	3.1521	0.0025	0.0273	0.3602	0.2224
Structure - Section 10	10.00	5.2500	0.0000	59.6567	0.0483	0.5166	6.8166	4.2084
Σ		53.61	6.6793	7.621.64	6.17	5.28	69.61	42.98

Leg Connection Details														
Bottom Elevation (ft)	Top Elevation (ft)	Pipe Dimensions	Top Splice				Bottom Splice/Base							
			Bolt Qty.	Bolt Dia. (in)	Bolt Circle (in)	Plate Thickness (in)	Plate Dia. (in)	Bolt Qty.	Bolt Dia. (in)	Bolt Circle (in)	Plate Thickness (in)	Plate Dia. (in)		
180	195	2.875 OD X .203								6	0.75	6.50	1.00	8.50
160	180	3.500 OD X .216	6	0.75	6.50	1.00	8.50	6	1.00	9.00	1.25	9.00	1.25	11.50
140	160	4.000 OD X .318	6	1.00	9.00	1.25	11.50	6	1.00	9.00	1.25	9.00	1.25	11.50
120	140	5.563 OD X .258	6	1.00	9.00	1.25	11.50	6	1.00	9.00	1.25	9.00	1.25	11.50
100	120	5.563 OD X .375	6	1.00	9.00	1.25	11.50	6	1.00	9.00	1.25	9.00	1.25	11.50
80	100	5.563 OD X .500	6	1.00	9.00	1.25	11.50	6	1.00	9.00	1.25	9.00	1.25	11.50
60	80	5.563 OD X .500	6	1.00	9.00	1.25	11.50	6	1.25	12.50	1.75	12.50	1.75	15.75
40	60	8.625 OD X .322	6	1.25	12.50	1.50	15.75	6	1.25	12.50	1.50	12.50	1.50	15.75
20	40	8.625 OD X .322	6	1.25	12.50	1.50	15.75	6	1.25	12.50	1.50	12.50	1.50	15.75
0	20	8.625 OD X .500	6	1.25	12.50	1.50	15.75	6	1.25	12.75	1.50	12.75	1.50	16.00



Diagonal Bracing Connection Details									
Bottom Elevation (ft)	Top Elevation (ft)	Angle Shape	Bolt Qty.	Bolt Dia. (in)	Bolt End Distance (in)	Bolt Spacing (in)	Gage Distance From Heel (in)	Gusset Plate Thickness (in)	
180	195	L 1 3/4 X 1 3/4 X 1/8	1	0.625	1.500		1.000	0.375	
160	180	L 2 X 2 X 1/8	1	0.625	1.500		1.125	0.375	
140	160	L 2 1/2 X 2 1/2 X 3/16	1	0.625	1.500		1.375	0.375	
120	140	L 2 1/2 X 2 1/2 X 3/16	1	0.625	1.500		1.375	0.375	
100	120	L 3 X 3 X 3/16	1	0.750	1.500		1.750	0.375	
80	100	L 3 X 3 X 1/4	1	0.750	1.625		1.750	0.375	
60	80	L 3 1/2 X 3 1/2 X 1/4	1	0.750	1.625		1.750	0.375	
40	60	L 3 1/2 X 3 1/2 X 1/4	1	0.750	1.625		1.750	0.375	
20	40	L 4 X 4 X 1/4	1	0.750	1.625		2.000	0.375	
0	20	L 4 X 4 X 1/4	2	0.625	1.625	2.1250	2.000	0.500	

**MAT FOUNDATION DESIGN BY SABRE INDUSTRIES**

195' S3TL Series HD1 TILLMAN INFRASTRUCTURE, LLC TI-OPP-36104, KY (25-0161-TJH-R1) 2024-05-31 TTW

<b>Overall Loads:</b>			
Factored Moment (ft-kips)	7193.70		
Factored Axial (kips)	152.76		
Factored Shear (kips)	56.76		
<b>Individual Leg Loads:</b>			
Factored Uplift (kips)	309.00	Tower eccentric from mat (ft)=	2
Factored Download (kips)	352.00		
Factored Shear (kips)	34.00		
Width of Tower (ft)	25	Allowable Bearing Pressure (ksf)	2.50
Ultimate Bearing Pressure	5.00	Safety Factor	2.00
Bearing $\Phi$ s	0.75		
Bearing Design Strength (ksf)	3.75	Max. Factored Net Bearing Pressure (ksf)	2.97
Water Table Below Grade (ft)	999		
Width of Mat (ft)	31	Minimum Mat Width (ft)	30.83
Thickness of Mat (ft)	1.5		
Depth to Bottom of Slab (ft)	5.5		
Bolt Circle Diameter (in)	12.75		
Effective Anchor Bolt Embedment	52.125	Minimum Pier Diameter (ft)	2.40
Diameter of Pier (ft)	3.5	Equivalent Square b (ft)	3.10
Ht. of Pier Above Ground (ft)	0.5		
Ht. of Pier Below Ground (ft)	4		
Quantity of Bars in Mat	55		
Bar Diameter in Mat (in)	1		
Area of Bars in Mat (in <sup>2</sup> )	43.20		
Spacing of Bars in Mat (in)	6.76	Recommended Spacing (in)	6 to 12
Quantity of Bars Pier	18		
Bar Diameter in Pier (in)	0.875		
Tie Bar Diameter in Pier (in)	0.5		
Spacing of Ties (in)	4		
Area of Bars in Pier (in <sup>2</sup> )	10.82	Minimum Pier A <sub>s</sub> (in <sup>2</sup> )	6.93
Spacing of Bars in Pier (in)	5.93	Recommended Spacing (in)	5 to 12
f'c (ksi)	4.5		
fy (ksi)	60		
Unit Wt. of Soil (kcf)	0.115		
Unit Wt. of Concrete (kcf)	0.15		
Volume of Concrete (yd <sup>3</sup> )	58.20		

**MAT FOUNDATION DESIGN BY SABRE INDUSTRIES (CONTINUED)**

**Two-Way Shear:**

Average d (in)	14		
$\phi v_c$ (ksi)	0.201	$v_u$ (ksi)	0.123
$\phi v_c = \phi(2 + 4/\beta_c)f_c^{1/2}$	0.302		
$\phi v_c = \phi(\alpha_s d/b_o + 2)f_c^{1/2}$	0.238		
$\phi v_c = \phi 4f_c^{1/2}$	0.201		
Shear perimeter, $b_o$ (in)	204.89		
$\beta_c$	1		

**Stability:**

Overturning Design Strength (ft-k)	9777.5	Factored Overturning Moment (ft-k)	7534.3
------------------------------------	--------	------------------------------------	--------

**One-Way Shear:**

$\phi V_c$ (kips)	524.0	$V_u$ (kips)	381.4
-------------------	-------	--------------	-------

**Pier Design:**

Design Tensile Strength (kips)	584.5	$T_u$ (kips)	309.0
--------------------------------	-------	--------------	-------

**Shear:**

$\phi$	0.75		
$V_c$ (kips)	104.9		
$V_s$ (kips)	197.9	$V_{s,max}$ (kips)	757.3
$\phi V_n$ (kips)	227.1	$V_u$ (kips)	34.0
Maximum Spacing (in)	11.15	(Only if Shear Ties are Required)	
Actual Hook Development (in)	13.00	Req'd Hook Development $l_{dh}$ (in) - Tension	10.96
		Req'd Hook Development $l_{dc}$ (in) - Compression	11.81

**Anchor Bolt Pull-Out:**

$N_{ua} / \phi N_n$	0.65	$V_{ua} / \phi V_n$	0.15
Pier Rebar Development Length (in)	41.64	Required Length of Development (in)	23.48

**Flexure in Slab:**

$\phi M_n$ (ft-kips)	2544.4	$M_u$ (ft-kips)	2529.2
a (in)	1.82		
Steel Ratio	0.00829		
$\beta_1$	0.825		
Maximum Steel Ratio ( $\rho_t$ )	0.0197		
Minimum Steel Ratio	0.0018		

Condition	1 is OK, 0 Fails
Minimum Mat Width	1
Maximum Soil Bearing Pressure	1
Pier Area of Steel	1
Pier Shear	1
Two-Way Shear	1
Overturning	1
Anchor Bolt Pull-Out	1
Flexure	1
Steel Ratio	1
Interaction Diagram	1
One-Way Shear	1
Hook Development	1
Minimum Mat Depth	1
Anchor Bolt Punching Shear	1

**DRILLED STRAIGHT PIER DESIGN BY SABRE INDUSTRIES**

195' S3TL Series HD1 TILLMAN INFRASTRUCTURE, LLC TI-OPP-36104, KY (25-0161-TJH-R1) 2024-05-31

Factored Uplift (kips)	309.00
Factored Download (kips)	352.00
Factored Shear (kips)	34.00

Ultimate Bearing Pressure	27.6
Bearing $\phi_s$	0.75
Bearing Design Strength (ksf)	20.7

Water Table Below Grade (ft)	999
Bolt Circle Diameter (in)	12.75

Effective Anchor Bolt Embedment	52.125
Pier Diameter (ft)	4
Ht. Above Ground (ft)	0.5
Pier Length Below Ground (ft)	40

Minimum Pier Diameter (ft) 2.40

Quantity of Bars	12
Bar Diameter (in)	1.128
Area of Bars (in <sup>2</sup> )	11.99
Spacing of Bars (in)	10.32
Tie Bar Diameter (in)	0.5
Spacing of Ties (in)	12

Minimum Area of Steel (in<sup>2</sup>) 9.05

$f'_c$ (ksi)	4.5
$f_y$ (ksi)	60
Unit Wt. of Concrete (kcf)	0.15
Volume of Concrete (yd <sup>3</sup> )	18.85

Length to ignore download (ft)

Ignore bottom length in download?

0

Depth at Bottom of Layer (ft)	Ult. Skin Friction (ksf)	(Ult. Skin Friction)*(Uplift Factor)	$\gamma$ (kcf)
2	0.00	0.00	0.11
9	0.40	0.40	0.11
25	0.50	0.50	0.11
40	1.00	1.00	0.11

**DRILLED STRAIGHT PIER DESIGN BY SABRE INDUSTRIES (CONTINUED)**

**Download:**

$\Phi_s$ , Download Friction	0.75		
$Q_f$ , Skin Friction (kips)	324.2	$W_s$ (kips)	55.3
$Q_b$ , End Bearing Strength (kips)	346.8	$W_c$ (kips)	76.3
Download Design Strength (kips)	503.3	Factored Net Download (kips)	377.3

**Uplift (skin friction):**

$\Phi_s$ , Uplift (friction)	0.75		
$Q_f$ , Skin Friction (kips)	324.2		
$W_c$ (kips)	76.3		
$W_w$ (kips)	0.0		
Uplift Design Strength (kips)	311.9	Factored Uplift (kips)	309.0

**Uplift (cone):**

$\Phi_s$ , Uplift (cone)	0.75		
$W_{s,cone}$ (kips)	3095.9		
$W_{w,cone}$ (kips)	0.0		
$W_c$ (kips)	76.3		
$W_{w,cyl}$ (kips)	0.0		
Uplift Design Strength (kips)	2390.6	Factored Uplift (kips)	309.0

**Tension:**

Design Tensile Strength (kips)	647.6	$T_u$ (kips)	309.0
--------------------------------	-------	--------------	-------

**Shear:**

$\phi$	0.75		
$V_c$ (kips)	162.8		
$V_s$ (kips)	75.4	$V_{s,max}$ (kips)	989.2
$\phi V_n$ (kips)	178.7	$V_u$ (kips)	34.0

**Anchor Bolt Pull-Out:**

$N_{ua} / \phi N_n$	0.65	$V_{ua} / \phi V_n$	0.15
Rebar Development Length (in)	39.63	Required Length of Development (in)	30.27

Condition	1 is OK, 0 Fails
Download	1
Uplift	1
Area of Steel	1
Shear	1
Anchor Bolt Pull-Out	1
Interaction Diagram	1

**EXHIBIT D**  
**COMPETING UTILITIES, CORPORATIONS, OR PERSONS LIST**

# KY Public Service Commission

## Master Utility Search

- Search for the utility of interest by using any single or combination of criteria.
- Enter Partial names to return the closest match for Utility Name and Address/City/Contact entries.

Utility ID	Utility Name	Address/City/Contact	Utility Type	Status
<input type="text"/>	<input type="text"/>	<input type="text"/>	<input type="text"/>	Active <input type="text"/>

**Search**

	Utility ID	Utility Name	Utility Type	Class	City	State
<input type="button" value="View"/>	4111300	2600Hz, Inc. dba ZSWITCH	Cellular	D	Henderson	NV
<input type="button" value="View"/>	4115150	ACN Communication Services, LLC dba Flash Wireless dba Flash Mobile	Cellular	D	Concord	
<input type="button" value="View"/>	4113600	AFNET, LLC	Cellular	D	Alpharetta	GA
<input type="button" value="View"/>	4108300	Air Voice Wireless, LLC d/b/a AirTalk Wireless	Cellular	A	Houston	TX
<input type="button" value="View"/>	4115200	Airespring, Inc.	Cellular	C	Clearwater	FL
<input type="button" value="View"/>	4113150	ALLDATA COMMUNICATIONS CORP.	Cellular	D	Brooklyn	NY
<input type="button" value="View"/>	4111900	ALLNETAIR, INC.	Cellular	D	West Palm Beach	FL
<input type="button" value="View"/>	44451184	Alltel Corporation d/b/a Verizon Wireless	Cellular	A	Lisle	IL
<input type="button" value="View"/>	4110850	AltaWorx, LLC	Cellular	D	Fairhope	AL
<input type="button" value="View"/>	4107800	American Broadband and Telecommunications Company	Cellular	D	Toledo	OH
<input type="button" value="View"/>	4108650	AmeriMex Communications Corp.	Cellular	A	Safety Harbor	FL

<a href="#">View</a>	4105100	AmeriVision Communications, Inc. d/b/a Affinity 4	Cellular	D	Virginia Beach	VA
<a href="#">View</a>	4114250	Approved Contact LLC	Cellular	D	Reno	NV
<a href="#">View</a>	4115050	Aquarius Silver LLC	Cellular	C	Sheridan	WY
<a href="#">View</a>	4105700	Assurance Wireless USA, L.P.	Cellular	D	Atlanta	GA
<a href="#">View</a>	4114150	Atlantic Mobile US LLC d/b/a Angel Mobile	Cellular	D	Wilmington	DE
<a href="#">View</a>	4113100	BARK TECHNOLOGIES, INC.	Cellular	D	Charlotte	NC
<a href="#">View</a>	4108600	BCN Telecom, Inc.	Cellular	D	Morristown	NJ
<a href="#">View</a>	4106000	Best Buy Health, Inc. d/b/a GreatCall d/b/a Jitterbug	Cellular	A	San Diego	CA
<a href="#">View</a>	4111050	BlueBird Communications, LLC	Cellular	D	New York	NY
<a href="#">View</a>	4107600	Boomerang Wireless, LLC	Cellular	A	Dallas	TX
<a href="#">View</a>	4100700	Cellco Partnership dba Verizon Wireless	Cellular	A	Basking Ridge	NJ
<a href="#">View</a>	4106600	Cintex Wireless, LLC	Cellular	D	Houston	TX
<a href="#">View</a>	4112900	Clear Mobile, LLC	Cellular	D	Tulsa	OK
<a href="#">View</a>	4114550	Cliq Communications LLC d/b/a Cliq Mobile	Cellular	D	Coral Gables	FL
<a href="#">View</a>	4111150	Comcast OTR1, LLC	Cellular	A	Phoeniexville	PA
<a href="#">View</a>	4113550	Comlink Total Solutions Corp	Cellular	D	Fort Myers	FL
<a href="#">View</a>	4101900	Consumer Cellular, Incorporated	Cellular	A	Portland	OR
<a href="#">View</a>	4112700	Cox Wireless, LLC	Cellular	D	Atlanta	GA
<a href="#">View</a>	4108850	Cricket Wireless, LLC	Cellular	A	San Antonio	TX
<a href="#">View</a>	4111500	CSC Wireless, LLC d/b/a Altice Wireless	Cellular	B	Long Island City	NY
<a href="#">View</a>	4114000	Daywalker Mobile Inc.	Cellular	D	Bartlesville	OK
<a href="#">View</a>	4112000	DISH Wireless L.L.C.	Cellular	A	Englewood	CO
<a href="#">View</a>	4111200	Dynalink Communications, Inc.	Cellular	C	Brooklyn	NY
<a href="#">View</a>	4111800	Earthlink, LLC	Cellular	B	Atlanta	GA
<a href="#">View</a>	4101000	East Kentucky Network, LLC dba Appalachian Wireless	Cellular	A	Ivel	KY
<a href="#">View</a>	4002300	Easy Telephone Service Company dba Easy Wireless	Cellular	D	Ocala	FL
<a href="#">View</a>	4113250	Elevate Platforms, LLC	Cellular	D	Nashville	TN



<a href="#">View</a>	4109500	Enhanced Communications Group, LLC	Cellular	D	Bartlesville	OK
<a href="#">View</a>	4113800	EVOLVE WIRELESS LLC	Cellular	D	Maumee	OH
<a href="#">View</a>	4110450	Excellus Communications, LLC	Cellular	D	Harrisburg	SD
<a href="#">View</a>	4112400	Excess Telecom Inc.	Cellular	D	Beverly Hills	CA
<a href="#">View</a>	4104800	France Telecom Corporate Solutions L.L.C.	Cellular	D	Herndon	VA
<a href="#">View</a>	4111750	Gabb Wireless, Inc.	Cellular	A	Lehi	UT
<a href="#">View</a>	4109350	Global Connection Inc. of America	Cellular	D	Newport	KY
<a href="#">View</a>	4102200	Globalstar USA, LLC	Cellular	C	Covington	LA
<a href="#">View</a>	4112850	GO TECHNOLOGY MANAGEMENT, LLC	Cellular	D	Atlanta	GA
<a href="#">View</a>	4109600	Google North America Inc.	Cellular	A	Mountain View	CA
<a href="#">View</a>	4113500	GR8 CONNECT Corp.	Cellular	C	Brooklyn	NY
<a href="#">View</a>	33350363	Granite Telecommunications, LLC	Cellular	D	Quincy	MA
<a href="#">View</a>	4114300	Group F Consulting, LLC	Cellular	D		
<a href="#">View</a>	4114050	Helix Wireless Inc.	Cellular	D	Monmouth Junction	NJ
<a href="#">View</a>	4111350	HELLO MOBILE TELECOM LLC	Cellular	D	Dania Beach	FL
<a href="#">View</a>	4112950	Hoop Wireless, LLC	Cellular	D	Lakewood	NJ
<a href="#">View</a>	4103100	i-Wireless, LLC	Cellular	C	Newport	KY
<a href="#">View</a>	4112550	IDT Domestic Telecom, Inc.	Cellular	D	Newark	NJ
<a href="#">View</a>	4109800	IM Telecom, LLC d/b/a Infiniti Mobile	Cellular	D	Plano	TX
<a href="#">View</a>	4112650	Insight Mobile, Inc.	Cellular	D	Los Angeles	CA
<a href="#">View</a>	4115300	Interactivetel LLC	Cellular	C	Houston	TX
<a href="#">View</a>	4111950	J Rhodes Enterprises LLC	Cellular	D	Gulf Breeze	FL
<a href="#">View</a>	22215360	KDDI America, Inc.	Cellular	D	Staten Island	NY
<a href="#">View</a>	10872	Kentucky RSA #1 Partnership	Cellular	A	Basking Ridge	NJ
<a href="#">View</a>	4112200	Lexvor Inc.	Cellular	D	Irvine	CA
<a href="#">View</a>	4111250	Liberty Mobile Wireless, LLC	Cellular	B	Sunny Isles Beach	FL
<a href="#">View</a>	4114900	Liberty Wireless, LLC	Cellular	C	Rockville	MD
<a href="#">View</a>	4114750	Link Mobile, Inc.	Cellular	C	New York	NY
<a href="#">View</a>	4111400	Locus Telecommunications, LLC	Cellular	D	Fort Lee	NJ
<a href="#">View</a>	4114500	Lux Mobile USA, Inc	Cellular	D	Baton Rouge	LA

<a href="#">View</a>	4107300	Lycamobile USA, Inc.	Cellular	D	Newark	NJ
<a href="#">View</a>	4112500	Marconi Wireless Holdings, LLC	Cellular	B	Westlake Village	CA
<a href="#">View</a>	4113850	MAXSIP TEL KENTUCKY LLC d/b/a Maxsip Telecom	Cellular	D	Woodmere	NY
<a href="#">View</a>	4114800	Mediacom Wireless LLC	Cellular	C	Mediacom Park	NY
<a href="#">View</a>	4108800	MetroPCS Michigan, LLC	Cellular	A	Bellevue	WA
<a href="#">View</a>	4111700	Mint Mobile, LLC	Cellular	A	Costa Mesa	CA
<a href="#">View</a>	4111850	Mobi, Inc.	Cellular	D	Honolulu	HI
<a href="#">View</a>	4115100	Mobile 13, Inc	Cellular	C	South Jordan	UT
<a href="#">View</a>	4114100	MVNO Connect LLC	Cellular	D	St. Petersburg	FL
<a href="#">View</a>	4113350	NatWireless, LLC	Cellular	D	Houston	TX
<a href="#">View</a>	4202400	New Cingular Wireless PCS, LLC	Cellular	A	San Antonio	TX
<a href="#">View</a>	4110700	Norcell, LLC	Cellular	D	Clayton	WA
<a href="#">View</a>	4113700	Nova Labs, Inc. dba Helium Mobile	Cellular	D	Las Vegas	NV
<a href="#">View</a>	4110750	Onvoy Spectrum, LLC	Cellular	D	Chicago	IL
<a href="#">View</a>	4114950	Panda Mobile LLC	Cellular	C	Sparks	NV
<a href="#">View</a>	4109050	Patriot Mobile LLC	Cellular	B	Grapevine	TX
<a href="#">View</a>	4110250	Plintron Technologies USA LLC	Cellular	D	Bellevue	WA
<a href="#">View</a>	33351182	PNG Telecommunications, Inc. dba PowerNet Global Communications	Cellular	D	Cincinnati	OH
<a href="#">View</a>	4114850	POWER MOBILE LLC	Cellular	C	Rockville Centre	NY
<a href="#">View</a>	4112800	Prepaid Wireless Group, LLC dba Prepaid Wireless Wholesale	Cellular	D	Rockville	MD
<a href="#">View</a>	4114350	PRESTO WIRELESS Corp.	Cellular	D	Fair Lawn	NJ
<a href="#">View</a>	4115000	Prosper Wireless LLC	Cellular	D	Sherman Oaks	CA
<a href="#">View</a>	4107700	Puretalk Holdings, Inc.	Cellular	A	Covington	GA
<a href="#">View</a>	4106700	Q Link Wireless, LLC	Cellular	A	Dania	FL
<a href="#">View</a>	4108700	Ready Wireless, LLC	Cellular	D	Cedar Rapids	IA
<a href="#">View</a>	4113200	Red Pocket Inc.	Cellular	D	Thousand Oaks	CA
<a href="#">View</a>	4114200	Rocstar Wireless LLC	Cellular	D	Bedford	TX
<a href="#">View</a>	4114700	Rocket Mobile LLC	Cellular	C	West Palm Beach	FL
<a href="#">View</a>	4115400	RSCU Mobile, LLC	Cellular	C	Alpine	UT

<a href="#">View</a>	4106200	Rural Cellular Corporation	Cellular	A	Basking Ridge	NJ
<a href="#">View</a>	4108550	Sage Telecom Communications, LLC dba TruConnect	Cellular	A	Los Angeles	CA
<a href="#">View</a>	4113050	Sarver Corporation	Cellular	D	Rancho Cucamonga	CA
<a href="#">View</a>	4109150	SelecTel, Inc. d/b/a SelecTel Wireless	Cellular	A	Fremont	NE
<a href="#">View</a>	4110150	Spectrotel of the South LLC dba Touch Base Communications	Cellular	D	Neptune	NJ
<a href="#">View</a>	4111450	Spectrum Mobile, LLC	Cellular	A	St. Louis	MO
<a href="#">View</a>	4114400	Splash Cellular Inc.	Cellular	C	Bountiful	UT
<a href="#">View</a>	4200100	Sprint Spectrum, L.P.	Cellular	A	Atlanta	GA
<a href="#">View</a>	4200500	SprintCom, LLC	Cellular	A	Atlanta	GA
<a href="#">View</a>	4111600	STX Group LLC dba Twigby	Cellular	D	Murfreesboro	TN
<a href="#">View</a>	4113450	Syntegra North America, LLC	Cellular	D	Denton	TX
<a href="#">View</a>	4202200	T-Mobile Central, LLC dba T-Mobile	Cellular	A	Bellevue	WA
<a href="#">View</a>	4002500	TAG Mobile Bankruptcy Sale Entity, LLC	Cellular	D	Plano	TX
<a href="#">View</a>	4107200	Telefonica Global Solutions USA, Inc.	Cellular	D	Miami	FL
<a href="#">View</a>	4112100	Tello LLC	Cellular	A	Atlanta	GA
<a href="#">View</a>	4108900	Telrite Corporation	Cellular	D	Covington	GA
<a href="#">View</a>	4108450	Tempo Telecom, LLC	Cellular	D	Dallas	TX
<a href="#">View</a>	4113900	TERRACOM Inc. d/b/a Maxsip Tel	Cellular	C	Chattanooga	TN
<a href="#">View</a>	4113950	THE LIGHT PHONE INC.	Cellular	D	Brooklyn	NY
<a href="#">View</a>	4110400	Torch Wireless Corp.	Cellular	B	Bartlett	TN
<a href="#">View</a>	4103300	Touchtone Communications, Inc.	Cellular	D	Cedar Knolls	NJ
<a href="#">View</a>	4104200	TracFone Wireless, Inc.	Cellular	D	Miami	FL
<a href="#">View</a>	4115350	TREK CELLULAR, LLC	Cellular	C	Stevensville	MD
<a href="#">View</a>	4112250	TROOMI WIRELESS, Inc.	Cellular	D	Orem	UT
<a href="#">View</a>	4114600	TruConnect Communications, Inc.	Cellular	D	Los Angeles	CA
<a href="#">View</a>	4002000	Truphone, Inc.	Cellular	D	Durham	NC
<a href="#">View</a>	4112600	Tube Incorporated dba Reach Mobile	Cellular	D	Atlanta	GA
<a href="#">View</a>	4112750	Unity Wireless, Inc.	Cellular	D	Pembroke Pines	FL
<a href="#">View</a>	4110300	UVNV, Inc. d/b/a Mint Mobile	Cellular	C	Costa Mesa	CA

<a href="#">View</a>	10630	Verizon Americas LLC dba Verizon Wireless	Cellular	A	Basking Ridge	NJ
<a href="#">View</a>	4113300	Via Wireless, LLC	Cellular	D	Houston	TX
<a href="#">View</a>	4110800	Visible Service LLC	Cellular	D	Basking Ridge	NJ
<a href="#">View</a>	4113750	VOLT MOBILE Inc	Cellular	D	Delray Beach	FL
<a href="#">View</a>	4114450	WeIncentivize LLC d/b/a ChosenWireless	Cellular	D	San Diego	CA
<a href="#">View</a>	4113000	Whoop Connect Inc.	Cellular	D	Melbourne	FL
<a href="#">View</a>	4115250	WHOOOP MOBILE INC.	Cellular	C	Melbourne	FL
<a href="#">View</a>	4106500	WiMacTel, Inc.	Cellular	D	Calgary, AB	CA
<a href="#">View</a>	4110950	Wing Tel Inc.	Cellular	D	New York	NY
<a href="#">View</a>	4113400	Wrizzle, Inc.	Cellular	D	New Milford	CT
<a href="#">View</a>	4113650	XCHANGE TELECOM LLC	Cellular	D	Brooklyn	NY
<a href="#">View</a>	4112150	Zefcom, LLC	Cellular	C	Wichita Falls	TX

**EXHIBIT E**  
**FAA**



The FAA is currently experiencing delays in processing off-airport aeronautical studies. These delays are currently resulting in an approximate 15 additional days in processing time. The FAA will continue to work aeronautical studies on a first come, first served basis. Please take this possible delay into consideration when determining when to submit your case. If your submitted aeronautical study requires priority and 60 days has elapsed since submission, please contact the OEG Specialist for your state with the rationale for your request and it will be reviewed for escalation. The issue causing these delays is actively being mitigated and is expected to be resolved around August.

« OE/AAA

## Notice Criteria Tool

[Notice Criteria Tool - Desk Reference Guide V\\_2018.2.0](#)

The requirements for filing with the Federal Aviation Administration for proposed structures vary based on a number of factors: height, proximity to an airport, location, and frequencies emitted from the structure, etc. For more details, please reference [CFR Title 14 Part 77.9](#).

You must file with the FAA at least 45 days prior to construction if:

- your structure will exceed 200ft above ground level
- your structure will be in proximity to an airport and will exceed the slope ratio
- your structure involves construction of a traverseway (i.e. highway, railroad, waterway etc...) and once adjusted upward with the appropriate vertical distance would exceed a standard of 77.9(a) or (b)
- your structure will emit frequencies, and does not meet the conditions of the [FAA Co-location Policy](#)
- your structure will be in an instrument approach area and might exceed part 77 Subpart C
- your proposed structure will be in proximity to a navigation facility and may impact the assurance of navigation signal reception
- your structure will be on an airport or heliport
- filing has been requested by the FAA

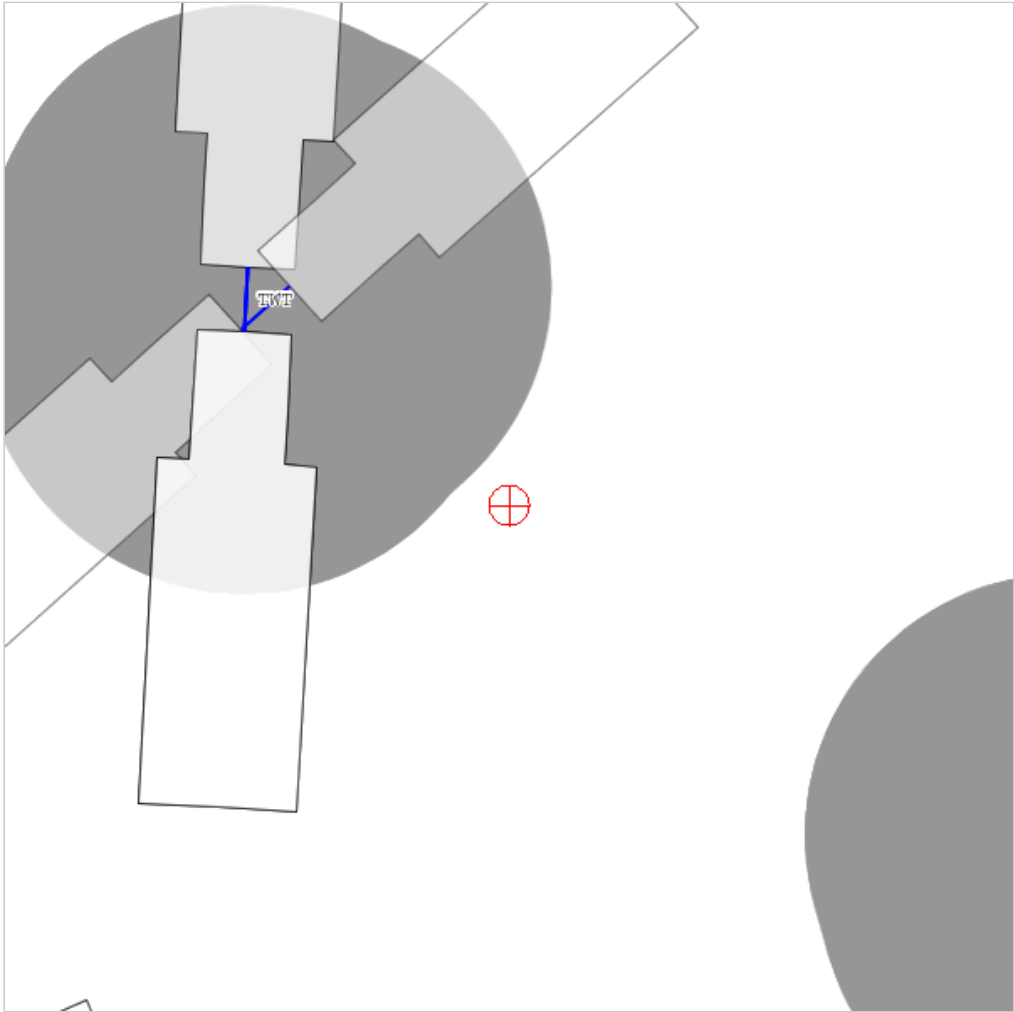
If you require additional information regarding the filing requirements for your structure, please identify and contact the appropriate FAA representative using the [Air Traffic Areas of Responsibility map](#) for Off Airport construction, or contact the [FAA Airports Region / District Office](#) for On Airport construction.

The tool below will assist in applying Part 77 Notice Criteria.

<b>* Structure Type:</b>	TOWER   Antenna Tower
Please select structure type and complete location point information.	
<b>Latitude:</b>	37 Deg 29 M 53.39 S N
<b>Longitude:</b>	87 Deg 53 M 05.63 S W
<b>Horizontal Datum:</b>	NAD83
<b>Site Elevation (SE):</b>	501 (nearest foot)
<b>Structure Height :</b>	199 (nearest foot)
<b>Is structure on airport:</b>	<input checked="" type="radio"/> No <input type="radio"/> Yes

### Results

You do not exceed Notice Criteria.



**EXHIBIT F**  
**KENTUCKY AIRPORT ZONING COMMISSION**



**From:** [Adams, Anthony W \(KYTC\)](#)  
**To:** [Tania Rogers](#)  
**Cc:** [Airport Zoning Commission](#)  
**Subject:** RE: Tradewater application to permit \_KAZC  
**Date:** Tuesday, May 14, 2024 5:05:44 PM  
**Attachments:** [image009.png](#)  
[image011.png](#)  
[image012.png](#)  
[image013.png](#)  
[image014.png](#)  
[image015.png](#)

---

**WARNING:**This message was sent from outside the company. Please exercise your best judgement when opening or responding.

Tania,

Thank you for checking on this location and height.  
The location and height are not in KAZC's jurisdiction, and no KAZC Permit is required.  
This application is not required to be approved by the KY Airport Zoning Commission.

### **Aeronautical Study Result**

The structure is not in KAZC's jurisdiction and does not require a permit.

Structure's Coordinates: 37°29'53.39"N, 87°53'5.63"W

Structure's Height : 199 ft.

User-submitted ground elevation is 501 ft.

DEM's ground elevation is 501.7 ft (KYAPED 2-FT DEM Phase 2).

Contact us if you have any questions.

Regards,



**Anthony Adams**  
KY AIRPORT ZONING  
COMMISSION, ADMINISTRATOR  
Department of Aviation  
90 Airport Road, Bldg 400  
Frankfort, Kentucky 40601  
(502) 564-0151 office  
(502) 330-4022 mobile  
[Airport Zoning Commission | KYTC](#)

---

**From:** Tania Rogers <[tania.rogers@smartlinkgroup.com](mailto:tania.rogers@smartlinkgroup.com)>  
**Sent:** Tuesday, May 14, 2024 12:07 PM  
**To:** Adams, Anthony W (KYTC) <[anthony.adams@ky.gov](mailto:anthony.adams@ky.gov)>  
**Subject:** Tradewater application to permit \_KAZC

**\*\*CAUTION\*\* PDF attachments may contain links to malicious sites. Please contact the COT Service Desk [ServiceCorrespondence@ky.gov](mailto:ServiceCorrespondence@ky.gov) for any assistance.**

Mr. Adams, please see attached application and survey for the new tower site \_Tradewater.  
Let me know if you need anything other documentation.

Thank you,



**Tania Rogers**

Project Manager

📞 919-760-7923

✉ [Tania.rogers@smartlinkgroup.com](mailto:Tania.rogers@smartlinkgroup.com)

📍 10 Church Circle, Annapolis, MD 21401

🌐 [www.smartlinkgroup.com](http://www.smartlinkgroup.com)



**EXHIBIT G**  
**GEOTECHNICAL REPORT**

GEOTECHNICAL REPORT

**Tradewater**

**(16224925)**

**N37° 29' 53.39"**

**W87° 53' 05.63"**

Dave Miller Rd  
Clay, Webster Co, Kentucky

Prepared For:



Prepared By:





May 3, 2024

Ms. Michelle Ward  
AT&T Mobility, LLC  
1120 20<sup>th</sup> Street  
Washington, DC 20036

Re: Geotechnical Report – **PROPOSED SELF SUPPORT TOWER**  
Site Name: Tradewater  
Site Address: Dave Miller Rd, Clay, Webster Co, Kentucky  
Coordinates: N37° 29' 53.39" W87° 53' 05.63"  
POD Project No. 23-159421

Dear Michelle Ward:

Attached is our geotechnical engineering report for the referenced project. This report contains our findings, an engineering interpretation of these findings with respect to the available project characteristics, and recommendations to aid design and construction of the tower and equipment support foundations.

We appreciate the opportunity to be of service to you on this project. If you have any questions regarding this report, please contact our office.

Cordially,

Mark Patterson, P.E.  
Geotechnical Engineer



Copies submitted: (3) Ms. Michelle Ward

LETTER OF TRANSMITTAL

TABLE OF CONTENTS

	<u>Page</u>
<b>1. PURPOSE AND SCOPE.....</b>	<b>1</b>
<b>2. PROJECT CHARACTERISTICS .....</b>	<b>1</b>
<b>3. SUBSURFACE CONDITIONS .....</b>	<b>1</b>
<b>4. FOUNDATION DESIGN RECOMMENDATIONS .....</b>	<b>2</b>
<b>4.1. PROPOSED TOWER.....</b>	<b>2</b>
<b>4.1.1 Drilled Piers .....</b>	<b>3</b>
<b>4.1.2 Mat Foundation.....</b>	<b>3</b>
<b>4.2 EQUIPMENT PLATFORM .....</b>	<b>4</b>
<b>4.3 EQUIPMENT SLAB .....</b>	<b>4</b>
<b>4.4 EQUIPMENT BUILDING.....</b>	<b>4</b>
<b>4.5 DRAINAGE AND GROUNDWATER CONSIDERATIONS.....</b>	<b>5</b>
<b>5. GENERAL CONSTRUCTION PROCEDURES AND RECOMMENDATIONS.....</b>	<b>5</b>
<b>5.1 DRILLED PIERS.....</b>	<b>5</b>
<b>5.2. FILL COMPACTION .....</b>	<b>6</b>
<b>5.3 CONSTRUCTION DEWATERING.....</b>	<b>6</b>
<b>6.0 FIELD INVESTIGATION .....</b>	<b>6</b>
<b>7.0 WARRANTY AND LIMITATIONS OF STUDY .....</b>	<b>7</b>

APPENDIX

BORING LOCATION PLAN  
BORING LOG  
SOIL SAMPLE CLASSIFICATION

Geotechnical Report  
**PROPOSED TOWER**  
Site Name: **Tradewater**  
Dave Miller Rd, Clay, Webster Co, Kentucky  
N37° 29' 53.39" W87° 53' 05.63"

### 1. PURPOSE AND SCOPE

The purpose of this study was to determine the general subsurface conditions at the site of the proposed tower by drilling three borings and to evaluate this data with respect to foundation concept and design for the proposed tower and shelter. Also included is an evaluation of the site with respect to potential construction problems and recommendations dealing with quality control during construction.

### 2. PROJECT CHARACTERISTICS

Our client is proposing to construct a tower and either an equipment shelter, slab or platform at N37° 29' 53.39" W87° 53' 05.63", Dave Miller Rd, Clay, Webster Co, Kentucky. The site is located in a farm field next to woods in a rural part of Webster Co. northwest of Wheatcroft. The proposed lease area will be 10,000 square feet and will be accessed from Dave Miller Rd adjacent to the southeast to the proposed lease area. The elevation at the proposed tower location is about EL 501.5 and there is about 4 feet change in elevation across the proposed lease area. The development will also include a small equipment shelter near the base of the tower. The proposed tower location is shown on the Boring Location Plan in the Appendix.

### 3. SUBSURFACE CONDITIONS

The subsurface conditions were explored by drilling three test borings near the base of the proposed tower. The Geotechnical Soil Test Boring Logs, which are included in the Appendix, describes the materials and conditions encountered. A sheet defining the terms and symbols used on the boring logs is also included in the Appendix. The general subsurface conditions disclosed by the test borings are discussed in the following paragraphs.

According to the Kentucky Geological Survey, Kentucky Geologic Map Information Services, the site is underlain by the Lower Pennsylvanian age Shelburn Formation. Sandstone that is medium to coarse and medium to thick bedded make up this formation with some layers of shale and coal. This formation is non-karst.

The borings encountered between 4 and 5 inches of topsoil at the existing ground surface. Below the topsoil, the borings encountered clayey silt of low plasticity. The SPT N-values in the clayey soil were between 5 to 16 blows per foot (bpf) generally indicating a medium to very stiff consistency. Below the silt and between 9 and 14 feet below the surface, the borings encountered silty clay (CL) of low to medium plasticity. The SPT N-values in the clayey soil were between 11 to

16 blows per foot (bpf) generally indicating a stiff to very stiff consistency. Borings B-2 and B-3 were terminated in the silty clay at the scheduled depth of 20.5 feet. Boring B-1 encountered highly weathered sandstone with trace amounts of clay at about 19 feet to the scheduled terminated depth of 40.5'.

Observations made at the completion of soil drilling operations indicated the borings to be dry. It must be noted, however, that short-term water readings in test borings are not necessarily a reliable indication of the actual groundwater level. Furthermore, it must be emphasized that the groundwater level is not stationary but will fluctuate seasonally.

Based on the limited subsurface conditions encountered at the site and using Table 1615.1.1 of the 2018 Kentucky Building Code, the site class is considered "C". Seismic design requirements for telecommunication towers are given in section 1622 of the code. A detailed seismic study was beyond the scope of this report.

#### **4. FOUNDATION DESIGN RECOMMENDATIONS**

The following design recommendations are based on the previously described project information, the subsurface conditions encountered in our borings, the results of our laboratory testing, empirical correlations for the soil types encountered, our analyses, and our experience. If there is any change in the project criteria or structure location, you should retain us to review our recommendations so that we can determine if any modifications are required. The findings of such a review can then be presented in a supplemental report or addendum.

We recommend that the geotechnical engineer be retained to review the near-final project plans and specifications, pertaining to the geotechnical aspects of the project, prior to bidding and construction. We recommend this review to check that our assumptions and evaluations are appropriate based on the current project information provided to us, and to check that our foundation and earthwork recommendations were properly interpreted and implemented.

##### **4.1. *Proposed Tower***

Our findings indicate that the proposed tower can be supported on drilled piers or on a common mat foundation.



#### 4.1.1 Drilled Piers

The following table summarizes the recommended values for use in analyzing lateral and frictional resistance for the various strata encountered at the test boring. It is important to note that these values are estimated based on the standard penetration test results and soil types and were not directly measured. The all values provided are ultimate values and appropriate factors of safety should be used in conjunction with these values. If the piers will bear deeper than about 40 feet, a deeper boring should be drilled to determine the nature of the deeper material.

Depth Below Ground Surface, feet	0 - 2	2 - 9	9 - 25	25 - 40
Ultimate Bearing Pressure (psf)		11,000	16,500	27,600
<b>C</b> Undrained Shear Strength, psf	500	2,000	3,000	5,000
$\phi$ Angle of Internal Friction degrees	0	0	0	0
Total Unit Weight, pcf	110	120	120	120
Soil Modulus Parameter k, pci	30	500	500	1000
Passive Soil Pressure, psf/one foot of depth		1,350 + 40(D-2)	2,000 + 40(D-9)	3,35 + 40(D-25)
Side Friction, psf		400	500	1000

Note: D = Depth below ground surface (in feet) to point at which the passive pressure is calculated.

It is important that the drilled piers be installed by an experienced, competent drilled pier contractor who will be responsible for properly installing the piers in accordance with industry standards and generally accepted methods, without causing deterioration of the subgrade. The recommendations contained herein relate only to the soil-pier interaction and do not account for the structural design of the piers.

#### 4.1.2 Mat Foundation

A common mat foundation may be used for the tower. The foundation can be designed using a net ultimate bearing pressure of 5,000 pounds per square foot and should bear at least 3 feet in depth. An appropriate factor of safety shall be applied. An appropriate safety factor should be utilized. A friction value of 0.30 may be used between the concrete and the silty soil. The passive pressures given for the drilled pier foundation may be used to resist lateral forces.

It is important that the mat be designed with an adequate factor of safety with regard to overturning under the maximum design wind load.

#### **4.2 Equipment Platform**

An equipment platform may be supported on shallow piers bearing in the natural clay and designed for a net ultimate soil pressure of 4,000 pounds per square foot. An appropriate safety factor should be utilized. The piers should bear at a depth of at least 30 inches to minimize the effects of frost action. All existing topsoil or soft natural soil should be removed beneath footings.

#### **4.3 Equipment Slab**

A concrete slab supporting the equipment must be supported on at least 6-inch layer of relatively clean granular material such as gravel or crushed stone containing not more than 10 percent material that passes through a No. 4 sieve. This is to help distribute concentrated loads and equalize moisture conditions beneath the slab. Provided that a minimum of 6 in. of granular material is placed below the slab, a modulus of subgrade reaction ( $k_{30}$ ) of 110 lbs/cu.in. can be used for design of the slab. All existing topsoil or soft natural soil should be removed beneath crushed stone layer.

#### **4.4 Equipment Building**

If an equipment building support on a slab is chosen in place of the equipment platform, it may be supported on shallow spread footings bearing in the natural clay soil and designed for a net ultimate soil pressure of 4,000 pounds per square foot.

The footings should be at least ten inches wide. If the footings bear on soil they should bear at a depth of at least 30 inches to minimize the effects of frost action. All existing topsoil or soft natural soil should be removed beneath footings.

The floor slab for the new equipment building can be supported on firm natural soils or on new compacted structural fill. Floor slabs must be supported on at least 4-inch layer of relatively clean granular material such as gravel or crushed stone containing not more than 10 percent material that passes through a No. 4 sieve. This is to help distribute concentrated loads and equalize moisture conditions beneath the slab. Provided that a minimum of 4 in. of granular material is placed below the slab, a modulus of subgrade reaction ( $k_{30}$ ) of 110 lbs/cu.in. can be used for design of the floor slabs.

#### 4.5 Drainage and Groundwater Considerations

Good site drainage must be provided. Surface run-off water should be drained away from the tower and platform and not allowed to pond. It is recommended that all foundation concrete be placed the same day the excavation is made.

At the time of this investigation, groundwater was not encountered. Therefore, no special provisions regarding groundwater control are considered necessary for shallow foundations. Any seepage should be able to be pumped with sumps.

### 5. GENERAL CONSTRUCTION PROCEDURES AND RECOMMENDATIONS

It is possible that variations in subsurface conditions will be encountered during construction. Although only minor variations that can be readily evaluated and adjusted for during construction are anticipated, it is recommended the geotechnical engineer, or a qualified representative be retained to perform continuous inspection and review during construction of the soils-related phases of the work. This will permit correlation between the test boring data and the actual soil conditions encountered during construction.

#### 5.1 Drilled Piers

The following recommendations are recommended for drilled pier construction:

- ❖ All piers must be poured the same day drilling is completed so that any shale is not allowed to swell. Clean the foundation bearing area so it is nearly level or suitably benched and is free of ponded water or loose material.
- ❖ Make provisions for ground water removal from the drilled shaft excavation. While the borings were dry prior to rock coring and significant seepage is not anticipated, the drilled pier contractor should have pumps on hand to remove water in the event seepage into the drilled pier is encountered.
- ❖ Specify concrete slumps ranging from 4 to 7 inches for the drilled shaft construction. These slumps are recommended to fill irregularities along the sides and bottom of the drilled hole, displace water as it is placed, and permit placement of reinforcing cages into the fluid concrete.
- ❖ Retain the geotechnical engineer to observe foundation excavations after the bottom of the hole is leveled, cleaned of any mud or extraneous material, and dewatered.
- ❖ Install a temporary protective steel casing to prevent side wall collapse, prevent excessive mud and water intrusion in the drilled shaft.

- ❖ The protective steel casing may be extracted as the concrete is placed provided a sufficient head of concrete is maintained inside the steel casing to prevent soil or water intrusion into the newly placed concrete.
- ❖ Direct the concrete placement into the drilled hole through a centering chute to reduce side flow or segregation.

## **5.2. Fill Compaction**

All engineered fill placed adjacent to and above the tower foundation should be compacted to a dry density of at least 95 percent of the standard Proctor maximum dry density (ASTM D-698). This minimum compaction requirement should be increased to 98 percent for any fill placed below the tower foundation bearing elevation. Any fill placed beneath the tower foundation should be limited to well-graded sand and gravel or crushed stone. The compaction should be accomplished by placing the fill in about 8 inch (or less) loose lifts and mechanically compacting each lift to at least the specified minimum dry density. Field density tests should be performed on each lift as necessary to ensure that adequate moisture conditioning and compaction is being achieved.

Compaction by flooding is not considered acceptable. This method will generally not achieve the desired compaction and large quantities of water will tend to soften the foundation soils.

## **5.3 Construction Dewatering**

If groundwater is encountered in the shallow foundations, it should be minor and can be handled by conventional dewatering methods such as pumping from sumps.

If groundwater is encountered in the drilled pier excavations, it may be more difficult since pumping directly from the excavations could cause a deterioration of the bottom of the excavation. If the pier excavations are not dewatered, concrete should be placed by the tremie method. If groundwater sits on the bottom of the foundation for longer than an hour, the bottom should be cleaned again before the pier is poured.

## **6.0 FIELD INVESTIGATION**

Three soil test boring were drilled near the base of the existing tower. Split-spoon samples were obtained by the Standard Penetration Test (SPT) procedure (ASTM D1586) in all test borings. The borings were terminated at the scheduled depths of 20.5 and 40.5 feet. The split spoon samples were inspected and visually classified by a geotechnical engineer. Representative portions of the soil samples were sealed in glass jars and returned to our laboratory.

The boring log is included in the Appendix along with a sheet defining the terms and symbols used on the logs and an explanation of the Standard Penetration Test (SPT) procedure. The log presents visual descriptions of the soil strata encountered, Unified System soil classifications, groundwater observations, sampling information, laboratory test results, and other pertinent field data and observations.

#### **7.0 WARRANTY AND LIMITATIONS OF STUDY**

Our professional services have been performed, our findings obtained, and our recommendations prepared in accordance with generally accepted geotechnical engineering principles and practices. This warranty is in lieu of all other warranties, either express or implied. POD Group is not responsible for the independent conclusions, opinions or recommendations made by others based on the field exploration and laboratory test data presented in this report.

A geotechnical study is inherently limited since the engineering recommendations are developed from information obtained from test borings, which depict subsurface conditions only at the specific locations, times and depths shown on the log. Soil conditions at other locations may differ from those encountered in the test borings, and the passage of time may cause the soil conditions to change from those described in this report.

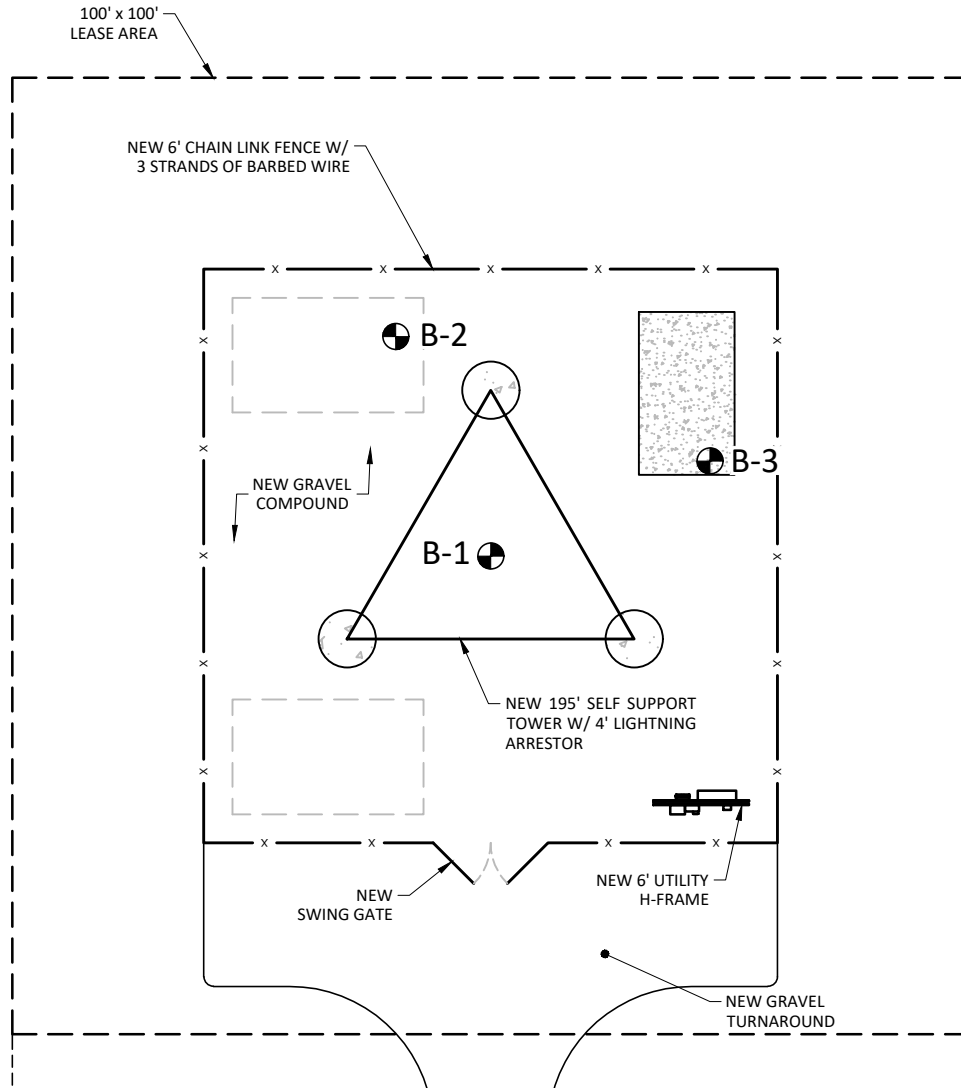
The nature and extent of variation and change in the subsurface conditions at the site may not become evident until the course of construction. Construction monitoring by the geotechnical engineer or a representative is therefore considered necessary to verify the subsurface conditions and to check that the soils connected construction phases are properly completed. If significant variations or changes are in evidence, it may then be necessary to reevaluate the recommendations of this report. Furthermore, if the project characteristics are altered significantly from those discussed in this report, if the project information contained in this report is incorrect, or if additional information becomes available, a review must be made by this office to determine if any modification in the recommendations will be required.

## **APPENDIX**

BORING LOCATION PLAN

BORING LOG

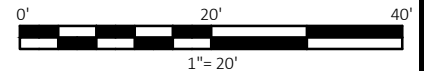
SOIL SAMPLE CLASSIFICATION



**LEGEND**



BORING LOCATION



SHEET TITLE: <b>BORING LOCATION PLAN</b>	FA NUMBER: <b>16224925</b>	SITE INFORMATION: <b>TRADEWATER</b>  DAVE MILLER ROAD A.K.A. WILLIAM STATION ROAD CLAY, KY 42404  WEBSTER COUNTY	PREPARED BY:  <b>POD</b> POWER OF DESIGN 11490 BLUEGRASS PKWY LOUISVILLE, KY 40299 502-437-5252
	LATITUDE: 37° 29' 53.398565" N LONGITUDE: 87° 53' 05.636801" W		PREPARED FOR: 
SHEET NUMBER: <b>1</b>	POD NUMBER: 23-159421  DRAWN BY: ADM CHECKED BY: MEP DATE: 5.3.2024		



# Boring Log

Boring: B-1

Page 1 of 1

**Project: Tradewater**

**City, State**

**Clay, KY**

<b>Method:</b> H.S.A.	<b>Boring Date:</b> 16-Apr-24	<b>Location:</b> Proposed Tower
<b>Inside Diameter:</b> 2 1/4"	<b>Drill Rig Type:</b> CME - 45	<b>Hammer Type:</b> Auto
<b>Groundwater:</b> DRY		<b>Weather:</b>
<b>Driller:</b> Vector Engineerings, Inc		
<b>Note:</b> About 5 inches of topsoil was encountered at the ground surface		

From (ft)	To (ft)	Material Description	Sample Depth (ft)	Sample Type	Blows per 6-inch increment	Recovery (in)	SPT-N value	Rock Quality (RQD,%)	Atterberg Limits	Moisture Content (%)	% Fines (clay & silt)	Unconfined Compressive Strength, (ksf)
0.4	9.0	CLAY SILT (ML) - medium stiff, moist, brown  - stif, wet	0 - 1.5	SS	2, 2, 3	12	5					-
			1.5 - 3	SS	4, 4, 4	18	8,			26%		1.8
	4.0		4 - 5.5	SS	4, 6, 8	14	14,		ML	21%		-
			6.5 - 8	SS	2, 3, 5	18	8,		CL-ML	21%		-
9.0	19.0	SILTY CLAY (CI-CH) - stiff, brown  - trace sandstone fragments	9 - 10.5	SS	4, 4, 7	17	11,			16%		3.0
			14 - 15.5	SS	6, 6, 7	17	13,			14%		4.5
	14.0		19 - 20.5	SS	50,	4	50,			17%		
19.0	40.5	SANDSTONE - highly weathered, brown with trace clay	24 - 25.5	SS	50,	6	50,			11%		
			29 - 30.5	SS	50,	4	50,			8%		
			34 - 35.5	SS	50,	4	50,			8%		
			39 - 40.5	SS	50,	5	50,			7%		
		<b>Boring Terminated at 40.5 feet</b>										





# Boring Log

Boring: B-2

Page 1 of 1

**Project:** Tradewater

**City, State**

Clay, KY

**Method:** H.S.A.

**Boring Date:** 16-Apr-24

**Location:** Proposed Tower

**Inside Diameter:** 2 1/4"

**Drill Rig Type:** CME - 45

**Hammer Type:** Auto

**Groundwater:** DRY

**Weather:**

**Driller:** Vector Engineerings, Inc

**Note:** About 4 inches of topsoil was encountered at the ground surface

From (ft)	To (ft)	Material Description	Sample Depth (ft)	Sample Type	Blows per 6-inch increment	Recovery (in)	SPT-N value	Rock Quality (RQD,%)	Atterberg Limits	Moisture Content (%)	% Fines (clay & silt)	Unconfined Compressive Strength, (ksf)
0.4	9.0	CLAY SILT (ML) - medium stiff to stiff, moist, brown  - tan-brown mottled  - wet	0 - 1.5	SS	2, 2, 3	10	5					-
			1.5 - 3	SS	4, 5, 10	14	15,					1.6
	4.0		4 - 5.5	SS	4, 6, 7	14	13,					1.5
	6.5		6.5 - 8	SS	2, 4, 5	16	9,					1.2
9.0	20.5	SILTY CLAY (CI-CH) - stiff, brown with black nodes    - trace sandstone fragments	9 - 10.5	SS	4, 5, 7	17	12,					4.1
			14 - 15.5	SS	6, 7, 9	16	16,					5.4
	19.0		19 - 20.5	SS	50,	4	50,					
		<b>Boring Terminated at 20.5 feet</b>										



# Boring Log

Boring: B-3

Page 1 of 1

**Project:** Tradewater

**City, State**

Clay, KY

<b>Method:</b> H.S.A.	<b>Boring Date:</b> 16-Apr-24	<b>Location:</b> Proposed Tower
<b>Inside Diameter:</b> 2 1/4"	<b>Drill Rig Type:</b> CME - 45	<b>Hammer Type:</b> Auto
<b>Groundwater:</b> DRY		<b>Weather:</b>
<b>Driller:</b> Vector Engineerings, Inc		
<b>Note:</b> About 4 inches of topsoil was encountered at the ground surface		

From (ft)	To (ft)	Material Description	Sample Depth (ft)	Sample Type	Blows per 6-inch increment	Recovery (in)	SPT-N value	Rock Quality (RQD,%)	Atterberg Limits	Moisture Content (%)	% Fines (clay & silt)	Unconfined Compressive Strength, (ksf)
0.4	14.0	CLAY SILT (ML) - medium stiff, brown  - wet, tan-brown mottled trace sand	0 - 1.5	SS	2, 2, 3	10	5					-
			1.5 - 3	SS	4, 5, 10	14	15,					1.6
	6.5		6.5 - 8	SS	2, 4, 5	16	9,					1.2
14.0	19.0	SILTY CLAY (CI-CH) - hard, light brown, trace sandstone	14 - 15.5	SS	6, 7, 9	16	16,					5.4
19.0	20.5	SANDSTONE - highly weathered	19 - 20.5	SS	50,	4	50,					
<b>Boring Terminated at 20.5 feet</b>												

# SOIL SAMPLE CLASSIFICATION

## FINE AND COARSE GRAINED SOIL INFORMATION

COARSE GRAINED SOILS (SANDS & GRAVELS)		FINE GRAINED SOILS (SILTS & CLAYS)			PARTICLE SIZE	
N	Relative Density	N	Consistency	Qu, KSF Estimated		
0-4	Very Loose	0-1	Very Soft	0-0.5	Boulders	Greater than 300 mm (12 in)
5-10	Loose	2-4	Soft	0.5-1	Cobbles	75 mm to 300 mm (3 to 12 in)
11-20	Firm	5-8	Firm	1-2	Gravel	4.74 mm to 75 mm (3/16 to 3 in)
21-30	Very Firm	9-15	Stiff	2-4	Coarse Sand	2 mm to 4.75 mm
31-50	Dense	16-30	Very Stiff	4-8	Medium Sand	0.425 mm to 2 mm
Over 50	Very Dense	Over 31	Hard	8+	Fine Sand	0.075 mm to 0.425 mm
					Silts & Clays	Less than 0.075 mm

The **STANDARD PENETRATION TEST** as defined by ASTM D 1586 is a method to obtain a disturbed soil sample for examination and testing and to obtain relative density and consistency information. A standard 1.4-inch I.D./2-inch O.D. split-barrel sampler is driven three 6-inch increments with a 140 lb. hammer falling 30 inches. The hammer can either be of a trip, free-fall design, or actuated by a rope and cathead. The blow counts required to drive the sampler the final two increments are added together and designate the N-value defined in the above tables.

## ROCK PROPERTIES

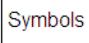


ROCK QUALITY DESIGNATION (RQD)		ROCK HARDNESS	
Percent RQD	Quality		
0-25	Very Poor	Very Hard:	Rock can be broken by heavy hammer blows.
25-50	Poor	Hard:	Rock cannot be broken by thumb pressure, but can be broken by moderate hammer blows.
50-75	Fair	Moderately Hard:	Small pieces can be broken off along sharp edges by considerable hard thumb pressure; can be broken with light hammer blows.
75-90	Good	Soft:	Rock is coherent but breaks very easily with thumb pressure at sharp edges and crumbles with firm hand pressure.
90-100	Excellent	Very Soft:	Rock disintegrates or easily compresses when touched; can be hard to very hard soil.

Recovery =	$\frac{\text{Length of Rock Core Recovered}}{\text{Length of Core Run}}$	X100	63 REC NQ 43 RQD	Core Diameter	Inches
				BQ	1-7/16
				NQ	1-7/8
				HQ	2-1/2
RQD =	$\frac{\text{Sum of 4 in. and longer Rock Pieces Recovered}}{\text{Length of Core Run}}$	X100			

## SYMBOLS

### KEY TO MATERIAL TYPES

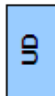
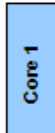
SOILS	
Group Symbols	Typical Names
GW	Well graded gravel - sand mixture, little or no fines
GP	Poorly graded gravels or gravel - sand mixture, little or no fines
GM	Silty gravels, gravel - sand silt mixtures
GC	Clayey gravels, gravel - sand - clay mixtures
SW	Well graded sands, gravelly sands, little or no fines
SP	Poorly graded sands or gravelly sands, little or no fines
SM	Silty sands, sand - silt mixtures
SC	Clayey sands, sand - clay mixtures
ML	Inorganic silts and very fine sands, rock flour, silty or clayey fine sands, or clayey silts
OL	Organic silts and organic silty clays of low plasticity
CL	Inorganic clays of low range plasticity, gravelly clays, sandy clays, silty clays, lean clays
MH	Inorganic silts, micaceous or diatomaceous fine sandy or silty soils, elastic silts
CH	Inorganic clays of high range plasticity, fat clays

ROCKS	
Symbols	Typical Names
	Limestone or Dolomite
	Shale
	Sandstone

### SOIL PROPERTY SYMBOLS

N:	Standard Penetration, BPF
M:	Moisture Content, %
LL:	Liquid Limit, %
PI:	Plasticity Index, %
Qp:	Pocket Penetrometer Value, TSF
Qu:	Unconfined Compressive Strength Estimated Qu, TSF
$\gamma_D$ :	Dry Unit Weight, PCF
F:	Fines Content

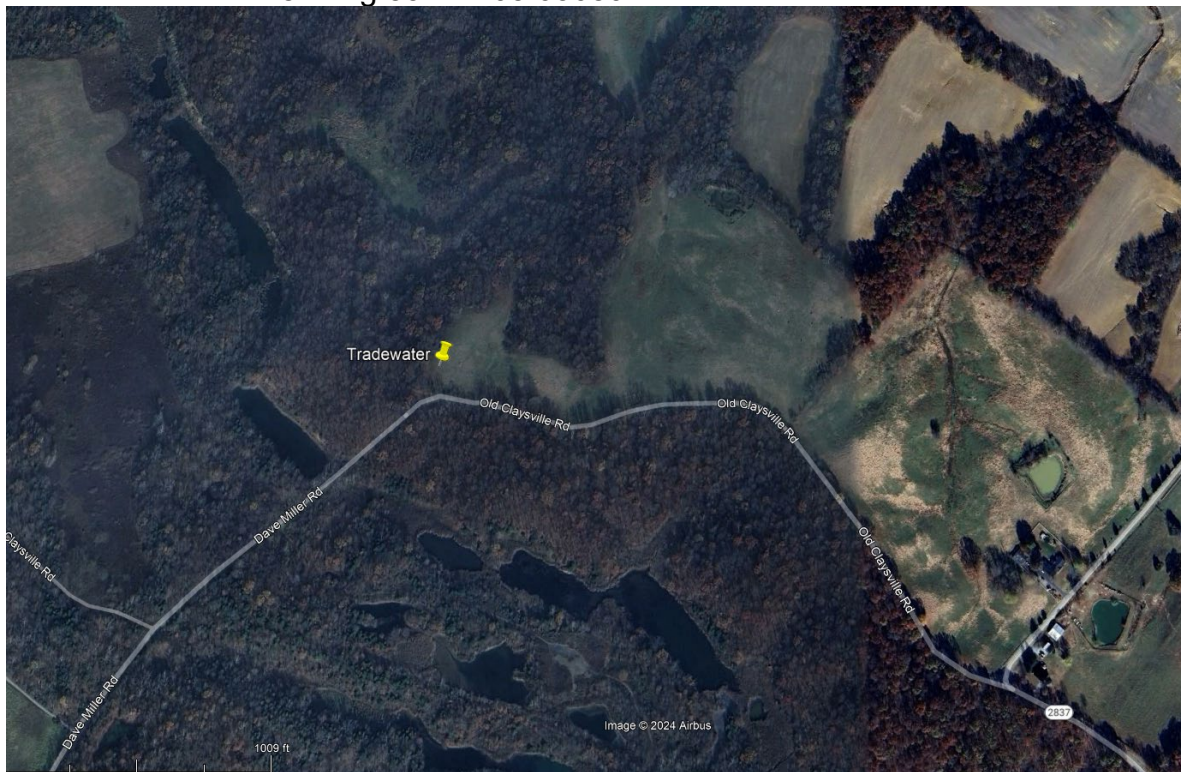
### SAMPLING SYMBOLS

SS	Split Spoon Sample
	Relatively Undisturbed Sample
	Rock Core Sample

**EXHIBIT H  
DIRECTIONS TO WCF SITE**

## Driving Directions to Proposed Tower Site

1. Beginning at 25 US-41 Alt, Dixon, KY, head northeast on Main Street and travel approximately 171 feet.
2. Turn left onto KY-132 S / Leiper Street and travel approximately 7.6 miles.
3. Make a slight left onto KY-132 S / KY-270 E and travel approximately 0.8 miles.
4. Turn right onto Lisman Street and travel approximately 0.1 miles.
5. Continue onto KY-132 S / Kentucky Avenue and travel approximately 0.3 miles.
6. Turn right onto KY-109 N and travel approximately 2.8 miles.
7. Turn right onto State Hwy 2837 and travel approximately 285 feet.
8. Make a slight left onto State Hwy 2837 / Montgomery Avenue and travel approximately 0.8 miles.
9. Make a slight left onto Old Claysville Road / Dave Miller Road and travel approximately 0.5 miles.
10. The site is on the right.
11. The site coordinates are
  - a. North 37 deg 29 min 53.398565 sec
  - b. West 87 deg 53 min 05.636801 sec



Prepared by:  
Aaron Roof  
Pike Legal Group PLLC  
1578 Highway 44 East, Suite 6  
P.O. Box 369  
Shepherdsville, KY 40165-3069  
Telephone: 502-955-4400 or 800-516-4293

**EXHIBIT I**  
**COPY OF REAL ESTATE AGREEMENT**

Market: KY/TN  
Cell Site Number: SIKY010337  
Cell Site Name: Tradewater  
Fixed Asset Number: 16224925

## OPTION AND LAND LEASE AGREEMENT

THIS OPTION AND LAND LEASE AGREEMENT (“**Agreement**”), dated as of the latter of the signature dates below (the “**Effective Date**”), is entered into by John R. Williams Living Trust, by and through its Trustee, John R. Williams, having a mailing address of P.O. Box 467 Clay, KY 42404 (“**Landlord**”) and New Cingular Wireless PCS, LLC, a Delaware limited liability company, having a mailing address of 1025 Lenox Park Blvd NE, 3rd Floor, Atlanta, GA 30319 (“**Tenant**”).

### BACKGROUND

Landlord owns or controls that certain plot, parcel or tract of land, as described on **Exhibit 1**, together with all rights and privileges arising in connection therewith, located off William Station Road, in the County of Webster, State of Kentucky (collectively, the “**Property**”). Landlord desires to grant to Tenant the right to use a portion of the Property in accordance with this Agreement.

The parties agree as follows:

#### 1. OPTION TO LEASE.

(a) Landlord grants to Tenant an exclusive option (the “**Option**”) to lease a certain portion of the Property containing approximately 10,000 square feet including the air space above such ground space, as described on attached **Exhibit 1**, (the “**Premises**”), for the placement of a Communication Facility in accordance with the terms of this Agreement.

(b) During the Option Term, and during the Term, Tenant and its agents, engineers, surveyors and other representatives will have the right to enter upon the Property to inspect, examine, conduct soil borings, drainage testing, material sampling, radio frequency testing and other geological or engineering tests or studies of the Property (collectively, the “**Tests**”), to apply for and obtain licenses, permits, approvals, or other relief required of or deemed necessary or appropriate at Tenant’s sole discretion for its use of the Premises and include, without limitation, applications for zoning variances, zoning ordinances, amendments, special use permits, and construction permits (collectively, the “**Government Approvals**”), initiate the ordering and/or scheduling of necessary utilities, and otherwise to do those things on or off the Property that, in the opinion of Tenant, are necessary in Tenant’s sole discretion to determine the physical condition of the Property, the environmental history of the Property, Landlord’s title to the Property and the feasibility or suitability of the Property for Tenant’s Permitted Use, all at Tenant’s expense. Tenant will not be liable to Landlord or any third party on account of any pre-existing defect or condition on or with respect to the Property, whether or not such defect or condition is disclosed by Tenant’s inspection. Tenant will restore the Property to its condition as it existed at the commencement of the Option Term, reasonable wear and tear and loss by casualty or other causes beyond Tenant’s control excepted.

(c) In consideration of Landlord granting Tenant the Option, Tenant agrees to pay Landlord the sum of [REDACTED] within ninety (90) business days after the Effective Date. The Option may be exercised during an initial term of one (1) year commencing on the Effective Date (the “**Initial Option Term**”) which term may be renewed by Tenant for an additional one (1) year (the “**Renewal Option Term**”) upon written notification to Landlord and the payment of [REDACTED] no later than five (5) days prior to the expiration date of the Initial Option Term. The Initial Option Term and any Renewal Option Term are collectively referred to as the “**Option Term**.”

(d) The Option may be sold, assigned or transferred at any time by Tenant without the written consent of Landlord. Upon notification to Landlord of such sale, assignment or transfer, Tenant shall immediately

be released from any and all liability under this Agreement, including the payment of any rental or other sums due, without any further action.

(e) During the Option Term, Tenant may exercise the Option by notifying Landlord in writing. If Tenant exercises the Option, then Landlord leases the Premises to Tenant subject to the terms and conditions of this Agreement. If Tenant does not exercise the Option during the Initial Option Term or any extension thereof, then this Agreement will terminate, and the parties will have no further liability to each other.

(f) If during the Option Term, or during the Term if the Option is exercised, Landlord decides to subdivide, sell, or change the status of the zoning of the Premises, the Property or any of Landlord's contiguous, adjoining or surrounding property (the "Surrounding Property"), or in the event of a threatened foreclosure on any of the foregoing, Landlord shall immediately notify Tenant in writing. Landlord agrees that during the Option Term, or during the Term if the Option is exercised, Landlord shall not initiate or consent to any change in the zoning of the Premises, the Property or the Surrounding Property or impose or consent to any other use or restriction that would prevent or limit Tenant from using the Premises for the Permitted Use. Any and all terms and conditions of this Agreement that by their sense and context are intended to be applicable during the Option Term shall be so applicable.

2. **PERMITTED USE.** Tenant may use the Premises for the transmission and reception of communications signals and the installation, construction, maintenance, operation, repair, replacement and upgrade of communications fixtures and related equipment, cables, accessories and improvements, which may include a suitable support structure ("Structure"), associated antennas, equipment shelters or cabinets and fencing and any other items necessary to the successful and secure use of the Premises (the "Communication Facility"), as well as the right to test, survey and review title on the Property; Tenant further has the right but not the obligation to add, modify and/or replace equipment in order to be in compliance with any current or future federal, state or local mandated application, including, but not limited to, emergency 911 communication services, (collectively, the "Permitted Use"). Landlord and Tenant agree that any portion of the Communication Facility that may be conceptually described on Exhibit 1 will not be deemed to limit Tenant's Permitted Use. If Exhibit 1 includes drawings of the initial installation of the Communication Facility, Landlord's execution of this Agreement will signify Landlord's approval of Exhibit 1. For a period of ninety (90) days following the start of construction, Landlord grants Tenant, its subtenants, licensees and sublicensees, the right to use Landlord's contiguous, adjoining or surrounding property (the "Surrounding Property") as may reasonably be required during construction and installation of the Communication Facility. Tenant has the right to install and operate transmission cables from the equipment shelter or cabinet to the antennas, electric lines from the main feed to the equipment shelter or cabinet and communication lines from the Property's main entry point to the equipment shelter or cabinet, install a generator and to make other improvements, alterations, upgrades or additions appropriate for Tenant's Permitted Use, including the right to construct a fence around the Premises or equipment, install warning signs to make individuals aware of risks, install protective barriers, install any other control measures reasonably required by Tenant's safety procedures or applicable law, and undertake any other appropriate means to secure the Premises or equipment at Tenant's expense. Tenant has the right to modify, supplement, replace, upgrade, expand the Communication Facility (including, for example, increasing the number of antennas or adding microwave dishes) or relocate the Communication Facility within the Premises at any time during the Term. Tenant will be allowed to make such alterations to the Property in order to ensure that the Communication Facility complies with all applicable federal, state or local laws, rules or regulations. In the event Tenant desires to modify or upgrade the Communication Facility, in a manner that requires an additional portion of the Property (the "Additional Premises") for such modification or upgrade, Landlord agrees to lease to Tenant the Additional Premises, upon the same terms and conditions set forth herein, except that the Rent shall increase, in conjunction with the lease of the Additional Premises by [REDACTED]

Landlord agrees to take such actions and enter into and deliver to Tenant such documents as Tenant reasonably requests in order to effect and memorialize the lease of the Additional Premises to Tenant.



**3. TERM.**

(a) The initial lease term will be five (5) years (the "Initial Term"), commencing on the effective date of written notification by Tenant to Landlord of Tenant's exercise of the Option (the "Term Commencement Date"). The Initial Term will terminate on the fifth (5th) anniversary of the Term Commencement Date.

(b) This Agreement will automatically renew for seventeen (17) additional five (5) year term(s) (each additional five (5) year term shall be defined as an "Extension Term"), upon the same terms and conditions set forth herein unless Tenant notifies Landlord in writing of Tenant's intention not to renew this Agreement at least sixty (60) days prior to the expiration of the Initial Term or the then-existing Extension Term.

(c) Unless (i) Landlord or Tenant notifies the other in writing of its intention to terminate this Agreement at least six (6) months prior to the expiration of the final Extension Term, or (ii) the Agreement is terminated as otherwise permitted by this Agreement prior to the end of the final Extension Term, this Agreement shall continue in force upon the same covenants, terms and conditions for a further term of one (1) year, and for annual terms thereafter ("Annual Term") until terminated by either party hereto by giving to the other party hereto written notice of its intention to so terminate at least six (6) months prior to the end of any such Annual Term. Monthly rent during such Annual Terms shall be [REDACTED]

[REDACTED] If Tenant remains in possession of the Premises after the termination of this Agreement, then Tenant will be deemed to be occupying the Premises on a month-to-month basis (the "Holdover Term"), subject to the terms and conditions of this Agreement.

(d) The Initial Term, any Extension Terms, any Annual Terms and any Holdover Term are collectively referred to as the "Term."

**4. RENT.**

(a) Commencing on the first day of the month following the date that Tenant commences construction (the "Rent Commencement Date"), Tenant will pay Landlord on or before the fifth (5<sup>th</sup>) day of each calendar month in advance, [REDACTED] (the "Rent"), at the address set forth above. In any partial month occurring after the Rent Commencement Date, the Rent will be prorated. The initial Rent payment will be forwarded by Tenant to Landlord within ninety (90) days after the Rent Commencement Date.

(b) Upon the commencement of each Extension Term, the monthly Rent will increase [REDACTED]

(c) All charges payable under this Agreement such as utilities and taxes shall be billed by Landlord within one (1) year from the end of the calendar year in which the charges were incurred; any charges beyond such period shall not be billed by Landlord, and shall not be payable by Tenant. The foregoing shall not apply to monthly Rent which is due and payable without a requirement that it be billed by Landlord. The provisions of this subsection shall survive the termination or expiration of this Agreement.

**5. APPROVALS.**

(a) Landlord agrees that Tenant's ability to use the Premises is contingent upon the suitability of the Premises and Property for the Permitted Use and Tenant's ability to obtain and maintain all Government Approvals. Landlord authorizes Tenant to prepare, execute and file all required applications to obtain Government Approvals for the Permitted Use and agrees to reasonably assist Tenant with such applications and with obtaining and maintaining the Government Approvals.

(b) Tenant has the right to obtain a title report or commitment for a leasehold title policy from a title insurance company of its choice and to have the Property surveyed by a surveyor of its choice.

(c) Tenant may also perform and obtain, at Tenant's sole cost and expense, soil borings, percolation tests, engineering procedures, environmental investigation or other tests or reports on, over, and under the Property, necessary to determine if Tenant's use of the Premises will be compatible with Tenant's engineering specifications, system, design, operations or Government Approvals.

**6. TERMINATION.** This Agreement may be terminated, without penalty or further liability, as follows:

(a) by either party on thirty (30) days prior written notice, if the other party remains in default under Section 05 of this Agreement after the applicable cure periods;

(b) by Tenant upon written notice to Landlord, if Tenant is unable to obtain, or maintain, any required approval(s) or the issuance of a license or permit by any agency, board, court or other governmental authority necessary for the construction or operation of the Communication Facility as now or hereafter intended by Tenant; or if Tenant determines, in its sole discretion that the cost of or delay in obtaining or retaining the same is commercially unreasonable;

(c) by Tenant, upon written notice to Landlord, if Tenant determines, in its sole discretion, due to the title report results or survey results, that the condition of the Premises is unsatisfactory for its intended uses;

(d) by Tenant upon written notice to Landlord for any reason or no reason, at any time prior to commencement of construction by Tenant; or

(e) by Tenant upon sixty (60) days' prior written notice to Landlord for any reason or no reason, so long as Tenant pays Landlord a termination fee equal to [REDACTED] provided, however, that no such termination fee will be payable on account of the termination of this Agreement by Tenant under any termination provision contained in any other Section of this Agreement, including the following: Section 5 Approvals, Section 6(a) Termination, Section 6(b) Termination, Section 6(c) Termination, Section 6(d) Termination, Section 11(d) Environmental, Section 08 Condemnation or Section 19 Casualty.

7. **INSURANCE.** During the Option Term and throughout the Term, Tenant will purchase and maintain in full force and effect such general liability policy as Tenant may deem necessary. Said policy of general liability insurance will at a minimum provide a combined single limit of [REDACTED]. Notwithstanding the foregoing, Tenant shall have the right to self-insure such general liability coverage.

8. **INTERFERENCE.**

(a) Prior to or concurrent with the execution of this Agreement, Landlord has provided or will provide Tenant with a list of radio frequency user(s) and frequencies used on the Property as of the Effective Date. Tenant warrants that its use of the Premises will not interfere with those existing radio frequency uses on the Property, as long as the existing radio frequency user(s) operate and continue to operate within their respective frequencies and in accordance with all applicable laws and regulations.

(b) Landlord will not grant, after the Effective Date, a lease, license or any other right to any third party, if the exercise of such grant may in any way adversely affect or interfere with the Communication Facility, the operations of Tenant or the rights of Tenant under this Agreement. Landlord will notify Tenant in writing prior to granting any third party the right to install and operate communications equipment on the Property.

(c) Landlord will not, nor will Landlord permit its employees, tenants, licensees, invitees, agents or independent contractors to interfere in any way with the Communication Facility, the operations of Tenant or the rights of Tenant under this Agreement. Landlord will cause such interference to cease within twenty-four (24) hours after receipt of notice of interference from Tenant. In the event any such interference does not cease within the aforementioned cure period, Landlord shall cease all operations which are suspected of causing interference (except for intermittent testing to determine the cause of such interference) until the interference has been corrected.

(d) For the purposes of this Agreement, "interference" may include, but is not limited to, any use on the Property or Surrounding Property that causes electronic or physical obstruction with, or degradation of, the communications signals from the Communication Facility.

9. **INDEMNIFICATION.**

(a) Tenant agrees to indemnify, defend and hold Landlord harmless from and against any and all injury, loss, damage or liability, costs or expenses in connection with a third party claim (including reasonable attorneys' fees and court costs) arising directly from the installation, use, maintenance, repair or removal of the Communication Facility or Tenant's breach of any provision of this Agreement, except to the extent attributable to the negligent or intentional act or omission of Landlord, its employees, invitees, agents or independent contractors.

(b) Landlord agrees to indemnify, defend and hold Tenant harmless from and against any and all injury, loss, damage or liability, costs or expenses in connection with a third party claim (including reasonable attorneys' fees and court costs) arising directly from the actions or failure to act of Landlord, its employees, invitees, agents or independent contractors, or Landlord's breach of any provision of this Agreement, except to the extent attributable to the negligent or intentional act or omission of Tenant, its employees, agents or independent contractors.

(c) The indemnified party: (i) shall promptly provide the indemnifying party with written notice of any claim, demand, lawsuit, or the like for which it seeks indemnification pursuant to this Section 9 and provide the indemnifying party with copies of any demands, notices, summonses, or legal papers received in connection with such claim, demand, lawsuit, or the like; (ii) shall not settle any such claim, demand, lawsuit, or the like without the prior written consent of the indemnifying party; and (iii) shall fully cooperate with the indemnifying party in the defense of the claim, demand, lawsuit, or the like. A delay in notice shall not relieve the indemnifying party of its indemnity obligation, except (1) to the extent the indemnifying party can show it was prejudiced by the delay; and (2) the indemnifying party shall not be liable for any settlement or litigation expenses incurred before the time when notice is given.

#### **10. WARRANTIES.**

(a) Each of Tenant and Landlord (to the extent not a natural person) each acknowledge and represent that it is duly organized, validly existing and in good standing and has the right, power, and authority or capacity, as applicable, to enter into this Agreement and bind itself hereto through the party or individual set forth as signatory for the party below.

(b) Landlord represents, warrants and agrees that: (i) Landlord solely owns the Property as a legal lot in fee simple, or controls the Property by lease or license; (ii) the Property is not and will not be encumbered by any liens, restrictions, mortgages, covenants, conditions, easements, leases, or any other agreements of record or not of record, which would adversely affect Tenant's Permitted Use and enjoyment of the Premises under this Agreement; (iii) then Landlord grants to Tenant sole, actual, quiet and peaceful use, enjoyment and possession of the Premises in accordance with the terms of this Agreement without hindrance or ejection by any persons lawfully claiming under Landlord; (iv) Landlord's execution and performance of this Agreement will not violate any laws, ordinances, covenants or the provisions of any mortgage, lease or other agreement binding on Landlord; and (v) if the Property is or becomes encumbered by a deed to secure a debt, mortgage or other security interest, then Landlord will provide promptly to Tenant a mutually agreeable subordination, non-disturbance and attornment agreement executed by Landlord and the holder of such security interest in the form attached hereto as **Exhibit 10(b)**.

#### **11. ENVIRONMENTAL.**

(a) Landlord represents and warrants, except as may be identified in **Exhibit 11** attached to this Agreement, (i) the Property, as of the Effective Date, is free of hazardous substances, including asbestos-containing materials and lead paint, and (ii) the Property has never been subject to any contamination or hazardous conditions resulting in any environmental investigation, inquiry or remediation. Landlord and Tenant agree that each will be responsible for compliance with any and all applicable governmental laws, rules, statutes, regulations, codes, ordinances, or principles of common law regulating or imposing standards of liability or standards of conduct with regard to protection of the environment or worker health and safety, as may now or at any time hereafter be in effect, to the extent such apply to that party's activity conducted in or on the Property.

(b) Landlord and Tenant agree to hold harmless and indemnify the other from, and to assume all duties, responsibilities and liabilities at the sole cost and expense of the indemnifying party for, payment of penalties, sanctions, forfeitures, losses, costs or damages, and for responding to any action, notice, claim, order, summons, citation, directive, litigation, investigation or proceeding ("**Claims**"), to the extent arising from that party's breach of its obligations or representations under Section 11(a). Landlord agrees to hold harmless and indemnify Tenant from, and to assume all duties, responsibilities and liabilities at the sole cost and expense of Landlord for, payment of penalties, sanctions, forfeitures, losses, costs or damages, and for responding to any Claims, to the extent arising from subsurface or other contamination of the Property with hazardous substances prior to the Effective Date or from such contamination caused by the acts or omissions of Landlord during the

Term. Tenant agrees to hold harmless and indemnify Landlord from, and to assume all duties, responsibilities and liabilities at the sole cost and expense of Tenant for, payment of penalties, sanctions, forfeitures, losses, costs or damages, and for responding to any Claims, to the extent arising from hazardous substances brought onto the Property by Tenant.

(c) The indemnification provisions contained in this Section 11 specifically include reasonable costs, expenses and fees incurred in connection with any investigation of Property conditions or any clean-up, remediation, removal or restoration work required by any governmental authority. The provisions of this Section 01 will survive the expiration or termination of this Agreement.

(d) In the event Tenant becomes aware of any hazardous materials on the Property, or any environmental, health or safety condition or matter relating to the Property, that, in Tenant's sole determination, renders the condition of the Premises or Property unsuitable for Tenant's use, or if Tenant believes that the leasing or continued leasing of the Premises would expose Tenant to undue risks of liability to a government agency or other third party, then Tenant will have the right, in addition to any other rights it may have at law or in equity, to terminate this Agreement upon written notice to Landlord.

**12. ACCESS.** At all times throughout the Term of this Agreement, Tenant, Tenant and its employees, agents, and subcontractors, will have twenty-four (24) hour per day, seven (7) day per week pedestrian and vehicular access ("Access") to and over the Property, from an open and improved public road to the Premises, for the installation, maintenance and operation of the Communication Facility and any utilities serving the Premises. As may be described more fully in **Exhibit 1**, Landlord grants to Tenant an easement for such Access and Landlord agrees to provide to Tenant such codes, keys and other instruments necessary for such Access to Tenant. Upon Tenant's request, Landlord will execute a separate recordable easement evidencing this right. Landlord shall execute a letter granting Tenant Access to the Property substantially in the form attached as **Exhibit 12**; upon Tenant's request, Landlord shall execute additional letters during the Term. If Tenant elects to utilize an Unmanned Aircraft System ("UAS") in connection with its installation, construction, monitoring, site audits, inspections, maintenance, repair, modification, or alteration activities at a Property, Landlord hereby grants Tenant, or any UAS operator acting on Tenant's behalf, express permission to fly over the applicable Property and Premises, and consents to the use of audio and video navigation and recording in connection with the use of the UAS. Landlord acknowledges that in the event Tenant cannot obtain Access to the Premises, Tenant shall incur significant damage. If Landlord fails to provide the Access granted by this Section 12, such failure shall be a default under this Agreement. In connection with such default, in addition to any other rights or remedies available to Tenant under this Agreement or at law or equity, Landlord shall pay Tenant, as liquidated damages and not as a penalty, [REDACTED] in consideration of Tenant's damages until Landlord cures such default. Landlord and Tenant agree that Tenant's damages in the event of a denial of Access are difficult, if not impossible, to ascertain, and the liquidated damages set forth above are a reasonable approximation of such damages.

**13. REMOVAL/RESTORATION.** All portions of the Communication Facility brought onto the Property by Tenant will be and remain Tenant's personal property and, at Tenant's option, may be removed by Tenant at any time during and after the Term. Landlord covenants and agrees that no part of the Communication Facility constructed, erected or placed on the Premises by Tenant will become, or be considered as being affixed to or a part of, the Property, it being the specific intention of the Landlord that all improvements of every kind and nature constructed, erected or placed by Tenant on the Premises will be and remain the property of the Tenant and may be removed by Tenant at any time during and after the Term. Within one hundred twenty (120) days after the termination of this Agreement, Tenant will, to the extent reasonable, restore the Premises to its condition at the commencement of the Agreement, reasonable wear and tear and loss by casualty or other causes beyond Tenant's control excepted. To the extent required by law, Tenant will remove above-ground facilities. Notwithstanding the foregoing, Tenant will not be responsible for the replacement of any trees, shrubs, or other vegetation, nor will Tenant be required to remove from the Premises or the Property any underground utilities.

**14. MAINTENANCE/UTILITIES.**

(a) Tenant will keep and maintain the Premises in good condition, reasonable wear and tear and damage from the elements excepted. Landlord will maintain and repair the Property and access thereto and all areas of the Premises where Tenant does not have exclusive control, in good and tenantable condition, subject to reasonable wear and tear and damage from the elements. Landlord will be responsible for maintenance of landscaping on the Property, including any landscaping installed by Tenant as a condition of this Agreement or any required permit.

(b) Tenant will be responsible for paying on a monthly or quarterly basis all utilities charges for electricity, telephone service or any other utility used or consumed by Tenant on the Premises. In the event Tenant cannot secure its own metered electrical supply, Tenant will have the right, at its own cost and expense, to sub-meter from Landlord. When sub-metering is required under this Agreement, Landlord will read the meter and provide Tenant with an invoice and usage data on a monthly basis. Tenant shall reimburse Landlord for such utility usage at the same rate charged to Landlord by the utility service provider. Landlord further agrees to provide the usage data and invoice on forms provided by Tenant and to send such forms to such address and/or agent designated by Tenant. Tenant will remit payment within sixty (60) days of receipt of the usage data and required forms. Landlord shall maintain accurate and detailed records of all utility expenses, invoices and payments applicable to Tenant's reimbursement obligations hereunder. Within fifteen (15) days after a request from Tenant, Landlord shall provide copies of such utility billing records to the Tenant in the form of copies of invoices, contracts and cancelled checks. If the utility billing records reflect an overpayment by Tenant, Tenant shall have the right to deduct the amount of such overpayment from any monies due to Landlord from Tenant.

(c) As noted in Section 0(c) above, any utility fee recovery by Landlord is limited to a twelve (12) month period. If Tenant submeters electricity from Landlord, Landlord agrees to give Tenant at least twenty-four (24) hours advance notice of any planned interruptions of said electricity. Landlord acknowledges that Tenant provides a communication service which requires electrical power to operate and must operate twenty-four (24) hours per day, seven (7) days per week. If the interruption is for an extended period of time, in Tenant's reasonable determination, Landlord agrees to allow Tenant the right to bring in a temporary source of power for the duration of the interruption. Landlord will not be responsible for interference with, interruption of or failure, beyond the reasonable control of Landlord, of such services to be furnished or supplied by Landlord.

(d) Tenant will have the right to install utilities, at Tenant's expense, and to improve present utilities on the Property and the Premises. Landlord hereby grants to any service company providing utility or similar services, including electric power and telecommunications, to Tenant an easement over the Property, from an open and improved public road to the Premises, and upon the Premises, for the purpose of constructing, operating and maintaining such lines, wires, circuits, and conduits, associated equipment cabinets and such appurtenances thereto, as such service companies may from time to time require in order to provide such services to the Premises. Upon Tenant's or service company's request, Landlord will execute a separate recordable easement evidencing this grant, at no cost to Tenant or the service company.

**15. DEFAULT AND RIGHT TO CURE.**

(a) The following will be deemed a default by Tenant and a breach of this Agreement: (i) non-payment of Rent if such Rent remains unpaid for more than thirty (30) days after written notice from Landlord of such failure to pay; or (ii) Tenant's failure to perform any other term or condition under this Agreement within forty-five (45) days after written notice from Landlord specifying the failure. No such failure, however, will be deemed to exist if Tenant has commenced to cure such default within such period and provided that such efforts are prosecuted to completion with reasonable diligence. Delay in curing a default will be excused if due to causes beyond the reasonable control of Tenant. If Tenant remains in default beyond any applicable cure period, then Landlord will have the right to exercise any and all rights and remedies available to it under law and equity.

(b) The following will be deemed a default by Landlord and a breach of this Agreement: (i) Landlord's failure to provide Access to the Premises as required by Section 12 within twenty-four (24) hours after written notice of such failure; (ii) Landlord's failure to cure an interference problem as required by Section 8 within twenty-four (24) hours after written notice of such failure; or (iii) Landlord's failure to perform any term, condition or breach of any warranty or covenant under this Agreement within forty-five (45) days after written notice from Tenant specifying the failure. No such failure, however, will be deemed to exist if Landlord

has commenced to cure the default within such period and provided such efforts are prosecuted to completion with reasonable diligence. Delay in curing a default will be excused if due to causes beyond the reasonable control of Landlord. If Landlord remains in default beyond any applicable cure period, Tenant will have: (i) the right to cure Landlord's default and to deduct the costs of such cure from any monies due to Landlord from Tenant, and (ii) any and all other rights available to it under law and equity.

**16. ASSIGNMENT/SUBLEASE.** Tenant will have the right to assign this Agreement or sublease the Premises and its rights herein, in whole or in part, without Landlord's consent. Upon notification to Landlord of such assignment, Tenant will be relieved of all future performance, liabilities and obligations under this Agreement to the extent of such assignment.

**17. NOTICES.** All notices, requests and demands hereunder will be given by first class certified or registered mail, return receipt requested, or by a nationally recognized overnight courier, postage prepaid, to be effective when properly sent and received, refused or returned undelivered. Notices will be addressed to the parties hereto as follows:

If to Tenant:                   New Cingular Wireless PCS, LLC  
  Attn: Tower Asset Group - Lease Administration  
  Re: Cell Site #: SIKY010337; Cell Site Name: Tradewater (KY)  
  Fixed Asset #: 16224925  
  1025 Lenox Park Blvd NE 3rd Floor  
  Atlanta, Georgia 30319

With a copy to:                New Cingular Wireless PCS, LLC  
  Attn.: Legal Dept – Network Operations  
  Re: Cell Site #: SIKY010337; Cell Site Name: Tradewater (KY)  
  Fixed Asset #: 16224925  
  208 S. Akard Street  
  Dallas, TX 75202-4206

The copy sent to the Legal Department is an administrative step which alone does not constitute legal notice.

If to Landlord:                John R Williams  
  P.O. Box 467 Clay, KY 42404

Either party hereto may change the place for the giving of notice to it by thirty (30) days' prior written notice to the other party hereto as provided herein.

**18. CONDEMNATION.** In the event Landlord receives notification of any condemnation proceedings affecting the Property, Landlord will provide notice of the proceeding to Tenant within twenty-four (24) hours. If a condemning authority takes all of the Property, or a portion sufficient, in Tenant's sole determination, to render the Premises unsuitable for Tenant, this Agreement will terminate as of the date the title vests in the condemning authority. The parties will each be entitled to pursue their own separate awards in the condemnation proceeds, which for Tenant will include, where applicable, the value of its Communication Facility, moving expenses, prepaid Rent, and business dislocation expenses. Tenant will be entitled to reimbursement for any prepaid Rent on a *pro rata* basis.

**19. CASUALTY.** Landlord will provide notice to Tenant of any casualty or other harm affecting the Property within twenty-four (24) hours of the casualty or other harm. If any part of the Communication Facility or the Property is damaged by casualty or other harm as to render the Premises unsuitable, in Tenant's sole determination, then Tenant may terminate this Agreement by providing written notice to Landlord, which termination will be effective as of the date of such casualty or other harm. Upon such termination, Tenant will

be entitled to collect all insurance proceeds payable to Tenant on account thereof and to be reimbursed for any prepaid Rent on a *pro rata* basis. Landlord agrees to permit Tenant to place temporary transmission and reception facilities on the Property, but only until such time as Tenant is able to activate a replacement transmission facility at another location; notwithstanding the termination of this Agreement, such temporary facilities will be governed by all of the terms and conditions of this Agreement, including Rent. If Landlord or Tenant undertakes to rebuild or restore the Premises and/or the Communication Facility, as applicable, Landlord agrees to permit Tenant to place temporary transmission and reception facilities on the Property until the reconstruction of the Premises and/or the Communication Facility is completed. If Landlord determines not to rebuild or restore the Property, Landlord will notify Tenant of such determination within thirty (30) days after the casualty or other harm. If Landlord does not so notify Tenant and Tenant decides not to terminate under this Section 19, then Landlord will promptly rebuild or restore any portion of the Property interfering with or required for Tenant's Permitted Use of the Premises to substantially the same condition as existed before the casualty or other harm. Landlord agrees that the Rent shall be abated until the Property and/or the Premises are rebuilt or restored, unless Tenant places temporary transmission and reception facilities on the Property.

**20. WAIVER OF LANDLORD'S LIENS.** Landlord waives any and all lien rights it may have, statutory or otherwise, concerning the Communication Facility or any portion thereof. The Communication Facility shall be deemed personal property for purposes of this Agreement, regardless of whether any portion is deemed real or personal property under applicable law; Landlord consents to Tenant's right to remove all or any portion of the Communication Facility from time to time in Tenant's sole discretion and without Landlord's consent.

**21. TAXES.**

(a) Landlord shall be responsible for (i) all taxes and assessments levied upon the lands, improvements and other property of Landlord including any such taxes that may be calculated by a taxing authority using any method, including the income method, (ii) all sales, use, license, value added, documentary, stamp, gross receipts, registration, real estate transfer, conveyance, excise, recording, and other similar taxes and fees imposed in connection with this Agreement, and (iii) all sales, use, license, value added, documentary, stamp, gross receipts, registration, real estate transfer, conveyance, excise, recording, and other similar taxes and fees imposed in connection with a sale of the Property or assignment of Rent payments by Landlord. Tenant shall be responsible for (y) any taxes and assessments attributable to and levied upon Tenant's leasehold improvements on the Premises if and as set forth in this Section 21 and (z) all sales, use, license, value added, documentary, stamp, gross receipts, registration, real estate transfer, conveyance, excise, recording, and other similar taxes and fees imposed in connection with an assignment of this Agreement or sublease by Tenant. Nothing herein shall require Tenant to pay any inheritance, franchise, income, payroll, excise, privilege, rent, capital stock, stamp, documentary, estate or profit tax, or any tax of similar nature, that is or may be imposed upon Landlord.

(b) In the event Landlord receives a notice of assessment with respect to which taxes or assessments are imposed on Tenant's leasehold improvements on the Premises, Landlord shall provide Tenant with copies of each such notice immediately upon receipt, but in no event later than thirty (30) days after the date of such notice of assessment. If Landlord does not provide such notice or notices to Tenant in a timely manner and Tenant's rights with respect to such taxes are prejudiced by the delay, Landlord shall reimburse Tenant for any increased costs directly resulting from the delay and Landlord shall be responsible for payment of the tax or assessment set forth in the notice, and Landlord shall not have the right to reimbursement of such amount from Tenant. If Landlord provides a notice of assessment to Tenant within such time period and requests reimbursement from Tenant as set forth below, then Tenant shall reimburse Landlord for the tax or assessments identified on the notice of assessment on Tenant's leasehold improvements, which has been paid by Landlord. If Landlord seeks reimbursement from Tenant, Landlord shall, no later than thirty (30) days after Landlord's payment of the taxes or assessments for the assessed tax year, provide Tenant with written notice including evidence that Landlord has timely paid same, and Landlord shall provide to Tenant any other documentation reasonably requested by Tenant to allow Tenant to evaluate the payment and to reimburse Landlord.

(c) For any tax amount for which Tenant is responsible under this Agreement, Tenant shall have the right to contest, in good faith, the validity or the amount thereof using such administrative, appellate or other proceedings as may be appropriate in the jurisdiction, and may defer payment of such obligations, pay same

under protest, or take such other steps as permitted by law. This right shall include the ability to institute any legal, regulatory or informal action in the name of Landlord, Tenant, or both, with respect to the valuation of the Premises. Landlord shall cooperate with respect to the commencement and prosecution of any such proceedings and will execute any documents required therefor. The expense of any such proceedings shall be borne by Tenant and any refunds or rebates secured as a result of Tenant's action shall belong to Tenant, to the extent the amounts were originally paid by Tenant. In the event Tenant notifies Landlord by the due date for assessment of Tenant's intent to contest the assessment, Landlord shall not pay the assessment pending conclusion of the contest, unless required by applicable law.

(d) Landlord shall not split or cause the tax parcel on which the Premises are located to be split, bifurcated, separated or divided without the prior written consent of Tenant.

(e) Tenant shall have the right but not the obligation to pay any taxes due by Landlord hereunder if Landlord fails to timely do so, in addition to any other rights or remedies of Tenant. In the event that Tenant exercises its rights under this Section 21(e) due to such Landlord default, Tenant shall have the right to deduct such tax amounts paid from any monies due to Landlord from Tenant as provided in Section 15(b), provided that Tenant may exercise such right without having provided to Landlord notice and the opportunity to cure per Section 15(b).

(f) Any tax-related notices shall be sent to Tenant in the manner set forth in Section 17. Promptly after the Effective Date, Landlord shall provide the following address to the taxing authority for the authority's use in the event the authority needs to communicate with Tenant. In the event that Tenant's tax address changes by notice to Landlord, Landlord shall be required to provide Tenant's new tax address to the taxing authority or authorities.

(g) Notwithstanding anything to the contrary contained in this Section 21, Tenant shall have no obligation to reimburse any tax or assessment for which the Landlord is reimbursed or rebated by a third party.

## **22. SALE OF PROPERTY.**

(a) Landlord may sell the Property or a portion thereof to a third party, provided: (i) the sale is made subject to the terms of this Agreement; and (ii) if the sale does not include the assignment of Landlord's full interest in this Agreement, the purchaser must agree to perform, without requiring compensation from Tenant or any subtenant, any obligation of Landlord under this Agreement, including Landlord's obligation to cooperate with Tenant as provided hereunder.

(b) If Landlord, at any time during the Term of this Agreement, decides to rezone or sell, subdivide or otherwise transfer all or any part of the Premises, or all or any part of the Property or the Surrounding Property, to a purchaser other than Tenant, Landlord shall promptly notify Tenant in writing, and such rezoning, sale, subdivision or transfer shall be subject to this Agreement and Tenant's rights hereunder. In the event of a change in ownership, transfer or sale of the Property, within ten (10) days of such transfer, Landlord or its successor shall send the documents listed below in this Section 2222(b) to Tenant. Until Tenant receives all such documents, Tenant's failure to make payments under this Agreement shall not be an event of default and Tenant reserves the right to hold payments due under this Agreement.

- i. Old deed to Property
- ii. New deed to Property
- iii. Bill of Sale or Transfer
- iv. Copy of current Tax Bill
- v. New IRS Form W-9
- vi. Completed and Signed Tenant Payment Direction Form
- vii. Full contact information for new Landlord including phone number(s)

(c) Landlord agrees not to sell, lease or use any areas of the Property or the Surrounding Property for the installation, operation or maintenance of other wireless communication facilities if such installation, operation or maintenance would interfere with Tenant's Permitted Use or communications equipment as determined by radio propagation tests performed by Tenant in its sole discretion. Landlord or Landlord's prospective purchaser shall reimburse Tenant for any costs and expenses of such testing. If the radio frequency



propagation tests demonstrate levels of interference unacceptable to Tenant, Landlord shall be prohibited from selling, leasing or using any areas of the Property or the Surrounding Property for purposes of any installation, operation or maintenance of any other wireless communication facility or equipment.

(d) The provisions of this Section 22 shall in no way limit or impair the obligations of Landlord under this Agreement, including interference and access obligations.

**23. RIGHT OF FIRST REFUSAL.** Notwithstanding the provisions contained in Section 22, if at any time after the Effective Date, Landlord receives a bona fide written offer from a third party seeking any sale, conveyance, assignment or transfer, whether in whole or in part, of any property interest in or related to the Premises, including without limitation any offer seeking an assignment or transfer of the Rent payments associated with this Agreement or an offer to purchase an easement with respect to the Premises (“Offer”), Landlord shall immediately furnish Tenant with a copy of the Offer. Tenant shall have the right within ninety (90) days after it receives such copy to match the financial terms of the Offer and agree in writing to match such terms of the Offer. Such writing shall be in the form of a contract substantially similar to the Offer but Tenant may assign its rights to a third party. If Tenant chooses not to exercise this right or fails to provide written notice to Landlord within the ninety (90) day period, Landlord may sell, convey, assign or transfer such property interest in or related to the Premises pursuant to the Offer, subject to the terms of this Agreement. If Landlord attempts to sell, convey, assign or transfer such property interest in or related to the Premises without complying with this Section 23, the sale, conveyance, assignment or transfer shall be void. Tenant shall not be responsible for any failure to make payments under this Agreement and reserves the right to hold payments due under this Agreement until Landlord complies with this Section 23. Tenant’s failure to exercise the right of first refusal shall not be deemed a waiver of the rights contained in this Section 23 with respect to any future proposed conveyances as described herein.

**24. MISCELLANEOUS.**

(a) **Amendment/Waiver.** This Agreement cannot be amended, modified or revised unless done in writing and signed by Landlord and Tenant. No provision may be waived except in a writing signed by both parties. The failure by a party to enforce any provision of this Agreement or to require performance by the other party will not be construed to be a waiver, or in any way affect the right of either party to enforce such provision thereafter.

(b) **Memorandum of Lease.** Contemporaneously with the execution of this Agreement, the parties will execute a recordable Memorandum of Lease substantially in the form attached as **Exhibit 24(b)**. Either party may record this Memorandum of Lease at any time during the Term, in its absolute discretion. Thereafter during the Term, either party will, at any time upon fifteen (15) business days’ prior written notice from the other, execute, acknowledge and deliver to the other a recordable Memorandum of Lease.

(c) **Limitation of Liability.** Except for the indemnity obligations set forth in this Agreement, and otherwise notwithstanding anything to the contrary in this Agreement, Tenant and Landlord each waives any claims that each may have against the other with respect to consequential, incidental or special damages, however caused, based on any theory of liability.

(d) **Compliance with Law.** Tenant agrees to comply with all federal, state and local laws, orders, rules and regulations (“Laws”) applicable to Tenant’s use of the Communication Facility on the Property. Landlord agrees to comply with all Laws relating to Landlord’s ownership and use of the Property and any improvements on the Property.

(e) **Bind and Benefit.** The terms and conditions contained in this Agreement will run with the Property and bind and inure to the benefit of the parties, their respective heirs, executors, administrators, successors and assigns.

(f) **Entire Agreement.** This Agreement and the exhibits attached hereto, all being a part hereof, constitute the entire agreement of the parties hereto and will supersede all prior offers, negotiations and agreements with respect to the subject matter of this Agreement. Exhibits are numbered to correspond to the Section wherein they are first referenced. Except as otherwise stated in this Agreement, each party shall bear its own fees and expenses (including the fees and expenses of its agents, brokers, representatives, attorneys, and

accountants) incurred in connection with the negotiation, drafting, execution and performance of this Agreement and the transactions it contemplates.

(g) **Governing Law.** This Agreement will be governed by the laws of the state in which the Premises are located, without regard to conflicts of law.

(h) **Interpretation.** Unless otherwise specified, the following rules of construction and interpretation apply: (i) captions are for convenience and reference only and in no way define or limit the construction of the terms and conditions hereof; (ii) use of the term "including" will be interpreted to mean "including but not limited to"; (iii) whenever a party's consent is required under this Agreement, except as otherwise stated in the Agreement or as same may be duplicative, such consent will not be unreasonably withheld, conditioned or delayed; (iv) exhibits are an integral part of this Agreement and are incorporated by reference into this Agreement; (v) use of the terms "termination" or "expiration" are interchangeable; (vi) reference to a default will take into consideration any applicable notice, grace and cure periods; (vii) to the extent there is any issue with respect to any alleged, perceived or actual ambiguity in this Agreement, the ambiguity shall not be resolved on the basis of who drafted the Agreement; (viii) the singular use of words includes the plural where appropriate; and (ix) if any provision of this Agreement is held invalid, illegal or unenforceable, the remaining provisions of this Agreement shall remain in full force if the overall purpose of the Agreement is not rendered impossible and the original purpose, intent or consideration is not materially impaired.

(i) **Affiliates.** All references to "Tenant" shall be deemed to include any Affiliate of New Cingular Wireless PCS, LLC using the Premises for any Permitted Use or otherwise exercising the rights of Tenant pursuant to this Agreement. "Affiliate" means with respect to a party to this Agreement, any person or entity that (directly or indirectly) controls, is controlled by, or under common control with, that party. "Control" of a person or entity means the power (directly or indirectly) to direct the management or policies of that person or entity, whether through the ownership of voting securities, by contract, by agency or otherwise.

(j) **Survival.** Any provisions of this Agreement relating to indemnification shall survive the termination or expiration hereof. In addition, any terms and conditions contained in this Agreement that by their sense and context are intended to survive the termination or expiration of this Agreement shall so survive.

(k) **W-9.** As a condition precedent to payment, Landlord agrees to provide Tenant with a completed IRS Form W-9, or its equivalent, upon execution of this Agreement and at such other times as may be reasonably requested by Tenant, including any change in Landlord's name or address.

(l) **Execution/No Option.** The submission of this Agreement to any party for examination or consideration does not constitute an offer, reservation of or option for the Premises based on the terms set forth herein. This Agreement will become effective as a binding Agreement only upon the handwritten legal execution, acknowledgment and delivery hereof by Landlord and Tenant. This Agreement may be executed in two (2) or more counterparts, all of which shall be considered one and the same agreement and shall become effective when one or more counterparts have been signed by each of the parties. All parties need not sign the same counterpart.

(m) **Attorneys' Fees.** In the event that any dispute between the parties related to this Agreement should result in litigation, the prevailing party in such litigation shall be entitled to recover from the other party all reasonable fees and expenses of enforcing any right of the prevailing party, including reasonable attorneys' fees and expenses. Prevailing party means the party determined by the court to have most nearly prevailed even if such party did not prevail in all matters. This provision will not be construed to entitle any party other than Landlord, Tenant and their respective Affiliates to recover their fees and expenses.

(n) **WAIVER OF JURY TRIAL.** EACH PARTY, TO THE EXTENT PERMITTED BY LAW, KNOWINGLY, VOLUNTARILY AND INTENTIONALLY WAIVES ITS RIGHT TO A TRIAL BY JURY IN ANY ACTION OR PROCEEDING UNDER ANY THEORY OF LIABILITY ARISING OUT OF OR IN ANY WAY CONNECTED WITH THIS AGREEMENT OR THE TRANSACTIONS IT CONTEMPLATES.

(o) **No Additional Fees/Incidental Fees.** Unless otherwise specified in this Agreement, all rights and obligations set forth in the Agreement shall be provided by Landlord and/or Tenant, as the case may be, at no additional cost. No unilateral fees or additional costs or expenses are to be applied by either party to the other party, for any task or service including, but not limited to, review of plans, structural analyses, consents, provision of documents or other communications between the parties.

(p) **Further Acts.** Upon request, Landlord will cause to be promptly and duly taken, executed, acknowledged and delivered all such further acts, documents, and assurances as Tenant may request from time to time in order to effectuate, carry out and perform all of the terms, provisions and conditions of this Agreement and all transactions and permitted use contemplated by this Agreement.

**[SIGNATURES APPEAR ON NEXT PAGE]**

IN WITNESS WHEREOF, the parties have caused this Agreement to be effective as of the Effective Date.

**“LANDLORD”**

John R. Williams Living Trust,  
By and through its Trustee,  
John R. Williams

John R Williams  
Print Name: JOHN R WILLIAMS  
Date: 1-23-24

**“TENANT”**

New Cingular Wireless PCS, LLC,  
a Delaware limited liability company

By: AT&T Mobility Corporation  
Its: Manager

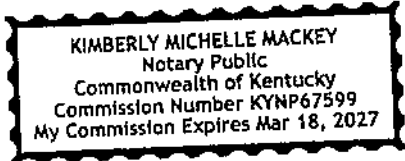
By: Chris Sharp  
Print Name: Chris Sharp  
Its: Area Manager  
Date: 1-30-24

**[ACKNOWLEDGMENTS APPEAR ON NEXT PAGE]**

**TENANT ACKNOWLEDGMENT**

STATE OF Kentucky )  
 ) ss:  
COUNTY OF Jefferson )

On the 30<sup>th</sup> day of January, 2024, before me personally appeared Chris Sharp, and acknowledged under oath that he/she is the Area Manager of AT&T Mobility Corporation, the Manager of New Cingular Wireless PCS, LLC, the Tenant named in the attached instrument, and as such was authorized to execute this instrument on behalf of the Tenant.



Kimberly Mackey  
Notary Public: Kimberly Mackey #KYNP67599  
My Commission Expires: March 18, 2027

**LANDLORD ACKNOWLEDGMENT**

STATE OF Kentucky )  
 ) ss:  
COUNTY OF WEBSTER )

On the 23 day of JANUARY, 2024 before me, personally appeared JOHN R WILLIAMS, who acknowledged under oath, that he/she is the person/officer named in the within instrument, and that he/she executed the same in his/her stated capacity as the voluntary act and deed of the Landlord for the purposes therein contained.

Lisa Garrett  
Notary Public: KYNP24820 LISA GARRETT  
My Commission Expires: 03/10/2025

## EXHIBIT 1

### DESCRIPTION OF PROPERTY AND PREMISES

Page 1 of 3

to the Option and Land Lease Agreement dated January 30, 2024, by and between John R. Williams Living Trust, by and through its Trustee, John R. Williams, as Landlord, and New Cingular Wireless PCS, LLC, a Delaware limited liability company, as Tenant.

The Property is legally described as follows:

That certain property described in a Deed recorded at Deed Book 265, Page 269 in the Office of the Webster County, KY Clerk.

The Premises are described and/or depicted as follows:

## LEGAL DESCRIPTIONS

### PROPOSED LEASE AREA

THE FOLLOWING IS A DESCRIPTION OF THE PROPOSED LEASE AREA TO BE GRANTED FROM THE PROPERTY CONVEYED TO JOHN R. WILLIAMS LIVING TRUST AS RECORDED IN DEED BOOK 265, PAGE 269, PARCEL 1, PARCEL ID: 008-007-000, IN THE OFFICE OF THE CLERK OF WEBSTER COUNTY, KENTUCKY, WHICH IS MORE PARTICULARLY DESCRIBED AS FOLLOWS:

BEARING DATUM USED HEREIN IS BASED UPON KENTUCKY SINGLE ZONE STATE PLANE COORDINATE SYSTEM, NAD 83, FROM A REAL TIME KINEMATIC GLOBAL POSITIONING SYSTEM OBSERVATION USING THE KENTUCKY TRANSPORTATION CABINET VRS NETWORK COMPLETED ON SEPTEMBER 11, 2023.

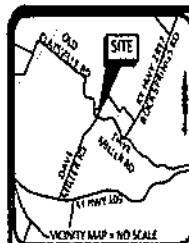
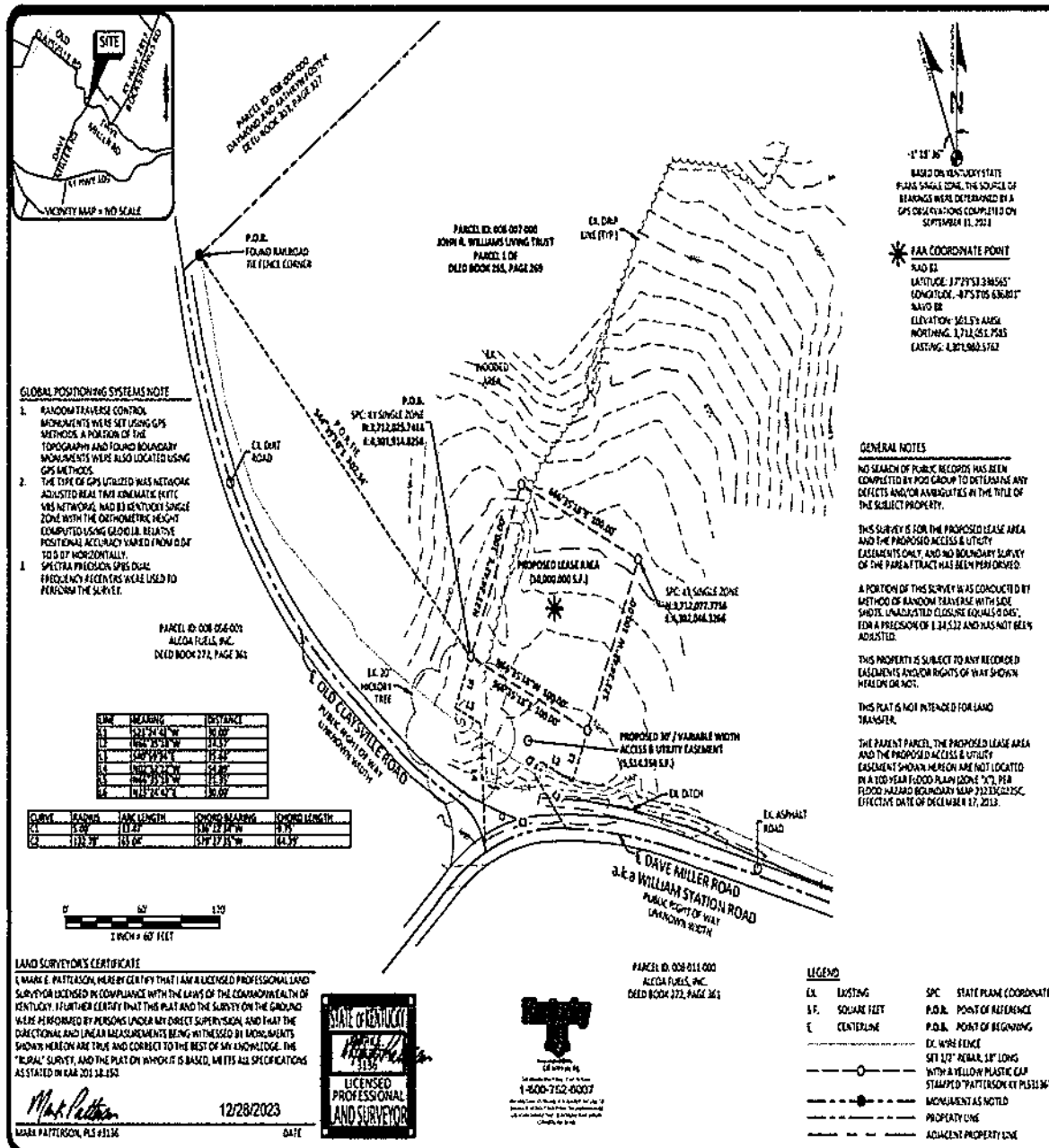
BEGINNING AT A SET 1/2" REBAR, 18" LONG, WITH A YELLOW PLASTIC CAP STAMPED "PATTERSON KY PLS3136", HEREAFTER REFERRED TO AS A "SET IPC" IN THE SOUTH WEST CORNER OF THE PROPOSED LEASE AREA, HAVING A KENTUCKY STATE PLANE COORDINATE VALUE OF N:3,712,025.7414 & E:4,301,914.8258, LOCATED ON A PORTION OF THE PROPERTY CONVEYED TO JOHN R. WILLIAMS LIVING TRUST AS RECORDED IN DEED BOOK 265, PAGE 269, PARCEL 1, PARCEL ID: 008-007-000, FOR REFERENCE SAID POINT OF BEGINNING IS S44°39'10"E 302.34' FROM A FOUND RAILROAD TIE FENCE CORNER; THENCE N23°24'42"E 100.00' TO A "SET IPC"; THENCE S66°35'18"E 100.00' TO A "SET IPC", HAVING A KENTUCKY STATE PLANE COORDINATE VALUE OF N:3,712,077.7756 & E:4,302,046.3266; THENCE S23°24'42"W 100.00' TO A "SET IPC"; THENCE N66°35'18"W 100.00' TO THE POINT OF BEGINNING CONTAINING 10,000.000 SQUARE FEET AS PER SURVEY BY MARK E. PATTERSON, PLS #3136 DATED SEPTEMBER 11, 2023.

### PROPOSED 30' / VARIABLE WIDTH ACCESS & UTILITY EASEMENT

THE FOLLOWING IS A DESCRIPTION OF THE PROPOSED 30' / VARIABLE WIDTH ACCESS & UTILITY EASEMENT TO BE GRANTED FROM THE PROPERTY CONVEYED TO JOHN R. WILLIAMS LIVING TRUST AS RECORDED IN DEED BOOK 265, PAGE 269, PARCEL 1, PARCEL ID: 008-007-000, IN THE OFFICE OF THE CLERK OF WEBSTER COUNTY, KENTUCKY, WHICH IS MORE PARTICULARLY DESCRIBED AS FOLLOWS:

BEARING DATUM USED HEREIN IS BASED UPON KENTUCKY SINGLE ZONE STATE PLANE COORDINATE SYSTEM, NAD 83, FROM A REAL TIME KINEMATIC GLOBAL POSITIONING SYSTEM OBSERVATION USING THE KENTUCKY TRANSPORTATION CABINET VRS NETWORK COMPLETED ON SEPTEMBER 11, 2023.

BEGINNING AT A SET 1/2" REBAR, 18" LONG, WITH A YELLOW PLASTIC CAP STAMPED "PATTERSON KY PLS3136", HEREAFTER REFERRED TO AS A "SET IPC" IN THE SOUTH WEST CORNER OF THE PROPOSED LEASE AREA, HAVING A KENTUCKY STATE PLANE COORDINATE VALUE OF N:3,712,025.7414 & E:4,301,914.8258, LOCATED ON A PORTION OF THE PROPERTY CONVEYED TO JOHN R. WILLIAMS LIVING TRUST AS RECORDED IN DEED BOOK 265, PAGE 269, PARCEL 1, PARCEL ID: 008-007-000, FOR REFERENCE SAID POINT OF BEGINNING IS S44°39'10"E 302.34' FROM A FOUND RAILROAD TIE FENCE CORNER; THENCE WITH SAID LEASE AREA, S66°35'18"E 100.00' TO A "SET IPC"; THENCE LEAVING SAID LEASE AREA, S23°24'42"W 30.00'; THENCE N66°35'18"W 24.57'; THENCE ALONG THE ARC OF A CURVE TO THE LEFT HAVING A RADIUS OF 5.00', ARC LENGTH OF 13.47', THE CHORD OF WHICH BEARS S36°12'34"W 9.75'; THENCE S40°59'34"E 35.68' TO THE CENTER OF DAVE MILLER ROAD (a.k.a. WILLIAM STATION ROAD) AND THE SOUTH LINE OF THE AFOREMENTIONED WILLIAMS PROPERTY; THENCE WITH SAID ROAD CENTERLINE, ALONG THE ARC OF A NON-TANGENT CURVE TO THE LEFT HAVING A RADIUS OF 132.78', ARC LENGTH OF 65.04', THE CHORD OF WHICH BEARS S78°27'35"W 64.39'; THENCE LEAVING SAID ROAD AND TRAVERSING THE LAND OF WILLIAMS, N02°52'12"W 54.89'; THENCE N66°35'18"W 21.35'; THENCE N23°24'42"E 30.00' TO THE POINT OF BEGINNING CONTAINING 5,514.354 SQUARE FEET AS PER SURVEY BY MARK E. PATTERSON, PLS #3136 DATED SEPTEMBER 11, 2023.



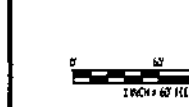
**GLOBAL POSITIONING SYSTEMS NOTE**

1. RANDOM TRAVERSE CONTROL MONUMENTS WERE SET USING GPS METHODS. A PORTION OF THE TOPOGRAPHY AND FOUND BOUNDARY MONUMENTS WERE ALSO LOCATED USING GPS METHODS.
2. THE TYPE OF GPS UTILIZED WAS NETWORK ADJUSTED REAL TIME KINEMATIC (RTK) GPS NETWORK. NAD 83 KENTUCKY SINGLE ZONE WITH THE ORTHOMETRIC HEIGHT COMPUTED USING GEOIDAL RELATIVE POSITIONAL ACCURACY VARIED FROM 0.07 TO 0.07 HORIZONTALLY.
3. SPECTRA PRECISION GPS DUAL FREQUENCY RECEIVERS WERE USED TO PERFORM THE SURVEY.

PARCEL ID: 008 056 001  
ALCOA FUELS, INC.  
DEED BOOK 272, PAGE 263

LINE	BEARING	DISTANCE
1	S 27° 54' 41" W	30.00
2	S 89° 55' 51" W	14.50
3	S 49° 09' 41" E	15.24
4	S 10° 32' 01" E	24.82
5	S 89° 55' 51" W	15.24
6	S 27° 54' 41" E	30.00

CURVE	BEARING	ARC LENGTH	CHORD BEARING	CHORD LENGTH
1	173° 39'	101.46'	S 7° 19' 18" E	101.46'
2	173° 39'	101.46'	S 7° 19' 18" W	101.46'

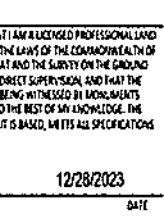


**LAND SURVEYOR'S CERTIFICATE**

I, MARK E. PATTERSON, HEREBY CERTIFY THAT I AM A LICENSED PROFESSIONAL LAND SURVEYOR LICENSED IN COMPLIANCE WITH THE LAWS OF THE COMMONWEALTH OF KENTUCKY. I FURTHER CERTIFY THAT THIS PLAN AND THE SURVEY ON THE GROUND WERE PERFORMED BY PERSONS UNDER MY DIRECT SUPERVISION AND THAT THE DIRECTIONAL AND LINEAL MEASUREMENTS BEING WITNESSED BY MONUMENTS SHOWN HEREON ARE TRUE AND CORRECT TO THE BEST OF MY KNOWLEDGE. THE "TRIAL" SURVEY, AND THE PLAN ON WHICH IT IS BASED, MEETS ALL SPECIFICATIONS AS STATED IN KAR 201.12.012.

*Mark E. Patterson*  
12/28/2023  
DATE

MARK PATTERSON, PLS #1136



PARCEL ID: 008 011 000  
ALCOA FUELS, INC.  
DEED BOOK 272, PAGE 263



**LEGEND**

- EX. EXISTING
- S.F. SQUARE FEET
- E. CENTERLINE
- SPC STATE PLANE COORDINATE
- P.O.B. POINT OF BEGINNING
- P.O.R. POINT OF REFERENCE
- EX. WIRE FENCE SET 1/2" NEAR, 1/4" LONG WITH A YELLOW PLASTIC CAP STAMPED 'PATTERSON ET PLS1136'
- MONUMENTS AS NOTED
- PROPERTY LINE
- ADJACENT PROPERTY LINE

PREPARED BY:  
**POD**  
PROFESSIONAL SURVEYING  
11700 BLENKINSOP PARKWAY  
MEMPHIS, TN 38118

PREPARED FOR:  
**smartlink**

PREPARED FOR:  
**at&t**

BASED ON KENTUCKY STATE PLAIN SINGLE ZONE. THE SOURCE OF BEARINGS WERE DETERMINED BY A GPS OBSERVATION COMPLETED ON SEPTEMBER 11, 2023.

\* FAA COORDINATE POINT  
RNO 81  
LATITUDE: 37.7251338465'  
LONGITUDE: -87.5705636817'  
NAVD 83  
ELEVATION: 365.73 AMSL  
NORTHING: 1,712,051.7903  
EASTING: 1,075,062.5762

**GENERAL NOTES**

NO SEARCH OF PUBLIC RECORDS HAS BEEN COMPLETED BY POD GROUP TO DETERMINE ANY DEFECTS AND/OR AMBIGUITIES IN THE TITLE OF THE SUBJECT PROPERTY.

THIS SURVEY IS FOR THE PROPOSED LEASE AREA AND THE PROPOSED ACCESS & UTILITY EASEMENTS ONLY, AND NO BOUNDARY SURVEY OF THE PARENT TRACT HAS BEEN PERFORMED.

A PORTION OF THIS SURVEY WAS CONDUCTED BY METHOD OF RANDOM TRAVERSE WITH SATELLITE UNASSISTED CLOSURE FOR 145.0 DAYS, FOR A FREEDOM OF 1.34152 AND HAS NOT BEEN ADJUSTED.

THIS PROPERTY IS SUBJECT TO ANY RECORDED EASEMENTS AND/OR RIGHTS OF WAY SHOWN HEREON OR NOT.

THIS PLAN IS NOT INTENDED FOR LAND TRANSFER.

THE PARENT PARCEL, THE PROPOSED LEASE AREA AND THE PROPOSED ACCESS & UTILITY EASEMENT SHOWN HEREON ARE NOT LOCATED IN A 100-YEAR FLOOD PLAIN ZONE (X), PER FLOOD HAZARD BOUNDARY MAP 71212E0225C, EFFECTIVE DATE OF DECEMBER 17, 2013.

**REVISIONS**

REV.	DATE	DESCRIPTION
A	11/29/23	PRELIMINARY ISSUE
B	11/14/23	LEASEHOLD LOCATION
C	11/17/23	DOC COMMENTS
D	12/28/23	ISSUED AS FINAL

**SITE INFORMATION:**

**TRADEWATER**  
DAVE MILLER ROAD  
A.K.A. WILLIAM STATION ROAD  
CLAY, KY 42404  
WEBSTER COUNTY

**TAX PARCEL NUMBER:**  
008-007-000

**PROPERTY OWNER:**  
JOHN R. WILLIAMS LIVING TRUST  
P.O. BOX 467  
CLAY, KY 42404

**SOURCE OF TITLE:**  
PARCEL 1 OF DEED BOOK 265, PAGE 269

**TAX MAP NUMBER:**  
38224925

**POD NUMBER:** 33-139500  
**CREATED BY:** MGP  
**DRAWN BY:** DAP  
**SURVEY DATE:** 9/11/23  
**PLAN DATE:** 9/29/23

**SHEET TITLE:**  
**SITE SURVEY**  
THIS DOES NOT REPRESENT A BOUNDARY SURVEY OF THE PARENT PARCEL.

**SHEET NUMBER:** 12 pages  
**B-1**

- Notes:**
1. THIS EXHIBIT MAY BE REPLACED BY A LAND SURVEY AND/OR CONSTRUCTION DRAWINGS OF THE PREMISES ONCE RECEIVED BY TENANT.
  2. ANY SETBACK OF THE PREMISES FROM THE PROPERTY'S BOUNDARIES SHALL BE THE DISTANCE REQUIRED BY THE APPLICABLE GOVERNMENTAL AUTHORITIES.
  3. WIDTH OF ACCESS ROAD SHALL BE THE WIDTH REQUIRED BY THE APPLICABLE GOVERNMENTAL AUTHORITIES, INCLUDING POLICE AND FIRE DEPARTMENTS.
  4. THE TYPE, NUMBER AND MOUNTING POSITIONS AND LOCATIONS OF ANTENNAS AND TRANSMISSION LINES ARE ILLUSTRATIVE ONLY. ACTUAL TYPES, NUMBERS AND MOUNTING POSITIONS MAY VARY FROM WHAT IS SHOWN ABOVE.
- 1.



**EXHIBIT J  
NOTIFICATION LISTING  
PVA RECORDS  
PROOF OF NOTICE**

**TRADEWATER**  
**NOTICE LIST**

Williams John R Living Trust  
PO Box 467  
Clay, KY 42404

Alcoa Fuels Inc ATTN: Property Tax  
201 Isabella St  
Pittsburgh, PA 15212

Foster Daymond & Kathryn  
18630 St Rt 141 S  
Sturgis, KY 42459

Foster Daymond F & Kathryn E  
18630 St Rt 141 S  
Sturgis, KY 42459

Kelley Martha (Life Estate)  
8305 St Rt 270 W  
Clay, KY 42404

Phillips Henry C & Berneice  
PO Box 46  
Wheatcroft, KY 42463

Williams Edwin Dale & Jennifer  
3156 St Rt 2837  
Clay, KY 42404

Smith David A  
3257 St Rt 2837  
Clay, KY 42404

CP Cemetery  
St Rt 109 N  
Clay, KY 42404

Webster County Geneological & Historical Society  
PO Box 215  
Dixon, KY 42409

# Webster County, KY PVA

## Summary

Parcel Number 008-007-000  
 Account Number 79925  
 Location Address WILLIAM STATION RD  
 Description 64.8113 ACRES  
 (Note: Not to be used on legal documents)  
 Class FARM (20)  
 Tax District 01 Webster County

[View Map](#)



## Owner

WILLIAMS JOHN R LIVING TRUST  
 PO BOX 467  
 CLAY, KY 42404

## Land Characteristics

Condition	Average	Topography	Level
Plat Book/Page		Drainage	Natural
Subdivision	COUNTY	Flood Hazard	
Lot	0	Zoning	No Zoning
Block	0	Electric	Yes
Acres	64.81	Water	Yes
Front	0	Gas	No
Depth	0	Sewer	No
Lot Size	0x0	Road	
Lot Sq Ft	2823180	Sidewalks	No
Shape	Typical	Information Source	

## Tax Roll Information

	2024 Working Value	2023 Certified Value
+ Land Value	\$33,625	\$28,700
+ Improvement Value	\$0	\$0
= Total Taxable Value	\$33,625	\$28,700
- Exemption Value	\$0	\$0
= Net Taxable Value	\$33,625	\$28,700
+ Land FCV	\$295,600	\$221,700
+ Improvement FCV	\$0	\$0
= Total FCV	\$295,600	\$221,700
Exemption	Homestead: No	Homestead: No

## Improvement Information

Building Number	1	Kitchens	0
Description		Dining Rooms	0
Residence Type	None	Living Rooms	0
Comm Type		Family Rooms	0
Mobile Home Type		Bedrooms	0
Year Built	0	Full Baths	0
Effective Age	0	Half Baths	0
Ave. Wall Height	0	Other Rooms	0
Structure	None	Total Rooms	0
Number of Stories	0	Living Sq Ft	0
Exterior	None	Basement Sq Ft	0
Foundation	None	Fireplaces	0
Construction Type	None	Water	N
Construction Quality	Average/Standard	Supplemental Heat	None
Building Condition	Good/Average	Mobile Home Model	
Roof Type	RY-None	Mobile Home Manufacturer	
Roof Cover	RF-None	MH Skirt Foundation	
Roof Pitch	RP-None	Heat	N
Basement Type	BT-None	Heat Source	None
Basement Finish	None	Heat Type	None
Basement Size	BS-None	Air Conditioning	N

Garage/Carport  
 Garage Size  
 Garage Type  
 Garage Exterior  
 Width 0  
 Length 0  
 Garage Sq Ft 0  
 Pool  
 Pool Size 0  
 Tennis Courts

AC/Type None  
 Special Improvements Y  
 Fire Alarm N  
 Sprinklers N  
 Porch/Deck  
 Porch Sq Ft 0  
 Deck Sq Ft 0  
 Concrete Sq Ft 0  
 Farm Bldg Type  
 Value \$0.00  
 Driveway Unimproved  
 Fence 0

**Sales**

Sale Date	Sale Price	Deed Book	Deed Page	Grantee	Grantor
7/12/2007	\$1	265	269	WILLIAMS JOHN R LIVING TRUST	JOHN R WILLIAMS
1/4/2006	\$1	WB 22	550	JOHN R WILLIAMS	SHARON WILLIAMS (WB)
1/1/1974	\$20,000	161	442	SHARON WILLIAMS (WB)	THURMAN DEVINE

**Photos**



No data available for the following modules: Sketches.



[User Privacy Policy](#) [GDPR Privacy Notice](#)  
 Last Data Upload: 5/22/2024, 8:07:23 AM

# Webster County, KY PVA

## Summary

Parcel Number 008-011-000  
 Account Number 79939  
 Location Address ST RT 109 N  
 Description 285.16 ACRES  
 (Note: Not to be used on legal documents)  
 Class FARM (20)  
 Tax District 01 Webster County

[View Map](#)



## Owner

ALCOA FUELS INC ATTN: PROPERTY TAX  
 201 ISABELLA ST  
 PITTSBURGH, PA 15212

## Land Characteristics

Condition	Average	Topography	Level
Plat Book/Page		Drainage	Natural
Subdivision	COUNTY	Flood Hazard	
Lot	0	Zoning	No Zoning
Block	0	Electric	Yes
Acres	285.16	Water	Yes
Front	0	Gas	No
Depth	0	Sewer	No
Lot Size	0x0	Road	
Lot Sq Ft	12421569	Sidewalks	No
Shape	Irregular	Information Source	

## Tax Roll Information

	2024 Working Value	2023 Certified Value
+ Land Value	\$71,250	\$64,000
+ Improvement Value	\$0	\$0
= Total Taxable Value	\$71,250	\$64,000
- Exemption Value	\$0	\$0
= Net Taxable Value	\$71,250	\$64,000
+ Land FCV	\$820,000	\$615,000
+ Improvement FCV	\$0	\$0
= Total FCV	\$820,000	\$615,000
Exemption	Homestead: No	Homestead: No

## Improvement Information

Building Number	1	Kitchens	0
Description		Dining Rooms	0
Residence Type	None	Living Rooms	0
Comm Type		Family Rooms	0
Mobile Home Type		Bedrooms	0
Year Built	0	Full Baths	0
Effective Age	0	Half Baths	0
Ave. Wall Height	0	Other Rooms	0
Structure	None	Total Rooms	0
Number of Stories	0	Living Sq Ft	0
Exterior	None	Basement Sq Ft	0
Foundation	None	Fireplaces	0
Construction Type	None	Water	N
Construction Quality	Average/Standard	Supplemental Heat	None
Building Condition	Good/Average	Mobile Home Model	
Roof Type	RY-None	Mobile Home Manufacturer	
Roof Cover	RF-None	MH Skirt Foundation	
Roof Pitch	RP-None	Heat	N
Basement Type	BT-None	Heat Source	None
Basement Finish	None	Heat Type	None
Basement Size	BS-None	Air Conditioning	N

Garage/Carport  
 Garage Size  
 Garage Type  
 Garage Exterior  
 Width 0  
 Length 0  
 Garage Sq Ft 0  
 Pool  
 Pool Size 0  
 Tennis Courts

AC/Type None  
 Special Improvements Y  
 Fire Alarm N  
 Sprinklers N  
 Porch/Deck  
 Porch Sq Ft 0  
 Deck Sq Ft 0  
 Concrete Sq Ft 0  
 Farm Bldg Type  
 Value \$0.00  
 Driveway Gravel  
 Fence 0

**Sales**

Sale Date	Sale Price	Deed Book	Deed Page	Grantee	Grantor
7/23/2009	\$10	272	361	ALCOA FUELS INC	DYSON CREEK COAL COMPANY LLC
10/25/2005	\$10	258	568	DYSON CREEK COAL COMPANY LLC	ALCOA FUELS INC
10/20/2005	\$1			ALCOA FUELS INC	LODESTAR ENERGY INC (DOC)
7/7/2005	\$1			LODESTAR ENERGY INC (DOC)	ALCOA FUELS INC (ASSIGN)
8/21/2003	\$45,000	250	199	ALCOA FUELS INC (ASSIGN)	LODESTAR ENERGY INC
2/1/1982	\$85,800	184	697	LODESTAR ENERGY INC	ALCOA FUELS INC

**Photos**



No data available for the following modules: Sketches.



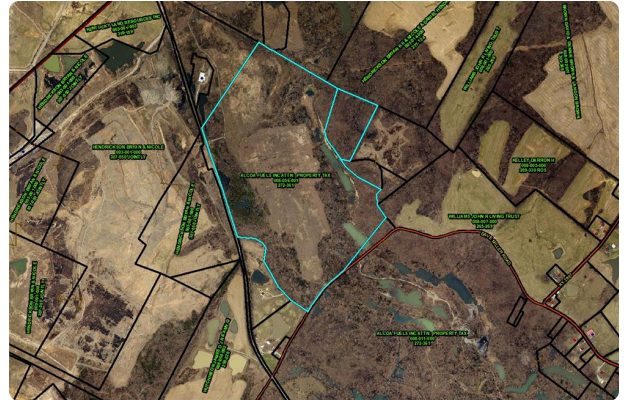
[User Privacy Policy](#) [GDPR Privacy Notice](#)  
 Last Data Upload: 5/22/2024, 8:07:23 AM

# Webster County, KY PVA

## Summary

**Parcel Number** 008-056-001  
**Account Number** 80007  
**Location Address** 531 DAVE MILLER RD - NW OF RD  
**Description** 135.23 ACRES (INC 8-55)  
 (Note: Not to be used on legal documents)  
**Class** FARM (20)  
**Tax District** 01 Webster County

[View Map](#)



## Owner

ALCOA FUELS INC ATTN: PROPERTY TAX  
 201 ISABELLA ST  
 PITTSBURGH, PA 15212

## Land Characteristics

<b>Condition</b>	Average	<b>Topography</b>	Level
<b>Plat Book/Page</b>		<b>Drainage</b>	Natural
<b>Subdivision</b>	COUNTY	<b>Flood Hazard</b>	
<b>Lot</b>	0	<b>Zoning</b>	Residential
<b>Block</b>	0	<b>Electric</b>	Yes
<b>Acres</b>	135.23	<b>Water</b>	Yes
<b>Front</b>	0	<b>Gas</b>	No
<b>Depth</b>	0	<b>Sewer</b>	No
<b>Lot Size</b>	0x0	<b>Road</b>	
<b>Lot Sq Ft</b>	5890618	<b>Sidewalks</b>	No
<b>Shape</b>	Typical	<b>Information Source</b>	

## Tax Roll Information

	2024 Working Value	2023 Certified Value
+ Land Value	\$27,375	\$26,000
+ Improvement Value	\$0	\$0
= Total Taxable Value	\$27,375	\$26,000
- Exemption Value	\$0	\$0
= Net Taxable Value	\$27,375	\$26,000
+ Land FCV	\$322,000	\$241,500
+ Improvement FCV	\$0	\$0
= Total FCV	\$322,000	\$241,500
Exemption	Homestead: No	Homestead: No

## Improvement Information

<b>Building Number</b>	1	<b>Kitchens</b>	0
<b>Description</b>		<b>Dining Rooms</b>	0
<b>Residence Type</b>	None	<b>Living Rooms</b>	0
<b>Comm Type</b>		<b>Family Rooms</b>	0
<b>Mobile Home Type</b>		<b>Bedrooms</b>	0
<b>Year Built</b>	0	<b>Full Baths</b>	0
<b>Effective Age</b>	0	<b>Half Baths</b>	0
<b>Ave. Wall Height</b>	0	<b>Other Rooms</b>	0
<b>Structure</b>	None	<b>Total Rooms</b>	0
<b>Number of Stories</b>	0	<b>Living Sq Ft</b>	0
<b>Exterior</b>	None	<b>Basement Sq Ft</b>	0
<b>Foundation</b>	None	<b>Fireplaces</b>	0
<b>Construction Type</b>	None	<b>Water</b>	N
<b>Construction Quality</b>	Average/Standard	<b>Supplemental Heat</b>	None
<b>Building Condition</b>	Good/Average	<b>Mobile Home Model</b>	
<b>Roof Type</b>	RY-None	<b>Mobile Home Manufacturer</b>	
<b>Roof Cover</b>	RF-None	<b>MH Skirt Foundation</b>	
<b>Roof Pitch</b>	RP-None	<b>Heat</b>	N
<b>Basement Type</b>	BT-None	<b>Heat Source</b>	None
<b>Basement Finish</b>	None	<b>Heat Type</b>	None
<b>Basement Size</b>	BS-None	<b>Air Conditioning</b>	N

Garage/Carport  
 Garage Size  
 Garage Type  
 Garage Exterior  
 Width 0  
 Length 0  
 Garage Sq Ft 0  
 Pool  
 Pool Size 0  
 Tennis Courts

AC/Type None  
 Special Improvements Y  
 Fire Alarm N  
 Sprinklers N  
 Porch/Deck  
 Porch Sq Ft 0  
 Deck Sq Ft 0  
 Concrete Sq Ft 0  
 Farm Bldg Type  
 Value \$0.00  
 Driveway Unimproved  
 Fence 0

**Sales**

Sale Date	Sale Price	Deed Book	Deed Page	Grantee	Grantor
7/23/2009	\$10	272	361	ALCOA FUELS INC	DYSON CREEK COAL COMPANY LLC
10/25/2005	\$10	258	568	DYSON CREEK COAL COMPANY LLC	ALCOA FUELS INC
10/20/2005	\$1	258	423	ALCOA FUELS INC	LODESTAR ENERGY INC (DOC)
7/7/2005	\$1	257	1-356	LODESTAR ENERGY INC (DOC)	ALCOA FUELS INC (ASSIGN)
8/21/2003	\$45,000	250	199	ALCOA FUELS INC (ASSIGN)	LODESTAR ENERGY

**Photos**



No data available for the following modules: Sketches.



[User Privacy Policy](#) [GDPR Privacy Notice](#)  
 Last Data Upload: 5/22/2024, 8:07:23 AM



# Webster County, KY PVA

## Summary

**Parcel Number** 008-004-000  
**Account Number** 79918  
**Location Address** ST RT 2837  
**Description** 3.00 AC M/L  
 (Note: Not to be used on legal documents)  
**Class** RESIDENTIAL (10)  
**Tax District** 01 Webster County

[View Map](#)



## Owner

FOSTER DAYMOND & KATHRYN  
 18630 ST RT 141 S  
 STURGIS, KY 42459

## Land Characteristics

<b>Condition</b>	Average	<b>Topography</b>	Level
<b>Plat Book/Page</b>		<b>Drainage</b>	Natural
<b>Subdivision</b>	COUNTY	<b>Flood Hazard</b>	
<b>Lot</b>	0	<b>Zoning</b>	No Zoning
<b>Block</b>	0	<b>Electric</b>	Yes
<b>Acres</b>	3.00	<b>Water</b>	Yes
<b>Front</b>	0	<b>Gas</b>	No
<b>Depth</b>	0	<b>Sewer</b>	No
<b>Lot Size</b>	0x0	<b>Road</b>	
<b>Lot Sq Ft</b>	130680	<b>Sidewalks</b>	No
<b>Shape</b>	Typical	<b>Information Source</b>	

## Tax Roll Information

	2024 Working Value	2023 Certified Value
+ Land Value	\$5,000	\$5,000
+ Improvement Value	\$0	\$0
= Total Taxable Value	\$5,000	\$5,000
- Exemption Value	\$0	\$0
= Net Taxable Value	\$5,000	\$5,000

Exemption Homestead: No Homestead: No

## Improvement Information

<b>Building Number</b>	1	<b>Kitchens</b>	0
<b>Description</b>		<b>Dining Rooms</b>	0
<b>Residence Type</b>	None	<b>Living Rooms</b>	0
<b>Comm Type</b>		<b>Family Rooms</b>	0
<b>Mobile Home Type</b>		<b>Bedrooms</b>	0
<b>Year Built</b>	0	<b>Full Baths</b>	0
<b>Effective Age</b>	0	<b>Half Baths</b>	0
<b>Ave. Wall Height</b>	0	<b>Other Rooms</b>	0
<b>Structure</b>	None	<b>Total Rooms</b>	0
<b>Number of Stories</b>	0	<b>Living Sq Ft</b>	0
<b>Exterior</b>	None	<b>Basement Sq Ft</b>	0
<b>Foundation</b>	None	<b>Fireplaces</b>	0
<b>Construction Type</b>	None	<b>Water</b>	N
<b>Construction Quality</b>	Average/Standard	<b>Supplemental Heat</b>	None
<b>Building Condition</b>	Good/Average	<b>Mobile Home Model</b>	
<b>Roof Type</b>	RY-None	<b>Mobile Home Manufacturer</b>	
<b>Roof Cover</b>	RF-None	<b>MH Skirt Foundation</b>	
<b>Roof Pitch</b>	RP-None	<b>Heat</b>	N
<b>Basement Type</b>	BT-None	<b>Heat Source</b>	None
<b>Basement Finish</b>	None	<b>Heat Type</b>	None
<b>Basement Size</b>	BS-None	<b>Air Conditioning</b>	N
<b>Garage/Carport</b>		<b>AC/Type</b>	None
<b>Garage Size</b>		<b>Special Improvements</b>	Y
<b>Garage Type</b>		<b>Fire Alarm</b>	N

Garage Exterior  
 Width 0  
 Length 0  
 Garage Sq Ft 0  
 Pool  
 Pool Size 0  
 Tennis Courts

Sprinklers N  
 Porch/Deck  
 Porch Sq Ft 0  
 Deck Sq Ft 0  
 Concrete Sq Ft 0  
 Farm Bldg Type  
 Value \$0.00  
 Driveway Unimproved  
 Fence 0

**Sales**

Sale Date	Sale Price	Deed Book	Deed Page	Grantee	Grantor
7/26/2018	\$5,000	303	327 ROS	FOSTER DAYMOND & KATHRYN	RITCH PEGGY
7/26/2018	\$1	303	325	RITCH PEGGY	ADAMSON W H ESTATE
1/1/1900	\$0	107	594	ADAMSON W H ESTATE	(SEE COMMENTS)

**Photos**



No data available for the following modules: Sketches.



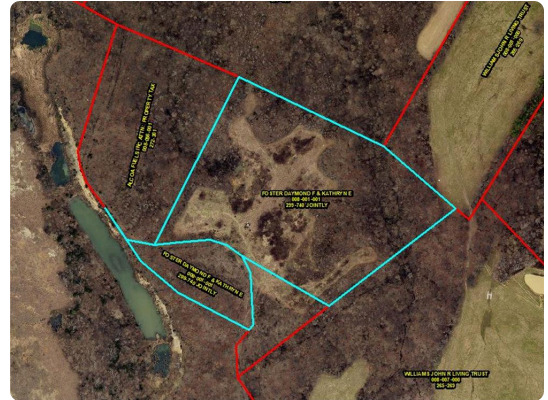
[User Privacy Policy](#) [GDPR Privacy Notice](#)  
 Last Data Upload: 5/22/2024, 8:07:23 AM

# Webster County, KY PVA

## Summary

Parcel Number 008-001-001  
 Account Number 79914  
 Location Address ST RT 2837  
 Description 17.0 ACRES  
 (Note: Not to be used on legal documents)  
 Class FARM (20)  
 Tax District 01 Webster County

[View Map](#)



## Owner

FOSTER DAYMOND F & KATHRYN E  
 18630 ST RT 141 S  
 STURGIS, KY 42459

## Land Characteristics

Condition	Average	Topography	Rolling
Plat Book/Page		Drainage	Natural
Subdivision	COUNTY	Flood Hazard	
Lot	0	Zoning	No Zoning
Block	0	Electric	Yes
Acres	17.00	Water	Yes
Front	0	Gas	No
Depth	0	Sewer	No
Lot Size	0x0	Road	
Lot Sq Ft	740520	Sidewalks	No
Shape	Typical	Information Source	

## Tax Roll Information

	2024 Working Value	2023 Certified Value
+ Land Value	\$5,100	\$4,550
+ Improvement Value	\$0	\$0
= Total Taxable Value	\$5,100	\$4,550
- Exemption Value	\$0	\$0
= Net Taxable Value	\$5,100	\$4,550
+ Land FCV	\$54,000	\$40,500
+ Improvement FCV	\$0	\$0
= Total FCV	\$54,000	\$40,500
Exemption	Homestead: No	Homestead: No

## Improvement Information

Building Number	1	Kitchens	0
Description		Dining Rooms	0
Residence Type	None	Living Rooms	0
Comm Type		Family Rooms	0
Mobile Home Type		Bedrooms	0
Year Built	0	Full Baths	0
Effective Age	0	Half Baths	0
Ave. Wall Height	0	Other Rooms	0
Structure	None	Total Rooms	0
Number of Stories	0	Living Sq Ft	0
Exterior	None	Basement Sq Ft	0
Foundation	None	Fireplaces	0
Construction Type	None	Water	N
Construction Quality	Average/Standard	Supplemental Heat	None
Building Condition	Good/Average	Mobile Home Model	
Roof Type	RY-None	Mobile Home Manufacturer	
Roof Cover	RF-None	MH Skirt Foundation	
Roof Pitch	RP-None	Heat	N
Basement Type	BT-None	Heat Source	None
Basement Finish	None	Heat Type	None
Basement Size	BS-None	Air Conditioning	N

Garage/Carport  
 Garage Size  
 Garage Type  
 Garage Exterior  
 Width 0  
 Length 0  
 Garage Sq Ft 0  
 Pool  
 Pool Size 0  
 Tennis Courts

AC/Type None  
 Special Improvements Y  
 Fire Alarm N  
 Sprinklers N  
 Porch/Deck  
 Porch Sq Ft 0  
 Deck Sq Ft 0  
 Concrete Sq Ft 0  
 Farm Bldg Type  
 Value \$0.00  
 Driveway Unimproved  
 Fence 0

**Sales**

Sale Date	Sale Price	Deed Book	Deed Page	Grantee	Grantor
7/3/2017	\$35,000	299	740 JOINTLY	FOSTER DAYMOND F & KATHRYN E	MARVEL CHAD & CHRISTY FREEMAN
7/1/1995	\$1	226	661	MARVEL CHAD & CHRISTY FREEMAN	BRENDA MARVEL / DWIGHT MARVEL (WB)
7/1/1992	\$8,500			BRENDA MARVEL / DWIGHT MARVEL (WB)	JOHN R WILLIAMS

**Photos**



No data available for the following modules: Sketches.



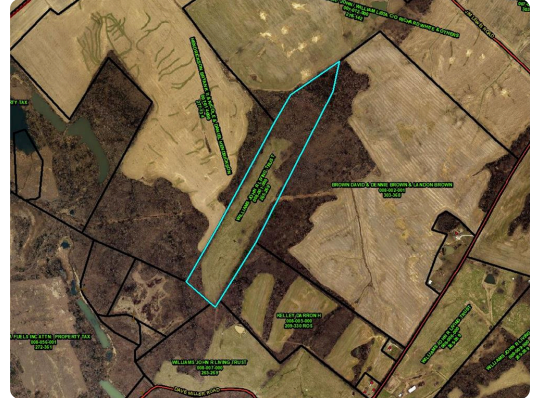
[User Privacy Policy](#) [GDPR Privacy Notice](#)  
 Last Data Upload: 5/22/2024, 8:07:23 AM

# Webster County, KY PVA

## Summary

Parcel Number 008-001-000  
 Account Number 79913  
 Location Address ST RT 2837  
 Description 41.0 ACRES  
 (Note: Not to be used on legal documents)  
 Class FARM (20)  
 Tax District 01 Webster County

[View Map](#)



## Owner

WILLIAMS JOHN R LIVING TRUST  
 PO BOX 467  
 CLAY, KY 42404

## Land Characteristics

Condition	Average	Topography	Level
Plat Book/Page		Drainage	Natural
Subdivision	COUNTY	Flood Hazard	
Lot	0	Zoning	No Zoning
Block	0	Electric	Yes
Acres	41.00	Water	Yes
Front	0	Gas	No
Depth	0	Sewer	No
Lot Size	0x0	Road	
Lot Sq Ft	1785960	Sidewalks	No
Shape	Typical	Information Source	

## Tax Roll Information

	2024 Working Value	2023 Certified Value
+ Land Value	\$16,425	\$14,000
+ Improvement Value	\$0	\$0
= Total Taxable Value	\$16,425	\$14,000
- Exemption Value	\$0	\$0
= Net Taxable Value	\$16,425	\$14,000
+ Land FCV	\$159,600	\$119,700
+ Improvement FCV	\$0	\$0
= Total FCV	\$159,600	\$119,700
Exemption	Homestead: No	Homestead: No

## Improvement Information

Building Number	1	Kitchens	0
Description		Dining Rooms	0
Residence Type	None	Living Rooms	0
Comm Type		Family Rooms	0
Mobile Home Type		Bedrooms	0
Year Built	0	Full Baths	0
Effective Age	0	Half Baths	0
Ave. Wall Height	0	Other Rooms	0
Structure	None	Total Rooms	0
Number of Stories	0	Living Sq Ft	0
Exterior	None	Basement Sq Ft	0
Foundation	None	Fireplaces	0
Construction Type	None	Water	N
Construction Quality	Average/Standard	Supplemental Heat	None
Building Condition	Good/Average	Mobile Home Model	
Roof Type	RY-None	Mobile Home Manufacturer	
Roof Cover	RF-None	MH Skirt Foundation	
Roof Pitch	RP-None	Heat	N
Basement Type	BT-None	Heat Source	None
Basement Finish	None	Heat Type	None
Basement Size	BS-None	Air Conditioning	N

Garage/Carport  
 Garage Size  
 Garage Type  
 Garage Exterior  
 Width 0  
 Length 0  
 Garage Sq Ft 0  
 Pool  
 Pool Size 0  
 Tennis Courts

AC/Type None  
 Special Improvements Y  
 Fire Alarm N  
 Sprinklers N  
 Porch/Deck  
 Porch Sq Ft 0  
 Deck Sq Ft 0  
 Concrete Sq Ft 0  
 Farm Bldg Type  
 Value \$0.00  
 Driveway Unimproved  
 Fence 0

**Sales**

Sale Date	Sale Price	Deed Book	Deed Page	Grantee	Grantor
7/12/2007	\$1	265	269	WILLIAMS JOHN R LIVING TRUST	JOHN R WILLIAMS
1/4/2006	\$1	WB 22	550	JOHN R WILLIAMS	SHARON WILLIAMS (WB)
9/1/1978	\$8,000	175	639	SHARON WILLIAMS (WB)	HAROLD SUTHERLAND

**Photos**



No data available for the following modules: Sketches.



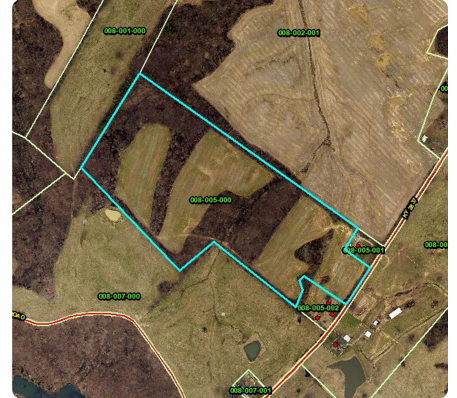
[User Privacy Policy](#) [GDPR Privacy Notice](#)  
 Last Data Upload: 5/22/2024, 8:07:23 AM

# Webster County, KY PVA

## Summary

**Parcel Number** 008-005-000  
**Account Number** 79919  
**Location Address** ST RT 2837  
**Description** 61.90 ACRES  
(Note: Not to be used on legal documents)  
**Class** FARM (20)  
**Tax District** 01 Webster County

[View Map](#)



## Owner

KELLEY MARTHA (LIFE ESTATE)  
 8305 ST RT 270 W  
 CLAY, KY 42404

## Land Characteristics

<b>Condition</b>	Average	<b>Topography</b>	Rolling
<b>Plat Book/Page</b>		<b>Drainage</b>	Natural
<b>Subdivision</b>	COUNTY	<b>Flood Hazard</b>	
<b>Lot</b>	0	<b>Zoning</b>	No Zoning
<b>Block</b>	0	<b>Electric</b>	Yes
<b>Acres</b>	61.90	<b>Water</b>	Yes
<b>Front</b>	0	<b>Gas</b>	No
<b>Depth</b>	0	<b>Sewer</b>	No
<b>Lot Size</b>	0x0	<b>Road</b>	
<b>Lot Sq Ft</b>	2696364	<b>Sidewalks</b>	No
<b>Shape</b>	Typical	<b>Information Source</b>	

## Tax Roll Information

	2024 Working Value	2023 Certified Value
+ Land Value	\$29,225	\$24,900
+ Improvement Value	\$0	\$0
= Total Taxable Value	\$29,225	\$24,900
- Exemption Value	\$0	\$0
= Net Taxable Value	\$29,225	\$24,900
+ Land FCV	\$266,000	\$199,500
+ Improvement FCV	\$0	\$0
= Total FCV	\$266,000	\$199,500
Exemption	Homestead: No	Homestead: No

## Improvement Information

<b>Building Number</b>	1	<b>Kitchens</b>	0
<b>Description</b>		<b>Dining Rooms</b>	0
<b>Residence Type</b>	None	<b>Living Rooms</b>	0
<b>Comm Type</b>		<b>Family Rooms</b>	0
<b>Mobile Home Type</b>		<b>Bedrooms</b>	0
<b>Year Built</b>	0	<b>Full Baths</b>	0
<b>Effective Age</b>	0	<b>Half Baths</b>	0
<b>Ave. Wall Height</b>	0	<b>Other Rooms</b>	0
<b>Structure</b>	None	<b>Total Rooms</b>	0
<b>Number of Stories</b>	0	<b>Living Sq Ft</b>	0
<b>Exterior</b>	None	<b>Basement Sq Ft</b>	0
<b>Foundation</b>	None	<b>Fireplaces</b>	0
<b>Construction Type</b>	None	<b>Water</b>	N
<b>Construction Quality</b>	Average/Standard	<b>Supplemental Heat</b>	None
<b>Building Condition</b>	Good/Average	<b>Mobile Home Model</b>	
<b>Roof Type</b>	RY-None	<b>Mobile Home Manufacturer</b>	
<b>Roof Cover</b>	RF-None	<b>MH Skirt Foundation</b>	
<b>Roof Pitch</b>	RP-None	<b>Heat</b>	N
<b>Basement Type</b>	BT-None	<b>Heat Source</b>	None
<b>Basement Finish</b>	None	<b>Heat Type</b>	None
<b>Basement Size</b>	BS-None	<b>Air Conditioning</b>	N

Garage/Carport  
 Garage Size  
 Garage Type  
 Garage Exterior  
 Width 0  
 Length 0  
 Garage Sq Ft 0  
 Pool  
 Pool Size 0  
 Tennis Courts

AC/Type None  
 Special Improvements Y  
 Fire Alarm N  
 Sprinklers N  
 Porch/Deck  
 Porch Sq Ft 0  
 Deck Sq Ft 0  
 Concrete Sq Ft 0  
 Farm Bldg Type  
 Value \$0.00  
 Driveway Gravel  
 Fence 0

**Sales**

Sale Date	Sale Price	Deed Book	Deed Page	Grantee	Grantor
5/15/2023	\$1	WB 034	109	KELLEY MARTHA (LIFE ESTATE)	KELLEY DARRON H EST
10/8/1991	\$1	209	330 ROS	KELLEY DARRON H & ALBERTA	KELLEY MORRIS & BARBARA

**Photos**



No data available for the following modules: Sketches.



[User Privacy Policy](#) [GDPR Privacy Notice](#)  
 Last Data Upload: 5/22/2024, 8:07:23 AM



# Webster County, KY PVA

## Summary

**Parcel Number** 008-005-002  
**Account Number** 92865  
**Location Address** ST RT 2837  
**Description** 2.38 ACRES  
 (Note: Not to be used on legal documents)  
**Class** RESIDENTIAL (10)  
**Tax District** 01 Webster County

[View Map](#)



## Owner

PHILLIPS HENRY C & BERNEICE  
 PO BOX 46  
 WHEATCROFT, KY 42463

## Land Characteristics

<b>Condition</b>	Average	<b>Topography</b>	Rolling
<b>Plat Book/Page</b>	317-174	<b>Drainage</b>	Natural
<b>Subdivision</b>	COUNTY	<b>Flood Hazard</b>	
<b>Lot</b>	0	<b>Zoning</b>	No Zoning
<b>Block</b>	0	<b>Electric</b>	Yes
<b>Acres</b>	2.38	<b>Water</b>	Yes
<b>Front</b>	0	<b>Gas</b>	No
<b>Depth</b>	0	<b>Sewer</b>	No
<b>Lot Size</b>	0x0	<b>Road</b>	
<b>Lot Sq Ft</b>	103672	<b>Sidewalks</b>	No
<b>Shape</b>	Typical	<b>Information Source</b>	

## Tax Roll Information

	2024 Working Value	2023 Certified Value
+ Land Value	\$6,000	\$6,000
+ Improvement Value	\$0	\$0
= Total Taxable Value	\$6,000	\$6,000
- Exemption Value	\$0	\$0
= Net Taxable Value	\$6,000	\$6,000

Exemption	Homestead: No	Homestead: No
-----------	---------------	---------------

## Improvement Information

<b>Building Number</b>	4	<b>Kitchens</b>	0
<b>Description</b>		<b>Dining Rooms</b>	0
<b>Residence Type</b>	None	<b>Living Rooms</b>	0
<b>Comm Type</b>		<b>Family Rooms</b>	0
<b>Mobile Home Type</b>		<b>Bedrooms</b>	0
<b>Year Built</b>	0	<b>Full Baths</b>	0
<b>Effective Age</b>	0	<b>Half Baths</b>	0
<b>Ave. Wall Height</b>	0	<b>Other Rooms</b>	0
<b>Structure</b>	None	<b>Total Rooms</b>	0
<b>Number of Stories</b>	0	<b>Living Sq Ft</b>	0
<b>Exterior</b>	None	<b>Basement Sq Ft</b>	0
<b>Foundation</b>	None	<b>Fireplaces</b>	0
<b>Construction Type</b>	None	<b>Water</b>	N
<b>Construction Quality</b>	Average/Standard	<b>Supplemental Heat</b>	None
<b>Building Condition</b>	Good/Average	<b>Mobile Home Model</b>	
<b>Roof Type</b>	RY-None	<b>Mobile Home Manufacturer</b>	
<b>Roof Cover</b>	RF-None	<b>MH Skirt Foundation</b>	
<b>Roof Pitch</b>	RP-None	<b>Heat</b>	N
<b>Basement Type</b>	BT-None	<b>Heat Source</b>	None
<b>Basement Finish</b>	None	<b>Heat Type</b>	None
<b>Basement Size</b>	BS-None	<b>Air Conditioning</b>	N
<b>Garage/Carport</b>		<b>AC/Type</b>	None
<b>Garage Size</b>		<b>Special Improvements</b>	Y
<b>Garage Type</b>		<b>Fire Alarm</b>	N

Garage Exterior  
 Width 0  
 Length 0  
 Garage Sq Ft 0  
 Pool  
 Pool Size 0  
 Tennis Courts

Sprinklers N  
 Porch/Deck  
 Porch Sq Ft 0  
 Deck Sq Ft 0  
 Concrete Sq Ft 0  
 Farm Bldg Type  
 Value \$0.00  
 Driveway Gravel  
 Fence 0

**Sales**

Sale Date	Sale Price	Deed Book	Deed Page	Grantee	Grantor
10/4/2022	\$1	317	171 JOINTLY	PHILLIPS HENRY C & BERNEICE	PHILLIPS HENRY C & BERNEICE
3/5/2019	\$5,000	305	251 JOINTLY	PHILLIPS HENRY C & BERNEICE	KELLEY DARRON H

**Photos**



No data available for the following modules: Sketches.



[User Privacy Policy](#) [GDPR Privacy Notice](#)  
 Last Data Upload: 5/22/2024, 8:07:23 AM

# Webster County, KY PVA

## Summary

**Parcel Number** 008-006-000  
**Account Number** 79924  
**Location Address** 3013 ST RT 2837  
**Description** 53.15 ACRES & RES/GAR/BLDGS  
 (Note: Not to be used on legal documents)  
**Class** FARM (20)  
**Tax District** 01 Webster County

[View Map](#)



## Owner

WILLIAMS JOHN R LIVING TRUST  
 PO BOX 467  
 CLAY, KY 42404

## Land Characteristics

<b>Condition</b>	Average	<b>Topography</b>	Level
<b>Plat Book/Page</b>		<b>Drainage</b>	Natural
<b>Subdivision</b>	COUNTY	<b>Flood Hazard</b>	
<b>Lot</b>	0	<b>Zoning</b>	No Zoning
<b>Block</b>	0	<b>Electric</b>	Yes
<b>Acres</b>	53.15	<b>Water</b>	Yes
<b>Front</b>	0	<b>Gas</b>	No
<b>Depth</b>	0	<b>Sewer</b>	No
<b>Lot Size</b>	0x0	<b>Road</b>	
<b>Lot Sq Ft</b>	2315214	<b>Sidewalks</b>	No
<b>Shape</b>	Typical	<b>Information Source</b>	

## Tax Roll Information

	2024 Working Value	2023 Certified Value
+ Land Value	\$37,175	\$31,300
+ Improvement Value	\$116,200	\$106,500
= Total Taxable Value	<b>\$153,375</b>	<b>\$137,800</b>
- Exemption Value	(\$46,350)	(\$46,350)
= Net Taxable Value	<b>\$107,025</b>	<b>\$91,450</b>
+ Land FCV	\$261,500	\$196,500
+ Improvement FCV	\$116,200	\$106,500
= Total FCV	<b>\$377,700</b>	<b>\$303,000</b>
Exemption	Homestead: Yes - \$46,350	Homestead: Yes - \$46,350

## Improvement Information

<b>Building Number</b>	1	<b>Kitchens</b>	1
<b>Description</b>	HOUSE	<b>Dining Rooms</b>	1
<b>Residence Type</b>	Single Family	<b>Living Rooms</b>	1
<b>Comm Type</b>		<b>Family Rooms</b>	0
<b>Mobile Home Type</b>		<b>Bedrooms</b>	3
<b>Year Built</b>	0	<b>Full Baths</b>	2
<b>Effective Age</b>	0	<b>Half Baths</b>	0
<b>Ave. Wall Height</b>	0	<b>Other Rooms</b>	1
<b>Structure</b>	None	<b>Total Rooms</b>	9
<b>Number of Stories</b>	4	<b>Living Sq Ft</b>	2,288
<b>Exterior</b>	Aluminum	<b>Basement Sq Ft</b>	0
<b>Foundation</b>	Concrete Block	<b>Fireplaces</b>	1
<b>Construction Type</b>	None	<b>Water</b>	Y
<b>Construction Quality</b>	Average/Standard	<b>Supplemental Heat</b>	None
<b>Building Condition</b>	Good/Average	<b>Mobile Home Model</b>	
<b>Roof Type</b>	RY-Gable	<b>Mobile Home Manufacturer</b>	
<b>Roof Cover</b>	RF-Asphalt Shingles	<b>MH Skirt Foundation</b>	
<b>Roof Pitch</b>	RP-None	<b>Heat</b>	Y
<b>Basement Type</b>	BT-None	<b>Heat Source</b>	Natural Gas
<b>Basement Finish</b>	None	<b>Heat Type</b>	Forced Air

Basement Size	BS-None	Air Conditioning	Y
Garage/Carport	Carport	AC/Type	Central
Garage Size	1 Car	Special Improvements	N
Garage Type	Attached Carport	Fire Alarm	N
Garage Exterior	None	Sprinklers	N
Width	0	Porch/Deck	Open
Length	0	Porch Sq Ft	112
Garage Sq Ft	416	Deck Sq Ft	256
Pool	None	Concrete Sq Ft	0
Pool Size	0	Farm Bldg Type	
Tennis Courts	None	Value	\$105,000.00
		Driveway	Gravel
		Fence	0
		Building Notes:	YEAR BUILT 73-75

Building Number	2	Kitchens	0
Description	PICNIC SHELTER C-O-SH	Dining Rooms	0
Residence Type	None	Living Rooms	0
Comm Type		Family Rooms	0
Mobile Home Type		Bedrooms	0
Year Built	0	Full Baths	0
Effective Age	0	Half Baths	0
Ave. Wall Height	0	Other Rooms	0
Structure	None	Total Rooms	0
Number of Stories	0	Living Sq Ft	0
Exterior	None	Basement Sq Ft	0
Foundation	Slab	Fireplaces	0
Construction Type	None	Water	Y
Construction Quality		Supplemental Heat	None
Building Condition	None	Mobile Home Model	
Roof Type	RY-None	Mobile Home Manufacturer	
Roof Cover	RF-Asphalt Shingles	MH Skirt Foundation	
Roof Pitch	RP-None	Heat	N
Basement Type	BT-None	Heat Source	None
Basement Finish	None	Heat Type	None
Basement Size	BS-None	Air Conditioning	N
Garage/Carport		AC/Type	None
Garage Size		Special Improvements	N
Garage Type		Fire Alarm	N
Garage Exterior		Sprinklers	N
Width	0	Porch/Deck	
Length	0	Porch Sq Ft	0
Garage Sq Ft	0	Deck Sq Ft	0
Pool		Concrete Sq Ft	0
Pool Size	0	Farm Bldg Type	None
Tennis Courts		Value	\$1,500.00
		Driveway	Gravel
		Fence	0

Building Number	3	Kitchens	0
Description	GARAGE W/ 12 SHED ON BACK	Dining Rooms	0
Residence Type	None	Living Rooms	0
Comm Type		Family Rooms	0
Mobile Home Type		Bedrooms	0
Year Built	0	Full Baths	0
Effective Age	0	Half Baths	0
Ave. Wall Height	0	Other Rooms	0
Structure	None	Total Rooms	0
Number of Stories	0	Living Sq Ft	0
Exterior	Metal	Basement Sq Ft	0
Foundation	Slab	Fireplaces	0
Construction Type	Steel Frame	Water	N
Construction Quality		Supplemental Heat	None
Building Condition	None	Mobile Home Model	
Roof Type	RY-None	Mobile Home Manufacturer	
Roof Cover	RF-Metal	MH Skirt Foundation	
Roof Pitch	RP-None	Heat	N
Basement Type	BT-None	Heat Source	None
Basement Finish	None	Heat Type	None
Basement Size	BS-None	Air Conditioning	N
Garage/Carport		AC/Type	None
Garage Size		Special Improvements	N
Garage Type		Fire Alarm	N
Garage Exterior		Sprinklers	N
Width	50	Porch/Deck	
Length	30	Porch Sq Ft	0
Garage Sq Ft	0	Deck Sq Ft	0
Pool		Concrete Sq Ft	0
Pool Size	0	Farm Bldg Type	None
Tennis Courts		Value	\$6,300.00
		Driveway	Gravel
		Fence	0

Building Number 4  
Description BARN/SHED  
Residence Type None  
Comm Type  
Mobile Home Type  
Year Built 0  
Effective Age 0  
Ave. Wall Height 0  
Structure None  
Number of Stories 0  
Exterior Metal  
Foundation None  
Construction Type None  
Construction Quality  
Building Condition None  
Roof Type RY-None  
Roof Cover RF-Metal  
Roof Pitch RP-None  
Basement Type BT-None  
Basement Finish None  
Basement Size BS-None  
Garage/Carport  
Garage Size  
Garage Type  
Garage Exterior  
Width 39  
Length 40  
Garage Sq Ft 0  
Pool  
Pool Size 0  
Tennis Courts

Kitchens 0  
Dining Rooms 0  
Living Rooms 0  
Family Rooms 0  
Bedrooms 0  
Full Baths 0  
Half Baths 0  
Other Rooms 0  
Total Rooms 0  
Living Sq Ft 0  
Basement Sq Ft 0  
Fireplaces 0  
Water N  
Supplemental Heat None  
Mobile Home Model  
Mobile Home Manufacturer  
MH Skirt Foundation  
Heat N  
Heat Source None  
Heat Type None  
Air Conditioning N  
AC/Type None  
Special Improvements N  
Fire Alarm N  
Sprinklers N  
Porch/Deck  
Porch Sq Ft 0  
Deck Sq Ft 0  
Concrete Sq Ft 0  
Farm Bldg Type General Barn  
Value \$1,100.00  
Driveway Gravel  
Fence 0  
Building Notes: BARN C-M-M 25 X 40 SHED D-M 12 X 40

Building Number 5  
Description CATTLE SHED  
Residence Type None  
Comm Type  
Mobile Home Type  
Year Built 0  
Effective Age 0  
Ave. Wall Height 0  
Structure None  
Number of Stories 0  
Exterior Metal  
Foundation None  
Construction Type None  
Construction Quality  
Building Condition None  
Roof Type RY-None  
Roof Cover RF-Metal  
Roof Pitch RP-None  
Basement Type BT-None  
Basement Finish None  
Basement Size BS-None  
Garage/Carport  
Garage Size  
Garage Type  
Garage Exterior  
Width 40  
Length 112  
Garage Sq Ft 0  
Pool  
Pool Size 0  
Tennis Courts

Kitchens 0  
Dining Rooms 0  
Living Rooms 0  
Family Rooms 0  
Bedrooms 0  
Full Baths 0  
Half Baths 0  
Other Rooms 0  
Total Rooms 0  
Living Sq Ft 0  
Basement Sq Ft 0  
Fireplaces 0  
Water N  
Supplemental Heat None  
Mobile Home Model  
Mobile Home Manufacturer  
MH Skirt Foundation  
Heat N  
Heat Source None  
Heat Type None  
Air Conditioning N  
AC/Type None  
Special Improvements N  
Fire Alarm N  
Sprinklers N  
Porch/Deck  
Porch Sq Ft 0  
Deck Sq Ft 0  
Concrete Sq Ft 0  
Farm Bldg Type None  
Value \$2,200.00  
Driveway Gravel  
Fence 0

Building Number 6  
Description SHED  
Residence Type None  
Comm Type  
Mobile Home Type  
Year Built 2004  
Effective Age 0  
Ave. Wall Height 0  
Structure None  
Number of Stories 0  
Exterior Metal

Kitchens 0  
Dining Rooms 0  
Living Rooms 0  
Family Rooms 0  
Bedrooms 0  
Full Baths 0  
Half Baths 0  
Other Rooms 0  
Total Rooms 0  
Living Sq Ft 0  
Basement Sq Ft 0

Foundation None  
 Construction Type None  
 Construction Quality  
 Building Condition None  
 Roof Type RY-None  
 Roof Cover RF-Metal  
 Roof Pitch RP-None  
 Basement Type BT-None  
 Basement Finish None  
 Basement Size BS-None  
 Garage/Carport  
 Garage Size  
 Garage Type  
 Garage Exterior  
 Width 24  
 Length 30  
 Garage Sq Ft 0  
 Pool  
 Pool Size 0  
 Tennis Courts

Fireplaces 0  
 Water N  
 Supplemental Heat None  
 Mobile Home Model  
 Mobile Home Manufacturer  
 MH Skirt Foundation  
 Heat N  
 Heat Source None  
 Heat Type None  
 Air Conditioning N  
 AC/Type None  
 Special Improvements N  
 Fire Alarm N  
 Sprinklers N  
 Porch/Deck  
 Porch Sq Ft 0  
 Deck Sq Ft 0  
 Concrete Sq Ft 0  
 Farm Bldg Type None  
 Value \$900.00  
 Driveway Gravel  
 Fence 0

Building Number 7  
 Description BARN  
 Residence Type None  
 Comm Type  
 Mobile Home Type  
 Year Built 0  
 Effective Age 0  
 Ave. Wall Height 0  
 Structure None  
 Number of Stories 0  
 Exterior Metal  
 Foundation Slab  
 Construction Type None  
 Construction Quality  
 Building Condition None  
 Roof Type RY-None  
 Roof Cover RF-Metal  
 Roof Pitch RP-None  
 Basement Type BT-None  
 Basement Finish None  
 Basement Size BS-None  
 Garage/Carport  
 Garage Size  
 Garage Type  
 Garage Exterior  
 Width 38  
 Length 64  
 Garage Sq Ft 0  
 Pool  
 Pool Size 0  
 Tennis Courts

Kitchens 0  
 Dining Rooms 0  
 Living Rooms 0  
 Family Rooms 0  
 Bedrooms 0  
 Full Baths 0  
 Half Baths 0  
 Other Rooms 0  
 Total Rooms 0  
 Living Sq Ft 0  
 Basement Sq Ft 0  
 Fireplaces 0  
 Water N  
 Supplemental Heat None  
 Mobile Home Model  
 Mobile Home Manufacturer  
 MH Skirt Foundation  
 Heat N  
 Heat Source None  
 Heat Type None  
 Air Conditioning N  
 AC/Type None  
 Special Improvements N  
 Fire Alarm N  
 Sprinklers N  
 Porch/Deck  
 Porch Sq Ft 0  
 Deck Sq Ft 0  
 Concrete Sq Ft 0  
 Farm Bldg Type General Barn  
 Value \$700.00  
 Driveway Gravel  
 Fence 0

Building Number 8  
 Description GR BIN 22 X 76 (8000 BU)  
 Residence Type None  
 Comm Type  
 Mobile Home Type  
 Year Built 0  
 Effective Age 0  
 Ave. Wall Height 0  
 Structure None  
 Number of Stories 0  
 Exterior Metal  
 Foundation Slab  
 Construction Type None  
 Construction Quality Average/Standard  
 Building Condition Good/Average  
 Roof Type RY-None  
 Roof Cover RF-Metal  
 Roof Pitch RP-None  
 Basement Type BT-None  
 Basement Finish None  
 Basement Size BS-None  
 Garage/Carport  
 Garage Size  
 Garage Type  
 Garage Exterior

Kitchens 0  
 Dining Rooms 0  
 Living Rooms 0  
 Family Rooms 0  
 Bedrooms 0  
 Full Baths 0  
 Half Baths 0  
 Other Rooms 0  
 Total Rooms 0  
 Living Sq Ft 0  
 Basement Sq Ft 0  
 Fireplaces 0  
 Water N  
 Supplemental Heat None  
 Mobile Home Model  
 Mobile Home Manufacturer  
 MH Skirt Foundation  
 Heat N  
 Heat Source None  
 Heat Type None  
 Air Conditioning N  
 AC/Type None  
 Special Improvements N  
 Fire Alarm N  
 Sprinklers N

Width 22  
 Length 76  
 Garage Sq Ft 0  
 Pool  
 Pool Size 0  
 Tennis Courts

Porch/Deck  
 Porch Sq Ft 0  
 Deck Sq Ft 0  
 Concrete Sq Ft 0  
 Farm Bldg Type None  
 Value \$0.00  
 Driveway Gravel  
 Fence 0

**Sales**

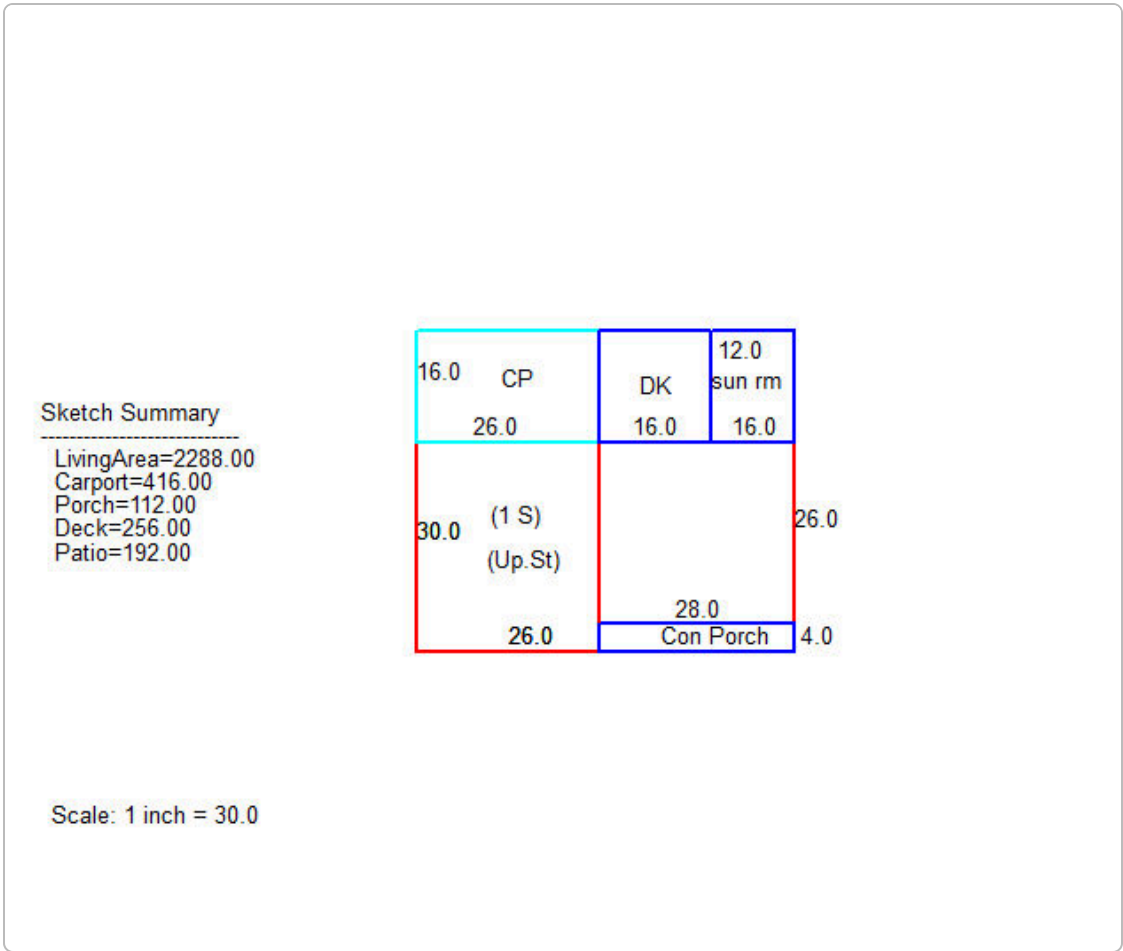
Sale Date	Sale Price	Deed Book	Deed Page	Grantee	Grantor
7/12/2007	\$1	265	269	WILLIAMS JOHN R LIVING TRUST	JOHN R WILLIAMS
1/4/2006	\$1	WB 22	550	JOHN R WILLIAMS	SHARON WILLIAMS (WB)
1/1/1973	\$7,000	157	248	SHARON WILLIAMS (WB)	CORDIS DALTON

**Photos**





Sketches





# Webster County, KY PVA

## Summary

**Parcel Number** 008-008-000  
**Account Number** 79927  
**Location Address** ST RT 2837  
**Description** 11.36 ACRES & BARN  
 (Note: Not to be used on legal documents)  
**Class** FARM (20)  
**Tax District** 01 Webster County

[View Map](#)



## Owner

WILLIAMS EDWIN DALE & JENNIFER  
 3156 ST RT 2837  
 CLAY, KY 42404

## Land Characteristics

	Average	Topography	Level
Condition		Drainage	Natural
Plat Book/Page		Flood Hazard	
Subdivision	COUNTY	Zoning	No Zoning
Lot	0	Electric	Yes
Block	0	Water	Yes
Acres	11.36	Gas	No
Front	0	Sewer	No
Depth	0	Road	
Lot Size	0x0	Sidewalks	No
Lot Sq Ft	494841	Information Source	
Shape	Typical		

## Tax Roll Information

	2024 Working Value	2023 Certified Value
+ Land Value	\$4,650	\$4,150
+ Improvement Value	\$800	\$800
= Total Taxable Value	\$5,450	\$4,950
- Exemption Value	\$0	\$0
= Net Taxable Value	\$5,450	\$4,950
+ Land FCV	\$42,000	\$31,500
+ Improvement FCV	\$800	\$800
= Total FCV	\$42,800	\$32,300
Exemption	Homestead: No	Homestead: No

## Improvement Information

<b>Building Number</b>	1	<b>Kitchens</b>	0
<b>Description</b>	BARN & SHED (D-W-M)	<b>Dining Rooms</b>	0
<b>Residence Type</b>	None	<b>Living Rooms</b>	0
<b>Comm Type</b>		<b>Family Rooms</b>	0
<b>Mobile Home Type</b>		<b>Bedrooms</b>	0
<b>Year Built</b>	0	<b>Full Baths</b>	0
<b>Effective Age</b>	0	<b>Half Baths</b>	0
<b>Ave. Wall Height</b>	0	<b>Other Rooms</b>	0
<b>Structure</b>	None	<b>Total Rooms</b>	0
<b>Number of Stories</b>	0	<b>Living Sq Ft</b>	0
<b>Exterior</b>	Wood	<b>Basement Sq Ft</b>	0
<b>Foundation</b>	None	<b>Fireplaces</b>	0
<b>Construction Type</b>	None	<b>Water</b>	N
<b>Construction Quality</b>		<b>Supplemental Heat</b>	None
<b>Building Condition</b>	None	<b>Mobile Home Model</b>	
<b>Roof Type</b>	RY-None	<b>Mobile Home Manufacturer</b>	
<b>Roof Cover</b>	RF-Metal	<b>MH Skirt Foundation</b>	
<b>Roof Pitch</b>	RP-None	<b>Heat</b>	N
<b>Basement Type</b>	BT-None	<b>Heat Source</b>	None
<b>Basement Finish</b>	None	<b>Heat Type</b>	None
<b>Basement Size</b>	BS-None	<b>Air Conditioning</b>	N

Garage/Carport  
 Garage Size  
 Garage Type  
 Garage Exterior  
 Width 51  
 Length 41  
 Garage Sq Ft 0  
 Pool  
 Pool Size 0  
 Tennis Courts

AC/Type None  
 Special Improvements N  
 Fire Alarm N  
 Sprinklers N  
 Porch/Deck  
 Porch Sq Ft 0  
 Deck Sq Ft 0  
 Concrete Sq Ft 0  
 Farm Bldg Type None  
 Value \$800.00  
 Driveway Unimproved  
 Fence 0  
 Building Notes: BARN 31 X 41 SHED 20 X 41

**Sales**

Sale Date	Sale Price	Deed Book	Deed Page	Grantee	Grantor
7/15/1999	\$45,000	235	027	WILLIAMS EDWIN DALE & JENNIFER	ROY C TUDOR
12/27/1994	\$36,000	220	319	ROY C TUDOR	LARRY SHOULDERS

**Photos**



No data available for the following modules: Sketches.



[User Privacy Policy](#) [GDPR Privacy Notice](#)  
 Last Data Upload: 5/22/2024, 8:07:23 AM

# Webster County, KY PVA

## Summary

Parcel Number 008-007-001  
 Account Number 79926  
 Location Address 3156 ST RT 2837  
 Description RES/BLDG & 0.6887 ACRES  
 (Note: Not to be used on legal documents)  
 Class RESIDENTIAL (10)  
 Tax District 01 Webster County

[View Map](#)



## Owner

WILLIAMS EDWIN DALE & JENNIFER  
 3156 ST RT 2837  
 CLAY, KY 42404

## Land Characteristics

Condition	Average	Topography	Level
Plat Book/Page		Drainage	Natural
Subdivision	COUNTY	Flood Hazard	
Lot	0	Zoning	No Zoning
Block	0	Electric	Yes
Acres	0.69	Water	Yes
Front	0	Gas	No
Depth	0	Sewer	No
Lot Size	0x0	Road	
Lot Sq Ft	30012	Sidewalks	No
Shape	Typical	Information Source	

## Tax Roll Information

	2024 Working Value	2023 Certified Value
+ Land Value	\$4,000	\$4,000
+ Improvement Value	\$120,100	\$107,800
= Total Taxable Value	<b>\$124,100</b>	<b>\$111,800</b>
- Exemption Value	(\$46,350)	(\$46,350)
= Net Taxable Value	<b>\$77,750</b>	<b>\$65,450</b>
Exemption	Homestead: Yes - \$46,350	Homestead: Yes - \$46,350

## Improvement Information

Building Number	1	Kitchens	1
Description	HOUSE	Dining Rooms	1
Residence Type	Single Family	Living Rooms	1
Comm Type		Family Rooms	0
Mobile Home Type		Bedrooms	4
Year Built	0	Full Baths	3
Effective Age	0	Half Baths	0
Ave. Wall Height	0	Other Rooms	1
Structure	1 Story	Total Rooms	11
Number of Stories	1	Living Sq Ft	2,045
Exterior	Brick Veneer	Basement Sq Ft	0
Foundation	Concrete Block	Fireplaces	1
Construction Type	None	Water	Y
Construction Quality	Average/Standard	Supplemental Heat	None
Building Condition	Good/Average	Mobile Home Model	
Roof Type	RY-Gable	Mobile Home Manufacturer	
Roof Cover	RF-Asphalt Shingles	MH Skirt Foundation	
Roof Pitch	RP-None	Heat	Y
Basement Type	BT-None	Heat Source	Electric
Basement Finish	None	Heat Type	Forced Air
Basement Size	BS-None	Air Conditioning	Y
Garage/Carport	Garage	AC/Type	Central
Garage Size	2 Car	Special Improvements	N

Garage Type Attached Garage  
 Garage Exterior None  
 Width 0  
 Length 0  
 Garage Sq Ft 839  
 Pool Above Ground  
 Pool Size 28  
 Tennis Courts None

Fire Alarm N  
 Sprinklers N  
 Porch/Deck Open  
 Porch Sq Ft 88  
 Deck Sq Ft 185  
 Concrete Sq Ft 0  
 Farm Bldg Type  
 Value \$115,000.00  
 Driveway Paved/Asphalt  
 Fence 0

Building Number 2  
 Description BLDG W/ 12' SHED  
 Residence Type None  
 Comm Type  
 Mobile Home Type  
 Year Built 0  
 Effective Age 0  
 Ave. Wall Height 0  
 Structure None  
 Number of Stories 0  
 Exterior Metal  
 Foundation Slab  
 Construction Type None  
 Construction Quality  
 Building Condition None  
 Roof Type RY-None  
 Roof Cover RF-Metal  
 Roof Pitch RP-None  
 Basement Type BT-None  
 Basement Finish None  
 Basement Size BS-None  
 Garage/Carport  
 Garage Size  
 Garage Type  
 Garage Exterior  
 Width 42  
 Length 40  
 Garage Sq Ft 0  
 Pool  
 Pool Size 0  
 Tennis Courts

Kitchens 0  
 Dining Rooms 0  
 Living Rooms 0  
 Family Rooms 0  
 Bedrooms 0  
 Full Baths 0  
 Half Baths 0  
 Other Rooms 0  
 Total Rooms 0  
 Living Sq Ft 0  
 Basement Sq Ft 0  
 Fireplaces 0  
 Water N  
 Supplemental Heat None  
 Mobile Home Model  
 Mobile Home Manufacturer  
 MH Skirt Foundation  
 Heat N  
 Heat Source None  
 Heat Type None  
 Air Conditioning N  
 AC/Type None  
 Special Improvements N  
 Fire Alarm N  
 Sprinklers N  
 Porch/Deck  
 Porch Sq Ft 0  
 Deck Sq Ft 0  
 Concrete Sq Ft 0  
 Farm Bldg Type None  
 Value \$5,100.00  
 Driveway Paved/Asphalt  
 Fence 0

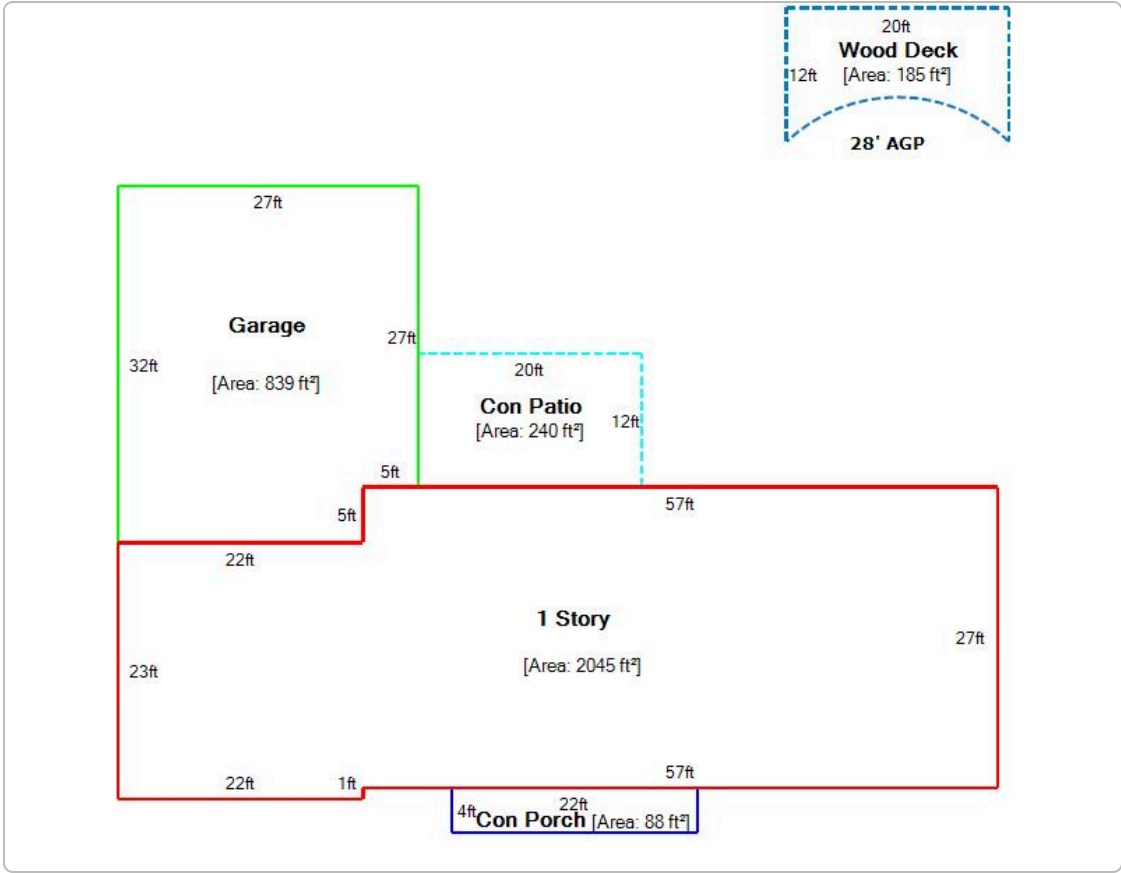
**Sales**

Sale Date	Sale Price	Deed Book	Deed Page	Grantee	Grantor
12/1/1989	\$2,000	204	337	WILLIAMS EDWIN DALE & JENNIFER	JOHN WILLIAMS

**Photos**



**Sketches**



# Webster County, KY PVA

## Summary

**Parcel Number** 008-008-001  
**Account Number** 79928  
**Location Address** 3257 ST RT 2837  
**Description** RES/BLDG & 0.64 ACRES  
 (Note: Not to be used on legal documents)  
**Class** RESIDENTIAL (10)  
**Tax District** 01 Webster County

[View Map](#)



## Owner

SMITH DAVID A  
 3257 ST RT 2837  
 CLAY, KY 42404

## Land Characteristics

<b>Condition</b>	Average	<b>Topography</b>	Level
<b>Plat Book/Page</b>		<b>Drainage</b>	Natural
<b>Subdivision</b>	COUNTY	<b>Flood Hazard</b>	
<b>Lot</b>	0	<b>Zoning</b>	No Zoning
<b>Block</b>	0	<b>Electric</b>	Yes
<b>Acres</b>	0.64	<b>Water</b>	Yes
<b>Front</b>	0	<b>Gas</b>	No
<b>Depth</b>	0	<b>Sewer</b>	No
<b>Lot Size</b>	0x0	<b>Road</b>	
<b>Lot Sq Ft</b>	27878	<b>Sidewalks</b>	No
<b>Shape</b>	Typical	<b>Information Source</b>	

## Tax Roll Information

	2024 Working Value	2023 Certified Value
+ Land Value	\$4,000	\$4,000
+ Improvement Value	\$48,700	\$43,500
= Total Taxable Value	\$52,700	\$47,500
- Exemption Value	\$0	\$0
= Net Taxable Value	\$52,700	\$47,500

Exemption Homestead: No Homestead: No

## Improvement Information

<b>Building Number</b>	1	<b>Kitchens</b>	1
<b>Description</b>	HOUSE	<b>Dining Rooms</b>	0
<b>Residence Type</b>	Single Family	<b>Living Rooms</b>	1
<b>Comm Type</b>		<b>Family Rooms</b>	0
<b>Mobile Home Type</b>		<b>Bedrooms</b>	3
<b>Year Built</b>	0	<b>Full Baths</b>	2
<b>Effective Age</b>	0	<b>Half Baths</b>	0
<b>Ave. Wall Height</b>	0	<b>Other Rooms</b>	1
<b>Structure</b>	1 Story	<b>Total Rooms</b>	8
<b>Number of Stories</b>	1	<b>Living Sq Ft</b>	1,510
<b>Exterior</b>	Aluminum	<b>Basement Sq Ft</b>	0
<b>Foundation</b>	None	<b>Fireplaces</b>	0
<b>Construction Type</b>	None	<b>Water</b>	N
<b>Construction Quality</b>	Average/Standard	<b>Supplemental Heat</b>	None
<b>Building Condition</b>	Good/Average	<b>Mobile Home Model</b>	
<b>Roof Type</b>	RY-Gable	<b>Mobile Home Manufacturer</b>	
<b>Roof Cover</b>	RF-Asphalt Shingles	<b>MH Skirt Foundation</b>	
<b>Roof Pitch</b>	RP-None	<b>Heat</b>	Y
<b>Basement Type</b>	BT-None	<b>Heat Source</b>	Natural Gas
<b>Basement Finish</b>	None	<b>Heat Type</b>	Forced Air
<b>Basement Size</b>	BS-None	<b>Air Conditioning</b>	N
<b>Garage/Carport</b>		<b>AC/Type</b>	None
<b>Garage Size</b>		<b>Special Improvements</b>	N
<b>Garage Type</b>		<b>Fire Alarm</b>	N

Garage Exterior		Sprinklers	N
Width	0	Porch/Deck	Open
Length	0	Porch Sq Ft	156
Garage Sq Ft	0	Deck Sq Ft	208
Pool	None	Concrete Sq Ft	0
Pool Size	0	Farm Bldg Type	
Tennis Courts	None	Value	\$45,400.00
		Driveway	Gravel
		Fence	0

Building Number	2	Kitchens	0
Description	BARN	Dining Rooms	0
Residence Type	None	Living Rooms	0
Comm Type		Family Rooms	0
Mobile Home Type		Bedrooms	0
Year Built	0	Full Baths	0
Effective Age	0	Half Baths	0
Ave. Wall Height	0	Other Rooms	0
Structure	None	Total Rooms	0
Number of Stories	0	Living Sq Ft	0
Exterior	None	Basement Sq Ft	0
Foundation	None	Fireplaces	0
Construction Type	None	Water	N
Construction Quality		Supplemental Heat	None
Building Condition	None	Mobile Home Model	
Roof Type	RY-None	Mobile Home Manufacturer	
Roof Cover	RF-Metal	MH Skirt Foundation	
Roof Pitch	RP-None	Heat	N
Basement Type	BT-None	Heat Source	None
Basement Finish	None	Heat Type	None
Basement Size	BS-None	Air Conditioning	N
Garage/Carport		AC/Type	None
Garage Size		Special Improvements	N
Garage Type		Fire Alarm	N
Garage Exterior		Sprinklers	N
Width	30	Porch/Deck	
Length	44	Porch Sq Ft	0
Garage Sq Ft	0	Deck Sq Ft	0
Pool		Concrete Sq Ft	0
Pool Size	0	Farm Bldg Type	None
Tennis Courts		Value	\$3,300.00
		Driveway	Gravel
		Fence	0

### Sales

Sale Date	Sale Price	Deed Book	Deed Page	Grantee	Grantor
7/27/2007	\$35,500	265	391	SMITH DAVID A	JEREMY B LOVAN
6/1/2004	\$36,100	246	285	JEREMY B LOVAN	HEATH A STONE

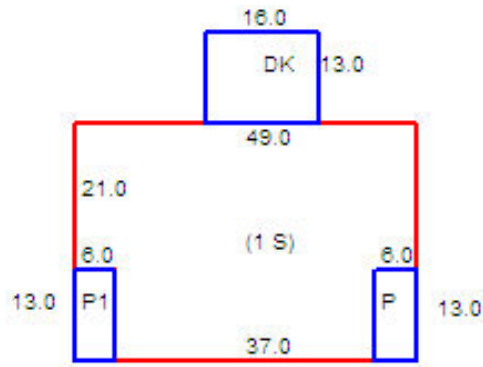
### Photos



### Sketches

Sketch Summary

LivingArea=1510.00  
Porch=156.00  
Deck=208.00



Scale: 1 inch = 30.0



# Webster County, KY PVA

## Summary

Parcel Number 008-011-002  
 Account Number 92779  
 Location Address DAVE MILLER RD  
 Description 1.00 ACRE  
 (Note: Not to be used on legal documents)  
 Class EXEMPT OTHER (99)  
 Tax District 01 Webster County

[View Map](#)



## Owner

CP CEMETERY  
 ST RT 109 N  
 CLAY, KY 42404

## Land Characteristics

Condition	Average	Topography	Rolling
Plat Book/Page		Drainage	Natural
Subdivision	COUNTY	Flood Hazard	
Lot	0	Zoning	No Zoning
Block	0	Electric	Yes
Acres	1.00	Water	Yes
Front	0	Gas	No
Depth	0	Sewer	No
Lot Size	0x0	Road	
Lot Sq Ft	43560	Sidewalks	No
Shape	Typical	Information Source	

## Tax Roll Information

	2024 Working Value	2023 Certified Value
+ Land Value	\$2,500	\$2,500
+ Improvement Value	\$0	\$0
= Total Taxable Value	\$2,500	\$2,500
- Exemption Value	(\$2,500)	(\$2,500)
= Net Taxable Value	\$0	\$0
Exemption	Homestead: Yes - \$46,350	Homestead: Yes - \$46,350

## Improvement Information

Building Number	1	Kitchens	0
Description		Dining Rooms	0
Residence Type	None	Living Rooms	0
Comm Type		Family Rooms	0
Mobile Home Type		Bedrooms	0
Year Built	0	Full Baths	0
Effective Age	0	Half Baths	0
Ave. Wall Height	0	Other Rooms	0
Structure	None	Total Rooms	0
Number of Stories	0	Living Sq Ft	0
Exterior	None	Basement Sq Ft	0
Foundation	None	Fireplaces	0
Construction Type	None	Water	N
Construction Quality	Average/Standard	Supplemental Heat	None
Building Condition	Good/Average	Mobile Home Model	
Roof Type	RY-None	Mobile Home Manufacturer	
Roof Cover	RF-None	MH Skirt Foundation	
Roof Pitch	RP-None	Heat	N
Basement Type	BT-None	Heat Source	None
Basement Finish	None	Heat Type	None
Basement Size	BS-None	Air Conditioning	N
Garage/Carport		AC/Type	None
Garage Size		Special Improvements	Y

Garage Type  
 Garage Exterior  
 Width 0  
 Length 0  
 Garage Sq Ft 0  
 Pool  
 Pool Size 0  
 Tennis Courts

Fire Alarm N  
 Sprinklers N  
 Porch/Deck  
 Porch Sq Ft 0  
 Deck Sq Ft 0  
 Concrete Sq Ft 0  
 Farm Bldg Type  
 Value \$0.00  
 Driveway Gravel  
 Fence 0

**Sales**

Sale Date	Sale Price	Deed Book	Deed Page	Grantee	Grantor
3/17/1877	\$25	011	430	CP CEMETERY	

**Photos**



No data available for the following modules: Sketches.



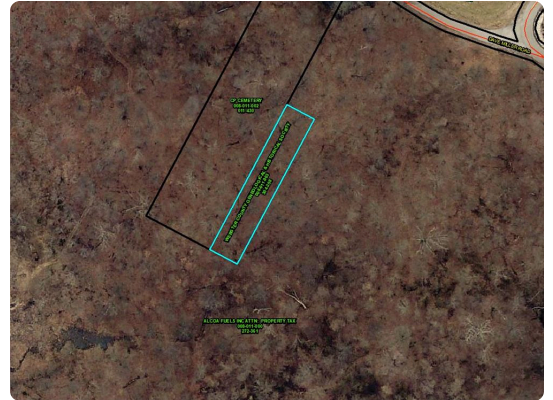
[User Privacy Policy](#) [GDPR Privacy Notice](#)  
 Last Data Upload: 5/22/2024, 8:07:23 AM

# Webster County, KY PVA

## Summary

**Parcel Number** 008-011-003  
**Account Number** 92780  
**Location Address** DAVE MILLER RD  
**Description** 0.24 ACRES  
 (Note: Not to be used on legal documents)  
**Class** EXEMPT COUNTY (93)  
**Tax District** 01 Webster County

[View Map](#)



## Owner

WEBSTER COUNTY GENEALOGICAL & HISTORICAL SOCIETY  
 PO BOX 215  
 DIXON, KY 42409

## Land Characteristics

<b>Condition</b>	Average	<b>Topography</b>	Not Used
<b>Plat Book/Page</b>		<b>Drainage</b>	Natural
<b>Subdivision</b>	COUNTY	<b>Flood Hazard</b>	
<b>Lot</b>	0	<b>Zoning</b>	No Zoning
<b>Block</b>	0	<b>Electric</b>	Yes
<b>Acres</b>	0.24	<b>Water</b>	Yes
<b>Front</b>	0	<b>Gas</b>	No
<b>Depth</b>	0	<b>Sewer</b>	No
<b>Lot Size</b>	0x0	<b>Road</b>	
<b>Lot Sq Ft</b>	10454	<b>Sidewalks</b>	No
<b>Shape</b>	Typical	<b>Information Source</b>	

## Tax Roll Information

	2024 Working Value	2023 Certified Value
+ Land Value	\$925	\$925
+ Improvement Value	\$0	\$0
= Total Taxable Value	\$925	\$925
- Exemption Value	(\$925)	(\$925)
= Net Taxable Value	\$0	\$0
Exemption	Homestead: Yes - \$46,350	Homestead: Yes - \$46,350

## Improvement Information

<b>Building Number</b>	1	<b>Kitchens</b>	0
<b>Description</b>		<b>Dining Rooms</b>	0
<b>Residence Type</b>	None	<b>Living Rooms</b>	0
<b>Comm Type</b>		<b>Family Rooms</b>	0
<b>Mobile Home Type</b>		<b>Bedrooms</b>	0
<b>Year Built</b>	0	<b>Full Baths</b>	0
<b>Effective Age</b>	0	<b>Half Baths</b>	0
<b>Ave. Wall Height</b>	0	<b>Other Rooms</b>	0
<b>Structure</b>	None	<b>Total Rooms</b>	0
<b>Number of Stories</b>	0	<b>Living Sq Ft</b>	0
<b>Exterior</b>	None	<b>Basement Sq Ft</b>	0
<b>Foundation</b>	None	<b>Fireplaces</b>	0
<b>Construction Type</b>	None	<b>Water</b>	N
<b>Construction Quality</b>	Average/Standard	<b>Supplemental Heat</b>	None
<b>Building Condition</b>	Good/Average	<b>Mobile Home Model</b>	
<b>Roof Type</b>	RY-None	<b>Mobile Home Manufacturer</b>	
<b>Roof Cover</b>	RF-None	<b>MH Skirt Foundation</b>	
<b>Roof Pitch</b>	RP-None	<b>Heat</b>	N
<b>Basement Type</b>	BT-None	<b>Heat Source</b>	None
<b>Basement Finish</b>	None	<b>Heat Type</b>	None
<b>Basement Size</b>	BS-None	<b>Air Conditioning</b>	N
<b>Garage/Carport</b>		<b>AC/Type</b>	None
<b>Garage Size</b>		<b>Special Improvements</b>	Y

Garage Type  
 Garage Exterior  
 Width 0  
 Length 0  
 Garage Sq Ft 0  
 Pool  
 Pool Size 0  
 Tennis Courts

Fire Alarm N  
 Sprinklers N  
 Porch/Deck  
 Porch Sq Ft 0  
 Deck Sq Ft 0  
 Concrete Sq Ft 0  
 Farm Bldg Type  
 Value \$0.00  
 Driveway Gravel  
 Fence 0

**Sales**

Sale Date	Sale Price	Deed Book	Deed Page	Grantee	Grantor
12/11/2018	\$1	304	358	WEBSTER COUNTY GENEEOLOGICAL & HISTORICAL SOCIETY	ALCOA FUELS INC

**Photos**



No data available for the following modules: Sketches.



[User Privacy Policy](#) [GDPR Privacy Notice](#)  
 Last Data Upload: 5/22/2024, 8:07:23 AM

## RE: Information Requested

Kelley, Jeff D (Webster Co PVA) <JeffD.Kelley@ky.gov>

Fri 5/24/2024 9:20 AM

To: Aaron Roof <arroof@pikelegal.com>

 1 attachments (16 KB)

Tradewater - Notice List - with PVA #s - Verified.docx;

Attached is your sheet with the 2024 Addresses we have on file.

Thank You,

*Jeffrey D. Kelley*  
Webster County PVA

---

**From:** Aaron Roof <arroof@pikelegal.com>  
**Sent:** Thursday, May 23, 2024 8:47 PM  
**To:** Kelley, Jeff D (Webster Co PVA) <JeffD.Kelley@ky.gov>  
**Subject:** Re: Information Requested

TO: Jeff Kelley

FROM: Aaron L. Roof, Pike Legal Group, PLLC

RE : Information Requested

Jeff,

Thank you for getting this information to me so quickly. The purpose of my inquiry is to compile a notice list. Accordingly, can you please confirm that the mailing addresses shown with each landowner on the attached list (which I have compiled based on the County's PVA website) is consistent with the County's official PVA records.

Thank you for your continued assistance with this matter.

Aaron L. Roof

Pike Legal Group PLLC  
1578 Highway 44 East, Suite 6  
PO Box 369  
Shepherdsville, KY 40165-0369  
Telephone: 502-955-4400 or 800-516-4293  
Telefax: 502-543-4410 or 800-541-4410  
Mobile: 270-564-6906

Email: [arroof@pikelegal.com](mailto:arroof@pikelegal.com)

**Pike Legal Group, PLLC - Kentucky, Indiana, Ohio, Tennessee, West Virginia, Georgia, Florida, Arkansas & Alaska licensed attorneys - no charge for travel time \_**

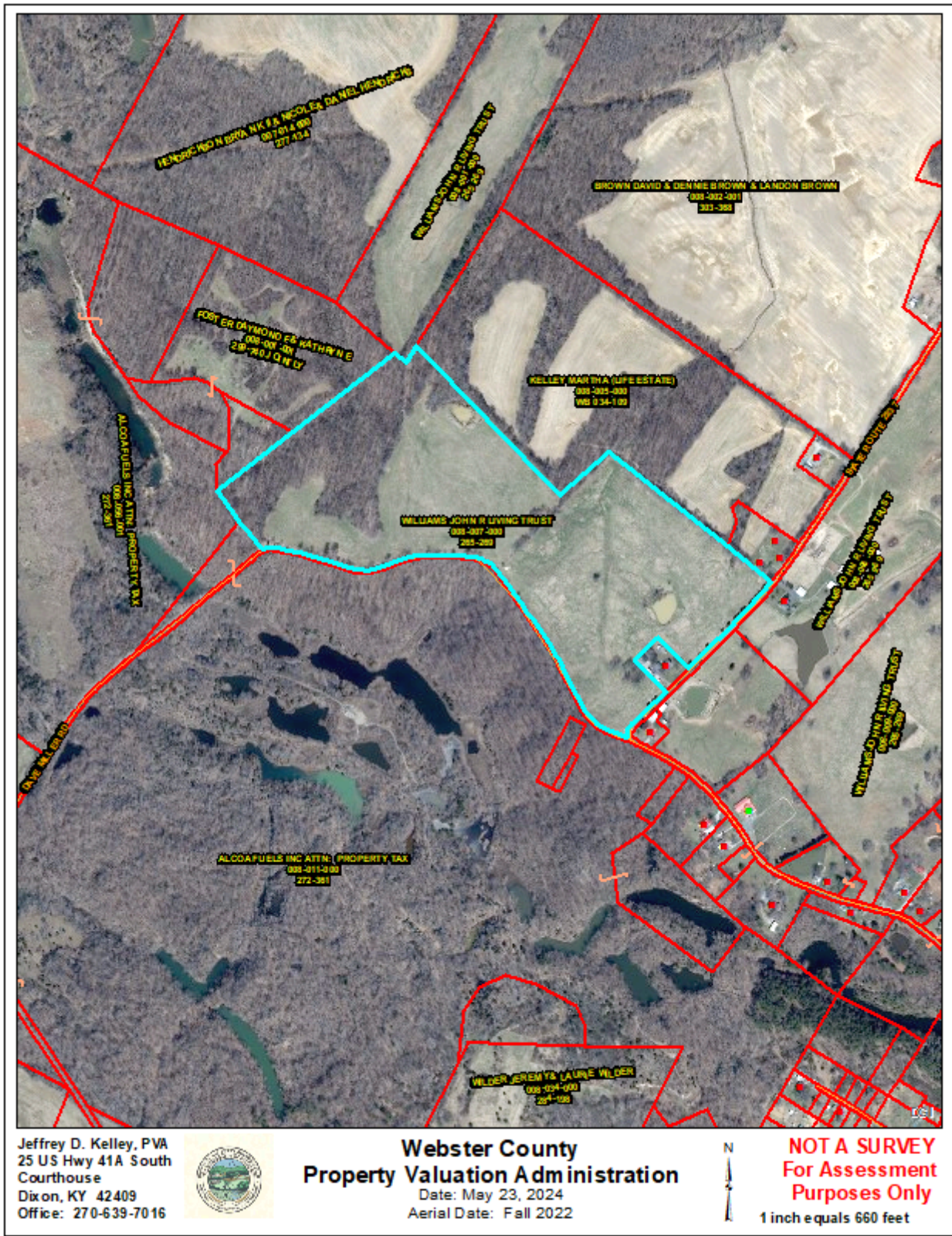
*Proud supporter of the Alaskan dog-sledding tradition, mushing families, and canine athletes since 2000 - The Pike Legal Group, PLLC is a diverse workplace.*

NOTICE: The information contained in this email message and any and all attachments may contain confidential information. This information is the property of Pike Legal Group PLLC. If you are not the intended recipient of this information, any disclosure, copying, distribution, or the taking of any action in reliance on this information is strictly prohibited. If you have received this email message in error, please reply immediately informing us of the error in transmitting this email. Thank you!

---

**From:** Kelley, Jeff D (Webster Co PVA) <[JeffD.Kelley@ky.gov](mailto:JeffD.Kelley@ky.gov)>  
**Sent:** Thursday, May 23, 2024 4:00 PM  
**To:** Aaron Roof <[arroof@pikelegal.com](mailto:arroof@pikelegal.com)>  
**Subject:** Information Requested

See Attached;



Jeffrey D. Kelley

Webster County PVA

PO Box 88 25 US 41A S

Dixon, KY 42409

Ph. (270) 639-7016

[www.webstercountypva.com](http://www.webstercountypva.com)



**TRADEWATER**  
**NOTICE LIST**

**008-007-000 & 008-001-000 & 008-006-000**

Williams John R Living Trust  
PO Box 467  
Clay, KY 42404

Tax Year: 2024 Name and Address: WILLIAMS JOHN R LIVING TRUST PO BOX 467 CLAY KY 42404

**008-011-000 & 008-056-001**

Alcoa Fuels Inc ATTN: Property Tax  
201 Isabella St  
Pittsburgh, PA 15212

Tax Year: 2024 Name and Address: ALCOA FUELS INC ATTN: PROPERTY TAX 201 ISABELLA ST  
PITTSBURGH PA 15212

**008-004-000**

Foster Daymond & Kathryn  
18630 St Rt 141 S  
Sturgis, KY 42459

Tax Year: 2024 Name and Address: FOSTER DAYMOND & KATHRYN 18630 ST RT 141 S STURGIS KY  
42459

**008-001-001**

Foster Daymond F & Kathryn E  
18630 St Rt 141 S  
Sturgis, KY 42459

Tax Year: 2024 Name and Address: FOSTER DAYMOND & KATHRYN 18630 ST RT 141 S STURGIS KY  
42459

**008-005-000**

Kelley Martha (Life Estate)  
8305 St Rt 270 W  
Clay, KY 42404

Tax Year: 2024 Name and Address: KELLEY MARTHA (LIFE ESTATE) 8305 ST RT 270 W CLAY KY 42404

**008-005-002**

Phillips Henry C & Berneice  
PO Box 46  
Wheatcroft, KY 42463

Tax Year: 2024 Name and Address: PHILLIPS HENRY C & BERNICE PO BOX 46 WHEATCROFT KY  
42463

**008-008-000 & 008-007-001**

Williams Edwin Dale & Jennifer  
3156 St Rt 2837  
Clay, KY 42404

Tax Year: 2024 Name and Address: WILLIAMS EDWIN DALE & JENNIFER 3156 ST RT 2837 CLAY KY 42404

**008-008-001**

Smith David A  
3257 St Rt 2837  
Clay, KY 42404

Tax Year: 2024 Name and Address: SMITH DAVID A 3257 ST RT 2837 CLAY KY 42404

**008-011-002**

CP Cemetery  
St Rt 109 N  
Clay, KY 42404

Tax Year: 2024 Name and Address: CP CEMETERY ST RT 109 N CLAY KY 42404

(The Webster County Historical Society Below would be the contact on the Old Cemetery)

**008-011-003**

Webster County Geneological & Historical Society  
PO Box 215  
Dixon, KY 42409

Tax Year: 2024 Name and Address: WEBSTER COUNTY GENELOGICAL & HISTORICAL SOCIETY PO BOX 215 DIXON KY 42409

U.S. Postal Service™  
CERTIFIED MAIL® RECEIPT  
Domestic Mail Only

For delivery information, visit our website at [www.usps.com](http://www.usps.com)®.

Certified Mail Fee \$

Extra Services & Fees (check box, add fee as appropriate)

Return Receipt (hardcopy) \$

Return Receipt (electronic) \$

Certified Mail Restricted Delivery \$

Adult Signature Required \$

Adult Signature Restricted Delivery \$

Postage \$

Total \$

Sent \$

Street

City

**Webster County Geneological & Historical Society**  
**PO Box 215**  
**Dixon, KY 42409**

PS Form 3800, April 2015 PSN 7530-02-000-9047 See Reverse for Instructions

7022 3330 0000 3636 0234

U.S. Postal Service™  
CERTIFIED MAIL® RECEIPT  
Domestic Mail Only

For delivery information, visit our website at [www.usps.com](http://www.usps.com)®.

Certified Mail Fee \$

Extra Services & Fees (check box, add fee as appropriate)

Return Receipt (hardcopy) \$

Return Receipt (electronic) \$

Certified Mail Restricted Delivery \$

Adult Signature Required \$

Adult Signature Restricted Delivery \$

Postage \$

Total \$

Sent \$

Street To

City, St

**Foster Daymond F & Kathryn E**  
**18630 St Rt 141 S**  
**Sturgis, KY 42459**

PS Form 3800, April 2015 PSN 7530-02-000-9047 See Reverse for Instructions

7022 3330 0000 3636 0222

U.S. Postal Service™  
CERTIFIED MAIL® RECEIPT  
Domestic Mail Only

For delivery information, visit our website at [www.usps.com](http://www.usps.com)®.

Certified Mail Fee \$

Extra Services & Fees (check box, add fee as appropriate)

Return Receipt (hardcopy) \$

Return Receipt (electronic) \$

Certified Mail Restricted Delivery \$

Adult Signature Required \$

Adult Signature Restricted Delivery \$

Postage \$

Total \$

Sent \$

Street

City

**Smith David A**  
**3257 St Rt 2837**  
**Clay, KY 42404**

PS Form 3800, April 2015 PSN 7530-02-000-9047 See Reverse for Instructions

7022 3330 0000 3636 0253

U.S. Postal Service™  
CERTIFIED MAIL® RECEIPT  
Domestic Mail Only

For delivery information, visit our website at [www.usps.com](http://www.usps.com)®.

Certified Mail Fee \$

Extra Services & Fees (check box, add fee as appropriate)

Return Receipt (hardcopy) \$

Return Receipt (electronic) \$

Certified Mail Restricted Delivery \$

Adult Signature Required \$

Adult Signature Restricted Delivery \$

Postage \$

Total \$

Sent \$

Street

City

**CP Cemetery**  
**St Rt 109 N**  
**Clay, KY 42404**

PS Form 3800, April 2015 PSN 7530-02-000-9047 See Reverse for Instructions

7022 3330 0000 3636 0246

U.S. Postal Service™  
CERTIFIED MAIL® RECEIPT  
Domestic Mail Only

For delivery information, visit our website at [www.usps.com](http://www.usps.com)®.

Certified Mail Fee \$

Extra Services & Fees (check box, add fee as appropriate)

Return Receipt (hardcopy) \$

Return Receipt (electronic) \$

Certified Mail Restricted Delivery \$

Adult Signature Required \$

Adult Signature Restricted Delivery \$

Postage \$

Total \$

Sent \$

Street

City

**Phillips Henry C & Berneice**  
**PO Box 46**  
**Wheatcroft, KY 42463**

PS Form 3800, April 2015 PSN 7530-02-000-9047 See Reverse for Instructions

7022 3330 0000 3636 0277

U.S. Postal Service™  
CERTIFIED MAIL® RECEIPT  
Domestic Mail Only

For delivery information, visit our website at [www.usps.com](http://www.usps.com)®.

Certified Mail Fee \$

Extra Services & Fees (check box, add fee as appropriate)

Return Receipt (hardcopy) \$

Return Receipt (electronic) \$

Certified Mail Restricted Delivery \$

Adult Signature Required \$

Adult Signature Restricted Delivery \$

Postage \$

Total \$

Sent \$

Street

City

**Williams Edwin Dale & Jennifer**  
**3156 St Rt 2837**  
**Clay, KY 42404**

PS Form 3800, April 2015 PSN 7530-02-000-9047 See Reverse for Instructions

7022 3330 0000 3636 0260

7022 3330 0000 3636 0291

**U.S. Postal Service™  
CERTIFIED MAIL® RECEIPT**  
Domestic Mail Only

For delivery information, visit our website at [www.usps.com](http://www.usps.com)®.

Certified Mail Fee \$

Extra Services & Fees (check box, add fee as appropriate)

Return Receipt (hardcopy) \$

Return Receipt (electronic) \$

Certified Mail Restricted Delivery \$

Adult Signature Required \$

Adult Signature Restricted Delivery \$

Postage \$

Total \$

Postmark Here

Postage \$

Total \$

Seni \$

Str \$

City \$

Foster Daymond & Kathryn  
18630 St Rt 141 S  
Sturgis, KY 42459

PS Form 3800, April 2015 PSN 7530-02-000-9047 See Reverse for Instructions

7022 3330 0000 3636 0284

**U.S. Postal Service™  
CERTIFIED MAIL® RECEIPT**  
Domestic Mail Only

For delivery information, visit our website at [www.usps.com](http://www.usps.com)®.

Certified Mail Fee \$

Extra Services & Fees (check box, add fee as appropriate)

Return Receipt (hardcopy) \$

Return Receipt (electronic) \$

Certified Mail Restricted Delivery \$

Adult Signature Required \$

Adult Signature Restricted Delivery \$

Postage \$

Total \$

Seni \$

Str \$

City \$

Kelley Martha (Life Estate)  
8305 St Rt 270 W  
Clay, KY 42404

PS Form 3800, April 2015 PSN 7530-02-000-9047 See Reverse for Instructions

7022 3330 0000 3636 1717

**U.S. Postal Service™  
CERTIFIED MAIL® RECEIPT**  
Domestic Mail Only

For delivery information, visit our website at [www.usps.com](http://www.usps.com)®.

Certified Mail Fee \$

Extra Services & Fees (check box, add fee as appropriate)

Return Receipt (hardcopy) \$

Return Receipt (electronic) \$

Certified Mail Restricted Delivery \$

Adult Signature Required \$

Adult Signature Restricted Delivery \$

Postage \$

Total \$

Seni \$

Str \$

City \$

Williams John R Living Trust  
PO Box 467  
Clay, KY 42404

PS Form 3800, April 2015 PSN 7530-02-000-9047 See Reverse for Instructions

7022 3330 0000 3636 0123

**U.S. Postal Service™  
CERTIFIED MAIL® RECEIPT**  
Domestic Mail Only

For delivery information, visit our website at [www.usps.com](http://www.usps.com)®.

Certified Mail Fee \$

Extra Services & Fees (check box, add fee as appropriate)

Return Receipt (hardcopy) \$

Return Receipt (electronic) \$

Certified Mail Restricted Delivery \$

Adult Signature Required \$

Adult Signature Restricted Delivery \$

Postage \$

Total \$

Seni \$

Str \$

City \$

Alcoa Fuels Inc ATTN: Property  
Tax  
201 Isabella St  
Pittsburgh, PA 15212

PS Form 3800, April 2015 PSN 7530-02-000-9047 See Reverse for Instructions

**SENDER: COMPLETE THIS SECTION**

- Complete items 1, 2, and 3.
- Print your name and address on the reverse so that we can return the card to you.
- Attach this card to the back of the mailpiece, or on the front if space permits.

1. Article Addressed to:

Foster Daymond & Kathryn  
 18630 St Rt 141 S  
 Sturgis, KY 42459



9590 9402 7926 2305 8894 23

2. Article Number (Transfer from service label)

7022 3330 0000 3636 0291

PS Form 3811, July 2020 PSN 7530-02-000-9053

**COMPLETE THIS SECTION ON DELIVERY**

A. Signature

X *[Signature]*

- Agent
- Addressee

B. Received by (Printed Name)

*Raymond Foster*

C. Date of Delivery

*6/5/24*

D. Is delivery address different from item 1?  Yes  
If YES, enter delivery address below:  No

3. Service Type

- Adult Signature
- Adult Signature Restricted Delivery
- Certified Mail®
- Certified Mail Restricted Delivery
- Collect on Delivery
- Collect on Delivery Restricted Delivery
- Registered Mail™
- Registered Mail Restricted Delivery
- Signature Confirmation™
- Signature Confirmation Restricted Delivery

Priority Mail Express®

PS Form 3811, July 2020 PSN 7530-02-000-9053

Domestic Return Receipt

**SENDER: COMPLETE THIS SECTION**

- Complete items 1, 2, and 3.
- Print your name and address on the reverse so that we can return the card to you.
- Attach this card to the back of the mailpiece, or on the front if space permits.

1. Article Addressed to:

Foster Daymond F & Kathryn E  
 18630 St Rt 141 S  
 Sturgis, KY 42459



9590 9402 7926 2305 8895 08

2. Article Number (Transfer from service label)

7022 3330 0000 3636 0222

PS Form 3811, July 2020 PSN 7530-02-000-9053

**COMPLETE THIS SECTION ON DELIVERY**

A. Signature

X *[Signature]*

- Agent
- Addressee

B. Received by (Printed Name)

*Raymond Foster*

C. Date of Delivery

*6/5/24*

D. Is delivery address different from item 1?  Yes  
If YES, enter delivery address below:  No

3. Service Type

- Adult Signature
- Adult Signature Restricted Delivery
- Certified Mail®
- Certified Mail Restricted Delivery
- Collect on Delivery
- Collect on Delivery Restricted Delivery
- Registered Mail™
- Registered Mail Restricted Delivery
- Signature Confirmation™
- Signature Confirmation Restricted Delivery

Priority Mail Express®

PS Form 3811, July 2020 PSN 7530-02-000-9053

Domestic Return Receipt

**SENDER: COMPLETE THIS SECTION**

- Complete items 1, 2, and 3.
- Print your name and address on the reverse so that we can return the card to you.
- Attach this card to the back of the mailpiece, or on the front if space permits.

1. Article Addressed to:

Kelley Martha (Life Estate)  
 8305 St Rt 270 W  
 Clay, KY 42404



9590 9402 7926 2305 8894 47

2. Article Number (Transfer from service label)

7022 3330 0000 3636 0284

PS Form 3811, July 2020 PSN 7530-02-000-9053

**COMPLETE THIS SECTION ON DELIVERY**

A. Signature

X *[Signature]*

- Agent
- Addressee

B. Received by (Printed Name)

C. Date of Delivery

D. Is delivery address different from item 1?  Yes  
If YES, enter delivery address below:  No

3. Service Type

- Adult Signature
- Adult Signature Restricted Delivery
- Certified Mail®
- Certified Mail Restricted Delivery
- Collect on Delivery
- Collect on Delivery Restricted Delivery
- Registered Mail™
- Registered Mail Restricted Delivery
- Signature Confirmation™
- Signature Confirmation Restricted Delivery

Priority Mail Express®

PS Form 3811, July 2020 PSN 7530-02-000-9053

Domestic Return Receipt

**SENDER: COMPLETE THIS SECTION**

- Complete items 1, 2, and 3.
- Print your name and address on the reverse so that we can return the card to you.
- Attach this card to the back of the mailpiece, or on the front if space permits.

1. Article Addressed to:

Phillips Henry C & Berneice  
 PO Box 46  
 Wheatcroft, KY 42463



9590 9402 7926 2305 8894 54

2 Article Number (Transfer from service label)

7022 3330 0000 3636 0277

**COMPLETE THIS SECTION ON DELIVERY**

A. Signature

X

Agent

Addressee

B. Received by (Printed Name)

Berneice Phillips

C. Date of Delivery

D. Is delivery address different from item 1?  Yes  
 If YES, enter delivery address below:  No

3. Service Type

Adult Signature

Adult Signature Restricted Delivery

Certified Mail®

Certified Mail Restricted Delivery

Collect on Delivery

Collect on Delivery Restricted Delivery

Registered Mail™

Registered Mail Restricted Delivery (over \$500)

Priority Mail Express®

Registered Mail™

Registered Mail Restricted Delivery

Signature Confirmation™

Signature Confirmation Restricted Delivery

PS Form 3811, July 2020 PSN 7530-02-000-9053

Domestic Return Receipt

**SENDER: COMPLETE THIS SECTION**

- Complete items 1, 2, and 3.
- Print your name and address on the reverse so that we can return the card to you.
- Attach this card to the back of the mailpiece, or on the front if space permits.

1. Article Addressed to:

Williams Edwin Dale & Jennifer  
 3156 St Rt 2837  
 Clay, KY 42404



9590 9402 7926 2305 8894 61

2 Article Number (Transfer from service label)

7022 3330 0000 3636 0260

**COMPLETE THIS SECTION ON DELIVERY**

A. Signature

X

Agent

Addressee

B. Received by (Printed Name)

Edwin D. Williams

C. Date of Delivery

D. Is delivery address different from item 1?  Yes  
 If YES, enter delivery address below:  No

3. Service Type

Adult Signature

Adult Signature Restricted Delivery

Certified Mail®

Certified Mail Restricted Delivery

Collect on Delivery

Collect on Delivery Restricted Delivery

Registered Mail™

Registered Mail Restricted Delivery (over \$500)

Priority Mail Express®

Registered Mail™

Registered Mail Restricted Delivery

Signature Confirmation™

Signature Confirmation Restricted Delivery

PS Form 3811, July 2020 PSN 7530-02-000-9053

Domestic Return Receipt

CERTIFIED MAIL



7022 3330 0000 3636 1717

Pike  
P. O. Box 369  
Shepherdsville, KY 40165

Williams John R Living Trust  
PO Box 467  
Clay, KY 42404



42404067 504

PLACE STICKER AT TOP OF ENVELOPE TO THE RIGHT OF THE RETURN ADDRESS

SENDER: COMPLETE THIS SECTION

- Complete items 1, 2, and 3.
- Print your name and address on the reverse so that we can return the card to you.
- Attach this card to the back of the mailpiece, or on the front if space permits.

1. Article Addressed to:

Williams John R Living Trust  
PO Box 467  
Clay, KY 42404



9590 9402 7926 2305 8770 62

2. Article Number (Transfer from service label)

7022 3330 0000 3636 1717

PS Form 3811, July 2020 PSN 7530-02-000-9053

COMPLETE THIS SECTION ON DELIVERY

A. Signature  Agent  Addressee

B. Received by (Printed Name)  C. Date of Delivery

D. Is delivery address different from item 1?  Yes  No  
If YES, enter delivery address below:

3. Service Type
- Adult Signature
  - Adult Signature Restricted Delivery
  - Certified Mail®
  - Certified Mail Restricted Delivery
  - Collect on Delivery
  - Collect on Delivery Restricted Delivery
  - Priority Mail Express®
  - Registered Mail™
  - Registered Mail Restricted Delivery
  - Signature Confirmation™
  - Signature Confirmation Restricted Delivery

red Mail  
red Mail Restricted Delivery  
\$500

Domestic Return Receipt

PLACE STICKER AT TOP OF ENVELOPE TO THE RIGHT OF THE RETURN ADDRESS. FOLD AT DOTTED LINE

**SENDER: COMPLETE THIS SECTION**

- Complete items 1, 2, and 3.
- Print your name and address on the reverse so that we can return the card to you.
- Attach this card to the back of the mailpiece, or on the front if space permits.

1. Article Addressed to:

**Webster County Geneological &  
Historical Society  
PO Box 215  
Dixon, KY 42409**



9590 9402 7926 2305 8894 85

2. Article Number (Transfer from service label)

7022 3330 0000 3636 0239

PS Form 3811, July 2020 PSN 7530-02-000-9053

**COMPLETE THIS SECTION ON DELIVERY**

A. Signature  Agent  
 Addressee

B. Received by (Printed Name) C. Date of Delivery

D. Is delivery address different from item 1?  Yes  
If YES, enter delivery address below:  No

3. Service Type  Priority Mail Express®  
 Registered Mail™  
 Adult Signature Restricted Delivery  
 Certified Mail®  
 Collect on Delivery  
 Collect on Delivery Restricted Delivery  
 Registered Mail™  
 Registered Mail Restricted Delivery  
 Signature Confirmation™  
 Signature Confirmation Restricted Delivery

Domestic Return Receipt



7022 3330 0000 3636 0239

Pike  
 P. O. Box 369  
 Shepherdsville, KY 40165

POSTAGE  
 \$ 0.08 59

**Webster County Geneological &  
Historical Society  
PO Box 215  
Dixon, KY 42409**

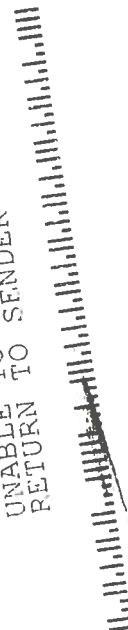
**\* R E S \***

06/13/24

42409-RFS-IN

RETURN TO SENDER  
 UNCLAIMED  
 UNABLE TO FORWARD  
 RETURN TO SENDER

-R-T-S-



4240900215 5003

Handwritten initials and numbers:  
 2-11  
 B  
 100



**CERTIFIED MAIL**



7022 3330 0000 3636 0246

Pike  
P. O. Box 369  
Shepherdsville, KY 40165

CP Cemetery  
St Rt 109 N  
Clay, KY 42404

9590 9402 7926 2305 8894 92

PLACE STICKER AT TOP OF ENVELOPE TO THE RIGHT OF THE RETURN ADDRESS. FOLD AT DOTTED LINE

**SENDER: COMPLETE THIS SECTION**

- Complete items 1, 2, and 3.
- Print your name and address on the reverse so that we can return the card to you.
- Attach this card to the back of the mailpiece, or on the front if space permits.

1. Article Addressed to:

CP Cemetery  
St Rt 109 N  
Clay, KY 42404



9590 9402 7926 2305 8894 92

2. Article Number (Transfer from service label)

7022 3330 0000 3636 0246

PS Form 3811, July 2020 PSN 7530-02-000-9053

**COMPLETE THIS SECTION ON DELIVERY**

- A. Signature  Agent  Addressee
- X** B. Received by (Printed Name) C. Date of Delivery
- D. Is delivery address different from item 1?  Yes  No  
If YES, enter delivery address below:

3. Service Type
- Adult Signature Restricted Delivery
  - Certified Mail®
  - Certified Mail Restricted Delivery
  - Collect on Delivery
  - Collect on Delivery Restricted Delivery
  - Registered Mail™
  - Registered Mail Restricted Delivery
  - Signature Confirmation™
  - Signature Confirmation Restricted Delivery
  - Priority Mail Express®

Registered Mail Restricted Delivery \$500)

Domestic Return Receipt

Tracking Number:

[Remove X](#)

## 70223330000036360123

[Copy](#)

[Add to Informed Delivery \(https://informedelivery.usps.com/\)](https://informedelivery.usps.com/)

### Latest Update

Your item was delivered to an individual at the address at 2:01 pm on May 28, 2024 in PITTSBURGH, PA 15212.

Get More Out of USPS Tracking:

[USPS Tracking Plus<sup>®</sup>](#)

### Delivered

**Delivered, Left with Individual**

PITTSBURGH, PA 15212

May 28, 2024, 2:01 pm

[See All Tracking History](#)

[What Do USPS Tracking Statuses Mean? \(https://faq.usps.com/s/article/Where-is-my-package\)](https://faq.usps.com/s/article/Where-is-my-package)

[Text & Email Updates](#)



[USPS Tracking Plus<sup>®</sup>](#)



[Product Information](#)



[See Less ^](#)

Feedback

[Track Another Package](#)



Tracking Number:

[Remove X](#)

## 70223330000036360253

[Copy](#)

[Add to Informed Delivery \(https://informedelivery.usps.com/\)](https://informedelivery.usps.com/)

### Latest Update

Your item was delivered to an individual at the address at 4:15 pm on May 28, 2024 in CLAY, KY 42404.

Get More Out of USPS Tracking:

[USPS Tracking Plus<sup>®</sup>](#)

### Delivered

**Delivered, Left with Individual**

CLAY, KY 42404

May 28, 2024, 4:15 pm

[See All Tracking History](#)

Feedback

[What Do USPS Tracking Statuses Mean? \(https://faq.usps.com/s/article/Where-is-my-package\)](https://faq.usps.com/s/article/Where-is-my-package)

[Text & Email Updates](#)



[USPS Tracking Plus<sup>®</sup>](#)



[Product Information](#)



[See Less ^](#)

[Track Another Package](#)



**EXHIBIT K**  
**COPY OF PROPERTY OWNER NOTIFICATION**



**PIKE LEGAL GROUP PLLC**  
1578 Highway 44 East, Unit 6  
PO Box 369  
Shepherdsville, KY 40165-0369  
Phone: 502-955-4400  
Fax: 502-543-4410

**VIA CERTIFIED MAIL**

**Notice of Proposed Construction of  
Wireless Communications Facility  
Site Name: TRADEWATER**

Dear Landowner:

New Cingular Wireless PCS, LLC, a Delaware limited liability company is filing an application with the Kentucky Public Service Commission ("PSC") to construct a new wireless communications facility on a site located at 695 Dave Miller Road (a.k.a. William Station Road), Clay, KY 42404 (37° 29' 53.398565" North latitude, 87° 53' 05.636801" West longitude). The proposed facility will include a 195-foot tall tower with a 4-foot tall lightning arrestor attached at the top for a total height of 199 feet, plus related ground facilities. This facility is needed to provide improved service for wireless communications in the area.

This notice is being sent to you because the County Property Valuation Administrator's records indicate that you may own property that is within a 500' radius of the proposed tower site or contiguous to the property on which the tower is to be constructed. You have a right to submit testimony to the PSC, either in writing or to request intervention in the PSC's proceedings on the application. You may contact the PSC for additional information concerning this matter at: Kentucky Public Service Commission, Executive Director, 211 Sower Boulevard, P.O. Box 615, Frankfort, Kentucky 40602. Please refer to docket number 2024-00168 in any correspondence sent in connection with this matter.

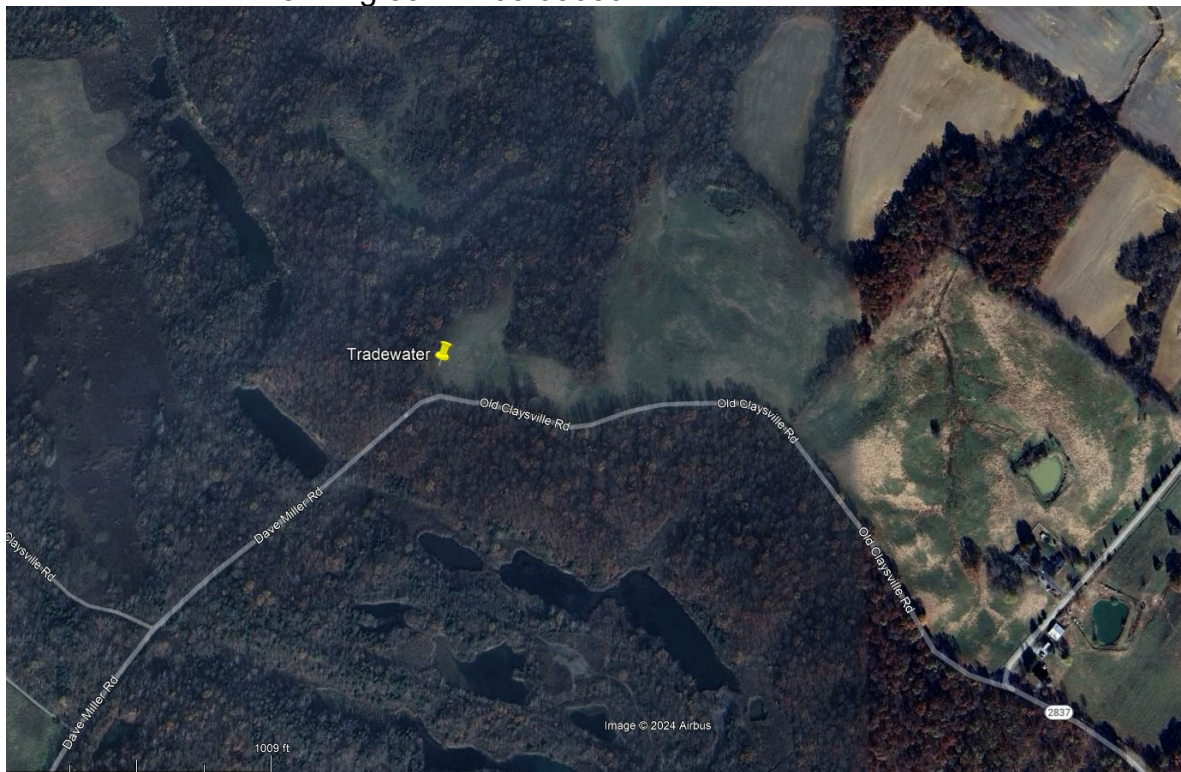
We have attached a map showing the site location for the proposed tower. New Cingular Wireless PCS, LLC markets and provides wireless services under AT&T branding. AT&T radio frequency engineers assisted in selecting the proposed site for the facility, and they have determined it is the proper location and elevation needed to provide quality service to wireless customers in the area. Please feel free to contact us toll free at (800) 516-4293 if you have any comments or questions about this proposal.

Sincerely,  
David A. Pike  
Attorney for Applicant

enclosures


## Driving Directions to Proposed Tower Site

1. Beginning at 25 US-41 Alt, Dixon, KY, head northeast on Main Street and travel approximately 171 feet.
2. Turn left onto KY-132 S / Leiper Street and travel approximately 7.6 miles.
3. Make a slight left onto KY-132 S / KY-270 E and travel approximately 0.8 miles.
4. Turn right onto Lisman Street and travel approximately 0.1 miles.
5. Continue onto KY-132 S / Kentucky Avenue and travel approximately 0.3 miles.
6. Turn right onto KY-109 N and travel approximately 2.8 miles.
7. Turn right onto State Hwy 2837 and travel approximately 285 feet.
8. Make a slight left onto State Hwy 2837 / Montgomery Avenue and travel approximately 0.8 miles.
9. Make a slight left onto Old Claysville Road / Dave Miller Road and travel approximately 0.5 miles.
10. The site is on the right.
11. The site coordinates are
  - a. North 37 deg 29 min 53.398565 sec
  - b. West 87 deg 53 min 05.636801 sec




Prepared by:  
Aaron Roof  
Pike Legal Group PLLC  
1578 Highway 44 East, Suite 6  
P.O. Box 369  
Shepherdsville, KY 40165-3069  
Telephone: 502-955-4400 or 800-516-4293

PREPARED BY:



11400 BULLDOG PASS PARKWAY  
LOUISVILLE, KY 40228  
502-437-9282

PREPARED FOR:



at&t

REV.	DATE	DESCRIPTION
A	11.14.23	ISSUED FOR REVIEW
0	12.13.23	ISSUED AS FINAL

SITE INFORMATION:

**TRADEWATER**  
DAVE MILLER ROAD  
a.k.a. WILLIAM STATION ROAD  
CLAY, KY 42404  
WEBSTER COUNTY

TAX PARCEL NUMBER:  
008-007-000

PROPERTY OWNER:  
JOHN R. WILLIAMS LIVING TRUST  
P.O. BOX 467  
CLAY, KY 42404

SOURCE OF TITLE:  
PARCEL 1 OF DEED BOOK 265, PAGE 269

FA NUMBER:  
16224925

POD NUMBER:  
23-162125

CHECKED BY:  
MEP

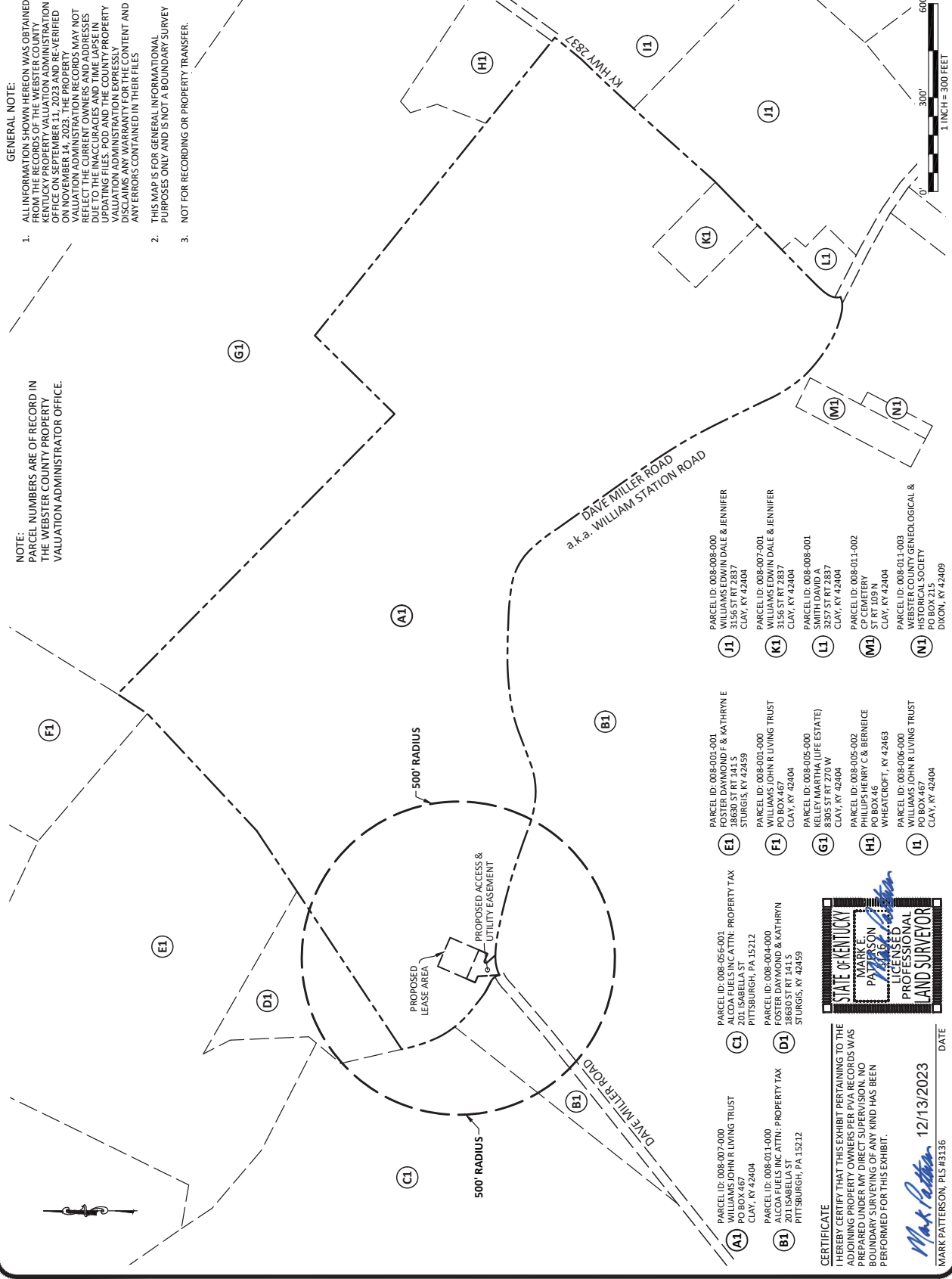
DRAWN BY:  
DAP

SURVEY DATE:  
9.11.23

PLAT DATE:  
11.14.23

SHEET TITLE:  
**500' RADIUS AND ABUTTERS MAP**

SHEET NUMBER: (1 page)  
**B-2**



CERTIFICATE  
I HEREBY CERTIFY THAT THIS EXHIBIT PERTAINING TO THE ADJOINING PROPERTY OWNERS PER PVA RECORDS WAS PREPARED UNDER MY DIRECT SUPERVISION, NO BOUNDARY SURVEYING OF ANY KIND HAS BEEN PERFORMED FOR THIS EXHIBIT.

*Mark Patterson*  
MARK PATTERSON, PLS #3136

DATE: 12/13/2023

- PARCEL ID: 008-001-001  
FOSTER DAYMOND F & KATHRYN E  
18690 ST RT 141 S  
STURGIS, KY 42459
- PARCEL ID: 008-005-000  
KELLEY MARTHA (LIFE ESTATE)  
300 BOX 467  
CLAY, KY 42404
- PARCEL ID: 008-005-002  
WHEATCROFT, KY 42463  
PO BOX 467  
CLAY, KY 42404
- PARCEL ID: 008-006-000  
WILLIAMS JOHN F LIVING TRUST  
PO BOX 467  
CLAY, KY 42404
- PARCEL ID: 008-007-000  
JOHN R LIVING TRUST  
PO BOX 467  
CLAY, KY 42404
- PARCEL ID: 008-008-000  
WILLIAMS EDWIN DALE & JENNIFER  
3158 ST RT 2837  
CLAY, KY 42404
- PARCEL ID: 008-008-001  
SMITH DAVID A  
3158 ST RT 2837  
CLAY, KY 42404
- PARCEL ID: 008-011-002  
ST RT 109  
CLAY, KY 42404
- PARCEL ID: 008-011-003  
WEBSTER COUNTY GENEALOGICAL & HISTORICAL SOCIETY  
PO BOX 215  
DIXON, KY 42409

**EXHIBIT L**  
**COPY OF COUNTY JUDGE/EXECUTIVE NOTICE**  
**AND PROOF OF NOTICE**





**PIKE LEGAL GROUP PLLC**  
1578 Highway 44 East, Unit 6  
PO Box 369  
Shepherdsville, KY 40165-0369  
Phone: 502-955-4400  
Fax: 502-543-4410

**VIA CERTIFIED MAIL**

Steven Henry  
County Judge Executive  
PO Box 155  
Dixon, KY 42409

RE: Notice of Proposal to Construct Wireless Communications Facility  
Kentucky Public Service Commission Docket No. 2024-00168  
Site Name: Tradewater

Dear Judge/Executive:

New Cingular Wireless PCS, LLC, a Delaware limited liability company is filing an application with the Kentucky Public Service Commission ("PSC") to construct a new wireless communications facility on a site located at 695 Dave Miller Road (a.k.a. William Station Road), Clay, KY 42404 (37° 29' 53.398565" North latitude, 87° 53' 05.636801" West longitude). The proposed facility will include a 195-foot tall tower with a 4-foot tall lightning arrestor attached at the top for a total height of 199 feet, plus related ground facilities. This facility is needed to provide improved service for wireless communications in the area.

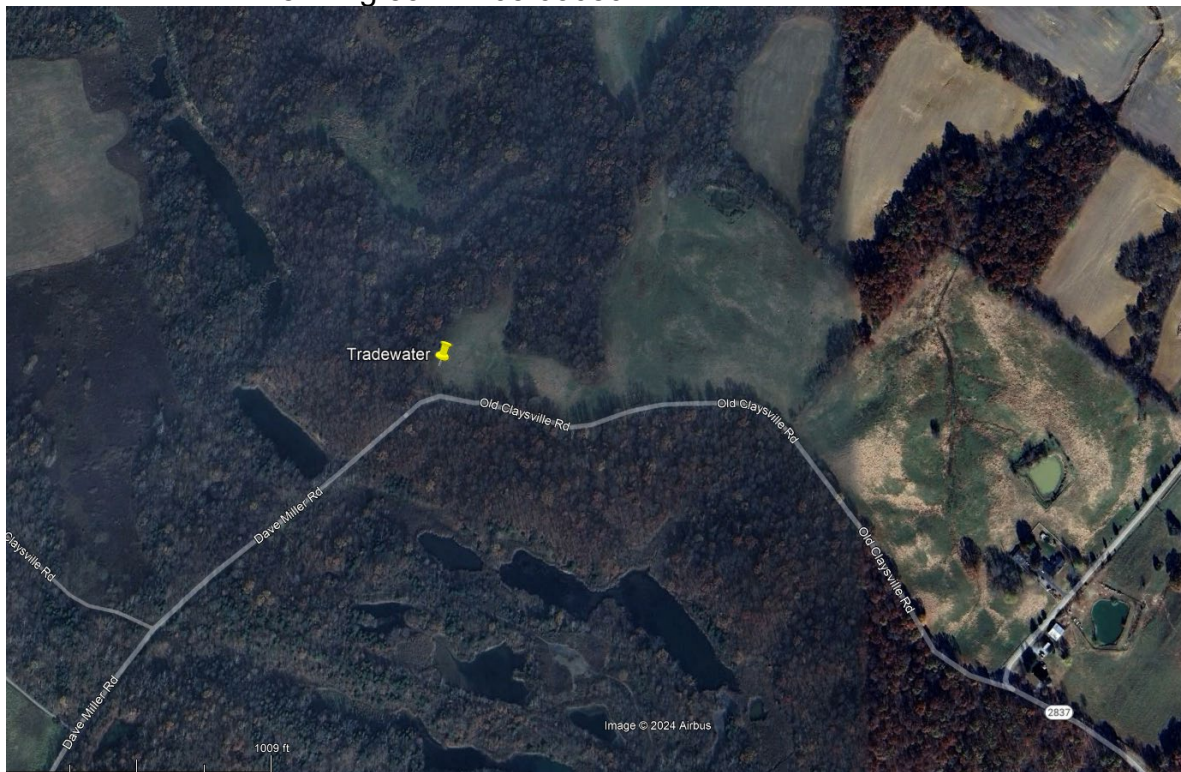
You have a right to submit comments to the PSC or to request intervention in the PSC's proceedings on the application. You may contact the PSC at: Executive Director, Public Service Commission, 211 Sower Boulevard, P.O. Box 615, Frankfort, Kentucky 40602. Please refer to docket number 2024-00168 in any correspondence sent in connection with this matter.

We have attached a map showing the site location for the proposed tower. New Cingular Wireless PCS, LLC markets and provides wireless services under AT&T branding. AT&T radio frequency engineers assisted in selecting the proposed site for the facility, and they have determined it is the proper location and elevation needed to provide quality service to wireless customers in the area. Please feel free to contact us with any comments or questions you may have.

Sincerely,  
David A. Pike  
Attorney for Applicant  
enclosures

## Driving Directions to Proposed Tower Site

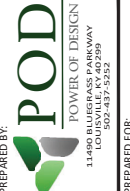
1. Beginning at 25 US-41 Alt, Dixon, KY, head northeast on Main Street and travel approximately 171 feet.
2. Turn left onto KY-132 S / Leiper Street and travel approximately 7.6 miles.
3. Make a slight left onto KY-132 S / KY-270 E and travel approximately 0.8 miles.
4. Turn right onto Lisman Street and travel approximately 0.1 miles.
5. Continue onto KY-132 S / Kentucky Avenue and travel approximately 0.3 miles.
6. Turn right onto KY-109 N and travel approximately 2.8 miles.
7. Turn right onto State Hwy 2837 and travel approximately 285 feet.
8. Make a slight left onto State Hwy 2837 / Montgomery Avenue and travel approximately 0.8 miles.
9. Make a slight left onto Old Claysville Road / Dave Miller Road and travel approximately 0.5 miles.
10. The site is on the right.
11. The site coordinates are
  - a. North 37 deg 29 min 53.398565 sec
  - b. West 87 deg 53 min 05.636801 sec



Prepared by:  
Aaron Roof  
Pike Legal Group PLLC  
1578 Highway 44 East, Suite 6  
P.O. Box 369  
Shepherdsville, KY 40165-3069  
Telephone: 502-955-4400 or 800-516-4293

**GENERAL NOTE:**  
 1. ALL INFORMATION SHOWN HEREON WAS OBTAINED FROM THE RECORDS OF THE WEBSTER COUNTY KENTUCKY PROPERTY VALUATION ADMINISTRATION OFFICE ON SEPTEMBER 11, 2023 AND RE-VERIFIED ON SEPTEMBER 11, 2023 AND RE-VERIFIED ON SEPTEMBER 11, 2023. THE CURRENT VALUATION ADMINISTRATION RECORDS MAY NOT REFLECT THE CURRENT OWNERS AND ADDRESSES DUE TO THE INACCURACIES AND TIME LAPSE IN UPDATING FILES. POD AND THE COUNTY PROPERTY VALUATION ADMINISTRATION EXPRESSLY DISCLAIM LIABILITY FOR ANY OMISSIONS, ERRORS, AND ANY ERRORS CONTAINED IN THEIR FILES.  
 2. THIS MAP IS FOR GENERAL INFORMATIONAL PURPOSES ONLY AND IS NOT A BOUNDARY SURVEY.  
 3. NOT FOR RECORDING OR PROPERTY TRANSFER.

**NOTE:**  
 PARCEL NUMBERS ARE OF RECORD IN THE WEBSTER COUNTY PROPERTY VALUATION ADMINISTRATOR OFFICE.



REV	DATE	DESCRIPTION
A	11.14.23	ISSUED FOR REVIEW
0	12.13.23	ISSUED AS FINAL

**SITE INFORMATION:**  
**TRADEWATER**  
 DAVE MILLER ROAD  
 a.k.a. WILLIAM STATION ROAD  
 CLAY, KY 42404  
 WEBSTER COUNTY

**TAX PARCEL NUMBER:**  
 008-007-000

**PROPERTY OWNER:**  
 JOHN R. WILLIAMS LIVING TRUST  
 P.O. BOX 467  
 CLAY, KY 42404

**SOURCE OF TITLE:**  
 PARCEL 1 OF DEED BOOK 265; PAGE 269

**FA NUMBER:**  
 16224925

**POD NUMBER:**  
 23-162125

**CHECKED BY:**  
 MEP

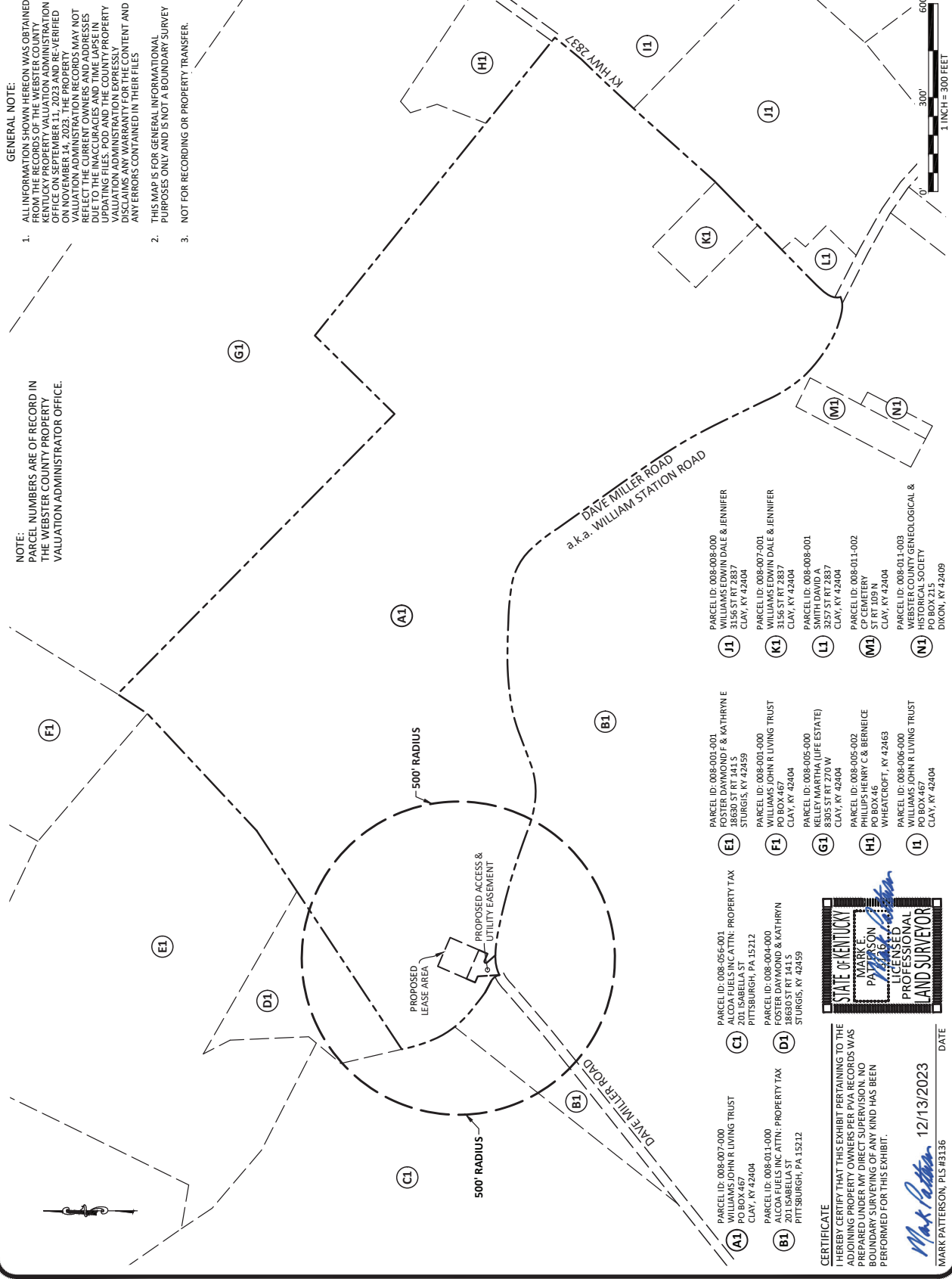
**DRAWN BY:**  
 DAP

**SURVEY DATE:**  
 9.11.23

**PLAT DATE:**  
 11.14.23

**SHEET TITLE:**  
**500' RADIUS AND ABUTTERS MAP**

**SHEET NUMBER: (1 page)**  
**B-2**



- PARCEL ID: 008-001-001  
FOSTER DAYMOND F & KATHRYN E  
38690 ST RT 1415  
STURGIS, KY 42459
- PARCEL ID: 008-001-000  
WILLIAMS JOHN R LIVING TRUST  
PO BOX 467  
CLAY, KY 42404
- PARCEL ID: 008-005-000  
KELLEY MARTHA (LIFE ESTATE)  
PO BOX 467  
CLAY, KY 42404
- PARCEL ID: 008-005-002  
WHEATCROFT, KY 42463  
WILLIAMS JOHN R LIVING TRUST  
PO BOX 467  
CLAY, KY 42404
- PARCEL ID: 008-008-000  
WILLIAMS EDWIN DALE & JENNIFER  
3156 ST RT 2837  
CLAY, KY 42404
- PARCEL ID: 008-007-001  
WILLIAMS EDWIN DALE & JENNIFER  
3156 ST RT 2837  
CLAY, KY 42404
- PARCEL ID: 008-008-001  
SMITH DAVID A  
PO BOX 467  
CLAY, KY 42404
- PARCEL ID: 008-011-002  
STURGIS, KY  
ST RT 109  
CLAY, KY 42404
- PARCEL ID: 008-011-003  
WEBSTER COUNTY GENEALOGICAL & HISTORICAL SOCIETY  
PO BOX 215  
DIXON, KY 42409



**CERTIFICATE**  
 I HEREBY CERTIFY THAT THIS EXHIBIT PERTAINING TO THE ADJOINING PROPERTY OWNERS PER PVA RECORDS WAS PREPARED UNDER MY DIRECT SUPERVISION, NO BOUNDARY SURVEYING OF ANY KIND HAS BEEN PERFORMED FOR THIS EXHIBIT.

*Mark Patterson*  
 MARK PATTERSON, PLS #3136

DATE: 12/13/2023

7022 3330 0000 3636 1700

**U.S. Postal Service™**  
**CERTIFIED MAIL® RECEIPT**  
*Domestic Mail Only*

For delivery information, visit our website at [www.usps.com](http://www.usps.com)®.

Certified Mail Fee \$

Extra Services & Fees (check box, add fees as appropriate)

Return Receipt (hardcopy) \$

Return Receipt (electronic) \$

Certified Mail Restricted Delivery \$

Adult Signature Required \$

Adult Signature Restricted Delivery \$

Postage \$

Total \$

Postmaster: Steve Henry  
 County Judge Executive  
 PO Box 155  
 Dixon, KY 42409

PS Form 3800, April 2015 PSN 7530-02-000-8047 See Reverse for Instructions



SENDER: COMPLETE THIS SECTION	COMPLETE THIS SECTION ON DELIVERY
<ul style="list-style-type: none"> <li>Complete items 1, 2, and 3.</li> <li>Print your name and address on the reverse so that we can return the card to you.</li> <li>Attach this card to the back of the mailpiece, or on the front if space permits.</li> </ul>	<p>A. Signature  <input checked="" type="checkbox"/> [Signature] <input type="checkbox"/> Agent  <input type="checkbox"/> Addressee</p> <p>B. Received by (Printed Name) <input type="checkbox"/> C. Date of Delivery          J. H. [Signature] 5-28-24</p> <p>D. Is delivery address different from item 1? <input type="checkbox"/> Yes          If YES, enter delivery address below: <input type="checkbox"/> No</p>
<p>1. Article Addressed to:</p> <p>Steve Henry          County Judge Executive          PO Box 155          Dixon, KY 42409</p> <p>9590 9402 7926 2305 8770 79</p>	<p>3. Service Type</p> <p><input type="checkbox"/> Adult Signature</p> <p><input type="checkbox"/> Adult Signature Restricted Delivery</p> <p><input checked="" type="checkbox"/> Certified Mail®</p> <p><input type="checkbox"/> Certified Mail Restricted Delivery</p> <p><input type="checkbox"/> Collect on Delivery</p> <p><input type="checkbox"/> Collect on Delivery Restricted Delivery</p> <p><input type="checkbox"/> Registered Mail Express®</p> <p><input type="checkbox"/> Registered Mail™</p> <p><input type="checkbox"/> Registered Mail Restricted Delivery</p> <p><input type="checkbox"/> Signature Confirmation™</p> <p><input type="checkbox"/> Signature Confirmation Restricted Delivery</p>
<p>2. Article Number (Transfer from service label)</p> <p>7022 3330 0000 3636 1700</p>	<p><input type="checkbox"/> Insured Mail (over \$500)</p>

**EXHIBIT M  
COPY OF POSTED NOTICES  
AND NEWSPAPER NOTICE ADVERTISEMENT**

**SITE NAME: TRADEWATER**  
**NOTICE SIGNS**

The signs are at least (2) feet by four (4) feet in size, of durable material, with the text printed in black letters at least one (1) inch in height against a white background, except for the word “**tower**,” which is at least four (4) inches in height.

New Cingular Wireless PCS, LLC, a Delaware limited liability company, proposes to construct a telecommunications **tower** on this site. If you have questions, please contact Pike Legal Group, PLLC, P.O. Box 369, Shepherdsville, KY 40165; telephone: (800) 516-4293, or the Executive Director, Public Service Commission, 211 Sower Boulevard, PO Box 615, Frankfort, Kentucky 40602. Please refer to docket number 2024-00168 in your correspondence.

New Cingular Wireless PCS, LLC, a Delaware limited liability company, proposes to construct a telecommunications **tower** near this site. If you have questions, please contact Pike Legal Group, PLLC, P.O. Box 369, Shepherdsville, KY 40165; telephone: (800) 516-4293, or the Executive Director, Public Service Commission, 211 Sower Boulevard, PO Box 615, Frankfort, Kentucky 40602. Please refer to docket number 2024-00168 in your correspondence.

The Providence Journal Enterprise  
Attn: Public Notice Ad Placement  
114 N. Broadway  
Providence, KY 42450  
Via Email: matt@journalenterprise.com

RE: Legal Notice Advertisement  
Site Name: Tradewater

Dear Providence Journal Enterprise:

Please publish the following legal notice advertisement in the next edition of *The Providence Journal Enterprise*:

**NOTICE**

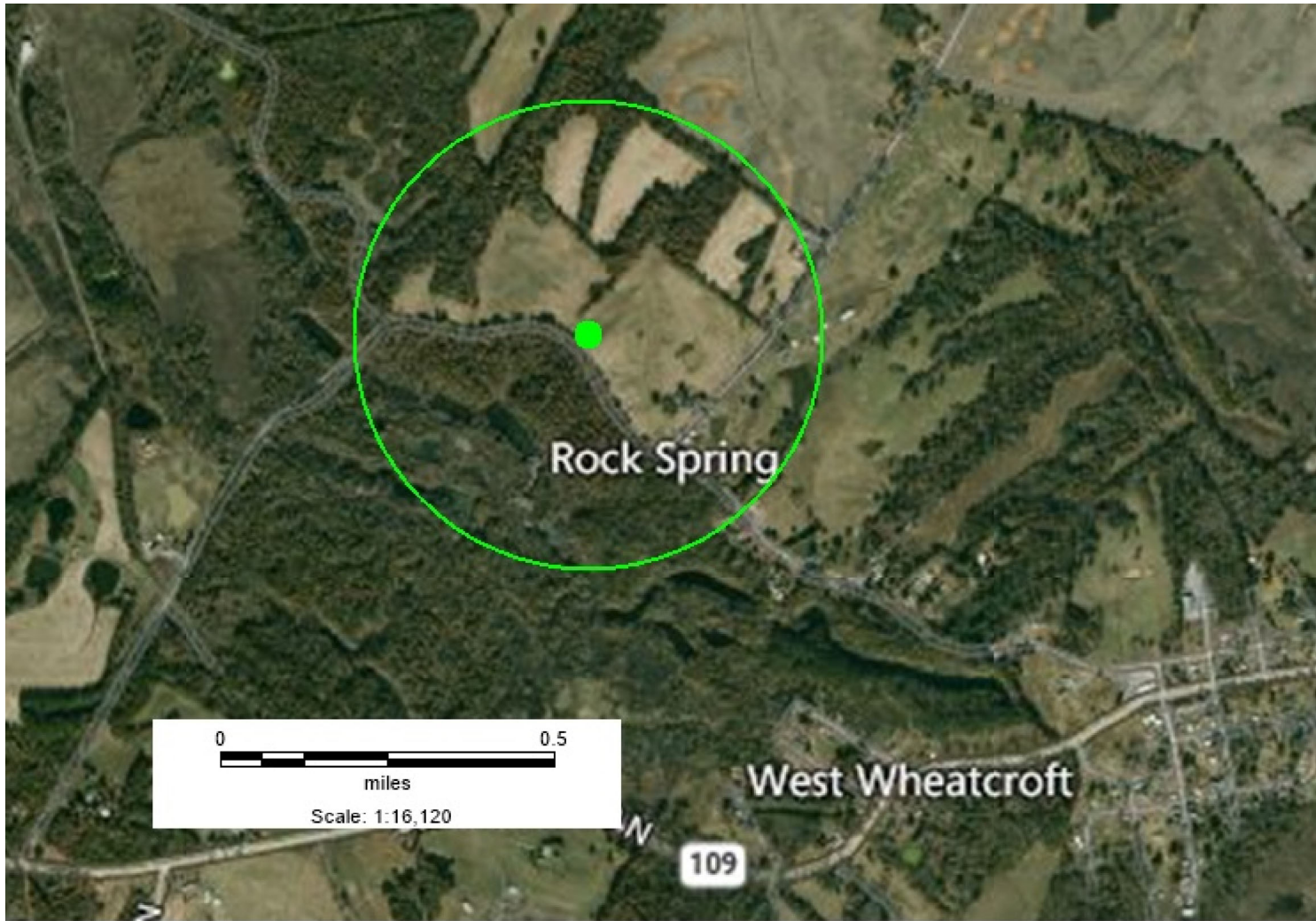
**New Cingular Wireless PCS, LLC is filing an application with the Kentucky Public Service Commission ("PSC") to construct a new wireless communications facility on a site located at 695 Dave Miller Road (a.k.a. William Station Road), Clay, KY 42404 (37°29'53.398565" North latitude, 87°53'05.636801" West longitude). You may contact the PSC for additional information concerning this matter at: Kentucky Public Service Commission, Executive Director, 211 Sower Boulevard, P.O. Box 615, Frankfort, Kentucky 40602. Please refer to docket number 2024-00168 in any correspondence sent in connection with this matter.**

After this advertisement has been published, please forward a tearsheet copy, affidavit of publication, and invoice to Pike Legal Group, PLLC, P. O. Box 369, Shepherdsville, KY 40165. Please call me at (800) 516-4293 if you have any questions. Thank you for your assistance.

Sincerely,  
Aaron L. Roof  
Pike Legal Group, PLLC

**EXHIBIT N**  
**COPY OF RADIO FREQUENCY DESIGN SEARCH AREA**





**Lat: 37.497539**  
**Long: -87.879672**  
**Radius: .35 miles**

**Tradewater Search Area**